



**Australian Government**

---

**IP Australia**

**AUSTRALIAN OFFICIAL JOURNAL**

**OF**

**DESIGNS**

Did you know a searchable version of this journal is now available online?

It's FREE and EASY to SEARCH.

Find it at

<http://pericles.ipaustralia.gov.au/ols/epublish/content/olsEpublications.jsp>  
or using the "Online Journals" link on the IP Australia home page.

This Page Left Intentionally Blank

## Contents

### General Information & Notices

#### Proceedings Under the Designs Act 1906 preserved as a result of the provisions of Chapter 12 Part 2 of the Designs Act 2003

Extension of Period of Registration of Designs .....	2156
Extensions of Time Granted .....	2156
Names Registered - Alterations and Amendments .....	2156
Registrations Ceased .....	2156

#### Proceedings Under the Designs Act 2003

Applications Lapsed .....	2166
Applications Lodged .....	2161
Certificate of Examination .....	2168
Extension of Period of Registration of Design .....	
Extension of Time Granted Under Section 137 .....	2167
Publication and Registration Proceedings	
Designs Registered 332185 to 332677.....	2169
Registrations Ceased .....	2167
Revocation of Design Registrations .....	2167
Subsequent Owners Registered .....	2167

This Page Left Intentionally Blank

For information on the following please see our website [www.ipaustralia.gov.au](http://www.ipaustralia.gov.au) or contact our Customer Service Network on 1300651010

[Editorial enquiries](#)

[Contact information](#)

[Freedom of Information ACT](#)

[Professional Standards Board](#)

[Sales](#)

[Requests for Information under Section 194 \(c\)](#)

[Country Codes](#)

[Trade Mark and Designs Hearing Sessions](#)

[INID \(Internationally agreed Numbers for the Identification of Data\)](#)

## “INID” NUMBERS in use on Australian Design Documents

“INID” is an acronym for “Internationally agreed Numbers for the Identification of Data”.

### (10) Data concerning the registration/renewal

- (11) Serial number of the registration and/or number of the design document
- (12) Plain language designation of the kind of published document
- (19) Identification, using the two-letter code according to WIPO Standard ST.3, of the authority publishing or registering the industrial design

### (20) Data concerning the application

- (21) Serial number of the application
- (22) Date of filing of the application
- (24) Date from which the industrial design right has effect

### (30) Data relating to priority under the Paris Convention

- (31) Serial number assigned to the priority application
- (32) Date of filing of the priority application
- (33) Two-letter code, according to WIPO Standard ST.3, identifying the authority with which the priority application was made

### (40) Date(s) of making information available to the public

- (45) Date of publication of the registered industrial design by printing or similar process, or making it available to the public by any other means

### (50) Miscellaneous Information

- (51) International Classification for Industrial Designs (class and subclass of the Locarno Classification)
- (54) Designation of article(s) or product(s) covered by the industrial design or title of the industrial design
- (55) Reproduction of the industrial design (e.g., drawing, photograph) and explanations relating to the reproduction
- (56) List of prior art documents, if separate from descriptive text
- (57) Description of characteristic features of the industrial design including indication of colours

### (60) References to other legally related application(s) and registration(s)

- (62) Serial number(s) and, if available, filing date(s) of application(s), registration(s) or document(s) related by division
- (66) Serial number(s) of the application, or the registration, of the design(s) which is (are) a variant(s) of the present one

### (70) Identification of parties concerned with the application or registration

- (71) Name(s) and address(es) of the applicant(s)
- (72) Name(s) of the creator(s) if known to be such
- (74) Name(s) and address(es) of the representative(s)

This Page Left Intentionally Blank

**Official Notice**



**Australian Government**

**IP Australia**

**31 AUGUST 2010 - INTERRUPTION TO FILING SERVICES – ADELAIDE**

In accordance with legislation, the Director General declared the South Australian sub-office (IP Lodgement Point in Adelaide) not open for business on 31 August 2010.

This action was a result of an incident at Australia Post's Adelaide GPO which closed the facility for several hours.

**This close down was effective for 31 August 2010.**

If you were in South Australia and you had a transaction deadline that fell on 31 August 2010, the relevant Acts allow for lodgements to be made the next day the office was open for business.

For more information on close down arrangements please contact IP Australia on 1300 651 010 or email [assist@ipaaustralia.gov.au](mailto:assist@ipaaustralia.gov.au)

**Proceedings under the Designs Act 1906 preserved as a result of the provisions of Chapter 12 Part 2 of the Designs Act 2003.**



This Page Left Intentionally Blank

**Applications Lapsed**

There were no Applications Lapsed under this section

**Extension of Period of Registration of Designs**

**1st Period (Section 27A(8))**

**2nd Period (Section 27A(12))**

157073            157966            158270

**3rd Period (Section 27A(13))**

137916            140231            140232  
 140286            140296            140297  
 140298            140375            140380  
 140619            140692            140881  
 141041            141128            141480  
 141902            141903            142096  
 142481            142783            142862  
 144062            144181            144287  
 144288            144403            144958  
 148676

156730            156806            156871  
 156872            156875            156876  
 157251            157253            157307  
 157366            157492            157622  
 157780            157974            158118  
 158119            158120            158131  
 158145            158146            158147  
 158170            158182            158184  
 158186            158212            158213  
 158214            158273            158390  
 158391            158416            158417  
 158418            158419            158438  
 158506            158507            158508

**Extensions of time granted**

Applications lodged for extension of time have been granted.  
 142096 **Margot Wall** An Extension of time to extend a registration has been granted to 28/08/2010

**Names Registered - Alterations and Amendments**

(The name in parentheses is the new name of the proprietor)

141652            ( **Rollspack Pty Ltd** ) HR Rolls Packaging Pty Ltd  
 151397            ( **Rollspack Pty Ltd** ) H R Rolls Packaging Pty Ltd

**Registrations Ceased**

Note: Some of the following Registrations may have been previously advertised as ceased. In this instance, the previous advertisement still prevails.

121537            121689            122006  
 122173            123077            123135  
 123163            123167            123168  
 123327            123328            123329  
 123494            123495            123496  
 123497            123498            123499  
 123500            123506            123518  
 123521            123522            123523  
 123607            123732            124220  
 124221            124222            124223  
 125284            125924            127097  
 127265            127973            129014  
 129868            136986            137566  
 138113            138192            138193  
 138219            138461            138539  
 138541            138761            139035  
 139117            139413            139898  
 140742            141978            154898  
 154899            154900            154901  
 155144            155164            155165  
 155583            155584            155619  
 156233            156236            156319  
 156338            156354            156355  
 156377            156431            156432  
 156433            156434            156468  
 156535            156547            156620  
 156631            156634            156705

This Page Left Intentionally Blank



**Proceedings under the Designs Act 2003.**

This Page Left Intentionally Blank

**Applications Lodged**

Lodgement information is in the following order: **Applicant's Name**; International Classification, Name of Product, Lodgement Date and **Design Number**. If the applicant claims an earlier priority date under an International Convention, the Convention Country and the associated filing date are shown in parentheses before the Lodgement Date. Divisional information will also appear in parentheses before the Lodgement Date.

<b>A.C. Whalan &amp; Co Pty Ltd;</b> 08-08B, Bolt coupling, 27 Aug 2010	<b>13719/2010</b>	<b>Aluminium Specialties Group Pty Ltd;</b> 25-01K, Extrusion, 24 Aug 2010	<b>13635/2010</b>
<b>Abuzz Solutions Pty Ltd;</b> 20-03NES, Electronic kiosk; directory, 26 Aug 2010	<b>13729/2010</b>	<b>Aluminium Specialties Group Pty Ltd;</b> 08-08NES, Connector, 24 Aug 2010	<b>13636/2010</b>
<b>Abuzz Solutions Pty Ltd;</b> 20-03NES, Electronic kiosk; directory, 26 Aug 2010	<b>13730/2010</b>	<b>Aluminium Specialties Group Pty Ltd;</b> 25-01K, Extrusion, 24 Aug 2010	<b>13642/2010</b>
<b>Abuzz Solutions Pty Ltd;</b> 20-03NES, Electronic kiosk; directory, 26 Aug 2010	<b>13731/2010</b>	<b>Aluminium Specialties Group Pty Ltd;</b> 08-08C, Clip, 24 Aug 2010	<b>13637/2010</b>
<b>Abuzz Solutions Pty Ltd;</b> 20-03NES, Electronic kiosk; directory, 26 Aug 2010	<b>13732/2010</b>	<b>Aluminium Specialties Group Pty Ltd;</b> 25-01K, Extrusion, 24 Aug 2010	<b>13643/2010</b>
<b>Abuzz Solutions Pty Ltd;</b> 20-03NES, Electronic kiosk; directory, 26 Aug 2010	<b>13733/2010</b>	<b>Aluminium Specialties Group Pty Ltd;</b> 25-01K, Extrusion, 24 Aug 2010	<b>13644/2010</b>
<b>Abuzz Solutions Pty Ltd;</b> 20-03NES, Electronic kiosk; directory, 26 Aug 2010	<b>13734/2010</b>	<b>Aluminium Specialties Group Pty Ltd;</b> 25-01K, Extrusion, 24 Aug 2010	<b>13638/2010</b>
<b>Abuzz Solutions Pty Ltd;</b> 20-03NES, Electronic kiosk; directory, 26 Aug 2010	<b>13735/2010</b>	<b>Aluminium Specialties Group Pty Ltd;</b> 25-01K, Extrusion, 24 Aug 2010	<b>13645/2010</b>
<b>Alter, Roger Scott;</b> 23-03D, Room heating by solar, 30 Aug 2010	<b>13720/2010</b>	<b>Aluminium Specialties Group Pty Ltd;</b> 25-01K, Extrusion, 24 Aug 2010	<b>13639/2010</b>
<b>Aluminium Industries of Australia Pty Ltd;</b> 25-01K, Shower screen assembly, 12 Aug 2010	<b>13821/2010</b>	<b>Aluminium Specialties Group Pty Ltd;</b> 25-01K, Extrusion, 24 Aug 2010	<b>13646/2010</b>
<b>Aluminium Specialties Group Pty Ltd;</b> 25-01K, Extrusion, 24 Aug 2010	<b>13634/2010</b>	<b>Aluminium Specialties Group Pty Ltd;</b> 25-01K, Extrusion, 24 Aug 2010	<b>13640/2010</b>
<b>Aluminium Specialties Group Pty Ltd;</b> 25-01K, Extrusion, 24 Aug 2010	<b>13623/2010</b>	<b>Aluminium Specialties Group Pty Ltd;</b> 08-08NES, 25-99, Connector, 24 Aug 2010	<b>13647/2010</b>
<b>Aluminium Specialties Group Pty Ltd;</b> 25-01K, Extrusion, 24 Aug 2010	<b>13624/2010</b>	<b>Aluminium Specialties Group Pty Ltd;</b> 25-01K, Extrusion, 24 Aug 2010	<b>13631/2010</b>
<b>Aluminium Specialties Group Pty Ltd;</b> 25-01K, Extrusion, 24 Aug 2010	<b>13625/2010</b>	<b>Aluminium Specialties Group Pty Ltd;</b> 25-01K, Extrusion, 24 Aug 2010	<b>13632/2010</b>
<b>Aluminium Specialties Group Pty Ltd;</b> 25-01K, Extrusion, 24 Aug 2010	<b>13626/2010</b>	<b>Anchor Wall Systems, Inc.;</b> 25-01A, A concrete product, (US, 02 Mar 2010) 31 Aug 2010	<b>13633/2010</b>
<b>Aluminium Specialties Group Pty Ltd;</b> 25-01K, Extrusion, 24 Aug 2010	<b>13627/2010</b>	<b>Anchor Wall Systems, Inc.;</b> 25-01A, A concrete product, (US, 02 Mar 2010) 31 Aug 2010	<b>13783/2010</b>
<b>Aluminium Specialties Group Pty Ltd;</b> 25-01K, Extrusion, 24 Aug 2010	<b>13628/2010</b>	<b>Anchor Wall Systems, Inc.;</b> 25-01A, A concrete product, (US, 02 Mar 2010) 31 Aug 2010	<b>13779/2010</b>
<b>Aluminium Specialties Group Pty Ltd;</b> 25-01K, Extrusion, 24 Aug 2010	<b>13629/2010</b>	<b>Anchor Wall Systems, Inc.;</b> 25-01A, A concrete product, (US, 02 Mar 2010) 31 Aug 2010	<b>13780/2010</b>
<b>Aluminium Specialties Group Pty Ltd;</b> 25-01K, Extrusion, 24 Aug 2010	<b>13630/2010</b>	<b>Anchor Wall Systems, Inc.;</b> 25-01A, A concrete product, (US, 02 Mar 2010) 31 Aug 2010	<b>13781/2010</b>
<b>Aluminium Specialties Group Pty Ltd;</b> 25-01K, Extrusion, 24 Aug 2010	<b>13622/2010</b>	<b>Anchor Wall Systems, Inc.;</b> 25-01A, A concrete product, (US, 02 Mar 2010) 31 Aug 2010	<b>13782/2010</b>
<b>Aluminium Specialties Group Pty Ltd;</b> 25-01K, Extrusion, 24 Aug 2010	<b>13641/2010</b>	<b>Anchor Wall Systems, Inc.;</b> 25-01A, A concrete product, (US, 02 Mar 2010) 31 Aug 2010	<b>13769/2010</b>



<b>Andrew Burns Architect Pty Ltd;</b> 06-01E, Stool with plywood top, steel bracket and turned timber legs, 26 Aug 2010	<b>13696/2010</b>	<b>BISSELL Homecare, Inc.;</b> 15-05, Foot for a stick vacuum, (US, 11 Mar 2010) 31 Aug 2010	<b>13778/2010</b>
<b>Apple Inc.;</b> 14-03E, Electronic device, (US, 19 Apr 2010) 27 Aug 2010	<b>13703/2010</b>	<b>BISSELL Homecare, Inc.;</b> 15-05, Wand for a vacuum cleaner, (US, 11 Mar 2010) 31 Aug 2010	<b>13777/2010</b>
<b>Automatic Technology (Australia) Pty Ltd;</b> 13-01, 12-05, Door operator unit, 01 Sep 2010	<b>13792/2010</b>	<b>BISSELL Homecare, Inc.;</b> 15-05, Handheld vacuum cleaner, (US, 12 Mar 2010) 31 Aug 2010	<b>13775/2010</b>
<b>Automatic Technology (Australia) Pty Ltd;</b> 13-01, 12-05, Door operator unit, 01 Sep 2010	<b>13793/2010</b>	<b>BISSELL Homecare, Inc.;</b> 15-05, Body for a stick vacuum, (US, 12 Mar 2010) 31 Aug 2010	<b>13776/2010</b>
<b>AVK Holding A/S;</b> 23-01B, Pipe junction, (EM, 19 Jul 2010) 30 Aug 2010	<b>13717/2010</b>	<b>BISSELL Homecare, Inc.;</b> 04-01, Spray mop handle, (US, 09 Mar 2010) 31 Aug 2010	<b>13770/2010</b>
<b>Babyliss Faco SA;</b> 28-03D, Beard Clipper, (EM, 25 Feb 2010) 25 Aug 2010	<b>13677/2010</b>	<b>BISSELL Homecare, Inc.;</b> 04-01, Spray mop foot, (US, 09 Mar 2010) 31 Aug 2010	<b>13771/2010</b>
<b>Bartco Traffic Equipment Pty Ltd;</b> 26-04, LED module for an illuminated sign, 01 Sep 2010	<b>13805/2010</b>	<b>BISSELL Homecare, Inc.;</b> 15-05, Canister for a vacuum cleaner, (US, 11 Mar 2010) 31 Aug 2010	<b>13772/2010</b>
<b>Beba Enterprises Pty Ltd;</b> 02-02C, Women's clothing, 03 Sep 2010	<b>13835/2010</b>	<b>BISSELL Homecare, Inc.;</b> 15-05, Mechanical sweeper, (US, 09 Mar 2010) 31 Aug 2010	<b>13773/2010</b>
<b>Bekine Pty Ltd;</b> 08-07, A gate latch unit designed to deliver Australian patent 2009100296, 25 Aug 2010	<b>13713/2010</b>	<b>BISSELL Homecare, Inc.;</b> 15-05, Handheld vacuum cleaner, (US, 12 Mar 2010) 31 Aug 2010	<b>13774/2010</b>
<b>Black &amp; Decker Inc.;</b> 08-03, 15-03B, String trimmer, (EM, 03 Mar 2010) 01 Sep 2010	<b>13799/2010</b>	<b>Canal + Distribution;</b> 14-03NES, Decoder modem telecommunication apparatus, (FR, 02 Mar 2010) 30 Aug 2010	<b>13727/2010</b>
<b>Black &amp; Decker Inc.;</b> 08-03, 15-03B, String trimmer, (EM, 04 Mar 2010) 01 Sep 2010	<b>13800/2010</b>	<b>Canal + Distribution;</b> 14-03NES, Remote control, (FR, 02 Mar 2010) 30 Aug 2010	<b>13728/2010</b>
<b>Bridgman, Stanley William;</b> 08-04, Tool for driving a fastener into a material, 31 Aug 2010	<b>13786/2010</b>	<b>Cloud House Pty Ltd;</b> 06-03NES, Ernee table, 02 Sep 2010	<b>13794/2010</b>
<b>Bridgman, Stanley William;</b> 08-04, Tool for driving a fastener into a material, 31 Aug 2010	<b>13787/2010</b>	<b>Coleman, Barbara;</b> 02-07A, Bracelet and zipper fastening aid, 27 Aug 2010	<b>13694/2010</b>
<b>Brisbane Tray Bodys Pty Ltd;</b> 12-16C, Rollover protection structure, 23 Aug 2010	<b>13604/2010</b>	<b>Colgate-Palmolive Company;</b> 04-02, Oral care implement, (US, 26 Feb 2010) 25 Aug 2010	<b>13691/2010</b>
<b>Brook, Leanne Kaye;</b> 99-00, Clothing, 31 Aug 2010	<b>13327/2010</b>	<b>Colgate-Palmolive Company;</b> 09-01K, Container, (US, 24 Feb 2010) 24 Aug 2010	<b>13654/2010</b>
<b>Brother Industries, Ltd.;</b> 18-02, Photosensitive drum unit, (JP, 03 Mar 2010) 31 Aug 2010	<b>13802/2010</b>	<b>Colgate-Palmolive Company;</b> 04-02, Oral care implement, (US, 26 Feb 2010) 25 Aug 2010	<b>13692/2010</b>
<b>Brother Industries, Ltd.;</b> 14-02, Toner cartridge, (JP, 03 Mar 2010) 31 Aug 2010	<b>13803/2010</b>	<b>Colgate-Palmolive Company;</b> 04-02, Toothbrush handle, (US, 18 Dec 2009) 16 Jun 2010	<b>13657/2010</b>
<b>Brother Industries, Ltd.;</b> 14-02, 18-02, Toner cartridge, (JP, 03 Mar 2010) 31 Aug 2010	<b>13801/2010</b>	<b>Colgate-Palmolive Company;</b> 04-02, Toothbrush handle, (US, 18 Dec 2009) 16 Jun 2010	<b>13658/2010</b>
<b>Brucki, Alex;</b> 09-03E, Single bottle carrier in neoprene rubber, 25 Aug 2010	<b>13648/2010</b>	<b>Comer, Harold;</b> 06-01L, Chair / furniture / outdoor furniture, 30 Aug 2010	<b>13738/2010</b>
<b>Brucki, Alex;</b> 09-03E, Double bottle carrier in neoprene rubber, 25 Aug 2010	<b>13649/2010</b>	<b>Compact Metal Industries Limited;</b> 08-08H, Louvre blade mounting clip, 03 Sep 2010	<b>13825/2010</b>

<b>Continental Reifen Deutschland GmbH;</b> 12-15B, Tyre, (EM, 27 Apr 2010) 31 Aug 2010	<b>13757/2010</b>	<b>Glass Solutions Snd Bhd;</b> 09-01H, Bottle, 02 Sep 2010	<b>13817/2010</b>
<b>Crabtree, Mydwan Brendan;</b> 07-06NES, Walnut opener, 30 Aug 2010	<b>13702/2010</b>	<b>Glass Solutions Snd Bhd;</b> 09-01H, Bottle, 02 Sep 2010	<b>13818/2010</b>
<b>Cushie Tushies Pty Ltd;</b> 02-01B, Cushie tushies one-size reusable swimming nappy, 24 Aug 2010	<b>13681/2010</b>	<b>Glass Solutions Snd Bhd;</b> 09-01H, Bottle, 02 Sep 2010	<b>13819/2010</b>
<b>Daff, Ashley;</b> 12-12, Electric wheelchair, 25 Aug 2010	<b>13659/2010</b>	<b>Grennell, Brendon Michael; Jonathon, Jade;</b> 08-05H, Blade sharpener, 31 Aug 2010	<b>13764/2010</b>
<b>Dart Industries Inc;</b> 07-04, Citrus press, (US, 25 Mar 2010) 24 Aug 2010	<b>13661/2010</b>	<b>Groyears Investments Pty Ltd, Trading as Grocorp;</b> 06-02, Bed, 12 Apr 2010	<b>13822/2010</b>
<b>Dart Industries Inc;</b> 07-02R, Flexible handle for containers, (US, 25 Mar 2010) 24 Aug 2010	<b>13662/2010</b>	<b>Gu, Lou; Li, Yonghai; Xu, Zhongli;</b> 23-04, Fan, (CN, 15 Jul 2010) 25 Aug 2010	<b>13695/2010</b>
<b>Dart Industries Inc;</b> 07-01NES, Container, (US, 25 Mar 2010) 24 Aug 2010	<b>13663/2010</b>	<b>Hatzis Holdings Pty Ltd;</b> 02-02C, Ladies garments, 26 Aug 2010	<b>13723/2010</b>
<b>David Stuckey Investments Pty Ltd;</b> 07-08, Locking bar, 24 Aug 2010	<b>13669/2010</b>	<b>Hayman, Lachlan;</b> 07-01D, Cup (including for take-away beverages), 30 Aug 2010	<b>13726/2010</b>
<b>David Stuckey Investments Pty Ltd;</b> 08-99, Clicker, 24 Aug 2010	<b>13670/2010</b>	<b>Heat Surge, LLC;</b> 23-03E, Fireplace with narrow vent, (US, 07 Jan 2010) 29 Jun 2010	<b>13699/2010</b>
<b>Deerfield Pty Ltd;</b> 02-02B, Muscle formed dress up sets for children and adults, 24 Aug 2010	<b>13650/2010</b>	<b>Hi-Seasons Products (Changzhou) CD., Ltd;</b> 23-03B, Heater, (CN, 15 Mar 2010) 03 Sep 2010	<b>13830/2010</b>
<b>Demetriou, James;</b> 23-01E, Water channel grate system, 31 Aug 2010	<b>13804/2010</b>	<b>Hi-Seasons Products (Changzhou) CD., Ltd;</b> 23-03B, Heater, (CN, 15 Mar 2010) 03 Sep 2010	<b>13831/2010</b>
<b>Devaney, Christopher Bernard;</b> 25-02NES, Elevated floor structure, 31 Aug 2010	<b>13768/2010</b>	<b>Hill, Keith Laurence;</b> 21-03, Keno mate, 01 Sep 2010	<b>13797/2010</b>
<b>Electrolux Home Products Pty Limited;</b> 15-07, Appliance, 31 Aug 2010	<b>13784/2010</b>	<b>Hills Industries Limited;</b> 14-03NES, Antenna, 24 Aug 2010	<b>13653/2010</b>
<b>Electrolux Home Products Pty Limited;</b> 15-07, Refrigerator panels, 31 Aug 2010	<b>13785/2010</b>	<b>Honda Motor Co., Ltd.;</b> 12-11, Motorcycle, (JP, 01 Mar 2010) 31 Aug 2010	<b>13790/2010</b>
<b>Elite Cat Feeders Ltd;</b> 30-03, Feeding bowl for animals, (EM, 02 Mar 2010) 20 Aug 2010	<b>13605/2010</b>	<b>Honda Motor Co., Ltd.;</b> 15-01, Engine generator, (JP, 25 Feb 2010) 24 Aug 2010	<b>13656/2010</b>
<b>Ewing, Iain;</b> 23-02B, Hand shower bracket, 30 Aug 2010	<b>13705/2010</b>	<b>Hutzler Manufacturing Co., Inc.;</b> 07-01NES, Container, (US, 28 Jun 2010) 31 Aug 2010	<b>13750/2010</b>
<b>Ferguson, Graeme John;</b> 07-02E, Barbeque, 30 Aug 2010	<b>13791/2010</b>	<b>Hutzler Manufacturing Co., Inc.;</b> 07-01NES, Container, (US, 27 Jul 2010) 31 Aug 2010	<b>13751/2010</b>
<b>Fielders Australia Pty Ltd;</b> 25-02C, Profiled fence panel including ridge locking apertures, 30 Aug 2010	<b>13765/2010</b>	<b>Hutzler Manufacturing Co., Inc.;</b> 07-01NES, Container, (US, 27 Jul 2010) 31 Aug 2010	<b>13752/2010</b>
<b>Fletcher Building Holdings Limited;</b> 25-02A, A bollard base, (NZ, 04 Mar 2010) 30 Aug 2010	<b>13724/2010</b>	<b>Hutzler Manufacturing Co., Inc.;</b> 07-01B, Platter, (US, 28 Jun 2010) 31 Aug 2010	<b>13753/2010</b>
<b>Fletcher Building Holdings Limited;</b> 25-02A, A bollard base, (NZ, 04 Mar 2010) 30 Aug 2010	<b>13725/2010</b>	<b>Hutzler Manufacturing Co., Inc.;</b> 07-01NES, Container, (US, 28 Jun 2010) 31 Aug 2010	<b>13749/2010</b>
<b>Gearon, Michael James;</b> 21-02F, Indoor rowing machines, (GB, 24 Mar 2010) 01 Sep 2010	<b>13755/2010</b>	<b>Hutzler Manufacturing Co., Inc.;</b> 07-07NES, Holder for sponges and the like, (US, 13 Jul 2010) 31 Aug 2010	<b>13754/2010</b>
<b>Glass Solutions Snd Bhd;</b> 09-01H, Bottle, 02 Sep 2010	<b>13816/2010</b>	<b>Innovative Design Co Pty Ltd;</b> 09-03L, Container, 23 Aug 2010	<b>13611/2010</b>

<b>Innovative Design Co Pty Ltd;</b> 09-03L, Combination lid and container, 23 Aug 2010	<b>13612/2010</b>	<b>Li, Yonghai; Xu, Zhongli; Gu, Lou;</b> 23-04, Fan, (CN, 15 Jul 2010) 25 Aug 2010	<b>13695/2010</b>
<b>Innovative Design Co Pty Ltd;</b> 09-07B, Lid, 23 Aug 2010	<b>13610/2010</b>	<b>Libuda, Georg Gunter;</b> 03-01A, 12-02, Suitcase trolley, (DE, 03 Mar 2010) 03 Sep 2010	<b>13839/2010</b>
<b>Iriver Limited;</b> 14-01, MP4 player, (KR, 11 Mar 2010) 02 Sep 2010	<b>13814/2010</b>	<b>Life+Gear, Inc.;</b> 26-04, Waterproof glow stick multi-purpose safety device, (US, 02 Mar 2010) 30 Aug 2010	<b>13736/2010</b>
<b>Jar Furniture Imports Pty Ltd;</b> 06-01G, Armchair, 2-seater sofa, 3-seater sofa, 08 Jul 2010	<b>13707/2010</b>	<b>Life+Gear, Inc.;</b> 26-04, Electronic glow stick device, (US, 02 Mar 2010) 30 Aug 2010	<b>13737/2010</b>
<b>Jar Furniture Imports Pty Ltd;</b> 06-01G, Armchair, 2-seater sofa, 3-seater sofa, 08 Jul 2010	<b>13708/2010</b>	<b>LRC Products Limited;</b> 28-03NES, Nail care device, (EM, 26 Feb 2010) 24 Aug 2010	<b>13667/2010</b>
<b>Jar Furniture Imports Pty Ltd;</b> 06-02, Bed, 08 Jul 2010	<b>13709/2010</b>	<b>Manitowoc Beverage Systems Ltd;</b> 31-00, Dispenser, (US, 26 Feb 2010) 25 Aug 2010	<b>13651/2010</b>
<b>Jar Furniture Imports Pty Ltd;</b> 06-02, Bed, 08 Jul 2010	<b>13710/2010</b>	<b>Manitowoc Beverage Systems Ltd;</b> 07-01C, Vessel, (US, 26 Feb 2010) 25 Aug 2010	<b>13652/2010</b>
<b>Jar Furniture Imports Pty Ltd;</b> 06-03A, Dining table, 08 Jul 2010	<b>13711/2010</b>	<b>Martino, Francesco Antonio;</b> 25-01K, Wall beam extrusion, 02 Sep 2010	<b>13836/2010</b>
<b>Jar Furniture Imports Pty Ltd;</b> 06-01G, Armchair, 2-seater sofa, 3-seater sofa, 08 Jul 2010	<b>13706/2010</b>	<b>Martino, Francesco Antonio;</b> 25-01K, Wall beam extrusion, 02 Sep 2010	<b>13837/2010</b>
<b>Jonathon, Jade; Grennell, Brendon Michael;</b> 08-05H, Blade sharpener, 31 Aug 2010	<b>13764/2010</b>	<b>Martino, Francesco Antonio;</b> 25-01K, Wall beam extrusion, 02 Sep 2010	<b>13834/2010</b>
<b>Karsten Manufacturing Corporation;</b> 21-02C, Golf club head, (US, 05 May 2010) 23 Aug 2010	<b>13621/2010</b>	<b>Martino, Francesco Antonio;</b> 25-01C, 25-01K, Wall beam extrusion, 02 Sep 2010	<b>13824/2010</b>
<b>Kind Consumer Limited;</b> 09-03A, Simulated cigarette pack, (EM, 09 Mar 2010) 26 Aug 2010	<b>13686/2010</b>	<b>Mastroyanis, Perry;</b> 07-01F, Jug with temperature indicator, 26 Aug 2010	<b>13715/2010</b>
<b>King Furniture (Australia) Pty Ltd;</b> 06-01G, Seating furniture, 31 Aug 2010	<b>13745/2010</b>	<b>McConaghy, Riki Kim;</b> 02-05, A shield for burping babies, 27 Aug 2010	<b>13682/2010</b>
<b>King Furniture (Australia) Pty Ltd;</b> 06-01G, Seating furniture, 31 Aug 2010	<b>13741/2010</b>	<b>Mee, Dennis J.;</b> 08-08L, Spacer wheel, 20 Aug 2010	<b>13608/2010</b>
<b>King Furniture (Australia) Pty Ltd;</b> 06-01G, Seating furniture, 31 Aug 2010	<b>13744/2010</b>	<b>Mee, Dennis J.;</b> 12-16A, Clip for spacer wheel, 20 Aug 2010	<b>13607/2010</b>
<b>King Furniture (Australia) Pty Ltd;</b> 06-01G, Seating furniture, 31 Aug 2010	<b>13748/2010</b>	<b>Mee, Dennis J.;</b> 08-08L, Spacer wheel, 20 Aug 2010	<b>13609/2010</b>
<b>King Furniture (Australia) Pty Ltd;</b> 06-01G, Seating furniture, 31 Aug 2010	<b>13740/2010</b>	<b>N.V. Nutricia;</b> 07-01NES, Baby food container, (EM, 20 May 2010) 24 Aug 2010	<b>13665/2010</b>
<b>King Furniture (Australia) Pty Ltd;</b> 06-01G, Seating furniture, 31 Aug 2010	<b>13743/2010</b>	<b>Nathan, Rafael Rod;</b> 10-04, 08-05NES, Measuring tool, woodworking tool, 27 Aug 2010	<b>13688/2010</b>
<b>King Furniture (Australia) Pty Ltd;</b> 08-08NES, 06-06NES, Joiner, 31 Aug 2010	<b>13739/2010</b>	<b>Nautspill Pty Ltd;</b> 07-01NES, A guard for a drinking vessel, 30 Aug 2010	<b>13759/2010</b>
<b>King Furniture (Australia) Pty Ltd;</b> 06-01G, Seating furniture, 31 Aug 2010	<b>13747/2010</b>	<b>Nautspill Pty Ltd;</b> 07-01NES, A guard for a drinking vessel, 30 Aug 2010	<b>13760/2010</b>
<b>King Furniture (Australia) Pty Ltd;</b> 06-01G, Seating furniture, 31 Aug 2010	<b>13742/2010</b>	<b>Neyland, Helen Francis;</b> 25-01D, A panel, 23 Aug 2010	<b>13680/2010</b>
<b>Koschade, Nicholas;</b> 26-05E, Lamp, table lamp, light, 25 Aug 2010	<b>13687/2010</b>	<b>Niewiarowski, Wieslaw; Niewiarowski, Irena;</b> 14-99, 12-16NES, Car remote control for Range Rover HSE, Land Rover Defender, Freelander, 26 Aug 2010	<b>13673/2010</b>
<b>Lamasia Leavasa (Lifting Angels); Pierre, Luke;</b> 02-01B, Baby wrap - baby products (lallel wrap), 27 Aug 2010	<b>13690/2010</b>		

<b>Niewiarowski, Irena; Niewiarowski, Wieslaw;</b> 14-99, 12-16NES, Car remote control for Range Rover HSE, Land Rover Defender, Freelander, 26 Aug 2010	<b>13673/2010</b>	<b>PROCUTECH Targeted Supply Chain Solutions Co., Limited;</b> 25-01NES, Section, 27 Aug 2010	<b>13700/2010</b>
<b>Nimbus Lighting Group Limited;</b> 26-99, A spacer for a light fitting, 30 Aug 2010	<b>13763/2010</b>	<b>PT Motion Works, Inc.;</b> 12-11, Elliptical bicycle frame, (US, 17 Mar 2010) 01 Sep 2010	<b>13798/2010</b>
<b>Ofra, Gal;</b> 28-03NES, Hair plucking device, (IL, 28 Mar 2010) 02 Sep 2010	<b>13813/2010</b>	<b>Quinsey, Craig;</b> 09-03H, Packer/shim/wedge, 30 Aug 2010	<b>13718/2010</b>
<b>Otto Management Pty Limited;</b> 25-01K, Aluminium extrusion, 02 Sep 2010	<b>13815/2010</b>	<b>Ross, Trevor;</b> 02-02NES, T-shirts, polo shirts, hoodies. Flags, stickers, 26 Aug 2010	<b>13668/2010</b>
<b>Otto Management Pty Limited;</b> 25-01K, Aluminium Extrusion, 02 Sep 2010	<b>13811/2010</b>	<b>Ryan, Gerard;</b> 09-01H, Bottles, 24 Aug 2010	<b>13660/2010</b>
<b>Otto Management Pty Limited;</b> 25-01K, Aluminium extrusion, 02 Sep 2010	<b>13812/2010</b>	<b>RMD Industries Pty Ltd;</b> 08-06, Hinge, 31 Aug 2010	<b>13788/2010</b>
<b>Panasonic Corporation;</b> 13-01, Electric motor, (JP, 08 Mar 2010) 03 Sep 2010	<b>13832/2010</b>	<b>S. C. Johnson &amp; Son, Inc.;</b> 28-99, Faceplate and dispenser, (US, 05 Mar 2010) 03 Sep 2010	<b>13833/2010</b>
<b>Partyware Pty Ltd;</b> 07-01A, Disposable plate, 23 Aug 2010	<b>13676/2010</b>	<b>Saabeam Pty Ltd;</b> 02-03, Cap, 26 Aug 2010	<b>13672/2010</b>
<b>Patton, Neil Anthony;</b> 10-06, Safe-T-cross traffic advisory signal for school crossings, 01 Sep 2010	<b>13767/2010</b>	<b>Saabeam Pty Ltd;</b> 02-03, Cap, 26 Aug 2010	<b>13671/2010</b>
<b>Pederson, Sally;</b> 14-02, Container, (CA, 25 Feb 2010) 25 Aug 2010	<b>13678/2010</b>	<b>Sanford, L.P.;</b> 19-06, Writing instrument, (US, 24 Feb 2010) 23 Aug 2010	<b>13666/2010</b>
<b>Peterson, Andrew;</b> 15-03A, Tanks mounted on the chassis of a self propelled agricultural sprayer with integrated manifold for the, storage and transport of concentrated agricultural chemicals, 22 Aug 2010	<b>13606/2010</b>	<b>Scott, Stephen John;</b> 21-02NES, Sport and leisure, 24 Aug 2010	<b>13675/2010</b>
<b>Philmac Pty Ltd;</b> 23-01A, Grip ring for use in pipe couplings, 31 Aug 2010	<b>13762/2010</b>	<b>Snap-on Incorporated;</b> 08-02, Handle with striking end, (US, 26 Feb 2010) 24 Aug 2010	<b>13655/2010</b>
<b>Phoenix Industries Pty Ltd;</b> 23-02B, Shower arm, 03 Sep 2010	<b>13823/2010</b>	<b>Sprayline Gold Coast Pty Ltd;</b> 25-01K, Extrusion, 25 Aug 2010	<b>13674/2010</b>
<b>Phoenix Industries Pty Ltd;</b> 15-02, Hand water pump, 27 Aug 2010	<b>13712/2010</b>	<b>SwitchEasy Limited;</b> 03-01NES, 14-99, Combination of protective casing and stand for portable handheld electronic device, (HK, 13 Apr 2010) 06 Sep 2010	<b>13826/2010</b>
<b>Pi-Design AG;</b> 07-06C, Napkin holder, (WO, 16 Mar 2010) 30 Aug 2010	<b>13721/2010</b>	<b>SwitchEasy Limited;</b> 14-02, 14-99, Combination of protective casing and stand for portable handheld electronic device, (HK, 13 Apr 2010) 06 Sep 2010	<b>13827/2010</b>
<b>Pi-Design AG;</b> 07-99C, Paper roll holder, (WO, 16 Mar 2010) 30 Aug 2010	<b>13722/2010</b>	<b>SwitchEasy Limited;</b> 14-02, 14-99, Combination of protective casing and stand for portable handheld electronic device, (HK, 13 Apr 2010) 06 Sep 2010	<b>13828/2010</b>
<b>Pi-Design AG;</b> 07-01B, Butter dish, (WO, 29 Mar 2010) 30 Aug 2010	<b>13704/2010</b>	<b>SwitchEasy Limited;</b> 14-99, Foldable stand for portable handheld electronic device, (HK, 13 Apr 2010) 06 Sep 2010	<b>13829/2010</b>
<b>Pierre, Luke; Lamasia Leavasa (Lifting Angels);</b> 02-01B, Baby wrap - baby products (lallel wrap), 27 Aug 2010	<b>13690/2010</b>	<b>Takaso Rubber Products Sdn. Bhd.;</b> 24-99, Valve, 25 Aug 2010	<b>13689/2010</b>
<b>Plus 6 NMI Pty Ltd;</b> 12-05, Forklift bumper, 25 Aug 2010	<b>13679/2010</b>	<b>Terry, Catherine;</b> 02-01B, A baby or infant wrap, 24 Aug 2010	<b>13714/2010</b>
<b>PROCUTECH Targeted Supply Chain Solutions Co., Limited;</b> 25-01NES, Section, 27 Aug 2010	<b>13701/2010</b>	<b>The Gillette Company;</b> 28-03A, Razor cartridge, (US, 02 Mar 2010) 31 Aug 2010	<b>13766/2010</b>

<b>The Ride, Inc;</b> 12-08, An interior of a bus, (US, 14 Dec 2009) 11 Jun 2010	<b>13761/2010</b>	<b>Tsann Kuen (Zhangzhou) Enterprise Co., Ltd;</b> 07-02H, Grill, (CN, 30 Apr 2010) 31 Aug 2010	<b>13758/2010</b>
<b>The Stanley Works Israel, Ltd.;</b> 03-01D, A toolbox, (US, 11 Jan 2010) (Divisional of 12849/2010) 09 Jul 2010	<b>13820/2010</b>	<b>Waco Africa (Proprietary) Limited;</b> 25-04, Ledger end fitting for receiving the end of a ledger in a scaffolding structure, 31 Aug 2010	<b>13789/2010</b>
<b>Thermedx, LLC;</b> 24-02, Cartridge for surgical fluid management system, (US, 08 Mar 2010) 01 Sep 2010	<b>13795/2010</b>	<b>Weichselbaumer, Joachim;</b> 06-01H, Chaise lounge, 03 Sep 2010	<b>13807/2010</b>
<b>Tong Metal Pty Ltd as trustees for Tong Metal Trust;</b> 03-01D, Aluminium tools boxes, 26 Aug 2010	<b>13683/2010</b>	<b>Weichselbaumer, Joachim;</b> 06-01G, Chaise lounge, 03 Sep 2010	<b>13808/2010</b>
<b>Toosh Coosh Enterprises Pty Ltd;</b> 06-01E, Children's furniture - booster support seat for children aged 5-8 years designed for home, restaurants, theatres and, other venues. Product not designed to be used in automobiles as it does not meet the Australian safety, standards, 26 Aug 2010	<b>13693/2010</b>	<b>Weichselbaumer, Joachim;</b> 06-01G, Chaise lounge, 03 Sep 2010	<b>13809/2010</b>
<b>Toymonster Intellectual Property Limited;</b> 03-01A, Suitcase, (IL, 01 Aug 2010) 01 Sep 2010	<b>13806/2010</b>	<b>Weichselbaumer, Joachim;</b> 06-01G, Chaise lounge, 03 Sep 2010	<b>13810/2010</b>
<b>Toyota Jidosha Kabushiki Kaisha;</b> 12-08, Automobile, 23 Aug 2010	<b>13613/2010</b>	<b>Western Plains Flora Pty Ltd;</b> 09-03F, Split forestry tube with air pruning vents, 25 Aug 2010	<b>13716/2010</b>
<b>Toyota Jidosha Kabushiki Kaisha;</b> 12-16E, Rear combination lamp for an automobile, 23 Aug 2010	<b>13618/2010</b>	<b>Whiteheart Licensing Pty Ltd;</b> 02-04NES, Sports shoe, 27 Aug 2010	<b>13684/2010</b>
<b>Toyota Jidosha Kabushiki Kaisha;</b> 12-16C, Front bumper with front grille for automobile, 23 Aug 2010	<b>13619/2010</b>	<b>Whiteheart Licensing Pty Ltd;</b> 02-04NES, Sports shoe, 27 Aug 2010	<b>13685/2010</b>
<b>Toyota Jidosha Kabushiki Kaisha;</b> 12-16C, Rear bumper for automobile, 23 Aug 2010	<b>13620/2010</b>	<b>Whittome, Wendy Ada;</b> 04-02, Tooth brushes and tooth-paste dispensers, 01 Sep 2010	<b>13756/2010</b>
<b>Toyota Jidosha Kabushiki Kaisha;</b> 12-08, Automobile, 23 Aug 2010	<b>13614/2010</b>	<b>Wildchild Design Pty Ltd;</b> 21-01A, , 25 Aug 2010	<b>13664/2010</b>
<b>Toyota Jidosha Kabushiki Kaisha;</b> 12-08, Automobile, 23 Aug 2010	<b>13615/2010</b>	<b>Wilson, Rachel;</b> 11-99, Fabric wristband teether for use by infants/toddlers and special needs children, 30 Aug 2010	<b>13796/2010</b>
<b>Toyota Jidosha Kabushiki Kaisha;</b> 12-08, Automobile, 23 Aug 2010	<b>13616/2010</b>	<b>Xie, Ping Sheng;</b> 23-02F, Stainless steel sink, 02 Aug 2010	<b>13697/2010</b>
<b>Toyota Jidosha Kabushiki Kaisha;</b> 26-06, Front combination lamp for an automobile, 23 Aug 2010	<b>13617/2010</b>	<b>Xie, Ping Sheng;</b> 23-02F, Stainless steel sink, 02 Aug 2010	<b>13698/2010</b>
<b>Truong, Dinh Hoang Long;</b> 06-09, Mattress sleep set, 03 Sep 2010	<b>13838/2010</b>	<b>Xu, Zhongli; Li, Yonghai; Gu, Lou;</b> 23-04, Fan, (CN, 15 Jul 2010) 25 Aug 2010	<b>13695/2010</b>
		<b>Zagg Incorporated;</b> 14-02, Protective cover for a mobile computing device, (US, 25 Aug 2010) 31 Aug 2010	<b>13746/2010</b>

---

**Applications Lapsed**

13074 / 2009 (02-02C)	10658 / 2010 (02-02C)
12143 / 2010 (28-03NES)	12350 / 2010 (24-01)
12406 / 2010 (21-02A)	12450 / 2010 (25-02G)

**Extension of Period of Registration of Designs**

303816	303923	303924
304012	304186	304187
304456	304457	304648
304843	305278	305281
305282	305509	305583
305619	305620	305625
305626	305640	305649
305651	305656	305657
305658	305692	305703
305766	305768	305781
305809	305810	305811
305830	305831	305896
305897	305898	305939
305999	306032	306035
306036	306037	306038
306042	306121	306122
306123	306131	306132
306133	306148	306149
306167	306330	306334
306413	306432	306434
306435	306436	306583
306634	306724	306756
306775	306933	306934
306973	307124	307125
307165	307261	307296
307297	307495	307794
307795	307872	308092
308508	309240	309836
312590	312591	312592
312593	312594	312595
312596	312597	312598
312599	312600	312686
315712	315713	315714

**Revocation of Design Registrations**

The following Design Registration(s) have been revoked and are taken never to have been registered:

330043 07-01C

**Registrations Ceased**

302695	302821	302822
302834	302875	302876
302974	302993	302994
303061	303153	303154
303155	303156	303157
303158	303160	303204
303205	303335	303336

303358	303359	303360
303362	303501	303669
303706	303895	304706
304788	305004	305005
305006	305007	305008
305009	305010	305114
305188	305296	305297
305298	305301	305306
305311	305714	305857
305858	305859	305860
305861	305862	306023
306180	306321	306322
306323	306446	306447
306448	306449	306532
306557	306558	306563
306564	306882	325015

**Extensions of time granted under Section 137**

Applications lodged under section 137 for extension of time have been granted.

12032/2010 **Colin Bruce Firth**

**Subsequent Owners Registered**

(The name in parentheses is that of the subsequent owner)

306319	( <b>Bohica Developments Pty Ltd</b> ) BFH Sydcon Pty Limited
306320	( <b>Bohica Developments Pty Ltd</b> ) BFH Sydcon Pty Limited
309595	( <b>Bohica Developments Pty Ltd</b> ) BFH Sydcon Pty Limited
309596	( <b>Bohica Developments Pty Ltd</b> ) BFH Sydcon Pty Limited
309597	( <b>Bohica Developments Pty Ltd</b> ) BFH Sydcon Pty Limited
309598	( <b>Bohica Developments Pty Ltd</b> ) BFH Sydcon Pty Limited
309599	( <b>Bohica Developments Pty Ltd</b> ) BFH Sydcon Pty Limited
317350	( <b>Bohica Developments Pty Ltd</b> ) BFH Sydcon Pty Limited
306318	( <b>Bohica Developments Pty Ltd</b> ) BFH Sydcon Pty Limited
332153	( <b>Stanley3 Pty Ltd</b> ) Robyn Lorraine Stanley

**Certificate(s) of Examination**

Examination of the following Design Registration(s) has been completed. Infringement proceedings may now be commenced.

316934	06-01F	03/09/2010
323587	08-99	03/09/2010
324592	08-03	31/08/2010
324600	08-03	31/08/2010
324676	08-03	31/08/2010
328936	25-01NES	31/08/2010
328938	25-01NES	31/08/2010
328939	25-01NES	31/08/2010
328940	25-01NES	31/08/2010
328941	25-01NES	31/08/2010
330007	02-02B	30/08/2010
330473	09-03NES	02/09/2010
330474	09-03NES	02/09/2010
330798	19-06	26/08/2010
330836	28-02	01/09/2010
330945	07-02E	06/09/2010
330946	07-02E	06/09/2010
331057	24-04	24/08/2010
331122	09-03F	26/08/2010
331125	07-01C	03/09/2010
331154	12-08	27/08/2010
331270	13-03D	25/08/2010
331271	13-03D	25/08/2010
331503	22-05	03/09/2010

**Publication and Registration Proceedings**

**Designs Registered**

This section provides a concordance between design number and registration number of Designs covered in this journal. It also shows the main class and registration date.

This section covers Registration numbers 332185 to 332677 .

The registration number shown below should be used in all future correspondence.

Design Number	Registration Number	International Classification Code (IDC)	Registration Date	Design Number	Registration Number	International Classification Code (IDC)	Registration Date
14961/2009	332432	02-02NES	31/08/2010	12583/2010	332556	07-05D	06/09/2010
10394/2010	332414	02-02NES	27/08/2010	12609/2010	332557	06-02	06/09/2010
10426/2010	332600	09-03F	03/09/2010	12640/2010	332558	06-02	06/09/2010
10947/2010	332639	09-03D	06/09/2010	12641/2010	332559	06-02	06/09/2010
11189/2010	332549	12-08	06/09/2010	12642/2010	332560	06-02	06/09/2010
11190/2010	332550	26-06	06/09/2010	12643/2010	332561	06-02	06/09/2010
11191/2010	332551	26-06	06/09/2010	12644/2010	332562	06-02	06/09/2010
11192/2010	332552	12-16C	06/09/2010	12645/2010	332563	06-02	06/09/2010
11265/2010	332390	30-99	25/08/2010	12663/2010	332632	02-03	07/09/2010
11266/2010	332391	30-99	25/08/2010	12672/2010	332412	07-99A	27/08/2010
11344/2010	332648	06-02	07/09/2010	12673/2010	332413	07-99A	27/08/2010
11759/2010	332626	12-16NES	03/09/2010	12675/2010	332674	07-03	07/09/2010
11781/2010	332627	12-16NES	03/09/2010	12705/2010	332508	23-03E	01/09/2010
11793/2010	332601	09-03H	03/09/2010	12734/2010	332564	06-03B	06/09/2010
11934/2010	332460	12-02	30/08/2010	12758/2010	332565	08-08NES	06/09/2010
12032/2010	332392	15-03A	25/08/2010	12759/2010	332566	08-08NES	06/09/2010
12091/2010	332644	02-04C	07/09/2010	12760/2010	332567	08-08NES	06/09/2010
12299/2010	332553	25-02H	06/09/2010	12761/2010	332568	08-08NES	06/09/2010
12300/2010	332554	25-02B	06/09/2010	12849/2010	332665	03-01D	07/09/2010
12301/2010	332555	25-02B	06/09/2010	12880/2010	332650	19-06	07/09/2010
12437/2010	332185	14-01	24/08/2010	12881/2010	332651	19-06	07/09/2010
12443/2010	332461	08-05A	30/08/2010	12903/2010	332420	14-03NES	27/08/2010
12454/2010	332425	04-02	31/08/2010	12913/2010	332652	19-06	07/09/2010
12493/2010	332378	09-03L	24/08/2010	12968/2010	332469	06-04NES	30/08/2010
12494/2010	332379	09-03L	24/08/2010	12969/2010	332470	06-04NES	30/08/2010
12503/2010	332433	02-02NES	31/08/2010	12970/2010	332471	06-04NES	30/08/2010
12504/2010	332434	02-02NES	31/08/2010	12971/2010	332472	06-04NES	30/08/2010
12505/2010	332435	02-02C	31/08/2010	12972/2010	332473	06-04NES	30/08/2010
12506/2010	332436	02-02C	31/08/2010	12973/2010	332474	06-04NES	30/08/2010
12507/2010	332437	02-02C	31/08/2010	12976/2010	332482	03-01B	31/08/2010
12508/2010	332438	02-02C	31/08/2010	12979/2010	332397	14-03NES	26/08/2010
12509/2010	332439	02-02C	31/08/2010	13025/2010	332462	07-04	30/08/2010
12510/2010	332440	02-02NES	31/08/2010	13026/2010	332463	07-04	30/08/2010
12511/2010	332441	02-02NES	31/08/2010	13027/2010	332483	07-06NES	31/08/2010
12512/2010	332442	02-02NES	31/08/2010	13035/2010	332380	07-01B	24/08/2010
12513/2010	332443	02-02NES	31/08/2010	13056/2010	332475	06-04NES	30/08/2010
12514/2010	332444	02-02NES	31/08/2010	13057/2010	332476	06-04NES	30/08/2010
12515/2010	332445	02-02NES	31/08/2010	13058/2010	332477	06-04NES	30/08/2010
12516/2010	332446	02-02NES	31/08/2010	13059/2010	332478	06-04NES	30/08/2010
12517/2010	332447	02-02NES	31/08/2010	13060/2010	332479	06-04NES	30/08/2010
12518/2010	332448	02-02NES	31/08/2010	13061/2010	332480	06-04NES	30/08/2010
12519/2010	332449	02-02NES	31/08/2010	13062/2010	332481	06-04NES	30/08/2010
12520/2010	332450	02-02NES	31/08/2010	13098/2010	332593	09-03M	03/09/2010
12521/2010	332451	02-02NES	31/08/2010	13099/2010	332594	09-03M	03/09/2010
12522/2010	332452	02-02NES	31/08/2010	13100/2010	332595	09-03M	03/09/2010
12523/2010	332453	02-02NES	31/08/2010	13107/2010	332628	09-01NES	06/09/2010
12524/2010	332454	02-02NES	31/08/2010	13108/2010	332629	09-01NES	06/09/2010
12525/2010	332455	02-02NES	31/08/2010	13109/2010	332630	09-01NES	06/09/2010
12526/2010	332456	02-02NES	31/08/2010	13179/2010	332398	09-01NES	26/08/2010
12527/2010	332457	02-02NES	31/08/2010	13180/2010	332400	28-03NES	26/08/2010
12528/2010	332458	02-02NES	31/08/2010	13195/2010	332646	14-02	07/09/2010
12529/2010	332459	02-02NES	31/08/2010	13210/2010	332569	13-03D	06/09/2010
12575/2010	332645	02-04C	07/09/2010	13217/2010	332675	13-03NES	07/09/2010



Publication and Registration Proceedings - Designs Registered cont'd

Design Number	Registration Number	International Classification Code (IDC)	Registration Date	Design Number	Registration Number	International Classification Code (IDC)	Registration Date
13219/2010	332381	14-03A	24/08/2010	13329/2010	332501	24-04	31/08/2010
13220/2010	332382	14-03A	24/08/2010	13330/2010	332502	07-05E	31/08/2010
13224/2010	332383	14-01	24/08/2010	13331/2010	332503	14-02	31/08/2010
13225/2010	332421	07-01B	27/08/2010	13332/2010	332504	25-01K	31/08/2010
13227/2010	332484	07-01B	31/08/2010	13333/2010	332505	25-01B	31/08/2010
13233/2010	332485	07-01B	31/08/2010	13334/2010	332531	25-01K	01/09/2010
13240/2010	332385	03-01NES	25/08/2010	13335/2010	332532	08-09	01/09/2010
13241/2010	332386	21-01A	25/08/2010	13336/2010	332533	25-01K	01/09/2010
13242/2010	332387	21-01A	25/08/2010	13337/2010	332534	25-01K	01/09/2010
13243/2010	332388	21-01D	25/08/2010	13338/2010	332535	25-01K	01/09/2010
13244/2010	332389	28-03A	25/08/2010	13339/2010	332536	25-01K	01/09/2010
13256/2010	332403	12-16NES	26/08/2010	13340/2010	332537	25-01K	01/09/2010
13257/2010	332404	14-03E	26/08/2010	13341/2010	332538	25-01K	01/09/2010
13258/2010	332405	12-16B	26/08/2010	13342/2010	332539	25-01K	01/09/2010
13259/2010	332406	12-16B	26/08/2010	13343/2010	332492	25-01K	31/08/2010
13260/2010	332407	13-03B	26/08/2010	13344/2010	332493	25-01K	31/08/2010
13262/2010	332393	16-06	25/08/2010	13345/2010	332494	25-01K	31/08/2010
13263/2010	332394	23-01H	25/08/2010	13346/2010	332495	25-01K	31/08/2010
13264/2010	332395	23-01H	25/08/2010	13347/2010	332496	25-01K	31/08/2010
13265/2010	332396	23-01H	25/08/2010	13348/2010	332497	25-01K	31/08/2010
13269/2010	332401	25-01K	26/08/2010	13349/2010	332498	25-01K	31/08/2010
13270/2010	332402	25-01K	26/08/2010	13350/2010	332499	25-01K	31/08/2010
13272/2010	332408	21-01M	26/08/2010	13351/2010	332500	25-01K	31/08/2010
13273/2010	332409	21-01M	26/08/2010	13353/2010	332631	12-08	06/09/2010
13274/2010	332410	02-06	26/08/2010	13354/2010	332510	19-02	01/09/2010
13275/2010	332411	02-06	26/08/2010	13356/2010	332506	06-01NES	31/08/2010
13279/2010	332426	10-02	31/08/2010	13357/2010	332511	15-04	01/09/2010
13280/2010	332427	12-15B	31/08/2010	13358/2010	332512	15-04	01/09/2010
13281/2010	332428	12-15B	31/08/2010	13359/2010	332513	15-04	01/09/2010
13282/2010	332422	12-15A	27/08/2010	13360/2010	332514	15-04	01/09/2010
13283/2010	332423	12-16N	27/08/2010	13361/2010	332515	15-04	01/09/2010
13286/2010	332424	12-12	27/08/2010	13362/2010	332516	15-04	01/09/2010
13287/2010	332570	23-01L	06/09/2010	13363/2010	332517	15-04	01/09/2010
13289/2010	332507	08-05L	31/08/2010	13364/2010	332518	15-04	01/09/2010
13292/2010	332571	09-05	06/09/2010	13366/2010	332519	26-02	01/09/2010
13293/2010	332572	06-06H	06/09/2010	13379/2010	332579	11-05	06/09/2010
13295/2010	332464	23-01H	30/08/2010	13383/2010	332384	08-06	24/08/2010
13296/2010	332465	23-01H	30/08/2010	13384/2010	332540	09-07B	02/09/2010
13298/2010	332466	13-01	30/08/2010	13385/2010	332541	07-01NES	02/09/2010
13299/2010	332467	12-15B	30/08/2010	13386/2010	332542	07-03	02/09/2010
13303/2010	332573	25-01K	06/09/2010	13387/2010	332543	07-01NES	02/09/2010
13304/2010	332415	02-02NES	27/08/2010	13388/2010	332399	09-01NES	26/08/2010
13305/2010	332416	02-02NES	27/08/2010	13389/2010	332544	07-01NES	02/09/2010
13306/2010	332417	02-02NES	27/08/2010	13390/2010	332545	07-01NES	02/09/2010
13307/2010	332418	02-02NES	27/08/2010	13391/2010	332546	07-01NES	02/09/2010
13308/2010	332419	02-02NES	27/08/2010	13392/2010	332547	07-01NES	02/09/2010
13310/2010	332530	26-04	01/09/2010	13393/2010	332548	07-01NES	02/09/2010
13311/2010	332486	25-01K	31/08/2010	13394/2010	332520	07-01F	01/09/2010
13312/2010	332487	16-05	31/08/2010	13395/2010	332521	07-01F	01/09/2010
13313/2010	332488	12-16K	31/08/2010	13396/2010	332522	07-01NES	01/09/2010
13314/2010	332489	12-16K	31/08/2010	13399/2010	332523	07-01NES	01/09/2010
13315/2010	332490	12-16K	31/08/2010	13400/2010	332524	07-01NES	01/09/2010
13316/2010	332491	12-16K	31/08/2010	13401/2010	332525	07-01NES	01/09/2010
13318/2010	332574	25-01K	06/09/2010	13402/2010	332526	07-01NES	01/09/2010
13319/2010	332575	21-02F	06/09/2010	13403/2010	332527	07-01NES	01/09/2010
13320/2010	332576	08-05E	06/09/2010	13404/2010	332528	07-06NES	01/09/2010
13321/2010	332577	23-02B	06/09/2010	13405/2010	332529	07-01NES	01/09/2010
13324/2010	332578	25-01G	06/09/2010	13407/2010	332580	08-07	06/09/2010

Publication and Registration Proceedings - Designs Registered cont'd

Design Number	Registration Number	International Classification Code (IDC)	Registration Date	Design Number	Registration Number	International Classification Code (IDC)	Registration Date
13408/2010	332581	08-07	06/09/2010	13470/2010	332638	24-04	07/09/2010
13409/2010	332582	08-07	06/09/2010	13474/2010	332656	06-01F	07/09/2010
13410/2010	332583	08-07	06/09/2010	13476/2010	332657	08-08L	07/09/2010
13411/2010	332584	08-07	06/09/2010	13482/2010	332640	09-03M	06/09/2010
13412/2010	332585	08-07	06/09/2010	13483/2010	332641	09-03NES	06/09/2010
13413/2010	332586	08-07	06/09/2010	13489/2010	332642	12-16NES	06/09/2010
13414/2010	332587	08-07	06/09/2010	13490/2010	332643	10-02	06/09/2010
13415/2010	332602	08-08NES	03/09/2010	13491/2010	332624	02-02C	03/09/2010
13417/2010	332603	02-02B	03/09/2010	13495/2010	332658	26-05D	07/09/2010
13420/2010	332604	15-09	03/09/2010	13496/2010	332659	02-04B	07/09/2010
13421/2010	332605	02-04A	03/09/2010	13497/2010	332660	09-07A	07/09/2010
13423/2010	332596	08-05NES	03/09/2010	13498/2010	332661	09-07A	07/09/2010
13424/2010	332597	08-05NES	03/09/2010	13499/2010	332662	09-07A	07/09/2010
13425/2010	332598	08-05NES	03/09/2010	13500/2010	332663	14-03B	07/09/2010
13426/2010	332615	07-03	03/09/2010	13501/2010	332669	14-03B	07/09/2010
13427/2010	332616	07-03	03/09/2010	13502/2010	332647	09-09	07/09/2010
13428/2010	332617	07-03	03/09/2010	13504/2010	332670	25-01K	07/09/2010
13429/2010	332618	07-03	03/09/2010	13505/2010	332671	25-01K	07/09/2010
13430/2010	332619	07-03	03/09/2010	13506/2010	332672	25-01K	07/09/2010
13431/2010	332620	07-03	03/09/2010	13507/2010	332673	25-01K	07/09/2010
13432/2010	332621	07-03	03/09/2010	13509/2010	332653	25-03	07/09/2010
13433/2010	332622	07-03	03/09/2010	13510/2010	332654	25-03	07/09/2010
13434/2010	332623	07-03	03/09/2010	13512/2010	332655	08-07	07/09/2010
13435/2010	332606	11-01A	03/09/2010	13513/2010	332676	23-03G	07/09/2010
13436/2010	332667	25-01K	07/09/2010	13514/2010	332677	23-03G	07/09/2010
13437/2010	332668	25-01K	07/09/2010	13518/2010	332589	08-02	06/09/2010
13438/2010	332607	24-03	03/09/2010	13523/2010	332468	09-07C	30/08/2010
13439/2010	332608	24-03	03/09/2010	13553/2010	332599	26-05B	03/09/2010
13440/2010	332609	25-01A	03/09/2010	13564/2010	332590	06-01F	06/09/2010
13442/2010	332610	08-07	03/09/2010	13586/2010	332591	02-02C	06/09/2010
13443/2010	332611	08-07	03/09/2010	13587/2010	332592	02-02C	06/09/2010
13444/2010	332612	06-01G	03/09/2010	13657/2010	332430	04-02	31/08/2010
13445/2010	332613	14-02	03/09/2010	13658/2010	332431	04-02	31/08/2010
13446/2010	332614	14-02	03/09/2010	13699/2010	332509	23-03E	01/09/2010
13450/2010	332588	13-03NES	06/09/2010	13714/2010	332625	02-01B	03/09/2010
13459/2010	332633	25-99	07/09/2010	13820/2010	332664	03-01D	07/09/2010
13460/2010	332429	14-03A	31/08/2010	13821/2010	332666	25-01K	07/09/2010
13463/2010	332634	08-08L	07/09/2010	13822/2010	332649	06-02	07/09/2010
13464/2010	332635	26-03	07/09/2010				
13465/2010	332636	26-03	07/09/2010				
13466/2010	332637	26-03	07/09/2010				

**Publication and Registration Proceedings**  
**Class Listing of Designs Published or Registered**

The following section shows an International Classification Code listing of the Registered or Published Designs covered in this supplement.

<b>Classification</b>	<b>Registration Number</b>	<b>Design Number</b>	<b>Classification</b>	<b>Registration Number</b>	<b>Design Number</b>
02-01 B	332625	13714/2010	06-01 NES	332506	13356/2010
02-02 B	332603	13417/2010	06-02	332557	12609/2010
02-02 C	332435	12505/2010	06-02	332558	12640/2010
02-02 C	332436	12506/2010	06-02	332559	12641/2010
02-02 C	332437	12507/2010	06-02	332560	12642/2010
02-02 C	332438	12508/2010	06-02	332561	12643/2010
02-02 C	332439	12509/2010	06-02	332562	12644/2010
02-02 C	332591	13586/2010	06-02	332563	12645/2010
02-02 C	332592	13587/2010	06-02	332648	11344/2010
02-02 C	332624	13491/2010	06-02	332649	13822/2010
02-02 NES	332414	10394/2010	06-03 B	332564	12734/2010
02-02 NES	332415	13304/2010	06-04 F	332557	12609/2010
02-02 NES	332416	13305/2010	06-04 F	332558	12640/2010
02-02 NES	332417	13306/2010	06-04 F	332559	12641/2010
02-02 NES	332418	13307/2010	06-04 F	332560	12642/2010
02-02 NES	332419	13308/2010	06-04 F	332561	12643/2010
02-02 NES	332432	14961/2009	06-04 F	332562	12644/2010
02-02 NES	332433	12503/2010	06-04 F	332563	12645/2010
02-02 NES	332434	12504/2010	06-04 NES	332469	12968/2010
02-02 NES	332440	12510/2010	06-04 NES	332470	12969/2010
02-02 NES	332441	12511/2010	06-04 NES	332471	12970/2010
02-02 NES	332442	12512/2010	06-04 NES	332472	12971/2010
02-02 NES	332443	12513/2010	06-04 NES	332473	12972/2010
02-02 NES	332444	12514/2010	06-04 NES	332474	12973/2010
02-02 NES	332445	12515/2010	06-04 NES	332475	13056/2010
02-02 NES	332446	12516/2010	06-04 NES	332476	13057/2010
02-02 NES	332447	12517/2010	06-04 NES	332477	13058/2010
02-02 NES	332448	12518/2010	06-04 NES	332478	13059/2010
02-02 NES	332449	12519/2010	06-04 NES	332479	13060/2010
02-02 NES	332450	12520/2010	06-04 NES	332480	13061/2010
02-02 NES	332451	12521/2010	06-04 NES	332481	13062/2010
02-02 NES	332452	12522/2010	06-06 B	332557	12609/2010
02-02 NES	332453	12523/2010	06-06 B	332558	12640/2010
02-02 NES	332454	12524/2010	06-06 B	332559	12641/2010
02-02 NES	332455	12525/2010	06-06 B	332560	12642/2010
02-02 NES	332456	12526/2010	06-06 B	332561	12643/2010
02-02 NES	332457	12527/2010	06-06 B	332562	12644/2010
02-02 NES	332458	12528/2010	06-06 B	332563	12645/2010
02-02 NES	332459	12529/2010	06-06 F	332557	12609/2010
02-03	332632	12663/2010	06-06 F	332558	12640/2010
02-04 A	332605	13421/2010	06-06 F	332559	12641/2010
02-04 B	332659	13496/2010	06-06 F	332560	12642/2010
02-04 C	332644	12091/2010	06-06 F	332561	12643/2010
02-04 C	332645	12575/2010	06-06 F	332562	12644/2010
02-06	332410	13274/2010	06-06 F	332563	12645/2010
02-06	332411	13275/2010	06-06 H	332572	13293/2010
03-01 B	332482	12976/2010	07-01 B	332380	13035/2010
03-01 D	332664	13820/2010	07-01 B	332421	13225/2010
03-01 D	332665	12849/2010	07-01 B	332484	13227/2010
03-01 NES	332385	13240/2010	07-01 B	332485	13233/2010
04-02	332425	12454/2010	07-01 F	332520	13394/2010
04-02	332430	13657/2010	07-01 F	332521	13395/2010
04-02	332431	13658/2010	07-01 NES	332522	13396/2010
06-01 F	332590	13564/2010	07-01 NES	332523	13399/2010
06-01 F	332656	13474/2010	07-01 NES	332524	13400/2010
06-01 G	332612	13444/2010	07-01 NES	332525	13401/2010

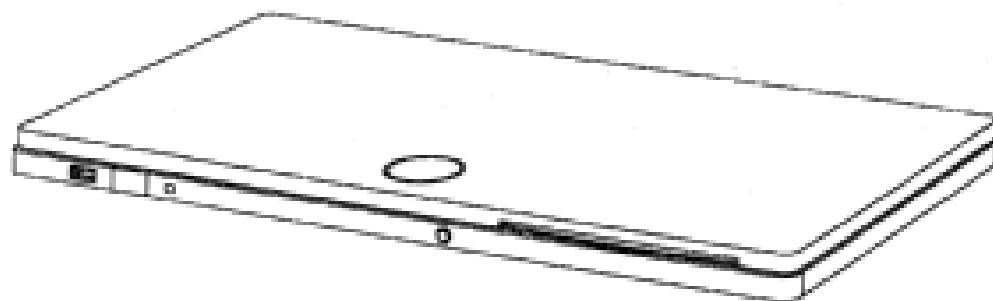
Registration Proceedings - Class Listing of Designs Published or Registered cont'd

Classification	Registration Number	Design Number	Classification	Registration Number	Design Number
07-01 NES	332526	13402/2010	09-01 NES	332399	13388/2010
07-01 NES	332527	13403/2010	09-01 NES	332628	13107/2010
07-01 NES	332529	13405/2010	09-01 NES	332629	13108/2010
07-01 NES	332541	13385/2010	09-01 NES	332630	13109/2010
07-01 NES	332543	13387/2010	09-03 D	332639	10947/2010
07-01 NES	332544	13389/2010	09-03 F	332600	10426/2010
07-01 NES	332545	13390/2010	09-03 H	332601	11793/2010
07-01 NES	332546	13391/2010	09-03 L	332378	12493/2010
07-01 NES	332547	13392/2010	09-03 L	332379	12494/2010
07-01 NES	332548	13393/2010	09-03 M	332593	13098/2010
07-03	332542	13386/2010	09-03 M	332594	13099/2010
07-03	332615	13426/2010	09-03 M	332595	13100/2010
07-03	332616	13427/2010	09-03 M	332640	13482/2010
07-03	332617	13428/2010	09-03 NES	332641	13483/2010
07-03	332618	13429/2010	09-05	332571	13292/2010
07-03	332619	13430/2010	09-07 A	332660	13497/2010
07-03	332620	13431/2010	09-07 A	332661	13498/2010
07-03	332621	13432/2010	09-07 A	332662	13499/2010
07-03	332622	13433/2010	09-07 B	332540	13384/2010
07-03	332623	13434/2010	09-07 C	332468	13523/2010
07-03	332674	12675/2010	09-09	332647	13502/2010
07-04	332462	13025/2010	10-02	332426	13279/2010
07-04	332463	13026/2010	10-02	332643	13490/2010
07-05 D	332556	12583/2010	11-01 A	332606	13435/2010
07-05 E	332502	13330/2010	11-01 NES	332606	13435/2010
07-06 NES	332483	13027/2010	11-04	332388	13243/2010
07-06 NES	332528	13404/2010	11-05	332579	13379/2010
07-99 A	332412	12672/2010	12-02	332460	11934/2010
07-99 A	332413	12673/2010	12-08	332549	11189/2010
08-02	332589	13518/2010	12-08	332631	13353/2010
08-05 A	332461	12443/2010	12-12	332424	13286/2010
08-05 E	332576	13320/2010	12-15 A	332422	13282/2010
08-05 L	332507	13289/2010	12-15 B	332427	13280/2010
08-05 NES	332589	13518/2010	12-15 B	332428	13281/2010
08-05 NES	332596	13423/2010	12-15 B	332467	13299/2010
08-05 NES	332597	13424/2010	12-16 B	332405	13258/2010
08-05 NES	332598	13425/2010	12-16 B	332406	13259/2010
08-06	332384	13383/2010	12-16 C	332552	11192/2010
08-07	332547	13392/2010	12-16 K	332488	13313/2010
08-07	332580	13407/2010	12-16 K	332489	13314/2010
08-07	332581	13408/2010	12-16 K	332490	13315/2010
08-07	332582	13409/2010	12-16 K	332491	13316/2010
08-07	332583	13410/2010	12-16 N	332423	13283/2010
08-07	332584	13411/2010	12-16 NES	332403	13256/2010
08-07	332585	13412/2010	12-16 NES	332626	11759/2010
08-07	332586	13413/2010	12-16 NES	332627	11781/2010
08-07	332587	13414/2010	12-16 NES	332642	13489/2010
08-07	332610	13442/2010	13-01	332466	13298/2010
08-07	332611	13443/2010	13-03 B	332407	13260/2010
08-07	332655	13512/2010	13-03 D	332569	13210/2010
08-08 L	332634	13463/2010	13-03 NES	332588	13450/2010
08-08 L	332657	13476/2010	13-03 NES	332675	13217/2010
08-08 NES	332565	12758/2010	14-01	332185	12437/2010
08-08 NES	332566	12759/2010	14-01	332383	13224/2010
08-08 NES	332567	12760/2010	14-02	332503	13331/2010
08-08 NES	332568	12761/2010	14-02	332613	13445/2010
08-08 NES	332602	13415/2010	14-02	332614	13446/2010
08-09	332532	13335/2010	14-02	332646	13195/2010
09-01 NES	332398	13179/2010	14-03 A	332381	13219/2010

Registration Proceedings - Class Listing of Designs Published or Registered cont'd

Classification	Registration Number	Design Number	Classification	Registration Number	Design Number
14-03 A	332382	13220/2010	25-01 K	332495	13346/2010
14-03 A	332429	13460/2010	25-01 K	332496	13347/2010
14-03 B	332663	13500/2010	25-01 K	332497	13348/2010
14-03 B	332669	13501/2010	25-01 K	332498	13349/2010
14-03 E	332404	13257/2010	25-01 K	332499	13350/2010
14-03 NES	332397	12979/2010	25-01 K	332500	13351/2010
14-03 NES	332420	12903/2010	25-01 K	332504	13332/2010
15-03 A	332392	12032/2010	25-01 K	332531	13334/2010
15-04	332511	13357/2010	25-01 K	332533	13336/2010
15-04	332512	13358/2010	25-01 K	332534	13337/2010
15-04	332513	13359/2010	25-01 K	332535	13338/2010
15-04	332514	13360/2010	25-01 K	332536	13339/2010
15-04	332515	13361/2010	25-01 K	332537	13340/2010
15-04	332516	13362/2010	25-01 K	332538	13341/2010
15-04	332517	13363/2010	25-01 K	332539	13342/2010
15-04	332518	13364/2010	25-01 K	332573	13303/2010
15-09	332604	13420/2010	25-01 K	332574	13318/2010
16-05	332487	13312/2010	25-01 K	332666	13821/2010
16-06	332393	13262/2010	25-01 K	332667	13436/2010
19-02	332510	13354/2010	25-01 K	332668	13437/2010
19-06	332650	12880/2010	25-01 K	332670	13504/2010
19-06	332651	12881/2010	25-01 K	332671	13505/2010
19-06	332652	12913/2010	25-01 K	332672	13506/2010
21-01 A	332386	13241/2010	25-01 K	332673	13507/2010
21-01 A	332387	13242/2010	25-02 B	332554	12300/2010
21-01 D	332388	13243/2010	25-02 B	332555	12301/2010
21-01 M	332408	13272/2010	25-02 B	332670	13504/2010
21-01 M	332409	13273/2010	25-02 B	332671	13505/2010
21-02 F	332575	13319/2010	25-02 B	332672	13506/2010
22-01	332385	13240/2010	25-02 B	332673	13507/2010
23-01 H	332394	13263/2010	25-02 H	332553	12299/2010
23-01 H	332395	13264/2010	25-02 H	332554	12300/2010
23-01 H	332396	13265/2010	25-02 H	332555	12301/2010
23-01 H	332464	13295/2010	25-02 H	332670	13504/2010
23-01 H	332465	13296/2010	25-02 H	332671	13505/2010
23-01 L	332570	13287/2010	25-02 H	332672	13506/2010
23-02 B	332577	13321/2010	25-02 H	332673	13507/2010
23-03 E	332508	12705/2010	25-03	332653	13509/2010
23-03 E	332509	13699/2010	25-03	332654	13510/2010
23-03 G	332676	13513/2010	25-99	332633	13459/2010
23-03 G	332677	13514/2010	26-02	332519	13366/2010
24-02	332607	13438/2010	26-03	332635	13464/2010
24-02	332608	13439/2010	26-03	332636	13465/2010
24-03	332607	13438/2010	26-03	332637	13466/2010
24-03	332608	13439/2010	26-04	332530	13310/2010
24-04	332501	13329/2010	26-05 B	332599	13553/2010
24-04	332638	13470/2010	26-05 D	332658	13495/2010
25-01 A	332609	13440/2010	26-06	332550	11190/2010
25-01 B	332505	13333/2010	26-06	332551	11191/2010
25-01 C	332634	13463/2010	28-03 A	332389	13244/2010
25-01 G	332578	13324/2010	28-03 NES	332389	13244/2010
25-01 K	332401	13269/2010	28-03 NES	332400	13180/2010
25-01 K	332402	13270/2010	30-99	332390	11265/2010
25-01 K	332486	13311/2010	30-99	332391	11266/2010
25-01 K	332492	13343/2010			
25-01 K	332493	13344/2010			
25-01 K	332494	13345/2010			

- (21) Design Number: **12437/2010**  
(22) Date of Filing Application: **15 June 2010**  
(24) Date from which industrial property rights may have effect: **15 June 2010**  
(54) Product in respect of which the design is registered: **Digital video disk recorder**  
(51) International Design Classification: **14-01**  
(71) Name(s) and Address(s) of Applicant(s):  
**Sharp Kabushiki Kaisha**  
**22-22 Nagaïke-cho Abeno-ku Osaka Japan**  
(72) Name(s) of Designer(s): **Noriaki Itai**  
(45) Registration Date: **24 August 2010**  
(30) Convention priority data:  
(31) Number      (32) Date      (33) Country  
**2009-030531      28 Dec 2009      JAPAN**  
(56) Related Art Documents: **Not Applicable**  
(57) Statement of Newness and Distinctiveness: **Nil**



- (21) Design Number: **12493/2010**  
(22) Date of Filing Application: **17 June 2010**  
(24) Date from which industrial property rights may have effect: **17 June 2010**  
(54) Product in respect of which the design is registered: **Container**  
(51) International Design Classification: **09-03L**  
(71) Name(s) and Address(s) of Applicant(s):  
**The Procter & Gamble Company**  
**One Procter & Gamble Plaza Cincinnati Ohio 45202 United States of America**  
(72) Name(s) of Designer(s): **Frank Delmar Macaulay and Nancy W. Andrew**  
(45) Registration Date: **24 August 2010**  
(30) Convention priority data:  
(31) Number      (32) Date      (33) Country  
**29/352,169      17 Dec 2009      UNITED STATES OF AMERICA**  
(56) Related Art Documents: **Not Applicable**  
(57) Statement of Newness and Distinctiveness: **Those features of the container depicted in the representations that are new and distinctive are the features of pattern and/or ornamentation formed by the four horizontal coloured bands as shown in the representations. The features shown in broken lines are not part of the design and are to be disregarded when considering the overall impression of the design.**



(21) Design Number: **12494/2010**

(22) Date of Filing Application: **17 June 2010**

(24) Date from which industrial property rights may have effect: **17 June 2010**

(54) Product in respect of which the design is registered: **Container**

(51) International Design Classification: **09-03L**

(71) Name(s) and Address(s) of Applicant(s):

**The Procter & Gamble Company  
One Procter & Gamble Plaza Cincinnati Ohio 45202 United States of  
America**

(72) Name(s) of Designer(s): **Frank Delmar Macaulay and Nancy W. Andrew**

(45) Registration Date: **24 August 2010**

(30) Convention priority data:

(31) Number	(32) Date	(33) Country
<b>29/352,169</b>	<b>17 Dec 2009</b>	<b>UNITED STATES OF AMERICA</b>

(56) Related Art Documents: **Not Applicable**

(57) Statement of Newness and Distinctiveness: **Those features of the container depicted in the representations that are new and distinctive are the features of pattern and/or ornamentation formed by the 4 horizontal bands wherein each band may be of any colour or shade. The features shown in broken lines are not part of the design and are to be disregarded when considering the overall impression of the design.**



(21) Design Number: **13035/2010**

(22) Date of Filing Application: **22 July 2010**

(24) Date from which industrial property rights may have effect: **22 July 2010**

(54) Product in respect of which the design is registered: **Tray**

(51) International Design Classification: **07-01B**

(71) Name(s) and Address(s) of Applicant(s):

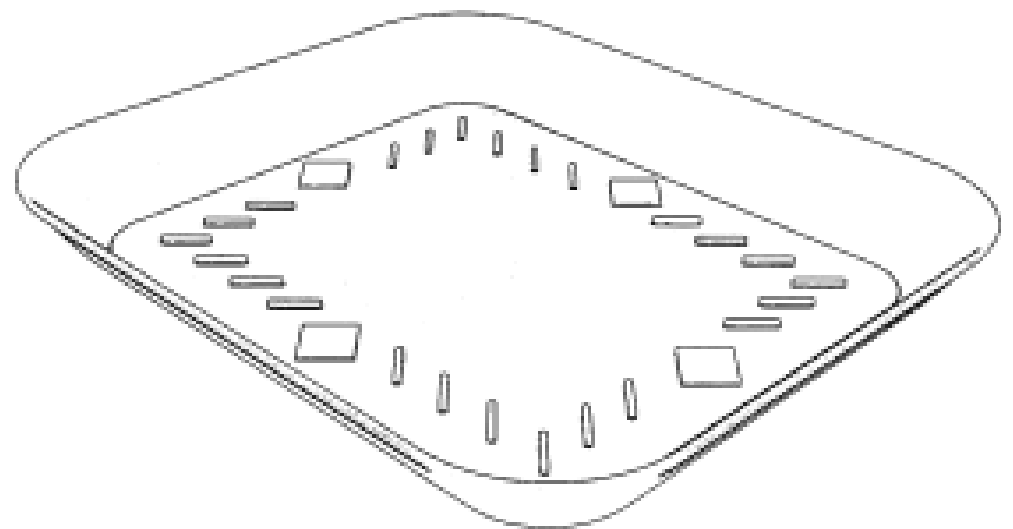
**Serderon The Plastic Man Pty Limited  
48 B Alexander Avenue Taren Point New South Wales 2229 Australia**

(72) Name(s) of Designer(s): **Susan Jennifer Congiusta**

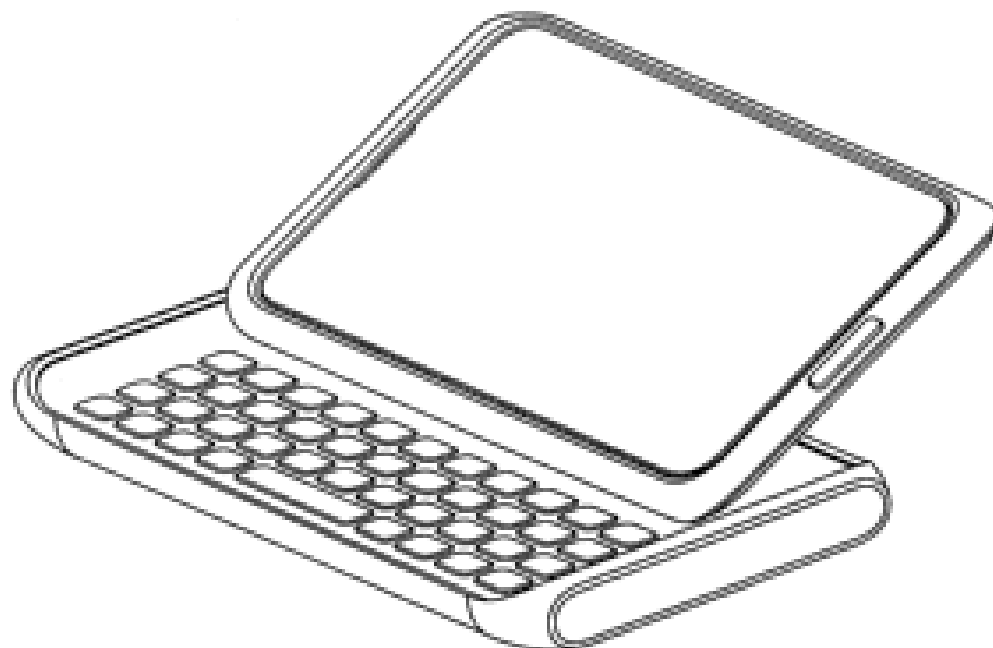
(45) Registration Date: **24 August 2010**

(56) Related Art Documents: **Not Applicable**

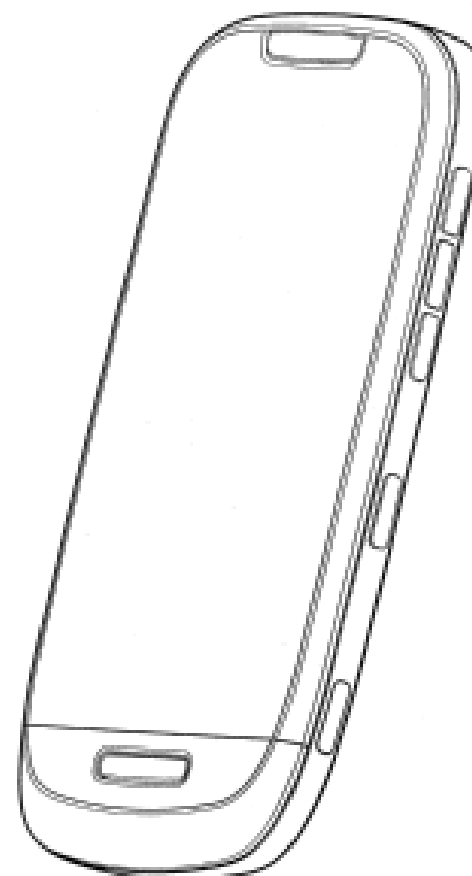
(57) Statement of Newness and Distinctiveness: **Newness and distinctiveness is claimed in the features of shape and/or configuration of the protrusions on the top surface of the base of the tray as illustrated in the accompanying representations.**



- (21) Design Number: **13219/2010**  
(22) Date of Filing Application: **29 July 2010**  
(24) Date from which industrial property rights may have effect: **29 July 2010**  
(54) Product in respect of which the design is registered: **Handset**  
(51) International Design Classification: **14-03A**  
(71) Name(s) and Address(s) of Applicant(s):  
**Nokia Corporation**  
**Keilalahdentie 4 FIN-02150 Espoo Finland**  
(72) Name(s) of Designer(s): **Shunjiro Eguchi**  
(45) Registration Date: **24 August 2010**  
(30) Convention priority data:  
(31) Number      (32) Date      (33) Country  
**29/359907      16 Apr 2010      UNITED STATES OF AMERICA**  
(56) Related Art Documents: **Not Applicable**  
(57) Statement of Newness and Distinctiveness: **Newness and distinctiveness is claimed in the features of shape and/or configuration of a handset as illustrated in the accompanying representations.**



- (21) Design Number: **13220/2010**  
(22) Date of Filing Application: **29 July 2010**  
(24) Date from which industrial property rights may have effect: **29 July 2010**  
(54) Product in respect of which the design is registered: **Handset**  
(51) International Design Classification: **14-03A**  
(71) Name(s) and Address(s) of Applicant(s):  
**Nokia Corporation**  
**Keilalahdentie 4 FIN-02150 Espoo Finland**  
(72) Name(s) of Designer(s): **Tomas Ivaskevicius**  
(45) Registration Date: **24 August 2010**  
(30) Convention priority data:  
(31) Number      (32) Date      (33) Country  
**29/361623      13 May 2010      UNITED STATES OF AMERICA**  
(56) Related Art Documents: **Not Applicable**  
(57) Statement of Newness and Distinctiveness: **Newness and distinctiveness is claimed in the features of shape and/or configuration of a handset as illustrated in the accompanying representations.**

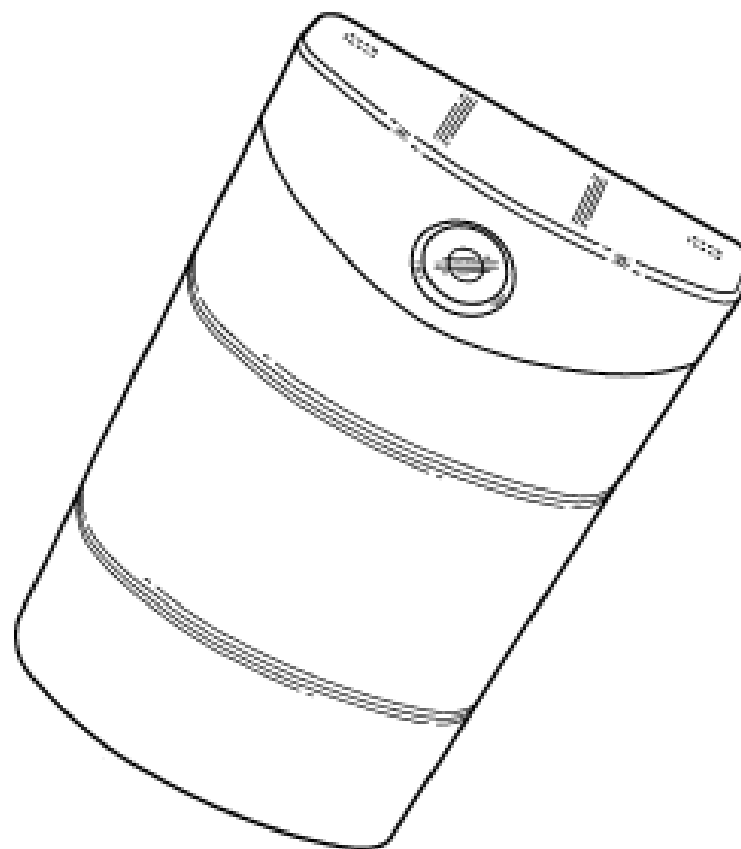




- (21) Design Number: **13224/2010**
- (22) Date of Filing Application: **29 July 2010**
- (24) Date from which industrial property rights may have effect: **29 July 2010**
- (54) Product in respect of which the design is registered: **Video camcorder**
- (51) International Design Classification: **14-01**
- (71) Name(s) and Address(s) of Applicant(s):

**Sony Corporation**  
**1-7-1 Konan Minato-ku TOKYO 1080075 JAPAN**

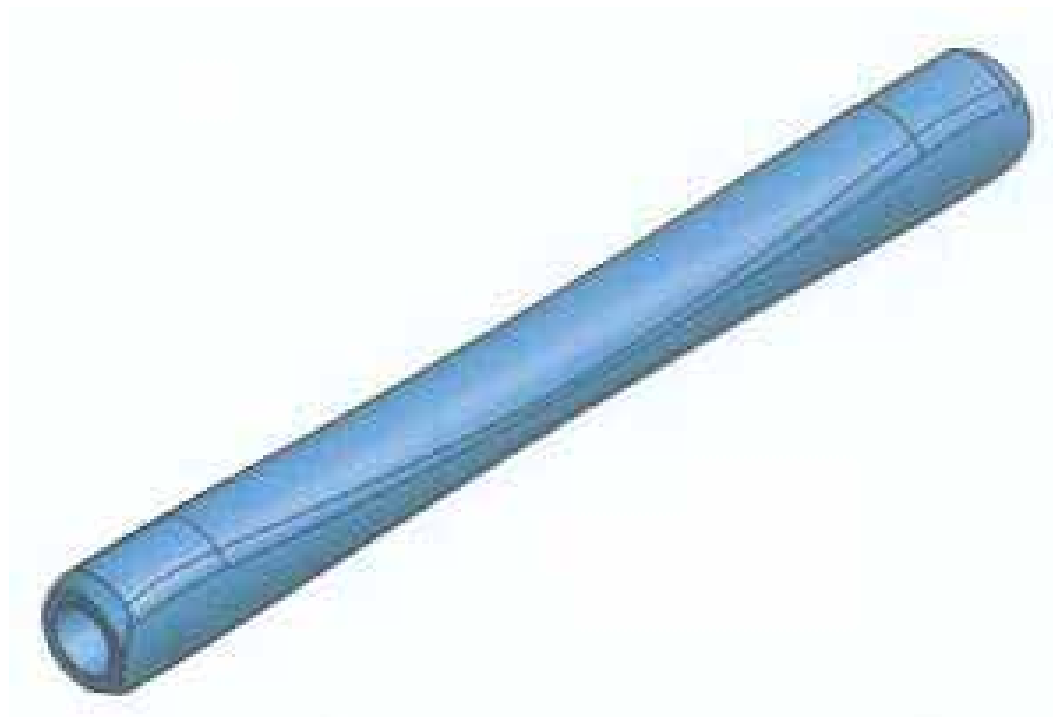
- (72) Name(s) of Designer(s): **Yuji Oikawa and Isamu Arie**
- (45) Registration Date: **24 August 2010**
- (30) Convention priority data:
  - (31) Number      (32) Date      (33) Country
  - 29/365,659      13 Jul 2010      UNITED STATES OF AMERICA**
- (56) Related Art Documents: **Not Applicable**
- (57) Statement of Newness and Distinctiveness: **The shape and configuration of those parts of the design shown by means of solid lines in the representations are new and distinctive. Figure 3 shows the design with a removable memory device, which is included for illustrative purposes only and does not form part of the design.**



- (21) Design Number: **13383/2010**
- (22) Date of Filing Application: **10 August 2010**
- (24) Date from which industrial property rights may have effect: **10 August 2010**
- (54) Product in respect of which the design is registered: **Tool handles**
- (51) International Design Classification: **08-06**
- (71) Name(s) and Address(s) of Applicant(s):

**Vicmarc Machinery Pty Ltd**  
**52 Grice Street Clontarf Queensland 4019 Australia**

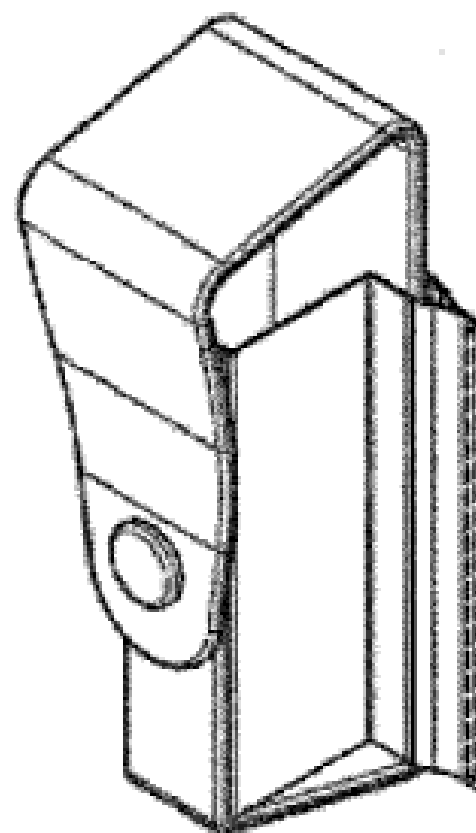
- (72) Name(s) of Designer(s): **Victor Verrechhia**
- (45) Registration Date: **24 August 2010**
- (56) Related Art Documents: **Not Applicable**
- (57) Statement of Newness and Distinctiveness: **Nil**



- (21) Design Number: **13240/2010**
- (22) Date of Filing Application: **30 July 2010**
- (24) Date from which industrial property rights may have effect: **30 July 2010**
- (54) Product in respect of which the design is registered: **Magazine pouch**
- (51) International Design Classification: **03-01NES, 22-01**
- (71) Name(s) and Address(s) of Applicant(s):

**THF Innovation Pty Ltd**  
**68 Barry Street Bayswater Victoria 3153 Australia**

- (72) Name(s) of Designer(s): **Albert Hellweg**
- (45) Registration Date: **25 August 2010**
- (56) Related Art Documents: **Not Applicable**
- (57) Statement of Newness and Distinctiveness: **Nil**



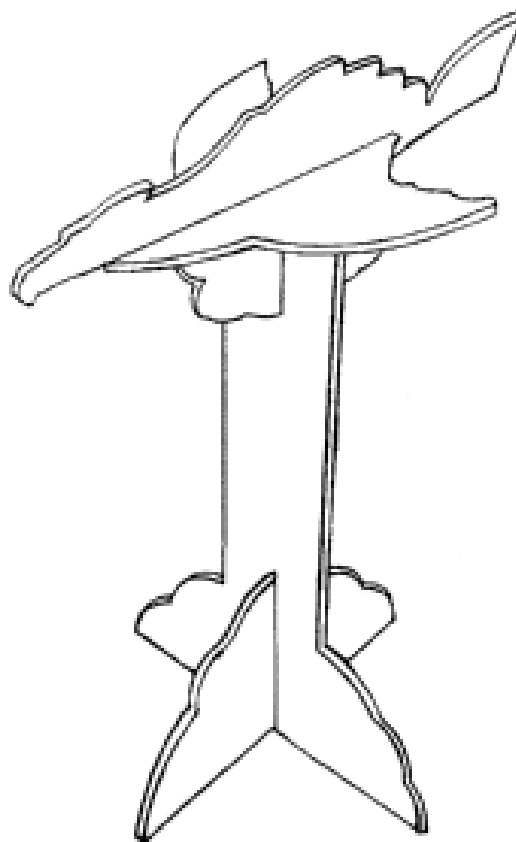
- (21) Design Number: **13241/2010**
- (22) Date of Filing Application: **30 July 2010**
- (24) Date from which industrial property rights may have effect: **30 July 2010**
- (54) Product in respect of which the design is registered: **Model dragon kit**
- (51) International Design Classification: **21-01A**
- (71) Name(s) and Address(s) of Applicant(s):

**Chris Lynch**  
**23 Taurus Street North Balwyn Victoria 3104 Australia**

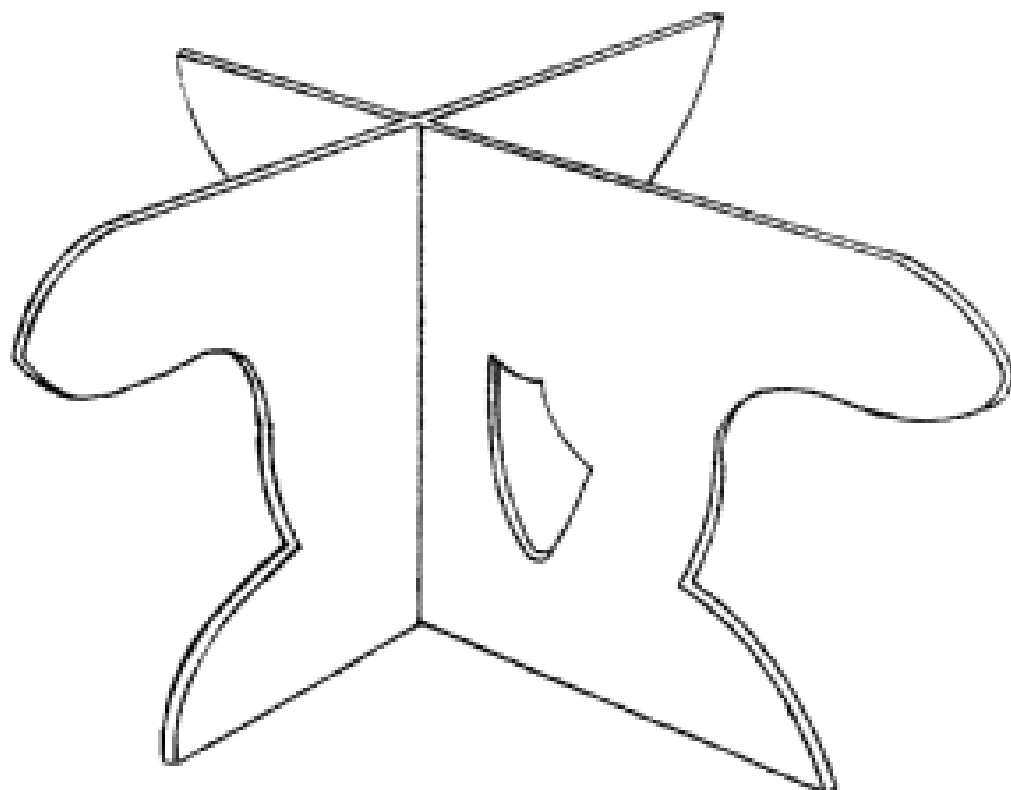
- (72) Name(s) of Designer(s): **Chris Lynch**
- (45) Registration Date: **25 August 2010**
- (56) Related Art Documents: **Not Applicable**
- (57) Statement of Newness and Distinctiveness: **Newness and distinctiveness are claimed in the features of shape and configuration of a model dragon kit, as illustrated in the accompanying representations.**



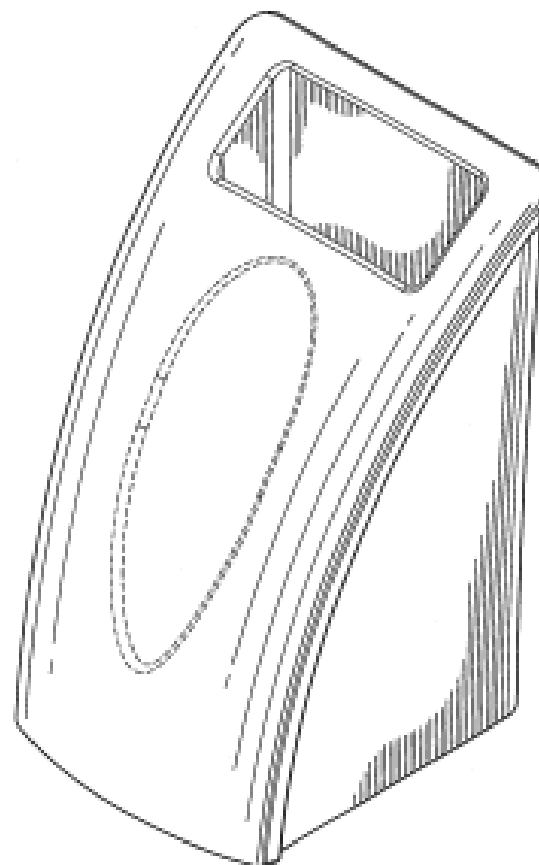
- (21) Design Number: **13242/2010**  
(22) Date of Filing Application: **30 July 2010**  
(24) Date from which industrial property rights may have effect: **30 July 2010**  
(54) Product in respect of which the design is registered: **Model dragon kit**  
(51) International Design Classification: **21-01A**  
(71) Name(s) and Address(s) of Applicant(s):  
**Chris Lynch**  
**23 Taurus Street North Balwyn Victoria 3104 Australia**  
(72) Name(s) of Designer(s): **Chris Lynch**  
(45) Registration Date: **25 August 2010**  
(56) Related Art Documents: **Not Applicable**  
(57) Statement of Newness and Distinctiveness: **Newness and distinctiveness are claimed in the features of shape and configuration of a model dragon kit, as illustrated in the accompanying representations.**



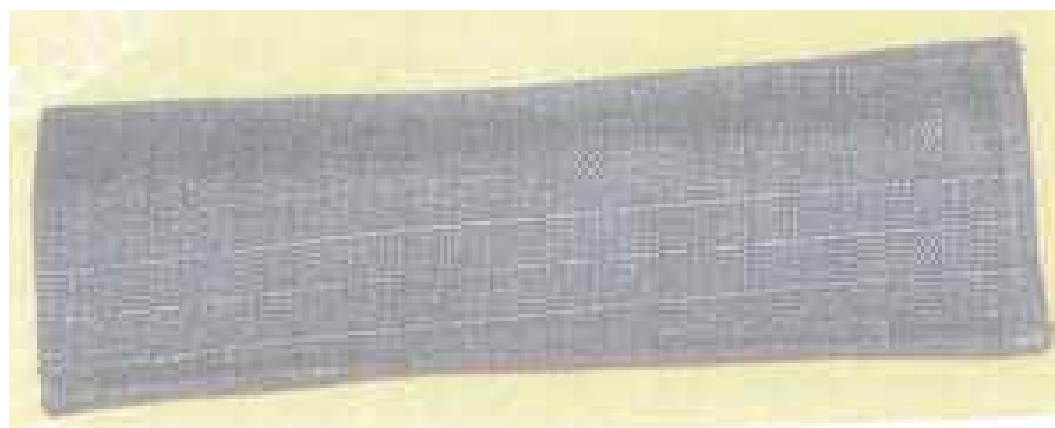
- (21) Design Number: **13243/2010**  
(22) Date of Filing Application: **30 July 2010**  
(24) Date from which industrial property rights may have effect: **30 July 2010**  
(54) Product in respect of which the design is registered: **Model tree kit**  
(51) International Design Classification: **21-01D, 11-04**  
(71) Name(s) and Address(s) of Applicant(s):  
**Chris Lynch**  
**23 Taurus Street North Balwyn Victoria 3104 Australia**  
(72) Name(s) of Designer(s): **Chris Lynch**  
(45) Registration Date: **25 August 2010**  
(56) Related Art Documents: **Not Applicable**  
(57) Statement of Newness and Distinctiveness: **Newness and distinctiveness are claimed in the features of shape and configuration of a model tree kit, as illustrated in the accompanying representations.**



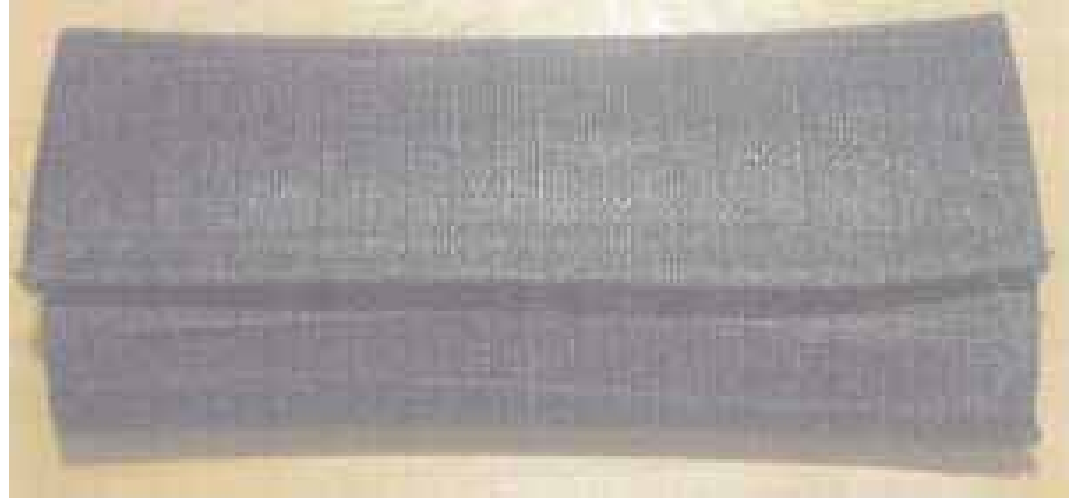
- (21) Design Number: **13244/2010**  
(22) Date of Filing Application: **30 July 2010**  
(24) Date from which industrial property rights may have effect: **30 July 2010**  
(54) Product in respect of which the design is registered: **Organizer tray**  
(51) International Design Classification: **28-03A, 28-03NES**  
(71) Name(s) and Address(s) of Applicant(s):  
**The Gillette Company**  
**Prudential Tower Building Boston Massachusetts 02199 United States of America**  
(72) Name(s) of Designer(s): **Kristopher William Schulz**  
(45) Registration Date: **25 August 2010**  
(30) Convention priority data:  
(31) Number (32) Date (33) Country  
**29/355,152 03 Feb 2010 UNITED STATES OF AMERICA**  
(56) Related Art Documents: **Not Applicable**  
(57) Statement of Newness and Distinctiveness: **Those features of the organizer tray depicted in the representations that are new and distinctive are the shape and/or configuration. The features shown in broken lines are not part of the design and are to be disregarded when considering the overall impression of the design.**



- (21) Design Number: **11265/2010**  
(22) Date of Filing Application: **07 April 2010**  
(24) Date from which industrial property rights may have effect: **07 April 2010**  
(54) Product in respect of which the design is registered: **Natural fragrance dispenser**  
(51) International Design Classification: **30-99**  
(71) Name(s) and Address(s) of Applicant(s):  
**Paar Enterprises Pty Ltd**  
**63 Graydens Road Hastings Victoria 3915 Australia**  
(72) Name(s) of Designer(s): **Philip James Adams and Suzanne Winifred Sporys**  
(45) Registration Date: **25 August 2010**  
(56) Related Art Documents: **Not Applicable**  
(57) Statement of Newness and Distinctiveness: **Animal scent dispenser is a tubular rectangular shape made of flexible material either natural fiber or synthetic attachment, with openings at either end allowing for a collar or halter to be passed through and then placed back on the animal, the dispenser contains an inbuilt scent/odor dispenser. The odor dispenser is infused with different types of scents/odors or repellants that slowly disperse.**



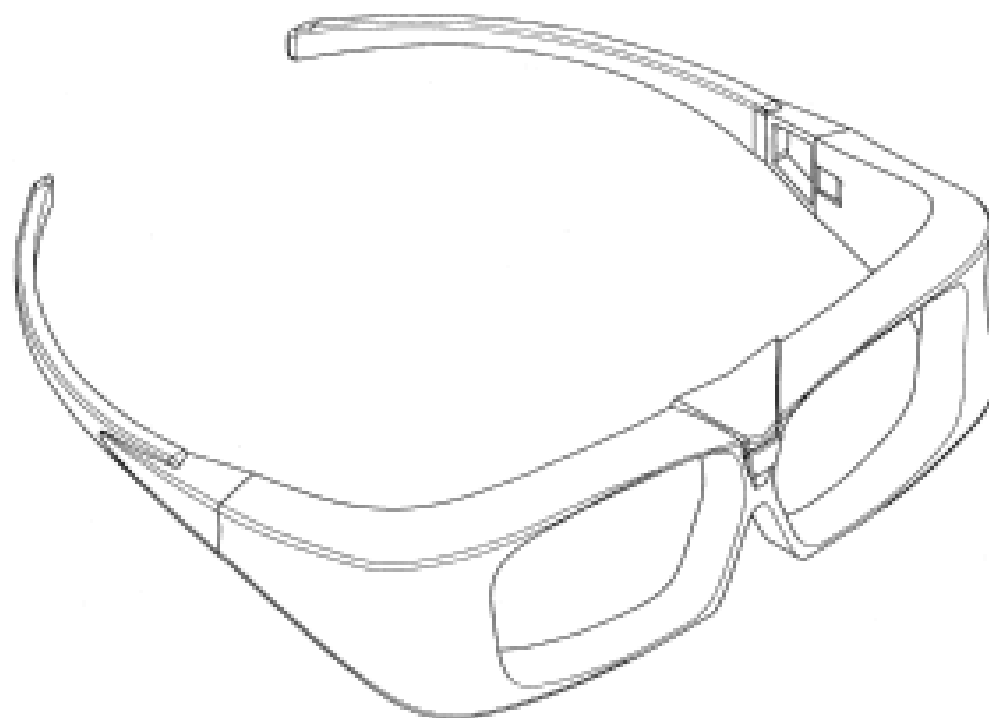
- (21) Design Number: **11266/2010**  
(22) Date of Filing Application: **07 April 2010**  
(24) Date from which industrial property rights may have effect: **07 April 2010**  
(54) Product in respect of which the design is registered: **Natural fragrance dispenser**  
(51) International Design Classification: **30-99**  
(71) Name(s) and Address(s) of Applicant(s):  
**Paar Enterprises Pty Ltd**  
**63 Graydens Road Hastings Victoria 3915 Australia**  
(72) Name(s) of Designer(s): **Philip James Adams and Suzanne Winifred Sporys**  
(45) Registration Date: **25 August 2010**  
(56) Related Art Documents: **Not Applicable**  
(57) Statement of Newness and Distinctiveness: **Animal scent dispenser is a tubular rectangular shape made of flexible material either natural fiber or synthetic attachment with opening along one side with Velcro fastening along open edge allowing for dispenser to be placed around a collar or halter and then placed back on the animal, the dispenser contains an inbuilt scent/odor dispenser. The odor dispenser is infused with different types of scents/odors or repellents that slowly disperse.**



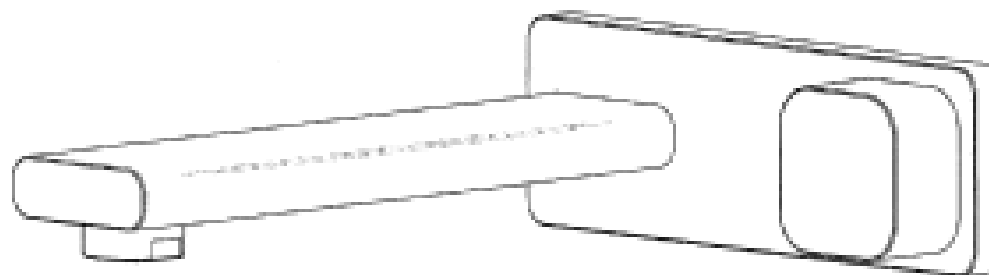
- (21) Design Number: **12032/2010**  
(22) Date of Filing Application: **24 May 2010**  
(24) Date from which industrial property rights may have effect: **24 May 2010**  
(54) Product in respect of which the design is registered: **Rotaspread manure spreader**  
(51) International Design Classification: **15-03A**  
(71) Name(s) and Address(s) of Applicant(s):  
**Colin Bruce Firth**  
**42-44 Goddard Lane Tamworth New South Wales 2340 Australia**  
(72) Name(s) of Designer(s): **Colin Bruce Firth**  
(45) Registration Date: **25 August 2010**  
(56) Related Art Documents: **Not Applicable**  
(57) Statement of Newness and Distinctiveness: **The design of the rotaspread manure spreader is distinctive and new in comparison to manufactured spreader available. The rotating drum screen and spreading action is new and distinct. Also the wheel to drum drive is a new concept in manure spreading manufactured products.**



- (21) Design Number: **13262/2010**  
(22) Date of Filing Application: **02 August 2010**  
(24) Date from which industrial property rights may have effect: **02 August 2010**  
(54) Product in respect of which the design is registered: **3D glasses**  
(51) International Design Classification: **16-06**  
(71) Name(s) and Address(s) of Applicant(s):  
**X6D Ltd**  
**199 Arch Makarios III Avenue 3030 Limassol Cyprus**  
(72) Name(s) of Designer(s): **Boyd MacNaughton and Rodney W. Kimmell and David W. Allen and Jure Bezgovsek and Jure Repe and Ding Hua Ling**  
(45) Registration Date: **25 August 2010**  
(30) Convention priority data:  
(31) Number (32) Date (33) Country  
**29/348752 04 Feb 2010 UNITED STATES OF AMERICA**  
(56) Related Art Documents: **Not Applicable**  
(57) Statement of Newness and Distinctiveness: **Newness and distinctiveness is claimed in the visual features shown in solid lines in the representations.**



- (21) Design Number: **13263/2010**  
(22) Date of Filing Application: **03 August 2010**  
(24) Date from which industrial property rights may have effect: **03 August 2010**  
(54) Product in respect of which the design is registered: **A spout and tap assembly**  
(51) International Design Classification: **23-01H**  
(71) Name(s) and Address(s) of Applicant(s):  
**Meco Australia Pty Limited**  
**30 Stennett Road Ingleburn New South Wales 2565 Australia**  
(72) Name(s) of Designer(s): **Nicholas Kroopin**  
(45) Registration Date: **25 August 2010**  
(56) Related Art Documents: **Not Applicable**  
(57) Statement of Newness and Distinctiveness: **Newness and distinctiveness is claimed in the shape and/or configuration of a spout and tap assembly as illustrated by the unbroken lines in the accompanying representation/s.**



(21) Design Number: **13264/2010**

(22) Date of Filing Application: **03 August 2010**

(24) Date from which industrial property rights may have effect: **03 August 2010**

(54) Product in respect of which the design is registered: **A tap handle**

(51) International Design Classification: **23-01H**

(71) Name(s) and Address(s) of Applicant(s):

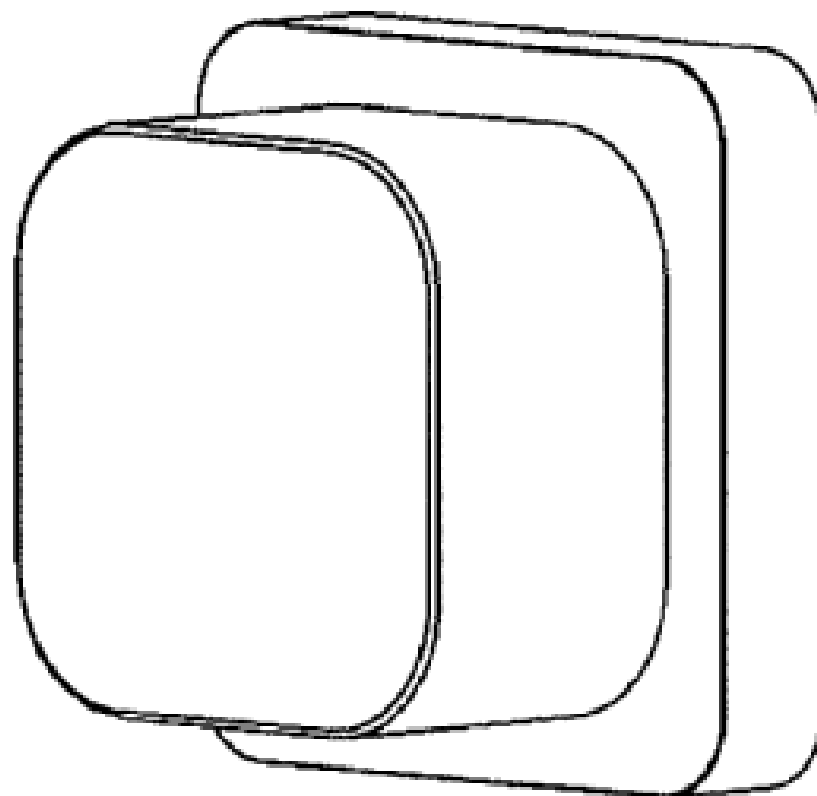
**Meco Australia Pty Limited**  
**30 Stennett Road Ingleburn New South Wales 2565 Australia**

(72) Name(s) of Designer(s): **Nicholas Kroopin**

(45) Registration Date: **25 August 2010**

(56) Related Art Documents: **Not Applicable**

(57) Statement of Newness and Distinctiveness: **Newness and distinctiveness is claimed in the shape and/or configuration of a tap handle as illustrated by the unbroken lines in the accompanying representation.**



(21) Design Number: **13265/2010**

(22) Date of Filing Application: **03 August 2010**

(24) Date from which industrial property rights may have effect: **03 August 2010**

(54) Product in respect of which the design is registered: **A tap**

(51) International Design Classification: **23-01H**

(71) Name(s) and Address(s) of Applicant(s):

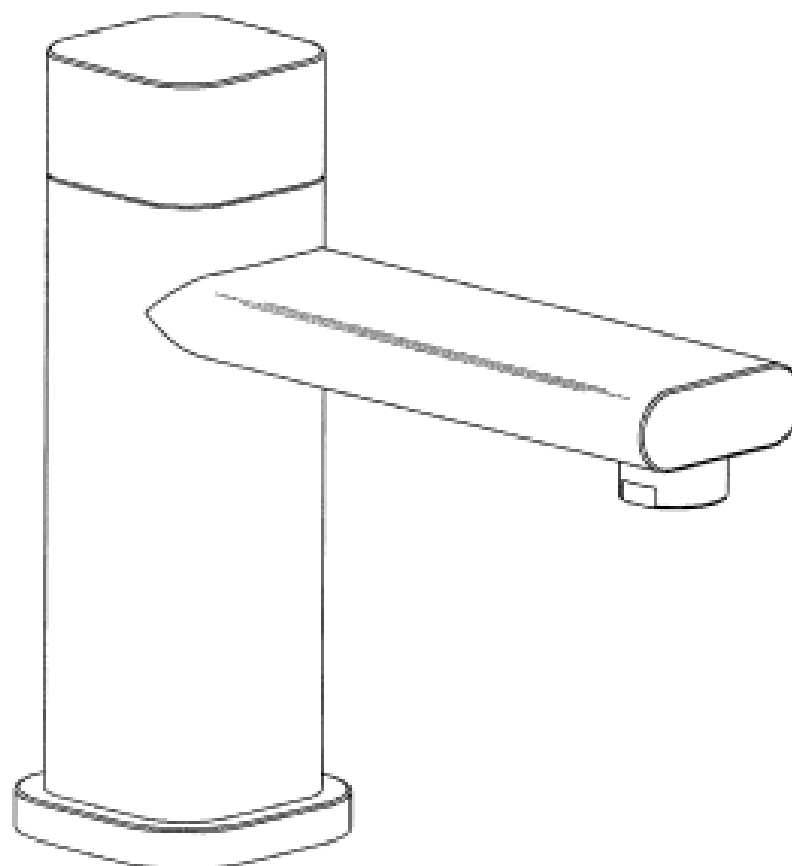
**Meco Australia Pty Limited**  
**30 Stennett Road Ingleburn New South Wales 2565 Australia**

(72) Name(s) of Designer(s): **Nicholas Kroopin**

(45) Registration Date: **25 August 2010**

(56) Related Art Documents: **Not Applicable**

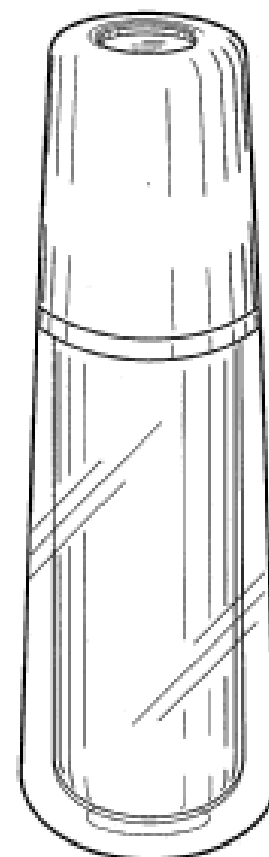
(57) Statement of Newness and Distinctiveness: **Newness and distinctiveness is claimed in the shape and/or configuration of a tap handle as illustrated by the unbroken lines in the accompanying representations.**



- (21) Design Number: **12979/2010**  
(22) Date of Filing Application: **20 July 2010**  
(24) Date from which industrial property rights may have effect: **20 July 2010**  
(54) Product in respect of which the design is registered: **Automatic HF antenna tuning unit**  
(51) International Design Classification: **14-03NES**  
(71) Name(s) and Address(s) of Applicant(s):  
**Lencom Antennas Pty Ltd**  
**8 Antonio Court Newton South Australia 5074 Australia**  
(72) Name(s) of Designer(s): **Peter Leonard**  
(45) Registration Date: **26 August 2010**  
(56) Related Art Documents: **Not Applicable**  
(57) Statement of Newness and Distinctiveness: **Distinctive appearance.**

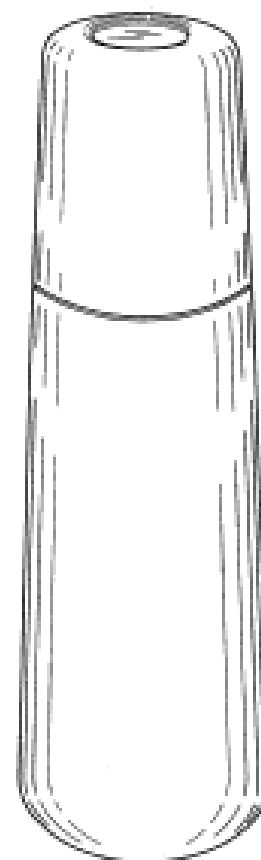


- (21) Design Number: **13179/2010**  
(22) Date of Filing Application: **27 July 2010**  
(24) Date from which industrial property rights may have effect: **27 July 2010**  
(54) Product in respect of which the design is registered: **Bottle with cap**  
(51) International Design Classification: **09-01NES**  
(71) Name(s) and Address(s) of Applicant(s):  
**BeautyBank Inc**  
**767 Fifth Avenue New York New York 10153 United States of America**  
(72) Name(s) of Designer(s): **Teresa Yeung**  
(45) Registration Date: **26 August 2010**  
(30) Convention priority data:  
(31) Number (32) Date (33) Country  
**29/359,133 06 Apr 2010 UNITED STATES OF AMERICA**  
(56) Related Art Documents: **Not Applicable**  
(57) Statement of Newness and Distinctiveness: **Those features of the bottle with cap depicted in the representations that are new and distinctive are the shape, configuration and/or ornamentation.**

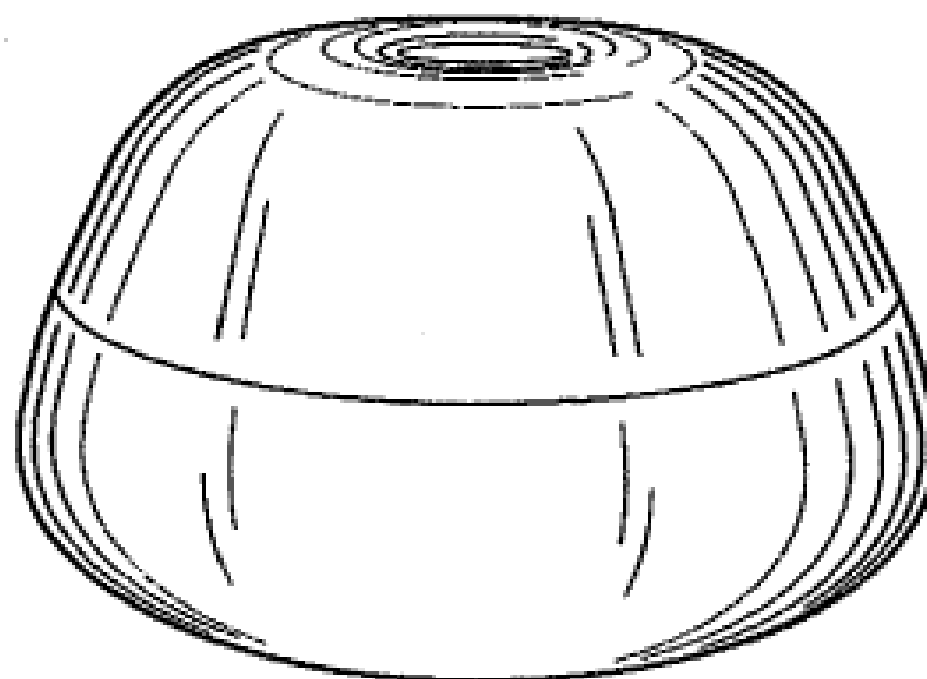




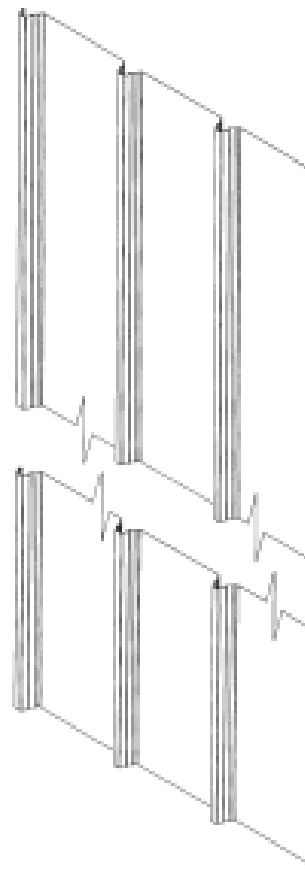
(21) Design Number: **13388/2010**  
(22) Date of Filing Application: **27 July 2010**  
(24) Date from which industrial property rights may have effect: **27 July 2010**  
(54) Product in respect of which the design is registered: **Bottle with cap**  
(51) International Design Classification: **09-01NES**  
(71) Name(s) and Address(s) of Applicant(s):  
**BeautyBank Inc**  
**767 Fifth Avenue New York New York 10153 United States of America**  
(72) Name(s) of Designer(s): **Teresa Yeung**  
(45) Registration Date: **26 August 2010**  
(30) Convention priority data:  
(31) Number (32) Date (33) Country  
**29/359,133 06 Apr 2010 UNITED STATES OF AMERICA**  
(56) Related Art Documents: **Not Applicable**  
(57) Statement of Newness and Distinctiveness: **Those features of the bottle with cap depicted in the representations that are new and distinctive are the shape, configuration and/or ornamentation.**



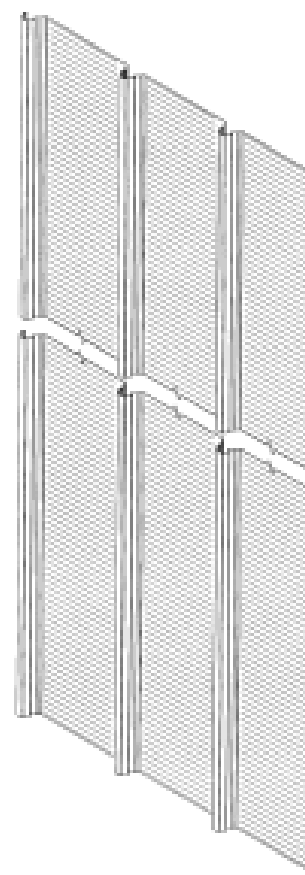
(21) Design Number: **13180/2010**  
(22) Date of Filing Application: **27 July 2010**  
(24) Date from which industrial property rights may have effect: **27 July 2010**  
(54) Product in respect of which the design is registered: **Cosmetic container**  
(51) International Design Classification: **28-03NES**  
(71) Name(s) and Address(s) of Applicant(s):  
**BeautyBank Inc**  
**767 Fifth Avenue New York New York 10153 United States of America**  
(72) Name(s) of Designer(s): **Teresa Yeung**  
(45) Registration Date: **26 August 2010**  
(30) Convention priority data:  
(31) Number (32) Date (33) Country  
**29/356,605 12 Mar 2010 UNITED STATES OF AMERICA**  
(56) Related Art Documents: **Not Applicable**  
(57) Statement of Newness and Distinctiveness: **Nil**



- (21) Design Number: **13269/2010**  
(22) Date of Filing Application: **02 August 2010**  
(24) Date from which industrial property rights may have effect: **02 August 2010**  
(54) Product in respect of which the design is registered: **Panel**  
(51) International Design Classification: **25-01K**  
(71) Name(s) and Address(s) of Applicant(s):  
**Bluescope Steel Limited**  
**Level 11 120 Collins Street Melbourne Victoria 3000 Australia**  
(72) Name(s) of Designer(s): **Campbell John Seccombe**  
(45) Registration Date: **26 August 2010**  
(56) Related Art Documents: **Not Applicable**  
(57) Statement of Newness and Distinctiveness: **Nil**



- (21) Design Number: **13270/2010**  
(22) Date of Filing Application: **02 August 2010**  
(24) Date from which industrial property rights may have effect: **02 August 2010**  
(54) Product in respect of which the design is registered: **Panel**  
(51) International Design Classification: **25-01K**  
(71) Name(s) and Address(s) of Applicant(s):  
**Bluescope Steel Limited**  
**Level 11 120 Collins Street Melbourne Victoria 3000 Australia**  
(72) Name(s) of Designer(s): **Campbell John Seccombe**  
(45) Registration Date: **26 August 2010**  
(56) Related Art Documents: **Not Applicable**  
(57) Statement of Newness and Distinctiveness: **Nil**

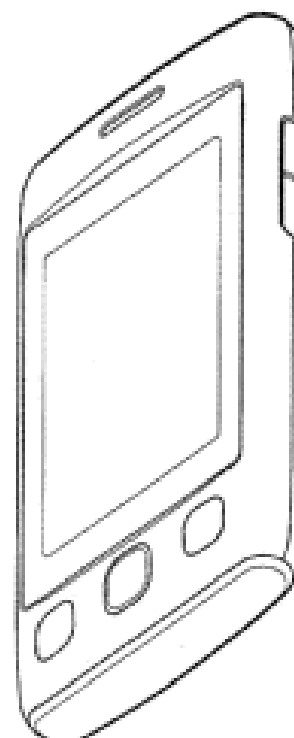


- (21) Design Number: **13256/2010**
- (22) Date of Filing Application: **03 August 2010**
- (24) Date from which industrial property rights may have effect: **03 August 2010**
- (54) Product in respect of which the design is registered: **Air intake**
- (51) International Design Classification: **12-16NES**
- (71) Name(s) and Address(s) of Applicant(s):  
**Adam Brent Hood**  
**3 Frank Knight Place Waiuku 2123 New Zealand**
- (72) Name(s) of Designer(s): **Adam Brent Hood**
- (45) Registration Date: **26 August 2010**
- (56) Related Art Documents: **Not Applicable**
- (57) Statement of Newness and Distinctiveness: **Large filter in front of housing. MAF sits between filter housing and throttle body. Stepped in area on sides to fit radiator knobs.**

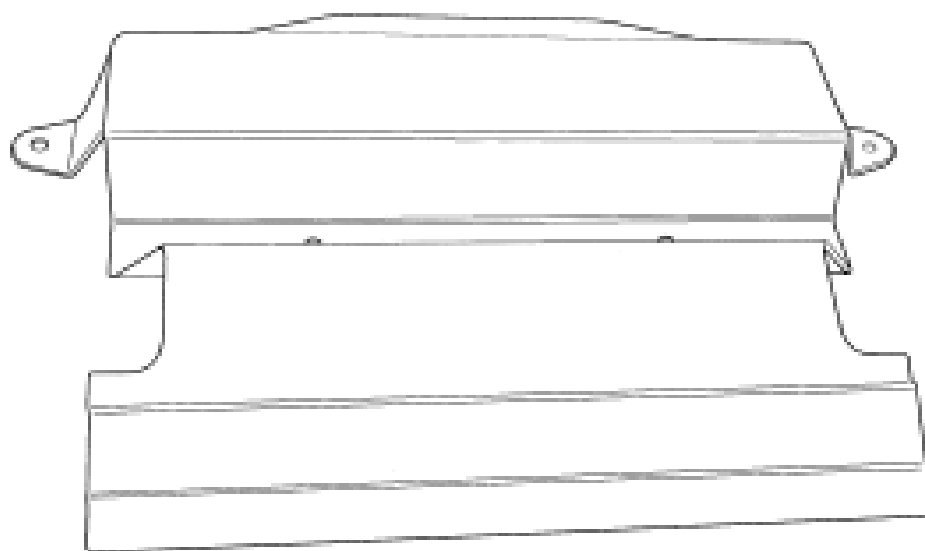


- (21) Design Number: **13257/2010**
- (22) Date of Filing Application: **02 August 2010**
- (24) Date from which industrial property rights may have effect: **02 August 2010**
- (54) Product in respect of which the design is registered: **Mobile phone**
- (51) International Design Classification: **14-03E**
- (71) Name(s) and Address(s) of Applicant(s):  
**LG Electronics Inc.**  
**20 Yeouido-dong Yeongdeungpo-gu Seoul 150-721 Republic of Korea**
- (72) Name(s) of Designer(s): **Jung Soo Yang and Joung Young Joung**
- (45) Registration Date: **26 August 2010**
- (30) Convention priority data:  

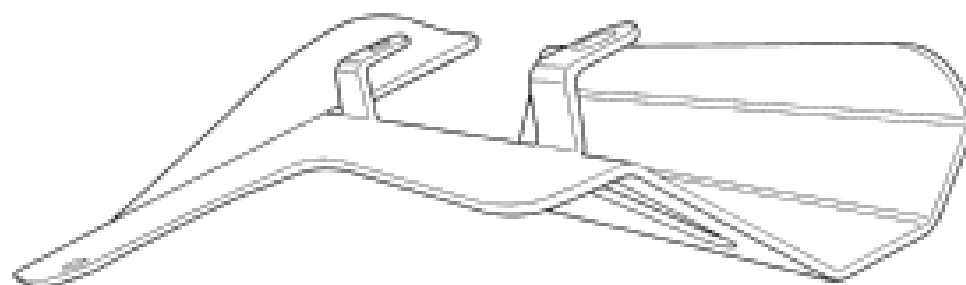
(31) Number	(32) Date	(33) Country
<b>30-2010-0005400</b>	<b>05 Feb 2010</b>	<b>REPUBLIC OF KOREA</b>
- (56) Related Art Documents: **Not Applicable**
- (57) Statement of Newness and Distinctiveness: **Nil**



- (21) Design Number: **13258/2010**
- (22) Date of Filing Application: **02 August 2010**
- (24) Date from which industrial property rights may have effect: **02 August 2010**
- (54) Product in respect of which the design is registered: **Under-vehicle guard**
- (51) International Design Classification: **12-16B**
- (71) Name(s) and Address(s) of Applicant(s):  
**Don Kyatt Spare Parts (West Melbourne) Pty Ltd**  
**22/505 Bourke Street Melbourne Victoria 3000 Australia**
- (72) Name(s) of Designer(s): **Frank Hutchinson**
- (45) Registration Date: **26 August 2010**
- (56) Related Art Documents: **Not Applicable**
- (57) Statement of Newness and Distinctiveness: **Nil**



- (21) Design Number: **13259/2010**
- (22) Date of Filing Application: **02 August 2010**
- (24) Date from which industrial property rights may have effect: **02 August 2010**
- (54) Product in respect of which the design is registered: **Under-vehicle guard**
- (51) International Design Classification: **12-16B**
- (71) Name(s) and Address(s) of Applicant(s):  
**Don Kyatt Spare Parts (West Melbourne) Pty Ltd**  
**22/505 Bourke Street Melbourne Victoria 3000 Australia**
- (72) Name(s) of Designer(s): **Frank Hutchinson**
- (45) Registration Date: **26 August 2010**
- (56) Related Art Documents: **Not Applicable**
- (57) Statement of Newness and Distinctiveness: **Nil**



(21) Design Number: **13260/2010**

(22) Date of Filing Application: **03 August 2010**

(24) Date from which industrial property rights may have effect: **03 August 2010**

(54) Product in respect of which the design is registered: **LED fused connector**

(51) International Design Classification: **13-03B**

(71) Name(s) and Address(s) of Applicant(s):

**Sandra Lorraine Gravalin**  
**271 River Street Maclean New South Wales 2463 Australia**

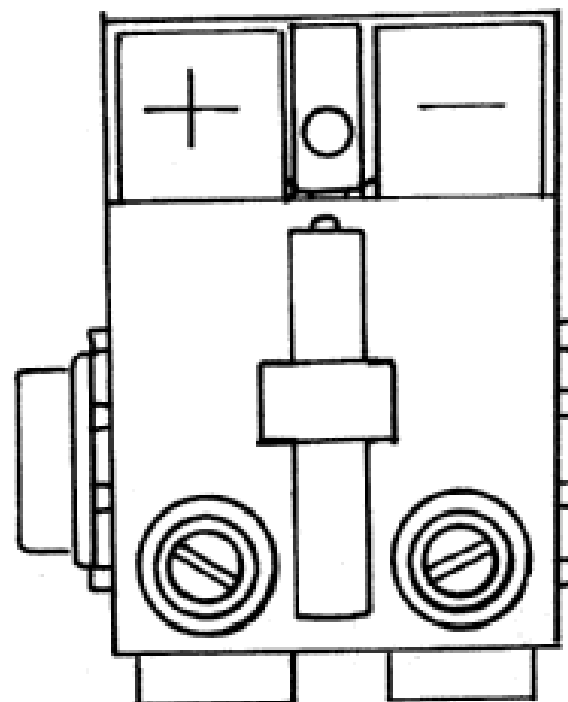
**Dennis Ronald Gravalin**  
**271 River Street Maclean New South Wales 2463 Australia**

(72) Name(s) of Designer(s): **Sandra Lorraine Gravalin and Dennis Ronald Gravalin**

(45) Registration Date: **26 August 2010**

(56) Related Art Documents: **Not Applicable**

(57) Statement of Newness and Distinctiveness: **Newness and distinctiveness is claimed in the visual features of the design in the shape and configuration of a connector, incorporating a LED and fuse as shown in the accompanying illustrations and representations.**



(21) Design Number: **13272/2010**

(22) Date of Filing Application: **03 August 2010**

(24) Date from which industrial property rights may have effect: **03 August 2010**

(54) Product in respect of which the design is registered: **Puzzle**

(51) International Design Classification: **21-01M**

(71) Name(s) and Address(s) of Applicant(s):

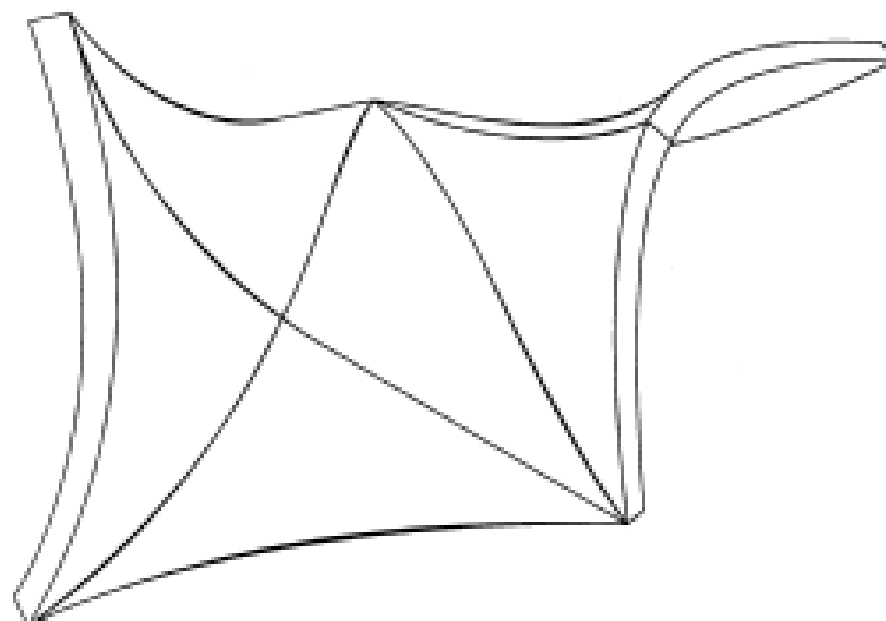
**The Australian National University**  
**Acton Australian Capital Territory 0200 Australia**

(72) Name(s) of Designer(s): **Vincent Craig and Gerd Schroeder-Turk and Timothy John Senden and Stuart John Ramsden**

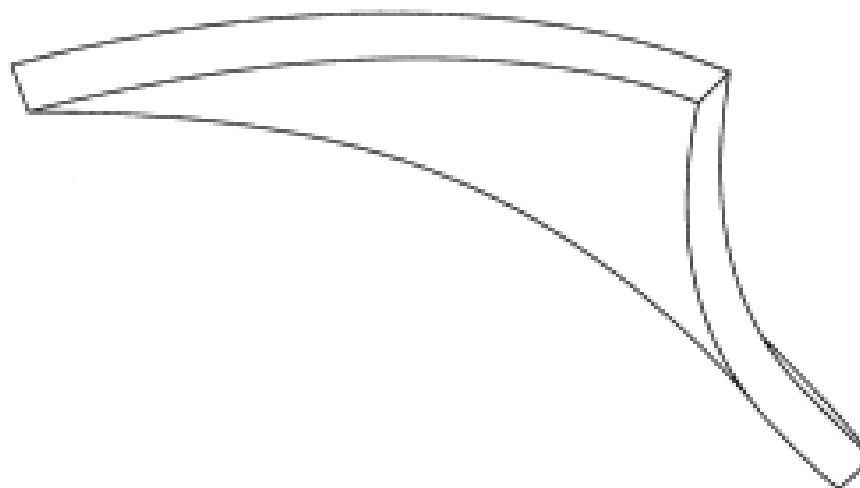
(45) Registration Date: **26 August 2010**

(56) Related Art Documents: **Not Applicable**

(57) Statement of Newness and Distinctiveness: **Newness and distinctiveness is claimed in the features of shape and/or configuration of the puzzle comprising multiple pieces, as illustrated in the accompanying representations.**



- (21) Design Number: **13273/2010**  
(22) Date of Filing Application: **03 August 2010**  
(24) Date from which industrial property rights may have effect: **03 August 2010**  
(54) Product in respect of which the design is registered: **Puzzle piece**  
(51) International Design Classification: **21-01M**  
(71) Name(s) and Address(s) of Applicant(s):  
**The Australian National University**  
**Acton Australian Capital Territory 0200 Australia**  
(72) Name(s) of Designer(s): **Vincent Craig and Stuart John Ramsden and Gerd Schroeder-Turk and Timothy John Senden**  
(45) Registration Date: **26 August 2010**  
(56) Related Art Documents: **Not Applicable**  
(57) Statement of Newness and Distinctiveness: **Newness and distinctiveness is claimed in the features of shape and/or configuration of a puzzle piece as illustrated in the accompanying representations.**



- (21) Design Number: **13274/2010**  
(22) Date of Filing Application: **03 August 2010**  
(24) Date from which industrial property rights may have effect: **03 August 2010**  
(54) Product in respect of which the design is registered: **Sporting glove**  
(51) International Design Classification: **02-06**  
(71) Name(s) and Address(s) of Applicant(s):  
**Waboba AB**  
**Hantverkargatan 46 Stockholm SE-112 29 Sweden**  
(72) Name(s) of Designer(s): **Jan von Heland**  
(45) Registration Date: **26 August 2010**  
(30) Convention priority data:  

(31) Number	(32) Date	(33) Country
<b>001195408</b>	<b>05 Feb 2010</b>	<b>EUROPEAN COMMUNITY</b>

  
(56) Related Art Documents: **Not Applicable**  
(57) Statement of Newness and Distinctiveness: **Nil**



(21) Design Number: **13275/2010**

(22) Date of Filing Application: **03 August 2010**

(24) Date from which industrial property rights may have effect: **03 August 2010**

(54) Product in respect of which the design is registered: **Sporting glove**

(51) International Design Classification: **02-06**

(71) Name(s) and Address(s) of Applicant(s):

**Waboba AB**

**Hantverkargatan 46 Stockholm SE-112 29 Sweden**

(72) Name(s) of Designer(s): **Jan von Heland**

(45) Registration Date: **26 August 2010**

(30) Convention priority data:

(31) Number

(32) Date

(33) Country

**001195408**

**05 Feb 2010**

**EUROPEAN COMMUNITY**

(56) Related Art Documents: **Not Applicable**

(57) Statement of Newness and Distinctiveness: **Nil**



(21) Design Number: **12672/2010**

(22) Date of Filing Application: **29 June 2010**

(24) Date from which industrial property rights may have effect: **29 June 2010**

(54) Product in respect of which the design is registered: **Beverage server**

(51) International Design Classification: **07-99A**

(71) Name(s) and Address(s) of Applicant(s):

**Creeren Pty Ltd**

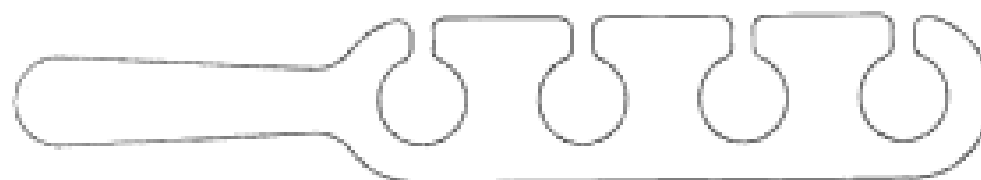
**Floor 11 499 St Kilda Road Victoria 3004 Australia**

(72) Name(s) of Designer(s): **Matthieu Von der Muhll and Christopher Peters**

(45) Registration Date: **27 August 2010**

(56) Related Art Documents: **Not Applicable**

(57) Statement of Newness and Distinctiveness: **Nil.**



(21) Design Number: **12673/2010**

(22) Date of Filing Application: **29 June 2010**

(24) Date from which industrial property rights may have effect: **29 June 2010**

(54) Product in respect of which the design is registered: **Beverage server**

(51) International Design Classification: **07-99A**

(71) Name(s) and Address(s) of Applicant(s):

**Creeren Pty Ltd**

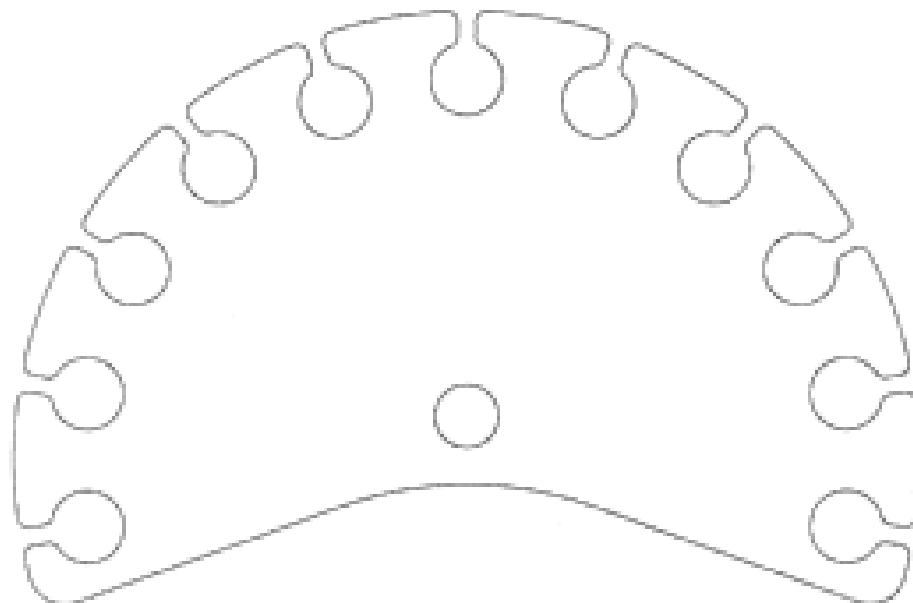
**Floor 11 499 St Kilda Road Victoria 3004 Australia**

(72) Name(s) of Designer(s): **Matthieu Von der Muhll and Christopher Peters**

(45) Registration Date: **27 August 2010**

(56) Related Art Documents: **Not Applicable**

(57) Statement of Newness and Distinctiveness: **Nil.**



(21) Design Number: **10394/2010**

(22) Date of Filing Application: **05 February 2010**

(24) Date from which industrial property rights may have effect: **05 February 2010**

(54) Product in respect of which the design is registered: **Dress**

(51) International Design Classification: **02-02NES**

(71) Name(s) and Address(s) of Applicant(s):

**Beba Enterprises Pty Ltd**

**50 Claremont Street South Yarra Victoria 3000 Australia**

(72) Name(s) of Designer(s): **Arthur Soetedja**

(45) Registration Date: **27 August 2010**

(56) Related Art Documents: **Not Applicable**

(57) Statement of Newness and Distinctiveness: **Nil**





(21) Design Number: **13304/2010**

(22) Date of Filing Application: **05 February 2010**

(24) Date from which industrial property rights may have effect: **05 February 2010**

(54) Product in respect of which the design is registered: **Top**

(51) International Design Classification: **02-02NES**

(71) Name(s) and Address(s) of Applicant(s):

**Beba Enterprises Pty Ltd**  
**50 Claremont Street South Yarra Victoria 3000 Australia**

(72) Name(s) of Designer(s): **Arthur Soetedja**

(45) Registration Date: **27 August 2010**

(56) Related Art Documents: **Not Applicable**

(57) Statement of Newness and Distinctiveness: **Nil**



(21) Design Number: **13305/2010**

(22) Date of Filing Application: **05 February 2010**

(24) Date from which industrial property rights may have effect: **05 February 2010**

(54) Product in respect of which the design is registered: **Top**

(51) International Design Classification: **02-02NES**

(71) Name(s) and Address(s) of Applicant(s):

**Beba Enterprises Pty Ltd**  
**50 Claremont Street South Yarra Victoria 3000 Australia**

(72) Name(s) of Designer(s): **Arthur Soetedja**

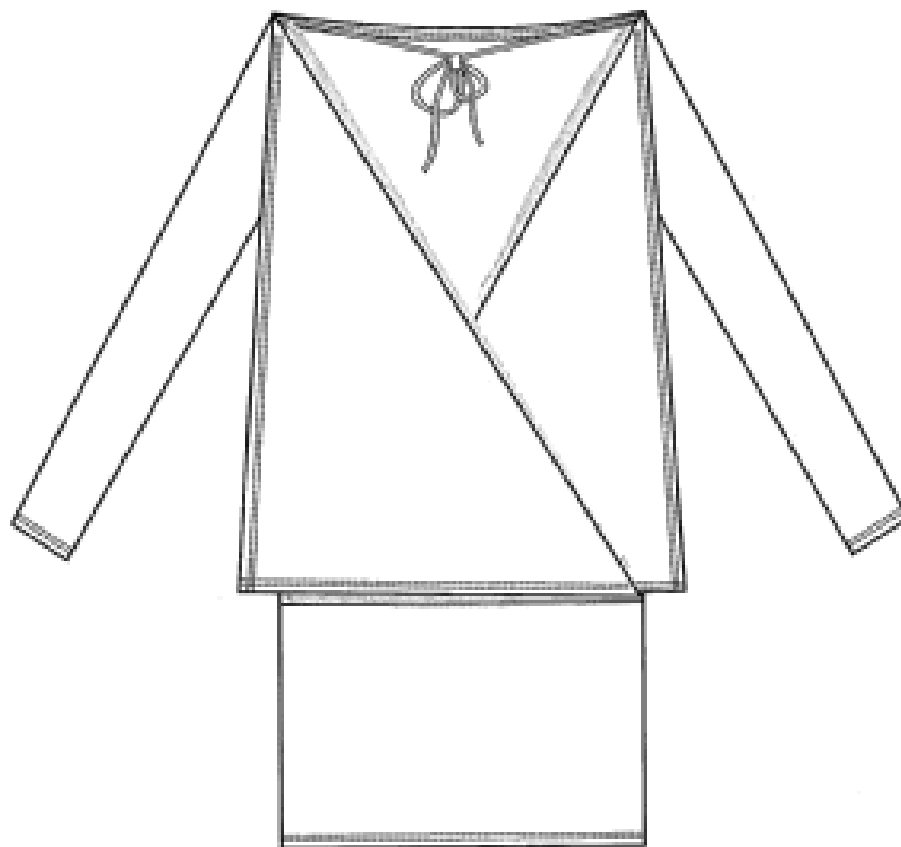
(45) Registration Date: **27 August 2010**

(56) Related Art Documents: **Not Applicable**

(57) Statement of Newness and Distinctiveness: **Nil**



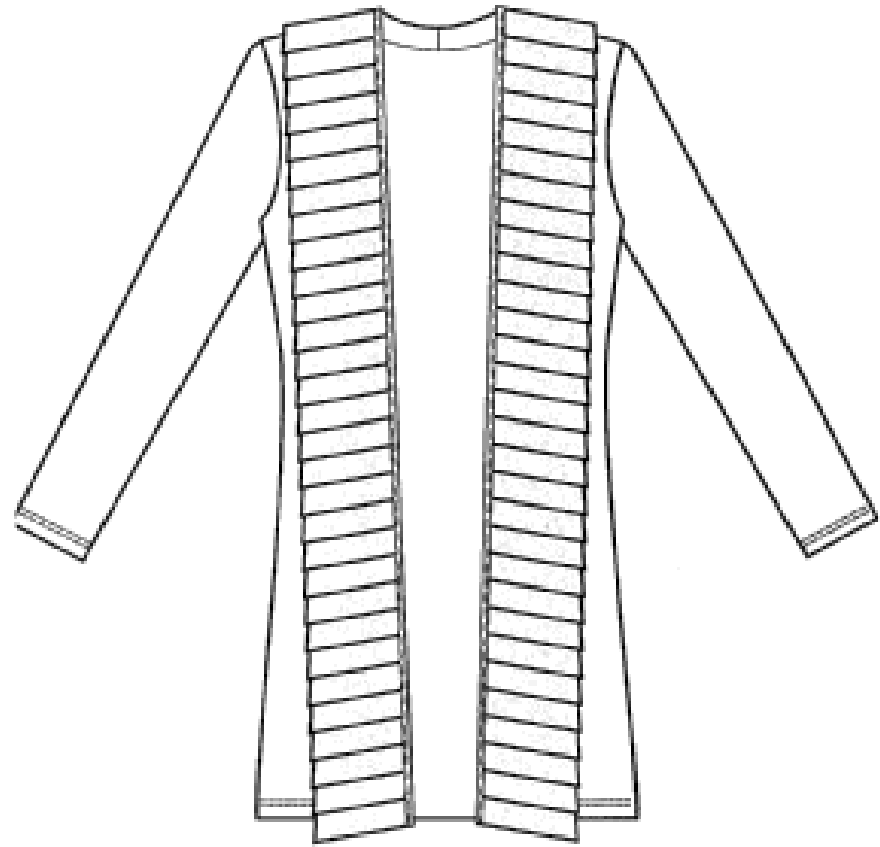
- (21) Design Number: **13306/2010**
- (22) Date of Filing Application: **05 February 2010**
- (24) Date from which industrial property rights may have effect: **05 February 2010**
- (54) Product in respect of which the design is registered: **Dress**
- (51) International Design Classification: **02-02NES**
- (71) Name(s) and Address(s) of Applicant(s):  
**Beba Enterprises Pty Ltd**  
**50 Claremont Street South Yarra Victoria 3000 Australia**
- (72) Name(s) of Designer(s): **Arthur Soetedja**
- (45) Registration Date: **27 August 2010**
- (56) Related Art Documents: **Not Applicable**
- (57) Statement of Newness and Distinctiveness: **Nil**



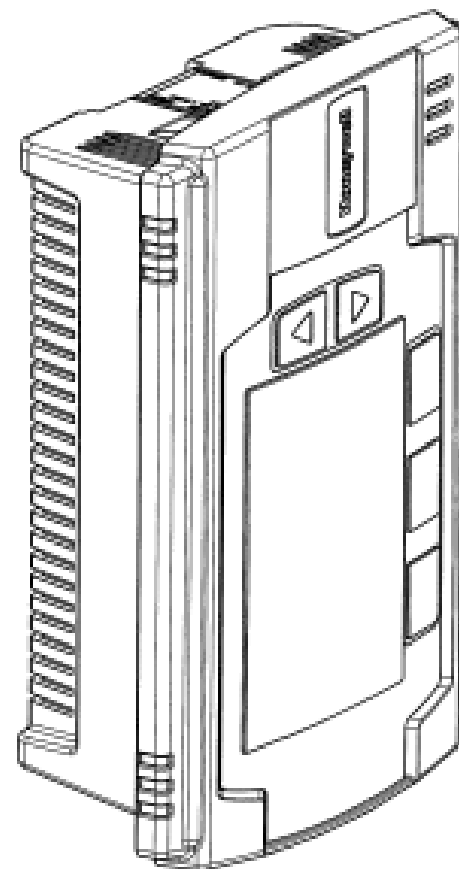
- (21) Design Number: **13307/2010**
- (22) Date of Filing Application: **05 February 2010**
- (24) Date from which industrial property rights may have effect: **05 February 2010**
- (54) Product in respect of which the design is registered: **Cardigan**
- (51) International Design Classification: **02-02NES**
- (71) Name(s) and Address(s) of Applicant(s):  
**Beba Enterprises Pty Ltd**  
**50 Claremont Street South Yarra Victoria 3000 Australia**
- (72) Name(s) of Designer(s): **Arthur Soetedja**
- (45) Registration Date: **27 August 2010**
- (56) Related Art Documents: **Not Applicable**
- (57) Statement of Newness and Distinctiveness: **Nil**



- (21) Design Number: **13308/2010**
- (22) Date of Filing Application: **05 February 2010**
- (24) Date from which industrial property rights may have effect: **05 February 2010**
- (54) Product in respect of which the design is registered: **Cardigan**
- (51) International Design Classification: **02-02NES**
- (71) Name(s) and Address(s) of Applicant(s):  
**Beba Enterprises Pty Ltd**  
**50 Claremont Street South Yarra Victoria 3000 Australia**
- (72) Name(s) of Designer(s): **Arthur Soetedja**
- (45) Registration Date: **27 August 2010**
- (56) Related Art Documents: **Not Applicable**
- (57) Statement of Newness and Distinctiveness: **Nil**



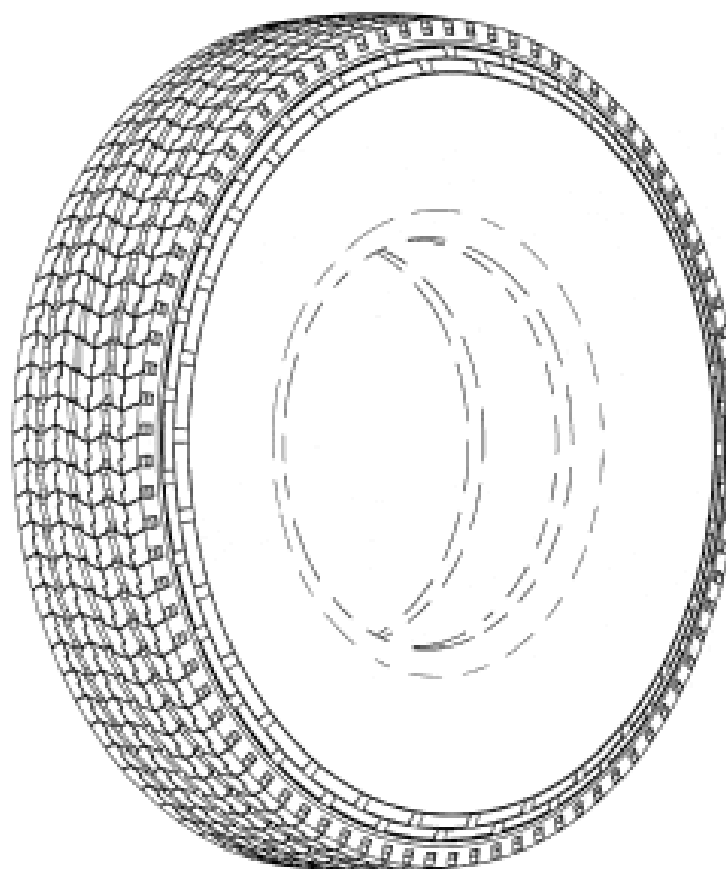
- (21) Design Number: **12903/2010**
- (22) Date of Filing Application: **14 July 2010**
- (24) Date from which industrial property rights may have effect: **14 July 2010**
- (54) Product in respect of which the design is registered: **Controller**
- (51) International Design Classification: **14-03NES**
- (71) Name(s) and Address(s) of Applicant(s):  
**Honeywell (China) Co., Ltd.**  
**430 Li Bing Road Zhangjiang Hi-Tech Park Pudong Shanghai People's Republic of China**
- (72) Name(s) of Designer(s): **Haiming Chen and Peining Sun and Lv Wang and Peter Madson**
- (45) Registration Date: **27 August 2010**
- (30) Convention priority data:  
(31) Number      (32) Date      (33) Country  
**201030115312.X   20 Jan 2010      CHINA**
- (56) Related Art Documents: **Not Applicable**
- (57) Statement of Newness and Distinctiveness: **Newness and distinctiveness is claimed in the shape and configuration of the product shown in the representations.**



(21) Design Number: **13225/2010**  
(22) Date of Filing Application: **29 July 2010**  
(24) Date from which industrial property rights may have effect: **29 July 2010**  
(54) Product in respect of which the design is registered: **Tableware**  
(51) International Design Classification: **07-01B**  
(71) Name(s) and Address(s) of Applicant(s):  
**Villeroy & Boch AG**  
**Saaruferstrasse 14-18 D-66693 Mettlach Germany**  
(72) Name(s) of Designer(s): **Charlotte Weber**  
(45) Registration Date: **27 August 2010**  
(30) Convention priority data:  
(31) Number (32) Date (33) Country  
**001663428-0014 29 Jan 2010 EUROPEAN COMMUNITY**  
(56) Related Art Documents: **Not Applicable**  
(57) Statement of Newness and Distinctiveness: **Nil**



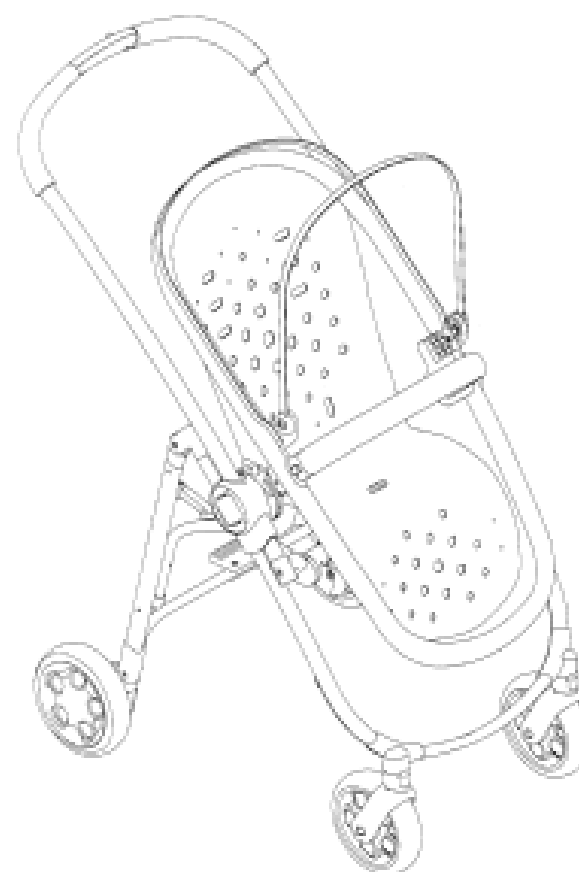
(21) Design Number: **13282/2010**  
(22) Date of Filing Application: **04 August 2010**  
(24) Date from which industrial property rights may have effect: **04 August 2010**  
(54) Product in respect of which the design is registered: **A tyre**  
(51) International Design Classification: **12-15A**  
(71) Name(s) and Address(s) of Applicant(s):  
**Societe De Technologie Michelin**  
**23 rue Breschet F-63000 Clermont-Ferrand Cedex France**  
**Michelin Recherche et Technique S.A.**  
**Route Louis Braille 10 et 12 CH-1763 Granges-Paccot Switzerland**  
(72) Name(s) of Designer(s): **Renaud Durand**  
(45) Registration Date: **27 August 2010**  
(30) Convention priority data:  
(31) Number (32) Date (33) Country  
**10/1042 23 Feb 2010 FRANCE**  
(56) Related Art Documents: **Not Applicable**  
(57) Statement of Newness and Distinctiveness: **Newness and distinctiveness resides in the appearance of the tread region of the tyre, the remainder of the tyre not forming part of the design.**



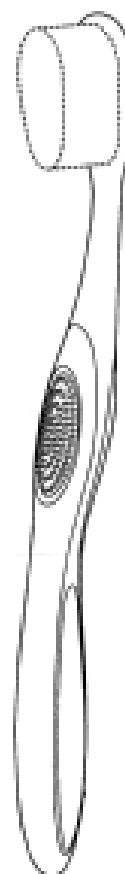
(21) Design Number: **13283/2010**  
(22) Date of Filing Application: **03 August 2010**  
(24) Date from which industrial property rights may have effect: **03 August 2010**  
(54) Product in respect of which the design is registered: **Baffle**  
(51) International Design Classification: **12-16N**  
(71) Name(s) and Address(s) of Applicant(s):  
**Rinehart Racing, Inc.**  
**49 Old Springs Drive ENKA 28728 North Carolina United States of America**  
(72) Name(s) of Designer(s): **Gerald L. Rinehart**  
(45) Registration Date: **27 August 2010**  
(30) Convention priority data:  
(31) Number (32) Date (33) Country  
**29/355,155 03 Feb 2010 UNITED STATES OF AMERICA**  
(56) Related Art Documents: **Not Applicable**  
(57) Statement of Newness and Distinctiveness: **The newness and distinctiveness of the design resides in the shape and/or configuration of the BAFFLE shown in the accompanying representations. When assessing newness and distinctiveness features shown in dashed outline in the representations are to be disregarded.**



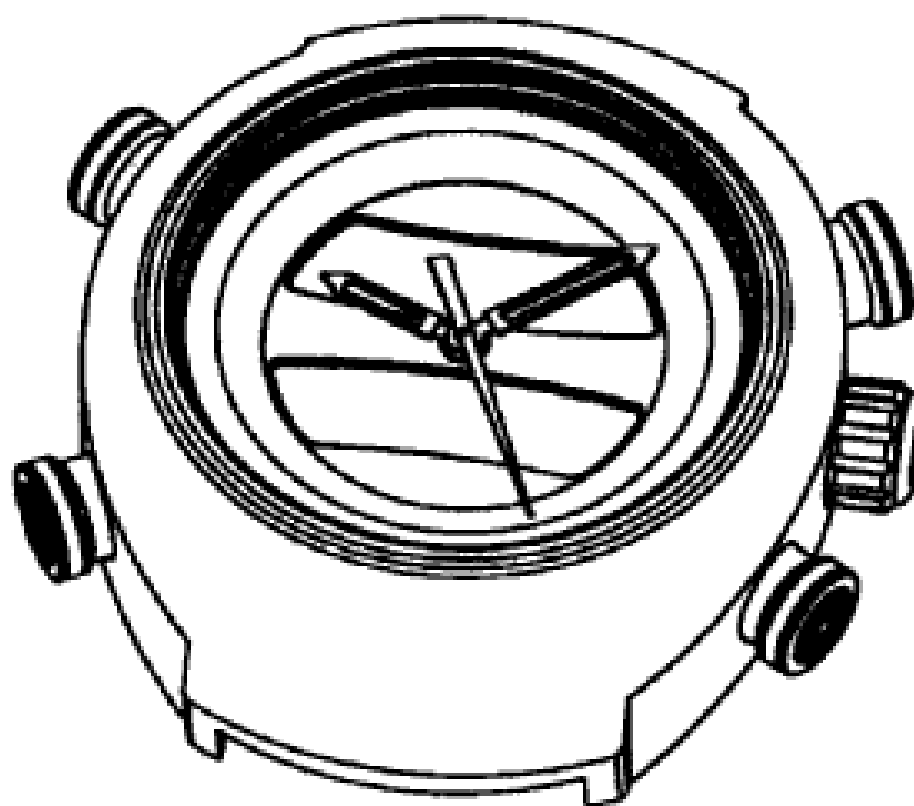
(21) Design Number: **13286/2010**  
(22) Date of Filing Application: **03 August 2010**  
(24) Date from which industrial property rights may have effect: **03 August 2010**  
(54) Product in respect of which the design is registered: **Stroller**  
(51) International Design Classification: **12-12**  
(71) Name(s) and Address(s) of Applicant(s):  
**Goodbaby Child Products Co., Ltd**  
**No. 20 Luxi East Road Lujia Town Kunshan Jiangsu 215331 China**  
(72) Name(s) of Designer(s): **Zhenghuan Song**  
(45) Registration Date: **27 August 2010**  
(30) Convention priority data:  
(31) Number (32) Date (33) Country  
**201030205233.8 17 Jun 2010 CHINA**  
(56) Related Art Documents: **Not Applicable**  
(57) Statement of Newness and Distinctiveness: **Newness and distinctiveness resides in the features of shape and/or configuration of a STROLLER as illustrated in the accompanying representations.**



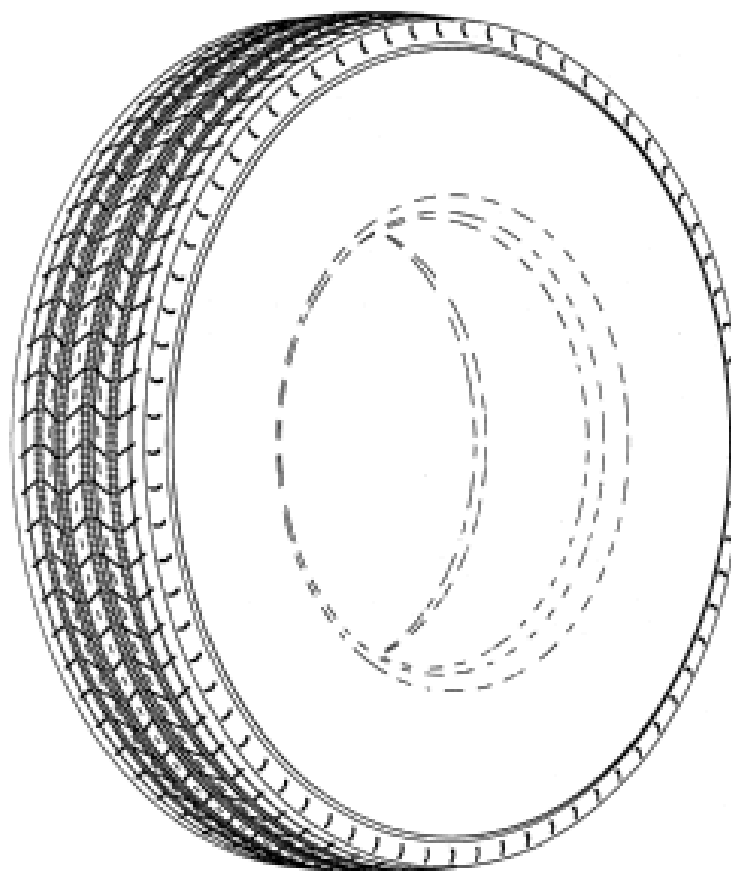
(21) Design Number: **12454/2010**  
 (22) Date of Filing Application: **16 June 2010**  
 (24) Date from which industrial property rights may have effect: **16 June 2010**  
 (54) Product in respect of which the design is registered: **Toothbrush handle**  
 (51) International Design Classification: **04-02**  
 (71) Name(s) and Address(s) of Applicant(s):  
**Colgate-Palmolive Company**  
**300 Park Avenue New York New York 10022 United States of America**  
 (72) Name(s) of Designer(s): **Eduardo Jimenez and Michael Rooney and Robert Moskovich and Andreas Wechsler and Joachim Storz and Raimund Klaussegger**  
 (45) Registration Date: **31 August 2010**  
 (30) Convention priority data:  
 (31) Number (32) Date (33) Country  
**29/352263 18 Dec 2009 UNITED STATES OF AMERICA**  
 (56) Related Art Documents: **Not Applicable**  
 (57) Statement of Newness and Distinctiveness: **Newness and distinctiveness reside in the combination of the features of shape and configuration of the handle of the toothbrush and the pattern and ornamentation of the overlay applied to the front and rear surface of the handle that wraps around the bottom end of the handle, and the gripping surfaces applied on opposing sides of the central portion of the handle of the toothbrush, and the arcuate features formed into the overlay on the rear side of the toothbrush, and the oval features protruding from the lateral sides on the lower portion of the handle. When determining whether the design is substantially similar in overall impression to another design, no regard is to be had to those features shown in the designs with dotted outline, which features are provided for illustrative purposes only.**



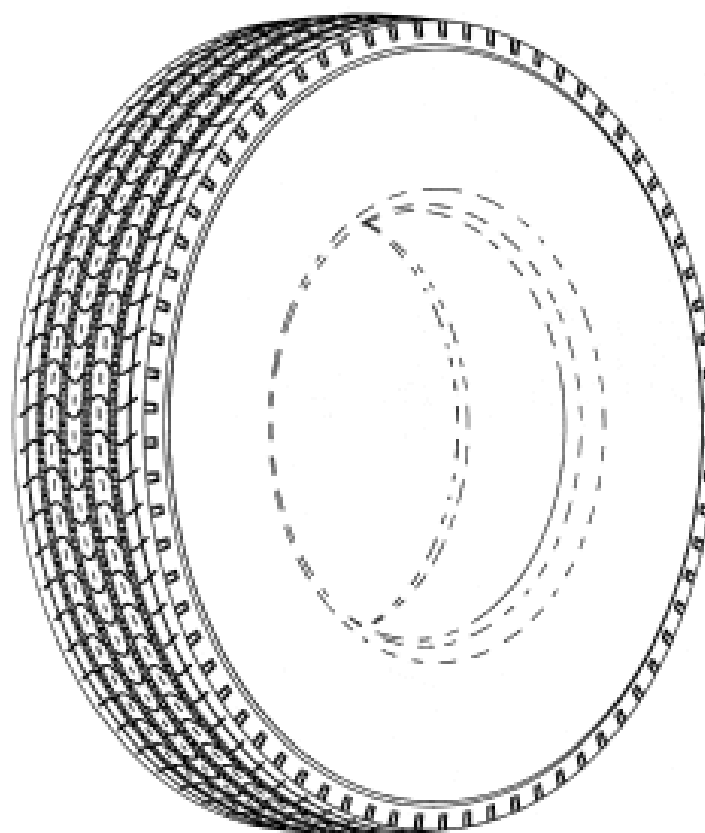
(21) Design Number: **13279/2010**  
 (22) Date of Filing Application: **04 August 2010**  
 (24) Date from which industrial property rights may have effect: **04 August 2010**  
 (54) Product in respect of which the design is registered: **Watch**  
 (51) International Design Classification: **10-02**  
 (71) Name(s) and Address(s) of Applicant(s):  
**Omega SA (Omega AG) (Omega Ltd)**  
**Jakob-Staempfli-Strasse 96 2502 Biel/Bienne Switzerland**  
 (72) Name(s) of Designer(s): **Jean-Claude Monachon**  
 (45) Registration Date: **31 August 2010**  
 (30) Convention priority data:  
 (31) Number (32) Date (33) Country  
**DM/73 317 12 Feb 2010 SWITZERLAND**  
 (56) Related Art Documents: **Not Applicable**  
 (57) Statement of Newness and Distinctiveness: **Nil**



- (21) Design Number: **13280/2010**  
(22) Date of Filing Application: **04 August 2010**  
(24) Date from which industrial property rights may have effect: **04 August 2010**  
(54) Product in respect of which the design is registered: **A tyre**  
(51) International Design Classification: **12-15B**  
(71) Name(s) and Address(s) of Applicant(s):  
**Societe De Technologie Michelin**  
**23 rue Breschet F-63000 Clermont-Ferrand Cedex France**  
**Michelin Recherche et Technique S.A.**  
**Route Louis Braille 10 et 12 CH-1763 Granges-Paccot Switzerland**  
(72) Name(s) of Designer(s): **Denis Fleuriau**  
(45) Registration Date: **31 August 2010**  
(30) Convention priority data:  
(31) Number (32) Date (33) Country  
**10/0713 10 Feb 2010 FRANCE**  
(56) Related Art Documents: **Not Applicable**  
(57) Statement of Newness and Distinctiveness: **Newness and distinctiveness resides in the appearance of the tread region of the tyre, the remainder of the tyre not forming part of the design.**



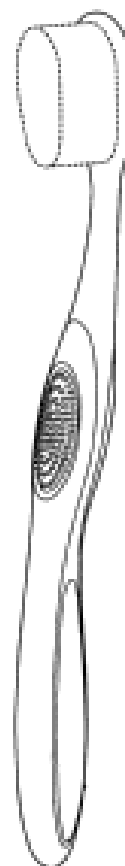
- (21) Design Number: **13281/2010**  
(22) Date of Filing Application: **04 August 2010**  
(24) Date from which industrial property rights may have effect: **04 August 2010**  
(54) Product in respect of which the design is registered: **A tyre**  
(51) International Design Classification: **12-15B**  
(71) Name(s) and Address(s) of Applicant(s):  
**Societe De Technologie Michelin**  
**23 rue Breschet F-63000 Clermont-Ferrand Cedex France**  
**Michelin Recherche et Technique S.A.**  
**Route Louis Braille 10 et 12 CH-1763 Granges-Paccot Switzerland**  
(72) Name(s) of Designer(s): **Denis Fleuriau**  
(45) Registration Date: **31 August 2010**  
(30) Convention priority data:  
(31) Number (32) Date (33) Country  
**10/0714 10 Feb 2010 FRANCE**  
(56) Related Art Documents: **Not Applicable**  
(57) Statement of Newness and Distinctiveness: **Newness and distinctiveness resides in the appearance of the tread region of the tyre, the remainder of the tyre not forming part of the design.**



- (21) Design Number: **13460/2010**  
(22) Date of Filing Application: **12 August 2010**  
(24) Date from which industrial property rights may have effect: **12 August 2010**  
(54) Product in respect of which the design is registered: **Handset**  
(51) International Design Classification: **14-03A**  
(71) Name(s) and Address(s) of Applicant(s):  
**Lauravale Pty Ltd**  
**60-62 Duredin Street Clayton Victoria 3168 Australia**  
(72) Name(s) of Designer(s): **Khang K. Khor**  
(45) Registration Date: **31 August 2010**  
(56) Related Art Documents: **Not Applicable**  
(57) Statement of Newness and Distinctiveness: **Newness and distinctiveness is claimed in the features and configuration of the design illustrated in the accompanying representations, but excluding the cable, any graphics and text on the buttons and the number and location of the holes in the speaker.**



- (21) Design Number: **13657/2010**  
(22) Date of Filing Application: **16 June 2010**  
(24) Date from which industrial property rights may have effect: **16 June 2010**  
(54) Product in respect of which the design is registered: **Toothbrush handle**  
(51) International Design Classification: **04-02**  
(71) Name(s) and Address(s) of Applicant(s):  
**Colgate-Palmolive Company**  
**300 Park Avenue New York New York 10022 United States of America**  
(72) Name(s) of Designer(s): **Eduardo Jimenez and Michael Rooney and Robert Moskovich and Andreas Wechsler and Joachim Storz and Raimund Klaussegger**  
(45) Registration Date: **31 August 2010**  
(30) Convention priority data:  
(31) Number (32) Date (33) Country  
**29/352263 18 Dec 2009 UNITED STATES OF AMERICA**  
(56) Related Art Documents: **Not Applicable**  
(57) Statement of Newness and Distinctiveness: **Newness and distinctiveness reside in the combination of the features of shape and configuration of the handle of the toothbrush and the pattern and ornamentation of the overlay applied to the front and rear surface of the handle that wraps around the bottom end of the handle, and the gripping surfaces applied on opposing sides of the central portion of the handle of the toothbrush. When determining whether the design is substantially similar in overall impression to another design, no regard is to be had to those features shown in the designs with dotted outline, which features are provided for illustrative purposes only.**





(21) Design Number: **13658/2010**

(22) Date of Filing Application: **16 June 2010**

(24) Date from which industrial property rights may have effect: **16 June 2010**

(54) Product in respect of which the design is registered: **Toothbrush handle**

(51) International Design Classification: **04-02**

(71) Name(s) and Address(s) of Applicant(s):

**Colgate-Palmolive Company**  
**300 Park Avenue New York New York 10022 United States of America**

(72) Name(s) of Designer(s): **Eduardo Jimenez and Michael Rooney and Robert Moskovich and Andreas Wechsler and Joachim Storz and Raimund Klaussegger**

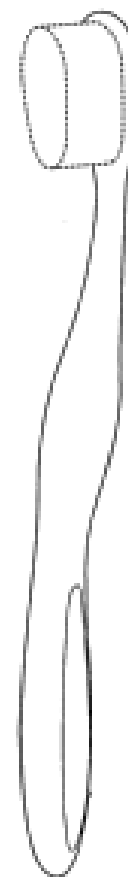
(45) Registration Date: **31 August 2010**

(30) Convention priority data:

(31) Number	(32) Date	(33) Country
<b>29/352263</b>	<b>18 Dec 2009</b>	<b>UNITED STATES OF AMERICA</b>

(56) Related Art Documents: **Not Applicable**

(57) Statement of Newness and Distinctiveness: **Newness and distinctiveness reside in the combination of the features of shape and configuration of the handle of the toothbrush and the pattern and ornamentation of an oval transparent window protruding from the lateral sides on the lower portion of the handle. When determining whether the design is substantially similar in overall impression to another design, no regard is to be had to those features shown in the designs in dotted outline, which features are provided for illustrative purposes only.**



(21) Design Number: **14961/2009**

(22) Date of Filing Application: **18 December 2009**

(24) Date from which industrial property rights may have effect: **18 December 2009**

(54) Product in respect of which the design is registered: **Men's clothing**

(51) International Design Classification: **02-02NES**

(71) Name(s) and Address(s) of Applicant(s):

**Fifty-Fourth Rischell Pty Ltd**  
**3-5 Claremont Street South Yarra Victoria 3141 Australia**

(72) Name(s) of Designer(s): **Ty Henschke**

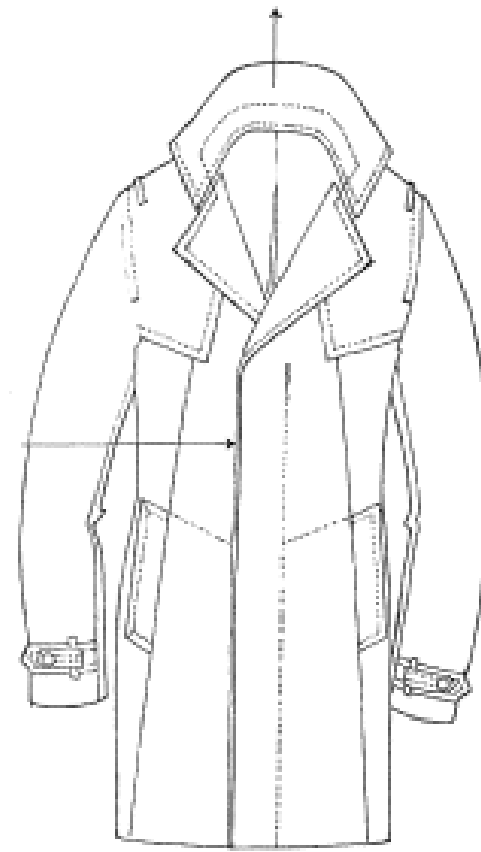
(45) Registration Date: **31 August 2010**

(56) Related Art Documents: **Not Applicable**

(57) Statement of Newness and Distinctiveness: **Nil**



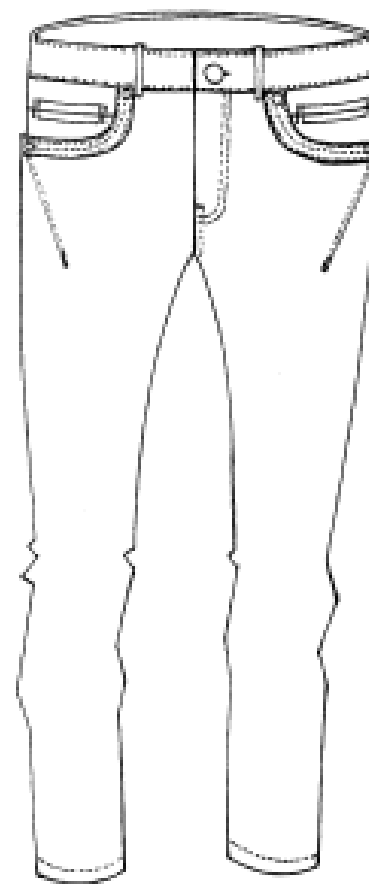
- (21) Design Number: **12503/2010**
- (22) Date of Filing Application: **18 December 2009**
- (24) Date from which industrial property rights may have effect: **18 December 2009**
- (54) Product in respect of which the design is registered: **Men's clothing**
- (51) International Design Classification: **02-02NES**
- (71) Name(s) and Address(s) of Applicant(s):  
**Fifty-Fourth Rischell Pty Ltd**  
**3-5 Claremont Street South Yarra Victoria 3141 Australia**
- (72) Name(s) of Designer(s): **Ty Henschke**
- (45) Registration Date: **31 August 2010**
- (56) Related Art Documents: **Not Applicable**
- (57) Statement of Newness and Distinctiveness: **Nil**



- (21) Design Number: **12504/2010**
- (22) Date of Filing Application: **18 December 2009**
- (24) Date from which industrial property rights may have effect: **18 December 2009**
- (54) Product in respect of which the design is registered: **Men's clothing**
- (51) International Design Classification: **02-02NES**
- (71) Name(s) and Address(s) of Applicant(s):  
**Fifty-Fourth Rischell Pty Ltd**  
**3-5 Claremont Street South Yarra Victoria 3141 Australia**
- (72) Name(s) of Designer(s): **Ty Henschke**
- (45) Registration Date: **31 August 2010**
- (56) Related Art Documents: **Not Applicable**
- (57) Statement of Newness and Distinctiveness: **Nil**



- (21) Design Number: **12505/2010**
- (22) Date of Filing Application: **18 December 2009**
- (24) Date from which industrial property rights may have effect: **18 December 2009**
- (54) Product in respect of which the design is registered: **Men's clothing**
- (51) International Design Classification: **02-02C**
- (71) Name(s) and Address(s) of Applicant(s):  
**Fifty-Fourth Rischell Pty Ltd**  
**3-5 Claremont Street South Yarra Victoria 3141 Australia**
- (72) Name(s) of Designer(s): **Ty Henschke**
- (45) Registration Date: **31 August 2010**
- (56) Related Art Documents: **Not Applicable**
- (57) Statement of Newness and Distinctiveness: **Nil**



- (21) Design Number: **12506/2010**
- (22) Date of Filing Application: **18 December 2009**
- (24) Date from which industrial property rights may have effect: **18 December 2009**
- (54) Product in respect of which the design is registered: **Men's clothing**
- (51) International Design Classification: **02-02C**
- (71) Name(s) and Address(s) of Applicant(s):  
**Fifty-Fourth Rischell Pty Ltd**  
**3-5 Claremont Street South Yarra Victoria 3141 Australia**
- (72) Name(s) of Designer(s): **Ty Henschke**
- (45) Registration Date: **31 August 2010**
- (56) Related Art Documents: **Not Applicable**
- (57) Statement of Newness and Distinctiveness: **Nil**



(21) Design Number: **12507/2010**

(22) Date of Filing Application: **18 December 2009**

(24) Date from which industrial property rights may have effect: **18 December 2009**

(54) Product in respect of which the design is registered: **Men's clothing**

(51) International Design Classification: **02-02C**

(71) Name(s) and Address(s) of Applicant(s):

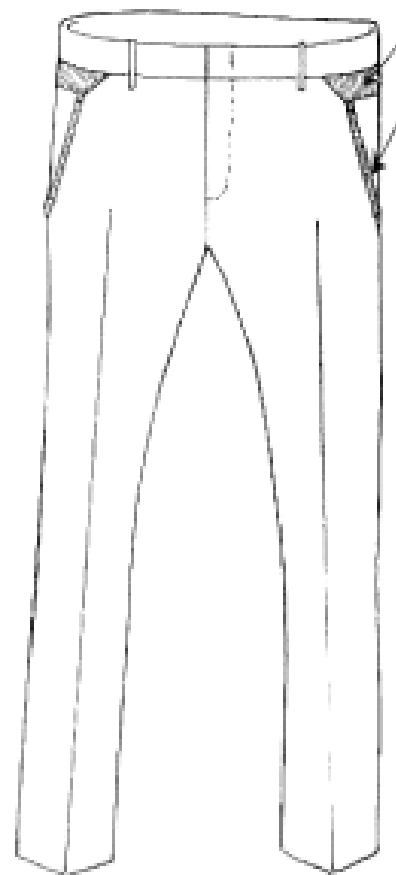
**Fifty-Fourth Rischell Pty Ltd**  
**3-5 Claremont Street South Yarra Victoria 3141 Australia**

(72) Name(s) of Designer(s): **Ty Henschke**

(45) Registration Date: **31 August 2010**

(56) Related Art Documents: **Not Applicable**

(57) Statement of Newness and Distinctiveness: **Nil**



(21) Design Number: **12508/2010**

(22) Date of Filing Application: **18 December 2009**

(24) Date from which industrial property rights may have effect: **18 December 2009**

(54) Product in respect of which the design is registered: **Men's clothing**

(51) International Design Classification: **02-02C**

(71) Name(s) and Address(s) of Applicant(s):

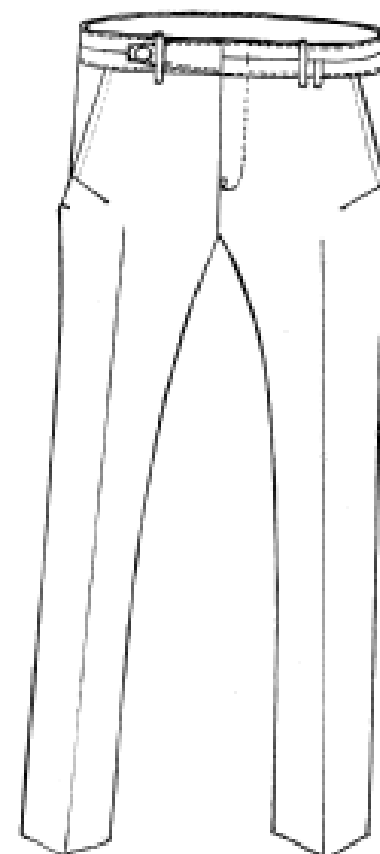
**Fifty-Fourth Rischell Pty Ltd**  
**3-5 Claremont Street South Yarra Victoria 3141 Australia**

(72) Name(s) of Designer(s): **Ty Henschke**

(45) Registration Date: **31 August 2010**

(56) Related Art Documents: **Not Applicable**

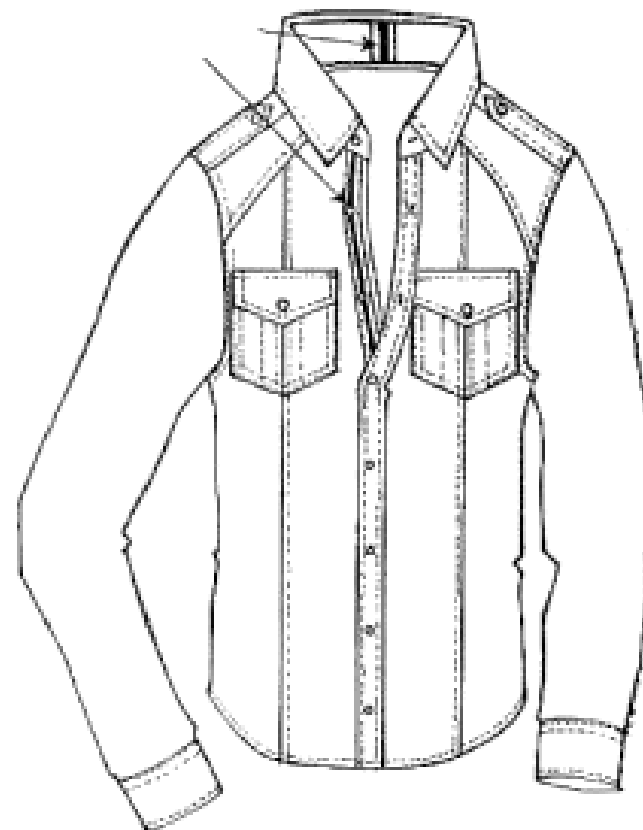
(57) Statement of Newness and Distinctiveness: **Nil**



- (21) Design Number: **12509/2010**
- (22) Date of Filing Application: **18 December 2009**
- (24) Date from which industrial property rights may have effect: **18 December 2009**
- (54) Product in respect of which the design is registered: **Men's clothing**
- (51) International Design Classification: **02-02C**
- (71) Name(s) and Address(s) of Applicant(s):  
**Fifty-Fourth Rischell Pty Ltd**  
**3-5 Claremont Street South Yarra Victoria 3141 Australia**
- (72) Name(s) of Designer(s): **Ty Henschke**
- (45) Registration Date: **31 August 2010**
- (56) Related Art Documents: **Not Applicable**
- (57) Statement of Newness and Distinctiveness: **Nil**



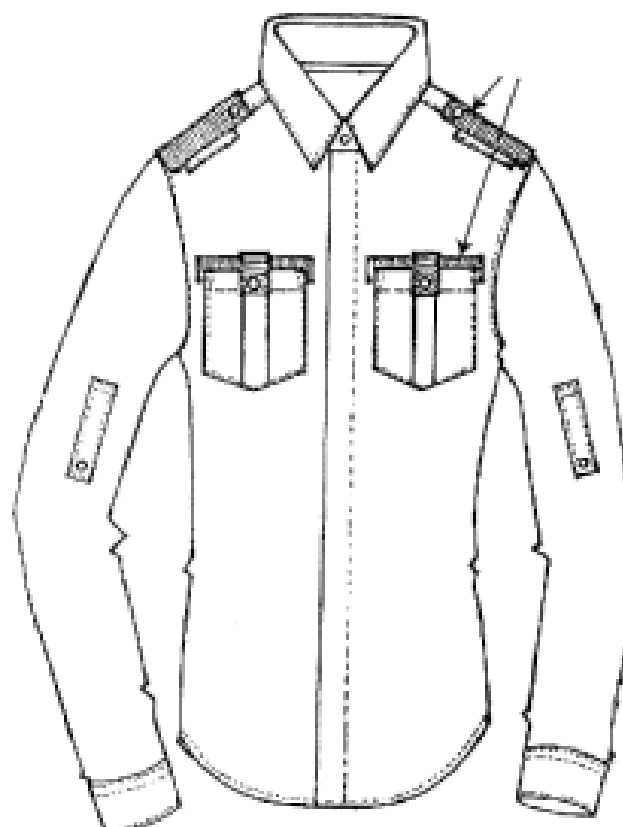
- (21) Design Number: **12510/2010**
- (22) Date of Filing Application: **18 December 2009**
- (24) Date from which industrial property rights may have effect: **18 December 2009**
- (54) Product in respect of which the design is registered: **Men's clothing**
- (51) International Design Classification: **02-02NES**
- (71) Name(s) and Address(s) of Applicant(s):  
**Fifty-Fourth Rischell Pty Ltd**  
**3-5 Claremont Street South Yarra Victoria 3141 Australia**
- (72) Name(s) of Designer(s): **Ty Henschke**
- (45) Registration Date: **31 August 2010**
- (56) Related Art Documents: **Not Applicable**
- (57) Statement of Newness and Distinctiveness: **Nil**



- (21) Design Number: **12511/2010**  
(22) Date of Filing Application: **18 December 2009**  
(24) Date from which industrial property rights may have effect: **18 December 2009**  
(54) Product in respect of which the design is registered: **Men's clothing**  
(51) International Design Classification: **02-02NES**  
(71) Name(s) and Address(s) of Applicant(s):  
**Fifty-Fourth Rischell Pty Ltd**  
**3-5 Claremont Street South Yarra Victoria 3141 Australia**  
(72) Name(s) of Designer(s): **Ty Henschke**  
(45) Registration Date: **31 August 2010**  
(56) Related Art Documents: **Not Applicable**  
(57) Statement of Newness and Distinctiveness: **Nil**



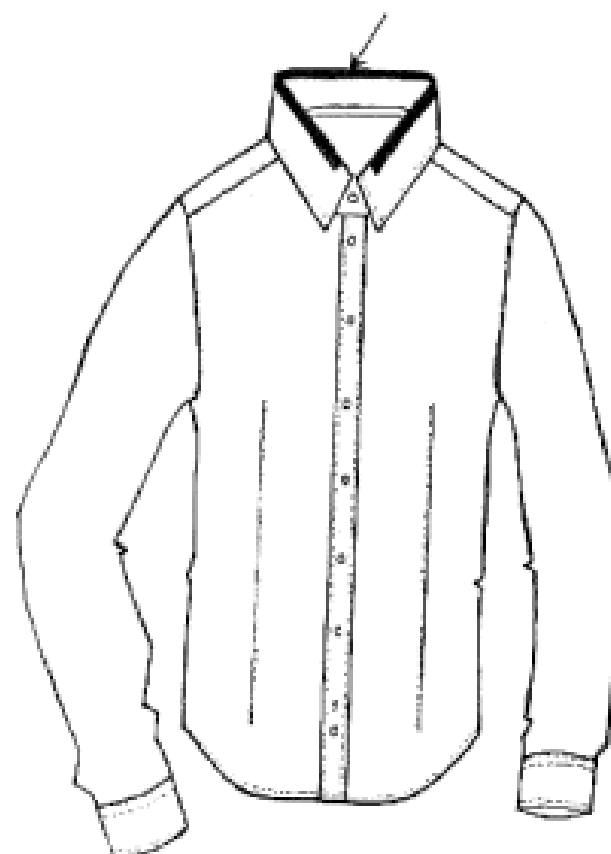
- (21) Design Number: **12512/2010**  
(22) Date of Filing Application: **18 December 2009**  
(24) Date from which industrial property rights may have effect: **18 December 2009**  
(54) Product in respect of which the design is registered: **Men's clothing**  
(51) International Design Classification: **02-02NES**  
(71) Name(s) and Address(s) of Applicant(s):  
**Fifty-Fourth Rischell Pty Ltd**  
**3-5 Claremont Street South Yarra Victoria 3141 Australia**  
(72) Name(s) of Designer(s): **Ty Henschke**  
(45) Registration Date: **31 August 2010**  
(56) Related Art Documents: **Not Applicable**  
(57) Statement of Newness and Distinctiveness: **Nil**



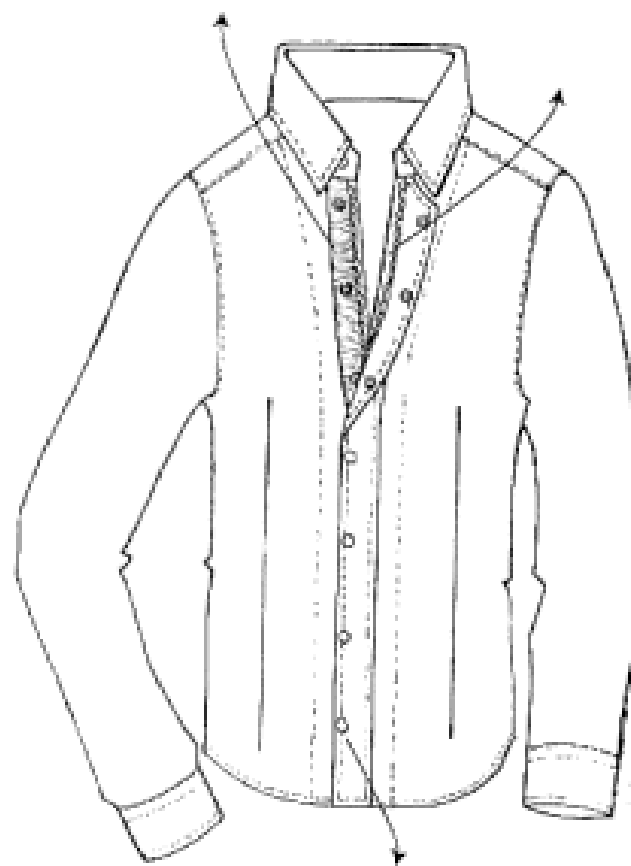
- (21) Design Number: **12513/2010**
- (22) Date of Filing Application: **18 December 2009**
- (24) Date from which industrial property rights may have effect: **18 December 2009**
- (54) Product in respect of which the design is registered: **Men's clothing**
- (51) International Design Classification: **02-02NES**
- (71) Name(s) and Address(s) of Applicant(s):  
**Fifty-Fourth Rischell Pty Ltd**  
**3-5 Claremont Street South Yarra Victoria 3141 Australia**
- (72) Name(s) of Designer(s): **Ty Henschke**
- (45) Registration Date: **31 August 2010**
- (56) Related Art Documents: **Not Applicable**
- (57) Statement of Newness and Distinctiveness: **Nil**



- (21) Design Number: **12514/2010**
- (22) Date of Filing Application: **18 December 2009**
- (24) Date from which industrial property rights may have effect: **18 December 2009**
- (54) Product in respect of which the design is registered: **Men's clothing**
- (51) International Design Classification: **02-02NES**
- (71) Name(s) and Address(s) of Applicant(s):  
**Fifty-Fourth Rischell Pty Ltd**  
**3-5 Claremont Street South Yarra Victoria 3141 Australia**
- (72) Name(s) of Designer(s): **Ty Henschke**
- (45) Registration Date: **31 August 2010**
- (56) Related Art Documents: **Not Applicable**
- (57) Statement of Newness and Distinctiveness: **Nil**



- (21) Design Number: **12515/2010**
- (22) Date of Filing Application: **18 December 2009**
- (24) Date from which industrial property rights may have effect: **18 December 2009**
- (54) Product in respect of which the design is registered: **Men's clothing**
- (51) International Design Classification: **02-02NES**
- (71) Name(s) and Address(s) of Applicant(s):  
**Fifty-Fourth Rischell Pty Ltd**  
**3-5 Claremont Street South Yarra Victoria 3141 Australia**
- (72) Name(s) of Designer(s): **Ty Henschke**
- (45) Registration Date: **31 August 2010**
- (56) Related Art Documents: **Not Applicable**
- (57) Statement of Newness and Distinctiveness: **Nil**

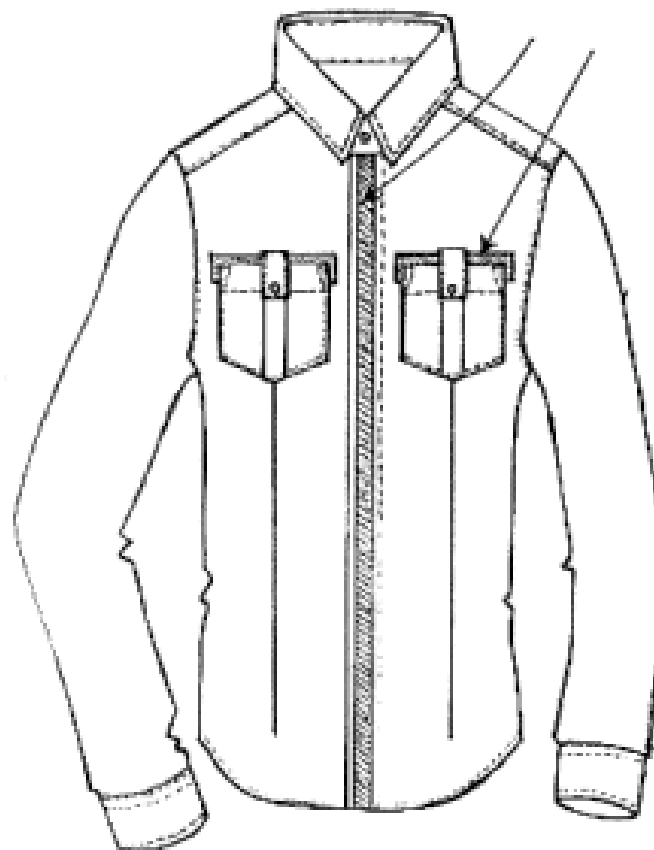


- (21) Design Number: **12516/2010**
- (22) Date of Filing Application: **18 December 2009**
- (24) Date from which industrial property rights may have effect: **18 December 2009**
- (54) Product in respect of which the design is registered: **Men's clothing**
- (51) International Design Classification: **02-02NES**
- (71) Name(s) and Address(s) of Applicant(s):  
**Fifty-Fourth Rischell Pty Ltd**  
**3-5 Claremont Street South Yarra Victoria 3141 Australia**
- (72) Name(s) of Designer(s): **Ty Henschke**
- (45) Registration Date: **31 August 2010**
- (56) Related Art Documents: **Not Applicable**
- (57) Statement of Newness and Distinctiveness: **Nil**

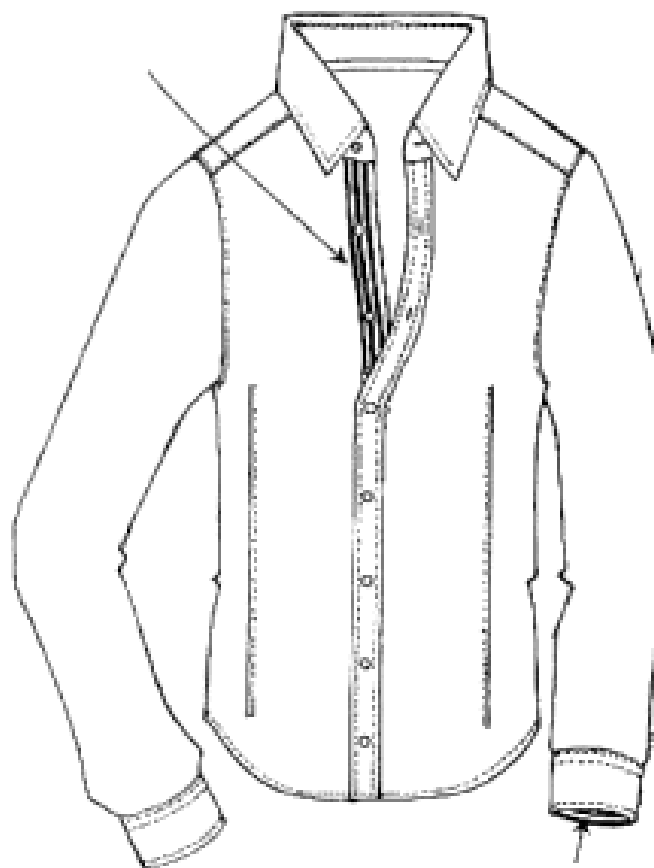




- (21) Design Number: **12517/2010**
- (22) Date of Filing Application: **18 December 2009**
- (24) Date from which industrial property rights may have effect: **18 December 2009**
- (54) Product in respect of which the design is registered: **Men's clothing**
- (51) International Design Classification: **02-02NES**
- (71) Name(s) and Address(s) of Applicant(s):  
**Fifty-Fourth Rischell Pty Ltd**  
**3-5 Claremont Street South Yarra Victoria 3141 Australia**
- (72) Name(s) of Designer(s): **Ty Henschke**
- (45) Registration Date: **31 August 2010**
- (56) Related Art Documents: **Not Applicable**
- (57) Statement of Newness and Distinctiveness: **Nil**



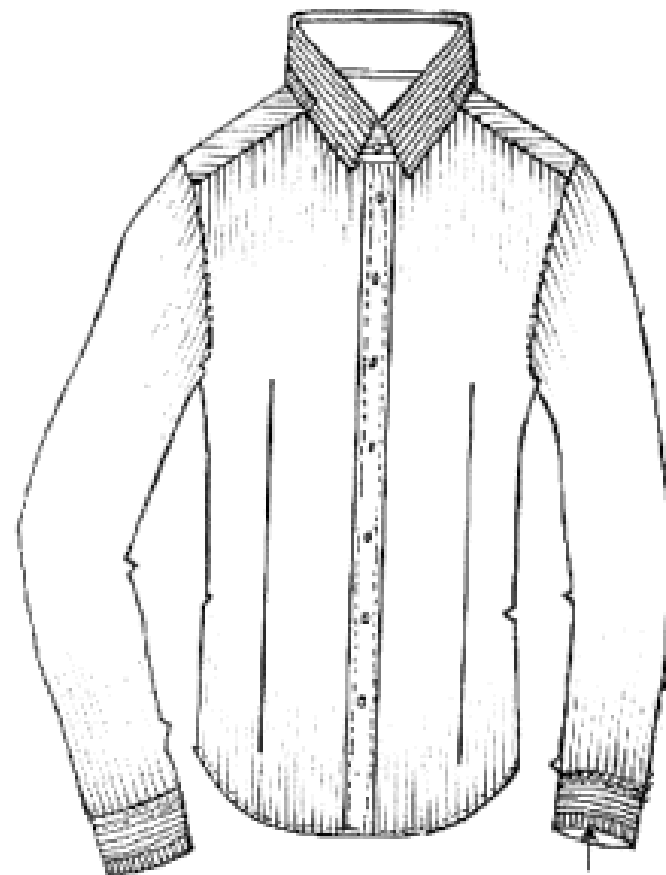
- (21) Design Number: **12518/2010**
- (22) Date of Filing Application: **18 December 2009**
- (24) Date from which industrial property rights may have effect: **18 December 2009**
- (54) Product in respect of which the design is registered: **Men's clothing**
- (51) International Design Classification: **02-02NES**
- (71) Name(s) and Address(s) of Applicant(s):  
**Fifty-Fourth Rischell Pty Ltd**  
**3-5 Claremont Street South Yarra Victoria 3141 Australia**
- (72) Name(s) of Designer(s): **Ty Henschke**
- (45) Registration Date: **31 August 2010**
- (56) Related Art Documents: **Not Applicable**
- (57) Statement of Newness and Distinctiveness: **Nil**



- (21) Design Number: **12519/2010**  
(22) Date of Filing Application: **18 December 2009**  
(24) Date from which industrial property rights may have effect: **18 December 2009**  
(54) Product in respect of which the design is registered: **Men's clothing**  
(51) International Design Classification: **02-02NES**  
(71) Name(s) and Address(s) of Applicant(s):  
**Fifty-Fourth Rischell Pty Ltd**  
**3-5 Claremont Street South Yarra Victoria 3141 Australia**  
(72) Name(s) of Designer(s): **Ty Henschke**  
(45) Registration Date: **31 August 2010**  
(56) Related Art Documents: **Not Applicable**  
(57) Statement of Newness and Distinctiveness: **Nil**



- (21) Design Number: **12520/2010**  
(22) Date of Filing Application: **18 December 2009**  
(24) Date from which industrial property rights may have effect: **18 December 2009**  
(54) Product in respect of which the design is registered: **Men's clothing**  
(51) International Design Classification: **02-02NES**  
(71) Name(s) and Address(s) of Applicant(s):  
**Fifty-Fourth Rischell Pty Ltd**  
**3-5 Claremont Street South Yarra Victoria 3141 Australia**  
(72) Name(s) of Designer(s): **Ty Henschke**  
(45) Registration Date: **31 August 2010**  
(56) Related Art Documents: **Not Applicable**  
(57) Statement of Newness and Distinctiveness: **Nil**



(21) Design Number: **12521/2010**

(22) Date of Filing Application: **18 December 2009**

(24) Date from which industrial property rights may have effect: **18 December 2009**

(54) Product in respect of which the design is registered: **Men's clothing**

(51) International Design Classification: **02-02NES**

(71) Name(s) and Address(s) of Applicant(s):

**Fifty-Fourth Rischell Pty Ltd**  
**3-5 Claremont Street South Yarra Victoria 3141 Australia**

(72) Name(s) of Designer(s): **Ty Henschke**

(45) Registration Date: **31 August 2010**

(56) Related Art Documents: **Not Applicable**

(57) Statement of Newness and Distinctiveness: **Nil**



(21) Design Number: **12522/2010**

(22) Date of Filing Application: **18 December 2009**

(24) Date from which industrial property rights may have effect: **18 December 2009**

(54) Product in respect of which the design is registered: **Men's clothing**

(51) International Design Classification: **02-02NES**

(71) Name(s) and Address(s) of Applicant(s):

**Fifty-Fourth Rischell Pty Ltd**  
**3-5 Claremont Street South Yarra Victoria 3141 Australia**

(72) Name(s) of Designer(s): **Ty Henschke**

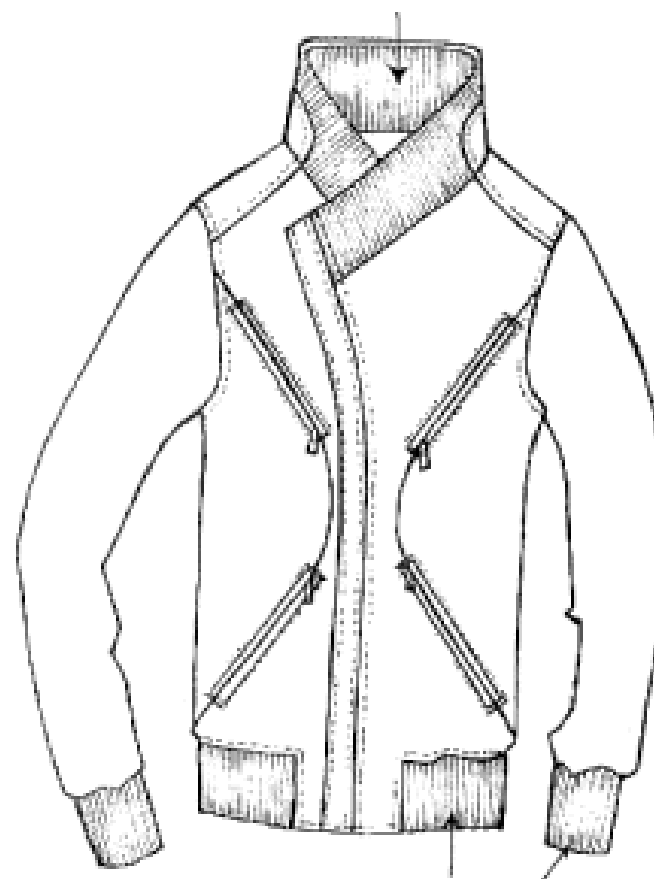
(45) Registration Date: **31 August 2010**

(56) Related Art Documents: **Not Applicable**

(57) Statement of Newness and Distinctiveness: **Nil**



- (21) Design Number: **12523/2010**
- (22) Date of Filing Application: **18 December 2009**
- (24) Date from which industrial property rights may have effect: **18 December 2009**
- (54) Product in respect of which the design is registered: **Men's clothing**
- (51) International Design Classification: **02-02NES**
- (71) Name(s) and Address(s) of Applicant(s):  
**Fifty-Fourth Rischell Pty Ltd**  
**3-5 Claremont Street South Yarra Victoria 3141 Australia**
- (72) Name(s) of Designer(s): **Ty Henschke**
- (45) Registration Date: **31 August 2010**
- (56) Related Art Documents: **Not Applicable**
- (57) Statement of Newness and Distinctiveness: **Nil**



- (21) Design Number: **12524/2010**
- (22) Date of Filing Application: **18 December 2009**
- (24) Date from which industrial property rights may have effect: **18 December 2009**
- (54) Product in respect of which the design is registered: **Men's clothing**
- (51) International Design Classification: **02-02NES**
- (71) Name(s) and Address(s) of Applicant(s):  
**Fifty-Fourth Rischell Pty Ltd**  
**3-5 Claremont Street South Yarra Victoria 3141 Australia**
- (72) Name(s) of Designer(s): **Ty Henschke**
- (45) Registration Date: **31 August 2010**
- (56) Related Art Documents: **Not Applicable**
- (57) Statement of Newness and Distinctiveness: **Nil**



(21) Design Number: **12525/2010**

(22) Date of Filing Application: **18 December 2009**

(24) Date from which industrial property rights may have effect: **18 December 2009**

(54) Product in respect of which the design is registered: **Men's clothing**

(51) International Design Classification: **02-02NES**

(71) Name(s) and Address(s) of Applicant(s):

**Fifty-Fourth Rischell Pty Ltd**  
**3-5 Claremont Street South Yarra Victoria 3141 Australia**

(72) Name(s) of Designer(s): **Ty Henschke**

(45) Registration Date: **31 August 2010**

(56) Related Art Documents: **Not Applicable**

(57) Statement of Newness and Distinctiveness: **Nil**



(21) Design Number: **12526/2010**

(22) Date of Filing Application: **18 December 2009**

(24) Date from which industrial property rights may have effect: **18 December 2009**

(54) Product in respect of which the design is registered: **Men's clothing**

(51) International Design Classification: **02-02NES**

(71) Name(s) and Address(s) of Applicant(s):

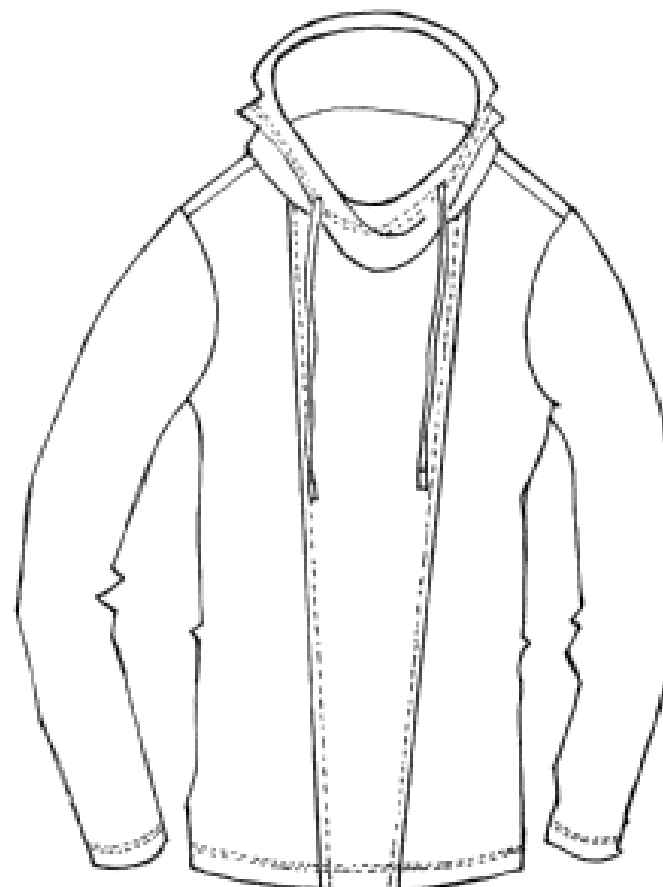
**Fifty-Fourth Rischell Pty Ltd**  
**3-5 Claremont Street South Yarra Victoria 3141 Australia**

(72) Name(s) of Designer(s): **Ty Henschke**

(45) Registration Date: **31 August 2010**

(56) Related Art Documents: **Not Applicable**

(57) Statement of Newness and Distinctiveness: **Nil**



- (21) Design Number: **12527/2010**
- (22) Date of Filing Application: **18 December 2009**
- (24) Date from which industrial property rights may have effect: **18 December 2009**
- (54) Product in respect of which the design is registered: **Men's clothing**
- (51) International Design Classification: **02-02NES**
- (71) Name(s) and Address(s) of Applicant(s):  
**Fifty-Fourth Rischell Pty Ltd**  
**3-5 Claremont Street South Yarra Victoria 3141 Australia**
- (72) Name(s) of Designer(s): **Ty Henschke**
- (45) Registration Date: **31 August 2010**
- (56) Related Art Documents: **Not Applicable**
- (57) Statement of Newness and Distinctiveness: **Nil**



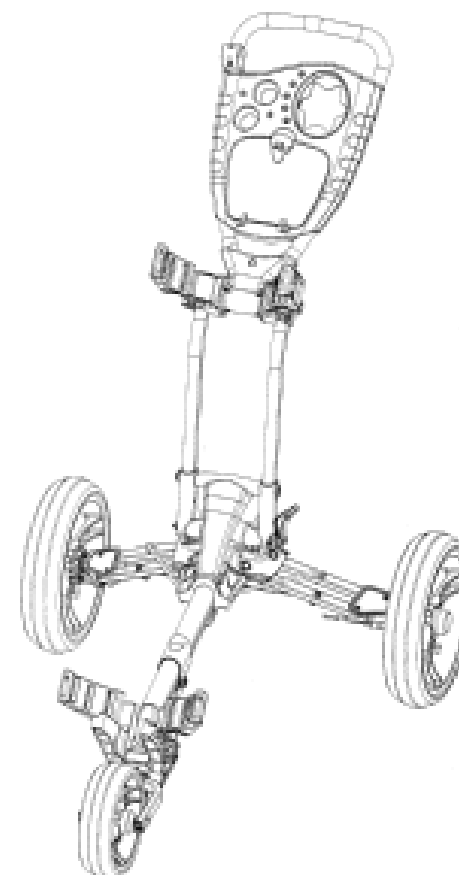
- (21) Design Number: **12528/2010**
- (22) Date of Filing Application: **18 December 2009**
- (24) Date from which industrial property rights may have effect: **18 December 2009**
- (54) Product in respect of which the design is registered: **Men's clothing**
- (51) International Design Classification: **02-02NES**
- (71) Name(s) and Address(s) of Applicant(s):  
**Fifty-Fourth Rischell Pty Ltd**  
**3-5 Claremont Street South Yarra Victoria 3141 Australia**
- (72) Name(s) of Designer(s): **Ty Henschke**
- (45) Registration Date: **31 August 2010**
- (56) Related Art Documents: **Not Applicable**
- (57) Statement of Newness and Distinctiveness: **Nil**



- (21) Design Number: **12529/2010**  
(22) Date of Filing Application: **18 December 2009**  
(24) Date from which industrial property rights may have effect: **18 December 2009**  
(54) Product in respect of which the design is registered: **Men's clothing**  
(51) International Design Classification: **02-02NES**  
(71) Name(s) and Address(s) of Applicant(s):  
**Fifty-Fourth Rischell Pty Ltd**  
**3-5 Claremont Street South Yarra Victoria 3141 Australia**  
(72) Name(s) of Designer(s): **Ty Henschke**  
(45) Registration Date: **31 August 2010**  
(56) Related Art Documents: **Not Applicable**  
(57) Statement of Newness and Distinctiveness: **Nil**



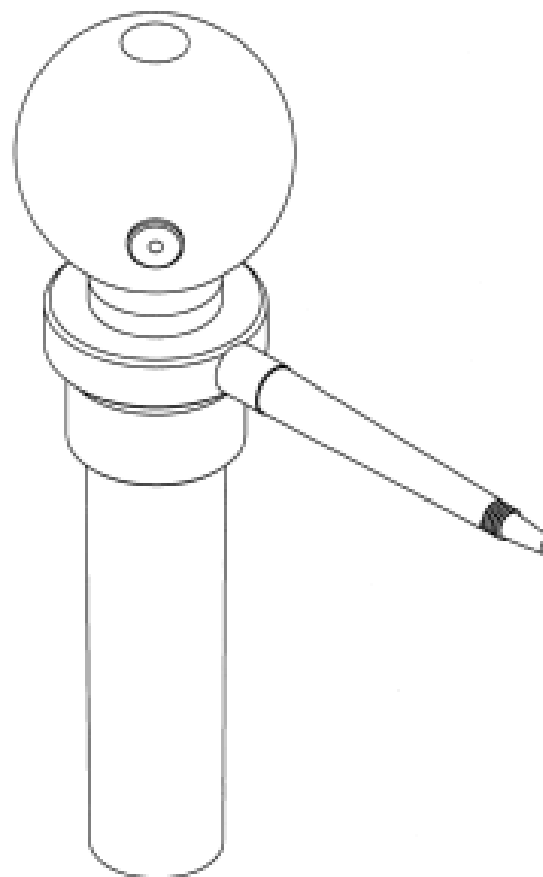
- (21) Design Number: **11934/2010**  
(22) Date of Filing Application: **14 May 2010**  
(24) Date from which industrial property rights may have effect: **14 May 2010**  
(54) Product in respect of which the design is registered: **Golf cart**  
(51) International Design Classification: **12-02**  
(71) Name(s) and Address(s) of Applicant(s):  
**Unique Product & Design Co., Ltd.**  
**No. 5 Ming Dong Road Yung Kang City Tainan Hsien Taiwan**  
(72) Name(s) of Designer(s): **Gordon Liao**  
(45) Registration Date: **30 August 2010**  
(56) Related Art Documents: **Not Applicable**  
(57) Statement of Newness and Distinctiveness: **Novelty resides in the ornamental design for a golf cart as shown in the drawings.**



(21) Design Number: **12443/2010**  
 (22) Date of Filing Application: **16 June 2010**  
 (24) Date from which industrial property rights may have effect: **16 June 2010**  
 (54) Product in respect of which the design is registered: **Insecticide dust applicator**  
 (51) International Design Classification: **08-05A**  
 (71) Name(s) and Address(s) of Applicant(s):  
**Agro Technic Pte. Ltd.**  
**No. 31 Ang Mo Kio Industrial Park 2 #01-01 Sing Industrial Complex**  
**569510 Singapore**  
 (72) Name(s) of Designer(s): **Heng Chia Hwa**  
 (45) Registration Date: **30 August 2010**  
 (30) Convention priority data:  

(31) Number	(32) Date	(33) Country
<b>D2010/418/E</b>	<b>27 May 2010</b>	<b>SINGAPORE</b>

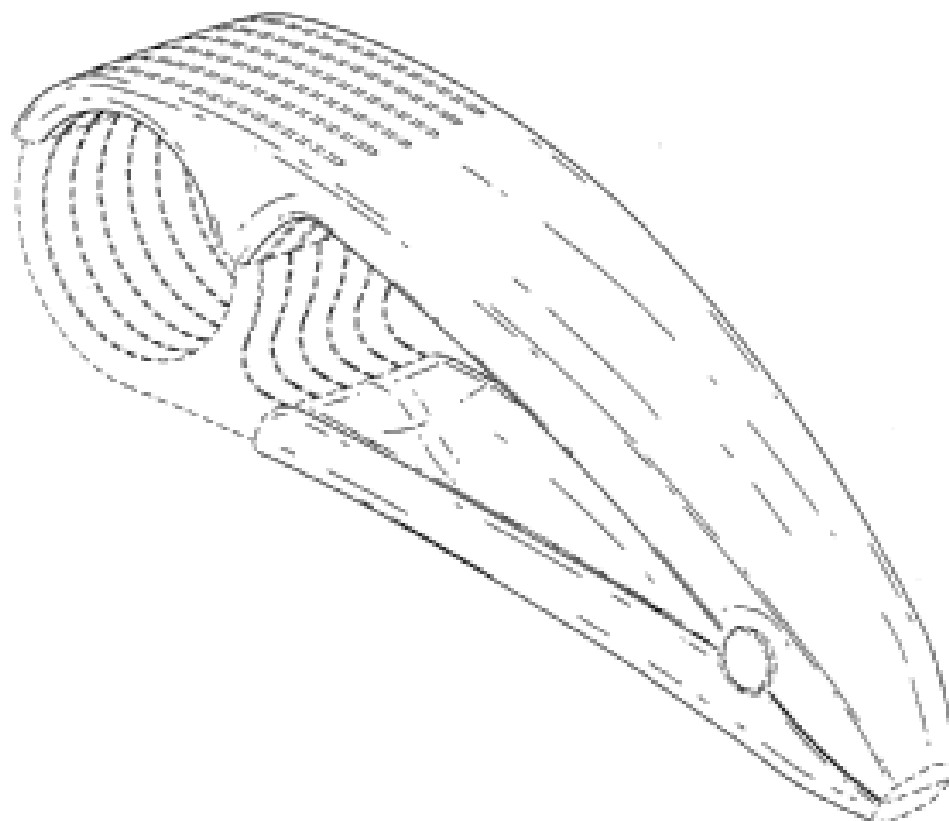
 (56) Related Art Documents: **Not Applicable**  
 (57) Statement of Newness and Distinctiveness: **Nil**



(21) Design Number: **13025/2010**  
 (22) Date of Filing Application: **21 July 2010**  
 (24) Date from which industrial property rights may have effect: **21 July 2010**  
 (54) Product in respect of which the design is registered: **Handheld food slicer**  
 (51) International Design Classification: **07-04**  
 (71) Name(s) and Address(s) of Applicant(s):  
**Chef'n Corporation**  
**1520 4th Avenue 3rd Floor Seattle Washington 98101 United States of**  
**America**  
 (72) Name(s) of Designer(s): **Matthew Krus**  
 (45) Registration Date: **30 August 2010**  
 (30) Convention priority data:  

(31) Number	(32) Date	(33) Country
<b>29/355228</b>	<b>04 Feb 2010</b>	<b>UNITED STATES OF AMERICA</b>

 (56) Related Art Documents: **Not Applicable**  
 (57) Statement of Newness and Distinctiveness: **Newness and distinctiveness is claimed in the visual features shown in solid lines in the representations.**





(21) Design Number: **13026/2010**

(22) Date of Filing Application: **21 July 2010**

(24) Date from which industrial property rights may have effect: **21 July 2010**

(54) Product in respect of which the design is registered: **Pasta tong grippers**

(51) International Design Classification: **07-04**

(71) Name(s) and Address(s) of Applicant(s):

**Chef'n Corporation**  
**1520 4th Avenue 3rd Floor Seattle Washington 98101 United States of America**

(72) Name(s) of Designer(s): **David A. Holcomb and Adam A. Jossem**

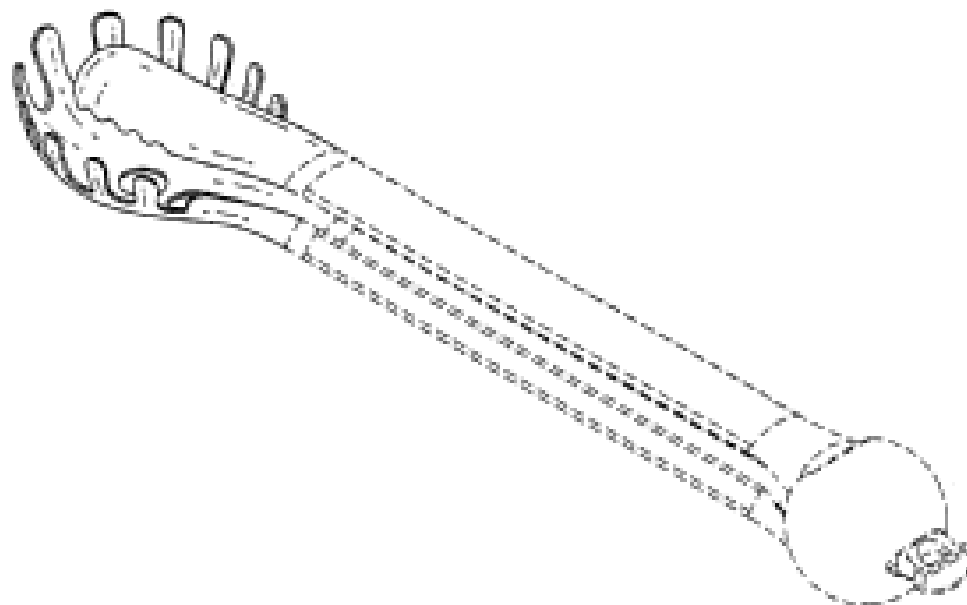
(45) Registration Date: **30 August 2010**

(30) Convention priority data:

(31) Number	(32) Date	(33) Country
<b>29/355261</b>	<b>04 Feb 2010</b>	<b>UNITED STATES OF AMERICA</b>

(56) Related Art Documents: **Not Applicable**

(57) Statement of Newness and Distinctiveness: **Newness and distinctiveness is claimed in the visual features shown in solid lines in the representations.**



(21) Design Number: **13295/2010**

(22) Date of Filing Application: **04 August 2010**

(24) Date from which industrial property rights may have effect: **04 August 2010**

(54) Product in respect of which the design is registered: **Sanitary faucet**

(51) International Design Classification: **23-01H**

(71) Name(s) and Address(s) of Applicant(s):

**Hansgrohe AG**  
**Austrasse 5-9 D-77761 Schiltach Germany**

(72) Name(s) of Designer(s): **Erkan Bilgic and Tom Schonherr**

(45) Registration Date: **30 August 2010**

(30) Convention priority data:

(31) Number	(32) Date	(33) Country
<b>001194757-0004</b>	<b>10 Feb 2010</b>	<b>EUROPEAN COMMUNITY</b>

(56) Related Art Documents: **Not Applicable**

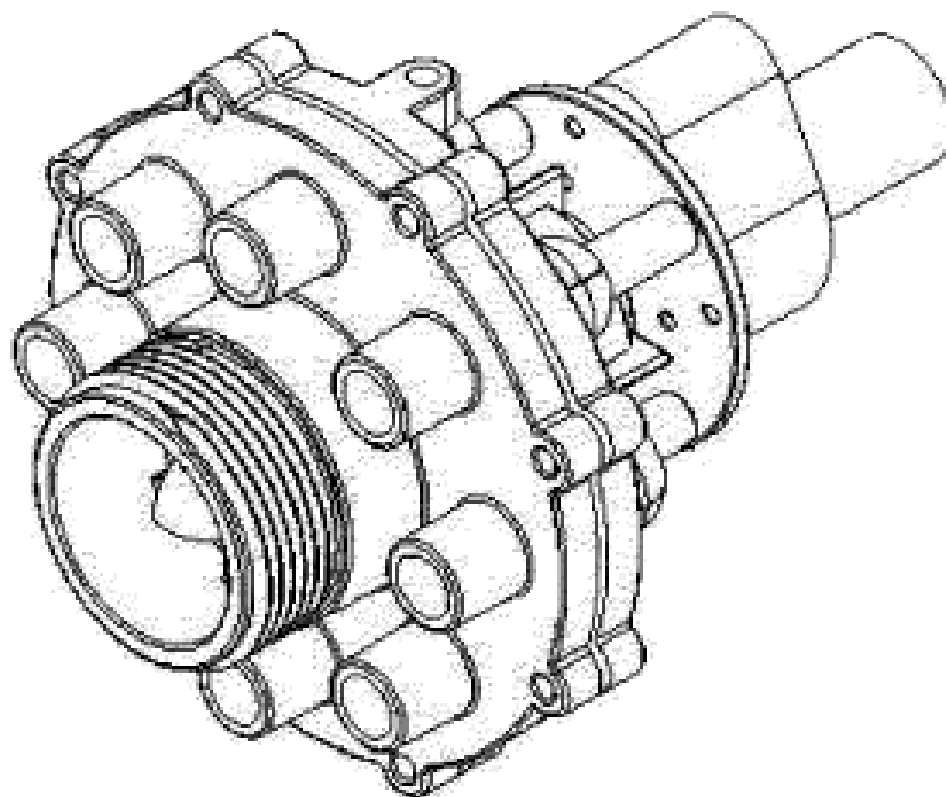
(57) Statement of Newness and Distinctiveness: **Nil**



(21) Design Number: **13296/2010**  
(22) Date of Filing Application: **04 August 2010**  
(24) Date from which industrial property rights may have effect: **04 August 2010**  
(54) Product in respect of which the design is registered: **Sanitary fitting**  
(51) International Design Classification: **23-01H**  
(71) Name(s) and Address(s) of Applicant(s):  
**Hansgrohe AG**  
**Auestrasse 5-9 D-77761 Schiltach Germany**  
(72) Name(s) of Designer(s): **Erkan Bilgic and Tom Schonherr**  
(45) Registration Date: **30 August 2010**  
(30) Convention priority data:  
(31) Number (32) Date (33) Country  
**001194757-0009 10 Feb 2010 EUROPEAN COMMUNITY**  
(56) Related Art Documents: **Not Applicable**  
(57) Statement of Newness and Distinctiveness: **Nil**



(21) Design Number: **13298/2010**  
(22) Date of Filing Application: **04 August 2010**  
(24) Date from which industrial property rights may have effect: **04 August 2010**  
(54) Product in respect of which the design is registered: **Motorized valve**  
(51) International Design Classification: **13-01**  
(71) Name(s) and Address(s) of Applicant(s):  
**Craig Allan Nimmo**  
**12 Cornwall Court Buderim Queensland 4556 Australia**  
(72) Name(s) of Designer(s): **Craig Allan Nimmo**  
(45) Registration Date: **30 August 2010**  
(56) Related Art Documents: **Not Applicable**  
(57) Statement of Newness and Distinctiveness: **Newness and distinctiveness reside in the features of shape and configuration of the motorized valve as shown in the accompanying drawings wherein: Fig. 1 is a pictorial representation of the motorized valve from below and one side; Fig. 2 is a pictorial representation of the motorized valve shown in Fig. 1 from above and one side; Fig. 3 is a side elevation of the motorized valve shown in Fig. 1; Fig. 4 is an elevation of the top of the motorized valve shown in Fig. 1; and Fig. 5 is an elevation of the bottom of the motorized valve shown in Fig. 1.**



(21) Design Number: **13299/2010**

(22) Date of Filing Application: **04 August 2010**

(24) Date from which industrial property rights may have effect: **04 August 2010**

(54) Product in respect of which the design is registered: **Tyre**

(51) International Design Classification: **12-15B**

(71) Name(s) and Address(s) of Applicant(s):

**The Goodyear Tire & Rubber Company  
1144 East Market Street Akron Ohio 44316-0001 United States of  
America**

(72) Name(s) of Designer(s): **Peter Johann Cornelius Maus and Alain Joseph  
Jose Godefroid**

(45) Registration Date: **30 August 2010**

(30) Convention priority data:

(31) Number	(32) Date	(33) Country
<b>29/356006</b>	<b>18 Feb 2010</b>	<b>UNITED STATES OF AMERICA</b>

(56) Related Art Documents: **Not Applicable**

(57) Statement of Newness and Distinctiveness: **Newness and distinctiveness is claimed in the features of shape and/or configuration of the tread of a tyre as illustrated in the accompanying representations, wherein the shape and/or configuration of the tread is repeated throughout the circumference of the tyre.**



(21) Design Number: **13523/2010**

(22) Date of Filing Application: **16 August 2010**

(24) Date from which industrial property rights may have effect: **16 August 2010**

(54) Product in respect of which the design is registered: **A valve**

(51) International Design Classification: **09-07C**

(71) Name(s) and Address(s) of Applicant(s):

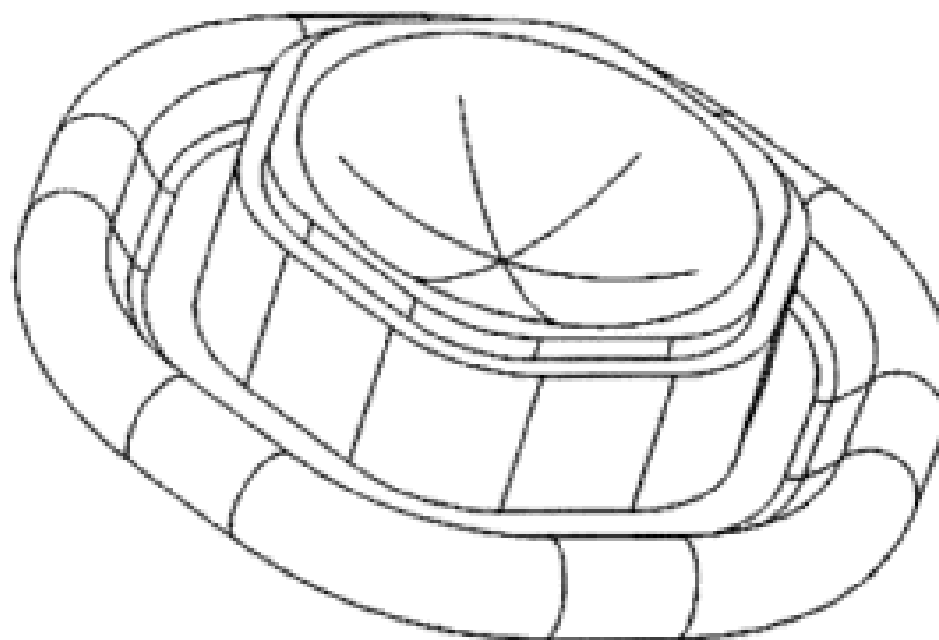
**Endeavour Packaging Pty Ltd  
423-427 Victoria Street Wetherill Park New South Wales 2164 Australia**

(72) Name(s) of Designer(s): **David King**

(45) Registration Date: **30 August 2010**

(56) Related Art Documents: **Not Applicable**

(57) Statement of Newness and Distinctiveness: **Nil**



(21) Design Number: **12968/2010**

(22) Date of Filing Application: **16 July 2010**

(24) Date from which industrial property rights may have effect: **16 July 2010**

(54) Product in respect of which the design is registered: **Heavy duty hinge bracket**

(51) International Design Classification: **06-04NES**

(71) Name(s) and Address(s) of Applicant(s):

**D and D Shopfitting Pty Limited**

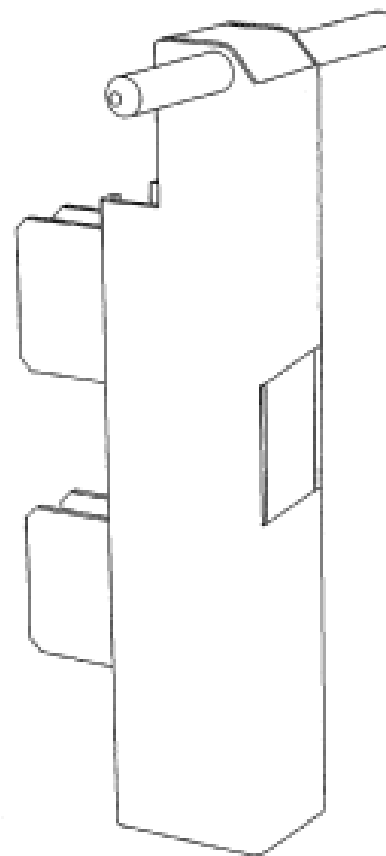
**6 Marstan Close West Gosford New South Wales 2250 Australia**

(72) Name(s) of Designer(s): **Dennis Lindsay**

(45) Registration Date: **30 August 2010**

(56) Related Art Documents: **Not Applicable**

(57) Statement of Newness and Distinctiveness: **The Heavy Duty Hinge Bracket is used to pivot the Heavy Duty Hinge bumper so that there is a minimum gap between the bumper and the bottom shelf when the bumper is down.**



(21) Design Number: **12969/2010**

(22) Date of Filing Application: **16 July 2010**

(24) Date from which industrial property rights may have effect: **16 July 2010**

(54) Product in respect of which the design is registered: **Heavy duty hinge bumper**

(51) International Design Classification: **06-04NES**

(71) Name(s) and Address(s) of Applicant(s):

**D and D Shopfitting Pty Limited**

**6 Marstan Close West Gosford New South Wales 2250 Australia**

(72) Name(s) of Designer(s): **Dennis Lindsay**

(45) Registration Date: **30 August 2010**

(56) Related Art Documents: **Not Applicable**

(57) Statement of Newness and Distinctiveness: **The Heavy Duty Hinge Bumper pivots enabling it to swing up so that the area under the shelves can be accessed for cleaning. It also features a swing down leg to hold it up whilst cleaning.**



(21) Design Number: **12970/2010**

(22) Date of Filing Application: **16 July 2010**

(24) Date from which industrial property rights may have effect: **16 July 2010**

(54) Product in respect of which the design is registered: **Heavy duty shelf**

(51) International Design Classification: **06-04NES**

(71) Name(s) and Address(s) of Applicant(s):

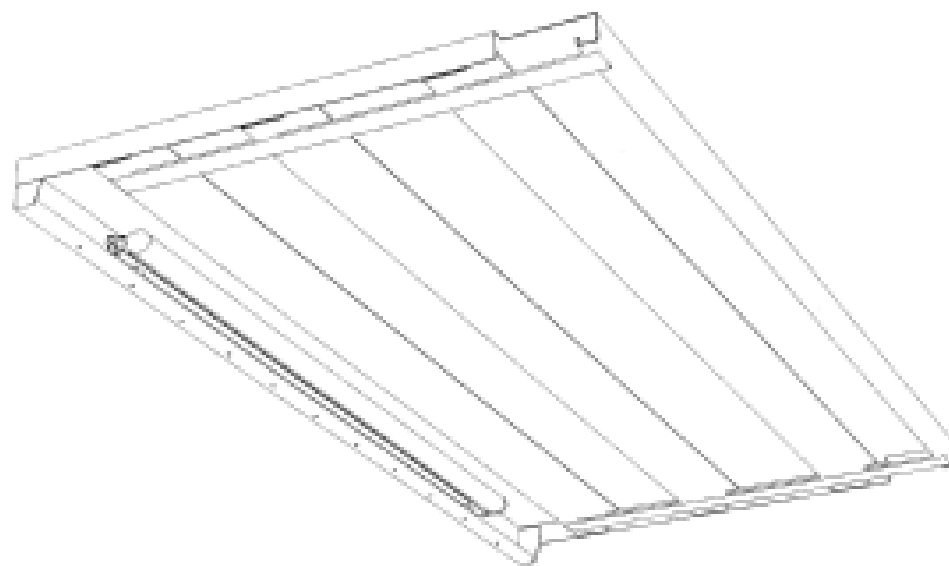
**D and D Shopfitting Pty Limited  
6 Marstan Close West Gosford New South Wales 2250 Australia**

(72) Name(s) of Designer(s): **Dennis Lindsay**

(45) Registration Date: **30 August 2010**

(56) Related Art Documents: **Not Applicable**

(57) Statement of Newness and Distinctiveness: **The Heavy Duty Shelf has cross beams to increase strength which sit on top of the side bar on the heavy duty bracket to carry increased weight.**



(21) Design Number: **12971/2010**

(22) Date of Filing Application: **16 July 2010**

(24) Date from which industrial property rights may have effect: **16 July 2010**

(54) Product in respect of which the design is registered: **Heavy duty shelving bracket**

(51) International Design Classification: **06-04NES**

(71) Name(s) and Address(s) of Applicant(s):

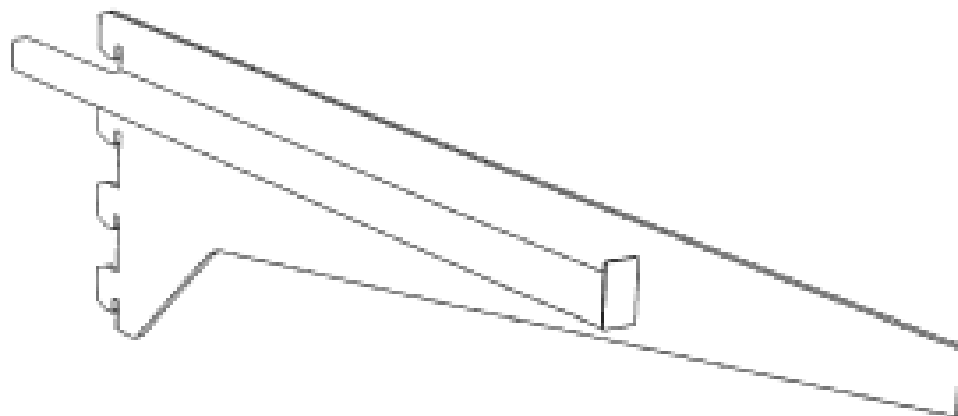
**D and D Shopfitting Pty Limited  
6 Marstan Close West Gosford New South Wales 2250 Australia**

(72) Name(s) of Designer(s): **Dennis Lindsay**

(45) Registration Date: **30 August 2010**

(56) Related Art Documents: **Not Applicable**

(57) Statement of Newness and Distinctiveness: **The Heavy Duty Bracket has a side bar fixed to it such that it supports the crossbeams under the Heavy Duty Shelf. This significantly increases the weight capacity of the shelf.**



(21) Design Number: **12972/2010**

(22) Date of Filing Application: **16 July 2010**

(24) Date from which industrial property rights may have effect: **16 July 2010**

(54) Product in respect of which the design is registered: **Heavy duty post**

(51) International Design Classification: **06-04NES**

(71) Name(s) and Address(s) of Applicant(s):

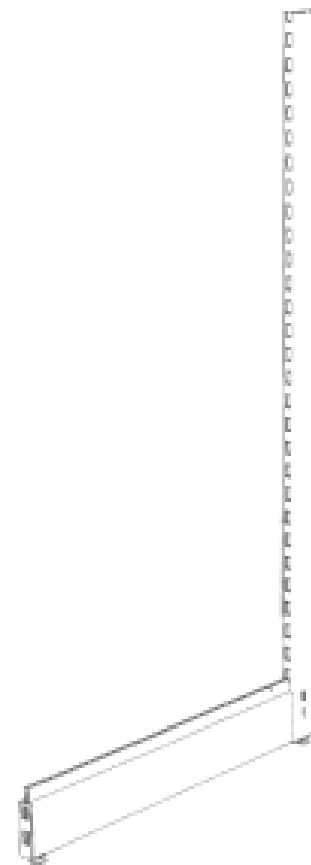
**D and D Shopfitting Pty Limited  
6 Marstan Close West Gosford New South Wales 2250 Australia**

(72) Name(s) of Designer(s): **Dennis Lindsay**

(45) Registration Date: **30 August 2010**

(56) Related Art Documents: **Not Applicable**

(57) Statement of Newness and Distinctiveness: **The Heavy Duty Post is made of a thicker steel and has stronger post feet to support extra weight. The post is also punched on the front and back so it can have backpanels and deeper shelves.**



(21) Design Number: **12973/2010**

(22) Date of Filing Application: **16 July 2010**

(24) Date from which industrial property rights may have effect: **16 July 2010**

(54) Product in respect of which the design is registered: **Heavy duty back panel**

(51) International Design Classification: **06-04NES**

(71) Name(s) and Address(s) of Applicant(s):

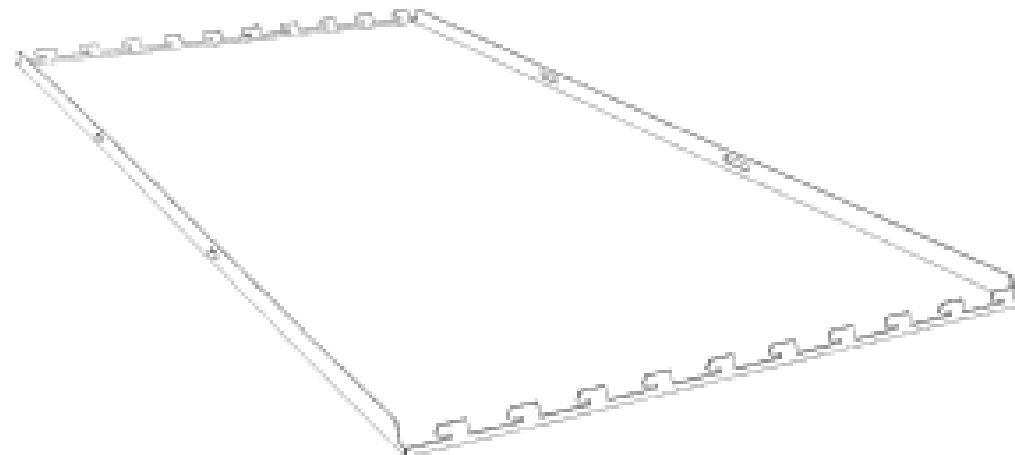
**D and D Shopfitting Pty Limited  
6 Marstan Close West Gosford New South Wales 2250 Australia**

(72) Name(s) of Designer(s): **Dennis Lindsay**

(45) Registration Date: **30 August 2010**

(56) Related Art Documents: **Not Applicable**

(57) Statement of Newness and Distinctiveness: **Nil**



(21) Design Number: **13056/2010**

(22) Date of Filing Application: **22 July 2010**

(24) Date from which industrial property rights may have effect: **22 July 2010**

(54) Product in respect of which the design is registered: **Freezer shelving post**

(51) International Design Classification: **06-04NES**

(71) Name(s) and Address(s) of Applicant(s):

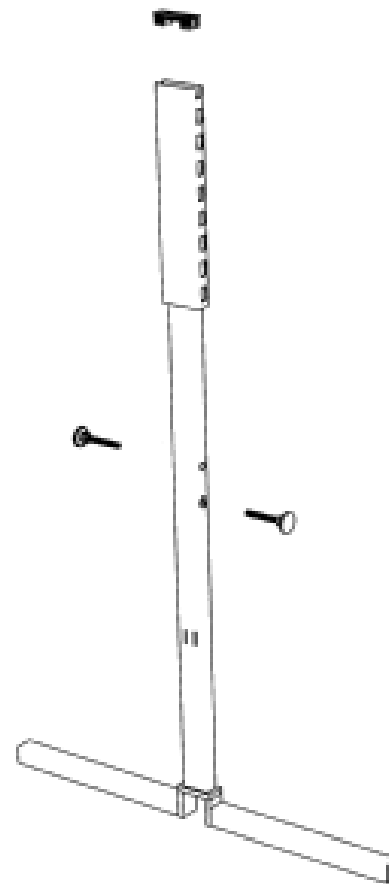
**D and D Shopfitting Pty Limited  
6 Marstan Close West Gosford New South Wales 2250 Australia**

(72) Name(s) of Designer(s): **Dennis Lindsay**

(45) Registration Date: **30 August 2010**

(56) Related Art Documents: **Not Applicable**

(57) Statement of Newness and Distinctiveness: **The post is designed to sit over a floor duct and has side adjusters to help hold it in position when it is located in between a row of back to back chest freezers. The post is thinner below the punched section to allow minimum gap in between the freezers.**



(21) Design Number: **13057/2010**

(22) Date of Filing Application: **22 July 2010**

(24) Date from which industrial property rights may have effect: **22 July 2010**

(54) Product in respect of which the design is registered: **Freezer shelving bracket**

(51) International Design Classification: **06-04NES**

(71) Name(s) and Address(s) of Applicant(s):

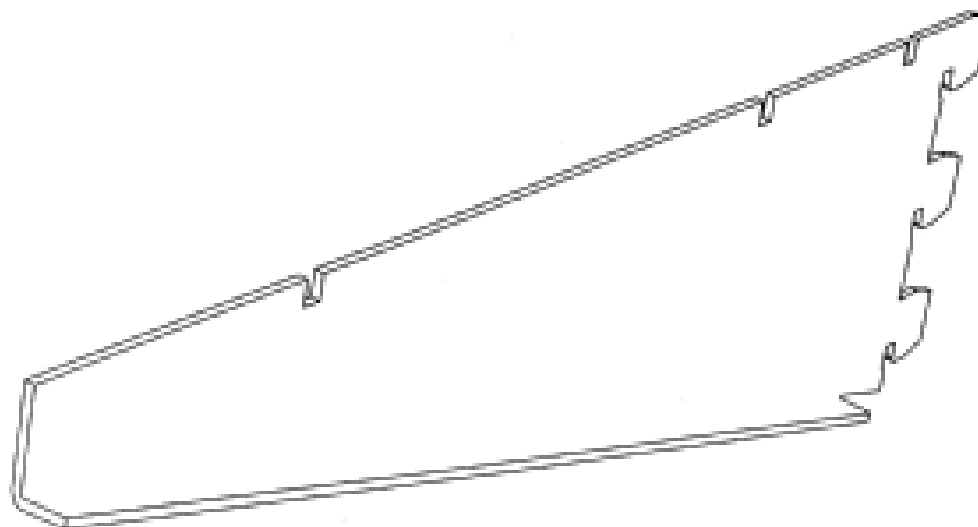
**D and D Shopfitting Pty Limited  
6 Marstan Close West Gosford New South Wales 2250 Australia**

(72) Name(s) of Designer(s): **Dennis Lindsay**

(45) Registration Date: **30 August 2010**

(56) Related Art Documents: **Not Applicable**

(57) Statement of Newness and Distinctiveness: **The bracket has a folded bottom edge to increase its strength and notches which stop the shelves from moving forward.**



(21) Design Number: **13058/2010**

(22) Date of Filing Application: **22 July 2010**

(24) Date from which industrial property rights may have effect: **22 July 2010**

(54) Product in respect of which the design is registered: **Freezer notched shelf**

(51) International Design Classification: **06-04NES**

(71) Name(s) and Address(s) of Applicant(s):

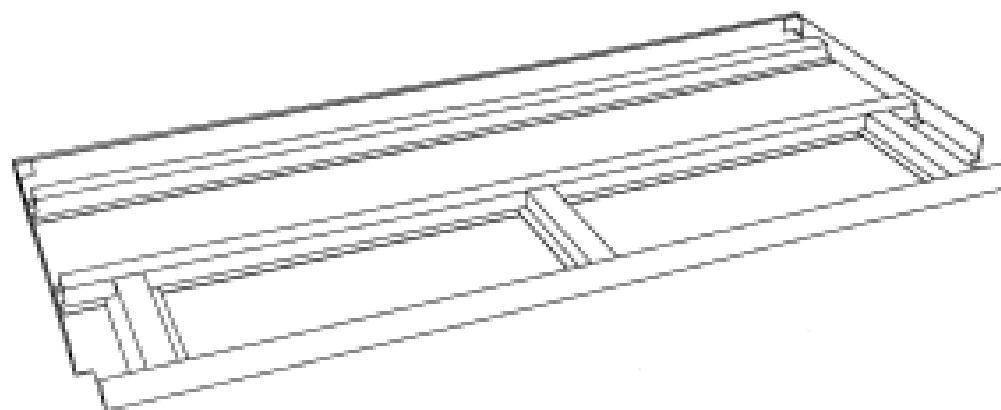
**D and D Shopfitting Pty Limited**  
**6 Marstan Close West Gosford New South Wales 2250 Australia**

(72) Name(s) of Designer(s): **Dennis Lindsay**

(45) Registration Date: **30 August 2010**

(56) Related Art Documents: **Not Applicable**

(57) Statement of Newness and Distinctiveness: **The shelf has cross beams for extra strength which lock into the notches on the bracket preventing the shelf from coming forward.**



(21) Design Number: **13059/2010**

(22) Date of Filing Application: **22 July 2010**

(24) Date from which industrial property rights may have effect: **22 July 2010**

(54) Product in respect of which the design is registered: **Freezer flat shelf**

(51) International Design Classification: **06-04NES**

(71) Name(s) and Address(s) of Applicant(s):

**D and D Shopfitting Pty Limited**  
**6 Marstan Close West Gosford New South Wales 2250 Australia**

(72) Name(s) of Designer(s): **Dennis Lindsay**

(45) Registration Date: **30 August 2010**

(56) Related Art Documents: **Not Applicable**

(57) Statement of Newness and Distinctiveness: **The shelf has cross beams for extra strength which lock into the notches on the bracket preventing the shelf from coming forward.**

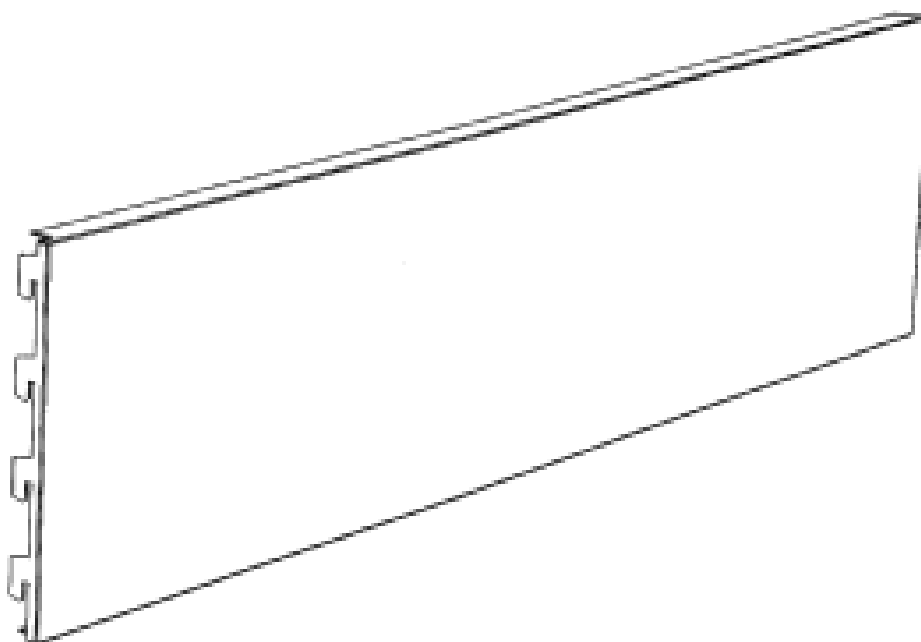




- (21) Design Number: **13060/2010**  
(22) Date of Filing Application: **22 July 2010**  
(24) Date from which industrial property rights may have effect: **22 July 2010**  
(54) Product in respect of which the design is registered: **Freezer cross rail**  
(51) International Design Classification: **06-04NES**  
(71) Name(s) and Address(s) of Applicant(s):  
**D and D Shopfitting Pty Limited**  
**6 Marstan Close West Gosford New South Wales 2250 Australia**  
(72) Name(s) of Designer(s): **Dennis Lindsay**  
(45) Registration Date: **30 August 2010**  
(56) Related Art Documents: **Not Applicable**  
(57) Statement of Newness and Distinctiveness: **The crossrail is quite tall in section for extra strength and to help prevent sideways movement of the posts.**



- (21) Design Number: **13061/2010**  
(22) Date of Filing Application: **22 July 2010**  
(24) Date from which industrial property rights may have effect: **22 July 2010**  
(54) Product in respect of which the design is registered: **Freezer back panel**  
(51) International Design Classification: **06-04NES**  
(71) Name(s) and Address(s) of Applicant(s):  
**D and D Shopfitting Pty Limited**  
**6 Marstan Close West Gosford New South Wales 2250 Australia**  
(72) Name(s) of Designer(s): **Dennis Lindsay**  
(45) Registration Date: **30 August 2010**  
(56) Related Art Documents: **Not Applicable**  
(57) Statement of Newness and Distinctiveness: **Nil**



(21) Design Number: **13062/2010**

(22) Date of Filing Application: **22 July 2010**

(24) Date from which industrial property rights may have effect: **22 July 2010**

(54) Product in respect of which the design is registered: **Freezer bag holder**

(51) International Design Classification: **06-04NES**

(71) Name(s) and Address(s) of Applicant(s):

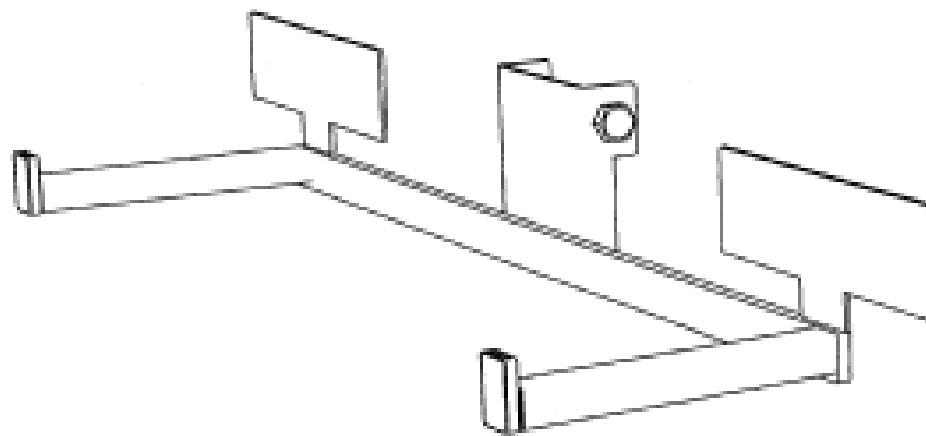
**D and D Shopfitting Pty Limited  
6 Marstan Close West Gosford New South Wales 2250 Australia**

(72) Name(s) of Designer(s): **Dennis Lindsay**

(45) Registration Date: **30 August 2010**

(56) Related Art Documents: **Not Applicable**

(57) Statement of Newness and Distinctiveness: **The design of the Bag holder is such to create a place for merchandising at the end of a shelving run. The bag holder arms have plastic caps to prevent the bags from falling off.**



(21) Design Number: **12976/2010**

(22) Date of Filing Application: **16 July 2010**

(24) Date from which industrial property rights may have effect: **16 July 2010**

(54) Product in respect of which the design is registered: **Carry bag with strap**

(51) International Design Classification: **03-01B**

(71) Name(s) and Address(s) of Applicant(s):

**Joanne Buchanan  
2/95 Treeview Drive Burleigh Waters Queensland 4220 Australia**

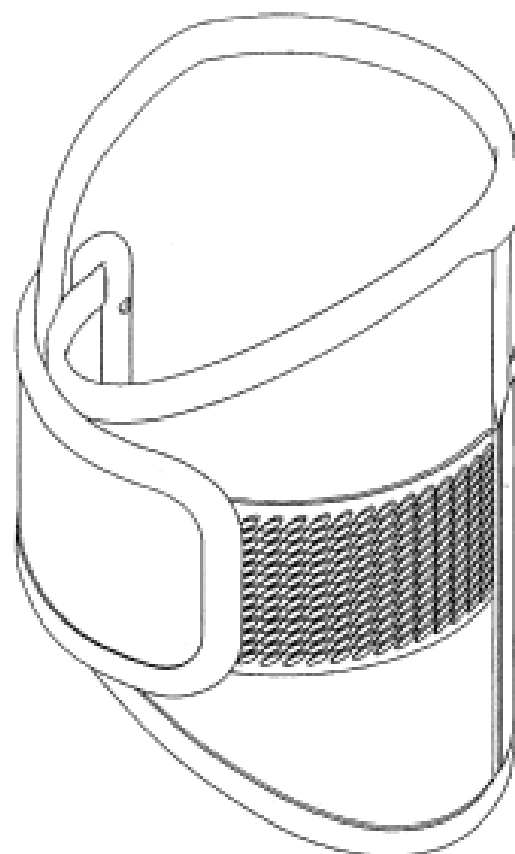
**Amanda Beattie  
6 Weber Court Nerang Queensland 4221 Australia**

(72) Name(s) of Designer(s): **Joanne Buchanan and Amanda Beattie**

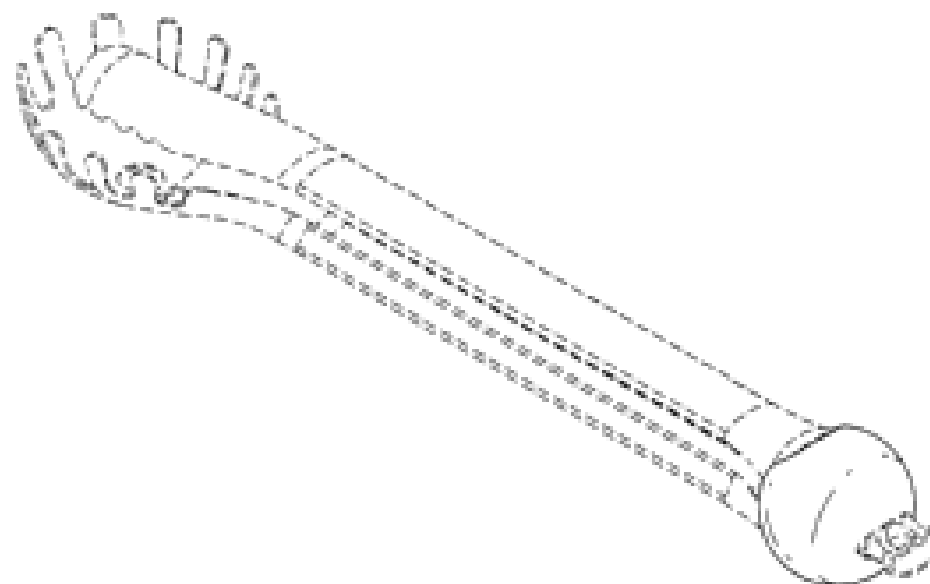
(45) Registration Date: **31 August 2010**

(56) Related Art Documents: **Not Applicable**

(57) Statement of Newness and Distinctiveness: **The newness and distinctiveness of the design resides in the shape and configuration and/or pattern and ornamentation of a carry bag as shown in the accompanying representations.**



(21) Design Number: **13027/2010**  
(22) Date of Filing Application: **21 July 2010**  
(24) Date from which industrial property rights may have effect: **21 July 2010**  
(54) Product in respect of which the design is registered: **A hinge member for a tong handle**  
(51) International Design Classification: **07-06NES**  
(71) Name(s) and Address(s) of Applicant(s):  
**Chef'n Corporation**  
**1520 4th Avenue 3rd Floor Seattle Washington 98101 United States of America**  
(72) Name(s) of Designer(s): **David A. Holcomb and Adam A. Jossem**  
(45) Registration Date: **31 August 2010**  
(30) Convention priority data:  
(31) Number (32) Date (33) Country  
**29/355262 04 Feb 2010 UNITED STATES OF AMERICA**  
(56) Related Art Documents: **Not Applicable**  
(57) Statement of Newness and Distinctiveness: **Newness and distinctiveness is claimed in the shape and configuration of the hinge member as shown in solid lines in the representations.**



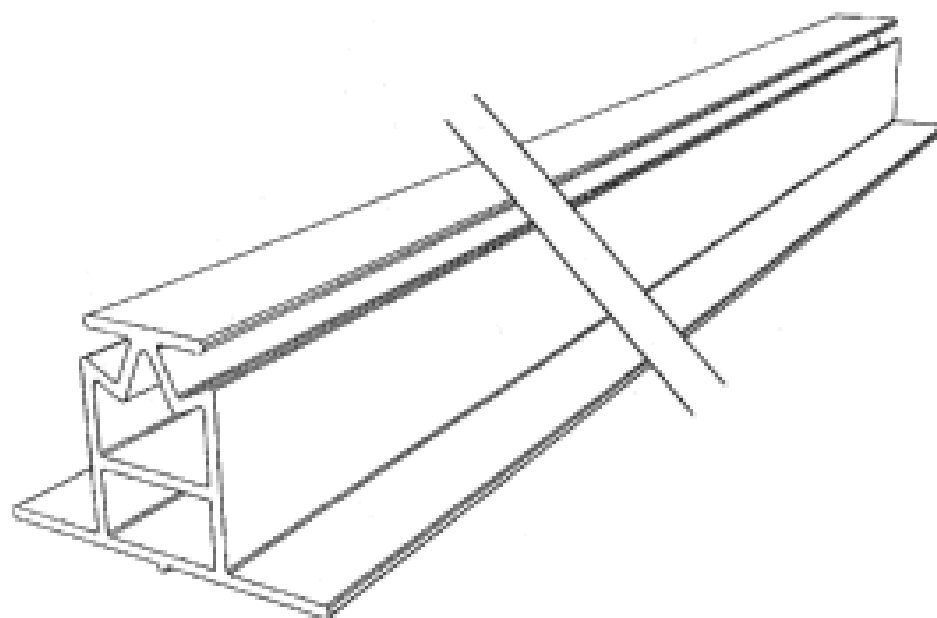
(21) Design Number: **13227/2010**  
(22) Date of Filing Application: **29 July 2010**  
(24) Date from which industrial property rights may have effect: **29 July 2010**  
(54) Product in respect of which the design is registered: **Tableware**  
(51) International Design Classification: **07-01B**  
(71) Name(s) and Address(s) of Applicant(s):  
**Villeroy & Boch AG**  
**Saaruferstrasse 14-18 D-66693 Mettlach Germany**  
(72) Name(s) of Designer(s): **Charlotte Weber**  
(45) Registration Date: **31 August 2010**  
(30) Convention priority data:  
(31) Number (32) Date (33) Country  
**001669003-0001 11 Feb 2010 EUROPEAN COMMUNITY**  
(56) Related Art Documents: **Not Applicable**  
(57) Statement of Newness and Distinctiveness: **Nil**



(21) Design Number: **13233/2010**  
(22) Date of Filing Application: **29 July 2010**  
(24) Date from which industrial property rights may have effect: **29 July 2010**  
(54) Product in respect of which the design is registered: **Tableware**  
(51) International Design Classification: **07-01B**  
(71) Name(s) and Address(s) of Applicant(s):  
**Villeroy & Boch AG**  
**Saaruferstrasse 14-18 D-66693 Mettlach Germany**  
(72) Name(s) of Designer(s): **Stefanie Hering**  
(45) Registration Date: **31 August 2010**  
(30) Convention priority data:  
(31) Number (32) Date (33) Country  
**001669003-0016 11 Feb 2010 EUROPEAN COMMUNITY**  
(56) Related Art Documents: **Not Applicable**  
(57) Statement of Newness and Distinctiveness: **Nil**



(21) Design Number: **13311/2010**  
(22) Date of Filing Application: **04 August 2010**  
(24) Date from which industrial property rights may have effect: **04 August 2010**  
(54) Product in respect of which the design is registered: **An extrusion for supporting the edges of two cover plates**  
(51) International Design Classification: **25-01K**  
(71) Name(s) and Address(s) of Applicant(s):  
**Glidestore Freetrack Pty Ltd**  
**48 Fullarton Road Norwood South Australia 5067 Australia**  
(72) Name(s) of Designer(s): **Brian Parker and Andrew Stevens**  
(45) Registration Date: **31 August 2010**  
(56) Related Art Documents: **Not Applicable**  
(57) Statement of Newness and Distinctiveness: **Newness and distinctiveness resides in the shape and/or configuration of the An extrusion for supporting the edges of two cover plates as shown in the accompanying representations.**



- (21) Design Number: **13312/2010**  
(22) Date of Filing Application: **04 August 2010**  
(24) Date from which industrial property rights may have effect: **04 August 2010**  
(54) Product in respect of which the design is registered: **Camera stand**  
(51) International Design Classification: **16-05**  
(71) Name(s) and Address(s) of Applicant(s):  
**Fotopol Pty Limited**  
**PO Box 27 Forester New South Wales 2428 Australia**  
(72) Name(s) of Designer(s): **Adrian Richards**  
(45) Registration Date: **31 August 2010**  
(56) Related Art Documents: **Not Applicable**  
(57) Statement of Newness and Distinctiveness: **Newness and distinctiveness is claimed in respect of the shape and/or configuration of the product illustrated in the accompanying representations.**



- (21) Design Number: **13313/2010**  
(22) Date of Filing Application: **05 August 2010**  
(24) Date from which industrial property rights may have effect: **05 August 2010**  
(54) Product in respect of which the design is registered: **Roof box**  
(51) International Design Classification: **12-16K**  
(71) Name(s) and Address(s) of Applicant(s):  
**Hubco Automotive Ltd**  
**102-112 Daniell Street Newtown Wellington New Zealand**  
(72) Name(s) of Designer(s): **Bruce John Robertson**  
(45) Registration Date: **31 August 2010**  
(30) Convention priority data:  

(31) Number	(32) Date	(33) Country
<b>413285</b>	<b>08 Feb 2010</b>	<b>NEW ZEALAND</b>

  
(56) Related Art Documents: **Not Applicable**  
(57) Statement of Newness and Distinctiveness: **Nil**



(21) Design Number: **13314/2010**  
(22) Date of Filing Application: **05 August 2010**  
(24) Date from which industrial property rights may have effect: **05 August 2010**  
(54) Product in respect of which the design is registered: **Roof box**  
(51) International Design Classification: **12-16K**  
(71) Name(s) and Address(s) of Applicant(s):  
**Hubco Automotive Ltd**  
**102-112 Daniell Street Newtown Wellington New Zealand**  
(72) Name(s) of Designer(s): **Bruce John Robertson**  
(45) Registration Date: **31 August 2010**  
(30) Convention priority data:  
(31) Number (32) Date (33) Country  
**413285 08 Feb 2010 NEW ZEALAND**  
(56) Related Art Documents: **Not Applicable**  
(57) Statement of Newness and Distinctiveness: **Nil**



(21) Design Number: **13315/2010**  
(22) Date of Filing Application: **05 August 2010**  
(24) Date from which industrial property rights may have effect: **05 August 2010**  
(54) Product in respect of which the design is registered: **Roof box**  
(51) International Design Classification: **12-16K**  
(71) Name(s) and Address(s) of Applicant(s):  
**Hubco Automotive Ltd**  
**102-112 Daniell Street Newtown Wellington New Zealand**  
(72) Name(s) of Designer(s): **David Charles Grove**  
(45) Registration Date: **31 August 2010**  
(30) Convention priority data:  
(31) Number (32) Date (33) Country  
**413285 08 Feb 2010 NEW ZEALAND**  
(56) Related Art Documents: **Not Applicable**  
(57) Statement of Newness and Distinctiveness: **Nil**



(21) Design Number: **13316/2010**

(22) Date of Filing Application: **05 August 2010**

(24) Date from which industrial property rights may have effect: **05 August 2010**

(54) Product in respect of which the design is registered: **Roof box**

(51) International Design Classification: **12-16K**

(71) Name(s) and Address(s) of Applicant(s):

**Hubco Automotive Ltd**  
**102-112 Daniell Street Newtown Wellington New Zealand**

(72) Name(s) of Designer(s): **David Charles Grove**

(45) Registration Date: **31 August 2010**

(30) Convention priority data:

(31) Number	(32) Date	(33) Country
<b>413285</b>	<b>08 Feb 2010</b>	<b>NEW ZEALAND</b>

(56) Related Art Documents: **Not Applicable**

(57) Statement of Newness and Distinctiveness: **Nil**



(21) Design Number: **13343/2010**

(22) Date of Filing Application: **06 August 2010**

(24) Date from which industrial property rights may have effect: **06 August 2010**

(54) Product in respect of which the design is registered: **An extrusion assembly**

(51) International Design Classification: **25-01K**

(71) Name(s) and Address(s) of Applicant(s):

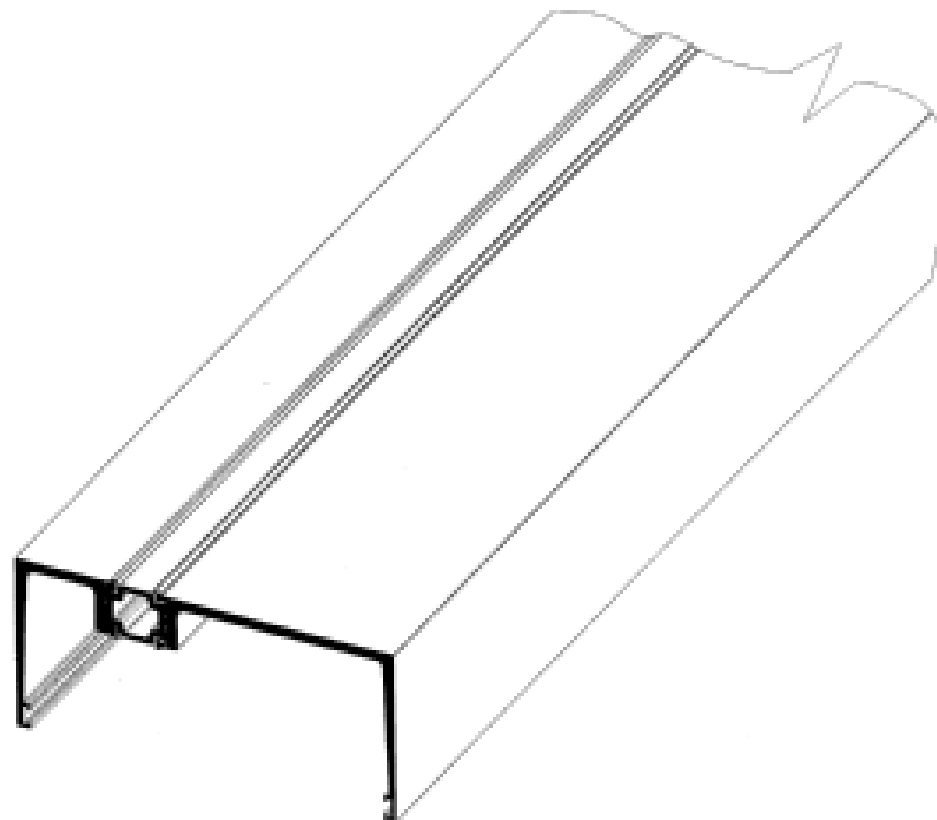
**Architectural Window Systems Pty Ltd**  
**76-78 Jemma Road Prestons New South Wales 2170 Australia**

(72) Name(s) of Designer(s): **Mark McCleary**

(45) Registration Date: **31 August 2010**

(56) Related Art Documents: **Not Applicable**

(57) Statement of Newness and Distinctiveness: **Newness and distinctiveness is claimed in the features of shape and/or configuration of an extrusion assembly as illustrated in the accompanying representations.**



(21) Design Number: **13344/2010**

(22) Date of Filing Application: **06 August 2010**

(24) Date from which industrial property rights may have effect: **06 August 2010**

(54) Product in respect of which the design is registered: **An extrusion assembly**

(51) International Design Classification: **25-01K**

(71) Name(s) and Address(s) of Applicant(s):

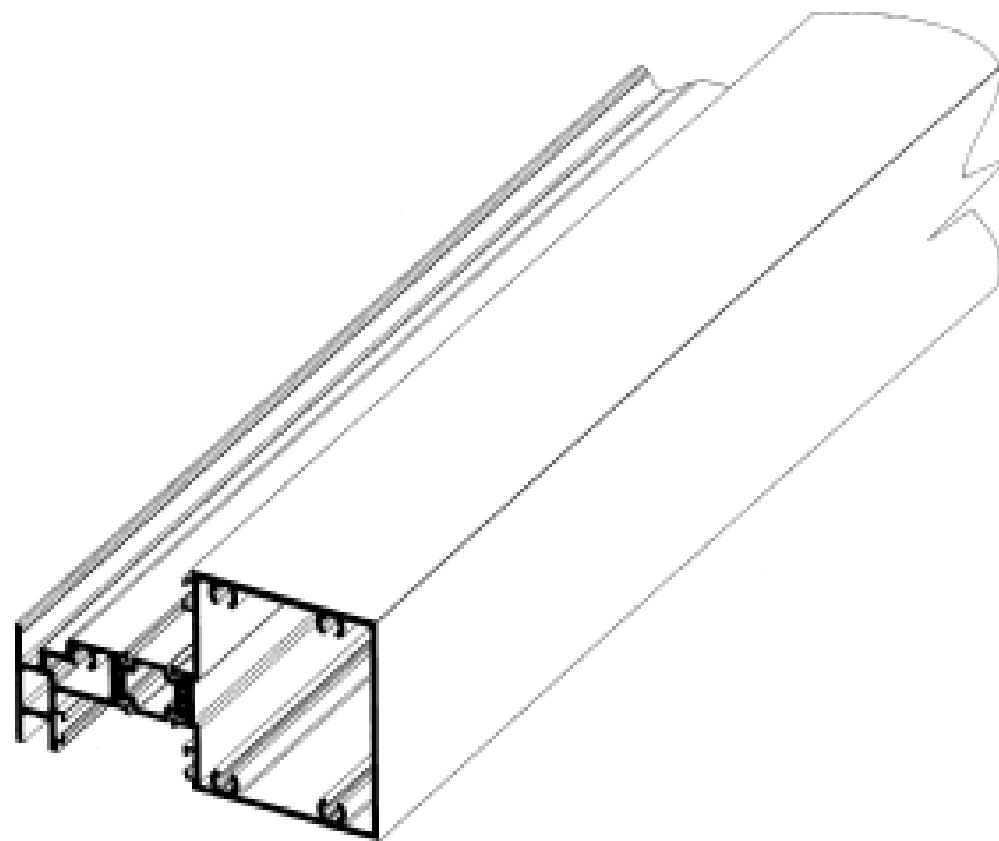
**Architectural Window Systems Pty Ltd  
76-78 Jemma Road Prestons New South Wales 2170 Australia**

(72) Name(s) of Designer(s): **Mark McCleary**

(45) Registration Date: **31 August 2010**

(56) Related Art Documents: **Not Applicable**

(57) Statement of Newness and Distinctiveness: **Newness and distinctiveness is claimed in the features of shape and/or configuration of an extrusion assembly as illustrated in the accompanying representations.**



(21) Design Number: **13345/2010**

(22) Date of Filing Application: **06 August 2010**

(24) Date from which industrial property rights may have effect: **06 August 2010**

(54) Product in respect of which the design is registered: **An extrusion assembly**

(51) International Design Classification: **25-01K**

(71) Name(s) and Address(s) of Applicant(s):

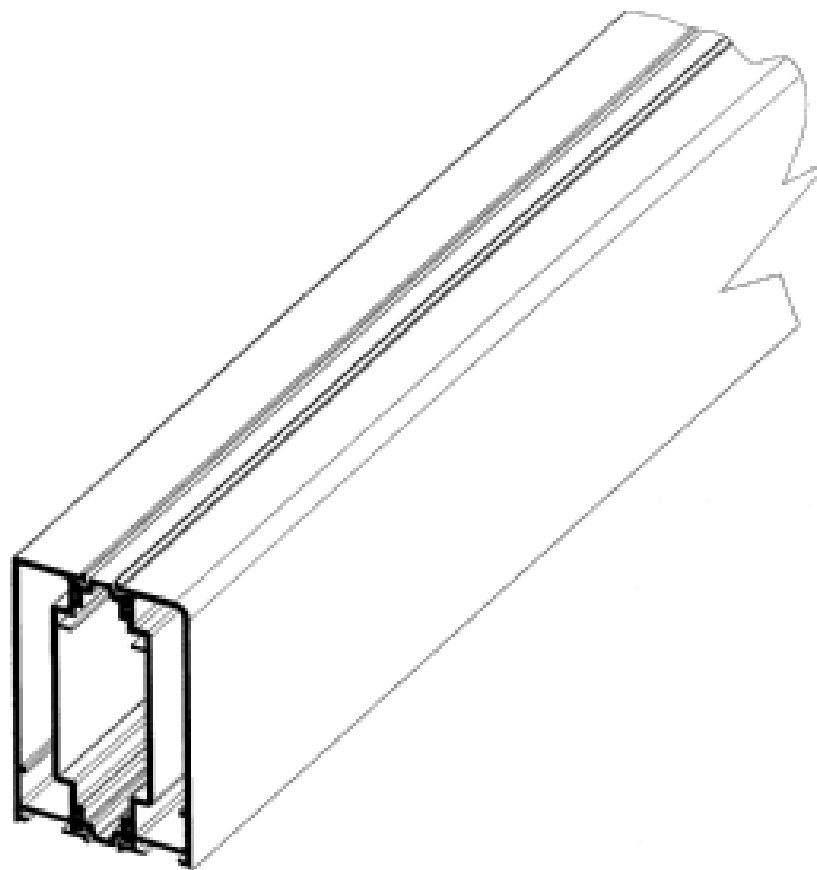
**Architectural Window Systems Pty Ltd  
76-78 Jemma Road Prestons New South Wales 2170 Australia**

(72) Name(s) of Designer(s): **Mark McCleary**

(45) Registration Date: **31 August 2010**

(56) Related Art Documents: **Not Applicable**

(57) Statement of Newness and Distinctiveness: **Newness and distinctiveness is claimed in the features of shape and/or configuration of an extrusion assembly as illustrated in the accompanying representations.**





(21) Design Number: 13346/2010

(22) Date of Filing Application: 06 August 2010

(24) Date from which industrial property rights may have effect: 06 August 2010

(54) Product in respect of which the design is registered: **An extrusion assembly**

(51) International Design Classification: 25-01K

(71) Name(s) and Address(s) of Applicant(s):

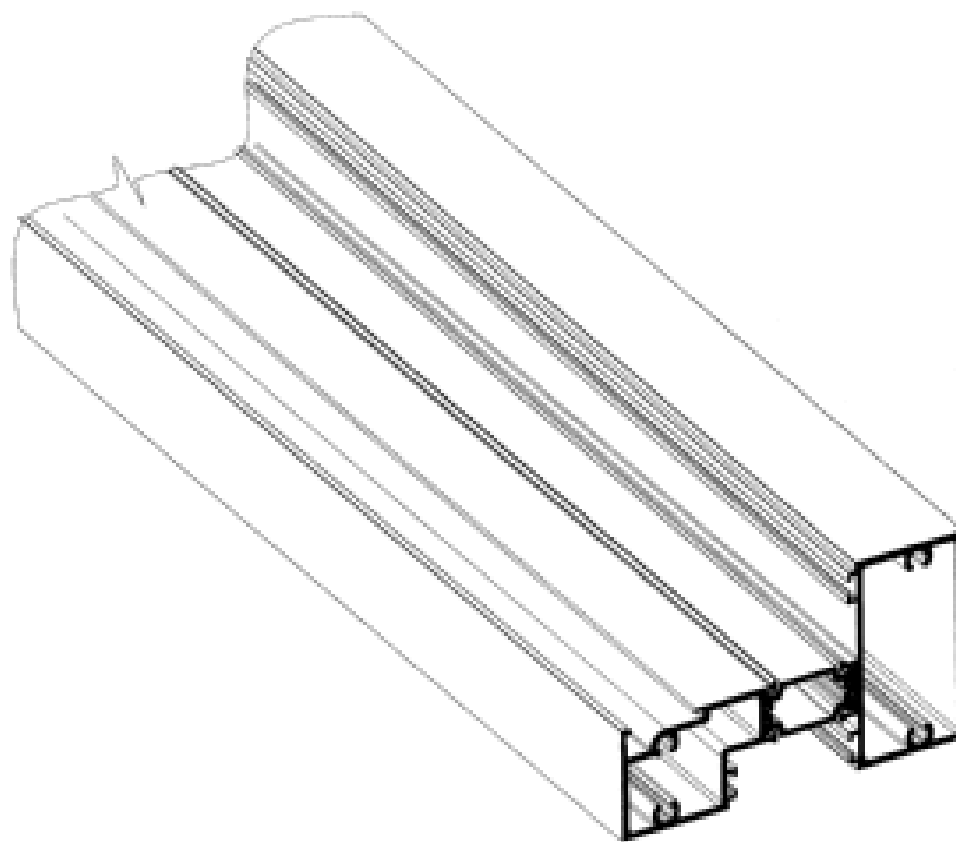
**Architectural Window Systems Pty Ltd**  
**76-78 Jemma Road Prestons New South Wales 2170 Australia**

(72) Name(s) of Designer(s): **Mark McCleary**

(45) Registration Date: 31 August 2010

(56) Related Art Documents: **Not Applicable**

(57) Statement of Newness and Distinctiveness: **Newness and distinctiveness is claimed in the features of shape and/or configuration of an extrusion assembly as illustrated in the accompanying representations.**



(21) Design Number: 13347/2010

(22) Date of Filing Application: 06 August 2010

(24) Date from which industrial property rights may have effect: 06 August 2010

(54) Product in respect of which the design is registered: **An extrusion assembly**

(51) International Design Classification: 25-01K

(71) Name(s) and Address(s) of Applicant(s):

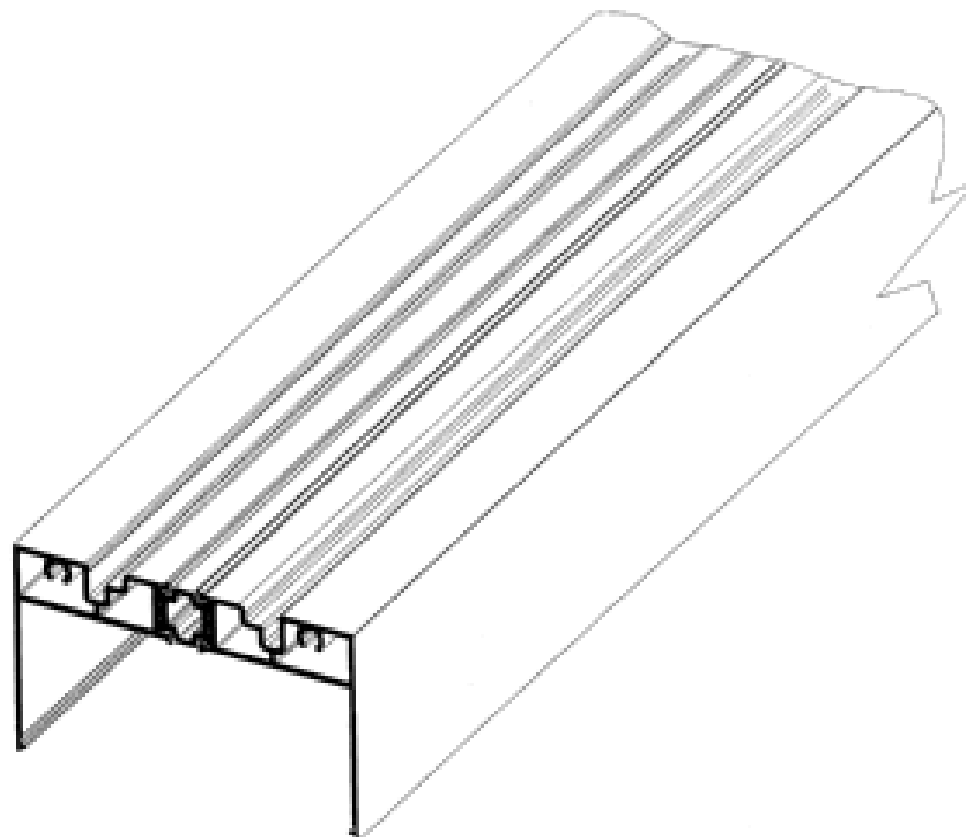
**Architectural Window Systems Pty Ltd**  
**76-78 Jemma Road Prestons New South Wales 2170 Australia**

(72) Name(s) of Designer(s): **Mark McCleary**

(45) Registration Date: 31 August 2010

(56) Related Art Documents: **Not Applicable**

(57) Statement of Newness and Distinctiveness: **Newness and distinctiveness is claimed in the features of shape and/or configuration of an extrusion assembly as illustrated in the accompanying representations.**



(21) Design Number: **13348/2010**

(22) Date of Filing Application: **06 August 2010**

(24) Date from which industrial property rights may have effect: **06 August 2010**

(54) Product in respect of which the design is registered: **An extrusion assembly**

(51) International Design Classification: **25-01K**

(71) Name(s) and Address(s) of Applicant(s):

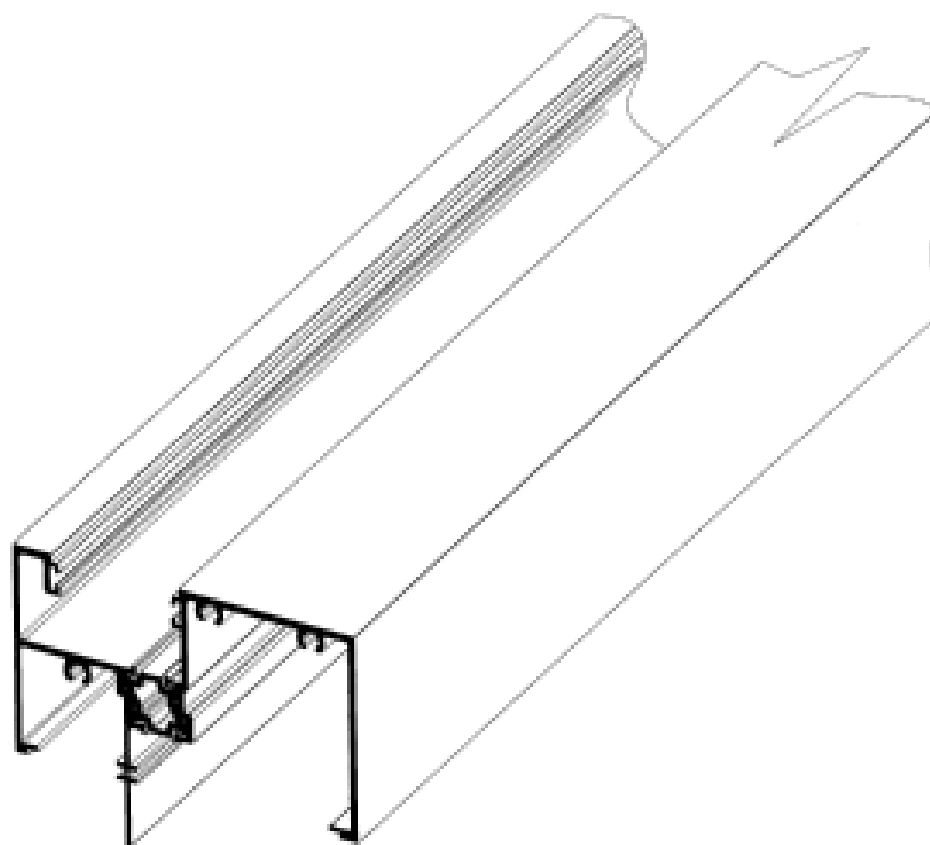
**Architectural Window Systems Pty Ltd  
76-78 Jemma Road Prestons New South Wales 2170 Australia**

(72) Name(s) of Designer(s): **Mark McCleary**

(45) Registration Date: **31 August 2010**

(56) Related Art Documents: **Not Applicable**

(57) Statement of Newness and Distinctiveness: **Newness and distinctiveness is claimed in the features of shape and/or configuration of an extrusion assembly as illustrated in the accompanying representations.**



(21) Design Number: **13349/2010**

(22) Date of Filing Application: **06 August 2010**

(24) Date from which industrial property rights may have effect: **06 August 2010**

(54) Product in respect of which the design is registered: **An extrusion assembly**

(51) International Design Classification: **25-01K**

(71) Name(s) and Address(s) of Applicant(s):

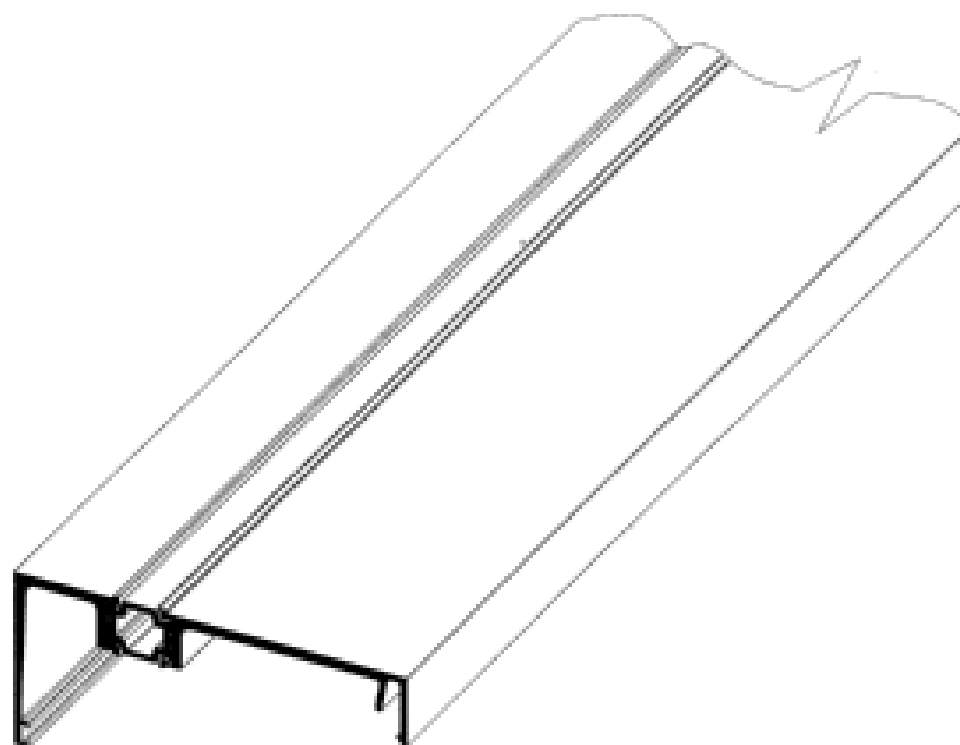
**Architectural Window Systems Pty Ltd  
76-78 Jemma Road Prestons New South Wales 2170 Australia**

(72) Name(s) of Designer(s): **Mark McCleary**

(45) Registration Date: **31 August 2010**

(56) Related Art Documents: **Not Applicable**

(57) Statement of Newness and Distinctiveness: **Newness and distinctiveness is claimed in the features of shape and/or configuration of an extrusion assembly as illustrated in the accompanying representations.**



(21) Design Number: **13350/2010**

(22) Date of Filing Application: **06 August 2010**

(24) Date from which industrial property rights may have effect: **06 August 2010**

(54) Product in respect of which the design is registered: **An extrusion assembly**

(51) International Design Classification: **25-01K**

(71) Name(s) and Address(s) of Applicant(s):

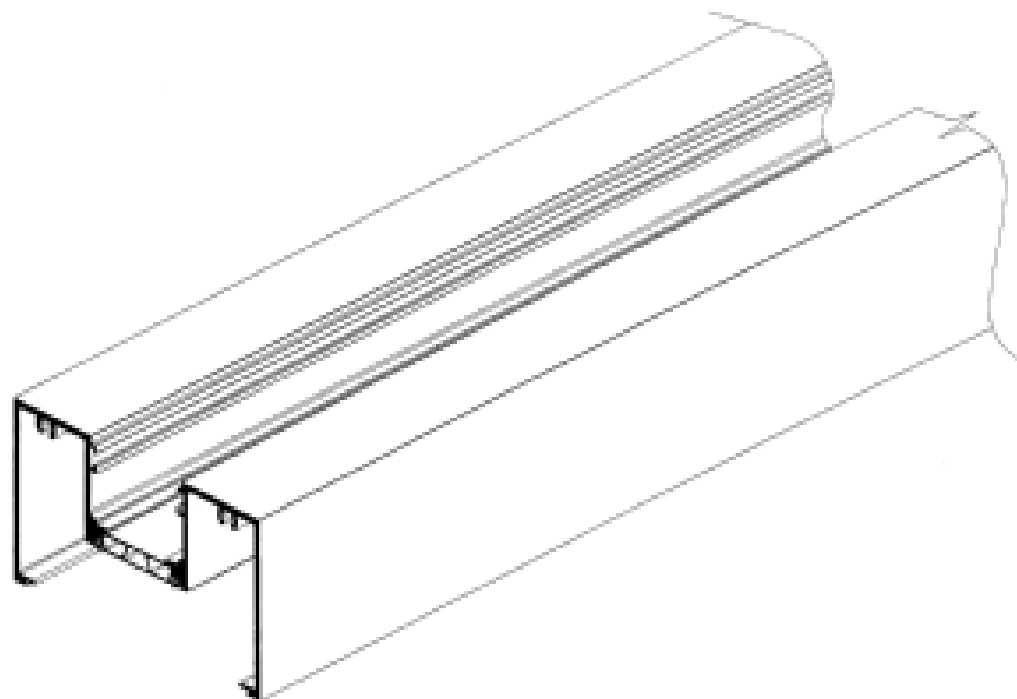
**Architectural Window Systems Pty Ltd  
76-78 Jemma Road Prestons New South Wales 2170 Australia**

(72) Name(s) of Designer(s): **Mark McCleary**

(45) Registration Date: **31 August 2010**

(56) Related Art Documents: **Not Applicable**

(57) Statement of Newness and Distinctiveness: **Newness and distinctiveness is claimed in the features of shape and/or configuration of an extrusion assembly as illustrated in the accompanying representations.**



(21) Design Number: **13351/2010**

(22) Date of Filing Application: **06 August 2010**

(24) Date from which industrial property rights may have effect: **06 August 2010**

(54) Product in respect of which the design is registered: **An extrusion assembly**

(51) International Design Classification: **25-01K**

(71) Name(s) and Address(s) of Applicant(s):

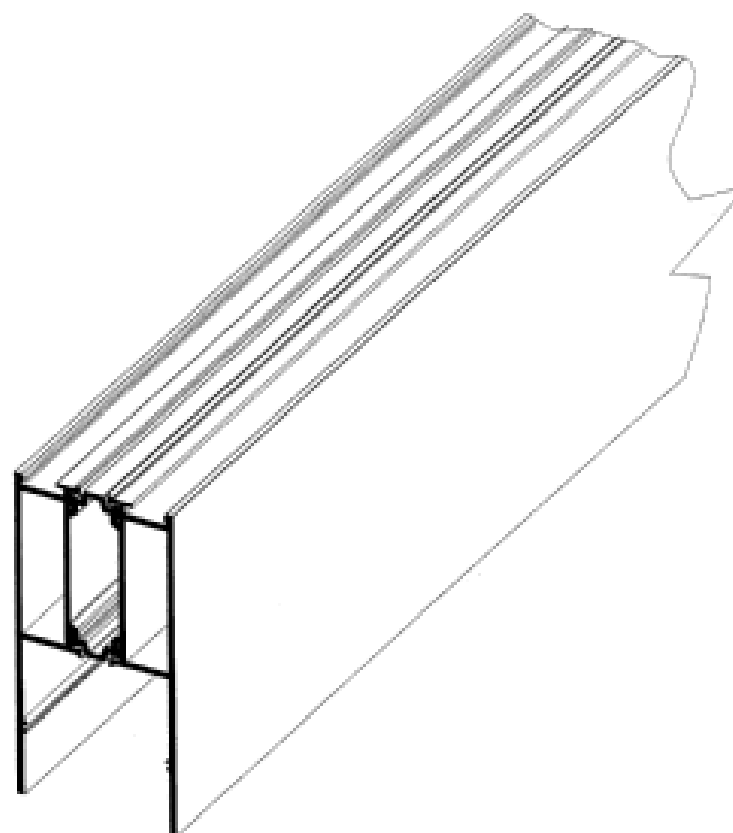
**Architectural Window Systems Pty Ltd  
76-78 Jemma Road Prestons New South Wales 2170 Australia**

(72) Name(s) of Designer(s): **Mark McCleary**

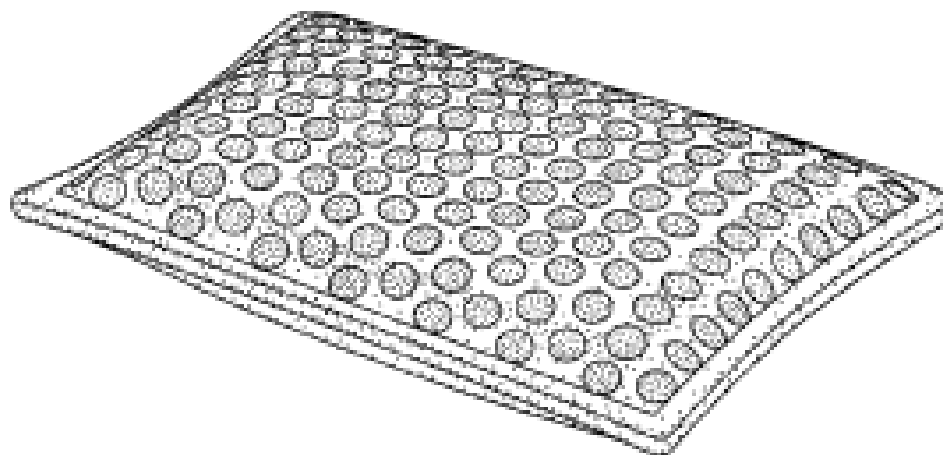
(45) Registration Date: **31 August 2010**

(56) Related Art Documents: **Not Applicable**

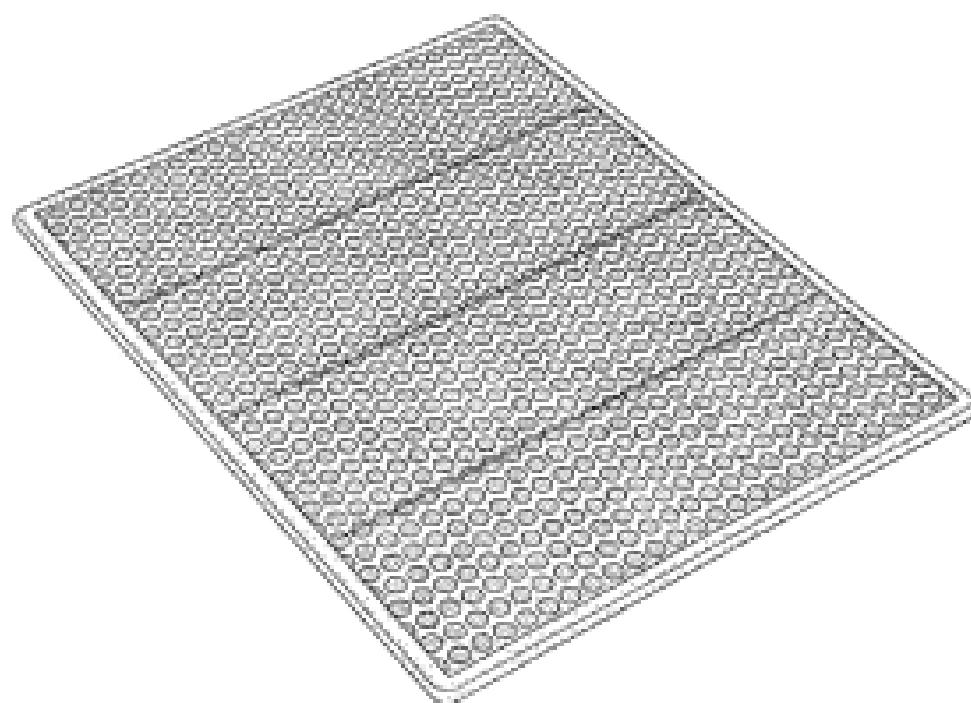
(57) Statement of Newness and Distinctiveness: **Newness and distinctiveness is claimed in the features of shape and/or configuration of an extrusion assembly as illustrated in the accompanying representations.**



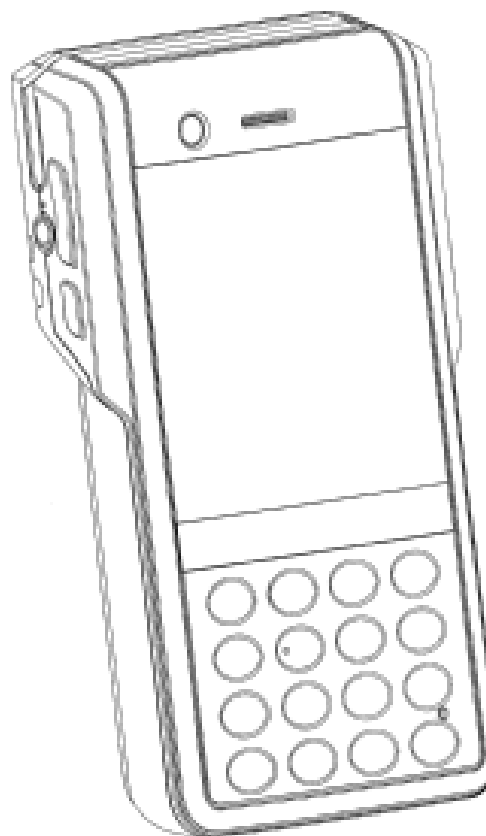
- (21) Design Number: **13329/2010**  
(22) Date of Filing Application: **06 August 2010**  
(24) Date from which industrial property rights may have effect: **06 August 2010**  
(54) Product in respect of which the design is registered: **Pad**  
(51) International Design Classification: **24-04**  
(71) Name(s) and Address(s) of Applicant(s):  
**The Libman Company**  
**220 North Sheldon Arcola Illinois 61910 United States of America**  
(72) Name(s) of Designer(s): **David A. McKnight**  
(45) Registration Date: **31 August 2010**  
(30) Convention priority data:  
(31) Number (32) Date (33) Country  
**29/355597 10 Feb 2010 UNITED STATES OF AMERICA**  
(56) Related Art Documents: **Not Applicable**  
(57) Statement of Newness and Distinctiveness: **Newness and Distinctiveness reside in the shape and/or configuration of a pad as illustrated by solid lines in the representations.**



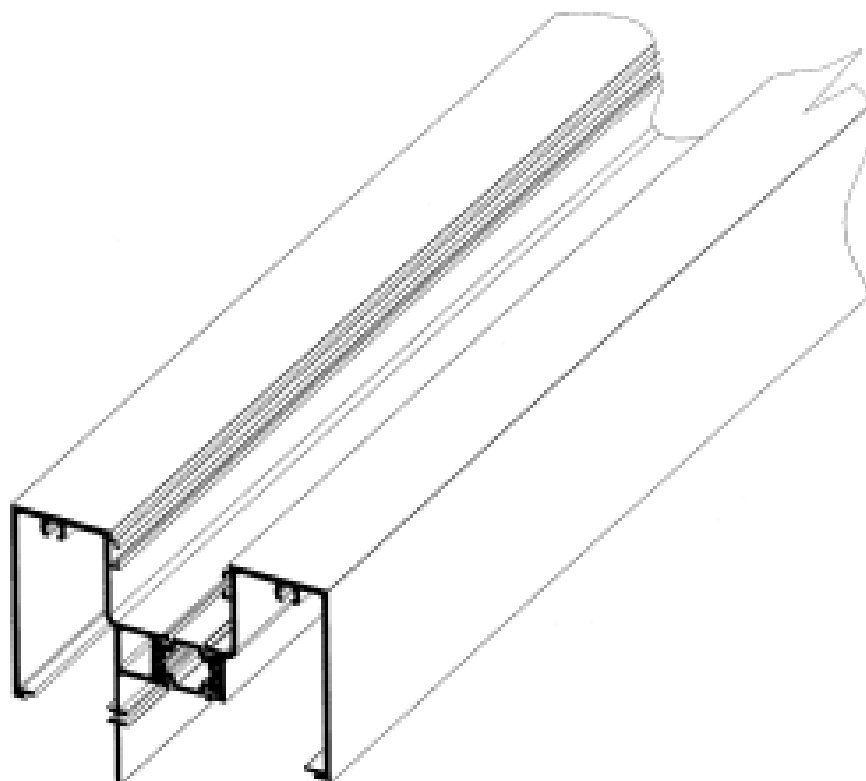
- (21) Design Number: **13330/2010**  
(22) Date of Filing Application: **06 August 2010**  
(24) Date from which industrial property rights may have effect: **06 August 2010**  
(54) Product in respect of which the design is registered: **Cloth**  
(51) International Design Classification: **07-05E**  
(71) Name(s) and Address(s) of Applicant(s):  
**The Libman Company**  
**220 North Sheldon Arcola Illinois 61910 United States of America**  
(72) Name(s) of Designer(s): **David A. McKnight**  
(45) Registration Date: **31 August 2010**  
(30) Convention priority data:  
(31) Number (32) Date (33) Country  
**29/355599 10 Feb 2010 UNITED STATES OF AMERICA**  
(56) Related Art Documents: **Not Applicable**  
(57) Statement of Newness and Distinctiveness: **Newness and Distinctiveness reside in the shape and/or configuration of a cloth as illustrated by solid lines in the representations.**



- (21) Design Number: **13331/2010**  
(22) Date of Filing Application: **06 August 2010**  
(24) Date from which industrial property rights may have effect: **06 August 2010**  
(54) Product in respect of which the design is registered: **Wireless financial terminal**  
(51) International Design Classification: **14-02**  
(71) Name(s) and Address(s) of Applicant(s):  
**Design and Industry Pty Ltd**  
**115-121 Mullens Street Balmain New South Wales 2041 Australia**  
(72) Name(s) of Designer(s): **Dimitrios Scoutas**  
(45) Registration Date: **31 August 2010**  
(56) Related Art Documents: **Not Applicable**  
(57) Statement of Newness and Distinctiveness: **Newness and distinctiveness is claimed in the features of shape and/or configuration of a wireless financial terminal as illustrated in the accompanying representations.**



- (21) Design Number: **13332/2010**  
(22) Date of Filing Application: **06 August 2010**  
(24) Date from which industrial property rights may have effect: **06 August 2010**  
(54) Product in respect of which the design is registered: **An extrusion assembly**  
(51) International Design Classification: **25-01K**  
(71) Name(s) and Address(s) of Applicant(s):  
**Architectural Window Systems Pty Ltd**  
**76-78 Jemma Road Prestons New South Wales 2170 Australia**  
(72) Name(s) of Designer(s): **Mark McCleary**  
(45) Registration Date: **31 August 2010**  
(56) Related Art Documents: **Not Applicable**  
(57) Statement of Newness and Distinctiveness: **Newness and distinctiveness is claimed in the features of shape and/or configuration of an extrusion assembly as illustrated in the accompanying representations.**



(21) Design Number: **13333/2010**

(22) Date of Filing Application: **06 August 2010**

(24) Date from which industrial property rights may have effect: **06 August 2010**

(54) Product in respect of which the design is registered: **A bar chair**

(51) International Design Classification: **25-01B**

(71) Name(s) and Address(s) of Applicant(s):

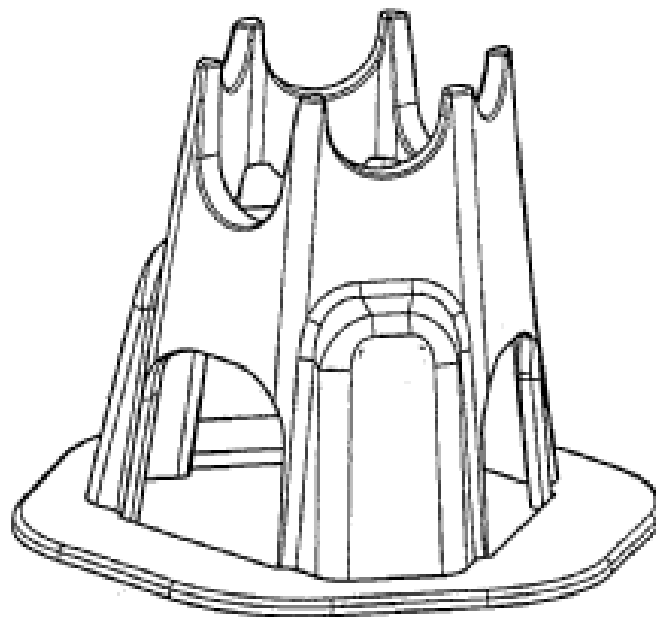
**The Australian Steel Company (Operations) Pty Ltd  
Level 40 259 George Street Sydney New South Wales 2000 Australia**

(72) Name(s) of Designer(s): **Mark Bayly and Lloyd Fenn**

(45) Registration Date: **31 August 2010**

(56) Related Art Documents: **Not Applicable**

(57) Statement of Newness and Distinctiveness: **Newness and distinctiveness is claimed in the features of shape and/or configuration of a bar chair as illustrated in the accompanying representations.**



(21) Design Number: **13356/2010**

(22) Date of Filing Application: **10 August 2010**

(24) Date from which industrial property rights may have effect: **10 August 2010**

(54) Product in respect of which the design is registered: **Bed base**

(51) International Design Classification: **06-01NES**

(71) Name(s) and Address(s) of Applicant(s):

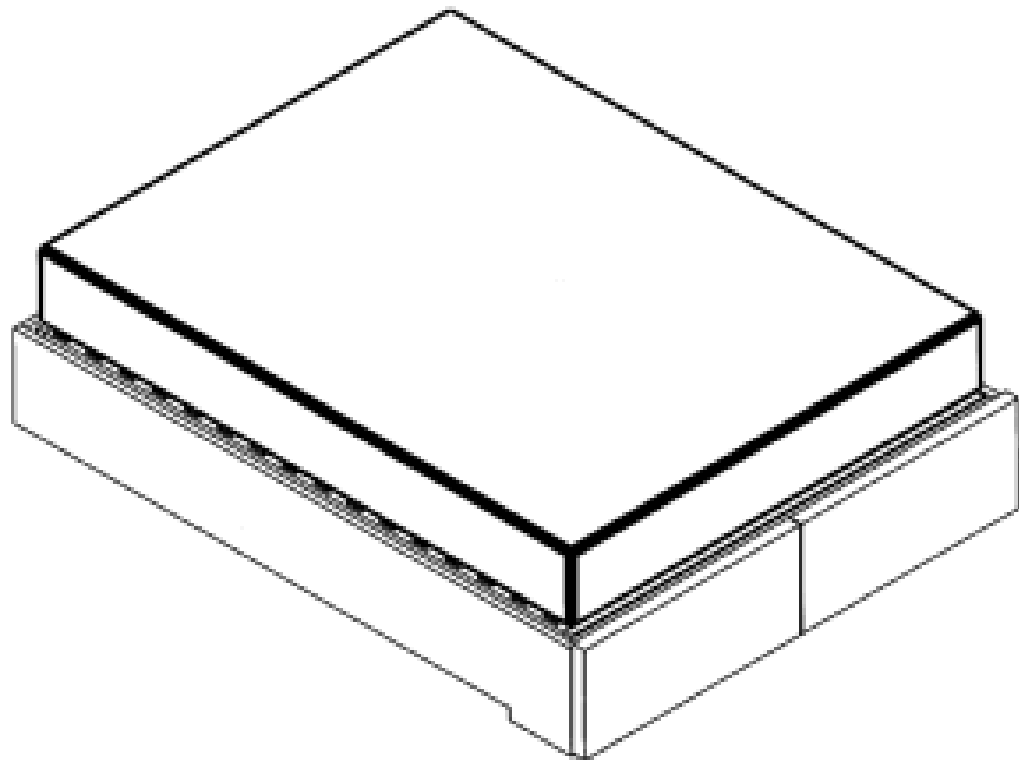
**BBC Furniture Pty Ltd  
22-26 Green Street Thomastown Victoria 3074 Australia**

(72) Name(s) of Designer(s): **Merv Louey**

(45) Registration Date: **31 August 2010**

(56) Related Art Documents: **Not Applicable**

(57) Statement of Newness and Distinctiveness: **Unique combination underbed storage - lift up base and footend drawer system.**



(21) Design Number: **13289/2010**

(22) Date of Filing Application: **05 August 2010**

(24) Date from which industrial property rights may have effect: **05 August 2010**

(54) Product in respect of which the design is registered: **Paint tray liner**

(51) International Design Classification: **08-05L**

(71) Name(s) and Address(s) of Applicant(s):

**DESIGN STYLETTO INC.**

**41 St-Charles Street Beloeil Quebec J3G 4L2 Canada**

(72) Name(s) of Designer(s): **Richard Davidson**

(45) Registration Date: **31 August 2010**

(30) Convention priority data:

(31) Number

(32) Date

(33) Country

**29/356,533**

**26 Feb 2010**

**UNITED STATES OF AMERICA**

(56) Related Art Documents: **Not Applicable**

(57) Statement of Newness and Distinctiveness: **Newness and distinctiveness reside in the feature of shape and/or configuration of the paint tray liner, as shown in the representations.**



(21) Design Number: **12705/2010**

(22) Date of Filing Application: **29 June 2010**

(24) Date from which industrial property rights may have effect: **29 June 2010**

(54) Product in respect of which the design is registered: **Fireplace with narrow vent**

(51) International Design Classification: **23-03E**

(71) Name(s) and Address(s) of Applicant(s):

**Heat Surge, LLC**

**3939 Everhard Road NW Canton OH 44709 United States of America**

(72) Name(s) of Designer(s): **Christopher J. Gallo**

(45) Registration Date: **01 September 2010**

(30) Convention priority data:

(31) Number

(32) Date

(33) Country

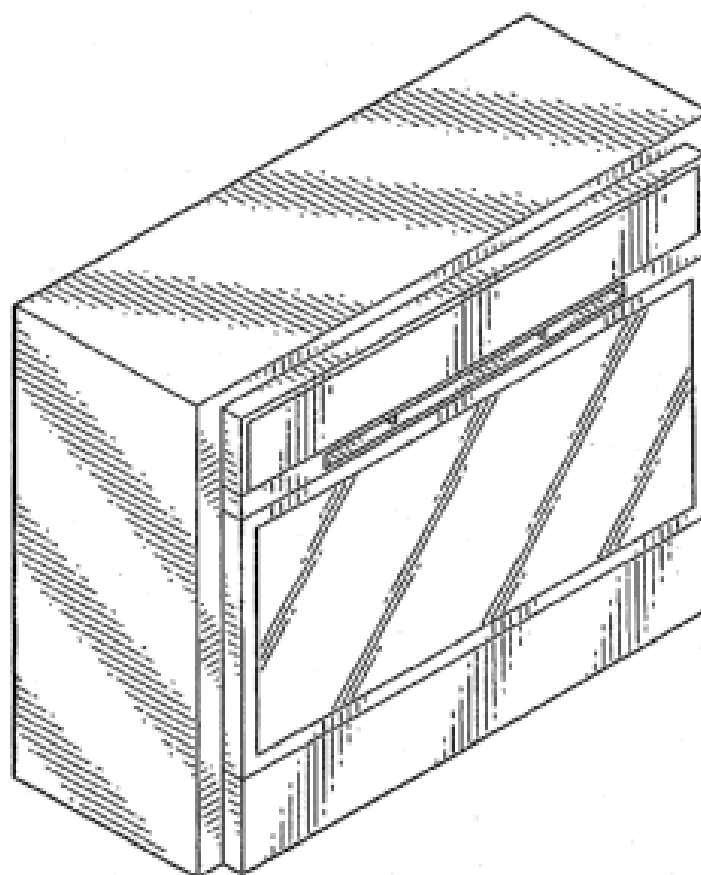
**29/353, 373**

**07 Jan 2010**

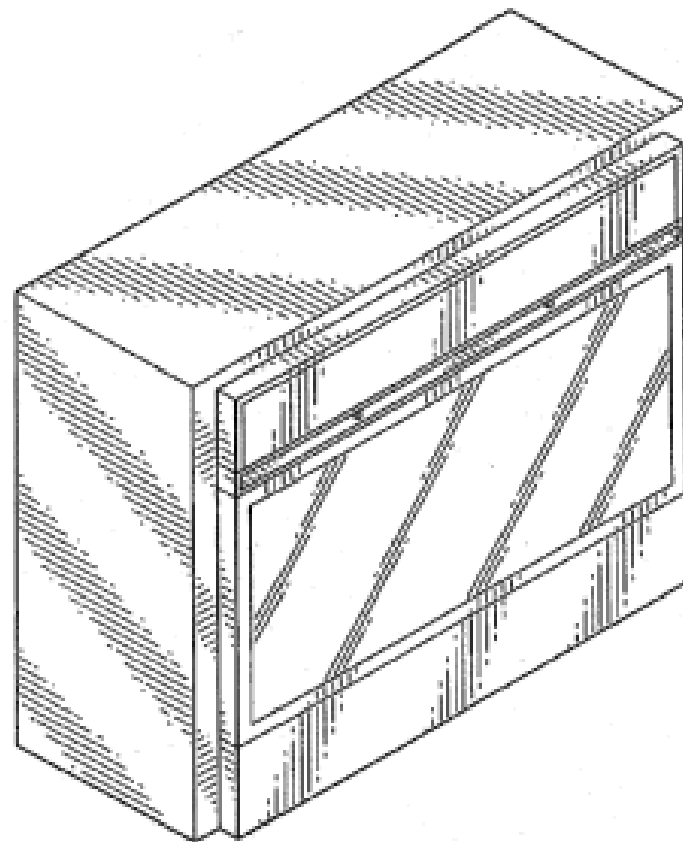
**UNITED STATES OF AMERICA**

(56) Related Art Documents: **Not Applicable**

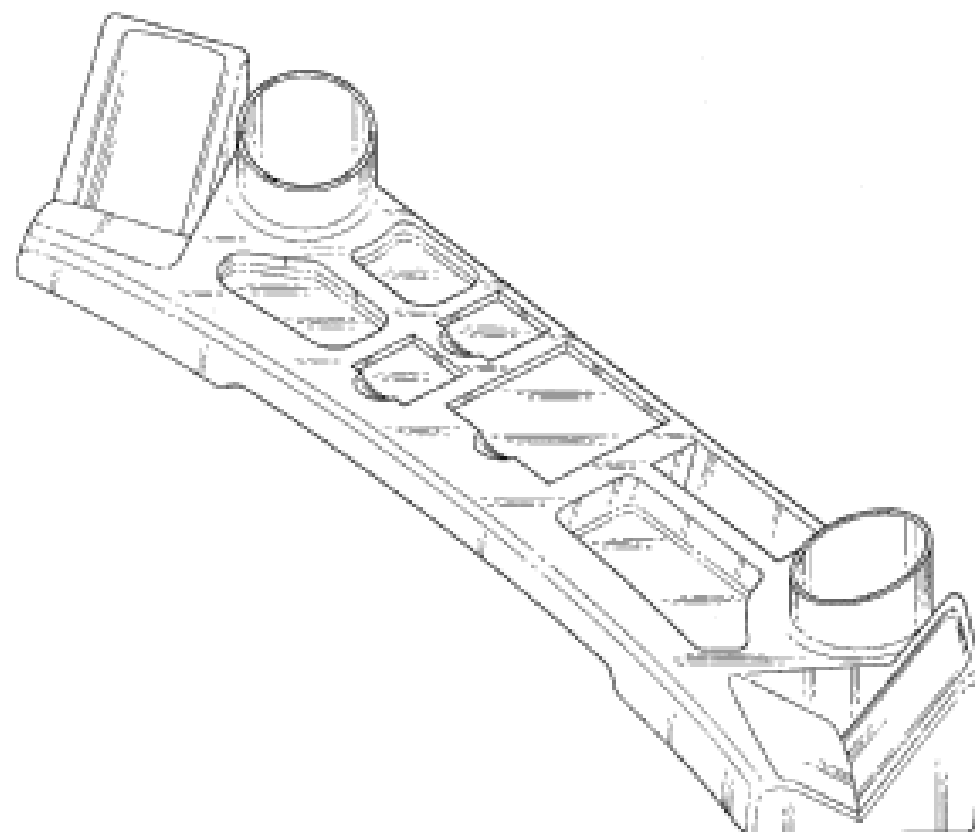
(57) Statement of Newness and Distinctiveness: **Newness and distinctiveness are claimed in the features of shape and/or configuration of a fireplace, as illustrated in the accompanying representations with particular emphasis on the narrow vent feature within the design.**



- (21) Design Number: **13699/2010**  
(22) Date of Filing Application: **29 June 2010**  
(24) Date from which industrial property rights may have effect: **29 June 2010**  
(54) Product in respect of which the design is registered: **Fireplace with narrow vent**  
(51) International Design Classification: **23-03E**  
(71) Name(s) and Address(s) of Applicant(s):  
**Heat Surge, LLC**  
**3939 Everhard Road NW Canton OH 44709 United States of America**  
(72) Name(s) of Designer(s): **Christopher J. Gallo**  
(45) Registration Date: **01 September 2010**  
(30) Convention priority data:  
(31) Number (32) Date (33) Country  
**29/353,377 07 Jan 2010 UNITED STATES OF AMERICA**  
(56) Related Art Documents: **Not Applicable**  
(57) Statement of Newness and Distinctiveness: **Newness and distinctiveness are claimed in the features of shape and/or configuration of a fireplace, as illustrated in the accompanying representations with particular emphasis on the narrow vent feature within the design.**



- (21) Design Number: **13354/2010**  
(22) Date of Filing Application: **10 August 2010**  
(24) Date from which industrial property rights may have effect: **10 August 2010**  
(54) Product in respect of which the design is registered: **A desk organizer**  
(51) International Design Classification: **19-02**  
(71) Name(s) and Address(s) of Applicant(s):  
**Go-Go-Station NZ Limited**  
**1/19 Rutherford Terrace Meadowbank Auckland 1072 New Zealand**  
(72) Name(s) of Designer(s): **David Bruce Ranby**  
(45) Registration Date: **01 September 2010**  
(30) Convention priority data:  
(31) Number (32) Date (33) Country  
**413479 01 Apr 2010 NEW ZEALAND**  
(56) Related Art Documents: **Not Applicable**  
(57) Statement of Newness and Distinctiveness: **Nil**

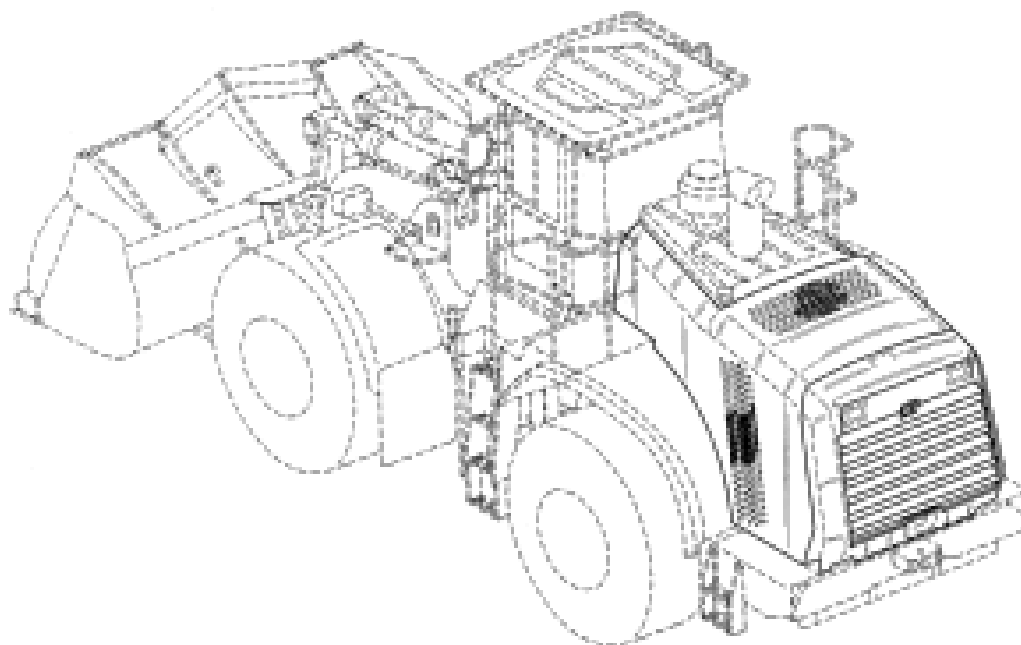




(19) AU

- (21) Design Number: **13357/2010**
- (22) Date of Filing Application: **09 August 2010**
- (24) Date from which industrial property rights may have effect: **09 August 2010**
- (54) Product in respect of which the design is registered: **Wheel loader**
- (51) International Design Classification: **15-04**
- (71) Name(s) and Address(s) of Applicant(s):  
**Caterpillar Inc.**  
**100 N.E. Adams Street Peoria Illinois 61629 United States of America**
- (72) Name(s) of Designer(s): **Craig Kelley and Rahul Visal and Dan Hatfield and Sundaravelan Bhakrarajamohan and Jerry Gavin**
- (45) Registration Date: **01 September 2010**
- (30) Convention priority data:  

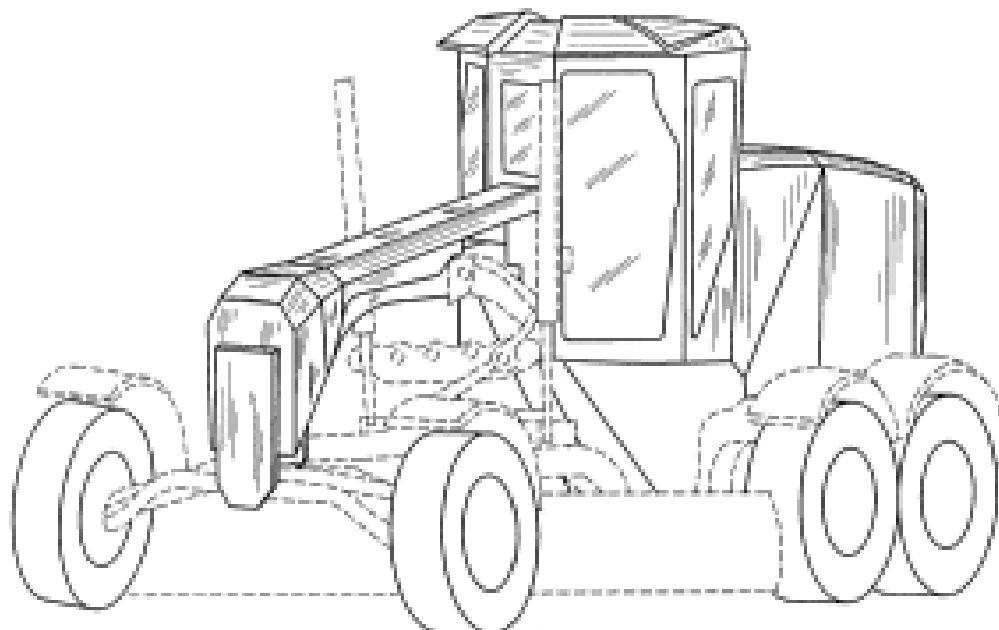
(31) Number	(32) Date	(33) Country
<b>29/355435</b>	<b>08 Feb 2010</b>	<b>UNITED STATES OF AMERICA</b>
- (56) Related Art Documents: **Not Applicable**
- (57) Statement of Newness and Distinctiveness: **Newness and distinctiveness of the design resides in the features of shape and/or configuration of the hood portion of a wheel loader as shown in solid lines in the accompanying representations.**



(19) AU

- (21) Design Number: **13358/2010**
- (22) Date of Filing Application: **09 August 2010**
- (24) Date from which industrial property rights may have effect: **09 August 2010**
- (54) Product in respect of which the design is registered: **Motor grader**
- (51) International Design Classification: **15-04**
- (71) Name(s) and Address(s) of Applicant(s):  
**Caterpillar Inc.**  
**100 N.E. Adams Street Peoria Illinois 61629 United States of America**
- (72) Name(s) of Designer(s): **Andrew Rummer and Ashley Menges and Devraj Patkar**
- (45) Registration Date: **01 September 2010**
- (30) Convention priority data:  

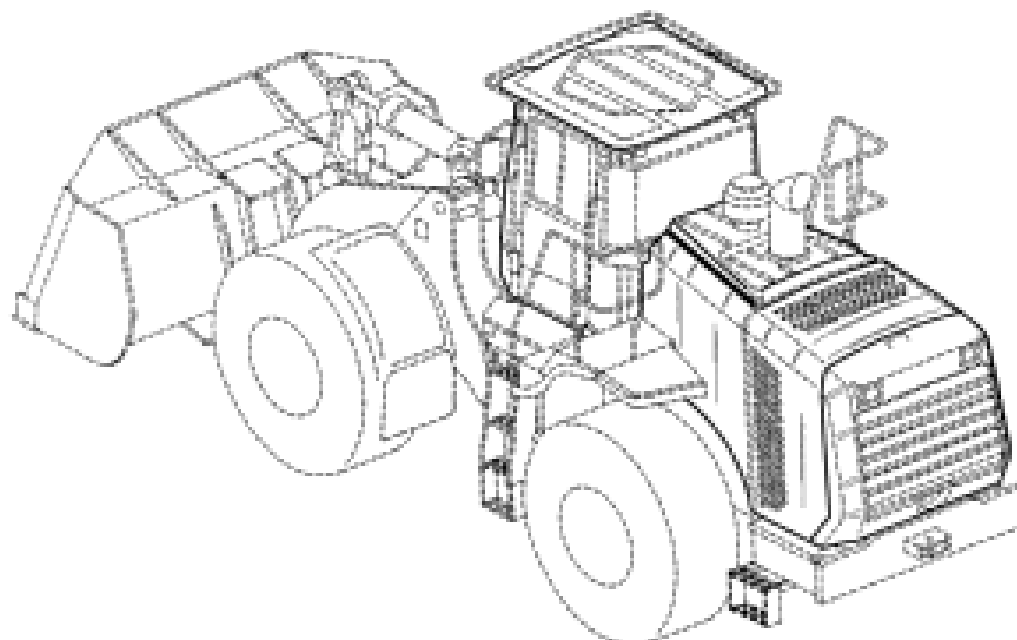
(31) Number	(32) Date	(33) Country
<b>29/355428</b>	<b>08 Feb 2010</b>	<b>UNITED STATES OF AMERICA</b>
- (56) Related Art Documents: **Not Applicable**
- (57) Statement of Newness and Distinctiveness: **Newness and distinctiveness of the design resides in the features of shape and/or configuration of the motor grader as shown in solid lines in the accompanying representations.**



(19) AU

- (21) Design Number: **13359/2010**
- (22) Date of Filing Application: **09 August 2010**
- (24) Date from which industrial property rights may have effect: **09 August 2010**
- (54) Product in respect of which the design is registered: **Wheel loader**
- (51) International Design Classification: **15-04**
- (71) Name(s) and Address(s) of Applicant(s):  
**Caterpillar Inc.**  
**100 N.E. Adams Street Peoria Illinois 61629 United States of America**
- (72) Name(s) of Designer(s): **Craig Kelley and Rafael Dela Rosa and Randy Johnson and Wolfgang Seidel and Mark Redden**
- (45) Registration Date: **01 September 2010**
- (30) Convention priority data:  

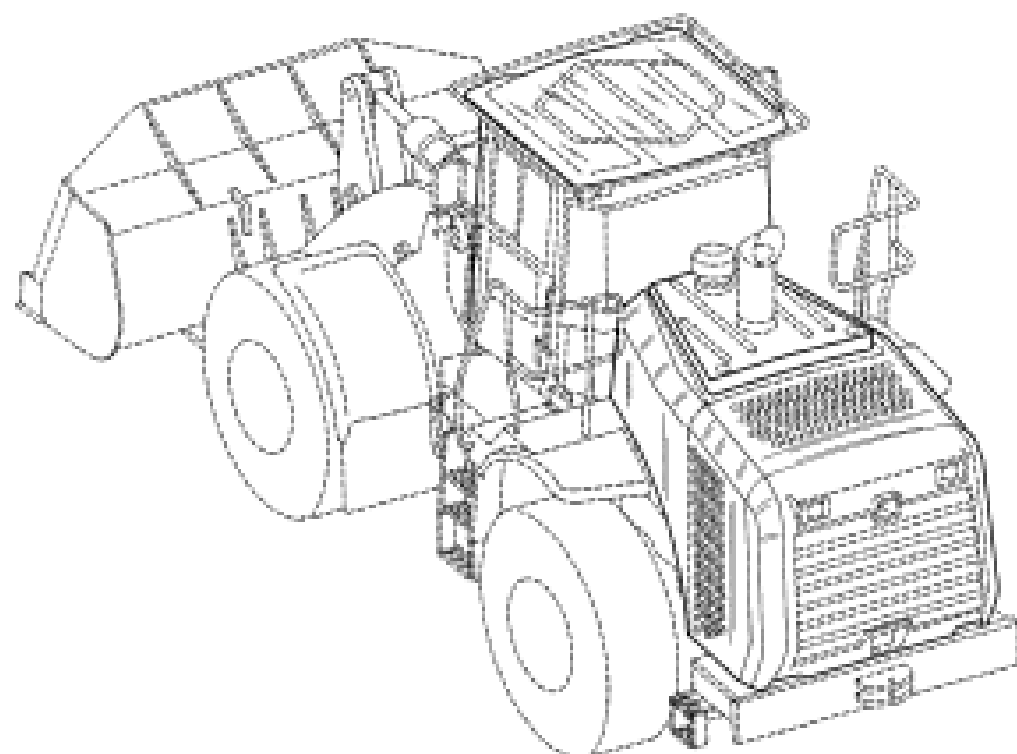
(31) Number	(32) Date	(33) Country
<b>29/355495</b>	<b>09 Feb 2010</b>	<b>UNITED STATES OF AMERICA</b>
- (56) Related Art Documents: **Not Applicable**
- (57) Statement of Newness and Distinctiveness: **Newness and distinctiveness of the design resides in the features of shape and/or configuration of the hood and cab portion of a wheel loader as shown in solid lines in the accompanying representations.**



(19) AU

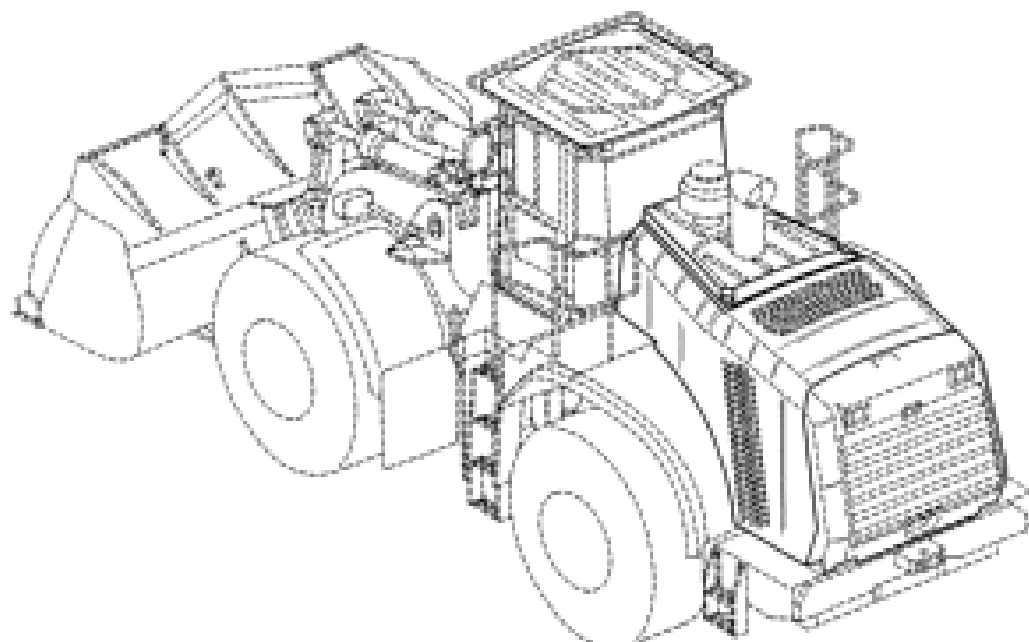
- (21) Design Number: **13360/2010**
- (22) Date of Filing Application: **09 August 2010**
- (24) Date from which industrial property rights may have effect: **09 August 2010**
- (54) Product in respect of which the design is registered: **Wheel loader**
- (51) International Design Classification: **15-04**
- (71) Name(s) and Address(s) of Applicant(s):  
**Caterpillar Inc.**  
**100 N.E. Adams Street Peoria Illinois 61629 United States of America**
- (72) Name(s) of Designer(s): **Craig Kelley and Mark Redden and Rafael Dela Rosa and Randy Johnson and Wolfgang Seidel**
- (45) Registration Date: **01 September 2010**
- (30) Convention priority data:  

(31) Number	(32) Date	(33) Country
<b>29/355496</b>	<b>09 Feb 2010</b>	<b>UNITED STATES OF AMERICA</b>
- (56) Related Art Documents: **Not Applicable**
- (57) Statement of Newness and Distinctiveness: **Newness and distinctiveness of the design resides in the features of shape and/or configuration of the hood and cabin portion of a wheel loader as shown in solid lines in the accompanying representations.**



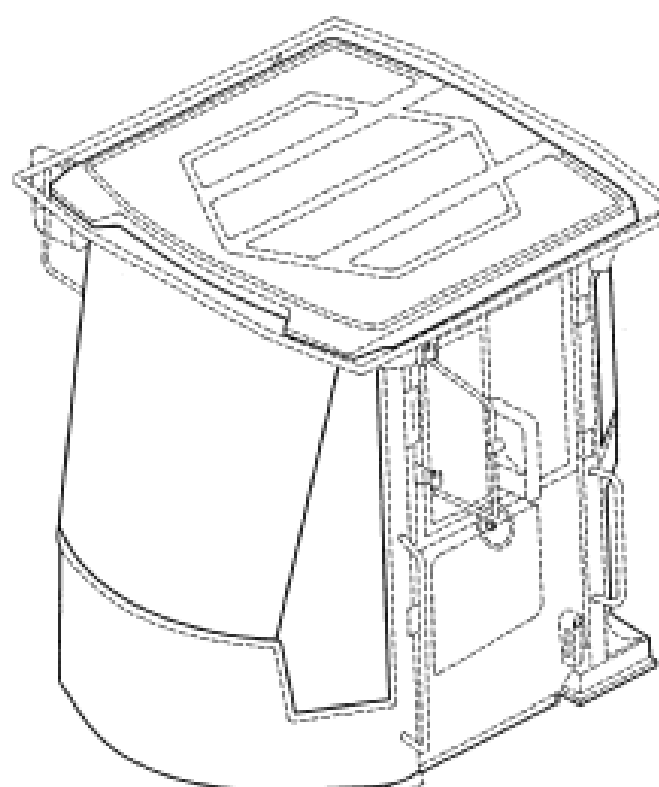
- (21) Design Number: **13361/2010**
- (22) Date of Filing Application: **09 August 2010**
- (24) Date from which industrial property rights may have effect: **09 August 2010**
- (54) Product in respect of which the design is registered: **Wheel loader**
- (51) International Design Classification: **15-04**
- (71) Name(s) and Address(s) of Applicant(s):  
**Caterpillar Inc.**  
**100 N.E. Adams Street Peoria Illinois 61629 United States of America**
- (72) Name(s) of Designer(s): **Craig Kelley and Rahul Visal and Dan Hatfield and Sundaravelan Bhakrarajamohan and Jerry Gavin and Mark Redden and Rafael Dela Rosa and Randy Johnson and Wolfgang Seidel**
- (45) Registration Date: **01 September 2010**
- (30) Convention priority data:  

(31) Number	(32) Date	(33) Country
<b>29/355443</b>	<b>08 Feb 2010</b>	<b>UNITED STATES OF AMERICA</b>
- (56) Related Art Documents: **Not Applicable**
- (57) Statement of Newness and Distinctiveness: **Newness and distinctiveness of the design resides in the features of shape and/or configuration of the hood and cabin portion of a wheel loader as shown in solid lines in the accompanying representations.**



- (21) Design Number: **13362/2010**
- (22) Date of Filing Application: **09 August 2010**
- (24) Date from which industrial property rights may have effect: **09 August 2010**
- (54) Product in respect of which the design is registered: **Cab portion of a wheel loader**
- (51) International Design Classification: **15-04**
- (71) Name(s) and Address(s) of Applicant(s):  
**Caterpillar Inc.**  
**100 N.E. Adams Street Peoria Illinois 61629 United States of America**
- (72) Name(s) of Designer(s): **Mark Redden and Rafael Dela Rosa and Randy Johnson and Wolfgang Seidel**
- (45) Registration Date: **01 September 2010**
- (30) Convention priority data:  

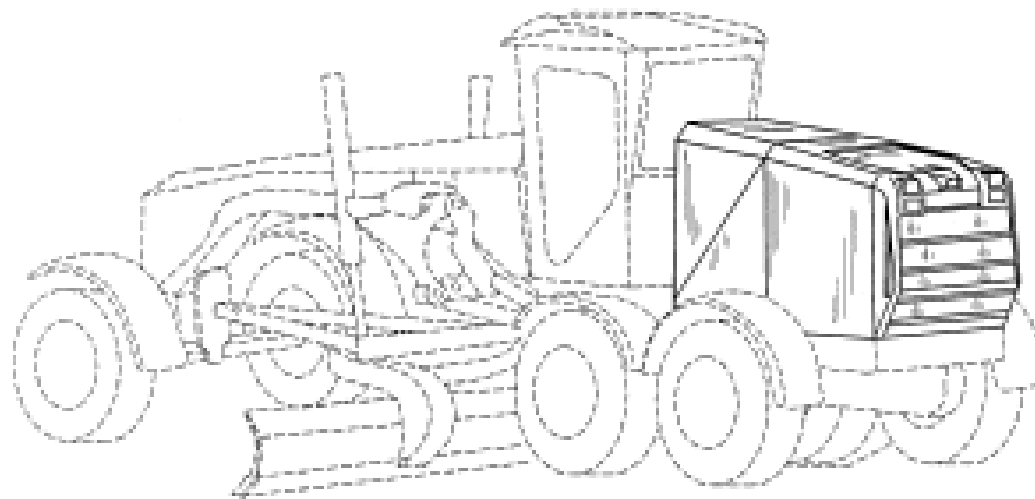
(31) Number	(32) Date	(33) Country
<b>29/355414</b>	<b>08 Feb 2010</b>	<b>UNITED STATES OF AMERICA</b>
- (56) Related Art Documents: **Not Applicable**
- (57) Statement of Newness and Distinctiveness: **Newness and distinctiveness of the design resides in the features of shape and/or configuration of the cab portion of a wheel loader as shown in solid lines in the accompanying representations.**



(19) AU

- (21) Design Number: **13363/2010**
- (22) Date of Filing Application: **09 August 2010**
- (24) Date from which industrial property rights may have effect: **09 August 2010**
- (54) Product in respect of which the design is registered: **Motor grader**
- (51) International Design Classification: **15-04**
- (71) Name(s) and Address(s) of Applicant(s):  
**Caterpillar Inc.**  
**100 N.E. Adams Street Peoria Illinois 61629 United States of America**
- (72) Name(s) of Designer(s): **Andrew Rummer and Ashley Menges and Devraj Patkar**
- (45) Registration Date: **01 September 2010**
- (30) Convention priority data:  

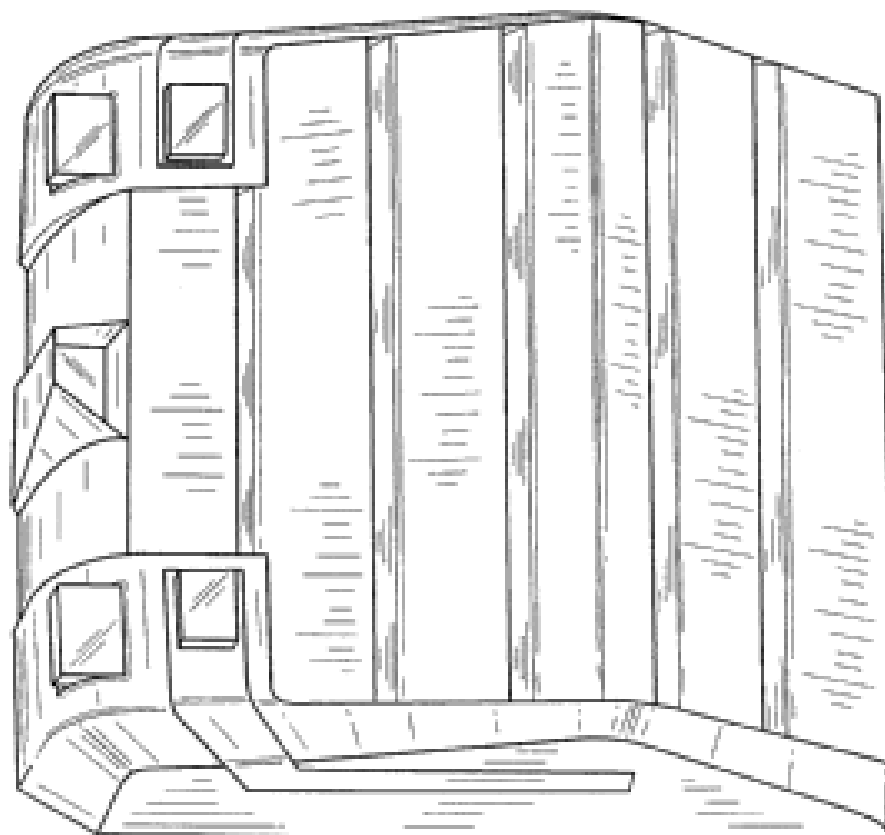
(31) Number	(32) Date	(33) Country
<b>29/355422</b>	<b>08 Feb 2010</b>	<b>UNITED STATES OF AMERICA</b>
- (56) Related Art Documents: **Not Applicable**
- (57) Statement of Newness and Distinctiveness: **Newness and distinctiveness of the design resides in the features of shape and/or configuration of the rear portion of a motor grader as shown in solid lines in the accompanying representations.**



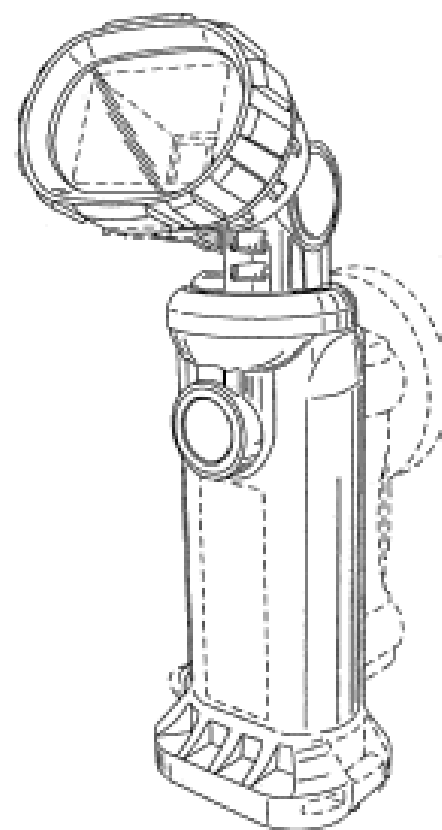
(19) AU

- (21) Design Number: **13364/2010**
- (22) Date of Filing Application: **09 August 2010**
- (24) Date from which industrial property rights may have effect: **09 August 2010**
- (54) Product in respect of which the design is registered: **Cowl and grill assembly**
- (51) International Design Classification: **15-04**
- (71) Name(s) and Address(s) of Applicant(s):  
**Caterpillar Inc.**  
**100 N.E. Adams Street Peoria Illinois 61629 United States of America**
- (72) Name(s) of Designer(s): **Andrew Rummer and Ashley Menges**
- (45) Registration Date: **01 September 2010**
- (30) Convention priority data:  

(31) Number	(32) Date	(33) Country
<b>29/355429</b>	<b>08 Feb 2010</b>	<b>UNITED STATES OF AMERICA</b>
- (56) Related Art Documents: **Not Applicable**
- (57) Statement of Newness and Distinctiveness: **Newness and distinctiveness of the design resides in the features of shape and/or configuration of the cowl and grill assembly as shown in the accompanying representations.**



- (21) Design Number: **13366/2010**  
(22) Date of Filing Application: **09 August 2010**  
(24) Date from which industrial property rights may have effect: **09 August 2010**  
(54) Product in respect of which the design is registered: **Portable light having a rotatable head**  
(51) International Design Classification: **26-02**  
(71) Name(s) and Address(s) of Applicant(s):  
**Streamlight, Inc.**  
**30 Eagleville Road Eagleville Pennsylvania 19403 United States of America**  
(72) Name(s) of Designer(s): **Donald J. Keeley and Matthew B. Dalton**  
(45) Registration Date: **01 September 2010**  
(30) Convention priority data:  
(31) Number      (32) Date      (33) Country  
**29/355530      09 Feb 2010      UNITED STATES OF AMERICA**  
(56) Related Art Documents: **Not Applicable**  
(57) Statement of Newness and Distinctiveness: **Newness and distinctiveness is claimed in those features of shape and/or configuration of a portable light having a rotatable head illustrated in continuous lines in the accompanying representations.**



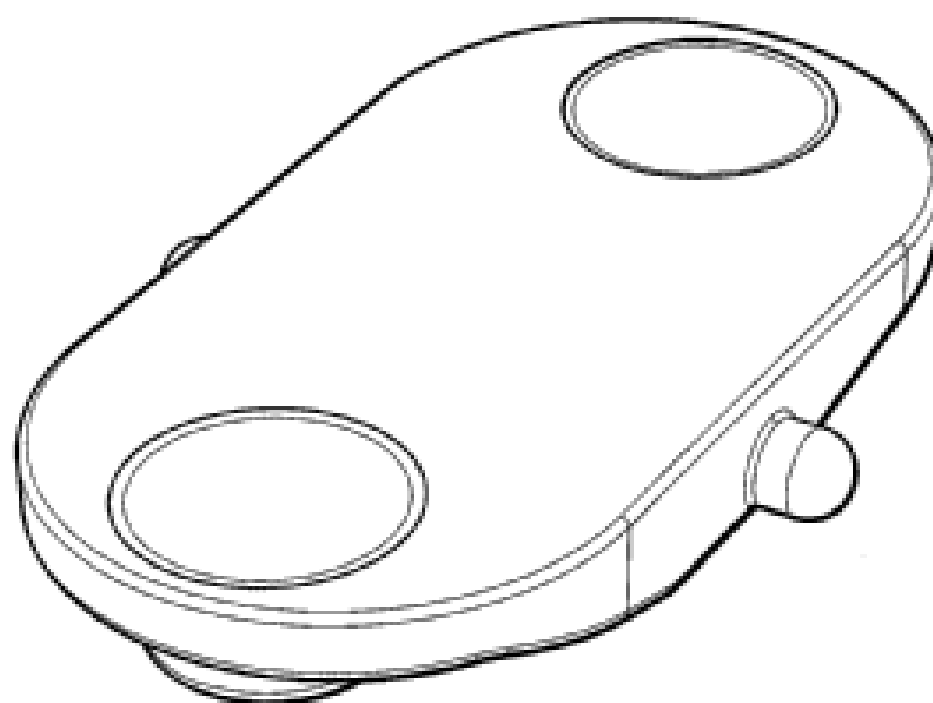
- (21) Design Number: **13394/2010**  
(22) Date of Filing Application: **09 August 2010**  
(24) Date from which industrial property rights may have effect: **09 August 2010**  
(54) Product in respect of which the design is registered: **Drink flask bottle**  
(51) International Design Classification: **07-01F**  
(71) Name(s) and Address(s) of Applicant(s):  
**The Decor Corporation Pty Ltd**  
**1314 Ferntree Gully Road Scoresby Victoria 3179 Australia**  
(72) Name(s) of Designer(s): **Arthur Richard Carlson**  
(45) Registration Date: **01 September 2010**  
(56) Related Art Documents: **Not Applicable**  
(57) Statement of Newness and Distinctiveness: **Nil**



- (21) Design Number: **13395/2010**
- (22) Date of Filing Application: **09 August 2010**
- (24) Date from which industrial property rights may have effect: **09 August 2010**
- (54) Product in respect of which the design is registered: **Bottle**
- (51) International Design Classification: **07-01F**
- (71) Name(s) and Address(s) of Applicant(s):  
**The Decor Corporation Pty Ltd**  
**1314 Ferntree Gully Road Scoresby Victoria 3179 Australia**
- (72) Name(s) of Designer(s): **Jim Samartgis**
- (45) Registration Date: **01 September 2010**
- (56) Related Art Documents: **Not Applicable**
- (57) Statement of Newness and Distinctiveness: **Nil**



- (21) Design Number: **13396/2010**
- (22) Date of Filing Application: **09 August 2010**
- (24) Date from which industrial property rights may have effect: **09 August 2010**
- (54) Product in respect of which the design is registered: **Vent and seal**
- (51) International Design Classification: **07-01NES**
- (71) Name(s) and Address(s) of Applicant(s):  
**The Decor Corporation Pty Ltd**  
**1314 Ferntree Gully Road Scoresby Victoria 3179 Australia**
- (72) Name(s) of Designer(s): **Jim Samartgis**
- (45) Registration Date: **01 September 2010**
- (56) Related Art Documents: **Not Applicable**
- (57) Statement of Newness and Distinctiveness: **Nil**



(21) Design Number: **13399/2010**

(22) Date of Filing Application: **09 August 2010**

(24) Date from which industrial property rights may have effect: **09 August 2010**

(54) Product in respect of which the design is registered: **Base for lunchbox**

(51) International Design Classification: **07-01NES**

(71) Name(s) and Address(s) of Applicant(s):

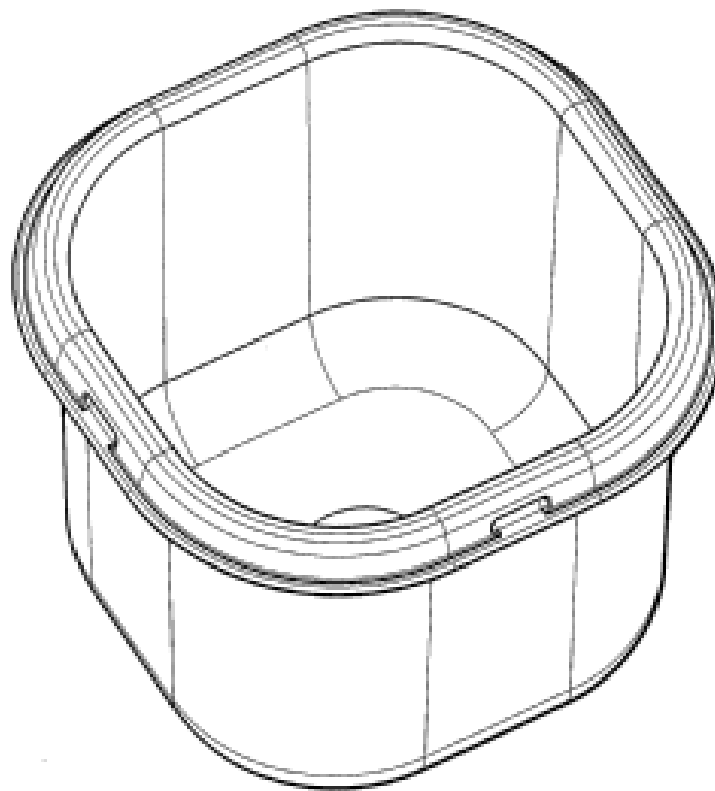
**The Decor Corporation Pty Ltd**  
**1314 Ferntree Gully Road Scoresby Victoria 3179 Australia**

(72) Name(s) of Designer(s): **Jim Samartgis**

(45) Registration Date: **01 September 2010**

(56) Related Art Documents: **Not Applicable**

(57) Statement of Newness and Distinctiveness: **Nil**



(21) Design Number: **13400/2010**

(22) Date of Filing Application: **09 August 2010**

(24) Date from which industrial property rights may have effect: **09 August 2010**

(54) Product in respect of which the design is registered: **Lid and seal for lunchbox**

(51) International Design Classification: **07-01NES**

(71) Name(s) and Address(s) of Applicant(s):

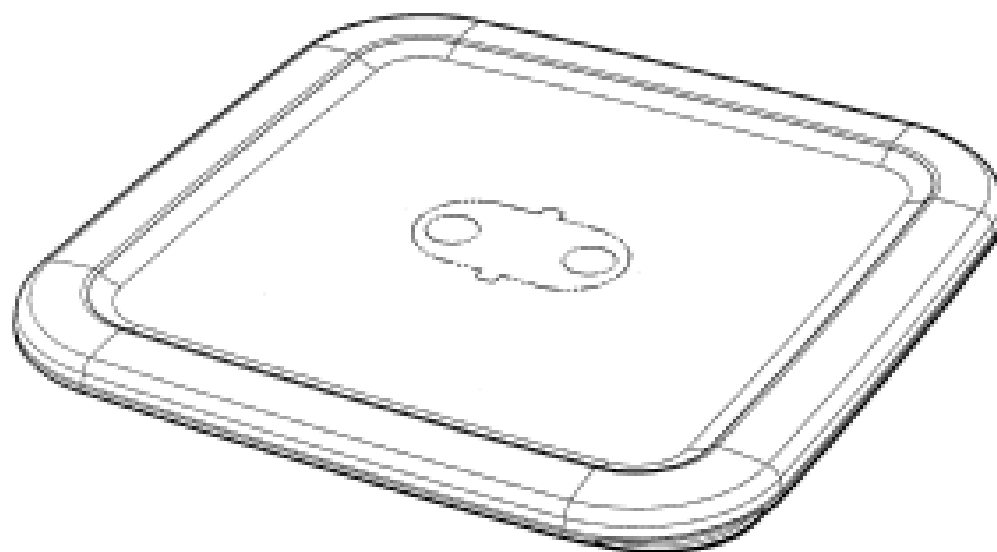
**The Decor Corporation Pty Ltd**  
**1314 Ferntree Gully Road Scoresby Victoria 3179 Australia**

(72) Name(s) of Designer(s): **Jim Samartgis**

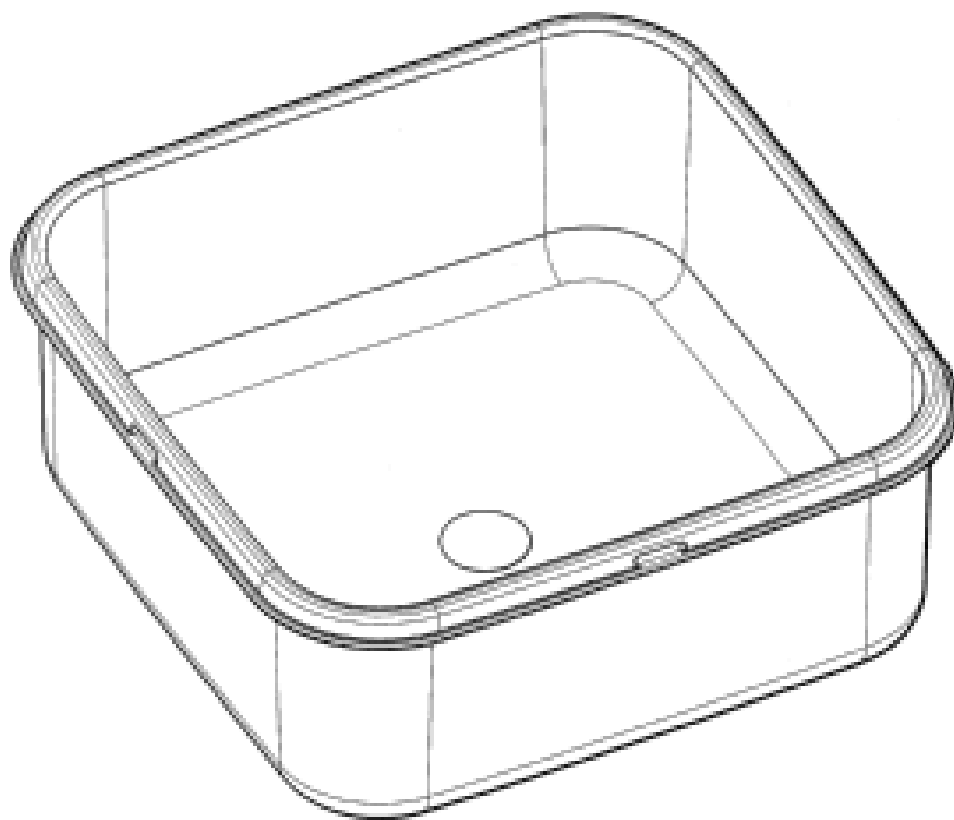
(45) Registration Date: **01 September 2010**

(56) Related Art Documents: **Not Applicable**

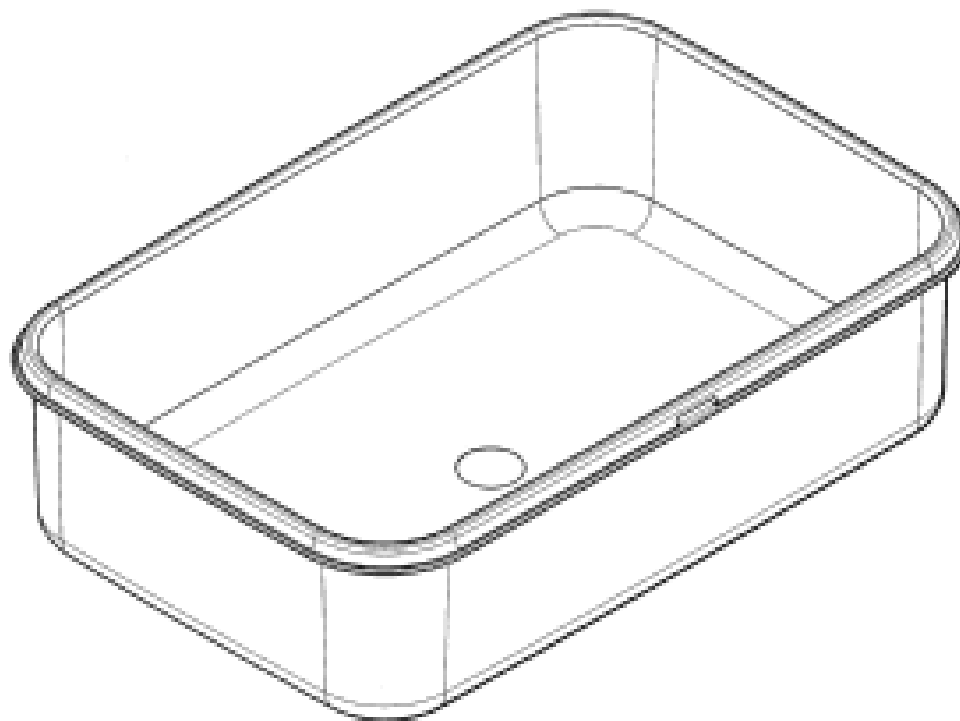
(57) Statement of Newness and Distinctiveness: **Nil**



- (21) Design Number: **13401/2010**  
(22) Date of Filing Application: **09 August 2010**  
(24) Date from which industrial property rights may have effect: **09 August 2010**  
(54) Product in respect of which the design is registered: **Base for lunchbox**  
(51) International Design Classification: **07-01NES**  
(71) Name(s) and Address(s) of Applicant(s):  
**The Decor Corporation Pty Ltd**  
**1314 Ferntree Gully Road Scoresby Victoria 3179 Australia**  
(72) Name(s) of Designer(s): **Jim Samartgis**  
(45) Registration Date: **01 September 2010**  
(56) Related Art Documents: **Not Applicable**  
(57) Statement of Newness and Distinctiveness: **Nil**



- (21) Design Number: **13402/2010**  
(22) Date of Filing Application: **09 August 2010**  
(24) Date from which industrial property rights may have effect: **09 August 2010**  
(54) Product in respect of which the design is registered: **Base for lunchbox**  
(51) International Design Classification: **07-01NES**  
(71) Name(s) and Address(s) of Applicant(s):  
**The Decor Corporation Pty Ltd**  
**1314 Ferntree Gully Road Scoresby Victoria 3179 Australia**  
(72) Name(s) of Designer(s): **Jim Samartgis**  
(45) Registration Date: **01 September 2010**  
(56) Related Art Documents: **Not Applicable**  
(57) Statement of Newness and Distinctiveness: **Nil**





(21) Design Number: **13403/2010**

(22) Date of Filing Application: **09 August 2010**

(24) Date from which industrial property rights may have effect: **09 August 2010**

(54) Product in respect of which the design is registered: **Lid and seal for lunchbox**

(51) International Design Classification: **07-01NES**

(71) Name(s) and Address(s) of Applicant(s):

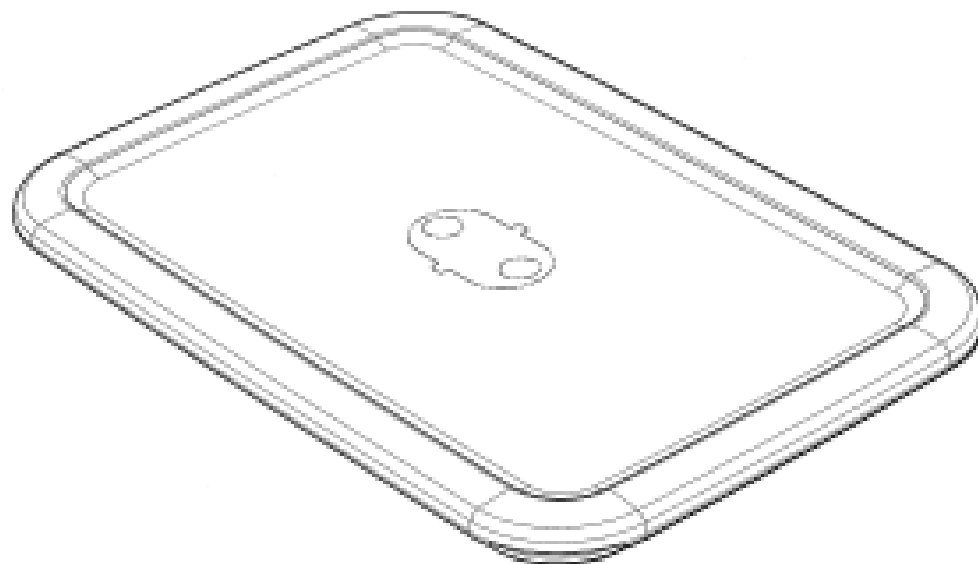
**The Decor Corporation Pty Ltd  
1314 Ferntree Gully Road Scoresby Victoria 3179 Australia**

(72) Name(s) of Designer(s): **Jim Samartgis**

(45) Registration Date: **01 September 2010**

(56) Related Art Documents: **Not Applicable**

(57) Statement of Newness and Distinctiveness: **Nil**



(21) Design Number: **13404/2010**

(22) Date of Filing Application: **09 August 2010**

(24) Date from which industrial property rights may have effect: **09 August 2010**

(54) Product in respect of which the design is registered: **Utensil**

(51) International Design Classification: **07-06NES**

(71) Name(s) and Address(s) of Applicant(s):

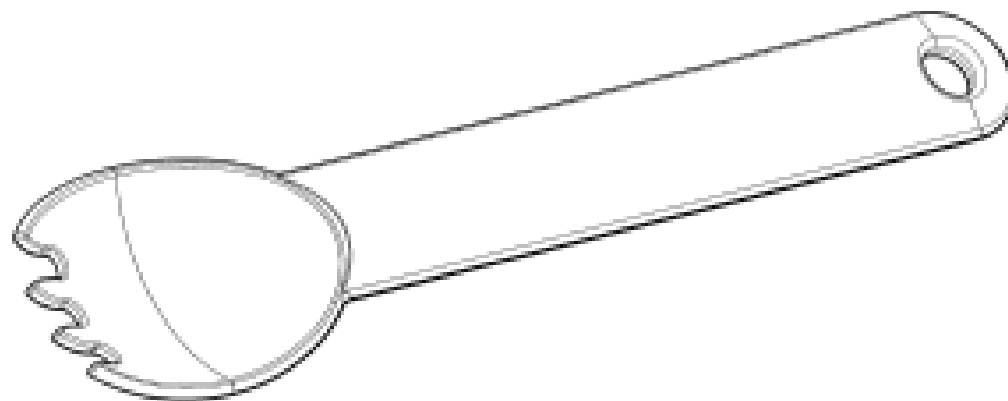
**The Decor Corporation Pty Ltd  
1314 Ferntree Gully Road Scoresby Victoria 3179 Australia**

(72) Name(s) of Designer(s): **Arthur Richard Carlson**

(45) Registration Date: **01 September 2010**

(56) Related Art Documents: **Not Applicable**

(57) Statement of Newness and Distinctiveness: **Nil**



(21) Design Number: **13405/2010**

(22) Date of Filing Application: **09 August 2010**

(24) Date from which industrial property rights may have effect: **09 August 2010**

(54) Product in respect of which the design is registered: **Base for lunchbox**

(51) International Design Classification: **07-01NES**

(71) Name(s) and Address(s) of Applicant(s):

**The Decor Corporation Pty Ltd  
1314 Ferntree Gully Road Scoresby Victoria 3179 Australia**

(72) Name(s) of Designer(s): **Jim Samartgis**

(45) Registration Date: **01 September 2010**

(56) Related Art Documents: **Not Applicable**

(57) Statement of Newness and Distinctiveness: **Nil**



(21) Design Number: **13310/2010**

(22) Date of Filing Application: **05 August 2010**

(24) Date from which industrial property rights may have effect: **05 August 2010**

(54) Product in respect of which the design is registered: **Lamp**

(51) International Design Classification: **26-04**

(71) Name(s) and Address(s) of Applicant(s):

**Koninklijke Philips Electronics N.V.  
Groenewoudseweg 1 5621 BA Eindhoven The Netherlands**

(72) Name(s) of Designer(s): **Davy Maria Wilibrordus Schaeken**

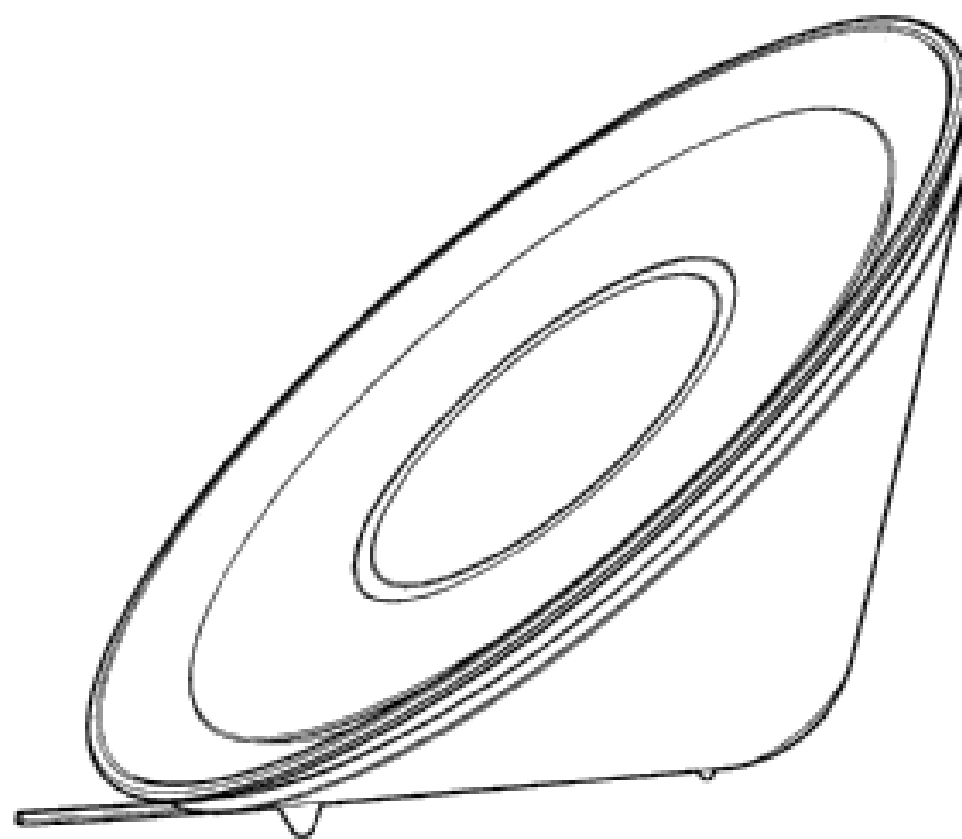
(45) Registration Date: **01 September 2010**

(30) Convention priority data:

(31) Number	(32) Date	(33) Country
<b>001667551</b>	<b>09 Feb 2010</b>	<b>EUROPEAN COMMUNITY</b>

(56) Related Art Documents: **Not Applicable**

(57) Statement of Newness and Distinctiveness: **Newness and distinctiveness reside in the features of shape and configuration of the design as shown in the representations.**



(21) Design Number: **13334/2010**

(22) Date of Filing Application: **06 August 2010**

(24) Date from which industrial property rights may have effect: **06 August 2010**

(54) Product in respect of which the design is registered: **An extrusion assembly**

(51) International Design Classification: **25-01K**

(71) Name(s) and Address(s) of Applicant(s):

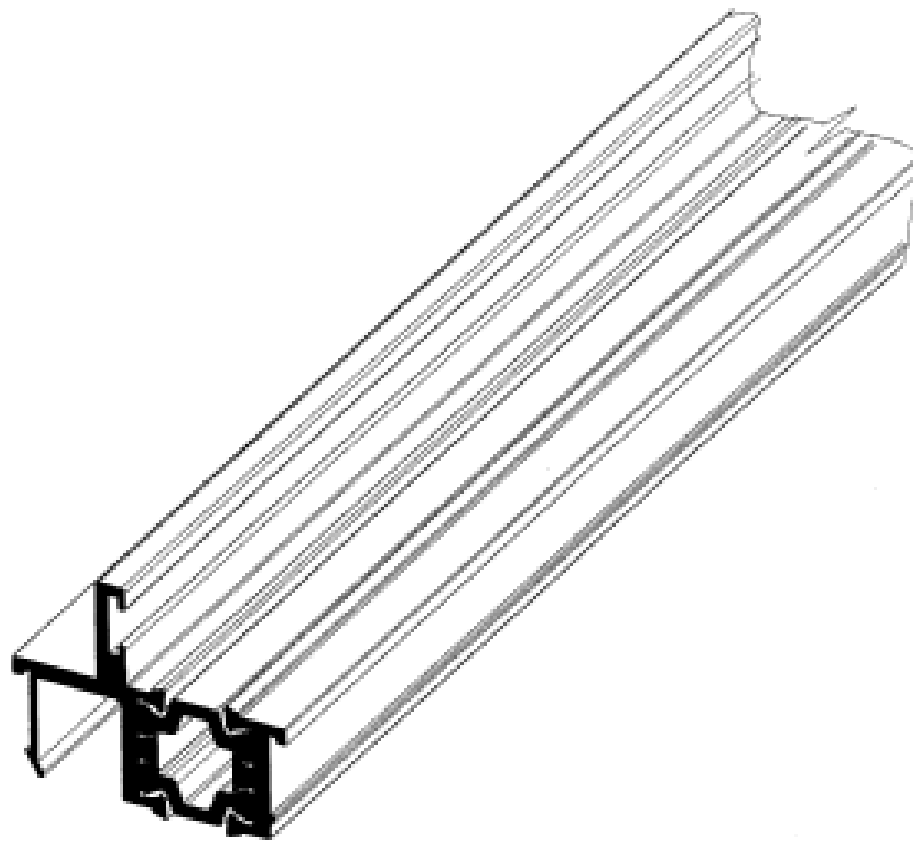
**Architectural Window Systems Pty Ltd  
76-78 Jemma Road Prestons New South Wales 2170 Australia**

(72) Name(s) of Designer(s): **Mark McCleary**

(45) Registration Date: **01 September 2010**

(56) Related Art Documents: **Not Applicable**

(57) Statement of Newness and Distinctiveness: **Newness and distinctiveness is claimed in the features of shape and/or configuration of an extrusion assembly as illustrated in the accompanying representations.**



(21) Design Number: **13335/2010**

(22) Date of Filing Application: **06 August 2010**

(24) Date from which industrial property rights may have effect: **06 August 2010**

(54) Product in respect of which the design is registered: **A filler**

(51) International Design Classification: **08-09**

(71) Name(s) and Address(s) of Applicant(s):

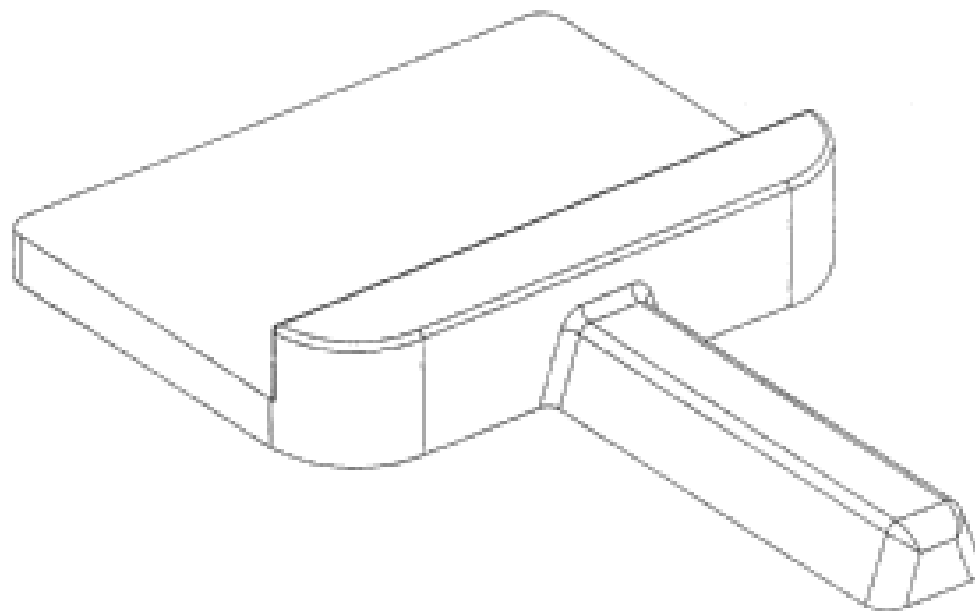
**Architectural Window Systems Pty Ltd  
76-78 Jemma Road Prestons New South Wales 2170 Australia**

(72) Name(s) of Designer(s): **Mark McCleary**

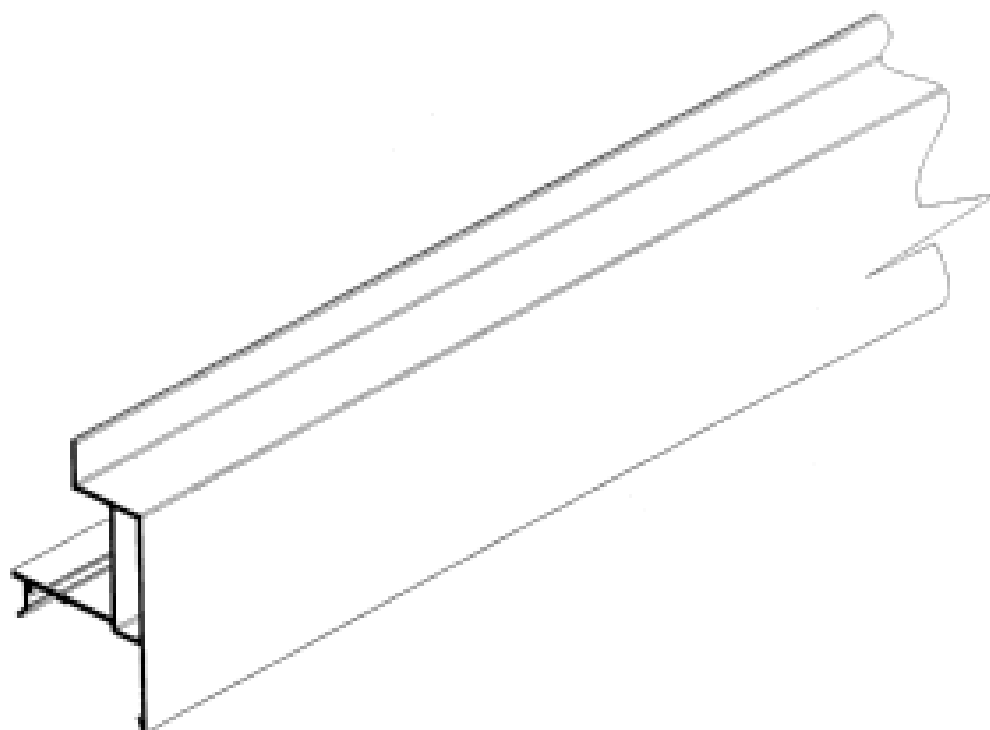
(45) Registration Date: **01 September 2010**

(56) Related Art Documents: **Not Applicable**

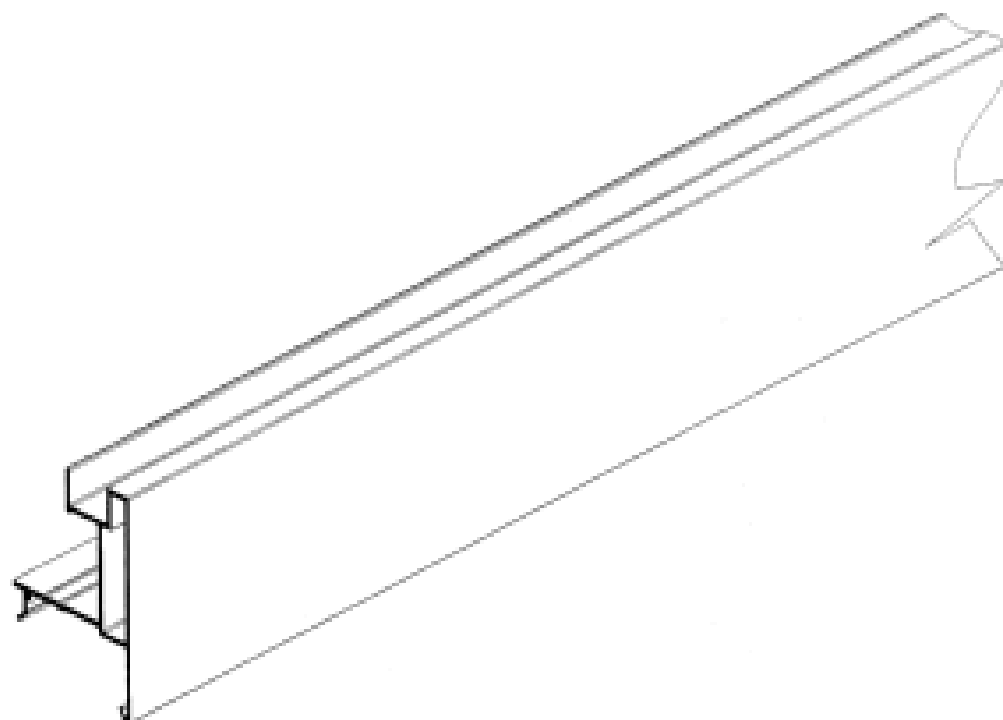
(57) Statement of Newness and Distinctiveness: **Newness and distinctiveness is claimed in the features of shape and/or configuration of a filler as illustrated in the accompanying representations.**



- (21) Design Number: **13336/2010**  
(22) Date of Filing Application: **06 August 2010**  
(24) Date from which industrial property rights may have effect: **06 August 2010**  
(54) Product in respect of which the design is registered: **An extrusion**  
(51) International Design Classification: **25-01K**  
(71) Name(s) and Address(s) of Applicant(s):  
**Architectural Window Systems Pty Ltd**  
**76-78 Jemma Road Prestons New South Wales 2170 Australia**  
(72) Name(s) of Designer(s): **Mark McCleary**  
(45) Registration Date: **01 September 2010**  
(56) Related Art Documents: **Not Applicable**  
(57) Statement of Newness and Distinctiveness: **Newness and distinctiveness is claimed in the features of shape and/or configuration of an extrusion as illustrated in the accompanying representations.**



- (21) Design Number: **13337/2010**  
(22) Date of Filing Application: **06 August 2010**  
(24) Date from which industrial property rights may have effect: **06 August 2010**  
(54) Product in respect of which the design is registered: **An extrusion**  
(51) International Design Classification: **25-01K**  
(71) Name(s) and Address(s) of Applicant(s):  
**Architectural Window Systems Pty Ltd**  
**76-78 Jemma Road Prestons New South Wales 2170 Australia**  
(72) Name(s) of Designer(s): **Mark McCleary**  
(45) Registration Date: **01 September 2010**  
(56) Related Art Documents: **Not Applicable**  
(57) Statement of Newness and Distinctiveness: **Newness and distinctiveness is claimed in the features of shape and/or configuration of an extrusion as illustrated in the accompanying representations.**



(21) Design Number: **13338/2010**

(22) Date of Filing Application: **06 August 2010**

(24) Date from which industrial property rights may have effect: **06 August 2010**

(54) Product in respect of which the design is registered: **An extrusion**

(51) International Design Classification: **25-01K**

(71) Name(s) and Address(s) of Applicant(s):

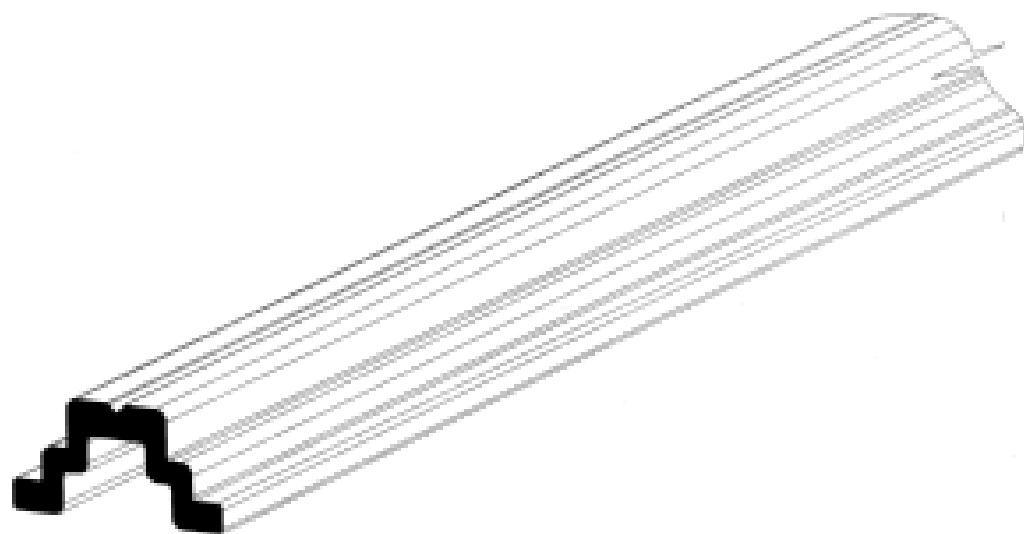
**Architectural Window Systems Pty Ltd  
76-78 Jemma Road Prestons New South Wales 2170 Australia**

(72) Name(s) of Designer(s): **Mark McCleary**

(45) Registration Date: **01 September 2010**

(56) Related Art Documents: **Not Applicable**

(57) Statement of Newness and Distinctiveness: **Newness and distinctiveness is claimed in the features of shape and/or configuration of an extrusion as illustrated in the accompanying representations.**



(21) Design Number: **13339/2010**

(22) Date of Filing Application: **06 August 2010**

(24) Date from which industrial property rights may have effect: **06 August 2010**

(54) Product in respect of which the design is registered: **An extrusion assembly**

(51) International Design Classification: **25-01K**

(71) Name(s) and Address(s) of Applicant(s):

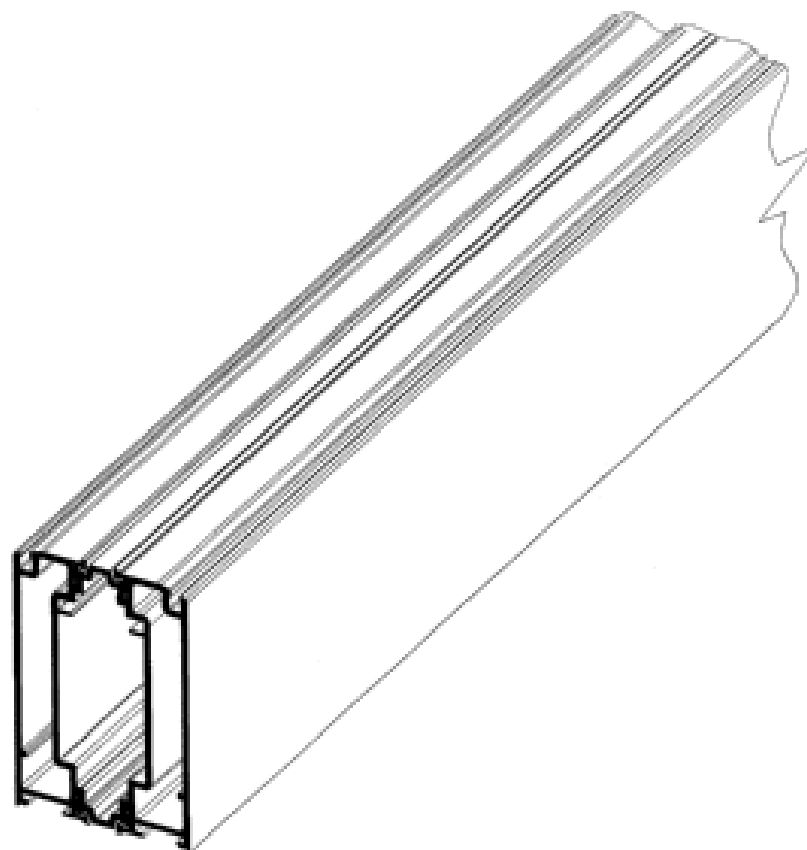
**Architectural Window Systems Pty Ltd  
76-78 Jemma Road Prestons New South Wales 2170 Australia**

(72) Name(s) of Designer(s): **Mark McCleary**

(45) Registration Date: **01 September 2010**

(56) Related Art Documents: **Not Applicable**

(57) Statement of Newness and Distinctiveness: **Newness and distinctiveness is claimed in the features of shape and/or configuration of an extrusion assembly as illustrated in the accompanying representations.**



(21) Design Number: **13340/2010**

(22) Date of Filing Application: **06 August 2010**

(24) Date from which industrial property rights may have effect: **06 August 2010**

(54) Product in respect of which the design is registered: **An extrusion assembly**

(51) International Design Classification: **25-01K**

(71) Name(s) and Address(s) of Applicant(s):

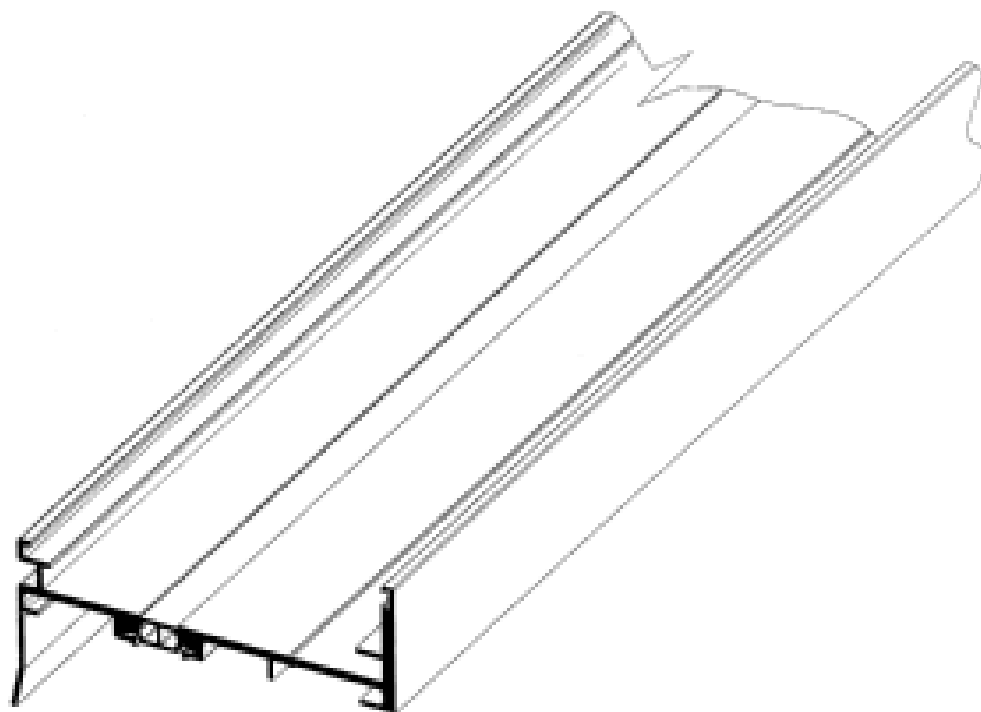
**Architectural Window Systems Pty Ltd  
76-78 Jemma Road Prestons New South Wales 2170 Australia**

(72) Name(s) of Designer(s): **Mark McCleary**

(45) Registration Date: **01 September 2010**

(56) Related Art Documents: **Not Applicable**

(57) Statement of Newness and Distinctiveness: **Newness and distinctiveness is claimed in the features of shape and/or configuration of an extrusion assembly as illustrated in the accompanying representations.**



(21) Design Number: **13341/2010**

(22) Date of Filing Application: **06 August 2010**

(24) Date from which industrial property rights may have effect: **06 August 2010**

(54) Product in respect of which the design is registered: **An extrusion assembly**

(51) International Design Classification: **25-01K**

(71) Name(s) and Address(s) of Applicant(s):

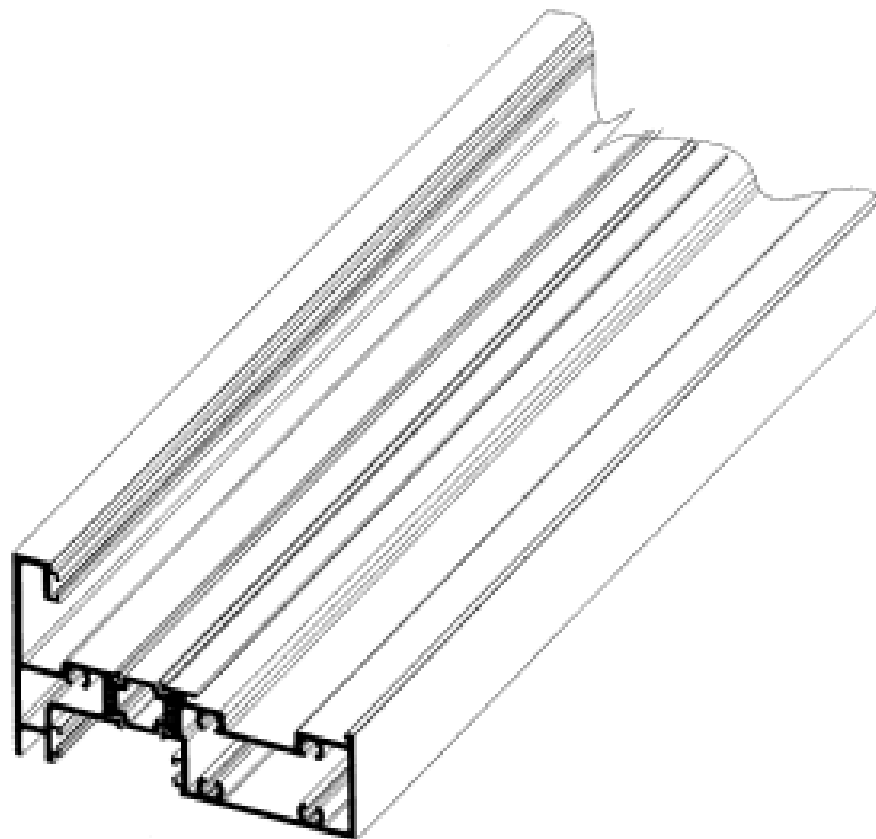
**Architectural Window Systems Pty Ltd  
76-78 Jemma Road Prestons New South Wales 2170 Australia**

(72) Name(s) of Designer(s): **Mark McCleary**

(45) Registration Date: **01 September 2010**

(56) Related Art Documents: **Not Applicable**

(57) Statement of Newness and Distinctiveness: **Newness and distinctiveness is claimed in the features of shape and/or configuration of an extrusion assembly as illustrated in the accompanying representations.**



(21) Design Number: **13342/2010**

(22) Date of Filing Application: **06 August 2010**

(24) Date from which industrial property rights may have effect: **06 August 2010**

(54) Product in respect of which the design is registered: **An extrusion assembly**

(51) International Design Classification: **25-01K**

(71) Name(s) and Address(s) of Applicant(s):

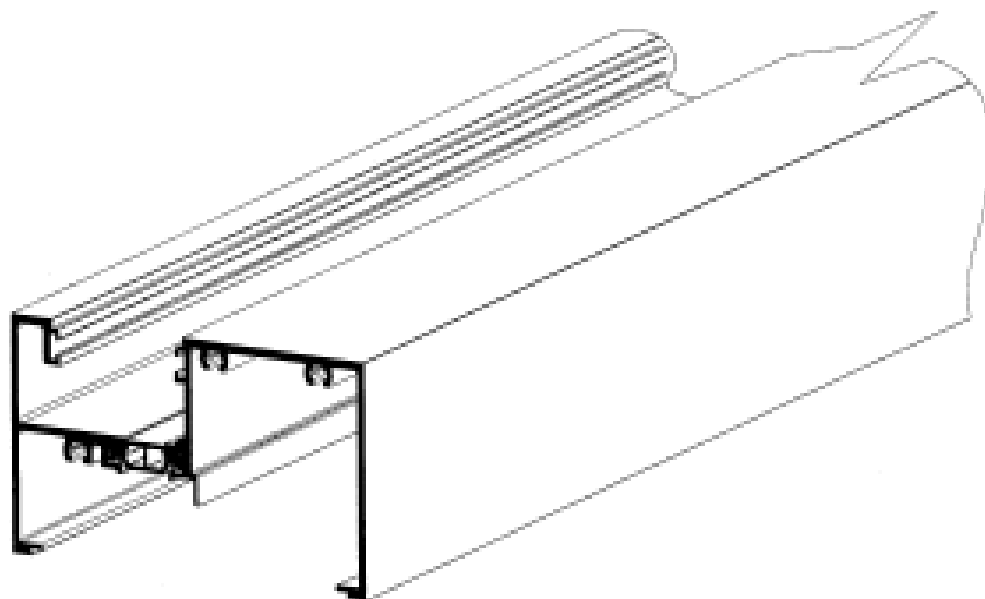
**Architectural Window Systems Pty Ltd  
76-78 Jemma Road Prestons New South Wales 2170 Australia**

(72) Name(s) of Designer(s): **Mark McCleary**

(45) Registration Date: **01 September 2010**

(56) Related Art Documents: **Not Applicable**

(57) Statement of Newness and Distinctiveness: **Newness and distinctiveness is claimed in the features of shape and/or configuration of an extrusion assembly as illustrated in the accompanying representations.**



(21) Design Number: **13384/2010**

(22) Date of Filing Application: **09 August 2010**

(24) Date from which industrial property rights may have effect: **09 August 2010**

(54) Product in respect of which the design is registered: **Cap for flask**

(51) International Design Classification: **09-07B**

(71) Name(s) and Address(s) of Applicant(s):

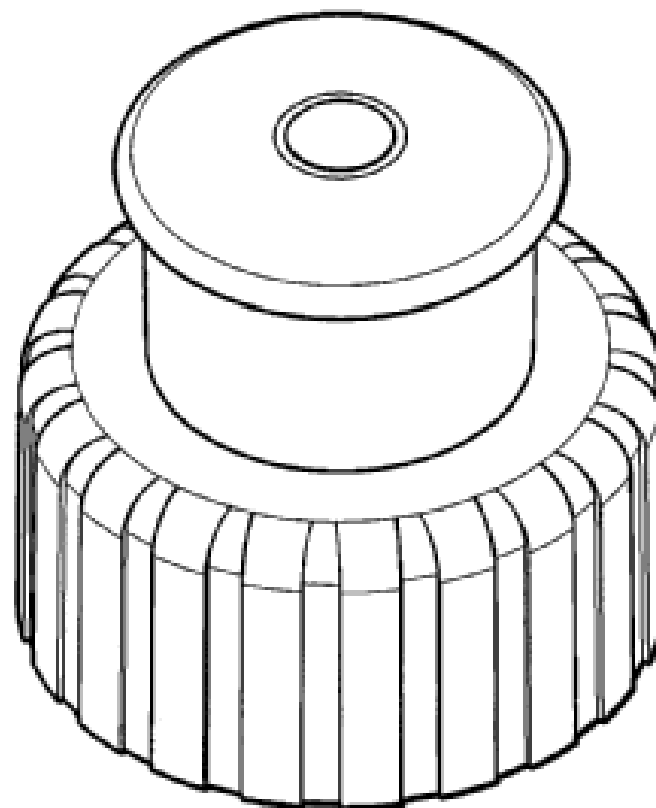
**The Decor Corporation Pty Ltd  
1314 Ferntree Gully Road Scoresby Victoria 3179 Australia**

(72) Name(s) of Designer(s): **Arthur Richard Carlson**

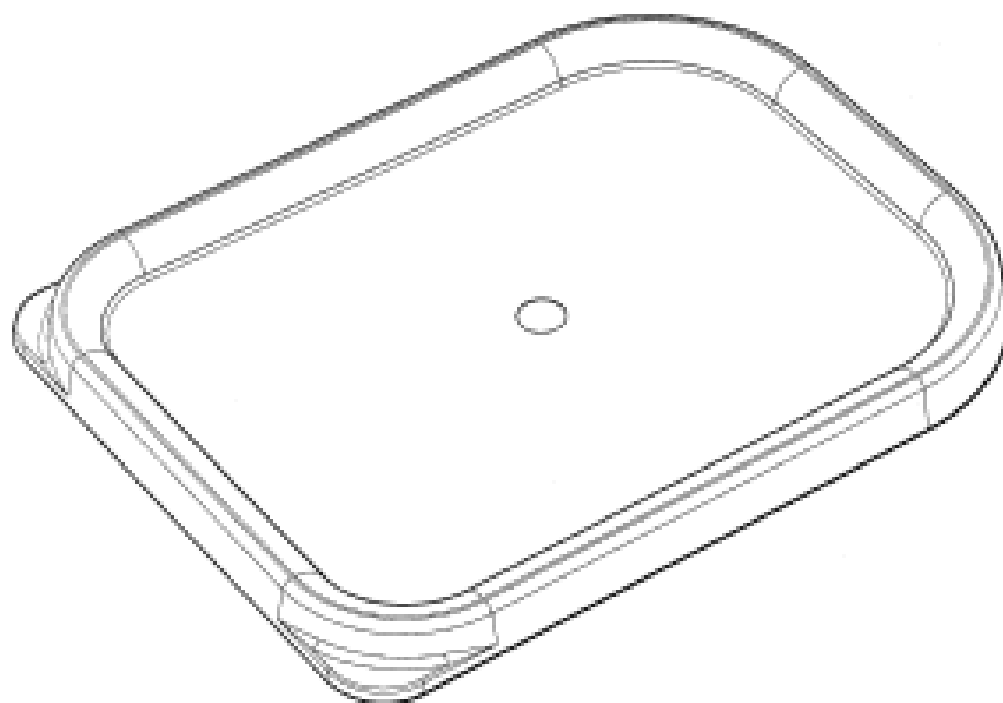
(45) Registration Date: **02 September 2010**

(56) Related Art Documents: **Not Applicable**

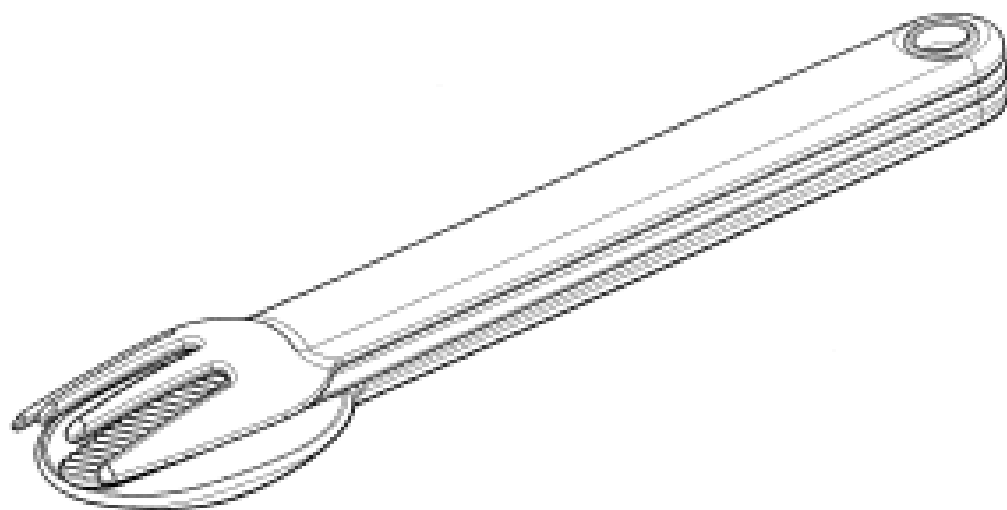
(57) Statement of Newness and Distinctiveness: **Nil**



- (21) Design Number: **13385/2010**  
(22) Date of Filing Application: **09 August 2010**  
(24) Date from which industrial property rights may have effect: **09 August 2010**  
(54) Product in respect of which the design is registered: **Lunchbox lid**  
(51) International Design Classification: **07-01NES**  
(71) Name(s) and Address(s) of Applicant(s):  
**The Decor Corporation Pty Ltd**  
**1314 Ferntree Gully Road Scoresby Victoria 3179 Australia**  
(72) Name(s) of Designer(s): **Arthur Richard Carlson**  
(45) Registration Date: **02 September 2010**  
(56) Related Art Documents: **Not Applicable**  
(57) Statement of Newness and Distinctiveness: **Nil**



- (21) Design Number: **13386/2010**  
(22) Date of Filing Application: **09 August 2010**  
(24) Date from which industrial property rights may have effect: **09 August 2010**  
(54) Product in respect of which the design is registered: **Cutlery combined**  
(51) International Design Classification: **07-03**  
(71) Name(s) and Address(s) of Applicant(s):  
**The Decor Corporation Pty Ltd**  
**1314 Ferntree Gully Road Scoresby Victoria 3179 Australia**  
(72) Name(s) of Designer(s): **Jim Samartgis**  
(45) Registration Date: **02 September 2010**  
(56) Related Art Documents: **Not Applicable**  
(57) Statement of Newness and Distinctiveness: **Nil**

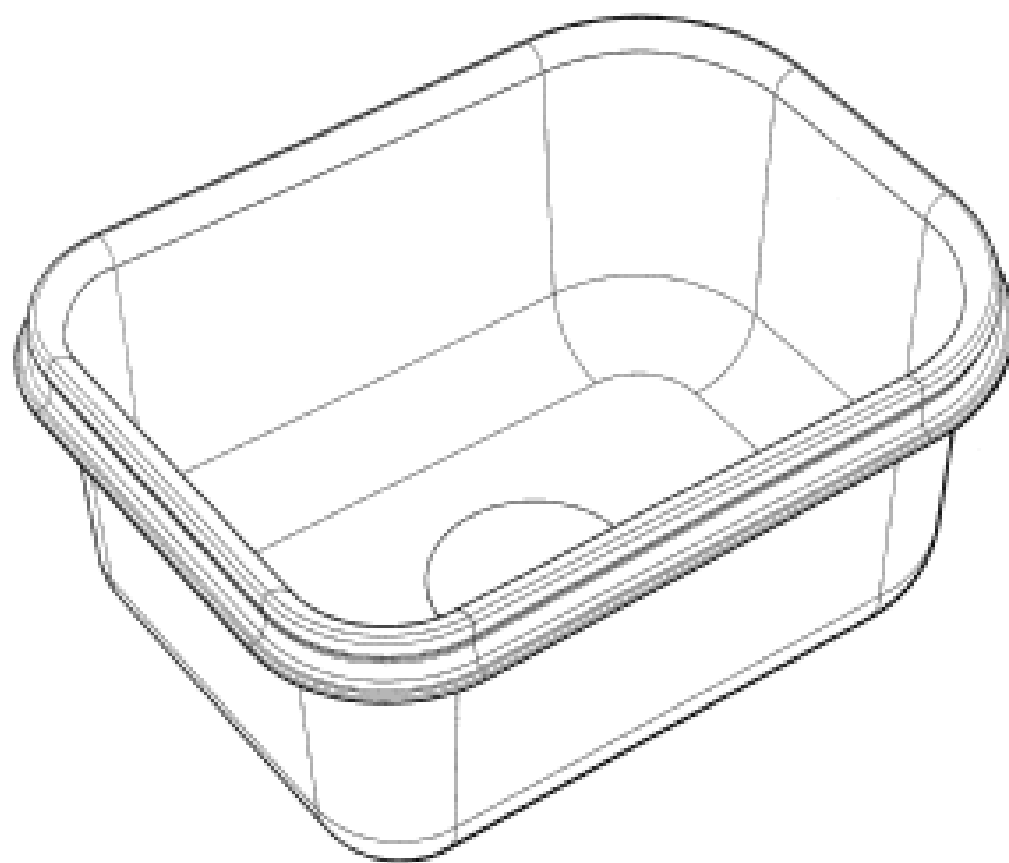




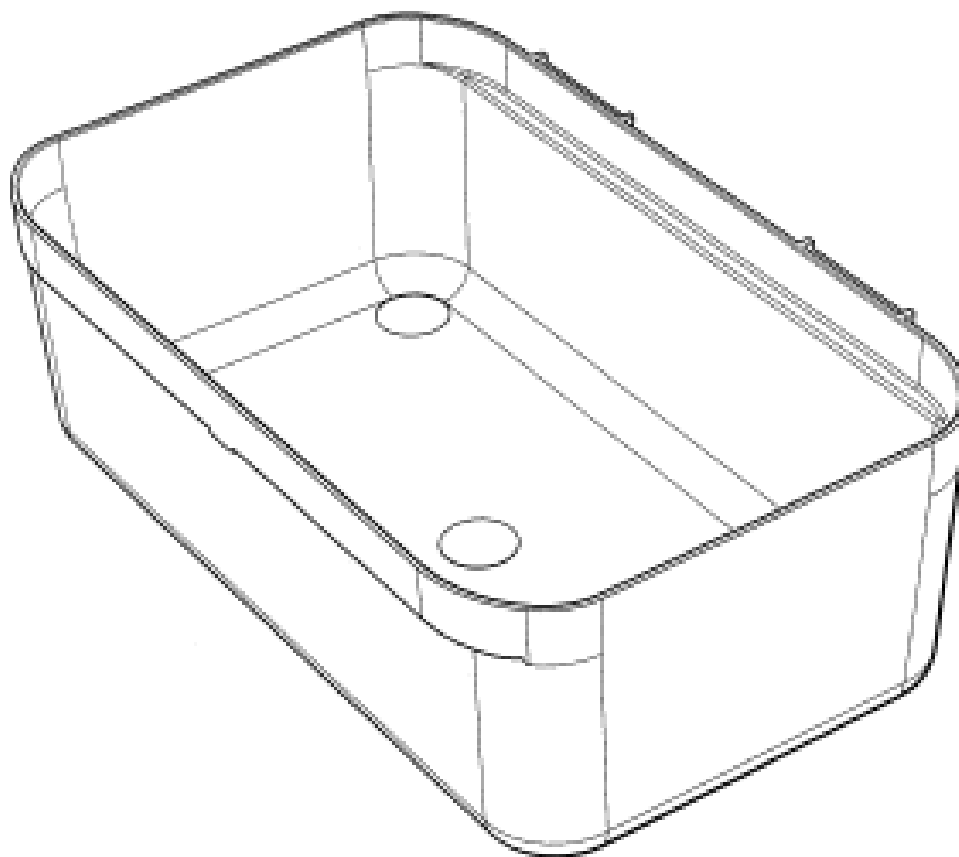
- (21) Design Number: **13387/2010**
- (22) Date of Filing Application: **09 August 2010**
- (24) Date from which industrial property rights may have effect: **09 August 2010**
- (54) Product in respect of which the design is registered: **Lunchbox lid**
- (51) International Design Classification: **07-01NES**
- (71) Name(s) and Address(s) of Applicant(s):  
**The Decor Corporation Pty Ltd**  
**1314 Ferntree Gully Road Scoresby Victoria 3179 Australia**
- (72) Name(s) of Designer(s): **Arthur Richard Carlson**
- (45) Registration Date: **02 September 2010**
- (56) Related Art Documents: **Not Applicable**
- (57) Statement of Newness and Distinctiveness: **Nil**



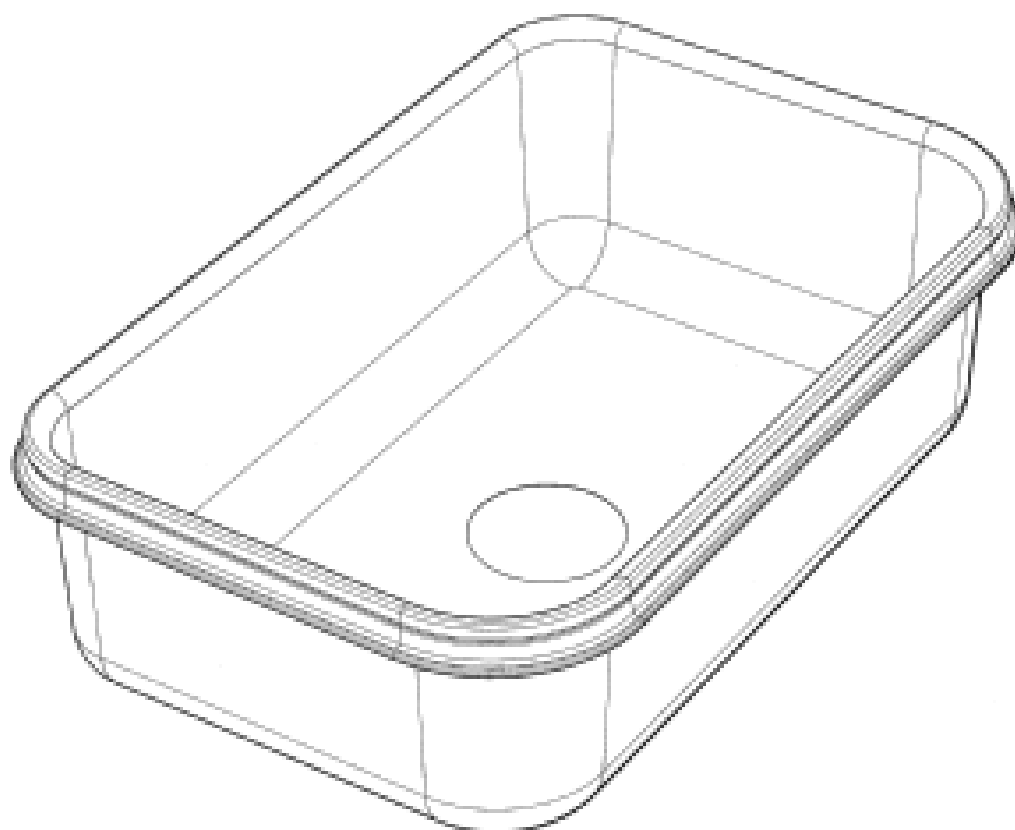
- (21) Design Number: **13389/2010**
- (22) Date of Filing Application: **09 August 2010**
- (24) Date from which industrial property rights may have effect: **09 August 2010**
- (54) Product in respect of which the design is registered: **Lunchbox base**
- (51) International Design Classification: **07-01NES**
- (71) Name(s) and Address(s) of Applicant(s):  
**The Decor Corporation Pty Ltd**  
**1314 Ferntree Gully Road Scoresby Victoria 3179 Australia**
- (72) Name(s) of Designer(s): **Arthur Richard Carlson**
- (45) Registration Date: **02 September 2010**
- (56) Related Art Documents: **Not Applicable**
- (57) Statement of Newness and Distinctiveness: **Nil**



- (21) Design Number: **13390/2010**  
(22) Date of Filing Application: **09 August 2010**  
(24) Date from which industrial property rights may have effect: **09 August 2010**  
(54) Product in respect of which the design is registered: **Lunchbox base**  
(51) International Design Classification: **07-01NES**  
(71) Name(s) and Address(s) of Applicant(s):  
**The Decor Corporation Pty Ltd**  
**1314 Ferntree Gully Road Scoresby Victoria 3179 Australia**  
(72) Name(s) of Designer(s): **Arthur Richard Carlson**  
(45) Registration Date: **02 September 2010**  
(56) Related Art Documents: **Not Applicable**  
(57) Statement of Newness and Distinctiveness: **Nil**



- (21) Design Number: **13391/2010**  
(22) Date of Filing Application: **09 August 2010**  
(24) Date from which industrial property rights may have effect: **09 August 2010**  
(54) Product in respect of which the design is registered: **Lunchbox base**  
(51) International Design Classification: **07-01NES**  
(71) Name(s) and Address(s) of Applicant(s):  
**The Decor Corporation Pty Ltd**  
**1314 Ferntree Gully Road Scoresby Victoria 3179 Australia**  
(72) Name(s) of Designer(s): **Arthur Richard Carlson**  
(45) Registration Date: **02 September 2010**  
(56) Related Art Documents: **Not Applicable**  
(57) Statement of Newness and Distinctiveness: **Nil**



(21) Design Number: **13392/2010**

(22) Date of Filing Application: **09 August 2010**

(24) Date from which industrial property rights may have effect: **09 August 2010**

(54) Product in respect of which the design is registered: **Lunchbox latch**

(51) International Design Classification: **07-01NES, 08-07**

(71) Name(s) and Address(s) of Applicant(s):

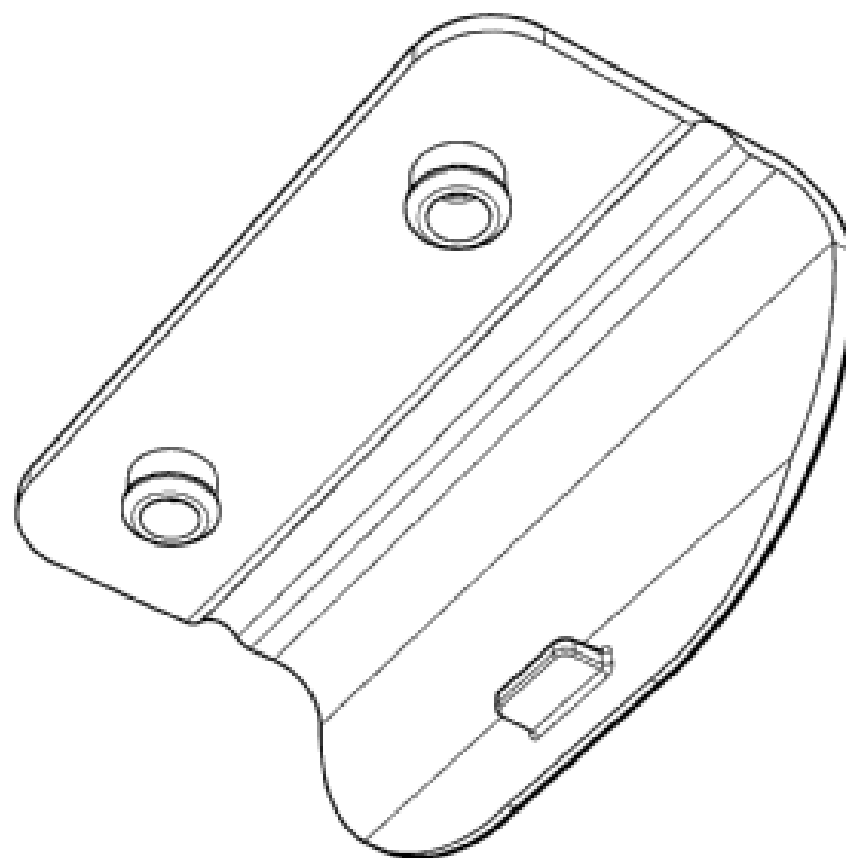
**The Decor Corporation Pty Ltd  
1314 Ferntree Gully Road Scoresby Victoria 3179 Australia**

(72) Name(s) of Designer(s): **Arthur Richard Carlson**

(45) Registration Date: **02 September 2010**

(56) Related Art Documents: **Not Applicable**

(57) Statement of Newness and Distinctiveness: **Nil**



(21) Design Number: **13393/2010**

(22) Date of Filing Application: **09 August 2010**

(24) Date from which industrial property rights may have effect: **09 August 2010**

(54) Product in respect of which the design is registered: **Lunchbox lid**

(51) International Design Classification: **07-01NES**

(71) Name(s) and Address(s) of Applicant(s):

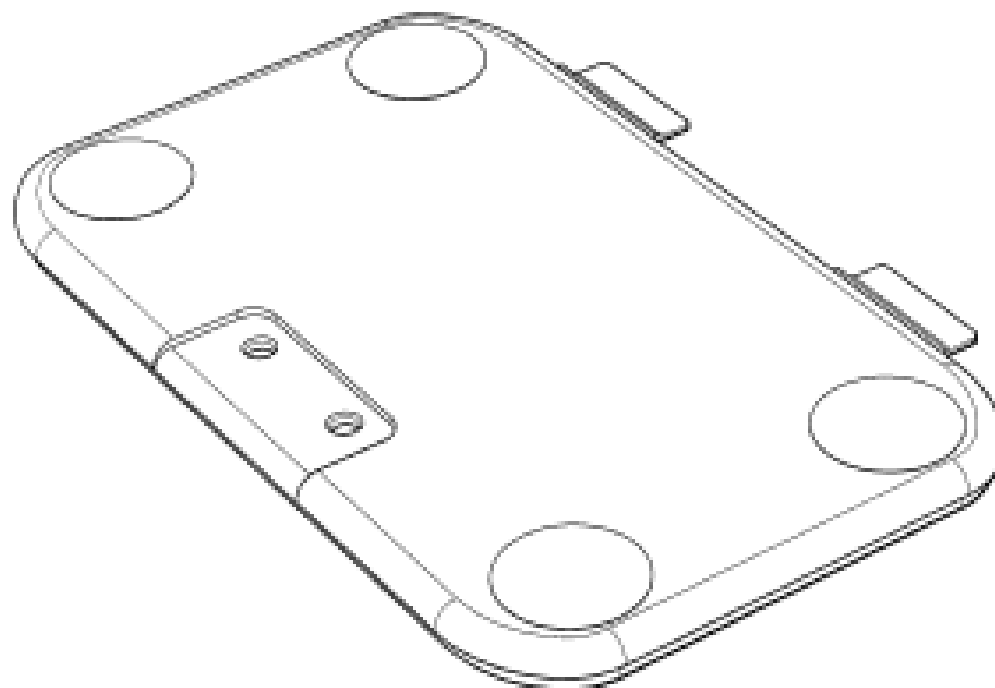
**The Decor Corporation Pty Ltd  
1314 Ferntree Gully Road Scoresby Victoria 3179 Australia**

(72) Name(s) of Designer(s): **Arthur Richard Carlson**

(45) Registration Date: **02 September 2010**

(56) Related Art Documents: **Not Applicable**

(57) Statement of Newness and Distinctiveness: **Nil**



- (21) Design Number: **11189/2010**  
(22) Date of Filing Application: **01 April 2010**  
(24) Date from which industrial property rights may have effect: **01 April 2010**  
(54) Product in respect of which the design is registered: **Automobile**  
(51) International Design Classification: **12-08**  
(71) Name(s) and Address(s) of Applicant(s):  
**Toyota Jidosha Kabushiki Kaisha**  
**1 Toyota-cho Toyota-shi Aichi-ken 471-8571 Japan**  
(72) Name(s) of Designer(s): **Robert Seiji Mochizuki and Ian Richard Cartabiano and Yoshikazu Syouji and Takahiro Minami**  
(45) Registration Date: **06 September 2010**  
(30) Convention priority data:  
(31) Number (32) Date (33) Country  
**29/352265 18 Dec 2009 UNITED STATES OF AMERICA**  
(56) Related Art Documents: **Not Applicable**  
(57) Statement of Newness and Distinctiveness: **Newness and distinctiveness is claimed in the features of shape and/or configuration of an automobile as illustrated in the accompanying representations.**



- (21) Design Number: **11190/2010**  
(22) Date of Filing Application: **01 April 2010**  
(24) Date from which industrial property rights may have effect: **01 April 2010**  
(54) Product in respect of which the design is registered: **Front combination lamp for an automobile**  
(51) International Design Classification: **26-06**  
(71) Name(s) and Address(s) of Applicant(s):  
**Toyota Jidosha Kabushiki Kaisha**  
**1 Toyota-cho Toyota-shi Aichi-ken 471-8571 Japan**  
(72) Name(s) of Designer(s): **Yoshikazu Syouji and Satoru Oya**  
(45) Registration Date: **06 September 2010**  
(30) Convention priority data:  
(31) Number (32) Date (33) Country  
**29/352272 18 Dec 2009 UNITED STATES OF AMERICA**  
(56) Related Art Documents: **Not Applicable**  
(57) Statement of Newness and Distinctiveness: **Newness and distinctiveness is claimed in the features of shape and/or configuration of a front combination lamp for an automobile as illustrated in the accompanying representations.**



- (21) Design Number: **11191/2010**  
(22) Date of Filing Application: **01 April 2010**  
(24) Date from which industrial property rights may have effect: **01 April 2010**  
(54) Product in respect of which the design is registered: **Rear combination lamp for an automobile**  
(51) International Design Classification: **26-06**  
(71) Name(s) and Address(s) of Applicant(s):  
**Toyota Jidosha Kabushiki Kaisha**  
**1 Toyota-cho Toyota-shi Aichi-ken 471-8571 Japan**  
(72) Name(s) of Designer(s): **Nicolas Blondeau and Robert Seiji Mochizuki and Takahiro Minami**  
(45) Registration Date: **06 September 2010**  
(30) Convention priority data:  
(31) Number (32) Date (33) Country  
**29/352276 18 Dec 2009 UNITED STATES OF AMERICA**  
(56) Related Art Documents: **Not Applicable**  
(57) Statement of Newness and Distinctiveness: **Newness and distinctiveness is claimed in the features of shape and/or configuration of a rear combination lamp for an automobile as illustrated in the accompanying representations.**



- (21) Design Number: **11192/2010**  
(22) Date of Filing Application: **01 April 2010**  
(24) Date from which industrial property rights may have effect: **01 April 2010**  
(54) Product in respect of which the design is registered: **Front bumper for an automobile**  
(51) International Design Classification: **12-16C**  
(71) Name(s) and Address(s) of Applicant(s):  
**Toyota Jidosha Kabushiki Kaisha**  
**1 Toyota-cho Toyota-shi Aichi-ken 471-8571 Japan**  
(72) Name(s) of Designer(s): **Yoshikazu Syouji and Takahiro Minami and Satoru Oya**  
(45) Registration Date: **06 September 2010**  
(30) Convention priority data:  
(31) Number (32) Date (33) Country  
**29/352277 18 Dec 2009 UNITED STATES OF AMERICA**  
(56) Related Art Documents: **Not Applicable**  
(57) Statement of Newness and Distinctiveness: **Newness and distinctiveness is claimed in the features of shape and/or configuration of a front bumper for an automobile as illustrated in the accompanying representations.**



- (21) Design Number: **12299/2010**  
(22) Date of Filing Application: **03 June 2010**  
(24) Date from which industrial property rights may have effect: **03 June 2010**  
(54) Product in respect of which the design is registered: **Louvred security shutter**  
(51) International Design Classification: **25-02H**  
(71) Name(s) and Address(s) of Applicant(s):  
**Pasquale Alvaro Trading as Securalux**  
**282 Mimosa Road Greenfield Park New South Wales 2176 Australia**  
(72) Name(s) of Designer(s): **Carmelo Garilli**  
(45) Registration Date: **06 September 2010**  
(56) Related Art Documents: **Not Applicable**  
(57) Statement of Newness and Distinctiveness: **New rounded edges to corners of aluminium extrusions, upgraded hinge fixing and new design to hinges, new rounded interior mullions, new stream-line handle design, new interior support to aluminium extrusion.**



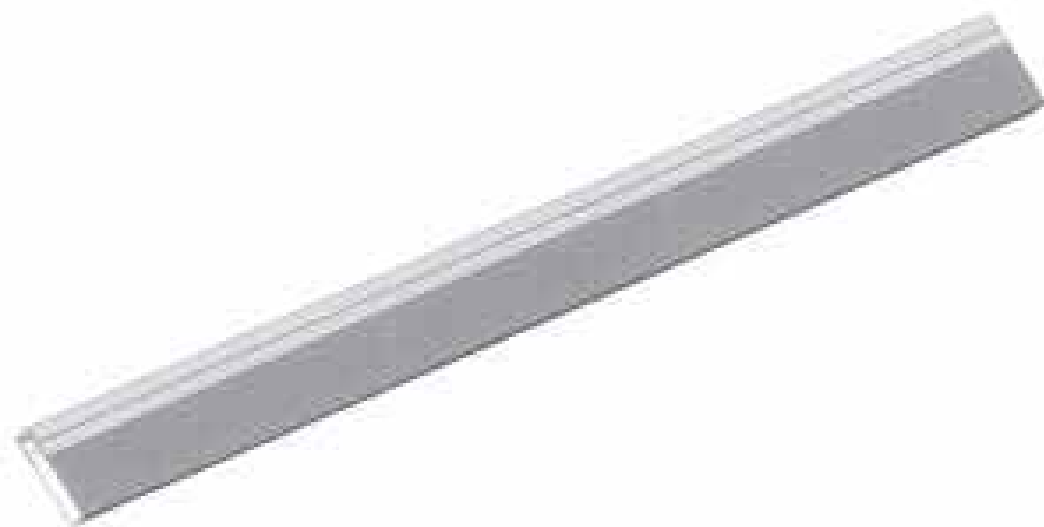
- (21) Design Number: **12300/2010**  
(22) Date of Filing Application: **03 June 2010**  
(24) Date from which industrial property rights may have effect: **03 June 2010**  
(54) Product in respect of which the design is registered: **Glazed security windows/doors (product functions as both window and or door)**  
(51) International Design Classification: **25-02B, 25-02H**  
(71) Name(s) and Address(s) of Applicant(s):  
**Pasquale Alvaro Trading as Securalux**  
**282 Mimosa Road Greenfield Park New South Wales 2176 Australia**  
(72) Name(s) of Designer(s): **Carmelo Garilli**  
(45) Registration Date: **06 September 2010**  
(56) Related Art Documents: **Not Applicable**  
(57) Statement of Newness and Distinctiveness: **New rounded edges to corners of aluminium extrusions, upgraded hinge fixing and new design to hinges, new rounded interior mullions, new stream-line handle design, new interior support to aluminium extrusion.**



- (21) Design Number: **12301/2010**  
(22) Date of Filing Application: **03 June 2010**  
(24) Date from which industrial property rights may have effect: **03 June 2010**  
(54) Product in respect of which the design is registered: **Glazed sliding windows/doors (product functions as both window and or door)**  
(51) International Design Classification: **25-02B, 25-02H**  
(71) Name(s) and Address(s) of Applicant(s):  
**Pasquale Alvaro Trading as Securalux**  
**282 Mimosa Road Greenfield Park New South Wales 2176 Australia**  
(72) Name(s) of Designer(s): **Carmelo Garilli**  
(45) Registration Date: **06 September 2010**  
(56) Related Art Documents: **Not Applicable**  
(57) Statement of Newness and Distinctiveness: **New rounded edges to corners of aluminium extrusions, upgraded rollers new interior support to aluminium extrusion, new rounded track design.**



- (21) Design Number: **12583/2010**  
(22) Date of Filing Application: **22 June 2010**  
(24) Date from which industrial property rights may have effect: **22 June 2010**  
(54) Product in respect of which the design is registered: **Drying rack**  
(51) International Design Classification: **07-05D**  
(71) Name(s) and Address(s) of Applicant(s):  
**Phoenix D. Hanna**  
**16/2 New Street Richmond Victoria 3121 Australia**  
(72) Name(s) of Designer(s): **Phoenix D. Hanna**  
(45) Registration Date: **06 September 2010**  
(56) Related Art Documents: **Not Applicable**  
(57) Statement of Newness and Distinctiveness: **Clotheslines, washing lines and drying rack products are bland and generally not appealing in their design or appearance and are at best out of place in a residential or commercial setting, having to be used and then put to the side out of sight to minimize disruption to the decorum of the interior design or furnishings. More specifically, those with very limited drying spaces, cramped areas or confined living/working conditions, are limited in what eco friendly product options are available to them and rely heavily on the current market offerings that are not aesthetically pleasing in design/function and that do not offer a product that would be considered as design feature in any setting or enable the product to blend within the work area of commercial space or a domestic dwelling. It is desired to address or ameliorate one or more disadvantages or limitations associated with such product designs and systems, or to at the very least provide a useful aesthetically pleasing alternative contemporary design. Creativity, glamour, functionality, quality and innovation the combination of such extraordinary factors makes for the undeniable appeal of the ultra streamline design and minimalist style created by the designer.line. The designer.line is so well suited for its purpose and it's time, so much so that it surpasses practicality and sees the humble washing line transcend into an uber cool and contemporary chic design. A welcome addition to any interior the designer washing line is a fully functional unit, comprising of autonomous rail systems that can integrate within any setting allowing for environmentally friendly drying day and night, eliminating ones reliance on the tumble dryer. That takes less than five seconds to go from wall feature to drying line and back again making it a hassle free solution to drying needs. Available in a wide range of finishers allows for the creation of intriguing combinations**



and seamless integration within any interior design. Autonomous rail modules enables for 2, 3, 4, 5, 6 or > configurations, which allows for infinite configurations ..... qualities.

---

**(12) AUSTRALIAN REGISTERED DESIGN**  
**(19) AU**

**(11) AU-S- 332557**

(21) Design Number: **12609/2010**

(22) Date of Filing Application: **25 June 2010**

(24) Date from which industrial property rights may have effect: **25 June 2010**

(54) Product in respect of which the design is registered: **A bed frame, bed side table, tall boy and dresser**

(51) International Design Classification: **06-02, 06-04F, 06-06B, 06-06F**

(71) Name(s) and Address(s) of Applicant(s):

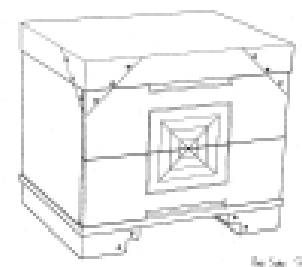
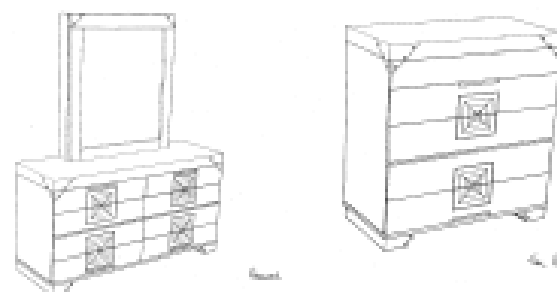
**Australian Furniture Importers & Wholesalers Pty Ltd**  
**211 Camboon Road Malaga Western Australia 6090 Australia**

(72) Name(s) of Designer(s): **Bruno Tassone**

(45) Registration Date: **06 September 2010**

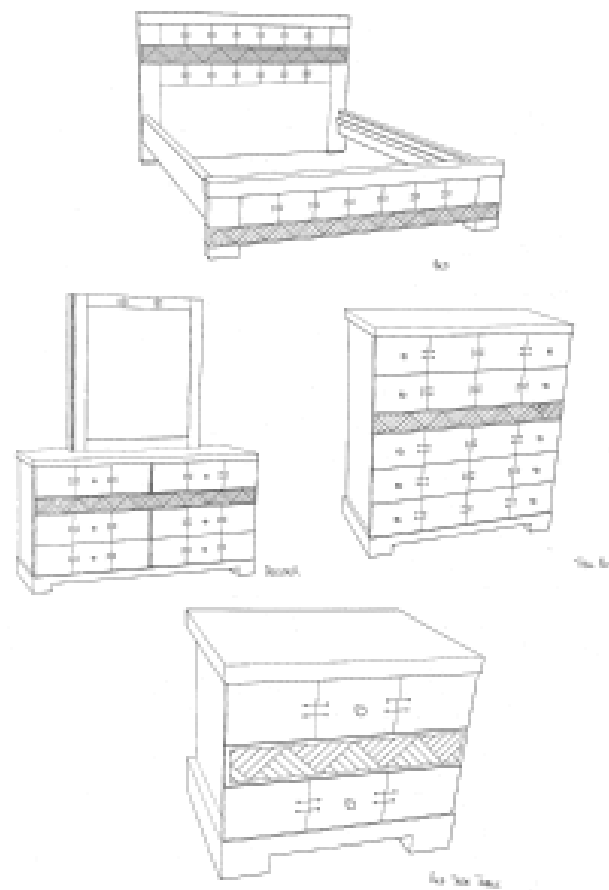
(56) Related Art Documents: **Not Applicable**

(57) Statement of Newness and Distinctiveness: **Novelty is claimed in the pattern and ornamentation of the bedroom suite as shown in the accompanying representations.**

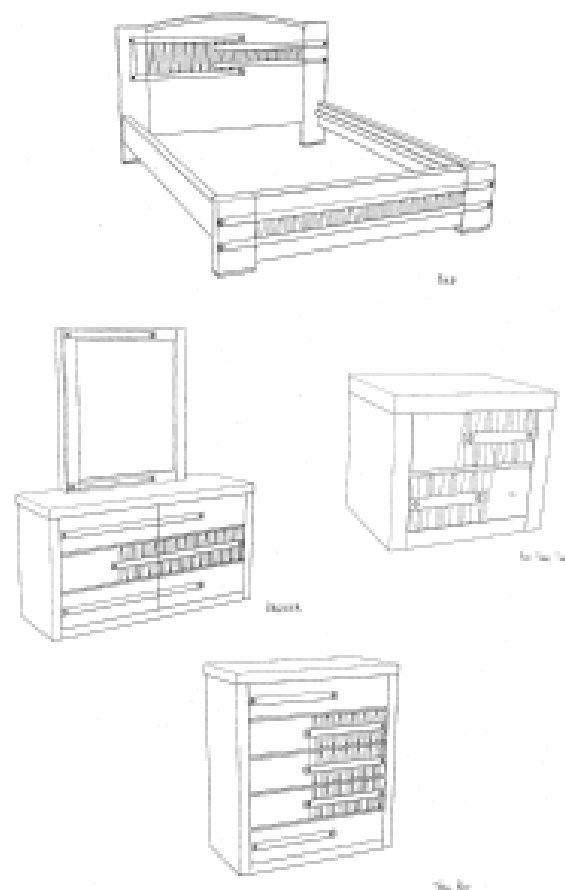




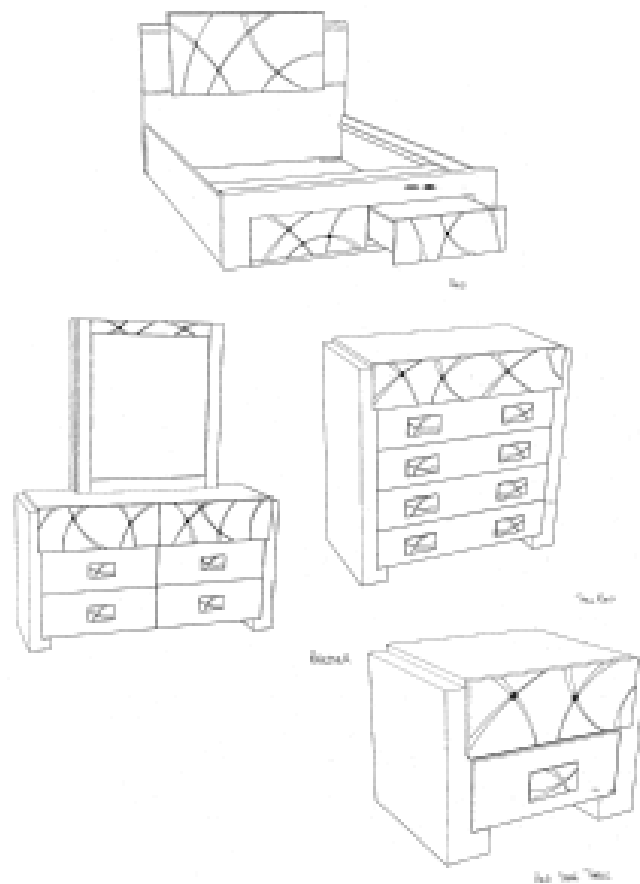
- (21) Design Number: **12640/2010**
- (22) Date of Filing Application: **25 June 2010**
- (24) Date from which industrial property rights may have effect: **25 June 2010**
- (54) Product in respect of which the design is registered: **A bed frame, bed side table, tall boy and dresser**
- (51) International Design Classification: **06-02, 06-04F, 06-06B, 06-06F**
- (71) Name(s) and Address(s) of Applicant(s):  
**Australian Furniture Importers & Wholesalers Pty Ltd**  
**211 Camboon Road Malaga Western Australia 6090 Australia**
- (72) Name(s) of Designer(s): **Bruno Tassone**
- (45) Registration Date: **06 September 2010**
- (56) Related Art Documents: **Not Applicable**
- (57) Statement of Newness and Distinctiveness: **Novelty is claimed in the pattern and ornamentation of the bedroom suite as shown in the accompanying representations.**



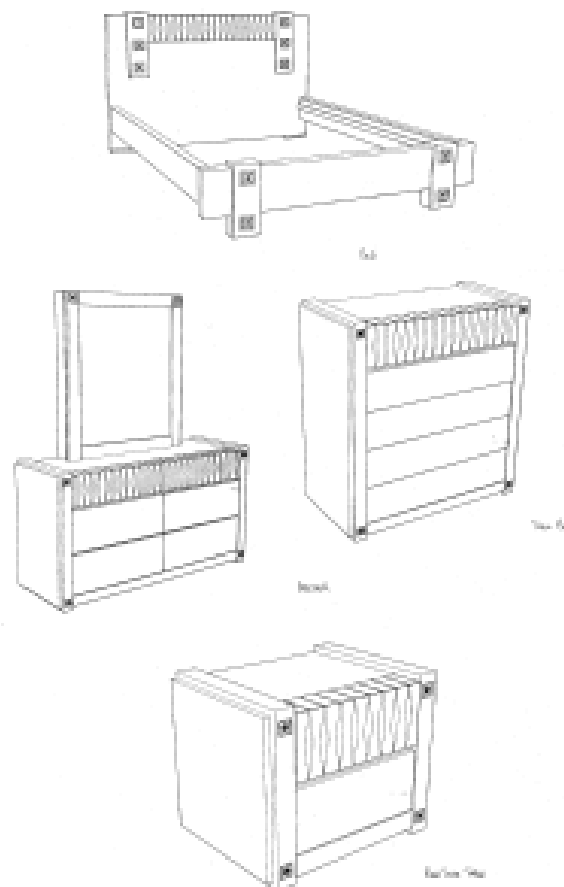
- (21) Design Number: **12641/2010**
- (22) Date of Filing Application: **25 June 2010**
- (24) Date from which industrial property rights may have effect: **25 June 2010**
- (54) Product in respect of which the design is registered: **A bed frame, bed side table, tall boy and dresser**
- (51) International Design Classification: **06-02, 06-04F, 06-06B, 06-06F**
- (71) Name(s) and Address(s) of Applicant(s):  
**Australian Furniture Importers & Wholesalers Pty Ltd**  
**211 Camboon Road Malaga Western Australia 6090 Australia**
- (72) Name(s) of Designer(s): **Bruno Tassone**
- (45) Registration Date: **06 September 2010**
- (56) Related Art Documents: **Not Applicable**
- (57) Statement of Newness and Distinctiveness: **Novelty is claimed in the pattern and ornamentation of the bedroom suite as shown in the accompanying representations.**



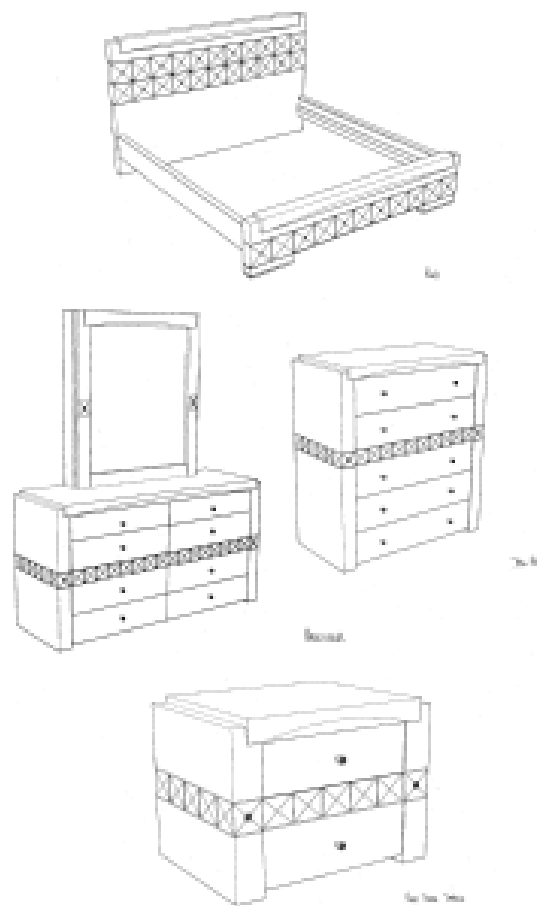
- (21) Design Number: **12642/2010**
- (22) Date of Filing Application: **25 June 2010**
- (24) Date from which industrial property rights may have effect: **25 June 2010**
- (54) Product in respect of which the design is registered: **A bed frame, bed side table, tall boy and dresser**
- (51) International Design Classification: **06-02, 06-04F, 06-06B, 06-06F**
- (71) Name(s) and Address(s) of Applicant(s):  
**Australian Furniture Importers & Wholesalers Pty Ltd**  
**211 Camboon Road Malaga Western Australia 6090 Australia**
- (72) Name(s) of Designer(s): **Bruno Tassone**
- (45) Registration Date: **06 September 2010**
- (56) Related Art Documents: **Not Applicable**
- (57) Statement of Newness and Distinctiveness: **Novelty is claimed in the pattern and ornamentation of the bedroom suite as shown in the accompanying representations.**



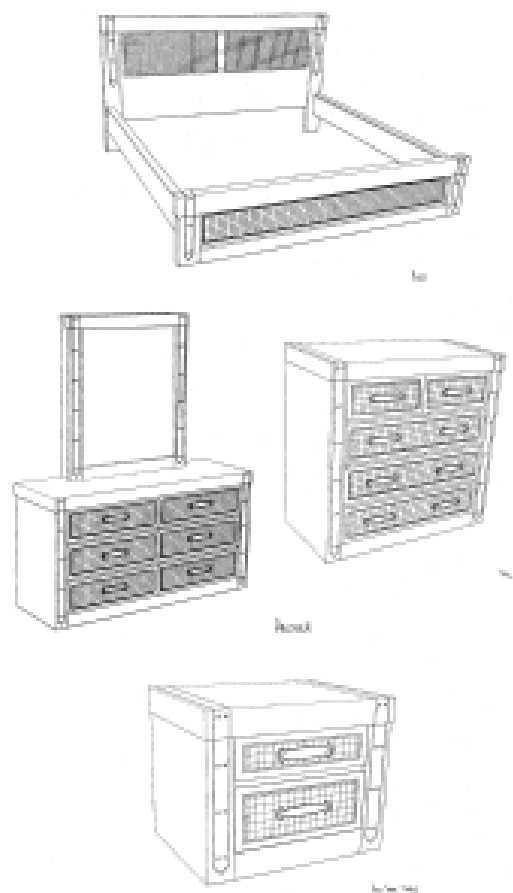
- (21) Design Number: **12643/2010**
- (22) Date of Filing Application: **25 June 2010**
- (24) Date from which industrial property rights may have effect: **25 June 2010**
- (54) Product in respect of which the design is registered: **A bed frame, bed side table, tall boy and dresser**
- (51) International Design Classification: **06-02, 06-04F, 06-06B, 06-06F**
- (71) Name(s) and Address(s) of Applicant(s):  
**Australian Furniture Importers & Wholesalers Pty Ltd**  
**211 Camboon Road Malaga Western Australia 6090 Australia**
- (72) Name(s) of Designer(s): **Bruno Tassone**
- (45) Registration Date: **06 September 2010**
- (56) Related Art Documents: **Not Applicable**
- (57) Statement of Newness and Distinctiveness: **Novelty is claimed in the pattern and ornamentation of the bedroom suite as shown in the accompanying representations.**



- (21) Design Number: **12644/2010**
- (22) Date of Filing Application: **25 June 2010**
- (24) Date from which industrial property rights may have effect: **25 June 2010**
- (54) Product in respect of which the design is registered: **A bed frame, bed side table, tall boy and dresser**
- (51) International Design Classification: **06-02, 06-04F, 06-06B, 06-06F**
- (71) Name(s) and Address(s) of Applicant(s):  
**Australian Furniture Importers & Wholesalers Pty Ltd**  
**211 Camboon Road Malaga Western Australia 6090 Australia**
- (72) Name(s) of Designer(s): **Bruno Tassone**
- (45) Registration Date: **06 September 2010**
- (56) Related Art Documents: **Not Applicable**
- (57) Statement of Newness and Distinctiveness: **Novelty is claimed in the pattern and ornamentation of the bedroom suite as shown in the accompanying representations.**



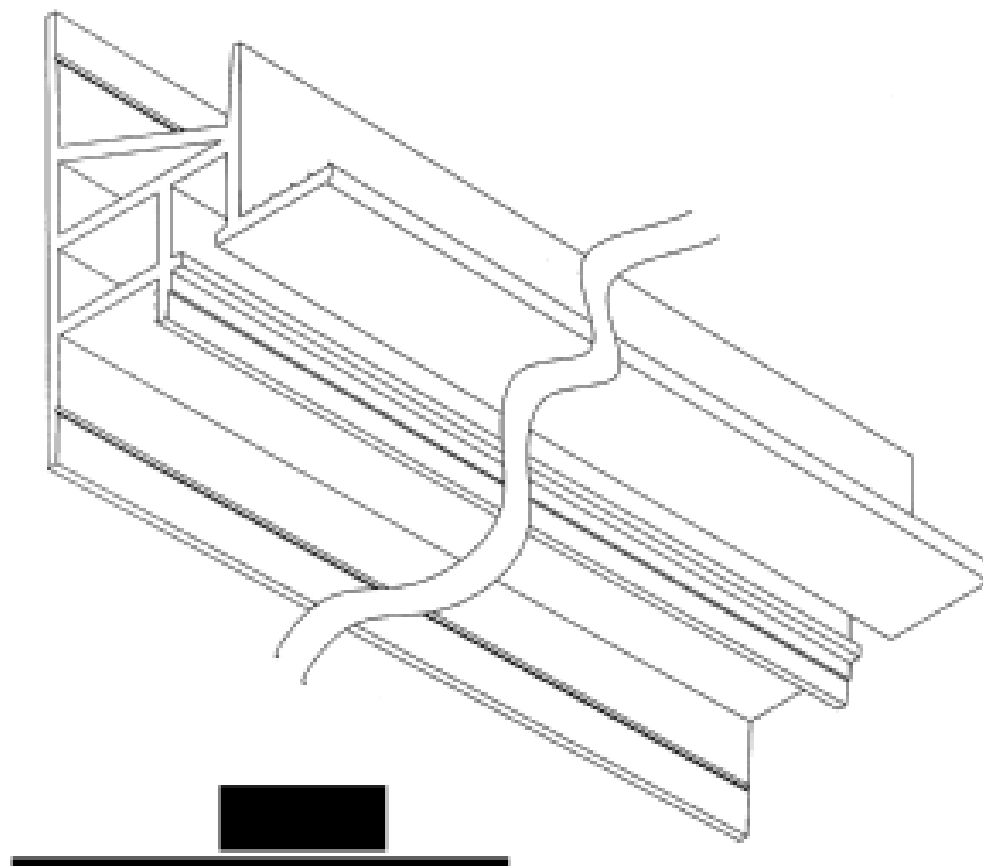
- (21) Design Number: **12645/2010**
- (22) Date of Filing Application: **25 June 2010**
- (24) Date from which industrial property rights may have effect: **25 June 2010**
- (54) Product in respect of which the design is registered: **A bed frame, bed side table, tall boy and dresser**
- (51) International Design Classification: **06-02, 06-04F, 06-06B, 06-06F**
- (71) Name(s) and Address(s) of Applicant(s):  
**Australian Furniture Importers & Wholesalers Pty Ltd**  
**211 Camboon Road Malaga Western Australia 6090 Australia**
- (72) Name(s) of Designer(s): **Bruno Tassone**
- (45) Registration Date: **06 September 2010**
- (56) Related Art Documents: **Not Applicable**
- (57) Statement of Newness and Distinctiveness: **Novelty is claimed in the pattern and ornamentation of the bedroom suite as shown in the accompanying representations.**



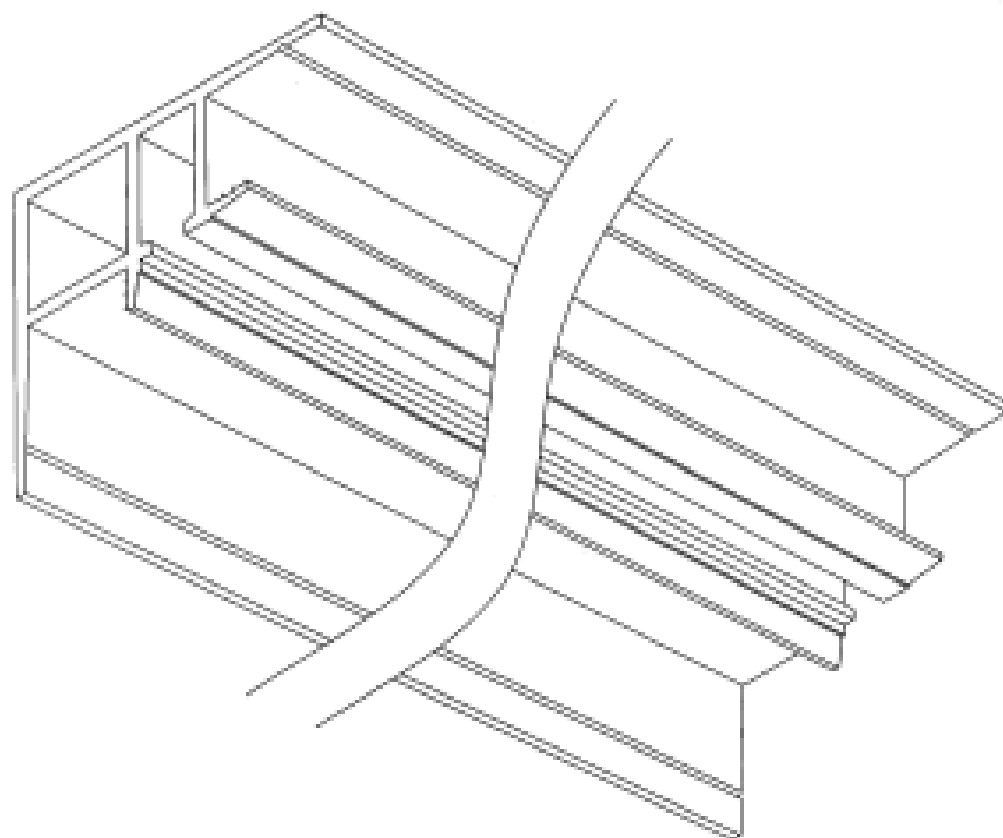
- (21) Design Number: **12734/2010**  
(22) Date of Filing Application: **06 July 2010**  
(24) Date from which industrial property rights may have effect: **06 July 2010**  
(54) Product in respect of which the design is registered: **Table**  
(51) International Design Classification: **06-03B**  
(71) Name(s) and Address(s) of Applicant(s):  
**Kyriacos Jack Papoutsidis**  
**90 Bayview Street Williamstown Victoria 3016 Australia**  
(72) Name(s) of Designer(s): **Kyriacos Jack Papoutsidis**  
(45) Registration Date: **06 September 2010**  
(56) Related Art Documents: **Not Applicable**  
(57) Statement of Newness and Distinctiveness: **Unique table leg shapes and formation.**



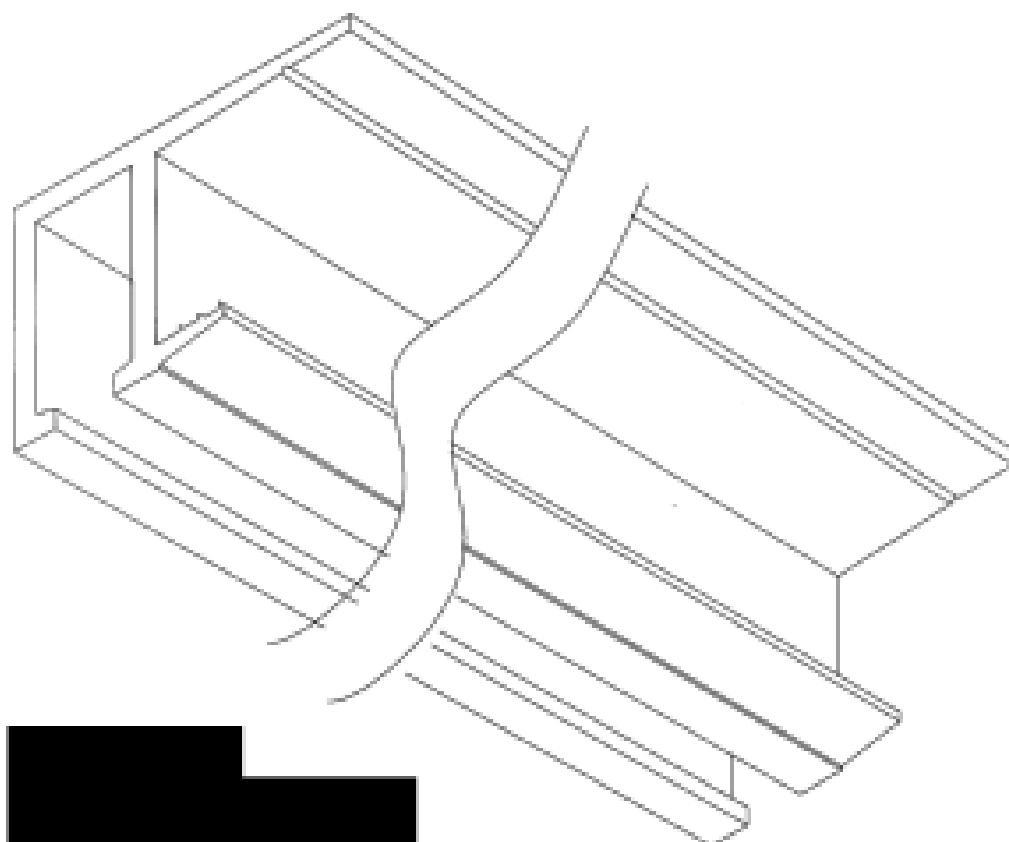
- (21) Design Number: **12758/2010**  
(22) Date of Filing Application: **05 July 2010**  
(24) Date from which industrial property rights may have effect: **05 July 2010**  
(54) Product in respect of which the design is registered: **Apparatus for supporting an item on a wall**  
(51) International Design Classification: **08-08NES**  
(71) Name(s) and Address(s) of Applicant(s):  
**Annemasse Avenue Pty Ltd**  
**15 Heron Road Cairnlea Victoria 3023 Australia**  
(72) Name(s) of Designer(s): **Clive Ball**  
(45) Registration Date: **06 September 2010**  
(56) Related Art Documents: **Not Applicable**  
(57) Statement of Newness and Distinctiveness: **The features of shape and configuration of the apparatus for supporting an item on a wall shown in the accompanying representations are considered to be new and distinctive.**



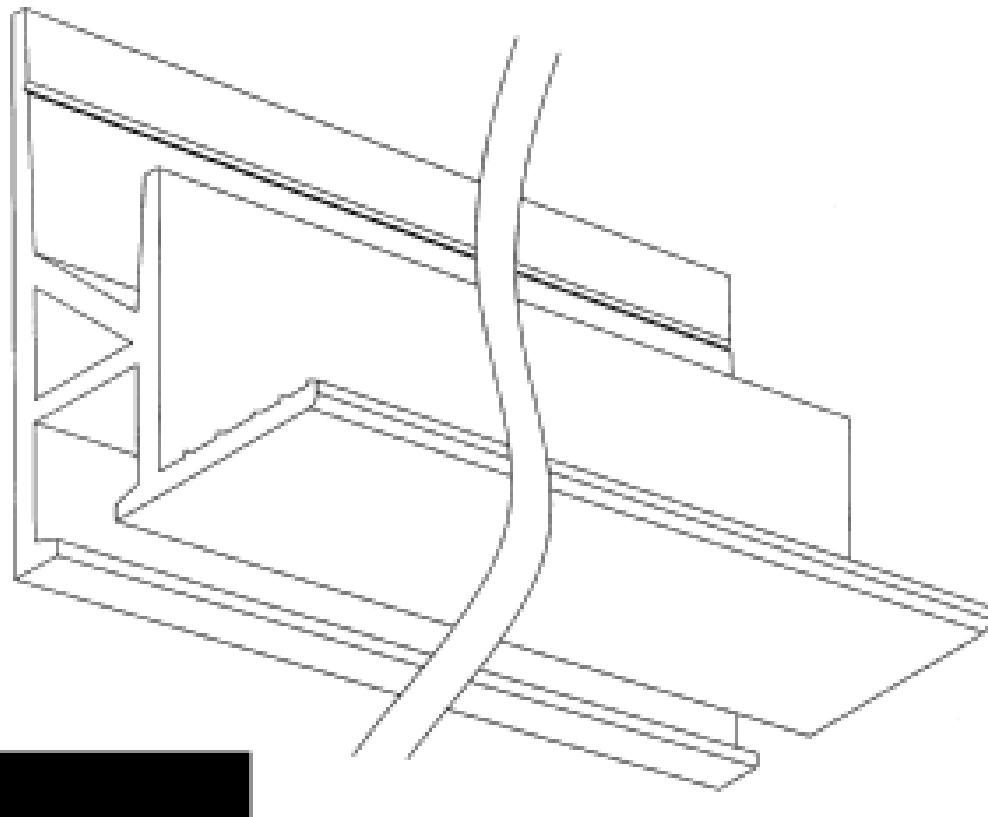
- (21) Design Number: **12759/2010**  
(22) Date of Filing Application: **05 July 2010**  
(24) Date from which industrial property rights may have effect: **05 July 2010**  
(54) Product in respect of which the design is registered: **Apparatus for supporting an item on a wall**  
(51) International Design Classification: **08-08NES**  
(71) Name(s) and Address(s) of Applicant(s):  
**Annemasse Avenue Pty Ltd**  
**15 Heron Road Cairnlea Victoria 3023 Australia**  
(72) Name(s) of Designer(s): **Clive Ball**  
(45) Registration Date: **06 September 2010**  
(56) Related Art Documents: **Not Applicable**  
(57) Statement of Newness and Distinctiveness: **The features of shape and configuration of the apparatus for supporting an item on a wall shown in the accompanying representations are considered to be new and distinctive.**



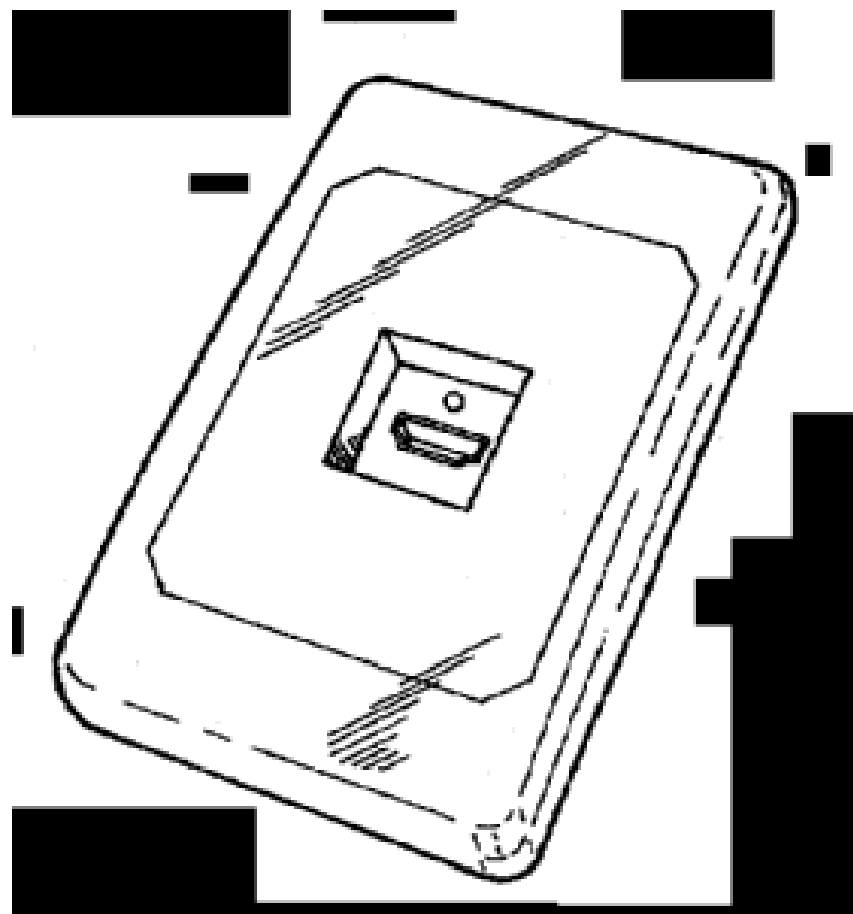
- (21) Design Number: **12760/2010**  
(22) Date of Filing Application: **05 July 2010**  
(24) Date from which industrial property rights may have effect: **05 July 2010**  
(54) Product in respect of which the design is registered: **Apparatus for supporting an item on a wall**  
(51) International Design Classification: **08-08NES**  
(71) Name(s) and Address(s) of Applicant(s):  
**Annemasse Avenue Pty Ltd**  
**15 Heron Road Cairnlea Victoria 3023 Australia**  
(72) Name(s) of Designer(s): **Clive Ball**  
(45) Registration Date: **06 September 2010**  
(56) Related Art Documents: **Not Applicable**  
(57) Statement of Newness and Distinctiveness: **The features of shape and configuration of the apparatus for supporting an item on a wall shown in the accompanying representations are considered to be new and distinctive.**



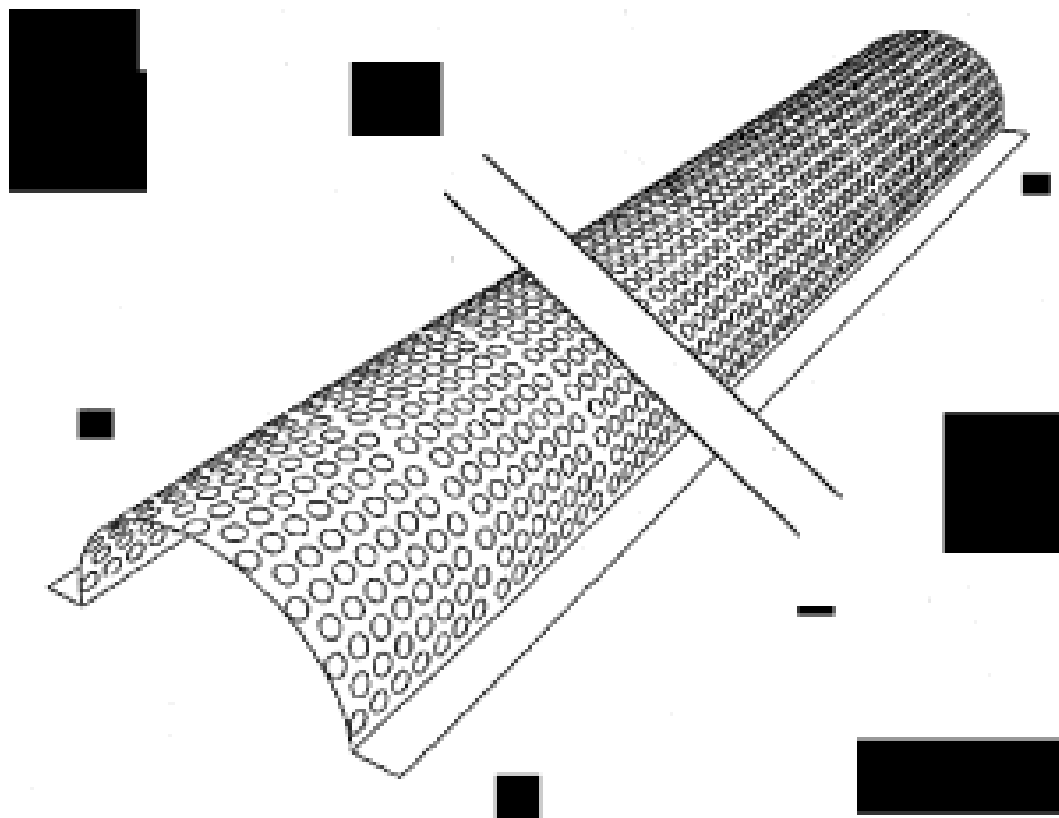
- (21) Design Number: **12761/2010**  
(22) Date of Filing Application: **05 July 2010**  
(24) Date from which industrial property rights may have effect: **05 July 2010**  
(54) Product in respect of which the design is registered: **Apparatus for supporting an item on a wall**  
(51) International Design Classification: **08-08NES**  
(71) Name(s) and Address(s) of Applicant(s):  
**Annemasse Avenue Pty Ltd**  
**15 Heron Road Cairnlea Victoria 3023 Australia**  
(72) Name(s) of Designer(s): **Clive Ball**  
(45) Registration Date: **06 September 2010**  
(56) Related Art Documents: **Not Applicable**  
(57) Statement of Newness and Distinctiveness: **The features of shape and configuration of the apparatus for supporting an item on a wall shown in the accompanying representations are considered to be new and distinctive.**



- (21) Design Number: **13210/2010**  
(22) Date of Filing Application: **28 July 2010**  
(24) Date from which industrial property rights may have effect: **28 July 2010**  
(54) Product in respect of which the design is registered: **Keystone wall plate**  
(51) International Design Classification: **13-03D**  
(71) Name(s) and Address(s) of Applicant(s):  
**Olbertz Holdings Pty Ltd**  
**165 Southpine Road Brendale Queensland 4500 Australia**  
(72) Name(s) of Designer(s): **Stuart Neale**  
(45) Registration Date: **06 September 2010**  
(56) Related Art Documents: **Not Applicable**  
(57) Statement of Newness and Distinctiveness: **Newness and distinctiveness resides in the features of shape, configuration, pattern and/or ornamentation of a wall plate series as shown in the accompanying representations. When considering whether the design is new and distinctive when compared to the prior art base, particular regard is to be given to the fact that the square keystone element can be inserted into the plate at four different positions each being 90 degrees of rotation apart.**



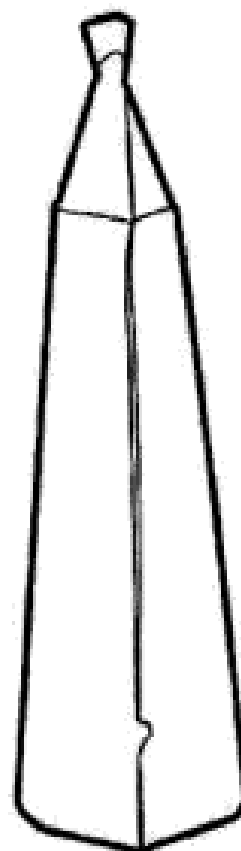
(21) Design Number: **13287/2010**  
 (22) Date of Filing Application: **04 August 2010**  
 (24) Date from which industrial property rights may have effect: **04 August 2010**  
 (54) Product in respect of which the design is registered: **Roof valley gutter guard**  
 (51) International Design Classification: **23-01L**  
 (71) Name(s) and Address(s) of Applicant(s):  
**Fielders Australia Pty Ltd**  
**15 Railway Terrace Mile End South Australia 5031 Australia**  
 (72) Name(s) of Designer(s): **Kevin Blaik**  
 (45) Registration Date: **06 September 2010**  
 (56) Related Art Documents: **Not Applicable**  
 (57) Statement of Newness and Distinctiveness: **Newness and distinctiveness resides in the shape and/or configuration of the roof valley gutter guard as shown in the accompanying representations.**



(21) Design Number: **13292/2010**  
 (22) Date of Filing Application: **05 August 2010**  
 (24) Date from which industrial property rights may have effect: **05 August 2010**  
 (54) Product in respect of which the design is registered: **Packaging**  
 (51) International Design Classification: **09-05**  
 (71) Name(s) and Address(s) of Applicant(s):  
**Societe des Produits Nestle S.A.**  
**1800 Vevey Switzerland**  
 (72) Name(s) of Designer(s): **Khaled Arafa**  
 (45) Registration Date: **06 September 2010**  
 (30) Convention priority data:  

(31) Number	(32) Date	(33) Country
136965	17 May 2010	SWITZERLAND

 (56) Related Art Documents: **Not Applicable**  
 (57) Statement of Newness and Distinctiveness: **Nil**



(21) Design Number: **13293/2010**

(22) Date of Filing Application: **05 August 2010**

(24) Date from which industrial property rights may have effect: **05 August 2010**

(54) Product in respect of which the design is registered: **A chair frame**

(51) International Design Classification: **06-06H**

(71) Name(s) and Address(s) of Applicant(s):

**Wentworth Furniture Pty Ltd  
10-12 Dreamhaven Court Epping Victoria 3076 Australia**

(72) Name(s) of Designer(s): **Rex Carr**

(45) Registration Date: **06 September 2010**

(56) Related Art Documents: **Not Applicable**

(57) Statement of Newness and Distinctiveness: **Visual features of the design which are new and distinctive are the features of shape and configuration of a chair frame as illustrated in the representations. The particular colours, particular types of timber and the particular timber grains shown in the representations do not form part of the design and are to be disregarded.**



(21) Design Number: **13303/2010**

(22) Date of Filing Application: **04 August 2010**

(24) Date from which industrial property rights may have effect: **04 August 2010**

(54) Product in respect of which the design is registered: **An extrusion for supporting an edge of a cover plate**

(51) International Design Classification: **25-01K**

(71) Name(s) and Address(s) of Applicant(s):

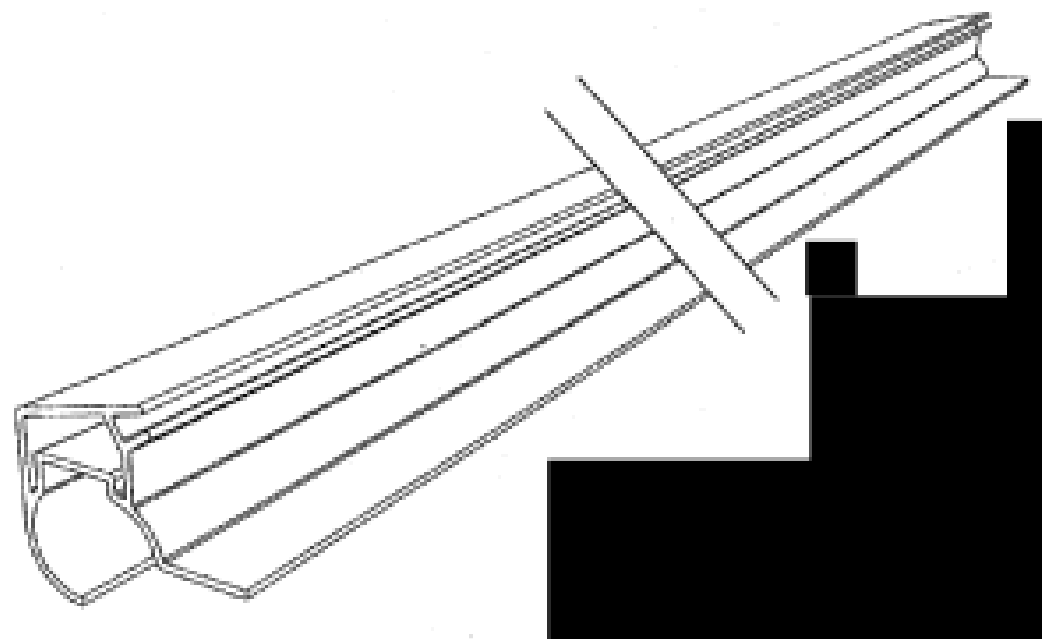
**Glidestore Freetrack Pty Ltd  
48 Fullarton Road Norwood South Australia 5067 Australia**

(72) Name(s) of Designer(s): **Brian Parker and Andrew Stevens**

(45) Registration Date: **06 September 2010**

(56) Related Art Documents: **Not Applicable**

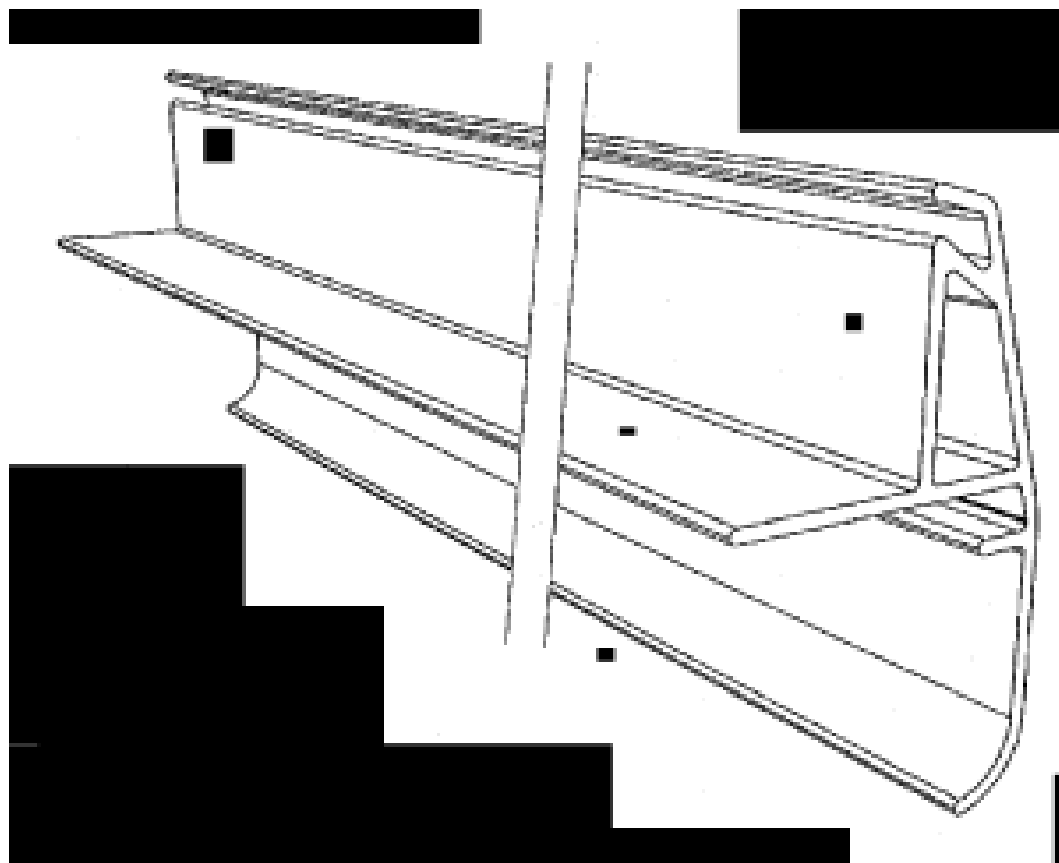
(57) Statement of Newness and Distinctiveness: **Newness and distinctiveness resides in the shape and/or configuration of the an extrusion for supporting an edge of a cover plate as shown in the accompanying representations.**





(19) AU

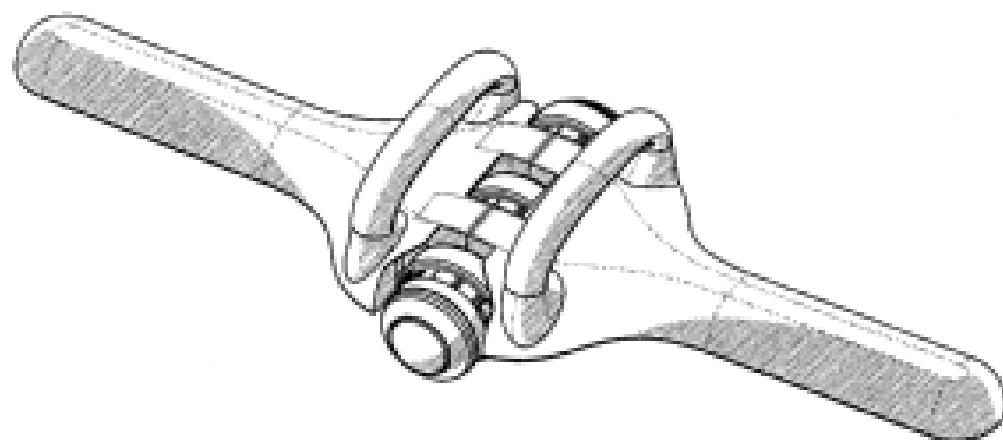
- (21) Design Number: **13318/2010**
- (22) Date of Filing Application: **04 August 2010**
- (24) Date from which industrial property rights may have effect: **04 August 2010**
- (54) Product in respect of which the design is registered: **An extrusion for supporting an edge of a cover plate**
- (51) International Design Classification: **25-01K**
- (71) Name(s) and Address(s) of Applicant(s):  
**Glidestore Freetrack Pty Ltd**  
**48 Fullarton Road Norwood South Australia 5067 Australia**
- (72) Name(s) of Designer(s): **Brian Parker and Andrew Stevens**
- (45) Registration Date: **06 September 2010**
- (56) Related Art Documents: **Not Applicable**
- (57) Statement of Newness and Distinctiveness: **Newness and distinctiveness resides in the shape and/or configuration of the an extrusion for supporting an edge of a cover plate as shown in the accompanying representations.**



(19) AU

- (21) Design Number: **13319/2010**
- (22) Date of Filing Application: **05 August 2010**
- (24) Date from which industrial property rights may have effect: **05 August 2010**
- (54) Product in respect of which the design is registered: **Chest exercise device**
- (51) International Design Classification: **21-02F**
- (71) Name(s) and Address(s) of Applicant(s):  
**Xon Systems Limited**  
**19-21 Circular Road Douglas Isle of Man IM1 1AF United Kingdom**
- (72) Name(s) of Designer(s): **Bronte Paul Eckermann**
- (45) Registration Date: **06 September 2010**
- (30) Convention priority data:
 

(31) Number	(32) Date	(33) Country
<b>001670472</b>	<b>16 Feb 2010</b>	<b>EUROPEAN COMMUNITY</b>
- (56) Related Art Documents: **Not Applicable**
- (57) Statement of Newness and Distinctiveness: **Newness and distinctiveness is claimed in the shape and/or configuration of a chest exercise device as illustrated in the accompanying representations. In considering the scope of the design, the strengthening ribs marked A on the underside of the device are to be disregarded.**



(21) Design Number: 13320/2010

(22) Date of Filing Application: 05 August 2010

(24) Date from which industrial property rights may have effect: 05 August 2010

(54) Product in respect of which the design is registered: A stand

(51) International Design Classification: 08-05E

(71) Name(s) and Address(s) of Applicant(s):

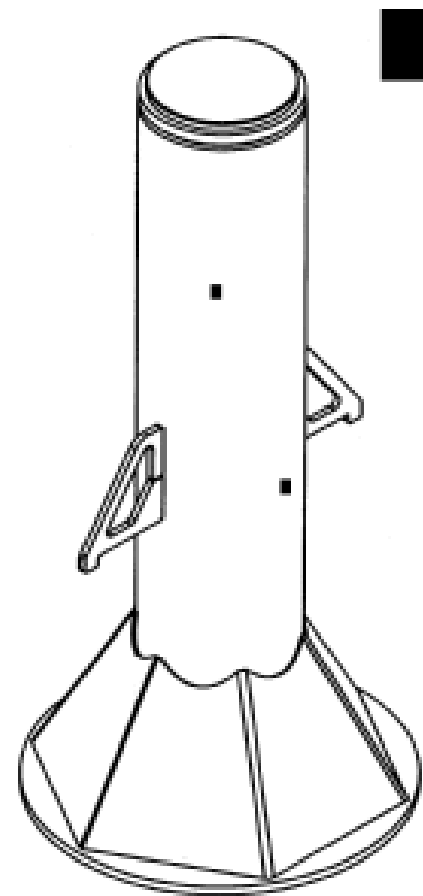
**Prime Industrial Products Pty Ltd**  
**9 Halifax Drive Bunbury Western Australia 6203 Australia**

(72) Name(s) of Designer(s): **Geoffrey William Glenn**

(45) Registration Date: 06 September 2010

(56) Related Art Documents: **Not Applicable**

(57) Statement of Newness and Distinctiveness: **We wish to submit a Statement of Newness and Distinctiveness (set out below) in respect of particular visual features of the design, but in so doing do not imply that other visual features of the design lack newness or distinctiveness. Statement of Newness and Distinctiveness The shape and configuration of the stand is new and distinctive. The stand comprises an upstanding portion and newness and distinctiveness is not claimed in respect of the height of the upstanding portion.**



(21) Design Number: 13321/2010

(22) Date of Filing Application: 05 August 2010

(24) Date from which industrial property rights may have effect: 05 August 2010

(54) Product in respect of which the design is registered: A bath (eclipse)

(51) International Design Classification: 23-02B

(71) Name(s) and Address(s) of Applicant(s):

**Decina Bathroomware Pty. Ltd.**  
**99 Colbalt Street Carole Park Queensland 4300 Australia**

(72) Name(s) of Designer(s): **Michael John Dorrrough**

(45) Registration Date: 06 September 2010

(56) Related Art Documents: **Not Applicable**

(57) Statement of Newness and Distinctiveness: **The shape and configuration of a bath as illustrated in the accompanying representations without regard to location of the drain.**



(21) Design Number: **13324/2010**

(22) Date of Filing Application: **06 August 2010**

(24) Date from which industrial property rights may have effect: **06 August 2010**

(54) Product in respect of which the design is registered: **Cladding of indefinite length**

(51) International Design Classification: **25-01G**

(71) Name(s) and Address(s) of Applicant(s):

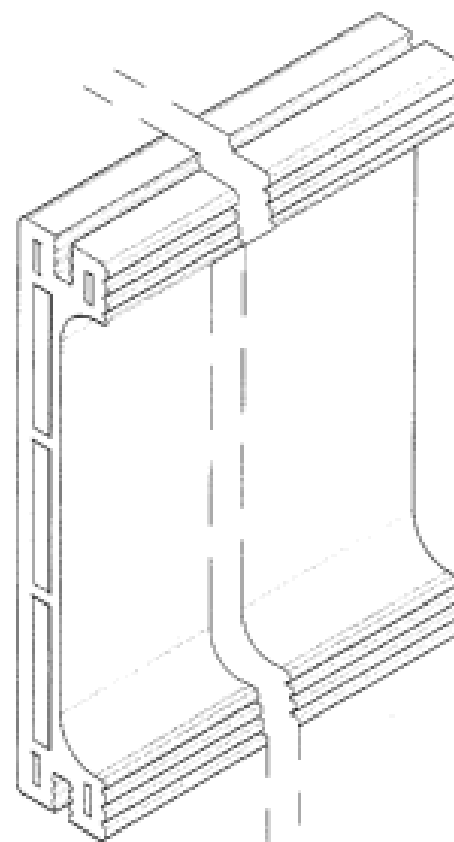
**Innowood International Australia Pty Ltd  
126 O'Connell Street North Parramatta New South Wales 2151  
Australia**

(72) Name(s) of Designer(s): **Marco Faber and Enver Kolac**

(45) Registration Date: **06 September 2010**

(56) Related Art Documents: **Not Applicable**

(57) Statement of Newness and Distinctiveness: **Newness and distinctiveness is claimed in the features of shape and/or configuration of the grooved end portions of a cladding of indefinite length as illustrated in the accompanying representations.**



(21) Design Number: **13379/2010**

(22) Date of Filing Application: **09 August 2010**

(24) Date from which industrial property rights may have effect: **09 August 2010**

(54) Product in respect of which the design is registered: **Flag**

(51) International Design Classification: **11-05**

(71) Name(s) and Address(s) of Applicant(s):

**Peter Bortolin  
184 Cavendish Street Stanmore New South Wales 2048 Australia**

(72) Name(s) of Designer(s): **Peter Bortolin**

(45) Registration Date: **06 September 2010**

(56) Related Art Documents: **Not Applicable**

(57) Statement of Newness and Distinctiveness: **Sky blue background with the sun (orange/red) representing the aborigines people, with the stars in green and gold. Plus the Halley Comet representing the British tradition.**



(21) Design Number: **13407/2010**

(22) Date of Filing Application: **10 August 2010**

(24) Date from which industrial property rights may have effect: **10 August 2010**

(54) Product in respect of which the design is registered: **Key**

(51) International Design Classification: **08-07**

(71) Name(s) and Address(s) of Applicant(s):

**Abloy Oy**

**Wahlforssinkatu 20 Joensuu 80100 Finland**

(72) Name(s) of Designer(s): **Maija Virtaala and Seppo Kiiski**

(45) Registration Date: **06 September 2010**

(30) Convention priority data:

(31) Number

(32) Date

(33) Country

**001669615**

**12 Feb 2010**

**EUROPEAN COMMUNITY**

(56) Related Art Documents: **Not Applicable**

(57) Statement of Newness and Distinctiveness: **The newness and distinctiveness of the design resides in the shape and/or configuration of the key shown in the representations.**



(21) Design Number: **13408/2010**

(22) Date of Filing Application: **10 August 2010**

(24) Date from which industrial property rights may have effect: **10 August 2010**

(54) Product in respect of which the design is registered: **Key grip**

(51) International Design Classification: **08-07**

(71) Name(s) and Address(s) of Applicant(s):

**Abloy Oy**

**Wahlforssinkatu 20 Joensuu 80100 Finland**

(72) Name(s) of Designer(s): **Maija Virtaala**

(45) Registration Date: **06 September 2010**

(30) Convention priority data:

(31) Number

(32) Date

(33) Country

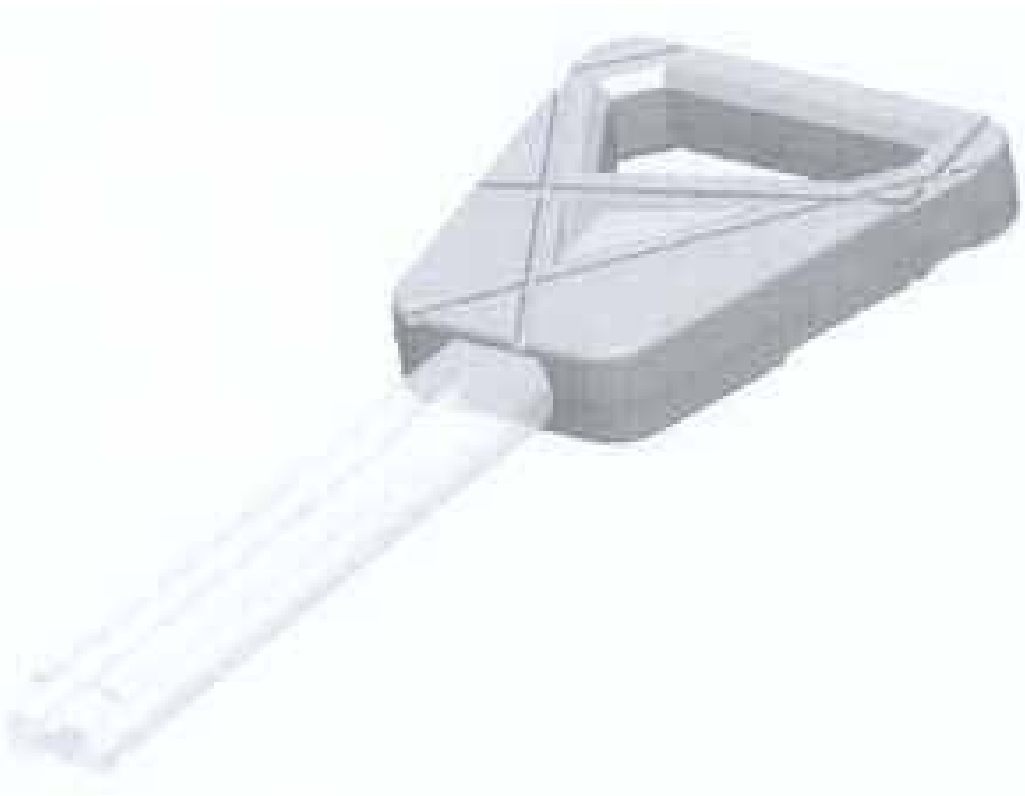
**001669615**

**12 Feb 2010**

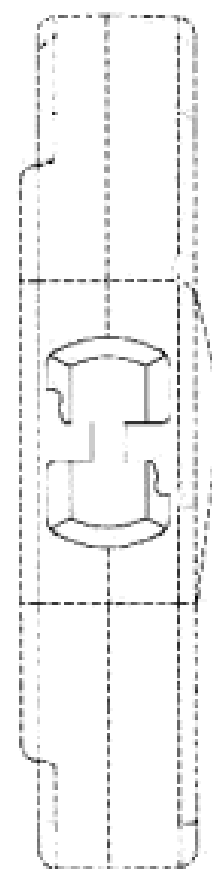
**EUROPEAN COMMUNITY**

(56) Related Art Documents: **Not Applicable**

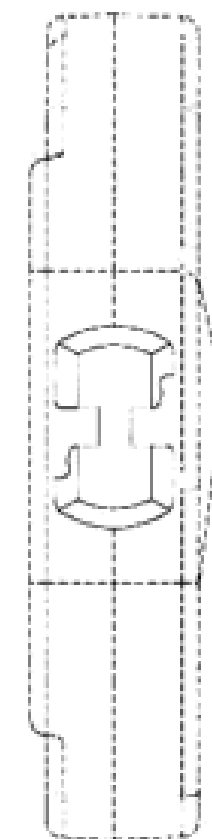
(57) Statement of Newness and Distinctiveness: **The newness and distinctiveness of the design resides in the shape and/or configuration of the key grip shown in the representations.**



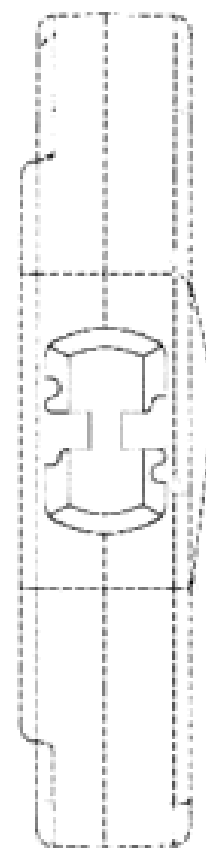
- (21) Design Number: **13409/2010**  
(22) Date of Filing Application: **10 August 2010**  
(24) Date from which industrial property rights may have effect: **10 August 2010**  
(54) Product in respect of which the design is registered: **Key shaft**  
(51) International Design Classification: **08-07**  
(71) Name(s) and Address(s) of Applicant(s):  
**Abloy Oy**  
**Wahlforssinkatu 20 Joensuu 80100 Finland**  
(72) Name(s) of Designer(s): **Seppo Kiiski**  
(45) Registration Date: **06 September 2010**  
(30) Convention priority data:  
(31) Number (32) Date (33) Country  
**001669615 12 Feb 2010 EUROPEAN COMMUNITY**  
(56) Related Art Documents: **Not Applicable**  
(57) Statement of Newness and Distinctiveness: **The newness and distinctiveness of the design resides in the shape and/or configuration of the key shaft shown in the representations.**



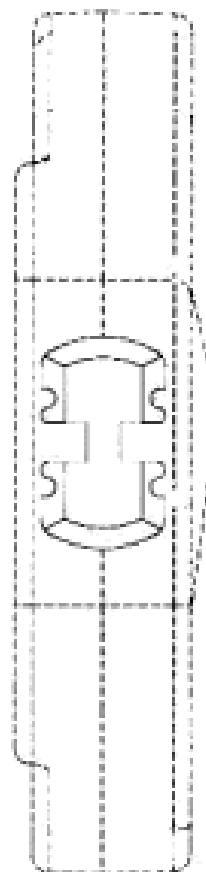
- (21) Design Number: **13410/2010**  
(22) Date of Filing Application: **10 August 2010**  
(24) Date from which industrial property rights may have effect: **10 August 2010**  
(54) Product in respect of which the design is registered: **Key shaft**  
(51) International Design Classification: **08-07**  
(71) Name(s) and Address(s) of Applicant(s):  
**Abloy Oy**  
**Wahlforssinkatu 20 Joensuu 80100 Finland**  
(72) Name(s) of Designer(s): **Seppo Kiiski**  
(45) Registration Date: **06 September 2010**  
(30) Convention priority data:  
(31) Number (32) Date (33) Country  
**001669615 12 Feb 2010 EUROPEAN COMMUNITY**  
(56) Related Art Documents: **Not Applicable**  
(57) Statement of Newness and Distinctiveness: **The newness and distinctiveness of the design resides in the shape and/or configuration of the key shaft shown in the representations.**



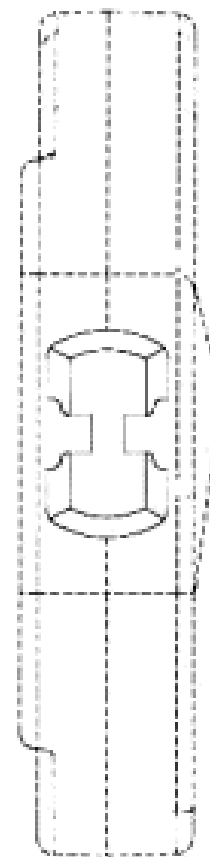
- (21) Design Number: **13411/2010**  
(22) Date of Filing Application: **10 August 2010**  
(24) Date from which industrial property rights may have effect: **10 August 2010**  
(54) Product in respect of which the design is registered: **Key shaft**  
(51) International Design Classification: **08-07**  
(71) Name(s) and Address(s) of Applicant(s):  
**Abloy Oy**  
**Wahlforssinkatu 20 Joensuu 80100 Finland**  
(72) Name(s) of Designer(s): **Seppo Kiiski**  
(45) Registration Date: **06 September 2010**  
(30) Convention priority data:  
(31) Number (32) Date (33) Country  
**001669615 12 Feb 2010 EUROPEAN COMMUNITY**  
(56) Related Art Documents: **Not Applicable**  
(57) Statement of Newness and Distinctiveness: **The newness and distinctiveness of the design resides in the shape and/or configuration of the key shaft shown in the representations.**



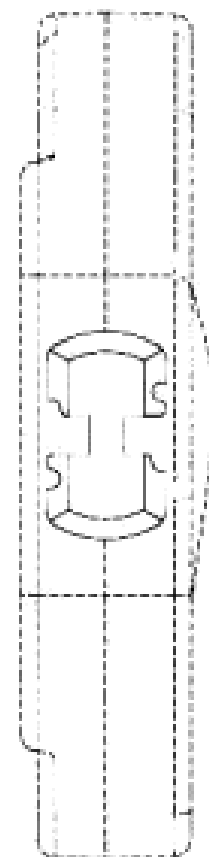
- (21) Design Number: **13412/2010**  
(22) Date of Filing Application: **10 August 2010**  
(24) Date from which industrial property rights may have effect: **10 August 2010**  
(54) Product in respect of which the design is registered: **Key shaft**  
(51) International Design Classification: **08-07**  
(71) Name(s) and Address(s) of Applicant(s):  
**Abloy Oy**  
**Wahlforssinkatu 20 Joensuu 80100 Finland**  
(72) Name(s) of Designer(s): **Seppo Kiiski**  
(45) Registration Date: **06 September 2010**  
(30) Convention priority data:  
(31) Number (32) Date (33) Country  
**001669615 12 Feb 2010 EUROPEAN COMMUNITY**  
(56) Related Art Documents: **Not Applicable**  
(57) Statement of Newness and Distinctiveness: **The newness and distinctiveness of the design resides in the shape and/or configuration of the key shaft shown in the representations.**



- (21) Design Number: **13413/2010**  
(22) Date of Filing Application: **10 August 2010**  
(24) Date from which industrial property rights may have effect: **10 August 2010**  
(54) Product in respect of which the design is registered: **Key shaft**  
(51) International Design Classification: **08-07**  
(71) Name(s) and Address(s) of Applicant(s):  
**Abloy Oy**  
**Wahlforssinkatu 20 Joensuu 80100 Finland**  
(72) Name(s) of Designer(s): **Seppo Kiiski**  
(45) Registration Date: **06 September 2010**  
(30) Convention priority data:  
(31) Number (32) Date (33) Country  
**001669615 12 Feb 2010 EUROPEAN COMMUNITY**  
(56) Related Art Documents: **Not Applicable**  
(57) Statement of Newness and Distinctiveness: **The newness and distinctiveness of the design resides in the shape and/or configuration of the key shaft shown in the representations.**



- (21) Design Number: **13414/2010**  
(22) Date of Filing Application: **10 August 2010**  
(24) Date from which industrial property rights may have effect: **10 August 2010**  
(54) Product in respect of which the design is registered: **Key shaft**  
(51) International Design Classification: **08-07**  
(71) Name(s) and Address(s) of Applicant(s):  
**Abloy Oy**  
**Wahlforssinkatu 20 Joensuu 80100 Finland**  
(72) Name(s) of Designer(s): **Seppo Kiiski**  
(45) Registration Date: **06 September 2010**  
(30) Convention priority data:  
(31) Number (32) Date (33) Country  
**001669615 12 Feb 2010 EUROPEAN COMMUNITY**  
(56) Related Art Documents: **Not Applicable**  
(57) Statement of Newness and Distinctiveness: **The newness and distinctiveness of the design resides in the shape and/or configuration of the key shaft shown in the representations.**



(21) Design Number: **13450/2010**

(22) Date of Filing Application: **12 August 2010**

(24) Date from which industrial property rights may have effect: **12 August 2010**

(54) Product in respect of which the design is registered: **Circuit breaker**

(51) International Design Classification: **13-03NES**

(71) Name(s) and Address(s) of Applicant(s):

**Korlen Electric Appliances Co., Ltd.  
No. 7 Road Branch Yueqing Economic & Development Zone Zhejiang  
China**

(72) Name(s) of Designer(s): **Lianggui Liu**

(45) Registration Date: **06 September 2010**

(56) Related Art Documents: **Not Applicable**

(57) Statement of Newness and Distinctiveness: **Newness and distinctiveness resides in the shape and/or configuration of the circuit breaker as illustrated in the accompanying representations.**



(21) Design Number: **13518/2010**

(22) Date of Filing Application: **16 August 2010**

(24) Date from which industrial property rights may have effect: **16 August 2010**

(54) Product in respect of which the design is registered: **Post puller/driver, 2 apparatus rolled into one. By pulling a tab converts from one to the other in 5 seconds**

(51) International Design Classification: **08-02, 08-05NES**

(71) Name(s) and Address(s) of Applicant(s):

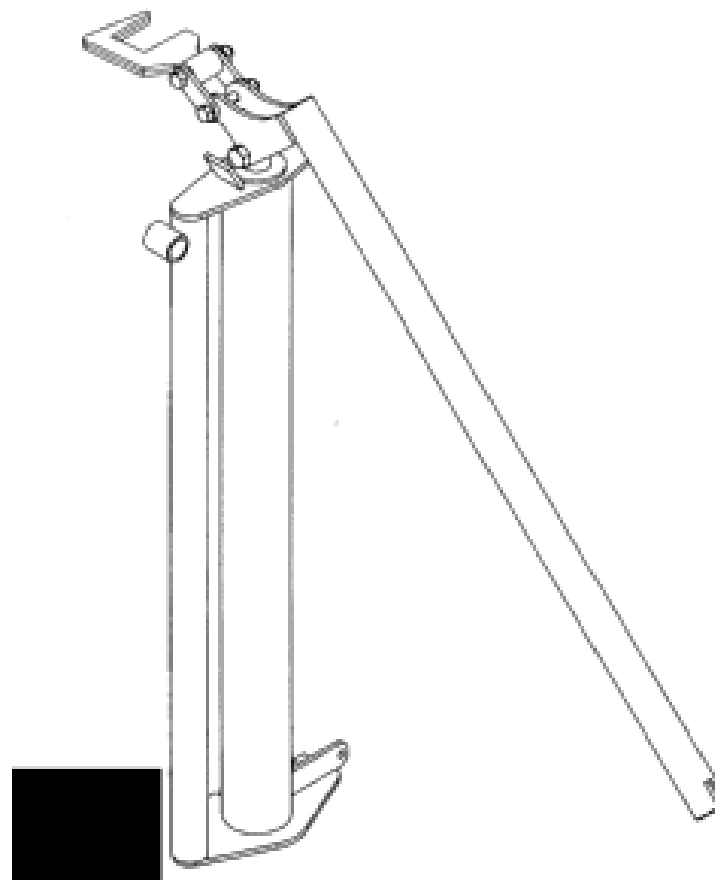
**Risoda Pty Ltd  
14 Carl Baer Court Deepwater New South Wales 2371 Australia**

(72) Name(s) of Designer(s): **Reginald Trethewey**

(45) Registration Date: **06 September 2010**

(56) Related Art Documents: **Not Applicable**

(57) Statement of Newness and Distinctiveness: **Vehicle apparatus with handles on each side and hollow pipe section in middle which the post inserts. One handle fixed and one handle pivots doubling as the extractor.**





(21) Design Number: **13564/2010**

(22) Date of Filing Application: **19 August 2010**

(24) Date from which industrial property rights may have effect: **19 August 2010**

(54) Product in respect of which the design is registered: **A chair**

(51) International Design Classification: **06-01F**

(71) Name(s) and Address(s) of Applicant(s):

**Formway Furniture Limited  
176 Gracefield Road Wellington New Zealand**

(72) Name(s) of Designer(s): **Leif Robert John Roy**

(45) Registration Date: **06 September 2010**

(30) Convention priority data:

(31) Number	(32) Date	(33) Country
<b>29/356356</b>	<b>24 Feb 2010</b>	<b>UNITED STATES OF AMERICA</b>

(56) Related Art Documents: **Not Applicable**

(57) Statement of Newness and Distinctiveness: **Newness and distinctiveness reside in the features of shape and/or configuration of the chair as shown in the representations. The features shown in broken lines are shown for illustrative purposes only, and form no part of the design for which newness and distinctiveness are claimed.**



(21) Design Number: **13586/2010**

(22) Date of Filing Application: **20 August 2010**

(24) Date from which industrial property rights may have effect: **20 August 2010**

(54) Product in respect of which the design is registered: **Women's fashion - evening/formal/event dress for adult women**

(51) International Design Classification: **02-02C**

(71) Name(s) and Address(s) of Applicant(s):

**Zjarie Butterworth  
23 Bowman Street Richmond New South Wales 2753 Australia**

(72) Name(s) of Designer(s): **Zjarie Butterworth**

(45) Registration Date: **06 September 2010**

(56) Related Art Documents: **Not Applicable**

(57) Statement of Newness and Distinctiveness: **The new and distinctive features of the dress consists of the unique waistline of the bodice - how it starts from a higher point in the middle and curves down around the waist. The asymmetrical flounce overlay of the skirt - it is gathered and 'flounced', attached at the front around to the back. Back bodice 'petal' feature is also distinctive.**

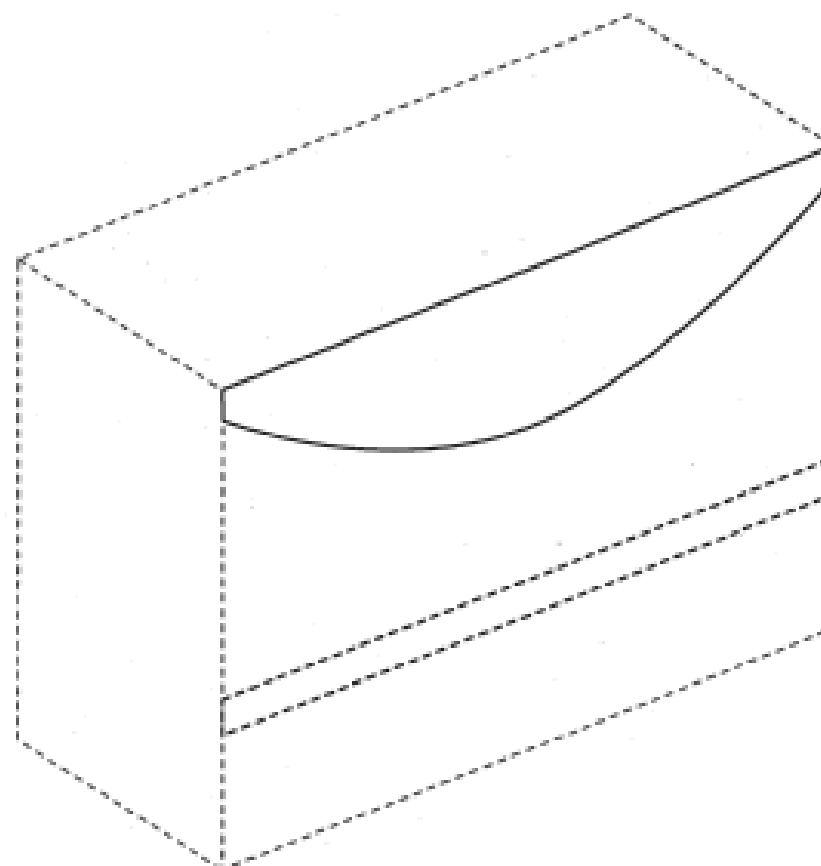


- (21) Design Number: **13587/2010**
- (22) Date of Filing Application: **20 August 2010**
- (24) Date from which industrial property rights may have effect: **20 August 2010**
- (54) Product in respect of which the design is registered: **Women's fashion - dress for adult women for events/parties/evening/anything**
- (51) International Design Classification: **02-02C**
- (71) Name(s) and Address(s) of Applicant(s):  
**Zjarie Butterworth**  
**23 Bowman Street Richmond New South Wales 2753 Australia**
- (72) Name(s) of Designer(s): **Zjarie Butterworth**
- (45) Registration Date: **06 September 2010**
- (56) Related Art Documents: **Not Applicable**
- (57) Statement of Newness and Distinctiveness: **New and distinctive feature of this design is the pleated peplum/bustle element that comes out from the waistline and sits above the skirt with a short layer of pleated tulle underneath the peplum/bustle to lift it slightly away from the skirt. Vintage style lace trim and contrasted element on dress is also a distinctive feature.**

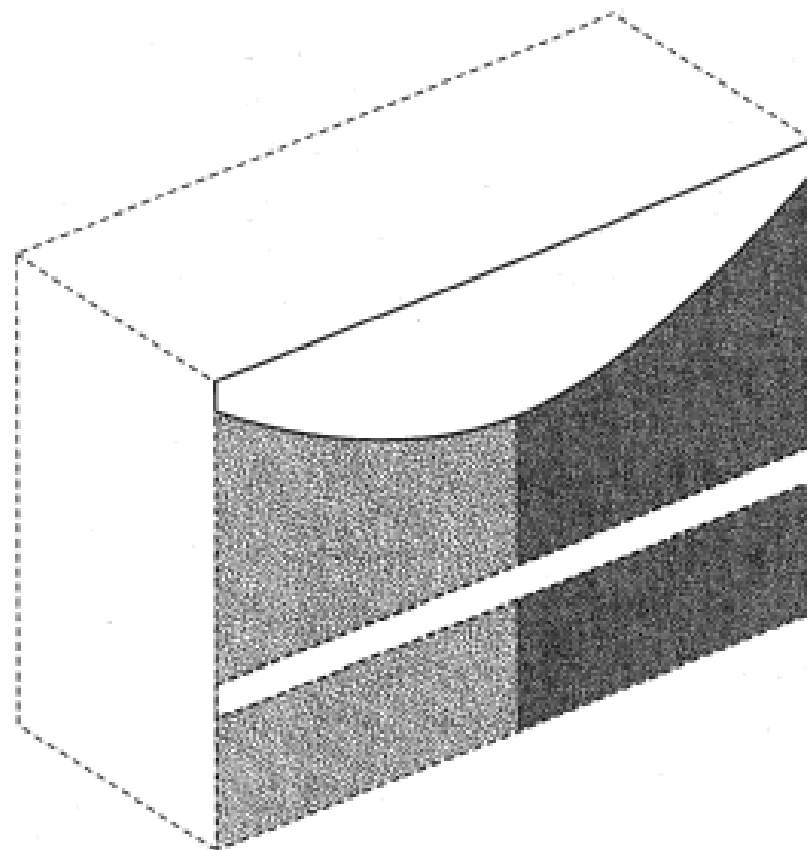


- (21) Design Number: **13098/2010**
- (22) Date of Filing Application: **23 July 2010**
- (24) Date from which industrial property rights may have effect: **23 July 2010**
- (54) Product in respect of which the design is registered: **Packaging container with surface ornamentation**
- (51) International Design Classification: **09-03M**
- (71) Name(s) and Address(s) of Applicant(s):  
**The Procter & Gamble Company**  
**One Procter & Gamble Plaza Cincinnati Ohio 45202 United States of America**
- (72) Name(s) of Designer(s): **Andrea Subler and Joseph Bohache and Aaron Burghard**
- (45) Registration Date: **03 September 2010**
- (30) Convention priority data:  

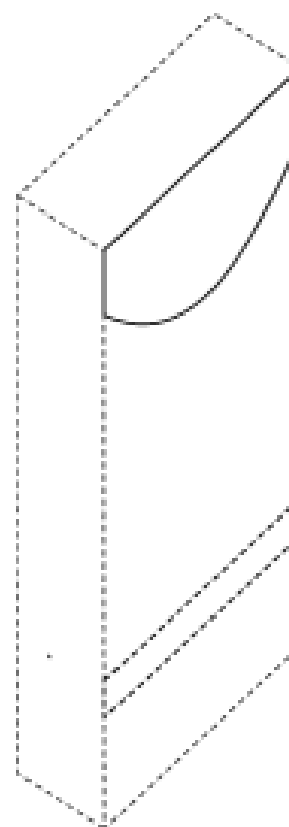
(31) Number	(32) Date	(33) Country
<b>29/354,438</b>	<b>25 Jan 2010</b>	<b>UNITED STATES OF AMERICA</b>
- (56) Related Art Documents: **Not Applicable**
- (57) Statement of Newness and Distinctiveness: **Those features of the packaging for a container with surface ornamentation depicted in the representations that are new and distinctive are shape and/or configuration and/or ornamentation. The features shown in broken line are not part of the design and are to be disregarded when considering the overall impression of the design.**



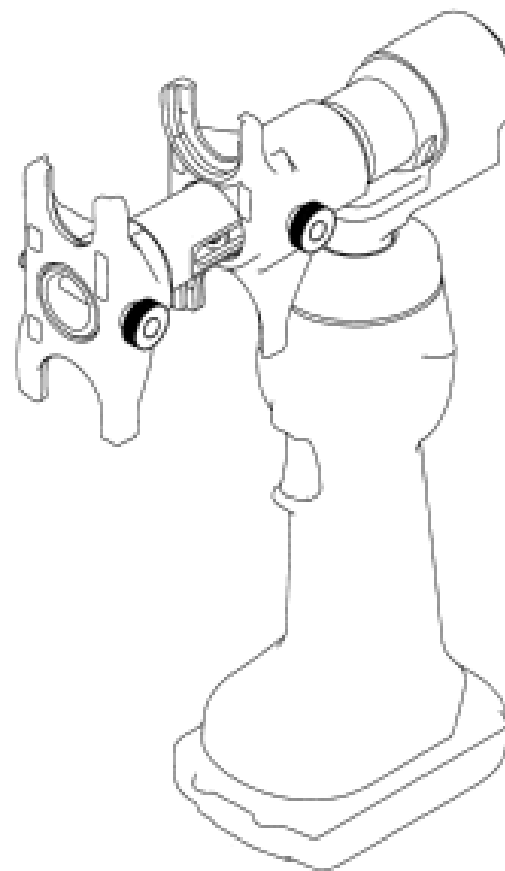
- (21) Design Number: **13099/2010**  
(22) Date of Filing Application: **23 July 2010**  
(24) Date from which industrial property rights may have effect: **23 July 2010**  
(54) Product in respect of which the design is registered: **Packaging container with surface ornamentation**  
(51) International Design Classification: **09-03M**  
(71) Name(s) and Address(s) of Applicant(s):  
**The Procter & Gamble Company**  
**One Procter & Gamble Plaza Cincinnati Ohio 45202 United States of America**  
(72) Name(s) of Designer(s): **Andrea Subler and Joseph Bohache and Aaron Burghard**  
(45) Registration Date: **03 September 2010**  
(30) Convention priority data:  
(31) Number (32) Date (33) Country  
**29/354,438 25 Jan 2010 UNITED STATES OF AMERICA**  
(56) Related Art Documents: **Not Applicable**  
(57) Statement of Newness and Distinctiveness: **Those features of the packaging for a container with surface ornamentation depicted in the representations that are new and distinctive are shape and/or configuration and/or ornamentation. The stippling shown in Figs. 1-2 may be in any combination of colours but not limited to a particular combination of colours. The features shown in broken line are not part of the design and are to be disregarded when considering the overall impression of the design.**



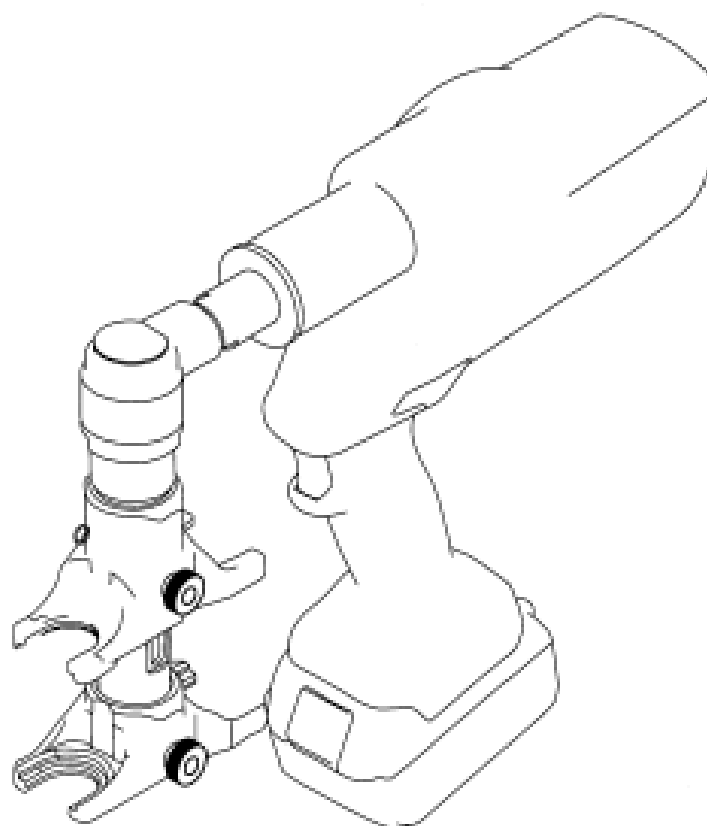
- (21) Design Number: **13100/2010**  
(22) Date of Filing Application: **23 July 2010**  
(24) Date from which industrial property rights may have effect: **23 July 2010**  
(54) Product in respect of which the design is registered: **Packaging container with surface ornamentation**  
(51) International Design Classification: **09-03M**  
(71) Name(s) and Address(s) of Applicant(s):  
**The Procter & Gamble Company**  
**One Procter & Gamble Plaza Cincinnati Ohio 45202 United States of America**  
(72) Name(s) of Designer(s): **Andrea Subler and Joseph Bohache and Aaron Burghard**  
(45) Registration Date: **03 September 2010**  
(30) Convention priority data:  
(31) Number (32) Date (33) Country  
**29/354,438 25 Jan 2010 UNITED STATES OF AMERICA**  
(56) Related Art Documents: **Not Applicable**  
(57) Statement of Newness and Distinctiveness: **Those features of the packaging for a container with surface ornamentation depicted in the representations that are new and distinctive are shape and/or configuration and/or ornamentation. The features shown in broken line are not part of the design and are to be disregarded when considering the overall impression of the design.**



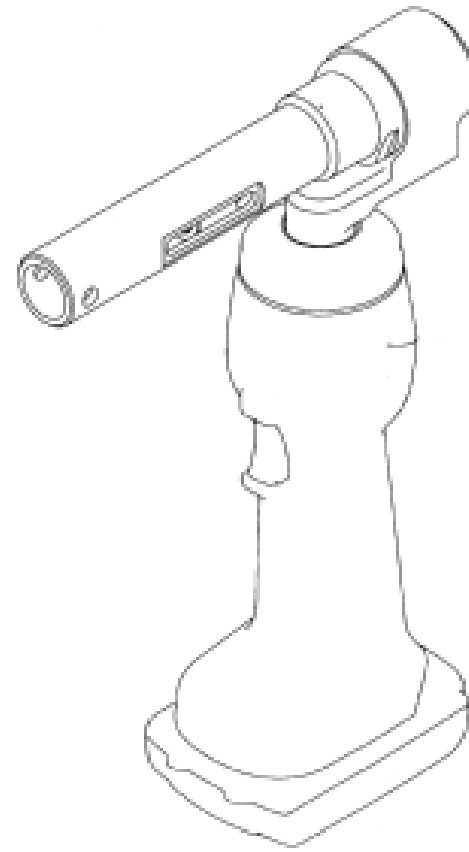
- (21) Design Number: **13423/2010**  
(22) Date of Filing Application: **10 August 2010**  
(24) Date from which industrial property rights may have effect: **10 August 2010**  
(54) Product in respect of which the design is registered: **Tool**  
(51) International Design Classification: **08-05NES**  
(71) Name(s) and Address(s) of Applicant(s):  
**Rehau AG + Co**  
**Rheniumhaus 95111 Rehau Germany**  
(72) Name(s) of Designer(s): **Sven Christoph and Richard Sapper**  
(45) Registration Date: **03 September 2010**  
(30) Convention priority data:  
(31) Number (32) Date (33) Country  
**001196968 19 Feb 2010 EUROPEAN COMMUNITY**  
(56) Related Art Documents: **Not Applicable**  
(57) Statement of Newness and Distinctiveness: **Newness and distinctiveness resides in the features of shape and/or configuration of a TOOL as illustrated in the accompanying representations.**



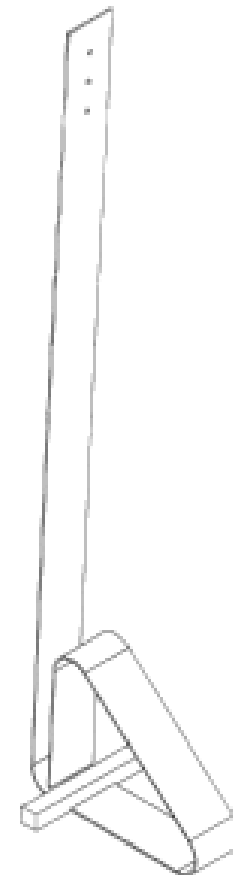
- (21) Design Number: **13424/2010**  
(22) Date of Filing Application: **10 August 2010**  
(24) Date from which industrial property rights may have effect: **10 August 2010**  
(54) Product in respect of which the design is registered: **Tool**  
(51) International Design Classification: **08-05NES**  
(71) Name(s) and Address(s) of Applicant(s):  
**Rehau AG + Co**  
**Rheniumhaus 95111 Rehau Germany**  
(72) Name(s) of Designer(s): **Sven Christoph and Richard Sapper**  
(45) Registration Date: **03 September 2010**  
(30) Convention priority data:  
(31) Number (32) Date (33) Country  
**001196968 19 Feb 2010 EUROPEAN COMMUNITY**  
(56) Related Art Documents: **Not Applicable**  
(57) Statement of Newness and Distinctiveness: **Newness and distinctiveness resides in the features of shape and/or configuration of a TOOL as illustrated in the accompanying representations.**



- (21) Design Number: **13425/2010**  
(22) Date of Filing Application: **10 August 2010**  
(24) Date from which industrial property rights may have effect: **10 August 2010**  
(54) Product in respect of which the design is registered: **Tool**  
(51) International Design Classification: **08-05NES**  
(71) Name(s) and Address(s) of Applicant(s):  
**Rehau AG + Co**  
**Rheniumhaus 95111 Rehau Germany**  
(72) Name(s) of Designer(s): **Sven Christoph and Richard Sapper**  
(45) Registration Date: **03 September 2010**  
(30) Convention priority data:  
(31) Number      (32) Date      (33) Country  
**001196968      19 Feb 2010      EUROPEAN COMMUNITY**  
(56) Related Art Documents: **Not Applicable**  
(57) Statement of Newness and Distinctiveness: **Newness and distinctiveness resides in the features of shape and/or configuration of a TOOL as illustrated in the accompanying representations.**



- (21) Design Number: **13553/2010**  
(22) Date of Filing Application: **18 August 2010**  
(24) Date from which industrial property rights may have effect: **18 August 2010**  
(54) Product in respect of which the design is registered: **A light**  
(51) International Design Classification: **26-05B**  
(71) Name(s) and Address(s) of Applicant(s):  
**Chau Thuan Quan**  
**16 Sunset Strip Athelstone South Australia 5076 Australia**  
(72) Name(s) of Designer(s): **Chau Thuan Quan**  
(45) Registration Date: **03 September 2010**  
(56) Related Art Documents: **Not Applicable**  
(57) Statement of Newness and Distinctiveness: **An articulated task light created by laminating an aluminium sheet between layers of timber veneer. The aluminium provides a conduit for the power. The stiffness of the aluminium also allows the lamp head to be bent and twisted in any direction to aim the light as required.**



(21) Design Number: **10426/2010**

(22) Date of Filing Application: **09 February 2010**

(24) Date from which industrial property rights may have effect: **09 February 2010**

(54) Product in respect of which the design is registered: **Tray**

(51) International Design Classification: **09-03F**

(71) Name(s) and Address(s) of Applicant(s):

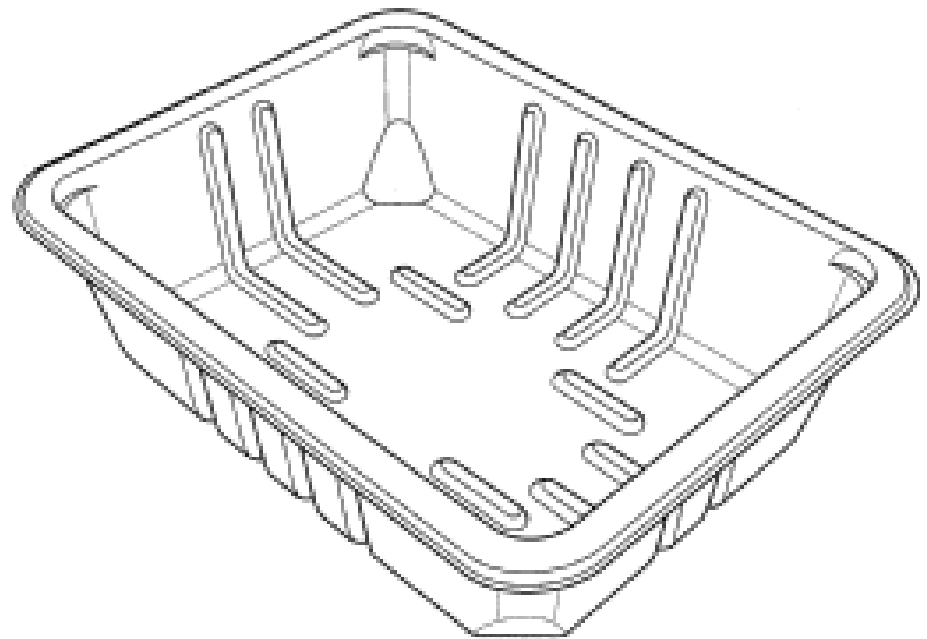
**Garden City Planters Pty Ltd**  
**53-73 Churchill Road North Dry Creek South Australia 5094 Australia**

(72) Name(s) of Designer(s): **Graham Maxwell Brown**

(45) Registration Date: **03 September 2010**

(56) Related Art Documents: **Not Applicable**

(57) Statement of Newness and Distinctiveness: **In considering the newness and distinctiveness of the design, regard is to be given to the ribs in the base and sides of the tray.**



(21) Design Number: **11793/2010**

(22) Date of Filing Application: **10 May 2010**

(24) Date from which industrial property rights may have effect: **10 May 2010**

(54) Product in respect of which the design is registered: **Packer, or shim**

(51) International Design Classification: **09-03H**

(71) Name(s) and Address(s) of Applicant(s):

**Craig Quinsey**  
**62 Kalyan Avenue Bradbury New South Wales 2560 Australia**

(72) Name(s) of Designer(s): **Craig Quinsey**

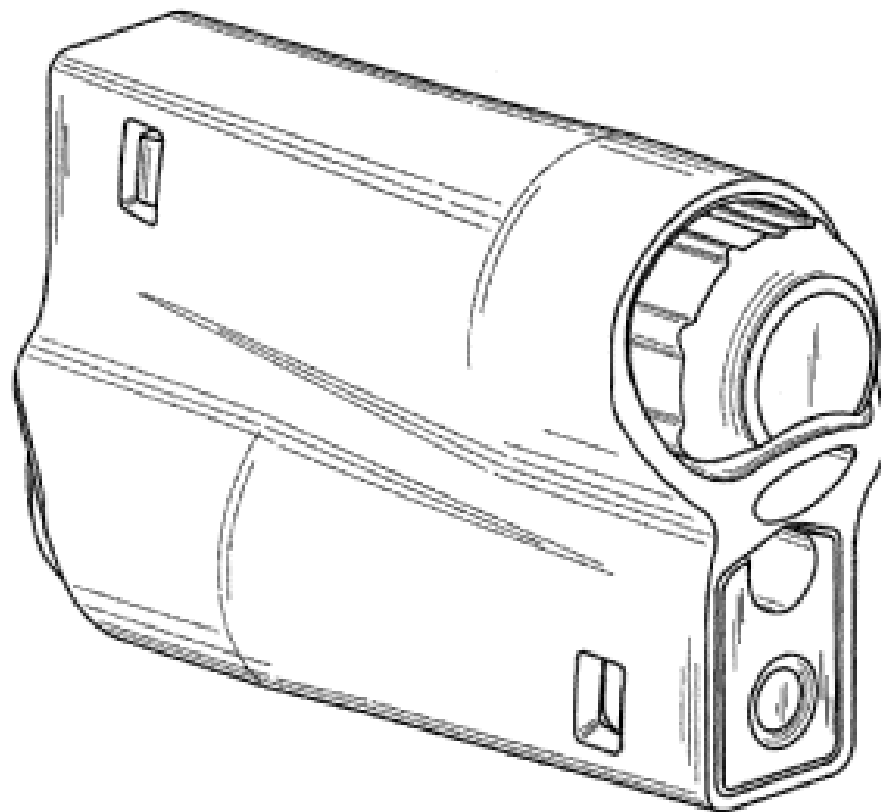
(45) Registration Date: **03 September 2010**

(56) Related Art Documents: **Not Applicable**

(57) Statement of Newness and Distinctiveness: **The shape and configuration of packer, spacer, shim including the optional center comb/retainer. Not limited to size, width or length.**



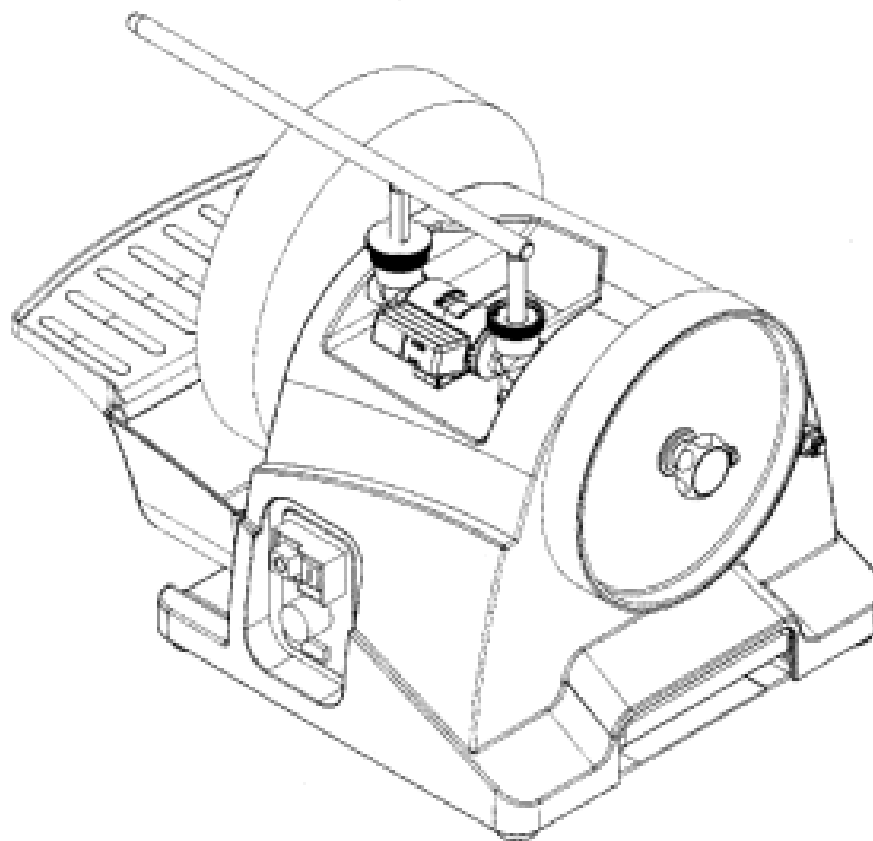
- (21) Design Number: **13415/2010**  
(22) Date of Filing Application: **10 August 2010**  
(24) Date from which industrial property rights may have effect: **10 August 2010**  
(54) Product in respect of which the design is registered: **Connecting device for use with a wire**  
(51) International Design Classification: **08-08NES**  
(71) Name(s) and Address(s) of Applicant(s):  
**Gripple Limited**  
**The Old West Gun Works Saville Street East Sheffield S4 7UQ United Kingdom**  
(72) Name(s) of Designer(s): **Lee Mark Giemza**  
(45) Registration Date: **03 September 2010**  
(30) Convention priority data:  
(31) Number (32) Date (33) Country  
**001213862-0003 12 May 2010 EUROPEAN COMMUNITY**  
(56) Related Art Documents: **Not Applicable**  
(57) Statement of Newness and Distinctiveness: **Nil**



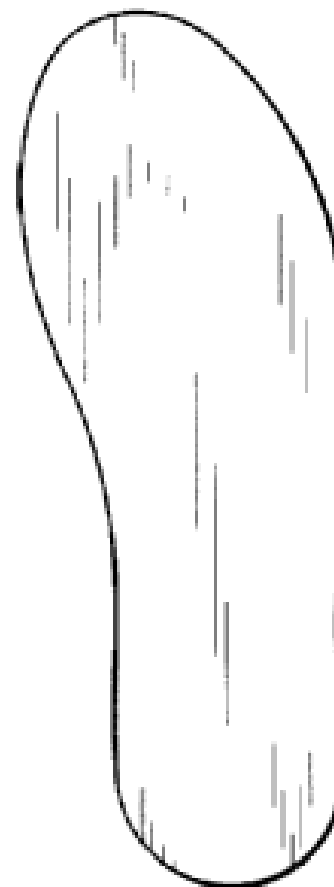
- (21) Design Number: **13417/2010**  
(22) Date of Filing Application: **10 August 2010**  
(24) Date from which industrial property rights may have effect: **10 August 2010**  
(54) Product in respect of which the design is registered: **Apron**  
(51) International Design Classification: **02-02B**  
(71) Name(s) and Address(s) of Applicant(s):  
**Nardia Baskerville**  
**14 Cook Street Lidcombe New South Wales 2141 Australia**  
**Tatjana Williams**  
**14 Cook Street Lidcombe New South Wales 2141 Australia**  
(72) Name(s) of Designer(s): **Nardia Baskerville and Tatjana Williams**  
(45) Registration Date: **03 September 2010**  
(56) Related Art Documents: **Not Applicable**  
(57) Statement of Newness and Distinctiveness: **The little heffa apron is designed to protect the wearer from concrete slurry and water. They are designed to be removed and cleaned easily.**



(21) Design Number: **13420/2010**  
(22) Date of Filing Application: **10 August 2010**  
(24) Date from which industrial property rights may have effect: **10 August 2010**  
(54) Product in respect of which the design is registered: **Grinding machine**  
(51) International Design Classification: **15-09**  
(71) Name(s) and Address(s) of Applicant(s):  
**Scheppach Fabrikation von Holzbearbeitungsmaschinen GmbH**  
**Gunzburger Str. 69 Ichenhausen 89335 Germany**  
(72) Name(s) of Designer(s): **Thomas Scherl**  
(45) Registration Date: **03 September 2010**  
(30) Convention priority data:  
(31) Number (32) Date (33) Country  
**001 675 000 26 Feb 2010 EUROPEAN COMMUNITY**  
(56) Related Art Documents: **Not Applicable**  
(57) Statement of Newness and Distinctiveness: **Nil**

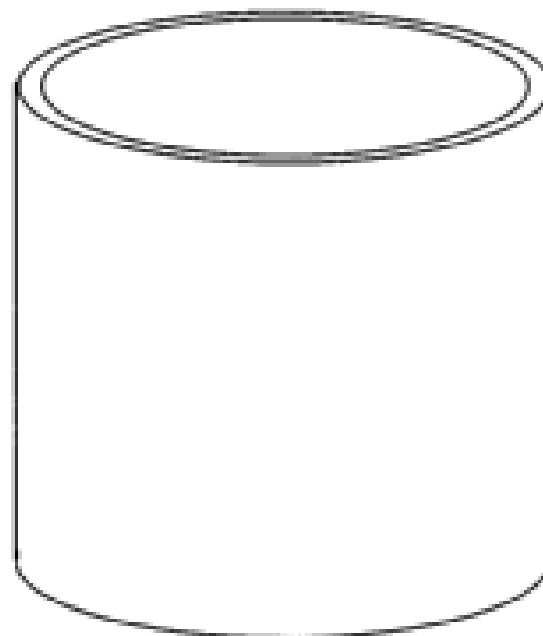


(21) Design Number: **13421/2010**  
(22) Date of Filing Application: **10 August 2010**  
(24) Date from which industrial property rights may have effect: **10 August 2010**  
(54) Product in respect of which the design is registered: **Sole for footwear**  
(51) International Design Classification: **02-04A**  
(71) Name(s) and Address(s) of Applicant(s):  
**SSL Healthcare Italia S.P.A.**  
**Via Marco Emilio Lepido 178/5, I-40132 Bologna Italy**  
(72) Name(s) of Designer(s): **Roberto Veneziani**  
(45) Registration Date: **03 September 2010**  
(30) Convention priority data:  
(31) Number (32) Date (33) Country  
**DM/073238 24 Feb 2010 WORLD INTELLECTUAL  
PROPERTY ORGANIZATION  
(WIPO)**  
(56) Related Art Documents: **Not Applicable**  
(57) Statement of Newness and Distinctiveness: **Newness and distinctiveness  
resides in the features of shape and/or configuration of a SOLE FOR  
FOOTWEAR as illustrated in the accompanying representations.**

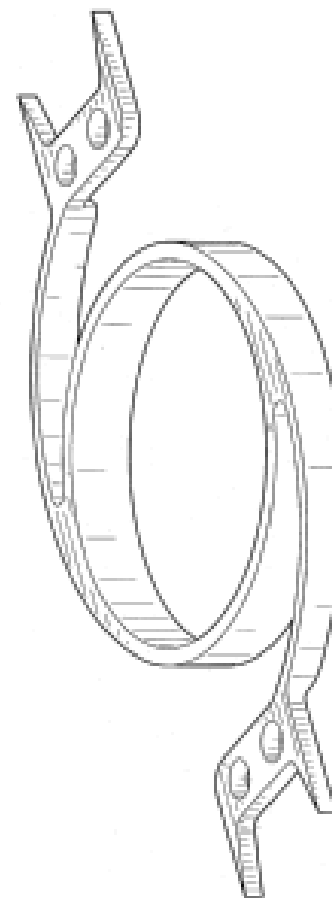




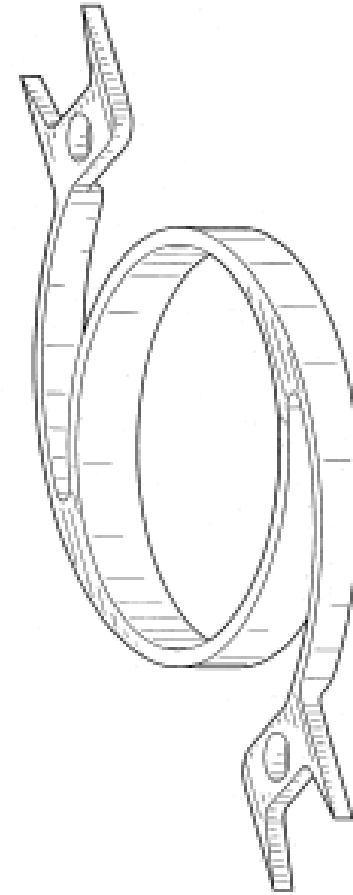
- (21) Design Number: **13435/2010**  
(22) Date of Filing Application: **10 August 2010**  
(24) Date from which industrial property rights may have effect: **10 August 2010**  
(54) Product in respect of which the design is registered: **Rubber ring protector for a jewellery ring**  
(51) International Design Classification: **11-01A, 11-01NES**  
(71) Name(s) and Address(s) of Applicant(s):  
**Neal McDonald**  
**57 Princess Avenue Rosebery New South Wales 2018 Australia**  
(72) Name(s) of Designer(s): **Neal McDonald**  
(45) Registration Date: **03 September 2010**  
(56) Related Art Documents: **Not Applicable**  
(57) Statement of Newness and Distinctiveness: **Newness and distinctiveness is claimed in the features of shape and/or configuration of a rubber ring protector as depicted in the accompanying drawings.**



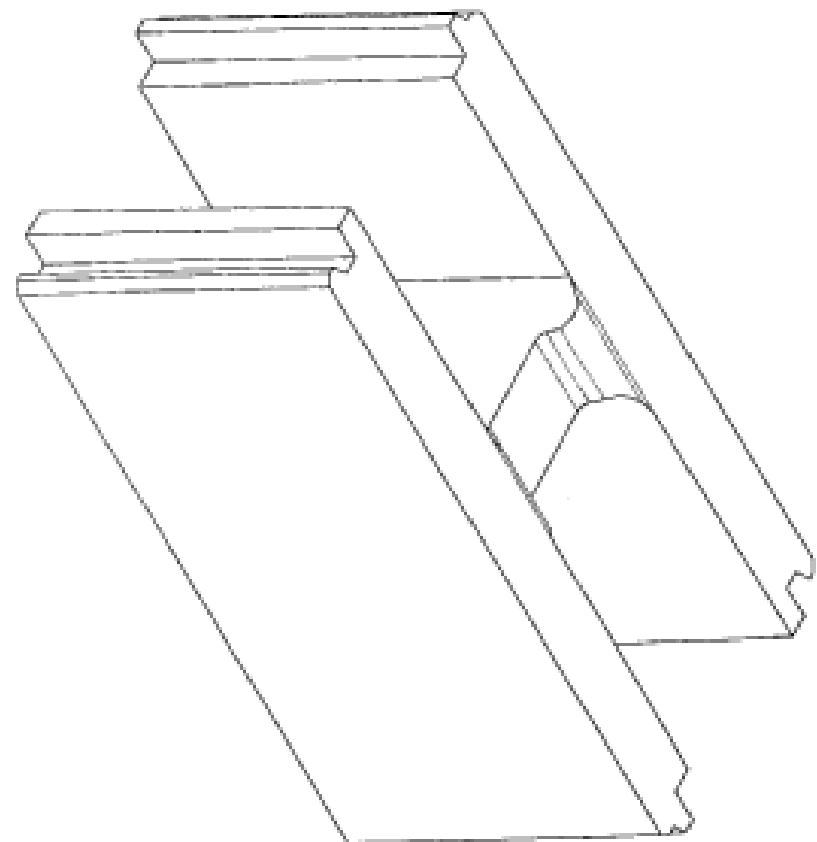
- (21) Design Number: **13438/2010**  
(22) Date of Filing Application: **11 August 2010**  
(24) Date from which industrial property rights may have effect: **11 August 2010**  
(54) Product in respect of which the design is registered: **Haptics system for use in intraocular lens**  
(51) International Design Classification: **24-03, 24-02**  
(71) Name(s) and Address(s) of Applicant(s):  
**Nulens Ltd**  
**Maskit 15 PO Box 2225 Herzliya Pituach 46121 Israel**  
(72) Name(s) of Designer(s): **Joshua Ben Nun**  
(45) Registration Date: **03 September 2010**  
(56) Related Art Documents: **Not Applicable**  
(57) Statement of Newness and Distinctiveness: **Newness and distinctiveness resides in the shape and/or configuration of the haptics system as shown in the accompanying figures including the close up of the endplates as shown in figures 2-8 inclusive.**



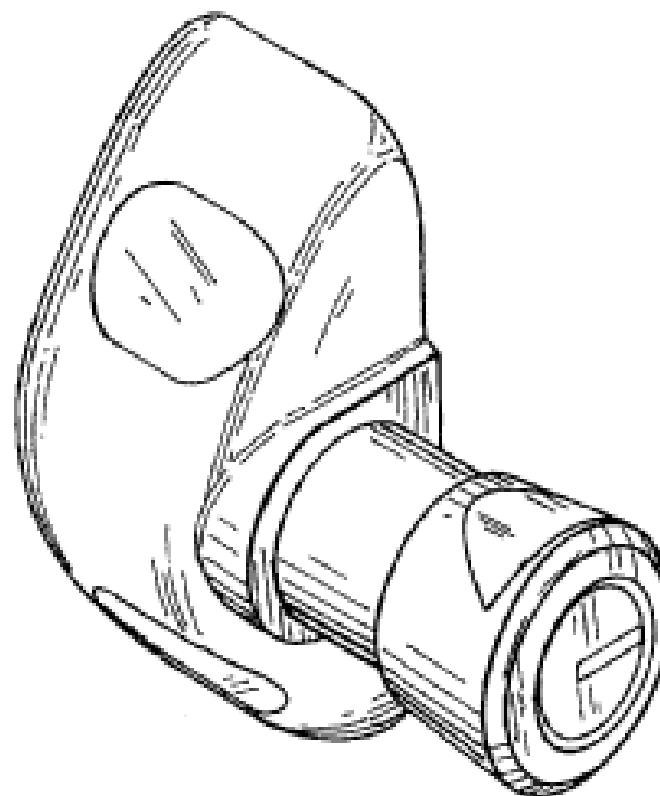
- (21) Design Number: **13439/2010**  
(22) Date of Filing Application: **11 August 2010**  
(24) Date from which industrial property rights may have effect: **11 August 2010**  
(54) Product in respect of which the design is registered: **Haptics system for use in intraocular lens**  
(51) International Design Classification: **24-03, 24-02**  
(71) Name(s) and Address(s) of Applicant(s):  
**Nulens Ltd**  
**Maskit 15 PO Box 2225 Herzliya Pituach 46121 Israel**  
(72) Name(s) of Designer(s): **Joshua Ben Nun**  
(45) Registration Date: **03 September 2010**  
(56) Related Art Documents: **Not Applicable**  
(57) Statement of Newness and Distinctiveness: **Newness and distinctiveness resides in the shape and/or configuration of the haptics system as shown in the accompanying figures including the close up of the endplates as shown in figures 2-8 inclusive.**



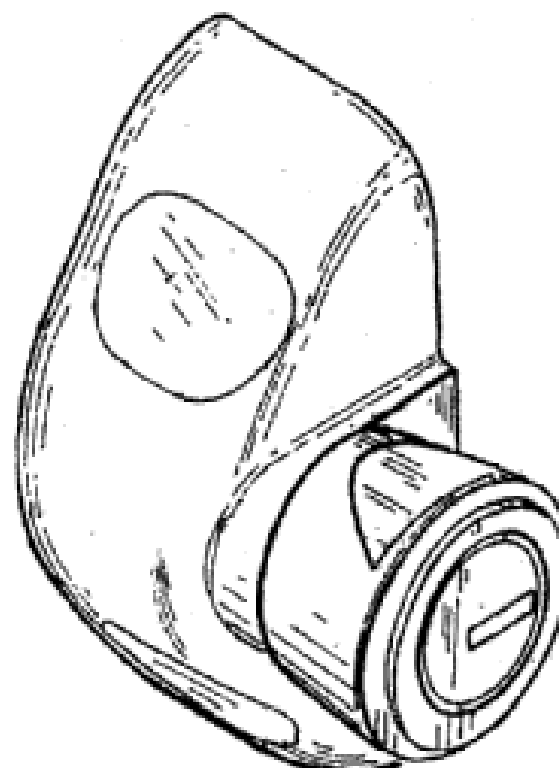
- (21) Design Number: **13440/2010**  
(22) Date of Filing Application: **12 August 2010**  
(24) Date from which industrial property rights may have effect: **12 August 2010**  
(54) Product in respect of which the design is registered: **Masonry block**  
(51) International Design Classification: **25-01A**  
(71) Name(s) and Address(s) of Applicant(s):  
**Adbri Masonry Pty Ltd**  
**Level 1 157 Grenfell Street Adelaide South Australia 5000 Australia**  
(72) Name(s) of Designer(s): **Jonathan Paul Godby and Wayne Holt and Anthony John Valli**  
(45) Registration Date: **03 September 2010**  
(56) Related Art Documents: **Not Applicable**  
(57) Statement of Newness and Distinctiveness: **The newness and distinctiveness of the design resides in the shape and/or configuration of the masonry block shown in the representations.**



(21) Design Number: **13442/2010**  
 (22) Date of Filing Application: **11 August 2010**  
 (24) Date from which industrial property rights may have effect: **11 August 2010**  
 (54) Product in respect of which the design is registered: **Pull bolt**  
 (51) International Design Classification: **08-07**  
 (71) Name(s) and Address(s) of Applicant(s):  
**D & D Group Pty Ltd**  
**Unit 6 4-6 Aquatic Drive Frenchs Forest New South Wales 2086**  
**Australia**  
 (72) Name(s) of Designer(s): **Anthony John Clark and Scott Anthony Cosby**  
 (45) Registration Date: **03 September 2010**  
 (30) Convention priority data:  
 (31) Number (32) Date (33) Country  
**29/355640 11 Feb 2010 UNITED STATES OF AMERICA**  
 (56) Related Art Documents: **Not Applicable**  
 (57) Statement of Newness and Distinctiveness: **The shape and configuration of the actuator of the PULL BOLT is new and distinctive.**



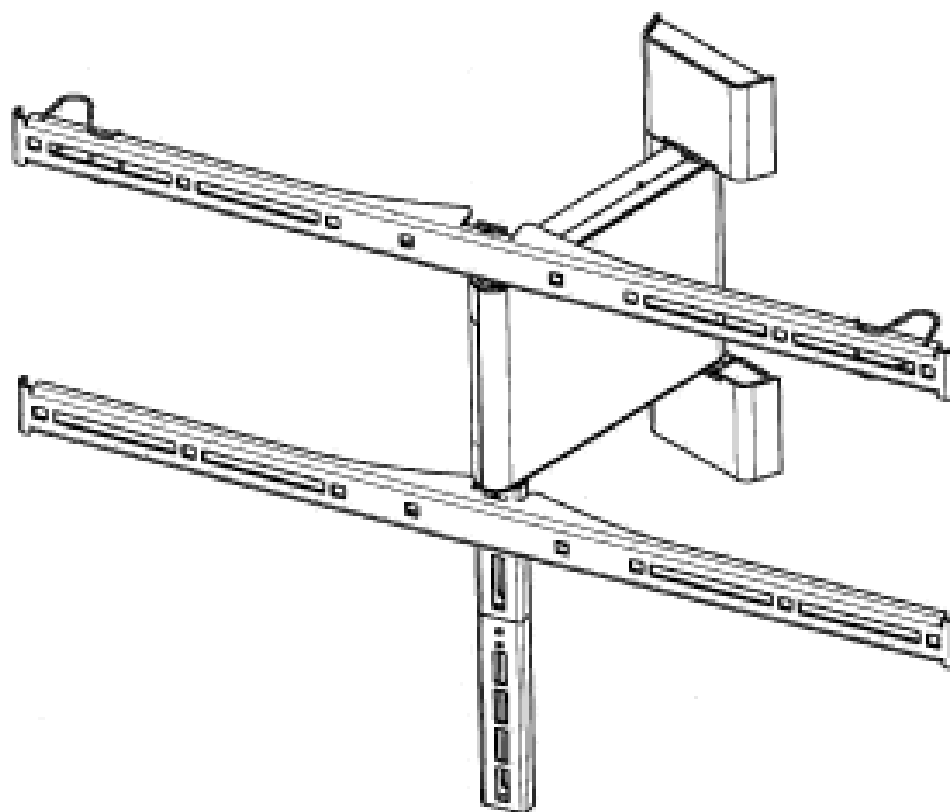
(21) Design Number: **13443/2010**  
 (22) Date of Filing Application: **11 August 2010**  
 (24) Date from which industrial property rights may have effect: **11 August 2010**  
 (54) Product in respect of which the design is registered: **Pull bolt**  
 (51) International Design Classification: **08-07**  
 (71) Name(s) and Address(s) of Applicant(s):  
**D & D Group Pty Ltd**  
**Unit 6 4-6 Aquatic Drive Frenchs Forest New South Wales 2086**  
**Australia**  
 (72) Name(s) of Designer(s): **Anthony John Clark and Scott Anthony Cosby**  
 (45) Registration Date: **03 September 2010**  
 (30) Convention priority data:  
 (31) Number (32) Date (33) Country  
**29/355640 11 Feb 2010 UNITED STATES OF AMERICA**  
 (56) Related Art Documents: **Not Applicable**  
 (57) Statement of Newness and Distinctiveness: **The shape and configuration of the actuator of the PULL BOLT is new and distinctive.**



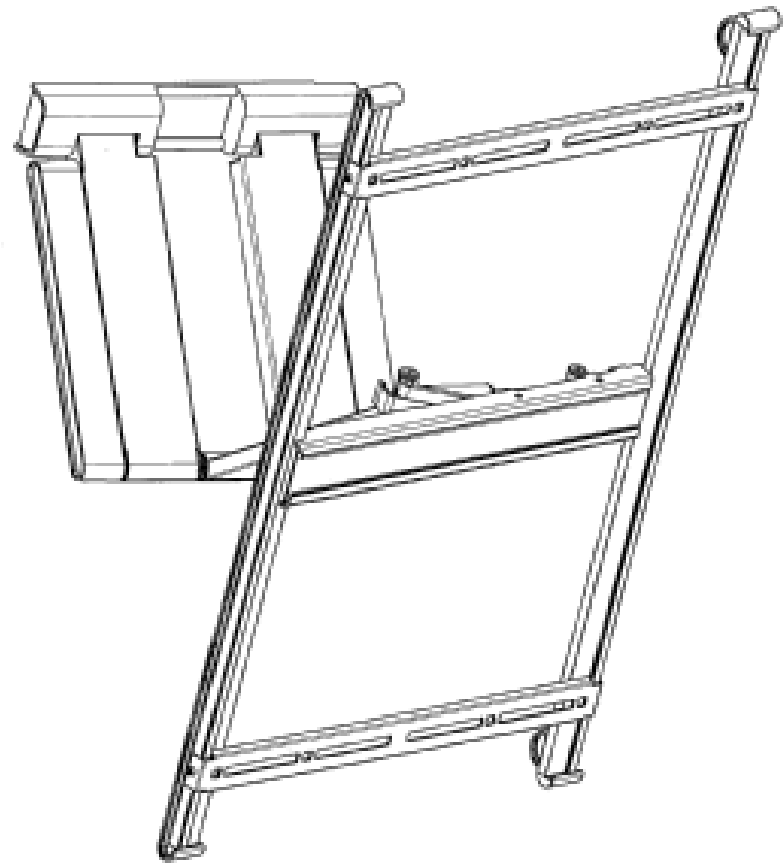
(21) Design Number: **13444/2010**  
(22) Date of Filing Application: **11 August 2010**  
(24) Date from which industrial property rights may have effect: **11 August 2010**  
(54) Product in respect of which the design is registered: **Armchair**  
(51) International Design Classification: **06-01G**  
(71) Name(s) and Address(s) of Applicant(s):  
**Halo Trademarks Limited**  
**G/F 17 Gough Street Central Hong Kong**  
(72) Name(s) of Designer(s): **Michael Yeung Ka Fei**  
(45) Registration Date: **03 September 2010**  
(30) Convention priority data:  
(31) Number (32) Date (33) Country  
**1000323.6 24 Feb 2010 HONG KONG**  
(56) Related Art Documents: **Not Applicable**  
(57) Statement of Newness and Distinctiveness: **Nil**



(21) Design Number: **13445/2010**  
(22) Date of Filing Application: **11 August 2010**  
(24) Date from which industrial property rights may have effect: **11 August 2010**  
(54) Product in respect of which the design is registered: **Accessory for computer games and game consoles**  
(51) International Design Classification: **14-02**  
(71) Name(s) and Address(s) of Applicant(s):  
**Vogel's Holding B.V.**  
**Hondsruglaan 93 5628 DB Eindhoven Netherlands**  
(72) Name(s) of Designer(s): **L.F.A. Knaapen**  
(45) Registration Date: **03 September 2010**  
(30) Convention priority data:  
(31) Number (32) Date (33) Country  
**001668872-001 11 Feb 2010 EUROPEAN COMMUNITY**  
(56) Related Art Documents: **Not Applicable**  
(57) Statement of Newness and Distinctiveness: **Nil**



- (21) Design Number: **13446/2010**  
(22) Date of Filing Application: **11 August 2010**  
(24) Date from which industrial property rights may have effect: **11 August 2010**  
(54) Product in respect of which the design is registered: **Accessory for computer games and game consoles**  
(51) International Design Classification: **14-02**  
(71) Name(s) and Address(s) of Applicant(s):  
**Vogel's Holding B.V.**  
**Hondsruglaan 93 5628 DB Eindhoven Netherlands**  
(72) Name(s) of Designer(s): **E. Bendien and E. van Kuijk**  
(45) Registration Date: **03 September 2010**  
(30) Convention priority data:  
(31) Number      (32) Date      (33) Country  
**001668831-0001    11 Feb 2010      EUROPEAN COMMUNITY**  
(56) Related Art Documents: **Not Applicable**  
(57) Statement of Newness and Distinctiveness: **Nil**



- (21) Design Number: **13426/2010**  
(22) Date of Filing Application: **09 August 2010**  
(24) Date from which industrial property rights may have effect: **09 August 2010**  
(54) Product in respect of which the design is registered: **A knife**  
(51) International Design Classification: **07-03**  
(71) Name(s) and Address(s) of Applicant(s):  
**Robert Welch Designs Limited**  
**Lower High Street Chipping Campden Gloucestershire GL55 6DY**  
**England**  
(72) Name(s) of Designer(s): **Ruth Natasha Williams**  
(45) Registration Date: **03 September 2010**  
(56) Related Art Documents: **Not Applicable**  
(57) Statement of Newness and Distinctiveness: **A new design of knife.**



(21) Design Number: **13427/2010**

(22) Date of Filing Application: **09 August 2010**

(24) Date from which industrial property rights may have effect: **09 August 2010**

(54) Product in respect of which the design is registered: **A fork**

(51) International Design Classification: **07-03**

(71) Name(s) and Address(s) of Applicant(s):

**Robert Welch Designs Limited**  
**Lower High Street Chipping Campden Gloucestershire GL55 6DY**  
**England**

(72) Name(s) of Designer(s): **Ruth Natasha Williams**

(45) Registration Date: **03 September 2010**

(56) Related Art Documents: **Not Applicable**

(57) Statement of Newness and Distinctiveness: **A new design of fork.**



(21) Design Number: **13428/2010**

(22) Date of Filing Application: **09 August 2010**

(24) Date from which industrial property rights may have effect: **09 August 2010**

(54) Product in respect of which the design is registered: **A spoon**

(51) International Design Classification: **07-03**

(71) Name(s) and Address(s) of Applicant(s):

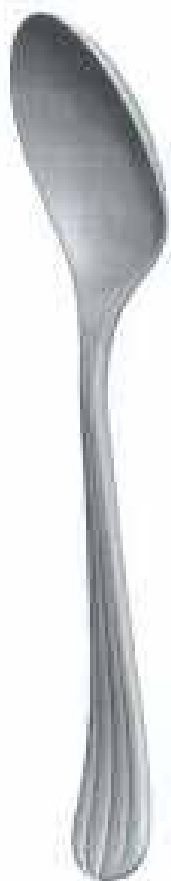
**Robert Welch Designs Limited**  
**Lower High Street Chipping Campden Gloucestershire GL55 6DY**  
**England**

(72) Name(s) of Designer(s): **Ruth Natasha Williams**

(45) Registration Date: **03 September 2010**

(56) Related Art Documents: **Not Applicable**

(57) Statement of Newness and Distinctiveness: **A new design of spoon.**



(21) Design Number: **13429/2010**

(22) Date of Filing Application: **09 August 2010**

(24) Date from which industrial property rights may have effect: **09 August 2010**

(54) Product in respect of which the design is registered: **A knife**

(51) International Design Classification: **07-03**

(71) Name(s) and Address(s) of Applicant(s):

**Robert Welch Designs Limited**  
**Lower High Street Chipping Campden Gloucestershire GL55 6DY**  
**England**

(72) Name(s) of Designer(s): **Ruth Natasha Williams**

(45) Registration Date: **03 September 2010**

(56) Related Art Documents: **Not Applicable**

(57) Statement of Newness and Distinctiveness: **A new design of knife.**



(21) Design Number: **13430/2010**

(22) Date of Filing Application: **09 August 2010**

(24) Date from which industrial property rights may have effect: **09 August 2010**

(54) Product in respect of which the design is registered: **A fork**

(51) International Design Classification: **07-03**

(71) Name(s) and Address(s) of Applicant(s):

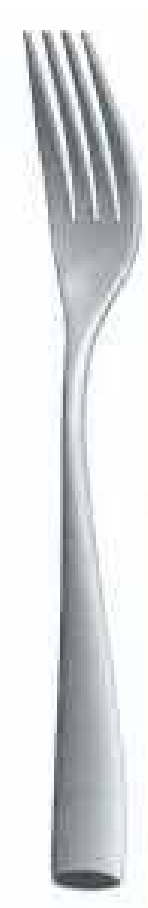
**Robert Welch Designs Limited**  
**Lower High Street Chipping Campden Gloucestershire GL55 6DY**  
**England**

(72) Name(s) of Designer(s): **Ruth Natasha Williams**

(45) Registration Date: **03 September 2010**

(56) Related Art Documents: **Not Applicable**

(57) Statement of Newness and Distinctiveness: **A new design of fork.**



(21) Design Number: **13431/2010**

(22) Date of Filing Application: **09 August 2010**

(24) Date from which industrial property rights may have effect: **09 August 2010**

(54) Product in respect of which the design is registered: **A spoon**

(51) International Design Classification: **07-03**

(71) Name(s) and Address(s) of Applicant(s):

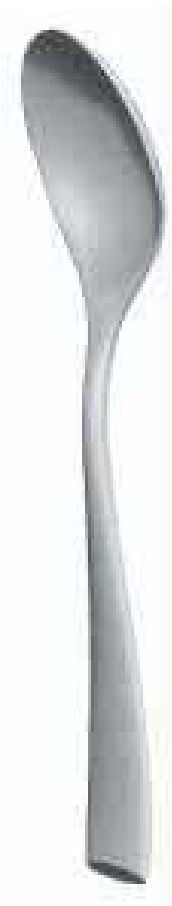
**Robert Welch Designs Limited**  
**Lower High Street Chipping Campden Gloucestershire GL55 6DY**  
**England**

(72) Name(s) of Designer(s): **Ruth Natasha Williams**

(45) Registration Date: **03 September 2010**

(56) Related Art Documents: **Not Applicable**

(57) Statement of Newness and Distinctiveness: **A new design of spoon.**



(21) Design Number: **13432/2010**

(22) Date of Filing Application: **09 August 2010**

(24) Date from which industrial property rights may have effect: **09 August 2010**

(54) Product in respect of which the design is registered: **A knife**

(51) International Design Classification: **07-03**

(71) Name(s) and Address(s) of Applicant(s):

**Robert Welch Designs Limited**  
**Lower High Street Chipping Campden Gloucestershire GL55 6DY**  
**England**

(72) Name(s) of Designer(s): **Ruth Natasha Williams**

(45) Registration Date: **03 September 2010**

(56) Related Art Documents: **Not Applicable**

(57) Statement of Newness and Distinctiveness: **A new design of knife.**





(21) Design Number: **13433/2010**

(22) Date of Filing Application: **09 August 2010**

(24) Date from which industrial property rights may have effect: **09 August 2010**

(54) Product in respect of which the design is registered: **A fork**

(51) International Design Classification: **07-03**

(71) Name(s) and Address(s) of Applicant(s):

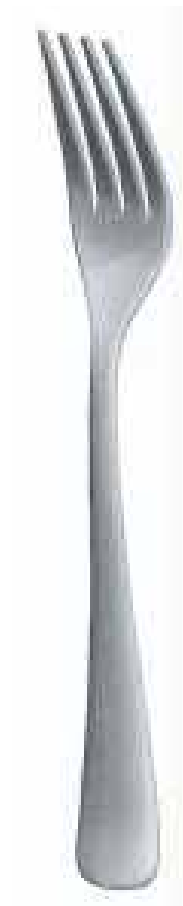
**Robert Welch Designs Limited**  
**Lower High Street Chipping Campden Gloucestershire GL55 6DY**  
**England**

(72) Name(s) of Designer(s): **Ruth Natasha Williams**

(45) Registration Date: **03 September 2010**

(56) Related Art Documents: **Not Applicable**

(57) Statement of Newness and Distinctiveness: **A new design of fork.**



(21) Design Number: **13434/2010**

(22) Date of Filing Application: **09 August 2010**

(24) Date from which industrial property rights may have effect: **09 August 2010**

(54) Product in respect of which the design is registered: **A spoon**

(51) International Design Classification: **07-03**

(71) Name(s) and Address(s) of Applicant(s):

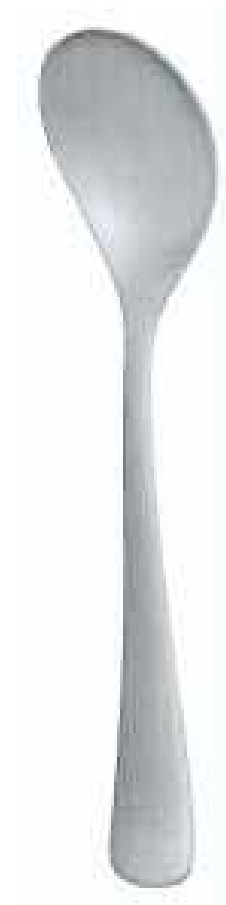
**Robert Welch Designs Limited**  
**Lower High Street Chipping Campden Gloucestershire GL55 6DY**  
**England**

(72) Name(s) of Designer(s): **Ruth Natasha Williams**

(45) Registration Date: **03 September 2010**

(56) Related Art Documents: **Not Applicable**

(57) Statement of Newness and Distinctiveness: **A new design of spoon.**



(21) Design Number: **13491/2010**

(22) Date of Filing Application: **12 August 2010**

(24) Date from which industrial property rights may have effect: **12 August 2010**

(54) Product in respect of which the design is registered: **Jeans to be worn for motorcycle riding or horse riding**

(51) International Design Classification: **02-02C**

(71) Name(s) and Address(s) of Applicant(s):

**Michael So**

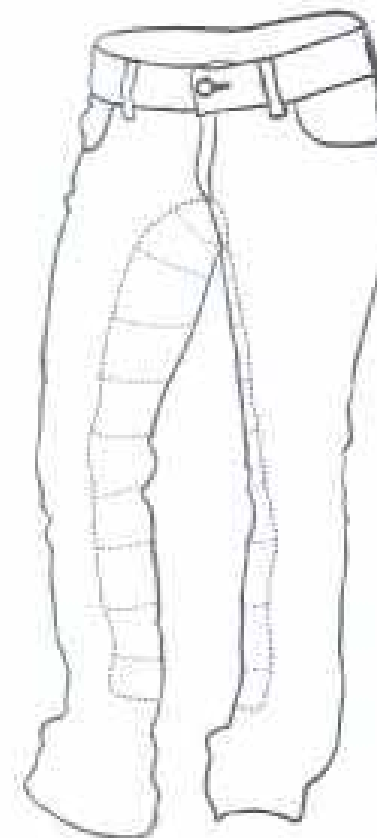
**9 Iris Court Glenmore Park New South Wales 2745 Australia**

(72) Name(s) of Designer(s): **Michael So**

(45) Registration Date: **03 September 2010**

(56) Related Art Documents: **Not Applicable**

(57) Statement of Newness and Distinctiveness: **Nil**



(21) Design Number: **13714/2010**

(22) Date of Filing Application: **24 August 2010**

(24) Date from which industrial property rights may have effect: **24 August 2010**

(54) Product in respect of which the design is registered: **A baby or infant wrap**

(51) International Design Classification: **02-01B**

(71) Name(s) and Address(s) of Applicant(s):

**Catherine Terry**

**2/372 Henley Beach Road Lockleys South Australia 5032 Australia**

(72) Name(s) of Designer(s): **Catherine Terry**

(45) Registration Date: **03 September 2010**

(56) Related Art Documents: **Not Applicable**

(57) Statement of Newness and Distinctiveness: **Newness and distinctiveness is claimed in the shape and/or configuration of a baby or infant wrap as illustrated in the accompanying representations.**



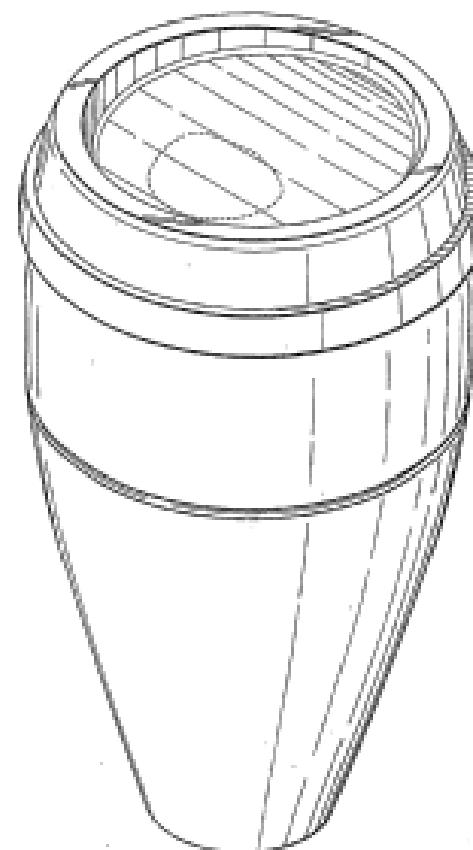
- (21) Design Number: **11759/2010**  
(22) Date of Filing Application: **05 May 2010**  
(24) Date from which industrial property rights may have effect: **05 May 2010**  
(54) Product in respect of which the design is registered: **Stock/motor grid/ramp**  
(51) International Design Classification: **12-16NES**  
(71) Name(s) and Address(s) of Applicant(s):  
**Gidyea Grids Pty Ltd**  
**Roscoe Downs 31 Bundaleer South Plains Road Via Cunnamulla**  
**Queensland 4490 Australia**  
(72) Name(s) of Designer(s): **Stuart Charles Barkla and Pru-Ellen Barkla**  
(45) Registration Date: **03 September 2010**  
(56) Related Art Documents: **Not Applicable**  
(57) Statement of Newness and Distinctiveness: **Opening hinged top grate of stock/motor grid/ramp is a totally new concept in grid design with emphasis on the unique hinge action and load bearing structure. This load bearing design is new and unique to stock/motor grid/ramp designs**



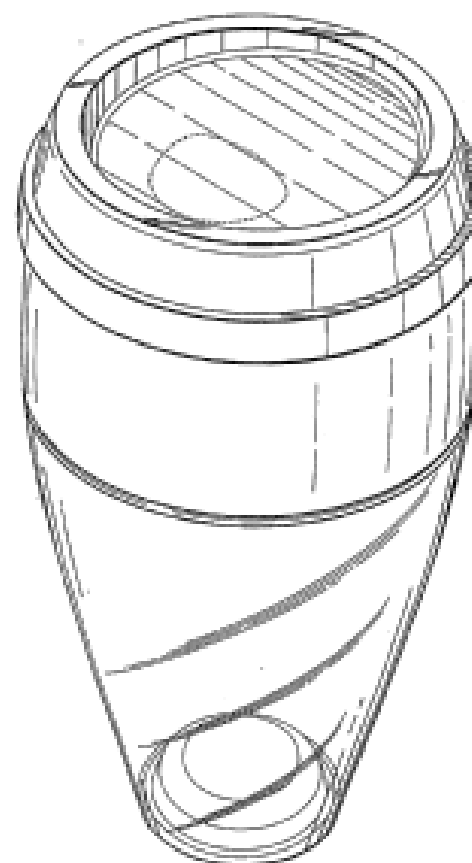
- (21) Design Number: **11781/2010**  
(22) Date of Filing Application: **05 May 2010**  
(24) Date from which industrial property rights may have effect: **05 May 2010**  
(54) Product in respect of which the design is registered: **Pole and pulley system for a stock/motor grid/ramp**  
(51) International Design Classification: **12-16NES**  
(71) Name(s) and Address(s) of Applicant(s):  
**Gidyea Grids Pty Ltd**  
**Roscoe Downs 31 Bundaleer South Plains Road Via Cunnamulla**  
**Queensland 4490 Australia**  
(72) Name(s) of Designer(s): **Stuart Charles Barkla and Pru-Ellen Barkla**  
(45) Registration Date: **03 September 2010**  
(56) Related Art Documents: **Not Applicable**  
(57) Statement of Newness and Distinctiveness: **Pole and pulley system is new and unique to stock/motor ramp/grid design. The pulley system is able to be seated into base thus allowing the stock/motor ramp/grid grate to be opened.**



- (21) Design Number: **13107/2010**  
(22) Date of Filing Application: **23 July 2010**  
(24) Date from which industrial property rights may have effect: **23 July 2010**  
(54) Product in respect of which the design is registered: **Bottle with cap and protective foil**  
(51) International Design Classification: **09-01NES**  
(71) Name(s) and Address(s) of Applicant(s):  
**Red Bull GmbH**  
**Am Brunnen 1 5330 Fusch1 am See Austria**  
(72) Name(s) of Designer(s): **Matthias Rinderer and Roland Concini and Peter Huls**  
(45) Registration Date: **06 September 2010**  
(30) Convention priority data:  
(31) Number (32) Date (33) Country  
**001661786-0001 27 Jan 2010 EUROPEAN COMMUNITY**  
(56) Related Art Documents: **Not Applicable**  
(57) Statement of Newness and Distinctiveness: **Newness and distinctiveness are provided by the shape and/or configuration of the design shown in the representations. The features shown in broken lines in the representations are for illustrative purposes only and should not be considered when construing visual features of the design.**



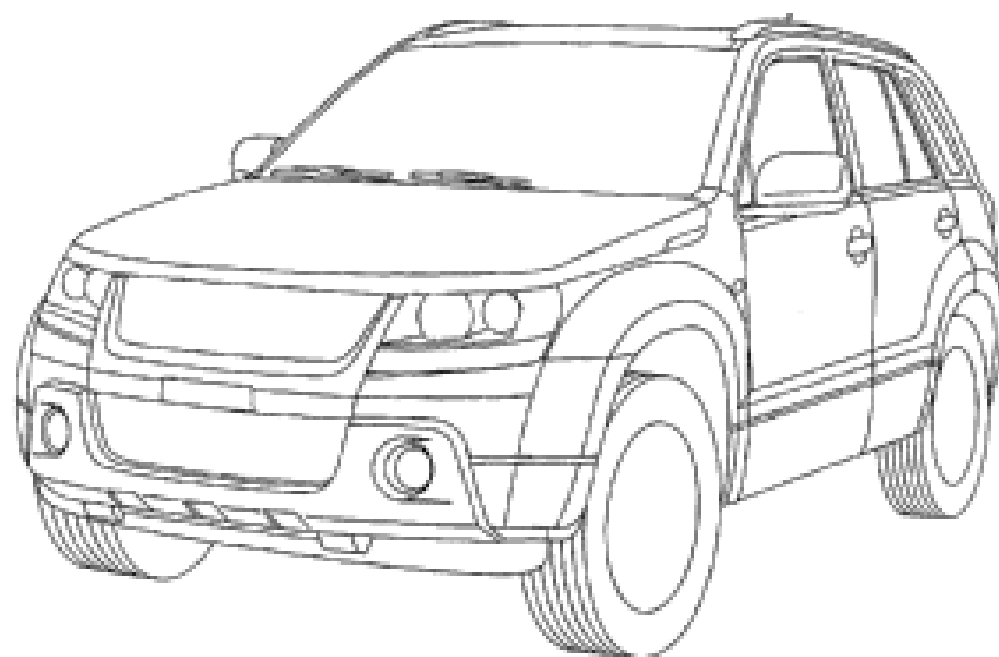
- (21) Design Number: **13108/2010**  
(22) Date of Filing Application: **23 July 2010**  
(24) Date from which industrial property rights may have effect: **23 July 2010**  
(54) Product in respect of which the design is registered: **Transparent bottle with cap**  
(51) International Design Classification: **09-01NES**  
(71) Name(s) and Address(s) of Applicant(s):  
**Red Bull GmbH**  
**Am Brunnen 1 5330 Fusch1 am See Austria**  
(72) Name(s) of Designer(s): **Matthias Rinderer and Roland Concini and Peter Huls**  
(45) Registration Date: **06 September 2010**  
(30) Convention priority data:  
(31) Number (32) Date (33) Country  
**001661786-0002 27 Jan 2010 EUROPEAN COMMUNITY**  
(56) Related Art Documents: **Not Applicable**  
(57) Statement of Newness and Distinctiveness: **Newness and distinctiveness are provided by the shape and/or configuration of the design shown in the representations. The features shown in broken lines in the representations are for illustrative purposes only and should not be considered when construing visual features of the design.**



(21) Design Number: **13109/2010**  
(22) Date of Filing Application: **23 July 2010**  
(24) Date from which industrial property rights may have effect: **23 July 2010**  
(54) Product in respect of which the design is registered: **Bottle**  
(51) International Design Classification: **09-01NES**  
(71) Name(s) and Address(s) of Applicant(s):  
**Red Bull GmbH**  
**Am Brunnen 1 5330 Fusch1 am See Austria**  
(72) Name(s) of Designer(s): **Matthias Rinderer and Roland Concin and Peter Huls**  
(45) Registration Date: **06 September 2010**  
(30) Convention priority data:  
(31) Number (32) Date (33) Country  
**001661786-0003 27 Jan 2010 EUROPEAN COMMUNITY**  
(56) Related Art Documents: **Not Applicable**  
(57) Statement of Newness and Distinctiveness: **Nil**



(21) Design Number: **13353/2010**  
(22) Date of Filing Application: **06 August 2010**  
(24) Date from which industrial property rights may have effect: **06 August 2010**  
(54) Product in respect of which the design is registered: **Automobile**  
(51) International Design Classification: **12-08**  
(71) Name(s) and Address(s) of Applicant(s):  
**Suzuki Motor Corporation**  
**300 Takatsuka-cho Minami-ku Hamamatsu-shi Shizuoka-ken Japan**  
(72) Name(s) of Designer(s): **Masayasu Date and Akinao Takagi and Kimitoshi Sato and Okito Takayama**  
(45) Registration Date: **06 September 2010**  
(30) Convention priority data:  
(31) Number (32) Date (33) Country  
**2010-2905 09 Feb 2010 JAPAN**  
(56) Related Art Documents: **Not Applicable**  
(57) Statement of Newness and Distinctiveness: **Nil**



(21) Design Number: **12663/2010**  
(22) Date of Filing Application: **29 June 2010**  
(24) Date from which industrial property rights may have effect: **29 June 2010**  
(54) Product in respect of which the design is registered: **Helmet**  
(51) International Design Classification: **02-03**  
(71) Name(s) and Address(s) of Applicant(s):

**MSA Gallet**  
**Zone Industrielle Sud Chatillon Sur Chalaronne 01400 France**

(72) Name(s) of Designer(s): **Gilles Basson**

(45) Registration Date: **07 September 2010**

(30) Convention priority data:

(31) Number	(32) Date	(33) Country
<b>DM/073452</b>	<b>02 Mar 2010</b>	<b>GERMANY</b>

(56) Related Art Documents: **Not Applicable**

(57) Statement of Newness and Distinctiveness: **Nil**



(21) Design Number: **13459/2010**  
(22) Date of Filing Application: **10 August 2010**  
(24) Date from which industrial property rights may have effect: **10 August 2010**  
(54) Product in respect of which the design is registered: **Acoustic door stop**  
(51) International Design Classification: **25-99**  
(71) Name(s) and Address(s) of Applicant(s):

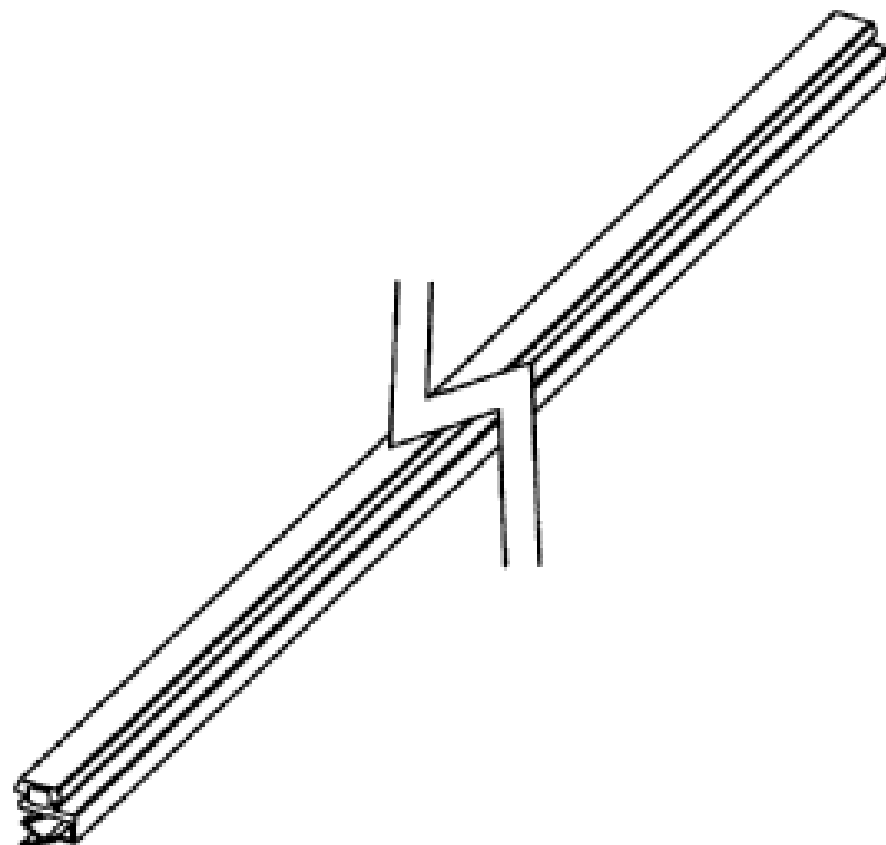
**Dezinal Pty Ltd**  
**C/- GCY Accountants Suites 1 & 2 Level 1-67 Lytton Road East**  
**Brisbane Queensland 4169 Australia**

(72) Name(s) of Designer(s): **Ronald Maxwell**

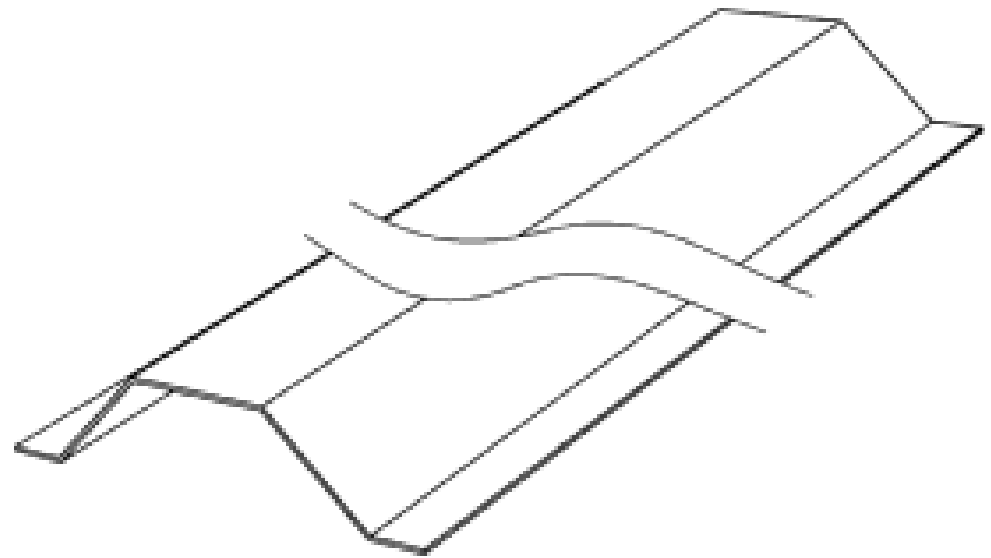
(45) Registration Date: **07 September 2010**

(56) Related Art Documents: **Not Applicable**

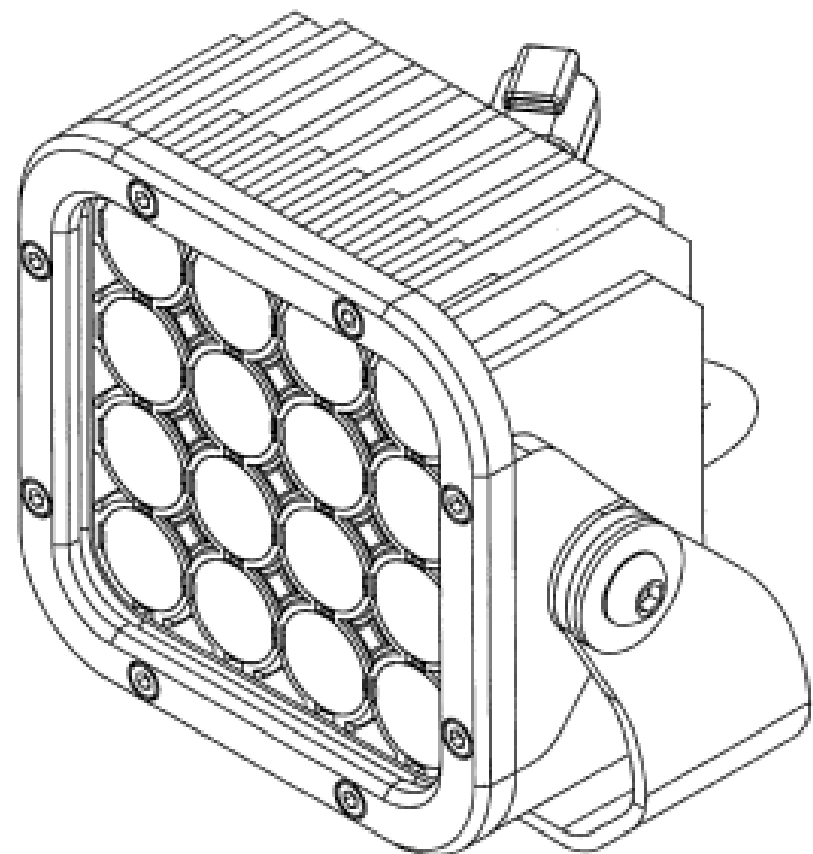
(57) Statement of Newness and Distinctiveness: **A purpose designed door seal to fit aluminium shopfront door stops to create an effective dust and acoustic seal.**



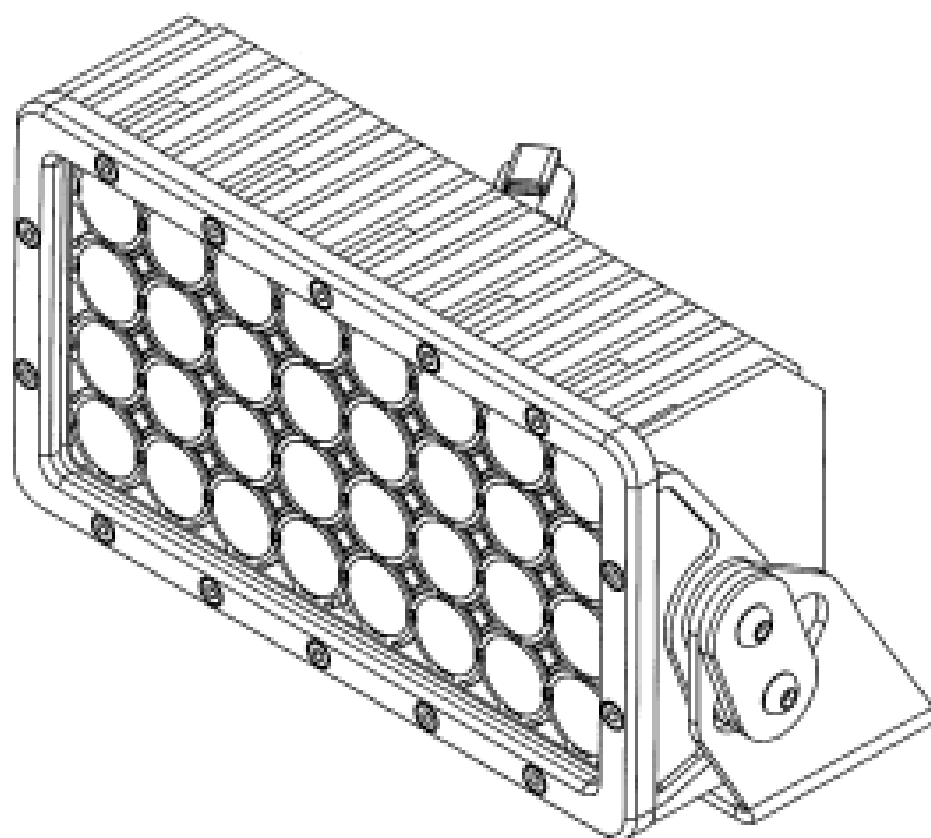
- (21) Design Number: **13463/2010**  
(22) Date of Filing Application: **12 August 2010**  
(24) Date from which industrial property rights may have effect: **12 August 2010**  
(54) Product in respect of which the design is registered: **Hip to girder truss bracket**  
(51) International Design Classification: **08-08L, 25-01C**  
(71) Name(s) and Address(s) of Applicant(s):  
**Tinpale Pty Ltd**  
**6 Slade Street Mareeba Queensland 4880 Australia**  
(72) Name(s) of Designer(s): **Barry Donald Byrne**  
(45) Registration Date: **07 September 2010**  
(56) Related Art Documents: **Not Applicable**  
(57) Statement of Newness and Distinctiveness: **The newness and distinctiveness of the design resides in the shape and/or configuration of a hip to girder truss bracket of indefinite length as shown in the representations.**



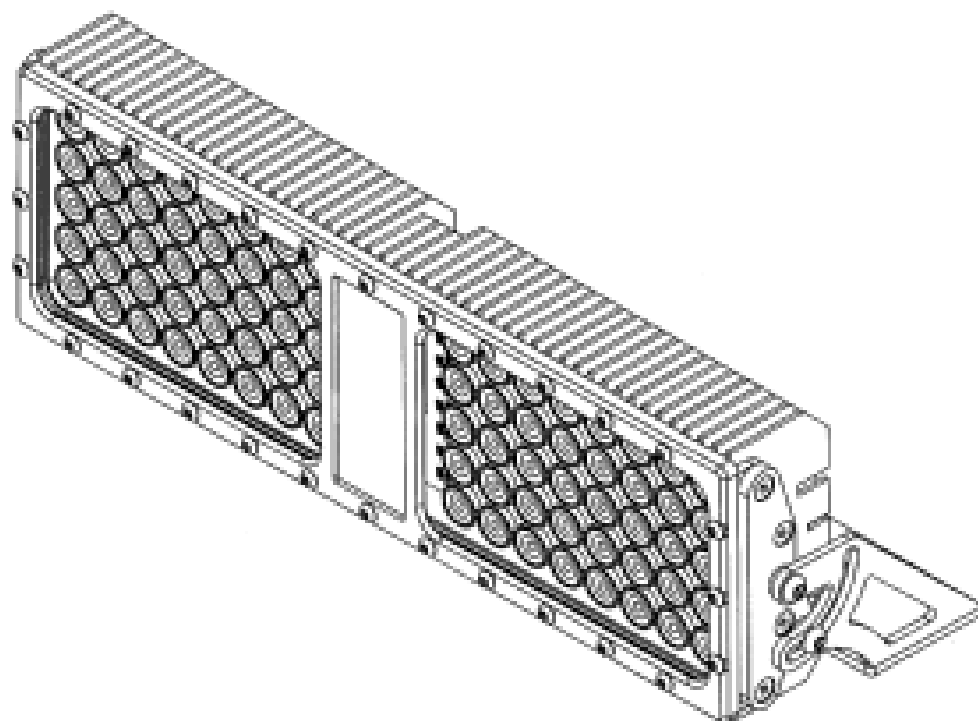
- (21) Design Number: **13464/2010**  
(22) Date of Filing Application: **12 August 2010**  
(24) Date from which industrial property rights may have effect: **12 August 2010**  
(54) Product in respect of which the design is registered: **A light**  
(51) International Design Classification: **26-03**  
(71) Name(s) and Address(s) of Applicant(s):  
**Brant Colyn McLellan**  
**4387 East Selena Drive Phoenix Arizona 85050 United States of America**  
(72) Name(s) of Designer(s): **Brant Colyn McLellan**  
(45) Registration Date: **07 September 2010**  
(56) Related Art Documents: **Not Applicable**  
(57) Statement of Newness and Distinctiveness: **The newness and distinctiveness of the design resides in the shape and/or configuration of a light shown in the representations.**



- (21) Design Number: **13465/2010**
- (22) Date of Filing Application: **12 August 2010**
- (24) Date from which industrial property rights may have effect: **12 August 2010**
- (54) Product in respect of which the design is registered: **A light**
- (51) International Design Classification: **26-03**
- (71) Name(s) and Address(s) of Applicant(s):  
**Brant Colyn McLellan**  
**4387 East Selena Drive Phoenix Arizona 85050 United States of America**
- (72) Name(s) of Designer(s): **Brant Colyn McLellan**
- (45) Registration Date: **07 September 2010**
- (56) Related Art Documents: **Not Applicable**
- (57) Statement of Newness and Distinctiveness: **The newness and distinctiveness of the design resides in the shape and/or configuration of a light shown in the representations.**



- (21) Design Number: **13466/2010**
- (22) Date of Filing Application: **12 August 2010**
- (24) Date from which industrial property rights may have effect: **12 August 2010**
- (54) Product in respect of which the design is registered: **A light**
- (51) International Design Classification: **26-03**
- (71) Name(s) and Address(s) of Applicant(s):  
**Brant Colyn McLellan**  
**4387 East Selena Drive Phoenix Arizona 85050 United States of America**
- (72) Name(s) of Designer(s): **Brant Colyn McLellan**
- (45) Registration Date: **07 September 2010**
- (56) Related Art Documents: **Not Applicable**
- (57) Statement of Newness and Distinctiveness: **The newness and distinctiveness of the design resides in the shape and/or configuration of a light shown in the representations.**





(21) Design Number: **13470/2010**

(22) Date of Filing Application: **12 August 2010**

(24) Date from which industrial property rights may have effect: **12 August 2010**

(54) Product in respect of which the design is registered: **A dental hygiene item**

(51) International Design Classification: **24-04**

(71) Name(s) and Address(s) of Applicant(s):

**Craig Matthew Erskin-Smith**  
**148 Old Pittwater Road Brookvale New South Wales 2065 Australia**

(72) Name(s) of Designer(s): **Craig Matthew Erskin-Smith**

(45) Registration Date: **07 September 2010**

(56) Related Art Documents: **Not Applicable**

(57) Statement of Newness and Distinctiveness: **Newness and distinctiveness is claimed in the features of shape and/or configuration of a dental hygiene item as illustrated in the accompanying representations.**



(21) Design Number: **10947/2010**

(22) Date of Filing Application: **16 March 2010**

(24) Date from which industrial property rights may have effect: **16 March 2010**

(54) Product in respect of which the design is registered: **Egg and food container**

(51) International Design Classification: **09-03D**

(71) Name(s) and Address(s) of Applicant(s):

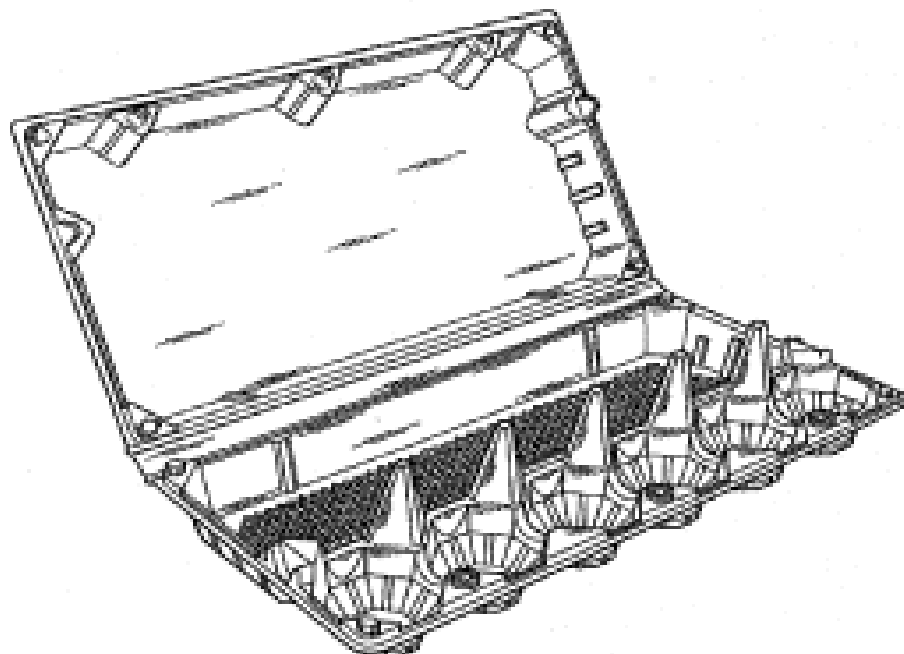
**Solar Eggs IP Pty Ltd**  
**12 Kinkaid Avenue North Plymouth South Australia 5037 Australia**

(72) Name(s) of Designer(s): **Jonathan Attard**

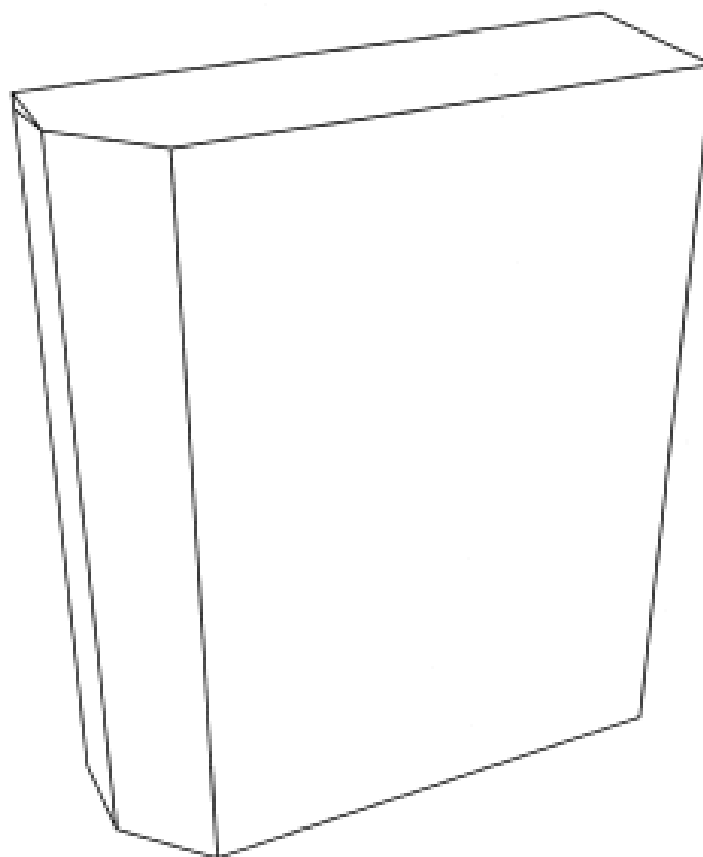
(45) Registration Date: **06 September 2010**

(56) Related Art Documents: **Not Applicable**

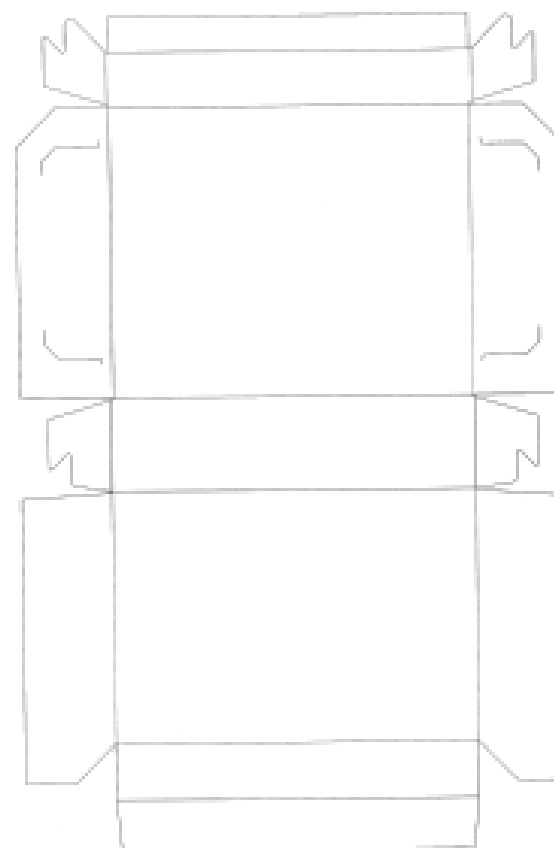
(57) Statement of Newness and Distinctiveness: **Visual features of the design which are new and distinctive are the features of shape and configuration of the egg and food container as shown in the representations.**



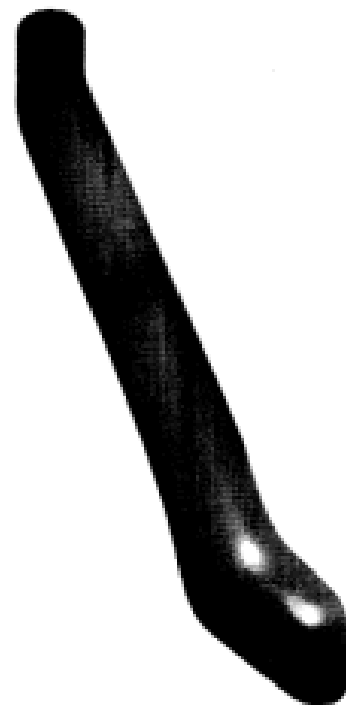
(21) Design Number: **13482/2010**  
(22) Date of Filing Application: **12 August 2010**  
(24) Date from which industrial property rights may have effect: **12 August 2010**  
(54) Product in respect of which the design is registered: **A box**  
(51) International Design Classification: **09-03M**  
(71) Name(s) and Address(s) of Applicant(s):  
**Carter Holt Harvey Packaging Pty Limited**  
**Citibank Building Level 25 2 Park Street Sydney New South Wales**  
**2000 Australia**  
(72) Name(s) of Designer(s): **Charlie Peters**  
(45) Registration Date: **06 September 2010**  
(56) Related Art Documents: **Not Applicable**  
(57) Statement of Newness and Distinctiveness: **Nil**



(21) Design Number: **13483/2010**  
(22) Date of Filing Application: **12 August 2010**  
(24) Date from which industrial property rights may have effect: **12 August 2010**  
(54) Product in respect of which the design is registered: **A blank**  
(51) International Design Classification: **09-03NES**  
(71) Name(s) and Address(s) of Applicant(s):  
**Carter Holt Harvey Packaging Pty Limited**  
**Citibank Building Level 25 2 Park Street Sydney New South Wales**  
**2000 Australia**  
(72) Name(s) of Designer(s): **Charlie Peters**  
(45) Registration Date: **06 September 2010**  
(56) Related Art Documents: **Not Applicable**  
(57) Statement of Newness and Distinctiveness: **Nil**



- (21) Design Number: **13489/2010**  
(22) Date of Filing Application: **12 August 2010**  
(24) Date from which industrial property rights may have effect: **12 August 2010**  
(54) Product in respect of which the design is registered: **Air intake snorkel for a vehicle**  
(51) International Design Classification: **12-16NES**  
(71) Name(s) and Address(s) of Applicant(s):  
**Australian Performance Development Pty Ltd**  
**73 Merrindale Drive South Croydon Victoria 3136 Australia**  
(72) Name(s) of Designer(s): **Peter Luxon and Manvir Randhawa**  
(45) Registration Date: **06 September 2010**  
(56) Related Art Documents: **Not Applicable**  
(57) Statement of Newness and Distinctiveness: **Newness and Distinctiveness is claimed in the features of shape and/or configuration of an air intake snorkel for a vehicle as illustrated in the accompanying representations.**



- (21) Design Number: **13490/2010**  
(22) Date of Filing Application: **11 August 2010**  
(24) Date from which industrial property rights may have effect: **11 August 2010**  
(54) Product in respect of which the design is registered: **Watch**  
(51) International Design Classification: **10-02**  
(71) Name(s) and Address(s) of Applicant(s):  
**Daniel Roth et Gerald Genta Haute Horlogerie SA**  
**42 chemin du Grand-Puits 1217 Meyrin 1 Switzerland**  
(72) Name(s) of Designer(s): **Paolo Bulgari**  
(45) Registration Date: **06 September 2010**  
(30) Convention priority data:  
(31) Number (32) Date (33) Country  
**DM/073127 12 Feb 2010 EUROPEAN COMMUNITY**  
(56) Related Art Documents: **Not Applicable**  
(57) Statement of Newness and Distinctiveness: **Novelty resides in the visual features of the face of the watch as shown in the representations.**



(21) Design Number: **12091/2010**

(22) Date of Filing Application: **25 May 2010**

(24) Date from which industrial property rights may have effect: **25 May 2010**

(54) Product in respect of which the design is registered: **Sock, hoisery**

(51) International Design Classification: **02-04C**

(71) Name(s) and Address(s) of Applicant(s):

**Fareedah Abader**

**69 Therry Street Avalon New South Wales 2107 Australia**

(72) Name(s) of Designer(s): **Fareedah Abader**

(45) Registration Date: **07 September 2010**

(56) Related Art Documents: **Not Applicable**

(57) Statement of Newness and Distinctiveness: **Novelty of design resides in the arrangement of a fastening mechanism arranged on any part of a sock and the operation of the said fastening mechanism on said sock. Said fastening mechanism released when in use, said fastening mechanism attached when not in use.**



(21) Design Number: **12575/2010**

(22) Date of Filing Application: **23 June 2010**

(24) Date from which industrial property rights may have effect: **23 June 2010**

(54) Product in respect of which the design is registered: **Stocking/sock**

(51) International Design Classification: **02-04C**

(71) Name(s) and Address(s) of Applicant(s):

**Wanda Joan Markowicz**

**20 Coonamar Street Tullamarine Victoria 3043 Australia**

(72) Name(s) of Designer(s): **Wanda Joan Markowicz**

(45) Registration Date: **07 September 2010**

(56) Related Art Documents: **Not Applicable**

(57) Statement of Newness and Distinctiveness: **Tie up sock/stocking - able to fit multiple sizes. Attractive and comfortable.**



(21) Design Number: **13195/2010**

(22) Date of Filing Application: **27 July 2010**

(24) Date from which industrial property rights may have effect: **27 July 2010**

(54) Product in respect of which the design is registered: **USB memory stick in a figure shape**

(51) International Design Classification: **14-02**

(71) Name(s) and Address(s) of Applicant(s):

**P.S.L. Limited**

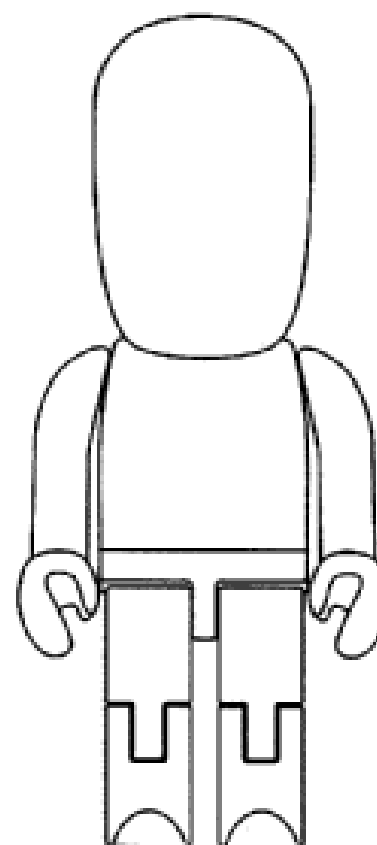
**8th Floor Cheung Lung Industrial Building 10 Cheung Yee Street  
Cheung Sha Wan Kowloon Hong Kong**

(72) Name(s) of Designer(s): **Chun Fai Leung**

(45) Registration Date: **07 September 2010**

(56) Related Art Documents: **Not Applicable**

(57) Statement of Newness and Distinctiveness: **Nil**



(21) Design Number: **13502/2010**

(22) Date of Filing Application: **16 August 2010**

(24) Date from which industrial property rights may have effect: **16 August 2010**

(54) Product in respect of which the design is registered: **Domestic bin compactor**

(51) International Design Classification: **09-09**

(71) Name(s) and Address(s) of Applicant(s):

**Risoda Pty Ltd**

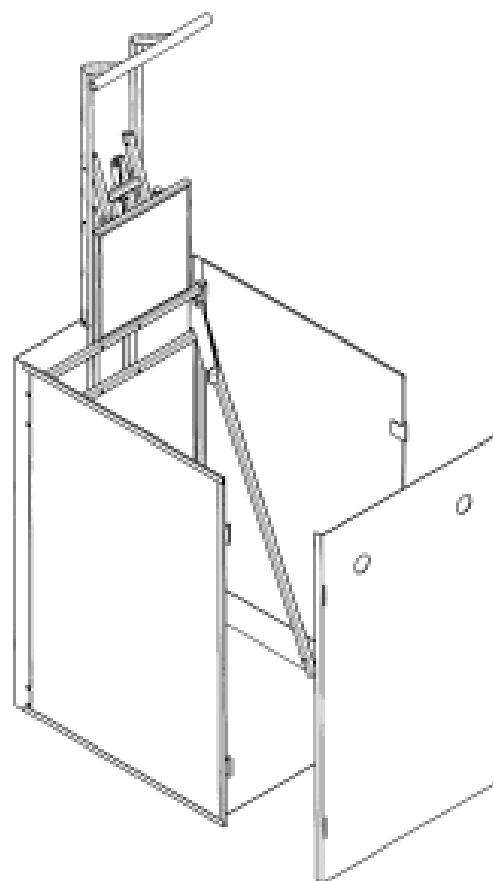
**14 Carl Baer Court Deepwater New South Wales 2371 Australia**

(72) Name(s) of Designer(s): **Reginald Trethewey**

(45) Registration Date: **07 September 2010**

(56) Related Art Documents: **Not Applicable**

(57) Statement of Newness and Distinctiveness: **Compaction system which does not interfere with normal operation of the device, surrounded by decorative decals which can also be used as bill board for advertising etc.**



(21) Design Number: **11344/2010**

(22) Date of Filing Application: **12 April 2010**

(24) Date from which industrial property rights may have effect: **12 April 2010**

(54) Product in respect of which the design is registered: **Cot**

(51) International Design Classification: **06-02**

(71) Name(s) and Address(s) of Applicant(s):

**Groyears Investments Pty Ltd Trading as Grocorp  
10 Martini Parade Lithgow New South Wales 2790 Australia**

(72) Name(s) of Designer(s): **Terry Richmond Joyce**

(45) Registration Date: **07 September 2010**

(56) Related Art Documents: **Not Applicable**

(57) Statement of Newness and Distinctiveness: **Monopoly is claimed in the shape and configuration of the cot as shown in the representations.**



(21) Design Number: **13822/2010**

(22) Date of Filing Application: **12 April 2010**

(24) Date from which industrial property rights may have effect: **12 April 2010**

(54) Product in respect of which the design is registered: **Bed**

(51) International Design Classification: **06-02**

(71) Name(s) and Address(s) of Applicant(s):

**Groyears Investments Pty Ltd Trading as Grocorp  
10 Martini Parade Lithgow New South Wales 2790 Australia**

(72) Name(s) of Designer(s): **Terry Richmond Joyce**

(45) Registration Date: **07 September 2010**

(56) Related Art Documents: **Not Applicable**

(57) Statement of Newness and Distinctiveness: **Monopoly is claimed in the shape and configuration of the bed as shown in the representations.**



(21) Design Number: **12880/2010**

(22) Date of Filing Application: **12 July 2010**

(24) Date from which industrial property rights may have effect: **12 July 2010**

(54) Product in respect of which the design is registered: **Pen button**

(51) International Design Classification: **19-06**

(71) Name(s) and Address(s) of Applicant(s):

**Ellen Charlesworth**

**6 Fremont Street Heathmont Victoria 3135 Australia**

(72) Name(s) of Designer(s): **Ellen Charlesworth**

(45) Registration Date: **07 September 2010**

(56) Related Art Documents: **Not Applicable**

(57) Statement of Newness and Distinctiveness: **Newness and distinctiveness is claimed in the features of shape and/or configuration of the pen button as illustrated in the accompanying representations.**



(21) Design Number: **12881/2010**

(22) Date of Filing Application: **12 July 2010**

(24) Date from which industrial property rights may have effect: **12 July 2010**

(54) Product in respect of which the design is registered: **Pen button**

(51) International Design Classification: **19-06**

(71) Name(s) and Address(s) of Applicant(s):

**Ellen Charlesworth**

**6 Fremont Street Heathmont Victoria 3135 Australia**

(72) Name(s) of Designer(s): **Ellen Charlesworth**

(45) Registration Date: **07 September 2010**

(56) Related Art Documents: **Not Applicable**

(57) Statement of Newness and Distinctiveness: **Newness and distinctiveness is claimed in the features of shape and/or configuration of the pen button as illustrated in the accompanying representations.**



- (21) Design Number: **12913/2010**  
(22) Date of Filing Application: **13 July 2010**  
(24) Date from which industrial property rights may have effect: **13 July 2010**  
(54) Product in respect of which the design is registered: **Pen clip**  
(51) International Design Classification: **19-06**  
(71) Name(s) and Address(s) of Applicant(s):  
**Ellen Charlesworth**  
**6 Fremont Street Heathmont Victoria 3135 Australia**  
(72) Name(s) of Designer(s): **Ellen Charlesworth**  
(45) Registration Date: **07 September 2010**  
(56) Related Art Documents: **Not Applicable**  
(57) Statement of Newness and Distinctiveness: **Newness and distinctiveness is claimed in the features of shape and/or configuration of the pen clip as illustrated in the accompanying representations.**



- (21) Design Number: **13509/2010**  
(22) Date of Filing Application: **13 August 2010**  
(24) Date from which industrial property rights may have effect: **13 August 2010**  
(54) Product in respect of which the design is registered: **Booth**  
(51) International Design Classification: **25-03**  
(71) Name(s) and Address(s) of Applicant(s):  
**St. Tropez Acquisition Co. Limited**  
**Unit 4C Tissington Close Beeston Nottingham NG9 6QG United Kingdom**  
(72) Name(s) of Designer(s): **Neil Kawecki**  
(45) Registration Date: **07 September 2010**  
(30) Convention priority data:  
(31) Number      (32) Date      (33) Country  
**1670217-0001      15 Feb 2010      EUROPEAN COMMUNITY**  
(56) Related Art Documents: **Not Applicable**  
(57) Statement of Newness and Distinctiveness: **Nil**





(21) Design Number: **13510/2010**

(22) Date of Filing Application: **13 August 2010**

(24) Date from which industrial property rights may have effect: **13 August 2010**

(54) Product in respect of which the design is registered: **Booth**

(51) International Design Classification: **25-03**

(71) Name(s) and Address(s) of Applicant(s):

**St. Tropez Acquisition Co. Limited  
Unit 4C Tissington Close Beeston Nottingham NG9 6QG United  
Kingdom**

(72) Name(s) of Designer(s): **Neil Kawecki**

(45) Registration Date: **07 September 2010**

(30) Convention priority data:

(31) Number	(32) Date	(33) Country
<b>1670217-0002</b>	<b>15 Feb 2010</b>	<b>EUROPEAN COMMUNITY</b>

(56) Related Art Documents: **Not Applicable**

(57) Statement of Newness and Distinctiveness: **Nil**



(21) Design Number: **13512/2010**

(22) Date of Filing Application: **13 August 2010**

(24) Date from which industrial property rights may have effect: **13 August 2010**

(54) Product in respect of which the design is registered: **Connecting mechanism**

(51) International Design Classification: **08-07**

(71) Name(s) and Address(s) of Applicant(s):

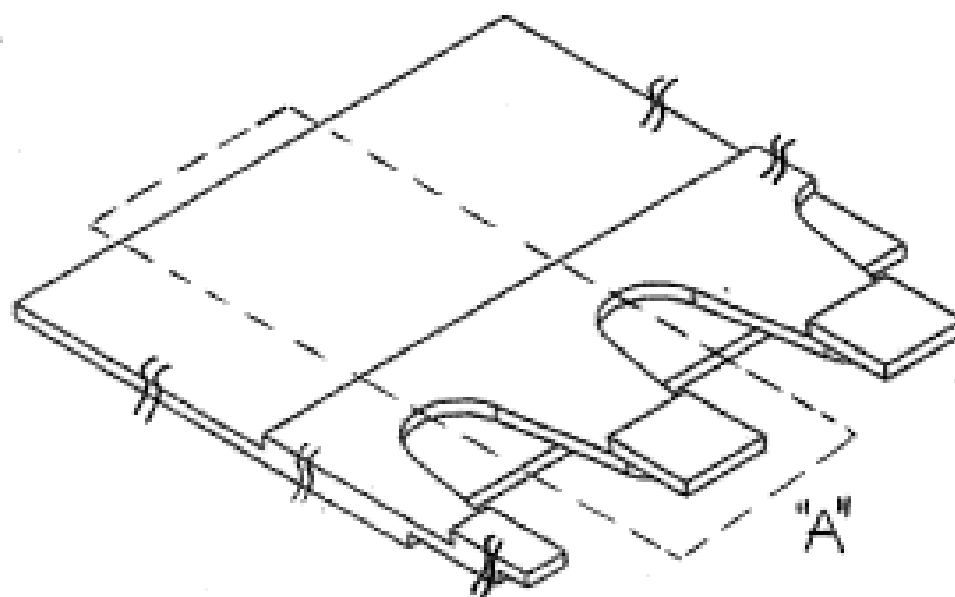
**Joinlock Pty Ltd  
Unit 5 783 Kingsford Smith Drive Eagle Farm Queensland 4009  
Australia**

(72) Name(s) of Designer(s): **Dean Osman Cameron and Thomas David Percy  
and John Hamish Alexander Pettigrew**

(45) Registration Date: **07 September 2010**

(56) Related Art Documents: **Not Applicable**

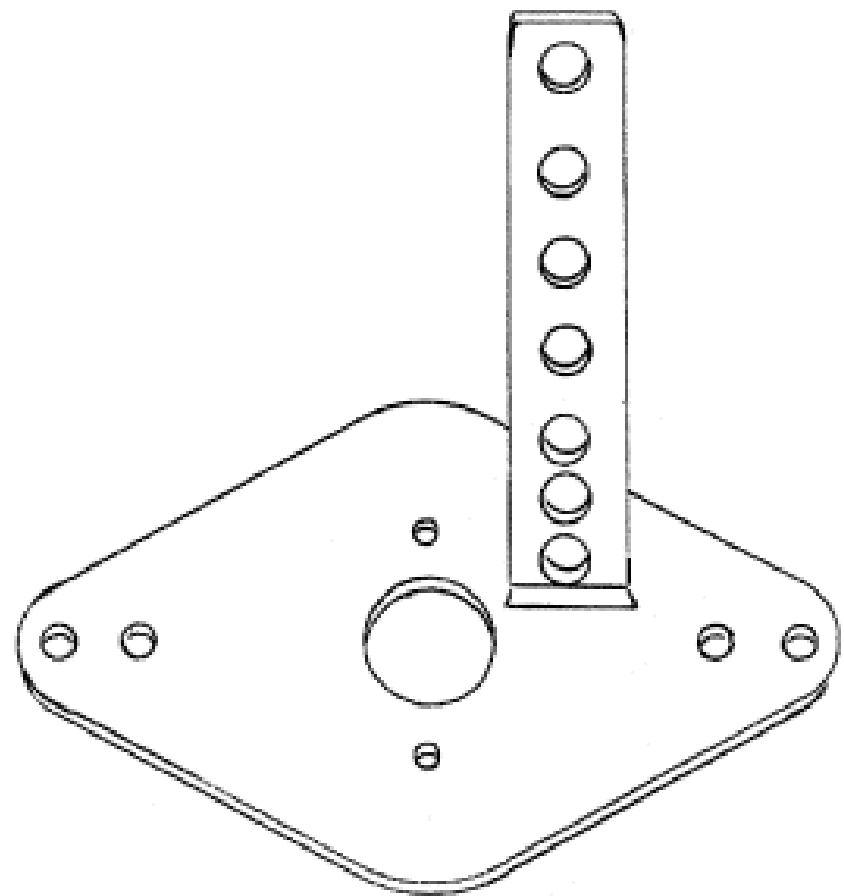
(57) Statement of Newness and Distinctiveness: **Newness and distinctiveness  
resides in the shape or configuration of a design for a connecting  
mechanism of indefinite length, wherein the area labeled "A" is repeated  
along a length of the connecting mechanism.**



- (21) Design Number: **13474/2010**  
(22) Date of Filing Application: **12 August 2010**  
(24) Date from which industrial property rights may have effect: **12 August 2010**  
(54) Product in respect of which the design is registered: **Chair**  
(51) International Design Classification: **06-01F**  
(71) Name(s) and Address(s) of Applicant(s):  
**Sitland S.P.A.**  
**Via Ca' Silvestre, 32 Nanto (VI) 36024 Italy**  
(72) Name(s) of Designer(s): **Sergio Bellin**  
(45) Registration Date: **07 September 2010**  
(30) Convention priority data:  
(31) Number (32) Date (33) Country  
**001693318-0002 12 Apr 2010 EUROPEAN COMMUNITY**  
(56) Related Art Documents: **Not Applicable**  
(57) Statement of Newness and Distinctiveness: **Nil**



- (21) Design Number: **13476/2010**  
(22) Date of Filing Application: **13 August 2010**  
(24) Date from which industrial property rights may have effect: **13 August 2010**  
(54) Product in respect of which the design is registered: **A bracket**  
(51) International Design Classification: **08-08L**  
(71) Name(s) and Address(s) of Applicant(s):  
**Dennis Ronald Gravalin**  
**271 River Street Maclean New South Wales 2463 Australia**  
**Sandra Lorraine Gravalin**  
**271 River Street Maclean New South Wales 2463 Australia**  
(72) Name(s) of Designer(s): **Dennis Ronald Gravalin and Sandra Lorraine Gravalin**  
(45) Registration Date: **07 September 2010**  
(56) Related Art Documents: **Not Applicable**  
(57) Statement of Newness and Distinctiveness: **Newness and Distinctiveness is claimed in the visual features of the design in the shape and configuration of a bracket as shown in the accompanying illustrations and representations in solid lines.**



(21) Design Number: **13495/2010**

(22) Date of Filing Application: **13 August 2010**

(24) Date from which industrial property rights may have effect: **13 August 2010**

(54) Product in respect of which the design is registered: **Light shade/lamp**

(51) International Design Classification: **26-05D**

(71) Name(s) and Address(s) of Applicant(s):

**Steendyk Holdings Pty Ltd**  
**27 Isaac Street Spring Hill Queensland 4000 Australia**

(72) Name(s) of Designer(s): **Brian John Steendyk**

(45) Registration Date: **07 September 2010**

(56) Related Art Documents: **Not Applicable**

(57) Statement of Newness and Distinctiveness: **Monopoly is claimed in the features of shape and/or configuration of the light shade as illustrated in the representations accompanying the application.**



(21) Design Number: **13496/2010**

(22) Date of Filing Application: **13 August 2010**

(24) Date from which industrial property rights may have effect: **13 August 2010**

(54) Product in respect of which the design is registered: **Sole for footwear**

(51) International Design Classification: **02-04B**

(71) Name(s) and Address(s) of Applicant(s):

**SSL Healthcare Italia S.P.A.**  
**Via Marco Emilio Lepido 178/5, I-40132 Bologna Italy**

(72) Name(s) of Designer(s): **Roberto Veneziani**

(45) Registration Date: **07 September 2010**

(30) Convention priority data:

(31) Number  
**DM/073238**

(32) Date  
**24 Feb 2010**

(33) Country  
**WORLD INTELLECTUAL  
PROPERTY ORGANIZATION  
(WIPO)**

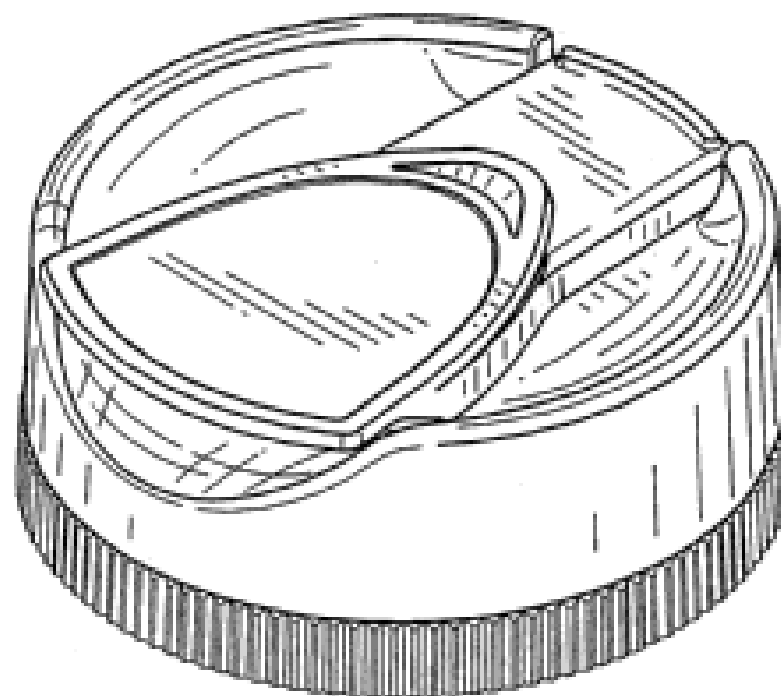
(56) Related Art Documents: **Not Applicable**

(57) Statement of Newness and Distinctiveness: **Newness and distinctiveness resides in the features of shape and/or configuration of a SOLE FOR FOOTWEAR as illustrated in the accompanying representations.**



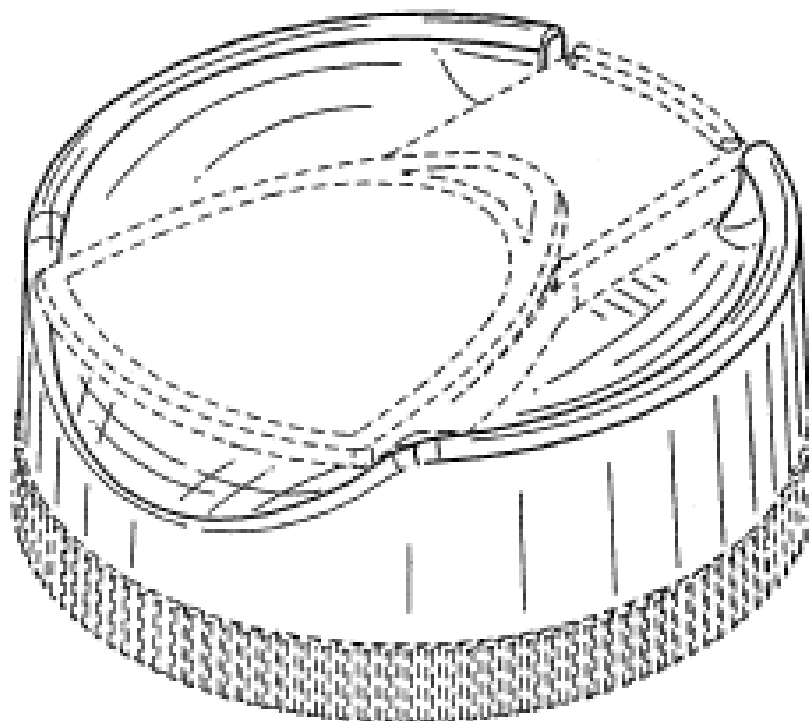
- (21) Design Number: **13497/2010**
- (22) Date of Filing Application: **13 August 2010**
- (24) Date from which industrial property rights may have effect: **13 August 2010**
- (54) Product in respect of which the design is registered: **Dispensing closure**
- (51) International Design Classification: **09-07A**
- (71) Name(s) and Address(s) of Applicant(s):  
**Seaquist Closures L.L.C.**  
**711 Fox Street Mukwonago Wisconsin 53149 United States of America**
- (72) Name(s) of Designer(s): **Timothy M. Mazurkiewicz and Stacy L. Beilke and Anne F. Stecker and John Wisniewski**
- (45) Registration Date: **07 September 2010**
- (30) Convention priority data:  

(31) Number	(32) Date	(33) Country
<b>29/349539</b>	<b>13 Apr 2010</b>	<b>UNITED STATES OF AMERICA</b>
- (56) Related Art Documents: **Not Applicable**
- (57) Statement of Newness and Distinctiveness: **Newness and distinctiveness is claimed in the features of shape and/or configuration of the lid and upper face of the body of a dispensing closure as illustrated in the accompanying representations.**



- (21) Design Number: **13498/2010**
- (22) Date of Filing Application: **13 August 2010**
- (24) Date from which industrial property rights may have effect: **13 August 2010**
- (54) Product in respect of which the design is registered: **Dispensing closure**
- (51) International Design Classification: **09-07A**
- (71) Name(s) and Address(s) of Applicant(s):  
**Seaquist Closures L.L.C.**  
**711 Fox Street Mukwonago Wisconsin 53149 United States of America**
- (72) Name(s) of Designer(s): **Timothy M. Mazurkiewicz and Stacy L. Beilke and Anne F. Stecker and John Wisniewski**
- (45) Registration Date: **07 September 2010**
- (30) Convention priority data:  

(31) Number	(32) Date	(33) Country
<b>29/349538</b>	<b>13 Apr 2010</b>	<b>UNITED STATES OF AMERICA</b>
- (56) Related Art Documents: **Not Applicable**
- (57) Statement of Newness and Distinctiveness: **Newness and distinctiveness is claimed in the features of shape and/or configuration of the body of a dispensing closure as illustrated in continuous lines in the accompanying representations.**



(21) Design Number: **13499/2010**

(22) Date of Filing Application: **13 August 2010**

(24) Date from which industrial property rights may have effect: **13 August 2010**

(54) Product in respect of which the design is registered: **Dispensing closure**

(51) International Design Classification: **09-07A**

(71) Name(s) and Address(s) of Applicant(s):

**Seaquist Closures L.L.C.**

**711 Fox Street Mukwonago Wisconsin 53149 United States of America**

(72) Name(s) of Designer(s): **Timothy M. Mazurkiewicz and Stacy L. Beilke and Anne F. Stecker and John Wisniewski**

(45) Registration Date: **07 September 2010**

(30) Convention priority data:

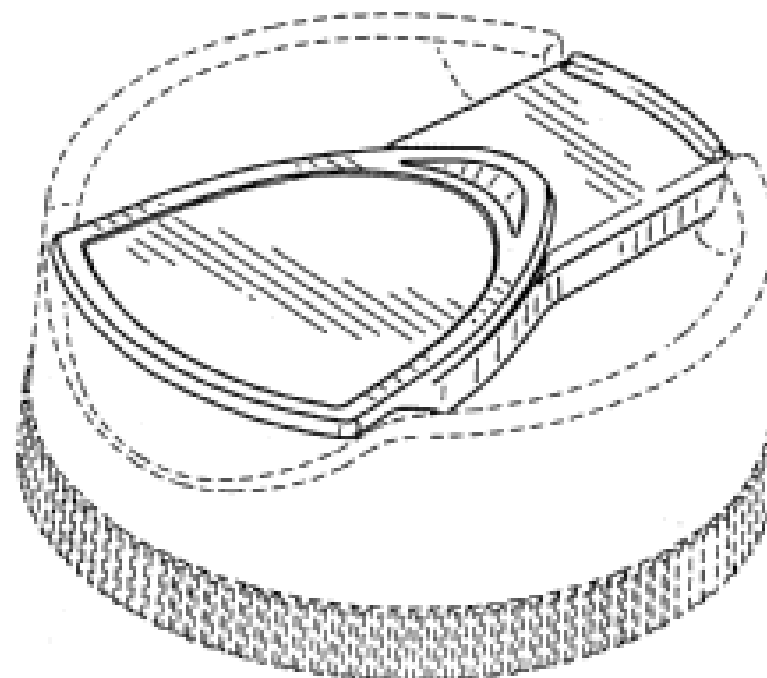
(31) Number  
**29/349540**

(32) Date  
**13 Apr 2010**

(33) Country  
**UNITED STATES OF AMERICA**

(56) Related Art Documents: **Not Applicable**

(57) Statement of Newness and Distinctiveness: **Newness and distinctiveness is claimed in the features of shape and/or configuration of the lid of a dispensing closure as illustrated in continuous lines in the accompanying representations.**



(21) Design Number: **13500/2010**

(22) Date of Filing Application: **13 August 2010**

(24) Date from which industrial property rights may have effect: **13 August 2010**

(54) Product in respect of which the design is registered: **Television set**

(51) International Design Classification: **14-03B**

(71) Name(s) and Address(s) of Applicant(s):

**Sharp Kabushiki Kaisha**

**22-22 Nagaike-cho Abeno-ku Osaka Japan**

(72) Name(s) of Designer(s): **Tohru Ohtani and Yasutaka Shimamoto and Yuhsuke Totsuka and Hiroshi Yamamizu and Keiichiroh Aou and Yoshito Fujii**

(45) Registration Date: **07 September 2010**

(30) Convention priority data:

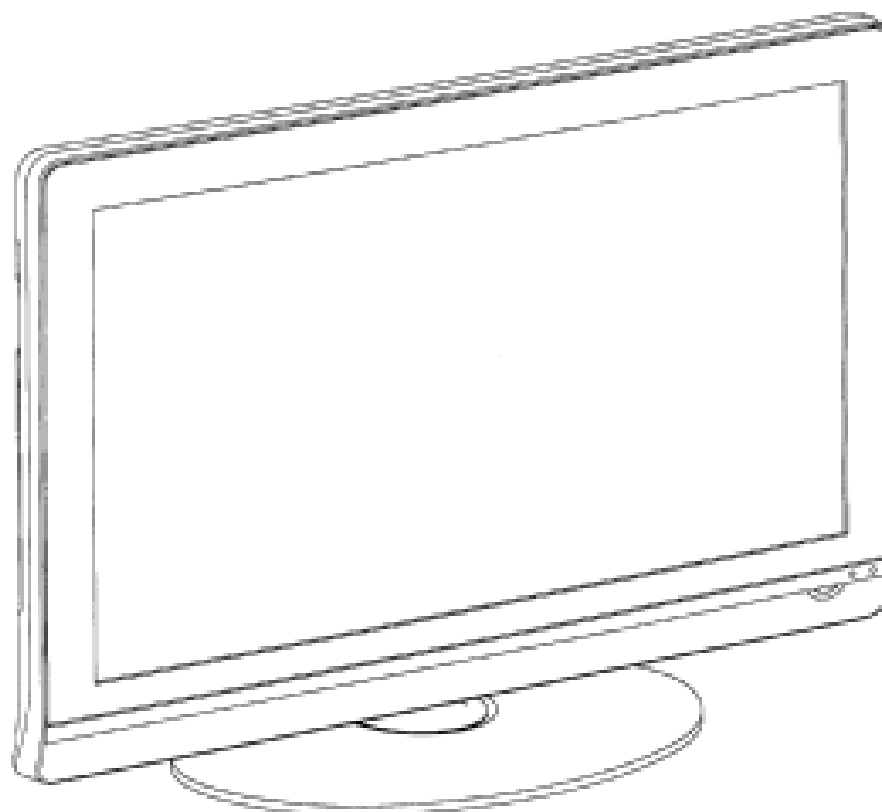
(31) Number  
**2010-005768**

(32) Date  
**10 Mar 2010**

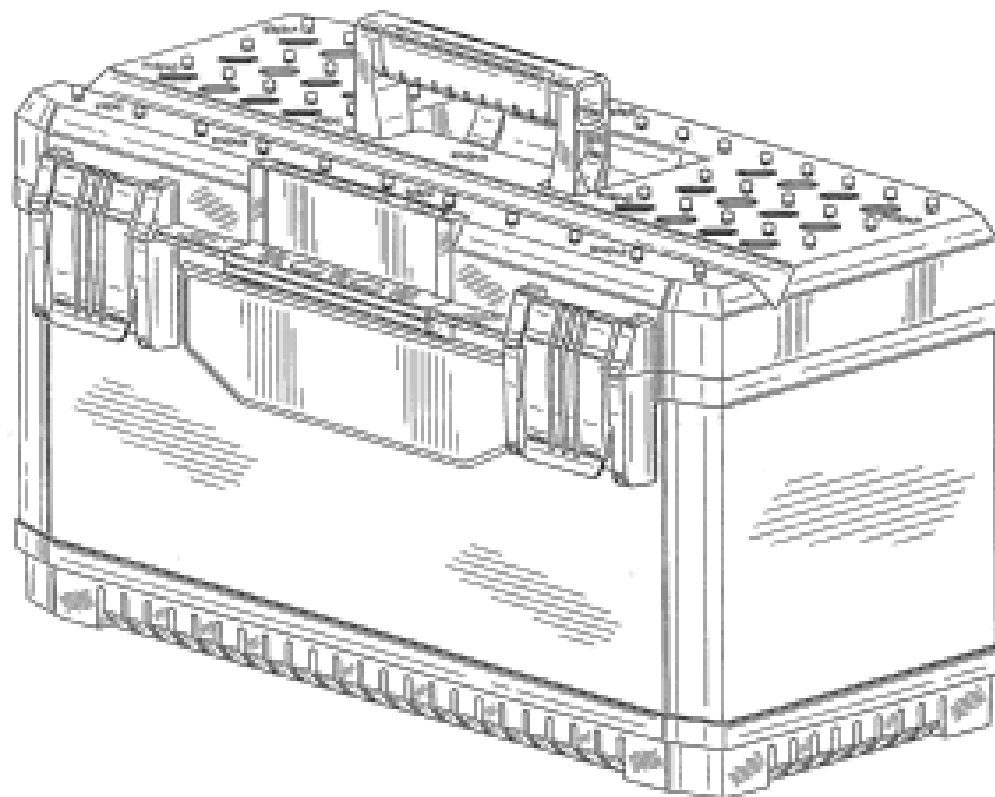
(33) Country  
**JAPAN**

(56) Related Art Documents: **Not Applicable**

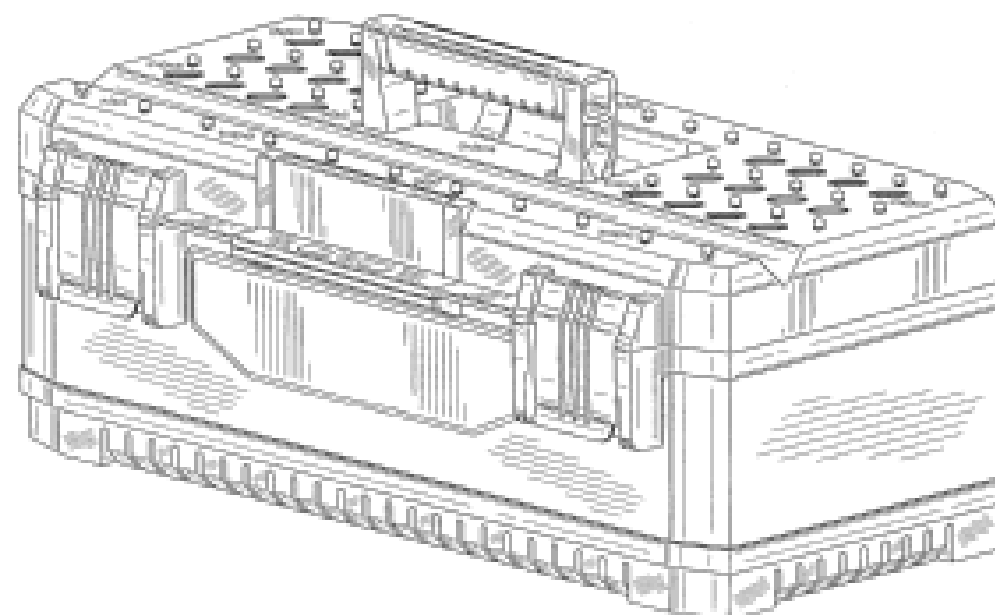
(57) Statement of Newness and Distinctiveness: **Newness and distinctiveness is claimed in the visual features shown in solid lines in the representations.**



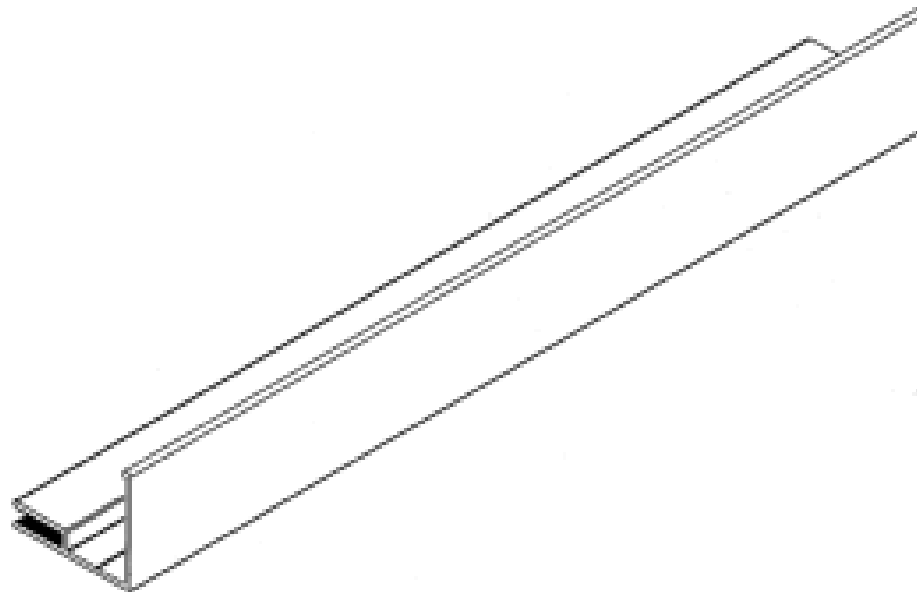
- (21) Design Number: **13820/2010**  
(22) Date of Filing Application: **09 July 2010**  
(24) Date from which industrial property rights may have effect: **09 July 2010**  
(54) Product in respect of which the design is registered: **A toolbox**  
(51) International Design Classification: **03-01D**  
(71) Name(s) and Address(s) of Applicant(s):  
**The Stanley Works Israel, Ltd.**  
**19 Ha'Melacha Street Rosh Ha'Ayin 48091 Israel**  
(72) Name(s) of Designer(s): **Yosi Sabbag and Mark Bensman**  
(45) Registration Date: **07 September 2010**  
(30) Convention priority data:  
(31) Number      (32) Date      (33) Country  
**29/353547      11 Jan 2010      UNITED STATES OF AMERICA**  
(62) Divisional of: **332665**  
(56) Related Art Documents: **Not Applicable**  
(57) Statement of Newness and Distinctiveness: **Newness and distinctiveness is claimed in the visual features shown in solid lines in the representations.**



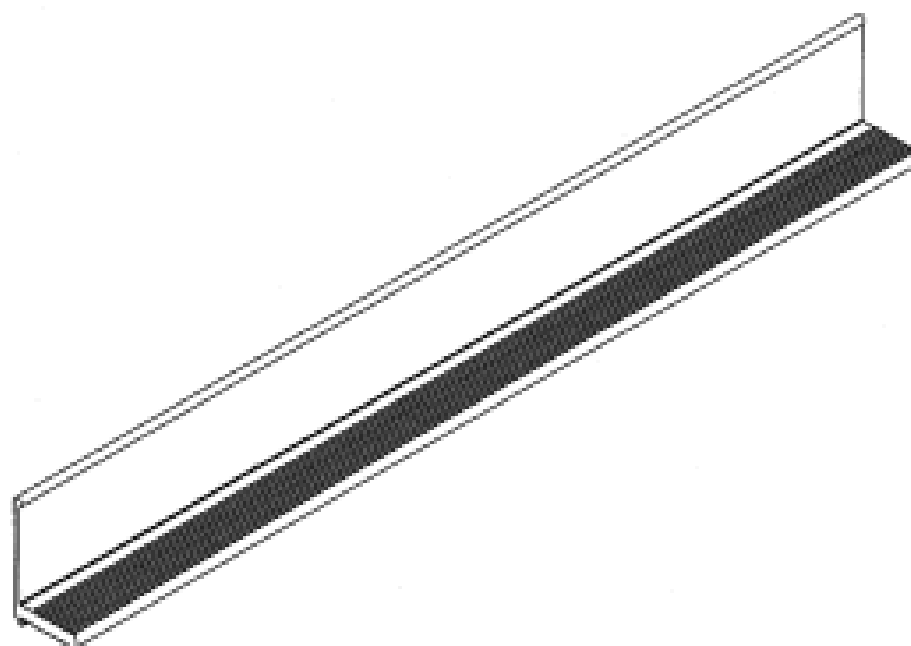
- (21) Design Number: **12849/2010**  
(22) Date of Filing Application: **09 July 2010**  
(24) Date from which industrial property rights may have effect: **09 July 2010**  
(54) Product in respect of which the design is registered: **A toolbox**  
(51) International Design Classification: **03-01D**  
(71) Name(s) and Address(s) of Applicant(s):  
**The Stanley Works Israel, Ltd.**  
**19 Ha'Melacha Street Rosh Ha'Ayin 48091 Israel**  
(72) Name(s) of Designer(s): **Yosi Sabbag and Mark Bensman**  
(45) Registration Date: **07 September 2010**  
(30) Convention priority data:  
(31) Number      (32) Date      (33) Country  
**29/353547      11 Jan 2010      UNITED STATES OF AMERICA**  
(56) Related Art Documents: **Not Applicable**  
(57) Statement of Newness and Distinctiveness: **Newness and distinctiveness is claimed in the visual features shown in solid lines in the representations.**



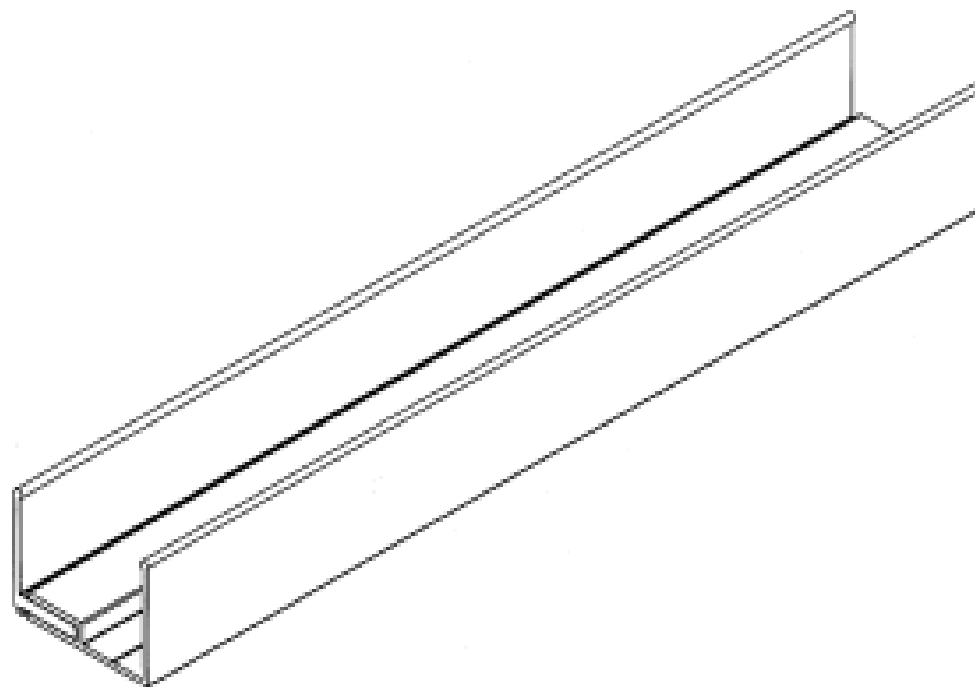
- (21) Design Number: **13821/2010**  
(22) Date of Filing Application: **12 August 2010**  
(24) Date from which industrial property rights may have effect: **12 August 2010**  
(54) Product in respect of which the design is registered: **Shower screen assembly**  
(51) International Design Classification: **25-01K**  
(71) Name(s) and Address(s) of Applicant(s):  
**Aluminium Industries of Australia Pty Ltd**  
**Cnr Carson Ave & Cheltenham Rd Keysborough Victoria 3173**  
**Australia**  
(72) Name(s) of Designer(s): **Lee Brown**  
(45) Registration Date: **07 September 2010**  
(56) Related Art Documents: **Not Applicable**  
(57) Statement of Newness and Distinctiveness: **Monopoly is claimed in the shape and/or configuration of an extruded Two Part Receiver-Part A as illustrated in the representations and which is of indefinite length.**



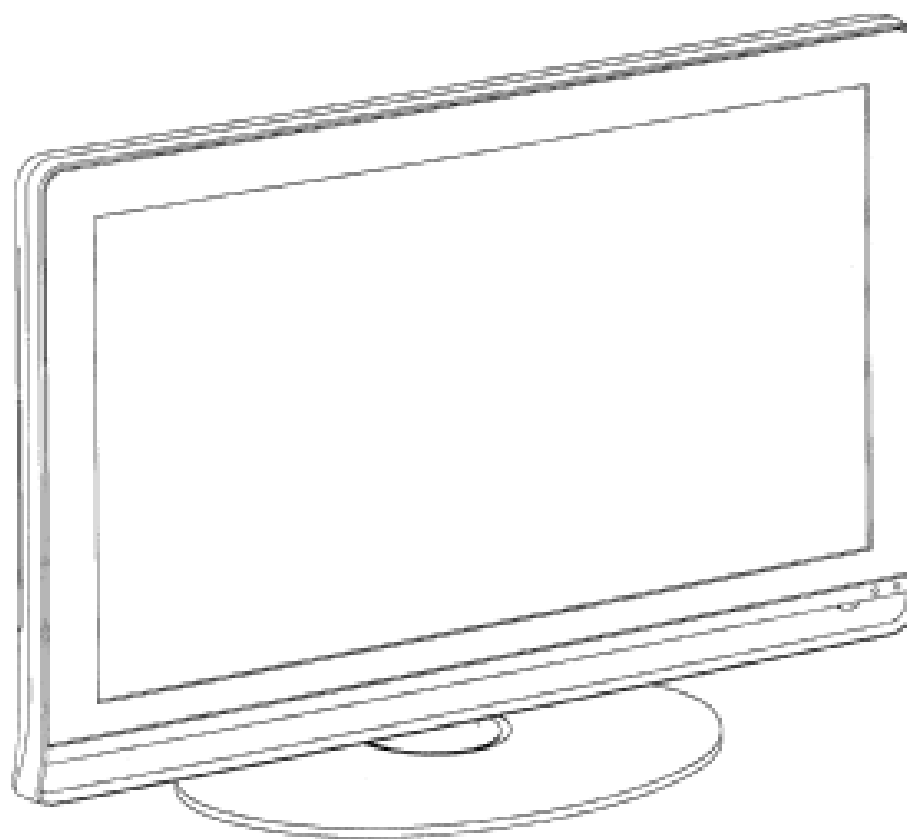
- (21) Design Number: **13436/2010**  
(22) Date of Filing Application: **12 August 2010**  
(24) Date from which industrial property rights may have effect: **12 August 2010**  
(54) Product in respect of which the design is registered: **Shower screen assembly**  
(51) International Design Classification: **25-01K**  
(71) Name(s) and Address(s) of Applicant(s):  
**Aluminium Industries of Australia Pty Ltd**  
**Cnr Carson Ave & Cheltenham Rd Keysborough Victoria 3173**  
**Australia**  
(72) Name(s) of Designer(s): **Lee Brown**  
(45) Registration Date: **07 September 2010**  
(56) Related Art Documents: **Not Applicable**  
(57) Statement of Newness and Distinctiveness: **Monopoly is claimed in the shape and/or configuration of an extruded Two Part Receiver - Part A as illustrated in the representations and which is of indefinite length.**



- (21) Design Number: **13437/2010**  
(22) Date of Filing Application: **12 August 2010**  
(24) Date from which industrial property rights may have effect: **12 August 2010**  
(54) Product in respect of which the design is registered: **Shower screen assembly**  
(51) International Design Classification: **25-01K**  
(71) Name(s) and Address(s) of Applicant(s):  
**Aluminium Industries of Australia Pty Ltd**  
**Cnr Carson Ave & Cheltenham Rd Keysborough Victoria 3173**  
**Australia**  
(72) Name(s) of Designer(s): **Lee Brown**  
(45) Registration Date: **07 September 2010**  
(56) Related Art Documents: **Not Applicable**  
(57) Statement of Newness and Distinctiveness: **Monopoly is claimed in the shape and/or configuration of an extruded Two Part Receiver - Part B as illustrated in the representations and which is of indefinite length.**

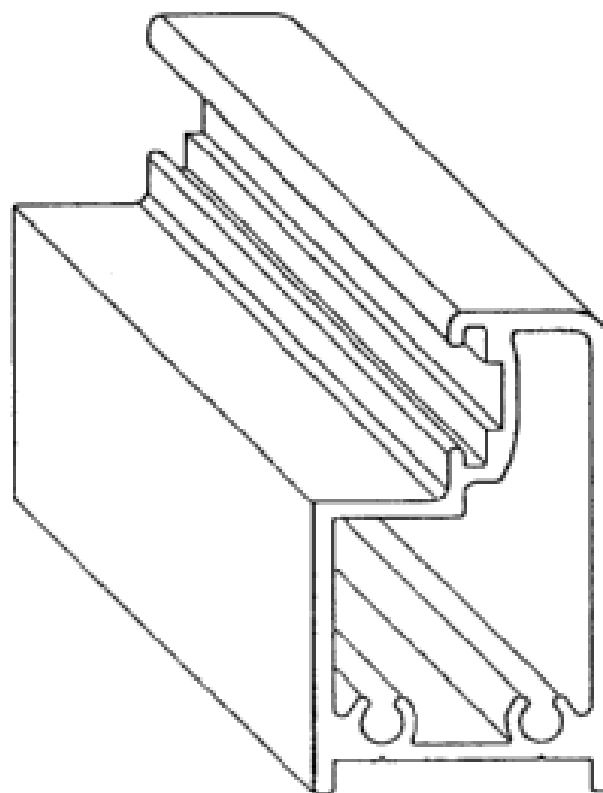


- (21) Design Number: **13501/2010**  
(22) Date of Filing Application: **13 August 2010**  
(24) Date from which industrial property rights may have effect: **13 August 2010**  
(54) Product in respect of which the design is registered: **Television set**  
(51) International Design Classification: **14-03B**  
(71) Name(s) and Address(s) of Applicant(s):  
**Sharp Kabushiki Kaisha**  
**22-22 Nagaike-cho Abeno-ku Osaka Japan**  
(72) Name(s) of Designer(s): **Tohru Ohtani and Yasutaka Shimamoto and Yuhsuke Totsuka and Hiroshi Yamamizu and Keiichiroh Aou and Yoshito Fujii**  
(45) Registration Date: **07 September 2010**  
(30) Convention priority data:  
(31) Number      (32) Date      (33) Country  
**2010-005762      10 Mar 2010      JAPAN**  
(56) Related Art Documents: **Not Applicable**  
(57) Statement of Newness and Distinctiveness: **Newness and distinctiveness is claimed in the visual features shown in solid lines in the representations.**

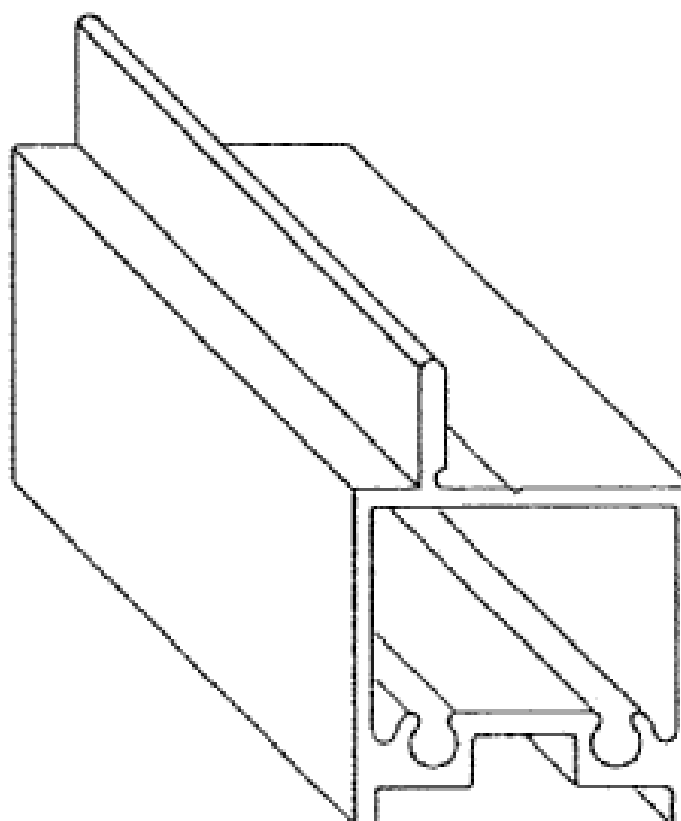




- (21) Design Number: **13504/2010**  
(22) Date of Filing Application: **13 August 2010**  
(24) Date from which industrial property rights may have effect: **13 August 2010**  
(54) Product in respect of which the design is registered: **Frame member**  
(51) International Design Classification: **25-01K, 25-02B, 25-02H**  
(71) Name(s) and Address(s) of Applicant(s):  
**Datco Aluminium Pty Ltd**  
**2 Stafford Street Murwillumbah New South Wales 2484 Australia**  
(72) Name(s) of Designer(s): **Darren Tester**  
(45) Registration Date: **07 September 2010**  
(56) Related Art Documents: **Not Applicable**  
(57) Statement of Newness and Distinctiveness: **The newness and distinctiveness of the design resides in the features of shape and/or configuration of the frame member shown in unbroken lines in the accompanying representations.**



- (21) Design Number: **13505/2010**  
(22) Date of Filing Application: **13 August 2010**  
(24) Date from which industrial property rights may have effect: **13 August 2010**  
(54) Product in respect of which the design is registered: **Frame member**  
(51) International Design Classification: **25-01K, 25-02B, 25-02H**  
(71) Name(s) and Address(s) of Applicant(s):  
**Datco Aluminium Pty Ltd**  
**2 Stafford Street Murwillumbah New South Wales 2484 Australia**  
(72) Name(s) of Designer(s): **Darren Tester**  
(45) Registration Date: **07 September 2010**  
(56) Related Art Documents: **Not Applicable**  
(57) Statement of Newness and Distinctiveness: **The newness and distinctiveness of the design resides in the features of shape and/or configuration of the frame member shown in unbroken lines in the accompanying representations.**



(21) Design Number: **13506/2010**

(22) Date of Filing Application: **13 August 2010**

(24) Date from which industrial property rights may have effect: **13 August 2010**

(54) Product in respect of which the design is registered: **Frame member**

(51) International Design Classification: **25-01K, 25-02B, 25-02H**

(71) Name(s) and Address(s) of Applicant(s):

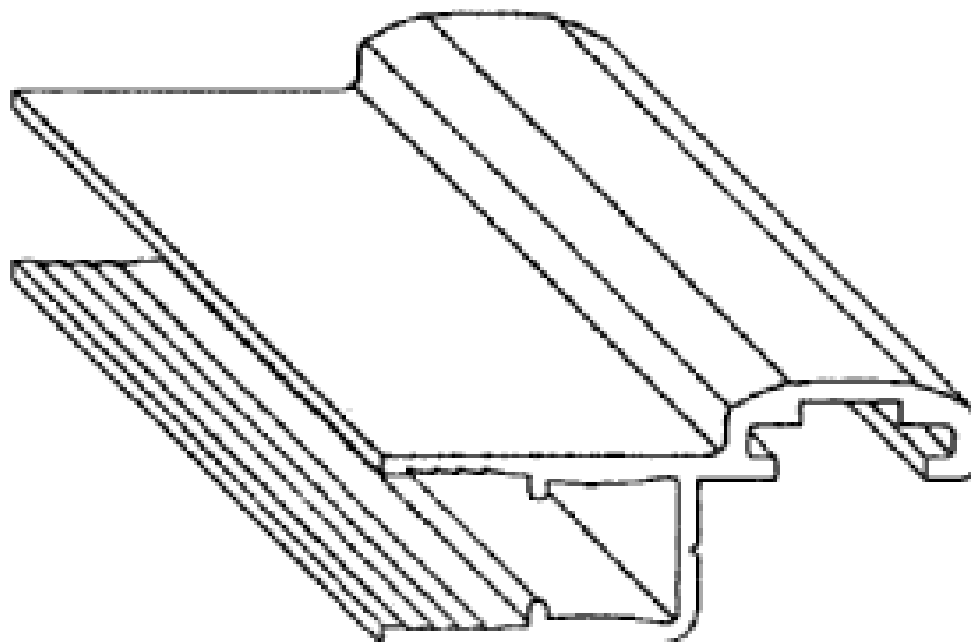
**Datco Aluminium Pty Ltd**  
**2 Stafford Street Murwillumbah New South Wales 2484 Australia**

(72) Name(s) of Designer(s): **Darren Tester**

(45) Registration Date: **07 September 2010**

(56) Related Art Documents: **Not Applicable**

(57) Statement of Newness and Distinctiveness: **The newness and distinctiveness of the design resides in the features of shape and/or configuration of the frame member shown in unbroken lines in the accompanying representations.**



(21) Design Number: **13507/2010**

(22) Date of Filing Application: **13 August 2010**

(24) Date from which industrial property rights may have effect: **13 August 2010**

(54) Product in respect of which the design is registered: **Frame member**

(51) International Design Classification: **25-01K, 25-02B, 25-02H**

(71) Name(s) and Address(s) of Applicant(s):

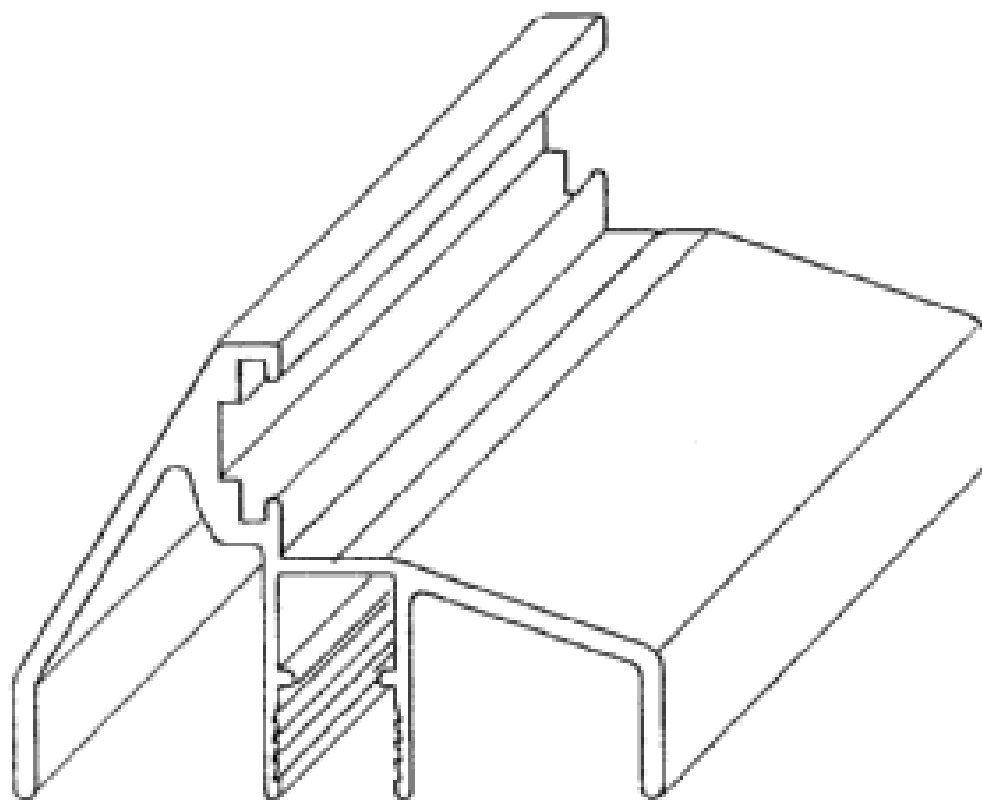
**Datco Aluminium Pty Ltd**  
**2 Stafford Street Murwillumbah New South Wales 2484 Australia**

(72) Name(s) of Designer(s): **Darren Tester**

(45) Registration Date: **07 September 2010**

(56) Related Art Documents: **Not Applicable**

(57) Statement of Newness and Distinctiveness: **The newness and distinctiveness of the design resides in the features of shape and/or configuration of the frame member shown in unbroken lines in the accompanying representations.**



(21) Design Number: **12675/2010**  
(22) Date of Filing Application: **29 June 2010**  
(24) Date from which industrial property rights may have effect: **29 June 2010**  
(54) Product in respect of which the design is registered: **Knife**  
(51) International Design Classification: **07-03**  
(71) Name(s) and Address(s) of Applicant(s):

**Pi-Design AG**  
**Kantonsstrasse 100 6234 Triengen Switzerland**

(72) Name(s) of Designer(s): **Jorgen Bodum**

(45) Registration Date: **07 September 2010**

(30) Convention priority data:

(31) Number	(32) Date	(33) Country
<b>DM/073 488</b>	<b>01 Apr 2010</b>	<b>WORLD INTELLECTUAL PROPERTY ORGANIZATION (WIPO)</b>



(56) Related Art Documents: **Not Applicable**

(57) Statement of Newness and Distinctiveness: **The following features of the design are new and distinctive: the shape of the handle; the handle is coated with soft, rubber-like material like silicone.**

(21) Design Number: **13217/2010**  
(22) Date of Filing Application: **28 July 2010**  
(24) Date from which industrial property rights may have effect: **28 July 2010**  
(54) Product in respect of which the design is registered: **A keystone wall plate kit**  
(51) International Design Classification: **13-03NES**  
(71) Name(s) and Address(s) of Applicant(s):

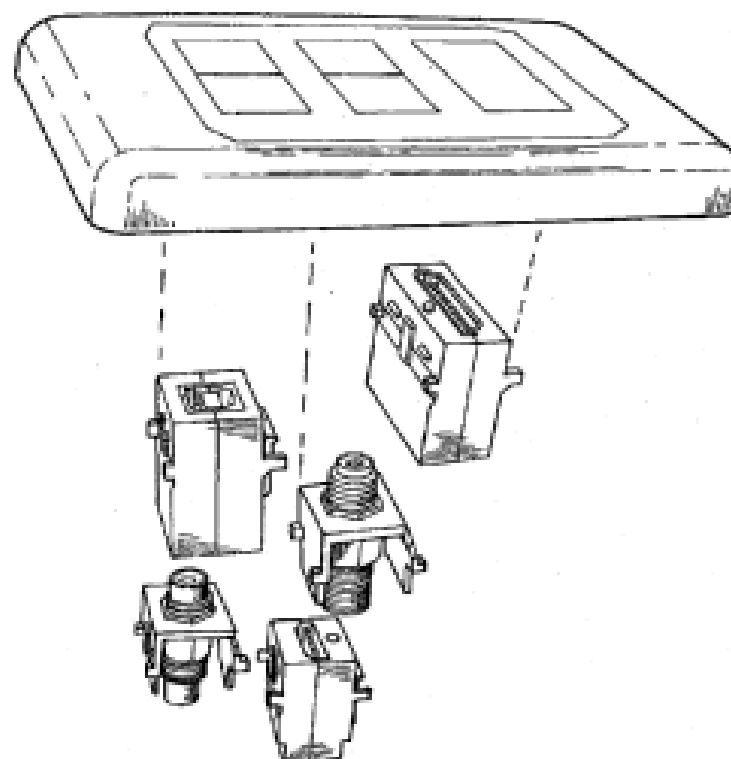
**Olbertz Holdings Pty Ltd**  
**165 Southpine Road Brendale Queensland 4500 Australia**

(72) Name(s) of Designer(s): **Stuart Neale**

(45) Registration Date: **07 September 2010**

(56) Related Art Documents: **Not Applicable**

(57) Statement of Newness and Distinctiveness: **Newness and distinctiveness resides in the features of shape, configuration, pattern and/or ornamentation of a keystone wall plate kit as shown in the accompanying representations. When considering whether the design is new and distinctive when compared to the prior art base, particular regard is to be given to the fact that the single and double modular keystone elements can be interchangeably inserted in the single and double slots of the plate.**



(21) Design Number: **13513/2010**

(22) Date of Filing Application: **16 August 2010**

(24) Date from which industrial property rights may have effect: **16 August 2010**

(54) Product in respect of which the design is registered: **70 inch eyebrow oven hood**

(51) International Design Classification: **23-03G**

(71) Name(s) and Address(s) of Applicant(s):

**Spyral Group Pty Ltd**

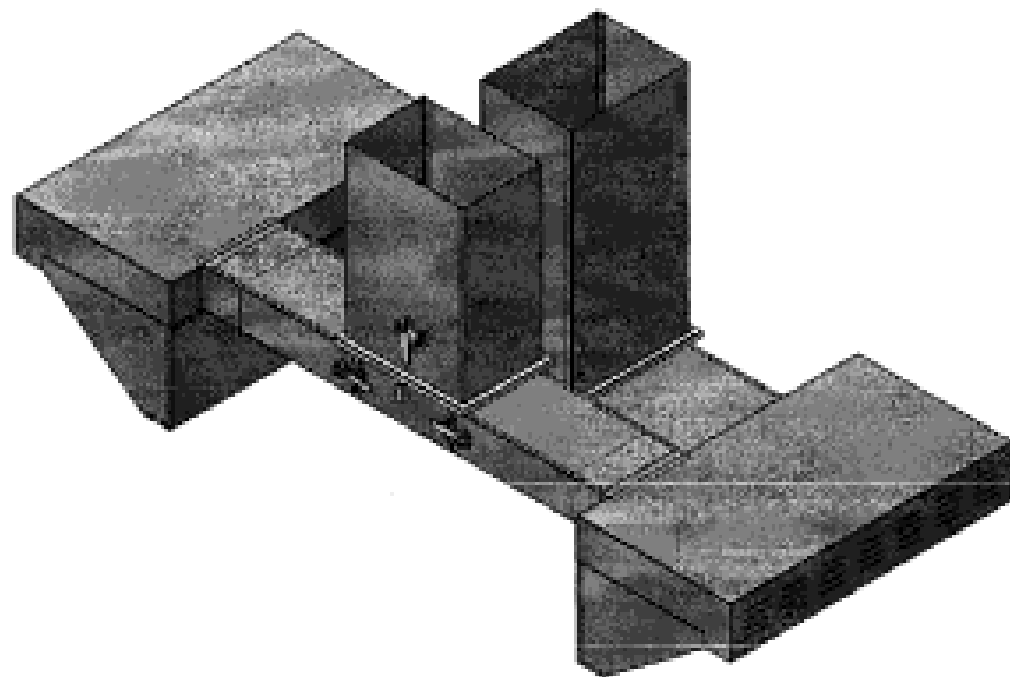
**Unit 5/6 56 Eagleview Place Eagle Farm Queensland 4009 Australia**

(72) Name(s) of Designer(s): **Andrew Rex Morris**

(45) Registration Date: **07 September 2010**

(56) Related Art Documents: **Not Applicable**

(57) Statement of Newness and Distinctiveness: **The PS670 Eyebrow Oven Hood fits on 70 inch ovens rather than standing above them, thus making it part of the oven itself rather than requiring the hood to be affixed to the building in which the oven is installed.**



(21) Design Number: **13514/2010**

(22) Date of Filing Application: **16 August 2010**

(24) Date from which industrial property rights may have effect: **16 August 2010**

(54) Product in respect of which the design is registered: **40 inch eyebrow oven hood**

(51) International Design Classification: **23-03G**

(71) Name(s) and Address(s) of Applicant(s):

**Spyral Group Pty Ltd**

**Unit 5/6 56 Eagleview Place Eagle Farm Queensland 4009 Australia**

(72) Name(s) of Designer(s): **Andrew Rex Morris**

(45) Registration Date: **07 September 2010**

(56) Related Art Documents: **Not Applicable**

(57) Statement of Newness and Distinctiveness: **The PS640 Eyebrow Oven Hood fits on 40 inch ovens rather than standing above them, thus making it part of the oven itself rather than requiring the hood to be affixed to the building in which the oven is installed.**

