



Australian Government

IP Australia

AUSTRALIAN OFFICIAL JOURNAL

OF

DESIGNS

Did you know a searchable version of this journal is now available online?

It's FREE and EASY to SEARCH.

Find it at

<http://pericles.ipaustralia.gov.au/ols/epublish/content/olsEpublications.jsp>
or using the "Online Journals" link on the IP Australia home page.

This Page Left Intentionally Blank

Contents

General Information & Notices

Proceedings Under the Designs Act 1906 preserved as a result of the provisions of Chapter 12 Part 2 of the Designs Act 2003

Extension of Period of Registration of Designs	2328
Names Registered - Alterations and Amendments	2328
Registrations Ceased	2328
Subsequent Owners Registered	2328

Proceedings Under the Designs Act 2003

Applications for Extension of Time Under Section 137	2339
Applications Lapsed	2338
Applications Lodged	2333
Certificate of Examination	2341
Extension of Period of Registration of Design	
Extension of Time Granted Under Section 137	2339
Names Registered - Alterations and Amendments	2340
Publication and Registration Proceedings	
Designs Registered 332678 to 332888.....	2342
Registrations Ceased	2339
Subsequent Owners Registered	2339

This Page Left Intentionally Blank

For information on the following please see our website www.ipaustralia.gov.au or contact our Customer Service Network on 1300651010

[Editorial enquiries](#)

[Contact information](#)

[Freedom of Information ACT](#)

[Professional Standards Board](#)

[Sales](#)

[Requests for Information under Section 194 \(c\)](#)

[Country Codes](#)

[Trade Mark and Designs Hearing Sessions](#)

[INID \(Internationally agreed Numbers for the Identification of Data\)](#)

“INID” NUMBERS in use on Australian Design Documents

“INID” is an acronym for “Internationally agreed Numbers for the Identification of Data”.

(10) Data concerning the registration/renewal

- (11) Serial number of the registration and/or number of the design document
- (12) Plain language designation of the kind of published document
- (19) Identification, using the two-letter code according to WIPO Standard ST.3, of the authority publishing or registering the industrial design

(20) Data concerning the application

- (21) Serial number of the application
- (22) Date of filing of the application
- (24) Date from which the industrial design right has effect

(30) Data relating to priority under the Paris Convention

- (31) Serial number assigned to the priority application
- (32) Date of filing of the priority application
- (33) Two-letter code, according to WIPO Standard ST.3, identifying the authority with which the priority application was made

(40) Date(s) of making information available to the public

- (45) Date of publication of the registered industrial design by printing or similar process, or making it available to the public by any other means

(50) Miscellaneous Information

- (51) International Classification for Industrial Designs (class and subclass of the Locarno Classification)
- (54) Designation of article(s) or product(s) covered by the industrial design or title of the industrial design
- (55) Reproduction of the industrial design (e.g., drawing, photograph) and explanations relating to the reproduction
- (56) List of prior art documents, if separate from descriptive text
- (57) Description of characteristic features of the industrial design including indication of colours

(60) References to other legally related application(s) and registration(s)

- (62) Serial number(s) and, if available, filing date(s) of application(s), registration(s) or document(s) related by division
- (66) Serial number(s) of the application, or the registration, of the design(s) which is (are) a variant(s) of the present one

(70) Identification of parties concerned with the application or registration

- (71) Name(s) and address(es) of the applicant(s)
- (72) Name(s) of the creator(s) if known to be such
- (74) Name(s) and address(es) of the representative(s)

This Page Left Intentionally Blank

Nil notices for this journal issue.

Proceedings under the Designs Act 1906 preserved as a result of the provisions of Chapter 12 Part 2 of the Designs Act 2003.

This Page Left Intentionally Blank

Applications Lapsed

There were no Applications Lapsed under this section

Extension of Period of Registration of Designs

1st Period (Section 27A(8))

2nd Period (Section 27A(12))

3rd Period (Section 27A(13))

139775	139776	140048
140157	140158	140159
140176	140179	140237
140238	140239	140300
140322	140324	140474
140475	140484	140517
140535	140880	141274
141275	141481	141631
142782	143466	143467
143468	143469	144456
144621	145054	146165
146602	149853	

Registrations Ceased

Note: Some of the following Registrations may have been previously advertised as ceased. In this instance, the previous advertisement still prevails.

114105	123194	123195
123202	123221	123419
123422	123492	123778
123799	123800	123811
123850	124016	124775
125083	125084	125440
125665	126591	126639
126649	127075	127245
127401	127498	129436
129437	129438	129439
129440	129479	129480
129481	131755	137310
137311	138265	138310
138312	138313	138345
138431	138432	138435
138474	138543	138544
138545	138691	138762
138763	138769	139288
139433	139716	139717
140557	141644	141663
142762	155075	155112
155113	155313	155393
155828	156357	156358
156392	156477	156478
156487	156488	156489
156490	156514	156515

156550	156551	156575
156731	156733	156790
156808	156911	156976
156977	156978	157174
157308	157337	157353
157390	157426	157469
157559	157745	157749
157751	157752	157753
157754	157766	157781
157782	157783	157800
157801	157916	157967
158104	158154	158266
158303	158315	158316
158317	158318	158319
158320	158321	158328
158350	158392	158422

Subsequent Owners Registered

(The name in parentheses is that of the subsequent owner)

157979	(SRI Sports Limited) Roger Cleveland Golf Company Inc.
157980	(SRI Sports Limited) Roger Cleveland Golf Company Inc.

Names Registered - Alterations and Amendments

(The name in parentheses is the new name of the proprietor)

139465	(Clipsal Australia Pty Ltd) Gerard Industries Pty Ltd
--------	---

This Page Left Intentionally Blank

Proceedings under the Designs Act 2003.

This Page Left Intentionally Blank

Applications Lodged

Lodgement information is in the following order: **Applicant's Name**; International Classification, Name of Product, Lodgement Date and **Design Number**. If the applicant claims an earlier priority date under an International Convention, the Convention Country and the associated filing date are shown in parentheses before the Lodgement Date. Divisional information will also appear in parentheses before the Lodgement Date.

van der Velden, Lorinda; 07-06D, Bottle opener, 23 Dec 2009	13913/2010	Beba Enterprises Pty Ltd; 02-02NES, Top, 09 Mar 2010	13947/2010
van der Velden, Lorinda; 07-06D, Bottle opener, 23 Dec 2009	13914/2010	Becton, Dickinson and Company; 09-03F, Transport tube holder assembly with internal and external ribs, (US, 19 Jan 2010) 19 Jul 2010	13881/2010
A.C. Whalan & Co Pty Limited; 23-01K, Shouldered non return valve, 07 Sep 2010	13879/2010	Becton, Dickinson and Company; 09-03F, Transport tube holder assembly with internal and external ribs, (US, 19 Jan 2010) 19 Jul 2010	13882/2010
Adcock-Schot, Heather; 05-06NES, Pressed metal sheet, 16 Sep 2010	13998/2010	Becton, Dickinson and Company; 09-03F, Transport tube holder assembly with internal and external ribs, (US, 19 Jan 2010) 19 Jul 2010	13883/2010
Alessi, Alessandro; 25-01G, EPS cladding board, 16 Sep 2010	14031/2010	Becton, Dickinson and Company; 09-03F, Transport tube holder assembly with internal and external ribs, (US, 19 Jan 2010) 19 Jul 2010	13880/2010
Amcor Limited; 09-03M, Container and blank therefor, 06 Sep 2010	13855/2010	Becton, Dickinson and Company; 09-03F, Transport tube holder assembly with internal and external ribs, (US, 19 Jan 2010) 19 Jul 2010	14019/2010
Amcor Limited; 09-03M, Container and blank therefor, 06 Sep 2010	13856/2010	Bridgestone Corporation; 12-15NES, Lug for continuous track, (JP, 16 Mar 2010) 16 Sep 2010	13876/2010
American Sterilizer Company; 24-02, Knock-out device for releasing chemistry from a chemistry container, (US, 31 Mar 2010) 09 Sep 2010	13891/2010	Bronwyn Blue Design; 02-02NES, T-shirts, 07 Sep 2010	13865/2010
American Sterilizer Company; 24-02, Knock-out device for releasing chemistry from a chemistry container, (US, 31 Mar 2010) 13 Sep 2010	13966/2010	Brown & Watson International Pty Ltd; 12-16E, 26-05A, Light fitting, 06 Sep 2010	13981/2010
Ansell Healthcare Products LLC; 02-06, Glove, (US, 15 Jan 2010) 15 Jul 2010	14005/2010	Bruggemann, Byron; Tuckett, Chris; 12-11, Set of bike pegs, 14 Sep 2010	13969/2010
Apple Inc.; 14-03A, 14-04, Electronic device as shown in figures A to H including a screen as shown in solid outline in figures A to H, displaying the image as shown in any one of figures 1 to 24 on the whole or any portion thereof, (US, 07 Apr 2010) 17 Sep 2010	14046/2010	Bunn-O-Matic Corporation; 07-02L, 31-00, Brewer, (US, 12 Mar 2010) 13 Sep 2010	14047/2010
Apple Inc.; 13-03NES, Housing plate, (US, 05 Jun 2010) 17 Sep 2010	14045/2010	Business and Domestic Products Limited; 07-05A, Ironing board, (EM, 12 Apr 2010) 17 Sep 2010	13967/2010
Ariat International, Inc.; 02-04A, A footwear outsole, (US, 14 Apr 2010) 16 Sep 2010	14027/2010	Caden, Jodi E.; 02-02NES, Abdominal wrap, (US, 27 May 2010) 13 Sep 2010	13920/2010
Arrow Fastener Co., LLC; 15-99, Fastening tool, (US, 22 Mar 2010) 16 Sep 2010	14041/2010	Caird, Deborah Karen; 02-03, A blank for a helmet, (NZ, 08 Mar 2010) 08 Sep 2010	13877/2010
Assa Abloy Australia Pty Limited; 08-07, 08-06, Lock housing with turn knob, 16 Sep 2010	14033/2010	Cellnet Group Limited; 13-02, In car charger, 07 Sep 2010	13878/2010
APC Group Pty Ltd; 25-01K, Protector of constant cross-section and indefinite length, 10 Sep 2010	13955/2010	Creative Instore Solutions Pty Ltd; 15-07, Refrigerator, 07 Sep 2010	13990/2010
Beba Enterprises Pty Ltd; 02-02C, Dress, 09 Mar 2010	13946/2010	Desira, Aaron Richard; 07-01D, 1140 ml beer jug - plastic or glass, 13 Sep 2010	13991/2010
		Desira, Aaron Richard; 07-01D, 1140 ml beer jug, 13 Sep 2010	13992/2010

Dickson, Derek; 21-99, Nipple stimulator, 17 Sep 2010	14029/2010	Hansa Metallwerke AG; 23-02B, Shower head, (EM, 17 Mar 2010) 06 Sep 2010	13861/2010
Dittko, James Anthony; 09-02C, 23-01NES, Wine barrel with beer tap, 13 Sep 2010	13989/2010	Hare, Kathleen Anne; Yelland, Lyn; 30-04, Girth tightener, 17 Sep 2010	14028/2010
Easy-Do Products Limited; 04-01, Hand-held cleaning utensil, (EM, 25 Aug 2010) 10 Sep 2010	13925/2010	Haworth Inc.; 06-01F, Office chair, (US, 26 Apr 2010) 03 Sep 2010	13840/2010
Evans, Sean; Ladderlock Pro AUS/NZ 2004 Pty Ltd; 08-07, Locking device, 20 Sep 2010	14043/2010	Henkel AG & Co. KGaA; 09-07A, Nozzle, (EM, 29 Mar 2010) 06 Sep 2010	13868/2010
Ezypot Pty Ltd; 12-02, Especially designed foldable trolley, 07 Sep 2010	13869/2010	Henkel AG & Co. KGaA; 09-07A, Nozzle, (EM, 29 Mar 2010) 06 Sep 2010	13867/2010
Firma Ing. Klaus Ebinger; 10-05, Detecting probe, (EM, 13 Apr 2010) 06 Sep 2010	13848/2010	Hunter, Daniel; 07-02A, Gas cookers, (EM, 21 Jun 2010) 10 Sep 2010	13933/2010
Fuji Xerox Co., Ltd.; 14-02, Toner cartridge, (JP, 17 Mar 2010) 15 Sep 2010	14012/2010	Icon Plastics Pty Ltd; 23-01B, Water flow diverter, 09 Sep 2010	13903/2010
Fuji Xerox Co., Ltd.; 14-02, Toner cartridge, (JP, 17 Mar 2010) 15 Sep 2010	14008/2010	Invacare Corp.; 12-12, Seating system for wheelchair, (US, 16 Mar 2010) 13 Sep 2010	13963/2010
Fuji Xerox Co., Ltd.; 14-02, Toner cartridge, (JP, 17 Mar 2010) 15 Sep 2010	14011/2010	Invacare Corp.; 12-12, Seating system for wheelchair, (US, 16 Mar 2010) 13 Sep 2010	13964/2010
Fuji Xerox Co., Ltd.; 14-02, Toner cartridge, (JP, 17 Mar 2010) 15 Sep 2010	14009/2010	Invacare Corp.; 06-06G, 12-12, Seat back for wheelchair seating system, (US, 16 Mar 2010) 13 Sep 2010	13965/2010
FYRLYT Pty Ltd; 26-06, Driving light for vehicles, 13 Sep 2010	13974/2010	Jensen, Brad; 12-16K, Bicycle racks, 16 Sep 2010	14002/2010
Gillette Company, The; 28-03A, Shaving razor tray, (US, 22 Mar 2010) 16 Sep 2010	14032/2010	Johnson & Johnson KK; 04-02, Toothbrush, (US, 31 Mar 2010) 15 Sep 2010	14010/2010
Golfer's Mate Limited; 21-02C, Golf tool, (EM, 15 Mar 2010) 14 Sep 2010	13996/2010	Johnson Controls Technology Company; 13-02, Battery, (US, 11 Mar 2010) 10 Sep 2010	13961/2010
Grace, Kelvin; 08-08NES, Hanger bracket, 16 Sep 2010	14035/2010	Jongebloed, Kevin John; 19-99, Book mark, 13 Sep 2010	13954/2010
Great Wall Motor Company Limited; 12-08, Automobile, (CN, 16 Mar 2010) 15 Sep 2010	14015/2010	Karsten Manufacturing Corporation; 21-02C, Golf club head, (US, 29 Jun 2010) 08 Sep 2010	13897/2010
Great Wall Motor Company Limited; 12-08, Automobile, (CN, 16 Mar 2010) 15 Sep 2010	14016/2010	Karsten Manufacturing Corporation; 21-02C, Golf club head, (US, 29 Jun 2010) 08 Sep 2010	13898/2010
Grocon Operations Pty Ltd; 08-08L, Support bracket, 08 Sep 2010	13899/2010	Kohler Co.; 13-03NES, Control panel, (US, 16 Mar 2010) 14 Sep 2010	13983/2010
Grocon Operations Pty Ltd; 08-08L, Connecting bracket, 08 Sep 2010	13900/2010	Koninklijke Philips Electronics N.V.; 24-01, Strap for face mask, (EM, 15 Mar 2010) 13 Sep 2010	13962/2010
Grocon Operations Pty Ltd; 08-08L, Connecting bracket, 08 Sep 2010	13901/2010	Kotarac Holdings Pty Ltd; 06-03C, Furniture, 09 Sep 2010	13887/2010
Grocon Operations Pty Ltd; 08-08L, Connecting bracket, 08 Sep 2010	13902/2010	Kyocera Mita Corporation; 14-02, Toner cartridge, (JP, 18 Mar 2010) 10 Sep 2010	13923/2010
Gutowski, Matthew; 06-03D, Game table, 07 Sep 2010	13893/2010	Kyocera Mita Corporation; 14-02, Toner cartridge, (JP, 18 Mar 2010) 10 Sep 2010	13921/2010
Hansa Metallwerke AG; 23-02B, Shower head, (EM, 17 Mar 2010) 06 Sep 2010	13860/2010		

Kyocera Mita Corporation; 14-02, Toner cartridge, (JP, 18 Mar 2010) 10 Sep 2010	13919/2010	Mee, Dennis J.; 25-01B, Spacer wheel for reinforcement bars in concrete structure, 15 Sep 2010	14024/2010
Kyocera Mita Corporation; 14-02, Toner cartridge, (JP, 18 Mar 2010) 10 Sep 2010	13924/2010	Mee, Dennis J.; 25-01B, Spacer wheel for reinforcement bars in concrete structure, 15 Sep 2010	14025/2010
Ladderlock Pro AUS/NZ 2004 Pty Ltd; Evans, Sean; 08-07, Locking device, 20 Sep 2010	14043/2010	Mort Bay Traders Pty Ltd; 13-03D, 26-05NES, Combined night light and USB power adaptor, (NZ, 15 Mar 2010) 13 Sep 2010	13970/2010
Licciardi Di Stefano, Carmelo Joseph; 06-10, Housing for a screen tensioning mechanism, 09 Sep 2010	13929/2010	My Lamp; 26-04, A lamp, 20 Sep 2010	14044/2010
Licciardi Di Stefano, Carmelo Joseph; 06-10, Screen tensioning mechanism, 09 Sep 2010	13930/2010	Nalge Nunc International Corporation; 09-07C, Bottle closure, (US, 15 Mar 2010) 15 Sep 2010	14014/2010
Licciardi Di Stefano, Carmelo Joseph; 06-10, Housing for a screen tensioning mechanism, 09 Sep 2010	13928/2010	Niewiarowski, Wieslaw; Niewiarowski, Irena; 14-03NES, 12-16NES, Car remote control for Ford Falcon AU2, AU3, Fairlane, Fairmont, Ghia sedan and wagon, 09 Sep 2010	13886/2010
Loftus Enterprises Pty Ltd; 07-02N, Frying pan, 14 Sep 2010	13995/2010	Niewiarowski, Irena; Niewiarowski, Wieslaw; 14-03NES, 12-16NES, Car remote control for Ford Falcon AU2, AU3, Fairlane, Fairmont, Ghia sedan and wagon, 09 Sep 2010	13886/2010
Luminous Star Technology Ltd.; 26-99, 10-05, Alarm light, 16 Sep 2010	14034/2010	Niewiarowski, Wieslaw; Niewiarowski, Irena; 14-03NES, 12-16NES, Car remote control for Ford Falcon AU2, AU3, Fairlane, Fairmont, Ghia UTE, 09 Sep 2010	13892/2010
Madigan, Simon Shane; 99-00, A stub hub, 10 Sep 2010	13942/2010	Niewiarowski, Irena; Niewiarowski, Wieslaw; 14-03NES, 12-16NES, Car remote control for Ford Falcon AU2, AU3, Fairlane, Fairmont, Ghia UTE, 09 Sep 2010	13892/2010
Mars, Incorporated; 09-03C, Container, (US, 19 Mar 2010) 06 Sep 2010	13849/2010	Nightbay Pty Ltd; 09-03NES, 09-03D, Carton, 15 Sep 2010	14006/2010
Mars, Incorporated; 01-01, Chocolate/confectionery, (US, 06 Apr 2010) 06 Sep 2010	13850/2010	Nightbay Pty Ltd; 09-03D, Carton, 15 Sep 2010	14007/2010
Mattellone S.R.L.; 16-06, Glasses, (EM, 12 Mar 2010) 08 Sep 2010	13894/2010	Nippon Steel Corporation; 25-01NES, Vibration-damping device, (JP, 10 Aug 2010) 13 Sep 2010	13976/2010
McLaughlan, James; 23-01F, Water tank, 14 Sep 2010	13980/2010	Nippon Steel Corporation; 25-01D, Wall panel, (JP, 30 Jul 2010) 13 Sep 2010	13977/2010
McNeil AB; 09-01NES, 09-03NES, Container, (Divisional of 12692/2010) 30 Jun 2010	13851/2010	Nippon Steel Corporation; 25-01D, Vibration-damping metal plate, (JP, 10 Aug 2010) 13 Sep 2010	13978/2010
McNeil AB; 09-01NES, 09-03NES, Container, (Divisional of 12692/2010) 30 Jun 2010	13853/2010	Nippon Steel Corporation; 25-01NES, Vibration-damping hardware, (JP, 10 Aug 2010) 13 Sep 2010	13975/2010
McNeil AB; 09-01NES, 09-03NES, Container, (Divisional of 12692/2010) 30 Jun 2010	13852/2010	NCI Holdings Pty Ltd; 09-03L, A container, 17 Sep 2010	14052/2010
Medical Instill Technologies, Inc.; 07-01E, Bottle closure with nipple, (US, 11 Mar 2010) 13 Sep 2010	13979/2010	NCI Holdings Pty Ltd; 09-03M, A container, 17 Sep 2010	14053/2010
Medical Instill Technologies, Inc.; 07-01E, Bottle with nipple, (US, 11 Mar 2010) 10 Sep 2010	13944/2010	NCI Holdings Pty Ltd; 09-03L, A container, 17 Sep 2010	14054/2010
Medical Instill Technologies, Inc.; 09-01K, Bottle with nipple, (US, 11 Mar 2010) 10 Sep 2010	13941/2010	NCI Holdings Pty Ltd; 09-03L, A container, 17 Sep 2010	14051/2010
Mee, Dennis J.; 25-01B, Spacer wheel for reinforcement bars in concrete structure, 15 Sep 2010	14026/2010	NCI Holdings Pty Ltd; 07-01NES, A container, 17 Sep 2010	14048/2010

NCI Holdings Pty Ltd; 09-03M, A container, 17 Sep 2010	14050/2010	Powers Products III, LLC; 08-08A, Wall anchor, (US, 25 Mar 2010) 10 Sep 2010	13940/2010
NCI Holdings Pty Ltd; 07-01NES, A container, 17 Sep 2010	14049/2010	Premier-Fosters (Australia) Pty Limited; 23-01K, Valve enclosure, 09 Sep 2010	13931/2010
Odell, James; 12-06NES, Wakeboard tower, 15 Sep 2010	13994/2010	Preston, John Clement; 25-04, Scaffolding module, 14 Sep 2010	13985/2010
Odell, James; 12-06NES, Wakeboard tower, 15 Sep 2010	13993/2010	PPI Corporation Pty. Ltd.; 23-01B, A pipe, 08 Sep 2010	13888/2010
One Water Naturally Pty Ltd; 23-01E, WiWo Multiple source water controller, 14 Sep 2010	13987/2010	ResMed Ltd; 24-01, Positive airway pressure delivery device and/or humidifier and/or components thereof, (Divisional of 12312/2010) 19 Dec 2008	13949/2010
One Water Naturally Pty Ltd; 23-01E, WiWo Multiple source water controller, 14 Sep 2010	13988/2010	Roberts, Jock M.; 24-01, Oestrus detector, 05 May 2010	13884/2010
One Water Naturally Pty Ltd; 23-01E, WiWo Multiple source water controller, 14 Sep 2010	13986/2010	Royalty Bugaboo GmbH; 12-12, Stroller, (EM, 13 Aug 2010) 10 Sep 2010	13937/2010
Oriel Therapeutics, Inc.; 24-04, Dry powder inhaler, (US, 26 Mar 2010) 10 Sep 2010	13911/2010	Royalty Bugaboo GmbH; 12-12, Stroller, (EM, 13 Aug 2010) 10 Sep 2010	13936/2010
Oriel Therapeutics, Inc.; 24-04, 10-07, Dose disk for dry powder inhaler, (US, 26 Mar 2010) 10 Sep 2010	13905/2010	Royalty Bugaboo GmbH; 12-12, Stroller, (EM, 13 Aug 2010) 10 Sep 2010	13935/2010
ORAFOL Europe GmbH; 05-06B, Ring seal pattern on retro-reflective sheeting, (US, 05 Mar 2010) 03 Sep 2010	13875/2010	Royalty Bugaboo GmbH; 12-12, Stroller, (EM, 13 Aug 2010) 10 Sep 2010	13934/2010
ORAFOL Europe GmbH; 05-06NES, Retro-reflective sheeting with corner cube surface pattern having angular corner cube circular regions, (US, 05 Mar 2010) 03 Sep 2010	13872/2010	Ruello, Vincent; 17-03, Guitars, 15 Sep 2010	13984/2010
ORAFOL Europe GmbH; 05-06NES, Retro-reflective sheeting with corner cube surface pattern having angular corner cube circular regions, surrounded by a sealing ring, (US, 05 Mar 2010) 03 Sep 2010	13873/2010	RMD Industries Pty Ltd; 25-01K, Profile, 15 Sep 2010	14013/2010
ORAFOL Europe GmbH; 05-06NES, Retro-reflective sheeting with corner cube surface pattern having angular corner cube circular regions, with cut-off peaks, (US, 05 Mar 2010) 03 Sep 2010	13874/2010	S. C. Johnson & Son, Inc.; 28-03NES, 03-01D, 09-01G, Scent module, (US, 09 Mar 2010) 06 Sep 2010	13866/2010
Petzler, Christopher; 26-03, 20-03C, Solar light street names words and numbers are alluminated, 16 Sep 2010	13997/2010	S. C. Johnson & Son, Inc.; 23-02A, Dispenser for self-adhesive products, (US, 12 Mar 2010) 10 Sep 2010	13938/2010
Pi-Design AG; 07-01C, Double wall drinking glasses, (WO, 04 Mar 2010) 03 Sep 2010	13841/2010	Saabeam Pty Ltd; 02-03, Cap, 26 Aug 2010	13858/2010
Pi-Design AG; 07-01C, Double wall drinking glasses, (WO, 04 Mar 2010) 03 Sep 2010	13842/2010	Saabeam Pty Ltd; 02-03, Cap, 26 Aug 2010	13859/2010
Pi-Design AG; 07-01C, Double wall drinking glasses, (WO, 04 Mar 2010) 03 Sep 2010	13843/2010	Sanford, L.P.; 19-06, Writing instrument, (US, 09 Apr 2010) 10 Sep 2010	13915/2010
Pi-Designs AG; 07-02L, Coffee maker, (WO, 30 Apr 2010) 15 Sep 2010	14004/2010	Sanford, L.P.; 19-06, Writing instrument, (US, 09 Apr 2010) 10 Sep 2010	13916/2010
Plastec Australia Pty Ltd; 23-01A, A seal, 15 Sep 2010	13982/2010	Sanford, L.P.; 19-06, Writing instrument, (US, 09 Apr 2010) 10 Sep 2010	13917/2010
		Sanford, L.P.; 19-06, Writing instrument, (US, 09 Apr 2010) 10 Sep 2010	13918/2010
		Sanford, L.P.; 19-06, Writing instrument, (US, 09 Apr 2010) 10 Sep 2010	13926/2010
		Sanford, L.P.; 19-06, Writing instrument, (US, 09 Apr 2010) 10 Sep 2010	13927/2010

Sensations Dementia Care Products; 02-02B, Domestic goddess sense-apron, 07 Sep 2010	13904/2010	Treffner, Charles; 25-01B, Concrete pod spacer, 07 Sep 2010	13896/2010
Sistema Plastics Limited; 07-01NES, A utensiled food container assembly, (NZ, 25 Jun 2010) 07 Sep 2010	13895/2010	Tsalkos, John; 09-01B, Beverage container, 09 Sep 2010	13932/2010
Sitka Developments Pty Ltd; 08-08D, Pipe hanger clamp, 03 Sep 2010	13857/2010	Tuckett, Chris; Bruggemann, Byron; 12-11, Set of bike pegs, 14 Sep 2010	13981/2010
Smits Investments (Aust) Pty Ltd; 22-05, A detachable body for a fishing lure, 06 Sep 2010	13862/2010	Tyco Electronics Raychem BVBA; 14-02, Optical fiber organizing container, (EM, 08 Apr 2010) 15 Sep 2010	14003/2010
Smits Investments (Aust) Pty Ltd; 22-05, A mounting for a fishing lure, 06 Sep 2010	13863/2010	TNG Enterprises LLC; 02-04A, Protective spat for sports shoes, (US, 19 Mar 2010) 17 Sep 2010	14017/2010
Smits Investments (Aust) Pty Ltd; 22-05, A detachable body for a fishing lure, 06 Sep 2010	13864/2010	Unique Product & Design Co., Ltd.; 12-02, Golf cart, 08 Sep 2010	13889/2010
So, Michael; 02-02NES, Kevlar reinforced long sleeve top for motorcycle riders, 16 Sep 2010	14023/2010	Varcin, Jessica; 07-01NES, A container, 20 Sep 2010	14042/2010
Solar Components LLC; 23-03D, Personal solar charger, (US, 10 Mar 2010) 10 Sep 2010	13960/2010	Viking Corporation, The; 29-01, Fire protection sprinkler, (US, 12 Mar 2010) 03 Sep 2010	13854/2010
Stone Directions Pty Ltd; 11-04, 25-01E, A landscape product, 03 Aug 2010	13972/2010	Viscose Closures Ltd; 09-01H, A wine bottle, a cap for a wine bottle, in combination a wine bottle and a cap, in combination, a wine bottle,, a cap and a shrink-wrap over the cap and neck of the wine bottle, (EM, 12 Mar 2010) 13 Sep 2010	13971/2010
Stone Directions Pty Ltd; 11-04, 25-01E, A landscape product, 03 Aug 2010	13973/2010	Wahnon, Samuel; 29-02, Flotation vest, (US, 24 Aug 2010) 10 Sep 2010	13948/2010
SCA Hygiene Products AB; 09-03NES, Tissue box, (EM, 10 Mar 2010) 09 Sep 2010	13922/2010	Whittome, Wendy Ada; 28-03NES, Tooth-brushes and paste, 17 Sep 2010	14030/2010
SJ Cordell Pty Ltd; 08-08H, 25-02H, Louvre clip, 17 Sep 2010	14018/2010	Wilton Industries, Inc.; 07-01D, Cup, (US, 12 Mar 2010) 09 Sep 2010	13890/2010
Teijin Pharma Limited; 24-01, Mask for respirator, (JP, 12 Mar 2010) 10 Sep 2010	13950/2010	Wolfl-Schoflinger, Ulrike; 01-01, Confectionery, petits fours, cakes, pastries, caramels, candy, pralines, chocolates, sweetmeats, (EM, 16 Mar 2010) 16 Sep 2010	14020/2010
Teijin Pharma Limited; 24-01, Ear plug for respiratory mask, (JP, 12 Mar 2010) 10 Sep 2010	13953/2010	Wolfl-Schoflinger, Ulrike; 01-01, Confectionery, petits fours, cakes, pastries, caramels, candy, pralines, chocolates, sweetmeats, (EM, 16 Mar 2010) 16 Sep 2010	14021/2010
Teijin Pharma Limited; 24-01, Mask body for respirator, (JP, 12 Mar 2010) 10 Sep 2010	13951/2010	Wolfl-Schoflinger, Ulrike; 01-01, Confectionery, petits fours, cakes, pastries, caramels, candy, pralines, chocolates, sweetmeats, (EM, 16 Mar 2010) 16 Sep 2010	14022/2010
Teijin Pharma Limited; 24-01, Ear hook for respiratory mask, (JP, 12 Mar 2010) 10 Sep 2010	13952/2010	WKI Holding Company, Inc.; 07-02N, Casserole dish, (US, 12 Mar 2010) 10 Sep 2010	13956/2010
Terex-Demag GmbH; 12-08, Driver cabin, (EM, 16 Mar 2010) 15 Sep 2010	14001/2010	WKI Holding Company, Inc.; 07-02N, Baking dish, (US, 12 Mar 2010) 10 Sep 2010	13957/2010
Terex-Demag GmbH; 12-08, Operator cabin, (EM, 16 Mar 2010) 15 Sep 2010	14000/2010	WKI Holding Company, Inc.; 07-02N, Casserole dish, (US, 12 Mar 2010) 10 Sep 2010	13958/2010
The Yokohama Rubber Co., Ltd.; 12-15B, Automobile tyre, (JP, 12 Mar 2010) 08 Sep 2010	13885/2010	WKI Holding Company, Inc.; 07-02N, Bowl, (US, 12 Mar 2010) 10 Sep 2010	13959/2010
Tinpale Pty Ltd; 08-08L, Wall frame to roof truss bracket, 10 Sep 2010	13939/2010	XZ, LLC; 30-02, Bird house, (US, 18 Mar 2010) 13 Sep 2010	13968/2010

X6D Ltd; 16-06, 3D glasses, (US, 31 Mar 2010) 07 Sep 2010	13870/2010	3M Innovative Properties Company; 02-03, Welding helmet, (EM, 10 Mar 2010) 09 Sep 2010	13909/2010
X6D Ltd; 16-06, 3D glasses, (US, 10 Mar 2010) 07 Sep 2010	13871/2010	3M Innovative Properties Company; 02-03, Visor, (EM, 10 Mar 2010) 03 Sep 2010	13844/2010
Yanga Eco Tours Pty Ltd; 12-16NES, Screen, 15 Sep 2010	13999/2010	3M Innovative Properties Company; 02-03, Welding helmet, (EM, 10 Mar 2010) 09 Sep 2010	13907/2010
Yelland, Lyn; Hare, Kathleen Anne; 30-04, Girth tightener, 17 Sep 2010	14028/2010	3M Innovative Properties Company; 02-03, Welding helmet, (EM, 10 Mar 2010) 09 Sep 2010	13908/2010
YMC International; 26-05C, Light, 13 Sep 2010	13943/2010	3M Innovative Properties Company; 02-03, Welding helmet, (EM, 10 Mar 2010) 09 Sep 2010	13906/2010
3M Innovative Properties Company; 02-03, Welding helmet, (EM, 10 Mar 2010) 10 Sep 2010	13945/2010	3M Innovative Properties Company; 02-03, Visor, (EM, 10 Mar 2010) 03 Sep 2010	13845/2010
3M Innovative Properties Company; 24-01, 29-99, Respirator mask body, (US, 10 Mar 2010) 09 Sep 2010	13910/2010	3M Innovative Properties Company; 24-01, Respirator mask body, (US, 10 Mar 2010) 03 Sep 2010	13846/2010
3M Innovative Properties Company; 24-01, 29-99, Respirator mask body, (US, 10 Mar 2010) 09 Sep 2010	13912/2010	3M Innovative Properties Company; 02-03, Welding helmet with projection, (EM, 10 Mar 2010) 03 Sep 2010	13847/2010

Applications Lapsed

10733 / 2010 (02-02C)	10734 / 2010 (02-02C)
10750 / 2010 (08-08NES)	11943 / 2010 (08-07)
11955 / 2010 (08-08NES)	12268 / 2010 (26-04)
12535 / 2010 (20-03NES)	12569 / 2010 (02-04NES)
12570 / 2010 (02-04NES)	12571 / 2010 (02-04NES)
12572 / 2010 (02-04NES)	12613 / 2010 (21-01A)
12732 / 2010 (07-06A)	

Extension of Period of Registration of Designs

303649	303650	303651
303652	303653	303654
303655	303656	303657
303658	303659	303660
303661	303662	303663
303664	303665	303817
303818	303819	303820
303821	304013	304014
304108	304522	305283
305417	305573	305586
305633	305647	305675
305676	305677	305722
305738	305740	305760
305786	305788	305847
305848	305992	306000
306001	306014	306058
306081	306082	306103
306114	306128	306129
306130	306170	306171
306179	306189	306190
306202	306215	306217
306267	306282	306283
306307	306368	306369
306370	306371	306372
306381	306433	306440
306605	306732	306777
306778	306779	306780
306781	306782	306783
306825	306910	306911
306912	306913	306914
306915	307007	307044
307082	307083	307084
307085	307086	307087
307139	307140	307141
307156	307157	307201
307202	307203	307204
307205	307399	307775
307777	307843	307844
307845	308285	308327
315758		

Registrations Ceased

302604	302696	302697
302698	302699	302701
302720	302724	302725
302726	302727	302728
302730	302731	302732
302733	302742	302743
302744	302745	302746
302836	302849	302850

302884	302885	302918
302923	302924	302934
302937	302938	302941
302943	302945	302946
302995	302996	302997
302998	302999	303000
303001	303002	303003
303069	303070	303253
303258	303350	303405
303406	303407	303408
303409	303410	303413
303416	303485	303486
303488	303893	303925
304553	304554	304790
305012	305013	305014
305032	305095	305153
305339	305514	305515
305516	305912	306206
307117	321880	321882
327597	328638	

Applications for Extension of time under Section 137

Applications under section 137 for extension of time have been lodged. Objections must be lodged within 1 month from the date of this journal.

301767 **DineRite Pty Ltd** Address for Service: Cullens Patent and Trade Mark GPO Box 1074 BRISBANE QLD 4001

Extensions of time granted under Section 137

Applications lodged under section 137 for extension of time have been granted.

327134 **Colgate-Palmolive Company**

327136 **Colgate-Palmolive Company**

327468 **Rinnon Products Limited**

328448 **Party Hoppers International Limited**

12350/2010 **Jock M. Roberts**

12569/2010 **Holster Fashion Pty Ltd**

12570/2010 **Holster Fashion Pty Ltd**

12571/2010 **Holster Fashion Pty Ltd**

12572/2010 **Holster Fashion Pty Ltd**

Subsequent Owners Registered

(The name in parentheses is that of the subsequent owner)

307485 (**PT. Glopac Indonesia**) Portwest Corporation Pty Ltd

317466 (**Ames True Temper Australia Pty Ltd**) Michael Cantone

330988 (**ADC GmbH**) ADC Communications (Australia) Pty Limited

- 330885 **(ADC GmbH)** ADC Communications (Australia) Pty
Limited
- 303589 **(Streetsurfer International Ltd)** AV International
Corporation
- 306594 **(Intellectual Property Development Corporation Pty
Ltd)** International Consolidated Business Pty Ltd

**Names Registered - Alterations and
Amendments**

(The name in parentheses is that of the subsequent
applicant)

- 316238 **(LBT Innovations Limited)** Labtech Systems Ltd
- 303589 **(RIAS Technologies (International) Limited)**
Streetsurfer International Ltd

Certificate(s) of Examination

Examination of the following Design Registration(s) has been completed. Infringement proceedings may now be commenced.

325868	06-06E	20/09/2010
327134	04-02	17/09/2010
327136	04-02	17/09/2010
327922	14-03NES	19/09/2010
329890	26-06	16/09/2010
330012	02-02C	10/09/2010
330013	02-02C	10/09/2010
330014	02-02C	10/09/2010
330199	12-16NES	16/09/2010
330256	14-01	16/09/2010
330259	19-06	19/09/2010
330400	12-06NES	20/09/2010
330505	28-03NES	15/09/2010
330837	28-02	10/09/2010
330838	09-01G	10/09/2010
330857	08-07	10/09/2010
330882	12-10	21/09/2010
330884	09-01NES	09/09/2010
330886	21-02F	20/09/2010
330913	21-01NES	13/09/2010
330914	21-02F	20/09/2010
331093	07-02F	15/09/2010
331202	06-06C	14/09/2010
331259	14-02	19/09/2010
331260	14-02	19/09/2010
331426	02-04NES	14/09/2010
331583	12-06NES	13/09/2010
331584	12-06NES	13/09/2010
332066	02-02C	20/09/2010
332067	02-02NES	20/09/2010
332067	02-02NES	20/09/2010
332068	02-02C	20/09/2010

Publication and Registration Proceedings

Designs Registered

This section provides a concordance between design number and registration number of Designs covered in this journal. It also shows the main class and registration date.

This section covers Registration numbers 332678 to 332888 .

The registration number shown below should be used in all future correspondence.

Design Number	Registration Number	International Classification Code (IDC)	Registration Date	Design Number	Registration Number	International Classification Code (IDC)	Registration Date
13569/2009	332770	08-07	14/09/2010	13207/2010	332743	12-16B	13/09/2010
15035/2009	332790	07-06D	15/09/2010	13245/2010	332706	23-02NES	09/09/2010
10262/2010	332738	09-03M	10/09/2010	13251/2010	332801	13-03NES	16/09/2010
10263/2010	332739	09-03M	10/09/2010	13252/2010	332744	13-03NES	13/09/2010
10264/2010	332740	09-03F	10/09/2010	13285/2010	332836	25-01E	20/09/2010
10753/2010	332704	12-16M	09/09/2010	13294/2010	332710	08-07	09/09/2010
11306/2010	332678	23-04	08/09/2010	13301/2010	332711	12-02	09/09/2010
11307/2010	332679	23-04	08/09/2010	13302/2010	332712	12-02	09/09/2010
11308/2010	332680	23-04	08/09/2010	13328/2010	332871	28-03NES	21/09/2010
11309/2010	332681	23-01K	08/09/2010	13355/2010	332872	10-04	21/09/2010
11310/2010	332682	23-04	08/09/2010	13365/2010	332774	15-04	15/09/2010
12566/2010	332719	02-04B	10/09/2010	13422/2010	332873	08-05NES	21/09/2010
12567/2010	332720	02-04B	10/09/2010	13471/2010	332874	12-08	21/09/2010
12581/2010	332705	23-02NES	09/09/2010	13477/2010	332695	06-09	09/09/2010
12582/2010	332734	12-06A	10/09/2010	13478/2010	332696	06-09	09/09/2010
12678/2010	332707	12-16M	09/09/2010	13479/2010	332697	06-09	09/09/2010
12692/2010	332721	09-01NES	10/09/2010	13480/2010	332698	06-09	09/09/2010
12703/2010	332758	14-03NES	13/09/2010	13481/2010	332699	06-09	09/09/2010
12793/2010	332818	06-03A	20/09/2010	13517/2010	332713	24-01	09/09/2010
12794/2010	332819	06-03A	20/09/2010	13522/2010	332690	14-01	08/09/2010
12795/2010	332820	06-03A	20/09/2010	13524/2010	332691	07-01F	08/09/2010
12796/2010	332822	06-04D	20/09/2010	13530/2010	332683	12-16B	08/09/2010
12797/2010	332823	06-04D	20/09/2010	13531/2010	332684	12-16B	08/09/2010
12798/2010	332827	06-04D	20/09/2010	13532/2010	332685	12-16B	08/09/2010
12822/2010	332741	06-02	13/09/2010	13533/2010	332686	12-16B	08/09/2010
12852/2010	332759	06-02	13/09/2010	13534/2010	332687	12-16B	08/09/2010
12875/2010	332793	06-04NES	15/09/2010	13535/2010	332688	09-01G	08/09/2010
12878/2010	332708	19-06	09/09/2010	13536/2010	332689	26-04	08/09/2010
12879/2010	332709	19-06	09/09/2010	13537/2010	332700	10-07	09/09/2010
12931/2010	332722	12-16NES	10/09/2010	13538/2010	332701	08-08NES	09/09/2010
12942/2010	332867	09-07NES	21/09/2010	13539/2010	332714	09-07C	09/09/2010
12944/2010	332771	19-02	15/09/2010	13543/2010	332735	09-05	10/09/2010
12945/2010	332772	19-02	15/09/2010	13545/2010	332736	15-04	10/09/2010
12946/2010	332773	19-02	15/09/2010	13546/2010	332728	02-04C	10/09/2010
12982/2010	332754	14-03A	13/09/2010	13547/2010	332729	12-11	10/09/2010
12983/2010	332755	14-03A	13/09/2010	13548/2010	332730	12-11	10/09/2010
12984/2010	332756	14-03A	13/09/2010	13549/2010	332731	02-02C	10/09/2010
12985/2010	332757	14-03A	13/09/2010	13550/2010	332702	02-02C	09/09/2010
12991/2010	332742	11-03	13/09/2010	13551/2010	332750	08-08A	13/09/2010
13032/2010	332760	07-04	13/09/2010	13554/2010	332745	14-01	13/09/2010
13033/2010	332761	07-01B	13/09/2010	13556/2010	332775	06-01NES	15/09/2010
13034/2010	332762	07-01C	13/09/2010	13557/2010	332776	30-03	15/09/2010
13151/2010	332868	25-01K	21/09/2010	13558/2010	332777	26-04	15/09/2010
13153/2010	332692	02-04NES	09/09/2010	13559/2010	332778	13-02	15/09/2010
13154/2010	332693	02-04NES	09/09/2010	13560/2010	332779	26-05A	15/09/2010
13155/2010	332694	02-04NES	09/09/2010	13563/2010	332794	06-01F	15/09/2010
13158/2010	332869	06-01D	21/09/2010	13571/2010	332751	25-01A	13/09/2010
13159/2010	332870	12-16NES	21/09/2010	13572/2010	332752	25-01A	13/09/2010
13162/2010	332830	26-06	20/09/2010	13573/2010	332753	25-01A	13/09/2010
13163/2010	332831	12-16C	20/09/2010	13574/2010	332746	25-01A	13/09/2010
13165/2010	332832	12-16B	20/09/2010	13575/2010	332747	25-01A	13/09/2010
13169/2010	332834	15-01	20/09/2010	13576/2010	332748	25-01A	13/09/2010
13171/2010	332835	15-01	20/09/2010	13579/2010	332780	15-99	15/09/2010

Publication and Registration Proceedings - Designs Registered cont'd

Design Number	Registration Number	International Classification Code (IDC)	Registration Date	Design Number	Registration Number	International Classification Code (IDC)	Registration Date
13580/2010	332781	15-99	15/09/2010	13661/2010	332853	07-04	21/09/2010
13581/2010	332782	11-02B	15/09/2010	13662/2010	332854	07-02R	21/09/2010
13582/2010	332783	09-09	15/09/2010	13663/2010	332855	07-01NES	21/09/2010
13583/2010	332784	06-01E	15/09/2010	13665/2010	332856	07-01NES	21/09/2010
13584/2010	332795	25-01D	15/09/2010	13666/2010	332857	19-06	21/09/2010
13588/2010	332833	02-04A	20/09/2010	13671/2010	332717	02-03	09/09/2010
13589/2010	332796	10-06	15/09/2010	13672/2010	332715	02-03	09/09/2010
13591/2010	332785	28-03B	14/09/2010	13673/2010	332858	14-99	20/09/2010
13592/2010	332786	28-03B	14/09/2010	13674/2010	332859	25-01K	20/09/2010
13593/2010	332787	28-03B	14/09/2010	13677/2010	332886	28-03D	21/09/2010
13594/2010	332788	13-01	14/09/2010	13679/2010	332860	12-05	20/09/2010
13595/2010	332789	28-03B	14/09/2010	13682/2010	332703	02-05	09/09/2010
13596/2010	332763	28-03B	14/09/2010	13687/2010	332861	26-05E	20/09/2010
13597/2010	332764	28-03B	14/09/2010	13690/2010	332862	02-01B	20/09/2010
13598/2010	332765	26-03	14/09/2010	13693/2010	332769	06-01E	14/09/2010
13599/2010	332766	26-03	14/09/2010	13695/2010	332863	23-04	20/09/2010
13600/2010	332767	26-03	14/09/2010	13706/2010	332821	06-01G	20/09/2010
13601/2010	332768	24-02	14/09/2010	13707/2010	332824	06-01G	20/09/2010
13604/2010	332798	12-16C	15/09/2010	13708/2010	332828	06-01G	20/09/2010
13605/2010	332799	30-03	15/09/2010	13709/2010	332825	06-02	20/09/2010
13607/2010	332800	12-16A	15/09/2010	13710/2010	332829	06-02	20/09/2010
13610/2010	332875	09-07B	21/09/2010	13711/2010	332826	06-03A	20/09/2010
13612/2010	332876	09-03L	21/09/2010	13713/2010	332737	08-07	10/09/2010
13621/2010	332802	21-02C	16/09/2010	13718/2010	332806	09-03H	16/09/2010
13622/2010	332877	25-01K	21/09/2010	13763/2010	332732	26-99	10/09/2010
13623/2010	332878	25-01K	21/09/2010	13767/2010	332797	10-06	15/09/2010
13624/2010	332879	25-01K	21/09/2010	13798/2010	332724	12-11	10/09/2010
13625/2010	332880	25-01K	21/09/2010	13836/2010	332887	25-01K	21/09/2010
13626/2010	332881	25-01K	21/09/2010	13851/2010	332725	09-01NES	10/09/2010
13627/2010	332882	25-01K	21/09/2010	13852/2010	332726	09-01NES	10/09/2010
13628/2010	332883	25-01K	21/09/2010	13853/2010	332727	09-01NES	10/09/2010
13629/2010	332884	25-01K	21/09/2010	13854/2010	332733	29-01	10/09/2010
13630/2010	332885	25-01K	21/09/2010	13858/2010	332716	02-03	09/09/2010
13631/2010	332839	25-01K	20/09/2010	13859/2010	332718	02-03	09/09/2010
13632/2010	332840	25-01K	20/09/2010	13862/2010	332864	22-05	20/09/2010
13633/2010	332841	25-01K	20/09/2010	13863/2010	332865	22-05	20/09/2010
13634/2010	332842	25-01K	20/09/2010	13864/2010	332866	22-05	20/09/2010
13635/2010	332843	25-01K	20/09/2010	13872/2010	332849	05-06NES	20/09/2010
13636/2010	332844	08-08NES	20/09/2010	13873/2010	332850	05-06NES	20/09/2010
13637/2010	332845	08-08C	20/09/2010	13874/2010	332851	05-06NES	20/09/2010
13638/2010	332846	25-01K	20/09/2010	13896/2010	332888	25-01B	21/09/2010
13639/2010	332847	25-01K	20/09/2010	13913/2010	332791	07-06D	15/09/2010
13640/2010	332848	25-01K	20/09/2010	13914/2010	332792	07-06D	15/09/2010
13650/2010	332723	02-02B	10/09/2010	13972/2010	332837	11-04	20/09/2010
13653/2010	332803	14-03NES	16/09/2010	13973/2010	332838	11-04	20/09/2010
13655/2010	332804	08-02	16/09/2010				
13656/2010	332805	15-01	16/09/2010				
13659/2010	332749	12-12	13/09/2010				
13660/2010	332852	09-01H	21/09/2010				

Publication and Registration Proceedings
Class Listing of Designs Published or Registered

The following section shows an International Classification Code listing of the Registered or Published Designs covered in this supplement.

Classification	Registration Number	Design Number	Classification	Registration Number	Design Number
02-01 B	332862	13690/2010	06-09	332695	13477/2010
02-02 B	332723	13650/2010	06-09	332696	13478/2010
02-02 C	332702	13550/2010	06-09	332697	13479/2010
02-02 C	332731	13549/2010	06-09	332698	13480/2010
02-03	332715	13672/2010	06-09	332699	13481/2010
02-03	332716	13858/2010	06-09	332769	13693/2010
02-03	332717	13671/2010	07-01 B	332761	13033/2010
02-03	332718	13859/2010	07-01 C	332762	13034/2010
02-04 A	332833	13588/2010	07-01 F	332691	13524/2010
02-04 B	332719	12566/2010	07-01 NES	332855	13663/2010
02-04 B	332720	12567/2010	07-01 NES	332856	13665/2010
02-04 C	332728	13546/2010	07-02 R	332854	13662/2010
02-04 NES	332692	13153/2010	07-04	332760	13032/2010
02-04 NES	332693	13154/2010	07-04	332853	13661/2010
02-04 NES	332694	13155/2010	07-06 D	332790	15035/2009
02-05	332703	13682/2010	07-06 D	332791	13913/2010
05-06 NES	332849	13872/2010	07-06 D	332792	13914/2010
05-06 NES	332850	13873/2010	08-02	332804	13655/2010
05-06 NES	332851	13874/2010	08-05 NES	332873	13422/2010
06-01 D	332869	13158/2010	08-07	332710	13294/2010
06-01 E	332769	13693/2010	08-07	332737	13713/2010
06-01 E	332784	13583/2010	08-07	332770	13569/2009
06-01 F	332794	13563/2010	08-08 A	332750	13551/2010
06-01 G	332821	13706/2010	08-08 C	332845	13637/2010
06-01 G	332824	13707/2010	08-08 NES	332701	13538/2010
06-01 G	332828	13708/2010	08-08 NES	332844	13636/2010
06-01 NES	332775	13556/2010	09-01 G	332688	13535/2010
06-02	332741	12822/2010	09-01 H	332852	13660/2010
06-02	332759	12852/2010	09-01 NES	332721	12692/2010
06-02	332825	13709/2010	09-01 NES	332725	13851/2010
06-02	332829	13710/2010	09-01 NES	332726	13852/2010
06-03 A	332818	12793/2010	09-01 NES	332727	13853/2010
06-03 A	332819	12794/2010	09-03 F	332740	10264/2010
06-03 A	332820	12795/2010	09-03 H	332806	13718/2010
06-03 A	332826	13711/2010	09-03 L	332876	13612/2010
06-04 D	332818	12793/2010	09-03 M	332738	10262/2010
06-04 D	332819	12794/2010	09-03 M	332739	10263/2010
06-04 D	332820	12795/2010	09-03 NES	332721	12692/2010
06-04 D	332822	12796/2010	09-03 NES	332725	13851/2010
06-04 D	332823	12797/2010	09-03 NES	332726	13852/2010
06-04 D	332827	12798/2010	09-03 NES	332727	13853/2010
06-04 F	332818	12793/2010	09-05	332735	13543/2010
06-04 F	332819	12794/2010	09-07 B	332875	13610/2010
06-04 F	332822	12796/2010	09-07 C	332714	13539/2010
06-04 F	332823	12797/2010	09-07 NES	332867	12942/2010
06-04 F	332827	12798/2010	09-09	332783	13582/2010
06-04 NES	332793	12875/2010	10-04	332872	13355/2010
06-04 NES	332818	12793/2010	10-06	332796	13589/2010
06-04 NES	332819	12794/2010	10-06	332797	13767/2010
06-04 NES	332820	12795/2010	10-07	332700	13537/2010
06-04 NES	332822	12796/2010	11-02 B	332782	13581/2010
06-04 NES	332823	12797/2010	11-03	332742	12991/2010
06-04 NES	332827	12798/2010	11-04	332836	13285/2010
06-06 B	332822	12796/2010	11-04	332837	13972/2010
06-06 B	332823	12797/2010	11-04	332838	13973/2010
06-06 B	332827	12798/2010	12-02	332711	13301/2010

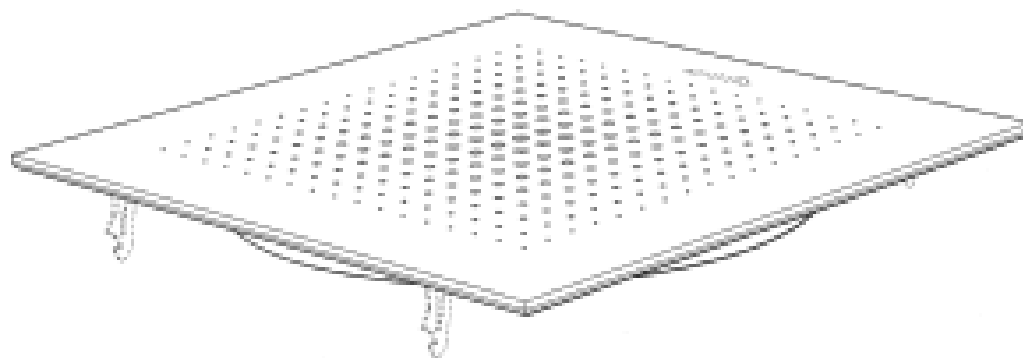
Registration Proceedings - Class Listing of Designs Published or Registered cont'd

Classification	Registration Number	Design Number	Classification	Registration Number	Design Number
12-02	332712	13302/2010	23-02 NES	332705	12581/2010
12-05	332860	13679/2010	23-02 NES	332706	13245/2010
12-06 A	332734	12582/2010	23-04	332678	11306/2010
12-08	332832	13165/2010	23-04	332679	11307/2010
12-08	332874	13471/2010	23-04	332680	11308/2010
12-11	332724	13798/2010	23-04	332682	11310/2010
12-11	332729	13547/2010	23-04	332863	13695/2010
12-11	332730	13548/2010	24-01	332713	13517/2010
12-12	332749	13659/2010	24-02	332768	13601/2010
12-16 A	332800	13607/2010	25-01 A	332746	13574/2010
12-16 B	332683	13530/2010	25-01 A	332747	13575/2010
12-16 B	332684	13531/2010	25-01 A	332748	13576/2010
12-16 B	332685	13532/2010	25-01 A	332751	13571/2010
12-16 B	332686	13533/2010	25-01 A	332752	13572/2010
12-16 B	332687	13534/2010	25-01 A	332753	13573/2010
12-16 B	332743	13207/2010	25-01 B	332888	13896/2010
12-16 B	332832	13165/2010	25-01 D	332795	13584/2010
12-16 C	332798	13604/2010	25-01 E	332836	13285/2010
12-16 C	332831	13163/2010	25-01 E	332837	13972/2010
12-16 M	332704	10753/2010	25-01 E	332838	13973/2010
12-16 M	332707	12678/2010	25-01 K	332759	12852/2010
12-16 NES	332722	12931/2010	25-01 K	332839	13631/2010
12-16 NES	332858	13673/2010	25-01 K	332840	13632/2010
12-16 NES	332870	13159/2010	25-01 K	332841	13633/2010
13-01	332788	13594/2010	25-01 K	332842	13634/2010
13-02	332778	13559/2010	25-01 K	332843	13635/2010
13-03 NES	332744	13252/2010	25-01 K	332846	13638/2010
13-03 NES	332801	13251/2010	25-01 K	332847	13639/2010
14-01	332690	13522/2010	25-01 K	332848	13640/2010
14-01	332745	13554/2010	25-01 K	332859	13674/2010
14-02	332744	13252/2010	25-01 K	332868	13151/2010
14-02	332801	13251/2010	25-01 K	332877	13622/2010
14-03 A	332690	13522/2010	25-01 K	332878	13623/2010
14-03 A	332754	12982/2010	25-01 K	332879	13624/2010
14-03 A	332755	12983/2010	25-01 K	332880	13625/2010
14-03 A	332756	12984/2010	25-01 K	332881	13626/2010
14-03 A	332757	12985/2010	25-01 K	332882	13627/2010
14-03 NES	332758	12703/2010	25-01 K	332883	13628/2010
14-03 NES	332803	13653/2010	25-01 K	332884	13629/2010
14-99	332858	13673/2010	25-01 K	332885	13630/2010
15-01	332805	13656/2010	25-01 K	332887	13836/2010
15-01	332834	13169/2010	25-02 NES	332795	13584/2010
15-01	332835	13171/2010	26-03	332765	13598/2010
15-04	332736	13545/2010	26-03	332766	13599/2010
15-04	332774	13365/2010	26-03	332767	13600/2010
15-99	332780	13579/2010	26-04	332689	13536/2010
15-99	332781	13580/2010	26-04	332777	13558/2010
19-02	332771	12944/2010	26-05 A	332779	13560/2010
19-02	332772	12945/2010	26-05 E	332861	13687/2010
19-02	332773	12946/2010	26-06	332830	13162/2010
19-06	332708	12878/2010	26-99	332732	13763/2010
19-06	332709	12879/2010	28-03 B	332763	13596/2010
19-06	332857	13666/2010	28-03 B	332764	13597/2010
21-01 NES	332796	13589/2010	28-03 B	332785	13591/2010
21-02 C	332802	13621/2010	28-03 B	332786	13592/2010
22-05	332864	13862/2010	28-03 B	332787	13593/2010
22-05	332865	13863/2010	28-03 B	332789	13595/2010
22-05	332866	13864/2010	28-03 D	332886	13677/2010
23-01 K	332681	11309/2010	28-03 NES	332871	13328/2010

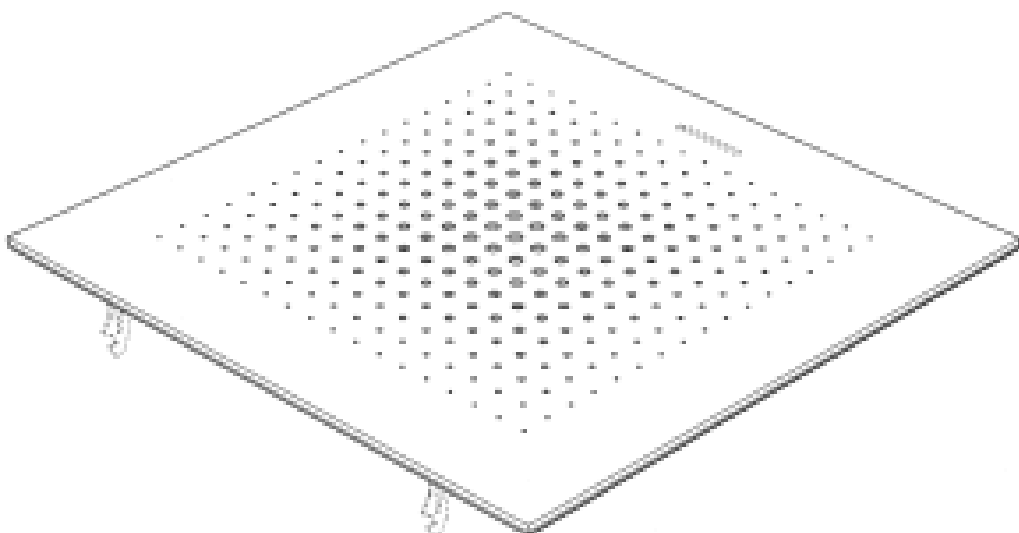
Registration Proceedings - Class Listing of Designs Published or Registered cont'd

Classification	Registration Number	Design Number	Classification	Registration Number	Design Number
29-01	332733	13854/2010	30-03	332799	13605/2010
30-03	332776	13557/2010			

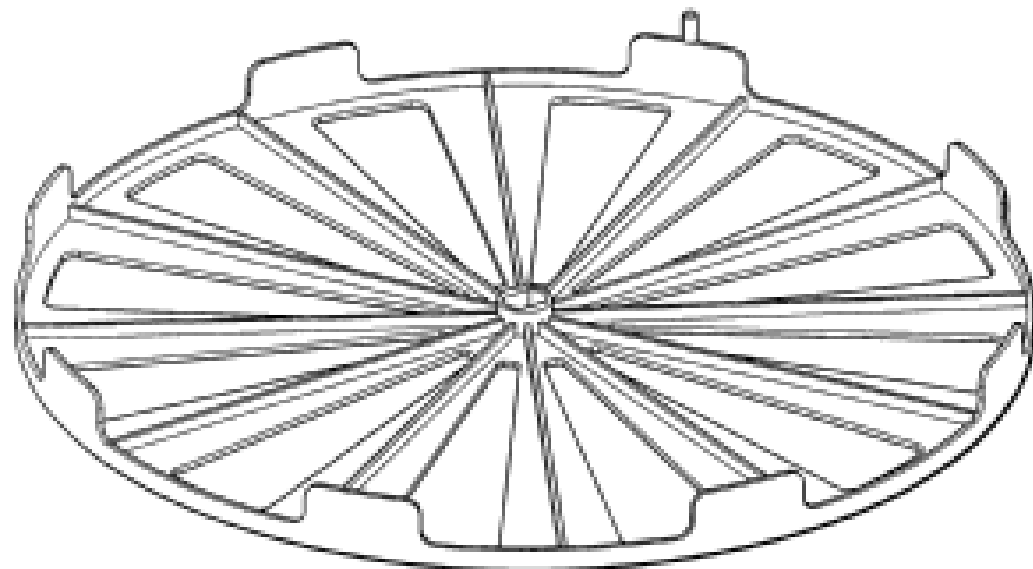
- (21) Design Number: **11306/2010**
(22) Date of Filing Application: **13 April 2010**
(24) Date from which industrial property rights may have effect: **13 April 2010**
(54) Product in respect of which the design is registered: **Diffuser**
(51) International Design Classification: **23-04**
(71) Name(s) and Address(s) of Applicant(s):
Metalflex Pty Ltd
13-17 Brand Drive Thomastown Victoria 3074 Australia
(72) Name(s) of Designer(s): **Russell Amiguet**
(45) Registration Date: **08 September 2010**
(56) Related Art Documents: **Not Applicable**
(57) Statement of Newness and Distinctiveness: **Nil**



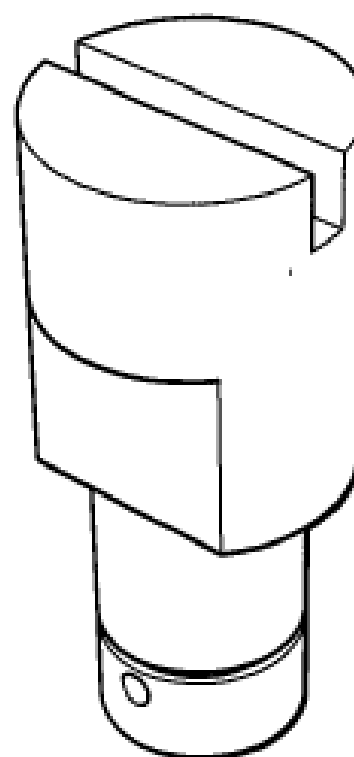
- (21) Design Number: **11307/2010**
(22) Date of Filing Application: **13 April 2010**
(24) Date from which industrial property rights may have effect: **13 April 2010**
(54) Product in respect of which the design is registered: **Diffuser plate**
(51) International Design Classification: **23-04**
(71) Name(s) and Address(s) of Applicant(s):
Metalflex Pty Ltd
13-17 Brand Drive Thomastown Victoria 3074 Australia
(72) Name(s) of Designer(s): **Russell Amiguet**
(45) Registration Date: **08 September 2010**
(56) Related Art Documents: **Not Applicable**
(57) Statement of Newness and Distinctiveness: **Nil**



- (21) Design Number: **11308/2010**
- (22) Date of Filing Application: **13 April 2010**
- (24) Date from which industrial property rights may have effect: **13 April 2010**
- (54) Product in respect of which the design is registered: **Baffle**
- (51) International Design Classification: **23-04**
- (71) Name(s) and Address(s) of Applicant(s):
Metalflex Pty Ltd
13-17 Brand Drive Thomastown Victoria 3074 Australia
- (72) Name(s) of Designer(s): **Russell Amiguet**
- (45) Registration Date: **08 September 2010**
- (56) Related Art Documents: **Not Applicable**
- (57) Statement of Newness and Distinctiveness: **Nil**



- (21) Design Number: **11309/2010**
- (22) Date of Filing Application: **13 April 2010**
- (24) Date from which industrial property rights may have effect: **13 April 2010**
- (54) Product in respect of which the design is registered: **Spindle**
- (51) International Design Classification: **23-01K**
- (71) Name(s) and Address(s) of Applicant(s):
Metalflex Pty Ltd
13-17 Brand Drive Thomastown Victoria 3074 Australia
- (72) Name(s) of Designer(s): **Russell Amiguet**
- (45) Registration Date: **08 September 2010**
- (56) Related Art Documents: **Not Applicable**
- (57) Statement of Newness and Distinctiveness: **Nil**



(21) Design Number: **11310/2010**

(22) Date of Filing Application: **13 April 2010**

(24) Date from which industrial property rights may have effect: **13 April 2010**

(54) Product in respect of which the design is registered: **Baffle cover**

(51) International Design Classification: **23-04**

(71) Name(s) and Address(s) of Applicant(s):

Metalflex Pty Ltd

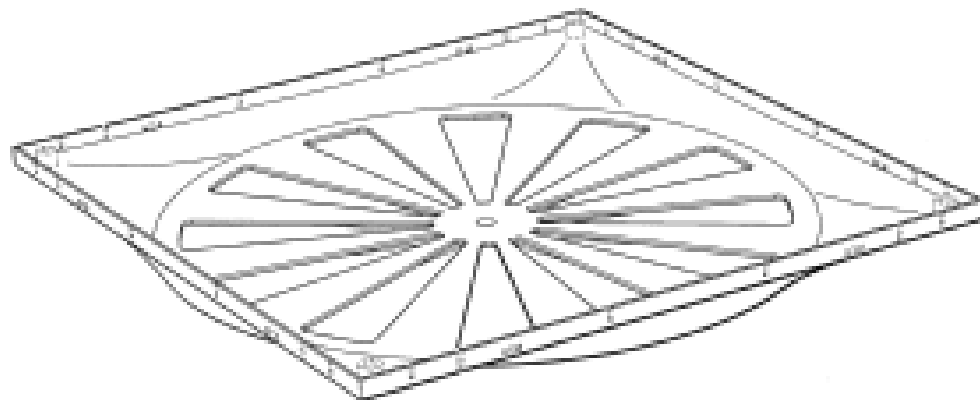
13-17 Brand Drive Thomastown Victoria 3074 Australia

(72) Name(s) of Designer(s): **Russell Amiguet**

(45) Registration Date: **08 September 2010**

(56) Related Art Documents: **Not Applicable**

(57) Statement of Newness and Distinctiveness: **Nil**



(21) Design Number: **13530/2010**

(22) Date of Filing Application: **16 August 2010**

(24) Date from which industrial property rights may have effect: **16 August 2010**

(54) Product in respect of which the design is registered: **Tray headboard**

(51) International Design Classification: **12-16B**

(71) Name(s) and Address(s) of Applicant(s):

Austin Engineering Ltd

100 Chisholm Crescent Kewdale Western Australia 6105 Australia

(72) Name(s) of Designer(s): **Jamie Vincent Clarke Hall**

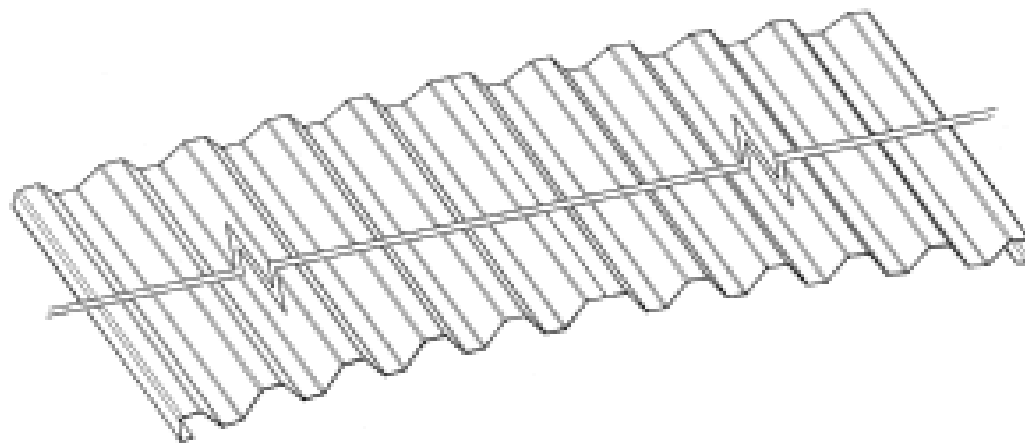
(45) Registration Date: **08 September 2010**

(56) Related Art Documents: **Not Applicable**

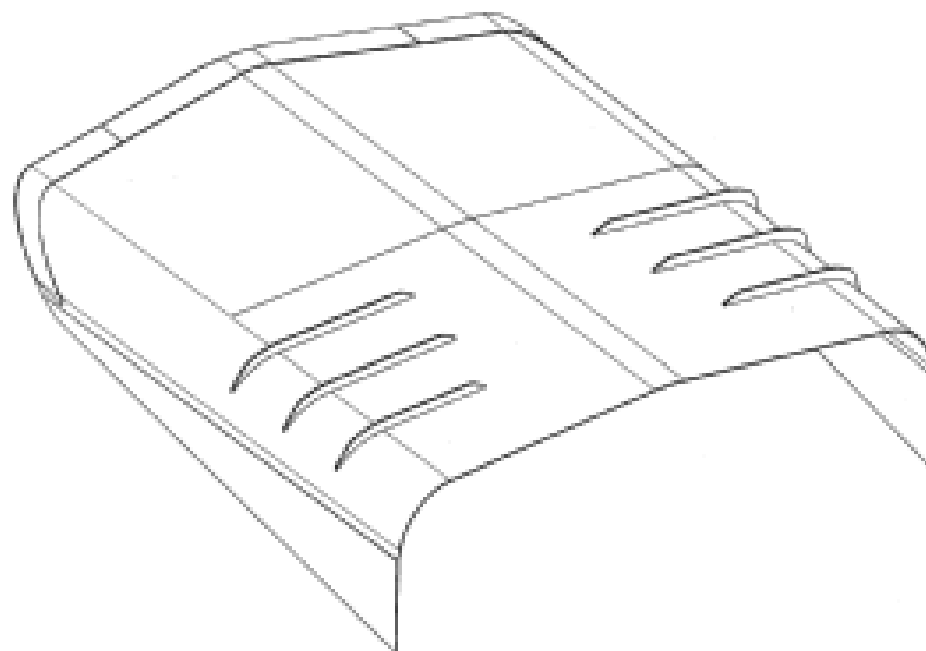
(57) Statement of Newness and Distinctiveness: **Nil**



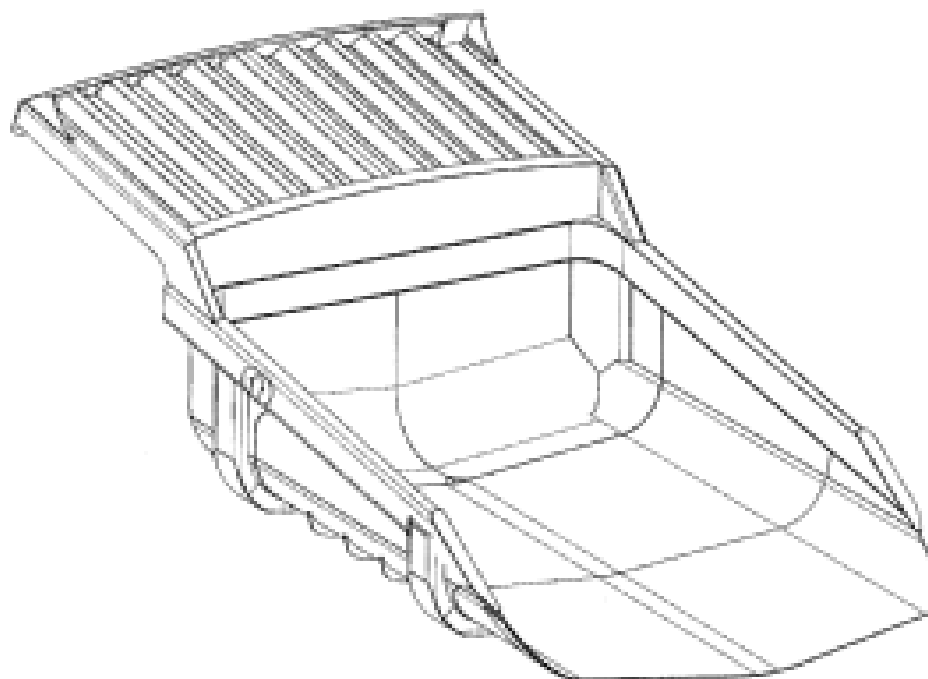
- (21) Design Number: **13531/2010**
(22) Date of Filing Application: **16 August 2010**
(24) Date from which industrial property rights may have effect: **16 August 2010**
(54) Product in respect of which the design is registered: **Truck body tray canopy**
(51) International Design Classification: **12-16B**
(71) Name(s) and Address(s) of Applicant(s):
Austin Engineering Ltd
100 Chisholm Crescent Kewdale Western Australia 6105 Australia
(72) Name(s) of Designer(s): **Jamie Vincent Clarke Hall**
(45) Registration Date: **08 September 2010**
(56) Related Art Documents: **Not Applicable**
(57) Statement of Newness and Distinctiveness: **Newness and distinctiveness is claimed in the features of shape and configuration of a truck body tray canopy as depicted in the accompanying representations.**



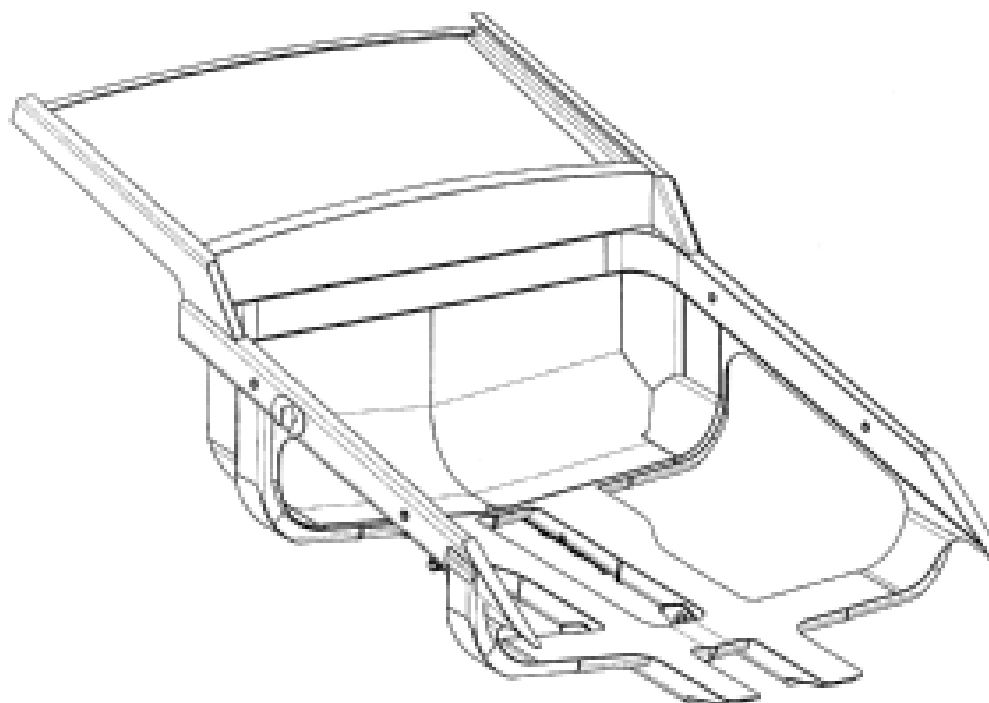
- (21) Design Number: **13532/2010**
(22) Date of Filing Application: **16 August 2010**
(24) Date from which industrial property rights may have effect: **16 August 2010**
(54) Product in respect of which the design is registered: **Truck body tray floor insert**
(51) International Design Classification: **12-16B**
(71) Name(s) and Address(s) of Applicant(s):
Austin Engineering Ltd
100 Chisholm Crescent Kewdale Western Australia 6105 Australia
(72) Name(s) of Designer(s): **Jamie Vincent Clarke Hall**
(45) Registration Date: **08 September 2010**
(56) Related Art Documents: **Not Applicable**
(57) Statement of Newness and Distinctiveness: **Newness and distinctiveness are claimed in the features of shape and configuration of a truck body tray floor insert as depicted in the accompanying representations.**



(21) Design Number: **13533/2010**
(22) Date of Filing Application: **16 August 2010**
(24) Date from which industrial property rights may have effect: **16 August 2010**
(54) Product in respect of which the design is registered: **Tray**
(51) International Design Classification: **12-16B**
(71) Name(s) and Address(s) of Applicant(s):
Austin Engineering Ltd
100 Chisholm Crescent Kewdale Western Australia 6105 Australia
(72) Name(s) of Designer(s): **Jamie Vincent Clarke Hall**
(45) Registration Date: **08 September 2010**
(56) Related Art Documents: **Not Applicable**
(57) Statement of Newness and Distinctiveness: **Nil**



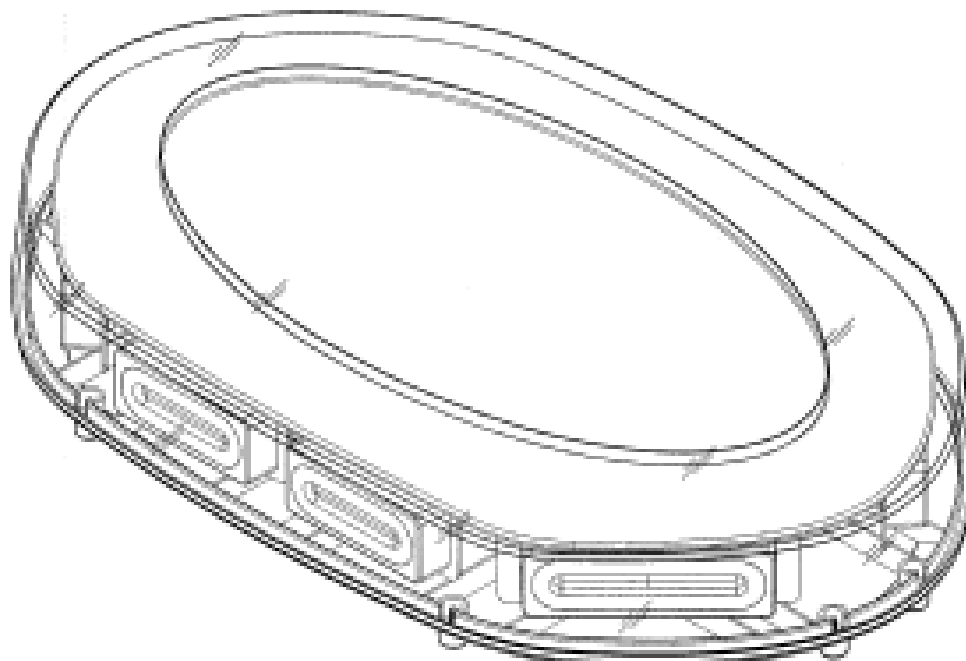
(21) Design Number: **13534/2010**
(22) Date of Filing Application: **16 August 2010**
(24) Date from which industrial property rights may have effect: **16 August 2010**
(54) Product in respect of which the design is registered: **Tray frame**
(51) International Design Classification: **12-16B**
(71) Name(s) and Address(s) of Applicant(s):
Austin Engineering Ltd
100 Chisholm Crescent Kewdale Western Australia 6105 Australia
(72) Name(s) of Designer(s): **Jamie Vincent Clarke Hall**
(45) Registration Date: **08 September 2010**
(56) Related Art Documents: **Not Applicable**
(57) Statement of Newness and Distinctiveness: **Nil**



(21) Design Number: **13535/2010**
(22) Date of Filing Application: **16 August 2010**
(24) Date from which industrial property rights may have effect: **16 August 2010**
(54) Product in respect of which the design is registered: **Flask for perfumery products**
(51) International Design Classification: **09-01G**
(71) Name(s) and Address(s) of Applicant(s):
Parfums Givenchy S.A.
77 Rue Anatole France Levallois-Perret 92 300 France
(72) Name(s) of Designer(s): **Serge Mansau**
(45) Registration Date: **08 September 2010**
(30) Convention priority data:
(31) Number (32) Date (33) Country
10/1079 25 Feb 2010 FRANCE
(56) Related Art Documents: **Not Applicable**
(57) Statement of Newness and Distinctiveness: **Nil**



(21) Design Number: **13536/2010**
(22) Date of Filing Application: **16 August 2010**
(24) Date from which industrial property rights may have effect: **16 August 2010**
(54) Product in respect of which the design is registered: **Light emitting diode mini-light bar**
(51) International Design Classification: **26-04**
(71) Name(s) and Address(s) of Applicant(s):
Code 3, Inc.
10986 North Warson Road St. Louis Missouri 63114-2029 United States of America
(72) Name(s) of Designer(s): **Roger L. Miller and Yeh (Peter) Neng Chen and Kevin Cho**
(45) Registration Date: **08 September 2010**
(30) Convention priority data:
(31) Number (32) Date (33) Country
29/356,344 24 Feb 2010 UNITED STATES OF AMERICA
(56) Related Art Documents: **Not Applicable**
(57) Statement of Newness and Distinctiveness: **Nil**



(19) AU

- (21) Design Number: **13522/2010**
- (22) Date of Filing Application: **16 August 2010**
- (24) Date from which industrial property rights may have effect: **16 August 2010**
- (54) Product in respect of which the design is registered: **Speakerphone**
- (51) International Design Classification: **14-01, 14-03A**
- (71) Name(s) and Address(s) of Applicant(s):
Polycom, Inc.
4750 Willow Road Pleasanton 94588 California United States of America
- (72) Name(s) of Designer(s): **Greg Corrigan and Ben Zuckerman and Richard Montague and Stuart Lerner**
- (45) Registration Date: **08 September 2010**
- (30) Convention priority data:

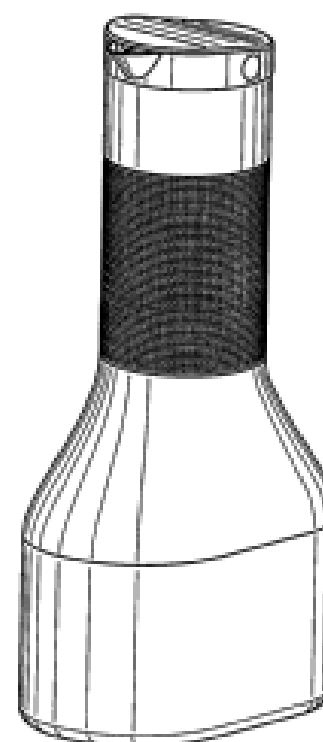
(31) Number	(32) Date	(33) Country
29/358053	22 Mar 2010	UNITED STATES OF AMERICA
- (56) Related Art Documents: **Not Applicable**
- (57) Statement of Newness and Distinctiveness: **The newness and distinctiveness of the design resides in the shape and/or configuration of the SPEAKERPHONE shown in the representations.**



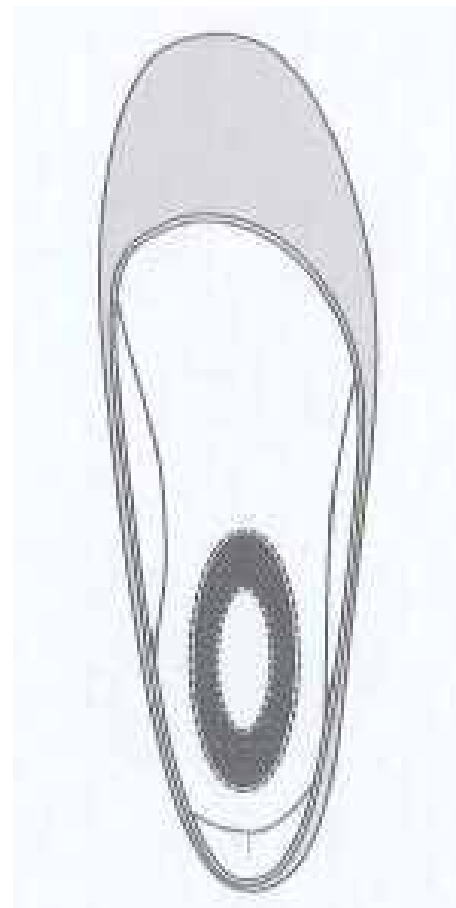
(19) AU

- (21) Design Number: **13524/2010**
- (22) Date of Filing Application: **17 August 2010**
- (24) Date from which industrial property rights may have effect: **17 August 2010**
- (54) Product in respect of which the design is registered: **Water carafe**
- (51) International Design Classification: **07-01F**
- (71) Name(s) and Address(s) of Applicant(s):
Pi-Design AG
Kantonsstrasse 100 6234 Triengen Switzerland
- (72) Name(s) of Designer(s): **Jorgen Bodum**
- (45) Registration Date: **08 September 2010**
- (30) Convention priority data:

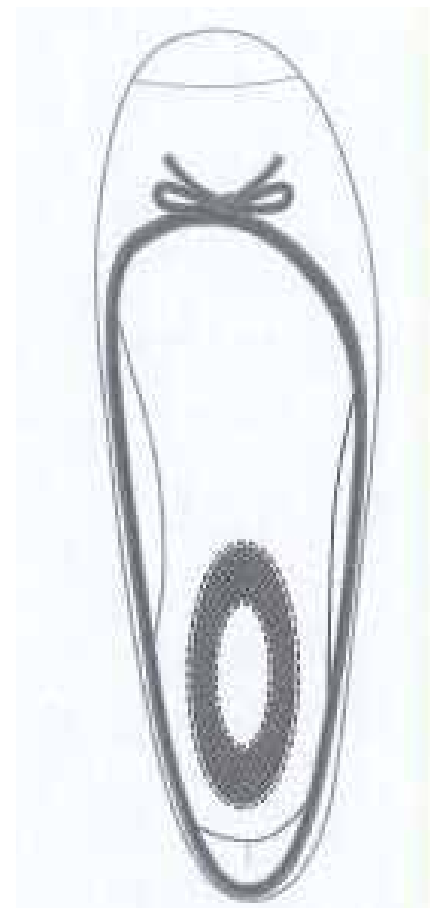
(31) Number	(32) Date	(33) Country
DM/073 330	03 Mar 2010	WORLD INTELLECTUAL PROPERTY ORGANIZATION (WIPO)
- (56) Related Art Documents: **Not Applicable**
- (57) Statement of Newness and Distinctiveness: **Nil**



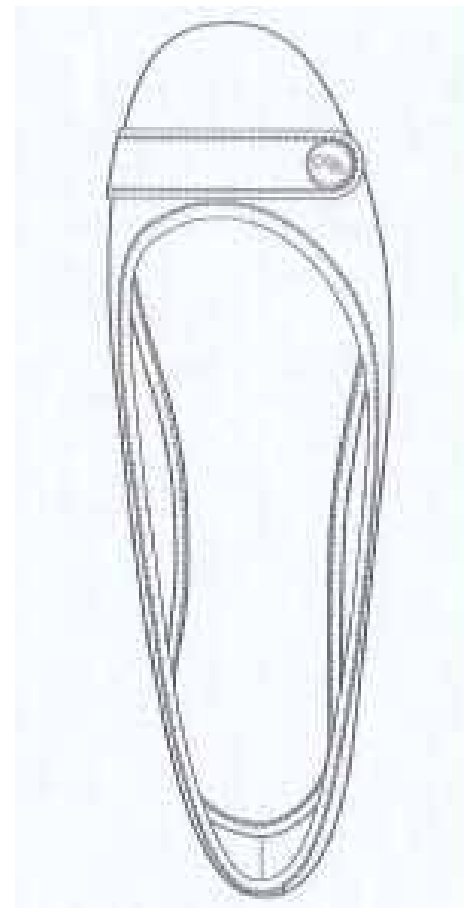
- (21) Design Number: **13153/2010**
(22) Date of Filing Application: **27 July 2010**
(24) Date from which industrial property rights may have effect: **27 July 2010**
(54) Product in respect of which the design is registered: **Ballet style leather shoe for women**
(51) International Design Classification: **02-04NES**
(71) Name(s) and Address(s) of Applicant(s):
Hero Footwear & Apparel Development Pty Ltd
2/334B Bondi Road Bondi New South Wales 2026 Australia
(72) Name(s) of Designer(s): **Stuart Clarke**
(45) Registration Date: **09 September 2010**
(56) Related Art Documents: **Not Applicable**
(57) Statement of Newness and Distinctiveness: **The shoe is a ladies ballet style shoe with a sneaker style 2 stack eva midsole and rubber bottom outsole. (refer attached).**



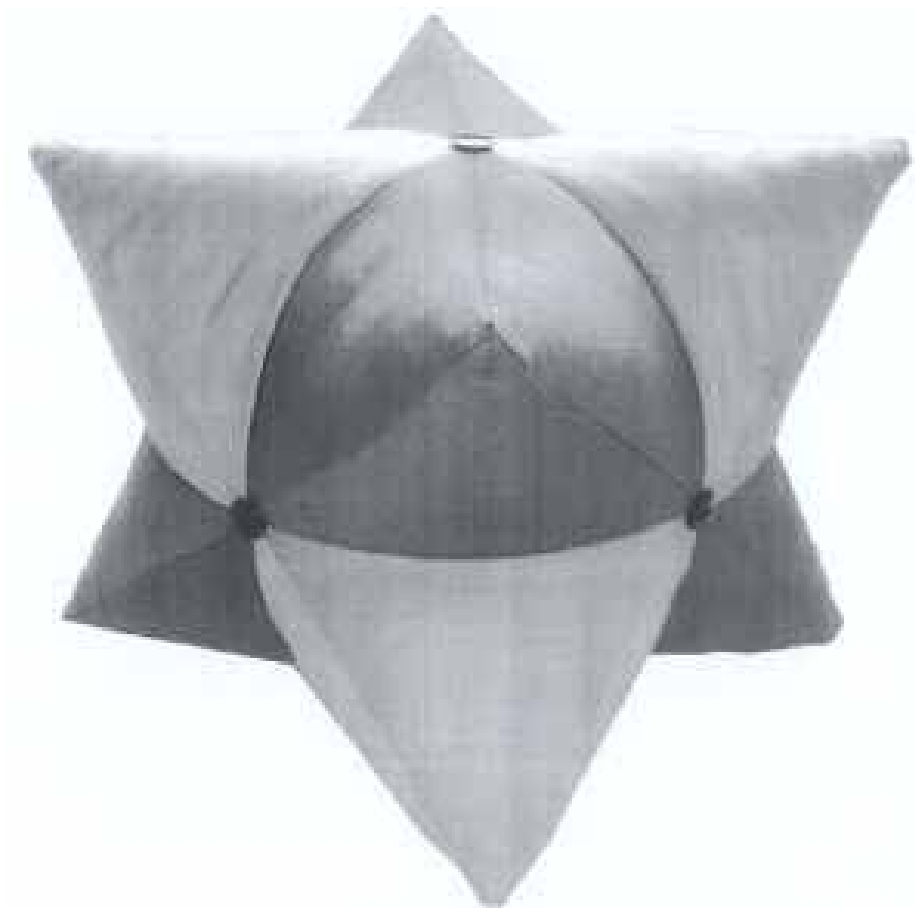
- (21) Design Number: **13154/2010**
(22) Date of Filing Application: **27 July 2010**
(24) Date from which industrial property rights may have effect: **27 July 2010**
(54) Product in respect of which the design is registered: **Ballet style leather shoe for women**
(51) International Design Classification: **02-04NES**
(71) Name(s) and Address(s) of Applicant(s):
Hero Footwear & Apparel Development Pty Ltd
2/334B Bondi Road Bondi New South Wales 2026 Australia
(72) Name(s) of Designer(s): **Stuart Clarke**
(45) Registration Date: **09 September 2010**
(56) Related Art Documents: **Not Applicable**
(57) Statement of Newness and Distinctiveness: **The shoe is a ladies ballet style shoe with a sneaker style 2 stack eva midsole, rubber bottom outsole and binding. (refer attached).**



- (21) Design Number: **13155/2010**
(22) Date of Filing Application: **27 July 2010**
(24) Date from which industrial property rights may have effect: **27 July 2010**
(54) Product in respect of which the design is registered: **Ballet style canvas shoe for women**
(51) International Design Classification: **02-04NES**
(71) Name(s) and Address(s) of Applicant(s):
Hero Footwear & Apparel Development Pty Ltd
2/334B Bondi Road Bondi New South Wales 2026 Australia
(72) Name(s) of Designer(s): **Stuart Clarke**
(45) Registration Date: **09 September 2010**
(56) Related Art Documents: **Not Applicable**
(57) Statement of Newness and Distinctiveness: **The shoe is a ladies ballet style shoe with a sneaker style 2 stack eva midsole, rubber bottom outsole and canvas upper (refer attached).**



- (21) Design Number: **13477/2010**
(22) Date of Filing Application: **13 August 2010**
(24) Date from which industrial property rights may have effect: **13 August 2010**
(54) Product in respect of which the design is registered: **Pillow**
(51) International Design Classification: **06-09**
(71) Name(s) and Address(s) of Applicant(s):
Cecelia Ann Elsworthy
56 Appaloosa Drive Conondale Queensland 4552 Australia
(72) Name(s) of Designer(s): **Cecelia Ann Elsworthy**
(45) Registration Date: **09 September 2010**
(56) Related Art Documents: **Not Applicable**
(57) Statement of Newness and Distinctiveness: **Waiting approval of this design application to launch product and put on market in public domain. It is a soft/plush platonic solid made from new, vintage and recycled materials.**



(21) Design Number: **13478/2010**

(22) Date of Filing Application: **13 August 2010**

(24) Date from which industrial property rights may have effect: **13 August 2010**

(54) Product in respect of which the design is registered: **Pillow**

(51) International Design Classification: **06-09**

(71) Name(s) and Address(s) of Applicant(s):

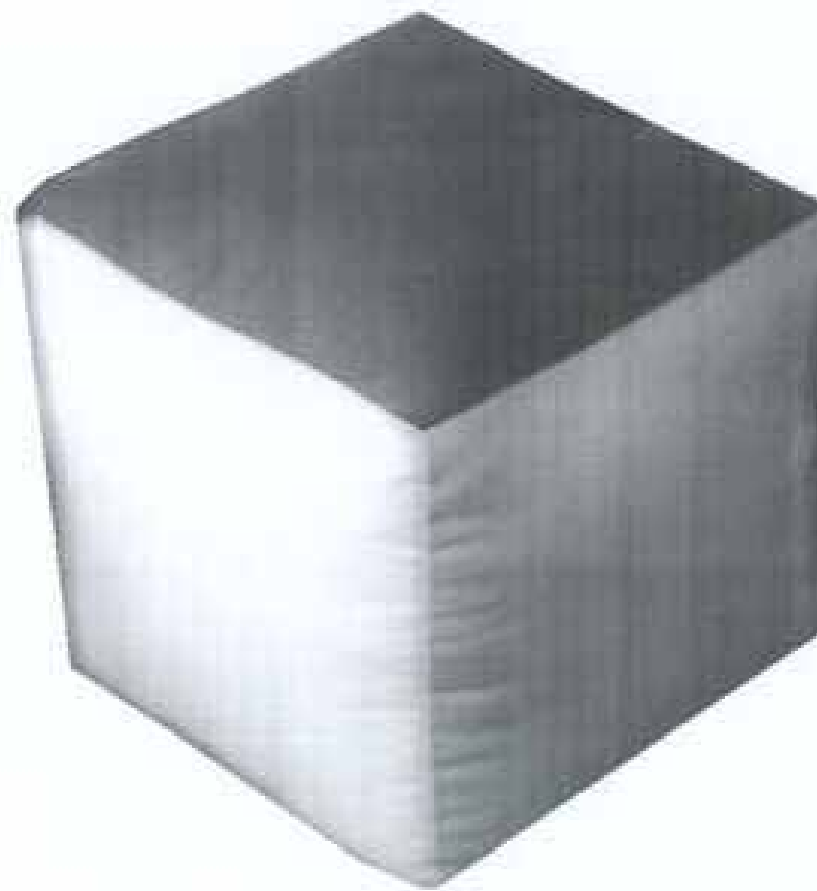
Cecelia Ann Elsworthy
56 Appaloosa Drive Conondale Queensland 4552 Australia

(72) Name(s) of Designer(s): **Cecelia Ann Elsworthy**

(45) Registration Date: **09 September 2010**

(56) Related Art Documents: **Not Applicable**

(57) Statement of Newness and Distinctiveness: **Waiting approval of this design application to launch product and put on market in public domain. It is a soft/plush platonic solid made from new, vintage and recycled materials.**



(21) Design Number: **13479/2010**

(22) Date of Filing Application: **13 August 2010**

(24) Date from which industrial property rights may have effect: **13 August 2010**

(54) Product in respect of which the design is registered: **Pillow**

(51) International Design Classification: **06-09**

(71) Name(s) and Address(s) of Applicant(s):

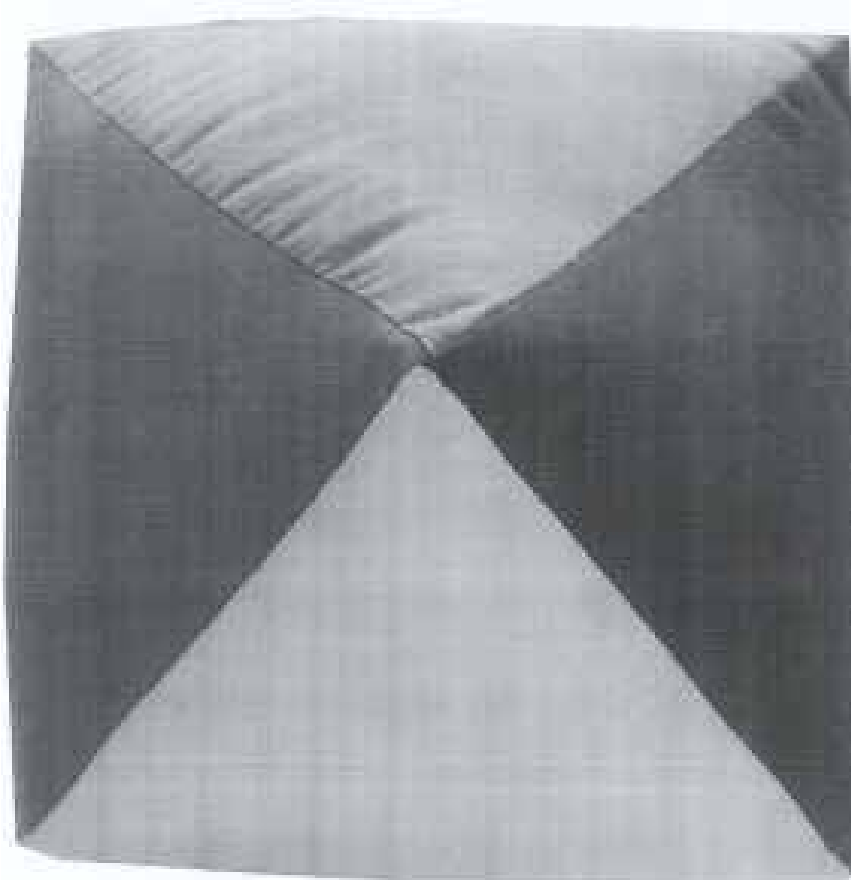
Cecelia Ann Elsworthy
56 Appaloosa Drive Conondale Queensland 4552 Australia

(72) Name(s) of Designer(s): **Cecelia Ann Elsworthy**

(45) Registration Date: **09 September 2010**

(56) Related Art Documents: **Not Applicable**

(57) Statement of Newness and Distinctiveness: **Waiting approval of this design application to launch product and put on market in public domain. It is a soft/plush platonic solid made from new, vintage and recycled materials.**



(21) Design Number: **13480/2010**

(22) Date of Filing Application: **13 August 2010**

(24) Date from which industrial property rights may have effect: **13 August 2010**

(54) Product in respect of which the design is registered: **Pillow**

(51) International Design Classification: **06-09**

(71) Name(s) and Address(s) of Applicant(s):

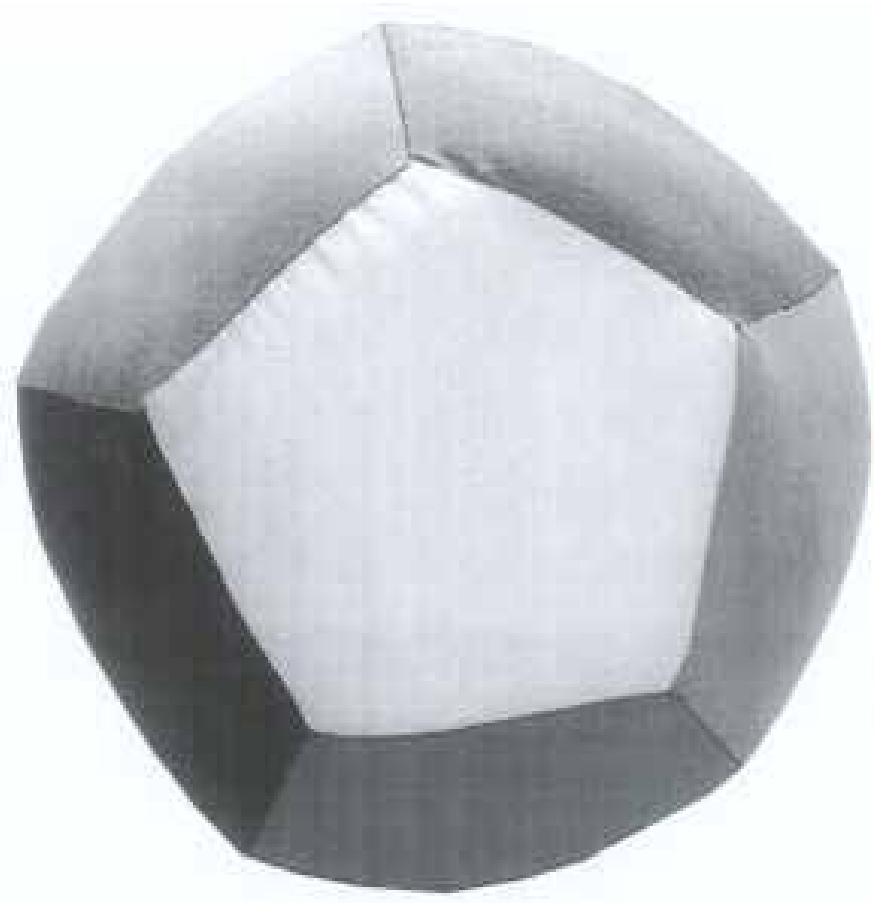
Cecelia Ann Elsworthy
56 Appaloosa Drive Conondale Queensland 4552 Australia

(72) Name(s) of Designer(s): **Cecelia Ann Elsworthy**

(45) Registration Date: **09 September 2010**

(56) Related Art Documents: **Not Applicable**

(57) Statement of Newness and Distinctiveness: **Waiting approval of this design application to launch product and put on market in public domain. It is a soft/plush platonic solid made from new, vintage and recycled materials.**



(21) Design Number: **13481/2010**

(22) Date of Filing Application: **13 August 2010**

(24) Date from which industrial property rights may have effect: **13 August 2010**

(54) Product in respect of which the design is registered: **Pillow**

(51) International Design Classification: **06-09**

(71) Name(s) and Address(s) of Applicant(s):

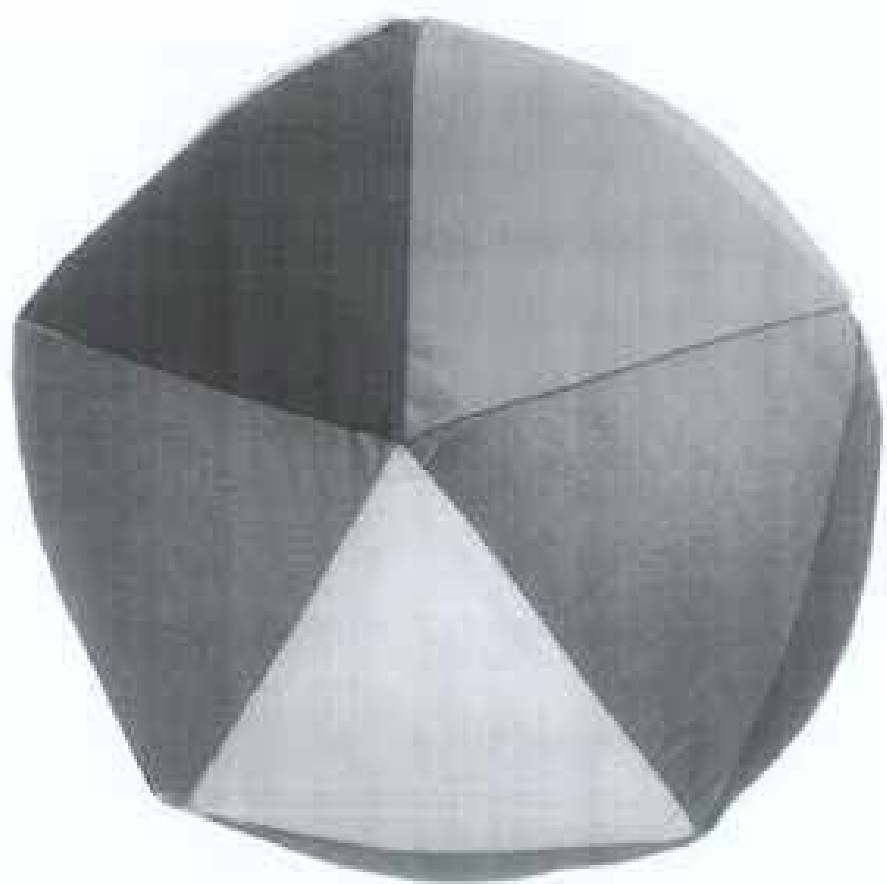
Cecelia Ann Elsworthy
56 Appaloosa Drive Conondale Queensland 4552 Australia

(72) Name(s) of Designer(s): **Cecelia Ann Elsworthy**

(45) Registration Date: **09 September 2010**

(56) Related Art Documents: **Not Applicable**

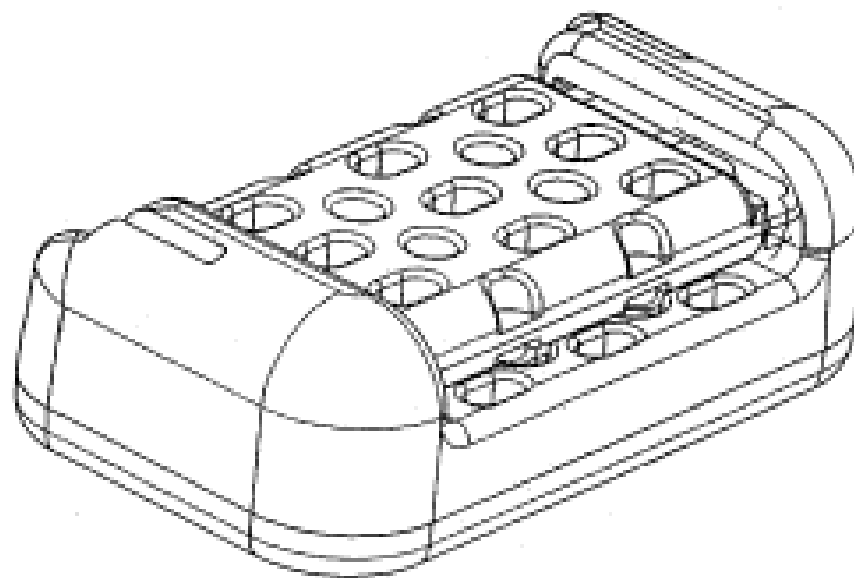
(57) Statement of Newness and Distinctiveness: **Waiting approval of this design application to launch product and put on market in public domain. It is a soft/plush platonic solid made from new, vintage and recycled materials.**



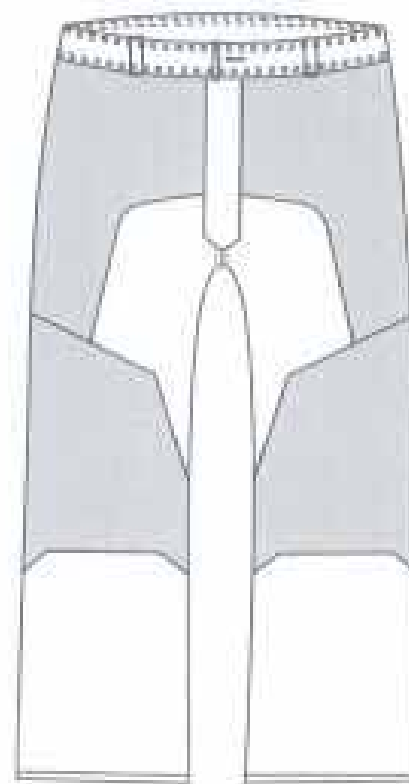
(21) Design Number: **13537/2010**
(22) Date of Filing Application: **18 August 2010**
(24) Date from which industrial property rights may have effect: **18 August 2010**
(54) Product in respect of which the design is registered: **Watch case**
(51) International Design Classification: **10-07**
(71) Name(s) and Address(s) of Applicant(s):
Swatch AG (Swatch SA) (Swatch Ltd)
94 rue Jakob Stampfli Bienne Switzerland
(72) Name(s) of Designer(s): **Stephane Avranches**
(45) Registration Date: **09 September 2010**
(30) Convention priority data:
(31) Number (32) Date (33) Country
DM/073 270 05 Mar 2010 SWITZERLAND
(56) Related Art Documents: **Not Applicable**
(57) Statement of Newness and Distinctiveness: **Nil**



(21) Design Number: **13538/2010**
(22) Date of Filing Application: **17 August 2010**
(24) Date from which industrial property rights may have effect: **17 August 2010**
(54) Product in respect of which the design is registered: **A two piece clip for clipping together a strap**
(51) International Design Classification: **08-08NES**
(71) Name(s) and Address(s) of Applicant(s):
Rope & Plastic Products Pty Ltd
Level 2 139 Frome Street Adelaide South Australia 5000 Australia
(72) Name(s) of Designer(s): **Rod Arthur and John Sutton and Ken Organ**
(45) Registration Date: **09 September 2010**
(56) Related Art Documents: **Not Applicable**
(57) Statement of Newness and Distinctiveness: **Nil**



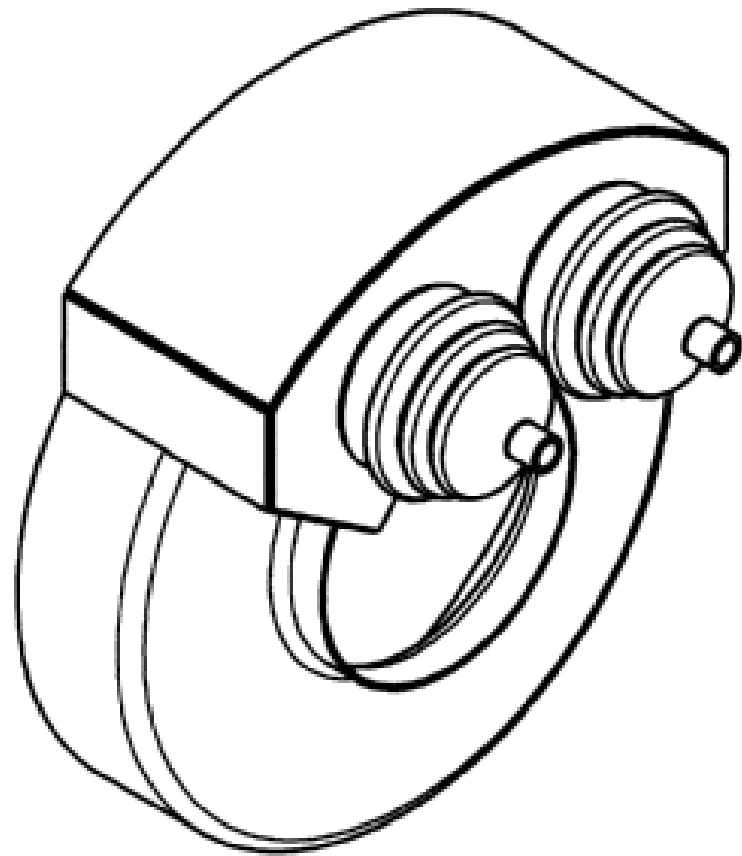
- (21) Design Number: **13550/2010**
(22) Date of Filing Application: **18 August 2010**
(24) Date from which industrial property rights may have effect: **18 August 2010**
(54) Product in respect of which the design is registered: **Protective lining for jeans**
(51) International Design Classification: **02-02C**
(71) Name(s) and Address(s) of Applicant(s):
Cassons Pty Ltd
11B Grand Avenue Camellia New South Wales 2142 Australia
(72) Name(s) of Designer(s): **Robert Cassen and John Cassen**
(45) Registration Date: **09 September 2010**
(56) Related Art Documents: **Not Applicable**
(57) Statement of Newness and Distinctiveness: **Newness and distinctiveness is claimed in the shape and/or configuration of the internal lining of the jeans as illustrated by shading in the accompanying representations.**



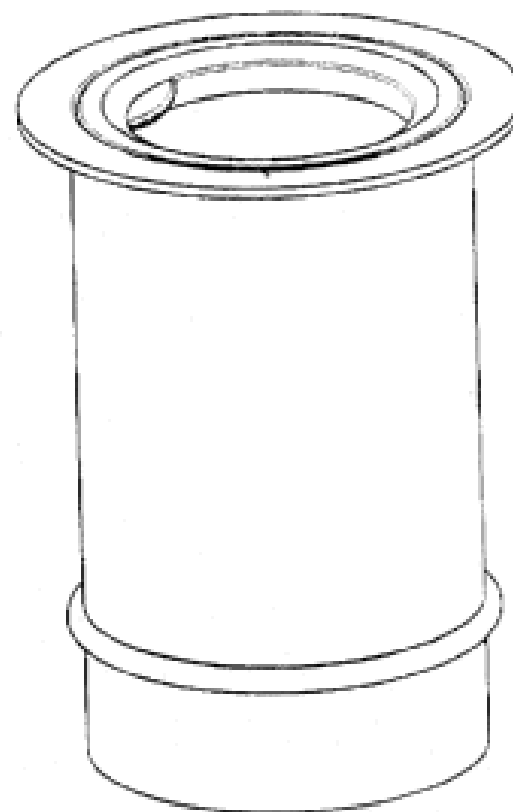
- (21) Design Number: **13682/2010**
(22) Date of Filing Application: **27 August 2010**
(24) Date from which industrial property rights may have effect: **27 August 2010**
(54) Product in respect of which the design is registered: **A shield for burping babies**
(51) International Design Classification: **02-05**
(71) Name(s) and Address(s) of Applicant(s):
Riki Kim McConaghy
29 Ellerslie Crescent Taringa Queensland 4068 Australia
(72) Name(s) of Designer(s): **Riki Kim McConaghy**
(45) Registration Date: **09 September 2010**
(56) Related Art Documents: **Not Applicable**
(57) Statement of Newness and Distinctiveness: **The shape and configuration of a shield for burping babies as illustrated in the accompanying representations.**



- (21) Design Number: **10753/2010**
(22) Date of Filing Application: **08 March 2010**
(24) Date from which industrial property rights may have effect: **08 March 2010**
(54) Product in respect of which the design is registered: **Brake cover for spring apply hydraulic release calipers**
(51) International Design Classification: **12-16M**
(71) Name(s) and Address(s) of Applicant(s):
MIP Engineering Pty Ltd
24 Costello Street Maddington Western Australia 6109 Australia
(72) Name(s) of Designer(s): **Marius Pepenar**
(45) Registration Date: **09 September 2010**
(56) Related Art Documents: **Not Applicable**
(57) Statement of Newness and Distinctiveness: **Nil**



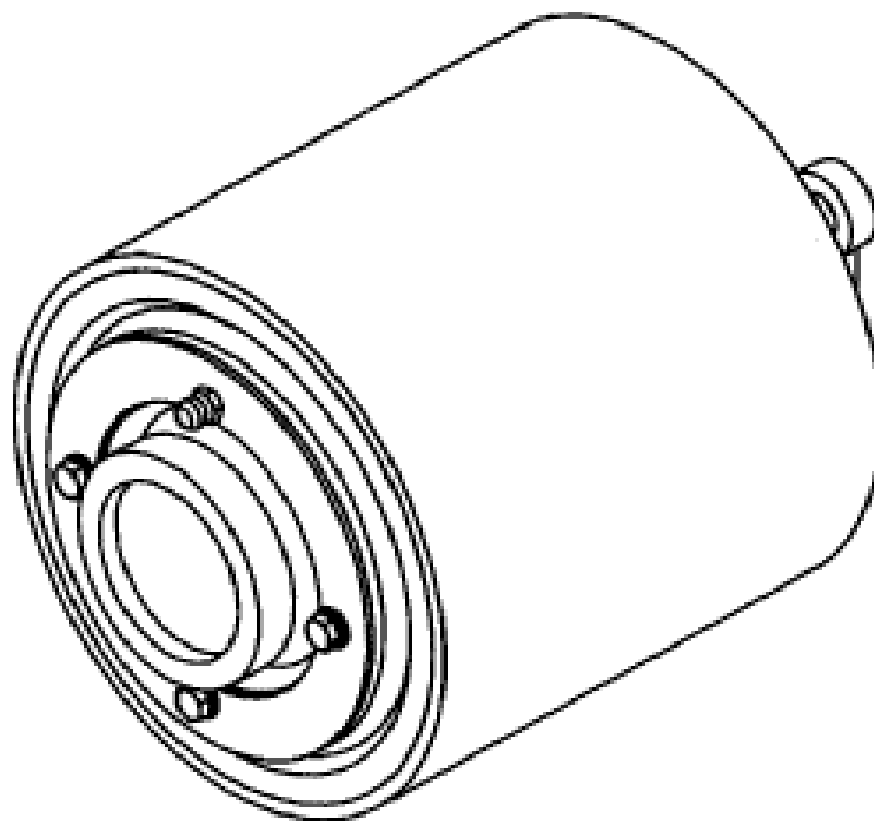
- (21) Design Number: **12581/2010**
(22) Date of Filing Application: **22 June 2010**
(24) Date from which industrial property rights may have effect: **22 June 2010**
(54) Product in respect of which the design is registered: **Floor trough drain, soild screening device**
(51) International Design Classification: **23-02NES**
(71) Name(s) and Address(s) of Applicant(s):
Eco Guardians Pty Ltd
90 St Kilda Road St Kilda Victoria 3182 Australia
(72) Name(s) of Designer(s): **John Carroll**
(45) Registration Date: **09 September 2010**
(56) Related Art Documents: **Not Applicable**
(57) Statement of Newness and Distinctiveness: **Circular upper flange for welding to floor trough.**



- (21) Design Number: **13245/2010**
(22) Date of Filing Application: **22 June 2010**
(24) Date from which industrial property rights may have effect: **22 June 2010**
(54) Product in respect of which the design is registered: **Floor trough drain, solid waste screening device**
(51) International Design Classification: **23-02NES**
(71) Name(s) and Address(s) of Applicant(s):
Eco Guardians Pty Ltd
90 St Kilda Road St Kilda Victoria 3182 Australia
(72) Name(s) of Designer(s): **John Carroll**
(45) Registration Date: **09 September 2010**
(56) Related Art Documents: **Not Applicable**
(57) Statement of Newness and Distinctiveness: **Circular upper flange for welding to floor trough.**



- (21) Design Number: **12678/2010**
(22) Date of Filing Application: **30 June 2010**
(24) Date from which industrial property rights may have effect: **30 June 2010**
(54) Product in respect of which the design is registered: **Extension for a brake cover for a vehicle driveline brake. It fits to drive shafts of vehicles and protects the**
(51) International Design Classification: **12-16M**
(71) Name(s) and Address(s) of Applicant(s):
MIP Engineering Pty Ltd
24 Costello Street Maddington Western Australia 6109 Australia
(72) Name(s) of Designer(s): **Marius Pepenar**
(45) Registration Date: **09 September 2010**
(56) Related Art Documents: **Not Applicable**
(57) Statement of Newness and Distinctiveness: **Nil**



(21) Design Number: **12878/2010**

(22) Date of Filing Application: **12 July 2010**

(24) Date from which industrial property rights may have effect: **12 July 2010**

(54) Product in respect of which the design is registered: **Pen tip**

(51) International Design Classification: **19-06**

(71) Name(s) and Address(s) of Applicant(s):

Ellen Charlesworth

6 Fremont Street Heathmont Victoria 3135 Australia

(72) Name(s) of Designer(s): **Ellen Charlesworth**

(45) Registration Date: **09 September 2010**

(56) Related Art Documents: **Not Applicable**

(57) Statement of Newness and Distinctiveness: **Newness and distinctiveness is claimed in the features of shape and/or configuration of the pen tip as illustrated in the accompanying representations.**



(21) Design Number: **12879/2010**

(22) Date of Filing Application: **12 July 2010**

(24) Date from which industrial property rights may have effect: **12 July 2010**

(54) Product in respect of which the design is registered: **Pen button**

(51) International Design Classification: **19-06**

(71) Name(s) and Address(s) of Applicant(s):

Ellen Charlesworth

6 Fremont Street Heathmont Victoria 3135 Australia

(72) Name(s) of Designer(s): **Ellen Charlesworth**

(45) Registration Date: **09 September 2010**

(56) Related Art Documents: **Not Applicable**

(57) Statement of Newness and Distinctiveness: **Newness and distinctiveness is claimed in the features of shape and/or configuration of the pen button as illustrated in the accompanying representations.**



- (21) Design Number: **13294/2010**
(22) Date of Filing Application: **04 August 2010**
(24) Date from which industrial property rights may have effect: **04 August 2010**
(54) Product in respect of which the design is registered: **Key grip**
(51) International Design Classification: **08-07**
(71) Name(s) and Address(s) of Applicant(s):

Abloy Oy
Wahlforssinkatu 20 80100 Joensuu Finland

(72) Name(s) of Designer(s): **Mika Heikinmatti**

(45) Registration Date: **09 September 2010**

(30) Convention priority data:

(31) Number	(32) Date	(33) Country
001669599	12 Feb 2010	EUROPEAN COMMUNITY

(56) Related Art Documents: **Not Applicable**

(57) Statement of Newness and Distinctiveness: **The following visual features of the design are new and distinctive: the shape and configuration of a key grip as shown in solid lines in the accompanying drawings. In considering the newness and distinctiveness of the design, no regard is to be had to the visual features depicted by the broken lines.**



- (21) Design Number: **13301/2010**
(22) Date of Filing Application: **04 August 2010**
(24) Date from which industrial property rights may have effect: **04 August 2010**
(54) Product in respect of which the design is registered: **Trolley**
(51) International Design Classification: **12-02**
(71) Name(s) and Address(s) of Applicant(s):

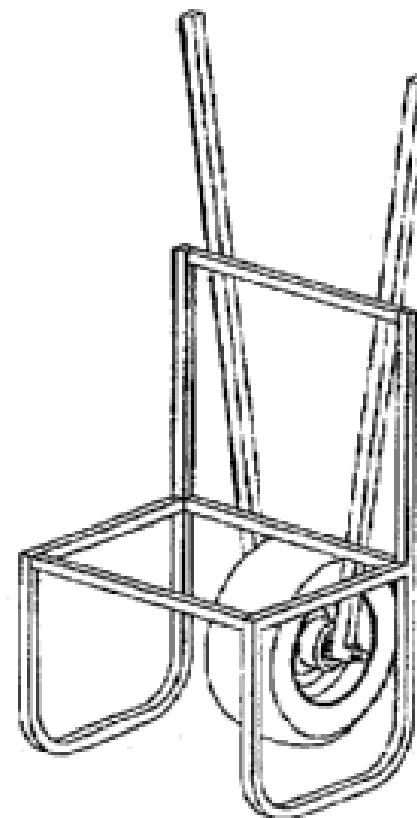
Paul James Kukulies
"Kutanga" 1336 Brisbane Valley Highway Fernvale Queensland 4306
Australia

(72) Name(s) of Designer(s): **Paul James Kukulies**

(45) Registration Date: **09 September 2010**

(56) Related Art Documents: **Not Applicable**

(57) Statement of Newness and Distinctiveness: **This trolley design incorporates a single wheel, wheelbarrow mechanism mounted behind a chair-like carry frame with 'U' shaped legs. The seat and back of chair-like carry frame are positioned above the wheel and forward of the centre of the wheel (axle).**



(21) Design Number: **13302/2010**

(22) Date of Filing Application: **04 August 2010**

(24) Date from which industrial property rights may have effect: **04 August 2010**

(54) Product in respect of which the design is registered: **Trolley**

(51) International Design Classification: **12-02**

(71) Name(s) and Address(s) of Applicant(s):

Paul James Kukulies

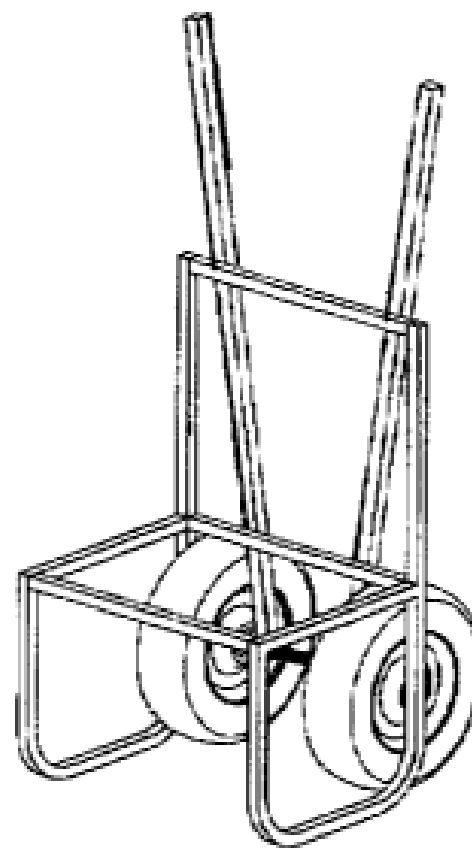
**"Kutanga" 1336 Brisbane Valley Highway Fernvale Queensland 4306
Australia**

(72) Name(s) of Designer(s): **Paul James Kukulies**

(45) Registration Date: **09 September 2010**

(56) Related Art Documents: **Not Applicable**

(57) Statement of Newness and Distinctiveness: **This trolley design incorporates a dual wheel, wheelbarrow mechanism mounted behind a chair-like carry frame with 'U' shaped legs. The seat and back of chair-like carry frame are positioned above the wheels and forward of the centre of the wheels (axle).**



(21) Design Number: **13517/2010**

(22) Date of Filing Application: **16 August 2010**

(24) Date from which industrial property rights may have effect: **16 August 2010**

(54) Product in respect of which the design is registered: **Digital microscope
iridology/sclerology adaptor**

(51) International Design Classification: **24-01**

(71) Name(s) and Address(s) of Applicant(s):

Leo Bongaards Trading as Eyeronec

3 Boxwood Close Ourimbah New South Wales 2258 Australia

(72) Name(s) of Designer(s): **Leo Bongaards**

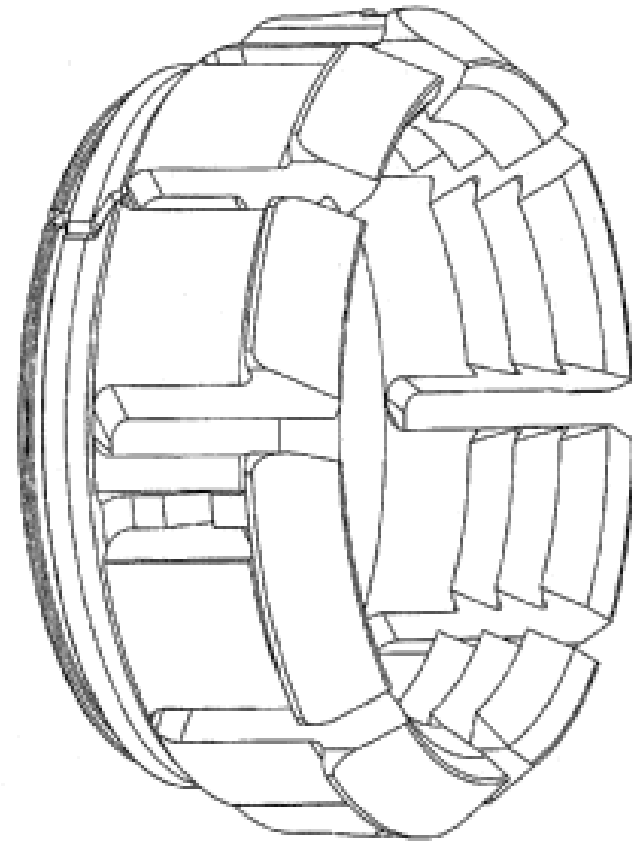
(45) Registration Date: **09 September 2010**

(56) Related Art Documents: **Not Applicable**

(57) Statement of Newness and Distinctiveness: **Adaptor to fit digital
microscope with a rotating eye cup to block out all ambient light.**



- (21) Design Number: **13539/2010**
- (22) Date of Filing Application: **16 August 2010**
- (24) Date from which industrial property rights may have effect: **16 August 2010**
- (54) Product in respect of which the design is registered: **Grip ring**
- (51) International Design Classification: **09-07C**
- (71) Name(s) and Address(s) of Applicant(s):
Philmac Pty Ltd
53 Deeds Road North Plympton South Australia 5037 Australia
- (72) Name(s) of Designer(s): **Malcolm John Pridham and David Chelchowski and Peter Newall**
- (45) Registration Date: **09 September 2010**
- (56) Related Art Documents: **Not Applicable**
- (57) Statement of Newness and Distinctiveness: **Statement of distinctiveness relates to the rear end of the grip ring including a groove adapted for attachment of a seal ring to the grip ring.**



- (21) Design Number: **13672/2010**
- (22) Date of Filing Application: **26 August 2010**
- (24) Date from which industrial property rights may have effect: **26 August 2010**
- (54) Product in respect of which the design is registered: **Cap**
- (51) International Design Classification: **02-03**
- (71) Name(s) and Address(s) of Applicant(s):
Saabeam Pty Ltd
12 Childs Road Chipping Norton New South Wales 2170 Australia
- (72) Name(s) of Designer(s): **David Lao**
- (45) Registration Date: **09 September 2010**
- (56) Related Art Documents: **Not Applicable**
- (57) Statement of Newness and Distinctiveness: **Monopoly is claimed in the pattern and ornamentation of the cap as illustrated in the representation.**



- (21) Design Number: **13858/2010**
- (22) Date of Filing Application: **26 August 2010**
- (24) Date from which industrial property rights may have effect: **26 August 2010**
- (54) Product in respect of which the design is registered: **Cap**
- (51) International Design Classification: **02-03**
- (71) Name(s) and Address(s) of Applicant(s):
Saabeam Pty Ltd
12 Childs Road Chipping Norton New South Wales 2170 Australia
- (72) Name(s) of Designer(s): **David Lao**
- (45) Registration Date: **09 September 2010**
- (56) Related Art Documents: **Not Applicable**
- (57) Statement of Newness and Distinctiveness: **Monopoly is claimed in the pattern and ornamentation of the cap as illustrated in the representation.**



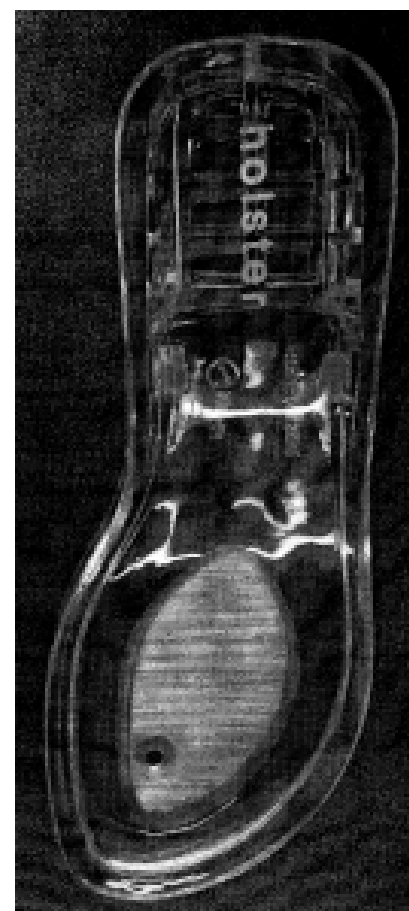
- (21) Design Number: **13671/2010**
- (22) Date of Filing Application: **26 August 2010**
- (24) Date from which industrial property rights may have effect: **26 August 2010**
- (54) Product in respect of which the design is registered: **Cap**
- (51) International Design Classification: **02-03**
- (71) Name(s) and Address(s) of Applicant(s):
Saabeam Pty Ltd
12 Childs Road Chipping Norton New South Wales 2170 Australia
- (72) Name(s) of Designer(s): **David Lao**
- (45) Registration Date: **09 September 2010**
- (56) Related Art Documents: **Not Applicable**
- (57) Statement of Newness and Distinctiveness: **Monopoly is claimed in the pattern and ornamentation of the cap as illustrated in the representation.**



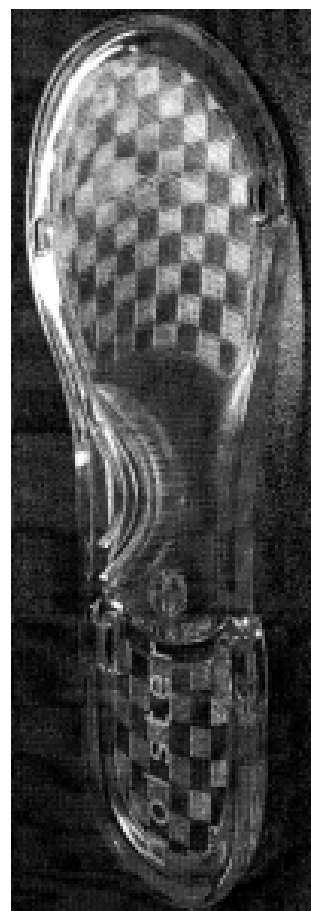
- (21) Design Number: **13859/2010**
- (22) Date of Filing Application: **26 August 2010**
- (24) Date from which industrial property rights may have effect: **26 August 2010**
- (54) Product in respect of which the design is registered: **Cap**
- (51) International Design Classification: **02-03**
- (71) Name(s) and Address(s) of Applicant(s):
Saabeam Pty Ltd
12 Childs Road Chipping Norton New South Wales 2170 Australia
- (72) Name(s) of Designer(s): **David Lao**
- (45) Registration Date: **09 September 2010**
- (56) Related Art Documents: **Not Applicable**
- (57) Statement of Newness and Distinctiveness: **Monopoly is claimed in the pattern and ornamentation of the cap as illustrated in the representation.**



- (21) Design Number: **12566/2010**
- (22) Date of Filing Application: **22 June 2010**
- (24) Date from which industrial property rights may have effect: **22 June 2010**
- (54) Product in respect of which the design is registered: **A sole**
- (51) International Design Classification: **02-04B**
- (71) Name(s) and Address(s) of Applicant(s):
Holster Fashion Pty Ltd
6-55 Gateway Drive Noosaville Queensland 4566 Australia
- (72) Name(s) of Designer(s): **Natalie Miller**
- (45) Registration Date: **10 September 2010**
- (56) Related Art Documents: **Not Applicable**
- (57) Statement of Newness and Distinctiveness: **Newness and distinctiveness resides in the shape and configuration of a sole as illustrated in the accompanying representations. No newness or distinctiveness is claimed in the shape or configuration of the numbers and words on the sole.**



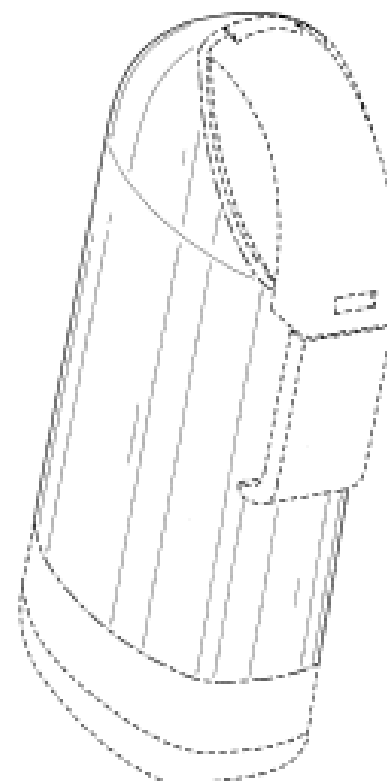
- (21) Design Number: **12567/2010**
(22) Date of Filing Application: **22 June 2010**
(24) Date from which industrial property rights may have effect: **22 June 2010**
(54) Product in respect of which the design is registered: **A sole**
(51) International Design Classification: **02-04B**
(71) Name(s) and Address(s) of Applicant(s):
Holster Fashion Pty Ltd
6-55 Gateway Drive Noosaville Queensland 4566 Australia
(72) Name(s) of Designer(s): **Natalie Miller**
(45) Registration Date: **10 September 2010**
(56) Related Art Documents: **Not Applicable**
(57) Statement of Newness and Distinctiveness: **Newness and distinctiveness resides in the shape and configuration of a sole as illustrated in the accompanying representations. No newness or distinctiveness is claimed in the shape or configuration of the numbers and words on the underside of the sole.**



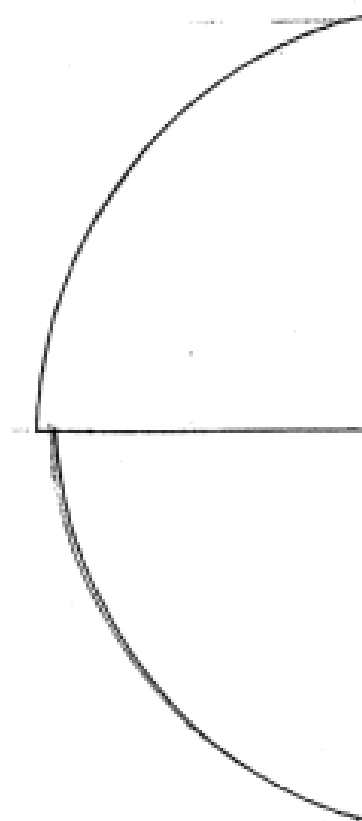
- (21) Design Number: **12692/2010**
(22) Date of Filing Application: **30 June 2010**
(24) Date from which industrial property rights may have effect: **30 June 2010**
(54) Product in respect of which the design is registered: **Container**
(51) International Design Classification: **09-01NES, 09-03NES**
(71) Name(s) and Address(s) of Applicant(s):
McNeil AB
SE - 251 09 Helsingborg Sweden
(72) Name(s) of Designer(s): **Jonathan Paul Taylor and Dennis Broberg**
(45) Registration Date: **10 September 2010**
(30) Convention priority data:

(31) Number	(32) Date	(33) Country
29/363488	10 Jun 2010	UNITED STATES OF AMERICA

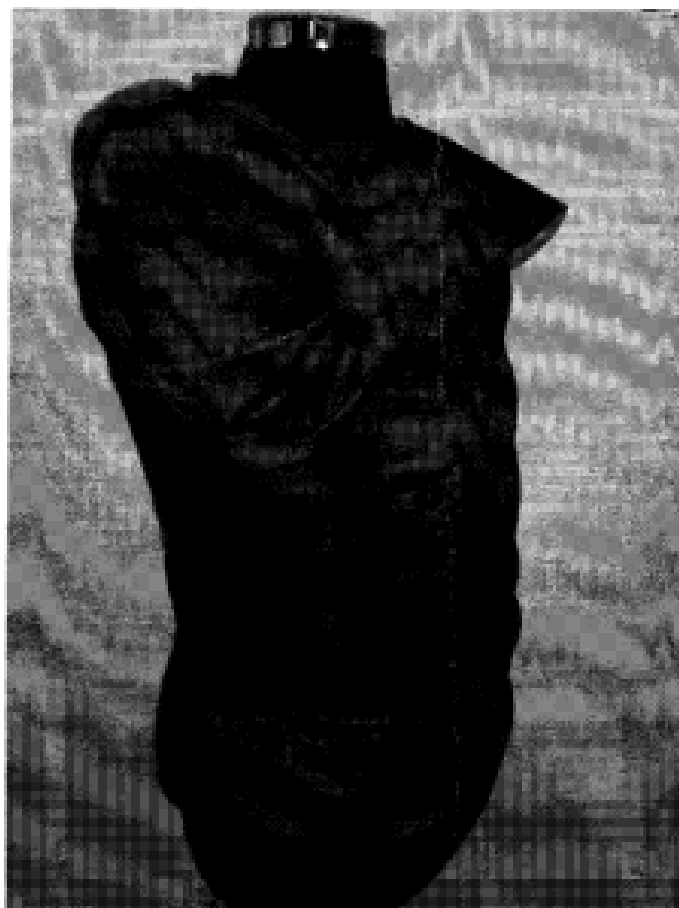
(56) Related Art Documents: **Not Applicable**
(57) Statement of Newness and Distinctiveness: **Newness and distinctiveness resides in the solid line features of shape and/or configuration of a container as illustrated in the accompanying representations.**



- (21) Design Number: **12931/2010**
- (22) Date of Filing Application: **15 July 2010**
- (24) Date from which industrial property rights may have effect: **15 July 2010**
- (54) Product in respect of which the design is registered: **Cover**
- (51) International Design Classification: **12-16NES**
- (71) Name(s) and Address(s) of Applicant(s):
Steven Kara
41 Swan Street Blackburn South Victoria 3130 Australia
- (72) Name(s) of Designer(s): **Steven Kara**
- (45) Registration Date: **10 September 2010**
- (56) Related Art Documents: **Not Applicable**
- (57) Statement of Newness and Distinctiveness: **Nil**



- (21) Design Number: **13650/2010**
- (22) Date of Filing Application: **24 August 2010**
- (24) Date from which industrial property rights may have effect: **24 August 2010**
- (54) Product in respect of which the design is registered: **Muscle formed dress up sets for children and adults**
- (51) International Design Classification: **02-02B**
- (71) Name(s) and Address(s) of Applicant(s):
Deerfield Pty Ltd
123 Merrindale Drive Croydon South Victoria 3136 Australia
- (72) Name(s) of Designer(s): **Peter Anthony Warton**
- (45) Registration Date: **10 September 2010**
- (56) Related Art Documents: **Not Applicable**
- (57) Statement of Newness and Distinctiveness: **Child and adult muscle formed dress-up sets. 1 Interpretation of costumes versus dress-up sets. 1.1 Character costumes are complete costumes in exacting character guise. A costume can be worn as an alternative to outer clothing. 1.2 Dress-up sets comprise components worn or used to facilitate partial character guise. A dress-up set is normally worn on top of items of clothing and not as an alternative to outer clothing. 2 Design criteria. 2.1 Three key elements governed the creation of the muscle formed dress-up sets by Deerfield Pty Ltd CAN 005 876 684 (the Applicant) as follows: 2.1.1 the Applicant identified the key character elements of any given Super Hero; 2.1.2 the Applicant identified the key price points available to the category at retail; and 2.1.3 the Applicant identified the promotional real estate available at each retailer in terms of brochure advertising and physically in terms of dedicated space at store level. 3 The product 3.1 Exploitation of the new three key elements identified in clause 2 resulted in a distinctive new design execution applicable to the manufacture of super hero dress-up sets for children and adults alike. Specifically, this design: 3.1.1 extracts and exploits a key character and design element of inspirational super heroes, namely exaggerated muscles; 3.1.2 is minimalistic in use of trimmings beyond the exploitation of the key character element so as to achieve a unique and high value retail proposition; and 3.1.3 supports a peg hanging footprint at retail that allows for a more impressive store display. 3.2 The children and adult dress-up sets are identical in design. 4 The uniqueness. 4.1 The design is both new and distinctive. Muscle contour has previously been applied in the creation of complete super hero character costumes. Conversely, textile components have been used previously in the creation of less**



expensive super hero character dress-up sets. 4.2 The muscle formed dress-up sets designed by the Applicant represent a unique combination of components to create a visually compelling product not previously seen before.

(12) AUSTRALIAN REGISTERED DESIGN
(19) AU

(11) AU-S- 332724

(21) Design Number: **13798/2010**

(22) Date of Filing Application: **01 September 2010**

(24) Date from which industrial property rights may have effect: **01 September 2010**

(54) Product in respect of which the design is registered: **Elliptical bicycle frame**

(51) International Design Classification: **12-11**

(71) Name(s) and Address(s) of Applicant(s):

PT Motion Works, Inc.
207 N. Sierra Avenue Unit A Solana Beach 92075 California United States of America

(72) Name(s) of Designer(s): **Brent C. Teal and Bryan L. Pate**

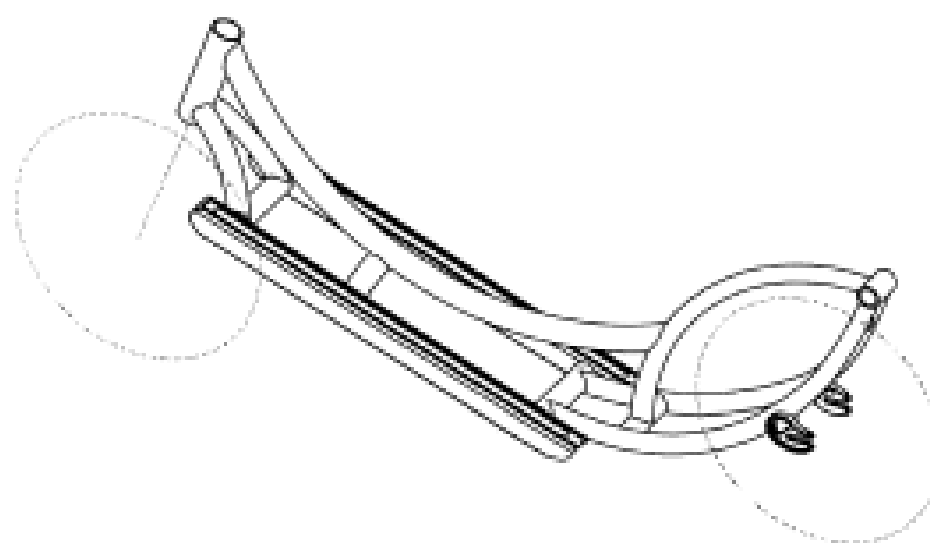
(45) Registration Date: **10 September 2010**

(30) Convention priority data:

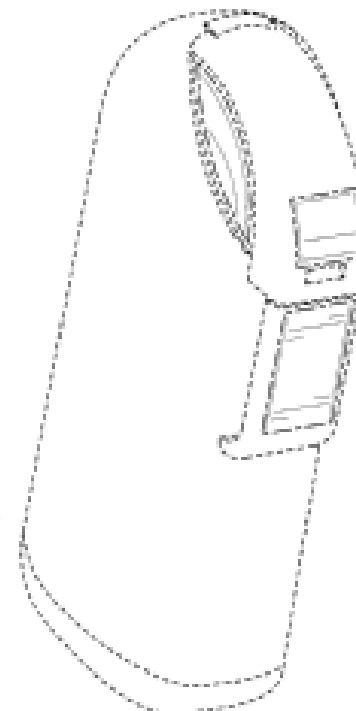
(31) Number	(32) Date	(33) Country
29/357,774	17 Mar 2010	UNITED STATES OF AMERICA

(56) Related Art Documents: **Not Applicable**

(57) Statement of Newness and Distinctiveness: **Newness and distinctiveness is claimed in the shape and/or configuration of an elliptical bicycle frame as illustrated in the representations. No regard is to be had to the features of shape and/or configuration or pattern and/or ornamentation of the elements depicted in phantom.**



- (21) Design Number: **13851/2010**
(22) Date of Filing Application: **30 June 2010**
(24) Date from which industrial property rights may have effect: **30 June 2010**
(54) Product in respect of which the design is registered: **Container**
(51) International Design Classification: **09-01NES, 09-03NES**
(71) Name(s) and Address(s) of Applicant(s):
McNeil AB
SE - 251 09 Helsingborg Sweden
(72) Name(s) of Designer(s): **Jonathan Paul Taylor and Dennis Broberg**
(45) Registration Date: **10 September 2010**
(62) Divisional of: **332721**
(56) Related Art Documents: **Not Applicable**
(57) Statement of Newness and Distinctiveness: **Newness and distinctiveness resides in the features shown in solid lines of shape and/or configuration of a CONTAINER as illustrated in the accompanying representations.**



- (21) Design Number: **13852/2010**
(22) Date of Filing Application: **30 June 2010**
(24) Date from which industrial property rights may have effect: **30 June 2010**
(54) Product in respect of which the design is registered: **Container**
(51) International Design Classification: **09-01NES, 09-03NES**
(71) Name(s) and Address(s) of Applicant(s):
McNeil AB
SE - 251 09 Helsingborg Sweden
(72) Name(s) of Designer(s): **Jonathan Paul Taylor and Dennis Broberg**
(45) Registration Date: **10 September 2010**
(62) Divisional of: **332721**
(56) Related Art Documents: **Not Applicable**
(57) Statement of Newness and Distinctiveness: **Newness and distinctiveness resides in the features shown in solid lines of shape and/or configuration of a CONTAINER as illustrated in the accompanying representations.**



(21) Design Number: **13853/2010**

(22) Date of Filing Application: **30 June 2010**

(24) Date from which industrial property rights may have effect: **30 June 2010**

(54) Product in respect of which the design is registered: **Container**

(51) International Design Classification: **09-01NES, 09-03NES**

(71) Name(s) and Address(s) of Applicant(s):

McNeil AB

SE - 251 09 Helsingborg Sweden

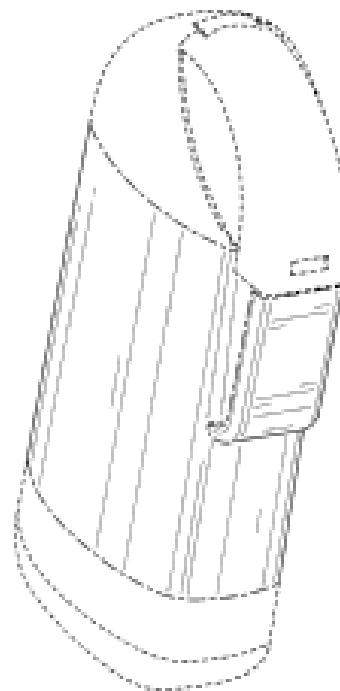
(72) Name(s) of Designer(s): **Jonathan Paul Taylor and Dennis Broberg**

(45) Registration Date: **10 September 2010**

(62) Divisional of: **332721**

(56) Related Art Documents: **Not Applicable**

(57) Statement of Newness and Distinctiveness: **Newness and distinctiveness resides in the features shown in solid lines of shape and/or configuration of a CONTAINER as illustrated in the accompanying representations.**



(21) Design Number: **13546/2010**

(22) Date of Filing Application: **19 August 2010**

(24) Date from which industrial property rights may have effect: **19 August 2010**

(54) Product in respect of which the design is registered: **Fashion leggings**

(51) International Design Classification: **02-04C**

(71) Name(s) and Address(s) of Applicant(s):

Rosalind Marsh

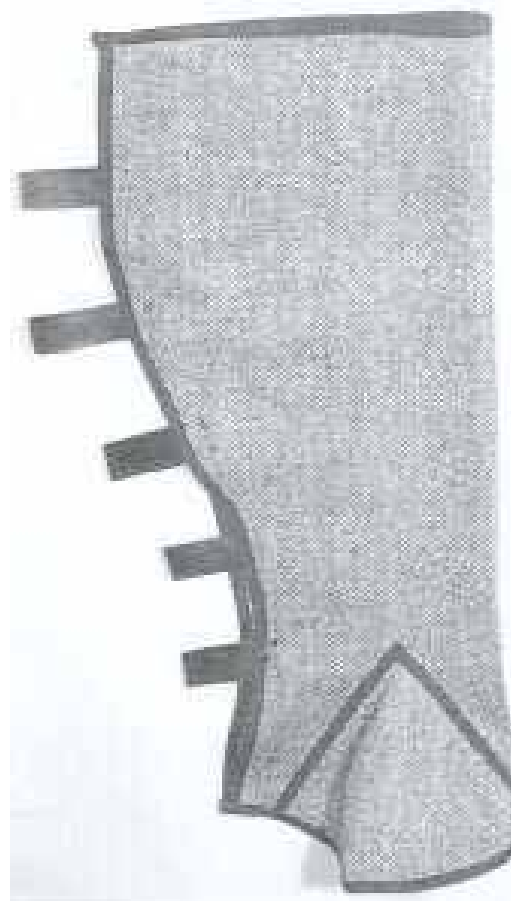
33 Bulga Street St Albans New South Wales 2775 Australia

(72) Name(s) of Designer(s): **Rosalind Marsh**

(45) Registration Date: **10 September 2010**

(56) Related Art Documents: **Not Applicable**

(57) Statement of Newness and Distinctiveness: **Fashion coverings for jeans or legs to the knee fastened at the back with velcro strips; fashion leggings.**



(21) Design Number: **13547/2010**

(22) Date of Filing Application: **19 August 2010**

(24) Date from which industrial property rights may have effect: **19 August 2010**

(54) Product in respect of which the design is registered: **Bicycle handle bar grip**

(51) International Design Classification: **12-11**

(71) Name(s) and Address(s) of Applicant(s):

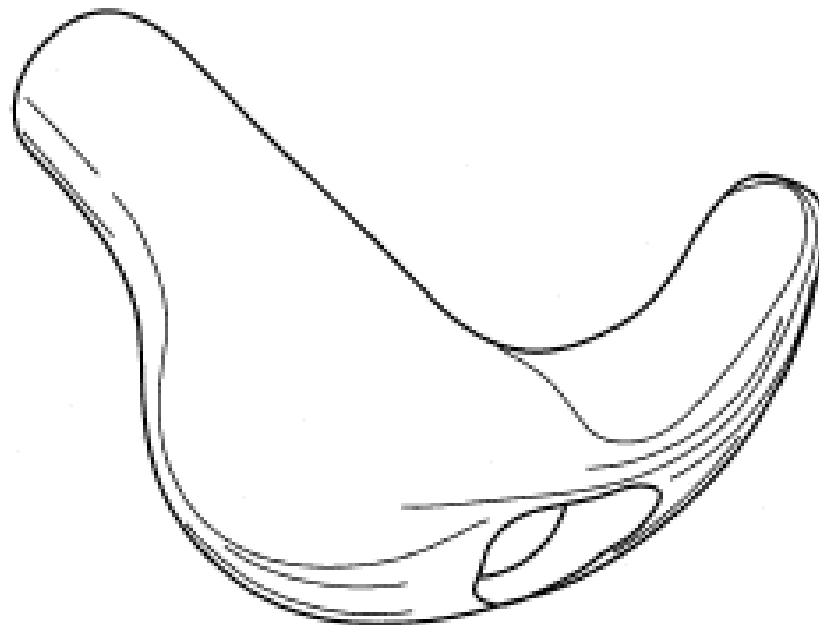
The Electric Bicycle Co. Pty. Ltd.
Unit 17, 109 Tulip Street Cheltenham Victoria 3195 Australia

(72) Name(s) of Designer(s): **Li Weiwu**

(45) Registration Date: **10 September 2010**

(56) Related Art Documents: **Not Applicable**

(57) Statement of Newness and Distinctiveness: **Newness and distinctiveness reside in the shape and configuration of the bicycle handle bar grip as shown in the accompanying representations.**



(21) Design Number: **13548/2010**

(22) Date of Filing Application: **19 August 2010**

(24) Date from which industrial property rights may have effect: **19 August 2010**

(54) Product in respect of which the design is registered: **Bicycle carrier bag**

(51) International Design Classification: **12-11**

(71) Name(s) and Address(s) of Applicant(s):

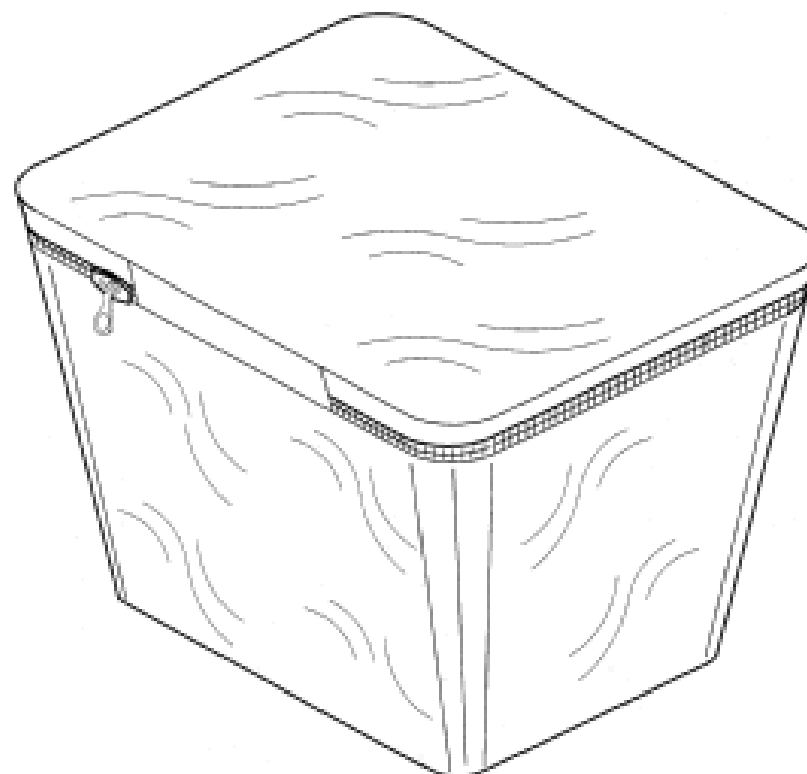
The Electric Bicycle Co. Pty. Ltd.
Unit 17, 109 Tulip Street Cheltenham Victoria 3195 Australia

(72) Name(s) of Designer(s): **Anthony Joseph Morgan**

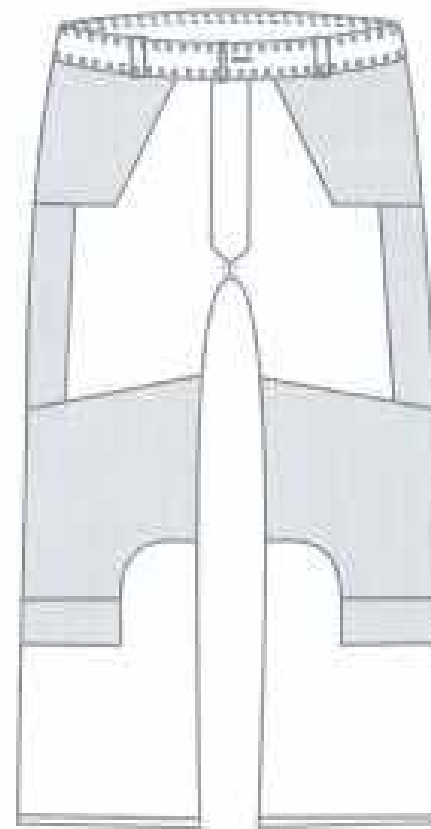
(45) Registration Date: **10 September 2010**

(56) Related Art Documents: **Not Applicable**

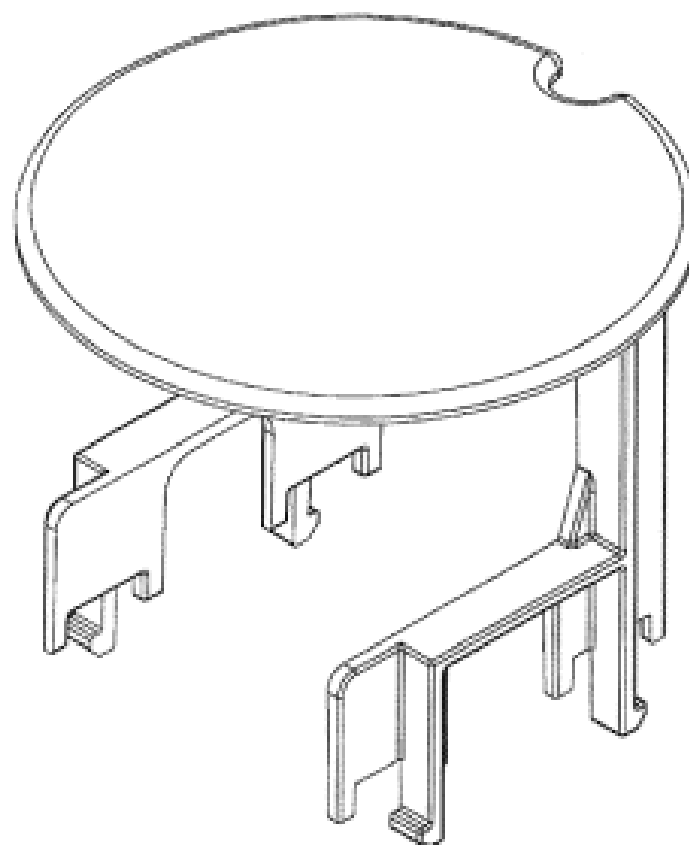
(57) Statement of Newness and Distinctiveness: **Newness and distinctiveness reside in the shape and configuration of the bicycle carrier bag as shown in the accompanying representations.**



- (21) Design Number: **13549/2010**
(22) Date of Filing Application: **18 August 2010**
(24) Date from which industrial property rights may have effect: **18 August 2010**
(54) Product in respect of which the design is registered: **Protective lining for jeans**
(51) International Design Classification: **02-02C**
(71) Name(s) and Address(s) of Applicant(s):
Cassons Pty Ltd
11B Grand Avenue Camellia New South Wales 2142 Australia
(72) Name(s) of Designer(s): **John Cassen and Robert Cassen**
(45) Registration Date: **10 September 2010**
(56) Related Art Documents: **Not Applicable**
(57) Statement of Newness and Distinctiveness: **Newness and distinctiveness is claimed in the shape and/or configuration of the internal lining of the jeans as illustrated by shading in the accompanying representations.**



- (21) Design Number: **13763/2010**
(22) Date of Filing Application: **30 August 2010**
(24) Date from which industrial property rights may have effect: **30 August 2010**
(54) Product in respect of which the design is registered: **A spacer for a light fitting**
(51) International Design Classification: **26-99**
(71) Name(s) and Address(s) of Applicant(s):
Nimbus Lighting Group Limited
180 Station Road Penrose Auckland 1061 New Zealand
(72) Name(s) of Designer(s): **Frank Austin**
(45) Registration Date: **10 September 2010**
(56) Related Art Documents: **Not Applicable**
(57) Statement of Newness and Distinctiveness: **The design is to be applied to a spacer for a light fitting and the novelty resides in features of shape and configuration as shown in the accompanying representations.**



- (21) Design Number: **13854/2010**
- (22) Date of Filing Application: **03 September 2010**
- (24) Date from which industrial property rights may have effect: **03 September 2010**
- (54) Product in respect of which the design is registered: **Fire protection sprinkler**
- (51) International Design Classification: **29-01**
- (71) Name(s) and Address(s) of Applicant(s):

The Viking Corporation
210 N. Industrial Park Road Hastings MI 49058 United States of America

(72) Name(s) of Designer(s): **Andrew T. Thompson**

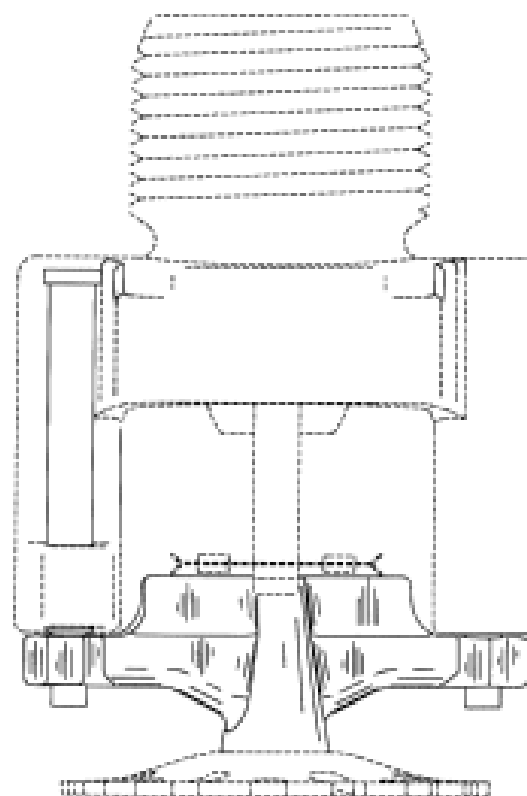
(45) Registration Date: **10 September 2010**

(30) Convention priority data:

(31) Number	(32) Date	(33) Country
29/357,488	12 Mar 2010	UNITED STATES OF AMERICA

(56) Related Art Documents: **Not Applicable**

(57) Statement of Newness and Distinctiveness: **Newness and distinctiveness resides in the visual features of shape and/or configuration of the deflector carrier of the fire protection sprinkler illustrated in the representations. The deflector carrier of the fire protection sprinkler is shown in solid lines in the representations and the remainder of the fire protection sprinkler is shown in broken lines in the representations.**



- (21) Design Number: **12582/2010**
- (22) Date of Filing Application: **21 June 2010**
- (24) Date from which industrial property rights may have effect: **21 June 2010**
- (54) Product in respect of which the design is registered: **Outboard anti cavitation plate**
- (51) International Design Classification: **12-06A**
- (71) Name(s) and Address(s) of Applicant(s):

Luke Andrew Stuart Wakeham
18 Dollview Avenue Rasmussen Queensland 4815 Australia

(72) Name(s) of Designer(s): **Luke Andrew Stuart Wakeham**

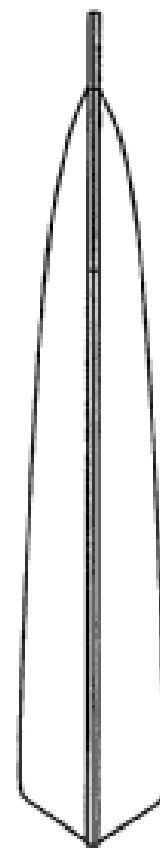
(45) Registration Date: **10 September 2010**

(56) Related Art Documents: **Not Applicable**

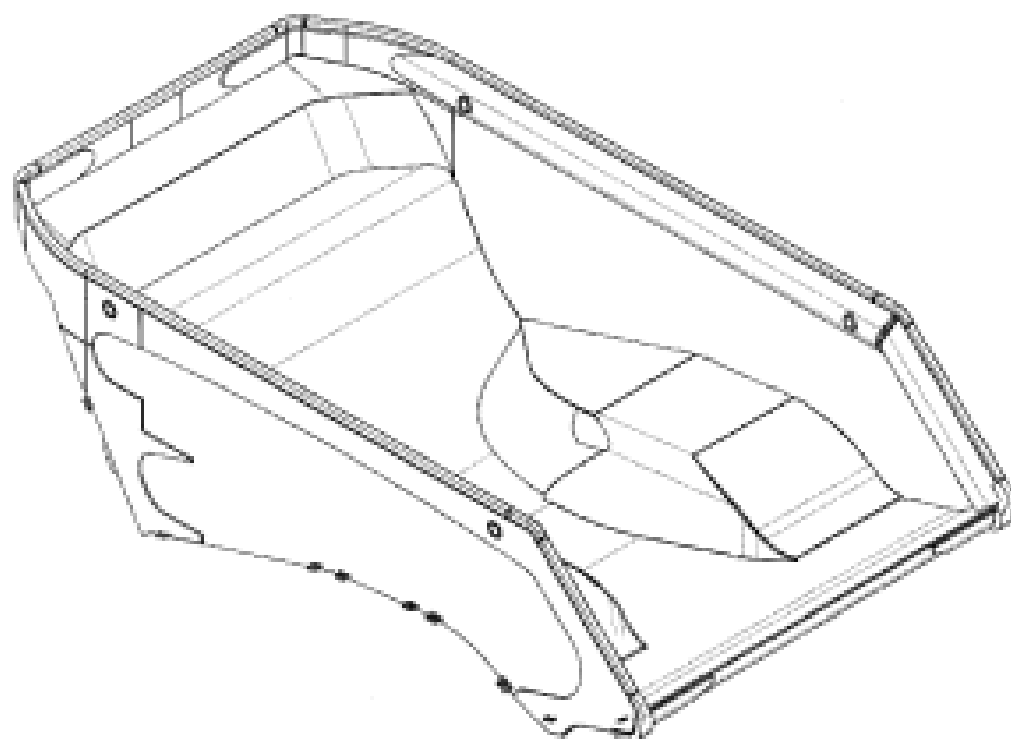
(57) Statement of Newness and Distinctiveness: **An outboard anti cavitation plate assists with prevention of cavitation of propeller and keeps bow of the boat down through takeoff. This design of an anti cavitation plate is new and distinctive in its visually appealing shape.**



- (21) Design Number: **13543/2010**
(22) Date of Filing Application: **18 August 2010**
(24) Date from which industrial property rights may have effect: **18 August 2010**
(54) Product in respect of which the design is registered: **Packaging container**
(51) International Design Classification: **09-05**
(71) Name(s) and Address(s) of Applicant(s):
ORIHIRO Plantdew Co., Ltd.
613 Shimooshima-machi Takasaki-shi Gunma-ken 370-0886 Japan
(72) Name(s) of Designer(s): **Orihiro Tsuruta**
(45) Registration Date: **10 September 2010**
(30) Convention priority data:
(31) Number (32) Date (33) Country
2010-003672 18 Feb 2010 JAPAN
(56) Related Art Documents: **Not Applicable**
(57) Statement of Newness and Distinctiveness: **Those features of the packaging container depicted in the representations that are new and distinctive are the shape and/or configuration.**



- (21) Design Number: **13545/2010**
(22) Date of Filing Application: **18 August 2010**
(24) Date from which industrial property rights may have effect: **18 August 2010**
(54) Product in respect of which the design is registered: **Mining tray**
(51) International Design Classification: **15-04**
(71) Name(s) and Address(s) of Applicant(s):
Austin Engineering Ltd
100 Chisholm Crescent Kewdale Western Australia 6105 Australia
(72) Name(s) of Designer(s): **Jamie Vincent Clarke Hall**
(45) Registration Date: **10 September 2010**
(56) Related Art Documents: **Not Applicable**
(57) Statement of Newness and Distinctiveness: **Nil**



(21) Design Number: **13713/2010**

(22) Date of Filing Application: **25 August 2010**

(24) Date from which industrial property rights may have effect: **25 August 2010**

(54) Product in respect of which the design is registered: **A gate latch unit designed to deliver Australian patent 2009100296**

(51) International Design Classification: **08-07**

(71) Name(s) and Address(s) of Applicant(s):

Bekine Pty Ltd

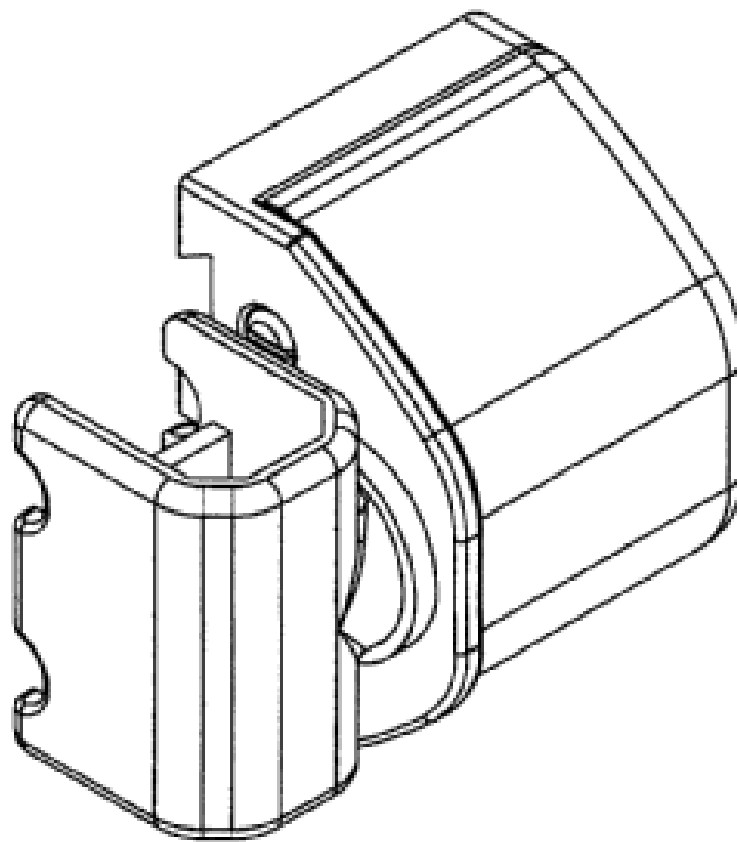
29 Dalmar Street Croydon New South Wales 2132 Australia

(72) Name(s) of Designer(s): **Neville Brown**

(45) Registration Date: **10 September 2010**

(56) Related Art Documents: **Not Applicable**

(57) Statement of Newness and Distinctiveness: **This design is a unique fulfilment of requirements, it is new and distinctive.**



(21) Design Number: **10262/2010**

(22) Date of Filing Application: **28 January 2010**

(24) Date from which industrial property rights may have effect: **28 January 2010**

(54) Product in respect of which the design is registered: **Pop'up box**

(51) International Design Classification: **09-03M**

(71) Name(s) and Address(s) of Applicant(s):

Clayrton's

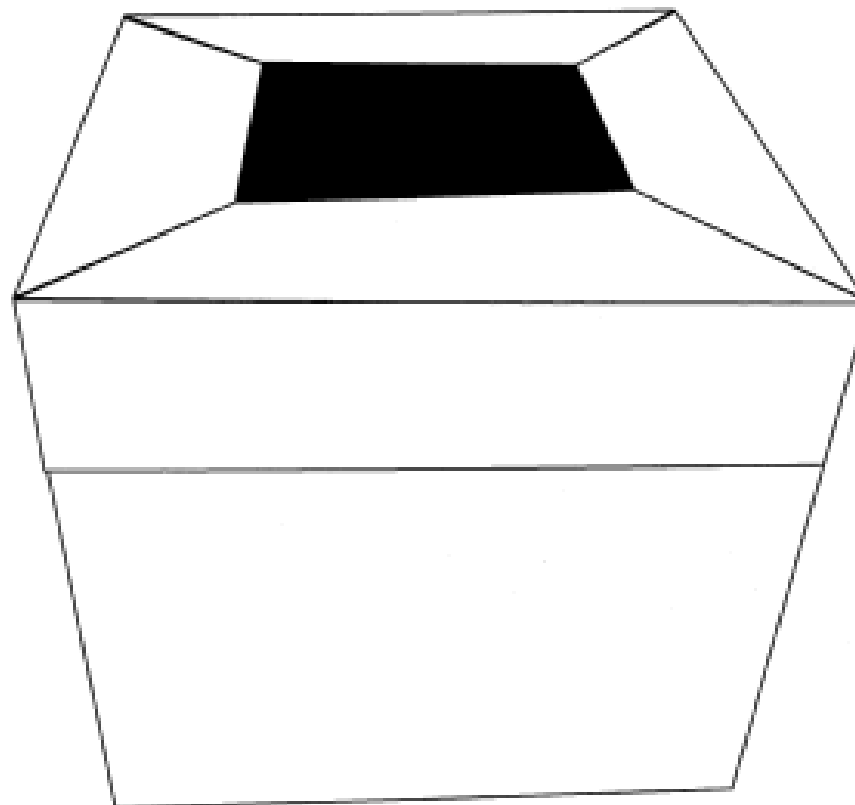
41 Rue Saint Antoine Roubaix 59100 France

(72) Name(s) of Designer(s): **Alban-Josse Lepoutre**

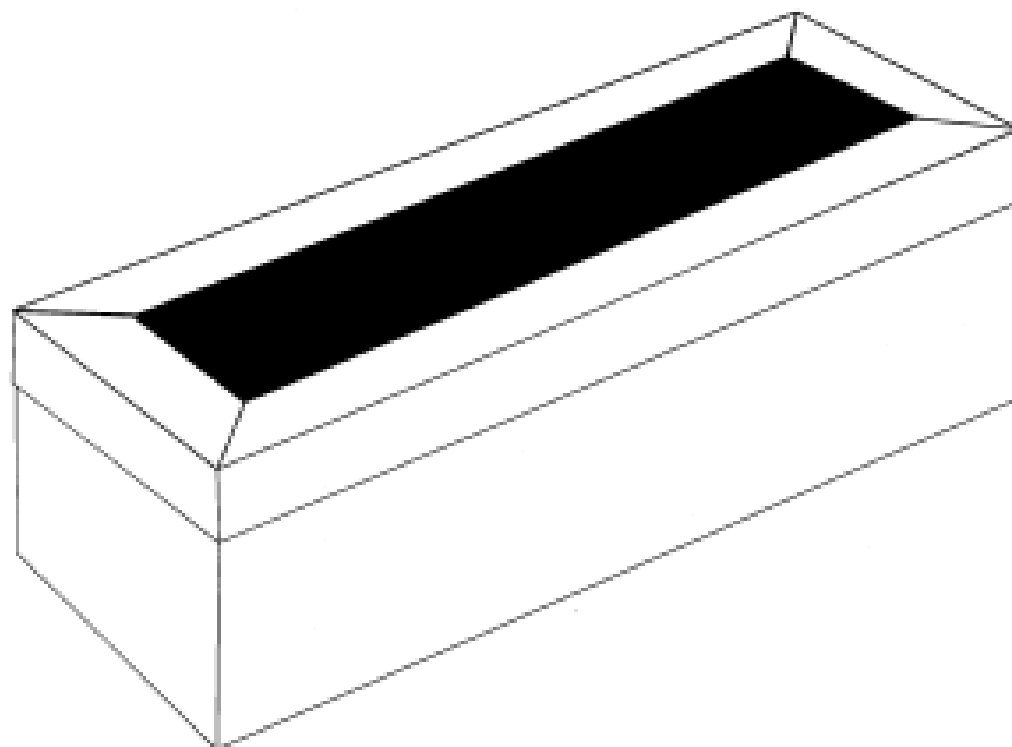
(45) Registration Date: **10 September 2010**

(56) Related Art Documents: **Not Applicable**

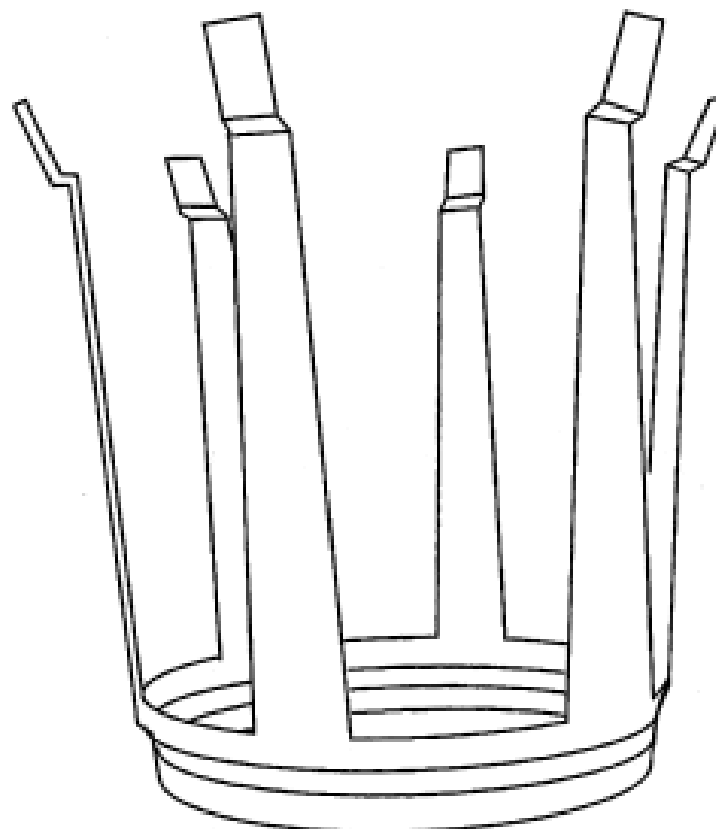
(57) Statement of Newness and Distinctiveness: **Box in cardboard for flowers or plants. Plastic bag inside.**



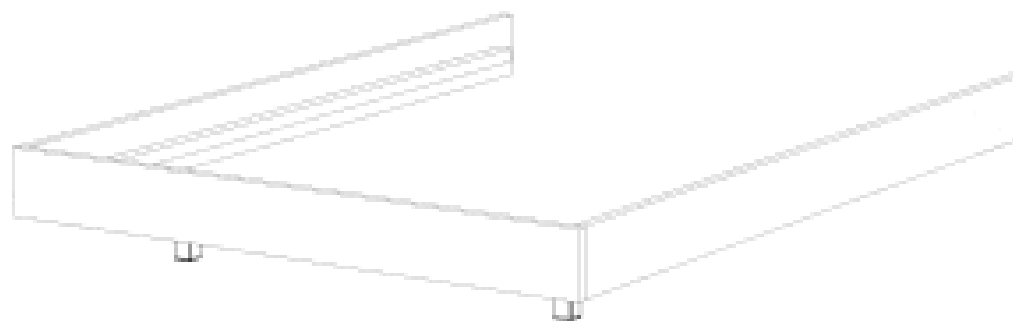
- (21) Design Number: **10263/2010**
(22) Date of Filing Application: **28 January 2010**
(24) Date from which industrial property rights may have effect: **28 January 2010**
(54) Product in respect of which the design is registered: **Plant pot cover box (or rectangle pop'up)**
(51) International Design Classification: **09-03M**
(71) Name(s) and Address(s) of Applicant(s):
Clayrton's
41 Rue Saint Antoine Roubaix 59100 France
(72) Name(s) of Designer(s): **Alban-Josse Lepoutre**
(45) Registration Date: **10 September 2010**
(56) Related Art Documents: **Not Applicable**
(57) Statement of Newness and Distinctiveness: **Box in cardboard for flowers or plants. Flol delivered.**



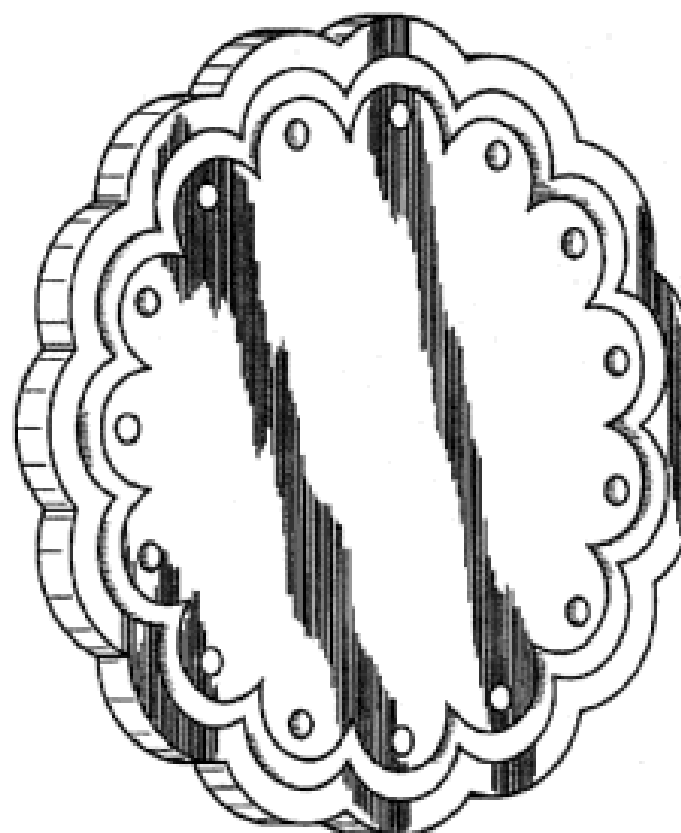
- (21) Design Number: **10264/2010**
(22) Date of Filing Application: **28 January 2010**
(24) Date from which industrial property rights may have effect: **28 January 2010**
(54) Product in respect of which the design is registered: **A base holder for floral bouquets**
(51) International Design Classification: **09-03F**
(71) Name(s) and Address(s) of Applicant(s):
Clayrton's
41 Rue Saint Antoine Roubaix 59100 France
(72) Name(s) of Designer(s): **Alban-Josse Lepoutre**
(45) Registration Date: **10 September 2010**
(56) Related Art Documents: **Not Applicable**
(57) Statement of Newness and Distinctiveness: **Rapid'eau is a base in plastic for aqua pack bouquets.**



(21) Design Number: **12822/2010**
(22) Date of Filing Application: **09 July 2010**
(24) Date from which industrial property rights may have effect: **09 July 2010**
(54) Product in respect of which the design is registered: **Bed slat base**
(51) International Design Classification: **06-02**
(71) Name(s) and Address(s) of Applicant(s):
Bomi Furniture Pty Ltd
11-17 Sages Road Glenroy Victoria 3046 Australia
(72) Name(s) of Designer(s): **Simon Leighton Bowler and Damir Tankovic**
(45) Registration Date: **13 September 2010**
(56) Related Art Documents: **Not Applicable**
(57) Statement of Newness and Distinctiveness: **Nil**



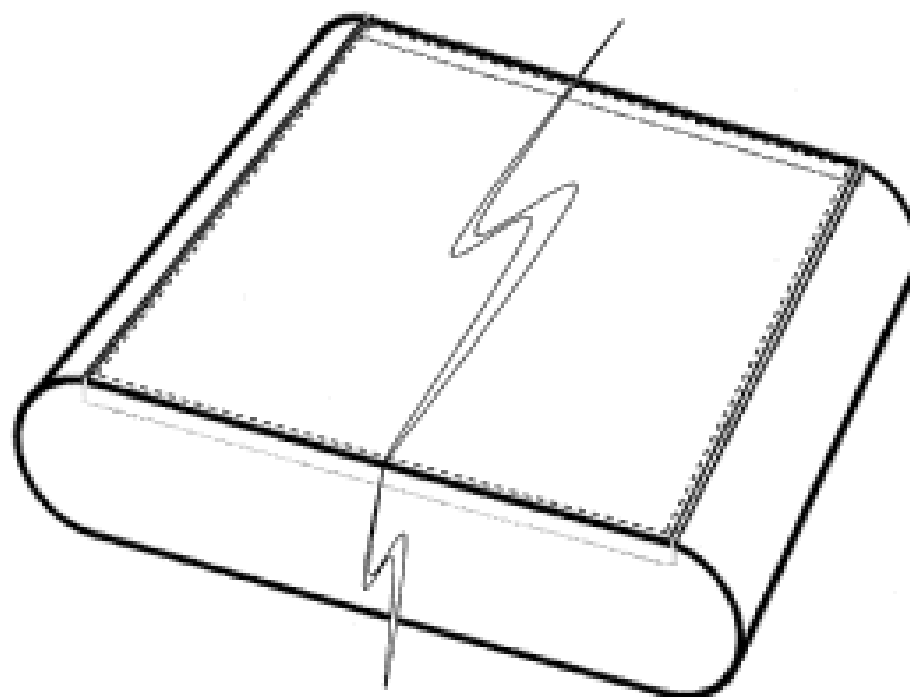
(21) Design Number: **12991/2010**
(22) Date of Filing Application: **19 July 2010**
(24) Date from which industrial property rights may have effect: **19 July 2010**
(54) Product in respect of which the design is registered: **Patch**
(51) International Design Classification: **11-03**
(71) Name(s) and Address(s) of Applicant(s):
The Mainstreet Collection, Inc.
1201 West 4th Street Washington NC 27889 United States of America
(72) Name(s) of Designer(s): **Tracy Mayo**
(45) Registration Date: **13 September 2010**
(30) Convention priority data:
(31) Number (32) Date (33) Country
29/354,021 19 Jan 2010 UNITED STATES OF AMERICA
(56) Related Art Documents: **Not Applicable**
(57) Statement of Newness and Distinctiveness: **Newness and distinctiveness resides in the visual features of the design for a patch as shown in the accompanying illustrations. The shading lines in the illustrations form no part of the design.**



- (21) Design Number: **13207/2010**
(22) Date of Filing Application: **28 July 2010**
(24) Date from which industrial property rights may have effect: **28 July 2010**
(54) Product in respect of which the design is registered: **Decorative strip for use on the front grill of a vehicle**
(51) International Design Classification: **12-16B**
(71) Name(s) and Address(s) of Applicant(s):
Scania CV AB
Sodertalje SE-151 87 Sweden
(72) Name(s) of Designer(s): **Xavier Carreras-Castro and Kristofer Hansen and Christian Henriksen and Sebastian Thyren**
(45) Registration Date: **13 September 2010**
(30) Convention priority data:
(31) Number (32) Date (33) Country
2010/0099 24 Feb 2010 SWEDEN
(56) Related Art Documents: **Not Applicable**
(57) Statement of Newness and Distinctiveness: **Newness and distinctiveness is claimed in the shape and configuration of the decorative strip shown in the representations.**

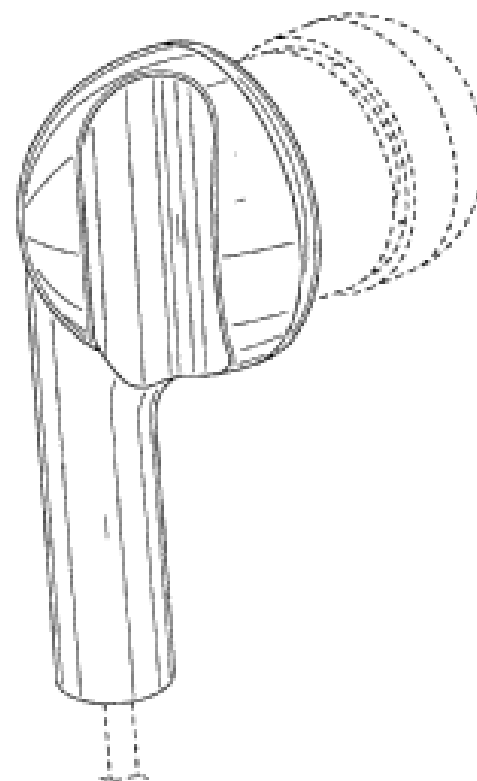


- (21) Design Number: **13252/2010**
(22) Date of Filing Application: **30 July 2010**
(24) Date from which industrial property rights may have effect: **30 July 2010**
(54) Product in respect of which the design is registered: **A housing**
(51) International Design Classification: **13-03NES, 14-02**
(71) Name(s) and Address(s) of Applicant(s):
Intheshed Australia Pty Ltd
PO Box 16 Red Rock New South Wales 2456 Australia
(72) Name(s) of Designer(s): **Phillip Clare**
(45) Registration Date: **13 September 2010**
(56) Related Art Documents: **Not Applicable**
(57) Statement of Newness and Distinctiveness: **Newness and distinctiveness is claimed in the shape and/or configuration of the housing as shown in the accompanying representation, wherein the upper level surface of the housing is to be disregarded as shown by the dashed line. The housing may be of any width as indicated by the broken line in the representation.**

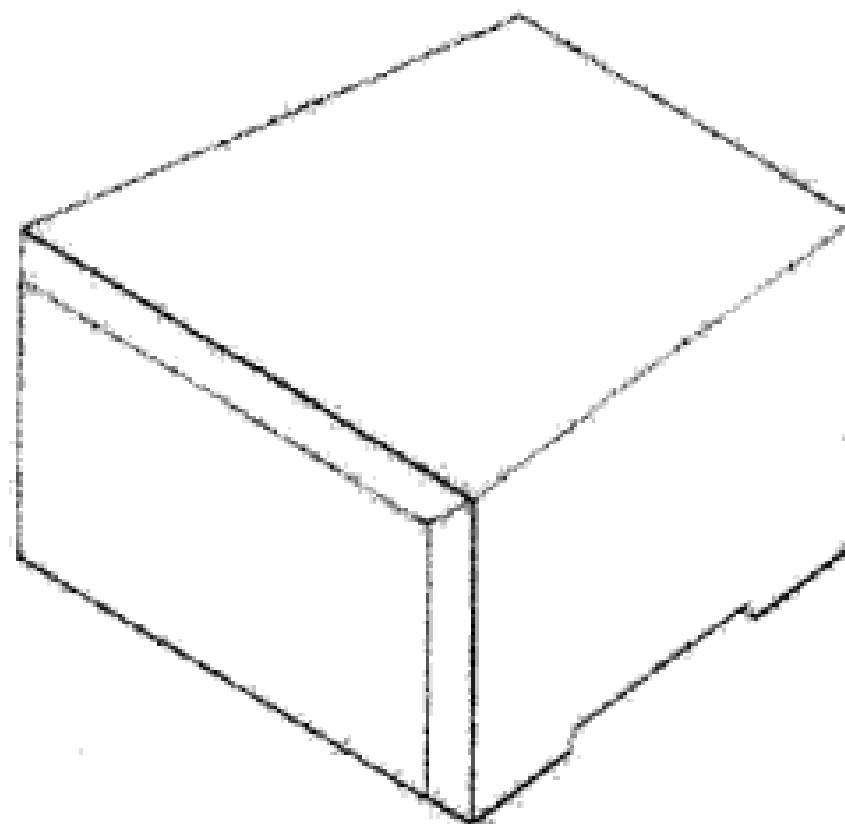


- (21) Design Number: **13554/2010**
- (22) Date of Filing Application: **18 August 2010**
- (24) Date from which industrial property rights may have effect: **18 August 2010**
- (54) Product in respect of which the design is registered: **Earphone**
- (51) International Design Classification: **14-01**
- (71) Name(s) and Address(s) of Applicant(s):
Koss Corporation
4129 North Port Washington Avenue Milwaukee Wisconsin
53212-1052 United States of America
- (72) Name(s) of Designer(s): **Brad Nault**
- (45) Registration Date: **13 September 2010**
- (30) Convention priority data:

(31) Number	(32) Date	(33) Country
29/356332	24 Feb 2010	UNITED STATES OF AMERICA
- (56) Related Art Documents: **Not Applicable**
- (57) Statement of Newness and Distinctiveness: **Newness and distinctiveness resides in the portions of the earphone illustrated in solid lines in the accompanying representations.**



- (21) Design Number: **13574/2010**
- (22) Date of Filing Application: **19 August 2010**
- (24) Date from which industrial property rights may have effect: **19 August 2010**
- (54) Product in respect of which the design is registered: **A masonry block**
- (51) International Design Classification: **25-01A**
- (71) Name(s) and Address(s) of Applicant(s):
Baines Masonry Blocks Pty Ltd
900 Wilton Road Appin New South Wales 2560 Australia
- (72) Name(s) of Designer(s): **Tim McGoldrick**
- (45) Registration Date: **13 September 2010**
- (56) Related Art Documents: **Not Applicable**
- (57) Statement of Newness and Distinctiveness: **Newness and distinctiveness is claimed in the features of bevelled edges around the front face of a masonry block as illustrated in the accompanying representations.**



(21) Design Number: **13575/2010**

(22) Date of Filing Application: **19 August 2010**

(24) Date from which industrial property rights may have effect: **19 August 2010**

(54) Product in respect of which the design is registered: **A masonry block**

(51) International Design Classification: **25-01A**

(71) Name(s) and Address(s) of Applicant(s):

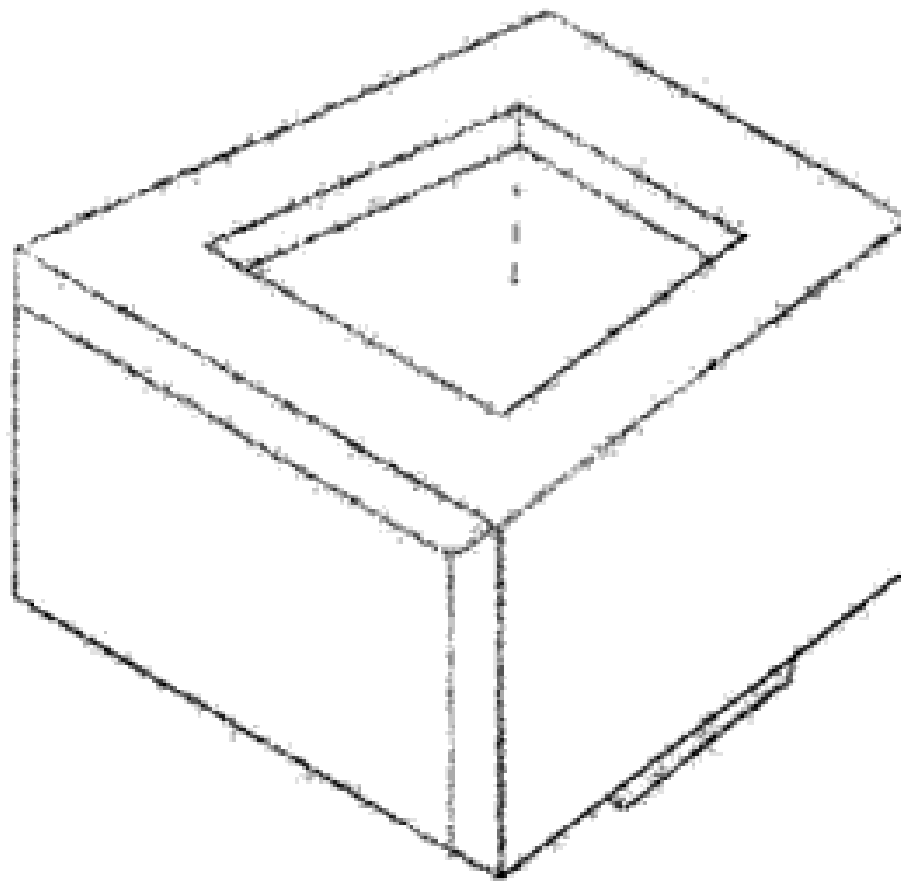
Baines Masonary Blocks Pty Ltd
900 Wilton Road Appin New South Wales 2560 Australia

(72) Name(s) of Designer(s): **Tim McGoldrick**

(45) Registration Date: **13 September 2010**

(56) Related Art Documents: **Not Applicable**

(57) Statement of Newness and Distinctiveness: **Newness and distinctiveness is claimed in the features of bevelled edges around the front face of a masonry block as illustrated in the accompanying representations.**



(21) Design Number: **13576/2010**

(22) Date of Filing Application: **19 August 2010**

(24) Date from which industrial property rights may have effect: **19 August 2010**

(54) Product in respect of which the design is registered: **A masonry block**

(51) International Design Classification: **25-01A**

(71) Name(s) and Address(s) of Applicant(s):

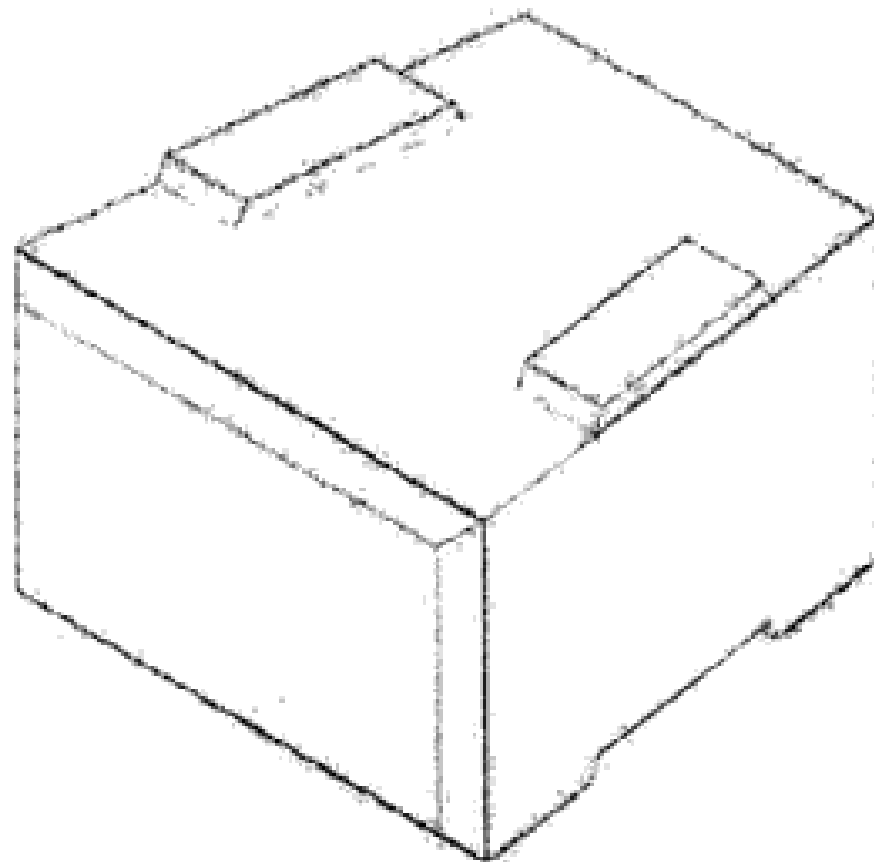
Baines Masonary Blocks Pty Ltd
900 Wilton Road Appin New South Wales 2560 Australia

(72) Name(s) of Designer(s): **Tim McGoldrick**

(45) Registration Date: **13 September 2010**

(56) Related Art Documents: **Not Applicable**

(57) Statement of Newness and Distinctiveness: **Newness and distinctiveness is claimed in the features of bevelled edges around the front face of a masonry block as illustrated in the accompanying representations.**



(21) Design Number: **13659/2010**

(22) Date of Filing Application: **25 August 2010**

(24) Date from which industrial property rights may have effect: **25 August 2010**

(54) Product in respect of which the design is registered: **Electric wheelchair**

(51) International Design Classification: **12-12**

(71) Name(s) and Address(s) of Applicant(s):

Ashley Daff

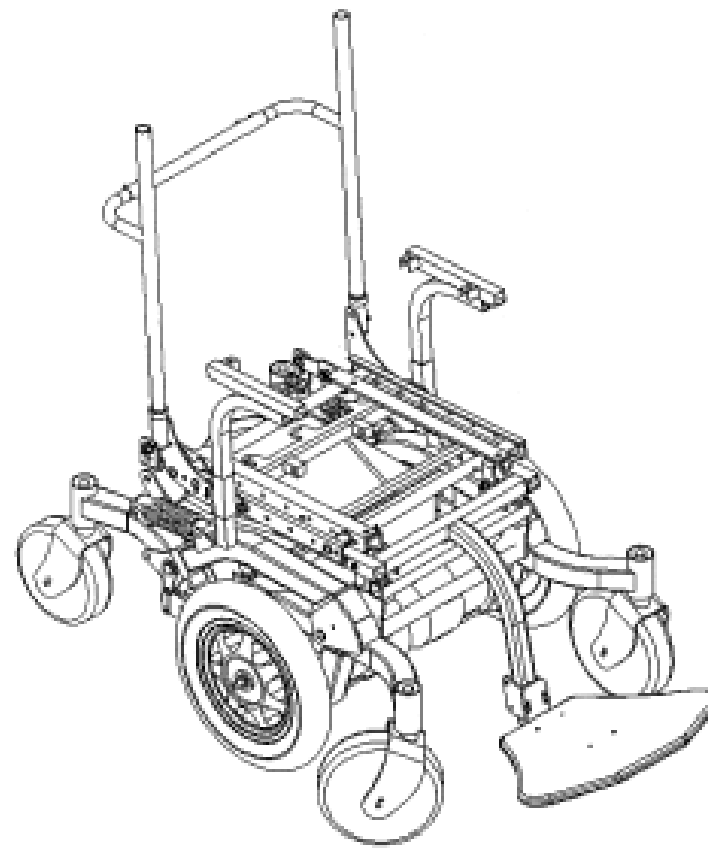
2/16 Viewtech Place Rowville Place Victoria 3178 Australia

(72) Name(s) of Designer(s): **Ashley Daff**

(45) Registration Date: **13 September 2010**

(56) Related Art Documents: **Not Applicable**

(57) Statement of Newness and Distinctiveness: **The side frame which is curved down and the articulated trailing arm which is attached to the frame via a pivot and suspension linkage. Each side frame is spaced and articulated in this manner to allow access to the batteries from the rear of the wheelchair.**



(21) Design Number: **13551/2010**

(22) Date of Filing Application: **19 August 2010**

(24) Date from which industrial property rights may have effect: **19 August 2010**

(54) Product in respect of which the design is registered: **An expansion sleeve for a masonry anchor**

(51) International Design Classification: **08-08A**

(71) Name(s) and Address(s) of Applicant(s):

Macsim Fastenings Pty Limited

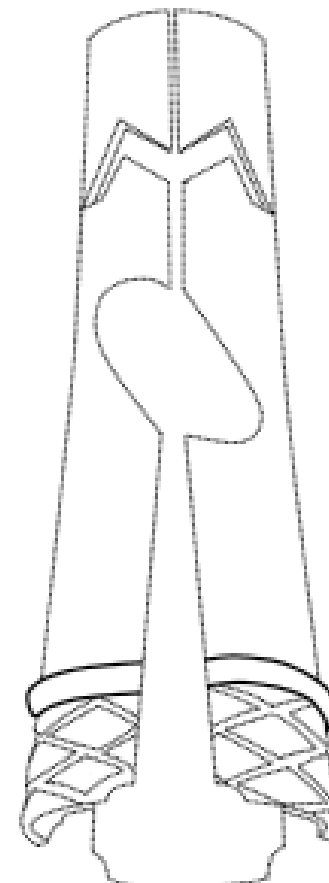
10 Wonderland Drive Eastern Creek New South Wales 2766 Australia

(72) Name(s) of Designer(s): **Fraser Mackay-Sim**

(45) Registration Date: **13 September 2010**

(56) Related Art Documents: **Not Applicable**

(57) Statement of Newness and Distinctiveness: **Newness and distinctiveness is claimed in the shape and/or configuration of a ribbing of an EXPANSION SLEEVE FOR A MASONRY ANCHOR as illustrated by the unbroken lines in the accompanying representation/s.**



(21) Design Number: **13571/2010**

(22) Date of Filing Application: **19 August 2010**

(24) Date from which industrial property rights may have effect: **19 August 2010**

(54) Product in respect of which the design is registered: **A masonry block**

(51) International Design Classification: **25-01A**

(71) Name(s) and Address(s) of Applicant(s):

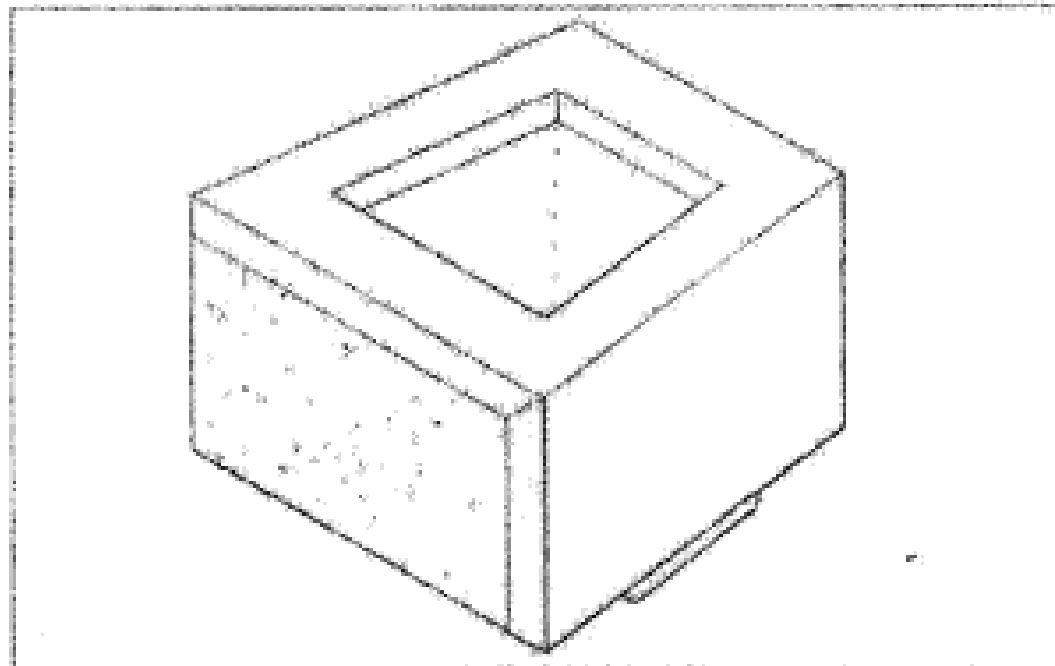
**Baines Masonary Blocks Pty Ltd
900 Wilton Road Appin New South Wales 2560 Australia**

(72) Name(s) of Designer(s): **Tim McGoldrick**

(45) Registration Date: **13 September 2010**

(56) Related Art Documents: **Not Applicable**

(57) Statement of Newness and Distinctiveness: **Newness and distinctiveness is claimed in the features of bevelled edges around the front face of a masonry block as illustrated in the accompanying representations.**



(21) Design Number: **13572/2010**

(22) Date of Filing Application: **19 August 2010**

(24) Date from which industrial property rights may have effect: **19 August 2010**

(54) Product in respect of which the design is registered: **A masonry block**

(51) International Design Classification: **25-01A**

(71) Name(s) and Address(s) of Applicant(s):

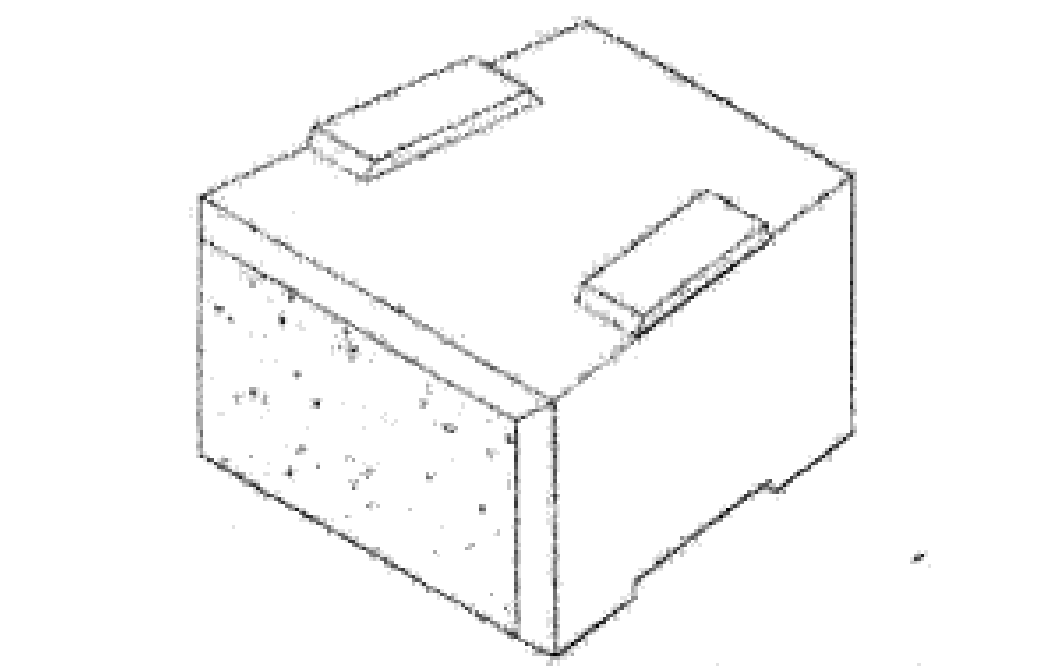
**Baines Masonary Blocks Pty Ltd
900 Wilton Road Appin New South Wales 2560 Australia**

(72) Name(s) of Designer(s): **Tim McGoldrick**

(45) Registration Date: **13 September 2010**

(56) Related Art Documents: **Not Applicable**

(57) Statement of Newness and Distinctiveness: **Newness and distinctiveness is claimed in the features of bevelled edges around the front face of a masonry block as illustrated in the accompanying representations.**



(21) Design Number: **13573/2010**

(22) Date of Filing Application: **19 August 2010**

(24) Date from which industrial property rights may have effect: **19 August 2010**

(54) Product in respect of which the design is registered: **A masonry block**

(51) International Design Classification: **25-01A**

(71) Name(s) and Address(s) of Applicant(s):

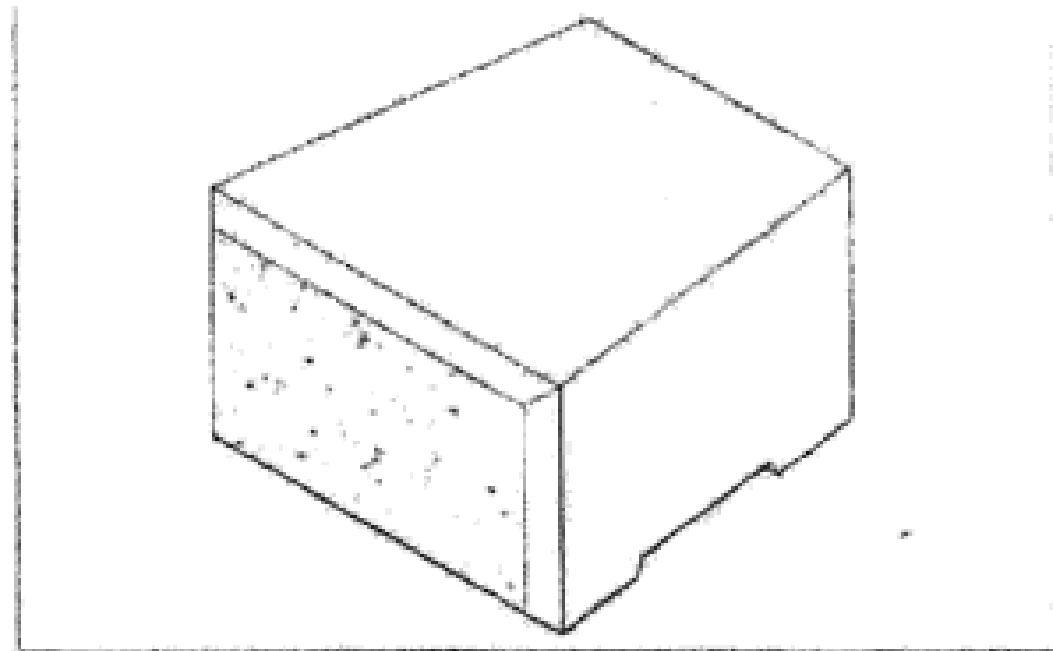
**Baines Masonary Blocks Pty Ltd
900 Wilton Road Appin New South Wales 2560 Australia**

(72) Name(s) of Designer(s): **Tim McGoldrick**

(45) Registration Date: **13 September 2010**

(56) Related Art Documents: **Not Applicable**

(57) Statement of Newness and Distinctiveness: **Newness and distinctiveness is claimed in the features of bevelled edges around the front face of a masonry block as illustrated in the accompanying representations.**



(21) Design Number: **12982/2010**

(22) Date of Filing Application: **19 July 2010**

(24) Date from which industrial property rights may have effect: **19 July 2010**

(54) Product in respect of which the design is registered: **Intercom**

(51) International Design Classification: **14-03A**

(71) Name(s) and Address(s) of Applicant(s):

**Urmet Domus S.p.A.
Via Bologna 188/C Torino I-10154 Italy**

(72) Name(s) of Designer(s): **Huu-Toan Antoine Nguyen**

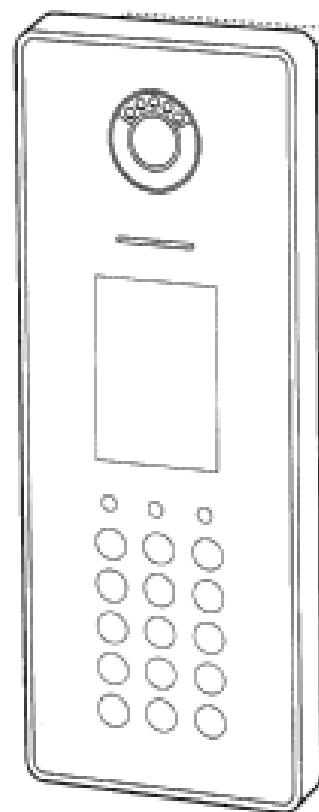
(45) Registration Date: **13 September 2010**

(30) Convention priority data:

(31) Number	(32) Date	(33) Country
001657867	18 Jan 2010	EUROPEAN COMMUNITY

(56) Related Art Documents: **Not Applicable**

(57) Statement of Newness and Distinctiveness: **Newness and distinctiveness reside in the visual features of shape and configuration of an intercom in combination with the visual features of pattern and ornamentation visible in the front and perspective views as illustrated in the accompanying representations. Newness and distinctiveness is not claimed in relation to features shown by dotted lines in the accompanying representations.**



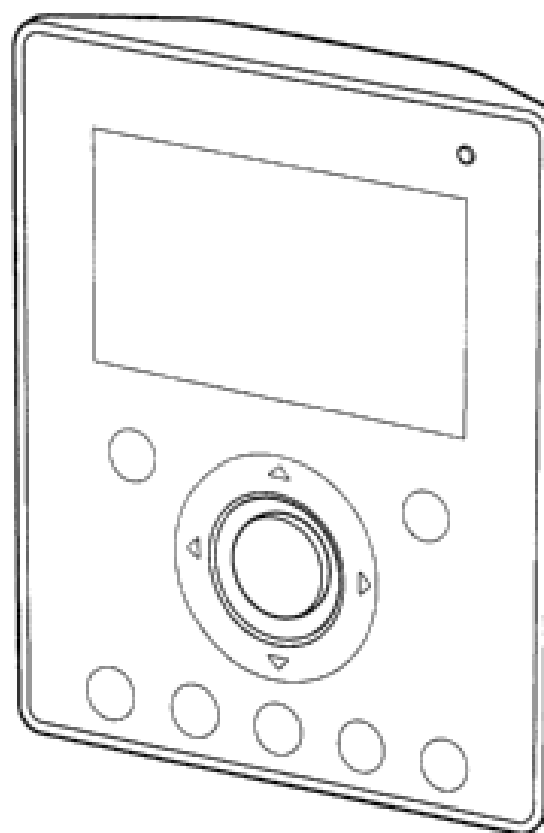
(21) Design Number: **12983/2010**
 (22) Date of Filing Application: **19 July 2010**
 (24) Date from which industrial property rights may have effect: **19 July 2010**
 (54) Product in respect of which the design is registered: **Intercom**
 (51) International Design Classification: **14-03A**
 (71) Name(s) and Address(s) of Applicant(s):

Urmet Domus S.p.A.
Via Bologna 188/C Torino I-10154 Italy

(72) Name(s) of Designer(s): **Huu-Toan Antoine Nguyen**
 (45) Registration Date: **13 September 2010**

(30) Convention priority data:
 (31) Number (32) Date (33) Country
001657867 18 Jan 2010 EUROPEAN COMMUNITY

(56) Related Art Documents: **Not Applicable**
 (57) Statement of Newness and Distinctiveness: **Newness and distinctiveness reside in the visual features of shape and configuration of an intercom in combination with the visual features of pattern and ornamentation visible in the front and perspective views as illustrated in the accompanying representations. Newness and distinctiveness is not claimed in relation to features shown by dotted lines in the accompanying representations.**



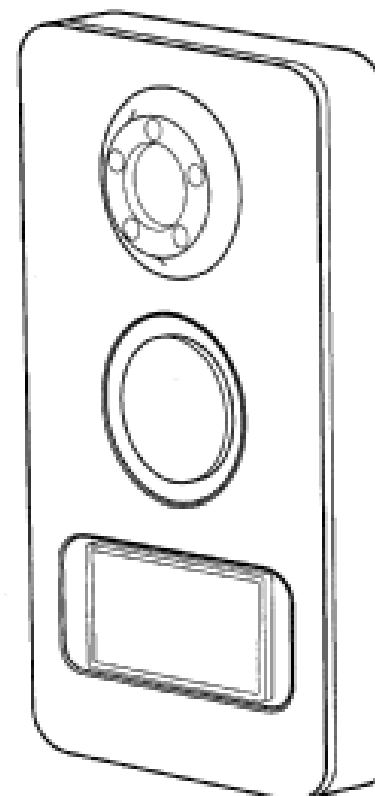
(21) Design Number: **12984/2010**
 (22) Date of Filing Application: **19 July 2010**
 (24) Date from which industrial property rights may have effect: **19 July 2010**
 (54) Product in respect of which the design is registered: **Intercom**
 (51) International Design Classification: **14-03A**
 (71) Name(s) and Address(s) of Applicant(s):

Urmet Domus S.p.A.
Via Bologna 188/C Torino I-10154 Italy

(72) Name(s) of Designer(s): **Huu-Toan Antoine Nguyen**
 (45) Registration Date: **13 September 2010**

(30) Convention priority data:
 (31) Number (32) Date (33) Country
001657867 18 Jan 2010 EUROPEAN COMMUNITY

(56) Related Art Documents: **Not Applicable**
 (57) Statement of Newness and Distinctiveness: **Newness and distinctiveness reside in the visual features of shape and configuration of an intercom illustrated in the accompanying representations. Newness and distinctiveness is not claimed in relation to features shown by dotted lines in the accompanying representations.**



(21) Design Number: **12985/2010**
(22) Date of Filing Application: **19 July 2010**
(24) Date from which industrial property rights may have effect: **19 July 2010**
(54) Product in respect of which the design is registered: **Intercom**
(51) International Design Classification: **14-03A**
(71) Name(s) and Address(s) of Applicant(s):

Urmet Domus S.p.A.
Via Bologna 188/C Torino I-10154 Italy

(72) Name(s) of Designer(s): **Huu-Toan Antoine Nguyen**

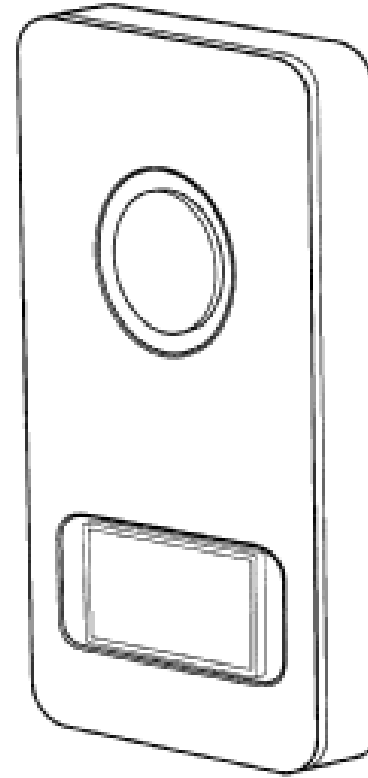
(45) Registration Date: **13 September 2010**

(30) Convention priority data:

(31) Number	(32) Date	(33) Country
001657867	18 Jan 2010	EUROPEAN COMMUNITY

(56) Related Art Documents: **Not Applicable**

(57) Statement of Newness and Distinctiveness: **Newness and distinctiveness reside in the visual features of shape and configuration of an intercom illustrated in the accompanying representations. Newness and distinctiveness is not claimed in relation to features shown by dotted lines in the accompanying representations.**



(21) Design Number: **12703/2010**
(22) Date of Filing Application: **30 June 2010**
(24) Date from which industrial property rights may have effect: **30 June 2010**
(54) Product in respect of which the design is registered: **Improved emitter for viewing 3D with shutter glasses**
(51) International Design Classification: **14-03NES**
(71) Name(s) and Address(s) of Applicant(s):

X6D Ltd
199 Arch Makarios III Avenue Limassol 3030 Cyprus

(72) Name(s) of Designer(s): **Miha Dolinar and Jure Bezgovsek**

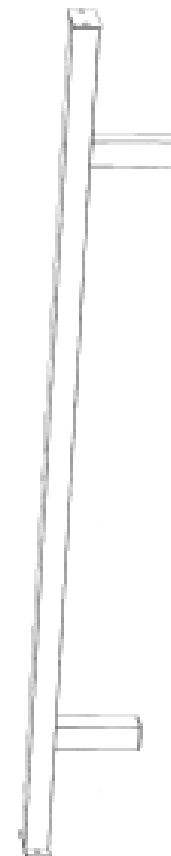
(45) Registration Date: **13 September 2010**

(30) Convention priority data:

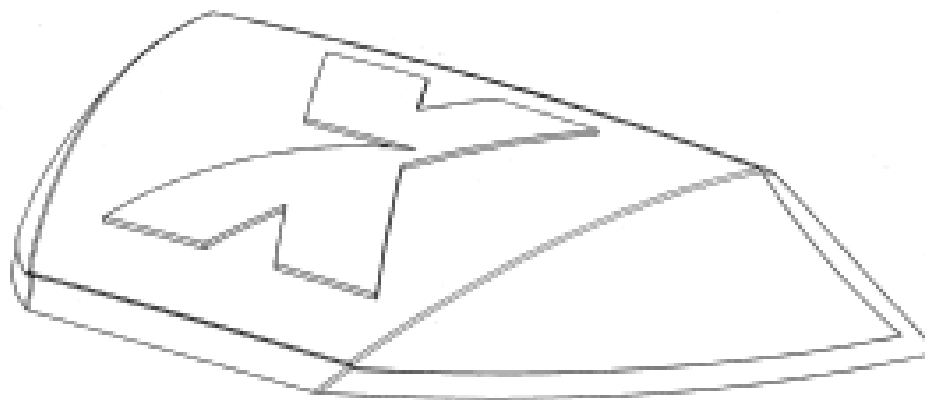
(31) Number	(32) Date	(33) Country
29/348433	05 Jan 2010	UNITED STATES OF AMERICA

(56) Related Art Documents: **Not Applicable**

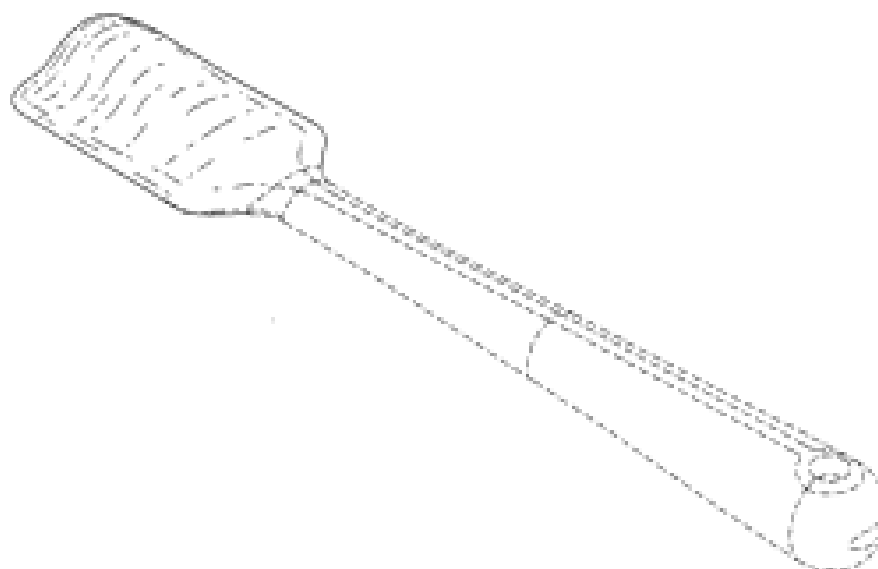
(57) Statement of Newness and Distinctiveness: **Newness and distinctiveness is claimed in the visual features shown in solid lines in the representations**



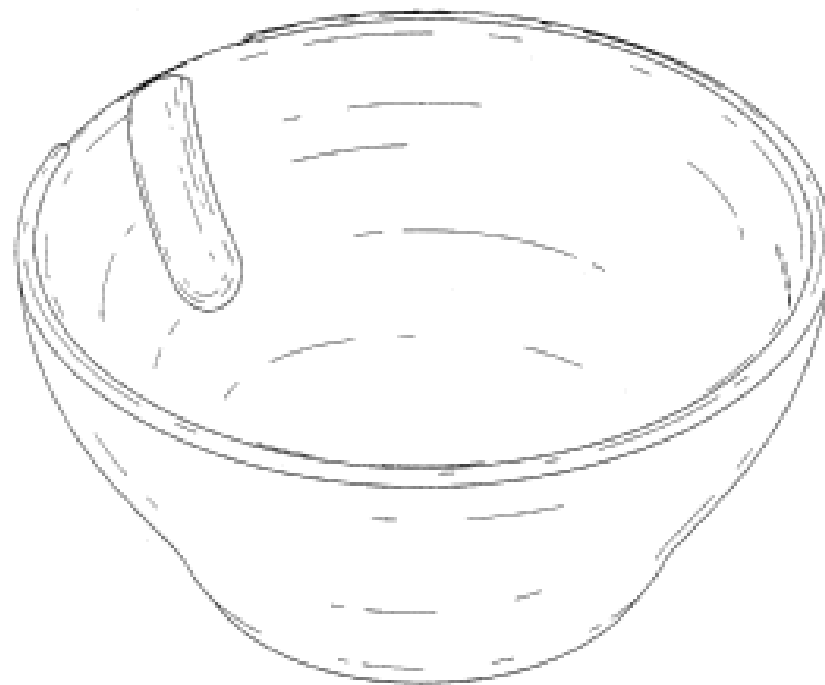
- (21) Design Number: **12852/2010**
(22) Date of Filing Application: **09 July 2010**
(24) Date from which industrial property rights may have effect: **09 July 2010**
(54) Product in respect of which the design is registered: **Bed slat base hardware**
(51) International Design Classification: **06-02, 25-01K**
(71) Name(s) and Address(s) of Applicant(s):
Bomi Furniture Pty Ltd
11-17 Sages Road Glenroy Victoria 3046 Australia
(72) Name(s) of Designer(s): **Simon Leighton Bowler and Damir Tankovic**
(45) Registration Date: **13 September 2010**
(56) Related Art Documents: **Not Applicable**
(57) Statement of Newness and Distinctiveness: **Nil**



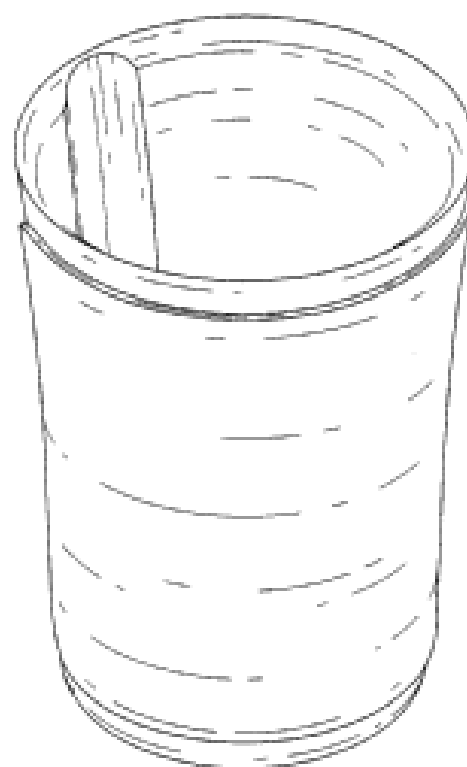
- (21) Design Number: **13032/2010**
(22) Date of Filing Application: **22 July 2010**
(24) Date from which industrial property rights may have effect: **22 July 2010**
(54) Product in respect of which the design is registered: **Spatula head**
(51) International Design Classification: **07-04**
(71) Name(s) and Address(s) of Applicant(s):
Chef'n Corporation
1520 4th Avenue 3rd Floor Seattle Washington 98101 United States of America
(72) Name(s) of Designer(s): **Adam A. Jossem and David A. Holcomb**
(45) Registration Date: **13 September 2010**
(30) Convention priority data:
(31) Number (32) Date (33) Country
29/355376 05 Feb 2010 UNITED STATES OF AMERICA
(56) Related Art Documents: **Not Applicable**
(57) Statement of Newness and Distinctiveness: **Nil**



(21) Design Number: **13033/2010**
(22) Date of Filing Application: **22 July 2010**
(24) Date from which industrial property rights may have effect: **22 July 2010**
(54) Product in respect of which the design is registered: **Pinch bowl**
(51) International Design Classification: **07-01B**
(71) Name(s) and Address(s) of Applicant(s):
Chef'n Corporation
1520 4th Avenue 3rd Floor Seattle Washington 98101 United States of America
(72) Name(s) of Designer(s): **David Hull and David A. Holcomb**
(45) Registration Date: **13 September 2010**
(30) Convention priority data:
(31) Number (32) Date (33) Country
29/355383 05 Feb 2010 UNITED STATES OF AMERICA
(56) Related Art Documents: **Not Applicable**
(57) Statement of Newness and Distinctiveness: **Nil**



(21) Design Number: **13034/2010**
(22) Date of Filing Application: **22 July 2010**
(24) Date from which industrial property rights may have effect: **22 July 2010**
(54) Product in respect of which the design is registered: **Pinch beaker**
(51) International Design Classification: **07-01C**
(71) Name(s) and Address(s) of Applicant(s):
Chef'n Corporation
1520 4th Avenue 3rd Floor Seattle Washington 98101 United States of America
(72) Name(s) of Designer(s): **David Hull**
(45) Registration Date: **13 September 2010**
(30) Convention priority data:
(31) Number (32) Date (33) Country
29/355363 05 Feb 2010 UNITED STATES OF AMERICA
(56) Related Art Documents: **Not Applicable**
(57) Statement of Newness and Distinctiveness: **Nil**



(21) Design Number: **13596/2010**

(22) Date of Filing Application: **20 August 2010**

(24) Date from which industrial property rights may have effect: **20 August 2010**

(54) Product in respect of which the design is registered: **Hair dryer**

(51) International Design Classification: **28-03B**

(71) Name(s) and Address(s) of Applicant(s):

Conair Corporation
One Cummings Point Road Stamford Connecticut 06902 United States of America

(72) Name(s) of Designer(s): **Giovanni Americano**

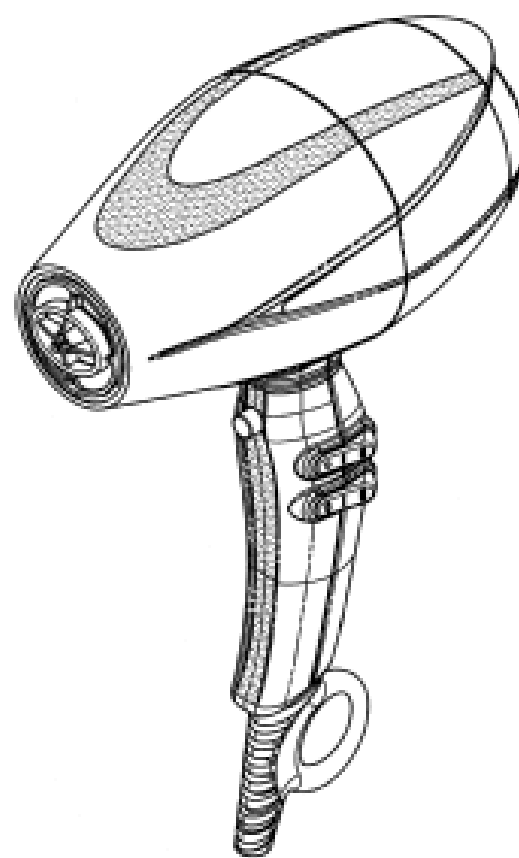
(45) Registration Date: **14 September 2010**

(30) Convention priority data:

(31) Number	(32) Date	(33) Country
29/359814	15 Apr 2010	UNITED STATES OF AMERICA

(56) Related Art Documents: **Not Applicable**

(57) Statement of Newness and Distinctiveness: **Newness and distinctiveness is claimed in those features of shape and/or configuration of a hair dryer as illustrated in continuous lines in the accompanying representations.**



(21) Design Number: **13597/2010**

(22) Date of Filing Application: **20 August 2010**

(24) Date from which industrial property rights may have effect: **20 August 2010**

(54) Product in respect of which the design is registered: **Hair dryer**

(51) International Design Classification: **28-03B**

(71) Name(s) and Address(s) of Applicant(s):

Conair Corporation
One Cummings Point Road Stamford Connecticut 06902 United States of America

(72) Name(s) of Designer(s): **Leandro Rizzuto Jr**

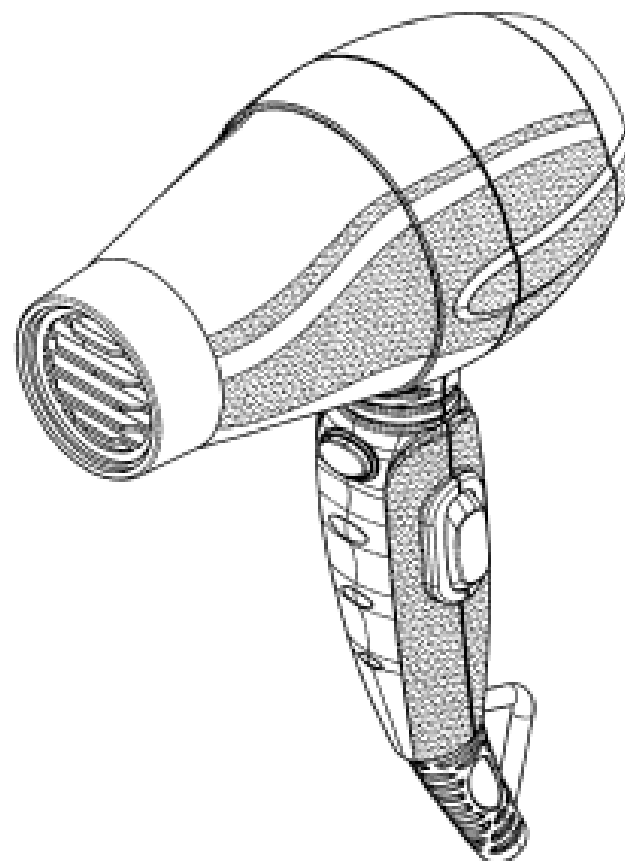
(45) Registration Date: **14 September 2010**

(30) Convention priority data:

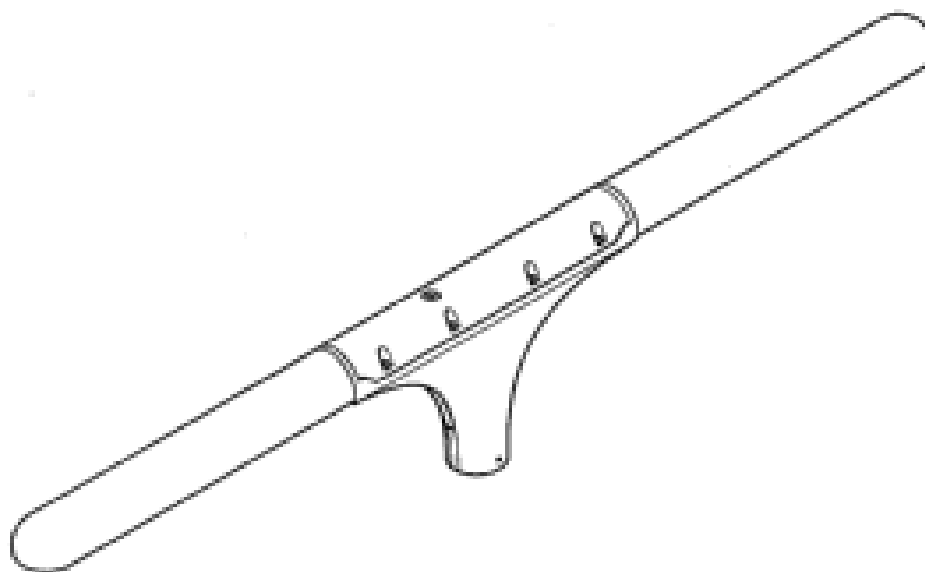
(31) Number	(32) Date	(33) Country
29/360799	30 Apr 2010	UNITED STATES OF AMERICA

(56) Related Art Documents: **Not Applicable**

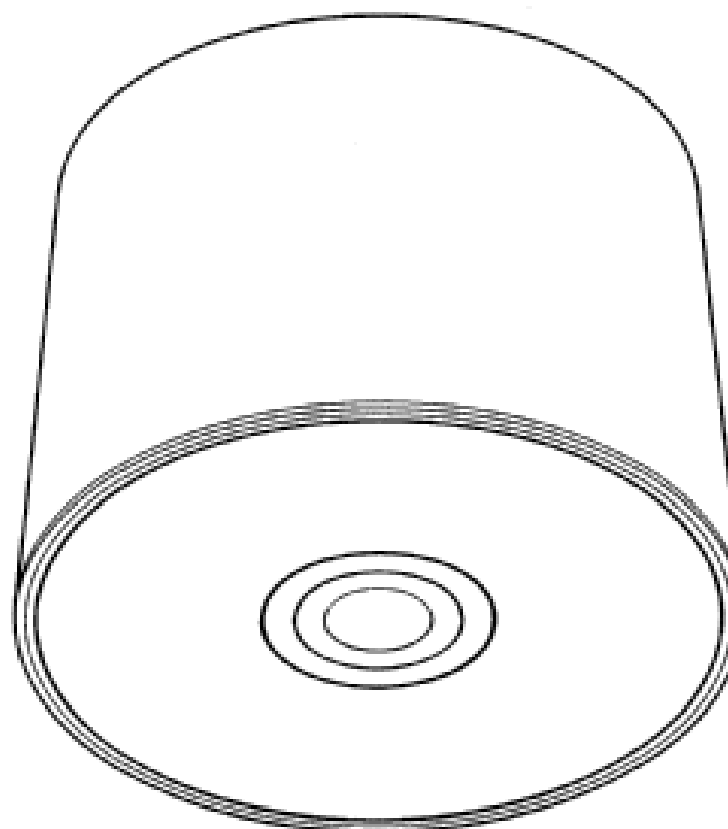
(57) Statement of Newness and Distinctiveness: **Newness and distinctiveness is claimed in those features of shape and/or configuration of a hair dryer as illustrated in continuous lines in the accompanying representations.**



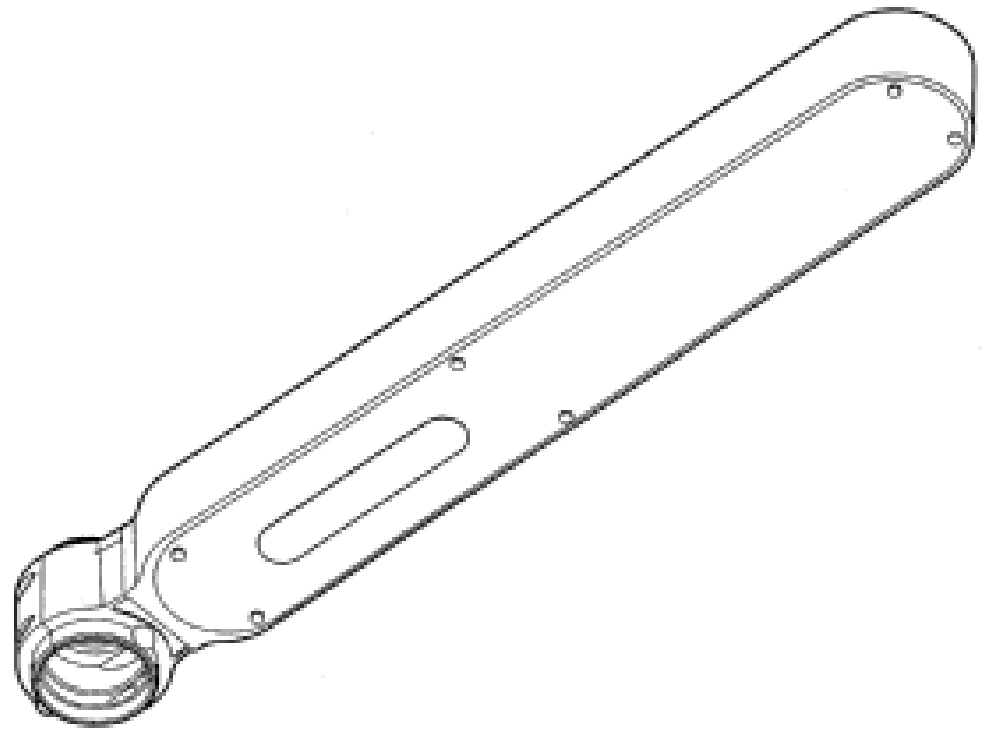
- (21) Design Number: **13598/2010**
(22) Date of Filing Application: **20 August 2010**
(24) Date from which industrial property rights may have effect: **20 August 2010**
(54) Product in respect of which the design is registered: **Luminaire for road lighting**
(51) International Design Classification: **26-03**
(71) Name(s) and Address(s) of Applicant(s):
Koninklijke Philips Electronics N.V.
Groenewoudseweg 1 5621 BA Eindhoven The Netherlands
(72) Name(s) of Designer(s): **Mat Bembridge**
(45) Registration Date: **14 September 2010**
(30) Convention priority data:
(31) Number (32) Date (33) Country
001674433-0001 25 Feb 2010 EUROPEAN COMMUNITY
(56) Related Art Documents: **Not Applicable**
(57) Statement of Newness and Distinctiveness: **Newness and distinctiveness reside in the shape and configuration of the design as shown in the representations.**



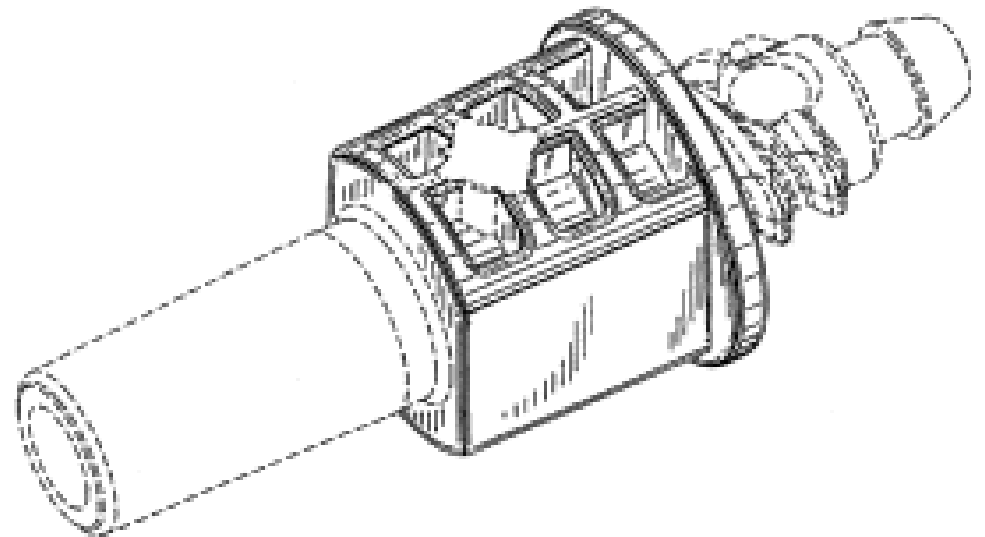
- (21) Design Number: **13599/2010**
(22) Date of Filing Application: **20 August 2010**
(24) Date from which industrial property rights may have effect: **20 August 2010**
(54) Product in respect of which the design is registered: **Luminaire for road lighting**
(51) International Design Classification: **26-03**
(71) Name(s) and Address(s) of Applicant(s):
Koninklijke Philips Electronics N.V.
Groenewoudseweg 1 5621 BA Eindhoven The Netherlands
(72) Name(s) of Designer(s): **Mat Bembridge**
(45) Registration Date: **14 September 2010**
(30) Convention priority data:
(31) Number (32) Date (33) Country
001674433-0002 25 Feb 2010 EUROPEAN COMMUNITY
(56) Related Art Documents: **Not Applicable**
(57) Statement of Newness and Distinctiveness: **Newness and distinctiveness reside in the shape and configuration of the design as shown in the representations.**



- (21) Design Number: **13600/2010**
(22) Date of Filing Application: **20 August 2010**
(24) Date from which industrial property rights may have effect: **20 August 2010**
(54) Product in respect of which the design is registered: **Luminaire for road lighting**
(51) International Design Classification: **26-03**
(71) Name(s) and Address(s) of Applicant(s):
Koninklijke Philips Electronics N.V.
Groenewoudseweg 1 5621 BA Eindhoven The Netherlands
(72) Name(s) of Designer(s): **Mat Bembridge**
(45) Registration Date: **14 September 2010**
(30) Convention priority data:
(31) Number (32) Date (33) Country
001674433-0003 25 Feb 2010 EUROPEAN COMMUNITY
(56) Related Art Documents: **Not Applicable**
(57) Statement of Newness and Distinctiveness: **Newness and distinctiveness reside in the shape and configuration of the design as shown in the representations.**



- (21) Design Number: **13601/2010**
(22) Date of Filing Application: **20 August 2010**
(24) Date from which industrial property rights may have effect: **20 August 2010**
(54) Product in respect of which the design is registered: **Needle hub**
(51) International Design Classification: **24-02**
(71) Name(s) and Address(s) of Applicant(s):
Becton, Dickinson and Company
1 Becton Drive Franklin Lakes New Jersey 07417 United states of America
(72) Name(s) of Designer(s): **Robert G. Ellis and Anthony Economou**
(45) Registration Date: **14 September 2010**
(30) Convention priority data:
(31) Number (32) Date (33) Country
29/368026 17 Aug 2010 UNITED STATES OF AMERICA
(56) Related Art Documents: **Not Applicable**
(57) Statement of Newness and Distinctiveness: **Newness and distinctiveness reside in the shape and configuration of the design shown in solid lines in the representations excluding those features shown in broken lines.**



(21) Design Number: **13693/2010**

(22) Date of Filing Application: **26 August 2010**

(24) Date from which industrial property rights may have effect: **26 August 2010**

(54) Product in respect of which the design is registered: **Children's booster seat**

(51) International Design Classification: **06-01E, 06-09**

(71) Name(s) and Address(s) of Applicant(s):

Toosh Coosh Enterprises Pty Ltd
6 Cormiston Avenue Concord New South Wales 2137 Australia

(72) Name(s) of Designer(s): **Joanne M. Turner**

(45) Registration Date: **14 September 2010**

(56) Related Art Documents: **Not Applicable**

(57) Statement of Newness and Distinctiveness: **Distinctiveness and monopoly is claimed in the shape and/or configuration of a booster seat as shown in the accompanying representations.**



(21) Design Number: **13569/2009**

(22) Date of Filing Application: **16 September 2009**

(24) Date from which industrial property rights may have effect: **16 September 2009**

(54) Product in respect of which the design is registered: **Gate latch with lock**

(51) International Design Classification: **08-07**

(71) Name(s) and Address(s) of Applicant(s):

Imd Concepts Pty Ltd
5/97 Oaks Avenue Dee Why New South Wales 2099 Australia

(72) Name(s) of Designer(s): **Imad Seymour**

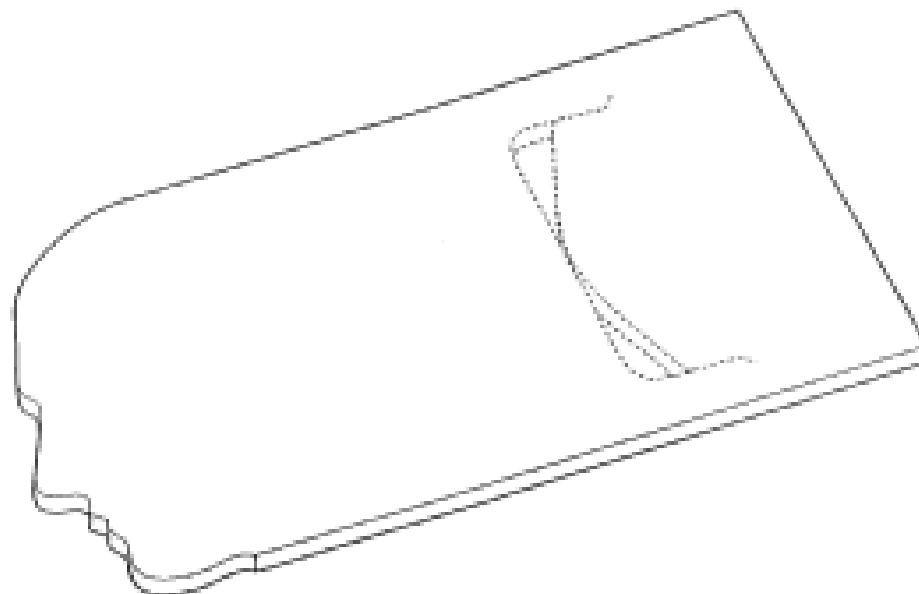
(45) Registration Date: **14 September 2010**

(56) Related Art Documents: **Not Applicable**

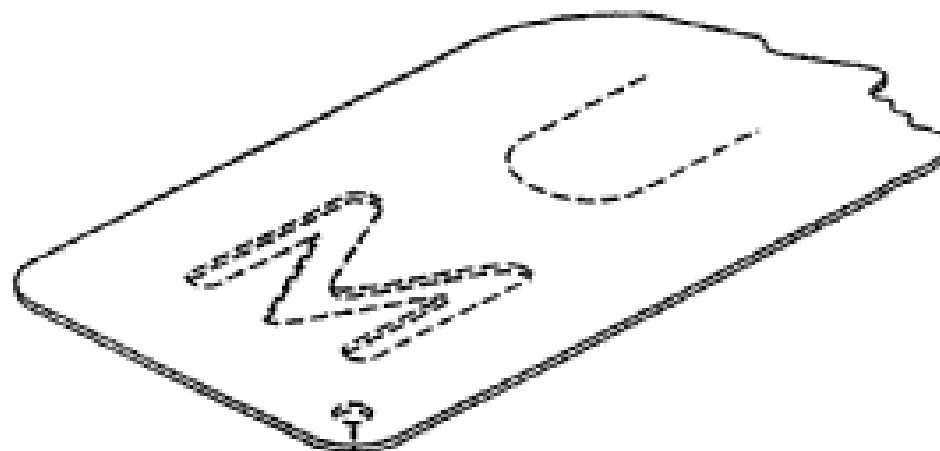
(57) Statement of Newness and Distinctiveness: **Nil**



(21) Design Number: **12944/2010**
 (22) Date of Filing Application: **16 July 2010**
 (24) Date from which industrial property rights may have effect: **16 July 2010**
 (54) Product in respect of which the design is registered: **Organizer clip**
 (51) International Design Classification: **19-02**
 (71) Name(s) and Address(s) of Applicant(s):
Steven Patrick Pascale
1835 Newport Boulevard Suit A-109, Costa Mesa, 92627, CA United States of America
 (72) Name(s) of Designer(s): **Steven Patrick Pascale**
 (45) Registration Date: **15 September 2010**
 (30) Convention priority data:
 (31) Number (32) Date (33) Country
29/353962 16 Jan 2010 UNITED STATES OF AMERICA
 (56) Related Art Documents: **Not Applicable**
 (57) Statement of Newness and Distinctiveness: **Newness and distinctiveness resides in the shape and/or configuration of an organizer clip as shown in the accompanying representations, wherein the features shown in outline may or may not be disregarded.**



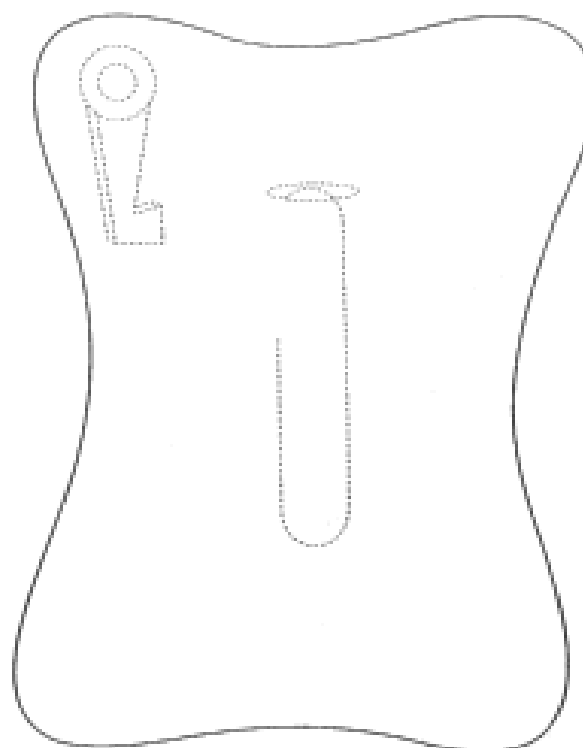
(21) Design Number: **12945/2010**
 (22) Date of Filing Application: **16 July 2010**
 (24) Date from which industrial property rights may have effect: **16 July 2010**
 (54) Product in respect of which the design is registered: **Organizer clip**
 (51) International Design Classification: **19-02**
 (71) Name(s) and Address(s) of Applicant(s):
Steven Patrick Pascale
1835 Newport Boulevard Suit A-109, Costa Mesa, 92627, CA United States of America
 (72) Name(s) of Designer(s): **Steven Patrick Pascale**
 (45) Registration Date: **15 September 2010**
 (30) Convention priority data:
 (31) Number (32) Date (33) Country
29/353962 16 Jan 2010 UNITED STATES OF AMERICA
 (56) Related Art Documents: **Not Applicable**
 (57) Statement of Newness and Distinctiveness: **Newness and distinctiveness resides in the shape and/or configuration of an organizer clip as shown in the accompanying representations, wherein the features shown in outline may or may not be disregarded.**



(19) AU

- (21) Design Number: **12946/2010**
- (22) Date of Filing Application: **16 July 2010**
- (24) Date from which industrial property rights may have effect: **16 July 2010**
- (54) Product in respect of which the design is registered: **Organizer clip**
- (51) International Design Classification: **19-02**
- (71) Name(s) and Address(s) of Applicant(s):
Steven Patrick Pascale
1835 Newport Boulevard Suit A-109, Costa Mesa, 92627, CA United States of America
- (72) Name(s) of Designer(s): **Steven Patrick Pascale**
- (45) Registration Date: **15 September 2010**
- (30) Convention priority data:

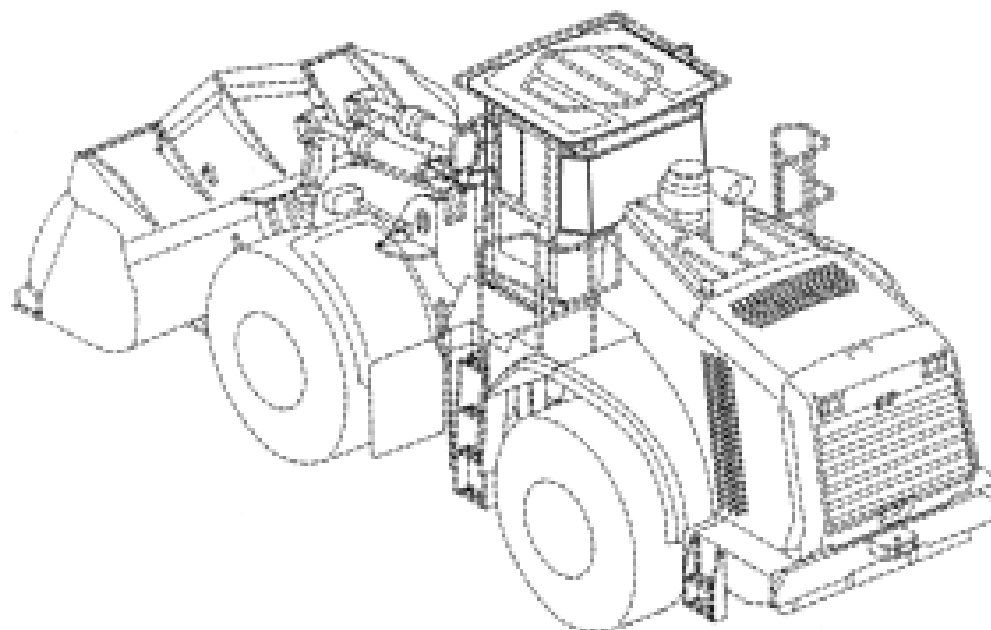
(31) Number	(32) Date	(33) Country
29/353961	16 Jan 2010	UNITED STATES OF AMERICA
- (56) Related Art Documents: **Not Applicable**
- (57) Statement of Newness and Distinctiveness: **Newness and distinctiveness resides in the shape and/or configuration of an organizer clip as shown in the accompanying representations, wherein the features shown in outline may or may not be disregarded.**



(19) AU

- (21) Design Number: **13365/2010**
- (22) Date of Filing Application: **09 August 2010**
- (24) Date from which industrial property rights may have effect: **09 August 2010**
- (54) Product in respect of which the design is registered: **Wheel loader**
- (51) International Design Classification: **15-04**
- (71) Name(s) and Address(s) of Applicant(s):
Caterpillar Inc.
100 N.E. Adams Street Peoria Illinois 61629 United States of America
- (72) Name(s) of Designer(s): **Mark Redden and Rafael Dela Rosa and Randy Johnson and Wolfgang Seidel**
- (45) Registration Date: **15 September 2010**
- (30) Convention priority data:

(31) Number	(32) Date	(33) Country
29/355414	08 Feb 2010	UNITED STATES OF AMERICA
- (56) Related Art Documents: **Not Applicable**
- (57) Statement of Newness and Distinctiveness: **Newness and distinctiveness of the design resides in the features of shape and/or configuration of the wheel loader as shown in solid lines in the accompanying representations.**



(21) Design Number: **13556/2010**

(22) Date of Filing Application: **18 August 2010**

(24) Date from which industrial property rights may have effect: **18 August 2010**

(54) Product in respect of which the design is registered: **Meditation stool**

(51) International Design Classification: **06-01NES**

(71) Name(s) and Address(s) of Applicant(s):

Colin Steele

40 Elton Road Ferntree Gully Victoria 3156 Australia

(72) Name(s) of Designer(s): **Colin J. Steele**

(45) Registration Date: **15 September 2010**

(56) Related Art Documents: **Not Applicable**

(57) Statement of Newness and Distinctiveness: **The legs are angled slightly and they also lean out slightly against the leg support and are held in place by magnets. Also the leg support is slightly rounded to give a small rolling spinal adjustment in the low position.**



(21) Design Number: **13557/2010**

(22) Date of Filing Application: **19 August 2010**

(24) Date from which industrial property rights may have effect: **19 August 2010**

(54) Product in respect of which the design is registered: **Slidable animal feeder**

(51) International Design Classification: **30-03**

(71) Name(s) and Address(s) of Applicant(s):

Geoffrey Johnson

1 Nesci Court Inverloch Victoria 3996 Australia

Christine Johnson

1 Nesci Court Inverloch Victoria 3996 Australia

(72) Name(s) of Designer(s): **Geoffrey Johnson**

(45) Registration Date: **15 September 2010**

(56) Related Art Documents: **Not Applicable**

(57) Statement of Newness and Distinctiveness: **Newness and distinctiveness are claimed in the features of shape and configuration of a slidable animal feeder, as illustrated in the accompanying representations with particular reference to the gabled floor.**



(21) Design Number: **13558/2010**

(22) Date of Filing Application: **19 August 2010**

(24) Date from which industrial property rights may have effect: **19 August 2010**

(54) Product in respect of which the design is registered: **Lighting device**

(51) International Design Classification: **26-04**

(71) Name(s) and Address(s) of Applicant(s):

Brown & Watson International Pty Ltd
1500 Ferntree Gully Road Knoxfield Victoria 3180 Australia

(72) Name(s) of Designer(s): **Paul Davies**

(45) Registration Date: **15 September 2010**

(56) Related Art Documents: **Not Applicable**

(57) Statement of Newness and Distinctiveness: **Those features of the lighting device depicted in the representations that are new and distinctive are the shape and/or configuration.**



(21) Design Number: **13559/2010**

(22) Date of Filing Application: **19 August 2010**

(24) Date from which industrial property rights may have effect: **19 August 2010**

(54) Product in respect of which the design is registered: **Charger for lighting device**

(51) International Design Classification: **13-02**

(71) Name(s) and Address(s) of Applicant(s):

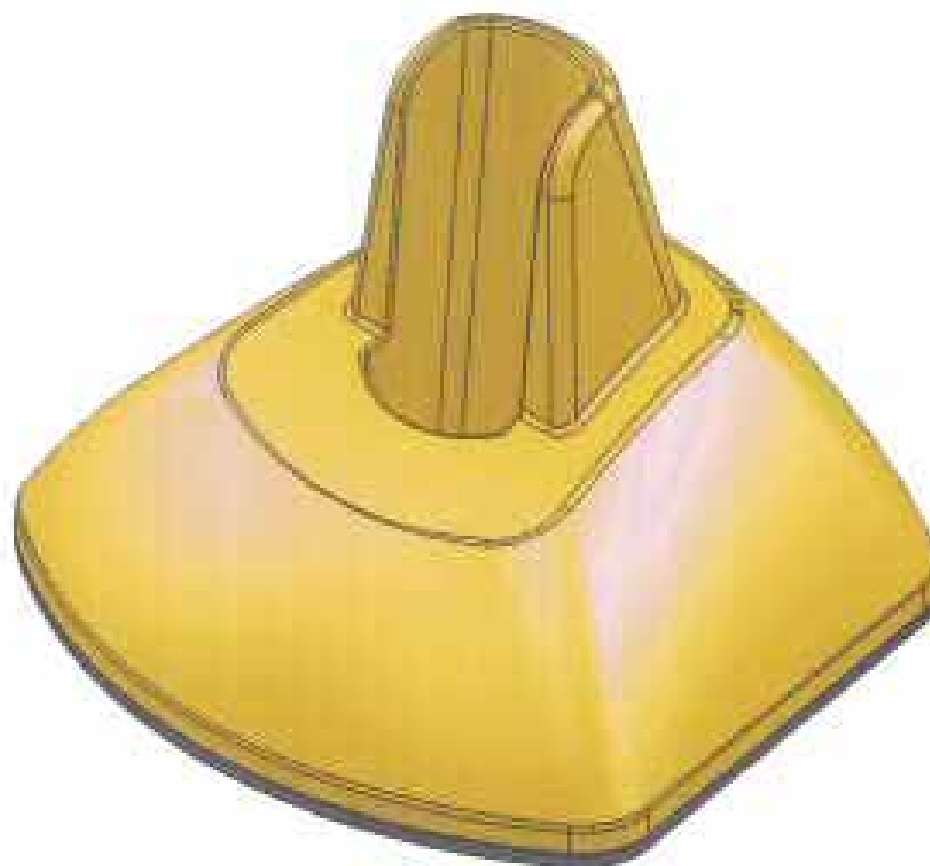
Brown & Watson International Pty Ltd
1500 Ferntree Gully Road Knoxfield Victoria 3180 Australia

(72) Name(s) of Designer(s): **Paul Davies**

(45) Registration Date: **15 September 2010**

(56) Related Art Documents: **Not Applicable**

(57) Statement of Newness and Distinctiveness: **Those features of the charger for lighting device depicted in the representations that are new and distinctive are the shape and/or configuration.**



(21) Design Number: **13560/2010**

(22) Date of Filing Application: **19 August 2010**

(24) Date from which industrial property rights may have effect: **19 August 2010**

(54) Product in respect of which the design is registered: **Lamp**

(51) International Design Classification: **26-05A**

(71) Name(s) and Address(s) of Applicant(s):

**Innovative Service Inc.
1080 Osprey Road Mindon Ontario K0M 2J0 Canada**

(72) Name(s) of Designer(s): **Joanne Irvine and Brett Irvine**

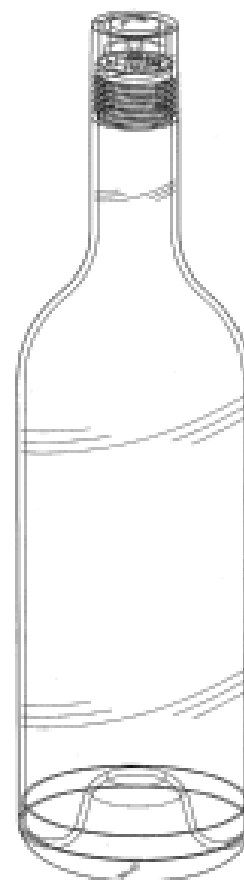
(45) Registration Date: **15 September 2010**

(30) Convention priority data:

(31) Number	(32) Date	(33) Country
134,193	23 Feb 2010	CANADA

(56) Related Art Documents: **Not Applicable**

(57) Statement of Newness and Distinctiveness: **Those features of the lamp depicted in the representations that are new and distinctive are the shape and/or configuration.**



(21) Design Number: **13579/2010**

(22) Date of Filing Application: **20 August 2010**

(24) Date from which industrial property rights may have effect: **20 August 2010**

(54) Product in respect of which the design is registered: **Vacuum packaging device**

(51) International Design Classification: **15-99**

(71) Name(s) and Address(s) of Applicant(s):

**Sunbeam Products, Inc.
2381 Executive Center Drive Boca Raton FL 33431 United States of America**

(72) Name(s) of Designer(s): **Andrew L. Hall and Jeffrey A. Smith and Augusto Picozza and Richard Neil Tobin**

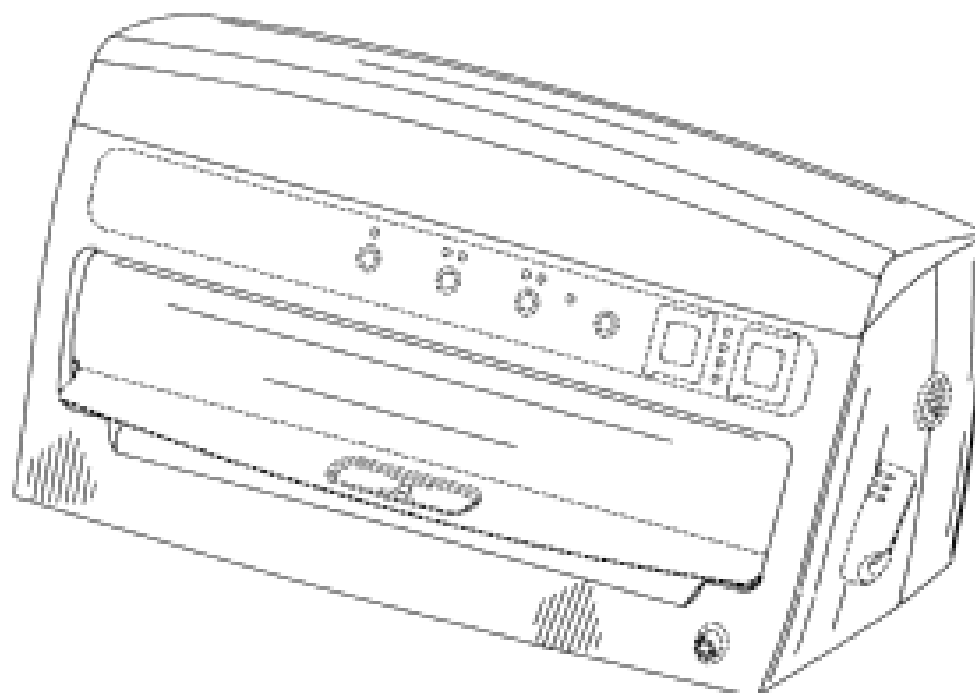
(45) Registration Date: **15 September 2010**

(30) Convention priority data:

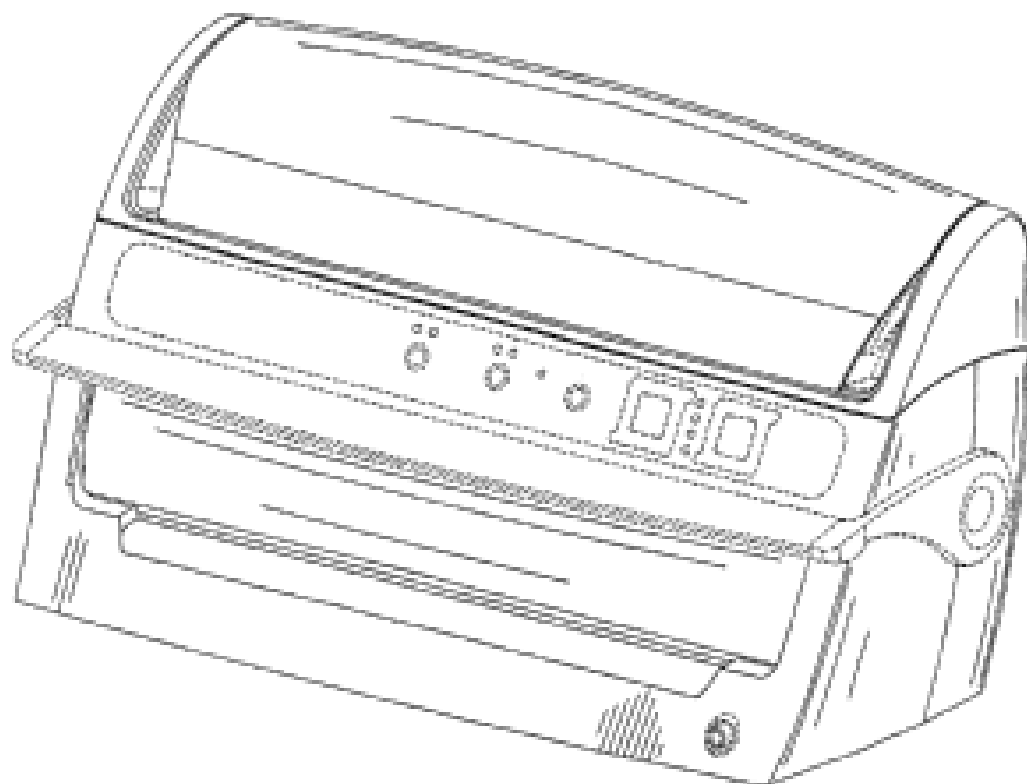
(31) Number	(32) Date	(33) Country
29/352,198	22 Feb 2010	UNITED STATES OF AMERICA

(56) Related Art Documents: **Not Applicable**

(57) Statement of Newness and Distinctiveness: **The shape and/or configuration of those parts of the design shown by means of solid lines in the representations are new and distinctive.**



- (21) Design Number: **13580/2010**
(22) Date of Filing Application: **20 August 2010**
(24) Date from which industrial property rights may have effect: **20 August 2010**
(54) Product in respect of which the design is registered: **Vacuum packaging device**
(51) International Design Classification: **15-99**
(71) Name(s) and Address(s) of Applicant(s):
Sunbeam Products, Inc.
2381 Executive Center Drive Boca Raton FL 33431 United States of America
(72) Name(s) of Designer(s): **Andrew L. Hall and Jeffrey A. Smith and Augusto Picozza and Richard Neil Tobin**
(45) Registration Date: **15 September 2010**
(30) Convention priority data:
(31) Number (32) Date (33) Country
29/356,197 22 Feb 2010 UNITED STATES OF AMERICA
(56) Related Art Documents: **Not Applicable**
(57) Statement of Newness and Distinctiveness: **The shape and/or configuration of those parts of the design shown by means of solid lines in the representations are new and distinctive.**



- (21) Design Number: **13581/2010**
(22) Date of Filing Application: **20 August 2010**
(24) Date from which industrial property rights may have effect: **20 August 2010**
(54) Product in respect of which the design is registered: **Planter**
(51) International Design Classification: **11-02B**
(71) Name(s) and Address(s) of Applicant(s):
Steendyk Holdings Pty Ltd
27 Isaac Street Spring Hill Queensland 4000 Australia
(72) Name(s) of Designer(s): **Brian John Steendyk**
(45) Registration Date: **15 September 2010**
(56) Related Art Documents: **Not Applicable**
(57) Statement of Newness and Distinctiveness: **Monopoly is claimed in the features of shape and/or configuration of the planter as illustrated in the representations accompanying the application.**



(21) Design Number: **13582/2010**

(22) Date of Filing Application: **20 August 2010**

(24) Date from which industrial property rights may have effect: **20 August 2010**

(54) Product in respect of which the design is registered: **Bin**

(51) International Design Classification: **09-09**

(71) Name(s) and Address(s) of Applicant(s):

**Steendyk Holdings Pty Ltd
27 Isaac Street Spring Hill Queensland 4000 Australia**

(72) Name(s) of Designer(s): **Brian John Steendyk**

(45) Registration Date: **15 September 2010**

(56) Related Art Documents: **Not Applicable**

(57) Statement of Newness and Distinctiveness: **Monopoly is claimed in the features of shape and/or configuration of the bin as illustrated in the representations accompanying the application.**



(21) Design Number: **13583/2010**

(22) Date of Filing Application: **20 August 2010**

(24) Date from which industrial property rights may have effect: **20 August 2010**

(54) Product in respect of which the design is registered: **Seating**

(51) International Design Classification: **06-01E**

(71) Name(s) and Address(s) of Applicant(s):

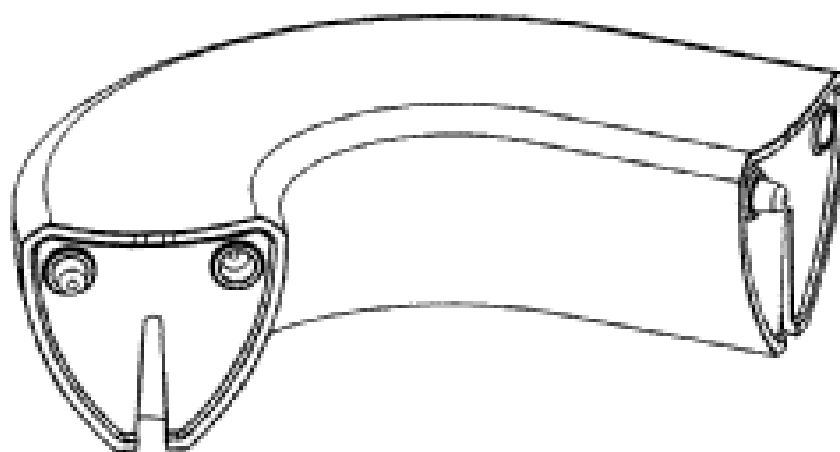
**Steendyk Holdings Pty Ltd
27 Isaac Street Spring Hill Queensland 4000 Australia**

(72) Name(s) of Designer(s): **Brian John Steendyk**

(45) Registration Date: **15 September 2010**

(56) Related Art Documents: **Not Applicable**

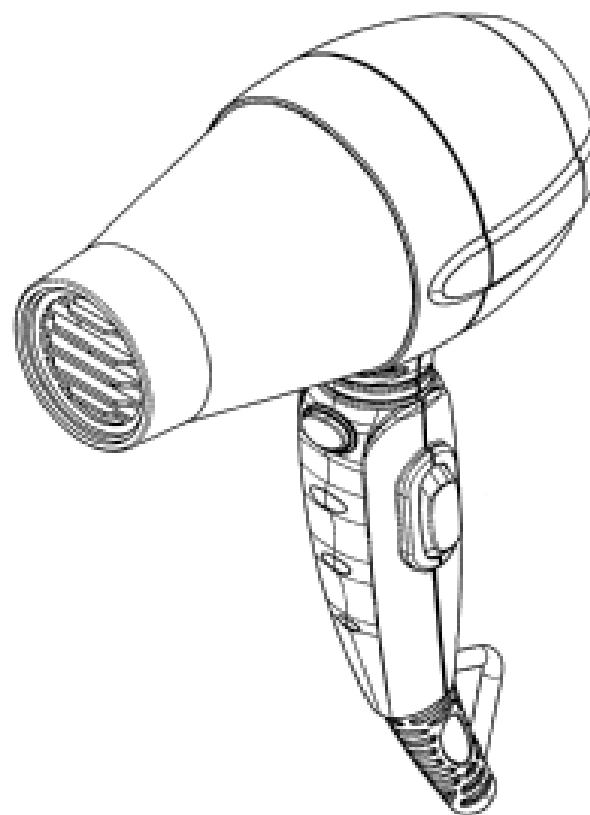
(57) Statement of Newness and Distinctiveness: **Monopoly is claimed in the features of shape and/or configuration for the light shade as illustrated in the representations accompanying the application.**



(21) Design Number: **13591/2010**
 (22) Date of Filing Application: **20 August 2010**
 (24) Date from which industrial property rights may have effect: **20 August 2010**
 (54) Product in respect of which the design is registered: **Hair dryer**
 (51) International Design Classification: **28-03B**
 (71) Name(s) and Address(s) of Applicant(s):
Conair Corporation
One Cummings Point Road Stamford Connecticut 06902 United States of America
 (72) Name(s) of Designer(s): **Leandro Rizzuto Jr**
 (45) Registration Date: **14 September 2010**
 (30) Convention priority data:

(31) Number	(32) Date	(33) Country
29/360799	30 Apr 2010	UNITED STATES OF AMERICA

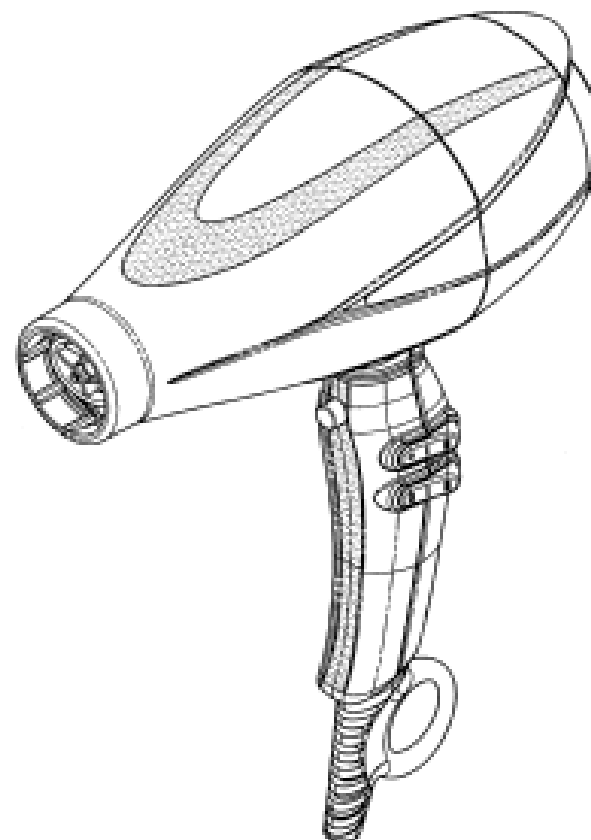
 (56) Related Art Documents: **Not Applicable**
 (57) Statement of Newness and Distinctiveness: **Newness and distinctiveness is claimed in those features of shape and/or configuration of a hair dryer as illustrated in the accompanying representations.**



(21) Design Number: **13592/2010**
 (22) Date of Filing Application: **20 August 2010**
 (24) Date from which industrial property rights may have effect: **20 August 2010**
 (54) Product in respect of which the design is registered: **Hair dryer**
 (51) International Design Classification: **28-03B**
 (71) Name(s) and Address(s) of Applicant(s):
Conair Corporation
One Cummings Point Road Stamford Connecticut 06902 United States of America
 (72) Name(s) of Designer(s): **Giovanni Americano**
 (45) Registration Date: **14 September 2010**
 (30) Convention priority data:

(31) Number	(32) Date	(33) Country
29/359808	15 Apr 2010	UNITED STATES OF AMERICA

 (56) Related Art Documents: **Not Applicable**
 (57) Statement of Newness and Distinctiveness: **Newness and distinctiveness is claimed in those features of shape and/or configuration of a hair dryer as illustrated in continuous lines in the accompanying representations.**



(21) Design Number: **13593/2010**

(22) Date of Filing Application: **20 August 2010**

(24) Date from which industrial property rights may have effect: **20 August 2010**

(54) Product in respect of which the design is registered: **Hair dryer**

(51) International Design Classification: **28-03B**

(71) Name(s) and Address(s) of Applicant(s):

Conair Corporation
One Cummings Point Road Stamford Connecticut 06902 United States of America

(72) Name(s) of Designer(s): **Giovanni Americano**

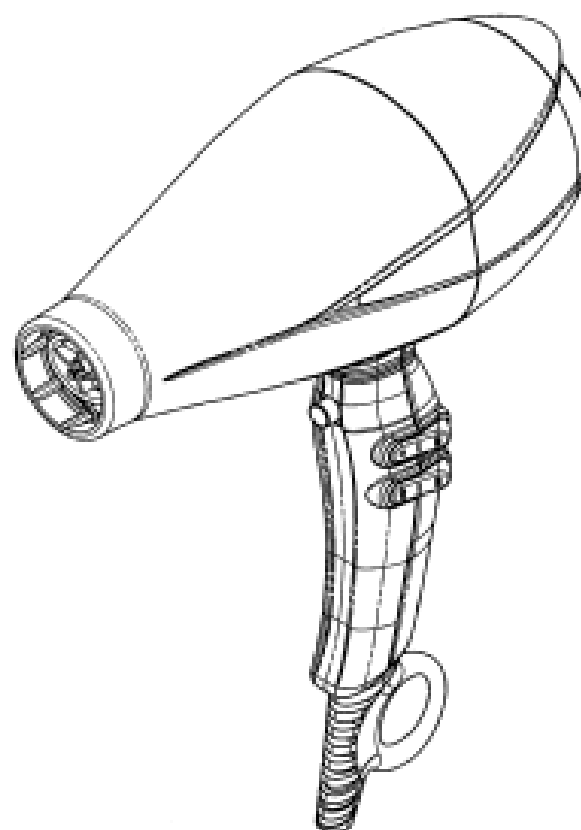
(45) Registration Date: **14 September 2010**

(30) Convention priority data:

(31) Number	(32) Date	(33) Country
29/359808	15 Apr 2010	UNITED STATES OF AMERICA

(56) Related Art Documents: **Not Applicable**

(57) Statement of Newness and Distinctiveness: **Newness and distinctiveness is claimed in those features of shape and/or configuration of a hair dryer as illustrated in continuous lines in the accompanying representations.**



(21) Design Number: **13594/2010**

(22) Date of Filing Application: **20 August 2010**

(24) Date from which industrial property rights may have effect: **20 August 2010**

(54) Product in respect of which the design is registered: **Electric motor**

(51) International Design Classification: **13-01**

(71) Name(s) and Address(s) of Applicant(s):

Conair Corporation
One Cummings Point Road Stamford Connecticut 06902 United States of America

(72) Name(s) of Designer(s): **Giovanni Americano**

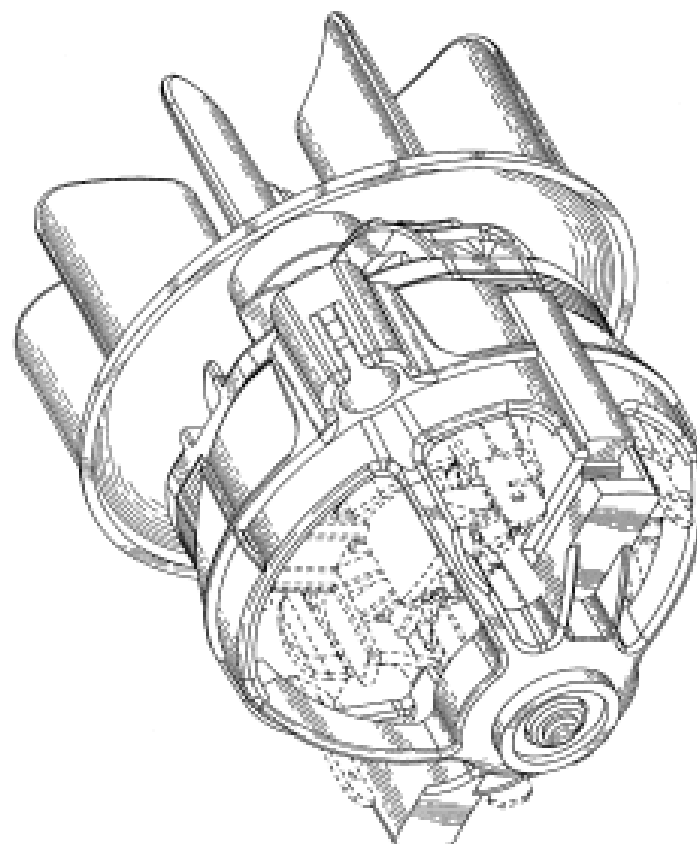
(45) Registration Date: **14 September 2010**

(30) Convention priority data:

(31) Number	(32) Date	(33) Country
29/358877	01 Apr 2010	UNITED STATES OF AMERICA

(56) Related Art Documents: **Not Applicable**

(57) Statement of Newness and Distinctiveness: **Newness and distinctiveness is claimed in those features of shape and/or configuration of an electric motor as illustrated in continuous lines in the accompanying representations.**



(21) Design Number: **13595/2010**

(22) Date of Filing Application: **20 August 2010**

(24) Date from which industrial property rights may have effect: **20 August 2010**

(54) Product in respect of which the design is registered: **Hair dryer**

(51) International Design Classification: **28-03B**

(71) Name(s) and Address(s) of Applicant(s):

Conair Corporation

One Cummings Point Road Stamford Connecticut 06902 United States of America

(72) Name(s) of Designer(s): **Giovanni Americano**

(45) Registration Date: **14 September 2010**

(30) Convention priority data:

(31) Number

(32) Date

(33) Country

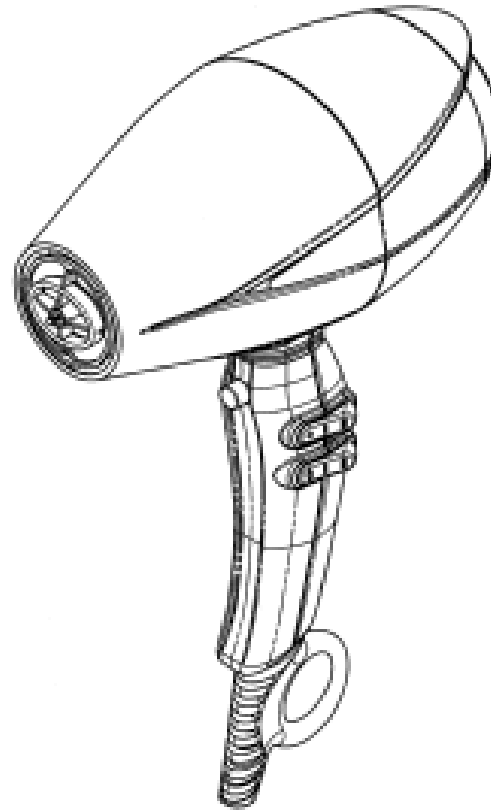
29/359814

15 Apr 2010

UNITED STATES OF AMERICA

(56) Related Art Documents: **Not Applicable**

(57) Statement of Newness and Distinctiveness: **Newness and distinctiveness is claimed in those features of shape and/or configuration of a hair dryer as illustrated in continuous lines in the accompanying representations.**



(21) Design Number: **15035/2009**

(22) Date of Filing Application: **23 December 2009**

(24) Date from which industrial property rights may have effect: **23 December 2009**

(54) Product in respect of which the design is registered: **Bottle opener**

(51) International Design Classification: **07-06D**

(71) Name(s) and Address(s) of Applicant(s):

Lorinda van der Velden

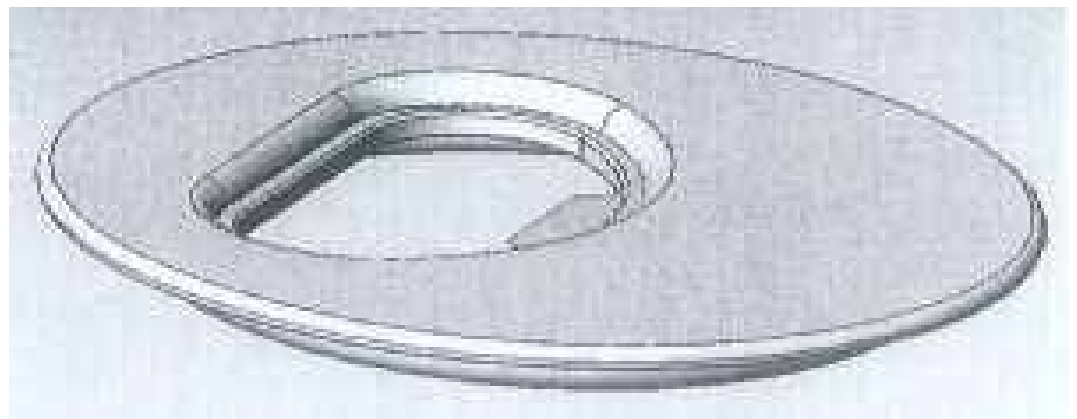
39 Genista Street Frankston Victoria 3199 Australia

(72) Name(s) of Designer(s): **Michael Hort**

(45) Registration Date: **15 September 2010**

(56) Related Art Documents: **Not Applicable**

(57) Statement of Newness and Distinctiveness: **The particular features of the design which the applicant hereby identifies as new and distinctiveness are as follows: A bottle opener as illustrated in the accompanying representations.**



(21) Design Number: **13913/2010**

(22) Date of Filing Application: **23 December 2009**

(24) Date from which industrial property rights may have effect: **23 December 2009**

(54) Product in respect of which the design is registered: **Bottle opener**

(51) International Design Classification: **07-06D**

(71) Name(s) and Address(s) of Applicant(s):

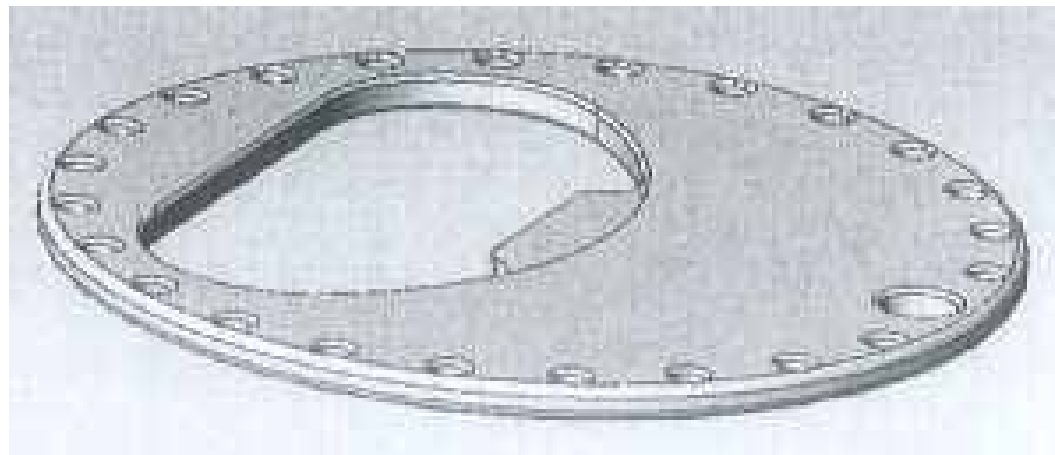
Lorinda van der Velden
39 Genista Street Frankston Victoria 3199 Australia

(72) Name(s) of Designer(s): **Michael Hort**

(45) Registration Date: **15 September 2010**

(56) Related Art Documents: **Not Applicable**

(57) Statement of Newness and Distinctiveness: **The particular visual features of the design which the applicant hereby identifies as new and distinctiveness are as follows: A bottle opener as illustrated in the accompanying representations.**



(21) Design Number: **13914/2010**

(22) Date of Filing Application: **23 December 2009**

(24) Date from which industrial property rights may have effect: **23 December 2009**

(54) Product in respect of which the design is registered: **Bottle opener**

(51) International Design Classification: **07-06D**

(71) Name(s) and Address(s) of Applicant(s):

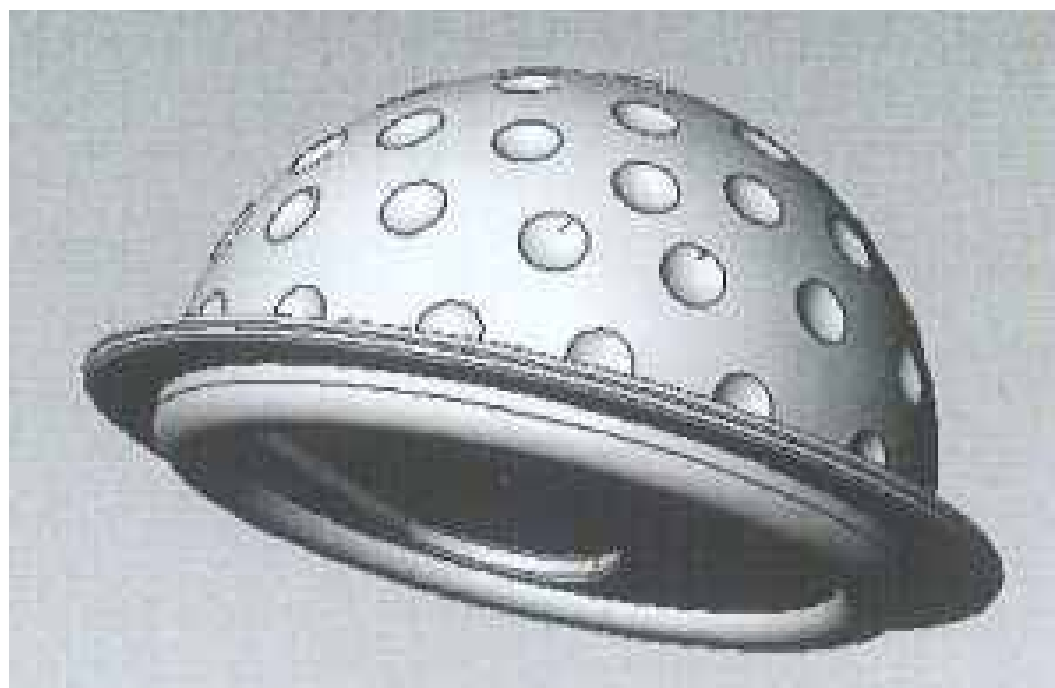
Lorinda van der Velden
39 Genista Street Frankston Victoria 3199 Australia

(72) Name(s) of Designer(s): **Michael Hort**

(45) Registration Date: **15 September 2010**

(56) Related Art Documents: **Not Applicable**

(57) Statement of Newness and Distinctiveness: **The particular visual features of the design which the applicant hereby identifies as new and distinctiveness are as follows: A bottle opener as illustrated in the accompanying representations.**



(21) Design Number: **12875/2010**
(22) Date of Filing Application: **13 July 2010**
(24) Date from which industrial property rights may have effect: **13 July 2010**
(54) Product in respect of which the design is registered: **Barrel rack**
(51) International Design Classification: **06-04NES**
(71) Name(s) and Address(s) of Applicant(s):

Synder Industries Inc
4700 Fremont Street Lincoln Nebraska 68504 United States of America

(72) Name(s) of Designer(s): **Darwin D. Garton and Herbert H. Spann and Darrell A. Oltman**

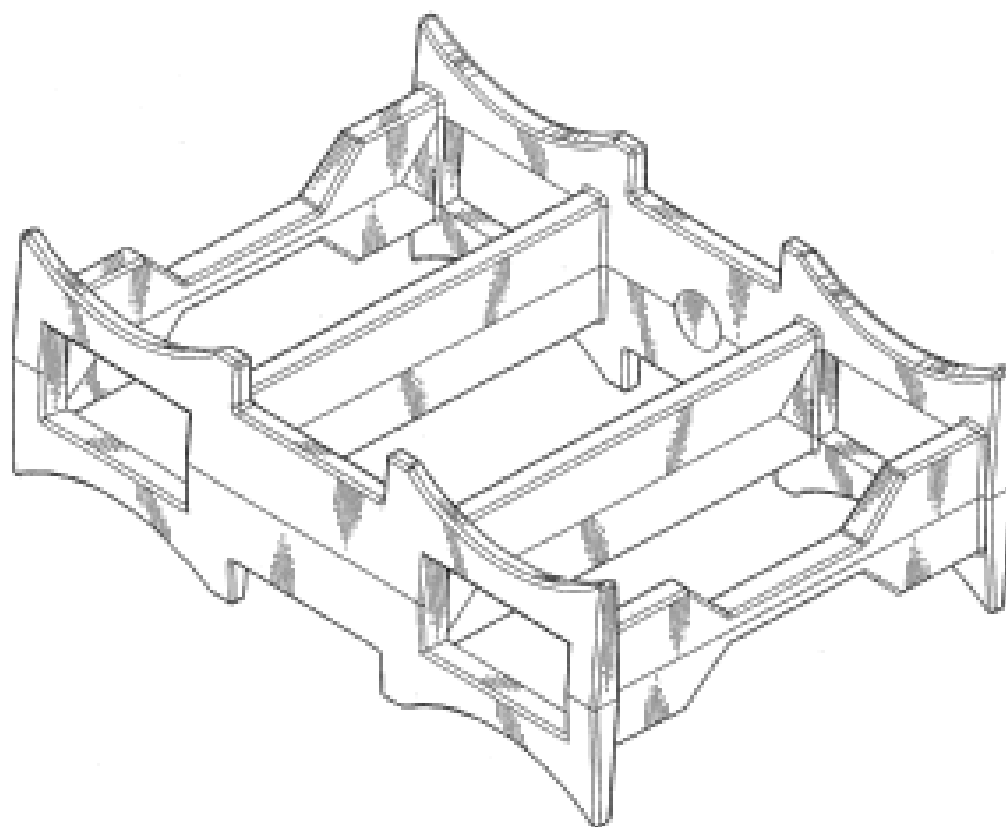
(45) Registration Date: **15 September 2010**

(30) Convention priority data:

(31) Number	(32) Date	(33) Country
29/362,611	27 May 2010	UNITED STATES OF AMERICA

(56) Related Art Documents: **Not Applicable**

(57) Statement of Newness and Distinctiveness: **Nil**



(21) Design Number: **13563/2010**
(22) Date of Filing Application: **19 August 2010**
(24) Date from which industrial property rights may have effect: **19 August 2010**
(54) Product in respect of which the design is registered: **A chair**
(51) International Design Classification: **06-01F**
(71) Name(s) and Address(s) of Applicant(s):

Formway Furniture Limited
176 Gracefield Road Wellington New Zealand

(72) Name(s) of Designer(s): **Leif Robert John Roy**

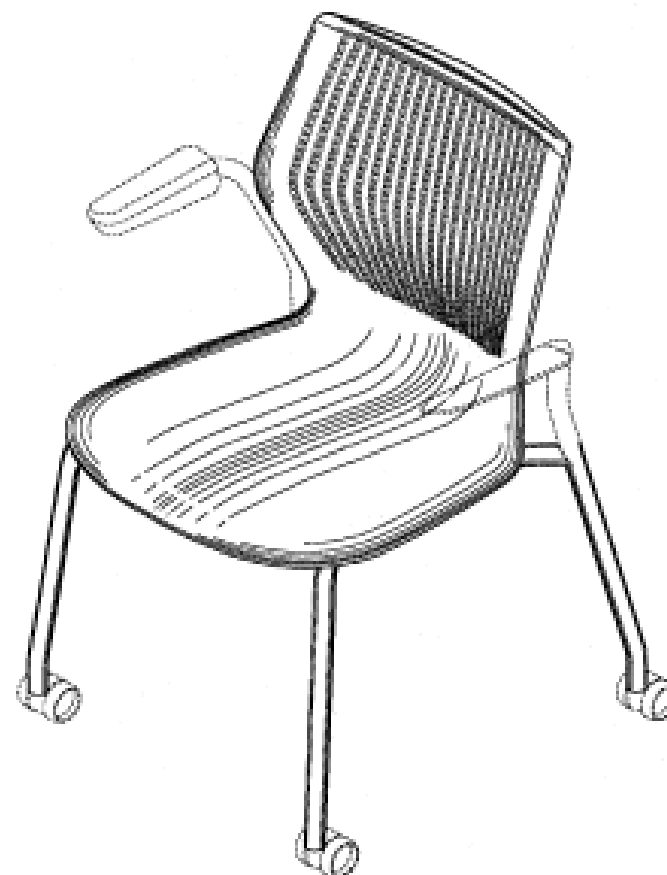
(45) Registration Date: **15 September 2010**

(30) Convention priority data:

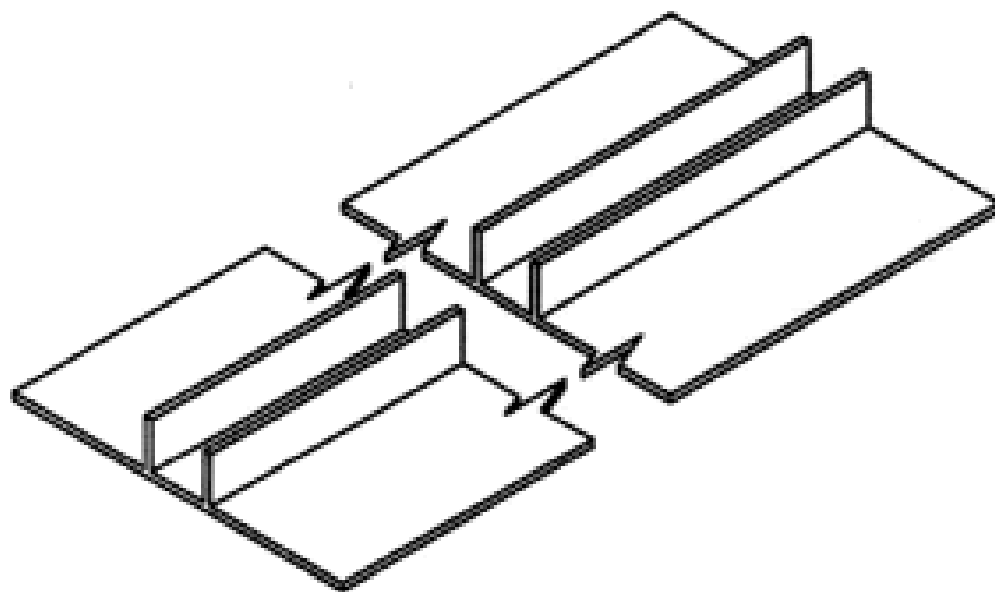
(31) Number	(32) Date	(33) Country
29/356360	24 Feb 2010	UNITED STATES OF AMERICA

(56) Related Art Documents: **Not Applicable**

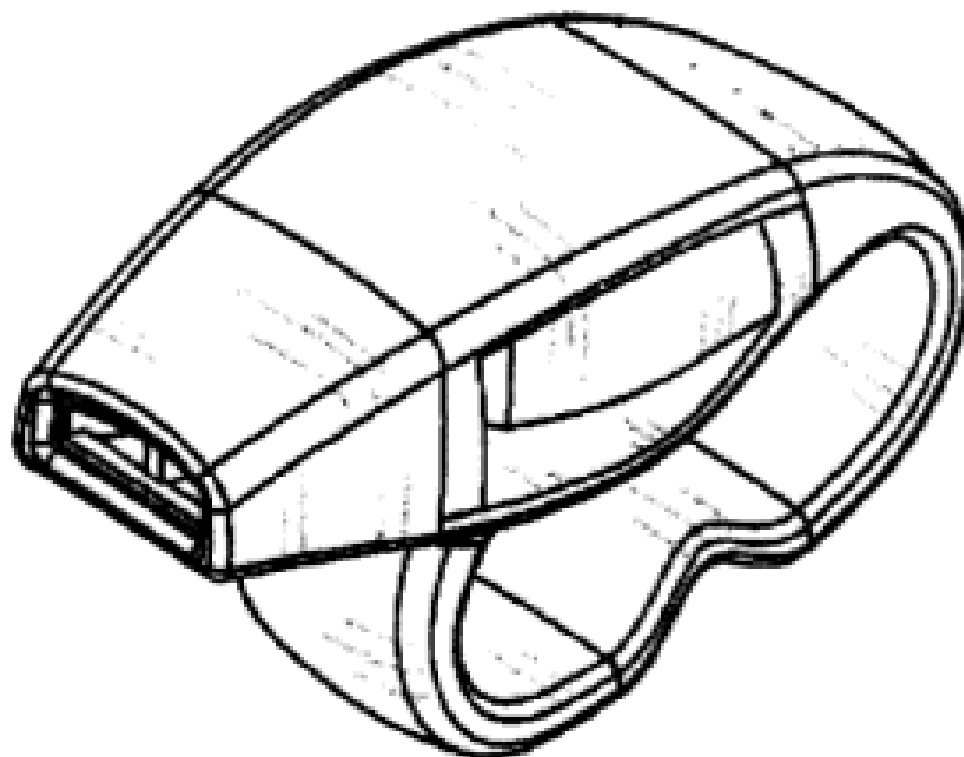
(57) Statement of Newness and Distinctiveness: **Newness and distinctiveness reside in the features of shape and/or configuration of the chair as shown in the representations. The features shown in broken lines are shown for illustrative purposes only, and form no part of the design for which newness and distinctiveness are claimed.**



(21) Design Number: **13584/2010**
(22) Date of Filing Application: **20 August 2010**
(24) Date from which industrial property rights may have effect: **20 August 2010**
(54) Product in respect of which the design is registered: **Building panel joining element**
(51) International Design Classification: **25-01D, 25-02NES**
(71) Name(s) and Address(s) of Applicant(s):
James Hardie Technology Limited
Europa House Second Floor Harcourt Centre Harcourt Street Dublin 2
Ireland
(72) Name(s) of Designer(s): **Darren James Southwell and David D'Vorak**
(45) Registration Date: **15 September 2010**
(56) Related Art Documents: **Not Applicable**
(57) Statement of Newness and Distinctiveness: **Nil**



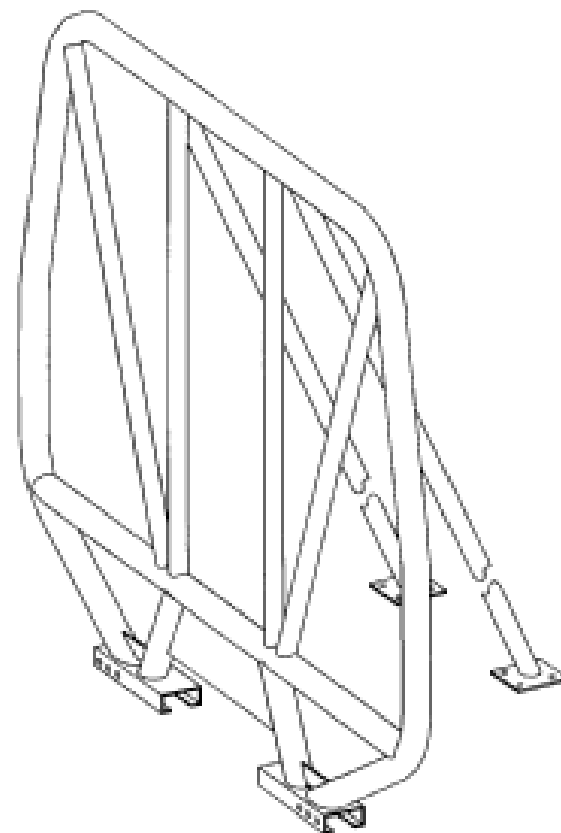
(21) Design Number: **13589/2010**
(22) Date of Filing Application: **23 August 2010**
(24) Date from which industrial property rights may have effect: **23 August 2010**
(54) Product in respect of which the design is registered: **Whistle with finger grip**
(51) International Design Classification: **10-06, 21-01NES**
(71) Name(s) and Address(s) of Applicant(s):
Fox 40 International Inc.
560 Arvin Avenue Stoney Creek Ontario L8E 35P1 Canada
(72) Name(s) of Designer(s): **Ron Foxcroft**
(45) Registration Date: **15 September 2010**
(30) Convention priority data:
(31) Number (32) Date (33) Country
29/357,139 08 Mar 2010 UNITED STATES OF AMERICA
(56) Related Art Documents: **Not Applicable**
(57) Statement of Newness and Distinctiveness: **Nil**



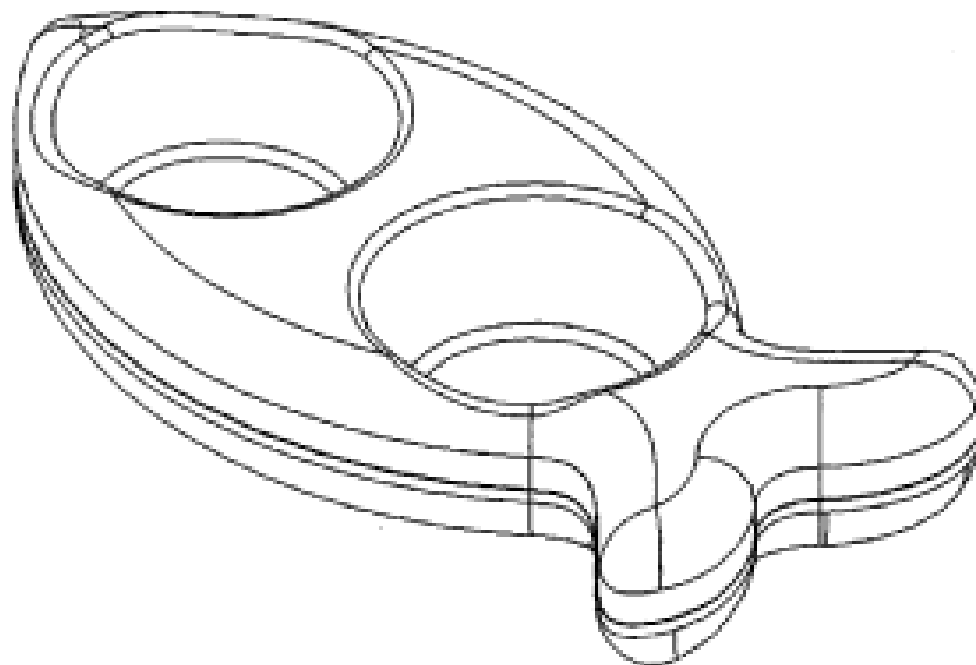
- (21) Design Number: **13767/2010**
(22) Date of Filing Application: **01 September 2010**
(24) Date from which industrial property rights may have effect: **01 September 2010**
(54) Product in respect of which the design is registered: **Traffic advisory lantern**
(51) International Design Classification: **10-06**
(71) Name(s) and Address(s) of Applicant(s):
Neil Anthony Patton
26 Red Jacket Lane Woodvale Victoria 3556 Australia
(72) Name(s) of Designer(s): **Neil Anthony Patton**
(45) Registration Date: **15 September 2010**
(56) Related Art Documents: **Not Applicable**
(57) Statement of Newness and Distinctiveness: **Nil**



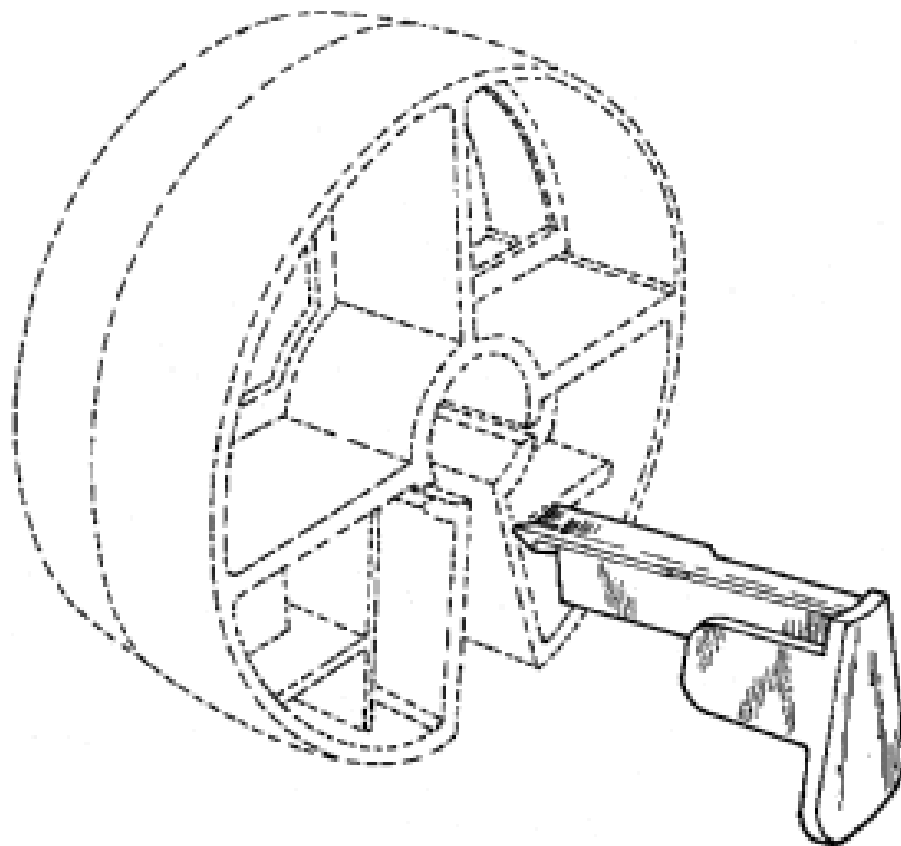
- (21) Design Number: **13604/2010**
(22) Date of Filing Application: **23 August 2010**
(24) Date from which industrial property rights may have effect: **23 August 2010**
(54) Product in respect of which the design is registered: **Rollover protection structure**
(51) International Design Classification: **12-16C**
(71) Name(s) and Address(s) of Applicant(s):
Brisbane Tray Bodys Pty Ltd
Lot 2 Redbank Plains Road Redbank Plains Queensland 4301
Australia
(72) Name(s) of Designer(s): **Jamie Facer**
(45) Registration Date: **15 September 2010**
(56) Related Art Documents: **Not Applicable**
(57) Statement of Newness and Distinctiveness: **The newness and distinctiveness of the design resides in the shape and/or configuration of the rollover protection structure shown in the representations. The rear stays of the rollover protection structure are of indefinite length.**



(21) Design Number: **13605/2010**
(22) Date of Filing Application: **20 August 2010**
(24) Date from which industrial property rights may have effect: **20 August 2010**
(54) Product in respect of which the design is registered: **Feeding bowl for animals**
(51) International Design Classification: **30-03**
(71) Name(s) and Address(s) of Applicant(s):
Elite Cat Feeders Ltd
10 Marigold Place Harlow Essex CM17 0BW United Kingdom
(72) Name(s) of Designer(s): **Hing Kuen Man**
(45) Registration Date: **15 September 2010**
(30) Convention priority data:
(31) Number (32) Date (33) Country
1676685 02 Mar 2010 EUROPEAN COMMUNITY
(56) Related Art Documents: **Not Applicable**
(57) Statement of Newness and Distinctiveness: **Nil**



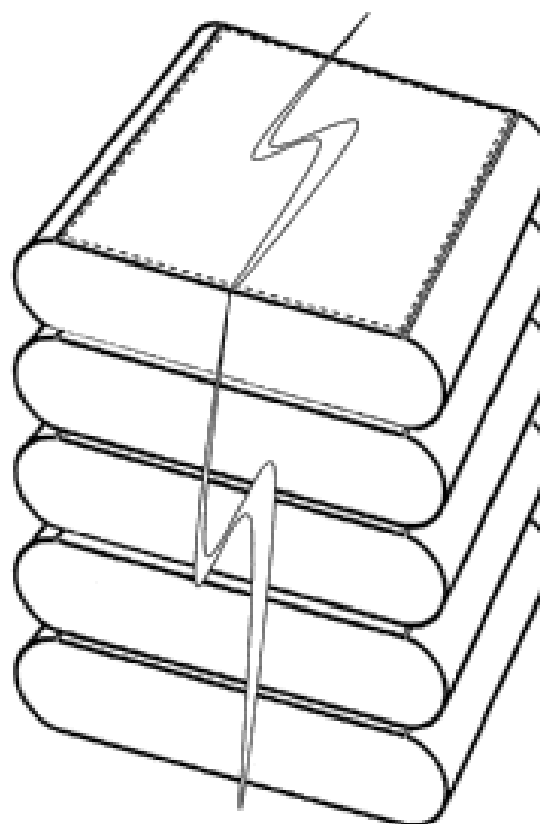
(21) Design Number: **13607/2010**
(22) Date of Filing Application: **20 August 2010**
(24) Date from which industrial property rights may have effect: **20 August 2010**
(54) Product in respect of which the design is registered: **Clip for spacer wheel**
(51) International Design Classification: **12-16A**
(71) Name(s) and Address(s) of Applicant(s):
Dennis J. Mee
51 Goldieslie Road Indooroopilly Queensland 4068 Australia
(72) Name(s) of Designer(s): **Dennis J. Mee**
(45) Registration Date: **15 September 2010**
(56) Related Art Documents: **Not Applicable**
(57) Statement of Newness and Distinctiveness: **Nil**



- (21) Design Number: **13251/2010**
(22) Date of Filing Application: **30 July 2010**
(24) Date from which industrial property rights may have effect: **30 July 2010**
(54) Product in respect of which the design is registered: **A housing**
(51) International Design Classification: **13-03NES, 14-02**
(71) Name(s) and Address(s) of Applicant(s):

Intheshed Australia Pty Ltd
PO Box 16 Red Rock New South Wales 2456 Australia

- (72) Name(s) of Designer(s): **Phillip Clare**
(45) Registration Date: **16 September 2010**
(56) Related Art Documents: **Not Applicable**
(57) Statement of Newness and Distinctiveness: **Newness and distinctiveness is claimed in the shape and/or configuration of the housing as shown in the accompanying representations, wherein the upper level surface of the housing is to be disregarded. The housing may be of any width as indicated by the broken line in the representation, and of any height varied according to the number of layers (which form a regular pattern).**

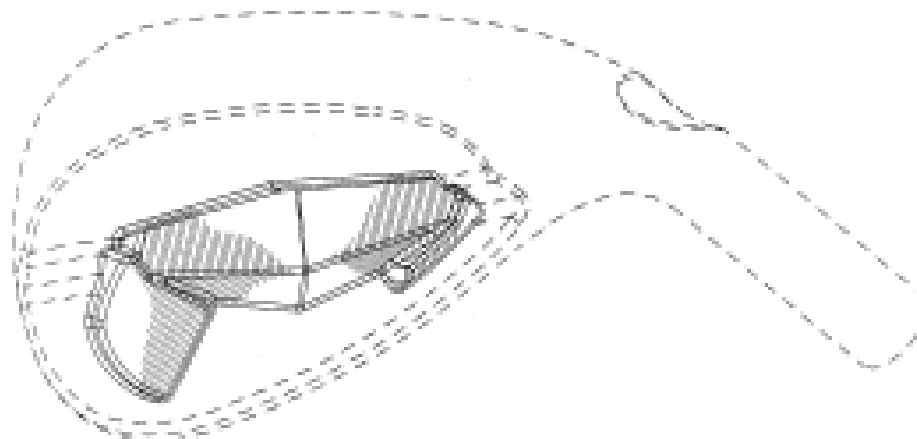


- (21) Design Number: **13621/2010**
(22) Date of Filing Application: **23 August 2010**
(24) Date from which industrial property rights may have effect: **23 August 2010**
(54) Product in respect of which the design is registered: **Golf club head**
(51) International Design Classification: **21-02C**
(71) Name(s) and Address(s) of Applicant(s):

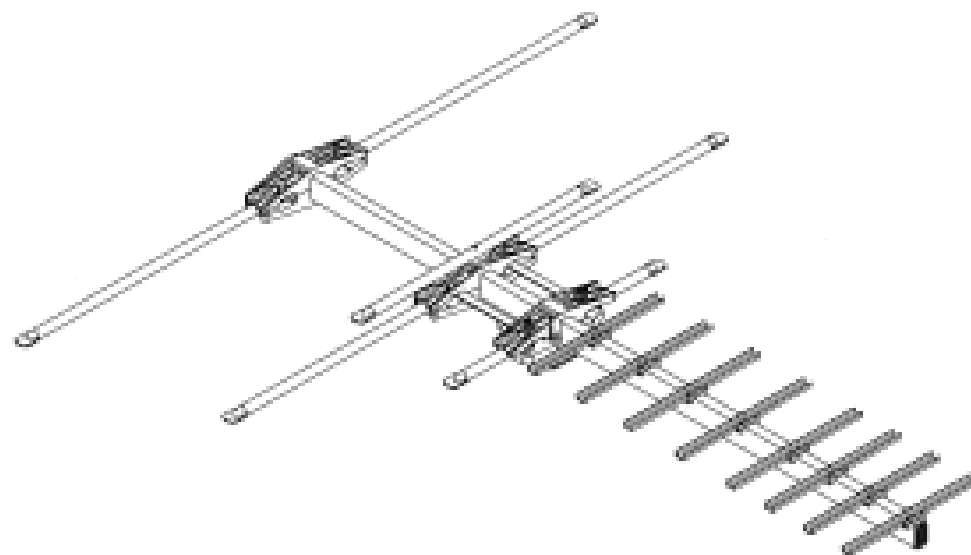
Karsten Manufacturing Corporation
2201 West Desert Cove Phoenix Arizona 85029 United States of America

- (72) Name(s) of Designer(s): **Michael R. Nicolette and Bradley D. Schweigert and Marty R. Jertson and John A. Solheim**
(45) Registration Date: **16 September 2010**
(30) Convention priority data:
- | | | |
|------------------|--------------------|---------------------------------|
| (31) Number | (32) Date | (33) Country |
| 29/361126 | 05 May 2010 | UNITED STATES OF AMERICA |

- (56) Related Art Documents: **Not Applicable**
(57) Statement of Newness and Distinctiveness: **Newness and distinctiveness is claimed in the visual features shown in solid lines in the representations. In considering the extent of the design rights, the broken lines shown in the representations are for illustrative purposes only and do not form part of the design.**

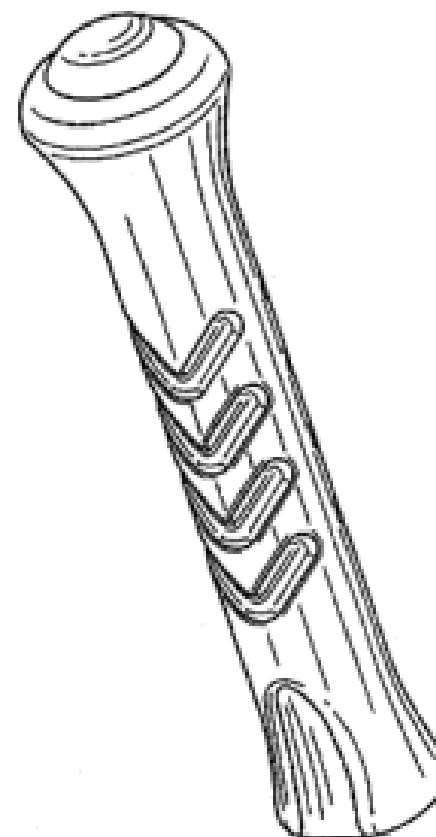


- (21) Design Number: **13653/2010**
- (22) Date of Filing Application: **24 August 2010**
- (24) Date from which industrial property rights may have effect: **24 August 2010**
- (54) Product in respect of which the design is registered: **Antenna**
- (51) International Design Classification: **14-03NES**
- (71) Name(s) and Address(s) of Applicant(s):
Hills Industries Limited
944-956 South Road Edwardstown South Australia 5039 Australia
- (72) Name(s) of Designer(s): **Barry Seymour Griggs**
- (45) Registration Date: **16 September 2010**
- (56) Related Art Documents: **Not Applicable**
- (57) Statement of Newness and Distinctiveness: **The new and distinctive features of the design are the length of the antenna elements and the spacing of the antenna elements along the boom of the article as shown in the representations.**



- (21) Design Number: **13655/2010**
- (22) Date of Filing Application: **24 August 2010**
- (24) Date from which industrial property rights may have effect: **24 August 2010**
- (54) Product in respect of which the design is registered: **Handle with striking end**
- (51) International Design Classification: **08-02**
- (71) Name(s) and Address(s) of Applicant(s):
Snap-on Incorporated
PO Box 1410 Kenosha Wisconsin 53141-1410 United States of America
- (72) Name(s) of Designer(s): **Bryan R. Hantke and Marco E. DeVecchis and Daniel M. Eggert**
- (45) Registration Date: **16 September 2010**
- (30) Convention priority data:

(31) Number	(32) Date	(33) Country
29/348988	26 Feb 2010	UNITED STATES OF AMERICA
- (56) Related Art Documents: **Not Applicable**
- (57) Statement of Newness and Distinctiveness: **Newness and distinctiveness is claimed in the features of shape and/or configuration of a handle with striking end as illustrated in the accompanying representations.**



(21) Design Number: **13656/2010**

(22) Date of Filing Application: **24 August 2010**

(24) Date from which industrial property rights may have effect: **24 August 2010**

(54) Product in respect of which the design is registered: **Engine generator**

(51) International Design Classification: **15-01**

(71) Name(s) and Address(s) of Applicant(s):

Honda Motor Co., Ltd.

1-1 Minamiaoyama 2-chome Minato-ku Tokyo Japan

(72) Name(s) of Designer(s): **Yuya Kato**

(45) Registration Date: **16 September 2010**

(30) Convention priority data:

(31) Number

(32) Date

(33) Country

2010-004483

25 Feb 2010

JAPAN

(56) Related Art Documents: **Not Applicable**

(57) Statement of Newness and Distinctiveness: **Newness and distinctiveness is claimed in the features of shape and/or configuration of an engine generator as illustrated in the accompanying representations.**



(21) Design Number: **13718/2010**

(22) Date of Filing Application: **30 August 2010**

(24) Date from which industrial property rights may have effect: **30 August 2010**

(54) Product in respect of which the design is registered: **Packer/shim/wedge**

(51) International Design Classification: **09-03H**

(71) Name(s) and Address(s) of Applicant(s):

Craig Quinsey

62 Kalyan Avenue Bradbury New South Wales 2560 Australia

(72) Name(s) of Designer(s): **Craig Quinsey**

(45) Registration Date: **16 September 2010**

(56) Related Art Documents: **Not Applicable**

(57) Statement of Newness and Distinctiveness: **The shape and configuration not limited to size width or length.**



(21) Design Number: **12793/2010**

(22) Date of Filing Application: **08 July 2010**

(24) Date from which industrial property rights may have effect: **08 July 2010**

(54) Product in respect of which the design is registered: **Dining table, buffet, television unit, coffee table, bedside table, tallboy**

(51) International Design Classification: **06-03A, 06-04NES, 06-04D, 06-04F**

(71) Name(s) and Address(s) of Applicant(s):

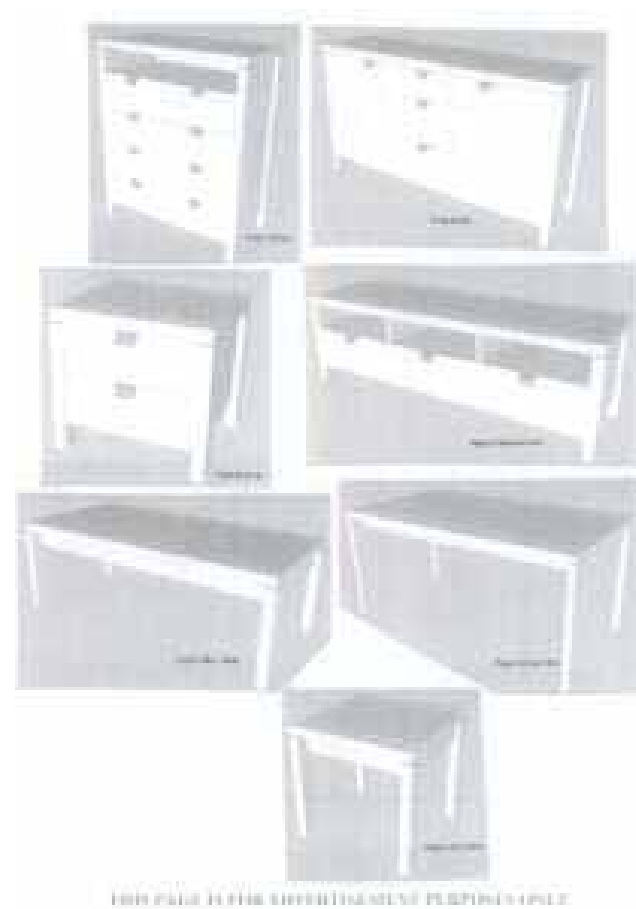
**Jar Furniture Imports Pty Ltd
8-12 Ford Street Greenacre New South Wales 2190 Australia**

(72) Name(s) of Designer(s): **David Hardwick**

(45) Registration Date: **20 September 2010**

(56) Related Art Documents: **Not Applicable**

(57) Statement of Newness and Distinctiveness: **Metal accents are used on the 'shoulders' of the items to increase design recognition and reinforce uniqueness. The cabinet items feature a tooled, grooved top with flush inlay glass insert unique to this product. The tables feature a tooled, grooved top with flush inlay glass insert unique to this product.**



(21) Design Number: **12794/2010**

(22) Date of Filing Application: **08 July 2010**

(24) Date from which industrial property rights may have effect: **08 July 2010**

(54) Product in respect of which the design is registered: **Dining table, buffet, television unit, coffee table, bedside table, tallboy**

(51) International Design Classification: **06-03A, 06-04D, 06-04F, 06-04NES**

(71) Name(s) and Address(s) of Applicant(s):

**Jar Furniture Imports Pty Ltd
8-12 Ford Street Greenacre New South Wales 2190 Australia**

(72) Name(s) of Designer(s): **David Hardwick**

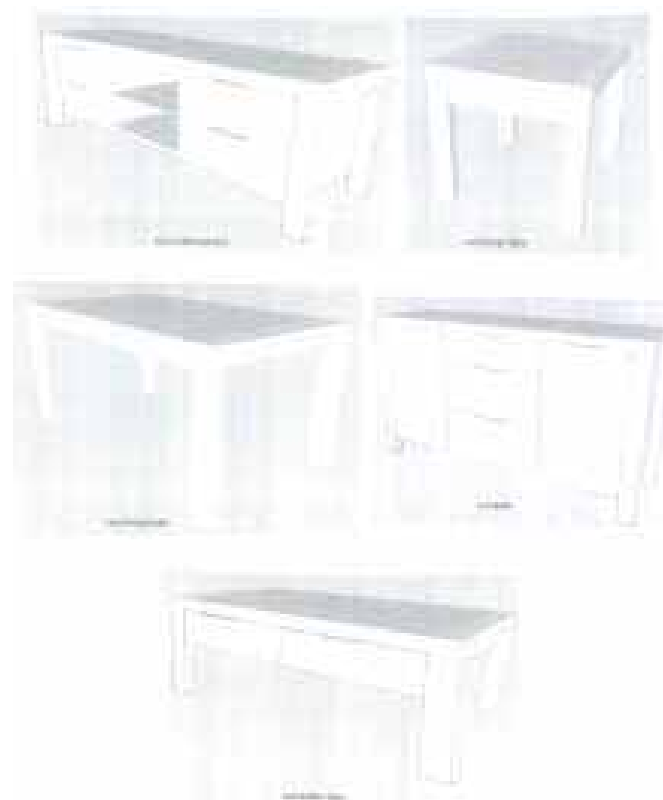
(45) Registration Date: **20 September 2010**

(56) Related Art Documents: **Not Applicable**

(57) Statement of Newness and Distinctiveness: **Metal accents are used on the 'shoulders' of the items to increase design recognition and reinforce uniqueness. The cabinet items feature a tooled, grooved top with flush inlay glass insert unique to this product. The tables feature a tooled, grooved top with flush inlay glass insert unique to this product.**



- (21) Design Number: **12795/2010**
(22) Date of Filing Application: **08 July 2010**
(24) Date from which industrial property rights may have effect: **08 July 2010**
(54) Product in respect of which the design is registered: **Dining table, buffet, television unit, coffee table, lamp table**
(51) International Design Classification: **06-03A, 06-04D, 06-04NES**
(71) Name(s) and Address(s) of Applicant(s):
Jar Furniture Imports Pty Ltd
8-12 Ford Street Greenacre New South Wales 2190 Australia
(72) Name(s) of Designer(s): **David Hardwick**
(45) Registration Date: **20 September 2010**
(56) Related Art Documents: **Not Applicable**
(57) Statement of Newness and Distinctiveness: **The cabinet items feature a tooled, grooved top with flush inlay glass insert unique to this product. The tables feature a tooled, grooved top flush inlay glass insert unique to this product.**



THIS PAGE IS FOR ADVERTISING PURPOSES ONLY

- (21) Design Number: **13706/2010**
(22) Date of Filing Application: **08 July 2010**
(24) Date from which industrial property rights may have effect: **08 July 2010**
(54) Product in respect of which the design is registered: **Sofa**
(51) International Design Classification: **06-01G**
(71) Name(s) and Address(s) of Applicant(s):
Jar Furniture Imports Pty Ltd
8-12 Ford Street Greenacre New South Wales 2190 Australia
(72) Name(s) of Designer(s): **David Hardwick**
(45) Registration Date: **20 September 2010**
(56) Related Art Documents: **Not Applicable**
(57) Statement of Newness and Distinctiveness: **Sofa features timber on arms and along base that is a unique and identifying feature.**



- (21) Design Number: **12796/2010**
- (22) Date of Filing Application: **08 July 2010**
- (24) Date from which industrial property rights may have effect: **08 July 2010**
- (54) Product in respect of which the design is registered: **Buffet 1, buffet 2, television unit 1, television unit 2, coffee table, lamp table, dressing table, bedside table,**
- (51) International Design Classification: **06-04D, 06-04F, 06-04NES, 06-06B**
- (71) Name(s) and Address(s) of Applicant(s):
Jar Furniture Imports Pty Ltd
8-12 Ford Street Greenacre New South Wales 2190 Australia
- (72) Name(s) of Designer(s): **David Hardwick**
- (45) Registration Date: **20 September 2010**
- (56) Related Art Documents: **Not Applicable**
- (57) Statement of Newness and Distinctiveness: **Matching top profile on tables and cabinets - 32mm thick tops with an 8mm high recess, 5mm in from edge on all sides. Cabinets include frosted glass doors and chamfered drawer tops that are a unique and distinctive identifying feature.**



- (21) Design Number: **12797/2010**
- (22) Date of Filing Application: **08 July 2010**
- (24) Date from which industrial property rights may have effect: **08 July 2010**
- (54) Product in respect of which the design is registered: **Buffet, television unit, coffee table, lamp table, dressing table, bedside table, tallboy, narrow shelf**
- (51) International Design Classification: **06-04D, 06-04F, 06-04NES, 06-06B**
- (71) Name(s) and Address(s) of Applicant(s):
Jar Furniture Imports Pty Ltd
8-12 Ford Street Greenacre New South Wales 2190 Australia
- (72) Name(s) of Designer(s): **David Hardwick**
- (45) Registration Date: **20 September 2010**
- (56) Related Art Documents: **Not Applicable**
- (57) Statement of Newness and Distinctiveness: **Cabinets feature a timber base and flush metal handle attached to drawer tops that is a unique and identifying feature.**



(21) Design Number: **13707/2010**

(22) Date of Filing Application: **08 July 2010**

(24) Date from which industrial property rights may have effect: **08 July 2010**

(54) Product in respect of which the design is registered: **Sofa**

(51) International Design Classification: **06-01G**

(71) Name(s) and Address(s) of Applicant(s):

Jar Furniture Imports Pty Ltd
8-12 Ford Street Greenacre New South Wales 2190 Australia

(72) Name(s) of Designer(s): **David Hardwick**

(45) Registration Date: **20 September 2010**

(56) Related Art Documents: **Not Applicable**

(57) Statement of Newness and Distinctiveness: **Sofa features timber on arms and along base that is a unique and identifying feature.**



(21) Design Number: **13709/2010**

(22) Date of Filing Application: **08 July 2010**

(24) Date from which industrial property rights may have effect: **08 July 2010**

(54) Product in respect of which the design is registered: **Bed**

(51) International Design Classification: **06-02**

(71) Name(s) and Address(s) of Applicant(s):

Jar Furniture Imports Pty Ltd
8-12 Ford Street Greenacre New South Wales 2190 Australia

(72) Name(s) of Designer(s): **David Hardwick**

(45) Registration Date: **20 September 2010**

(56) Related Art Documents: **Not Applicable**

(57) Statement of Newness and Distinctiveness: **Bed features an oversized head board, and horizontal cutaways in the head and foot that are a unique and identifying feature. Mattress, pillows and bed linen not to be taken into consideration in the registration of the design.**



- (21) Design Number: **13711/2010**
- (22) Date of Filing Application: **08 July 2010**
- (24) Date from which industrial property rights may have effect: **08 July 2010**
- (54) Product in respect of which the design is registered: **Dining table**
- (51) International Design Classification: **06-03A**
- (71) Name(s) and Address(s) of Applicant(s):
Jar Furniture Imports Pty Ltd
8-12 Ford Street Greenacre New South Wales 2190 Australia
- (72) Name(s) of Designer(s): **David Hardwick**
- (45) Registration Date: **20 September 2010**
- (56) Related Art Documents: **Not Applicable**
- (57) Statement of Newness and Distinctiveness: **Dining table has a vertical grooved leg design and U-shape table ends with floating end to end top that is a unique and identifying feature.**



- (21) Design Number: **12798/2010**
- (22) Date of Filing Application: **08 July 2010**
- (24) Date from which industrial property rights may have effect: **08 July 2010**
- (54) Product in respect of which the design is registered: **Sideboard, television unit 1, television unit 2, coffee table, lamp table, dressing table, bedside table,**
- (51) International Design Classification: **06-04D, 06-04F, 06-04NES, 06-06B**
- (71) Name(s) and Address(s) of Applicant(s):
Jar Furniture Imports Pty Ltd
8-12 Ford Street Greenacre New South Wales 2190 Australia
- (72) Name(s) of Designer(s): **David Hardwick**
- (45) Registration Date: **20 September 2010**
- (56) Related Art Documents: **Not Applicable**
- (57) Statement of Newness and Distinctiveness: **Cabinets drawer fronts feature chamfering/beveling on all four sides that is a unique and identifying feature. Cabinets side supports and tops feature chamfering/beveling into the carcass or body that is a unique and identifying feature.**



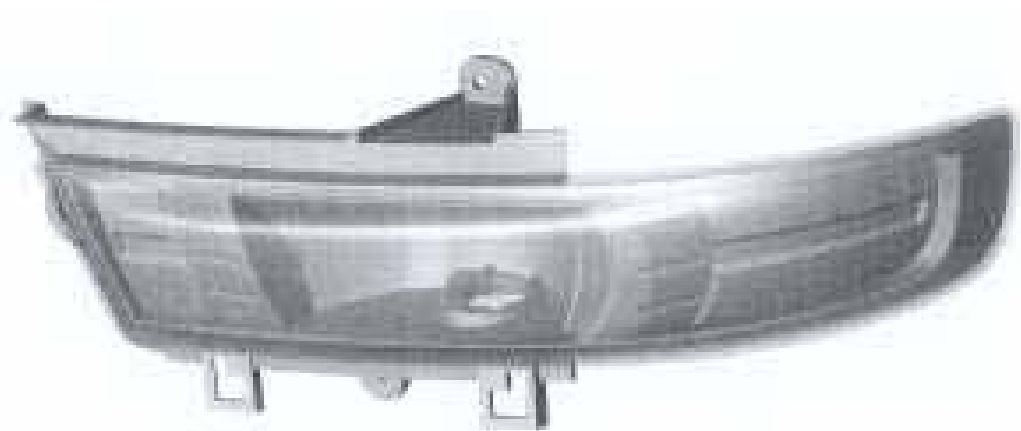
- (21) Design Number: **13708/2010**
(22) Date of Filing Application: **08 July 2010**
(24) Date from which industrial property rights may have effect: **08 July 2010**
(54) Product in respect of which the design is registered: **Sofa**
(51) International Design Classification: **06-01G**
(71) Name(s) and Address(s) of Applicant(s):
Jar Furniture Imports Pty Ltd
8-12 Ford Street Greenacre New South Wales 2190 Australia
(72) Name(s) of Designer(s): **David Hardwick**
(45) Registration Date: **20 September 2010**
(56) Related Art Documents: **Not Applicable**
(57) Statement of Newness and Distinctiveness: **Sofa features timber on arms and along base that is a unique and identifying feature.**



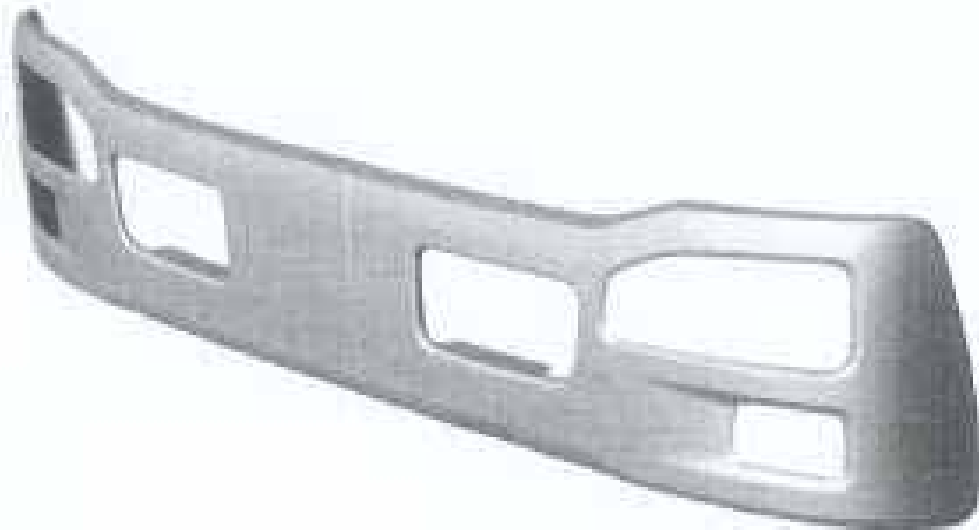
- (21) Design Number: **13710/2010**
(22) Date of Filing Application: **08 July 2010**
(24) Date from which industrial property rights may have effect: **08 July 2010**
(54) Product in respect of which the design is registered: **Bed**
(51) International Design Classification: **06-02**
(71) Name(s) and Address(s) of Applicant(s):
Jar Furniture Imports Pty Ltd
8-12 Ford Street Greenacre New South Wales 2190 Australia
(72) Name(s) of Designer(s): **David Hardwick**
(45) Registration Date: **20 September 2010**
(56) Related Art Documents: **Not Applicable**
(57) Statement of Newness and Distinctiveness: **Bed features chamfered/beveled, vertical cut-away sections in the head and foot ends that are a unique and identifying feature. Mattress not to be taken into consideration in the registration of the design.**



- (21) Design Number: **13162/2010**
(22) Date of Filing Application: **27 July 2010**
(24) Date from which industrial property rights may have effect: **27 July 2010**
(54) Product in respect of which the design is registered: **Front turn lamp for a truck**
(51) International Design Classification: **26-06**
(71) Name(s) and Address(s) of Applicant(s):
UD Trucks Corporation
1-1 Ageo-shi Saitama 362-8523 Japan
(72) Name(s) of Designer(s): **Takayuki Iuchi**
(45) Registration Date: **20 September 2010**
(30) Convention priority data:
(31) Number (32) Date (33) Country
2010-008885 08 Apr 2010 JAPAN
(56) Related Art Documents: **Not Applicable**
(57) Statement of Newness and Distinctiveness: **Newness and distinctiveness is claimed in the visual features of shape and configuration, pattern and ornamentation of the front turn lamp for a truck as illustrated in the accompanying representations.**



- (21) Design Number: **13163/2010**
(22) Date of Filing Application: **27 July 2010**
(24) Date from which industrial property rights may have effect: **27 July 2010**
(54) Product in respect of which the design is registered: **Bumper for a truck**
(51) International Design Classification: **12-16C**
(71) Name(s) and Address(s) of Applicant(s):
UD Trucks Corporation
1-1 Ageo-shi Saitama 362-8523 Japan
(72) Name(s) of Designer(s): **Takayuki Iuchi**
(45) Registration Date: **20 September 2010**
(30) Convention priority data:
(31) Number (32) Date (33) Country
2010-008879 08 Apr 2010 JAPAN
(56) Related Art Documents: **Not Applicable**
(57) Statement of Newness and Distinctiveness: **Newness and distinctiveness is claimed in the visual features of shape and configuration, pattern and ornamentation of the bumper for a truck as illustrated in the accompanying representations.**



(21) Design Number: **13165/2010**
(22) Date of Filing Application: **27 July 2010**
(24) Date from which industrial property rights may have effect: **27 July 2010**
(54) Product in respect of which the design is registered: **Cab for a truck**
(51) International Design Classification: **12-16B, 12-08**
(71) Name(s) and Address(s) of Applicant(s):

UD Trucks Corporation
1-1 Ageo-shi Saitama 362-8523 Japan

(72) Name(s) of Designer(s): **Takayuki Iuchi**

(45) Registration Date: **20 September 2010**

(30) Convention priority data:

(31) Number	(32) Date	(33) Country
2010-008892	08 Apr 2010	JAPAN

(56) Related Art Documents: **Not Applicable**

(57) Statement of Newness and Distinctiveness: **Newness and distinctiveness is claimed in the visual features of shape and configuration, pattern and ornamentation of the cab for a truck as illustrated in the accompanying representations.**



(21) Design Number: **13588/2010**
(22) Date of Filing Application: **23 August 2010**
(24) Date from which industrial property rights may have effect: **23 August 2010**
(54) Product in respect of which the design is registered: **Insole**
(51) International Design Classification: **02-04A**
(71) Name(s) and Address(s) of Applicant(s):

Samar, LLC
70 West Madison Chicago IL 60602 United States of America

(72) Name(s) of Designer(s): **Joost van Haasteren**

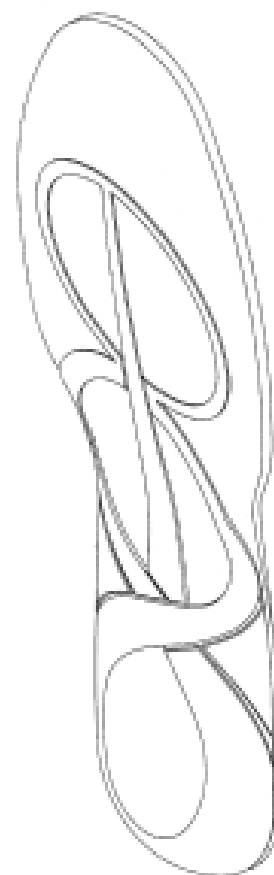
(45) Registration Date: **20 September 2010**

(30) Convention priority data:

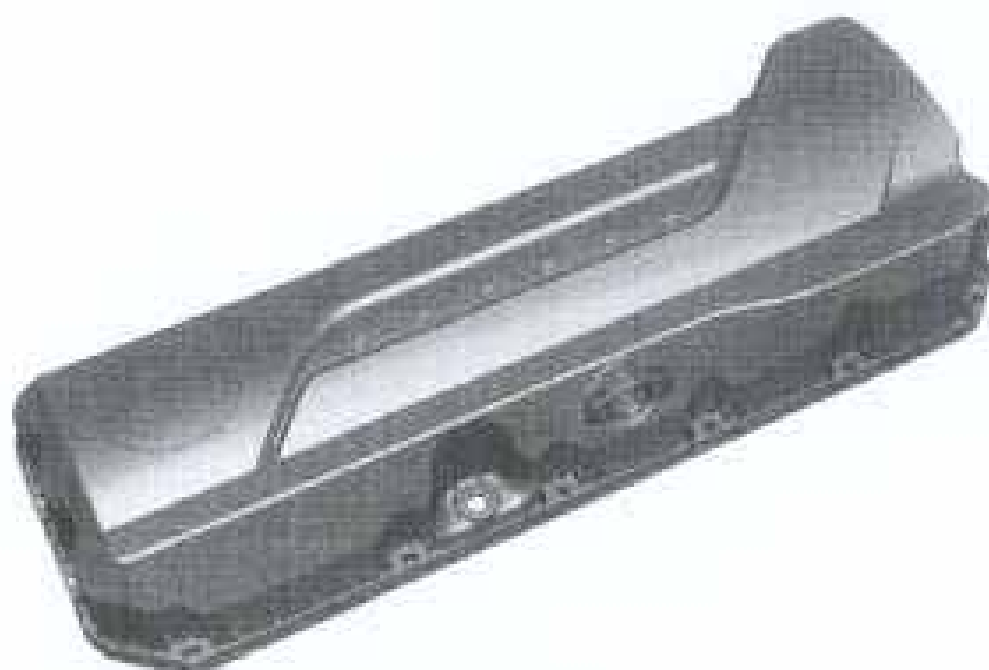
(31) Number	(32) Date	(33) Country
001701418-0001	28 Apr 2010	EUROPEAN COMMUNITY

(56) Related Art Documents: **Not Applicable**

(57) Statement of Newness and Distinctiveness: **Nil**



- (21) Design Number: **13169/2010**
(22) Date of Filing Application: **27 July 2010**
(24) Date from which industrial property rights may have effect: **27 July 2010**
(54) Product in respect of which the design is registered: **Engine cover for a truck**
(51) International Design Classification: **15-01**
(71) Name(s) and Address(s) of Applicant(s):
UD Trucks Corporation
1-1 Ageo-shi Saitama 362-8523 Japan
(72) Name(s) of Designer(s): **Yousuke Michimura**
(45) Registration Date: **20 September 2010**
(30) Convention priority data:
(31) Number (32) Date (33) Country
2010-008888 08 Apr 2010 JAPAN
(56) Related Art Documents: **Not Applicable**
(57) Statement of Newness and Distinctiveness: **Newness and distinctiveness is claimed in the visual features of shape and configuration, pattern and ornamentation of the engine cover for a truck as illustrated in the accompanying representations.**



- (21) Design Number: **13171/2010**
(22) Date of Filing Application: **27 July 2010**
(24) Date from which industrial property rights may have effect: **27 July 2010**
(54) Product in respect of which the design is registered: **Engine cover for a truck**
(51) International Design Classification: **15-01**
(71) Name(s) and Address(s) of Applicant(s):
UD Trucks Corporation
1-1 Ageo-shi Saitama 362-8523 Japan
(72) Name(s) of Designer(s): **Yousuke Michimura**
(45) Registration Date: **20 September 2010**
(30) Convention priority data:
(31) Number (32) Date (33) Country
2010-008894 08 Apr 2010 JAPAN
(56) Related Art Documents: **Not Applicable**
(57) Statement of Newness and Distinctiveness: **Newness and distinctiveness is claimed in the visual features of shape and configuration, pattern and ornamentation of the engine cover for a truck as illustrated in the accompanying representations.**



(21) Design Number: **13285/2010**

(22) Date of Filing Application: **03 August 2010**

(24) Date from which industrial property rights may have effect: **03 August 2010**

(54) Product in respect of which the design is registered: **A landscape product**

(51) International Design Classification: **25-01E, 11-04**

(71) Name(s) and Address(s) of Applicant(s):

**Stone Directions Pty Ltd
7 McRoyle Street Wacol Queensland 4076 Australia**

(72) Name(s) of Designer(s): **David Alexander Wecker**

(45) Registration Date: **20 September 2010**

(56) Related Art Documents: **Not Applicable**

(57) Statement of Newness and Distinctiveness: **Newness and distinctiveness is claimed in the pattern and/or ornamentation of the products shown in the accompanying representations. Newness and distinctiveness is not claimed in the shape and/or configuration of the products.**



(21) Design Number: **13972/2010**

(22) Date of Filing Application: **03 August 2010**

(24) Date from which industrial property rights may have effect: **03 August 2010**

(54) Product in respect of which the design is registered: **A landscape product**

(51) International Design Classification: **11-04, 25-01E**

(71) Name(s) and Address(s) of Applicant(s):

**Stone Directions Pty Ltd
7 McRoyle Street Wacol Queensland 4076 Australia**

(72) Name(s) of Designer(s): **David Alexander Wecker**

(45) Registration Date: **20 September 2010**

(56) Related Art Documents: **Not Applicable**

(57) Statement of Newness and Distinctiveness: **Newness and distinctiveness is claimed in the pattern and/or ornamentation of the products shown in the accompanying representations. Newness and distinctiveness is not claimed in the shape and/or configuration of the products.**



(21) Design Number: **13973/2010**

(22) Date of Filing Application: **03 August 2010**

(24) Date from which industrial property rights may have effect: **03 August 2010**

(54) Product in respect of which the design is registered: **A landscape product**

(51) International Design Classification: **11-04, 25-01E**

(71) Name(s) and Address(s) of Applicant(s):

**Stone Directions Pty Ltd
7 McRoyle Street Wacol Queensland 4076 Australia**

(72) Name(s) of Designer(s): **David Alexander Wecker**

(45) Registration Date: **20 September 2010**

(56) Related Art Documents: **Not Applicable**

(57) Statement of Newness and Distinctiveness: **Newness and distinctiveness is claimed in the pattern and/or ornamentation of the products shown in the accompanying representations. Newness and distinctiveness is not claimed in the shape and/or configuration of the products.**



(21) Design Number: **13631/2010**

(22) Date of Filing Application: **24 August 2010**

(24) Date from which industrial property rights may have effect: **24 August 2010**

(54) Product in respect of which the design is registered: **Extrusion**

(51) International Design Classification: **25-01K**

(71) Name(s) and Address(s) of Applicant(s):

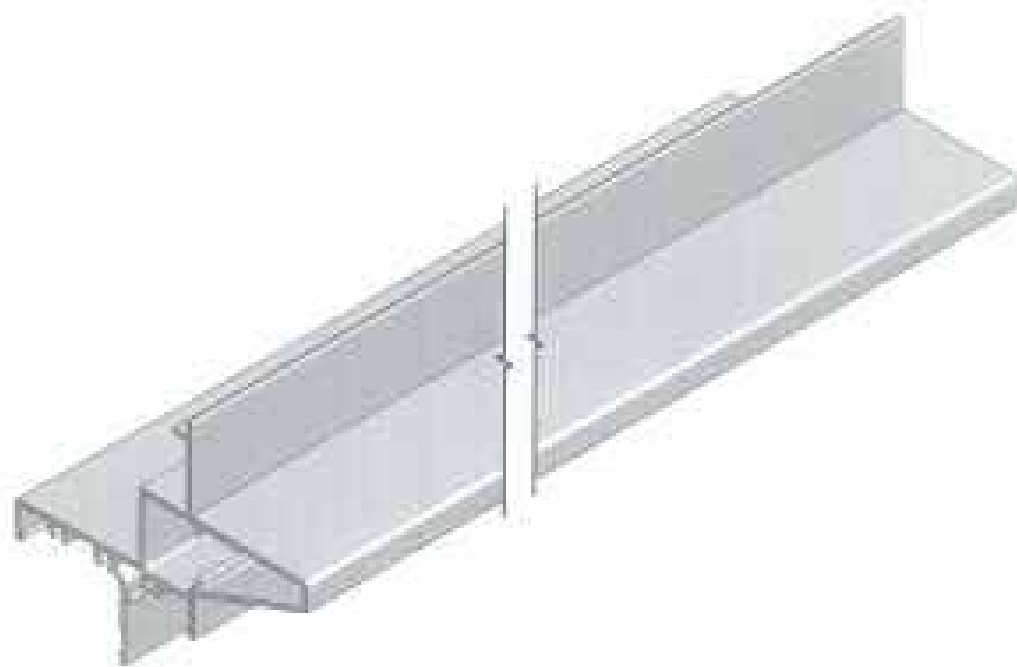
**Aluminium Specialties Group Pty Ltd
3 Alspec Place Eastern Creek New South Wales 2766 Australia**

(72) Name(s) of Designer(s): **Mike Goodridge**

(45) Registration Date: **20 September 2010**

(56) Related Art Documents: **Not Applicable**

(57) Statement of Newness and Distinctiveness: **Newness and distinctiveness resides in the features of shape and/or configuration of an extrusion of indefinite length as shown in the accompanying representations.**



(21) Design Number: **13632/2010**

(22) Date of Filing Application: **24 August 2010**

(24) Date from which industrial property rights may have effect: **24 August 2010**

(54) Product in respect of which the design is registered: **Extrusion**

(51) International Design Classification: **25-01K**

(71) Name(s) and Address(s) of Applicant(s):

**Aluminium Specialties Group Pty Ltd
3 Alspec Place Eastern Creek New South Wales 2766 Australia**

(72) Name(s) of Designer(s): **Mike Goodridge**

(45) Registration Date: **20 September 2010**

(56) Related Art Documents: **Not Applicable**

(57) Statement of Newness and Distinctiveness: **Newness and distinctiveness resides in the features of shape and/or configuration of an extrusion of indefinite length as shown in the accompanying representations.**



(21) Design Number: **13633/2010**

(22) Date of Filing Application: **24 August 2010**

(24) Date from which industrial property rights may have effect: **24 August 2010**

(54) Product in respect of which the design is registered: **Extrusion**

(51) International Design Classification: **25-01K**

(71) Name(s) and Address(s) of Applicant(s):

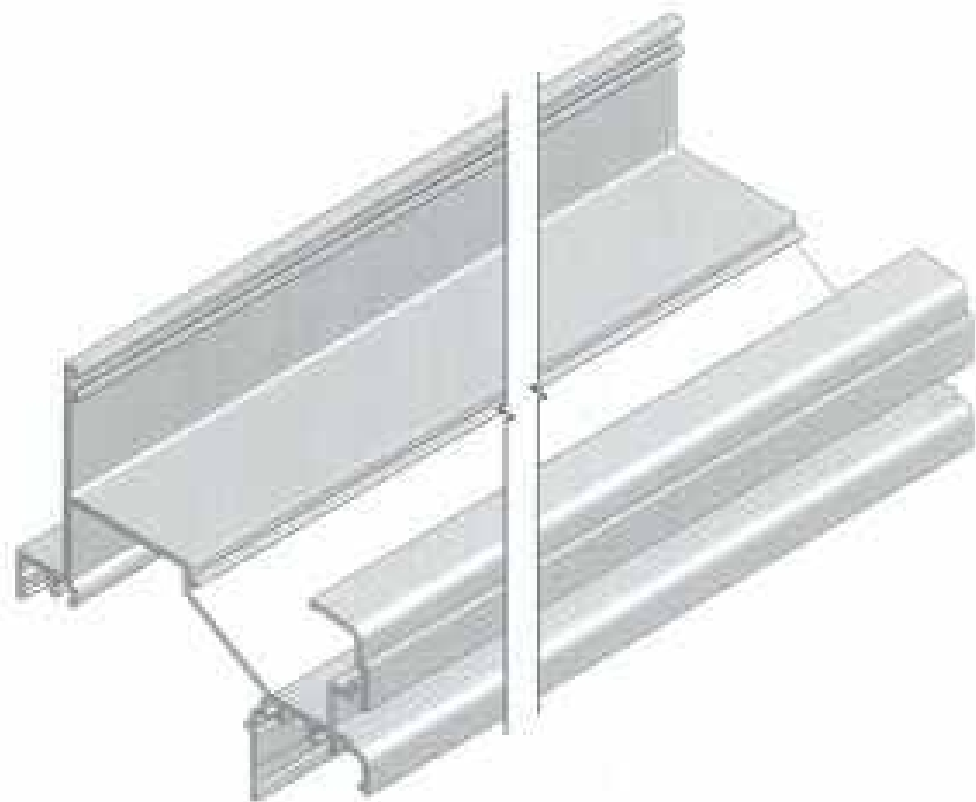
**Aluminium Specialties Group Pty Ltd
3 Alspec Place Eastern Creek New South Wales 2766 Australia**

(72) Name(s) of Designer(s): **Mike Goodridge**

(45) Registration Date: **20 September 2010**

(56) Related Art Documents: **Not Applicable**

(57) Statement of Newness and Distinctiveness: **Newness and distinctiveness resides in the features of shape and/or configuration of an extrusion of indefinite length as shown in the accompanying representations.**



(21) Design Number: **13634/2010**

(22) Date of Filing Application: **24 August 2010**

(24) Date from which industrial property rights may have effect: **24 August 2010**

(54) Product in respect of which the design is registered: **Extrusion**

(51) International Design Classification: **25-01K**

(71) Name(s) and Address(s) of Applicant(s):

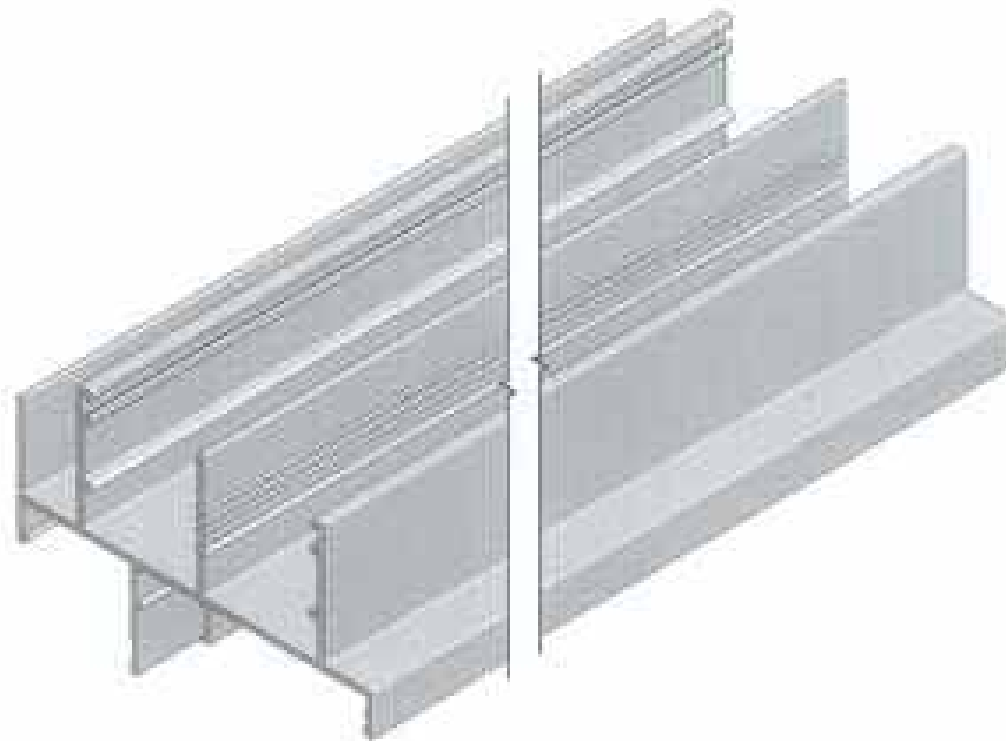
**Aluminium Specialties Group Pty Ltd
3 Alspec Place Eastern Creek New South Wales 2766 Australia**

(72) Name(s) of Designer(s): **Mike Goodridge**

(45) Registration Date: **20 September 2010**

(56) Related Art Documents: **Not Applicable**

(57) Statement of Newness and Distinctiveness: **Newness and distinctiveness resides in the features of shape and/or configuration of an extrusion of indefinite length as shown in the accompanying representations.**



(21) Design Number: **13635/2010**

(22) Date of Filing Application: **24 August 2010**

(24) Date from which industrial property rights may have effect: **24 August 2010**

(54) Product in respect of which the design is registered: **Extrusion**

(51) International Design Classification: **25-01K**

(71) Name(s) and Address(s) of Applicant(s):

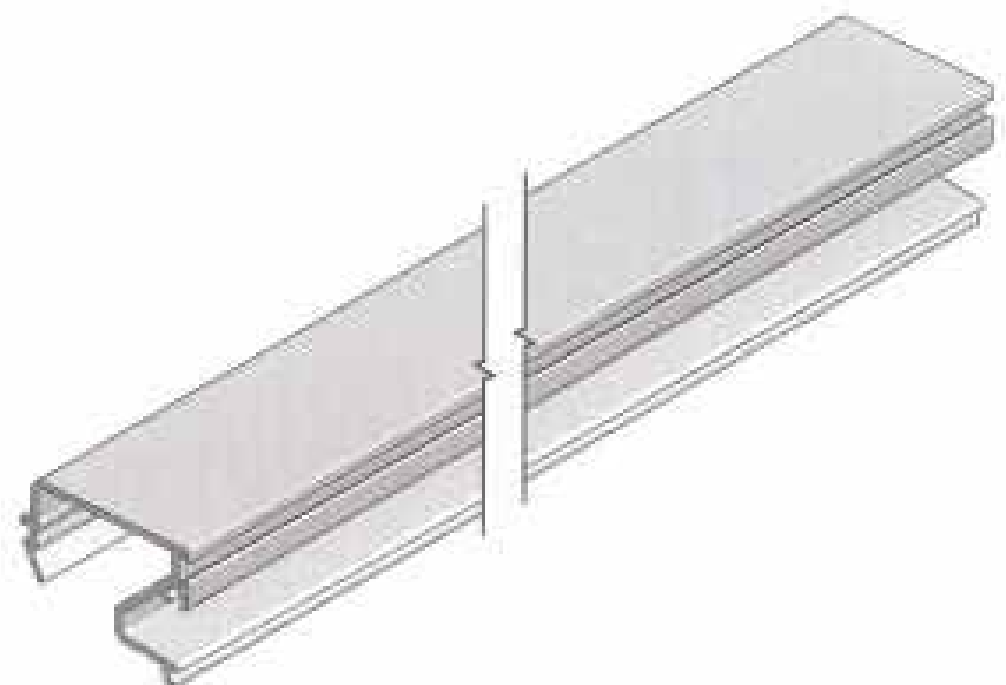
**Aluminium Specialties Group Pty Ltd
3 Alspec Place Eastern Creek New South Wales 2766 Australia**

(72) Name(s) of Designer(s): **Mike Goodridge**

(45) Registration Date: **20 September 2010**

(56) Related Art Documents: **Not Applicable**

(57) Statement of Newness and Distinctiveness: **Newness and distinctiveness resides in the features of shape and/or configuration of an extrusion of indefinite length as shown in the accompanying representations.**



(21) Design Number: **13636/2010**

(22) Date of Filing Application: **24 August 2010**

(24) Date from which industrial property rights may have effect: **24 August 2010**

(54) Product in respect of which the design is registered: **Connector**

(51) International Design Classification: **08-08NES**

(71) Name(s) and Address(s) of Applicant(s):

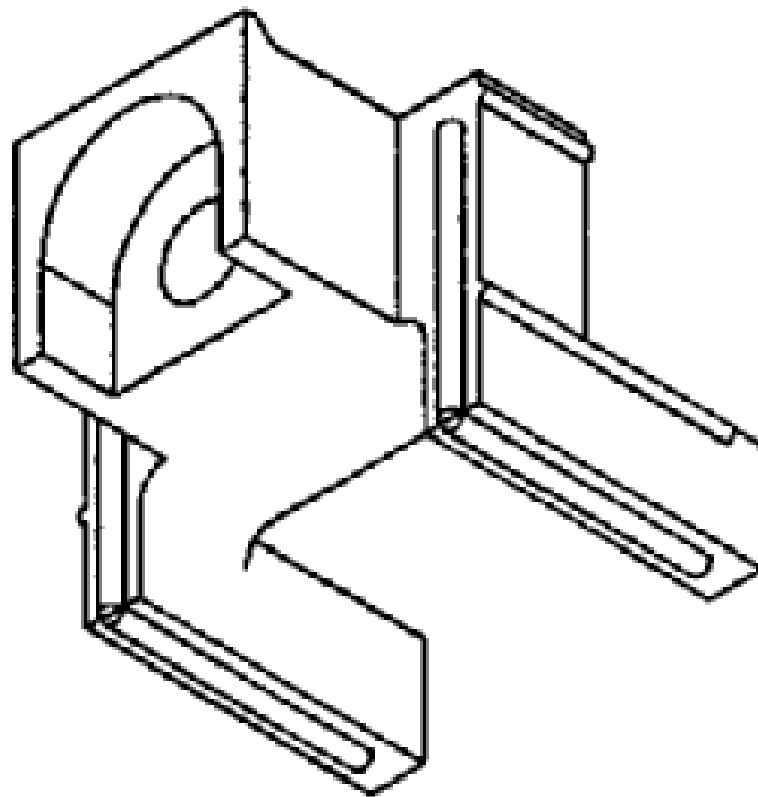
**Aluminium Specialties Group Pty Ltd
3 Alspec Place Eastern Creek New South Wales 2766 Australia**

(72) Name(s) of Designer(s): **Mike Goodridge**

(45) Registration Date: **20 September 2010**

(56) Related Art Documents: **Not Applicable**

(57) Statement of Newness and Distinctiveness: **Newness and distinctiveness resides in the features of shape and/or configuration of a connector as shown in the accompanying representations.**



(21) Design Number: **13637/2010**

(22) Date of Filing Application: **24 August 2010**

(24) Date from which industrial property rights may have effect: **24 August 2010**

(54) Product in respect of which the design is registered: **Clip**

(51) International Design Classification: **08-08C**

(71) Name(s) and Address(s) of Applicant(s):

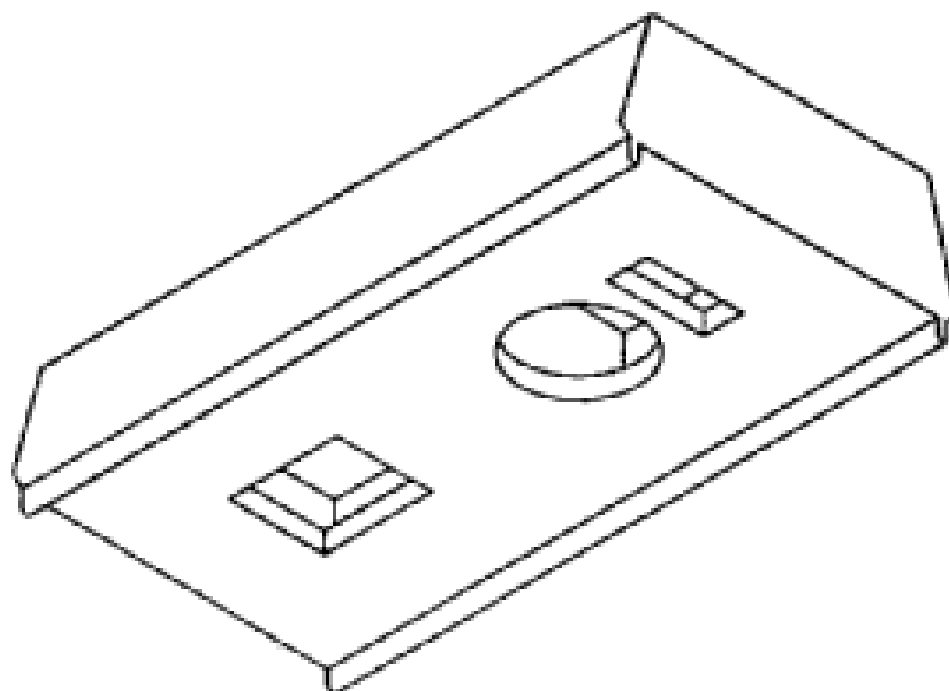
**Aluminium Specialties Group Pty Ltd
3 Alspec Place Eastern Creek New South Wales 2766 Australia**

(72) Name(s) of Designer(s): **Mike Goodridge**

(45) Registration Date: **20 September 2010**

(56) Related Art Documents: **Not Applicable**

(57) Statement of Newness and Distinctiveness: **Newness and distinctiveness resides in the features of shape and/or configuration of a clip as shown in the accompanying representations.**



(21) Design Number: **13638/2010**

(22) Date of Filing Application: **24 August 2010**

(24) Date from which industrial property rights may have effect: **24 August 2010**

(54) Product in respect of which the design is registered: **Extrusion**

(51) International Design Classification: **25-01K**

(71) Name(s) and Address(s) of Applicant(s):

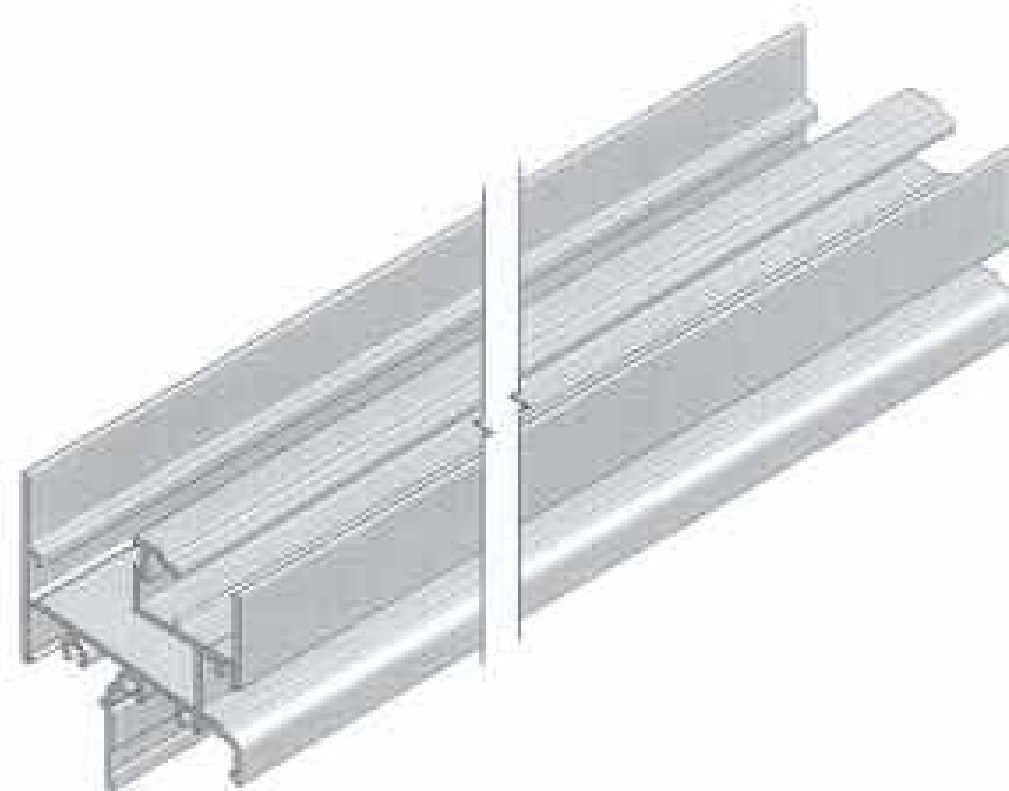
**Aluminium Specialties Group Pty Ltd
3 Alspec Place Eastern Creek New South Wales 2766 Australia**

(72) Name(s) of Designer(s): **Mike Goodridge**

(45) Registration Date: **20 September 2010**

(56) Related Art Documents: **Not Applicable**

(57) Statement of Newness and Distinctiveness: **Newness and distinctiveness resides in the features of shape and/or configuration of an extrusion of indefinite length as shown in the accompanying representations.**



(21) Design Number: **13639/2010**

(22) Date of Filing Application: **24 August 2010**

(24) Date from which industrial property rights may have effect: **24 August 2010**

(54) Product in respect of which the design is registered: **Extrusion**

(51) International Design Classification: **25-01K**

(71) Name(s) and Address(s) of Applicant(s):

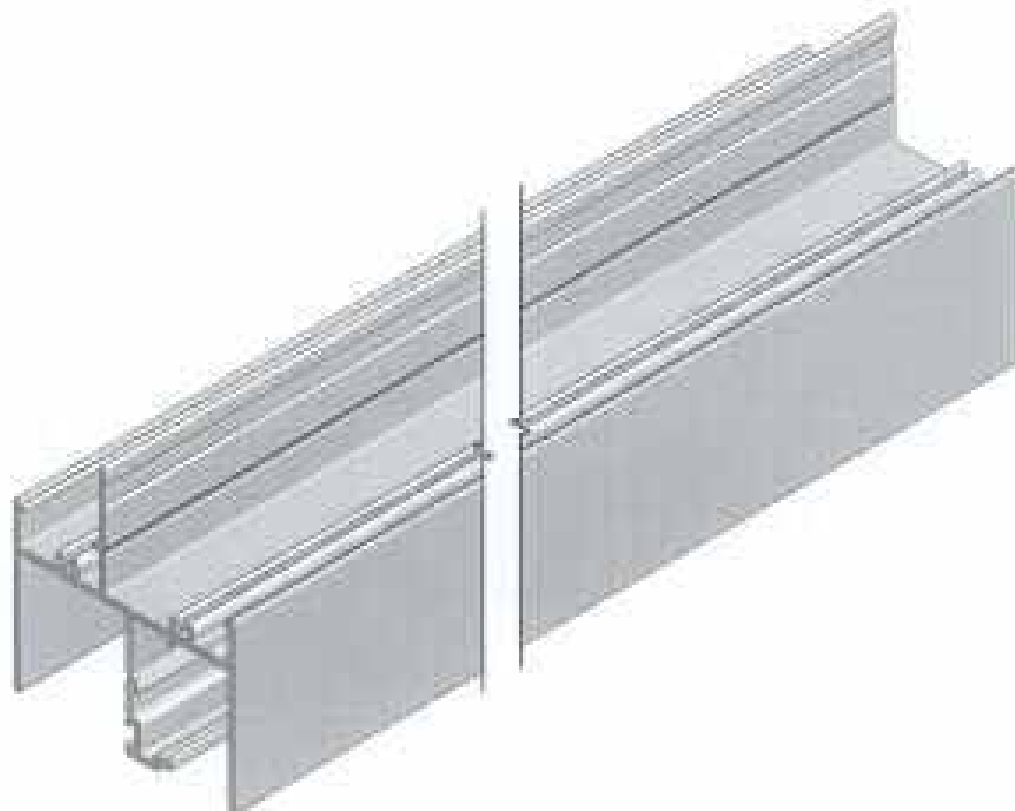
**Aluminium Specialties Group Pty Ltd
3 Alspec Place Eastern Creek New South Wales 2766 Australia**

(72) Name(s) of Designer(s): **Mike Goodridge**

(45) Registration Date: **20 September 2010**

(56) Related Art Documents: **Not Applicable**

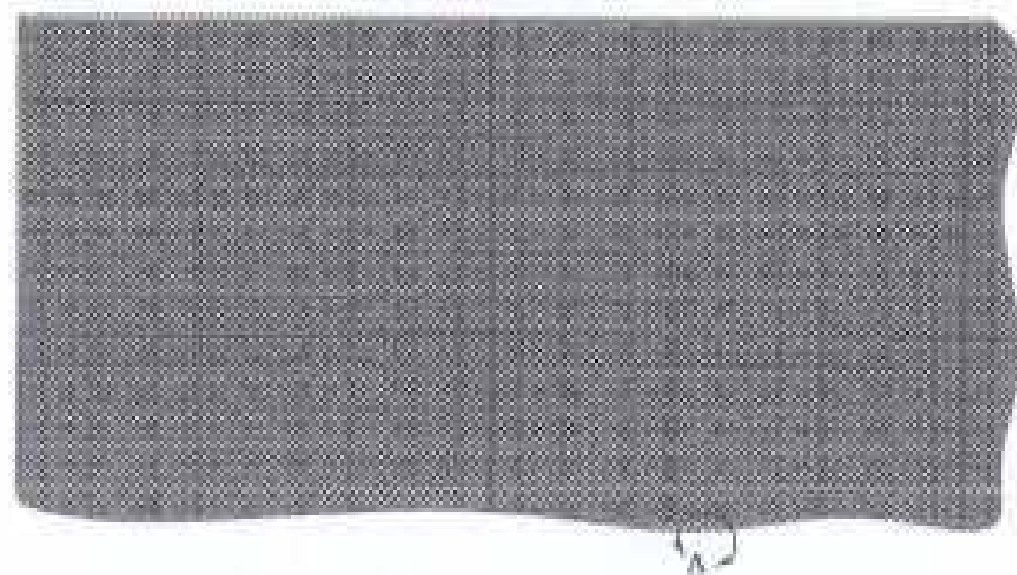
(57) Statement of Newness and Distinctiveness: **Newness and distinctiveness resides in the features of shape and/or configuration of an extrusion of indefinite length as shown in the accompanying representations.**



- (21) Design Number: **13640/2010**
(22) Date of Filing Application: **24 August 2010**
(24) Date from which industrial property rights may have effect: **24 August 2010**
(54) Product in respect of which the design is registered: **Extrusion**
(51) International Design Classification: **25-01K**
(71) Name(s) and Address(s) of Applicant(s):
Aluminium Specialties Group Pty Ltd
3 Alspeg Place Eastern Creek New South Wales 2766 Australia
(72) Name(s) of Designer(s): **Mike Goodridge**
(45) Registration Date: **20 September 2010**
(56) Related Art Documents: **Not Applicable**
(57) Statement of Newness and Distinctiveness: **Newness and distinctiveness resides in the features of shape and/or configuration of an extrusion of indefinite length as shown in the accompanying representations.**

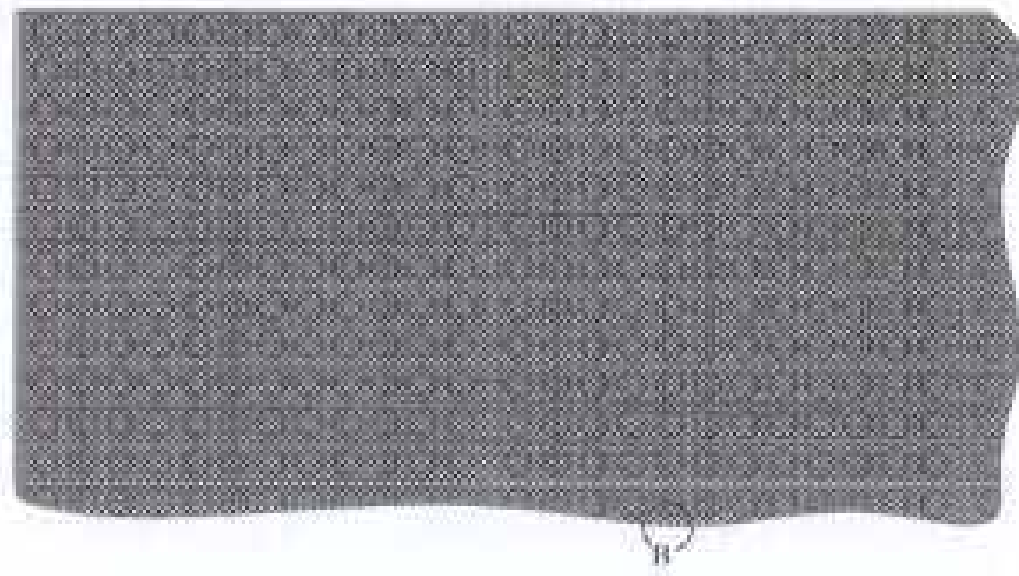


- (21) Design Number: **13872/2010**
(22) Date of Filing Application: **03 September 2010**
(24) Date from which industrial property rights may have effect: **03 September 2010**
(54) Product in respect of which the design is registered: **Retro-reflective sheeting with corner cube surface pattern having angular corner cube circular regions**
(51) International Design Classification: **05-06NES**
(71) Name(s) and Address(s) of Applicant(s):
ORAFOL Europe GmbH
Orafolstrasse 2 Oranienburg 16515 Germany
(72) Name(s) of Designer(s): **David Reed and John Nelson**
(45) Registration Date: **20 September 2010**
(30) Convention priority data:
(31) Number (32) Date (33) Country
29/357,029 05 Mar 2010 UNITED STATES OF AMERICA
(56) Related Art Documents: **Not Applicable**
(57) Statement of Newness and Distinctiveness: **Newness and distinctiveness reside in the shape, configuration, pattern and or ornamentation of the retro-reflective sheeting with corner cube surface pattern having angular corner cube circular regions as illustrated in the representations, the corner cube surface pattern having angular corner cube circular regions being substantially uniform repeating over the length and width of the retro-reflective sheeting, the retro-reflective sheeting being of indeterminate length and width, as indicated by a dotted or wavy boundary line. Arrow A does not form part of the design and should be disregarded.**



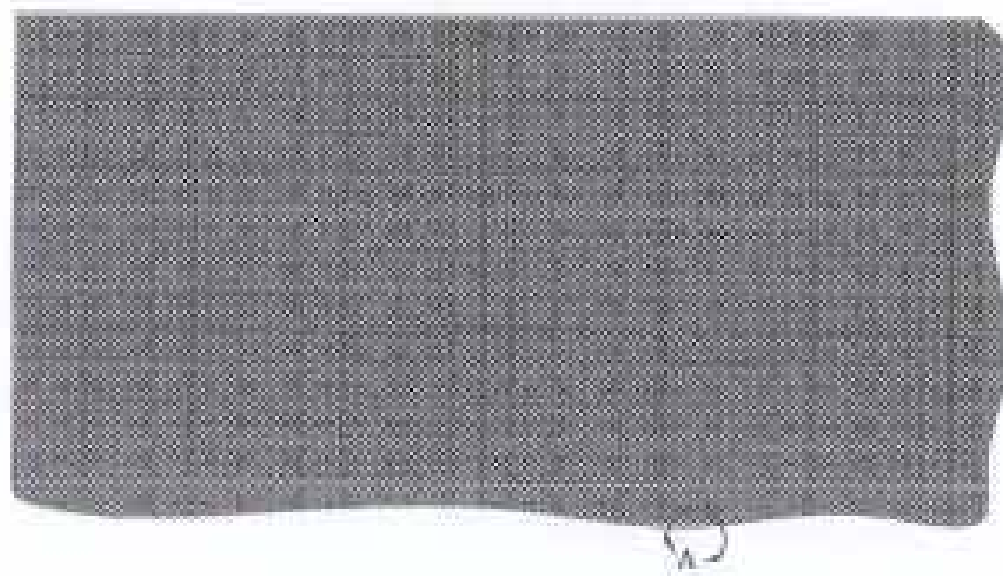
(19) AU

- (21) Design Number: **13873/2010**
(22) Date of Filing Application: **03 September 2010**
(24) Date from which industrial property rights may have effect: **03 September 2010**
(54) Product in respect of which the design is registered: **Retro-reflective sheeting with corner cube surface pattern having angular corner cube circular regions**
(51) International Design Classification: **05-06NES**
(71) Name(s) and Address(s) of Applicant(s):
ORAFOL Europe GmbH
Orafolstrasse 2 Oranienburg 16515 Germany
(72) Name(s) of Designer(s): **David Reed and John Nelson**
(45) Registration Date: **20 September 2010**
(30) Convention priority data:
(31) Number (32) Date (33) Country
29/357,029 05 Mar 2010 UNITED STATES OF AMERICA
(56) Related Art Documents: **Not Applicable**
(57) Statement of Newness and Distinctiveness: **Newness and distinctiveness reside in the shape, configuration, pattern and or ornamentation of the retro-reflective sheeting with corner cube surface pattern having angular corner cube circular regions surrounded by a sealing ring as illustrated in the representations, the corner cube surface pattern having angular corner cube circular regions surrounded by a sealing ring being substantially uniform repeating over the length and width of the retro-reflective sheeting, the retro-reflective sheeting being of indeterminate length and width, as indicated by a dotted or wavy boundary line. Arrow B does not form part of the design and should be disregarded.**

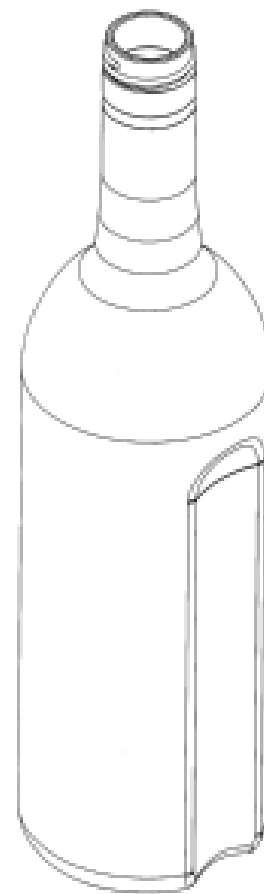


(19) AU

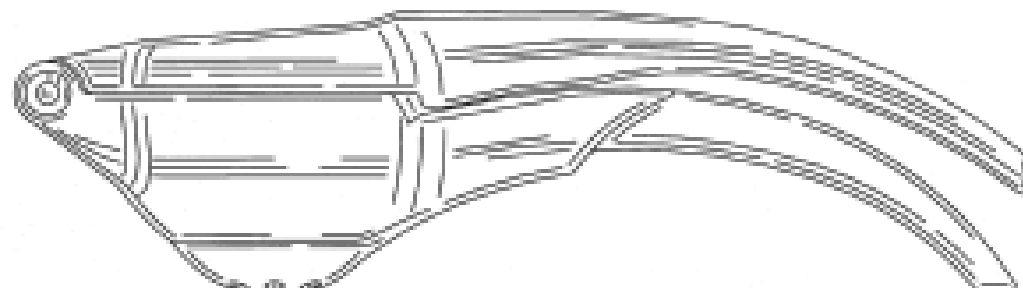
- (21) Design Number: **13874/2010**
(22) Date of Filing Application: **03 September 2010**
(24) Date from which industrial property rights may have effect: **03 September 2010**
(54) Product in respect of which the design is registered: **Retro-reflective sheeting with corner cube surface pattern having angular corner cube circular regions**
(51) International Design Classification: **05-06NES**
(71) Name(s) and Address(s) of Applicant(s):
ORAFOL Europe GmbH
Orafolstrasse 2 Oranienburg 16515 Germany
(72) Name(s) of Designer(s): **David Reed and John Nelson**
(45) Registration Date: **20 September 2010**
(30) Convention priority data:
(31) Number (32) Date (33) Country
29/357,029 05 Mar 2010 UNITED STATES OF AMERICA
(56) Related Art Documents: **Not Applicable**
(57) Statement of Newness and Distinctiveness: **Newness and distinctiveness reside in the shape, configuration, pattern and or ornamentation of the retro-reflective sheeting with corner cube surface pattern having angular corner cube circular regions with cut-off peaks as illustrated in the representations, the corner cube surface pattern having angular corner cube circular regions with cut-off peaks being substantially uniform repeating over the length and width of the retro-reflective sheeting, the retro-reflective sheeting being of indeterminate length and width, as indicated by a dotted or wavy boundary line. Arrow A does not form part of the design and should be disregarded.**



- (21) Design Number: **13660/2010**
(22) Date of Filing Application: **24 August 2010**
(24) Date from which industrial property rights may have effect: **24 August 2010**
(54) Product in respect of which the design is registered: **Bottles**
(51) International Design Classification: **09-01H**
(71) Name(s) and Address(s) of Applicant(s):
Gerard Ryan
52 Terrace Street Toowong Queensland 4066 Australia
(72) Name(s) of Designer(s): **Gerard Ryan**
(45) Registration Date: **21 September 2010**
(56) Related Art Documents: **Not Applicable**
(57) Statement of Newness and Distinctiveness: **Vertical grooves on opposing sides of the bottle which extend to the base of the bottle.**



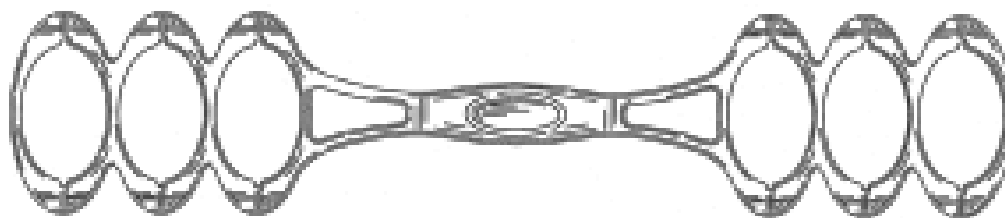
- (21) Design Number: **13661/2010**
(22) Date of Filing Application: **24 August 2010**
(24) Date from which industrial property rights may have effect: **24 August 2010**
(54) Product in respect of which the design is registered: **Citrus press**
(51) International Design Classification: **07-04**
(71) Name(s) and Address(s) of Applicant(s):
Dart Industries Inc
14901 S. Orange Blossom Trail Orlando Florida 32837 United States of America
(72) Name(s) of Designer(s): **Famia E. Ablo**
(45) Registration Date: **21 September 2010**
(30) Convention priority data:
(31) Number (32) Date (33) Country
29/349,325 25 Mar 2010 UNITED STATES OF AMERICA
(56) Related Art Documents: **Not Applicable**
(57) Statement of Newness and Distinctiveness: **Those features of the citrus press depicted in the representations that are new and distinctive are the shape and/or configuration.**



(21) Design Number: **13662/2010**
 (22) Date of Filing Application: **24 August 2010**
 (24) Date from which industrial property rights may have effect: **24 August 2010**
 (54) Product in respect of which the design is registered: **Flexible handle for containers**
 (51) International Design Classification: **07-02R**
 (71) Name(s) and Address(s) of Applicant(s):
Dart Industries Inc
14901 S. Orange Blossom Trail Orlando Florida 32837 United States of America
 (72) Name(s) of Designer(s): **Christian Olivari**
 (45) Registration Date: **21 September 2010**
 (30) Convention priority data:

(31) Number	(32) Date	(33) Country
29/349,337	25 Mar 2010	UNITED STATES OF AMERICA

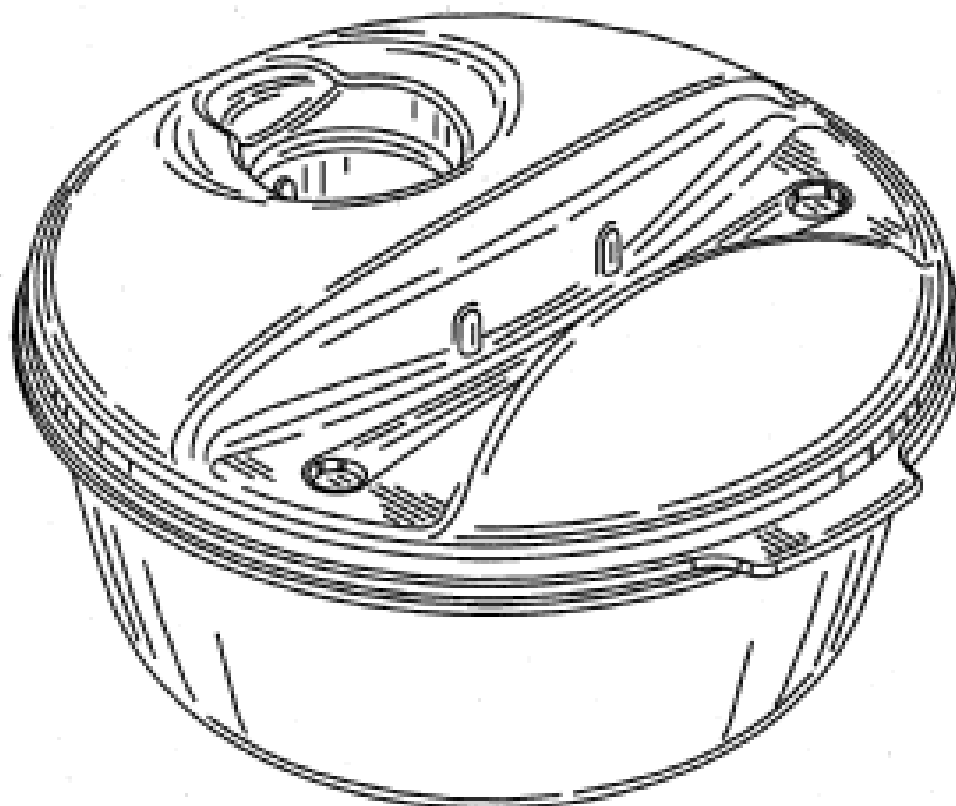
 (56) Related Art Documents: **Not Applicable**
 (57) Statement of Newness and Distinctiveness: **Those features of the flexible handle for containers depicted in the representations that are new and distinctive are the shape and/or configuration. The features shown in broken lines are not part of the design and should be disregarded when considering the overall impression of the design.**



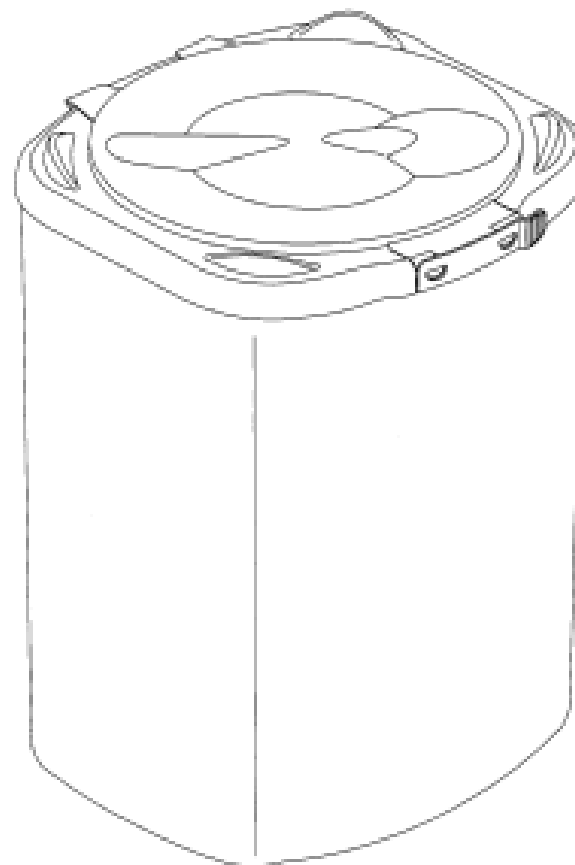
(21) Design Number: **13663/2010**
 (22) Date of Filing Application: **24 August 2010**
 (24) Date from which industrial property rights may have effect: **24 August 2010**
 (54) Product in respect of which the design is registered: **Container**
 (51) International Design Classification: **07-01NES**
 (71) Name(s) and Address(s) of Applicant(s):
Dart Industries Inc
14901 S. Orange Blossom Trail Orlando Florida 32837 United States of America
 (72) Name(s) of Designer(s): **Jan-Hendrik De Groote and Judicael Cornu**
 (45) Registration Date: **21 September 2010**
 (30) Convention priority data:

(31) Number	(32) Date	(33) Country
29/349,336	25 Mar 2010	UNITED STATES OF AMERICA

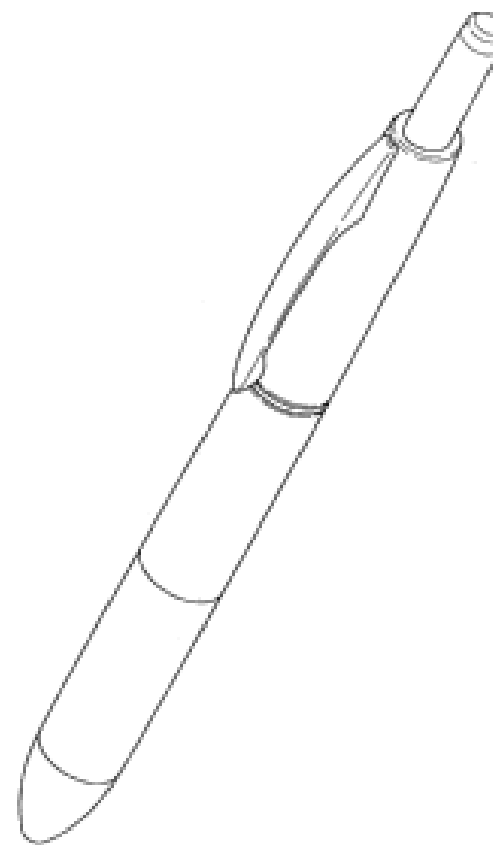
 (56) Related Art Documents: **Not Applicable**
 (57) Statement of Newness and Distinctiveness: **Those features of the container depicted in the representations that are new and distinctive are the shape and/or configuration. Those features shown in broken lines are for illustrative purposes only and are not part of the design.**



- (21) Design Number: **13665/2010**
(22) Date of Filing Application: **24 August 2010**
(24) Date from which industrial property rights may have effect: **24 August 2010**
(54) Product in respect of which the design is registered: **Baby food container**
(51) International Design Classification: **07-01NES**
(71) Name(s) and Address(s) of Applicant(s):
N.V. Nutricia
Eerste Stationsstraat 186 2712 HM Zoetermeer The Netherlands
(72) Name(s) of Designer(s): **Alexander Josephus Maricus Van Puijenbroek and Merijn Dols**
(45) Registration Date: **21 September 2010**
(30) Convention priority data:
(31) Number (32) Date (33) Country
001710237 20 May 2010 EUROPEAN COMMUNITY
(56) Related Art Documents: **Not Applicable**
(57) Statement of Newness and Distinctiveness: **Newness and distinctiveness resides in the features of shape and/or configuration of a baby food container as illustrated in the accompanying representations.**



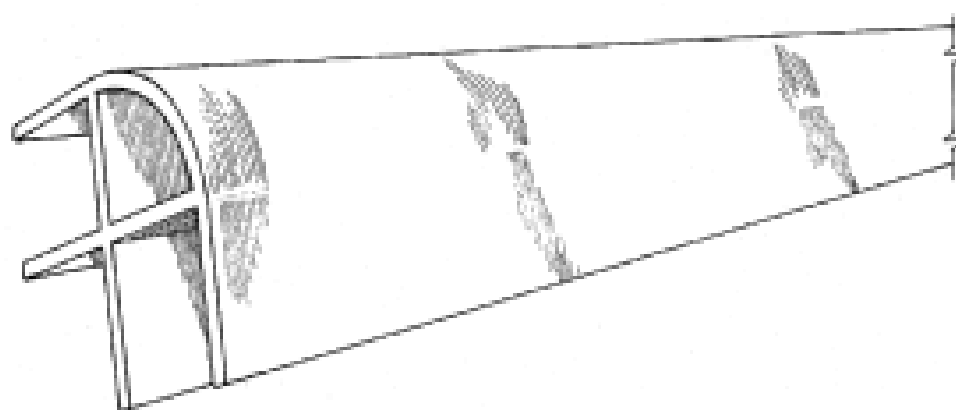
- (21) Design Number: **13666/2010**
(22) Date of Filing Application: **23 August 2010**
(24) Date from which industrial property rights may have effect: **23 August 2010**
(54) Product in respect of which the design is registered: **Writing instrument**
(51) International Design Classification: **19-06**
(71) Name(s) and Address(s) of Applicant(s):
Sanford, L.P.
2707 Butterfield Road Oak Brook IL 60523 United States of America
(72) Name(s) of Designer(s): **Matthew J. Gerules and Carmen Lira-Nunez**
(45) Registration Date: **21 September 2010**
(30) Convention priority data:
(31) Number (32) Date (33) Country
29/356,385 24 Feb 2010 UNITED STATES OF AMERICA
(56) Related Art Documents: **Not Applicable**
(57) Statement of Newness and Distinctiveness: **Nil**



- (21) Design Number: **13673/2010**
(22) Date of Filing Application: **26 August 2010**
(24) Date from which industrial property rights may have effect: **26 August 2010**
(54) Product in respect of which the design is registered: **Car remote control for Range Rover HSE, Land Rover Defender, Freelander**
(51) International Design Classification: **14-99, 12-16NES**
(71) Name(s) and Address(s) of Applicant(s):
Wieslaw Niewiarowski
115 Paramatta Road Doubleview Western Australia 6018 Australia
Irena Niewiarowski
115 Paramatta Road Doubleview Western Australia 6018 Australia
(72) Name(s) of Designer(s): **Wieslaw Niewiarowski**
(45) Registration Date: **20 September 2010**
(56) Related Art Documents: **Not Applicable**
(57) Statement of Newness and Distinctiveness: **Uniquely shaped key pad made from type like Silicon, to be inserted in hard shell of Range Rover, Land Rover and Freelander remote key, replacing 3 worn buttons and incorporating 1 large oval shape button and 2 large D shape symmetrical buttons.**



- (21) Design Number: **13674/2010**
(22) Date of Filing Application: **25 August 2010**
(24) Date from which industrial property rights may have effect: **25 August 2010**
(54) Product in respect of which the design is registered: **Extrusion**
(51) International Design Classification: **25-01K**
(71) Name(s) and Address(s) of Applicant(s):
Sprayline Gold Coast Pty Ltd
216 Discovery Drive Helensvale Queensland 4212 Australia
(72) Name(s) of Designer(s): **Neil Stoddart**
(45) Registration Date: **20 September 2010**
(56) Related Art Documents: **Not Applicable**
(57) Statement of Newness and Distinctiveness: **Nil**



(21) Design Number: **13679/2010**

(22) Date of Filing Application: **25 August 2010**

(24) Date from which industrial property rights may have effect: **25 August 2010**

(54) Product in respect of which the design is registered: **Forklift bumper**

(51) International Design Classification: **12-05**

(71) Name(s) and Address(s) of Applicant(s):

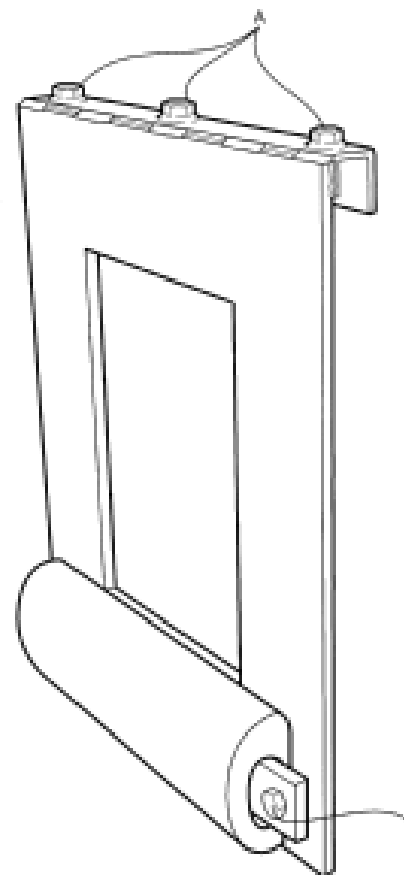
**Plus 6 NMI Pty Ltd
Level 29 221 St Georges Terrace Perth Western Australia 6000
Australia**

(72) Name(s) of Designer(s): **Trevor Lewis**

(45) Registration Date: **20 September 2010**

(56) Related Art Documents: **Not Applicable**

(57) Statement of Newness and Distinctiveness: **Newness and distinctiveness is claimed in the shape and/or configuration of a Forklift Bumper as illustrated in the accompanying representations. In considering the scope of the design, the size, position, number and arrangement of the bolts marked A, B and C should be disregarded.**



(21) Design Number: **13687/2010**

(22) Date of Filing Application: **25 August 2010**

(24) Date from which industrial property rights may have effect: **25 August 2010**

(54) Product in respect of which the design is registered: **Lamp, table lamp, light**

(51) International Design Classification: **26-05E**

(71) Name(s) and Address(s) of Applicant(s):

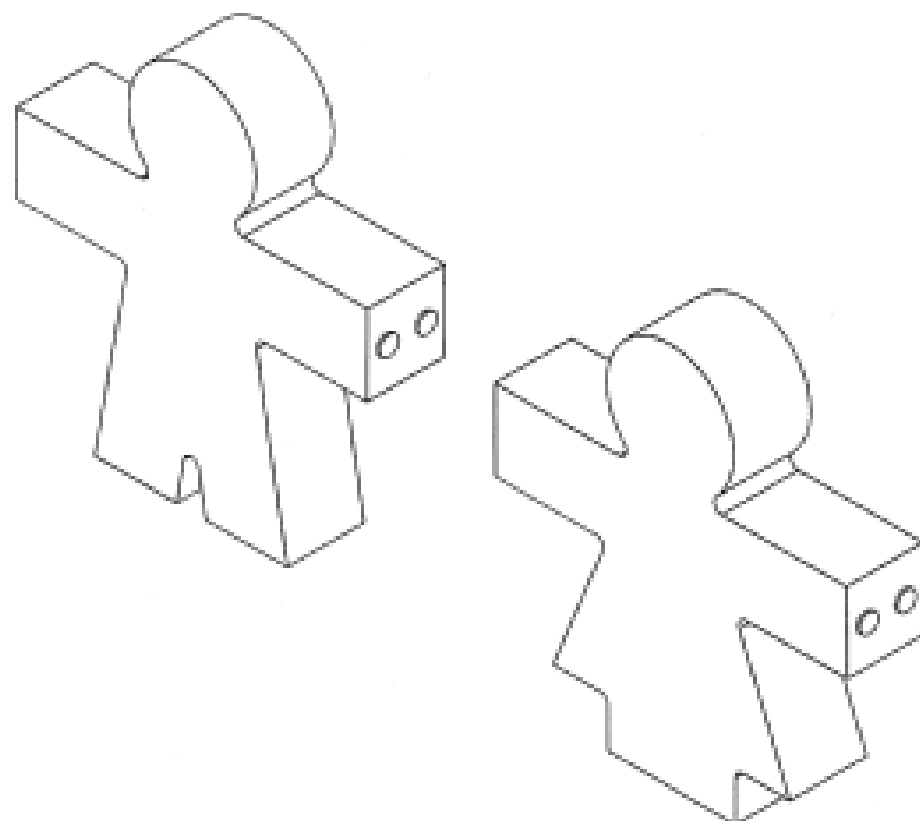
**Nicholas Koschade
5 Penno Parade North Belair South Australia 5052 Australia**

(72) Name(s) of Designer(s): **Nicholas Koschade**

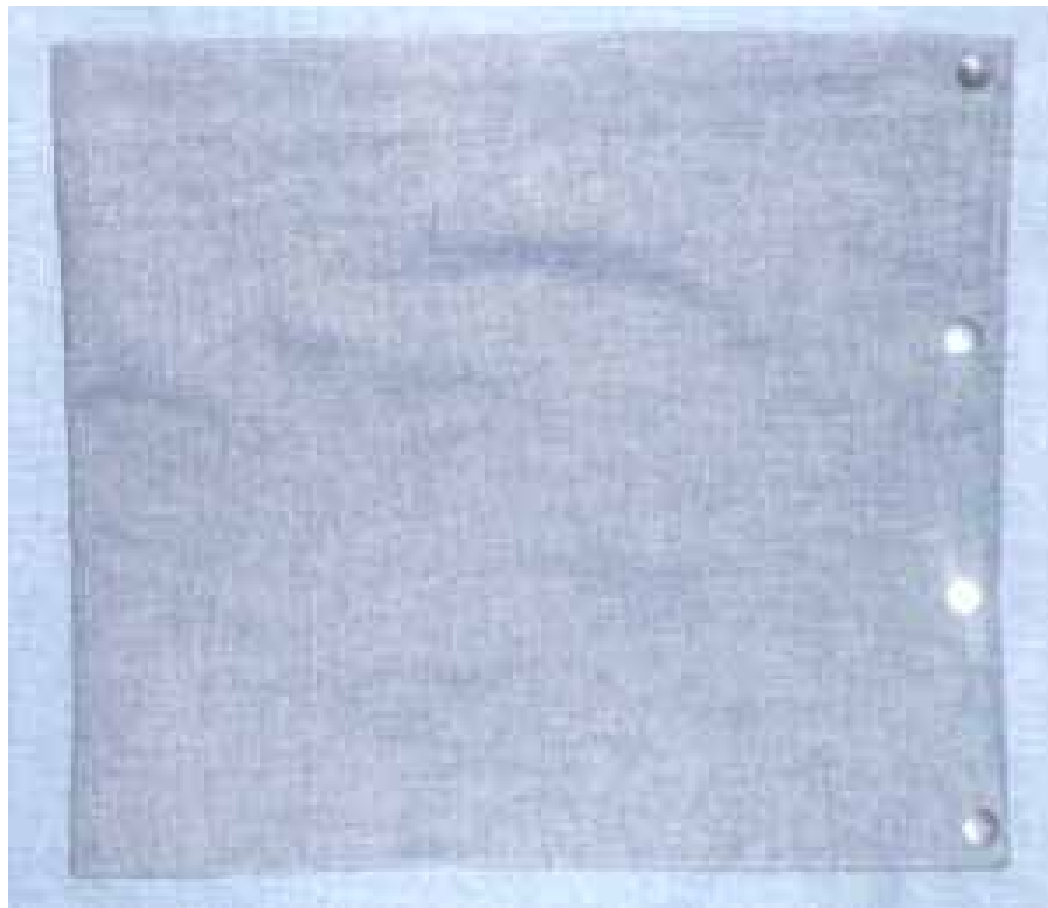
(45) Registration Date: **20 September 2010**

(56) Related Art Documents: **Not Applicable**

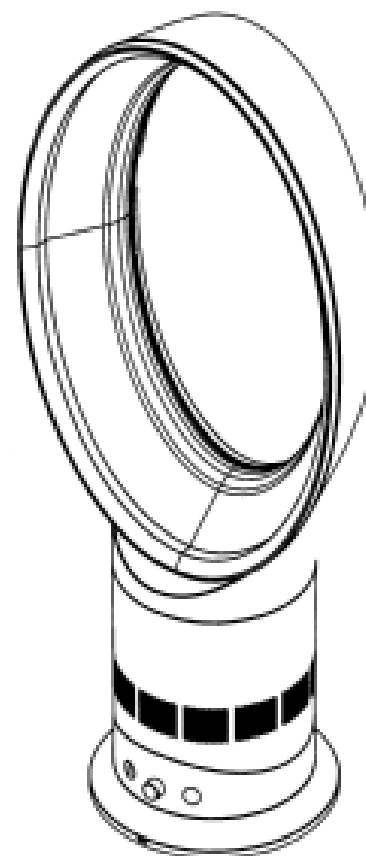
(57) Statement of Newness and Distinctiveness: **A lamp comprising two or more semi-translucent elements in the shape of stylized persons that chain together at ends of outstretched arms by magnetic attraction to complete an electric circuit, illuminating light emitting diodes in each element.**



- (21) Design Number: **13690/2010**
(22) Date of Filing Application: **27 August 2010**
(24) Date from which industrial property rights may have effect: **27 August 2010**
(54) Product in respect of which the design is registered: **Baby wrap - baby products (lallel wrap)**
(51) International Design Classification: **02-01B**
(71) Name(s) and Address(s) of Applicant(s):
 Lamasia Leavasa
 401/55 Morehead Street Redfern New South Wales 2016 Australia
 Luke Pierre
 401/55 Morehead Street Redfern New South Wales 2016 Australia
(72) Name(s) of Designer(s): **Lamasia Leavasa**
(45) Registration Date: **20 September 2010**
(56) Related Art Documents: **Not Applicable**
(57) Statement of Newness and Distinctiveness: **I would like to identify the wrap product as fairly unique as in the measurements and the buttons.**



- (21) Design Number: **13695/2010**
(22) Date of Filing Application: **25 August 2010**
(24) Date from which industrial property rights may have effect: **25 August 2010**
(54) Product in respect of which the design is registered: **Fan**
(51) International Design Classification: **23-04**
(71) Name(s) and Address(s) of Applicant(s):
 Yonghai Li
 Tangwei High Tech Science Park No.1 Jianan Street Fuyong Road
 Baoan District Shenzhen Guangdong 518000 China
 Zhongli Xu
 Tangwei High Tech Science Park No.1 Jianan Street Fuyong Road
 Baoan District Shenzhen Guangdong 518000 China
 Lou Gu
 Tangwei High Tech Science Park No.1 Jianan Street Fuyong Road
 Baoan District Shenzhen Guangdong 518000 China
(72) Name(s) of Designer(s): **Yonghai Li and Zhongli Xu and Lou Gu**
(45) Registration Date: **20 September 2010**
(30) Convention priority data:
 (31) Number (32) Date (33) Country
 201030238868.8 **15 Jul 2010** **CHINA**
(56) Related Art Documents: **Not Applicable**
(57) Statement of Newness and Distinctiveness: **Newness and Distinctiveness are claimed in the features of shape and configuration of a fan, as illustrated in the accompanying representations.**



(21) Design Number: **13862/2010**

(22) Date of Filing Application: **06 September 2010**

(24) Date from which industrial property rights may have effect: **06 September 2010**

(54) Product in respect of which the design is registered: **A detachable body for a fishing lure**

(51) International Design Classification: **22-05**

(71) Name(s) and Address(s) of Applicant(s):

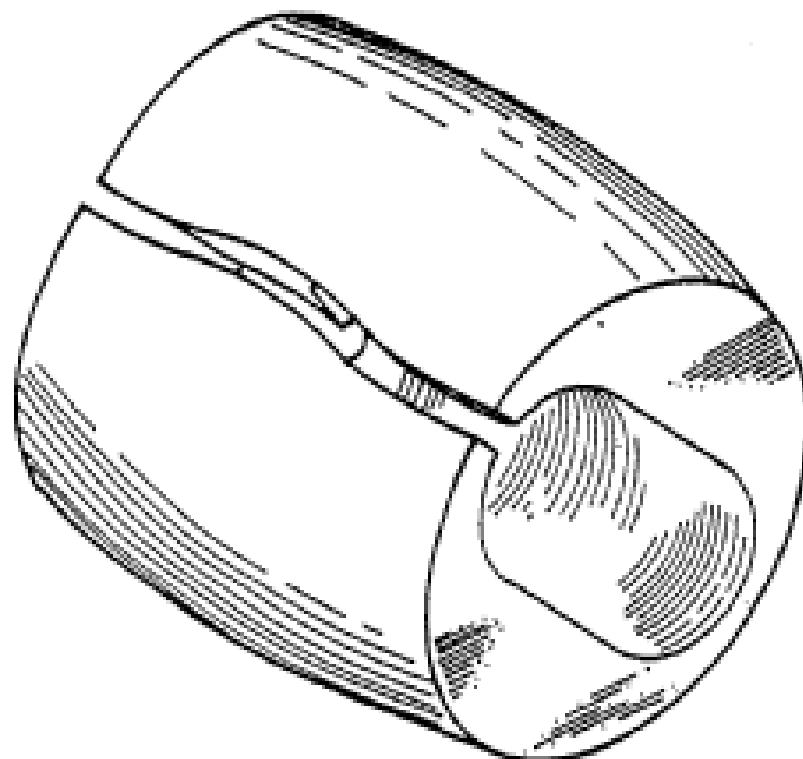
Smits Investments (Aust) Pty Ltd
53 The Sovereign Mile Sovereign Island Queensland 4216 Australia

(72) Name(s) of Designer(s): **Ronald Cornelius Smits**

(45) Registration Date: **20 September 2010**

(56) Related Art Documents: **Not Applicable**

(57) Statement of Newness and Distinctiveness: **The newness and distinctiveness of the design resides in the shape and/or configuration of a detachable body for a fishing lure having a longitudinal slot opening, as shown in the accompanying representations. When considering the newness and distinctiveness of the design the shape of each end face of the body is to be disregarded, it being recognised that different types of fishing lures have different end faces.**



(21) Design Number: **13863/2010**

(22) Date of Filing Application: **06 September 2010**

(24) Date from which industrial property rights may have effect: **06 September 2010**

(54) Product in respect of which the design is registered: **A mounting for a fishing lure**

(51) International Design Classification: **22-05**

(71) Name(s) and Address(s) of Applicant(s):

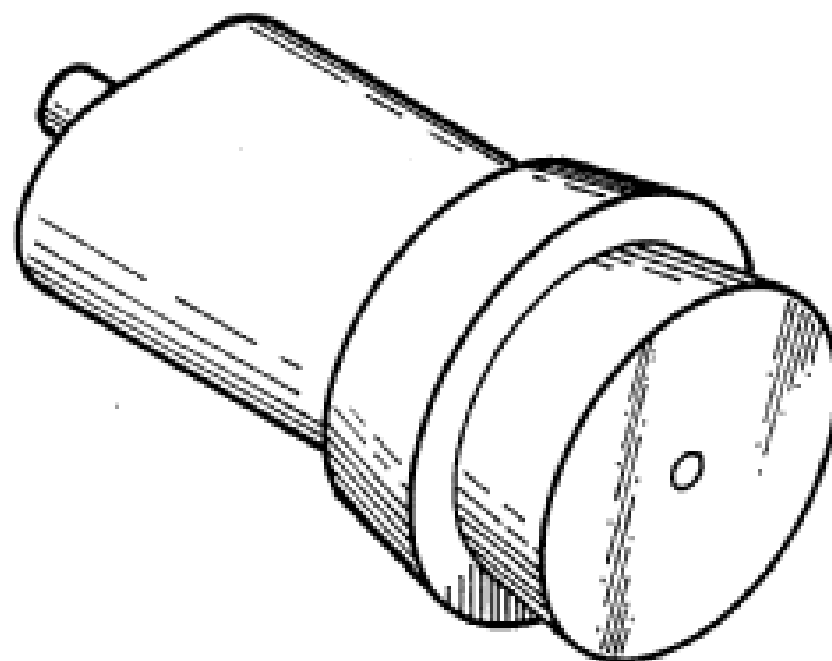
Smits Investments (Aust) Pty Ltd
53 The Sovereign Mile Sovereign Island Queensland 4216 Australia

(72) Name(s) of Designer(s): **Ronald Cornelius Smits**

(45) Registration Date: **20 September 2010**

(56) Related Art Documents: **Not Applicable**

(57) Statement of Newness and Distinctiveness: **The newness and distinctiveness of the design resides in the visual features of shape and/or configuration of a mounting for a fishing lure as shown in the accompanying representations.**



(21) Design Number: **13864/2010**

(22) Date of Filing Application: **06 September 2010**

(24) Date from which industrial property rights may have effect: **06 September 2010**

(54) Product in respect of which the design is registered: **A detachable body for a fishing lure**

(51) International Design Classification: **22-05**

(71) Name(s) and Address(s) of Applicant(s):

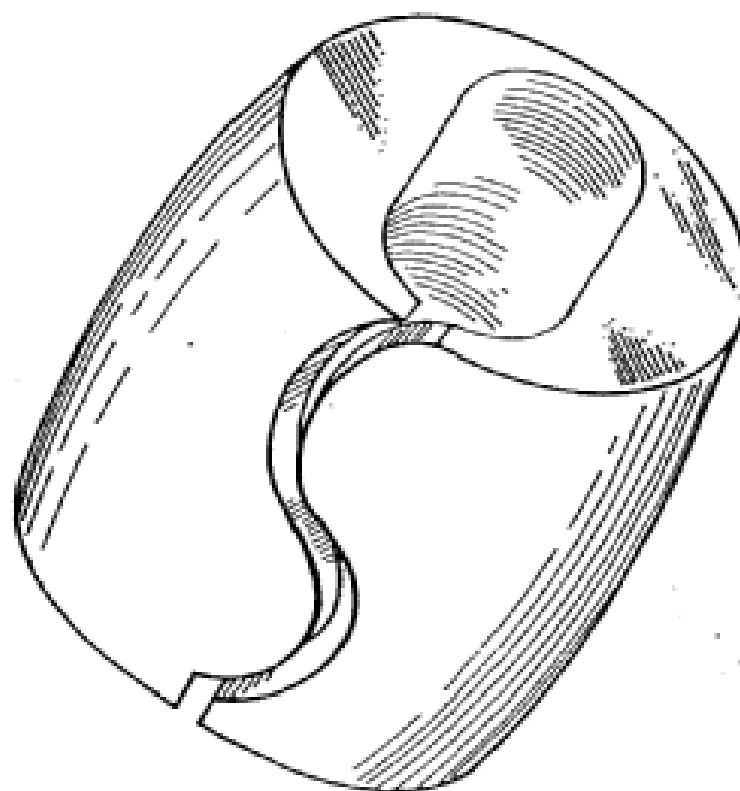
**Smits Investments (Aust) Pty Ltd
53 The Sovereign Mile Sovereign Island Queensland 4216 Australia**

(72) Name(s) of Designer(s): **Ronald Cornelius Smits**

(45) Registration Date: **20 September 2010**

(56) Related Art Documents: **Not Applicable**

(57) Statement of Newness and Distinctiveness: **The newness and distinctiveness of the design resides in the shape and/or configuration of a detachable body for a fishing lure a having longitudinal slot opening, as shown in the accompanying representations. When considering the newness and distinctiveness of the design the shape of each end face of the body is to be disregarded, it being recognised that different types of fishing lures have different end faces.**



(21) Design Number: **12942/2010**

(22) Date of Filing Application: **19 July 2010**

(24) Date from which industrial property rights may have effect: **19 July 2010**

(54) Product in respect of which the design is registered: **Microwave soup lid (plastic lid for ready to eat microwaveable soups)**

(51) International Design Classification: **09-07NES**

(71) Name(s) and Address(s) of Applicant(s):

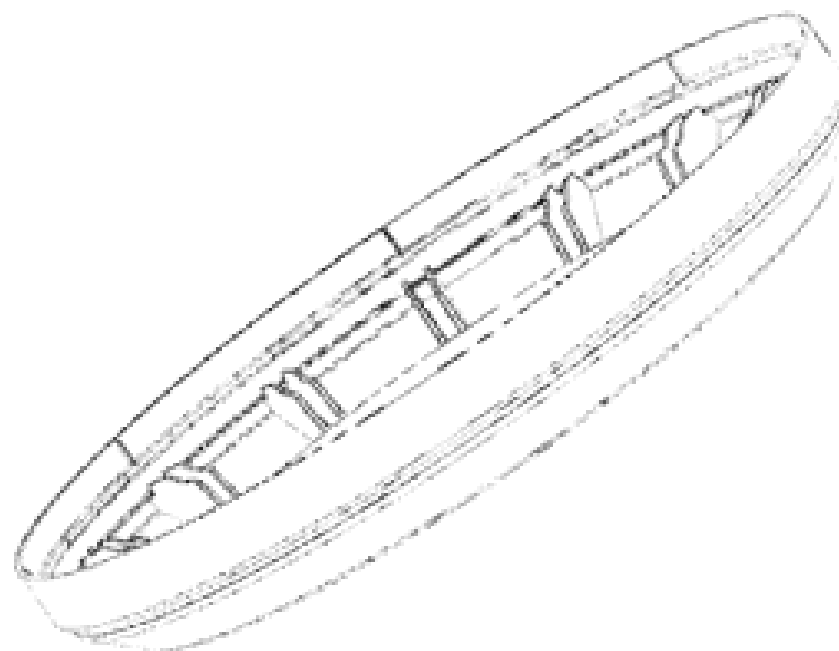
**Sophinity Pty Ltd As trustee for Wellman Consolidated Trust
62 Lancaster Street Ingleburn New South Wales 2565 Australia**

(72) Name(s) of Designer(s): **Craig John Wellman**

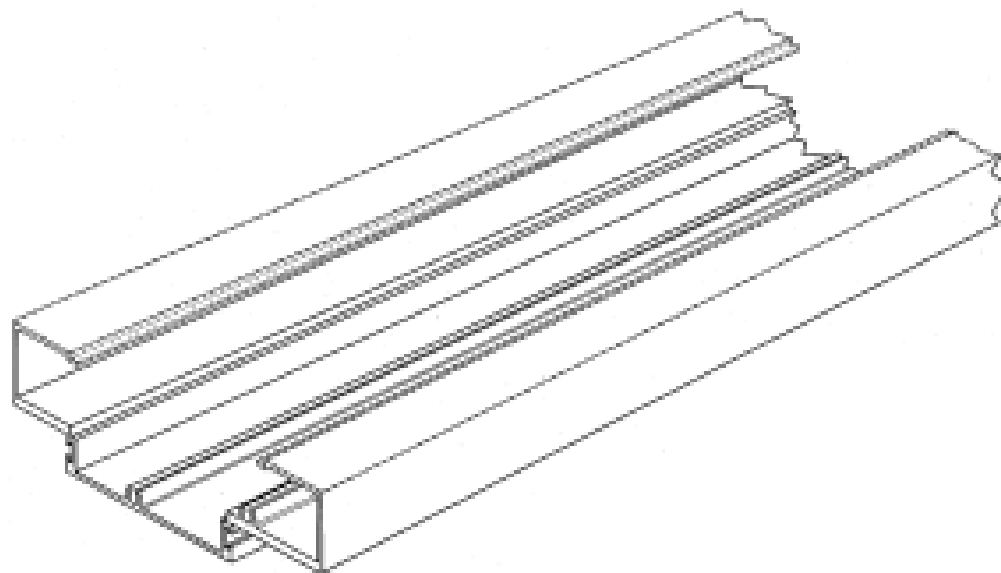
(45) Registration Date: **21 September 2010**

(56) Related Art Documents: **Not Applicable**

(57) Statement of Newness and Distinctiveness: **Series of dual internal support ribs with interlocking feature for improved stacking of lids prior to assembly to bowl. Enlarged external shoulder taper for increased branding panel with proper angle for consumer viewing. External shoulder taper vs conventional flat lid to improve visual awareness of label of bowl on top when in stack.**



- (21) Design Number: **13151/2010**
(22) Date of Filing Application: **27 July 2010**
(24) Date from which industrial property rights may have effect: **27 July 2010**
(54) Product in respect of which the design is registered: **Section of indeterminate length**
(51) International Design Classification: **25-01K**
(71) Name(s) and Address(s) of Applicant(s):
Philip Leslie Barker
51 Stonefield Crescent Dardanup Western Australia 6236 Australia
(72) Name(s) of Designer(s): **Philip Leslie Barker**
(45) Registration Date: **21 September 2010**
(56) Related Art Documents: **Not Applicable**
(57) Statement of Newness and Distinctiveness: **Newness and distinctiveness is claimed in each feature of the design considered separately or in combination with any other feature or feature as shown in the drawings. In considering the designs newness and distinctiveness the portions of the design which are shown in broken lines are to be disregarded.**



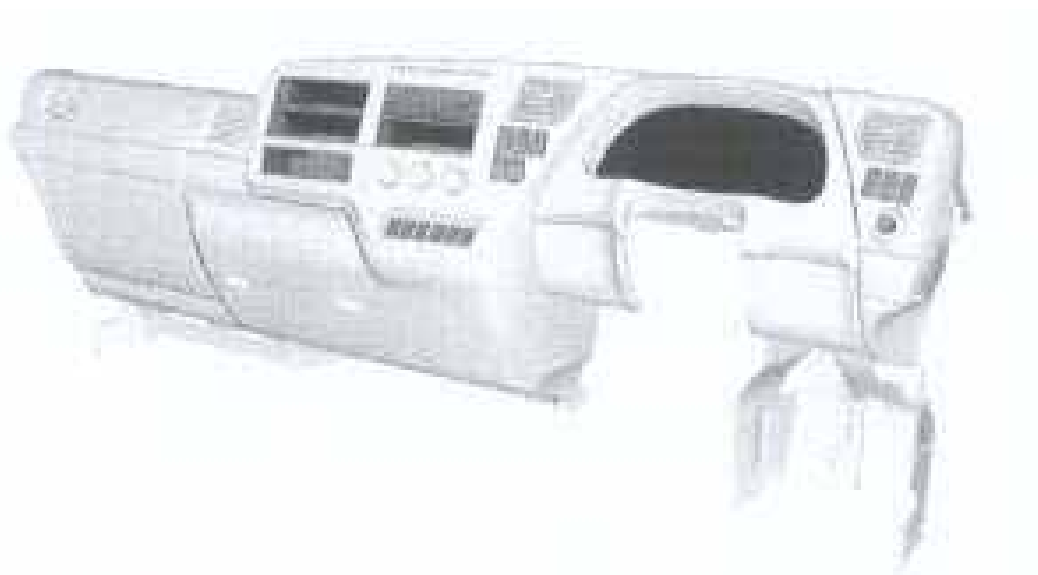
- (21) Design Number: **13158/2010**
(22) Date of Filing Application: **27 July 2010**
(24) Date from which industrial property rights may have effect: **27 July 2010**
(54) Product in respect of which the design is registered: **Driver's seat for a truck**
(51) International Design Classification: **06-01D**
(71) Name(s) and Address(s) of Applicant(s):
UD Trucks Corporation
1-1 Ageo-shi Saitama 362-8523 Japan
(72) Name(s) of Designer(s): **Hideto Shindou**
(45) Registration Date: **21 September 2010**
(30) Convention priority data:

(31) Number	(32) Date	(33) Country
2010-008893	08 Apr 2010	JAPAN

(56) Related Art Documents: **Not Applicable**
(57) Statement of Newness and Distinctiveness: **Newness and distinctiveness is claimed in the visual features of shape and configuration, pattern and ornamentation of the driver's seat for a truck as illustrated in the accompanying representations.**



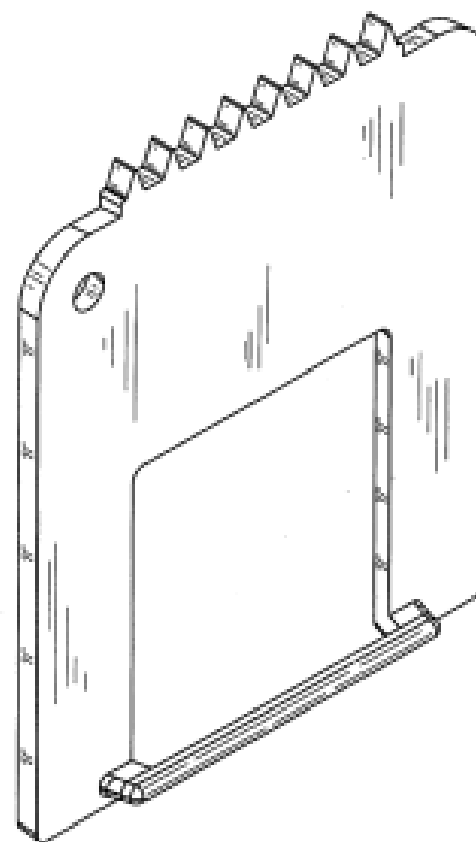
- (21) Design Number: **13159/2010**
(22) Date of Filing Application: **27 July 2010**
(24) Date from which industrial property rights may have effect: **27 July 2010**
(54) Product in respect of which the design is registered: **Instrument panel for a truck**
(51) International Design Classification: **12-16NES**
(71) Name(s) and Address(s) of Applicant(s):
UD Trucks Corporation
1-1 Ageo-shi Saitama 362-8523 Japan
(72) Name(s) of Designer(s): **Toshihiro Nishimura**
(45) Registration Date: **21 September 2010**
(30) Convention priority data:
(31) Number (32) Date (33) Country
2010-008889 08 Apr 2010 JAPAN
(56) Related Art Documents: **Not Applicable**
(57) Statement of Newness and Distinctiveness: **Newness and distinctiveness is claimed in the visual features of shape and configuration, pattern and ornamentation of the instrument panel for a truck as illustrated in the accompanying representations.**



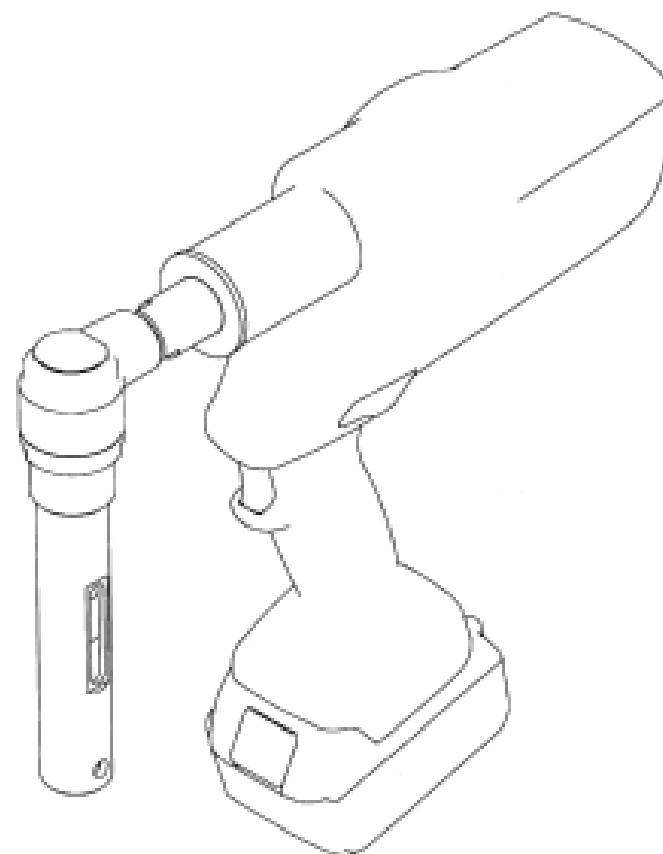
- (21) Design Number: **13328/2010**
(22) Date of Filing Application: **06 August 2010**
(24) Date from which industrial property rights may have effect: **06 August 2010**
(54) Product in respect of which the design is registered: **Toothpick**
(51) International Design Classification: **28-03NES**
(71) Name(s) and Address(s) of Applicant(s):
Kurt Alim Kennedy
38 Ulverstone Street Lyons 2606 Australian Capital Territory Australia
(72) Name(s) of Designer(s): **Kurt Alim Kennedy**
(45) Registration Date: **21 September 2010**
(56) Related Art Documents: **Not Applicable**
(57) Statement of Newness and Distinctiveness: **Monopoly is claimed in the shape and configuration of a toothpick as illustrated in the representations. The angle of the point to the length is adjustable. Detail of the point of the toothpick shows the face of the point is flat or concaved and the edge is bevelled/rounded. Can be twisted to and from a flattened shape as illustrated in the "FLATTENED VIEW". The scale of the detail of the point of the toothpick relative to other representations of the whole toothpick should be disregarded, it is only intended to provide a close up view of the point of the toothpick.**



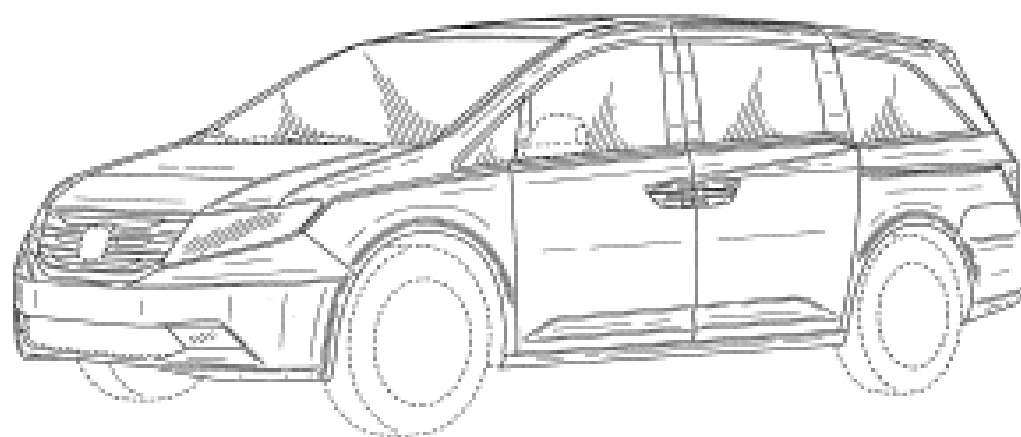
(21) Design Number: **13355/2010**
 (22) Date of Filing Application: **09 August 2010**
 (24) Date from which industrial property rights may have effect: **09 August 2010**
 (54) Product in respect of which the design is registered: **Gauge**
 (51) International Design Classification: **10-04**
 (71) Name(s) and Address(s) of Applicant(s):
Dayco Products, LLC
4500 South Garnett Road Suite 500 Tulsa Oklahoma 74146 United States of America
 (72) Name(s) of Designer(s): **Randall R. Diefenderfer and Jay D. Swope and Dennis M. Welvaert**
 (45) Registration Date: **21 September 2010**
 (30) Convention priority data:
 (31) Number (32) Date (33) Country
29/356602 01 Mar 2010 UNITED STATES OF AMERICA
 (56) Related Art Documents: **Not Applicable**
 (57) Statement of Newness and Distinctiveness: **Nil**



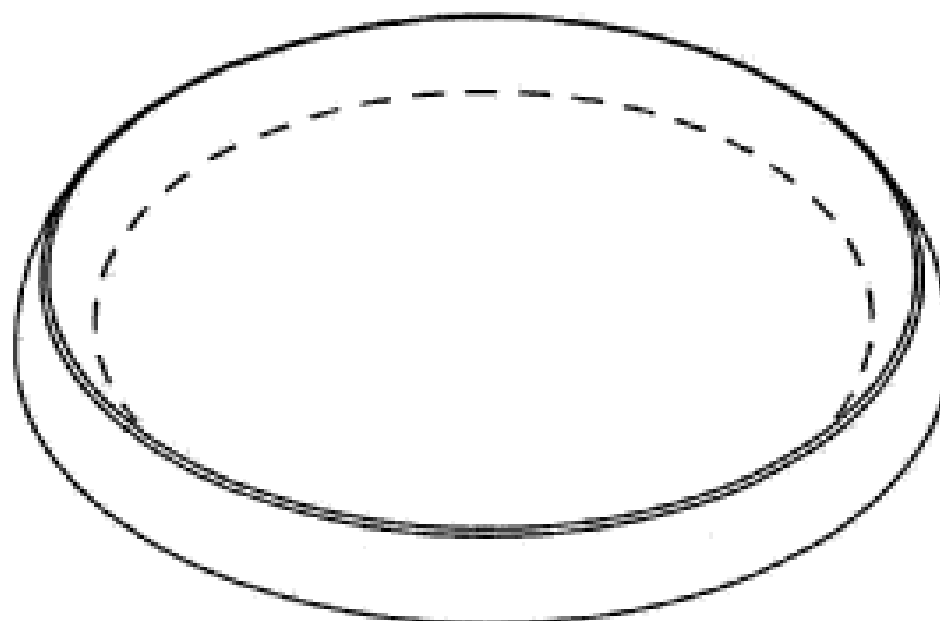
(21) Design Number: **13422/2010**
 (22) Date of Filing Application: **10 August 2010**
 (24) Date from which industrial property rights may have effect: **10 August 2010**
 (54) Product in respect of which the design is registered: **Tool**
 (51) International Design Classification: **08-05NES**
 (71) Name(s) and Address(s) of Applicant(s):
Rehau AG + Co
Rheniumhaus 95111 Rehau Germany
 (72) Name(s) of Designer(s): **Sven Christoph and Richard Sapper**
 (45) Registration Date: **21 September 2010**
 (30) Convention priority data:
 (31) Number (32) Date (33) Country
00 119 6968 19 Feb 2010 EUROPEAN COMMUNITY
 (56) Related Art Documents: **Not Applicable**
 (57) Statement of Newness and Distinctiveness: **Newness and distinctiveness resides in the features of shape and/or configuration of a TOOL as illustrated in the accompanying representations.**



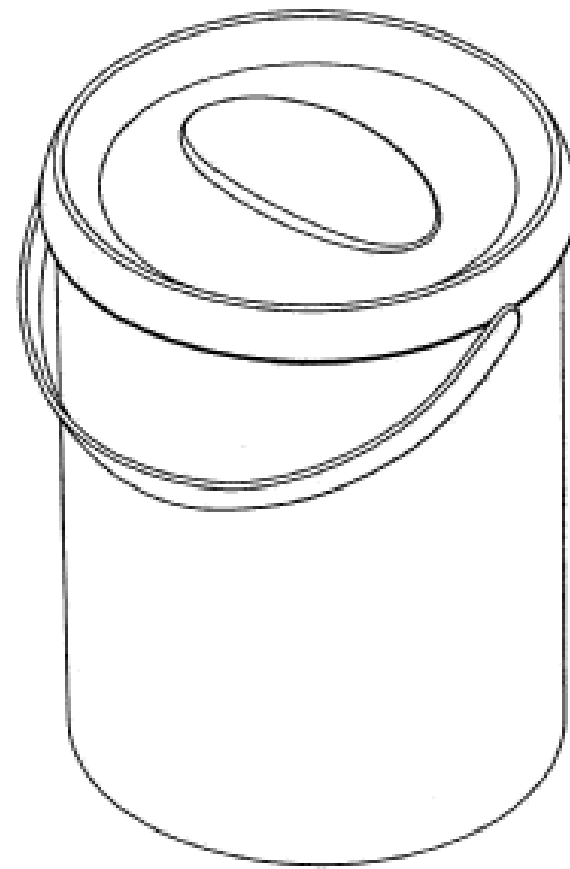
- (21) Design Number: **13471/2010**
(22) Date of Filing Application: **11 August 2010**
(24) Date from which industrial property rights may have effect: **11 August 2010**
(54) Product in respect of which the design is registered: **Vehicle exterior**
(51) International Design Classification: **12-08**
(71) Name(s) and Address(s) of Applicant(s):
Honda Motor Co., Ltd.
1-1 Minami-Aoyama 2-chome Minato-ku Tokyo Japan
(72) Name(s) of Designer(s): **Catalin Matei and Roger Alan Brown and Glen Earl Simmons and Calvin Liu**
(45) Registration Date: **21 September 2010**
(30) Convention priority data:
(31) Number (32) Date (33) Country
29/363626 11 Jun 2010 UNITED STATES OF AMERICA
(56) Related Art Documents: **Not Applicable**
(57) Statement of Newness and Distinctiveness: **Newness and distinctiveness is claimed in the visual features shown in solid lines in the representations.**



- (21) Design Number: **13610/2010**
(22) Date of Filing Application: **23 August 2010**
(24) Date from which industrial property rights may have effect: **23 August 2010**
(54) Product in respect of which the design is registered: **Lid**
(51) International Design Classification: **09-07B**
(71) Name(s) and Address(s) of Applicant(s):
Innovative Design Co Pty Ltd
1/162C Queen Street Woollahra New South Wales 2025 Australia
(72) Name(s) of Designer(s): **David Alexander Woinarski**
(45) Registration Date: **21 September 2010**
(56) Related Art Documents: **Not Applicable**
(57) Statement of Newness and Distinctiveness: **Newness and distinctiveness resides in the visual features, including shape and configuration, of an external perimeter of a LID as shown in solid outline in the accompanying drawings. When determining whether the design is substantially similar in overall impression to another design, no regard is to be had to those features shown in dotted outline in the accompanying drawings, which features are provided for illustrative purposes only.**



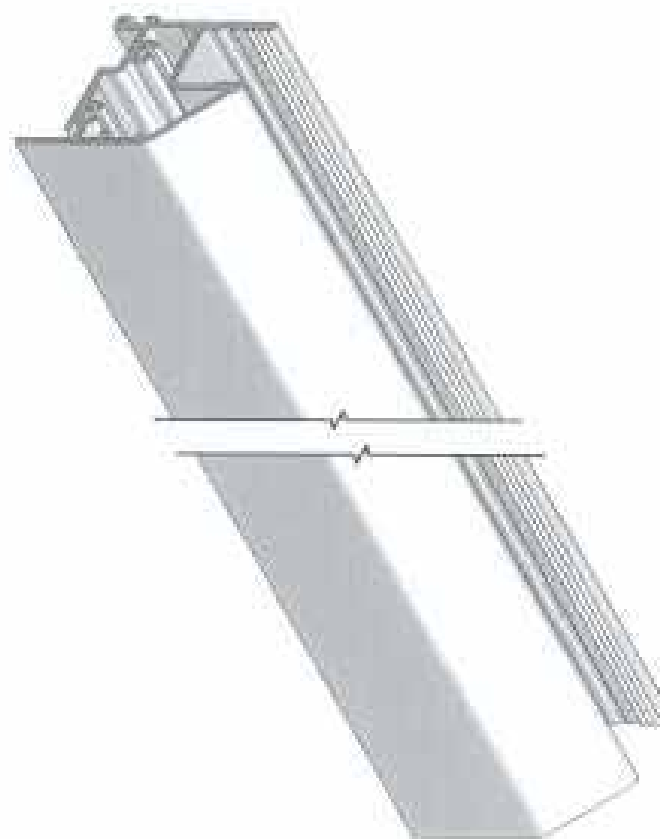
- (21) Design Number: **13612/2010**
(22) Date of Filing Application: **23 August 2010**
(24) Date from which industrial property rights may have effect: **23 August 2010**
(54) Product in respect of which the design is registered: **Combination lid and container**
(51) International Design Classification: **09-03L**
(71) Name(s) and Address(s) of Applicant(s):
Innovative Design Co Pty Ltd
1/162C Queen Street Woollahra New South Wales 2025 Australia
(72) Name(s) of Designer(s): **David Alexander Woinarski**
(45) Registration Date: **21 September 2010**
(56) Related Art Documents: **Not Applicable**
(57) Statement of Newness and Distinctiveness: **Nil**



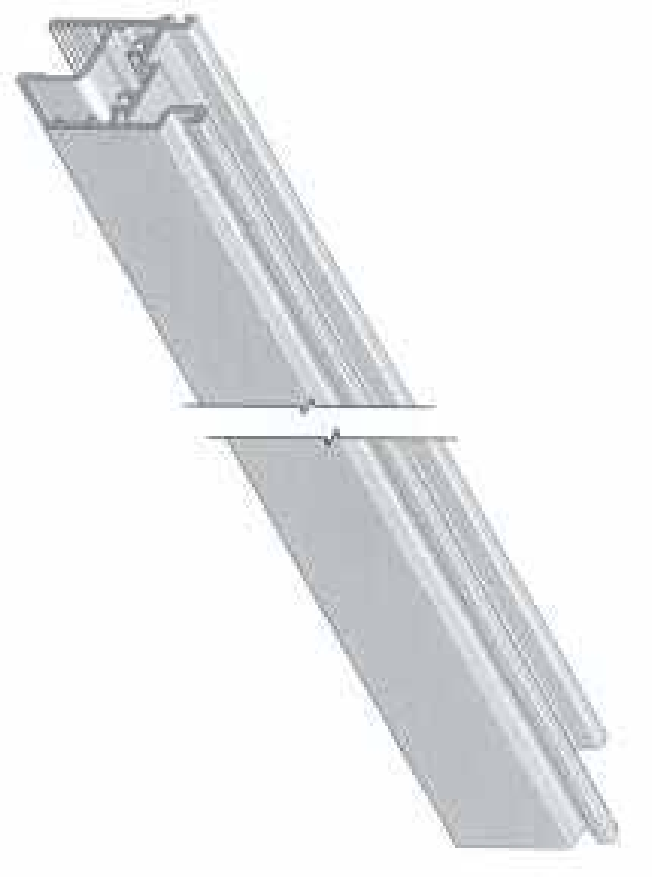
- (21) Design Number: **13622/2010**
(22) Date of Filing Application: **24 August 2010**
(24) Date from which industrial property rights may have effect: **24 August 2010**
(54) Product in respect of which the design is registered: **Extrusion**
(51) International Design Classification: **25-01K**
(71) Name(s) and Address(s) of Applicant(s):
Aluminium Specialties Group Pty Ltd
3 Alspec Place Eastern Creek New South Wales 2766 Australia
(72) Name(s) of Designer(s): **Mike Goodridge**
(45) Registration Date: **21 September 2010**
(56) Related Art Documents: **Not Applicable**
(57) Statement of Newness and Distinctiveness: **Newness and distinctiveness resides in the features of shape and/or configuration of an extrusion of indefinite length as shown in the accompanying representations.**



- (21) Design Number: **13623/2010**
- (22) Date of Filing Application: **24 August 2010**
- (24) Date from which industrial property rights may have effect: **24 August 2010**
- (54) Product in respect of which the design is registered: **Extrusion**
- (51) International Design Classification: **25-01K**
- (71) Name(s) and Address(s) of Applicant(s):
Aluminium Specialties Group Pty Ltd
3 Alspec Place Eastern Creek New South Wales 2766 Australia
- (72) Name(s) of Designer(s): **Mike Goodridge**
- (45) Registration Date: **21 September 2010**
- (56) Related Art Documents: **Not Applicable**
- (57) Statement of Newness and Distinctiveness: **Newness and distinctiveness resides in the features of shape and/or configuration of an extrusion of indefinite length as shown in the accompanying representations.**



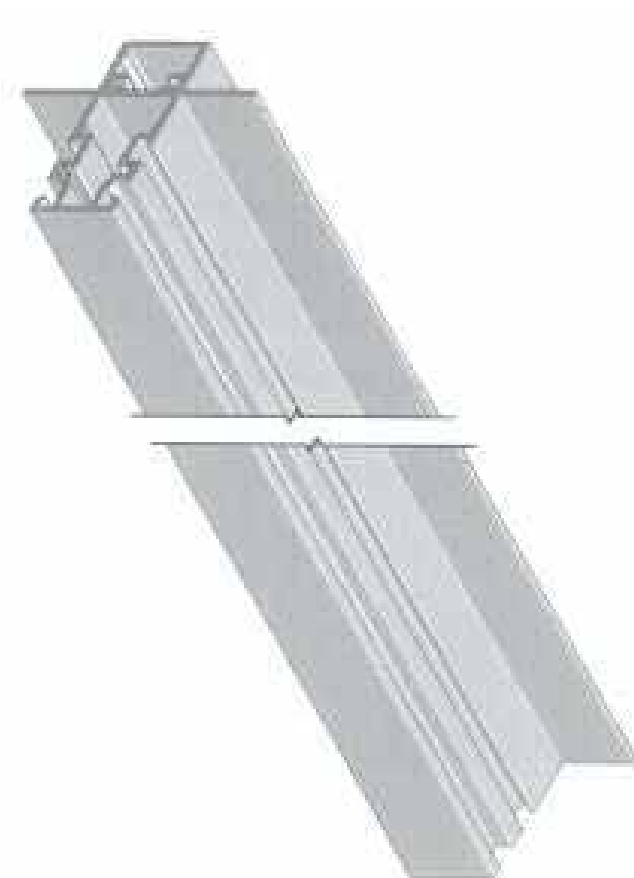
- (21) Design Number: **13624/2010**
- (22) Date of Filing Application: **24 August 2010**
- (24) Date from which industrial property rights may have effect: **24 August 2010**
- (54) Product in respect of which the design is registered: **Extrusion**
- (51) International Design Classification: **25-01K**
- (71) Name(s) and Address(s) of Applicant(s):
Aluminium Specialties Group Pty Ltd
3 Alspec Place Eastern Creek New South Wales 2766 Australia
- (72) Name(s) of Designer(s): **Mike Goodridge**
- (45) Registration Date: **21 September 2010**
- (56) Related Art Documents: **Not Applicable**
- (57) Statement of Newness and Distinctiveness: **Newness and distinctiveness resides in the features of shape and/or configuration of an extrusion of indefinite length as shown in the accompanying representations.**



- (21) Design Number: **13625/2010**
(22) Date of Filing Application: **24 August 2010**
(24) Date from which industrial property rights may have effect: **24 August 2010**
(54) Product in respect of which the design is registered: **Extrusion**
(51) International Design Classification: **25-01K**
(71) Name(s) and Address(s) of Applicant(s):
Aluminium Specialties Group Pty Ltd
3 Alspec Place Eastern Creek New South Wales 2766 Australia
(72) Name(s) of Designer(s): **Mike Goodridge**
(45) Registration Date: **21 September 2010**
(56) Related Art Documents: **Not Applicable**
(57) Statement of Newness and Distinctiveness: **Newness and distinctiveness resides in the features of shape and/or configuration of an extrusion of indefinite length as shown in the accompanying representations.**



- (21) Design Number: **13626/2010**
(22) Date of Filing Application: **24 August 2010**
(24) Date from which industrial property rights may have effect: **24 August 2010**
(54) Product in respect of which the design is registered: **Extrusion**
(51) International Design Classification: **25-01K**
(71) Name(s) and Address(s) of Applicant(s):
Aluminium Specialties Group Pty Ltd
3 Alspec Place Eastern Creek New South Wales 2766 Australia
(72) Name(s) of Designer(s): **Mike Goodridge**
(45) Registration Date: **21 September 2010**
(56) Related Art Documents: **Not Applicable**
(57) Statement of Newness and Distinctiveness: **Newness and distinctiveness resides in the features of shape and/or configuration of an extrusion of indefinite length as shown in the accompanying representations.**



(21) Design Number: **13627/2010**

(22) Date of Filing Application: **24 August 2010**

(24) Date from which industrial property rights may have effect: **24 August 2010**

(54) Product in respect of which the design is registered: **Extrusion**

(51) International Design Classification: **25-01K**

(71) Name(s) and Address(s) of Applicant(s):

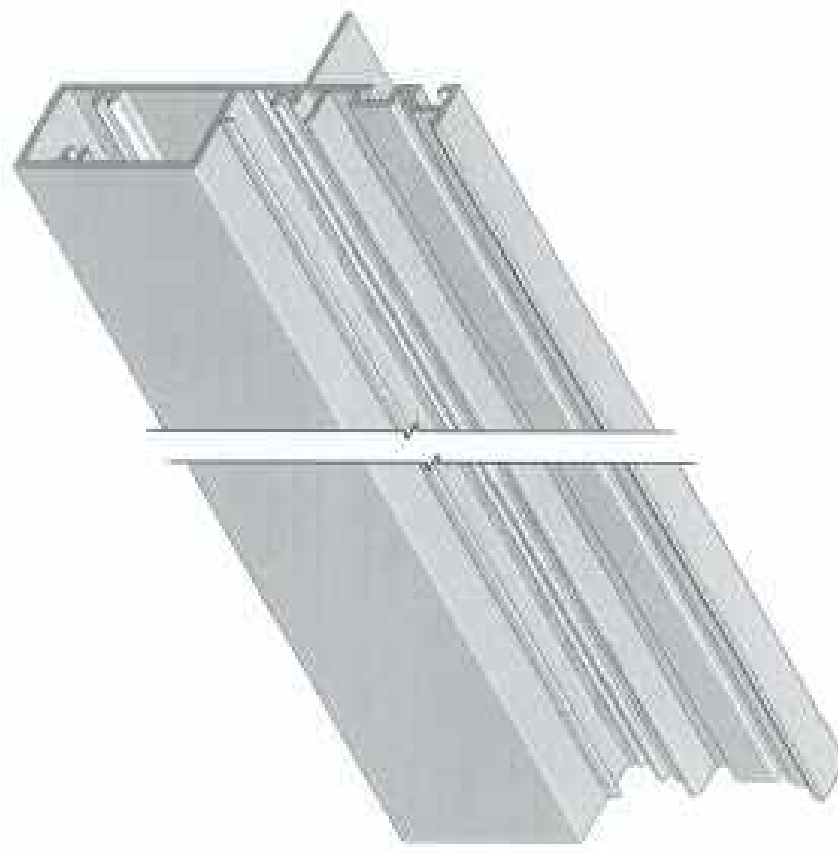
**Aluminium Specialties Group Pty Ltd
3 Alspec Place Eastern Creek New South Wales 2766 Australia**

(72) Name(s) of Designer(s): **Mike Goodridge**

(45) Registration Date: **21 September 2010**

(56) Related Art Documents: **Not Applicable**

(57) Statement of Newness and Distinctiveness: **Newness and distinctiveness resides in the features of shape and/or configuration of an extrusion of indefinite length as shown in the accompanying representations.**



(21) Design Number: **13628/2010**

(22) Date of Filing Application: **24 August 2010**

(24) Date from which industrial property rights may have effect: **24 August 2010**

(54) Product in respect of which the design is registered: **Extrusion**

(51) International Design Classification: **25-01K**

(71) Name(s) and Address(s) of Applicant(s):

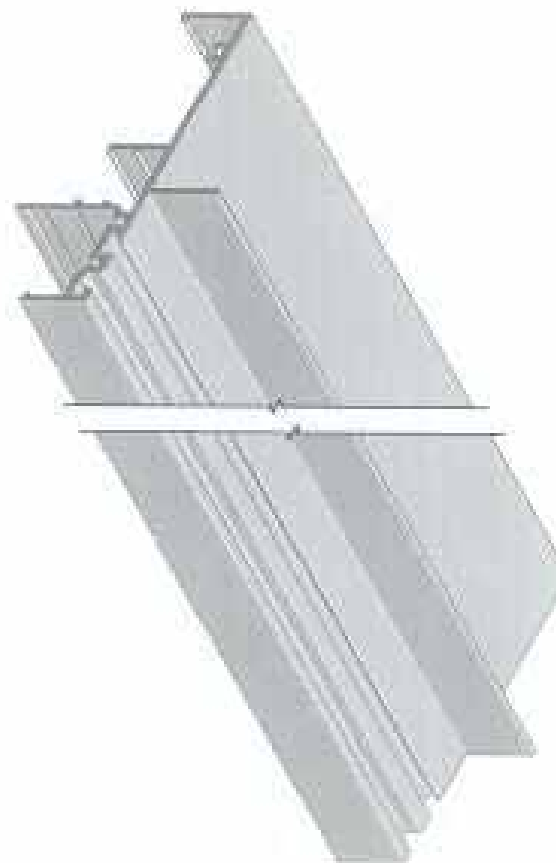
**Aluminium Specialties Group Pty Ltd
3 Alspec Place Eastern Creek New South Wales 2766 Australia**

(72) Name(s) of Designer(s): **Mike Goodridge**

(45) Registration Date: **21 September 2010**

(56) Related Art Documents: **Not Applicable**

(57) Statement of Newness and Distinctiveness: **Newness and distinctiveness resides in the features of shape and/or configuration of an extrusion of indefinite length as shown in the accompanying representations.**



(21) Design Number: **13629/2010**

(22) Date of Filing Application: **24 August 2010**

(24) Date from which industrial property rights may have effect: **24 August 2010**

(54) Product in respect of which the design is registered: **Extrusion**

(51) International Design Classification: **25-01K**

(71) Name(s) and Address(s) of Applicant(s):

**Aluminium Specialties Group Pty Ltd
3 Alspec Place Eastern Creek New South Wales 2766 Australia**

(72) Name(s) of Designer(s): **Mike Goodridge**

(45) Registration Date: **21 September 2010**

(56) Related Art Documents: **Not Applicable**

(57) Statement of Newness and Distinctiveness: **Newness and distinctiveness resides in the features of shape and/or configuration of an extrusion of indefinite length as shown in the accompanying representations.**



(21) Design Number: **13630/2010**

(22) Date of Filing Application: **24 August 2010**

(24) Date from which industrial property rights may have effect: **24 August 2010**

(54) Product in respect of which the design is registered: **Extrusion**

(51) International Design Classification: **25-01K**

(71) Name(s) and Address(s) of Applicant(s):

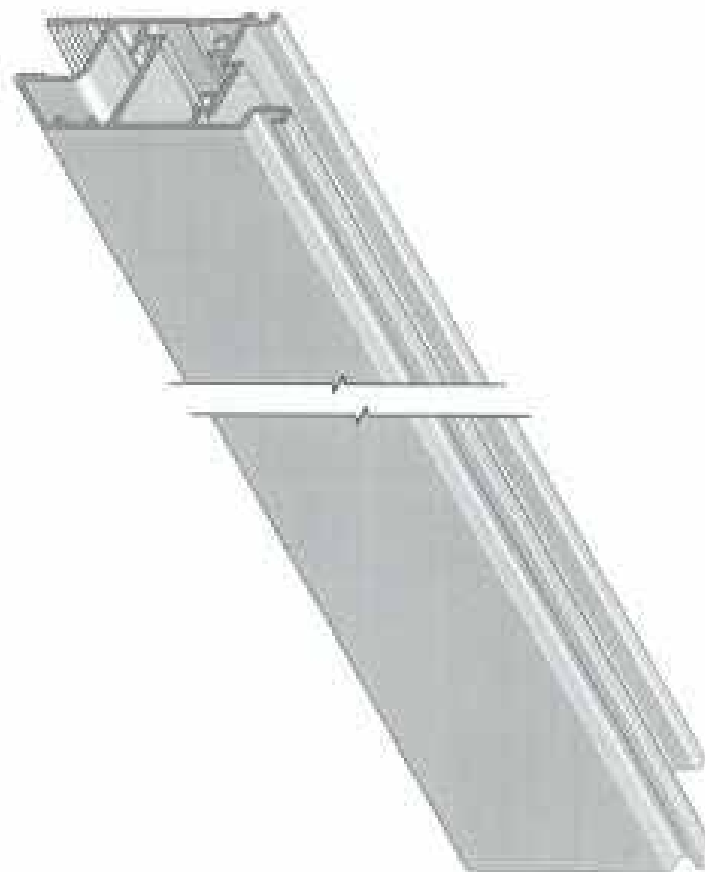
**Aluminium Specialties Group Pty Ltd
3 Alspec Place Eastern Creek New South Wales 2766 Australia**

(72) Name(s) of Designer(s): **Mike Goodridge**

(45) Registration Date: **21 September 2010**

(56) Related Art Documents: **Not Applicable**

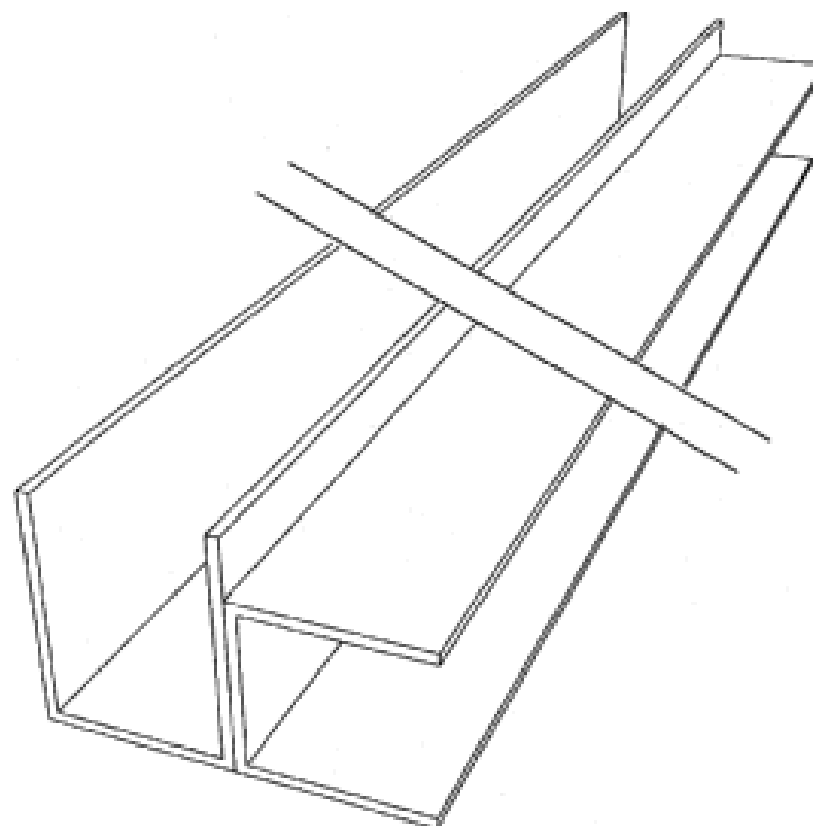
(57) Statement of Newness and Distinctiveness: **Newness and distinctiveness resides in the features of shape and/or configuration of an extrusion of indefinite length as shown in the accompanying representations.**



(21) Design Number: **13677/2010**
(22) Date of Filing Application: **25 August 2010**
(24) Date from which industrial property rights may have effect: **25 August 2010**
(54) Product in respect of which the design is registered: **Beard Clipper**
(51) International Design Classification: **28-03D**
(71) Name(s) and Address(s) of Applicant(s):
Babyliss Faco SA
Avenue de l'Independance 25 4020 Wandre Belgium
(72) Name(s) of Designer(s): **Pierre Julemont**
(45) Registration Date: **21 September 2010**
(30) Convention priority data:
(31) Number (32) Date (33) Country
001674359-0002 25 Feb 2010 EUROPEAN COMMUNITY
(56) Related Art Documents: **Not Applicable**
(57) Statement of Newness and Distinctiveness: **Nil**



(21) Design Number: **13836/2010**
(22) Date of Filing Application: **02 September 2010**
(24) Date from which industrial property rights may have effect: **02 September 2010**
(54) Product in respect of which the design is registered: **Wall beam extrusion**
(51) International Design Classification: **25-01K**
(71) Name(s) and Address(s) of Applicant(s):
Francesco Antonio Martino
Lot 25 Old Princes Highway Monarto South Australia 5254 Australia
(72) Name(s) of Designer(s): **Francesco Antonio Martino**
(45) Registration Date: **21 September 2010**
(56) Related Art Documents: **Not Applicable**
(57) Statement of Newness and Distinctiveness: **Nil**



- (21) Design Number: **13896/2010**
(22) Date of Filing Application: **07 September 2010**
(24) Date from which industrial property rights may have effect: **07 September 2010**
(54) Product in respect of which the design is registered: **Concrete pod spacer**
(51) International Design Classification: **25-01B**
(71) Name(s) and Address(s) of Applicant(s):
Charles Treffner
16 Klora Street Yennora New South Wales 2161 Australia
(72) Name(s) of Designer(s): **Charles Treffner**
(45) Registration Date: **21 September 2010**
(56) Related Art Documents: **Not Applicable**
(57) Statement of Newness and Distinctiveness: **Newness and distinctiveness resides in the four locating structures and their bridging platforms.**

