



Australian Government

IP Australia

AUSTRALIAN OFFICIAL JOURNAL

OF

DESIGNS

Did you know a searchable version of this journal is now available online?
It's FREE and EASY to SEARCH.

Find it at

<http://pericles.ipaustralia.gov.au/ols/epublish/content/olsEpublications.jsp>
or using the "Online Journals" link on the IP Australia home page.

This Page Left Intentionally Blank

Contents

General Information & Notices

Proceedings Under the Designs Act 1906 preserved as a result of the provisions of Chapter 12 Part 2 of the Designs Act 2003

Extension of Period of Registration of Designs	2450
Extensions of Time Granted	2450
Registrations Ceased	2450
Subsequent Owners Registered	2450

Proceedings Under the Designs Act 2003

Applications Assigned	2460
Applications Lapsed	2459
Applications Lodged	2455
Applications Withdrawn	2459
Certificate of Examination	2462
Extension of Period of Registration of Design	
Extension of Time Granted Under Section 137	2460
Names Registered - Alterations and Amendments	2461
Publication and Registration Proceedings	
Designs Registered 332807 to 333067.....	2463
Registrations Ceased	2460
Revocation of Design Registrations	2460
Subsequent Owners Registered	2460

This Page Left Intentionally Blank

For information on the following please see our website www.ipaustralia.gov.au or contact our Customer Service Network on 1300651010

[Editorial enquiries](#)

[Contact information](#)

[Freedom of Information ACT](#)

[Professional Standards Board](#)

[Sales](#)

[Requests for Information under Section 194 \(c\)](#)

[Country Codes](#)

[Trade Mark and Designs Hearing Sessions](#)

[INID \(Internationally agreed Numbers for the Identification of Data\)](#)

“INID” NUMBERS in use on Australian Design Documents

“INID” is an acronym for “Internationally agreed Numbers for the Identification of Data”.

(10) Data concerning the registration/renewal

- (11) Serial number of the registration and/or number of the design document
- (12) Plain language designation of the kind of published document
- (19) Identification, using the two-letter code according to WIPO Standard ST.3, of the authority publishing or registering the industrial design

(20) Data concerning the application

- (21) Serial number of the application
- (22) Date of filing of the application
- (24) Date from which the industrial design right has effect

(30) Data relating to priority under the Paris Convention

- (31) Serial number assigned to the priority application
- (32) Date of filing of the priority application
- (33) Two-letter code, according to WIPO Standard ST.3, identifying the authority with which the priority application was made

(40) Date(s) of making information available to the public

- (45) Date of publication of the registered industrial design by printing or similar process, or making it available to the public by any other means

(50) Miscellaneous Information

- (51) International Classification for Industrial Designs (class and subclass of the Locarno Classification)
- (54) Designation of article(s) or product(s) covered by the industrial design or title of the industrial design
- (55) Reproduction of the industrial design (e.g., drawing, photograph) and explanations relating to the reproduction
- (56) List of prior art documents, if separate from descriptive text
- (57) Description of characteristic features of the industrial design including indication of colours

(60) References to other legally related application(s) and registration(s)

- (62) Serial number(s) and, if available, filing date(s) of application(s), registration(s) or document(s) related by division
- (66) Serial number(s) of the application, or the registration, of the design(s) which is (are) a variant(s) of the present one

(70) Identification of parties concerned with the application or registration

- (71) Name(s) and address(es) of the applicant(s)
- (72) Name(s) of the creator(s) if known to be such
- (74) Name(s) and address(es) of the representative(s)

This Page Left Intentionally Blank

Official Notice**Australian Government****IP Australia****IP Australia extends the hours of operation for its Customer Service Centre during Daylight Savings**

The hours of operation for the customer service centre are 9am to 8pm Australia Eastern Daylight Time (AEDT) from the commencement of daylight savings on Tuesday, 5 October 2010 until Friday, 2 April 2011. During this daylight savings period customers are able to contact the Customer Service Centre to receive information and assistance from IP Australia during the core business hours of 9am to 5pm in their given state or territory.

Queries: Contact: Jodi Lawler
 Section: Customer Service Delivery, COG
 Phone: +61 2 6283 2681

Contact: IP Australia
Phone: 1300 651 010
International callers: +61 2 6283 2999
Fax: +61 2 6283 7999
E-mail: assist@ipaustrialia.gov.au
Web: www.ipaustrialia.gov.au

**Proceedings under the Designs Act 1906 preserved as a
result of the provisions of Chapter 12 Part 2 of the Designs
Act 2003.**

This Page Left Intentionally Blank

Applications Lapsed

There were no Applications Lapsed under this section

Extension of Period of Registration of Designs

1st Period (Section 27A(8))

2nd Period (Section 27A(12))

155847 156620

3rd Period (Section 27A(13))

139173	139183	139184
139185	140345	140423
140437	140438	140439
140459	140460	140463
140589	140676	140707
140708	140763	140786
140887	140918	141046
141093	141171	141355
141448	141482	141697
142057	142427	143225
143226	143624	143625
143627	143702	143777
143941	144094	145175
151971		

Registrations Ceased

Note: Some of the following Registrations may have been previously advertised as ceased. In this instance, the previous advertisement still prevails.

122130	123264	123292
123345	123394	123395
123418	123420	123443
123466	123467	123475
123479	123747	123780
123854	124003	124004
124241	124387	124439
124778	125829	125830
126927	126996	127355
127544	127571	127704
127744	137000	137001
137038	137039	137220
138443	138445	138446
138476	138477	138478
138552	138622	138696
138771	138773	138898
138968	139118	139737
139774	140509	140930
141500	141501	141596
141717	141786	141806
141942	143502	155184
155185	155249	155349
155369	155658	156436

156439	156440	156460
156491	156492	156496
156497	156498	156499
156500	156516	156517
156588	156608	156609
156638	156649	156650
156736	156792	156807
156809	156810	156886
156912	157226	157257
157338	157339	157410
157465	157493	157606
157663	157664	157702
157768	157954	157987
158246	158305	158306
158424	158431	

Extensions of time granted

Applications lodged for extension of time have been granted.

155847 **John Szymanski** An Extension of time to extend a registration has been granted to 12/09/2010

156620 **Teresa Karolina Gratkowski** An Extension of time to extend a registration has been granted to 25/09/2010

Subsequent Owners Registered

(The name in parentheses is that of the subsequent owner)

144482 (**B&D Australia Pty Ltd**) Lock Focus Pty Ltd

This Page Left Intentionally Blank

Proceedings under the Designs Act 2003.

This Page Left Intentionally Blank

Applications Lodged

Lodgement information is in the following order: **Applicant's Name**; International Classification, Name of Product, Lodgement Date and **Design Number**. If the applicant claims an earlier priority date under an International Convention, the Convention Country and the associated filing date are shown in parentheses before the Lodgement Date. Divisional information will also appear in parentheses before the Lodgement Date.

Alcan International Limited; 31-00, Paste mixing rotor, (CA, 09 Apr 2010) 27 Sep 2010	14117/2010	Base Brands, LLC; 09-09, Trash can, (EM, 01 Apr 2010) 29 Sep 2010	14280/2010
Allen-Vanguard Technology Inc.; 02-02B, Protective body suit, (US, 27 Apr 2010) 29 Sep 2010	14273/2010	Becton, Dickinson and Company; 24-01, Specimen collection container having a label, (US, 25 Jan 2010) 26 Jul 2010	14159/2010
Apple Inc.; 99-00, Stand, (US, 02 Apr 2010) 24 Sep 2010	14142/2010	Becton, Dickinson and Company; 24-01, Specimen collection container having a label, (US, 25 Jan 2010) 26 Jul 2010	14160/2010
Armwest, LLC; 22-01, Magazine for a firearm, (US, 25 Mar 2010) 21 Sep 2010	14072/2010	Black & Decker, Inc.; 08-03, Hand held reciprocating saw, (EM, 22 Mar 2010) 21 Sep 2010	14065/2010
Armwest, LLC; 22-01, Magazine for a firearm, (US, 25 Mar 2010) 21 Sep 2010	14073/2010	Blakeney, Wayne; Smith, Mike; Carter, Wayne; 99-00, Tactile element, 15 Sep 2010	14076/2010
Armwest, LLC; 22-01, Magazine for a firearm, (US, 25 Mar 2010) 21 Sep 2010	14069/2010	Blakeney, Wayne; Smith, Mike; Carter, Wayne; 99-00, Tactile element, 15 Sep 2010	14075/2010
Armwest, LLC; 22-01, Magazine for a firearm, (US, 25 Mar 2010) 21 Sep 2010	14070/2010	Blakeney, Wayne; Smith, Mike; Carter, Wayne; 99-00, Tactile element, 15 Sep 2010	14074/2010
Armwest, LLC; 22-01, Magazine for a firearm, (US, 25 Mar 2010) 21 Sep 2010	14071/2010	Bobby Bebe Pty Ltd; 06-04NES, A multi function shelving unit, 22 Sep 2010	14079/2010
Arrow Fastener Co., LLC; 08-05NES, 15-99, Fastening tool, (US, 18 Mar 2010) 16 Sep 2010	14038/2010	Carter, Wayne; Smith, Mike; Blakeney, Wayne; 99-00, Tactile element, 15 Sep 2010	14075/2010
Arrow Fastener Co., LLC; 08-05NES, 15-99, Fastening tool, (US, 18 Mar 2010) 16 Sep 2010	14039/2010	Carter, Wayne; Smith, Mike; Blakeney, Wayne; 99-00, Tactile element, 15 Sep 2010	14076/2010
Arrow Fastener Co., LLC; 08-05NES, 15-99, Fastening tool, (US, 22 Mar 2010) 16 Sep 2010	14040/2010	Carter, Wayne; Smith, Mike; Blakeney, Wayne; 99-00, Tactile element, 15 Sep 2010	14074/2010
Assa Abloy AB; 99-00, Housings, (EM, 31 Mar 2010) 27 Sep 2010	14169/2010	Challenge Implements Holdings Limited; 15-04, Front end loader component, 15 Feb 2010	14151/2010
Australian Performance Development Pty Ltd; 12-16NES, Air ram intake for a vehicle, 28 Sep 2010	14170/2010	Challenge Implements Holdings Limited; 15-04, Front end loader component, 15 Feb 2010	14152/2010
Australian Portable Toilet Supplies Pty Ltd; 23-02C, Design application refers to the molded internal and base of a portable toilet, we have named a 381 Base, 28 Sep 2010	14139/2010	Challenge Implements Holdings Limited; 15-04, Front end loader boom arm, 15 Feb 2010	14150/2010
Australian Portable Toilet Supplies Pty Ltd; 15-02, Design application refers to the plastic molded foot operated large pump, 28 Sep 2010	14140/2010	Children's Hospital of Philadelphia, The; 21-01NES, Doll, (US, 01 Apr 2010) 28 Sep 2010	14155/2010
Australian Portable Toilet Supplies Pty Ltd; 23-02C, Design application refers to the plastic molded bowl and lid used in a portable toilet, 28 Sep 2010	14141/2010	Colgate-Palmolive Company; 04-02, Oral care implement, (US, 31 Mar 2010) 30 Sep 2010	14287/2010
Bargiel, Michael J.; Finell, Rebecca M.; 07-03, Spoon tip, (US, 22 Jun 2010) 30 Sep 2010	14292/2010	Colgate-Palmolive Company; 04-02, Oral care implement, (US, 31 Mar 2010) 30 Sep 2010	14288/2010

Colgate-Palmolive Company; 04-02, Oral care implement, (US, 31 Mar 2010) 30 Sep 2010	14289/2010	Forever New Clothing Pty Ltd; 02-02NES, Women's fashion clothing, 24 Sep 2010	14179/2010
Colgate-Palmolive Company; 04-02, Oral care implement, (US, 30 Mar 2010) 30 Sep 2010	14290/2010	Forever New Clothing Pty Ltd; 02-02C, Women's fashion clothing, 24 Sep 2010	14203/2010
Cologne Card Pty Ltd; 09-01G, Container for fragrance products, 22 Sep 2010	14062/2010	Forever New Clothing Pty Ltd; 02-02C, Women's fashion clothing, 24 Sep 2010	14237/2010
Compact Designs Pty. Ltd.; 07-02L, Coffee tamper, (CN, 29 Mar 2010) 28 Sep 2010	14149/2010	Frunique Pty Ltd; 20-02NES, Earring stand top, 23 Sep 2010	14098/2010
Cooper Brands, Inc.; 08-03, Cutting head, (US, 12 Jul 2010) 22 Sep 2010	14067/2010	Gardiner, Ryan; 02-01A, , 29 Sep 2010	14279/2010
Crabtree, Mydwan Brendan; 07-06NES, Walnut opener, 22 Sep 2010	14066/2010	Get a Photo Booth Hire Company; 16-99, Photography, photo booth, 28 Sep 2010	14163/2010
Dobbe, John Edward; 23-01L, A gutter of an indefinite length, (NZ, 25 Jun 2010) 21 Sep 2010	14068/2010	Gillette Company, The; 28-03A, Razor hanger, (US, 29 Mar 2010) 24 Sep 2010	14154/2010
Earthkare Packaging Innovations Company; 07-01D, Cup with an integral lid, the cup used to retain hot liquids with a thermal barrier incorporated into the exterior wall, of the cup, (US, 24 Mar 2010) 24 Sep 2010	14126/2010	Glidestore Freetrack Pty Ltd; 15-99, Mek drive wheel, 28 Sep 2010	14156/2010
Earthkare Packaging Innovations Company; 07-01C, Cup with an integral lid, the cup used to retain hot liquids, (US, 24 Mar 2010) 24 Sep 2010	14124/2010	GB Use Pty Ltd, as Trustee for the Martin Cooper Discretionary Trust; 20-02E, A wall hanging element, 21 Sep 2010	14077/2010
Earthkare Packaging Innovations Company; 07-01C, Cup with an integral lid, the cup used to retain liquid that is not hot, (US, 24 Mar 2010) 24 Sep 2010	14125/2010	Haigh Australia Pty Ltd; 08-08NES, 07-05D, Bracket that holds a portable clothes line to a jockey wheel, 20 Sep 2010	14036/2010
Eco Efficiency Experts (Australasia) Pty Ltd; 26-05A, Light panel, 29 Sep 2010	14277/2010	Heland IP Pty Ltd; 26-05E, LED downlight, 28 Sep 2010	14157/2010
Edwards, Michael; 27-99, Cigarette snuffer, 30 Sep 2010	14286/2010	Heland IP Pty Ltd; 26-05E, LED downlight, 28 Sep 2010	14158/2010
Edwards, Michael; 27-03, Ashtray container, 30 Sep 2010	14284/2010	Huisman, Richard Johannes Cornelis; 09-02A, Bulk liquid storage tank, 23 Sep 2010	14091/2010
Edwards, Michael; 27-03, Ashtray lid, 30 Sep 2010	14285/2010	Husband, Sam; 21-01L, A game board, 19 Jul 2010	14110/2010
Edwards, Michael; 27-03, Ashtray, 30 Sep 2010	14283/2010	International Nutrition Co. Ltd. A/S; 07-01NES, Food container, (EM, 15 Sep 2010) 29 Sep 2010	14278/2010
Finell, Rebecca M.; Bargiel, Michael J.; 07-03, Spoon tip, (US, 22 Jun 2010) 30 Sep 2010	14292/2010	Jayco Corporation Pty Ltd; 25-01K, Extrusion, 29 Sep 2010	14293/2010
Fitness Brands 2 LLC; 21-02F, Abdominal exercise device, (US, 29 Mar 2010) 29 Sep 2010	14274/2010	Journee Lighting, Inc.; 26-99, Heat sink module for use with a removable LED light module, (US, 24 Mar 2010) 23 Sep 2010	14108/2010
Flewellen, Mark Thomas; Olds, Michael James; 25-02NES, Flashing, 22 Sep 2010	14111/2010	Kikkerland Design, Inc.; 03-01B, Spider keychain, 30 Sep 2010	14269/2010
Footwear Industries Pty Ltd; 02-04B, Footbed, 20 Sep 2010	14055/2010	Kohler Co.; 23-01H, Faucet, (EM, 24 Mar 2010) 24 Sep 2010	14123/2010
Forever New Clothing Pty Ltd; 03-01B, Women's fashion clothing, 24 Sep 2010	14171/2010	Kohler Co.; 23-01H, Faucet, (US, 18 Mar 2010) 20 Sep 2010	14056/2010
		Kohler Co.; 23-01H, Faucet, (US, 18 Mar 2010) 20 Sep 2010	14057/2010
		Koninklijke Philips Electronics N.V.; 26-05C, LED luminaire, (EM, 25 Mar 2010) 23 Sep 2010	14096/2010

Kyocera Mita Corporation; 14-02, Toner cartridge, (JP, 01 Apr 2010) 24 Sep 2010	14135/2010	Lysanda Limited; 12-16NES, 14-04, Screen display for driver feedback device, (EM, 15 Apr 2010) 16 Jul 2010	14101/2010
Kyocera Mita Corporation; 14-02, Toner cartridge, (JP, 02 Apr 2010) 24 Sep 2010	14131/2010	Lysanda Limited; 12-16NES, 14-04, Screen display for driver feedback device 1, 16 Jul 2010	14102/2010
Kyocera Mita Corporation; 14-02, Toner cartridge, (JP, 31 Mar 2010) 24 Sep 2010	14136/2010	Lysanda Limited; 12-16NES, 14-04, Screen display for driver feedback device, 16 Jul 2010	14103/2010
Kyocera Mita Corporation; 14-02, Toner cartridge, (JP, 02 Apr 2010) 24 Sep 2010	14132/2010	LBP Manufacturing, Inc.; 07-06A, Container sleeve, (US, 26 Mar 2010) 23 Sep 2010	14094/2010
Kyocera Mita Corporation; 14-02, Toner cartridge, (JP, 31 Mar 2010) 24 Sep 2010	14133/2010	LBP Manufacturing, Inc.; 07-06A, Cup Sleeve, (US, 26 Mar 2010) 23 Sep 2010	14095/2010
Kyocera Mita Corporation; 14-02, Toner cartridge, (JP, 31 Mar 2010) 24 Sep 2010	14134/2010	Master Lock Company LLC; 06-04B, Safe, (US, 29 Mar 2010) 20 Sep 2010	14060/2010
Kyocera Mita Corporation; 14-02, Toner cartridge, (JP, 01 Apr 2010) 24 Sep 2010	14137/2010	Master Lock Company LLC; 03-01A, 06-04B, 08-07, Safe, (US, 31 Mar 2010) 20 Sep 2010	14059/2010
Kyocera Mita Corporation; 14-02, Toner cartridge, (JP, 01 Apr 2010) 24 Sep 2010	14138/2010	McDonald, Stephen John; 11-02NES, , 27 Sep 2010	14161/2010
KNUT Clothing Limited; 02-02B, A pocket, (NZ, 26 Apr 2010) 29 Sep 2010	14165/2010	Mills, Philip Bernard; 12-15F, Geordie boards are a product to assist any vehicle to extricate itself from a bogged situation, 15 Sep 2010	14061/2010
KNUT Clothing Limited; 02-02B, A pocket, (NZ, 26 Apr 2010) 29 Sep 2010	14164/2010	Ming On Building Supplies Pty Ltd; 25-01K, Aluminium rectangular box beams, 29 Sep 2010	14281/2010
Lemm, Daniel; 08-07, Jig for locks, 29 Sep 2010	14166/2010	Narellan Pools Pty Ltd; 25-03, Swimming pool, 21 Sep 2010	14064/2010
Lesniowski, Alexander; 06-04NES, Furniture, 21 Sep 2010	14112/2010	Netec Industries Pty Ltd; 13-03NES, Base for an electrical enclosure, 29 Sep 2010	14271/2010
Lite Guard Safety Solutions Pty Ltd; 25-01K, An extrusion, 28 Sep 2010	14145/2010	Netec Industries Pty Ltd; 13-03NES, Lid for an electrical enclosure, 29 Sep 2010	14272/2010
Lite Guard Safety Solutions Pty Ltd; 25-01K, An extrusion, 28 Sep 2010	14146/2010	Nippon Steel Corporation; 25-01K, 25-01B, Wall member, (JP, 14 May 2010) 27 Sep 2010	14118/2010
Lite Guard Safety Solutions Pty Ltd; 25-01K, An extrusion, 28 Sep 2010	14147/2010	Nippon Steel Corporation; 25-01K, 25-01B, Wall member, (JP, 14 May 2010) 27 Sep 2010	14119/2010
Lite Guard Safety Solutions Pty Ltd; 25-01K, An extrusion, 28 Sep 2010	14144/2010	Norman, Charlotte Sylvia; 06-02, 06-03C, 06-05, Multifunctional bed, 23 Sep 2010	14097/2010
Liu, Qingshan; 21-02F, Qi-Harmonizer, (WO, 18 Mar 2010) 23 Sep 2010	14109/2010	Olds, Michael James; Flewelling, Mark Thomas; 25-02NES, Flashing, 22 Sep 2010	14111/2010
Luigi Lavazza S.p.A; 07-02L, Coffee maker, (EM, 06 Apr 2010) 27 Sep 2010	14130/2010	Panasonic Corporation; 07-02C, Induction heating cooker, 29 Sep 2010	14276/2010
Lysanda Limited; 12-16NES, 14-04, Screen display for driver feedback device, (EM, 15 Apr 2010) 16 Jul 2010	14099/2010	Panasonic Corporation; 07-02C, Induction heating cooker, 29 Sep 2010	14275/2010
Lysanda Limited; 12-16NES, 14-04, Screen display for driver feedback device, (EM, 15 Apr 2010) 16 Jul 2010	14100/2010	Petainer Lidkoping AB; 99-00, Container base, (EM, 06 Apr 2010) 24 Sep 2010	14167/2010

Petainer Lidkoping AB; 99-00, Container base, (EM, 06 Apr 2010) 24 Sep 2010	14168/2010	SJ Cordell Pty Ltd; 25-02K, Louvre blade, 30 Sep 2010	14268/2010
Pleass, Warwick Glenn; 09-01NES, A bottle, 27 Sep 2010	14143/2010	Team Poly Pty Ltd; 12-16C, Front bumper for a vehicle, 30 Sep 2010	14291/2010
PAFtec Pty Ltd; 24-01, Respirator, 17 Sep 2010	14037/2010	Techtrade Marketing & Distribution Ltd; 13-03D, Powerpoint, 24 Sep 2010	14120/2010
Reln Pty Ltd; 23-01F, Tank extension/structural brace ring for a tank, 20 Sep 2010	14058/2010	Techtrade Marketing & Distribution Ltd; 13-03D, Switch, 24 Sep 2010	14121/2010
Ruud Lighting, Inc.; 26-03, Lighting fixture with a fitter portion, (US, 26 Mar 2010) 22 Sep 2010	14078/2010	Techtrade Marketing & Distribution Ltd; 13-03D, Powerpoint, 22 Sep 2010	14080/2010
Ruud Lighting, Inc.; 26-05E, Lighting fixture, (US, 26 Mar 2010) 24 Sep 2010	14129/2010	Techtrade Marketing & Distribution Ltd; 13-03D, Switch, 22 Sep 2010	14081/2010
Sandvik Intellectual Property AB; 08-08B, 15-04, Washer for a shank of a tool pick, (US, 04 Jun 2010) 24 Sep 2010	14122/2010	The Decor Corporation Pty Ltd; 08-08F, Duster frame, 29 Sep 2010	14282/2010
Shin, Ki-Sub; 25-03, Container for a residence, (KR, 16 Mar 2010) 15 Sep 2010	14063/2010	The Procter & Gamble Company; 09-01K, Bottle, (US, 26 Mar 2010) 22 Sep 2010	14086/2010
Skell-a-tin Pty Ltd; 09-03M, Tray, 23 Sep 2010	14162/2010	The Procter & Gamble Company; 09-01K, Bottle, (US, 26 Mar 2010) 22 Sep 2010	14087/2010
Smith, Mike; Blakeney, Wayne; Carter, Wayne; 99-00, Tactile element, 15 Sep 2010	14074/2010	The Procter & Gamble Company; 09-07A, Sprayer Shroud, (US, 26 Mar 2010) 22 Sep 2010	14088/2010
Smith, Mike; Blakeney, Wayne; Carter, Wayne; 99-00, Tactile element, 15 Sep 2010	14075/2010	The Procter & Gamble Company; 09-07A, Sprayer shroud, (US, 26 Mar 2010) 22 Sep 2010	14089/2010
Smith, Mike; Blakeney, Wayne; Carter, Wayne; 99-00, Tactile element, 15 Sep 2010	14076/2010	The Procter & Gamble Company; 09-01A, Sprayer bottle, (US, 26 Mar 2010) 22 Sep 2010	14090/2010
Societe des Produits Nestle S.A.; 01-01, Wafer finger covered by chocolate, (CH, 10 May 2010) 23 Sep 2010	14083/2010	Total Lock Pty Ltd; 08-07, Key, 23 Sep 2010	14113/2010
Societe des Produits Nestle S.A.; 01-01, Wafer finger covered by chocolate, (CH, 10 May 2010) 23 Sep 2010	14084/2010	Unique Product & Design Co., Ltd.; 12-02, Golf cart, 17 Sep 2010	14092/2010
Societe des Produits Nestle S.A.; 01-01, Wafer finger covered by chocolate, (CH, 10 May 2010) 23 Sep 2010	14085/2010	UG Manufacturing Co Pty Ltd; 02-02C, Pant Garment, 23 Sep 2010	14093/2010
Speirs and Major Associates Limited; 26-05E, Multi-module LED light fixture, (US, 26 Mar 2010) 24 Sep 2010	14127/2010	Victoria Snack Food Corporation Pty Ltd; 07-02NES, Frangible skewer, 29 Sep 2010	14270/2010
Speirs and Major Associates Limited; 26-05E, Led light-fixture module, (US, 26 Mar 2010) 24 Sep 2010	14128/2010	Wahl, Torben; 09-08, Composite transport pallet for transport and storage of palletised goods, 24 Sep 2010	14153/2010
Speirs and Major Associates Limited; 26-05E, LED light fixture, (US, 26 Mar 2010) 24 Sep 2010	14116/2010	3M Innovative Properties Company; 14-03A, Push to talk control box, (US, 01 Apr 2010) 22 Sep 2010	14082/2010
Speirs and Major Associates Limited; 26-05E, Multi-module LED light fixture with sharp-edged mounting arm, (US, 26 Mar 2010) 24 Sep 2010	14115/2010	3M Innovative Properties Company; 14-01, Ear bud body with microphone opening, (US, 02 Apr 2010) 23 Sep 2010	14104/2010
Speirs and Major Associates Limited; 26-05E, LED light fixture, (US, 26 Mar 2010) 24 Sep 2010	14114/2010	3M Innovative Properties Company; 14-01, Ear bud body, (US, 02 Apr 2010) 23 Sep 2010	14105/2010
		3M Innovative Properties Company; 14-01, Ear bud body with shaft and taper, (US, 02 Apr 2010) 23 Sep 2010	14106/2010
		3M Innovative Properties Company; 14-01, Ear bud body with cable strain relief and transition, (US, 02 Apr 2010) 23 Sep 2010	14107/2010

Applications Withdrawn

13768 / 2010 (25-02NES)

Applications Lapsed

10995 / 2010 (02-02C)	10996 / 2010 (02-02C)
10997 / 2010 (02-02C)	10998 / 2010 (02-02C)
11834 / 2010 (02-02C)	11835 / 2010 (02-02C)
11836 / 2010 (02-02C)	12444 / 2010 (08-08G)
12671 / 2010 (06-06F)	12803 / 2010 (06-09)
12818 / 2010 (06-09)	12819 / 2010 (06-09)
12820 / 2010 (06-09)	12821 / 2010 (06-09)
12851 / 2010 (13-01)	12894 / 2010 (25-04)
12896 / 2010 (06-03NES)	12934 / 2010 (14-04)
12963 / 2010 (02-06)	12964 / 2010 (25-01NES)
12965 / 2010 (08-08L)	12966 / 2010 (08-08NES)
12967 / 2010 (08-08D)	13000 / 2010 (06-11)

Extension of Period of Registration of Designs

304153	304890	305233
305678	305742	305832
305997	305998	306016
306019	306172	306175
306176	306178	306219
306279	306305	306306
306328	306331	306336
306337	306338	306340
306366	306373	306374
306375	306376	306377
306378	306412	306415
306416	306417	306418
306419	306437	306438
306439	306458	306461
306463	306464	306465
306466	306467	306468
306573	306574	306575
306586	306700	306702
306711	306727	306731
306749	306768	306769
306784	306785	306838
306839	306857	306873
306878	306881	306888
306937	306939	306950
306951	306952	306978
307046	307168	307300
307448	307449	307516
307517	307535	307790
307791	307792	307793
307831	307832	307926
307927	308073	308077
308289	308677	309629
310117		

Revocation of Design Registrations

The following Design Registration(s) have been revoked and are taken never to have been registered:

135972 08-08C

Registrations Ceased

302640	302887	302888
302889	302890	302891
302892	302894	302895
302896	302953	302954
303007	303008	303010
303011	303027	303028
303029	303071	303073

303098	303099	303100
303150	303230	303231
303232	303233	303234
303235	303418	303419
303420	303421	303422
303423	303424	303425
303538	303595	303708
304069	304070	304087
304359	304492	304555
304741	304791	304878
304879	304962	304964
304965	305033	305117
305118	305119	305133
305134	305135	305136
305137	305142	305146
305147	305195	305196
305197	305198	305199
305350	305358	305359
305428	305429	305430
305431	305432	305433
305434	305435	305436
305437	305440	305442
305445	305596	305597
305749	305834	305914
305915	305916	305917
305918	305919	305923
305924	305925	305926
305927	305928	305930
305931	306183	306226
306227	306228	306292
306293	306294	306295
306324	306926	306959
307137	307138	309183
309428	309429	316348

Extensions of time granted under Section 137

Applications lodged under section 137 for extension of time have been granted.

325849 **James Odell**

325849 **James Odell**

11680/2010 **Helmut Koester**

12406/2010 **Counselling Help Pty Ltd**

12450/2010 **Hartz Industries Limited**

Applications Assigned

(The name in parentheses is that of the subsequent applicant)

13813/2010 (**Innovative Cosmetics Ltd**) Gal Ofra

Subsequent Owners Registered

(The name in parentheses is that of the subsequent owner)

- 306704 (**Intellectual Property Development Corporation Pty Ltd**) International Consolidated Business Pty Ltd
- 306705 (**Intellectual Property Development Corporation Pty Ltd**) International Consolidated Business Pty Ltd
- 318250 (**Studio 93 Limited**) Jacqueline Lightfoot

Names Registered - Alterations and Amendments

(The name in parentheses is that of the subsequent applicant)

- 302202 (**Nipro Diagnostics, Inc.**) Home Diagnostics, Inc.
- 302203 (**Nipro Diagnostics, Inc.**) Home Diagnostics, Inc.
- 304662 (**Nipro Diagnostics, Inc.**) Home Diagnostics, Inc.
- 310642 (**Nipro Diagnostics, Inc.**) Home Diagnostics, Inc.
- 320560 (**Nipro Diagnostics, Inc.**) Home Diagnostics, Inc.

Certificate(s) of Examination

Examination of the following Design Registration(s) has been completed. Infringement proceedings may now be commenced.

325715	26-02	28/09/2010
325823	26-02	28/09/2010
325824	26-02	28/09/2010
328631	14-02	05/10/2010
329374	09-05	22/09/2010
329427	07-99C	22/09/2010
329430	07-99C	22/09/2010
330289	26-06	23/09/2010
330484	13-03NES	24/09/2010
330485	13-03NES	24/09/2010
330486	13-03NES	24/09/2010
330524	09-08	24/09/2010
330806	07-07B	24/09/2010
330891	28-03NES	24/09/2010
331011	14-01	29/09/2010
331203	15-05	30/09/2010
331337	13-03D	29/09/2010
331338	13-03D	29/09/2010
331339	13-03D	29/09/2010
331340	13-03D	29/09/2010
331512	06-09	23/09/2010
331527	08-08L	24/09/2010
331627	12-05	23/09/2010
331649	08-03	24/09/2010
331666	08-03	24/09/2010
331673	08-05NES	28/09/2010
331714	14-02	01/10/2010
331715	14-02	01/10/2010
332769	06-01E	23/09/2010

Publication and Registration Proceedings

Designs Registered

This section provides a concordance between design number and registration number of Designs covered in this journal. It also shows the main class and registration date.

This section covers Registration numbers 332807 to 333067 .

The registration number shown below should be used in all future correspondence.

Design Number	Registration Number	International Classification Code (IDC)	Registration Date	Design Number	Registration Number	International Classification Code (IDC)	Registration Date
10164/2010	332981	06-07	01/10/2010	13416/2010	333042	06-01C	30/09/2010
10945/2010	332982	02-03	01/10/2010	13441/2010	332967	08-99	24/09/2010
12110/2010	332889	07-02L	24/09/2010	13472/2010	332968	26-06	24/09/2010
12115/2010	332901	29-02	21/09/2010	13473/2010	332969	26-06	24/09/2010
12310/2010	332890	26-03	24/09/2010	13519/2010	332907	19-07	21/09/2010
12312/2010	332891	24-01	24/09/2010	13527/2010	332949	23-01L	24/09/2010
12406/2010	332988	21-02A	30/09/2010	13555/2010	333009	16-02	30/09/2010
12450/2010	332989	25-02G	30/09/2010	13561/2010	333051	11-02C	01/10/2010
12452/2010	332807	11-02E	22/09/2010	13562/2010	333052	11-02C	01/10/2010
12536/2010	332892	08-08NES	24/09/2010	13608/2010	332974	25-01B	24/09/2010
12559/2010	332977	07-02A	24/09/2010	13609/2010	332973	25-01B	24/09/2010
12569/2010	332990	02-04NES	30/09/2010	13611/2010	333043	09-03L	30/09/2010
12570/2010	332991	02-04NES	30/09/2010	13641/2010	332809	25-01K	22/09/2010
12571/2010	332992	02-04NES	30/09/2010	13642/2010	332810	25-01K	22/09/2010
12572/2010	332993	02-04NES	30/09/2010	13643/2010	332811	25-01K	22/09/2010
12598/2010	332902	22-05	21/09/2010	13644/2010	332812	25-01K	22/09/2010
12599/2010	332903	08-08NES	21/09/2010	13645/2010	332813	25-01K	22/09/2010
12646/2010	332930	06-02	23/09/2010	13646/2010	332814	25-01K	22/09/2010
12649/2010	332808	06-11	22/09/2010	13647/2010	332815	08-08NES	22/09/2010
12664/2010	332904	15-04	21/09/2010	13648/2010	332816	09-03E	22/09/2010
12709/2010	332905	14-03NES	21/09/2010	13649/2010	332817	09-03E	22/09/2010
12788/2010	333019	20-02C	30/09/2010	13678/2010	332972	14-02	24/09/2010
12885/2010	333025	09-01A	30/09/2010	13684/2010	332970	02-04NES	24/09/2010
12886/2010	333026	09-01A	30/09/2010	13685/2010	332971	02-04NES	24/09/2010
12887/2010	333027	09-07A	30/09/2010	13686/2010	332933	09-03A	24/09/2010
12888/2010	333028	09-07A	30/09/2010	13696/2010	332899	06-01E	24/09/2010
12889/2010	333029	09-07A	30/09/2010	13697/2010	332950	23-02F	24/09/2010
12915/2010	333000	08-03	30/09/2010	13698/2010	332951	23-02F	24/09/2010
12916/2010	333001	08-03	30/09/2010	13702/2010	332934	07-06NES	24/09/2010
12917/2010	333002	08-03	30/09/2010	13703/2010	332935	14-03E	24/09/2010
12918/2010	333003	08-03	30/09/2010	13704/2010	332908	07-01B	21/09/2010
12919/2010	333004	08-03	30/09/2010	13705/2010	332909	23-02B	21/09/2010
12920/2010	333005	08-03	30/09/2010	13712/2010	332910	15-02	21/09/2010
12932/2010	332978	02-06	24/09/2010	13716/2010	332952	09-03F	24/09/2010
12980/2010	332945	02-03	24/09/2010	13717/2010	332953	23-01B	24/09/2010
12989/2010	332893	09-03F	24/09/2010	13719/2010	332900	08-08B	24/09/2010
13028/2010	332898	14-03A	24/09/2010	13721/2010	332913	07-06C	24/09/2010
13029/2010	333006	22-05	30/09/2010	13722/2010	332914	07-99C	24/09/2010
13082/2010	332946	08-07	24/09/2010	13724/2010	332911	25-02A	21/09/2010
13084/2010	332964	12-16B	24/09/2010	13725/2010	332912	25-02A	21/09/2010
13085/2010	332965	12-16K	24/09/2010	13736/2010	332954	26-04	24/09/2010
13088/2010	332932	12-10	24/09/2010	13737/2010	332955	26-04	24/09/2010
13126/2010	333040	21-04	30/09/2010	13739/2010	332915	08-08NES	24/09/2010
13127/2010	333041	21-04	30/09/2010	13740/2010	332916	06-01G	24/09/2010
13156/2010	332966	23-04	24/09/2010	13741/2010	332917	06-01G	24/09/2010
13183/2010	333007	20-02C	30/09/2010	13742/2010	332918	06-01G	24/09/2010
13184/2010	333008	06-01F	30/09/2010	13743/2010	332919	06-01G	24/09/2010
13235/2010	332983	25-01E	01/10/2010	13744/2010	332920	06-01G	24/09/2010
13250/2010	332947	23-02F	24/09/2010	13745/2010	332921	06-01G	24/09/2010
13261/2010	332906	06-03C	21/09/2010	13746/2010	332922	14-02	24/09/2010
13284/2010	332948	25-04	24/09/2010	13747/2010	332979	06-01G	24/09/2010
13288/2010	333064	06-04NES	05/10/2010	13748/2010	332956	06-01G	24/09/2010
13317/2010	333063	06-04NES	05/10/2010	13749/2010	332957	07-01NES	24/09/2010

Publication and Registration Proceedings - Designs Registered cont'd

Design Number	Registration Number	International Classification Code (IDC)	Registration Date	Design Number	Registration Number	International Classification Code (IDC)	Registration Date
13750/2010	332958	07-01NES	24/09/2010	13823/2010	333030	23-02B	30/09/2010
13751/2010	332959	07-01NES	24/09/2010	13824/2010	333031	25-01C	30/09/2010
13752/2010	332960	07-01NES	24/09/2010	13826/2010	333032	03-01NES	30/09/2010
13754/2010	332961	07-07NES	24/09/2010	13827/2010	333033	14-02	30/09/2010
13755/2010	332962	21-02F	24/09/2010	13828/2010	333034	14-02	30/09/2010
13756/2010	332963	04-02	24/09/2010	13829/2010	333035	14-99	30/09/2010
13757/2010	332936	12-15B	24/09/2010	13832/2010	333046	13-01	30/09/2010
13758/2010	332937	07-02H	24/09/2010	13833/2010	333047	28-99	30/09/2010
13761/2010	332938	12-08	24/09/2010	13834/2010	332942	25-01K	24/09/2010
13762/2010	332939	23-01A	24/09/2010	13837/2010	332941	25-01K	24/09/2010
13764/2010	332940	08-05H	24/09/2010	13838/2010	332975	06-09	24/09/2010
13766/2010	332923	28-03A	23/09/2010	13839/2010	333048	03-01A	30/09/2010
13769/2010	332924	25-01A	23/09/2010	13848/2010	333056	10-05	05/10/2010
13770/2010	332925	04-01	23/09/2010	13849/2010	333057	09-03C	05/10/2010
13771/2010	332926	04-01	23/09/2010	13850/2010	333058	01-01	05/10/2010
13772/2010	332927	15-05	23/09/2010	13855/2010	333049	09-03M	30/09/2010
13773/2010	332928	15-05	23/09/2010	13856/2010	333038	09-03M	30/09/2010
13774/2010	332929	15-05	23/09/2010	13857/2010	333039	08-08D	30/09/2010
13775/2010	333010	15-05	30/09/2010	13869/2010	333053	12-02	01/10/2010
13776/2010	333011	15-05	30/09/2010	13875/2010	332943	05-06B	24/09/2010
13777/2010	333012	15-05	30/09/2010	13876/2010	333050	02-02NES	30/09/2010
13778/2010	333013	15-05	30/09/2010	13880/2010	332894	09-03F	24/09/2010
13779/2010	333014	25-01A	30/09/2010	13881/2010	332895	09-03F	24/09/2010
13780/2010	333015	25-01A	30/09/2010	13882/2010	332896	09-03F	24/09/2010
13781/2010	333016	25-01A	30/09/2010	13883/2010	332897	09-03F	24/09/2010
13782/2010	333017	25-01A	30/09/2010	13886/2010	333065	14-03NES	05/10/2010
13783/2010	333018	25-01A	30/09/2010	13887/2010	333066	06-03C	05/10/2010
13789/2010	333054	25-04	05/10/2010	13888/2010	333067	23-01B	05/10/2010
13790/2010	333055	12-11	05/10/2010	13899/2010	333059	08-08L	05/10/2010
13795/2010	333044	24-02	30/09/2010	13900/2010	333060	08-08L	05/10/2010
13806/2010	332994	03-01A	30/09/2010	13901/2010	333061	08-08L	05/10/2010
13807/2010	332995	06-01H	30/09/2010	13902/2010	333062	08-08L	05/10/2010
13808/2010	332996	06-01G	30/09/2010	13920/2010	333024	02-03	30/09/2010
13809/2010	332997	06-01G	30/09/2010	13933/2010	332999	07-02A	30/09/2010
13810/2010	332998	06-01G	30/09/2010	13969/2010	332944	07-02L	24/09/2010
13811/2010	333020	25-01K	30/09/2010	13989/2010	332931	09-02C	23/09/2010
13812/2010	333021	25-01K	30/09/2010	13997/2010	333036	26-03	30/09/2010
13813/2010	333022	28-03NES	30/09/2010	14005/2010	332980	02-06	24/09/2010
13814/2010	333023	14-01	30/09/2010	14018/2010	333037	08-08H	30/09/2010
13815/2010	333045	25-01K	30/09/2010	14041/2010	332976	15-99	24/09/2010
13816/2010	332984	09-01H	05/10/2010				
13817/2010	332985	09-01H	05/10/2010				
13818/2010	332986	09-01H	05/10/2010				
13819/2010	332987	09-01H	05/10/2010				

Publication and Registration Proceedings
Class Listing of Designs Published or Registered

The following section shows an International Classification Code listing of the Registered or Published Designs covered in this supplement.

Classification	Registration Number	Design Number	Classification	Registration Number	Design Number
01-01	333058	13850/2010	07-02 L	332889	12110/2010
02-02 NES	333050	13876/2010	07-02 L	332944	13969/2010
02-03	332945	12980/2010	07-06 C	332913	13721/2010
02-03	332982	10945/2010	07-06 NES	332934	13702/2010
02-03	333024	13920/2010	07-07 NES	332961	13754/2010
02-04 NES	332970	13684/2010	07-99 C	332914	13722/2010
02-04 NES	332971	13685/2010	08-03	333000	12915/2010
02-04 NES	332990	12569/2010	08-03	333001	12916/2010
02-04 NES	332991	12570/2010	08-03	333002	12917/2010
02-04 NES	332992	12571/2010	08-03	333003	12918/2010
02-04 NES	332993	12572/2010	08-03	333004	12919/2010
02-06	332978	12932/2010	08-03	333005	12920/2010
02-06	332980	14005/2010	08-05 H	332940	13764/2010
03-01 A	332994	13806/2010	08-07	332946	13082/2010
03-01 A	333048	13839/2010	08-08 B	332900	13719/2010
03-01 NES	333032	13826/2010	08-08 B	332903	12599/2010
04-01	332925	13770/2010	08-08 D	333039	13857/2010
04-01	332926	13771/2010	08-08 H	333037	14018/2010
04-02	332963	13756/2010	08-08 L	333042	13416/2010
05-06 B	332943	13875/2010	08-08 L	333059	13899/2010
06-01 C	333042	13416/2010	08-08 L	333060	13900/2010
06-01 E	332899	13696/2010	08-08 L	333061	13901/2010
06-01 F	333008	13184/2010	08-08 L	333062	13902/2010
06-01 G	332916	13740/2010	08-08 NES	332815	13647/2010
06-01 G	332917	13741/2010	08-08 NES	332892	12536/2010
06-01 G	332918	13742/2010	08-08 NES	332903	12599/2010
06-01 G	332919	13743/2010	08-08 NES	332915	13739/2010
06-01 G	332920	13744/2010	08-08 NES	333063	13317/2010
06-01 G	332921	13745/2010	08-08 NES	333064	13288/2010
06-01 G	332956	13748/2010	08-99	332967	13441/2010
06-01 G	332979	13747/2010	09-01 A	333025	12885/2010
06-01 G	332996	13808/2010	09-01 A	333026	12886/2010
06-01 G	332997	13809/2010	09-01 H	332984	13816/2010
06-01 G	332998	13810/2010	09-01 H	332985	13817/2010
06-01 H	332995	13807/2010	09-01 H	332986	13818/2010
06-02	332930	12646/2010	09-01 H	332987	13819/2010
06-03 C	332906	13261/2010	09-02 C	332931	13989/2010
06-03 C	333007	13183/2010	09-03 A	332933	13686/2010
06-03 C	333066	13887/2010	09-03 C	333057	13849/2010
06-04 F	332930	12646/2010	09-03 E	332816	13648/2010
06-04 NES	333063	13317/2010	09-03 E	332817	13649/2010
06-04 NES	333064	13288/2010	09-03 F	332893	12989/2010
06-06 B	332930	12646/2010	09-03 F	332894	13880/2010
06-06 F	332930	12646/2010	09-03 F	332895	13881/2010
06-06 NES	332915	13739/2010	09-03 F	332896	13882/2010
06-07	332981	10164/2010	09-03 F	332897	13883/2010
06-09	332975	13838/2010	09-03 F	332952	13716/2010
06-11	332808	12649/2010	09-03 L	333043	13611/2010
07-01 B	332908	13704/2010	09-03 M	333038	13856/2010
07-01 NES	332957	13749/2010	09-03 M	333049	13855/2010
07-01 NES	332958	13750/2010	09-07 A	333027	12887/2010
07-01 NES	332959	13751/2010	09-07 A	333028	12888/2010
07-01 NES	332960	13752/2010	09-07 A	333029	12889/2010
07-02 A	332977	12559/2010	10-05	333056	13848/2010
07-02 A	332999	13933/2010	11-02 C	333051	13561/2010
07-02 H	332937	13758/2010	11-02 C	333052	13562/2010

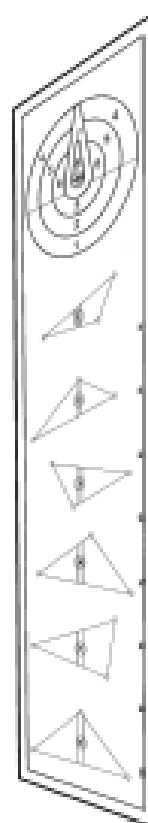
Registration Proceedings - Class Listing of Designs Published or Registered cont'd

Classification	Registration Number	Design Number	Classification	Registration Number	Design Number
11-02 E	332807	12452/2010	23-02 B	333030	13823/2010
12-02	333048	13839/2010	23-02 F	332947	13250/2010
12-02	333053	13869/2010	23-02 F	332950	13697/2010
12-08	332938	13761/2010	23-02 F	332951	13698/2010
12-10	332932	13088/2010	23-04	332966	13156/2010
12-11	333055	13790/2010	24-01	332891	12312/2010
12-15 B	332936	13757/2010	24-02	333044	13795/2010
12-16 B	332964	13084/2010	25-01 A	332924	13769/2010
12-16 K	332965	13085/2010	25-01 A	333014	13779/2010
12-16 NES	333065	13886/2010	25-01 A	333015	13780/2010
13-01	333046	13832/2010	25-01 A	333016	13781/2010
14-01	333023	13814/2010	25-01 A	333017	13782/2010
14-02	332892	12536/2010	25-01 A	333018	13783/2010
14-02	332922	13746/2010	25-01 B	332973	13609/2010
14-02	332972	13678/2010	25-01 B	332974	13608/2010
14-02	333033	13827/2010	25-01 B	333042	13416/2010
14-02	333034	13828/2010	25-01 C	333031	13824/2010
14-03 A	332898	13028/2010	25-01 E	332983	13235/2010
14-03 E	332935	13703/2010	25-01 K	332809	13641/2010
14-03 NES	332905	12709/2010	25-01 K	332810	13642/2010
14-03 NES	333065	13886/2010	25-01 K	332811	13643/2010
14-99	333032	13826/2010	25-01 K	332812	13644/2010
14-99	333033	13827/2010	25-01 K	332813	13645/2010
14-99	333034	13828/2010	25-01 K	332814	13646/2010
14-99	333035	13829/2010	25-01 K	332941	13837/2010
15-02	332910	13712/2010	25-01 K	332942	13834/2010
15-04	332904	12664/2010	25-01 K	333020	13811/2010
15-05	332927	13772/2010	25-01 K	333021	13812/2010
15-05	332928	13773/2010	25-01 K	333031	13824/2010
15-05	332929	13774/2010	25-01 K	333045	13815/2010
15-05	333010	13775/2010	25-02 A	332911	13724/2010
15-05	333011	13776/2010	25-02 A	332912	13725/2010
15-05	333012	13777/2010	25-02 G	332989	12450/2010
15-05	333013	13778/2010	25-02 H	333037	14018/2010
15-99	332976	14041/2010	25-04	332948	13284/2010
16-02	333009	13555/2010	25-04	333054	13789/2010
19-07	332907	13519/2010	25-99	332815	13647/2010
20-02 C	333007	13183/2010	26-03	332890	12310/2010
20-02 C	333019	12788/2010	26-03	333036	13997/2010
20-03 C	333036	13997/2010	26-04	332954	13736/2010
21-02 A	332988	12406/2010	26-04	332955	13737/2010
21-02 F	332962	13755/2010	26-06	332968	13472/2010
21-04	333040	13126/2010	26-06	332969	13473/2010
21-04	333041	13127/2010	28-03 A	332923	13766/2010
22-05	332902	12598/2010	28-03 NES	333022	13813/2010
22-05	333006	13029/2010	28-99	333047	13833/2010
23-01 A	332939	13762/2010	29-02	332901	12115/2010
23-01 B	332953	13717/2010	31-00	332944	13969/2010
23-01 B	333067	13888/2010			
23-01 L	332949	13527/2010			
23-01 NES	332931	13989/2010			
23-02 B	332909	13705/2010			

- (21) Design Number: **12452/2010**
(22) Date of Filing Application: **15 June 2010**
(24) Date from which industrial property rights may have effect: **15 June 2010**
(54) Product in respect of which the design is registered: **Pendant**
(51) International Design Classification: **11-02E**
(71) Name(s) and Address(s) of Applicant(s):
Canturi Corporation Pty Ltd
Level 3 99 York Street Sydney New South Wales 2000 Australia
(72) Name(s) of Designer(s): **Stefano Canturi**
(45) Registration Date: **22 September 2010**
(56) Related Art Documents: **Not Applicable**
(57) Statement of Newness and Distinctiveness: **Nil**



- (21) Design Number: **12649/2010**
(22) Date of Filing Application: **28 June 2010**
(24) Date from which industrial property rights may have effect: **28 June 2010**
(54) Product in respect of which the design is registered: **Mat**
(51) International Design Classification: **06-11**
(71) Name(s) and Address(s) of Applicant(s):
Mark Purvis
89 Westbrook Street Calista Western Australia 6167 Australia
Charles Robert Gust
89 Westbrook Street Calista Western Australia 6167 Australia
(72) Name(s) of Designer(s): **Mark Purvis and Charles Robert Gust**
(45) Registration Date: **22 September 2010**
(56) Related Art Documents: **Not Applicable**
(57) Statement of Newness and Distinctiveness: **Newness and distinctiveness is claimed in the pattern and/or ornamentation of the mat as shown in the drawings, irrespective of the presence or not of any alpha-numeric characters.**



(21) Design Number: **13641/2010**

(22) Date of Filing Application: **24 August 2010**

(24) Date from which industrial property rights may have effect: **24 August 2010**

(54) Product in respect of which the design is registered: **Extrusion**

(51) International Design Classification: **25-01K**

(71) Name(s) and Address(s) of Applicant(s):

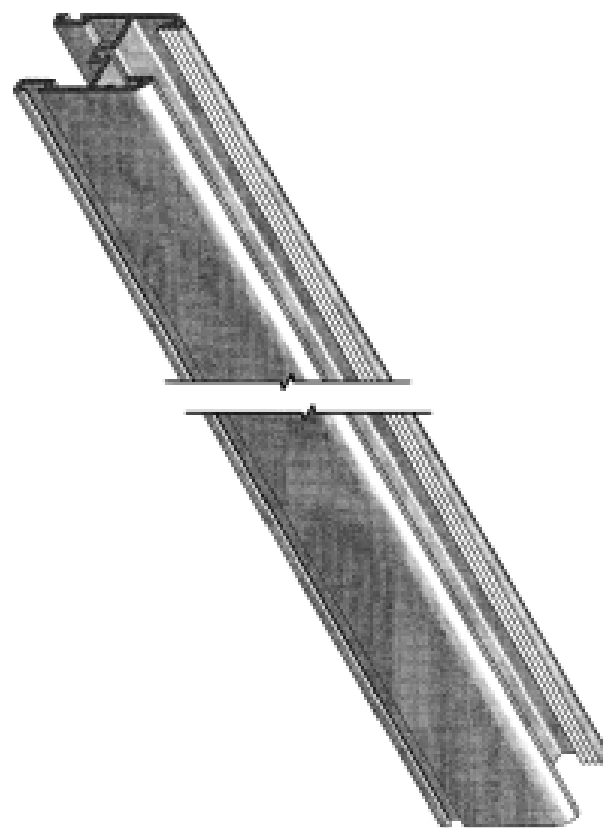
**Aluminium Specialties Group Pty Ltd
3 Alspec Place Eastern Creek New South Wales 2766 Australia**

(72) Name(s) of Designer(s): **Mike Goodridge**

(45) Registration Date: **22 September 2010**

(56) Related Art Documents: **Not Applicable**

(57) Statement of Newness and Distinctiveness: **Newness and distinctiveness resides in the features of shape and/or configuration of an extrusion of indefinite length as shown in the accompanying representations.**



(21) Design Number: **13642/2010**

(22) Date of Filing Application: **24 August 2010**

(24) Date from which industrial property rights may have effect: **24 August 2010**

(54) Product in respect of which the design is registered: **Extrusion**

(51) International Design Classification: **25-01K**

(71) Name(s) and Address(s) of Applicant(s):

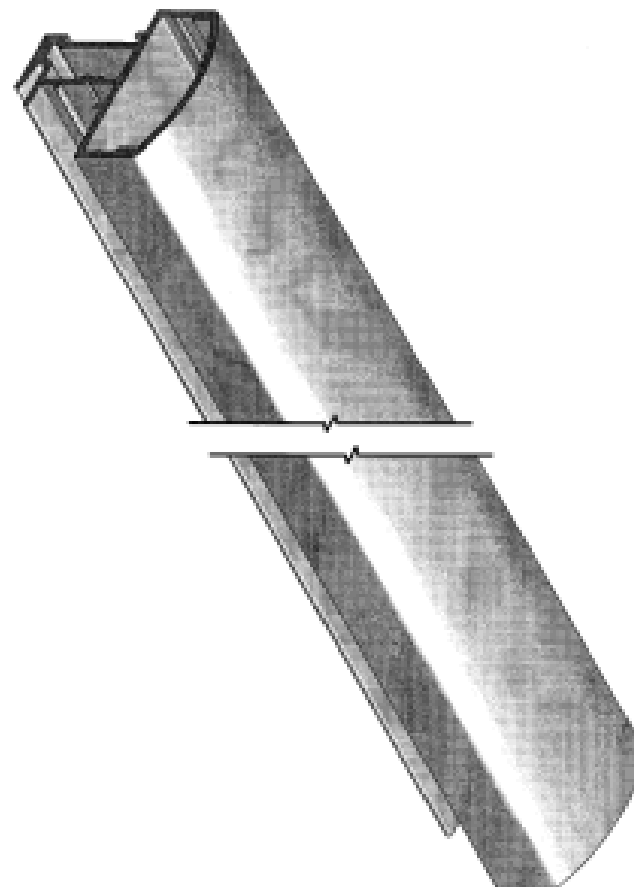
**Aluminium Specialties Group Pty Ltd
3 Alspec Place Eastern Creek New South Wales 2766 Australia**

(72) Name(s) of Designer(s): **Mike Goodridge**

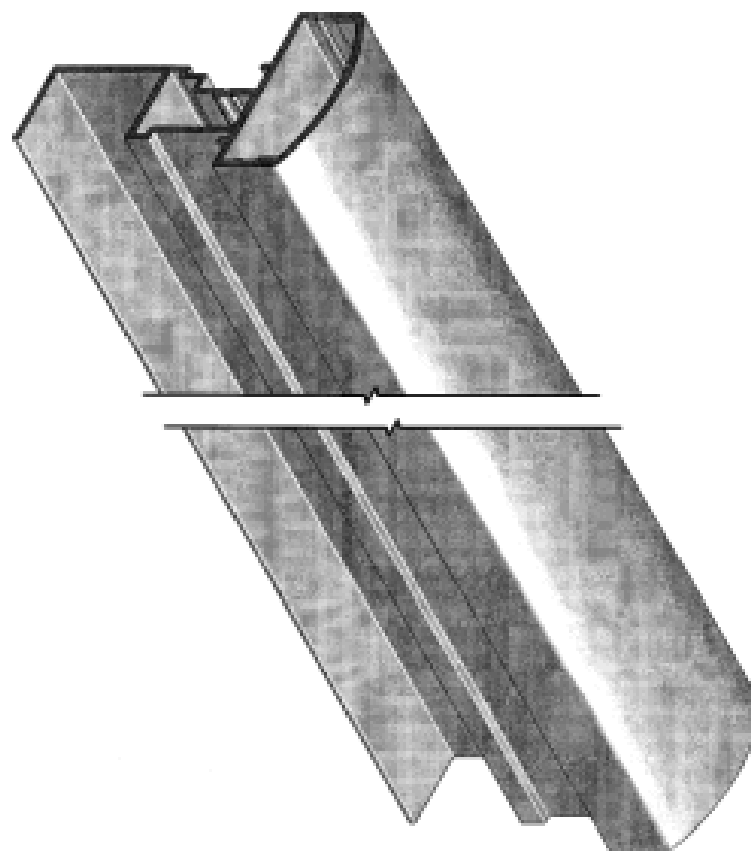
(45) Registration Date: **22 September 2010**

(56) Related Art Documents: **Not Applicable**

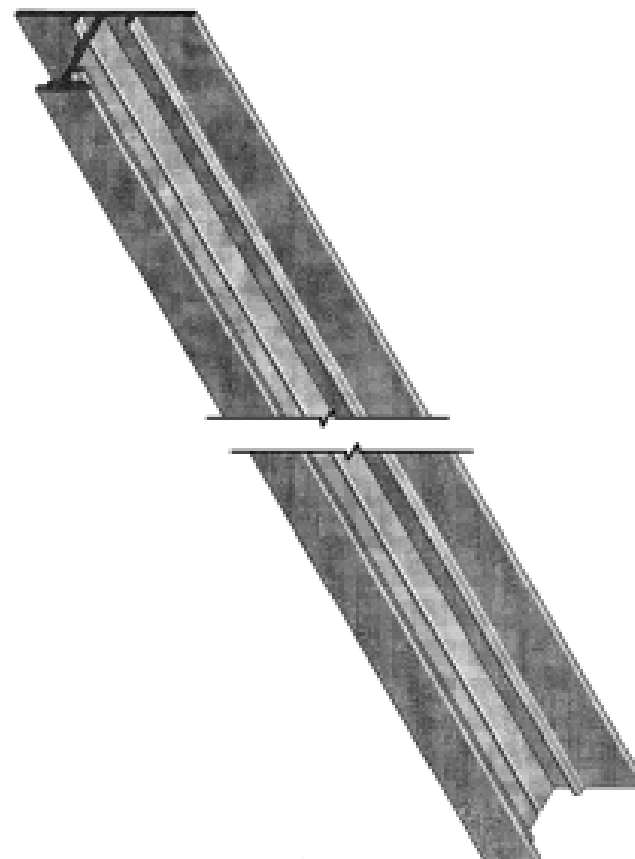
(57) Statement of Newness and Distinctiveness: **Newness and distinctiveness resides in the features of shape and/or configuration of an extrusion of indefinite length as shown in the accompanying representations.**



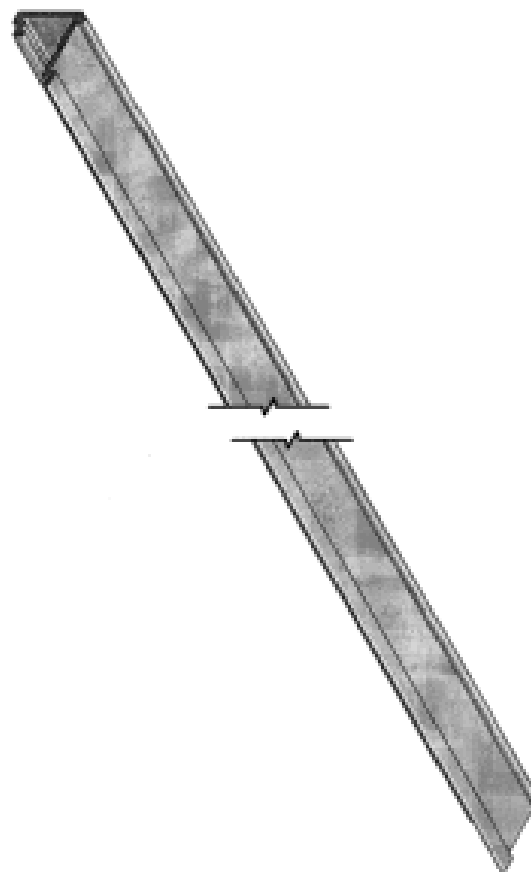
- (21) Design Number: **13643/2010**
(22) Date of Filing Application: **24 August 2010**
(24) Date from which industrial property rights may have effect: **24 August 2010**
(54) Product in respect of which the design is registered: **Extrusion**
(51) International Design Classification: **25-01K**
(71) Name(s) and Address(s) of Applicant(s):
Aluminium Specialties Group Pty Ltd
3 Alspec Place Eastern Creek New South Wales 2766 Australia
(72) Name(s) of Designer(s): **Mike Goodridge**
(45) Registration Date: **22 September 2010**
(56) Related Art Documents: **Not Applicable**
(57) Statement of Newness and Distinctiveness: **Newness and distinctiveness resides in the features of shape and/or configuration of an extrusion of indefinite length as shown in the accompanying representations.**



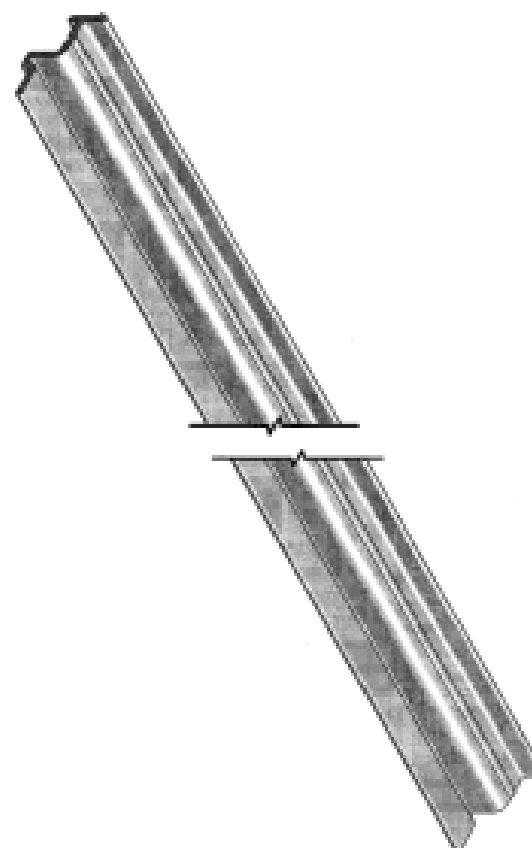
- (21) Design Number: **13644/2010**
(22) Date of Filing Application: **24 August 2010**
(24) Date from which industrial property rights may have effect: **24 August 2010**
(54) Product in respect of which the design is registered: **Extrusion**
(51) International Design Classification: **25-01K**
(71) Name(s) and Address(s) of Applicant(s):
Aluminium Specialties Group Pty Ltd
3 Alspec Place Eastern Creek New South Wales 2766 Australia
(72) Name(s) of Designer(s): **Mike Goodridge**
(45) Registration Date: **22 September 2010**
(56) Related Art Documents: **Not Applicable**
(57) Statement of Newness and Distinctiveness: **Newness and distinctiveness resides in the features of shape and/or configuration of an extrusion of indefinite length as shown in the accompanying representations.**



- (21) Design Number: **13645/2010**
(22) Date of Filing Application: **24 August 2010**
(24) Date from which industrial property rights may have effect: **24 August 2010**
(54) Product in respect of which the design is registered: **Extrusion**
(51) International Design Classification: **25-01K**
(71) Name(s) and Address(s) of Applicant(s):
Aluminium Specialties Group Pty Ltd
3 Alspec Place Eastern Creek New South Wales 2766 Australia
(72) Name(s) of Designer(s): **Mike Goodridge**
(45) Registration Date: **22 September 2010**
(56) Related Art Documents: **Not Applicable**
(57) Statement of Newness and Distinctiveness: **Newness and distinctiveness resides in the features of shape and/or configuration of an extrusion of indefinite length as shown in the accompanying representations.**



- (21) Design Number: **13646/2010**
(22) Date of Filing Application: **24 August 2010**
(24) Date from which industrial property rights may have effect: **24 August 2010**
(54) Product in respect of which the design is registered: **Extrusion**
(51) International Design Classification: **25-01K**
(71) Name(s) and Address(s) of Applicant(s):
Aluminium Specialties Group Pty Ltd
3 Alspec Place Eastern Creek New South Wales 2766 Australia
(72) Name(s) of Designer(s): **Mike Goodridge**
(45) Registration Date: **22 September 2010**
(56) Related Art Documents: **Not Applicable**
(57) Statement of Newness and Distinctiveness: **Newness and distinctiveness resides in the features of shape and/or configuration of an extrusion of indefinite length as shown in the accompanying representations.**



(21) Design Number: **13647/2010**

(22) Date of Filing Application: **24 August 2010**

(24) Date from which industrial property rights may have effect: **24 August 2010**

(54) Product in respect of which the design is registered: **Connector**

(51) International Design Classification: **08-08NES, 25-99**

(71) Name(s) and Address(s) of Applicant(s):

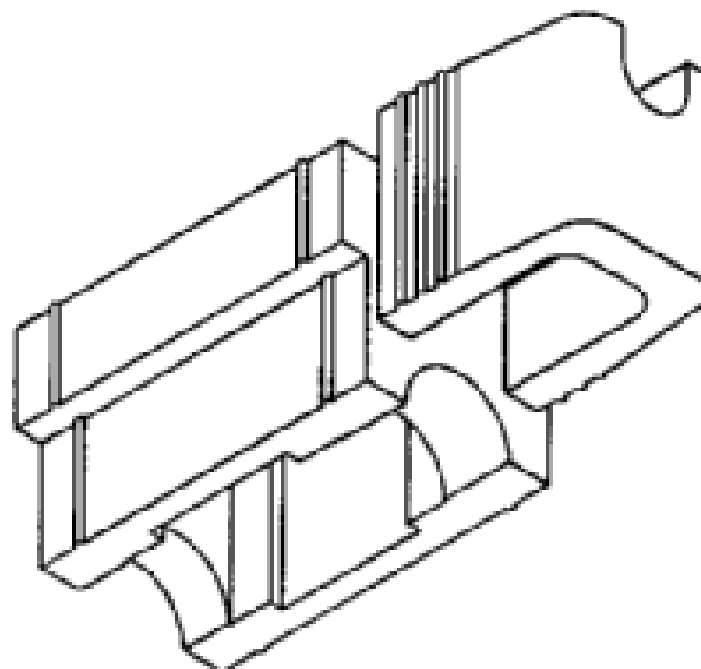
**Aluminium Specialties Group Pty Ltd
3 Alspec Place Eastern Creek New South Wales 2766 Australia**

(72) Name(s) of Designer(s): **Mike Goodridge**

(45) Registration Date: **22 September 2010**

(56) Related Art Documents: **Not Applicable**

(57) Statement of Newness and Distinctiveness: **Newness and distinctiveness resides in the features of shape and/or configuration of a connector as shown in the accompanying representations.**



(21) Design Number: **13648/2010**

(22) Date of Filing Application: **25 August 2010**

(24) Date from which industrial property rights may have effect: **25 August 2010**

(54) Product in respect of which the design is registered: **Single bottle carrier in neoprene rubber**

(51) International Design Classification: **09-03E**

(71) Name(s) and Address(s) of Applicant(s):

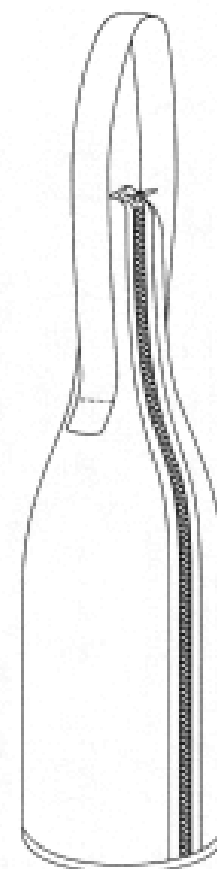
**Alex Brucki
1 Webb Street Kingsville Victoria 3012 Australia**

(72) Name(s) of Designer(s): **Alex Brucki**

(45) Registration Date: **22 September 2010**

(56) Related Art Documents: **Not Applicable**

(57) Statement of Newness and Distinctiveness: **Design is bottle-shaped in elevation and elastic so as to make a close fit with a single bottle; is closed at the sides and top with double zip fasteners; is closed at the base with a separate panel; and has double strap handles, the ends of which are fixed high on the neck.**



(21) Design Number: **13649/2010**

(22) Date of Filing Application: **25 August 2010**

(24) Date from which industrial property rights may have effect: **25 August 2010**

(54) Product in respect of which the design is registered: **Double bottle carrier in neoprene rubber**

(51) International Design Classification: **09-03E**

(71) Name(s) and Address(s) of Applicant(s):

Alex Brucki

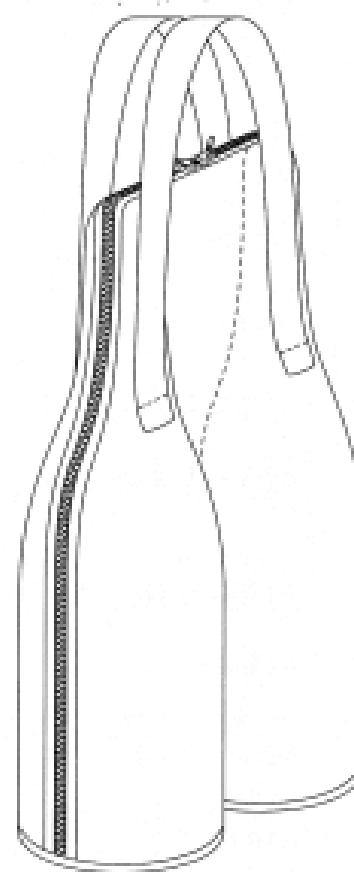
1 Webb Street Kingsville Victoria 3012 Australia

(72) Name(s) of Designer(s): **Alex Brucki**

(45) Registration Date: **22 September 2010**

(56) Related Art Documents: **Not Applicable**

(57) Statement of Newness and Distinctiveness: **Design is shaped in elevation to approximate two bottles side-by-side and is elastic so as to make a close fit with two bottles; is closed at the sides and top with double zip fasteners; is closed at the base with a separate panel; has a flat panel separating the necks; and has double strap handles, the ends of which are fixed high on the neck.**



(21) Design Number: **12110/2010**

(22) Date of Filing Application: **25 May 2010**

(24) Date from which industrial property rights may have effect: **25 May 2010**

(54) Product in respect of which the design is registered: **Coffee maker**

(51) International Design Classification: **07-02L**

(71) Name(s) and Address(s) of Applicant(s):

Jura Elektroapparate AG

Kaffeeweltstrasse 10 CH-4626 Niederbuchsiten Switzerland

(72) Name(s) of Designer(s): **Lutz Gebhardt and Frank Bossard**

(45) Registration Date: **24 September 2010**

(30) Convention priority data:

(31) Number

(32) Date

(33) Country

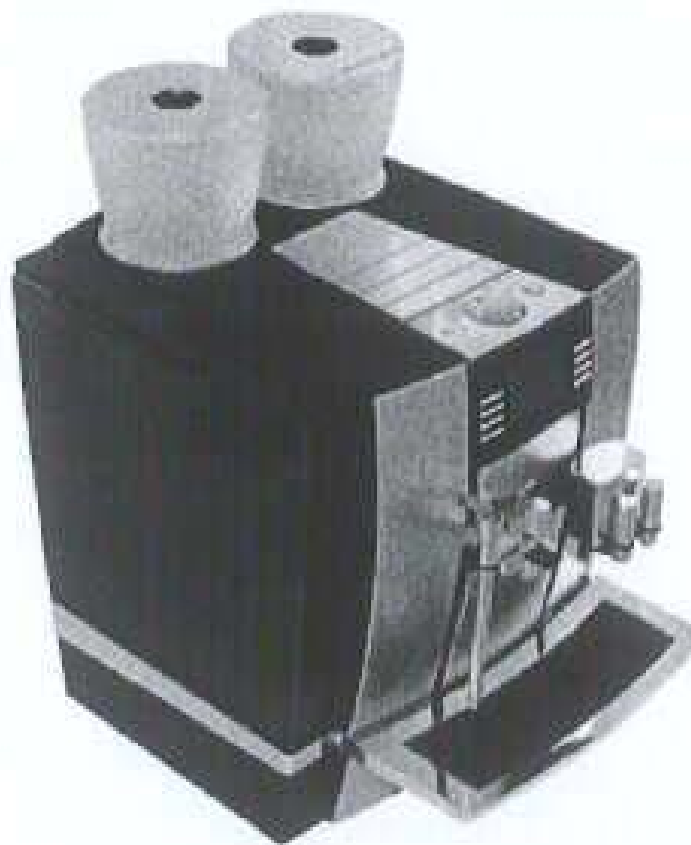
DM/072695

30 Nov 2009

EUROPEAN COMMUNITY

(56) Related Art Documents: **Not Applicable**

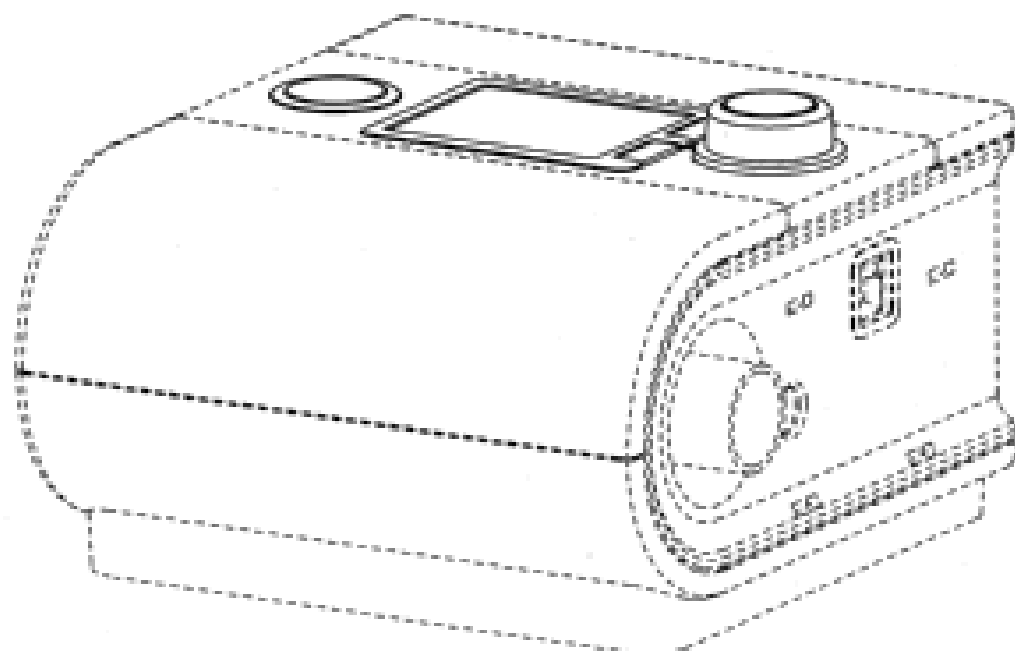
(57) Statement of Newness and Distinctiveness: **Nil**



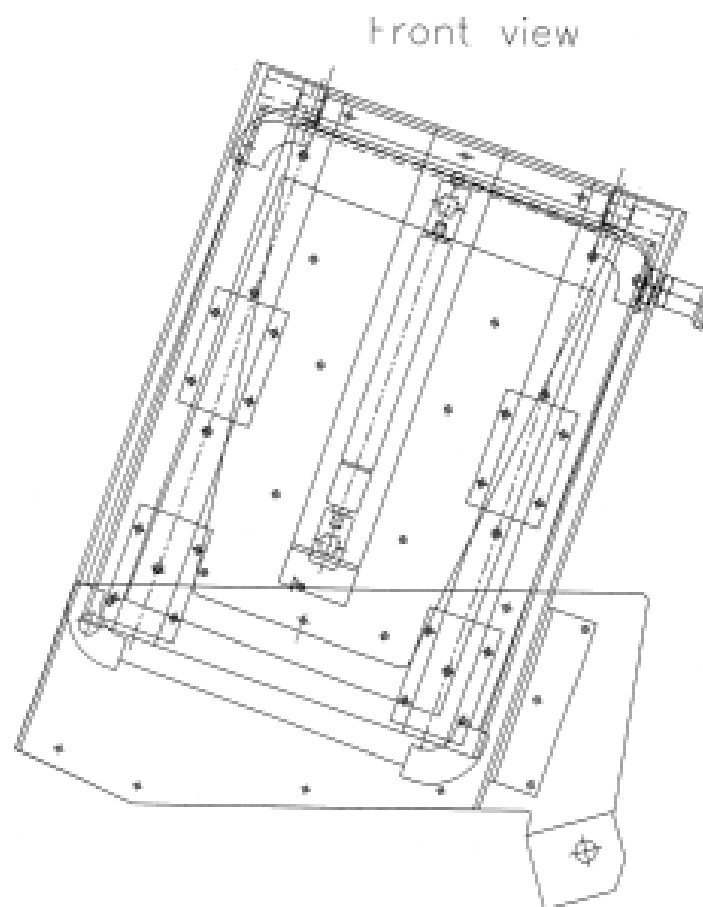
(21) Design Number: **12310/2010**
(22) Date of Filing Application: **07 June 2010**
(24) Date from which industrial property rights may have effect: **07 June 2010**
(54) Product in respect of which the design is registered: **Solar bollard**
(51) International Design Classification: **26-03**
(71) Name(s) and Address(s) of Applicant(s):
Exlites Pty Ltd
1/8 Dual Avenue Warana Queensland 4575 Australia
(72) Name(s) of Designer(s): **Mike Arieni**
(45) Registration Date: **24 September 2010**
(56) Related Art Documents: **Not Applicable**
(57) Statement of Newness and Distinctiveness: **The entire design is new and distinctive.**



(21) Design Number: **12312/2010**
(22) Date of Filing Application: **19 December 2008**
(24) Date from which industrial property rights may have effect: **19 December 2008**
(54) Product in respect of which the design is registered: **Positive airway pressure delivery device and/or humidifier and/or components thereof**
(51) International Design Classification: **24-01**
(71) Name(s) and Address(s) of Applicant(s):
ResMed Ltd
1 Elizabeth Macarthur Drive Bella Vista New South Wales 2153 Australia
(72) Name(s) of Designer(s): **Perry Lithgow and Phoebe Hill and Rohan Primrose and Mark Bertinetti and Henri Spaille**
(45) Registration Date: **24 September 2010**
(30) Convention priority data:
(31) Number (32) Date (33) Country
29/309086 19 Jun 2008 UNITED STATES OF AMERICA
(62) Divisional of: **331272**
(56) Related Art Documents: **Not Applicable**
(57) Statement of Newness and Distinctiveness: **Newness and distinctiveness is claimed in respect of those features shown in unbroken lines. Features shown in broken lines do not form part of the design in which monopoly is claimed.**

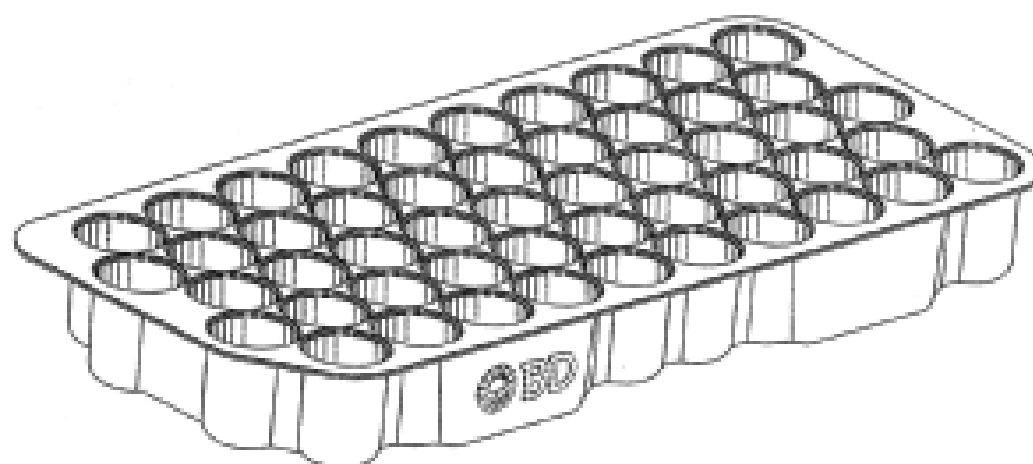


- (21) Design Number: **12536/2010**
- (22) Date of Filing Application: **18 June 2010**
- (24) Date from which industrial property rights may have effect: **18 June 2010**
- (54) Product in respect of which the design is registered: **Sliding and turning 12" touch screen/monitor mount for the passenger car**
- (51) International Design Classification: **08-08NES, 14-02**
- (71) Name(s) and Address(s) of Applicant(s):
Ivica Mucic
3/38-40 Brunswick Road Mitcham Victoria 3132 Australia
- (72) Name(s) of Designer(s): **Ivica Mucic**
- (45) Registration Date: **24 September 2010**
- (56) Related Art Documents: **Not Applicable**
- (57) Statement of Newness and Distinctiveness: **Nil**

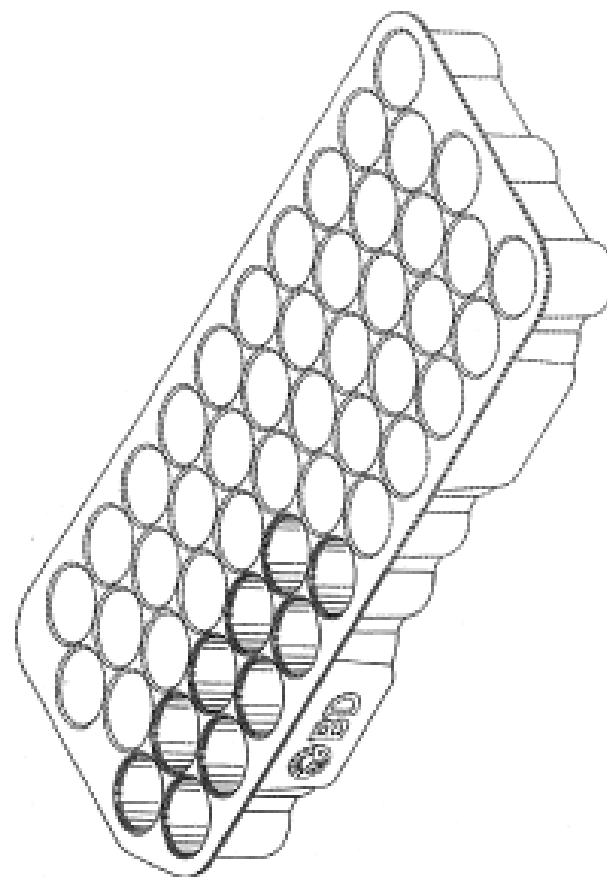


- (21) Design Number: **12989/2010**
- (22) Date of Filing Application: **19 July 2010**
- (24) Date from which industrial property rights may have effect: **19 July 2010**
- (54) Product in respect of which the design is registered: **Transport tube holder assembly with internal and external ribs**
- (51) International Design Classification: **09-03F**
- (71) Name(s) and Address(s) of Applicant(s):
Becton, Dickinson and Company
1 Becton Drive Franklin Lakes New Jersey 07417 United States of America
- (72) Name(s) of Designer(s): **Kenneth Karpiloff**
- (45) Registration Date: **24 September 2010**
- (30) Convention priority data:

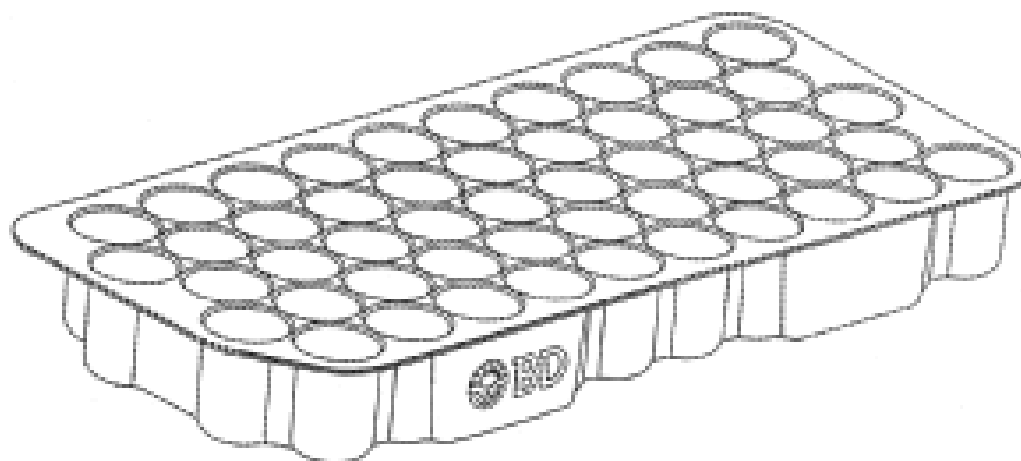
(31) Number	(32) Date	(33) Country
29/354047	19 Jan 2010	UNITED STATES OF AMERICA
- (56) Related Art Documents: **Not Applicable**
- (57) Statement of Newness and Distinctiveness: **Newness and distinctiveness reside in the shape and configuration of the design as shown in solid lines in the representations excluding those features shown in broken lines.**



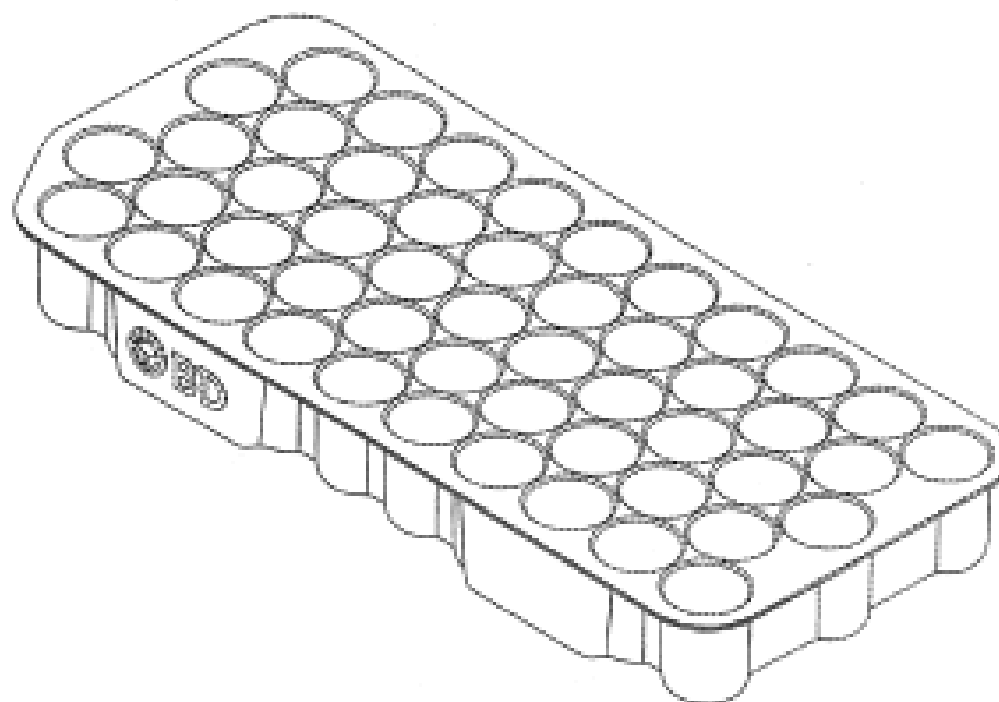
(21) Design Number: **13880/2010**
 (22) Date of Filing Application: **19 July 2010**
 (24) Date from which industrial property rights may have effect: **19 July 2010**
 (54) Product in respect of which the design is registered: **Transport tube holder assembly with internal and external ribs**
 (51) International Design Classification: **09-03F**
 (71) Name(s) and Address(s) of Applicant(s):
Becton, Dickinson and Company
1 Becton Drive Franklin Lakes New Jersey 07417 United States of America
 (72) Name(s) of Designer(s): **Kenneth Karpiloff**
 (45) Registration Date: **24 September 2010**
 (30) Convention priority data:
 (31) Number (32) Date (33) Country
29/354047 19 Jan 2010 UNITED STATES OF AMERICA
 (56) Related Art Documents: **Not Applicable**
 (57) Statement of Newness and Distinctiveness: **Newness and distinctiveness reside in the shape and configuration of the design as shown in solid lines in the representations excluding those features shown in broken lines.**



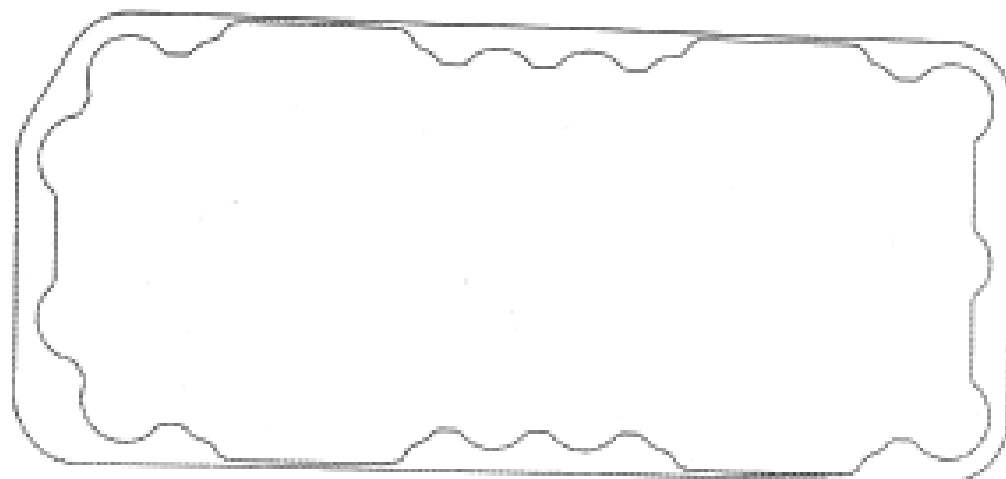
(21) Design Number: **13881/2010**
 (22) Date of Filing Application: **19 July 2010**
 (24) Date from which industrial property rights may have effect: **19 July 2010**
 (54) Product in respect of which the design is registered: **Transport tube holder assembly with internal and external ribs**
 (51) International Design Classification: **09-03F**
 (71) Name(s) and Address(s) of Applicant(s):
Becton, Dickinson and Company
1 Becton Drive Franklin Lakes New Jersey 07417 United States of America
 (72) Name(s) of Designer(s): **Kenneth Karpiloff**
 (45) Registration Date: **24 September 2010**
 (30) Convention priority data:
 (31) Number (32) Date (33) Country
29/354047 19 Jan 2010 UNITED STATES OF AMERICA
 (56) Related Art Documents: **Not Applicable**
 (57) Statement of Newness and Distinctiveness: **Newness and distinctiveness reside in the shape and configuration of the design as shown in solid lines in the representations excluding those features shown in broken lines.**



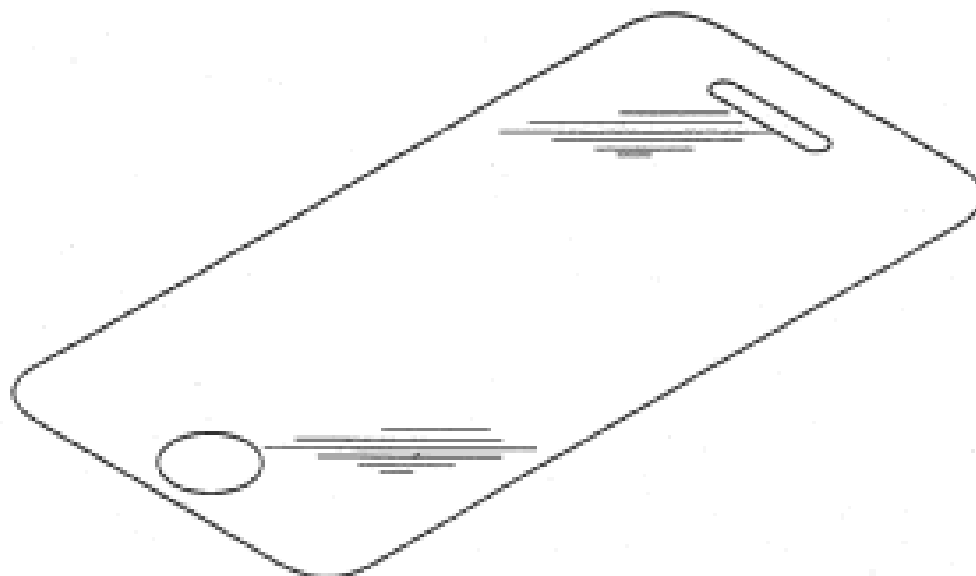
(21) Design Number: **13882/2010**
(22) Date of Filing Application: **19 July 2010**
(24) Date from which industrial property rights may have effect: **19 July 2010**
(54) Product in respect of which the design is registered: **Transport tube holder assembly with internal and external ribs**
(51) International Design Classification: **09-03F**
(71) Name(s) and Address(s) of Applicant(s):
Becton, Dickinson and Company
1 Becton Drive Franklin Lakes New Jersey 07417 United States of America
(72) Name(s) of Designer(s): **Kenneth Karpiloff**
(45) Registration Date: **24 September 2010**
(30) Convention priority data:
(31) Number (32) Date (33) Country
29/354047 19 Jan 2010 UNITED STATES OF AMERICA
(56) Related Art Documents: **Not Applicable**
(57) Statement of Newness and Distinctiveness: **Newness and distinctiveness reside in the shape and configuration of the design as shown in solid lines in the representations excluding those features shown in broken lines.**



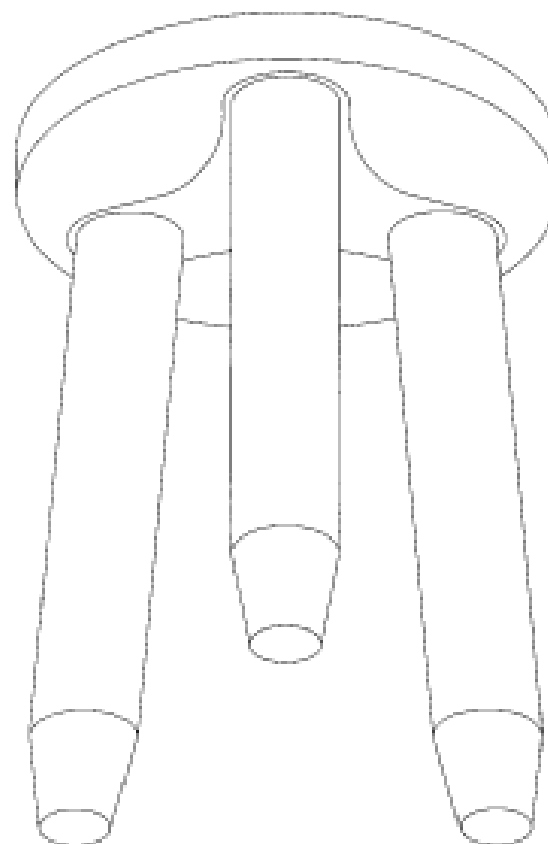
(21) Design Number: **13883/2010**
(22) Date of Filing Application: **19 July 2010**
(24) Date from which industrial property rights may have effect: **19 July 2010**
(54) Product in respect of which the design is registered: **Transport tube holder assembly with internal and external ribs**
(51) International Design Classification: **09-03F**
(71) Name(s) and Address(s) of Applicant(s):
Becton, Dickinson and Company
1 Becton Drive Franklin Lakes New Jersey 07417 United States of America
(72) Name(s) of Designer(s): **Kenneth Karpiloff**
(45) Registration Date: **24 September 2010**
(30) Convention priority data:
(31) Number (32) Date (33) Country
29/354047 19 Jan 2010 UNITED STATES OF AMERICA
(56) Related Art Documents: **Not Applicable**
(57) Statement of Newness and Distinctiveness: **Newness and distinctiveness reside in the shape and configuration of the design as shown in solid lines in the representations excluding those features shown in broken lines.**



- (21) Design Number: **13028/2010**
(22) Date of Filing Application: **22 July 2010**
(24) Date from which industrial property rights may have effect: **22 July 2010**
(54) Product in respect of which the design is registered: **A transparent protective cover for use with a mobile electronic device**
(51) International Design Classification: **14-03A**
(71) Name(s) and Address(s) of Applicant(s):
Zagg Incorporated
3855 South 500 West Suite J Salt Lake City Utah 84115 United States of America
(72) Name(s) of Designer(s): **Jordan Melville and Alex Buckalew**
(45) Registration Date: **24 September 2010**
(30) Convention priority data:
(31) Number (32) Date (33) Country
29/364353 22 Jun 2010 UNITED STATES OF AMERICA
(56) Related Art Documents: **Not Applicable**
(57) Statement of Newness and Distinctiveness: **Visual features of the design which are new and distinctive are the features of shape and configuration of A TRANSPARENT PROTECTIVE COVER as illustrated in the representations.**



- (21) Design Number: **13696/2010**
(22) Date of Filing Application: **26 August 2010**
(24) Date from which industrial property rights may have effect: **26 August 2010**
(54) Product in respect of which the design is registered: **Stool with plywood top, steel bracket and turned timber legs**
(51) International Design Classification: **06-01E**
(71) Name(s) and Address(s) of Applicant(s):
Andrew Burns Architect Pty Ltd
1/61-63 Myrtle Street Chippendale New South Wales 2008 Australia
(72) Name(s) of Designer(s): **Andrew Burns**
(45) Registration Date: **24 September 2010**
(56) Related Art Documents: **Not Applicable**
(57) Statement of Newness and Distinctiveness: **The stool contains a distinctive connection between legs and top, consisting of a steel plate bracket with screw fixing down into the leg and up into the top. The bracket has a distinctive curved profile.**



(21) Design Number: **13719/2010**

(22) Date of Filing Application: **27 August 2010**

(24) Date from which industrial property rights may have effect: **27 August 2010**

(54) Product in respect of which the design is registered: **Bolt coupling**

(51) International Design Classification: **08-08B**

(71) Name(s) and Address(s) of Applicant(s):

A.C. Whalan & Co Pty Ltd
573 Putty Road Singleton New South Wales 2330 Australia

(72) Name(s) of Designer(s): **Sam Whalan**

(45) Registration Date: **24 September 2010**

(56) Related Art Documents: **Not Applicable**

(57) Statement of Newness and Distinctiveness: **Newness and distinctiveness reside in the appearance of the product shown in the representations and in particular in the fluorescent yellow colour of the product.**



(21) Design Number: **12115/2010**

(22) Date of Filing Application: **26 May 2010**

(24) Date from which industrial property rights may have effect: **26 May 2010**

(54) Product in respect of which the design is registered: **Three dimensional face mask**

(51) International Design Classification: **29-02**

(71) Name(s) and Address(s) of Applicant(s):

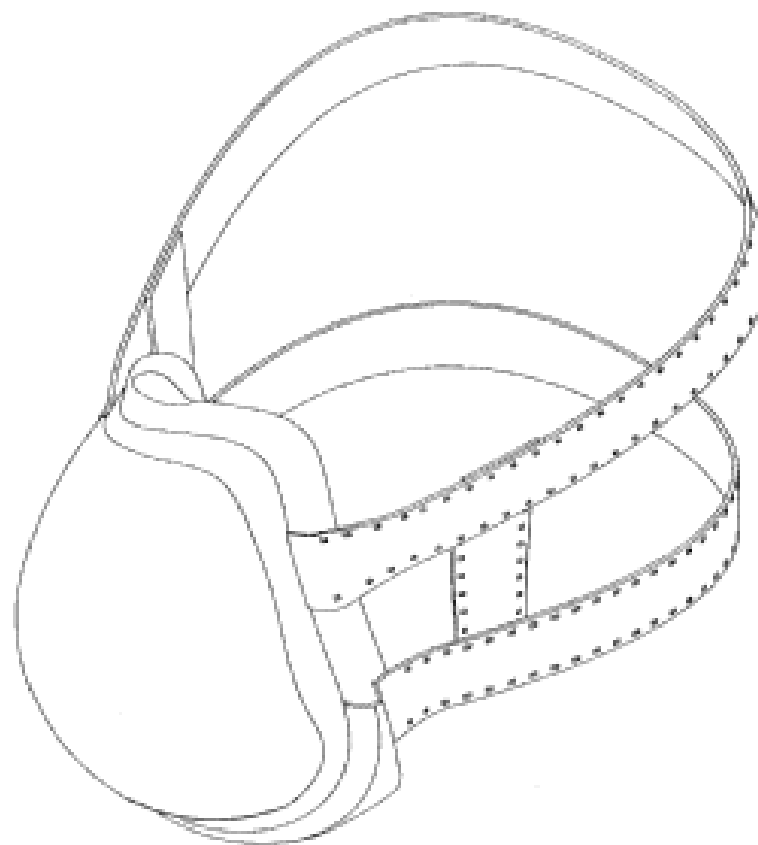
Aok Tooling Limited
Unit F 11/F Dragon Center No. 79 Wing Hong Street Cheung Sha Wan
Kowloon Hong Kong

(72) Name(s) of Designer(s): **Mei Sheng Teng**

(45) Registration Date: **21 September 2010**

(56) Related Art Documents: **Not Applicable**

(57) Statement of Newness and Distinctiveness: **Novelty resides in the design for a three dimensional face mask as shown in the drawings.**



(21) Design Number: **12598/2010**

(22) Date of Filing Application: **24 June 2010**

(24) Date from which industrial property rights may have effect: **24 June 2010**

(54) Product in respect of which the design is registered: **Fishing lure**

(51) International Design Classification: **22-05**

(71) Name(s) and Address(s) of Applicant(s):

Rapala VMC Oyj
Tehtaantie 2 FIN-17200 Vaakso Finland

(72) Name(s) of Designer(s): **Harri Leppala**

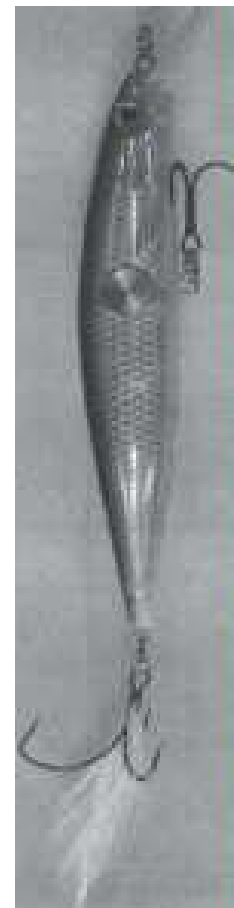
(45) Registration Date: **21 September 2010**

(30) Convention priority data:

(31) Number	(32) Date	(33) Country
001715657	04 Jun 2010	EUROPEAN COMMUNITY

(56) Related Art Documents: **Not Applicable**

(57) Statement of Newness and Distinctiveness: **Newness and distinctiveness is claimed in the visual features of shape, configuration, pattern and ornamentation of the article shown in the attached representations. In considering the newness and distinctiveness, attention should be given to the flattened side, the rattling chamber (the round protruding circle) and the shape of the lip of the article.**



(21) Design Number: **12599/2010**

(22) Date of Filing Application: **24 June 2010**

(24) Date from which industrial property rights may have effect: **24 June 2010**

(54) Product in respect of which the design is registered: **Anchor**

(51) International Design Classification: **08-08NES, 08-08B**

(71) Name(s) and Address(s) of Applicant(s):

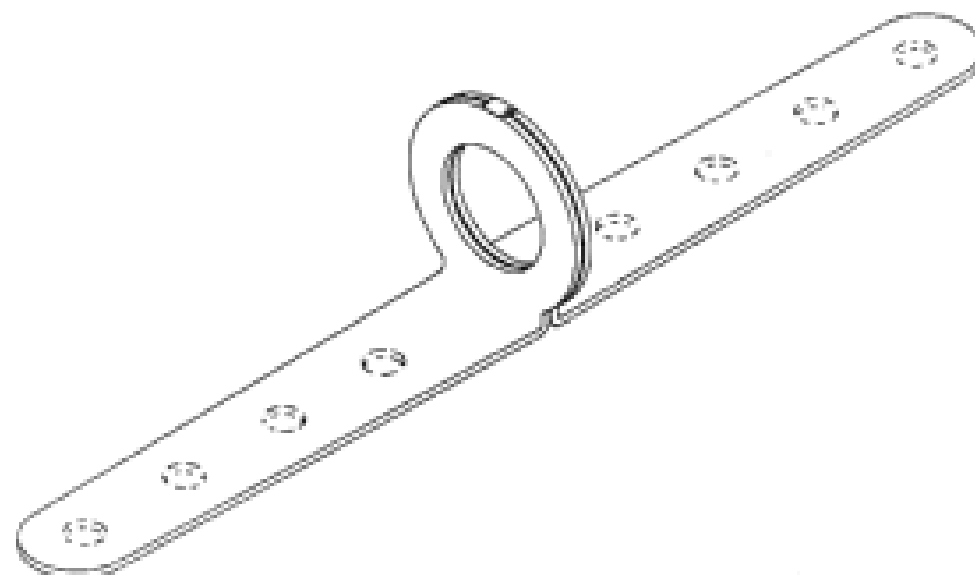
Peter Michael Fitzgerald
51 Tramway Road North Avoca New South Wales 2260 Australia

(72) Name(s) of Designer(s): **Peter Michael Fitzgerald**

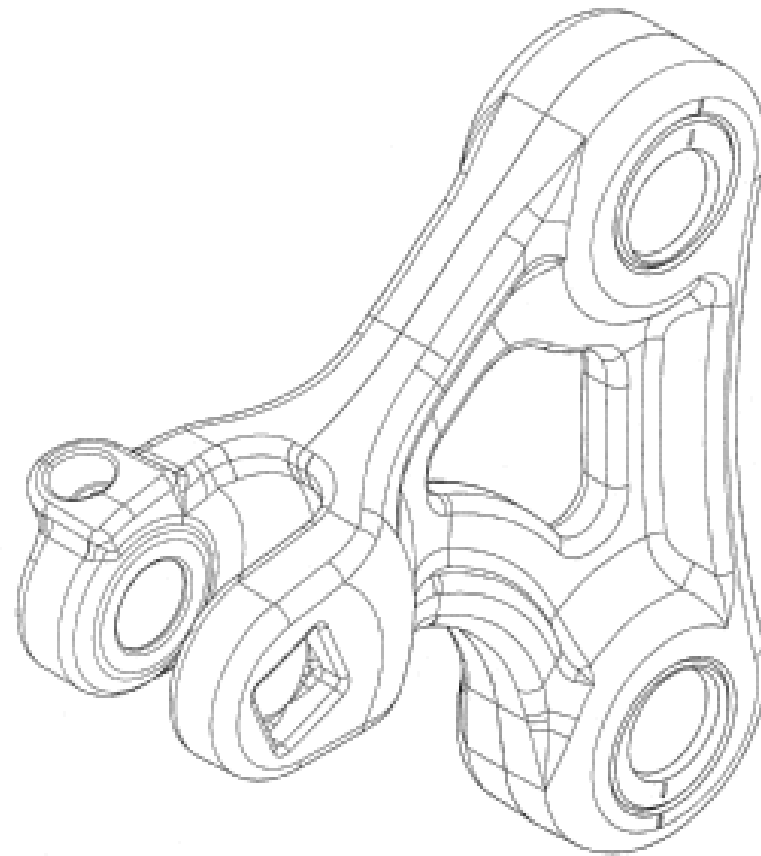
(45) Registration Date: **21 September 2010**

(56) Related Art Documents: **Not Applicable**

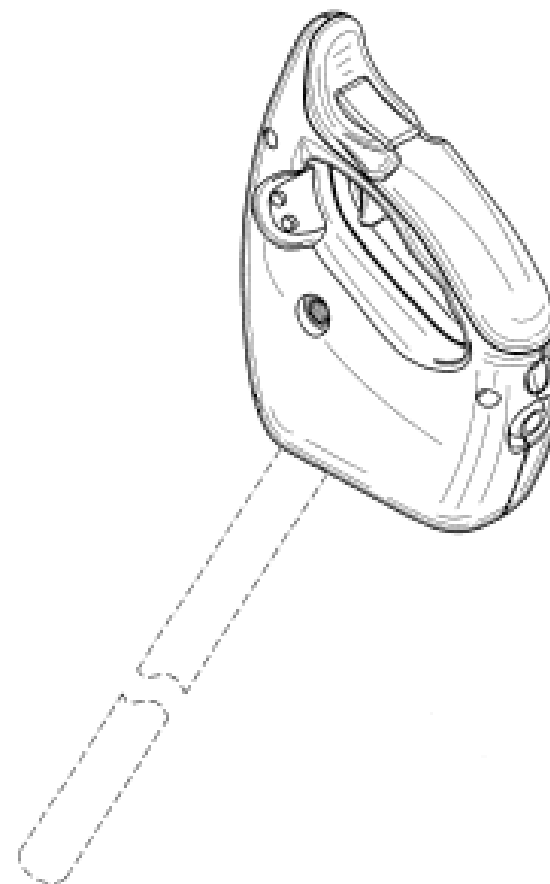
(57) Statement of Newness and Distinctiveness: **Newness and distinctiveness is claimed in the visual features shown in solid lines in the representations.**



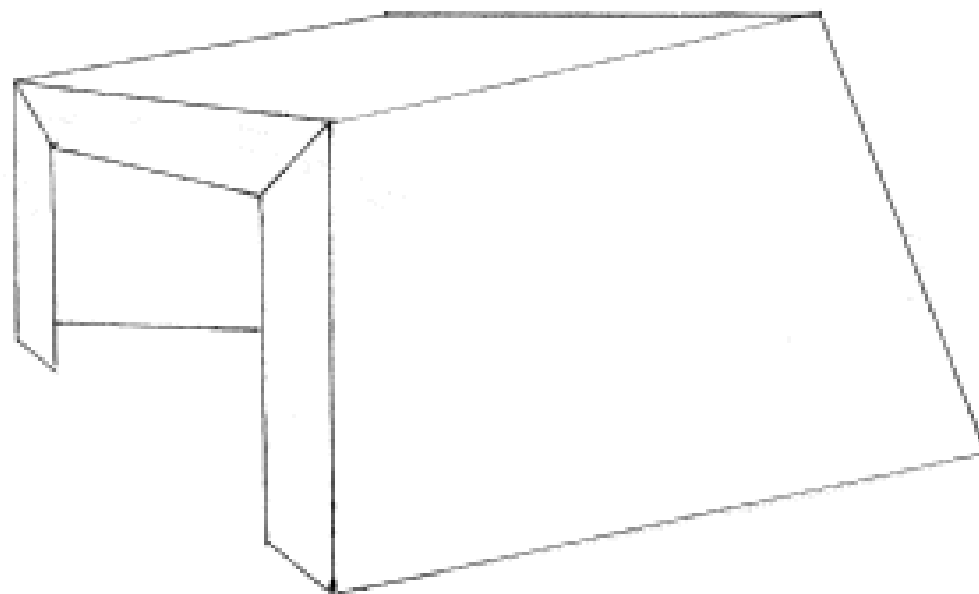
- (21) Design Number: **12664/2010**
- (22) Date of Filing Application: **29 June 2010**
- (24) Date from which industrial property rights may have effect: **29 June 2010**
- (54) Product in respect of which the design is registered: **Link for a dragline assembly**
- (51) International Design Classification: **15-04**
- (71) Name(s) and Address(s) of Applicant(s):
Bradken Resources Pty Limited
2 Maud Street Mayfield West New South Wales 2304 Australia
- (72) Name(s) of Designer(s): **Joel Nelio Martinelli and Reece Attwood**
- (45) Registration Date: **21 September 2010**
- (56) Related Art Documents: **Not Applicable**
- (57) Statement of Newness and Distinctiveness: **Nil**



- (21) Design Number: **12709/2010**
- (22) Date of Filing Application: **30 June 2010**
- (24) Date from which industrial property rights may have effect: **30 June 2010**
- (54) Product in respect of which the design is registered: **Hand-held electronic controller**
- (51) International Design Classification: **14-03NES**
- (71) Name(s) and Address(s) of Applicant(s):
Chad Arthur Evans
Unit 5 58 The Esplanade Semaphore South Australia 5019 Australia
Warren Phillip Drew
100 Broad Arrow Road Narwee New South Wales 2209 Australia
- (72) Name(s) of Designer(s): **Warren Phillip Drew and Chad Arthur Evans**
- (45) Registration Date: **21 September 2010**
- (56) Related Art Documents: **Not Applicable**
- (57) Statement of Newness and Distinctiveness: **Newness and distinctiveness is claimed in the appearance of the hand-held electronic controller shown in solid lines in the representations. In considering the extent of the design rights, the broken lines shown in the representations are for illustrative purposes only and do not form part of the design.**



- (21) Design Number: **13261/2010**
(22) Date of Filing Application: **02 August 2010**
(24) Date from which industrial property rights may have effect: **02 August 2010**
(54) Product in respect of which the design is registered: **Foldable desk and blank therefor**
(51) International Design Classification: **06-03C**
(71) Name(s) and Address(s) of Applicant(s):
Louis Gregory Noronha
11 Victoria Street Woodridge Queensland 4114 Australia
(72) Name(s) of Designer(s): **Louis Gregory Noronha**
(45) Registration Date: **21 September 2010**
(56) Related Art Documents: **Not Applicable**
(57) Statement of Newness and Distinctiveness: **Nil**



- (21) Design Number: **13519/2010**
(22) Date of Filing Application: **16 August 2010**
(24) Date from which industrial property rights may have effect: **16 August 2010**
(54) Product in respect of which the design is registered: **A globe or a sphere of Sydney**
(51) International Design Classification: **19-07**
(71) Name(s) and Address(s) of Applicant(s):
Globee Limited
Globee House 106 Paynesfield Road Tatsfield Westerham Kent TN16 2BQ United Kingdom
(72) Name(s) of Designer(s): **David Sinclair**
(45) Registration Date: **21 September 2010**
(30) Convention priority data:
(31) Number (32) Date (33) Country
4014728 20 Feb 2010 UNITED KINGDOM
(56) Related Art Documents: **Not Applicable**
(57) Statement of Newness and Distinctiveness: **Newness and distinctiveness resides in the shape and/or configuration and/or pattern and/or ornamentation of a globe or a sphere which has applied to it a map of a city as depicted in the representations.**



(21) Design Number: **13704/2010**

(22) Date of Filing Application: **30 August 2010**

(24) Date from which industrial property rights may have effect: **30 August 2010**

(54) Product in respect of which the design is registered: **Butter dish**

(51) International Design Classification: **07-01B**

(71) Name(s) and Address(s) of Applicant(s):

Pi-Design AG

Kantonsstrasse 100 6234 Triengen Switzerland

(72) Name(s) of Designer(s): **Jorgen Bodum**

(45) Registration Date: **21 September 2010**

(30) Convention priority data:

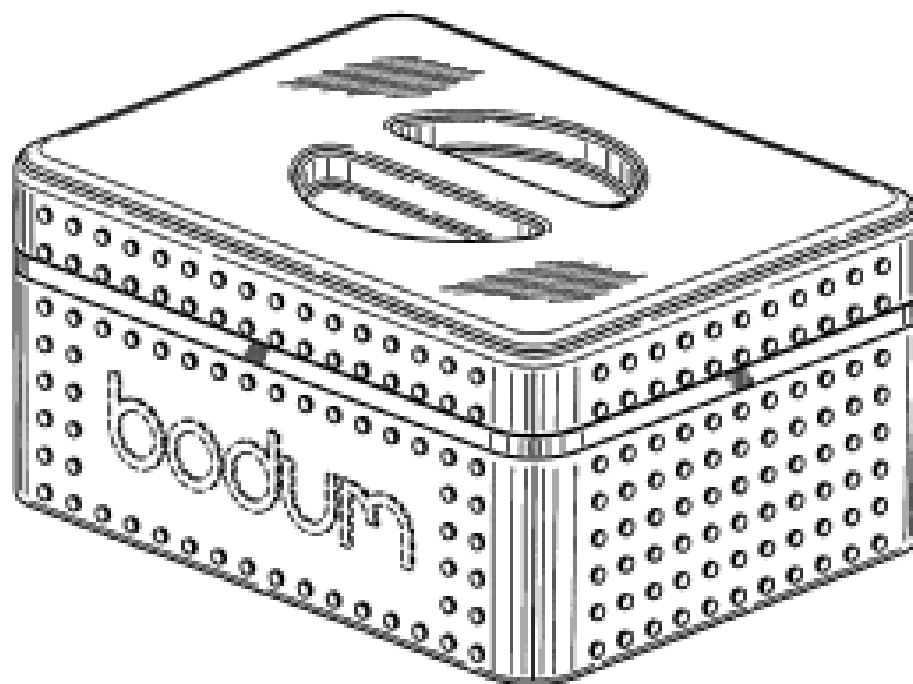
(31) Number
DM/073 483

(32) Date
29 Mar 2010

(33) Country
**WORLD INTELLECTUAL
PROPERTY ORGANIZATION
(WIPO)**

(56) Related Art Documents: **Not Applicable**

(57) Statement of Newness and Distinctiveness: **Nil**



(21) Design Number: **13705/2010**

(22) Date of Filing Application: **30 August 2010**

(24) Date from which industrial property rights may have effect: **30 August 2010**

(54) Product in respect of which the design is registered: **Hand shower bracket**

(51) International Design Classification: **23-02B**

(71) Name(s) and Address(s) of Applicant(s):

Iain Ewing

14 Bluebell Street Mansfield Queensland 4122 Australia

(72) Name(s) of Designer(s): **Iain Ewing**

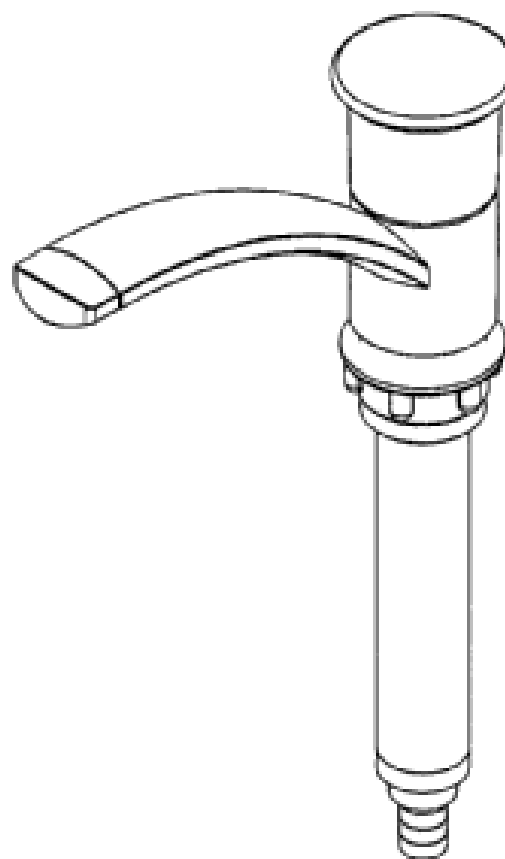
(45) Registration Date: **21 September 2010**

(56) Related Art Documents: **Not Applicable**

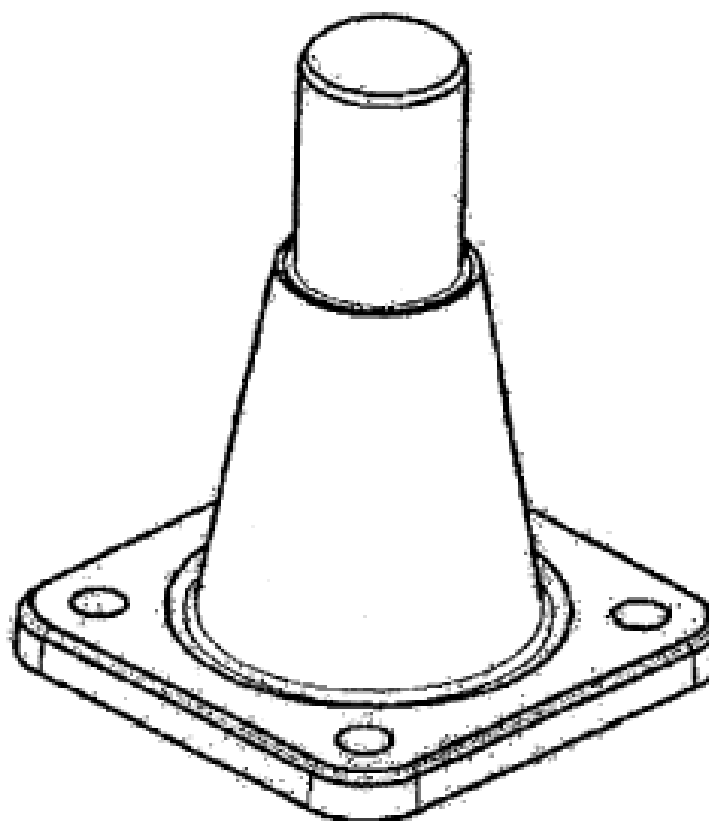
(57) Statement of Newness and Distinctiveness: **Newness and distinctiveness are claimed in the shape and configuration of the main body and the combined back plate in the accompanying representations.**



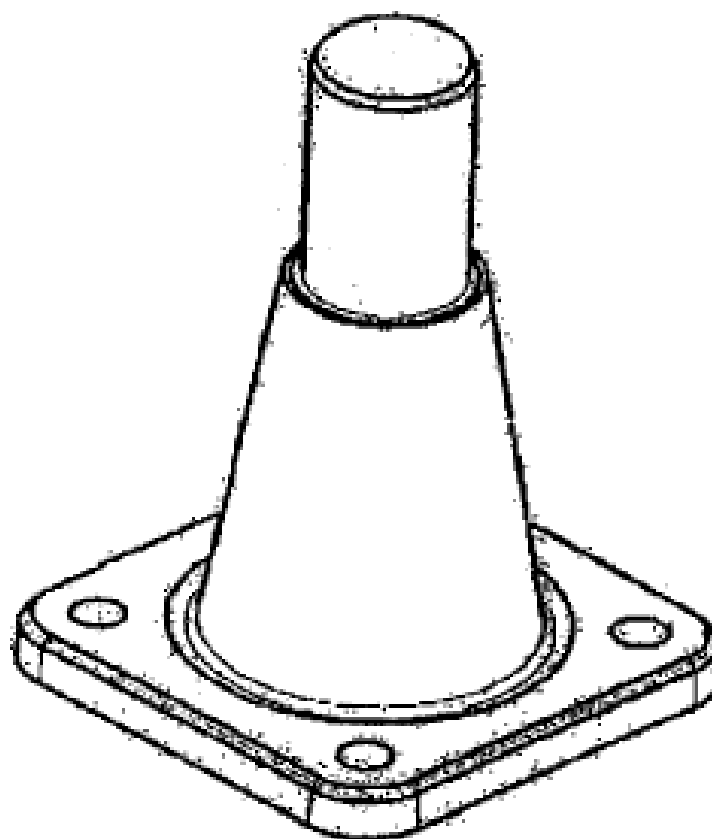
- (21) Design Number: **13712/2010**
(22) Date of Filing Application: **27 August 2010**
(24) Date from which industrial property rights may have effect: **27 August 2010**
(54) Product in respect of which the design is registered: **Hand water pump**
(51) International Design Classification: **15-02**
(71) Name(s) and Address(s) of Applicant(s):
Phoenix Industries Pty Ltd
20-22 Trade Place Vermont Victoria 3133 Australia
(72) Name(s) of Designer(s): **Andrew Cocks**
(45) Registration Date: **21 September 2010**
(56) Related Art Documents: **Not Applicable**
(57) Statement of Newness and Distinctiveness: **Nil**



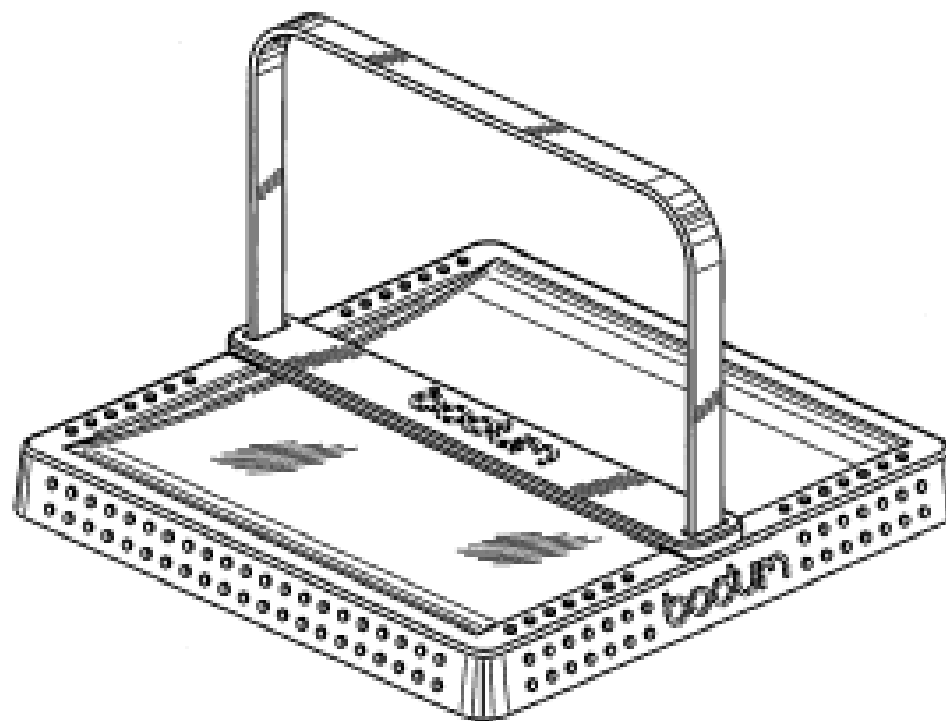
- (21) Design Number: **13724/2010**
(22) Date of Filing Application: **30 August 2010**
(24) Date from which industrial property rights may have effect: **30 August 2010**
(54) Product in respect of which the design is registered: **A bollard base**
(51) International Design Classification: **25-02A**
(71) Name(s) and Address(s) of Applicant(s):
Fletcher Building Holdings Limited
810 Great South Road Penrose Auckland New Zealand
(72) Name(s) of Designer(s): **Christopher James Allington and Andrew Karl Diehl and Christopher John Williamson and Dave Walters and Zane (aka Zalman) Paris and Andrew Holmes**
(45) Registration Date: **21 September 2010**
(30) Convention priority data:
(31) Number (32) Date (33) Country
413369 04 Mar 2010 NEW ZEALAND
(56) Related Art Documents: **Not Applicable**
(57) Statement of Newness and Distinctiveness: **Application is for a design to be applied to a bollard base. The novelty claimed for the design resides in the features of shape and/or configuration all as shown in the representations.**



- (21) Design Number: **13725/2010**
(22) Date of Filing Application: **30 August 2010**
(24) Date from which industrial property rights may have effect: **30 August 2010**
(54) Product in respect of which the design is registered: **A bollard base**
(51) International Design Classification: **25-02A**
(71) Name(s) and Address(s) of Applicant(s):
Fletcher Building Holdings Limited
810 Great South Road Penrose Auckland New Zealand
(72) Name(s) of Designer(s): **Christopher James Allington and Andrew Karl Diehl and Christopher John Williamson and Dave Walters and Zane (aka Zalman) Paris and Andrew Holmes**
(45) Registration Date: **21 September 2010**
(30) Convention priority data:
(31) Number (32) Date (33) Country
413370 04 Mar 2010 NEW ZEALAND
(56) Related Art Documents: **Not Applicable**
(57) Statement of Newness and Distinctiveness: **Application is for a design to be applied to a bollard base. The novelty claimed for the design resides in the features of shape and/or configuration provided by the regions A and B all as shown in the representations.**



- (21) Design Number: **13721/2010**
(22) Date of Filing Application: **30 August 2010**
(24) Date from which industrial property rights may have effect: **30 August 2010**
(54) Product in respect of which the design is registered: **Napkin holder**
(51) International Design Classification: **07-06C**
(71) Name(s) and Address(s) of Applicant(s):
Pi-Design AG
Kantonsstrasse 100 6234 Triengen Switzerland
(72) Name(s) of Designer(s): **Jorgen Bodum**
(45) Registration Date: **24 September 2010**
(30) Convention priority data:
(31) Number (32) Date (33) Country
DM/073 345 16 Mar 2010 WORLD INTELLECTUAL PROPERTY ORGANIZATION (WIPO)
(56) Related Art Documents: **Not Applicable**
(57) Statement of Newness and Distinctiveness: **Nil**



(21) Design Number: **13722/2010**

(22) Date of Filing Application: **30 August 2010**

(24) Date from which industrial property rights may have effect: **30 August 2010**

(54) Product in respect of which the design is registered: **Paper roll holder**

(51) International Design Classification: **07-99C**

(71) Name(s) and Address(s) of Applicant(s):

Pi-Design AG
Kantonsstrasse 100 6234 Triengen Switzerland

(72) Name(s) of Designer(s): **Jorgen Bodum**

(45) Registration Date: **24 September 2010**

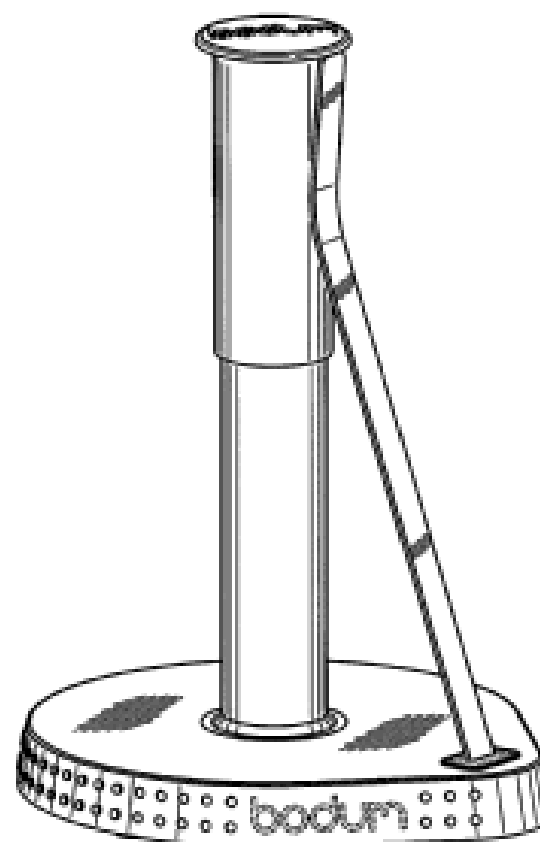
(30) Convention priority data:

(31) Number (32) Date
DM/073 345 16 Mar 2010

(33) Country
**WORLD INTELLECTUAL
PROPERTY ORGANIZATION
(WIPO)**

(56) Related Art Documents: **Not Applicable**

(57) Statement of Newness and Distinctiveness: **Nil**



(21) Design Number: **13739/2010**

(22) Date of Filing Application: **31 August 2010**

(24) Date from which industrial property rights may have effect: **31 August 2010**

(54) Product in respect of which the design is registered: **Joiner**

(51) International Design Classification: **08-08NES, 06-06NES**

(71) Name(s) and Address(s) of Applicant(s):

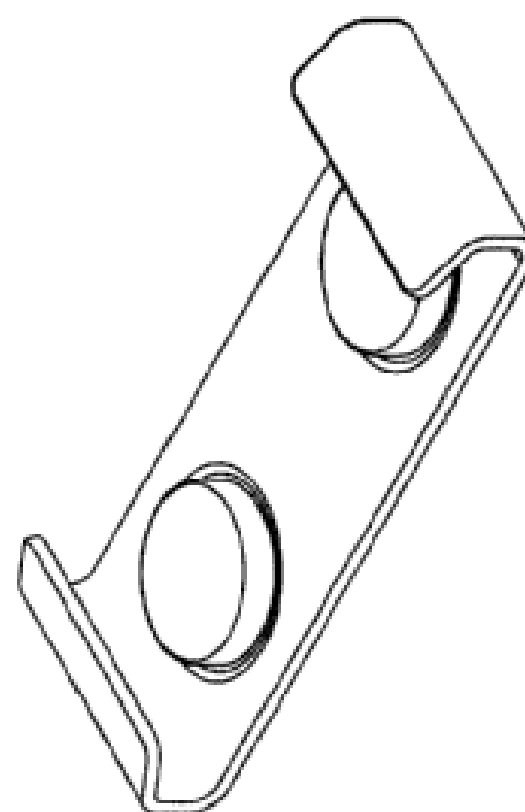
King Furniture (Australia) Pty Ltd
123 Turrella Street Turrella New South Wales 2205 Australia

(72) Name(s) of Designer(s): **David Russell King and Ryan Lawson**

(45) Registration Date: **24 September 2010**

(56) Related Art Documents: **Not Applicable**

(57) Statement of Newness and Distinctiveness: **Newness and distinctiveness
reside in the features of the design as shown in the representations.**



(21) Design Number: **13740/2010**

(22) Date of Filing Application: **31 August 2010**

(24) Date from which industrial property rights may have effect: **31 August 2010**

(54) Product in respect of which the design is registered: **Seating furniture**

(51) International Design Classification: **06-01G**

(71) Name(s) and Address(s) of Applicant(s):

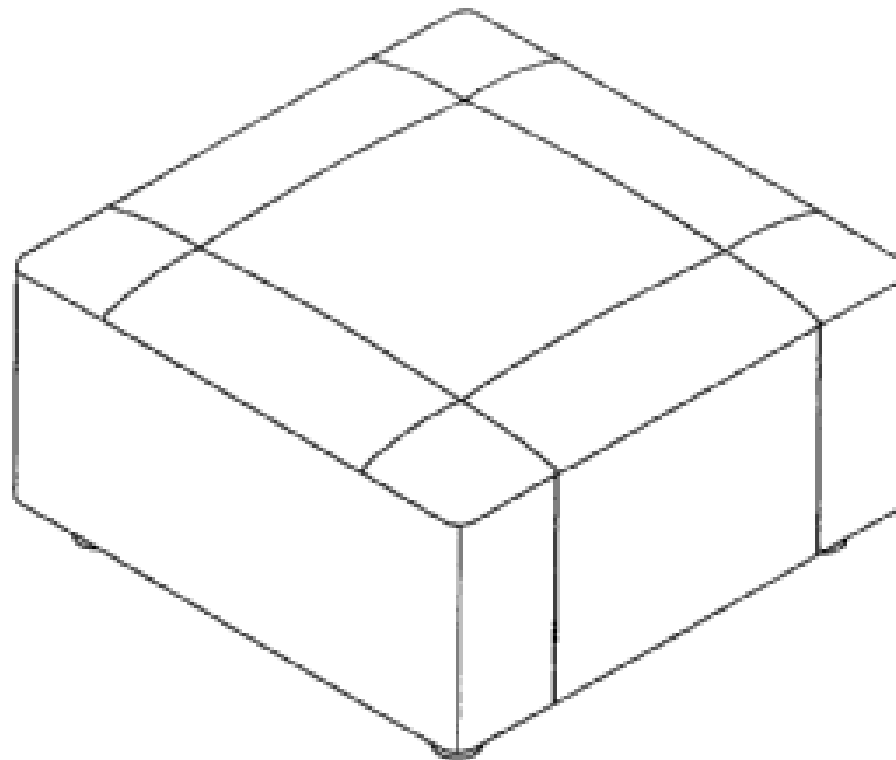
King Furniture (Australia) Pty Ltd
123 Turrella Street Turrella New South Wales 2205 Australia

(72) Name(s) of Designer(s): **David King and Ryan Lawson**

(45) Registration Date: **24 September 2010**

(56) Related Art Documents: **Not Applicable**

(57) Statement of Newness and Distinctiveness: **Newness and distinctiveness reside in the features of the design as shown in the representations.**



(21) Design Number: **13741/2010**

(22) Date of Filing Application: **31 August 2010**

(24) Date from which industrial property rights may have effect: **31 August 2010**

(54) Product in respect of which the design is registered: **Seating furniture**

(51) International Design Classification: **06-01G**

(71) Name(s) and Address(s) of Applicant(s):

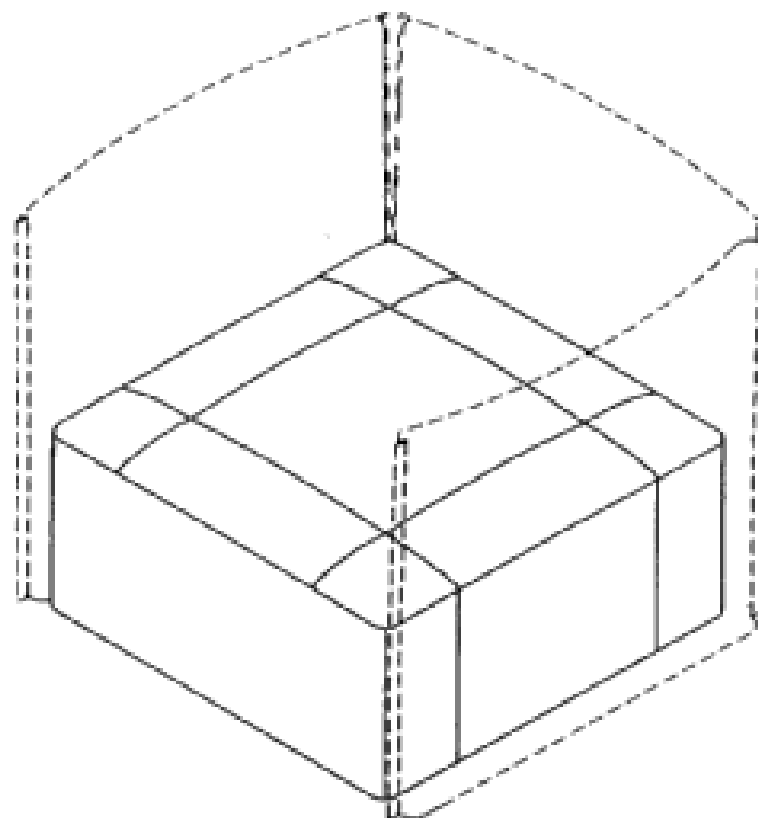
King Furniture (Australia) Pty Ltd
123 Turrella Street Turrella New South Wales 2205 Australia

(72) Name(s) of Designer(s): **David King and Ryan Lawson**

(45) Registration Date: **24 September 2010**

(56) Related Art Documents: **Not Applicable**

(57) Statement of Newness and Distinctiveness: **Newness and distinctiveness reside in the features of the design as shown in the representations, wherein the number of backs, which are shown in broken lines, may vary between one and four, so as to extend partially or fully around a central seat portion.**



(21) Design Number: **13742/2010**

(22) Date of Filing Application: **31 August 2010**

(24) Date from which industrial property rights may have effect: **31 August 2010**

(54) Product in respect of which the design is registered: **Seating furniture**

(51) International Design Classification: **06-01G**

(71) Name(s) and Address(s) of Applicant(s):

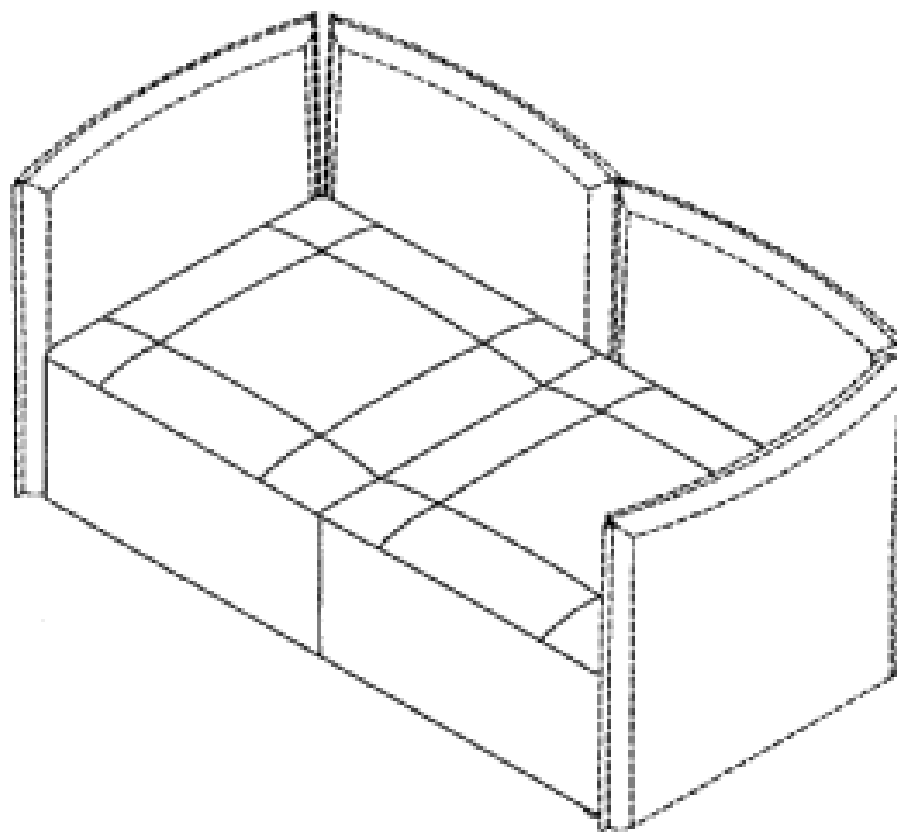
King Furniture (Australia) Pty Ltd
123 Turrella Street Turrella New South Wales 2205 Australia

(72) Name(s) of Designer(s): **David King and Ryan Lawson**

(45) Registration Date: **24 September 2010**

(56) Related Art Documents: **Not Applicable**

(57) Statement of Newness and Distinctiveness: **Newness and distinctiveness reside in the features of the design as shown in the representations, wherein the number of backs, which are shown in broken lines, may vary between one and six, so as to extend partially or fully around a central seat portion.**



(21) Design Number: **13743/2010**

(22) Date of Filing Application: **31 August 2010**

(24) Date from which industrial property rights may have effect: **31 August 2010**

(54) Product in respect of which the design is registered: **Seating furniture**

(51) International Design Classification: **06-01G**

(71) Name(s) and Address(s) of Applicant(s):

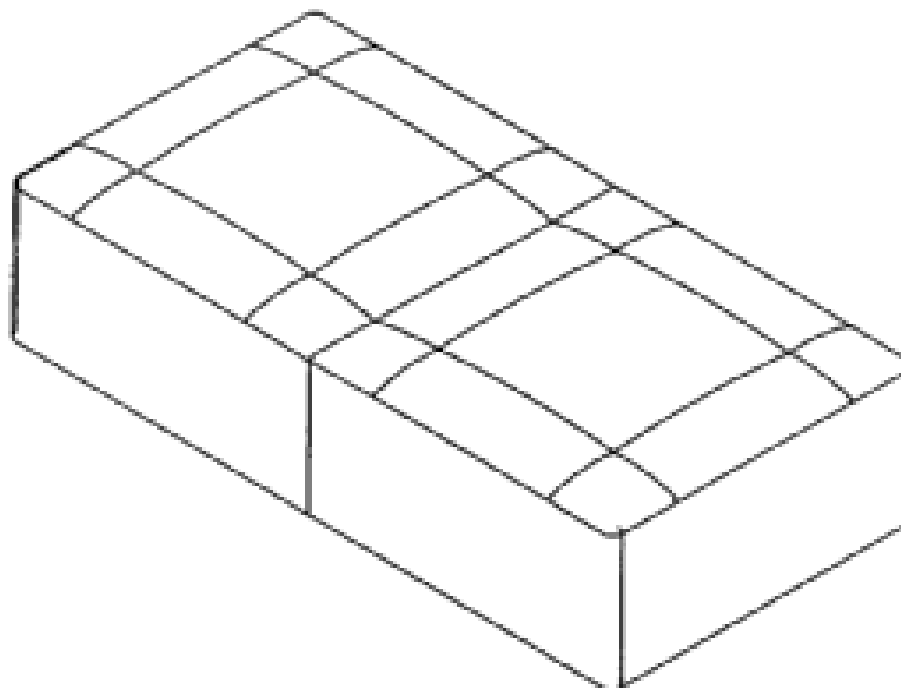
King Furniture (Australia) Pty Ltd
123 Turrella Street Turrella New South Wales 2205 Australia

(72) Name(s) of Designer(s): **David King and Ryan Lawson**

(45) Registration Date: **24 September 2010**

(56) Related Art Documents: **Not Applicable**

(57) Statement of Newness and Distinctiveness: **Newness and distinctiveness reside in the features of the design as shown in the representations.**



(21) Design Number: **13744/2010**

(22) Date of Filing Application: **31 August 2010**

(24) Date from which industrial property rights may have effect: **31 August 2010**

(54) Product in respect of which the design is registered: **Seating furniture**

(51) International Design Classification: **06-01G**

(71) Name(s) and Address(s) of Applicant(s):

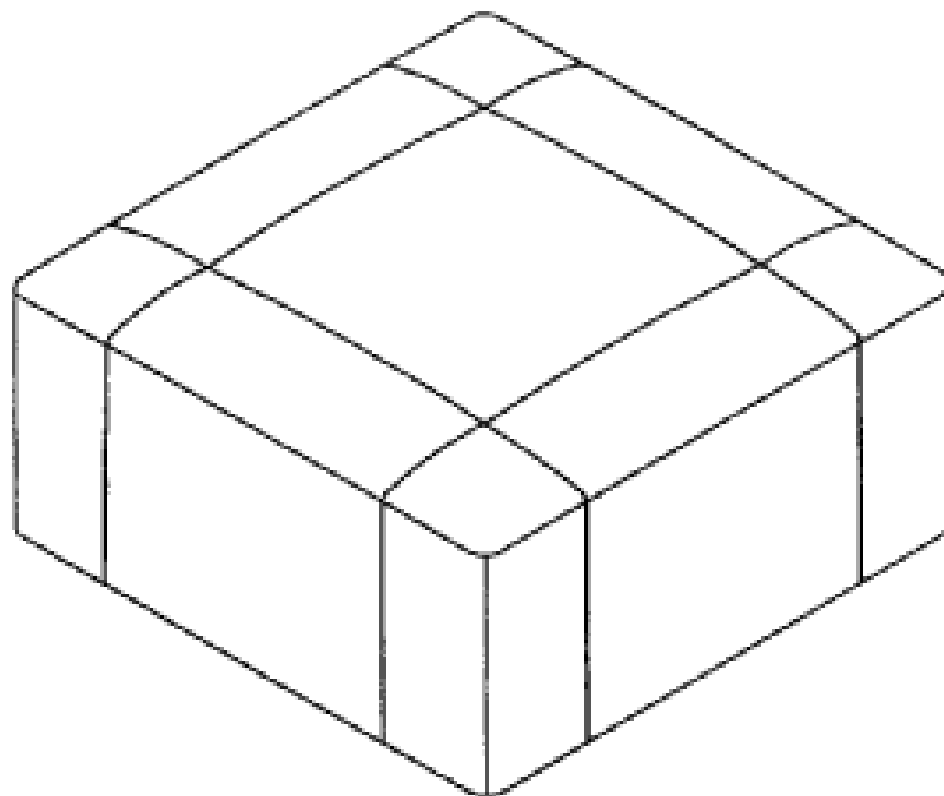
King Furniture (Australia) Pty Ltd
123 Turrella Street Turrella New South Wales 2205 Australia

(72) Name(s) of Designer(s): **David King and Ryan Lawson**

(45) Registration Date: **24 September 2010**

(56) Related Art Documents: **Not Applicable**

(57) Statement of Newness and Distinctiveness: **Newness and distinctiveness reside in the features of the design as shown in the representations.**



(21) Design Number: **13745/2010**

(22) Date of Filing Application: **31 August 2010**

(24) Date from which industrial property rights may have effect: **31 August 2010**

(54) Product in respect of which the design is registered: **Seating furniture**

(51) International Design Classification: **06-01G**

(71) Name(s) and Address(s) of Applicant(s):

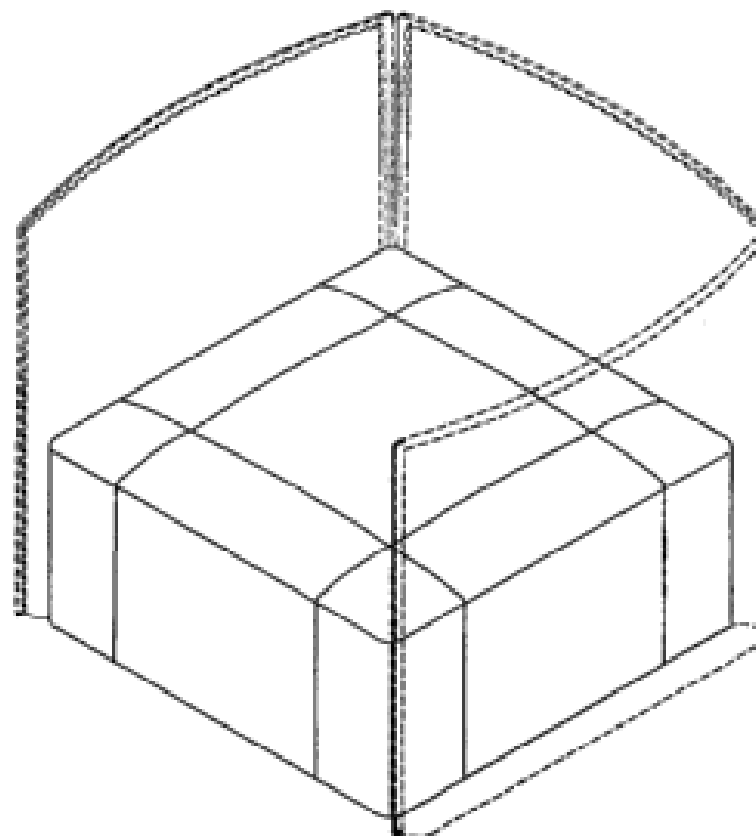
King Furniture (Australia) Pty Ltd
123 Turrella Street Turrella New South Wales 2205 Australia

(72) Name(s) of Designer(s): **David King and Ryan Lawson**

(45) Registration Date: **24 September 2010**

(56) Related Art Documents: **Not Applicable**

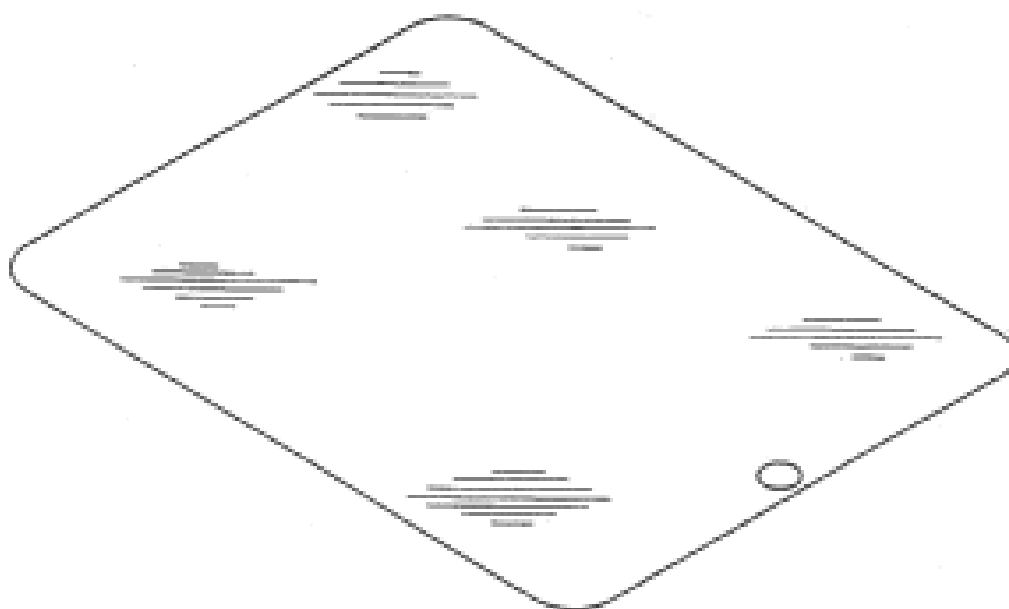
(57) Statement of Newness and Distinctiveness: **Newness and distinctiveness reside in the features of the design as shown in the representations, wherein the number of backs, which are shown in broken lines, may vary between one and four, so as to extend partially or fully around a central seat portion.**



(19) AU

- (21) Design Number: **13746/2010**
- (22) Date of Filing Application: **31 August 2010**
- (24) Date from which industrial property rights may have effect: **31 August 2010**
- (54) Product in respect of which the design is registered: **Protective cover for a mobile computing device**
- (51) International Design Classification: **14-02**
- (71) Name(s) and Address(s) of Applicant(s):
Zagg Incorporated
3855 South 500 West Suite J Salt Lake City Utah 84115 United States of America
- (72) Name(s) of Designer(s): **Jordan Melville and Alex Buckalew**
- (45) Registration Date: **24 September 2010**
- (30) Convention priority data:

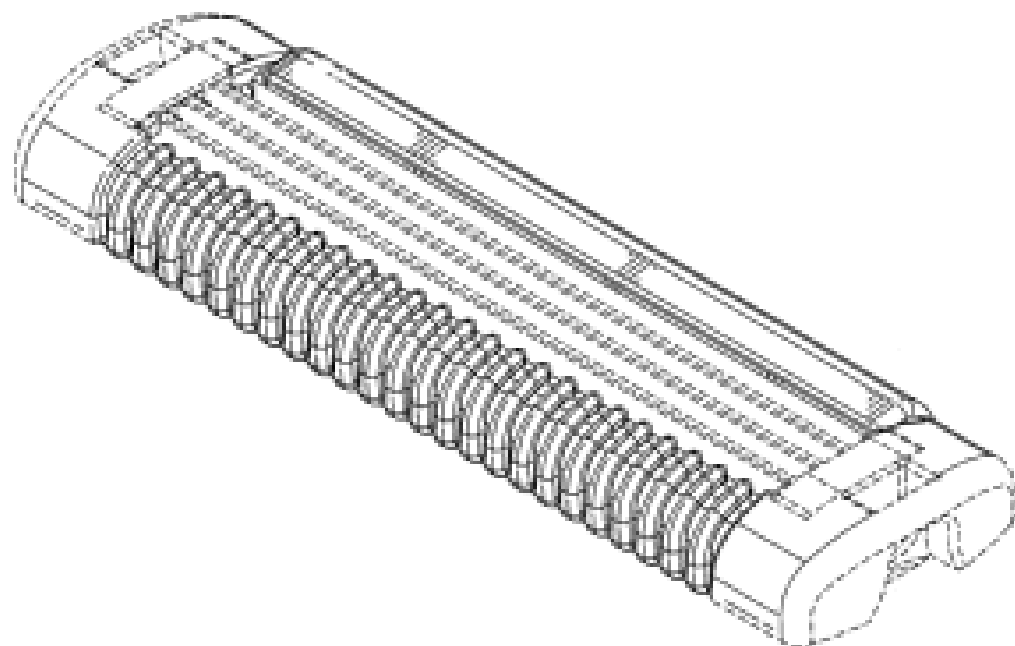
(31) Number	(32) Date	(33) Country
29/368,577	25 Aug 2010	UNITED STATES OF AMERICA
- (56) Related Art Documents: **Not Applicable**
- (57) Statement of Newness and Distinctiveness: **Visual features of the design which are new and distinctive are the features of shape and configuration of protective cover for a mobile computing device as illustrated in the representations.**



(19) AU

- (21) Design Number: **13766/2010**
- (22) Date of Filing Application: **31 August 2010**
- (24) Date from which industrial property rights may have effect: **31 August 2010**
- (54) Product in respect of which the design is registered: **Razor cartridge**
- (51) International Design Classification: **28-03A**
- (71) Name(s) and Address(s) of Applicant(s):
The Gillette Company
Prudential Tower Building Boston Massachusetts 02199 United States of America
- (72) Name(s) of Designer(s): **Stephen Charles Witkus**
- (45) Registration Date: **23 September 2010**
- (30) Convention priority data:

(31) Number	(32) Date	(33) Country
29/356,733	02 Mar 2010	UNITED STATES OF AMERICA
- (56) Related Art Documents: **Not Applicable**
- (57) Statement of Newness and Distinctiveness: **Those features of the razor cartridge depicted in the representations that are new and distinctive are the shape and/or configuration. Those features shown in broken lines are not part of the design and are to be disregarded when considering the overall impression of the design.**



(21) Design Number: **13769/2010**
 (22) Date of Filing Application: **31 August 2010**
 (24) Date from which industrial property rights may have effect: **31 August 2010**
 (54) Product in respect of which the design is registered: **A concrete product**
 (51) International Design Classification: **25-01A**
 (71) Name(s) and Address(s) of Applicant(s):
Anchor Wall Systems, Inc.
5959 Baker Road Suite 390 Minnetonka MN 55345-5996 United States of America
 (72) Name(s) of Designer(s): **Jimmie L. Mugge and Robert Joel Wolter**
 (45) Registration Date: **23 September 2010**
 (30) Convention priority data:

(31) Number	(32) Date	(33) Country
23/349,046	02 Mar 2010	UNITED STATES OF AMERICA

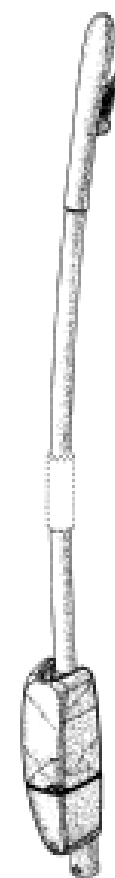
 (56) Related Art Documents: **Not Applicable**
 (57) Statement of Newness and Distinctiveness: **The pattern and/or ornamentation of the front surface of the concrete product shown in the representations is new and distinctive.**



(21) Design Number: **13770/2010**
 (22) Date of Filing Application: **31 August 2010**
 (24) Date from which industrial property rights may have effect: **31 August 2010**
 (54) Product in respect of which the design is registered: **Spray mop handle**
 (51) International Design Classification: **04-01**
 (71) Name(s) and Address(s) of Applicant(s):
BISSELL Homecare, Inc.
2345 Walker Avenue N.W. Grand Rapids MI 49544 United States of America
 (72) Name(s) of Designer(s): **Meghan M. Raven**
 (45) Registration Date: **23 September 2010**
 (30) Convention priority data:

(31) Number	(32) Date	(33) Country
29/357,216	09 Mar 2010	UNITED STATES OF AMERICA

 (56) Related Art Documents: **Not Applicable**
 (57) Statement of Newness and Distinctiveness: **The shape and configuration of those parts of the design shown by means of solid lines in the representations are new and distinctive.**



(19) AU

(21) Design Number: 13771/2010

(22) Date of Filing Application: 31 August 2010

(24) Date from which industrial property rights may have effect: 31 August 2010

(54) Product in respect of which the design is registered: Spray mop foot

(51) International Design Classification: 04-01

(71) Name(s) and Address(s) of Applicant(s):

BISSELL Homecare, Inc.
2345 Walker Avenue N.W. Grand Rapids MI 49544 United States of America

(72) Name(s) of Designer(s): Meghan M. Raven

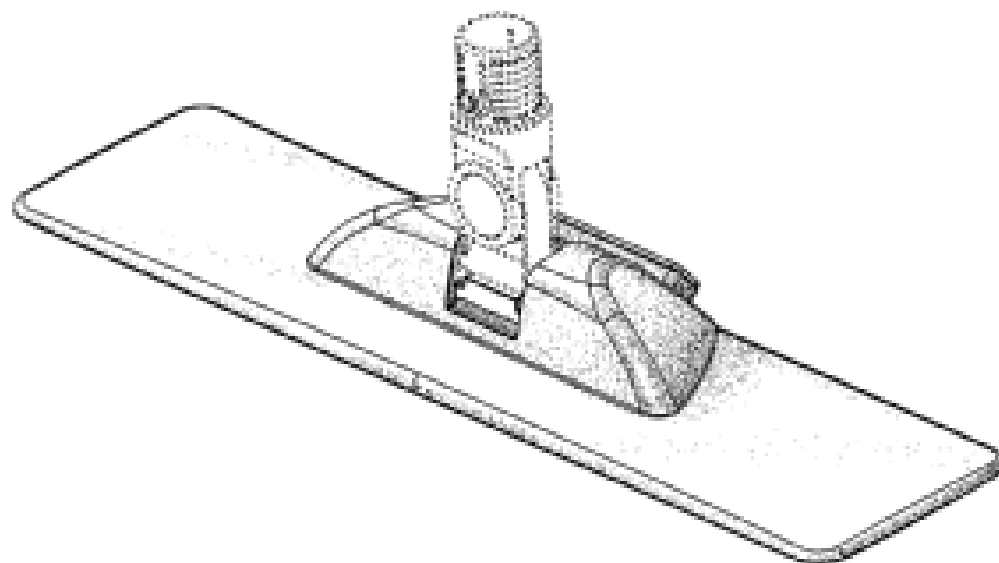
(45) Registration Date: 23 September 2010

(30) Convention priority data:

(31) Number	(32) Date	(33) Country
29/357,218	09 Mar 2010	UNITED STATES OF AMERICA

(56) Related Art Documents: Not Applicable

(57) Statement of Newness and Distinctiveness: The shape and configuration of those parts of the design shown by means of solid lines in the representations are new and distinctive.



(19) AU

(21) Design Number: 13772/2010

(22) Date of Filing Application: 31 August 2010

(24) Date from which industrial property rights may have effect: 31 August 2010

(54) Product in respect of which the design is registered: Canister for a vacuum cleaner

(51) International Design Classification: 15-05

(71) Name(s) and Address(s) of Applicant(s):

BISSELL Homecare, Inc.
2345 Walker Avenue N.W. Grand Rapids MI 49544 United States of America

(72) Name(s) of Designer(s): Lawrence Chun-Hei Chu and Jose Carlito Santiago and Wendy Hui Wu and Michael Luyckx and Douglas J. Medema

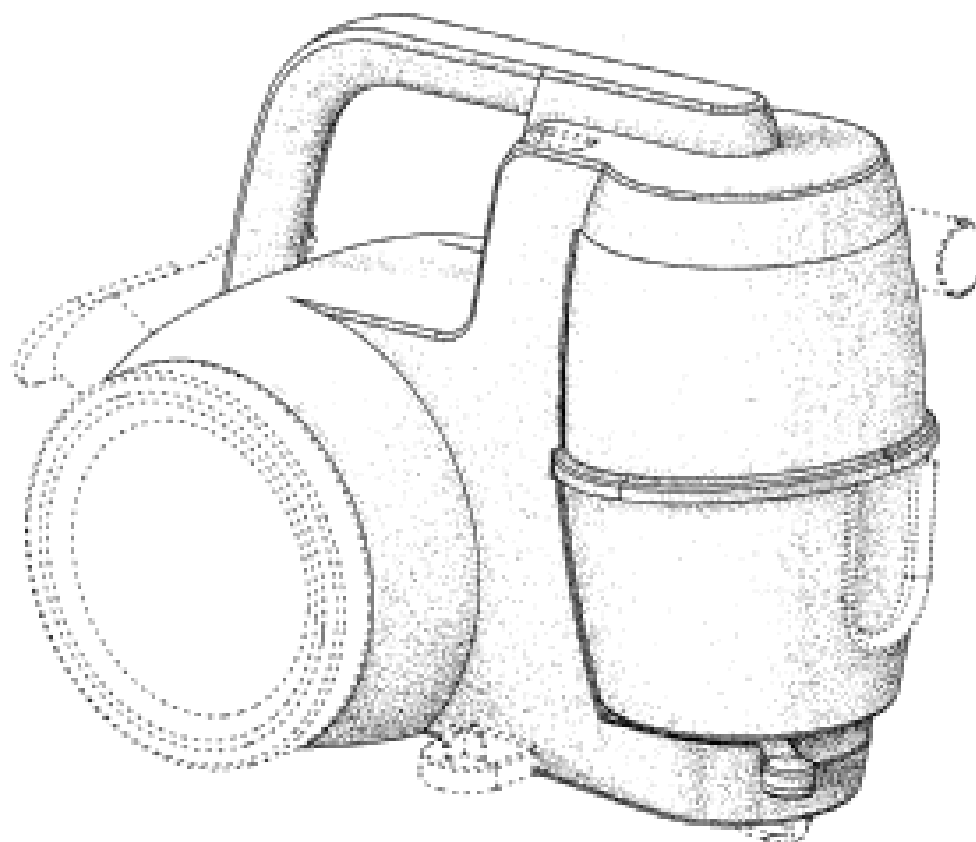
(45) Registration Date: 23 September 2010

(30) Convention priority data:

(31) Number	(32) Date	(33) Country
29/357,392	11 Mar 2010	UNITED STATES OF AMERICA

(56) Related Art Documents: Not Applicable

(57) Statement of Newness and Distinctiveness: The shape and configuration of those parts of the design shown by means of solid lines in the representations are new and distinctive.



(21) Design Number: 13773/2010

(22) Date of Filing Application: 31 August 2010

(24) Date from which industrial property rights may have effect: 31 August 2010

(54) Product in respect of which the design is registered: Mechanical sweeper

(51) International Design Classification: 15-05

(71) Name(s) and Address(s) of Applicant(s):

BISSELL Homecare, Inc.
2345 Walker Avenue N.W. Grand Rapids MI 49544 United States of America

(72) Name(s) of Designer(s): Meghan M. Raven

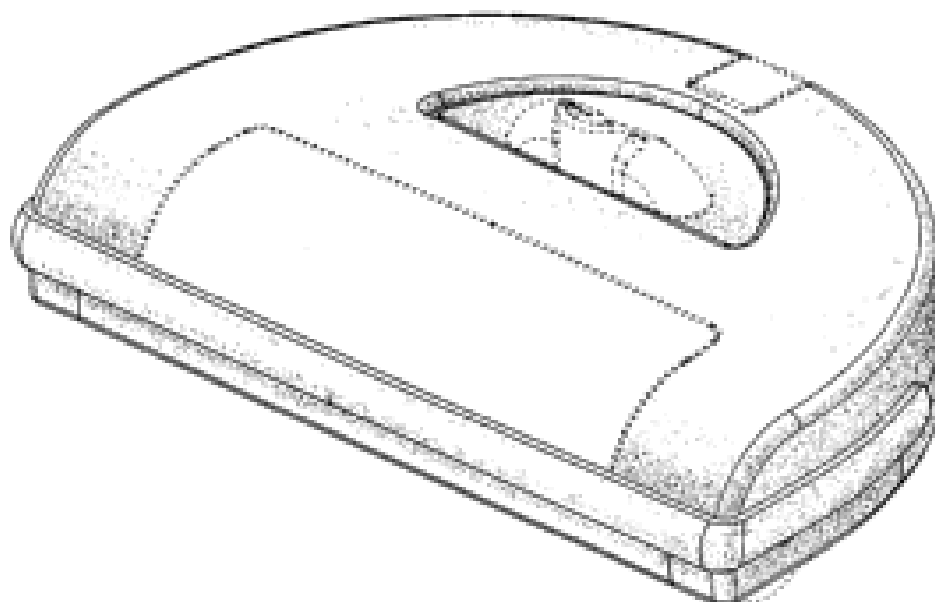
(45) Registration Date: 23 September 2010

(30) Convention priority data:

(31) Number	(32) Date	(33) Country
29/357,214	09 Mar 2010	UNITED STATES OF AMERICA

(56) Related Art Documents: Not Applicable

(57) Statement of Newness and Distinctiveness: The shape and configuration of those parts of the design shown by means of solid lines in the representations are new and distinctive.



(21) Design Number: 13774/2010

(22) Date of Filing Application: 31 August 2010

(24) Date from which industrial property rights may have effect: 31 August 2010

(54) Product in respect of which the design is registered: Handheld vacuum cleaner

(51) International Design Classification: 15-05

(71) Name(s) and Address(s) of Applicant(s):

BISSELL Homecare, Inc.
2345 Walker Avenue N.W. Grand Rapids MI 49544 United States of America

(72) Name(s) of Designer(s): Michael Luyckx and Terese Mauch and Lawrence Chun-Hei Chu and Wendy Hui Wu and Jonathan Stanley

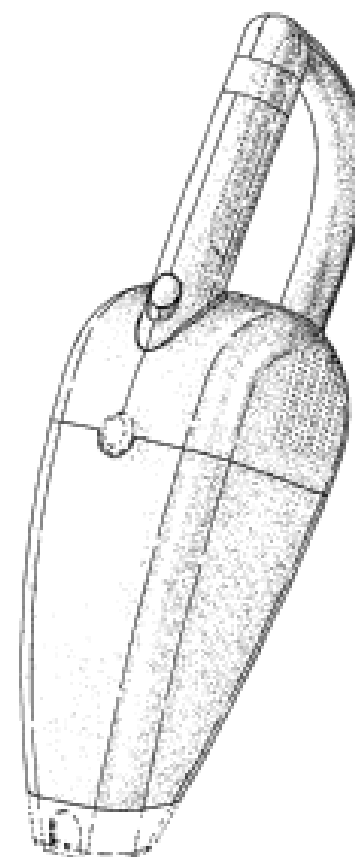
(45) Registration Date: 23 September 2010

(30) Convention priority data:

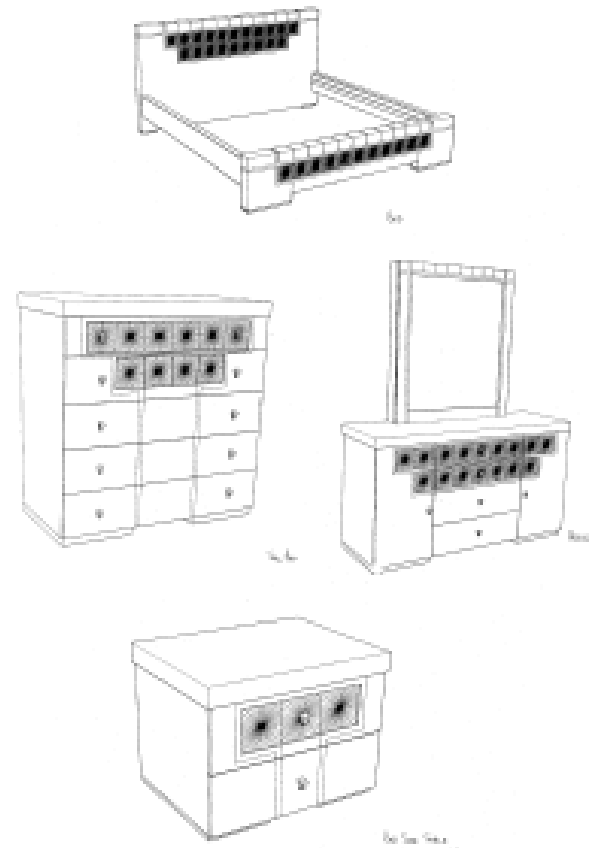
(31) Number	(32) Date	(33) Country
29/357,458	12 Mar 2010	UNITED STATES OF AMERICA

(56) Related Art Documents: Not Applicable

(57) Statement of Newness and Distinctiveness: The shape and configuration of those parts of the design shown by means of solid lines in the representations are new and distinctive.



- (21) Design Number: **12646/2010**
- (22) Date of Filing Application: **25 June 2010**
- (24) Date from which industrial property rights may have effect: **25 June 2010**
- (54) Product in respect of which the design is registered: **A bed frame, bed side table, tall boy and dresser**
- (51) International Design Classification: **06-02, 06-04F, 06-06B, 06-06F**
- (71) Name(s) and Address(s) of Applicant(s):
Australian Furniture Importers & Wholesalers Pty Ltd
211 Camboon Road Malaga Western Australia 6090 Australia
- (72) Name(s) of Designer(s): **Bruno Tassone**
- (45) Registration Date: **23 September 2010**
- (56) Related Art Documents: **Not Applicable**
- (57) Statement of Newness and Distinctiveness: **Novelty is claimed in the pattern and ornamentation of the bedroom suite as shown in the accompanying representations.**

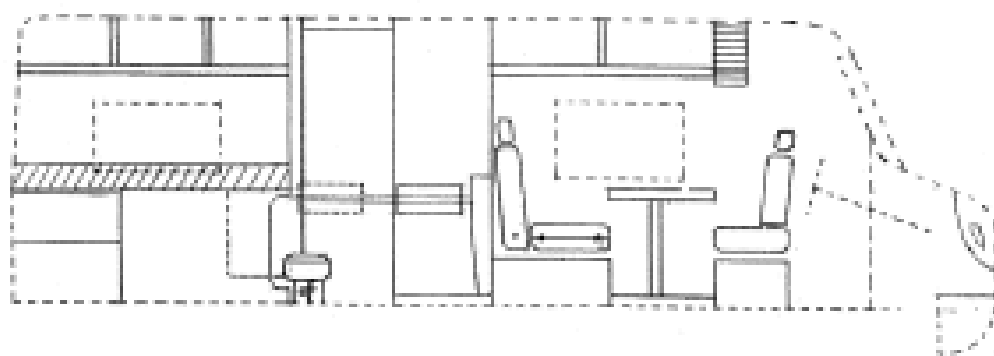


THIS PAGE IS FOR ADVERTISEMENT PURPOSES ONLY

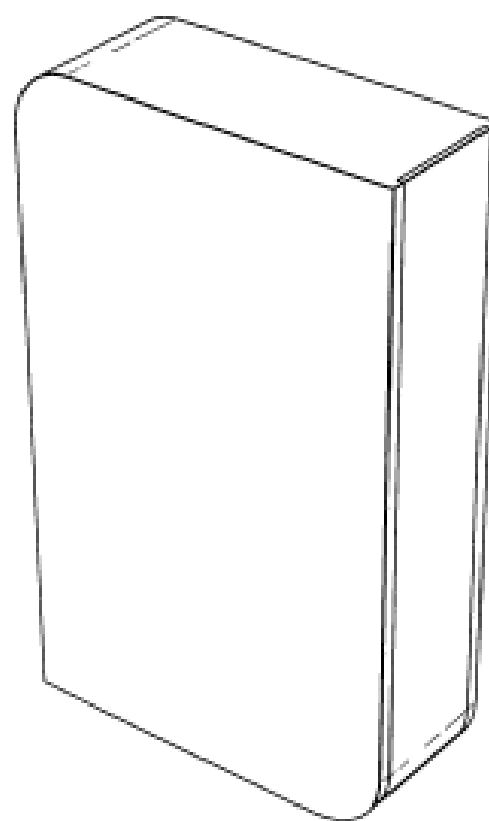
- (21) Design Number: **13989/2010**
- (22) Date of Filing Application: **13 September 2010**
- (24) Date from which industrial property rights may have effect: **13 September 2010**
- (54) Product in respect of which the design is registered: **Wine barrel with beer tap**
- (51) International Design Classification: **09-02C, 23-01NES**
- (71) Name(s) and Address(s) of Applicant(s):
James Anthony Dittko
10 Medway Road Craigieburn Victoria 3064 Australia
- (72) Name(s) of Designer(s): **James Anthony Dittko**
- (45) Registration Date: **23 September 2010**
- (56) Related Art Documents: **Not Applicable**
- (57) Statement of Newness and Distinctiveness: **The use of a wooden wine barrel with beer tap/taps attached for serving draft beer.**



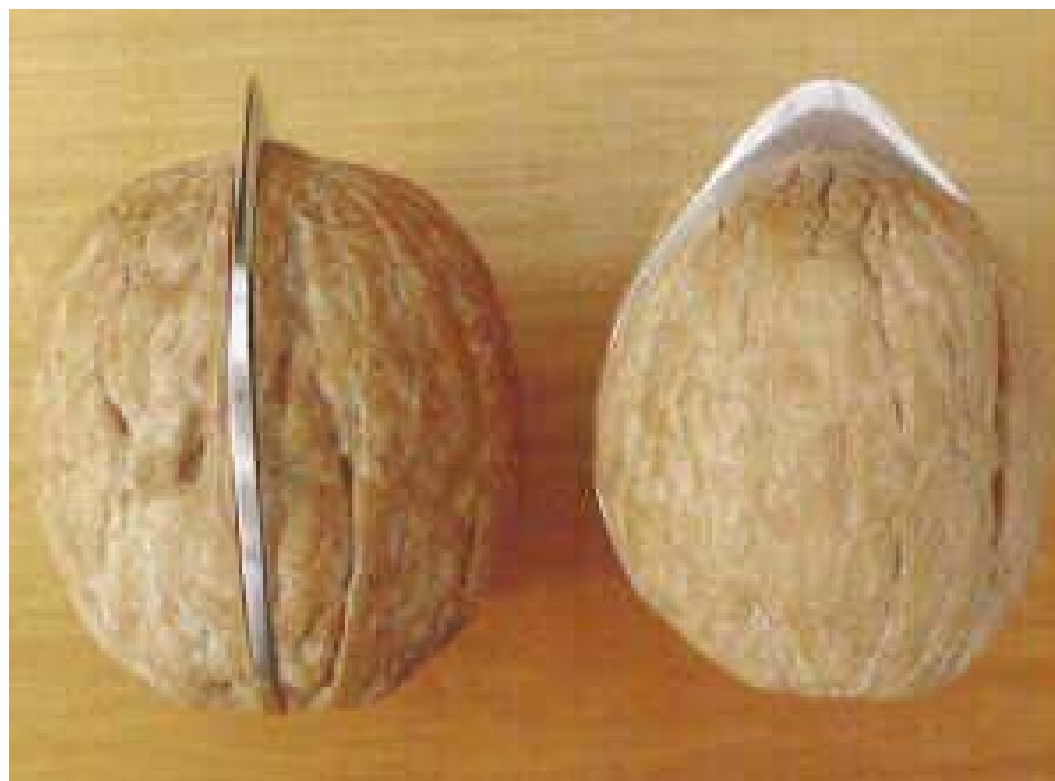
- (21) Design Number: **13088/2010**
(22) Date of Filing Application: **23 July 2010**
(24) Date from which industrial property rights may have effect: **23 July 2010**
(54) Product in respect of which the design is registered: **Interior layout of a motor home**
(51) International Design Classification: **12-10**
(71) Name(s) and Address(s) of Applicant(s):
Grant Moddejongen
551 Hawkesbury Road Anstead Queensland 4070 Australia
(72) Name(s) of Designer(s): **Grant Moddejongen**
(45) Registration Date: **24 September 2010**
(56) Related Art Documents: **Not Applicable**
(57) Statement of Newness and Distinctiveness: **An interior layout of a motor home as depicted in the accompanying representations.**



- (21) Design Number: **13686/2010**
(22) Date of Filing Application: **26 August 2010**
(24) Date from which industrial property rights may have effect: **26 August 2010**
(54) Product in respect of which the design is registered: **Simulated cigarette pack**
(51) International Design Classification: **09-03A**
(71) Name(s) and Address(s) of Applicant(s):
Kind Consumer Limited
Lighterman House 26-36 Wharfdale Road London N1 9RY United Kingdom
(72) Name(s) of Designer(s): **Alex Hearn**
(45) Registration Date: **24 September 2010**
(30) Convention priority data:
(31) Number (32) Date (33) Country
001201925-01/04 09 Mar 2010 EUROPEAN COMMUNITY
(56) Related Art Documents: **Not Applicable**
(57) Statement of Newness and Distinctiveness: **Nil**

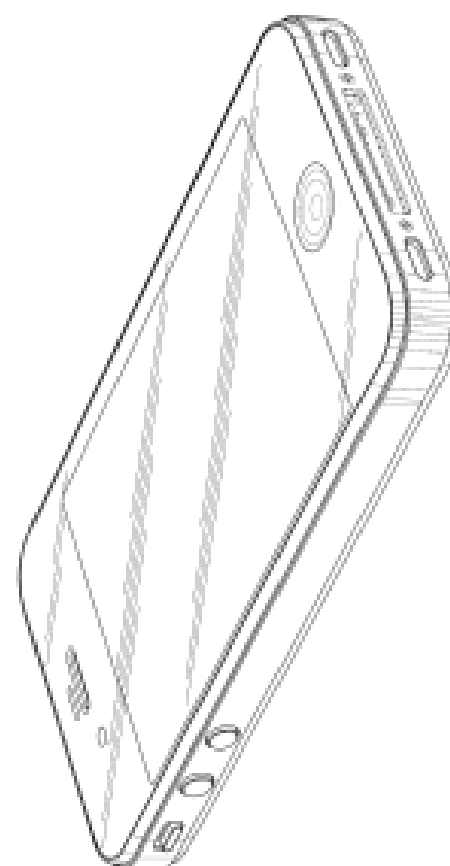


- (21) Design Number: **13702/2010**
- (22) Date of Filing Application: **30 August 2010**
- (24) Date from which industrial property rights may have effect: **30 August 2010**
- (54) Product in respect of which the design is registered: **Walnut opener**
- (51) International Design Classification: **07-06NES**
- (71) Name(s) and Address(s) of Applicant(s):
Mydwan Brendan Crabtree
RSD 33a Wellington Road Highland Valley South Australia 5255
Australia
- (72) Name(s) of Designer(s): **Mydwan Brendan Crabtree**
- (45) Registration Date: **24 September 2010**
- (56) Related Art Documents: **Not Applicable**
- (57) Statement of Newness and Distinctiveness: **Is made in the form of a walnut with protruding blade.**



- (21) Design Number: **13703/2010**
- (22) Date of Filing Application: **27 August 2010**
- (24) Date from which industrial property rights may have effect: **27 August 2010**
- (54) Product in respect of which the design is registered: **Electronic device**
- (51) International Design Classification: **14-03E**
- (71) Name(s) and Address(s) of Applicant(s):
Apple Inc.
1 Infinite Loop Cupertino California 95014 United States of America
- (72) Name(s) of Designer(s): **Jody Akana and Bartley K Andre and Jeremy Bataillou and Daniel J Coster and Daniele De Iuliis and Evans Hankey and Richard P Howarth and Jonathan P Ive and Steve Jobs and Duncan Robert Kerr and Shin Nishibori and Matthew Dean Rohrbach and Peter Russell-Clarke and Christopher J. Stringer and Eugene Antony Whang and Rico Zorkendorfer**
- (45) Registration Date: **24 September 2010**
- (30) Convention priority data:

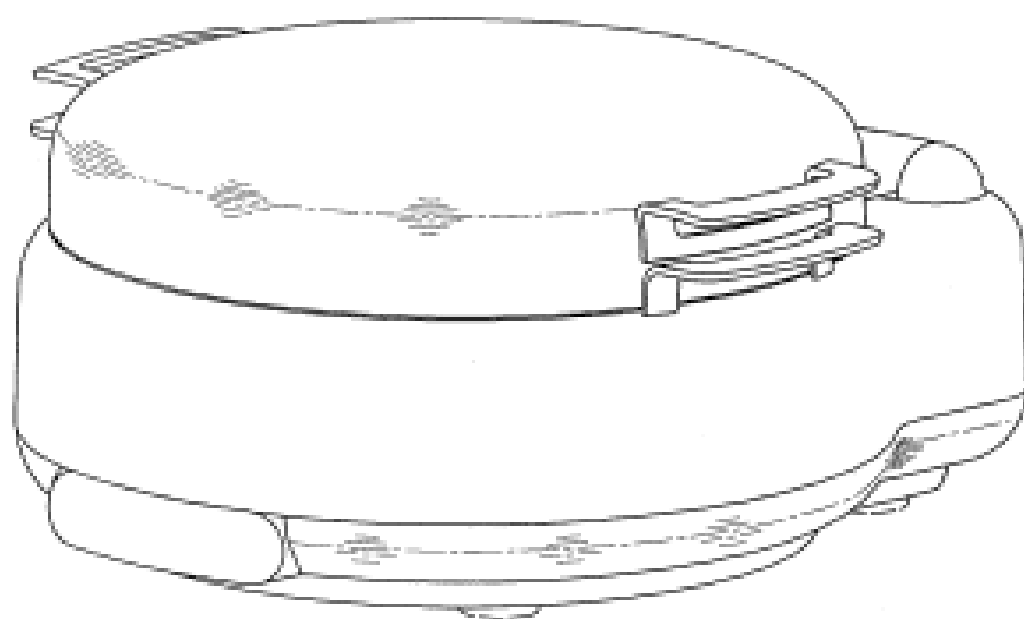
(31) Number	(32) Date	(33) Country
29/360036	19 Apr 2010	UNITED STATES OF AMERICA
- (56) Related Art Documents: **Not Applicable**
- (57) Statement of Newness and Distinctiveness: **Newness and distinctiveness resides in the features of shape and configuration of the electronic device that are shown in solid outline and in solid shade lines in the accompanying Figures. The shade lines in the Figures show contour and not surface ornamentation.**



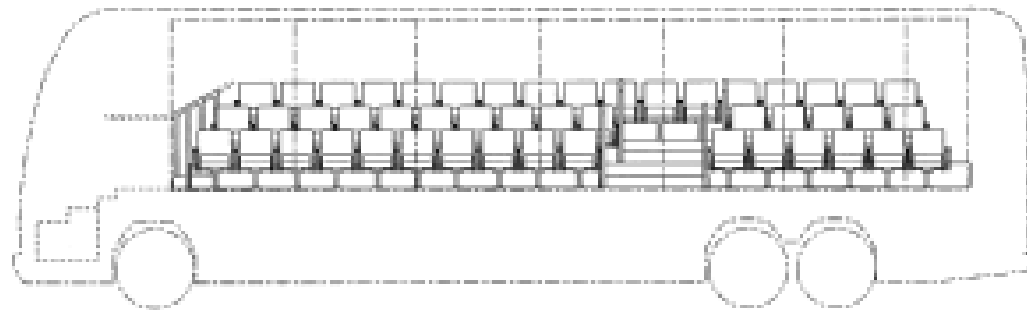
(21) Design Number: **13757/2010**
(22) Date of Filing Application: **31 August 2010**
(24) Date from which industrial property rights may have effect: **31 August 2010**
(54) Product in respect of which the design is registered: **Tyre**
(51) International Design Classification: **12-15B**
(71) Name(s) and Address(s) of Applicant(s):
Continental Reifen Deutschland GmbH
Vahrenwalderstrasse 9 30165 Hannover Germany
(72) Name(s) of Designer(s): **Thomas Buchinger-Barnstorf**
(45) Registration Date: **24 September 2010**
(30) Convention priority data:
(31) Number (32) Date (33) Country
001700469 27 Apr 2010 EUROPEAN COMMUNITY
(56) Related Art Documents: **Not Applicable**
(57) Statement of Newness and Distinctiveness: **Newness and distinctiveness resides in the visual features, including shape, configuration and pattern, of a tread for a TYRE as shown in the accompanying representations.**



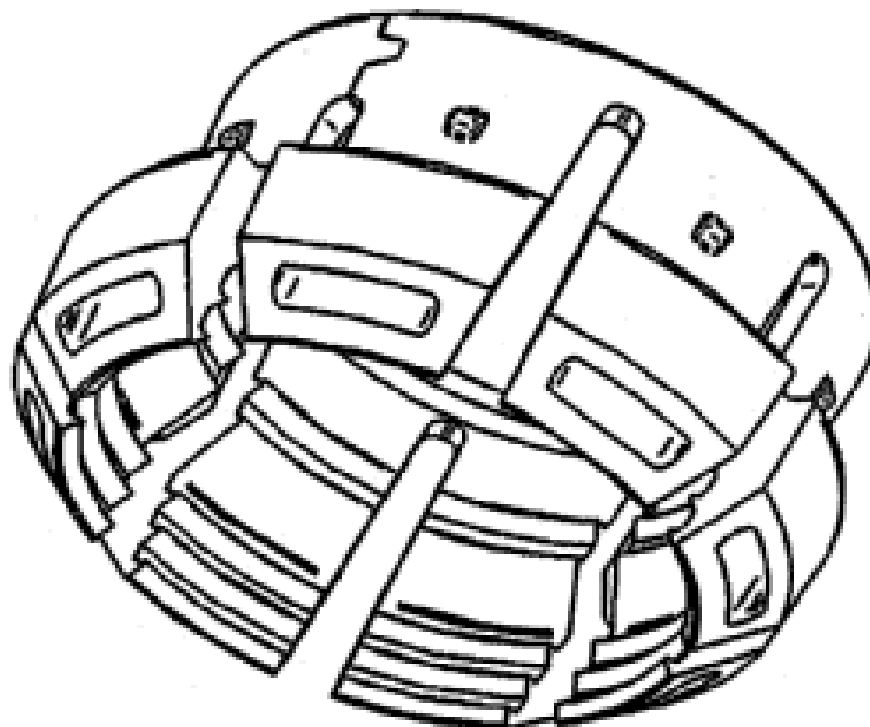
(21) Design Number: **13758/2010**
(22) Date of Filing Application: **31 August 2010**
(24) Date from which industrial property rights may have effect: **31 August 2010**
(54) Product in respect of which the design is registered: **Grill**
(51) International Design Classification: **07-02H**
(71) Name(s) and Address(s) of Applicant(s):
Tsann Kuen (Zhangzhou) Enterprise Co., Ltd
Longchi Development District Zhangzhou Fujian Province China
(72) Name(s) of Designer(s): **Ta Chi Liu and Zhenze Pang**
(45) Registration Date: **24 September 2010**
(30) Convention priority data:
(31) Number (32) Date (33) Country
201030153820.7 30 Apr 2010 CHINA
(56) Related Art Documents: **Not Applicable**
(57) Statement of Newness and Distinctiveness: **Newness and distinctiveness is claimed in each feature of the design considered separately or in combination with any other feature or feature as shown in the drawings.**



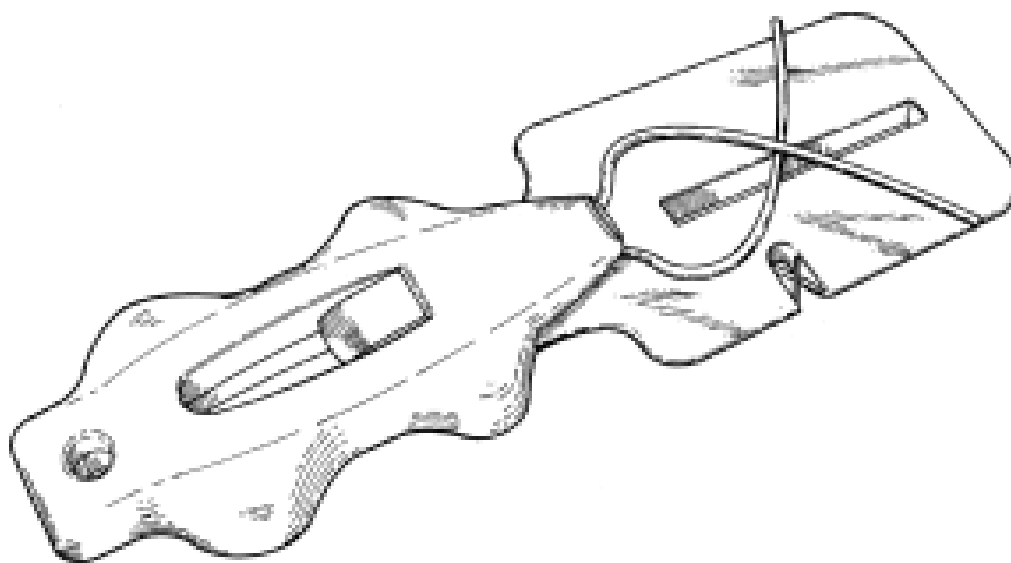
(21) Design Number: **13761/2010**
(22) Date of Filing Application: **11 June 2010**
(24) Date from which industrial property rights may have effect: **11 June 2010**
(54) Product in respect of which the design is registered: **An interior of a bus**
(51) International Design Classification: **12-08**
(71) Name(s) and Address(s) of Applicant(s):
The Ride, Inc
PO Box 250844 New York, New York 10025 United States of America
(72) Name(s) of Designer(s): **Michael R. Counts**
(45) Registration Date: **24 September 2010**
(30) Convention priority data:
(31) Number (32) Date (33) Country
29/351,899 14 Dec 2009 UNITED STATES OF AMERICA
(56) Related Art Documents: **Not Applicable**
(57) Statement of Newness and Distinctiveness: **Newness and distinctiveness is claimed in respect of the shape and/or configuration of the product illustrated in Figs. 6-9 of the accompanying representations and a mirror image thereof along the longitudinal axis of the bus. In carrying out a consideration in accordance with Section 19 the shape and/or configuration of the bus components illustrated in broken lines in the representations are not to be considered either new or distinctive and do not form part of the design.**



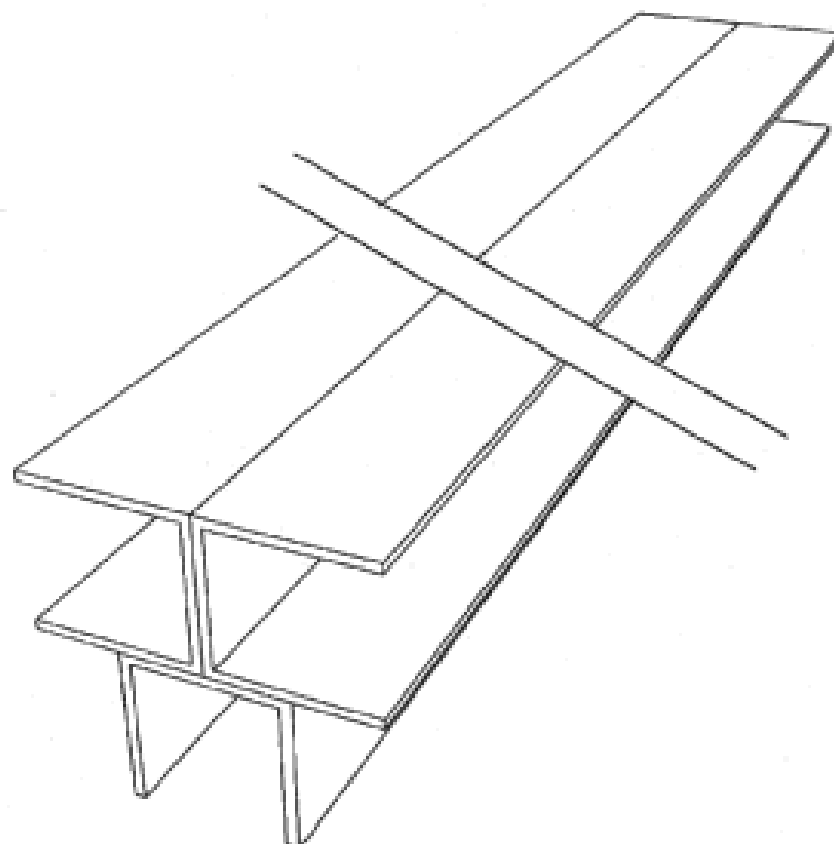
(21) Design Number: **13762/2010**
(22) Date of Filing Application: **31 August 2010**
(24) Date from which industrial property rights may have effect: **31 August 2010**
(54) Product in respect of which the design is registered: **Grip ring for use in pipe couplings**
(51) International Design Classification: **23-01A**
(71) Name(s) and Address(s) of Applicant(s):
Philmac Pty Ltd
50 Deeds Road North Plympton South Australia 5037 Australia
(72) Name(s) of Designer(s): **Malcolm John Pridham and David Chelchowski and Peter Newall**
(45) Registration Date: **24 September 2010**
(56) Related Art Documents: **Not Applicable**
(57) Statement of Newness and Distinctiveness: **Newness and distinctiveness resides in the step-down change in the diameter of the grip ring.**



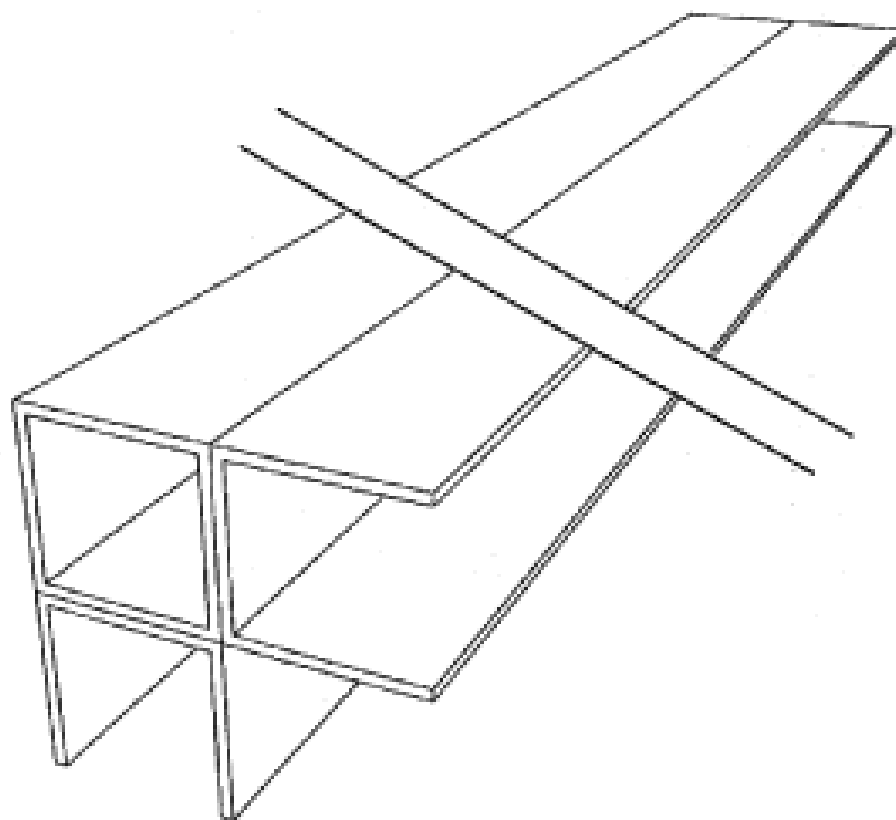
- (21) Design Number: **13764/2010**
(22) Date of Filing Application: **31 August 2010**
(24) Date from which industrial property rights may have effect: **31 August 2010**
(54) Product in respect of which the design is registered: **Blade sharpener**
(51) International Design Classification: **08-05H**
(71) Name(s) and Address(s) of Applicant(s):
Brendon Michael Grennell
5 Swensons Road Mt Crosby Queensland 4306 Australia
Jade Jonathon
14 Vanda Street Wooloongabba Queensland 4102 Australia
(72) Name(s) of Designer(s): **Brendon Michael Grennell and Jade Jonathon**
(45) Registration Date: **24 September 2010**
(56) Related Art Documents: **Not Applicable**
(57) Statement of Newness and Distinctiveness: **Newness and distinctiveness is claimed in the features of shape and/or configuration of the elongate slot and associated cross wiring in the rectangular body as illustrated in the accompanying representations.**



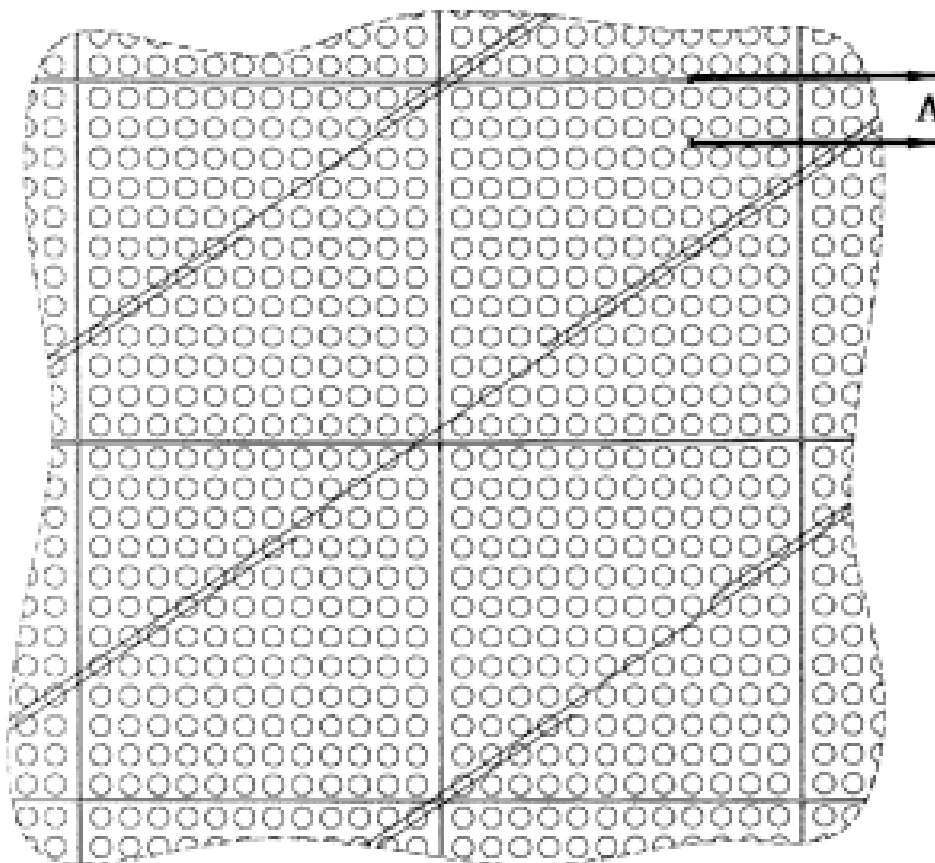
- (21) Design Number: **13837/2010**
(22) Date of Filing Application: **02 September 2010**
(24) Date from which industrial property rights may have effect: **02 September 2010**
(54) Product in respect of which the design is registered: **Wall beam extrusion**
(51) International Design Classification: **25-01K**
(71) Name(s) and Address(s) of Applicant(s):
Francesco Antonio Martino
Lot 25 Old Princes Highway Monarto South Australia 5254 Australia
(72) Name(s) of Designer(s): **Francesco Antonio Martino**
(45) Registration Date: **24 September 2010**
(56) Related Art Documents: **Not Applicable**
(57) Statement of Newness and Distinctiveness: **Nil**



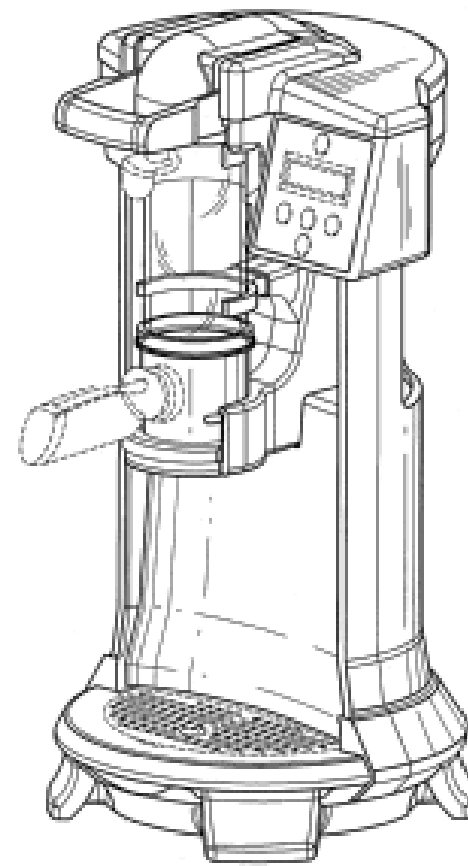
- (21) Design Number: **13834/2010**
(22) Date of Filing Application: **02 September 2010**
(24) Date from which industrial property rights may have effect: **02 September 2010**
(54) Product in respect of which the design is registered: **Wall beam extrusion**
(51) International Design Classification: **25-01K**
(71) Name(s) and Address(s) of Applicant(s):
Francesco Antonio Martino
Lot 25 Old Princes Highway Monarto South Australia 5254 Australia
(72) Name(s) of Designer(s): **Francesco Antonio Martino**
(45) Registration Date: **24 September 2010**
(56) Related Art Documents: **Not Applicable**
(57) Statement of Newness and Distinctiveness: **Nil**



- (21) Design Number: **13875/2010**
(22) Date of Filing Application: **03 September 2010**
(24) Date from which industrial property rights may have effect: **03 September 2010**
(54) Product in respect of which the design is registered: **Ring seal pattern on retro-reflective sheeting**
(51) International Design Classification: **05-06B**
(71) Name(s) and Address(s) of Applicant(s):
ORAFOL Europe GmbH
Orafolstrasse 2 Oranienburg 16515 Germany
(72) Name(s) of Designer(s): **John Nelson**
(45) Registration Date: **24 September 2010**
(30) Convention priority data:
(31) Number (32) Date (33) Country
29/357,025 05 Mar 2010 UNITED STATES OF AMERICA
(56) Related Art Documents: **Not Applicable**
(57) Statement of Newness and Distinctiveness: **Newness and distinctiveness reside in the shape, configuration, pattern and or ornamentation of the ring seal pattern on retro-reflective sheeting as illustrated in the representations, the ring seal pattern being substantially uniform repeating over the length and width of the retro-reflective sheeting, the retro-reflective sheeting being of indeterminate length and width, as indicated by a dotted boundary line. Arrows A do not form part of the design and should be disregarded.**



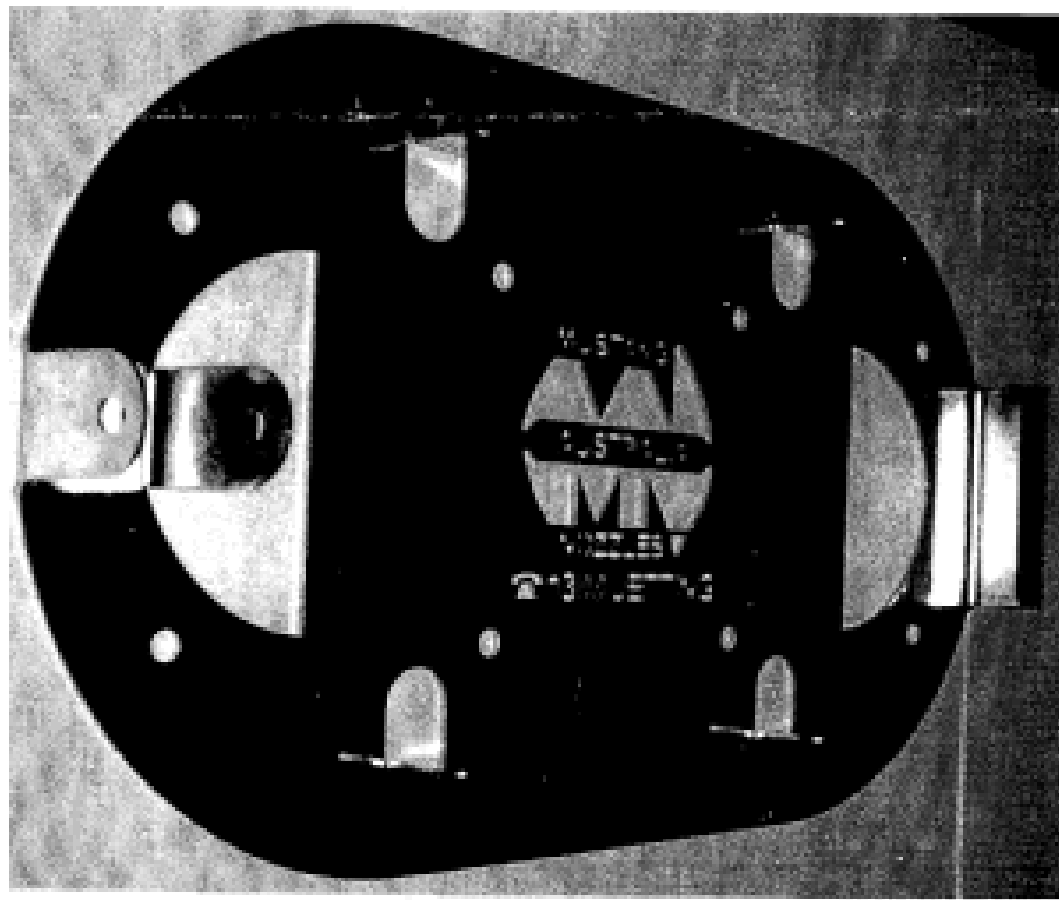
- (21) Design Number: **13969/2010**
(22) Date of Filing Application: **13 September 2010**
(24) Date from which industrial property rights may have effect: **13 September 2010**
(54) Product in respect of which the design is registered: **Brewer**
(51) International Design Classification: **07-02L, 31-00**
(71) Name(s) and Address(s) of Applicant(s):
Bunn-O-Matic Corporation
1400 Stevenson Drive Springfield Illinois 62703 United States of America
(72) Name(s) of Designer(s): **Sherry S. Eckholm and Nicholas S. Reback and Rachel E. Desmidt**
(45) Registration Date: **24 September 2010**
(30) Convention priority data:
(31) Number (32) Date (33) Country
29/357,507 12 Mar 2010 UNITED STATES OF AMERICA
(56) Related Art Documents: **Not Applicable**
(57) Statement of Newness and Distinctiveness: **The broken lines shown in the representations are for the purpose of illustrating ancillary portions of the brewer. When considering the extent of monopoly of protection, the configuration of the portions shown as broken lines should be disregarded.**



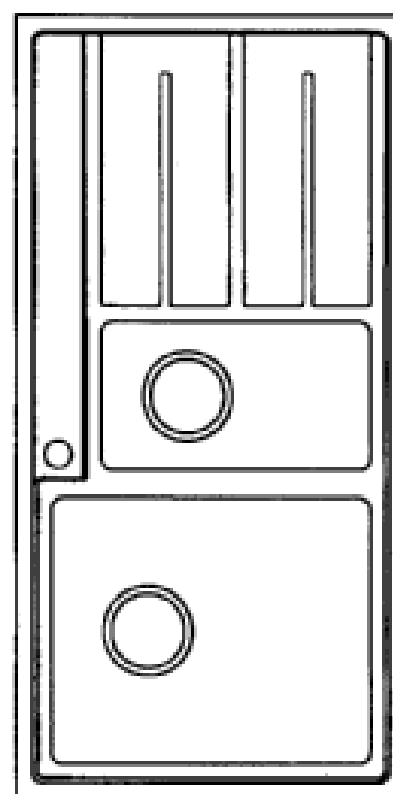
- (21) Design Number: **12980/2010**
(22) Date of Filing Application: **20 July 2010**
(24) Date from which industrial property rights may have effect: **20 July 2010**
(54) Product in respect of which the design is registered: **The folder helmet**
(51) International Design Classification: **02-03**
(71) Name(s) and Address(s) of Applicant(s):
Boost Pty Ltd
Level 1 220 Chapel Street Prahran Victoria 3181 Australia
(72) Name(s) of Designer(s): **Julien Bergignat**
(45) Registration Date: **24 September 2010**
(56) Related Art Documents: **Not Applicable**
(57) Statement of Newness and Distinctiveness: **Nil**



- (21) Design Number: **13082/2010**
(22) Date of Filing Application: **26 July 2010**
(24) Date from which industrial property rights may have effect: **26 July 2010**
(54) Product in respect of which the design is registered: **Remote mini reel locking plate**
(51) International Design Classification: **08-07**
(71) Name(s) and Address(s) of Applicant(s):
William Howard Miller
A5/15 Narabang Way Belrose New South Wales 2085 Australia
(72) Name(s) of Designer(s): **William Howard Miller**
(45) Registration Date: **24 September 2010**
(56) Related Art Documents: **Not Applicable**
(57) Statement of Newness and Distinctiveness: **This locking plate can be mounted to a flat surface or wall to secure a reel to prevent it from being stolen with the use of a padlock through the lock holes. Features laser-cut fold out tabs to secure the reel and can be made out of any material of any size. The securing bolts are hidden under the mounted reel preventing them from being undone.**



- (21) Design Number: **13250/2010**
(22) Date of Filing Application: **02 August 2010**
(24) Date from which industrial property rights may have effect: **02 August 2010**
(54) Product in respect of which the design is registered: **Stainless steel sink**
(51) International Design Classification: **23-02F**
(71) Name(s) and Address(s) of Applicant(s):
Ping Sheng Xie
Fuyuan Road Nansha Industrial Area Shenwan Town Zhongshan City
Guangdong Province China
(72) Name(s) of Designer(s): **Ping Sheng Xie**
(45) Registration Date: **24 September 2010**
(56) Related Art Documents: **Not Applicable**
(57) Statement of Newness and Distinctiveness: **Nil**



(21) Design Number: **13284/2010**

(22) Date of Filing Application: **02 August 2010**

(24) Date from which industrial property rights may have effect: **02 August 2010**

(54) Product in respect of which the design is registered: **Safety steps**

(51) International Design Classification: **25-04**

(71) Name(s) and Address(s) of Applicant(s):

Steven Ballarino

12 Sutherland Street Canley Heights New South Wales 2166 Australia

(72) Name(s) of Designer(s): **Steven Ballarino**

(45) Registration Date: **24 September 2010**

(56) Related Art Documents: **Not Applicable**

(57) Statement of Newness and Distinctiveness: **Yes, I created this to get the kids in and out of the trampoline safely. My kids used chair and I find this too dangerous as one stage my daughter fell out of the trampoline because the chair was too low for her. The steps make more safe for my kids.**



(21) Design Number: **13527/2010**

(22) Date of Filing Application: **12 August 2010**

(24) Date from which industrial property rights may have effect: **12 August 2010**

(54) Product in respect of which the design is registered: **Roof/loft protector**

(51) International Design Classification: **23-01L**

(71) Name(s) and Address(s) of Applicant(s):

Wayne David Thomas

16 Ellesby Court Grovedale Victoria 3216 Australia

Denise Margaret Thomas

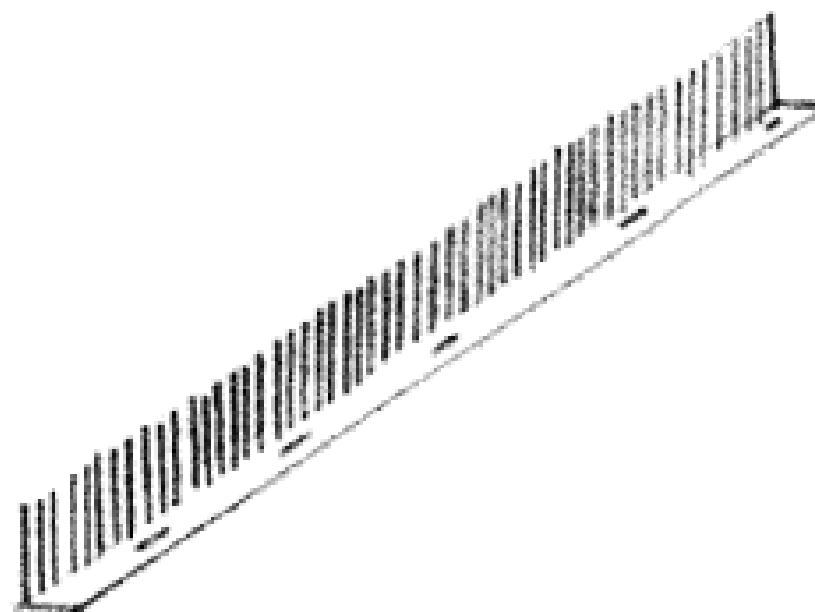
16 Ellesby Court Grovedale Victoria 3216 Australia

(72) Name(s) of Designer(s): **Wayne David Thomas and Denise Margaret Thomas**

(45) Registration Date: **24 September 2010**

(56) Related Art Documents: **Not Applicable**

(57) Statement of Newness and Distinctiveness: **Nil**



(21) Design Number: **13697/2010**

(22) Date of Filing Application: **02 August 2010**

(24) Date from which industrial property rights may have effect: **02 August 2010**

(54) Product in respect of which the design is registered: **Stainless steel sink**

(51) International Design Classification: **23-02F**

(71) Name(s) and Address(s) of Applicant(s):

Ping Sheng Xie

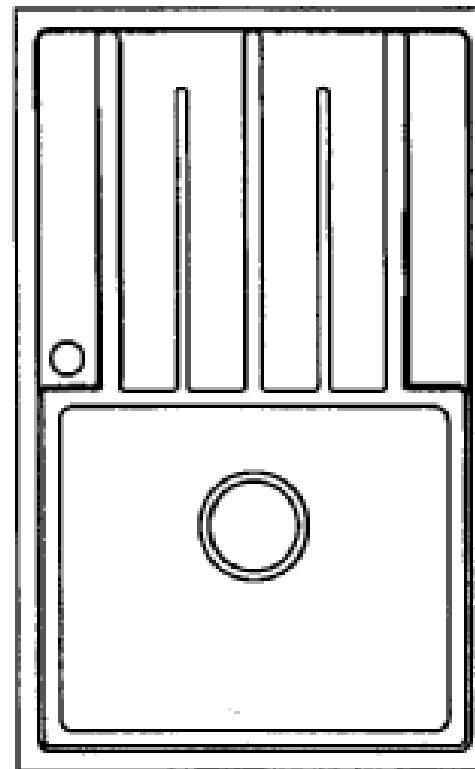
**Fuyuan Road Nansha Industrial Area Shenwan Town Zhongshan City
Guangdong Province China**

(72) Name(s) of Designer(s): **Ping Sheng Xie**

(45) Registration Date: **24 September 2010**

(56) Related Art Documents: **Not Applicable**

(57) Statement of Newness and Distinctiveness: **Nil**



(21) Design Number: **13698/2010**

(22) Date of Filing Application: **02 August 2010**

(24) Date from which industrial property rights may have effect: **02 August 2010**

(54) Product in respect of which the design is registered: **Stainless steel sink**

(51) International Design Classification: **23-02F**

(71) Name(s) and Address(s) of Applicant(s):

Ping Sheng Xie

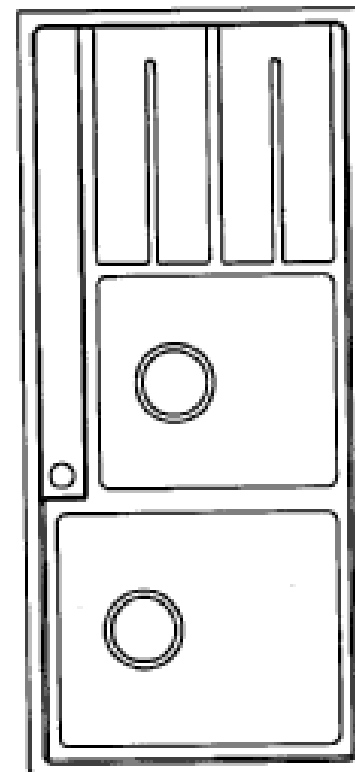
**Fuyuan Road Nansha Industrial Area Shenwan Town Zhongshan City
Guangdong Province China**

(72) Name(s) of Designer(s): **Ping Sheng Xie**

(45) Registration Date: **24 September 2010**

(56) Related Art Documents: **Not Applicable**

(57) Statement of Newness and Distinctiveness: **Nil**



(21) Design Number: **13716/2010**

(22) Date of Filing Application: **25 August 2010**

(24) Date from which industrial property rights may have effect: **25 August 2010**

(54) Product in respect of which the design is registered: **Split forestry tube with air pruning vents**

(51) International Design Classification: **09-03F**

(71) Name(s) and Address(s) of Applicant(s):

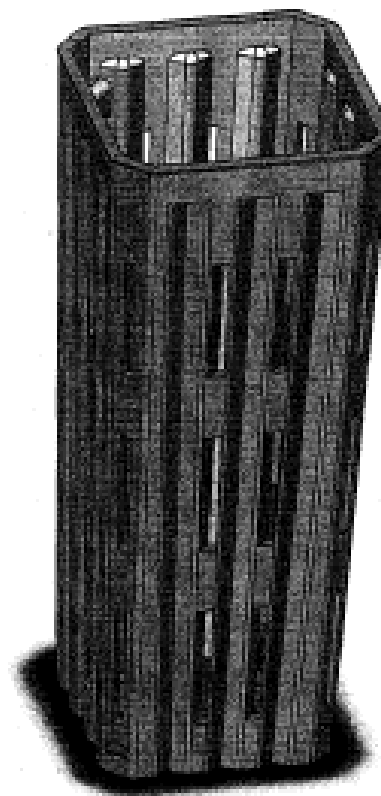
**Western Plains Flora Pty Ltd
628 Wildwood Road Wildwood Victoria 3429 Australia**

(72) Name(s) of Designer(s): **Ian Warwick Taylor**

(45) Registration Date: **24 September 2010**

(56) Related Art Documents: **Not Applicable**

(57) Statement of Newness and Distinctiveness: **Side slits (vents) in tube to encourage development of air pruned radial roots. Tube splits in half to allow for the removal of the seedling. Taylored Air Pruned Tube. The forestry tube was designed approximately 30 years ago and has since been adopted by the horticultural industry as a common standard. It measures 120 x 50 x 50 mm, solid sides and a vented base to allow for air pruning of the seedling roots. This product is often used to produce plants for potting-on into larger containers, producing advanced/larger stock. Customers who are planting into streetscapes and parks often require this sized plant. However, stock grown in this manner is often unstable in the larger containers. The Taylored Air Pruned Tube is designed to allow air pruning of the side growing (radial) seedling roots, through slits in the side of the tube. This prevents the seedling from growing roots towards the base of the tube. The growth of the radial roots of the seedling is encouraged by air pruning from the slits in the side of the tube, ensuring greater radial root development. When potted up into a larger container, these seedlings develop into a plant with a much stronger and branched root system that is very stable in the container and establishes in the landscape at a faster rate. There are other systems and processes that have been developed by the industry to improve the quality of advanced/larger stock, but none of these methods involve the use of the forestry tube. The Taylored Air Pruned Tube is constructed of 3 parts; two sides (split in half-refer to drawings/photos) and a separate base. This enables the seedling to removed easily for potting on into larger containers without damaging the root system of the seedling.**



(21) Design Number: **13717/2010**

(22) Date of Filing Application: **30 August 2010**

(24) Date from which industrial property rights may have effect: **30 August 2010**

(54) Product in respect of which the design is registered: **Pipe junction**

(51) International Design Classification: **23-01B**

(71) Name(s) and Address(s) of Applicant(s):

**AVK Holding A/S
Sondergade 33 DK-8464 Galten Denmark**

(72) Name(s) of Designer(s): **Erling Arnum Freudendahl**

(45) Registration Date: **24 September 2010**

(30) Convention priority data:

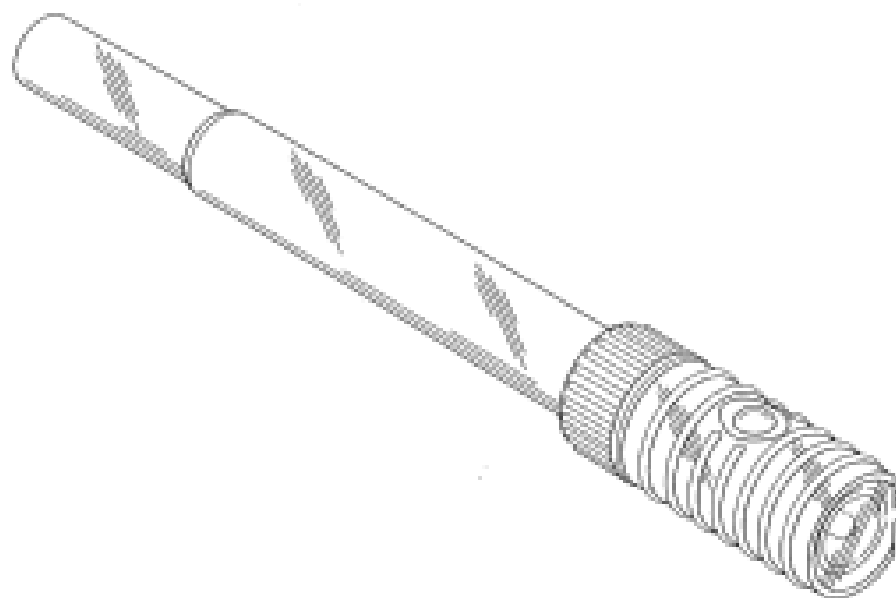
(31) Number	(32) Date	(33) Country
001732868-0001	19 Jul 2010	EUROPEAN COMMUNITY

(56) Related Art Documents: **Not Applicable**

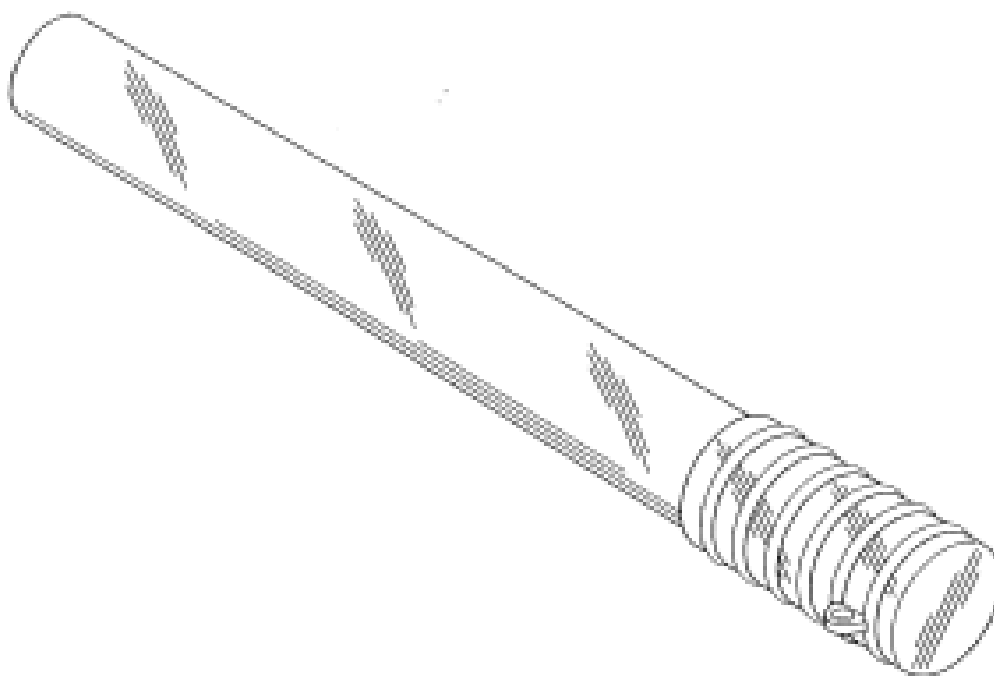
(57) Statement of Newness and Distinctiveness: **Nil**



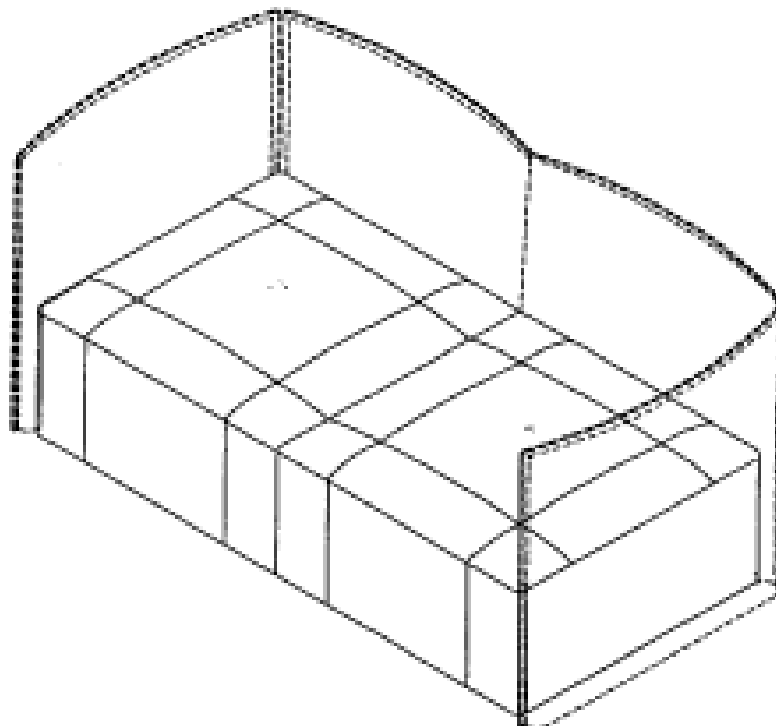
(21) Design Number: **13736/2010**
(22) Date of Filing Application: **30 August 2010**
(24) Date from which industrial property rights may have effect: **30 August 2010**
(54) Product in respect of which the design is registered: **Waterproof glow stick multi-purpose safety device**
(51) International Design Classification: **26-04**
(71) Name(s) and Address(s) of Applicant(s):
Life+Gear, Inc.
742 Genevieve Street Suite O Solana Beach California 92075 United States of America
(72) Name(s) of Designer(s): **Dennis Bertken**
(45) Registration Date: **24 September 2010**
(30) Convention priority data:
(31) Number (32) Date (33) Country
29/356,793 02 Mar 2010 UNITED STATES OF AMERICA
(56) Related Art Documents: **Not Applicable**
(57) Statement of Newness and Distinctiveness: **Nil**



(21) Design Number: **13737/2010**
(22) Date of Filing Application: **30 August 2010**
(24) Date from which industrial property rights may have effect: **30 August 2010**
(54) Product in respect of which the design is registered: **Electronic glow stick device**
(51) International Design Classification: **26-04**
(71) Name(s) and Address(s) of Applicant(s):
Life+Gear, Inc.
742 Genevieve Street Suite O Solana Beach California 92075 United States of America
(72) Name(s) of Designer(s): **Dennis Bertken**
(45) Registration Date: **24 September 2010**
(30) Convention priority data:
(31) Number (32) Date (33) Country
29/356,791 02 Mar 2010 UNITED STATES OF AMERICA
(56) Related Art Documents: **Not Applicable**
(57) Statement of Newness and Distinctiveness: **Nil**

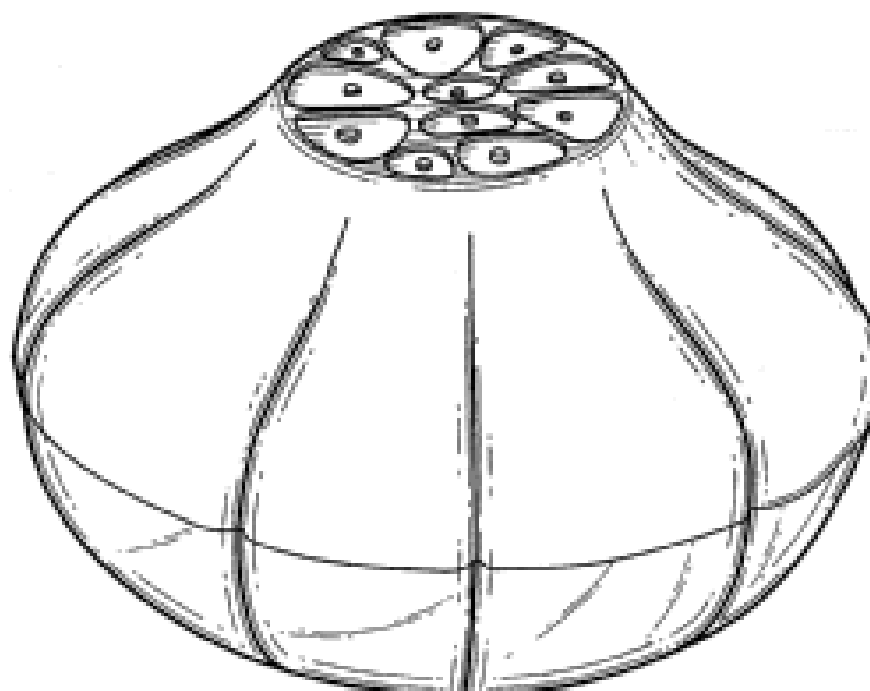


- (21) Design Number: **13748/2010**
- (22) Date of Filing Application: **31 August 2010**
- (24) Date from which industrial property rights may have effect: **31 August 2010**
- (54) Product in respect of which the design is registered: **Seating furniture**
- (51) International Design Classification: **06-01G**
- (71) Name(s) and Address(s) of Applicant(s):
King Furniture (Australia) Pty Ltd
123 Turrella Street Turrella New South Wales 2205 Australia
- (72) Name(s) of Designer(s): **David King and Ryan Lawson**
- (45) Registration Date: **24 September 2010**
- (56) Related Art Documents: **Not Applicable**
- (57) Statement of Newness and Distinctiveness: **Newness and distinctiveness reside in the features of the design as shown in the representations, wherein the number of backs, which are shown in broken lines, may vary between one and six, so as to extend partially or fully around a central seat portion.**

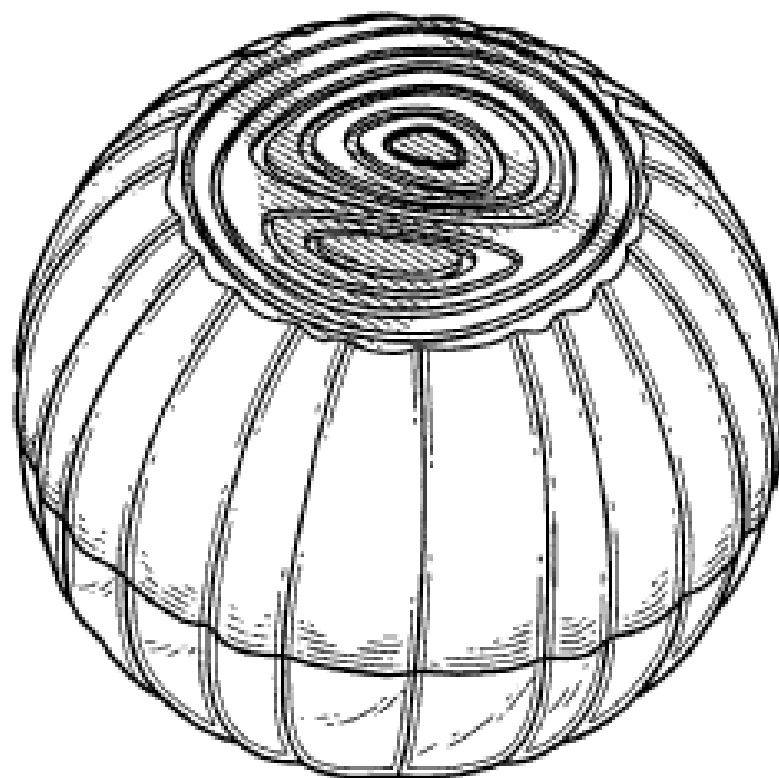


- (21) Design Number: **13749/2010**
- (22) Date of Filing Application: **31 August 2010**
- (24) Date from which industrial property rights may have effect: **31 August 2010**
- (54) Product in respect of which the design is registered: **Container**
- (51) International Design Classification: **07-01NES**
- (71) Name(s) and Address(s) of Applicant(s):
Hutzler Manufacturing Co., Inc.
4 Grace Way Canaan Connecticut 06018 United States of America
- (72) Name(s) of Designer(s): **Richard Ehrenhaus and Kate Hixon**
- (45) Registration Date: **24 September 2010**
- (30) Convention priority data:

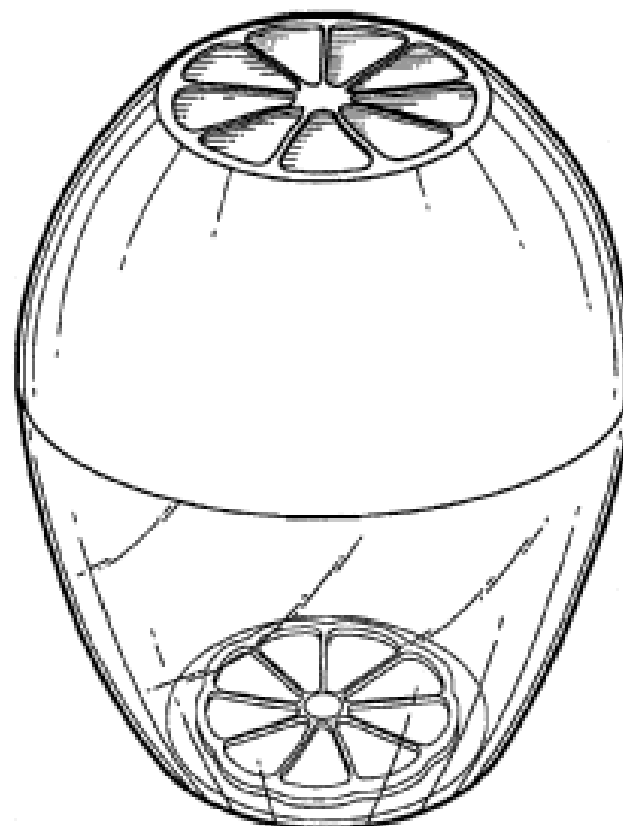
(31) Number	(32) Date	(33) Country
29/364704	28 Jun 2010	UNITED STATES OF AMERICA
- (56) Related Art Documents: **Not Applicable**
- (57) Statement of Newness and Distinctiveness: **Newness and distinctiveness reside in the features of the design as shown in the representations.**



- (21) Design Number: **13750/2010**
(22) Date of Filing Application: **31 August 2010**
(24) Date from which industrial property rights may have effect: **31 August 2010**
(54) Product in respect of which the design is registered: **Container**
(51) International Design Classification: **07-01NES**
(71) Name(s) and Address(s) of Applicant(s):
Hutzler Manufacturing Co., Inc.
4 Grace Way Canaan Connecticut 06018 United States of America
(72) Name(s) of Designer(s): **Richard Ehrenhaus and Kate Hixon**
(45) Registration Date: **24 September 2010**
(30) Convention priority data:
(31) Number (32) Date (33) Country
29/364708 28 Jun 2010 UNITED STATES OF AMERICA
(56) Related Art Documents: **Not Applicable**
(57) Statement of Newness and Distinctiveness: **Newness and distinctiveness reside in the features of the design as shown in the representations.**



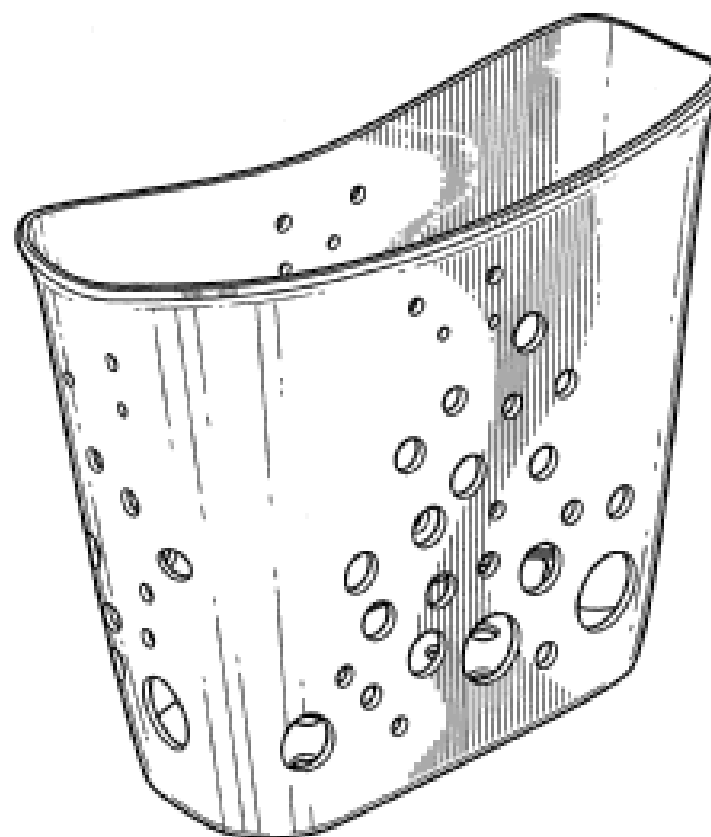
- (21) Design Number: **13751/2010**
(22) Date of Filing Application: **31 August 2010**
(24) Date from which industrial property rights may have effect: **31 August 2010**
(54) Product in respect of which the design is registered: **Container**
(51) International Design Classification: **07-01NES**
(71) Name(s) and Address(s) of Applicant(s):
Hutzler Manufacturing Co., Inc.
4 Grace Way Canaan Connecticut 06018 United States of America
(72) Name(s) of Designer(s): **Richard Ehrenhaus and Kate Hixon**
(45) Registration Date: **24 September 2010**
(30) Convention priority data:
(31) Number (32) Date (33) Country
29/366535 27 Jul 2010 UNITED STATES OF AMERICA
(56) Related Art Documents: **Not Applicable**
(57) Statement of Newness and Distinctiveness: **Newness and distinctiveness reside in the features of the design as shown in the representations.**



(21) Design Number: **13752/2010**
(22) Date of Filing Application: **31 August 2010**
(24) Date from which industrial property rights may have effect: **31 August 2010**
(54) Product in respect of which the design is registered: **Container**
(51) International Design Classification: **07-01NES**
(71) Name(s) and Address(s) of Applicant(s):
Hutzler Manufacturing Co., Inc.
4 Grace Way Canaan Connecticut 06018 United States of America
(72) Name(s) of Designer(s): **Richard Ehrenhaus and Kate Hixon**
(45) Registration Date: **24 September 2010**
(30) Convention priority data:
(31) Number (32) Date (33) Country
29/366542 27 Jul 2010 UNITED STATES OF AMERICA
(56) Related Art Documents: **Not Applicable**
(57) Statement of Newness and Distinctiveness: **Newness and distinctiveness reside in the features of the design as shown in the representations.**



(21) Design Number: **13754/2010**
(22) Date of Filing Application: **31 August 2010**
(24) Date from which industrial property rights may have effect: **31 August 2010**
(54) Product in respect of which the design is registered: **Holder for sponges and the like**
(51) International Design Classification: **07-07NES**
(71) Name(s) and Address(s) of Applicant(s):
Hutzler Manufacturing Co., Inc.
4 Grace Way Canaan Connecticut 06018 United States of America
(72) Name(s) of Designer(s): **William Kolano and Richard Ehrenhaus**
(45) Registration Date: **24 September 2010**
(30) Convention priority data:
(31) Number (32) Date (33) Country
29/365646 13 Jul 2010 UNITED STATES OF AMERICA
(56) Related Art Documents: **Not Applicable**
(57) Statement of Newness and Distinctiveness: **Newness and distinctiveness reside in the features of shape and configuration of the design as shown in the representations and in particular in the array of holes in the holder.**



(21) Design Number: **13755/2010**
(22) Date of Filing Application: **01 September 2010**
(24) Date from which industrial property rights may have effect: **01 September 2010**
(54) Product in respect of which the design is registered: **Indoor rowing machines**
(51) International Design Classification: **21-02F**
(71) Name(s) and Address(s) of Applicant(s):

Michael James Gearon
Unit 84A/6 Melville Park Drive Berwick Victoria 3806 Australia

(72) Name(s) of Designer(s): **Michael James Gearon**

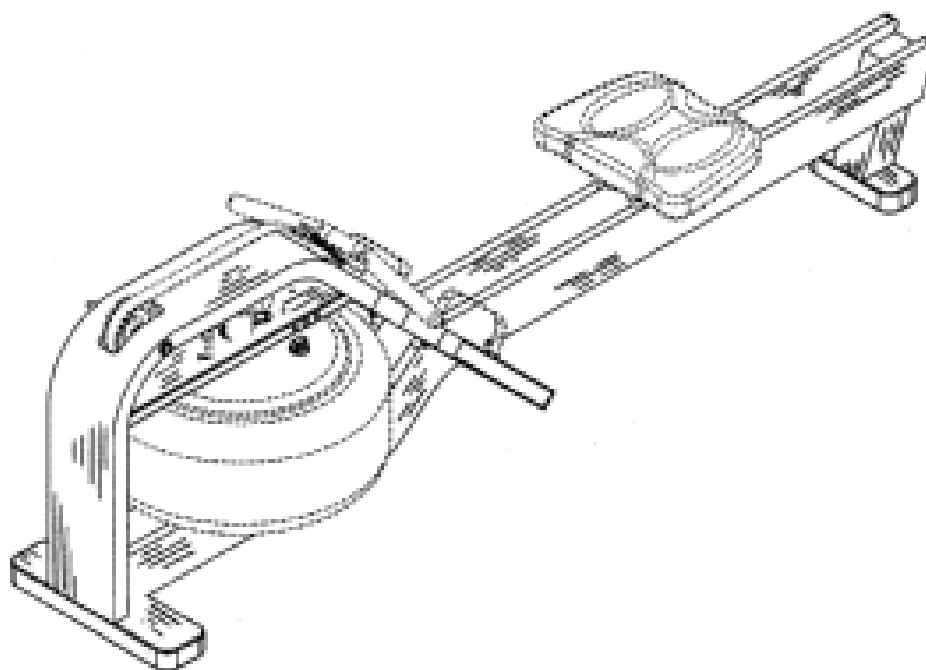
(45) Registration Date: **24 September 2010**

(30) Convention priority data:

(31) Number	(32) Date	(33) Country
4015102	24 Mar 2010	UNITED KINGDOM

(56) Related Art Documents: **Not Applicable**

(57) Statement of Newness and Distinctiveness: **The formed and curved wood is distinctive and new.**



(21) Design Number: **13756/2010**
(22) Date of Filing Application: **01 September 2010**
(24) Date from which industrial property rights may have effect: **01 September 2010**
(54) Product in respect of which the design is registered: **Tooth brushes and tooth-paste dispensers**
(51) International Design Classification: **04-02**
(71) Name(s) and Address(s) of Applicant(s):

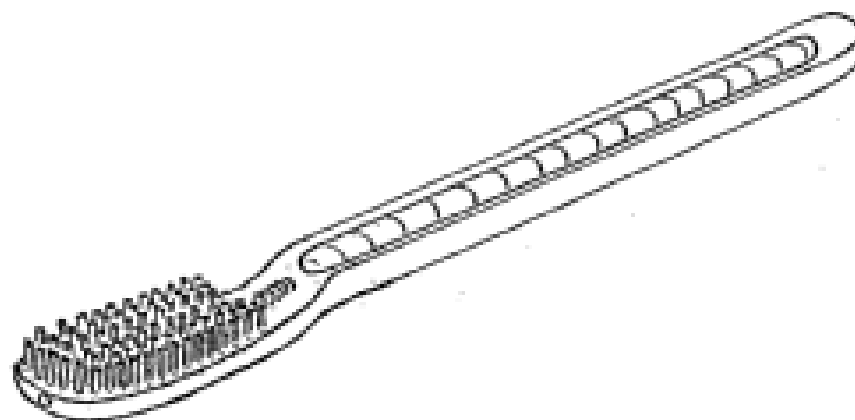
Wendy Ada Whittome
419 Grand Promenade Dianella Western Australia 6059 Australia

(72) Name(s) of Designer(s): **Wendy Ada Whittome**

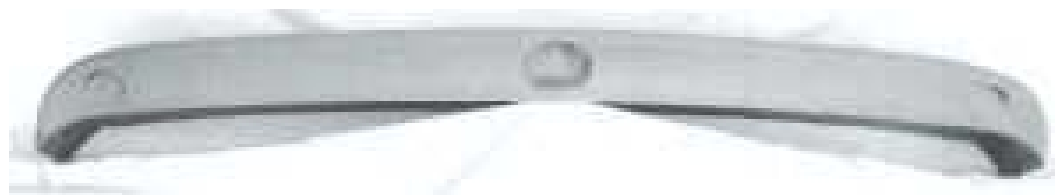
(45) Registration Date: **24 September 2010**

(56) Related Art Documents: **Not Applicable**

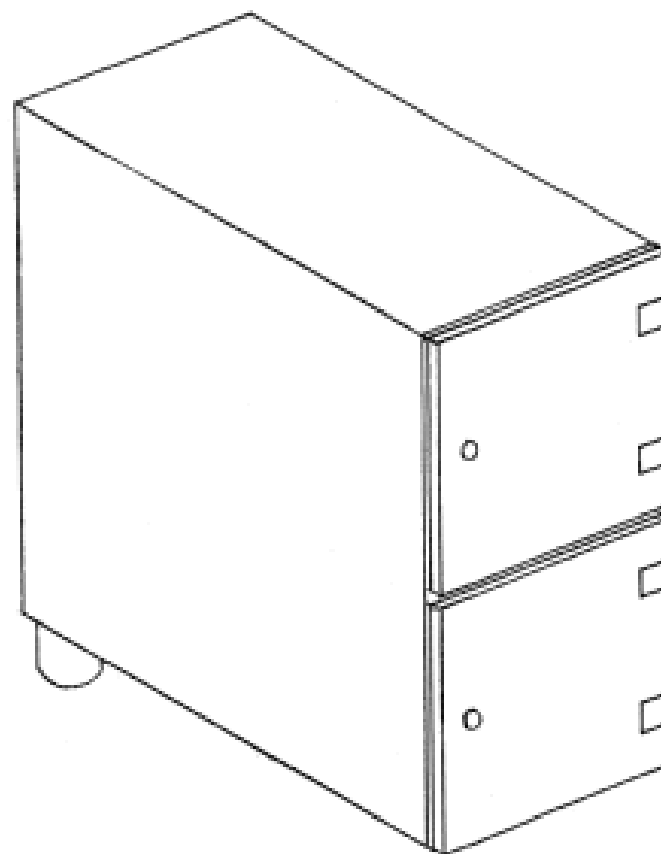
(57) Statement of Newness and Distinctiveness: **The distinctive and new features of this design are the flexible tooth-paste dispenser placed within the tooth-brush handle; its exit channel and the flap-plug placed within the bristles of the cleaning-head to permit tooth-paste to enter the cleaning bristles.**



- (21) Design Number: **13084/2010**
(22) Date of Filing Application: **23 July 2010**
(24) Date from which industrial property rights may have effect: **23 July 2010**
(54) Product in respect of which the design is registered: **Vehicle spoiler for rear view camera**
(51) International Design Classification: **12-16B**
(71) Name(s) and Address(s) of Applicant(s):
Grant Moddejongen
551 Hawkesbury Road Anstead Queensland 4070 Australia
(72) Name(s) of Designer(s): **Grant Moddejongen**
(45) Registration Date: **24 September 2010**
(56) Related Art Documents: **Not Applicable**
(57) Statement of Newness and Distinctiveness: **The shape and configuration of a pair of a vehicle spoiler for a rear view camera as illustrated in the accompanying representations.**



- (21) Design Number: **13085/2010**
(22) Date of Filing Application: **23 July 2010**
(24) Date from which industrial property rights may have effect: **23 July 2010**
(54) Product in respect of which the design is registered: **A sliding tray storage unit for a mobile home**
(51) International Design Classification: **12-16K**
(71) Name(s) and Address(s) of Applicant(s):
Grant Moddejongen
551 Hawkesbury Road Anstead Queensland 4070 Australia
(72) Name(s) of Designer(s): **Grant Moddejongen**
(45) Registration Date: **24 September 2010**
(56) Related Art Documents: **Not Applicable**
(57) Statement of Newness and Distinctiveness: **The shape and configuration of a set of sliding tray storage units for a mobile home as illustrated in the accompanying representations.**



(21) Design Number: **13156/2010**

(22) Date of Filing Application: **26 July 2010**

(24) Date from which industrial property rights may have effect: **26 July 2010**

(54) Product in respect of which the design is registered: **Ceiling fan**

(51) International Design Classification: **23-04**

(71) Name(s) and Address(s) of Applicant(s):

Spinifex Fans Pty Ltd

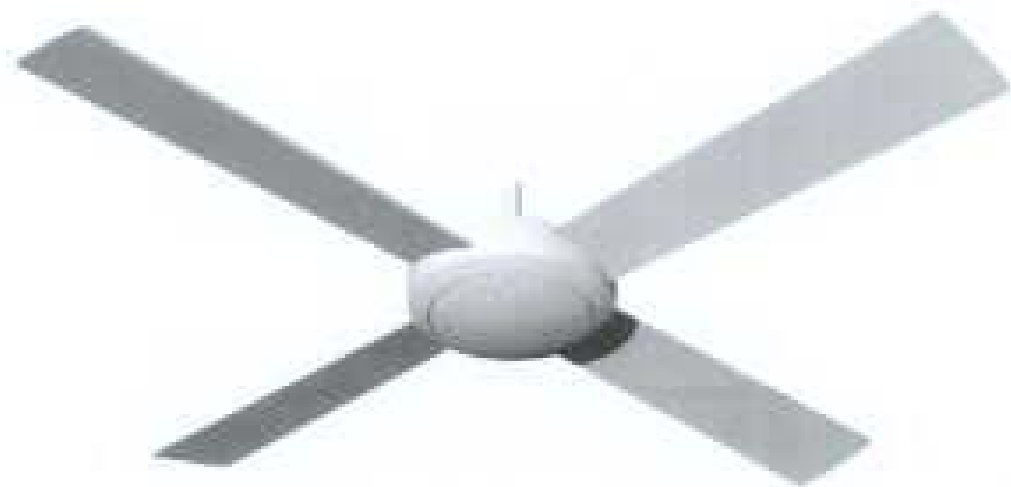
30 Congewoi Road Mosman New South Wales 2088 Australia

(72) Name(s) of Designer(s): **James Hole**

(45) Registration Date: **24 September 2010**

(56) Related Art Documents: **Not Applicable**

(57) Statement of Newness and Distinctiveness: **Novelty is claimed in the shape and configuration of the body of the fan. In assessing its newness and distinctiveness no regard should be taken for the shape and configuration of the blades nor the number of blades.**



(21) Design Number: **13441/2010**

(22) Date of Filing Application: **11 August 2010**

(24) Date from which industrial property rights may have effect: **11 August 2010**

(54) Product in respect of which the design is registered: **Knot tying apparatus**

(51) International Design Classification: **08-99**

(71) Name(s) and Address(s) of Applicant(s):

Tytaz Holdings Limited

1 Alfred Street Hamilton 3214 New Zealand

(72) Name(s) of Designer(s): **David Bruce Frew**

(45) Registration Date: **24 September 2010**

(30) Convention priority data:

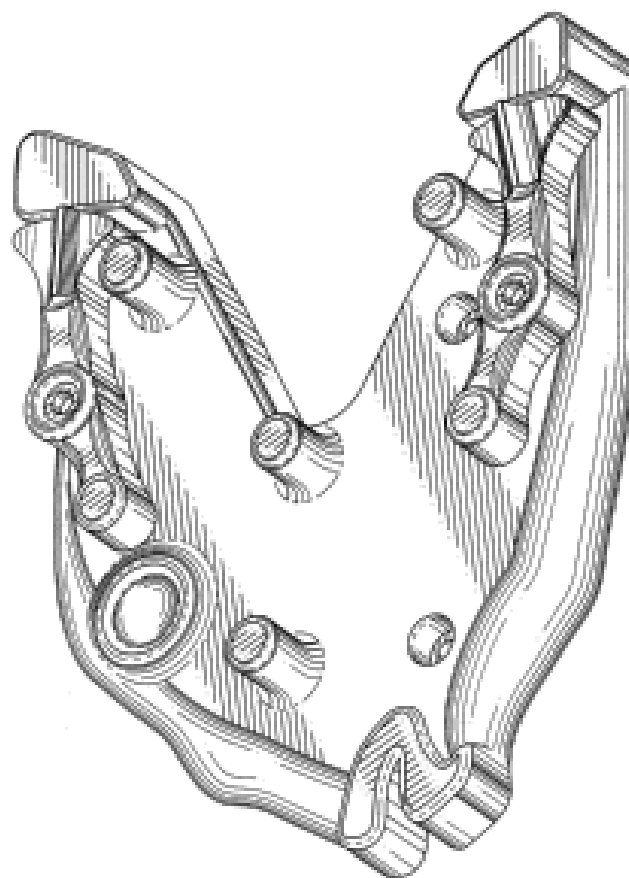
(31) Number
413301

(32) Date
16 Feb 2010

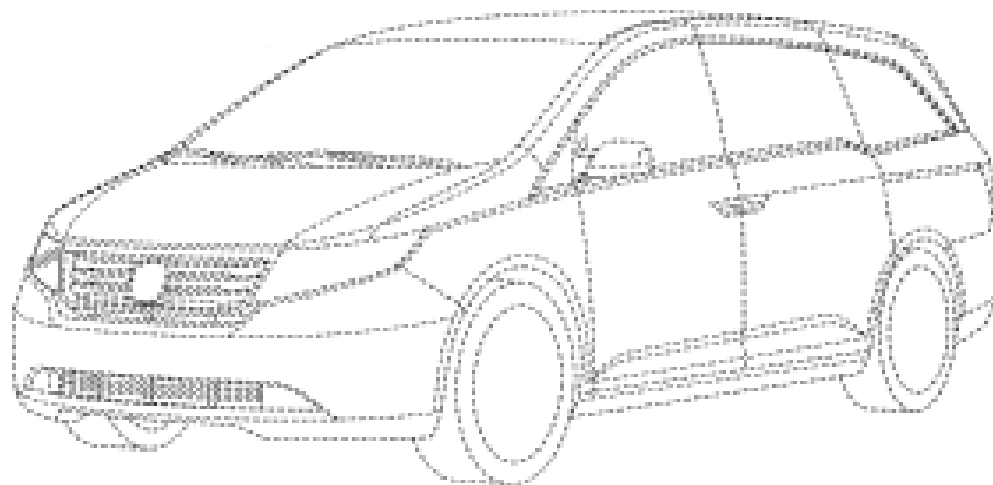
(33) Country
NEW ZEALAND

(56) Related Art Documents: **Not Applicable**

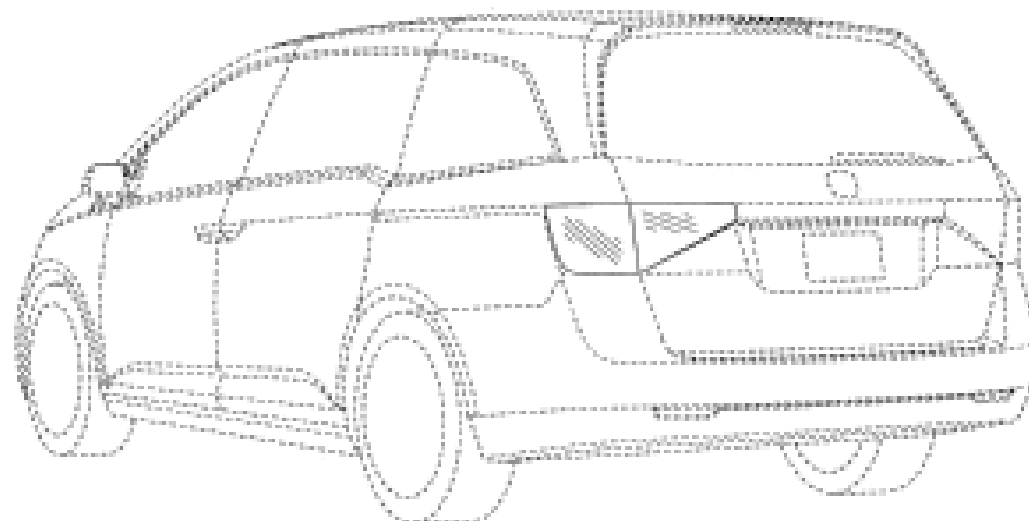
(57) Statement of Newness and Distinctiveness: **The newness of the design resides in the features of shape and configuration all as shown in the accompanying representations.**



- (21) Design Number: **13472/2010**
(22) Date of Filing Application: **11 August 2010**
(24) Date from which industrial property rights may have effect: **11 August 2010**
(54) Product in respect of which the design is registered: **Vehicle headlight**
(51) International Design Classification: **26-06**
(71) Name(s) and Address(s) of Applicant(s):
Honda Motor Co., Ltd.
1-1 Minami-Aoyama 2-chome Minato-ku Tokyo Japan
(72) Name(s) of Designer(s): **Catalin Matei and Roger Alan Brown**
(45) Registration Date: **24 September 2010**
(30) Convention priority data:
(31) Number (32) Date (33) Country
29/355686 11 Feb 2010 UNITED STATES OF AMERICA
(56) Related Art Documents: **Not Applicable**
(57) Statement of Newness and Distinctiveness: **Newness and distinctiveness is claimed in the visual features shown in solid lines in the representations.**



- (21) Design Number: **13473/2010**
(22) Date of Filing Application: **11 August 2010**
(24) Date from which industrial property rights may have effect: **11 August 2010**
(54) Product in respect of which the design is registered: **Vehicle tail light**
(51) International Design Classification: **26-06**
(71) Name(s) and Address(s) of Applicant(s):
Honda Motor Co., Ltd.
1-1 Minami-Aoyama 2-chome Minato-ku Tokyo Japan
(72) Name(s) of Designer(s): **Catalin Matei**
(45) Registration Date: **24 September 2010**
(30) Convention priority data:
(31) Number (32) Date (33) Country
29/355685 11 Feb 2010 UNITED STATES OF AMERICA
(56) Related Art Documents: **Not Applicable**
(57) Statement of Newness and Distinctiveness: **Newness and distinctiveness is claimed in the visual features shown in solid lines in the representations.**



(21) Design Number: **13684/2010**

(22) Date of Filing Application: **27 August 2010**

(24) Date from which industrial property rights may have effect: **27 August 2010**

(54) Product in respect of which the design is registered: **Sports shoe**

(51) International Design Classification: **02-04NES**

(71) Name(s) and Address(s) of Applicant(s):

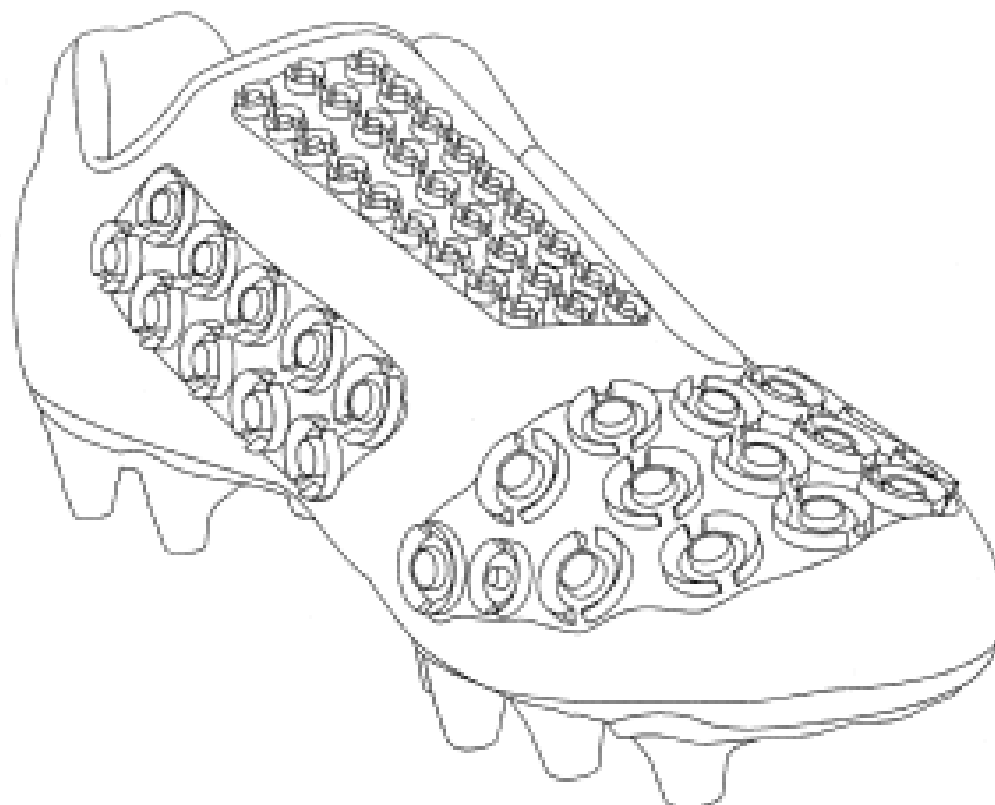
Whiteheart Licensing Pty Ltd
37 Wattle Grove Reservoir Victoria 3073 Australia

(72) Name(s) of Designer(s): **Konstantinos Hatzilias**

(45) Registration Date: **24 September 2010**

(56) Related Art Documents: **Not Applicable**

(57) Statement of Newness and Distinctiveness: **Newness and distinctiveness resides in features of shape and configuration of the protrusion containing sections of the footwear upper as shown in the accompanying representations. When considering whether the design is substantially similar in overall impression to another design, no regard is to be given to those features of the design which reside outside of these protrusion containing sections.**



(21) Design Number: **13685/2010**

(22) Date of Filing Application: **27 August 2010**

(24) Date from which industrial property rights may have effect: **27 August 2010**

(54) Product in respect of which the design is registered: **Sports shoe**

(51) International Design Classification: **02-04NES**

(71) Name(s) and Address(s) of Applicant(s):

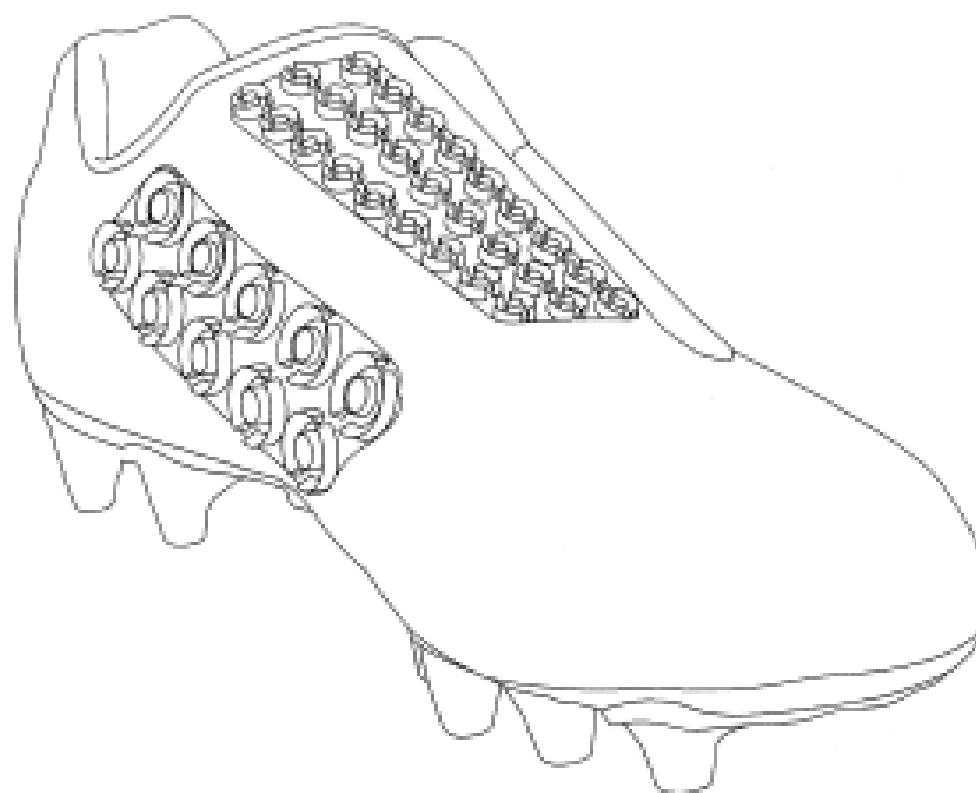
Whiteheart Licensing Pty Ltd
37 Wattle Grove Reservoir Victoria 3073 Australia

(72) Name(s) of Designer(s): **Konstantinos Hatzilias**

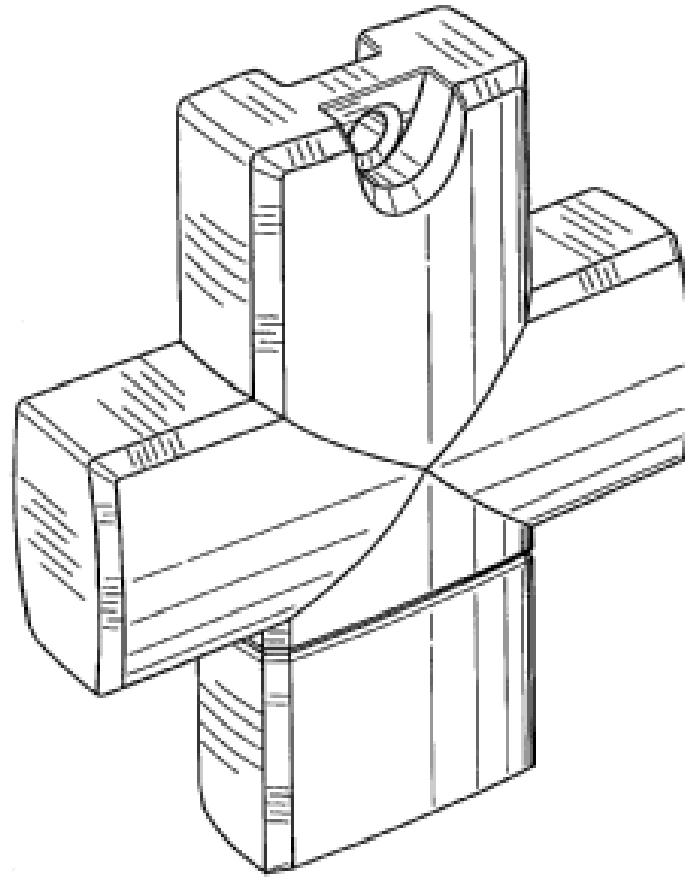
(45) Registration Date: **24 September 2010**

(56) Related Art Documents: **Not Applicable**

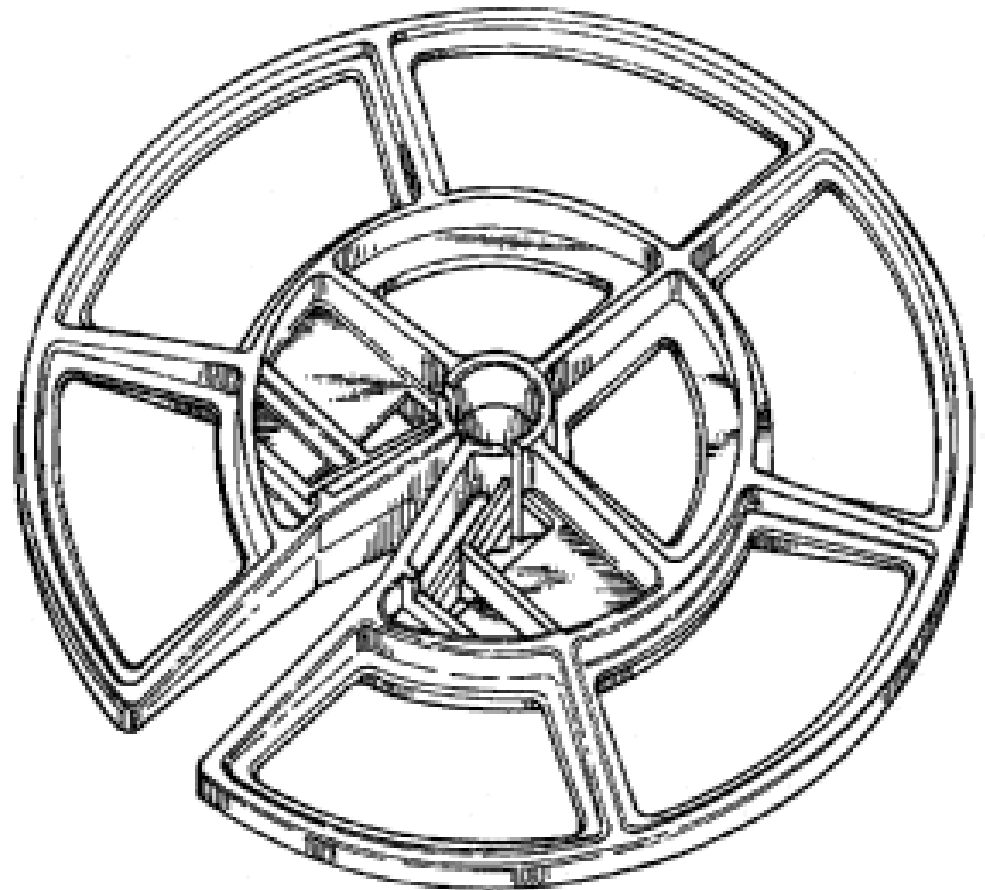
(57) Statement of Newness and Distinctiveness: **Newness and distinctiveness resides in features of shape and configuration of the protrusion containing sections of the footwear upper as shown in the accompanying representations. When considering whether the design is substantially similar in overall impression to another design, no regard is to be given to those features of the design which reside outside of these protrusion containing sections.**



- (21) Design Number: **13678/2010**
(22) Date of Filing Application: **25 August 2010**
(24) Date from which industrial property rights may have effect: **25 August 2010**
(54) Product in respect of which the design is registered: **Container for a USB device**
(51) International Design Classification: **14-02**
(71) Name(s) and Address(s) of Applicant(s):
Sally Pederson
137 Bridlewood Place S.W. Calgary Alberta T2Y 3P9 Canada
(72) Name(s) of Designer(s): **Sally Pederson**
(45) Registration Date: **24 September 2010**
(30) Convention priority data:
(31) Number (32) Date (33) Country
134146 25 Feb 2010 CANADA
(56) Related Art Documents: **Not Applicable**
(57) Statement of Newness and Distinctiveness: **Newness and Distinctiveness is claimed in the features of shape, ornament, pattern and configuration of the CONTAINER as shown in solid lines in the drawings. The portions shown in stippled lines do not form part of the design.**



- (21) Design Number: **13609/2010**
(22) Date of Filing Application: **20 August 2010**
(24) Date from which industrial property rights may have effect: **20 August 2010**
(54) Product in respect of which the design is registered: **Spacer wheel for reinforcement bars in concrete structure**
(51) International Design Classification: **25-01B**
(71) Name(s) and Address(s) of Applicant(s):
Dennis J. Mee
51 Goldieslie Road Indooroopilly Queensland 4068 Australia
(72) Name(s) of Designer(s): **Dennis J. Mee**
(45) Registration Date: **24 September 2010**
(56) Related Art Documents: **Not Applicable**
(57) Statement of Newness and Distinctiveness: **Nil**



(21) Design Number: **13608/2010**

(22) Date of Filing Application: **20 August 2010**

(24) Date from which industrial property rights may have effect: **20 August 2010**

(54) Product in respect of which the design is registered: **Spacer wheel for reinforcement bars in concrete structure**

(51) International Design Classification: **25-01B**

(71) Name(s) and Address(s) of Applicant(s):

Dennis J. Mee

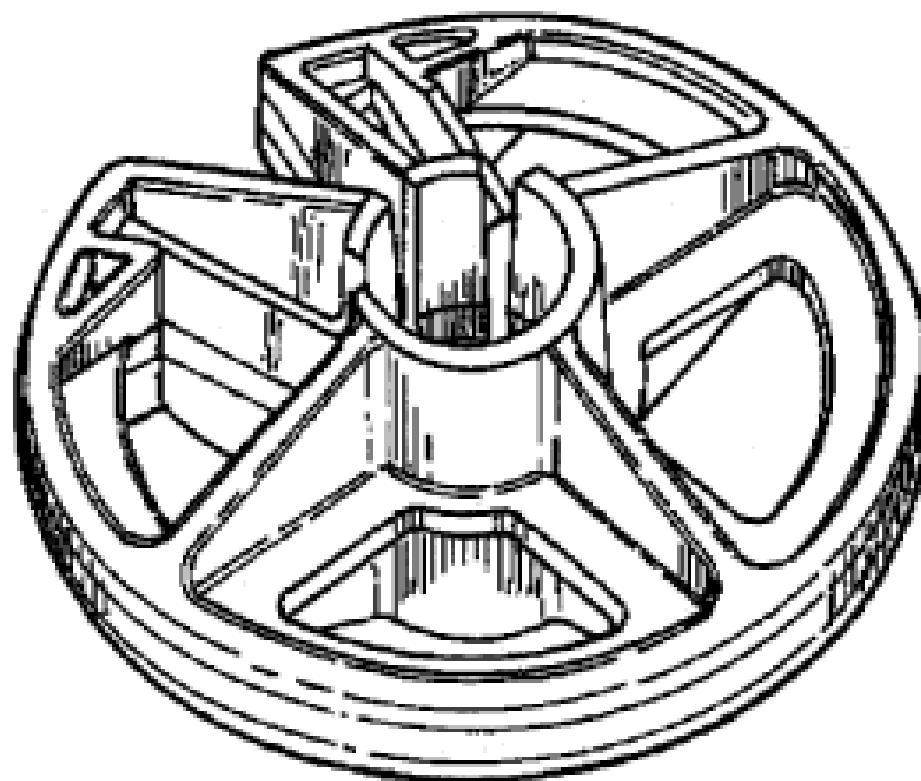
51 Goldieslie Road Indooroopilly Queensland 4068 Australia

(72) Name(s) of Designer(s): **Dennis J. Mee**

(45) Registration Date: **24 September 2010**

(56) Related Art Documents: **Not Applicable**

(57) Statement of Newness and Distinctiveness: **Nil**



(21) Design Number: **13838/2010**

(22) Date of Filing Application: **03 September 2010**

(24) Date from which industrial property rights may have effect: **03 September 2010**

(54) Product in respect of which the design is registered: **Mattress sleep set**

(51) International Design Classification: **06-09**

(71) Name(s) and Address(s) of Applicant(s):

Dinh Hoang Long Truong

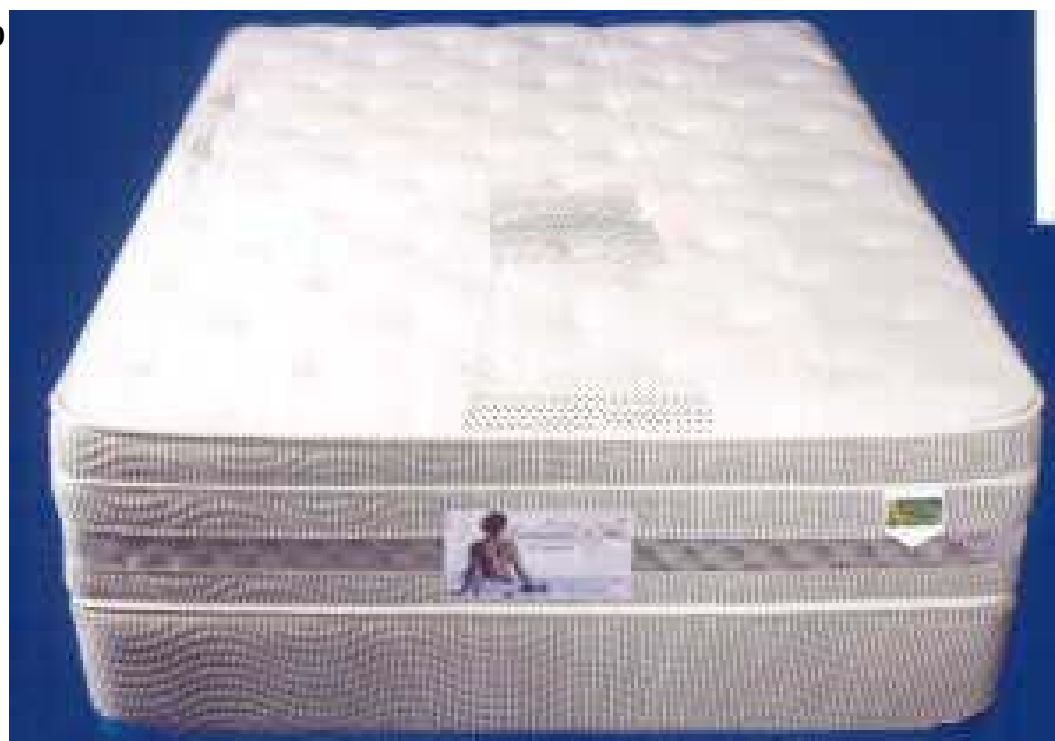
18 The Broadwater Ballajura Western Australia 6066 Australia

(72) Name(s) of Designer(s): **Dinh Hoang Long Truong**

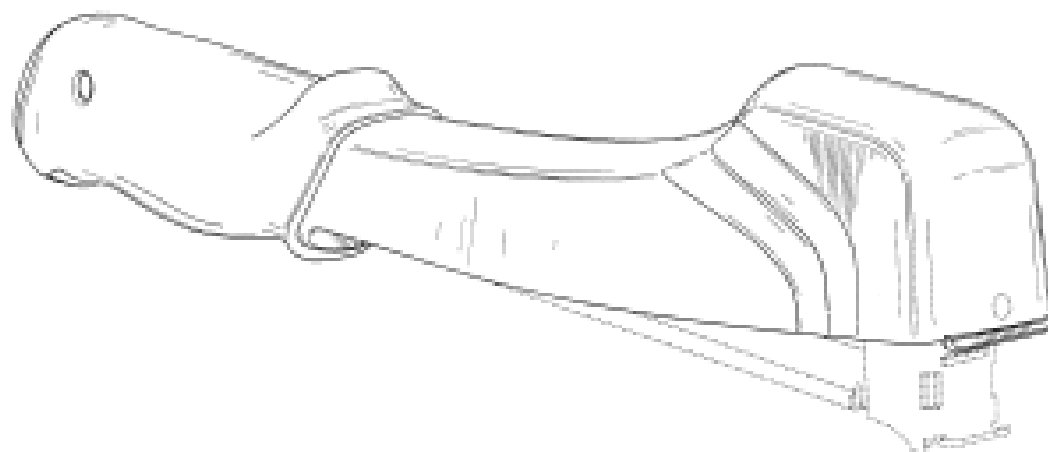
(45) Registration Date: **24 September 2010**

(56) Related Art Documents: **Not Applicable**

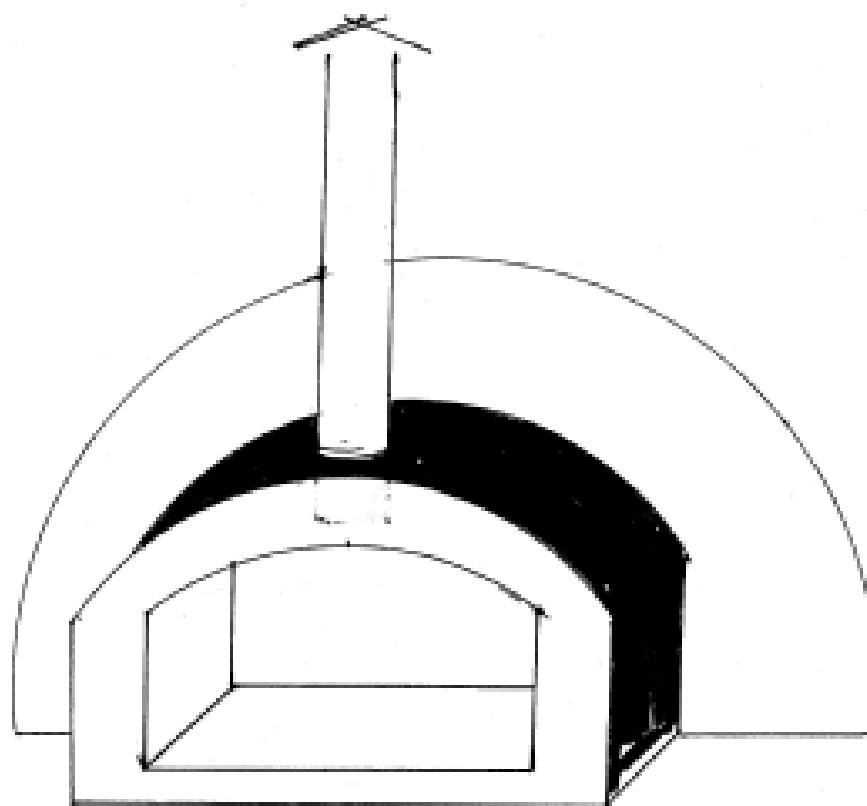
(57) Statement of Newness and Distinctiveness: **Aeronet distinctive border style to show aerotech foam designs to circulate air in the mattress sleep set.**



- (21) Design Number: **14041/2010**
(22) Date of Filing Application: **16 September 2010**
(24) Date from which industrial property rights may have effect: **16 September 2010**
(54) Product in respect of which the design is registered: **Fastening tool**
(51) International Design Classification: **15-99**
(71) Name(s) and Address(s) of Applicant(s):
Arrow Fastener Co., LLC
271 Mayhill Street Saddle Brook New Jersey 07663 United States of America
(72) Name(s) of Designer(s): **Geraint Krumpe and Michael Reedy and Victor Hoernig and Man Ki Yoo and Gregg J. Malanga and Steven J. Mandel**
(45) Registration Date: **24 September 2010**
(30) Convention priority data:
(31) Number (32) Date (33) Country
USSN:29/358,042 22 Mar 2010 UNITED STATES OF AMERICA
(56) Related Art Documents: **Not Applicable**
(57) Statement of Newness and Distinctiveness: **Newness and distinctiveness resides in the shape and configuration of the fastening tool, excluding the portions shown in broken line.**



- (21) Design Number: **12559/2010**
(22) Date of Filing Application: **22 June 2010**
(24) Date from which industrial property rights may have effect: **22 June 2010**
(54) Product in respect of which the design is registered: **Oven/smokehouse**
(51) International Design Classification: **07-02A**
(71) Name(s) and Address(s) of Applicant(s):
Mark Borkowski
814 Bungendore Road Bywong New South Wales 2621 Australia
(72) Name(s) of Designer(s): **Mark Borkowski**
(45) Registration Date: **24 September 2010**
(56) Related Art Documents: **Not Applicable**
(57) Statement of Newness and Distinctiveness: **The new features of the design is the unique shape. (polished stainless steel) one piece design.**



(21) Design Number: **12932/2010**

(22) Date of Filing Application: **15 July 2010**

(24) Date from which industrial property rights may have effect: **15 July 2010**

(54) Product in respect of which the design is registered: **Glove**

(51) International Design Classification: **02-06**

(71) Name(s) and Address(s) of Applicant(s):

Ansell Healthcare Products LLC
200 Schulz Drive Red Bank NJ 07701 United States of America

(72) Name(s) of Designer(s): **Sean Sweeney and Eric Thompson**

(45) Registration Date: **24 September 2010**

(30) Convention priority data:

(31) Number	(32) Date	(33) Country
29/353,858	15 Jan 2010	UNITED STATES OF AMERICA

(56) Related Art Documents: **Not Applicable**

(57) Statement of Newness and Distinctiveness: **Nil**



(21) Design Number: **13747/2010**

(22) Date of Filing Application: **31 August 2010**

(24) Date from which industrial property rights may have effect: **31 August 2010**

(54) Product in respect of which the design is registered: **Seating furniture**

(51) International Design Classification: **06-01G**

(71) Name(s) and Address(s) of Applicant(s):

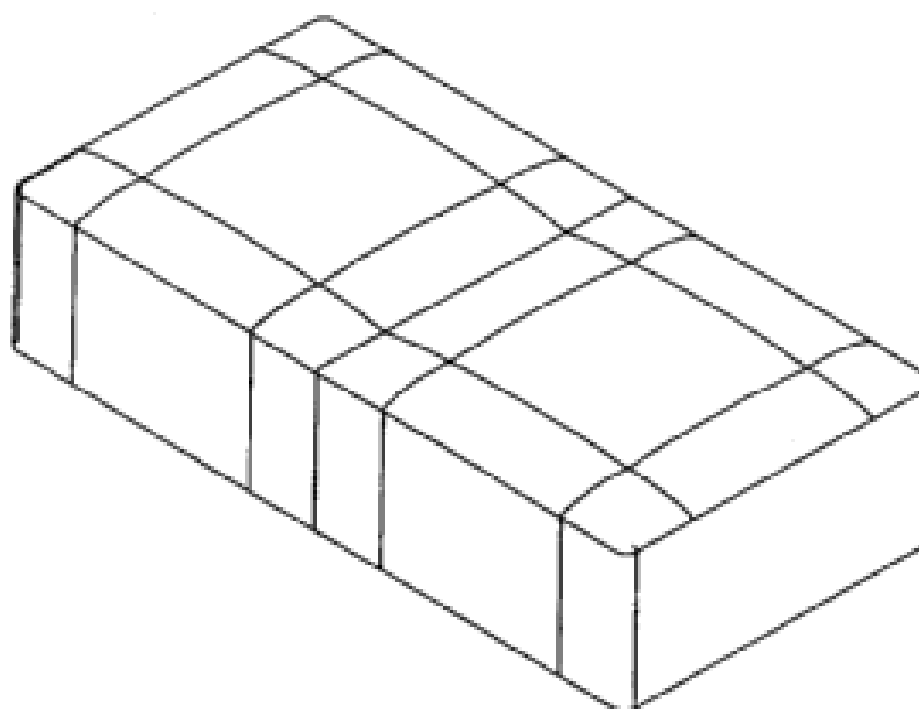
King Furniture (Australia) Pty Ltd
123 Turrella Street Turrella New South Wales 2205 Australia

(72) Name(s) of Designer(s): **David King and Ryan Lawson**

(45) Registration Date: **24 September 2010**

(56) Related Art Documents: **Not Applicable**

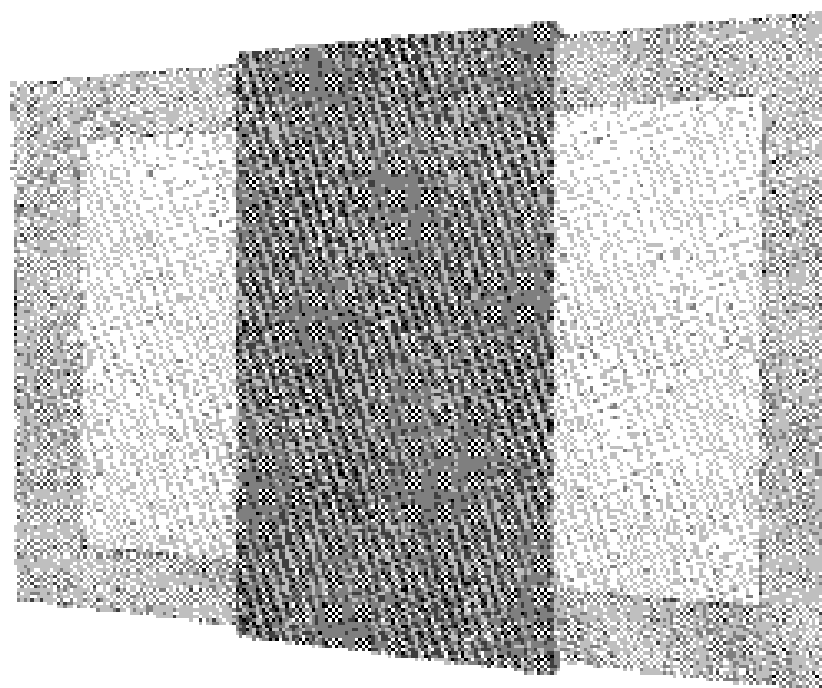
(57) Statement of Newness and Distinctiveness: **Newness and distinctiveness reside in the features of the design as shown in the representations.**



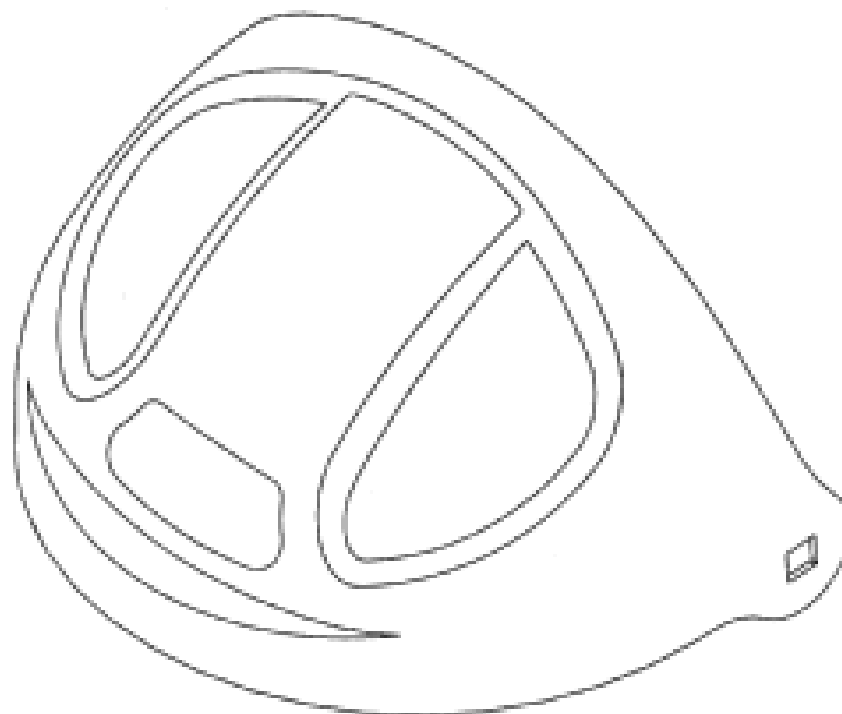
- (21) Design Number: **14005/2010**
(22) Date of Filing Application: **15 July 2010**
(24) Date from which industrial property rights may have effect: **15 July 2010**
(54) Product in respect of which the design is registered: **Glove**
(51) International Design Classification: **02-06**
(71) Name(s) and Address(s) of Applicant(s):
Ansell Healthcare Products LLC
200 Schulz Drive Red Bank NJ 07701 United States of America
(72) Name(s) of Designer(s): **Sean Sweeney and Eric Thompson**
(45) Registration Date: **24 September 2010**
(30) Convention priority data:
(31) Number (32) Date (33) Country
29/353,858 15 Jan 2010 UNITED STATES OF AMERICA
(56) Related Art Documents: **Not Applicable**
(57) Statement of Newness and Distinctiveness: **Nil**



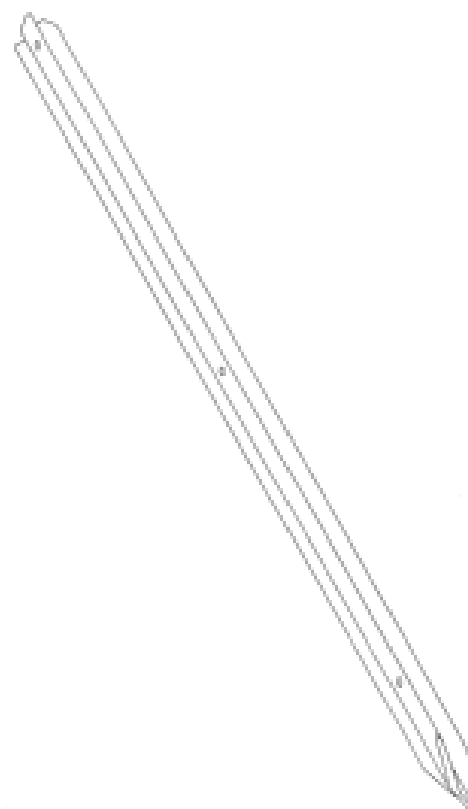
- (21) Design Number: **10164/2010**
(22) Date of Filing Application: **19 January 2010**
(24) Date from which industrial property rights may have effect: **19 January 2010**
(54) Product in respect of which the design is registered: **Photoframes and photos**
(51) International Design Classification: **06-07**
(71) Name(s) and Address(s) of Applicant(s):
Ian Craigie
18/84 Old Pittwater Road Brookvale New South Wales 2100 Australia
(72) Name(s) of Designer(s): **Ian Craigie**
(45) Registration Date: **01 October 2010**
(56) Related Art Documents: **Not Applicable**
(57) Statement of Newness and Distinctiveness: **This design consists of the combination of 3 components - A strip, a photo/card and frame. A strip wrapped around both the photo/card and frame is new and distinctive. The frame has a central viewing section that is clear, with a border/framing effect surrounding a central viewing section. There is no limit on the shape or dimension of the frame. There is no limit on the pattern or ornamentation of the border/framing effect. The photo/card is viewed through the central viewing section of the frame. There is no limit on the pattern or ornamentation of the photo/card (usually a photo, but not limited to that). There is no limit on the pattern or ornamentation of the strip (usually a printed message, but not limited to that). There is no limit on the shape or dimension of the strip (usually rectangular, but not limited to that). No limit on the placement of the strip (usually centrally, but not limited to that). On rear of the frame there can be a collection of elements attached, there is no limitation on the number, position or dimension of elements on the rear surface of the frame (usually four rectangular strips placed at the outer edges of the frame, within the area created by the border/framing effect, but not limited to that).**



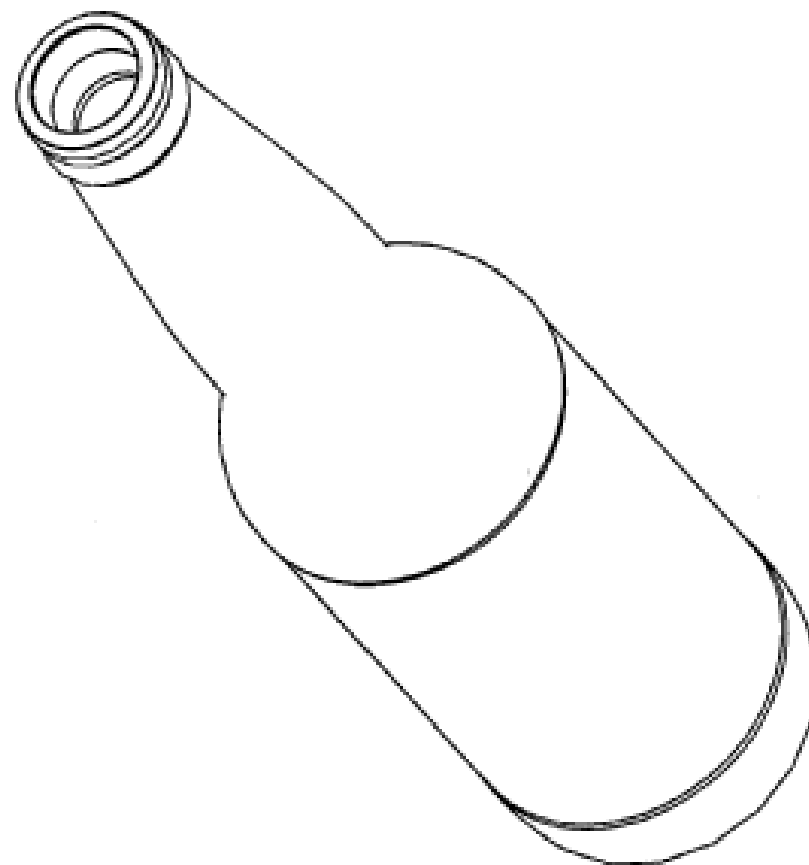
- (21) Design Number: **10945/2010**
(22) Date of Filing Application: **18 March 2010**
(24) Date from which industrial property rights may have effect: **18 March 2010**
(54) Product in respect of which the design is registered: **Protective helmet**
(51) International Design Classification: **02-03**
(71) Name(s) and Address(s) of Applicant(s):
Scott Health & Safety Ltd
Pimbo Road West Pimbo Skelmersdale Lancs WN8 9RA United Kingdom
(72) Name(s) of Designer(s): **Kevin Dolan and Christopher David Ellerby and Albert F. Zwolinsky and Robert Carr and Steven Thurgood and Sally Leyland**
(45) Registration Date: **01 October 2010**
(30) Convention priority data:
(31) Number (32) Date (33) Country
001166730-0001 22 Sep 2009 UNITED KINGDOM
(56) Related Art Documents: **Not Applicable**
(57) Statement of Newness and Distinctiveness: **We submit a Statement of Newness and Distinctiveness (set out below) in respect of particular visual features of "the design" but in so doing do not imply that other visual features of the design lack newness or distinctiveness. The shape, configuration, shape and configuration, of the design of the product(s) is/are new and distinctive.**



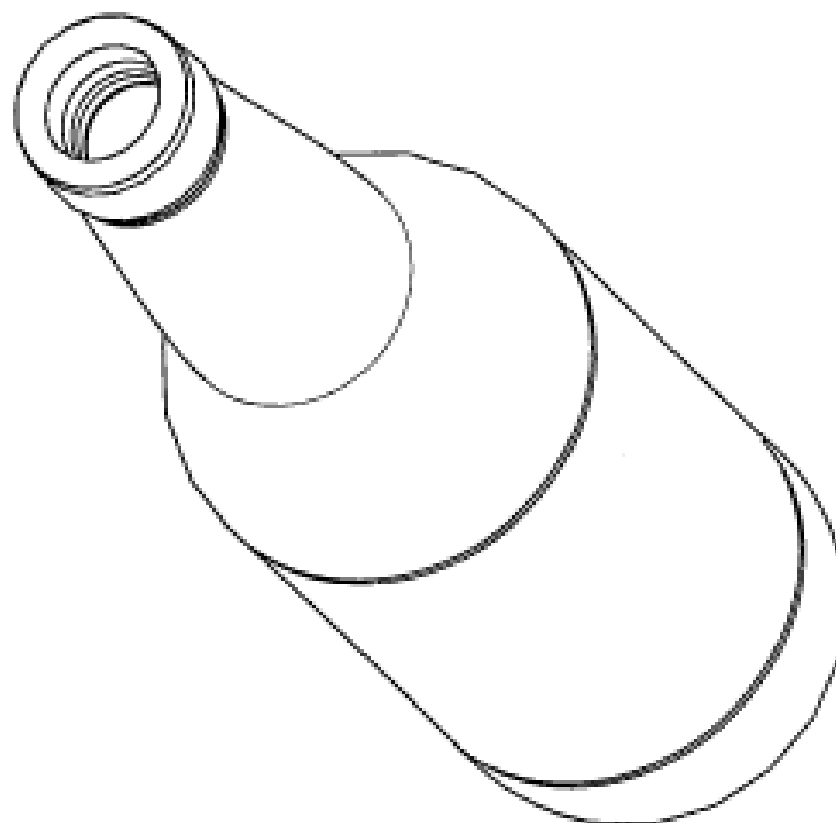
- (21) Design Number: **13235/2010**
(22) Date of Filing Application: **30 July 2010**
(24) Date from which industrial property rights may have effect: **30 July 2010**
(54) Product in respect of which the design is registered: **Picket**
(51) International Design Classification: **25-01E**
(71) Name(s) and Address(s) of Applicant(s):
FSP Holdings Pty Ltd
123 Maison Dieu Road Singleton New South Wales 2330 Australia
(72) Name(s) of Designer(s): **Stephan Hewitt**
(45) Registration Date: **01 October 2010**
(56) Related Art Documents: **Not Applicable**
(57) Statement of Newness and Distinctiveness: **Newness and distinctiveness reside in the features of the shape and configuration of the design as shown in the representations, and in particular in the cross-sectional shape of the picket.**



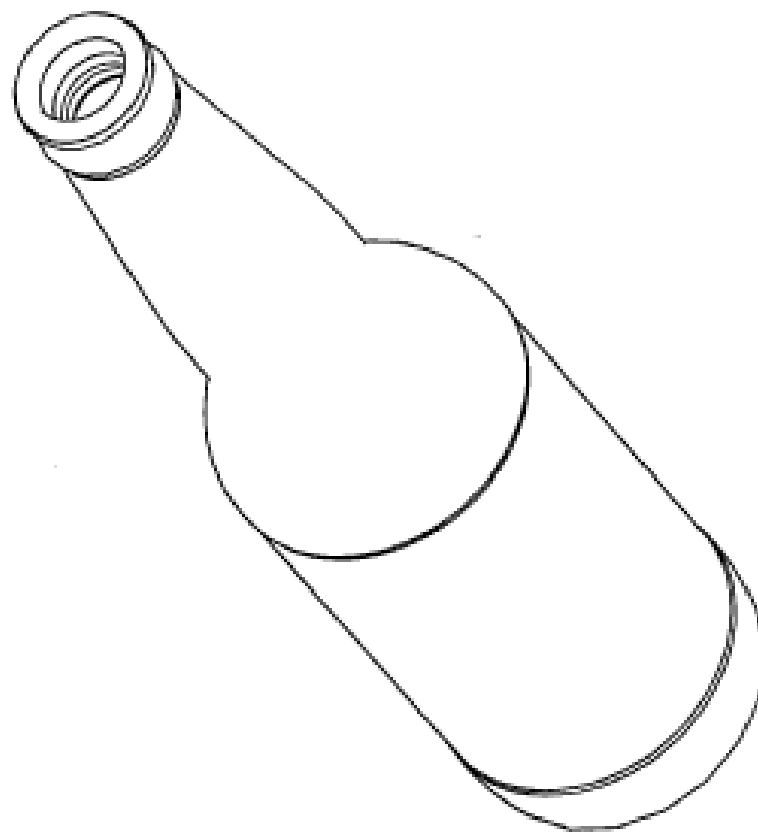
- (21) Design Number: **13816/2010**
(22) Date of Filing Application: **02 September 2010**
(24) Date from which industrial property rights may have effect: **02 September 2010**
(54) Product in respect of which the design is registered: **Bottle**
(51) International Design Classification: **09-01H**
(71) Name(s) and Address(s) of Applicant(s):
Glass Solutions Snd Bhd
Block F 3-8 Plaza Damas No 60 Jalan Sri Hartamas Kuala Lumpur
50480 Malaysia
(72) Name(s) of Designer(s): **Jaime Boey**
(45) Registration Date: **05 October 2010**
(56) Related Art Documents: **Not Applicable**
(57) Statement of Newness and Distinctiveness: **Newness and distinctiveness is claimed in each feature of the design considered separately or in combination with any other feature or feature as shown in the drawings.**



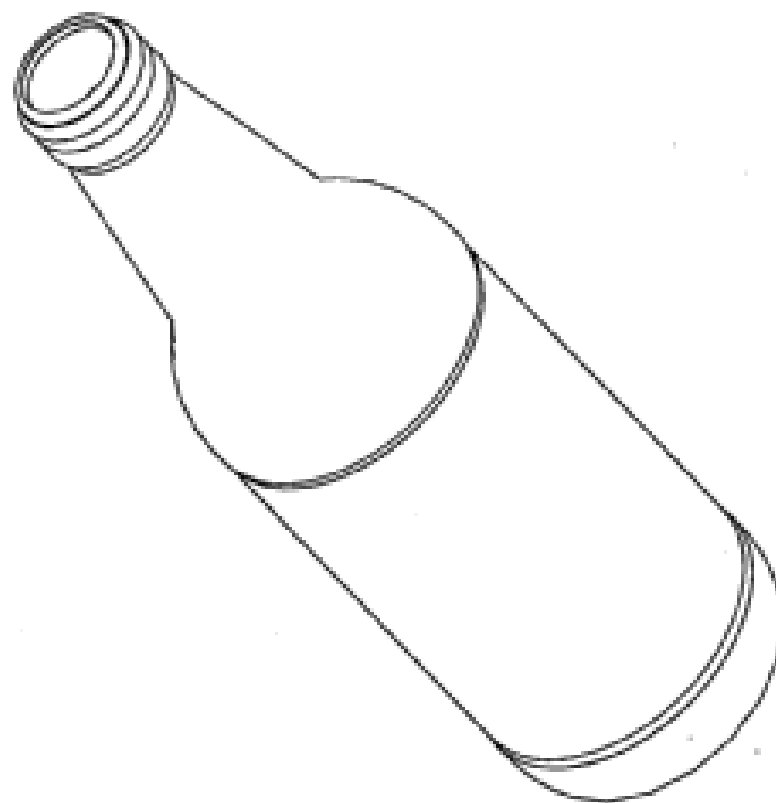
- (21) Design Number: **13817/2010**
(22) Date of Filing Application: **02 September 2010**
(24) Date from which industrial property rights may have effect: **02 September 2010**
(54) Product in respect of which the design is registered: **Bottle**
(51) International Design Classification: **09-01H**
(71) Name(s) and Address(s) of Applicant(s):
Glass Solutions Snd Bhd
Block F 3-8 Plaza Damas No 60 Jalan Sri Hartamas Kuala Lumpur
50480 Malaysia
(72) Name(s) of Designer(s): **Jaime Boey**
(45) Registration Date: **05 October 2010**
(56) Related Art Documents: **Not Applicable**
(57) Statement of Newness and Distinctiveness: **Newness and distinctiveness is claimed in each feature of the design considered separately or in combination with any other feature or feature as shown in the drawings.**



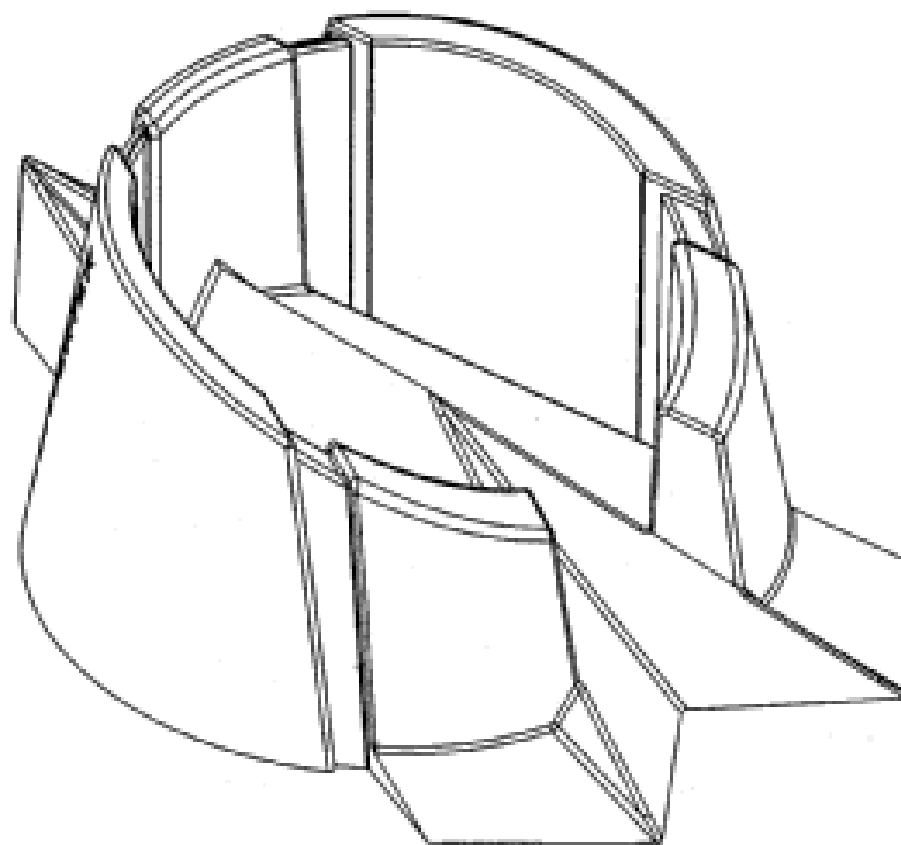
- (21) Design Number: **13818/2010**
(22) Date of Filing Application: **02 September 2010**
(24) Date from which industrial property rights may have effect: **02 September 2010**
(54) Product in respect of which the design is registered: **Bottle**
(51) International Design Classification: **09-01H**
(71) Name(s) and Address(s) of Applicant(s):
Glass Solutions Snd Bhd
Block F 3-8 Plaza Damas No 60 Jalan Sri Hartamas Kuala Lumpur
50480 Malaysia
(72) Name(s) of Designer(s): **Jaime Boey**
(45) Registration Date: **05 October 2010**
(56) Related Art Documents: **Not Applicable**
(57) Statement of Newness and Distinctiveness: **Newness and distinctiveness is claimed in each feature of the design considered separately or in combination with any other feature or feature as shown in the drawings.**



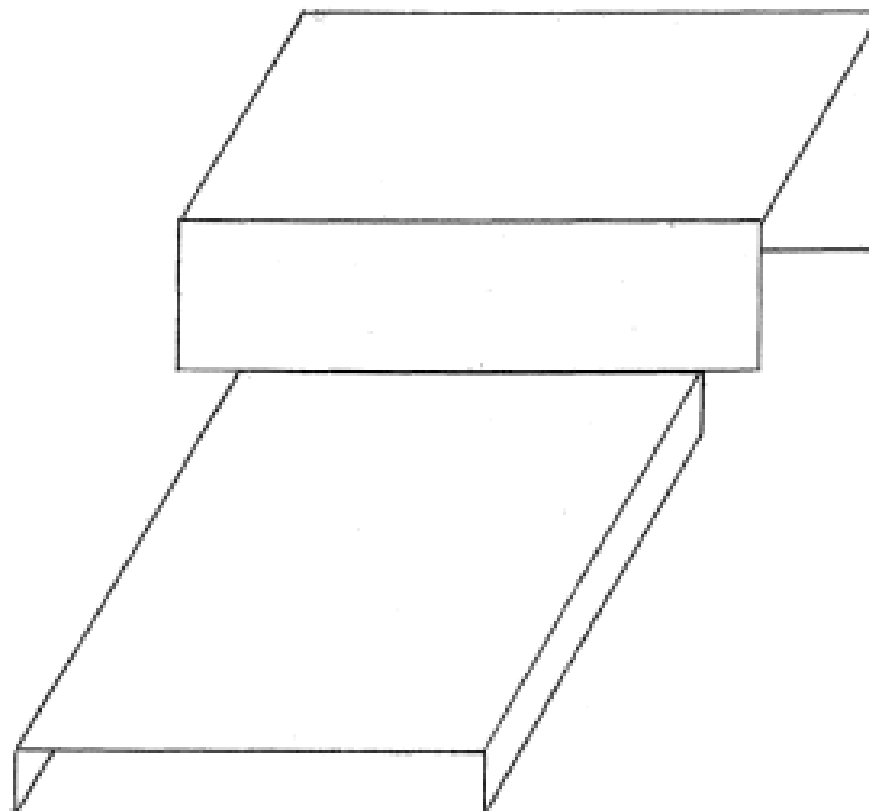
- (21) Design Number: **13819/2010**
(22) Date of Filing Application: **02 September 2010**
(24) Date from which industrial property rights may have effect: **02 September 2010**
(54) Product in respect of which the design is registered: **Bottle**
(51) International Design Classification: **09-01H**
(71) Name(s) and Address(s) of Applicant(s):
Glass Solutions Snd Bhd
Block F 3-8 Plaza Damas No 60 Jalan Sri Hartamas Kuala Lumpur
50480 Malaysia
(72) Name(s) of Designer(s): **Jaime Boey**
(45) Registration Date: **05 October 2010**
(56) Related Art Documents: **Not Applicable**
(57) Statement of Newness and Distinctiveness: **Newness and distinctiveness is claimed in each feature of the design considered separately or in combination with any other feature or feature as shown in the drawings.**



- (21) Design Number: **12406/2010**
(22) Date of Filing Application: **15 June 2010**
(24) Date from which industrial property rights may have effect: **15 June 2010**
(54) Product in respect of which the design is registered: **A football kicking tee**
(51) International Design Classification: **21-02A**
(71) Name(s) and Address(s) of Applicant(s):
Counselling Help Pty Ltd
719 Stanley Street Woolloongabba Queensland 4102 Australia
(72) Name(s) of Designer(s): **Guy Austin Gibbons**
(45) Registration Date: **30 September 2010**
(56) Related Art Documents: **Not Applicable**
(57) Statement of Newness and Distinctiveness: **Nil**



- (21) Design Number: **12450/2010**
(22) Date of Filing Application: **15 June 2010**
(24) Date from which industrial property rights may have effect: **15 June 2010**
(54) Product in respect of which the design is registered: **Horizontal brick weephole vent for building construction**
(51) International Design Classification: **25-02G**
(71) Name(s) and Address(s) of Applicant(s):
Hartz Industries Limited
Grove Bush 2RD Invercargill New Zealand
(72) Name(s) of Designer(s): **Barry Alexander Smith and John Angel Ivanov**
(45) Registration Date: **30 September 2010**
(56) Related Art Documents: **Not Applicable**
(57) Statement of Newness and Distinctiveness: **This design is to be applied to the base of a brick weephole vent, the novelty resides in the features of shape and configuration of a brick weephole vent as shown in the accompanying representations.**



(21) Design Number: **12569/2010**

(22) Date of Filing Application: **22 June 2010**

(24) Date from which industrial property rights may have effect: **22 June 2010**

(54) Product in respect of which the design is registered: **An upper for footwear**

(51) International Design Classification: **02-04NES**

(71) Name(s) and Address(s) of Applicant(s):

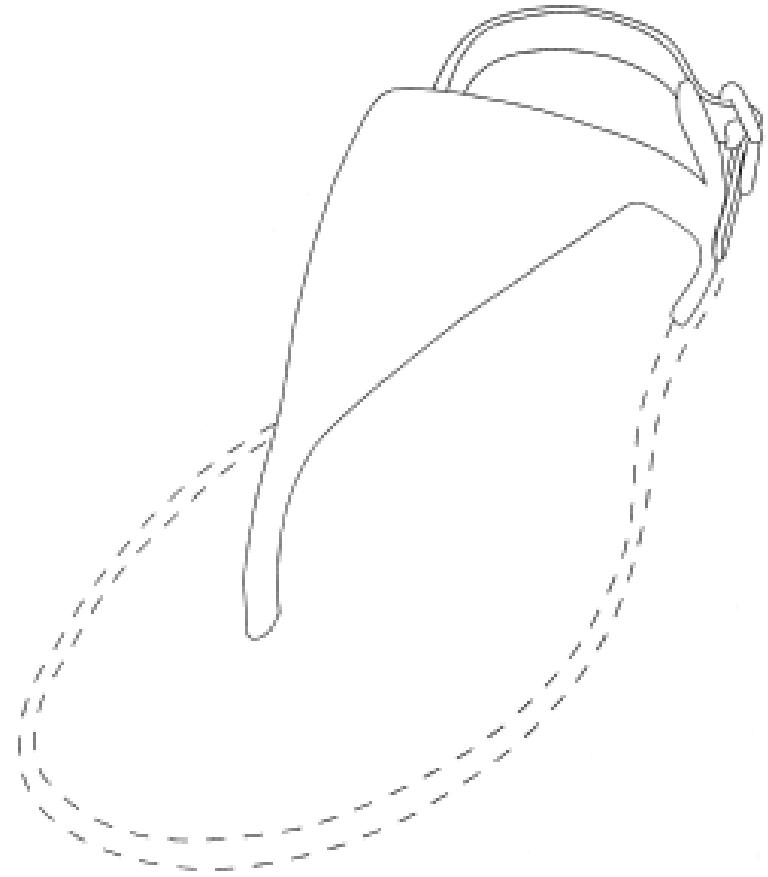
Holster Fashion Pty Ltd
6-55 Gateway Drive Noosaville Queensland 4566 Australia

(72) Name(s) of Designer(s): **Natalie Miller**

(45) Registration Date: **30 September 2010**

(56) Related Art Documents: **Not Applicable**

(57) Statement of Newness and Distinctiveness: **Newness and Distinctiveness resides in the shape and configuration of an upper for footwear as illustrated in the accompanying representations. No newness or distinctiveness is claimed in the shape or configuration of the small holes in the upper and of the sole and these features are to be disregarded for the purposes of this registered design.**



(21) Design Number: **12570/2010**

(22) Date of Filing Application: **22 June 2010**

(24) Date from which industrial property rights may have effect: **22 June 2010**

(54) Product in respect of which the design is registered: **An upper for footwear**

(51) International Design Classification: **02-04NES**

(71) Name(s) and Address(s) of Applicant(s):

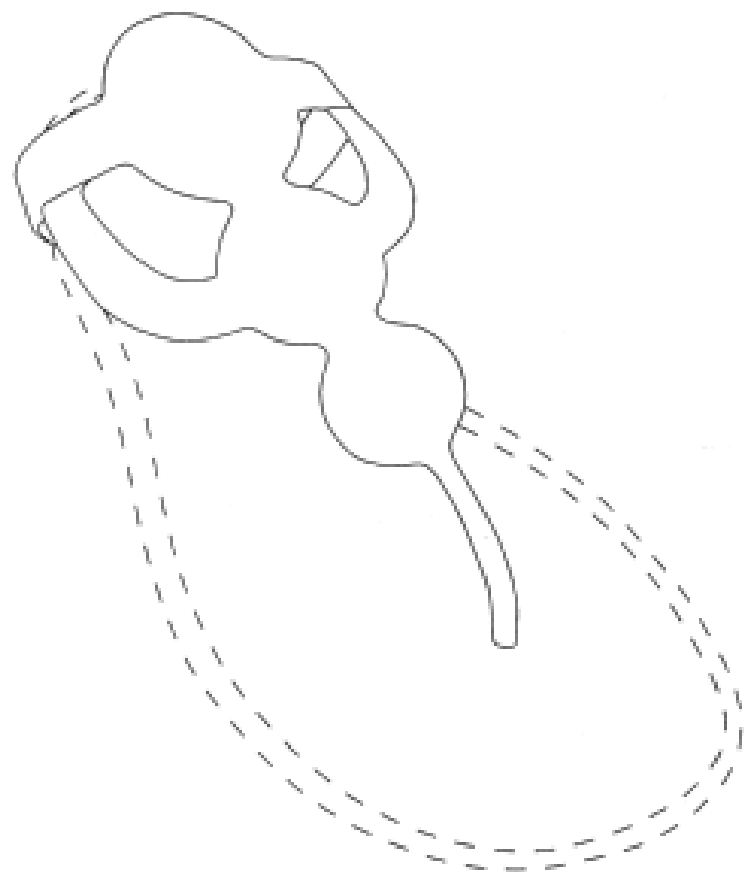
Holster Fashion Pty Ltd
6-55 Gateway Drive Noosaville Queensland 4566 Australia

(72) Name(s) of Designer(s): **Natalie Miller**

(45) Registration Date: **30 September 2010**

(56) Related Art Documents: **Not Applicable**

(57) Statement of Newness and Distinctiveness: **Newness and Distinctiveness resides in the shape and configuration of an upper for footwear as illustrated in the accompanying representations. No newness or distinctiveness is claimed in the shape or configuration of the small holes in the upper and of the sole and these features are to be disregarded for the purposes of this registered design.**



(21) Design Number: **12571/2010**

(22) Date of Filing Application: **22 June 2010**

(24) Date from which industrial property rights may have effect: **22 June 2010**

(54) Product in respect of which the design is registered: **An upper for footwear**

(51) International Design Classification: **02-04NES**

(71) Name(s) and Address(s) of Applicant(s):

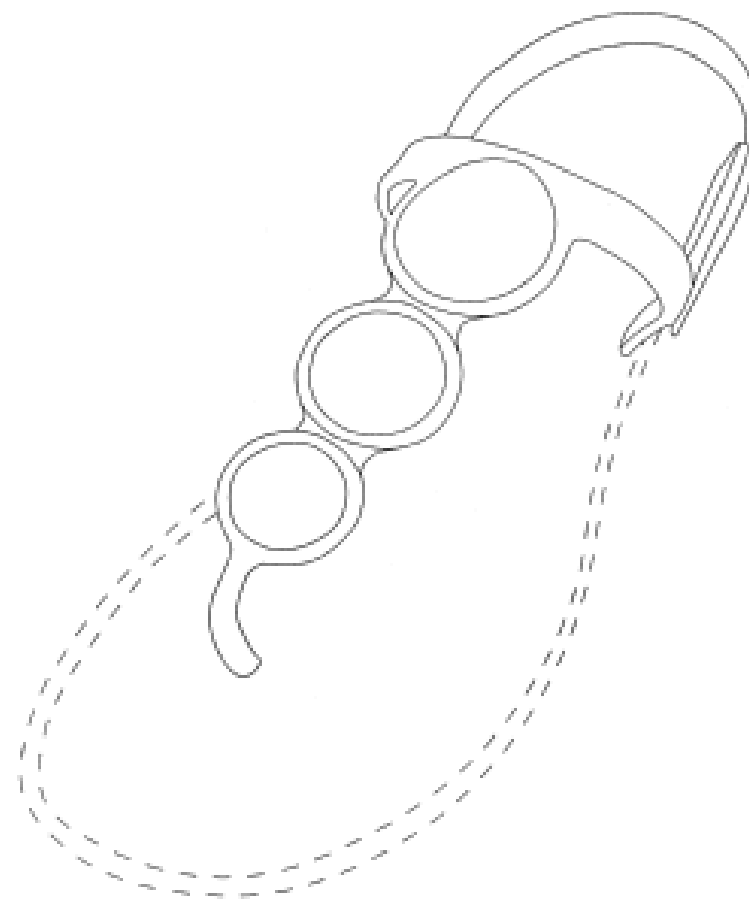
Holster Fashion Pty Ltd
6-55 Gateway Drive Noosaville Queensland 4566 Australia

(72) Name(s) of Designer(s): **Natalie Miller**

(45) Registration Date: **30 September 2010**

(56) Related Art Documents: **Not Applicable**

(57) Statement of Newness and Distinctiveness: **Newness and Distinctiveness resides in the shape and configuration of an upper for footwear as illustrated in the accompanying representations. No newness or distinctiveness is claimed in the shape or configuration of the small holes in the upper and of the sole and these features are to be disregarded for the purposes of this registered design.**



(21) Design Number: **12572/2010**

(22) Date of Filing Application: **22 June 2010**

(24) Date from which industrial property rights may have effect: **22 June 2010**

(54) Product in respect of which the design is registered: **An upper for footwear**

(51) International Design Classification: **02-04NES**

(71) Name(s) and Address(s) of Applicant(s):

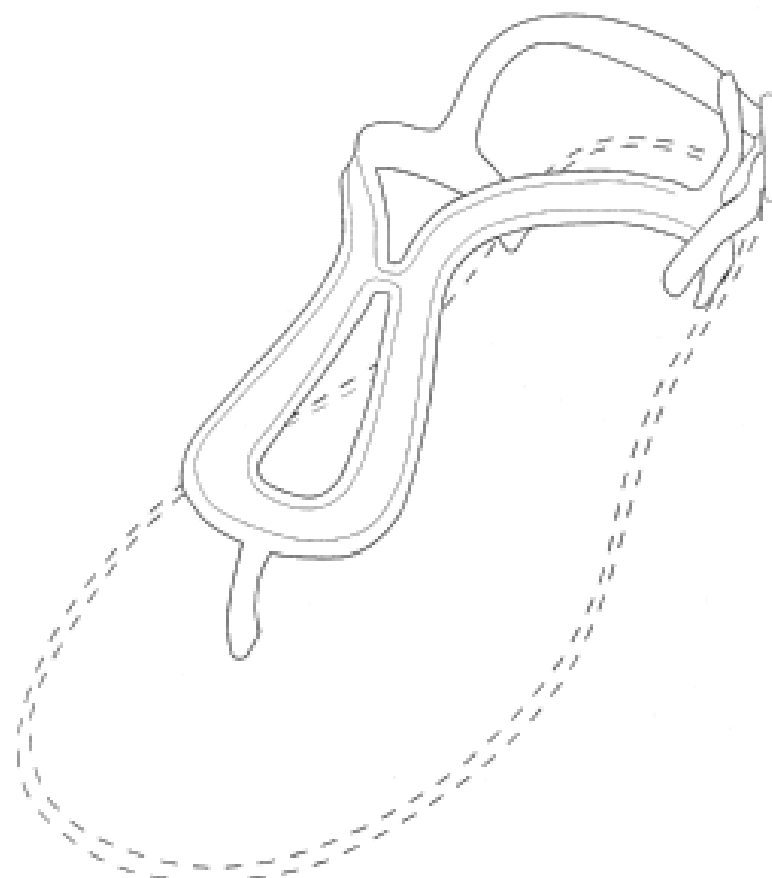
Holster Fashion Pty Ltd
6-55 Gateway Drive Noosaville Queensland 4566 Australia

(72) Name(s) of Designer(s): **Natalie Miller**

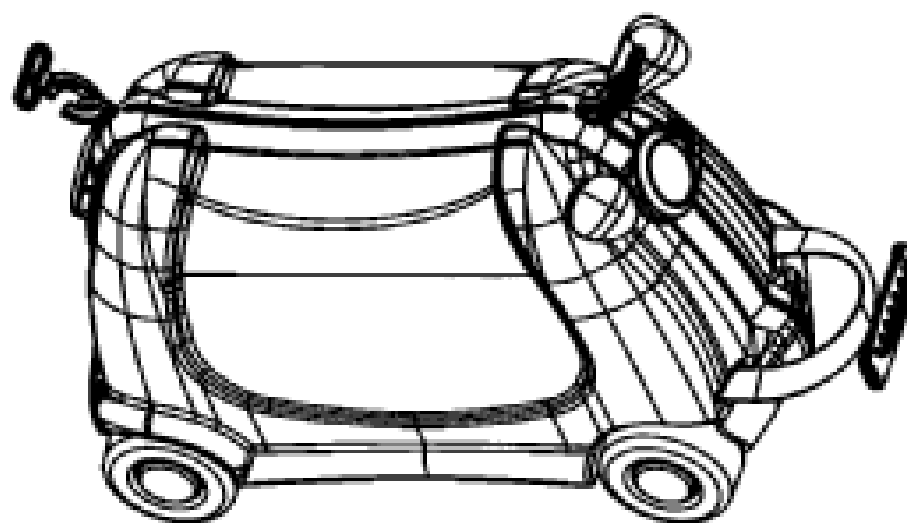
(45) Registration Date: **30 September 2010**

(56) Related Art Documents: **Not Applicable**

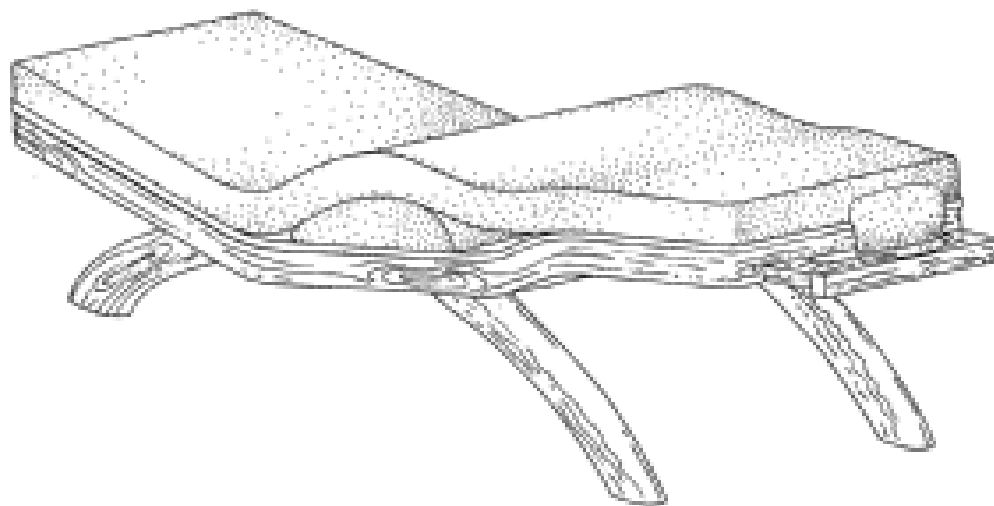
(57) Statement of Newness and Distinctiveness: **Newness and Distinctiveness resides in the shape and configuration of an upper for footwear as illustrated in the accompanying representations. No newness or distinctiveness is claimed in the shape or configuration of the sole and it is to be disregarded for the purposes of this registered design.**



- (21) Design Number: **13806/2010**
(22) Date of Filing Application: **01 September 2010**
(24) Date from which industrial property rights may have effect: **01 September 2010**
(54) Product in respect of which the design is registered: **Suitcase**
(51) International Design Classification: **03-01A**
(71) Name(s) and Address(s) of Applicant(s):
Toymonster Intellectual Property Limited
PO Box 957 Offshore Incorporations Centre Road Town Tortola
British Virgin Islands
(72) Name(s) of Designer(s): **Ariel Badanjo**
(45) Registration Date: **30 September 2010**
(30) Convention priority data:
(31) Number (32) Date (33) Country
49903 01 Aug 2010 ISRAEL
(56) Related Art Documents: **Not Applicable**
(57) Statement of Newness and Distinctiveness: **Nil**



- (21) Design Number: **13807/2010**
(22) Date of Filing Application: **03 September 2010**
(24) Date from which industrial property rights may have effect: **03 September 2010**
(54) Product in respect of which the design is registered: **Chaise lounge**
(51) International Design Classification: **06-01H**
(71) Name(s) and Address(s) of Applicant(s):
Joachim Weichselbaumer
Mahlerstrasse 13 Dachgeschoss 19 Vienna A-1010 Austria
(72) Name(s) of Designer(s): **Joachim Weichselbaumer**
(45) Registration Date: **30 September 2010**
(56) Related Art Documents: **Not Applicable**
(57) Statement of Newness and Distinctiveness: **The design consists of the features of shape and configuration of the entire chaise lounge shown in the drawings. The chaise lounge shown in the drawings resembles a jumping cat. The visual character is also constituted by the position of the hip support cushion in the middle of the pad, as well as by the rhombic shape from top view. A result of extensive ergonomic research, the design creates a new concept of chaise lounges for multifunctional usage and a unique visual appearance.**



(21) Design Number: **13808/2010**

(22) Date of Filing Application: **03 September 2010**

(24) Date from which industrial property rights may have effect: **03 September 2010**

(54) Product in respect of which the design is registered: **Chaise lounge**

(51) International Design Classification: **06-01G**

(71) Name(s) and Address(s) of Applicant(s):

Joachim Weichselbaumer

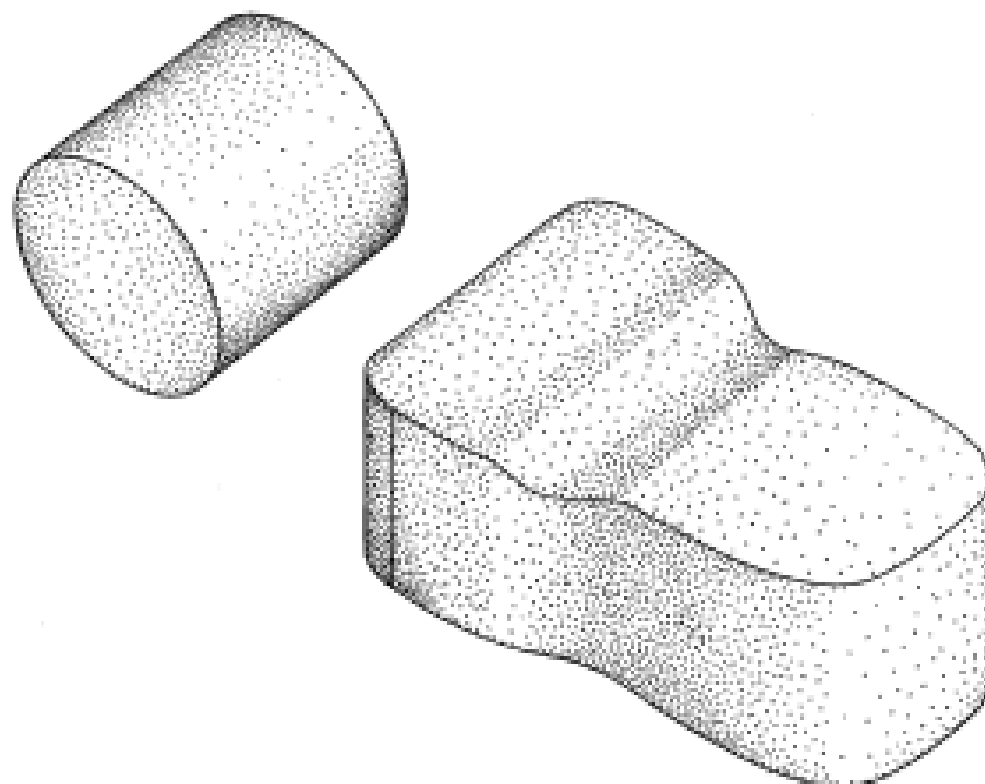
Mahlerstrasse 13 Dachgeschoss 19 Vienna A-1010 Austria

(72) Name(s) of Designer(s): **Joachim Weichselbaumer**

(45) Registration Date: **30 September 2010**

(56) Related Art Documents: **Not Applicable**

(57) Statement of Newness and Distinctiveness: **The design consists of the features of shape and configuration of the entire chaise lounge shown in the drawings. The smaller part of the two-piece chaise lounge shown in the drawings is a simple lying cylinder. The violin-shaped main body has a dip upside. A result of extensive ergonomic research, the design creates a new concept of chaise lounges for multifunctional usage and a unique visual appearance.**



(21) Design Number: **13809/2010**

(22) Date of Filing Application: **03 September 2010**

(24) Date from which industrial property rights may have effect: **03 September 2010**

(54) Product in respect of which the design is registered: **Chaise lounge**

(51) International Design Classification: **06-01G**

(71) Name(s) and Address(s) of Applicant(s):

Joachim Weichselbaumer

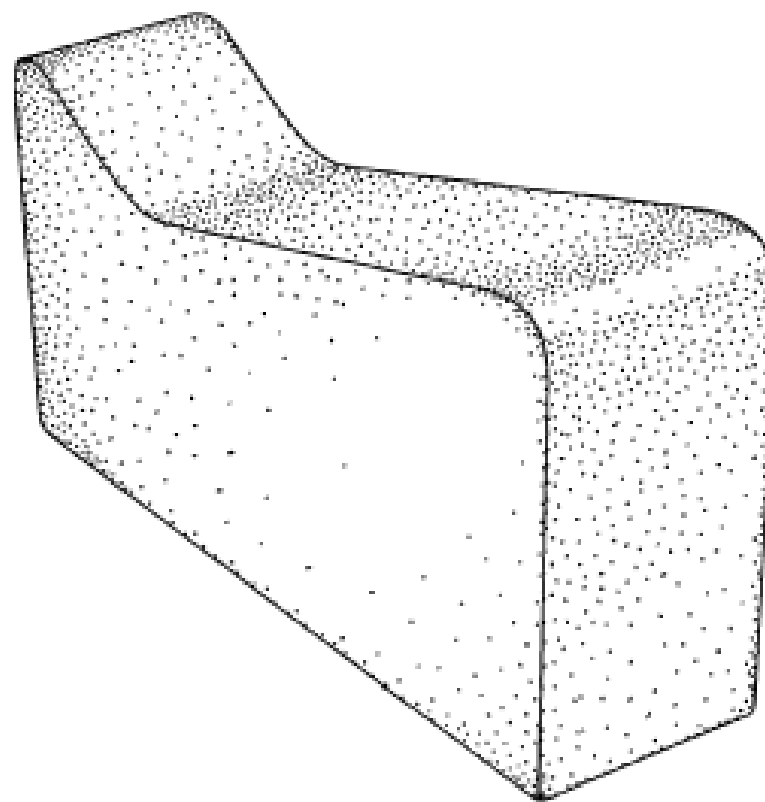
Mahlerstrasse 13 Dachgeschoss 19 Vienna A-1010 Austria

(72) Name(s) of Designer(s): **Joachim Weichselbaumer**

(45) Registration Date: **30 September 2010**

(56) Related Art Documents: **Not Applicable**

(57) Statement of Newness and Distinctiveness: **The design consists of the features of shape and configuration of the entire chaise lounge shown in the drawings. The chaise lounge shown in the drawings is of high and slim character with a dip upside, and a conical contour from top view. A result of extensive ergonomic research, the design creates a new concept of chaise lounges for multifunctional usage and a unique visual appearance.**



- (21) Design Number: **13810/2010**
(22) Date of Filing Application: **03 September 2010**
(24) Date from which industrial property rights may have effect: **03 September 2010**
(54) Product in respect of which the design is registered: **Chaise lounge**
(51) International Design Classification: **06-01G**
(71) Name(s) and Address(s) of Applicant(s):

Joachim Weichselbaumer
Mahlerstrasse 13 Dachgeschoss 19 Vienna A-1010 Austria

(72) Name(s) of Designer(s): **Joachim Weichselbaumer**

(45) Registration Date: **30 September 2010**

(56) Related Art Documents: **Not Applicable**

(57) Statement of Newness and Distinctiveness: **The design consists of the features of shape and configuration of the entire chaise lounge shown in the drawings. The chaise lounge shown in the drawings resembles a jumping cat. The visual character is also constituted by the position of the hip support cushion in the middle of the pad, as well as by the rhombic shape from top view. A result of extensive ergonomic research, the design creates a new concept of chaise lounges for multifunctional usage and a unique visual appearance.**



- (21) Design Number: **13933/2010**
(22) Date of Filing Application: **10 September 2010**
(24) Date from which industrial property rights may have effect: **10 September 2010**
(54) Product in respect of which the design is registered: **Gas cookers**
(51) International Design Classification: **07-02A**
(71) Name(s) and Address(s) of Applicant(s):

Daniel Hunter
Holly House Badger Lane Woolley Moor Alfreton Derbyshire DE55
6FG United Kingdom

(72) Name(s) of Designer(s): **Daniel Hunter**

(45) Registration Date: **30 September 2010**

(30) Convention priority data:

(31) Number	(32) Date	(33) Country
001722455-0001	21 Jun 2010	EUROPEAN COMMUNITY

(56) Related Art Documents: **Not Applicable**

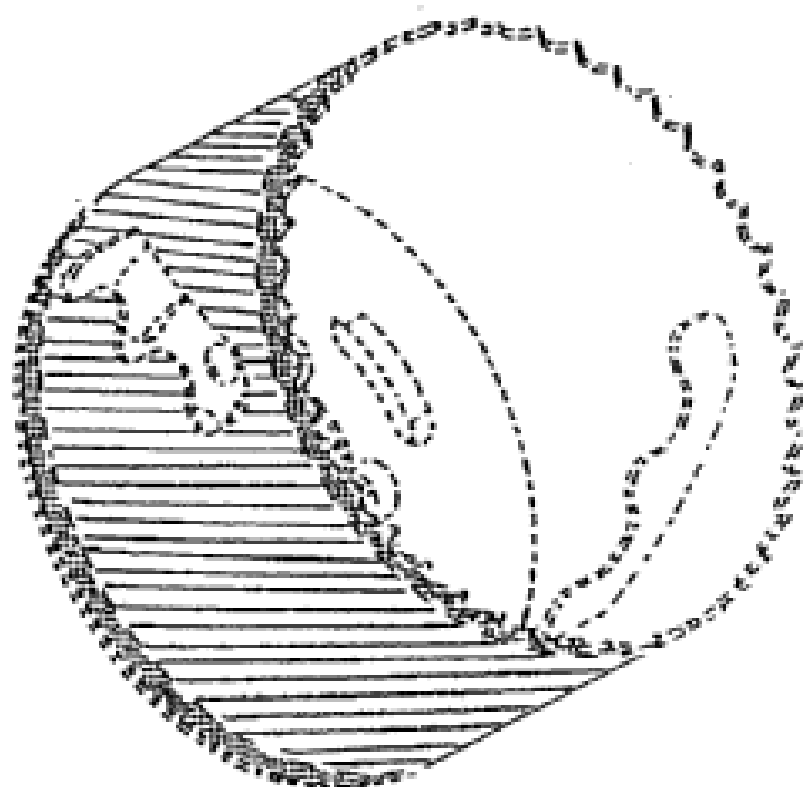
(57) Statement of Newness and Distinctiveness: **Nil**



(19) AU

- (21) Design Number: **12915/2010**
- (22) Date of Filing Application: **13 July 2010**
- (24) Date from which industrial property rights may have effect: **13 July 2010**
- (54) Product in respect of which the design is registered: **Hole saw**
- (51) International Design Classification: **08-03**
- (71) Name(s) and Address(s) of Applicant(s):
Irwin Industrial Tool Company
8935 North Pointe Executive Drive Huntersville North Carolina 28078
United States of America
- (72) Name(s) of Designer(s): **Robert Richard Zielonka and Joseph H. DeSantis and Christopher F. Fitzgerald and Peter Weremchuk**
- (45) Registration Date: **30 September 2010**
- (30) Convention priority data:

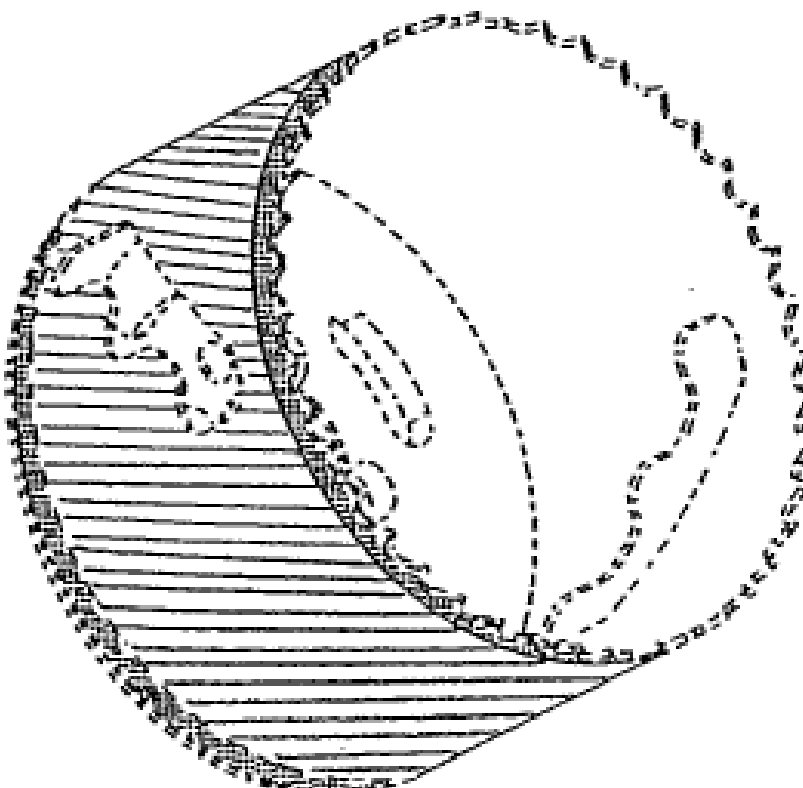
(31) Number	(32) Date	(33) Country
29/353,762	13 Jan 2010	UNITED STATES OF AMERICA
- (56) Related Art Documents: **Not Applicable**
- (57) Statement of Newness and Distinctiveness: **The newness and distinctiveness of the design resides in the features of pattern and/or ornamentation as shown by diagonal cross hatch shading and by stipple shading in the accompanying representations, as applied to a hole saw.**



(19) AU

- (21) Design Number: **12916/2010**
- (22) Date of Filing Application: **13 July 2010**
- (24) Date from which industrial property rights may have effect: **13 July 2010**
- (54) Product in respect of which the design is registered: **Hole saw**
- (51) International Design Classification: **08-03**
- (71) Name(s) and Address(s) of Applicant(s):
Irwin Industrial Tool Company
8935 North Pointe Executive Drive Huntersville North Carolina 28078
United States of America
- (72) Name(s) of Designer(s): **Robert Richard Zielonka and Joseph H. DeSantis and Christopher F. Fitzgerald and Peter Weremchuk**
- (45) Registration Date: **30 September 2010**
- (30) Convention priority data:

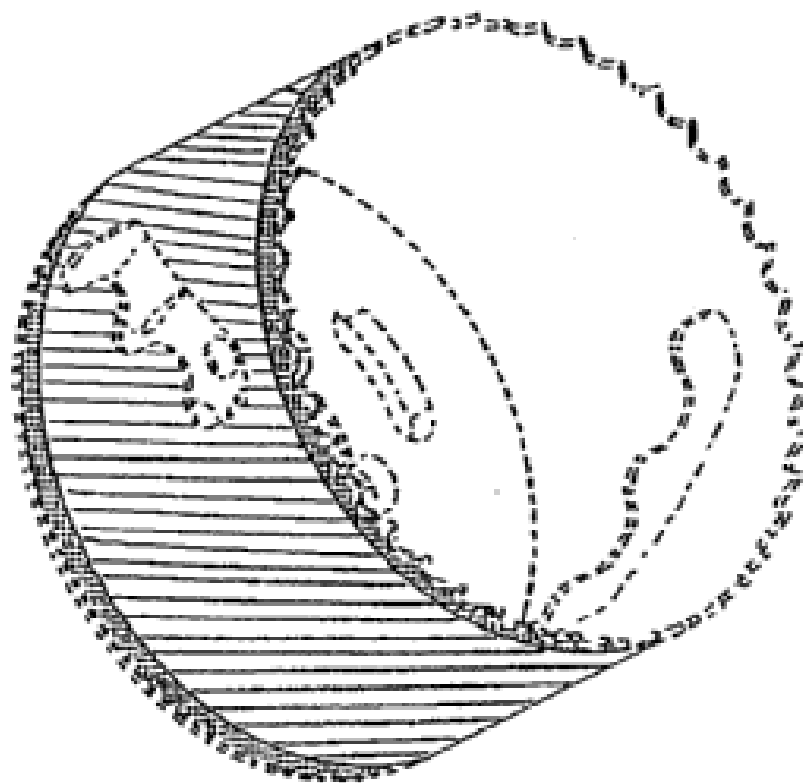
(31) Number	(32) Date	(33) Country
29/353,762	13 Jan 2010	UNITED STATES OF AMERICA
- (56) Related Art Documents: **Not Applicable**
- (57) Statement of Newness and Distinctiveness: **The newness and distinctiveness of the design resides in the features of pattern and/or ornamentation as shown by diagonal cross hatch shading and by stipple shading in the accompanying representations, as applied to a hole saw.**



(19) AU

- (21) Design Number: **12917/2010**
- (22) Date of Filing Application: **13 July 2010**
- (24) Date from which industrial property rights may have effect: **13 July 2010**
- (54) Product in respect of which the design is registered: **Hole saw**
- (51) International Design Classification: **08-03**
- (71) Name(s) and Address(s) of Applicant(s):
Irwin Industrial Tool Company
8935 North Pointe Executive Drive Huntersville North Carolina 28078
United States of America
- (72) Name(s) of Designer(s): **Robert Richard Zielonka and Joseph H. DeSantis and Christopher F. Fitzgerald and Peter Weremchuk**
- (45) Registration Date: **30 September 2010**
- (30) Convention priority data:

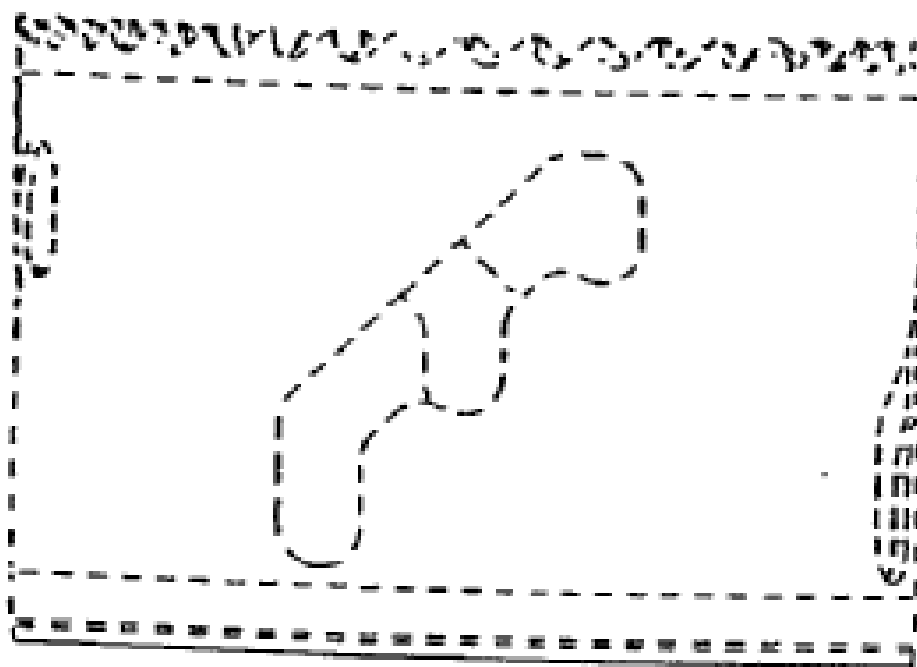
(31) Number	(32) Date	(33) Country
29/353,762	13 Jan 2010	UNITED STATES OF AMERICA
- (56) Related Art Documents: **Not Applicable**
- (57) Statement of Newness and Distinctiveness: **The newness and distinctiveness of the design resides in the features of pattern and/or ornamentation as shown by diagonal cross hatch shading and by stipple shading in the accompanying representations, as applied to a hole saw.**



(19) AU

- (21) Design Number: **12918/2010**
- (22) Date of Filing Application: **13 July 2010**
- (24) Date from which industrial property rights may have effect: **13 July 2010**
- (54) Product in respect of which the design is registered: **Hole saw**
- (51) International Design Classification: **08-03**
- (71) Name(s) and Address(s) of Applicant(s):
Irwin Industrial Tool Company
8935 North Pointe Executive Drive Huntersville North Carolina 28078
United States of America
- (72) Name(s) of Designer(s): **Robert Richard Zielonka and Joseph H. DeSantis and Christopher F. Fitzgerald and Peter Weremchuk**
- (45) Registration Date: **30 September 2010**
- (30) Convention priority data:

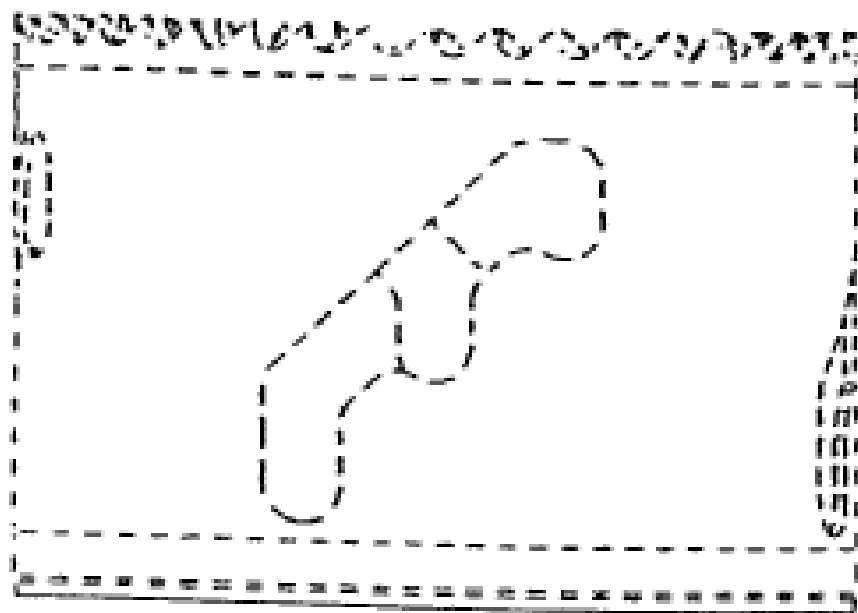
(31) Number	(32) Date	(33) Country
29/353,762	13 Jan 2010	UNITED STATES OF AMERICA
- (56) Related Art Documents: **Not Applicable**
- (57) Statement of Newness and Distinctiveness: **The newness and distinctiveness of the design resides in the features of pattern and/or ornamentation as shown by stipple shading in the accompanying representations, as applied to a hole saw.**



(19) AU

- (21) Design Number: **12919/2010**
- (22) Date of Filing Application: **13 July 2010**
- (24) Date from which industrial property rights may have effect: **13 July 2010**
- (54) Product in respect of which the design is registered: **Hole saw**
- (51) International Design Classification: **08-03**
- (71) Name(s) and Address(s) of Applicant(s):
Irwin Industrial Tool Company
8935 North Pointe Executive Drive Huntersville North Carolina 28078
United States of America
- (72) Name(s) of Designer(s): **Robert Richard Zielonka and Joseph H. DeSantis and Christopher F. Fitzgerald and Peter Weremchuk**
- (45) Registration Date: **30 September 2010**
- (30) Convention priority data:

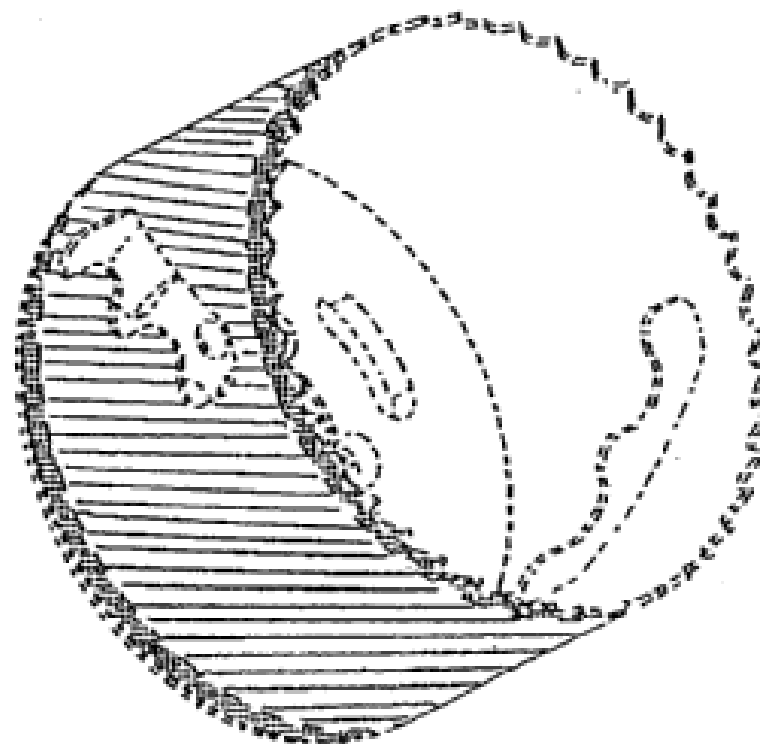
(31) Number	(32) Date	(33) Country
29/353,762	13 Jan 2010	UNITED STATES OF AMERICA
- (56) Related Art Documents: **Not Applicable**
- (57) Statement of Newness and Distinctiveness: **The newness and distinctiveness of the design resides in the features of pattern and/or ornamentation as shown by stipple shading in the accompanying representations, as applied to a hole saw.**



(19) AU

- (21) Design Number: **12920/2010**
- (22) Date of Filing Application: **13 July 2010**
- (24) Date from which industrial property rights may have effect: **13 July 2010**
- (54) Product in respect of which the design is registered: **Hole saw**
- (51) International Design Classification: **08-03**
- (71) Name(s) and Address(s) of Applicant(s):
Irwin Industrial Tool Company
8935 North Pointe Executive Drive Huntersville North Carolina 28078
United States of America
- (72) Name(s) of Designer(s): **Robert Richard Zielonka and Joseph H. DeSantis and Christopher F. Fitzgerald and Peter Weremchuk**
- (45) Registration Date: **30 September 2010**
- (30) Convention priority data:

(31) Number	(32) Date	(33) Country
29/353,762	13 Jan 2010	UNITED STATES OF AMERICA
- (56) Related Art Documents: **Not Applicable**
- (57) Statement of Newness and Distinctiveness: **The newness and distinctiveness of the design resides in the features of pattern and/or ornamentation as shown by diagonal cross hatch shading and by stipple shading in the accompanying representations, as applied to a hole saw.**



- (21) Design Number: **13029/2010**
- (22) Date of Filing Application: **21 July 2010**
- (24) Date from which industrial property rights may have effect: **21 July 2010**
- (54) Product in respect of which the design is registered: **Mounting adapter**
- (51) International Design Classification: **22-05**
- (71) Name(s) and Address(s) of Applicant(s):

Railblaza Limited
6 Tavern Road Silverdale Auckland 0932 New Zealand

(72) Name(s) of Designer(s): **Ross Gregory Pratt**

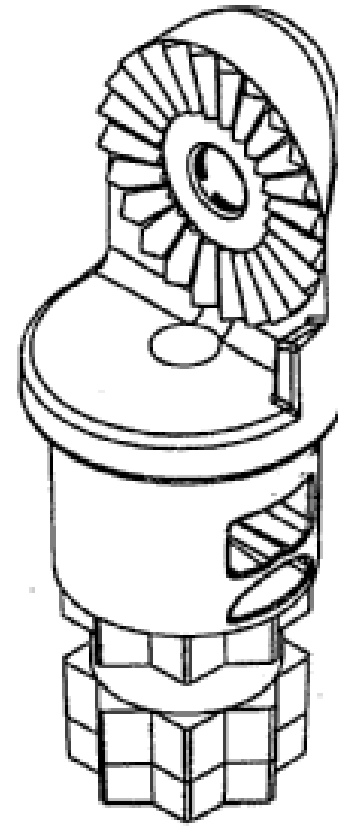
(45) Registration Date: **30 September 2010**

(30) Convention priority data:

(31) Number	(32) Date	(33) Country
413244	26 Jan 2010	NEW ZEALAND

(56) Related Art Documents: **Not Applicable**

(57) Statement of Newness and Distinctiveness: **Nil**



- (21) Design Number: **13183/2010**
- (22) Date of Filing Application: **27 July 2010**
- (24) Date from which industrial property rights may have effect: **27 July 2010**
- (54) Product in respect of which the design is registered: **Kiosk self check adjustable**
- (51) International Design Classification: **20-02C, 06-03C**
- (71) Name(s) and Address(s) of Applicant(s):

Paul White
77 Thirteenth Avenue Tauranga 3112 New Zealand

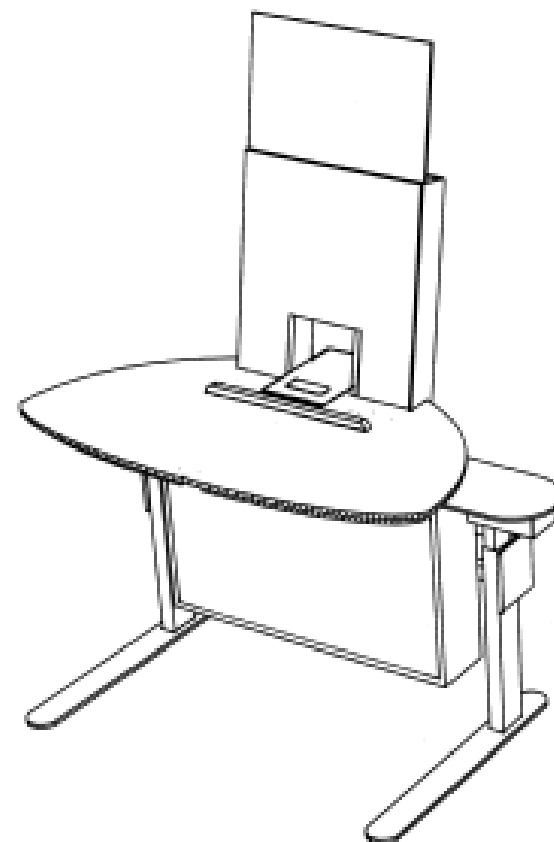
Isabel White
77 Thirteenth Avenue Tauranga 3112 New Zealand

(72) Name(s) of Designer(s): **Paul White**

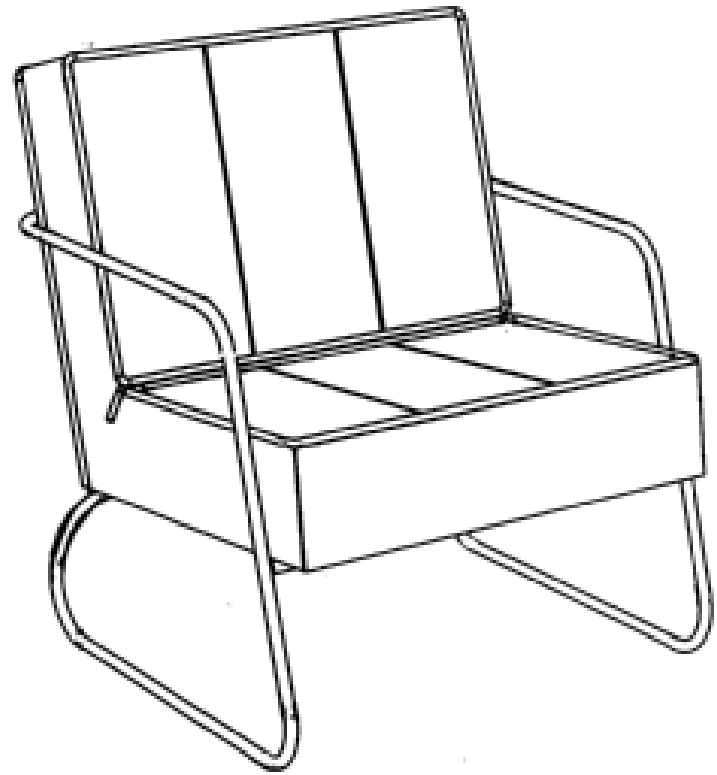
(45) Registration Date: **30 September 2010**

(56) Related Art Documents: **Not Applicable**

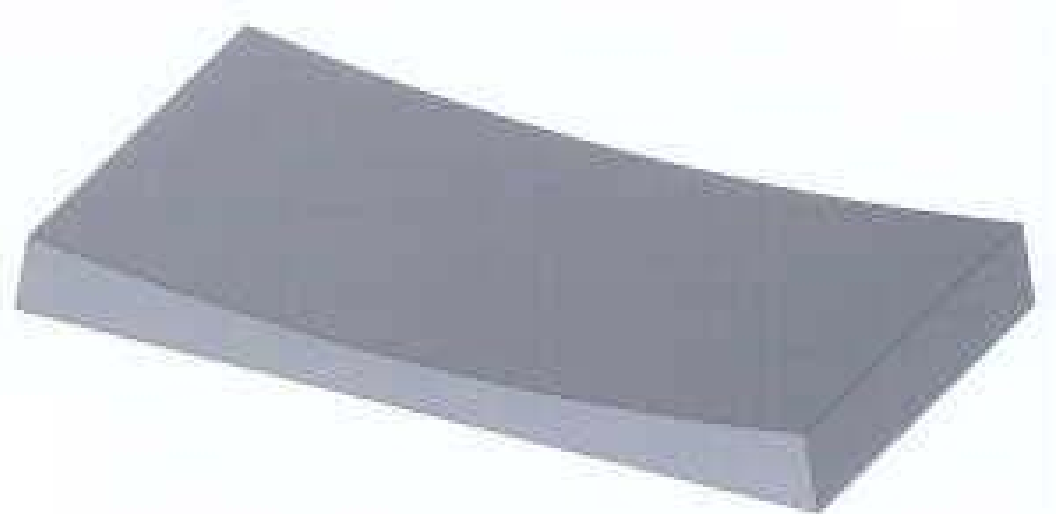
(57) Statement of Newness and Distinctiveness: **The design is to be applied to a self check adjustable kiosk and the distinctiveness resides in the features of shape and configuration as shown in the accompanying drawings.**



- (21) Design Number: **13184/2010**
(22) Date of Filing Application: **27 July 2010**
(24) Date from which industrial property rights may have effect: **27 July 2010**
(54) Product in respect of which the design is registered: **Chair**
(51) International Design Classification: **06-01F**
(71) Name(s) and Address(s) of Applicant(s):
 Paul White
 77 Thirteenth Avenue Tauranga 3112 New Zealand
 Isabel White
 77 Thirteenth Avenue Tauranga 3112 New Zealand
(72) Name(s) of Designer(s): **Paul White**
(45) Registration Date: **30 September 2010**
(56) Related Art Documents: **Not Applicable**
(57) Statement of Newness and Distinctiveness: **The design is to be applied to a chair and the distinctiveness resides in the features of shape and configuration as shown in accompanying drawings.**

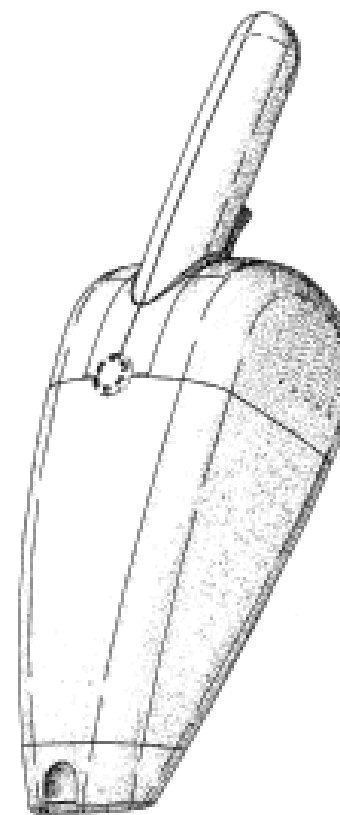


- (21) Design Number: **13555/2010**
(22) Date of Filing Application: **19 August 2010**
(24) Date from which industrial property rights may have effect: **19 August 2010**
(54) Product in respect of which the design is registered: **Plastic panel**
(51) International Design Classification: **16-02**
(71) Name(s) and Address(s) of Applicant(s):
 Virtual Simulation Systems Pty Ltd
 4/12 Shearwater Drive Taylors Beach New South Wales 2316 Australia
(72) Name(s) of Designer(s): **David Lagettie and David Eggins**
(45) Registration Date: **30 September 2010**
(56) Related Art Documents: **Not Applicable**
(57) Statement of Newness and Distinctiveness: **Plastic modular panels designed to be self-supporting, rapidly deployable to create a spherical projection screen.**



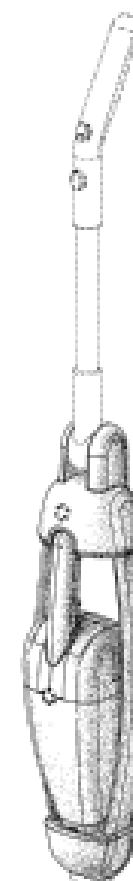
- (21) Design Number: **13775/2010**
- (22) Date of Filing Application: **31 August 2010**
- (24) Date from which industrial property rights may have effect: **31 August 2010**
- (54) Product in respect of which the design is registered: **Handheld vacuum cleaner**
- (51) International Design Classification: **15-05**
- (71) Name(s) and Address(s) of Applicant(s):
BISSELL Homecare, Inc.
2345 Walker Avenue N.W. Grand Rapids MI 49544 United States of America
- (72) Name(s) of Designer(s): **Michael Luyckx and Terese Mauch and Lawrence Chun-Hei Chu and Wendy Hui Wu and Jonathan Stanley**
- (45) Registration Date: **30 September 2010**
- (30) Convention priority data:

(31) Number	(32) Date	(33) Country
29/357,452	12 Mar 2010	UNITED STATES OF AMERICA
- (56) Related Art Documents: **Not Applicable**
- (57) Statement of Newness and Distinctiveness: **The shape and configuration of those parts of the design shown by means of solid lines in the representations are new and distinctive.**

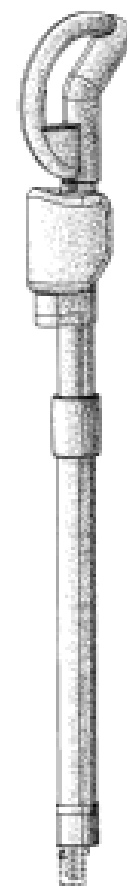


- (21) Design Number: **13776/2010**
- (22) Date of Filing Application: **31 August 2010**
- (24) Date from which industrial property rights may have effect: **31 August 2010**
- (54) Product in respect of which the design is registered: **Body for a stick vacuum**
- (51) International Design Classification: **15-05**
- (71) Name(s) and Address(s) of Applicant(s):
BISSELL Homecare, Inc.
2345 Walker Avenue N.W. Grand Rapids MI 49544 United States of America
- (72) Name(s) of Designer(s): **Michael Luyckx and Terese Mauch and Lawrence Chun-Hei Chu and Wendy Hui Wu and Jonathan Stanley**
- (45) Registration Date: **30 September 2010**
- (30) Convention priority data:

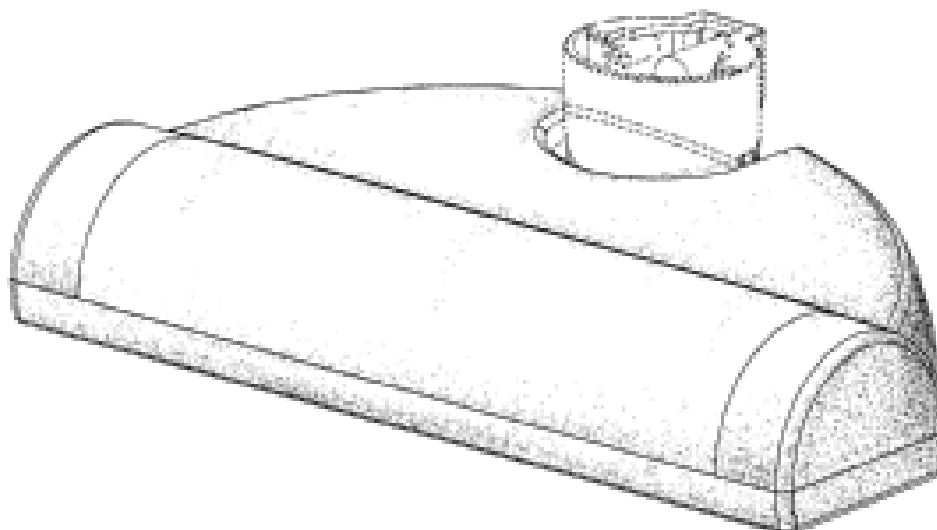
(31) Number	(32) Date	(33) Country
29/357,453	12 Mar 2010	UNITED STATES OF AMERICA
- (56) Related Art Documents: **Not Applicable**
- (57) Statement of Newness and Distinctiveness: **The shape and configuration of those parts of the design shown by means of solid lines in the representations are new and distinctive.**



(21) Design Number: **13777/2010**
(22) Date of Filing Application: **31 August 2010**
(24) Date from which industrial property rights may have effect: **31 August 2010**
(54) Product in respect of which the design is registered: **Wand for a vacuum cleaner**
(51) International Design Classification: **15-05**
(71) Name(s) and Address(s) of Applicant(s):
BISSELL Homecare, Inc.
2345 Walker Avenue N.W. Grand Rapids MI 49544 United States of America
(72) Name(s) of Designer(s): **Wendy Hui Wu and Lawrence Chun-Hei Chu and Jose Carlito Santiago**
(45) Registration Date: **30 September 2010**
(30) Convention priority data:
(31) Number (32) Date (33) Country
29/357,383 11 Mar 2010 UNITED STATES OF AMERICA
(56) Related Art Documents: **Not Applicable**
(57) Statement of Newness and Distinctiveness: **The shape and configuration of those parts of the design shown by means of solid lines in the representations are new and distinctive.**



(21) Design Number: **13778/2010**
(22) Date of Filing Application: **31 August 2010**
(24) Date from which industrial property rights may have effect: **31 August 2010**
(54) Product in respect of which the design is registered: **Foot for a stick vacuum**
(51) International Design Classification: **15-05**
(71) Name(s) and Address(s) of Applicant(s):
BISSELL Homecare, Inc.
2345 Walker Avenue N.W. Grand Rapids MI 49544 United States of America
(72) Name(s) of Designer(s): **Michael Luyckx and Terese Mauch and Lawrence Chun-Hei Chu and Wendy Hui Wu and Jonathan Stanley**
(45) Registration Date: **30 September 2010**
(30) Convention priority data:
(31) Number (32) Date (33) Country
29/357,393 11 Mar 2010 UNITED STATES OF AMERICA
(56) Related Art Documents: **Not Applicable**
(57) Statement of Newness and Distinctiveness: **The shape and configuration of those parts of the design shown by means of solid lines in the representations are new and distinctive.**



(21) Design Number: **13779/2010**
(22) Date of Filing Application: **31 August 2010**
(24) Date from which industrial property rights may have effect: **31 August 2010**
(54) Product in respect of which the design is registered: **A concrete product**
(51) International Design Classification: **25-01A**
(71) Name(s) and Address(s) of Applicant(s):
Anchor Wall Systems, Inc.
5959 Baker Road Suite 390 Minnetonka MN 55345-5996 United States of America
(72) Name(s) of Designer(s): **Jimmie L. Mugge and Robert Joel Wolter**
(45) Registration Date: **30 September 2010**
(30) Convention priority data:
(31) Number (32) Date (33) Country
23/349,046 02 Mar 2010 UNITED STATES OF AMERICA
(56) Related Art Documents: **Not Applicable**
(57) Statement of Newness and Distinctiveness: **The pattern and/or ornamentation of the front surface of the concrete product shown in the representations is new and distinctive.**



(21) Design Number: **13780/2010**
(22) Date of Filing Application: **31 August 2010**
(24) Date from which industrial property rights may have effect: **31 August 2010**
(54) Product in respect of which the design is registered: **A concrete product**
(51) International Design Classification: **25-01A**
(71) Name(s) and Address(s) of Applicant(s):
Anchor Wall Systems, Inc.
5959 Baker Road Suite 390 Minnetonka MN 55345-5996 United States of America
(72) Name(s) of Designer(s): **Jimmie L. Mugge and Robert Joel Wolter**
(45) Registration Date: **30 September 2010**
(30) Convention priority data:
(31) Number (32) Date (33) Country
23/349,046 02 Mar 2010 UNITED STATES OF AMERICA
(56) Related Art Documents: **Not Applicable**
(57) Statement of Newness and Distinctiveness: **The pattern and/or ornamentation of the front surface of the concrete product shown in the representations is new and distinctive.**



- (21) Design Number: **13781/2010**
(22) Date of Filing Application: **31 August 2010**
(24) Date from which industrial property rights may have effect: **31 August 2010**
(54) Product in respect of which the design is registered: **A concrete product**
(51) International Design Classification: **25-01A**
(71) Name(s) and Address(s) of Applicant(s):
Anchor Wall Systems, Inc.
5959 Baker Road Suite 390 Minnetonka MN 55345-5996 United States of America
(72) Name(s) of Designer(s): **Jimmie L. Mugge and Robert Joel Wolter**
(45) Registration Date: **30 September 2010**
(30) Convention priority data:
(31) Number (32) Date (33) Country
23/349,046 02 Mar 2010 UNITED STATES OF AMERICA
(56) Related Art Documents: **Not Applicable**
(57) Statement of Newness and Distinctiveness: **The pattern and/or ornamentation of the front surface of the concrete product shown in the representations is new and distinctive.**



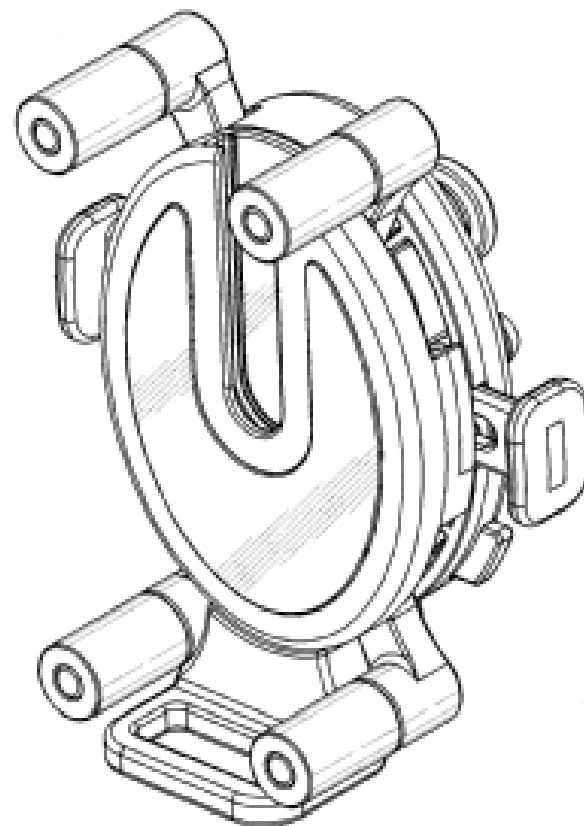
- (21) Design Number: **13782/2010**
(22) Date of Filing Application: **31 August 2010**
(24) Date from which industrial property rights may have effect: **31 August 2010**
(54) Product in respect of which the design is registered: **A concrete product**
(51) International Design Classification: **25-01A**
(71) Name(s) and Address(s) of Applicant(s):
Anchor Wall Systems, Inc.
5959 Baker Road Suite 390 Minnetonka MN 55345-5996 United States of America
(72) Name(s) of Designer(s): **Jimmie L. Mugge and Robert Joel Wolter**
(45) Registration Date: **30 September 2010**
(30) Convention priority data:
(31) Number (32) Date (33) Country
23/349,046 02 Mar 2010 UNITED STATES OF AMERICA
(56) Related Art Documents: **Not Applicable**
(57) Statement of Newness and Distinctiveness: **The pattern and/or ornamentation of the front surface of the concrete product shown in the representations is new and distinctive.**



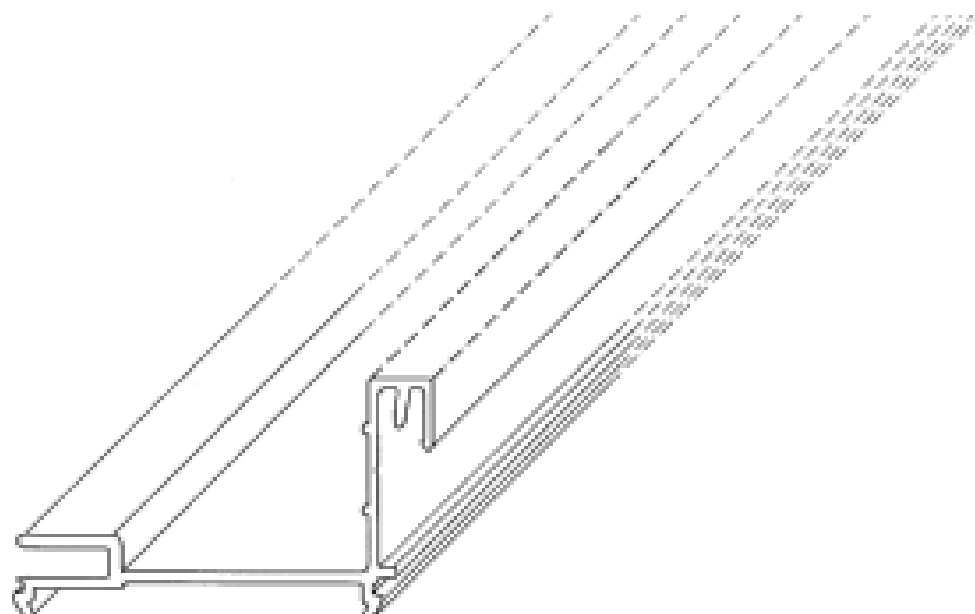
- (21) Design Number: **13783/2010**
(22) Date of Filing Application: **31 August 2010**
(24) Date from which industrial property rights may have effect: **31 August 2010**
(54) Product in respect of which the design is registered: **A concrete product**
(51) International Design Classification: **25-01A**
(71) Name(s) and Address(s) of Applicant(s):
Anchor Wall Systems, Inc.
5959 Baker Road Suite 390 Minnetonka MN 55345-5996 United States of America
(72) Name(s) of Designer(s): **Jimmie L. Mugge and Robert Joel Wolter**
(45) Registration Date: **30 September 2010**
(30) Convention priority data:
(31) Number (32) Date (33) Country
23/349,046 02 Mar 2010 UNITED STATES OF AMERICA
(56) Related Art Documents: **Not Applicable**
(57) Statement of Newness and Distinctiveness: **The pattern and/or ornamentation of the front surface of the concrete product shown in the representations is new and distinctive.**



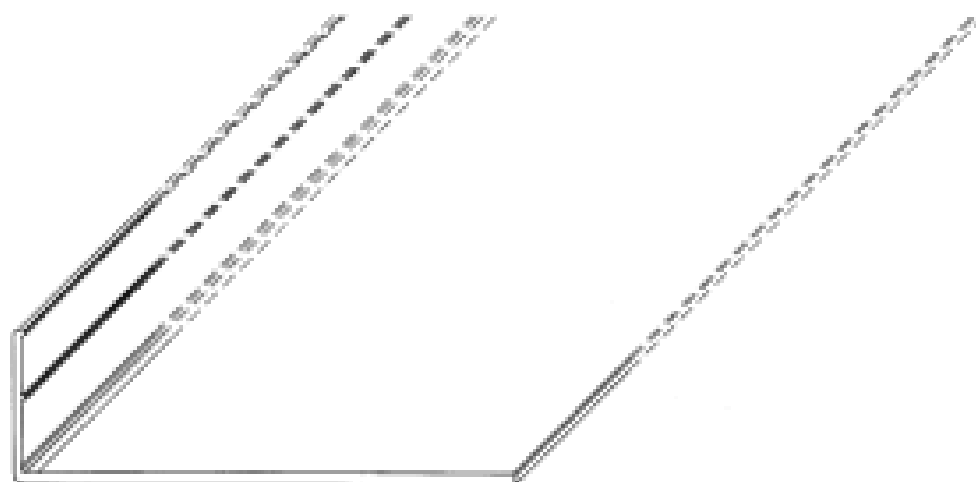
- (21) Design Number: **12788/2010**
(22) Date of Filing Application: **06 July 2010**
(24) Date from which industrial property rights may have effect: **06 July 2010**
(54) Product in respect of which the design is registered: **Holder for an information display unit**
(51) International Design Classification: **20-02C**
(71) Name(s) and Address(s) of Applicant(s):
Unique Product & Design Co., Ltd.
No. 5 Ming Dong Road Yung Kang City Tainan Hsien Taiwan
(72) Name(s) of Designer(s): **Gordon Liao**
(45) Registration Date: **30 September 2010**
(56) Related Art Documents: **Not Applicable**
(57) Statement of Newness and Distinctiveness: **Novelty resides in the ornamental design for a holder for an information display unit as shown in the drawings.**



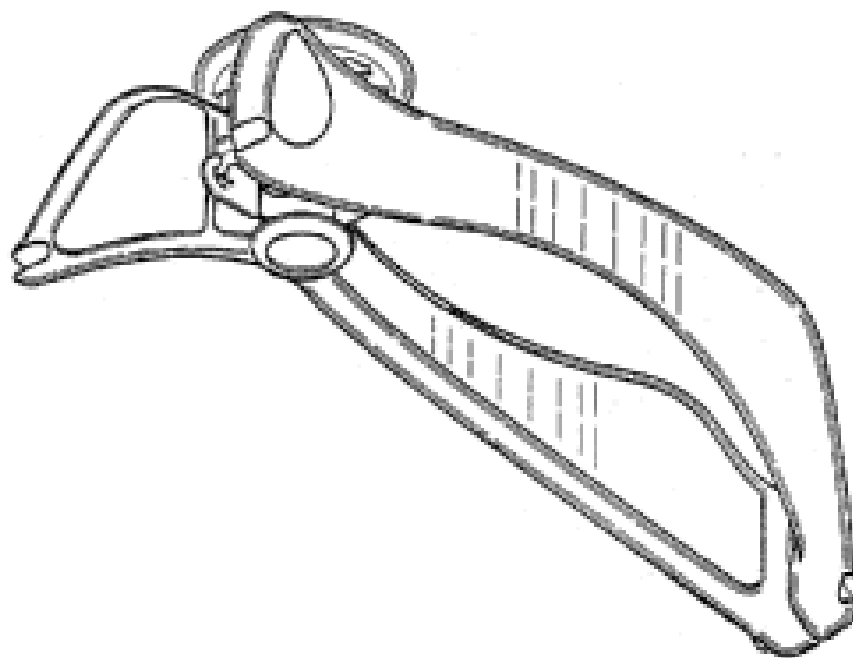
- (21) Design Number: **13811/2010**
(22) Date of Filing Application: **02 September 2010**
(24) Date from which industrial property rights may have effect: **02 September 2010**
(54) Product in respect of which the design is registered: **Aluminium Extrusion**
(51) International Design Classification: **25-01K**
(71) Name(s) and Address(s) of Applicant(s):
Otto Management Pty Limited
Level 9 Toowong Tower 9 Sherwood Road Toowong Queensland 4000
Australia
(72) Name(s) of Designer(s): **Jane Murray**
(45) Registration Date: **30 September 2010**
(56) Related Art Documents: **Not Applicable**
(57) Statement of Newness and Distinctiveness: **An extrusion of constant cross section having indefinite length.**



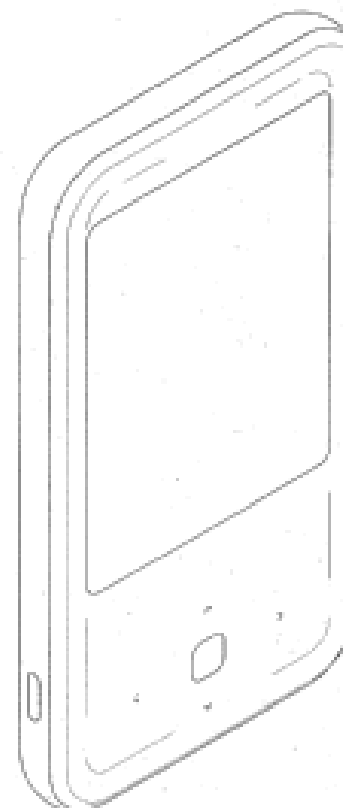
- (21) Design Number: **13812/2010**
(22) Date of Filing Application: **02 September 2010**
(24) Date from which industrial property rights may have effect: **02 September 2010**
(54) Product in respect of which the design is registered: **Aluminium extrusion**
(51) International Design Classification: **25-01K**
(71) Name(s) and Address(s) of Applicant(s):
Otto Management Pty Limited
Level 9 Toowong Tower 9 Sherwood Road Toowong Queensland 4000
Australia
(72) Name(s) of Designer(s): **Jane Murray**
(45) Registration Date: **30 September 2010**
(56) Related Art Documents: **Not Applicable**
(57) Statement of Newness and Distinctiveness: **An L-shaped extrusion having one long arm and one short arm wherein the long arm is thicker than the short arm, and the short arm has two small protrusions. The said extrusion being of cross section having indefinite length.**



- (21) Design Number: **13813/2010**
(22) Date of Filing Application: **02 September 2010**
(24) Date from which industrial property rights may have effect: **02 September 2010**
(54) Product in respect of which the design is registered: **Hair plucking device**
(51) International Design Classification: **28-03NES**
(71) Name(s) and Address(s) of Applicant(s):
Innovative Cosmetics Ltd
1/45 Arie Varshevski Street Jerusalem 93123 Israel
(72) Name(s) of Designer(s): **Gal Ofra**
(45) Registration Date: **30 September 2010**
(30) Convention priority data:
(31) Number (32) Date (33) Country
49220 28 Mar 2010 ISRAEL
(56) Related Art Documents: **Not Applicable**
(57) Statement of Newness and Distinctiveness: **The newness and distinctiveness resides in the shape and configuration of the hair plucking device as depicted in the representations as filed.**



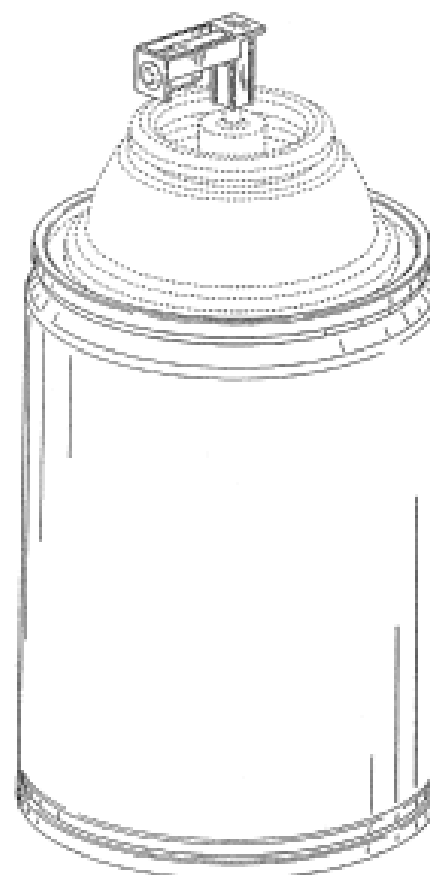
- (21) Design Number: **13814/2010**
(22) Date of Filing Application: **02 September 2010**
(24) Date from which industrial property rights may have effect: **02 September 2010**
(54) Product in respect of which the design is registered: **MP4 player**
(51) International Design Classification: **14-01**
(71) Name(s) and Address(s) of Applicant(s):
Iriver Limited
Iriver House Bangbae-dong 902-5 Seocho-gu Seoul 137-060 Republic of Korea
(72) Name(s) of Designer(s): **Daehee Kim**
(45) Registration Date: **30 September 2010**
(30) Convention priority data:
(31) Number (32) Date (33) Country
30-2010-0010530 11 Mar 2010 REPUBLIC OF KOREA
(56) Related Art Documents: **Not Applicable**
(57) Statement of Newness and Distinctiveness: **Nil**



(21) Design Number: **13920/2010**
(22) Date of Filing Application: **08 September 2010**
(24) Date from which industrial property rights may have effect: **08 September 2010**
(54) Product in respect of which the design is registered: **A blank for a helmet**
(51) International Design Classification: **02-03**
(71) Name(s) and Address(s) of Applicant(s):
Deborah Karen Caird
733 Maddisons Road Rolleston RD 5 Christchurch New Zealand
(72) Name(s) of Designer(s): **Deborah Karen Caird**
(45) Registration Date: **30 September 2010**
(30) Convention priority data:
(31) Number (32) Date (33) Country
413374 08 Mar 2010 NEW ZEALAND
(56) Related Art Documents: **Not Applicable**
(57) Statement of Newness and Distinctiveness: **Newness and distinctiveness resides in the shape, configuration, pattern and ornamentation of a blank for a helmet as shown in the representations.**



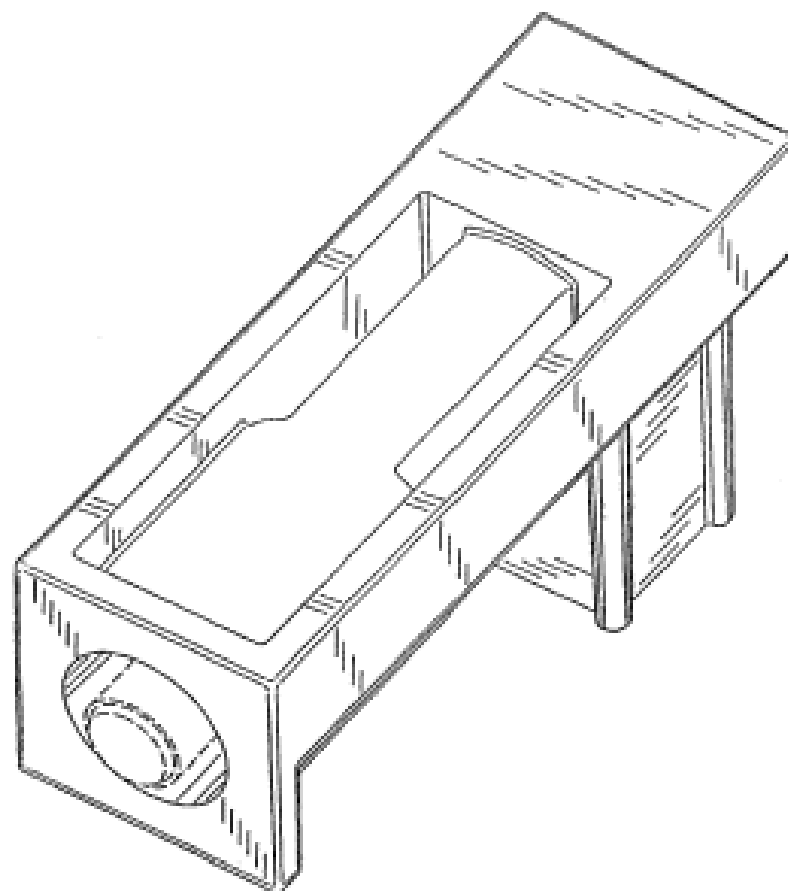
(21) Design Number: **12885/2010**
(22) Date of Filing Application: **13 July 2010**
(24) Date from which industrial property rights may have effect: **13 July 2010**
(54) Product in respect of which the design is registered: **Container with nozzle**
(51) International Design Classification: **09-01A**
(71) Name(s) and Address(s) of Applicant(s):
S.C. Johnson & Son, Inc.
1525 Howe Street Racine Wisconsin 53403-2236 United States of America
(72) Name(s) of Designer(s): **Jeffrey J. Christianson**
(45) Registration Date: **30 September 2010**
(30) Convention priority data:
(31) Number (32) Date (33) Country
29/353830 14 Jan 2010 UNITED STATES OF AMERICA
(56) Related Art Documents: **Not Applicable**
(57) Statement of Newness and Distinctiveness: **Newness and distinctiveness is claimed in those features of shape and/or configuration of a container with nozzle as illustrated in continuous lines in the accompanying representations.**



- (21) Design Number: **12886/2010**
(22) Date of Filing Application: **13 July 2010**
(24) Date from which industrial property rights may have effect: **13 July 2010**
(54) Product in respect of which the design is registered: **Container with nozzle**
(51) International Design Classification: **09-01A**
(71) Name(s) and Address(s) of Applicant(s):
S.C. Johnson & Son, Inc.
1525 Howe Street Racine Wisconsin 53403-2236 United States of America
(72) Name(s) of Designer(s): **Jeffrey J. Christianson**
(45) Registration Date: **30 September 2010**
(30) Convention priority data:
(31) Number (32) Date (33) Country
29/353830 14 Jan 2010 UNITED STATES OF AMERICA
(56) Related Art Documents: **Not Applicable**
(57) Statement of Newness and Distinctiveness: **Newness and distinctiveness is claimed in those features of shape and/or configuration of a container with nozzle as illustrated in the accompanying representations.**

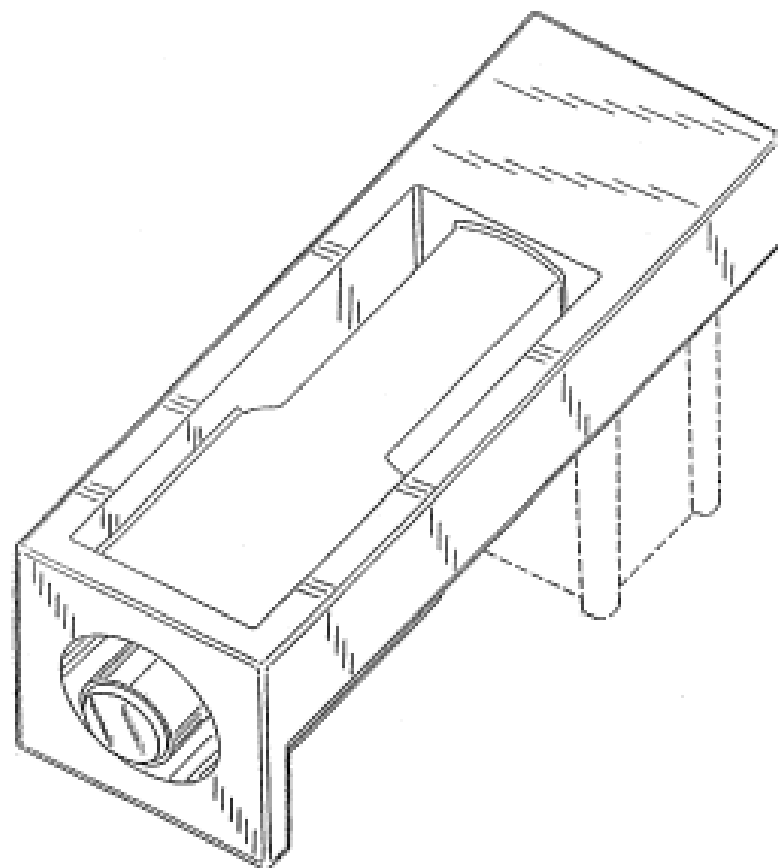


- (21) Design Number: **12887/2010**
(22) Date of Filing Application: **13 July 2010**
(24) Date from which industrial property rights may have effect: **13 July 2010**
(54) Product in respect of which the design is registered: **Actuator nozzle for a diffusion device**
(51) International Design Classification: **09-07A**
(71) Name(s) and Address(s) of Applicant(s):
S.C. Johnson & Son, Inc.
1525 Howe Street Racine Wisconsin 53403-2236 United States of America
(72) Name(s) of Designer(s): **Jeffrey J. Christianson**
(45) Registration Date: **30 September 2010**
(30) Convention priority data:
(31) Number (32) Date (33) Country
29/353830 14 Jan 2010 UNITED STATES OF AMERICA
(56) Related Art Documents: **Not Applicable**
(57) Statement of Newness and Distinctiveness: **Newness and distinctiveness is claimed in those features of shape and/or configuration of an actuator nozzle for a diffusion device as illustrated in continuous lines in the accompanying representations.**



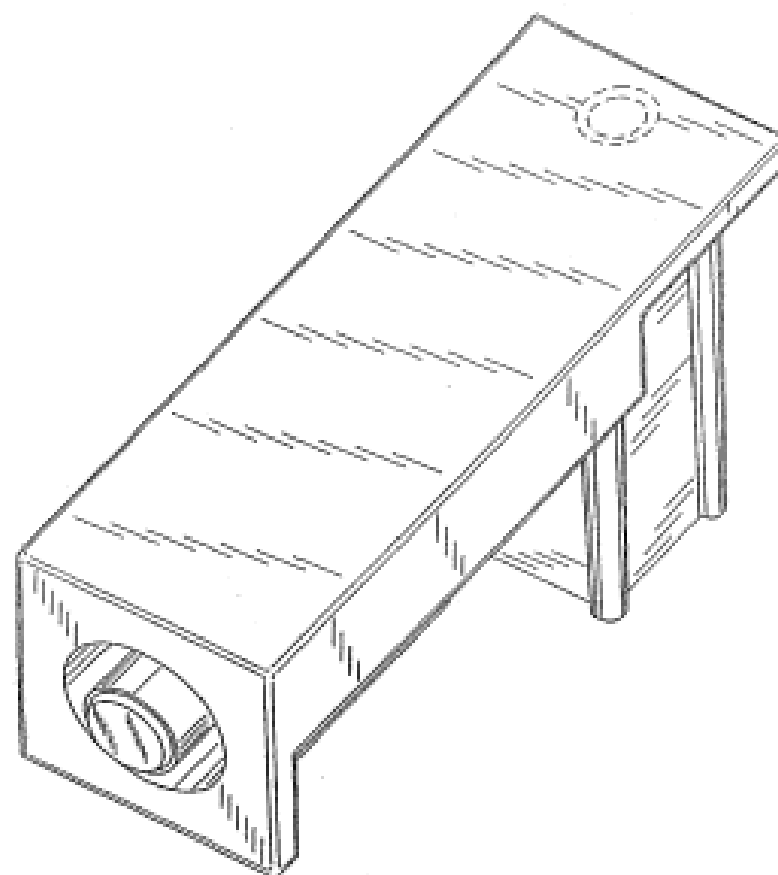
- (21) Design Number: **12888/2010**
- (22) Date of Filing Application: **13 July 2010**
- (24) Date from which industrial property rights may have effect: **13 July 2010**
- (54) Product in respect of which the design is registered: **Actuator nozzle for a diffusion device**
- (51) International Design Classification: **09-07A**
- (71) Name(s) and Address(s) of Applicant(s):
S.C. Johnson & Son, Inc.
1525 Howe Street Racine Wisconsin 53403-2236 United States of America
- (72) Name(s) of Designer(s): **Jeffrey J. Christianson**
- (45) Registration Date: **30 September 2010**
- (30) Convention priority data:

(31) Number	(32) Date	(33) Country
29/353830	14 Jan 2010	UNITED STATES OF AMERICA
- (56) Related Art Documents: **Not Applicable**
- (57) Statement of Newness and Distinctiveness: **Newness and distinctiveness is claimed in those features of shape and/or configuration of an actuator nozzle for a diffusion device as illustrated in continuous lines in the accompanying representations.**



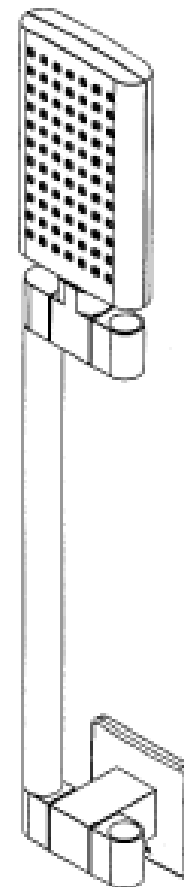
- (21) Design Number: **12889/2010**
- (22) Date of Filing Application: **13 July 2010**
- (24) Date from which industrial property rights may have effect: **13 July 2010**
- (54) Product in respect of which the design is registered: **Actuator nozzle for a diffusion device**
- (51) International Design Classification: **09-07A**
- (71) Name(s) and Address(s) of Applicant(s):
S.C. Johnson & Son, Inc.
1525 Howe Street Racine Wisconsin 53403-2236 United States of America
- (72) Name(s) of Designer(s): **Jeffrey J. Christianson**
- (45) Registration Date: **30 September 2010**
- (30) Convention priority data:

(31) Number	(32) Date	(33) Country
29/353830	14 Jan 2010	UNITED STATES OF AMERICA
- (56) Related Art Documents: **Not Applicable**
- (57) Statement of Newness and Distinctiveness: **Newness and distinctiveness is claimed in those features of shape and/or configuration of an actuator nozzle for a diffusion device as illustrated in continuous lines in the accompanying representations.**

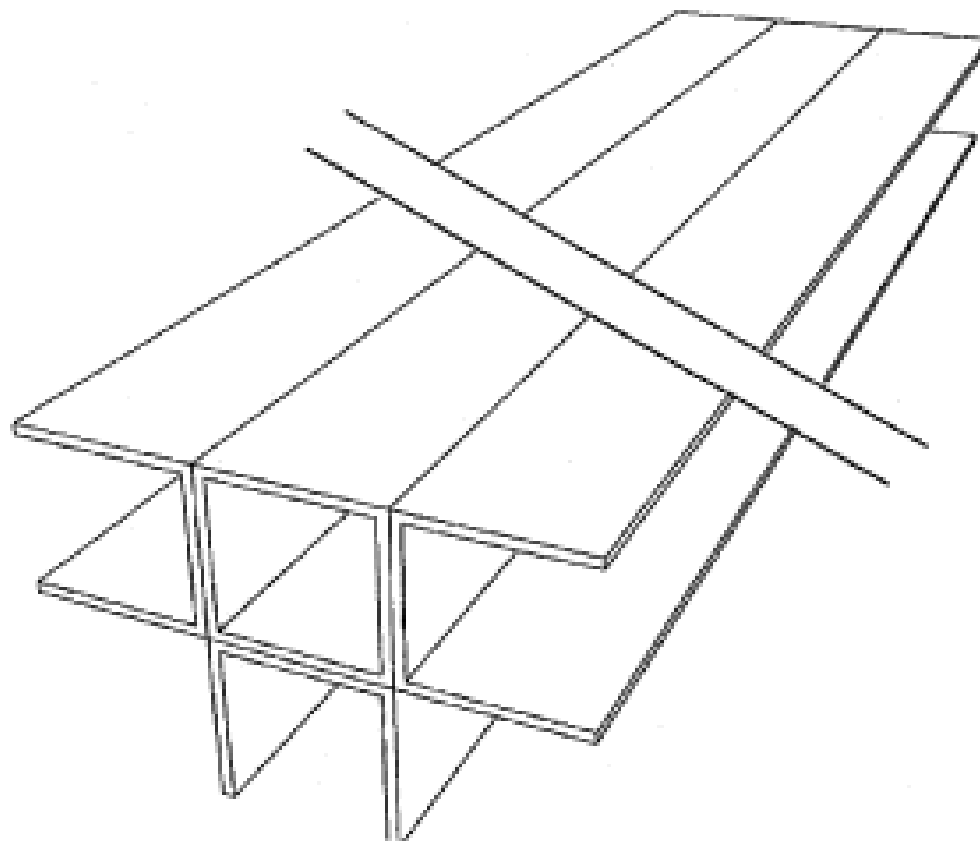


Paronetics View

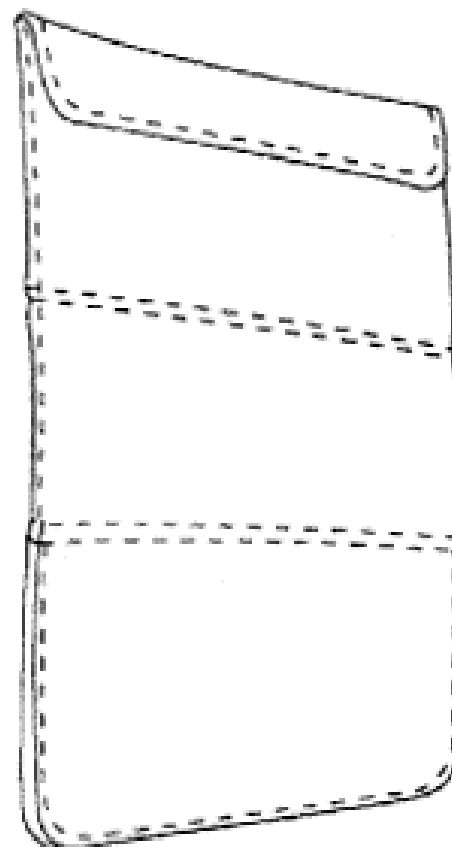
- (21) Design Number: **13823/2010**
- (22) Date of Filing Application: **03 September 2010**
- (24) Date from which industrial property rights may have effect: **03 September 2010**
- (54) Product in respect of which the design is registered: **Shower arm**
- (51) International Design Classification: **23-02B**
- (71) Name(s) and Address(s) of Applicant(s):
Phoenix Industries Pty Ltd
20-22 Trade Place Vermont Victoria 3133 Australia
- (72) Name(s) of Designer(s): **Andrew Cocks**
- (45) Registration Date: **30 September 2010**
- (56) Related Art Documents: **Not Applicable**
- (57) Statement of Newness and Distinctiveness: **Nil**



- (21) Design Number: **13824/2010**
- (22) Date of Filing Application: **02 September 2010**
- (24) Date from which industrial property rights may have effect: **02 September 2010**
- (54) Product in respect of which the design is registered: **Wall beam extrusion**
- (51) International Design Classification: **25-01C, 25-01K**
- (71) Name(s) and Address(s) of Applicant(s):
Francesco Antonio Martino
PO Box 1096 Murray Bridge South Australia 5253 Australia
- (72) Name(s) of Designer(s): **Francesco Antonio Martino**
- (45) Registration Date: **30 September 2010**
- (56) Related Art Documents: **Not Applicable**
- (57) Statement of Newness and Distinctiveness: **Nil**



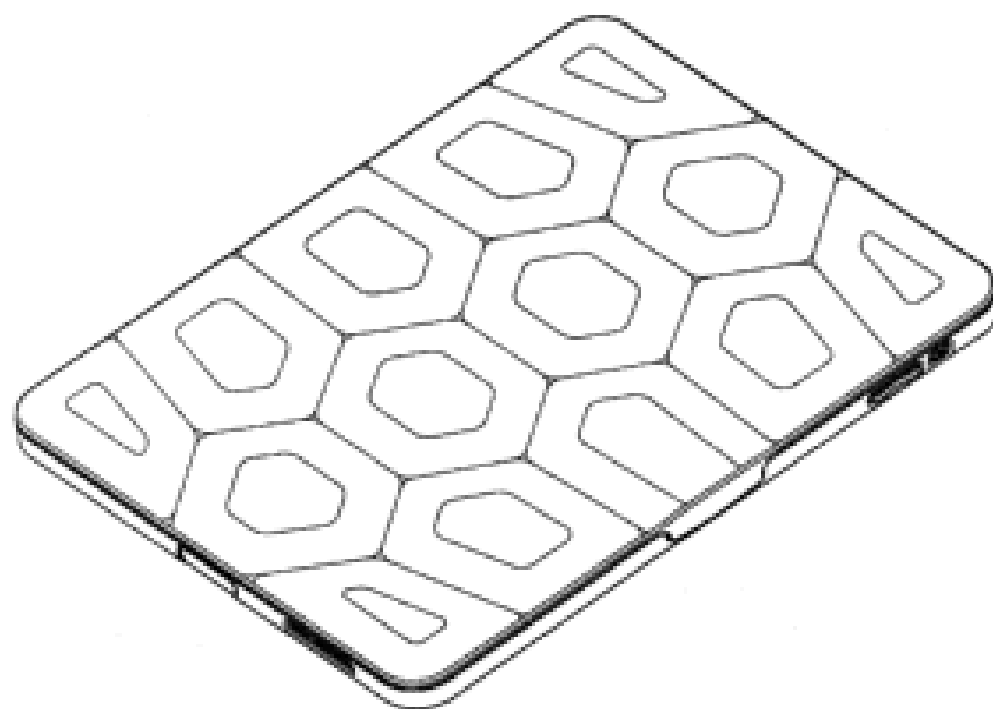
- (21) Design Number: **13826/2010**
(22) Date of Filing Application: **06 September 2010**
(24) Date from which industrial property rights may have effect: **06 September 2010**
(54) Product in respect of which the design is registered: **Combination of protective casing and stand for portable handheld electronic device**
(51) International Design Classification: **03-01NES, 14-99**
(71) Name(s) and Address(s) of Applicant(s):
SwitchEasy Limited
Room 314 Sing Win Factory Building 15-17 Shing Yip Street Kwun Tong Kowloon Hong Kong
(72) Name(s) of Designer(s): **Chi Vun Steven Bau**
(45) Registration Date: **30 September 2010**
(30) Convention priority data:
(31) Number (32) Date (33) Country
1000653.6M001 13 Apr 2010 HONG KONG
(56) Related Art Documents: **Not Applicable**
(57) Statement of Newness and Distinctiveness: **Newness and distinctiveness resides in the shape and/or configuration of a combination of protective casing and stand for portable handheld electronic device as shown in the accompanying representations.**



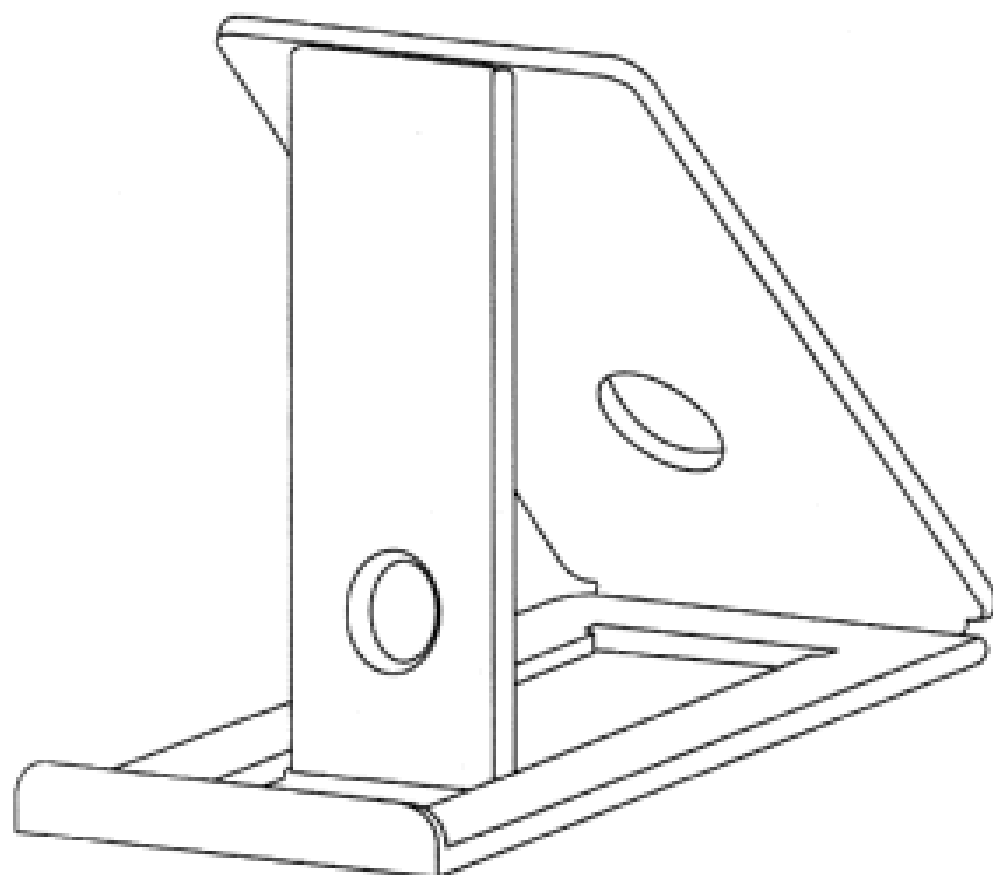
- (21) Design Number: **13827/2010**
(22) Date of Filing Application: **06 September 2010**
(24) Date from which industrial property rights may have effect: **06 September 2010**
(54) Product in respect of which the design is registered: **Combination of protective casing and stand for portable handheld electronic device**
(51) International Design Classification: **14-02, 14-99**
(71) Name(s) and Address(s) of Applicant(s):
SwitchEasy Limited
Room 314 Sing Win Factory Building 15-17 Shing Yip Street Kwun Tong Kowloon Hong Kong
(72) Name(s) of Designer(s): **Chi Vun Steven Bau**
(45) Registration Date: **30 September 2010**
(30) Convention priority data:
(31) Number (32) Date (33) Country
1000653.6M002 13 Apr 2010 HONG KONG
(56) Related Art Documents: **Not Applicable**
(57) Statement of Newness and Distinctiveness: **Newness and distinctiveness resides in the shape and/or configuration of combination of protective casing and stand for portable handheld electronic device as shown in the accompanying representations. The electronic device covered by hatched lines shown in Figures 8, 9, 11 to 16 are to be disregarded when considering the overall impression of the design.**



- (21) Design Number: **13828/2010**
(22) Date of Filing Application: **06 September 2010**
(24) Date from which industrial property rights may have effect: **06 September 2010**
(54) Product in respect of which the design is registered: **Combination of protective casing and stand for portable handheld electronic device**
(51) International Design Classification: **14-02, 14-99**
(71) Name(s) and Address(s) of Applicant(s):
SwitchEasy Limited
Room 314 Sing Win Factory Building 15-17 Shing Yip Street Kwun Tong Kowloon Hong Kong
(72) Name(s) of Designer(s): **Chi Vun Steven Bau**
(45) Registration Date: **30 September 2010**
(30) Convention priority data:
(31) Number (32) Date (33) Country
1000653.6M003 13 Apr 2010 HONG KONG
(56) Related Art Documents: **Not Applicable**
(57) Statement of Newness and Distinctiveness: **Newness and distinctiveness resides in the shape and/or configuration of combination of protective casing and stand for portable handheld electronic device as shown in the accompanying representations. The electronic device covered by hatched lines shown in Figures 1, 5, 7 to 9, 11, 12 and 14 are to be disregarded when considering the overall impression of the design.**



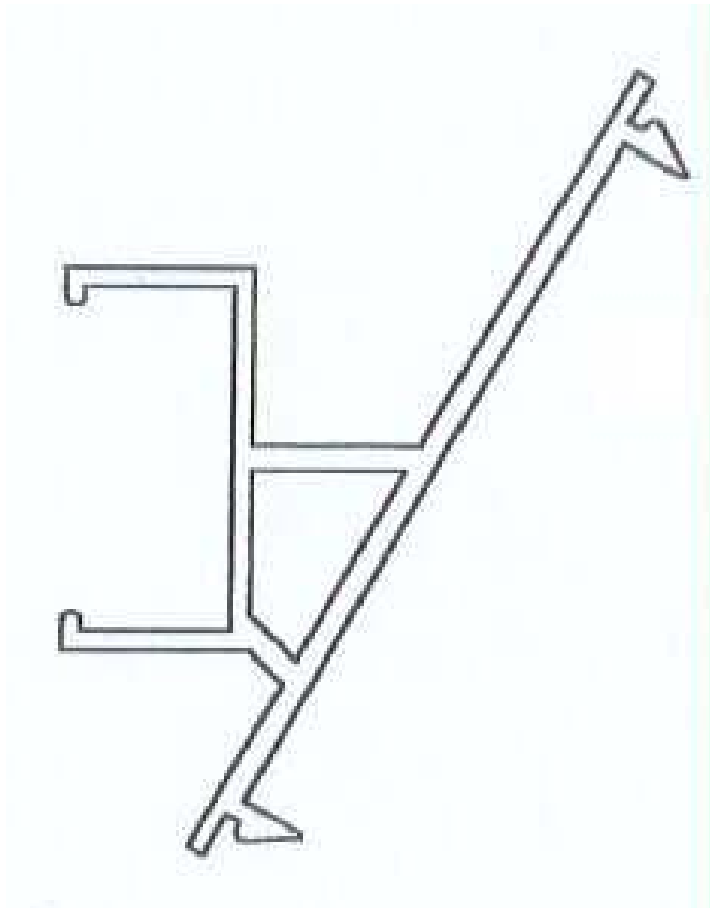
- (21) Design Number: **13829/2010**
(22) Date of Filing Application: **06 September 2010**
(24) Date from which industrial property rights may have effect: **06 September 2010**
(54) Product in respect of which the design is registered: **Foldable stand for portable handheld electronic device**
(51) International Design Classification: **14-99**
(71) Name(s) and Address(s) of Applicant(s):
SwitchEasy Limited
Room 314 Sing Win Factory Building 15-17 Shing Yip Street Kwun Tong Kowloon Hong Kong
(72) Name(s) of Designer(s): **Chi Vun Steven Bau**
(45) Registration Date: **30 September 2010**
(30) Convention priority data:
(31) Number (32) Date (33) Country
1000654.8 13 Apr 2010 HONG KONG
(56) Related Art Documents: **Not Applicable**
(57) Statement of Newness and Distinctiveness: **Newness and distinctiveness resides in the shape and/or configuration of a foldable stand for a portable handheld electronic device as shown in the accompanying representations. The electronic device covered by hatched lines shown in Figures 15 and 16 are to be disregarded when considering the overall impression of the design.**



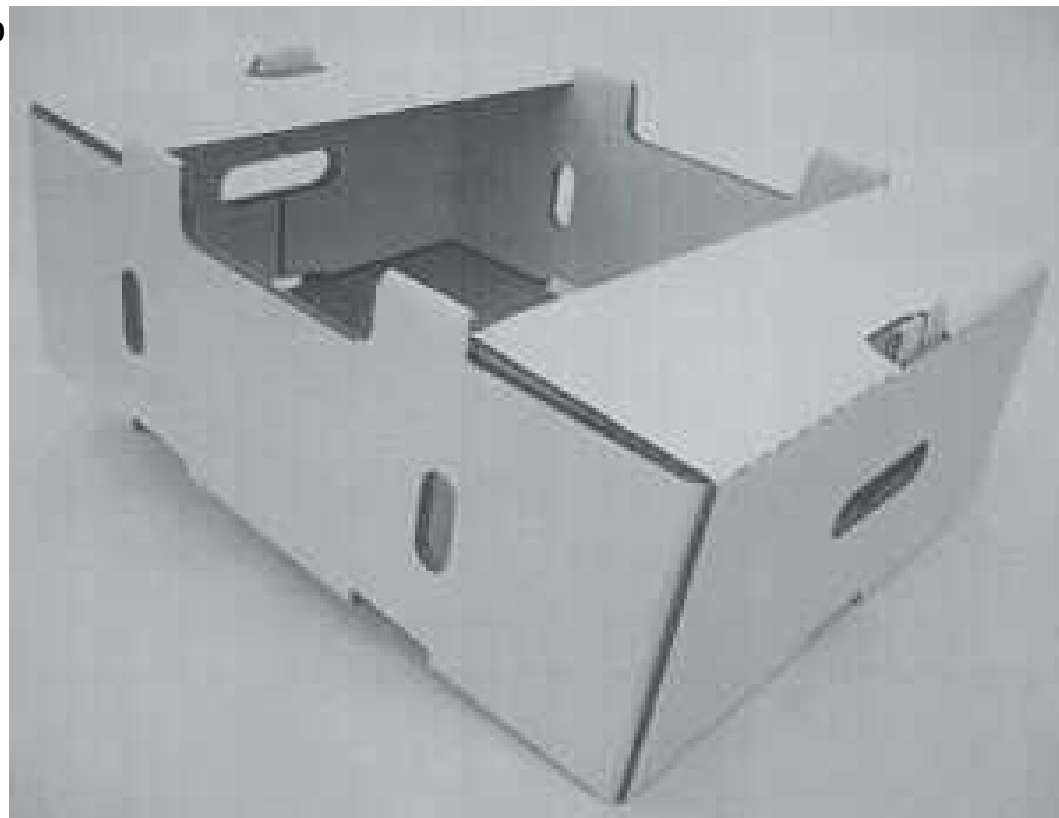
- (21) Design Number: **13997/2010**
(22) Date of Filing Application: **16 September 2010**
(24) Date from which industrial property rights may have effect: **16 September 2010**
(54) Product in respect of which the design is registered: **Solar lighting device**
(51) International Design Classification: **26-03, 20-03C**
(71) Name(s) and Address(s) of Applicant(s):
Lyle Christopher Petzler
6 Manunda Circuit Karama Northern Territory 0812 Australia
(72) Name(s) of Designer(s): **Lyle Christopher Petzler**
(45) Registration Date: **30 September 2010**
(56) Related Art Documents: **Not Applicable**
(57) Statement of Newness and Distinctiveness: **Nil**



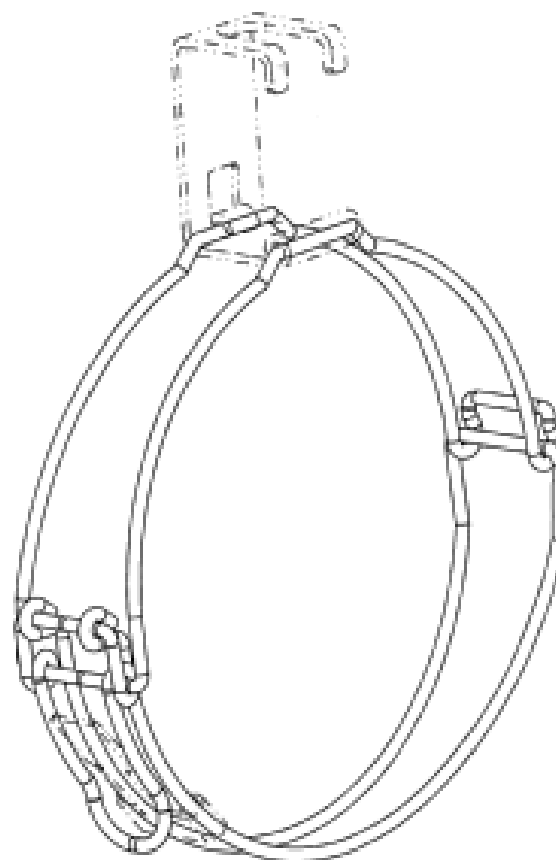
- (21) Design Number: **14018/2010**
(22) Date of Filing Application: **17 September 2010**
(24) Date from which industrial property rights may have effect: **17 September 2010**
(54) Product in respect of which the design is registered: **Louvre clip**
(51) International Design Classification: **08-08H, 25-02H**
(71) Name(s) and Address(s) of Applicant(s):
Stephen Cordell
30 Bellini Way Mernda Victoria 3754 Australia
(72) Name(s) of Designer(s): **Stephen Cordell**
(45) Registration Date: **30 September 2010**
(56) Related Art Documents: **Not Applicable**
(57) Statement of Newness and Distinctiveness: **Nil**



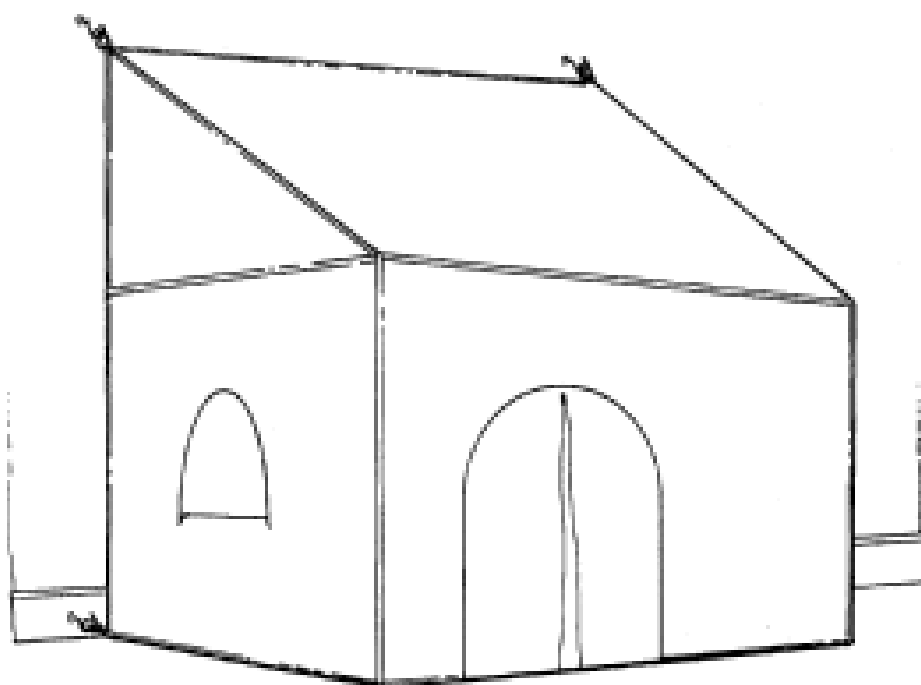
- (21) Design Number: **13856/2010**
(22) Date of Filing Application: **06 September 2010**
(24) Date from which industrial property rights may have effect: **06 September 2010**
(54) Product in respect of which the design is registered: **Container and blank therefor**
(51) International Design Classification: **09-03M**
(71) Name(s) and Address(s) of Applicant(s):
Amcor Limited
109 Burwood Road Hawthorn Victoria 3122 Australia
(72) Name(s) of Designer(s): **Michael Murrell**
(45) Registration Date: **30 September 2010**
(56) Related Art Documents: **Not Applicable**
(57) Statement of Newness and Distinctiveness: **The new and distinctive features of the design are the features of shape and configuration of a container and a blank therefor as shown in the representations.**



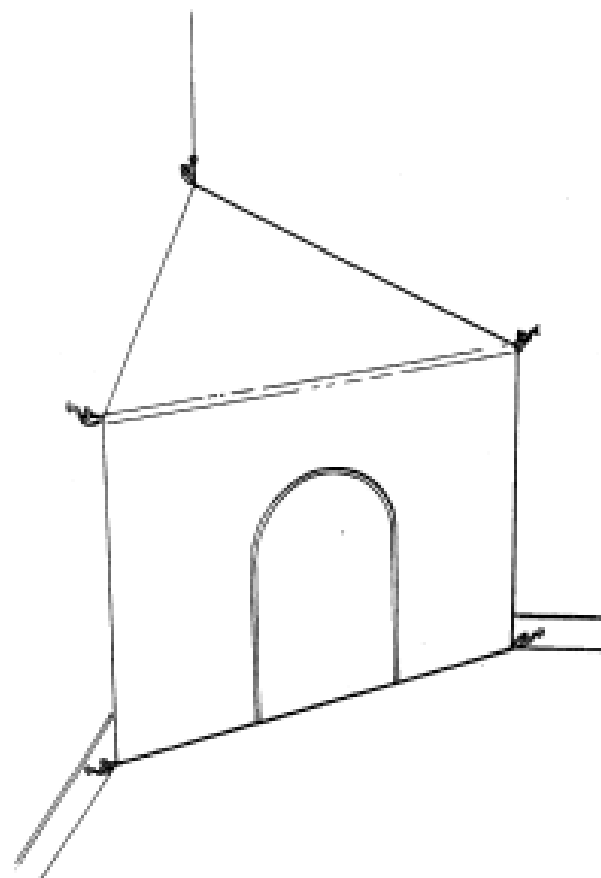
- (21) Design Number: **13857/2010**
(22) Date of Filing Application: **03 September 2010**
(24) Date from which industrial property rights may have effect: **03 September 2010**
(54) Product in respect of which the design is registered: **Pipe hanger clamp**
(51) International Design Classification: **08-08D**
(71) Name(s) and Address(s) of Applicant(s):
Sitka Developments Pty Ltd
C/- Level 29 12 Creek Street Brisbane Queensland 4000 Australia
(72) Name(s) of Designer(s): **Francesco Tomasi and John Hammond and Craig Mounsey and Owen Bawden and Neil Davidson**
(45) Registration Date: **30 September 2010**
(56) Related Art Documents: **Not Applicable**
(57) Statement of Newness and Distinctiveness: **The newness and distinctiveness of the design resides in the shape and/or configuration of the wire frame and buckle of the pipe hanger clamp shown in the representations.**



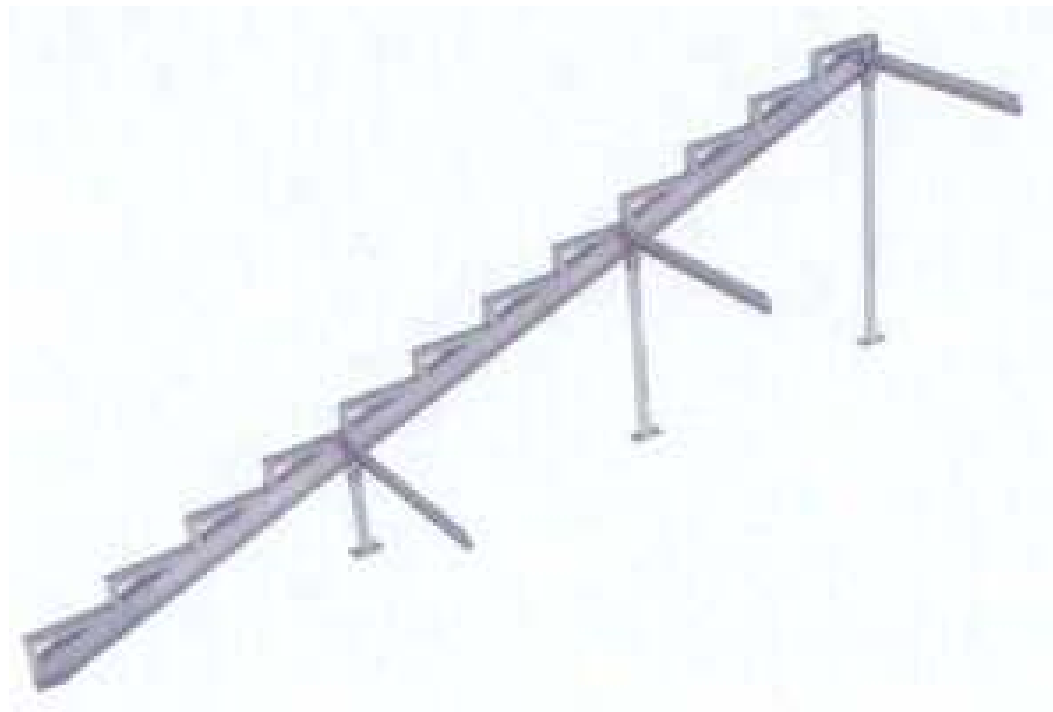
(21) Design Number: **13126/2010**
 (22) Date of Filing Application: **27 July 2010**
 (24) Date from which industrial property rights may have effect: **27 July 2010**
 (54) Product in respect of which the design is registered: **Canopy**
 (51) International Design Classification: **21-04**
 (71) Name(s) and Address(s) of Applicant(s):
Finecard International Limited trading as The Ninja Corporation
Topaz House, Oldgate St Michaels Industrial Estate Widnes Cheshire
WA8 8TL United Kingdom
 (72) Name(s) of Designer(s): **Paul Harold Mason**
 (45) Registration Date: **30 September 2010**
 (30) Convention priority data:
 (31) Number (32) Date (33) Country
001192652-0001 29 Jan 2010 EUROPEAN COMMUNITY
 (56) Related Art Documents: **Not Applicable**
 (57) Statement of Newness and Distinctiveness: **Nil**



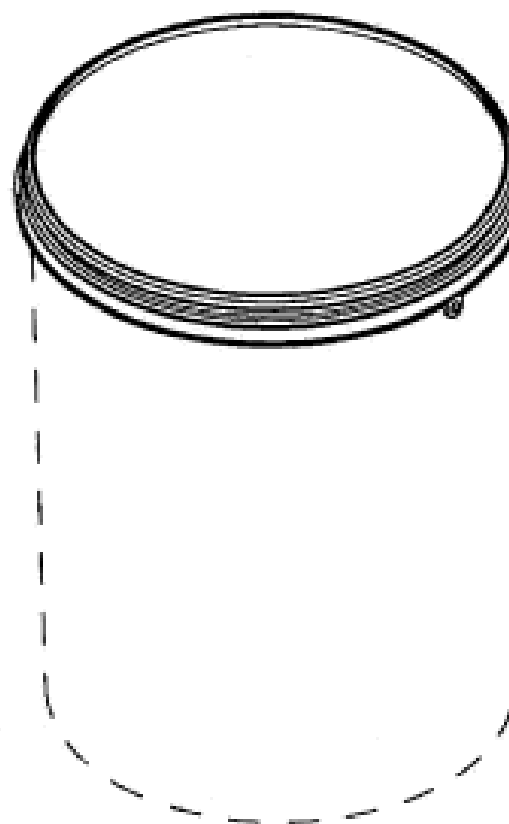
(21) Design Number: **13127/2010**
 (22) Date of Filing Application: **27 July 2010**
 (24) Date from which industrial property rights may have effect: **27 July 2010**
 (54) Product in respect of which the design is registered: **Canopy**
 (51) International Design Classification: **21-04**
 (71) Name(s) and Address(s) of Applicant(s):
Finecard International Limited trading as The Ninja Corporation
Topaz House, Oldgate St Michaels Industrial Estate Widnes Cheshire
WA8 8TL United Kingdom
 (72) Name(s) of Designer(s): **Paul Harold Mason**
 (45) Registration Date: **30 September 2010**
 (30) Convention priority data:
 (31) Number (32) Date (33) Country
001192652-0002 29 Jan 2010 EUROPEAN COMMUNITY
 (56) Related Art Documents: **Not Applicable**
 (57) Statement of Newness and Distinctiveness: **Nil**



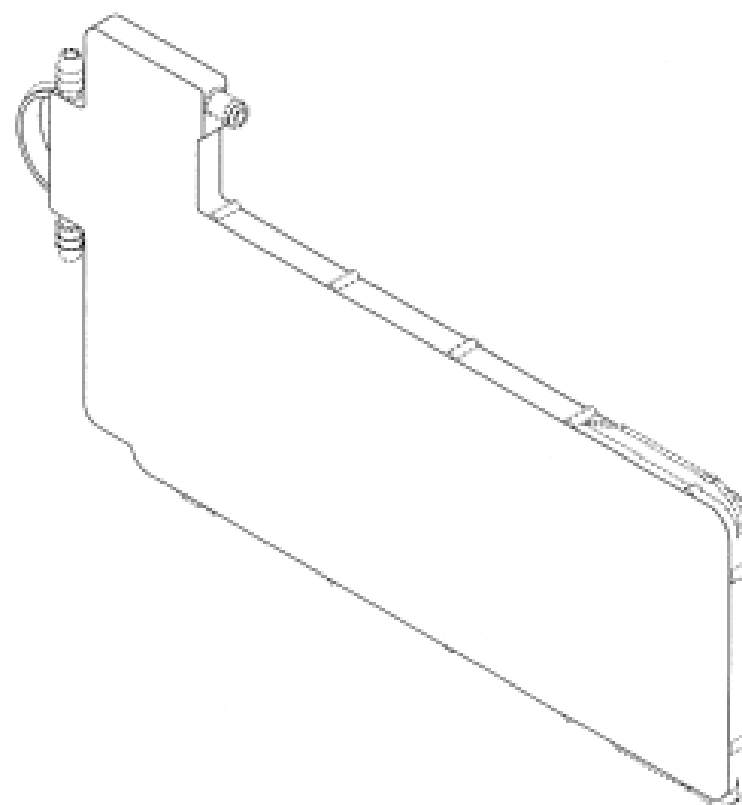
- (21) Design Number: **13416/2010**
(22) Date of Filing Application: **09 August 2010**
(24) Date from which industrial property rights may have effect: **09 August 2010**
(54) Product in respect of which the design is registered: **Kit construction grandstand folding beam support**
(51) International Design Classification: **06-01C, 08-08L, 25-01B**
(71) Name(s) and Address(s) of Applicant(s):
Neville Bryson Jones
1012 Cullenbenbong Road Kanimbla Valley New South Wales 2790
Australia
(72) Name(s) of Designer(s): **Neville Jones**
(45) Registration Date: **30 September 2010**
(56) Related Art Documents: **Not Applicable**
(57) Statement of Newness and Distinctiveness: **Folding beam support allows rapid assembly and disassembly of grandstand for transport and storage. Enables Grandstand to be constructed without appearance and disadvantages of a scaffold structure.**



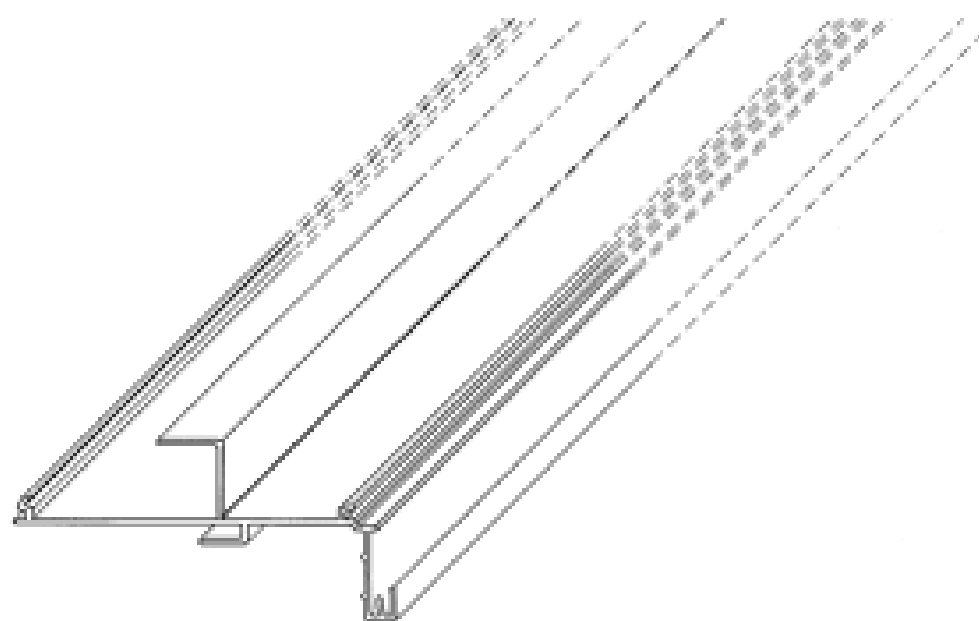
- (21) Design Number: **13611/2010**
(22) Date of Filing Application: **23 August 2010**
(24) Date from which industrial property rights may have effect: **23 August 2010**
(54) Product in respect of which the design is registered: **Container**
(51) International Design Classification: **09-03L**
(71) Name(s) and Address(s) of Applicant(s):
Innovative Design Co Pty Ltd
1/162C Queen Street Woollahra New South Wales 2025 Australia
(72) Name(s) of Designer(s): **David Alexander Woinarski**
(45) Registration Date: **30 September 2010**
(56) Related Art Documents: **Not Applicable**
(57) Statement of Newness and Distinctiveness: **Newness and distinctiveness resides in the visual features, including shape and configuration, of a rim and flange formation at an open upper end of a CONTAINER as shown in solid outline in the accompanying drawings. When determining whether the design is substantially similar in overall impression to another design, no regard is to be had to those features shown in dotted outline in the accompanying drawings, which features are provided for illustrative purposes only.**



- (21) Design Number: **13795/2010**
(22) Date of Filing Application: **01 September 2010**
(24) Date from which industrial property rights may have effect: **01 September 2010**
(54) Product in respect of which the design is registered: **Cartridge for surgical fluid management system**
(51) International Design Classification: **24-02**
(71) Name(s) and Address(s) of Applicant(s):
Thermedx, LLC
31200 Solon Road Unit #1 Solon OH 44139 United States of America
(72) Name(s) of Designer(s): **Jeffrey B. Williams**
(45) Registration Date: **30 September 2010**
(30) Convention priority data:
(31) Number (32) Date (33) Country
29/357,184 08 Mar 2010 UNITED STATES OF AMERICA
(56) Related Art Documents: **Not Applicable**
(57) Statement of Newness and Distinctiveness: **The newness and distinctiveness of the design resides in the features of shape and/or configuration of the cartridge shown in unbroken lines in the accompanying representations.**



- (21) Design Number: **13815/2010**
(22) Date of Filing Application: **02 September 2010**
(24) Date from which industrial property rights may have effect: **02 September 2010**
(54) Product in respect of which the design is registered: **Aluminium extrusion**
(51) International Design Classification: **25-01K**
(71) Name(s) and Address(s) of Applicant(s):
Otto Management Pty Limited
Level 9 Toowong Tower 9 Sherwood Road Toowong Queensland 4000 Australia
(72) Name(s) of Designer(s): **Jane Murray**
(45) Registration Date: **30 September 2010**
(56) Related Art Documents: **Not Applicable**
(57) Statement of Newness and Distinctiveness: **An extrusion of constant cross section having indefinite length.**



(21) Design Number: **13832/2010**
 (22) Date of Filing Application: **03 September 2010**
 (24) Date from which industrial property rights may have effect: **03 September 2010**
 (54) Product in respect of which the design is registered: **Electric motor**
 (51) International Design Classification: **13-01**
 (71) Name(s) and Address(s) of Applicant(s):

Panasonic Corporation
1006 Oaza Kadoma Kadoma-shi Osaka 571-8501 Japan

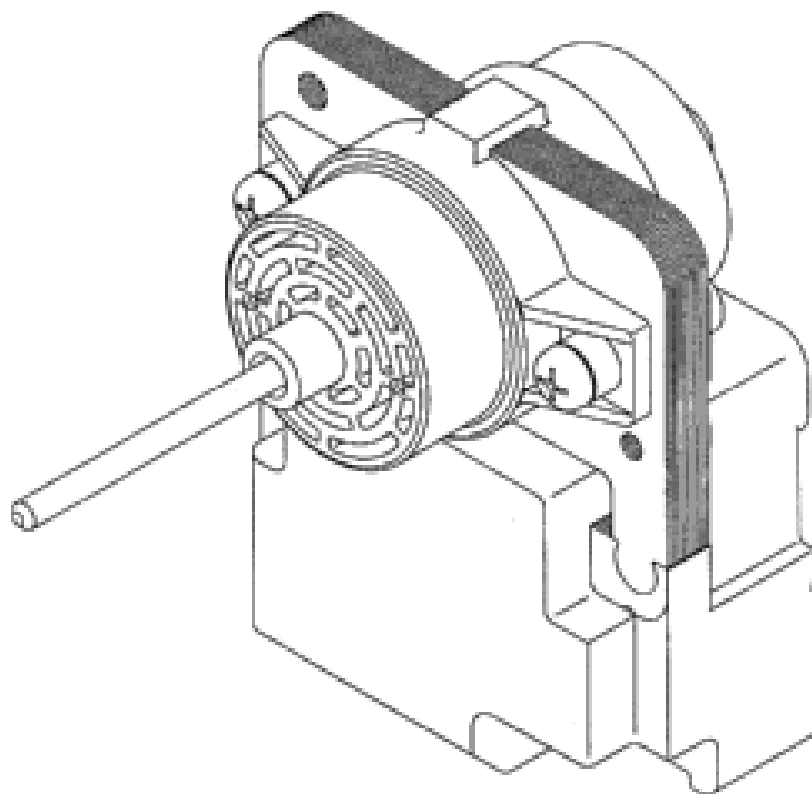
(72) Name(s) of Designer(s): **Hiroshi Sasaki and Toshifumi Tsutsumi**
 (45) Registration Date: **30 September 2010**

(30) Convention priority data:

(31) Number	(32) Date	(33) Country
2010-005518	08 Mar 2010	JAPAN

(56) Related Art Documents: **Not Applicable**

(57) Statement of Newness and Distinctiveness: **Newness and distinctiveness is claimed in the features of shape and/or configuration of an electric motor as illustrated in the accompanying representations.**



(21) Design Number: **13833/2010**
 (22) Date of Filing Application: **03 September 2010**
 (24) Date from which industrial property rights may have effect: **03 September 2010**
 (54) Product in respect of which the design is registered: **Faceplate and dispenser**
 (51) International Design Classification: **28-99**
 (71) Name(s) and Address(s) of Applicant(s):

S. C. Johnson & Son, Inc.
1525 Howe Street Racine Wisconsin 53403-2236 United States of America

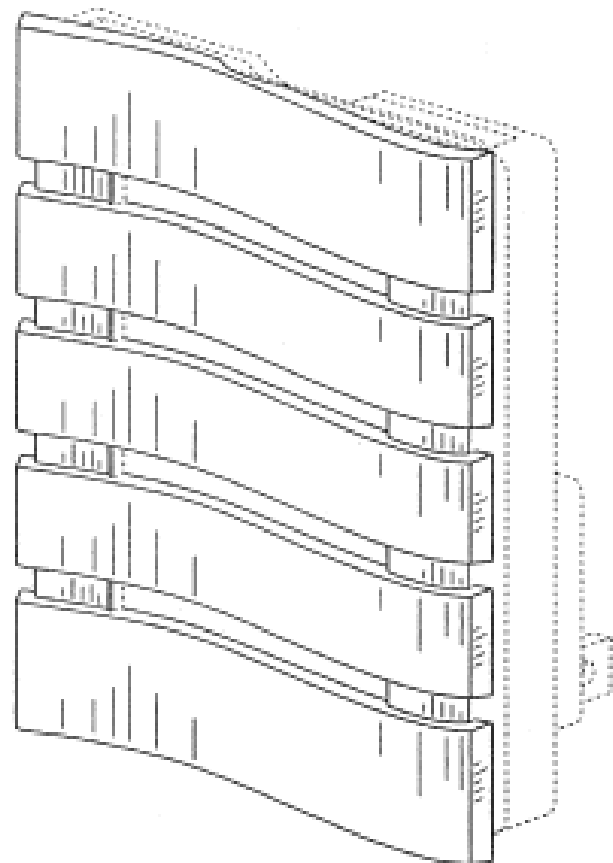
(72) Name(s) of Designer(s): **Xuan Shu and Victoria Slaker**
 (45) Registration Date: **30 September 2010**

(30) Convention priority data:

(31) Number	(32) Date	(33) Country
29/357,034	05 Mar 2010	UNITED STATES OF AMERICA

(56) Related Art Documents: **Not Applicable**

(57) Statement of Newness and Distinctiveness: **Newness and distinctiveness is claimed in those features of shape and/or configuration of a faceplate and a dispenser as illustrated in continuous lines in the accompanying representations.**



(21) Design Number: **13839/2010**
(22) Date of Filing Application: **03 September 2010**
(24) Date from which industrial property rights may have effect: **03 September 2010**
(54) Product in respect of which the design is registered: **Suitcase trolley**
(51) International Design Classification: **03-01A, 12-02**
(71) Name(s) and Address(s) of Applicant(s):
Georg Gunter Libuda
Zollernstr. 12/1 78056 Schweningen Germany
(72) Name(s) of Designer(s): **Georg Gunter Libuda**
(45) Registration Date: **30 September 2010**
(30) Convention priority data:
(31) Number (32) Date (33) Country
20 2010 000 03 Mar 2010 GERMANY
304
(56) Related Art Documents: **Not Applicable**
(57) Statement of Newness and Distinctiveness: **Nil**



(21) Design Number: **13855/2010**
(22) Date of Filing Application: **06 September 2010**
(24) Date from which industrial property rights may have effect: **06 September 2010**
(54) Product in respect of which the design is registered: **Container and blank therefor**
(51) International Design Classification: **09-03M**
(71) Name(s) and Address(s) of Applicant(s):
Ancor Limited
109 Burwood Road Hawthorn Victoria 3122 Australia
(72) Name(s) of Designer(s): **Michael Murrell**
(45) Registration Date: **30 September 2010**
(56) Related Art Documents: **Not Applicable**
(57) Statement of Newness and Distinctiveness: **The new and distinctive features of the design are the features of shape and configuration of a container and a blank therefor as shown in the representations.**

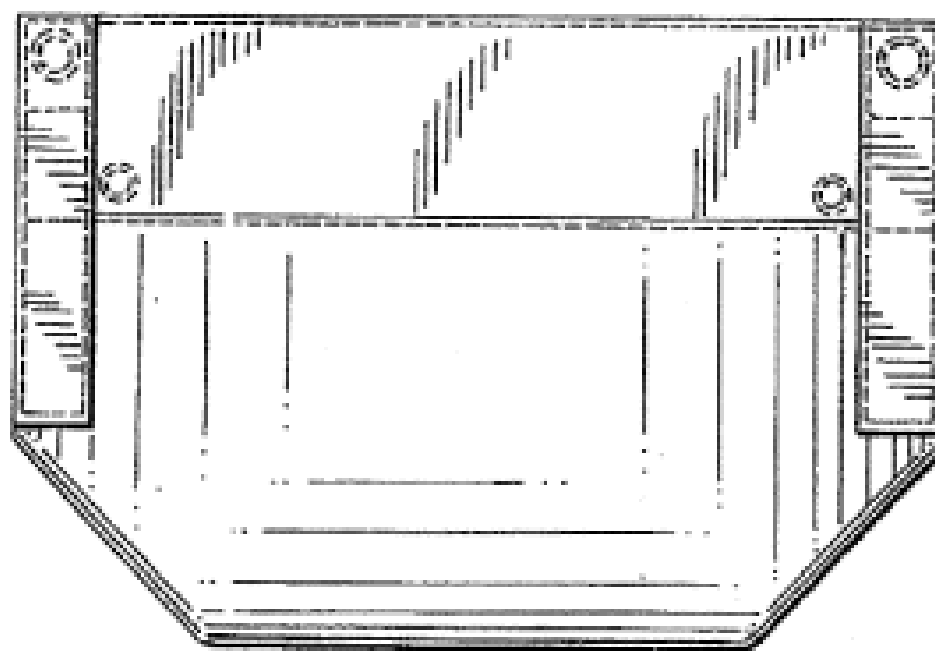


- (21) Design Number: **13876/2010**
- (22) Date of Filing Application: **07 September 2010**
- (24) Date from which industrial property rights may have effect: **07 September 2010**
- (54) Product in respect of which the design is registered: **T-shirts**
- (51) International Design Classification: **02-02NES**
- (71) Name(s) and Address(s) of Applicant(s):
Bronwyn Blue Design
3 Dugan Street Deakin 2600 Australian Capital Territory Australia
- (72) Name(s) of Designer(s): **Bronwyn O. Blue**
- (45) Registration Date: **30 September 2010**
- (56) Related Art Documents: **Not Applicable**
- (57) Statement of Newness and Distinctiveness: **Nil**



- (21) Design Number: **13561/2010**
- (22) Date of Filing Application: **19 August 2010**
- (24) Date from which industrial property rights may have effect: **19 August 2010**
- (54) Product in respect of which the design is registered: **Vertical hanging planter**
- (51) International Design Classification: **11-02C**
- (71) Name(s) and Address(s) of Applicant(s):
Woolly Pocket Corporation
7216 North First Place Phoenix Arizona 85020 United States of America
- (72) Name(s) of Designer(s): **Miguel E. Nelson and Rodney L. Nelson and Sherry L. Walsh**
- (45) Registration Date: **01 October 2010**
- (30) Convention priority data:

(31) Number	(32) Date	(33) Country
29/349141	10 Mar 2010	UNITED STATES OF AMERICA
- (56) Related Art Documents: **Not Applicable**
- (57) Statement of Newness and Distinctiveness: **Newness and distinctiveness resides in the shape and configuration of the vertical hanging planter as illustrated in the drawings wherein: Fig. 1.1 is a top, front, left-side perspective view of the vertical hanging planter showing the new design, wherein the dashed lines illustrate stitching and are not part of the design; Fig. 1.2 is a right side elevational view, the left side being a mirror image thereof; Fig. 1.3 is a front elevational view thereof; Fig. 1.4 is a top plan view thereof; and Fig. 1.5 is a bottom plan view thereof.**



(21) Design Number: **13562/2010**

(22) Date of Filing Application: **19 August 2010**

(24) Date from which industrial property rights may have effect: **19 August 2010**

(54) Product in respect of which the design is registered: **Vertical hanging planter**

(51) International Design Classification: **11-02C**

(71) Name(s) and Address(s) of Applicant(s):

Woolly Pocket Corporation
7216 North First Place Phoenix Arizona 85020 United States of America

(72) Name(s) of Designer(s): **Miguel E. Nelson and Rodney L. Nelson and Sherry L. Walsh**

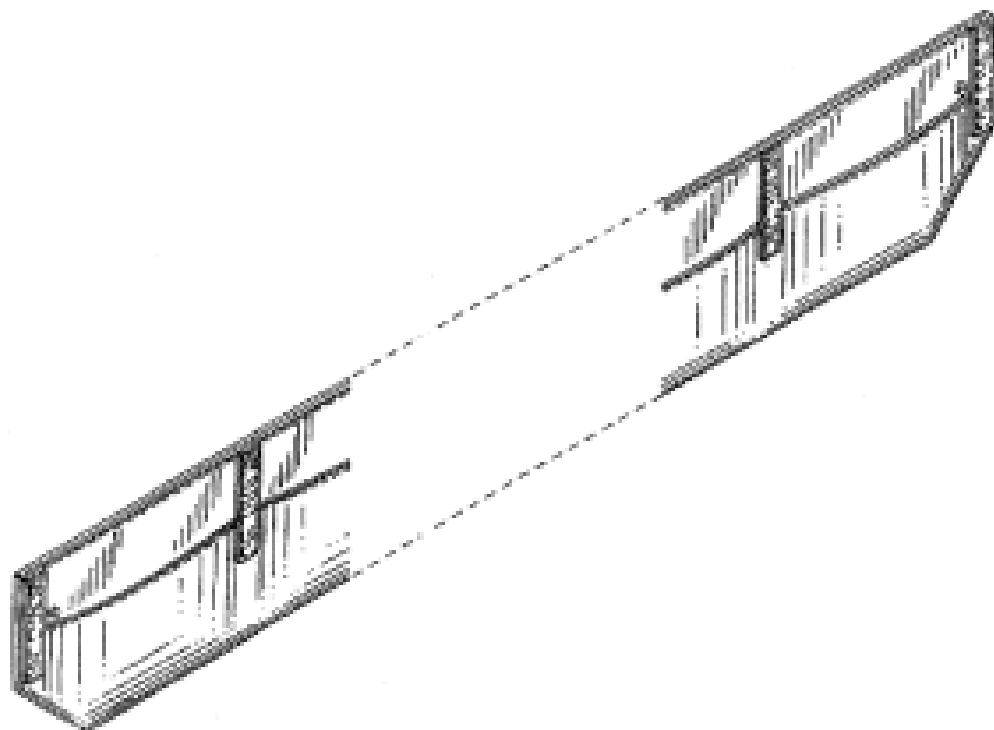
(45) Registration Date: **01 October 2010**

(30) Convention priority data:

(31) Number	(32) Date	(33) Country
29/349141	10 Mar 2010	UNITED STATES OF AMERICA

(56) Related Art Documents: **Not Applicable**

(57) Statement of Newness and Distinctiveness: **Newness and distinctiveness resides in the shape and configuration of the vertical hanging planter of indefinite length with two end pockets and one or more intermediate pockets being of substantially the same length as the end pockets as illustrated in the drawings wherein: Fig. 2.1 is a top, front, left-side perspective view of the vertical hanging planter showing the new design; Fig. 2.2 is a right side elevational view, the left side being a mirror image thereof; Fig. 2.3 is a front elevational view thereof; Fig. 2.4 is a top plan view thereof; Fig. 2.5 is a bottom plan view thereof; Fig. 2.6 is an example of a planter according to the design with two pockets; and Fig. 2.7 is an example of a planter according to the design with three pockets.**



(21) Design Number: **13869/2010**

(22) Date of Filing Application: **07 September 2010**

(24) Date from which industrial property rights may have effect: **07 September 2010**

(54) Product in respect of which the design is registered: **Especially designed foldable trolley**

(51) International Design Classification: **12-02**

(71) Name(s) and Address(s) of Applicant(s):

Ezypot Pty Ltd
3 York Road Buderim Queensland 4556 Australia

(72) Name(s) of Designer(s): **Bruno Paoletto**

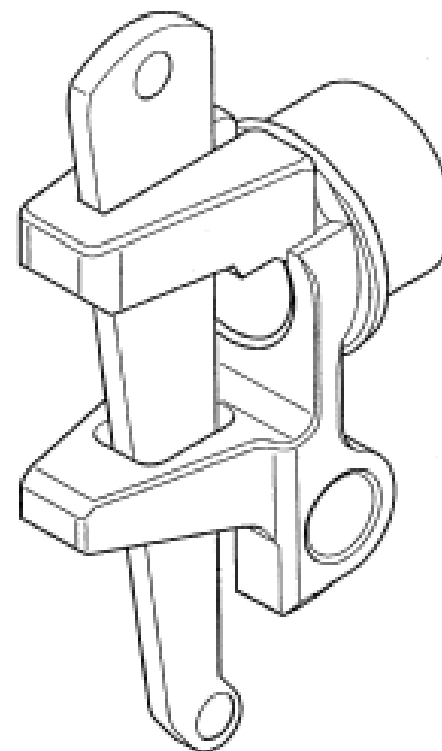
(45) Registration Date: **01 October 2010**

(56) Related Art Documents: **Not Applicable**

(57) Statement of Newness and Distinctiveness: **Foldable trolley especially designed for moving drums and large containers.**



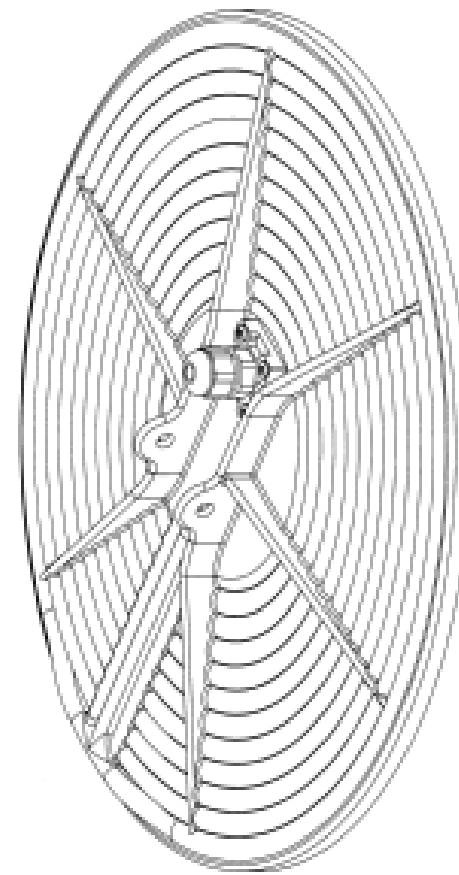
- (21) Design Number: **13789/2010**
(22) Date of Filing Application: **31 August 2010**
(24) Date from which industrial property rights may have effect: **31 August 2010**
(54) Product in respect of which the design is registered: **Ledger end fitting for receiving the end of a ledger in a scaffolding structure**
(51) International Design Classification: **25-04**
(71) Name(s) and Address(s) of Applicant(s):
Waco Africa (Proprietary) Limited
181 Barbara Road, Elandsfontein, 1401, Republic of South Africa
(72) Name(s) of Designer(s): **Klaas Pouwels and Ben De Wet and Jan Johannes Moes**
(45) Registration Date: **05 October 2010**
(56) Related Art Documents: **Not Applicable**
(57) Statement of Newness and Distinctiveness: **Newness and distinctiveness is claimed in the features of shape and/or configuration of a ledger end fitting for receiving the end of a ledger in a scaffolding structure as illustrated in the accompanying representations.**



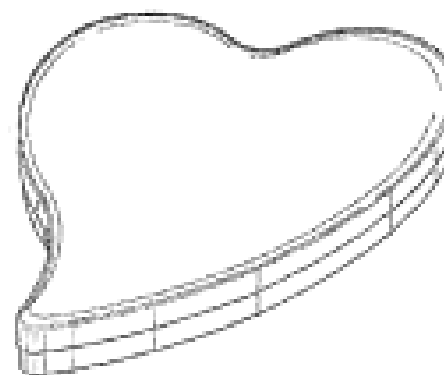
- (21) Design Number: **13790/2010**
(22) Date of Filing Application: **31 August 2010**
(24) Date from which industrial property rights may have effect: **31 August 2010**
(54) Product in respect of which the design is registered: **Motorcycle**
(51) International Design Classification: **12-11**
(71) Name(s) and Address(s) of Applicant(s):
Honda Motor Co., Ltd.
1-1 Minami-Aoyama 2-Chome Minato-ku Tokyo Japan
(72) Name(s) of Designer(s): **Kiyoshi Katagiri and Toshiaki Kishi and Jun Hirose**
(45) Registration Date: **05 October 2010**
(30) Convention priority data:
(31) Number (32) Date (33) Country
2010-004867 01 Mar 2010 JAPAN
(56) Related Art Documents: **Not Applicable**
(57) Statement of Newness and Distinctiveness: **Newness and distinctiveness is claimed in the features of shape and/or configuration of a motorcycle as illustrated in the accompanying representations.**



(21) Design Number: **13848/2010**
(22) Date of Filing Application: **06 September 2010**
(24) Date from which industrial property rights may have effect: **06 September 2010**
(54) Product in respect of which the design is registered: **Detecting probe**
(51) International Design Classification: **10-05**
(71) Name(s) and Address(s) of Applicant(s):
Firma Ing. Klaus Ebinger
Hansestr. 13 Koln Alemania, D-51149, Germany
(72) Name(s) of Designer(s): **Klaus Ebinger**
(45) Registration Date: **05 October 2010**
(30) Convention priority data:
(31) Number (32) Date (33) Country
001694761 13 Apr 2010 EUROPEAN COMMUNITY
(56) Related Art Documents: **Not Applicable**
(57) Statement of Newness and Distinctiveness: **Newness and distinctiveness resides in the shape and configuration of a detecting probe as shown in the accompanying representations.**



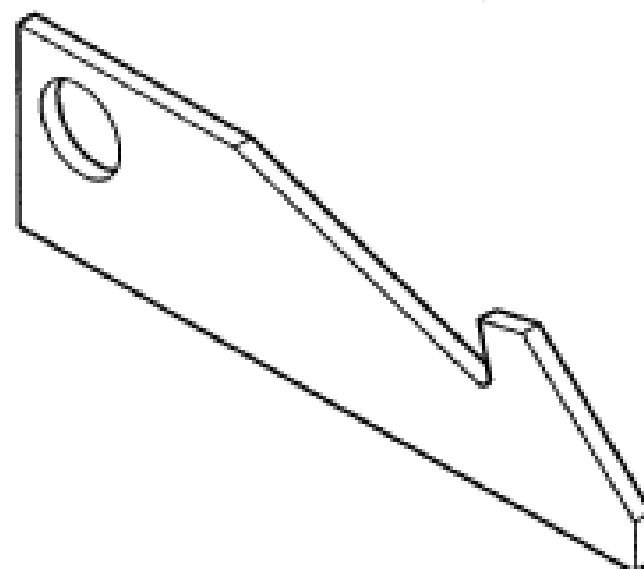
(21) Design Number: **13849/2010**
(22) Date of Filing Application: **06 September 2010**
(24) Date from which industrial property rights may have effect: **06 September 2010**
(54) Product in respect of which the design is registered: **Container**
(51) International Design Classification: **09-03C**
(71) Name(s) and Address(s) of Applicant(s):
Mars, Incorporated
6885 Elm Street McLean Virginia 22101 United States of America
(72) Name(s) of Designer(s): **Jason Charles Dudek and Justin Allen Coble**
(45) Registration Date: **05 October 2010**
(30) Convention priority data:
(31) Number (32) Date (33) Country
29/357,978 19 Mar 2010 UNITED STATES OF AMERICA
(56) Related Art Documents: **Not Applicable**
(57) Statement of Newness and Distinctiveness: **Nil**



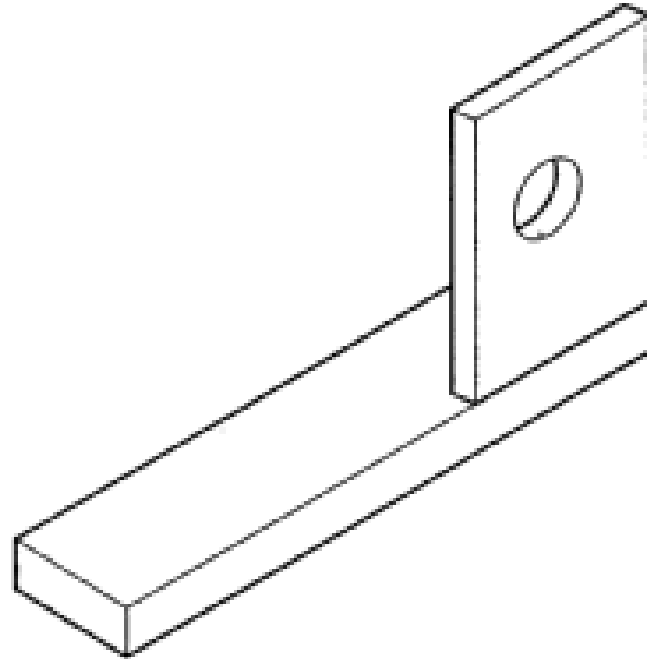
(21) Design Number: **13850/2010**
(22) Date of Filing Application: **06 September 2010**
(24) Date from which industrial property rights may have effect: **06 September 2010**
(54) Product in respect of which the design is registered:
Chocolate/confectionery
(51) International Design Classification: **01-01**
(71) Name(s) and Address(s) of Applicant(s):
Mars, Incorporated
6885 Elm Street McLean Virginia 22101 United States of America
(72) Name(s) of Designer(s): **Brent A. Anderson and DJ Mills**
(45) Registration Date: **05 October 2010**
(30) Convention priority data:
(31) Number (32) Date (33) Country
29/359,115 06 Apr 2010 UNITED STATES OF AMERICA
(56) Related Art Documents: **Not Applicable**
(57) Statement of Newness and Distinctiveness: **Nil**



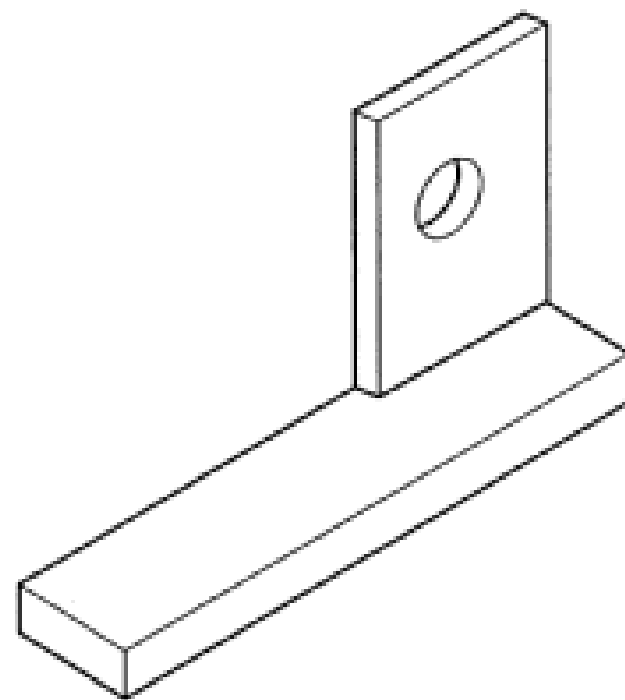
(21) Design Number: **13899/2010**
(22) Date of Filing Application: **08 September 2010**
(24) Date from which industrial property rights may have effect: **08 September 2010**
(54) Product in respect of which the design is registered: **Support bracket**
(51) International Design Classification: **08-08L**
(71) Name(s) and Address(s) of Applicant(s):
Grocon Operations Pty Ltd
3 Albert Coates Lane QV Building Melbourne Victoria 3000 Australia
(72) Name(s) of Designer(s): **Marco Marques**
(45) Registration Date: **05 October 2010**
(56) Related Art Documents: **Not Applicable**
(57) Statement of Newness and Distinctiveness: **Nil**



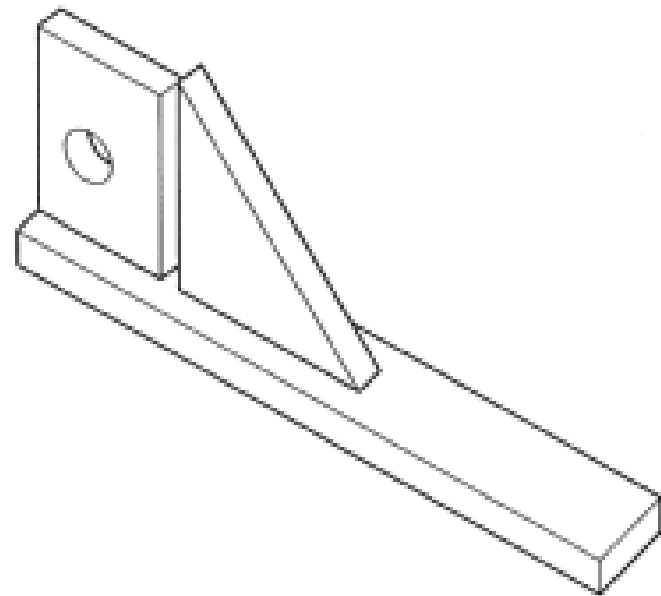
- (21) Design Number: **13900/2010**
(22) Date of Filing Application: **08 September 2010**
(24) Date from which industrial property rights may have effect: **08 September 2010**
(54) Product in respect of which the design is registered: **Connecting bracket**
(51) International Design Classification: **08-08L**
(71) Name(s) and Address(s) of Applicant(s):
Grocon Operations Pty Ltd
3 Albert Coates Lane QV Building Melbourne Victoria 3000 Australia
(72) Name(s) of Designer(s): **Marco Marques**
(45) Registration Date: **05 October 2010**
(56) Related Art Documents: **Not Applicable**
(57) Statement of Newness and Distinctiveness: **Nil**



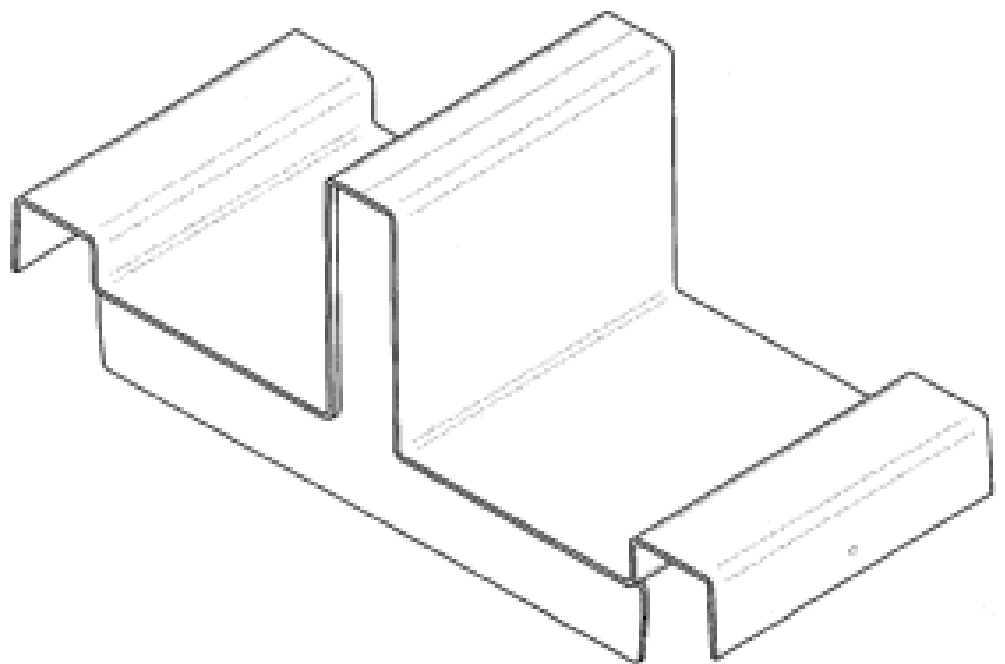
- (21) Design Number: **13901/2010**
(22) Date of Filing Application: **08 September 2010**
(24) Date from which industrial property rights may have effect: **08 September 2010**
(54) Product in respect of which the design is registered: **Connecting bracket**
(51) International Design Classification: **08-08L**
(71) Name(s) and Address(s) of Applicant(s):
Grocon Operations Pty Ltd
3 Albert Coates Lane QV Building Melbourne Victoria 3000 Australia
(72) Name(s) of Designer(s): **Marco Marques**
(45) Registration Date: **05 October 2010**
(56) Related Art Documents: **Not Applicable**
(57) Statement of Newness and Distinctiveness: **Nil**



- (21) Design Number: **13902/2010**
(22) Date of Filing Application: **08 September 2010**
(24) Date from which industrial property rights may have effect: **08 September 2010**
(54) Product in respect of which the design is registered: **Connecting bracket**
(51) International Design Classification: **08-08L**
(71) Name(s) and Address(s) of Applicant(s):
Grocon Operations Pty Ltd
3 Albert Coates Lane QV Building Melbourne Victoria 3000 Australia
(72) Name(s) of Designer(s): **Marco Marques**
(45) Registration Date: **05 October 2010**
(56) Related Art Documents: **Not Applicable**
(57) Statement of Newness and Distinctiveness: **Nil**



- (21) Design Number: **13317/2010**
(22) Date of Filing Application: **03 August 2010**
(24) Date from which industrial property rights may have effect: **03 August 2010**
(54) Product in respect of which the design is registered: **Racking stop**
(51) International Design Classification: **06-04NES, 08-08NES**
(71) Name(s) and Address(s) of Applicant(s):
Dematic Pty Ltd
24 Narabang Way Belrose New South Wales 2085 Australia
(72) Name(s) of Designer(s): **Paul Armstrong Berry and Robert Ernest Partridge**
(45) Registration Date: **05 October 2010**
(56) Related Art Documents: **Not Applicable**
(57) Statement of Newness and Distinctiveness: **Newness and distinctiveness resides in the visual features, including shape and configuration of a racking stop as shown in solid outline in the accompanying drawings. When determining whether the design is substantially similar in overall impression to another design, no regard is to be had to those features shown in phantom outline in the accompanying drawings, which features are provided for illustrative purposes only.**



(21) Design Number: **13288/2010**

(22) Date of Filing Application: **03 August 2010**

(24) Date from which industrial property rights may have effect: **03 August 2010**

(54) Product in respect of which the design is registered: **Racking stop**

(51) International Design Classification: **06-04NES, 08-08NES**

(71) Name(s) and Address(s) of Applicant(s):

Dematic Pty Ltd

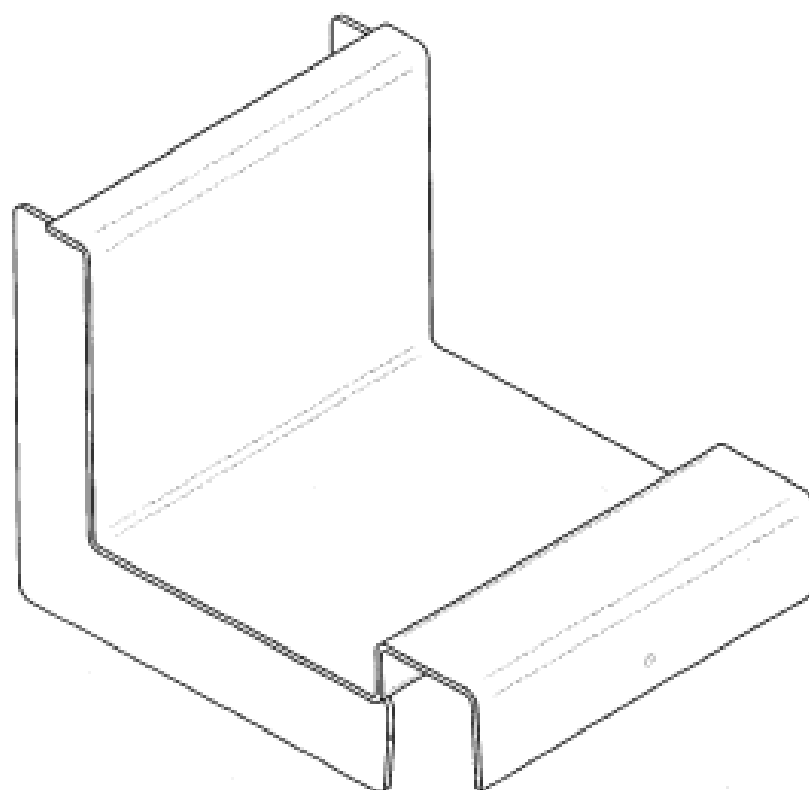
24 Narabang Way Belrose New South Wales 2085 Australia

(72) Name(s) of Designer(s): **Paul Armstrong Berry and Robert Ernest Partridge**

(45) Registration Date: **05 October 2010**

(56) Related Art Documents: **Not Applicable**

(57) Statement of Newness and Distinctiveness: **Newness and distinctiveness resides in the visual features, including shape and configuration of a racking stop as shown in solid outline in the accompanying drawings. When determining whether the design is substantially similar in overall impression to another design, no regard is to be had to those features shown in phantom outline in the accompanying drawings, which features are provided for illustrative purposes only.**



(21) Design Number: **13886/2010**

(22) Date of Filing Application: **09 September 2010**

(24) Date from which industrial property rights may have effect: **09 September 2010**

(54) Product in respect of which the design is registered: **Car remote control for Ford Falcon AU2, AU3, Fairlane, Fairmont, Ghia sedan and wagon**

(51) International Design Classification: **14-03NES, 12-16NES**

(71) Name(s) and Address(s) of Applicant(s):

Wieslaw Niewiarowski

115 Paramatta Road Doubleview Western Australia 6018 Australia

Irena Niewiarowski

115 Paramatta Road Doubleview Western Australia 6018 Australia

(72) Name(s) of Designer(s): **Wieslaw Niewiarowski**

(45) Registration Date: **05 October 2010**

(56) Related Art Documents: **Not Applicable**

(57) Statement of Newness and Distinctiveness: **Uniquely shaped key pad made from flexible material like Silicone, to be inserted in hard shell of Ford Falcon AU2 and AU3 remote, replacing worn buttons and incorporating 4 trapezoid shaped buttons elevated with various heights from the surface and with engraved car function symbols and 1 round shaped nipple located at the top of the pad.**



(21) Design Number: **13887/2010**

(22) Date of Filing Application: **09 September 2010**

(24) Date from which industrial property rights may have effect: **09 September 2010**

(54) Product in respect of which the design is registered: **Furniture**

(51) International Design Classification: **06-03C**

(71) Name(s) and Address(s) of Applicant(s):

Kotarac Holdings Pty Ltd

1B Barra Brui Crescent St Ives New South Wales 2075 Australia

(72) Name(s) of Designer(s): **Anthony Kotarac**

(45) Registration Date: **05 October 2010**

(56) Related Art Documents: **Not Applicable**

(57) Statement of Newness and Distinctiveness: **Nil**



(21) Design Number: **13888/2010**

(22) Date of Filing Application: **08 September 2010**

(24) Date from which industrial property rights may have effect: **08 September 2010**

(54) Product in respect of which the design is registered: **A pipe**

(51) International Design Classification: **23-01B**

(71) Name(s) and Address(s) of Applicant(s):

PPI Corporation Pty. Ltd.

275 Robinson Road East Geebung Queensland 4034 Australia

(72) Name(s) of Designer(s): **David Chappell and Nicholas Feros and Damian Morgan**

(45) Registration Date: **05 October 2010**

(56) Related Art Documents: **Not Applicable**

(57) Statement of Newness and Distinctiveness: **Newness and distinctiveness is claimed in the pattern and ornamentation of the pipe as shown in the accompanying representation. The pipe may be of any length as indicated by the broken line in the representation.**

