



**Australian Government**

---

**IP Australia**

**AUSTRALIAN OFFICIAL JOURNAL**

**OF**

**DESIGNS**

Did you know a searchable version of this journal is now available online?

It's FREE and EASY to SEARCH.

Find it at

<http://pericles.ipaustralia.gov.au/ols/epublish/content/olsEpublications.jsp>  
or using the "Online Journals" link on the IP Australia home page.

This Page Left Intentionally Blank

## Contents

### General Information & Notices

#### Proceedings Under the Designs Act 1906 preserved as a result of the provisions of Chapter 12 Part 2 of the Designs Act 2003

Extension of Period of Registration of Designs .....	2564
Extensions of Time Granted .....	2564
Registrations Ceased .....	2564
Subsequent Owners Registered .....	2564

#### Proceedings Under the Designs Act 2003

Applications for Extension of Time Under Section 137 .....	2577
Applications Lapsed .....	2575
Applications Lodged .....	2569
Applications Withdrawn .....	2575
Certificate of Examination .....	2579
Corrigenda .....	2578
Extension of Period of Registration of Design .....	
Extension of Time Granted Under Section 137 .....	2577
Publication and Registration Proceedings	
Designs Registered 333068 to 333306.....	2580
Registrations Ceased .....	2576
Subsequent Owners Registered .....	2577

This Page Left Intentionally Blank

For information on the following please see our website [www.ipaustralia.gov.au](http://www.ipaustralia.gov.au) or contact our Customer Service Network on 1300651010

[Editorial enquiries](#)

[Contact information](#)

[Freedom of Information ACT](#)

[Professional Standards Board](#)

[Sales](#)

[Requests for Information under Section 194 \(c\)](#)

[Country Codes](#)

[Trade Mark and Designs Hearing Sessions](#)

[INID \(Internationally agreed Numbers for the Identification of Data\)](#)

## “INID” NUMBERS in use on Australian Design Documents

“INID” is an acronym for “Internationally agreed Numbers for the Identification of Data”.

### (10) Data concerning the registration/renewal

- (11) Serial number of the registration and/or number of the design document
- (12) Plain language designation of the kind of published document
- (19) Identification, using the two-letter code according to WIPO Standard ST.3, of the authority publishing or registering the industrial design

### (20) Data concerning the application

- (21) Serial number of the application
- (22) Date of filing of the application
- (24) Date from which the industrial design right has effect

### (30) Data relating to priority under the Paris Convention

- (31) Serial number assigned to the priority application
- (32) Date of filing of the priority application
- (33) Two-letter code, according to WIPO Standard ST.3, identifying the authority with which the priority application was made

### (40) Date(s) of making information available to the public

- (45) Date of publication of the registered industrial design by printing or similar process, or making it available to the public by any other means

### (50) Miscellaneous Information

- (51) International Classification for Industrial Designs (class and subclass of the Locarno Classification)
- (54) Designation of article(s) or product(s) covered by the industrial design or title of the industrial design
- (55) Reproduction of the industrial design (e.g., drawing, photograph) and explanations relating to the reproduction
- (56) List of prior art documents, if separate from descriptive text
- (57) Description of characteristic features of the industrial design including indication of colours

### (60) References to other legally related application(s) and registration(s)

- (62) Serial number(s) and, if available, filing date(s) of application(s), registration(s) or document(s) related by division
- (66) Serial number(s) of the application, or the registration, of the design(s) which is (are) a variant(s) of the present one

### (70) Identification of parties concerned with the application or registration

- (71) Name(s) and address(es) of the applicant(s)
- (72) Name(s) of the creator(s) if known to be such
- (74) Name(s) and address(es) of the representative(s)

This Page Left Intentionally Blank

**Official Notice****Australian Government****IP Australia****Designs Act 2003  
Restoration of Registered Designs  
By Order of Federal Court of Australia**

The following registrations which were previously published in the Australian Official Journal of Designs as being revoked on 2 December 2008 have been restored to the Designs Register by order of the Federal Court of Australia on 15 July 2010.

<b>Registration Numbers</b>	<b>Amendment type</b>	<b>New details</b>
312217	Status changed	Registered
312218	Status changed	Registered

**Proceedings under the Designs Act 1906 preserved as a result of the provisions of Chapter 12 Part 2 of the Designs Act 2003.**



This Page Left Intentionally Blank

**Applications Lapsed**

There were no Applications Lapsed under this section

**Extension of Period of Registration of Designs**

**1st Period (Section 27A(8))**

**2nd Period (Section 27A(12))**

156535

**3rd Period (Section 27A(13))**

140424	140425	140461
140523	140590	140709
140710	140712	140713
140714	140715	140733
140734	140735	140736
140737	140838	140862
140863	140900	140901
141044	141084	141232
141298	141372	141373
141496	141569	141571
141947	142178	142273
142535	142572	142573
142574	143147	143844
144126	145053	145704
145705	145710	146569
149920	156051	

126571	126572	126573
135845	138567	138568
138633	138656	138698
138703	138704	138705
138870	139644	139880
140354	140655	146385
155115	155599	155636
155637	155638	155639
155789	156219	156220
156557	156560	156579
156580	156595	156596
156598	156611	156613
156614	156640	156656
156696	156697	156698
156699	156700	156706
156707	156709	156751
156753	156795	156796
156797	156833	156835
156844	156962	157044
157045	157061	157082
157092	157175	157213
157269	157703	157785
158088	158203	158243
158253	158296	158297
158298	158299	158307
158333	158394	158395
158404	158405	158406
158409		

**Registrations Ceased**

Note: Some of the following Registrations may have been previously advertised as ceased. In this instance, the previous advertisement still prevails.

123320	123321	123347
123348	123349	123350
123351	123352	123353
123354	123355	123447
123451	123460	123461
123462	123476	123477
123478	123480	123485
123486	123487	123488
123489	123527	123535
123536	123537	123540
123547	123551	123552
123554	123556	123567
123568	123569	123570
123573	123649	123671
123713	123714	123725
123896	123897	123918
124126	124158	124598
124671	124672	124931
124932	124933	124934
124935	125159	125332
125831	125972	126154

**Extensions of time granted**

Applications lodged for extension of time have been granted.

156535 **Teresa Karolina Gratkowski** An Extension of time to extend a registration has been granted to 25/09/2010

**Subsequent Owners Registered**

(The name in parentheses is that of the subsequent owner)

146434	( <b>Dorma Door Controls Pty Ltd</b> ) Madinoz Pty Ltd
146435	( <b>Dorma Door Controls Pty Ltd</b> ) Madinoz Pty Ltd
146436	( <b>Dorma Door Controls Pty Ltd</b> ) Madinoz Pty Ltd
146437	( <b>Dorma Door Controls Pty Ltd</b> ) Madinoz Pty Ltd
146438	( <b>Dorma Door Controls Pty Ltd</b> ) Madinoz Pty Ltd
146439	( <b>Dorma Door Controls Pty Ltd</b> ) Madinoz Pty Ltd
146440	( <b>Dorma Door Controls Pty Ltd</b> ) Madinoz Pty Ltd
146441	( <b>Dorma Door Controls Pty Ltd</b> ) Madinoz Pty Ltd
147879	( <b>Dorma Door Controls Pty Ltd</b> ) Madinoz Pty Ltd
147880	( <b>Dorma Door Controls Pty Ltd</b> ) Madinoz Pty Ltd
147881	( <b>Dorma Door Controls Pty Ltd</b> ) Madinoz Pty Ltd
147882	( <b>Dorma Door Controls Pty Ltd</b> ) Madinoz Pty Ltd
147883	( <b>Dorma Door Controls Pty Ltd</b> ) Madinoz Pty Ltd
147884	( <b>Dorma Door Controls Pty Ltd</b> ) Madinoz Pty Ltd
147885	( <b>Dorma Door Controls Pty Ltd</b> ) Madinoz Pty Ltd
147886	( <b>Dorma Door Controls Pty Ltd</b> ) Madinoz Pty Ltd

**Subsequent Owners Registered**

- 147887 ( **Dorma Door Controls Pty Ltd** ) Madinoz Pty Ltd
- 147888 ( **Dorma Door Controls Pty Ltd** ) Madinoz Pty Ltd
- 147909 ( **Dorma Door Controls Pty Ltd** ) Madinoz Pty Ltd
- 147911 ( **Dorma Door Controls Pty Ltd** ) Madinoz Pty Ltd
- 147939 ( **Dorma Door Controls Pty Ltd** ) Madinoz Pty Ltd
- 147940 ( **Dorma Door Controls Pty Ltd** ) Madinoz Pty Ltd
- 147941 ( **Dorma Door Controls Pty Ltd** ) Madinoz Pty Ltd
- 147942 ( **Dorma Door Controls Pty Ltd** ) Madinoz Pty Ltd
- 125655 ( **Sperling Enterprises Pty Ltd** ) The Performance Products Group Pty Ltd
- 128551 ( **Sperling Enterprises Pty Ltd** ) The Performance Products Group Pty Ltd
- 128692 ( **Sperling Enterprises Pty Ltd** ) The Performance Products Group Pty Ltd
- 129072 ( **Sperling Enterprises Pty Ltd** ) The Performance Products Group Pty Ltd
- 145636 ( **Borau Pty Ltd** ) Acme Group Pty Ltd
- 140171 ( **RK & JM Holdings Pty Ltd** ) Robert K. Bulte
- 155333 ( **RK & JM Holdings Pty Ltd** ) Robert K. Bulte
- 155332 ( **RK & JM Holdings Pty Ltd** ) Robert K. Bulte
- 155331 ( **RK & JM Holdings Pty Ltd** ) Robert K. Bulte
- 155136 ( **RK & JM Holdings Pty Ltd** ) Robert K. Bulte
- 153745 ( **RK & JM Holdings Pty Ltd** ) Robert K. Bulte
- 153666 ( **RK & JM Holdings Pty Ltd** ) Robert K. Bulte
- 140172 ( **RK & JM Holdings Pty Ltd** ) Robert K. Bulte
- 139952 ( **RK & JM Holdings Pty Ltd** ) Robert K. Bulte
- 146433 ( **Dorma Door Controls Pty Ltd** ) Madinoz Pty Ltd

This Page Left Intentionally Blank

**Proceedings under the Designs Act 2003.**

This Page Left Intentionally Blank

**Applications Lodged**

Lodgement information is in the following order: **Applicant's Name**; International Classification, Name of Product, Lodgement Date and **Design Number**. If the applicant claims an earlier priority date under an International Convention, the Convention Country and the associated filing date are shown in parentheses before the Lodgement Date. Divisional information will also appear in parentheses before the Lodgement Date.

<b>iwood Australia Pty Ltd;</b> 06-04NES, Furniture (for Indoor and Outdoor use) - Shelving, 11 Oct 2010	<b>14229/2010</b>	<b>Bang Design Pty Limited;</b> 23-02C, Toilet wall-faced, 05 Oct 2010	<b>14347/2010</b>
<b>Access Business Group International LLC;</b> 23-01G, Water treatment device, (US, 13 Apr 2010) 08 Oct 2010	<b>14220/2010</b>	<b>Bang Design Pty Limited;</b> 23-02C, Toilet wall-hung, 05 Oct 2010	<b>14348/2010</b>
<b>Adventech Pty Limited;</b> 99-00, Hygiene cover, 05 Oct 2010	<b>14344/2010</b>	<b>Bang Design Pty Limited;</b> 23-02F, Basin, 05 Oct 2010	<b>14349/2010</b>
<b>Airspresso Pty Ltd;</b> 07-02L, Airspresso back pack espresso machine, 08 Oct 2010	<b>14231/2010</b>	<b>Beaute Prestige International;</b> 09-01G, Flask, (EM, 20 Apr 2010) 14 Oct 2010	<b>14423/2010</b>
<b>Aktiebolaget Electrolux;</b> 07-02L, Coffee Machine, (EM, 12 Apr 2010) 11 Oct 2010	<b>14263/2010</b>	<b>Beba Enterprises Pty Ltd;</b> 02-02C, Women's clothing, 30 Sep 2010	<b>14317/2010</b>
<b>Allen, Mark;</b> 25-03, Foundations, concrete slab, structural steel, fixings, cladding, general factory layout, 08 Oct 2010	<b>14218/2010</b>	<b>Beverage Gun Holster Pty Ltd;</b> 20-02NES, A point of sale display bracket, 08 Oct 2010	<b>14260/2010</b>
<b>Aperio Group (New Zealand) Limited;</b> 05-06NES, A film, (NZ, 11 May 2010) 05 Oct 2010	<b>14181/2010</b>	<b>Bio-Green Australia;</b> 08-01, Ground post holder augur sand augur, 08 Oct 2010	<b>14180/2010</b>
<b>Aperio Group (New Zealand) Limited;</b> 09-99, A bag, (NZ, 11 May 2010) 05 Oct 2010	<b>14172/2010</b>	<b>Bird Healthcare Pty Ltd;</b> 24-04, Respiratory device, 13 Oct 2010	<b>14397/2010</b>
<b>Aperio Group (New Zealand) Limited;</b> 09-99, A bag, (NZ, 11 May 2010) 05 Oct 2010	<b>14182/2010</b>	<b>Black, Andrew;</b> 23-01K, Rubber diaphragm to suit tank breather/safety valve, 05 Oct 2010	<b>14361/2010</b>
<b>Aperio Group (New Zealand) Limited;</b> 09-99, A bag, (NZ, 11 May 2010) 05 Oct 2010	<b>14183/2010</b>	<b>Bose Corporation;</b> 14-99, Stand for video display, (US, 28 Jun 2010) 11 Oct 2010	<b>14234/2010</b>
<b>Aperio Group (New Zealand) Limited;</b> 05-06NES, A film, (NZ, 11 May 2010) 05 Oct 2010	<b>14189/2010</b>	<b>Bose Corporation;</b> 14-04, Video display portion, (US, 28 Jun 2010) 11 Oct 2010	<b>14235/2010</b>
<b>Aperio Group (New Zealand) Limited;</b> 05-06NES, A film, (NZ, 11 May 2010) 05 Oct 2010	<b>14194/2010</b>	<b>Bose Corporation;</b> 14-04, Video display, (US, 28 Jun 2010) 11 Oct 2010	<b>14236/2010</b>
<b>Asahi Breweries Ltd;</b> 09-01B, Bottle, 06 Oct 2010	<b>14378/2010</b>	<b>Bose Corporation;</b> 14-03NES, Remote control, (US, 11 May 2010) 07 Oct 2010	<b>14187/2010</b>
<b>Assa Abloy Australia Pty Limited;</b> 08-07, Passage set, 07 Oct 2010	<b>14173/2010</b>	<b>Bridgestone Corporation;</b> 12-15C, Tyre, (JP, 14 Apr 2010) 14 Oct 2010	<b>14443/2010</b>
<b>Assa Abloy Australia Pty Limited;</b> 08-07, Locking and privacy set, 07 Oct 2010	<b>14174/2010</b>	<b>Broplenty Pty Ltd;</b> 07-06D, Champagne popper, 30 Sep 2010	<b>14296/2010</b>
<b>Aurora Limited;</b> 26-04, Lamp, (EM, 07 Apr 2010) 07 Oct 2010	<b>14192/2010</b>	<b>Brown, Fiona;</b> 30-06, Pet bed, (NZ, 02 Jun 2009) 07 Oct 2010	<b>14267/2010</b>
<b>Aurora Limited;</b> 26-04, Lamp, (EM, 07 Apr 2010) 07 Oct 2010	<b>14193/2010</b>	<b>Cadbury UK Limited;</b> 01-01, Confectionery, (EM, 19 May 2010) 08 Oct 2010	<b>14223/2010</b>
<b>Australian Sciences Pty Ltd;</b> 06-03A, Modular table element, 14 Oct 2010	<b>14403/2010</b>	<b>Cadbury UK Limited;</b> 01-01, Confectionery, (EM, 19 May 2010) 08 Oct 2010	<b>14224/2010</b>
<b>Bang &amp; Olufsen A/S;</b> 14-03NES, Remote control, (DK, 24 Sep 2010) 06 Oct 2010	<b>14374/2010</b>	<b>Cadbury UK Limited;</b> 01-01, Confectionery, (EM, 19 May 2010) 08 Oct 2010	<b>14225/2010</b>
<b>Bang Design Pty Limited;</b> 23-02C, Toilet suite, 05 Oct 2010	<b>14346/2010</b>	<b>Cadbury UK Limited;</b> 01-01, Confectionery, (EM, 19 May 2010) 08 Oct 2010	<b>14226/2010</b>



<b>Caroma Industries Limited;</b> 23-01H, A tap assembly, 14 Oct 2010	<b>14433/2010</b>	<b>Culley, Timothy Breandan;</b> 19-01, Folding brochure, 14 Oct 2010	<b>14473/2010</b>
<b>Carroll, Tom;</b> 26-06, Bicycle light, (US, 30 Jun 2010) 11 Oct 2010	<b>14204/2010</b>	<b>Culley, Timothy Breandan;</b> 19-01, Folding brochure, 14 Oct 2010	<b>14474/2010</b>
<b>Caterpillar Inc.;</b> 25-04, Step, (IN, 15 Apr 2010) 07 Oct 2010	<b>14195/2010</b>	<b>Culley, Timothy Breandan;</b> 19-01, Folding brochure, 11 Oct 2010	<b>14391/2010</b>
<b>Cedar Ridge Nominees Pty Ltd;</b> 24-01, Emergency tower for housing a defibrillator, 30 Sep 2010	<b>14294/2010</b>	<b>Culley, Timothy Breandan;</b> 19-01, Folding brochure, 06 Oct 2010	<b>14188/2010</b>
<b>Charlesworth, Ellen;</b> 19-06, Pen clip with treble-clef, 06 Oct 2010	<b>14352/2010</b>	<b>Culley, Timothy Breandan;</b> 19-01, Folding brochure, 10 Oct 2010	<b>14242/2010</b>
<b>Charlesworth, Ellen;</b> 19-06, Pen clip with cross, 06 Oct 2010	<b>14362/2010</b>	<b>Culley, Timothy Breandan;</b> 19-01, Folding brochure, 10 Oct 2010	<b>14243/2010</b>
<b>Cisek, Bartlomiej;</b> 08-05NES, 21-02B, Adjustment racquet string device, (PL, 15 Apr 2010) 11 Oct 2010	<b>14233/2010</b>	<b>Culley, Timothy Breandan;</b> 19-01, Folding brochure, 10 Oct 2010	<b>14244/2010</b>
<b>Compagnie Gervais Danone;</b> 09-03F, Tubs, 01 Oct 2010	<b>14335/2010</b>	<b>Culley, Timothy Breandan;</b> 19-01, Folding brochure, 10 Oct 2010	<b>14245/2010</b>
<b>Cook, Melanie;</b> 02-02B, A swaddling, 05 Oct 2010	<b>14199/2010</b>	<b>Culley, Timothy Breandan;</b> 19-01, Folding brochure, 10 Oct 2010	<b>14252/2010</b>
<b>Cook, Melanie;</b> 02-02B, A swaddling, 05 Oct 2010	<b>14190/2010</b>	<b>Culley, Timothy Breandan;</b> 19-01, Folding brochure, 10 Oct 2010	<b>14241/2010</b>
<b>Cool Mountain Collection AG;</b> 23-03D, Solar frame, (EM, 25 Aug 2010) 04 Oct 2010	<b>14359/2010</b>	<b>Culley, Timothy Breandan;</b> 19-01, Folding brochure, 10 Oct 2010	<b>14253/2010</b>
<b>Cooler Caps Pty Ltd;</b> 02-03, An article of headgear, 12 Oct 2010	<b>14393/2010</b>	<b>Culley, Timothy Breandan;</b> 19-04, Folding brochure, 07 Oct 2010	<b>14184/2010</b>
<b>Cooler Caps Pty Ltd;</b> 02-03, An article of headgear, 12 Oct 2010	<b>14386/2010</b>	<b>Dart Industries Inc.;</b> 07-01F, Flask, (US, 30 Apr 2010) 04 Oct 2010	<b>14358/2010</b>
<b>Cossack Towns Pty Ltd;</b> 08-05P, Marking jig, 05 Oct 2010	<b>14342/2010</b>	<b>Dart Industries Inc.;</b> 07-01D, Mug, (US, 30 Apr 2010) 04 Oct 2010	<b>14357/2010</b>
<b>Covemore Designs Pty Ltd;</b> 06-01F, Carver chair, 15 Oct 2010	<b>14479/2010</b>	<b>Dart Industries Inc.;</b> 07-01NES, Container with cover, (US, 30 Apr 2010) 04 Oct 2010	<b>14356/2010</b>
<b>Covemore Designs Pty Ltd;</b> 06-01F, Dining chair, 15 Oct 2010	<b>14480/2010</b>	<b>Drive Beer S.r.l.;</b> 09-01H, A container bottle for a beverage, (EM, 05 Oct 2010) 11 Oct 2010	<b>14390/2010</b>
<b>Covemore Designs Pty Ltd;</b> 06-01F, Occasional chair, 15 Oct 2010	<b>14481/2010</b>	<b>DuluxGroup (Australia) Pty Ltd.;</b> 08-05L, 08-05NES, Syringe, 12 Oct 2010	<b>14412/2010</b>
<b>Covemore Designs Pty Ltd;</b> 06-03NES, Side table, 15 Oct 2010	<b>14482/2010</b>	<b>DuluxGroup (Australia) Pty Ltd.;</b> 08-05L, 08-05NES, Mixer nozzle, 12 Oct 2010	<b>14413/2010</b>
<b>Cryovac Australia Pty Ltd;</b> 09-07NES, Lid with utensil, 12 Oct 2010	<b>14410/2010</b>	<b>DuluxGroup (Australia) Pty Ltd.;</b> 09-07A, Applicator head, 30 Sep 2010	<b>14306/2010</b>
<b>Culley, Timothy Breandan;</b> 19-01, Folding brochure, 13 Oct 2010	<b>14456/2010</b>	<b>DuluxGroup (Australia) Pty Ltd.;</b> 09-07C, Container cap, 30 Sep 2010	<b>14307/2010</b>
<b>Culley, Timothy Breandan;</b> 19-01, Folding brochure, 14 Oct 2010	<b>14475/2010</b>	<b>DuluxGroup (Australia) Pty Ltd.;</b> 09-01NES, Container, 30 Sep 2010	<b>14308/2010</b>
<b>Culley, Timothy Breandan;</b> 19-01, Folding brochure, 14 Oct 2010	<b>14476/2010</b>	<b>DORMA GmbH + Co. KG.;</b> 08-07, Closing device for a door, (EM, 06 Apr 2010) 06 Oct 2010	<b>14368/2010</b>
<b>Culley, Timothy Breandan;</b> 19-01, Folding brochure, 14 Oct 2010	<b>14477/2010</b>	<b>DORMA GmbH + Co. KG.;</b> 08-07, Closing device for a door, (EM, 06 Apr 2010) 06 Oct 2010	<b>14369/2010</b>
<b>Culley, Timothy Breandan;</b> 19-01, Folding brochure, 14 Oct 2010	<b>14478/2010</b>	<b>DORMA GmbH + Co. KG.;</b> 08-07, Closing device for a door, (EM, 06 Apr 2010) 06 Oct 2010	<b>14370/2010</b>
<b>Culley, Timothy Breandan;</b> 19-01, Folding brochure, 10 Oct 2010	<b>14457/2010</b>	<b>DORMA GmbH + Co. KG.;</b> 08-07, Closing device for a door, (EM, 06 Apr 2010) 06 Oct 2010	<b>14371/2010</b>

<b>DORMA GmbH + Co. KG;</b> 08-07, Closing device for a door, (EM, 06 Apr 2010) 06 Oct 2010	<b>14372/2010</b>	<b>Havenga, Leonie; Havenga Snr, Victor Lionel; Havenga Jnr, Victor Lionel;</b> 09-07A, 23-01NES, 12-16L, 23-01A, Coupling head, (ZA, 13 Apr 2010) 08 Oct 2010	<b>14211/2010</b>
<b>DORMA GmbH + Co. KG;</b> 08-07, Closing device for a door, (EM, 06 Apr 2010) 06 Oct 2010	<b>14373/2010</b>	<b>Havenga Jnr, Victor Lionel; Havenga Snr, Victor Lionel; Havenga, Leonie;</b> 09-07A, 23-01NES, 12-16L, 23-01A, Coupling head, (ZA, 13 Apr 2010) 08 Oct 2010	<b>14211/2010</b>
<b>E Clarkson &amp; Co Pty Ltd;</b> 06-04NES, A section for shelving, 01 Oct 2010	<b>14355/2010</b>	<b>Havenga Snr, Victor Lionel; Havenga Jnr, Victor Lionel; Havenga, Leonie;</b> 09-07A, 23-01NES, 12-16L, 23-01A, Coupling head, (ZA, 13 Apr 2010) 08 Oct 2010	<b>14211/2010</b>
<b>Eaton Electric B.V.;</b> 13-03NES, Front panel for electrical cabinet, (EM, 16 Apr 2010) 15 Oct 2010	<b>14483/2010</b>	<b>Henkel AG &amp; Co. KGaA;</b> 09-03G, Cosmetic jar, (EP, 29 Jul 2010) 12 Oct 2010	<b>14385/2010</b>
<b>Electrolux Home Products Corporation N.V.;</b> 07-02C, Panel for Oven, (Divisional of 13462/2010) 12 Aug 2010	<b>14467/2010</b>	<b>Herman Miller, Inc.;</b> 06-01F, Chair, (US, 13 Apr 2010) 13 Oct 2010	<b>14401/2010</b>
<b>Electrolux Home Products Corporation N.V.;</b> 07-02C, Oven panel with controls, (Divisional of 13462/2010) 12 Aug 2010	<b>14468/2010</b>	<b>Innovation Development Engineering Administration Services Pty. Ltd.;</b> 21-02F, Exercise bike with integrated electrical generator, 13 Oct 2010	<b>14392/2010</b>
<b>Electrolux Home Products Corporation N.V.;</b> 07-02C, Oven panel, (Divisional of 13462/2010) 12 Aug 2010	<b>14469/2010</b>	<b>J.R. Simplot Company;</b> 01-02, Spiral potato piece, (US, 26 Apr 2010) 13 Oct 2010	<b>14409/2010</b>
<b>Electrolux Home Products Corporation N.V.;</b> 07-02A, Oven, (Divisional of 13462/2010) 12 Aug 2010	<b>14470/2010</b>	<b>Janome Sewing Machine Company Limited;</b> 15-06, Sewing Machine, (JP, 19 May 2010) 06 Oct 2010	<b>14375/2010</b>
<b>Electrolux Home Products Corporation N.V.;</b> 07-02A, Oven with side-opening door, (Divisional of 13462/2010) 12 Aug 2010	<b>14471/2010</b>	<b>Jayco Corporation Pty Ltd;</b> 25-01G, Corner moulding, 29 Sep 2010	<b>14302/2010</b>
<b>Electrolux Home Products Corporation N.V.;</b> 15-05, Dishwasher panel, (Divisional of 13461/2010) 12 Aug 2010	<b>14445/2010</b>	<b>Jayco Corporation Pty Ltd;</b> 25-01K, Extrusion, 29 Sep 2010	<b>14301/2010</b>
<b>Electrolux Home Products Corporation N.V.;</b> 15-05, Dishwasher panel with handle, (Divisional of 13461/2010) 12 Aug 2010	<b>14444/2010</b>	<b>Jayco Corporation Pty Ltd;</b> 25-01G, Corner moulding, 29 Sep 2010	<b>14303/2010</b>
<b>Electrolux Home Products Pty Limited;</b> 09-09, Door bin, 05 Oct 2010	<b>14337/2010</b>	<b>Kartell S.p.A.;</b> 06-01F, Chair, (EM, 12 Apr 2010) 12 Oct 2010	<b>14394/2010</b>
<b>Electrolux Home Products Pty Limited;</b> 06-04NES, Shelf, 05 Oct 2010	<b>14338/2010</b>	<b>Kayee M.O. House Co., Ltd;</b> 21-02F, Exercise machine, 12 Oct 2010	<b>14395/2010</b>
<b>Electrolux Home Products Pty Limited;</b> 14-99, Appliance component, 05 Oct 2010	<b>14339/2010</b>	<b>Keep It Together Pty Ltd;</b> 03-01A, Multi purpose case, 11 Oct 2010	<b>14202/2010</b>
<b>Faulkner, Ryan Wayne;</b> 09-03K, Transport container, 06 Oct 2010	<b>14198/2010</b>	<b>Kermeen &amp; Co. Pty Ltd;</b> 23-03E, Solid fuel combustion heater, 12 Oct 2010	<b>14232/2010</b>
<b>Felton, Penelope Kate; Owen, Scott; Owen, Timothy;</b> 19-08, Cutting profile for handle and slider, 12 Oct 2010	<b>14251/2010</b>	<b>Keter Plastic Ltd.;</b> 06-05, Table with seat, (IL, 08 Apr 2010) 08 Oct 2010	<b>14227/2010</b>
<b>Ferguson, Graeme John;</b> 07-02E, Barbeque, 30 Aug 2010	<b>14400/2010</b>	<b>Kohler Co.;</b> 23-02B, Showerhead, (US, 30 Mar 2010) 30 Sep 2010	<b>14304/2010</b>
<b>GHD Korea Inc.;</b> 28-03B, Hair iron, (KR, 16 Aug 2010) 08 Oct 2010	<b>14185/2010</b>	<b>Kohler Co.;</b> 23-02B, Showerhead, (US, 30 Mar 2010) 30 Sep 2010	<b>14305/2010</b>
<b>GHD KOREA Inc.;</b> 28-03B, Hair iron, (KR, 01 Sep 2010) 12 Oct 2010	<b>14257/2010</b>	<b>Koninklijke Philips Electronics N.V.;</b> 14-03D, Car CD receiver unit, (EM, 08 Apr 2010) 06 Oct 2010	<b>14384/2010</b>
<b>Hardyards Investments Pty Ltd;</b> 21-02A, An Australian rules football, 07 Oct 2010	<b>14258/2010</b>	<b>Koninklijke Philips Electronics N.V.;</b> 26-04, Lamp, (EM, 08 Apr 2010) 07 Oct 2010	<b>14177/2010</b>

<b>Koninklijke Philips Electronics N.V.;</b> 26-05E, LED lamp, (EM, 07 Apr 2010) 06 Oct 2010	<b>14383/2010</b>	<b>Locker Group Pty Ltd;</b> 25-02K, Louvre fixing clip assembly II, 08 Oct 2010	<b>14228/2010</b>
<b>Kraft Foods Global Brands LLC;</b> 09-01NES, Container, (US, 01 Apr 2010) 01 Oct 2010	<b>14322/2010</b>	<b>Lodge, Peter;</b> 09-09, Rubbish bag, 14 Oct 2010	<b>14404/2010</b>
<b>Kraft Foods Global Brands LLC;</b> 09-01NES, Container, (US, 01 Apr 2010) 01 Oct 2010	<b>14328/2010</b>	<b>Loggo IP Pty Ltd, in its capacity as Trustee for Thornton IP Trust;</b> 25-01C, Structural member, (US, 07 Apr 2010) 05 Oct 2010	<b>14354/2010</b>
<b>Kraft Foods Global Brands LLC;</b> 09-01NES, Container, (US, 01 Apr 2010) 01 Oct 2010	<b>14330/2010</b>	<b>Loggo IP Pty Ltd, in its capacity as Trustee for Thornton IP Trust;</b> 25-01C, Structural member, (US, 07 Apr 2010) 05 Oct 2010	<b>14353/2010</b>
<b>Kraft Foods Global Brands LLC;</b> 09-01NES, Container, (US, 01 Apr 2010) 01 Oct 2010	<b>14331/2010</b>	<b>Louver-Lite Limited;</b> 08-08H, Support for blinds, (EM, 13 Apr 2010) 13 Oct 2010	<b>14398/2010</b>
<b>Kraft Foods Global Brands LLC;</b> 09-01NES, Container, (US, 01 Apr 2010) 01 Oct 2010	<b>14332/2010</b>	<b>Loving Living Pty Ltd;</b> 99-00, Energy healing, hypnotherapy, life coaching, counselling, sacred energy blessings and meditation, 08 Oct 2010	<b>14230/2010</b>
<b>Kraft Foods Global Brands LLC;</b> 09-01NES, Container, (US, 01 Apr 2010) 01 Oct 2010	<b>14333/2010</b>	<b>Lumascape Lighting Industries Pty Ltd;</b> 26-03, Lamp, 13 Oct 2010	<b>14419/2010</b>
<b>Kraft Foods Global Brands LLC;</b> 09-01NES, Container, (US, 01 Apr 2010) 01 Oct 2010	<b>14334/2010</b>	<b>LIQUI-BOX CORPORATION;</b> 23-01E, Nozzle for a fitment, 01 Oct 2010	<b>14343/2010</b>
<b>Kraft Foods Global Brands LLC;</b> 09-01NES, Container, (US, 01 Apr 2010) 01 Oct 2010	<b>14329/2010</b>	<b>Mahi Enterprises Pty Ltd;</b> 08-05L, Paint pro electrical appliance can paint wall, ceiling, floor etc., 28 Sep 2010	<b>14321/2010</b>
<b>Kraft Foods Global Brands LLC;</b> 09-01NES, Container, (US, 01 Apr 2010) 01 Oct 2010	<b>14323/2010</b>	<b>Make Me Iconic Pty Ltd;</b> 07-01D, Saucer, crockery, 11 Oct 2010	<b>14213/2010</b>
<b>Kraft Foods Global Brands LLC;</b> 09-01NES, Bottle, (CA, 13 Apr 2010) 11 Oct 2010	<b>14255/2010</b>	<b>Make Me Iconic Pty Ltd;</b> 07-01D, Saucer, crockery, 11 Oct 2010	<b>14212/2010</b>
<b>Kraft Foods Global Brands LLC;</b> 09-01NES, Container, (US, 01 Apr 2010) 01 Oct 2010	<b>14324/2010</b>	<b>Make Safe Pty Ltd;</b> 22-06, Pest bait holder, 12 Oct 2010	<b>14418/2010</b>
<b>Kraft Foods Global Brands LLC;</b> 09-01NES, Container, (US, 01 Apr 2010) 01 Oct 2010	<b>14327/2010</b>	<b>Manitowoc Beverage Systems Ltd;</b> 31-00, Dispenser, (US, 26 Feb 2010) 25 Aug 2010	<b>14175/2010</b>
<b>Kraft Foods Global Brands LLC;</b> 09-01NES, Container, (US, 01 Apr 2010) 01 Oct 2010	<b>14326/2010</b>	<b>Mars, Incorporated;</b> 09-07B, Re-sealable stackable can lid, (EM, 07 Apr 2010) 06 Oct 2010	<b>14365/2010</b>
<b>Kraft Foods Global Brands LLC;</b> 09-01NES, Container, (US, 01 Apr 2010) 01 Oct 2010	<b>14325/2010</b>	<b>Mass Technology (H.K.) Limited;</b> 26-04, Lamp, (EM, 08 Apr 2010) 08 Oct 2010	<b>14214/2010</b>
<b>Kraft Foods Schweiz Holding GmbH;</b> 09-03M, Packaging for chocolate or confectionary, (EM, 14 Jul 2010) 06 Oct 2010	<b>14382/2010</b>	<b>Mass Technology (H.K.) Limited;</b> 26-04, Lamp, (EM, 08 Apr 2010) 08 Oct 2010	<b>14215/2010</b>
<b>Lifetime Products, Inc.;</b> 06-06E, Table top, (US, 05 May 2010) 11 Oct 2010	<b>14239/2010</b>	<b>Mass Technology (H.K.) Limited;</b> 26-04, Lamp, (EM, 08 Apr 2010) 08 Oct 2010	<b>14216/2010</b>
<b>Lifetime Products, Inc.;</b> 06-06E, Table top, (US, 05 May 2010) 11 Oct 2010	<b>14240/2010</b>	<b>Mass Technology (H.K.) Limited;</b> 26-04, Lamp, (EM, 08 Apr 2010) 08 Oct 2010	<b>14217/2010</b>
<b>Lifetime Products, Inc.;</b> 06-06E, Table top, (US, 05 May 2010) 11 Oct 2010	<b>14238/2010</b>	<b>Master Lock Company LLC;</b> 03-01A, 06-04B, 08-07, Safe, (US, 13 Apr 2010) 30 Sep 2010	<b>14314/2010</b>
		<b>Master Lock Company LLC;</b> 03-01A, 06-04B, 08-07, Safe, (US, 13 Apr 2010) 30 Sep 2010	<b>14315/2010</b>
		<b>Mentec Holdings Pty Ltd;</b> 02-04A, Footwear cushions, 30 Sep 2010	<b>14310/2010</b>
		<b>Mentec Holdings Pty Ltd;</b> 02-04A, Footwear cushions, 30 Sep 2010	<b>14311/2010</b>

<b>Mentec Holdings Pty Ltd;</b> 02-04A, Footwear cushions, 30 Sep 2010	<b>14312/2010</b>	<b>Perri, Domenic;</b> 15-04, Tipper body lock stands, 08 Oct 2010	<b>14176/2010</b>
<b>Mentec Holdings Pty Ltd;</b> 02-04A, Footwear cushions, 30 Sep 2010	<b>14309/2010</b>	<b>Phoenix Industries Pty Ltd;</b> 23-01H, Mixer, 11 Oct 2010	<b>14256/2010</b>
<b>Mercader, Jean Pierre;</b> 30-02, Ventilated base, 8 frame, 11 Oct 2010	<b>14221/2010</b>	<b>Pi-Design AG;</b> 07-02L, Beverage maker (lid and mixing element), (WO, 08 Apr 2010) 08 Oct 2010	<b>14219/2010</b>
<b>Mercader, Jean Pierre;</b> 30-02, Ventilated base, 10 frame, (Divisional of 14221/2010) 11 Oct 2010	<b>14222/2010</b>	<b>Picton, Jeffrey Brian;</b> 12-16B, Adjustable visor, 13 Oct 2010	<b>14396/2010</b>
<b>Method Products, Inc.;</b> 09-01K, Bottle, (US, 09 Apr 2010) 05 Oct 2010	<b>14340/2010</b>	<b>Public Outdoor Pty Ltd;</b> 06-03D, Table tennis table, 04 Oct 2010	<b>14336/2010</b>
<b>Michelin Recherche et Technique SA; Societe De Technologie Michelin;</b> 12-15A, A tyre, (US, 15 Apr 2010) 14 Oct 2010	<b>14421/2010</b>	<b>Ready Industries Pty Ltd;</b> 25-02C, Fence panel, 12 Oct 2010	<b>14411/2010</b>
<b>Michelin Recherche et Technique SA; Societe De Technologie Michelin;</b> 12-15A, A tyre, (US, 15 Apr 2010) 14 Oct 2010	<b>14420/2010</b>	<b>Reckitt Benckiser Inc.;</b> 09-01B, Container, (EM, 14 Apr 2010) 14 Oct 2010	<b>14425/2010</b>
<b>Miller, Herman;</b> 06-01F, Chair, (US, 13 Apr 2010) 13 Oct 2010	<b>14402/2010</b>	<b>Reckitt Benckiser Inc.;</b> 09-01B, Container, (EM, 14 Apr 2010) 14 Oct 2010	<b>14426/2010</b>
<b>Multigate Medical Products Pty Limited;</b> 09-03NES, 24-99, A tray (1), 08 Oct 2010	<b>14209/2010</b>	<b>Reckitt Benckiser Inc.;</b> 09-01B, Container, (EM, 14 Apr 2010) 14 Oct 2010	<b>14427/2010</b>
<b>Multigate Medical Products Pty Limited;</b> 09-03NES, 24-99, A tray (2), 08 Oct 2010	<b>14210/2010</b>	<b>Reckitt Benckiser Inc.;</b> 09-01B, Container, (EM, 14 Apr 2010) 14 Oct 2010	<b>14428/2010</b>
<b>Newfrey LLC;</b> 08-07, Key blank, (US, 06 Apr 2010) 04 Oct 2010	<b>14318/2010</b>	<b>Reckitt Benckiser Inc.;</b> 09-01B, Container, (EM, 14 Apr 2010) 14 Oct 2010	<b>14429/2010</b>
<b>Nu-Poly Pty Ltd;</b> 23-01F, Tank roof, 06 Oct 2010	<b>14379/2010</b>	<b>Reckitt Benckiser Inc.;</b> 09-01B, Container, (EM, 14 Apr 2010) 14 Oct 2010	<b>14430/2010</b>
<b>Nu-Poly Pty Ltd;</b> 23-01F, Tank wall/barrel, 06 Oct 2010	<b>14380/2010</b>	<b>Reckitt Benckiser Inc.;</b> 09-01B, Container, (EM, 14 Apr 2010) 14 Oct 2010	<b>14431/2010</b>
<b>NVB International UK Ltd;</b> 08-05E, Bicycle pump, (DK, 26 Jan 2010) 26 Jul 2010	<b>14316/2010</b>	<b>Red Bull GmbH;</b> 09-01NES, Bottle with cap, (EM, 23 Sep 2010) 11 Oct 2010	<b>14264/2010</b>
<b>Odell, James;</b> 11-03, Badge for wakeboard tower, bimini tops, wake accessories boating accessories, 30 Sep 2010	<b>14313/2010</b>	<b>Red Bull GmbH;</b> 09-01NES, Bottle with cap, (EM, 23 Sep 2010) 11 Oct 2010	<b>14265/2010</b>
<b>Odell, James;</b> 08-08D, Wakeboard tower accessories clamp, 07 Oct 2010	<b>14200/2010</b>	<b>Red Bull GmbH;</b> 09-01NES, Bottle with cap and protective foil, (EM, 23 Sep 2010) 11 Oct 2010	<b>14266/2010</b>
<b>Otto Bock Healthcare GmbH;</b> 24-03, Prosthesis, (EM, 30 Apr 2010) 07 Oct 2010	<b>14196/2010</b>	<b>Rehau AG + Co;</b> 08-05NES, Tool, (EP, 26 Apr 2010) 05 Oct 2010	<b>14360/2010</b>
<b>Owen, Scott; Owen, Timothy; Felton, Penelope Kate;</b> 19-08, Cutting profile for handle and slider, 12 Oct 2010	<b>14251/2010</b>	<b>Rodarmel, Troy;</b> 11-01C, Wristband, (US, 30 Mar 2010) 30 Sep 2010	<b>14351/2010</b>
<b>Owen, Timothy; Owen, Scott; Felton, Penelope Kate;</b> 19-08, Cutting profile for handle and slider, 12 Oct 2010	<b>14251/2010</b>	<b>Ruud Lighting, Inc.;</b> 26-05A, Light fixture, (US, 09 Apr 2010) 06 Oct 2010	<b>14364/2010</b>
<b>Papoutsidis, Kyriacos Jack;</b> 26-05D, Light fitting, 14 Oct 2010	<b>14399/2010</b>	<b>S.C. Johnson &amp; Son, Inc.;</b> 22-06, Dispenser housing, (US, 15 Apr 2010) 15 Oct 2010	<b>14455/2010</b>
<b>Pascale, Steven Patrick;</b> 19-02, Organizer clip, (US, 16 Apr 2010) 14 Oct 2010	<b>14442/2010</b>	<b>Sanford, L.P.;</b> 19-06, Writing instrument, (US, 09 Apr 2010) 08 Oct 2010	<b>14207/2010</b>
<b>Perisseia Pty Ltd;</b> 12-11, A motor scooter, 12 Oct 2010	<b>14422/2010</b>		

<b>Sanford, L.P.;</b> 19-06, Writing instrument, (US, 09 Apr 2010) 08 Oct 2010	<b>14208/2010</b>	<b>The Coca-Cola Company;</b> 31-00, Beverage dispenser, (US, 27 Apr 2010) 06 Oct 2010	<b>14381/2010</b>
<b>Sanford, L.P.;</b> 19-06, Writing instrument, (US, 09 Apr 2010) 08 Oct 2010	<b>14206/2010</b>	<b>The Stanley Works Israel Ltd.;</b> 03-01D, Toolbox arrangement, (US, 15 Apr 2010) 13 Oct 2010	<b>14407/2010</b>
<b>Seaquist Closures Loffler GmbH;</b> 09-07C, Closure, (EM, 22 Apr 2010) 14 Oct 2010	<b>14424/2010</b>	<b>The Stanley Works Israel Ltd.;</b> 03-01D, Toolbox top, (US, 15 Apr 2010) 13 Oct 2010	<b>14405/2010</b>
<b>Sitka Developments Pty Ltd;</b> 08-08D, Pipe hanger clamp, 05 Oct 2010	<b>14345/2010</b>	<b>The Stanley Works Israel Ltd.;</b> 03-01D, Toolbox assembly, (US, 15 Apr 2010) 13 Oct 2010	<b>14406/2010</b>
<b>Societe De Technologie Michelin; Michelin Recherche et Technique SA;</b> 12-15A, A tyre, (US, 15 Apr 2010) 14 Oct 2010	<b>14420/2010</b>	<b>The Stanley Works Israel Ltd.;</b> 03-01D, Toolbox arrangement, (US, 15 Apr 2010) 13 Oct 2010	<b>14408/2010</b>
<b>Societe De Technologie Michelin; Michelin Recherche et Technique SA;</b> 12-15A, A tyre, (US, 15 Apr 2010) 14 Oct 2010	<b>14421/2010</b>	<b>Thule Sweden AB;</b> 12-16K, Roof box, (EM, 31 Aug 2010) 11 Oct 2010	<b>14205/2010</b>
<b>Specialty Products of Greenwood, Missouri, Inc.;</b> 07-05E, Applicator with individually flexible pad support fingers, (US, 13 Apr 2010) 13 Oct 2010	<b>14414/2010</b>	<b>Toyota Jidosha Kabushiki Kaisha;</b> 12-08, Automobile, 11 Oct 2010	<b>14249/2010</b>
<b>Specialty Products of Greenwood, Missouri, Inc.;</b> 07-05E, Applicator head, (US, 13 Apr 2010) 13 Oct 2010	<b>14415/2010</b>	<b>Turner Leisure Products;</b> 07-02E, Pizza oven barbeque, 08 Oct 2010	<b>14191/2010</b>
<b>Specialty Products of Greenwood, Missouri, Inc.;</b> 07-05E, Standard applicator head, (US, 13 Apr 2010) 13 Oct 2010	<b>14416/2010</b>	<b>Turner Leisure Products;</b> 07-02E, Pizza oven barbeque, 08 Oct 2010	<b>14197/2010</b>
<b>Specialty Products of Greenwood, Missouri, Inc.;</b> 07-05E, Applicator with flexible pad and handle, (US, 13 Apr 2010) 13 Oct 2010	<b>14417/2010</b>	<b>Unilever PLC;</b> 09-03NES, A tub, (GB, 14 Apr 2010) 06 Oct 2010	<b>14363/2010</b>
<b>Spring Carnival Pty Ltd;</b> 25-99, Raised polymer garden bed, 08 Oct 2010	<b>14178/2010</b>	<b>Upsite Technologies, Inc.;</b> 14-02, Cable grommet, (US, 06 Apr 2010) 06 Oct 2010	<b>14366/2010</b>
<b>Stackpool, Anna Marie;</b> 21-01F, Scooter, 11 Oct 2010	<b>14262/2010</b>	<b>Upsite Technologies, Inc.;</b> 08-08B, Cable grommet, (US, 06 Apr 2010) 06 Oct 2010	<b>14367/2010</b>
<b>Sunny Group (Aust) Pty Ltd;</b> 23-02A, Combination two in one adjustable one piece shower rail system, 06 Oct 2010	<b>14377/2010</b>	<b>Ute Locker Pty Ltd;</b> 99-00, , 30 Sep 2010	<b>14297/2010</b>
<b>Sunny Group (Aust) Pty Ltd;</b> 23-02B, Combination two in one adjustable one piece shower rail system, 06 Oct 2010	<b>14376/2010</b>	<b>Ute Locker Pty Ltd;</b> 99-00, , 30 Sep 2010	<b>14298/2010</b>
<b>Surite Pty Ltd;</b> 08-06, Hinges, 11 Oct 2010	<b>14201/2010</b>	<b>Ute Locker Pty Ltd;</b> 99-00, , 30 Sep 2010	<b>14299/2010</b>
<b>SwitchEasy Limited;</b> 14-02, 03-01NES, Protective casing for portable handheld electronic device, (HK, 29 Jun 2010) 08 Oct 2010	<b>14186/2010</b>	<b>Ute Locker Pty Ltd;</b> 99-00, , 30 Sep 2010	<b>14300/2010</b>
<b>Teale Metal Products (2005) Limited;</b> 06-03C, 14-02, Copyholder/laptop holder combination, (NZ, 13 May 2010) 12 Oct 2010	<b>14389/2010</b>	<b>Vehicle Components Pty Ltd;</b> 12-16L, Vehicle coupler with low profile housing, 11 Oct 2010	<b>14254/2010</b>
<b>Techtronic Power Tools Technology Limited;</b> 08-05N, Sander, (EM, 13 Jul 2010) 04 Oct 2010	<b>14319/2010</b>	<b>Vehicle Components Pty Ltd;</b> 12-16L, A vehicle towing pin, 11 Oct 2010	<b>14261/2010</b>
<b>Techtronic Power Tools Technology Limited;</b> 08-05N, Sander, (EM, 13 Jul 2010) 04 Oct 2010	<b>14320/2010</b>	<b>Victaulic Company;</b> 23-01A, Gusset pipe coupling segment, (US, 04 May 2010) 11 Oct 2010	<b>14246/2010</b>
		<b>Victaulic Company;</b> 23-01A, Pipe coupling, (US, 11 Jun 2010) 14 Oct 2010	<b>14432/2010</b>
		<b>Victaulic Company;</b> 23-01A, Pipe coupling, (US, 11 Jun 2010) 14 Oct 2010	<b>14434/2010</b>
		<b>Victaulic Company;</b> 23-01A, Pipe coupling segment, (US, 11 Jun 2010) 14 Oct 2010	<b>14435/2010</b>

<b>Victaulic Company;</b> 23-01A, Pipe coupling, (US, 11 Jun 2010) 14 Oct 2010	<b>14436/2010</b>	<b>Victaulic Company;</b> 23-01A, Gusset pipe coupling, (US, 04 May 2010) 11 Oct 2010	<b>14250/2010</b>
<b>Victaulic Company;</b> 23-01A, Pipe coupling segment, (US, 11 Jun 2010) 15 Oct 2010	<b>14453/2010</b>	<b>Watts Hardware Manufacturing Pty Ltd;</b> 25-01NES, Extrusion, 11 Oct 2010	<b>14387/2010</b>
<b>Victaulic Company;</b> 23-01A, Pipe coupling segment, (US, 11 Jun 2010) 15 Oct 2010	<b>14454/2010</b>	<b>Watts Hardware Manufacturing Pty Ltd;</b> 25-01K, Extrusion, 11 Oct 2010	<b>14388/2010</b>
<b>Victaulic Company;</b> 23-01A, Gusset pipe coupling segment, (US, 04 May 2010) 11 Oct 2010	<b>14247/2010</b>	<b>Watts Hardware Manufacturing Pty Ltd;</b> 25-01K, An extrusion, 06 Oct 2010	<b>14350/2010</b>
<b>Victaulic Company;</b> 23-01A, Gusset pipe coupling, (US, 04 May 2010) 11 Oct 2010	<b>14248/2010</b>	<b>Watts Hardware Manufacturing Pty Ltd;</b> 25-01K, An extrusion, 03 Oct 2010	<b>14341/2010</b>
		<b>Watts Hardware Manufacturing Pty Ltd;</b> 25-01K, An extrusion, 06 Oct 2010	<b>14472/2010</b>
		<b>Woolley, Stephen James;</b> 13-03C, 3 Phase RCBO, 08 Oct 2010	<b>14259/2010</b>

**Applications Withdrawn**

14083 / 2010 (01-01)	14084 / 2010 (01-01)
14085 / 2010 (01-01)	

**Applications Lapsed**

11140 / 2010 (08-07)	13022 / 2010 (21-02D)
13157 / 2010 (15-07)	13253 / 2010 (12-16K)
13300 / 2010 (12-14)	13326 / 2010 (08-08M)

**Extension of Period of Registration of Designs**

304546	304733	305157
305485	305767	306168
306197	306198	306199
306280	306281	306339
306344	306345	306346
306347	306348	306349
306350	306351	306352
306353	306354	306355
306356	306357	306358
306359	306360	306361
306425	306426	306427
306428	306453	306454
306462	306535	306544
306609	306610	306611
306612	306613	306615
306616	306617	306649
306653	306654	306669
306672	306674	306696
306707	306708	306713
306748	306771	306772
306773	306791	306792
306793	306812	306831
306832	306840	306841
306842	306858	306859
306860	306940	306949
306954	306955	307013
307023	307025	307026
307088	307089	307094
307095	307126	307127
307128	307266	307415
307416	307417	307418
307447	307450	307451
307524	307533	307534
307537	307538	307539
307540	307541	307542
307642	307707	307726
307771	307772	307773
308030	308063	308263
308573	308717	308720
308721	308722	308723
308724	308725	308726
308727	310948	311633
311634	313954	314004

**Registrations Ceased**

303013	303014	303018
303030	303038	303039
303075	303076	303080
303084	303184	303188
303189	303190	303208

303212	303239	303278
303279	303282	303287
303288	303289	303290
303295	303296	303297
303298	303299	303300
303311	303312	303313
303314	303315	303317
303318	303365	303366
303367	303369	303426
303571	303596	303598
303599	303600	303601
303602	303617	303712
303713	303826	303827
304071	304385	304386
304387	304388	304494
304495	304527	304649
304650	304651	304709
304913	304971	305096
305097	305099	305100
305101	305102	305103
305105	305106	305124
305200	305504	305505
305517	305618	305932
306510	316715	316716
316717	316718	316719
316720		

**Applications for Extension of time under Section 137**

Applications under section 137 for extension of time have been lodged. Objections must be lodged within 1 month from the date of this journal.

302995 **Visy R & D Pty Ltd** Address for Service: Davies Collison Cave Level 15 1 Nicholson Street MELBOURNE VIC 3000

302996 **Visy R & D Pty Ltd** Address for Service: Davies Collison Cave Level 15 1 Nicholson Street MELBOURNE VIC 3000

302997 **Visy R & D Pty Ltd** Address for Service: Davies Collison Cave Level 15 1 Nicholson Street MELBOURNE VIC 3000

302998 **Visy R & D Pty Ltd** Address for Service: Davies Collison Cave Level 15 1 Nicholson Street MELBOURNE VIC 3000

302999 **Visy R & D Pty Ltd** Address for Service: Davies Collison Cave Level 15 1 Nicholson Street MELBOURNE VIC 3000

303000 **Visy R & D Pty Ltd** Address for Service: Davies Collison Cave Level 15 1 Nicholson Street MELBOURNE VIC 3000

303485 **Visy R & D Pty Ltd** Address for Service: Davies Collison Cave Level 15 1 Nicholson Street MELBOURNE VIC 3000

303001 **Visy R & D Pty Ltd** Address for Service: Davies Collison Cave Level 15 1 Nicholson Street MELBOURNE VIC 3000

303002 **Visy R & D Pty Ltd** Address for Service: Davies Collison Cave Level 15 1 Nicholson Street MELBOURNE VIC 3000

303003 **Visy R & D Pty Ltd** Address for Service: Davies Collison Cave Level 15 1 Nicholson Street MELBOURNE VIC 3000

303486 **Visy R & D Pty Ltd** Address for Service: Davies Collison

Cave Level 15 1 Nicholson Street MELBOURNE VIC 3000

11390/2010 **Gary Michael O'Donoghue** Address for Service:  
Trademarks & Designs Pty Ltd PO Box 346 BORONIA VIC 3155

### Extensions of time granted under Section 137

Applications lodged under section 137 for extension of time have been granted.

10733/2010 **Nursesheart Pty Ltd**

10734/2010 **Nursesheart Pty Ltd**

13131/2010 **Delta System AS**

### Subsequent Owners Registered

(The name in parentheses is that of the subsequent owner)

306168	( <b>Sperling Enterprises Pty Limited</b> ) The Performance Products Group Pty Ltd
301125	( <b>John Cavill-Jones</b> ) Unitech Developments Pty Ltd
315727	( <b>Dorma Door Controls Pty Ltd</b> ) Madinoz Pty Limited
315726	( <b>Dorma Door Controls Pty Ltd</b> ) Madinoz Pty Limited
313239	( <b>Aquanaut Pty Limited</b> ) Big Adventure Holdings Pty Ltd
313240	( <b>Aquanaut Pty Limited</b> ) Big Adventure Holdings Pty Ltd
313045	( <b>Nirvan Soogrim</b> ) D.S. Numbers Pty Ltd
327724	( <b>FCI Holdings Delaware, Inc.</b> ) Jennmar Corporation
325335	( <b>FCI Holdings Delaware, Inc.</b> ) Jennmar Corporation
327725	( <b>FCI Holdings Delaware, Inc.</b> ) Jennmar Corporation
319696	( <b>Indice Pty Ltd</b> ) James Hamond;Aaron Brown;Alexander Knott



**Corrigenda**

Number 305322

In Vol 24 , No 15 , page 1653 under the heading **Registrations Ceased**; Entry to be deleted in toto.

**Certificate(s) of Examination**

Examination of the following Design Registration(s) has been completed. Infringement proceedings may now be commenced.

319942	21-01C	12/10/2010
326171	08-05P	14/10/2010
326908	25-04	06/10/2010
329345	12-03	06/10/2010
330757	25-01E	12/10/2010
330863	24-04	13/10/2010
330879	10-04	19/10/2010

**Publication and Registration Proceedings**

**Designs Registered**

This section provides a concordance between design number and registration number of Designs covered in this journal. It also shows the main class and registration date.

This section covers Registration numbers 333068 to 333306 .

The registration number shown below should be used in all future correspondence.

Design Number	Registration Number	International Classification Code (IDC)	Registration Date	Design Number	Registration Number	International Classification Code (IDC)	Registration Date
10342/2010	333151	09-03L	11/10/2010	13278/2010	333195	16-06	13/10/2010
10517/2010	333106	15-04	13/10/2010	13297/2010	333229	26-03	18/10/2010
10802/2010	333140	02-02NES	08/10/2010	13309/2010	333196	04-01	13/10/2010
10983/2010	333251	07-01NES	15/10/2010	13461/2010	333289	15-05	18/10/2010
10984/2010	333252	07-01NES	15/10/2010	13462/2010	333301	07-02C	19/10/2010
11057/2010	333253	23-04	15/10/2010	13467/2010	333236	09-07A	15/10/2010
11058/2010	333254	08-08NES	15/10/2010	13468/2010	333237	09-07B	15/10/2010
11059/2010	333255	23-04	15/10/2010	13469/2010	333238	09-07A	15/10/2010
11060/2010	333256	23-04	15/10/2010	13503/2010	333215	07-01NES	15/10/2010
11388/2010	333180	12-06A	12/10/2010	13511/2010	333076	08-07	06/10/2010
11389/2010	333181	12-06A	12/10/2010	13528/2010	333261	09-09	15/10/2010
11639/2010	333257	12-16NES	15/10/2010	13529/2010	333262	09-09	15/10/2010
11680/2010	333182	06-10	12/10/2010	13541/2010	333184	12-15B	12/10/2010
11760/2010	333258	11-02NES	15/10/2010	13552/2010	333185	11-02NES	12/10/2010
12050/2010	333210	23-04	15/10/2010	13568/2010	333077	06-02	06/10/2010
12051/2010	333211	23-04	15/10/2010	13570/2010	333263	12-16L	15/10/2010
12052/2010	333212	23-04	15/10/2010	13652/2010	333119	07-01C	06/10/2010
12129/2010	333133	26-06	13/10/2010	13664/2010	333264	21-01A	15/10/2010
12130/2010	333134	26-06	13/10/2010	13667/2010	333147	28-03NES	08/10/2010
12131/2010	333135	12-16C	13/10/2010	13688/2010	333186	10-04	12/10/2010
12134/2010	333141	12-08	08/10/2010	13694/2010	333152	02-07A	11/10/2010
12135/2010	333142	12-08	08/10/2010	13727/2010	333161	14-03NES	08/10/2010
12136/2010	333143	12-16B	08/10/2010	13728/2010	333162	14-03NES	08/10/2010
12137/2010	333144	12-16B	08/10/2010	13753/2010	333187	07-01B	12/10/2010
12138/2010	333145	12-16C	08/10/2010	13759/2010	333271	07-01NES	19/10/2010
12162/2010	333213	13-03D	15/10/2010	13760/2010	333272	07-01NES	19/10/2010
12163/2010	333214	13-03D	15/10/2010	13799/2010	333265	08-03	15/10/2010
12564/2010	333259	12-08	15/10/2010	13800/2010	333266	08-03	15/10/2010
12592/2010	333068	06-03NES	06/10/2010	13830/2010	333217	23-03B	15/10/2010
12593/2010	333069	08-05NES	06/10/2010	13831/2010	333216	23-03B	15/10/2010
12708/2010	333146	15-99	08/10/2010	13841/2010	333078	07-01C	06/10/2010
12897/2010	333070	12-16E	06/10/2010	13842/2010	333079	07-01C	06/10/2010
12906/2010	333071	08-03	06/10/2010	13843/2010	333080	07-01C	06/10/2010
12907/2010	333072	08-03	06/10/2010	13844/2010	333081	02-03	06/10/2010
12908/2010	333073	08-03	06/10/2010	13845/2010	333082	02-03	06/10/2010
12924/2010	333223	12-08	18/10/2010	13846/2010	333083	24-01	06/10/2010
12986/2010	333074	21-01L	06/10/2010	13847/2010	333084	02-03	06/10/2010
13067/2010	333224	12-08	18/10/2010	13860/2010	333218	23-02B	15/10/2010
13119/2010	333183	26-03	12/10/2010	13861/2010	333230	23-02B	18/10/2010
13123/2010	333075	10-02	06/10/2010	13865/2010	333085	12-16E	06/10/2010
13133/2010	333269	15-05	19/10/2010	13866/2010	333086	28-03NES	06/10/2010
13136/2010	333171	08-08NES	12/10/2010	13867/2010	333087	08-05NES	06/10/2010
13137/2010	333172	08-08NES	12/10/2010	13868/2010	333088	08-05NES	06/10/2010
13138/2010	333173	08-08NES	12/10/2010	13878/2010	333094	15-07	13/10/2010
13139/2010	333174	08-08NES	12/10/2010	13879/2010	333095	23-01K	13/10/2010
13142/2010	333116	24-01	06/10/2010	13885/2010	333302	12-15B	19/10/2010
13187/2010	333225	14-03A	18/10/2010	13891/2010	333089	24-02	06/10/2010
13188/2010	333226	14-03A	18/10/2010	13892/2010	333090	14-03NES	06/10/2010
13189/2010	333227	14-03A	18/10/2010	13894/2010	333091	16-06	06/10/2010
13190/2010	333228	14-03A	18/10/2010	13895/2010	333096	07-01NES	13/10/2010
13198/2010	333270	23-01NES	19/10/2010	13897/2010	333097	21-02C	13/10/2010
13211/2010	333235	20-02E	15/10/2010	13898/2010	333098	21-02C	13/10/2010
13218/2010	333260	20-02NES	15/10/2010	13903/2010	333273	23-01B	19/10/2010

Publication and Registration Proceedings - Designs Registered cont'd

Design Number	Registration Number	International Classification Code (IDC)	Registration Date	Design Number	Registration Number	International Classification Code (IDC)	Registration Date
13906/2010	333099	02-03	13/10/2010	13996/2010	333192	21-02C	12/10/2010
13907/2010	333100	02-03	13/10/2010	13998/2010	333198	05-06NES	13/10/2010
13908/2010	333101	02-03	13/10/2010	13999/2010	333303	12-16NES	19/10/2010
13909/2010	333102	02-03	13/10/2010	14003/2010	333193	14-02	12/10/2010
13910/2010	333103	24-01	13/10/2010	14008/2010	333175	14-02	12/10/2010
13912/2010	333104	24-01	13/10/2010	14009/2010	333176	14-02	12/10/2010
13915/2010	333110	19-06	06/10/2010	14010/2010	333177	04-02	12/10/2010
13916/2010	333111	19-06	06/10/2010	14011/2010	333178	14-02	12/10/2010
13917/2010	333112	19-06	06/10/2010	14012/2010	333274	14-02	19/10/2010
13918/2010	333113	19-06	06/10/2010	14014/2010	333275	09-07C	19/10/2010
13919/2010	333114	14-02	06/10/2010	14015/2010	333276	12-08	19/10/2010
13921/2010	333115	14-02	06/10/2010	14016/2010	333277	12-08	19/10/2010
13923/2010	333120	14-02	07/10/2010	14017/2010	333203	02-04A	13/10/2010
13924/2010	333121	14-02	07/10/2010	14019/2010	333204	12-15NES	13/10/2010
13925/2010	333122	04-01	07/10/2010	14020/2010	333199	01-01	13/10/2010
13926/2010	333123	19-06	07/10/2010	14021/2010	333200	01-01	13/10/2010
13927/2010	333124	19-06	07/10/2010	14022/2010	333201	01-01	13/10/2010
13928/2010	333125	06-10	07/10/2010	14023/2010	333278	02-02NES	19/10/2010
13929/2010	333126	06-10	07/10/2010	14024/2010	333105	25-01B	13/10/2010
13930/2010	333127	06-10	07/10/2010	14025/2010	333231	25-01B	18/10/2010
13931/2010	333128	23-01K	07/10/2010	14026/2010	333232	25-01B	18/10/2010
13932/2010	333129	09-01B	07/10/2010	14027/2010	333233	02-04A	18/10/2010
13934/2010	333136	12-12	13/10/2010	14028/2010	333234	30-04	18/10/2010
13935/2010	333137	12-12	13/10/2010	14030/2010	333194	28-03NES	12/10/2010
13936/2010	333138	12-12	13/10/2010	14031/2010	333267	25-01G	15/10/2010
13937/2010	333139	12-12	13/10/2010	14032/2010	333268	28-03A	15/10/2010
13938/2010	333163	23-02A	08/10/2010	14033/2010	333170	08-07	08/10/2010
13939/2010	333164	08-08L	08/10/2010	14034/2010	333245	26-99	15/10/2010
13940/2010	333165	08-08A	08/10/2010	14035/2010	333246	08-08NES	15/10/2010
13943/2010	333092	26-05E	06/10/2010	14036/2010	333205	08-08NES	13/10/2010
13944/2010	333130	07-01E	07/10/2010	14037/2010	333206	24-01	13/10/2010
13945/2010	333131	02-03	07/10/2010	14038/2010	333207	08-05NES	13/10/2010
13946/2010	333148	02-02C	08/10/2010	14039/2010	333208	08-05NES	13/10/2010
13947/2010	333149	02-02NES	08/10/2010	14040/2010	333209	08-05NES	13/10/2010
13948/2010	333132	29-02	07/10/2010	14055/2010	333247	02-04B	15/10/2010
13954/2010	333188	19-99	12/10/2010	14056/2010	333279	23-01H	19/10/2010
13955/2010	333153	25-01K	11/10/2010	14057/2010	333280	23-01H	19/10/2010
13956/2010	333154	07-02N	11/10/2010	14059/2010	333219	03-01A	15/10/2010
13957/2010	333155	07-02N	11/10/2010	14060/2010	333179	06-04B	12/10/2010
13958/2010	333156	07-02N	11/10/2010	14064/2010	333248	25-03	15/10/2010
13959/2010	333157	07-02N	11/10/2010	14066/2010	333249	07-06NES	15/10/2010
13960/2010	333158	23-03D	11/10/2010	14067/2010	333281	08-03	19/10/2010
13961/2010	333159	13-02	11/10/2010	14068/2010	333250	23-01L	15/10/2010
13962/2010	333166	24-01	08/10/2010	14069/2010	333282	22-01	19/10/2010
13963/2010	333167	12-12	08/10/2010	14070/2010	333283	22-01	19/10/2010
13964/2010	333168	12-12	08/10/2010	14071/2010	333284	22-01	19/10/2010
13965/2010	333169	06-06G	08/10/2010	14072/2010	333239	22-01	15/10/2010
13966/2010	333189	24-02	12/10/2010	14073/2010	333240	22-01	15/10/2010
13967/2010	333190	02-02NES	12/10/2010	14078/2010	333285	26-03	19/10/2010
13968/2010	333191	30-02	12/10/2010	14079/2010	333286	06-04NES	19/10/2010
13970/2010	333197	13-03D	13/10/2010	14082/2010	333287	14-03A	19/10/2010
13974/2010	333160	26-06	11/10/2010	14086/2010	333296	09-01K	19/10/2010
13979/2010	333150	07-01E	08/10/2010	14087/2010	333297	09-01K	19/10/2010
13980/2010	333242	23-01F	15/10/2010	14088/2010	333298	09-07A	19/10/2010
13982/2010	333243	23-01A	15/10/2010	14089/2010	333299	09-07A	19/10/2010
13983/2010	333244	13-03NES	15/10/2010	14090/2010	333300	09-01A	19/10/2010
13993/2010	333294	12-06NES	19/10/2010	14108/2010	333304	26-99	19/10/2010
13994/2010	333295	12-06NES	19/10/2010	14110/2010	333093	21-01L	06/10/2010

Publication and Registration Proceedings - Designs Registered cont'd

Design Number	Registration Number	International Classification Code (IDC)	Registration Date	Design Number	Registration Number	International Classification Code (IDC)	Registration Date
14111/2010	333305	25-02NES	19/10/2010	14193/2010	333222	26-04	15/10/2010
14150/2010	333107	15-04	13/10/2010	14198/2010	333241	09-03K	15/10/2010
14151/2010	333108	15-04	13/10/2010	14209/2010	333292	09-03NES	18/10/2010
14152/2010	333109	15-04	13/10/2010	14210/2010	333293	09-03NES	18/10/2010
14153/2010	333288	09-08	19/10/2010	14335/2010	333202	09-03F	13/10/2010
14159/2010	333117	24-01	06/10/2010	14390/2010	333306	09-01H	19/10/2010
14160/2010	333118	24-01	06/10/2010	14444/2010	333290	15-05	18/10/2010
14166/2010	333220	08-07	15/10/2010	14445/2010	333291	15-05	18/10/2010
14192/2010	333221	26-04	15/10/2010				

**Publication and Registration Proceedings**  
**Class Listing of Designs Published or Registered**

The following section shows an International Classification Code listing of the Registered or Published Designs covered in this supplement.

<b>Classification</b>	<b>Registration Number</b>	<b>Design Number</b>	<b>Classification</b>	<b>Registration Number</b>	<b>Design Number</b>
01-01	333199	14020/2010	08-03	333071	12906/2010
01-01	333200	14021/2010	08-03	333072	12907/2010
01-01	333201	14022/2010	08-03	333073	12908/2010
02-02 C	333148	13946/2010	08-03	333265	13799/2010
02-02 NES	333140	10802/2010	08-03	333266	13800/2010
02-02 NES	333149	13947/2010	08-03	333281	14067/2010
02-02 NES	333190	13967/2010	08-05 NES	333069	12593/2010
02-02 NES	333278	14023/2010	08-05 NES	333087	13867/2010
02-03	333081	13844/2010	08-05 NES	333088	13868/2010
02-03	333082	13845/2010	08-05 NES	333186	13688/2010
02-03	333084	13847/2010	08-05 NES	333207	14038/2010
02-03	333099	13906/2010	08-05 NES	333208	14039/2010
02-03	333100	13907/2010	08-05 NES	333209	14040/2010
02-03	333101	13908/2010	08-06	333170	14033/2010
02-03	333102	13909/2010	08-07	333076	13511/2010
02-03	333131	13945/2010	08-07	333170	14033/2010
02-04 A	333203	14017/2010	08-07	333219	14059/2010
02-04 A	333233	14027/2010	08-07	333220	14166/2010
02-04 B	333247	14055/2010	08-08 A	333165	13940/2010
02-07 A	333152	13694/2010	08-08 L	333164	13939/2010
03-01 A	333219	14059/2010	08-08 NES	333171	13136/2010
03-01 D	333086	13866/2010	08-08 NES	333172	13137/2010
04-01	333122	13925/2010	08-08 NES	333173	13138/2010
04-01	333196	13309/2010	08-08 NES	333174	13139/2010
04-02	333177	14010/2010	08-08 NES	333205	14036/2010
05-06 NES	333198	13998/2010	08-08 NES	333246	14035/2010
06-02	333077	13568/2010	08-08 NES	333254	11058/2010
06-03 NES	333068	12592/2010	09-01 A	333300	14090/2010
06-04 B	333179	14060/2010	09-01 B	333129	13932/2010
06-04 B	333219	14059/2010	09-01 G	333086	13866/2010
06-04 NES	333286	14079/2010	09-01 H	333306	14390/2010
06-06 G	333169	13965/2010	09-01 K	333296	14086/2010
06-10	333125	13928/2010	09-01 K	333297	14087/2010
06-10	333126	13929/2010	09-03 F	333202	14335/2010
06-10	333127	13930/2010	09-03 K	333241	14198/2010
06-10	333182	11680/2010	09-03 L	333151	10342/2010
07-01 B	333187	13753/2010	09-03 NES	333292	14209/2010
07-01 C	333078	13841/2010	09-03 NES	333293	14210/2010
07-01 C	333079	13842/2010	09-07 A	333236	13467/2010
07-01 C	333080	13843/2010	09-07 A	333238	13469/2010
07-01 C	333119	13652/2010	09-07 A	333298	14088/2010
07-01 E	333130	13944/2010	09-07 A	333299	14089/2010
07-01 E	333150	13979/2010	09-07 B	333237	13468/2010
07-01 NES	333096	13895/2010	09-07 C	333275	14014/2010
07-01 NES	333215	13503/2010	09-08	333288	14153/2010
07-01 NES	333251	10983/2010	09-09	333261	13528/2010
07-01 NES	333252	10984/2010	09-09	333262	13529/2010
07-01 NES	333271	13759/2010	10-02	333075	13123/2010
07-01 NES	333272	13760/2010	10-04	333186	13688/2010
07-02 C	333301	13462/2010	10-05	333245	14034/2010
07-02 N	333154	13956/2010	11-02 NES	333185	13552/2010
07-02 N	333155	13957/2010	11-02 NES	333258	11760/2010
07-02 N	333156	13958/2010	12-06 A	333180	11388/2010
07-02 N	333157	13959/2010	12-06 A	333181	11389/2010
07-05 D	333205	14036/2010	12-06 NES	333294	13993/2010
07-06 NES	333249	14066/2010	12-06 NES	333295	13994/2010

Registration Proceedings - Class Listing of Designs Published or Registered cont'd

Classification	Registration Number	Design Number	Classification	Registration Number	Design Number
12-08	333141	12134/2010	15-05	333290	14444/2010
12-08	333142	12135/2010	15-05	333291	14445/2010
12-08	333223	12924/2010	15-07	333094	13878/2010
12-08	333224	13067/2010	15-99	333146	12708/2010
12-08	333259	12564/2010	15-99	333207	14038/2010
12-08	333276	14015/2010	15-99	333208	14039/2010
12-08	333277	14016/2010	15-99	333209	14040/2010
12-12	333136	13934/2010	16-06	333081	13844/2010
12-12	333137	13935/2010	16-06	333082	13845/2010
12-12	333138	13936/2010	16-06	333091	13894/2010
12-12	333139	13937/2010	16-06	333195	13278/2010
12-12	333167	13963/2010	19-06	333110	13915/2010
12-12	333168	13964/2010	19-06	333111	13916/2010
12-12	333169	13965/2010	19-06	333112	13917/2010
12-13	333229	13297/2010	19-06	333113	13918/2010
12-15 B	333184	13541/2010	19-06	333123	13926/2010
12-15 B	333302	13885/2010	19-06	333124	13927/2010
12-15 NES	333204	14019/2010	19-99	333188	13954/2010
12-16 A	333257	11639/2010	20-02 E	333235	13211/2010
12-16 B	333143	12136/2010	20-02 NES	333260	13218/2010
12-16 B	333144	12137/2010	20-03 NES	333185	13552/2010
12-16 C	333135	12131/2010	21-01 A	333264	13664/2010
12-16 C	333145	12138/2010	21-01 C	333223	12924/2010
12-16 E	333070	12897/2010	21-01 C	333224	13067/2010
12-16 E	333085	13865/2010	21-01 L	333074	12986/2010
12-16 L	333263	13570/2010	21-01 L	333093	14110/2010
12-16 NES	333090	13892/2010	21-02 C	333097	13897/2010
12-16 NES	333257	11639/2010	21-02 C	333098	13898/2010
12-16 NES	333303	13999/2010	21-02 C	333192	13996/2010
13-02	333159	13961/2010	22-01	333239	14072/2010
13-03 D	333197	13970/2010	22-01	333240	14073/2010
13-03 D	333213	12162/2010	22-01	333282	14069/2010
13-03 D	333214	12163/2010	22-01	333283	14070/2010
13-03 NES	333244	13983/2010	22-01	333284	14071/2010
14-02	333114	13919/2010	23-01 A	333243	13982/2010
14-02	333115	13921/2010	23-01 B	333273	13903/2010
14-02	333120	13923/2010	23-01 F	333242	13980/2010
14-02	333121	13924/2010	23-01 H	333279	14056/2010
14-02	333175	14008/2010	23-01 H	333280	14057/2010
14-02	333176	14009/2010	23-01 K	333095	13879/2010
14-02	333178	14011/2010	23-01 K	333128	13931/2010
14-02	333193	14003/2010	23-01 L	333250	14068/2010
14-02	333274	14012/2010	23-01 NES	333270	13198/2010
14-03 A	333225	13187/2010	23-02 A	333163	13938/2010
14-03 A	333226	13188/2010	23-02 B	333218	13860/2010
14-03 A	333227	13189/2010	23-02 B	333230	13861/2010
14-03 A	333228	13190/2010	23-03 B	333216	13831/2010
14-03 A	333287	14082/2010	23-03 B	333217	13830/2010
14-03 NES	333090	13892/2010	23-03 D	333158	13960/2010
14-03 NES	333161	13727/2010	23-04	333210	12050/2010
14-03 NES	333162	13728/2010	23-04	333211	12051/2010
15-03 B	333265	13799/2010	23-04	333212	12052/2010
15-03 B	333266	13800/2010	23-04	333253	11057/2010
15-04	333106	10517/2010	23-04	333255	11059/2010
15-04	333107	14150/2010	23-04	333256	11060/2010
15-04	333108	14151/2010	24-01	333083	13846/2010
15-04	333109	14152/2010	24-01	333103	13910/2010
15-05	333269	13133/2010	24-01	333104	13912/2010
15-05	333289	13461/2010	24-01	333116	13142/2010

Registration Proceedings - Class Listing of Designs Published or Registered cont'd

Classification	Registration Number	Design Number	Classification	Registration Number	Design Number
24-01	333117	14159/2010	26-05 A	333085	13865/2010
24-01	333118	14160/2010	26-05 E	333092	13943/2010
24-01	333166	13962/2010	26-05 NES	333197	13970/2010
24-01	333206	14037/2010	26-06	333133	12129/2010
24-02	333089	13891/2010	26-06	333134	12130/2010
24-02	333189	13966/2010	26-06	333160	13974/2010
24-99	333292	14209/2010	26-99	333245	14034/2010
24-99	333293	14210/2010	26-99	333304	14108/2010
25-01 B	333105	14024/2010	28-03 A	333268	14032/2010
25-01 B	333231	14025/2010	28-03 NES	333086	13866/2010
25-01 B	333232	14026/2010	28-03 NES	333147	13667/2010
25-01 G	333267	14031/2010	28-03 NES	333194	14030/2010
25-01 K	333153	13955/2010	29-02	333081	13844/2010
25-02 NES	333305	14111/2010	29-02	333082	13845/2010
25-03	333248	14064/2010	29-02	333132	13948/2010
26-03	333183	13119/2010	29-99	333103	13910/2010
26-03	333229	13297/2010	29-99	333104	13912/2010
26-03	333285	14078/2010	30-02	333191	13968/2010
26-04	333221	14192/2010	30-04	333234	14028/2010
26-04	333222	14193/2010			



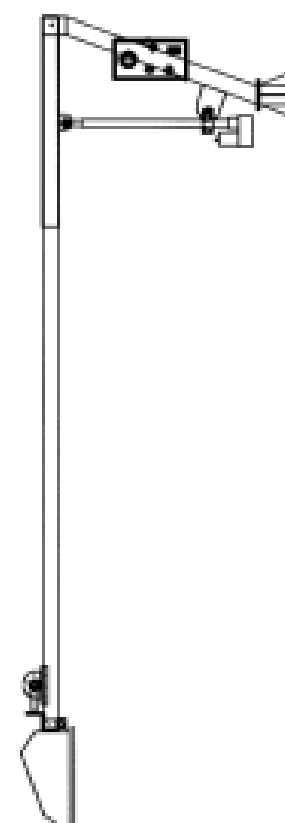
- (21) Design Number: **12592/2010**  
(22) Date of Filing Application: **21 June 2010**  
(24) Date from which industrial property rights may have effect: **21 June 2010**  
(54) Product in respect of which the design is registered: **Table/stand**  
(51) International Design Classification: **06-03NES**  
(71) Name(s) and Address(s) of Applicant(s):  
**Keith Lawrence Hill**  
**11 Palmer Street East Murgon Queensland 4605 Australia**  
**Dawn Patricia Hill**  
**11 Palmer Street East Murgon Queensland 4605 Australia**  
(72) Name(s) of Designer(s): **Keith Lawrence Hill and Dawn Patricia Hill**  
(45) Registration Date: **06 October 2010**  
(56) Related Art Documents: **Not Applicable**  
(57) Statement of Newness and Distinctiveness: **P/tool: 100-125mm long, curved rear end, concave bottom, quad angled removal head see-through, 25-30mm wide for easy grip. P/Mate: Raised rear end, non slip webbing, clamping device at top.**



- (21) Design Number: **12593/2010**  
(22) Date of Filing Application: **21 June 2010**  
(24) Date from which industrial property rights may have effect: **21 June 2010**  
(54) Product in respect of which the design is registered: **Scraping tool**  
(51) International Design Classification: **08-05NES**  
(71) Name(s) and Address(s) of Applicant(s):  
**Keith Lawrence Hill**  
**11 Palmer Street East Murgon Queensland 4605 Australia**  
**Dawn Patricia Hill**  
**11 Palmer Street East Murgon Queensland 4605 Australia**  
(72) Name(s) of Designer(s): **Keith Lawrence Hill and Dawn Patricia Hill**  
(45) Registration Date: **06 October 2010**  
(56) Related Art Documents: **Not Applicable**  
(57) Statement of Newness and Distinctiveness: **P/tool: 100-125mm long, curved rear end, concave bottom, quad angled removal head see-through, 25-30mm wide, non-slip webbing on base areas, clamping device at top.**

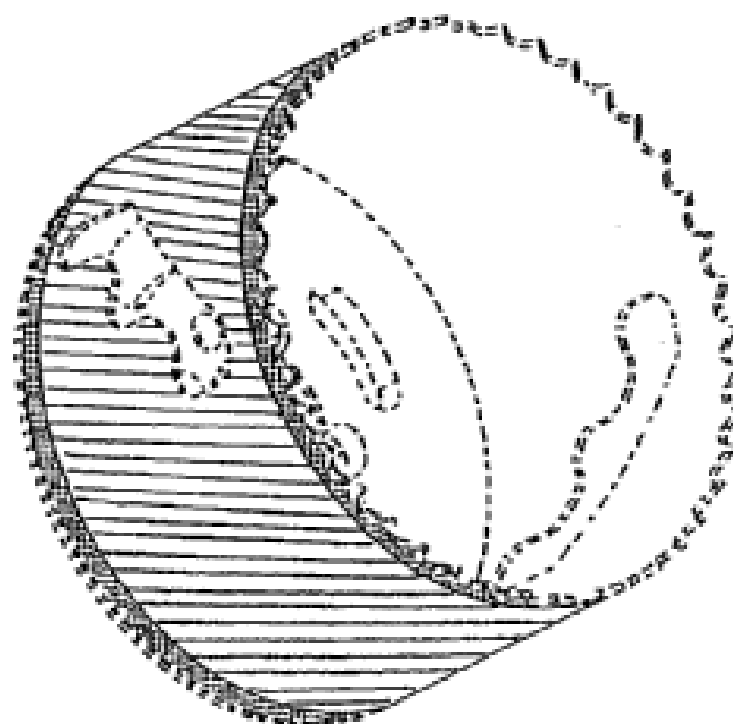


- (21) Design Number: **12897/2010**
- (22) Date of Filing Application: **13 July 2010**
- (24) Date from which industrial property rights may have effect: **13 July 2010**
- (54) Product in respect of which the design is registered: **GW1500 vehicle mounted lighting mast**
- (51) International Design Classification: **12-16E**
- (71) Name(s) and Address(s) of Applicant(s):  
**David J. Rosenberg and Daniel Matejic T/A Gwardar Australia**  
**34 Maher Street Tatura Victoria 3616 Australia**
- (72) Name(s) of Designer(s): **David Rosenberg and Daniel Matejic**
- (45) Registration Date: **06 October 2010**
- (56) Related Art Documents: **Not Applicable**
- (57) Statement of Newness and Distinctiveness: **The lighting head configuration, consisting of one main overhead centered light and two smaller asymmetrical light assemblies mounted below the main light. The electric actuator, and control box mounted on the mast assembly.**



- (21) Design Number: **12906/2010**
- (22) Date of Filing Application: **13 July 2010**
- (24) Date from which industrial property rights may have effect: **13 July 2010**
- (54) Product in respect of which the design is registered: **Hole saw**
- (51) International Design Classification: **08-03**
- (71) Name(s) and Address(s) of Applicant(s):  
**Irwin Industrial Tool Company**  
**8935 North Pointe Executive Drive Huntersville North Carolina 28078**  
**United States of America**
- (72) Name(s) of Designer(s): **Robert Richard Zielonka and Joseph H. DeSantis and Christopher F. Fitzgerald and Peter Weremchuk**
- (45) Registration Date: **06 October 2010**
- (30) Convention priority data:  

(31) Number	(32) Date	(33) Country
<b>29/353,762</b>	<b>13 Jan 2010</b>	<b>UNITED STATES OF AMERICA</b>
- (56) Related Art Documents: **Not Applicable**
- (57) Statement of Newness and Distinctiveness: **The newness and distinctiveness of the design resides in the features of pattern and/or ornamentation as shown by diagonal cross hatch shading and by stipple shading in the accompanying representations, as applied to a hole saw.**



- (21) Design Number: **12907/2010**  
(22) Date of Filing Application: **13 July 2010**  
(24) Date from which industrial property rights may have effect: **13 July 2010**  
(54) Product in respect of which the design is registered: **Hole saw**  
(51) International Design Classification: **08-03**  
(71) Name(s) and Address(s) of Applicant(s):  
**Irwin Industrial Tool Company**  
**8935 North Pointe Executive Drive Huntersville North Carolina 28078**  
**United States of America**  
(72) Name(s) of Designer(s): **Joseph Thomas Novak and Matthew Christopher Green and Robert Richard Zielonka and William B. Korb**  
(45) Registration Date: **06 October 2010**  
(30) Convention priority data:  
(31) Number (32) Date (33) Country  
**29/353,759 13 Jan 2010 UNITED STATES OF AMERICA**  
(56) Related Art Documents: **Not Applicable**  
(57) Statement of Newness and Distinctiveness: **The newness and distinctiveness of the design resides in the shape and configuration of the slot openings defined in an end wall of a hole saw, as shown in solid lines in the accompanying representations.**



- (21) Design Number: **12908/2010**  
(22) Date of Filing Application: **13 July 2010**  
(24) Date from which industrial property rights may have effect: **13 July 2010**  
(54) Product in respect of which the design is registered: **Hole saw**  
(51) International Design Classification: **08-03**  
(71) Name(s) and Address(s) of Applicant(s):  
**Irwin Industrial Tool Company**  
**8935 North Pointe Executive Drive Huntersville North Carolina 28078**  
**United States of America**  
(72) Name(s) of Designer(s): **Joseph Thomas Novak and Matthew Christopher Green and Robert Richard Zielonka and William B. Korb**  
(45) Registration Date: **06 October 2010**  
(30) Convention priority data:  
(31) Number (32) Date (33) Country  
**29/353,759 13 Jan 2010 UNITED STATES OF AMERICA**  
(56) Related Art Documents: **Not Applicable**  
(57) Statement of Newness and Distinctiveness: **The newness and distinctiveness of the design resides in the shape and configuration of the slot openings defined in a sidewall of a hole saw, as shown in solid lines in the accompanying representations.**



(21) Design Number: **12986/2010**  
 (22) Date of Filing Application: **19 July 2010**  
 (24) Date from which industrial property rights may have effect: **19 July 2010**  
 (54) Product in respect of which the design is registered: **A game board**  
 (51) International Design Classification: **21-01L**  
 (71) Name(s) and Address(s) of Applicant(s):

**Sam Husband**  
**63 Francis Street Carlton New South Wales 2218 Australia**

(72) Name(s) of Designer(s): **Arthur Isbester and Sam Husband**  
 (45) Registration Date: **06 October 2010**  
 (56) Related Art Documents: **Not Applicable**  
 (57) Statement of Newness and Distinctiveness: **Newness and distinctiveness resides in the features of pattern and/or ornamentation of A GAME BOARD shown in the accompanying representations.**



(21) Design Number: **13123/2010**  
 (22) Date of Filing Application: **26 July 2010**  
 (24) Date from which industrial property rights may have effect: **26 July 2010**  
 (54) Product in respect of which the design is registered: **Wristwatch**  
 (51) International Design Classification: **10-02**  
 (71) Name(s) and Address(s) of Applicant(s):

**Daniel Roth et Gerald Genta Haute Horlogerie SA**  
**42 chemin du Grand-Puits 1217 Meyrin 1 Switzerland**

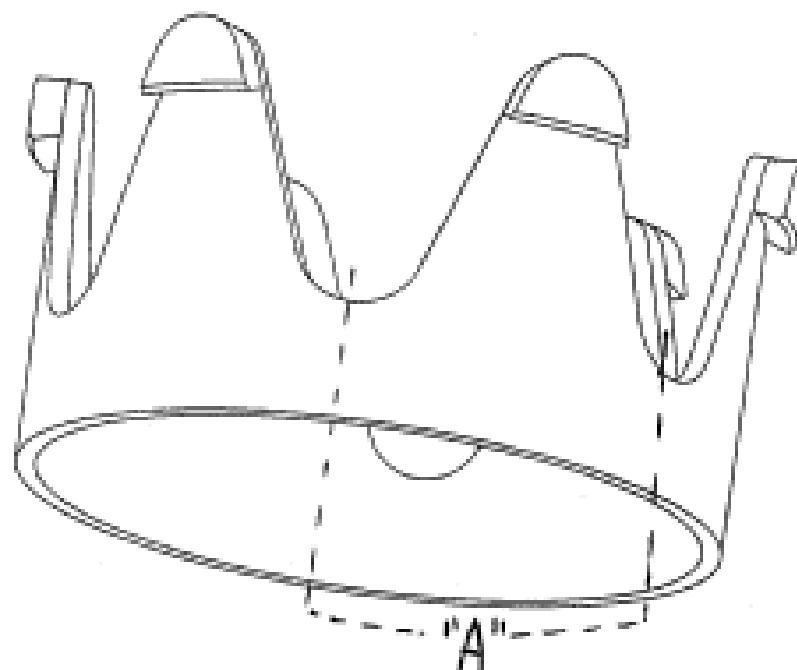
(72) Name(s) of Designer(s): **Paolo Bulgari**  
 (45) Registration Date: **06 October 2010**  
 (30) Convention priority data:

(31) Number	(32) Date	(33) Country
<b>DM/072956</b>	<b>26 Jan 2010</b>	<b>WORLD INTELLECTUAL PROPERTY ORGANIZATION (WIPO)</b>

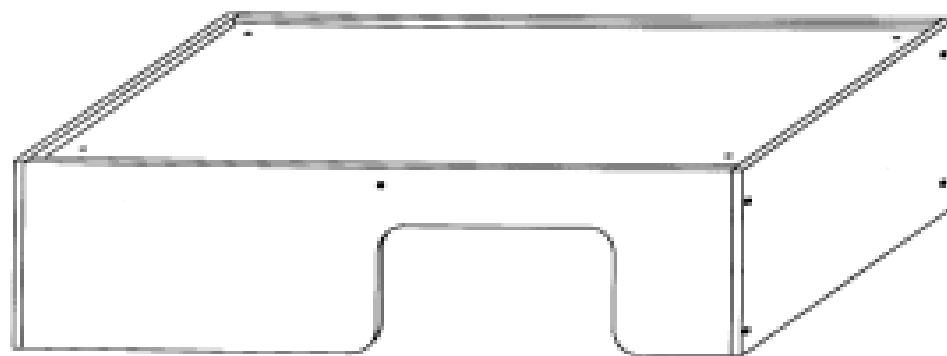
(56) Related Art Documents: **Not Applicable**  
 (57) Statement of Newness and Distinctiveness: **Novelty resides in the visual features of the face of the watch as shown in the representations.**



- (21) Design Number: **13511/2010**  
(22) Date of Filing Application: **13 August 2010**  
(24) Date from which industrial property rights may have effect: **13 August 2010**  
(54) Product in respect of which the design is registered: **Arcuate connecting mechanism**  
(51) International Design Classification: **08-07**  
(71) Name(s) and Address(s) of Applicant(s):  
**Joinlock Pty Ltd**  
**Unit 5 783 Kingsford Smith Drive Eagle Farm Queensland 4009**  
**Australia**  
(72) Name(s) of Designer(s): **Dean Osman Cameron and Thomas David Percy and John Hamish Alexander Pettigrew**  
(45) Registration Date: **06 October 2010**  
(56) Related Art Documents: **Not Applicable**  
(57) Statement of Newness and Distinctiveness: **Newness and distinctiveness resides in the shape or configuration of a design for an arcuate connecting mechanism of indefinite length, wherein the area labeled "A" is repeated along a length of the connecting mechanism.**



- (21) Design Number: **13568/2010**  
(22) Date of Filing Application: **05 July 2010**  
(24) Date from which industrial property rights may have effect: **05 July 2010**  
(54) Product in respect of which the design is registered: **Furniture convertible from a bed to a table**  
(51) International Design Classification: **06-02**  
(71) Name(s) and Address(s) of Applicant(s):  
**Paxx Pty Ltd**  
**40 Empress Avenue Kingsville Victoria 3012 Australia**  
(72) Name(s) of Designer(s): **Andrew John Jordan and Sara-Jane Kristen Direen**  
(45) Registration Date: **06 October 2010**  
(62) Divisional of: **332354**  
(56) Related Art Documents: **Not Applicable**  
(57) Statement of Newness and Distinctiveness: **Newness and distinctiveness is claimed in the shape and/or configuration of furniture, which is convertible from a bed to a table, the table version being illustrated in the accompanying representations.**



(21) Design Number: **13841/2010**  
 (22) Date of Filing Application: **03 September 2010**  
 (24) Date from which industrial property rights may have effect: **03 September 2010**  
 (54) Product in respect of which the design is registered: **Double wall drinking glasses**

(51) International Design Classification: **07-01C**

(71) Name(s) and Address(s) of Applicant(s):

**Pi-Design AG**  
**Kantonsstrasse 100 6234 Triengen Switzerland**

(72) Name(s) of Designer(s): **Jorgen Bodum**

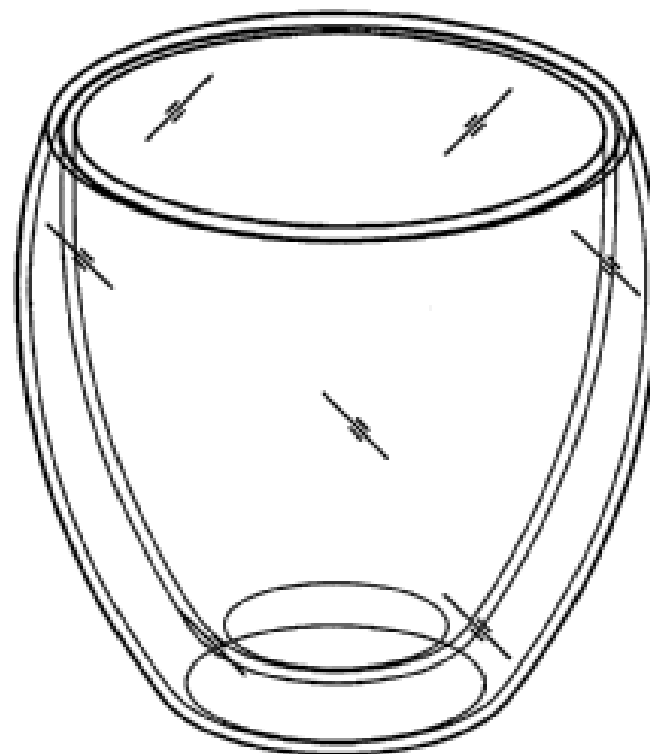
(45) Registration Date: **06 October 2010**

(30) Convention priority data:

(31) Number	(32) Date	(33) Country
<b>DM/073 332</b>	<b>04 Mar 2010</b>	<b>WORLD INTELLECTUAL PROPERTY ORGANIZATION (WIPO)</b>

(56) Related Art Documents: **Not Applicable**

(57) Statement of Newness and Distinctiveness: **The following visual features of the design are new and distinctive: The inner wall of the drinking glass has a flat bottom. The drinking glass has an optional addition of a vent hole/plug in the outer bottom surface of the glass as shown in Sheet 9, which may optionally be closed with a plug. The vent hole allows for pressure compensation between the interspace between the inner and outer vessel.**



(21) Design Number: **13842/2010**  
 (22) Date of Filing Application: **03 September 2010**  
 (24) Date from which industrial property rights may have effect: **03 September 2010**  
 (54) Product in respect of which the design is registered: **Double wall drinking glasses**

(51) International Design Classification: **07-01C**

(71) Name(s) and Address(s) of Applicant(s):

**Pi-Design AG**  
**Kantonsstrasse 100 6234 Triengen Switzerland**

(72) Name(s) of Designer(s): **Jorgen Bodum**

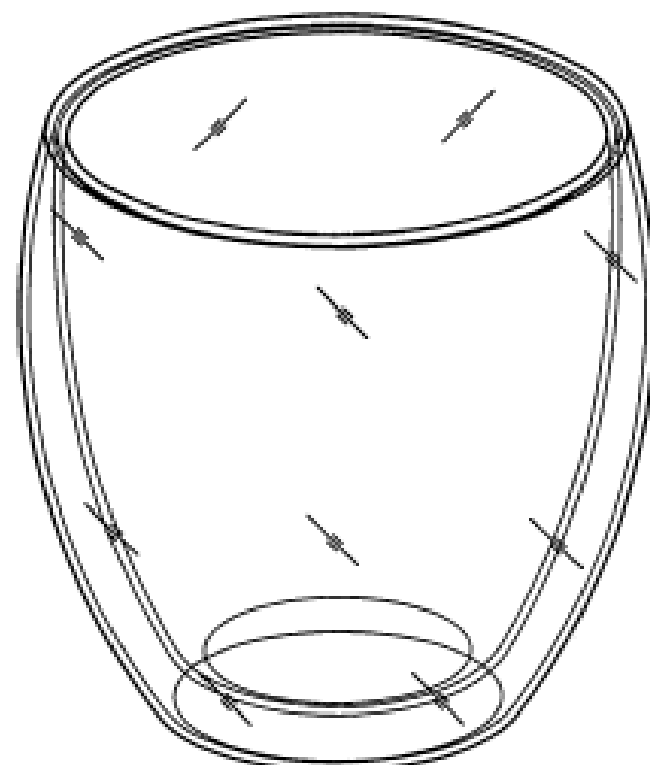
(45) Registration Date: **06 October 2010**

(30) Convention priority data:

(31) Number	(32) Date	(33) Country
<b>DM/073 332</b>	<b>04 Mar 2010</b>	<b>WORLD INTELLECTUAL PROPERTY ORGANIZATION (WIPO)</b>

(56) Related Art Documents: **Not Applicable**

(57) Statement of Newness and Distinctiveness: **The following visual features of the design are new and distinctive: The inner wall of the drinking glass has a flat bottom. The drinking glass has an optional addition of a vent hole/plug in the outer bottom surface of the glass as shown in Sheet 9, which may optionally be closed with a plug. The vent hole allows for pressure compensation between the interspace between the inner and outer vessel.**



(21) Design Number: **13843/2010**  
 (22) Date of Filing Application: **03 September 2010**  
 (24) Date from which industrial property rights may have effect: **03 September 2010**  
 (54) Product in respect of which the design is registered: **Double wall drinking glasses**

(51) International Design Classification: **07-01C**

(71) Name(s) and Address(s) of Applicant(s):

**Pi-Design AG**  
**Kantonsstrasse 100 6234 Triengen Switzerland**

(72) Name(s) of Designer(s): **Jorgen Bodum**

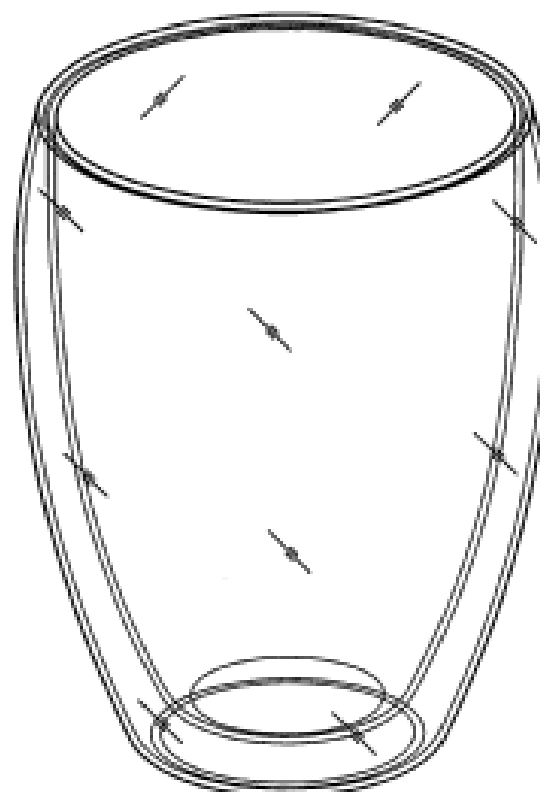
(45) Registration Date: **06 October 2010**

(30) Convention priority data:

(31) Number	(32) Date	(33) Country
<b>DM/073 332</b>	<b>04 Mar 2010</b>	<b>WORLD INTELLECTUAL PROPERTY ORGANIZATION (WIPO)</b>

(56) Related Art Documents: **Not Applicable**

(57) Statement of Newness and Distinctiveness: **The following visual features of the design are new and distinctive: The inner wall of the drinking glass has a flat bottom. The drinking glass has an optional addition of a vent hole/plug in the outer bottom surface of the glass as shown in Sheet 9, which may optionally be closed with a plug. The vent hole allows for pressure compensation between the interspace between the inner and outer vessel.**



(21) Design Number: **13844/2010**  
 (22) Date of Filing Application: **03 September 2010**  
 (24) Date from which industrial property rights may have effect: **03 September 2010**  
 (54) Product in respect of which the design is registered: **Visor**

(51) International Design Classification: **02-03, 16-06, 29-02**

(71) Name(s) and Address(s) of Applicant(s):

**3M Innovative Properties Company**  
**3M Center Saint Paul Minnesota 55133-3427 United States of America**

(72) Name(s) of Designer(s): **Oskar E. Julin and Bjorn Daniels and Martin L.E. Birath**

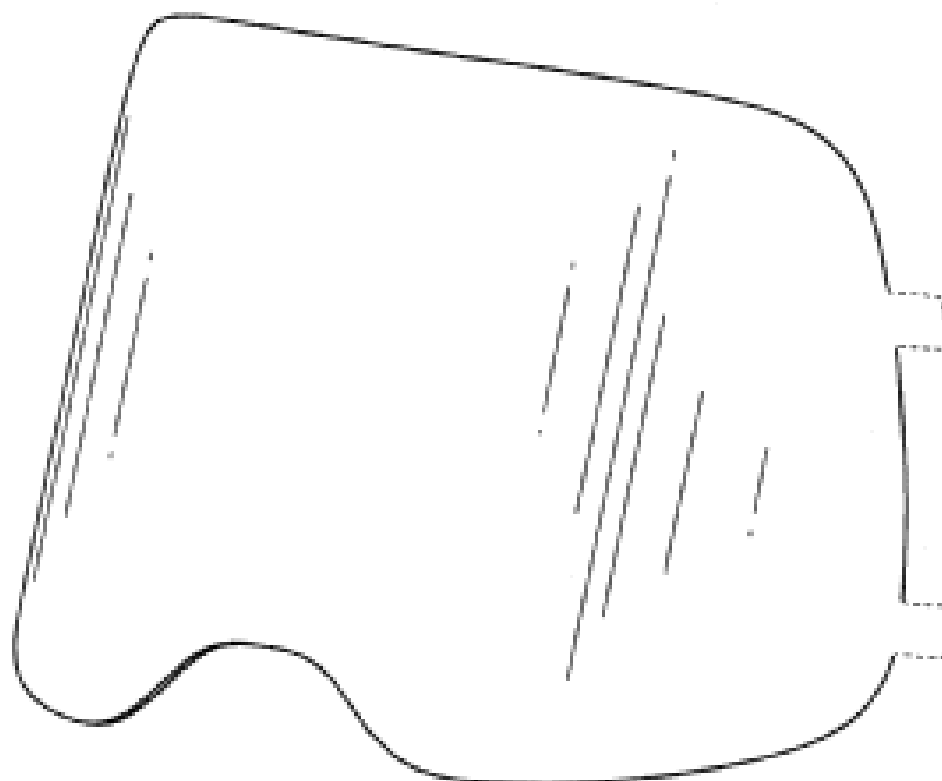
(45) Registration Date: **06 October 2010**

(30) Convention priority data:

(31) Number	(32) Date	(33) Country
<b>001200851</b>	<b>10 Mar 2010</b>	<b>EUROPEAN COMMUNITY</b>

(56) Related Art Documents: **Not Applicable**

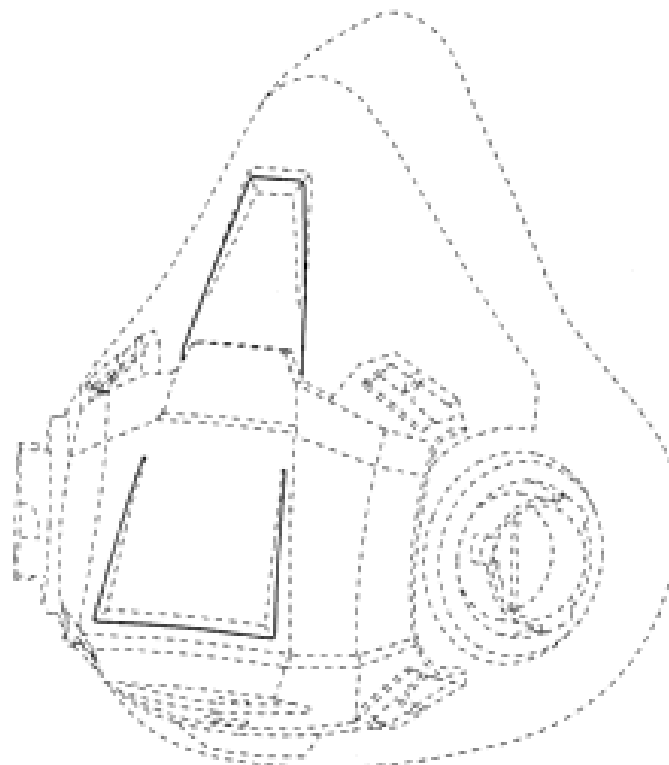
(57) Statement of Newness and Distinctiveness: **Newness and distinctiveness is claimed in the features of shape and/or configuration of a visor as shown in solid outline in the accompanying representations.**



(21) Design Number: **13845/2010**  
(22) Date of Filing Application: **03 September 2010**  
(24) Date from which industrial property rights may have effect: **03 September 2010**  
(54) Product in respect of which the design is registered: **Visor**  
(51) International Design Classification: **02-03, 16-06, 29-02**  
(71) Name(s) and Address(s) of Applicant(s):  
**3M Innovative Properties Company**  
**3M Center Saint Paul Minnesota 55133-3427 United States of America**  
(72) Name(s) of Designer(s): **Oskar E. Julin and Bjorn Daniels and Martin L.E. Birath**  
(45) Registration Date: **06 October 2010**  
(30) Convention priority data:  
(31) Number (32) Date (33) Country  
**001200844 10 Mar 2010 EUROPEAN COMMUNITY**  
(56) Related Art Documents: **Not Applicable**  
(57) Statement of Newness and Distinctiveness: **Newness and distinctiveness resides in the features of shape and/or configuration of a visor as shown in solid outline in the accompanying drawings.**

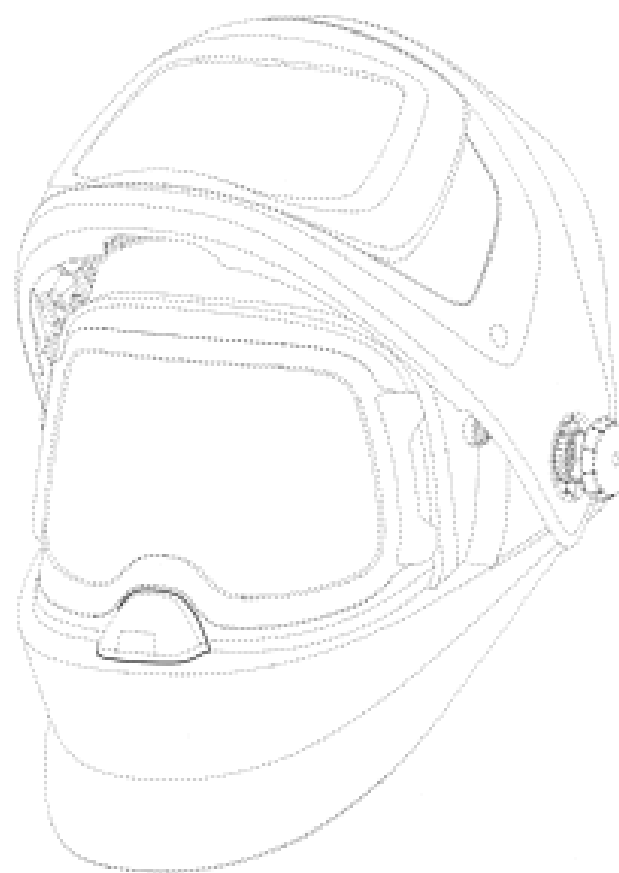


(21) Design Number: **13846/2010**  
(22) Date of Filing Application: **03 September 2010**  
(24) Date from which industrial property rights may have effect: **03 September 2010**  
(54) Product in respect of which the design is registered: **Respirator mask body**  
(51) International Design Classification: **24-01**  
(71) Name(s) and Address(s) of Applicant(s):  
**3M Innovative Properties Company**  
**3M Center Saint Paul Minnesota 55133-3427 United States of America**  
(72) Name(s) of Designer(s): **William A. Mittelstadt and Nathan A. Abel and David M. Castiglione and Joan K. Henry**  
(45) Registration Date: **06 October 2010**  
(30) Convention priority data:  
(31) Number (32) Date (33) Country  
**29/357295 10 Mar 2010 UNITED STATES OF AMERICA**  
(56) Related Art Documents: **Not Applicable**  
(57) Statement of Newness and Distinctiveness: **Newness and distinctiveness resides in the features of shape and/or configuration of a respirator mask body as shown in solid outline in the accompanying drawings.**

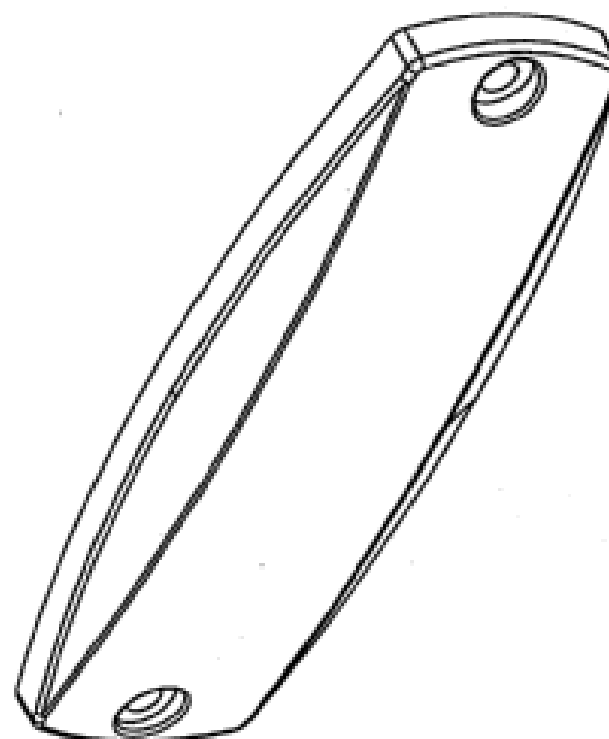




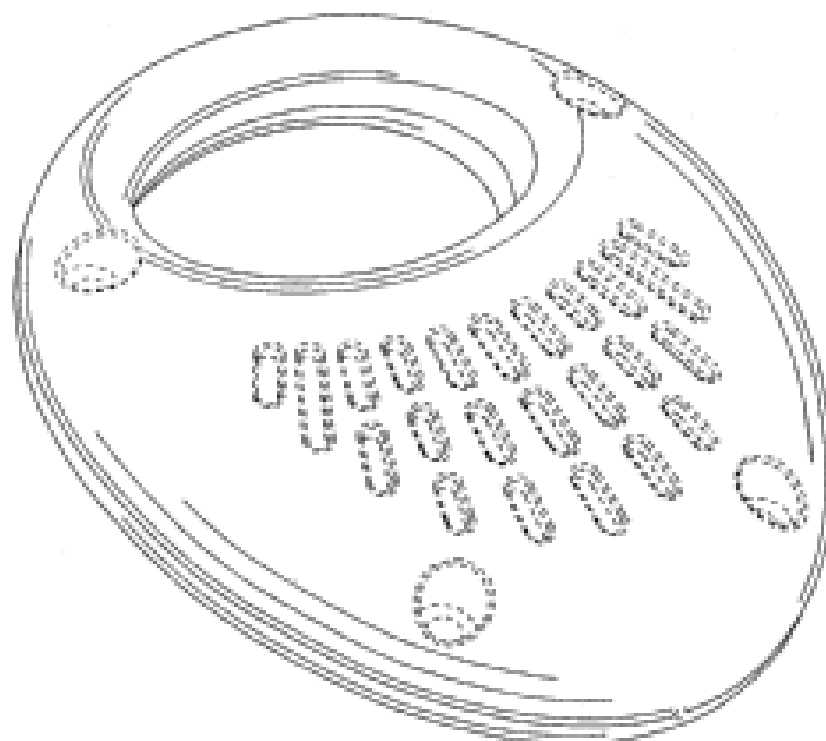
- (21) Design Number: **13847/2010**  
(22) Date of Filing Application: **03 September 2010**  
(24) Date from which industrial property rights may have effect: **03 September 2010**  
(54) Product in respect of which the design is registered: **Welding helmet with projection**  
(51) International Design Classification: **02-03**  
(71) Name(s) and Address(s) of Applicant(s):  
**3M Innovative Properties Company**  
**3M Center Saint Paul Minnesota 55133-3427 United States of America**  
(72) Name(s) of Designer(s): **Oskar E. Juhlin and Bjorn Daniels and Martin L.E. Birath**  
(45) Registration Date: **06 October 2010**  
(30) Convention priority data:  
(31) Number (32) Date (33) Country  
**001200877 10 Mar 2010 EUROPEAN COMMUNITY**  
(56) Related Art Documents: **Not Applicable**  
(57) Statement of Newness and Distinctiveness: **Newness and distinctiveness resides in the features of shape and/or configuration of a welding helmet with a projection as shown in solid outline in the accompanying drawings.**



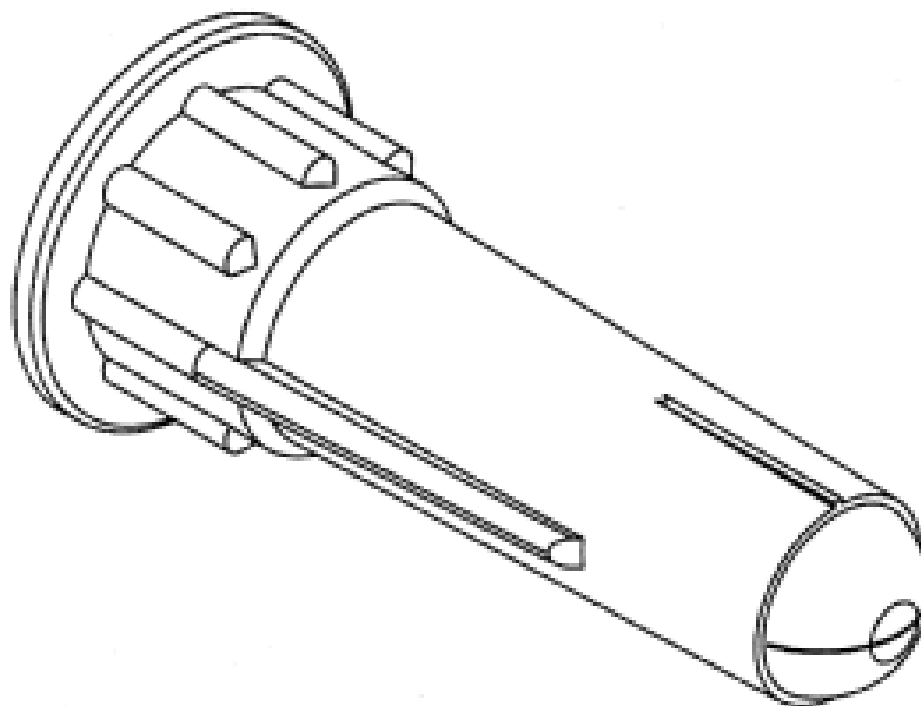
- (21) Design Number: **13865/2010**  
(22) Date of Filing Application: **06 September 2010**  
(24) Date from which industrial property rights may have effect: **06 September 2010**  
(54) Product in respect of which the design is registered: **Light fitting**  
(51) International Design Classification: **12-16E, 26-05A**  
(71) Name(s) and Address(s) of Applicant(s):  
**Brown & Watson International Pty Ltd**  
**1500 Ferntree Gully Road Knoxfield Victoria 3180 Australia**  
(72) Name(s) of Designer(s): **Paul Davies**  
(45) Registration Date: **06 October 2010**  
(56) Related Art Documents: **Not Applicable**  
(57) Statement of Newness and Distinctiveness: **Those features of the light fitting depicted in the representations that are new and distinctive are the shape and/or configuration.**



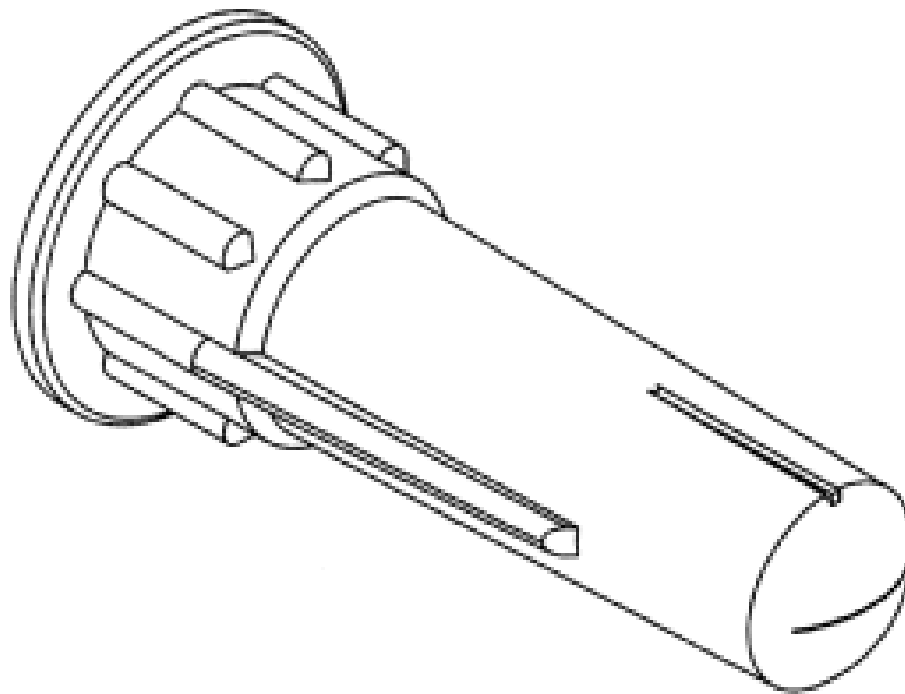
- (21) Design Number: **13866/2010**  
(22) Date of Filing Application: **06 September 2010**  
(24) Date from which industrial property rights may have effect: **06 September 2010**  
(54) Product in respect of which the design is registered: **Scent module**  
(51) International Design Classification: **28-03NES, 03-01D, 09-01G**  
(71) Name(s) and Address(s) of Applicant(s):  
**S. C. Johnson & Son, Inc.**  
**1525 Howe Street Racine Wisconsin 53403-2236 United States of America**  
(72) Name(s) of Designer(s): **Michael E. Short and David A. Hoadley and Scott W. Demarest and Kit R. Morris and Sunny Kim and Matthew Grossman**  
(45) Registration Date: **06 October 2010**  
(30) Convention priority data:  
(31) Number (32) Date (33) Country  
**29/357,241 09 Mar 2010 UNITED STATES OF AMERICA**  
(56) Related Art Documents: **Not Applicable**  
(57) Statement of Newness and Distinctiveness: **Newness and distinctiveness is claimed in those features of shape and/or configuration of a scent module as illustrated in continuous lines in the accompanying representations.**



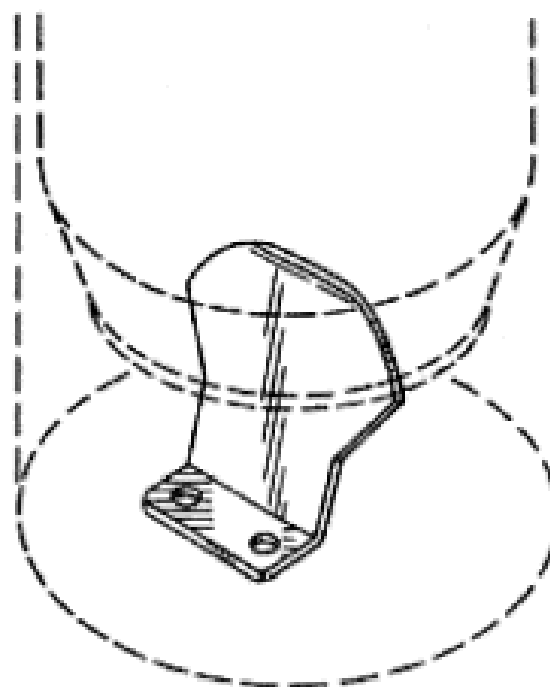
- (21) Design Number: **13867/2010**  
(22) Date of Filing Application: **06 September 2010**  
(24) Date from which industrial property rights may have effect: **06 September 2010**  
(54) Product in respect of which the design is registered: **Nozzle**  
(51) International Design Classification: **08-05NES**  
(71) Name(s) and Address(s) of Applicant(s):  
**Henkel AG & Co. KGaA**  
**Henkelstrasse 67 40589 Dusseldorf Germany**  
(72) Name(s) of Designer(s): **Joachim Plotitzka and Hermann Schwarze**  
(45) Registration Date: **06 October 2010**  
(30) Convention priority data:  
(31) Number (32) Date (33) Country  
**001688011-0002 29 Mar 2010 EUROPEAN COMMUNITY**  
(56) Related Art Documents: **Not Applicable**  
(57) Statement of Newness and Distinctiveness: **Newness and distinctiveness is claimed in the features of shape and/or configuration of a nozzle as illustrated in the accompanying representations.**



- (21) Design Number: **13868/2010**  
(22) Date of Filing Application: **06 September 2010**  
(24) Date from which industrial property rights may have effect: **06 September 2010**  
(54) Product in respect of which the design is registered: **Nozzle**  
(51) International Design Classification: **08-05NES**  
(71) Name(s) and Address(s) of Applicant(s):  
**Henkel AG & Co. KGaA**  
**Henkelstrasse 67 40589 Dusseldorf Germany**  
(72) Name(s) of Designer(s): **Joachim Plotitzka and Hermann Schwarze**  
(45) Registration Date: **06 October 2010**  
(30) Convention priority data:  
(31) Number (32) Date (33) Country  
**001688011-0001 29 Mar 2010 EUROPEAN COMMUNITY**  
(56) Related Art Documents: **Not Applicable**  
(57) Statement of Newness and Distinctiveness: **Newness and distinctiveness is claimed in the features of shape and/or configuration of a nozzle as illustrated in the accompanying representations.**



- (21) Design Number: **13891/2010**  
(22) Date of Filing Application: **09 September 2010**  
(24) Date from which industrial property rights may have effect: **09 September 2010**  
(54) Product in respect of which the design is registered: **Knock-out device for releasing chemistry from a chemistry container**  
(51) International Design Classification: **24-02**  
(71) Name(s) and Address(s) of Applicant(s):  
**American Sterilizer Company**  
**5960 Heisley Road Mentor OH 44060-1834 United States of America**  
(72) Name(s) of Designer(s): **Phillip P. Franciskovich and Donald G. Rosenhamer and Patricia A. Rawlick**  
(45) Registration Date: **06 October 2010**  
(30) Convention priority data:  
(31) Number (32) Date (33) Country  
**29/358,726 31 Mar 2010 UNITED STATES OF AMERICA**  
(56) Related Art Documents: **Not Applicable**  
(57) Statement of Newness and Distinctiveness: **The newness and distinctiveness of the design resides in the features of pattern and/or ornamentation or shape and/or configuration shown in unbroken lines in the accompanying representations. The broken lines in FIGS 1 and 2 depict the lower portions of a chemistry container and a well for receiving the chemistry container.**



- (21) Design Number: **13892/2010**  
(22) Date of Filing Application: **09 September 2010**  
(24) Date from which industrial property rights may have effect: **09 September 2010**  
(54) Product in respect of which the design is registered: **Car remote control for Ford Falcon AU2, AU3, Fairlane, Fairmont, Ghia UTE**  
(51) International Design Classification: **14-03NES, 12-16NES**  
(71) Name(s) and Address(s) of Applicant(s):

**Wieslaw Niewiarowski**  
**115 Paramatta Road Doubleview Western Australia 6018 Australia**

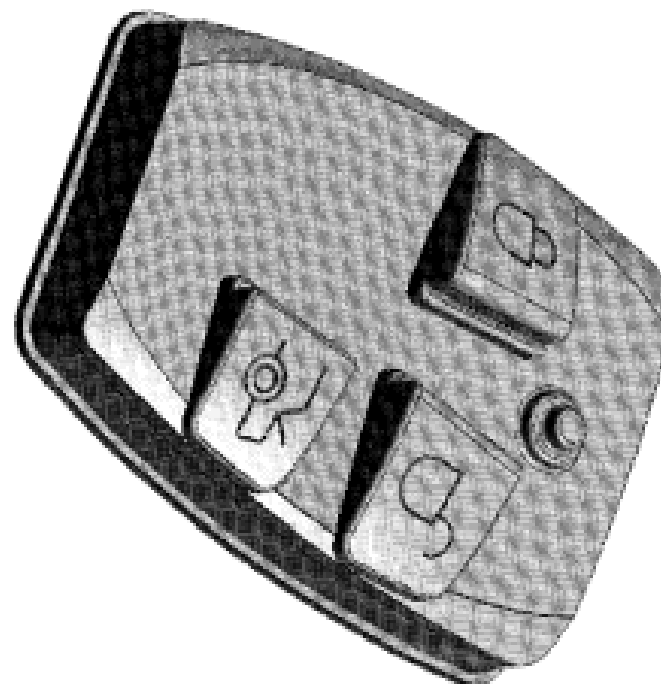
**Irena Niewiarowski**  
**115 Paramatta Road Doubleview Western Australia 6018 Australia**

- (72) Name(s) of Designer(s): **Wieslaw Niewiarowski**

- (45) Registration Date: **06 October 2010**

- (56) Related Art Documents: **Not Applicable**

- (57) Statement of Newness and Distinctiveness: **Uniquely shaped key pad made from flexible material like Silicone, to be inserted in hard shell of Ford Falcon AU2 and AU3 remote, replacing worn buttons and incorporating 3 trapezoid shaped buttons elevated with various heights from the surface and with engraved car function symbols and 1 round shaped nipple located at the top of the pad.**



- (21) Design Number: **13894/2010**  
(22) Date of Filing Application: **08 September 2010**  
(24) Date from which industrial property rights may have effect: **08 September 2010**  
(54) Product in respect of which the design is registered: **Glasses**  
(51) International Design Classification: **16-06**  
(71) Name(s) and Address(s) of Applicant(s):

**Mattellone S.R.L.**  
**Strada Triestina 14 33050 Trivignano Udinese -(UD)- Italy**

- (72) Name(s) of Designer(s): **Doriano Mattellone**

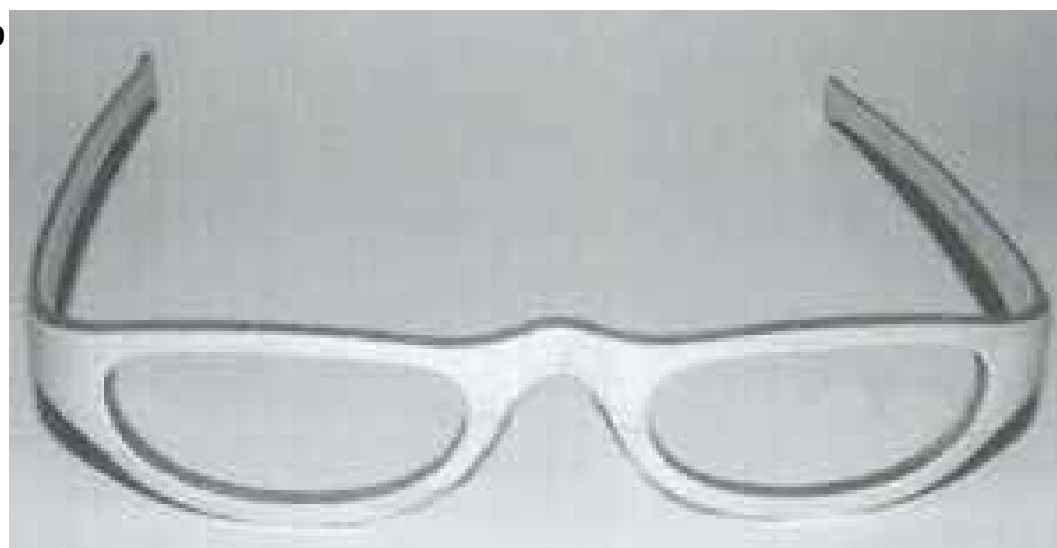
- (45) Registration Date: **06 October 2010**

- (30) Convention priority data:

(31) Number	(32) Date	(33) Country
<b>RCD1201495-000112</b>	<b>Mar 2010</b>	<b>EUROPEAN COMMUNITY</b>

- (56) Related Art Documents: **Not Applicable**

- (57) Statement of Newness and Distinctiveness: **Nil**



- (21) Design Number: **13943/2010**
- (22) Date of Filing Application: **13 September 2010**
- (24) Date from which industrial property rights may have effect: **13 September 2010**
- (54) Product in respect of which the design is registered: **Light**
- (51) International Design Classification: **26-05E**
- (71) Name(s) and Address(s) of Applicant(s):  
**YMC International Pty Ltd**  
**909 Metry Street Albury New South Wales 2640 Australia**
- (72) Name(s) of Designer(s): **Mark Young**
- (45) Registration Date: **06 October 2010**
- (56) Related Art Documents: **Not Applicable**
- (57) Statement of Newness and Distinctiveness: **Shape to be disregarded, new and distinctive feature is LEDs (light emitting diodes) used for illumination.**



- (21) Design Number: **14110/2010**
- (22) Date of Filing Application: **19 July 2010**
- (24) Date from which industrial property rights may have effect: **19 July 2010**
- (54) Product in respect of which the design is registered: **A game board**
- (51) International Design Classification: **21-01L**
- (71) Name(s) and Address(s) of Applicant(s):  
**Sam Husband**  
**63 Francis Street Carlton New South Wales 2218 Australia**
- (72) Name(s) of Designer(s): **Arthur Isbester and Sam Husband**
- (45) Registration Date: **06 October 2010**
- (56) Related Art Documents: **Not Applicable**
- (57) Statement of Newness and Distinctiveness: **Newness and distinctiveness resides in the features of pattern and/or ornamentation of a game board shown in the accompanying representations.**



- (21) Design Number: **13878/2010**  
(22) Date of Filing Application: **07 September 2010**  
(24) Date from which industrial property rights may have effect: **07 September 2010**  
(54) Product in respect of which the design is registered: **Refrigerator**  
(51) International Design Classification: **15-07**  
(71) Name(s) and Address(s) of Applicant(s):  
**Creative Instore Solutions Pty Ltd**  
**1 Tepko Road Terry Hills New South Wales 2084 Australia**  
(72) Name(s) of Designer(s): **Stephen John Howell**  
(45) Registration Date: **13 October 2010**  
(56) Related Art Documents: **Not Applicable**  
(57) Statement of Newness and Distinctiveness: **Newness and distinctiveness reside in the features of the design as shown in solid lines in the representations.**



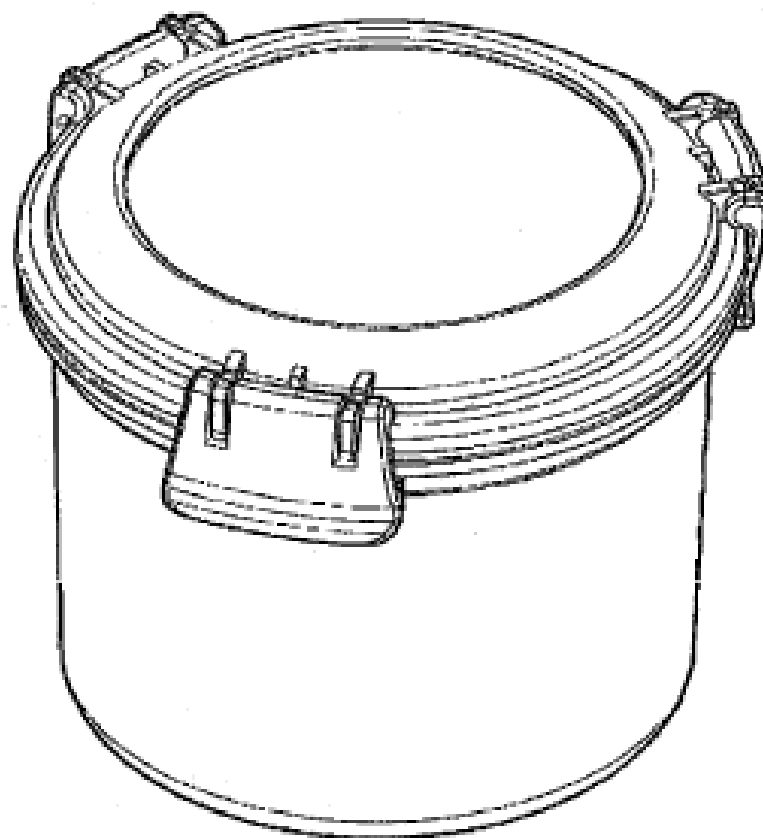
- (21) Design Number: **13879/2010**  
(22) Date of Filing Application: **07 September 2010**  
(24) Date from which industrial property rights may have effect: **07 September 2010**  
(54) Product in respect of which the design is registered: **Shouldered non return valve**  
(51) International Design Classification: **23-01K**  
(71) Name(s) and Address(s) of Applicant(s):  
**A.C. Whalan & Co Pty Limited**  
**573 Putty Road Singleton New South Wales 2330 Australia**  
(72) Name(s) of Designer(s): **Sam Whalan**  
(45) Registration Date: **13 October 2010**  
(56) Related Art Documents: **Not Applicable**  
(57) Statement of Newness and Distinctiveness: **Newness and distinctiveness reside in the features of the shape and configuration of the design as shown in the representations, and in particular in the provision of the shoulders at each end of the valve.**



(21) Design Number: **13895/2010**  
 (22) Date of Filing Application: **07 September 2010**  
 (24) Date from which industrial property rights may have effect: **07 September 2010**  
 (54) Product in respect of which the design is registered: **A utensiled food container assembly**  
 (51) International Design Classification: **07-01NES**  
 (71) Name(s) and Address(s) of Applicant(s):  
**Sistema Plastics Limited**  
**80 Hugo Johnson Drive Penrose Auckland New Zealand**  
 (72) Name(s) of Designer(s): **Brendan Jon Lindsay and James Richard Manley**  
 (45) Registration Date: **13 October 2010**  
 (30) Convention priority data:  

(31) Number	(32) Date	(33) Country
<b>413782</b>	<b>25 Jun 2010</b>	<b>NEW ZEALAND</b>

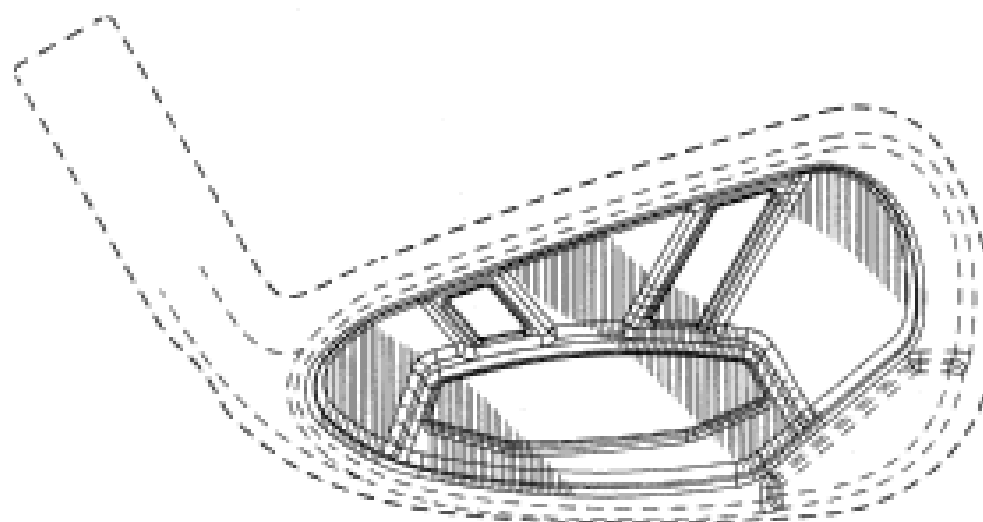
 (56) Related Art Documents: **Not Applicable**  
 (57) Statement of Newness and Distinctiveness: **Novelty resides in the features of shape and/or configuration substantially as herein described with reference to the exploded views.**



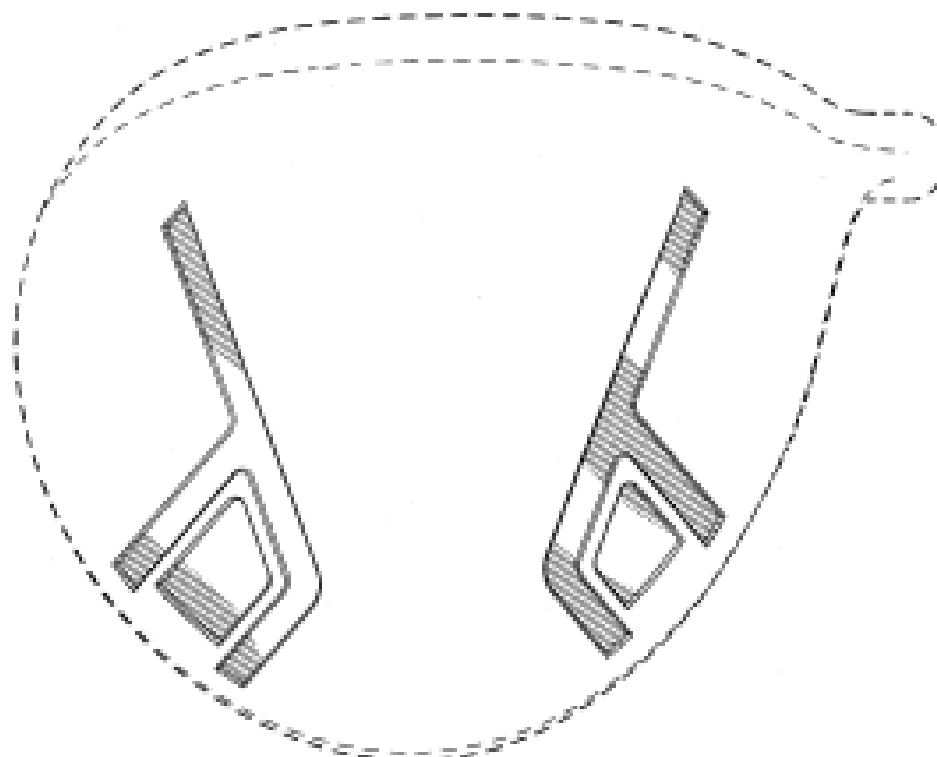
(21) Design Number: **13897/2010**  
 (22) Date of Filing Application: **08 September 2010**  
 (24) Date from which industrial property rights may have effect: **08 September 2010**  
 (54) Product in respect of which the design is registered: **Golf club head**  
 (51) International Design Classification: **21-02C**  
 (71) Name(s) and Address(s) of Applicant(s):  
**Karsten Manufacturing Corporation**  
**2201 West Desert Cove Phoenix Arizona 85029 United States of America**  
 (72) Name(s) of Designer(s): **Michael R. Nicolette**  
 (45) Registration Date: **13 October 2010**  
 (30) Convention priority data:  

(31) Number	(32) Date	(33) Country
<b>29/364852</b>	<b>29 Jun 2010</b>	<b>UNITED STATES OF AMERICA</b>

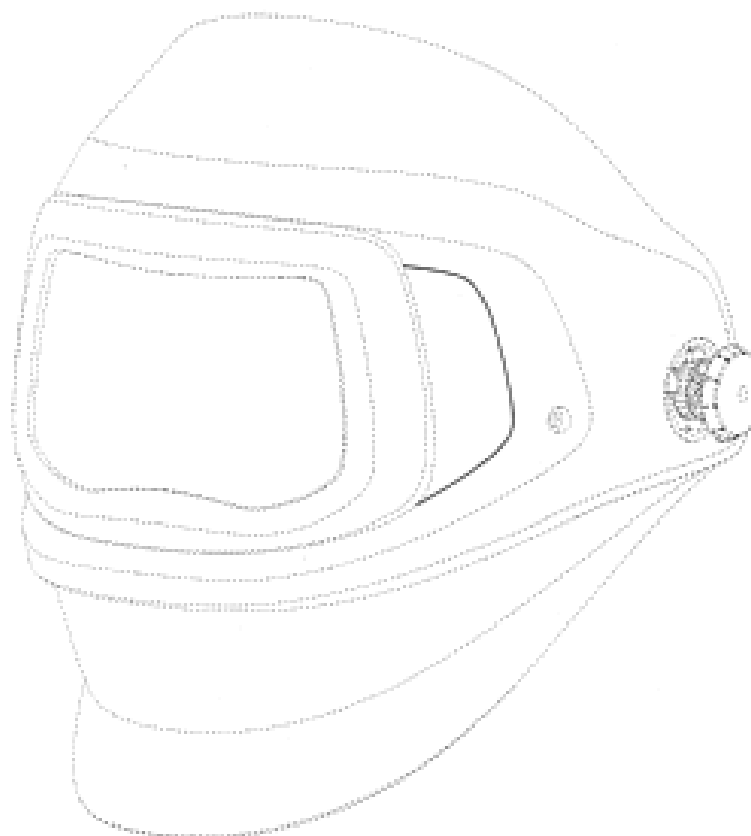
 (56) Related Art Documents: **Not Applicable**  
 (57) Statement of Newness and Distinctiveness: **Newness and distinctiveness is claimed in the visual features shown in solid lines in the representations. In considering the extent of the design rights, the broken lines shown in the representations are for illustrative purposes only and do not form part of the design.**



- (21) Design Number: **13898/2010**  
(22) Date of Filing Application: **08 September 2010**  
(24) Date from which industrial property rights may have effect: **08 September 2010**  
(54) Product in respect of which the design is registered: **Golf club head**  
(51) International Design Classification: **21-02C**  
(71) Name(s) and Address(s) of Applicant(s):  
**Karsten Manufacturing Corporation**  
**2201 West Desert Cove Phoenix Arizona 85029 United States of America**  
(72) Name(s) of Designer(s): **Michael R. Nicolette**  
(45) Registration Date: **13 October 2010**  
(30) Convention priority data:  
(31) Number (32) Date (33) Country  
**29/364850 29 Jun 2010 UNITED STATES OF AMERICA**  
(56) Related Art Documents: **Not Applicable**  
(57) Statement of Newness and Distinctiveness: **Newness and distinctiveness is claimed in the visual features shown in solid lines in the representations. In considering the extent of the design rights, the broken lines shown in the representations are for illustrative purposes only and do not form part of the design.**

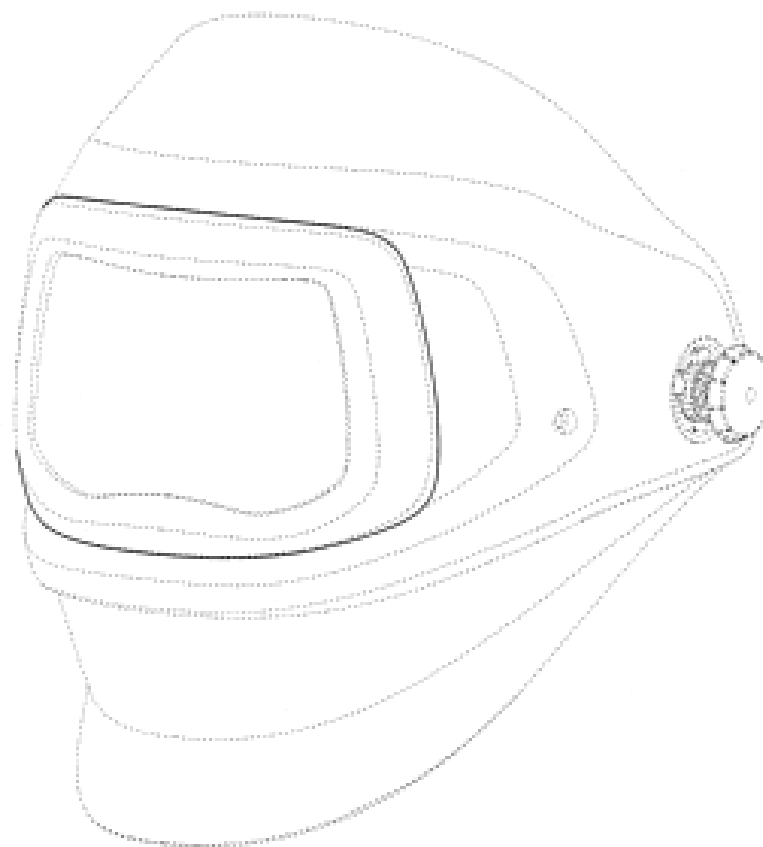


- (21) Design Number: **13906/2010**  
(22) Date of Filing Application: **09 September 2010**  
(24) Date from which industrial property rights may have effect: **09 September 2010**  
(54) Product in respect of which the design is registered: **Welding helmet**  
(51) International Design Classification: **02-03**  
(71) Name(s) and Address(s) of Applicant(s):  
**3M Innovative Properties Company**  
**3M Center Saint Paul Minnesota 55133-3427 United States of America**  
(72) Name(s) of Designer(s): **Oskar E. Juhlin and Martin L.E. Birath and Bjorn Daniels**  
(45) Registration Date: **13 October 2010**  
(30) Convention priority data:  
(31) Number (32) Date (33) Country  
**001200885 10 Mar 2010 EUROPEAN COMMUNITY**  
(56) Related Art Documents: **Not Applicable**  
(57) Statement of Newness and Distinctiveness: **Newness and distinctiveness resides in the features of shape and/or configuration of a welding helmet having a side portion as shown in solid outline in the accompanying representations.**

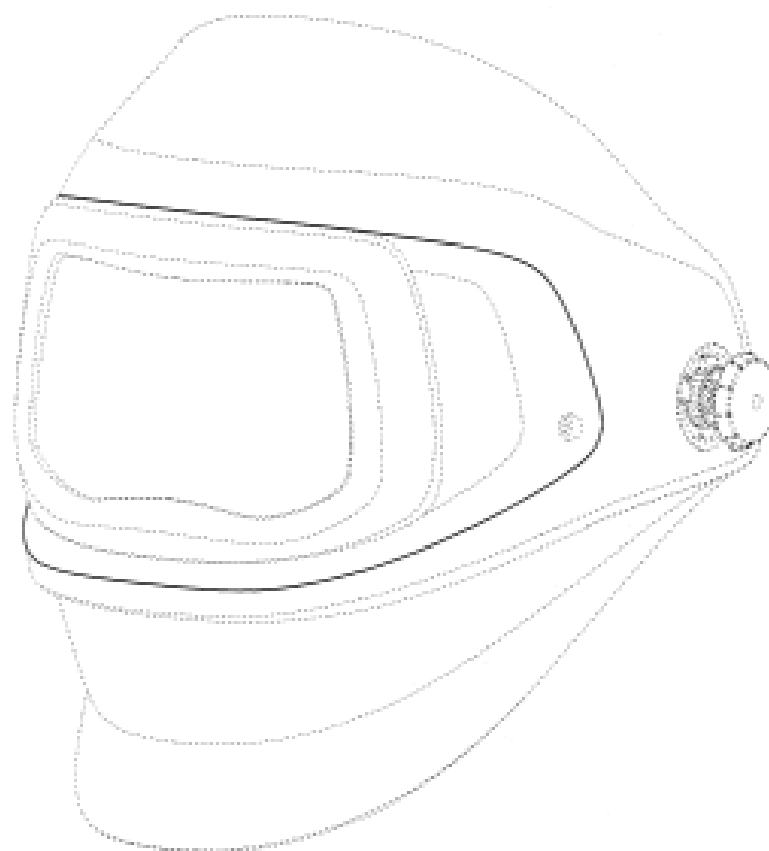




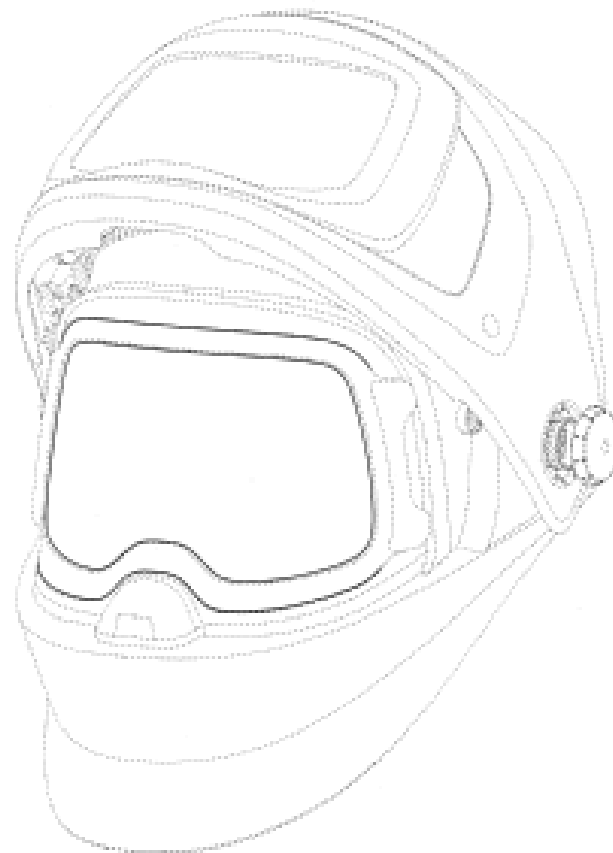
- (21) Design Number: **13907/2010**  
(22) Date of Filing Application: **09 September 2010**  
(24) Date from which industrial property rights may have effect: **09 September 2010**  
(54) Product in respect of which the design is registered: **Welding helmet**  
(51) International Design Classification: **02-03**  
(71) Name(s) and Address(s) of Applicant(s):  
**3M Innovative Properties Company**  
**3M Center Saint Paul Minnesota 55133-3427 United States of America**  
(72) Name(s) of Designer(s): **Oskar E. Juhlin and Martin L.E. Birath and Bjorn Daniels**  
(45) Registration Date: **13 October 2010**  
(30) Convention priority data:  
(31) Number (32) Date (33) Country  
**001200919 10 Mar 2010 EUROPEAN COMMUNITY**  
(56) Related Art Documents: **Not Applicable**  
(57) Statement of Newness and Distinctiveness: **Newness and distinctiveness resides in the features of shape and/or configuration of a welding helmet having a front opening frame as shown in solid outline in the accompanying representations.**



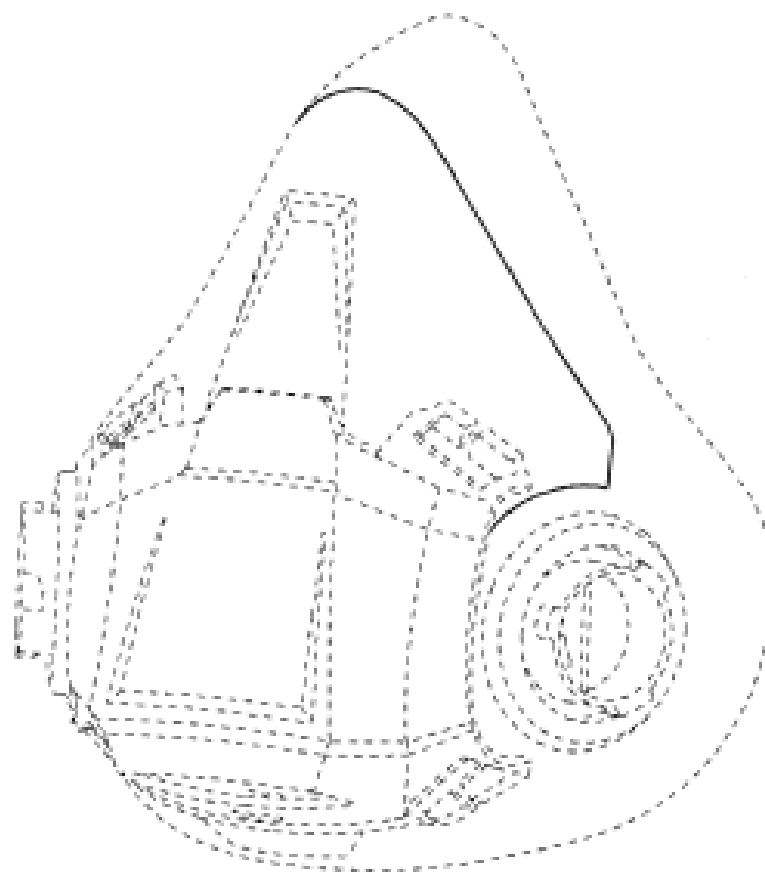
- (21) Design Number: **13908/2010**  
(22) Date of Filing Application: **09 September 2010**  
(24) Date from which industrial property rights may have effect: **09 September 2010**  
(54) Product in respect of which the design is registered: **Welding helmet**  
(51) International Design Classification: **02-03**  
(71) Name(s) and Address(s) of Applicant(s):  
**3M Innovative Properties Company**  
**3M Center Saint Paul Minnesota 55133-3427 United States of America**  
(72) Name(s) of Designer(s): **Oskar E. Juhlin and Martin L.E. Birath and Bjorn Daniels**  
(45) Registration Date: **13 October 2010**  
(30) Convention priority data:  
(31) Number (32) Date (33) Country  
**001200893 10 Mar 2010 EUROPEAN COMMUNITY**  
(56) Related Art Documents: **Not Applicable**  
(57) Statement of Newness and Distinctiveness: **Newness and distinctiveness resides in the features of shape and/or configuration of a welding helmet having a front feature as shown in solid outline in the accompanying representations.**



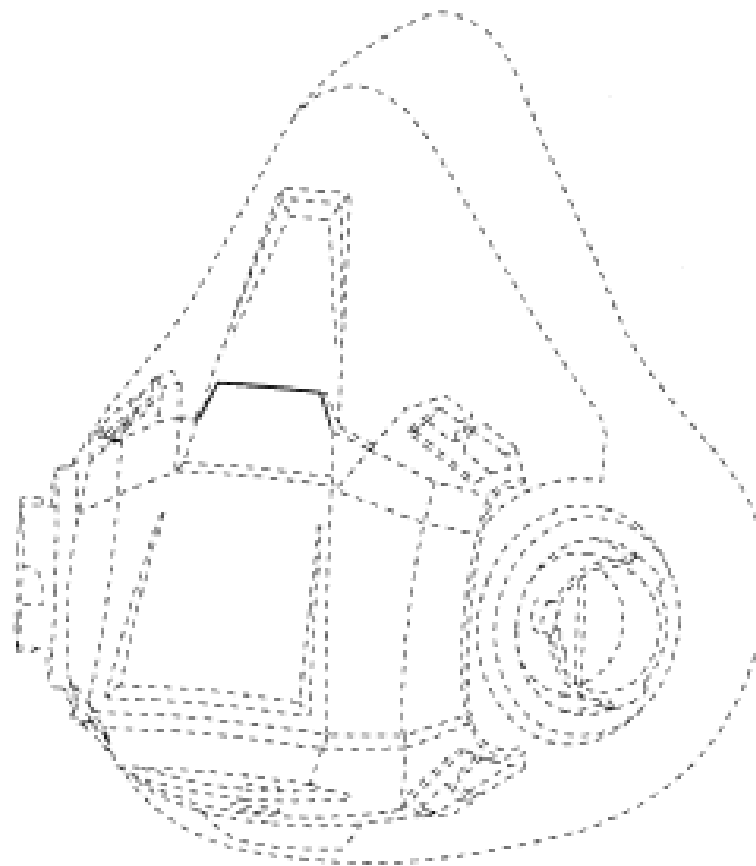
- (21) Design Number: **13909/2010**  
(22) Date of Filing Application: **09 September 2010**  
(24) Date from which industrial property rights may have effect: **09 September 2010**  
(54) Product in respect of which the design is registered: **Welding helmet**  
(51) International Design Classification: **02-03**  
(71) Name(s) and Address(s) of Applicant(s):  
**3M Innovative Properties Company**  
**3M Center Saint Paul Minnesota 55133-3427 United States of America**  
(72) Name(s) of Designer(s): **Oskar E. Juhlin and Martin L.E. Birath and Bjorn Daniels**  
(45) Registration Date: **13 October 2010**  
(30) Convention priority data:  
(31) Number (32) Date (33) Country  
**001200869 10 Mar 2010 EUROPEAN COMMUNITY**  
(56) Related Art Documents: **Not Applicable**  
(57) Statement of Newness and Distinctiveness: **Newness and distinctiveness resides in the features of shape and/or configuration of a welding helmet having a front opening as shown in solid outline in the accompanying representations.**



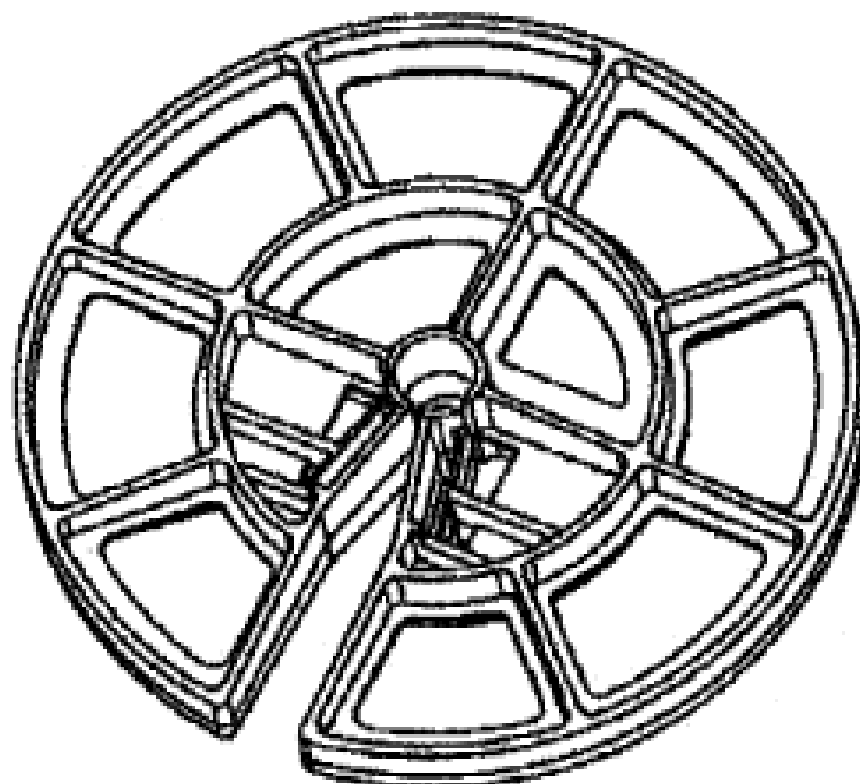
- (21) Design Number: **13910/2010**  
(22) Date of Filing Application: **09 September 2010**  
(24) Date from which industrial property rights may have effect: **09 September 2010**  
(54) Product in respect of which the design is registered: **Respirator mask body**  
(51) International Design Classification: **24-01, 29-99**  
(71) Name(s) and Address(s) of Applicant(s):  
**3M Innovative Properties Company**  
**3M Center Saint Paul Minnesota 55133-3427 United States of America**  
(72) Name(s) of Designer(s): **William A. Mittelstadt**  
(45) Registration Date: **13 October 2010**  
(30) Convention priority data:  
(31) Number (32) Date (33) Country  
**29/357304 10 Mar 2010 UNITED STATES OF AMERICA**  
(56) Related Art Documents: **Not Applicable**  
(57) Statement of Newness and Distinctiveness: **Newness and distinctiveness resides in the features of shape and/or configuration of a respirator mask body as shown in solid outline in the accompanying representations.**



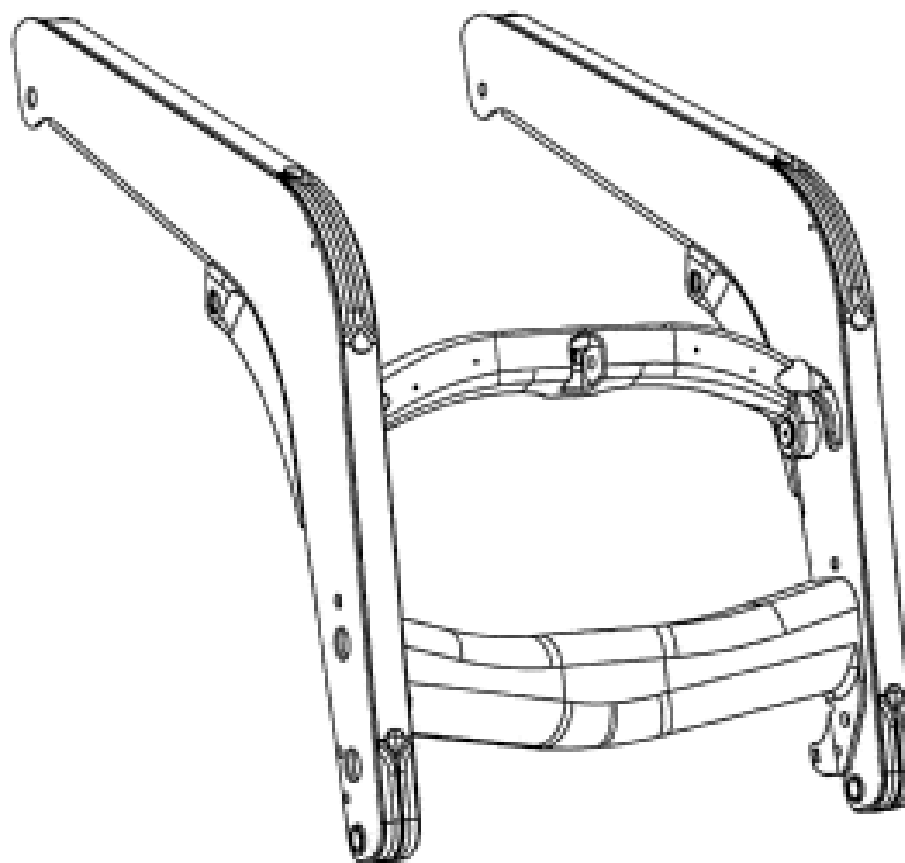
- (21) Design Number: **13912/2010**  
(22) Date of Filing Application: **09 September 2010**  
(24) Date from which industrial property rights may have effect: **09 September 2010**  
(54) Product in respect of which the design is registered: **Respirator mask body**  
(51) International Design Classification: **24-01, 29-99**  
(71) Name(s) and Address(s) of Applicant(s):  
**3M Innovative Properties Company**  
**3M Center Saint Paul Minnesota 55133-3427 United States of America**  
(72) Name(s) of Designer(s): **William A. Mittelstadt and Joan K. Henry and Nathan A. Abel and David M. Castiglione**  
(45) Registration Date: **13 October 2010**  
(30) Convention priority data:  
(31) Number (32) Date (33) Country  
**29/357307 10 Mar 2010 UNITED STATES OF AMERICA**  
(56) Related Art Documents: **Not Applicable**  
(57) Statement of Newness and Distinctiveness: **Newness and distinctiveness resides in the features of shape and/or configuration of a respirator mask body as shown in solid outline in the accompanying representations.**



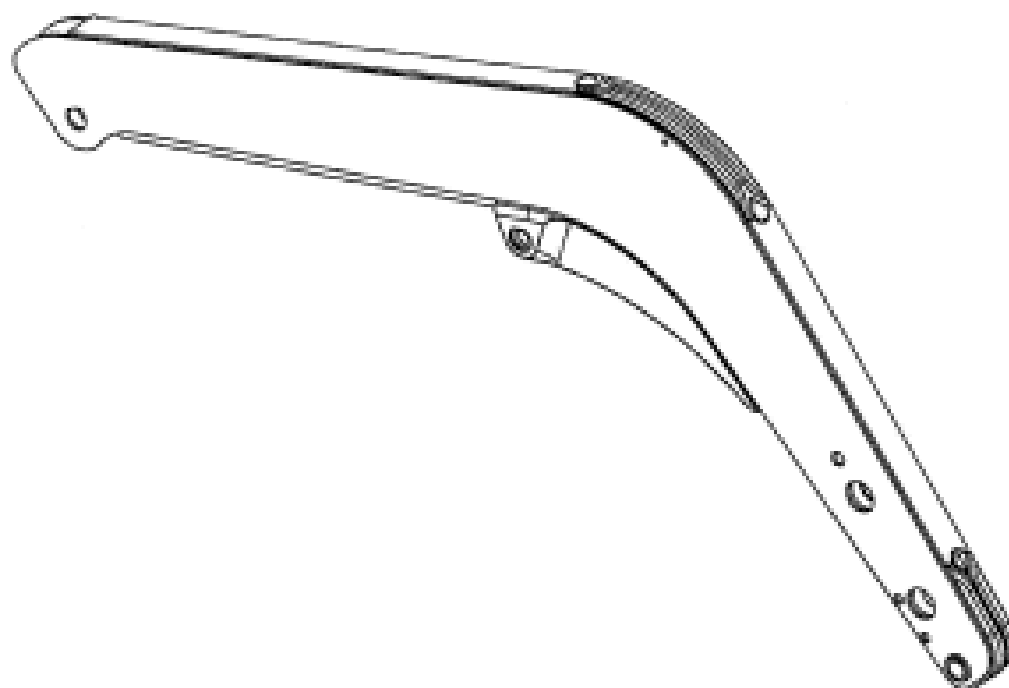
- (21) Design Number: **14024/2010**  
(22) Date of Filing Application: **15 September 2010**  
(24) Date from which industrial property rights may have effect: **15 September 2010**  
(54) Product in respect of which the design is registered: **Spacer wheel for reinforcement bars in concrete structure**  
(51) International Design Classification: **25-01B**  
(71) Name(s) and Address(s) of Applicant(s):  
**Dennis J. Mee**  
**51 Goldieslie Road Indooroopilly Queensland 4068 Australia**  
(72) Name(s) of Designer(s): **Dennis J. Mee**  
(45) Registration Date: **13 October 2010**  
(56) Related Art Documents: **Not Applicable**  
(57) Statement of Newness and Distinctiveness: **Nil**



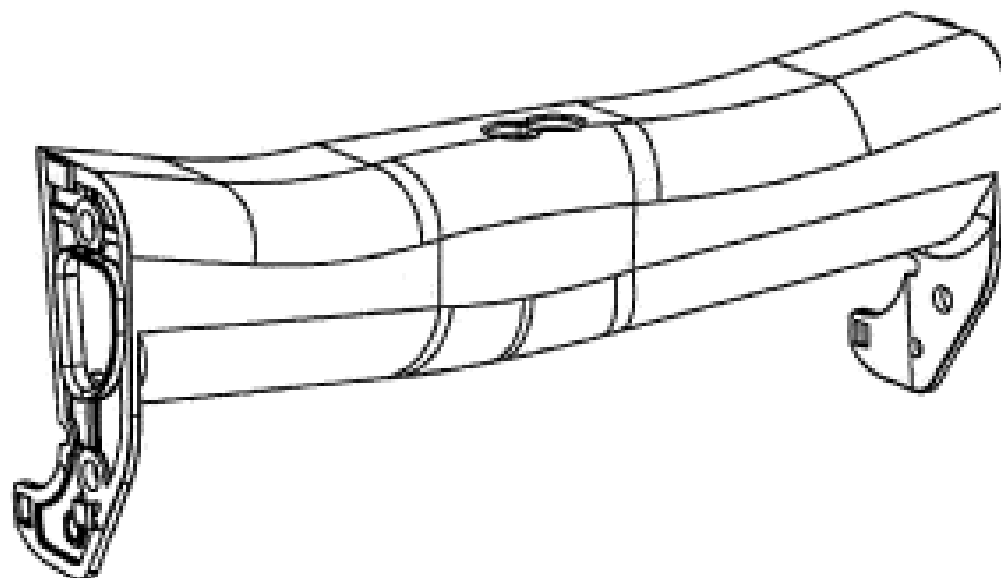
- (21) Design Number: **10517/2010**  
(22) Date of Filing Application: **15 February 2010**  
(24) Date from which industrial property rights may have effect: **15 February 2010**  
(54) Product in respect of which the design is registered: **Front end loader**  
(51) International Design Classification: **15-04**  
(71) Name(s) and Address(s) of Applicant(s):  
**Challenge Implements Holdings Limited**  
**Leewood Drive Orange New South Wales 2800 Australia**  
(72) Name(s) of Designer(s): **John Healey and Craig Healey and Daniel Webb**  
(45) Registration Date: **13 October 2010**  
(56) Related Art Documents: **Not Applicable**  
(57) Statement of Newness and Distinctiveness: **Newness and distinctiveness is claimed in those visual features depicted in unbroken lines.**



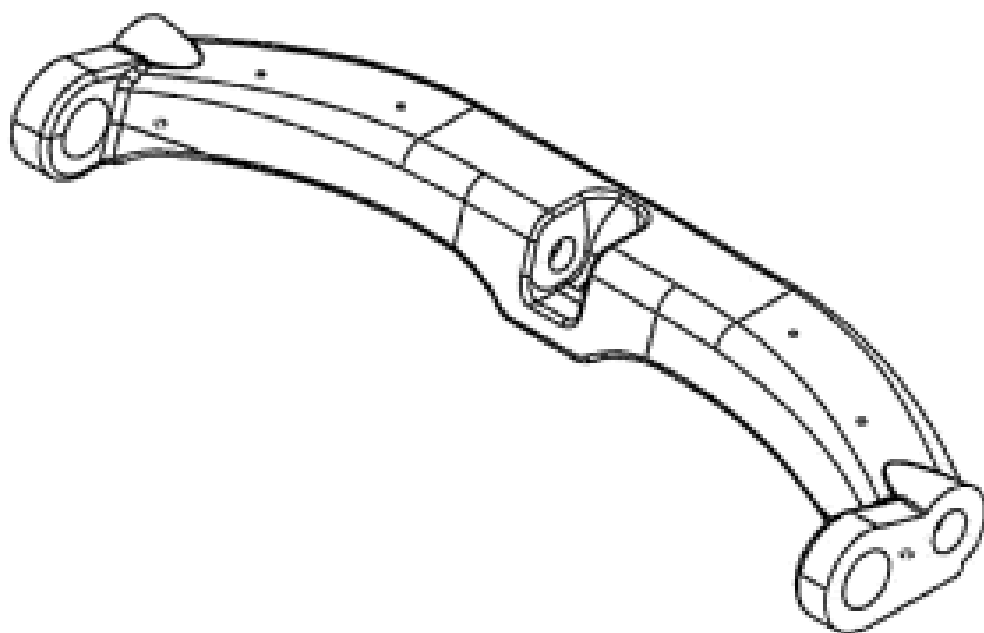
- (21) Design Number: **14150/2010**  
(22) Date of Filing Application: **15 February 2010**  
(24) Date from which industrial property rights may have effect: **15 February 2010**  
(54) Product in respect of which the design is registered: **Front end loader boom arm**  
(51) International Design Classification: **15-04**  
(71) Name(s) and Address(s) of Applicant(s):  
**Challenge Implements Holdings Limited**  
**Leewood Drive Orange New South Wales 2800 Australia**  
(72) Name(s) of Designer(s): **John Healey and Craig Healey and Daniel Webb**  
(45) Registration Date: **13 October 2010**  
(56) Related Art Documents: **Not Applicable**  
(57) Statement of Newness and Distinctiveness: **Newness and distinctiveness is claimed in those visual features depicted in unbroken lines.**



- (21) Design Number: **14151/2010**  
(22) Date of Filing Application: **15 February 2010**  
(24) Date from which industrial property rights may have effect: **15 February 2010**  
(54) Product in respect of which the design is registered: **Front end loader component**  
(51) International Design Classification: **15-04**  
(71) Name(s) and Address(s) of Applicant(s):  
**Challenge Implements Holdings Limited**  
**Leewood Drive Orange New South Wales 2800 Australia**  
(72) Name(s) of Designer(s): **John Healey and Craig Healey and Daniel Webb**  
(45) Registration Date: **13 October 2010**  
(56) Related Art Documents: **Not Applicable**  
(57) Statement of Newness and Distinctiveness: **Newness and distinctiveness is claimed in those visual features depicted in unbroken lines.**



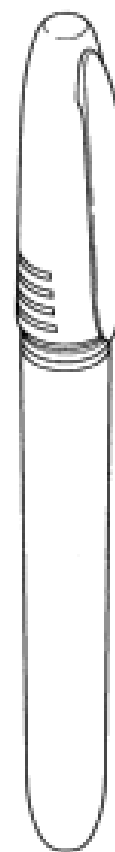
- (21) Design Number: **14152/2010**  
(22) Date of Filing Application: **15 February 2010**  
(24) Date from which industrial property rights may have effect: **15 February 2010**  
(54) Product in respect of which the design is registered: **Front end loader component**  
(51) International Design Classification: **15-04**  
(71) Name(s) and Address(s) of Applicant(s):  
**Challenge Implements Holdings Limited**  
**Leewood Drive Orange New South Wales 2800 Australia**  
(72) Name(s) of Designer(s): **John Healey and Craig Healey and Daniel Webb**  
(45) Registration Date: **13 October 2010**  
(56) Related Art Documents: **Not Applicable**  
(57) Statement of Newness and Distinctiveness: **Newness and distinctiveness is claimed in those visual features depicted in unbroken lines.**



(19) AU

- (21) Design Number: **13915/2010**
- (22) Date of Filing Application: **10 September 2010**
- (24) Date from which industrial property rights may have effect: **10 September 2010**
- (54) Product in respect of which the design is registered: **Writing instrument**
- (51) International Design Classification: **19-06**
- (71) Name(s) and Address(s) of Applicant(s):  
**Sanford, L.P.**  
**2707 Butterfield Road Suite 100 Oak Brook IL 60523 United States of America**
- (72) Name(s) of Designer(s): **Matthew J. Gerules and Carmen Lira-Nunez**
- (45) Registration Date: **06 October 2010**
- (30) Convention priority data:

(31) Number	(32) Date	(33) Country
<b>29/359,415</b>	<b>09 Apr 2010</b>	<b>UNITED STATES OF AMERICA</b>
- (56) Related Art Documents: **Not Applicable**
- (57) Statement of Newness and Distinctiveness: **Nil**



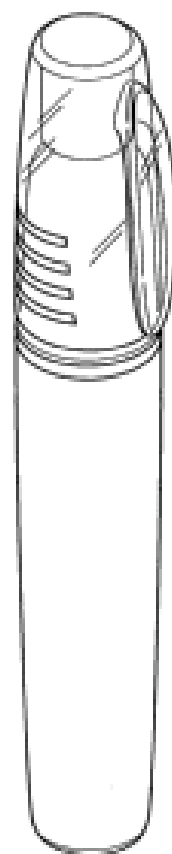
(19) AU

- (21) Design Number: **13916/2010**
- (22) Date of Filing Application: **10 September 2010**
- (24) Date from which industrial property rights may have effect: **10 September 2010**
- (54) Product in respect of which the design is registered: **Writing instrument**
- (51) International Design Classification: **19-06**
- (71) Name(s) and Address(s) of Applicant(s):  
**Sanford, L.P.**  
**2707 Butterfield Road Suite 100 Oak Brook IL 60523 United States of America**
- (72) Name(s) of Designer(s): **Matthew J. Gerules and Carmen Lira-Nunez**
- (45) Registration Date: **06 October 2010**
- (30) Convention priority data:

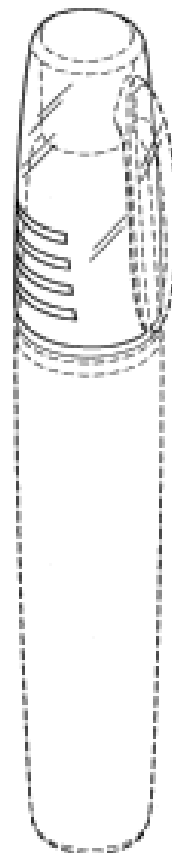
(31) Number	(32) Date	(33) Country
<b>29/359,415</b>	<b>09 Apr 2010</b>	<b>UNITED STATES OF AMERICA</b>
- (56) Related Art Documents: **Not Applicable**
- (57) Statement of Newness and Distinctiveness: **Nil**



(21) Design Number: **13917/2010**  
(22) Date of Filing Application: **10 September 2010**  
(24) Date from which industrial property rights may have effect: **10 September 2010**  
(54) Product in respect of which the design is registered: **Writing instrument**  
(51) International Design Classification: **19-06**  
(71) Name(s) and Address(s) of Applicant(s):  
**Sanford, L.P.**  
**2707 Butterfield Road Suite 100 Oak Brook IL 60523 United States of America**  
(72) Name(s) of Designer(s): **Matthew J. Gerules and Carmen Lira-Nunez**  
(45) Registration Date: **06 October 2010**  
(30) Convention priority data:  
(31) Number      (32) Date      (33) Country  
**29/359,408      09 Apr 2010      UNITED STATES OF AMERICA**  
(56) Related Art Documents: **Not Applicable**  
(57) Statement of Newness and Distinctiveness: **Nil**



(21) Design Number: **13918/2010**  
(22) Date of Filing Application: **10 September 2010**  
(24) Date from which industrial property rights may have effect: **10 September 2010**  
(54) Product in respect of which the design is registered: **Writing instrument**  
(51) International Design Classification: **19-06**  
(71) Name(s) and Address(s) of Applicant(s):  
**Sanford, L.P.**  
**2707 Butterfield Road Suite 100 Oak Brook IL 60523 United States of America**  
(72) Name(s) of Designer(s): **Matthew J. Gerules and Carmen Lira-Nunez**  
(45) Registration Date: **06 October 2010**  
(30) Convention priority data:  
(31) Number      (32) Date      (33) Country  
**29/359,408      09 Apr 2010      UNITED STATES OF AMERICA**  
(56) Related Art Documents: **Not Applicable**  
(57) Statement of Newness and Distinctiveness: **Nil**



(21) Design Number: **13919/2010**  
(22) Date of Filing Application: **10 September 2010**  
(24) Date from which industrial property rights may have effect: **10 September 2010**  
(54) Product in respect of which the design is registered: **Toner cartridge**  
(51) International Design Classification: **14-02**  
(71) Name(s) and Address(s) of Applicant(s):

**Kyocera Mita Corporation**  
**2-28 1-Chome Tamatsukuri Chuo-ku Osaka 540-8585 Japan**

(72) Name(s) of Designer(s): **Koji Murata**

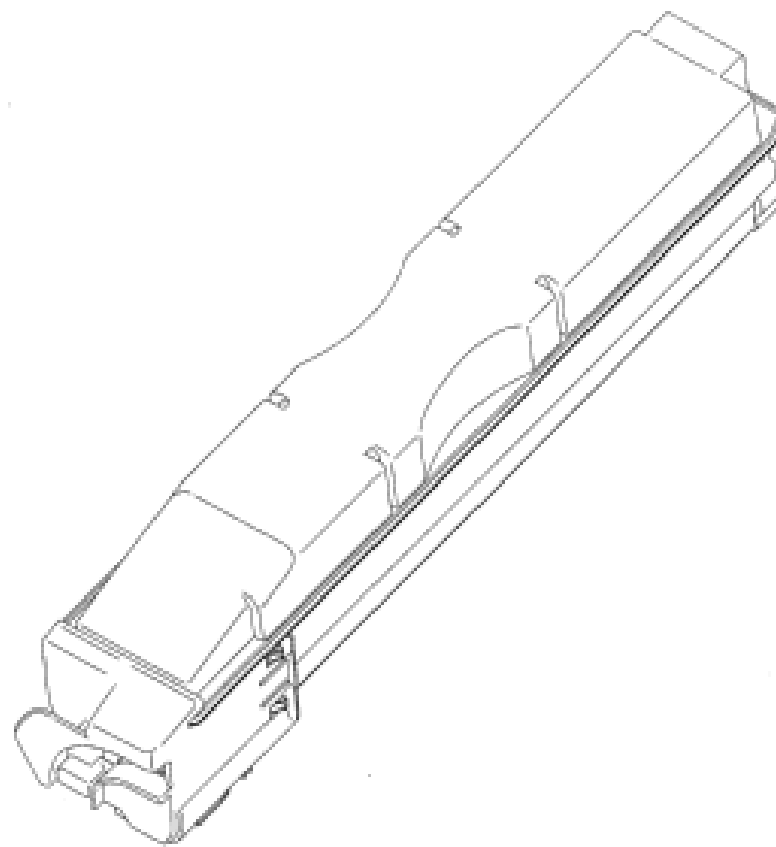
(45) Registration Date: **06 October 2010**

(30) Convention priority data:

(31) Number	(32) Date	(33) Country
<b>2010-006670</b>	<b>18 Mar 2010</b>	<b>JAPAN</b>

(56) Related Art Documents: **Not Applicable**

(57) Statement of Newness and Distinctiveness: **Nil**



(21) Design Number: **13921/2010**  
(22) Date of Filing Application: **10 September 2010**  
(24) Date from which industrial property rights may have effect: **10 September 2010**  
(54) Product in respect of which the design is registered: **Toner cartridge**  
(51) International Design Classification: **14-02**  
(71) Name(s) and Address(s) of Applicant(s):

**Kyocera Mita Corporation**  
**2-28 1-Chome Tamatsukuri Chuo-ku Osaka 540-8585 Japan**

(72) Name(s) of Designer(s): **Koji Murata**

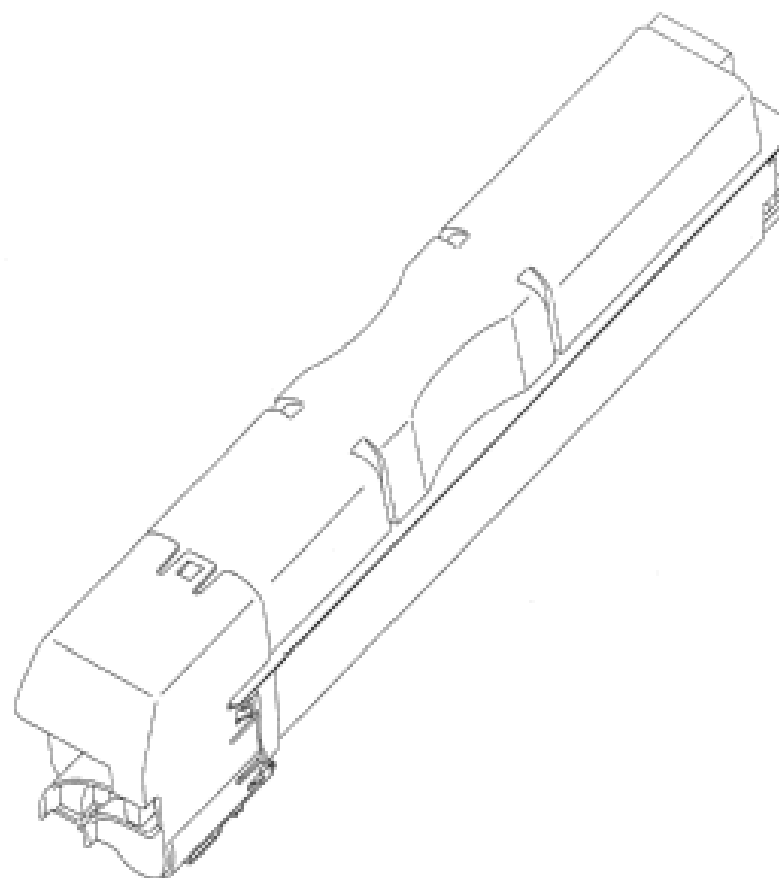
(45) Registration Date: **06 October 2010**

(30) Convention priority data:

(31) Number	(32) Date	(33) Country
<b>2010-006669</b>	<b>18 Mar 2010</b>	<b>JAPAN</b>

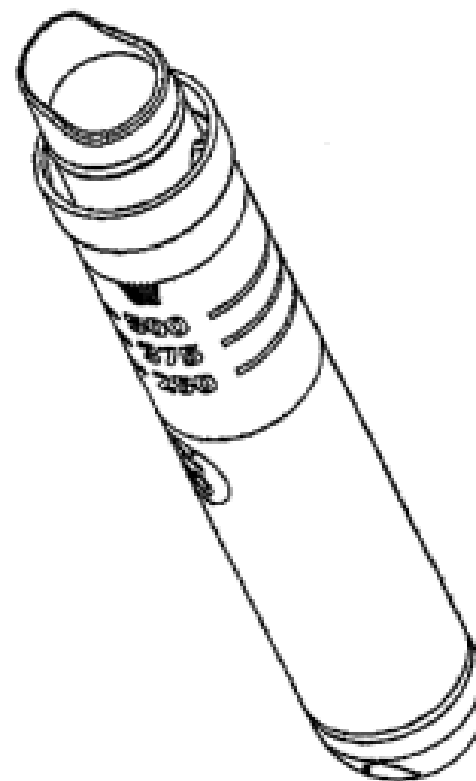
(56) Related Art Documents: **Not Applicable**

(57) Statement of Newness and Distinctiveness: **Nil**

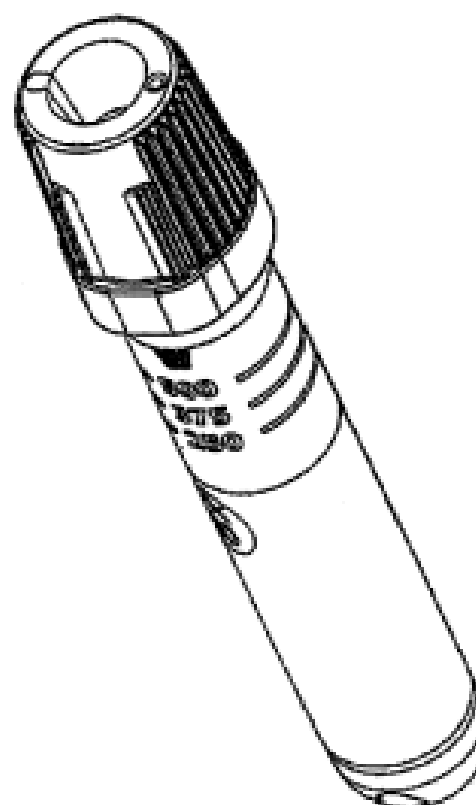




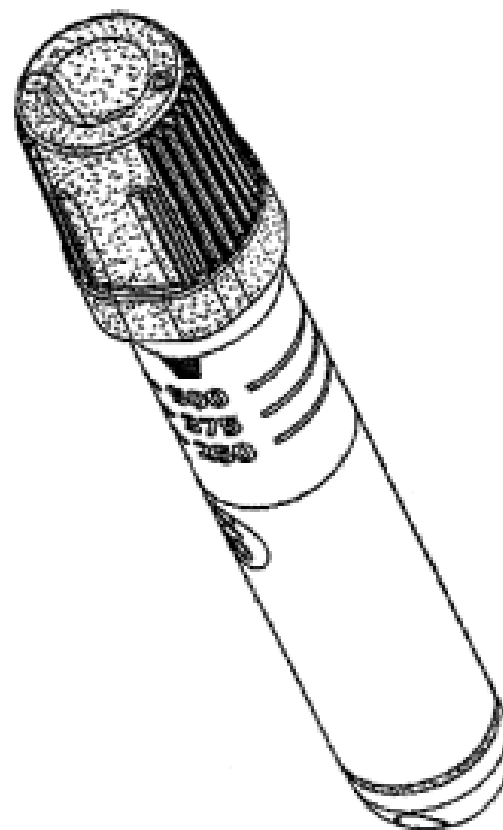
- (21) Design Number: **13142/2010**  
(22) Date of Filing Application: **26 July 2010**  
(24) Date from which industrial property rights may have effect: **26 July 2010**  
(54) Product in respect of which the design is registered: **Specimen collection container having a label**  
(51) International Design Classification: **24-01**  
(71) Name(s) and Address(s) of Applicant(s):  
**Becton, Dickinson and Company**  
**1 Becton Drive Franklin Lakes New Jersey 07417 United states of America**  
(72) Name(s) of Designer(s): **Laura Wilkinson**  
(45) Registration Date: **06 October 2010**  
(30) Convention priority data:  
(31) Number (32) Date (33) Country  
**29/354479 25 Jan 2010 UNITED STATES OF AMERICA**  
(56) Related Art Documents: **Not Applicable**  
(57) Statement of Newness and Distinctiveness: **Newness and distinctiveness reside in the shape and configuration of the design as shown in the representations.**



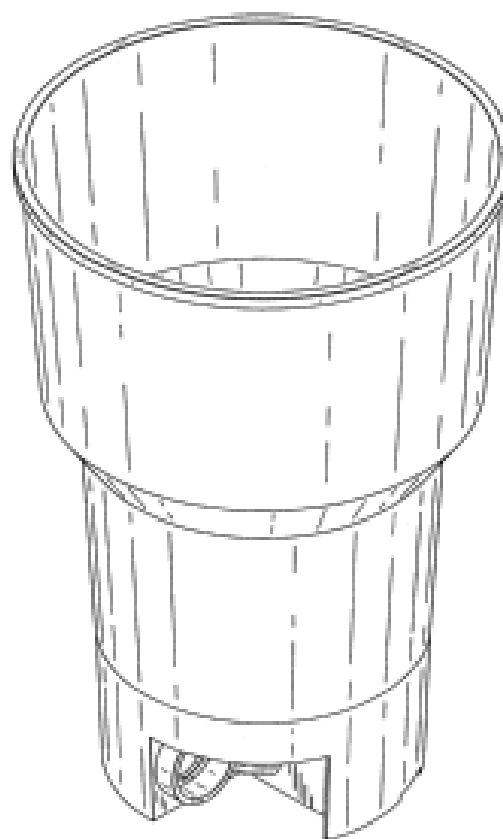
- (21) Design Number: **14159/2010**  
(22) Date of Filing Application: **26 July 2010**  
(24) Date from which industrial property rights may have effect: **26 July 2010**  
(54) Product in respect of which the design is registered: **Specimen collection container having a label**  
(51) International Design Classification: **24-01**  
(71) Name(s) and Address(s) of Applicant(s):  
**Becton, Dickinson and Company**  
**1 Becton Drive Franklin Lakes New Jersey 07417 United States of America**  
(72) Name(s) of Designer(s): **Laura Wilkinson**  
(45) Registration Date: **06 October 2010**  
(30) Convention priority data:  
(31) Number (32) Date (33) Country  
**29/354479 25 Jan 2010 UNITED STATES OF AMERICA**  
(56) Related Art Documents: **Not Applicable**  
(57) Statement of Newness and Distinctiveness: **Newness and distinctiveness reside in the shape and configuration of the design as shown in the representations.**



- (21) Design Number: **14160/2010**  
(22) Date of Filing Application: **26 July 2010**  
(24) Date from which industrial property rights may have effect: **26 July 2010**  
(54) Product in respect of which the design is registered: **Specimen collection container having a label**  
(51) International Design Classification: **24-01**  
(71) Name(s) and Address(s) of Applicant(s):  
**Becton, Dickinson and Company**  
**1 Becton Drive Franklin Lakes New Jersey 07417 United States of America**  
(72) Name(s) of Designer(s): **Laura Wilkinson**  
(45) Registration Date: **06 October 2010**  
(30) Convention priority data:  
(31) Number (32) Date (33) Country  
**29/354479 25 Jan 2010 UNITED STATES OF AMERICA**  
(56) Related Art Documents: **Not Applicable**  
(57) Statement of Newness and Distinctiveness: **Newness and distinctiveness reside in the shape and configuration of the design as shown in the representations.**



- (21) Design Number: **13652/2010**  
(22) Date of Filing Application: **25 August 2010**  
(24) Date from which industrial property rights may have effect: **25 August 2010**  
(54) Product in respect of which the design is registered: **Vessel**  
(51) International Design Classification: **07-01C**  
(71) Name(s) and Address(s) of Applicant(s):  
**Manitowoc Beverage Systems Ltd**  
**Chancel Way Halesowen Industrial Park West Midlands B62 8SE**  
**United Kingdom**  
(72) Name(s) of Designer(s): **Barry Fallon and Paul Hanniffy**  
(45) Registration Date: **06 October 2010**  
(30) Convention priority data:  
(31) Number (32) Date (33) Country  
**29/356,558 26 Feb 2010 UNITED STATES OF AMERICA**  
(56) Related Art Documents: **Not Applicable**  
(57) Statement of Newness and Distinctiveness: **The newness and distinctiveness of the design resides in the visual features of shape and/or configuration of a vessel as shown in the accompanying representations.**



(21) Design Number: **13923/2010**  
(22) Date of Filing Application: **10 September 2010**  
(24) Date from which industrial property rights may have effect: **10 September 2010**  
(54) Product in respect of which the design is registered: **Toner cartridge**  
(51) International Design Classification: **14-02**  
(71) Name(s) and Address(s) of Applicant(s):

**Kyocera Mita Corporation**  
**2-28 1-Chome Tamatsukuri Chuo-ku Osaka 540 8585 Japan**

(72) Name(s) of Designer(s): **Koji Murata**

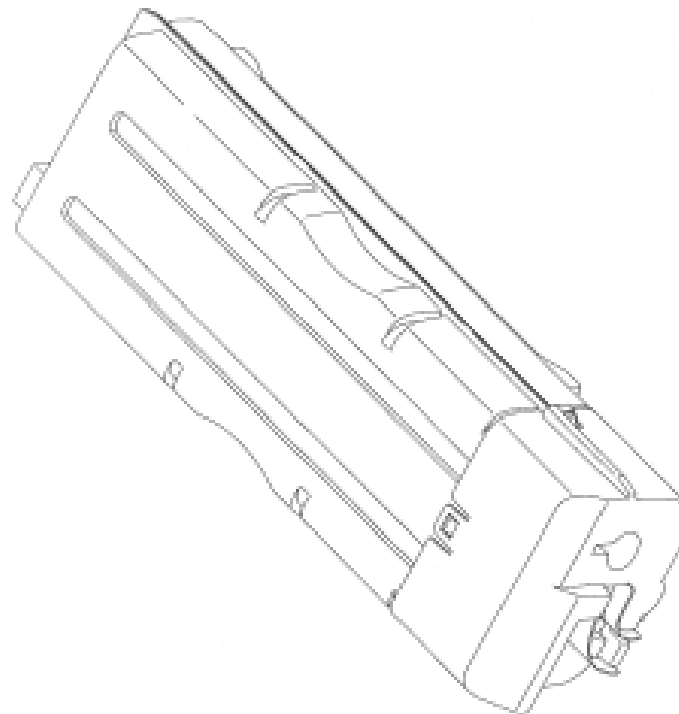
(45) Registration Date: **07 October 2010**

(30) Convention priority data:

(31) Number	(32) Date	(33) Country
<b>2010-006668</b>	<b>18 Mar 2010</b>	<b>JAPAN</b>

(56) Related Art Documents: **Not Applicable**

(57) Statement of Newness and Distinctiveness: **Nil**



(21) Design Number: **13924/2010**  
(22) Date of Filing Application: **10 September 2010**  
(24) Date from which industrial property rights may have effect: **10 September 2010**  
(54) Product in respect of which the design is registered: **Toner cartridge**  
(51) International Design Classification: **14-02**  
(71) Name(s) and Address(s) of Applicant(s):

**Kyocera Mita Corporation**  
**2-28 1-Chome Tamatsukuri Chuo-ku Osaka 540 8585 Japan**

(72) Name(s) of Designer(s): **Koji Murata**

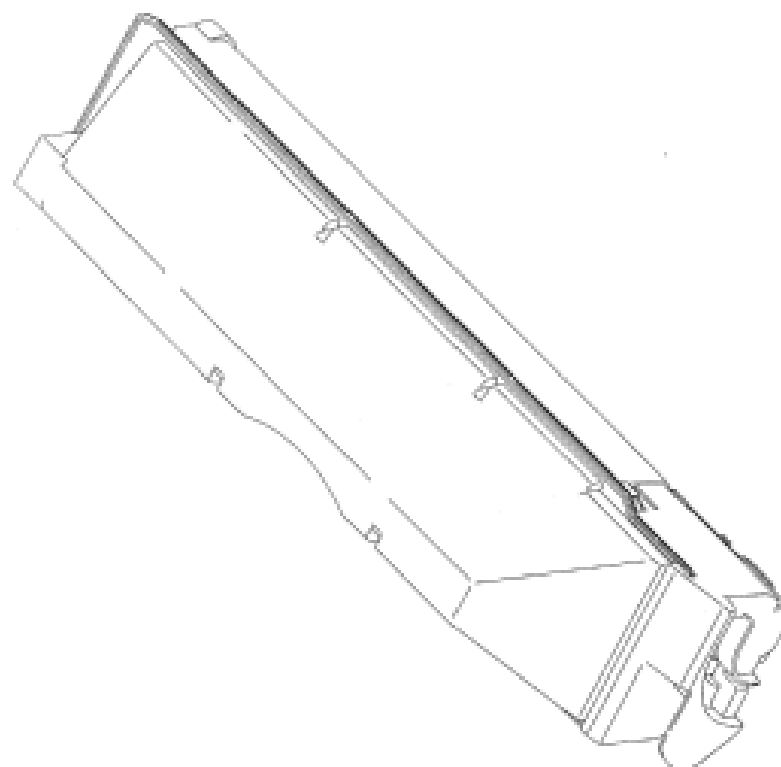
(45) Registration Date: **07 October 2010**

(30) Convention priority data:

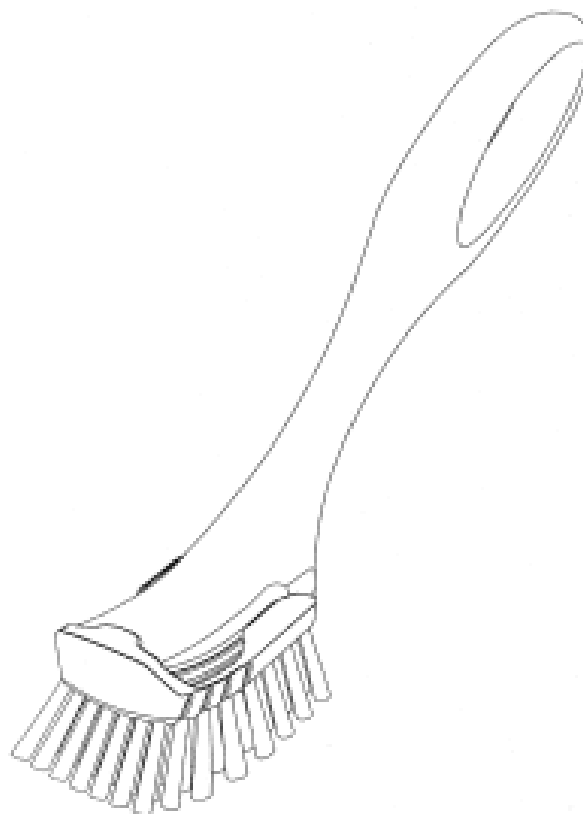
(31) Number	(32) Date	(33) Country
<b>2010-006667</b>	<b>18 Mar 2010</b>	<b>JAPAN</b>

(56) Related Art Documents: **Not Applicable**

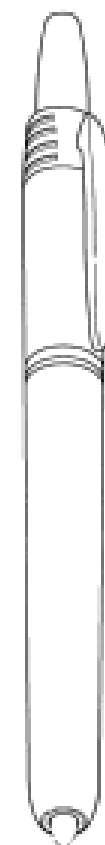
(57) Statement of Newness and Distinctiveness: **Nil**



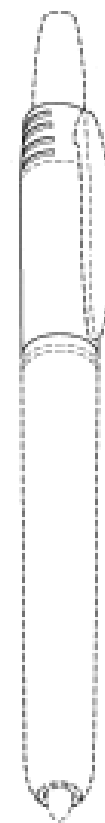
- (21) Design Number: **13925/2010**  
(22) Date of Filing Application: **10 September 2010**  
(24) Date from which industrial property rights may have effect: **10 September 2010**  
(54) Product in respect of which the design is registered: **Hand-held cleaning utensil**  
(51) International Design Classification: **04-01**  
(71) Name(s) and Address(s) of Applicant(s):  
**Easy-Do Products Limited**  
**Unitec House 2 Albert Place Finchley London N3 1QB United Kingdom**  
(72) Name(s) of Designer(s): **Cameron Treeby**  
(45) Registration Date: **07 October 2010**  
(30) Convention priority data:  
(31) Number (32) Date (33) Country  
**001746926 25 Aug 2010 EUROPEAN COMMUNITY**  
(56) Related Art Documents: **Not Applicable**  
(57) Statement of Newness and Distinctiveness: **Visual features of the design which are new and distinctive are the features of shape and configuration of hand-held cleaning utensil as illustrated in the representations.**



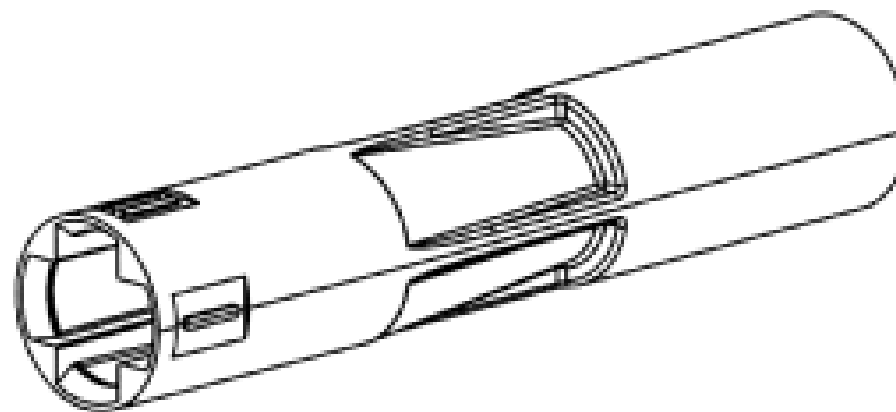
- (21) Design Number: **13926/2010**  
(22) Date of Filing Application: **10 September 2010**  
(24) Date from which industrial property rights may have effect: **10 September 2010**  
(54) Product in respect of which the design is registered: **Writing instrument**  
(51) International Design Classification: **19-06**  
(71) Name(s) and Address(s) of Applicant(s):  
**Sanford, L.P.**  
**2707 Butterfield Road Suite 100 Oak Brook IL 60523 United States of America**  
(72) Name(s) of Designer(s): **Matthew J. Gerules and Carmen Lira-Nunez**  
(45) Registration Date: **07 October 2010**  
(30) Convention priority data:  
(31) Number (32) Date (33) Country  
**29/359,418 09 Apr 2010 UNITED STATES OF AMERICA**  
(56) Related Art Documents: **Not Applicable**  
(57) Statement of Newness and Distinctiveness: **Nil**



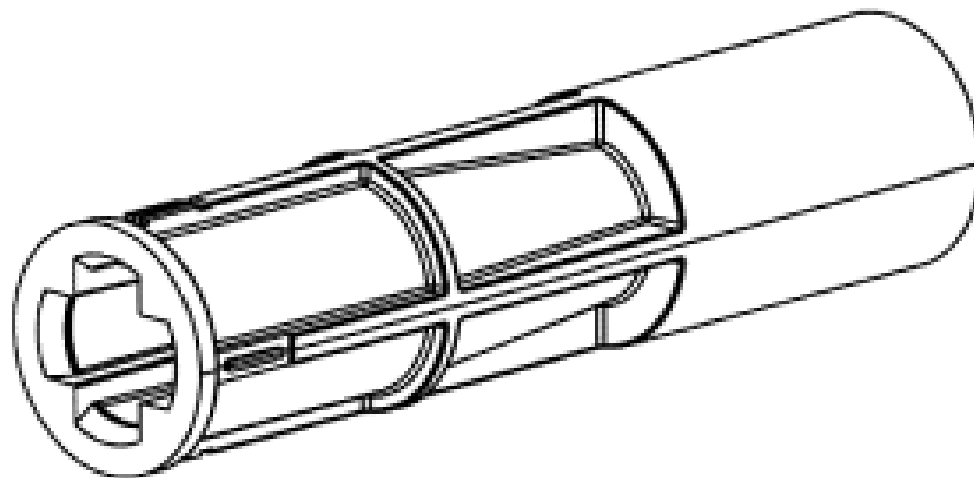
- (21) Design Number: **13927/2010**  
(22) Date of Filing Application: **10 September 2010**  
(24) Date from which industrial property rights may have effect: **10 September 2010**  
(54) Product in respect of which the design is registered: **Writing instrument**  
(51) International Design Classification: **19-06**  
(71) Name(s) and Address(s) of Applicant(s):  
**Sanford, L.P.**  
**2707 Butterfield Road Suite 100 Oak Brook IL 60523 United States of America**  
(72) Name(s) of Designer(s): **Matthew J. Gerules and Carmen Lira-Nunez**  
(45) Registration Date: **07 October 2010**  
(30) Convention priority data:  
(31) Number (32) Date (33) Country  
**29/359,418 09 Apr 2010 UNITED STATES OF AMERICA**  
(56) Related Art Documents: **Not Applicable**  
(57) Statement of Newness and Distinctiveness: **Nil**



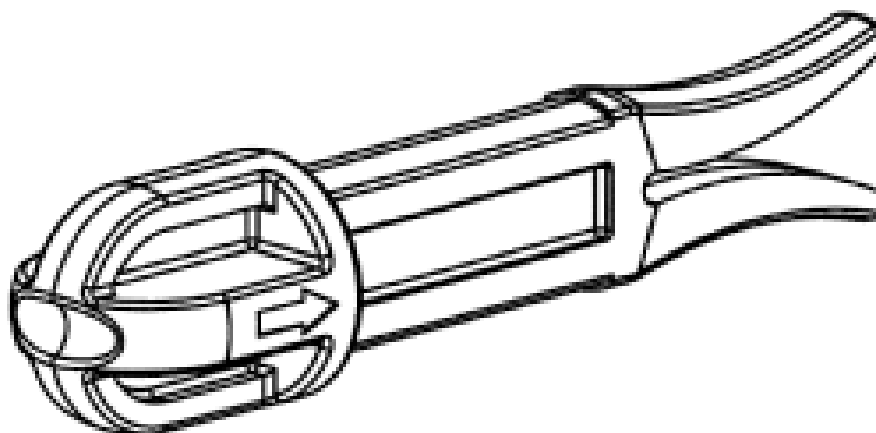
- (21) Design Number: **13928/2010**  
(22) Date of Filing Application: **09 September 2010**  
(24) Date from which industrial property rights may have effect: **09 September 2010**  
(54) Product in respect of which the design is registered: **Housing for a screen tensioning mechanism**  
(51) International Design Classification: **06-10**  
(71) Name(s) and Address(s) of Applicant(s):  
**Carmelo Joseph Licciardi Di Stefano**  
**110 Northcorp Boulevard Broadmeadows Victoria 3047 Australia**  
(72) Name(s) of Designer(s): **Carmelo Joseph Licciardi Di Stefano**  
(45) Registration Date: **07 October 2010**  
(56) Related Art Documents: **Not Applicable**  
(57) Statement of Newness and Distinctiveness: **Nil**



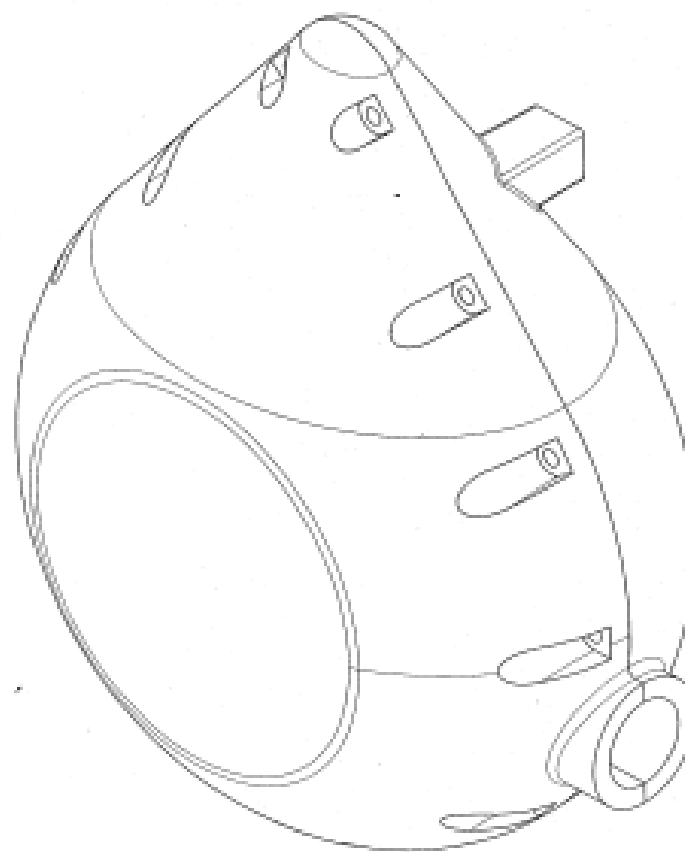
(21) Design Number: **13929/2010**  
(22) Date of Filing Application: **09 September 2010**  
(24) Date from which industrial property rights may have effect: **09 September 2010**  
(54) Product in respect of which the design is registered: **Housing for a screen tensioning mechanism**  
(51) International Design Classification: **06-10**  
(71) Name(s) and Address(s) of Applicant(s):  
**Carmelo Joseph Licciardi Di Stefano**  
**110 Northcorp Boulevard Broadmeadows Victoria 3047 Australia**  
(72) Name(s) of Designer(s): **Carmelo Joseph Licciardi Di Stefano**  
(45) Registration Date: **07 October 2010**  
(56) Related Art Documents: **Not Applicable**  
(57) Statement of Newness and Distinctiveness: **Nil**



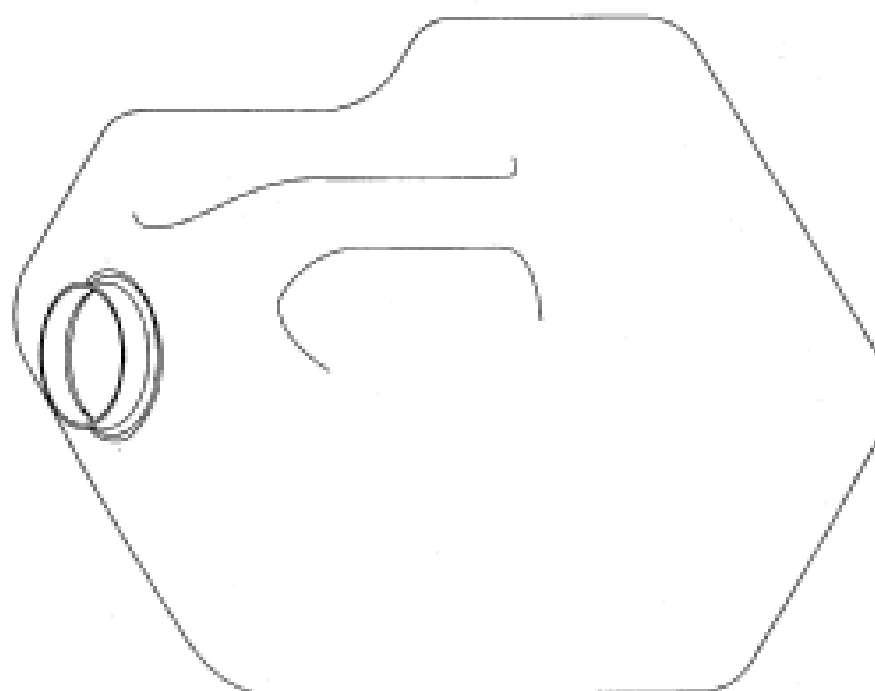
(21) Design Number: **13930/2010**  
(22) Date of Filing Application: **09 September 2010**  
(24) Date from which industrial property rights may have effect: **09 September 2010**  
(54) Product in respect of which the design is registered: **Screen tensioning mechanism**  
(51) International Design Classification: **06-10**  
(71) Name(s) and Address(s) of Applicant(s):  
**Carmelo Joseph Licciardi Di Stefano**  
**110 Northcorp Boulevard Broadmeadows Victoria 3047 Australia**  
(72) Name(s) of Designer(s): **Carmelo Joseph Licciardi Di Stefano**  
(45) Registration Date: **07 October 2010**  
(56) Related Art Documents: **Not Applicable**  
(57) Statement of Newness and Distinctiveness: **Nil**



- (21) Design Number: **13931/2010**  
(22) Date of Filing Application: **09 September 2010**  
(24) Date from which industrial property rights may have effect: **09 September 2010**  
(54) Product in respect of which the design is registered: **Valve enclosure**  
(51) International Design Classification: **23-01K**  
(71) Name(s) and Address(s) of Applicant(s):  
**Premier-Fosters (Australia) Pty Limited**  
**Unit 10/108 Old Pittwater Road Brookvale New South Wales 2100**  
**Australia**  
(72) Name(s) of Designer(s): **Geoffrey Fredrick Foster**  
(45) Registration Date: **07 October 2010**  
(56) Related Art Documents: **Not Applicable**  
(57) Statement of Newness and Distinctiveness: **Newness and distinctiveness is claimed in the features of shape and/or configuration of a valve enclosure as illustrated in the accompanying representations.**



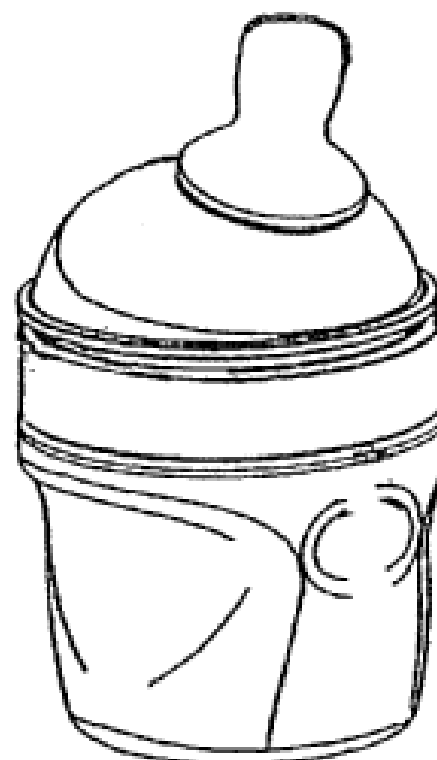
- (21) Design Number: **13932/2010**  
(22) Date of Filing Application: **09 September 2010**  
(24) Date from which industrial property rights may have effect: **09 September 2010**  
(54) Product in respect of which the design is registered: **Beverage container**  
(51) International Design Classification: **09-01B**  
(71) Name(s) and Address(s) of Applicant(s):  
**John Tsalkos**  
**32 Gadd Street Northcote Victoria 3070 Australia**  
(72) Name(s) of Designer(s): **John Tsalkos**  
(45) Registration Date: **07 October 2010**  
(56) Related Art Documents: **Not Applicable**  
(57) Statement of Newness and Distinctiveness: **Newness and distinctiveness reside in the features of the design as shown in the representations.**



(21) Design Number: **13944/2010**  
 (22) Date of Filing Application: **10 September 2010**  
 (24) Date from which industrial property rights may have effect: **10 September 2010**  
 (54) Product in respect of which the design is registered: **Bottle with nipple**  
 (51) International Design Classification: **07-01E**  
 (71) Name(s) and Address(s) of Applicant(s):  
**Medical Instill Technologies, Inc.**  
**201 Housatonic Avenue New Milford Connecticut 06776 United States of America**  
 (72) Name(s) of Designer(s): **Daniel Py**  
 (45) Registration Date: **07 October 2010**  
 (30) Convention priority data:  

(31) Number	(32) Date	(33) Country
<b>29/357,349</b>	<b>11 Mar 2010</b>	<b>UNITED STATES OF AMERICA</b>

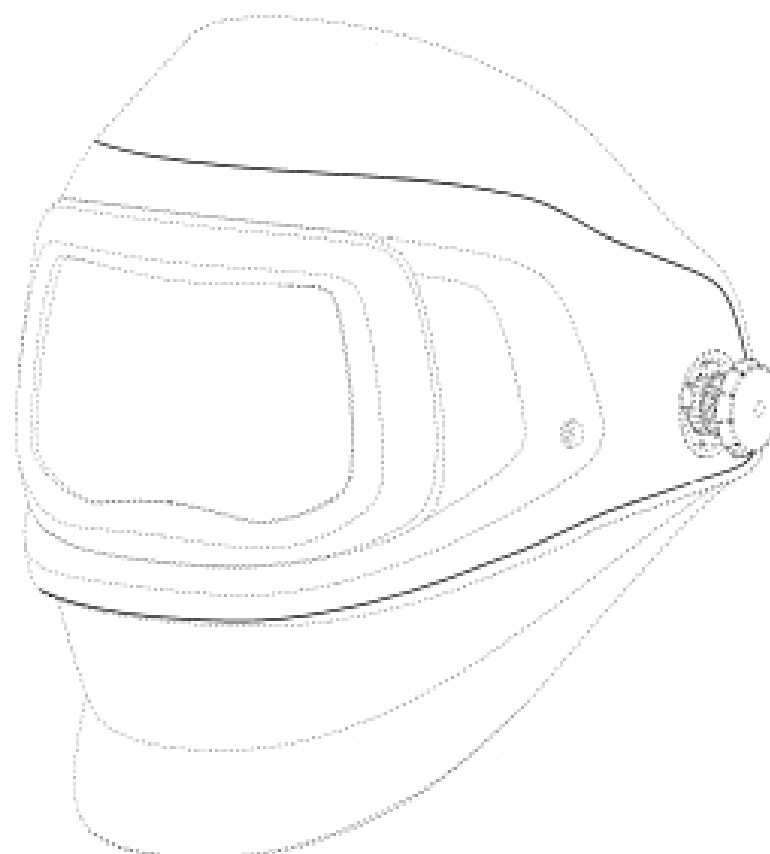
 (56) Related Art Documents: **Not Applicable**  
 (57) Statement of Newness and Distinctiveness: **The newness and distinctiveness of the design resides in the visual features of shape and/or configuration of a bottle with nipple as shown in the accompanying representations.**



(21) Design Number: **13945/2010**  
 (22) Date of Filing Application: **10 September 2010**  
 (24) Date from which industrial property rights may have effect: **10 September 2010**  
 (54) Product in respect of which the design is registered: **Welding helmet**  
 (51) International Design Classification: **02-03**  
 (71) Name(s) and Address(s) of Applicant(s):  
**3M Innovative Properties Company**  
**3M Center Saint Paul Minnesota 55133-3427 United States of America**  
 (72) Name(s) of Designer(s): **Oskar E. Juhlin and Martin L.E. Birath and Bjorn Daniels**  
 (45) Registration Date: **07 October 2010**  
 (30) Convention priority data:  

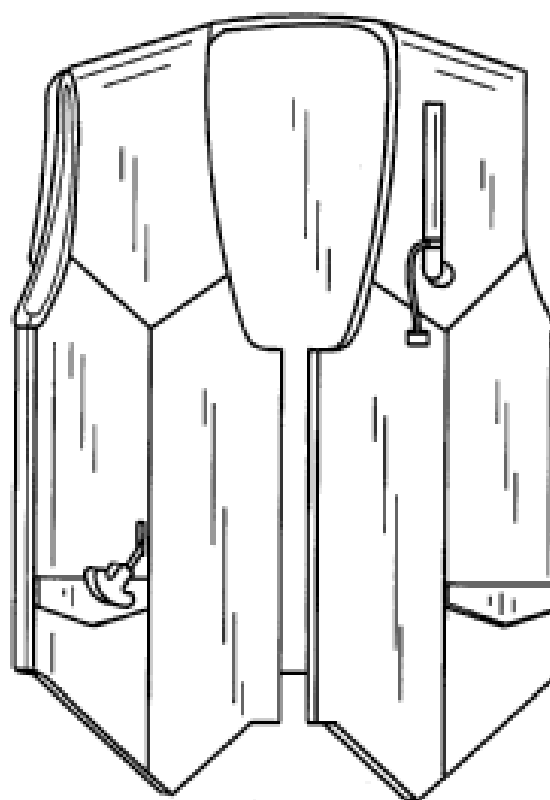
(31) Number	(32) Date	(33) Country
<b>001200901</b>	<b>10 Mar 2010</b>	<b>EUROPEAN COMMUNITY</b>

 (56) Related Art Documents: **Not Applicable**  
 (57) Statement of Newness and Distinctiveness: **Newness and distinctiveness resides in the features of shape and/or configuration of a welding helmet having a contour as shown in solid outline in the accompanying representations.**





- (21) Design Number: **13948/2010**  
(22) Date of Filing Application: **10 September 2010**  
(24) Date from which industrial property rights may have effect: **10 September 2010**  
(54) Product in respect of which the design is registered: **Flotation vest**  
(51) International Design Classification: **29-02**  
(71) Name(s) and Address(s) of Applicant(s):  
**Samuel Wahnnon**  
**3230 E. Flamingo Road #16 Las Vegas Nevada 89121 United States of America**  
(72) Name(s) of Designer(s): **Samuel Wahnnon**  
(45) Registration Date: **07 October 2010**  
(30) Convention priority data:  
(31) Number (32) Date (33) Country  
**29/368462 24 Aug 2010 UNITED STATES OF AMERICA**  
(56) Related Art Documents: **Not Applicable**  
(57) Statement of Newness and Distinctiveness: **Newness and distinctiveness resides in the features of shape and/or configuration of a flotation vest as illustrated in the accompanying representations.**



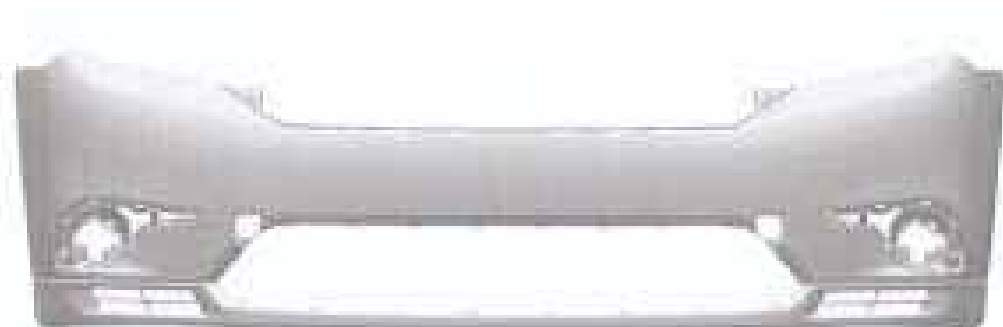
- (21) Design Number: **12129/2010**  
(22) Date of Filing Application: **26 May 2010**  
(24) Date from which industrial property rights may have effect: **26 May 2010**  
(54) Product in respect of which the design is registered: **Rear combination lamp for an automobile**  
(51) International Design Classification: **26-06**  
(71) Name(s) and Address(s) of Applicant(s):  
**Toyota Jidosha Kabushiki Kaisha**  
**1 Toyota-cho Toyota-shi Aichi-ken 471-8571 Japan**  
(72) Name(s) of Designer(s): **Matthew Sperling and Aaron Park and Peter Kim**  
(45) Registration Date: **13 October 2010**  
(56) Related Art Documents: **Not Applicable**  
(57) Statement of Newness and Distinctiveness: **Newness and distinctiveness is claimed in the features of shape and/or configuration of a rear combination lamp for an automobile as illustrated in the accompanying representations.**



- (21) Design Number: **12130/2010**  
(22) Date of Filing Application: **26 May 2010**  
(24) Date from which industrial property rights may have effect: **26 May 2010**  
(54) Product in respect of which the design is registered: **Front combination lamp for an automobile**  
(51) International Design Classification: **26-06**  
(71) Name(s) and Address(s) of Applicant(s):  
**Toyota Jidosha Kabushiki Kaisha**  
**1 Toyota-cho Toyota-shi Aichi-ken 471-8571 Japan**  
(72) Name(s) of Designer(s): **Matthew Sperling and Peter Kim and Jason Keenan**  
(45) Registration Date: **13 October 2010**  
(56) Related Art Documents: **Not Applicable**  
(57) Statement of Newness and Distinctiveness: **Newness and distinctiveness is claimed in the features of shape and/or configuration of a front combination lamp for an automobile as illustrated in the accompanying representations.**



- (21) Design Number: **12131/2010**  
(22) Date of Filing Application: **26 May 2010**  
(24) Date from which industrial property rights may have effect: **26 May 2010**  
(54) Product in respect of which the design is registered: **Front bumper for an automobile**  
(51) International Design Classification: **12-16C**  
(71) Name(s) and Address(s) of Applicant(s):  
**Toyota Jidosha Kabushiki Kaisha**  
**1 Toyota-cho Toyota-shi Aichi-ken 471-8571 Japan**  
(72) Name(s) of Designer(s): **Matthew Sperling and Peter Kim and Chung Lee**  
(45) Registration Date: **13 October 2010**  
(56) Related Art Documents: **Not Applicable**  
(57) Statement of Newness and Distinctiveness: **Newness and distinctiveness is claimed in the features of shape and/or configuration of a front bumper for an automobile as illustrated in the accompanying representations.**



(21) Design Number: **13934/2010**  
(22) Date of Filing Application: **10 September 2010**  
(24) Date from which industrial property rights may have effect: **10 September 2010**  
(54) Product in respect of which the design is registered: **Stroller**  
(51) International Design Classification: **12-12**  
(71) Name(s) and Address(s) of Applicant(s):  
**Royalty Bugaboo GmbH**  
**Schmidgasse 3 Zug 6300 Switzerland**  
(72) Name(s) of Designer(s): **Max Barenbrug**  
(45) Registration Date: **13 October 2010**  
(30) Convention priority data:  
(31) Number      (32) Date      (33) Country  
**001229868      13 Aug 2010      EUROPEAN COMMUNITY**  
(56) Related Art Documents: **Not Applicable**  
(57) Statement of Newness and Distinctiveness: **Nil**



(21) Design Number: **13935/2010**  
(22) Date of Filing Application: **10 September 2010**  
(24) Date from which industrial property rights may have effect: **10 September 2010**  
(54) Product in respect of which the design is registered: **Stroller**  
(51) International Design Classification: **12-12**  
(71) Name(s) and Address(s) of Applicant(s):  
**Royalty Bugaboo GmbH**  
**Schmidgasse 3 Zug 6300 Switzerland**  
(72) Name(s) of Designer(s): **Max Barenbrug**  
(45) Registration Date: **13 October 2010**  
(30) Convention priority data:  
(31) Number      (32) Date      (33) Country  
**001229868      13 Aug 2010      EUROPEAN COMMUNITY**  
(56) Related Art Documents: **Not Applicable**  
(57) Statement of Newness and Distinctiveness: **Nil**



(21) Design Number: **13936/2010**  
(22) Date of Filing Application: **10 September 2010**  
(24) Date from which industrial property rights may have effect: **10 September 2010**  
(54) Product in respect of which the design is registered: **Stroller**  
(51) International Design Classification: **12-12**  
(71) Name(s) and Address(s) of Applicant(s):  
**Royalty Bugaboo GmbH**  
**Schmidgasse 3 Zug 6300 Switzerland**  
(72) Name(s) of Designer(s): **Max Barenbrug**  
(45) Registration Date: **13 October 2010**  
(30) Convention priority data:  
(31) Number      (32) Date      (33) Country  
**001229868      13 Aug 2010      EUROPEAN COMMUNITY**  
(56) Related Art Documents: **Not Applicable**  
(57) Statement of Newness and Distinctiveness: **Nil**



(21) Design Number: **13937/2010**  
(22) Date of Filing Application: **10 September 2010**  
(24) Date from which industrial property rights may have effect: **10 September 2010**  
(54) Product in respect of which the design is registered: **Stroller**  
(51) International Design Classification: **12-12**  
(71) Name(s) and Address(s) of Applicant(s):  
**Royalty Bugaboo GmbH**  
**Schmidgasse 3 Zug 6300 Switzerland**  
(72) Name(s) of Designer(s): **Max Barenbrug**  
(45) Registration Date: **13 October 2010**  
(30) Convention priority data:  
(31) Number      (32) Date      (33) Country  
**001229868      13 Aug 2010      EUROPEAN COMMUNITY**  
(56) Related Art Documents: **Not Applicable**  
(57) Statement of Newness and Distinctiveness: **Nil**



- (21) Design Number: **10802/2010**  
(22) Date of Filing Application: **09 March 2010**  
(24) Date from which industrial property rights may have effect: **09 March 2010**  
(54) Product in respect of which the design is registered: **Top**  
(51) International Design Classification: **02-02NES**  
(71) Name(s) and Address(s) of Applicant(s):  
**Beba Enterprises Pty Ltd**  
**34 Garden Street South Yarra Victoria 3141 Australia**  
(72) Name(s) of Designer(s): **Arthur Soetedja**  
(45) Registration Date: **08 October 2010**  
(56) Related Art Documents: **Not Applicable**  
(57) Statement of Newness and Distinctiveness: **Nil**



- (21) Design Number: **12134/2010**  
(22) Date of Filing Application: **26 May 2010**  
(24) Date from which industrial property rights may have effect: **26 May 2010**  
(54) Product in respect of which the design is registered: **Automobile**  
(51) International Design Classification: **12-08**  
(71) Name(s) and Address(s) of Applicant(s):  
**Toyota Jidosha Kabushiki Kaisha**  
**1 Toyota-cho Toyota-shi Aichi-ken 471-8571 Japan**  
(72) Name(s) of Designer(s): **Matthew Sperling and Peter Kim and Chung Lee**  
(45) Registration Date: **08 October 2010**  
(56) Related Art Documents: **Not Applicable**  
(57) Statement of Newness and Distinctiveness: **Newness and distinctiveness is claimed in the features of shape and/or configuration of an automobile as illustrated in the accompanying representations.**



- (21) Design Number: **12135/2010**  
(22) Date of Filing Application: **26 May 2010**  
(24) Date from which industrial property rights may have effect: **26 May 2010**  
(54) Product in respect of which the design is registered: **Automobile**  
(51) International Design Classification: **12-08**  
(71) Name(s) and Address(s) of Applicant(s):  
**Toyota Jidosha Kabushiki Kaisha**  
**1 Toyota-cho Toyota-shi Aichi-ken 471-8571 Japan**  
(72) Name(s) of Designer(s): **Matthew Sperling and Miljan Jevremovic and Peter Kim**  
(45) Registration Date: **08 October 2010**  
(56) Related Art Documents: **Not Applicable**  
(57) Statement of Newness and Distinctiveness: **Newness and distinctiveness is claimed in the features of shape and/or configuration of an automobile as illustrated in the accompanying representations.**



- (21) Design Number: **12136/2010**  
(22) Date of Filing Application: **26 May 2010**  
(24) Date from which industrial property rights may have effect: **26 May 2010**  
(54) Product in respect of which the design is registered: **Front grille for an automobile**  
(51) International Design Classification: **12-16B**  
(71) Name(s) and Address(s) of Applicant(s):  
**Toyota Jidosha Kabushiki Kaisha**  
**1 Toyota-cho Toyota-shi Aichi-ken 471-8571 Japan**  
(72) Name(s) of Designer(s): **Matthew Sperling and Peter Kim and Chung Lee**  
(45) Registration Date: **08 October 2010**  
(56) Related Art Documents: **Not Applicable**  
(57) Statement of Newness and Distinctiveness: **Newness and distinctiveness is claimed in the features of shape and/or configuration of a front grille for an automobile illustrated in the accompanying representations.**





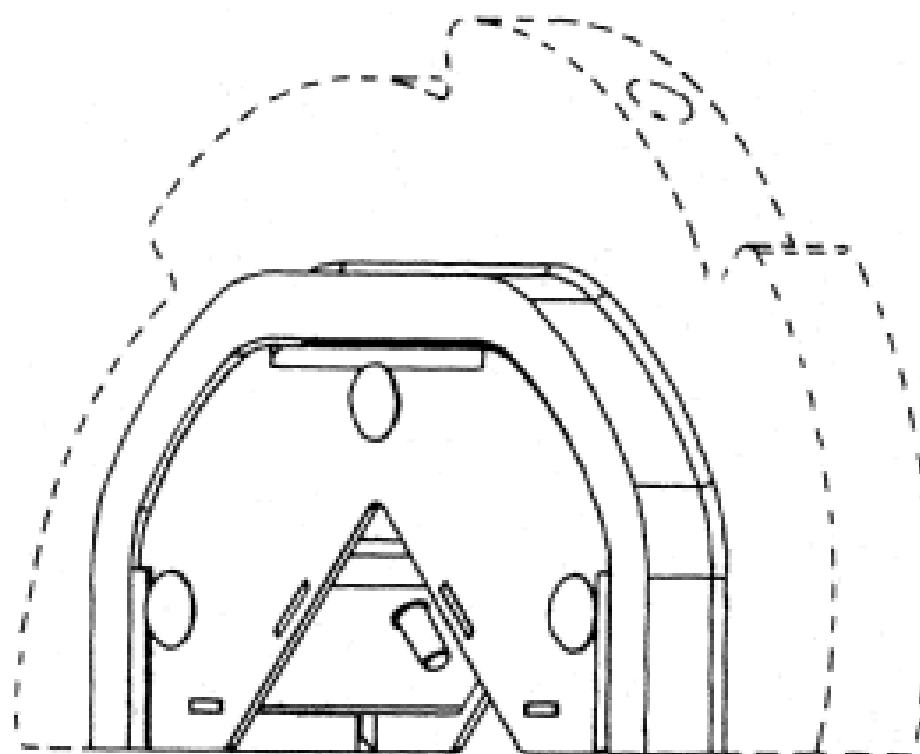
- (21) Design Number: **12137/2010**  
(22) Date of Filing Application: **26 May 2010**  
(24) Date from which industrial property rights may have effect: **26 May 2010**  
(54) Product in respect of which the design is registered: **Front grille for an automobile**  
(51) International Design Classification: **12-16B**  
(71) Name(s) and Address(s) of Applicant(s):  
**Toyota Jidosha Kabushiki Kaisha**  
**1 Toyota-cho Toyota-shi Aichi-ken 471-8571 Japan**  
(72) Name(s) of Designer(s): **Matthew Sperling and Miljan Jevremovic and Peter Kim**  
(45) Registration Date: **08 October 2010**  
(56) Related Art Documents: **Not Applicable**  
(57) Statement of Newness and Distinctiveness: **Newness and distinctiveness is claimed in the features of shape and/or configuration of a front grille for an automobile as illustrated in the accompanying representations.**



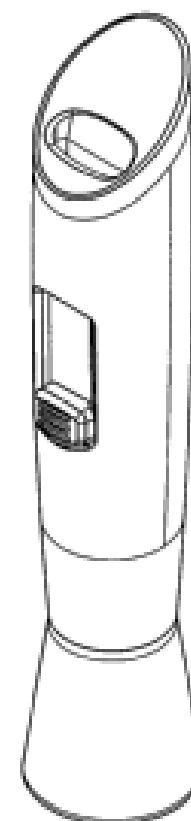
- (21) Design Number: **12138/2010**  
(22) Date of Filing Application: **26 May 2010**  
(24) Date from which industrial property rights may have effect: **26 May 2010**  
(54) Product in respect of which the design is registered: **Front bumper for an automobile**  
(51) International Design Classification: **12-16C**  
(71) Name(s) and Address(s) of Applicant(s):  
**Toyota Jidosha Kabushiki Kaisha**  
**1 Toyota-cho Toyota-shi Aichi-ken 471-8571 Japan**  
(72) Name(s) of Designer(s): **Matthew Sperling and Miljan Jevremovic and Peter Kim**  
(45) Registration Date: **08 October 2010**  
(56) Related Art Documents: **Not Applicable**  
(57) Statement of Newness and Distinctiveness: **Newness and distinctiveness is claimed in the features of shape and/or configuration of a front bumper for an automobile as illustrated in the accompanying representations.**



- (21) Design Number: **12708/2010**  
(22) Date of Filing Application: **30 June 2010**  
(24) Date from which industrial property rights may have effect: **30 June 2010**  
(54) Product in respect of which the design is registered: **Disc member for a waste recycling apparatus**  
(51) International Design Classification: **15-99**  
(71) Name(s) and Address(s) of Applicant(s):  
**Tulip Corporation Pty Ltd**  
**1 Apollo Drive Hallam Victoria 3803 Australia**  
(72) Name(s) of Designer(s): **Mitchell Jim**  
(45) Registration Date: **08 October 2010**  
(56) Related Art Documents: **Not Applicable**  
(57) Statement of Newness and Distinctiveness: **Newness and distinctiveness reside in the features of the design as shown in the representations. In considering the newness and distinctiveness of the design features shown in broken lines are to be disregarded.**

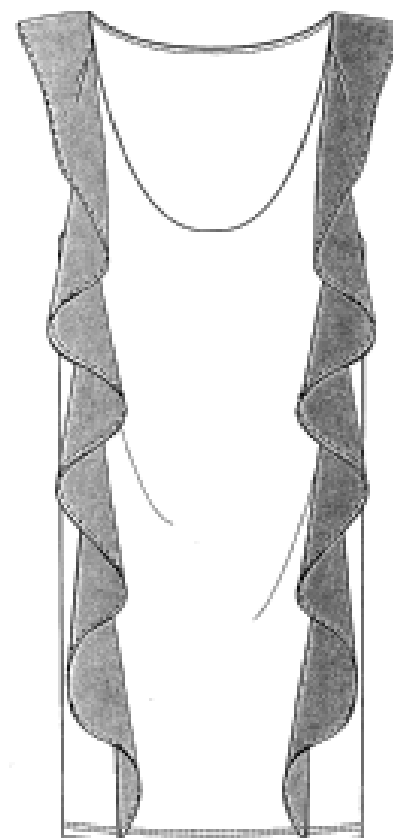


- (21) Design Number: **13667/2010**  
(22) Date of Filing Application: **24 August 2010**  
(24) Date from which industrial property rights may have effect: **24 August 2010**  
(54) Product in respect of which the design is registered: **Nail care device**  
(51) International Design Classification: **28-03NES**  
(71) Name(s) and Address(s) of Applicant(s):  
**LRC Products Limited**  
**35 New Bridge Street London EC4V 6BW United Kingdom**  
(72) Name(s) of Designer(s): **Mark Armstrong and Tim Corvin**  
(45) Registration Date: **08 October 2010**  
(30) Convention priority data:  
(31) Number (32) Date (33) Country  
**001201628-0001 26 Feb 2010 EUROPEAN COMMUNITY**  
(56) Related Art Documents: **Not Applicable**  
(57) Statement of Newness and Distinctiveness: **Nil**





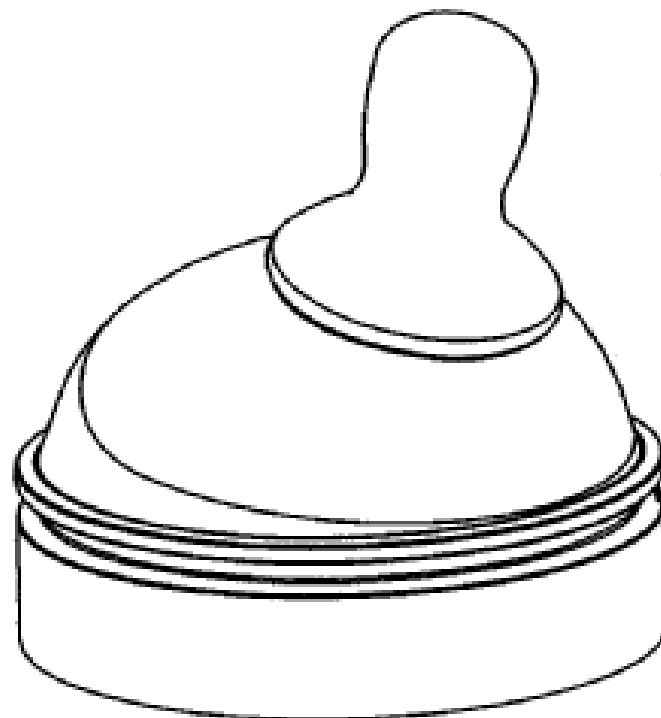
- (21) Design Number: **13946/2010**
- (22) Date of Filing Application: **09 March 2010**
- (24) Date from which industrial property rights may have effect: **09 March 2010**
- (54) Product in respect of which the design is registered: **Dress**
- (51) International Design Classification: **02-02C**
- (71) Name(s) and Address(s) of Applicant(s):  
**Beba Enterprises Pty Ltd**  
**34 Garden Street South Yarra Victoria 3141 Australia**
- (72) Name(s) of Designer(s): **Arthur Soetedja**
- (45) Registration Date: **08 October 2010**
- (56) Related Art Documents: **Not Applicable**
- (57) Statement of Newness and Distinctiveness: **Nil**



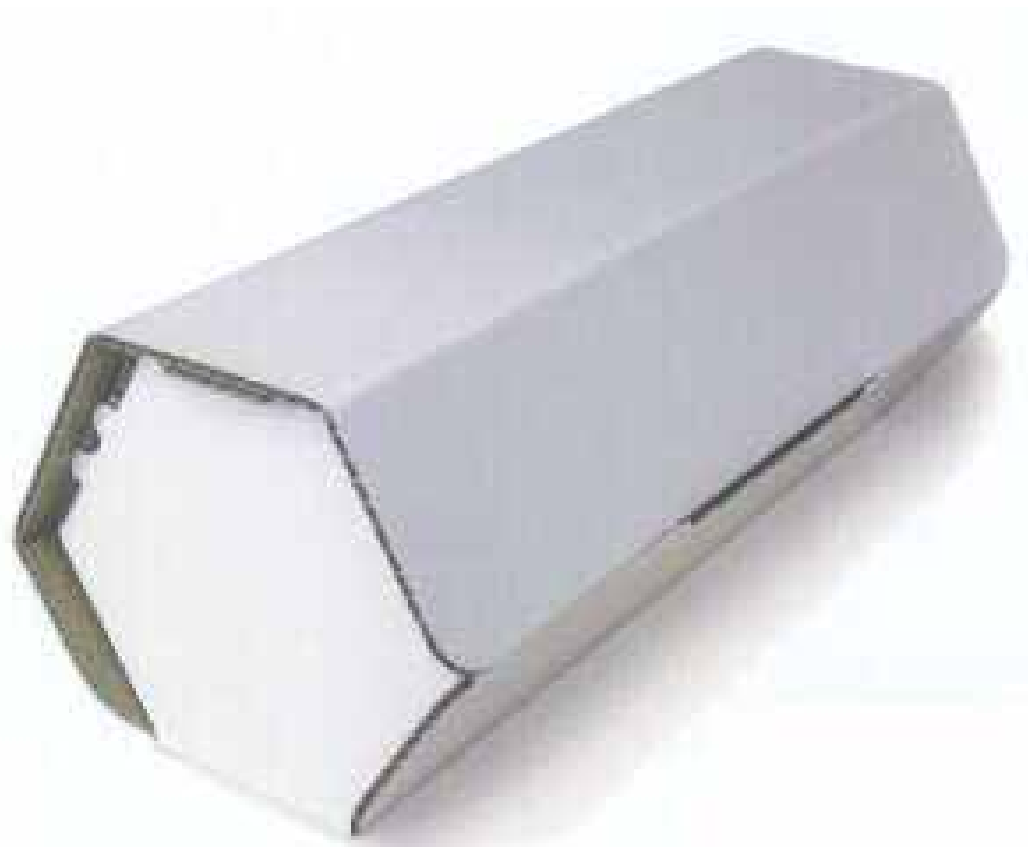
- (21) Design Number: **13947/2010**
- (22) Date of Filing Application: **09 March 2010**
- (24) Date from which industrial property rights may have effect: **09 March 2010**
- (54) Product in respect of which the design is registered: **Top**
- (51) International Design Classification: **02-02NES**
- (71) Name(s) and Address(s) of Applicant(s):  
**Beba Enterprises Pty Ltd**  
**34 Garden Street South Yarra Victoria 3141 Australia**
- (72) Name(s) of Designer(s): **Arthur Soetedja**
- (45) Registration Date: **08 October 2010**
- (56) Related Art Documents: **Not Applicable**
- (57) Statement of Newness and Distinctiveness: **Nil**



- (21) Design Number: **13979/2010**  
(22) Date of Filing Application: **13 September 2010**  
(24) Date from which industrial property rights may have effect: **13 September 2010**  
(54) Product in respect of which the design is registered: **Bottle closure with nipple**  
(51) International Design Classification: **07-01E**  
(71) Name(s) and Address(s) of Applicant(s):  
**Medical Instill Technologies, Inc.**  
**201 Housatonic Avenue New Milford Connecticut 06776 United States of America**  
(72) Name(s) of Designer(s): **Daniel Py**  
(45) Registration Date: **08 October 2010**  
(30) Convention priority data:  
(31) Number (32) Date (33) Country  
**29/357,349 11 Mar 2010 UNITED STATES OF AMERICA**  
(56) Related Art Documents: **Not Applicable**  
(57) Statement of Newness and Distinctiveness: **The newness and distinctiveness of the design resides in the visual features of shape and/or configuration of a bottle closure with nipple substantially as shown in solid lines in the accompanying representations.**



- (21) Design Number: **10342/2010**  
(22) Date of Filing Application: **02 February 2010**  
(24) Date from which industrial property rights may have effect: **02 February 2010**  
(54) Product in respect of which the design is registered: **Packaging for a bottle**  
(51) International Design Classification: **09-03L**  
(71) Name(s) and Address(s) of Applicant(s):  
**Studio Periscope Pty Ltd**  
**Level 2 29 Crossley Street Melbourne Victoria 3000 Australia**  
(72) Name(s) of Designer(s): **Lisa Oaten and Claire Selby**  
(45) Registration Date: **11 October 2010**  
(56) Related Art Documents: **Not Applicable**  
(57) Statement of Newness and Distinctiveness: **1. This packaging solution to transport a bottle through the post, takes the form of an extruded hexagon. 2. This post-safe packaging solution to transport a bottle is produced from a one piece configuration of flat sheet material. 3. It contains a window for viewing the bottle behind an opening cover. 4. The front opening cover folds backwards, with a fastening tab device, for viewing or displaying the bottle through the window. 5. The suspension mechanisms at each end that secure the bottle at the base and neck, are connected to the main body of the package and are all formed from folding the one single flat sheet.**



(21) Design Number: **13694/2010**

(22) Date of Filing Application: **27 August 2010**

(24) Date from which industrial property rights may have effect: **27 August 2010**

(54) Product in respect of which the design is registered: **Bracelet and zipper fastening aid**

(51) International Design Classification: **02-07A**

(71) Name(s) and Address(s) of Applicant(s):

**Barbara Coleman**

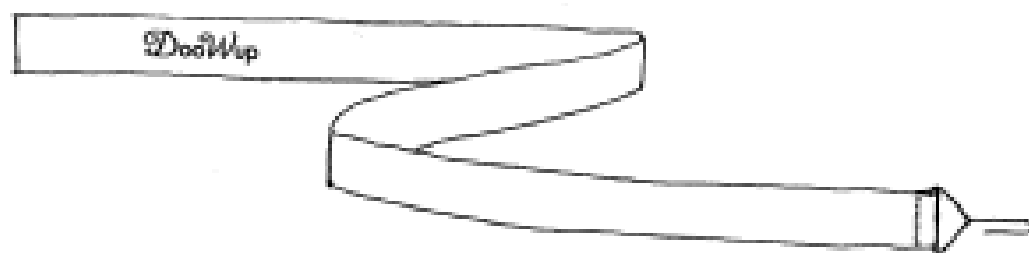
**21 Gidgee Mews Clifton Springs Victoria 3222 Australia**

(72) Name(s) of Designer(s): **Barbara Coleman**

(45) Registration Date: **11 October 2010**

(56) Related Art Documents: **Not Applicable**

(57) Statement of Newness and Distinctiveness: **Flexible strap, may be a single color or printed with a graphic. Shape of the hook (for ease of operation) is a new and original design.**



(21) Design Number: **13955/2010**

(22) Date of Filing Application: **10 September 2010**

(24) Date from which industrial property rights may have effect: **10 September 2010**

(54) Product in respect of which the design is registered: **Protector of constant cross-section and indefinite length**

(51) International Design Classification: **25-01K**

(71) Name(s) and Address(s) of Applicant(s):

**APC Group Pty Ltd**

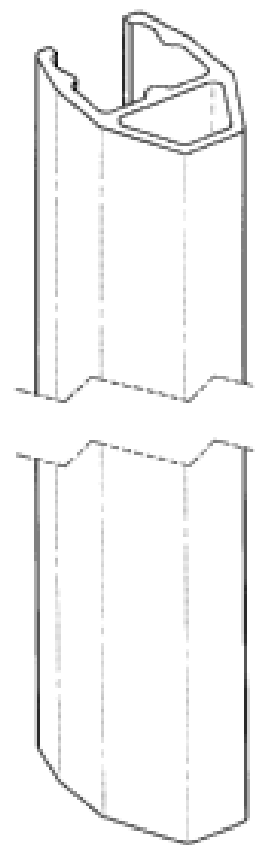
**5 Hanwell Way Bassendean Western Australia 6054 Australia**

(72) Name(s) of Designer(s): **John Rayner**

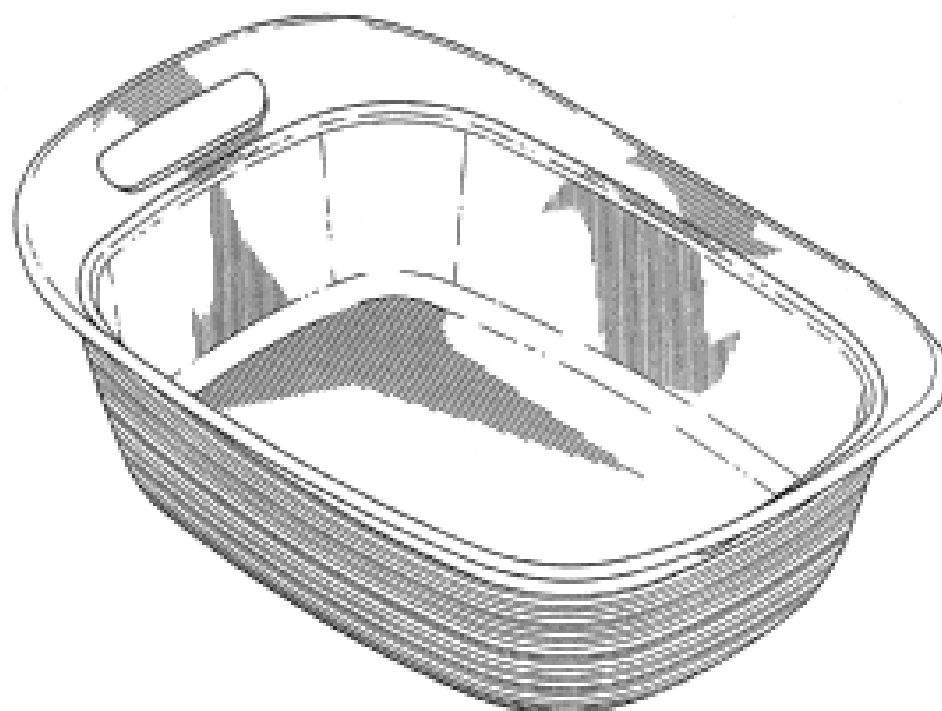
(45) Registration Date: **11 October 2010**

(56) Related Art Documents: **Not Applicable**

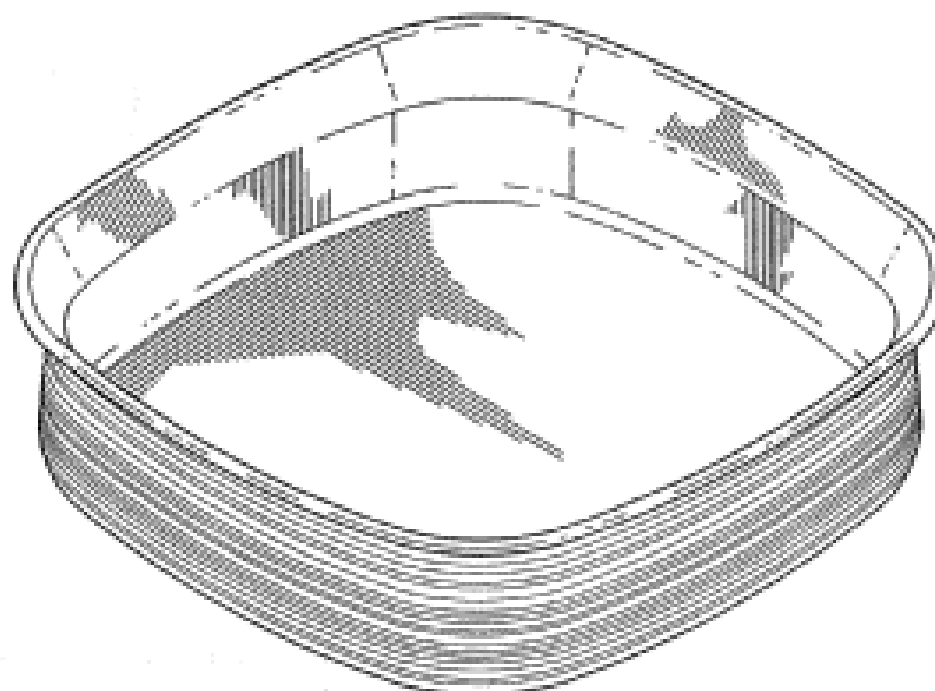
(57) Statement of Newness and Distinctiveness: **Newness and distinctiveness are claimed in respect of the features of shape and configuration of a protector of constant cross-section and indefinite length as depicted in the accompanying representations.**



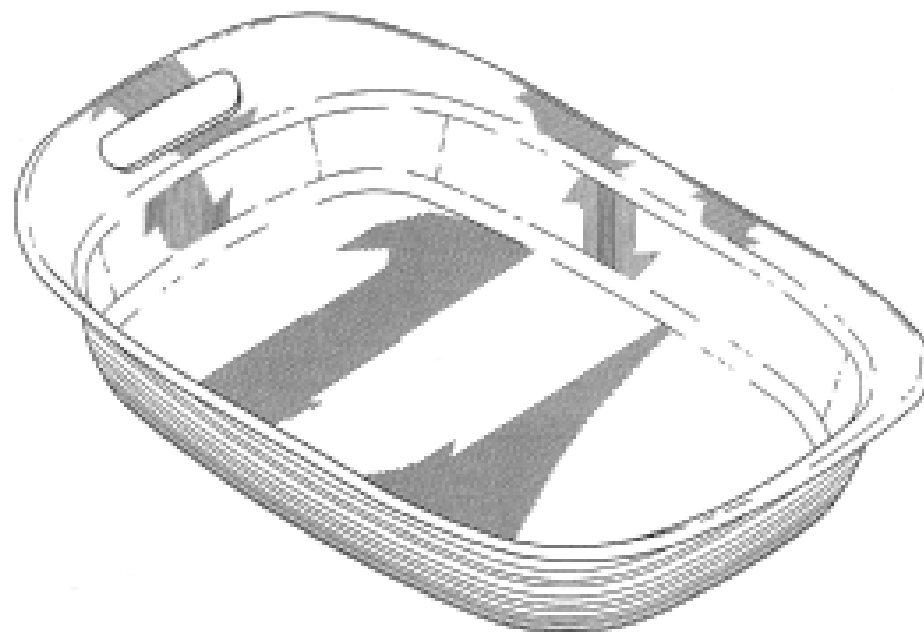
- (21) Design Number: **13956/2010**  
(22) Date of Filing Application: **10 September 2010**  
(24) Date from which industrial property rights may have effect: **10 September 2010**  
(54) Product in respect of which the design is registered: **Casserole dish**  
(51) International Design Classification: **07-02N**  
(71) Name(s) and Address(s) of Applicant(s):  
**WKI Holding Company, Inc.**  
**5500 North Pearl Street Suite 400 Rosemont Illinois 60018 United States of America**  
(72) Name(s) of Designer(s): **Deborah A. Green-Cotton and Huang BaoHua and Courtney Marsala and Shannon Colleen Fong and Erica Eden Cohen and John Thomas Jacobsen and Davin Stowell**  
(45) Registration Date: **11 October 2010**  
(30) Convention priority data:  
(31) Number (32) Date (33) Country  
**29/357527 12 Mar 2010 UNITED STATES OF AMERICA**  
(56) Related Art Documents: **Not Applicable**  
(57) Statement of Newness and Distinctiveness: **Newness and distinctiveness is claimed in the features of shape and/or configuration of a casserole dish as illustrated in the accompanying representations.**



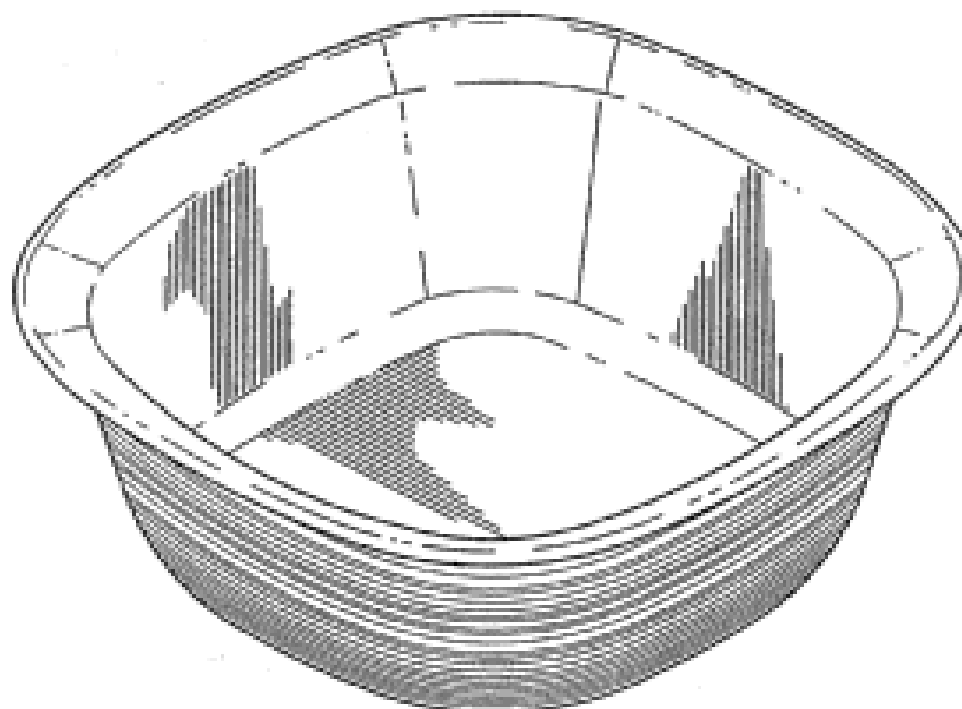
- (21) Design Number: **13957/2010**  
(22) Date of Filing Application: **10 September 2010**  
(24) Date from which industrial property rights may have effect: **10 September 2010**  
(54) Product in respect of which the design is registered: **Baking dish**  
(51) International Design Classification: **07-02N**  
(71) Name(s) and Address(s) of Applicant(s):  
**WKI Holding Company, Inc.**  
**5500 North Pearl Street Suite 400 Rosemont Illinois 60018 United States of America**  
(72) Name(s) of Designer(s): **Deborah A. Green-Cotton and Huang BaoHua and Courtney Marsala and Shannon Colleen Fong and Erica Eden Cohen and John Thomas Jacobsen and Davin Stowell**  
(45) Registration Date: **11 October 2010**  
(30) Convention priority data:  
(31) Number (32) Date (33) Country  
**29/357519 12 Mar 2010 UNITED STATES OF AMERICA**  
(56) Related Art Documents: **Not Applicable**  
(57) Statement of Newness and Distinctiveness: **Newness and distinctiveness is claimed in the features of shape and/or configuration of a baking dish as illustrated in the accompanying representations.**



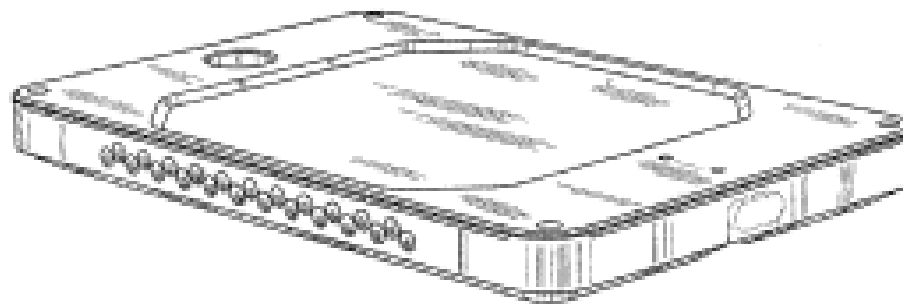
- (21) Design Number: **13958/2010**  
(22) Date of Filing Application: **10 September 2010**  
(24) Date from which industrial property rights may have effect: **10 September 2010**  
(54) Product in respect of which the design is registered: **Casserole dish**  
(51) International Design Classification: **07-02N**  
(71) Name(s) and Address(s) of Applicant(s):  
**WKI Holding Company, Inc.**  
**5500 North Pearl Street Suite 400 Rosemont Illinois 60018 United States of America**  
(72) Name(s) of Designer(s): **Deborah A. Green-Cotton and Huang BaoHua and Courtney Marsala and Shannon Colleen Fong and Erica Eden Cohen and John Thomas Jacobsen and Davin Stowell**  
(45) Registration Date: **11 October 2010**  
(30) Convention priority data:  
(31) Number (32) Date (33) Country  
**29/357525 12 Mar 2010 UNITED STATES OF AMERICA**  
(56) Related Art Documents: **Not Applicable**  
(57) Statement of Newness and Distinctiveness: **Newness and distinctiveness is claimed in the features of shape and/or configuration of a casserole dish as illustrated in the accompanying representations.**



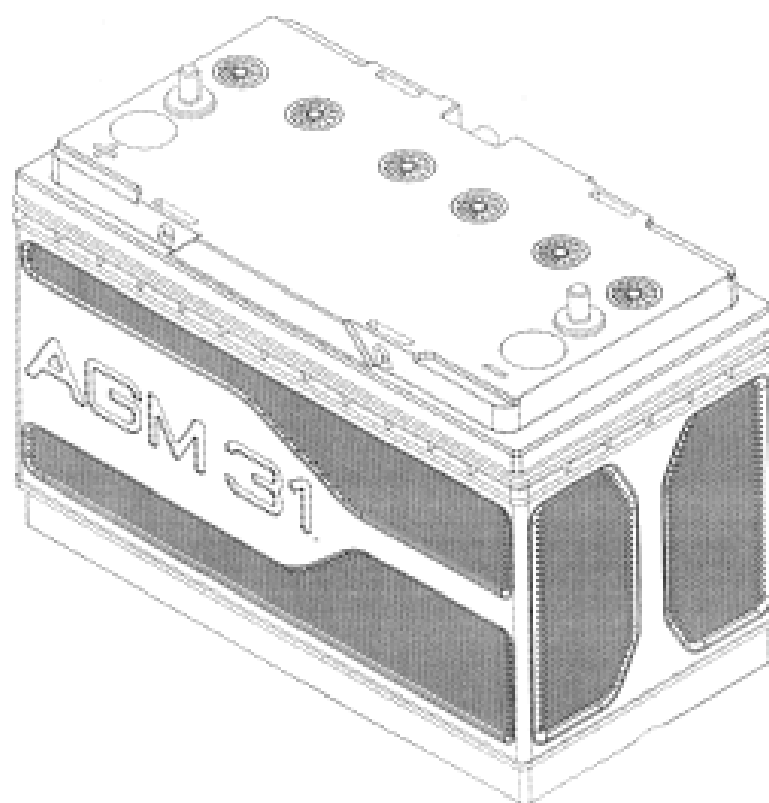
- (21) Design Number: **13959/2010**  
(22) Date of Filing Application: **10 September 2010**  
(24) Date from which industrial property rights may have effect: **10 September 2010**  
(54) Product in respect of which the design is registered: **Bowl**  
(51) International Design Classification: **07-02N**  
(71) Name(s) and Address(s) of Applicant(s):  
**WKI Holding Company, Inc.**  
**5500 North Pearl Street Suite 400 Rosemont Illinois 60018 United States of America**  
(72) Name(s) of Designer(s): **Deborah A. Green-Cotton and Huang BaoHua and Courtney Marsala and Shannon Colleen Fong and Erica Eden Cohen and John Thomas Jacobsen and Davin Stowell**  
(45) Registration Date: **11 October 2010**  
(30) Convention priority data:  
(31) Number (32) Date (33) Country  
**29/357522 12 Mar 2010 UNITED STATES OF AMERICA**  
(56) Related Art Documents: **Not Applicable**  
(57) Statement of Newness and Distinctiveness: **Newness and distinctiveness is claimed in the features of shape and/or configuration of a bowl as illustrated in the accompanying representations.**



(21) Design Number: **13960/2010**  
(22) Date of Filing Application: **10 September 2010**  
(24) Date from which industrial property rights may have effect: **10 September 2010**  
(54) Product in respect of which the design is registered: **Personal solar charger**  
(51) International Design Classification: **23-03D**  
(71) Name(s) and Address(s) of Applicant(s):  
**Solar Components LLC**  
**1725 South Bascom Avenue Suite 216 Campbell California 95008**  
**United States of America**  
(72) Name(s) of Designer(s): **Melvin James Bullen**  
(45) Registration Date: **11 October 2010**  
(30) Convention priority data:  
(31) Number (32) Date (33) Country  
**29/357339 10 Mar 2010 UNITED STATES OF AMERICA**  
(56) Related Art Documents: **Not Applicable**  
(57) Statement of Newness and Distinctiveness: **Newness and distinctiveness is claimed in the features of shape and/or configuration of a personal solar charger as illustrated in the accompanying representations.**



(21) Design Number: **13961/2010**  
(22) Date of Filing Application: **10 September 2010**  
(24) Date from which industrial property rights may have effect: **10 September 2010**  
(54) Product in respect of which the design is registered: **Battery**  
(51) International Design Classification: **13-02**  
(71) Name(s) and Address(s) of Applicant(s):  
**Johnson Controls Technology Company**  
**912 East 32nd Street Holland Michigan 49423 United States of America**  
(72) Name(s) of Designer(s): **Robert J. Mack and Glenn W. Anderson**  
(45) Registration Date: **11 October 2010**  
(30) Convention priority data:  
(31) Number (32) Date (33) Country  
**29/357402 11 Mar 2010 UNITED STATES OF AMERICA**  
(56) Related Art Documents: **Not Applicable**  
(57) Statement of Newness and Distinctiveness: **Newness and distinctiveness is claimed in the features of shape and/or configuration of a battery illustrated in continuous lines in the accompanying representations.**



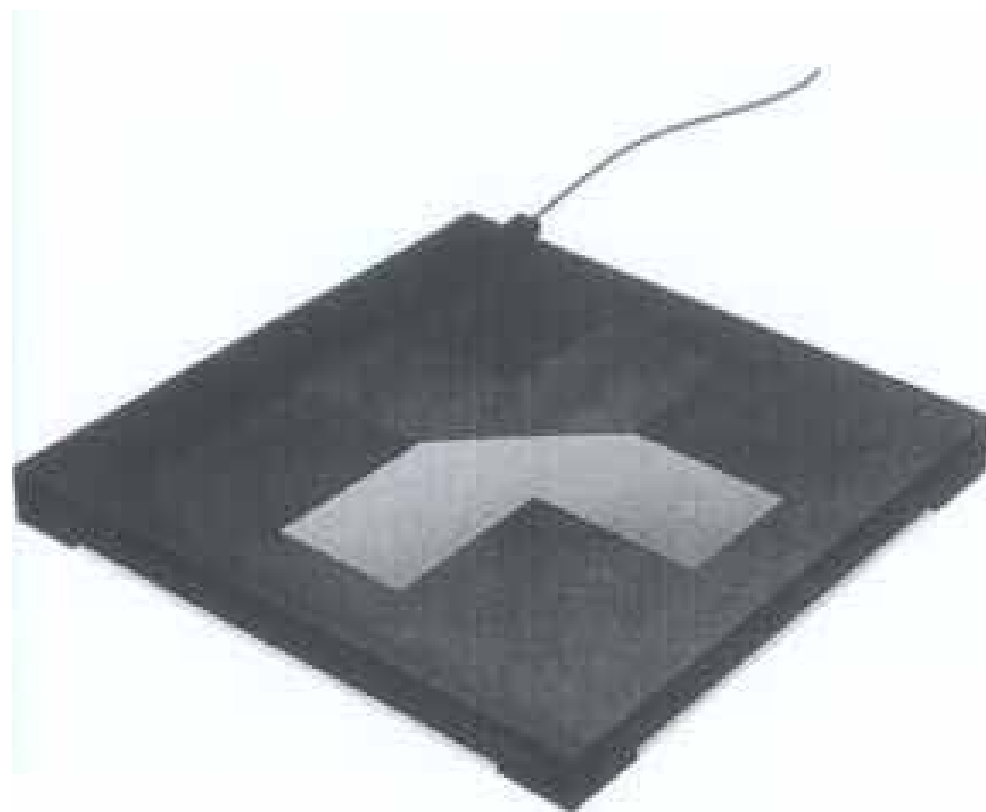
- (21) Design Number: **13974/2010**  
(22) Date of Filing Application: **13 September 2010**  
(24) Date from which industrial property rights may have effect: **13 September 2010**  
(54) Product in respect of which the design is registered: **Driving light for vehicles**  
(51) International Design Classification: **26-06**  
(71) Name(s) and Address(s) of Applicant(s):  
**FYRLYT Pty Ltd**  
**C/- Johnston Grocke Level 1 225 Greenhill Road Dulwich South Australia 5065 Australia**  
(72) Name(s) of Designer(s): **Paul Alisaukas and Kenneth David Holmes**  
(45) Registration Date: **11 October 2010**  
(56) Related Art Documents: **Not Applicable**  
(57) Statement of Newness and Distinctiveness: **Newness and distinctiveness resides in the features of shape and/or configuration of a driving light as illustrated in the accompanying representations.**



- (21) Design Number: **13727/2010**  
(22) Date of Filing Application: **30 August 2010**  
(24) Date from which industrial property rights may have effect: **30 August 2010**  
(54) Product in respect of which the design is registered: **Decoder modem telecommunication apparatus**  
(51) International Design Classification: **14-03NES**  
(71) Name(s) and Address(s) of Applicant(s):  
**CANAL+ DISTRIBUTION**  
**1 Place du Spectacle 92130 Issy Les Moulineaux France**  
(72) Name(s) of Designer(s): **Yves Behar**  
(45) Registration Date: **08 October 2010**  
(30) Convention priority data:  

(31) Number	(32) Date	(33) Country
<b>10/1153</b>	<b>02 Mar 2010</b>	<b>FRANCE</b>

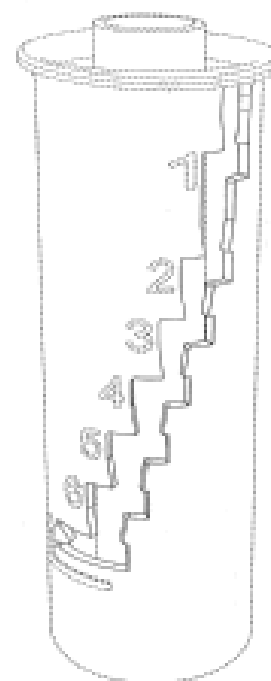
  
(56) Related Art Documents: **Not Applicable**  
(57) Statement of Newness and Distinctiveness: **Nil**



(21) Design Number: **13728/2010**  
(22) Date of Filing Application: **30 August 2010**  
(24) Date from which industrial property rights may have effect: **30 August 2010**  
(54) Product in respect of which the design is registered: **Remote control**  
(51) International Design Classification: **14-03NES**  
(71) Name(s) and Address(s) of Applicant(s):  
**CANAL+ DISTRIBUTION**  
**1 Place du Spectacle 92130 Issy Les Moulineaux France**  
(72) Name(s) of Designer(s): **Yves Behar**  
(45) Registration Date: **08 October 2010**  
(30) Convention priority data:  
(31) Number (32) Date (33) Country  
**10/1153 02 Mar 2010 FRANCE**  
(56) Related Art Documents: **Not Applicable**  
(57) Statement of Newness and Distinctiveness: **Nil**

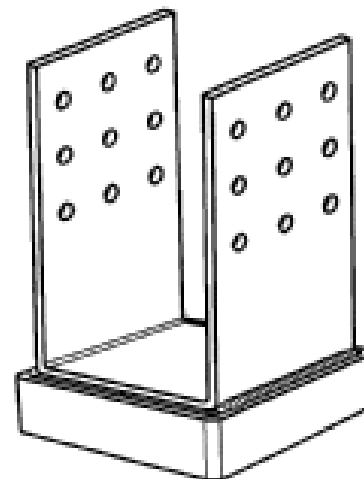


(21) Design Number: **13938/2010**  
(22) Date of Filing Application: **10 September 2010**  
(24) Date from which industrial property rights may have effect: **10 September 2010**  
(54) Product in respect of which the design is registered: **Dispenser for self-adhesive products**  
(51) International Design Classification: **23-02A**  
(71) Name(s) and Address(s) of Applicant(s):  
**S. C. Johnson & Son, Inc.**  
**1525 Howe Street Racine Wisconsin 53403-2236 United States of America**  
(72) Name(s) of Designer(s): **Jeffrey A. Schultz and Michael E. Klinkhammer and Steven A. Zach and Russell B. Wortley and William J. Rice and Doraiswami Jaichandra and Mark D. Duennes and Keith C. Kristiansen and Jeffrey E. Butler Jr. and Thomas Van Dyk and David A. Demar and Roland Charriez and John Kiely and John Anastasiadis**  
(45) Registration Date: **08 October 2010**  
(30) Convention priority data:  
(31) Number (32) Date (33) Country  
**29/357501 12 Mar 2010 UNITED STATES OF AMERICA**  
(56) Related Art Documents: **Not Applicable**  
(57) Statement of Newness and Distinctiveness: **Newness and distinctiveness is claimed in those features of shape and/or configuration of a dispenser for self-adhesive products illustrated in continuous lines in the accompanying representations.**





- (21) Design Number: **13939/2010**
- (22) Date of Filing Application: **10 September 2010**
- (24) Date from which industrial property rights may have effect: **10 September 2010**
- (54) Product in respect of which the design is registered: **Wall frame to roof truss load transfer bracket**
- (51) International Design Classification: **08-08L**
- (71) Name(s) and Address(s) of Applicant(s):  
**Tinpale Pty Ltd**  
**6 Slade Street Mareeba Queensland 4880 Australia**
- (72) Name(s) of Designer(s): **Barry Donald Byrne**
- (45) Registration Date: **08 October 2010**
- (56) Related Art Documents: **Not Applicable**
- (57) Statement of Newness and Distinctiveness: **The newness and distinctiveness of the design resides in the shape and/or configuration of the WALL FRAME TO ROOF TRUSS LOAD TRANSFER BRACKET shown in the representations.**

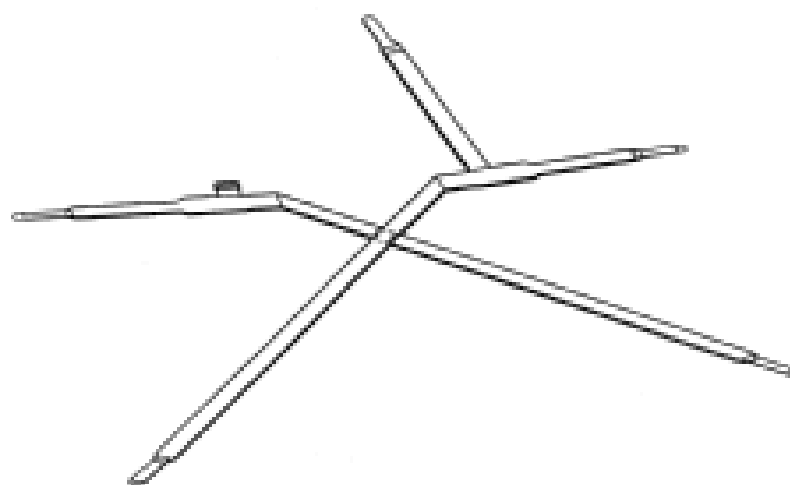


- (21) Design Number: **13940/2010**
- (22) Date of Filing Application: **10 September 2010**
- (24) Date from which industrial property rights may have effect: **10 September 2010**
- (54) Product in respect of which the design is registered: **Wall anchor**
- (51) International Design Classification: **08-08A**
- (71) Name(s) and Address(s) of Applicant(s):  
**Powers Products III, LLC**  
**2 Powers Lane Brewster NY 10509 United States of America**
- (72) Name(s) of Designer(s): **Paul Gaudron and Jacob Olsen**
- (45) Registration Date: **08 October 2010**
- (30) Convention priority data:
 

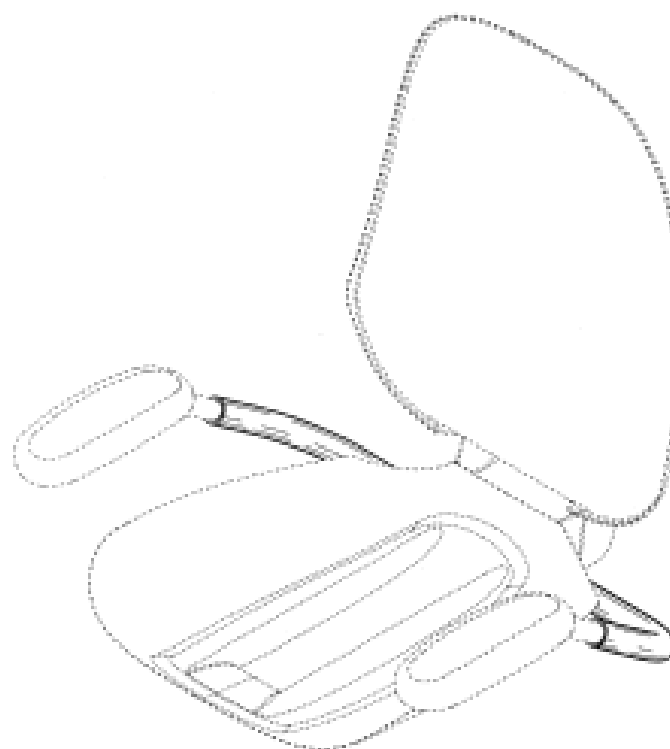
(31) Number	(32) Date	(33) Country
<b>29/358326</b>	<b>25 Mar 2010</b>	<b>UNITED STATES OF AMERICA</b>
- (56) Related Art Documents: **Not Applicable**
- (57) Statement of Newness and Distinctiveness: **Newness and distinctiveness is claimed in the shape and configuration of a wall anchor as shown in the representations.**



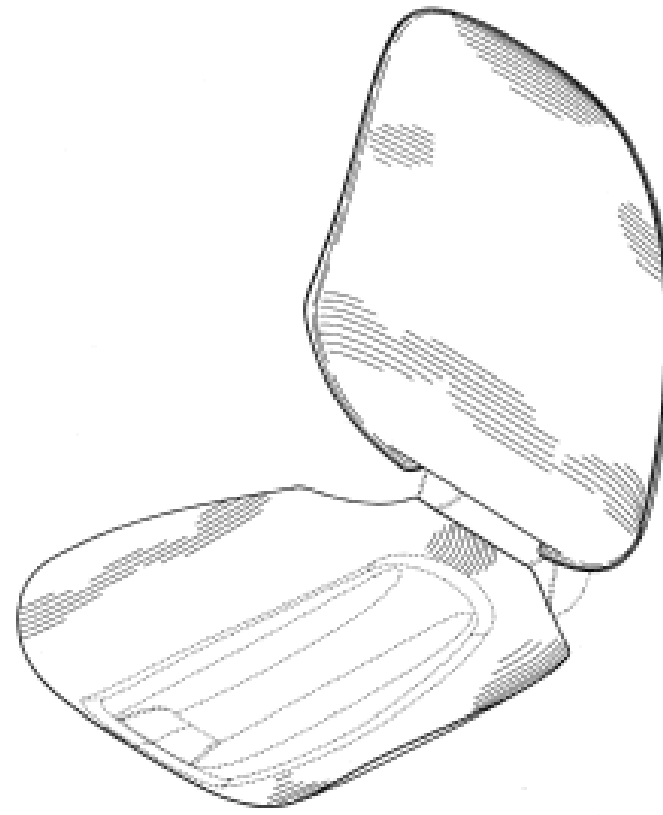
- (21) Design Number: **13962/2010**  
(22) Date of Filing Application: **13 September 2010**  
(24) Date from which industrial property rights may have effect: **13 September 2010**  
(54) Product in respect of which the design is registered: **Strap for face mask**  
(51) International Design Classification: **24-01**  
(71) Name(s) and Address(s) of Applicant(s):  
**Koninklijke Philips Electronics N.V.**  
**Groenewoudseweg 1 5621 BA Eindhoven The Netherlands**  
(72) Name(s) of Designer(s): **Eugene Nelson Scarberry and Charlotte Rene Plakosh-Hankey**  
(45) Registration Date: **08 October 2010**  
(30) Convention priority data:  
(31) Number (32) Date (33) Country  
**001681297 15 Mar 2010 EUROPEAN COMMUNITY**  
(56) Related Art Documents: **Not Applicable**  
(57) Statement of Newness and Distinctiveness: **Newness and distinctiveness reside in the features of shape and configuration of the design as shown in the representations.**



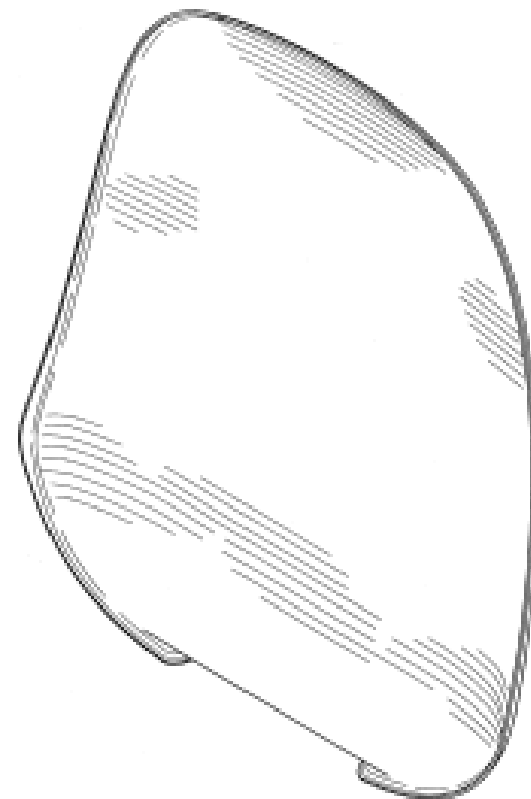
- (21) Design Number: **13963/2010**  
(22) Date of Filing Application: **13 September 2010**  
(24) Date from which industrial property rights may have effect: **13 September 2010**  
(54) Product in respect of which the design is registered: **Seating system for wheelchair**  
(51) International Design Classification: **12-12**  
(71) Name(s) and Address(s) of Applicant(s):  
**Invacare Corp.**  
**One Invacare Way, Elyria, Ohio, 44036-2125, United States of America**  
(72) Name(s) of Designer(s): **Howard Leowenthal and Joshua Greiner and Daniel James Yee and Damon Jurkiewicz and Robert Bekoscke**  
(45) Registration Date: **08 October 2010**  
(30) Convention priority data:  
(31) Number (32) Date (33) Country  
**29/357703 16 Mar 2010 UNITED STATES OF AMERICA**  
(56) Related Art Documents: **Not Applicable**  
(57) Statement of Newness and Distinctiveness: **Newness and distinctiveness reside in the features of the shape and configuration of the design shown in solid lines in the representations excluding those features shown in broken lines.**



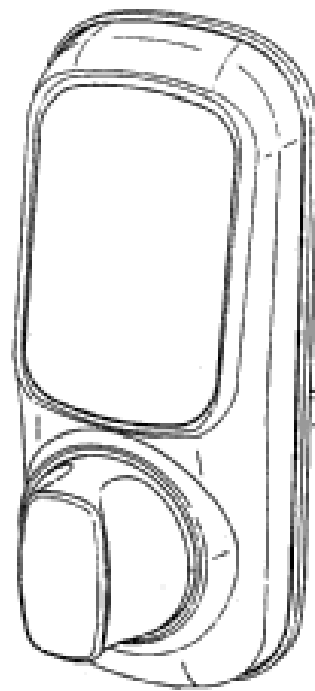
- (21) Design Number: **13964/2010**  
(22) Date of Filing Application: **13 September 2010**  
(24) Date from which industrial property rights may have effect: **13 September 2010**  
(54) Product in respect of which the design is registered: **Seating system for wheelchair**  
(51) International Design Classification: **12-12**  
(71) Name(s) and Address(s) of Applicant(s):  
**Invacare Corp.**  
**One Invacare Way, Elyria, Ohio, 44036-2125, United States of America**  
(72) Name(s) of Designer(s): **Howard Loewenthal and Joshua Greiner and Daniel James Yee and Damon Jurkiewicz and Robert Bekoscke**  
(45) Registration Date: **08 October 2010**  
(30) Convention priority data:  
(31) Number (32) Date (33) Country  
**29/357703 16 Mar 2010 UNITED STATES OF AMERICA**  
(56) Related Art Documents: **Not Applicable**  
(57) Statement of Newness and Distinctiveness: **Newness and distinctiveness reside in the features of the shape and configuration of the design shown in solid lines in the representations excluding those features shown in broken lines.**



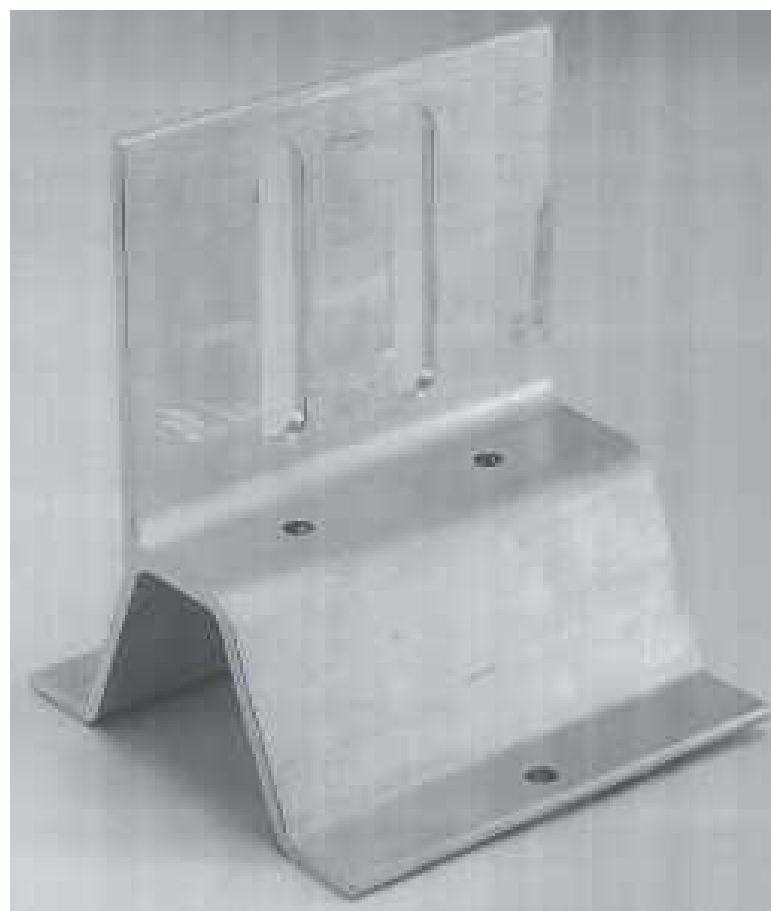
- (21) Design Number: **13965/2010**  
(22) Date of Filing Application: **13 September 2010**  
(24) Date from which industrial property rights may have effect: **13 September 2010**  
(54) Product in respect of which the design is registered: **Seat back for wheelchair seating system**  
(51) International Design Classification: **06-06G, 12-12**  
(71) Name(s) and Address(s) of Applicant(s):  
**Invacare Corp.**  
**One Invacare Way, Elyria, Ohio, 44036-2125, United States of America**  
(72) Name(s) of Designer(s): **Howard Loewenthal and Joshua Greiner and Daniel James Yee and Damon Jurkiewicz and Robert Bekoscke**  
(45) Registration Date: **08 October 2010**  
(30) Convention priority data:  
(31) Number (32) Date (33) Country  
**29/357703 16 Mar 2010 UNITED STATES OF AMERICA**  
(56) Related Art Documents: **Not Applicable**  
(57) Statement of Newness and Distinctiveness: **Newness and distinctiveness reside in the features of the shape and configuration of the design as shown in the representations.**



- (21) Design Number: **14033/2010**  
(22) Date of Filing Application: **16 September 2010**  
(24) Date from which industrial property rights may have effect: **16 September 2010**  
(54) Product in respect of which the design is registered: **Lock housing with turn knob**  
(51) International Design Classification: **08-07, 08-06**  
(71) Name(s) and Address(s) of Applicant(s):  
**Assa Abloy Australia Pty Limited**  
**235 Huntingdale Road Oakleigh Victoria 3166 Australia**  
(72) Name(s) of Designer(s): **Seo-ryoung Kwak**  
(45) Registration Date: **08 October 2010**  
(56) Related Art Documents: **Not Applicable**  
(57) Statement of Newness and Distinctiveness: **Those features of the lock housing with turn knob depicted in the representations that are new and distinctive are the shape and/or configuration. The features shown in broken line are not part of the design and are to be disregarded when considering the overall impression of the design.**



- (21) Design Number: **13136/2010**  
(22) Date of Filing Application: **26 July 2010**  
(24) Date from which industrial property rights may have effect: **26 July 2010**  
(54) Product in respect of which the design is registered: **Klip-Lok mounting foot**  
(51) International Design Classification: **08-08NES**  
(71) Name(s) and Address(s) of Applicant(s):  
**Arrid Power (Aust) Pty Ltd**  
**Unit 3/12 Kewdale Road Welshpool Western Australia 6106 Australia**  
(72) Name(s) of Designer(s): **Paul Nordhoff and Vincent Kelly**  
(45) Registration Date: **12 October 2010**  
(56) Related Art Documents: **Not Applicable**  
(57) Statement of Newness and Distinctiveness: **Foot sits over the ridge of the klip-lok metal roofs, with mounting attachments through either ridge or valley of roof.**



(21) Design Number: **13137/2010**

(22) Date of Filing Application: **26 July 2010**

(24) Date from which industrial property rights may have effect: **26 July 2010**

(54) Product in respect of which the design is registered: **Corrugated mounting bracket - large**

(51) International Design Classification: **08-08NES**

(71) Name(s) and Address(s) of Applicant(s):

**Arrid Power (Aust) Pty Ltd**

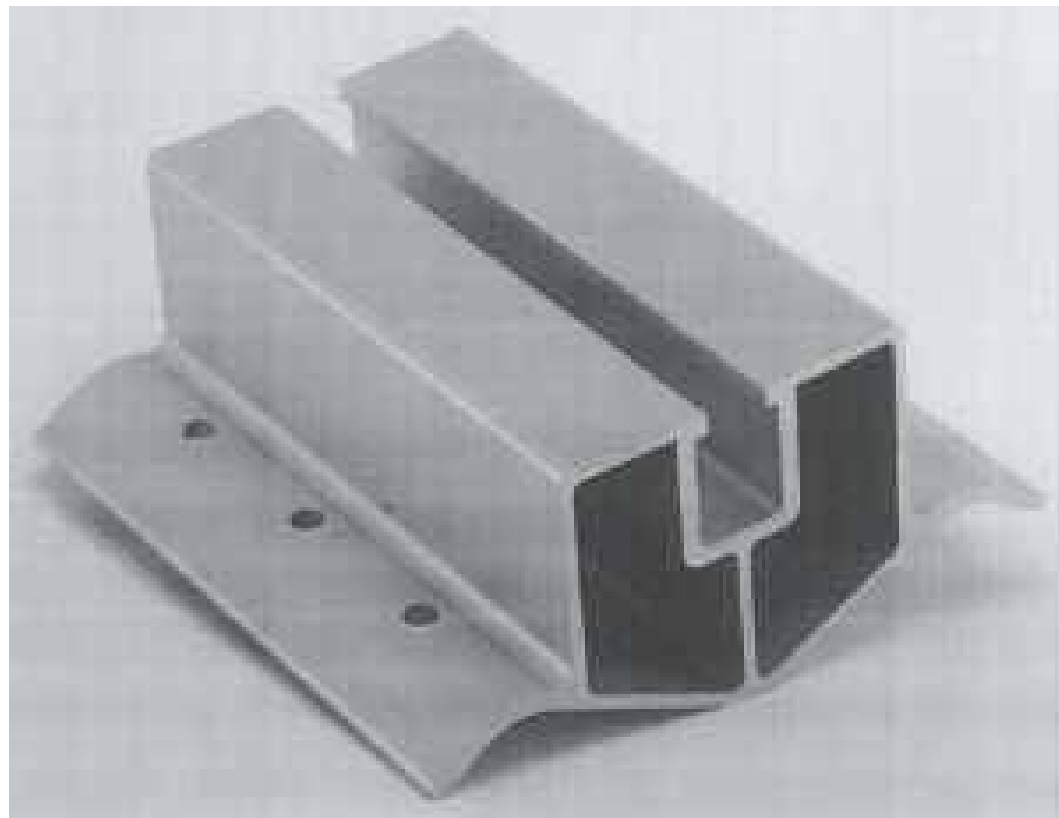
**Unit 3/12 Kewdale Road Welshpool Western Australia 6106 Australia**

(72) Name(s) of Designer(s): **Paul Nordhoff and Vincent Kelly**

(45) Registration Date: **12 October 2010**

(56) Related Art Documents: **Not Applicable**

(57) Statement of Newness and Distinctiveness: **Foot sits directly on custom orb (corrugated) roof with mounting attachments on top of corrugation. Increased height than standard corrugated bracket for extra clearance off roof.**



(21) Design Number: **13138/2010**

(22) Date of Filing Application: **26 July 2010**

(24) Date from which industrial property rights may have effect: **26 July 2010**

(54) Product in respect of which the design is registered: **Ground and roof mounting bracket**

(51) International Design Classification: **08-08NES**

(71) Name(s) and Address(s) of Applicant(s):

**Arrid Power (Aust) Pty Ltd**

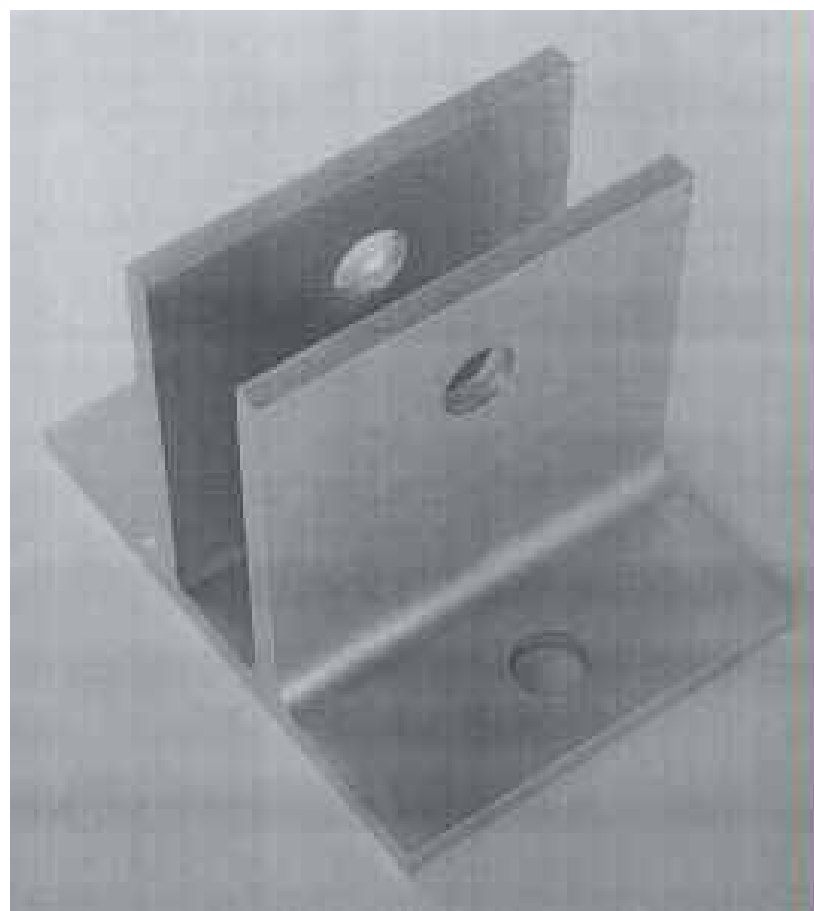
**Unit 3/12 Kewdale Road Welshpool Western Australia 6106 Australia**

(72) Name(s) of Designer(s): **Paul Nordhoff and Vincent Kelly**

(45) Registration Date: **12 October 2010**

(56) Related Art Documents: **Not Applicable**

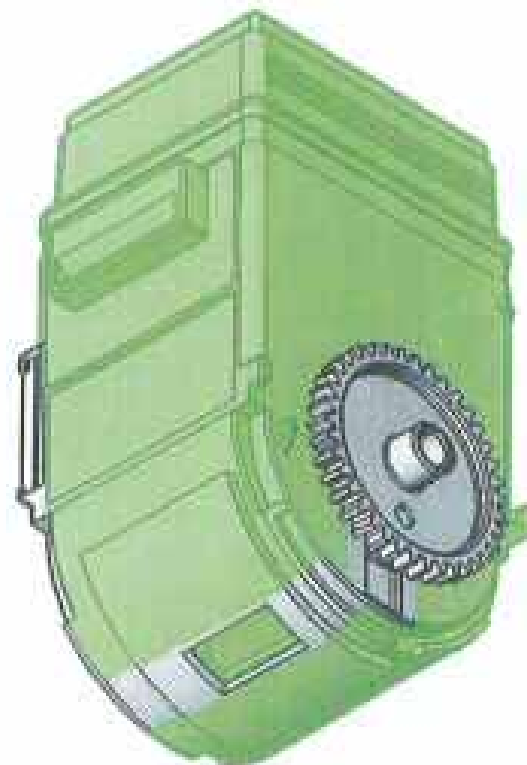
(57) Statement of Newness and Distinctiveness: **Nil**



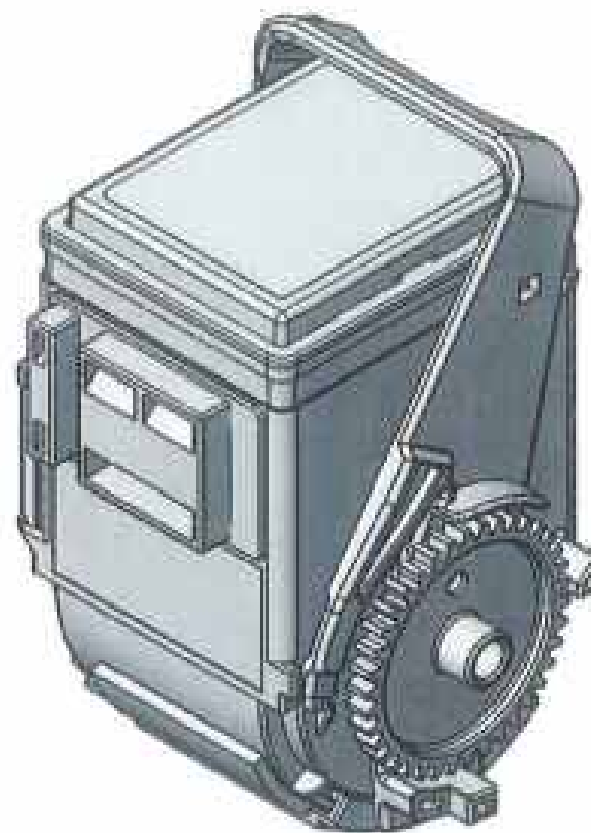
- (21) Design Number: **13139/2010**  
(22) Date of Filing Application: **26 July 2010**  
(24) Date from which industrial property rights may have effect: **26 July 2010**  
(54) Product in respect of which the design is registered: **Corrugated mounting bracket - small**  
(51) International Design Classification: **08-08NES**  
(71) Name(s) and Address(s) of Applicant(s):  
**Arrid Power (Aust) Pty Ltd**  
**Unit 3/12 Kewdale Road Welshpool Western Australia 6106 Australia**  
(72) Name(s) of Designer(s): **Paul Nordhoff and Vincent Kelly**  
(45) Registration Date: **12 October 2010**  
(56) Related Art Documents: **Not Applicable**  
(57) Statement of Newness and Distinctiveness: **Foot sits directly on custom orb or similar corrugated roof with mounting attachments on top of corrugation. Lower height than large bracket to minimise height off roofing.**



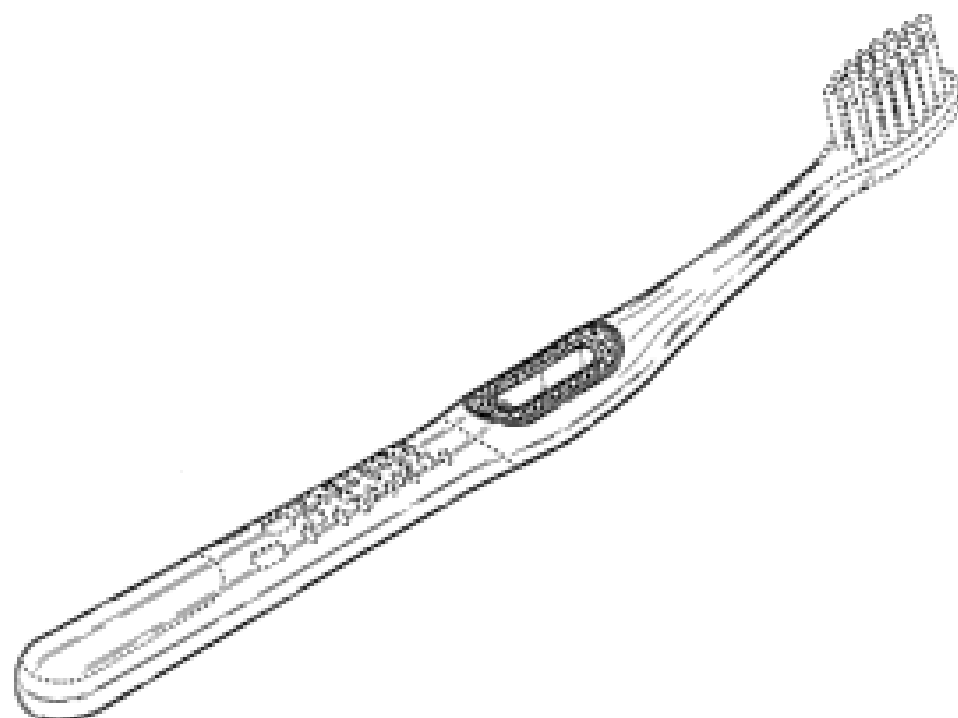
- (21) Design Number: **14008/2010**  
(22) Date of Filing Application: **15 September 2010**  
(24) Date from which industrial property rights may have effect: **15 September 2010**  
(54) Product in respect of which the design is registered: **Toner cartridge**  
(51) International Design Classification: **14-02**  
(71) Name(s) and Address(s) of Applicant(s):  
**Fuji Xerox Co., Ltd.**  
**7-3 Akasaka 9-chome Minato-ku Tokyo Japan**  
(72) Name(s) of Designer(s): **Masaya Okamoto and Kota Furuhashi**  
(45) Registration Date: **12 October 2010**  
(30) Convention priority data:  
(31) Number      (32) Date      (33) Country  
**2010-006586      17 Mar 2010      JAPAN**  
(56) Related Art Documents: **Not Applicable**  
(57) Statement of Newness and Distinctiveness: **Newness and distinctiveness resides in the features of shape and/or configuration of the TONER CARTRIDGE indicated in grey scale in the accompanying representations. The features shown in green in the accompanying representations form no part of the design.**



(21) Design Number: **14009/2010**  
(22) Date of Filing Application: **15 September 2010**  
(24) Date from which industrial property rights may have effect: **15 September 2010**  
(54) Product in respect of which the design is registered: **Toner cartridge**  
(51) International Design Classification: **14-02**  
(71) Name(s) and Address(s) of Applicant(s):  
**Fuji Xerox Co., Ltd.**  
**7-3 Akasaka 9-chome Minato-ku Tokyo Japan**  
(72) Name(s) of Designer(s): **Masaya Okamoto and Kota Furuhata**  
(45) Registration Date: **12 October 2010**  
(30) Convention priority data:  
(31) Number      (32) Date      (33) Country  
**2010-006493      17 Mar 2010      JAPAN**  
(56) Related Art Documents: **Not Applicable**  
(57) Statement of Newness and Distinctiveness: **Newness and distinctiveness resides in the features of shape and/or configuration of a TONER CARTRIDGE shown in the accompanying representations.**



(21) Design Number: **14010/2010**  
(22) Date of Filing Application: **15 September 2010**  
(24) Date from which industrial property rights may have effect: **15 September 2010**  
(54) Product in respect of which the design is registered: **Toothbrush**  
(51) International Design Classification: **04-02**  
(71) Name(s) and Address(s) of Applicant(s):  
**Johnson & Johnson KK**  
**5-2 Nishi-kanda 3-chome Chiyoda-Ku Tokyo Japan**  
(72) Name(s) of Designer(s): **Takayuki Watanabe**  
(45) Registration Date: **12 October 2010**  
(30) Convention priority data:  
(31) Number      (32) Date      (33) Country  
**29/358721      31 Mar 2010      UNITED STATES OF AMERICA**  
(56) Related Art Documents: **Not Applicable**  
(57) Statement of Newness and Distinctiveness: **Newness and Distinctiveness resides in the features of shape and/or configuration of the design for a TOOTHBRUSH shown in solid lines as illustrated in the accompanying representations.**



(21) Design Number: **14011/2010**  
(22) Date of Filing Application: **15 September 2010**  
(24) Date from which industrial property rights may have effect: **15 September 2010**  
(54) Product in respect of which the design is registered: **Toner cartridge**  
(51) International Design Classification: **14-02**  
(71) Name(s) and Address(s) of Applicant(s):

**Fuji Xerox Co., Ltd.**  
**7-3 Akasaka 9-chome Minato-ku Tokyo Japan**

(72) Name(s) of Designer(s): **Masaya Okamoto and Kota Furuhata**

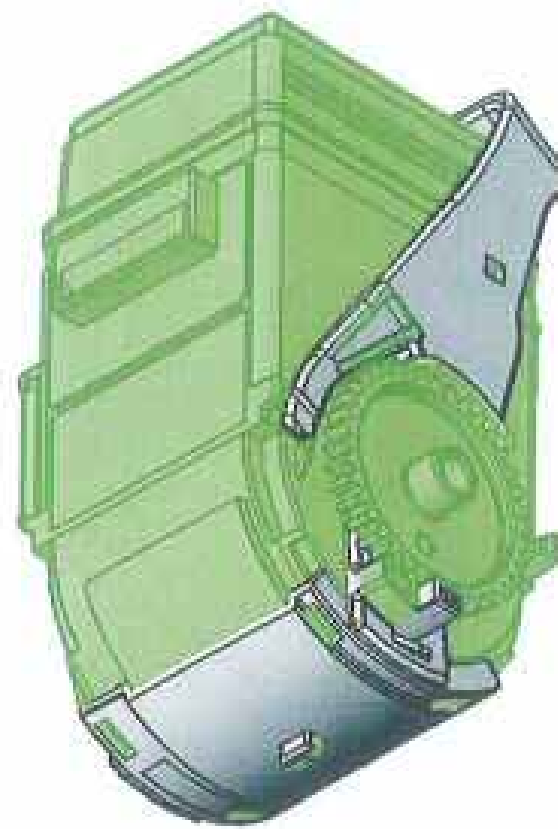
(45) Registration Date: **12 October 2010**

(30) Convention priority data:

(31) Number	(32) Date	(33) Country
<b>2010-006492</b>	<b>17 Mar 2010</b>	<b>JAPAN</b>

(56) Related Art Documents: **Not Applicable**

(57) Statement of Newness and Distinctiveness: **Newness and distinctiveness resides in the features of shape and/or configuration of the TONER CARTRIDGE indicated in grey scale in the accompanying representations. The features shown in green in the accompanying representations form no part of the design.**



(21) Design Number: **14060/2010**  
(22) Date of Filing Application: **20 September 2010**  
(24) Date from which industrial property rights may have effect: **20 September 2010**  
(54) Product in respect of which the design is registered: **Safe**  
(51) International Design Classification: **06-04B**  
(71) Name(s) and Address(s) of Applicant(s):

**Master Lock Company LLC**  
**137 W. Forest Hill Avenue Oak Creek Wisconsin 53154 United States of America**

(72) Name(s) of Designer(s): **Zachery T. Nave and Steven B. Hedlund**

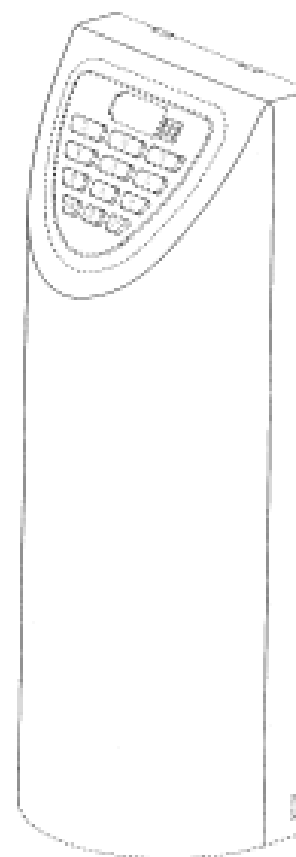
(45) Registration Date: **12 October 2010**

(30) Convention priority data:

(31) Number	(32) Date	(33) Country
<b>29/358,524</b>	<b>29 Mar 2010</b>	<b>UNITED STATES OF AMERICA</b>

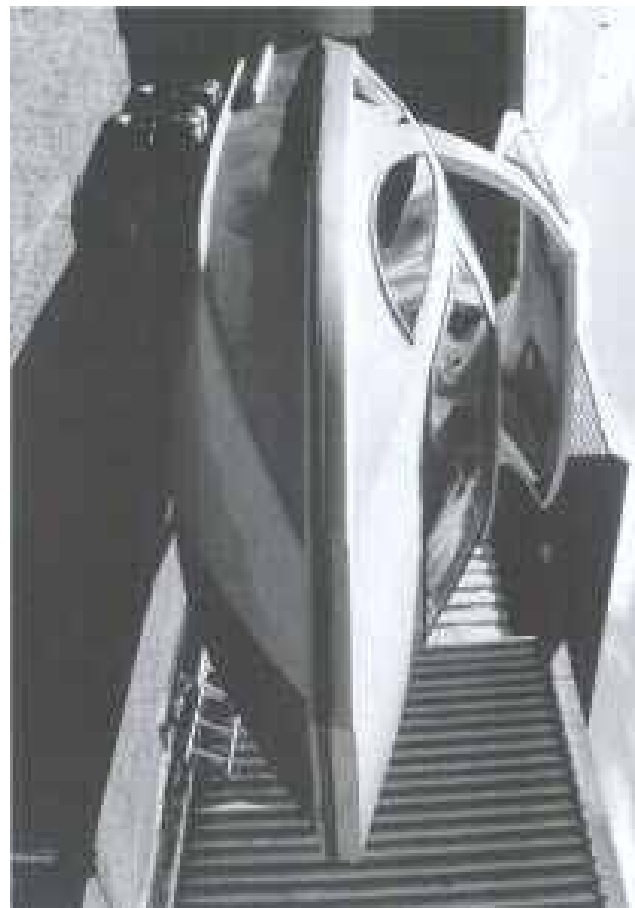
(56) Related Art Documents: **Not Applicable**

(57) Statement of Newness and Distinctiveness: **Newness and distinctiveness are provided by the shape and/or configuration of the design shown in the representations. The features shown in broken lines in the representations are for illustrative purposes only and should not be considered when construing visual features of the design.**

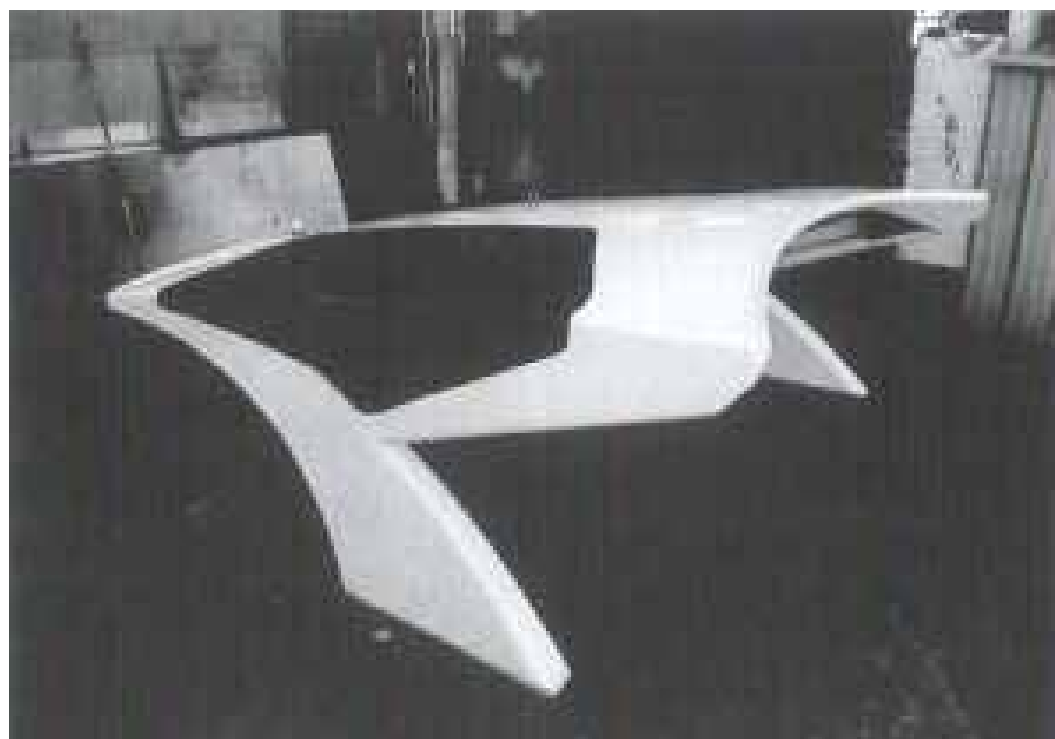




- (21) Design Number: **11388/2010**
- (22) Date of Filing Application: **15 April 2010**
- (24) Date from which industrial property rights may have effect: **15 April 2010**
- (54) Product in respect of which the design is registered: **Boat**
- (51) International Design Classification: **12-06A**
- (71) Name(s) and Address(s) of Applicant(s):  
**Howard J. Vernals**  
**7/23 Apsley Street Penshurst New South Wales 2222 Australia**
- (72) Name(s) of Designer(s): **Howard J. Vernals**
- (45) Registration Date: **12 October 2010**
- (56) Related Art Documents: **Not Applicable**
- (57) Statement of Newness and Distinctiveness: **Nil**



- (21) Design Number: **11389/2010**
- (22) Date of Filing Application: **15 April 2010**
- (24) Date from which industrial property rights may have effect: **15 April 2010**
- (54) Product in respect of which the design is registered: **Boat roof**
- (51) International Design Classification: **12-06A**
- (71) Name(s) and Address(s) of Applicant(s):  
**Howard J. Vernals**  
**7/23 Apsley Street Penshurst New South Wales 2222 Australia**
- (72) Name(s) of Designer(s): **Howard J. Vernals**
- (45) Registration Date: **12 October 2010**
- (56) Related Art Documents: **Not Applicable**
- (57) Statement of Newness and Distinctiveness: **Nil**



(19) AU

- (21) Design Number: **11680/2010**
- (22) Date of Filing Application: **30 April 2010**
- (24) Date from which industrial property rights may have effect: **30 April 2010**
- (54) Product in respect of which the design is registered: **Solar shades like venetian blinds or louvers between glazings, louvers for wall and ceiling panels, single strips**
- (51) International Design Classification: **06-10**
- (71) Name(s) and Address(s) of Applicant(s):  
**Helmut Koester**  
**Karl-Bieber-Hoehe 15 Frankfurt am Main 60437 Germany**
- (72) Name(s) of Designer(s): **Helmut Koester**
- (45) Registration Date: **12 October 2010**
- (30) Convention priority data:  

(31) Number	(32) Date	(33) Country
<b>001174734-0001</b>	<b>30 Oct 2009</b>	<b>EUROPEAN COMMUNITY</b>
- (56) Related Art Documents: **Not Applicable**
- (57) Statement of Newness and Distinctiveness: **Microprism structured mirror surface in parallel lines, size of single prisms: long cathode rd. 0.5mm. Typical width of single strips: 15mm up to 100mm, shaping of the strips: concave/convex and/or in roof shape.**

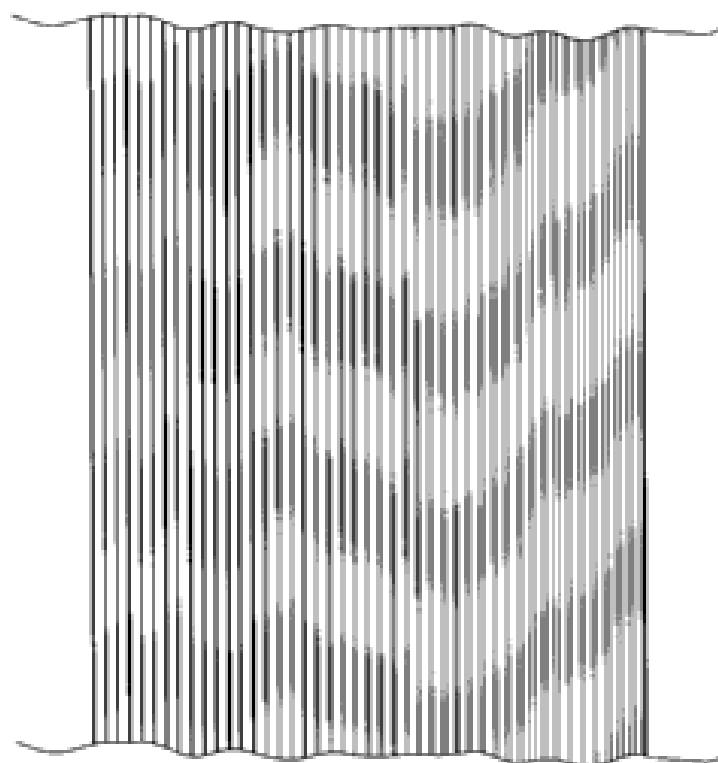
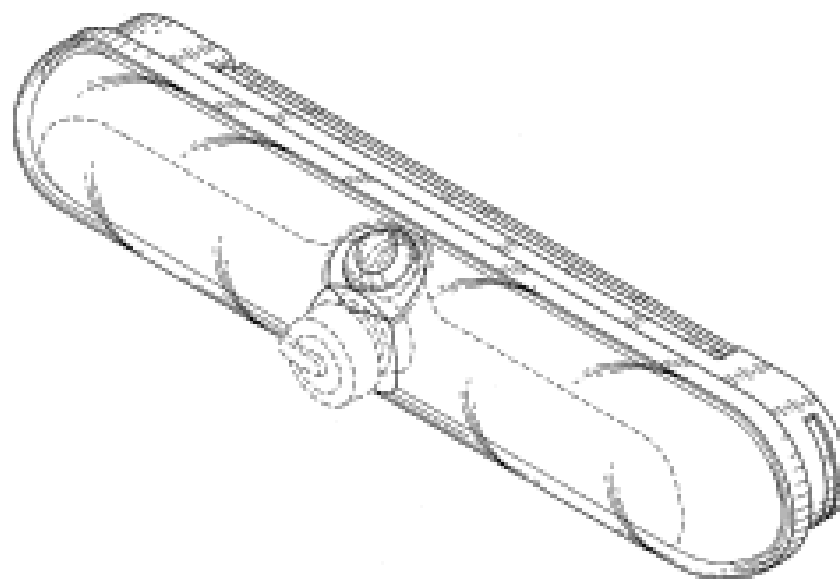


Fig. 1 Top View

(19) AU

- (21) Design Number: **13119/2010**
- (22) Date of Filing Application: **26 July 2010**
- (24) Date from which industrial property rights may have effect: **26 July 2010**
- (54) Product in respect of which the design is registered: **Container light**
- (51) International Design Classification: **26-03**
- (71) Name(s) and Address(s) of Applicant(s):  
**The Coleman Company, Inc.**  
**3600 North Hydraulic Wichita KS 67219 United States of America**
- (72) Name(s) of Designer(s): **Jake L. Hillard**
- (45) Registration Date: **12 October 2010**
- (30) Convention priority data:  

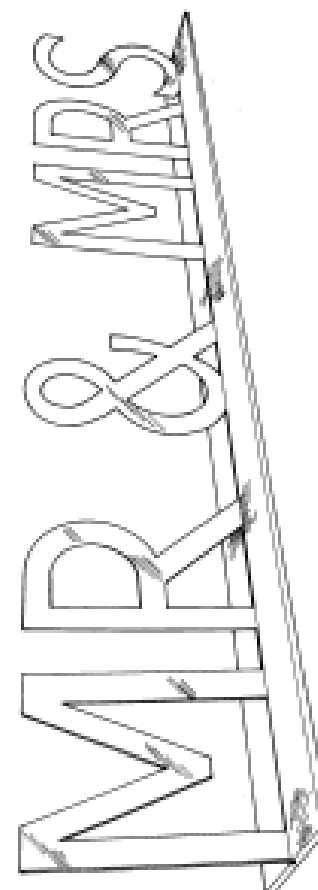
(31) Number	(32) Date	(33) Country
<b>29/354723</b>	<b>27 Jan 2010</b>	<b>UNITED STATES OF AMERICA</b>
- (56) Related Art Documents: **Not Applicable**
- (57) Statement of Newness and Distinctiveness: **Newness and distinctiveness resides in the visual features of a CONTAINER LIGHT as shown in solid outline in the accompanying drawings. When determining whether the design is substantially similar in overall impression to another design, no regard is to be had to those features shown in dotted outline in the accompanying drawings, which features are provided for illustrative purposes only.**



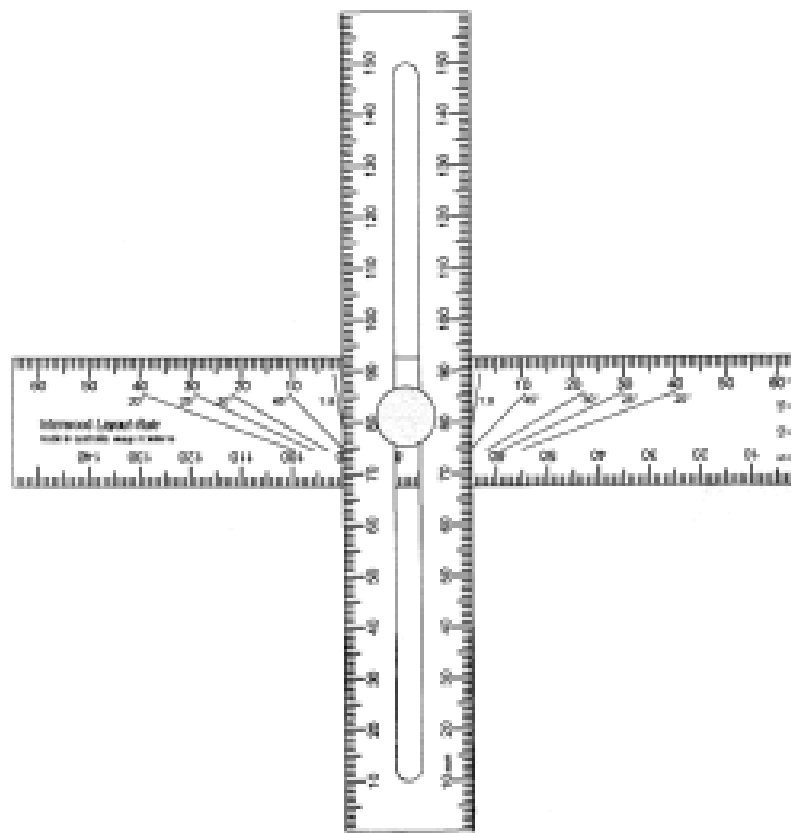
- (21) Design Number: **13541/2010**
- (22) Date of Filing Application: **17 August 2010**
- (24) Date from which industrial property rights may have effect: **17 August 2010**
- (54) Product in respect of which the design is registered: **Automobile tire tread**
- (51) International Design Classification: **12-15B**
- (71) Name(s) and Address(s) of Applicant(s):  
**The Yokohama Rubber Co., Ltd.**  
**36-11 Shimbashi 5-chome Minato-ku Tokyo 105-8685 Japan**
- (72) Name(s) of Designer(s): **Kenichirou Endou and Nobuyoshi Watanabe**
- (45) Registration Date: **12 October 2010**
- (30) Convention priority data:  
(31) Number      (32) Date      (33) Country  
**2010-003832      19 Feb 2010      JAPAN**
- (56) Related Art Documents: **Not Applicable**
- (57) Statement of Newness and Distinctiveness: **Newness and distinctiveness reside in the features of the design as shown in the representations except for the red coloured portion in the representations which is for illustrative purposes only and forms no part of the design.**



- (21) Design Number: **13552/2010**
- (22) Date of Filing Application: **19 August 2010**
- (24) Date from which industrial property rights may have effect: **19 August 2010**
- (54) Product in respect of which the design is registered: **A sign / table ornament**
- (51) International Design Classification: **11-02NES, 20-03NES**
- (71) Name(s) and Address(s) of Applicant(s):  
**Parsons Holdings (QLD) Pty Ltd**  
**3/131 Sugar Road Maroochydoore Queensland 4558 Australia**
- (72) Name(s) of Designer(s): **Lois Leanne Parsons and Neil Parsons**
- (45) Registration Date: **12 October 2010**
- (56) Related Art Documents: **Not Applicable**
- (57) Statement of Newness and Distinctiveness: **Nil**

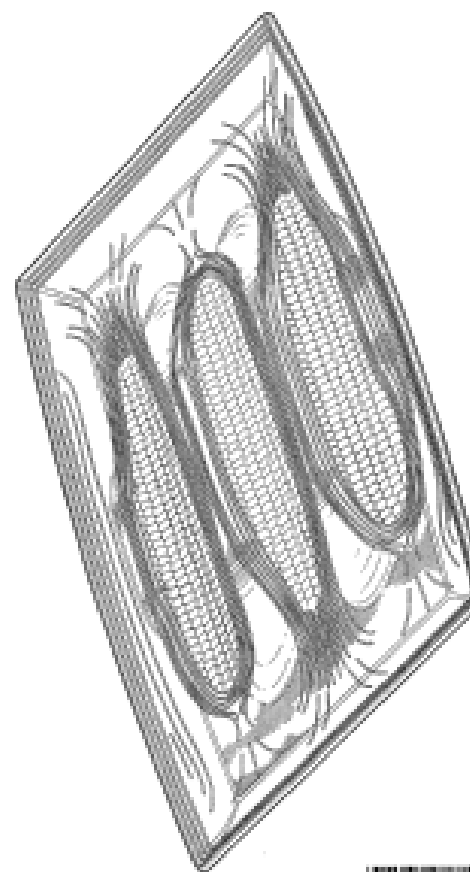


- (21) Design Number: **13688/2010**
- (22) Date of Filing Application: **27 August 2010**
- (24) Date from which industrial property rights may have effect: **27 August 2010**
- (54) Product in respect of which the design is registered: **Measuring tool, woodworking tool**
- (51) International Design Classification: **10-04, 08-05NES**
- (71) Name(s) and Address(s) of Applicant(s):  
**Rafael Rod Nathan**  
**435 West Mt Cotton Road Mt Cotton Queensland 4165 Australia**
- (72) Name(s) of Designer(s): **Rafael Nathan**
- (45) Registration Date: **12 October 2010**
- (56) Related Art Documents: **Not Applicable**
- (57) Statement of Newness and Distinctiveness: **Measuring, angle finding, checking for square, adjustable.**

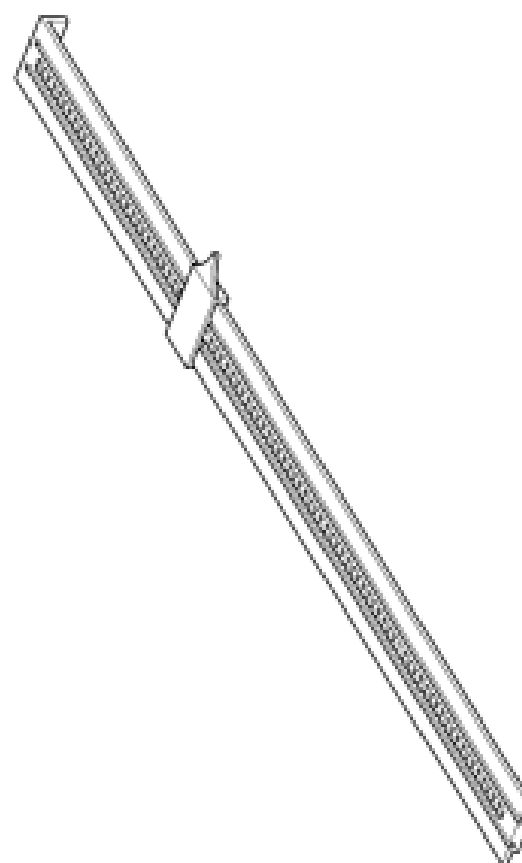


- (21) Design Number: **13753/2010**
- (22) Date of Filing Application: **31 August 2010**
- (24) Date from which industrial property rights may have effect: **31 August 2010**
- (54) Product in respect of which the design is registered: **Platter**
- (51) International Design Classification: **07-01B**
- (71) Name(s) and Address(s) of Applicant(s):  
**Hutzler Manufacturing Co., Inc.**  
**4 Grace Way Canaan Connecticut 06018 United States of America**
- (72) Name(s) of Designer(s): **Richard Ehrenhaus and Kate Hixon**
- (45) Registration Date: **12 October 2010**
- (30) Convention priority data:
 

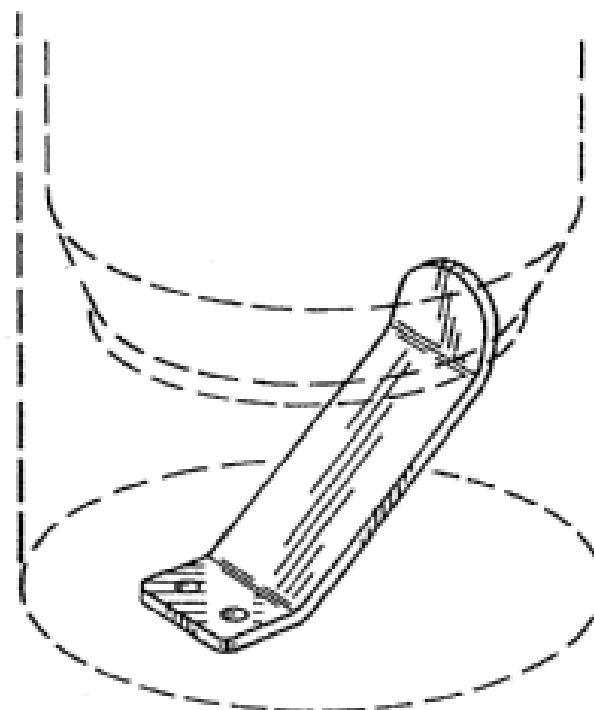
(31) Number	(32) Date	(33) Country
<b>29/364706</b>	<b>28 Jun 2010</b>	<b>UNITED STATES OF AMERICA</b>
- (56) Related Art Documents: **Not Applicable**
- (57) Statement of Newness and Distinctiveness: **Newness and distinctiveness reside in the features of the design as shown in the representations and in particular in the representations of ears of corn in the platter.**



- (21) Design Number: **13954/2010**  
(22) Date of Filing Application: **13 September 2010**  
(24) Date from which industrial property rights may have effect: **13 September 2010**  
(54) Product in respect of which the design is registered: **Book mark**  
(51) International Design Classification: **19-99**  
(71) Name(s) and Address(s) of Applicant(s):  
**Kevin John Jongebloed**  
**23A Parkside Crescent Mornington Victoria 3931 Australia**  
(72) Name(s) of Designer(s): **Kevin John Jongebloed**  
(45) Registration Date: **12 October 2010**  
(56) Related Art Documents: **Not Applicable**  
(57) Statement of Newness and Distinctiveness: **Newness and Distinctiveness reside in the shape and configuration of the book mark as shown in the accompanying representations.**



- (21) Design Number: **13966/2010**  
(22) Date of Filing Application: **13 September 2010**  
(24) Date from which industrial property rights may have effect: **13 September 2010**  
(54) Product in respect of which the design is registered: **Knock-out device for releasing chemistry from a chemistry container**  
(51) International Design Classification: **24-02**  
(71) Name(s) and Address(s) of Applicant(s):  
**American Sterilizer Company**  
**5960 Heisley Road Mentor OH 44060-1834 United States of America**  
(72) Name(s) of Designer(s): **Phillip P. Franciskovich and Donald G. Rosenhamer and Patricia A. Rawlick**  
(45) Registration Date: **12 October 2010**  
(30) Convention priority data:  
(31) Number (32) Date (33) Country  
**29/358,730 31 Mar 2010 UNITED STATES OF AMERICA**  
(56) Related Art Documents: **Not Applicable**  
(57) Statement of Newness and Distinctiveness: **The newness and distinctiveness of the design resides in the features of pattern and/or ornamentation OR shape and/or configuration shown in unbroken lines in the accompanying representations. The broken lines in FIGS 1 & 2 depict the lower portions of a chemistry container and a well for receiving the chemistry container.**



(21) Design Number: **13967/2010**  
 (22) Date of Filing Application: **13 September 2010**  
 (24) Date from which industrial property rights may have effect: **13 September 2010**  
 (54) Product in respect of which the design is registered: **Abdominal wrap**  
 (51) International Design Classification: **02-02NES**  
 (71) Name(s) and Address(s) of Applicant(s):

**Jodi E. Caden**  
**1917 Bayou Drive Bloomfield Hills Michigan 48302 United States of America**

(72) Name(s) of Designer(s): **Jodi E. Caden**

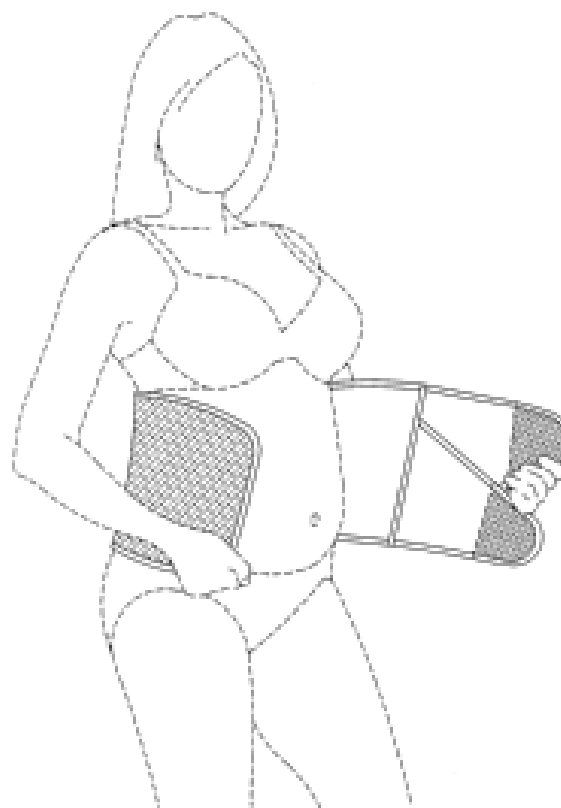
(45) Registration Date: **12 October 2010**

(30) Convention priority data:

(31) Number	(32) Date	(33) Country
<b>29/362594</b>	<b>27 May 2010</b>	<b>UNITED STATES OF AMERICA</b>

(56) Related Art Documents: **Not Applicable**

(57) Statement of Newness and Distinctiveness: **Newness and distinctiveness of the design resides in the shape and configuration of the abdominal wrap as shown in the accompanying representations. The human figure shown in broken lines in Figure 1 illustrates an environmental structure which forms no part of the design.**



(21) Design Number: **13968/2010**  
 (22) Date of Filing Application: **13 September 2010**  
 (24) Date from which industrial property rights may have effect: **13 September 2010**  
 (54) Product in respect of which the design is registered: **Bird house**  
 (51) International Design Classification: **30-02**  
 (71) Name(s) and Address(s) of Applicant(s):

**XZ, LLC**  
**9047 Guadalupe Trail NSW Albuquerque New Mexico 87114 United States of America**

(72) Name(s) of Designer(s): **Xavier Zamarripa**

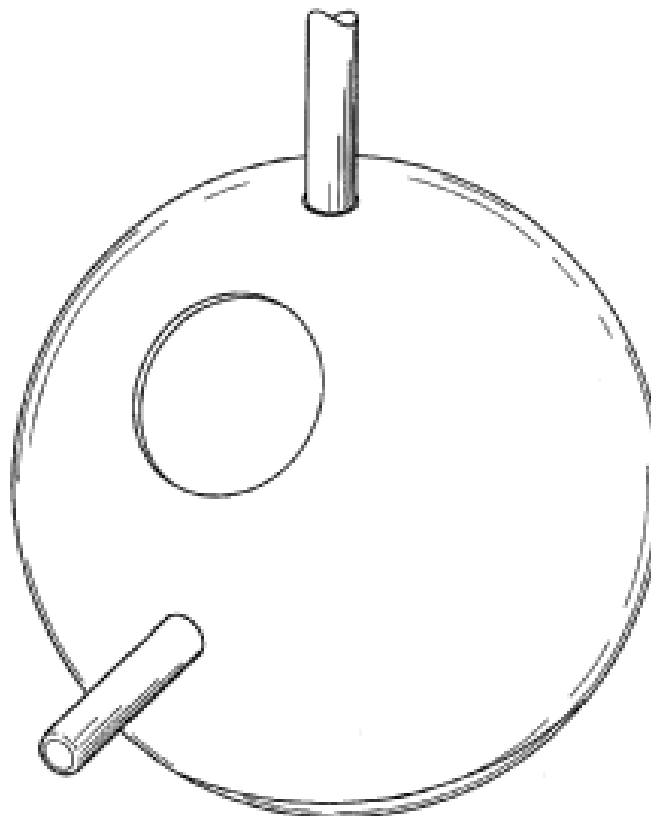
(45) Registration Date: **12 October 2010**

(30) Convention priority data:

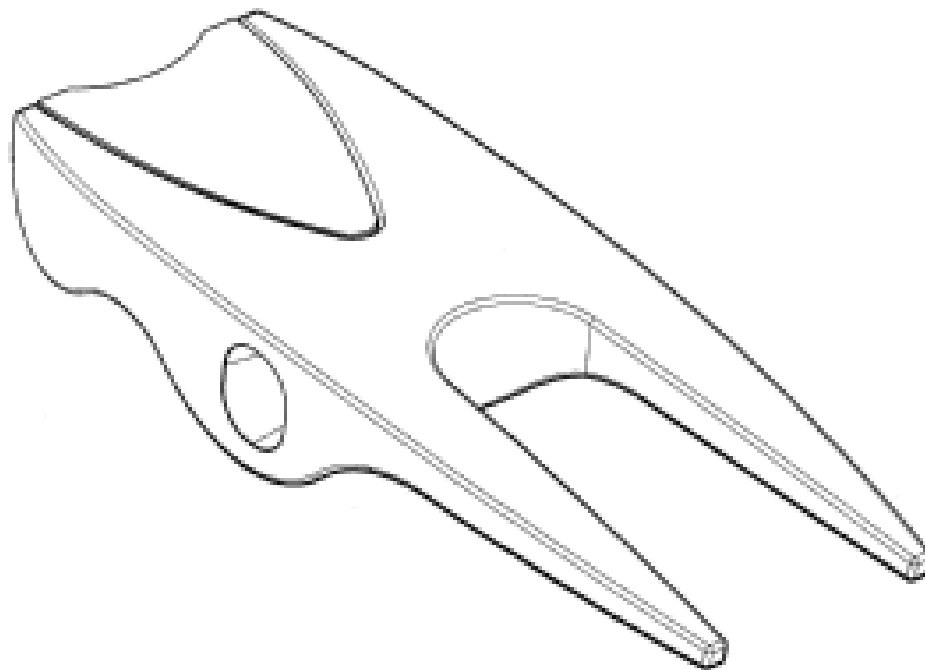
(31) Number	(32) Date	(33) Country
<b>29/357,864</b>	<b>18 Mar 2010</b>	<b>UNITED STATES OF AMERICA</b>

(56) Related Art Documents: **Not Applicable**

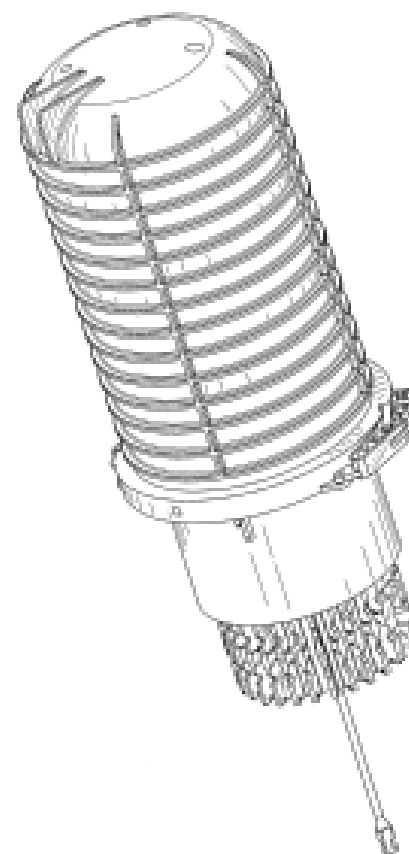
(57) Statement of Newness and Distinctiveness: **Nil**



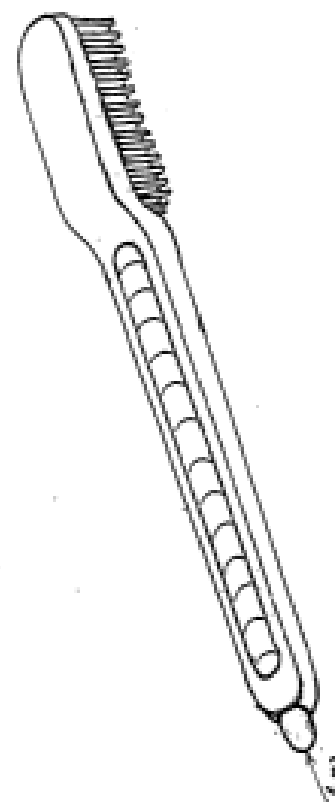
(21) Design Number: **13996/2010**  
(22) Date of Filing Application: **14 September 2010**  
(24) Date from which industrial property rights may have effect: **14 September 2010**  
(54) Product in respect of which the design is registered: **Golf tool**  
(51) International Design Classification: **21-02C**  
(71) Name(s) and Address(s) of Applicant(s):  
**Golfers' Mate Limited**  
**25A High Street Andover Hampshire SP10 1LJ United Kingdom**  
(72) Name(s) of Designer(s): **Dennis Fuller**  
(45) Registration Date: **12 October 2010**  
(30) Convention priority data:  
(31) Number (32) Date (33) Country  
**001203236-0001 15 Mar 2010 EUROPEAN COMMUNITY**  
(56) Related Art Documents: **Not Applicable**  
(57) Statement of Newness and Distinctiveness: **The shape and configuration of the golf tool as shown in the attached representations are new and distinctive.**



(21) Design Number: **14003/2010**  
(22) Date of Filing Application: **15 September 2010**  
(24) Date from which industrial property rights may have effect: **15 September 2010**  
(54) Product in respect of which the design is registered: **Optical fiber organizing container**  
(51) International Design Classification: **14-02**  
(71) Name(s) and Address(s) of Applicant(s):  
**Tyco Electronics Raychem BVBA**  
**Diestsesteenweg 692 B-3010 Kessel-Lo Belgium**  
(72) Name(s) of Designer(s): **Pieter De Coster and Ronnie Rosa Georges Liefsoens and Robert Vanhentenrijk**  
(45) Registration Date: **12 October 2010**  
(30) Convention priority data:  
(31) Number (32) Date (33) Country  
**001692047 08 Apr 2010 EUROPEAN COMMUNITY**  
(56) Related Art Documents: **Not Applicable**  
(57) Statement of Newness and Distinctiveness: **Newness and distinctiveness resides in the visual features, including shape and configuration, of the hood of the optical fiber organizing container as shown in the accompanying drawings.**



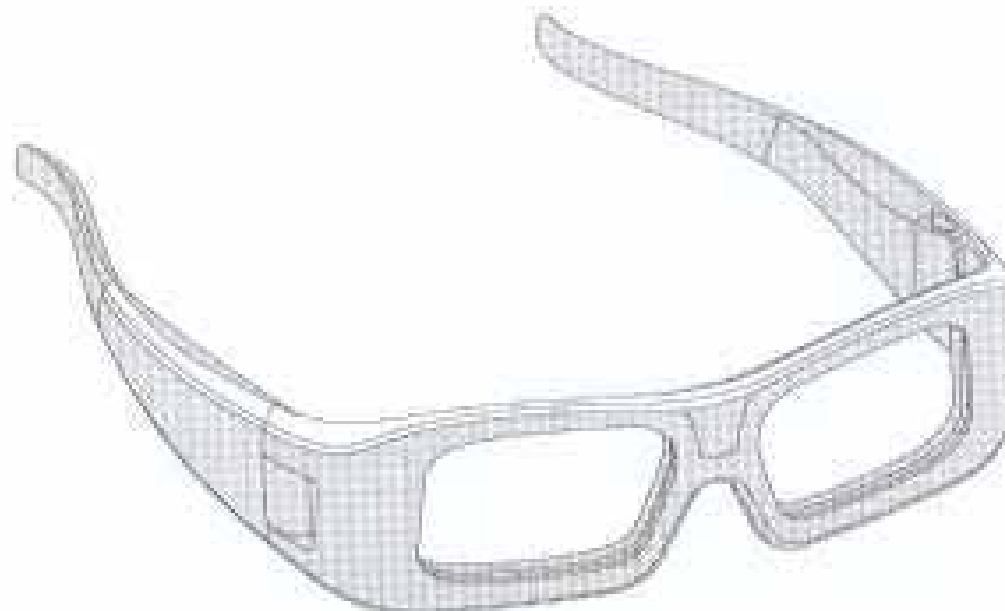
- (21) Design Number: **14030/2010**  
(22) Date of Filing Application: **17 September 2010**  
(24) Date from which industrial property rights may have effect: **17 September 2010**  
(54) Product in respect of which the design is registered: **Toothbrush**  
(51) International Design Classification: **28-03NES**  
(71) Name(s) and Address(s) of Applicant(s):  
**Wendy Ada Whittome**  
**419 Grand Promenade Dianella Western Australia 6059 Australia**  
(72) Name(s) of Designer(s): **Wendy Ada Whittome**  
(45) Registration Date: **12 October 2010**  
(56) Related Art Documents: **Not Applicable**  
(57) Statement of Newness and Distinctiveness: **The new and distinctive features of this design are the flexible tooth-paste infill dispenser, its shape and appearance with its tag for extraction and insertion.**



- (21) Design Number: **13278/2010**  
(22) Date of Filing Application: **03 August 2010**  
(24) Date from which industrial property rights may have effect: **03 August 2010**  
(54) Product in respect of which the design is registered: **3D glasses**  
(51) International Design Classification: **16-06**  
(71) Name(s) and Address(s) of Applicant(s):  
**Sharp Kabushiki Kaisha**  
**22-22 Nagaike-cho Abeno-ku Osaka Japan**  
(72) Name(s) of Designer(s): **Masaki Iinuma and Hiroshi Yamamizu and Yasuhiko Oda and Keiichiro Aou**  
(45) Registration Date: **13 October 2010**  
(30) Convention priority data:  

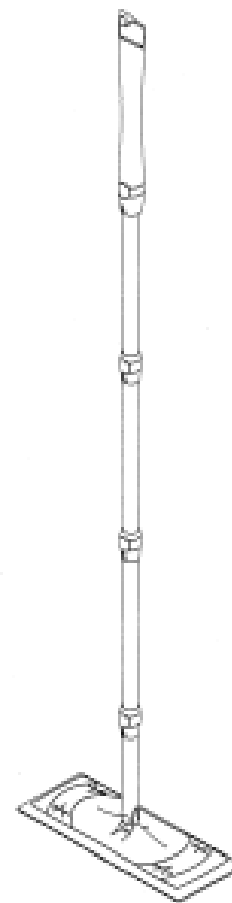
(31) Number	(32) Date	(33) Country
<b>2010-009006</b>	<b>09 Apr 2010</b>	<b>JAPAN</b>

  
(56) Related Art Documents: **Not Applicable**  
(57) Statement of Newness and Distinctiveness: **Nil**

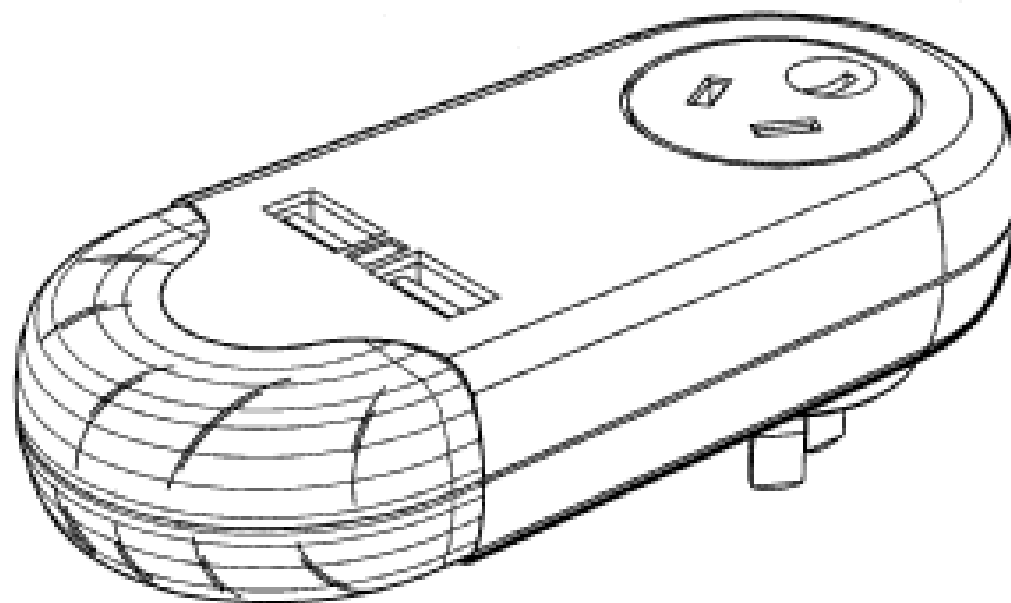




- (21) Design Number: **13309/2010**  
(22) Date of Filing Application: **06 August 2010**  
(24) Date from which industrial property rights may have effect: **06 August 2010**  
(54) Product in respect of which the design is registered: **Floor wiper**  
(51) International Design Classification: **04-01**  
(71) Name(s) and Address(s) of Applicant(s):  
**Kao Corporation**  
**14-10 Nihonbashi Kayaba-cho 1-chome Chuo-ku Tokyo 103-8210**  
**Japan**  
(72) Name(s) of Designer(s): **Hirotooshi Tawara and Susumu Fujinami and Tomohisa Hirata**  
(45) Registration Date: **13 October 2010**  
(30) Convention priority data:  
(31) Number (32) Date (33) Country  
**2010-003115 10 Feb 2010 JAPAN**  
(56) Related Art Documents: **Not Applicable**  
(57) Statement of Newness and Distinctiveness: **Nil**



- (21) Design Number: **13970/2010**  
(22) Date of Filing Application: **13 September 2010**  
(24) Date from which industrial property rights may have effect: **13 September 2010**  
(54) Product in respect of which the design is registered: **Combined night light and USB power adaptor**  
(51) International Design Classification: **13-03D, 26-05NES**  
(71) Name(s) and Address(s) of Applicant(s):  
**Mort Bay Traders Pty Ltd**  
**191 Darling Street Balmain New South Wales 2041 Australia**  
(72) Name(s) of Designer(s): **Simon Grigg**  
(45) Registration Date: **13 October 2010**  
(30) Convention priority data:  
(31) Number (32) Date (33) Country  
**413426 15 Mar 2010 NEW ZEALAND**  
(56) Related Art Documents: **Not Applicable**  
(57) Statement of Newness and Distinctiveness: **Newness and distinctiveness reside in the shape and configuration of the night light in combination with the configuration of the USB sockets.**



- (21) Design Number: **13998/2010**  
(22) Date of Filing Application: **16 September 2010**  
(24) Date from which industrial property rights may have effect: **16 September 2010**  
(54) Product in respect of which the design is registered: **Pressed metal sheet**  
(51) International Design Classification: **05-06NES**  
(71) Name(s) and Address(s) of Applicant(s):  
**Heather Adcock-Schot**  
**30 Fermanagh Road Camberwell Victoria 3124 Australia**  
(72) Name(s) of Designer(s): **Neville Schot**  
(45) Registration Date: **13 October 2010**  
(56) Related Art Documents: **Not Applicable**  
(57) Statement of Newness and Distinctiveness: **Monopoly is claimed in the features of the pattern or ornamentation of the pressed metal sheet as illustrated in the attached presentation.**



- (21) Design Number: **14020/2010**  
(22) Date of Filing Application: **16 September 2010**  
(24) Date from which industrial property rights may have effect: **16 September 2010**  
(54) Product in respect of which the design is registered: **Confectionery, petits fours, cakes, pastries, sweetmeats**  
(51) International Design Classification: **01-01**  
(71) Name(s) and Address(s) of Applicant(s):  
**Ulrike Wolf-Schoflinger**  
**General Alboristrasse 35 A-5061 Salzburg-Elsebethen Austria**  
(72) Name(s) of Designer(s): **Ulrike Wolf-Schoflinger**  
(45) Registration Date: **13 October 2010**  
(30) Convention priority data:  
(31) Number      (32) Date      (33) Country  
**001202345-0003   16 Mar 2010      EUROPEAN COMMUNITY**  
(56) Related Art Documents: **Not Applicable**  
(57) Statement of Newness and Distinctiveness: **Nil**



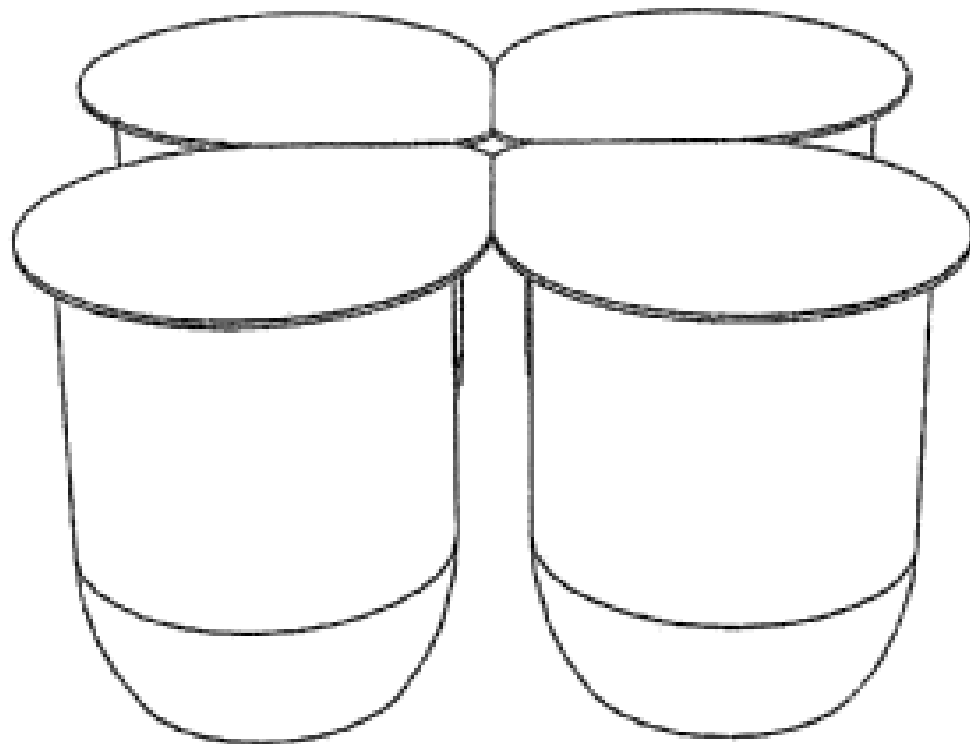
(21) Design Number: **14021/2010**  
(22) Date of Filing Application: **16 September 2010**  
(24) Date from which industrial property rights may have effect: **16 September 2010**  
(54) Product in respect of which the design is registered: **Confectionery, petits fours, cakes, pastries, sweetmeats**  
(51) International Design Classification: **01-01**  
(71) Name(s) and Address(s) of Applicant(s):  
**Ulrike Wolf-Schoflinger**  
**General Alboristrasse 35 A-5061 Salzburg-Elsebethen Austria**  
(72) Name(s) of Designer(s): **Ulrike Wolf-Schoflinger**  
(45) Registration Date: **13 October 2010**  
(30) Convention priority data:  
(31) Number      (32) Date      (33) Country  
**001202345-0004 16 Mar 2010 EUROPEAN COMMUNITY**  
(56) Related Art Documents: **Not Applicable**  
(57) Statement of Newness and Distinctiveness: **Nil**



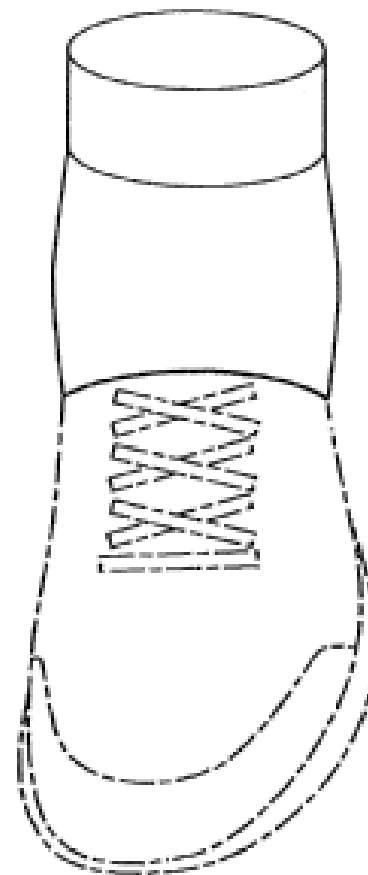
(21) Design Number: **14022/2010**  
(22) Date of Filing Application: **16 September 2010**  
(24) Date from which industrial property rights may have effect: **16 September 2010**  
(54) Product in respect of which the design is registered: **Confectionery, petits fours, cakes, pastries, sweetmeats**  
(51) International Design Classification: **01-01**  
(71) Name(s) and Address(s) of Applicant(s):  
**Ulrike Wolf-Schoflinger**  
**General Alboristrasse 35 A-5061 Salzburg-Elsebethen Austria**  
(72) Name(s) of Designer(s): **Ulrike Wolf-Schoflinger**  
(45) Registration Date: **13 October 2010**  
(30) Convention priority data:  
(31) Number      (32) Date      (33) Country  
**001202345-0009 16 Mar 2010 EUROPEAN COMMUNITY**  
(56) Related Art Documents: **Not Applicable**  
(57) Statement of Newness and Distinctiveness: **Nil**



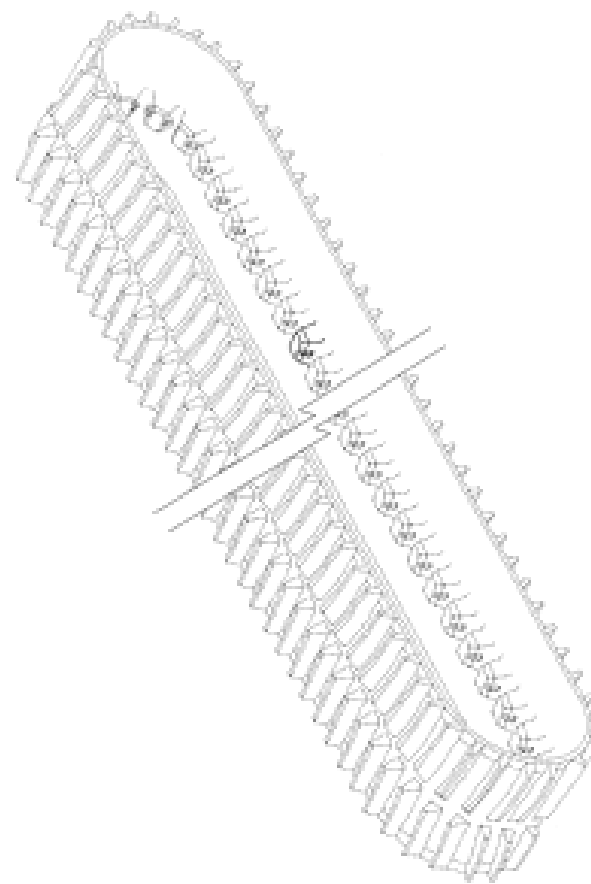
(21) Design Number: **14335/2010**  
(22) Date of Filing Application: **01 October 2010**  
(24) Date from which industrial property rights may have effect: **01 October 2010**  
(54) Product in respect of which the design is registered: **Tubs**  
(51) International Design Classification: **09-03F**  
(71) Name(s) and Address(s) of Applicant(s):  
**Compagnie Gervais Danone**  
**17 Boulevard Houssmann Paris 75009 France**  
(72) Name(s) of Designer(s): **Christophe Martin**  
(45) Registration Date: **13 October 2010**  
(56) Related Art Documents: **Not Applicable**  
(57) Statement of Newness and Distinctiveness: **Nil**



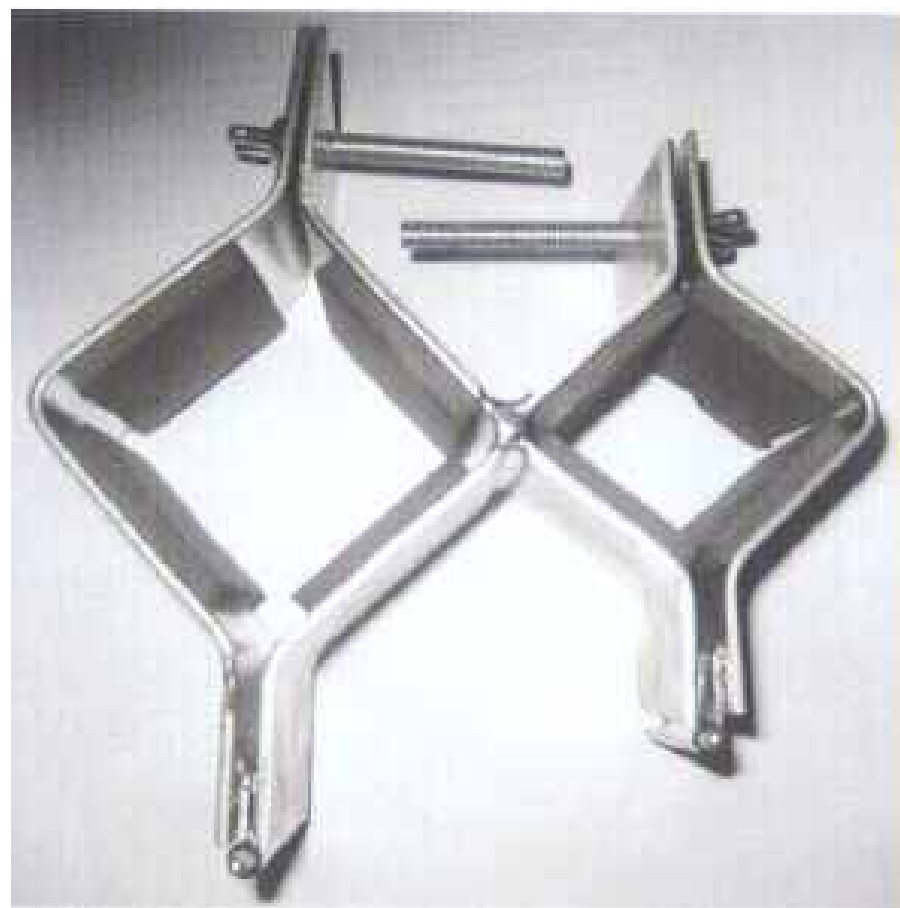
(21) Design Number: **14017/2010**  
(22) Date of Filing Application: **17 September 2010**  
(24) Date from which industrial property rights may have effect: **17 September 2010**  
(54) Product in respect of which the design is registered: **Protective spat for sports shoes**  
(51) International Design Classification: **02-04A**  
(71) Name(s) and Address(s) of Applicant(s):  
**TNG Enterprises LLC**  
**9784 Mosby Drive Olive Branch MS 38654 United States of America**  
(72) Name(s) of Designer(s): **Joseph Albert Teichert and Carl Edward Langley III and Eddie Alan Parker**  
(45) Registration Date: **13 October 2010**  
(30) Convention priority data:  
(31) Number      (32) Date      (33) Country  
**29/357,946      19 Mar 2010      UNITED STATES OF AMERICA**  
(56) Related Art Documents: **Not Applicable**  
(57) Statement of Newness and Distinctiveness: **Nil**



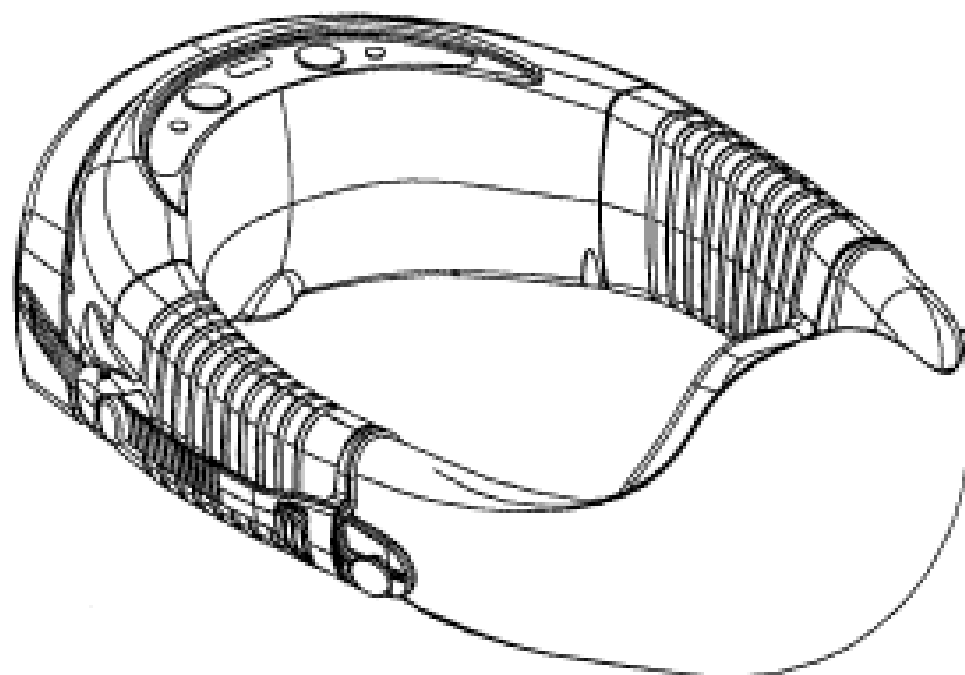
- (21) Design Number: **14019/2010**  
(22) Date of Filing Application: **16 September 2010**  
(24) Date from which industrial property rights may have effect: **16 September 2010**  
(54) Product in respect of which the design is registered: **Lug for continuous track**  
(51) International Design Classification: **12-15NES**  
(71) Name(s) and Address(s) of Applicant(s):  
**Bridgestone Corporation**  
**10-1 Kyobashi 1-Chome Chuo-Ku Tokyo 104-8340 Japan**  
(72) Name(s) of Designer(s): **Masaaki Ijiri**  
(45) Registration Date: **13 October 2010**  
(30) Convention priority data:  
(31) Number      (32) Date      (33) Country  
**2010-006412      16 Mar 2010      JAPAN**  
(56) Related Art Documents: **Not Applicable**  
(57) Statement of Newness and Distinctiveness: **Newness and distinctiveness is claimed in the shape and configuration of the lug shown in the representations. Features in which newness and distinctiveness is not claimed are shown in broken lines.**



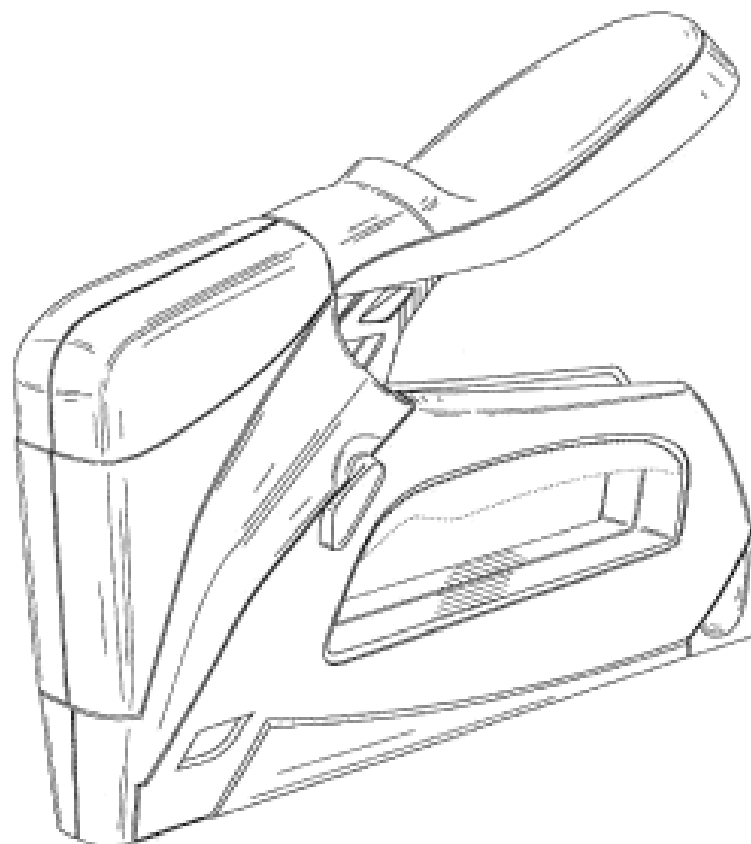
- (21) Design Number: **14036/2010**  
(22) Date of Filing Application: **20 September 2010**  
(24) Date from which industrial property rights may have effect: **20 September 2010**  
(54) Product in respect of which the design is registered: **Bracket that holds a portable clothes line to a jockey wheel**  
(51) International Design Classification: **08-08NES, 07-05D**  
(71) Name(s) and Address(s) of Applicant(s):  
**Haigh Australia Pty Ltd**  
**64 Argyle Parade Darra Queensland 4076 Australia**  
(72) Name(s) of Designer(s): **Neville Holmes**  
(45) Registration Date: **13 October 2010**  
(56) Related Art Documents: **Not Applicable**  
(57) Statement of Newness and Distinctiveness: **Bracket is designed to be fitted and secured to a jockey wheel when a caravan is parked. The post of the clothes line slides into the second bracket and is also secured.**



- (21) Design Number: **14037/2010**  
(22) Date of Filing Application: **17 September 2010**  
(24) Date from which industrial property rights may have effect: **17 September 2010**  
(54) Product in respect of which the design is registered: **Respirator**  
(51) International Design Classification: **24-01**  
(71) Name(s) and Address(s) of Applicant(s):  
**PAFtec Pty Ltd**  
**Suite 101 12 Thomas Street Chatswood New South Wales 2067**  
**Australia**  
(72) Name(s) of Designer(s): **Alexander Virr and Dan Kao and John Michael Snow and Xiaoyi Fu**  
(45) Registration Date: **13 October 2010**  
(56) Related Art Documents: **Not Applicable**  
(57) Statement of Newness and Distinctiveness: **Nil**

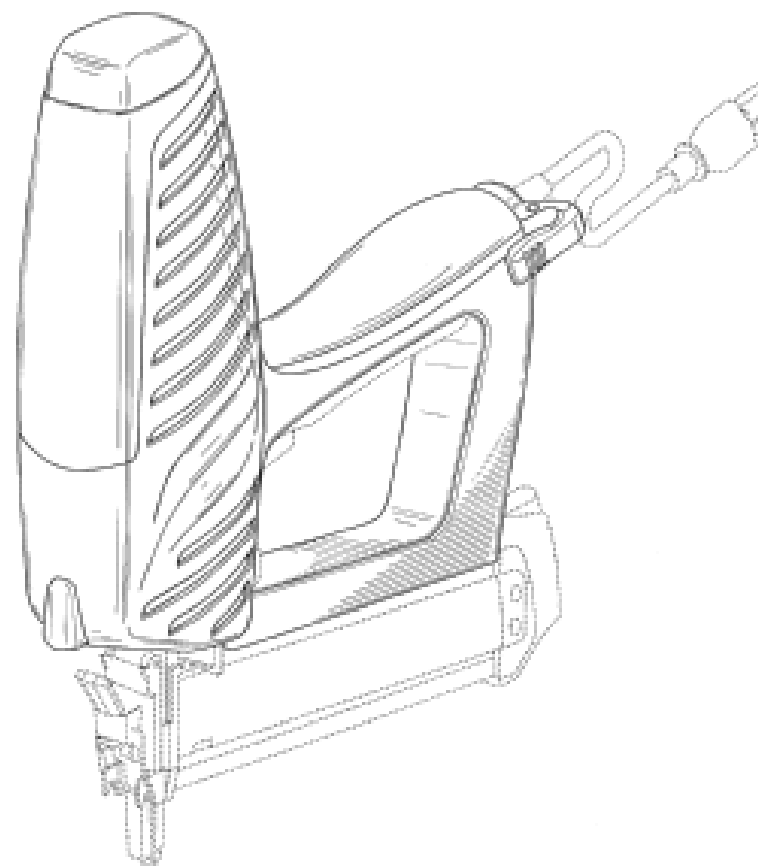


- (21) Design Number: **14038/2010**  
(22) Date of Filing Application: **16 September 2010**  
(24) Date from which industrial property rights may have effect: **16 September 2010**  
(54) Product in respect of which the design is registered: **Fastening tool**  
(51) International Design Classification: **08-05NES, 15-99**  
(71) Name(s) and Address(s) of Applicant(s):  
**Arrow Fastener Co., LLC**  
**271 Mayhill Street Saddle Brook New Jersey 07663 United States of America**  
(72) Name(s) of Designer(s): **Geraint Krumpe and Michael Reedy and Victor Hoernig and Marc Bickler and Gregg J. Malanga**  
(45) Registration Date: **13 October 2010**  
(30) Convention priority data:  
(31) Number (32) Date (33) Country  
**29/357,869 18 Mar 2010 UNITED STATES OF AMERICA**  
(56) Related Art Documents: **Not Applicable**  
(57) Statement of Newness and Distinctiveness: **Newness and distinctiveness resides in the shape and configuration of the fastening tool, excluding the portions shown in broken line.**



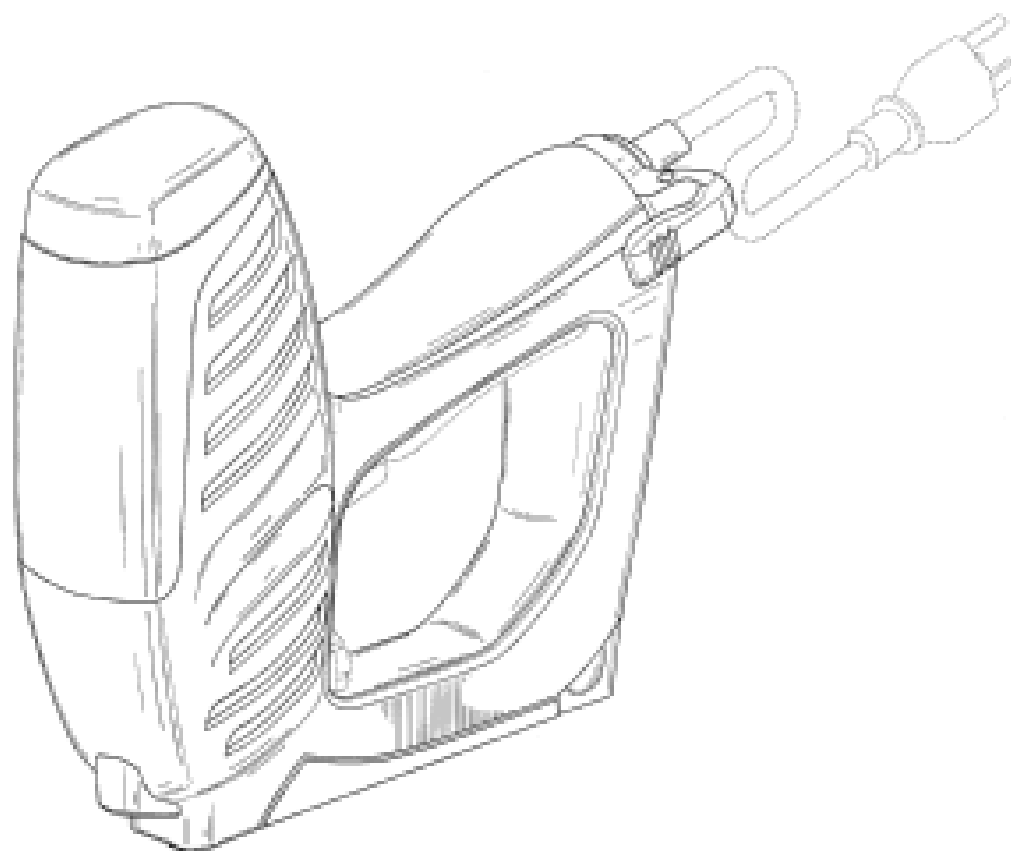
- (21) Design Number: **14039/2010**
- (22) Date of Filing Application: **16 September 2010**
- (24) Date from which industrial property rights may have effect: **16 September 2010**
- (54) Product in respect of which the design is registered: **Fastening tool**
- (51) International Design Classification: **08-05NES, 15-99**
- (71) Name(s) and Address(s) of Applicant(s):  
**Arrow Fastener Co., LLC**  
**271 Mayhill Street Saddle Brook New Jersey 07663 United States of America**
- (72) Name(s) of Designer(s): **Geraint Krumpe and Michael Reedy and Victor Hoernig and Charles A. Patterson and Man Ki Yoo and Emilie Williams-Romero and Marcus Bosch and Steven J. Mandel**
- (45) Registration Date: **13 October 2010**
- (30) Convention priority data:  

(31) Number	(32) Date	(33) Country
<b>29/357,866</b>	<b>18 Mar 2010</b>	<b>UNITED STATES OF AMERICA</b>
- (56) Related Art Documents: **Not Applicable**
- (57) Statement of Newness and Distinctiveness: **Newness and distinctiveness resides in the shape and configuration of the fastening tool, excluding the portions shown in broken line.**



- (21) Design Number: **14040/2010**
- (22) Date of Filing Application: **16 September 2010**
- (24) Date from which industrial property rights may have effect: **16 September 2010**
- (54) Product in respect of which the design is registered: **Fastening tool**
- (51) International Design Classification: **08-05NES, 15-99**
- (71) Name(s) and Address(s) of Applicant(s):  
**Arrow Fastener Co., LLC**  
**271 Mayhill Street Saddle Brook New Jersey 07663 United States of America**
- (72) Name(s) of Designer(s): **Geraint Krumpe and Michael Reedy and Victor Hoernig and Charles A. Patterson and Man Ki Yoo and Marcus Bosch and Steven J. Mandel**
- (45) Registration Date: **13 October 2010**
- (30) Convention priority data:  

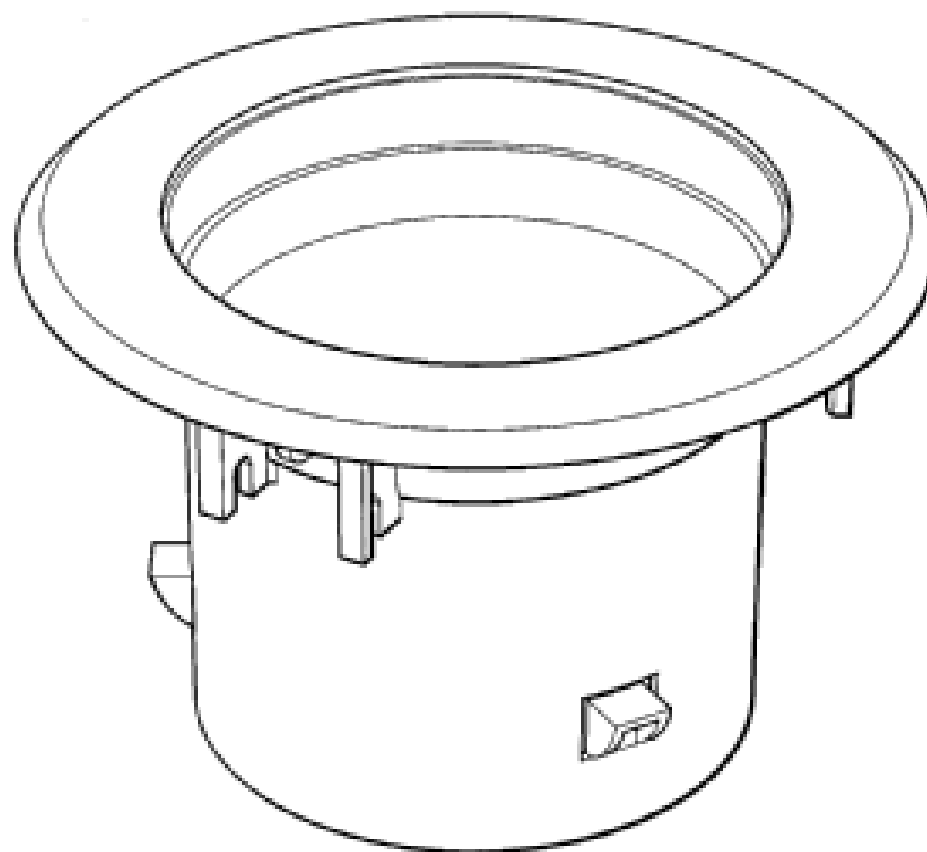
(31) Number	(32) Date	(33) Country
<b>29/358,041</b>	<b>22 Mar 2010</b>	<b>UNITED STATES OF AMERICA</b>
- (56) Related Art Documents: **Not Applicable**
- (57) Statement of Newness and Distinctiveness: **Newness and distinctiveness resides in the shape and configuration of the fastening tool, excluding the portions shown in broken line.**



(21) Design Number: **12050/2010**  
(22) Date of Filing Application: **24 May 2010**  
(24) Date from which industrial property rights may have effect: **24 May 2010**  
(54) Product in respect of which the design is registered: **Grille**  
(51) International Design Classification: **23-04**  
(71) Name(s) and Address(s) of Applicant(s):  
**Metalflex Pty Ltd**  
**13-17 Brand Drive Thomastown Victoria 3074 Australia**  
(72) Name(s) of Designer(s): **Russell Amiguet**  
(45) Registration Date: **15 October 2010**  
(56) Related Art Documents: **Not Applicable**  
(57) Statement of Newness and Distinctiveness: **Nil**



(21) Design Number: **12051/2010**  
(22) Date of Filing Application: **24 May 2010**  
(24) Date from which industrial property rights may have effect: **24 May 2010**  
(54) Product in respect of which the design is registered: **Housing**  
(51) International Design Classification: **23-04**  
(71) Name(s) and Address(s) of Applicant(s):  
**Metalflex Pty Ltd**  
**13-17 Brand Drive Thomastown Victoria 3074 Australia**  
(72) Name(s) of Designer(s): **Russell Amiguet**  
(45) Registration Date: **15 October 2010**  
(56) Related Art Documents: **Not Applicable**  
(57) Statement of Newness and Distinctiveness: **Nil**

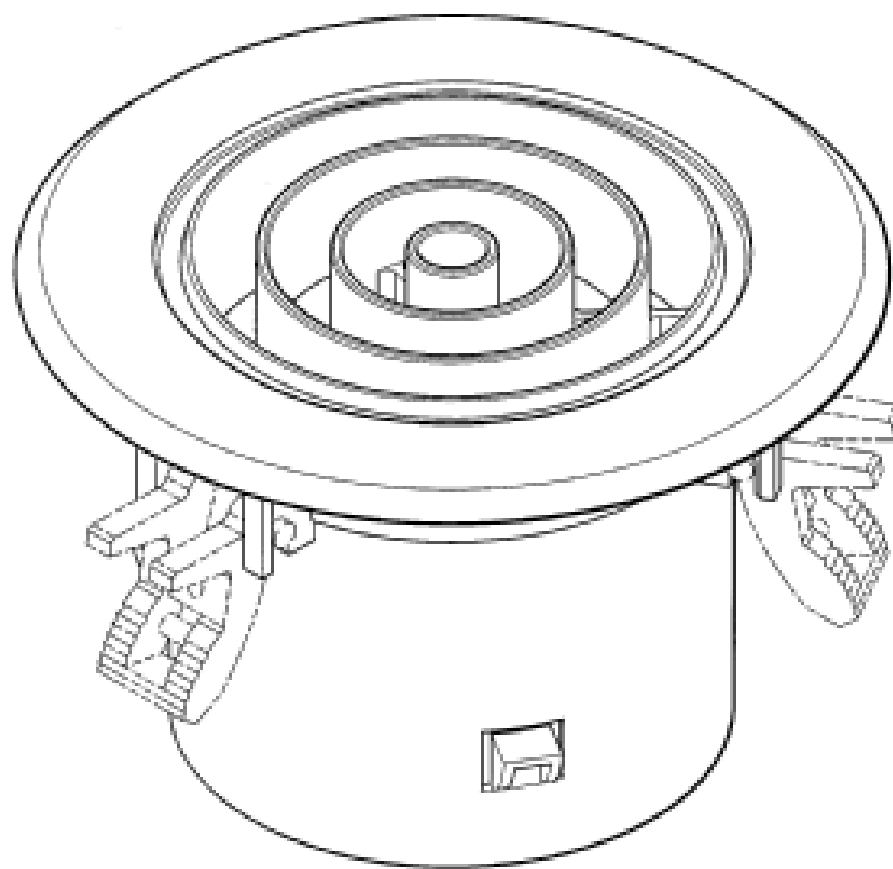




- (21) Design Number: **12052/2010**  
(22) Date of Filing Application: **24 May 2010**  
(24) Date from which industrial property rights may have effect: **24 May 2010**  
(54) Product in respect of which the design is registered: **Vent assembly**  
(51) International Design Classification: **23-04**  
(71) Name(s) and Address(s) of Applicant(s):

**Metalflex Pty Ltd**  
**13-17 Brand Drive Thomastown Victoria 3074 Australia**

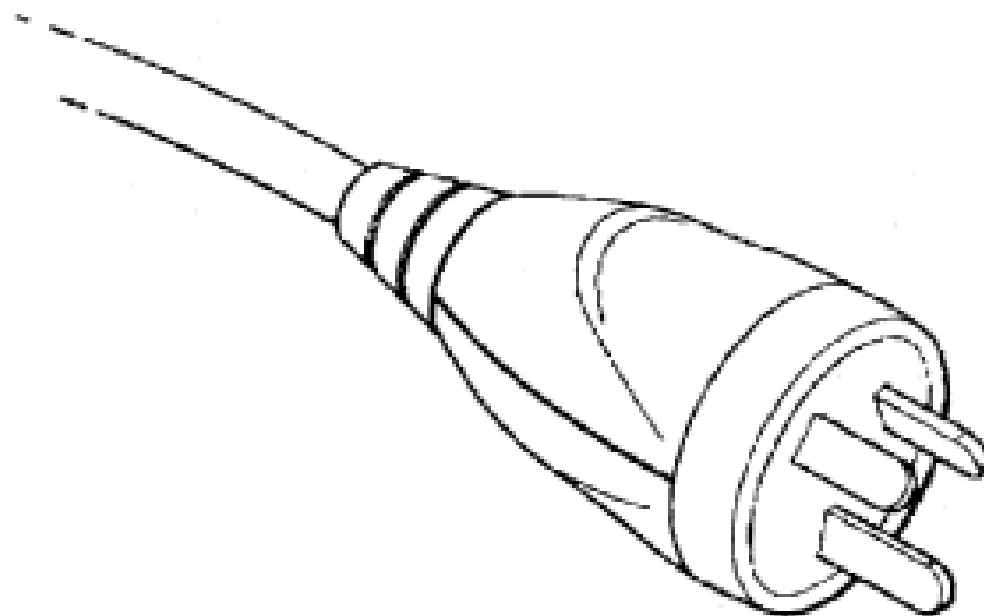
- (72) Name(s) of Designer(s): **Russell Amiguet**  
(45) Registration Date: **15 October 2010**  
(56) Related Art Documents: **Not Applicable**  
(57) Statement of Newness and Distinctiveness: **Nil**



- (21) Design Number: **12162/2010**  
(22) Date of Filing Application: **28 May 2010**  
(24) Date from which industrial property rights may have effect: **28 May 2010**  
(54) Product in respect of which the design is registered: **Electrical plug**  
(51) International Design Classification: **13-03D**  
(71) Name(s) and Address(s) of Applicant(s):

**TWM Group Pty Ltd**  
**PO Box 303 Mt Eliza Victoria 3930 Australia**

- (72) Name(s) of Designer(s): **Adam Matruglio**  
(45) Registration Date: **15 October 2010**  
(56) Related Art Documents: **Not Applicable**  
(57) Statement of Newness and Distinctiveness: **This design is to be applied to an electrical plug and the novelty resides in the features of shape and configuration of the article shown in the accompanying representations. The shape and configuration of the plug body, pins and cord are excluded from the novelty of the article.**



(21) Design Number: **12163/2010**

(22) Date of Filing Application: **28 May 2010**

(24) Date from which industrial property rights may have effect: **28 May 2010**

(54) Product in respect of which the design is registered: **Electrical plug**

(51) International Design Classification: **13-03D**

(71) Name(s) and Address(s) of Applicant(s):

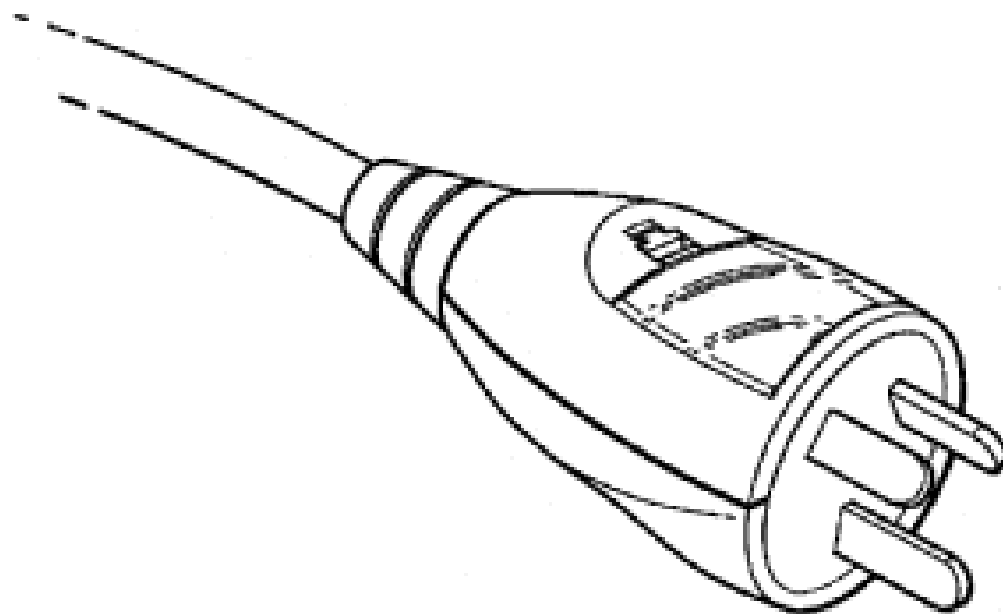
**TWM Group Pty Ltd  
PO Box 303 Mt Eliza Victoria 3930 Australia**

(72) Name(s) of Designer(s): **Adam Matruglio**

(45) Registration Date: **15 October 2010**

(56) Related Art Documents: **Not Applicable**

(57) Statement of Newness and Distinctiveness: **This design is to be applied to an electrical plug and the novelty resides in the features of shape and configuration of the article shown in the accompanying representations. The shape and configuration of the plug body, pins and cord are excluded from the novelty of the article.**



(21) Design Number: **13503/2010**

(22) Date of Filing Application: **13 August 2010**

(24) Date from which industrial property rights may have effect: **13 August 2010**

(54) Product in respect of which the design is registered: **Container**

(51) International Design Classification: **07-01NES**

(71) Name(s) and Address(s) of Applicant(s):

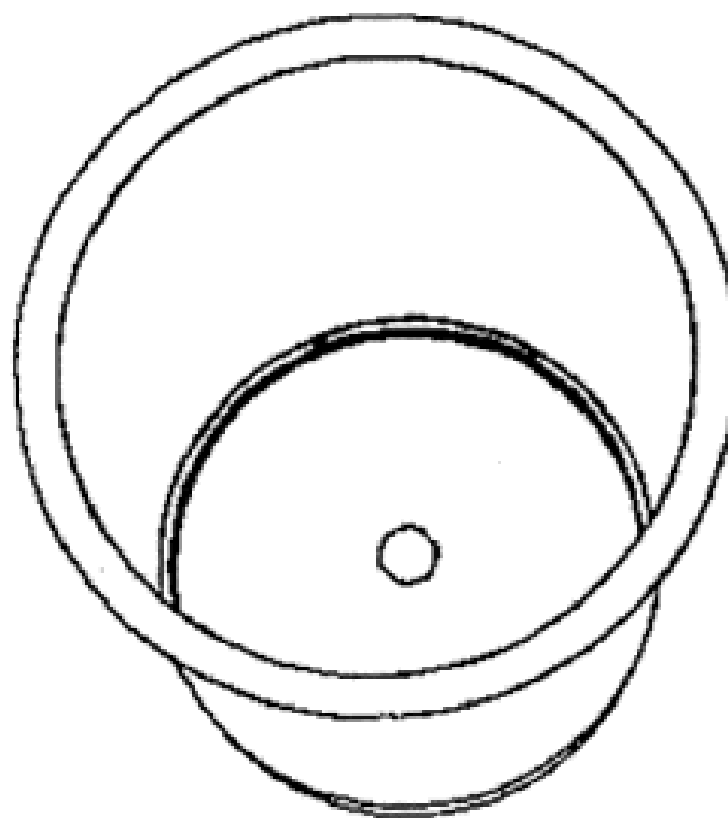
**Cryovac Australia Pty Ltd  
90 Keilor Park Drive Tullamarine Victoria 3043 Australia**

(72) Name(s) of Designer(s): **Michael Grima**

(45) Registration Date: **15 October 2010**

(56) Related Art Documents: **Not Applicable**

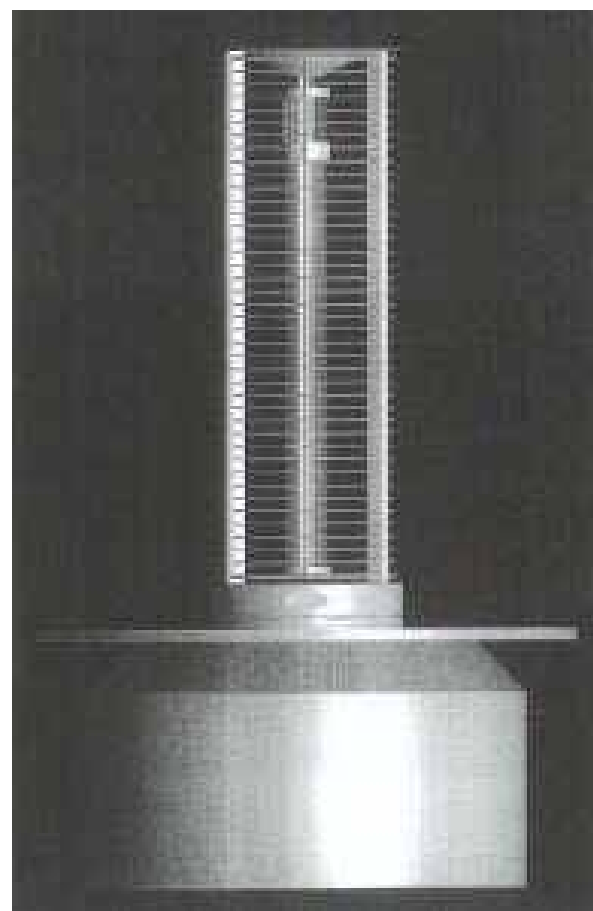
(57) Statement of Newness and Distinctiveness: **Nil**



(21) Design Number: **13831/2010**  
(22) Date of Filing Application: **03 September 2010**  
(24) Date from which industrial property rights may have effect: **03 September 2010**  
(54) Product in respect of which the design is registered: **Heater**  
(51) International Design Classification: **23-03B**  
(71) Name(s) and Address(s) of Applicant(s):  
**Hi-Seasons Products (Changzhou) CD., Ltd**  
**No. 72 Chunqiu Rd Lujiaxiang Village Niutang Town Wujin District**  
**Changzhou City Jiangsu Province 213000 China**  
(72) Name(s) of Designer(s): **Zhenyan Yu**  
(45) Registration Date: **15 October 2010**  
(30) Convention priority data:  
(31) Number      (32) Date      (33) Country  
**201030124005.8   15 Mar 2010      CHINA**  
(56) Related Art Documents: **Not Applicable**  
(57) Statement of Newness and Distinctiveness: **Nil**



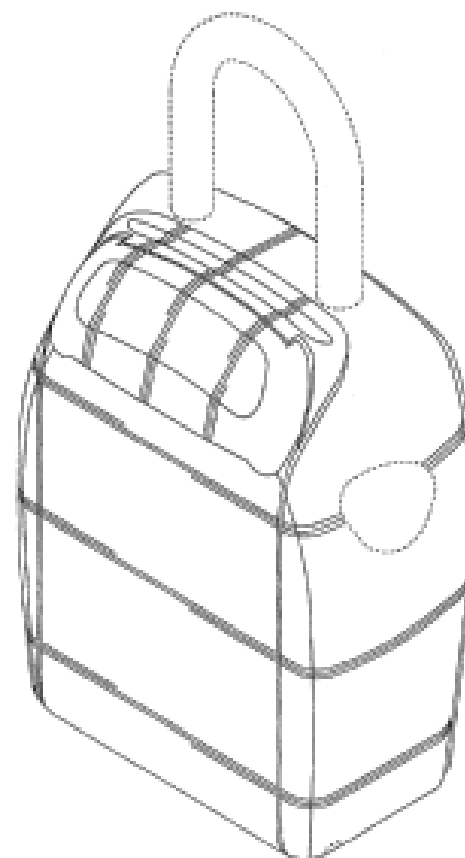
(21) Design Number: **13830/2010**  
(22) Date of Filing Application: **03 September 2010**  
(24) Date from which industrial property rights may have effect: **03 September 2010**  
(54) Product in respect of which the design is registered: **Heater**  
(51) International Design Classification: **23-03B**  
(71) Name(s) and Address(s) of Applicant(s):  
**Hi-Seasons Products (Changzhou) CD., Ltd**  
**No. 72 Chunqiu Rd Lujiaxiang Village Niutang Town Wujin District**  
**Changzhou City Jiangsu Province 213000 China**  
(72) Name(s) of Designer(s): **Zhenyan Yu**  
(45) Registration Date: **15 October 2010**  
(30) Convention priority data:  
(31) Number      (32) Date      (33) Country  
**201030123995.3   15 Mar 2010      CHINA**  
(56) Related Art Documents: **Not Applicable**  
(57) Statement of Newness and Distinctiveness: **Nil**



(21) Design Number: **13860/2010**  
(22) Date of Filing Application: **06 September 2010**  
(24) Date from which industrial property rights may have effect: **06 September 2010**  
(54) Product in respect of which the design is registered: **Shower head**  
(51) International Design Classification: **23-02B**  
(71) Name(s) and Address(s) of Applicant(s):  
**Hansa Metallwerke AG**  
**Sigmaringer Str. 107 D-70567 Stuttgart Germany**  
(72) Name(s) of Designer(s): **Michael Zeisel and Michael Lammel**  
(45) Registration Date: **15 October 2010**  
(30) Convention priority data:  
(31) Number (32) Date (33) Country  
**001682311-0005 17 Mar 2010 EUROPEAN COMMUNITY**  
(56) Related Art Documents: **Not Applicable**  
(57) Statement of Newness and Distinctiveness: **Nil**



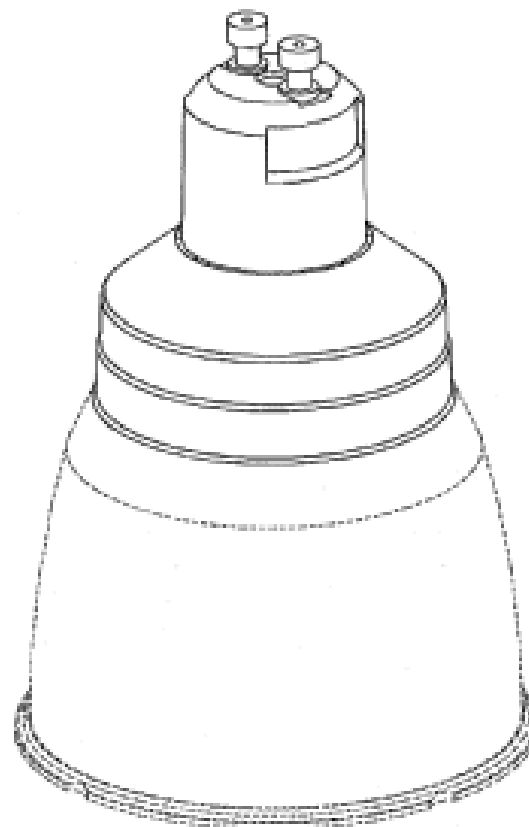
(21) Design Number: **14059/2010**  
(22) Date of Filing Application: **20 September 2010**  
(24) Date from which industrial property rights may have effect: **20 September 2010**  
(54) Product in respect of which the design is registered: **Safe**  
(51) International Design Classification: **03-01A, 06-04B, 08-07**  
(71) Name(s) and Address(s) of Applicant(s):  
**Master Lock Company LLC**  
**137 W. Forest Hill Avenue Oak Creek Wisconsin 53154 United States of America**  
(72) Name(s) of Designer(s): **Glenn P. Meekma and Scott B. Stevens**  
(45) Registration Date: **15 October 2010**  
(30) Convention priority data:  
(31) Number (32) Date (33) Country  
**29/358,733 31 Mar 2010 UNITED STATES OF AMERICA**  
(56) Related Art Documents: **Not Applicable**  
(57) Statement of Newness and Distinctiveness: **Newness and distinctiveness are provided by the shape and/or configuration of the design shown in the representations. The features shown in broken lines in the representations are for illustrative purposes only and should not be considered when construing visual features of the design.**



- (21) Design Number: **14166/2010**  
(22) Date of Filing Application: **29 September 2010**  
(24) Date from which industrial property rights may have effect: **29 September 2010**  
(54) Product in respect of which the design is registered: **Jig for locks**  
(51) International Design Classification: **08-07**  
(71) Name(s) and Address(s) of Applicant(s):  
**Daniel Lemm**  
**2/53 Diana Drive Blackburn North Victoria 3130 Australia**  
(72) Name(s) of Designer(s): **Daniel Lemm**  
(45) Registration Date: **15 October 2010**  
(56) Related Art Documents: **Not Applicable**  
(57) Statement of Newness and Distinctiveness: **Nil**



- (21) Design Number: **14192/2010**  
(22) Date of Filing Application: **07 October 2010**  
(24) Date from which industrial property rights may have effect: **07 October 2010**  
(54) Product in respect of which the design is registered: **Lamp**  
(51) International Design Classification: **26-04**  
(71) Name(s) and Address(s) of Applicant(s):  
**Aurora Limited**  
**16 Alban Park Hatfield Road St Albans Hertfordshire AL4 0JJ United Kingdom**  
(72) Name(s) of Designer(s): **Andrew Johnson**  
(45) Registration Date: **15 October 2010**  
(30) Convention priority data:  
(31) Number      (32) Date      (33) Country  
**001208193-006    07 Apr 2010      EUROPEAN COMMUNITY**  
(56) Related Art Documents: **Not Applicable**  
(57) Statement of Newness and Distinctiveness: **Newness and distinctiveness reside in the features of shape and/or configuration of the lamp, as shown in solid lines in the representations. Newness and distinctiveness are not claimed in relation to the features of the lamp shown in broken lines in the representations, which are shown for illustrative purposes only.**



(19) AU

- (21) Design Number: **14193/2010**
- (22) Date of Filing Application: **07 October 2010**
- (24) Date from which industrial property rights may have effect: **07 October 2010**
- (54) Product in respect of which the design is registered: **Lamp**
- (51) International Design Classification: **26-04**
- (71) Name(s) and Address(s) of Applicant(s):

**Aurora Limited**  
**16 Alban Park Hatfield Road St Albans Hertfordshire AL4 0JJ United Kingdom**

(72) Name(s) of Designer(s): **Andrew Johnson**

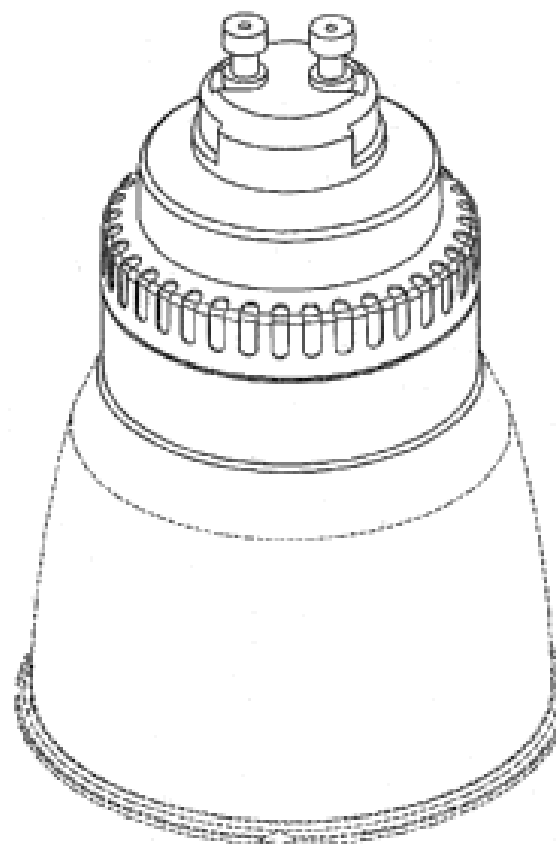
(45) Registration Date: **15 October 2010**

(30) Convention priority data:

(31) Number	(32) Date	(33) Country
<b>001208193-007</b>	<b>07 Apr 2010</b>	<b>EUROPEAN COMMUNITY</b>

(56) Related Art Documents: **Not Applicable**

(57) Statement of Newness and Distinctiveness: **Newness and distinctiveness reside in the features of shape and/or configuration of the lamp, as shown in solid lines in the representations. Newness and distinctiveness are not claimed in relation to the features of the lamp shown in broken lines in the representations, which are shown for illustrative purposes only.**



(19) AU

- (21) Design Number: **12924/2010**
- (22) Date of Filing Application: **14 July 2010**
- (24) Date from which industrial property rights may have effect: **14 July 2010**
- (54) Product in respect of which the design is registered: **Vehicle body and model vehicle body**
- (51) International Design Classification: **12-08, 21-01C**
- (71) Name(s) and Address(s) of Applicant(s):

**GM Global Technology Operations, Inc**  
**300 Renaissance Center Detroit Michigan 48265-3000 United States of America**

(72) Name(s) of Designer(s): **John H. Ware and Matthew J. Noone and Steve S. Kim and Daniel Sizuo Nozaki and Carlos M. Barba**

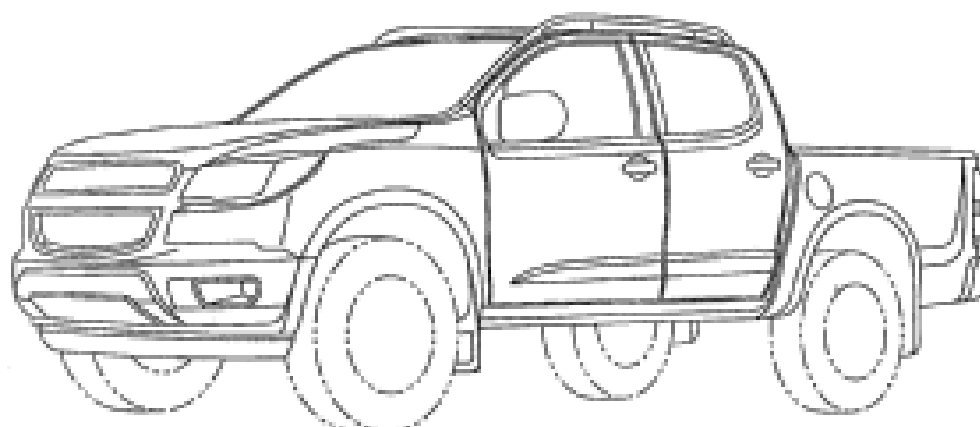
(45) Registration Date: **18 October 2010**

(30) Convention priority data:

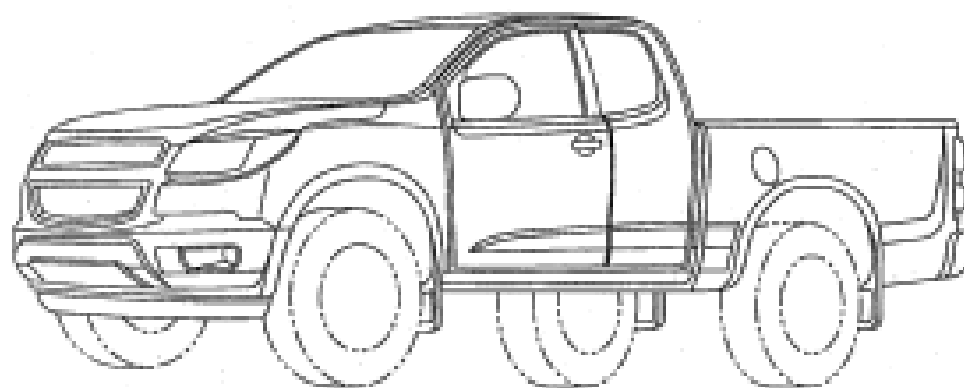
(31) Number	(32) Date	(33) Country
<b>29/355,936</b>	<b>17 Feb 2010</b>	<b>UNITED STATES OF AMERICA</b>

(56) Related Art Documents: **Not Applicable**

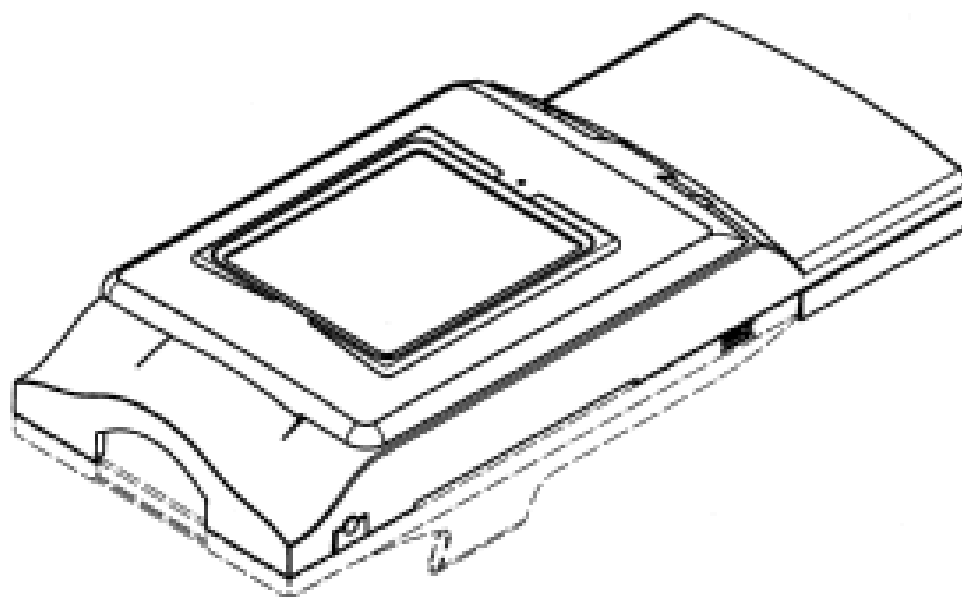
(57) Statement of Newness and Distinctiveness: **Those features of the vehicle body and model vehicle body depicted in the representations that are new and distinctive are the shape and/or configuration. The features shown in broken lines are not part of the design and are to be disregarded when considering the overall impression of the design.**



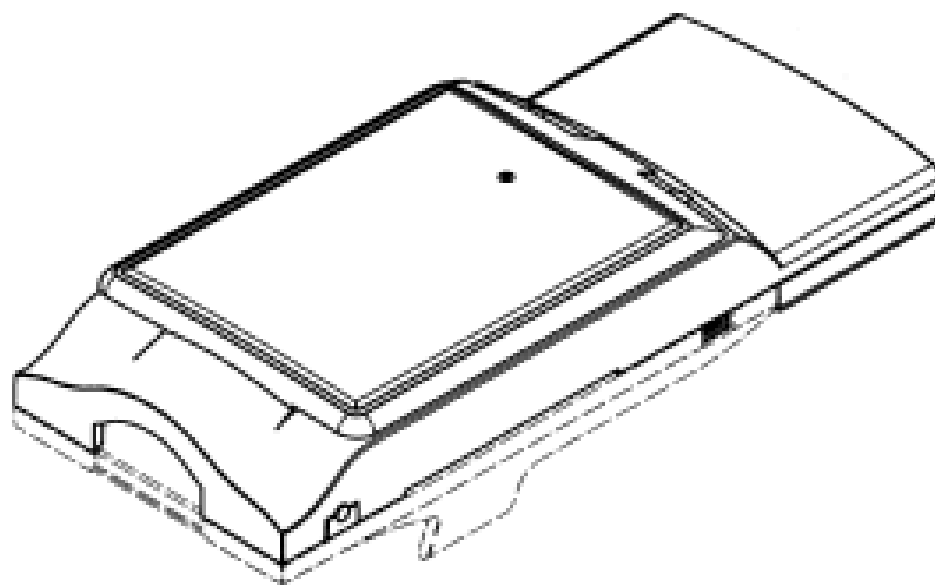
- (21) Design Number: **13067/2010**  
(22) Date of Filing Application: **22 July 2010**  
(24) Date from which industrial property rights may have effect: **22 July 2010**  
(54) Product in respect of which the design is registered: **Vehicle body and model vehicle body**  
(51) International Design Classification: **12-08, 21-01C**  
(71) Name(s) and Address(s) of Applicant(s):  
**GM Global Technology Operations, Inc**  
**300 Renaissance Center Detroit Michigan 48265-3000 United States of America**  
(72) Name(s) of Designer(s): **John H. Ware and Matthew J. Noone and Steve S. Kim and Daniel Sizuo Nozaki and Carlos M. Barba**  
(45) Registration Date: **18 October 2010**  
(30) Convention priority data:  
(31) Number (32) Date (33) Country  
**29/355,932 17 Feb 2010 UNITED STATES OF AMERICA**  
(56) Related Art Documents: **Not Applicable**  
(57) Statement of Newness and Distinctiveness: **Those features of the vehicle body and model vehicle body depicted in the representations that are new and distinctive are the shape and/or configuration. The features shown in broken lines are not part of the design and are to be disregarded when considering the overall impression of the design.**



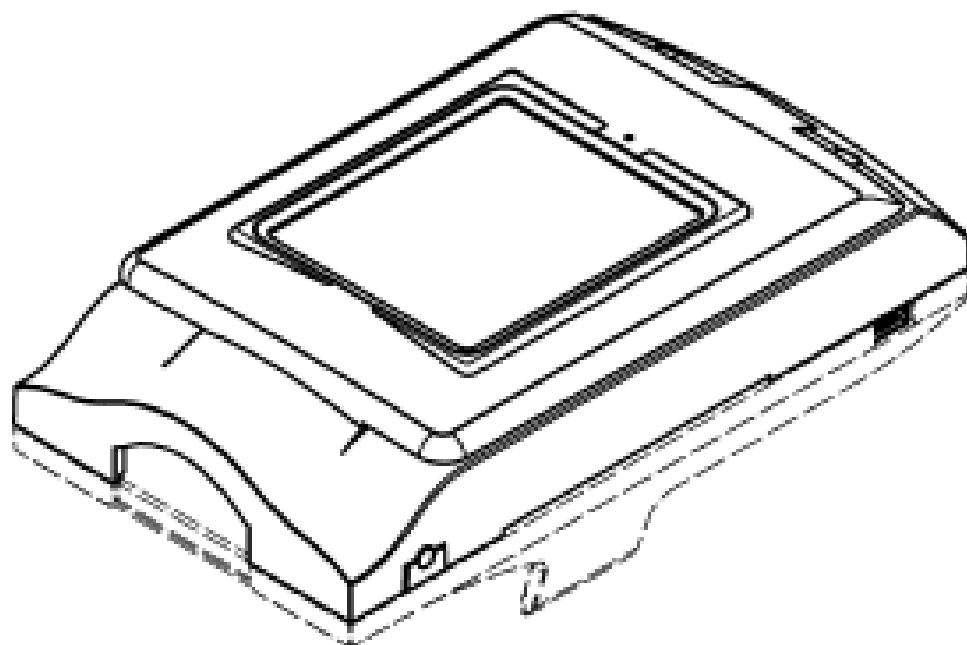
- (21) Design Number: **13187/2010**  
(22) Date of Filing Application: **27 July 2010**  
(24) Date from which industrial property rights may have effect: **27 July 2010**  
(54) Product in respect of which the design is registered: **Multifunction attachment for a handheld device**  
(51) International Design Classification: **14-03A**  
(71) Name(s) and Address(s) of Applicant(s):  
**Grabba International Pty Ltd**  
**2 Henley Street Coopers Plains Queensland 4108 Australia**  
(72) Name(s) of Designer(s): **Nathan Thomas Westgarth and Gordon Haslewood Stuart**  
(45) Registration Date: **18 October 2010**  
(56) Related Art Documents: **Not Applicable**  
(57) Statement of Newness and Distinctiveness: **Nil**



- (21) Design Number: **13188/2010**  
(22) Date of Filing Application: **27 July 2010**  
(24) Date from which industrial property rights may have effect: **27 July 2010**  
(54) Product in respect of which the design is registered: **Multifunction attachment for a handheld device**  
(51) International Design Classification: **14-03A**  
(71) Name(s) and Address(s) of Applicant(s):  
**Grabba International Pty Ltd**  
**2 Henley Street Coopers Plains Queensland 4108 Australia**  
(72) Name(s) of Designer(s): **Nathan Thomas Westgarth and Gordon Haslewood Stuart**  
(45) Registration Date: **18 October 2010**  
(56) Related Art Documents: **Not Applicable**  
(57) Statement of Newness and Distinctiveness: **Nil**

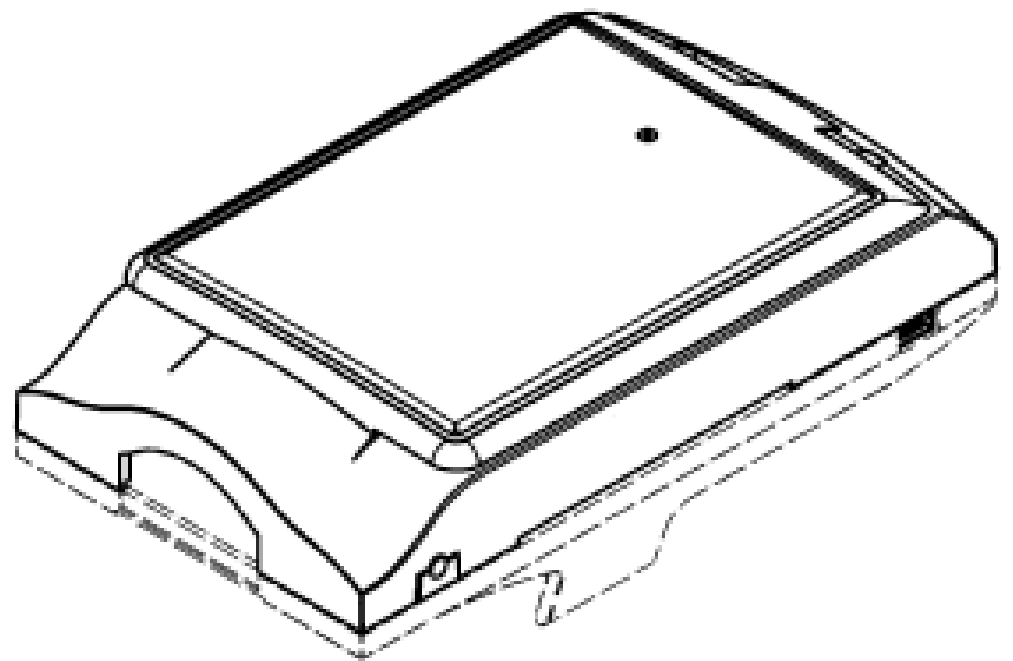


- (21) Design Number: **13189/2010**  
(22) Date of Filing Application: **27 July 2010**  
(24) Date from which industrial property rights may have effect: **27 July 2010**  
(54) Product in respect of which the design is registered: **Multifunction attachment for a handheld device**  
(51) International Design Classification: **14-03A**  
(71) Name(s) and Address(s) of Applicant(s):  
**Grabba International Pty Ltd**  
**2 Henley Street Coopers Plains Queensland 4108 Australia**  
(72) Name(s) of Designer(s): **Nathan Thomas Westgarth and Gordon Haslewood Stuart**  
(45) Registration Date: **18 October 2010**  
(56) Related Art Documents: **Not Applicable**  
(57) Statement of Newness and Distinctiveness: **Nil**

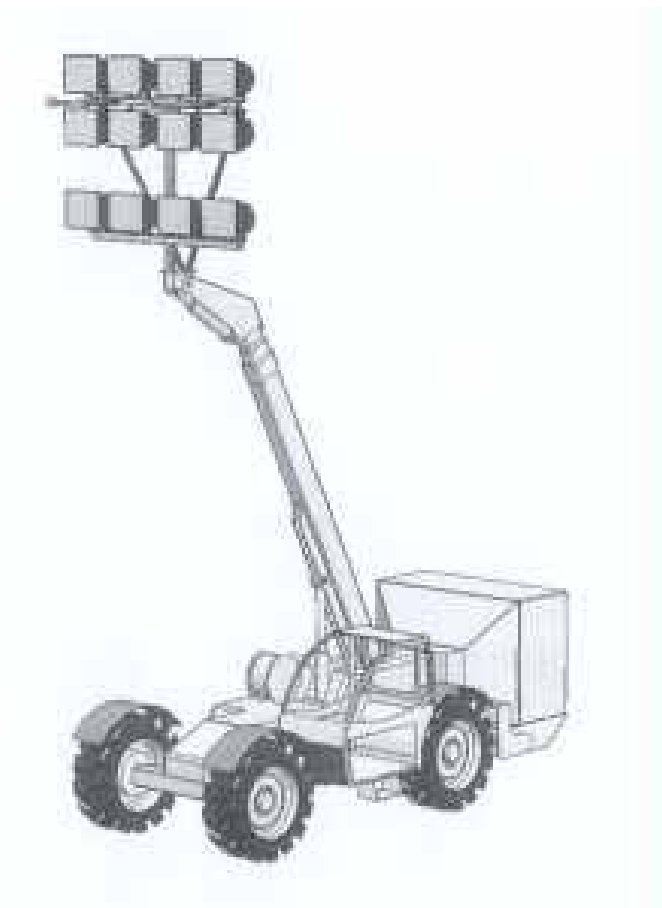




- (21) Design Number: **13190/2010**  
(22) Date of Filing Application: **27 July 2010**  
(24) Date from which industrial property rights may have effect: **27 July 2010**  
(54) Product in respect of which the design is registered: **Multifunction attachment for a handheld device**  
(51) International Design Classification: **14-03A**  
(71) Name(s) and Address(s) of Applicant(s):  
**Grabba International Pty Ltd**  
**2 Henley Street Coopers Plains Queensland 4108 Australia**  
(72) Name(s) of Designer(s): **Nathan Thomas Westgarth and Gordon Haslewood Stuart**  
(45) Registration Date: **18 October 2010**  
(56) Related Art Documents: **Not Applicable**  
(57) Statement of Newness and Distinctiveness: **Nil**



- (21) Design Number: **13297/2010**  
(22) Date of Filing Application: **04 August 2010**  
(24) Date from which industrial property rights may have effect: **04 August 2010**  
(54) Product in respect of which the design is registered: **Mobile lighting apparatus**  
(51) International Design Classification: **26-03, 12-13**  
(71) Name(s) and Address(s) of Applicant(s):  
**John Jonker**  
**C/- Ahearn Fox Level 4 T & G Building 141 Queen Street Brisbane Queensland 4000 Australia**  
(72) Name(s) of Designer(s): **John Jonker**  
(45) Registration Date: **18 October 2010**  
(56) Related Art Documents: **Not Applicable**  
(57) Statement of Newness and Distinctiveness: **Newness and distinctiveness resides in the shape and configuration of mobile lighting apparatus having an extendable boom and an electric power unit mounted near the rear end of the boom as shown in the accompanying representations, wherein: Fig. 1 is a pictorial representation of the apparatus from the front on one side with the boom lowered and retracted; Fig. 2 is a pictorial representation of the apparatus from the rear on the opposite side with the boom lowered and retracted; Fig. 3 is a pictorial representation of the apparatus from the front on the same side as in Fig. 1 with the boom raised and retracted; and Fig. 4 is a pictorial representation of the apparatus from the front and same side as in Fig. 1 with the boom fully raised and extended.**



(21) Design Number: **13861/2010**  
(22) Date of Filing Application: **06 September 2010**  
(24) Date from which industrial property rights may have effect: **06 September 2010**  
(54) Product in respect of which the design is registered: **Shower head**  
(51) International Design Classification: **23-02B**  
(71) Name(s) and Address(s) of Applicant(s):

**Hansa Metallwerke AG**  
**Sigmaringer Str. 107 D-70567 Stuttgart Germany**

(72) Name(s) of Designer(s): **Michael Zeisel and Michael Lammel**

(45) Registration Date: **18 October 2010**

(30) Convention priority data:

(31) Number	(32) Date	(33) Country
<b>001682311-0002</b>	<b>17 Mar 2010</b>	<b>EUROPEAN COMMUNITY</b>

(56) Related Art Documents: **Not Applicable**

(57) Statement of Newness and Distinctiveness: **Nil**



(21) Design Number: **14025/2010**  
(22) Date of Filing Application: **15 September 2010**  
(24) Date from which industrial property rights may have effect: **15 September 2010**  
(54) Product in respect of which the design is registered: **Spacer wheel for reinforcement bars in concrete structure**  
(51) International Design Classification: **25-01B**  
(71) Name(s) and Address(s) of Applicant(s):

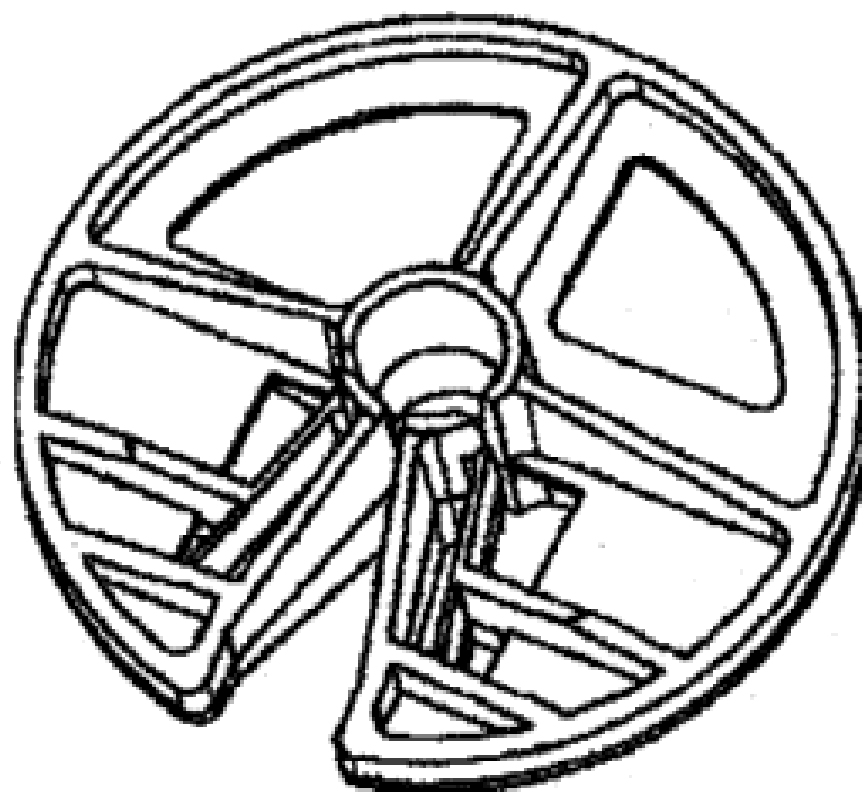
**Dennis J. Mee**  
**51 Goldieslie Road Indooroopilly Queensland 4068 Australia**

(72) Name(s) of Designer(s): **Dennis J. Mee**

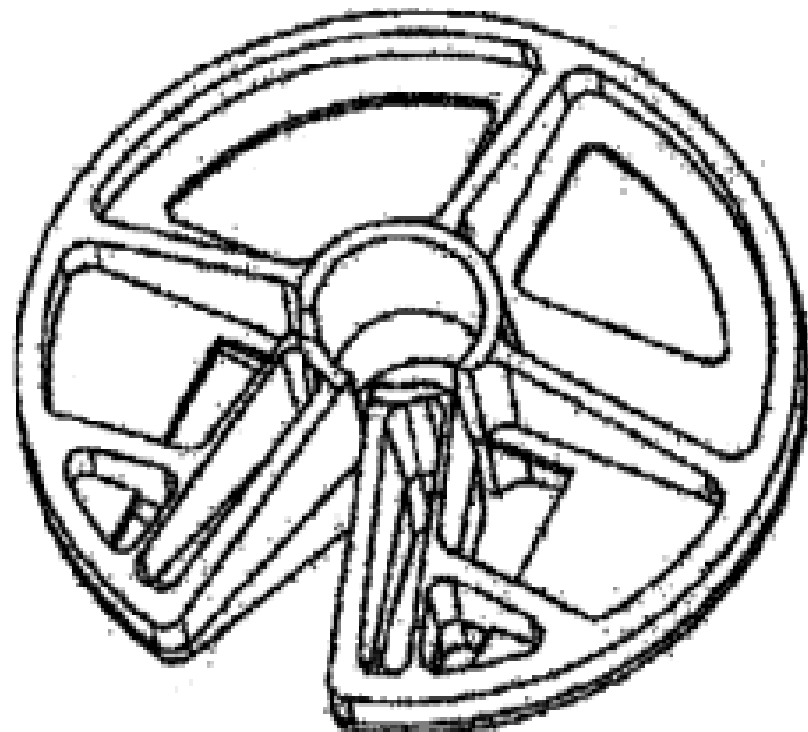
(45) Registration Date: **18 October 2010**

(56) Related Art Documents: **Not Applicable**

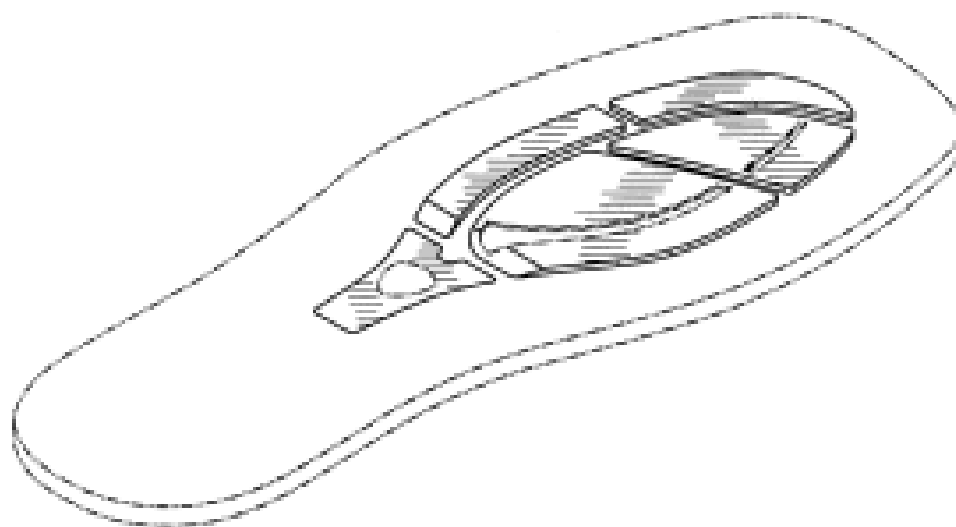
(57) Statement of Newness and Distinctiveness: **Nil**



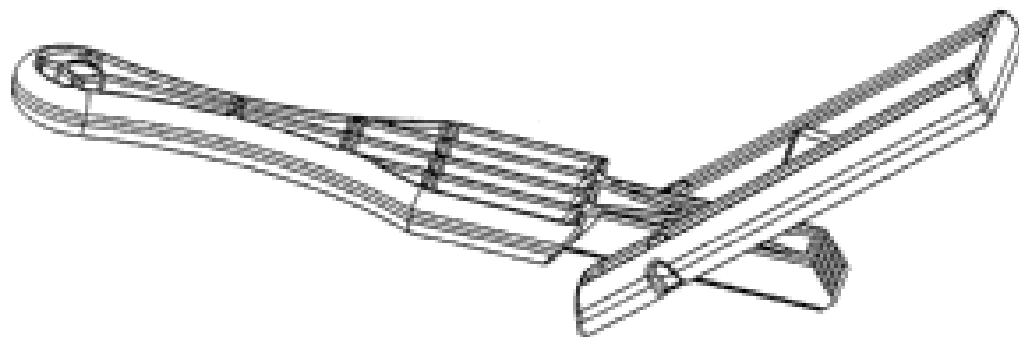
(21) Design Number: **14026/2010**  
(22) Date of Filing Application: **15 September 2010**  
(24) Date from which industrial property rights may have effect: **15 September 2010**  
(54) Product in respect of which the design is registered: **Spacer wheel for reinforcement bars in concrete structure**  
(51) International Design Classification: **25-01B**  
(71) Name(s) and Address(s) of Applicant(s):  
**Dennis J. Mee**  
**51 Goldieslie Road Indooroopilly Queensland 4068 Australia**  
(72) Name(s) of Designer(s): **Dennis J. Mee**  
(45) Registration Date: **18 October 2010**  
(56) Related Art Documents: **Not Applicable**  
(57) Statement of Newness and Distinctiveness: **Nil**



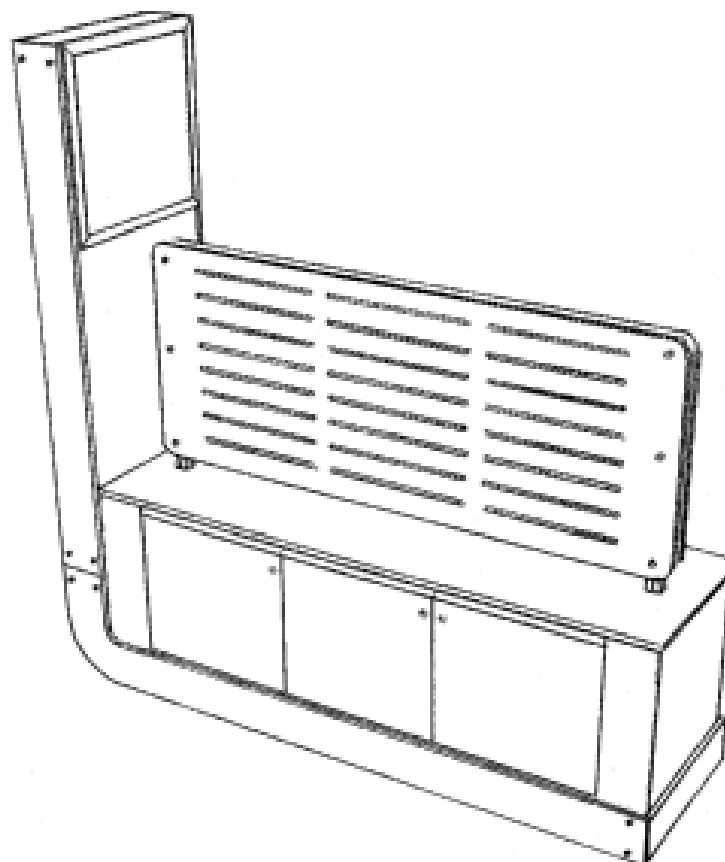
(21) Design Number: **14027/2010**  
(22) Date of Filing Application: **16 September 2010**  
(24) Date from which industrial property rights may have effect: **16 September 2010**  
(54) Product in respect of which the design is registered: **A footwear outsole**  
(51) International Design Classification: **02-04A**  
(71) Name(s) and Address(s) of Applicant(s):  
**Ariat International, Inc.**  
**3242 Whipple Road Union City California 94587 United States of America**  
(72) Name(s) of Designer(s): **Russell Davis**  
(45) Registration Date: **18 October 2010**  
(30) Convention priority data:  
(31) Number (32) Date (33) Country  
**29/359735 14 Apr 2010 UNITED STATES OF AMERICA**  
(56) Related Art Documents: **Not Applicable**  
(57) Statement of Newness and Distinctiveness: **Newness and distinctiveness is claimed in the features of shape and/or configuration of a footwear outsole as illustrated in continuous lines in the accompanying representations.**



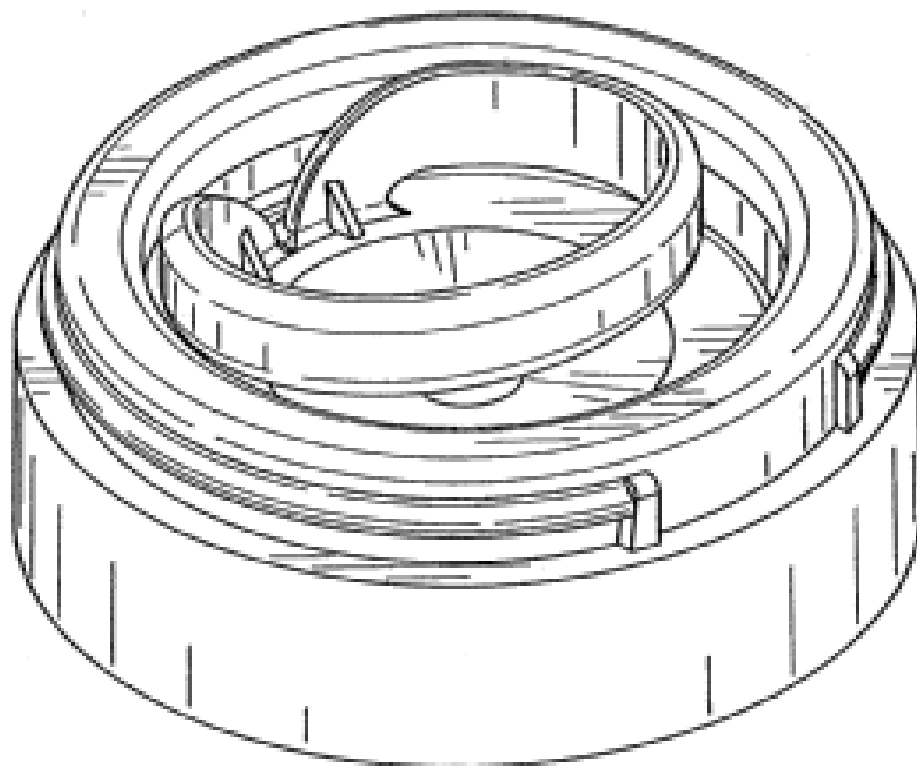
- (21) Design Number: **14028/2010**  
(22) Date of Filing Application: **17 September 2010**  
(24) Date from which industrial property rights may have effect: **17 September 2010**  
(54) Product in respect of which the design is registered: **Girth tightener**  
(51) International Design Classification: **30-04**  
(71) Name(s) and Address(s) of Applicant(s):  
**Lyn Yelland**  
**235 Smith Road Bullsbrook Western Australia 6084 Australia**  
**Kathleen Anne Hare**  
**PO BOX 263 Bullsbrook Western Australia 6084 Australia**  
(72) Name(s) of Designer(s): **Adrian Burleigh and Kathleen Anne Hare and Lyn Yelland**  
(45) Registration Date: **18 October 2010**  
(56) Related Art Documents: **Not Applicable**  
(57) Statement of Newness and Distinctiveness: **Newness and distinctiveness is claimed in the visual features of shape and configuration of a girth tightener as shown in straight and pivoted configurations in the accompanying representations.**



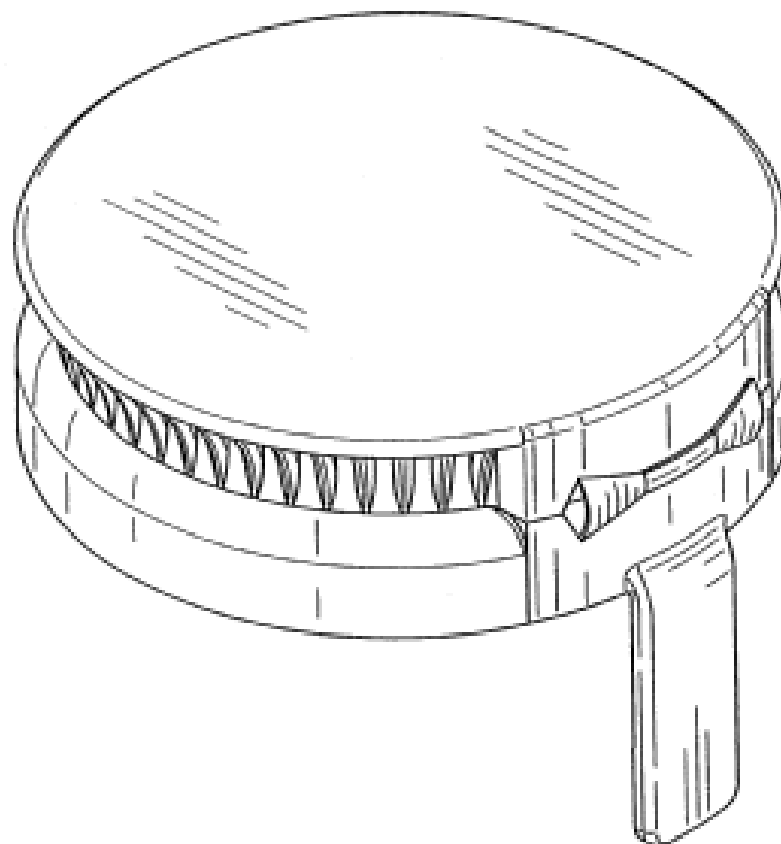
- (21) Design Number: **13211/2010**  
(22) Date of Filing Application: **28 July 2010**  
(24) Date from which industrial property rights may have effect: **28 July 2010**  
(54) Product in respect of which the design is registered: **Large display hub**  
(51) International Design Classification: **20-02E**  
(71) Name(s) and Address(s) of Applicant(s):  
**Synthesis Design and Display Pty Ltd**  
**13 Newcastle Road Bayswater Victoria 3153 Australia**  
(72) Name(s) of Designer(s): **Jason Laity**  
(45) Registration Date: **15 October 2010**  
(56) Related Art Documents: **Not Applicable**  
(57) Statement of Newness and Distinctiveness: **Newness and distinctiveness reside in the features of the design as shown in the representations.**



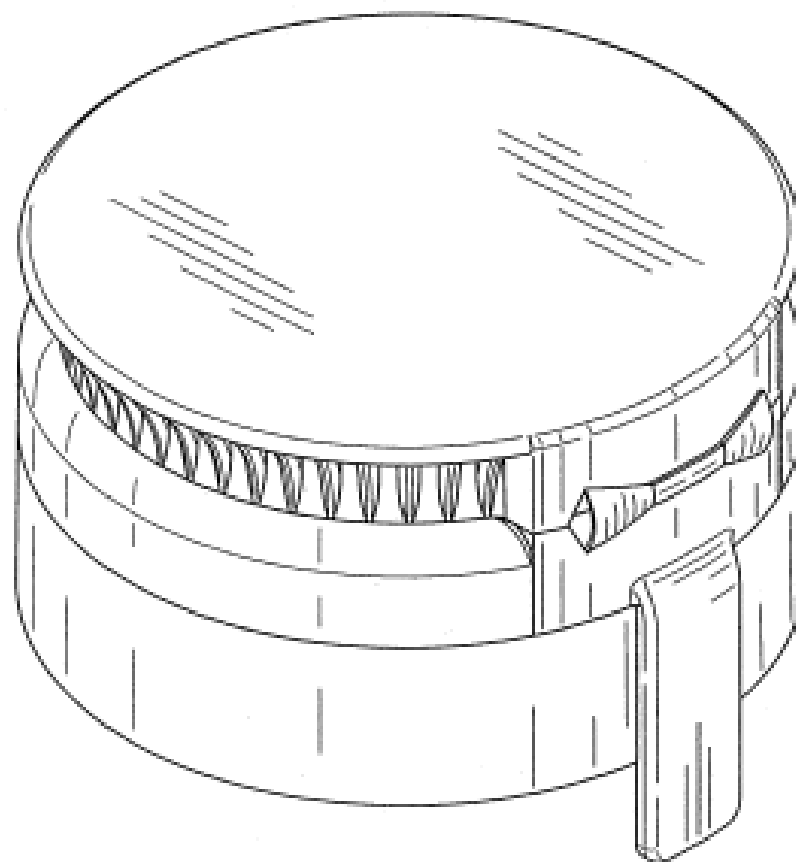
(21) Design Number: **13467/2010**  
(22) Date of Filing Application: **12 August 2010**  
(24) Date from which industrial property rights may have effect: **12 August 2010**  
(54) Product in respect of which the design is registered: **Bottom for dispensing closure**  
(51) International Design Classification: **09-07A**  
(71) Name(s) and Address(s) of Applicant(s):  
**Portola Packaging, Inc.**  
**951 Douglas Road Batavia Illinois 60501 United States of America**  
(72) Name(s) of Designer(s): **Richard D. Lohrman and Richard Gross**  
(45) Registration Date: **15 October 2010**  
(30) Convention priority data:  
(31) Number (32) Date (33) Country  
**29/355705 12 Feb 2010 UNITED STATES OF AMERICA**  
(56) Related Art Documents: **Not Applicable**  
(57) Statement of Newness and Distinctiveness: **Newness and distinctiveness is claimed in the features of shape and/or configuration of a bottom for dispensing closure as illustrated in the accompanying representations.**



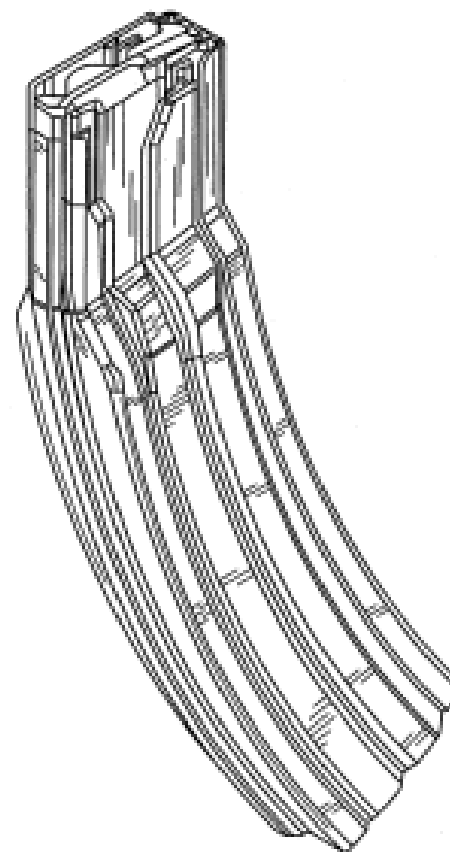
(21) Design Number: **13468/2010**  
(22) Date of Filing Application: **12 August 2010**  
(24) Date from which industrial property rights may have effect: **12 August 2010**  
(54) Product in respect of which the design is registered: **Lid for dispensing closure**  
(51) International Design Classification: **09-07B**  
(71) Name(s) and Address(s) of Applicant(s):  
**Portola Packaging, Inc.**  
**951 Douglas Road Batavia Illinois 60501 United States of America**  
(72) Name(s) of Designer(s): **Richard D. Lohrman and Richard Gross**  
(45) Registration Date: **15 October 2010**  
(30) Convention priority data:  
(31) Number (32) Date (33) Country  
**29/355703 12 Feb 2010 UNITED STATES OF AMERICA**  
(56) Related Art Documents: **Not Applicable**  
(57) Statement of Newness and Distinctiveness: **Newness and distinctiveness is claimed in the features of shape and/or configuration of a lid for dispensing closure as illustrated in the accompanying representations.**



(21) Design Number: **13469/2010**  
 (22) Date of Filing Application: **12 August 2010**  
 (24) Date from which industrial property rights may have effect: **12 August 2010**  
 (54) Product in respect of which the design is registered: **Dispensing closure**  
 (51) International Design Classification: **09-07A**  
 (71) Name(s) and Address(s) of Applicant(s):  
**Portola Packaging, Inc.**  
**951 Douglas Road Batavia Illinois 60501 United States of America**  
 (72) Name(s) of Designer(s): **Richard D. Lohrman and Richard Gross**  
 (45) Registration Date: **15 October 2010**  
 (30) Convention priority data:  
 (31) Number (32) Date (33) Country  
**29/355700 12 Feb 2010 UNITED STATES OF AMERICA**  
 (56) Related Art Documents: **Not Applicable**  
 (57) Statement of Newness and Distinctiveness: **Newness and distinctiveness is claimed in the following features of shape and/or configuration of a dispensing closure as illustrated in the accompanying representations: the ribbed outer peripheral wall of the lid of the closure; the tab extending vertically along the back of the closure; and the arrangement of protrusions and recesses extending about the inner peripheral wall of the base of the closure as depicted in the bottom and bottom perspective views.**



(21) Design Number: **14072/2010**  
 (22) Date of Filing Application: **21 September 2010**  
 (24) Date from which industrial property rights may have effect: **21 September 2010**  
 (54) Product in respect of which the design is registered: **Magazine for a firearm**  
 (51) International Design Classification: **22-01**  
 (71) Name(s) and Address(s) of Applicant(s):  
**Armwest, LLC**  
**955 West Rosser Street Prescott Arizona 86305 United States of America**  
 (72) Name(s) of Designer(s): **Leroy James Sullivan and Robert Lloyd Waterfield and Hyunjung Samuel Eyssautier**  
 (45) Registration Date: **15 October 2010**  
 (30) Convention priority data:  
 (31) Number (32) Date (33) Country  
**29/358316 25 Mar 2010 UNITED STATES OF AMERICA**  
 (56) Related Art Documents: **Not Applicable**  
 (57) Statement of Newness and Distinctiveness: **Newness and distinctiveness is claimed in the features of shape and/or configuration of a magazine for a firearm as illustrated in the accompanying representations.**



- (21) Design Number: **14073/2010**  
(22) Date of Filing Application: **21 September 2010**  
(24) Date from which industrial property rights may have effect: **21 September 2010**  
(54) Product in respect of which the design is registered: **Magazine for a firearm**  
(51) International Design Classification: **22-01**  
(71) Name(s) and Address(s) of Applicant(s):

**Armwest, LLC**  
**955 West Rosser Street Prescott Arizona 86305 United States of America**

- (72) Name(s) of Designer(s): **Leroy James Sullivan and Robert Lloyd Waterfield and Hyunjung Samuel Eyssautier**

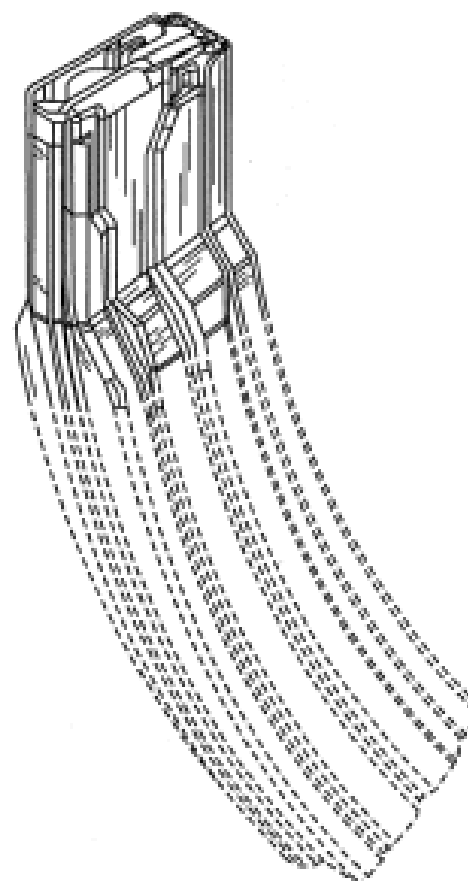
(45) Registration Date: **15 October 2010**

(30) Convention priority data:

(31) Number	(32) Date	(33) Country
<b>29/358320</b>	<b>25 Mar 2010</b>	<b>UNITED STATES OF AMERICA</b>

(56) Related Art Documents: **Not Applicable**

(57) Statement of Newness and Distinctiveness: **Newness and distinctiveness is claimed in the features of shape and/or configuration of a magazine for a firearm as illustrated in continuous lines in the accompanying representations.**



- (21) Design Number: **14198/2010**  
(22) Date of Filing Application: **06 October 2010**  
(24) Date from which industrial property rights may have effect: **06 October 2010**  
(54) Product in respect of which the design is registered: **Transport container**  
(51) International Design Classification: **09-03K**  
(71) Name(s) and Address(s) of Applicant(s):

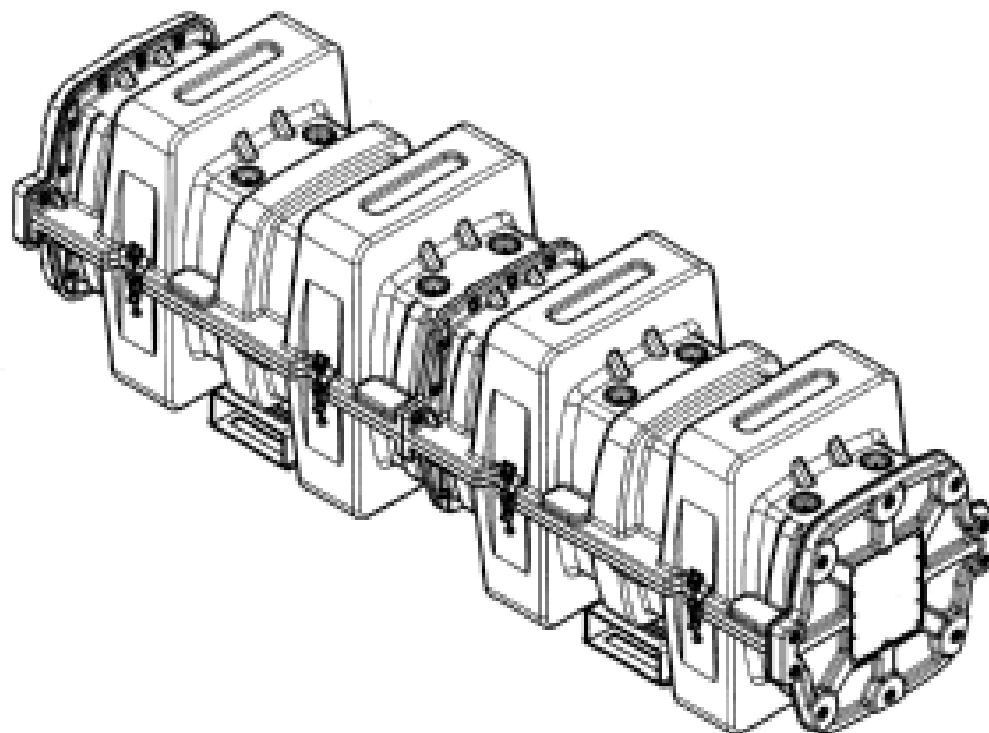
**Ryan Wayne Faulkner**  
**11a Newbridge Place Shelley Western Australia 6158 Australia**

- (72) Name(s) of Designer(s): **Ryan Wayne Faulkner and Edward Joseph Khoury**

(45) Registration Date: **15 October 2010**

(56) Related Art Documents: **Not Applicable**

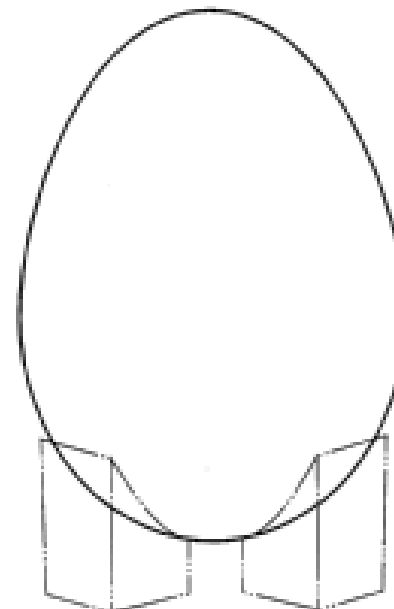
(57) Statement of Newness and Distinctiveness: **Newness and distinctiveness resides in the shape and/or configuration of a transport container as shown in the representations. The transport container is of indefinite length being made up of a number of identical modules such that the shape and/or configuration repeats along the length of the transport container.**



- (21) Design Number: **13980/2010**  
(22) Date of Filing Application: **14 September 2010**  
(24) Date from which industrial property rights may have effect: **14 September 2010**  
(54) Product in respect of which the design is registered: **Water tank**  
(51) International Design Classification: **23-01F**  
(71) Name(s) and Address(s) of Applicant(s):

**James McLaughlan**  
**220 Hazelbrook Road UKI New South Wales 2484 AUSTRALIA**

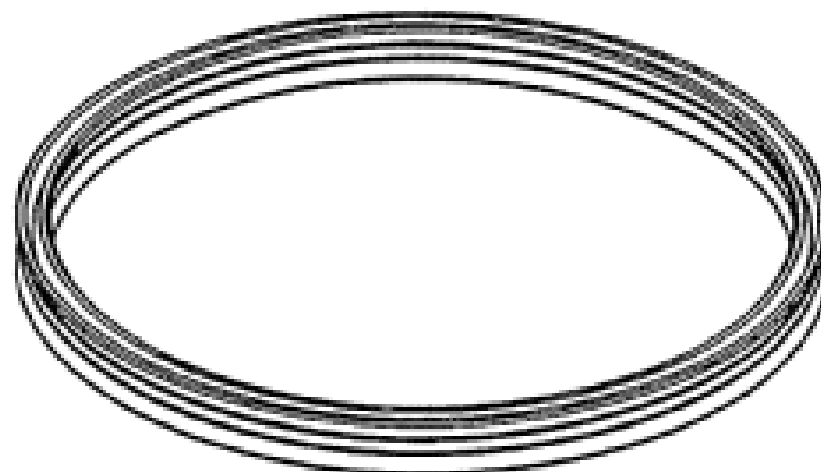
- (72) Name(s) of Designer(s): **James McLaughlan**  
(45) Registration Date: **15 October 2010**  
(56) Related Art Documents: **Not Applicable**  
(57) Statement of Newness and Distinctiveness: **The newness and distinctiveness of the design resides in the shape and/or configuration of the WATER TANK shown in the representations. In accessing newness and distinctiveness no regard should be had to the base shown in the dotted outline.**



- (21) Design Number: **13982/2010**  
(22) Date of Filing Application: **15 September 2010**  
(24) Date from which industrial property rights may have effect: **15 September 2010**  
(54) Product in respect of which the design is registered: **A seal**  
(51) International Design Classification: **23-01A**  
(71) Name(s) and Address(s) of Applicant(s):

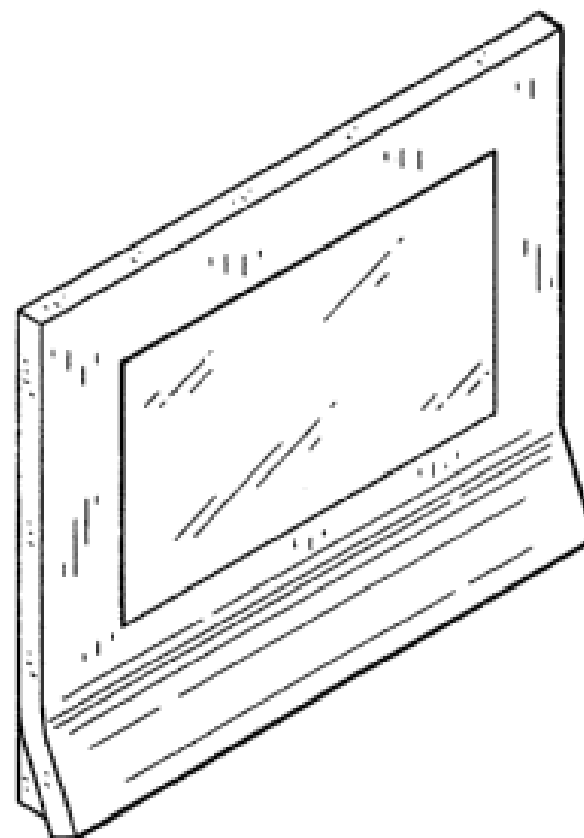
**Plastec Australia Pty Ltd**  
**2 Enterprise Street Caloundra Queensland 4551 Australia**

- (72) Name(s) of Designer(s): **Andrew Hobbs**  
(45) Registration Date: **15 October 2010**  
(56) Related Art Documents: **Not Applicable**  
(57) Statement of Newness and Distinctiveness: **The newness and distinctiveness of the design resides in the visual features of shape and/or configuration of the sealing ring as illustrated in the sectional elevation and sectional detail of the accompanying representations.**

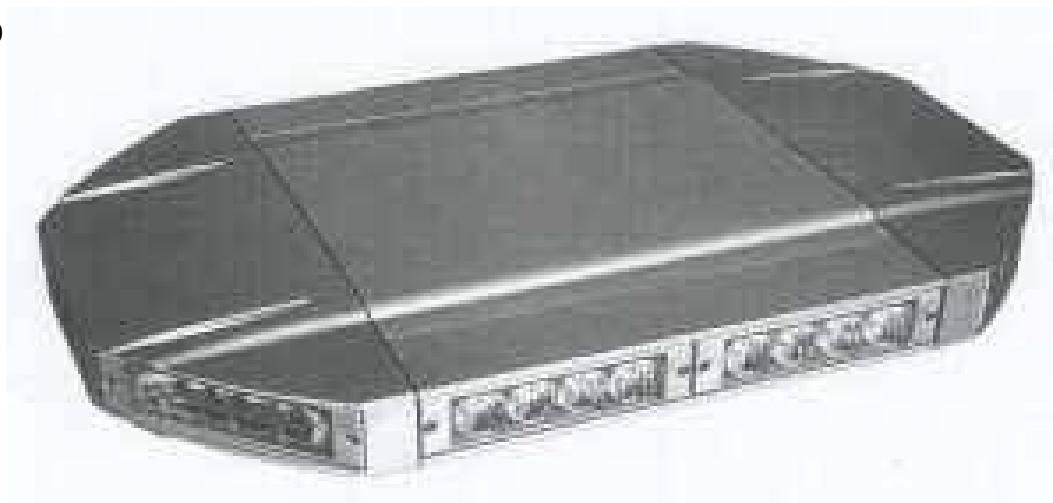




- (21) Design Number: **13983/2010**  
(22) Date of Filing Application: **14 September 2010**  
(24) Date from which industrial property rights may have effect: **14 September 2010**  
(54) Product in respect of which the design is registered: **Control panel**  
(51) International Design Classification: **13-03NES**  
(71) Name(s) and Address(s) of Applicant(s):  
**Kohler Co.**  
**444 Highland Drive Kohler Wisconsin 53044 United States of America**  
(72) Name(s) of Designer(s): **Kenneth S. Hanna**  
(45) Registration Date: **15 October 2010**  
(30) Convention priority data:  
(31) Number (32) Date (33) Country  
**29/357665 16 Mar 2010 UNITED STATES OF AMERICA**  
(56) Related Art Documents: **Not Applicable**  
(57) Statement of Newness and Distinctiveness: **The broken lines in the drawings form no part of the design.**



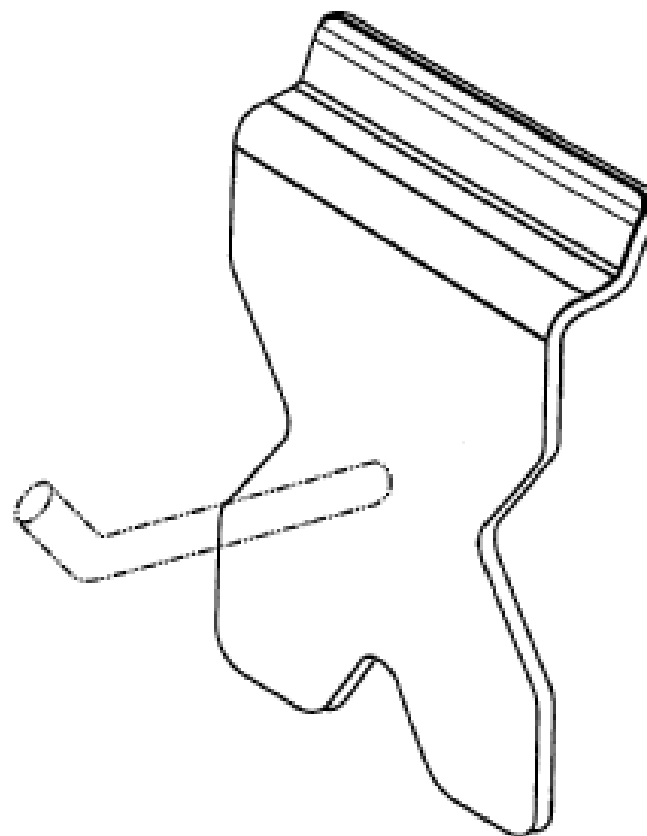
- (21) Design Number: **14034/2010**  
(22) Date of Filing Application: **16 September 2010**  
(24) Date from which industrial property rights may have effect: **16 September 2010**  
(54) Product in respect of which the design is registered: **Alarm light**  
(51) International Design Classification: **26-99, 10-05**  
(71) Name(s) and Address(s) of Applicant(s):  
**Luminous Star Technology Ltd.**  
**No. 66 Taiyi Road Rende Township Tainan Taiwan**  
(72) Name(s) of Designer(s): **Tzu-Fan Kuo**  
(45) Registration Date: **15 October 2010**  
(56) Related Art Documents: **Not Applicable**  
(57) Statement of Newness and Distinctiveness: **Nil**



- (21) Design Number: **14035/2010**
- (22) Date of Filing Application: **16 September 2010**
- (24) Date from which industrial property rights may have effect: **16 September 2010**
- (54) Product in respect of which the design is registered: **Hanger bracket**
- (51) International Design Classification: **08-08NES**
- (71) Name(s) and Address(s) of Applicant(s):

**Kelvin Grace**  
**15a Ferret Street Eagle Farm Queensland 4009 Australia**

- (72) Name(s) of Designer(s): **Kelvin Grace**
- (45) Registration Date: **15 October 2010**
- (56) Related Art Documents: **Not Applicable**
- (57) Statement of Newness and Distinctiveness: **The newness and distinctiveness of the design resides in the shape and/or configuration of the body of the HANGER BRACKET shown in the representations ignoring the projection extending therefrom.**



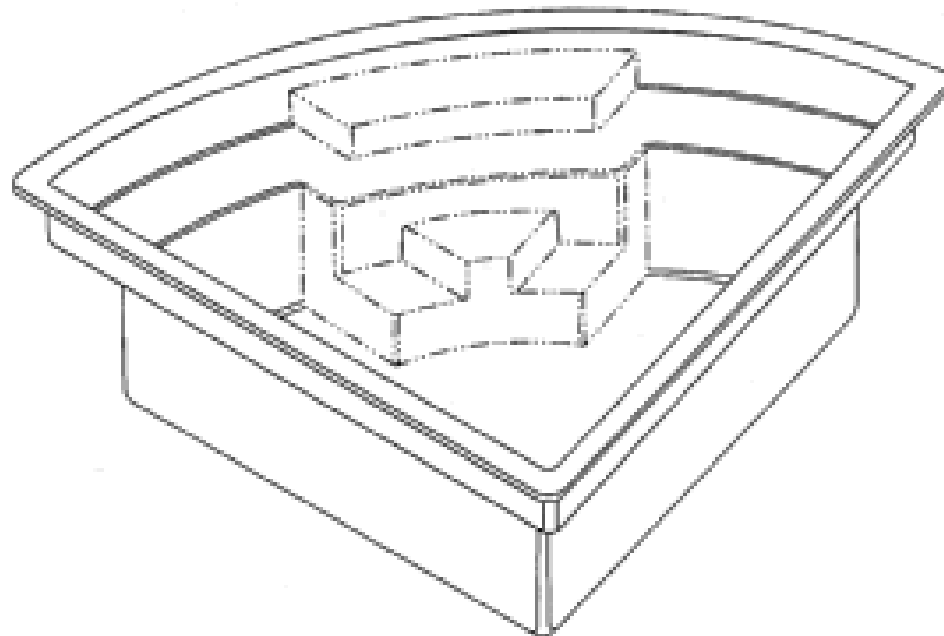
- (21) Design Number: **14055/2010**
- (22) Date of Filing Application: **20 September 2010**
- (24) Date from which industrial property rights may have effect: **20 September 2010**
- (54) Product in respect of which the design is registered: **Footbed**
- (51) International Design Classification: **02-04B**
- (71) Name(s) and Address(s) of Applicant(s):

**Footwear Industries Pty Ltd**  
**18 Irvine Drive Malaga Western Australia 6090 Australia**

- (72) Name(s) of Designer(s): **Robert Debarro**
- (45) Registration Date: **15 October 2010**
- (56) Related Art Documents: **Not Applicable**
- (57) Statement of Newness and Distinctiveness: **Newness and distinctiveness reside in the features of shape and/or configuration of a footbed as shown in the representations.**



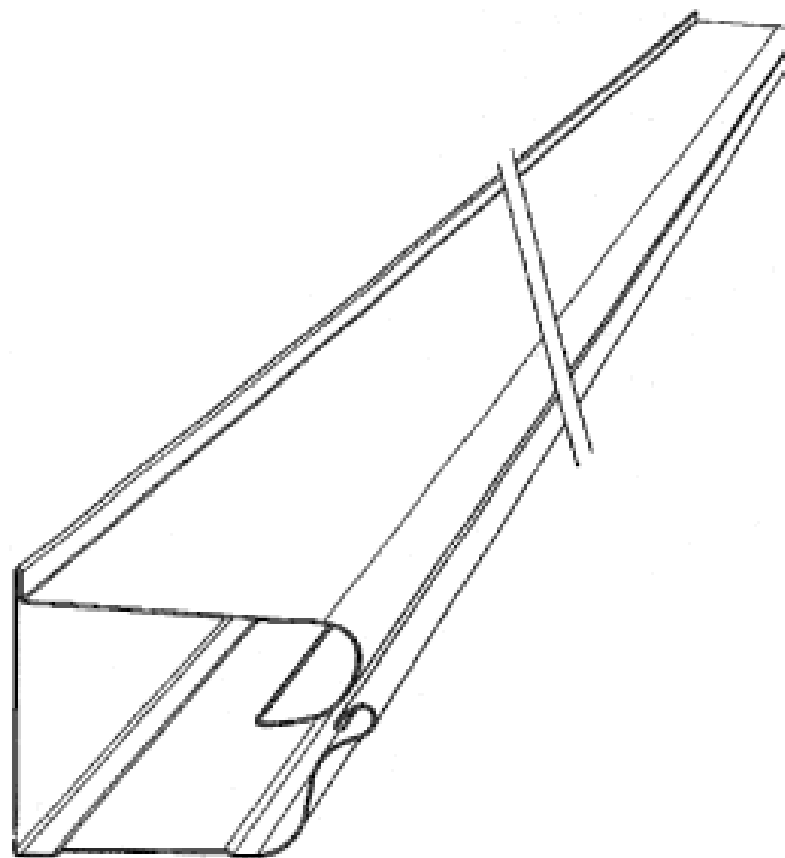
- (21) Design Number: **14064/2010**  
(22) Date of Filing Application: **21 September 2010**  
(24) Date from which industrial property rights may have effect: **21 September 2010**  
(54) Product in respect of which the design is registered: **Swimming pool**  
(51) International Design Classification: **25-03**  
(71) Name(s) and Address(s) of Applicant(s):  
**Narellan Pools Pty Ltd**  
**16 Bellingham Street Narellan New South Wales 2567 Australia**  
(72) Name(s) of Designer(s): **Carl Richards and Christopher Meyer**  
(45) Registration Date: **15 October 2010**  
(56) Related Art Documents: **Not Applicable**  
(57) Statement of Newness and Distinctiveness: **The newness and distinctiveness of the design resides in the shape and/or configuration of the quarter circle SWIMMING POOL shown in the representations.**



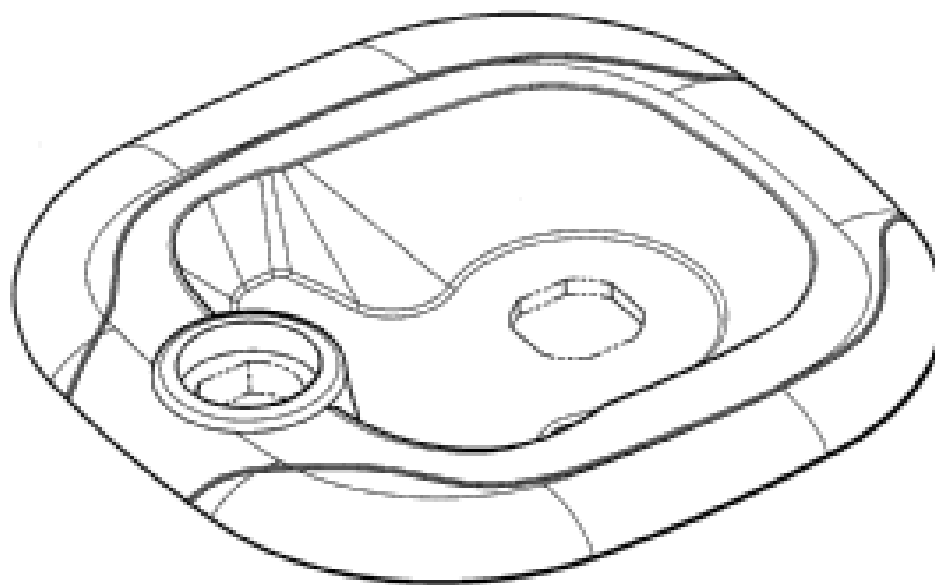
- (21) Design Number: **14066/2010**  
(22) Date of Filing Application: **22 September 2010**  
(24) Date from which industrial property rights may have effect: **22 September 2010**  
(54) Product in respect of which the design is registered: **Walnut opener**  
(51) International Design Classification: **07-06NES**  
(71) Name(s) and Address(s) of Applicant(s):  
**Mydwan Brendan Crabtree**  
**RSD 33a Wellington Road Highland Valley South Australia 5255 Australia**  
(72) Name(s) of Designer(s): **Mydwan B. Crabtree**  
(45) Registration Date: **15 October 2010**  
(56) Related Art Documents: **Not Applicable**  
(57) Statement of Newness and Distinctiveness: **Spherical with protruding blade.**



- (21) Design Number: **14068/2010**  
(22) Date of Filing Application: **21 September 2010**  
(24) Date from which industrial property rights may have effect: **21 September 2010**  
(54) Product in respect of which the design is registered: **A gutter of an indefinite length**  
(51) International Design Classification: **23-01L**  
(71) Name(s) and Address(s) of Applicant(s):  
**John Edward Dobbe**  
**Long Creek, 424 Harley Road, Upper Moutere, Nelson 7175, New Zealand**  
(72) Name(s) of Designer(s): **John Edward Dobbe**  
(45) Registration Date: **15 October 2010**  
(30) Convention priority data:  
(31) Number (32) Date (33) Country  
**413873 25 Jun 2010 NEW ZEALAND**  
(56) Related Art Documents: **Not Applicable**  
(57) Statement of Newness and Distinctiveness: **Newness and distinctiveness is claimed in the features of shape and/or configuration of a gutter of an indefinite length as shown in the accompanying representations.**



- (21) Design Number: **10983/2010**  
(22) Date of Filing Application: **23 March 2010**  
(24) Date from which industrial property rights may have effect: **23 March 2010**  
(54) Product in respect of which the design is registered: **Dish**  
(51) International Design Classification: **07-01NES**  
(71) Name(s) and Address(s) of Applicant(s):  
**David Stuckey Investments Pty Ltd**  
**C/- Pitcher Partners 6th Floor 161 Collins Street Melbourne Victoria**  
**3000 Australia**  
(72) Name(s) of Designer(s): **David Martin Stuckey**  
(45) Registration Date: **15 October 2010**  
(56) Related Art Documents: **Not Applicable**  
(57) Statement of Newness and Distinctiveness: **Nil**



(21) Design Number: **10984/2010**

(22) Date of Filing Application: **23 March 2010**

(24) Date from which industrial property rights may have effect: **23 March 2010**

(54) Product in respect of which the design is registered: **Dish**

(51) International Design Classification: **07-01NES**

(71) Name(s) and Address(s) of Applicant(s):

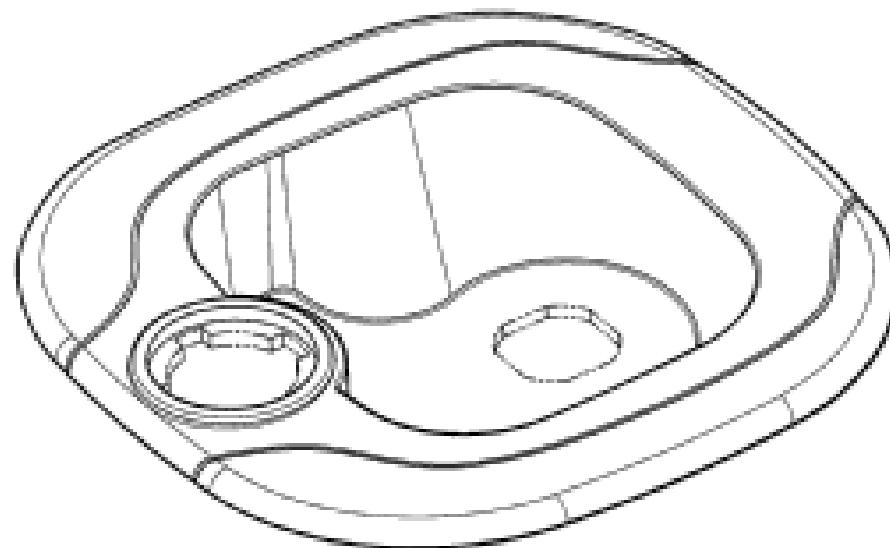
**David Stuckey Investments Pty Ltd**  
**C/- Pitcher Partners 6th Floor 161 Collins Street Melbourne Victoria**  
**3000 Australia**

(72) Name(s) of Designer(s): **David Martin Stuckey**

(45) Registration Date: **15 October 2010**

(56) Related Art Documents: **Not Applicable**

(57) Statement of Newness and Distinctiveness: **Nil**



(21) Design Number: **11057/2010**

(22) Date of Filing Application: **26 March 2010**

(24) Date from which industrial property rights may have effect: **26 March 2010**

(54) Product in respect of which the design is registered: **Modular component**

(51) International Design Classification: **23-04**

(71) Name(s) and Address(s) of Applicant(s):

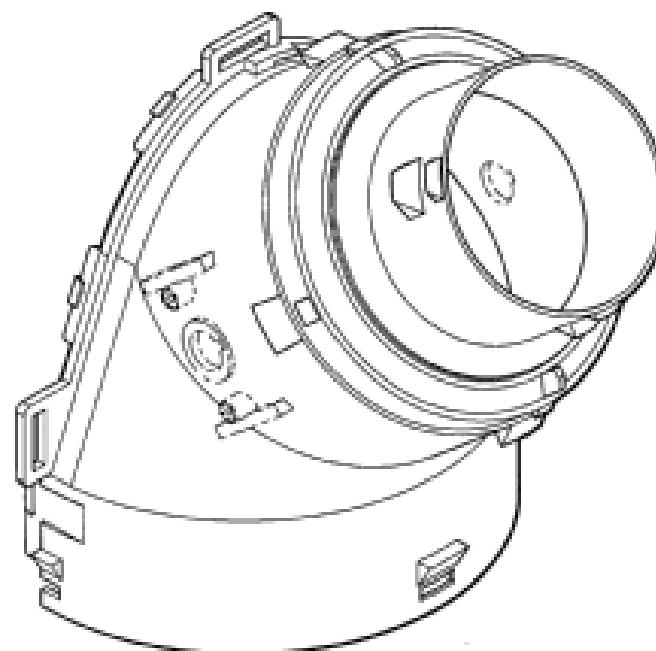
**Metalflex Pty Ltd**  
**13-17 Brand Drive Thomastown Victoria 3074 Australia**

(72) Name(s) of Designer(s): **Russell Amiguet**

(45) Registration Date: **15 October 2010**

(56) Related Art Documents: **Not Applicable**

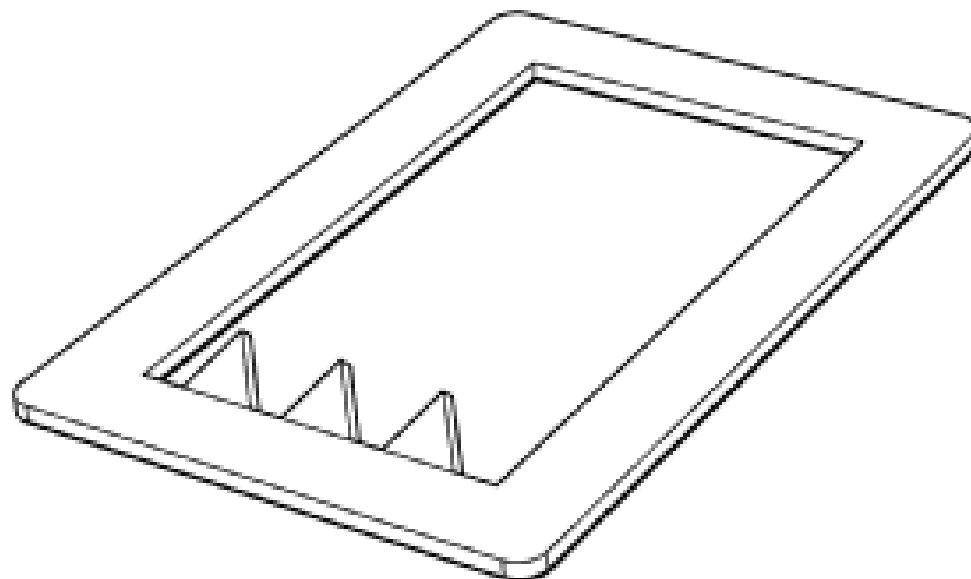
(57) Statement of Newness and Distinctiveness: **Nil**



- (21) Design Number: **11058/2010**
- (22) Date of Filing Application: **26 March 2010**
- (24) Date from which industrial property rights may have effect: **26 March 2010**
- (54) Product in respect of which the design is registered: **Clip**
- (51) International Design Classification: **08-08NES**
- (71) Name(s) and Address(s) of Applicant(s):

**Metalflex Pty Ltd**  
**13-17 Brand Drive Thomastown Victoria 3074 Australia**

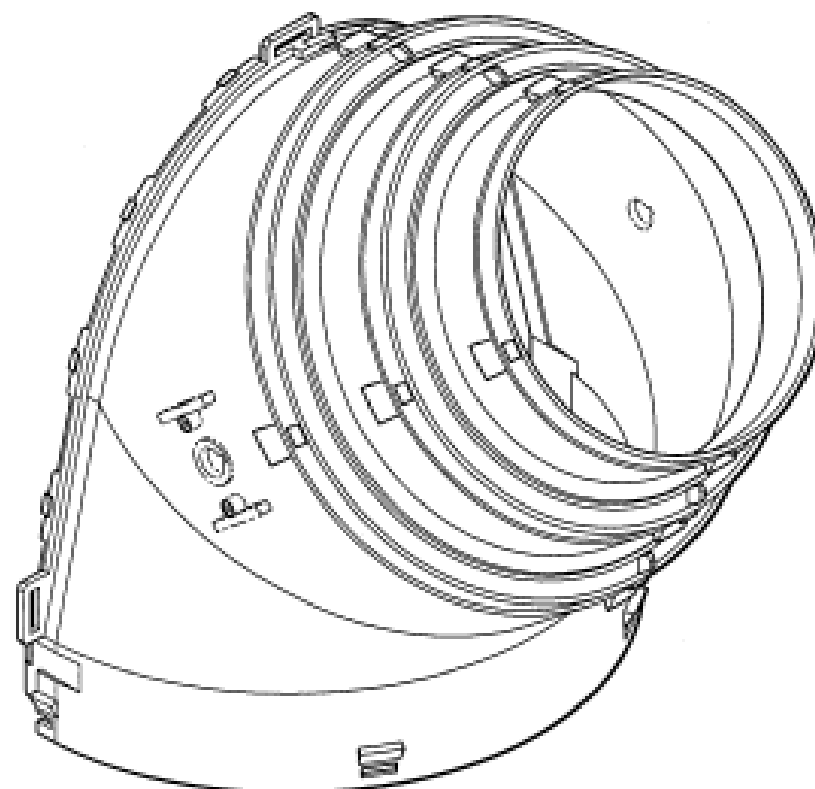
- (72) Name(s) of Designer(s): **Russell Amiguet**
- (45) Registration Date: **15 October 2010**
- (56) Related Art Documents: **Not Applicable**
- (57) Statement of Newness and Distinctiveness: **Nil**



- (21) Design Number: **11059/2010**
- (22) Date of Filing Application: **26 March 2010**
- (24) Date from which industrial property rights may have effect: **26 March 2010**
- (54) Product in respect of which the design is registered: **Modular component**
- (51) International Design Classification: **23-04**
- (71) Name(s) and Address(s) of Applicant(s):

**Metalflex Pty Ltd**  
**13-17 Brand Drive Thomastown Victoria 3074 Australia**

- (72) Name(s) of Designer(s): **Russell Amiguet**
- (45) Registration Date: **15 October 2010**
- (56) Related Art Documents: **Not Applicable**
- (57) Statement of Newness and Distinctiveness: **Nil**



(21) Design Number: **11060/2010**

(22) Date of Filing Application: **26 March 2010**

(24) Date from which industrial property rights may have effect: **26 March 2010**

(54) Product in respect of which the design is registered: **Modular component**

(51) International Design Classification: **23-04**

(71) Name(s) and Address(s) of Applicant(s):

**Metalflex Pty Ltd**

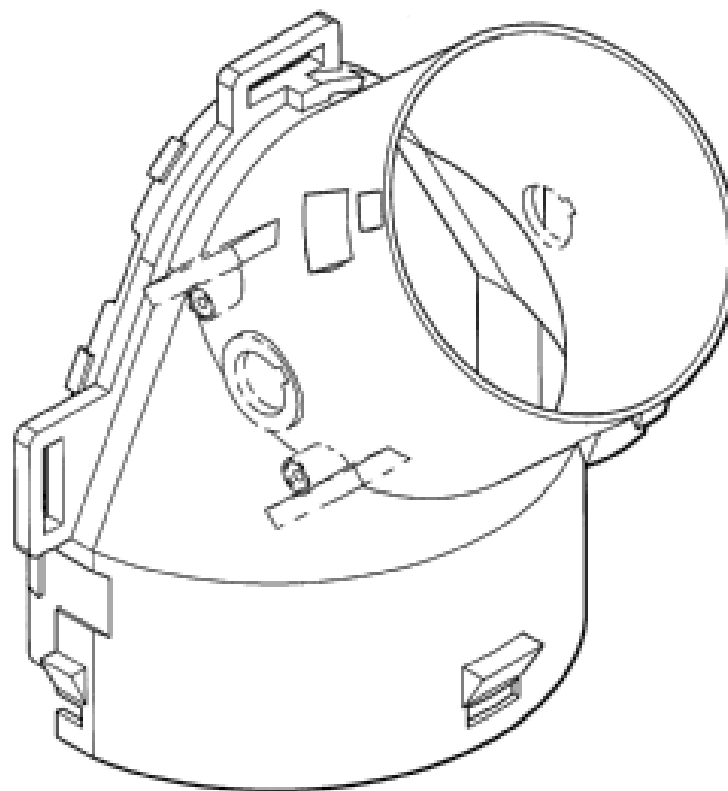
**13-17 Brand Drive Thomastown Victoria 3074 Australia**

(72) Name(s) of Designer(s): **Russell Amiguet**

(45) Registration Date: **15 October 2010**

(56) Related Art Documents: **Not Applicable**

(57) Statement of Newness and Distinctiveness: **Nil**



(21) Design Number: **11639/2010**

(22) Date of Filing Application: **27 April 2010**

(24) Date from which industrial property rights may have effect: **27 April 2010**

(54) Product in respect of which the design is registered: **Steering knob, vehicle hand control, vehicle accessory controller, suicide knob, spinner knob**

(51) International Design Classification: **12-16NES, 12-16A**

(71) Name(s) and Address(s) of Applicant(s):

**Problem Management Engineering Pty Ltd**

**6 Kookaburra Road Hornsby Heights New South Wales 2077 Australia**

(72) Name(s) of Designer(s): **Andrew Simpson and Jonathan Blake and Clemens Dus and Michell Brown and Katherine Pace and Matt Booth**

(45) Registration Date: **15 October 2010**

(56) Related Art Documents: **Not Applicable**

(57) Statement of Newness and Distinctiveness: **A sleek, ergonomic and attractive shape not seen in any steering knob, hand control or accessory controller. The 6-button configuration consisting of four circular and two semi-circular buttons. A hammer-head grip covered with a soft overlay.**



(21) Design Number: **11760/2010**

(22) Date of Filing Application: **05 May 2010**

(24) Date from which industrial property rights may have effect: **05 May 2010**

(54) Product in respect of which the design is registered: **Box jellyfish milk container**

(51) International Design Classification: **11-02NES**

(71) Name(s) and Address(s) of Applicant(s):

**Education Projects Pty Ltd**

**57 Bancroft Terrace Deception Bay Queensland 4508 Australia**

(72) Name(s) of Designer(s): **Christopher Fowler**

(45) Registration Date: **15 October 2010**

(56) Related Art Documents: **Not Applicable**

(57) Statement of Newness and Distinctiveness: **Project is constructed out of a milk container.**



(21) Design Number: **12564/2010**

(22) Date of Filing Application: **22 June 2010**

(24) Date from which industrial property rights may have effect: **22 June 2010**

(54) Product in respect of which the design is registered: **Motor vehicle**

(51) International Design Classification: **12-08**

(71) Name(s) and Address(s) of Applicant(s):

**Volkswagen Aktiengesellschaft**

**Brieffach 1770 38436 Wolfsburg Germany**

(72) Name(s) of Designer(s): **Klaus Bischoff and Roland Faller**

(45) Registration Date: **15 October 2010**

(56) Related Art Documents: **Not Applicable**

(57) Statement of Newness and Distinctiveness: **Newness and distinctiveness is claimed in the features of shape and/or configuration of a motor vehicle as illustrated in the accompanying representations.**





(21) Design Number: **13218/2010**

(22) Date of Filing Application: **28 July 2010**

(24) Date from which industrial property rights may have effect: **28 July 2010**

(54) Product in respect of which the design is registered: **Display hub**

(51) International Design Classification: **20-02NES**

(71) Name(s) and Address(s) of Applicant(s):

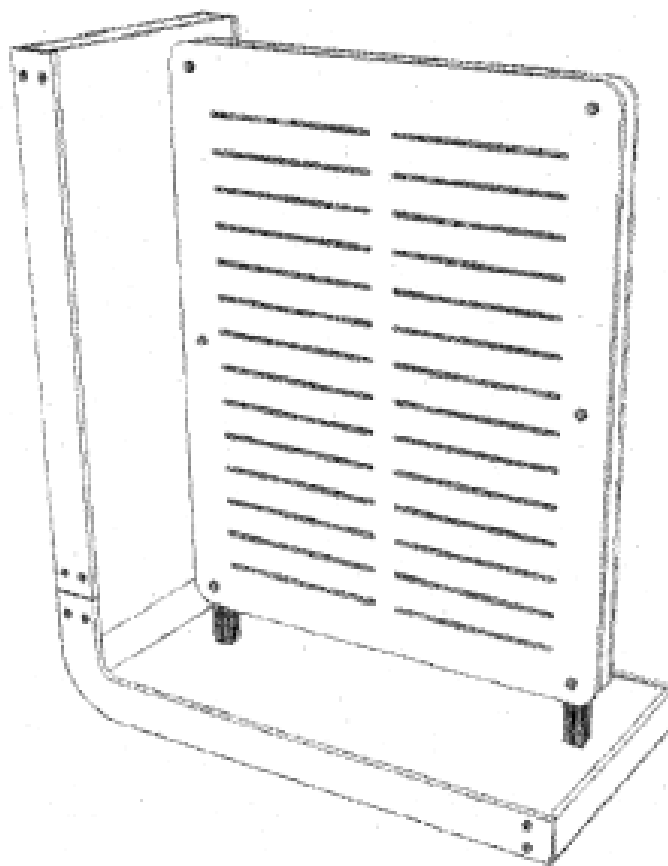
**Synthesis Design and Display Pty Ltd**  
**13 Newcastle Road Bayswater Victoria 3153 Australia**

(72) Name(s) of Designer(s): **Jason Laity**

(45) Registration Date: **15 October 2010**

(56) Related Art Documents: **Not Applicable**

(57) Statement of Newness and Distinctiveness: **Newness and distinctiveness reside in the features of the design as shown in the representations.**



(21) Design Number: **13528/2010**

(22) Date of Filing Application: **16 August 2010**

(24) Date from which industrial property rights may have effect: **16 August 2010**

(54) Product in respect of which the design is registered: **Bin liner**

(51) International Design Classification: **09-09**

(71) Name(s) and Address(s) of Applicant(s):

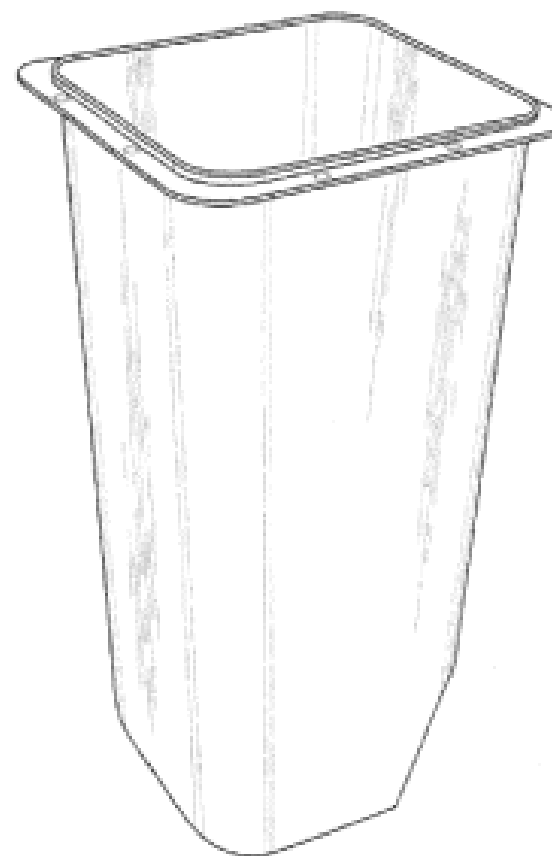
**William Thomas McGivern**  
**34 Beauville Avenue Murrumbena Victoria 3163 Australia**

(72) Name(s) of Designer(s): **William Thomas McGivern**

(45) Registration Date: **15 October 2010**

(56) Related Art Documents: **Not Applicable**

(57) Statement of Newness and Distinctiveness: **This design is to be applied to a Bin Liner and the novelty resides in the features of shape and configuration of the article shown in the accompanying representations.**



(21) Design Number: **13529/2010**

(22) Date of Filing Application: **16 August 2010**

(24) Date from which industrial property rights may have effect: **16 August 2010**

(54) Product in respect of which the design is registered: **Bin liner**

(51) International Design Classification: **09-09**

(71) Name(s) and Address(s) of Applicant(s):

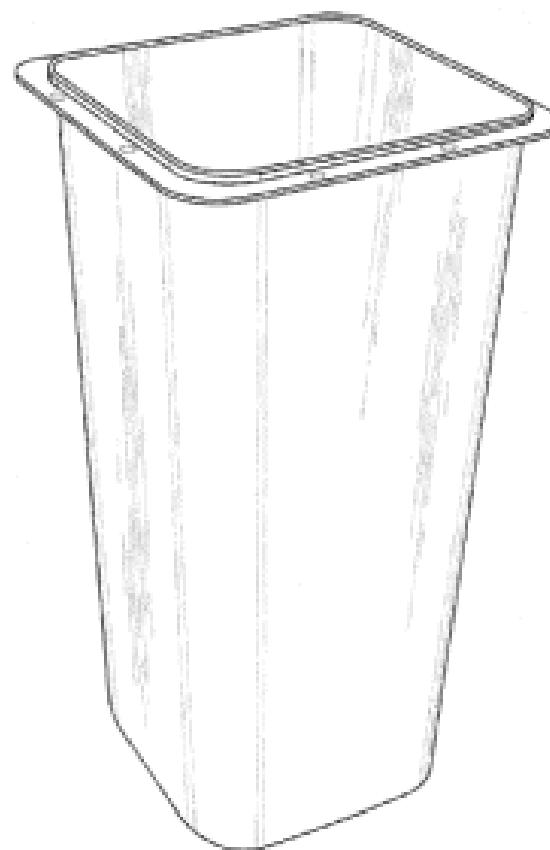
**William Thomas McGivern**  
**34 Beauville Avenue Murrumbena Victoria 3163 Australia**

(72) Name(s) of Designer(s): **William Thomas McGivern**

(45) Registration Date: **15 October 2010**

(56) Related Art Documents: **Not Applicable**

(57) Statement of Newness and Distinctiveness: **This design is to be applied to a Bin Liner and the novelty resides in the features of shape and configuration of the article shown in the accompanying representations.**



(21) Design Number: **13570/2010**

(22) Date of Filing Application: **20 August 2010**

(24) Date from which industrial property rights may have effect: **20 August 2010**

(54) Product in respect of which the design is registered: **A trailer plug**

(51) International Design Classification: **12-16L**

(71) Name(s) and Address(s) of Applicant(s):

**Dennis Ronald Gravalin**  
**271 River Street Maclean New South Wales 2463 Australia**

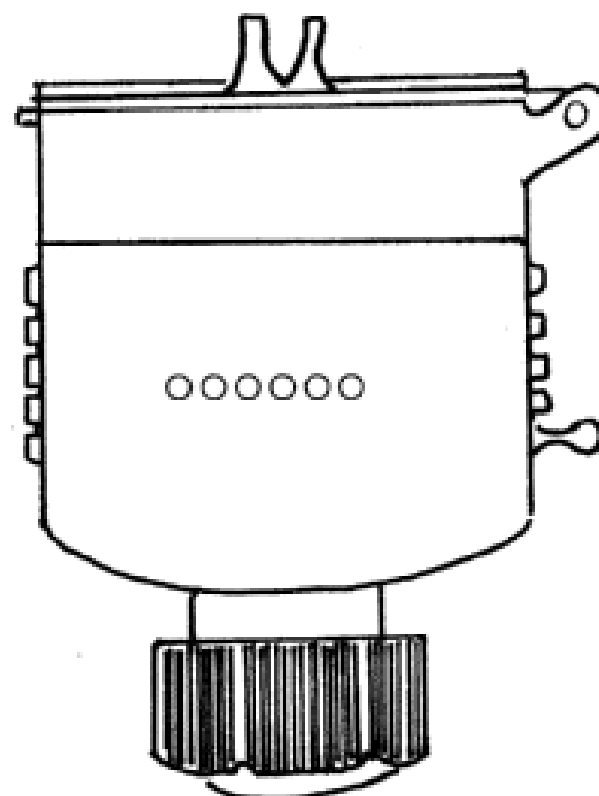
**Sandra Lorraine Gravalin**  
**271 River Street Maclean New South Wales 2463 Australia**

(72) Name(s) of Designer(s): **Dennis Ronald Gravalin and Sandra Lorraine Gravalin**

(45) Registration Date: **15 October 2010**

(56) Related Art Documents: **Not Applicable**

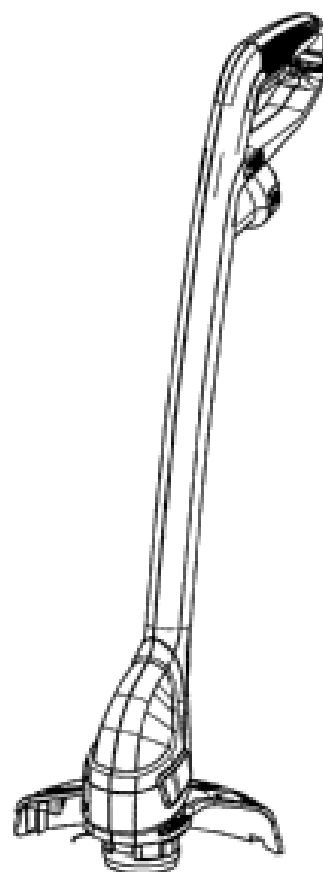
(57) Statement of Newness and Distinctiveness: **Newness and Distinctiveness is claimed in the visual features of the design in the shape and or configuration of a LED trailer plug with cover as shown in the accompanied illustrations and representations in solid lines.**



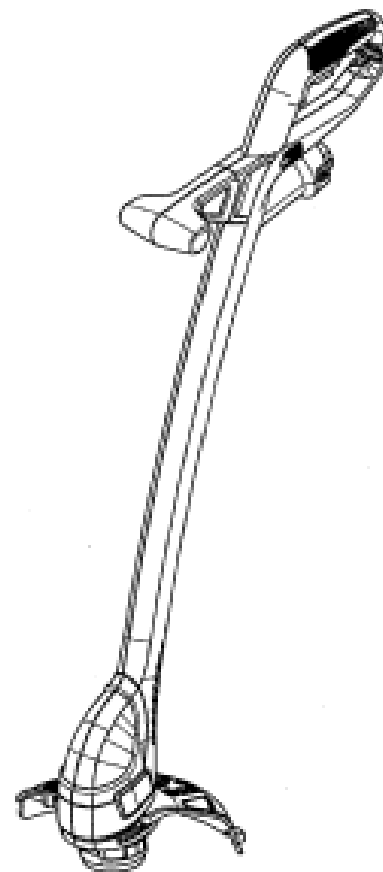
- (21) Design Number: **13664/2010**  
(22) Date of Filing Application: **25 August 2010**  
(24) Date from which industrial property rights may have effect: **25 August 2010**  
(54) Product in respect of which the design is registered: **Toy**  
(51) International Design Classification: **21-01A**  
(71) Name(s) and Address(s) of Applicant(s):  
**Wildchild Design Pty Ltd**  
**303 Boyles Road Kuranda Queensland 4881 Australia**  
(72) Name(s) of Designer(s): **Christiane Child and Barry Child**  
(45) Registration Date: **15 October 2010**  
(56) Related Art Documents: **Not Applicable**  
(57) Statement of Newness and Distinctiveness: **Nil**



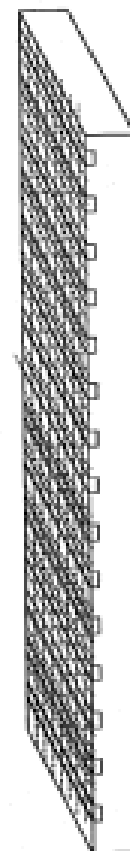
- (21) Design Number: **13799/2010**  
(22) Date of Filing Application: **01 September 2010**  
(24) Date from which industrial property rights may have effect: **01 September 2010**  
(54) Product in respect of which the design is registered: **String trimmer**  
(51) International Design Classification: **08-03, 15-03B**  
(71) Name(s) and Address(s) of Applicant(s):  
**Black & Decker Inc**  
**1207 Drummond Plaza Newark Delaware 19711 United States of America**  
(72) Name(s) of Designer(s): **Mark Stratford**  
(45) Registration Date: **15 October 2010**  
(30) Convention priority data:  
(31) Number      (32) Date      (33) Country  
**001199160      03 Mar 2010      EUROPEAN COMMUNITY**  
(56) Related Art Documents: **Not Applicable**  
(57) Statement of Newness and Distinctiveness: **Newness and distinctiveness is claimed in the shape and configuration as shown in the representations.**



- (21) Design Number: **13800/2010**  
(22) Date of Filing Application: **01 September 2010**  
(24) Date from which industrial property rights may have effect: **01 September 2010**  
(54) Product in respect of which the design is registered: **String trimmer**  
(51) International Design Classification: **08-03, 15-03B**  
(71) Name(s) and Address(s) of Applicant(s):  
**Black & Decker Inc**  
**1207 Drummond Plaza Newark Delaware 19711 United States of America**  
(72) Name(s) of Designer(s): **Mark Stratford**  
(45) Registration Date: **15 October 2010**  
(30) Convention priority data:  
(31) Number (32) Date (33) Country  
**001199533 04 Mar 2010 EUROPEAN COMMUNITY**  
(56) Related Art Documents: **Not Applicable**  
(57) Statement of Newness and Distinctiveness: **Newness and distinctiveness is claimed in the shape and configuration as shown in the representations.**



- (21) Design Number: **14031/2010**  
(22) Date of Filing Application: **16 September 2010**  
(24) Date from which industrial property rights may have effect: **16 September 2010**  
(54) Product in respect of which the design is registered: **EPS cladding board**  
(51) International Design Classification: **25-01G**  
(71) Name(s) and Address(s) of Applicant(s):  
**Alessandro Alessi**  
**3 Hansen Vista Landsdale Western Australia 6065 Australia**  
(72) Name(s) of Designer(s): **Alessandro Alessi**  
(45) Registration Date: **15 October 2010**  
(56) Related Art Documents: **Not Applicable**  
(57) Statement of Newness and Distinctiveness: **Grooves at right angles to board length with fibreglass mesh overlay with bonding slurry coat of varied thickness inbedded.**



(21) Design Number: **14032/2010**  
 (22) Date of Filing Application: **16 September 2010**  
 (24) Date from which industrial property rights may have effect: **16 September 2010**  
 (54) Product in respect of which the design is registered: **Shaving razor tray**  
 (51) International Design Classification: **28-03A**  
 (71) Name(s) and Address(s) of Applicant(s):

**The Gillette Company**  
**Prudential Tower Building Boston Massachusetts 02199 United States of America**

(72) Name(s) of Designer(s): **Kelly Daniel Bridges**

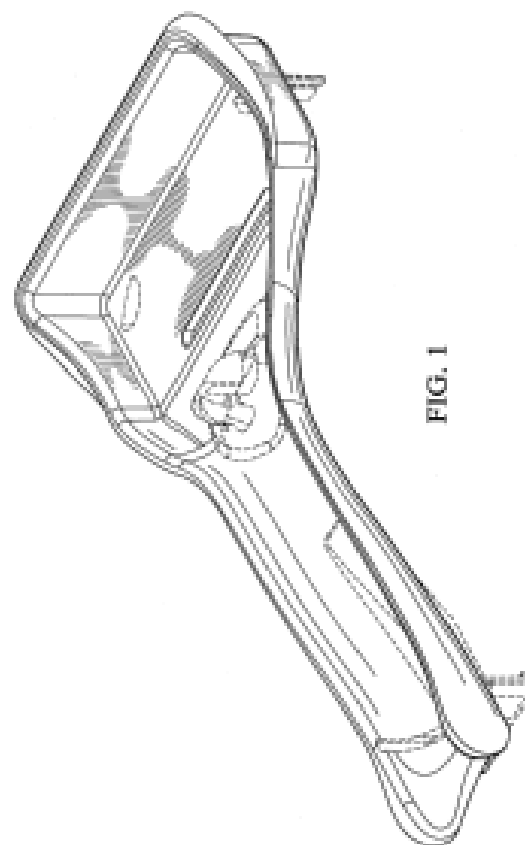
(45) Registration Date: **15 October 2010**

(30) Convention priority data:

(31) Number	(32) Date	(33) Country
<b>29/358,038</b>	<b>22 Mar 2010</b>	<b>UNITED STATES OF AMERICA</b>

(56) Related Art Documents: **Not Applicable**

(57) Statement of Newness and Distinctiveness: **Those features of the shaving razor tray depicted in the representations that are new and distinctive are the shape and/or configuration. The features shown in broken lines are not part of the design and are to be disregarded when considering the overall impression of the design.**



(21) Design Number: **13133/2010**  
 (22) Date of Filing Application: **26 July 2010**  
 (24) Date from which industrial property rights may have effect: **26 July 2010**  
 (54) Product in respect of which the design is registered: **Part of a vacuum cleaner**  
 (51) International Design Classification: **15-05**  
 (71) Name(s) and Address(s) of Applicant(s):

**Dyson Limited**  
**Tetbury Hill Malmesbury Wiltshire SN16 0RP United Kingdom**

(72) Name(s) of Designer(s): **James Dyson and Giles Ashbee**

(45) Registration Date: **19 October 2010**

(30) Convention priority data:

(31) Number	(32) Date	(33) Country
<b>4014353</b>	<b>01 Feb 2010</b>	<b>UNITED KINGDOM</b>

(56) Related Art Documents: **Not Applicable**

(57) Statement of Newness and Distinctiveness: **Newness and distinctiveness resides in the features of shape and/or configuration of a PART OF A VACCUM CLEANER as illustrated in the accompanying representations.**



(21) Design Number: **13198/2010**

(22) Date of Filing Application: **29 July 2010**

(24) Date from which industrial property rights may have effect: **29 July 2010**

(54) Product in respect of which the design is registered: **Plastering/drywall internal nozzle**

(51) International Design Classification: **23-01NES**

(71) Name(s) and Address(s) of Applicant(s):

**Leonid Kraskov**

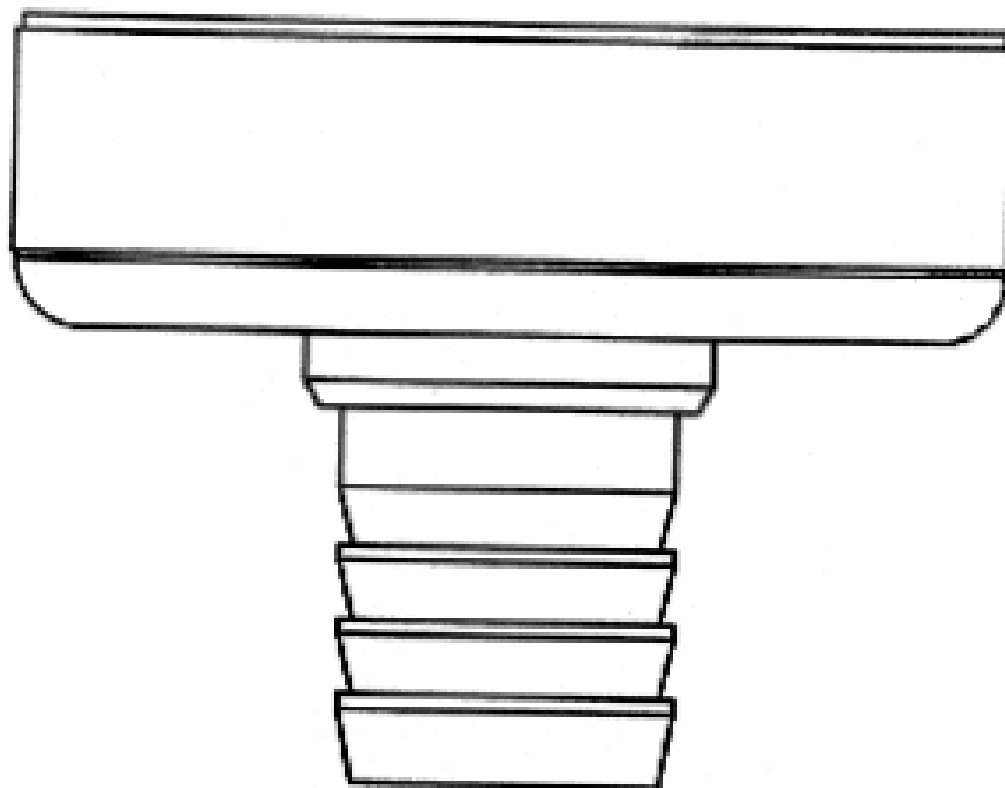
**22 Stanhope Street Dandenong Victoria 3175 Australia**

(72) Name(s) of Designer(s): **Leonid Kraskov**

(45) Registration Date: **19 October 2010**

(56) Related Art Documents: **Not Applicable**

(57) Statement of Newness and Distinctiveness: **Newness and distinctiveness is claimed in the features of shape and/or configuration of a plastering internal nozzle as illustrated in the accompanying representations.**



(21) Design Number: **13759/2010**

(22) Date of Filing Application: **30 August 2010**

(24) Date from which industrial property rights may have effect: **30 August 2010**

(54) Product in respect of which the design is registered: **A guard for a drinking vessel**

(51) International Design Classification: **07-01NES**

(71) Name(s) and Address(s) of Applicant(s):

**Nautspill Pty Ltd**

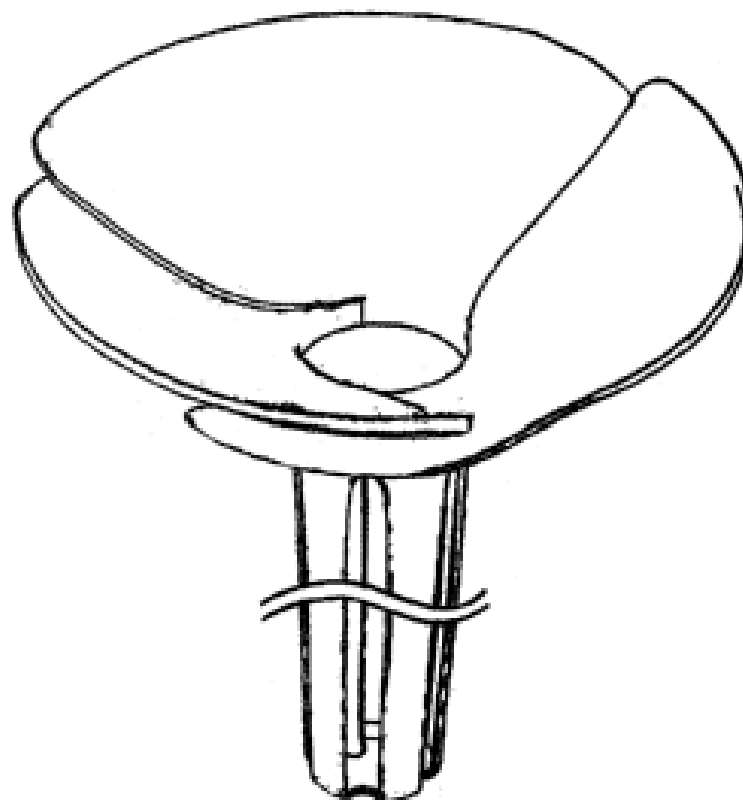
**12/97 Cabramatta Road Mosman New South Wales 2088 Australia**

(72) Name(s) of Designer(s): **Clive Solari**

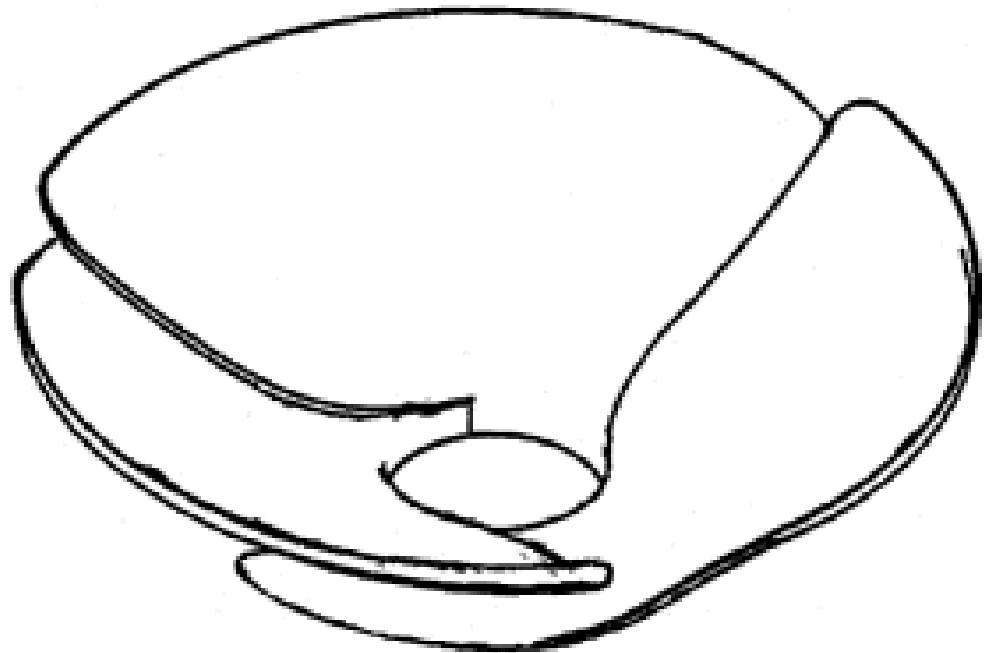
(45) Registration Date: **19 October 2010**

(56) Related Art Documents: **Not Applicable**

(57) Statement of Newness and Distinctiveness: **Nil**



- (21) Design Number: **13760/2010**  
(22) Date of Filing Application: **30 August 2010**  
(24) Date from which industrial property rights may have effect: **30 August 2010**  
(54) Product in respect of which the design is registered: **A guard for a drinking vessel**  
(51) International Design Classification: **07-01NES**  
(71) Name(s) and Address(s) of Applicant(s):  
**Nautspill Pty Ltd**  
**12/97 Cabramatta Road Mosman New South Wales 2088 Australia**  
(72) Name(s) of Designer(s): **Clive Solari**  
(45) Registration Date: **19 October 2010**  
(56) Related Art Documents: **Not Applicable**  
(57) Statement of Newness and Distinctiveness: **Nil**



- (21) Design Number: **13903/2010**  
(22) Date of Filing Application: **09 September 2010**  
(24) Date from which industrial property rights may have effect: **09 September 2010**  
(54) Product in respect of which the design is registered: **Water flow diverter**  
(51) International Design Classification: **23-01B**  
(71) Name(s) and Address(s) of Applicant(s):  
**Icon Plastics Pty Ltd**  
**19 Hallam Road South Hallam Victoria 3803 Australia**  
(72) Name(s) of Designer(s): **Royston Douglas Bull**  
(45) Registration Date: **19 October 2010**  
(56) Related Art Documents: **Not Applicable**  
(57) Statement of Newness and Distinctiveness: **Newness and distinctiveness resides in the shape and configuration applied to the pivoting flap section and the base of the upright section of the water flow diverter as shown in the representations.**



- (21) Design Number: **14012/2010**  
(22) Date of Filing Application: **15 September 2010**  
(24) Date from which industrial property rights may have effect: **15 September 2010**  
(54) Product in respect of which the design is registered: **Toner cartridge**  
(51) International Design Classification: **14-02**  
(71) Name(s) and Address(s) of Applicant(s):

**Fuji Xerox Co., Ltd.**  
**7-3 Akasaka 9-chome Minato-ku Tokyo Japan**

- (72) Name(s) of Designer(s): **Masaya Okamoto and Kota Furuhashi**

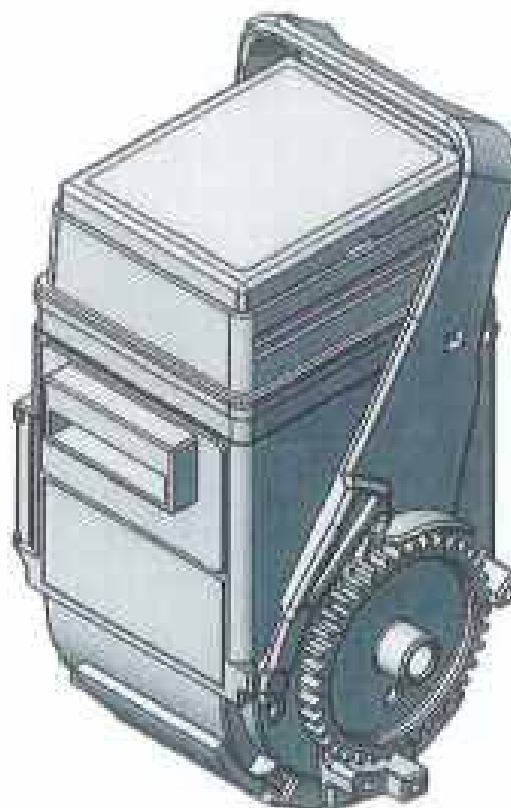
- (45) Registration Date: **19 October 2010**

- (30) Convention priority data:

(31) Number	(32) Date	(33) Country
<b>2010-006491</b>	<b>17 Mar 2010</b>	<b>JAPAN</b>

- (56) Related Art Documents: **Not Applicable**

- (57) Statement of Newness and Distinctiveness: **Newness and distinctiveness resides in the features of shape and/or configuration of a TONER CARTRIDGE shown in the accompanying representations.**



- (21) Design Number: **14014/2010**  
(22) Date of Filing Application: **15 September 2010**  
(24) Date from which industrial property rights may have effect: **15 September 2010**  
(54) Product in respect of which the design is registered: **Bottle closure**  
(51) International Design Classification: **09-07C**  
(71) Name(s) and Address(s) of Applicant(s):

**Nalge Nunc International Corporation**  
**75 Panorama Creek Road Rochester New York 14625-2385 United States of America**

- (72) Name(s) of Designer(s): **John M. Staton**

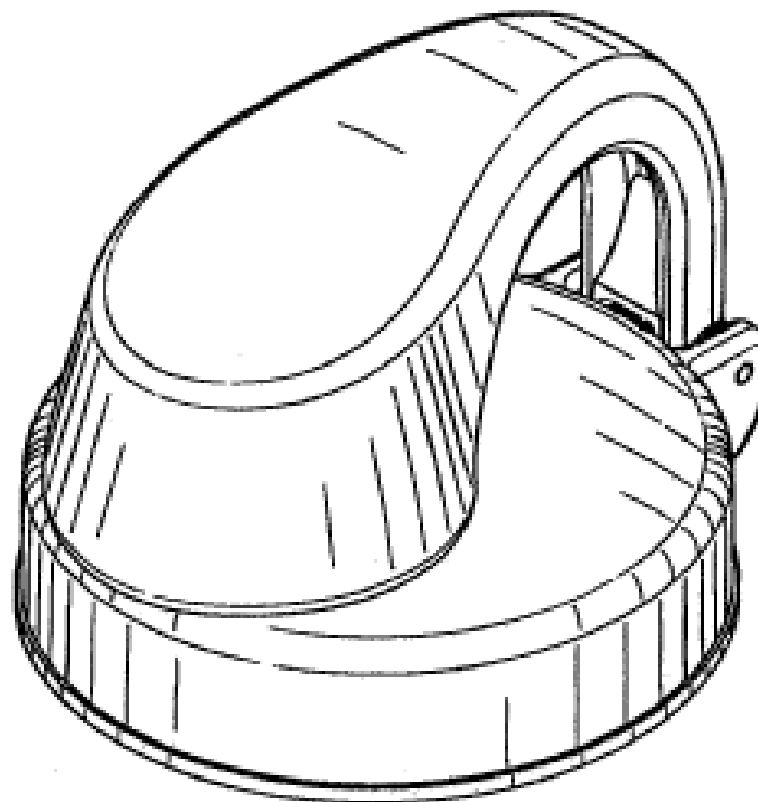
- (45) Registration Date: **19 October 2010**

- (30) Convention priority data:

(31) Number	(32) Date	(33) Country
<b>29/357613</b>	<b>15 Mar 2010</b>	<b>UNITED STATES OF AMERICA</b>

- (56) Related Art Documents: **Not Applicable**

- (57) Statement of Newness and Distinctiveness: **Newness and distinctiveness is claimed in the features of shape and/or configuration of the pivotable cup of a bottle closure as illustrated in the accompanying representations and labelled 'A' in the left side elevation view.**





- (21) Design Number: **14015/2010**  
(22) Date of Filing Application: **15 September 2010**  
(24) Date from which industrial property rights may have effect: **15 September 2010**  
(54) Product in respect of which the design is registered: **Automobile**  
(51) International Design Classification: **12-08**  
(71) Name(s) and Address(s) of Applicant(s):  
**Great Wall Motor Company Limited**  
**No. 2266 Chaoyang South Street Baoding Hebei Province 071000**  
**China**  
(72) Name(s) of Designer(s): **Yong Huang and Guowang Kang and Huiming Li and Wenchao Deng**  
(45) Registration Date: **19 October 2010**  
(30) Convention priority data:  
(31) Number (32) Date (33) Country  
**201030119471.7 16 Mar 2010 CHINA**  
(56) Related Art Documents: **Not Applicable**  
(57) Statement of Newness and Distinctiveness: **Newness and distinctiveness is claimed in the features of shape and/or configuration of an automobile as illustrated in the accompanying representations.**



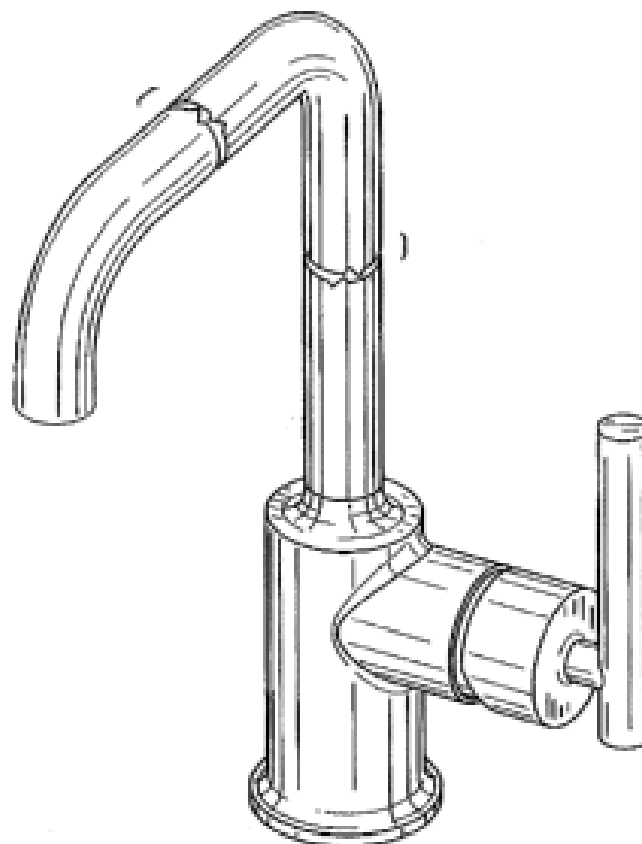
- (21) Design Number: **14016/2010**  
(22) Date of Filing Application: **15 September 2010**  
(24) Date from which industrial property rights may have effect: **15 September 2010**  
(54) Product in respect of which the design is registered: **Automobile**  
(51) International Design Classification: **12-08**  
(71) Name(s) and Address(s) of Applicant(s):  
**Great Wall Motor Company Limited**  
**No. 2266 Chaoyang South Street Baoding Hebei Province 071000**  
**China**  
(72) Name(s) of Designer(s): **Yong Huang and Yaning Zhao and Baoshan Kang and Chao Wang and Shengguang Zhao and Zhengfei Liu and Weifeng Liu**  
(45) Registration Date: **19 October 2010**  
(30) Convention priority data:  
(31) Number (32) Date (33) Country  
**201030119345.1 16 Mar 2010 CHINA**  
(56) Related Art Documents: **Not Applicable**  
(57) Statement of Newness and Distinctiveness: **Newness and distinctiveness is claimed in the features of shape and/or configuration of an automobile as illustrated in the accompanying representations.**



(21) Design Number: **14023/2010**  
(22) Date of Filing Application: **16 September 2010**  
(24) Date from which industrial property rights may have effect: **16 September 2010**  
(54) Product in respect of which the design is registered: **Kevlar reinforced long sleeve top for motorcycle riders**  
(51) International Design Classification: **02-02NES**  
(71) Name(s) and Address(s) of Applicant(s):  
**Michael So**  
**9 Iris Court Glenmore Park New South Wales 2745 Australia**  
(72) Name(s) of Designer(s): **Michael So**  
(45) Registration Date: **19 October 2010**  
(56) Related Art Documents: **Not Applicable**  
(57) Statement of Newness and Distinctiveness: **Nil**



(21) Design Number: **14056/2010**  
(22) Date of Filing Application: **20 September 2010**  
(24) Date from which industrial property rights may have effect: **20 September 2010**  
(54) Product in respect of which the design is registered: **Faucet**  
(51) International Design Classification: **23-01H**  
(71) Name(s) and Address(s) of Applicant(s):  
**Kohler Co.**  
**444 Highland Drive Kohler Wisconsin 53044 United States of America**  
(72) Name(s) of Designer(s): **Leila M. Rubin and Herbert V. Kohler Jr.**  
(45) Registration Date: **19 October 2010**  
(30) Convention priority data:  
(31) Number (32) Date (33) Country  
**29/357,843 18 Mar 2010 UNITED STATES OF AMERICA**  
(56) Related Art Documents: **Not Applicable**  
(57) Statement of Newness and Distinctiveness: **Newness and Distinctiveness is claimed in the features of shape and/or configuration of a faucet as illustrated in the accompanying representations.**



(21) Design Number: **14057/2010**  
 (22) Date of Filing Application: **20 September 2010**  
 (24) Date from which industrial property rights may have effect: **20 September 2010**  
 (54) Product in respect of which the design is registered: **Faucet**  
 (51) International Design Classification: **23-01H**  
 (71) Name(s) and Address(s) of Applicant(s):

**Kohler Co.**  
**444 Highland Drive Kohler Wisconsin 53044 United States of America**

(72) Name(s) of Designer(s): **Leila M. Rubin and Herbert V. Kohler Jr.**

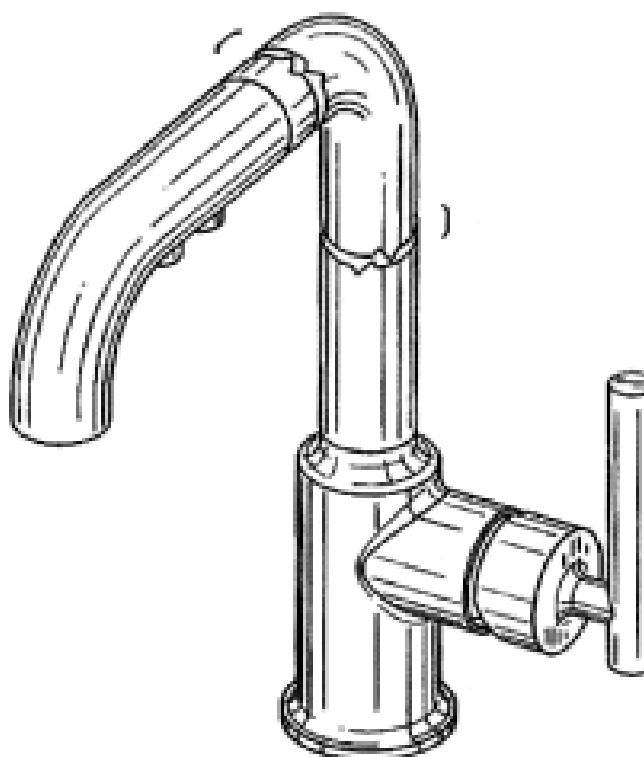
(45) Registration Date: **19 October 2010**

(30) Convention priority data:

(31) Number	(32) Date	(33) Country
<b>29/357,842</b>	<b>18 Mar 2010</b>	<b>UNITED STATES OF AMERICA</b>

(56) Related Art Documents: **Not Applicable**

(57) Statement of Newness and Distinctiveness: **Newness and Distinctiveness is claimed in the features of shape and/or configuration of a faucet as illustrated in the accompanying representations.**



(21) Design Number: **14067/2010**  
 (22) Date of Filing Application: **22 September 2010**  
 (24) Date from which industrial property rights may have effect: **22 September 2010**  
 (54) Product in respect of which the design is registered: **Cutting head**  
 (51) International Design Classification: **08-03**  
 (71) Name(s) and Address(s) of Applicant(s):

**Cooper Brands, Inc.**  
**600 Travis Street Suite 5400 Houston Texas 77002 United States of America**

(72) Name(s) of Designer(s): **Alan D. Anderson**

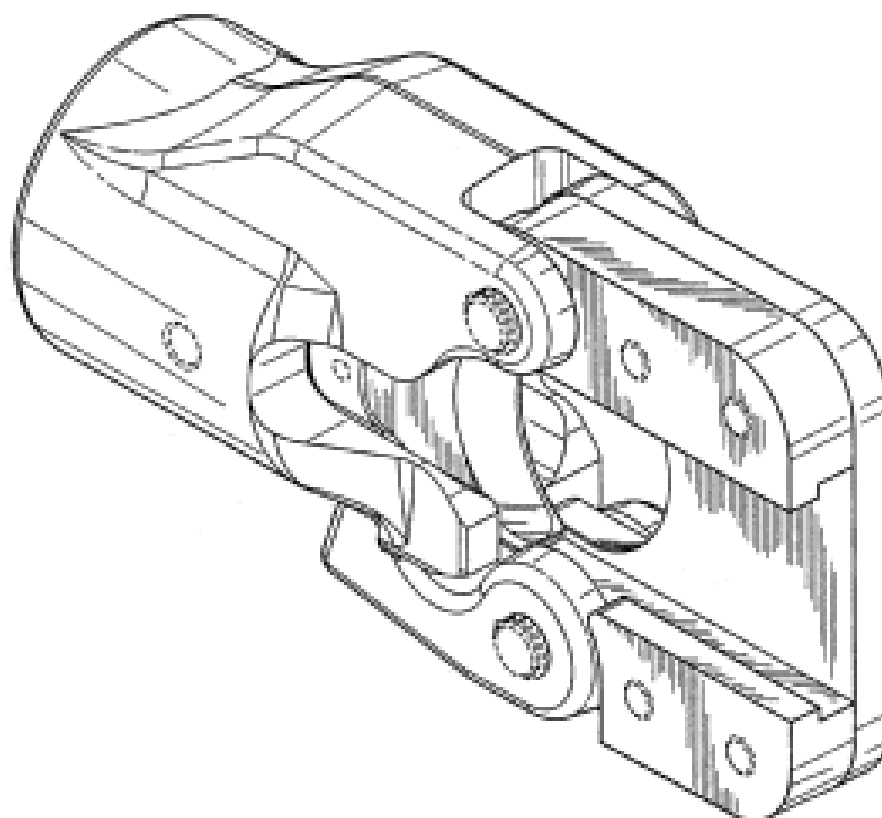
(45) Registration Date: **19 October 2010**

(30) Convention priority data:

(31) Number	(32) Date	(33) Country
<b>29/365582</b>	<b>12 Jul 2010</b>	<b>UNITED STATES OF AMERICA</b>

(56) Related Art Documents: **Not Applicable**

(57) Statement of Newness and Distinctiveness: **Newness and distinctiveness is claimed in the features of shape and/or configuration of a cutting head as illustrated in the accompanying representations.**



- (21) Design Number: **14069/2010**
- (22) Date of Filing Application: **21 September 2010**
- (24) Date from which industrial property rights may have effect: **21 September 2010**
- (54) Product in respect of which the design is registered: **Magazine for a firearm**
- (51) International Design Classification: **22-01**
- (71) Name(s) and Address(s) of Applicant(s):

**Armwest, LLC**  
**955 West Rosser Street Prescott Arizona 86305 United States of America**

- (72) Name(s) of Designer(s): **Leroy James Sullivan and Robert Lloyd Waterfield and Hyunjung Samuel Eyssautier**

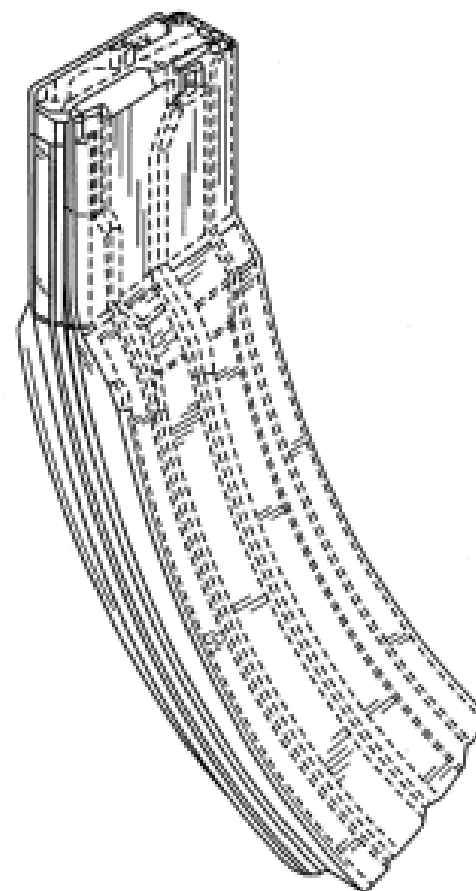
- (45) Registration Date: **19 October 2010**

- (30) Convention priority data:

(31) Number	(32) Date	(33) Country
<b>29/358308</b>	<b>25 Mar 2010</b>	<b>UNITED STATES OF AMERICA</b>

- (56) Related Art Documents: **Not Applicable**

- (57) Statement of Newness and Distinctiveness: **Newness and distinctiveness is claimed in the features of shape and/or configuration of a magazine for a firearm as illustrated in continues lines in the accompanying representations.**



- (21) Design Number: **14070/2010**
- (22) Date of Filing Application: **21 September 2010**
- (24) Date from which industrial property rights may have effect: **21 September 2010**
- (54) Product in respect of which the design is registered: **Magazine for a firearm**
- (51) International Design Classification: **22-01**
- (71) Name(s) and Address(s) of Applicant(s):

**Armwest, LLC**  
**955 West Rosser Street Prescott Arizona 86305 United States of America**

- (72) Name(s) of Designer(s): **Leroy James Sullivan and Robert Lloyd Waterfield and Hyunjung Samuel Eyssautier**

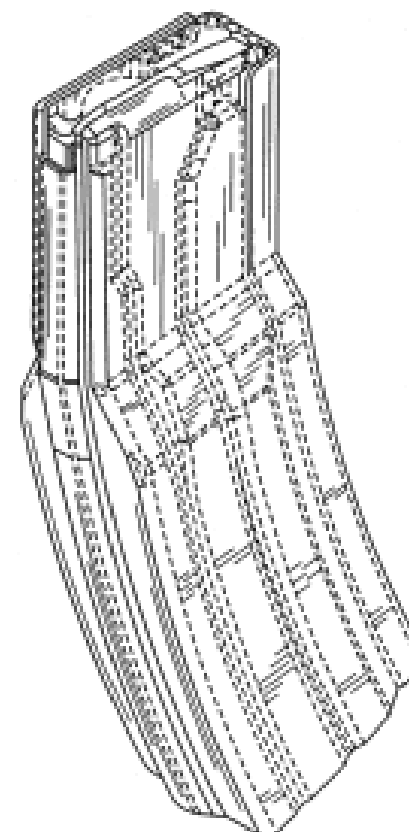
- (45) Registration Date: **19 October 2010**

- (30) Convention priority data:

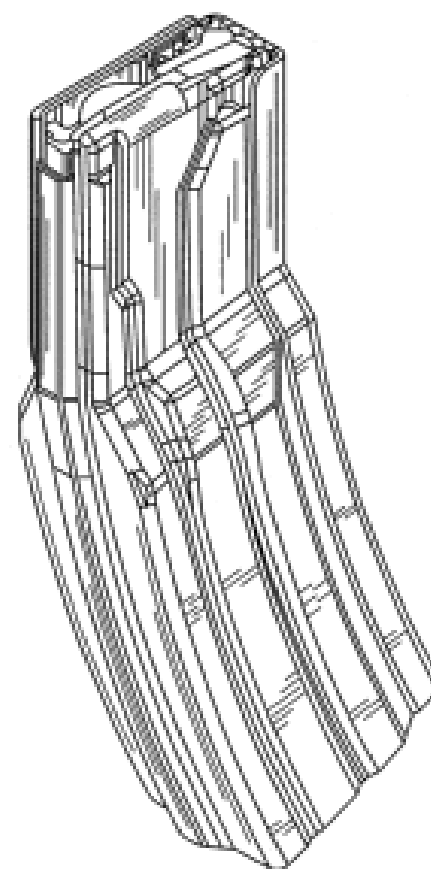
(31) Number	(32) Date	(33) Country
<b>29/358312</b>	<b>25 Mar 2010</b>	<b>UNITED STATES OF AMERICA</b>

- (56) Related Art Documents: **Not Applicable**

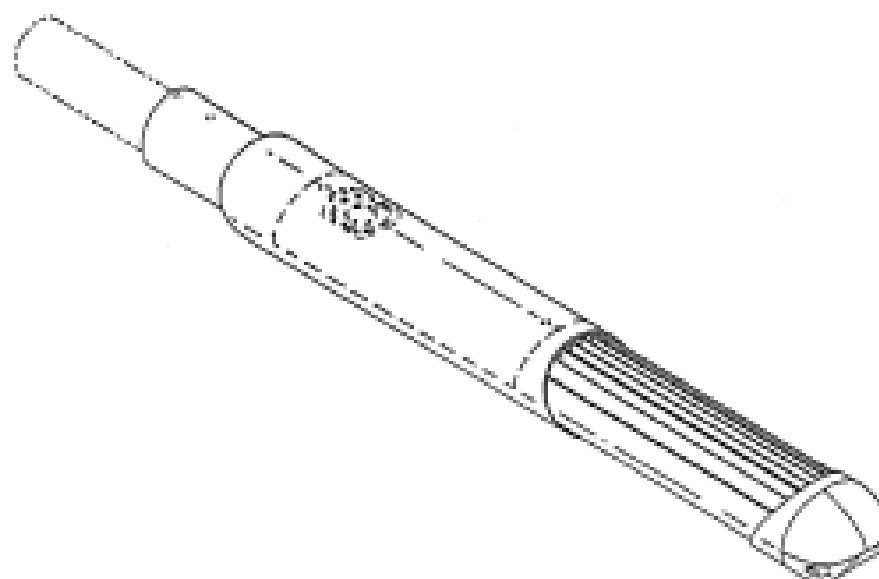
- (57) Statement of Newness and Distinctiveness: **Newness and distinctiveness is claimed in the features of shape and/or configuration of a magazine for a firearm as illustrated in continues lines in the accompanying representations.**



- (21) Design Number: **14071/2010**  
(22) Date of Filing Application: **21 September 2010**  
(24) Date from which industrial property rights may have effect: **21 September 2010**  
(54) Product in respect of which the design is registered: **Magazine for a firearm**  
(51) International Design Classification: **22-01**  
(71) Name(s) and Address(s) of Applicant(s):  
**Armwest, LLC**  
**955 West Rosser Street Prescott Arizona 86305 United States of America**  
(72) Name(s) of Designer(s): **Leroy James Sullivan and Robert Lloyd Waterfield and Hyunjung Samuel Eyssautier**  
(45) Registration Date: **19 October 2010**  
(30) Convention priority data:  
(31) Number (32) Date (33) Country  
**29/358315 25 Mar 2010 UNITED STATES OF AMERICA**  
(56) Related Art Documents: **Not Applicable**  
(57) Statement of Newness and Distinctiveness: **Newness and distinctiveness is claimed in the features of shape and/or configuration of a magazine for a firearm as illustrated in the accompanying representations.**



- (21) Design Number: **14078/2010**  
(22) Date of Filing Application: **22 September 2010**  
(24) Date from which industrial property rights may have effect: **22 September 2010**  
(54) Product in respect of which the design is registered: **Lighting fixture with a fitter portion**  
(51) International Design Classification: **26-03**  
(71) Name(s) and Address(s) of Applicant(s):  
**Ruud Lighting, Inc.**  
**9201 Washington Avenue Racine Wisconsin 53406 United States of America**  
(72) Name(s) of Designer(s): **Alan J. Ruud and Brian Kinnune and Lisa Ruffalo Cooper**  
(45) Registration Date: **19 October 2010**  
(30) Convention priority data:  
(31) Number (32) Date (33) Country  
**29/358366 26 Mar 2010 UNITED STATES OF AMERICA**  
(56) Related Art Documents: **Not Applicable**  
(57) Statement of Newness and Distinctiveness: **Newness and distinctiveness is claimed in the features of shape and/or configuration of a lighting fixture with a fitter portion as illustrated in continuous lines in the accompanying representations.**



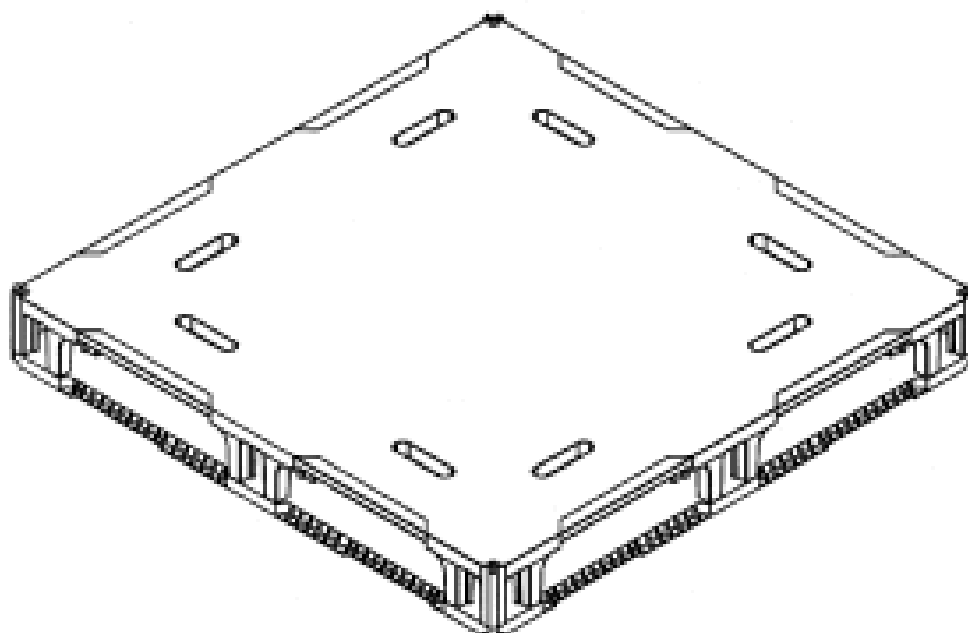
- (21) Design Number: **14079/2010**  
(22) Date of Filing Application: **22 September 2010**  
(24) Date from which industrial property rights may have effect: **22 September 2010**  
(54) Product in respect of which the design is registered: **A multi function shelving unit**  
(51) International Design Classification: **06-04NES**  
(71) Name(s) and Address(s) of Applicant(s):  
**Bobby Bebe Pty Ltd**  
**132-134 Compton Road Woodridge Queensland 4114 Australia**  
(72) Name(s) of Designer(s): **Fazila Bhamjee**  
(45) Registration Date: **19 October 2010**  
(56) Related Art Documents: **Not Applicable**  
(57) Statement of Newness and Distinctiveness: **The newness and distinctiveness of the design resides in the shape and/or configuration of the A MULTI FUNCTION SHELVING UNIT shown in the representations.**



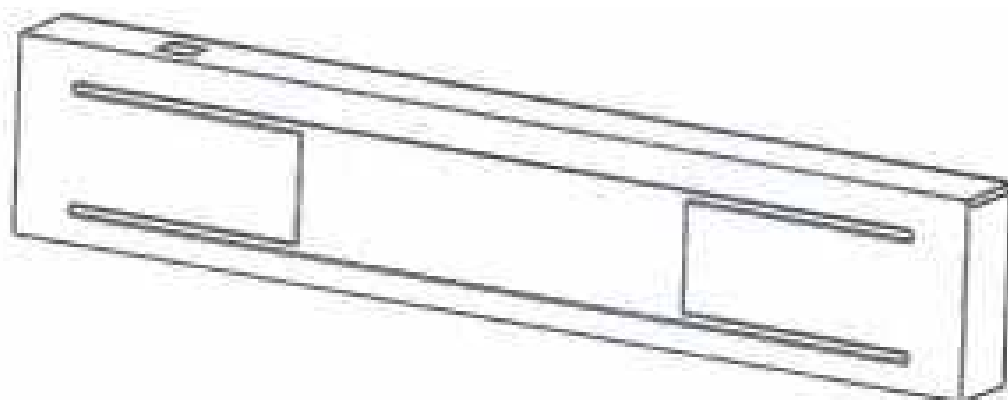
- (21) Design Number: **14082/2010**  
(22) Date of Filing Application: **22 September 2010**  
(24) Date from which industrial property rights may have effect: **22 September 2010**  
(54) Product in respect of which the design is registered: **Push to talk control box**  
(51) International Design Classification: **14-03A**  
(71) Name(s) and Address(s) of Applicant(s):  
**3M Innovative Properties Company**  
**3M Center Saint Paul Minnesota 55133-3427 United States of America**  
(72) Name(s) of Designer(s): **Michael J. Pescetto and James D. Brown**  
(45) Registration Date: **19 October 2010**  
(30) Convention priority data:  
(31) Number (32) Date (33) Country  
**29/358830 01 Apr 2010 UNITED STATES OF AMERICA**  
(56) Related Art Documents: **Not Applicable**  
(57) Statement of Newness and Distinctiveness: **Newness and distinctiveness is claimed in the features of shape and/or configuration of a push to talk control box as shown in solid outline in the accompanying drawings.**



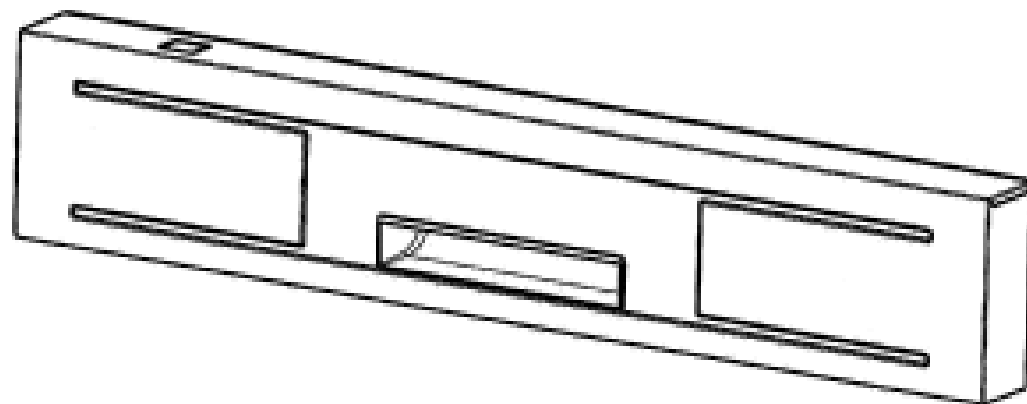
- (21) Design Number: **14153/2010**  
(22) Date of Filing Application: **24 September 2010**  
(24) Date from which industrial property rights may have effect: **24 September 2010**  
(54) Product in respect of which the design is registered: **Composite transport pallet for transport and storage of palletised goods**  
(51) International Design Classification: **09-08**  
(71) Name(s) and Address(s) of Applicant(s):  
**Torben Wahl**  
**9 Gurner Street St Kilda Victoria 3182 Australia**  
(72) Name(s) of Designer(s): **Torben Wahl**  
(45) Registration Date: **19 October 2010**  
(56) Related Art Documents: **Not Applicable**  
(57) Statement of Newness and Distinctiveness: **A visually distinctive 4-way square or rectangular double-deck transport pallet with 4 pillar blocks and sacrificial impact elements.**



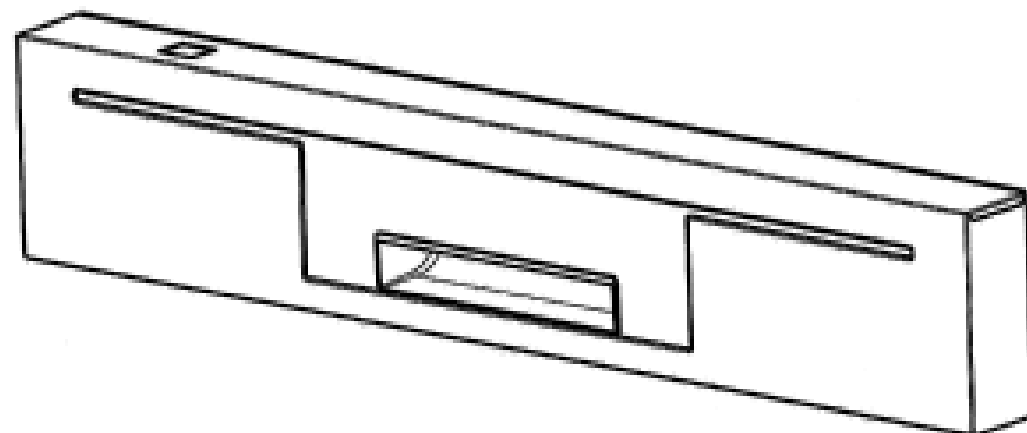
- (21) Design Number: **13461/2010**  
(22) Date of Filing Application: **12 August 2010**  
(24) Date from which industrial property rights may have effect: **12 August 2010**  
(54) Product in respect of which the design is registered: **Dishwasher panels**  
(51) International Design Classification: **15-05**  
(71) Name(s) and Address(s) of Applicant(s):  
**Electrolux Home Products Corporation N.V.**  
**Belgicastraat 17 BE-1930 Zaventem Belgium**  
(72) Name(s) of Designer(s): **Frank Benold**  
(45) Registration Date: **18 October 2010**  
(30) Convention priority data:  
(31) Number (32) Date (33) Country  
**001669227-01-14 12 Feb 2010 EUROPEAN COMMUNITY**  
(56) Related Art Documents: **Not Applicable**  
(57) Statement of Newness and Distinctiveness: **Nil**



- (21) Design Number: **14444/2010**  
(22) Date of Filing Application: **12 August 2010**  
(24) Date from which industrial property rights may have effect: **12 August 2010**  
(54) Product in respect of which the design is registered: **Dishwasher panel with handle**  
(51) International Design Classification: **15-05**  
(71) Name(s) and Address(s) of Applicant(s):  
**Electrolux Home Products Corporation N.V.**  
**Belgicastraat 17 BE-1930 Zaventem Belgium**  
(72) Name(s) of Designer(s): **Frank Benold**  
(45) Registration Date: **18 October 2010**  
(62) Divisional of: **333289**  
(56) Related Art Documents: **Not Applicable**  
(57) Statement of Newness and Distinctiveness: **Nil**

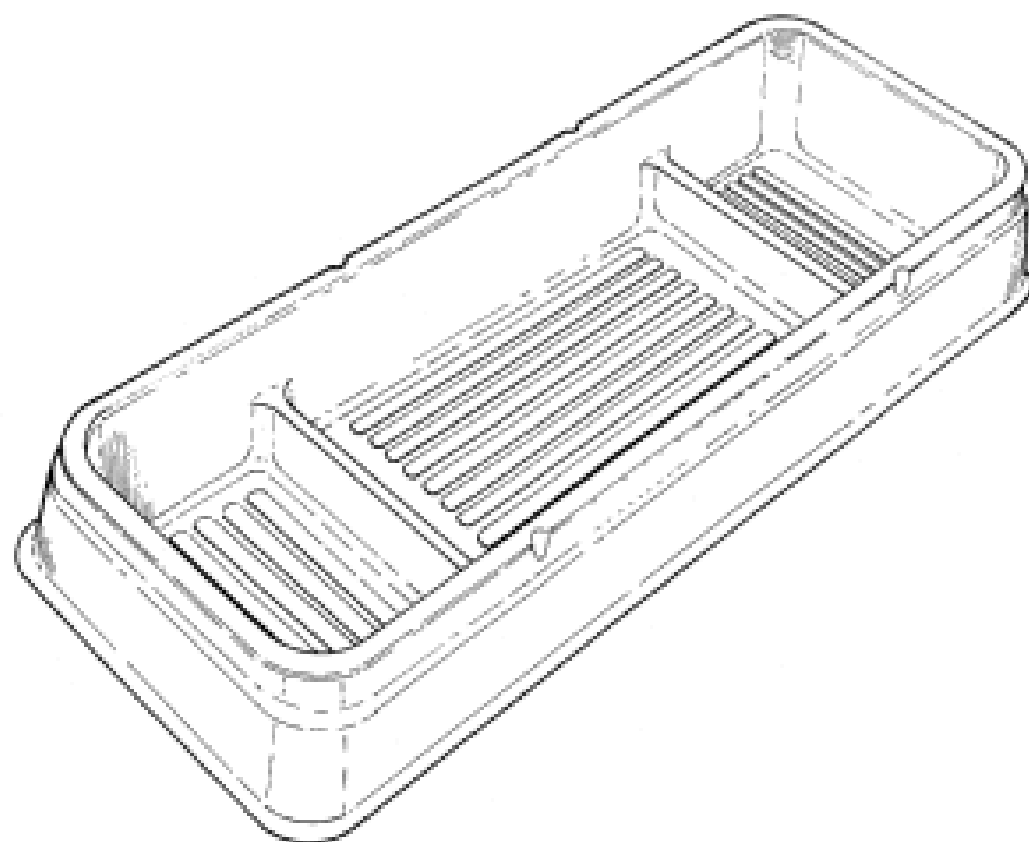


- (21) Design Number: **14445/2010**  
(22) Date of Filing Application: **12 August 2010**  
(24) Date from which industrial property rights may have effect: **12 August 2010**  
(54) Product in respect of which the design is registered: **Dishwasher panel**  
(51) International Design Classification: **15-05**  
(71) Name(s) and Address(s) of Applicant(s):  
**Electrolux Home Products Corporation N.V.**  
**Belgicastraat 17 BE-1930 Zaventem Belgium**  
(72) Name(s) of Designer(s): **Frank Benold**  
(45) Registration Date: **18 October 2010**  
(62) Divisional of: **333289**  
(56) Related Art Documents: **Not Applicable**  
(57) Statement of Newness and Distinctiveness: **Nil**

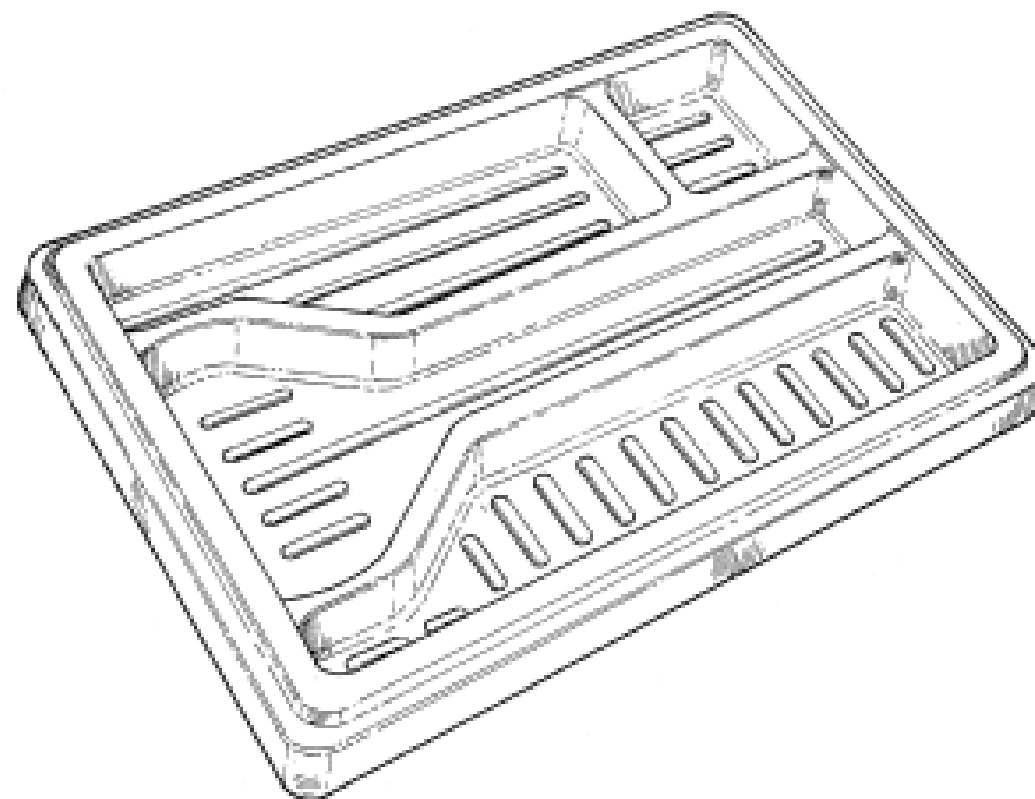




- (21) Design Number: **14209/2010**
- (22) Date of Filing Application: **08 October 2010**
- (24) Date from which industrial property rights may have effect: **08 October 2010**
- (54) Product in respect of which the design is registered: **A tray (1)**
- (51) International Design Classification: **09-03NES, 24-99**
- (71) Name(s) and Address(s) of Applicant(s):  
**Multigate Medical Products Pty Limited**  
**11-17 Nelson Road Yennora New South Wales 2161 Australia**
- (72) Name(s) of Designer(s): **Ben Chen**
- (45) Registration Date: **18 October 2010**
- (56) Related Art Documents: **Not Applicable**
- (57) Statement of Newness and Distinctiveness: **Nil**



- (21) Design Number: **14210/2010**
- (22) Date of Filing Application: **08 October 2010**
- (24) Date from which industrial property rights may have effect: **08 October 2010**
- (54) Product in respect of which the design is registered: **A tray (2)**
- (51) International Design Classification: **09-03NES, 24-99**
- (71) Name(s) and Address(s) of Applicant(s):  
**Multigate Medical Products Pty Limited**  
**11-17 Nelson Road Yennora New South Wales 2161 Australia**
- (72) Name(s) of Designer(s): **Ben Chen**
- (45) Registration Date: **18 October 2010**
- (56) Related Art Documents: **Not Applicable**
- (57) Statement of Newness and Distinctiveness: **Nil**



- (21) Design Number: **13993/2010**
- (22) Date of Filing Application: **15 September 2010**
- (24) Date from which industrial property rights may have effect: **15 September 2010**
- (54) Product in respect of which the design is registered: **Wakeboard tower**
- (51) International Design Classification: **12-06NES**
- (71) Name(s) and Address(s) of Applicant(s):

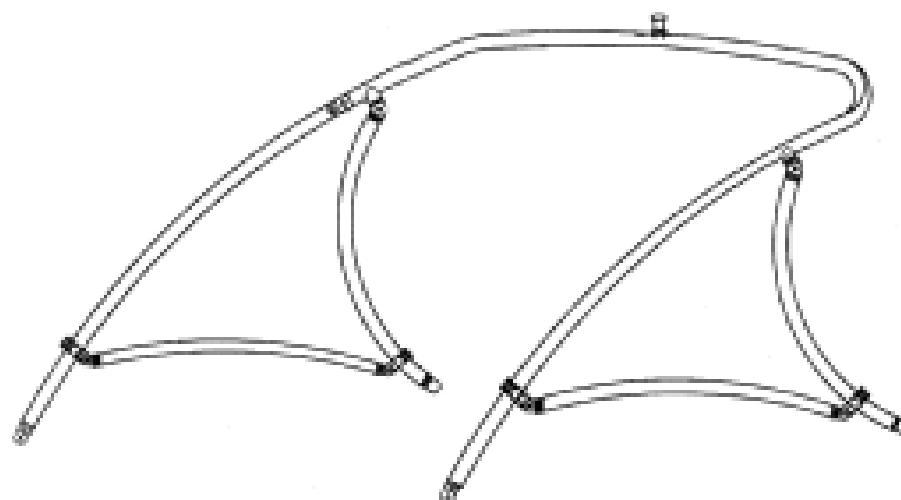
**James Odell**  
**Unit 25 45 Powers Road Seven Hills New South Wales 2147 Australia**

- (72) Name(s) of Designer(s): **James Odell**

- (45) Registration Date: **19 October 2010**

- (56) Related Art Documents: **Not Applicable**

(57) Statement of Newness and Distinctiveness: **The new wakeboard tower is universal fitting frame attached to a boat. Currently the universal wakeboard tower uses a telescopic top section where wakeboard tower legs are inserted and then drilled through and bolted into place for adjustment you will seeing a large bolts. The new wake tower is universal. The design uses new fitting and joints which allows the top section to be different. The top section is a solid curved stylized frame reaching across from side to side of the boat with welded fittings to attach the legs and no telescopic section. New and distinctive features of the design. Very distinctive looking designed top section with one stylized curved bar with a tow point to be attached. A distinctive shaped tow point attached to the top section. It is adjustable using using my patent application No. 201000574 rotating fitting joiner for wakeboard tower to join the 4 legs to the top section. A distinctive feature is the use of my patent application No. 2010100777 beam for wakeboard tower attached by clamps between the front and rear leg. The mounting feet are distinctive using my patent application No. 2010901043 rotating mounting feet to allow for folding the tower for storage. The use of my patent application 2010100777 beam for wakeboard tower attached by clamps. As described in the application patent can be attached or removed via the clamps. The removal of the side beam changes the look of design.**



- (21) Design Number: **13994/2010**
- (22) Date of Filing Application: **15 September 2010**
- (24) Date from which industrial property rights may have effect: **15 September 2010**
- (54) Product in respect of which the design is registered: **Wakeboard tower**
- (51) International Design Classification: **12-06NES**
- (71) Name(s) and Address(s) of Applicant(s):

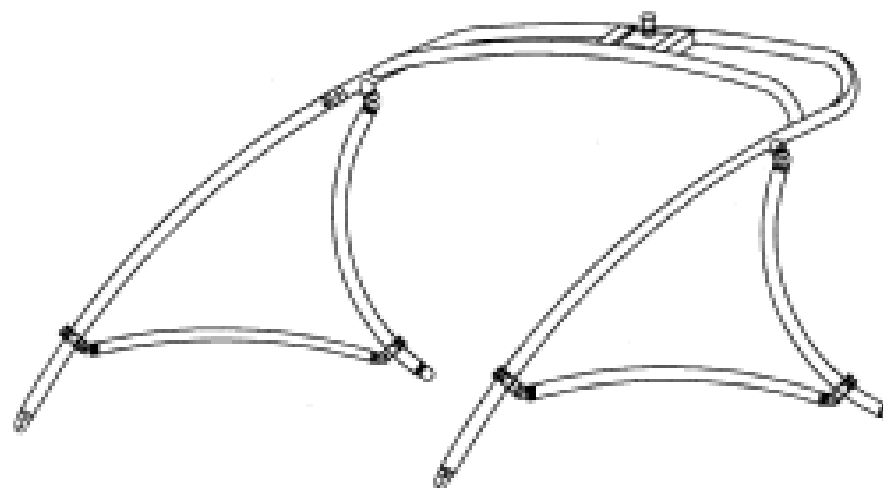
**James Odell**  
**Unit 25 45 Powers Road Seven Hills New South Wales 2147 Australia**

- (72) Name(s) of Designer(s): **James Odell**

- (45) Registration Date: **19 October 2010**

- (56) Related Art Documents: **Not Applicable**

(57) Statement of Newness and Distinctiveness: **The new wakeboard tower is universal fitting frame attached to a boat. Currently the universal wakeboard tower uses a telescopic top section where wakeboard tower legs are inserted and then drilled through and bolted into place for adjustment you will seeing a large bolts. The new wake tower is universal. The design uses new fitting and joints which allows the top section to be different. The top section is a solid curved stylized frame reaching across from side to side of the boat with welded fittings to attach the legs and no telescopic section. New and distinctive features of the design. Very distinctive looking designed top section with two stylized curved bars and a welded plate area for the tow point to be attached. A distinctive shaped tow point attached by a bolt to the plate on the top section. It is adjustable using my patent application No. 2010100574 rotating fitting joiner for wakeboard tower to join the 4 legs to the top section. A distinctive feature is the use of my patent application No. 2010100777 beam for wakeboard tower attached by clamps between the front and rear leg. The mounting feet are distinctive using my patent application No. 2010901043 rotating mounting feet to allow for folding the tower for storage. The use of my patent application 2010100777 beam for for wakeboard tower attached by clamps. As described in the application patent can be attached or removed via the clamps. The removal of the side beam changes the look of design.**



- (21) Design Number: **14086/2010**  
(22) Date of Filing Application: **22 September 2010**  
(24) Date from which industrial property rights may have effect: **22 September 2010**  
(54) Product in respect of which the design is registered: **Bottle**  
(51) International Design Classification: **09-01K**  
(71) Name(s) and Address(s) of Applicant(s):

**The Procter & Gamble Company**  
**One Procter & Gamble Plaza Cincinnati Ohio 45202 United States of America**

- (72) Name(s) of Designer(s): **Dominique Celine Ignace Marie Geeraert and Victor Klabbers and Robin Lefebvre and Michael Alan John Moss and John David Lamb**

(45) Registration Date: **19 October 2010**

(30) Convention priority data:

(31) Number	(32) Date	(33) Country
<b>29/358,361</b>	<b>26 Mar 2010</b>	<b>UNITED STATES OF AMERICA</b>

(56) Related Art Documents: **Not Applicable**

- (57) Statement of Newness and Distinctiveness: **Those features of the bottle depicted in the representations that are new and distinctive are the shape and/or configuration. The features shown in broken lines are not part of the design and are to be disregarded when considering the overall impression of the design.**



- (21) Design Number: **14087/2010**  
(22) Date of Filing Application: **22 September 2010**  
(24) Date from which industrial property rights may have effect: **22 September 2010**  
(54) Product in respect of which the design is registered: **Bottle**  
(51) International Design Classification: **09-01K**  
(71) Name(s) and Address(s) of Applicant(s):

**The Procter & Gamble Company**  
**One Procter & Gamble Plaza Cincinnati Ohio 45202 United States of America**

- (72) Name(s) of Designer(s): **Dominique Celine Ignace Marie Geeraert and Victor Klabbers and Robin Lefebvre and Michael Alan John Moss and John David Lamb**

(45) Registration Date: **19 October 2010**

(30) Convention priority data:

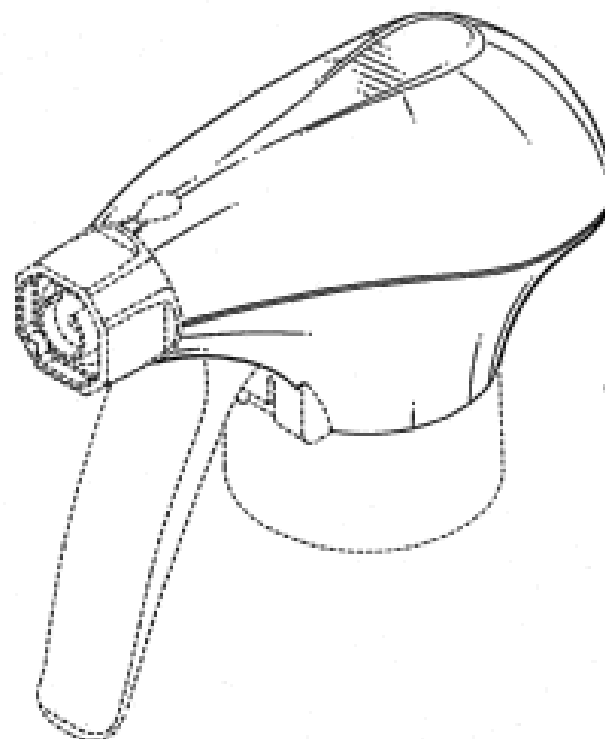
(31) Number	(32) Date	(33) Country
<b>29/358,361</b>	<b>26 Mar 2010</b>	<b>UNITED STATES OF AMERICA</b>

(56) Related Art Documents: **Not Applicable**

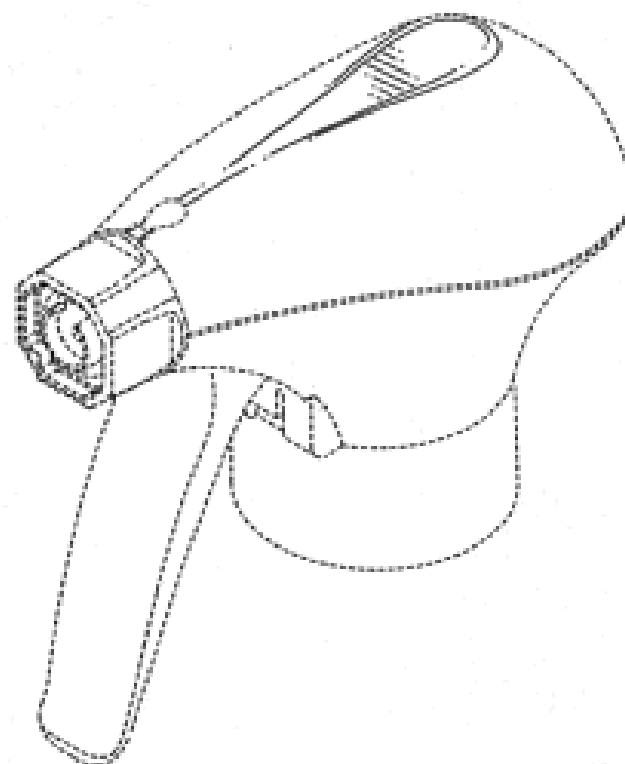
- (57) Statement of Newness and Distinctiveness: **Those features of the bottle depicted in the representations that are new and distinctive are the shape and/or configuration. The features shown in broken lines are not part of the design and are to be disregarded when considering the overall impression of the design.**



- (21) Design Number: **14088/2010**  
(22) Date of Filing Application: **22 September 2010**  
(24) Date from which industrial property rights may have effect: **22 September 2010**  
(54) Product in respect of which the design is registered: **Sprayer Shroud**  
(51) International Design Classification: **09-07A**  
(71) Name(s) and Address(s) of Applicant(s):  
**The Procter & Gamble Company**  
**One Procter & Gamble Plaza Cincinnati Ohio 45202 United States of America**  
(72) Name(s) of Designer(s): **Victor Klabbers and Dominique Celine Ignace Marie Geeraert and Walter Pierre Van Den Broeck**  
(45) Registration Date: **19 October 2010**  
(30) Convention priority data:  
(31) Number (32) Date (33) Country  
**29/358,362 26 Mar 2010 UNITED STATES OF AMERICA**  
(56) Related Art Documents: **Not Applicable**  
(57) Statement of Newness and Distinctiveness: **Those features of the sprayer shroud depicted in the representations that are new and distinctive are the shape and/or configuration. The features shown in broken lines are not part of the design and are to be disregarded when considering the overall impression of the design.**



- (21) Design Number: **14089/2010**  
(22) Date of Filing Application: **22 September 2010**  
(24) Date from which industrial property rights may have effect: **22 September 2010**  
(54) Product in respect of which the design is registered: **Sprayer shroud**  
(51) International Design Classification: **09-07A**  
(71) Name(s) and Address(s) of Applicant(s):  
**The Procter & Gamble Company**  
**One Procter & Gamble Plaza Cincinnati Ohio 45202 United States of America**  
(72) Name(s) of Designer(s): **Dominique Celine Ignace Marie Geeraert and Victor Klabbers and Walter Pierre Van Den Broeck**  
(45) Registration Date: **19 October 2010**  
(30) Convention priority data:  
(31) Number (32) Date (33) Country  
**29/358,362 26 Mar 2010 UNITED STATES OF AMERICA**  
(56) Related Art Documents: **Not Applicable**  
(57) Statement of Newness and Distinctiveness: **Those features of the sprayer shroud depicted in the representations that are new and distinctive are the shape and/or configuration. The features shown in broken lines are not part of the design and are to be disregarded when considering the overall impression of the design.**



- (21) Design Number: **14090/2010**
- (22) Date of Filing Application: **22 September 2010**
- (24) Date from which industrial property rights may have effect: **22 September 2010**
- (54) Product in respect of which the design is registered: **Sprayer bottle**
- (51) International Design Classification: **09-01A**
- (71) Name(s) and Address(s) of Applicant(s):

**The Procter & Gamble Company**  
**One Procter & Gamble Plaza Cincinnati Ohio 45202 United States of America**

- (72) Name(s) of Designer(s): **Dominique Celine Ignace Marie Geeraert and Victor Klabbers and Robin Lefebvre and Michael Alan John Moss and John David Lamb and Walter Pierre Van Den Broeck and Corinne Elizabeth Elstow and James Samuel Richardson**

- (45) Registration Date: **19 October 2010**

- (30) Convention priority data:

(31) Number	(32) Date	(33) Country
<b>29/358,363</b>	<b>26 Mar 2010</b>	<b>UNITED STATES OF AMERICA</b>

- (56) Related Art Documents: **Not Applicable**

- (57) Statement of Newness and Distinctiveness: **Those features of the sprayer bottle depicted in the representations that are new and distinctive are the shape and/or configuration. The features shown in broken lines are not part of the design and are to be disregarded when considering the overall impression of the design.**



- (21) Design Number: **13462/2010**
- (22) Date of Filing Application: **12 August 2010**
- (24) Date from which industrial property rights may have effect: **12 August 2010**
- (54) Product in respect of which the design is registered: **Oven handle**
- (51) International Design Classification: **07-02C**
- (71) Name(s) and Address(s) of Applicant(s):

**Electrolux Home Products Corporation N.V.**  
**Belgicastraat 17 BE-1930 Zaventem Belgium**

- (72) Name(s) of Designer(s): **Frank Benold**

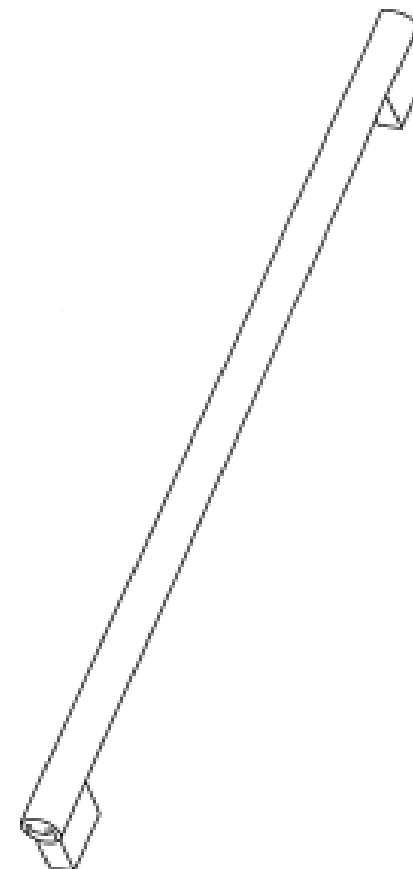
- (45) Registration Date: **19 October 2010**

- (30) Convention priority data:

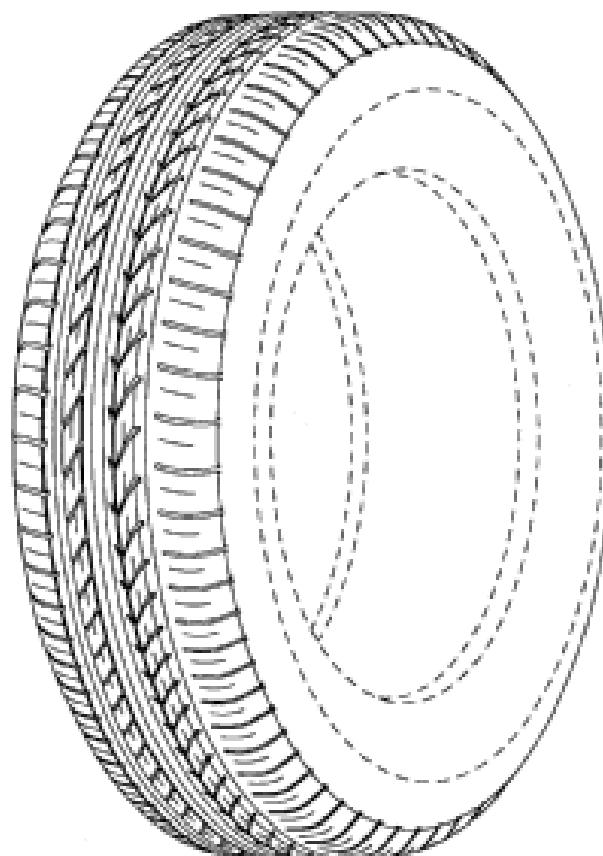
(31) Number	(32) Date	(33) Country
<b>001670019-01/88</b>	<b>15 Feb 2010</b>	<b>EUROPEAN COMMUNITY</b>

- (56) Related Art Documents: **Not Applicable**

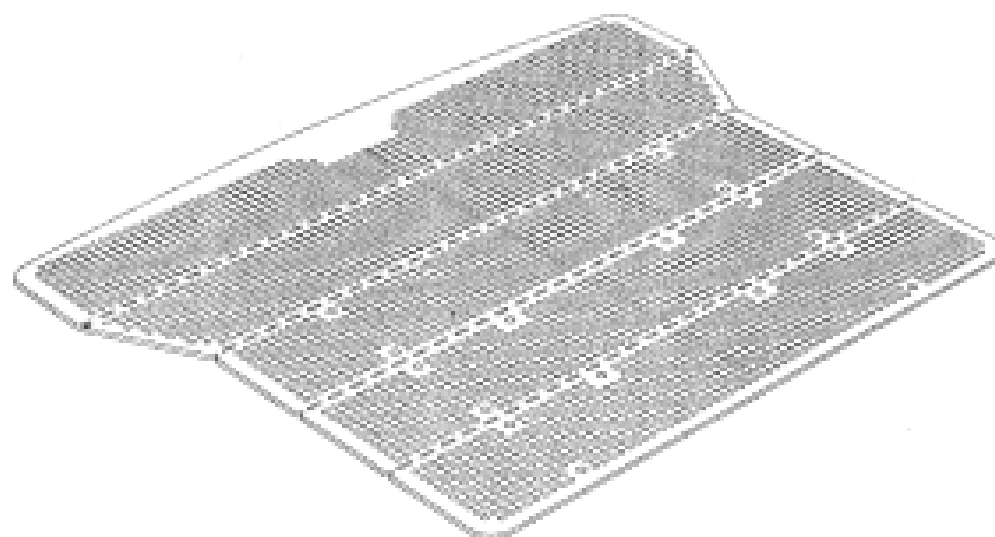
- (57) Statement of Newness and Distinctiveness: **Nil**



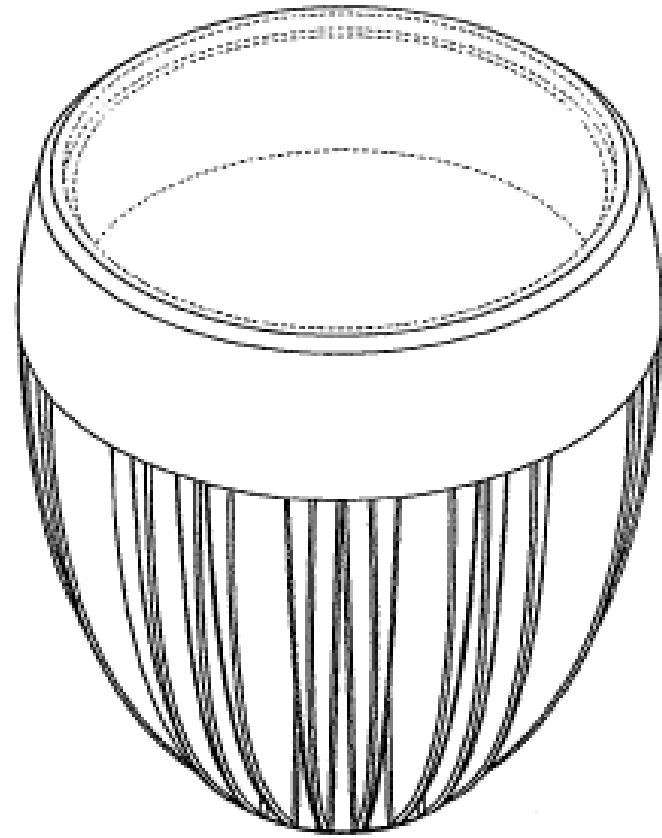
- (21) Design Number: **13885/2010**  
(22) Date of Filing Application: **08 September 2010**  
(24) Date from which industrial property rights may have effect: **08 September 2010**  
(54) Product in respect of which the design is registered: **Automobile tyre**  
(51) International Design Classification: **12-15B**  
(71) Name(s) and Address(s) of Applicant(s):  
**The Yokohama Rubber Co., Ltd.**  
**36-11 Shimbashi 5-chome Minato-ku Tokyo 105-8685 Japan**  
(72) Name(s) of Designer(s): **Tsuyoto Shimizu**  
(45) Registration Date: **19 October 2010**  
(30) Convention priority data:  
(31) Number      (32) Date      (33) Country  
**2010-006108      12 Mar 2010      JAPAN**  
(56) Related Art Documents: **Not Applicable**  
(57) Statement of Newness and Distinctiveness: **Newness and distinctiveness resides in the shape and configuration of automobile tyre as shown in solid lines in the representations.**



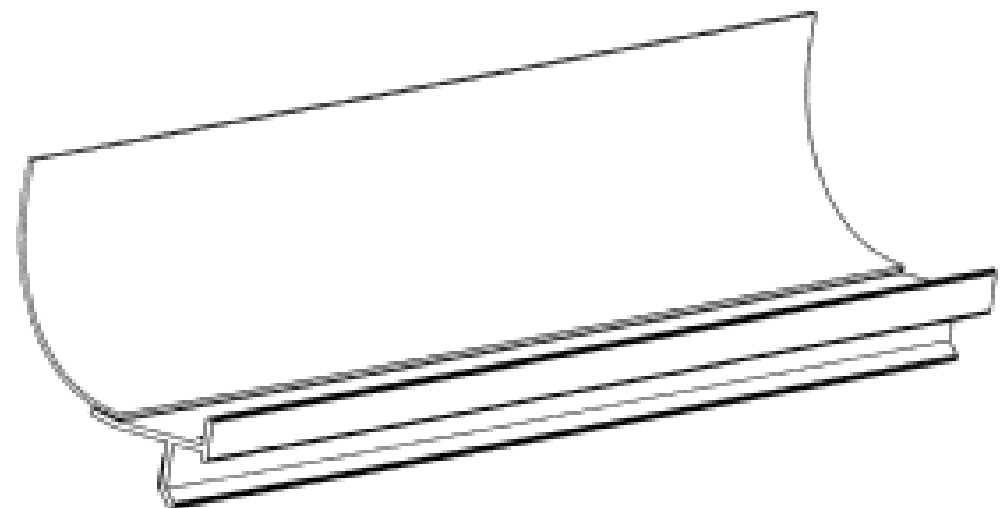
- (21) Design Number: **13999/2010**  
(22) Date of Filing Application: **15 September 2010**  
(24) Date from which industrial property rights may have effect: **15 September 2010**  
(54) Product in respect of which the design is registered: **Screen**  
(51) International Design Classification: **12-16NES**  
(71) Name(s) and Address(s) of Applicant(s):  
**Yanga Eco Tours Pty Ltd**  
**C/- Sims Cooper & Co (Aus) P/L Level 6 10-16 Queen Street**  
**Melbourne Victoria 3000 Australia**  
(72) Name(s) of Designer(s): **Graeme Lewis Sims Black**  
(45) Registration Date: **19 October 2010**  
(56) Related Art Documents: **Not Applicable**  
(57) Statement of Newness and Distinctiveness: **Newness and distinctiveness is claimed in the visual features shown in solid lines in the representations.**



- (21) Design Number: **14108/2010**  
(22) Date of Filing Application: **23 September 2010**  
(24) Date from which industrial property rights may have effect: **23 September 2010**  
(54) Product in respect of which the design is registered: **Heat sink module for use with a removable LED light module**  
(51) International Design Classification: **26-99**  
(71) Name(s) and Address(s) of Applicant(s):  
**Journee Lighting, Inc.**  
**4607 Lakeview Canyon Road #500 Westlake Village California 91361**  
**United States of America**  
(72) Name(s) of Designer(s): **Clayton Alexander and Brandon Mundell and Robert Rippey III**  
(45) Registration Date: **19 October 2010**  
(30) Convention priority data:  
(31) Number (32) Date (33) Country  
**29/358277 24 Mar 2010 UNITED STATES OF AMERICA**  
(56) Related Art Documents: **Not Applicable**  
(57) Statement of Newness and Distinctiveness: **Newness and distinctiveness is claimed in the features of shape and/or configuration of a heat sink module for use with a removable LED light module as illustrated in the accompanying representations.**



- (21) Design Number: **14111/2010**  
(22) Date of Filing Application: **22 September 2010**  
(24) Date from which industrial property rights may have effect: **22 September 2010**  
(54) Product in respect of which the design is registered: **Flashing**  
(51) International Design Classification: **25-02NES**  
(71) Name(s) and Address(s) of Applicant(s):  
**Michael James Olds**  
**77 Wright Road Christchurch New Zealand**  
**Mark Thomas Flewelen**  
**77 Wright Road Christchurch New Zealand**  
(72) Name(s) of Designer(s): **Michael James Olds and Mark Thomas Flewelen**  
(45) Registration Date: **19 October 2010**  
(56) Related Art Documents: **Not Applicable**  
(57) Statement of Newness and Distinctiveness: **Newness and distinctiveness resides in the shape and configuration of the flashing.**



(19) AU

(21) Design Number: **14390/2010**

(22) Date of Filing Application: **11 October 2010**

(24) Date from which industrial property rights may have effect: **11 October 2010**

(54) Product in respect of which the design is registered: **A container bottle for a beverage**

(51) International Design Classification: **09-01H**

(71) Name(s) and Address(s) of Applicant(s):

**Drive Beer S.r.l**

**Zona Industriale Baragiano I-85050 Balvano (PZ) Italy**

(72) Name(s) of Designer(s): **Fabrizio Tarricone**

(45) Registration Date: **19 October 2010**

(30) Convention priority data:

(31) Number

(32) Date

(33) Country

**001763749**

**05 Oct 2010**

**EUROPEAN COMMUNITY**

(56) Related Art Documents: **Not Applicable**

(57) Statement of Newness and Distinctiveness: **Nil**

