



Australian Government

IP Australia

AUSTRALIAN OFFICIAL JOURNAL

OF

DESIGNS

Did you know a searchable version of this journal is now available online?

It's FREE and EASY to SEARCH.

Find it at

<http://pericles.ipaustralia.gov.au/ols/epublish/content/olsEpublications.jsp>
or using the "Online Journals" link on the IP Australia home page.

This Page Left Intentionally Blank

Contents

General Information & Notices

Proceedings Under the Designs Act 1906 preserved as a result of the provisions of Chapter 12 Part 2 of the Designs Act 2003

Applications for Extension of Time	2708
Extension of Period of Registration of Designs	2708
Names Registered - Alterations and Amendments	2708
Registrations Ceased	2708
Subsequent Owners Registered	2708

Proceedings Under the Designs Act 2003

Applications for Extension of Time Under Section 137	2718
Applications Lapsed	2717
Applications Lodged	2713
Applications Withdrawn	2717
Certificate of Examination	2719
Extension of Period of Registration of Design	
Extension of Time Granted Under Section 137	2718
Publication and Registration Proceedings	
Designs Registered 333307 to 333449.....	2720
Registrations Ceased	2718
Subsequent Owners Registered	2718

This Page Left Intentionally Blank

For information on the following please see our website www.ipaustralia.gov.au or contact our Customer Service Network on 1300651010

[Editorial enquiries](#)

[Contact information](#)

[Freedom of Information ACT](#)

[Professional Standards Board](#)

[Sales](#)

[Requests for Information under Section 194 \(c\)](#)

[Country Codes](#)

[Trade Mark and Designs Hearing Sessions](#)

[INID \(Internationally agreed Numbers for the Identification of Data\)](#)

“INID” NUMBERS in use on Australian Design Documents

“INID” is an acronym for “Internationally agreed Numbers for the Identification of Data”.

(10) Data concerning the registration/renewal

- (11) Serial number of the registration and/or number of the design document
- (12) Plain language designation of the kind of published document
- (19) Identification, using the two-letter code according to WIPO Standard ST.3, of the authority publishing or registering the industrial design

(20) Data concerning the application

- (21) Serial number of the application
- (22) Date of filing of the application
- (24) Date from which the industrial design right has effect

(30) Data relating to priority under the Paris Convention

- (31) Serial number assigned to the priority application
- (32) Date of filing of the priority application
- (33) Two-letter code, according to WIPO Standard ST.3, identifying the authority with which the priority application was made

(40) Date(s) of making information available to the public

- (45) Date of publication of the registered industrial design by printing or similar process, or making it available to the public by any other means

(50) Miscellaneous Information

- (51) International Classification for Industrial Designs (class and subclass of the Locarno Classification)
- (54) Designation of article(s) or product(s) covered by the industrial design or title of the industrial design
- (55) Reproduction of the industrial design (e.g., drawing, photograph) and explanations relating to the reproduction
- (56) List of prior art documents, if separate from descriptive text
- (57) Description of characteristic features of the industrial design including indication of colours

(60) References to other legally related application(s) and registration(s)

- (62) Serial number(s) and, if available, filing date(s) of application(s), registration(s) or document(s) related by division
- (66) Serial number(s) of the application, or the registration, of the design(s) which is (are) a variant(s) of the present one

(70) Identification of parties concerned with the application or registration

- (71) Name(s) and address(es) of the applicant(s)
- (72) Name(s) of the creator(s) if known to be such
- (74) Name(s) and address(es) of the representative(s)

This Page Left Intentionally Blank

Official Notice



Australian Government

IP Australia

Declaration of the days in 2011 when the Designs Office, the Patent Office, the PBR Office and the Trade Marks Office and their sub-offices are taken not to be open for business

The close-down provisions in the designs, Olympic insignia protection, patents, plant breeder's rights and trade marks legislation provide for the effect of Designs Office, the Patent Office, the PBR Office and the Trade Marks Office ('the Canberra offices') or any of their sub-offices in the State capitals ("the sub-office") not being open for business.

On 8 November 2010, IP Australia's Director General declared under the close-down provisions the days when the Patent, the PBR, Trade Marks and Designs Offices and their sub-offices would not be open for business for the period from period 2 January 2011 to 2 January 2012.

The Canberra offices and the State offices will not be open for business on the following days in the period **2 January 2011 to 2 January 2012**.

All the Canberra offices and the Sub-offices:

All Saturdays and Sundays in the period

Monday 3 January 2011	New Year's Day
Wednesday, 26 January 2011	Australia Day
Friday, 22 April 2011	Good Friday
Monday, 25 April 2011	Anzac Day / Easter Monday
Tuesday, 26 April 2011	Additional Public Holiday
Monday 26 December 2011 to Monday 2 January 2012	Christmas Close Down

The Canberra offices

Monday 14 March 2011	Canberra Day
Monday 13 June 2011	Queen's Birthday Holiday
Monday 3 October 2011	Labour Day
Monday 10 October 2011	Family & Community Day

The New South Wales sub-office

Monday 13 June 2011	Queen's Birthday Holiday
Monday 3 October 2011	Labour Day

The Queensland sub-office

Monday 2 May 2011	Labour Day
Monday 13 June 2011	Queen's Birthday Holiday
Wednesday 17 August 2011	Royal Queensland Show Day

The South Australian sub-office

Monday 14 March 2011	Adelaide Cup Day
Monday 13 June 2011	Queen's Birthday Holiday
Monday 3 October 2011	Labour Day

The Tasmanian sub-office

Monday 14 February 2009	Royal Hobart Regatta Day
Monday 14 March 2010	Eight Hours Day
Monday 13 June 2010	Queen's Birthday Holiday
Thursday 20 October 2010	Hobart Show Day

The Victorian sub-office

Monday 14 March 2011	Labour Day
Monday 13 June 2011	Queen's Birthday Holiday
Tuesday 1 November 2011	Melbourne Cup Day

The Western Australian sub-office

Monday 7 March 2011	Labour Day
Monday 6 June 2011	Foundation Day
Monday 3 October 2011	Queen's Birthday Holiday

The Northern Territory sub-office

Monday 2 May 2011	May Day
Monday 13 June 2011	Queens Birthday Holiday
Friday 22 July 2011	Darwin Show Day
Monday 1 August 2011	Picnic Day

For more information on the effect of the close-down provisions, please see the Official Notices of 23 March 2007 titled *Intellectual Property Legislation Amendment Regulations 2007 (No. 1)* and *The new close-down provisions in the trade marks legislation* available on IP Australia's website through the page www.ipaustralia.gov.au/resources/officialnotices.shtml.

Contact: IP Australia
Phone: 1300 651 010
Fax: +61 2 6283 7999
E-mail: assist@ipaustralia.gov.au
Web: www.ipaustralia.gov.au

Declaration of the days in the period 2 January 2011 to 2 January 2012 when the Designs Office, the Patent Office, the PBR Office and the Trade Marks Office and their sub-offices are taken not to be open for business

AUTHORITY	Director General of IP Australia
REFERENCES	Section 136A of the <i>Designs Act 2003</i> , Section 14A of the <i>Olympic Insignia Protection Act 1987</i> , Section 222A of the <i>Patents Act 1990</i> , Section 76A of the <i>Plant Breeder's Rights Act 1994</i> and Section 223A of the <i>Trade Marks Act 1995</i>

Part 1 Days when the Designs Office, the Patent Office, the PBR Office and the Trade Marks Office—all located in the Australian Capital Territory—are taken not to be open for business

All Saturdays and Sundays in the period

Monday 3 January 2011	New Year's Day
Wednesday, 26 January 2011	Australia Day
Monday 14 March 2011	Canberra Day
Friday, 22 April 2011	Good Friday
Monday, 25 April 2011	Anzac Day / Easter Monday
Tuesday, 26 April 2011	Additional Public Holiday
Monday 13 June 2011	Queen's Birthday Holiday
Monday 3 October 2011	Labour Day
Monday 10 October 2011	Family & Community Day
Monday 26 December 2011 to Monday 2 January 2012	Christmas Close Down

Part 2 Days when the New South Wales sub-office of the Designs Office, the Patent Office, and the Trade Marks Office is taken not to be open for business

All Saturdays and Sundays in the period

Monday 3 January 2011	New Year's Day
Wednesday, 26 January 2011	Australia Day
Friday, 22 April 2011	Good Friday
Monday, 25 April 2011	Anzac Day / Easter Monday
Tuesday, 26 April 2011	Additional Public Holiday
Monday 13 June 2011	Queen's Birthday Holiday
Monday 3 October 2011	Labour Day
Monday 26 December 2011 to Monday 2 January 2012	Christmas Close Down

Part 3 Days when the Queensland sub-office of the Designs Office, the Patent Office, and the Trade Marks Office is taken not to be open for business:

All Saturdays and Sundays in the period

Monday 3 January 2011	New Year's Day
Wednesday, 26 January 2011	Australia Day
Friday, 22 April 2011	Good Friday
Monday, 25 April 2011	Anzac Day / Easter Monday
Tuesday, 26 April 2011	Additional Public Holiday
Monday 2 May 2011	Labour Day
Monday 13 June 2011	Queen's Birthday Holiday
Wednesday 17 August 2011	Royal Queensland Show Day
Monday 26 December 2011 to Monday 2 January 2012	Christmas Close Down

Part 4 Days when the South Australian sub-office of the Designs Office, the Patent Office, and the Trade Marks Office is taken not to be open for business:

All Saturdays and Sundays in the period

Monday 3 January 2011	New Year's Day
Wednesday, 26 January 2011	Australia Day
Monday 14 March 2011	Adelaide Cup Day
Friday, 22 April 2011	Good Friday
Monday, 25 April 2011	Anzac Day / Easter Monday
Tuesday, 26 April 2011	Additional Public Holiday
Monday 13 June 2011	Queen's Birthday Holiday
Monday 3 October 2011	Labour Day
Monday 26 December 2011 to Monday 2 January 2012	Christmas Close Down

Part 5 Days when the Tasmanian sub-office of the Designs Office, the Patent Office, and the Trade Marks Office is taken not to be open for business

All Saturdays and Sundays in the period

Monday 3 January 2011	New Year's Day
Wednesday, 26 January 2011	Australia Day
Monday 14 February 2009	Royal Hobart Regatta Day
Monday 14 March 2010	Eight Hours Day
Friday, 22 April 2011	Good Friday
Monday, 25 April 2011	Anzac Day / Easter Monday
Tuesday, 26 April 2011	Additional Public Holiday
Monday 13 June 2011	Queen's Birthday Holiday
Thursday 20 October 2010	Hobart Show Day
Monday 26 December 2011 to Monday 2 January 2012	Christmas Close Down

Part 6 Days when the Victorian sub-office of the Designs Office, the Patent Office, and the Trade Marks Office is taken not to be open for business

All Saturdays and Sundays in the period

Monday 3 January 2011	New Year's Day
Wednesday, 26 January 2011	Australia Day
Monday 14 March 2011	Labour Day
Friday, 22 April 2011	Good Friday
Monday, 25 April 2011	Anzac Day / Easter Monday
Tuesday, 26 April 2011	Additional Public Holiday
Monday 13 June 2011	Queen's Birthday Holiday
Tuesday 1 November 2011	Melbourne Cup Day
Monday 26 December 2011 to Monday 2 January 2012	Christmas Close Down

Part 7 Days when the Western Australian sub-office of the Designs Office, the Patent Office, and the Trade Marks Office is taken not to be open for business

All Saturdays and Sundays in the period

Monday 3 January 2011	New Year's Day
Wednesday, 26 January 2011	Australia Day
Monday 7 March 2011	Labour Day
Friday, 22 April 2011	Good Friday
Monday, 25 April 2011	Anzac Day / Easter Monday
Tuesday, 26 April 2011	Additional Public Holiday
Monday 6 June 2011	Foundation Day
Monday 3 October 2011	Queen's Birthday Holiday
Monday 26 December 2011 to Monday 2 January 2012	Christmas Close Down

Part 8 Days when the Northern Territory sub-office of the Designs Office, the Patent Office, and the Trade Marks Office is taken not to be open for business

All Saturdays and Sundays in the period

Monday 3 January 2011	New Year's Day
Wednesday, 26 January 2011	Australia Day
Friday, 22 April 2011	Good Friday
Monday, 25 April 2011	Anzac Day / Easter Monday
Tuesday, 26 April 2011	Additional Public Holiday
Monday 2 May 2011	May Day
Monday 13 June 2011	Queens Birthday Holiday
Friday 22 July 2011	Darwin Show Day
Monday 1 August 2011	Picnic Day
Monday 26 December 2011 to Monday 2 January 2012	Christmas Close Down

Proceedings under the Designs Act 1906 preserved as a result of the provisions of Chapter 12 Part 2 of the Designs Act 2003.

This Page Left Intentionally Blank

Applications Lapsed

There were no Applications Lapsed under this section

Extension of Period of Registration of Designs

1st Period (Section 27A(8))

2nd Period (Section 27A(12))

157360	157361	157362
--------	--------	--------

3rd Period (Section 27A(13))

140160	140514	140626
140768	141130	141131
141132	141172	141173
141174	141249	141332
141515	142224	143458
143459	143550	144084
144503	144504	144505
145163		

Registrations Ceased

Note: Some of the following Registrations may have been previously advertised as ceased. In this instance, the previous advertisement still prevails.

123718	123750	123751
123752	123753	123790
123815	123858	124022
124136	124323	125519
126235	126236	126433
126873	126874	127198
127199	127200	127201
127202	127203	127295
127297	127298	127299
127946	133067	133068
138637	138707	138780
139454	139991	140543
141502	141503	141504
156712	156713	156715
156716	156754	156812
156813	156814	156853
156854	156914	157046
157652	157769	157846
157847	158018	158040
158241	158244	158367

Applications for Extension of time

Applications for extension of time have been lodged. Objections must be lodged within 1 month from the date of this journal.

156971 **Peak Innovations Inc.** Extension of time to extend a registration. Address for Service: Peak Innovations Inc. 2/328 Endeavour House Captain Cook Crescent MANUKA ACT 2603

156972 **Peak Innovations Inc.** Extension of time to extend a registration. Address for Service: Peak Innovations Inc. 2/328 Endeavour House Captain Cook Crescent MANUKA ACT 2603

156973 **Peak Innovations Inc.** Extension of time to extend a registration. Address for Service: Peak Innovations Inc. 2/328 Endeavour House Captain Cook Crescent MANUKA ACT 2603

156975 **Peak Innovations Inc.** Extension of time to extend a registration. Address for Service: Peak Innovations Inc. 2/328 Endeavour House Captain Cook Crescent MANUKA ACT 2603

Subsequent Owners Registered

(The name in parentheses is that of the subsequent owner)

147981	(Dorma Door Controls Pty Ltd)	Madinoz Pty Ltd
147982	(Dorma Door Controls Pty Ltd)	Madinoz Pty Ltd
147983	(Dorma Door Controls Pty Ltd)	Madinoz Pty Ltd
147979	(Dorma Door Controls Pty Ltd)	Madinoz Pty Ltd
147980	(Dorma Door Controls Pty Ltd)	Madinoz Pty Ltd
148052	(Dorma Door Controls Pty Ltd)	Madinoz Pty Ltd
148098	(Dorma Door Controls Pty Ltd)	Madinoz Pty Ltd
148554	(Dorma Door Controls Pty Ltd)	Madinoz Pty Ltd
148555	(Dorma Door Controls Pty Ltd)	Madinoz Pty Ltd
148556	(Dorma Door Controls Pty Ltd)	Madinoz Pty Ltd
148557	(Dorma Door Controls Pty Ltd)	Madinoz Pty Ltd
148558	(Dorma Door Controls Pty Ltd)	Madinoz Pty Ltd
149185	(Dorma Door Controls Pty Ltd)	Madinoz Pty Ltd
150855	(Dorma Door Controls Pty Ltd)	Madinoz Pty Ltd
150976	(Dorma Door Controls Pty Ltd)	Madinoz Pty Ltd
153684	(Dorma Door Controls Pty Ltd)	Madinoz Pty Ltd
148805	(Dorma Door Controls Pty Ltd)	Madinoz Pty Ltd

Names Registered - Alterations and Amendments

(The name in parentheses is the new name of the proprietor)

127866	(Tata Global Beverages GB Limited)	Tetley GB Limited
--------	---	-------------------

This Page Left Intentionally Blank

Proceedings under the Designs Act 2003.

This Page Left Intentionally Blank

Applications Lodged

Lodgement information is in the following order: **Applicant's Name**; International Classification, Name of Product, Lodgement Date and **Design Number**. If the applicant claims an earlier priority date under an International Convention, the Convention Country and the associated filing date are shown in parentheses before the Lodgement Date. Divisional information will also appear in parentheses before the Lodgement Date.

mobiLIFE Pty Ltd; 15-02, Infusion pump, 19 Oct 2010	14510/2010	BFX Ho Pty Ltd; 06-03B, Table, 26 Oct 2010	14616/2010
mobiLIFE Pty Ltd; 08-08NES, 15-02, A holder for an infusion pump, 19 Oct 2010	14511/2010	Cant, George Michael; 06-01F, Chair, 21 Oct 2010	14544/2010
Alcoa Inc.; 09-03L, Can, (US, 13 May 2010) 21 Oct 2010	14536/2010	Checkpoint Systems International GmbH; 19-02, Tag holder, (EM, 22 Feb 2010) 22 Oct 2010	14570/2010
Allenbroer Leo Alix De Lille; 12-05, Lifting device, (EM, 19 Apr 2010) 18 Oct 2010	14488/2010	Collier, Fiona; 02-07B, A shoelace knot clasp/clip for lace-up shoes, 20 Oct 2010	14534/2010
Asics Corporation; 02-04NES, Sport shoe, 18 Oct 2010	14492/2010	Columbia Insurance Company; 07-01B, Food server, (US, 26 Apr 2010) 26 Oct 2010	14597/2010
Assembly Electronics Pty Ltd; 13-03D, Power point, 19 Oct 2010	14505/2010	Columbia Insurance Company; 07-06NES, Food server tray, (US, 26 Apr 2010) 26 Oct 2010	14598/2010
Assembly Electronics Pty Ltd; 13-03D, Electrical switch, 19 Oct 2010	14506/2010	Columbia Sportswear North America, Inc.; 05-05NES, A textile, 18 Oct 2010	14489/2010
Assembly Electronics Pty Ltd; 13-03D, Dual electrical switch, 19 Oct 2010	14507/2010	Conair Corporation; 31-00, Juice extractor, (US, 22 Apr 2010) 20 Oct 2010	14527/2010
Beba Enterprises Pty Ltd; 02-02NES, Jacket, 13 Apr 2010	14563/2010	Core Surgical Limited; E-Medix Limited; Packard, Richard; 08-03, Blade, (EM, 26 Apr 2010) 26 Oct 2010	14607/2010
Beba Enterprises Pty Ltd; 02-02NES, Cardigan, 13 Apr 2010	14564/2010	Creative Engineers Pty Ltd; 06-13B, Sleeping aid, 21 Oct 2010	14562/2010
Bensley, Andrew; 21-01N, Electronic novelty device, 21 Oct 2010	14545/2010	Cryovac Australia Pty Ltd; 07-01NES, A container, 20 Oct 2010	14520/2010
Bose Corporation; 14-03NES, Remote control, (US, 11 May 2010) 07 Oct 2010	14567/2010	Cryovac Australia Pty Ltd; 07-01NES, A container, 20 Oct 2010	14522/2010
Bose Corporation; 14-03NES, Remote control, (US, 11 May 2010) 07 Oct 2010	14568/2010	Dalian Locomotive and Rolling Stock Co., Ltd. CNR Group; 12-03, Locomotive, 20 Oct 2010	14540/2010
Breville Pty Limited; 31-00, Food processor bowl, 15 Oct 2010	14461/2010	Dall, Peter; 02-02B, 03-01A, Convertable poncho and bag, 22 Oct 2010	14543/2010
Breville Pty Ltd; 31-00, Food processor base, 15 Oct 2010	14460/2010	David Stuckey Investments Pty Ltd; 30-04, Stirrup, 22 Oct 2010	14569/2010
BFX Ho Pty Ltd; 06-03B, Table, 26 Oct 2010	14617/2010	Dri-Eaz Products, Inc.; 23-01A, Dehumidifiers Housing, (US, 27 Apr 2010) 26 Oct 2010	14623/2010
BFX Ho Pty Ltd; 06-03A, Table, 26 Oct 2010	14618/2010	Drilling Tools Australia Pty Ltd; 08-01, Drill bit, 22 Oct 2010	14602/2010
BFX Ho Pty Ltd; 06-03A, Table, 26 Oct 2010	14619/2010	Drilling Tools Australia Pty Ltd; 08-01, Drive sub, 22 Oct 2010	14601/2010
BFX Ho Pty Ltd; 06-01NES, Seating, 26 Oct 2010	14620/2010	E-Medix Limited; Core Surgical Limited; Packard, Richard; 08-03, Blade, (EM, 26 Apr 2010) 26 Oct 2010	14607/2010
BFX Ho Pty Ltd; 06-01NES, Seating, 26 Oct 2010	14621/2010	Elbee Pty Ltd; 26-05E, 10-05, Motion sensor LED night light, 19 Oct 2010	14512/2010
BFX Ho Pty Ltd; 06-01E, Seat, 26 Oct 2010	14614/2010		
BFX Ho Pty Ltd; 06-03B, Table, 26 Oct 2010	14615/2010		

Electrolux Home Products Corporation N.V.; 07-02C, Oven door, (Divisional of 13462/2010) 12 Aug 2010	14462/2010	Johnson, Johanna; 02-02NES, A woman's garment, comprising a beaded cape, 20 Oct 2010	14557/2010
Electrolux Home Products Corporation N.V.; 07-02C, Flat oven handle, (Divisional of 13462/2010) 12 Aug 2010	14463/2010	Joneschijoff Projects Pty Ltd; 02-03, Blank for folding hat, 25 Oct 2010	14584/2010
Electrolux Home Products Corporation N.V.; 07-02C, Upright oven door, (Divisional of 13462/2010) 12 Aug 2010	14464/2010	Joneschijoff Projects Pty Ltd; 02-03, Folding hat, 25 Oct 2010	14585/2010
Electrolux Home Products Corporation N.V.; 07-02C, Oven knob, (Divisional of 13462/2010) 12 Aug 2010	14465/2010	Kabushiki Kaisha Pilot Corporation, (also trading as Pilot Corporation); 19-06, Ballpoint pen, (JP, 23 Apr 2010) 22 Oct 2010	14573/2010
Electrolux Home Products Corporation N.V.; 07-02C, Oven panel, (Divisional of 13462/2010) 12 Aug 2010	14466/2010	Klein, Avner; 22-01, Extension arm for a weapons cradle, 21 Oct 2010	14549/2010
Equmen Pty Ltd; 02-02NES, Short sleeve T-shirt, 15 Oct 2010	14458/2010	Klein, Avner; 22-99, Housed clip, 21 Oct 2010	14547/2010
Equmen Pty Ltd; 02-02NES, A short sleeved shirt, 15 Oct 2010	14459/2010	Klein, Avner; 22-99, Housed clips, 21 Oct 2010	14548/2010
ECotality, Inc.; 12-16NES, Electric vehicle charger, (US, 07 Jun 2010) 21 Oct 2010	14526/2010	Kraft Foods Global Brands LLC; 09-01H, Bottle, 25 Oct 2010	14580/2010
ECotality, Inc.; 12-16NES, Electric vehicle charger, (US, 07 Jun 2010) 21 Oct 2010	14525/2010	Kraft Foods Global Brands LLC; 09-01H, Bottle, (Divisional of 14580/2010) 25 Oct 2010	14581/2010
ECotality, Inc.; 12-16NES, Electric vehicle charger, (US, 07 Oct 2010) 21 Oct 2010	14533/2010	Kraft Foods Global Brands LLC; 09-01H, Bottle, (Divisional of 14580/2010) 25 Oct 2010	14582/2010
ECotality, Inc.; 12-16NES, Electric vehicle charger, (US, 07 Jun 2010) 21 Oct 2010	14523/2010	Kraft Foods Global Brands LLC; 09-01H, Bottle, (Divisional of 14580/2010) 25 Oct 2010	14583/2010
Friob Pty Ltd; 25-04, Interlocking modular platform, 22 Oct 2010	14576/2010	Laverana GmbH & Co. KG; 09-01A, Pump spray bottle, (EM, 08 Oct 2010) 19 Oct 2010	14500/2010
Gemini Industries Pty Ltd; 23-02C, A toilet, 20 Oct 2010	14535/2010	Liauw, Alexander Marcus; 12-11, Bicycle, 25 Oct 2010	14586/2010
Geosentinel Pty Ltd; 15-05, Washing apparatus for trades equipment, 25 Oct 2010	14577/2010	Lucidity Enterprise Co., Ltd.; 26-06, Vehicle lamp, 20 Oct 2010	14509/2010
Geosentinel Pty Ltd; 15-05, Washing apparatus for trades equipment, 25 Oct 2010	14578/2010	LG Electronics Inc; 07-02A, Oven range, (KR, 30 Apr 2010) 21 Oct 2010	14542/2010
Hills Industries Limited; 14-03NES, Antenna, 14 Oct 2010	14439/2010	LM Australasia; 02-02C, Seamless leggings, 26 Oct 2010	14592/2010
Honda Motor Co., Ltd.; 12-11, A motorcycle, (JP, 26 Apr 2010) 26 Oct 2010	14593/2010	Maltzahn, John Louis; 12-12, Multipurpose folding hand cart with child seat, 26 Oct 2010	14590/2010
Hopgood, Jamie; 21-02A, A kicking tee, 21 Oct 2010	14524/2010	Mars Incorporated; 09-03F, Container, (CN, 06 Aug 2010) 18 Oct 2010	14485/2010
Hume, Edward Gregory; 23-01B, Pipe adaptor, 26 Oct 2010	14612/2010	Mars Incorporated; 09-03F, Container, (CN, 06 Aug 2010) 18 Oct 2010	14486/2010
Hume, Edward Gregory; 23-01B, Pipe adaptor reducer, 26 Oct 2010	14603/2010	Mars, Incorporated; 07-01NES, Container, (CN, 28 Jul 2010) 18 Oct 2010	14487/2010
Hume, Edward Gregory; 23-04, Pipe adaptor, 26 Oct 2010	14622/2010	Mars, Incorporated; 09-03NES, Container, (AE, 26 Apr 2010) 22 Oct 2010	14574/2010
Hutzler Manufacturing Co., Inc.; 09-01D, Container, (US, 28 Jun 2010) 26 Oct 2010	14600/2010		

Mars, Incorporated; 01-06, Pet treat, (US, 07 Jun 2010) 18 Oct 2010	14484/2010	Nokia Corporation; 14-02, Handheld computer, (US, 19 Aug 2010) 18 Oct 2010	14493/2010
Masterson, Philip Andrew; 12-16NES, Side curtain ratchet tensioner for trucks/trailers/trains, 22 Oct 2010	14541/2010	Packard, Richard; Core Surgical Limited; E-Medix Limited; 08-03, Blade, (EM, 26 Apr 2010) 26 Oct 2010	14607/2010
McCoard, Calvin L; McCoard, Brigid S; 99-00, Original painted artwork that will be used as a graphic design for commercial use, 19 Oct 2010	14504/2010	Pascale, Steven Patrick; 19-02, Organizer clip, (US, 08 Jul 2010) 14 Oct 2010	14441/2010
McCoard, Brigid S; McCoard, Calvin L; 99-00, Original painted artwork that will be used as a graphic design for commercial use, 19 Oct 2010	14504/2010	Pentair Residential Filtration, LLC; 23-01F, Triangular brine tank for water softener, (US, 27 Apr 2010) 26 Oct 2010	14594/2010
McRae, Krista Sheridan; 11-02NES, Multi-faceted asymmetrical gem shaped object, 22 Oct 2010	14546/2010	Pi-Design AG; 07-02R, Pan handle, (CH, 26 Apr 2010) 26 Oct 2010	14624/2010
Metalflex Pty Ltd; 23-04, Connector, 26 Mar 2010	14610/2010	Pi-Design AG; 07-02R, Cooking pot handles, (CH, 26 Apr 2010) (Divisional of 14624/2010) 26 Oct 2010	14625/2010
Metalflex Pty Ltd; 23-04, Connector, 26 Mar 2010	14611/2010	Popenko, Peter Alexander; 07-06A, Bottle carrying device, 26 Oct 2010	14591/2010
Metalflex Pty Ltd; 23-04, Reducer, 26 Mar 2010	14609/2010	Powers Products III, LLC; 08-08A, Wall anchor, (US, 04 May 2010) 14 Oct 2010	14440/2010
Michelin Recherche et Technique S.A.; Societe De Technologie Michelin; 12-15B, A tyre, (FR, 27 Apr 2010) 19 Oct 2010	14490/2010	Protege Sport Pty Ltd; 21-02C, A golf buggy, 20 Oct 2010	14518/2010
Modica, Michael; 07-02NES, Cookware, 26 Oct 2010	14605/2010	Pryce, Daniel James; Rimmer, Nigel Geoffrey; 07-05D, 21-02D, Dive gear stand, 18 Oct 2010	14499/2010
Modica, Michael; 07-02NES, Cookware, 26 Oct 2010	14606/2010	Ready Industries Pty Ltd; 08-08K, 25-01E, Temporary fence foot, 21 Oct 2010	14554/2010
MAC S.r.l.; 23-02NES, Steam bath equipment, (EM, 21 Apr 2010) 21 Oct 2010	14558/2010	Ready Industries Pty Ltd; 08-08K, 25-01E, Temporary fence foot, 21 Oct 2010	14555/2010
MAM Babyartikel Gesellschaft m.b.H.; 24-04, Suction part of pacifier, (EM, 17 May 2010) 15 Oct 2010	14450/2010	Ready Industries Pty Ltd; 08-08K, 25-01E, Temporary fence foot, 21 Oct 2010	14552/2010
Neoperl GmbH; 23-01B, Flow regulator, (EM, 27 May 2010) 22 Oct 2010	14565/2010	Ready Industries Pty Ltd; 08-08K, 25-01E, Temporary fence foot, 21 Oct 2010	14553/2010
Neoperl GmbH; 23-01B, Flow regulator, (EM, 27 May 2010) 22 Oct 2010	14579/2010	Reckitt & Colman (Overseas) Limited; 09-01NES, Bottle, (EM, 29 Apr 2010) 21 Oct 2010	14559/2010
Nichiha Corporation; 25-01D, Building board, 20 Oct 2010	14514/2010	Reckitt & Colman (Overseas) Limited; 09-01NES, Bottle, (EM, 29 Apr 2010) 21 Oct 2010	14560/2010
Nichiha Corporation; 25-01D, Building board, 20 Oct 2010	14515/2010	Reckitt & Colman (Overseas) Limited; 09-01NES, Bottle cap, (EM, 29 Apr 2010) 21 Oct 2010	14561/2010
Nichiha Corporation; 25-01D, Building board, 20 Oct 2010	14516/2010	Rimmer, Nigel Geoffrey; Pryce, Daniel James; 07-05D, 21-02D, Dive gear stand, 18 Oct 2010	14499/2010
Nichiha Corporation; 25-01D, External corner member, 20 Oct 2010	14517/2010	S. C. Johnson & Son, Inc.; 09-01A, Dispenser, (US, 19 Apr 2010) 19 Oct 2010	14495/2010
Nichiha Corporation; 25-01C, External corner member, 20 Oct 2010	14521/2010	S. C. Johnson & Son, Inc.; 09-01A, Dispenser, (US, 19 Apr 2010) 19 Oct 2010	14496/2010
Nichiha Corporation; 25-01C, External corner member, 20 Oct 2010	14519/2010		
Nissan Jidosha Kabushiki Kaisha; 12-16C, Front bumper for an automobile, (JP, 23 Apr 2010) 22 Oct 2010	14571/2010		

S. C. Johnson & Son, Inc.; 09-01A, Dispenser, (US, 19 Apr 2010) 19 Oct 2010	14497/2010	Unilever PLC; 09-03M, Box for cubes, (EM, 10 May 2010) 19 Oct 2010	14503/2010
S. C. Johnson & Son, Inc.; 99-00, Diffuser, (US, 20 Apr 2010) 20 Oct 2010	14532/2010	Unilever PLC; 31-00, Ice cream dispenser, (EM, 27 Apr 2010) 20 Oct 2010	14539/2010
Schyns, Werner; 12-11, Hand guards motorcycles, all terrain vehicles (ATV's), ski mobil, 27 Oct 2010	14613/2010	Unilever PLC; 31-00, Ice cream dispenser, (EM, 27 Apr 2010) 20 Oct 2010	14538/2010
Sebel Furniture Ltd; 06-06G, A furniture base, 26 Oct 2010	14589/2010	Van Lieshout, Richard; 08-08NES, Clamping support for panel/sheet of glass or similar material, 13 Oct 2010	14449/2010
Sebel Furniture Ltd; 06-01E, 06-01F, A stool, 26 Oct 2010	14588/2010	Victaulic Company; 23-01A, Pipe coupling segment, (US, 11 Jun 2010) 14 Oct 2010	14437/2010
Sellars, Robert; 28-03NES, Massage roller, 22 Oct 2010	14575/2010	Victaulic Company; 23-01A, Pipe coupling, (US, 11 Jun 2010) 20 Oct 2010	14528/2010
Simmons, Richard Paul; 08-08NES, 14-99, A monitor arm and post, (NZ, 29 Apr 2010) 19 Oct 2010	14508/2010	Victaulic Company; 23-01A, Pipe coupling segment, (US, 11 Jun 2010) 20 Oct 2010	14529/2010
Societe De Technologie Michelin; Michelin Recherche et Technique S.A.; 12-15B, A tyre, (FR, 27 Apr 2010) 19 Oct 2010	14490/2010	Victaulic Company; 23-01A, Pipe coupling segment, (US, 11 Jun 2010) 20 Oct 2010	14530/2010
Stanley Works Israel Ltd., The; 03-01NES, Tool bag, (US, 17 Aug 2010) 14 Oct 2010	14446/2010	Victaulic Company; 23-01A, Pipe coupling, (US, 11 Jun 2010) 20 Oct 2010	14531/2010
Stanley Works Israel Ltd., The; 03-01NES, Tool carrier, (US, 12 Aug 2010) 14 Oct 2010	14447/2010	Victaulic Company; 23-01A, Pipe coupling, (US, 11 Jun 2010) 14 Oct 2010	14438/2010
Stanley Works Israel Ltd., The; 03-01NES, Tool bag, (US, 12 Aug 2010) 14 Oct 2010	14448/2010	Victaulic Company; 23-01A, Pipe coupling, (US, 11 Jun 2010) 15 Oct 2010	14451/2010
Stanton, Nerida; 12-12, 03-03, The product is a sleep cover for prams, 26 Oct 2010	14587/2010	Victaulic Company; 23-01A, Pipe coupling, (US, 11 Jun 2010) 15 Oct 2010	14452/2010
Steendyk Holdings Pty Ltd; 06-01L, Seat, 22 Oct 2010	14566/2010	Vonhoff, Peter; Vonhoff, Jenny; 31-00, The design relates to a dispenser designed to dispense soaker pads used in food packaging, 26 Oct 2010	14604/2010
Stewart, Russell Colin; 20-02NES, Eyewear holder, 21 Oct 2010	14556/2010	Vonhoff, Jenny; Vonhoff, Peter; 31-00, The design relates to a dispenser designed to dispense soaker pads used in food packaging, 26 Oct 2010	14604/2010
Street Furniture Australia Pty Ltd; 23-01NES, Drinking fountain, 07 Oct 2010	14513/2010	Williams, Georgia; 06-02, A child's bed, 26 Oct 2010	14595/2010
Suzhou Eagle Electric Vehicle Manufacturing Co., Ltd.; 12-08, Electric vehicle, (CN, 27 May 2010) 26 Oct 2010	14599/2010	Williams, Georgia; 06-02, A child's bed, 26 Oct 2010	14596/2010
SwitchEasy Limited; 03-01NES, 14-02, Protective casing for portable handheld electronic device, (HK, 30 Apr 2010) 19 Oct 2010	14491/2010	Wu, Yuewei; 08-03, A dual head utility knife, (CN, 17 May 2010) 19 Oct 2010	14498/2010
The Coleman Company, Inc.; 06-13B, Sleeping bag, (US, 27 Apr 2010) 26 Oct 2010	14608/2010	Wu, Yuewei; 08-03, A retractable utility knife, (CN, 17 May 2010) 19 Oct 2010	14501/2010
The Decor Corporation Pty. Ltd.; 07-01NES, Lids for containers, 22 Oct 2010	14572/2010	WKI Holding Company, Inc.; 07-01NES, Lid, (US, 21 Apr 2010) 21 Oct 2010	14550/2010
Unilever PLC; 09-01A, Container, (EM, 05 May 2010) 19 Oct 2010	14502/2010	WKI Holding Company, Inc.; 07-01NES, Lid, (US, 21 Apr 2010) 21 Oct 2010	14551/2010
Unilever PLC; 31-00, Dispenser, (EM, 27 Apr 2010) 20 Oct 2010	14537/2010		

Applications Withdrawn

13453 / 2010 (06-03B)	13454 / 2010 (06-03B)
13455 / 2010 (06-03B)	13456 / 2010 (06-04NES)
13457 / 2010 (06-01E)	13458 / 2010 (06-01G)

Applications Lapsed

10557 / 2010 (02-02C)	11290 / 2010 (09-01NES)
11291 / 2010 (09-03M)	11348 / 2010 (02-07C)
11358 / 2010 (06-01E)	11383 / 2010 (20-02E)
11476 / 2010 (14-01)	11477 / 2010 (31-00)
12197 / 2010 (12-16K)	12811 / 2010 (20-02C)
12812 / 2010 (20-02C)	13069 / 2010 (02-02NES)
13070 / 2010 (02-02NES)	13071 / 2010 (02-02NES)
13239 / 2010 (12-16L)	13267 / 2010 (09-07NES)
13268 / 2010 (09-09)	13406 / 2010 (25-03)
13418 / 2010 (20-03NES)	13419 / 2010 (21-02D)
13451 / 2010 (25-03)	

Extension of Period of Registration of Designs

304385	304386	304387
304388	304658	304660
304666	304926	304927
305457	305458	306177
306459	306543	306614
306710	306712	306861
306875	306876	306894
306895	306896	306897
306898	306956	306957
306983	306984	306996
306997	306998	307019
307020	307021	307028
307029	307035	307036
307037	307038	307049
307051	307052	307053
307091	307092	307093
307097	307110	307262
307263	307267	307268
307269	307329	307363
307364	307365	307366
307367	307368	307369
307372	307386	307387
307388	307389	307390
307391	307615	307638
307753	307754	307782
307788	307789	307855
308064	308065	308066
308067	308110	308271
308719	308760	309832
309833	310160	310450
311635	313210	

Registrations Ceased

303216	303222	303223
303224	303225	303255
303256	303257	303316
303344	303345	303346
303347	303373	303374
303381	303386	303387
303427	303432	303500
303525	303526	303527
303528	303541	303909
304295	304360	304528
304529	304530	304557
304558	304559	304560
304561	305110	305469
306816	306817	306818

Applications for Extension of time under Section 137

Applications under section 137 for extension of time have been lodged. Objections must be lodged within 1 month from the date of this journal.

11764/2010 **Frank Joseph Frasca** Address for Service: FRANK JOSEPH FRASCA 4 PARK WAY AVENUE BAR BEACH 2300 NSW AUSTRALIA

14494/2010 **Frank Joseph Frasca** Address for Service: FRANK JOSEPH FRASCA 4 PARK WAY AVENUE BAR BEACH 2300 NSW AUSTRALIA

Extensions of time granted under Section 137

Applications lodged under section 137 for extension of time have been granted.

11140/2010 **Shaun Humphreys**

11383/2010 **Francis V. Bilotto**

12894/2010 **Usafe Platforms**

Subsequent Owners Registered

(The name in parentheses is that of the subsequent owner)

323425	(Dorma Door Controls Pty Ltd) Madinoz Pty Ltd
323423	(Dorma Door Controls Pty Ltd) Madinoz Pty Ltd
323424	(Dorma Door Controls Pty Ltd) Madinoz Pty Ltd
307180	(Intellectual Property Development Corporation Pty Ltd) International Consolidated Business Pty Ltd
307181	(Intellectual Property Development Corporation Pty Ltd) International Consolidated Business Pty Ltd
307182	(Intellectual Property Development Corporation Pty Ltd) International Consolidated Business Pty Ltd
307184	(Intellectual Property Development Corporation Pty Ltd) International Consolidated Business Pty Ltd
306767	(Intellectual Property Development Corporation Pty Ltd) International Consolidated Business Pty Ltd
306706	(Intellectual Property Development Corporation Pty Ltd) International Consolidated Business Pty Ltd
307183	(Intellectual Property Development Corporation Pty Ltd) International Consolidated Business Pty Ltd
307185	(Intellectual Property Development Corporation Pty Ltd) International Consolidated Business Pty Ltd

Certificate(s) of Examination

Examination of the following Design Registration(s) has been completed. Infringement proceedings may now be commenced.

316555	06-02	21/10/2010
319696	26-05C	20/10/2010
323017	04-02	30/10/2010
324677	08-06	28/10/2010
325849	12-06NES	29/10/2010
326440	08-03	21/10/2010
326441	08-03	21/10/2010
326940	08-03	21/10/2010
327300	08-05P	21/10/2010
329714	13-03NES	26/10/2010
329715	13-03NES	26/10/2010
329716	13-03NES	26/10/2010
330178	06-01G	27/10/2010
330179	06-01G	27/10/2010
330180	06-01G	27/10/2010
330181	06-01G	27/10/2010
330200	12-16NES	31/10/2010
330287	13-03NES	26/10/2010
330288	13-03NES	26/10/2010
330292	13-03NES	26/10/2010
330293	13-03NES	26/10/2010
330344	13-03NES	26/10/2010
330564	08-07	28/10/2010
330621	14-02	28/10/2010
331416	04-02	20/10/2010
331417	04-02	20/10/2010
331440	04-02	20/10/2010
331441	04-02	20/10/2010
331442	04-02	20/10/2010
331608	27-05	27/10/2010
331694	04-02	29/10/2010
331778	04-02	29/10/2010
331779	04-02	29/10/2010
331937	25-01B	22/10/2010
331938	25-01B	22/10/2010
331939	25-01B	22/10/2010
331969	08-08B	24/10/2010
331994	08-08NES	28/10/2010
332002	08-07	31/10/2010
332019	02-02C	24/10/2010
332027	09-01G	29/10/2010
332047	11-01A	25/10/2010
332107	07-01NES	31/10/2010
332117	15-04	22/10/2010
332118	15-04	22/10/2010
332134	08-08L	25/10/2010
332171	09-05	26/10/2010
332557	06-02	26/10/2010
333148	02-02C	25/10/2010

Publication and Registration Proceedings

Designs Registered

This section provides a concordance between design number and registration number of Designs covered in this journal. It also shows the main class and registration date.

This section covers Registration numbers 333307 to 333449 .

The registration number shown below should be used in all future correspondence.

Design Number	Registration Number	International Classification Code (IDC)	Registration Date	Design Number	Registration Number	International Classification Code (IDC)	Registration Date
10611/2010	333434	06-01E	28/10/2010	14114/2010	333344	26-05E	21/10/2010
12384/2010	333350	08-08B	22/10/2010	14115/2010	333345	26-05E	21/10/2010
12385/2010	333351	08-08B	22/10/2010	14116/2010	333346	26-05E	21/10/2010
12395/2010	333383	12-08	25/10/2010	14117/2010	333347	31-00	21/10/2010
13367/2010	333419	02-01B	28/10/2010	14118/2010	333348	25-01K	21/10/2010
13381/2010	333384	26-05A	25/10/2010	14119/2010	333349	25-01K	21/10/2010
13382/2010	333385	26-05A	25/10/2010	14122/2010	333332	08-08B	20/10/2010
13492/2010	333386	13-03B	25/10/2010	14123/2010	333333	23-01H	20/10/2010
13493/2010	333387	13-03B	25/10/2010	14124/2010	333334	07-01C	20/10/2010
13508/2010	333388	06-09	25/10/2010	14125/2010	333335	07-01C	20/10/2010
13651/2010	333366	31-00	25/10/2010	14126/2010	333317	07-01D	20/10/2010
13676/2010	333435	07-01A	28/10/2010	14127/2010	333318	26-05E	20/10/2010
13683/2010	333307	08-07	20/10/2010	14128/2010	333319	26-05E	20/10/2010
13689/2010	333352	24-99	22/10/2010	14129/2010	333320	26-05E	20/10/2010
13765/2010	333367	25-02C	25/10/2010	14130/2010	333321	07-02L	20/10/2010
13786/2010	333389	08-04	25/10/2010	14131/2010	333322	14-02	20/10/2010
13787/2010	333390	08-04	25/10/2010	14132/2010	333325	14-02	20/10/2010
13791/2010	333338	07-02E	21/10/2010	14133/2010	333326	14-02	20/10/2010
13804/2010	333420	23-01E	28/10/2010	14134/2010	333327	14-02	20/10/2010
13950/2010	333368	24-01	25/10/2010	14135/2010	333328	14-02	20/10/2010
13951/2010	333369	24-01	25/10/2010	14136/2010	333329	14-02	20/10/2010
13952/2010	333370	24-01	25/10/2010	14137/2010	333330	14-02	20/10/2010
13953/2010	333371	24-01	25/10/2010	14138/2010	333331	14-02	20/10/2010
13984/2010	333308	17-03	20/10/2010	14143/2010	333323	09-01NES	20/10/2010
13985/2010	333309	25-04	20/10/2010	14154/2010	333373	28-03A	25/10/2010
13986/2010	333310	23-01E	20/10/2010	14155/2010	333374	21-01NES	25/10/2010
13987/2010	333311	23-01E	20/10/2010	14156/2010	333375	15-99	25/10/2010
13988/2010	333312	23-01E	20/10/2010	14157/2010	333336	26-05E	21/10/2010
14004/2010	333391	07-02L	25/10/2010	14158/2010	333337	26-05E	21/10/2010
14029/2010	333353	21-99	22/10/2010	14161/2010	333418	11-02NES	26/10/2010
14042/2010	333404	07-01NES	27/10/2010	14167/2010	333376	07-01NES	25/10/2010
14043/2010	333405	08-07	27/10/2010	14168/2010	333377	07-01NES	25/10/2010
14044/2010	333406	26-04	27/10/2010	14170/2010	333378	12-16NES	25/10/2010
14045/2010	333407	13-03NES	27/10/2010	14172/2010	333408	09-99	27/10/2010
14047/2010	333401	07-05A	25/10/2010	14173/2010	333409	08-07	27/10/2010
14048/2010	333402	07-01NES	25/10/2010	14175/2010	333365	31-00	25/10/2010
14049/2010	333403	07-01NES	25/10/2010	14177/2010	333437	26-04	28/10/2010
14050/2010	333392	09-03M	25/10/2010	14181/2010	333410	05-06NES	27/10/2010
14051/2010	333393	09-03L	25/10/2010	14182/2010	333411	09-99	27/10/2010
14052/2010	333394	09-03L	25/10/2010	14184/2010	333425	19-04	28/10/2010
14053/2010	333395	09-03M	25/10/2010	14188/2010	333354	19-01	21/10/2010
14054/2010	333396	09-03L	25/10/2010	14200/2010	333355	08-08D	21/10/2010
14061/2010	333324	12-15F	20/10/2010	14227/2010	333379	06-05	25/10/2010
14091/2010	333372	09-02A	25/10/2010	14231/2010	333438	07-02L	28/10/2010
14092/2010	333436	12-02	28/10/2010	14241/2010	333356	19-01	21/10/2010
14093/2010	333340	02-02C	21/10/2010	14242/2010	333357	19-01	21/10/2010
14094/2010	333341	07-06A	21/10/2010	14243/2010	333358	19-01	21/10/2010
14095/2010	333342	07-06A	21/10/2010	14244/2010	333359	19-01	21/10/2010
14096/2010	333343	26-05C	21/10/2010	14245/2010	333360	19-01	21/10/2010
14104/2010	333313	14-01	20/10/2010	14252/2010	333361	19-01	21/10/2010
14105/2010	333314	14-01	20/10/2010	14253/2010	333362	19-01	21/10/2010
14106/2010	333315	14-01	20/10/2010	14274/2010	333412	21-02F	27/10/2010
14107/2010	333316	14-01	20/10/2010	14275/2010	333380	07-02C	25/10/2010

Publication and Registration Proceedings - Designs Registered cont'd

Design Number	Registration Number	International Classification Code (IDC)	Registration Date	Design Number	Registration Number	International Classification Code (IDC)	Registration Date
14276/2010	333381	07-02C	25/10/2010	14357/2010	333444	07-01D	28/10/2010
14282/2010	333413	08-08F	27/10/2010	14359/2010	333445	23-03D	28/10/2010
14287/2010	333397	04-02	25/10/2010	14361/2010	333446	23-01K	28/10/2010
14288/2010	333398	04-02	25/10/2010	14362/2010	333447	19-06	28/10/2010
14291/2010	333399	12-16C	25/10/2010	14364/2010	333448	26-05A	28/10/2010
14292/2010	333400	07-03	25/10/2010	14374/2010	333449	14-03NES	28/10/2010
14304/2010	333421	23-02B	28/10/2010	14391/2010	333364	19-01	21/10/2010
14305/2010	333422	23-02B	28/10/2010	14400/2010	333339	07-02E	21/10/2010
14313/2010	333363	11-03	21/10/2010	14456/2010	333426	19-01	28/10/2010
14314/2010	333423	03-01A	28/10/2010	14457/2010	333427	19-01	28/10/2010
14315/2010	333424	03-01A	28/10/2010	14473/2010	333428	19-01	28/10/2010
14319/2010	333414	08-05N	27/10/2010	14474/2010	333429	19-01	28/10/2010
14320/2010	333415	08-05N	27/10/2010	14475/2010	333430	19-01	28/10/2010
14351/2010	333439	11-01C	28/10/2010	14476/2010	333431	19-01	28/10/2010
14352/2010	333440	19-06	28/10/2010	14477/2010	333432	19-01	28/10/2010
14353/2010	333441	25-01C	28/10/2010	14478/2010	333433	19-01	28/10/2010
14354/2010	333442	25-01C	28/10/2010	14510/2010	333416	15-02	27/10/2010
14355/2010	333382	06-04NES	25/10/2010	14511/2010	333417	08-08NES	27/10/2010
14356/2010	333443	07-01NES	28/10/2010				

Publication and Registration Proceedings
Class Listing of Designs Published or Registered

The following section shows an International Classification Code listing of the Registered or Published Designs covered in this supplement.

Classification	Registration Number	Design Number	Classification	Registration Number	Design Number
02-01 B	333419	13367/2010	09-03 L	333396	14054/2010
02-02 B	333419	13367/2010	09-03 M	333392	14050/2010
02-02 C	333340	14093/2010	09-03 M	333395	14053/2010
03-01 A	333423	14314/2010	09-07 NES	333352	13689/2010
03-01 A	333424	14315/2010	09-99	333408	14172/2010
03-01 A	333438	14231/2010	09-99	333411	14182/2010
04-02	333397	14287/2010	11-01 C	333439	14351/2010
04-02	333398	14288/2010	11-02 NES	333418	14161/2010
05-06 NES	333410	14181/2010	11-03	333363	14313/2010
06-01 E	333434	10611/2010	12-02	333436	14092/2010
06-04 B	333423	14314/2010	12-08	333383	12395/2010
06-04 B	333424	14315/2010	12-15 F	333324	14061/2010
06-04 NES	333382	14355/2010	12-16 C	333399	14291/2010
06-05	333379	14227/2010	12-16 NES	333378	14170/2010
06-09	333388	13508/2010	13-03 B	333386	13492/2010
07-01 A	333435	13676/2010	13-03 B	333387	13493/2010
07-01 C	333334	14124/2010	13-03 NES	333407	14045/2010
07-01 C	333335	14125/2010	14-01	333313	14104/2010
07-01 D	333317	14126/2010	14-01	333314	14105/2010
07-01 D	333444	14357/2010	14-01	333315	14106/2010
07-01 NES	333376	14167/2010	14-01	333316	14107/2010
07-01 NES	333377	14168/2010	14-02	333322	14131/2010
07-01 NES	333402	14048/2010	14-02	333325	14132/2010
07-01 NES	333403	14049/2010	14-02	333326	14133/2010
07-01 NES	333404	14042/2010	14-02	333327	14134/2010
07-01 NES	333443	14356/2010	14-02	333328	14135/2010
07-02 C	333380	14275/2010	14-02	333329	14136/2010
07-02 C	333381	14276/2010	14-02	333330	14137/2010
07-02 E	333338	13791/2010	14-02	333331	14138/2010
07-02 E	333339	14400/2010	14-03 NES	333449	14374/2010
07-02 L	333321	14130/2010	15-02	333416	14510/2010
07-02 L	333391	14004/2010	15-02	333417	14511/2010
07-02 L	333438	14231/2010	15-04	333332	14122/2010
07-03	333400	14292/2010	15-99	333375	14156/2010
07-05 A	333401	14047/2010	17-03	333308	13984/2010
07-06 A	333341	14094/2010	19-01	333354	14188/2010
07-06 A	333342	14095/2010	19-01	333356	14241/2010
08-04	333389	13786/2010	19-01	333357	14242/2010
08-04	333390	13787/2010	19-01	333358	14243/2010
08-05 N	333414	14319/2010	19-01	333359	14244/2010
08-05 N	333415	14320/2010	19-01	333360	14245/2010
08-07	333307	13683/2010	19-01	333361	14252/2010
08-07	333405	14043/2010	19-01	333362	14253/2010
08-07	333409	14173/2010	19-01	333364	14391/2010
08-07	333423	14314/2010	19-01	333426	14456/2010
08-07	333424	14315/2010	19-01	333427	14457/2010
08-08 B	333332	14122/2010	19-01	333428	14473/2010
08-08 B	333350	12384/2010	19-01	333429	14474/2010
08-08 B	333351	12385/2010	19-01	333430	14475/2010
08-08 D	333355	14200/2010	19-01	333431	14476/2010
08-08 F	333413	14282/2010	19-01	333432	14477/2010
08-08 NES	333417	14511/2010	19-01	333433	14478/2010
09-01 NES	333323	14143/2010	19-04	333425	14184/2010
09-02 A	333372	14091/2010	19-06	333440	14352/2010
09-03 L	333393	14051/2010	19-06	333447	14362/2010
09-03 L	333394	14052/2010	21-01 NES	333374	14155/2010

Registration Proceedings - Class Listing of Designs Published or Registered cont'd

Classification	Registration Number	Design Number	Classification	Registration Number	Design Number
21-02 F	333412	14274/2010	25-02 C	333367	13765/2010
21-99	333353	14029/2010	25-04	333309	13985/2010
23-01 E	333310	13986/2010	26-04	333406	14044/2010
23-01 E	333311	13987/2010	26-04	333437	14177/2010
23-01 E	333312	13988/2010	26-05 A	333384	13381/2010
23-01 E	333420	13804/2010	26-05 A	333385	13382/2010
23-01 H	333333	14123/2010	26-05 A	333448	14364/2010
23-01 K	333446	14361/2010	26-05 C	333343	14096/2010
23-02 B	333421	14304/2010	26-05 E	333318	14127/2010
23-02 B	333422	14305/2010	26-05 E	333319	14128/2010
23-03 D	333445	14359/2010	26-05 E	333320	14129/2010
24-01	333368	13950/2010	26-05 E	333336	14157/2010
24-01	333369	13951/2010	26-05 E	333337	14158/2010
24-01	333370	13952/2010	26-05 E	333344	14114/2010
24-01	333371	13953/2010	26-05 E	333345	14115/2010
24-99	333352	13689/2010	26-05 E	333346	14116/2010
25-01 B	333348	14118/2010	28-03 A	333373	14154/2010
25-01 B	333349	14119/2010	31-00	333347	14117/2010
25-01 C	333441	14353/2010	31-00	333365	14175/2010
25-01 C	333442	14354/2010	31-00	333366	13651/2010
25-01 K	333348	14118/2010			
25-01 K	333349	14119/2010			

(21) Design Number: **13683/2010**

(22) Date of Filing Application: **26 August 2010**

(24) Date from which industrial property rights may have effect: **26 August 2010**

(54) Product in respect of which the design is registered: **Latch**

(51) International Design Classification: **08-07**

(71) Name(s) and Address(s) of Applicant(s):

**Tong Metal Pty Ltd as trustees for Tong Metal Trust
1B/241 Toombul Road Cnr of Landy Street Northgate Queensland
4013 Australia**

(72) Name(s) of Designer(s): **Tong Fatt Wong**

(45) Registration Date: **20 October 2010**

(56) Related Art Documents: **Not Applicable**

(57) Statement of Newness and Distinctiveness: **Nil**



(21) Design Number: **13984/2010**

(22) Date of Filing Application: **15 September 2010**

(24) Date from which industrial property rights may have effect: **15 September 2010**

(54) Product in respect of which the design is registered: **Guitars**

(51) International Design Classification: **17-03**

(71) Name(s) and Address(s) of Applicant(s):

**Vincent Ruello
11 Dalmeny Avenue Russell Lea New South Wales 2046 Australia**

(72) Name(s) of Designer(s): **Vincent Ruello**

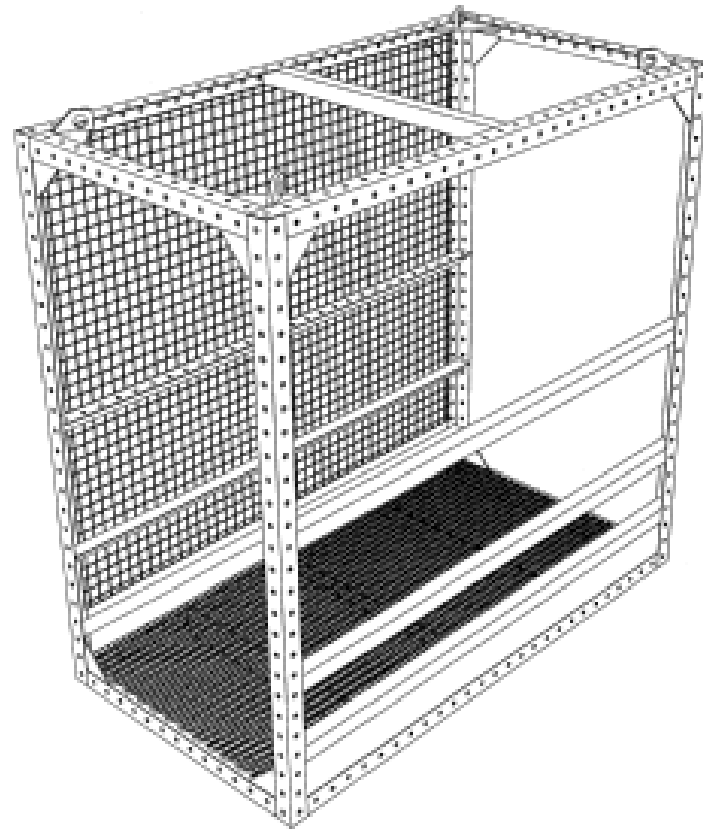
(45) Registration Date: **20 October 2010**

(56) Related Art Documents: **Not Applicable**

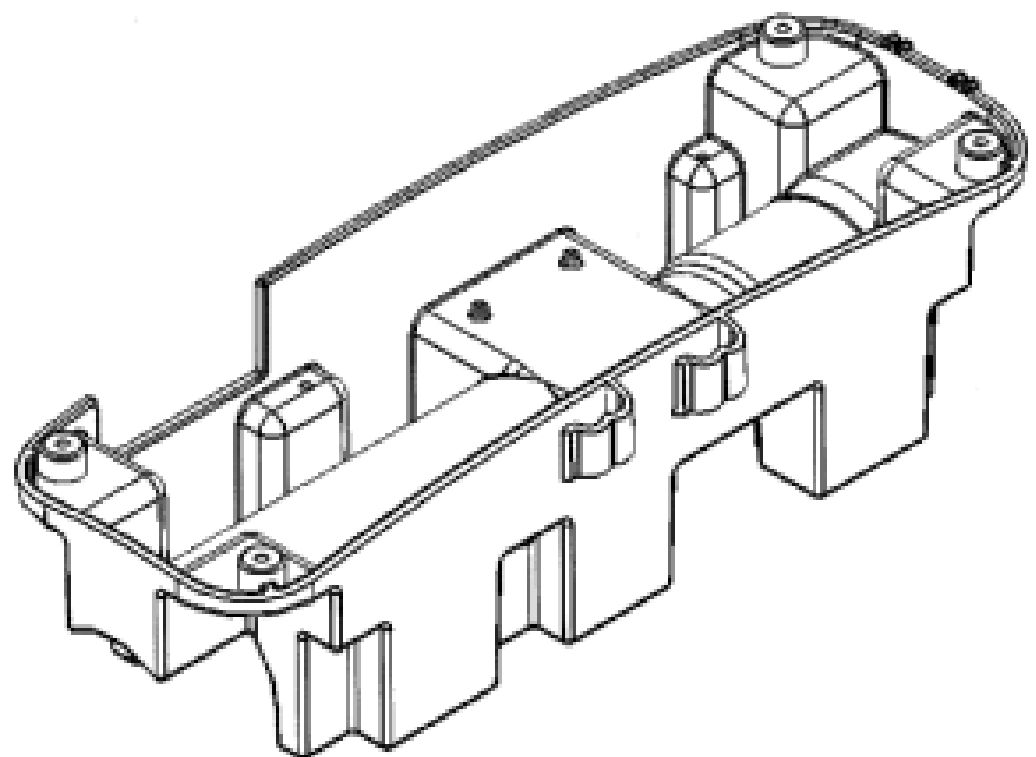
(57) Statement of Newness and Distinctiveness: **New scratch plate design (outer edges) does not include generic electronics knobs bridge jacks pickups. New body shape.**



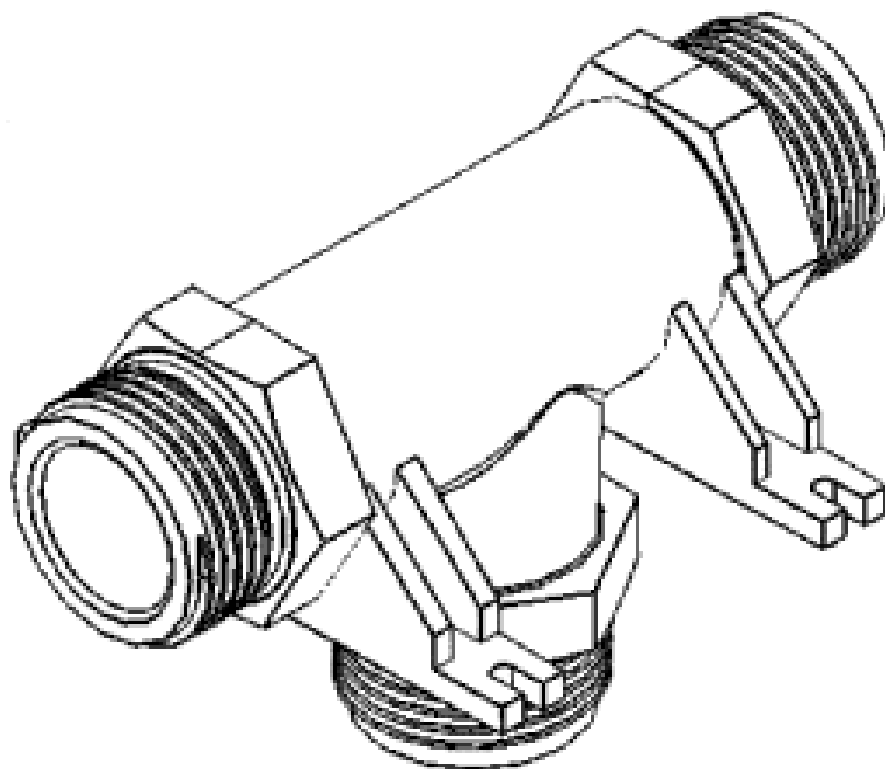
- (21) Design Number: **13985/2010**
(22) Date of Filing Application: **14 September 2010**
(24) Date from which industrial property rights may have effect: **14 September 2010**
(54) Product in respect of which the design is registered: **Scaffolding module**
(51) International Design Classification: **25-04**
(71) Name(s) and Address(s) of Applicant(s):
John Clement Preston
196 Silverwater Road Silverwater New South Wales 2128 Australia
(72) Name(s) of Designer(s): **John Clement Preston**
(45) Registration Date: **20 October 2010**
(56) Related Art Documents: **Not Applicable**
(57) Statement of Newness and Distinctiveness: **Newness and distinctiveness resides in the angled guide lugs at the top corner portions of the scaffolding module.**



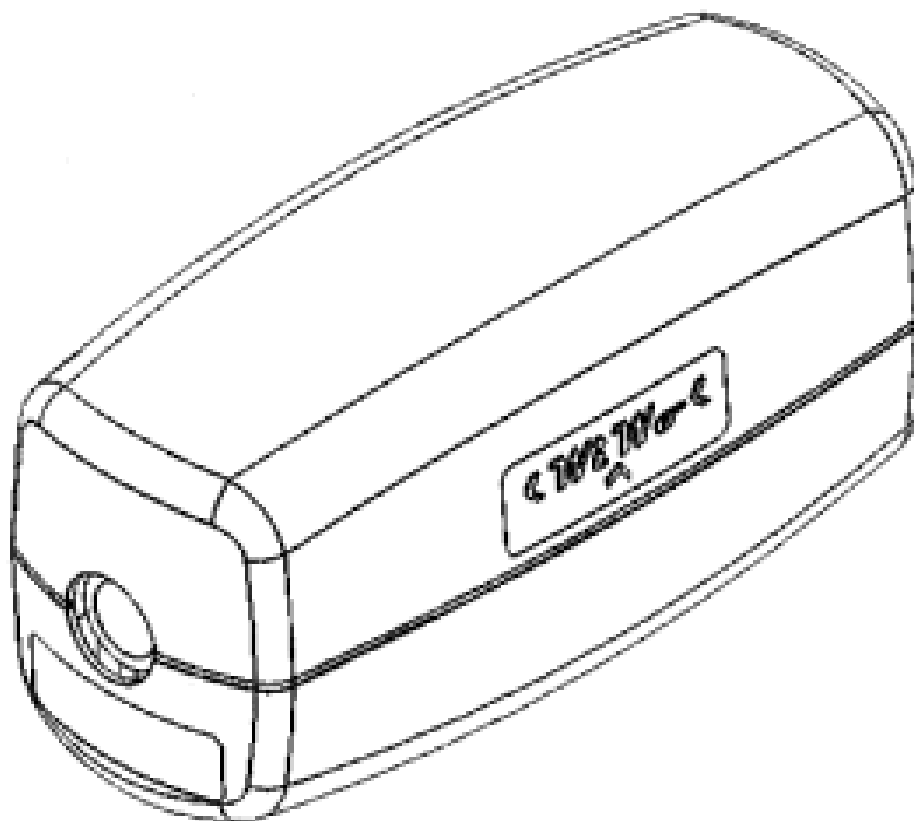
- (21) Design Number: **13986/2010**
(22) Date of Filing Application: **14 September 2010**
(24) Date from which industrial property rights may have effect: **14 September 2010**
(54) Product in respect of which the design is registered: **Multiple source water controller**
(51) International Design Classification: **23-01E**
(71) Name(s) and Address(s) of Applicant(s):
One Water Naturally Pty Ltd
1/25 Narabang Way Belrose New South Wales 2085 Australia
(72) Name(s) of Designer(s): **David Sparke and Jamie Dixon and Desmond Berry**
(45) Registration Date: **20 October 2010**
(56) Related Art Documents: **Not Applicable**
(57) Statement of Newness and Distinctiveness: **The WiWo bucket is new and distinctive due to the design of the internal channel that provides structural strength to the Hydraulic components of the device whilst insulating the electrical components from the Hydraulic Components to remove any issues of electric shock within the device.**



- (21) Design Number: **13987/2010**
(22) Date of Filing Application: **14 September 2010**
(24) Date from which industrial property rights may have effect: **14 September 2010**
(54) Product in respect of which the design is registered: **Multiple source water controller**
(51) International Design Classification: **23-01E**
(71) Name(s) and Address(s) of Applicant(s):
One Water Naturally Pty Ltd
1/25 Narabang Way Belrose New South Wales 2085 Australia
(72) Name(s) of Designer(s): **David Sparke and Jamie Dixon and Desmond Berry**
(45) Registration Date: **20 October 2010**
(56) Related Art Documents: **Not Applicable**
(57) Statement of Newness and Distinctiveness: **The WiWo Tee is new and distinctive As it provides connection for three 25mm Female connections to one integrated pipe system without the use of 25mm BSP thread adapters. The WiWo tee is also designed to integrate into the outer housing of the WiWo device to prevent Pipe reflex when under pressure.**



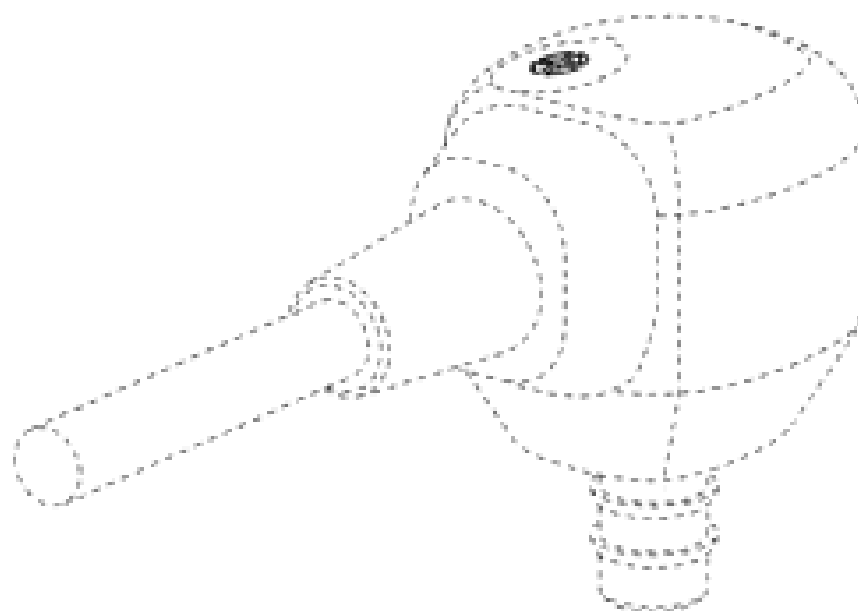
- (21) Design Number: **13988/2010**
(22) Date of Filing Application: **14 September 2010**
(24) Date from which industrial property rights may have effect: **14 September 2010**
(54) Product in respect of which the design is registered: **Multiple source water controller**
(51) International Design Classification: **23-01E**
(71) Name(s) and Address(s) of Applicant(s):
One Water Naturally Pty Ltd
1/25 Narabang Way Belrose New South Wales 2085 Australia
(72) Name(s) of Designer(s): **David Sparke and Jamie Dixon and Desmond Berry**
(45) Registration Date: **20 October 2010**
(56) Related Art Documents: **Not Applicable**
(57) Statement of Newness and Distinctiveness: **Nil**



(21) Design Number: **14104/2010**
 (22) Date of Filing Application: **23 September 2010**
 (24) Date from which industrial property rights may have effect: **23 September 2010**
 (54) Product in respect of which the design is registered: **Ear bud body with microphone opening**
 (51) International Design Classification: **14-01**
 (71) Name(s) and Address(s) of Applicant(s):
3M Innovative Properties Company
3M Center Saint Paul Minnesota 55133-3427 United States of America
 (72) Name(s) of Designer(s): **Paul D. Henry and Ravi Thomas**
 (45) Registration Date: **20 October 2010**
 (30) Convention priority data:

(31) Number	(32) Date	(33) Country
29/358955	02 Apr 2010	UNITED STATES OF AMERICA

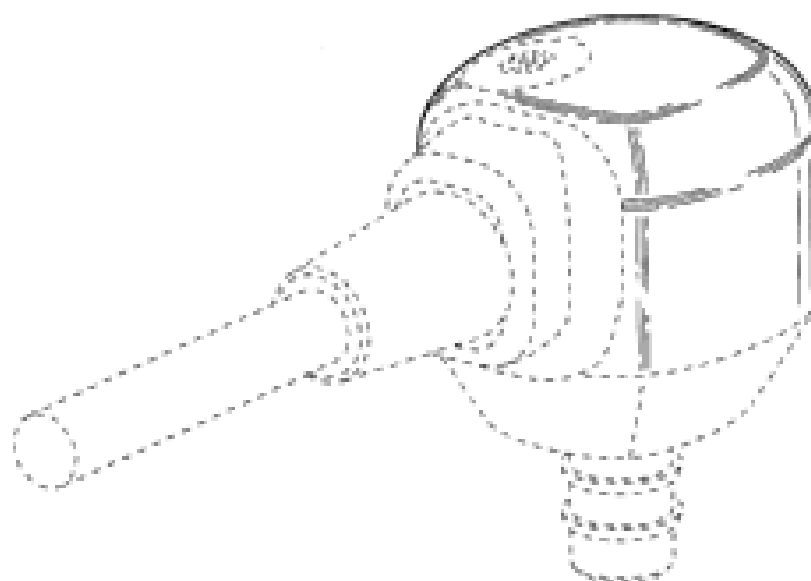
 (56) Related Art Documents: **Not Applicable**
 (57) Statement of Newness and Distinctiveness: **Newness and distinctiveness is claimed in the features of shape and/or configuration of an ear bud body with microphone opening as shown in solid outline in the accompanying drawings.**



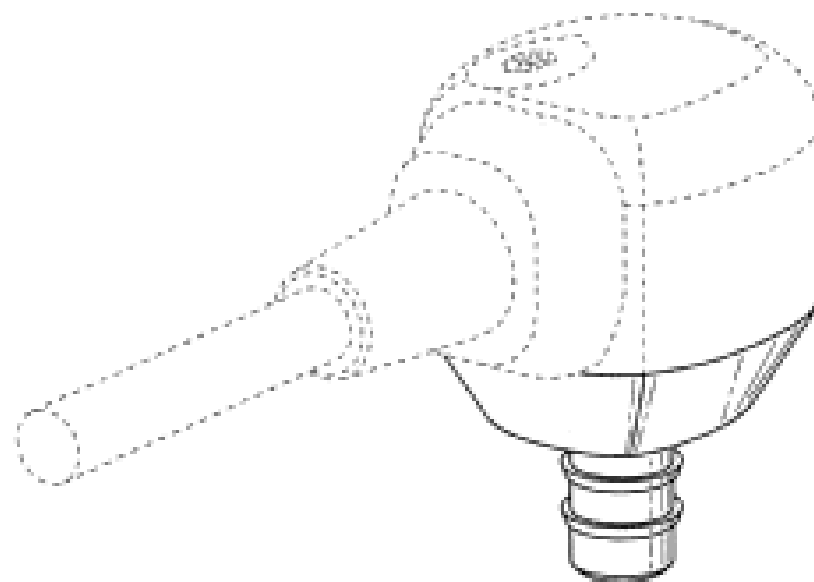
(21) Design Number: **14105/2010**
 (22) Date of Filing Application: **23 September 2010**
 (24) Date from which industrial property rights may have effect: **23 September 2010**
 (54) Product in respect of which the design is registered: **Ear bud body**
 (51) International Design Classification: **14-01**
 (71) Name(s) and Address(s) of Applicant(s):
3M Innovative Properties Company
3M Center Saint Paul Minnesota 55133-3427 United States of America
 (72) Name(s) of Designer(s): **James D. Brown and David M. Lutgring and Paul D. Henry and Michael J. Pescetto**
 (45) Registration Date: **20 October 2010**
 (30) Convention priority data:

(31) Number	(32) Date	(33) Country
29/358951	02 Apr 2010	UNITED STATES OF AMERICA

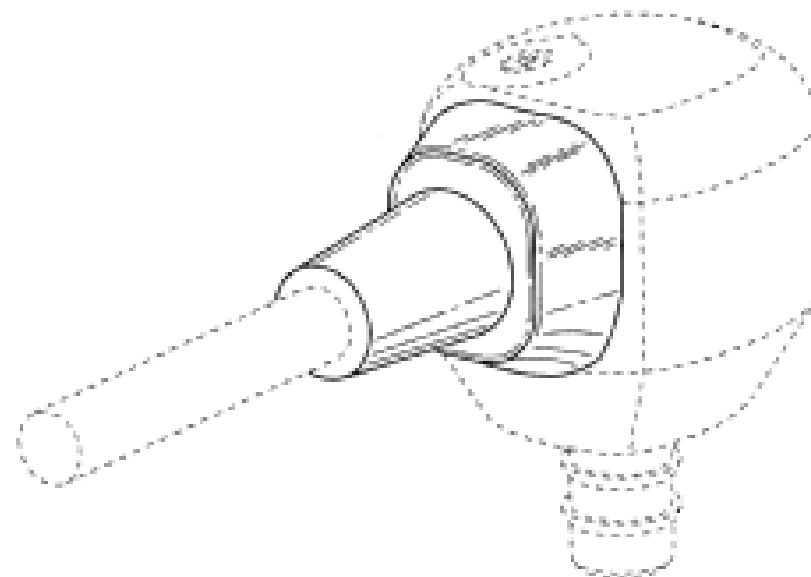
 (56) Related Art Documents: **Not Applicable**
 (57) Statement of Newness and Distinctiveness: **Newness and distinctiveness is claimed in the features of shape and/or configuration of an ear bud body as shown in solid outline in the accompanying drawings.**



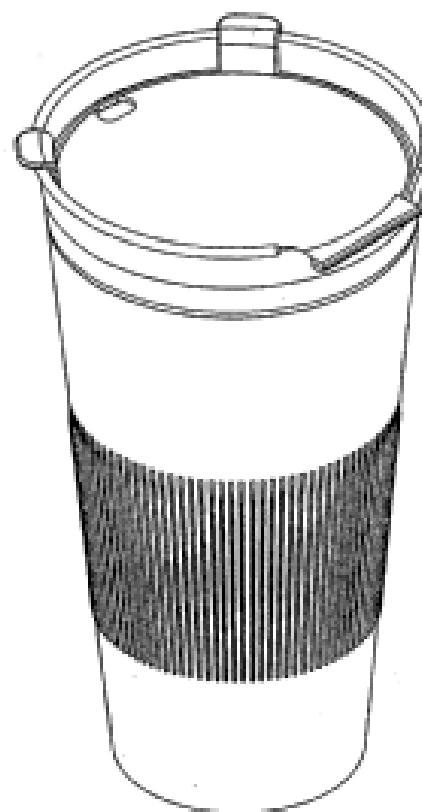
(21) Design Number: **14106/2010**
(22) Date of Filing Application: **23 September 2010**
(24) Date from which industrial property rights may have effect: **23 September 2010**
(54) Product in respect of which the design is registered: **Ear bud body with shaft and taper**
(51) International Design Classification: **14-01**
(71) Name(s) and Address(s) of Applicant(s):
3M Innovative Properties Company
3M Center Saint Paul Minnesota 55133-3427 United States of America
(72) Name(s) of Designer(s): **James D. Brown and David M. Lutgring and Paul D. Henry and Michael J. Pescetto and Ravi Thomas**
(45) Registration Date: **20 October 2010**
(30) Convention priority data:
(31) Number (32) Date (33) Country
29/358957 02 Apr 2010 UNITED STATES OF AMERICA
(56) Related Art Documents: **Not Applicable**
(57) Statement of Newness and Distinctiveness: **Newness and distinctiveness is claimed in the features of shape and/or configuration of an ear bud body having a shaft and taper as shown in solid outline in the accompanying drawings.**



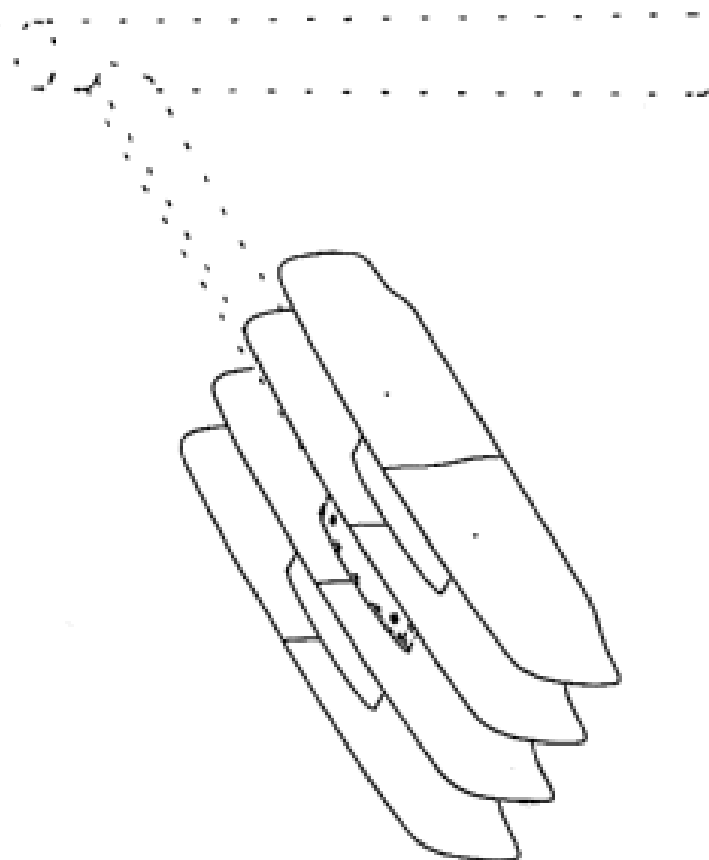
(21) Design Number: **14107/2010**
(22) Date of Filing Application: **23 September 2010**
(24) Date from which industrial property rights may have effect: **23 September 2010**
(54) Product in respect of which the design is registered: **Ear bud body with cable strain relief and transition**
(51) International Design Classification: **14-01**
(71) Name(s) and Address(s) of Applicant(s):
3M Innovative Properties Company
3M Center Saint Paul Minnesota 55133-3427 United States of America
(72) Name(s) of Designer(s): **David M. Lutgring and Ravi Thomas and Michael J. Pescetto**
(45) Registration Date: **20 October 2010**
(30) Convention priority data:
(31) Number (32) Date (33) Country
29/358954 02 Apr 2010 UNITED STATES OF AMERICA
(56) Related Art Documents: **Not Applicable**
(57) Statement of Newness and Distinctiveness: **Newness and distinctiveness is claimed in the features of shape and/or configuration of an ear bud body having a cable strain relief and transition as shown in solid outline in the accompanying drawings.**



(21) Design Number: **14126/2010**
 (22) Date of Filing Application: **24 September 2010**
 (24) Date from which industrial property rights may have effect: **24 September 2010**
 (54) Product in respect of which the design is registered: **Cup with an integral lid, the cup used to retain hot liquids with a thermal barrier incorporated into the exterior wall**
 (51) International Design Classification: **07-01D**
 (71) Name(s) and Address(s) of Applicant(s):
Earthkare Packaging Innovations Company
2934 1/2 Beverly Glen Circle Los Angeles California 90077 United States of America
 (72) Name(s) of Designer(s): **Glenn Tobias**
 (45) Registration Date: **20 October 2010**
 (30) Convention priority data:
 (31) Number (32) Date (33) Country
29/349313 24 Mar 2010 UNITED STATES OF AMERICA
 (56) Related Art Documents: **Not Applicable**
 (57) Statement of Newness and Distinctiveness: **Newness and distinctiveness is claimed in the features of shape and/or configuration of a cup with an integral lid, the cup used to retain hot liquids with a thermal barrier incorporated into the exterior wall of the cup as illustrated in the accompanying representations.**

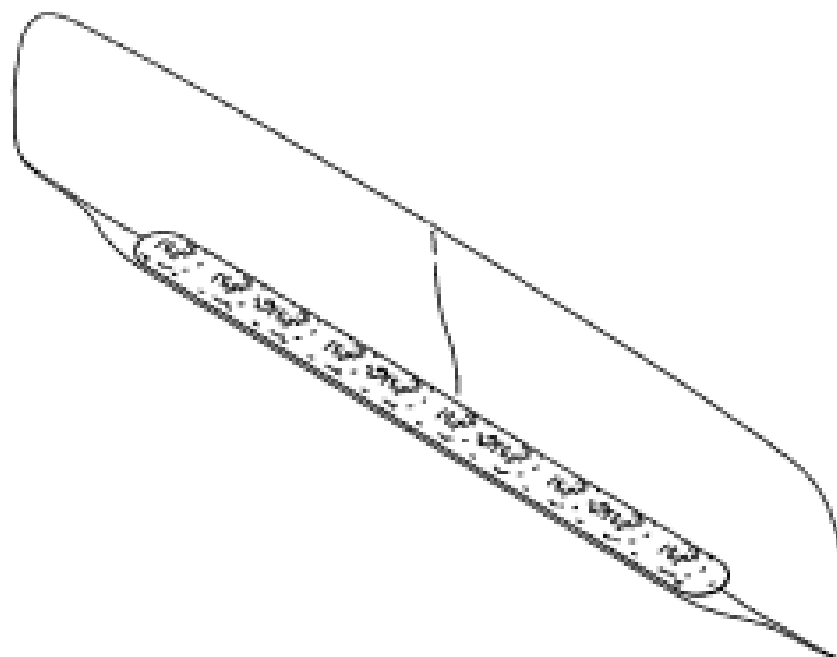


(21) Design Number: **14127/2010**
 (22) Date of Filing Application: **24 September 2010**
 (24) Date from which industrial property rights may have effect: **24 September 2010**
 (54) Product in respect of which the design is registered: **Multi-module LED light fixture**
 (51) International Design Classification: **26-05E**
 (71) Name(s) and Address(s) of Applicant(s):
Speirs and Major Associates Limited
11-15 Emerald Street London WC1N 3QL United Kingdom
 (72) Name(s) of Designer(s): **Andrew Howis and Keith Bradshaw and Benz Roos and Mark Major**
 (45) Registration Date: **20 October 2010**
 (30) Convention priority data:
 (31) Number (32) Date (33) Country
29/358479 26 Mar 2010 UNITED STATES OF AMERICA
 (56) Related Art Documents: **Not Applicable**
 (57) Statement of Newness and Distinctiveness: **Newness and distinctiveness is claimed in the features of shape and/or configuration of a multi-module LED light fixture as illustrated in continuous lines in the accompanying representations.**



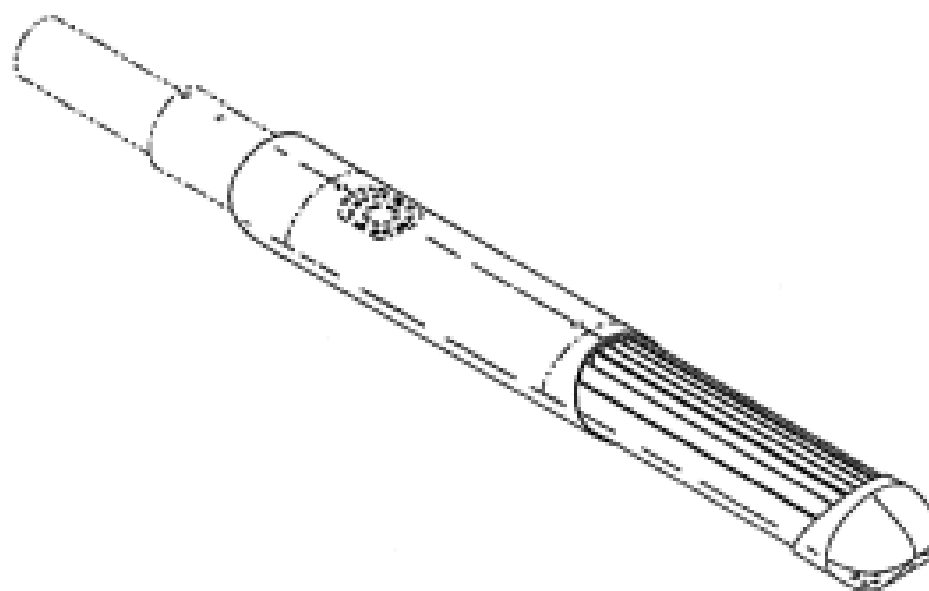
(19) AU

- (21) Design Number: **14128/2010**
(22) Date of Filing Application: **24 September 2010**
(24) Date from which industrial property rights may have effect: **24 September 2010**
(54) Product in respect of which the design is registered: **LED light-fixture module**
(51) International Design Classification: **26-05E**
(71) Name(s) and Address(s) of Applicant(s):
Speirs and Major Associates Limited
11-15 Emerald Street London WC1N 3QL United Kingdom
(72) Name(s) of Designer(s): **Andrew Howis and Keith Bradshaw and Benz Roos and Mark Major**
(45) Registration Date: **20 October 2010**
(30) Convention priority data:
(31) Number (32) Date (33) Country
29/358395 26 Mar 2010 UNITED STATES OF AMERICA
(56) Related Art Documents: **Not Applicable**
(57) Statement of Newness and Distinctiveness: **Newness and distinctiveness is claimed in the features of shape and/or configuration of a LED light-fixture module as illustrated in continuous lines in the accompanying representations.**



(19) AU

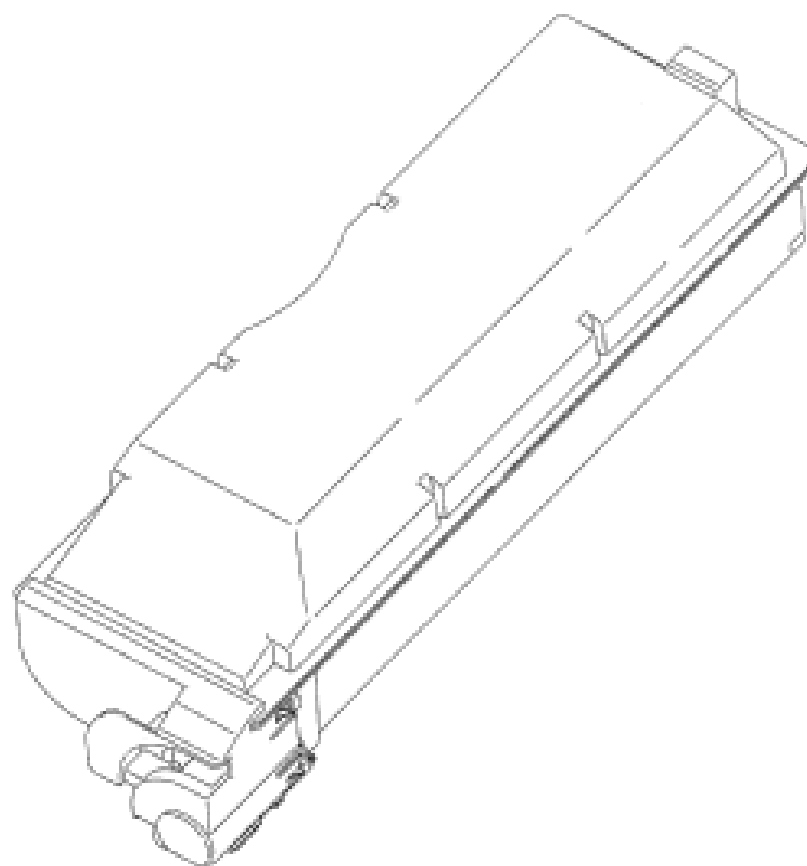
- (21) Design Number: **14129/2010**
(22) Date of Filing Application: **24 September 2010**
(24) Date from which industrial property rights may have effect: **24 September 2010**
(54) Product in respect of which the design is registered: **Lighting fixture**
(51) International Design Classification: **26-05E**
(71) Name(s) and Address(s) of Applicant(s):
Ruud Lighting, Inc.
9201 Washington Avenue Racine Wisconsin 53406 United States of America
(72) Name(s) of Designer(s): **Alan J. Ruud and Brian Kinnune and Lisa Ruffalo Cooper**
(45) Registration Date: **20 October 2010**
(30) Convention priority data:
(31) Number (32) Date (33) Country
29/358365 26 Mar 2010 UNITED STATES OF AMERICA
(56) Related Art Documents: **Not Applicable**
(57) Statement of Newness and Distinctiveness: **Newness and distinctiveness is claimed in the features of shape and/or configuration of a lighting fixture as illustrated in continuous lines in the accompanying representations, apart from the length of the finned portion.**



- (21) Design Number: **14130/2010**
(22) Date of Filing Application: **27 September 2010**
(24) Date from which industrial property rights may have effect: **27 September 2010**
(54) Product in respect of which the design is registered: **Coffee maker**
(51) International Design Classification: **07-02L**
(71) Name(s) and Address(s) of Applicant(s):
Luigi Lavazza S.p.A
Corso Novara 59 10154 Torino Italy
(72) Name(s) of Designer(s): **Sara Dal Gallo and Guido Cherici**
(45) Registration Date: **20 October 2010**
(30) Convention priority data:
(31) Number (32) Date (33) Country
001691015 06 Apr 2010 EUROPEAN COMMUNITY
(56) Related Art Documents: **Not Applicable**
(57) Statement of Newness and Distinctiveness: **Those features of the coffee maker depicted in the representations that are new and distinctive are the shape and/or configuration.**



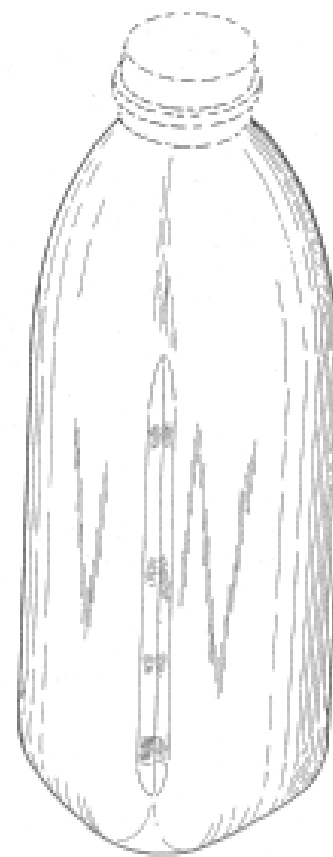
- (21) Design Number: **14131/2010**
(22) Date of Filing Application: **24 September 2010**
(24) Date from which industrial property rights may have effect: **24 September 2010**
(54) Product in respect of which the design is registered: **Toner cartridge**
(51) International Design Classification: **14-02**
(71) Name(s) and Address(s) of Applicant(s):
Kyocera Mita Corporation
2-28 1-Chome Tamatsukuri Chuo-ku Osaka 540-8585 Japan
(72) Name(s) of Designer(s): **Koji Murata**
(45) Registration Date: **20 October 2010**
(30) Convention priority data:
(31) Number (32) Date (33) Country
2010-008395 02 Apr 2010 JAPAN
(56) Related Art Documents: **Not Applicable**
(57) Statement of Newness and Distinctiveness: **Nil**



- (21) Design Number: **14143/2010**
(22) Date of Filing Application: **27 September 2010**
(24) Date from which industrial property rights may have effect: **27 September 2010**
(54) Product in respect of which the design is registered: **A bottle**
(51) International Design Classification: **09-01NES**
(71) Name(s) and Address(s) of Applicant(s):

Warwick Glenn Pleass
16 Amra Street Walu Bay Suva Fiji

- (72) Name(s) of Designer(s): **Warwick Glenn Pleass**
(45) Registration Date: **20 October 2010**
(56) Related Art Documents: **Not Applicable**
(57) Statement of Newness and Distinctiveness: **Newness and distinctiveness resides in the shape and configuration of a bottle as shown in the accompanying representations but excluding the shape and configuration of those features shown in broken lines wherein: Fig. 1 is a front view of the bottle; Fig. 2 is a rear view of the bottle; Fig. 3 is a left side view of the bottle; Fig. 4 is a right side view of the bottle; Fig. 5 is a top view of the bottle; Fig. 6 is a bottom view of the bottle; Fig. 7 is a pictorial view of the bottle, and Fig. 8 is a pictorial view of the bottle.**



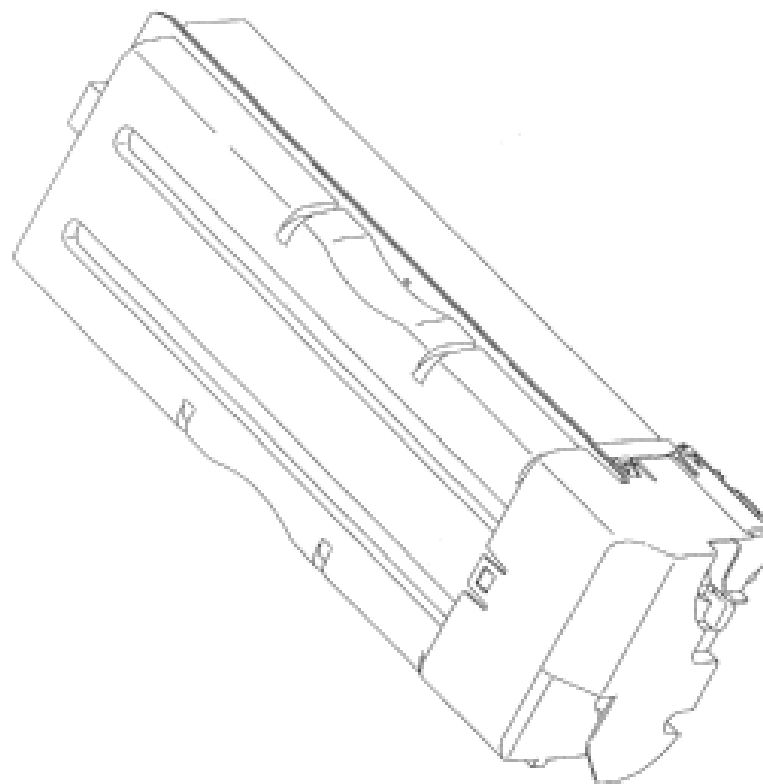
- (21) Design Number: **14061/2010**
(22) Date of Filing Application: **15 September 2010**
(24) Date from which industrial property rights may have effect: **15 September 2010**
(54) Product in respect of which the design is registered: **Portable wheel ramp**
(51) International Design Classification: **12-15F**
(71) Name(s) and Address(s) of Applicant(s):

Philip Bernard Mills
73 Ridgeland Drive Sanctuary Point New South Wales 2540 Australia

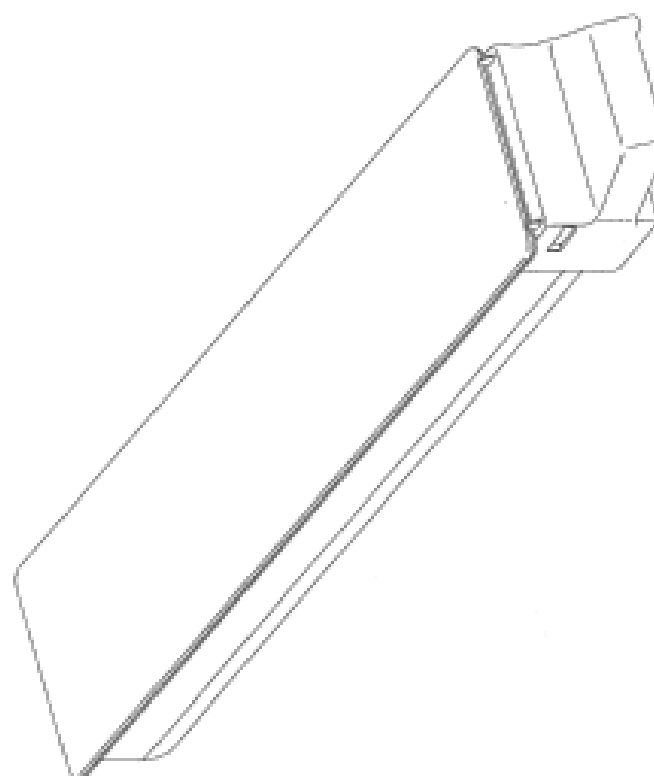
- (72) Name(s) of Designer(s): **Philip Bernard Mills**
(45) Registration Date: **20 October 2010**
(56) Related Art Documents: **Not Applicable**
(57) Statement of Newness and Distinctiveness: **By joining two narrow boards with chains, vehicle weight applied creates a hug of the two boards to a tyre and the chains create a ladder and the application is fully successful for a vehicle to extricate itself from a bogged situation.**



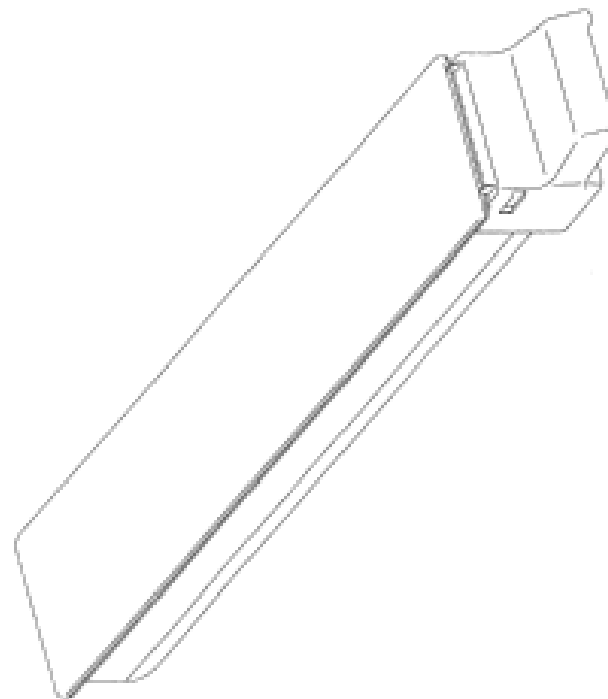
(21) Design Number: **14132/2010**
(22) Date of Filing Application: **24 September 2010**
(24) Date from which industrial property rights may have effect: **24 September 2010**
(54) Product in respect of which the design is registered: **Toner cartridge**
(51) International Design Classification: **14-02**
(71) Name(s) and Address(s) of Applicant(s):
Kyocera Mita Corporation
2-28 1-Chome Tamatsukuri Chuo-ku Osaka 540-8585 Japan
(72) Name(s) of Designer(s): **Koji Murata**
(45) Registration Date: **20 October 2010**
(30) Convention priority data:
(31) Number (32) Date (33) Country
2010-008396 02 Apr 2010 JAPAN
(56) Related Art Documents: **Not Applicable**
(57) Statement of Newness and Distinctiveness: **Nil**



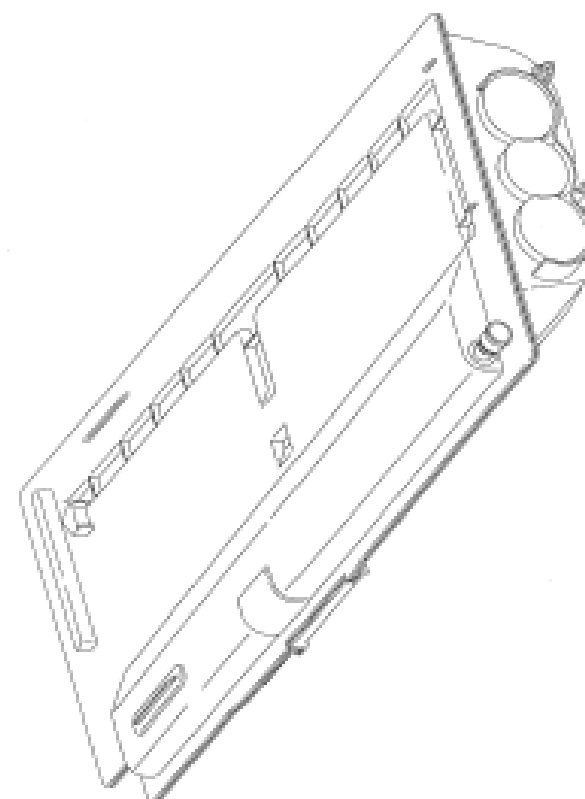
(21) Design Number: **14133/2010**
(22) Date of Filing Application: **24 September 2010**
(24) Date from which industrial property rights may have effect: **24 September 2010**
(54) Product in respect of which the design is registered: **Toner cartridge**
(51) International Design Classification: **14-02**
(71) Name(s) and Address(s) of Applicant(s):
Kyocera Mita Corporation
2-28 1-Chome Tamatsukuri Chuo-ku Osaka 540-8585 Japan
(72) Name(s) of Designer(s): **Hirokazu Fujii**
(45) Registration Date: **20 October 2010**
(30) Convention priority data:
(31) Number (32) Date (33) Country
2010-008045 31 Mar 2010 JAPAN
(56) Related Art Documents: **Not Applicable**
(57) Statement of Newness and Distinctiveness: **Nil**



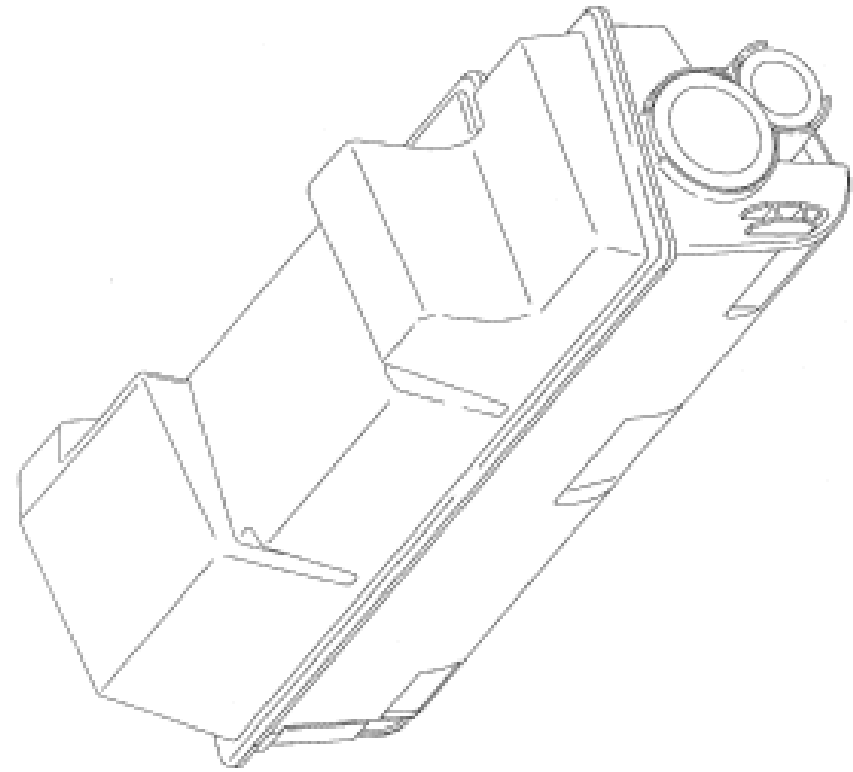
(21) Design Number: **14134/2010**
(22) Date of Filing Application: **24 September 2010**
(24) Date from which industrial property rights may have effect: **24 September 2010**
(54) Product in respect of which the design is registered: **Toner cartridge**
(51) International Design Classification: **14-02**
(71) Name(s) and Address(s) of Applicant(s):
Kyocera Mita Corporation
2-28 1-Chome Tamatsukuri Chuo-ku Osaka 540-8585 Japan
(72) Name(s) of Designer(s): **Hirokazu Fujii**
(45) Registration Date: **20 October 2010**
(30) Convention priority data:
(31) Number (32) Date (33) Country
2010-008044 31 Mar 2010 JAPAN
(56) Related Art Documents: **Not Applicable**
(57) Statement of Newness and Distinctiveness: **Nil**



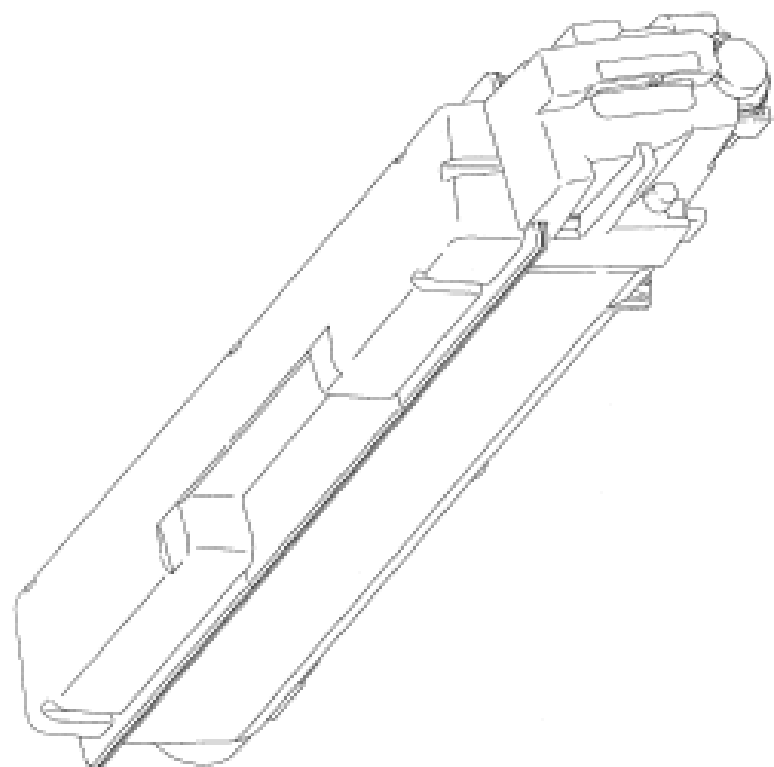
(21) Design Number: **14135/2010**
(22) Date of Filing Application: **24 September 2010**
(24) Date from which industrial property rights may have effect: **24 September 2010**
(54) Product in respect of which the design is registered: **Toner cartridge**
(51) International Design Classification: **14-02**
(71) Name(s) and Address(s) of Applicant(s):
Kyocera Mita Corporation
2-28 1-Chome Tamatsukuri Chuo-ku Osaka 540-8585 Japan
(72) Name(s) of Designer(s): **Masanobu Maeshima**
(45) Registration Date: **20 October 2010**
(30) Convention priority data:
(31) Number (32) Date (33) Country
2010-008300 01 Apr 2010 JAPAN
(56) Related Art Documents: **Not Applicable**
(57) Statement of Newness and Distinctiveness: **Nil**



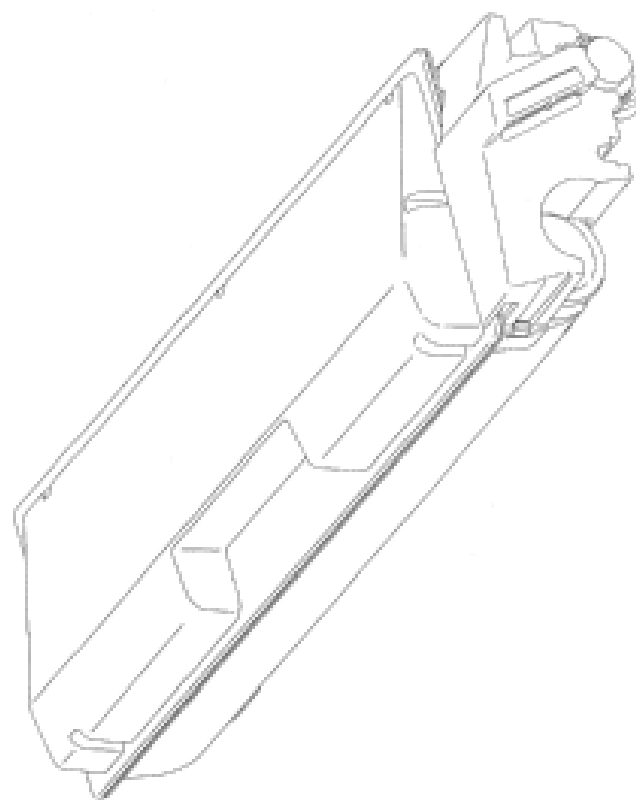
(21) Design Number: **14136/2010**
(22) Date of Filing Application: **24 September 2010**
(24) Date from which industrial property rights may have effect: **24 September 2010**
(54) Product in respect of which the design is registered: **Toner cartridge**
(51) International Design Classification: **14-02**
(71) Name(s) and Address(s) of Applicant(s):
Kyocera Mita Corporation
2-28 1-Chome Tamatsukuri Chuo-ku Osaka 540-8585 Japan
(72) Name(s) of Designer(s): **Takeshi Iketani**
(45) Registration Date: **20 October 2010**
(30) Convention priority data:
(31) Number (32) Date (33) Country
2010-008046 31 Mar 2010 JAPAN
(56) Related Art Documents: **Not Applicable**
(57) Statement of Newness and Distinctiveness: **Nil**



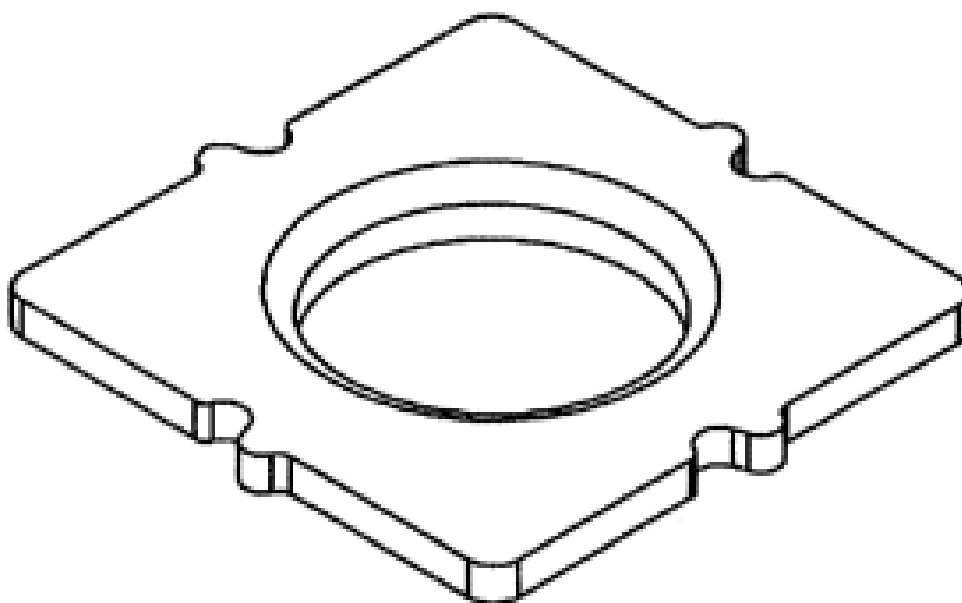
(21) Design Number: **14137/2010**
(22) Date of Filing Application: **24 September 2010**
(24) Date from which industrial property rights may have effect: **24 September 2010**
(54) Product in respect of which the design is registered: **Toner cartridge**
(51) International Design Classification: **14-02**
(71) Name(s) and Address(s) of Applicant(s):
Kyocera Mita Corporation
2-28 1-Chome Tamatsukuri Chuo-ku Osaka 540-8585 Japan
(72) Name(s) of Designer(s): **Daisuke Eto**
(45) Registration Date: **20 October 2010**
(30) Convention priority data:
(31) Number (32) Date (33) Country
2010-008299 01 Apr 2010 JAPAN
(56) Related Art Documents: **Not Applicable**
(57) Statement of Newness and Distinctiveness: **Nil**



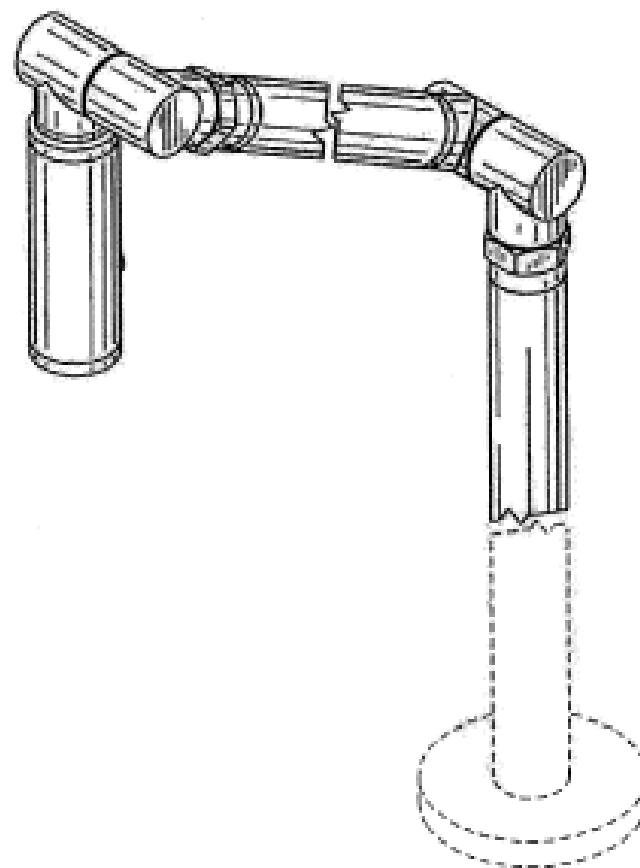
(21) Design Number: **14138/2010**
(22) Date of Filing Application: **24 September 2010**
(24) Date from which industrial property rights may have effect: **24 September 2010**
(54) Product in respect of which the design is registered: **Toner cartridge**
(51) International Design Classification: **14-02**
(71) Name(s) and Address(s) of Applicant(s):
Kyocera Mita Corporation
2-28 1-Chome Tamatsukuri Chuo-ku Osaka 540-8585 Japan
(72) Name(s) of Designer(s): **Daisuke Eto**
(45) Registration Date: **20 October 2010**
(30) Convention priority data:
(31) Number (32) Date (33) Country
2010-008298 01 Apr 2010 JAPAN
(56) Related Art Documents: **Not Applicable**
(57) Statement of Newness and Distinctiveness: **Nil**



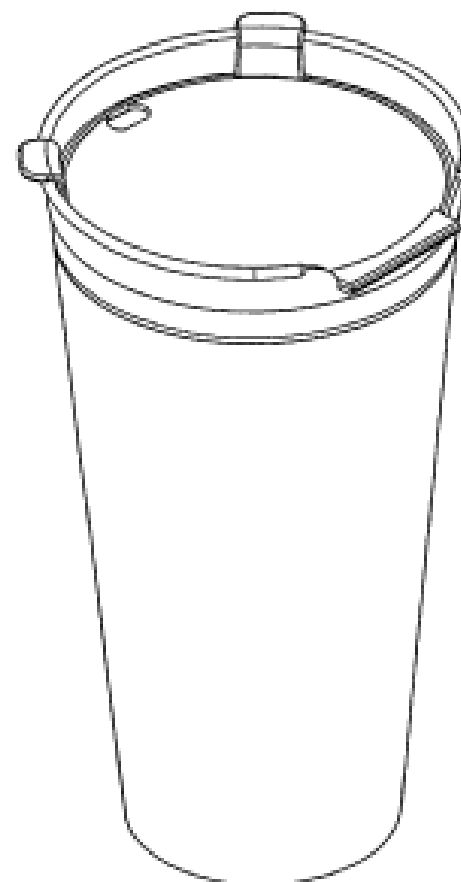
(21) Design Number: **14122/2010**
(22) Date of Filing Application: **24 September 2010**
(24) Date from which industrial property rights may have effect: **24 September 2010**
(54) Product in respect of which the design is registered: **Washer for a shank of a tool pick**
(51) International Design Classification: **08-08B, 15-04**
(71) Name(s) and Address(s) of Applicant(s):
Sandvik Intellectual Property AB
SE-811 81 Sandviken Sweden
(72) Name(s) of Designer(s): **Joseph Fader and Kenneth Monyak**
(45) Registration Date: **20 October 2010**
(30) Convention priority data:
(31) Number (32) Date (33) Country
29/363113 04 Jun 2010 UNITED STATES OF AMERICA
(56) Related Art Documents: **Not Applicable**
(57) Statement of Newness and Distinctiveness: **Nil**



(21) Design Number: **14123/2010**
 (22) Date of Filing Application: **24 September 2010**
 (24) Date from which industrial property rights may have effect: **24 September 2010**
 (54) Product in respect of which the design is registered: **Faucet**
 (51) International Design Classification: **23-01H**
 (71) Name(s) and Address(s) of Applicant(s):
Kohler Co.
444 Highland Drive Kohler WI 53044 United States of America
 (72) Name(s) of Designer(s): **Perry Erickson and Andrew James Stokes and Alan E. Lange**
 (45) Registration Date: **20 October 2010**
 (30) Convention priority data:
 (31) Number (32) Date (33) Country
001204028 24 Mar 2010 EUROPEAN COMMUNITY
 (56) Related Art Documents: **Not Applicable**
 (57) Statement of Newness and Distinctiveness: **When determining whether the design 1 is substantially similar in overall impression to another registered design, no regard is to be had to those features shown in dotted outline in the accompanying drawings.**



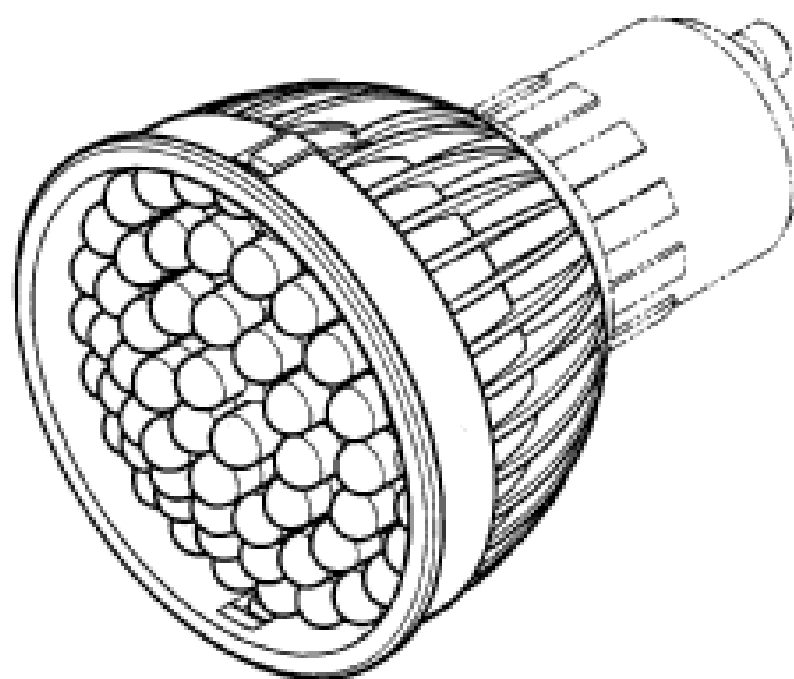
(21) Design Number: **14124/2010**
 (22) Date of Filing Application: **24 September 2010**
 (24) Date from which industrial property rights may have effect: **24 September 2010**
 (54) Product in respect of which the design is registered: **Cup with an integral lid, the cup used to retain hot liquids**
 (51) International Design Classification: **07-01C**
 (71) Name(s) and Address(s) of Applicant(s):
Earthkare Packaging Innovations Company
2934 1/2 Beverly Glen Circle Los Angeles California 90077 United States of America
 (72) Name(s) of Designer(s): **Glenn Tobias**
 (45) Registration Date: **20 October 2010**
 (30) Convention priority data:
 (31) Number (32) Date (33) Country
29/349314 24 Mar 2010 UNITED STATES OF AMERICA
 (56) Related Art Documents: **Not Applicable**
 (57) Statement of Newness and Distinctiveness: **Newness and distinctiveness is claimed in the features of shape and/or configuration of a cup with an integral lid, the cup used to retain hot liquids as illustrated in the accompanying representations.**



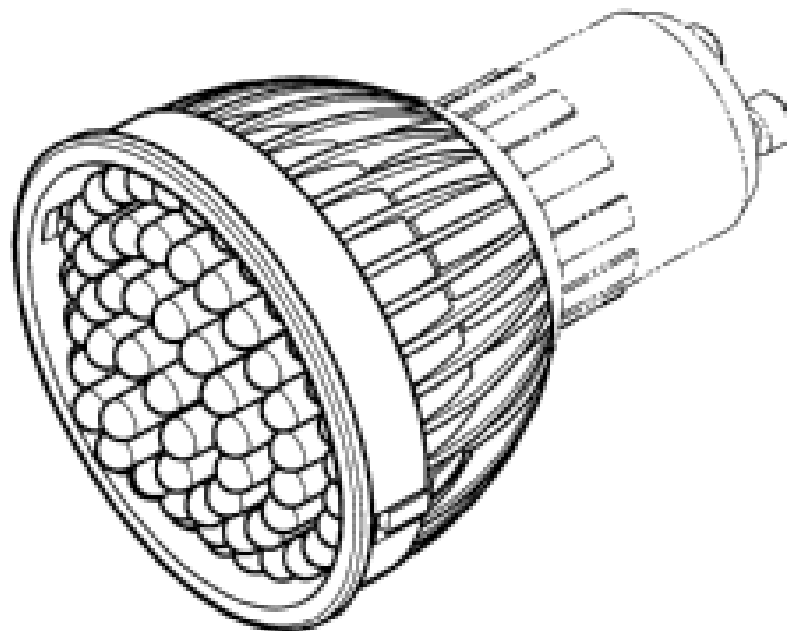
- (21) Design Number: **14125/2010**
(22) Date of Filing Application: **24 September 2010**
(24) Date from which industrial property rights may have effect: **24 September 2010**
(54) Product in respect of which the design is registered: **Cup with an integral lid, the cup used to retain liquid that is not hot**
(51) International Design Classification: **07-01C**
(71) Name(s) and Address(s) of Applicant(s):
Earthkare Packaging Innovations Company
2934 1/2 Beverly Glen Circle Los Angeles California 90077 United States of America
(72) Name(s) of Designer(s): **Glenn Tobias**
(45) Registration Date: **20 October 2010**
(30) Convention priority data:
(31) Number (32) Date (33) Country
29/349315 24 Mar 2010 UNITED STATES OF AMERICA
(56) Related Art Documents: **Not Applicable**
(57) Statement of Newness and Distinctiveness: **Newness and distinctiveness is claimed in the features of shape and/or configuration of a cup with an integral lid, the cup used to retain liquid that is not hot as illustrated in the accompanying representations.**



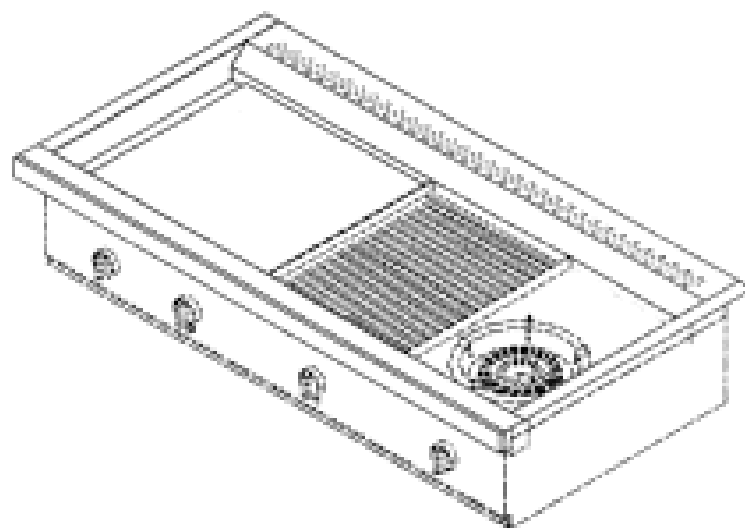
- (21) Design Number: **14157/2010**
(22) Date of Filing Application: **28 September 2010**
(24) Date from which industrial property rights may have effect: **28 September 2010**
(54) Product in respect of which the design is registered: **LED downlight**
(51) International Design Classification: **26-05E**
(71) Name(s) and Address(s) of Applicant(s):
Heland IP Pty Ltd
275 Perry Road Keysborough Victoria 3173 Australia
(72) Name(s) of Designer(s): **Anthony Keller**
(45) Registration Date: **21 October 2010**
(56) Related Art Documents: **Not Applicable**
(57) Statement of Newness and Distinctiveness: **Newness and distinctiveness resides in the features of shape and/or configuration of an LED Downlight as shown in solid lines in the accompanying representations.**



- (21) Design Number: **14158/2010**
(22) Date of Filing Application: **28 September 2010**
(24) Date from which industrial property rights may have effect: **28 September 2010**
(54) Product in respect of which the design is registered: **LED downlight**
(51) International Design Classification: **26-05E**
(71) Name(s) and Address(s) of Applicant(s):
Heland IP Pty Ltd
275 Perry Road Keysborough Victoria 3173 Australia
(72) Name(s) of Designer(s): **Anthony Keller**
(45) Registration Date: **21 October 2010**
(56) Related Art Documents: **Not Applicable**
(57) Statement of Newness and Distinctiveness: **Newness and distinctiveness resides in the features of shape and/or configuration of an LED Downlight as shown in solid lines in the accompanying representations.**



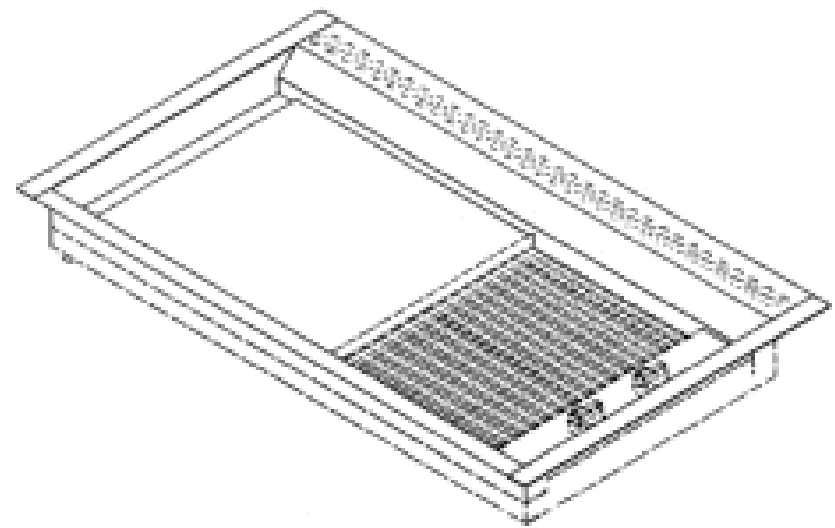
- (21) Design Number: **13791/2010**
(22) Date of Filing Application: **30 August 2010**
(24) Date from which industrial property rights may have effect: **30 August 2010**
(54) Product in respect of which the design is registered: **Barbeque**
(51) International Design Classification: **07-02E**
(71) Name(s) and Address(s) of Applicant(s):
Graeme John Ferguson
2 Chamberlain Street O'Connor Western Australia 6163 Australia
(72) Name(s) of Designer(s): **Graeme John Ferguson**
(45) Registration Date: **21 October 2010**
(56) Related Art Documents: **Not Applicable**
(57) Statement of Newness and Distinctiveness: **Monopoly is claimed in the features of shape and/or configuration of a barbeque as shown in the representations accompanying the application, in particular, the shape and/or configuration of the cooking plate and drainage gutters and surrounding frame. In considering the scope of the monopoly, the features shown in broken lines are to be disregarded.**



- (21) Design Number: **14400/2010**
- (22) Date of Filing Application: **30 August 2010**
- (24) Date from which industrial property rights may have effect: **30 August 2010**
- (54) Product in respect of which the design is registered: **Barbeque**
- (51) International Design Classification: **07-02E**
- (71) Name(s) and Address(s) of Applicant(s):

Graeme John Ferguson
2 Chamberlain Street O'Connor Western Australia 6163 Australia

- (72) Name(s) of Designer(s): **Graeme John Ferguson**
- (45) Registration Date: **21 October 2010**
- (56) Related Art Documents: **Not Applicable**
- (57) Statement of Newness and Distinctiveness: **Monopoly is claimed in the features of shape and/or configuration of a barbeque as shown in the representations accompanying the application, in particular, the shape and/or configuration of the cooking plate and drainage gutters and surrounding frame. In considering the scope of the monopoly, the features shown in broken lines are to be disregarded.**



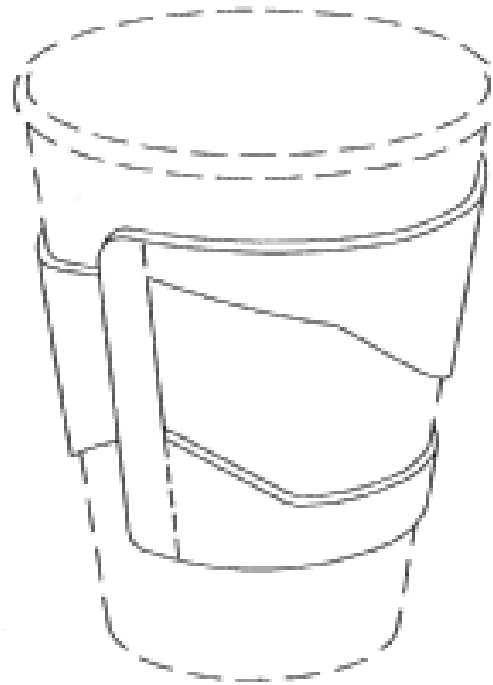
- (21) Design Number: **14093/2010**
- (22) Date of Filing Application: **23 September 2010**
- (24) Date from which industrial property rights may have effect: **23 September 2010**
- (54) Product in respect of which the design is registered: **Pant Garment**
- (51) International Design Classification: **02-02C**
- (71) Name(s) and Address(s) of Applicant(s):

UG Manufacturing Co Pty Ltd
27 Baines Crescent Torquay Victoria 3228 Australia

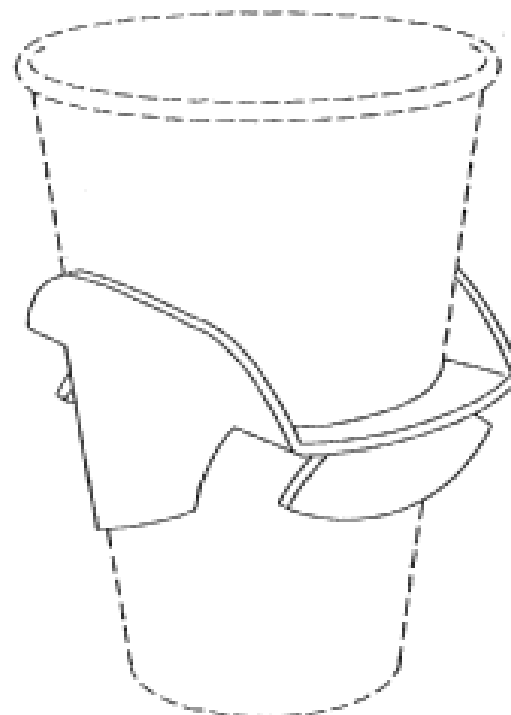
- (72) Name(s) of Designer(s): **Josh Rush and Troy Brooks**
- (45) Registration Date: **21 October 2010**
- (56) Related Art Documents: **Not Applicable**
- (57) Statement of Newness and Distinctiveness: **Those features of the pant garment depicted in the representations that are new and distinctive are the pattern and/or ornamentation. The features shown in broken line and the drawstring closure arranged referenced by the arrow "A" are not part of the design and are to be disregarded when considering the overall impression of the design.**



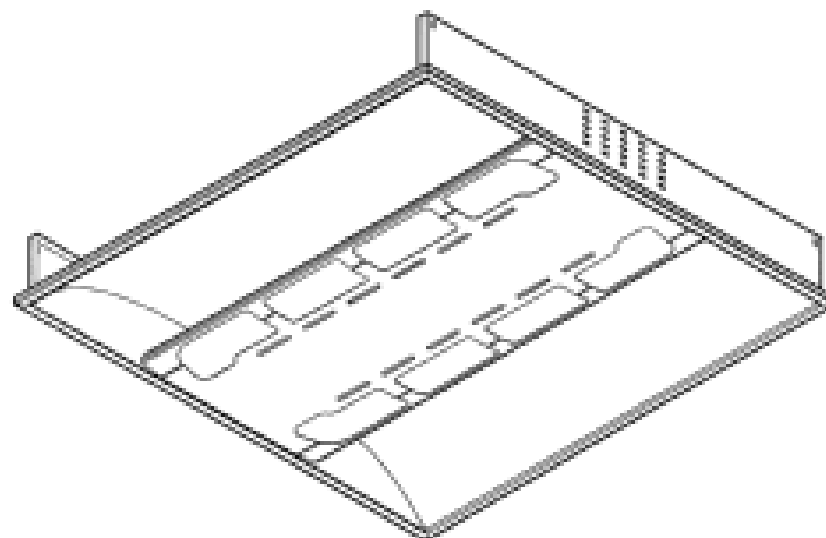
(21) Design Number: **14094/2010**
(22) Date of Filing Application: **23 September 2010**
(24) Date from which industrial property rights may have effect: **23 September 2010**
(54) Product in respect of which the design is registered: **Container sleeve**
(51) International Design Classification: **07-06A**
(71) Name(s) and Address(s) of Applicant(s):
LBP Manufacturing, Inc.
1325 South Cicero Avenue Cicero IL 60804 United States of America
(72) Name(s) of Designer(s): **Matthew R. Cook and Kurt M. Wolf and Thomas Fu**
(45) Registration Date: **21 October 2010**
(30) Convention priority data:
(31) Number (32) Date (33) Country
29/358,446 26 Mar 2010 UNITED STATES OF AMERICA
(56) Related Art Documents: **Not Applicable**
(57) Statement of Newness and Distinctiveness: **Nil**



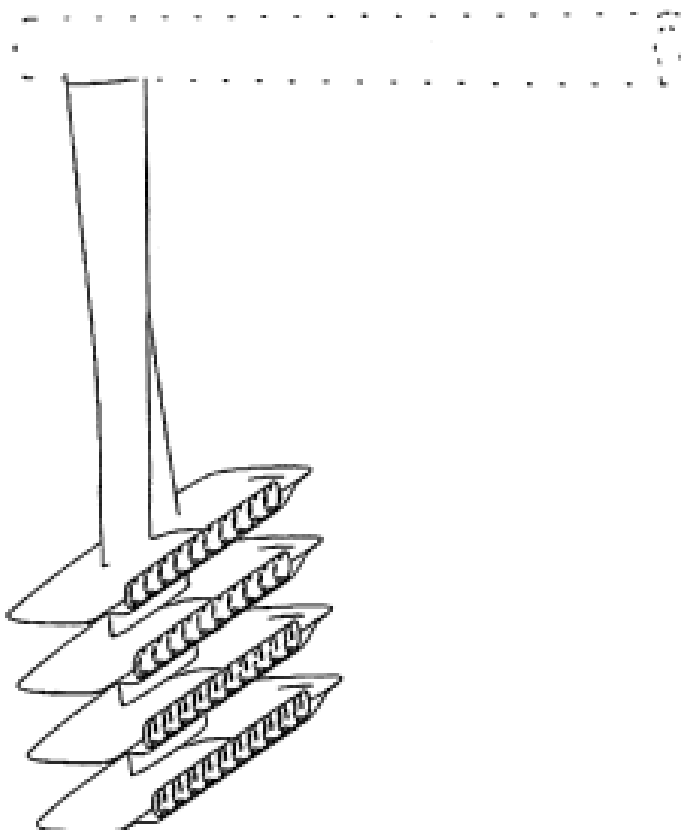
(21) Design Number: **14095/2010**
(22) Date of Filing Application: **23 September 2010**
(24) Date from which industrial property rights may have effect: **23 September 2010**
(54) Product in respect of which the design is registered: **Cup Sleeve**
(51) International Design Classification: **07-06A**
(71) Name(s) and Address(s) of Applicant(s):
LBP Manufacturing, Inc.
1325 South Cicero Avenue Cicero IL 60804 United States of America
(72) Name(s) of Designer(s): **Matthew R. Cook and Kurt M. Wolf and Thomas Fu**
(45) Registration Date: **21 October 2010**
(30) Convention priority data:
(31) Number (32) Date (33) Country
29/358,453 26 Mar 2010 UNITED STATES OF AMERICA
(56) Related Art Documents: **Not Applicable**
(57) Statement of Newness and Distinctiveness: **Nil**



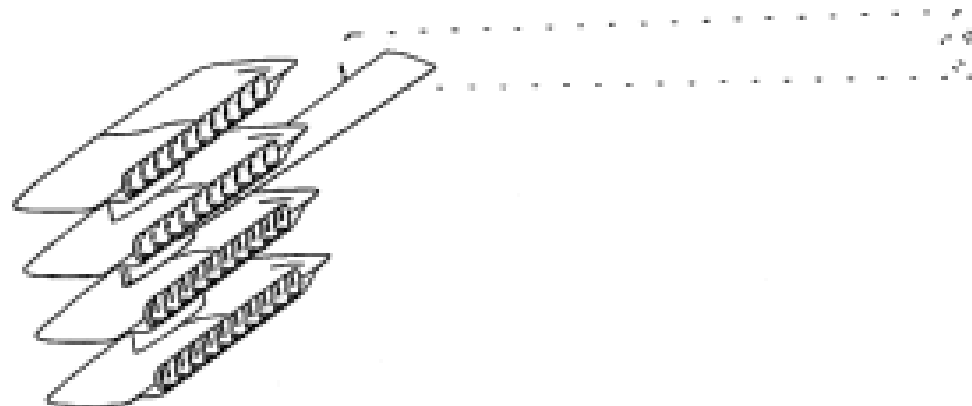
(21) Design Number: **14096/2010**
(22) Date of Filing Application: **23 September 2010**
(24) Date from which industrial property rights may have effect: **23 September 2010**
(54) Product in respect of which the design is registered: **LED luminaire**
(51) International Design Classification: **26-05C**
(71) Name(s) and Address(s) of Applicant(s):
Koninklijke Philips Electronics N.V.
Groenewoudseweg 1 5621 BA Eindhoven The Netherlands
(72) Name(s) of Designer(s): **Lily Huili Tang**
(45) Registration Date: **21 October 2010**
(30) Convention priority data:
(31) Number (32) Date (33) Country
01686783 25 Mar 2010 EUROPEAN COMMUNITY
(56) Related Art Documents: **Not Applicable**
(57) Statement of Newness and Distinctiveness: **Newness and distinctiveness reside in the features of shape and configuration of the design as shown in the representations.**



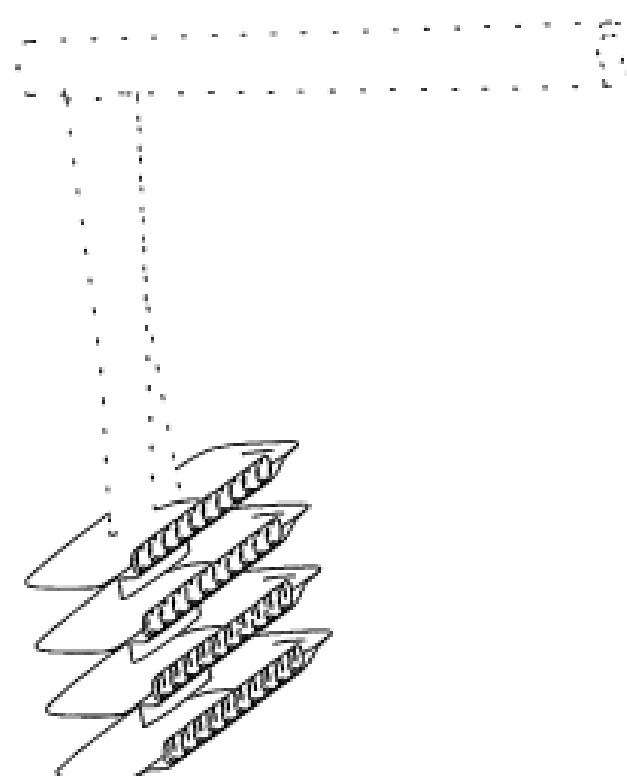
(21) Design Number: **14114/2010**
(22) Date of Filing Application: **24 September 2010**
(24) Date from which industrial property rights may have effect: **24 September 2010**
(54) Product in respect of which the design is registered: **LED light fixture**
(51) International Design Classification: **26-05E**
(71) Name(s) and Address(s) of Applicant(s):
Speirs and Major Associates Limited
11-15 Emerald Street London WC1N 3QL United Kingdom
(72) Name(s) of Designer(s): **Andrew Howis and Keith Bradshaw and Benz Roos and Mark Major**
(45) Registration Date: **21 October 2010**
(30) Convention priority data:
(31) Number (32) Date (33) Country
29/358480 26 Mar 2010 UNITED STATES OF AMERICA
(56) Related Art Documents: **Not Applicable**
(57) Statement of Newness and Distinctiveness: **Newness and distinctiveness is claimed in the features of shape and/or configuration of a LED light fixture as illustrated in continuous lines in the accompanying representations.**



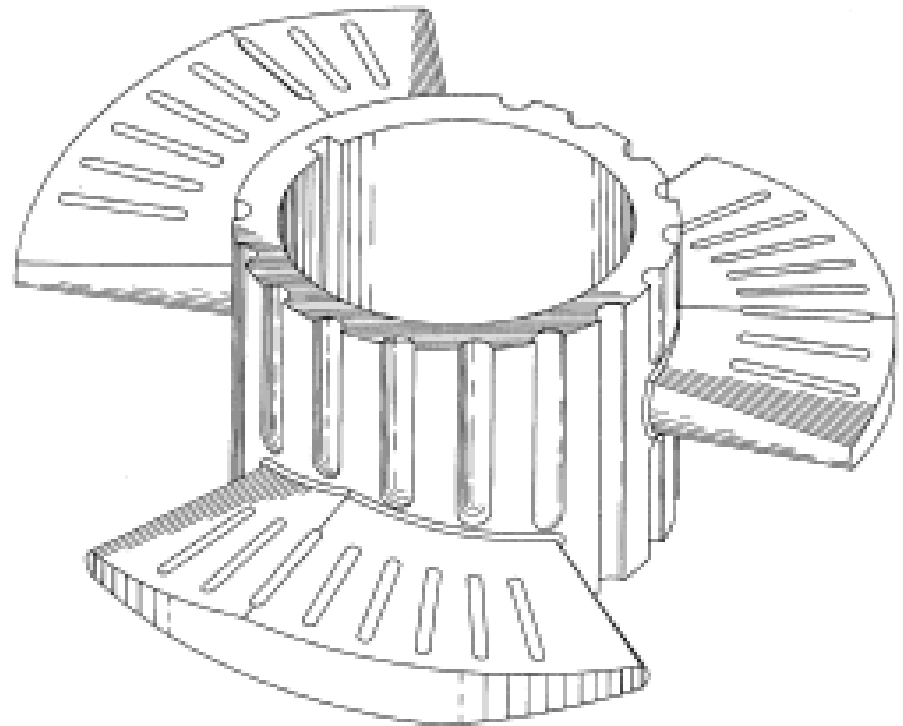
(21) Design Number: **14115/2010**
 (22) Date of Filing Application: **24 September 2010**
 (24) Date from which industrial property rights may have effect: **24 September 2010**
 (54) Product in respect of which the design is registered: **Multi-module LED light fixture with sharp-edged mounting arm**
 (51) International Design Classification: **26-05E**
 (71) Name(s) and Address(s) of Applicant(s):
Speirs and Major Associates Limited
11-15 Emerald Street London WC1N 3QL United Kingdom
 (72) Name(s) of Designer(s): **Andrew Howis and Keith Bradshaw and Benz Roos and Mark Major**
 (45) Registration Date: **21 October 2010**
 (30) Convention priority data:
 (31) Number (32) Date (33) Country
29/358478 26 Mar 2010 UNITED STATES OF AMERICA
 (56) Related Art Documents: **Not Applicable**
 (57) Statement of Newness and Distinctiveness: **Newness and distinctiveness is claimed in the features of shape and/or configuration of a multi-module LED light fixture as illustrated in continuous lines in the accompanying representations.**



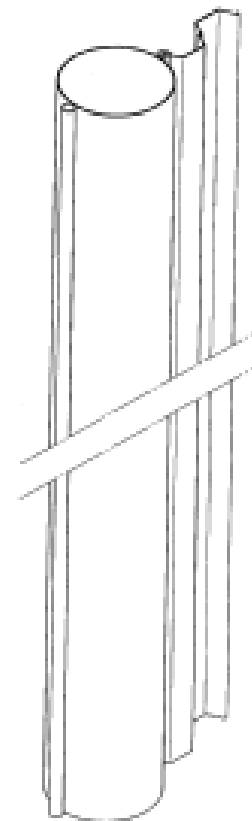
(21) Design Number: **14116/2010**
 (22) Date of Filing Application: **24 September 2010**
 (24) Date from which industrial property rights may have effect: **24 September 2010**
 (54) Product in respect of which the design is registered: **LED light fixture**
 (51) International Design Classification: **26-05E**
 (71) Name(s) and Address(s) of Applicant(s):
Speirs and Major Associates Limited
11-15 Emerald Street London WC1N 3QL United Kingdom
 (72) Name(s) of Designer(s): **Andrew Howis and Keith Bradshaw and Benz Roos and Mark Major**
 (45) Registration Date: **21 October 2010**
 (30) Convention priority data:
 (31) Number (32) Date (33) Country
29/358476 26 Mar 2010 UNITED STATES OF AMERICA
 (56) Related Art Documents: **Not Applicable**
 (57) Statement of Newness and Distinctiveness: **Newness and distinctiveness is claimed in the features of shape and/or configuration of a LED light fixture as illustrated in continuous lines in the accompanying representations.**



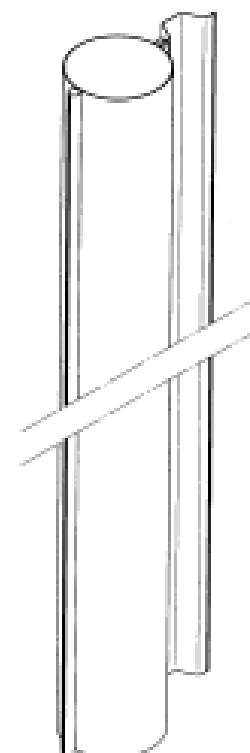
(21) Design Number: **14117/2010**
(22) Date of Filing Application: **27 September 2010**
(24) Date from which industrial property rights may have effect: **27 September 2010**
(54) Product in respect of which the design is registered: **Paste mixing rotor**
(51) International Design Classification: **31-00**
(71) Name(s) and Address(s) of Applicant(s):
Alcan International Limited
1188 Sherbrooke Street West Montreal QC H3A 3G2 Canada
(72) Name(s) of Designer(s): **Doris Tremblay**
(45) Registration Date: **21 October 2010**
(30) Convention priority data:
(31) Number (32) Date (33) Country
134942 09 Apr 2010 CANADA
(56) Related Art Documents: **Not Applicable**
(57) Statement of Newness and Distinctiveness: **Nil**



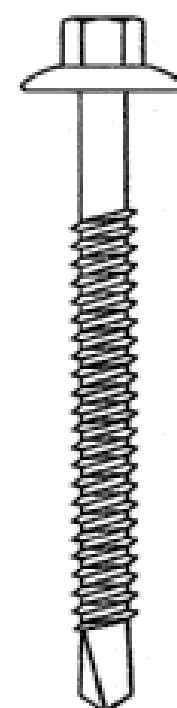
(21) Design Number: **14118/2010**
(22) Date of Filing Application: **27 September 2010**
(24) Date from which industrial property rights may have effect: **27 September 2010**
(54) Product in respect of which the design is registered: **Wall member**
(51) International Design Classification: **25-01K, 25-01B**
(71) Name(s) and Address(s) of Applicant(s):
Nippon Steel Corporation
6-1 Marunouchi 2-chome Chiyoda-ku Tokyo 100-8071 Japan
(72) Name(s) of Designer(s): **Kei Teshima and Tetsuya Akahoshi and Nobuyuki Matsui and Shigeki Terasaki and Masataka Tatsuta and Hisashi Hirata and Tadahiro Akao**
(45) Registration Date: **21 October 2010**
(30) Convention priority data:
(31) Number (32) Date (33) Country
2010-011922 14 May 2010 JAPAN
(56) Related Art Documents: **Not Applicable**
(57) Statement of Newness and Distinctiveness: **The shape and configuration of the cross section of the wall member of indefinite length illustrated in the representations is new and distinctive.**



- (21) Design Number: **14119/2010**
(22) Date of Filing Application: **27 September 2010**
(24) Date from which industrial property rights may have effect: **27 September 2010**
(54) Product in respect of which the design is registered: **Wall member**
(51) International Design Classification: **25-01K, 25-01B**
(71) Name(s) and Address(s) of Applicant(s):
Nippon Steel Corporation
6-1 Marunouchi 2-chome Chiyoda-ku Tokyo 100-8071 Japan
(72) Name(s) of Designer(s): **Kei Teshima and Tetsuya Akahoshi and Nobuyuki Matsui and Shigeki Terasaki and Masataka Tatsuta and Hisashi Hirata and Tadahiro Akao**
(45) Registration Date: **21 October 2010**
(30) Convention priority data:
(31) Number (32) Date (33) Country
2010-011923 14 May 2010 JAPAN
(56) Related Art Documents: **Not Applicable**
(57) Statement of Newness and Distinctiveness: **The shape and configuration of the cross section of the wall member of indefinite length illustrated in the representations is new and distinctive.**



- (21) Design Number: **12384/2010**
(22) Date of Filing Application: **05 June 2010**
(24) Date from which industrial property rights may have effect: **05 June 2010**
(54) Product in respect of which the design is registered: **A fastener**
(51) International Design Classification: **08-08B**
(71) Name(s) and Address(s) of Applicant(s):
Action Fasteners Pty Ltd
C/- 605/227 Victoria Street Darlinghurst New South Wales 2010
Australia
(72) Name(s) of Designer(s): **Garry Hollis**
(45) Registration Date: **22 October 2010**
(56) Related Art Documents: **Not Applicable**
(57) Statement of Newness and Distinctiveness: **Newness and distinctiveness resides in the shape and/or configuration of the head portion of the fastener, particularly the downwardly projecting angle and size of the flange relative to the remainder of the head portion and the width of the shank of the fastener. The area of novelty or distinction over the prior art lies in the shape of a fastener and the form of the head of the fastener.**



(21) Design Number: **12385/2010**

(22) Date of Filing Application: **05 June 2010**

(24) Date from which industrial property rights may have effect: **05 June 2010**

(54) Product in respect of which the design is registered: **A fastener**

(51) International Design Classification: **08-08B**

(71) Name(s) and Address(s) of Applicant(s):

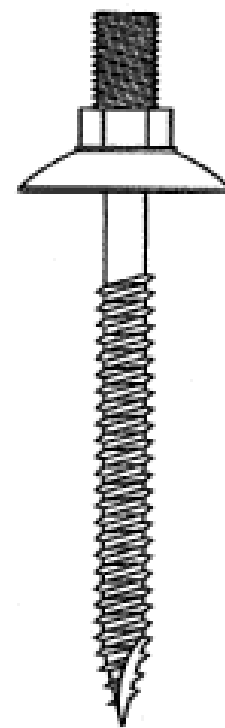
Action Fasteners Pty Ltd
C/- 605/227 Victoria Street Darlinghurst New South Wales 2010
Australia

(72) Name(s) of Designer(s): **Garry Hollis**

(45) Registration Date: **22 October 2010**

(56) Related Art Documents: **Not Applicable**

(57) Statement of Newness and Distinctiveness: **Newness and distinctiveness resides in the shape and/or configuration of the head portion of the fastener in combination with the washer around the head portion. The area of novelty or distinction over the prior art lies in the shape of a fastener and the form of the head of the fastener.**



(21) Design Number: **13689/2010**

(22) Date of Filing Application: **25 August 2010**

(24) Date from which industrial property rights may have effect: **25 August 2010**

(54) Product in respect of which the design is registered: **Valve**

(51) International Design Classification: **24-99, 09-07NES**

(71) Name(s) and Address(s) of Applicant(s):

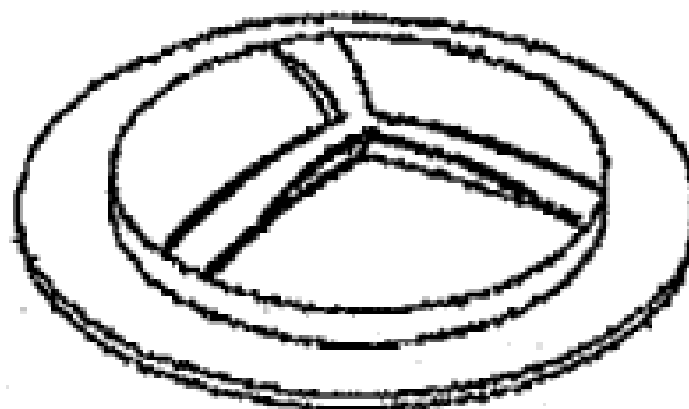
Takaso Rubber Products Sdn. Bhd.
K55 Kaw Perindustrian Tg. Agas 8400 Muar Johor Malaysia

(72) Name(s) of Designer(s): **Tee Tze Chern**

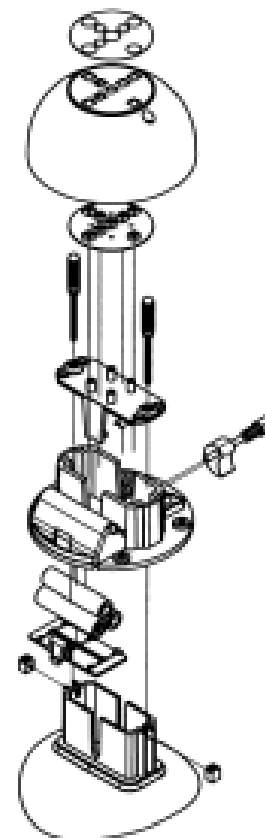
(45) Registration Date: **22 October 2010**

(56) Related Art Documents: **Not Applicable**

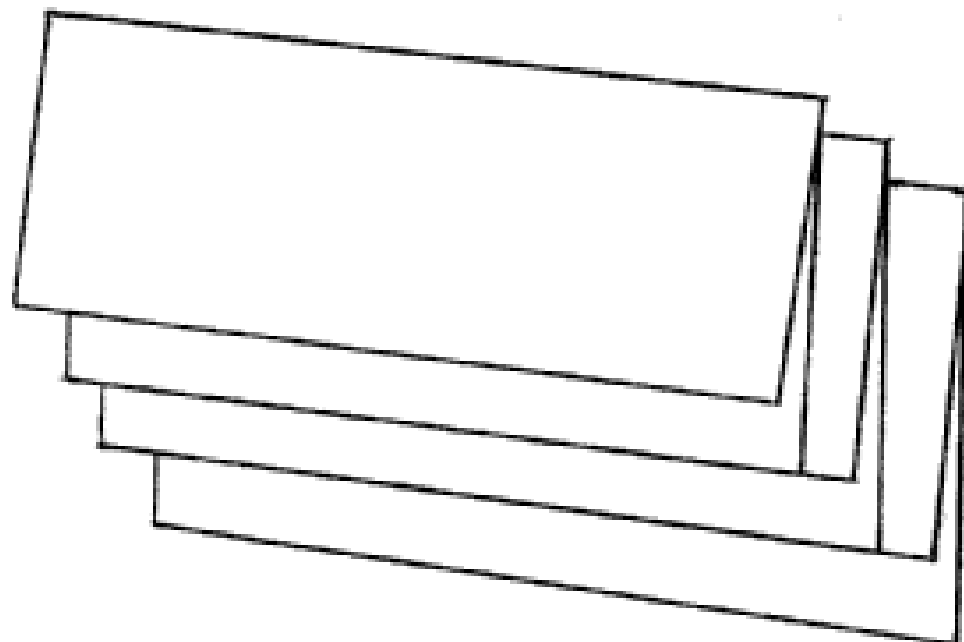
(57) Statement of Newness and Distinctiveness: **Nil**



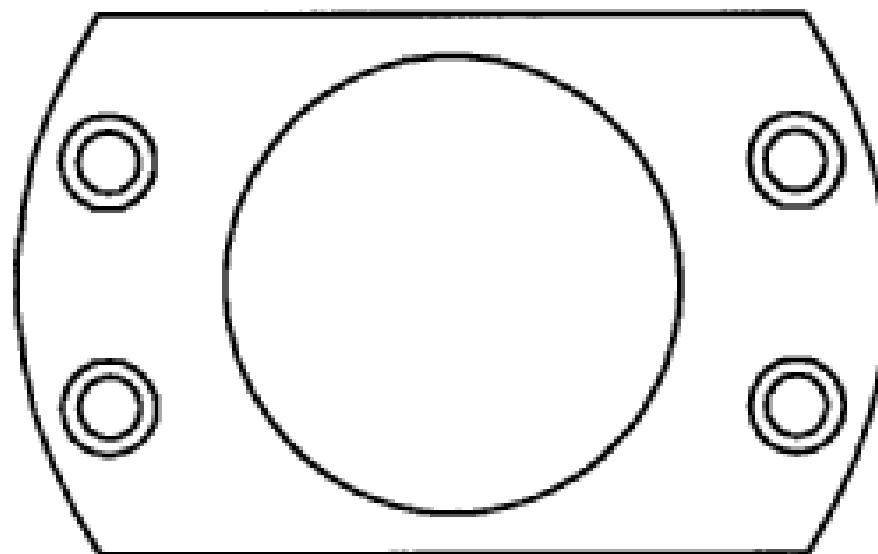
(21) Design Number: **14029/2010**
(22) Date of Filing Application: **17 September 2010**
(24) Date from which industrial property rights may have effect: **17 September 2010**
(54) Product in respect of which the design is registered: **Nipple stimulator**
(51) International Design Classification: **21-99**
(71) Name(s) and Address(s) of Applicant(s):
Derek Dickson
46 Queen Street Blackstone Queensland 4304 Australia
(72) Name(s) of Designer(s): **Derek Dickson**
(45) Registration Date: **22 October 2010**
(56) Related Art Documents: **Not Applicable**
(57) Statement of Newness and Distinctiveness: **I wish to claim the hole design as new (newness) and distinct (distinctiveness).**



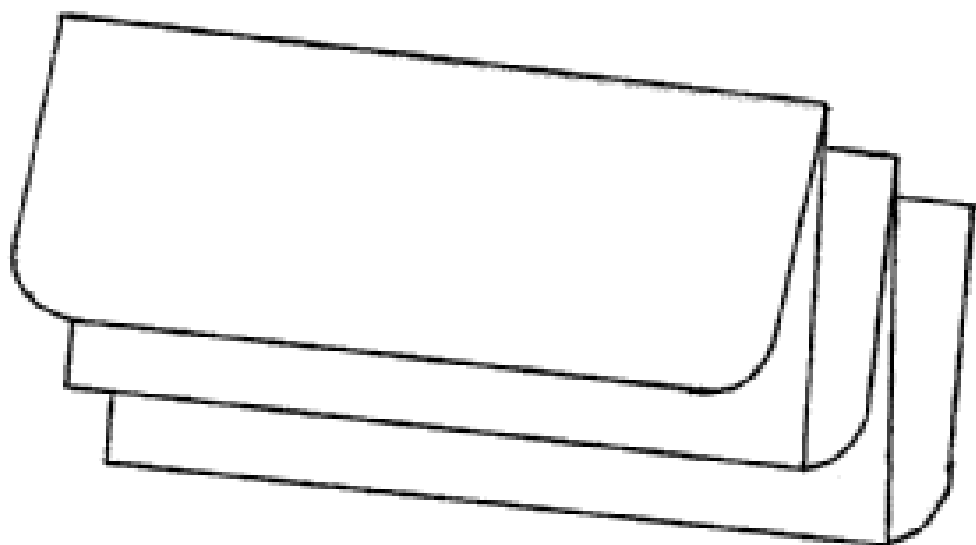
(21) Design Number: **14188/2010**
(22) Date of Filing Application: **06 October 2010**
(24) Date from which industrial property rights may have effect: **06 October 2010**
(54) Product in respect of which the design is registered: **Folding brochure**
(51) International Design Classification: **19-01**
(71) Name(s) and Address(s) of Applicant(s):
Timothy Breandan Culley
7 Laurel Avenue Chelmer Queensland 4068 Australia
(72) Name(s) of Designer(s): **Timothy Breandan Culley**
(45) Registration Date: **21 October 2010**
(56) Related Art Documents: **Not Applicable**
(57) Statement of Newness and Distinctiveness: **Nil**



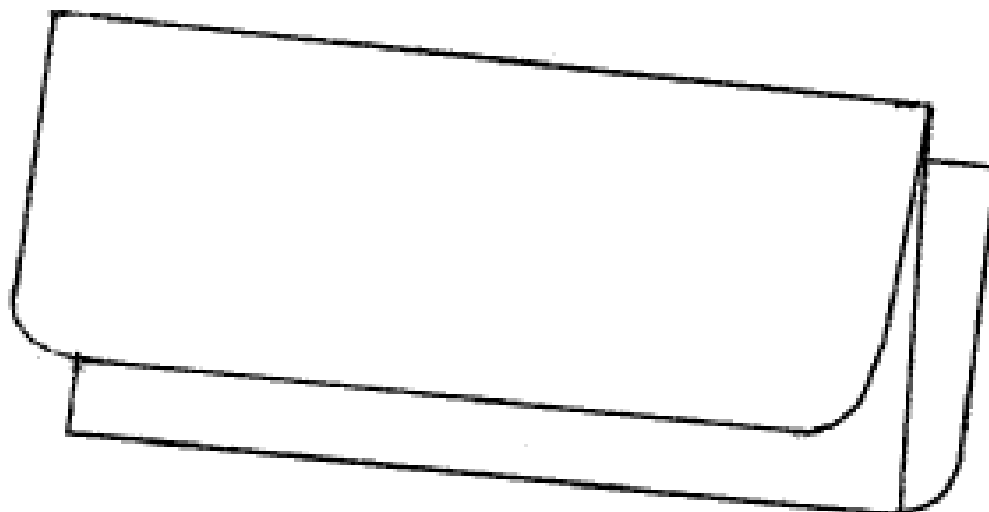
- (21) Design Number: **14200/2010**
(22) Date of Filing Application: **07 October 2010**
(24) Date from which industrial property rights may have effect: **07 October 2010**
(54) Product in respect of which the design is registered: **Wakeboard tower accessories clamp**
(51) International Design Classification: **08-08D**
(71) Name(s) and Address(s) of Applicant(s):
James Odell
Unit 25/45 Powers Road Seven Hills New South Wales 2147 Australia
(72) Name(s) of Designer(s): **James Odell**
(45) Registration Date: **21 October 2010**
(56) Related Art Documents: **Not Applicable**
(57) Statement of Newness and Distinctiveness: **The new clamp is a stylized shape with a flat surface for the logo words or symbols to be attached or engraved. The raised circle area of the clamp and hole system is discussed in my innovation patent for accessories attachment.**



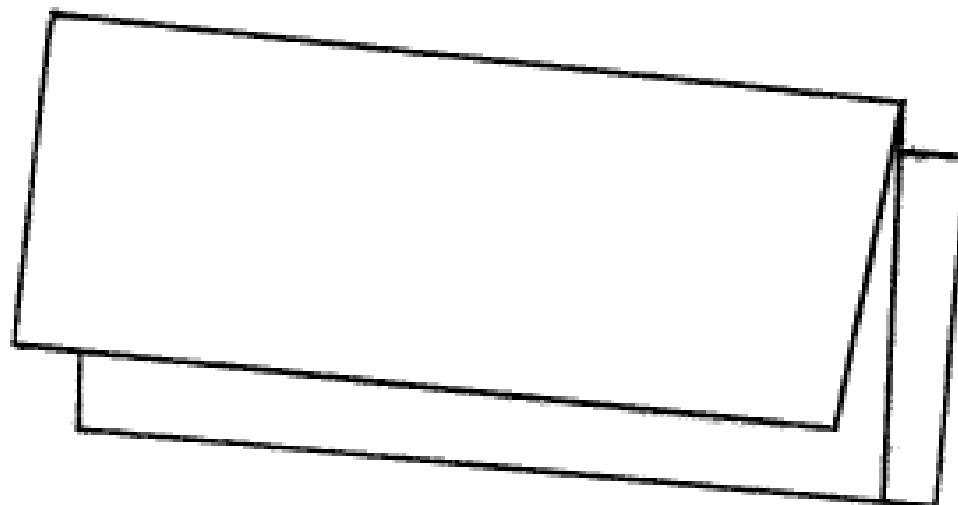
- (21) Design Number: **14241/2010**
(22) Date of Filing Application: **10 October 2010**
(24) Date from which industrial property rights may have effect: **10 October 2010**
(54) Product in respect of which the design is registered: **Folding brochure**
(51) International Design Classification: **19-01**
(71) Name(s) and Address(s) of Applicant(s):
Timothy Breandan Culley
7 Laurel Avenue Chelmer Queensland 4068 Australia
(72) Name(s) of Designer(s): **Timothy Breandan Culley**
(45) Registration Date: **21 October 2010**
(56) Related Art Documents: **Not Applicable**
(57) Statement of Newness and Distinctiveness: **Nil**



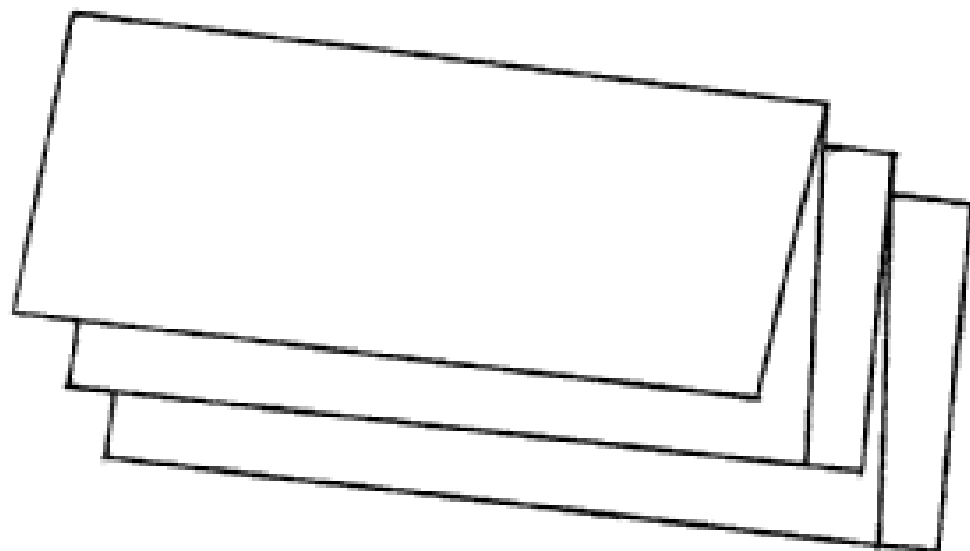
(21) Design Number: **14242/2010**
(22) Date of Filing Application: **10 October 2010**
(24) Date from which industrial property rights may have effect: **10 October 2010**
(54) Product in respect of which the design is registered: **Folding brochure**
(51) International Design Classification: **19-01**
(71) Name(s) and Address(s) of Applicant(s):
Timothy Breandan Culley
7 Laurel Avenue Chelmer Queensland 4068 Australia
(72) Name(s) of Designer(s): **Timothy Breandan Culley**
(45) Registration Date: **21 October 2010**
(56) Related Art Documents: **Not Applicable**
(57) Statement of Newness and Distinctiveness: **Nil**



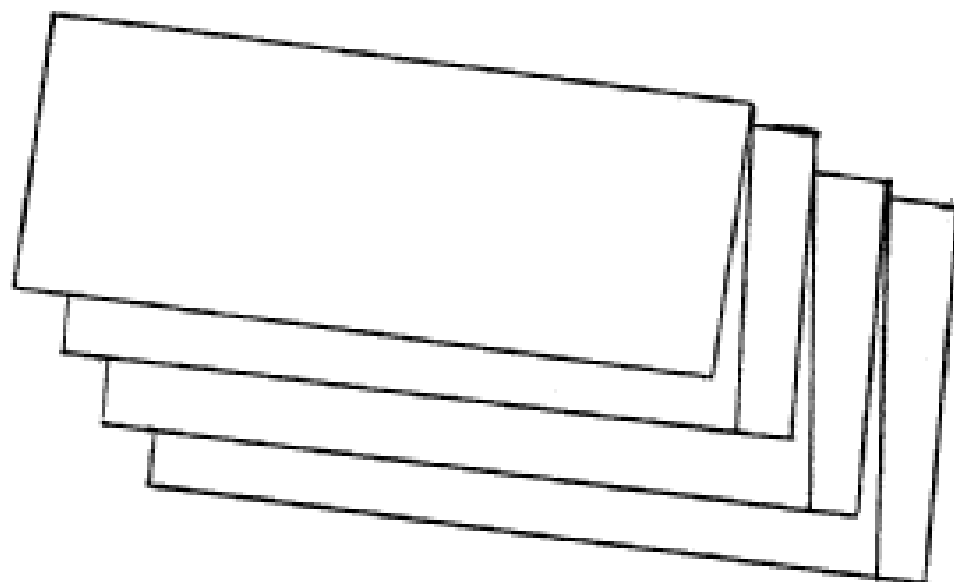
(21) Design Number: **14243/2010**
(22) Date of Filing Application: **10 October 2010**
(24) Date from which industrial property rights may have effect: **10 October 2010**
(54) Product in respect of which the design is registered: **Folding brochure**
(51) International Design Classification: **19-01**
(71) Name(s) and Address(s) of Applicant(s):
Timothy Breandan Culley
7 Laurel Avenue Chelmer Queensland 4068 Australia
(72) Name(s) of Designer(s): **Timothy Breandan Culley**
(45) Registration Date: **21 October 2010**
(56) Related Art Documents: **Not Applicable**
(57) Statement of Newness and Distinctiveness: **Nil**



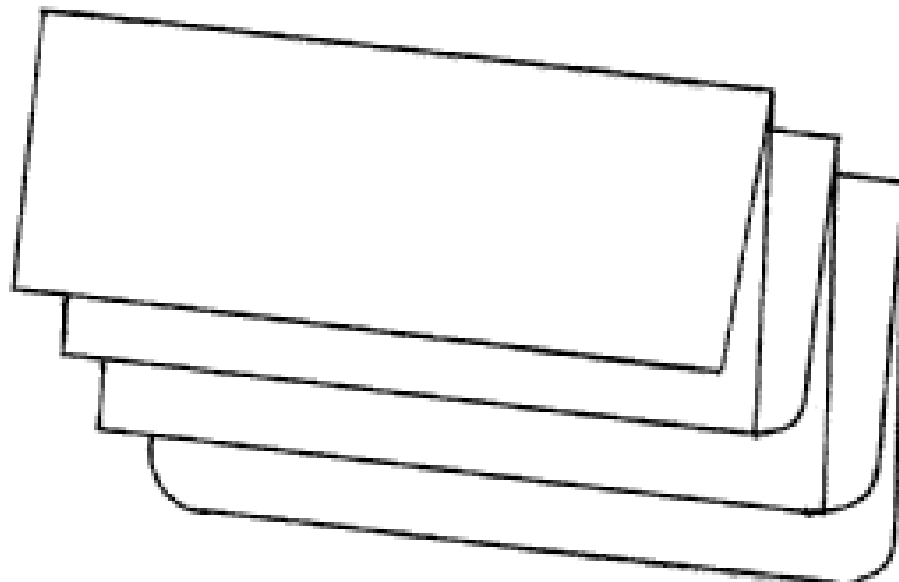
- (21) Design Number: **14244/2010**
- (22) Date of Filing Application: **10 October 2010**
- (24) Date from which industrial property rights may have effect: **10 October 2010**
- (54) Product in respect of which the design is registered: **Folding brochure**
- (51) International Design Classification: **19-01**
- (71) Name(s) and Address(s) of Applicant(s):
Timothy Breandan Culley
7 Laurel Avenue Chelmer Queensland 4068 Australia
- (72) Name(s) of Designer(s): **Timothy Breandan Culley**
- (45) Registration Date: **21 October 2010**
- (56) Related Art Documents: **Not Applicable**
- (57) Statement of Newness and Distinctiveness: **Nil**



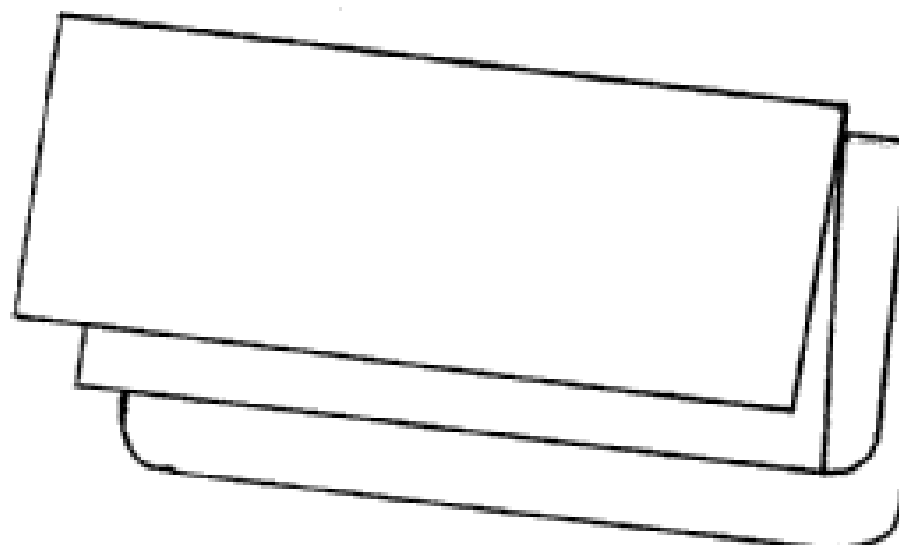
- (21) Design Number: **14245/2010**
- (22) Date of Filing Application: **10 October 2010**
- (24) Date from which industrial property rights may have effect: **10 October 2010**
- (54) Product in respect of which the design is registered: **Folding brochure**
- (51) International Design Classification: **19-01**
- (71) Name(s) and Address(s) of Applicant(s):
Timothy Breandan Culley
7 Laurel Avenue Chelmer Queensland 4068 Australia
- (72) Name(s) of Designer(s): **Timothy Breandan Culley**
- (45) Registration Date: **21 October 2010**
- (56) Related Art Documents: **Not Applicable**
- (57) Statement of Newness and Distinctiveness: **Nil**



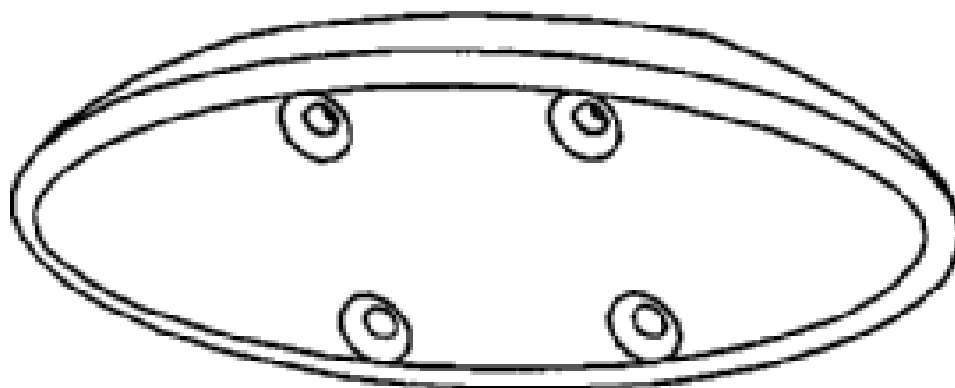
(21) Design Number: **14252/2010**
(22) Date of Filing Application: **10 October 2010**
(24) Date from which industrial property rights may have effect: **10 October 2010**
(54) Product in respect of which the design is registered: **Folding brochure**
(51) International Design Classification: **19-01**
(71) Name(s) and Address(s) of Applicant(s):
Timothy Breandan Culley
7 Laurel Avenue Chelmer Queensland 4068 Australia
(72) Name(s) of Designer(s): **Timothy Breandan Culley**
(45) Registration Date: **21 October 2010**
(56) Related Art Documents: **Not Applicable**
(57) Statement of Newness and Distinctiveness: **Nil**



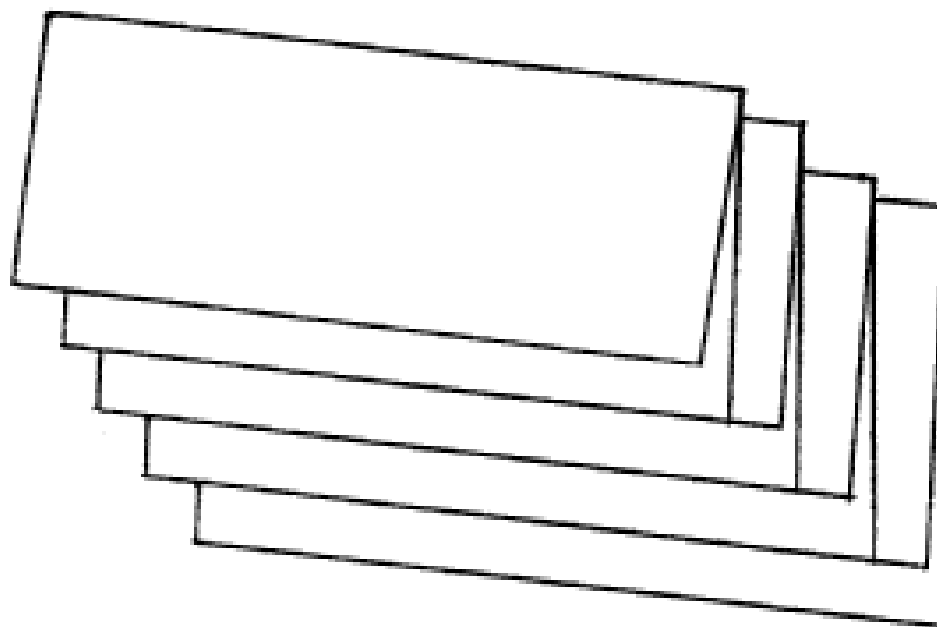
(21) Design Number: **14253/2010**
(22) Date of Filing Application: **10 October 2010**
(24) Date from which industrial property rights may have effect: **10 October 2010**
(54) Product in respect of which the design is registered: **Folding brochure**
(51) International Design Classification: **19-01**
(71) Name(s) and Address(s) of Applicant(s):
Timothy Breandan Culley
7 Laurel Avenue Chelmer Queensland 4068 Australia
(72) Name(s) of Designer(s): **Timothy Breandan Culley**
(45) Registration Date: **21 October 2010**
(56) Related Art Documents: **Not Applicable**
(57) Statement of Newness and Distinctiveness: **Nil**



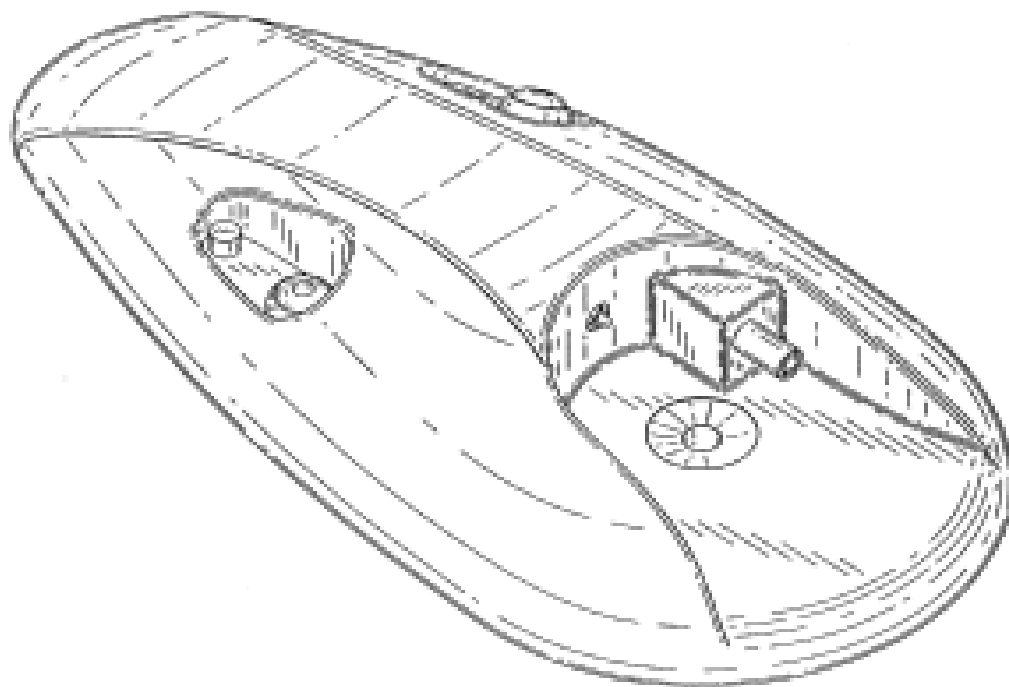
- (21) Design Number: **14313/2010**
(22) Date of Filing Application: **30 September 2010**
(24) Date from which industrial property rights may have effect: **30 September 2010**
(54) Product in respect of which the design is registered: **Badge for wakeboard tower, bimini tops, wake accessories boating accessories**
(51) International Design Classification: **11-03**
(71) Name(s) and Address(s) of Applicant(s):
James Odell
Unit 25/45 Powers Road Seven Hills New South Wales 2147 Australia
(72) Name(s) of Designer(s): **James Odell**
(45) Registration Date: **21 October 2010**
(56) Related Art Documents: **Not Applicable**
(57) Statement of Newness and Distinctiveness: **The new badge is a stylized shape of an oval with engraved edge and engraved words or symbols on the face of the badge plate area see example in drawing. The badge is shaped to the contour of a tube so it can be attached by screws or bolts to a tube. The badge can be attached to accessories such as wakeboard towers, bimini frames for boats and boating accessories or tubes frames. The design can be made out of aluminium, stainless steel, or moulded plastic.**



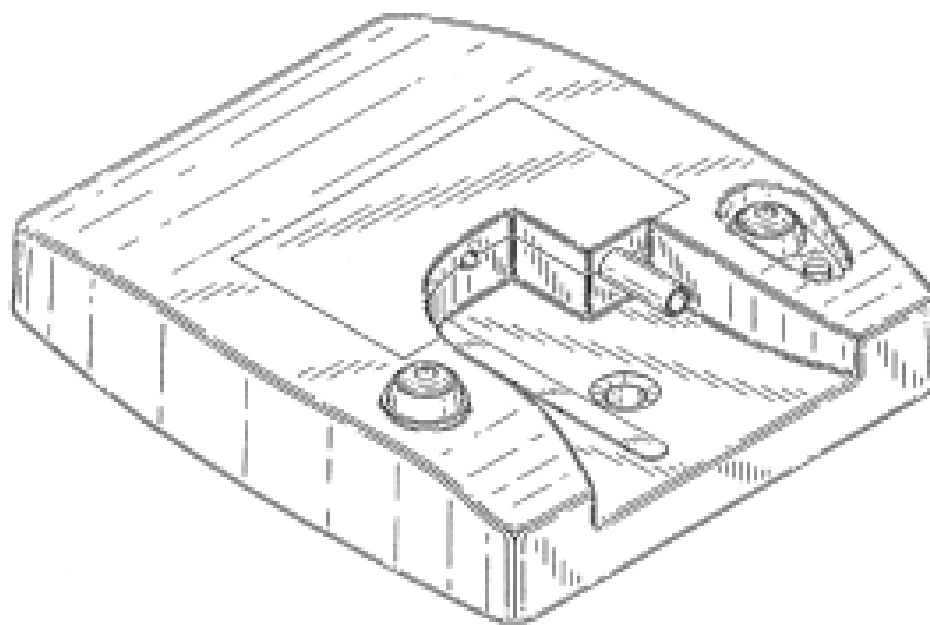
- (21) Design Number: **14391/2010**
(22) Date of Filing Application: **11 October 2010**
(24) Date from which industrial property rights may have effect: **11 October 2010**
(54) Product in respect of which the design is registered: **Folding brochure**
(51) International Design Classification: **19-01**
(71) Name(s) and Address(s) of Applicant(s):
Timothy Breandan Culley
7 Laurel Avenue Chelmer Queensland 4068 Australia
(72) Name(s) of Designer(s): **Timothy Breandan Culley**
(45) Registration Date: **21 October 2010**
(56) Related Art Documents: **Not Applicable**
(57) Statement of Newness and Distinctiveness: **Nil**



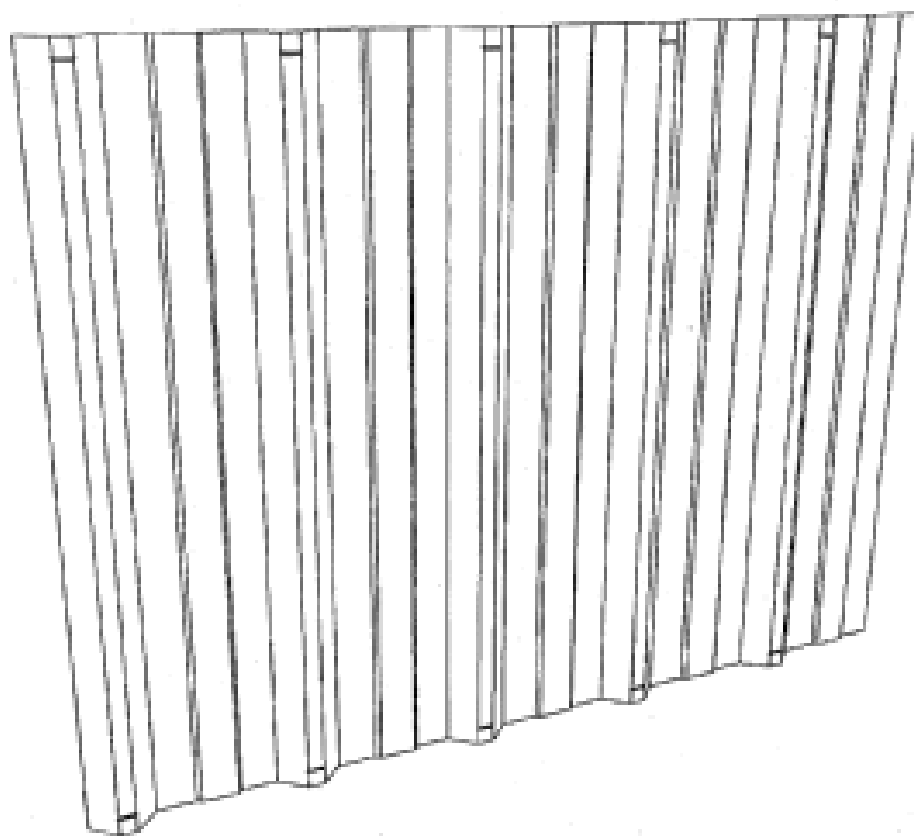
- (21) Design Number: **14175/2010**
(22) Date of Filing Application: **25 August 2010**
(24) Date from which industrial property rights may have effect: **25 August 2010**
(54) Product in respect of which the design is registered: **Dispenser**
(51) International Design Classification: **31-00**
(71) Name(s) and Address(s) of Applicant(s):
Manitowoc Beverage Systems Ltd
Chancel Way Halesowen Industrial Park West Midlands B62 8SE
United Kingdom
(72) Name(s) of Designer(s): **Barry Fallon and Paul Hanniffy**
(45) Registration Date: **25 October 2010**
(30) Convention priority data:
(31) Number (32) Date (33) Country
29/356,560 26 Feb 2010 UNITED STATES OF AMERICA
(56) Related Art Documents: **Not Applicable**
(57) Statement of Newness and Distinctiveness: **The newness and distinctiveness of the design resides in the visual features of shape and/or configuration of a dispenser as shown in the accompanying representations.**



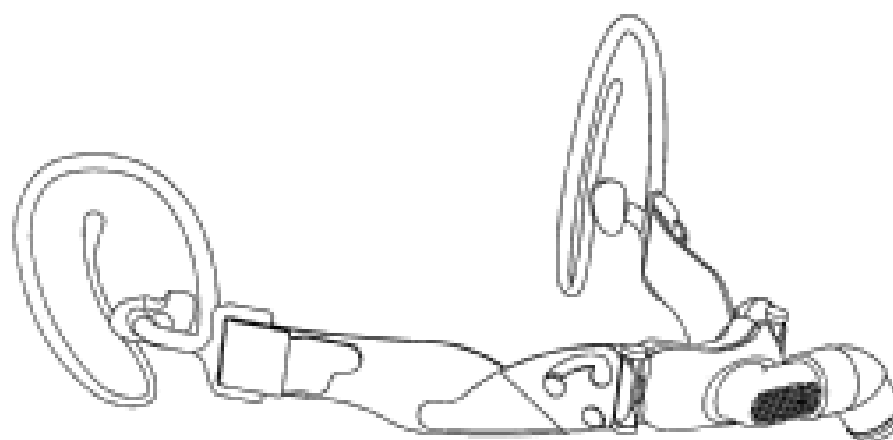
- (21) Design Number: **13651/2010**
(22) Date of Filing Application: **25 August 2010**
(24) Date from which industrial property rights may have effect: **25 August 2010**
(54) Product in respect of which the design is registered: **Dispenser**
(51) International Design Classification: **31-00**
(71) Name(s) and Address(s) of Applicant(s):
Manitowoc Beverage Systems Ltd
Chancel Way Halesowen Industrial Park West Midlands B62 8SE
United Kingdom
(72) Name(s) of Designer(s): **Barry Fallon and Paul Hanniffy**
(45) Registration Date: **25 October 2010**
(30) Convention priority data:
(31) Number (32) Date (33) Country
29/356,560 26 Feb 2010 UNITED STATES OF AMERICA
(56) Related Art Documents: **Not Applicable**
(57) Statement of Newness and Distinctiveness: **The newness and distinctiveness of the design resides in the visual features of shape and/or configuration of a dispenser as shown in the accompanying representations.**



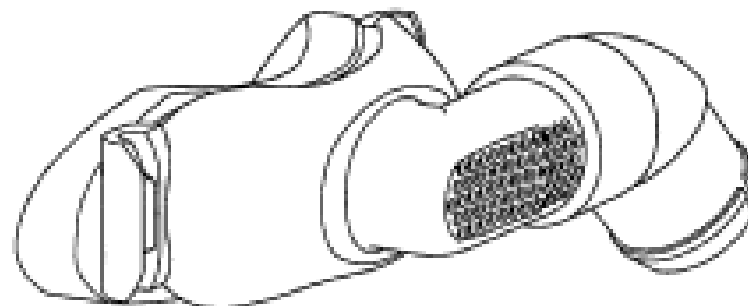
- (21) Design Number: **13765/2010**
(22) Date of Filing Application: **30 August 2010**
(24) Date from which industrial property rights may have effect: **30 August 2010**
(54) Product in respect of which the design is registered: **Profiled fence panel including ridge locking apertures**
(51) International Design Classification: **25-02C**
(71) Name(s) and Address(s) of Applicant(s):
Fielders Australia Pty Ltd
15 Railway Terrace Mile End South Australia 5031 Australia
(72) Name(s) of Designer(s): **Kevin Blaik**
(45) Registration Date: **25 October 2010**
(56) Related Art Documents: **Not Applicable**
(57) Statement of Newness and Distinctiveness: **Newness and distinctiveness is claimed in the shape and configuration of the fence panel as depicted in full lines in the accompanying representations. Particular emphasis is placed on the apertures adjacent to the top and bottom edge of the fence panel. One representation depicts the fence panel engaged with fence rails shown in dashed lines, the fence rails do not form part of the design.**



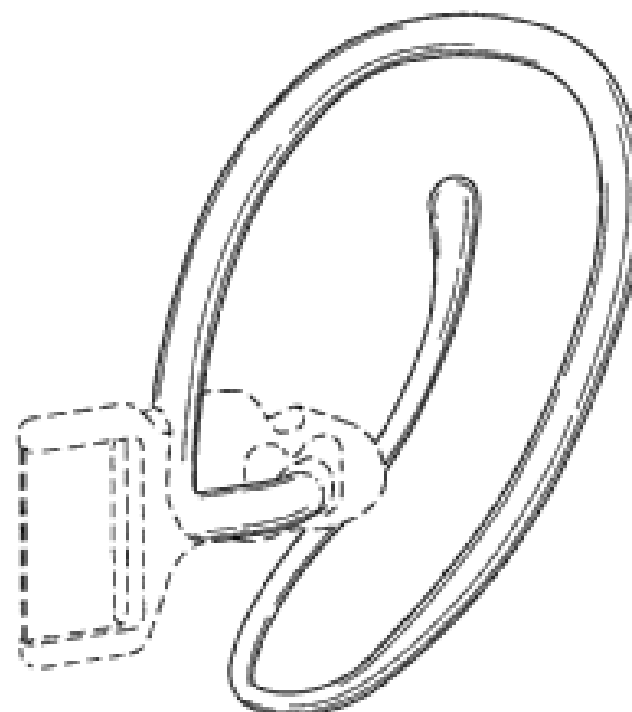
- (21) Design Number: **13950/2010**
(22) Date of Filing Application: **10 September 2010**
(24) Date from which industrial property rights may have effect: **10 September 2010**
(54) Product in respect of which the design is registered: **Mask for respirator**
(51) International Design Classification: **24-01**
(71) Name(s) and Address(s) of Applicant(s):
Teijin Pharma Limited
2-1 Kasumigaseki 3-chome Chiyoda-ku Tokyo 100-0013 Japan
(72) Name(s) of Designer(s): **Keiko Omura and Shinya Fujimoto and Akito Nishijima**
(45) Registration Date: **25 October 2010**
(30) Convention priority data:
(31) Number (32) Date (33) Country
2010-006121 12 Mar 2010 JAPAN
(56) Related Art Documents: **Not Applicable**
(57) Statement of Newness and Distinctiveness: **Nil**



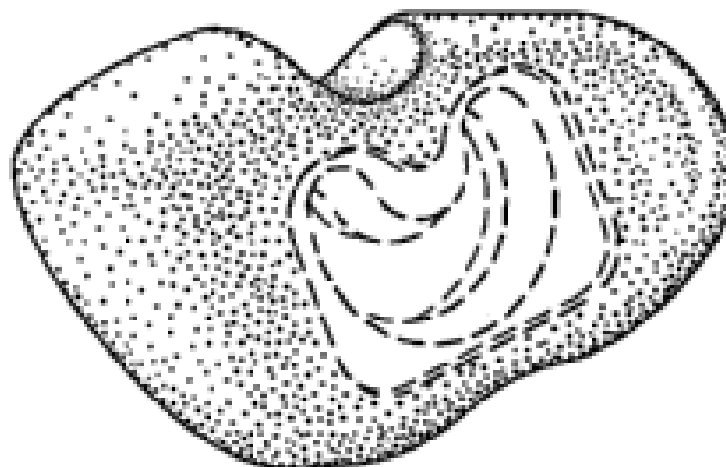
(21) Design Number: **13951/2010**
(22) Date of Filing Application: **10 September 2010**
(24) Date from which industrial property rights may have effect: **10 September 2010**
(54) Product in respect of which the design is registered: **Mask body for respirator**
(51) International Design Classification: **24-01**
(71) Name(s) and Address(s) of Applicant(s):
Teijin Pharma Limited
2-1 Kasumigaseki 3-chome Chiyoda-ku Tokyo 100-0013 Japan
(72) Name(s) of Designer(s): **Keiko Omura and Shinya Fujimoto and Akito Nishijima**
(45) Registration Date: **25 October 2010**
(30) Convention priority data:
(31) Number (32) Date (33) Country
2010-006148 12 Mar 2010 JAPAN
(56) Related Art Documents: **Not Applicable**
(57) Statement of Newness and Distinctiveness: **Nil**



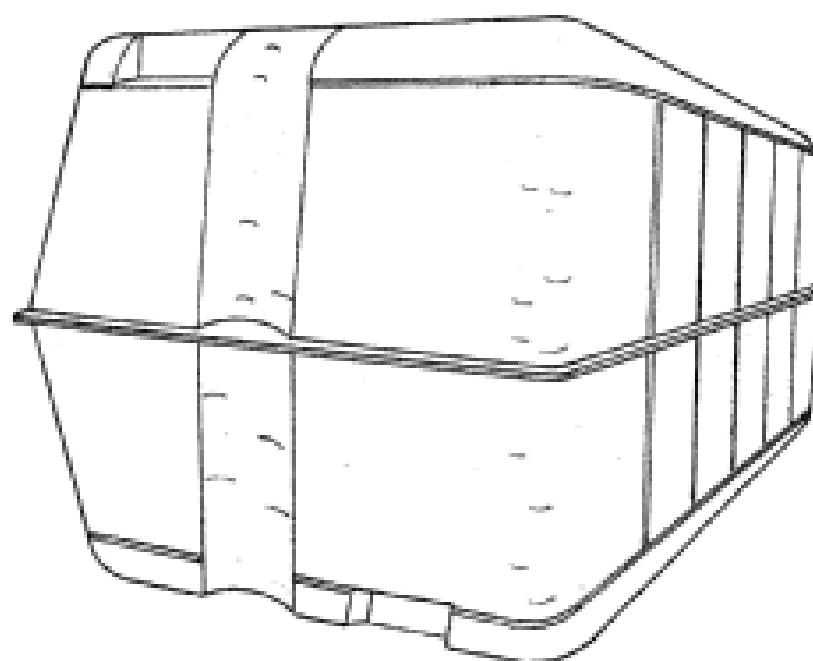
(21) Design Number: **13952/2010**
(22) Date of Filing Application: **10 September 2010**
(24) Date from which industrial property rights may have effect: **10 September 2010**
(54) Product in respect of which the design is registered: **Ear hook for respiratory mask**
(51) International Design Classification: **24-01**
(71) Name(s) and Address(s) of Applicant(s):
Teijin Pharma Limited
2-1 Kasumigaseki 3-chome Chiyoda-ku Tokyo 100-0013 Japan
(72) Name(s) of Designer(s): **Keiko Omura and Shinya Fujimoto and Akito Nishijima**
(45) Registration Date: **25 October 2010**
(30) Convention priority data:
(31) Number (32) Date (33) Country
2010-006170 12 Mar 2010 JAPAN
(56) Related Art Documents: **Not Applicable**
(57) Statement of Newness and Distinctiveness: **Newness and distinctiveness is claimed in the visual features shown in solid lines in the representations.**



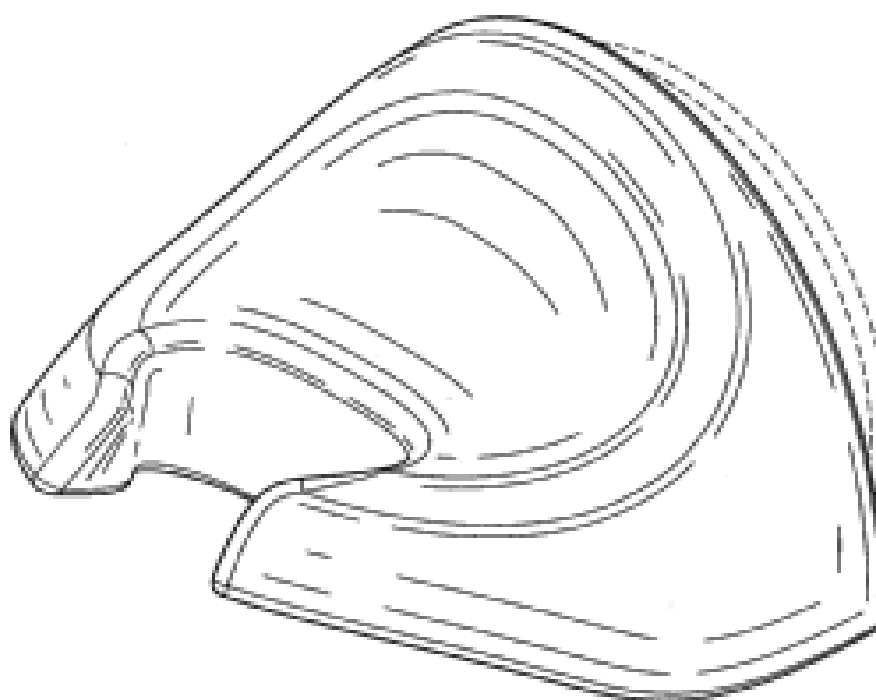
- (21) Design Number: **13953/2010**
(22) Date of Filing Application: **10 September 2010**
(24) Date from which industrial property rights may have effect: **10 September 2010**
(54) Product in respect of which the design is registered: **Ear plug for respiratory mask**
(51) International Design Classification: **24-01**
(71) Name(s) and Address(s) of Applicant(s):
Teijin Pharma Limited
2-1 Kasumigaseki 3-chome Chiyoda-ku Tokyo 100-0013 Japan
(72) Name(s) of Designer(s): **Keiko Omura and Shinya Fujimoto and Akito Nishijima**
(45) Registration Date: **25 October 2010**
(30) Convention priority data:
(31) Number (32) Date (33) Country
2010-006129 12 Mar 2010 JAPAN
(56) Related Art Documents: **Not Applicable**
(57) Statement of Newness and Distinctiveness: **Newness and distinctiveness is claimed in the visual features shown in solid lines in the representations.**



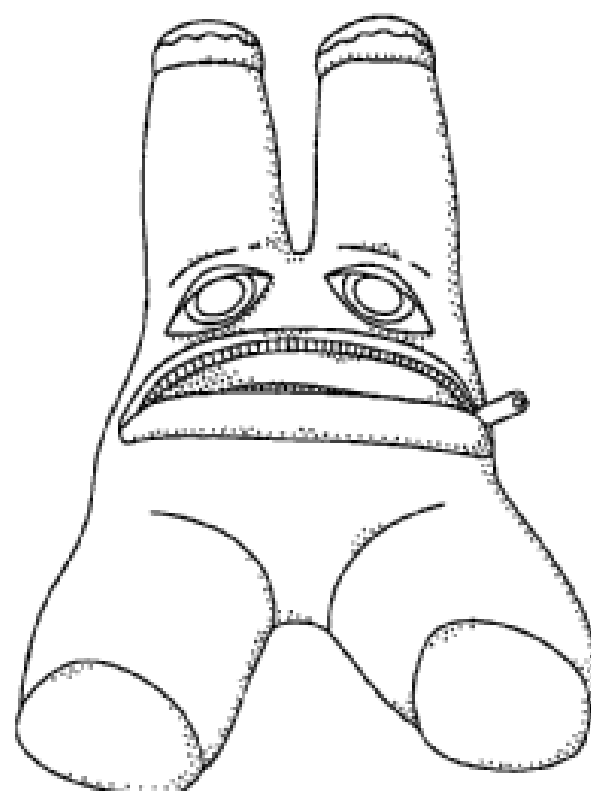
- (21) Design Number: **14091/2010**
(22) Date of Filing Application: **23 September 2010**
(24) Date from which industrial property rights may have effect: **23 September 2010**
(54) Product in respect of which the design is registered: **Bulk liquid storage tank**
(51) International Design Classification: **09-02A**
(71) Name(s) and Address(s) of Applicant(s):
Richard Johannes Cornelis Huisman
35 Highgrove Close Chambers Flat Queensland 4133 Australia
(72) Name(s) of Designer(s): **Richard Johannes Cornelis Huisman**
(45) Registration Date: **25 October 2010**
(56) Related Art Documents: **Not Applicable**
(57) Statement of Newness and Distinctiveness: **Newness and distinctiveness is claimed in the shape and configuration of a bulk liquid storage tank, as shown in the accompanying drawn representations.**



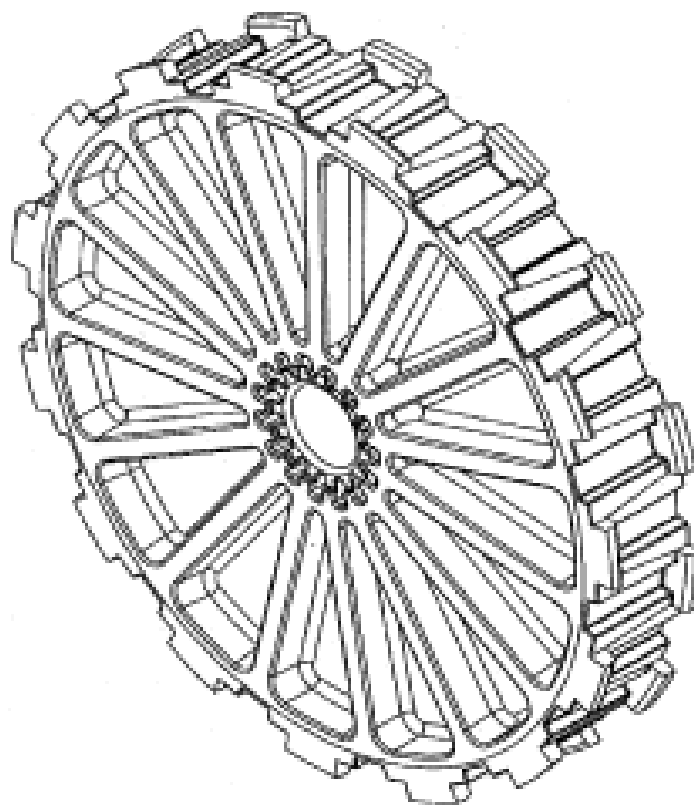
(21) Design Number: **14154/2010**
 (22) Date of Filing Application: **24 September 2010**
 (24) Date from which industrial property rights may have effect: **24 September 2010**
 (54) Product in respect of which the design is registered: **Razor hanger**
 (51) International Design Classification: **28-03A**
 (71) Name(s) and Address(s) of Applicant(s):
The Gillette Company
Prudential Tower Building Boston Massachusetts 02119 United States of America
 (72) Name(s) of Designer(s): **Kristopher William Schulz and Jennifer Ruth Kinard and Andrew Anthony Szczepanowski**
 (45) Registration Date: **25 October 2010**
 (30) Convention priority data:
 (31) Number (32) Date (33) Country
29/358,530 29 Mar 2010 UNITED STATES OF AMERICA
 (56) Related Art Documents: **Not Applicable**
 (57) Statement of Newness and Distinctiveness: **Those features of the razor hanger depicted in the representations that are new and distinctive are the shape and/or configuration. The feature shown in broken line is not part of the design and is to be disregarded when considering the overall impression of the design.**



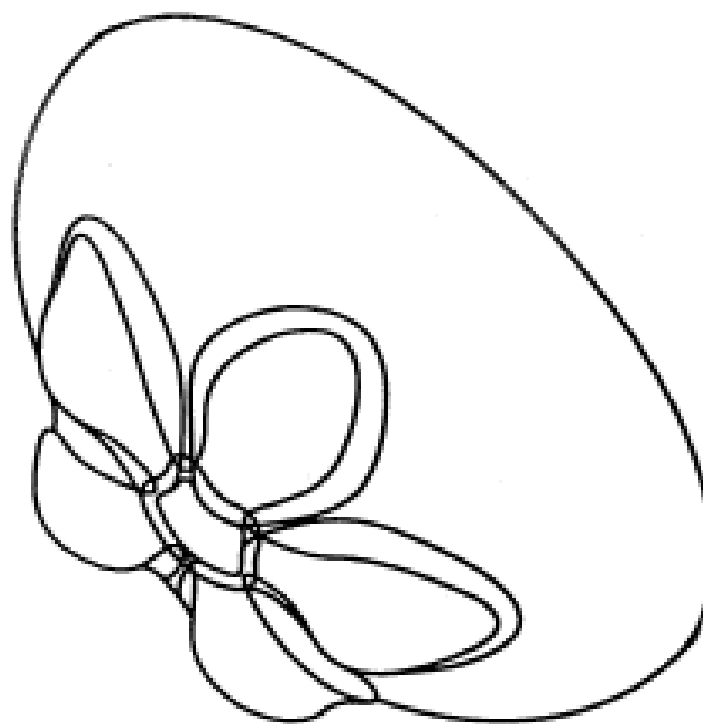
(21) Design Number: **14155/2010**
 (22) Date of Filing Application: **28 September 2010**
 (24) Date from which industrial property rights may have effect: **28 September 2010**
 (54) Product in respect of which the design is registered: **Doll**
 (51) International Design Classification: **21-01NES**
 (71) Name(s) and Address(s) of Applicant(s):
The Children's Hospital of Philadelphia
34th Street and Civic Center Boulevard Philadelphia PA 19104 United States of America
 (72) Name(s) of Designer(s): **Meghan L. Marsac and Anne Marie Vinsel**
 (45) Registration Date: **25 October 2010**
 (30) Convention priority data:
 (31) Number (32) Date (33) Country
29/358859 01 Apr 2010 UNITED STATES OF AMERICA
 (56) Related Art Documents: **Not Applicable**
 (57) Statement of Newness and Distinctiveness: **Newness and distinctiveness resides in the usual features of the DOLL as shown in solid line in the accompanying drawings. When determining whether the DOLL design is substantially similar in overall impression to another design, no particular regard is to be had to those features shown in the dotted shading in the accompanying drawings.**



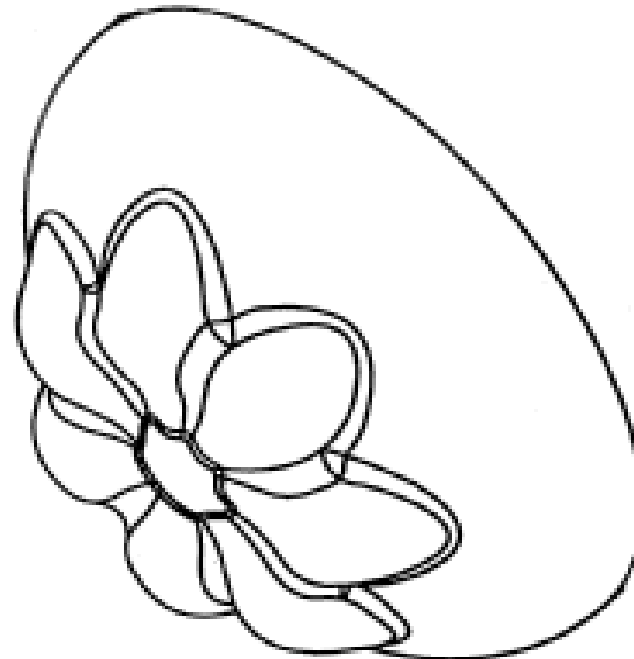
- (21) Design Number: **14156/2010**
(22) Date of Filing Application: **28 September 2010**
(24) Date from which industrial property rights may have effect: **28 September 2010**
(54) Product in respect of which the design is registered: **Mek drive wheel**
(51) International Design Classification: **15-99**
(71) Name(s) and Address(s) of Applicant(s):
Glidestore Freetrack Pty Ltd
48 Fullarton Road Norwood South Australia 5067 Australia
(72) Name(s) of Designer(s): **Brian Parker and Andrew Stevens**
(45) Registration Date: **25 October 2010**
(56) Related Art Documents: **Not Applicable**
(57) Statement of Newness and Distinctiveness: **Newness and distinctiveness is claimed in the shape and configuration of the wheel as depicted in the accompanying representations. Particular emphasis is placed on the segmented flanges.**



- (21) Design Number: **14167/2010**
(22) Date of Filing Application: **24 September 2010**
(24) Date from which industrial property rights may have effect: **24 September 2010**
(54) Product in respect of which the design is registered: **A base for a beverage container**
(51) International Design Classification: **07-01NES**
(71) Name(s) and Address(s) of Applicant(s):
Petainer Lidkoping AB
Box 902 SE-53119 Lidkoping Sweden
(72) Name(s) of Designer(s): **Mikael Quasters**
(45) Registration Date: **25 October 2010**
(30) Convention priority data:
(31) Number (32) Date (33) Country
001691171-0001 06 Apr 2010 EUROPEAN COMMUNITY
(56) Related Art Documents: **Not Applicable**
(57) Statement of Newness and Distinctiveness: **Nil**



(21) Design Number: **14168/2010**
(22) Date of Filing Application: **24 September 2010**
(24) Date from which industrial property rights may have effect: **24 September 2010**
(54) Product in respect of which the design is registered: **A base for a beverage container**
(51) International Design Classification: **07-01NES**
(71) Name(s) and Address(s) of Applicant(s):
Petainer Lidköping AB
Box 902 SE-53119 Lidköping Sweden
(72) Name(s) of Designer(s): **Mikael Quasters**
(45) Registration Date: **25 October 2010**
(30) Convention priority data:
(31) Number (32) Date (33) Country
001691171-0002 06 Apr 2010 EUROPEAN COMMUNITY
(56) Related Art Documents: **Not Applicable**
(57) Statement of Newness and Distinctiveness: **Nil**



(21) Design Number: **14170/2010**
(22) Date of Filing Application: **28 September 2010**
(24) Date from which industrial property rights may have effect: **28 September 2010**
(54) Product in respect of which the design is registered: **Air ram intake for a vehicle**
(51) International Design Classification: **12-16NES**
(71) Name(s) and Address(s) of Applicant(s):
Australian Performance Development Pty Ltd
73 Merrindale Drive South Croydon Victoria 3136 Australia
(72) Name(s) of Designer(s): **Peter Luxon and Manvir Randhawa**
(45) Registration Date: **25 October 2010**
(56) Related Art Documents: **Not Applicable**
(57) Statement of Newness and Distinctiveness: **Newness and Distinctiveness is claimed in the features of shape and/or configuration of an air ram intake for a vehicle as illustrated in the accompanying representations.**



(21) Design Number: **14227/2010**

(22) Date of Filing Application: **08 October 2010**

(24) Date from which industrial property rights may have effect: **08 October 2010**

(54) Product in respect of which the design is registered: **Table with seat**

(51) International Design Classification: **06-05**

(71) Name(s) and Address(s) of Applicant(s):

**Keter Plastic Ltd.
2 Sapir Street 46852 Herzlia Israel**

(72) Name(s) of Designer(s): **Hadas Arnon**

(45) Registration Date: **25 October 2010**

(30) Convention priority data:

(31) Number	(32) Date	(33) Country
49258	08 Apr 2010	ISRAEL

(56) Related Art Documents: **Not Applicable**

(57) Statement of Newness and Distinctiveness: **Newness and distinctiveness resides in the features of shape and/or configuration of a TABLE WITH SEAT as illustrated in the accompanying representations.**



(21) Design Number: **14275/2010**

(22) Date of Filing Application: **29 September 2010**

(24) Date from which industrial property rights may have effect: **29 September 2010**

(54) Product in respect of which the design is registered: **Induction heating cooker**

(51) International Design Classification: **07-02C**

(71) Name(s) and Address(s) of Applicant(s):

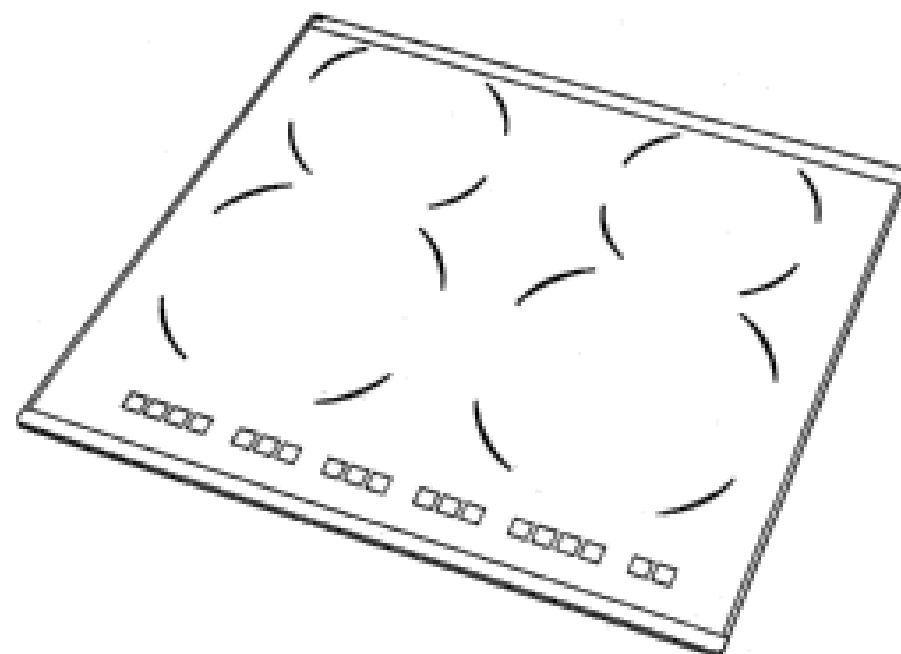
**Panasonic Corporation
1006 Oaza Kadoma Kadoma-shi Osaka 571-8501 Japan**

(72) Name(s) of Designer(s): **Masaaki Kotoku and Tadaatsu Kawano and Hiroyuki Tanaka**

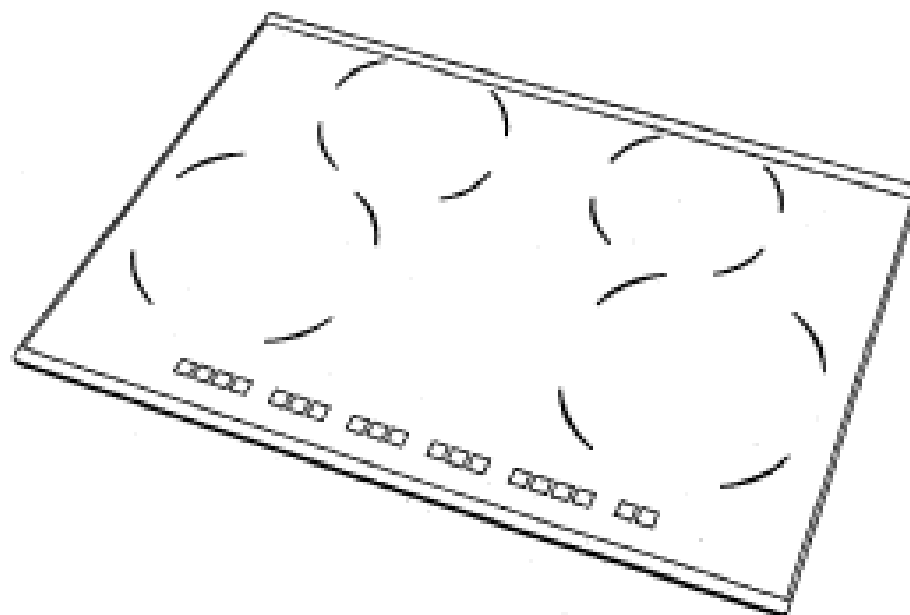
(45) Registration Date: **25 October 2010**

(56) Related Art Documents: **Not Applicable**

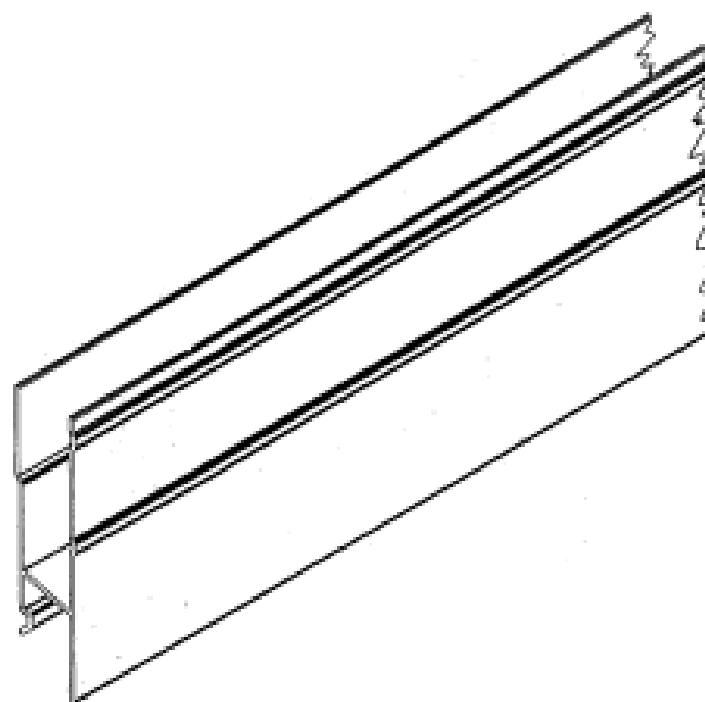
(57) Statement of Newness and Distinctiveness: **Newness and distinctiveness is claimed in the features of shape and/or configuration of an induction heating cooker as illustrated in the accompanying representations.**



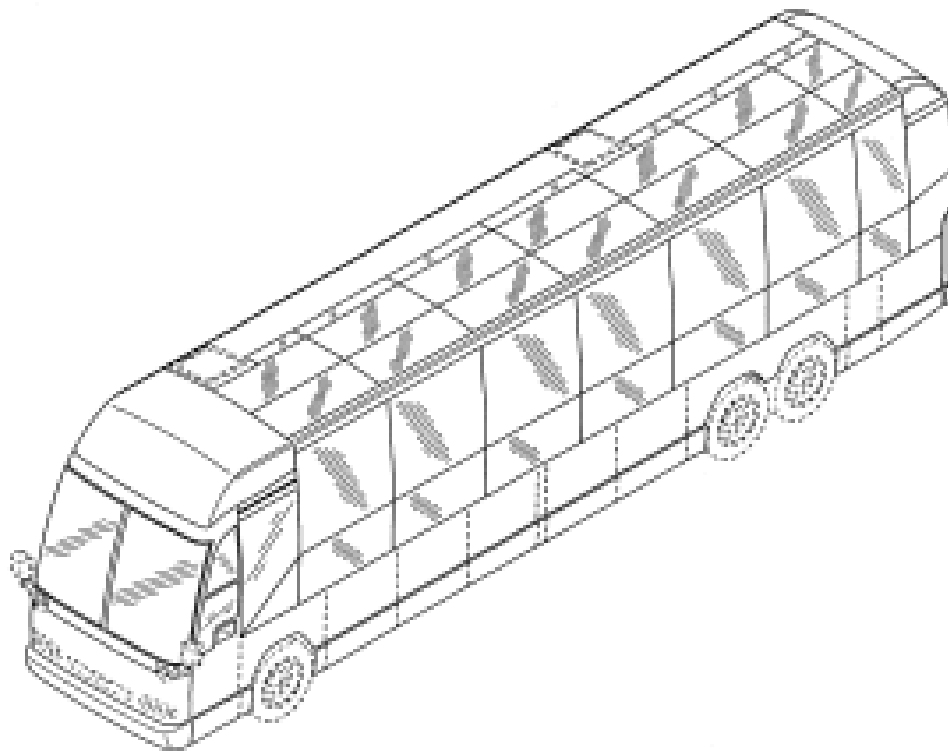
- (21) Design Number: **14276/2010**
(22) Date of Filing Application: **29 September 2010**
(24) Date from which industrial property rights may have effect: **29 September 2010**
(54) Product in respect of which the design is registered: **Induction heating cooker**
(51) International Design Classification: **07-02C**
(71) Name(s) and Address(s) of Applicant(s):
Panasonic Corporation
1006 Oaza Kadoma Kadoma-shi Osaka 571-8501 Japan
(72) Name(s) of Designer(s): **Masaaki Kotoku and Tadaatsu Kawano and Hiroyuki Tanaka**
(45) Registration Date: **25 October 2010**
(56) Related Art Documents: **Not Applicable**
(57) Statement of Newness and Distinctiveness: **Newness and distinctiveness is claimed in the features of shape and/or configuration of an induction heating cooker as illustrated in the accompanying representations.**



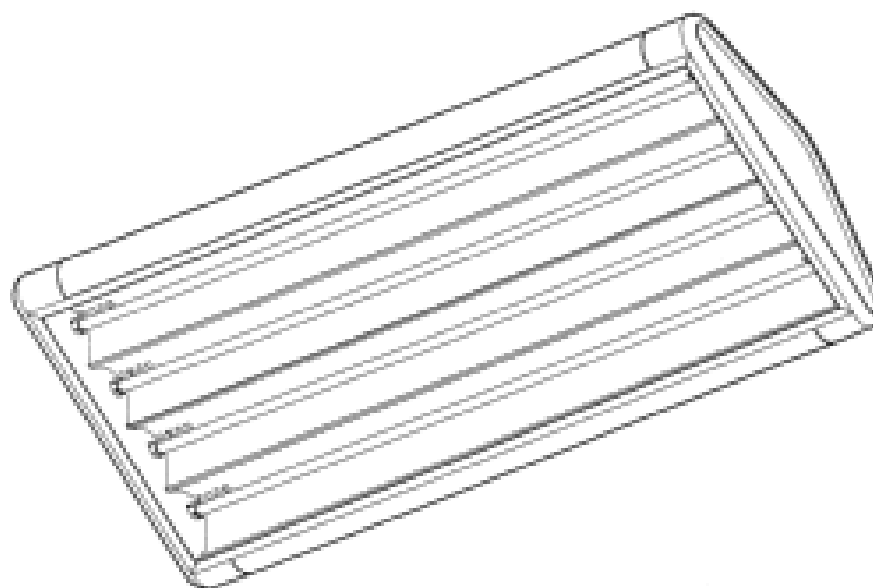
- (21) Design Number: **14355/2010**
(22) Date of Filing Application: **01 October 2010**
(24) Date from which industrial property rights may have effect: **01 October 2010**
(54) Product in respect of which the design is registered: **A section for shelving**
(51) International Design Classification: **06-04NES**
(71) Name(s) and Address(s) of Applicant(s):
E Clarkson & Co Pty Ltd
1/224 Princes Highway Dandenong Victoria 3175 Australia
(72) Name(s) of Designer(s): **Brad Marshall**
(45) Registration Date: **25 October 2010**
(56) Related Art Documents: **Not Applicable**
(57) Statement of Newness and Distinctiveness: **The design is a section of constant cross section and of indefinite length. The newness of the design resides in the length and slope of the web portion which links the two flange portions of the section.**



- (21) Design Number: **12395/2010**
(22) Date of Filing Application: **11 June 2010**
(24) Date from which industrial property rights may have effect: **11 June 2010**
(54) Product in respect of which the design is registered: **A bus**
(51) International Design Classification: **12-08**
(71) Name(s) and Address(s) of Applicant(s):
The Ride, Inc
PO Box 250844 New York, New York 10025 United States of America
(72) Name(s) of Designer(s): **Michael R. Counts**
(45) Registration Date: **25 October 2010**
(30) Convention priority data:
(31) Number (32) Date (33) Country
29/351,899 14 Dec 2009 UNITED STATES OF AMERICA
(56) Related Art Documents: **Not Applicable**
(57) Statement of Newness and Distinctiveness: **Newness and distinctiveness is claimed in respect of the shape and/or configuration of the product illustrated in Figs. 1-5 of the accompanying representations and a mirror image thereof along the longitudinal axis of the bus. In carrying out a consideration in accordance with Section 19 the shape and/or configuration of the bus components illustrated in broken lines in the representations are not to be considered either new or distinctive and do not form part of the design.**



- (21) Design Number: **13381/2010**
(22) Date of Filing Application: **09 August 2010**
(24) Date from which industrial property rights may have effect: **09 August 2010**
(54) Product in respect of which the design is registered: **Luminaire**
(51) International Design Classification: **26-05A**
(71) Name(s) and Address(s) of Applicant(s):
Koninklijke Philips Electronics N.V.
Groenewoudseweg 1 5621 BA Eindhoven The Netherlands
(72) Name(s) of Designer(s): **Jin-Young Song and Kent Li**
(45) Registration Date: **25 October 2010**
(30) Convention priority data:
(31) Number (32) Date (33) Country
001670100-0002 15 Feb 2010 EUROPEAN COMMUNITY
(56) Related Art Documents: **Not Applicable**
(57) Statement of Newness and Distinctiveness: **Newness and distinctiveness reside in the features of shape and configuration of the design as shown in the representations.**



(21) Design Number: **13382/2010**

(22) Date of Filing Application: **09 August 2010**

(24) Date from which industrial property rights may have effect: **09 August 2010**

(54) Product in respect of which the design is registered: **Luminaire**

(51) International Design Classification: **26-05A**

(71) Name(s) and Address(s) of Applicant(s):

**Koninklijke Philips Electronics N.V.
Groenewoudseweg 1 5621 BA Eindhoven The Netherlands**

(72) Name(s) of Designer(s): **Jin-Young Song and Kent Li**

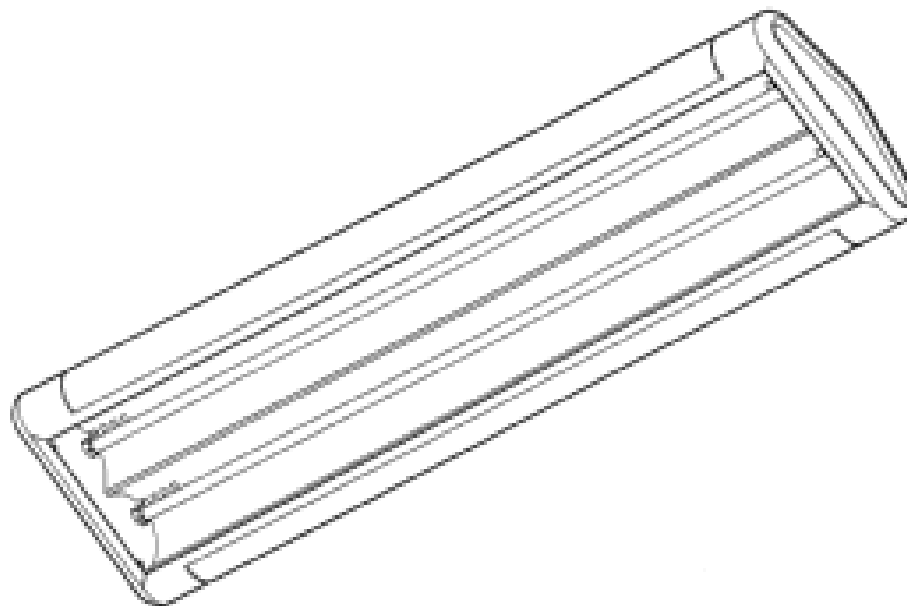
(45) Registration Date: **25 October 2010**

(30) Convention priority data:

(31) Number	(32) Date	(33) Country
001670100-0001	15 Feb 2010	EUROPEAN COMMUNITY

(56) Related Art Documents: **Not Applicable**

(57) Statement of Newness and Distinctiveness: **Newness and distinctiveness reside in the features of shape and configuration of the design as shown in the representations.**



(21) Design Number: **13492/2010**

(22) Date of Filing Application: **11 August 2010**

(24) Date from which industrial property rights may have effect: **11 August 2010**

(54) Product in respect of which the design is registered: **Battery clamp assembly**

(51) International Design Classification: **13-03B**

(71) Name(s) and Address(s) of Applicant(s):

**Barry Thomson Bowater
11 Atkinson Close Sunbury Victoria 3429 Australia**

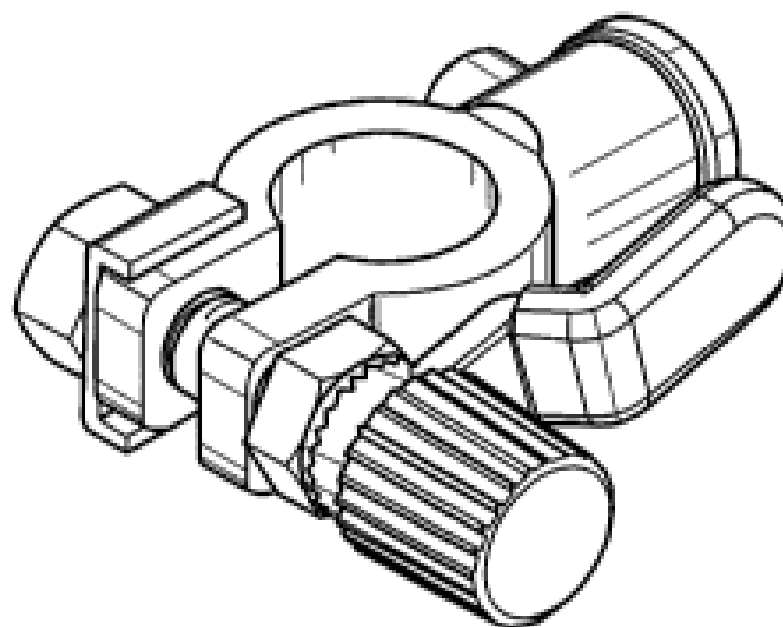
**Leslie John Amy
C/- 6 Nicholas Drive Dandenong South Victoria 3175 Australia**

(72) Name(s) of Designer(s): **Leslie John Amy and Barry Thomson Bowater**

(45) Registration Date: **25 October 2010**

(56) Related Art Documents: **Not Applicable**

(57) Statement of Newness and Distinctiveness: **Nil**



- (21) Design Number: **13493/2010**
(22) Date of Filing Application: **11 August 2010**
(24) Date from which industrial property rights may have effect: **11 August 2010**
(54) Product in respect of which the design is registered: **Battery clamp assembly**
(51) International Design Classification: **13-03B**
(71) Name(s) and Address(s) of Applicant(s):

Barry Thomson Bowater
11 Atkinson Close Sunbury Victoria 3429 Australia

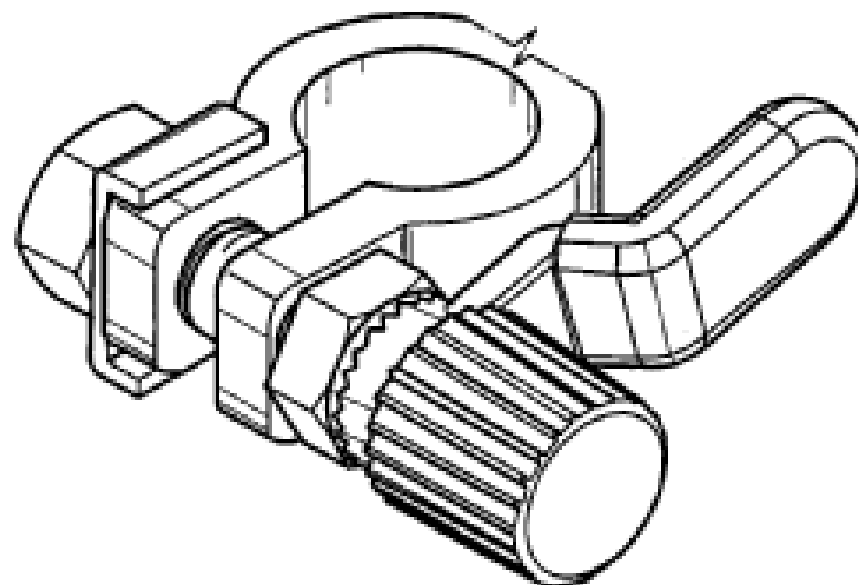
Leslie John Amy
C/- 6 Nicholas Drive Dandenong South Victoria 3175 Australia

- (72) Name(s) of Designer(s): **Leslie John Amy and Barry Thomson Bowater**

- (45) Registration Date: **25 October 2010**

- (56) Related Art Documents: **Not Applicable**

- (57) Statement of Newness and Distinctiveness: **The battery clamp assembly is shown with a broken line indicated as ---/---. The part of the battery clamp assembly beyond the broken line does not form part of the design and is to be excluded from the scope of the monopoly in the design.**



- (21) Design Number: **13508/2010**
(22) Date of Filing Application: **13 August 2010**
(24) Date from which industrial property rights may have effect: **13 August 2010**
(54) Product in respect of which the design is registered: **Mattress cover**
(51) International Design Classification: **06-09**
(71) Name(s) and Address(s) of Applicant(s):

Wenatex DAS Schlafsystem GmbH
Munchner Bundesstrasse 140 A-5020 Salzburg Austria

- (72) Name(s) of Designer(s): **Hans-Gerd Wernicke**

- (45) Registration Date: **25 October 2010**

- (30) Convention priority data:

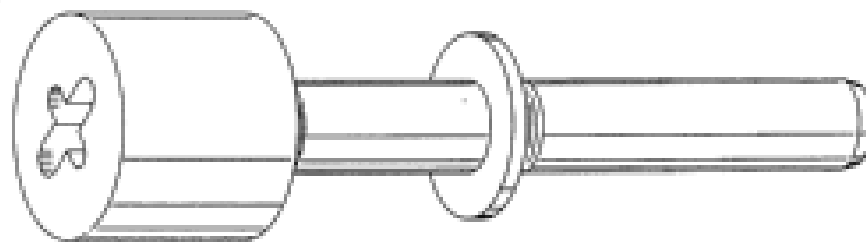
(31) Number	(32) Date	(33) Country
001204879	25 Mar 2010	EUROPEAN COMMUNITY

- (56) Related Art Documents: **Not Applicable**

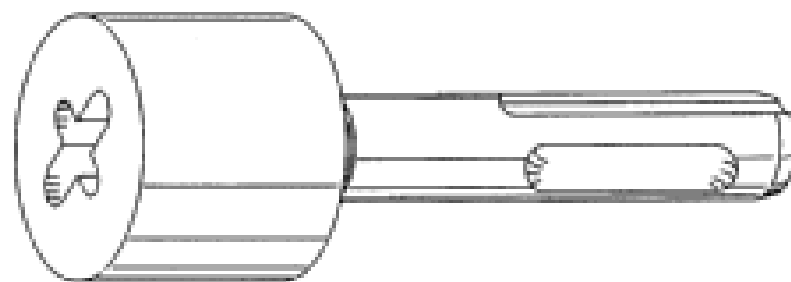
- (57) Statement of Newness and Distinctiveness: **The pattern and ornamentation of the fabric on a major surface of the mattress cover is new and distinctive.**



- (21) Design Number: **13786/2010**
(22) Date of Filing Application: **31 August 2010**
(24) Date from which industrial property rights may have effect: **31 August 2010**
(54) Product in respect of which the design is registered: **Tool for driving a fastener into a material**
(51) International Design Classification: **08-04**
(71) Name(s) and Address(s) of Applicant(s):
Stanley William Bridgman
28 Gladesville Drive Kilsyth Victoria 3137 Australia
(72) Name(s) of Designer(s): **Stanley William Bridgman**
(45) Registration Date: **25 October 2010**
(56) Related Art Documents: **Not Applicable**
(57) Statement of Newness and Distinctiveness: **The features of shape and configuration of the tool shown in the accompanying representations are considered to be new and distinctive.**



- (21) Design Number: **13787/2010**
(22) Date of Filing Application: **31 August 2010**
(24) Date from which industrial property rights may have effect: **31 August 2010**
(54) Product in respect of which the design is registered: **Tool for driving a fastener into a material**
(51) International Design Classification: **08-04**
(71) Name(s) and Address(s) of Applicant(s):
Stanley William Bridgman
28 Gladesville Drive Kilsyth Victoria 3137 Australia
(72) Name(s) of Designer(s): **Stanley William Bridgman**
(45) Registration Date: **25 October 2010**
(56) Related Art Documents: **Not Applicable**
(57) Statement of Newness and Distinctiveness: **The features of shape and configuration of the tool shown in the accompanying representations are considered to be new and distinctive.**



(21) Design Number: **14004/2010**
(22) Date of Filing Application: **15 September 2010**
(24) Date from which industrial property rights may have effect: **15 September 2010**
(54) Product in respect of which the design is registered: **Coffee maker**
(51) International Design Classification: **07-02L**
(71) Name(s) and Address(s) of Applicant(s):

Pi-Design AG
Kantonsstrasse 100 6234 Triengen Switzerland

(72) Name(s) of Designer(s): **Jorgen Bodum**

(45) Registration Date: **25 October 2010**

(30) Convention priority data:

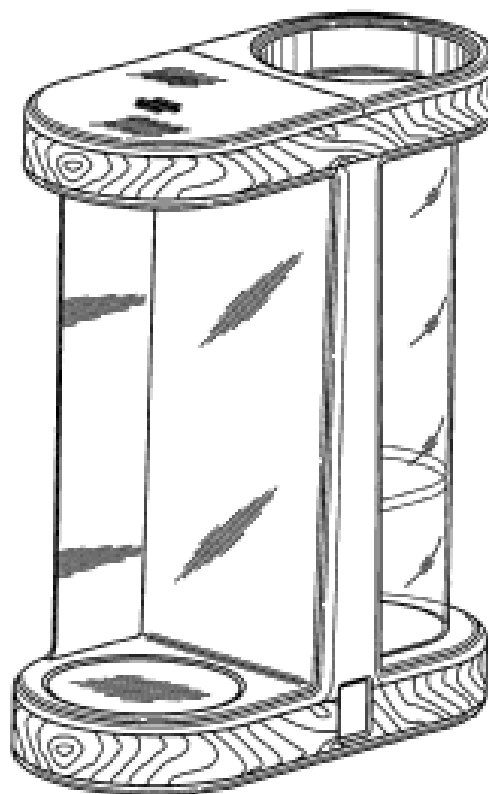
(31) Number
DM/073 550

(32) Date
30 Apr 2010

(33) Country
**WORLD INTELLECTUAL
PROPERTY ORGANIZATION
(WIPO)**

(56) Related Art Documents: **Not Applicable**

(57) Statement of Newness and Distinctiveness: **Nil**



(21) Design Number: **14050/2010**
(22) Date of Filing Application: **17 September 2010**
(24) Date from which industrial property rights may have effect: **17 September 2010**
(54) Product in respect of which the design is registered: **A container**
(51) International Design Classification: **09-03M**
(71) Name(s) and Address(s) of Applicant(s):

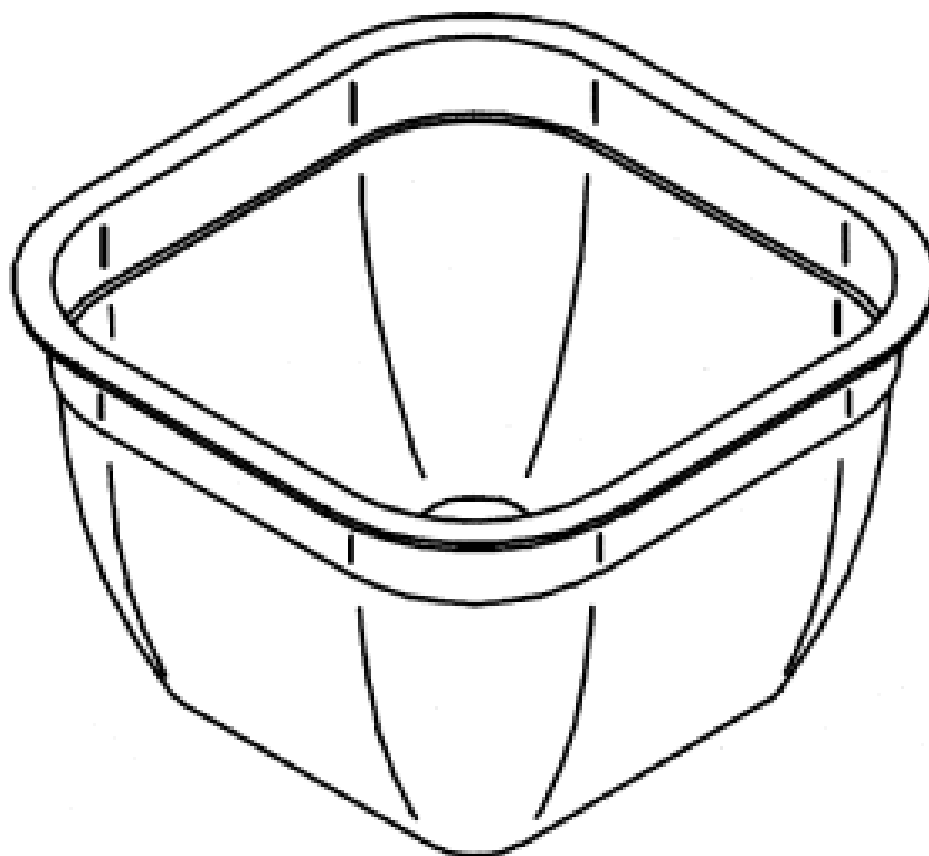
NCI Holdings Pty Ltd
90-92 Chifley Drive Preston Victoria 3072 Australia

(72) Name(s) of Designer(s): **Tiburcio Pediongco**

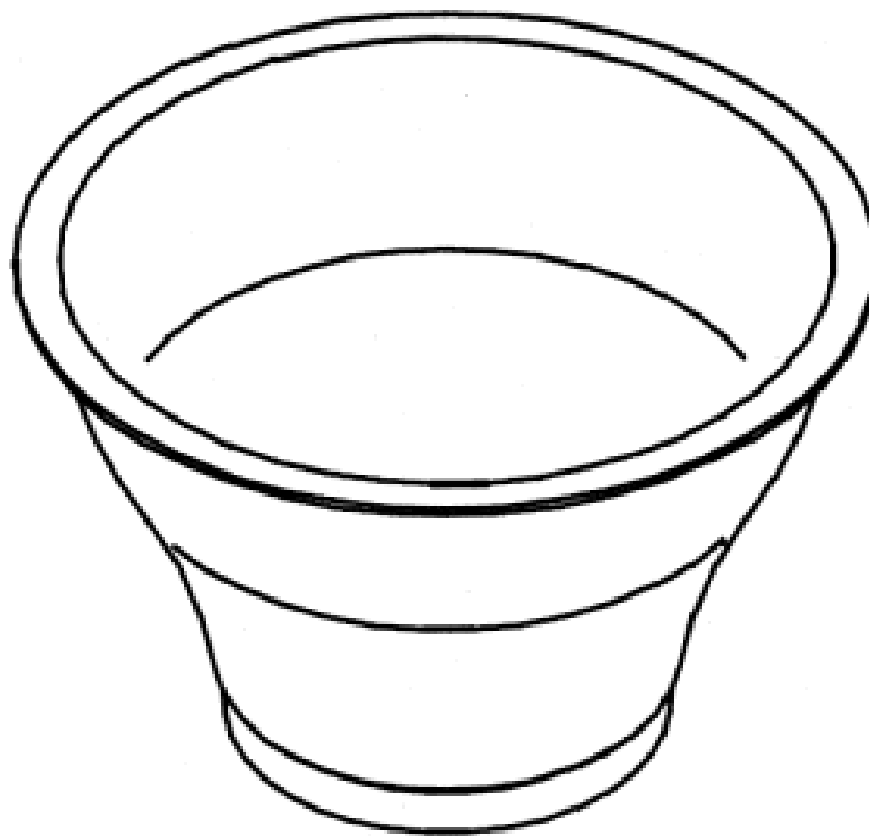
(45) Registration Date: **25 October 2010**

(56) Related Art Documents: **Not Applicable**

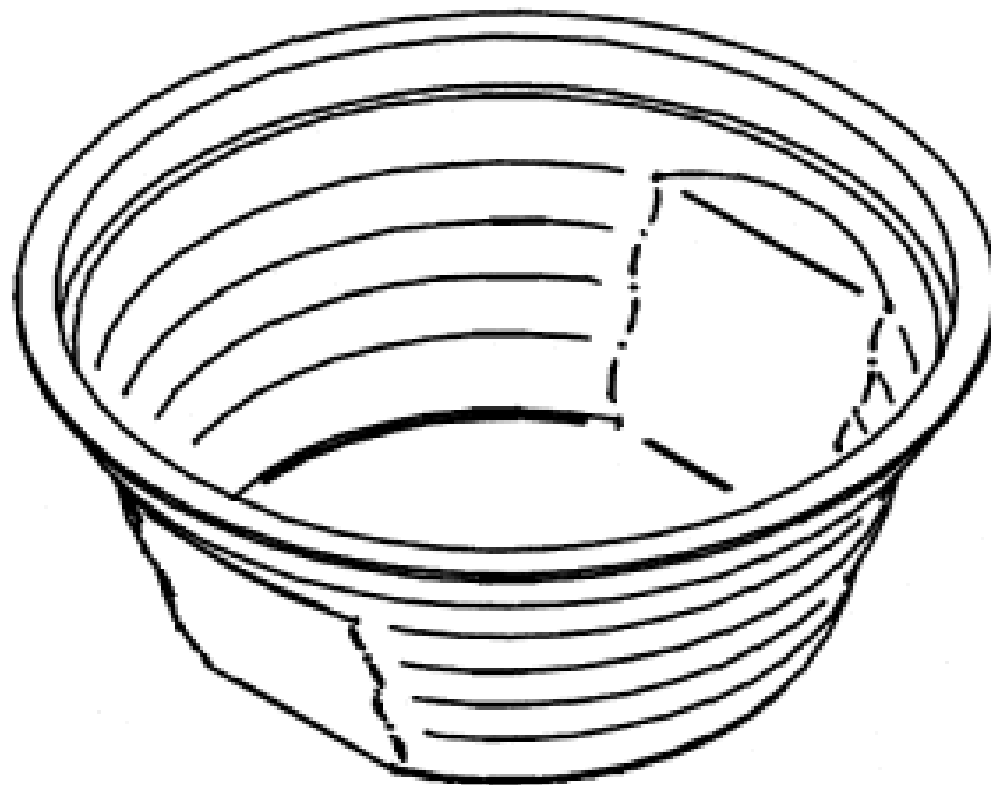
(57) Statement of Newness and Distinctiveness: **Newness and distinctiveness resides in the visual features of shape and/or configuration of a container as illustrated in the accompanying representations.**



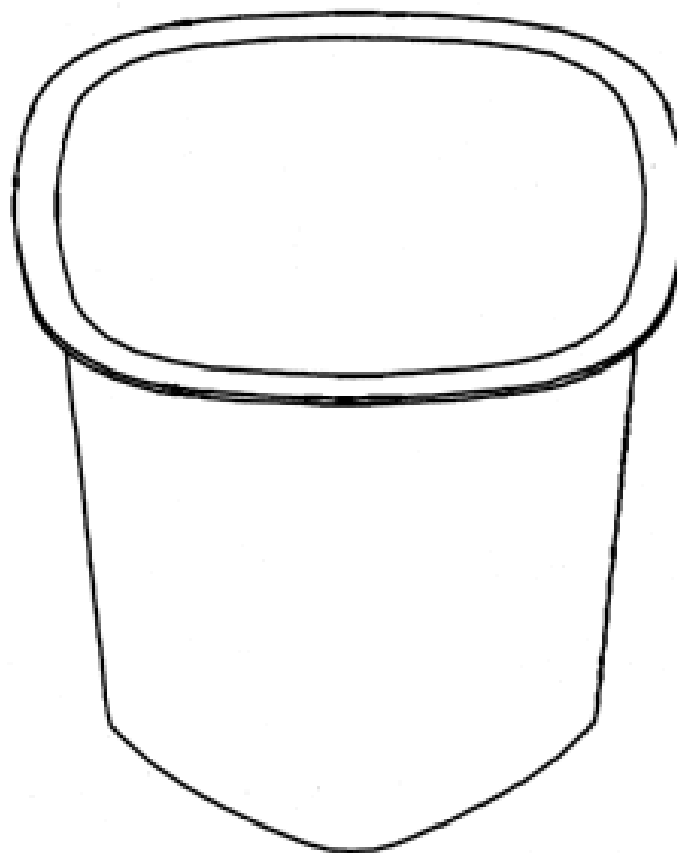
- (21) Design Number: **14051/2010**
(22) Date of Filing Application: **17 September 2010**
(24) Date from which industrial property rights may have effect: **17 September 2010**
(54) Product in respect of which the design is registered: **A container**
(51) International Design Classification: **09-03L**
(71) Name(s) and Address(s) of Applicant(s):
NCI Holdings Pty Ltd
90-92 Chifley Drive Preston Victoria 3072 Australia
(72) Name(s) of Designer(s): **Tiburcio Pediongco**
(45) Registration Date: **25 October 2010**
(56) Related Art Documents: **Not Applicable**
(57) Statement of Newness and Distinctiveness: **Newness and distinctiveness resides in the visual features of shape and/or configuration of a container as illustrated in the accompanying representations.**



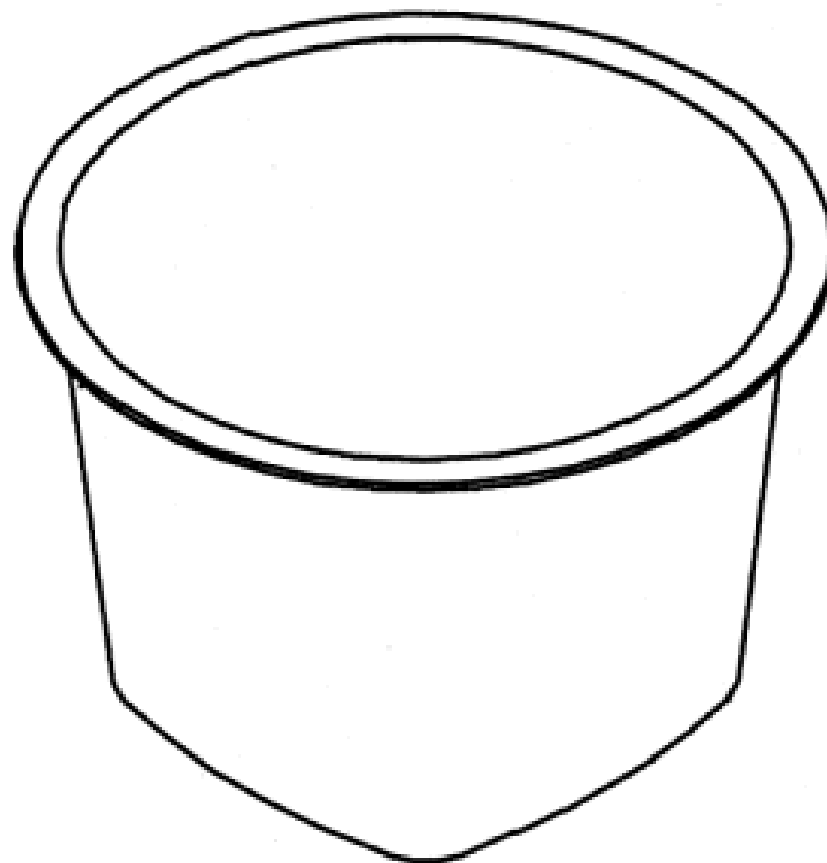
- (21) Design Number: **14052/2010**
(22) Date of Filing Application: **17 September 2010**
(24) Date from which industrial property rights may have effect: **17 September 2010**
(54) Product in respect of which the design is registered: **A container**
(51) International Design Classification: **09-03L**
(71) Name(s) and Address(s) of Applicant(s):
NCI Holdings Pty Ltd
90-92 Chifley Drive Preston Victoria 3072 Australia
(72) Name(s) of Designer(s): **Tiburcio Pediongco**
(45) Registration Date: **25 October 2010**
(56) Related Art Documents: **Not Applicable**
(57) Statement of Newness and Distinctiveness: **Newness and distinctiveness resides in the visual features of shape and/or configuration of a container as illustrated in the accompanying representations.**



- (21) Design Number: **14053/2010**
(22) Date of Filing Application: **17 September 2010**
(24) Date from which industrial property rights may have effect: **17 September 2010**
(54) Product in respect of which the design is registered: **A container**
(51) International Design Classification: **09-03M**
(71) Name(s) and Address(s) of Applicant(s):
NCI Holdings Pty Ltd
90-92 Chifley Drive Preston Victoria 3072 Australia
(72) Name(s) of Designer(s): **Tiburcio Pediongco**
(45) Registration Date: **25 October 2010**
(56) Related Art Documents: **Not Applicable**
(57) Statement of Newness and Distinctiveness: **Newness and distinctiveness resides in the visual features of shape and/or configuration of a container as illustrated in the accompanying representations.**



- (21) Design Number: **14054/2010**
(22) Date of Filing Application: **17 September 2010**
(24) Date from which industrial property rights may have effect: **17 September 2010**
(54) Product in respect of which the design is registered: **A container**
(51) International Design Classification: **09-03L**
(71) Name(s) and Address(s) of Applicant(s):
NCI Holdings Pty Ltd
90-92 Chifley Drive Preston Victoria 3072 Australia
(72) Name(s) of Designer(s): **Tiburcio Pediongco**
(45) Registration Date: **25 October 2010**
(56) Related Art Documents: **Not Applicable**
(57) Statement of Newness and Distinctiveness: **Newness and distinctiveness resides in the visual features of shape and/or configuration of a container as illustrated in the accompanying representations.**



(21) Design Number: **14287/2010**
 (22) Date of Filing Application: **30 September 2010**
 (24) Date from which industrial property rights may have effect: **30 September 2010**
 (54) Product in respect of which the design is registered: **Oral care implement**
 (51) International Design Classification: **04-02**
 (71) Name(s) and Address(s) of Applicant(s):

Colgate-Palmolive Company
300 Park Avenue New York New York 10022 United States of America

(72) Name(s) of Designer(s): **Xi Wen Jin and Zhang Kai and Ji Yan Mei**

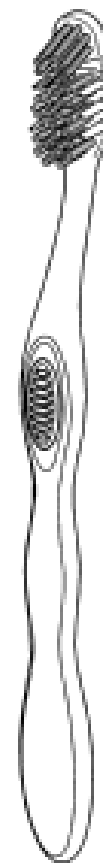
(45) Registration Date: **25 October 2010**

(30) Convention priority data:

(31) Number	(32) Date	(33) Country
29/358684	31 Mar 2010	UNITED STATES OF AMERICA

(56) Related Art Documents: **Not Applicable**

(57) Statement of Newness and Distinctiveness: **Newness and distinctiveness reside in the features of the shape of an oral care implement in combination with the configuration of the tooth cleaning elements applied to the front face of the head portion of the oral care implement, and the pattern and ornamentation applied to the rear face of the head portion of the oral care implement and the patterning applied to the handle.**



(21) Design Number: **14288/2010**
 (22) Date of Filing Application: **30 September 2010**
 (24) Date from which industrial property rights may have effect: **30 September 2010**
 (54) Product in respect of which the design is registered: **Oral care implement**
 (51) International Design Classification: **04-02**
 (71) Name(s) and Address(s) of Applicant(s):

Colgate-Palmolive Company
300 Park Avenue New York New York 10022 United States of America

(72) Name(s) of Designer(s): **Xi Wen Jin and Zhang Kai and Ji Yan Mei**

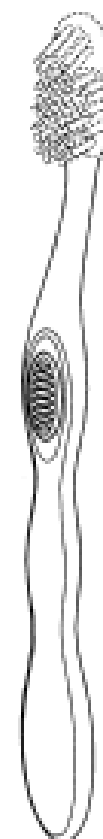
(45) Registration Date: **25 October 2010**

(30) Convention priority data:

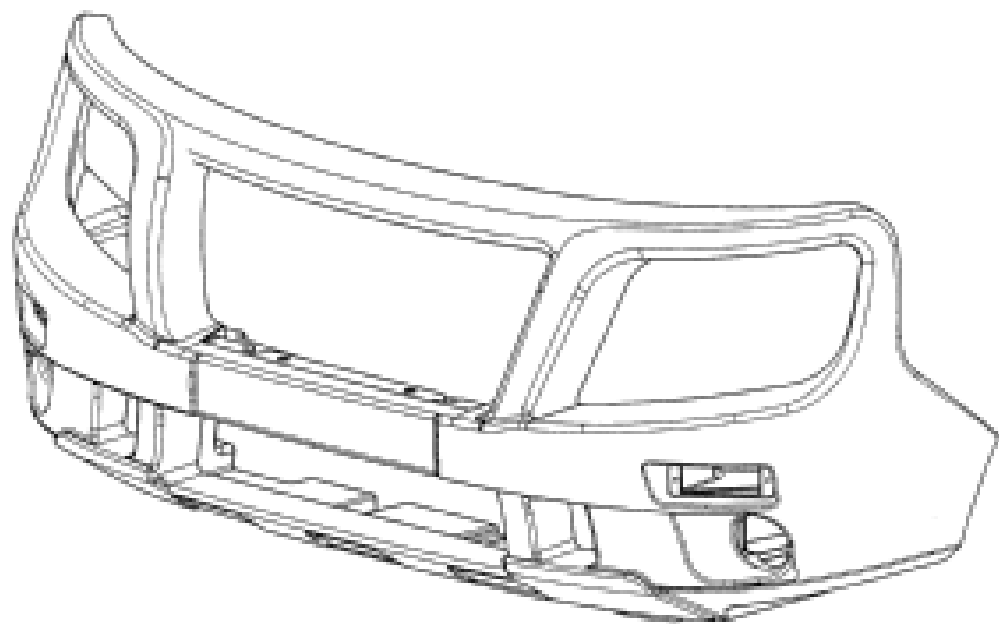
(31) Number	(32) Date	(33) Country
29/358683	31 Mar 2010	UNITED STATES OF AMERICA

(56) Related Art Documents: **Not Applicable**

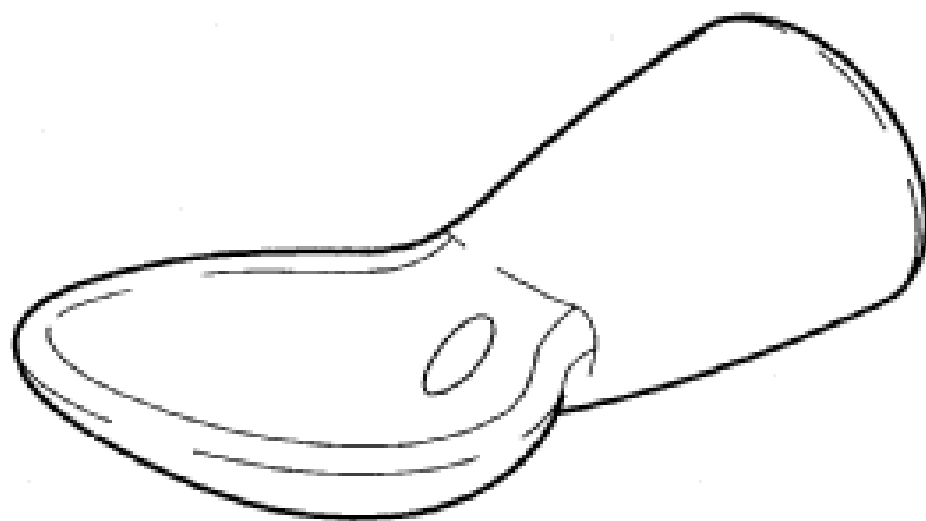
(57) Statement of Newness and Distinctiveness: **Newness and distinctiveness reside in the features of shape and/or configuration of the handle of an oral care implement in combination with the pattern and/or ornamentation applied to the handle of the oral care implement. When determining whether the design is substantially similar in overall impression to another design, no regard is to be had to those features shown in the designs with dotted outline, which features are provided for illustrative purposes only.**



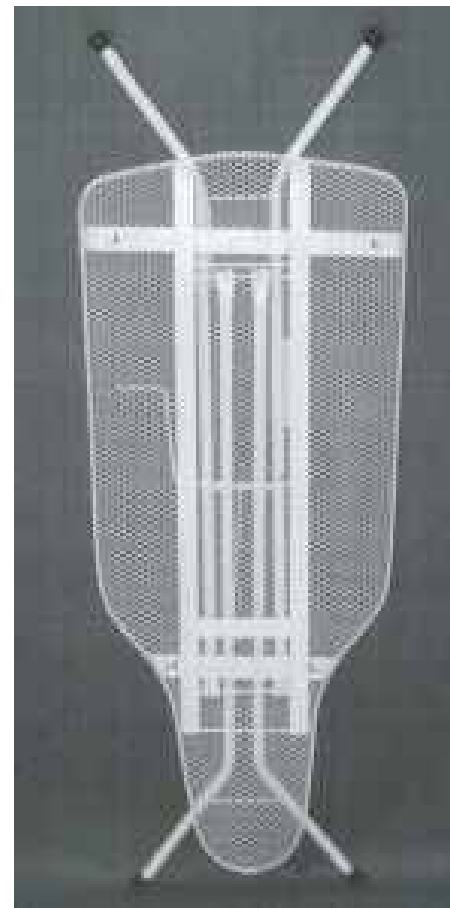
(21) Design Number: **14291/2010**
(22) Date of Filing Application: **30 September 2010**
(24) Date from which industrial property rights may have effect: **30 September 2010**
(54) Product in respect of which the design is registered: **Front bumper for a vehicle**
(51) International Design Classification: **12-16C**
(71) Name(s) and Address(s) of Applicant(s):
Team Poly Pty Ltd
36 Waddikee Road Lonsdale South Australia 5160 Australia
(72) Name(s) of Designer(s): **Kieran Michael Jenkins**
(45) Registration Date: **25 October 2010**
(56) Related Art Documents: **Not Applicable**
(57) Statement of Newness and Distinctiveness: **Nil**



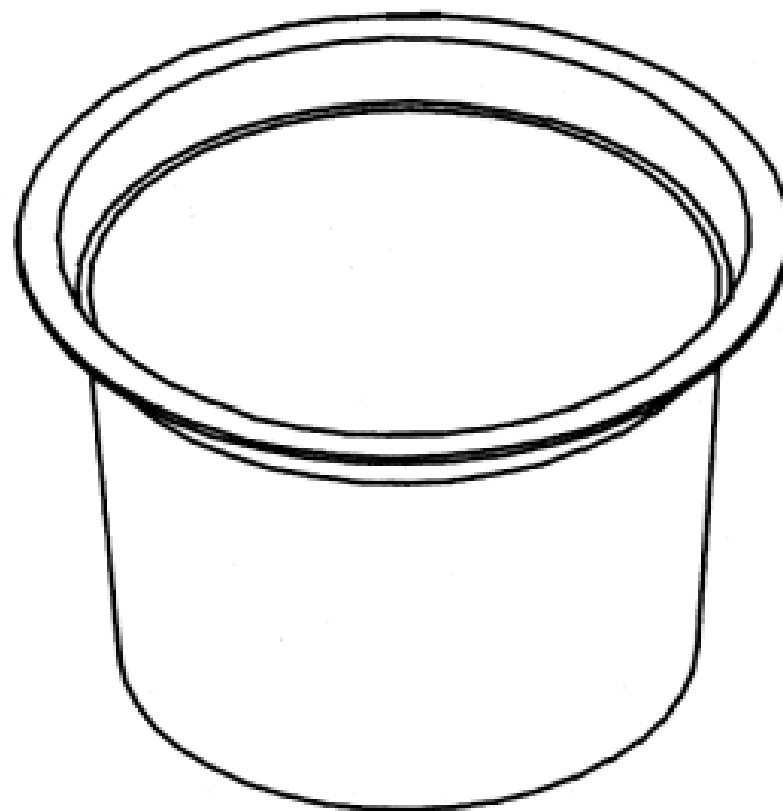
(21) Design Number: **14292/2010**
(22) Date of Filing Application: **30 September 2010**
(24) Date from which industrial property rights may have effect: **30 September 2010**
(54) Product in respect of which the design is registered: **Spoon tip**
(51) International Design Classification: **07-03**
(71) Name(s) and Address(s) of Applicant(s):
Rebecca M. Finell
1152 East Cottonwood Lane Phoenix 85048 Arizona United States of America
Michael J. Bargiel
4317 East Western Star Boulevard Phoenix 85044 Arizona United States of America
(72) Name(s) of Designer(s): **Rebecca M. Finell and Michael J. Bargiel**
(45) Registration Date: **25 October 2010**
(30) Convention priority data:
(31) Number (32) Date (33) Country
29/364354 22 Jun 2010 UNITED STATES OF AMERICA
(56) Related Art Documents: **Not Applicable**
(57) Statement of Newness and Distinctiveness: **The newness and distinctiveness of the design resides in the shape and/or configuration of the spoon tip shown in the representations.**



(21) Design Number: **14047/2010**
(22) Date of Filing Application: **17 September 2010**
(24) Date from which industrial property rights may have effect: **17 September 2010**
(54) Product in respect of which the design is registered: **Ironing board**
(51) International Design Classification: **07-05A**
(71) Name(s) and Address(s) of Applicant(s):
Business and Domestic Products Limited
The Galleries Charters Road Sunningdale SL5 9QJ United Kingdom
(72) Name(s) of Designer(s): **Mark Hunter**
(45) Registration Date: **25 October 2010**
(30) Convention priority data:
(31) Number (32) Date (33) Country
001207633-0001 12 Apr 2010 EUROPEAN COMMUNITY
(56) Related Art Documents: **Not Applicable**
(57) Statement of Newness and Distinctiveness: **Newness and distinctiveness are claimed in the features of shape and configuration of the top of the ironing board depicted in the accompanying representations.**



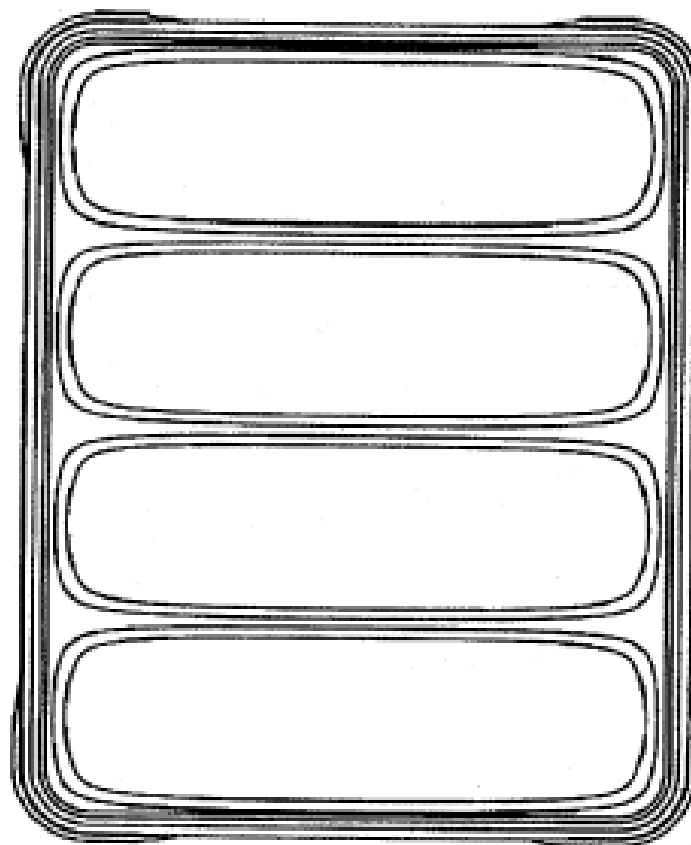
(21) Design Number: **14048/2010**
(22) Date of Filing Application: **17 September 2010**
(24) Date from which industrial property rights may have effect: **17 September 2010**
(54) Product in respect of which the design is registered: **A container**
(51) International Design Classification: **07-01NES**
(71) Name(s) and Address(s) of Applicant(s):
NCI Holdings Pty Ltd
90-92 Chifley Drive Preston Victoria 3072 Australia
(72) Name(s) of Designer(s): **Tiburcio Pediongco**
(45) Registration Date: **25 October 2010**
(56) Related Art Documents: **Not Applicable**
(57) Statement of Newness and Distinctiveness: **Newness and distinctiveness resides in the visual features of shape and/or configuration of a container as illustrated in the accompanying representations.**



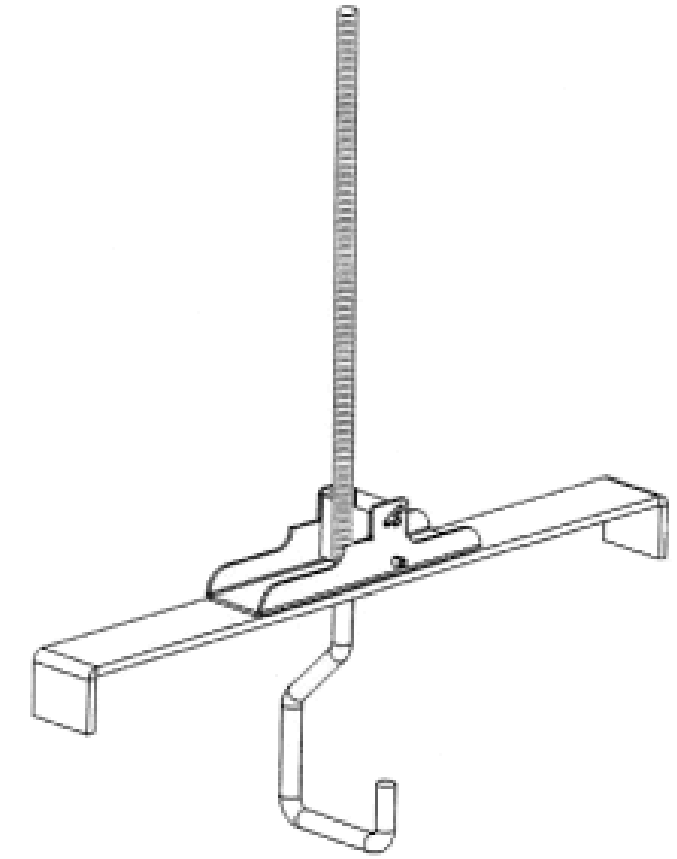
- (21) Design Number: **14049/2010**
(22) Date of Filing Application: **17 September 2010**
(24) Date from which industrial property rights may have effect: **17 September 2010**
(54) Product in respect of which the design is registered: **A container**
(51) International Design Classification: **07-01NES**
(71) Name(s) and Address(s) of Applicant(s):
NCI Holdings Pty Ltd
90-92 Chifley Drive Preston Victoria 3072 Australia
(72) Name(s) of Designer(s): **Salvador Mendoza**
(45) Registration Date: **25 October 2010**
(56) Related Art Documents: **Not Applicable**
(57) Statement of Newness and Distinctiveness: **Newness and distinctiveness resides in the visual features of shape and/or configuration of a container as illustrated in the accompanying representations.**



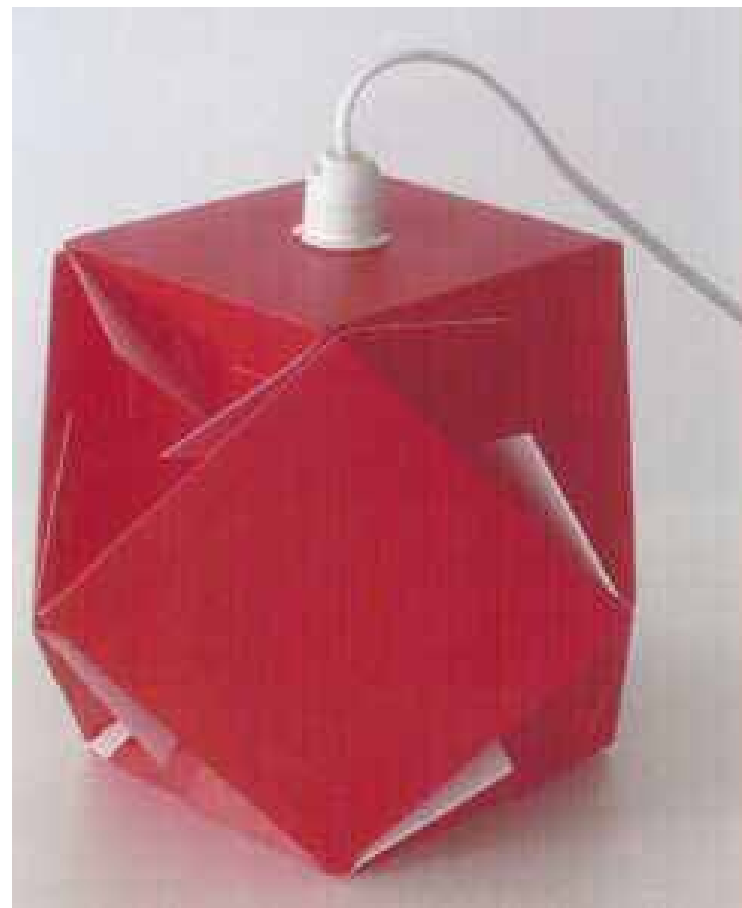
- (21) Design Number: **14042/2010**
(22) Date of Filing Application: **20 September 2010**
(24) Date from which industrial property rights may have effect: **20 September 2010**
(54) Product in respect of which the design is registered: **A container**
(51) International Design Classification: **07-01NES**
(71) Name(s) and Address(s) of Applicant(s):
Jessica Varcin
55 Blain Street Blackwater Queensland 4717 Australia
(72) Name(s) of Designer(s): **Jessica Varcin**
(45) Registration Date: **27 October 2010**
(56) Related Art Documents: **Not Applicable**
(57) Statement of Newness and Distinctiveness: **Nil**



- (21) Design Number: **14043/2010**
(22) Date of Filing Application: **20 September 2010**
(24) Date from which industrial property rights may have effect: **20 September 2010**
(54) Product in respect of which the design is registered: **Locking device**
(51) International Design Classification: **08-07**
(71) Name(s) and Address(s) of Applicant(s):
Ladderlock Pro AUS/NZ 2004 Pty Ltd
132 Acanthus Avenue Burleigh Heads Gold Coast Queensland 4220
Australia
Sean Evans
132 Acanthus Avenue Burleigh Heads Gold Coast Queensland 4220
Australia
(72) Name(s) of Designer(s): **Sean Evans**
(45) Registration Date: **27 October 2010**
(56) Related Art Documents: **Not Applicable**
(57) Statement of Newness and Distinctiveness: **Especially designed locking device to secure items.**

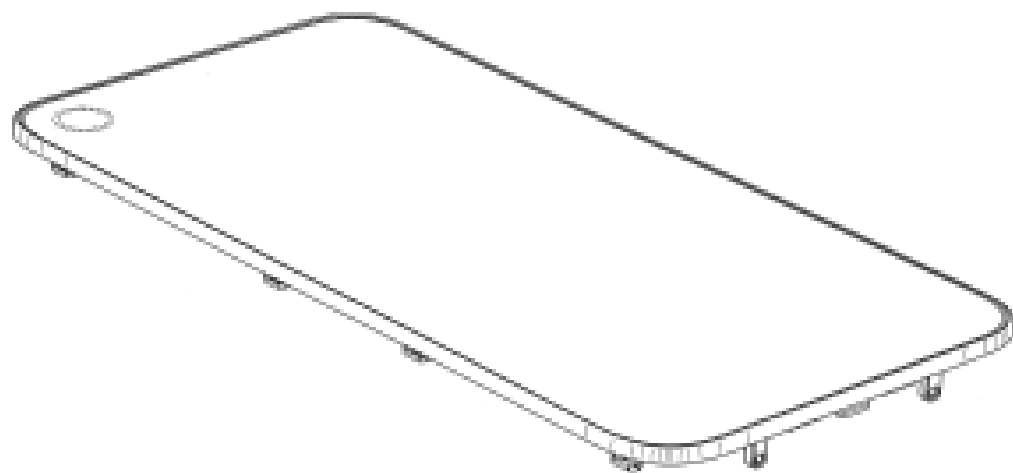


- (21) Design Number: **14044/2010**
(22) Date of Filing Application: **20 September 2010**
(24) Date from which industrial property rights may have effect: **20 September 2010**
(54) Product in respect of which the design is registered: **A lamp**
(51) International Design Classification: **26-04**
(71) Name(s) and Address(s) of Applicant(s):
Zita R. Watkin
4 Grosvenor Street Frankston South Victoria 3199 Australia
(72) Name(s) of Designer(s): **Zita Watkin**
(45) Registration Date: **27 October 2010**
(56) Related Art Documents: **Not Applicable**
(57) Statement of Newness and Distinctiveness: **6 Sided lamp.**



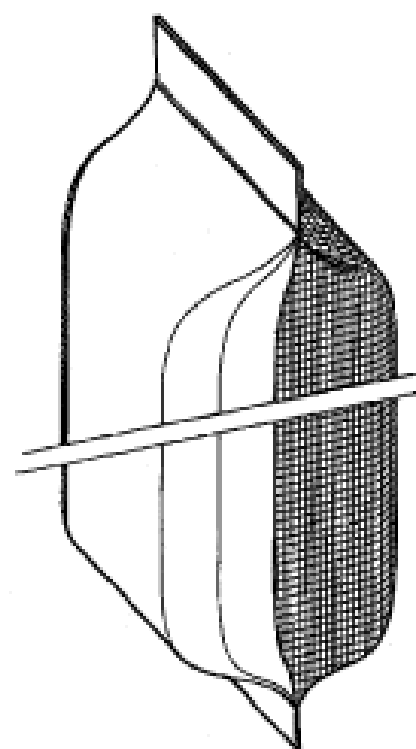
- (21) Design Number: **14045/2010**
- (22) Date of Filing Application: **17 September 2010**
- (24) Date from which industrial property rights may have effect: **17 September 2010**
- (54) Product in respect of which the design is registered: **Housing plate**
- (51) International Design Classification: **13-03NES**
- (71) Name(s) and Address(s) of Applicant(s):
Apple Inc.
1 Infinite Loop Cupertino California 95014 United States of America
- (72) Name(s) of Designer(s): **Richard Hung Minh Dinh and Richard P. Howarth and Scott A. Myers and David A. Pakula and Tang Tan Yew**
- (45) Registration Date: **27 October 2010**
- (30) Convention priority data:

(31) Number	(32) Date	(33) Country
29/363173	05 Jun 2010	UNITED STATES OF AMERICA
- (56) Related Art Documents: **Not Applicable**
- (57) Statement of Newness and Distinctiveness: **Newness and distinctiveness resides in the features of shape shown in solid outline lines and solid contour lines in the accompanying figures.**



- (21) Design Number: **14172/2010**
- (22) Date of Filing Application: **05 October 2010**
- (24) Date from which industrial property rights may have effect: **05 October 2010**
- (54) Product in respect of which the design is registered: **A bag**
- (51) International Design Classification: **09-99**
- (71) Name(s) and Address(s) of Applicant(s):
Aperio Group (New Zealand) Limited
100 Carbine Road Mt Wellington Auckland New Zealand
- (72) Name(s) of Designer(s): **John Wilks**
- (45) Registration Date: **27 October 2010**
- (30) Convention priority data:

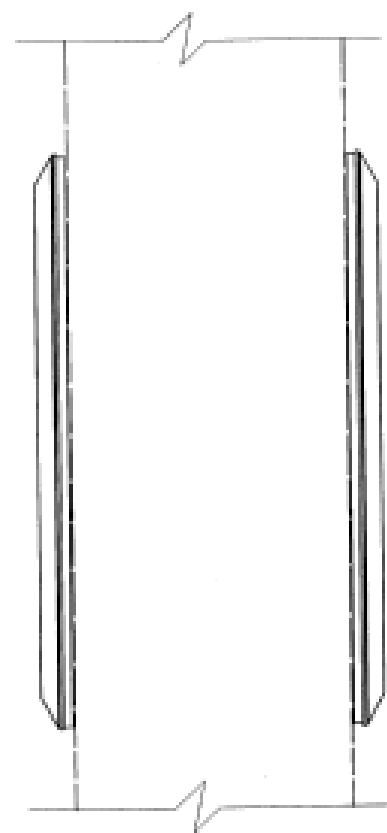
(31) Number	(32) Date	(33) Country
413607	11 May 2010	NEW ZEALAND
- (56) Related Art Documents: **Not Applicable**
- (57) Statement of Newness and Distinctiveness: **Newness and distinctiveness are claimed in the shape and configuration of THE BAG as shown in the accompanying representations, and being of indefinite length shown by the break lines in the representations.**



- (21) Design Number: **14173/2010**
- (22) Date of Filing Application: **07 October 2010**
- (24) Date from which industrial property rights may have effect: **07 October 2010**
- (54) Product in respect of which the design is registered: **Passage set**
- (51) International Design Classification: **08-07**
- (71) Name(s) and Address(s) of Applicant(s):

Asa Abloy Australia Pty Limited
235 Huntingdale Road Oakleigh Victoria 3166 Australia

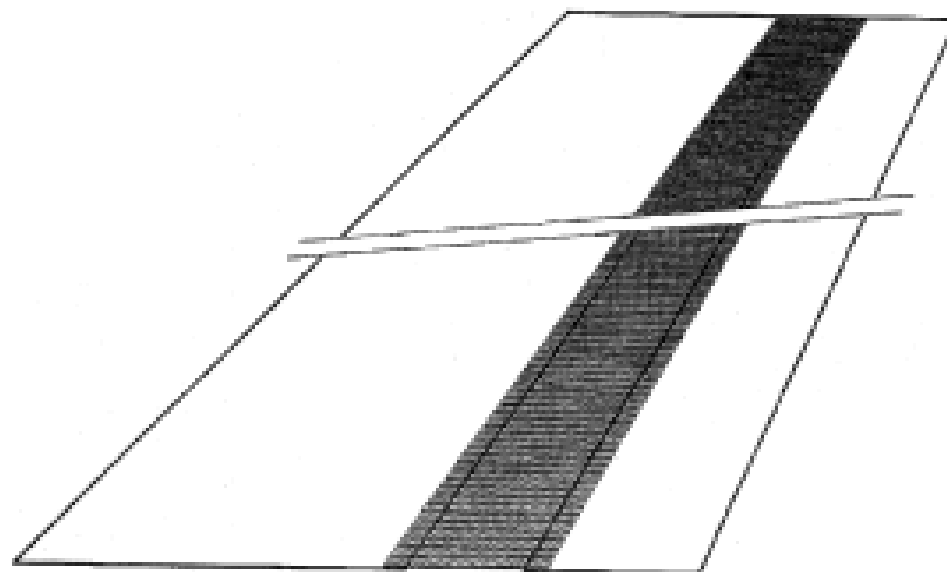
- (72) Name(s) of Designer(s): **Anaru Terei and Edward T. Lavery**
- (45) Registration Date: **27 October 2010**
- (56) Related Art Documents: **Not Applicable**
- (57) Statement of Newness and Distinctiveness: **When interpreting the scope of monopoly claimed, portions of the design of the Passage Set illustrated in dotted lines are disclaimed, and novelty resides in the shape and configuration of the design of the Passage Set.**



- (21) Design Number: **14181/2010**
- (22) Date of Filing Application: **05 October 2010**
- (24) Date from which industrial property rights may have effect: **05 October 2010**
- (54) Product in respect of which the design is registered: **A film**
- (51) International Design Classification: **05-06NES**
- (71) Name(s) and Address(s) of Applicant(s):

Aperio Group (New Zealand) Limited
100 Carbine Road Mt Wellington Auckland New Zealand

- (72) Name(s) of Designer(s): **John Wilks**
 - (45) Registration Date: **27 October 2010**
 - (30) Convention priority data:
- | | | |
|---------------|--------------------|--------------------|
| (31) Number | (32) Date | (33) Country |
| 413610 | 11 May 2010 | NEW ZEALAND |
- (56) Related Art Documents: **Not Applicable**
 - (57) Statement of Newness and Distinctiveness: **Newness and distinctiveness are claimed in the shape and configuration of THE FILM as shown in the accompanying representations, and being of indefinite length shown by the break lines in the representations.**



(21) Design Number: **14182/2010**
 (22) Date of Filing Application: **05 October 2010**
 (24) Date from which industrial property rights may have effect: **05 October 2010**
 (54) Product in respect of which the design is registered: **A bag**
 (51) International Design Classification: **09-99**
 (71) Name(s) and Address(s) of Applicant(s):

Aperio Group (New Zealand) Limited
100 Carbine Road Mt Wellington Auckland New Zealand

(72) Name(s) of Designer(s): **John Wilks**

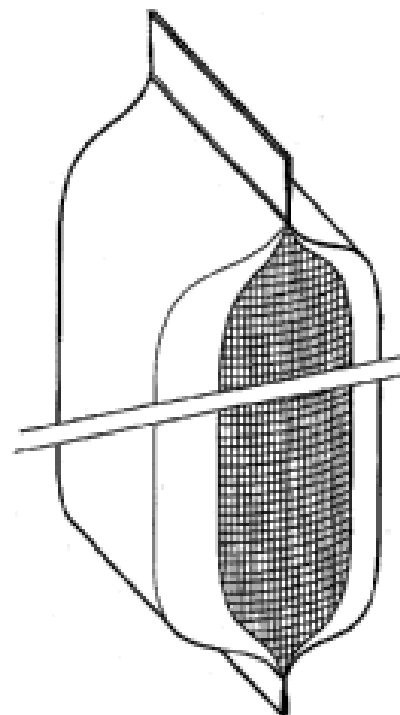
(45) Registration Date: **27 October 2010**

(30) Convention priority data:

(31) Number	(32) Date	(33) Country
413605	11 May 2010	NEW ZEALAND

(56) Related Art Documents: **Not Applicable**

(57) Statement of Newness and Distinctiveness: **Newness and distinctiveness are claimed in the shape and configuration of THE BAG as shown in the accompanying representations, and being of indefinite length shown by the break lines in the representations.**



(21) Design Number: **14274/2010**
 (22) Date of Filing Application: **29 September 2010**
 (24) Date from which industrial property rights may have effect: **29 September 2010**
 (54) Product in respect of which the design is registered: **Abdominal exercise device**
 (51) International Design Classification: **21-02F**
 (71) Name(s) and Address(s) of Applicant(s):

Fitness Brands 2 LLC
3400 Ranch Road 620 South Suite 12101 Austin TX 78738 United States of America

(72) Name(s) of Designer(s): **Michael Casey and David Brodess**

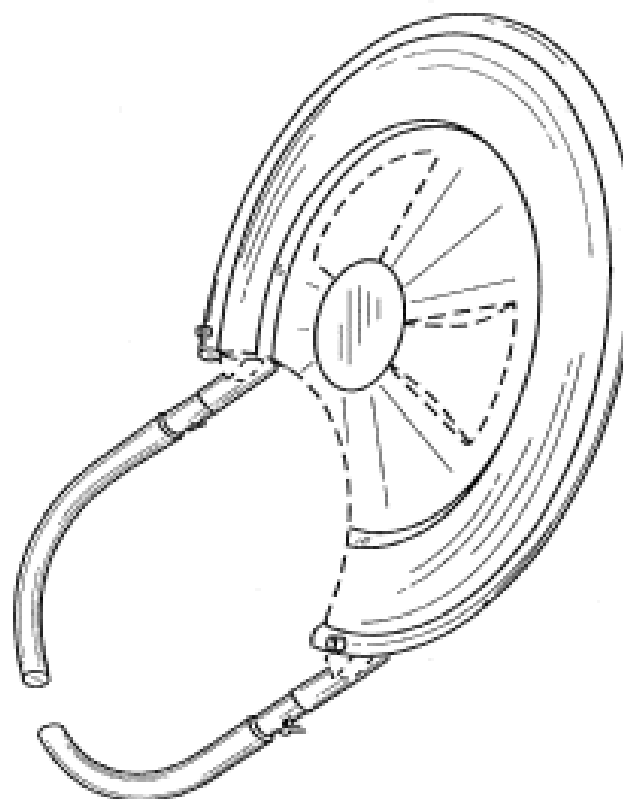
(45) Registration Date: **27 October 2010**

(30) Convention priority data:

(31) Number	(32) Date	(33) Country
29/358,563	29 Mar 2010	UNITED STATES OF AMERICA

(56) Related Art Documents: **Not Applicable**

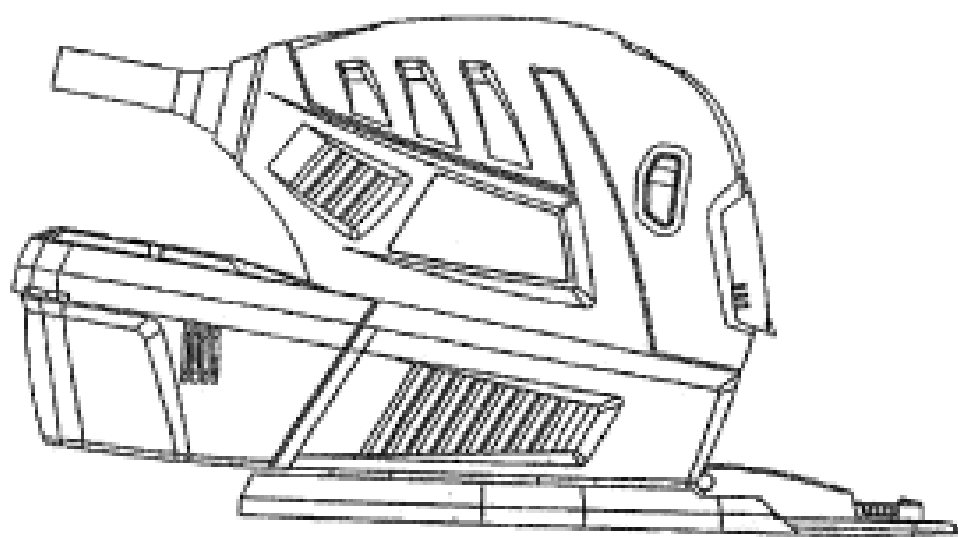
(57) Statement of Newness and Distinctiveness: **Nil**



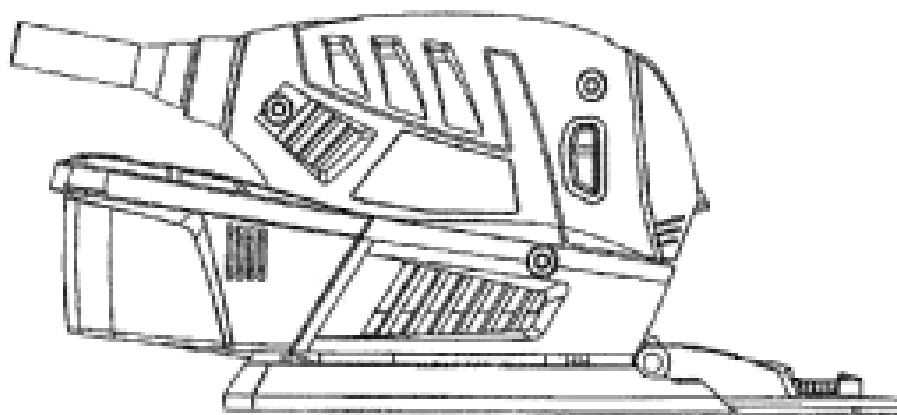
(21) Design Number: **14282/2010**
(22) Date of Filing Application: **29 September 2010**
(24) Date from which industrial property rights may have effect: **29 September 2010**
(54) Product in respect of which the design is registered: **Duster frame**
(51) International Design Classification: **08-08F**
(71) Name(s) and Address(s) of Applicant(s):
The Decor Corporation Pty Ltd
1314 Ferntree Gully Road Scoresby Victoria 3179 Australia
(72) Name(s) of Designer(s): **Jim Samartgis**
(45) Registration Date: **27 October 2010**
(56) Related Art Documents: **Not Applicable**
(57) Statement of Newness and Distinctiveness: **The shape and configuration of the duster frame is new and distinctive; no regard should be given to the pattern and ornamentation.**



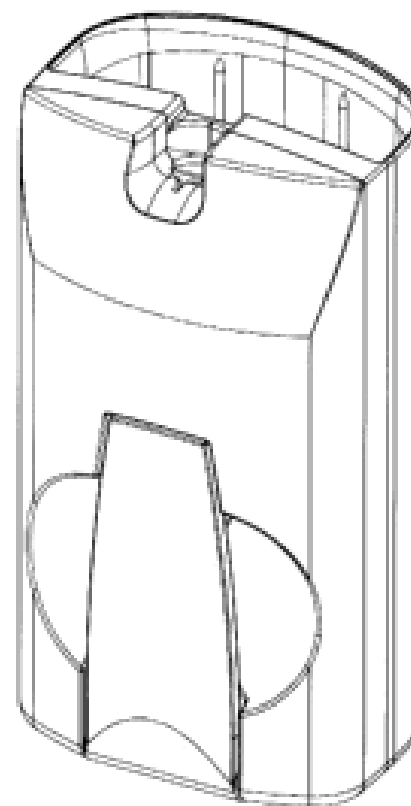
(21) Design Number: **14319/2010**
(22) Date of Filing Application: **04 October 2010**
(24) Date from which industrial property rights may have effect: **04 October 2010**
(54) Product in respect of which the design is registered: **Sander**
(51) International Design Classification: **08-05N**
(71) Name(s) and Address(s) of Applicant(s):
Techtronic Power Tools Technology Limited
Trident Chambers PO Box 146 Road Town Tortola Virgin Islands
(British)
(72) Name(s) of Designer(s): **Vincent Mun Lung Ng**
(45) Registration Date: **27 October 2010**
(30) Convention priority data:
(31) Number (32) Date (33) Country
001730706 13 Jul 2010 EUROPEAN COMMUNITY
(56) Related Art Documents: **Not Applicable**
(57) Statement of Newness and Distinctiveness: **Nil**



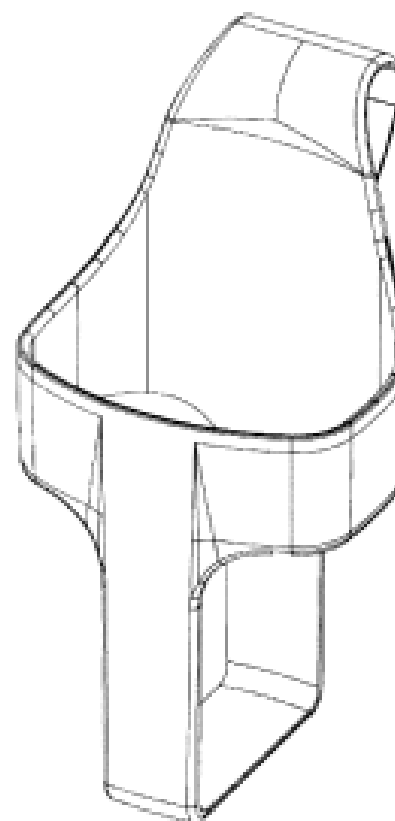
(21) Design Number: **14320/2010**
(22) Date of Filing Application: **04 October 2010**
(24) Date from which industrial property rights may have effect: **04 October 2010**
(54) Product in respect of which the design is registered: **Sander**
(51) International Design Classification: **08-05N**
(71) Name(s) and Address(s) of Applicant(s):
Techtronic Power Tools Technology Limited
Trident Chambers PO Box 146 Road Town Tortola Virgin Islands
(British)
(72) Name(s) of Designer(s): **Vincent Mun Lung Ng**
(45) Registration Date: **27 October 2010**
(30) Convention priority data:
(31) Number (32) Date (33) Country
001730706 13 Jul 2010 EUROPEAN COMMUNITY
(56) Related Art Documents: **Not Applicable**
(57) Statement of Newness and Distinctiveness: **Nil**



(21) Design Number: **14510/2010**
(22) Date of Filing Application: **19 October 2010**
(24) Date from which industrial property rights may have effect: **19 October 2010**
(54) Product in respect of which the design is registered: **Infusion pump**
(51) International Design Classification: **15-02**
(71) Name(s) and Address(s) of Applicant(s):
mobiLIFE Pty Ltd
c/- Logikal Health 3/18 Accolade Avenue Morisset New South Wales
2264 Australia
(72) Name(s) of Designer(s): **Nick Wilkinson and Jon Pryer and Matthew**
Nettenstrom
(45) Registration Date: **27 October 2010**
(56) Related Art Documents: **Not Applicable**
(57) Statement of Newness and Distinctiveness: **Newness and Distinctiveness is**
claimed in the features of shape and/or configuration of an infusion
pump as illustrated in the accompanying representations.



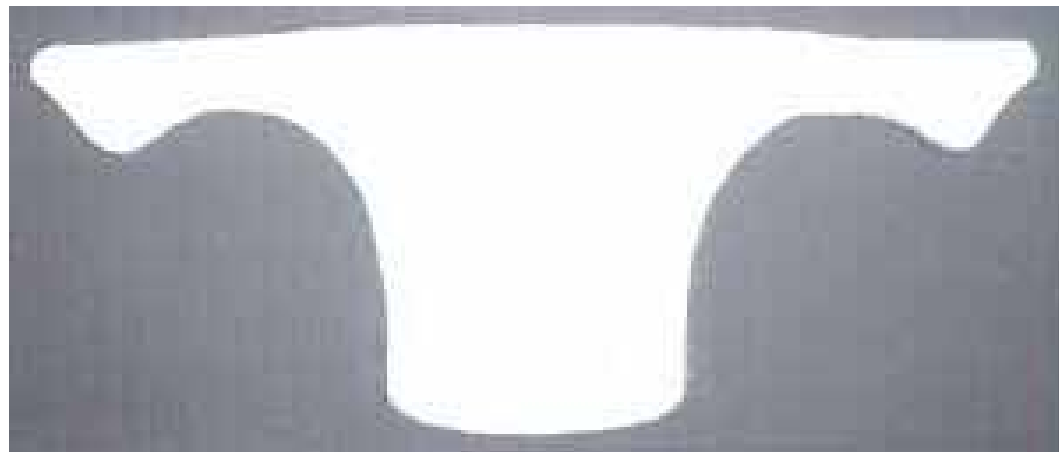
- (21) Design Number: **14511/2010**
(22) Date of Filing Application: **19 October 2010**
(24) Date from which industrial property rights may have effect: **19 October 2010**
(54) Product in respect of which the design is registered: **A holder for an infusion pump**
(51) International Design Classification: **08-08NES, 15-02**
(71) Name(s) and Address(s) of Applicant(s):
mobiLIFE Pty Ltd
c/- Logikal Health 3/18 Accolade Avenue Morisset New South Wales
2264 Australia
(72) Name(s) of Designer(s): **Nick Wilkinson and Jon Pryer and Matthew**
Nettenstrom
(45) Registration Date: **27 October 2010**
(56) Related Art Documents: **Not Applicable**
(57) Statement of Newness and Distinctiveness: **Newness and Distinctiveness is**
claimed in the features of shape and/or configuration of a holder for an
infusion pump as illustrated in the accompanying representations.



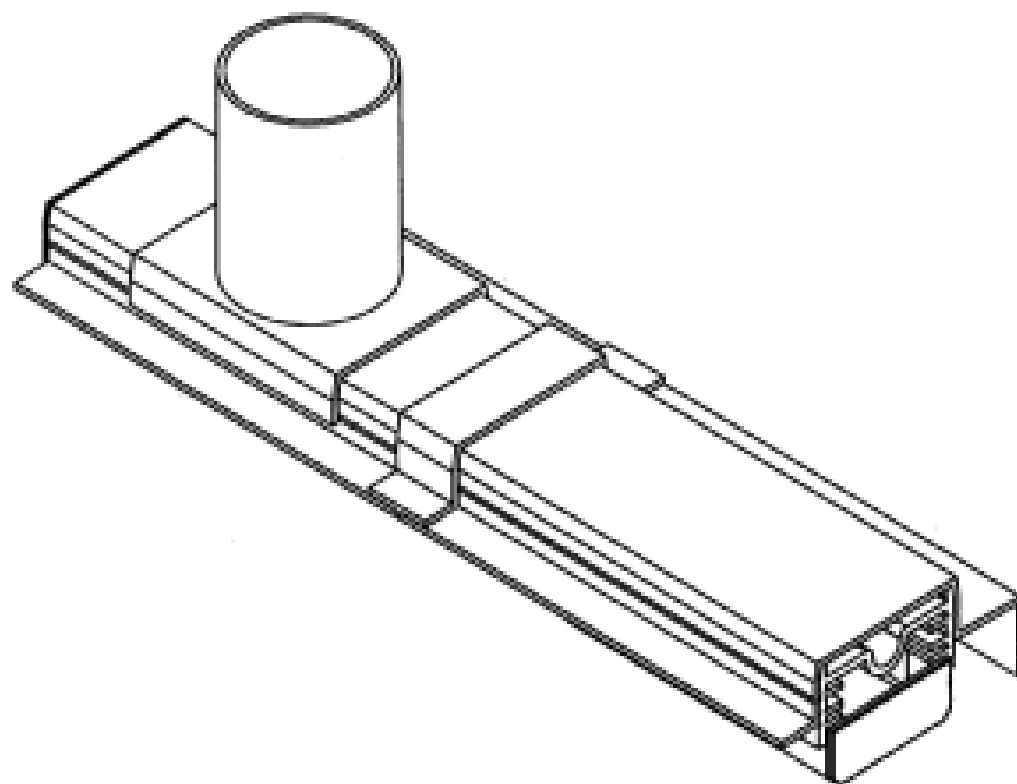
- (21) Design Number: **14161/2010**
(22) Date of Filing Application: **27 September 2010**
(24) Date from which industrial property rights may have effect: **27 September 2010**
(54) Product in respect of which the design is registered: **Boab tree magnet/wall**
plaque
(51) International Design Classification: **11-02NES**
(71) Name(s) and Address(s) of Applicant(s):
Stephen John McDonald
24 Tarcoola Avenue Ferny Hills Queensland 4055 Australia
(72) Name(s) of Designer(s): **Stephen John McDonald**
(45) Registration Date: **26 October 2010**
(56) Related Art Documents: **Not Applicable**
(57) Statement of Newness and Distinctiveness: **Nil**



- (21) Design Number: **13367/2010**
(22) Date of Filing Application: **06 August 2010**
(24) Date from which industrial property rights may have effect: **06 August 2010**
(54) Product in respect of which the design is registered: **Cover for baby boys for use during nappy changing and/or bath time**
(51) International Design Classification: **02-01B, 02-02B**
(71) Name(s) and Address(s) of Applicant(s):
Katherine Price
69 Smallman Crescent Greenwood Western Australia 6024 Australia
(72) Name(s) of Designer(s): **Katherine Price**
(45) Registration Date: **28 October 2010**
(56) Related Art Documents: **Not Applicable**
(57) Statement of Newness and Distinctiveness: **A key design point is the 'arms' that can be tucked into the crease of the thigh to hold the cover in place while the legs are held up.**



- (21) Design Number: **13804/2010**
(22) Date of Filing Application: **31 August 2010**
(24) Date from which industrial property rights may have effect: **31 August 2010**
(54) Product in respect of which the design is registered: **Water channel grate**
(51) International Design Classification: **23-01E**
(71) Name(s) and Address(s) of Applicant(s):
James Demetriou
5 Mara Close Wantirna South Victoria 3152 Australia
(72) Name(s) of Designer(s): **James Demetriou**
(45) Registration Date: **28 October 2010**
(56) Related Art Documents: **Not Applicable**
(57) Statement of Newness and Distinctiveness: **Nil**



- (21) Design Number: **14304/2010**
(22) Date of Filing Application: **30 September 2010**
(24) Date from which industrial property rights may have effect: **30 September 2010**
(54) Product in respect of which the design is registered: **Showerhead**
(51) International Design Classification: **23-02B**
(71) Name(s) and Address(s) of Applicant(s):

Kohler Co.
444 Highland Drive Kohler WI 53044 United States of America

(72) Name(s) of Designer(s): **Rafael Alfredo Rexach and Julie Yessin**

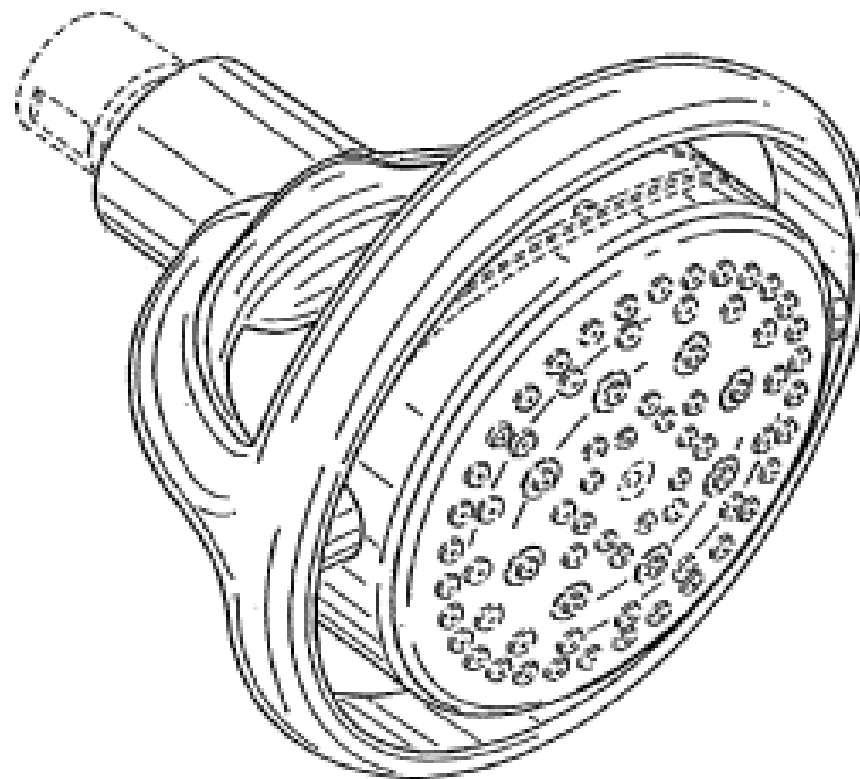
(45) Registration Date: **28 October 2010**

(30) Convention priority data:

(31) Number	(32) Date	(33) Country
29/358613	30 Mar 2010	UNITED STATES OF AMERICA

(56) Related Art Documents: **Not Applicable**

(57) Statement of Newness and Distinctiveness: **The broken lines representations in the figures are for illustration purposes only and, form no part of the design.**



- (21) Design Number: **14305/2010**
(22) Date of Filing Application: **30 September 2010**
(24) Date from which industrial property rights may have effect: **30 September 2010**
(54) Product in respect of which the design is registered: **Showerhead**
(51) International Design Classification: **23-02B**
(71) Name(s) and Address(s) of Applicant(s):

Kohler Co.
444 Highland Drive Kohler WI 53044 United States of America

(72) Name(s) of Designer(s): **Rafael Alfredo Rexach and Julie Yessin**

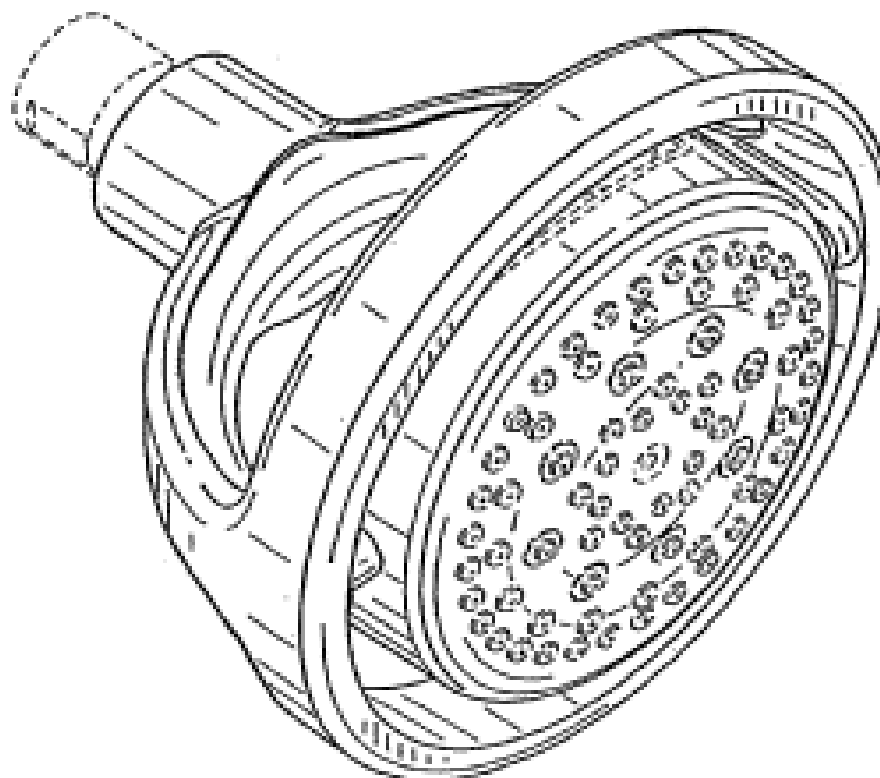
(45) Registration Date: **28 October 2010**

(30) Convention priority data:

(31) Number	(32) Date	(33) Country
29/358613	30 Mar 2010	UNITED STATES OF AMERICA

(56) Related Art Documents: **Not Applicable**

(57) Statement of Newness and Distinctiveness: **The broken lines representations in the figures are for illustration purposes only and, form no part of the design.**



(21) Design Number: **14314/2010**
 (22) Date of Filing Application: **30 September 2010**
 (24) Date from which industrial property rights may have effect: **30 September 2010**
 (54) Product in respect of which the design is registered: **Safe**
 (51) International Design Classification: **03-01A, 06-04B, 08-07**
 (71) Name(s) and Address(s) of Applicant(s):

Master Lock Company LLC
137 W. Forest Hill Avenue Oak Creek Wisconsin 53154 United States of America

(72) Name(s) of Designer(s): **Glenn P. Meekma and Scott B. Stevens**

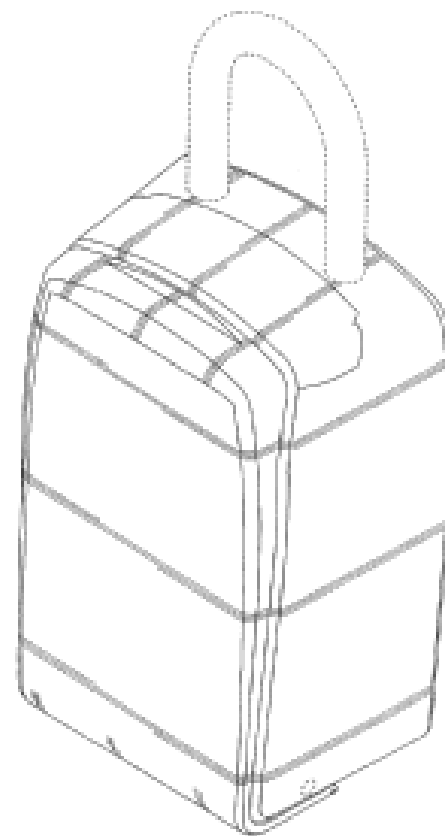
(45) Registration Date: **28 October 2010**

(30) Convention priority data:

(31) Number	(32) Date	(33) Country
29/359,531	13 Apr 2010	UNITED STATES OF AMERICA

(56) Related Art Documents: **Not Applicable**

(57) Statement of Newness and Distinctiveness: **Newness and distinctiveness are provided by the shape and/or configuration of the design shown in the representations. The features shown in broken lines in the representations are for illustrative purposes only and should not be considered when construing visual features of the design.**



(21) Design Number: **14315/2010**
 (22) Date of Filing Application: **30 September 2010**
 (24) Date from which industrial property rights may have effect: **30 September 2010**
 (54) Product in respect of which the design is registered: **Safe**
 (51) International Design Classification: **03-01A, 06-04B, 08-07**
 (71) Name(s) and Address(s) of Applicant(s):

Master Lock Company LLC
137 W. Forest Hill Avenue Oak Creek Wisconsin 53154 United States of America

(72) Name(s) of Designer(s): **Glenn P. Meekma and Scott B. Stevens**

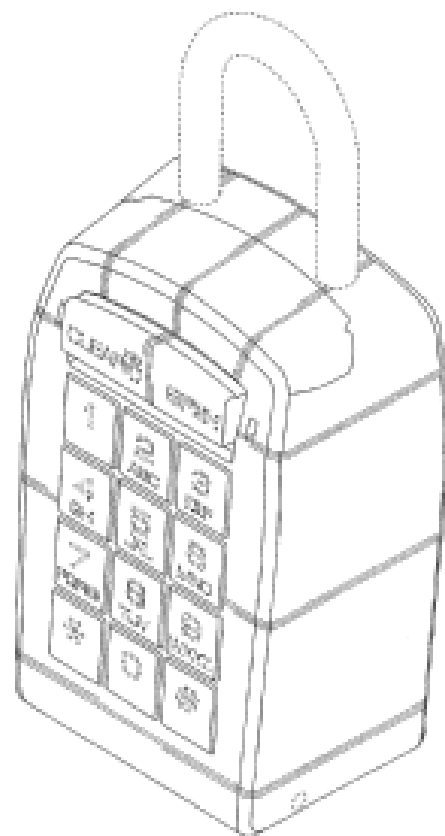
(45) Registration Date: **28 October 2010**

(30) Convention priority data:

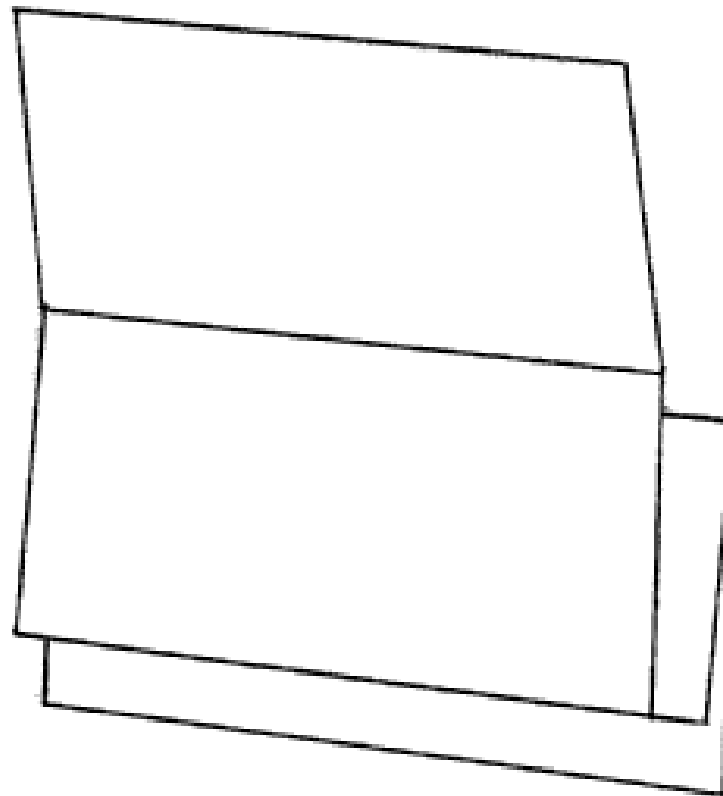
(31) Number	(32) Date	(33) Country
29/359,531	13 Apr 2010	UNITED STATES OF AMERICA

(56) Related Art Documents: **Not Applicable**

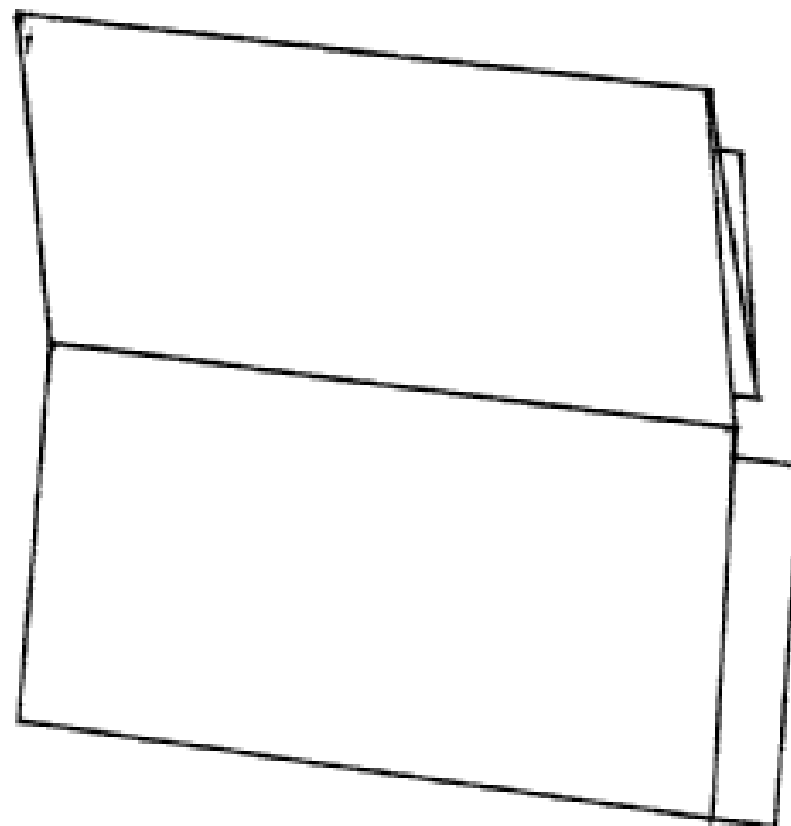
(57) Statement of Newness and Distinctiveness: **Newness and distinctiveness are provided by the shape and/or configuration of the design shown in the representations. The features shown in broken lines in the representations are for illustrative purposes only and should not be considered when construing visual features of the design.**



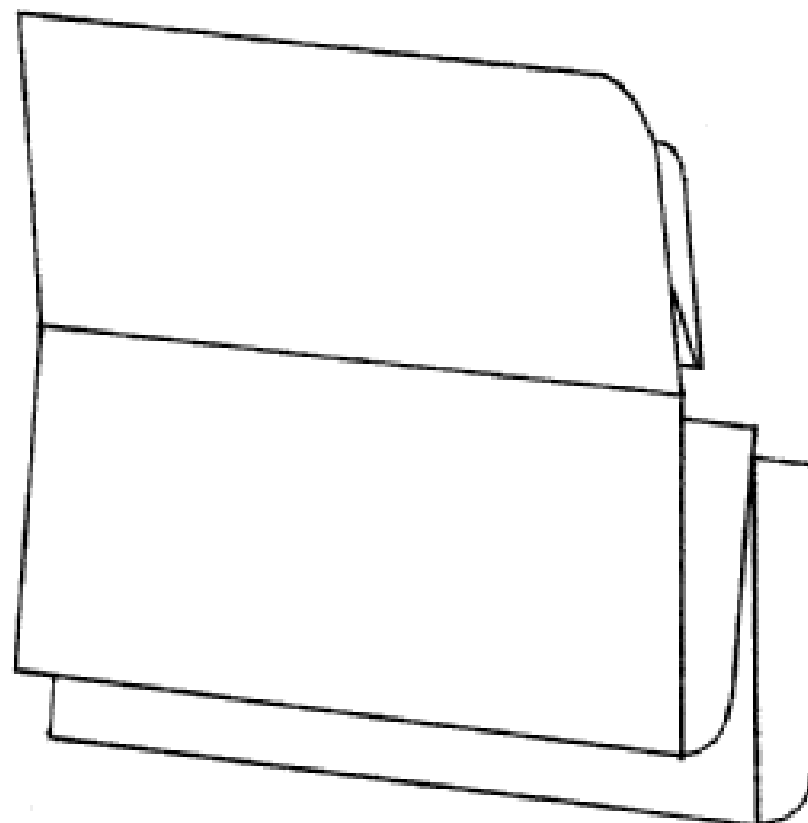
(21) Design Number: **14184/2010**
(22) Date of Filing Application: **07 October 2010**
(24) Date from which industrial property rights may have effect: **07 October 2010**
(54) Product in respect of which the design is registered: **Folding brochure**
(51) International Design Classification: **19-04**
(71) Name(s) and Address(s) of Applicant(s):
Timothy Breandan Culley
7 Laurel Avenue Chelmer Queensland 4068 Australia
(72) Name(s) of Designer(s): **Timothy Breandan Culley**
(45) Registration Date: **28 October 2010**
(56) Related Art Documents: **Not Applicable**
(57) Statement of Newness and Distinctiveness: **Nil**



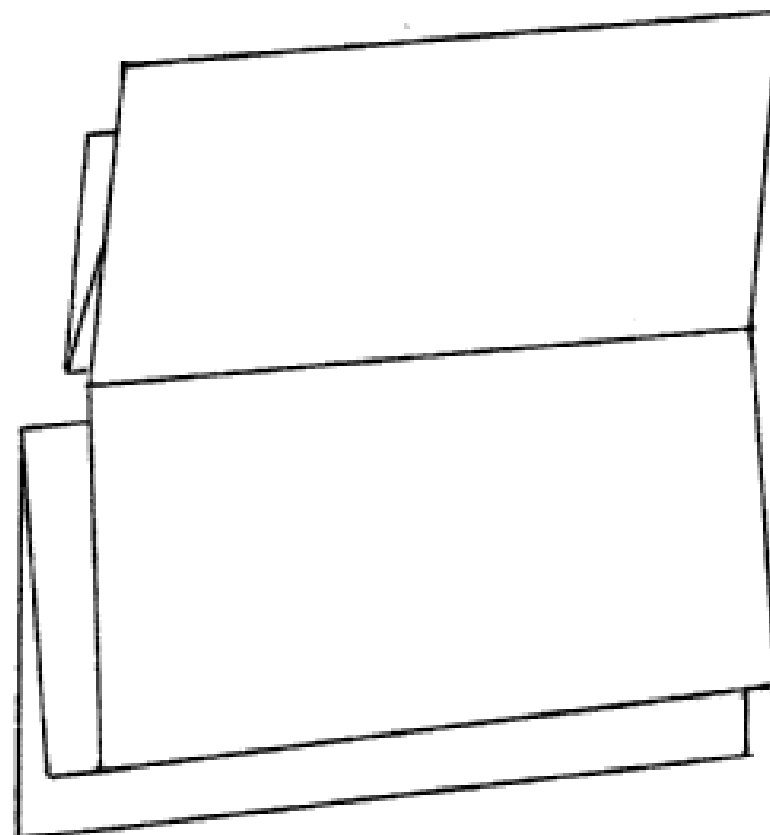
(21) Design Number: **14456/2010**
(22) Date of Filing Application: **13 October 2010**
(24) Date from which industrial property rights may have effect: **13 October 2010**
(54) Product in respect of which the design is registered: **Folding brochure**
(51) International Design Classification: **19-01**
(71) Name(s) and Address(s) of Applicant(s):
Timothy Breandan Culley
7 Laurel Avenue Chelmer Queensland 4068 Australia
(72) Name(s) of Designer(s): **Timothy Breandan Culley**
(45) Registration Date: **28 October 2010**
(56) Related Art Documents: **Not Applicable**
(57) Statement of Newness and Distinctiveness: **Nil**



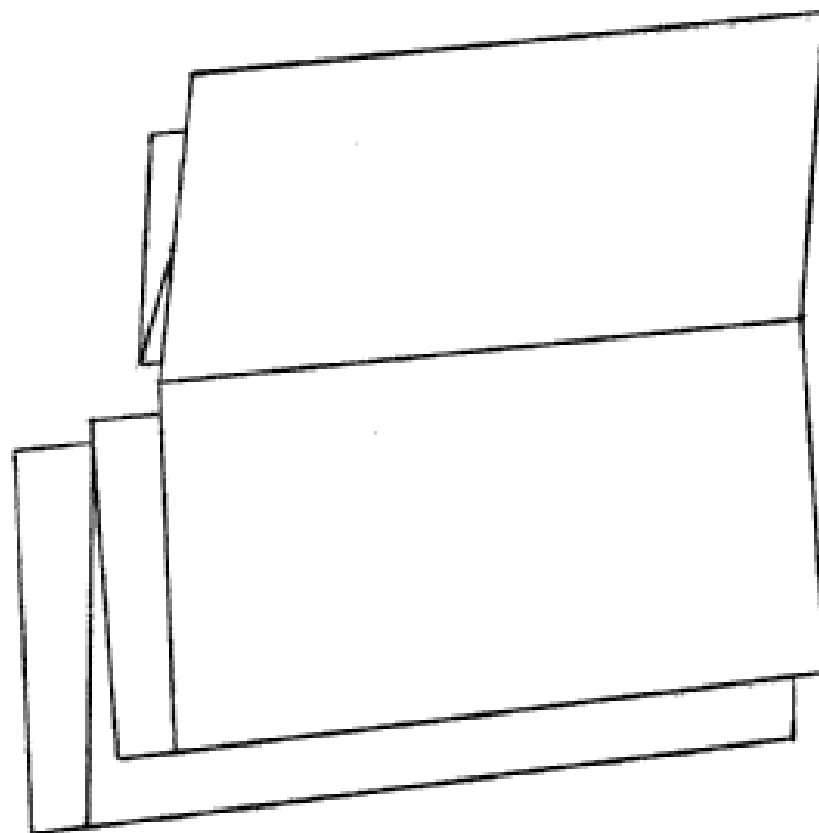
(21) Design Number: **14457/2010**
(22) Date of Filing Application: **10 October 2010**
(24) Date from which industrial property rights may have effect: **10 October 2010**
(54) Product in respect of which the design is registered: **Folding brochure**
(51) International Design Classification: **19-01**
(71) Name(s) and Address(s) of Applicant(s):
Timothy Breandan Culley
7 Laurel Avenue Chelmer Queensland 4068 Australia
(72) Name(s) of Designer(s): **Timothy Breandan Culley**
(45) Registration Date: **28 October 2010**
(56) Related Art Documents: **Not Applicable**
(57) Statement of Newness and Distinctiveness: **Nil**



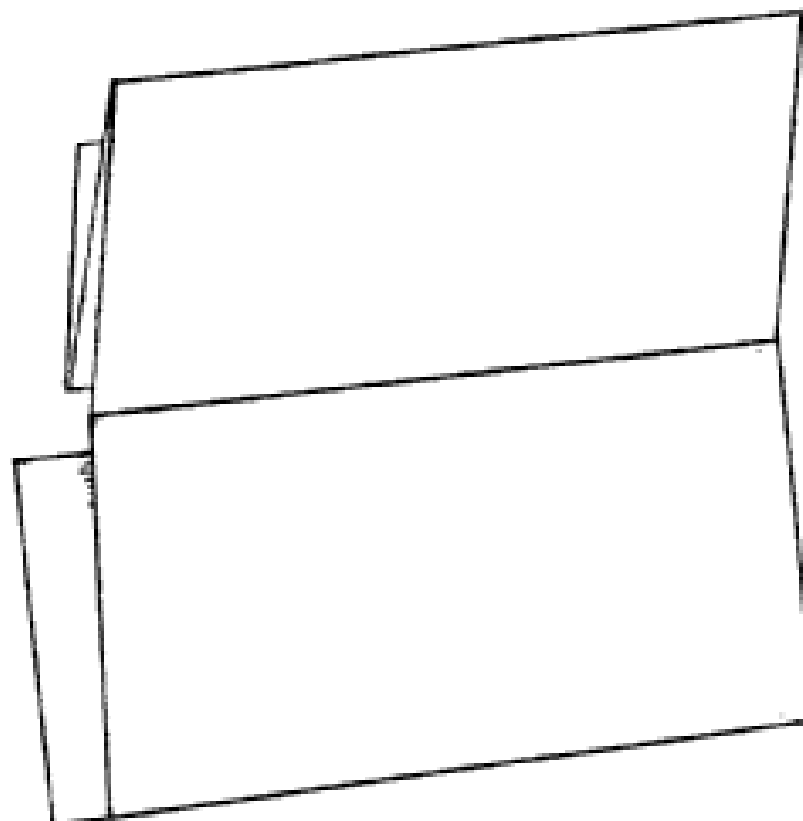
(21) Design Number: **14473/2010**
(22) Date of Filing Application: **14 October 2010**
(24) Date from which industrial property rights may have effect: **14 October 2010**
(54) Product in respect of which the design is registered: **Folding brochure**
(51) International Design Classification: **19-01**
(71) Name(s) and Address(s) of Applicant(s):
Timothy Breandan Culley
7 Laurel Avenue Chelmer Queensland 4068 Australia
(72) Name(s) of Designer(s): **Timothy Breandan Culley**
(45) Registration Date: **28 October 2010**
(56) Related Art Documents: **Not Applicable**
(57) Statement of Newness and Distinctiveness: **Nil**



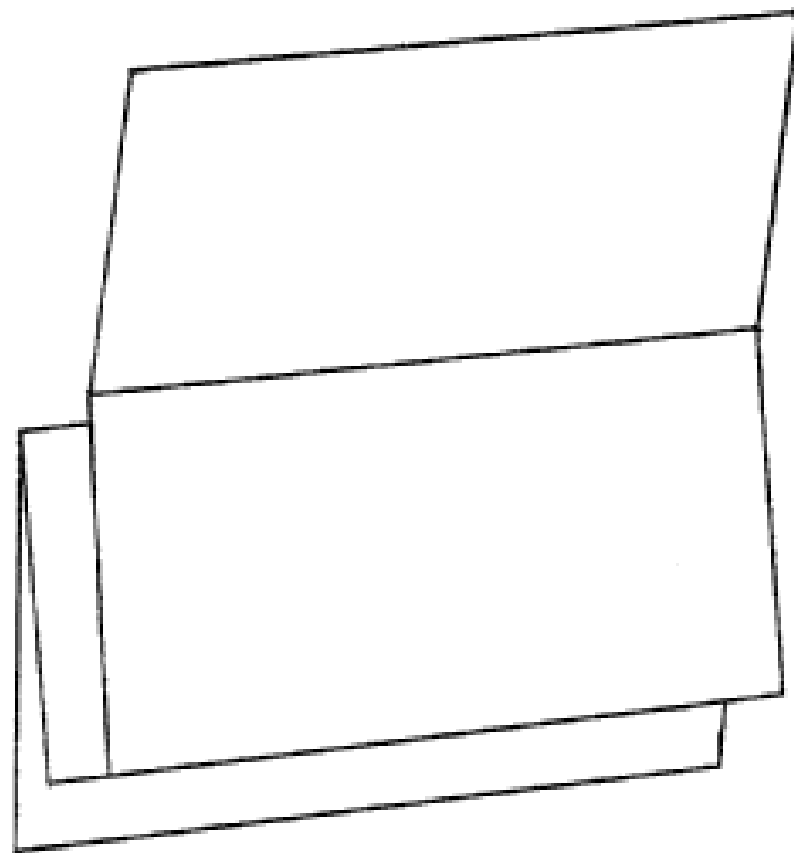
- (21) Design Number: **14474/2010**
- (22) Date of Filing Application: **14 October 2010**
- (24) Date from which industrial property rights may have effect: **14 October 2010**
- (54) Product in respect of which the design is registered: **Folding brochure**
- (51) International Design Classification: **19-01**
- (71) Name(s) and Address(s) of Applicant(s):
Timothy Breandan Culley
7 Laurel Avenue Chelmer Queensland 4068 Australia
- (72) Name(s) of Designer(s): **Timothy Breandan Culley**
- (45) Registration Date: **28 October 2010**
- (56) Related Art Documents: **Not Applicable**
- (57) Statement of Newness and Distinctiveness: **Nil**



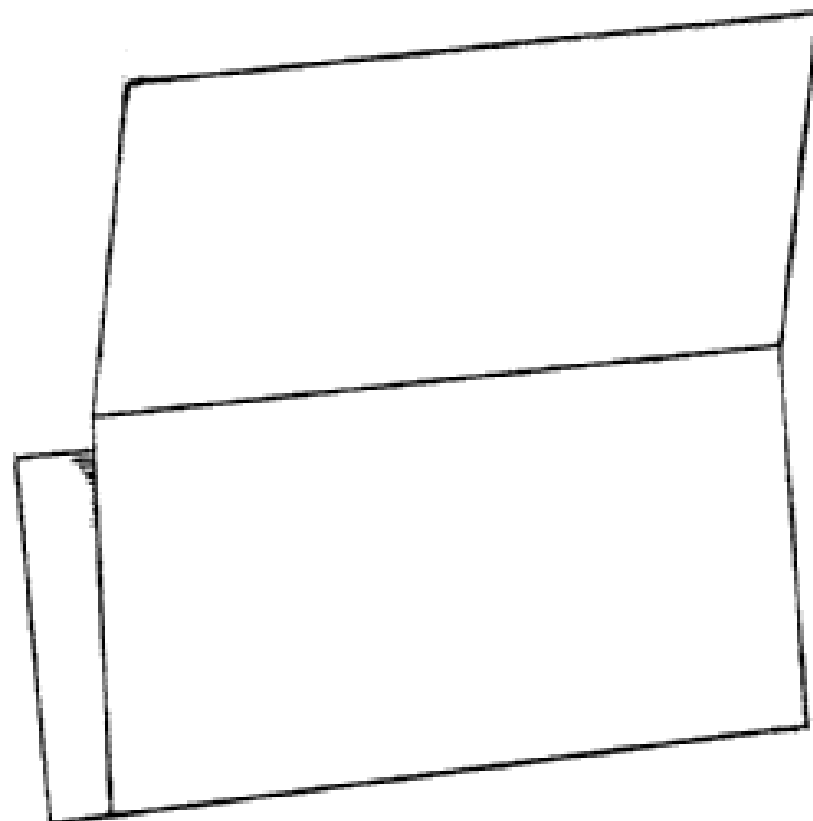
- (21) Design Number: **14475/2010**
- (22) Date of Filing Application: **14 October 2010**
- (24) Date from which industrial property rights may have effect: **14 October 2010**
- (54) Product in respect of which the design is registered: **Folding brochure**
- (51) International Design Classification: **19-01**
- (71) Name(s) and Address(s) of Applicant(s):
Timothy Breandan Culley
7 Laurel Avenue Chelmer Queensland 4068 Australia
- (72) Name(s) of Designer(s): **Timothy Breandan Culley**
- (45) Registration Date: **28 October 2010**
- (56) Related Art Documents: **Not Applicable**
- (57) Statement of Newness and Distinctiveness: **Nil**



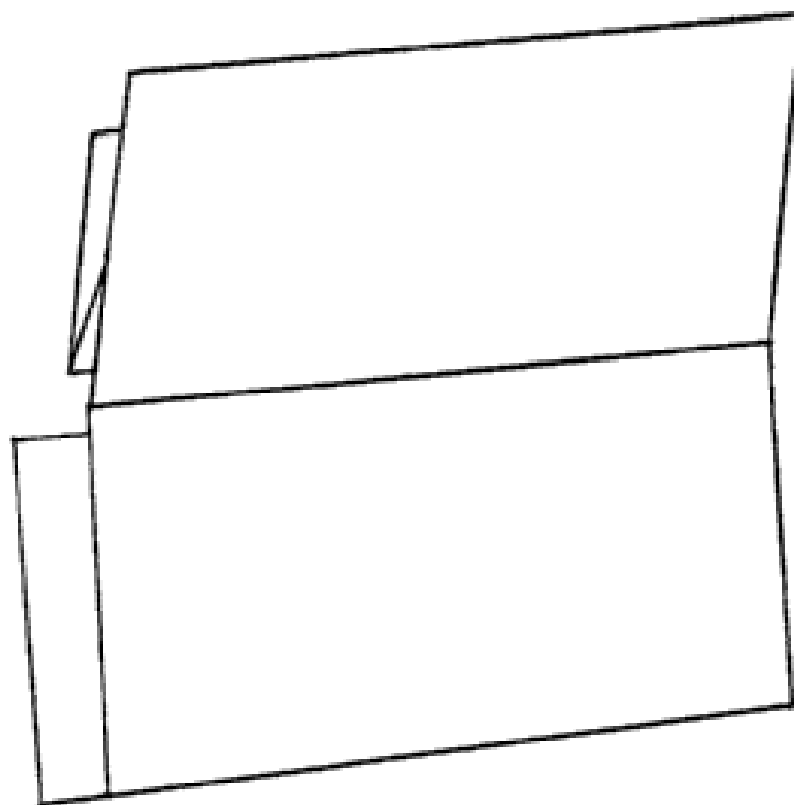
(21) Design Number: **14476/2010**
(22) Date of Filing Application: **14 October 2010**
(24) Date from which industrial property rights may have effect: **14 October 2010**
(54) Product in respect of which the design is registered: **Folding brochure**
(51) International Design Classification: **19-01**
(71) Name(s) and Address(s) of Applicant(s):
Timothy Breandan Culley
7 Laurel Avenue Chelmer Queensland 4068 Australia
(72) Name(s) of Designer(s): **Timothy Breandan Culley**
(45) Registration Date: **28 October 2010**
(56) Related Art Documents: **Not Applicable**
(57) Statement of Newness and Distinctiveness: **Nil**



(21) Design Number: **14477/2010**
(22) Date of Filing Application: **14 October 2010**
(24) Date from which industrial property rights may have effect: **14 October 2010**
(54) Product in respect of which the design is registered: **Folding brochure**
(51) International Design Classification: **19-01**
(71) Name(s) and Address(s) of Applicant(s):
Timothy Breandan Culley
7 Laurel Avenue Chelmer Queensland 4068 Australia
(72) Name(s) of Designer(s): **Timothy Breandan Culley**
(45) Registration Date: **28 October 2010**
(56) Related Art Documents: **Not Applicable**
(57) Statement of Newness and Distinctiveness: **Nil**



- (21) Design Number: **14478/2010**
(22) Date of Filing Application: **14 October 2010**
(24) Date from which industrial property rights may have effect: **14 October 2010**
(54) Product in respect of which the design is registered: **Folding brochure**
(51) International Design Classification: **19-01**
(71) Name(s) and Address(s) of Applicant(s):
Timothy Breandan Culley
7 Laurel Avenue Chelmer Queensland 4068 Australia
(72) Name(s) of Designer(s): **Timothy Breandan Culley**
(45) Registration Date: **28 October 2010**
(56) Related Art Documents: **Not Applicable**
(57) Statement of Newness and Distinctiveness: **Nil**



- (21) Design Number: **10611/2010**
(22) Date of Filing Application: **19 February 2010**
(24) Date from which industrial property rights may have effect: **19 February 2010**
(54) Product in respect of which the design is registered: **Ottoman**
(51) International Design Classification: **06-01E**
(71) Name(s) and Address(s) of Applicant(s):
Jason Muscat
87 Minchin Drive Minchinbury New South Wales 2770 Australia
(72) Name(s) of Designer(s): **Jason Muscat**
(45) Registration Date: **28 October 2010**
(56) Related Art Documents: **Not Applicable**
(57) Statement of Newness and Distinctiveness: **The new features of the design is the shape and the hole that is inbedded into the ottoman to either hold a vase with sticks, flowers, branches or leaves.**



(21) Design Number: **13676/2010**

(22) Date of Filing Application: **23 August 2010**

(24) Date from which industrial property rights may have effect: **23 August 2010**

(54) Product in respect of which the design is registered: **Disposable plate**

(51) International Design Classification: **07-01A**

(71) Name(s) and Address(s) of Applicant(s):

Partyware Pty Ltd
10 University Place Clayton North Victoria 3168 Australia

(72) Name(s) of Designer(s): **Aron Seger**

(45) Registration Date: **28 October 2010**

(56) Related Art Documents: **Not Applicable**

(57) Statement of Newness and Distinctiveness: **Monopoly is claimed in features of shape and configuration as shown in the accompanying drawings.**



(21) Design Number: **14092/2010**

(22) Date of Filing Application: **17 September 2010**

(24) Date from which industrial property rights may have effect: **17 September 2010**

(54) Product in respect of which the design is registered: **Golf cart**

(51) International Design Classification: **12-02**

(71) Name(s) and Address(s) of Applicant(s):

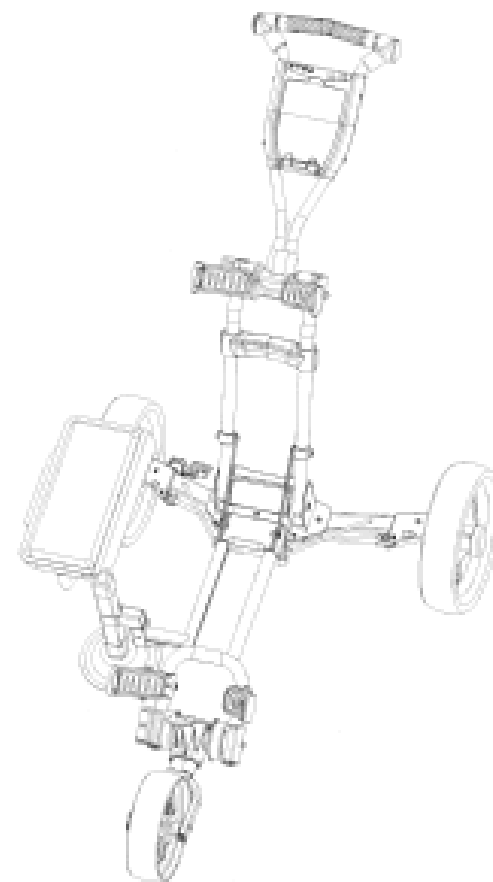
Unique Product & Design Co., Ltd.
No. 5 Ming Dong Road Yung Kang City Tainan Hsien Taiwan

(72) Name(s) of Designer(s): **Gordon Liao**

(45) Registration Date: **28 October 2010**

(56) Related Art Documents: **Not Applicable**

(57) Statement of Newness and Distinctiveness: **Novelty resides in the ornamental design for a golf cart as shown in the drawings.**



(21) Design Number: **14177/2010**

(22) Date of Filing Application: **07 October 2010**

(24) Date from which industrial property rights may have effect: **07 October 2010**

(54) Product in respect of which the design is registered: **Lamp**

(51) International Design Classification: **26-04**

(71) Name(s) and Address(s) of Applicant(s):

**Koninklijke Philips Electronics N.V.
Groenewoudseweg 1 5621 BA Eindhoven The Netherlands**

(72) Name(s) of Designer(s): **Vincent Stefan David Gielen and Johannes Petrus Maria Ansems and Marcus Joannes van den Bosch and Timothy Howard Rider and Mo Shen and Bao Wang and Feng Ji and Xiaoqing Duan and Jin-Young Song**

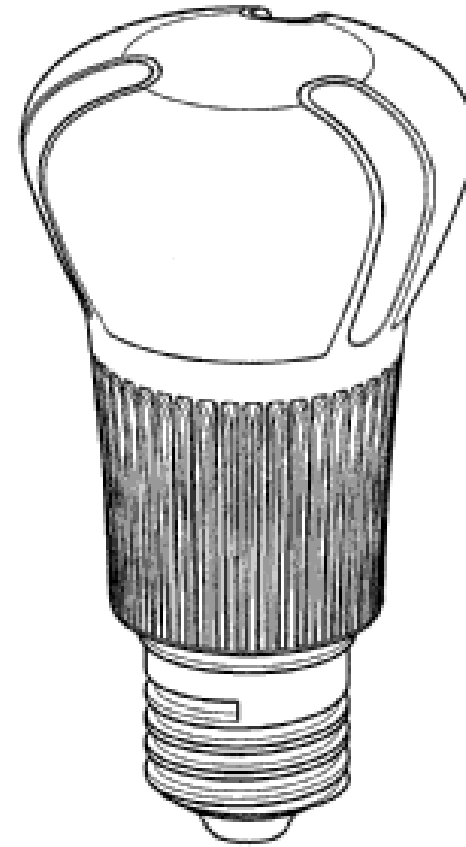
(45) Registration Date: **28 October 2010**

(30) Convention priority data:

(31) Number	(32) Date	(33) Country
001692187	08 Apr 2010	EUROPEAN COMMUNITY

(56) Related Art Documents: **Not Applicable**

(57) Statement of Newness and Distinctiveness: **Newness and distinctiveness reside in the features of shape and configuration of the design as shown in the representations.**



(21) Design Number: **14231/2010**

(22) Date of Filing Application: **08 October 2010**

(24) Date from which industrial property rights may have effect: **08 October 2010**

(54) Product in respect of which the design is registered: **Backpack espresso machine**

(51) International Design Classification: **07-02L, 03-01A**

(71) Name(s) and Address(s) of Applicant(s):

**Airspresso Pty Ltd
100-102 Exeter Road Croydon North Victoria 3136 Australia**

(72) Name(s) of Designer(s): **Steve Bolto**

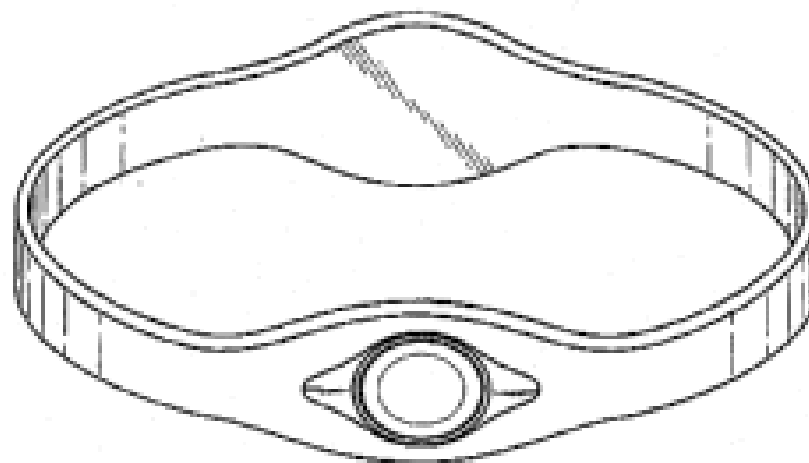
(45) Registration Date: **28 October 2010**

(56) Related Art Documents: **Not Applicable**

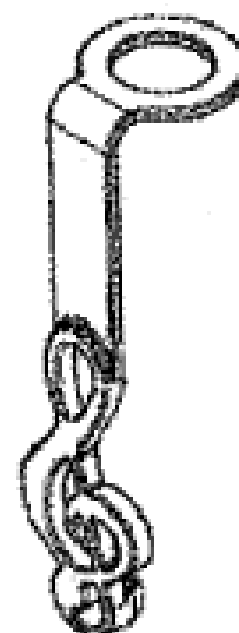
(57) Statement of Newness and Distinctiveness: **Waist reduction on barrel. Single piece shower screen and body. Skirt to cover hot coffee basket.**



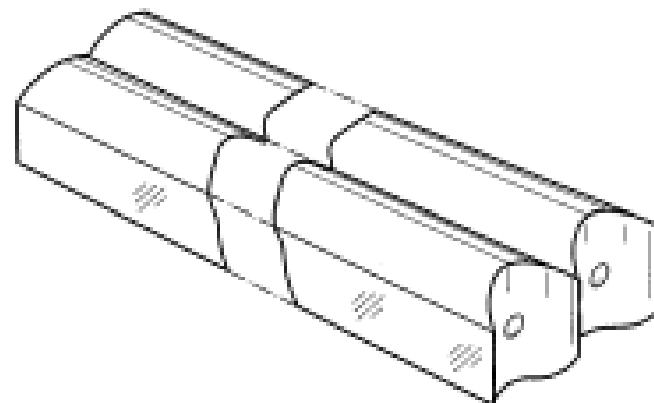
(21) Design Number: **14351/2010**
(22) Date of Filing Application: **30 September 2010**
(24) Date from which industrial property rights may have effect: **30 September 2010**
(54) Product in respect of which the design is registered: **Wristband**
(51) International Design Classification: **11-01C**
(71) Name(s) and Address(s) of Applicant(s):
Troy Rodarmel
34752 Calle Fortuna Capistrano Beach California 92624 United States of America
(72) Name(s) of Designer(s): **Troy Rodarmel**
(45) Registration Date: **28 October 2010**
(30) Convention priority data:
(31) Number (32) Date (33) Country
29/358650 30 Mar 2010 UNITED STATES OF AMERICA
(56) Related Art Documents: **Not Applicable**
(57) Statement of Newness and Distinctiveness: **Nil**



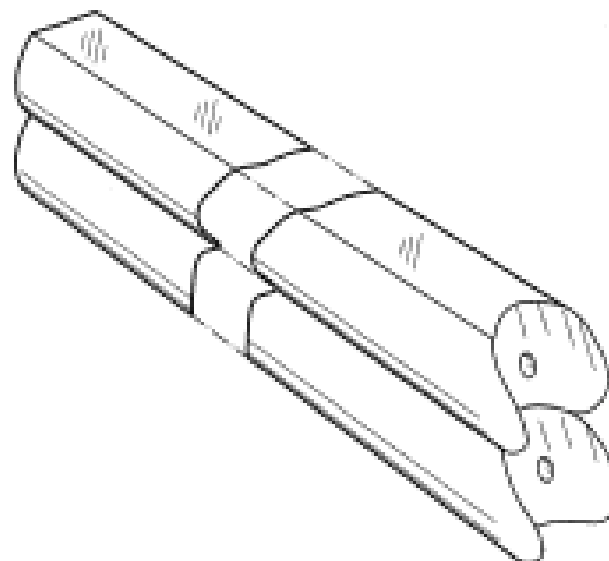
(21) Design Number: **14352/2010**
(22) Date of Filing Application: **06 October 2010**
(24) Date from which industrial property rights may have effect: **06 October 2010**
(54) Product in respect of which the design is registered: **Pen clip with treble-clef**
(51) International Design Classification: **19-06**
(71) Name(s) and Address(s) of Applicant(s):
Ellen Charlesworth
6 Fremont Street Heathmont Victoria 3135 Australia
(72) Name(s) of Designer(s): **Ellen Charlesworth**
(45) Registration Date: **28 October 2010**
(56) Related Art Documents: **Not Applicable**
(57) Statement of Newness and Distinctiveness: **Newness and distinctiveness is claimed in the features of shape and/or configuration of the pen clip with treble-clef as illustrated in the accompanying representations.**



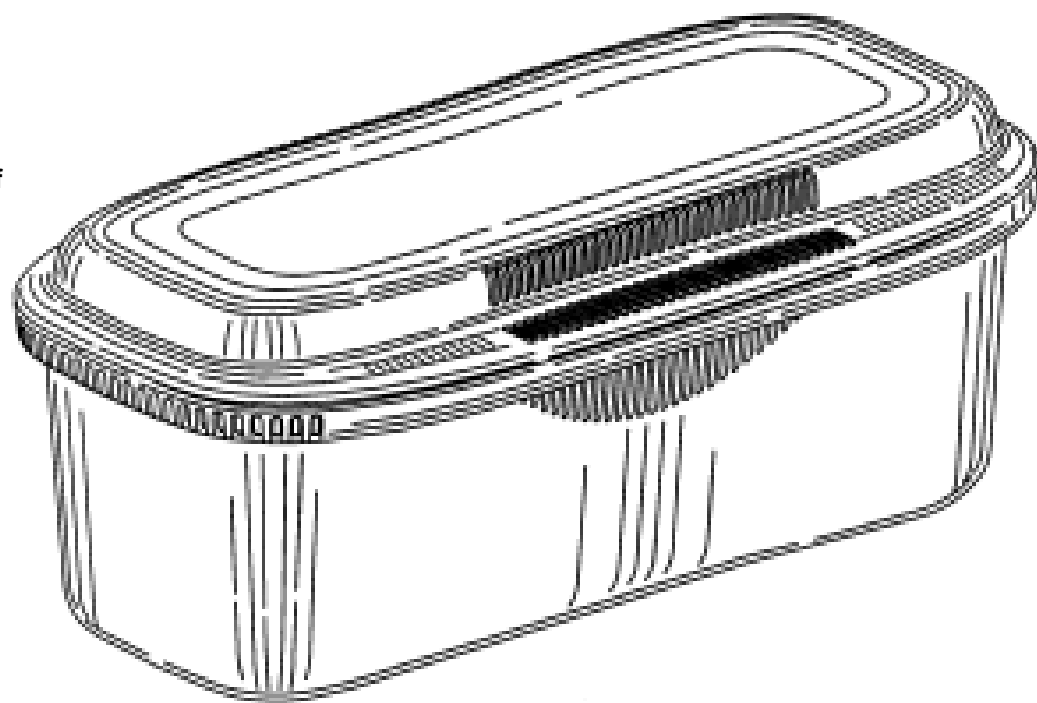
(21) Design Number: **14353/2010**
(22) Date of Filing Application: **05 October 2010**
(24) Date from which industrial property rights may have effect: **05 October 2010**
(54) Product in respect of which the design is registered: **Structural member**
(51) International Design Classification: **25-01C**
(71) Name(s) and Address(s) of Applicant(s):
Loggo IP Pty Ltd
33 Bridge Avenue Oak Flats New South Wales 2529 Australia
(72) Name(s) of Designer(s): **Patrick Thornton**
(45) Registration Date: **28 October 2010**
(30) Convention priority data:
(31) Number (32) Date (33) Country
29/359259 07 Apr 2010 UNITED STATES OF AMERICA
(56) Related Art Documents: **Not Applicable**
(57) Statement of Newness and Distinctiveness: **Newness and distinctiveness is claimed in the features of shape and/or configuration of a structural member of indefinite length as shown in the accompanying representations.**



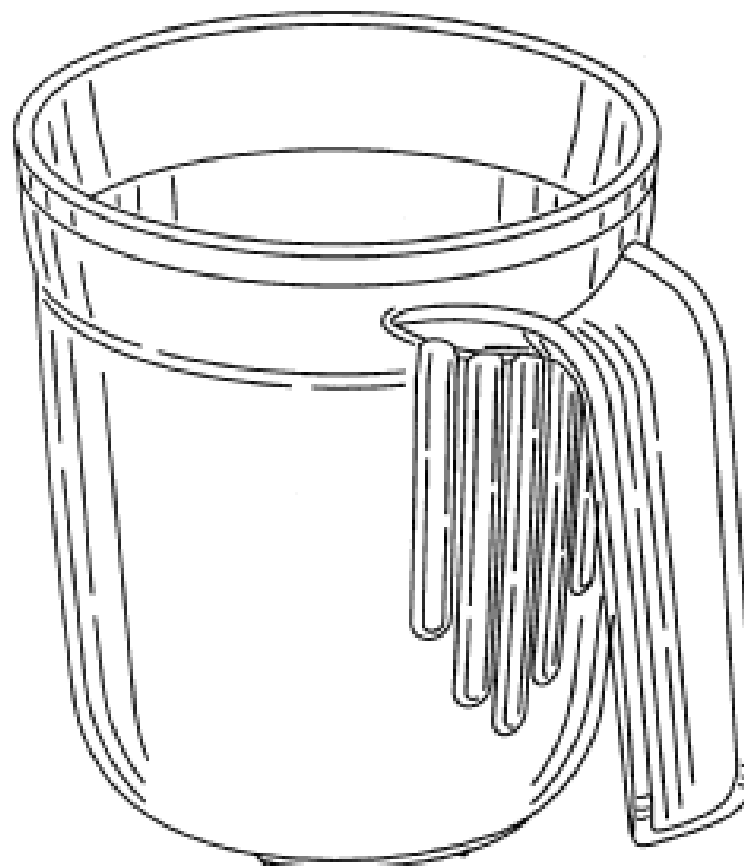
(21) Design Number: **14354/2010**
(22) Date of Filing Application: **05 October 2010**
(24) Date from which industrial property rights may have effect: **05 October 2010**
(54) Product in respect of which the design is registered: **Structural member**
(51) International Design Classification: **25-01C**
(71) Name(s) and Address(s) of Applicant(s):
Loggo IP Pty Ltd
33 Bridge Avenue Oak Flats New South Wales 2529 Australia
(72) Name(s) of Designer(s): **Patrick Thornton**
(45) Registration Date: **28 October 2010**
(30) Convention priority data:
(31) Number (32) Date (33) Country
29/359259 07 Apr 2010 UNITED STATES OF AMERICA
(56) Related Art Documents: **Not Applicable**
(57) Statement of Newness and Distinctiveness: **Newness and distinctiveness is claimed in the features of shape and/or configuration of a structural member of indefinite length as shown in the accompanying representations.**



(21) Design Number: **14356/2010**
(22) Date of Filing Application: **04 October 2010**
(24) Date from which industrial property rights may have effect: **04 October 2010**
(54) Product in respect of which the design is registered: **Container with cover**
(51) International Design Classification: **07-01NES**
(71) Name(s) and Address(s) of Applicant(s):
Dart Industries Inc
14901 S. Orange Blossom Trail Orlando Florida 32837 United States of America
(72) Name(s) of Designer(s): **Simone Pallotto**
(45) Registration Date: **28 October 2010**
(30) Convention priority data:
(31) Number (32) Date (33) Country
29/349,772 30 Apr 2010 UNITED STATES OF AMERICA
(56) Related Art Documents: **Not Applicable**
(57) Statement of Newness and Distinctiveness: **Those features of the container with cover depicted in the representations that are new and distinctive are the shape and/or configuration.**



(21) Design Number: **14357/2010**
(22) Date of Filing Application: **04 October 2010**
(24) Date from which industrial property rights may have effect: **04 October 2010**
(54) Product in respect of which the design is registered: **Mug**
(51) International Design Classification: **07-01D**
(71) Name(s) and Address(s) of Applicant(s):
Dart Industries Inc
14901 S. Orange Blossom Trail Orlando Florida 32837 United States of America
(72) Name(s) of Designer(s): **Hanno Kortleven**
(45) Registration Date: **28 October 2010**
(30) Convention priority data:
(31) Number (32) Date (33) Country
29/349,773 30 Apr 2010 UNITED STATES OF AMERICA
(56) Related Art Documents: **Not Applicable**
(57) Statement of Newness and Distinctiveness: **Those features of the mug depicted in the representations that are new and distinctive are the shape and/or configuration.**



(21) Design Number: **14359/2010**

(22) Date of Filing Application: **04 October 2010**

(24) Date from which industrial property rights may have effect: **04 October 2010**

(54) Product in respect of which the design is registered: **Solar frame**

(51) International Design Classification: **23-03D**

(71) Name(s) and Address(s) of Applicant(s):

**Cool Mountain Collection AG
Naumatthalde 9 6045 Meggen Switzerland**

(72) Name(s) of Designer(s): **Peter Grauer**

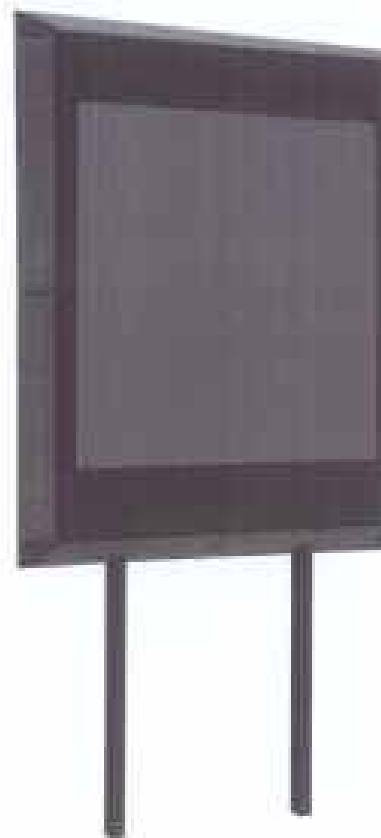
(45) Registration Date: **28 October 2010**

(30) Convention priority data:

(31) Number	(32) Date	(33) Country
001746900	25 Aug 2010	EUROPEAN COMMUNITY

(56) Related Art Documents: **Not Applicable**

(57) Statement of Newness and Distinctiveness: **Those features of the solar frame depicted in the representations that are new and distinctive are the shape and/or configuration of the solar frame comprised of solar cells with an integrated illumination panel.**



(21) Design Number: **14361/2010**

(22) Date of Filing Application: **05 October 2010**

(24) Date from which industrial property rights may have effect: **05 October 2010**

(54) Product in respect of which the design is registered: **Rubber diaphragm to suit tank breather/safety valve**

(51) International Design Classification: **23-01K**

(71) Name(s) and Address(s) of Applicant(s):

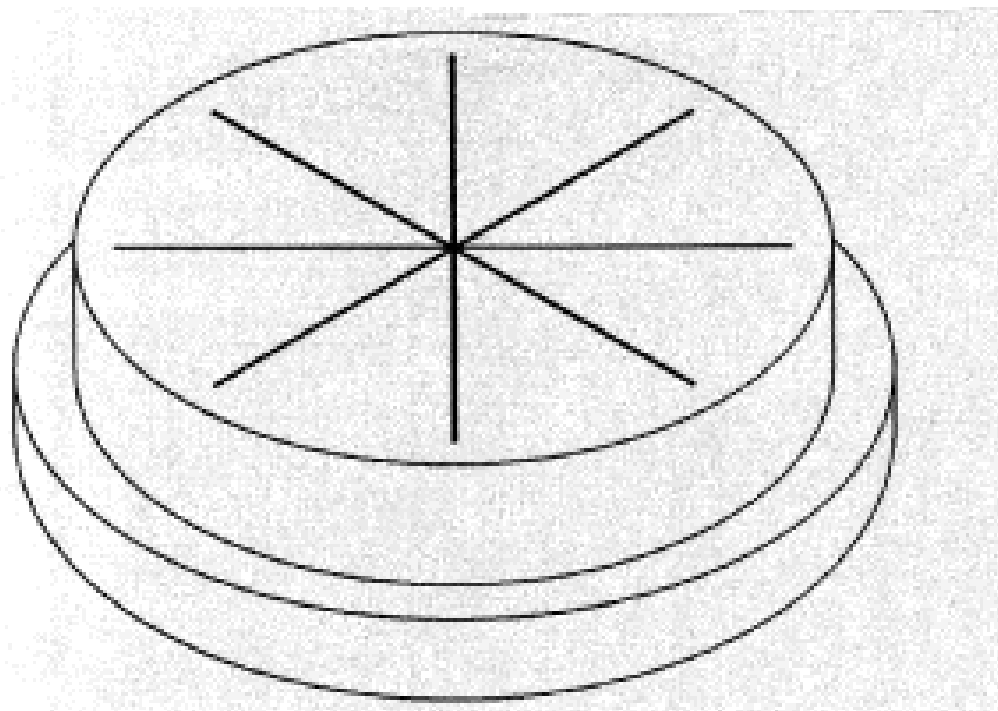
**Andrew Black
3 Myrtlebank Terrace Stonyfell South Australia 5066 Australia**

(72) Name(s) of Designer(s): **Andrew R Black**

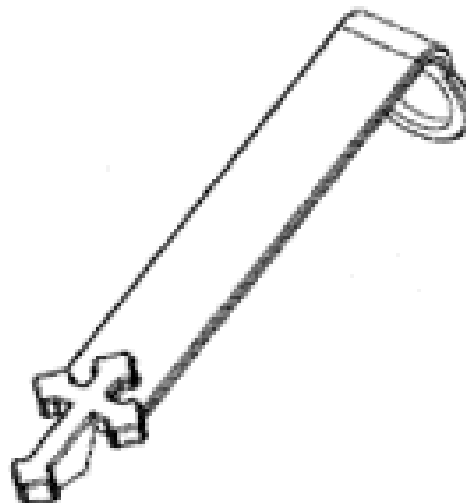
(45) Registration Date: **28 October 2010**

(56) Related Art Documents: **Not Applicable**

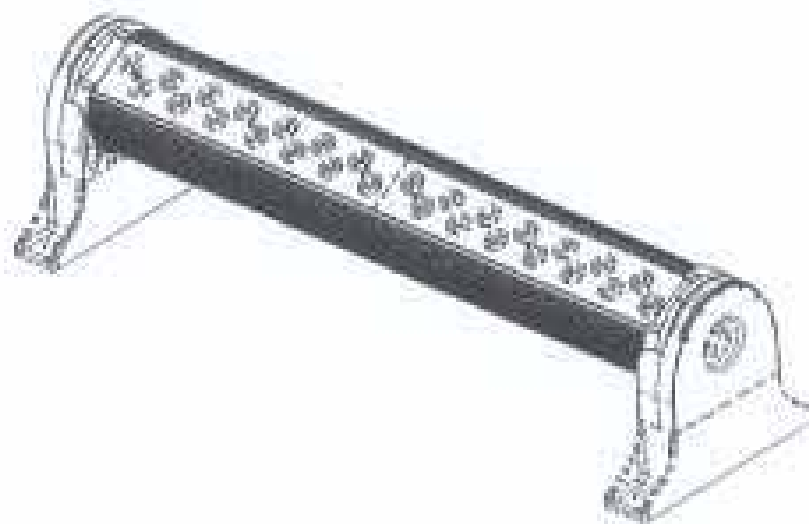
(57) Statement of Newness and Distinctiveness: **The diaphragm has 8-only slits equally spaced. The base contains a circular edge with a radius to suit an RJT-male fitting.**



- (21) Design Number: **14362/2010**
(22) Date of Filing Application: **06 October 2010**
(24) Date from which industrial property rights may have effect: **06 October 2010**
(54) Product in respect of which the design is registered: **Pen clip with cross**
(51) International Design Classification: **19-06**
(71) Name(s) and Address(s) of Applicant(s):
Ellen Charlesworth
6 Fremont Street Heathmont Victoria 3135 Australia
(72) Name(s) of Designer(s): **Ellen Charlesworth**
(45) Registration Date: **28 October 2010**
(56) Related Art Documents: **Not Applicable**
(57) Statement of Newness and Distinctiveness: **Newness and distinctiveness is claimed in the features of shape and/or configuration of the pen clip with cross as illustrated in the accompanying representations.**



- (21) Design Number: **14364/2010**
(22) Date of Filing Application: **06 October 2010**
(24) Date from which industrial property rights may have effect: **06 October 2010**
(54) Product in respect of which the design is registered: **Light fixture**
(51) International Design Classification: **26-05A**
(71) Name(s) and Address(s) of Applicant(s):
Ruud Lighting, Inc.
9201 Washington Avenue Racine Wisconsin 53406 United States of America
(72) Name(s) of Designer(s): **David P. Goelz and Don Miletich**
(45) Registration Date: **28 October 2010**
(30) Convention priority data:
(31) Number (32) Date (33) Country
29/359365 09 Apr 2010 UNITED STATES OF AMERICA
(56) Related Art Documents: **Not Applicable**
(57) Statement of Newness and Distinctiveness: **Newness and distinctiveness is claimed in the features of shape and/or configuration of a light fixture as illustrated in solid lines in the accompanying representations.**



(21) Design Number: **14374/2010**

(22) Date of Filing Application: **06 October 2010**

(24) Date from which industrial property rights may have effect: **06 October 2010**

(54) Product in respect of which the design is registered: **Remote control**

(51) International Design Classification: **14-03NES**

(71) Name(s) and Address(s) of Applicant(s):

Bang & Olufsen A/S

Peter Bangs Vej 15 Postboks 40 DK - 7600 Struer Denmark

(72) Name(s) of Designer(s): **Torsten Valeur**

(45) Registration Date: **28 October 2010**

(30) Convention priority data:

(31) Number
2010 00150

(32) Date
24 Sep 2010

(33) Country
DENMARK

(56) Related Art Documents: **Not Applicable**

(57) Statement of Newness and Distinctiveness: **Newness and distinctiveness resides in the shape and configuration of the design as shown in the representations.**

