



Australian Government

IP Australia

AUSTRALIAN OFFICIAL JOURNAL

OF

DESIGNS

Did you know a searchable version of this journal is now available online?

It's FREE and EASY to SEARCH.

Find it at

<http://pericles.ipaustralia.gov.au/ols/epublish/content/olsEpublications.jsp>
or using the "Online Journals" link on the IP Australia home page.

This Page Left Intentionally Blank

Contents

General Information & Notices

Proceedings Under the Designs Act 1906 preserved as a result of the provisions of Chapter 12 Part 2 of the Designs Act 2003

Extension of Period of Registration of Designs	2798
Names Registered - Alterations and Amendments	2798
Registrations Ceased	2798
Subsequent Owners Registered	2798

Proceedings Under the Designs Act 2003

Applications Lapsed	2809
Applications Lodged	2803
Certificate of Examination	2812
Extension of Period of Registration of Design	
Extension of Time Granted Under Section 137	2810
Names Registered - Alterations and Amendments	2811
Publication and Registration Proceedings	
Designs Registered 333450 to 333676.....	2813
Registrations Ceased	2810
Subsequent Owners Registered	2810

This Page Left Intentionally Blank

For information on the following please see our website www.ipaustralia.gov.au or contact our Customer Service Network on 1300651010

[Editorial enquiries](#)

[Contact information](#)

[Freedom of Information ACT](#)

[Professional Standards Board](#)

[Sales](#)

[Requests for Information under Section 194 \(c\)](#)

[Country Codes](#)

[Trade Mark and Designs Hearing Sessions](#)

[INID \(Internationally agreed Numbers for the Identification of Data\)](#)

“INID” NUMBERS in use on Australian Design Documents

“INID” is an acronym for “Internationally agreed Numbers for the Identification of Data”.

(10) Data concerning the registration/renewal

- (11) Serial number of the registration and/or number of the design document
- (12) Plain language designation of the kind of published document
- (19) Identification, using the two-letter code according to WIPO Standard ST.3, of the authority publishing or registering the industrial design

(20) Data concerning the application

- (21) Serial number of the application
- (22) Date of filing of the application
- (24) Date from which the industrial design right has effect

(30) Data relating to priority under the Paris Convention

- (31) Serial number assigned to the priority application
- (32) Date of filing of the priority application
- (33) Two-letter code, according to WIPO Standard ST.3, identifying the authority with which the priority application was made

(40) Date(s) of making information available to the public

- (45) Date of publication of the registered industrial design by printing or similar process, or making it available to the public by any other means

(50) Miscellaneous Information

- (51) International Classification for Industrial Designs (class and subclass of the Locarno Classification)
- (54) Designation of article(s) or product(s) covered by the industrial design or title of the industrial design
- (55) Reproduction of the industrial design (e.g., drawing, photograph) and explanations relating to the reproduction
- (56) List of prior art documents, if separate from descriptive text
- (57) Description of characteristic features of the industrial design including indication of colours

(60) References to other legally related application(s) and registration(s)

- (62) Serial number(s) and, if available, filing date(s) of application(s), registration(s) or document(s) related by division
- (66) Serial number(s) of the application, or the registration, of the design(s) which is (are) a variant(s) of the present one

(70) Identification of parties concerned with the application or registration

- (71) Name(s) and address(es) of the applicant(s)
- (72) Name(s) of the creator(s) if known to be such
- (74) Name(s) and address(es) of the representative(s)

This Page Left Intentionally Blank

Nil notices for this journal issue.

**Proceedings under the Designs Act 1906 preserved as a
result of the provisions of Chapter 12 Part 2 of the Designs
Act 2003.**

This Page Left Intentionally Blank

Applications Lapsed

There were no Applications Lapsed under this section

Extension of Period of Registration of Designs

1st Period (Section 27A(8))

2nd Period (Section 27A(12))

3rd Period (Section 27A(13))

140023	140397	140627
140628	140699	140727
140728	140765	140885
141297	141449	141533
141534	141535	141536
141537	141969	141986
141997	142225	142226
142227	142228	142252
142253	142453	142711
142884	143162	143385
144122	144123	144124
144125	144133	144620
144960	144961	148187
151034	151035	157914
157915		

143066	155350	155469
155738	155752	155886
156615	156616	156738
156755	156757	156758
156759	156760	156771
156772	156773	156774
156775	156776	156777
156799	156839	156891
156892	156893	156900
156925	156930	157002
157003	157033	157047
157123	157607	157732
157848	157893	158024
158027	158028	158261
158289	158290	158291
158292	158293	158340
158363	158397	158398
158399	158400	158414
158442	158462	158463
158464	158488	158490
158525		

Subsequent Owners Registered

(The name in parentheses is that of the subsequent owner)

148151 (**China Wave Investment Limited**) Eugene Hong

Registrations Ceased

Note: Some of the following Registrations may have been previously advertised as ceased. In this instance, the previous advertisement still prevails.

123707	123708	123709
123723	123755	123756
123785	123791	123792
123794	123796	123802
123803	123804	123805
123806	123819	123859
123899	123934	123935
124146	124147	124193
124195	124196	124197
124198	124334	124388
124692	126490	126512
126513	126662	126997
127365	127377	127624
127625	127626	127627
127628	127629	127791
128187	128188	128420
129297	129298	129718
136371	137349	137350
137489	137608	138484
138658	138803	138905
138910	139036	139037
139038	139039	139150
139202	139795	141518

Names Registered - Alterations and Amendments

(The name in parentheses is the new name of the proprietor)

145636 (**Acme Group Pty Ltd**) Borau Pty Ltd

This Page Left Intentionally Blank

Proceedings under the Designs Act 2003.

This Page Left Intentionally Blank

Applications Lodged

Lodgement information is in the following order: **Applicant's Name**; International Classification, Name of Product, Lodgement Date and **Design Number**. If the applicant claims an earlier priority date under an International Convention, the Convention Country and the associated filing date are shown in parentheses before the Lodgement Date. Divisional information will also appear in parentheses before the Lodgement Date.

Aero Design & Development Pty Ltd; 12-10, 25-02E, Wall structure to caravan, 21 Oct 2010	14680/2010	Barlow, Fumi; 02-03, Hat, 08 Nov 2010	14806/2010
Aero Design & Development Pty Ltd; 25-03, , 21 Oct 2010	14682/2010	Beba Enterprises Pty Ltd; 02-02C, 02-02NES, Women's clothing, 04 Nov 2010	14763/2010
Air New Zealand Limited; 07-01F, A jug, (NZ, 11 May 2010) 11 Nov 2010	14880/2010	Beba Enterprises Pty Ltd, as trustee for Danielle Vagner Family Trust; 02-02C, Dress, 06 May 2010	14810/2010
Alcoa Inc.; 09-03L, Can, (US, 13 May 2010) 29 Oct 2010	14669/2010	Beba Enterprises Pty Ltd, as trustee for Danielle Vagner Family Trust; 02-02C, Top, 06 May 2010	14807/2010
Amcor Limited; 09-03M, Container and blank therefor, 10 Nov 2010	14851/2010	Beba Enterprises Pty Ltd, as trustee for Danielle Vagner Family Trust; 02-02NES, Dress, 06 May 2010	14808/2010
Amtote Australasia Pty Limited; 21-03, Wagering and gaming terminal, 28 Oct 2010	14668/2010	Beba Enterprises Pty Ltd, as trustee for Danielle Vagner Family Trust; 02-02C, Top, 06 May 2010	14809/2010
Apple Inc.; 14-01, Electronic device, (US, 12 May 2010) 09 Nov 2010	14843/2010	Bidibots Pty Ltd; 24-01, 24-02, Nasal delivery device, 08 Nov 2010	14828/2010
Apple Inc.; 14-02, Docking station, (US, 04 Jun 2010) 27 Oct 2010	14636/2010	Braun GmbH; 31-00, Juicer, (WO, 11 May 2010) 08 Nov 2010	14820/2010
Apple Inc.; 14-02, Cover, (US, 05 Jun 2010) 27 Oct 2010	14635/2010	Braun GmbH; 31-00, A juicer part, (WO, 11 May 2010) 08 Nov 2010	14821/2010
Art Plastics Pty Ltd; 23-01NES, Adjustable pipe clip, 03 Nov 2010	14724/2010	Braun GmbH; 31-00, A juicer part, (WO, 11 May 2010) 08 Nov 2010	14822/2010
Art Plastics Pty Ltd; 23-01NES, Offset adjustable pipe clip, 03 Nov 2010	14725/2010	Braun GmbH; 31-00, Juicer, (WO, 11 May 2010) 08 Nov 2010	14823/2010
Art Plastics Pty Ltd; 23-01NES, Base and waste, 03 Nov 2010	14726/2010	Braun GmbH; 31-00, Juicer, (WO, 11 May 2010) 08 Nov 2010	14824/2010
Art Plastics Pty Ltd; 23-01E, Drainage pit, 03 Nov 2010	14727/2010	Braun GmbH; 31-00, Juicer, (WO, 11 May 2010) 08 Nov 2010	14825/2010
Atlantis Bathroom Style Ltd; 25-01K, Top brace of a frameless shower screen, (NZ, 19 Jan 2010) 02 Nov 2010	14715/2010	Braun GmbH; 07-02K, Kettle, (WO, 03 May 2010) 01 Nov 2010	14705/2010
ASSA ABLOY AB; 14-03NES, Transceiver for a wireless communication system, (EM, 19 May 2010) 09 Nov 2010	14816/2010	Brita GmbH; 31-00, Electrical machine and apparatus for the preparation of drinks, (DE, 18 May 2010) 04 Nov 2010	14772/2010
ASSA ABLOY AB; 14-03NES, Transceiver for a wireless communication system, (EM, 19 May 2010) 09 Nov 2010	14817/2010	Brita GmbH; 31-00, Electrical machine and apparatus for the preparation of drinks, (DE, 18 May 2010) 04 Nov 2010	14773/2010
ASSA ABLOY AB; 14-03NES, Transceiver for a wireless communication system, (EM, 19 May 2010) 09 Nov 2010	14818/2010	Brita GmbH; 31-00, Electrical machine and apparatus for the preparation of drinks, (DE, 18 May 2010) 04 Nov 2010	14774/2010
Balneario Y Aguas De Solan De Cabras S.L.; 09-01NES, Bottles, (EM, 10 May 2010) 10 Nov 2010	14852/2010	Brita GmbH; 07-02L, 09-05, Capsule, (DE, 19 May 2010) 04 Nov 2010	14771/2010

Brown & Watson International Pty Ltd; 26-06, Light fitting, 03 Nov 2010	14752/2010	Colgate-Palmolive Company; 04-02, Oral care implement, (US, 26 Feb 2010) 25 Aug 2010	14651/2010
Brown & Watson International Pty Ltd; 26-06, Light fitting, 03 Nov 2010	14753/2010	Colgate-Palmolive Company; 04-02, Oral care implement, (US, 26 Feb 2010) 25 Aug 2010	14652/2010
Calque Investments Pty Ltd; 07-01B, 3D dinner divider - portion controlled serving mould, 02 Nov 2010	14712/2010	Collins, Dean; Margaritis, David; 07-01C, Beverage vessel, 04 Nov 2010	14740/2010
Calque Investments Pty Ltd; 07-01B, 3D dinner divider - portion controlled serving mould, 02 Nov 2010	14713/2010	Columbia Sportswear North America, Inc.; 02-02NES, Vented apparel, (US, 07 May 2010) 05 Nov 2010	14776/2010
Calvi, Matthew; 20-03NES, Sign frame, 03 Nov 2010	14764/2010	Columbia Sportswear North America, Inc.; 02-02NES, Vented apparel, (US, 07 May 2010) 05 Nov 2010	14777/2010
Cequent Performance Products, Inc.; 12-05, Integrated winchhead, (US, 11 May 2010) 11 Nov 2010	14855/2010	Columbia Sportswear North America, Inc.; 02-02NES, Vented apparel, (US, 07 May 2010) 05 Nov 2010	14778/2010
Channel Panel Pty Ltd; 06-06NES, Cabinet edging system - end corner, 29 Oct 2010	14678/2010	Corcel IP Limited; 09-03M, A box, 04 Nov 2010	14754/2010
Channel Panel Pty Ltd; 06-06NES, Cabinet edging system-external corner, 29 Oct 2010	14670/2010	Csanyi, Laszlo; 08-08NES, 23-03D, Cable bracket for solar panel, 29 Oct 2010	14702/2010
Checkpoint Systems International GmbH; 25-01K, Support profile bar, (EM, 19 Feb 2010) 19 Aug 2010	14661/2010	CyDen Limited; 24-01, Light treatment apparatus, (EM, 20 Apr 2010) 20 Oct 2010	14683/2010
Chervon Limited; 08-02, 08-05NES, A portable angle impact tool, (CN, 12 May 2010) 09 Nov 2010	14844/2010	CMBC Direct Pty Ltd; 12-16L, Trailer guide post, 28 Oct 2010	14677/2010
Cloete, Quentin; 12-16D, 20-03C, A display panel assembly for a golf cart, 28 Oct 2010	14675/2010	Daka Research Inc.; 07-04, Slicer, (HK, 08 Sep 2010) 05 Nov 2010	14757/2010
Cloete, Quentin; 12-16B, A roofing member for a golf cart, 28 Oct 2010	14676/2010	Daka Research Inc.; 07-99D, Can opener, (US, 30 Aug 2010) 03 Nov 2010	14735/2010
Colgate-Palmolive Company; 04-02, Oral care implement, (US, 26 Feb 2010) 25 Aug 2010	14720/2010	Dart Industries Inc; 07-04, Strainer, (US, 09 Jun 2010) 01 Nov 2010	14706/2010
Colgate-Palmolive Company; 04-02, Oral care implement, (US, 26 Feb 2010) 25 Aug 2010	14721/2010	Dart Industries Inc; 07-02P, Cutter for foodstuffs, (US, 09 Jun 2010) 01 Nov 2010	14707/2010
Colgate-Palmolive Company; 04-02, Oral care implement, (US, 26 Feb 2010) 25 Aug 2010	14722/2010	Delta System AS; 25-04, Constructional parts for building scaffolding, covering structures, tents, storage houses and other structures, (NO, 21 Sep 2009) (Divisional of 13131/2010) 22 Mar 2010	14755/2010
Colgate-Palmolive Company; 04-02, Oral care implement, (US, 26 Feb 2010) 25 Aug 2010	14653/2010	Dineen, Anita; 08-03, Cheese knife, 02 Nov 2010	14768/2010
Colgate-Palmolive Company; 04-02, Oral care implement, (US, 26 Feb 2010) 25 Aug 2010	14654/2010	Dineen, Anita; 07-03, Cheese knife, 05 Nov 2010	14775/2010
Colgate-Palmolive Company; 04-02, Oral care implement, (US, 26 Feb 2010) 25 Aug 2010	14655/2010	Donald, Katherine Eliza; 11-02B, A Planter box component, (NZ, 21 Jun 2010) 02 Nov 2010	14731/2010
Colgate-Palmolive Company; 04-02, Oral care implement, (US, 26 Feb 2010) 25 Aug 2010	14656/2010	Donald, Katherine Eliza; 11-02B, A planter box component, (NZ, 21 Jun 2010) 02 Nov 2010	14732/2010
Colgate-Palmolive Company; 09-01K, Container, (US, 24 Feb 2010) 24 Aug 2010	14657/2010	Donnelly, Margaret Mary; 28-03NES, A massage mitt, 09 Nov 2010	14867/2010
		Dorot Management Control Valves Ltd; 23-01K, Air release valve, (EM, 21 May 2010) 01 Nov 2010	14708/2010

Dymo; 14-02, Printer cassette, (EM, 28 Apr 2010) 27 Oct 2010	14638/2010	Hansen Developments Limited; 23-01K, A valve, (NZ, 10 May 2010) 03 Nov 2010	14723/2010
Eat the Ball Holding GmbH; 01-01, Puck shaped baked product, (EM, 08 Jun 2010) 01 Nov 2010	14710/2010	Hansen Developments Limited; 23-01K, A valve, (NZ, 04 Jun 2010) 03 Nov 2010	14733/2010
Evans, Paul; 02-01A, Support receivable adjacent the breasts, 05 Nov 2010	14802/2010	Howard Silvers & Sons Pty Ltd; 07-06D, Bottle blade, (US, 05 May 2010) 04 Nov 2010	14767/2010
Evans, Paul; 02-01A, Support receivable adjacent the breasts, 05 Nov 2010	14803/2010	Hydragate Pty Ltd; 25-02A, 25-01K, Support column for retaining wall, 01 Nov 2010	14709/2010
Eveready Battery Company, Inc.; 13-02, Charger, (US, 26 May 2010) 27 Oct 2010	14658/2010	Illinois Tool Works Inc.; 25-01K, Sideform, 28 Oct 2010	14665/2010
Faulkner, R L; Faulkner, E E; 23-01B, Pump float switch level sensor permitting, discharge pipe for bore pumps, 11 Nov 2010	14859/2010	Illinois Tool Works Inc.; 25-01K, Sideform extension, 28 Oct 2010	14666/2010
Faulkner, E E; Faulkner, R L; 23-01B, Pump float switch level sensor permitting, discharge pipe for bore pumps, 11 Nov 2010	14859/2010	Inglese, Frederick; 23-02NES, 22-05, Split float, 04 Nov 2010	14769/2010
Georgini Holdings Pty Ltd; 11-01D, Design E378 - Earring, 28 Oct 2010	14641/2010	Inspire Pharmaceuticals, Inc.; 09-01NES, Medicine dispenser, (US, 30 Jun 2010) 05 Nov 2010	14756/2010
Georgini Holdings Pty Ltd; 11-01D, Design E380 - Earring, (Divisional of 14641/2010) 28 Oct 2010	14642/2010	J&J do Brasil Industria e comercio de Produtos Para Saude Ltda.; 24-04, Sanitary Napkin, (US, 10 May 2010) 29 Oct 2010	14691/2010
Georgini Holdings Pty Ltd; 11-01NES, Design P388 - Pendant, (Divisional of 14641/2010) 28 Oct 2010	14643/2010	J&J do Brasil Industria e comercio de Produtos Para Saude Ltda.; 24-04, Sanitary napkin, (US, 10 May 2010) 29 Oct 2010	14692/2010
Georgini Holdings Pty Ltd; 11-01NES, Design P390 - Pendant, (Divisional of 14641/2010) 28 Oct 2010	14644/2010	John Duke Design Pty Ltd; 06-01E, Children's High Chair, 28 Oct 2010	14649/2010
Georgini Holdings Pty Ltd; 11-01NES, Design P391 - Pendant, (Divisional of 14641/2010) 28 Oct 2010	14645/2010	Journee Lighting, Inc.; 26-05C, Light fixture, (US, 07 May 2010) 05 Nov 2010	14797/2010
Georgini Holdings Pty Ltd; 11-01A, Design R205 - Ring, (Divisional of 14641/2010) 28 Oct 2010	14646/2010	Jura Elektroapparate AG; 07-02L, Coffee maker, (WO, 05 May 2010) 04 Nov 2010	14770/2010
Georgini Holdings Pty Ltd; 11-01A, 11-01D, 03-01B, 11-01NES, 11-01C, Design GFP - Georgini Flower Pattern - pattern for use on rings, earrings, pendants, bracelets & keyrings, (Divisional of 14641/2010) 28 Oct 2010	14647/2010	JETS Swimwear Pty Limited; 02-02A, Swimwear garment, 08 Nov 2010	14875/2010
Gillette Company, The; 28-03A, Razor handle, (US, 12 May 2010) 09 Nov 2010	14845/2010	JETS Swimwear Pty Limited; 02-02A, Swimwear garment, 08 Nov 2010	14876/2010
Global Trade Imports Pty Ltd; 26-06, Lighting device for a vehicle, 28 Oct 2010	14662/2010	JETS Swimwear Pty Limited; 02-02A, Swimwear garment, 08 Nov 2010	14877/2010
Global Trade Imports Pty Ltd; 26-03, Lighting device, 28 Oct 2010	14663/2010	JETS Swimwear Pty Limited; 02-02A, Swimwear garment, 08 Nov 2010	14878/2010
Global Trade Imports Pty Ltd; 26-99, Cover for lighting device, 28 Oct 2010	14664/2010	JETS Swimwear Pty Limited; 02-02A, Swimwear garment, 08 Nov 2010	14879/2010
Gravolin, Sandra Lorraine; Ronald, Dennis; 12-16L, Flush mount connector cover assembly, 01 Nov 2010	14717/2010	JETS Swimwear Pty Limited; 02-02A, Swimwear garment, 08 Nov 2010	14871/2010
		JETS Swimwear Pty Limited; 02-02A, Swimwear garment, 08 Nov 2010	14872/2010
		JETS Swimwear Pty Limited; 02-02A, Swimwear garment, 08 Nov 2010	14873/2010
		JETS Swimwear Pty Limited; 02-02A, Swimwear garment, 08 Nov 2010	14874/2010
		JETS Swimwear Pty Limited; 02-02A, Swimwear garment, 08 Nov 2010	14868/2010

JETS Swimwear Pty Limited; 02-02A, Swimwear garment, 08 Nov 2010	14869/2010	Michelin Recherche et Technique SA; Societe De Technologie Michelin; 12-15A, A tyre, (US, 21 May 2010) 08 Nov 2010	14804/2010
JETS Swimwear Pty Limited; 02-02A, Swimwear garment, 08 Nov 2010	14870/2010		
Kashiwagi, Yoshihito; Shih, Olivia Pei-Wen; 20-02C, Shoebox: product display and partitioning device, 29 Oct 2010	14701/2010	Michelin Recherche et Technique SA; Societe De Technologie Michelin; 12-15A, A tyre, (US, 21 May 2010) 08 Nov 2010	14805/2010
Kauhanen, Leo; 08-07, Bag closing device, 01 Nov 2010	14704/2010	Mitchell, Rodney G.; 23-02F, Vanity basin, 11 Nov 2010	14853/2010
Keter Plastic Ltd; 03-01D, Tool box, (EM, 30 Apr 2010) 28 Oct 2010	14667/2010	MiTek Australia Ltd; 08-09, A metal strap, 29 Oct 2010	14694/2010
L. & A. Fazzini Manufacturing Pty Ltd; 25-01K, A fire rated lintel and metal section, 10 Nov 2010	14850/2010	MiTek Australia Ltd; 08-09, A metal strap, 29 Oct 2010	14693/2010
Lamb's Care; 02-04NES, Sheepskin boots, 08 Nov 2010	14830/2010	Nichiha Corporation; 08-08NES, 25-01D, Metal fitting for building boards, 08 Nov 2010	14826/2010
Lamb's Care; 02-04NES, Sheepskin boots, 08 Nov 2010	14831/2010	Nichiha Corporation; 08-08NES, 25-01D, Metal fitting for building boards, 08 Nov 2010	14827/2010
Lamb's Care; 02-04NES, Sheepskin boots, 08 Nov 2010	14832/2010	Norwood Industries Pty Ltd; 11-02B, Container, 08 Nov 2010	14819/2010
Laporte Holding; 22-04, Target, (EM, 06 May 2010) 08 Nov 2010	14799/2010	NDI Medical, LLC; 24-02, Electrical Stimulator and Mounting Patch, (US, 27 Apr 2010) 27 Oct 2010	14650/2010
Lighting Science Group Corporation; 26-04, Luminaire, (US, 04 May 2010) 01 Nov 2010	14711/2010	NDI Medical, LLC; 24-02, Electrical Stimulator and Mounting Patch, (US, 27 Apr 2010) 27 Oct 2010	14659/2010
Lumascape Lighting Industries Pty Ltd; 26-05C, Lamp, 04 Nov 2010	14762/2010	Oriel Therapeutics, Inc.; 24-04, Dry powder inhaler, (US, 26 Mar 2010) 10 Sep 2010	14863/2010
Lumascape Lighting Industries Pty Ltd; 26-05D, Lamp, 04 Nov 2010	14758/2010	Oriel Therapeutics, Inc.; 24-04, 10-07, Dose disk for dry powder inhaler, (US, 26 Mar 2010) 10 Sep 2010	14860/2010
Lumascape Lighting Industries Pty Ltd; 26-05D, Lamp, 04 Nov 2010	14759/2010	Oriel Therapeutics, Inc.; 24-04, Dry powder inhaler, (US, 26 Mar 2010) 10 Sep 2010	14862/2010
Lumascape Lighting Industries Pty Ltd; 26-05D, Lamp, 04 Nov 2010	14760/2010	Oriel Therapeutics, Inc.; 24-04, Dry powder inhaler, (US, 26 Mar 2010) 10 Sep 2010	14864/2010
Lumascape Lighting Industries Pty Ltd; 26-05D, Lamp, 04 Nov 2010	14761/2010	Oriel Therapeutics, Inc.; 24-04, Dry powder inhaler, (US, 26 Mar 2010) 10 Sep 2010	14861/2010
LG Electronics Inc.; 14-03A, Cellular phone, (KR, 30 Apr 2010) 27 Oct 2010	14637/2010	Oriel Therapeutics, Inc.; 24-04, Dry powder inhaler, (US, 26 Mar 2010) 10 Sep 2010	14865/2010
LG Electronics Inc.; 14-03E, Mobile phone, (KR, 04 May 2010) 29 Oct 2010	14699/2010	Outlook Australia Pty Ltd; 03-03, Stroller cover, 03 Nov 2010	14728/2010
Margaritis, David; Collins, Dean; 07-01C, Beverage vessel, 04 Nov 2010	14740/2010	Outlook Australia Pty Ltd; 03-03, Stroller shade, 03 Nov 2010	14729/2010
Matrados Pty Ltd; 10-04, Water consumption meter for garden hose, 05 Nov 2010	14800/2010	Outlook Australia Pty Ltd; 03-03, Stroller shade, 03 Nov 2010	14730/2010
Max-Inf (Ningbo) Baby Product Co., Ltd.; 06-01D, Car seat, (CN, 18 Jun 2010) 27 Oct 2010	14633/2010	Owens-Brockway Glass Container Inc.; 09-01NES, Bottle, (US, 10 May 2010) 28 Oct 2010	14674/2010
Max-Inf (Ningbo) Baby Product Co., Ltd.; 06-01D, Car seat, (CN, 31 Aug 2010) 27 Oct 2010	14634/2010	Ozicorp Pty Ltd; 25-02E, Ceiling system - fitout/construction industry, 28 Oct 2010	14719/2010
Melro Distributors Pty Ltd; 02-02C, Ladies clothing, 27 Oct 2010	14640/2010		

Ozicorp Pty Ltd; 25-02E, Ceiling system - fitout/construction industry, 28 Oct 2010	14718/2010	Salama trading as Twenty Six Letters, Meriam; Sourial trading as Twenty Six Letters, Marianne; 11-02F, Hanging screen, 28 Oct 2010	14688/2010
Palasovski, Nadine; Palasovski, Tony; 21-01F, Wooden pedal car body, 08 Nov 2010	14829/2010	Salama trading as Twenty Six Letters, Meriam; Sourial trading as Twenty Six Letters, Marianne; 11-02F, Hanging screen, 28 Oct 2010	14684/2010
Palasovski, Tony; Palasovski, Nadine; 21-01F, Wooden pedal car body, 08 Nov 2010	14829/2010	Salama trading as Twenty Six Letters, Meriam; Sourial trading as Twenty Six Letters, Marianne; 11-02F, Hanging screen, 28 Oct 2010	14686/2010
Peddie, Julie Doris; 02-05, Neck Cooler, 27 Oct 2010	14681/2010	Salama trading as Twenty Six Letters, Meriam; Sourial trading as Twenty Six Letters, Marianne; 11-02F, Hanging screen, 28 Oct 2010	14685/2010
Pentair Residential Filtration, LLC; 23-01G, Triangular resin tank for a water softener, (US, 27 Apr 2010) 27 Oct 2010	14631/2010	Salama trading as Twenty Six Letters, Meriam; Sourial trading as Twenty Six Letters, Marianne; 11-02F, Hanging screen, 28 Oct 2010	14687/2010
Pentair Residential Filtration, LLC; 10-04, 23-01G, Triangular remote indicator for a water softener, (US, 27 Apr 2010) 27 Oct 2010	14630/2010	Salama trading as Twenty Six Letters, Meriam; Sourial trading as Twenty Six Letters, Marianne; 11-02F, Hanging screen, 28 Oct 2010	14679/2010
Poynton, Darren; 08-08D, 23-01A, Pipe clamping & pipe re-rounding device, 29 Oct 2010	14671/2010	Salama trading as Twenty Six Letters, Meriam; Sourial trading as Twenty Six Letters, Marianne; 11-02F, Hanging screen, 28 Oct 2010	14629/2010
Poynton, Darren; 08-08D, 23-01A, Pipe re-rounding, pipe clamping & pipe cutting device, 29 Oct 2010	14672/2010	Salama trading as Twenty Six Letters, Meriam; Sourial trading as Twenty Six Letters, Marianne; 11-02F, Hanging screen, 27 Oct 2010	14695/2010
Poynton, Darren; 23-01A, Pipe clamping, pipe re-rounding & pipe alignment device, 29 Oct 2010	14673/2010	Sao Paulo Alpargatas S.A.; 02-04NES, , (BR, 30 Apr 2010) 29 Oct 2010	14627/2010
Prodrome Designs Pty Ltd; 25-01K, Wall cap, 27 Oct 2010	14632/2010	Sartso I.P. Pty Ltd; 02-02C, Jeans to be worn for motorcycle riding or horse riding, 27 Oct 2010	14626/2010
Propeller, Inc.; 31-00, Comestible maker, (US, 04 May 2010) 04 Nov 2010	14766/2010	Sartso I.P. Pty Ltd; 02-02C, Jeans to be worn for motorcycle riding or horse riding, 27 Oct 2010	14747/2010
Quinsey, Craig; 25-02A, Post support and cover kit, 01 Nov 2010	14716/2010	Scott Health & Safety Ltd; 02-03, Protective helmet, (EM, 04 May 2010) 03 Nov 2010	14741/2010
QME Services Pty Ltd; 08-08NES, Bracket for a vehicle seat, 05 Nov 2010	14780/2010	Scott Health & Safety Ltd; 02-03, Protective helmet, (EM, 04 May 2010) 03 Nov 2010	14742/2010
QME Services Pty Ltd; 12-16K, Roof rack, 05 Nov 2010	14779/2010	Scott Health & Safety Ltd; 02-03, Protective helmet, (EM, 04 May 2010) 03 Nov 2010	14743/2010
Rastorder Pty Ltd; 12-02, Production cart / sound cart-for film, video, 28 Oct 2010	14648/2010	Scott Health & Safety Ltd; 02-03, Protective helmet, (EM, 04 May 2010) 03 Nov 2010	14744/2010
Robert Bosch GmbH; 16-01, Camera, (EM, 10 Sep 2010) 28 Oct 2010	14660/2010	Scott Health & Safety Ltd; 02-03, Protective helmet, (EM, 04 May 2010) 03 Nov 2010	14745/2010
Ronald, Dennis; Gravalin, Sandra Lorraine; 12-16L, Flush mount connector cover assembly, 01 Nov 2010	14717/2010	Scott Health & Safety Ltd; 02-03, Protective helmet, (EM, 04 May 2010) 03 Nov 2010	14746/2010
Rzetelski, Jonathan; 14-01, Headphones/Earphones, cord of headhpones/Earphones, 02 Nov 2010	14714/2010	Scott Health & Safety Ltd; 02-03, Protective helmet, (EM, 04 May 2010) 03 Nov 2010	14748/2010
S.C. Johnson & Son, Inc.; 09-05, An air freshener container, (US, 08 Sep 2010) 05 Nov 2010	14796/2010		
S.C. Johnson & Son, Inc.; 28-99, Air freshener, (US, 05 May 2010) 05 Nov 2010	14794/2010		
S.C. Johnson & Son, Inc.; 09-05, An air freshener container, (US, 08 Sep 2010) 05 Nov 2010	14795/2010		

Scott Health & Safety Ltd; 02-03, Protective helmet, (EM, 04 May 2010) 03 Nov 2010	14749/2010	Sourial trading as Twenty Six Letters, Marianne; Salama trading as Twenty Six Letters, Meriam; 11-02F, Hanging screen, 28 Oct 2010	14684/2010
Scott Health & Safety Ltd; 02-03, Protective helmet, (EM, 04 May 2010) 03 Nov 2010	14750/2010	Speedo International Limited; 14-01, Digital audio player, (EM, 05 May 2010) 04 Nov 2010	14765/2010
Seafolly Pty Ltd; 02-02A, Swimwear, 05 Nov 2010	14801/2010	Steelcase Inc.,; 06-01F, Chair, (US, 03 May 2010) 29 Oct 2010	14698/2010
Sharp Kabushiki Kaisha; 18-01, Electronic calculator, (JP, 15 Jul 2010) 29 Oct 2010	14696/2010	Steelcase Inc.,; 06-01F, Chair, (US, 03 May 2010) 29 Oct 2010	14700/2010
Shedrain Corporation; 03-03, Umbrella having reflective material, (US, 11 May 2010) 05 Nov 2010	14793/2010	Steelcase Inc.,; 06-01F, Chair, (US, 03 May 2010) 29 Oct 2010	14697/2010
Shih, Olivia Pei-Wen; Kashiwagi, Yoshihito; 20-02C, Shoebox: product display and partitioning device, 29 Oct 2010	14701/2010	Sutherland, Fleur Elizabeth; 06-03C, 06-01F, A continuous chair and desk assembly, 05 Nov 2010	14833/2010
Smart Openers Pty Ltd; 13-03NES, Power module, 05 Nov 2010	14811/2010	Tackle Tube Limited; 21-02NES, Rugby training aid, (EM, 27 Oct 2010) 02 Nov 2010	14734/2010
Societe des Produits Nestle S.A.; 09-05, Packaging, (CH, 12 Jul 2010) 11 Nov 2010	14857/2010	Ted Noffs Foundation trading as Gideon Shoes; 02-04B, Shoe sole, 03 Nov 2010	14751/2010
Societe des Produits Nestle S.A.; 01-01, Chocolate, 28 Oct 2010	14639/2010	The Echo Design Group, Inc; 02-06, Gloves for touchscreen use, (US, 29 Apr 2010) 29 Oct 2010	14689/2010
Societe De Technologie Michelin; Michelin Recherche et Technique SA; 12-15A, A tyre, (US, 21 May 2010) 08 Nov 2010	14805/2010	The Procter & Gamble Company; 28-99, Air freshener device, (US, 07 May 2010) 05 Nov 2010	14798/2010
Societe De Technologie Michelin; Michelin Recherche et Technique SA; 12-15A, A tyre, (US, 21 May 2010) 08 Nov 2010	14804/2010	The Scott Fetzer Company; 04-01, Vacuum cleaner brush attachment, (US, 22 Jul 2010) 10 Nov 2010	14854/2010
Societe Des Produits Nestle S.A.; 09-03M, Packaging, (CH, 12 Jul 2010) 11 Nov 2010	14856/2010	Thoratec Corporation; 24-01, 15-02, Implantable blood pump, (US, 20 Aug 2010) 29 Oct 2010	14690/2010
Sourial trading as Twenty Six Letters, Marianne; Salama trading as Twenty Six Letters, Meriam; 11-02F, Hanging screen, 27 Oct 2010	14629/2010	Trail, Mark Edward; 23-01G, Tank inlet screen as identified on the attached four (4) representations, 11 Nov 2010	14858/2010
Sourial trading as Twenty Six Letters, Marianne; Salama trading as Twenty Six Letters, Meriam; 11-02F, Hanging screen, 28 Oct 2010	14679/2010	Veenendaal, Marc Philipp; 06-01E, Stool, 03 Nov 2010	14739/2010
Sourial trading as Twenty Six Letters, Marianne; Salama trading as Twenty Six Letters, Meriam; 11-02F, Hanging screen, 28 Oct 2010	14688/2010	Visitec Australia Pty Ltd; 02-07NES, Gusset piece for pant crotch (Crescent), 05 Nov 2010	14781/2010
Sourial trading as Twenty Six Letters, Marianne; Salama trading as Twenty Six Letters, Meriam; 11-02F, Hanging screen, 28 Oct 2010	14687/2010	Visitec Australia Pty Ltd; 02-07NES, Pant crotch (gusset piece - mitre), 05 Nov 2010	14786/2010
Sourial trading as Twenty Six Letters, Marianne; Salama trading as Twenty Six Letters, Meriam; 11-02F, Hanging screen, 28 Oct 2010	14686/2010	Visitec Australia Pty Ltd; 02-07NES, Pant crotch (gusset piece - triangle), 05 Nov 2010	14787/2010
Sourial trading as Twenty Six Letters, Marianne; Salama trading as Twenty Six Letters, Meriam; 11-02F, Hanging screen, 28 Oct 2010	14685/2010	Visitec Australia Pty Ltd; 02-07NES, Pant crotch (gusset piece - oval), 05 Nov 2010	14788/2010
Sourial trading as Twenty Six Letters, Marianne; Salama trading as Twenty Six Letters, Meriam; 11-02F, Hanging screen, 28 Oct 2010	14686/2010	Visitec Australia Pty Ltd; 02-07NES, Pant crotch (mesh piece - crescent), 05 Nov 2010	14789/2010
Sourial trading as Twenty Six Letters, Marianne; Salama trading as Twenty Six Letters, Meriam; 11-02F, Hanging screen, 28 Oct 2010	14685/2010	Visitec Australia Pty Ltd; 02-07NES, Pant crotch (mesh piece - mitre), 05 Nov 2010	14790/2010

Visitec Australia Pty Ltd; 02-07NES, Pant crotch (mesh piece - triangle), 05 Nov 2010	14791/2010	Visitec Australia Pty Ltd; 02-07NES, Gusset piece for pant crotch (Circular), 05 Nov 2010	14784/2010
Visitec Australia Pty Ltd; 02-07NES, Pant crotch (mesh piece - oval), 05 Nov 2010	14792/2010	Visitec Australia Pty Ltd; 02-07NES, Pant crotch (gusset piece - crescent), 05 Nov 2010	14785/2010
Visitec Australia Pty Ltd; 02-07NES, Gusset piece for pant crotch (Triangular), 05 Nov 2010	14783/2010	Voss, Roland Stephen; 08-08NES, Fall arrest anchor point, 29 Oct 2010	14703/2010
Visitec Australia Pty Ltd; 02-07NES, Gusset piece for pant crotch (Mitred), 05 Nov 2010	14782/2010	Voss, Roland Stephen; 25-01K, Track, 27 Oct 2010	14628/2010

Applications Lapsed

10546 / 2010 (08-08NES)	11526 / 2010 (23-04)
11572 / 2010 (02-02C)	11684 / 2010 (02-02C)
12933 / 2010 (30-02)	13606 / 2010 (15-03A)
13720 / 2010 (23-03D)	13723 / 2010 (02-02C)
13730 / 2010 (20-03NES)	13731 / 2010 (20-03NES)
13732 / 2010 (20-03NES)	13733 / 2010 (20-03NES)
13734 / 2010 (20-03NES)	13735 / 2010 (20-03NES)
14593 / 2010 (12-11)	

Extension of Period of Registration of Designs

303861	303963	304023
304293	305407	305495
306085	306592	306693
306808	306918	306942
306945	306946	306948
306958	307014	307015
307017	307018	307030
307033	307050	307050
307055	307090	307111
307112	307113	307114
307115	307129	307164
307172	307173	307174
307175	307176	307191
307192	307209	307210
307224	307225	307226
307231	307234	307256
307265	307272	307301
307341	307384	307385
307429	307430	307431
307469	307470	307487
307490	307511	307567
307579	307583	307612
307613	307614	307640
307648	307649	307650
307651	307652	307653
307654	307655	307805
307826	307961	307962
307963	308013	308172
308246	308269	308270
308623	308714	308820
308823	308961	308962
308963	309932	309993
309994	309995	309996
309997	309998	309999
310000	310001	310002
310003	310004	310005
310783	310784	310785
310796	313586	314008

Registrations Ceased

303227	303434	303435
303436	303437	303438
303439	303440	303441
303442	303443	303444
303445	303509	303529
303530	303535	303536
303547	303549	303552
303553	303554	303560
303572	303573	303574
303575	303580	303581

303582	303583	303584
303585	303586	303587
303588	303608	303609
303611	303612	303613
303614	303619	303676
303677	303678	303680
303682	303683	303684
303685	303718	303719
303720	303721	303722
303723	303724	303725
303726	303727	303729
303730	303731	303732
303733	303734	303735
303736	304161	304283
304499	304500	304501
304502	304635	304652
304653	304745	305051
305052	305053	305054
305055	305056	305057
305058	305059	305060
305061	305062	305063
305064	305065	305066
305111	305112	305663
305815	305873	305934
306135	306159	306162
306209	306210	306254
306255	306256	306257
306258	306259	306260
306261	306262	306275
306276	306297	306298
307549	307550	307551
307676	307677	307678
307679	307680	307681
307682	307683	307684
307685	307686	307687
307688	307689	307690
307691	307692	307693
307694	307695	307786
307787	308058	309001
317530		

Extensions of time granted under Section 137

Applications lodged under section 137 for extension of time have been granted.

327468 **Rinnon Products Limited**

11773/2010 **Majic Beauty Pty Ltd**

12896/2010 **Jayden Emerico Zernich**

13239/2010 **Stephen Groom**

Subsequent Owners Registered

(The name in parentheses is that of the subsequent owner)

324977 (**Ladder's Little Helper Pty Ltd**) DL Gray & Sons Nominees Pty Ltd

323564 (**Quintain Consulting Pty Ltd**) NVA IP Holdings Pty Ltd
 323565 (**Swinburne University of Technology**) NVA IP Holdings Pty Ltd
 323566 (**Swinburne University of Technology**) NVA IP Holdings Pty Ltd
 315171 (**Monash University**) NVA IP Holdings Pty Ltd
 315172 (**Monash University**) NVA IP Holdings Pty Ltd
 320751 (**Monash University**) NVA IP Holdings Pty Ltd
 320752 (**Monash University**) NVA IP Holdings Pty Ltd
 320753 (**Monash University**) NVA IP Holdings Pty Ltd
 326328 (**Mitreforma Holdings Pty Ltd**) Multiform Industries Pty. Ltd.
 326346 (**Mitreforma Holdings Pty Ltd**) Multiform Industries Pty. Ltd.
 310091 (**Transportable Space Pty Ltd**) TS 1 Pty Ltd
 330169 (**Traficon International NV**) Traficon NV

Names Registered - Alterations and Amendments

(The name in parentheses is that of the subsequent applicant)

320895 (**Peter John Colleran**) Peter John Colleran;Robert James Colleran

Certificate(s) of Examination

Examination of the following Design Registration(s) has been completed. Infringement proceedings may now be commenced.

314585	06-09	09/11/2010
319324	21-02F	08/11/2010
319361	21-02F	02/11/2010
319362	21-02F	02/11/2010
319363	21-02F	02/11/2010
322898	12-11	02/11/2010
325172	22-01	12/11/2010
325330	22-01	15/11/2010
325900	06-01F	15/11/2010
325902	06-01F	15/11/2010
326865	20-02NES	08/11/2010
326895	20-03NES	09/11/2010
327468	12-16B	15/11/2010
330744	31-00	08/11/2010
330780	19-06	07/11/2010
331116	07-06C	03/11/2010
331159	09-07C	07/11/2010
331279	20-01	09/11/2010
331299	20-01	09/11/2010
331366	21-02C	05/11/2010
331602	15-09	07/11/2010
331680	11-05	07/11/2010
332051	30-99	10/11/2010
332056	24-04	07/11/2010
332105	12-16K	15/11/2010
332157	02-04A	14/11/2010
332182	09-03F	07/11/2010
332193	13-03D	10/11/2010
332199	04-02	14/11/2010
332274	06-01NES	05/11/2010
332275	06-01NES	05/11/2010
332642	12-16NES	14/11/2010
333670	23-02C	15/11/2010
333671	23-02C	15/11/2010

Publication and Registration Proceedings

Designs Registered

This section provides a concordance between design number and registration number of Designs covered in this journal. It also shows the main class and registration date.

This section covers Registration numbers 333450 to 333676 .

The registration number shown below should be used in all future correspondence.

Design Number	Registration Number	International Classification Code (IDC)	Registration Date	Design Number	Registration Number	International Classification Code (IDC)	Registration Date
11140/2010	333596	08-07	10/11/2010	14238/2010	333518	06-06E	05/11/2010
11318/2010	333486	02-02C	04/11/2010	14239/2010	333519	06-06E	05/11/2010
11753/2010	333625	12-16L	11/11/2010	14240/2010	333520	06-06E	05/11/2010
11754/2010	333626	12-16L	11/11/2010	14246/2010	333522	23-01A	05/11/2010
11755/2010	333638	23-01A	11/11/2010	14247/2010	333521	23-01A	05/11/2010
12252/2010	333597	12-16A	10/11/2010	14248/2010	333523	23-01A	05/11/2010
13131/2010	333627	25-04	11/11/2010	14250/2010	333524	23-01A	05/11/2010
13290/2010	333673	06-01E	12/11/2010	14251/2010	333525	19-08	05/11/2010
13544/2010	333569	09-05	09/11/2010	14254/2010	333495	12-16L	05/11/2010
13691/2010	333550	04-02	09/11/2010	14255/2010	333496	09-01NES	05/11/2010
13700/2010	333598	25-01NES	10/11/2010	14256/2010	333497	23-01H	05/11/2010
13701/2010	333599	25-01NES	10/11/2010	14257/2010	333498	28-03B	05/11/2010
13802/2010	333600	18-02	10/11/2010	14258/2010	333499	21-02A	05/11/2010
13803/2010	333601	14-02	10/11/2010	14259/2010	333578	13-03C	12/11/2010
13825/2010	333557	08-08H	09/11/2010	14261/2010	333482	12-16L	03/11/2010
14065/2010	333506	08-03	05/11/2010	14264/2010	333483	09-01NES	03/11/2010
14098/2010	333603	20-02NES	10/11/2010	14265/2010	333484	09-01NES	03/11/2010
14144/2010	333620	25-01K	10/11/2010	14266/2010	333485	09-01NES	03/11/2010
14145/2010	333621	25-01K	10/11/2010	14269/2010	333450	03-01B	05/11/2010
14146/2010	333622	25-01K	10/11/2010	14271/2010	333451	13-03NES	05/11/2010
14147/2010	333623	25-01K	10/11/2010	14272/2010	333452	13-03NES	05/11/2010
14148/2010	333624	25-01K	10/11/2010	14293/2010	333607	25-01K	10/11/2010
14162/2010	333628	09-03M	11/11/2010	14301/2010	333608	25-01K	10/11/2010
14169/2010	333570	14-03NES	11/11/2010	14302/2010	333609	25-01G	10/11/2010
14174/2010	333469	08-07	03/11/2010	14303/2010	333610	25-01G	10/11/2010
14183/2010	333470	09-99	03/11/2010	14306/2010	333611	09-07A	10/11/2010
14185/2010	333471	28-03B	03/11/2010	14307/2010	333612	09-07C	10/11/2010
14186/2010	333507	14-02	05/11/2010	14308/2010	333613	09-01NES	10/11/2010
14187/2010	333604	14-03NES	10/11/2010	14321/2010	333571	08-05L	11/11/2010
14189/2010	333508	05-06NES	05/11/2010	14340/2010	333453	09-01K	05/11/2010
14194/2010	333509	05-06NES	05/11/2010	14341/2010	333454	25-01K	05/11/2010
14195/2010	333510	25-04	05/11/2010	14345/2010	333456	08-08D	05/11/2010
14196/2010	333511	24-03	05/11/2010	14346/2010	333669	23-02C	12/11/2010
14201/2010	333472	08-06	03/11/2010	14347/2010	333670	23-02C	12/11/2010
14202/2010	333473	03-01A	03/11/2010	14348/2010	333671	23-02C	12/11/2010
14204/2010	333474	26-06	03/11/2010	14349/2010	333672	23-02F	12/11/2010
14205/2010	333475	12-16K	03/11/2010	14358/2010	333457	07-01F	05/11/2010
14206/2010	333476	19-06	03/11/2010	14360/2010	333458	25-01NES	05/11/2010
14207/2010	333477	19-06	03/11/2010	14365/2010	333459	09-07B	05/11/2010
14208/2010	333478	19-06	03/11/2010	14366/2010	333579	14-02	12/11/2010
14211/2010	333489	09-07A	05/11/2010	14375/2010	333614	15-06	10/11/2010
14216/2010	333490	26-04	05/11/2010	14378/2010	333460	09-01B	05/11/2010
14217/2010	333491	26-04	05/11/2010	14379/2010	333461	23-01F	05/11/2010
14219/2010	333492	07-02L	05/11/2010	14380/2010	333462	23-01F	05/11/2010
14223/2010	333512	01-01	05/11/2010	14381/2010	333463	31-00	05/11/2010
14224/2010	333513	01-01	05/11/2010	14382/2010	333464	09-03M	05/11/2010
14225/2010	333514	01-01	05/11/2010	14383/2010	333465	26-05E	05/11/2010
14226/2010	333515	01-01	05/11/2010	14384/2010	333466	14-03D	05/11/2010
14228/2010	333516	25-02K	05/11/2010	14385/2010	333500	09-03G	05/11/2010
14232/2010	333517	23-03E	05/11/2010	14392/2010	333501	21-02F	05/11/2010
14234/2010	333479	14-99	03/11/2010	14394/2010	333502	06-01F	05/11/2010
14235/2010	333480	14-04	03/11/2010	14395/2010	333503	21-02F	05/11/2010
14236/2010	333481	14-04	03/11/2010	14397/2010	333535	24-04	09/11/2010

Publication and Registration Proceedings - Designs Registered cont'd

Design Number	Registration Number	International Classification Code (IDC)	Registration Date	Design Number	Registration Number	International Classification Code (IDC)	Registration Date
14398/2010	333536	08-08H	09/11/2010	14492/2010	333575	02-04NES	11/11/2010
14399/2010	333537	26-05D	09/11/2010	14493/2010	333576	14-02	11/11/2010
14401/2010	333467	06-01F	05/11/2010	14498/2010	333630	08-03	11/11/2010
14402/2010	333468	06-01F	05/11/2010	14499/2010	333631	07-05D	11/11/2010
14403/2010	333538	06-03A	09/11/2010	14500/2010	333632	09-01A	11/11/2010
14409/2010	333504	01-02	05/11/2010	14501/2010	333586	08-03	12/11/2010
14414/2010	333615	07-05E	10/11/2010	14508/2010	333661	08-08NES	12/11/2010
14415/2010	333539	07-05E	09/11/2010	14509/2010	333568	26-06	09/11/2010
14416/2010	333540	07-05E	09/11/2010	14518/2010	333657	21-02C	12/11/2010
14417/2010	333541	07-05E	09/11/2010	14519/2010	333658	25-01C	12/11/2010
14418/2010	333505	22-06	05/11/2010	14521/2010	333659	25-01C	12/11/2010
14419/2010	333542	26-03	09/11/2010	14523/2010	333639	13-02	11/11/2010
14420/2010	333543	12-15A	09/11/2010	14524/2010	333640	21-02NES	11/11/2010
14421/2010	333544	12-15A	09/11/2010	14525/2010	333641	13-02	11/11/2010
14422/2010	333616	12-11	10/11/2010	14526/2010	333642	13-02	11/11/2010
14423/2010	333545	09-01G	09/11/2010	14527/2010	333643	31-00	11/11/2010
14424/2010	333546	09-07C	09/11/2010	14528/2010	333633	23-01A	12/11/2010
14425/2010	333547	09-01B	09/11/2010	14529/2010	333634	23-01A	12/11/2010
14426/2010	333548	09-01B	09/11/2010	14530/2010	333635	23-01A	12/11/2010
14427/2010	333549	09-01B	09/11/2010	14531/2010	333636	23-01A	12/11/2010
14428/2010	333526	09-01B	08/11/2010	14533/2010	333637	12-16NES	12/11/2010
14429/2010	333527	09-01B	08/11/2010	14534/2010	333619	02-07B	10/11/2010
14430/2010	333528	09-01B	08/11/2010	14535/2010	333644	23-02C	11/11/2010
14431/2010	333529	09-01B	08/11/2010	14536/2010	333645	09-03L	11/11/2010
14432/2010	333530	23-01A	08/11/2010	14537/2010	333665	31-00	12/11/2010
14433/2010	333531	23-01H	08/11/2010	14538/2010	333666	31-00	12/11/2010
14434/2010	333532	23-01A	08/11/2010	14539/2010	333667	31-00	12/11/2010
14435/2010	333533	23-01A	08/11/2010	14540/2010	333668	12-03	12/11/2010
14440/2010	333534	08-08A	08/11/2010	14545/2010	333660	21-01N	12/11/2010
14442/2010	333455	19-02	05/11/2010	14549/2010	333662	22-01	12/11/2010
14443/2010	333554	12-15C	09/11/2010	14550/2010	333663	07-01NES	12/11/2010
14453/2010	333555	23-01A	09/11/2010	14551/2010	333664	07-01NES	12/11/2010
14454/2010	333556	23-01A	09/11/2010	14558/2010	333577	23-02NES	11/11/2010
14458/2010	333580	02-02NES	12/11/2010	14559/2010	333674	09-01NES	12/11/2010
14459/2010	333581	02-02NES	12/11/2010	14560/2010	333675	09-01NES	12/11/2010
14460/2010	333582	31-00	12/11/2010	14561/2010	333676	09-01NES	12/11/2010
14461/2010	333583	31-00	12/11/2010	14563/2010	333487	02-02NES	04/11/2010
14462/2010	333558	07-02C	09/11/2010	14564/2010	333488	02-02NES	04/11/2010
14463/2010	333559	07-02C	09/11/2010	14567/2010	333605	14-03NES	10/11/2010
14464/2010	333560	07-02C	09/11/2010	14568/2010	333606	14-03NES	10/11/2010
14465/2010	333561	07-02C	09/11/2010	14580/2010	333587	09-01H	12/11/2010
14466/2010	333562	07-02C	09/11/2010	14581/2010	333588	09-01H	12/11/2010
14467/2010	333563	07-02C	09/11/2010	14582/2010	333589	09-01H	12/11/2010
14468/2010	333564	07-02C	09/11/2010	14583/2010	333590	09-01H	12/11/2010
14469/2010	333565	07-02C	09/11/2010	14590/2010	333602	12-12	10/11/2010
14470/2010	333566	07-02A	09/11/2010	14617/2010	333591	06-03B	12/11/2010
14471/2010	333567	07-02A	09/11/2010	14618/2010	333592	06-03A	12/11/2010
14479/2010	333493	06-01F	10/11/2010	14619/2010	333593	06-03A	12/11/2010
14480/2010	333494	06-01F	10/11/2010	14620/2010	333594	06-01NES	12/11/2010
14481/2010	333572	06-01F	11/11/2010	14621/2010	333595	06-01NES	12/11/2010
14482/2010	333573	06-03NES	11/11/2010	14720/2010	333551	04-02	09/11/2010
14483/2010	333574	13-03NES	11/11/2010	14721/2010	333552	04-02	09/11/2010
14484/2010	333629	01-06	11/11/2010	14722/2010	333553	04-02	09/11/2010
14487/2010	333584	07-01NES	12/11/2010				
14489/2010	333585	05-05NES	12/11/2010				
14490/2010	333617	12-15B	10/11/2010				
14491/2010	333618	03-01NES	10/11/2010				

Publication and Registration Proceedings
Class Listing of Designs Published or Registered

The following section shows an International Classification Code listing of the Registered or Published Designs covered in this supplement.

Classification	Registration Number	Design Number	Classification	Registration Number	Design Number
01-01	333512	14223/2010	07-05 D	333631	14499/2010
01-01	333513	14224/2010	07-05 E	333539	14415/2010
01-01	333514	14225/2010	07-05 E	333540	14416/2010
01-01	333515	14226/2010	07-05 E	333541	14417/2010
01-02	333504	14409/2010	07-05 E	333615	14414/2010
01-06	333629	14484/2010	08-03	333506	14065/2010
02-02 C	333486	11318/2010	08-03	333586	14501/2010
02-02 NES	333487	14563/2010	08-03	333630	14498/2010
02-02 NES	333488	14564/2010	08-05 L	333571	14321/2010
02-02 NES	333580	14458/2010	08-06	333472	14201/2010
02-02 NES	333581	14459/2010	08-07	333469	14174/2010
02-04 NES	333575	14492/2010	08-07	333596	11140/2010
02-07 B	333619	14534/2010	08-08 A	333534	14440/2010
03-01 A	333473	14202/2010	08-08 D	333456	14345/2010
03-01 B	333450	14269/2010	08-08 H	333536	14398/2010
03-01 NES	333507	14186/2010	08-08 H	333557	13825/2010
03-01 NES	333618	14491/2010	08-08 NES	333661	14508/2010
04-02	333550	13691/2010	09-01 A	333632	14500/2010
04-02	333551	14720/2010	09-01 B	333460	14378/2010
04-02	333552	14721/2010	09-01 B	333526	14428/2010
04-02	333553	14722/2010	09-01 B	333527	14429/2010
05-05 NES	333585	14489/2010	09-01 B	333528	14430/2010
05-06 NES	333508	14189/2010	09-01 B	333529	14431/2010
05-06 NES	333509	14194/2010	09-01 B	333547	14425/2010
06-01 E	333673	13290/2010	09-01 B	333548	14426/2010
06-01 F	333467	14401/2010	09-01 B	333549	14427/2010
06-01 F	333468	14402/2010	09-01 G	333545	14423/2010
06-01 F	333493	14479/2010	09-01 H	333587	14580/2010
06-01 F	333494	14480/2010	09-01 H	333588	14581/2010
06-01 F	333502	14394/2010	09-01 H	333589	14582/2010
06-01 F	333572	14481/2010	09-01 H	333590	14583/2010
06-01 NES	333594	14620/2010	09-01 K	333453	14340/2010
06-01 NES	333595	14621/2010	09-01 NES	333483	14264/2010
06-03 A	333538	14403/2010	09-01 NES	333484	14265/2010
06-03 A	333592	14618/2010	09-01 NES	333485	14266/2010
06-03 A	333593	14619/2010	09-01 NES	333496	14255/2010
06-03 B	333591	14617/2010	09-01 NES	333613	14308/2010
06-03 NES	333573	14482/2010	09-01 NES	333674	14559/2010
06-06 E	333518	14238/2010	09-01 NES	333675	14560/2010
06-06 E	333519	14239/2010	09-01 NES	333676	14561/2010
06-06 E	333520	14240/2010	09-03 G	333500	14385/2010
07-01 F	333457	14358/2010	09-03 L	333645	14536/2010
07-01 NES	333584	14487/2010	09-03 M	333464	14382/2010
07-01 NES	333663	14550/2010	09-03 M	333628	14162/2010
07-01 NES	333664	14551/2010	09-05	333569	13544/2010
07-02 A	333566	14470/2010	09-07 A	333489	14211/2010
07-02 A	333567	14471/2010	09-07 A	333611	14306/2010
07-02 C	333558	14462/2010	09-07 B	333459	14365/2010
07-02 C	333559	14463/2010	09-07 C	333546	14424/2010
07-02 C	333560	14464/2010	09-07 C	333612	14307/2010
07-02 C	333561	14465/2010	09-99	333470	14183/2010
07-02 C	333562	14466/2010	12-03	333668	14540/2010
07-02 C	333563	14467/2010	12-11	333616	14422/2010
07-02 C	333564	14468/2010	12-12	333602	14590/2010
07-02 C	333565	14469/2010	12-15 A	333543	14420/2010
07-02 L	333492	14219/2010	12-15 A	333544	14421/2010

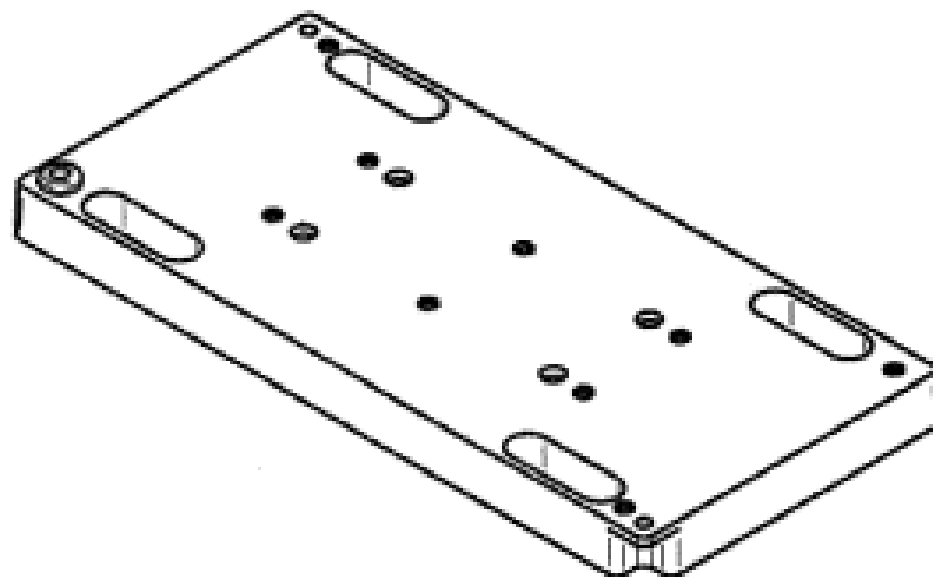
Registration Proceedings - Class Listing of Designs Published or Registered cont'd

Classification	Registration Number	Design Number	Classification	Registration Number	Design Number
12-15 B	333617	14490/2010	23-01 A	333556	14454/2010
12-15 C	333554	14443/2010	23-01 A	333633	14528/2010
12-16 A	333597	12252/2010	23-01 A	333634	14529/2010
12-16 K	333475	14205/2010	23-01 A	333635	14530/2010
12-16 L	333482	14261/2010	23-01 A	333636	14531/2010
12-16 L	333489	14211/2010	23-01 A	333638	11755/2010
12-16 L	333495	14254/2010	23-01 F	333461	14379/2010
12-16 L	333625	11753/2010	23-01 F	333462	14380/2010
12-16 L	333626	11754/2010	23-01 H	333497	14256/2010
12-16 NES	333637	14533/2010	23-01 H	333531	14433/2010
13-02	333639	14523/2010	23-01 NES	333489	14211/2010
13-02	333641	14525/2010	23-02 C	333644	14535/2010
13-02	333642	14526/2010	23-02 C	333669	14346/2010
13-03 C	333578	14259/2010	23-02 C	333670	14347/2010
13-03 NES	333451	14271/2010	23-02 C	333671	14348/2010
13-03 NES	333452	14272/2010	23-02 F	333672	14349/2010
13-03 NES	333574	14483/2010	23-02 NES	333577	14558/2010
14-02	333507	14186/2010	23-03 E	333517	14232/2010
14-02	333576	14493/2010	24-03	333511	14196/2010
14-02	333579	14366/2010	24-04	333535	14397/2010
14-02	333601	13803/2010	25-01 C	333658	14519/2010
14-02	333618	14491/2010	25-01 C	333659	14521/2010
14-03 D	333466	14384/2010	25-01 G	333609	14302/2010
14-03 NES	333570	14169/2010	25-01 G	333610	14303/2010
14-03 NES	333604	14187/2010	25-01 K	333454	14341/2010
14-03 NES	333605	14567/2010	25-01 K	333607	14293/2010
14-03 NES	333606	14568/2010	25-01 K	333608	14301/2010
14-04	333480	14235/2010	25-01 K	333620	14144/2010
14-04	333481	14236/2010	25-01 K	333621	14145/2010
14-99	333479	14234/2010	25-01 K	333622	14146/2010
14-99	333661	14508/2010	25-01 K	333623	14147/2010
15-06	333614	14375/2010	25-01 K	333624	14148/2010
16-03	333600	13802/2010	25-01 NES	333458	14360/2010
18-02	333600	13802/2010	25-01 NES	333598	13700/2010
19-02	333455	14442/2010	25-01 NES	333599	13701/2010
19-06	333476	14206/2010	25-02 K	333516	14228/2010
19-06	333477	14207/2010	25-04	333510	14195/2010
19-06	333478	14208/2010	25-04	333627	13131/2010
19-08	333525	14251/2010	26-03	333542	14419/2010
20-02 NES	333603	14098/2010	26-04	333490	14216/2010
21-01 N	333660	14545/2010	26-04	333491	14217/2010
21-02 A	333499	14258/2010	26-05 D	333537	14399/2010
21-02 C	333657	14518/2010	26-05 E	333465	14383/2010
21-02 D	333631	14499/2010	26-06	333474	14204/2010
21-02 F	333501	14392/2010	26-06	333568	14509/2010
21-02 F	333503	14395/2010	28-03 B	333471	14185/2010
21-02 NES	333640	14524/2010	28-03 B	333498	14257/2010
22-01	333662	14549/2010	31-00	333463	14381/2010
22-06	333505	14418/2010	31-00	333582	14460/2010
23-01 A	333489	14211/2010	31-00	333583	14461/2010
23-01 A	333521	14247/2010	31-00	333643	14527/2010
23-01 A	333522	14246/2010	31-00	333665	14537/2010
23-01 A	333523	14248/2010	31-00	333666	14538/2010
23-01 A	333524	14250/2010	31-00	333667	14539/2010
23-01 A	333530	14432/2010			
23-01 A	333532	14434/2010			
23-01 A	333533	14435/2010			
23-01 A	333555	14453/2010			

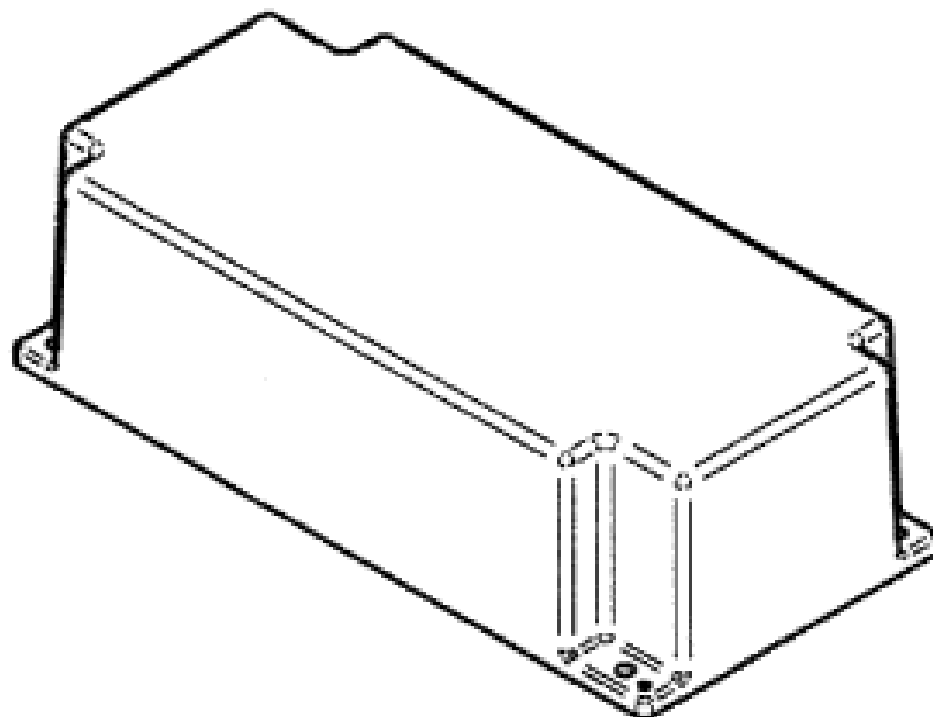
- (21) Design Number: **14269/2010**
- (22) Date of Filing Application: **30 September 2010**
- (24) Date from which industrial property rights may have effect: **30 September 2010**
- (54) Product in respect of which the design is registered: **Spider keychain**
- (51) International Design Classification: **03-01B**
- (71) Name(s) and Address(s) of Applicant(s):
Kikkerland Design, Inc.
666 Broadway Avenue New York NY 10012 United States of America
- (72) Name(s) of Designer(s): **Jan van der Lande**
- (45) Registration Date: **05 November 2010**
- (56) Related Art Documents: **Not Applicable**
- (57) Statement of Newness and Distinctiveness: **The keychain where shown in broken lines in the representations is for illustration purposes only and forms no part of the claims design.**



- (21) Design Number: **14271/2010**
- (22) Date of Filing Application: **29 September 2010**
- (24) Date from which industrial property rights may have effect: **29 September 2010**
- (54) Product in respect of which the design is registered: **Base for an electrical enclosure**
- (51) International Design Classification: **13-03NES**
- (71) Name(s) and Address(s) of Applicant(s):
Netec Industries Pty Ltd
41 Stanley Drive Somerton Victoria 3062 Australia
- (72) Name(s) of Designer(s): **Shane Borderick**
- (45) Registration Date: **05 November 2010**
- (56) Related Art Documents: **Not Applicable**
- (57) Statement of Newness and Distinctiveness: **Nil**



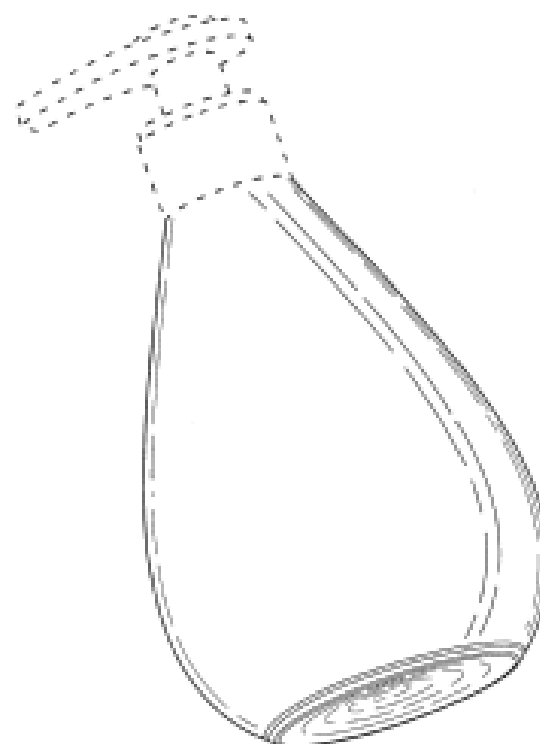
(21) Design Number: **14272/2010**
 (22) Date of Filing Application: **29 September 2010**
 (24) Date from which industrial property rights may have effect: **29 September 2010**
 (54) Product in respect of which the design is registered: **Lid for an electrical enclosure**
 (51) International Design Classification: **13-03NES**
 (71) Name(s) and Address(s) of Applicant(s):
Netec Industries Pty Ltd
41 Stanley Drive Somerton Victoria 3062 Australia
 (72) Name(s) of Designer(s): **Shane Borderick**
 (45) Registration Date: **05 November 2010**
 (56) Related Art Documents: **Not Applicable**
 (57) Statement of Newness and Distinctiveness: **Nil**



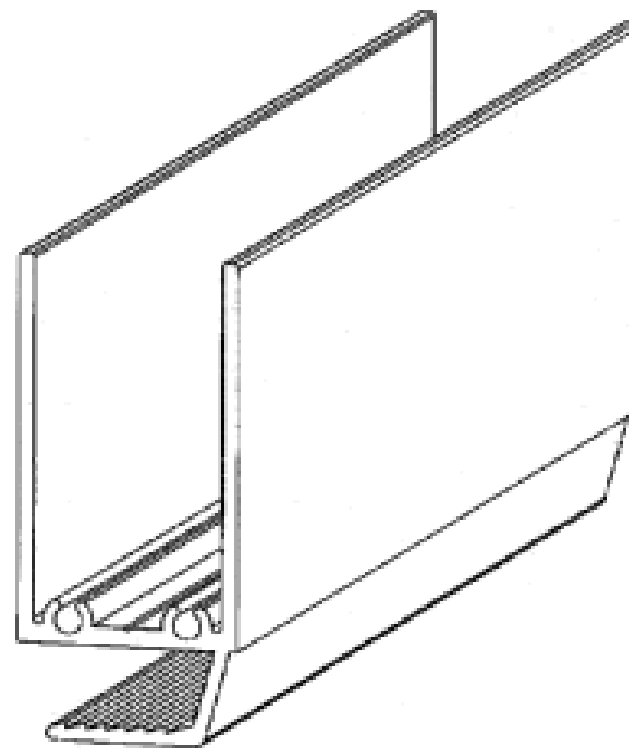
(21) Design Number: **14340/2010**
 (22) Date of Filing Application: **05 October 2010**
 (24) Date from which industrial property rights may have effect: **05 October 2010**
 (54) Product in respect of which the design is registered: **Bottle**
 (51) International Design Classification: **09-01K**
 (71) Name(s) and Address(s) of Applicant(s):
Method Products, Inc.
637 Commercial Street Suite 300 San Francisco California 94111
United States of America
 (72) Name(s) of Designer(s): **Francis J. Handy**
 (45) Registration Date: **05 November 2010**
 (30) Convention priority data:

(31) Number	(32) Date	(33) Country
29/359391	09 Apr 2010	UNITED STATES OF AMERICA

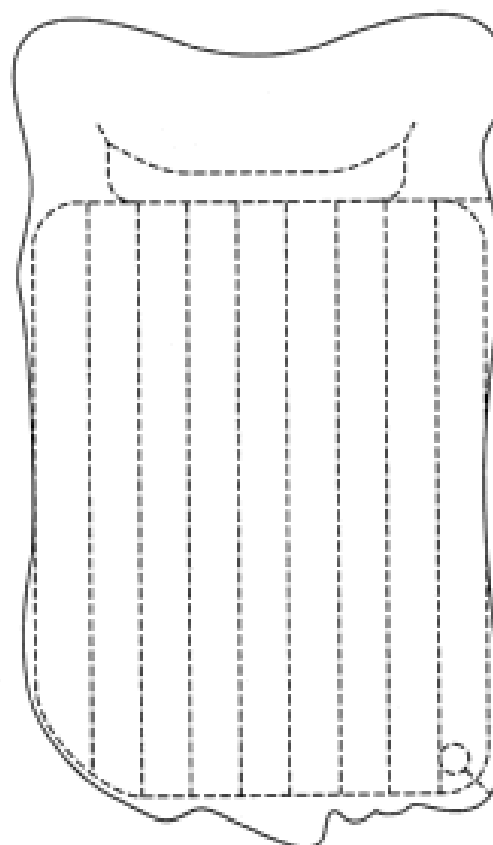
 (56) Related Art Documents: **Not Applicable**
 (57) Statement of Newness and Distinctiveness: **Newness and distinctiveness resides in the portions of the bottle illustrated in non-broken lines.**



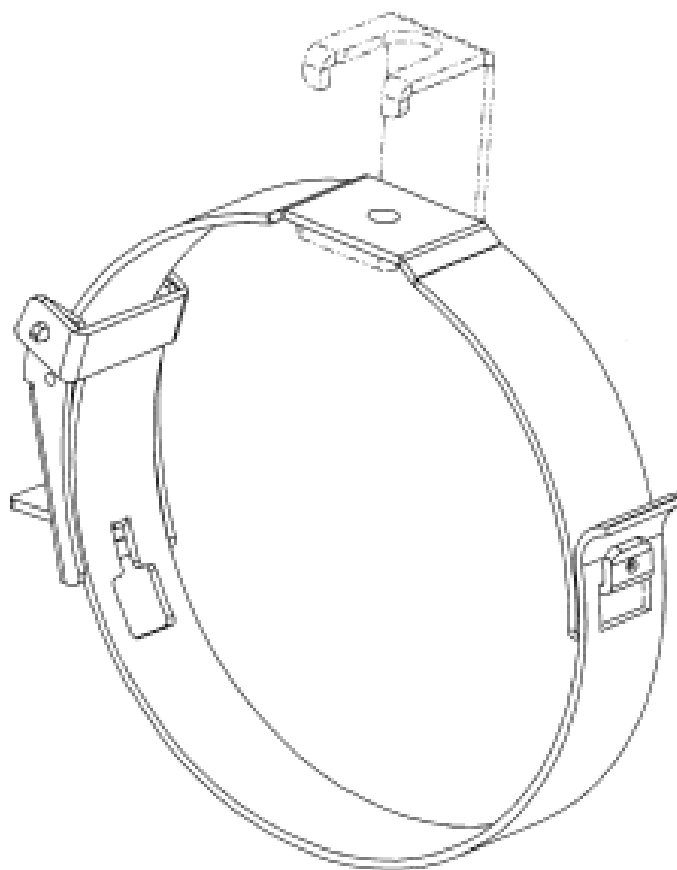
(21) Design Number: **14341/2010**
(22) Date of Filing Application: **03 October 2010**
(24) Date from which industrial property rights may have effect: **03 October 2010**
(54) Product in respect of which the design is registered: **An extrusion**
(51) International Design Classification: **25-01K**
(71) Name(s) and Address(s) of Applicant(s):
Watts Hardware Manufacturing Pty Ltd
L6 167 Queen Street Melbourne Victoria 3000 Australia
(72) Name(s) of Designer(s): **John Russell Watts**
(45) Registration Date: **05 November 2010**
(56) Related Art Documents: **Not Applicable**
(57) Statement of Newness and Distinctiveness: **Nil**



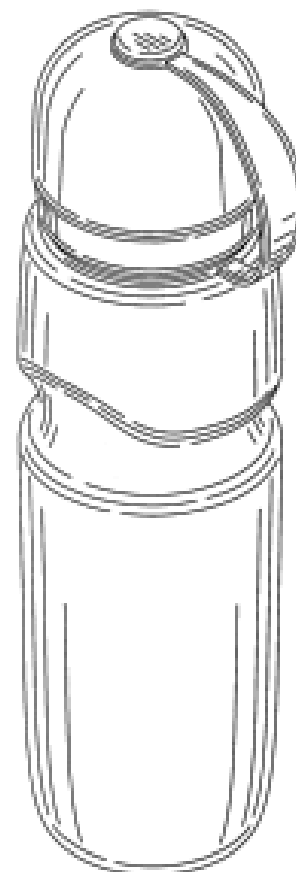
(21) Design Number: **14442/2010**
(22) Date of Filing Application: **14 October 2010**
(24) Date from which industrial property rights may have effect: **14 October 2010**
(54) Product in respect of which the design is registered: **Organizer clip**
(51) International Design Classification: **19-02**
(71) Name(s) and Address(s) of Applicant(s):
Steven Patrick Pascale
1835 Newport Boulevard Suite A-109 Costa Mesa 92627 CA United States of America
(72) Name(s) of Designer(s): **Steven Patrick Pascale**
(45) Registration Date: **05 November 2010**
(30) Convention priority data:
(31) Number (32) Date (33) Country
29/359,955 16 Apr 2010 UNITED STATES OF AMERICA
(56) Related Art Documents: **Not Applicable**
(57) Statement of Newness and Distinctiveness: **Newness and distinctiveness resides in the shape and/or configuration of an organizer clip as shown in the accompanying representations, wherein the features shown in outline may or may not be disregarded.**



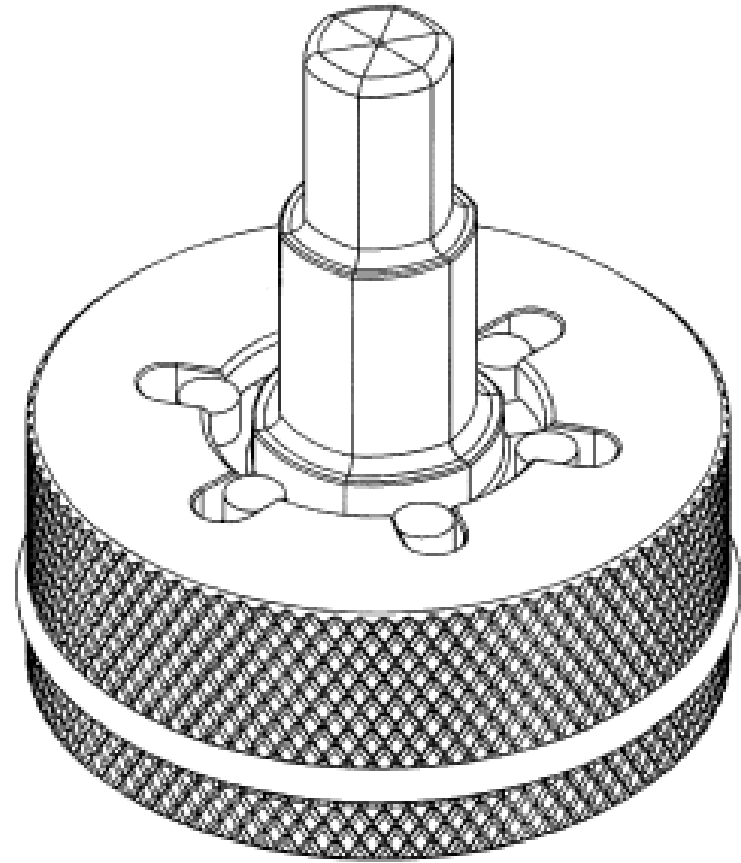
- (21) Design Number: **14345/2010**
(22) Date of Filing Application: **05 October 2010**
(24) Date from which industrial property rights may have effect: **05 October 2010**
(54) Product in respect of which the design is registered: **Pipe hanger clamp**
(51) International Design Classification: **08-08D**
(71) Name(s) and Address(s) of Applicant(s):
Sitka Developments Pty Ltd
C/- Level 29 12 Creek Street Brisbane Queensland 4000 Australia
(72) Name(s) of Designer(s): **Francesco Tomasi and John Hammond and Craig Mounsey and Owen Bawden and Neil Davidson**
(45) Registration Date: **05 November 2010**
(56) Related Art Documents: **Not Applicable**
(57) Statement of Newness and Distinctiveness: **The newness and distinctiveness of the design resides in the shape and/or configuration of the frame and buckle of the pipe hanger clamp shown in the representations.**



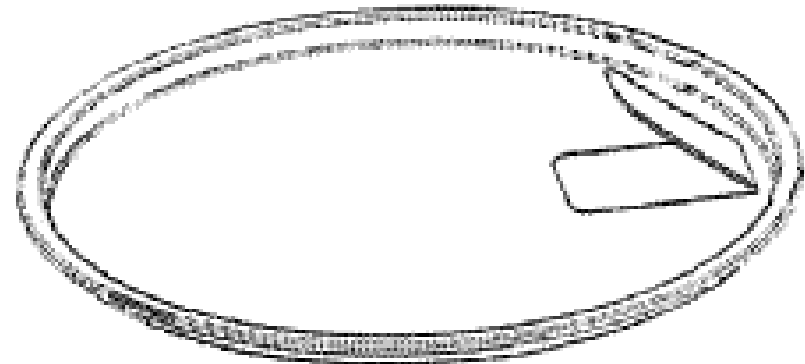
- (21) Design Number: **14358/2010**
(22) Date of Filing Application: **04 October 2010**
(24) Date from which industrial property rights may have effect: **04 October 2010**
(54) Product in respect of which the design is registered: **Flask**
(51) International Design Classification: **07-01F**
(71) Name(s) and Address(s) of Applicant(s):
Dart Industries Inc
14901 S. Orange Blossom Trail Orlando Florida 32837 United States of America
(72) Name(s) of Designer(s): **Famia E Ablo**
(45) Registration Date: **05 November 2010**
(30) Convention priority data:
(31) Number (32) Date (33) Country
29/349,779 30 Apr 2010 UNITED STATES OF AMERICA
(56) Related Art Documents: **Not Applicable**
(57) Statement of Newness and Distinctiveness: **Those features of the flask depicted in the representations that are new and distinctive are the shape and/or configuration.**



(21) Design Number: **14360/2010**
(22) Date of Filing Application: **05 October 2010**
(24) Date from which industrial property rights may have effect: **05 October 2010**
(54) Product in respect of which the design is registered: **Tool**
(51) International Design Classification: **25-01NES**
(71) Name(s) and Address(s) of Applicant(s):
Rehau AG + Co
Rheniumhaus 95111 Rehau Germany
(72) Name(s) of Designer(s): **Sebastian Barthlein**
(45) Registration Date: **05 November 2010**
(30) Convention priority data:
(31) Number (32) Date (33) Country
00 121 0843 26 Apr 2010 EUROPEAN PATENT OFFICE (EPO)
(56) Related Art Documents: **Not Applicable**
(57) Statement of Newness and Distinctiveness: **Newness and distinctiveness resides in the features of shape and/or configuration of a TOOL as illustrated in the accompanying representations.**



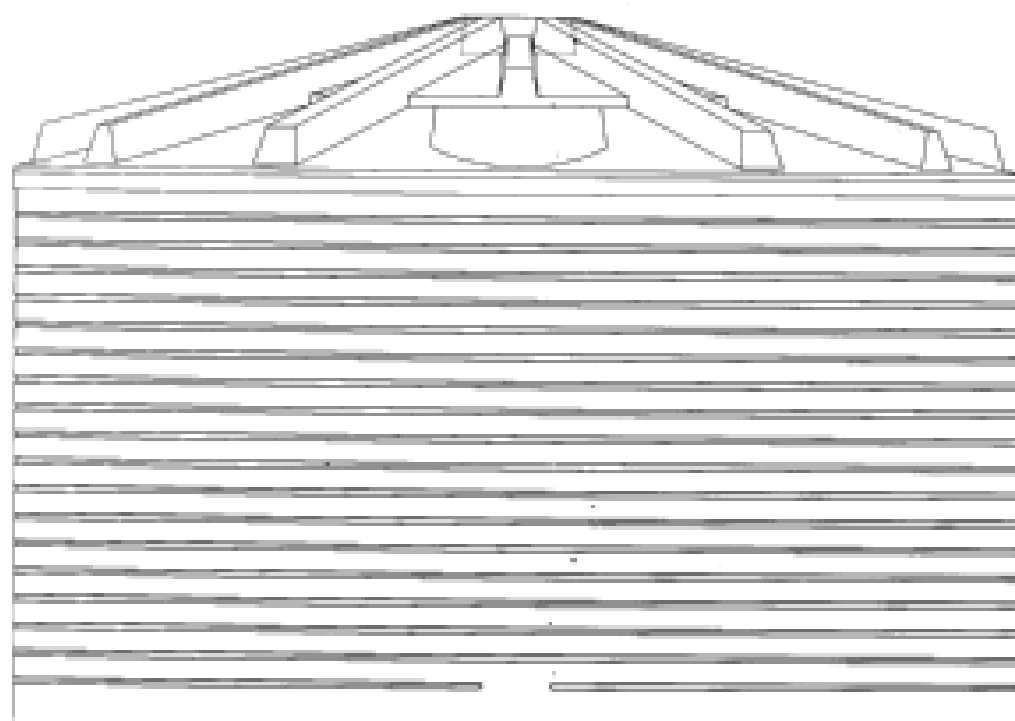
(21) Design Number: **14365/2010**
(22) Date of Filing Application: **06 October 2010**
(24) Date from which industrial property rights may have effect: **06 October 2010**
(54) Product in respect of which the design is registered: **Re-sealable stackable can lid**
(51) International Design Classification: **09-07B**
(71) Name(s) and Address(s) of Applicant(s):
Mars, Incorporated
6885 Elm Street McLean Virginia 22101 United States of America
(72) Name(s) of Designer(s): **Sabine Homann and Gerd Berger**
(45) Registration Date: **05 November 2010**
(30) Convention priority data:
(31) Number (32) Date (33) Country
1206411 07 Apr 2010 EUROPEAN COMMUNITY
(56) Related Art Documents: **Not Applicable**
(57) Statement of Newness and Distinctiveness: **Nil**



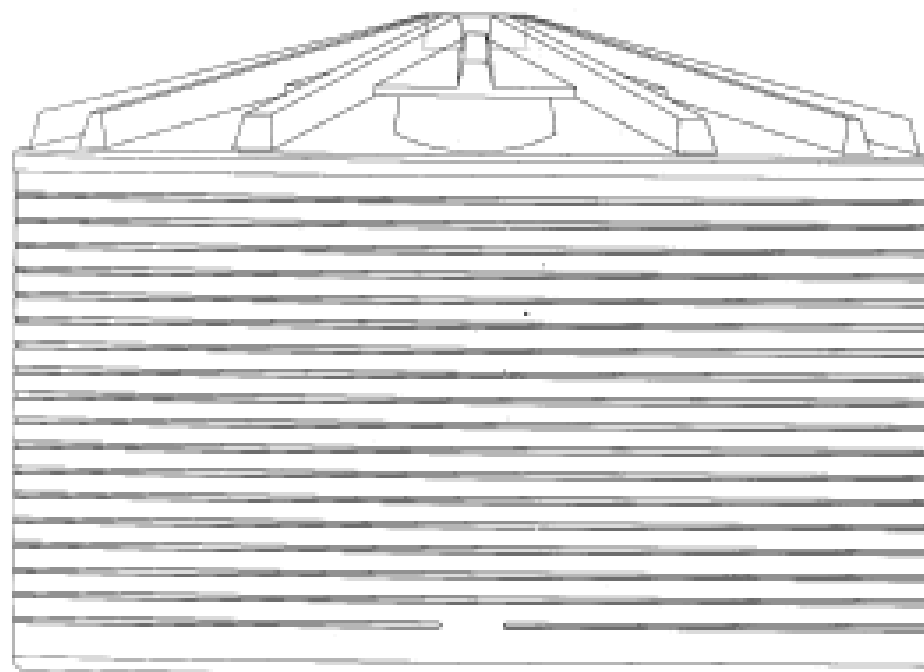
- (21) Design Number: **14378/2010**
(22) Date of Filing Application: **06 October 2010**
(24) Date from which industrial property rights may have effect: **06 October 2010**
(54) Product in respect of which the design is registered: **Bottle**
(51) International Design Classification: **09-01B**
(71) Name(s) and Address(s) of Applicant(s):
Asahi Breweries Ltd
23-1 Azumbashi 1-chome Sumida-ku Tokyo 130-8602 Japan
(72) Name(s) of Designer(s): **Andrew Bult and Jonathan Savedra and Vaughan Mitchell**
(45) Registration Date: **05 November 2010**
(56) Related Art Documents: **Not Applicable**
(57) Statement of Newness and Distinctiveness: **Newness and distinctiveness resides in the visual features of shape and/or configuration of a bottle as illustrated in the accompanying representations. The shape and/or configuration of the word "Cottee's" and of the wave device appearing above and below the word "Cottee's" do not form part of the design and are to be disregarded when considering whether the design is identical or substantially similar in overall impression to another design.**



- (21) Design Number: **14379/2010**
(22) Date of Filing Application: **06 October 2010**
(24) Date from which industrial property rights may have effect: **06 October 2010**
(54) Product in respect of which the design is registered: **Tank roof**
(51) International Design Classification: **23-01F**
(71) Name(s) and Address(s) of Applicant(s):
Nu-Poly Pty Ltd
873 Yaamba Road Parkhurst Queensland 4702 Australia
(72) Name(s) of Designer(s): **Wesley Boccalatte and Stephen Trail**
(45) Registration Date: **05 November 2010**
(56) Related Art Documents: **Not Applicable**
(57) Statement of Newness and Distinctiveness: **Roof design including the support beams and the double man holes.**

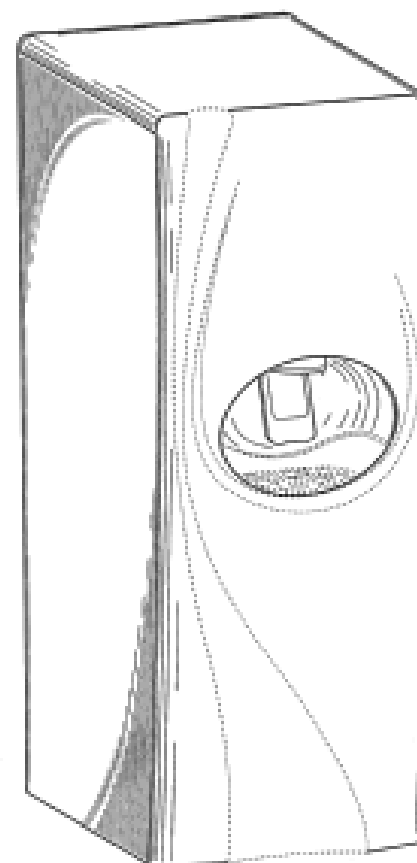


- (21) Design Number: **14380/2010**
- (22) Date of Filing Application: **06 October 2010**
- (24) Date from which industrial property rights may have effect: **06 October 2010**
- (54) Product in respect of which the design is registered: **Tank wall/barrel**
- (51) International Design Classification: **23-01F**
- (71) Name(s) and Address(s) of Applicant(s):
Nu-Poly Pty Ltd
873 Yaamba Road Parkhurst Queensland 4702 Australia
- (72) Name(s) of Designer(s): **Wesley Boccalatte and Stephen Trail**
- (45) Registration Date: **05 November 2010**
- (56) Related Art Documents: **Not Applicable**
- (57) Statement of Newness and Distinctiveness: **Ribbed side wall pattern of the tank wall/barrel.**

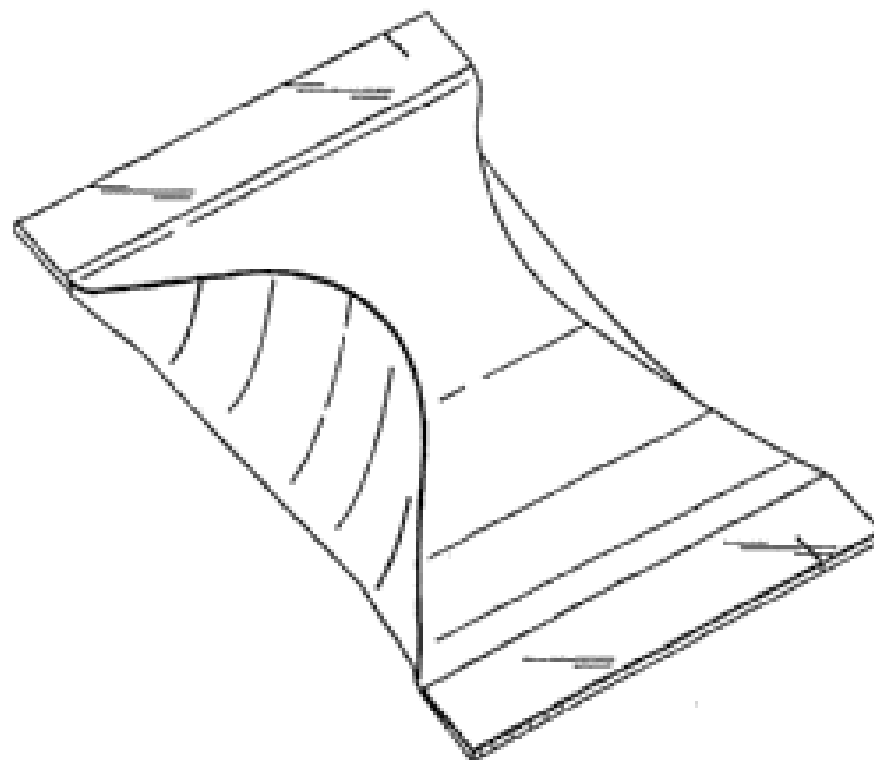


- (21) Design Number: **14381/2010**
- (22) Date of Filing Application: **06 October 2010**
- (24) Date from which industrial property rights may have effect: **06 October 2010**
- (54) Product in respect of which the design is registered: **Beverage dispenser**
- (51) International Design Classification: **31-00**
- (71) Name(s) and Address(s) of Applicant(s):
The Coca-Cola Company
One Coca-Cola Plaza N.W. Atlanta Georgia 30313 United States of America
- (72) Name(s) of Designer(s): **Claudio Ponzio and Ion Setran and Paul Bosveld and Vince Voron and Jae Cha**
- (45) Registration Date: **05 November 2010**
- (30) Convention priority data:

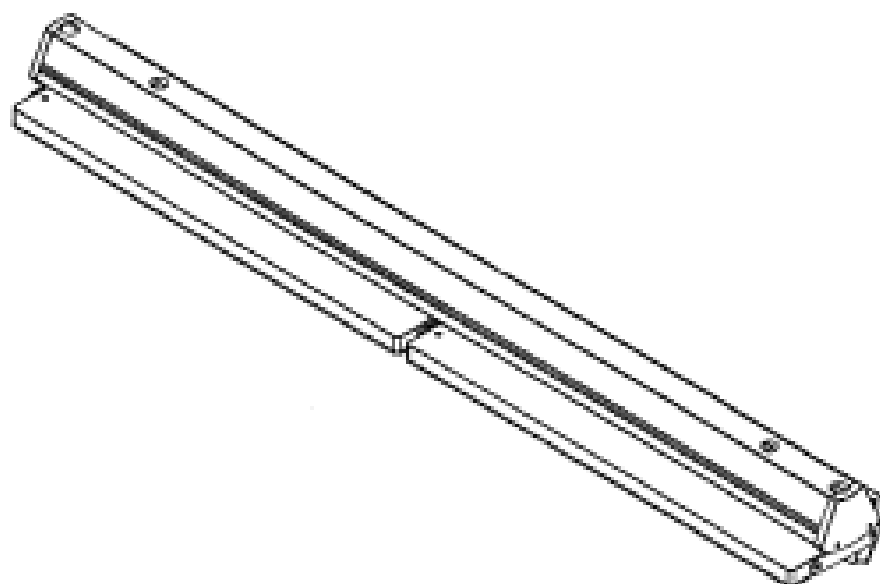
(31) Number	(32) Date	(33) Country
29/360,484	27 Apr 2010	UNITED STATES OF AMERICA
- (56) Related Art Documents: **Not Applicable**
- (57) Statement of Newness and Distinctiveness: **Those features of the beverage dispenser depicted in the representations that are new and distinctive are the shape and/or configuration. The features shown in the broken line are not part of the design and are to be disregarded when considering the overall impression of the design.**



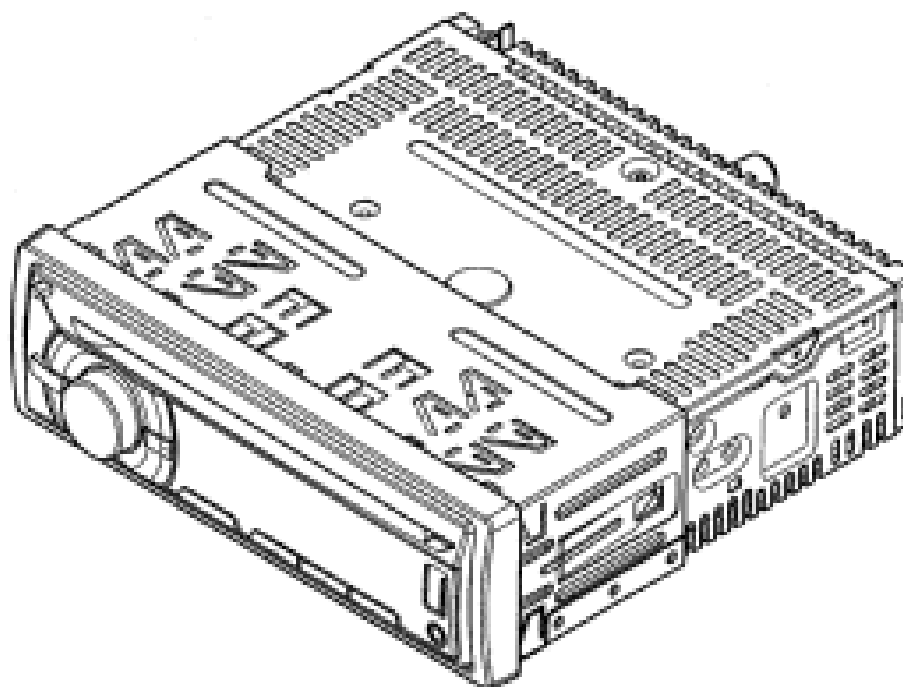
- (21) Design Number: **14382/2010**
(22) Date of Filing Application: **06 October 2010**
(24) Date from which industrial property rights may have effect: **06 October 2010**
(54) Product in respect of which the design is registered: **Packaging for chocolate or confectionary**
(51) International Design Classification: **09-03M**
(71) Name(s) and Address(s) of Applicant(s):
Kraft Foods Schweiz Holding GmbH
Chollerstrasse 4 6301 ZUG SWITZERLAND
(72) Name(s) of Designer(s): **Monique Evans and Stefan Scheuch and Paul Veternik and Ron Exner**
(45) Registration Date: **05 November 2010**
(30) Convention priority data:
(31) Number (32) Date (33) Country
1224695 14 Jul 2010 EUROPEAN COMMUNITY
(56) Related Art Documents: **Not Applicable**
(57) Statement of Newness and Distinctiveness: **Those elements of the shape and configuration of the product that give the visual impression of a bow tie in, in particular, the top perspective view are new and distinctive.**



- (21) Design Number: **14383/2010**
(22) Date of Filing Application: **06 October 2010**
(24) Date from which industrial property rights may have effect: **06 October 2010**
(54) Product in respect of which the design is registered: **LED lamp**
(51) International Design Classification: **26-05E**
(71) Name(s) and Address(s) of Applicant(s):
Koninklijke Philips Electronics N.V.
Groenewoudseweg 1 5621 BA Eindhoven The Netherlands
(72) Name(s) of Designer(s): **Thomas Duster**
(45) Registration Date: **05 November 2010**
(30) Convention priority data:
(31) Number (32) Date (33) Country
001691569 07 Apr 2010 EUROPEAN COMMUNITY
(56) Related Art Documents: **Not Applicable**
(57) Statement of Newness and Distinctiveness: **Newness and distinctiveness reside in the features of shape and configuration of the design as shown in the representations.**



- (21) Design Number: **14384/2010**
(22) Date of Filing Application: **06 October 2010**
(24) Date from which industrial property rights may have effect: **06 October 2010**
(54) Product in respect of which the design is registered: **Car CD receiver unit**
(51) International Design Classification: **14-03D**
(71) Name(s) and Address(s) of Applicant(s):
Koninklijke Philips Electronics N.V.
Groenewoudseweg 1 5621 BA Eindhoven The Netherlands
(72) Name(s) of Designer(s): **Wai Chung David Lee**
(45) Registration Date: **05 November 2010**
(30) Convention priority data:
(31) Number (32) Date (33) Country
001692252 08 Apr 2010 EUROPEAN COMMUNITY
(56) Related Art Documents: **Not Applicable**
(57) Statement of Newness and Distinctiveness: **Newness and distinctiveness reside in the features of shape and configuration of the design as shown in the representations.**



- (21) Design Number: **14401/2010**
(22) Date of Filing Application: **13 October 2010**
(24) Date from which industrial property rights may have effect: **13 October 2010**
(54) Product in respect of which the design is registered: **Chair**
(51) International Design Classification: **06-01F**
(71) Name(s) and Address(s) of Applicant(s):
Herman Miller, Inc.
855 East Main Street Zeeland Michigan 49464 United States of America
(72) Name(s) of Designer(s): **Yves Behar and Bret Recor and Qin Li and Naoya Edahiro and Noah Murphy-Reinhertz and Matthew Swinton**
(45) Registration Date: **05 November 2010**
(30) Convention priority data:
(31) Number (32) Date (33) Country
29/359624 13 Apr 2010 UNITED STATES OF AMERICA
(56) Related Art Documents: **Not Applicable**
(57) Statement of Newness and Distinctiveness: **Newness and distinctiveness is claimed in those features of shape and/or configuration of a seat and backrest of a chair as illustrated in continuous lines of the further perspective view, further left side view, further right side view, further front view, further rear view, further top view and further bottom view of the accompanying representations.**



(21) Design Number: **14402/2010**

(22) Date of Filing Application: **13 October 2010**

(24) Date from which industrial property rights may have effect: **13 October 2010**

(54) Product in respect of which the design is registered: **Chair**

(51) International Design Classification: **06-01F**

(71) Name(s) and Address(s) of Applicant(s):

Herman Miller
855 East Main Avenue Zeeland Michigan 49464 United States of America

(72) Name(s) of Designer(s): **Yves Behar and Bret Recor and Qin Li and Naoya Edahiro**

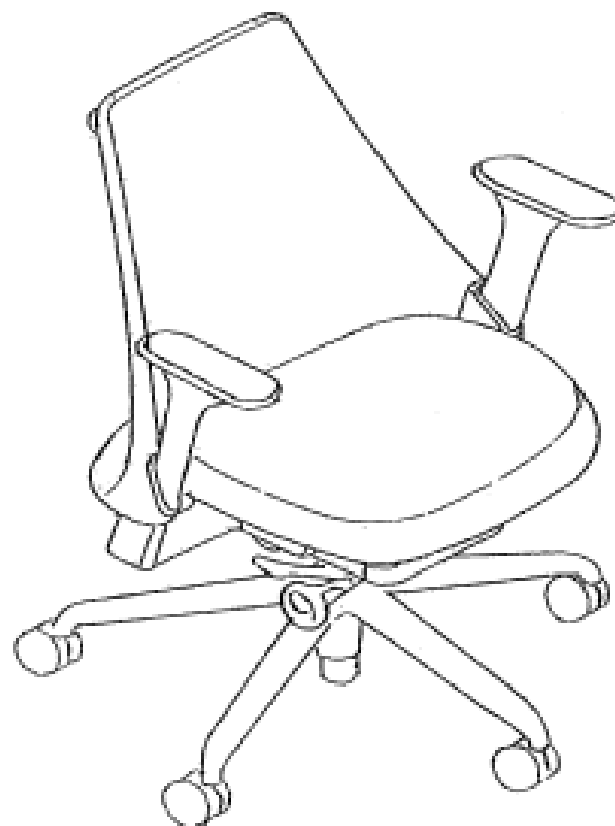
(45) Registration Date: **05 November 2010**

(30) Convention priority data:

(31) Number	(32) Date	(33) Country
29/359634	13 Apr 2010	UNITED STATES OF AMERICA

(56) Related Art Documents: **Not Applicable**

(57) Statement of Newness and Distinctiveness: **Newness and distinctiveness is claimed in those features of shape and/or configuration of a seat and backrest of a chair as illustrated in continuous lines of the further perspective view, further right side view, further left side view, further front view, further rear view, further top view and further bottom view of the accompanying representations.**



(21) Design Number: **14174/2010**

(22) Date of Filing Application: **07 October 2010**

(24) Date from which industrial property rights may have effect: **07 October 2010**

(54) Product in respect of which the design is registered: **Locking and privacy set**

(51) International Design Classification: **08-07**

(71) Name(s) and Address(s) of Applicant(s):

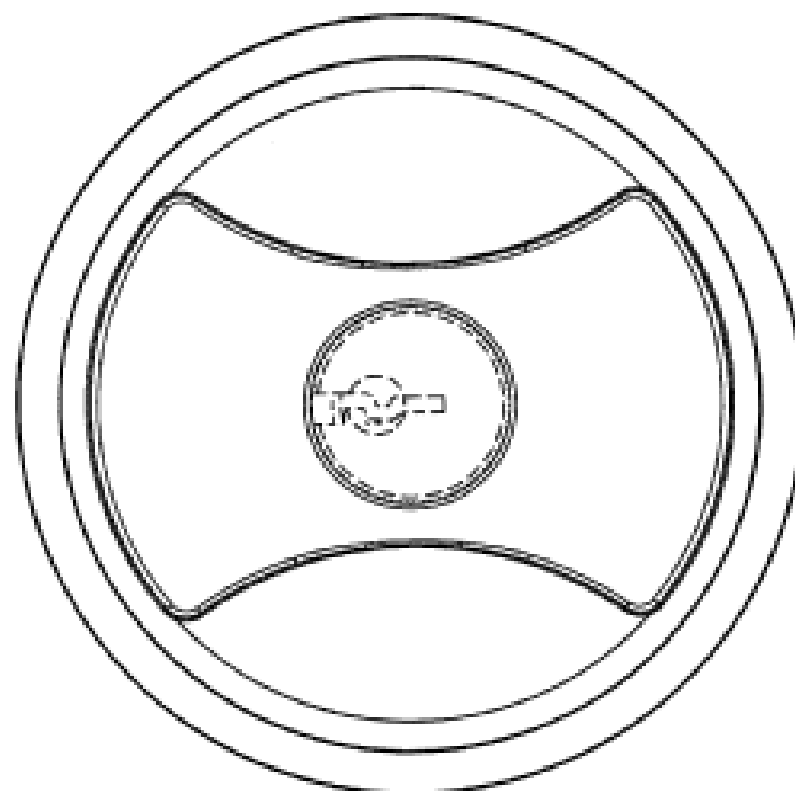
Assa Abloy Australia Pty Limited
235 Huntingdale Road Oakleigh Victoria 3166 Australia

(72) Name(s) of Designer(s): **Anaru Terei and Edward T. Lavery**

(45) Registration Date: **03 November 2010**

(56) Related Art Documents: **Not Applicable**

(57) Statement of Newness and Distinctiveness: **When interpreting the scope of monopoly claimed, portions of the design of the Locking and Privacy Set illustrated in dotted lines are disclaimed, and novelty resides in the shape and configuration of the design of the Locking and Privacy Set.**



(21) Design Number: **14183/2010**
(22) Date of Filing Application: **05 October 2010**
(24) Date from which industrial property rights may have effect: **05 October 2010**
(54) Product in respect of which the design is registered: **A bag**
(51) International Design Classification: **09-99**
(71) Name(s) and Address(s) of Applicant(s):

Aperio Group (New Zealand) Limited
100 Carbine Road Mt Wellington Auckland New Zealand

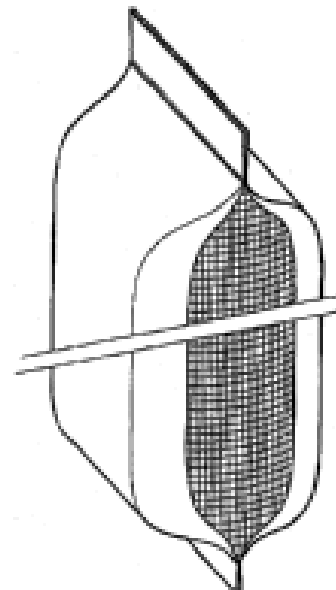
(72) Name(s) of Designer(s): **John Wilks**
(45) Registration Date: **03 November 2010**

(30) Convention priority data:

(31) Number	(32) Date	(33) Country
413609	11 May 2010	NEW ZEALAND

(56) Related Art Documents: **Not Applicable**

(57) Statement of Newness and Distinctiveness: **Newness and distinctiveness are claimed in the shape and configuration of THE BAG as shown in the accompanying representations, and being of indefinite length shown by the break lines in the representations.**



(21) Design Number: **14185/2010**
(22) Date of Filing Application: **08 October 2010**
(24) Date from which industrial property rights may have effect: **08 October 2010**
(54) Product in respect of which the design is registered: **Hair iron**
(51) International Design Classification: **28-03B**
(71) Name(s) and Address(s) of Applicant(s):

GHD Korea Inc.
110-2 Samgok-ri Seonggeo-eup Cheonan-si Chungcheongnam-do
330-833 Korea

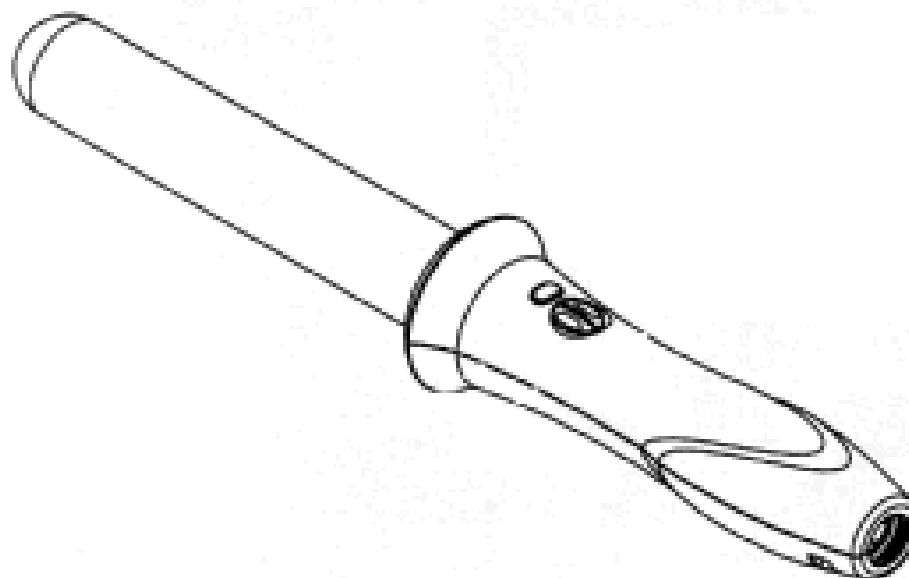
(72) Name(s) of Designer(s): **Hae Jin Kim**
(45) Registration Date: **03 November 2010**

(30) Convention priority data:

(31) Number	(32) Date	(33) Country
30-2010-0035574	16 Aug 2010	REPUBLIC OF KOREA

(56) Related Art Documents: **Not Applicable**

(57) Statement of Newness and Distinctiveness: **Nil**



(21) Design Number: **14201/2010**

(22) Date of Filing Application: **11 October 2010**

(24) Date from which industrial property rights may have effect: **11 October 2010**

(54) Product in respect of which the design is registered: **Hinges**

(51) International Design Classification: **08-06**

(71) Name(s) and Address(s) of Applicant(s):

Surite Pty Ltd

Unit 34 255 Thompson Road North Geelong Victoria 3215 Australia

(72) Name(s) of Designer(s): **Brian Arthur Cook**

(45) Registration Date: **03 November 2010**

(56) Related Art Documents: **Not Applicable**

(57) Statement of Newness and Distinctiveness: **The flap of the hinge component shown in the accompanying representations includes a large arcuate portion joining two linear portions.**



(21) Design Number: **14202/2010**

(22) Date of Filing Application: **11 October 2010**

(24) Date from which industrial property rights may have effect: **11 October 2010**

(54) Product in respect of which the design is registered: **Multi purpose case**

(51) International Design Classification: **03-01A**

(71) Name(s) and Address(s) of Applicant(s):

Keep It Together Pty Ltd

25 Lill Place Anketell Western Australia 6167 Australia

(72) Name(s) of Designer(s): **Kerri Muller and Susan Wright**

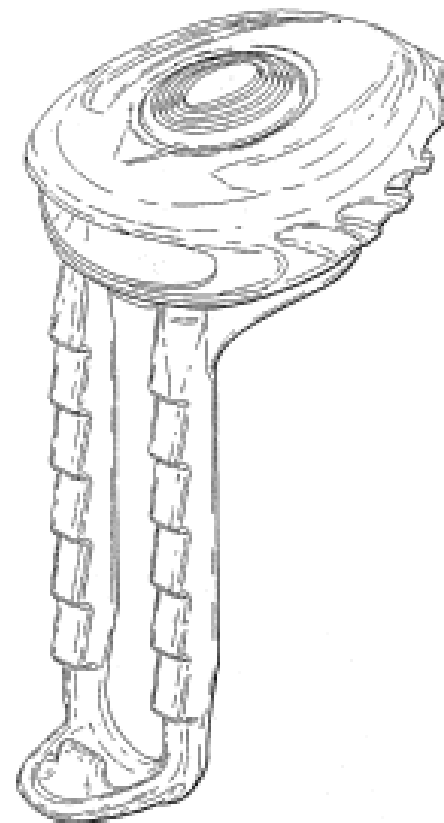
(45) Registration Date: **03 November 2010**

(56) Related Art Documents: **Not Applicable**

(57) Statement of Newness and Distinctiveness: **Nil**



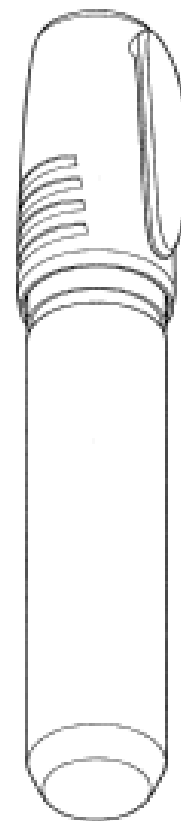
(21) Design Number: **14204/2010**
(22) Date of Filing Application: **11 October 2010**
(24) Date from which industrial property rights may have effect: **11 October 2010**
(54) Product in respect of which the design is registered: **Bicycle light**
(51) International Design Classification: **26-06**
(71) Name(s) and Address(s) of Applicant(s):
Tom Carroll
8205 Ronson Road Suite E San Diego CA 92111 United States of America
(72) Name(s) of Designer(s): **Tom Carroll**
(45) Registration Date: **03 November 2010**
(30) Convention priority data:
(31) Number (32) Date (33) Country
29/370,318 30 Jun 2010 UNITED STATES OF AMERICA
(56) Related Art Documents: **Not Applicable**
(57) Statement of Newness and Distinctiveness: **Visual features of the design which are new and distinctive are the features of shape and configuration of bicycle light as illustrated in the representations.**



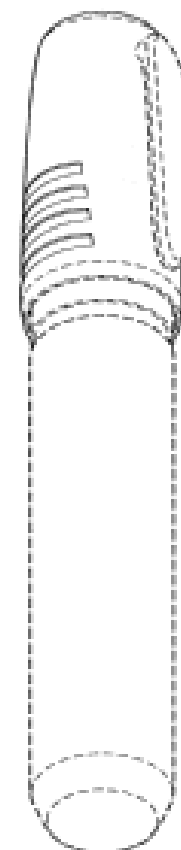
(21) Design Number: **14205/2010**
(22) Date of Filing Application: **11 October 2010**
(24) Date from which industrial property rights may have effect: **11 October 2010**
(54) Product in respect of which the design is registered: **Roof box**
(51) International Design Classification: **12-16K**
(71) Name(s) and Address(s) of Applicant(s):
Thule Sweden AB
Box 69 SE-330 33 Hillerstorp Sweden
(72) Name(s) of Designer(s): **Frank Gruner**
(45) Registration Date: **03 November 2010**
(30) Convention priority data:
(31) Number (32) Date (33) Country
001232300-0001 31 Aug 2010 EUROPEAN COMMUNITY
(56) Related Art Documents: **Not Applicable**
(57) Statement of Newness and Distinctiveness: **Nil**



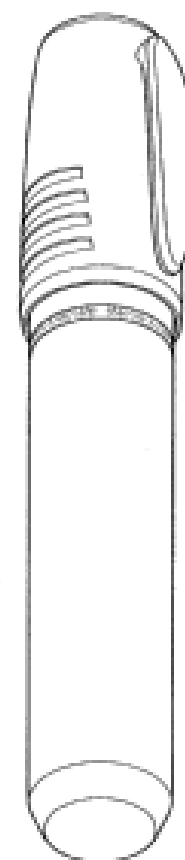
(21) Design Number: **14206/2010**
(22) Date of Filing Application: **08 October 2010**
(24) Date from which industrial property rights may have effect: **08 October 2010**
(54) Product in respect of which the design is registered: **Writing instrument**
(51) International Design Classification: **19-06**
(71) Name(s) and Address(s) of Applicant(s):
Sanford, L.P.
2707 Butterfield Road Suite 100 Oak Brook IL 60523 United States of America
(72) Name(s) of Designer(s): **Carmen Lira-Nunez and Matthew J. Gerules and Justin Owen Guthrie**
(45) Registration Date: **03 November 2010**
(30) Convention priority data:
(31) Number (32) Date (33) Country
29/359,419 09 Apr 2010 UNITED STATES OF AMERICA
(56) Related Art Documents: **Not Applicable**
(57) Statement of Newness and Distinctiveness: **Nil**



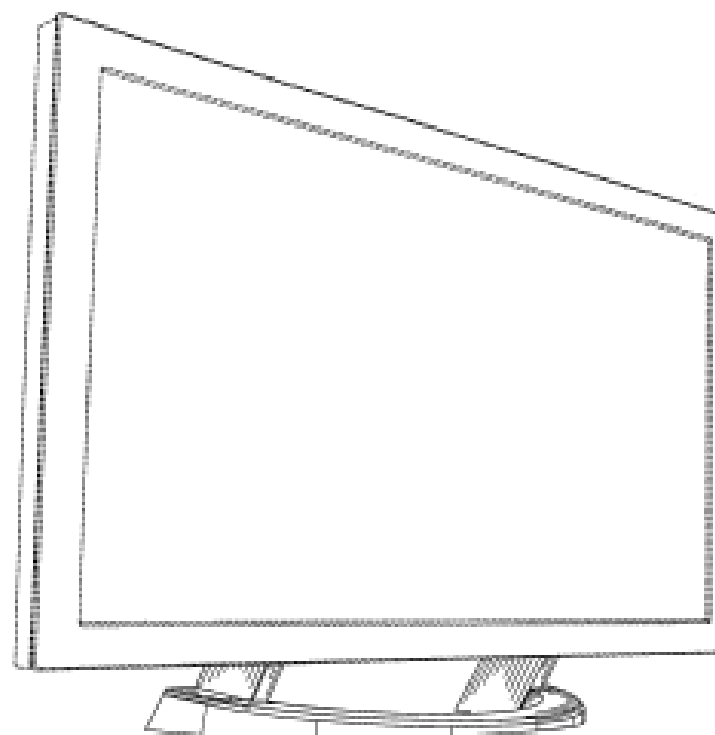
(21) Design Number: **14207/2010**
(22) Date of Filing Application: **08 October 2010**
(24) Date from which industrial property rights may have effect: **08 October 2010**
(54) Product in respect of which the design is registered: **Writing instrument**
(51) International Design Classification: **19-06**
(71) Name(s) and Address(s) of Applicant(s):
Sanford, L.P.
2707 Butterfield Road Suite 100 Oak Brook IL 60523 United States of America
(72) Name(s) of Designer(s): **Carmen Lira-Nunez and Matthew J. Gerules and Justin Owen Guthrie**
(45) Registration Date: **03 November 2010**
(30) Convention priority data:
(31) Number (32) Date (33) Country
29/359,419 09 Apr 2010 UNITED STATES OF AMERICA
(56) Related Art Documents: **Not Applicable**
(57) Statement of Newness and Distinctiveness: **Nil**



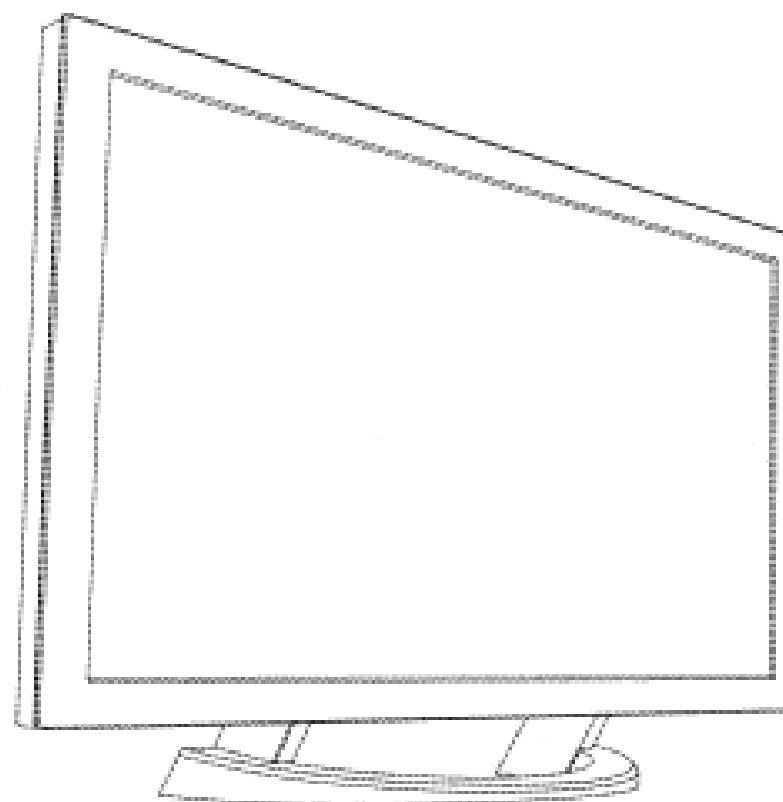
- (21) Design Number: **14208/2010**
(22) Date of Filing Application: **08 October 2010**
(24) Date from which industrial property rights may have effect: **08 October 2010**
(54) Product in respect of which the design is registered: **Writing instrument**
(51) International Design Classification: **19-06**
(71) Name(s) and Address(s) of Applicant(s):
Sanford, L.P.
2707 Butterfield Road Suite 100 Oak Brook IL 60523 United States of America
(72) Name(s) of Designer(s): **Carmen Lira-Nunez and Matthew J. Gerules and Justin Owen Guthrie**
(45) Registration Date: **03 November 2010**
(30) Convention priority data:
(31) Number (32) Date (33) Country
29/359,419 09 Apr 2010 UNITED STATES OF AMERICA
(56) Related Art Documents: **Not Applicable**
(57) Statement of Newness and Distinctiveness: **Nil**



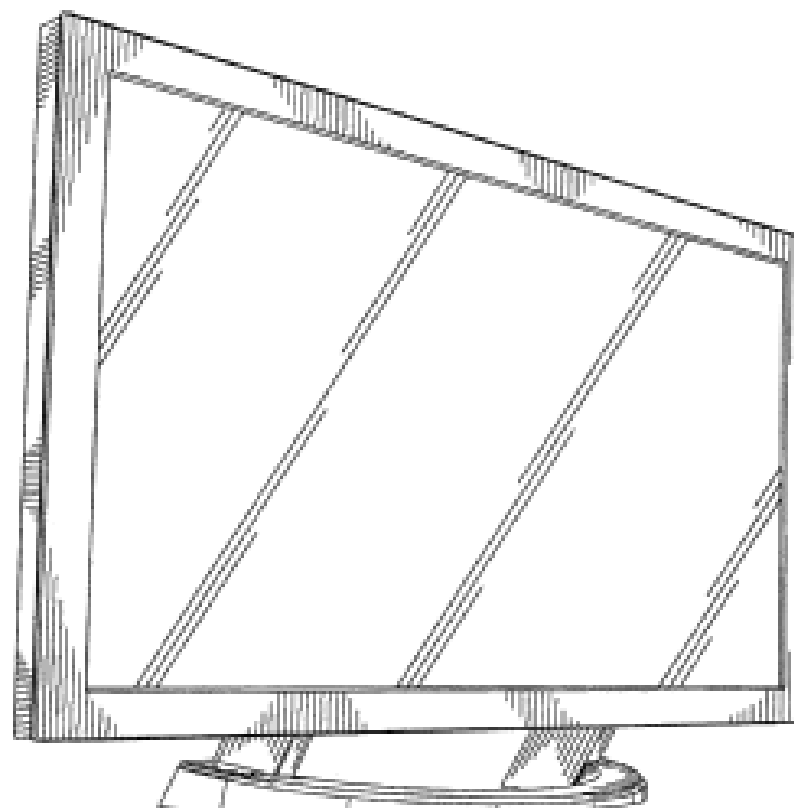
- (21) Design Number: **14234/2010**
(22) Date of Filing Application: **11 October 2010**
(24) Date from which industrial property rights may have effect: **11 October 2010**
(54) Product in respect of which the design is registered: **Stand for video display**
(51) International Design Classification: **14-99**
(71) Name(s) and Address(s) of Applicant(s):
Bose Corporation
The Mountain Framingham Massachusetts 01701-9168 United States of America
(72) Name(s) of Designer(s): **John Arthur Lee and Julie E. Tierney and Richard J. Carbone**
(45) Registration Date: **03 November 2010**
(30) Convention priority data:
(31) Number (32) Date (33) Country
29/364,729 28 Jun 2010 UNITED STATES OF AMERICA
(56) Related Art Documents: **Not Applicable**
(57) Statement of Newness and Distinctiveness: **Those features of the stand for video display depicted in the representations that are new and distinctive are the shape and/or configuration. The features shown in broken lines are not part of the design and are to be disregarded when considering the overall impression of the design.**



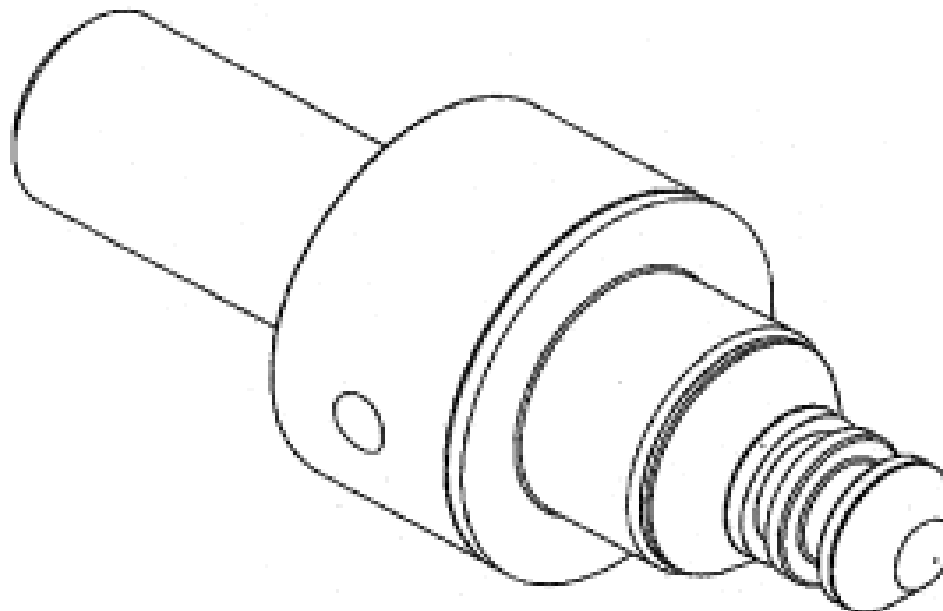
(21) Design Number: **14235/2010**
 (22) Date of Filing Application: **11 October 2010**
 (24) Date from which industrial property rights may have effect: **11 October 2010**
 (54) Product in respect of which the design is registered: **Video display portion**
 (51) International Design Classification: **14-04**
 (71) Name(s) and Address(s) of Applicant(s):
Bose Corporation
The Mountain Framingham Massachusetts 01701-9168 United States of America
 (72) Name(s) of Designer(s): **John Arthur Lee and Julie E. Tierney and Richard J. Carbone**
 (45) Registration Date: **03 November 2010**
 (30) Convention priority data:
 (31) Number (32) Date (33) Country
29/364,727 28 Jun 2010 UNITED STATES OF AMERICA
 (56) Related Art Documents: **Not Applicable**
 (57) Statement of Newness and Distinctiveness: **Those features of the video display portion depicted in the representations that are new and distinctive are the shape and/or configuration. The features shown in broken lines are not part of the design and are to be disregarded when considering the overall impression of the design.**



(21) Design Number: **14236/2010**
 (22) Date of Filing Application: **11 October 2010**
 (24) Date from which industrial property rights may have effect: **11 October 2010**
 (54) Product in respect of which the design is registered: **Video display**
 (51) International Design Classification: **14-04**
 (71) Name(s) and Address(s) of Applicant(s):
Bose Corporation
The Mountain Framingham Massachusetts 01701-9168 United States of America
 (72) Name(s) of Designer(s): **John Arthur Lee and Julie E. Tierney and Richard J. Carbone**
 (45) Registration Date: **03 November 2010**
 (30) Convention priority data:
 (31) Number (32) Date (33) Country
29/364,725 28 Jun 2010 UNITED STATES OF AMERICA
 (56) Related Art Documents: **Not Applicable**
 (57) Statement of Newness and Distinctiveness: **Those features of the video display depicted in the representations that are new and distinctive are the shape and/or configuration.**



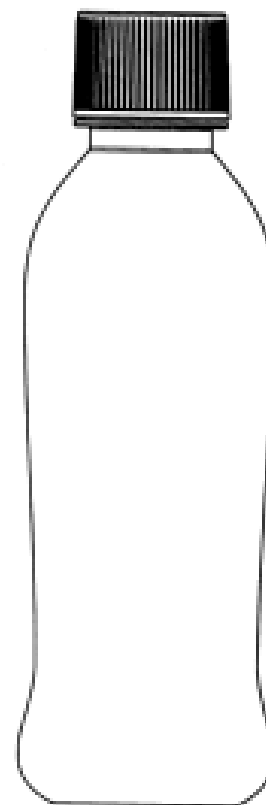
- (21) Design Number: **14261/2010**
(22) Date of Filing Application: **11 October 2010**
(24) Date from which industrial property rights may have effect: **11 October 2010**
(54) Product in respect of which the design is registered: **A vehicle towing pin**
(51) International Design Classification: **12-16L**
(71) Name(s) and Address(s) of Applicant(s):
Vehicle Components Pty Ltd
352B Bilsen Road Geebung Queensland 4034 Australia
(72) Name(s) of Designer(s): **Cornelius Deon van Deventer and Arthur Goddard**
(45) Registration Date: **03 November 2010**
(56) Related Art Documents: **Not Applicable**
(57) Statement of Newness and Distinctiveness: **The shape and configuration of a vehicle towing pin as shown in the representations without regard to the removal tool recess.**



- (21) Design Number: **14264/2010**
(22) Date of Filing Application: **11 October 2010**
(24) Date from which industrial property rights may have effect: **11 October 2010**
(54) Product in respect of which the design is registered: **Bottle with cap**
(51) International Design Classification: **09-01NES**
(71) Name(s) and Address(s) of Applicant(s):
Red Bull GmbH
Am Brunnen 1 5330 Fuschl am See Austria
(72) Name(s) of Designer(s): **Gabriele Weber-Trinkfass and Peter Huls and Roland Concini and Andrea Kutscheid**
(45) Registration Date: **03 November 2010**
(30) Convention priority data:
(31) Number (32) Date (33) Country
001236095-0001 23 Sep 2010 EUROPEAN COMMUNITY
(56) Related Art Documents: **Not Applicable**
(57) Statement of Newness and Distinctiveness: **Nil**



- (21) Design Number: **14265/2010**
(22) Date of Filing Application: **11 October 2010**
(24) Date from which industrial property rights may have effect: **11 October 2010**
(54) Product in respect of which the design is registered: **Bottle with cap**
(51) International Design Classification: **09-01NES**
(71) Name(s) and Address(s) of Applicant(s):
Red Bull GmbH
Am Brunnen 1 5330 Fuschl am See Austria
(72) Name(s) of Designer(s): **Gabriele Weber-Trinkfass and Peter Huls and Roland Concini and Andrea Kutscheid**
(45) Registration Date: **03 November 2010**
(30) Convention priority data:
(31) Number (32) Date (33) Country
001236095-0002 23 Sep 2010 EUROPEAN COMMUNITY
(56) Related Art Documents: **Not Applicable**
(57) Statement of Newness and Distinctiveness: **Nil**



- (21) Design Number: **14266/2010**
(22) Date of Filing Application: **11 October 2010**
(24) Date from which industrial property rights may have effect: **11 October 2010**
(54) Product in respect of which the design is registered: **Bottle with cap and protective foil**
(51) International Design Classification: **09-01NES**
(71) Name(s) and Address(s) of Applicant(s):
Red Bull GmbH
Am Brunnen 1 5330 Fuschl am See Austria
(72) Name(s) of Designer(s): **Gabriele Weber-Trinkfass and Peter Huls and Roland Concini and Andrea Kutscheid**
(45) Registration Date: **03 November 2010**
(30) Convention priority data:
(31) Number (32) Date (33) Country
001236095-0003 23 Sep 2010 EUROPEAN COMMUNITY
(56) Related Art Documents: **Not Applicable**
(57) Statement of Newness and Distinctiveness: **Nil**



- (21) Design Number: **11318/2010**
- (22) Date of Filing Application: **13 April 2010**
- (24) Date from which industrial property rights may have effect: **13 April 2010**
- (54) Product in respect of which the design is registered: **Dress**
- (51) International Design Classification: **02-02C**
- (71) Name(s) and Address(s) of Applicant(s):
Beba Enterprises Pty Ltd
34 Garden Street South Yarra Victoria 3141 Australia
- (72) Name(s) of Designer(s): **Arthur Soetedja**
- (45) Registration Date: **04 November 2010**
- (56) Related Art Documents: **Not Applicable**
- (57) Statement of Newness and Distinctiveness: **Nil**



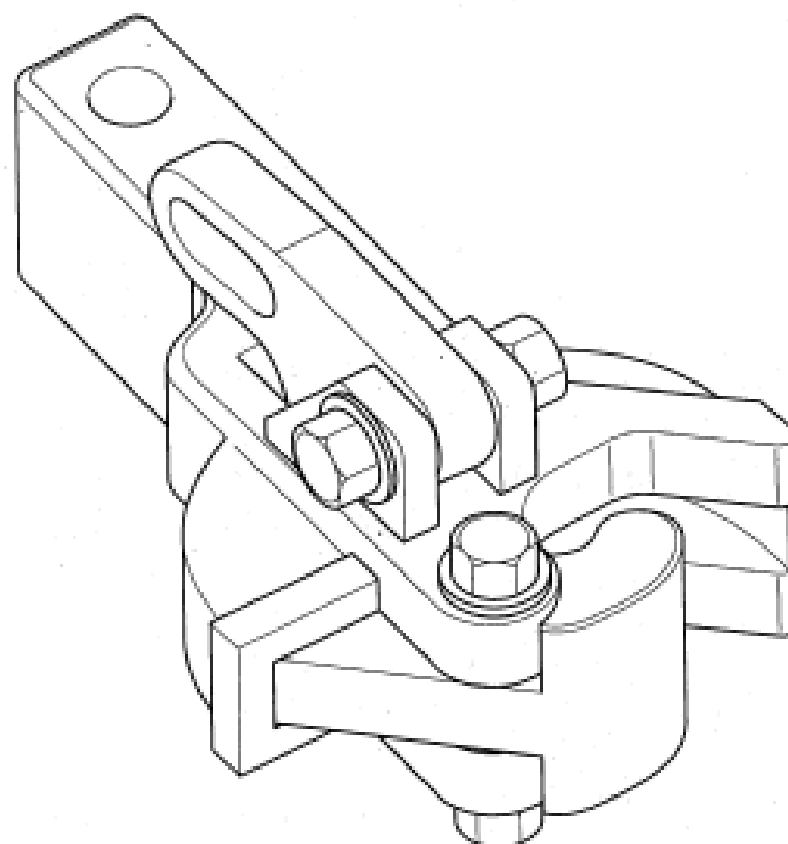
- (21) Design Number: **14563/2010**
- (22) Date of Filing Application: **13 April 2010**
- (24) Date from which industrial property rights may have effect: **13 April 2010**
- (54) Product in respect of which the design is registered: **Jacket**
- (51) International Design Classification: **02-02NES**
- (71) Name(s) and Address(s) of Applicant(s):
Beba Enterprises Pty Ltd
34 Garden Street South Yarra Victoria 3141 Australia
- (72) Name(s) of Designer(s): **Arthur Soetedja**
- (45) Registration Date: **04 November 2010**
- (56) Related Art Documents: **Not Applicable**
- (57) Statement of Newness and Distinctiveness: **Nil**



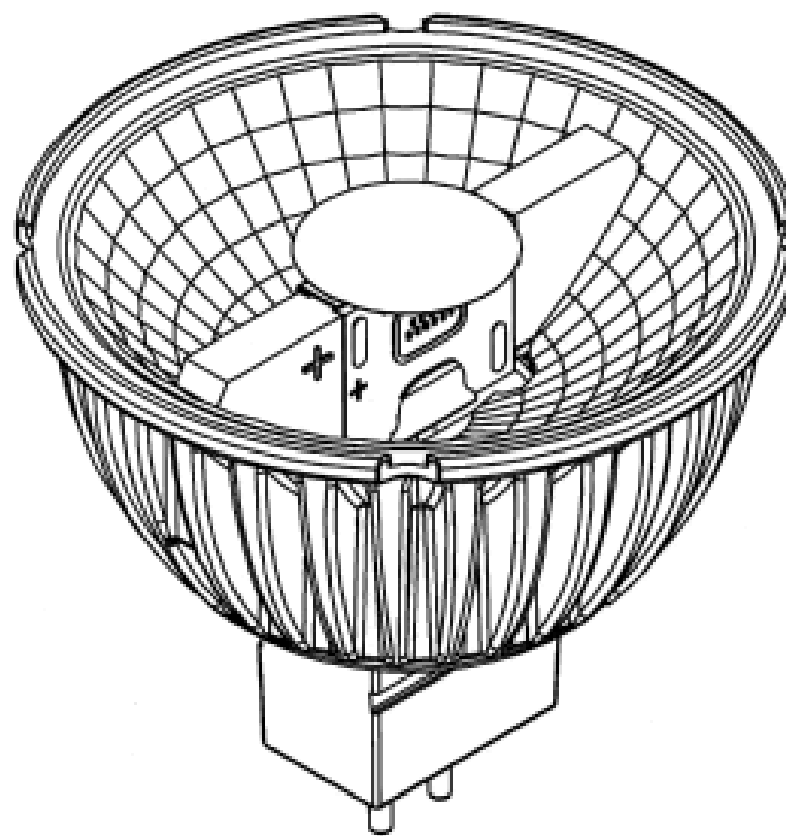
- (21) Design Number: **14564/2010**
- (22) Date of Filing Application: **13 April 2010**
- (24) Date from which industrial property rights may have effect: **13 April 2010**
- (54) Product in respect of which the design is registered: **Cardigan**
- (51) International Design Classification: **02-02NES**
- (71) Name(s) and Address(s) of Applicant(s):
Beba Enterprises Pty Ltd
34 Garden Street South Yarra Victoria 3141 Australia
- (72) Name(s) of Designer(s): **Arthur Soetedja**
- (45) Registration Date: **04 November 2010**
- (56) Related Art Documents: **Not Applicable**
- (57) Statement of Newness and Distinctiveness: **Nil**



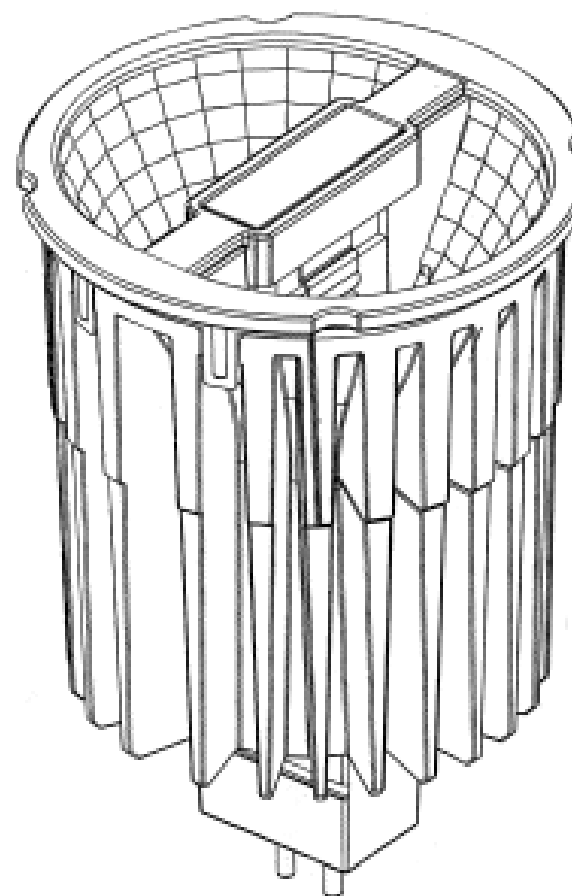
- (21) Design Number: **14211/2010**
- (22) Date of Filing Application: **08 October 2010**
- (24) Date from which industrial property rights may have effect: **08 October 2010**
- (54) Product in respect of which the design is registered: **Coupling head**
- (51) International Design Classification: **09-07A, 23-01NES, 12-16L, 23-01A**
- (71) Name(s) and Address(s) of Applicant(s):
Victor Lionel Havenga Snr
24 Gaisford Street Potch Industrial Potchefstroom 2531 North West Province South Africa
Victor Lionel Havenga Jnr
24 Gaisford Street Potch Industrail Potchefstroom 2531 North West Province South Africa
Leonie Havenga
24 Gaisford Street Potch Industrial Potchefstroom 2531 North West Province South Africa
- (72) Name(s) of Designer(s): **Norman Roy Breedt and Victor Lionel Havenga and Arthur Coombes**
- (45) Registration Date: **05 November 2010**
- (30) Convention priority data:
(31) Number (32) Date (33) Country
A2010/00552 13 Apr 2010 SOUTH AFRICA
- (56) Related Art Documents: **Not Applicable**
- (57) Statement of Newness and Distinctiveness: **Newness and distinctiveness is claimed for the features of shape and/or configuration of a coupler head substantially as shown in the accompanying representations.**



(21) Design Number: **14216/2010**
(22) Date of Filing Application: **08 October 2010**
(24) Date from which industrial property rights may have effect: **08 October 2010**
(54) Product in respect of which the design is registered: **Lamp**
(51) International Design Classification: **26-04**
(71) Name(s) and Address(s) of Applicant(s):
Mass Technology (H.K.) Limited
31/F. Two Landmark East 100 How Ming Street Kwun Tong Kowloon
Hong Kong
(72) Name(s) of Designer(s): **Onn Fah Foo**
(45) Registration Date: **05 November 2010**
(30) Convention priority data:
(31) Number (32) Date (33) Country
001692286-0004 08 Apr 2010 EUROPEAN COMMUNITY
(56) Related Art Documents: **Not Applicable**
(57) Statement of Newness and Distinctiveness: **Nil**



(21) Design Number: **14217/2010**
(22) Date of Filing Application: **08 October 2010**
(24) Date from which industrial property rights may have effect: **08 October 2010**
(54) Product in respect of which the design is registered: **Lamp**
(51) International Design Classification: **26-04**
(71) Name(s) and Address(s) of Applicant(s):
Mass Technology (H.K.) Limited
31/F. Two Landmark East 100 How Ming Street Kwun Tong Kowloon
Hong Kong
(72) Name(s) of Designer(s): **Onn Fah Foo**
(45) Registration Date: **05 November 2010**
(30) Convention priority data:
(31) Number (32) Date (33) Country
001692286-0003 08 Apr 2010 EUROPEAN COMMUNITY
(56) Related Art Documents: **Not Applicable**
(57) Statement of Newness and Distinctiveness: **Nil**



(21) Design Number: **14219/2010**

(22) Date of Filing Application: **08 October 2010**

(24) Date from which industrial property rights may have effect: **08 October 2010**

(54) Product in respect of which the design is registered: **Beverage maker (lid and mixing element)**

(51) International Design Classification: **07-02L**

(71) Name(s) and Address(s) of Applicant(s):

Pi-Design AG
Kantonsstrasse 100 6234 Triengen Switzerland

(72) Name(s) of Designer(s): **Jorgen Bodum**

(45) Registration Date: **05 November 2010**

(30) Convention priority data:

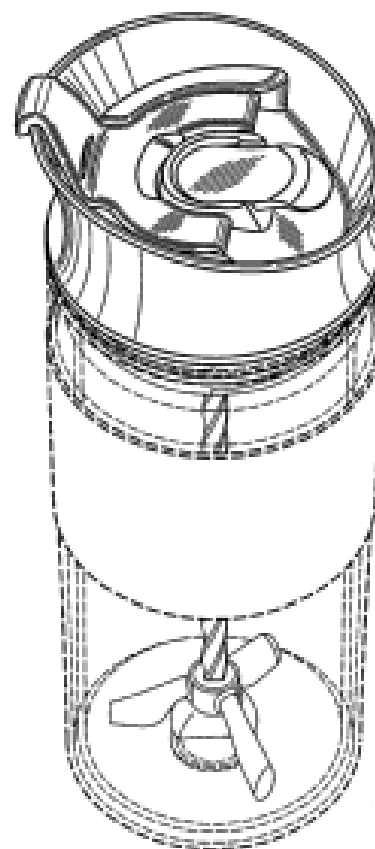
(31) Number
DM/073 495

(32) Date
08 Apr 2010

(33) Country
**WORLD INTELLECTUAL
PROPERTY ORGANIZATION
(WIPO)**

(56) Related Art Documents: **Not Applicable**

(57) Statement of Newness and Distinctiveness: **The following visual features of the design are new and distinctive: The shape and visual appearance of the lid, with particular reference to the closure mechanisms of the beverage maker. The shape and visual appearance of the removable mixing element including the design feature which allows it to be appended through the hole in the lid/catch of the beverage container.**



(21) Design Number: **14479/2010**

(22) Date of Filing Application: **15 October 2010**

(24) Date from which industrial property rights may have effect: **15 October 2010**

(54) Product in respect of which the design is registered: **Carver chair**

(51) International Design Classification: **06-01F**

(71) Name(s) and Address(s) of Applicant(s):

Covemore Designs Pty Ltd
43 Prime Drive Seven Hills New South Wales 2147 Australia

(72) Name(s) of Designer(s): **Samantha Lloyd-Holmes**

(45) Registration Date: **10 November 2010**

(56) Related Art Documents: **Not Applicable**

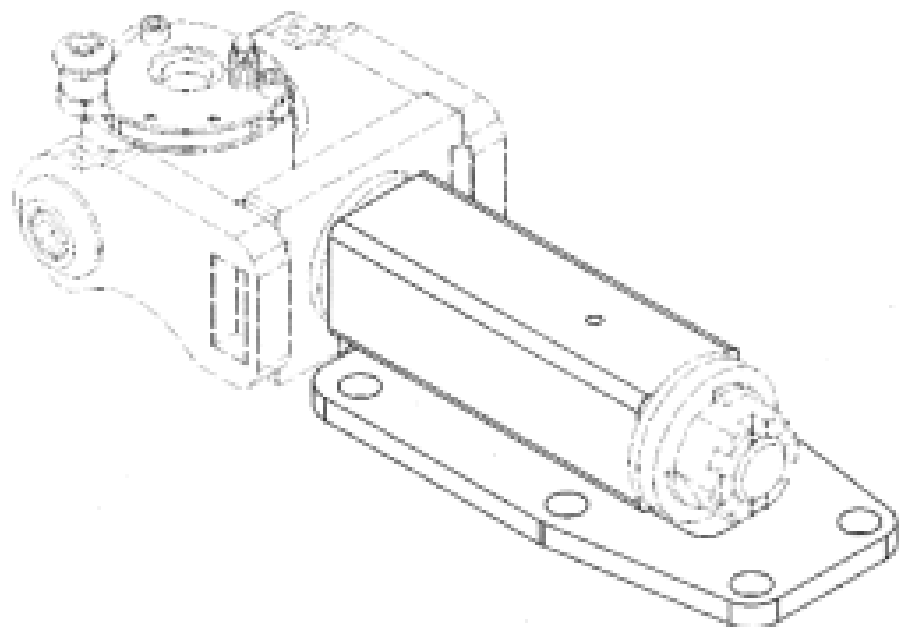
(57) Statement of Newness and Distinctiveness: **Newness and distinctiveness reside in the features of the design as shown in the representations, with the material and colour of the cushion covering, the pattern applied to the cushion covering and the material and colour of the frame being disclaimed.**



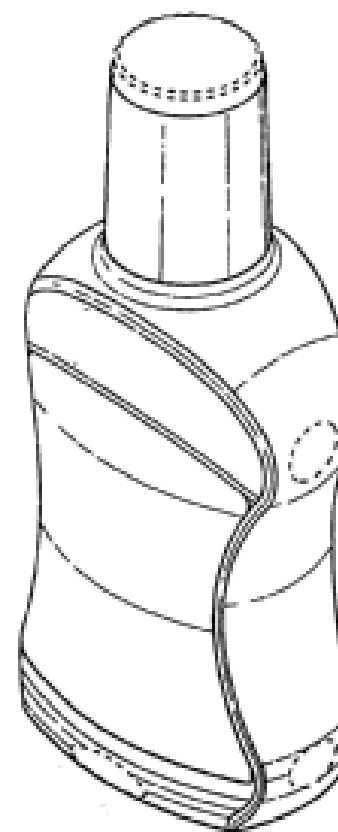
- (21) Design Number: **14480/2010**
(22) Date of Filing Application: **15 October 2010**
(24) Date from which industrial property rights may have effect: **15 October 2010**
(54) Product in respect of which the design is registered: **Dining chair**
(51) International Design Classification: **06-01F**
(71) Name(s) and Address(s) of Applicant(s):
Covemore Designs Pty Ltd
43 Prime Drive Seven Hills New South Wales 2147 Australia
(72) Name(s) of Designer(s): **Samantha Lloyd-Holmes**
(45) Registration Date: **10 November 2010**
(56) Related Art Documents: **Not Applicable**
(57) Statement of Newness and Distinctiveness: **Newness and distinctiveness reside in the features of the design as shown in the representations, with the material and colour of the cushion covering, the pattern applied to the cushion covering and the material and colour of the frame being disclaimed.**



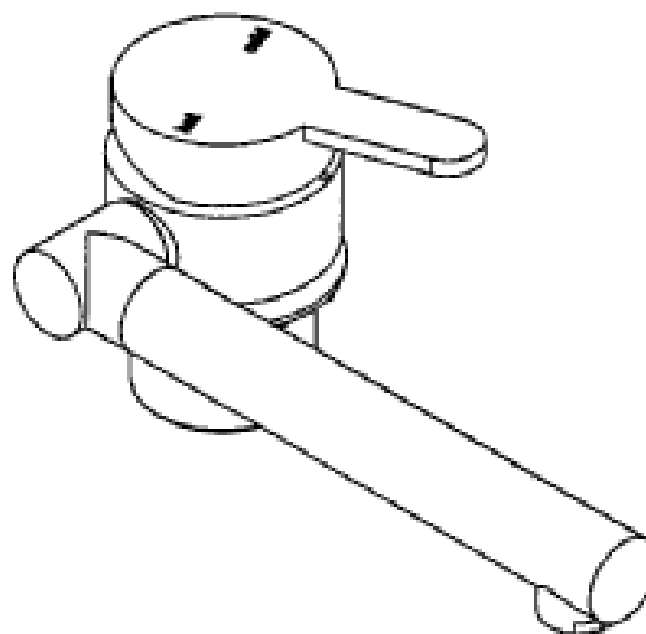
- (21) Design Number: **14254/2010**
(22) Date of Filing Application: **11 October 2010**
(24) Date from which industrial property rights may have effect: **11 October 2010**
(54) Product in respect of which the design is registered: **Vehicle coupler with low profile housing**
(51) International Design Classification: **12-16L**
(71) Name(s) and Address(s) of Applicant(s):
Vehicle Components Pty Ltd
352B Bilsen Road Geebung Queensland 4034 Australia
(72) Name(s) of Designer(s): **Cornelius Deon van Deventer and Arthur Goddard**
(45) Registration Date: **05 November 2010**
(56) Related Art Documents: **Not Applicable**
(57) Statement of Newness and Distinctiveness: **The shape and configuration of a vehicle coupler as shown in the representations without regard to the portions depicted in dashed line.**



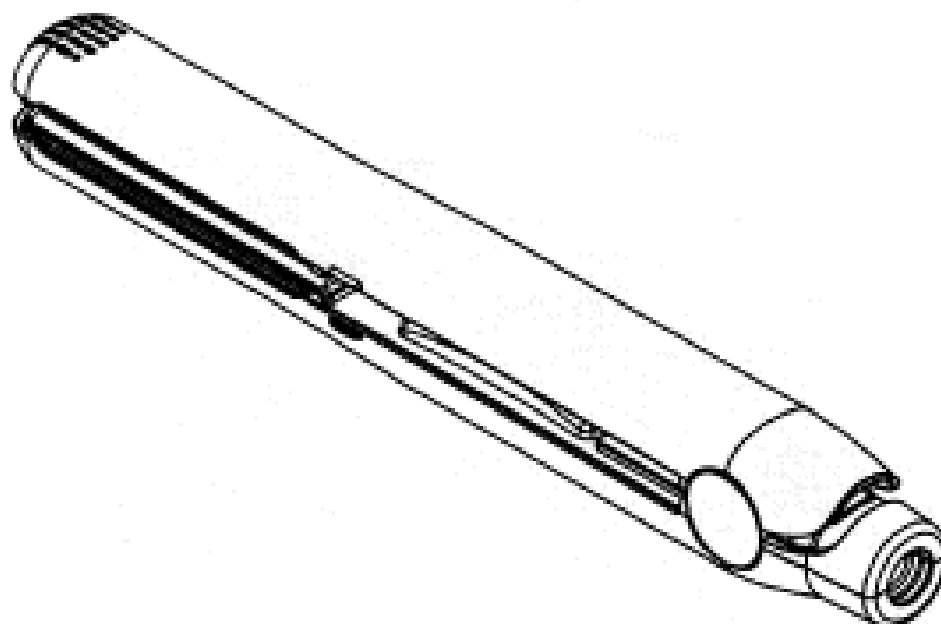
- (21) Design Number: **14255/2010**
(22) Date of Filing Application: **11 October 2010**
(24) Date from which industrial property rights may have effect: **11 October 2010**
(54) Product in respect of which the design is registered: **Bottle**
(51) International Design Classification: **09-01NES**
(71) Name(s) and Address(s) of Applicant(s):
Kraft Foods Global Brands LLC
Three Lakes Drive Northfield IL 60093 United States of America
(72) Name(s) of Designer(s): **Keely Eileen Wheaton and J. Steven Little and James J. Miller and Fei Cao and Amy Gina Kim and Kyle Robert Gati and Jason Craig Campbell**
(45) Registration Date: **05 November 2010**
(30) Convention priority data:
(31) Number (32) Date (33) Country
135004 13 Apr 2010 CANADA
(56) Related Art Documents: **Not Applicable**
(57) Statement of Newness and Distinctiveness: **When determining whether the design 1 is substantially similar in overall impression to another registered design, no regard is to be had to these features shown in dotted outline in the accompanying drawings.**



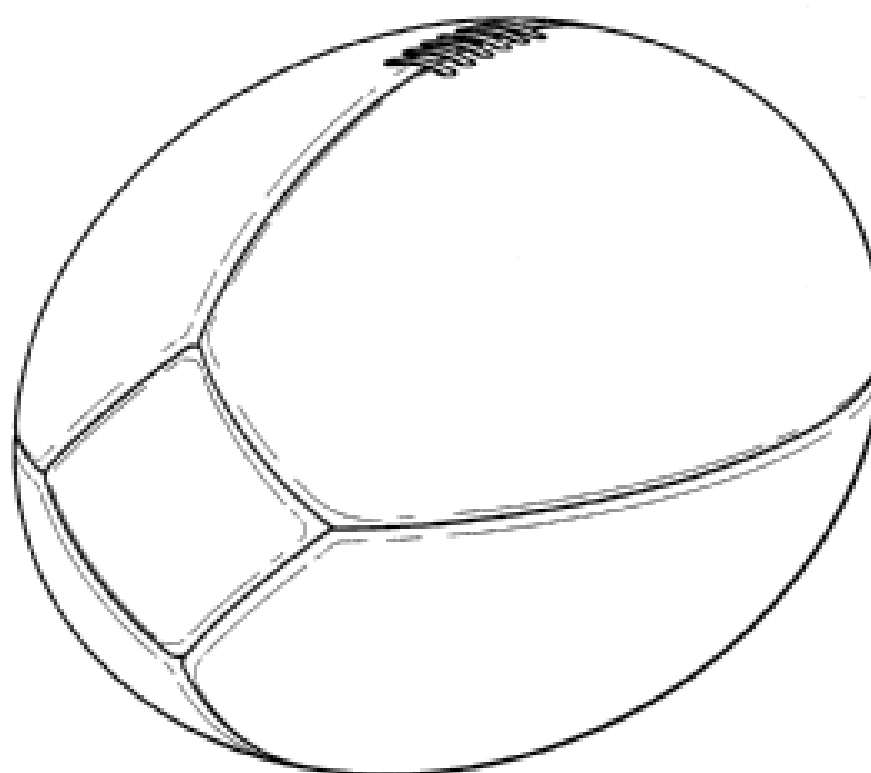
- (21) Design Number: **14256/2010**
(22) Date of Filing Application: **11 October 2010**
(24) Date from which industrial property rights may have effect: **11 October 2010**
(54) Product in respect of which the design is registered: **Mixer**
(51) International Design Classification: **23-01H**
(71) Name(s) and Address(s) of Applicant(s):
Phoenix Industries Pty Ltd
20-22 Trade Place Vermont Victoria 3133 Australia
(72) Name(s) of Designer(s): **Andrew Cocks**
(45) Registration Date: **05 November 2010**
(56) Related Art Documents: **Not Applicable**
(57) Statement of Newness and Distinctiveness: **Nil**



(21) Design Number: **14257/2010**
(22) Date of Filing Application: **12 October 2010**
(24) Date from which industrial property rights may have effect: **12 October 2010**
(54) Product in respect of which the design is registered: **Hair iron**
(51) International Design Classification: **28-03B**
(71) Name(s) and Address(s) of Applicant(s):
GHD KOREA Inc.
110-2 Samgok-ri Seonggeo-eup Cheonan-si Chungcheongnam-do
South Korea
(72) Name(s) of Designer(s): **Hae Jin Kim**
(45) Registration Date: **05 November 2010**
(30) Convention priority data:
(31) Number (32) Date (33) Country
30-2010-0038206 01 Sep 2010 REPUBLIC OF KOREA
(56) Related Art Documents: **Not Applicable**
(57) Statement of Newness and Distinctiveness: **Nil**



(21) Design Number: **14258/2010**
(22) Date of Filing Application: **07 October 2010**
(24) Date from which industrial property rights may have effect: **07 October 2010**
(54) Product in respect of which the design is registered: **An Australian rules football**
(51) International Design Classification: **21-02A**
(71) Name(s) and Address(s) of Applicant(s):
Hardyards Investments Pty Ltd
c/- Level 1 5 King William Rd Unley South Australia 5061 Australia
(72) Name(s) of Designer(s): **M. Williams**
(45) Registration Date: **05 November 2010**
(56) Related Art Documents: **Not Applicable**
(57) Statement of Newness and Distinctiveness: **The football has six panels instead of the usual four, has flat ends instead of the usual pointed ends, the design affects the flight and aerodynamics of the football and the internal bladder also has flat ends instead of the usual pointed ends.**



(21) Design Number: **14385/2010**

(22) Date of Filing Application: **12 October 2010**

(24) Date from which industrial property rights may have effect: **12 October 2010**

(54) Product in respect of which the design is registered: **Cosmetic jar**

(51) International Design Classification: **09-03G**

(71) Name(s) and Address(s) of Applicant(s):

**Henkel AG & Co. KGaA
Henkelstrasse 67 40589 Dusseldorf Germany**

(72) Name(s) of Designer(s): **Olivier Bore**

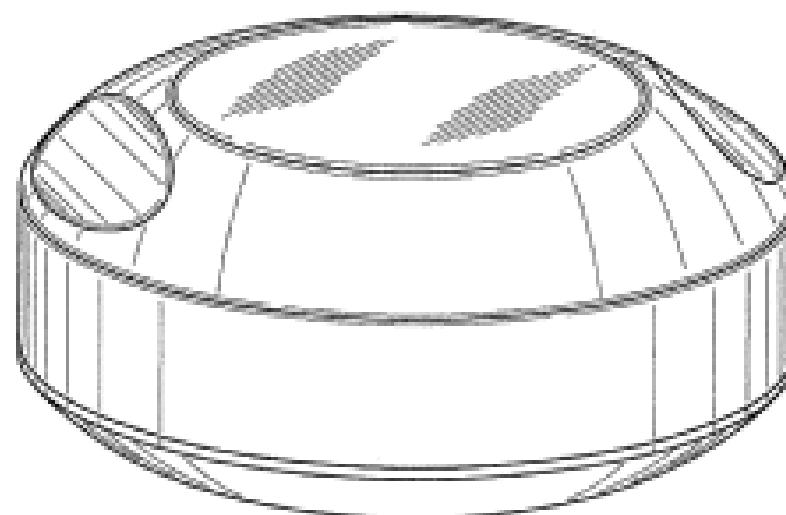
(45) Registration Date: **05 November 2010**

(30) Convention priority data:

(31) Number	(32) Date	(33) Country
001737495	29 Jul 2010	EUROPEAN PATENT OFFICE (EPO)

(56) Related Art Documents: **Not Applicable**

(57) Statement of Newness and Distinctiveness: **Newness and distinctiveness is claimed in the features of shape and/or configuration of a cosmetic jar as illustrated in the accompanying representations.**



(21) Design Number: **14392/2010**

(22) Date of Filing Application: **13 October 2010**

(24) Date from which industrial property rights may have effect: **13 October 2010**

(54) Product in respect of which the design is registered: **Exercise bike with integrated electrical generator**

(51) International Design Classification: **21-02F**

(71) Name(s) and Address(s) of Applicant(s):

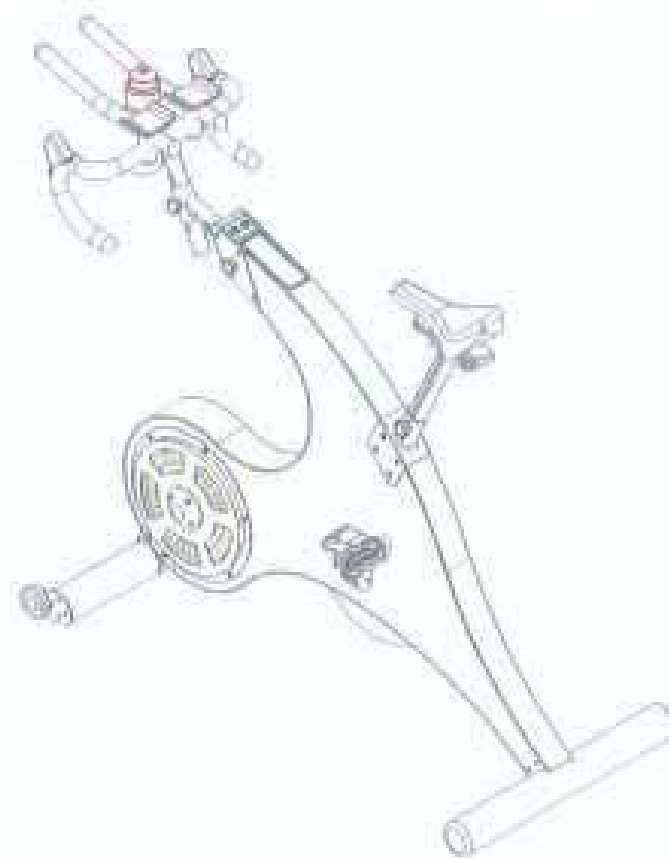
**Innovation Development Engineering Administration Services Pty. Ltd.
2 Rocco Drive Scoresby Victoria 3179 Australia**

(72) Name(s) of Designer(s): **Rick Stefanutti and Geoffrey Ball**

(45) Registration Date: **05 November 2010**

(56) Related Art Documents: **Not Applicable**

(57) Statement of Newness and Distinctiveness: **Electrical generator integrated within the sandwich panel construction body. Sandwich panel body construction using recycled plastic body. Components such as pedals, seat, handlebars are not significant to the design.**



(21) Design Number: **14394/2010**

(22) Date of Filing Application: **12 October 2010**

(24) Date from which industrial property rights may have effect: **12 October 2010**

(54) Product in respect of which the design is registered: **Chair**

(51) International Design Classification: **06-01F**

(71) Name(s) and Address(s) of Applicant(s):

Kartell S.p.A.

Via delle Industrie 1 I-20028 Noviglio Milano Italy

(72) Name(s) of Designer(s): **Piero Lissoni**

(45) Registration Date: **05 November 2010**

(30) Convention priority data:

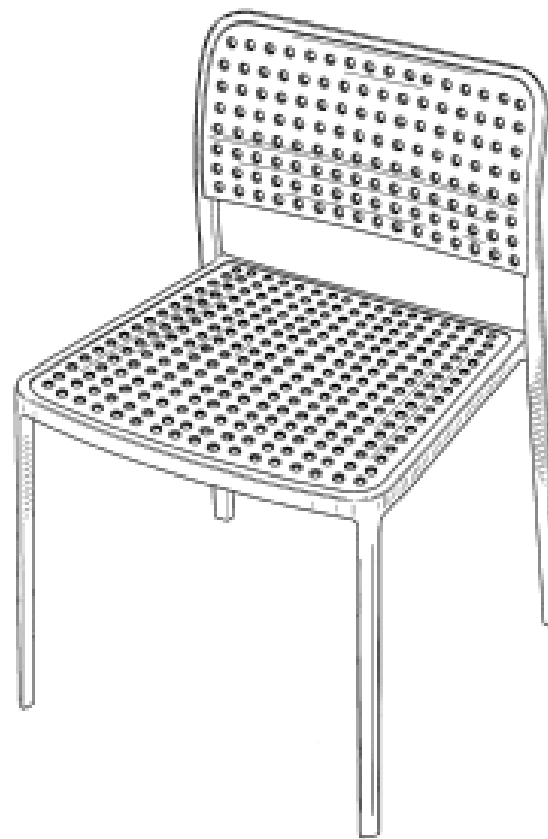
(31) Number
001693789

(32) Date
12 Apr 2010

(33) Country
EUROPEAN COMMUNITY

(56) Related Art Documents: **Not Applicable**

(57) Statement of Newness and Distinctiveness: **Newness and distinctiveness resides in the features of shape and/or configuration of a chair as illustrated in the accompanying representations.**



(21) Design Number: **14395/2010**

(22) Date of Filing Application: **12 October 2010**

(24) Date from which industrial property rights may have effect: **12 October 2010**

(54) Product in respect of which the design is registered: **Exercise machine**

(51) International Design Classification: **21-02F**

(71) Name(s) and Address(s) of Applicant(s):

Kayee M.O. House Co., Ltd

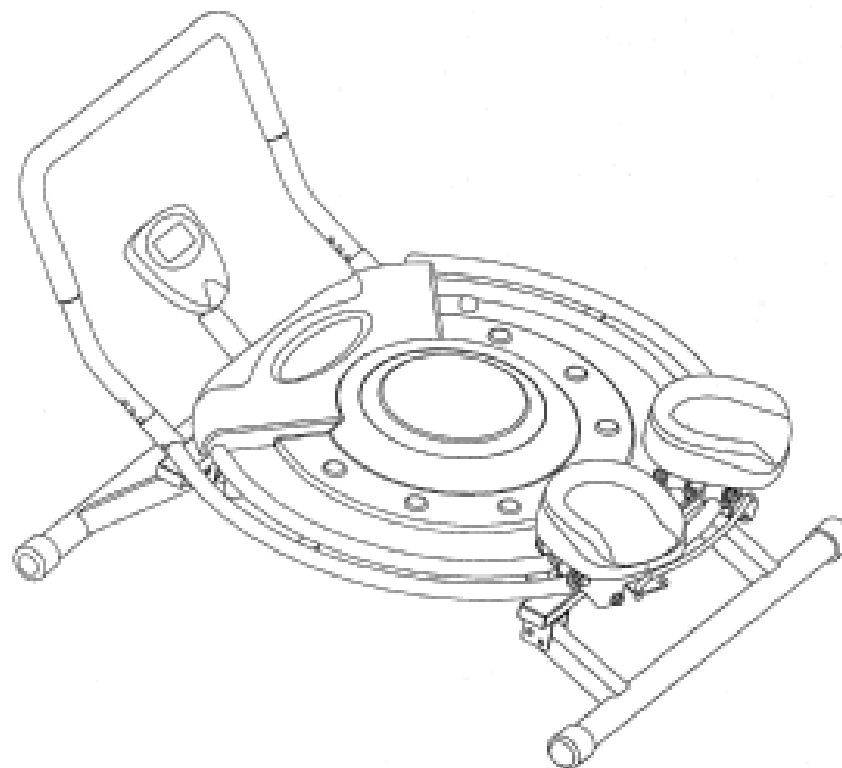
**Jidali Industrial Zone Gonghe Village Shajing Town Bao'an District
Shenzhen City Guangdong China**

(72) Name(s) of Designer(s): **Sam Tsai**

(45) Registration Date: **05 November 2010**

(56) Related Art Documents: **Not Applicable**

(57) Statement of Newness and Distinctiveness: **The newness and distinctiveness of the design resides in the shape and/or configuration of the exercise machine shown in the representations.**



(21) Design Number: **14409/2010**

(22) Date of Filing Application: **13 October 2010**

(24) Date from which industrial property rights may have effect: **13 October 2010**

(54) Product in respect of which the design is registered: **Spiral potato piece**

(51) International Design Classification: **01-02**

(71) Name(s) and Address(s) of Applicant(s):

J.R. Simplot Company
One Capital Center 999 Main Street Suite 1300 Boise ID 83702 United States of America

(72) Name(s) of Designer(s): **David Bruce Walker and Allen J. Neel and Charles F. Dewey (Deceased) and Bruce T. Pittard and Michael L. Hamann**

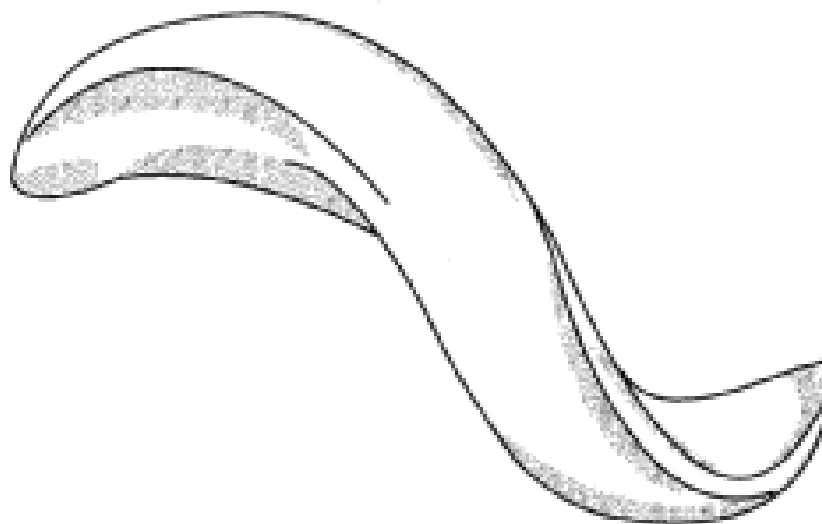
(45) Registration Date: **05 November 2010**

(30) Convention priority data:

(31) Number	(32) Date	(33) Country
29/360405	26 Apr 2010	UNITED STATES OF AMERICA

(56) Related Art Documents: **Not Applicable**

(57) Statement of Newness and Distinctiveness: **Newness and distinctiveness resides in the visual features of the spiral potato piece shown in solid outline in Figures 1 to 7. When determining whether the design is substantially similar in overall impression to another design no regard is to be had to those features shown in stippling.**



(21) Design Number: **14418/2010**

(22) Date of Filing Application: **12 October 2010**

(24) Date from which industrial property rights may have effect: **12 October 2010**

(54) Product in respect of which the design is registered: **Pest bait holder**

(51) International Design Classification: **22-06**

(71) Name(s) and Address(s) of Applicant(s):

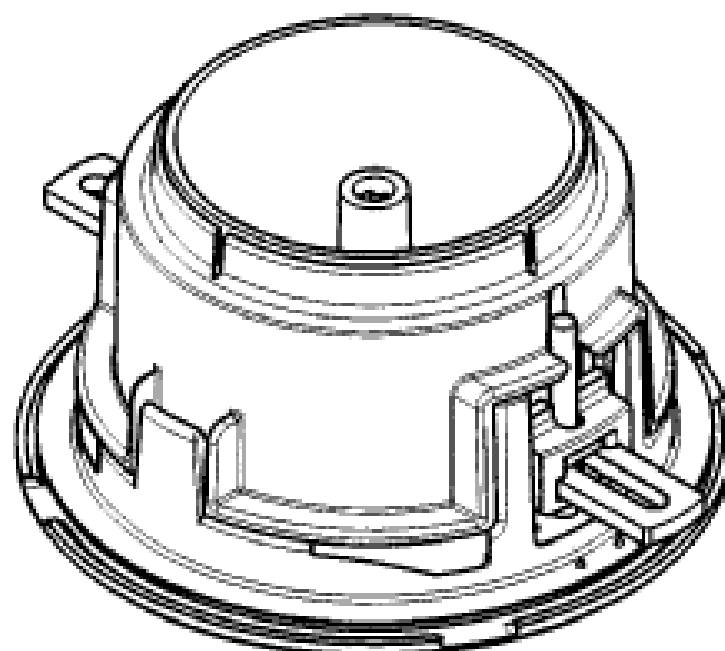
Make Safe Pty Ltd
C/- Accru Harris Orchard 172 Fullarton Road Dulwich South Australia 5065 Australia

(72) Name(s) of Designer(s): **Maxwell Dickison**

(45) Registration Date: **05 November 2010**

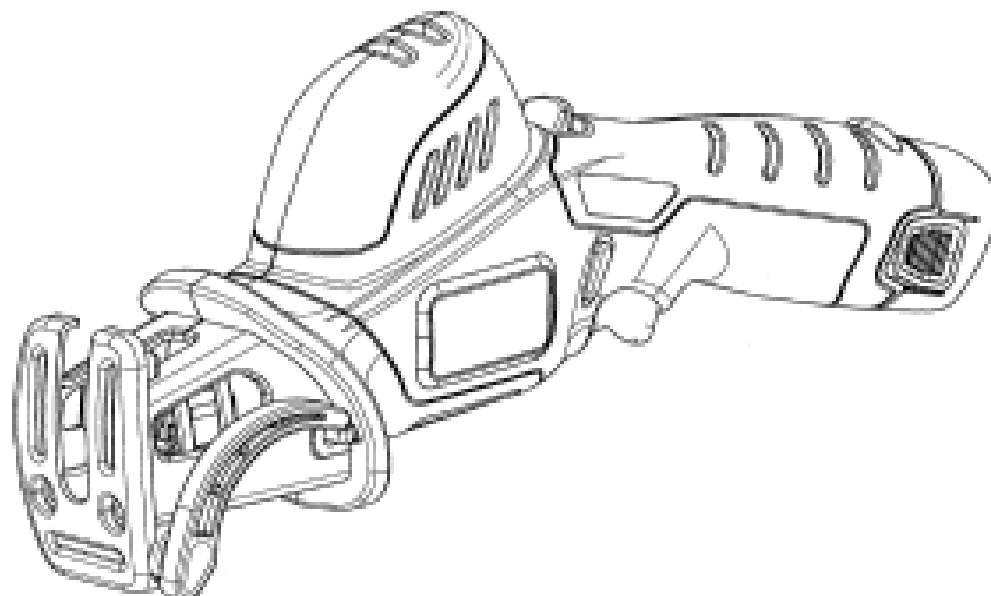
(56) Related Art Documents: **Not Applicable**

(57) Statement of Newness and Distinctiveness: **Nil**



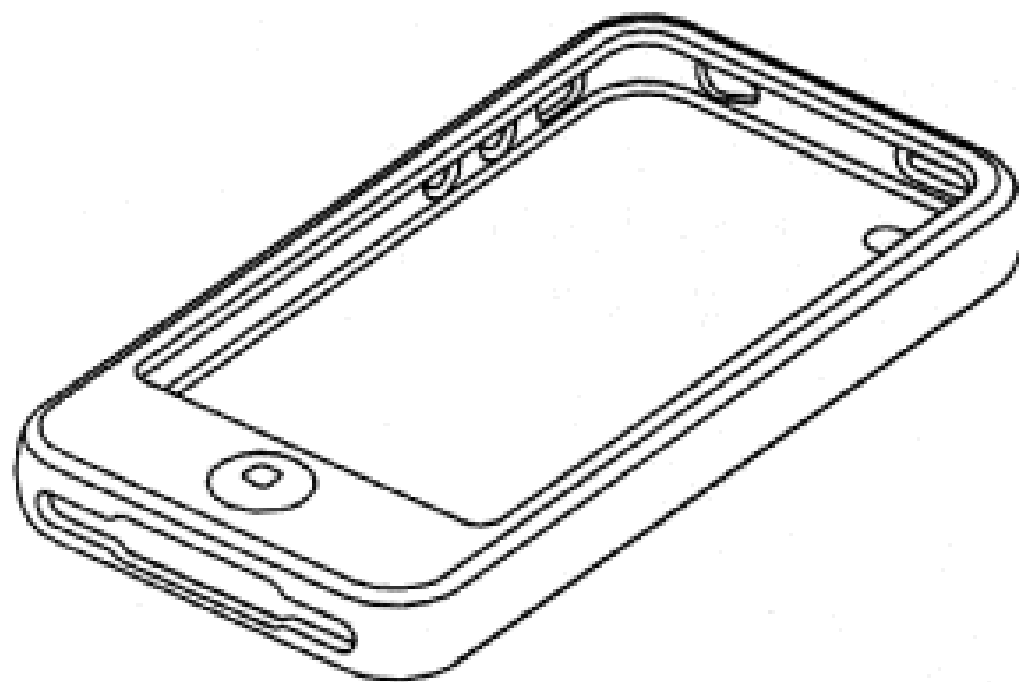
(19) AU

- (21) Design Number: **14065/2010**
(22) Date of Filing Application: **21 September 2010**
(24) Date from which industrial property rights may have effect: **21 September 2010**
(54) Product in respect of which the design is registered: **Hand held reciprocating saw**
(51) International Design Classification: **08-03**
(71) Name(s) and Address(s) of Applicant(s):
Black & Decker, Inc.
1207 Drummond Plaza, Newark, Delaware, 19711, United States of America
(72) Name(s) of Designer(s): **Mark Baxter**
(45) Registration Date: **05 November 2010**
(30) Convention priority data:
(31) Number (32) Date (33) Country
001203046 22 Mar 2010 EUROPEAN COMMUNITY
(56) Related Art Documents: **Not Applicable**
(57) Statement of Newness and Distinctiveness: **Nil**



(19) AU

- (21) Design Number: **14186/2010**
(22) Date of Filing Application: **08 October 2010**
(24) Date from which industrial property rights may have effect: **08 October 2010**
(54) Product in respect of which the design is registered: **Protective casing for portable handheld electronic device**
(51) International Design Classification: **14-02, 03-01NES**
(71) Name(s) and Address(s) of Applicant(s):
SwitchEasy Limited
Room 314 Sing Win Factory Building 15-17 Shing Yip Street Kwun Tong Kowloon Hong Kong
(72) Name(s) of Designer(s): **Chi Vun Steven Bau**
(45) Registration Date: **05 November 2010**
(30) Convention priority data:
(31) Number (32) Date (33) Country
1001190.4 29 Jun 2010 HONG KONG
(56) Related Art Documents: **Not Applicable**
(57) Statement of Newness and Distinctiveness: **Nil**



(19) AU

- (21) Design Number: **14189/2010**
(22) Date of Filing Application: **05 October 2010**
(24) Date from which industrial property rights may have effect: **05 October 2010**
(54) Product in respect of which the design is registered: **A film**
(51) International Design Classification: **05-06NES**
(71) Name(s) and Address(s) of Applicant(s):

Aperio Group (New Zealand) Limited
100 Carbine Road Mt Wellington Auckland New Zealand

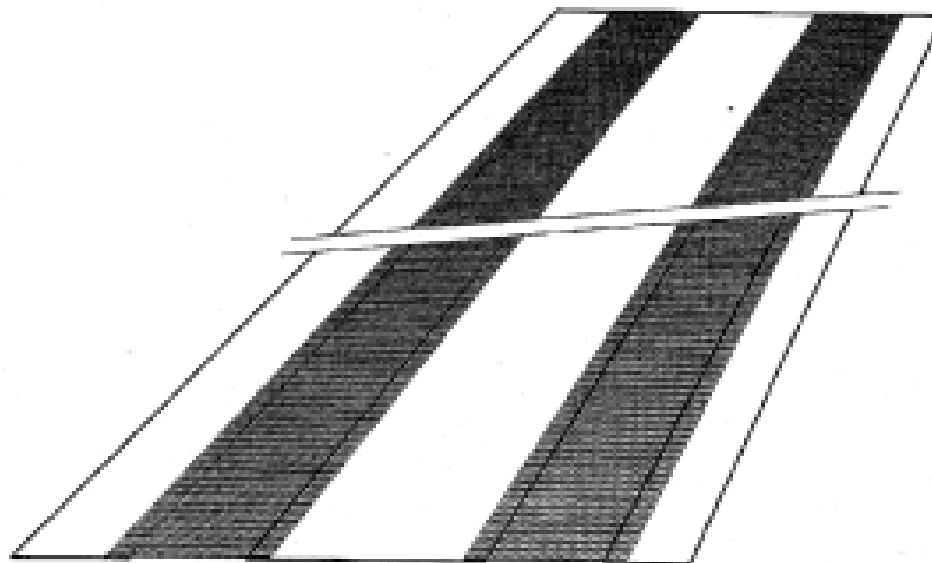
- (72) Name(s) of Designer(s): **John Wilks**
(45) Registration Date: **05 November 2010**

(30) Convention priority data:

(31) Number	(32) Date	(33) Country
413606	11 May 2010	NEW ZEALAND

(56) Related Art Documents: **Not Applicable**

(57) Statement of Newness and Distinctiveness: **Newness and distinctiveness are claimed in the shape and configuration of the film as shown in the accompanying representations, and being of indefinite length shown by the break lines in the representations.**



(19) AU

- (21) Design Number: **14194/2010**
(22) Date of Filing Application: **05 October 2010**
(24) Date from which industrial property rights may have effect: **05 October 2010**
(54) Product in respect of which the design is registered: **A film**
(51) International Design Classification: **05-06NES**
(71) Name(s) and Address(s) of Applicant(s):

Aperio Group (New Zealand) Limited
100 Carbine Road Mt Wellington Auckland New Zealand

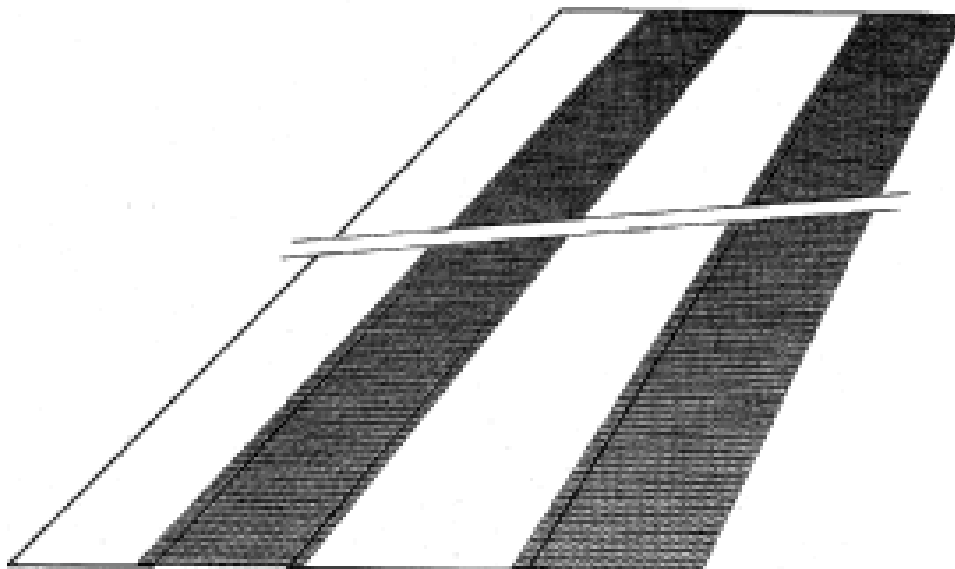
- (72) Name(s) of Designer(s): **John Wilks**
(45) Registration Date: **05 November 2010**

(30) Convention priority data:

(31) Number	(32) Date	(33) Country
413608	11 May 2010	NEW ZEALAND

(56) Related Art Documents: **Not Applicable**

(57) Statement of Newness and Distinctiveness: **Newness and distinctiveness are claimed in the shape and configuration of the film as shown in the accompanying representations, and being of indefinite length shown by the break lines in the representations.**



(21) Design Number: **14195/2010**

(22) Date of Filing Application: **07 October 2010**

(24) Date from which industrial property rights may have effect: **07 October 2010**

(54) Product in respect of which the design is registered: **Step**

(51) International Design Classification: **25-04**

(71) Name(s) and Address(s) of Applicant(s):

Caterpillar Inc.

100 N.E. Adams Street Peoria Illinois 61629 United States of America

(72) Name(s) of Designer(s): **Kannan Doraivelmanimozhi**

(45) Registration Date: **05 November 2010**

(30) Convention priority data:

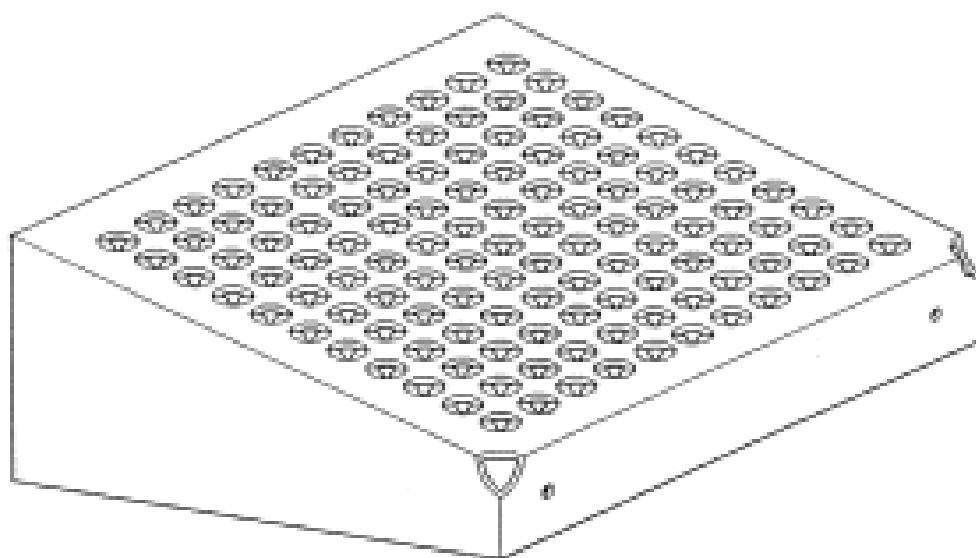
(31) Number
228611

(32) Date
15 Apr 2010

(33) Country
INDIA

(56) Related Art Documents: **Not Applicable**

(57) Statement of Newness and Distinctiveness: **Newness and distinctiveness resides in the shape and configuration of the step as illustrated.**



(21) Design Number: **14196/2010**

(22) Date of Filing Application: **07 October 2010**

(24) Date from which industrial property rights may have effect: **07 October 2010**

(54) Product in respect of which the design is registered: **Prosthesis**

(51) International Design Classification: **24-03**

(71) Name(s) and Address(s) of Applicant(s):

Otto Bock HealthCare GmbH

Max-Nader-Strasse 15 37115 Duderstadt Germany

(72) Name(s) of Designer(s): **Andreas Muhlenberend**

(45) Registration Date: **05 November 2010**

(30) Convention priority data:

(31) Number
001702770

(32) Date
30 Apr 2010

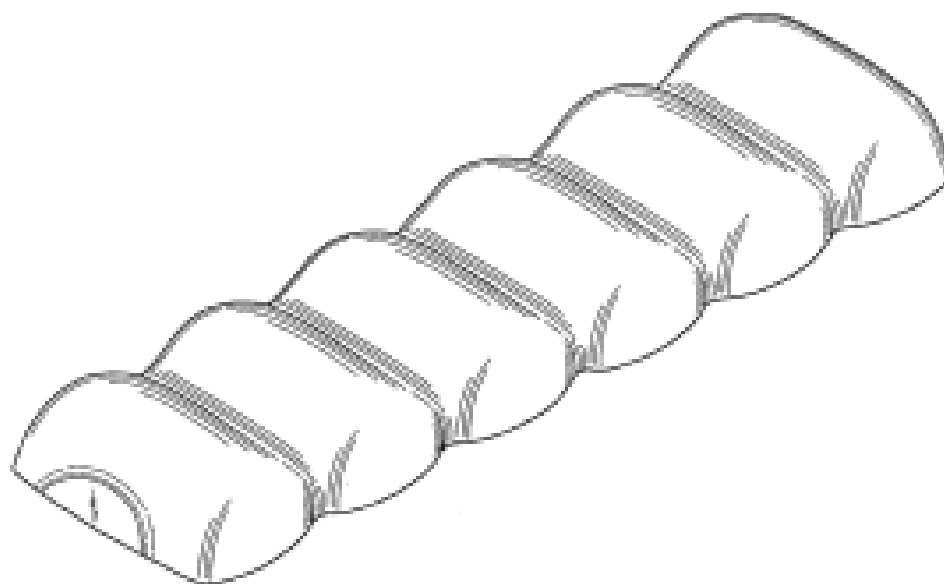
(33) Country
EUROPEAN COMMUNITY

(56) Related Art Documents: **Not Applicable**

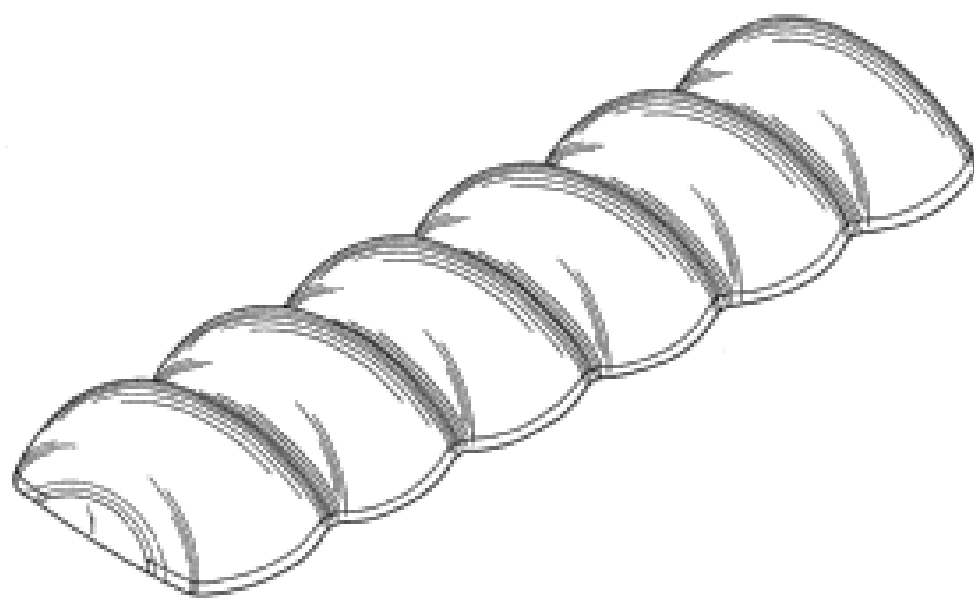
(57) Statement of Newness and Distinctiveness: **The newness and distinctiveness of the design resides in the shape and/or configuration of the prosthesis shown in the representations.**



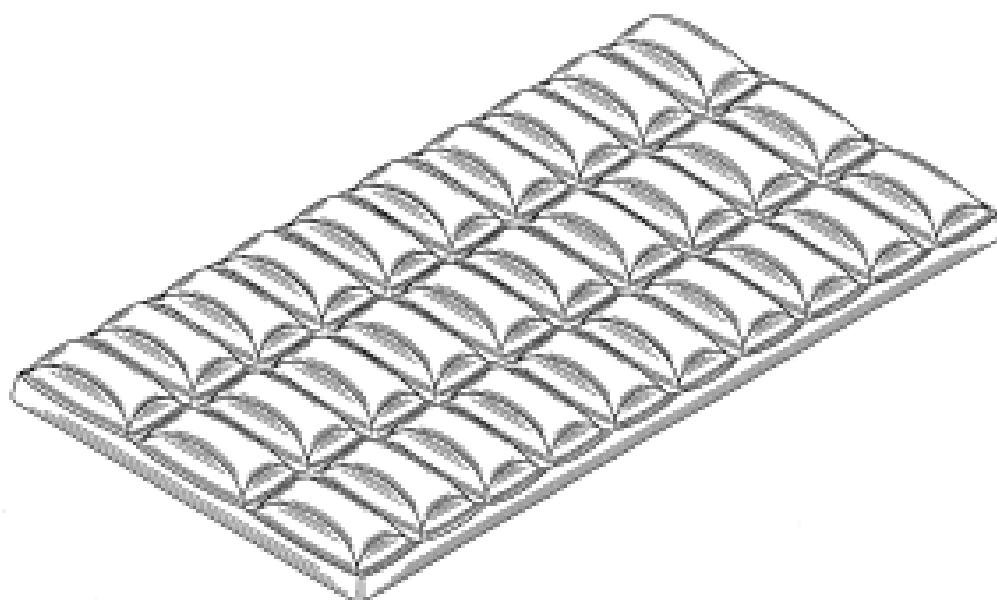
(21) Design Number: **14223/2010**
(22) Date of Filing Application: **08 October 2010**
(24) Date from which industrial property rights may have effect: **08 October 2010**
(54) Product in respect of which the design is registered: **Confectionery**
(51) International Design Classification: **01-01**
(71) Name(s) and Address(s) of Applicant(s):
Cadbury UK Limited
Bournville Birmingham B30 2LU United Kingdom
(72) Name(s) of Designer(s): **Nicola Heaton and Alan Thompson**
(45) Registration Date: **05 November 2010**
(30) Convention priority data:
(31) Number (32) Date (33) Country
001215891-001 19 May 2010 EUROPEAN COMMUNITY
(56) Related Art Documents: **Not Applicable**
(57) Statement of Newness and Distinctiveness: **Nil**



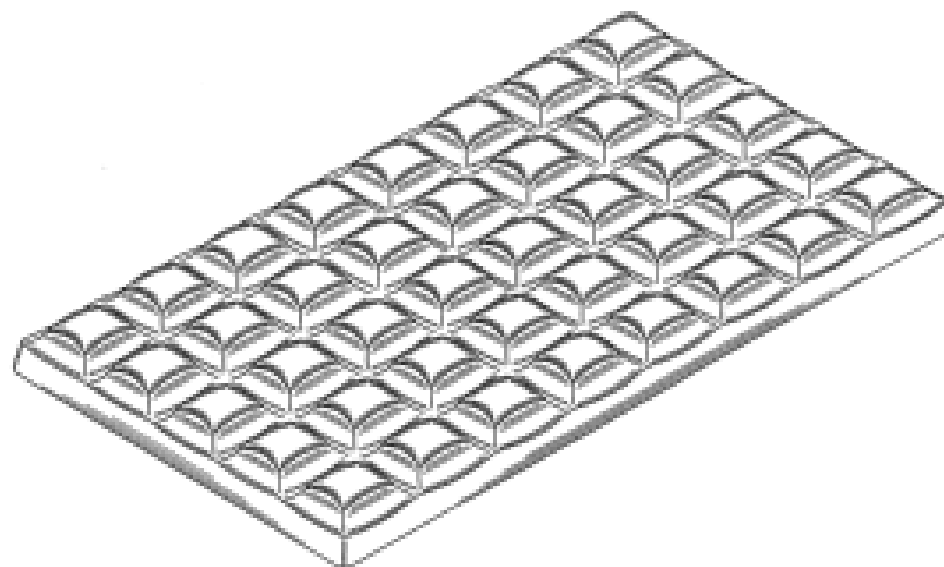
(21) Design Number: **14224/2010**
(22) Date of Filing Application: **08 October 2010**
(24) Date from which industrial property rights may have effect: **08 October 2010**
(54) Product in respect of which the design is registered: **Confectionery**
(51) International Design Classification: **01-01**
(71) Name(s) and Address(s) of Applicant(s):
Cadbury UK Limited
Bournville Birmingham B30 2LU United Kingdom
(72) Name(s) of Designer(s): **Nicola Heaton and Alan Thompson**
(45) Registration Date: **05 November 2010**
(30) Convention priority data:
(31) Number (32) Date (33) Country
001215891-003 19 May 2010 EUROPEAN COMMUNITY
(56) Related Art Documents: **Not Applicable**
(57) Statement of Newness and Distinctiveness: **Nil**



(21) Design Number: **14225/2010**
(22) Date of Filing Application: **08 October 2010**
(24) Date from which industrial property rights may have effect: **08 October 2010**
(54) Product in respect of which the design is registered: **Confectionery**
(51) International Design Classification: **01-01**
(71) Name(s) and Address(s) of Applicant(s):
Cadbury UK Limited
Bournville Birmingham B30 2LU United Kingdom
(72) Name(s) of Designer(s): **Nicola Heaton and Alan Thompson**
(45) Registration Date: **05 November 2010**
(30) Convention priority data:
(31) Number (32) Date (33) Country
001215891-005 19 May 2010 EUROPEAN COMMUNITY
(56) Related Art Documents: **Not Applicable**
(57) Statement of Newness and Distinctiveness: **Nil**



(21) Design Number: **14226/2010**
(22) Date of Filing Application: **08 October 2010**
(24) Date from which industrial property rights may have effect: **08 October 2010**
(54) Product in respect of which the design is registered: **Confectionery**
(51) International Design Classification: **01-01**
(71) Name(s) and Address(s) of Applicant(s):
Cadbury UK Limited
Bournville Birmingham B30 2LU United Kingdom
(72) Name(s) of Designer(s): **Nicola Heaton and Alan Thompson**
(45) Registration Date: **05 November 2010**
(30) Convention priority data:
(31) Number (32) Date (33) Country
001215891-011 19 May 2010 EUROPEAN COMMUNITY
(56) Related Art Documents: **Not Applicable**
(57) Statement of Newness and Distinctiveness: **Nil**



(21) Design Number: **14228/2010**

(22) Date of Filing Application: **08 October 2010**

(24) Date from which industrial property rights may have effect: **08 October 2010**

(54) Product in respect of which the design is registered: **Louvre fixing clip assembly II**

(51) International Design Classification: **25-02K**

(71) Name(s) and Address(s) of Applicant(s):

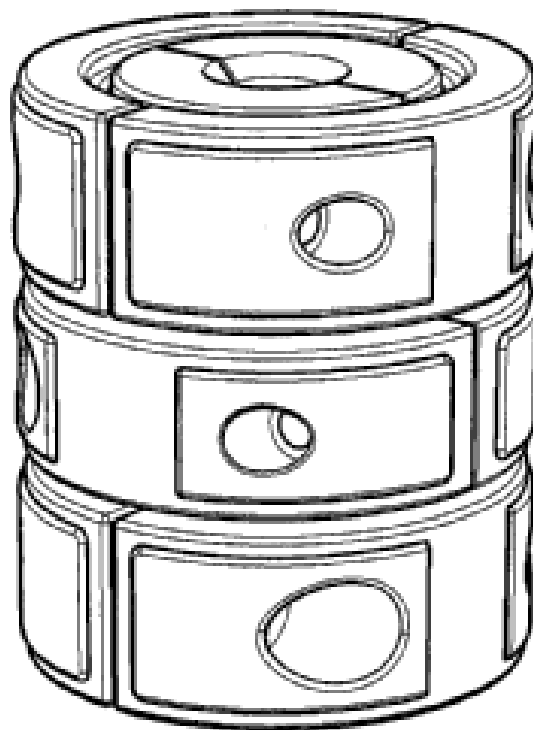
Locker Group Pty Ltd
2 Cojo Place Dandenong South Victoria 3175 Australia

(72) Name(s) of Designer(s): **Hima Cherukuvada**

(45) Registration Date: **05 November 2010**

(56) Related Art Documents: **Not Applicable**

(57) Statement of Newness and Distinctiveness: **Each feature of the clip assembly design considered separately or in combination with any other feature or features.**



(21) Design Number: **14232/2010**

(22) Date of Filing Application: **12 October 2010**

(24) Date from which industrial property rights may have effect: **12 October 2010**

(54) Product in respect of which the design is registered: **Solid fuel combustion heater**

(51) International Design Classification: **23-03E**

(71) Name(s) and Address(s) of Applicant(s):

Kermeen & Co. Pty Ltd
706 Creswick Road Ballarat Victoria 3350 Australia

(72) Name(s) of Designer(s): **Guy Kermeen**

(45) Registration Date: **05 November 2010**

(56) Related Art Documents: **Not Applicable**

(57) Statement of Newness and Distinctiveness: **The main identifying feature of the design is that it is manufactured in the shape of a Dodecahedron. Which is a sphere consisting of twelve pentagonal faces.**



- (21) Design Number: **14238/2010**
(22) Date of Filing Application: **11 October 2010**
(24) Date from which industrial property rights may have effect: **11 October 2010**
(54) Product in respect of which the design is registered: **Table top**
(51) International Design Classification: **06-06E**
(71) Name(s) and Address(s) of Applicant(s):
Lifetime Products, Inc.
Freeport Center Building D-11 Clearfield UT 84016 United States of America
(72) Name(s) of Designer(s): **Joel Bennett**
(45) Registration Date: **05 November 2010**
(30) Convention priority data:
(31) Number (32) Date (33) Country
29/361,110 05 May 2010 UNITED STATES OF AMERICA
(56) Related Art Documents: **Not Applicable**
(57) Statement of Newness and Distinctiveness: **Newness and distinctiveness resides in the configuration and appearance of the table top shown by means of solid lines in the representations. In assessing the design the features shown in dashed line should be disregarded.**



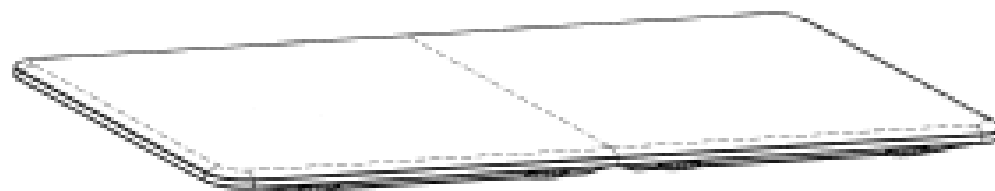
- (21) Design Number: **14239/2010**
(22) Date of Filing Application: **11 October 2010**
(24) Date from which industrial property rights may have effect: **11 October 2010**
(54) Product in respect of which the design is registered: **Table top**
(51) International Design Classification: **06-06E**
(71) Name(s) and Address(s) of Applicant(s):
Lifetime Products, Inc.
Freeport Center Building D-11 Clearfield UT 84016 United States of America
(72) Name(s) of Designer(s): **Joel Bennett**
(45) Registration Date: **05 November 2010**
(30) Convention priority data:
(31) Number (32) Date (33) Country
29/361,110 05 May 2010 UNITED STATES OF AMERICA
(56) Related Art Documents: **Not Applicable**
(57) Statement of Newness and Distinctiveness: **Newness and distinctiveness resides in the configuration and appearance of the table top shown by means of solid lines in the representations. In assessing the design the features shown in dashed line should be disregarded.**



(21) Design Number: **14240/2010**
 (22) Date of Filing Application: **11 October 2010**
 (24) Date from which industrial property rights may have effect: **11 October 2010**
 (54) Product in respect of which the design is registered: **Table top**
 (51) International Design Classification: **06-06E**
 (71) Name(s) and Address(s) of Applicant(s):
Lifetime Products, Inc.
Freeport Center Building D-11 Clearfield UT 84016 United States of America
 (72) Name(s) of Designer(s): **Joel Bennett**
 (45) Registration Date: **05 November 2010**
 (30) Convention priority data:

(31) Number	(32) Date	(33) Country
29/361,110	05 May 2010	UNITED STATES OF AMERICA

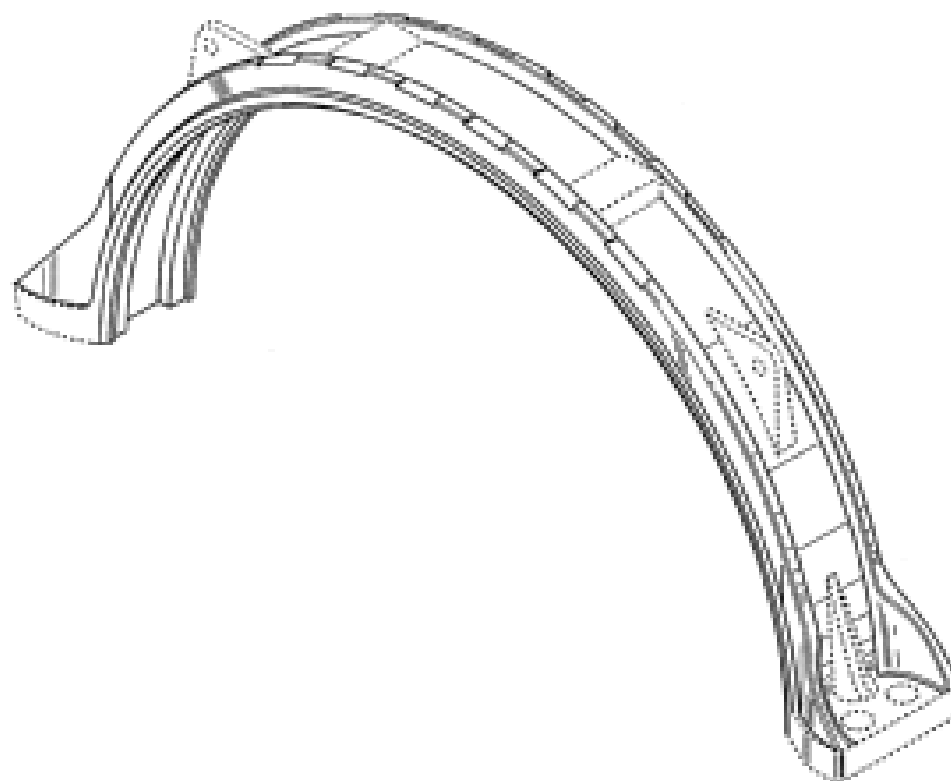
 (56) Related Art Documents: **Not Applicable**
 (57) Statement of Newness and Distinctiveness: **Newness and distinctiveness resides in the configuration and appearance of the table top shown by means of solid lines in the representations. In assessing the design the features shown in dashed line should be disregarded.**



(21) Design Number: **14247/2010**
 (22) Date of Filing Application: **11 October 2010**
 (24) Date from which industrial property rights may have effect: **11 October 2010**
 (54) Product in respect of which the design is registered: **Gusset pipe coupling segment**
 (51) International Design Classification: **23-01A**
 (71) Name(s) and Address(s) of Applicant(s):
Victaulic Company
4901 Kesslersville Road Easton Pennsylvania 18040 United States of America
 (72) Name(s) of Designer(s): **Scott D. Madara**
 (45) Registration Date: **05 November 2010**
 (30) Convention priority data:

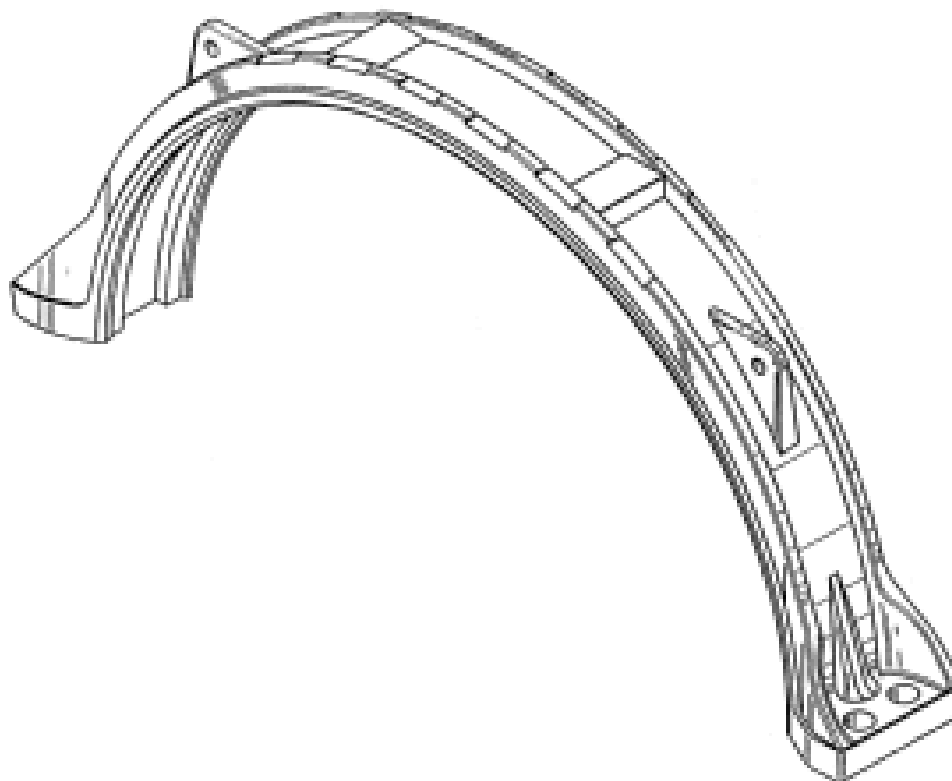
(31) Number	(32) Date	(33) Country
29/360976	04 May 2010	UNITED STATES OF AMERICA

 (56) Related Art Documents: **Not Applicable**
 (57) Statement of Newness and Distinctiveness: **Newness and distinctiveness is claimed in those features of shape and/or configuration of a gusset pipe coupling segment illustrated in continues lines in the accompanying representations.**



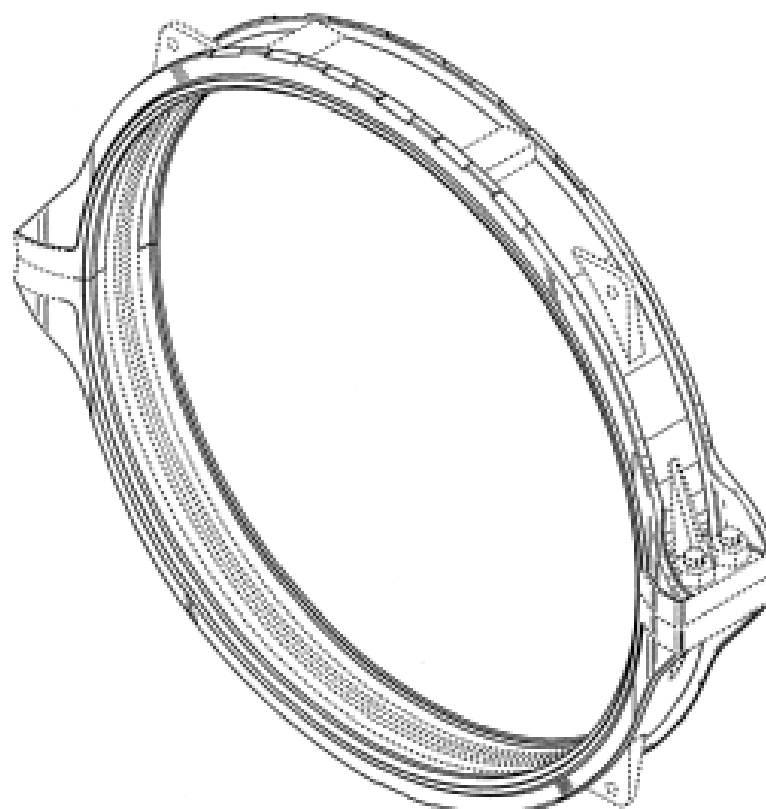
- (21) Design Number: **14246/2010**
- (22) Date of Filing Application: **11 October 2010**
- (24) Date from which industrial property rights may have effect: **11 October 2010**
- (54) Product in respect of which the design is registered: **Gusset pipe coupling segment**
- (51) International Design Classification: **23-01A**
- (71) Name(s) and Address(s) of Applicant(s):
Victaulic Company
4901 Kesslersville Road Easton Pennsylvania 18040 United States of America
- (72) Name(s) of Designer(s): **Scott D. Madara**
- (45) Registration Date: **05 November 2010**
- (30) Convention priority data:

(31) Number	(32) Date	(33) Country
29/360976	04 May 2010	UNITED STATES OF AMERICA
- (56) Related Art Documents: **Not Applicable**
- (57) Statement of Newness and Distinctiveness: **Newness and distinctiveness is claimed in the features of shape and/or configuration of a gusset pipe coupling segment as illustrated in the accompanying representations.**

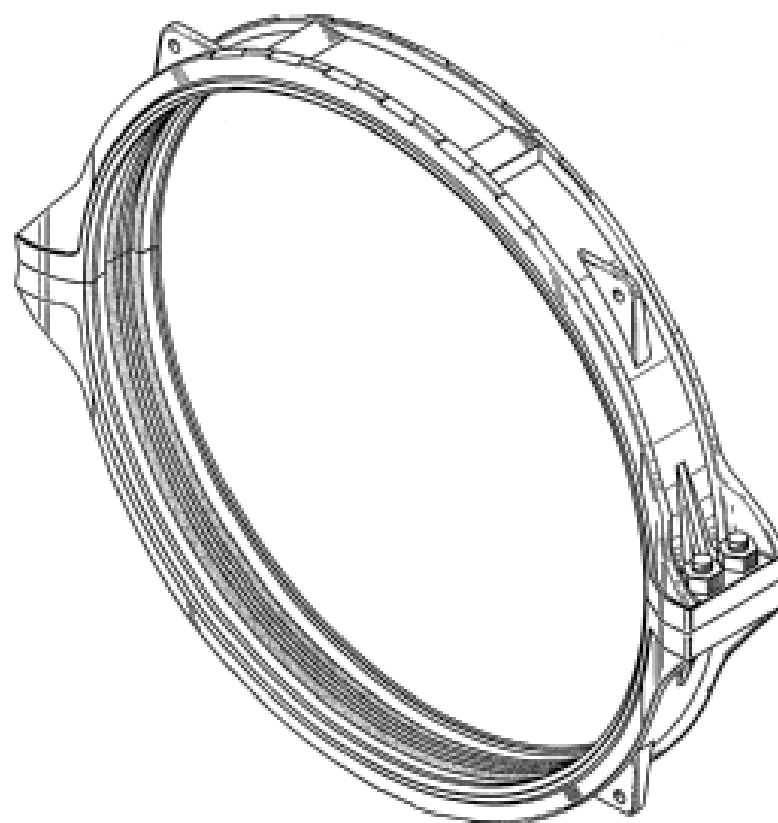


- (21) Design Number: **14248/2010**
- (22) Date of Filing Application: **11 October 2010**
- (24) Date from which industrial property rights may have effect: **11 October 2010**
- (54) Product in respect of which the design is registered: **Gusset pipe coupling**
- (51) International Design Classification: **23-01A**
- (71) Name(s) and Address(s) of Applicant(s):
Victaulic Company
4901 Kesslersville Road Easton Pennsylvania 18040 United States of America
- (72) Name(s) of Designer(s): **Scott D. Madara**
- (45) Registration Date: **05 November 2010**
- (30) Convention priority data:

(31) Number	(32) Date	(33) Country
29/360980	04 May 2010	UNITED STATES OF AMERICA
- (56) Related Art Documents: **Not Applicable**
- (57) Statement of Newness and Distinctiveness: **Newness and distinctiveness is claimed in those features of shape and/or configuration of a gusset pipe coupling illustrated in continuous lines in the accompanying representations.**



(21) Design Number: **14250/2010**
 (22) Date of Filing Application: **11 October 2010**
 (24) Date from which industrial property rights may have effect: **11 October 2010**
 (54) Product in respect of which the design is registered: **Gusset pipe coupling**
 (51) International Design Classification: **23-01A**
 (71) Name(s) and Address(s) of Applicant(s):
Victaulic Company
4901 Kesslersville Road Easton Pennsylvania 18040 United States of America
 (72) Name(s) of Designer(s): **Scott D. Madara**
 (45) Registration Date: **05 November 2010**
 (30) Convention priority data:
 (31) Number (32) Date (33) Country
29/360980 04 May 2010 UNITED STATES OF AMERICA
 (56) Related Art Documents: **Not Applicable**
 (57) Statement of Newness and Distinctiveness: **Newness and distinctiveness is claimed in the features of shape and/or configuration of a gusset pipe coupling as illustrated in the accompanying representations.**



(21) Design Number: **14251/2010**
 (22) Date of Filing Application: **12 October 2010**
 (24) Date from which industrial property rights may have effect: **12 October 2010**
 (54) Product in respect of which the design is registered: **Cutting profile for handle and slider**
 (51) International Design Classification: **19-08**
 (71) Name(s) and Address(s) of Applicant(s):
Scott Owen
33 Ryder Street Wynnum North Queensland 4178 Australia
Timothy Owen
33 Ryder Street Wynnum North Queensland 4178 Australia
Penelope Kate Felton
33 Ryder Street Wynnum North Queensland 4178 Australia
 (72) Name(s) of Designer(s): **Scott Owen and Timothy Owen and Penelope Kate Felton**
 (45) Registration Date: **05 November 2010**
 (56) Related Art Documents: **Not Applicable**
 (57) Statement of Newness and Distinctiveness: **Nil**



- (21) Design Number: **14428/2010**
- (22) Date of Filing Application: **14 October 2010**
- (24) Date from which industrial property rights may have effect: **14 October 2010**
- (54) Product in respect of which the design is registered: **Container**
- (51) International Design Classification: **09-01B**
- (71) Name(s) and Address(s) of Applicant(s):

Reckitt Benckiser Inc.
Morris Corporate Center IV 399 Interpace Parkway Parsippany New Jersey 07054 United States of America

(72) Name(s) of Designer(s): **Taco Dietvorst**

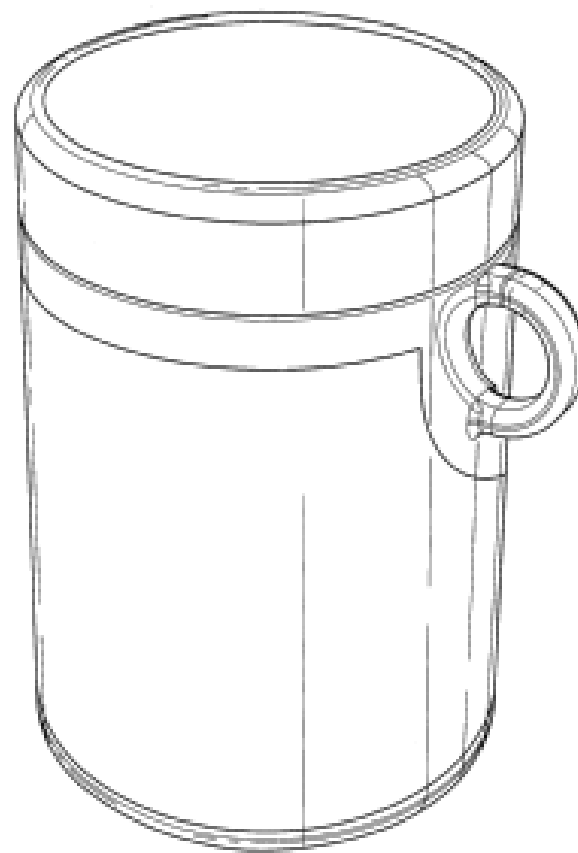
(45) Registration Date: **08 November 2010**

(30) Convention priority data:

(31) Number	(32) Date	(33) Country
001208565-0003	14 Apr 2010	EUROPEAN COMMUNITY

(56) Related Art Documents: **Not Applicable**

(57) Statement of Newness and Distinctiveness: **Newness and distinctiveness resides in the features of shape and configuration of the upper end portion, including the handle and lid, of a container as illustrated in the accompanying representations.**



- (21) Design Number: **14429/2010**
- (22) Date of Filing Application: **14 October 2010**
- (24) Date from which industrial property rights may have effect: **14 October 2010**
- (54) Product in respect of which the design is registered: **Container**
- (51) International Design Classification: **09-01B**
- (71) Name(s) and Address(s) of Applicant(s):

Reckitt Benckiser Inc.
Morris Corporate Center IV 399 Interpace Parkway Parsippany New Jersey 07054 United States of America

(72) Name(s) of Designer(s): **Taco Dietvorst**

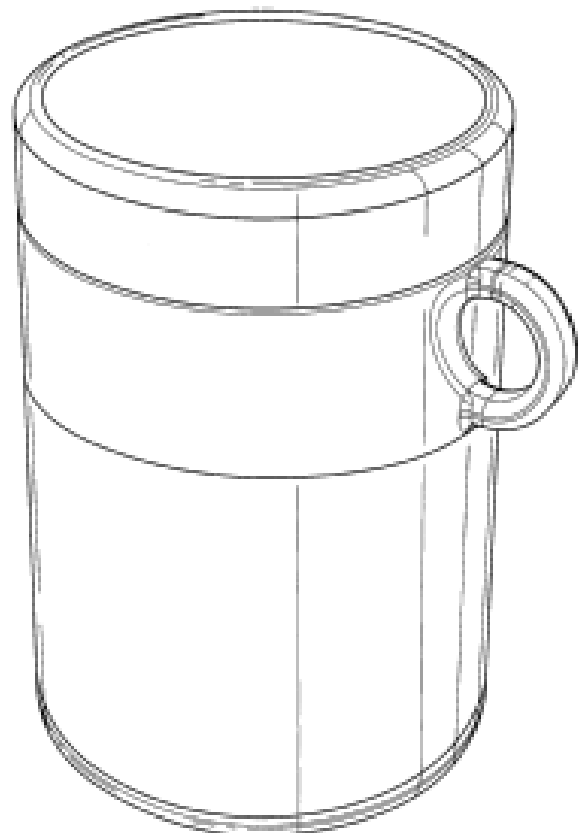
(45) Registration Date: **08 November 2010**

(30) Convention priority data:

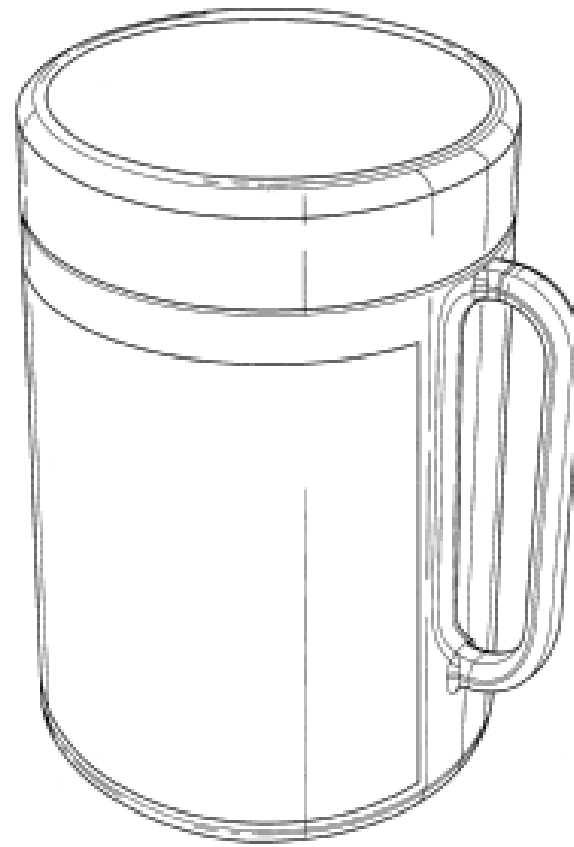
(31) Number	(32) Date	(33) Country
001208565-0004	14 Apr 2010	EUROPEAN COMMUNITY

(56) Related Art Documents: **Not Applicable**

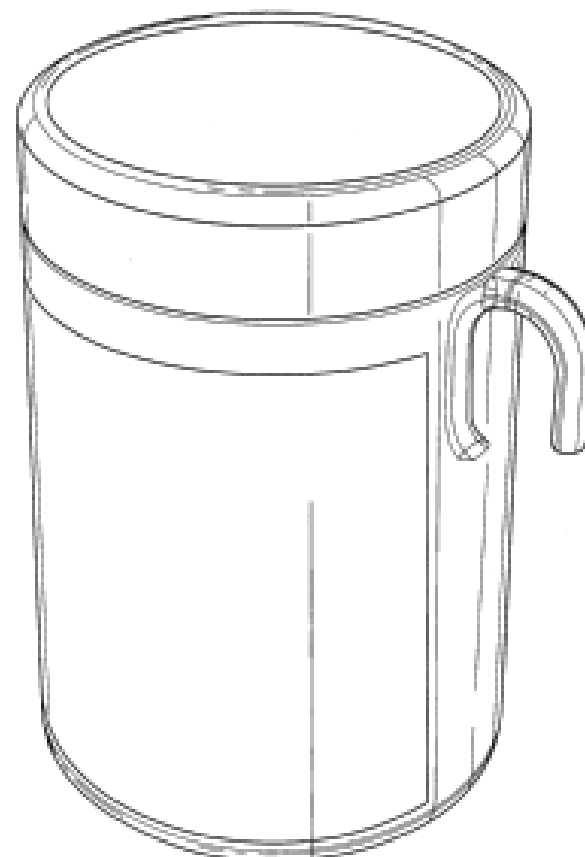
(57) Statement of Newness and Distinctiveness: **Newness and distinctiveness resides in the features of shape and configuration of the upper end portion, including the handle and lid, of a container as illustrated in the accompanying representations.**



- (21) Design Number: **14430/2010**
(22) Date of Filing Application: **14 October 2010**
(24) Date from which industrial property rights may have effect: **14 October 2010**
(54) Product in respect of which the design is registered: **Container**
(51) International Design Classification: **09-01B**
(71) Name(s) and Address(s) of Applicant(s):
Reckitt Benckiser Inc.
Morris Corporate Center IV 399 Interpace Parkway Parsippany New Jersey 07054 United States of America
(72) Name(s) of Designer(s): **Taco Dietvorst**
(45) Registration Date: **08 November 2010**
(30) Convention priority data:
(31) Number (32) Date (33) Country
001208565-0005 14 Apr 2010 EUROPEAN COMMUNITY
(56) Related Art Documents: **Not Applicable**
(57) Statement of Newness and Distinctiveness: **Newness and distinctiveness resides in the features of shape and configuration of the upper end portion, including the handle and lid, of a container as illustrated in the accompanying representations.**



- (21) Design Number: **14431/2010**
(22) Date of Filing Application: **14 October 2010**
(24) Date from which industrial property rights may have effect: **14 October 2010**
(54) Product in respect of which the design is registered: **Container**
(51) International Design Classification: **09-01B**
(71) Name(s) and Address(s) of Applicant(s):
Reckitt Benckiser Inc.
Morris Corporate Center IV 399 Interpace Parkway Parsippany New Jersey 07054 United States of America
(72) Name(s) of Designer(s): **Taco Dietvorst**
(45) Registration Date: **08 November 2010**
(30) Convention priority data:
(31) Number (32) Date (33) Country
001208565-0006 14 Apr 2010 EUROPEAN COMMUNITY
(56) Related Art Documents: **Not Applicable**
(57) Statement of Newness and Distinctiveness: **Newness and distinctiveness resides in the features of shape and configuration of the upper end portion, including the handle and lid, of a container as illustrated in the accompanying representations.**



(21) Design Number: **14432/2010**

(22) Date of Filing Application: **14 October 2010**

(24) Date from which industrial property rights may have effect: **14 October 2010**

(54) Product in respect of which the design is registered: **Pipe coupling**

(51) International Design Classification: **23-01A**

(71) Name(s) and Address(s) of Applicant(s):

Victaulic Company

4901 Kesslersville Road Easton Pennsylvania 18040 United States of America

(72) Name(s) of Designer(s): **Douglas R. Dole and Alan M. Yesavage**

(45) Registration Date: **08 November 2010**

(30) Convention priority data:

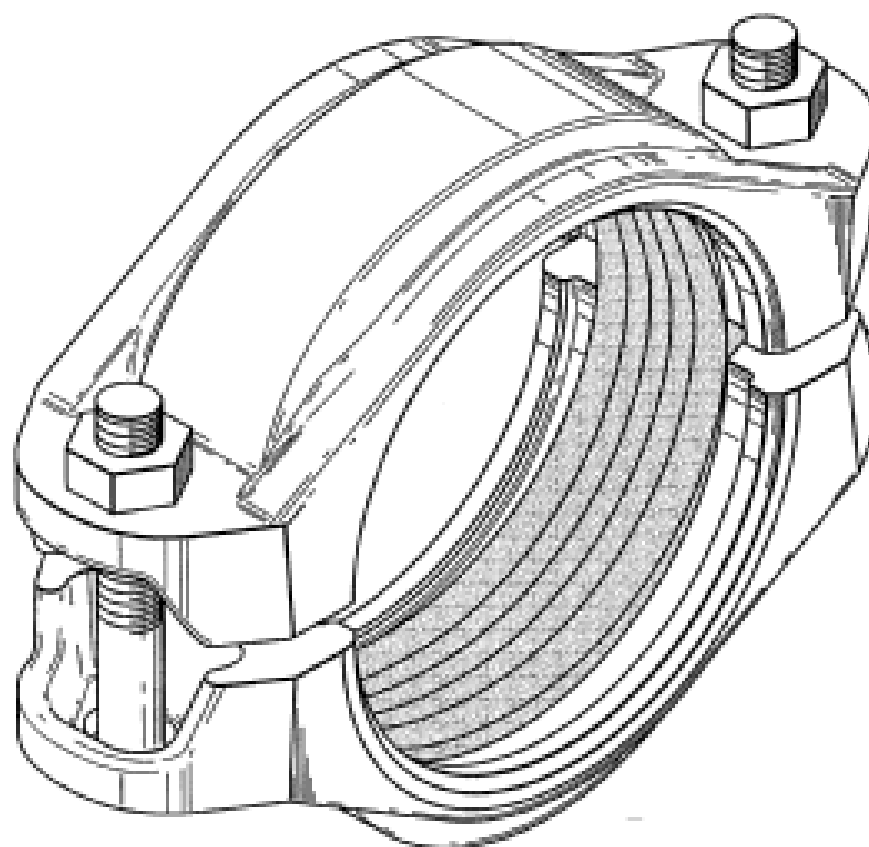
(31) Number
29/363554

(32) Date
11 Jun 2010

(33) Country
UNITED STATES OF AMERICA

(56) Related Art Documents: **Not Applicable**

(57) Statement of Newness and Distinctiveness: **Newness and distinctiveness is claimed in the features of shape and/or configuration of a pipe coupling as illustrated in the accompanying representations.**



(21) Design Number: **14433/2010**

(22) Date of Filing Application: **14 October 2010**

(24) Date from which industrial property rights may have effect: **14 October 2010**

(54) Product in respect of which the design is registered: **A tap assembly**

(51) International Design Classification: **23-01H**

(71) Name(s) and Address(s) of Applicant(s):

Caroma Industries Limited

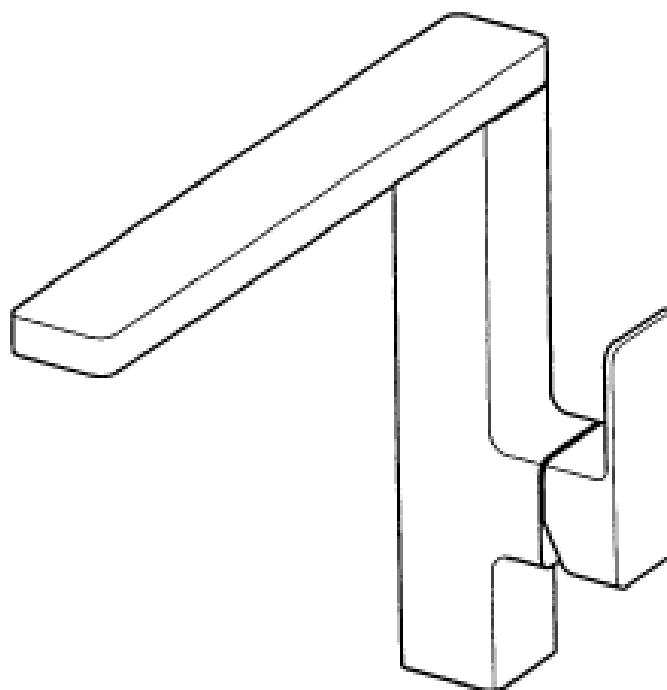
10 Market Street Brisbane Queensland 4000 Australia

(72) Name(s) of Designer(s): **Stephen John Cummings and David Giorgio**

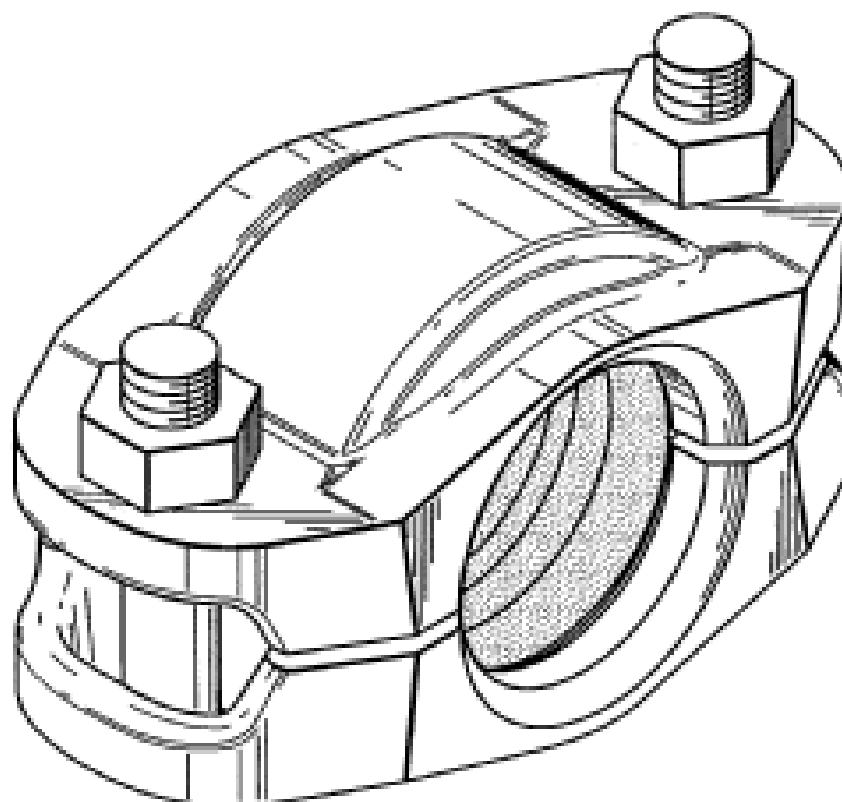
(45) Registration Date: **08 November 2010**

(56) Related Art Documents: **Not Applicable**

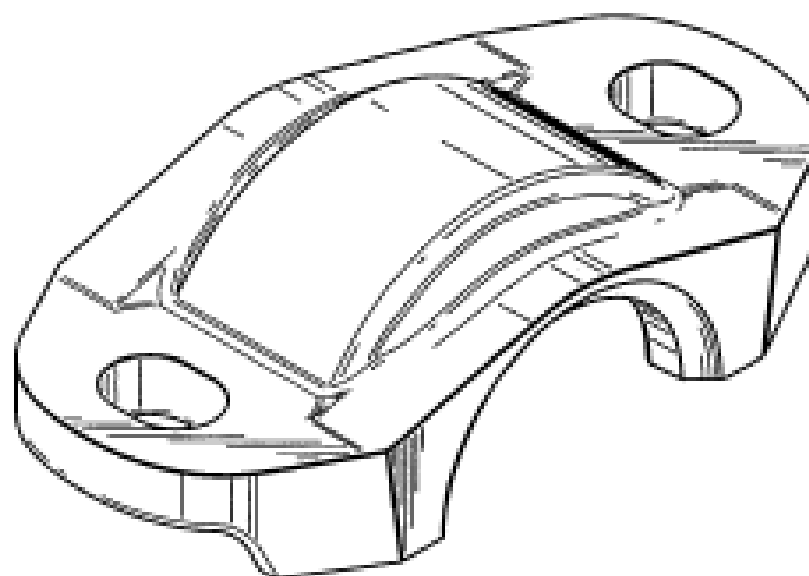
(57) Statement of Newness and Distinctiveness: **Newness and distinctiveness is claimed in the features of shape and/or configuration of a tap assembly as illustrated in the accompanying representations.**



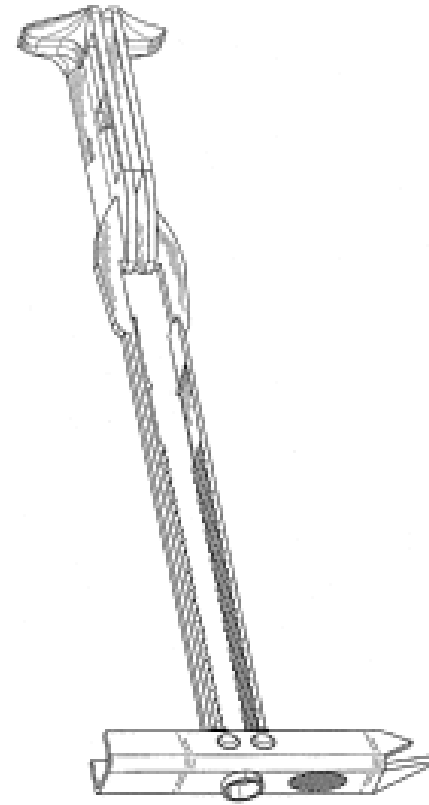
- (21) Design Number: **14434/2010**
(22) Date of Filing Application: **14 October 2010**
(24) Date from which industrial property rights may have effect: **14 October 2010**
(54) Product in respect of which the design is registered: **Pipe coupling**
(51) International Design Classification: **23-01A**
(71) Name(s) and Address(s) of Applicant(s):
Victaulic Company
4901 Kesslersville Road Easton Pennsylvania 18040 United States of America
(72) Name(s) of Designer(s): **Douglas R. Dole and Allan M. Yesavage**
(45) Registration Date: **08 November 2010**
(30) Convention priority data:
(31) Number (32) Date (33) Country
29/363552 11 Jun 2010 UNITED STATES OF AMERICA
(56) Related Art Documents: **Not Applicable**
(57) Statement of Newness and Distinctiveness: **Newness and distinctiveness is claimed in the features of shape and/or configuration of a pipe coupling as illustrated in the accompanying representations.**



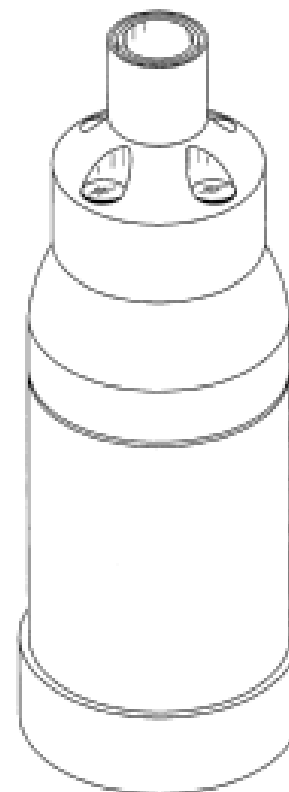
- (21) Design Number: **14435/2010**
(22) Date of Filing Application: **14 October 2010**
(24) Date from which industrial property rights may have effect: **14 October 2010**
(54) Product in respect of which the design is registered: **Pipe coupling segment**
(51) International Design Classification: **23-01A**
(71) Name(s) and Address(s) of Applicant(s):
Victaulic Company
4901 Kesslersville Road Easton Pennsylvania 18040 United States of America
(72) Name(s) of Designer(s): **Douglas R. Dole and Allan M. Yesavage**
(45) Registration Date: **08 November 2010**
(30) Convention priority data:
(31) Number (32) Date (33) Country
29/363553 11 Jun 2010 UNITED STATES OF AMERICA
(56) Related Art Documents: **Not Applicable**
(57) Statement of Newness and Distinctiveness: **Newness and distinctiveness is claimed in the features of shape and/or configuration of a pipe coupling segment as illustrated in the accompanying representations.**



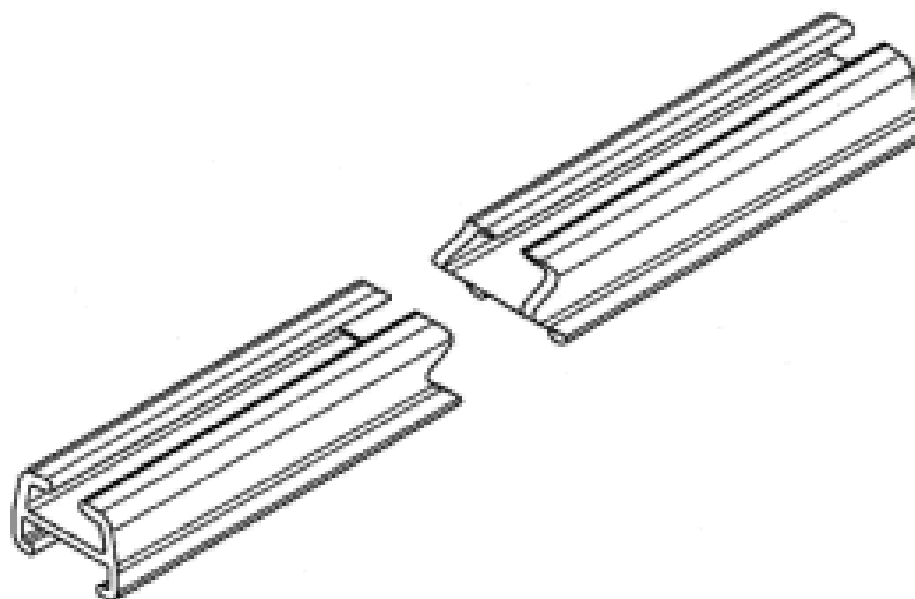
- (21) Design Number: **14440/2010**
(22) Date of Filing Application: **14 October 2010**
(24) Date from which industrial property rights may have effect: **14 October 2010**
(54) Product in respect of which the design is registered: **Wall anchor**
(51) International Design Classification: **08-08A**
(71) Name(s) and Address(s) of Applicant(s):
Powers Products III, LLC
2 Powers Lane Brewster NY 10509 United States of America
(72) Name(s) of Designer(s): **Paul Gaudron and Jacob Olsen**
(45) Registration Date: **08 November 2010**
(30) Convention priority data:
(31) Number (32) Date (33) Country
29/361018 04 May 2010 UNITED STATES OF AMERICA
(56) Related Art Documents: **Not Applicable**
(57) Statement of Newness and Distinctiveness: **Newness and distinctiveness is claimed in the shape and configuration of a wall anchor as shown in the representations.**



- (21) Design Number: **14397/2010**
(22) Date of Filing Application: **13 October 2010**
(24) Date from which industrial property rights may have effect: **13 October 2010**
(54) Product in respect of which the design is registered: **Respiratory device**
(51) International Design Classification: **24-04**
(71) Name(s) and Address(s) of Applicant(s):
Bird Healthcare Pty Ltd
1/11 Sabre Drive Port Melbourne Victoria 3207 Australia
(72) Name(s) of Designer(s): **Nicholas James Bird**
(45) Registration Date: **09 November 2010**
(56) Related Art Documents: **Not Applicable**
(57) Statement of Newness and Distinctiveness: **Nil**



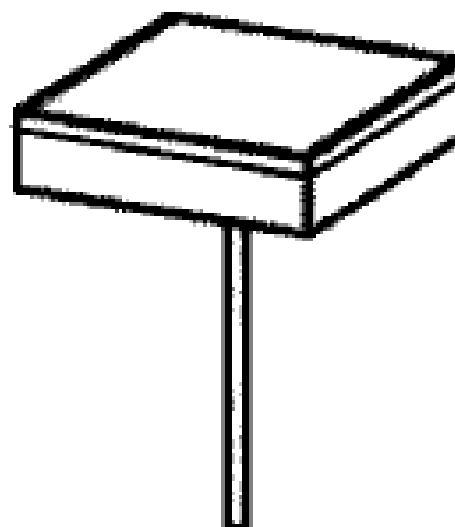
- (21) Design Number: **14398/2010**
(22) Date of Filing Application: **13 October 2010**
(24) Date from which industrial property rights may have effect: **13 October 2010**
(54) Product in respect of which the design is registered: **Support for blinds**
(51) International Design Classification: **08-08H**
(71) Name(s) and Address(s) of Applicant(s):
Louver-Lite Limited
Ashton Road Hyde Cheshire SK14 4BG United Kingdom
(72) Name(s) of Designer(s): **Antony Barnes and Andrew Greening**
(45) Registration Date: **09 November 2010**
(30) Convention priority data:
(31) Number (32) Date (33) Country
001694886 13 Apr 2010 EUROPEAN COMMUNITY
(56) Related Art Documents: **Not Applicable**
(57) Statement of Newness and Distinctiveness: **Newness and distinctiveness is claimed in the support for blinds; the support being of indefinite length as shown in the attached representations.**



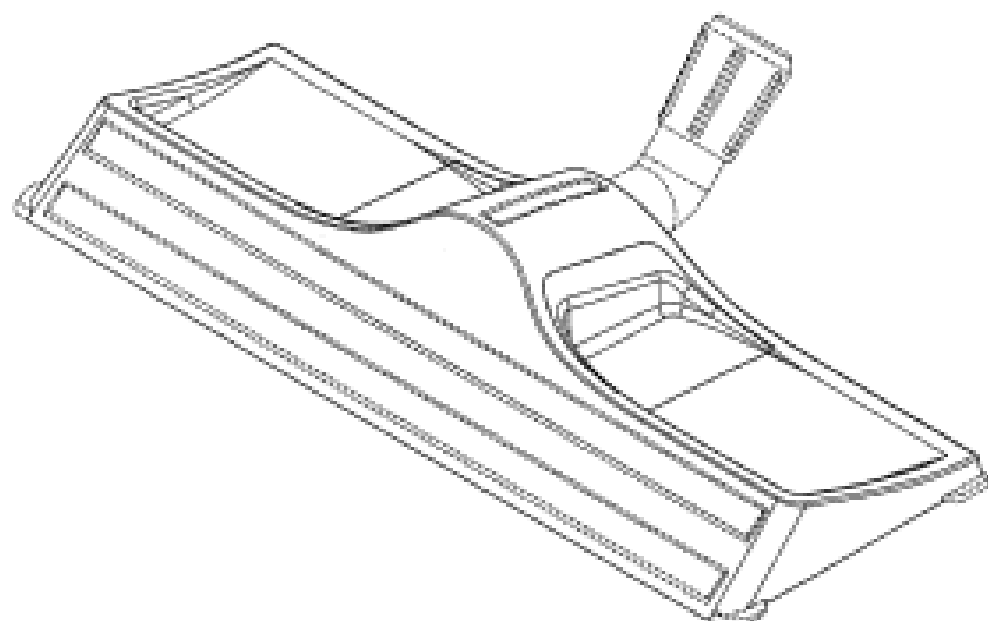
- (21) Design Number: **14399/2010**
(22) Date of Filing Application: **14 October 2010**
(24) Date from which industrial property rights may have effect: **14 October 2010**
(54) Product in respect of which the design is registered: **Light fitting**
(51) International Design Classification: **26-05D**
(71) Name(s) and Address(s) of Applicant(s):
Kyriacos Jack Papoutsidis
90 Bayview Street Williamstown Victoria 3016 Australia
(72) Name(s) of Designer(s): **Kyriacos Jack Papoutsidis**
(45) Registration Date: **09 November 2010**
(56) Related Art Documents: **Not Applicable**
(57) Statement of Newness and Distinctiveness: **The concave top and base created by the graduated cuts of the tubing is of great significance.**



- (21) Design Number: **14403/2010**
(22) Date of Filing Application: **14 October 2010**
(24) Date from which industrial property rights may have effect: **14 October 2010**
(54) Product in respect of which the design is registered: **Modular table element**
(51) International Design Classification: **06-03A**
(71) Name(s) and Address(s) of Applicant(s):
Australian Sciences Pty Ltd
1 Badminton Road Croydon New South Wales 2132 Australia
(72) Name(s) of Designer(s): **Colin Dean Dahl**
(45) Registration Date: **09 November 2010**
(56) Related Art Documents: **Not Applicable**
(57) Statement of Newness and Distinctiveness: **The modular table element has a single leg. The leg is absent of a traditional base to support the upright position of the modular table element.**

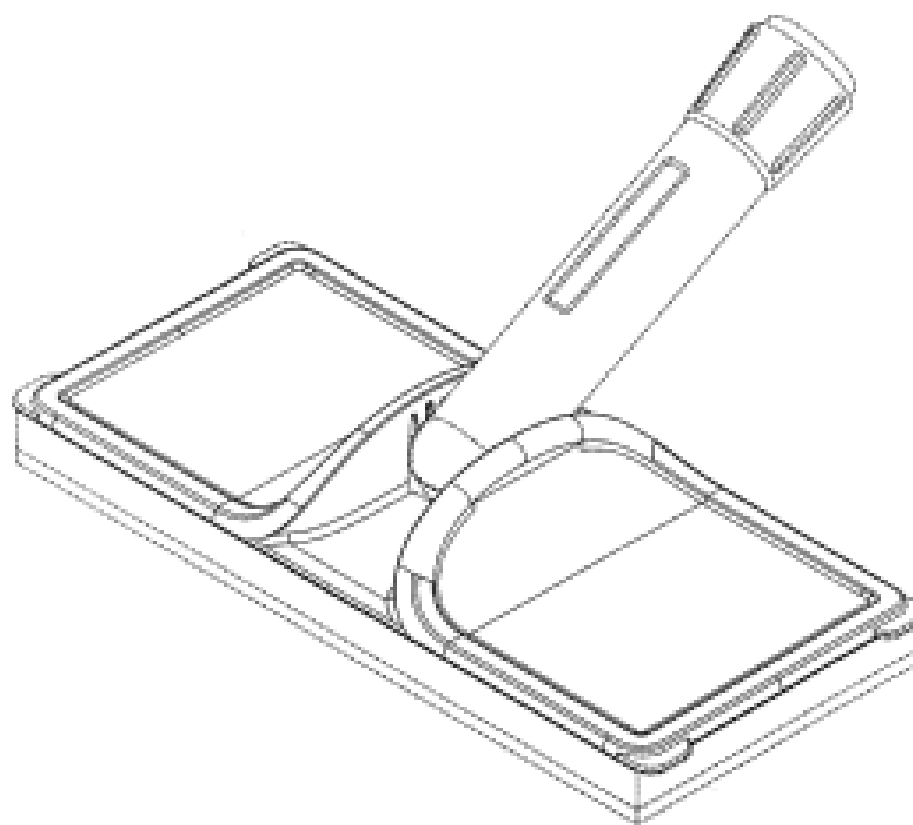


- (21) Design Number: **14415/2010**
(22) Date of Filing Application: **13 October 2010**
(24) Date from which industrial property rights may have effect: **13 October 2010**
(54) Product in respect of which the design is registered: **Applicator head**
(51) International Design Classification: **07-05E**
(71) Name(s) and Address(s) of Applicant(s):
Specialty Products of Greenwood, Missouri, Inc.
400 Walnut Street PO Box 377 Greenwood Missouri 64034-0377
United States of America
(72) Name(s) of Designer(s): **Jim Joseph Best and Marco Carroll Perry and Mark David Prommel and Kevin Min O'Leary and William Lauchlin Gullede Jr. and William Daniel Richardson and Chad Edward Brott and B. Dere Newman and Melodie Lea Wendleton and Benjamin A. Shobert and Richard S. Dale and Todd Brunner**
(45) Registration Date: **09 November 2010**
(30) Convention priority data:
(31) Number (32) Date (33) Country
29/359,628 13 Apr 2010 UNITED STATES OF AMERICA
(56) Related Art Documents: **Not Applicable**
(57) Statement of Newness and Distinctiveness: **Those features of the applicator head depicted in the representations that are new and distinctive are the shape and/or configuration. The features shown in broken lines are not part of the design and are to be disregarded when considering the overall impression of the design.**



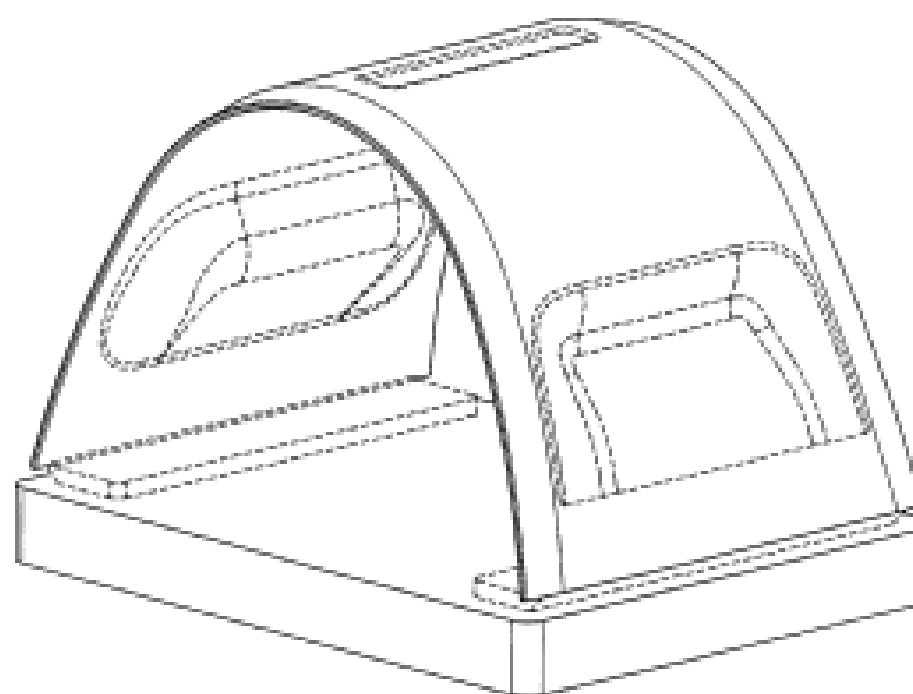
- (21) Design Number: **14416/2010**
- (22) Date of Filing Application: **13 October 2010**
- (24) Date from which industrial property rights may have effect: **13 October 2010**
- (54) Product in respect of which the design is registered: **Standard applicator head**
- (51) International Design Classification: **07-05E**
- (71) Name(s) and Address(s) of Applicant(s):
Specialty Products of Greenwood, Missouri, Inc.
400 Walnut Street PO Box 377 Greenwood Missouri 64034-0377
United States of America
- (72) Name(s) of Designer(s): **Jim Joseph Best and Marco Carroll Perry and Mark David Prommel and Kevin Min O'Leary and William Lauchlin Gullledge Jr. and William Daniel Richardson and Chad Edward Brott and B. Dere Newman and Melodie Lea Wendleton and Benjamin A. Shobert and Todd Brunner**
- (45) Registration Date: **09 November 2010**
- (30) Convention priority data:

(31) Number	(32) Date	(33) Country
29/359,632	13 Apr 2010	UNITED STATES OF AMERICA
- (56) Related Art Documents: **Not Applicable**
- (57) Statement of Newness and Distinctiveness: **Those features of the standard applicator head depicted in the representations that are new and distinctive are the shape and/or configuration. The features shown in broken lines are not part of the design and are to be disregarded when considering the overall impression of the design.**

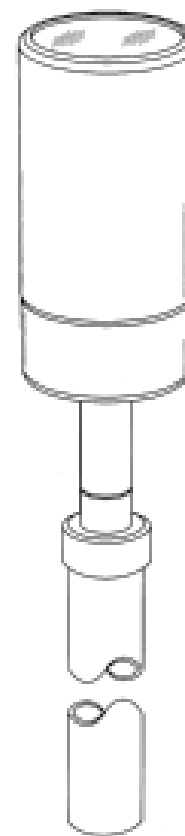


- (21) Design Number: **14417/2010**
- (22) Date of Filing Application: **13 October 2010**
- (24) Date from which industrial property rights may have effect: **13 October 2010**
- (54) Product in respect of which the design is registered: **Applicator with flexible pad and handle**
- (51) International Design Classification: **07-05E**
- (71) Name(s) and Address(s) of Applicant(s):
Specialty Products of Greenwood, Missouri, Inc.
400 Walnut Street PO Box 377 Greenwood Missouri 64034-0377
United States of America
- (72) Name(s) of Designer(s): **Jim Joseph Best and Marco Carroll Perry and Mark David Prommel and Kevin Min O'Leary and William Lauchlin Gullledge Jr. and William Daniel Richardson and Chad Edward Brott and B. Dere Newman and Melodie Lea Wendleton and Benjamin A. Shobert and Richard S. Dale and Todd Brunner**
- (45) Registration Date: **09 November 2010**
- (30) Convention priority data:

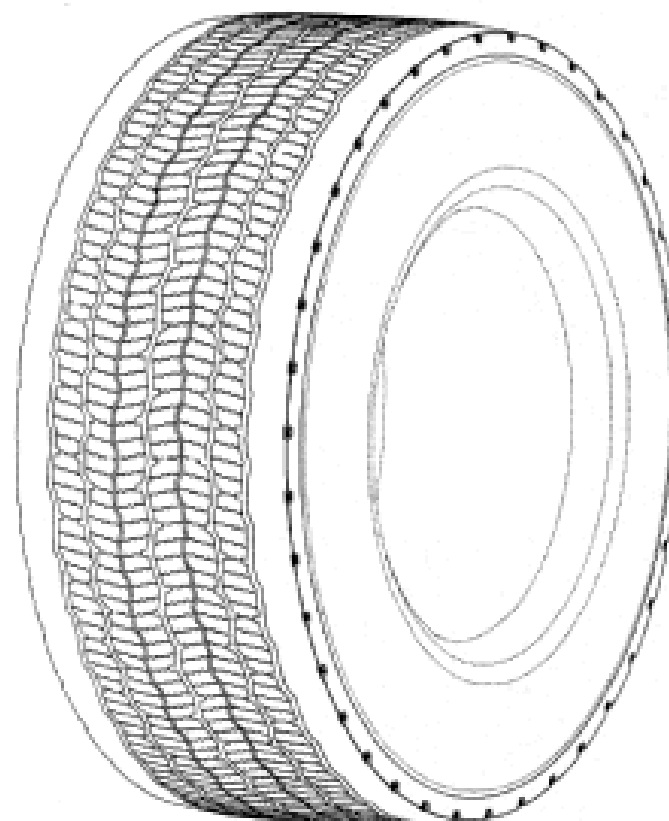
(31) Number	(32) Date	(33) Country
29/359,631	13 Apr 2010	UNITED STATES OF AMERICA
- (56) Related Art Documents: **Not Applicable**
- (57) Statement of Newness and Distinctiveness: **Those features of the applicator with flexible pad and handle depicted in the representations that are new and distinctive are the shape and/or configuration. The features shown in broken lines are not part of the design and are to be disregarded when considering the overall impression of the design.**



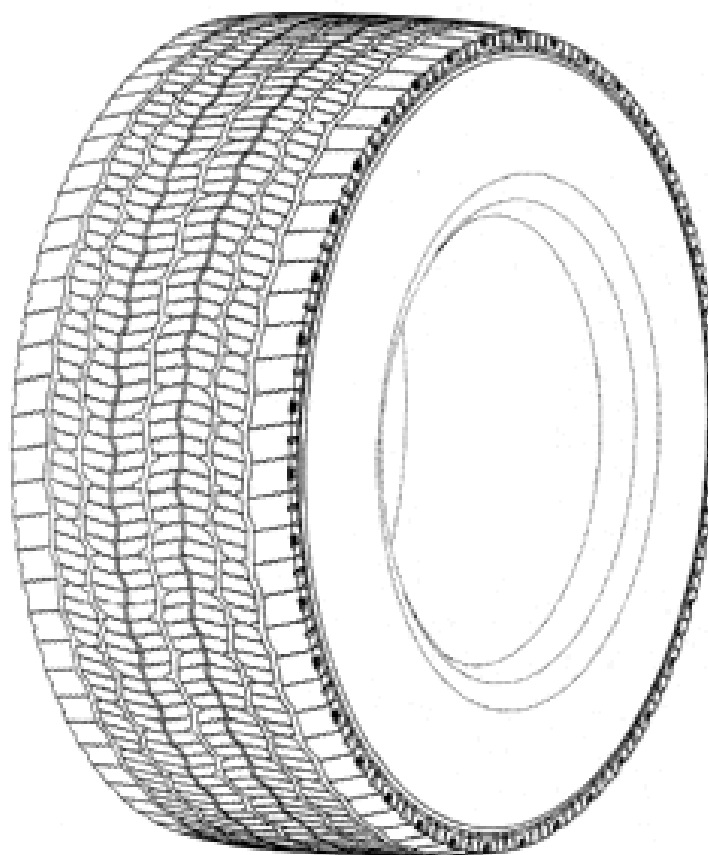
- (21) Design Number: **14419/2010**
(22) Date of Filing Application: **13 October 2010**
(24) Date from which industrial property rights may have effect: **13 October 2010**
(54) Product in respect of which the design is registered: **Lamp**
(51) International Design Classification: **26-03**
(71) Name(s) and Address(s) of Applicant(s):
Lumascape Lighting Industries Pty Ltd
38-44 Enterprise Street Cleveland Queensland 4163 Australia
(72) Name(s) of Designer(s): **Cameron Spiller and Michael Agustin**
(45) Registration Date: **09 November 2010**
(56) Related Art Documents: **Not Applicable**
(57) Statement of Newness and Distinctiveness: **The newness and distinctiveness of the design resides in the shape and/or configuration of the lamp shown in the representations.**



- (21) Design Number: **14420/2010**
(22) Date of Filing Application: **14 October 2010**
(24) Date from which industrial property rights may have effect: **14 October 2010**
(54) Product in respect of which the design is registered: **A tyre**
(51) International Design Classification: **12-15A**
(71) Name(s) and Address(s) of Applicant(s):
Michelin Recherche et Technique SA
Route Louis Braille 10 et 12 CH-1763 Granges-Paccot Switzerland
Societe De Technologie Michelin
23 rue Breschet F-63000 Clermont-Ferrand Cedex France
(72) Name(s) of Designer(s): **Kevin Ray Reim and Gildas Yvon De Staercke and Joseph A. Stain**
(45) Registration Date: **09 November 2010**
(30) Convention priority data:
(31) Number (32) Date (33) Country
29/359,793 15 Apr 2010 UNITED STATES OF AMERICA
(56) Related Art Documents: **Not Applicable**
(57) Statement of Newness and Distinctiveness: **Newness and distinctiveness resides in the shape and configuration of the tread region of the tyre depicted in the annexed representations, the side walls shown in dashed lines form no part of the design.**



- (21) Design Number: **14421/2010**
(22) Date of Filing Application: **14 October 2010**
(24) Date from which industrial property rights may have effect: **14 October 2010**
(54) Product in respect of which the design is registered: **A tyre**
(51) International Design Classification: **12-15A**
(71) Name(s) and Address(s) of Applicant(s):
Michelin Recherche et Technique SA
Route Louis Braille 10 et 12 CH-1763 Granges-Paccot Switzerland
Societe De Technologie Michelin
23 rue Breschet F-63000 Clermont-Ferrand Cedex France
(72) Name(s) of Designer(s): **Kevin Ray Reim and Gildas Yvon De Staercke and Joseph A. Stain**
(45) Registration Date: **09 November 2010**
(30) Convention priority data:
(31) Number (32) Date (33) Country
29/359,795 15 Apr 2010 UNITED STATES OF AMERICA
(56) Related Art Documents: **Not Applicable**
(57) Statement of Newness and Distinctiveness: **Newness and distinctiveness resides in the shape and configuration of the tread region of the tyre. The side walls shown in dashed lines form no part of the design.**



- (21) Design Number: **14423/2010**
(22) Date of Filing Application: **14 October 2010**
(24) Date from which industrial property rights may have effect: **14 October 2010**
(54) Product in respect of which the design is registered: **Flask**
(51) International Design Classification: **09-01G**
(71) Name(s) and Address(s) of Applicant(s):
Beaute Prestige International
28 32 Avenue Victor Hugo 75116 Paris France
(72) Name(s) of Designer(s): **Ross Lovegrove**
(45) Registration Date: **09 November 2010**
(30) Convention priority data:
(31) Number (32) Date (33) Country
001697673-0001 20 Apr 2010 EUROPEAN COMMUNITY
(56) Related Art Documents: **Not Applicable**
(57) Statement of Newness and Distinctiveness: **Newness and distinctiveness is claimed in the features of shape and/or configuration of a perfume bottle and in the features of ornamentation of the opaque lining of the interior volume of the perfume bottle as illustrated in the accompanying representations.**



(21) Design Number: **14424/2010**

(22) Date of Filing Application: **14 October 2010**

(24) Date from which industrial property rights may have effect: **14 October 2010**

(54) Product in respect of which the design is registered: **Closure**

(51) International Design Classification: **09-07C**

(71) Name(s) and Address(s) of Applicant(s):

**Sequist Closures Loffler GmbH
Lofflerstrasse 1 94078 Freyung Germany**

(72) Name(s) of Designer(s): **Rudolf Rosenauer**

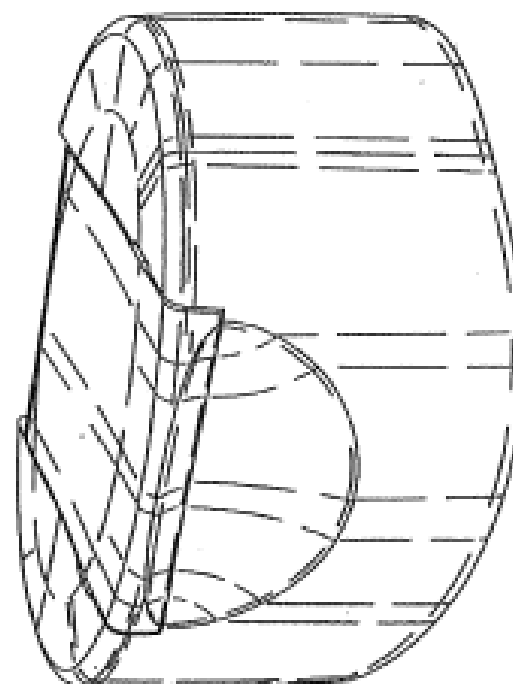
(45) Registration Date: **09 November 2010**

(30) Convention priority data:

(31) Number	(32) Date	(33) Country
001210165-0001	22 Apr 2010	EUROPEAN COMMUNITY

(56) Related Art Documents: **Not Applicable**

(57) Statement of Newness and Distinctiveness: **Newness and distinctiveness reside in the features of the design as shown in the representations.**



(21) Design Number: **14425/2010**

(22) Date of Filing Application: **14 October 2010**

(24) Date from which industrial property rights may have effect: **14 October 2010**

(54) Product in respect of which the design is registered: **Container**

(51) International Design Classification: **09-01B**

(71) Name(s) and Address(s) of Applicant(s):

**Reckitt Benckiser Inc.
Morris Corporate Center IV 399 Interpace Parkway Parsippany New
Jersey 07054 United States of America**

(72) Name(s) of Designer(s): **Taco Dietvorst**

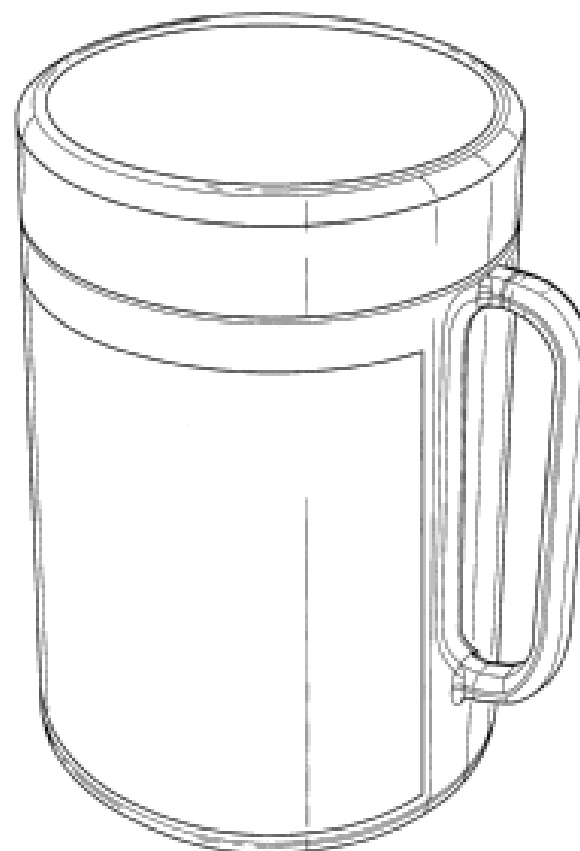
(45) Registration Date: **09 November 2010**

(30) Convention priority data:

(31) Number	(32) Date	(33) Country
001208565-0007	14 Apr 2010	EUROPEAN COMMUNITY

(56) Related Art Documents: **Not Applicable**

(57) Statement of Newness and Distinctiveness: **Newness and distinctiveness resides in the features of shape and configuration of the upper end portion, including the handle and lid, of a container as illustrated in the accompanying representations.**



- (21) Design Number: **14426/2010**
- (22) Date of Filing Application: **14 October 2010**
- (24) Date from which industrial property rights may have effect: **14 October 2010**
- (54) Product in respect of which the design is registered: **Container**
- (51) International Design Classification: **09-01B**
- (71) Name(s) and Address(s) of Applicant(s):

Reckitt Benckiser Inc.
Morris Corporate Center IV 399 Interpace Parkway Parsippany New Jersey 07054 United States of America

(72) Name(s) of Designer(s): **Taco Dietvorst**

(45) Registration Date: **09 November 2010**

(30) Convention priority data:

(31) Number	(32) Date	(33) Country
001208565-0001	14 Apr 2010	EUROPEAN COMMUNITY

(56) Related Art Documents: **Not Applicable**

(57) Statement of Newness and Distinctiveness: **Newness and distinctiveness resides in the features of shape and configuration of the upper end portion, including the handle and lid, of a container as illustrated in the accompanying representations.**



- (21) Design Number: **14427/2010**
- (22) Date of Filing Application: **14 October 2010**
- (24) Date from which industrial property rights may have effect: **14 October 2010**
- (54) Product in respect of which the design is registered: **Container**
- (51) International Design Classification: **09-01B**
- (71) Name(s) and Address(s) of Applicant(s):

Reckitt Benckiser Inc.
Morris Corporate Center IV 399 Interpace Parkway Parsippany New Jersey 07054 United States of America

(72) Name(s) of Designer(s): **Taco Dietvorst**

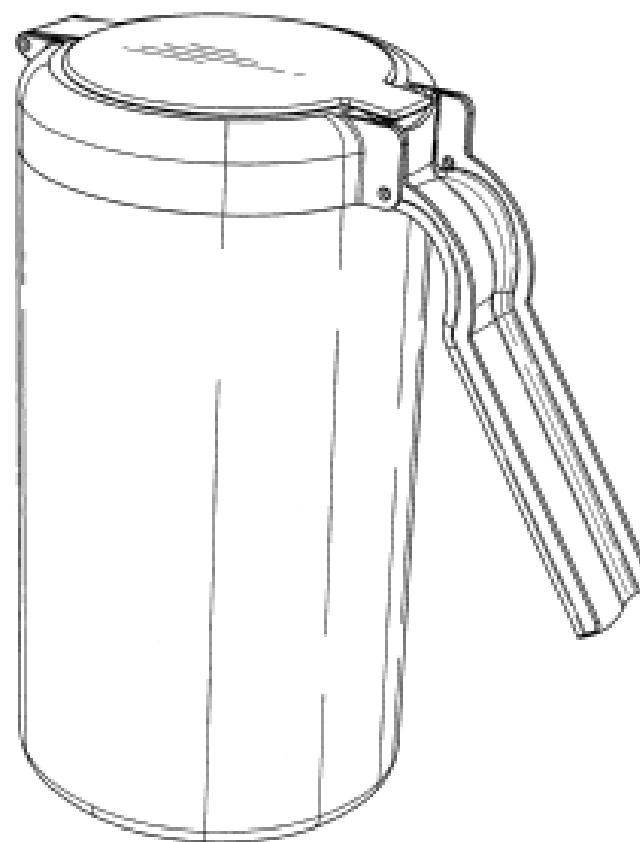
(45) Registration Date: **09 November 2010**

(30) Convention priority data:

(31) Number	(32) Date	(33) Country
001208565-0002	14 Apr 2010	EUROPEAN COMMUNITY

(56) Related Art Documents: **Not Applicable**

(57) Statement of Newness and Distinctiveness: **Newness and distinctiveness resides in the features of shape and configuration of the upper end portion, including the handle and lid, of a container as illustrated in the accompanying representations.**



- (21) Design Number: **13691/2010**
- (22) Date of Filing Application: **25 August 2010**
- (24) Date from which industrial property rights may have effect: **25 August 2010**
- (54) Product in respect of which the design is registered: **Oral care implement**
- (51) International Design Classification: **04-02**
- (71) Name(s) and Address(s) of Applicant(s):
Colgate-Palmolive Company
300 Park Avenue New York New York 10022 United States of America
- (72) Name(s) of Designer(s): **Eduardo Jiminez and John Gatzemeyer and Robert Moskovich and Alan Sorrentino and Alberto Mantilla and Jason Liang and Lucas Wade**
- (45) Registration Date: **09 November 2010**
- (30) Convention priority data:

(31) Number	(32) Date	(33) Country
29/356492	26 Feb 2010	UNITED STATES OF AMERICA
- (56) Related Art Documents: **Not Applicable**
- (57) Statement of Newness and Distinctiveness: **Newness and distinctiveness reside in the features of shape of the oral care implement in combination with the configuration of the tooth cleaning elements applied to the front face of the head portion of the oral care implement, and the pattern and ornamentation applied to the rear face and edge of the head portion of the oral care implement and the patterning applied to the neck portion and handle.**



- (21) Design Number: **14720/2010**
- (22) Date of Filing Application: **25 August 2010**
- (24) Date from which industrial property rights may have effect: **25 August 2010**
- (54) Product in respect of which the design is registered: **Oral care implement**
- (51) International Design Classification: **04-02**
- (71) Name(s) and Address(s) of Applicant(s):
Colgate-Palmolive Company
300 Park Avenue New York New York 10022 United States of America
- (72) Name(s) of Designer(s): **Eduardo Jiminez and John Gatzemeyer and Robert Moskovich and Alan Sorrentino and Alberto Mantilla and Jason Liang and Lucas Wade**
- (45) Registration Date: **09 November 2010**
- (30) Convention priority data:

(31) Number	(32) Date	(33) Country
29/356492	26 Feb 2010	UNITED STATES OF AMERICA
- (56) Related Art Documents: **Not Applicable**
- (57) Statement of Newness and Distinctiveness: **Newness and distinctiveness reside in the features of the shape of, and the patterning applied to, the neck portion and handle of an oral care implement. When determining whether the design is substantially similar in overall impression to another design, no regard is to be had to those features shown in the designs with dotted outline, which features are provided for illustrative purposes only.**



- (21) Design Number: **14721/2010**
- (22) Date of Filing Application: **25 August 2010**
- (24) Date from which industrial property rights may have effect: **25 August 2010**
- (54) Product in respect of which the design is registered: **Oral care implement**
- (51) International Design Classification: **04-02**
- (71) Name(s) and Address(s) of Applicant(s):
Colgate-Palmolive Company
300 Park Avenue New York New York 10022 United States of America
- (72) Name(s) of Designer(s): **Eduardo Jiminez and John Gatzemeyer and Robert Moskovich and Alan Sorrentino and Alberto Mantilla and Jason Liang and Lucas Wade**
- (45) Registration Date: **09 November 2010**
- (30) Convention priority data:

(31) Number	(32) Date	(33) Country
29/356492	26 Feb 2010	UNITED STATES OF AMERICA
- (56) Related Art Documents: **Not Applicable**
- (57) Statement of Newness and Distinctiveness: **Newness and distinctiveness reside in the features of the shape of, and the patterning applied to, the neck portion and handle of an oral care implement. When determining whether the design is substantially similar in overall impression to another design, no regard is to be had to those features shown in the designs with dotted outline, which features are provided for illustrative purposes only.**



- (21) Design Number: **14722/2010**
- (22) Date of Filing Application: **25 August 2010**
- (24) Date from which industrial property rights may have effect: **25 August 2010**
- (54) Product in respect of which the design is registered: **Oral care implement**
- (51) International Design Classification: **04-02**
- (71) Name(s) and Address(s) of Applicant(s):
Colgate-Palmolive Company
300 Park Avenue New York New York 10022 United States of America
- (72) Name(s) of Designer(s): **Eduardo Jiminez and John Gatzemeyer and Robert Moskovich and Alan Sorrentino and Alberto Mantilla and Jason Liang and Lucas Wade**
- (45) Registration Date: **09 November 2010**
- (30) Convention priority data:

(31) Number	(32) Date	(33) Country
29/356492	26 Feb 2010	UNITED STATES OF AMERICA
- (56) Related Art Documents: **Not Applicable**
- (57) Statement of Newness and Distinctiveness: **Newness and distinctiveness reside in the features of the shape of, and the patterning applied to, the neck portion of an oral care implement. When determining whether the design is substantially similar in overall impression to another design, no regard is to be had to those features shown in the designs with dotted outline, which features are provided for illustrative purposes only.**



(21) Design Number: **14443/2010**
 (22) Date of Filing Application: **14 October 2010**
 (24) Date from which industrial property rights may have effect: **14 October 2010**
 (54) Product in respect of which the design is registered: **Tyre**
 (51) International Design Classification: **12-15C**
 (71) Name(s) and Address(s) of Applicant(s):

Bridgestone Corporation
10-1 Kyobashi 1-chome Chuo-ku Tokyo 104-8340 Japan

(72) Name(s) of Designer(s): **Syungo Fujita**

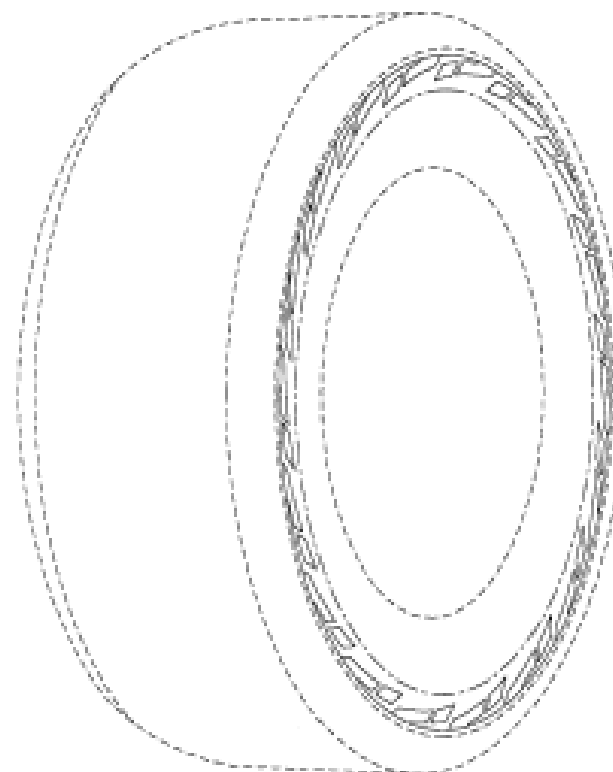
(45) Registration Date: **09 November 2010**

(30) Convention priority data:

(31) Number	(32) Date	(33) Country
JP2010-009510	14 Apr 2010	JAPAN

(56) Related Art Documents: **Not Applicable**

(57) Statement of Newness and Distinctiveness: **The shape, configuration and pattern of the tyre sidewalls, as illustrated in solid lines in the representations, is new and distinctive.**



(21) Design Number: **14453/2010**
 (22) Date of Filing Application: **15 October 2010**
 (24) Date from which industrial property rights may have effect: **15 October 2010**
 (54) Product in respect of which the design is registered: **Pipe coupling segment**
 (51) International Design Classification: **23-01A**
 (71) Name(s) and Address(s) of Applicant(s):

Victaulic Company
4901 Kesslersville Road Easton Pennsylvania 18040 United States of America

(72) Name(s) of Designer(s): **Douglas R. Dole and Andrzej Domagala**

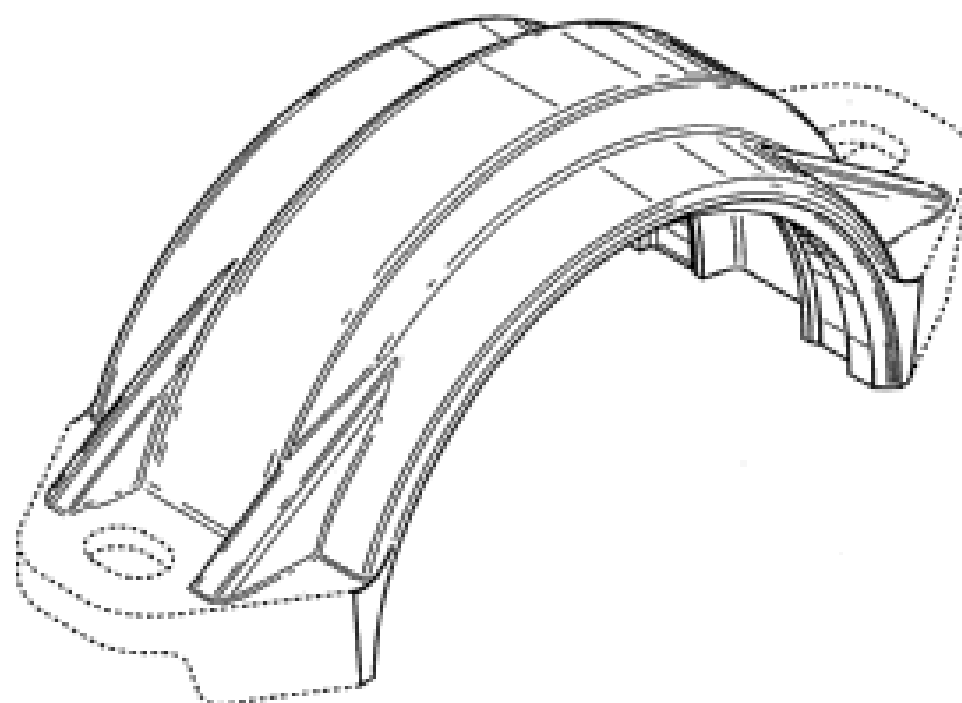
(45) Registration Date: **09 November 2010**

(30) Convention priority data:

(31) Number	(32) Date	(33) Country
29/363558	11 Jun 2010	UNITED STATES OF AMERICA

(56) Related Art Documents: **Not Applicable**

(57) Statement of Newness and Distinctiveness: **Newness and distinctiveness is claimed in those features of shape and/or configuration of a pipe coupling segment illustrated in continuous lines in the accompanying representations.**



(21) Design Number: **14454/2010**

(22) Date of Filing Application: **15 October 2010**

(24) Date from which industrial property rights may have effect: **15 October 2010**

(54) Product in respect of which the design is registered: **Pipe coupling segment**

(51) International Design Classification: **23-01A**

(71) Name(s) and Address(s) of Applicant(s):

Victaulic Company

4901 Kesslersville Road Easton Pennsylvania 18040 United States of America

(72) Name(s) of Designer(s): **Douglas R. Dole and Andrzej Domagala**

(45) Registration Date: **09 November 2010**

(30) Convention priority data:

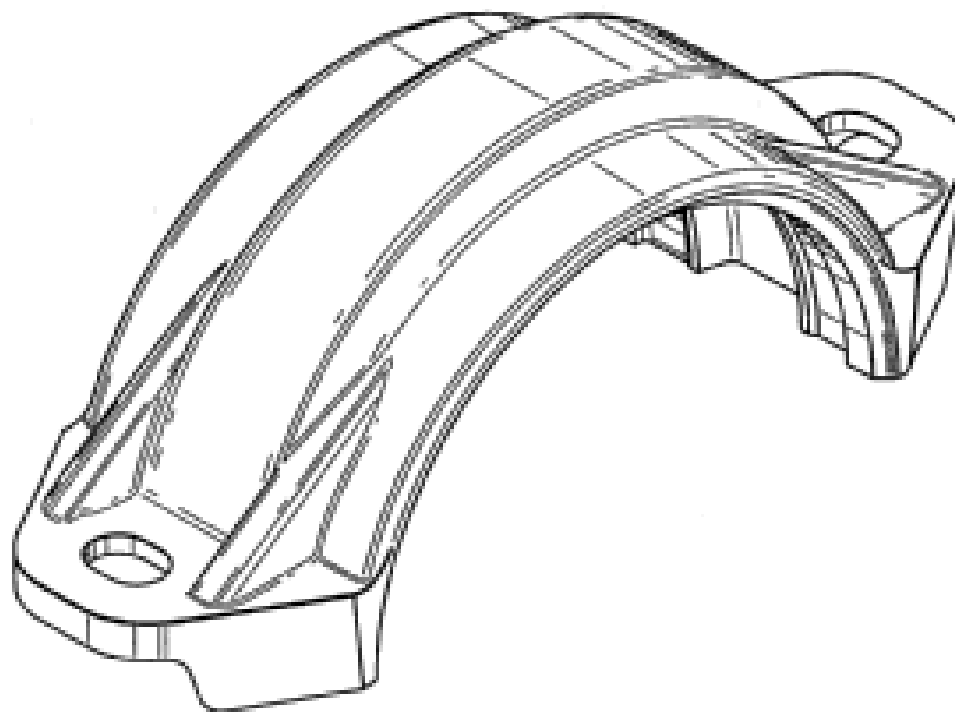
(31) Number
29/363558

(32) Date
11 Jun 2010

(33) Country
UNITED STATES OF AMERICA

(56) Related Art Documents: **Not Applicable**

(57) Statement of Newness and Distinctiveness: **Newness and distinctiveness is claimed in the features of shape and/or configuration of a pipe coupling segment as illustrated in the accompanying representations.**



(21) Design Number: **13825/2010**

(22) Date of Filing Application: **03 September 2010**

(24) Date from which industrial property rights may have effect: **03 September 2010**

(54) Product in respect of which the design is registered: **Louvre blade mounting clip**

(51) International Design Classification: **08-08H**

(71) Name(s) and Address(s) of Applicant(s):

Compact Metal Industries Limited

120 Pioneer Road #01-02 Singapore 639597 Singapore

(72) Name(s) of Designer(s): **Gary Ang and Raymond Foo and Samul Am and Hee Soon Tan and Soo Fun Khoo**

(45) Registration Date: **09 November 2010**

(56) Related Art Documents: **Not Applicable**

(57) Statement of Newness and Distinctiveness: **Nil**



(21) Design Number: **14462/2010**

(22) Date of Filing Application: **12 August 2010**

(24) Date from which industrial property rights may have effect: **12 August 2010**

(54) Product in respect of which the design is registered: **Oven door**

(51) International Design Classification: **07-02C**

(71) Name(s) and Address(s) of Applicant(s):

**Electrolux Home Products Corporation N.V.
Belgicastraat 17 BE-1930 Zaventem Belgium**

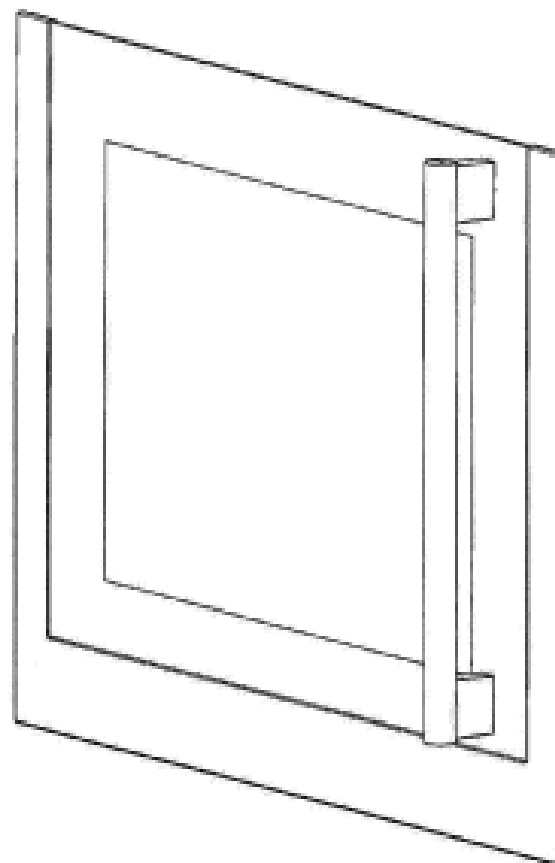
(72) Name(s) of Designer(s): **Frank Benold**

(45) Registration Date: **09 November 2010**

(62) Divisional of: **333301**

(56) Related Art Documents: **Not Applicable**

(57) Statement of Newness and Distinctiveness: **Nil**



(21) Design Number: **14463/2010**

(22) Date of Filing Application: **12 August 2010**

(24) Date from which industrial property rights may have effect: **12 August 2010**

(54) Product in respect of which the design is registered: **Flat oven handle**

(51) International Design Classification: **07-02C**

(71) Name(s) and Address(s) of Applicant(s):

**Electrolux Home Products Corporation N.V.
Belgicastraat 17 BE-1930 Zaventem Belgium**

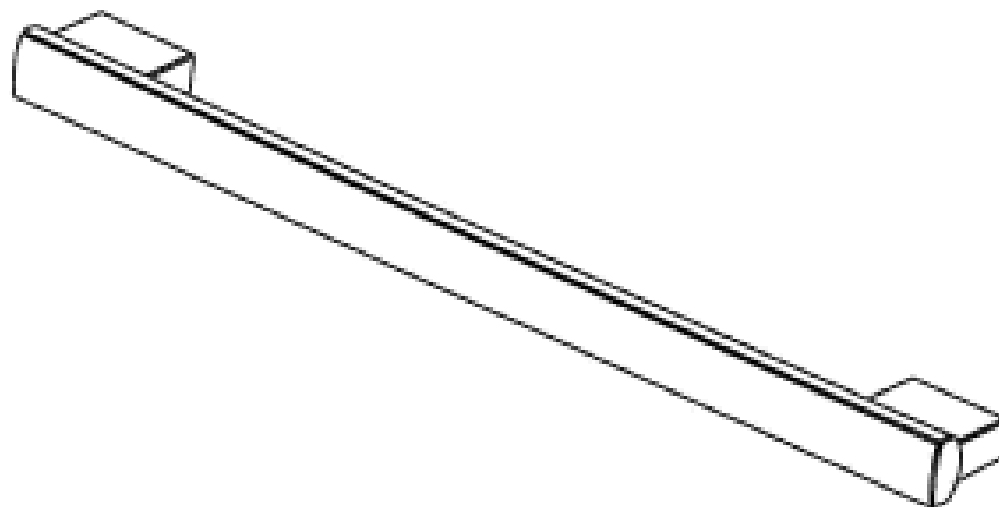
(72) Name(s) of Designer(s): **Frank Benold**

(45) Registration Date: **09 November 2010**

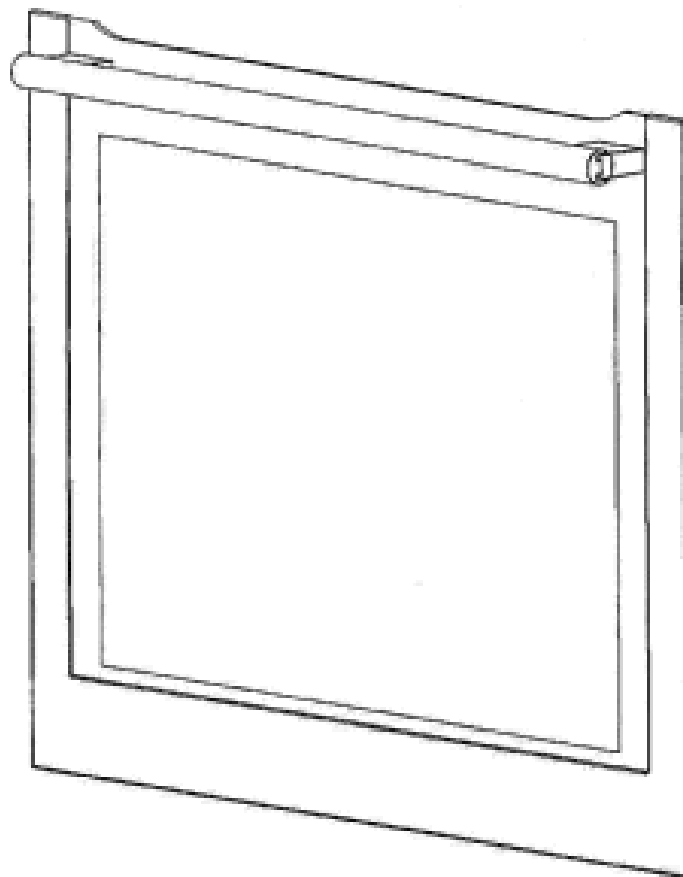
(62) Divisional of: **333301**

(56) Related Art Documents: **Not Applicable**

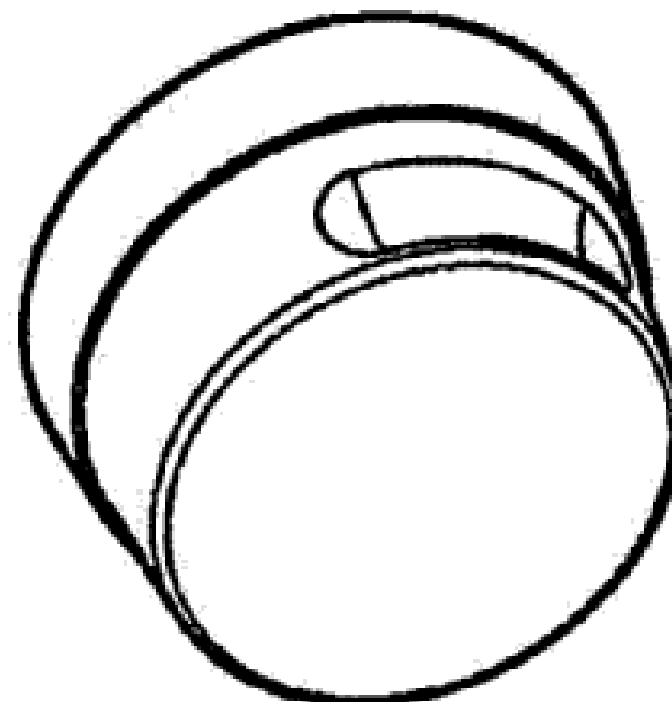
(57) Statement of Newness and Distinctiveness: **Nil**



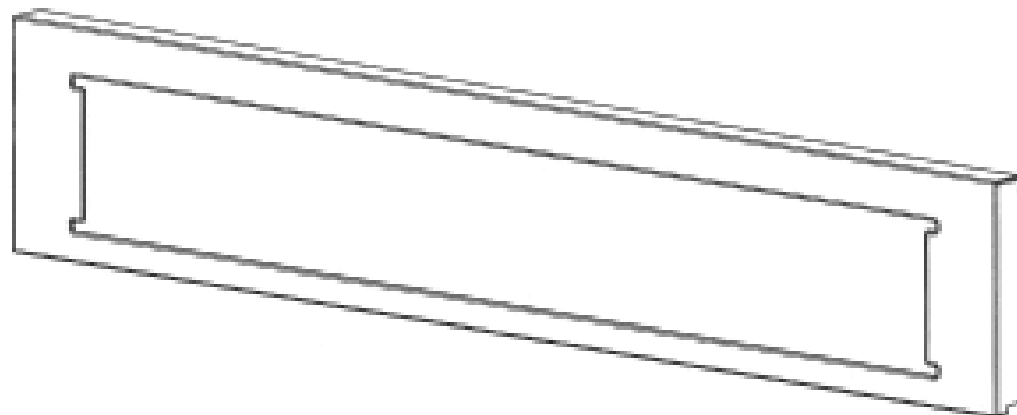
(21) Design Number: **14464/2010**
(22) Date of Filing Application: **12 August 2010**
(24) Date from which industrial property rights may have effect: **12 August 2010**
(54) Product in respect of which the design is registered: **Upright oven door**
(51) International Design Classification: **07-02C**
(71) Name(s) and Address(s) of Applicant(s):
Electrolux Home Products Corporation N.V.
Belgicastraat 17 BE-1930 Zaventem Belgium
(72) Name(s) of Designer(s): **Frank Benold**
(45) Registration Date: **09 November 2010**
(62) Divisional of: **333301**
(56) Related Art Documents: **Not Applicable**
(57) Statement of Newness and Distinctiveness: **Nil**



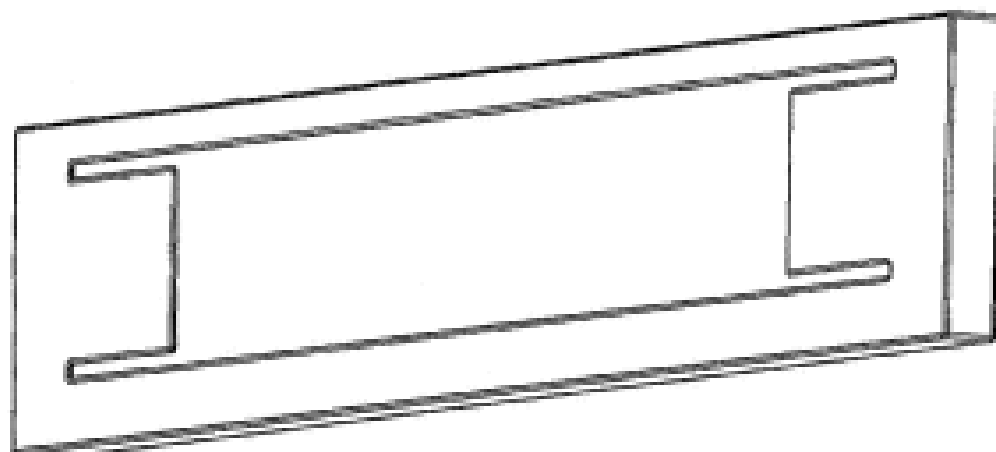
(21) Design Number: **14465/2010**
(22) Date of Filing Application: **12 August 2010**
(24) Date from which industrial property rights may have effect: **12 August 2010**
(54) Product in respect of which the design is registered: **Oven knob**
(51) International Design Classification: **07-02C**
(71) Name(s) and Address(s) of Applicant(s):
Electrolux Home Products Corporation N.V.
Belgicastraat 17 BE-1930 Zaventem Belgium
(72) Name(s) of Designer(s): **Frank Benold**
(45) Registration Date: **09 November 2010**
(62) Divisional of: **333301**
(56) Related Art Documents: **Not Applicable**
(57) Statement of Newness and Distinctiveness: **Nil**



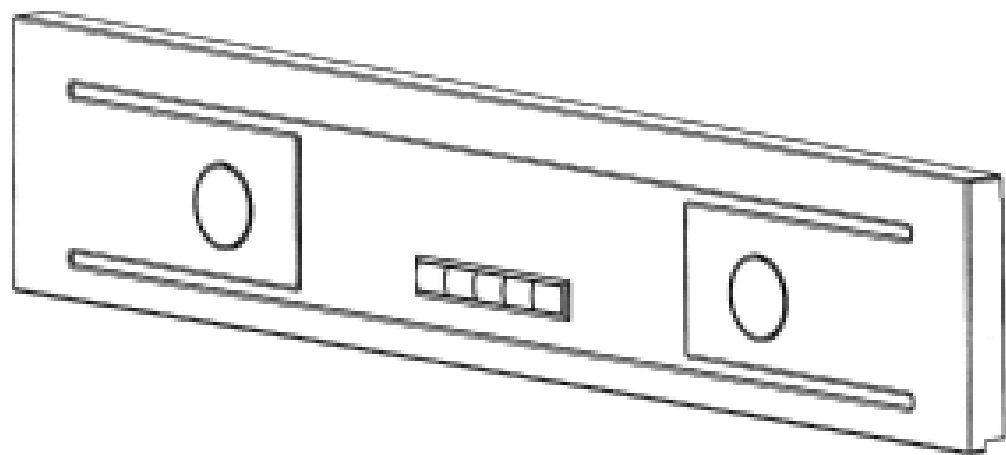
(21) Design Number: **14466/2010**
(22) Date of Filing Application: **12 August 2010**
(24) Date from which industrial property rights may have effect: **12 August 2010**
(54) Product in respect of which the design is registered: **Oven panel**
(51) International Design Classification: **07-02C**
(71) Name(s) and Address(s) of Applicant(s):
Electrolux Home Products Corporation N.V.
Belgicastraat 17 BE-1930 Zaventem Belgium
(72) Name(s) of Designer(s): **Frank Benold**
(45) Registration Date: **09 November 2010**
(62) Divisional of: **333301**
(56) Related Art Documents: **Not Applicable**
(57) Statement of Newness and Distinctiveness: **Nil**



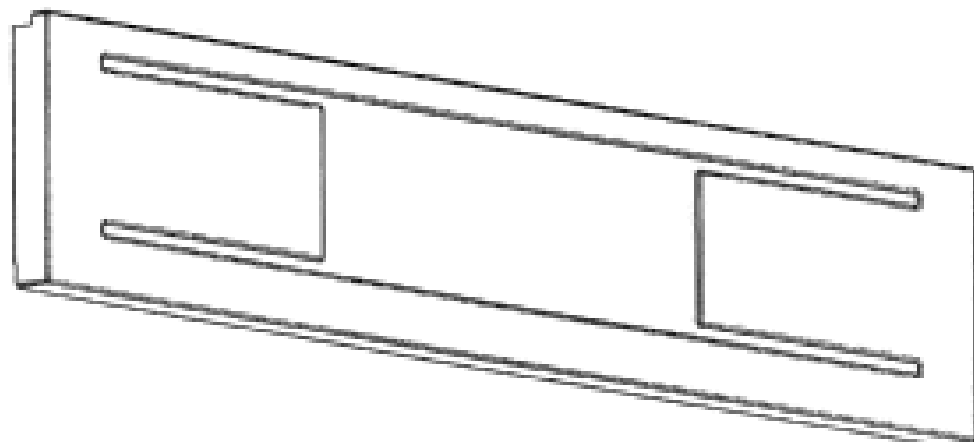
(21) Design Number: **14467/2010**
(22) Date of Filing Application: **12 August 2010**
(24) Date from which industrial property rights may have effect: **12 August 2010**
(54) Product in respect of which the design is registered: **Panel for Oven**
(51) International Design Classification: **07-02C**
(71) Name(s) and Address(s) of Applicant(s):
Electrolux Home Products Corporation N.V.
Belgicastraat 17 BE-1930 Zaventem Belgium
(72) Name(s) of Designer(s): **Frank Benold**
(45) Registration Date: **09 November 2010**
(62) Divisional of: **333301**
(56) Related Art Documents: **Not Applicable**
(57) Statement of Newness and Distinctiveness: **Nil**



- (21) Design Number: **14468/2010**
(22) Date of Filing Application: **12 August 2010**
(24) Date from which industrial property rights may have effect: **12 August 2010**
(54) Product in respect of which the design is registered: **Oven panel with controls**
(51) International Design Classification: **07-02C**
(71) Name(s) and Address(s) of Applicant(s):
Electrolux Home Products Corporation N.V.
Belgicastraat 17 BE-1930 Zaventem Belgium
(72) Name(s) of Designer(s): **Frank Benold**
(45) Registration Date: **09 November 2010**
(62) Divisional of: **333301**
(56) Related Art Documents: **Not Applicable**
(57) Statement of Newness and Distinctiveness: **Nil**



- (21) Design Number: **14469/2010**
(22) Date of Filing Application: **12 August 2010**
(24) Date from which industrial property rights may have effect: **12 August 2010**
(54) Product in respect of which the design is registered: **Oven panel**
(51) International Design Classification: **07-02C**
(71) Name(s) and Address(s) of Applicant(s):
Electrolux Home Products Corporation N.V.
Belgicastraat 17 BE-1930 Zaventem Belgium
(72) Name(s) of Designer(s): **Frank Benold**
(45) Registration Date: **09 November 2010**
(62) Divisional of: **333301**
(56) Related Art Documents: **Not Applicable**
(57) Statement of Newness and Distinctiveness: **Nil**



(21) Design Number: **14470/2010**

(22) Date of Filing Application: **12 August 2010**

(24) Date from which industrial property rights may have effect: **12 August 2010**

(54) Product in respect of which the design is registered: **Oven**

(51) International Design Classification: **07-02A**

(71) Name(s) and Address(s) of Applicant(s):

**Electrolux Home Products Corporation N.V.
Belgicastraat 17 BE-1930 Zaventem Belgium**

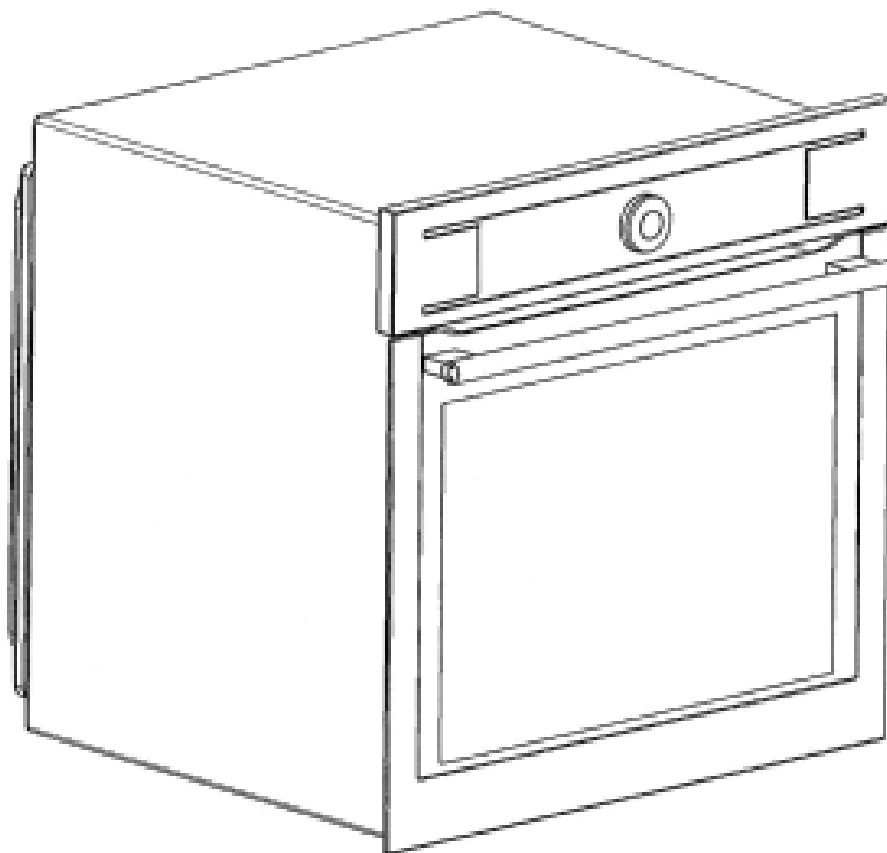
(72) Name(s) of Designer(s): **Frank Benold**

(45) Registration Date: **09 November 2010**

(62) Divisional of: **333301**

(56) Related Art Documents: **Not Applicable**

(57) Statement of Newness and Distinctiveness: **Nil**



(21) Design Number: **14471/2010**

(22) Date of Filing Application: **12 August 2010**

(24) Date from which industrial property rights may have effect: **12 August 2010**

(54) Product in respect of which the design is registered: **Oven with side-opening door**

(51) International Design Classification: **07-02A**

(71) Name(s) and Address(s) of Applicant(s):

**Electrolux Home Products Corporation N.V.
Belgicastraat 17 BE-1930 Zaventem Belgium**

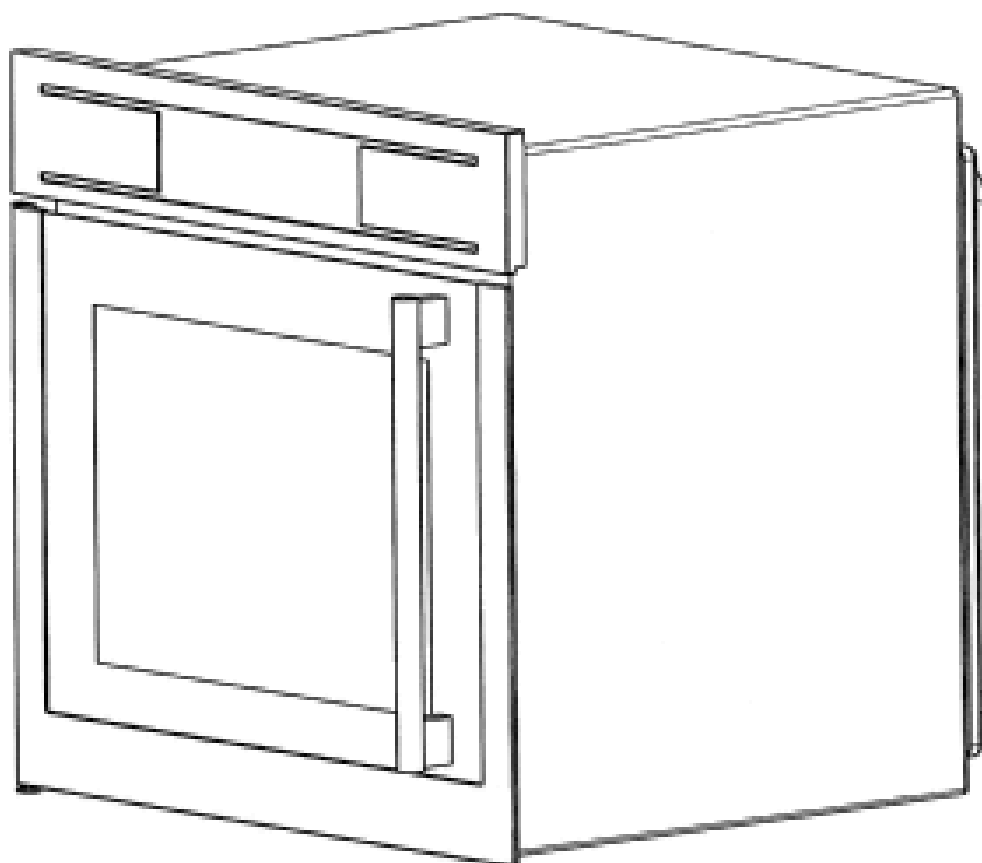
(72) Name(s) of Designer(s): **Frank Benold**

(45) Registration Date: **09 November 2010**

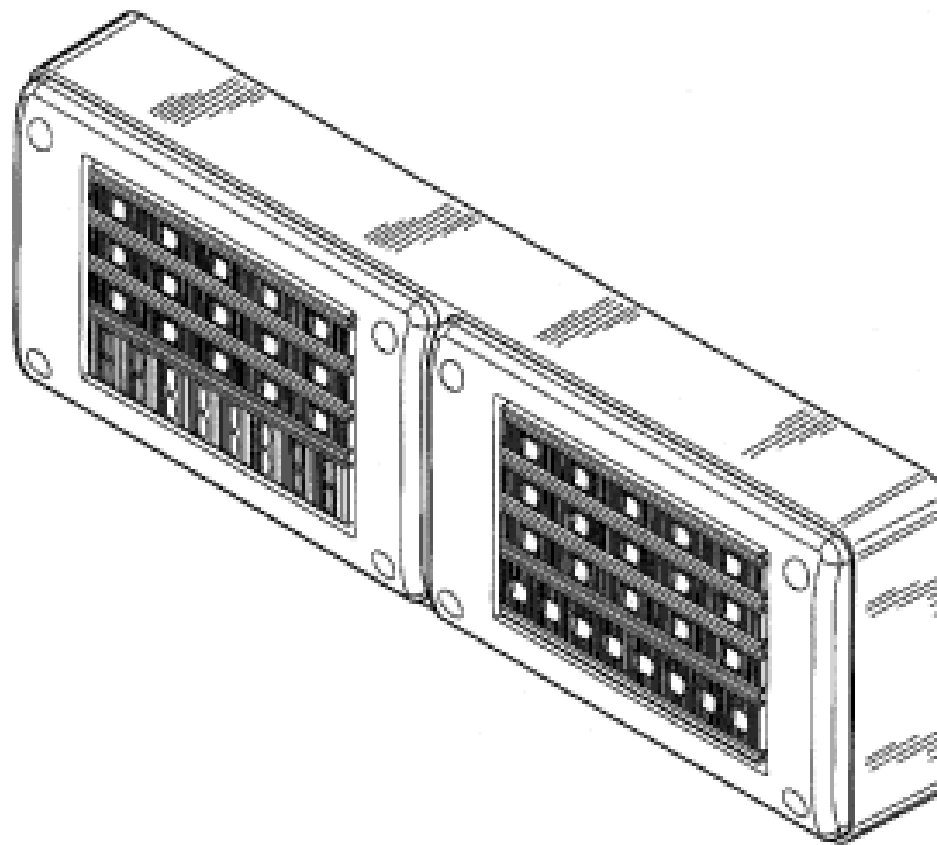
(62) Divisional of: **333301**

(56) Related Art Documents: **Not Applicable**

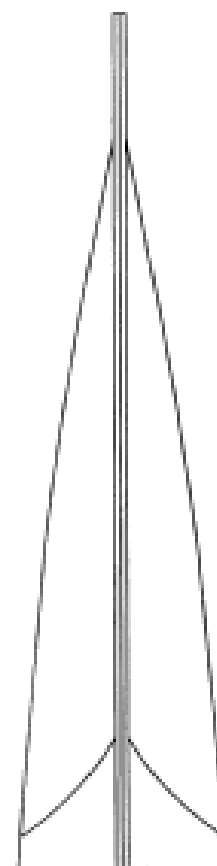
(57) Statement of Newness and Distinctiveness: **Nil**



- (21) Design Number: **14509/2010**
- (22) Date of Filing Application: **20 October 2010**
- (24) Date from which industrial property rights may have effect: **20 October 2010**
- (54) Product in respect of which the design is registered: **Vehicle lamp**
- (51) International Design Classification: **26-06**
- (71) Name(s) and Address(s) of Applicant(s):
Lucidity Enterprise Co., Ltd.
No. 18 Gongye 1st Road Annan District Tainan City Taiwan
- (72) Name(s) of Designer(s): **Chih-Pin Shen**
- (45) Registration Date: **09 November 2010**
- (56) Related Art Documents: **Not Applicable**
- (57) Statement of Newness and Distinctiveness: **Nil**



- (21) Design Number: **13544/2010**
- (22) Date of Filing Application: **18 August 2010**
- (24) Date from which industrial property rights may have effect: **18 August 2010**
- (54) Product in respect of which the design is registered: **Packaging container**
- (51) International Design Classification: **09-05**
- (71) Name(s) and Address(s) of Applicant(s):
ORIHIO Plantdew Co., Ltd.
613 Shimooshima-machi Takasaki-shi Gunma-ken 370-0886 Japan
- (72) Name(s) of Designer(s): **Orihiro Tsuruta**
- (45) Registration Date: **09 November 2010**
- (56) Related Art Documents: **Not Applicable**
- (57) Statement of Newness and Distinctiveness: **Those features of the packaging container depicted in the representations that are new and distinctive are the shape and/or configuration.**



(21) Design Number: **14169/2010**

(22) Date of Filing Application: **27 September 2010**

(24) Date from which industrial property rights may have effect: **27 September 2010**

(54) Product in respect of which the design is registered: **Housings for RFID transponders**

(51) International Design Classification: **14-03NES**

(71) Name(s) and Address(s) of Applicant(s):

Assa Abloy AB

Klarabergsviadukten 90 PO Box 703 40 SE-1 07 23 Stockholm Sweden

(72) Name(s) of Designer(s): **Colin Thorne**

(45) Registration Date: **11 November 2010**

(30) Convention priority data:

(31) Number

(32) Date

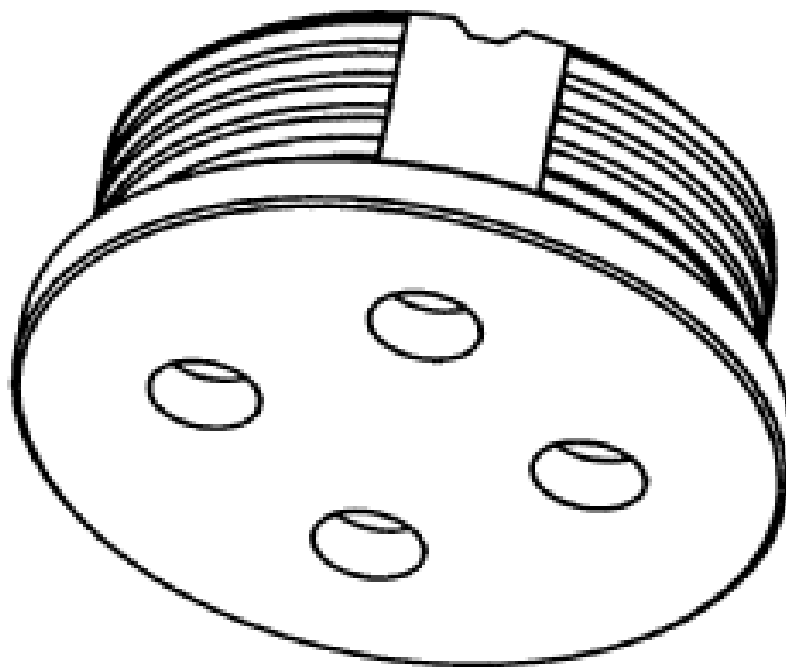
(33) Country

001689589-0001 31 Mar 2010

EUROPEAN COMMUNITY

(56) Related Art Documents: **Not Applicable**

(57) Statement of Newness and Distinctiveness: **Newness and distinctiveness resides in the features of shape and/or configuration of the housings as shown in the accompanying representations.**



(21) Design Number: **14321/2010**

(22) Date of Filing Application: **28 September 2010**

(24) Date from which industrial property rights may have effect: **28 September 2010**

(54) Product in respect of which the design is registered: **Spray gun painter**

(51) International Design Classification: **08-05L**

(71) Name(s) and Address(s) of Applicant(s):

Mahi Enterprises Pty Ltd

4 Fernbrook Place Castle Hill New South Wales 2154 Australia

(72) Name(s) of Designer(s): **Raj N. Rajkumar**

(45) Registration Date: **11 November 2010**

(56) Related Art Documents: **Not Applicable**

(57) Statement of Newness and Distinctiveness: **Nil**



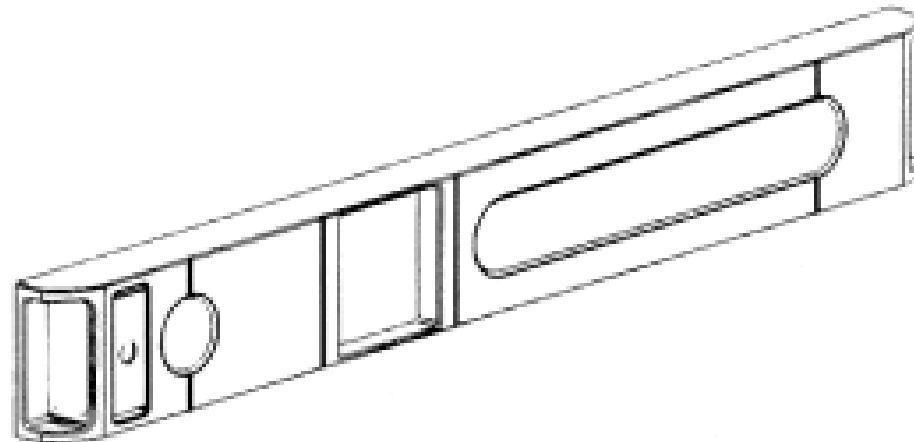
- (21) Design Number: **14481/2010**
(22) Date of Filing Application: **15 October 2010**
(24) Date from which industrial property rights may have effect: **15 October 2010**
(54) Product in respect of which the design is registered: **Occasional chair**
(51) International Design Classification: **06-01F**
(71) Name(s) and Address(s) of Applicant(s):
Covemore Designs Pty Ltd
43 Prime Drive Seven Hills New South Wales 2147 Australia
(72) Name(s) of Designer(s): **Samantha Lloyd-Holmes**
(45) Registration Date: **11 November 2010**
(56) Related Art Documents: **Not Applicable**
(57) Statement of Newness and Distinctiveness: **Newness and distinctiveness reside in the features of the design as shown in the representations, with the material and colour of the cushion covering, the pattern applied to the cushion covering and the material and colour of the frame being disclaimed.**



- (21) Design Number: **14482/2010**
(22) Date of Filing Application: **15 October 2010**
(24) Date from which industrial property rights may have effect: **15 October 2010**
(54) Product in respect of which the design is registered: **Side table**
(51) International Design Classification: **06-03NES**
(71) Name(s) and Address(s) of Applicant(s):
Covemore Designs Pty Ltd
43 Prime Drive Seven Hills New South Wales 2147 Australia
(72) Name(s) of Designer(s): **Samantha Lloyd-Holmes**
(45) Registration Date: **11 November 2010**
(56) Related Art Documents: **Not Applicable**
(57) Statement of Newness and Distinctiveness: **Newness and distinctiveness reside in the features of the design as shown in the representations, with the material and colour of the table being disclaimed.**



- (21) Design Number: **14483/2010**
(22) Date of Filing Application: **15 October 2010**
(24) Date from which industrial property rights may have effect: **15 October 2010**
(54) Product in respect of which the design is registered: **Front panel for electrical cabinet**
(51) International Design Classification: **13-03NES**
(71) Name(s) and Address(s) of Applicant(s):
Eaton Electric B.V.
Europalaan 202 7559 SC Hengelo The Netherlands
(72) Name(s) of Designer(s): **Tim Lie**
(45) Registration Date: **11 November 2010**
(30) Convention priority data:
(31) Number (32) Date (33) Country
001696683-0002 16 Apr 2010 EUROPEAN COMMUNITY
(56) Related Art Documents: **Not Applicable**
(57) Statement of Newness and Distinctiveness: **Newness and distinctiveness resides in the features of shape and/or configuration of a FRONT PANEL FOR ELECTRICAL CABINET as illustrated in the accompanying representations.**



- (21) Design Number: **14492/2010**
(22) Date of Filing Application: **18 October 2010**
(24) Date from which industrial property rights may have effect: **18 October 2010**
(54) Product in respect of which the design is registered: **Sport shoe**
(51) International Design Classification: **02-04NES**
(71) Name(s) and Address(s) of Applicant(s):
Asics Corporation
1-1 Minatojima-Nakamachi 7 Chome Chuo-Ku Kobe-Shi Hyogo
6508555 Japan
(72) Name(s) of Designer(s): **Yoshiyasu Ando and Tomohiro Nagasue**
(45) Registration Date: **11 November 2010**
(56) Related Art Documents: **Not Applicable**
(57) Statement of Newness and Distinctiveness: **Nil**



(21) Design Number: **14493/2010**

(22) Date of Filing Application: **18 October 2010**

(24) Date from which industrial property rights may have effect: **18 October 2010**

(54) Product in respect of which the design is registered: **Handheld computer**

(51) International Design Classification: **14-02**

(71) Name(s) and Address(s) of Applicant(s):

Nokia Corporation
Keilalahdentie-4 FIN-02150 Espoo Finland

(72) Name(s) of Designer(s): **Jari Ijas and Kim Heikkinen**

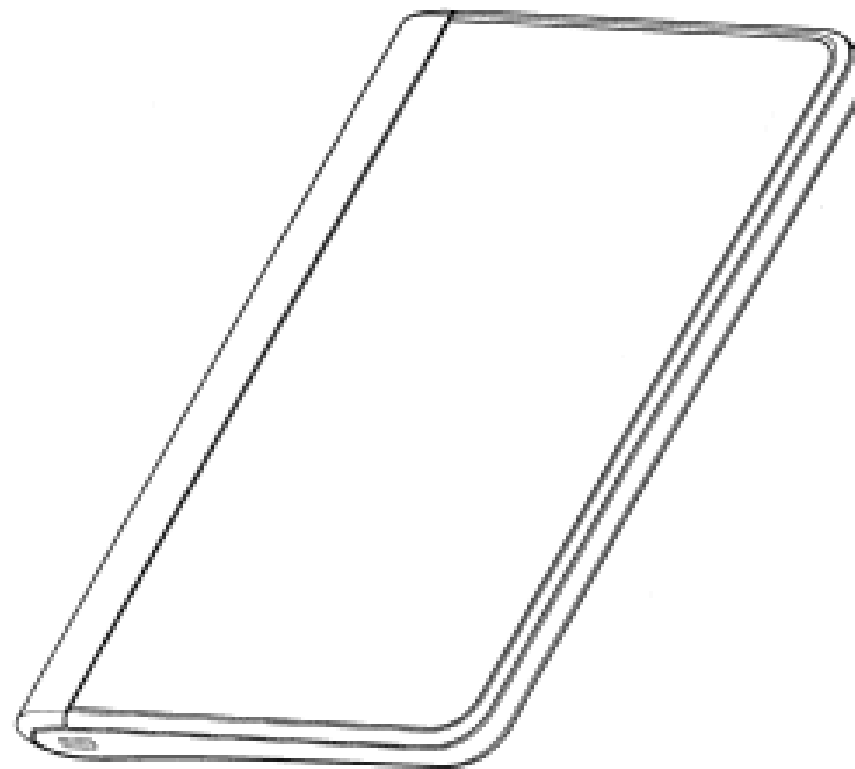
(45) Registration Date: **11 November 2010**

(30) Convention priority data:

(31) Number	(32) Date	(33) Country
29/368180	19 Aug 2010	UNITED STATES OF AMERICA

(56) Related Art Documents: **Not Applicable**

(57) Statement of Newness and Distinctiveness: **Newness and distinctiveness is claimed in the features of shape and/or configuration of a handheld computer as illustrated in the accompanying representations.**



(21) Design Number: **14558/2010**

(22) Date of Filing Application: **21 October 2010**

(24) Date from which industrial property rights may have effect: **21 October 2010**

(54) Product in respect of which the design is registered: **Steam bath equipment**

(51) International Design Classification: **23-02NES**

(71) Name(s) and Address(s) of Applicant(s):

MAC S.r.l.
Recanati Via XX Settembre 21 Italy

(72) Name(s) of Designer(s): **Luigi Mansolini and Marco Borghetti**

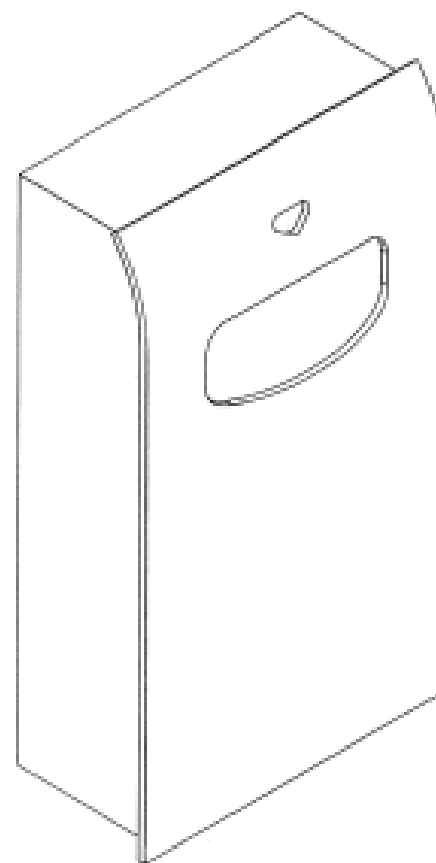
(45) Registration Date: **11 November 2010**

(30) Convention priority data:

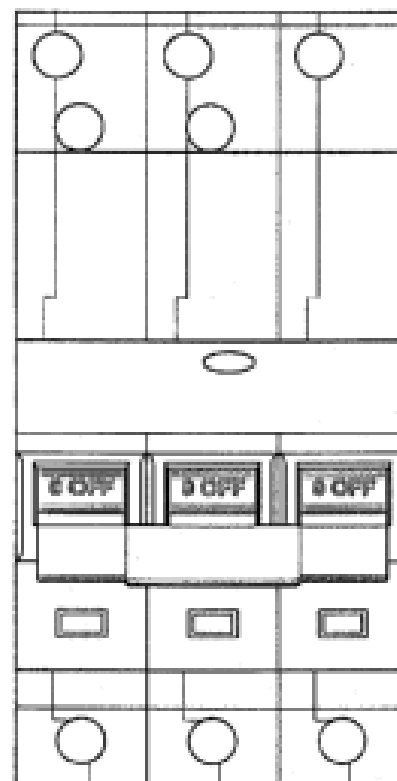
(31) Number	(32) Date	(33) Country
1209928	21 Apr 2010	EUROPEAN COMMUNITY

(56) Related Art Documents: **Not Applicable**

(57) Statement of Newness and Distinctiveness: **Nil**

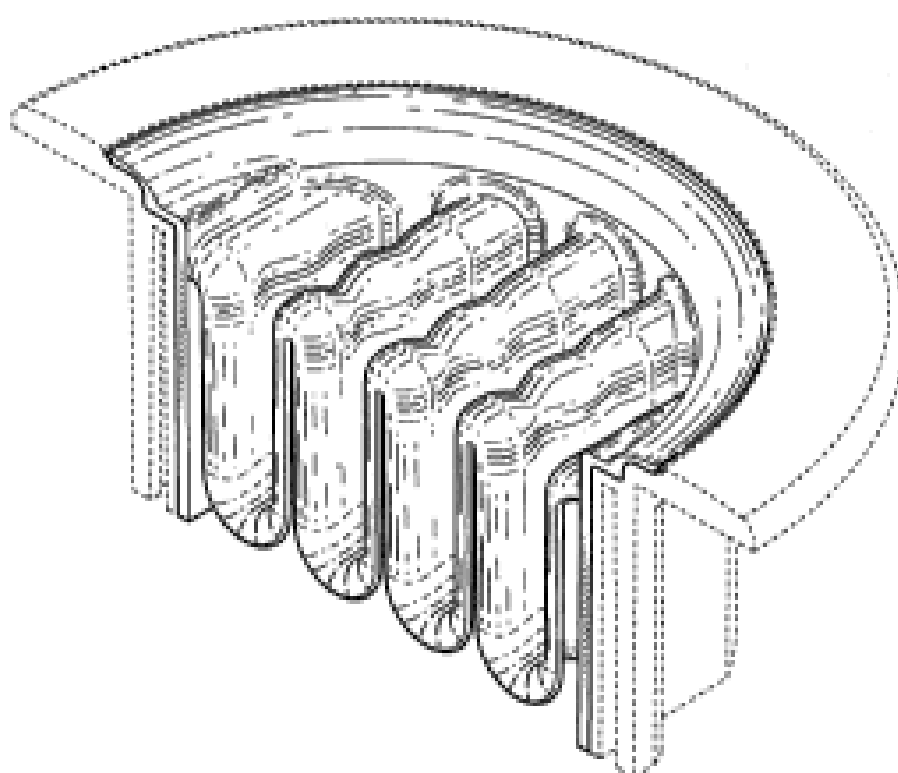


- (21) Design Number: **14259/2010**
- (22) Date of Filing Application: **08 October 2010**
- (24) Date from which industrial property rights may have effect: **08 October 2010**
- (54) Product in respect of which the design is registered: **3 Phase RBCO (residual current breaker with overload)**
- (51) International Design Classification: **13-03C**
- (71) Name(s) and Address(s) of Applicant(s):
Stephen James Woolley
6 Larkspur Parade Metford New South Wales 2323 Australia
- (72) Name(s) of Designer(s): **Stephen James Woolley**
- (45) Registration Date: **12 November 2010**
- (56) Related Art Documents: **Not Applicable**
- (57) Statement of Newness and Distinctiveness: **Newness and distinctiveness is claimed in the shape and configuration of the RCBO as depicted in the accompanying representations. Particular emphasis is placed on having 3 electrical contacts at the first end 5 electrical contacts at the second end.**



- (21) Design Number: **14366/2010**
- (22) Date of Filing Application: **06 October 2010**
- (24) Date from which industrial property rights may have effect: **06 October 2010**
- (54) Product in respect of which the design is registered: **Cable grommet**
- (51) International Design Classification: **14-02**
- (71) Name(s) and Address(s) of Applicant(s):
Upsite Technologies, Inc
8100 Lang Avenue N.E. Suite 301 Albuquerque New Mexico
87109-4305 United States of America
- (72) Name(s) of Designer(s): **Arthur T. Sempliner and Jonathan Pettingill**
- (45) Registration Date: **12 November 2010**
- (30) Convention priority data:

(31) Number	(32) Date	(33) Country
29/359108	06 Apr 2010	UNITED STATES OF AMERICA
- (56) Related Art Documents: **Not Applicable**
- (57) Statement of Newness and Distinctiveness: **Newness and distinctiveness is claimed in the visual features shown in solid lines in the representations.**



(21) Design Number: **14458/2010**

(22) Date of Filing Application: **15 October 2010**

(24) Date from which industrial property rights may have effect: **15 October 2010**

(54) Product in respect of which the design is registered: **Short sleeve T-shirt**

(51) International Design Classification: **02-02NES**

(71) Name(s) and Address(s) of Applicant(s):

Equmen Pty Ltd

26 & 28 Burton Street Darlinghurst New South Wales 2010 Australia

(72) Name(s) of Designer(s): **Gavin Jones and Corie Chung**

(45) Registration Date: **12 November 2010**

(56) Related Art Documents: **Not Applicable**

(57) Statement of Newness and Distinctiveness: **Newness and distinctiveness is claimed in the shape and/or configuration of a short sleeve T-shirt as illustrated in the representations.**



(21) Design Number: **14459/2010**

(22) Date of Filing Application: **15 October 2010**

(24) Date from which industrial property rights may have effect: **15 October 2010**

(54) Product in respect of which the design is registered: **A short sleeved shirt**

(51) International Design Classification: **02-02NES**

(71) Name(s) and Address(s) of Applicant(s):

Equmen Pty Ltd

26 & 28 Burton Street Darlinghurst New South Wales 2010 Australia

(72) Name(s) of Designer(s): **Gavin Jones and Corie Chung**

(45) Registration Date: **12 November 2010**

(56) Related Art Documents: **Not Applicable**

(57) Statement of Newness and Distinctiveness: **Newness and distinctiveness is claimed in the shape and/or configuration of the short sleeved shirt as illustrated in the representations.**



(21) Design Number: **14460/2010**

(22) Date of Filing Application: **15 October 2010**

(24) Date from which industrial property rights may have effect: **15 October 2010**

(54) Product in respect of which the design is registered: **Food processor base**

(51) International Design Classification: **31-00**

(71) Name(s) and Address(s) of Applicant(s):

Breville Pty Ltd
Building 2 Port Air Industrial Estate 1A Hale Street Botany New South
Wales 2019 Australia

(72) Name(s) of Designer(s): **Keith James Hensel and Daniel Armstrong**

(45) Registration Date: **12 November 2010**

(56) Related Art Documents: **Not Applicable**

(57) Statement of Newness and Distinctiveness: **Newness is claimed in the features of shape and configuration of the food processor base as shown in the accompanying representations.**



(21) Design Number: **14461/2010**

(22) Date of Filing Application: **15 October 2010**

(24) Date from which industrial property rights may have effect: **15 October 2010**

(54) Product in respect of which the design is registered: **Food processor bowl**

(51) International Design Classification: **31-00**

(71) Name(s) and Address(s) of Applicant(s):

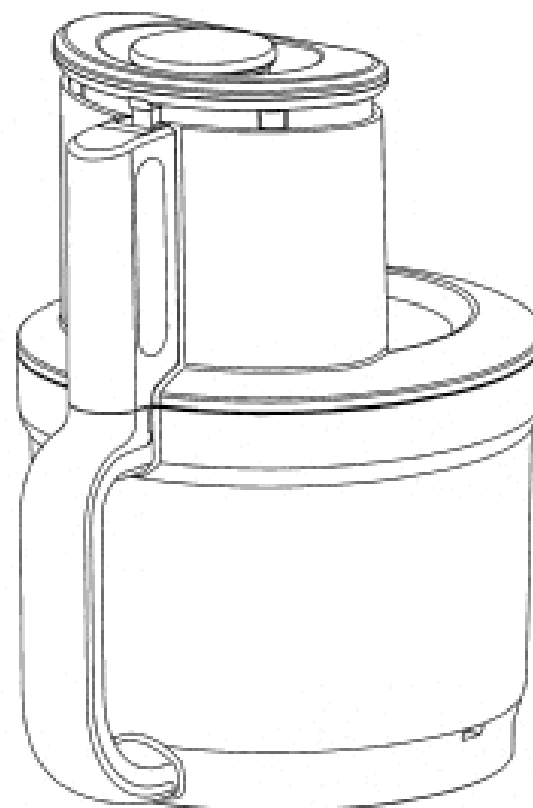
Breville Pty Limited
Building 2 Port Air Industrial Estate 1A Hale Street Botany New South
Wales 2019 Australia

(72) Name(s) of Designer(s): **Daniel Armstrong and Keith James Hensel**

(45) Registration Date: **12 November 2010**

(56) Related Art Documents: **Not Applicable**

(57) Statement of Newness and Distinctiveness: **Newness is claimed in the features of shape and configuration of the food processor bowl as shown in the accompanying representations.**



(19) AU

- (21) Design Number: **14487/2010**
- (22) Date of Filing Application: **18 October 2010**
- (24) Date from which industrial property rights may have effect: **18 October 2010**
- (54) Product in respect of which the design is registered: **Container**
- (51) International Design Classification: **07-01NES**
- (71) Name(s) and Address(s) of Applicant(s):

Mars, Incorporated
6885 Elm Street McLean Virginia 22101 United States of America

(72) Name(s) of Designer(s): **Xiao Zhendong and Zhang Fan**

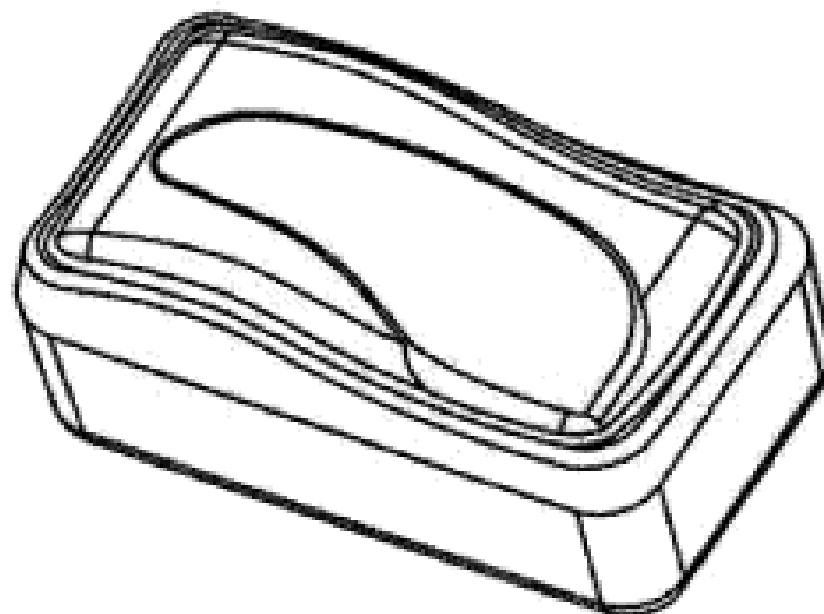
(45) Registration Date: **12 November 2010**

(30) Convention priority data:

(31) Number	(32) Date	(33) Country
201030251398.9	28 Jul 2010	CHINA

(56) Related Art Documents: **Not Applicable**

(57) Statement of Newness and Distinctiveness: **Nil**



(19) AU

- (21) Design Number: **14489/2010**
- (22) Date of Filing Application: **18 October 2010**
- (24) Date from which industrial property rights may have effect: **18 October 2010**
- (54) Product in respect of which the design is registered: **A textile**
- (51) International Design Classification: **05-05NES**
- (71) Name(s) and Address(s) of Applicant(s):

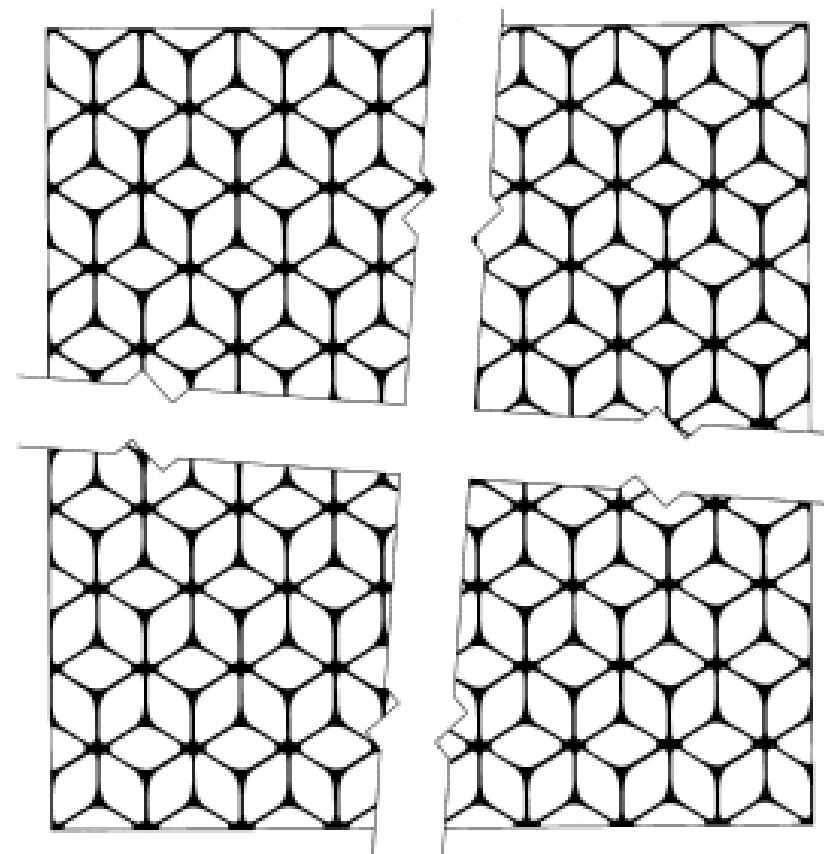
Columbia Sportswear North America, Inc.
14375 NW Science Park Drive PORTLAND Oregon 97229 United States of America

(72) Name(s) of Designer(s): **Scott Douglas Elser**

(45) Registration Date: **12 November 2010**

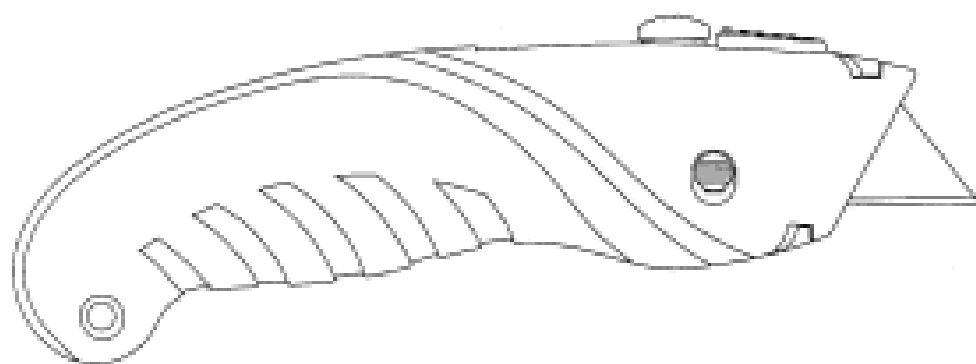
(56) Related Art Documents: **Not Applicable**

(57) Statement of Newness and Distinctiveness: **The newness and distinctiveness of the design resides in the pattern and/or ornamentation of A TEXTILE shown in the representations. The textile is of an indefinite length and width.**



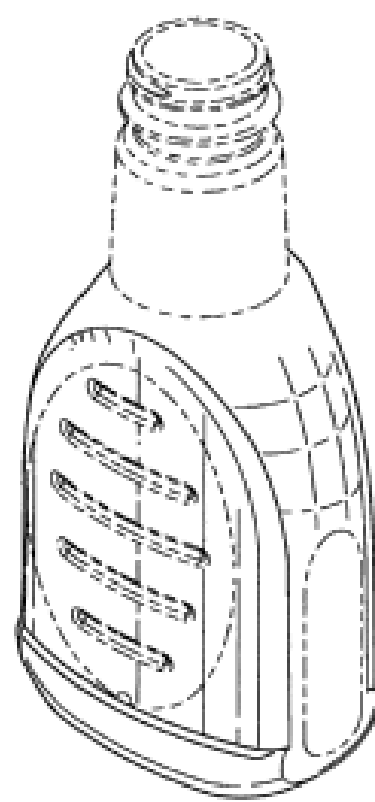
- (21) Design Number: **14501/2010**
- (22) Date of Filing Application: **19 October 2010**
- (24) Date from which industrial property rights may have effect: **19 October 2010**
- (54) Product in respect of which the design is registered: **A retractable utility knife**
- (51) International Design Classification: **08-03**
- (71) Name(s) and Address(s) of Applicant(s):
Yuewei Wu
Ningbo Xingwei Plastic Product Co., Ltd. Industrial Zone of Xidian
Ninghai Zhejiang 315613 People's Republic of China
- (72) Name(s) of Designer(s): **Yuewei Wu**
- (45) Registration Date: **12 November 2010**
- (30) Convention priority data:

(31) Number	(32) Date	(33) Country
201030172968.5	17 May 2010	CHINA
- (56) Related Art Documents: **Not Applicable**
- (57) Statement of Newness and Distinctiveness: **Nil**

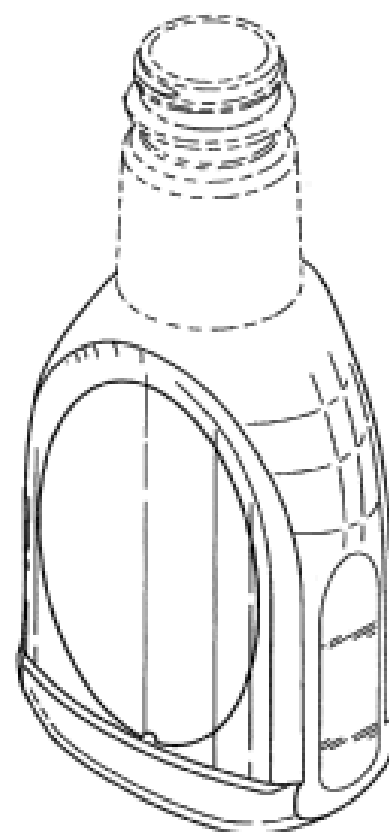


- (21) Design Number: **14580/2010**
- (22) Date of Filing Application: **25 October 2010**
- (24) Date from which industrial property rights may have effect: **25 October 2010**
- (54) Product in respect of which the design is registered: **Bottle**
- (51) International Design Classification: **09-01H**
- (71) Name(s) and Address(s) of Applicant(s):
Kraft Foods Global Brands LLC
Three Lakes Drive Northfield IL 60093 United States of America
- (72) Name(s) of Designer(s): **Grace Jiyoun Kim and J. Steven Little and James J. Miller**
- (45) Registration Date: **12 November 2010**
- (30) Convention priority data:

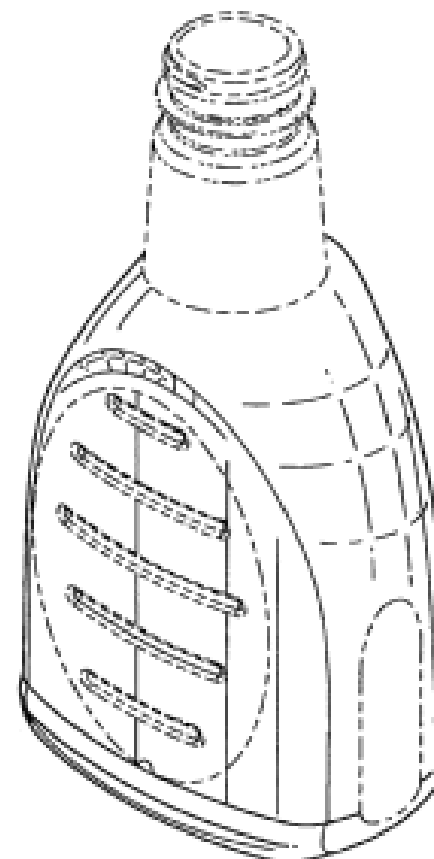
(31) Number	(32) Date	(33) Country
29/360,697	29 Apr 2010	UNITED STATES OF AMERICA
- (56) Related Art Documents: **Not Applicable**
- (57) Statement of Newness and Distinctiveness: **Newness and distinctiveness resides in the visual features, including shape and configuration, of a BOTTLE as shown in solid outline in the accompanying drawings. When determining whether the design 1 is substantially similar in overall impression to another registered design, no regard is to be had to those features shown in dotted outline in the accompanying drawings.**



- (21) Design Number: **14581/2010**
(22) Date of Filing Application: **25 October 2010**
(24) Date from which industrial property rights may have effect: **25 October 2010**
(54) Product in respect of which the design is registered: **Bottle**
(51) International Design Classification: **09-01H**
(71) Name(s) and Address(s) of Applicant(s):
Kraft Foods Global Brands LLC
Three Lakes Drive Northfield IL 60093 United States of America
(72) Name(s) of Designer(s): **Grace Jiyoung Kim and J. Steven Little and James J. Miller**
(45) Registration Date: **12 November 2010**
(30) Convention priority data:
(31) Number (32) Date (33) Country
29/360,697 29 Apr 2010 UNITED STATES OF AMERICA
(56) Related Art Documents: **Not Applicable**
(57) Statement of Newness and Distinctiveness: **Newness and distinctiveness resides in the visual features, including shape and configuration, of a BOTTLE as shown in solid outline in the accompanying drawings. When determining whether the design 1 is substantially similar in overall impression to another registered design, no regard is to be had to those features shown in dotted outline in the accompanying drawings.**



- (21) Design Number: **14582/2010**
(22) Date of Filing Application: **25 October 2010**
(24) Date from which industrial property rights may have effect: **25 October 2010**
(54) Product in respect of which the design is registered: **Bottle**
(51) International Design Classification: **09-01H**
(71) Name(s) and Address(s) of Applicant(s):
Kraft Foods Global Brands LLC
Three Lakes Drive Northfield IL 60093 United States of America
(72) Name(s) of Designer(s): **Grace Jiyoung Kim and J. Steven Little and James J. Miller**
(45) Registration Date: **12 November 2010**
(30) Convention priority data:
(31) Number (32) Date (33) Country
29/360,697 29 Apr 2010 UNITED STATES OF AMERICA
(56) Related Art Documents: **Not Applicable**
(57) Statement of Newness and Distinctiveness: **Newness and distinctiveness resides in the visual features, including shape and configuration, of a BOTTLE as shown in solid outline in the accompanying drawings. When determining whether the design 1 is substantially similar in overall impression to another registered design, no regard is to be had to those features shown in dotted outline in the accompanying drawings.**



(19) AU

(21) Design Number: **14583/2010**

(22) Date of Filing Application: **25 October 2010**

(24) Date from which industrial property rights may have effect: **25 October 2010**

(54) Product in respect of which the design is registered: **Bottle**

(51) International Design Classification: **09-01H**

(71) Name(s) and Address(s) of Applicant(s):

**Kraft Foods Global Brands LLC
Three Lakes Drive Northfield IL 60093 United States of America**

(72) Name(s) of Designer(s): **Grace Jiyoun Kim and J. Steven Little and James J. Miller**

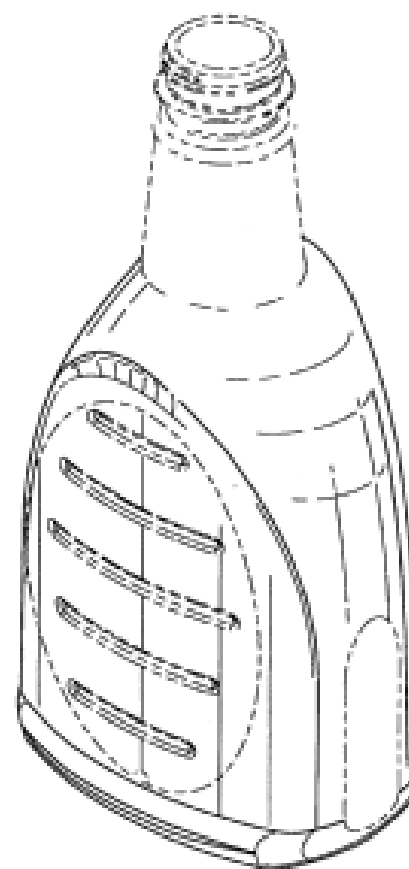
(45) Registration Date: **12 November 2010**

(30) Convention priority data:

(31) Number	(32) Date	(33) Country
29/360,697	29 Apr 2010	UNITED STATES OF AMERICA

(56) Related Art Documents: **Not Applicable**

(57) Statement of Newness and Distinctiveness: **Newness and distinctiveness resides in the visual features, including shape and configuration, of a BOTTLE as shown in solid outline in the accompanying drawings. When determining whether the design 1 is substantially similar in overall impression to another registered design, no regard is to be had to those features shown in dotted outline in the accompanying drawings.**



(19) AU

(21) Design Number: **14617/2010**

(22) Date of Filing Application: **26 October 2010**

(24) Date from which industrial property rights may have effect: **26 October 2010**

(54) Product in respect of which the design is registered: **Table**

(51) International Design Classification: **06-03B**

(71) Name(s) and Address(s) of Applicant(s):

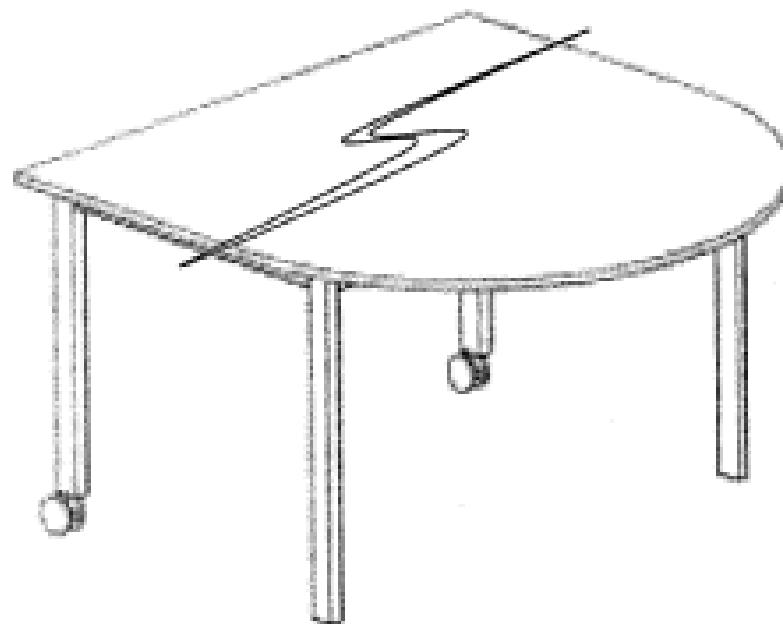
**BFX Ho Pty Ltd
75 Wisers Road Maroochydore Queensland 4558 Australia**

(72) Name(s) of Designer(s): **Penny Moore**

(45) Registration Date: **12 November 2010**

(56) Related Art Documents: **Not Applicable**

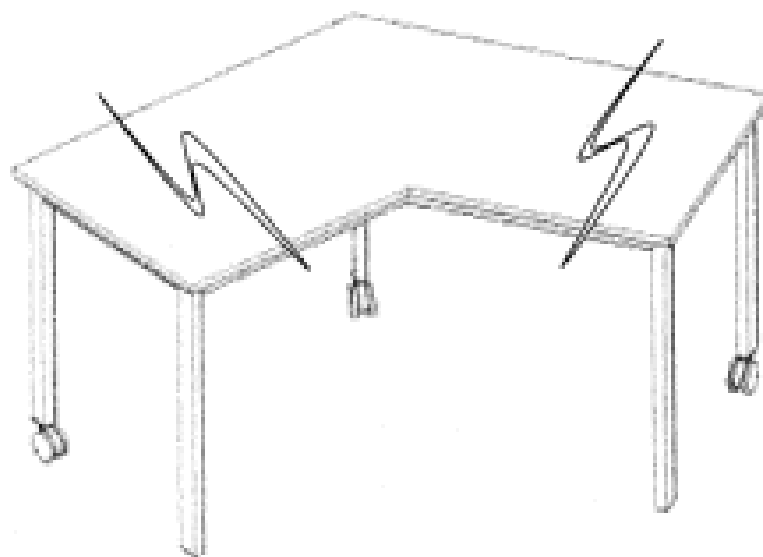
(57) Statement of Newness and Distinctiveness: **Newness and distinctiveness is claimed in the shape and/or configuration of the table shown in the accompanying representation. The rectangular portion of the table may be of any width as indicated by the broken line in the representation.**



- (21) Design Number: **14618/2010**
- (22) Date of Filing Application: **26 October 2010**
- (24) Date from which industrial property rights may have effect: **26 October 2010**
- (54) Product in respect of which the design is registered: **Table**
- (51) International Design Classification: **06-03A**
- (71) Name(s) and Address(s) of Applicant(s):

BFX Ho Pty Ltd
75 Wisers Road Maroochydore Queensland 4558 Australia

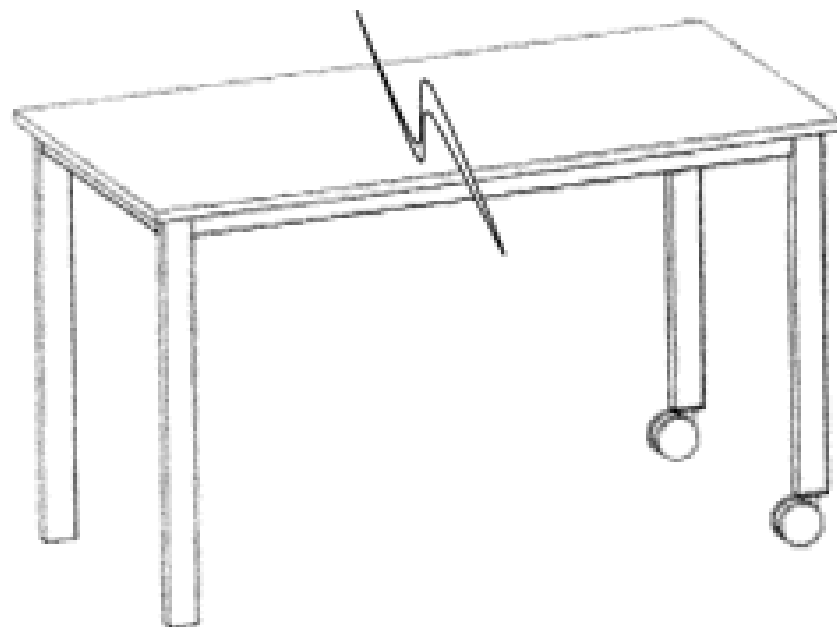
- (72) Name(s) of Designer(s): **Penny Moore**
- (45) Registration Date: **12 November 2010**
- (56) Related Art Documents: **Not Applicable**
- (57) Statement of Newness and Distinctiveness: **Newness and distinctiveness is claimed in the shape and/or configuration of the table shown in the accompanying representation. The rectangular portion of the table may be of any length as indicated by the broken line in the representation.**



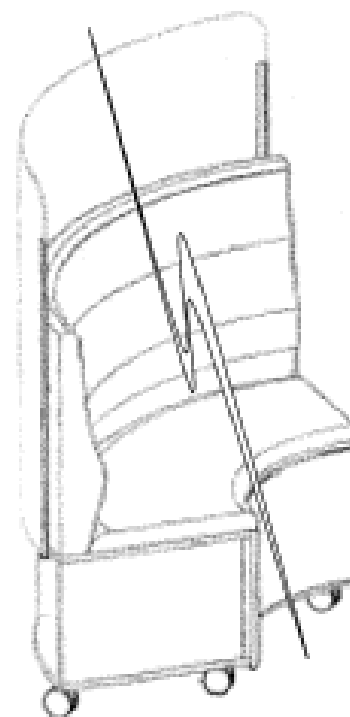
- (21) Design Number: **14619/2010**
- (22) Date of Filing Application: **26 October 2010**
- (24) Date from which industrial property rights may have effect: **26 October 2010**
- (54) Product in respect of which the design is registered: **Table**
- (51) International Design Classification: **06-03A**
- (71) Name(s) and Address(s) of Applicant(s):

BFX Ho Pty Ltd
75 Wisers Road Maroochydore Queensland 4558 Australia

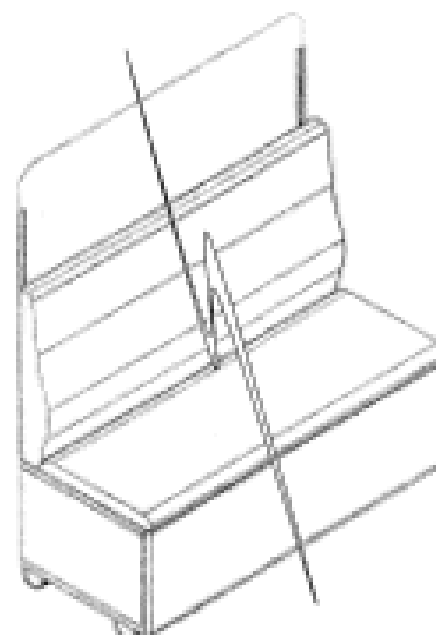
- (72) Name(s) of Designer(s): **Penny Moore**
- (45) Registration Date: **12 November 2010**
- (56) Related Art Documents: **Not Applicable**
- (57) Statement of Newness and Distinctiveness: **Newness and distinctiveness is claimed in the shape and/or configuration of the table shown in the accompanying representation. The table may be of any length as indicated by the broken line in the representation.**



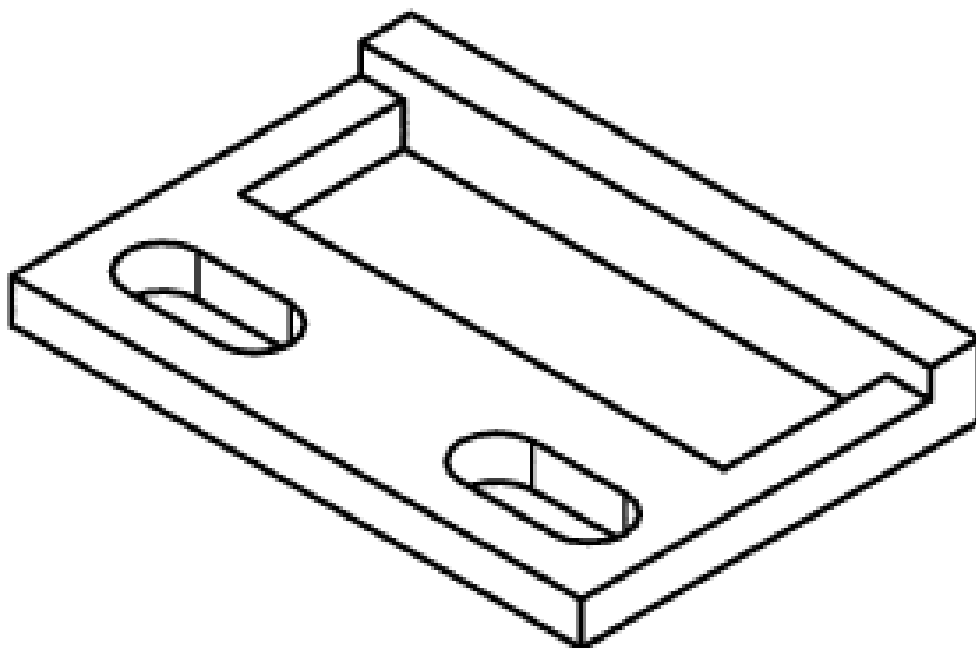
- (21) Design Number: **14620/2010**
(22) Date of Filing Application: **26 October 2010**
(24) Date from which industrial property rights may have effect: **26 October 2010**
(54) Product in respect of which the design is registered: **Seating**
(51) International Design Classification: **06-01NES**
(71) Name(s) and Address(s) of Applicant(s):
BFX Ho Pty Ltd
75 Wisers Road Maroochydore Queensland 4558 Australia
(72) Name(s) of Designer(s): **Penny Moore**
(45) Registration Date: **12 November 2010**
(56) Related Art Documents: **Not Applicable**
(57) Statement of Newness and Distinctiveness: **Newness and distinctiveness is claimed in the shape and/or configuration of the seating shown in the accompanying representation. The seating may be of any arc length as indicated by the broken line in the representation.**



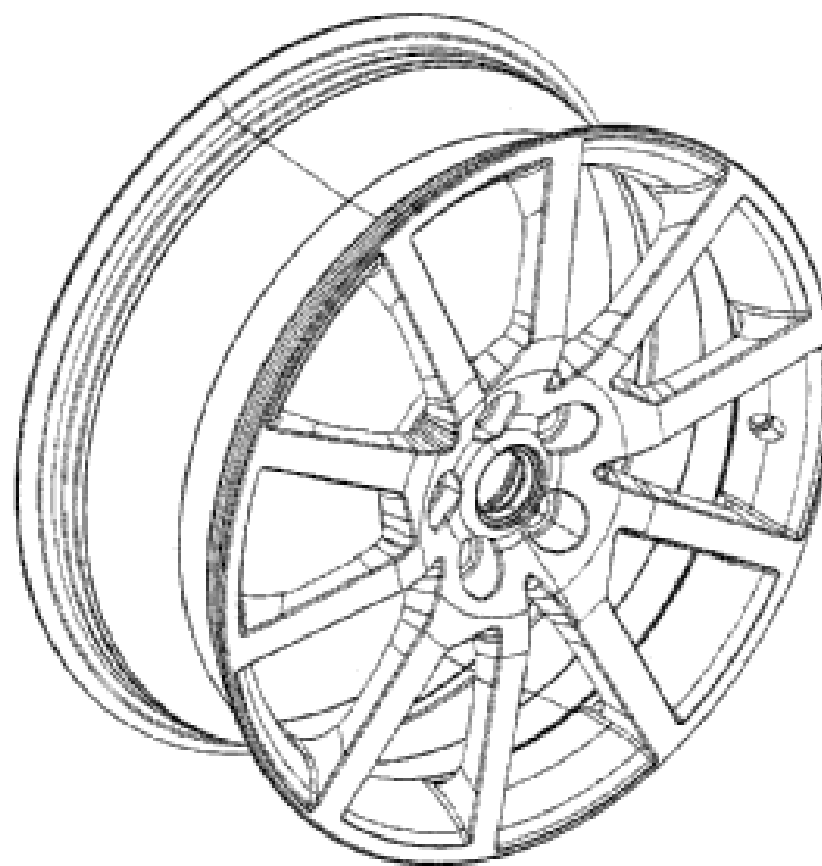
- (21) Design Number: **14621/2010**
(22) Date of Filing Application: **26 October 2010**
(24) Date from which industrial property rights may have effect: **26 October 2010**
(54) Product in respect of which the design is registered: **Seating**
(51) International Design Classification: **06-01NES**
(71) Name(s) and Address(s) of Applicant(s):
BFX Ho Pty Ltd
75 Wisers Road Maroochydore Queensland 4558 Australia
(72) Name(s) of Designer(s): **Penny Moore**
(45) Registration Date: **12 November 2010**
(56) Related Art Documents: **Not Applicable**
(57) Statement of Newness and Distinctiveness: **Newness and distinctiveness is claimed in the shape and/or configuration of the seating shown in the accompanying representation. The seating may be of any length as indicated by the broken line in the representation.**



- (21) Design Number: **11140/2010**
- (22) Date of Filing Application: **31 March 2010**
- (24) Date from which industrial property rights may have effect: **31 March 2010**
- (54) Product in respect of which the design is registered: **Window locking lever**
- (51) International Design Classification: **08-07**
- (71) Name(s) and Address(s) of Applicant(s):
Shaun Humphreys
217 Nuwarra Road Moorebank New South Wales 2170 Australia
- (72) Name(s) of Designer(s): **Shaun Humphreys**
- (45) Registration Date: **10 November 2010**
- (56) Related Art Documents: **Not Applicable**
- (57) Statement of Newness and Distinctiveness: **The monopoly is claimed on the shape of the lever locking plate as illustrated in the representations.**



- (21) Design Number: **12252/2010**
- (22) Date of Filing Application: **01 June 2010**
- (24) Date from which industrial property rights may have effect: **01 June 2010**
- (54) Product in respect of which the design is registered: **Vehicle wheel**
- (51) International Design Classification: **12-16A**
- (71) Name(s) and Address(s) of Applicant(s):
GM Global Technology Operations, Inc
300 Renaissance Centre Detroit Michigan United States of America
- (72) Name(s) of Designer(s): **Peter Hughes**
- (45) Registration Date: **10 November 2010**
- (56) Related Art Documents: **Not Applicable**
- (57) Statement of Newness and Distinctiveness: **Nil**



(21) Design Number: **13700/2010**

(22) Date of Filing Application: **27 August 2010**

(24) Date from which industrial property rights may have effect: **27 August 2010**

(54) Product in respect of which the design is registered: **Section**

(51) International Design Classification: **25-01NES**

(71) Name(s) and Address(s) of Applicant(s):

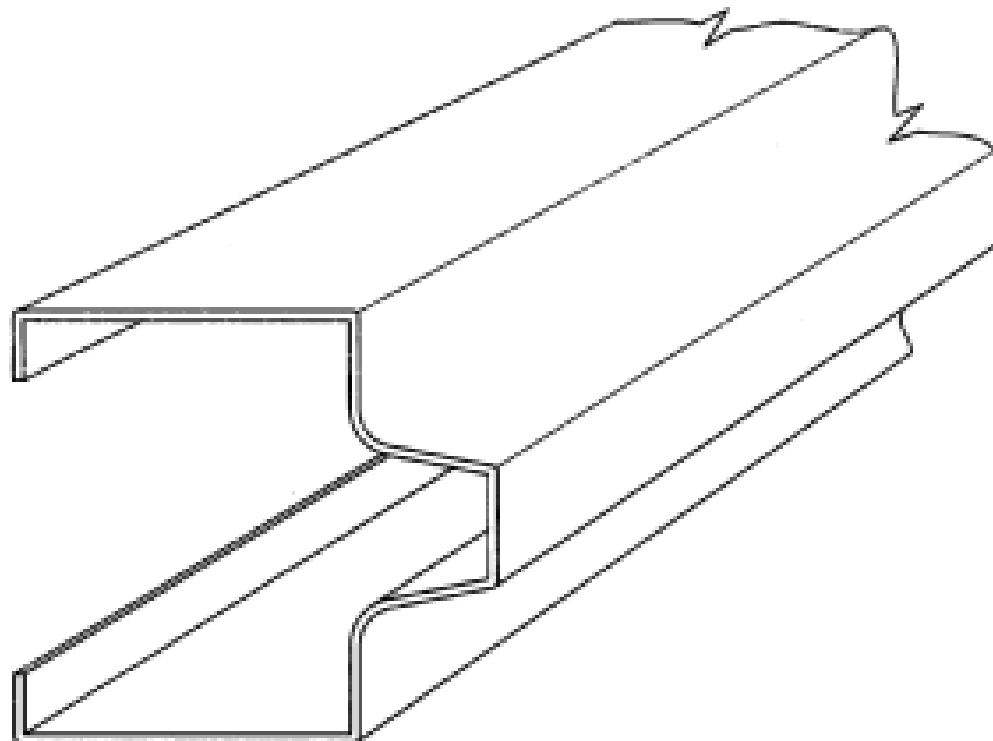
**PROCUTECH Targeted Supply Chain Solutions Co., Limited
Flat C 23/F Lucky Plaza 315-321 Lockhart Road Wanchai Hong Kong**

(72) Name(s) of Designer(s): **Gary Stephen Gale**

(45) Registration Date: **10 November 2010**

(56) Related Art Documents: **Not Applicable**

(57) Statement of Newness and Distinctiveness: **The features of shape and configuration of the section shown in the accompanying representations are considered to be new and distinctive. The section of indefinite length.**



(21) Design Number: **13701/2010**

(22) Date of Filing Application: **27 August 2010**

(24) Date from which industrial property rights may have effect: **27 August 2010**

(54) Product in respect of which the design is registered: **Section**

(51) International Design Classification: **25-01NES**

(71) Name(s) and Address(s) of Applicant(s):

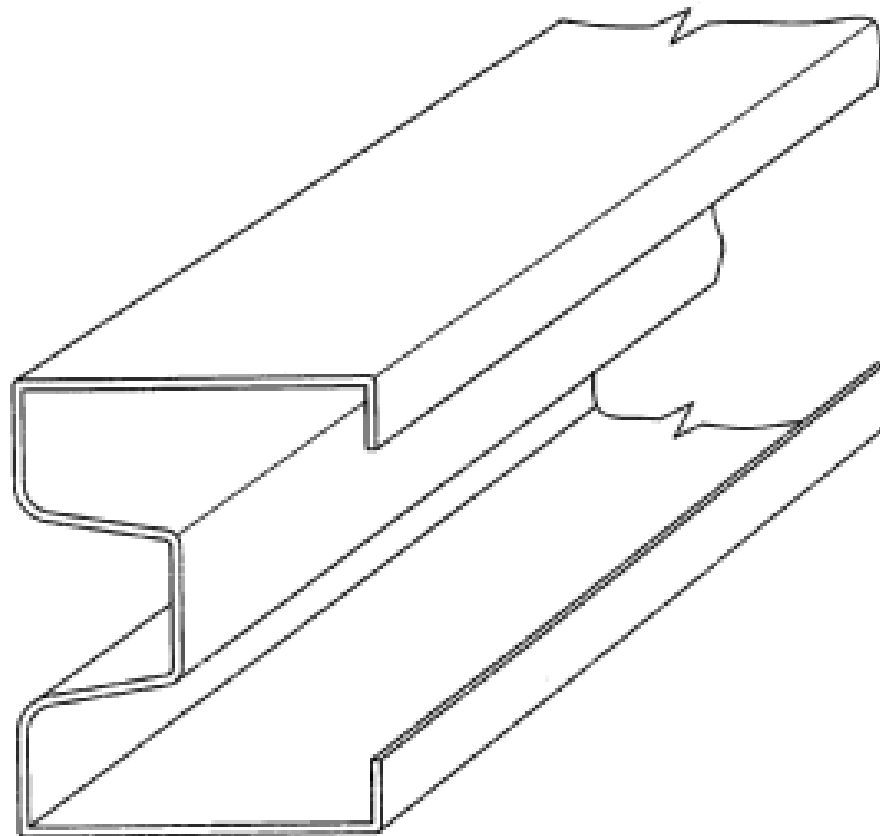
**PROCUTECH Targeted Supply Chain Solutions Co., Limited
Flat C 23/F Lucky Plaza 315-321 Lockhart Road Wanchai Hong Kong**

(72) Name(s) of Designer(s): **Gary Stephen Gale**

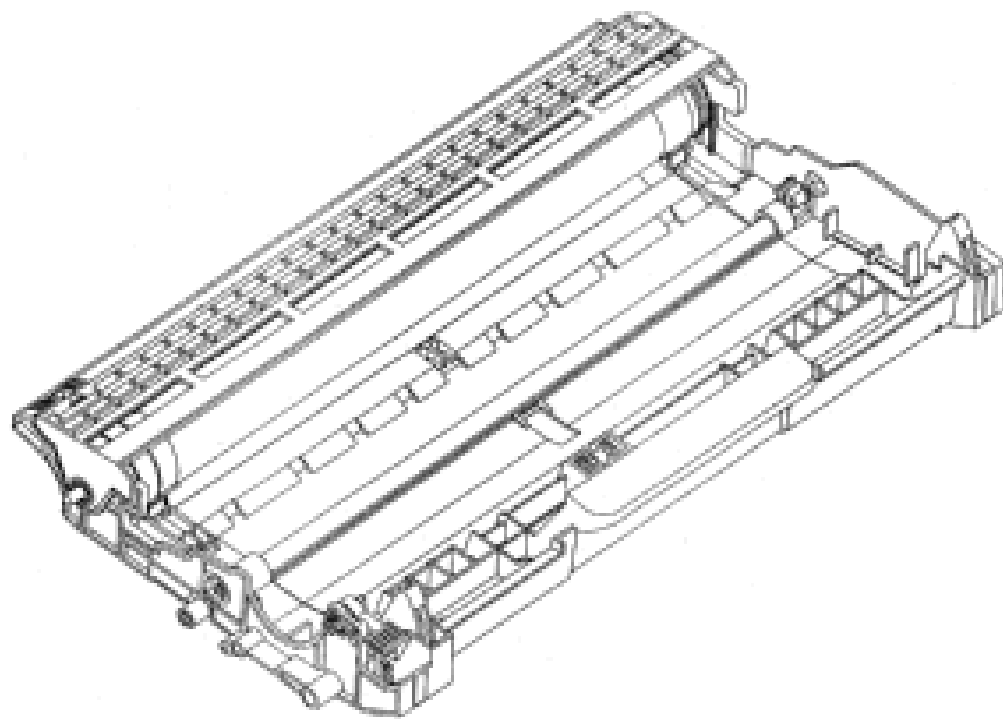
(45) Registration Date: **10 November 2010**

(56) Related Art Documents: **Not Applicable**

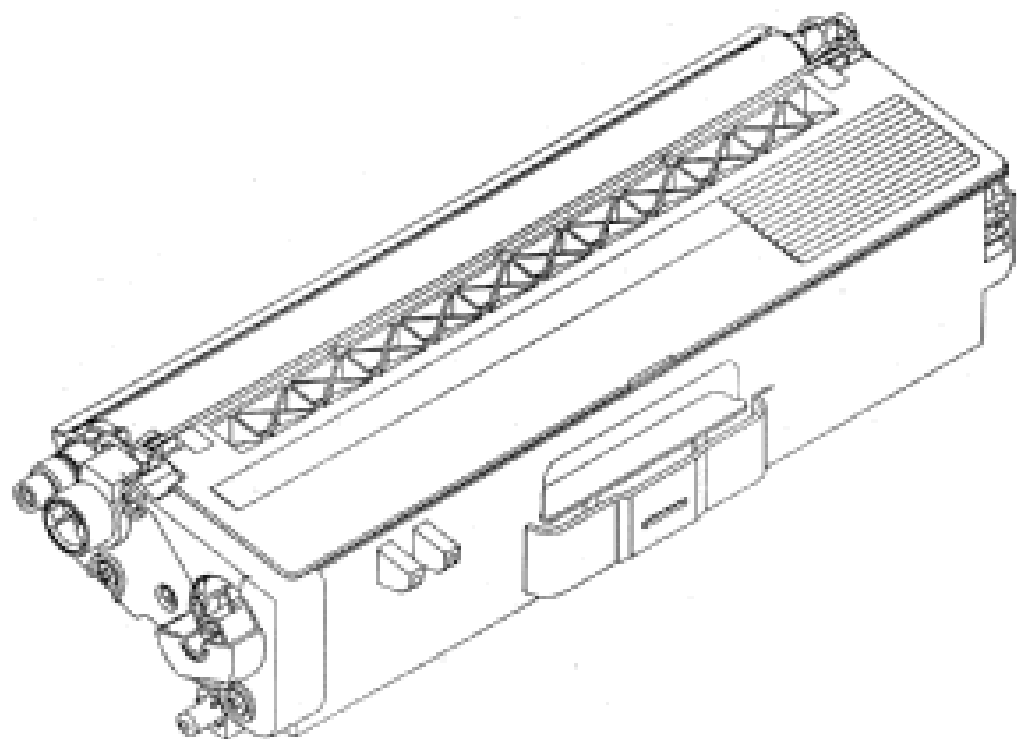
(57) Statement of Newness and Distinctiveness: **The features of shape and configuration of the section shown in the accompanying representations are considered to be new and distinctive. The section of indefinite length.**



- (21) Design Number: **13802/2010**
(22) Date of Filing Application: **31 August 2010**
(24) Date from which industrial property rights may have effect: **31 August 2010**
(54) Product in respect of which the design is registered: **Photosensitive drum unit**
(51) International Design Classification: **18-02, 16-03**
(71) Name(s) and Address(s) of Applicant(s):
Brother Industries, Ltd.
15-1 Naeshiro-cho Mizuho-ku Nagoya-shi Aichi-ken Japan
(72) Name(s) of Designer(s): **Susumu Sakuma and Takeyuki Takagi**
(45) Registration Date: **10 November 2010**
(30) Convention priority data:
(31) Number (32) Date (33) Country
2010-005045 03 Mar 2010 JAPAN
(56) Related Art Documents: **Not Applicable**
(57) Statement of Newness and Distinctiveness: **Nil**



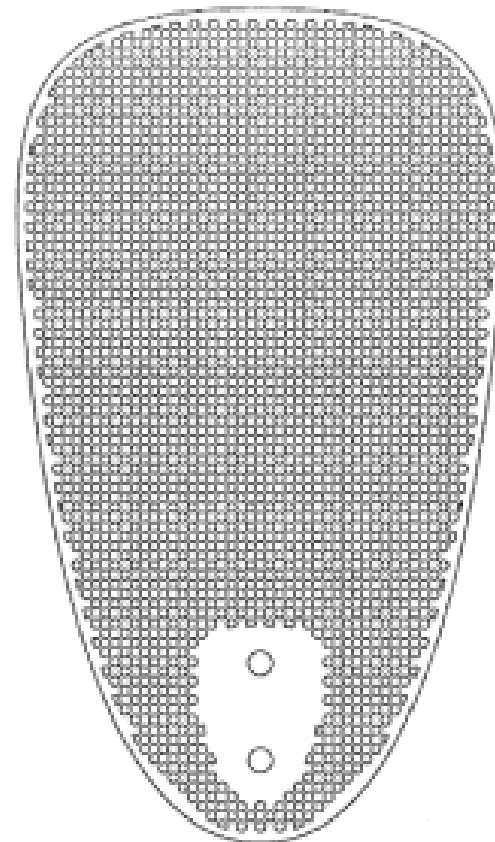
- (21) Design Number: **13803/2010**
(22) Date of Filing Application: **31 August 2010**
(24) Date from which industrial property rights may have effect: **31 August 2010**
(54) Product in respect of which the design is registered: **Toner cartridge**
(51) International Design Classification: **14-02**
(71) Name(s) and Address(s) of Applicant(s):
Brother Industries, Ltd.
15-1 Naeshiro-cho Mizuho-ku Nagoya-shi Aichi-ken Japan
(72) Name(s) of Designer(s): **Isao Kishi and Junichi Hashimoto and Shuichi Kato**
(45) Registration Date: **10 November 2010**
(30) Convention priority data:
(31) Number (32) Date (33) Country
2010-005037 03 Mar 2010 JAPAN
(56) Related Art Documents: **Not Applicable**
(57) Statement of Newness and Distinctiveness: **Nil**



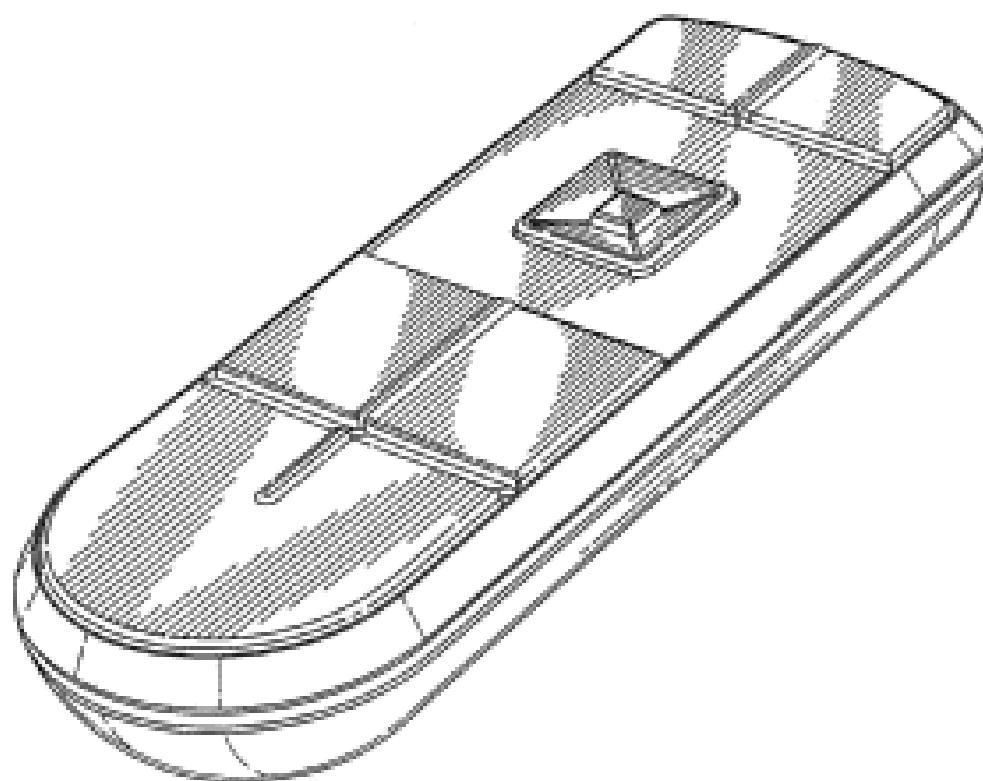
- (21) Design Number: **14590/2010**
(22) Date of Filing Application: **26 October 2010**
(24) Date from which industrial property rights may have effect: **26 October 2010**
(54) Product in respect of which the design is registered: **Multipurpose folding hand cart with child seat**
(51) International Design Classification: **12-12**
(71) Name(s) and Address(s) of Applicant(s):
John Louis Maltzahn
9 Highview Road Balwyn North Victoria 3104 Australia
(72) Name(s) of Designer(s): **John Louis Maltzahn**
(45) Registration Date: **10 November 2010**
(56) Related Art Documents: **Not Applicable**
(57) Statement of Newness and Distinctiveness: **Nil**



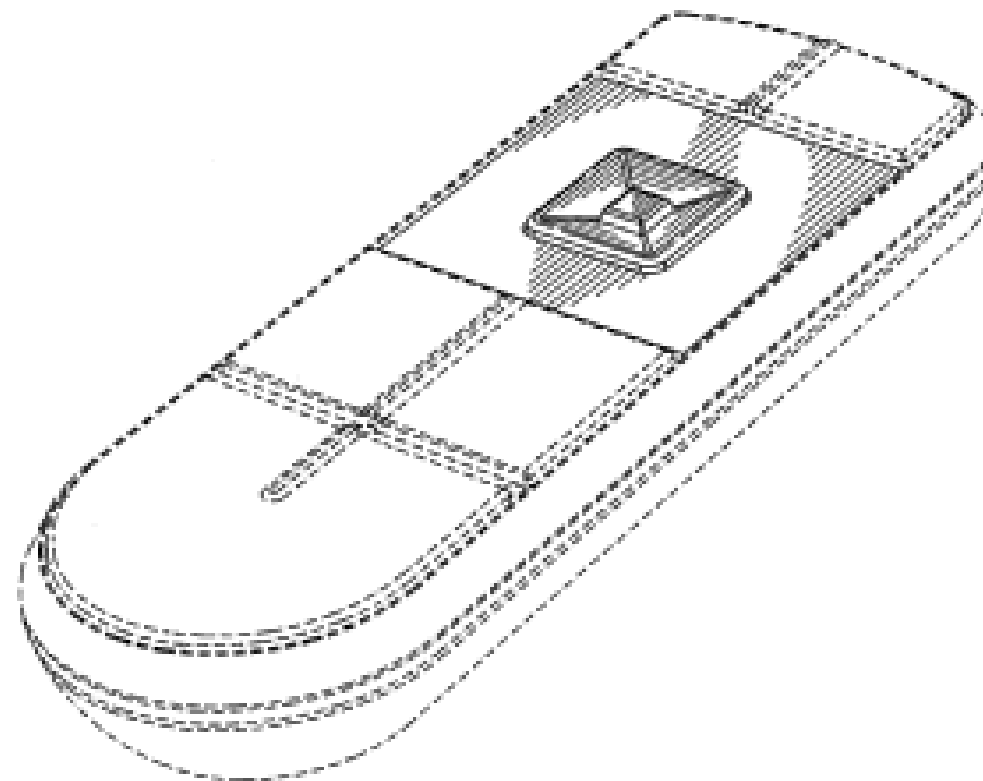
- (21) Design Number: **14098/2010**
(22) Date of Filing Application: **23 September 2010**
(24) Date from which industrial property rights may have effect: **23 September 2010**
(54) Product in respect of which the design is registered: **Earring stand top**
(51) International Design Classification: **20-02NES**
(71) Name(s) and Address(s) of Applicant(s):
Frunique Pty Ltd
Unit 6 36 Bream Street Coogee New South Wales 2034 Australia
(72) Name(s) of Designer(s): **Alecia Braven**
(45) Registration Date: **10 November 2010**
(56) Related Art Documents: **Not Applicable**
(57) Statement of Newness and Distinctiveness: **Newness and distinctiveness is claimed in the features of shape and/or configuration of a earring stand as illustrated in the accompanying representations.**



(21) Design Number: **14187/2010**
 (22) Date of Filing Application: **07 October 2010**
 (24) Date from which industrial property rights may have effect: **07 October 2010**
 (54) Product in respect of which the design is registered: **Remote control**
 (51) International Design Classification: **14-03NES**
 (71) Name(s) and Address(s) of Applicant(s):
Bose Corporation
The Mountain Framingham Massachusetts 01701-9168 United States of America
 (72) Name(s) of Designer(s): **Samuel J. Aquillano and Julie E. Tierney and John Michael Sakalowsky**
 (45) Registration Date: **10 November 2010**
 (30) Convention priority data:
 (31) Number (32) Date (33) Country
29/361,387 11 May 2010 UNITED STATES OF AMERICA
 (56) Related Art Documents: **Not Applicable**
 (57) Statement of Newness and Distinctiveness: **Those features of the remote control depicted in the representations that are new and distinctive are the shape and/or configuration.**

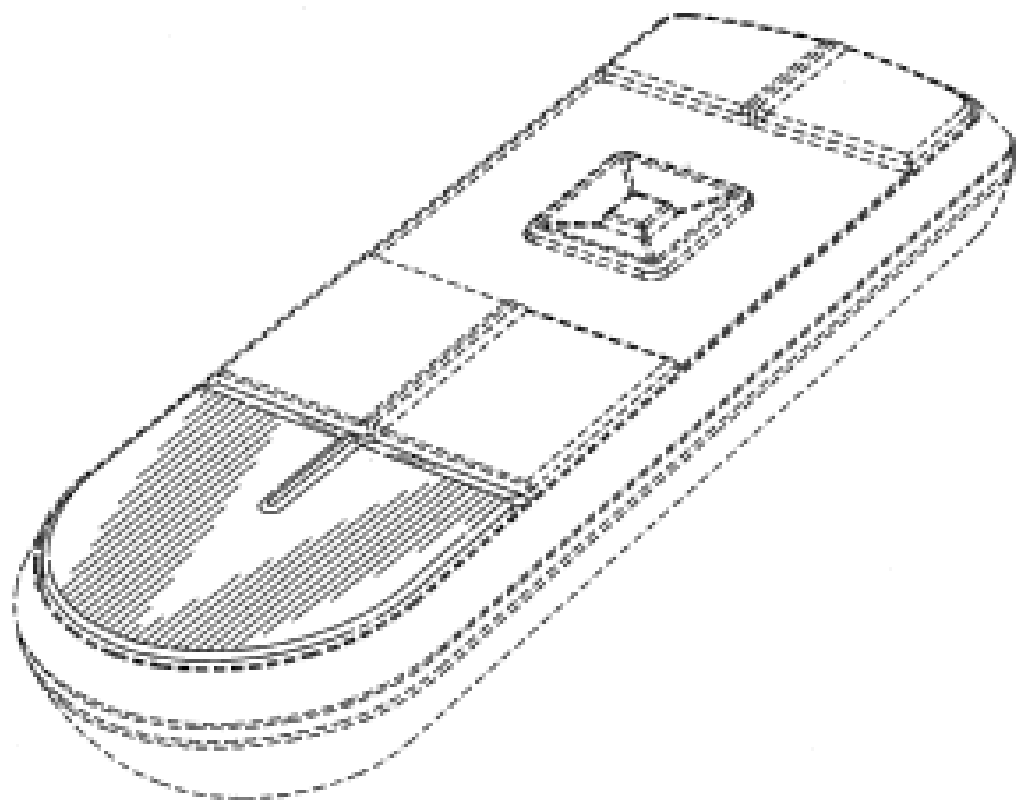


(21) Design Number: **14567/2010**
 (22) Date of Filing Application: **07 October 2010**
 (24) Date from which industrial property rights may have effect: **07 October 2010**
 (54) Product in respect of which the design is registered: **Remote control**
 (51) International Design Classification: **14-03NES**
 (71) Name(s) and Address(s) of Applicant(s):
Bose Corporation
The Mountain Framingham Massachusetts 01701-9168 United States of America
 (72) Name(s) of Designer(s): **Samuel J. Aquillano and Julie E. Tierney and John Michael Sakalowsky**
 (45) Registration Date: **10 November 2010**
 (30) Convention priority data:
 (31) Number (32) Date (33) Country
29/361,387 11 May 2010 UNITED STATES OF AMERICA
 (56) Related Art Documents: **Not Applicable**
 (57) Statement of Newness and Distinctiveness: **Those features of the remote control depicted in the representations that are new and distinctive are the shape and/or configuration. The features shown in broken lines are not part of the design and are to be disregarded when considering the overall impression of the design.**

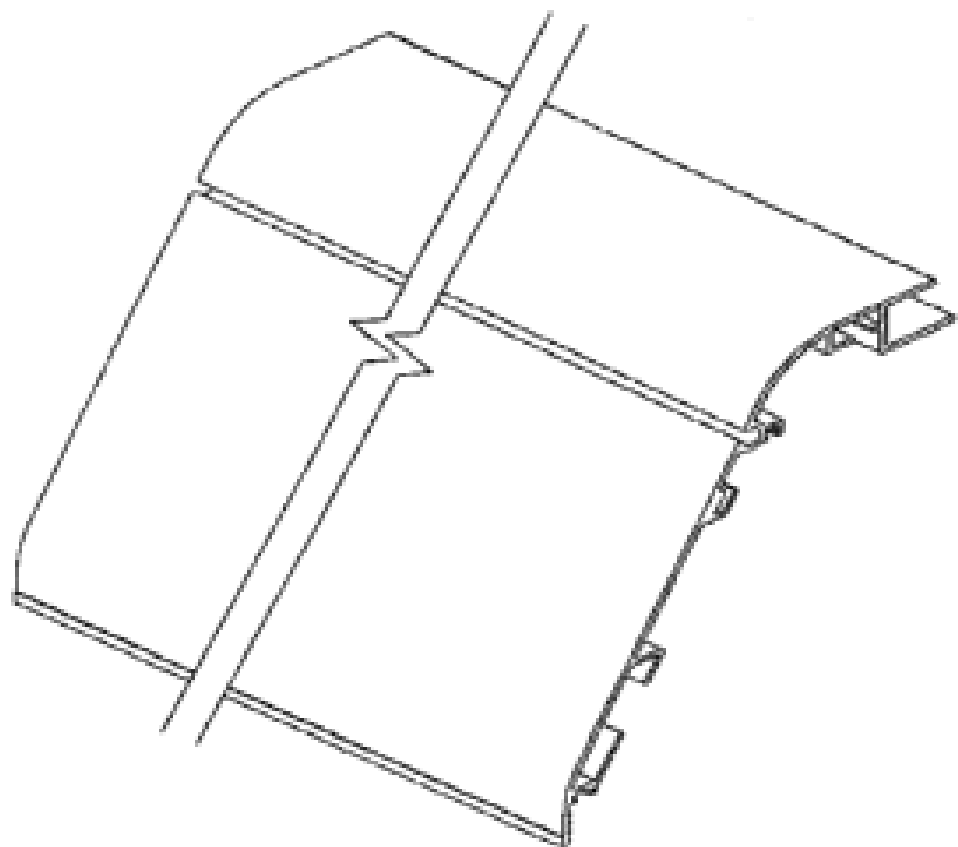


- (21) Design Number: **14568/2010**
- (22) Date of Filing Application: **07 October 2010**
- (24) Date from which industrial property rights may have effect: **07 October 2010**
- (54) Product in respect of which the design is registered: **Remote control**
- (51) International Design Classification: **14-03NES**
- (71) Name(s) and Address(s) of Applicant(s):
Bose Corporation
The Mountain Framingham Massachusetts 01701-9168 United States of America
- (72) Name(s) of Designer(s): **Samuel J. Aquillano and Julie E. Tierney and John Michael Sakalowsky**
- (45) Registration Date: **10 November 2010**
- (30) Convention priority data:

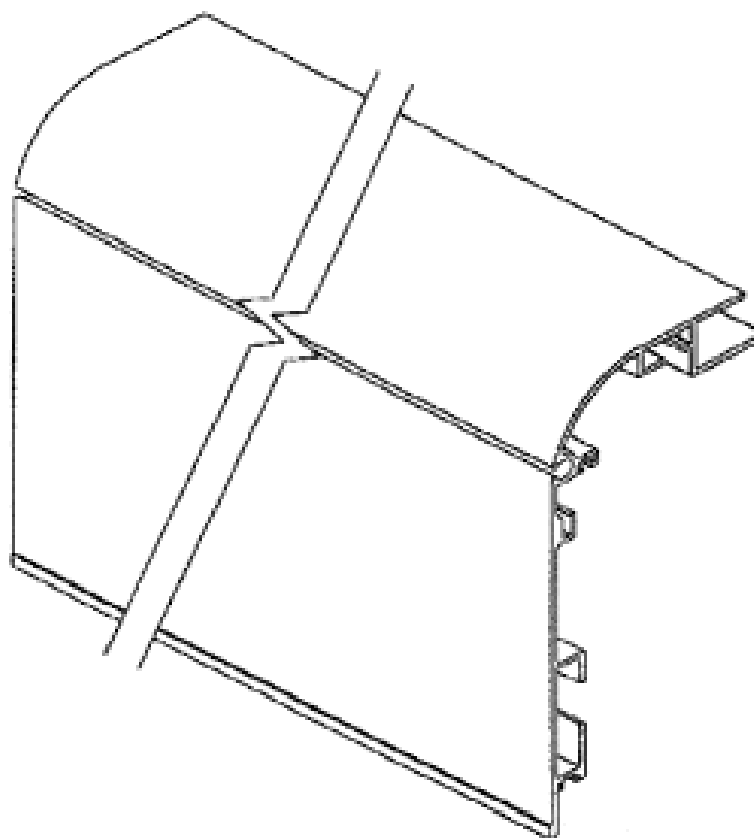
(31) Number	(32) Date	(33) Country
29/361,387	11 May 2010	UNITED STATES OF AMERICA
- (56) Related Art Documents: **Not Applicable**
- (57) Statement of Newness and Distinctiveness: **Those features of the remote control depicted in the representations that are new and distinctive are the shape and/or configuration. The features shown in broken lines are not part of the design and are to be disregarded when considering the overall impression of the design.**



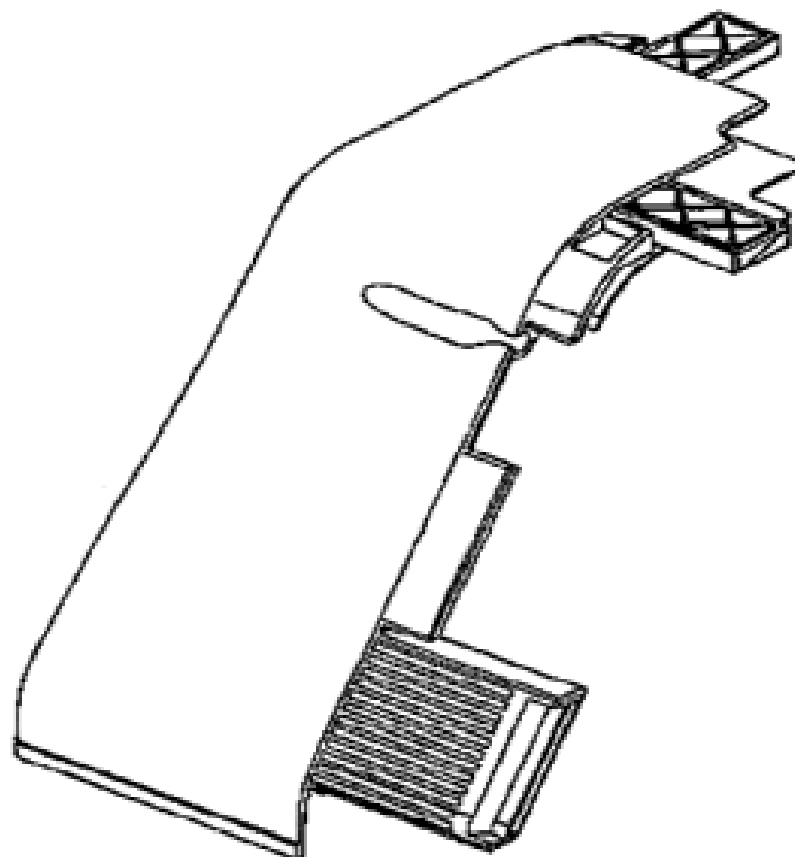
- (21) Design Number: **14293/2010**
- (22) Date of Filing Application: **29 September 2010**
- (24) Date from which industrial property rights may have effect: **29 September 2010**
- (54) Product in respect of which the design is registered: **Extrusion**
- (51) International Design Classification: **25-01K**
- (71) Name(s) and Address(s) of Applicant(s):
Jayco Corporation Pty Ltd
1 Jayco Drive Dandenong South Victoria 3175 Australia
- (72) Name(s) of Designer(s): **Bernd Rominger**
- (45) Registration Date: **10 November 2010**
- (56) Related Art Documents: **Not Applicable**
- (57) Statement of Newness and Distinctiveness: **Monopoly is claimed in the features of shape and configuration of an extrusion of indefinite length as illustrated in the accompanying drawings.**



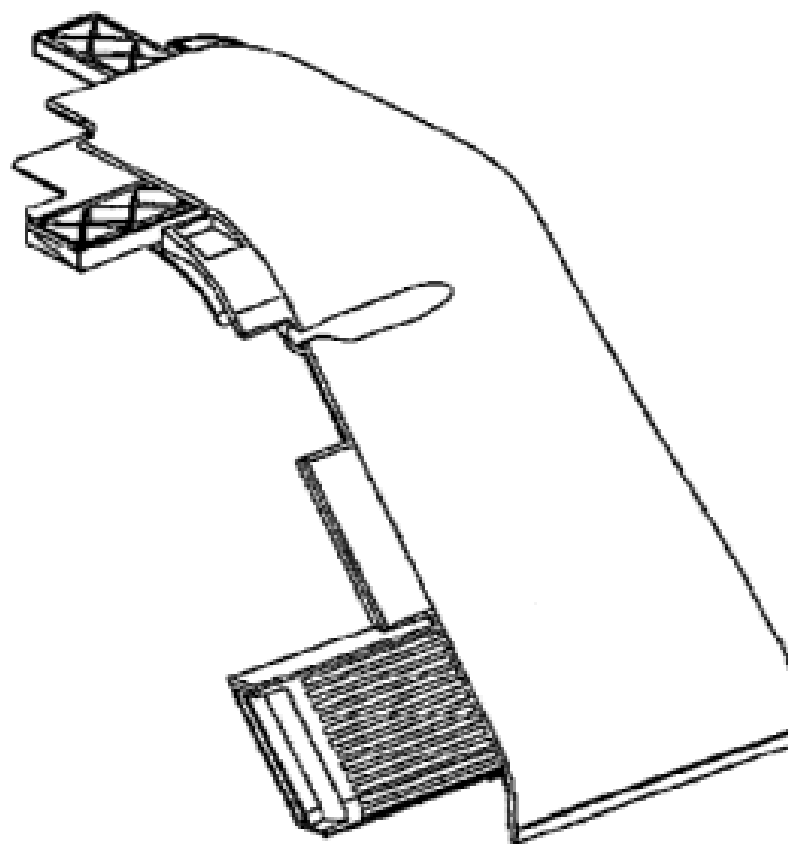
- (21) Design Number: **14301/2010**
(22) Date of Filing Application: **29 September 2010**
(24) Date from which industrial property rights may have effect: **29 September 2010**
(54) Product in respect of which the design is registered: **Extrusion**
(51) International Design Classification: **25-01K**
(71) Name(s) and Address(s) of Applicant(s):
Jayco Corporation Pty Ltd
1 Jayco Drive Dandenong South Victoria 3175 Australia
(72) Name(s) of Designer(s): **Bernd Rominger**
(45) Registration Date: **10 November 2010**
(56) Related Art Documents: **Not Applicable**
(57) Statement of Newness and Distinctiveness: **Monopoly is claimed in the feature of shape and configuration of an extrusion of indefinite length as illustrated in the accompanying drawings.**



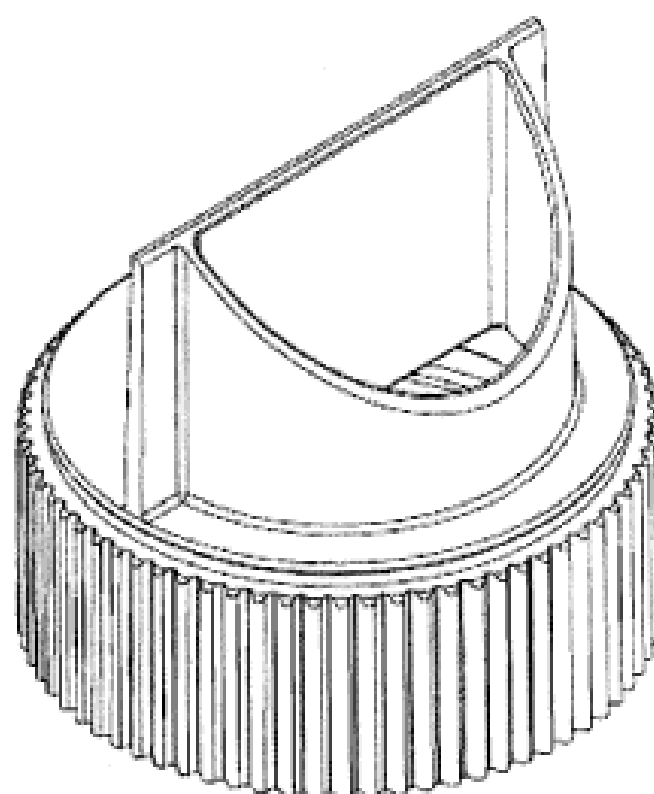
- (21) Design Number: **14302/2010**
(22) Date of Filing Application: **29 September 2010**
(24) Date from which industrial property rights may have effect: **29 September 2010**
(54) Product in respect of which the design is registered: **Corner moulding**
(51) International Design Classification: **25-01G**
(71) Name(s) and Address(s) of Applicant(s):
Jayco Corporation Pty Ltd
1 Jayco Drive Dandenong South Victoria 3175 Australia
(72) Name(s) of Designer(s): **Bernd Rominger**
(45) Registration Date: **10 November 2010**
(56) Related Art Documents: **Not Applicable**
(57) Statement of Newness and Distinctiveness: **Monopoly is claimed in the features of shape and configuration as illustrated in the accompanying drawings.**



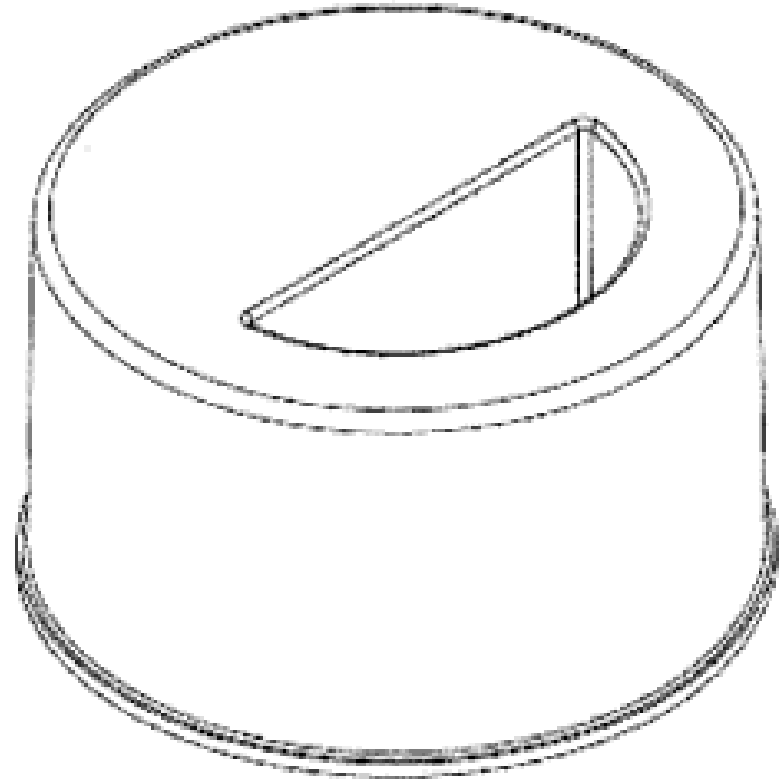
(21) Design Number: **14303/2010**
(22) Date of Filing Application: **29 September 2010**
(24) Date from which industrial property rights may have effect: **29 September 2010**
(54) Product in respect of which the design is registered: **Corner moulding**
(51) International Design Classification: **25-01G**
(71) Name(s) and Address(s) of Applicant(s):
Jayco Corporation Pty Ltd
1 Jayco Drive Dandenong South Victoria 3175 Australia
(72) Name(s) of Designer(s): **Bernd Rominger**
(45) Registration Date: **10 November 2010**
(56) Related Art Documents: **Not Applicable**
(57) Statement of Newness and Distinctiveness: **Monopoly is claimed in the features of shape and configuration as illustrated in the accompanying drawings.**



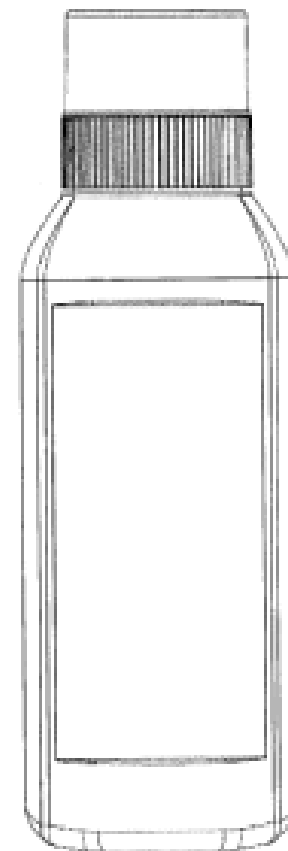
(21) Design Number: **14306/2010**
(22) Date of Filing Application: **30 September 2010**
(24) Date from which industrial property rights may have effect: **30 September 2010**
(54) Product in respect of which the design is registered: **Applicator head**
(51) International Design Classification: **09-07A**
(71) Name(s) and Address(s) of Applicant(s):
DuluxGroup (Australia) Pty Ltd
1 Gow Street Padstow New South Wales 2211 Australia
(72) Name(s) of Designer(s): **Sean Lewis**
(45) Registration Date: **10 November 2010**
(56) Related Art Documents: **Not Applicable**
(57) Statement of Newness and Distinctiveness: **Nil**



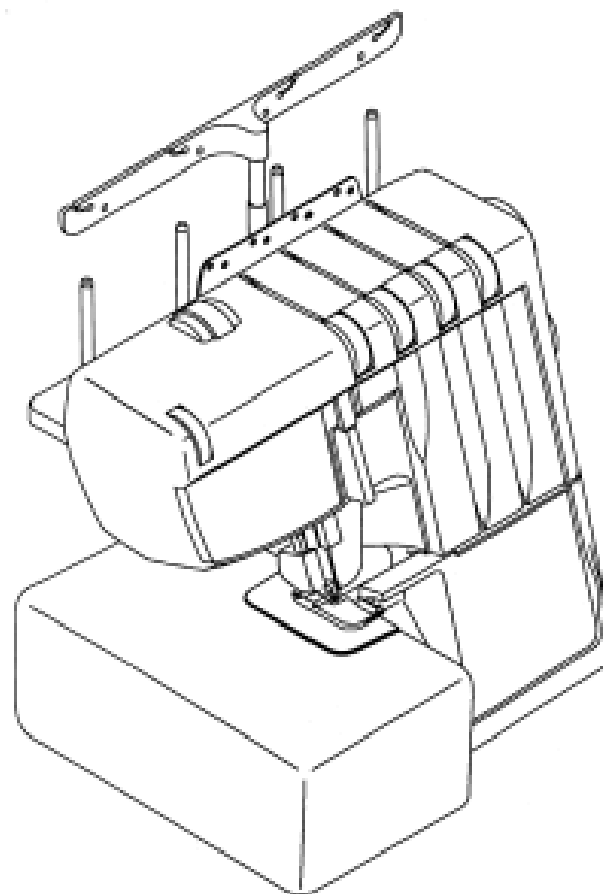
- (21) Design Number: **14307/2010**
(22) Date of Filing Application: **30 September 2010**
(24) Date from which industrial property rights may have effect: **30 September 2010**
(54) Product in respect of which the design is registered: **Container cap**
(51) International Design Classification: **09-07C**
(71) Name(s) and Address(s) of Applicant(s):
DuluxGroup (Australia) Pty Ltd
1 Gow Street Padstow New South Wales 2211 Australia
(72) Name(s) of Designer(s): **Sean Lewis**
(45) Registration Date: **10 November 2010**
(56) Related Art Documents: **Not Applicable**
(57) Statement of Newness and Distinctiveness: **Nil**



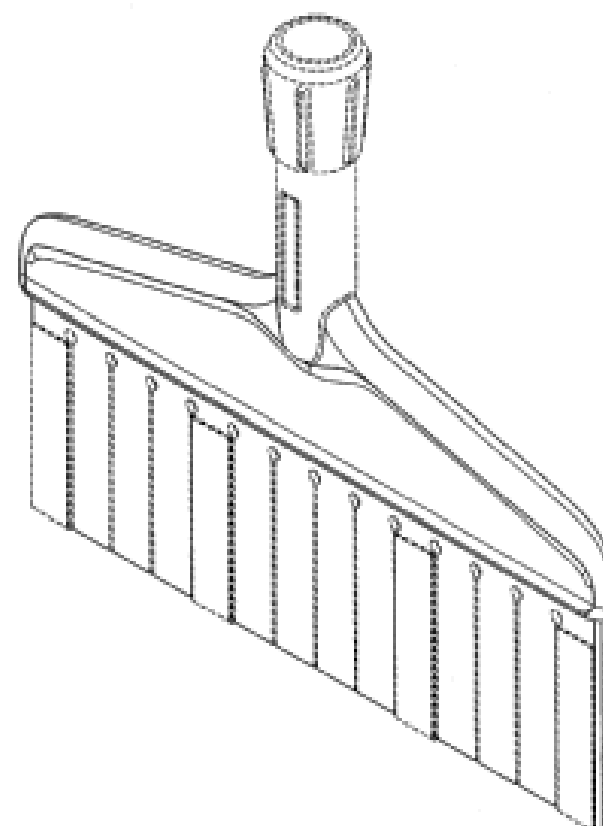
- (21) Design Number: **14308/2010**
(22) Date of Filing Application: **30 September 2010**
(24) Date from which industrial property rights may have effect: **30 September 2010**
(54) Product in respect of which the design is registered: **Container**
(51) International Design Classification: **09-01NES**
(71) Name(s) and Address(s) of Applicant(s):
DuluxGroup (Australia) Pty Ltd
1 Gow Street Padstow New South Wales 2211 Australia
(72) Name(s) of Designer(s): **Sean Lewis**
(45) Registration Date: **10 November 2010**
(56) Related Art Documents: **Not Applicable**
(57) Statement of Newness and Distinctiveness: **Nil**



(21) Design Number: **14375/2010**
(22) Date of Filing Application: **06 October 2010**
(24) Date from which industrial property rights may have effect: **06 October 2010**
(54) Product in respect of which the design is registered: **Sewing Machine**
(51) International Design Classification: **15-06**
(71) Name(s) and Address(s) of Applicant(s):
Janome Sewing Machine Company Limited
1463 Hazama-Machi Hachioji-Shi Tokyo Japan
(72) Name(s) of Designer(s): **Hideki Muto**
(45) Registration Date: **10 November 2010**
(30) Convention priority data:
(31) Number (32) Date (33) Country
2010-012260 19 May 2010 JAPAN
(56) Related Art Documents: **Not Applicable**
(57) Statement of Newness and Distinctiveness: **Nil**



(21) Design Number: **14414/2010**
(22) Date of Filing Application: **13 October 2010**
(24) Date from which industrial property rights may have effect: **13 October 2010**
(54) Product in respect of which the design is registered: **Applicator with individually flexible pad support fingers**
(51) International Design Classification: **07-05E**
(71) Name(s) and Address(s) of Applicant(s):
Specialty Products of Greenwood, Missouri, Inc.
400 Walnut Street PO Box 377 Greenwood Missouri 64034-0377
United States of America
(72) Name(s) of Designer(s): **Jim Joseph Best and Marco Carroll Perry and Mark David Prommel and Kevin Min O'Leary and William Daniel Richardson and Chad Edward Brott and B. Dere Newman and Melodie Lea Wendleton and Benjamin A. Shobert and Richard S. Dale and Todd Brunner and William Lauchlin Gullledge Jr.**
(45) Registration Date: **10 November 2010**
(30) Convention priority data:
(31) Number (32) Date (33) Country
29/359,630 13 Apr 2010 UNITED STATES OF AMERICA
(56) Related Art Documents: **Not Applicable**
(57) Statement of Newness and Distinctiveness: **Those features of the applicator with individually flexible pad support fingers depicted in the representations that are new and distinctive are the shape and/or configuration. The features shown in broken lines are not part of the design and are to be disregarded when considering the overall impression of the design.**



(21) Design Number: **14422/2010**
 (22) Date of Filing Application: **12 October 2010**
 (24) Date from which industrial property rights may have effect: **12 October 2010**
 (54) Product in respect of which the design is registered: **A motor scooter**
 (51) International Design Classification: **12-11**
 (71) Name(s) and Address(s) of Applicant(s):

Perisseia Pty Ltd
38 Florence Street Fullarton South Australia 5063 Australia

(72) Name(s) of Designer(s): **Theophilus Engela**

(45) Registration Date: **10 November 2010**

(56) Related Art Documents: **Not Applicable**

(57) Statement of Newness and Distinctiveness: **Newness and distinctiveness resides in the features, shape and configuration of a motor scooter as illustrated in the accompanying representations. When considering the scope of monopoly in the design, each of the following dinosaur and/or reptile and/or animal characterisations and features should be considered both jointly and separately, including: the use of the back wheel hoods as representations of animal legs and feet; the incidence of a representation of an animal tail; the incidence of a representation of animal forearms; the incidence of a representation of an animal head atop the motor scooter steering column; the placement of the headlight(s) within the open mouth of the same animal head; the placement of handle bars in a horse-bit type arrangement; and the ribbed reptile skin-like effect which runs down the steering column, along the footboard, up to, and including, the seat upholstery.**



(21) Design Number: **14490/2010**
 (22) Date of Filing Application: **19 October 2010**
 (24) Date from which industrial property rights may have effect: **19 October 2010**
 (54) Product in respect of which the design is registered: **A tyre**
 (51) International Design Classification: **12-15B**
 (71) Name(s) and Address(s) of Applicant(s):

Societe De Technologie Michelin
23 rue Breschet F-63000 Clermont-Ferrand Cedex France
Michelin Recherche et Technique S.A.
Route Louis Braille 10 et 12 CH-1763 Granges-Paccot Switzerland

(72) Name(s) of Designer(s): **Eric Lebreton**

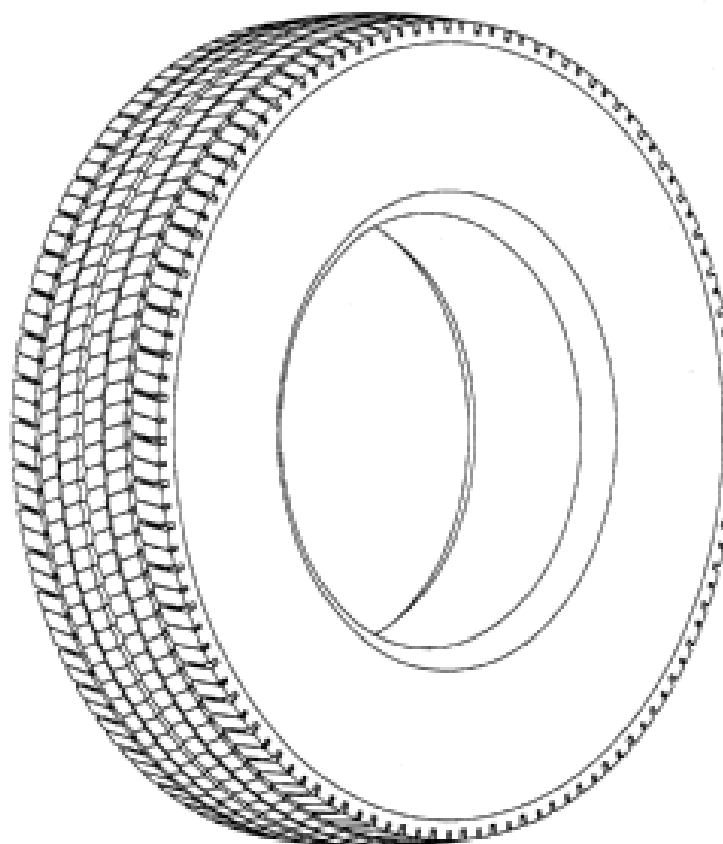
(45) Registration Date: **10 November 2010**

(30) Convention priority data:

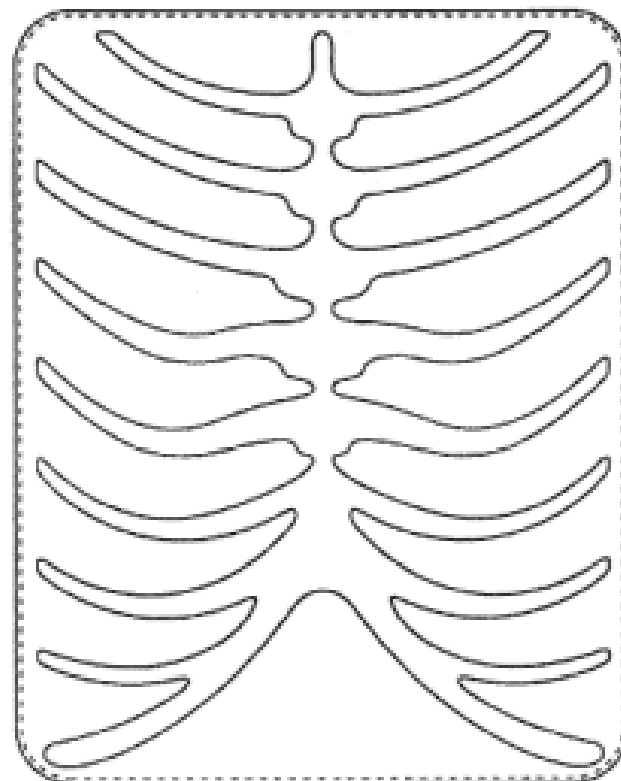
(31) Number	(32) Date	(33) Country
10/2266	27 Apr 2010	FRANCE

(56) Related Art Documents: **Not Applicable**

(57) Statement of Newness and Distinctiveness: **Newness and distinctiveness resides in the shape and configuration applied to a tread region of a tyre as represented in the annexed drawings, the remainder of the tyre not forming part of the design.**



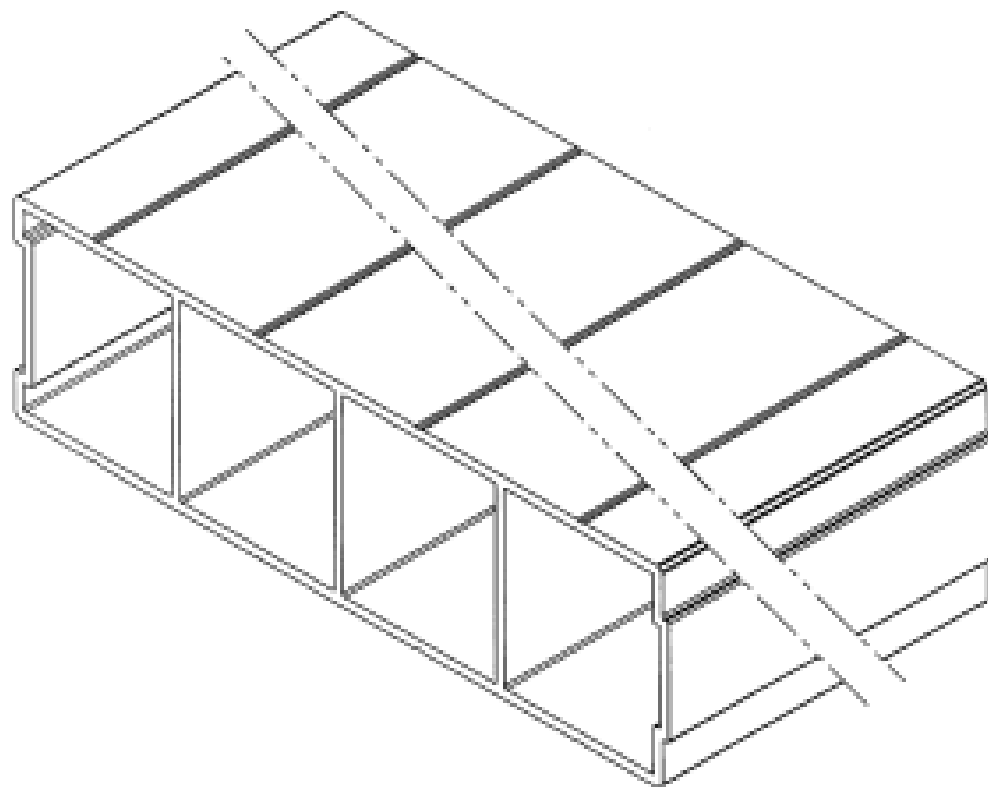
- (21) Design Number: **14491/2010**
(22) Date of Filing Application: **19 October 2010**
(24) Date from which industrial property rights may have effect: **19 October 2010**
(54) Product in respect of which the design is registered: **Protective casing for portable handheld electronic device**
(51) International Design Classification: **03-01NES, 14-02**
(71) Name(s) and Address(s) of Applicant(s):
SwitchEasy Limited
Room 314 Sing Win Factory Building 15-17 Shing Yip Street Kwun Tong Kowloon Hong Kong
(72) Name(s) of Designer(s): **Chi Yun Steven Bau**
(45) Registration Date: **10 November 2010**
(30) Convention priority data:
(31) Number (32) Date (33) Country
1000790.6 30 Apr 2010 HONG KONG
(56) Related Art Documents: **Not Applicable**
(57) Statement of Newness and Distinctiveness: **Nil**



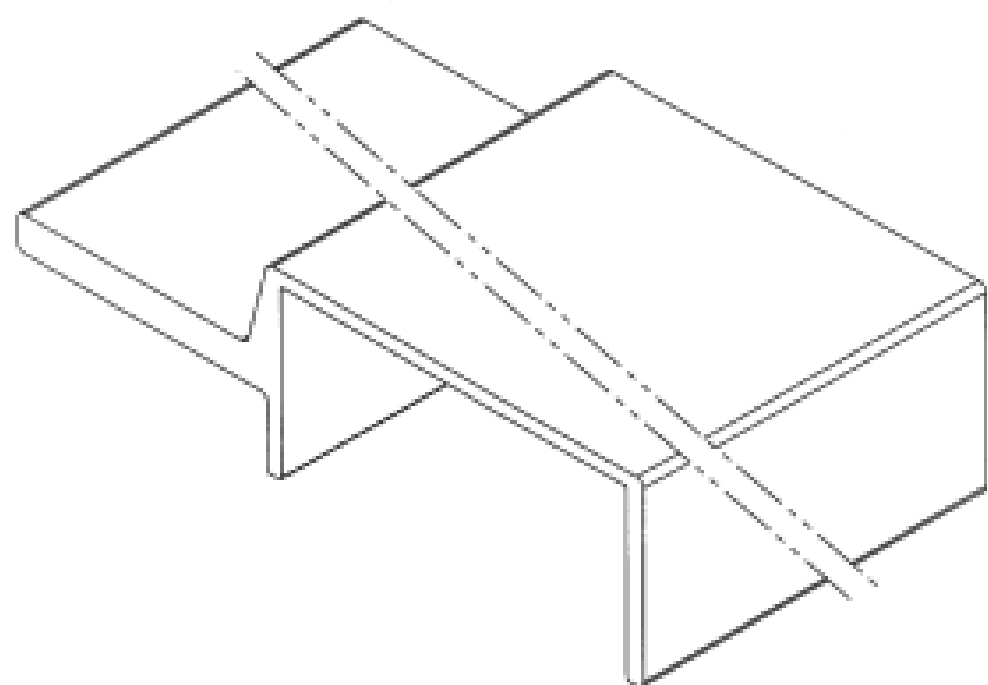
- (21) Design Number: **14534/2010**
(22) Date of Filing Application: **20 October 2010**
(24) Date from which industrial property rights may have effect: **20 October 2010**
(54) Product in respect of which the design is registered: **A shoelace knot clasp/clip for lace-up shoes**
(51) International Design Classification: **02-07B**
(71) Name(s) and Address(s) of Applicant(s):
Fiona Collier
20 Chester Street Lilydale Victoria 3140 Australia
(72) Name(s) of Designer(s): **Fiona Collier**
(45) Registration Date: **10 November 2010**
(56) Related Art Documents: **Not Applicable**
(57) Statement of Newness and Distinctiveness: **Elongated strip with a fixed loop at one end and a press stud mount hole housed at the other end. Two press studs are located between the ends with a textured area/grip feature lying between the press stud mount hole (female part) and the first press stud (male part).**



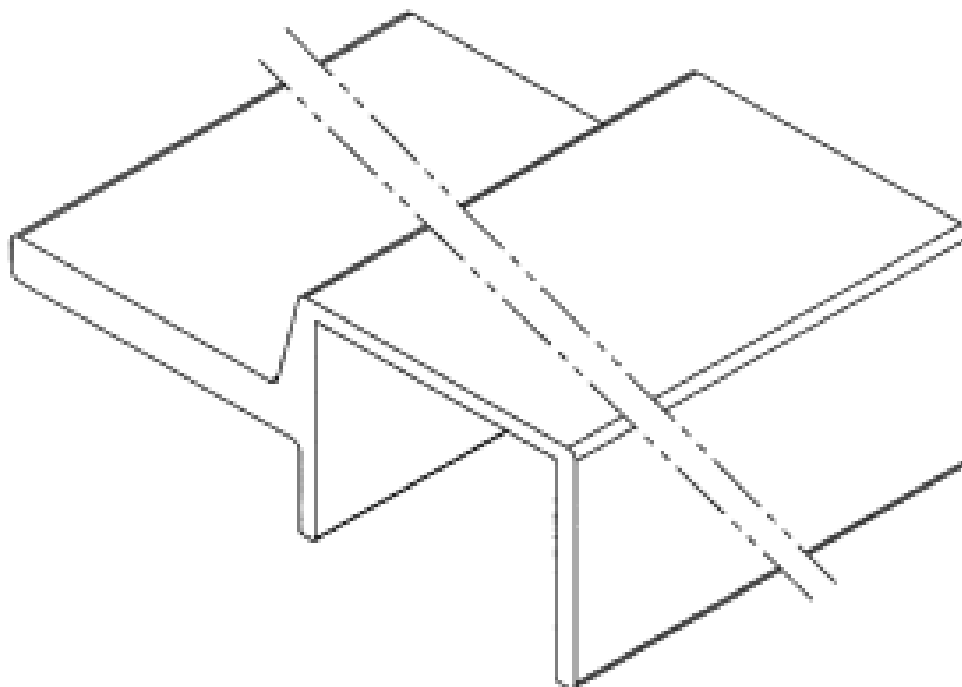
- (21) Design Number: **14144/2010**
(22) Date of Filing Application: **28 September 2010**
(24) Date from which industrial property rights may have effect: **28 September 2010**
(54) Product in respect of which the design is registered: **An extrusion**
(51) International Design Classification: **25-01K**
(71) Name(s) and Address(s) of Applicant(s):
Lite Guard Safety Solutions Pty Ltd
13 Burton Street Dromana Victoria 3936 Australia
(72) Name(s) of Designer(s): **Peter Anthony Geldart**
(45) Registration Date: **10 November 2010**
(56) Related Art Documents: **Not Applicable**
(57) Statement of Newness and Distinctiveness: **Newness and distinctiveness resides in the features of shape and/or configuration of an extrusion of indefinite length as shown in the accompanying representations.**



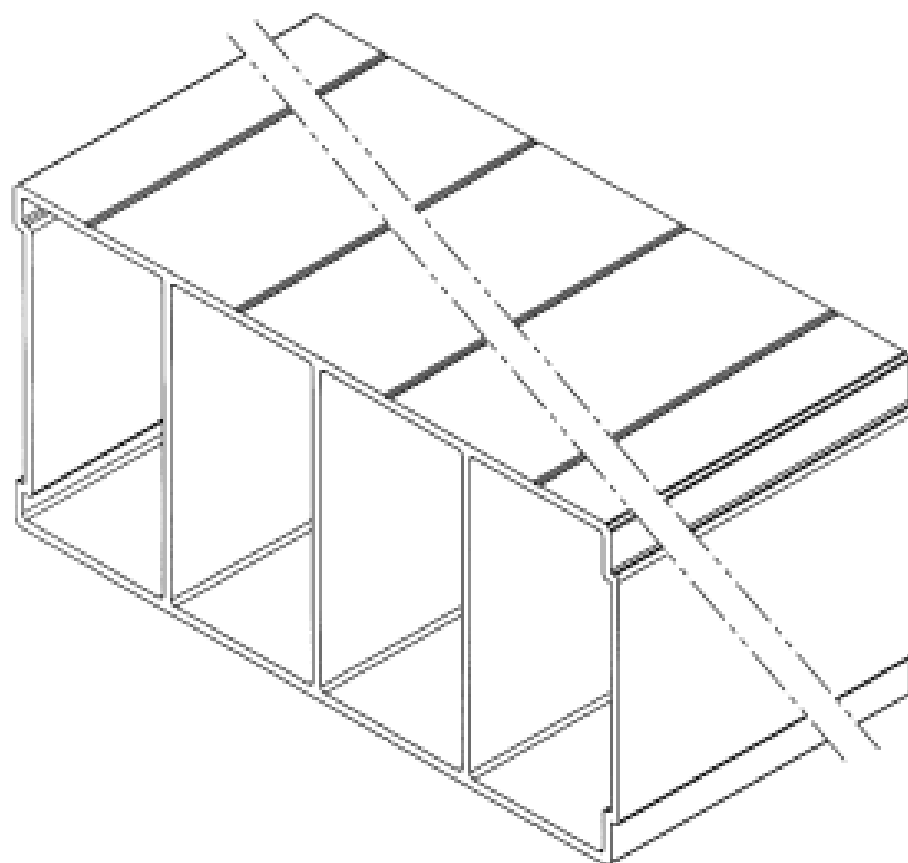
- (21) Design Number: **14145/2010**
(22) Date of Filing Application: **28 September 2010**
(24) Date from which industrial property rights may have effect: **28 September 2010**
(54) Product in respect of which the design is registered: **An extrusion**
(51) International Design Classification: **25-01K**
(71) Name(s) and Address(s) of Applicant(s):
Lite Guard Safety Solutions Pty Ltd
13 Burton Street Dromana Victoria 3936 Australia
(72) Name(s) of Designer(s): **Peter Anthony Geldart**
(45) Registration Date: **10 November 2010**
(56) Related Art Documents: **Not Applicable**
(57) Statement of Newness and Distinctiveness: **Newness and distinctiveness resides in the features of shape and/or configuration of an extrusion of indefinite length as shown in the accompanying representations.**



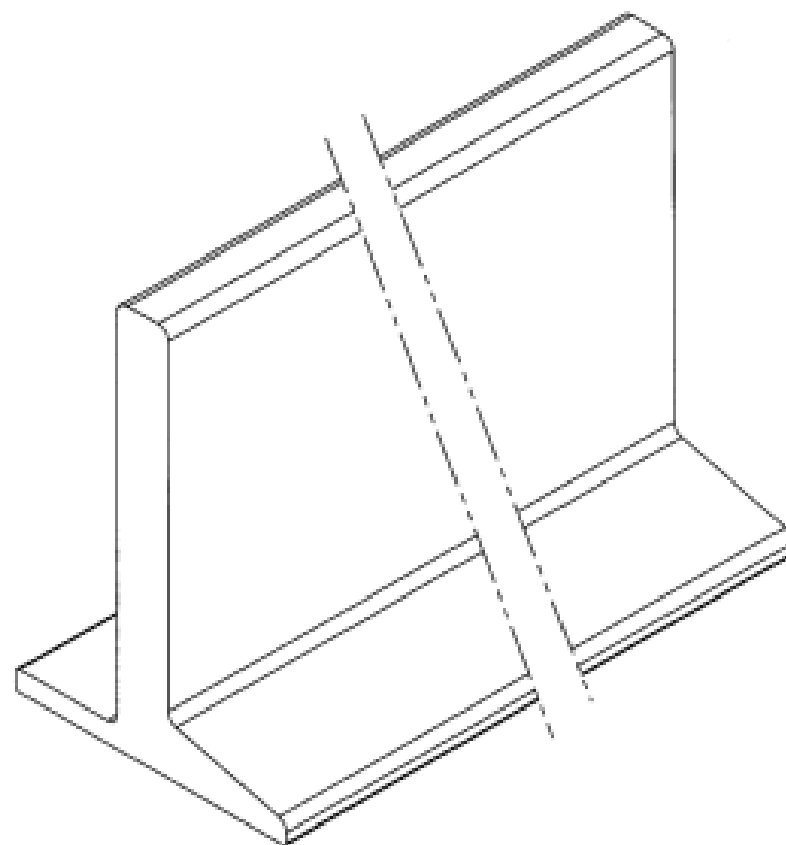
- (21) Design Number: **14146/2010**
(22) Date of Filing Application: **28 September 2010**
(24) Date from which industrial property rights may have effect: **28 September 2010**
(54) Product in respect of which the design is registered: **An extrusion**
(51) International Design Classification: **25-01K**
(71) Name(s) and Address(s) of Applicant(s):
Lite Guard Safety Solutions Pty Ltd
13 Burton Street Dromana Victoria 3936 Australia
(72) Name(s) of Designer(s): **Peter Anthony Geldart**
(45) Registration Date: **10 November 2010**
(56) Related Art Documents: **Not Applicable**
(57) Statement of Newness and Distinctiveness: **Newness and distinctiveness resides in the features of shape and/or configuration of an extrusion of indefinite length as shown in the accompanying representations.**



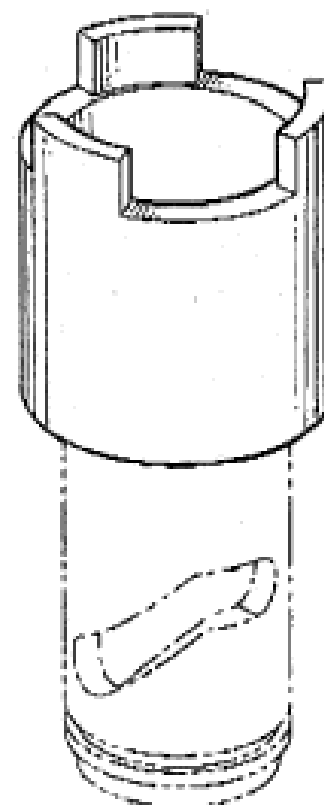
- (21) Design Number: **14147/2010**
(22) Date of Filing Application: **28 September 2010**
(24) Date from which industrial property rights may have effect: **28 September 2010**
(54) Product in respect of which the design is registered: **An extrusion**
(51) International Design Classification: **25-01K**
(71) Name(s) and Address(s) of Applicant(s):
Lite Guard Safety Solutions Pty Ltd
13 Burton Street Dromana Victoria 3936 Australia
(72) Name(s) of Designer(s): **Peter Anthony Geldart**
(45) Registration Date: **10 November 2010**
(56) Related Art Documents: **Not Applicable**
(57) Statement of Newness and Distinctiveness: **Newness and distinctiveness resides in the features of shape and/or configuration of an extrusion of indefinite length as shown in the accompanying representations.**



- (21) Design Number: **14148/2010**
- (22) Date of Filing Application: **28 September 2010**
- (24) Date from which industrial property rights may have effect: **28 September 2010**
- (54) Product in respect of which the design is registered: **An extrusion**
- (51) International Design Classification: **25-01K**
- (71) Name(s) and Address(s) of Applicant(s):
Lite Guard Safety Solutions Pty Ltd
13 Burton Street Dromana Victoria 3936 Australia
- (72) Name(s) of Designer(s): **Peter Anthony Geldart**
- (45) Registration Date: **10 November 2010**
- (56) Related Art Documents: **Not Applicable**
- (57) Statement of Newness and Distinctiveness: **Newness and distinctiveness resides in the features of shape and/or configuration of an extrusion of indefinite length as shown in the accompanying representations.**



- (21) Design Number: **11753/2010**
- (22) Date of Filing Application: **05 May 2010**
- (24) Date from which industrial property rights may have effect: **05 May 2010**
- (54) Product in respect of which the design is registered: **Coupler shaft**
- (51) International Design Classification: **12-16L**
- (71) Name(s) and Address(s) of Applicant(s):
David Stuckey Investments Pty Ltd
Pitcher Partners 6th Floor 161 Collins Street Melbourne Victoria 3000 Australia
- (72) Name(s) of Designer(s): **David Martin Stuckey**
- (45) Registration Date: **11 November 2010**
- (56) Related Art Documents: **Not Applicable**
- (57) Statement of Newness and Distinctiveness: **Nil**



(21) Design Number: **11754/2010**

(22) Date of Filing Application: **05 May 2010**

(24) Date from which industrial property rights may have effect: **05 May 2010**

(54) Product in respect of which the design is registered: **Plate**

(51) International Design Classification: **12-16L**

(71) Name(s) and Address(s) of Applicant(s):

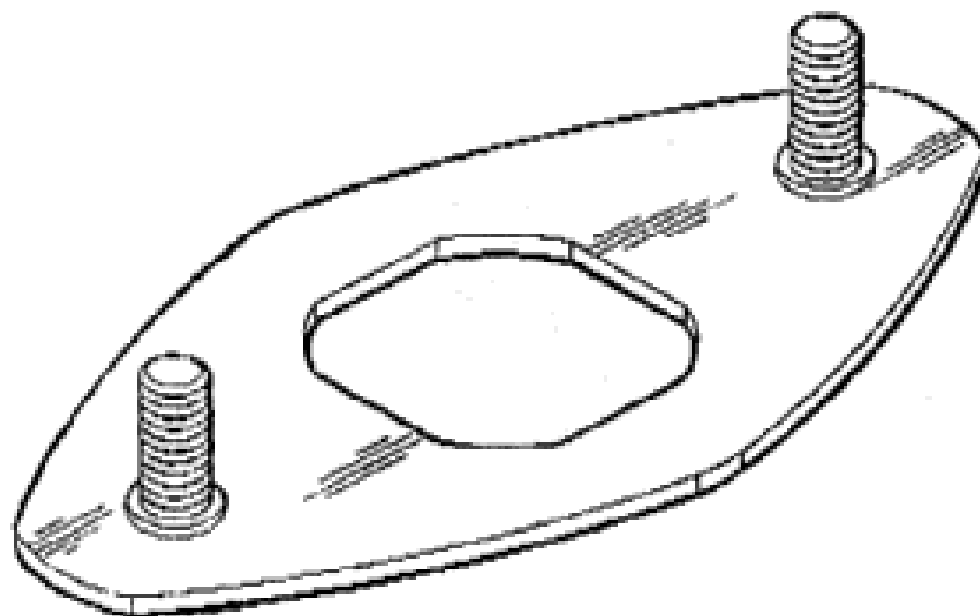
**David Stuckey Investments Pty Ltd
Pitcher Partners 6th Floor 161 Collins Street Melbourne Victoria 3000
Australia**

(72) Name(s) of Designer(s): **David Martin Stuckey**

(45) Registration Date: **11 November 2010**

(56) Related Art Documents: **Not Applicable**

(57) Statement of Newness and Distinctiveness: **Nil**



(21) Design Number: **13131/2010**

(22) Date of Filing Application: **22 March 2010**

(24) Date from which industrial property rights may have effect: **22 March 2010**

(54) Product in respect of which the design is registered: **A structure**

(51) International Design Classification: **25-04**

(71) Name(s) and Address(s) of Applicant(s):

**Delta System AS
Storebotn Naeringspark Kleppesto N-5300 Norway**

(72) Name(s) of Designer(s): **Strand Gunnar**

(45) Registration Date: **11 November 2010**

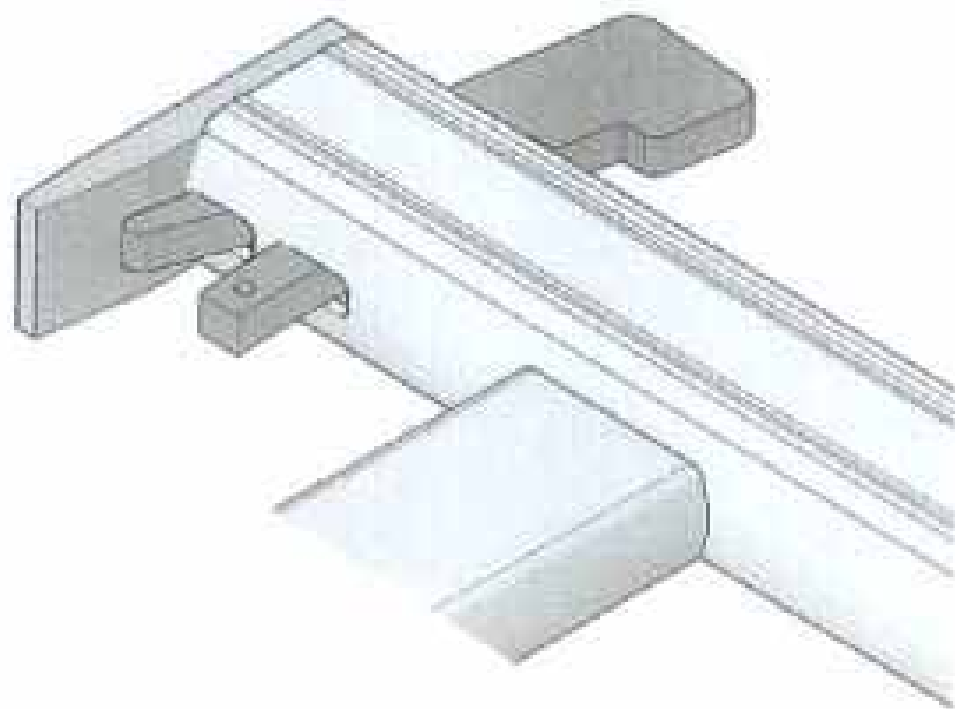
(30) Convention priority data:

(31) Number	(32) Date	(33) Country
2009 0470	21 Sep 2009	NORWAY

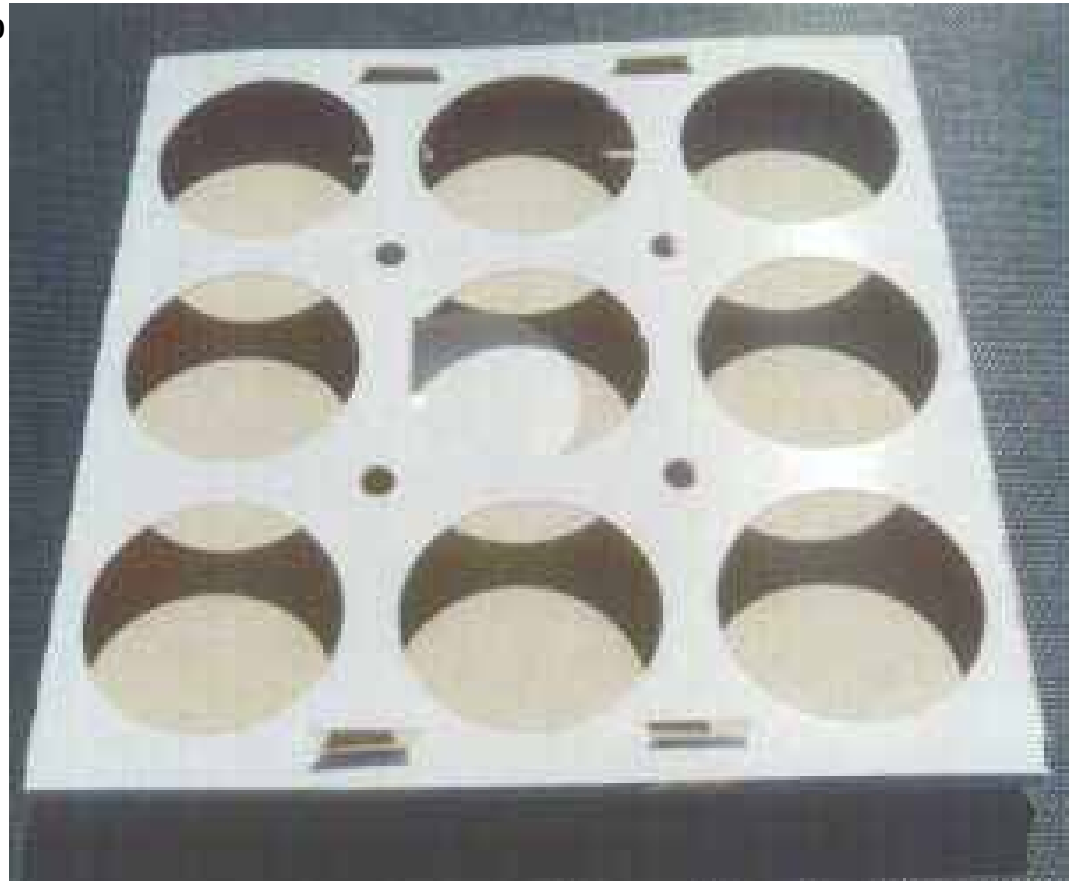
(62) Divisional of: **332009**

(56) Related Art Documents: **Not Applicable**

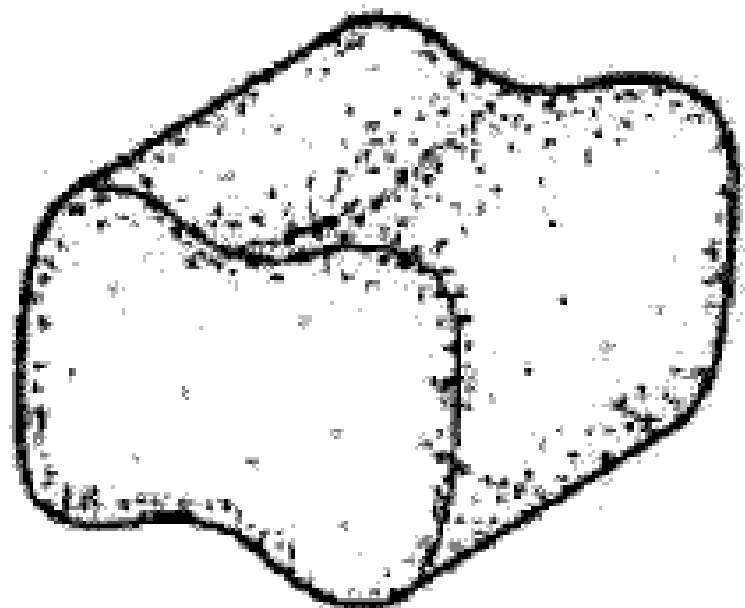
(57) Statement of Newness and Distinctiveness: **Nil**



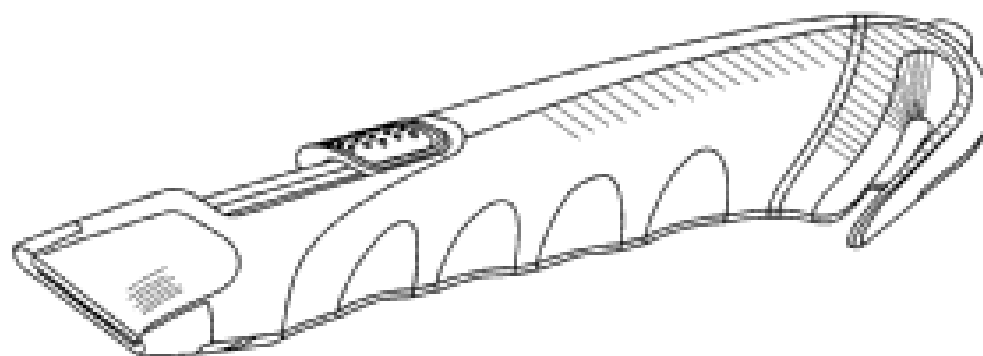
(21) Design Number: **14162/2010**
(22) Date of Filing Application: **23 September 2010**
(24) Date from which industrial property rights may have effect: **23 September 2010**
(54) Product in respect of which the design is registered: **Tray**
(51) International Design Classification: **09-03M**
(71) Name(s) and Address(s) of Applicant(s):
Skell-a-tin Pty Ltd
52 Hector Road Willoughby New South Wales 2068 Australia
(72) Name(s) of Designer(s): **Geoffrey Ronald Hamblin**
(45) Registration Date: **11 November 2010**
(56) Related Art Documents: **Not Applicable**
(57) Statement of Newness and Distinctiveness: **Nil**



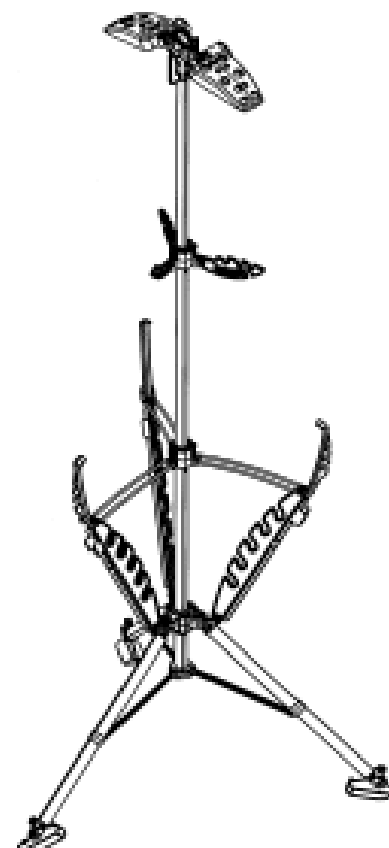
(21) Design Number: **14484/2010**
(22) Date of Filing Application: **18 October 2010**
(24) Date from which industrial property rights may have effect: **18 October 2010**
(54) Product in respect of which the design is registered: **Pet treat**
(51) International Design Classification: **01-06**
(71) Name(s) and Address(s) of Applicant(s):
Mars, Incorporated
6885 Elm Street McLean Virginia 22101 United States of America
(72) Name(s) of Designer(s): **Michael Grant Thatcher and Walker Bezerra Cavalcanti and Brian G. Long**
(45) Registration Date: **11 November 2010**
(30) Convention priority data:
(31) Number (32) Date (33) Country
29/363,244 07 Jun 2010 UNITED STATES OF AMERICA
(56) Related Art Documents: **Not Applicable**
(57) Statement of Newness and Distinctiveness: **Nil**



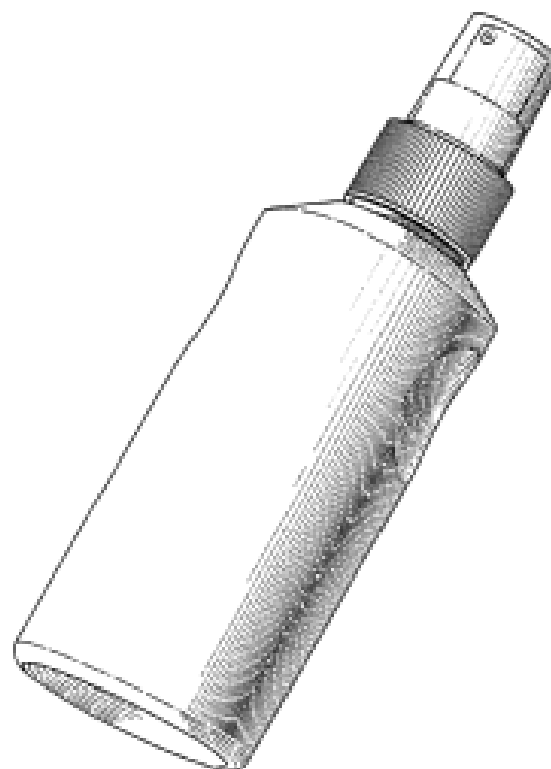
- (21) Design Number: **14498/2010**
(22) Date of Filing Application: **19 October 2010**
(24) Date from which industrial property rights may have effect: **19 October 2010**
(54) Product in respect of which the design is registered: **A dual head utility knife**
(51) International Design Classification: **08-03**
(71) Name(s) and Address(s) of Applicant(s):
Yuewei Wu
Ningbo Xingwei Plastic Product Co., Ltd. Industrial Zone of Xidian
Ninghai Zhejiang 315613 China
(72) Name(s) of Designer(s): **Yuewei Wu**
(45) Registration Date: **11 November 2010**
(30) Convention priority data:
(31) Number (32) Date (33) Country
201030172971.7 **17 May 2010** **CHINA**
(56) Related Art Documents: **Not Applicable**
(57) Statement of Newness and Distinctiveness: **Nil**



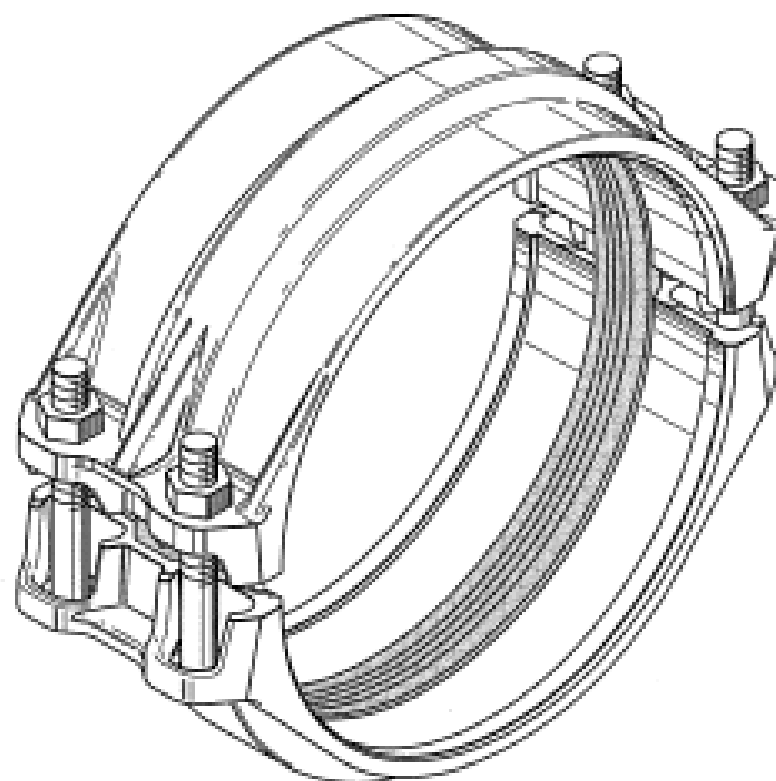
- (21) Design Number: **14499/2010**
(22) Date of Filing Application: **18 October 2010**
(24) Date from which industrial property rights may have effect: **18 October 2010**
(54) Product in respect of which the design is registered: **Dive gear stand**
(51) International Design Classification: **07-05D, 21-02D**
(71) Name(s) and Address(s) of Applicant(s):
Nigel Geoffrey Rimmer
4 Pearl Parade Scarborough Western Australia 6019 Australia
Daniel James Pryce
26 Grand Parade Redcliffe Western Australia 6104 Australia
(72) Name(s) of Designer(s): **Edward Joseph Khoury and Nigel Geoffrey Rimmer and Daniel James Pryce**
(45) Registration Date: **11 November 2010**
(56) Related Art Documents: **Not Applicable**
(57) Statement of Newness and Distinctiveness: **Nil**



(21) Design Number: **14500/2010**
(22) Date of Filing Application: **19 October 2010**
(24) Date from which industrial property rights may have effect: **19 October 2010**
(54) Product in respect of which the design is registered: **Pump spray bottle**
(51) International Design Classification: **09-01A**
(71) Name(s) and Address(s) of Applicant(s):
Lavera GmbH & Co. KG
Am Weingarten 4 D-30974 Wennigsen Germany
(72) Name(s) of Designer(s): **Peter Lipfert**
(45) Registration Date: **11 November 2010**
(30) Convention priority data:
(31) Number (32) Date (33) Country
001765702 08 Oct 2010 EUROPEAN COMMUNITY
(56) Related Art Documents: **Not Applicable**
(57) Statement of Newness and Distinctiveness: **Nil**



(21) Design Number: **14528/2010**
(22) Date of Filing Application: **20 October 2010**
(24) Date from which industrial property rights may have effect: **20 October 2010**
(54) Product in respect of which the design is registered: **Pipe coupling**
(51) International Design Classification: **23-01A**
(71) Name(s) and Address(s) of Applicant(s):
Victaulic Company
4901 Kesslersville Road Easton Pennsylvania 18040 United States of America
(72) Name(s) of Designer(s): **Douglas R. Dole and Alan M. Yesavage**
(45) Registration Date: **12 November 2010**
(30) Convention priority data:
(31) Number (32) Date (33) Country
29/363559 11 Jun 2010 UNITED STATES OF AMERICA
(56) Related Art Documents: **Not Applicable**
(57) Statement of Newness and Distinctiveness: **Newness and distinctiveness is claimed in the features of shape and/or configuration of a pipe coupling as illustrated in the accompanying representations.**



(21) Design Number: **14529/2010**

(22) Date of Filing Application: **20 October 2010**

(24) Date from which industrial property rights may have effect: **20 October 2010**

(54) Product in respect of which the design is registered: **Pipe coupling segment**

(51) International Design Classification: **23-01A**

(71) Name(s) and Address(s) of Applicant(s):

Victaulic Company

4901 Kesslersville Road Easton Pennsylvania 18040 United States of America

(72) Name(s) of Designer(s): **Douglas R. Dole and Alan M. Yesavage**

(45) Registration Date: **12 November 2010**

(30) Convention priority data:

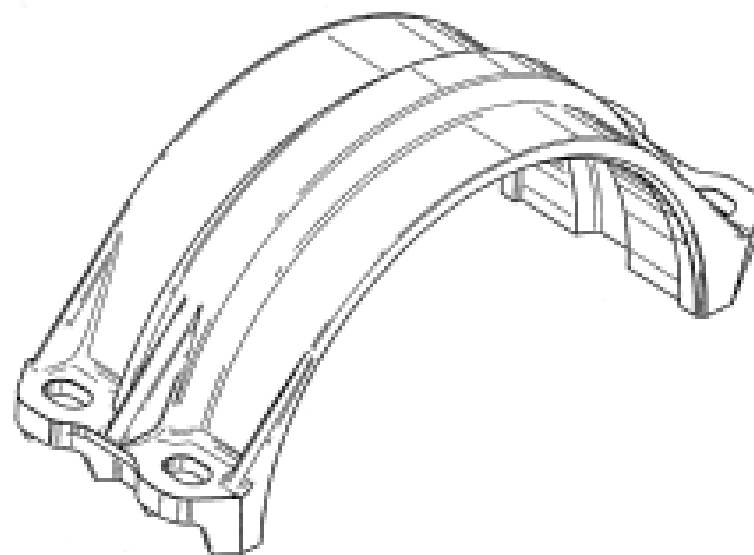
(31) Number
29/363560

(32) Date
11 Jun 2010

(33) Country
UNITED STATES OF AMERICA

(56) Related Art Documents: **Not Applicable**

(57) Statement of Newness and Distinctiveness: **Newness and distinctiveness is claimed in the features of shape and/or configuration of a pipe coupling segment as illustrated in the accompanying representations.**



(21) Design Number: **14530/2010**

(22) Date of Filing Application: **20 October 2010**

(24) Date from which industrial property rights may have effect: **20 October 2010**

(54) Product in respect of which the design is registered: **Pipe coupling segment**

(51) International Design Classification: **23-01A**

(71) Name(s) and Address(s) of Applicant(s):

Victaulic Company

4901 Kesslersville Road Easton Pennsylvania 18040 United States of America

(72) Name(s) of Designer(s): **Douglas R. Dole and Alan M. Yesavage**

(45) Registration Date: **12 November 2010**

(30) Convention priority data:

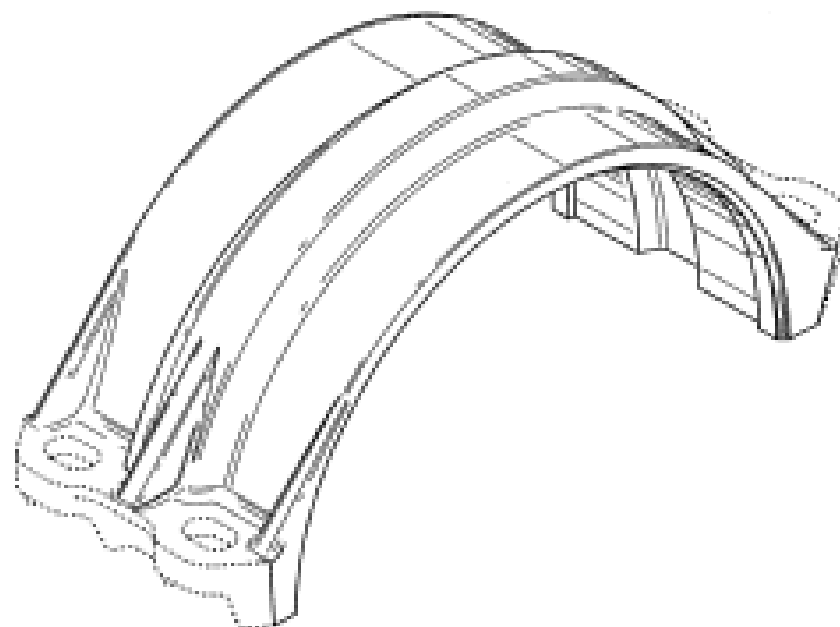
(31) Number
29/363560

(32) Date
11 Jun 2010

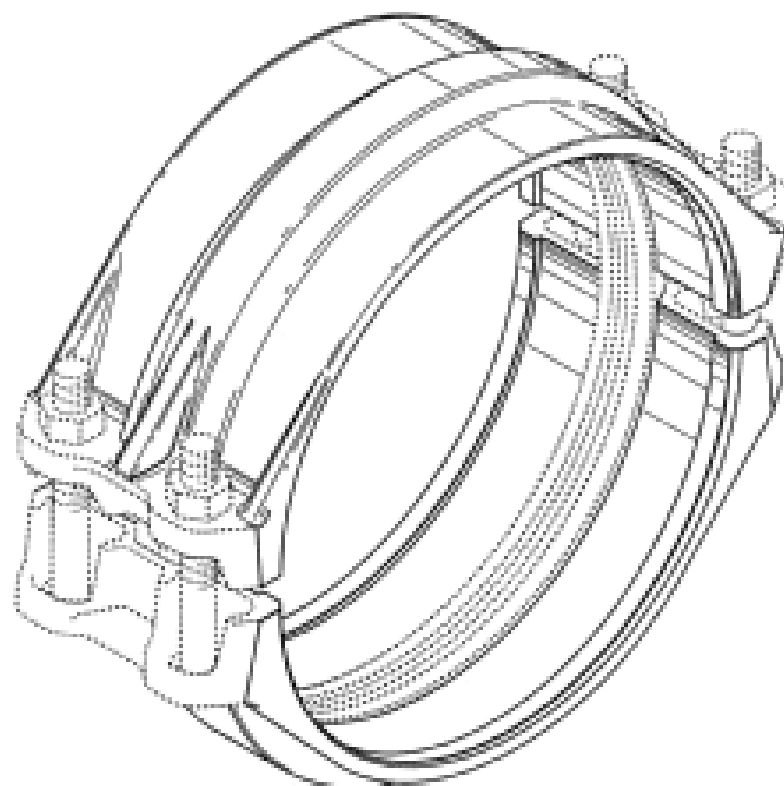
(33) Country
UNITED STATES OF AMERICA

(56) Related Art Documents: **Not Applicable**

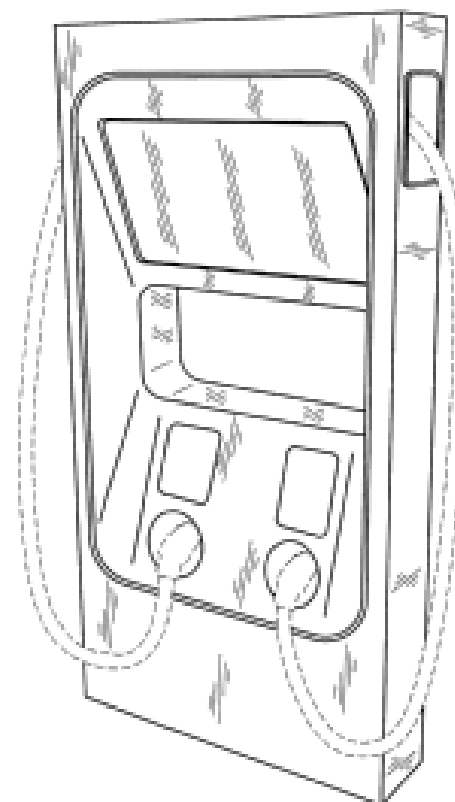
(57) Statement of Newness and Distinctiveness: **Newness and distinctiveness is claimed in those features of shape and/or configuration of a pipe coupling segment illustrated in continuous lines in the accompanying representations.**



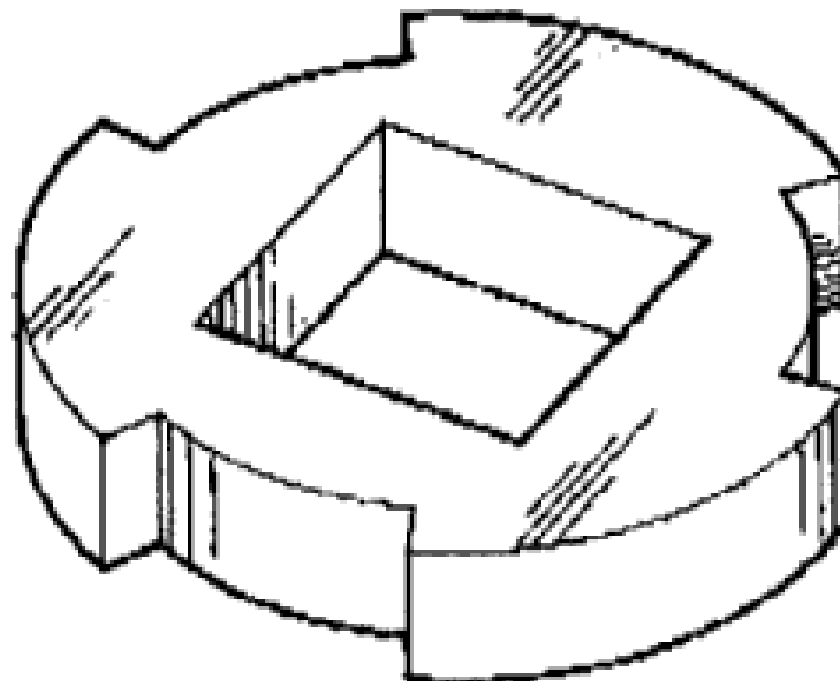
(21) Design Number: **14531/2010**
 (22) Date of Filing Application: **20 October 2010**
 (24) Date from which industrial property rights may have effect: **20 October 2010**
 (54) Product in respect of which the design is registered: **Pipe coupling**
 (51) International Design Classification: **23-01A**
 (71) Name(s) and Address(s) of Applicant(s):
Victaulic Company
4901 Kesslersville Road Easton Pennsylvania 18040 United States of America
 (72) Name(s) of Designer(s): **Douglas R. Dole and Alan M. Yesavage**
 (45) Registration Date: **12 November 2010**
 (30) Convention priority data:
 (31) Number (32) Date (33) Country
29/363559 11 Jun 2010 UNITED STATES OF AMERICA
 (56) Related Art Documents: **Not Applicable**
 (57) Statement of Newness and Distinctiveness: **Newness and distinctiveness is claimed in those features of shape and/or configuration of a pipe coupling illustrated in continuous lines in the accompanying representations.**



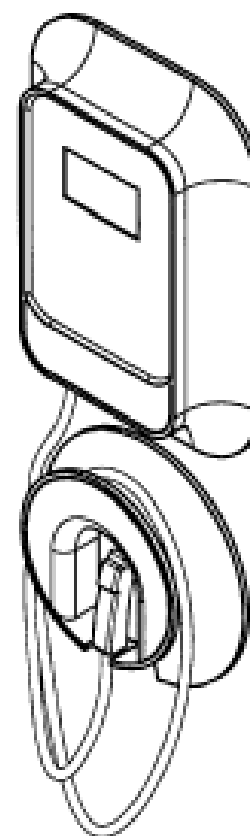
(21) Design Number: **14533/2010**
 (22) Date of Filing Application: **21 October 2010**
 (24) Date from which industrial property rights may have effect: **21 October 2010**
 (54) Product in respect of which the design is registered: **Electric vehicle charger**
 (51) International Design Classification: **12-16NES**
 (71) Name(s) and Address(s) of Applicant(s):
ECotality, Inc.
80 E. Rio Salado Parkway Suite 710 Tempe Arizona 85281 United States of America
 (72) Name(s) of Designer(s): **Brian Cutter and David Gustafson and Howard Nuk and Jonathan Rowell**
 (45) Registration Date: **12 November 2010**
 (30) Convention priority data:
 (31) Number (32) Date (33) Country
29/376,492 07 Oct 2010 UNITED STATES OF AMERICA
 (56) Related Art Documents: **Not Applicable**
 (57) Statement of Newness and Distinctiveness: **Nil**



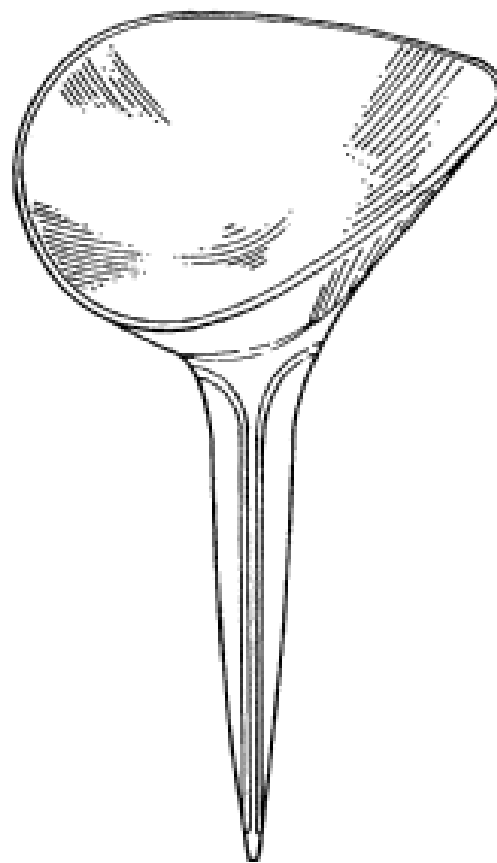
(21) Design Number: **11755/2010**
(22) Date of Filing Application: **05 May 2010**
(24) Date from which industrial property rights may have effect: **05 May 2010**
(54) Product in respect of which the design is registered: **Coupler member**
(51) International Design Classification: **23-01A**
(71) Name(s) and Address(s) of Applicant(s):
David Stuckey Investments Pty Ltd
Pitcher Partners 6th Floor 161 Collins Street Melbourne Victoria 3000
Australia
(72) Name(s) of Designer(s): **David Martin Stuckey**
(45) Registration Date: **11 November 2010**
(56) Related Art Documents: **Not Applicable**
(57) Statement of Newness and Distinctiveness: **Nil**



(21) Design Number: **14523/2010**
(22) Date of Filing Application: **21 October 2010**
(24) Date from which industrial property rights may have effect: **21 October 2010**
(54) Product in respect of which the design is registered: **Electric vehicle charger**
(51) International Design Classification: **13-02**
(71) Name(s) and Address(s) of Applicant(s):
ECotality, Inc.
80 E. Rio Salado Parkway Suite 710 Tempe Arizona 85281 United
States of America
(72) Name(s) of Designer(s): **Brian Cutter and David Gustafson and Howard**
Nuk and Jonathan Rowell
(45) Registration Date: **11 November 2010**
(30) Convention priority data:
(31) Number (32) Date (33) Country
29/363,233 07 Jun 2010 UNITED STATES OF AMERICA
(56) Related Art Documents: **Not Applicable**
(57) Statement of Newness and Distinctiveness: **Nil**

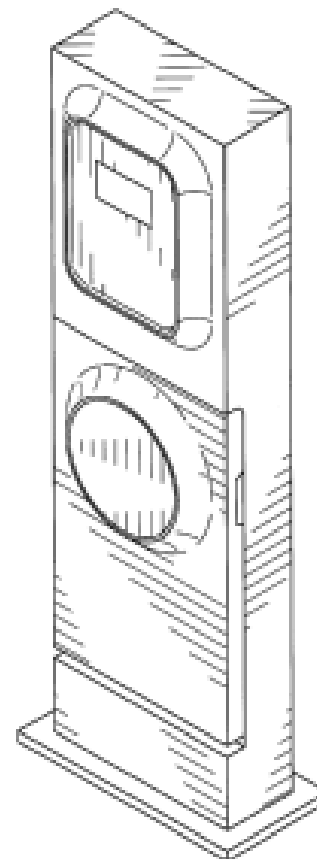


- (21) Design Number: **14524/2010**
- (22) Date of Filing Application: **21 October 2010**
- (24) Date from which industrial property rights may have effect: **21 October 2010**
- (54) Product in respect of which the design is registered: **A kicking tee**
- (51) International Design Classification: **21-02NES**
- (71) Name(s) and Address(s) of Applicant(s):
Jamie Hopgood
11 Harmsworth Road Pacific Pines Queensland 4211 Australia
- (72) Name(s) of Designer(s): **Jamie Hopgood**
- (45) Registration Date: **11 November 2010**
- (56) Related Art Documents: **Not Applicable**
- (57) Statement of Newness and Distinctiveness: **The newness and distinctiveness of the design resides in the concave upward facing surface of the kicking tee as shown in the accompanying representations.**

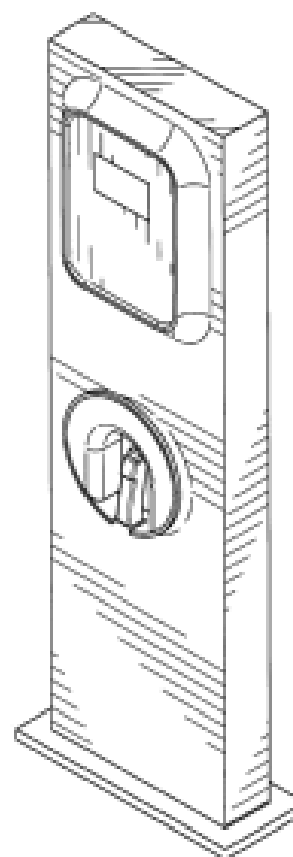


- (21) Design Number: **14525/2010**
- (22) Date of Filing Application: **21 October 2010**
- (24) Date from which industrial property rights may have effect: **21 October 2010**
- (54) Product in respect of which the design is registered: **Electric vehicle charger**
- (51) International Design Classification: **13-02**
- (71) Name(s) and Address(s) of Applicant(s):
ECotality, Inc.
80 E. Rio Salado Parkway Suite 710 Tempe Arizona 85281 United States of America
- (72) Name(s) of Designer(s): **Brian Cutter and David Gustafson and Howard Nuk and Jonathan Rowell**
- (45) Registration Date: **11 November 2010**
- (30) Convention priority data:

(31) Number	(32) Date	(33) Country
29/363,239	07 Jun 2010	UNITED STATES OF AMERICA
- (56) Related Art Documents: **Not Applicable**
- (57) Statement of Newness and Distinctiveness: **Nil**



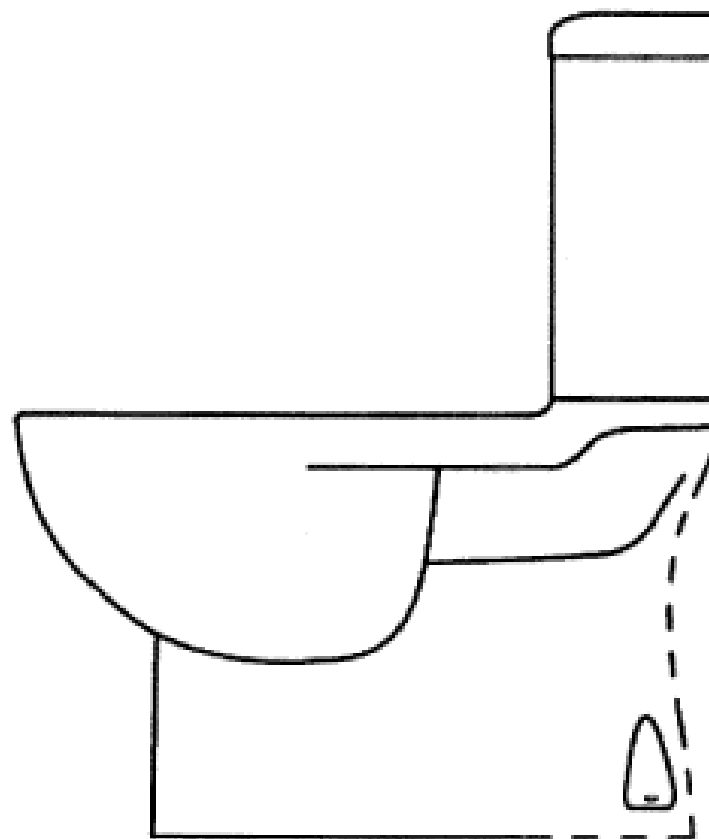
(21) Design Number: **14526/2010**
(22) Date of Filing Application: **21 October 2010**
(24) Date from which industrial property rights may have effect: **21 October 2010**
(54) Product in respect of which the design is registered: **Electric vehicle charger**
(51) International Design Classification: **13-02**
(71) Name(s) and Address(s) of Applicant(s):
ECotality, Inc.
80 E. Rio Salado Parkway Suite 710 Tempe Arizona 85281 United States of America
(72) Name(s) of Designer(s): **Brian Cutter and David Gustafson and Howard Nuk and Jonathan Rowell**
(45) Registration Date: **11 November 2010**
(30) Convention priority data:
(31) Number (32) Date (33) Country
29/363,236 07 Jun 2010 UNITED STATES OF AMERICA
(56) Related Art Documents: **Not Applicable**
(57) Statement of Newness and Distinctiveness: **Nil**



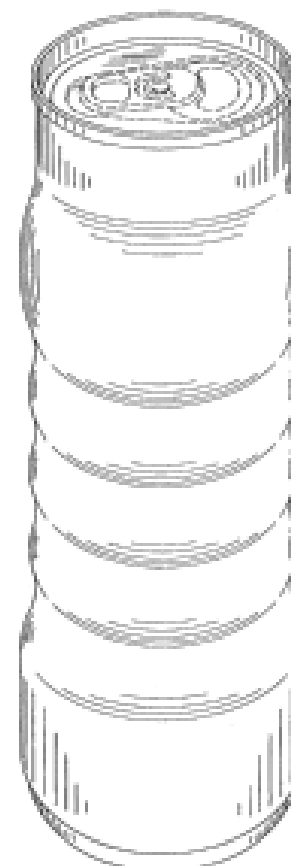
(21) Design Number: **14527/2010**
(22) Date of Filing Application: **20 October 2010**
(24) Date from which industrial property rights may have effect: **20 October 2010**
(54) Product in respect of which the design is registered: **Juice extractor**
(51) International Design Classification: **31-00**
(71) Name(s) and Address(s) of Applicant(s):
Conair Corporation
One Cummings Point Road Stamford Connecticut 06902 United States of America
(72) Name(s) of Designer(s): **Kam Fai Fung and Anthony Kit Lun Leung**
(45) Registration Date: **11 November 2010**
(30) Convention priority data:
(31) Number (32) Date (33) Country
29/360228 22 Apr 2010 UNITED STATES OF AMERICA
(56) Related Art Documents: **Not Applicable**
(57) Statement of Newness and Distinctiveness: **Newness and distinctiveness is claimed in those features of shape and/or configuration of a juice extractor as illustrated in continuous lines in the accompanying representations.**



(21) Design Number: **14535/2010**
 (22) Date of Filing Application: **20 October 2010**
 (24) Date from which industrial property rights may have effect: **20 October 2010**
 (54) Product in respect of which the design is registered: **A toilet**
 (51) International Design Classification: **23-02C**
 (71) Name(s) and Address(s) of Applicant(s):
Gemini Industries Pty Ltd
3/97 Banksia Street Botany New South Wales 2019 Australia
 (72) Name(s) of Designer(s): **James Arthur Longley**
 (45) Registration Date: **11 November 2010**
 (56) Related Art Documents: **Not Applicable**
 (57) Statement of Newness and Distinctiveness: **Newness and distinctiveness is claimed in the features of shape and/or configuration of a toilet as illustrated in the accompanying representations. The features of the design relating to the rear and underside of toilet shown in ghosted outlined are disclaimed and do not form part of the design for which protection is sought.**



(21) Design Number: **14536/2010**
 (22) Date of Filing Application: **21 October 2010**
 (24) Date from which industrial property rights may have effect: **21 October 2010**
 (54) Product in respect of which the design is registered: **Can**
 (51) International Design Classification: **09-03L**
 (71) Name(s) and Address(s) of Applicant(s):
Alcoa Inc.
Alcoa Corporate Center 201 Isabella Street Pittsburgh PA 15212-5858
United States of America
 (72) Name(s) of Designer(s): **Gary L. Myers and Robert E. Dick and Anthony J. Fedusa and Eileen Kenzevich**
 (45) Registration Date: **11 November 2010**
 (30) Convention priority data:
 (31) Number (32) Date (33) Country
29/361,610 13 May 2010 UNITED STATES OF AMERICA
 (56) Related Art Documents: **Not Applicable**
 (57) Statement of Newness and Distinctiveness: **The newness and distinctiveness of the design resides in the features of pattern and/or ornamentation or shape and/or configuration shown in unbroken lines in the accompanying representations.**



(21) Design Number: **14518/2010**

(22) Date of Filing Application: **20 October 2010**

(24) Date from which industrial property rights may have effect: **20 October 2010**

(54) Product in respect of which the design is registered: **A golf buggy**

(51) International Design Classification: **21-02C**

(71) Name(s) and Address(s) of Applicant(s):

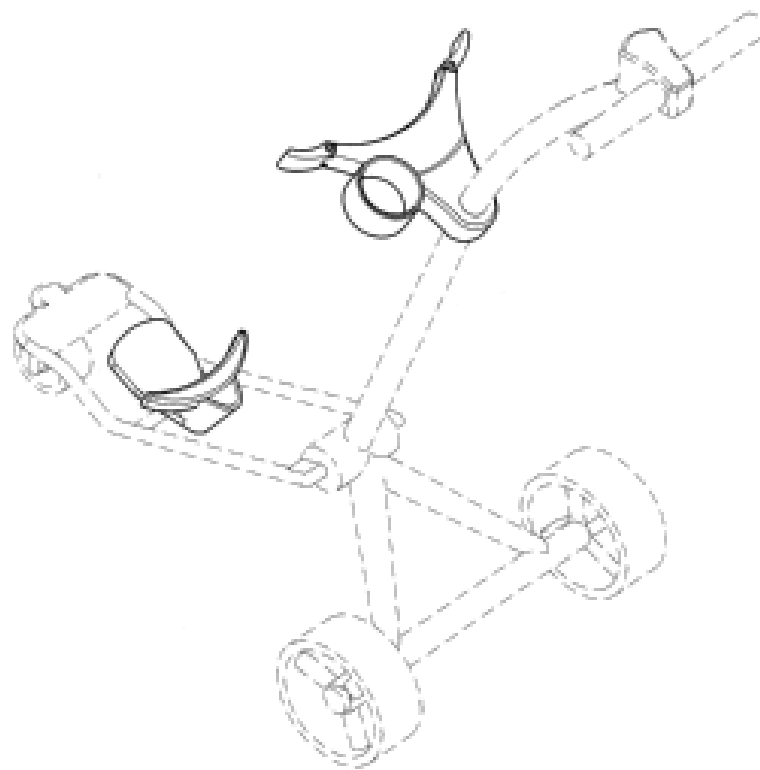
Protege Sport Pty Ltd
11 Maurice Court Nunawading Victoria 3131 Australia

(72) Name(s) of Designer(s): **Ian Edwards**

(45) Registration Date: **12 November 2010**

(56) Related Art Documents: **Not Applicable**

(57) Statement of Newness and Distinctiveness: **The shape and configuration of the upper and lower golf bag supports, shown in solid lines in the representations, are new and distinctive.**



(21) Design Number: **14519/2010**

(22) Date of Filing Application: **20 October 2010**

(24) Date from which industrial property rights may have effect: **20 October 2010**

(54) Product in respect of which the design is registered: **External corner member**

(51) International Design Classification: **25-01C**

(71) Name(s) and Address(s) of Applicant(s):

Nichiha Corporation
12 Shiodome-cho Minato-ku Nagoya-shi Aichi 455-8550 Japan

(72) Name(s) of Designer(s): **Yoshiyuki Miura and Kazunori Oguri**

(45) Registration Date: **12 November 2010**

(56) Related Art Documents: **Not Applicable**

(57) Statement of Newness and Distinctiveness: **Nil**



(21) Design Number: **14521/2010**

(22) Date of Filing Application: **20 October 2010**

(24) Date from which industrial property rights may have effect: **20 October 2010**

(54) Product in respect of which the design is registered: **External corner member**

(51) International Design Classification: **25-01C**

(71) Name(s) and Address(s) of Applicant(s):

Nichiha Corporation

12 Shiodome-cho Minato-ku Nagoya-shi Aichi 455-8550 Japan

(72) Name(s) of Designer(s): **Fumio Uchida**

(45) Registration Date: **12 November 2010**

(56) Related Art Documents: **Not Applicable**

(57) Statement of Newness and Distinctiveness: **Nil**



(21) Design Number: **14545/2010**

(22) Date of Filing Application: **21 October 2010**

(24) Date from which industrial property rights may have effect: **21 October 2010**

(54) Product in respect of which the design is registered: **Electronic novelty device**

(51) International Design Classification: **21-01N**

(71) Name(s) and Address(s) of Applicant(s):

Andrew Bensley

4 Iona Street Broadview South Australia 5083 Australia

(72) Name(s) of Designer(s): **Andrew Bensley**

(45) Registration Date: **12 November 2010**

(56) Related Art Documents: **Not Applicable**

(57) Statement of Newness and Distinctiveness: **Newness and distinctiveness resides in the shape and configuration of the device as shown.**



(21) Design Number: **14508/2010**
(22) Date of Filing Application: **19 October 2010**
(24) Date from which industrial property rights may have effect: **19 October 2010**
(54) Product in respect of which the design is registered: **A monitor arm and post**
(51) International Design Classification: **08-08NES, 14-99**
(71) Name(s) and Address(s) of Applicant(s):

Richard Paul Simmons
7 Huxley Street Timaru New Zealand

(72) Name(s) of Designer(s): **Richard Paul Simmons**

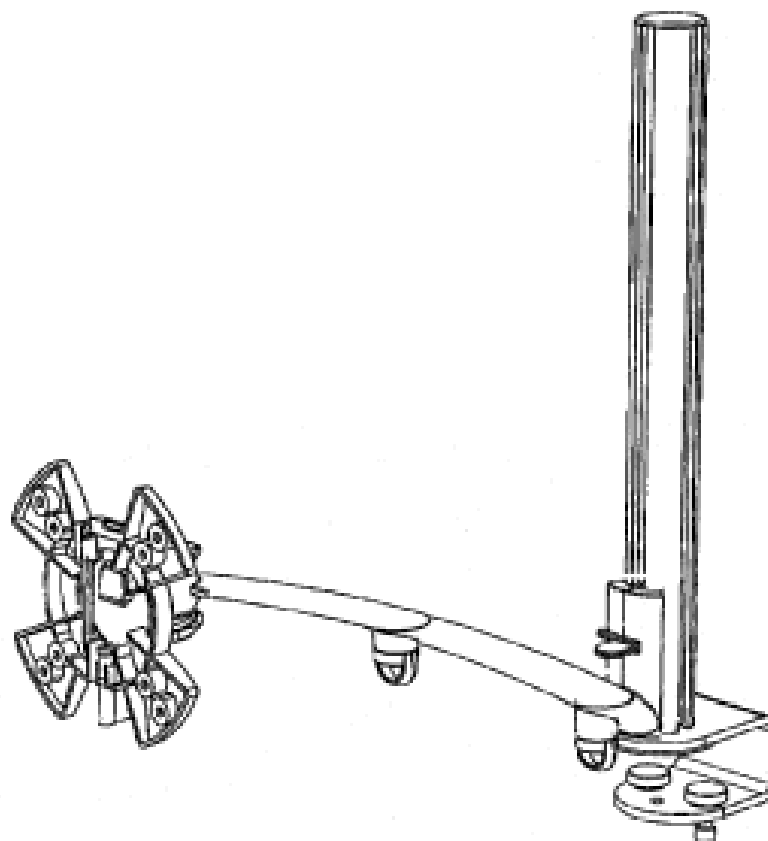
(45) Registration Date: **12 November 2010**

(30) Convention priority data:

(31) Number	(32) Date	(33) Country
413573	29 Apr 2010	NEW ZEALAND

(56) Related Art Documents: **Not Applicable**

(57) Statement of Newness and Distinctiveness: **The novelty claimed for the design resides in the features of shape and/or configuration of the arm as shown in the accompanying representations excluding the shape and configuration of the post, the mounting clamp at the base of the post, and the monitor mounting bracket at the end of the arm, which form no part of the design.**



(21) Design Number: **14549/2010**
(22) Date of Filing Application: **21 October 2010**
(24) Date from which industrial property rights may have effect: **21 October 2010**
(54) Product in respect of which the design is registered: **Extension arm for a weapons cradle**
(51) International Design Classification: **22-01**
(71) Name(s) and Address(s) of Applicant(s):

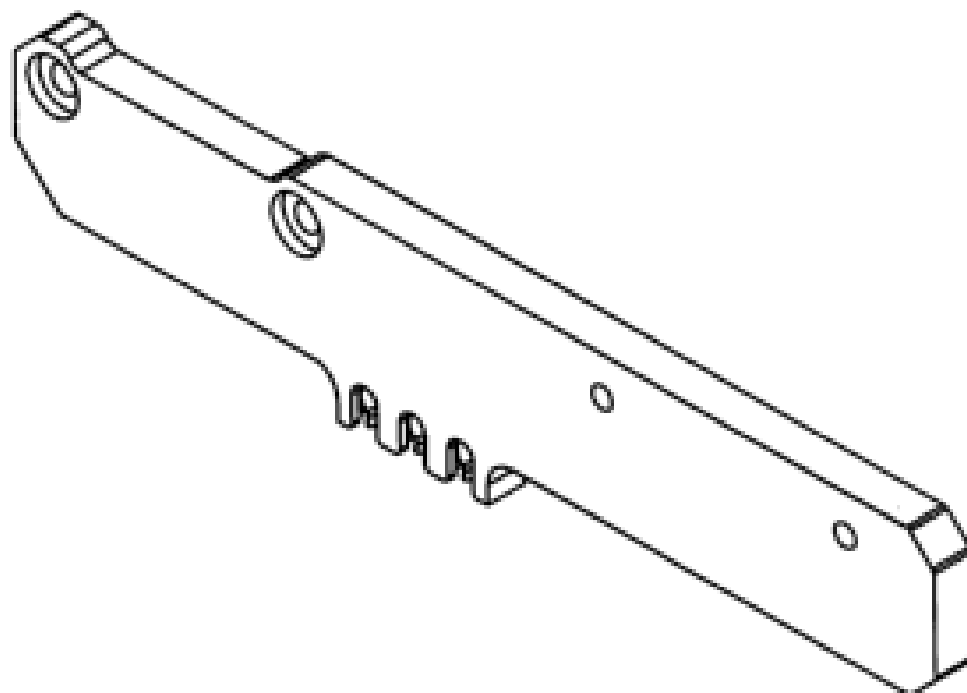
Avner Klein
145 Wells Street South Melbourne Victoria 3205 Australia

(72) Name(s) of Designer(s): **Avner Klein**

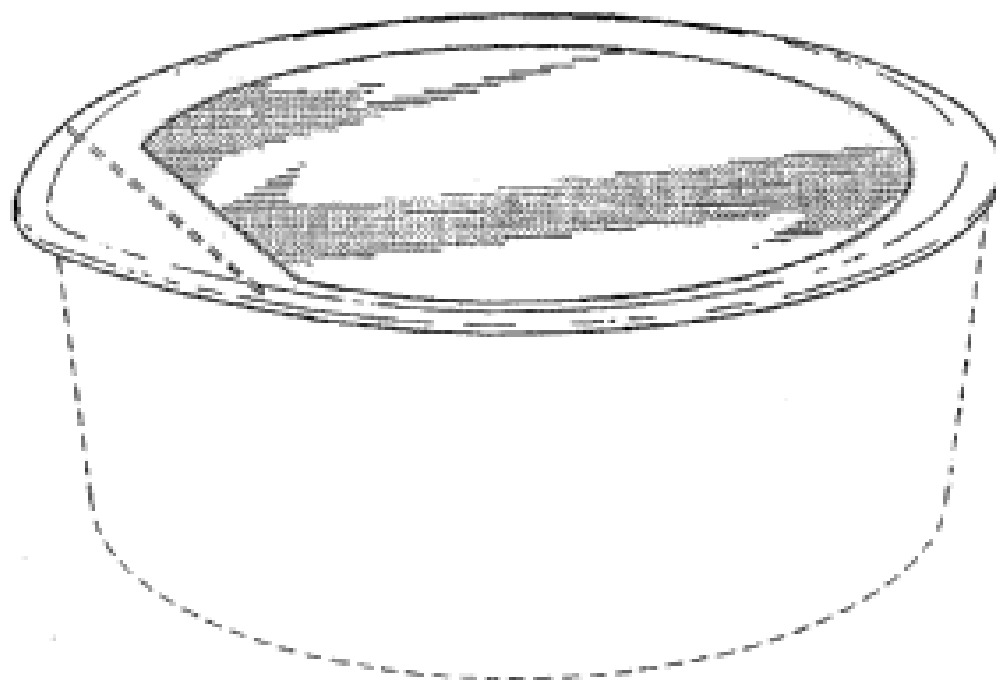
(45) Registration Date: **12 November 2010**

(56) Related Art Documents: **Not Applicable**

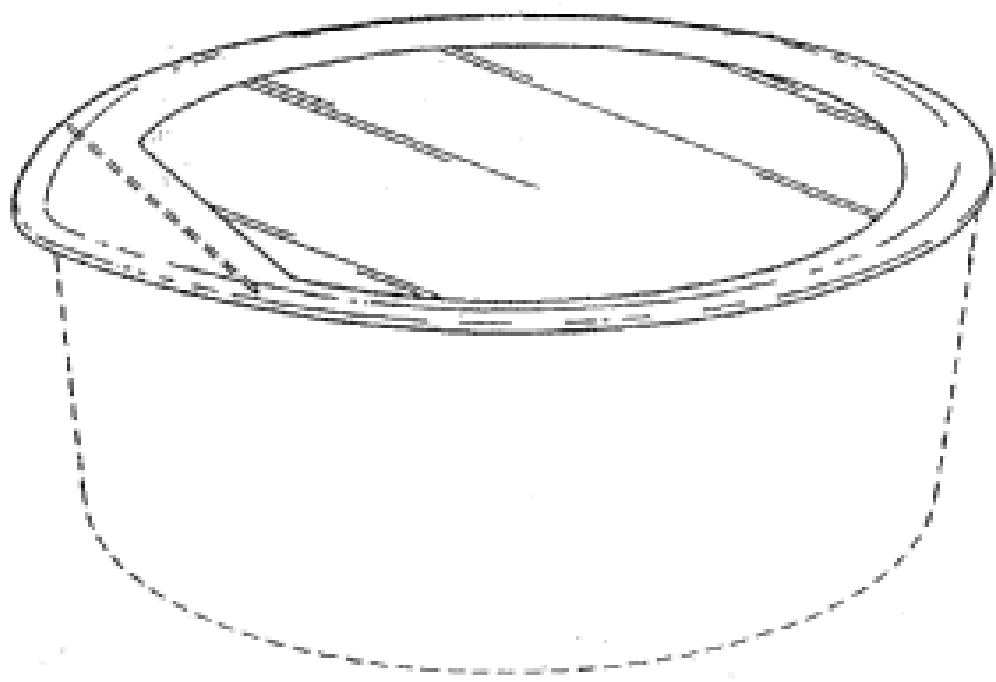
(57) Statement of Newness and Distinctiveness: **The newness and distinctiveness of the design resides in the shape and/or configuration of the extension arm for a weapons cradle shown in the representations.**



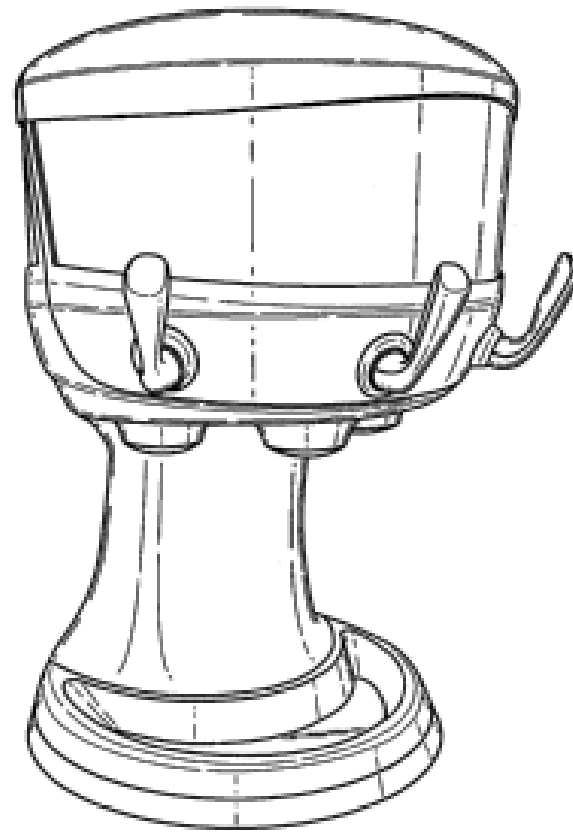
- (21) Design Number: **14550/2010**
(22) Date of Filing Application: **21 October 2010**
(24) Date from which industrial property rights may have effect: **21 October 2010**
(54) Product in respect of which the design is registered: **Lid**
(51) International Design Classification: **07-01NES**
(71) Name(s) and Address(s) of Applicant(s):
WKI Holding Company, Inc.
5500 North Pearl Street Suite 400 Rosemont Illinois 60018 United States of America
(72) Name(s) of Designer(s): **Arif Sitabkhan and Steve Grider and Ken Lundgreen and Tara Marie Marchionna and Kirsten Climer**
(45) Registration Date: **12 November 2010**
(30) Convention priority data:
(31) Number (32) Date (33) Country
29/360168 21 Apr 2010 UNITED STATES OF AMERICA
(56) Related Art Documents: **Not Applicable**
(57) Statement of Newness and Distinctiveness: **Newness and distinctiveness is claimed in those features of shape and/or configuration of a lid illustrated in continuous lines in the accompanying representations.**



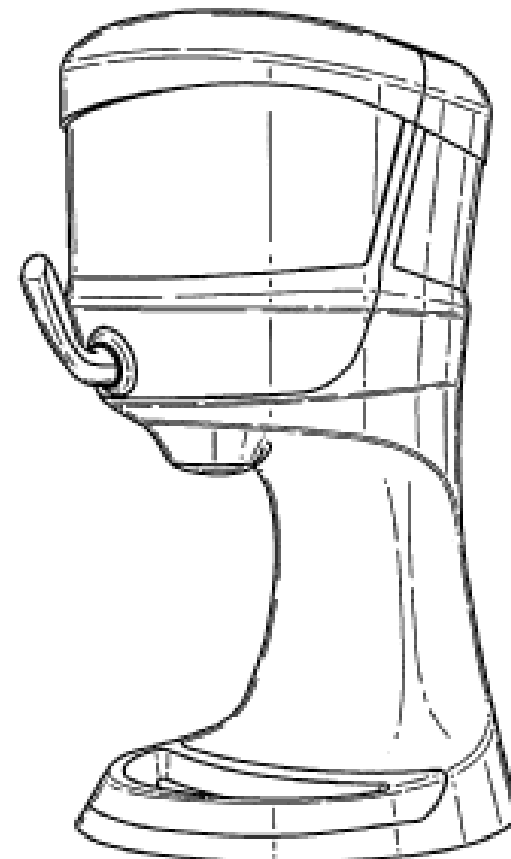
- (21) Design Number: **14551/2010**
(22) Date of Filing Application: **21 October 2010**
(24) Date from which industrial property rights may have effect: **21 October 2010**
(54) Product in respect of which the design is registered: **Lid**
(51) International Design Classification: **07-01NES**
(71) Name(s) and Address(s) of Applicant(s):
WKI Holding Company, Inc.
5500 North Pearl Street Suite 400 Rosemont Illinois 60018 United States of America
(72) Name(s) of Designer(s): **Arif Sitabkhan and Steve Grider and Ken Lundgreen and Tara Marie Marchionna and Kirsten Climer**
(45) Registration Date: **12 November 2010**
(30) Convention priority data:
(31) Number (32) Date (33) Country
29/360168 21 Apr 2010 UNITED STATES OF AMERICA
(56) Related Art Documents: **Not Applicable**
(57) Statement of Newness and Distinctiveness: **Newness and distinctiveness is claimed in those features of shape and/or configuration of a lid illustrated in continuous lines in the accompanying representations.**



- (21) Design Number: **14537/2010**
(22) Date of Filing Application: **20 October 2010**
(24) Date from which industrial property rights may have effect: **20 October 2010**
(54) Product in respect of which the design is registered: **Dispenser**
(51) International Design Classification: **31-00**
(71) Name(s) and Address(s) of Applicant(s):
Unilever PLC
100 Victoria Embankment London EC4Y 0DY United Kingdom
(72) Name(s) of Designer(s): **Janwillem Bouwknecht and Bertineke Marianna Priscilla de Lange**
(45) Registration Date: **12 November 2010**
(30) Convention priority data:
(31) Number (32) Date (33) Country
001211106-0001 27 Apr 2010 EUROPEAN COMMUNITY
(56) Related Art Documents: **Not Applicable**
(57) Statement of Newness and Distinctiveness: **Newness and distinctiveness resides in the visual features, including shape and configuration, of the dispenser as shown in the representations.**



- (21) Design Number: **14538/2010**
(22) Date of Filing Application: **20 October 2010**
(24) Date from which industrial property rights may have effect: **20 October 2010**
(54) Product in respect of which the design is registered: **Ice cream dispenser**
(51) International Design Classification: **31-00**
(71) Name(s) and Address(s) of Applicant(s):
Unilever PLC
100 Victoria Embankment London EC4Y 0DY United Kingdom
(72) Name(s) of Designer(s): **Janwillem Bouwknecht and Bertineke Marianna Priscilla de Lange**
(45) Registration Date: **12 November 2010**
(30) Convention priority data:
(31) Number (32) Date (33) Country
001211122-0001 27 Apr 2010 EUROPEAN COMMUNITY
(56) Related Art Documents: **Not Applicable**
(57) Statement of Newness and Distinctiveness: **Newness and distinctiveness resides in the visual features, including shape and configuration, of the ice cream dispenser as shown in the representations.**



(21) Design Number: **14539/2010**

(22) Date of Filing Application: **20 October 2010**

(24) Date from which industrial property rights may have effect: **20 October 2010**

(54) Product in respect of which the design is registered: **Ice cream dispenser**

(51) International Design Classification: **31-00**

(71) Name(s) and Address(s) of Applicant(s):

Unilever PLC

100 Victoria Embankment London EC4Y 0DY United Kingdom

(72) Name(s) of Designer(s): **Janwillem Bouwknecht and Bertineke Marianna Priscilla de Lange**

(45) Registration Date: **12 November 2010**

(30) Convention priority data:

(31) Number

(32) Date

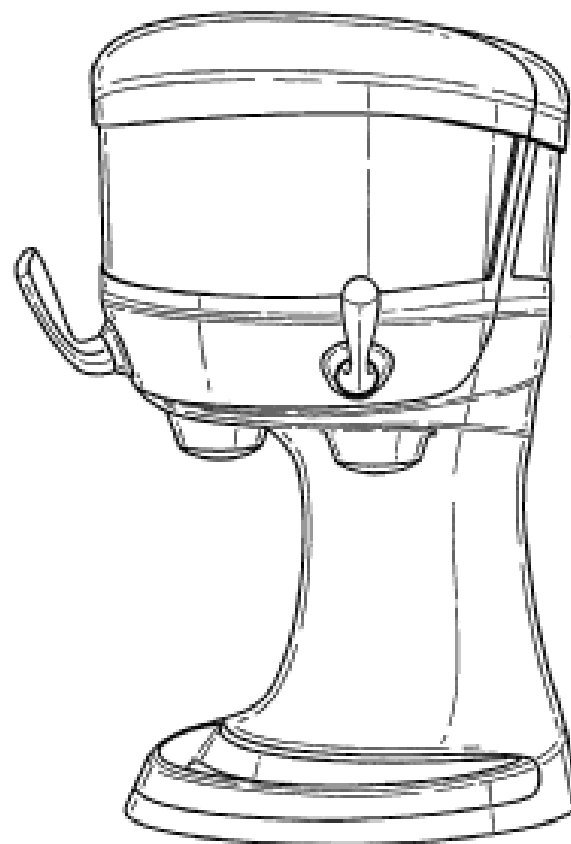
(33) Country

001211114-0001 27 Apr 2010

EUROPEAN COMMUNITY

(56) Related Art Documents: **Not Applicable**

(57) Statement of Newness and Distinctiveness: **Newness and distinctiveness resides in the visual features, including shape and configuration, of the ice cream dispenser as shown in the representations.**



(21) Design Number: **14540/2010**

(22) Date of Filing Application: **20 October 2010**

(24) Date from which industrial property rights may have effect: **20 October 2010**

(54) Product in respect of which the design is registered: **Locomotive**

(51) International Design Classification: **12-03**

(71) Name(s) and Address(s) of Applicant(s):

Dalian Locomotive and Rolling Stock Co., Ltd. CNR Group

No. 51 Zhongchang Street Shahekou District Dalian Liaoning 116022

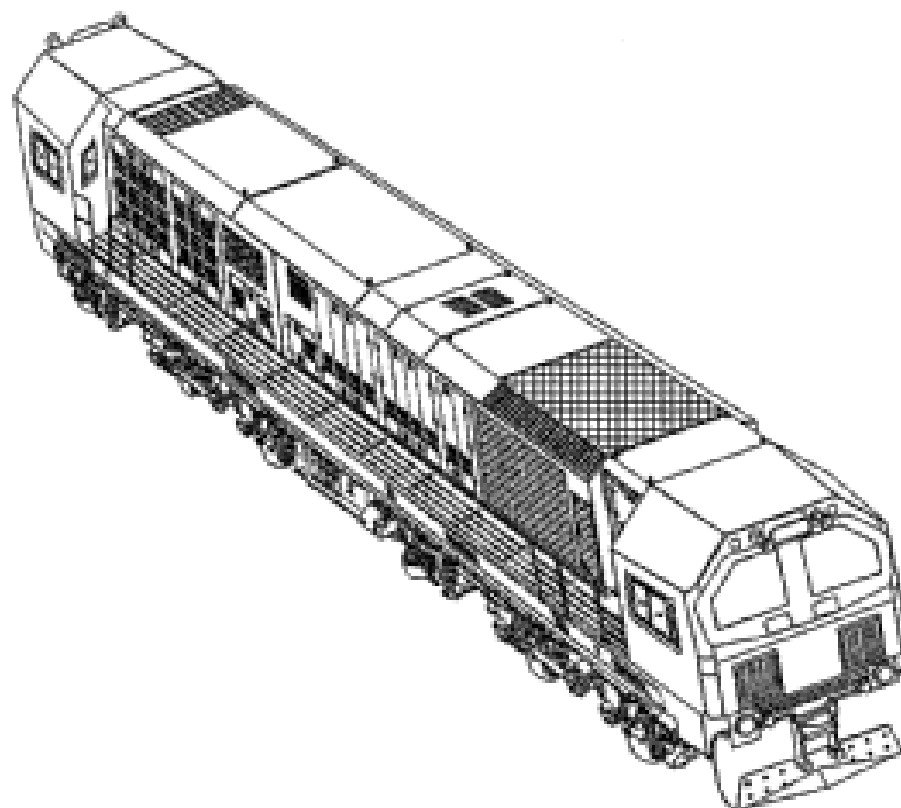
China

(72) Name(s) of Designer(s): **Maoye Cong and Gang Zhao and Di Cui and Yulei Zhao**

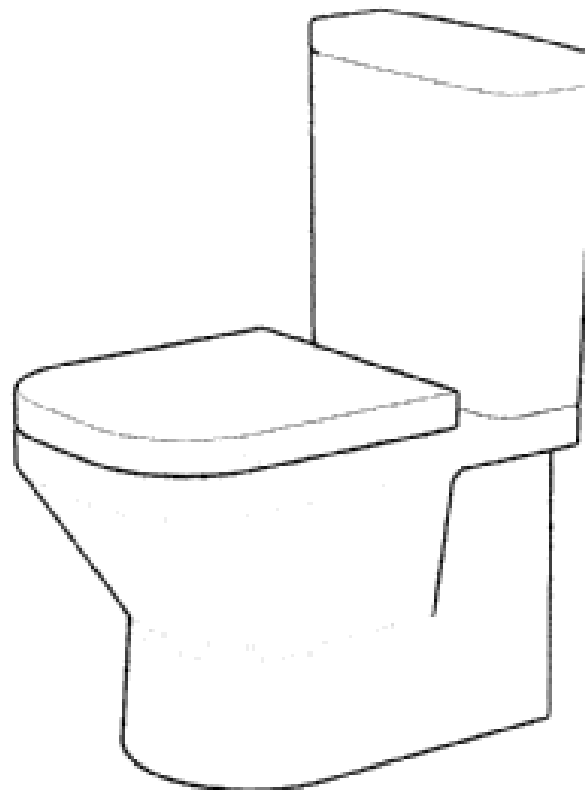
(45) Registration Date: **12 November 2010**

(56) Related Art Documents: **Not Applicable**

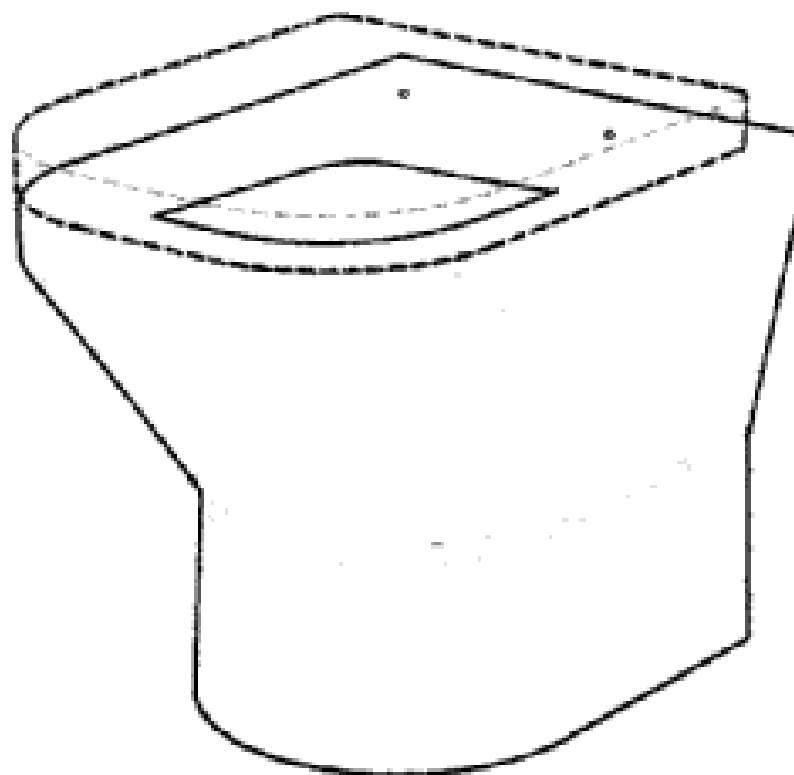
(57) Statement of Newness and Distinctiveness: **Nil**



- (21) Design Number: **14346/2010**
(22) Date of Filing Application: **05 October 2010**
(24) Date from which industrial property rights may have effect: **05 October 2010**
(54) Product in respect of which the design is registered: **Toilet suite**
(51) International Design Classification: **23-02C**
(71) Name(s) and Address(s) of Applicant(s):
Bang Design Pty Limited
91 Beattie Street Balmain New South Wales 2041 Australia
(72) Name(s) of Designer(s): **Bryan Marshall and Jesse Keith**
(45) Registration Date: **12 November 2010**
(56) Related Art Documents: **Not Applicable**
(57) Statement of Newness and Distinctiveness: **Newness and distinctiveness is claimed in those visual features as shown in the representations.**



- (21) Design Number: **14347/2010**
(22) Date of Filing Application: **05 October 2010**
(24) Date from which industrial property rights may have effect: **05 October 2010**
(54) Product in respect of which the design is registered: **Toilet wall-faced**
(51) International Design Classification: **23-02C**
(71) Name(s) and Address(s) of Applicant(s):
Bang Design Pty Limited
91 Beattie Street Balmain New South Wales 2041 Australia
(72) Name(s) of Designer(s): **Bryan Marshall and Jesse Keith**
(45) Registration Date: **12 November 2010**
(56) Related Art Documents: **Not Applicable**
(57) Statement of Newness and Distinctiveness: **Newness and distinctiveness is claimed in those visual features that are represented in the unbroken lines.**



(21) Design Number: **14348/2010**

(22) Date of Filing Application: **05 October 2010**

(24) Date from which industrial property rights may have effect: **05 October 2010**

(54) Product in respect of which the design is registered: **Toilet wall-hung**

(51) International Design Classification: **23-02C**

(71) Name(s) and Address(s) of Applicant(s):

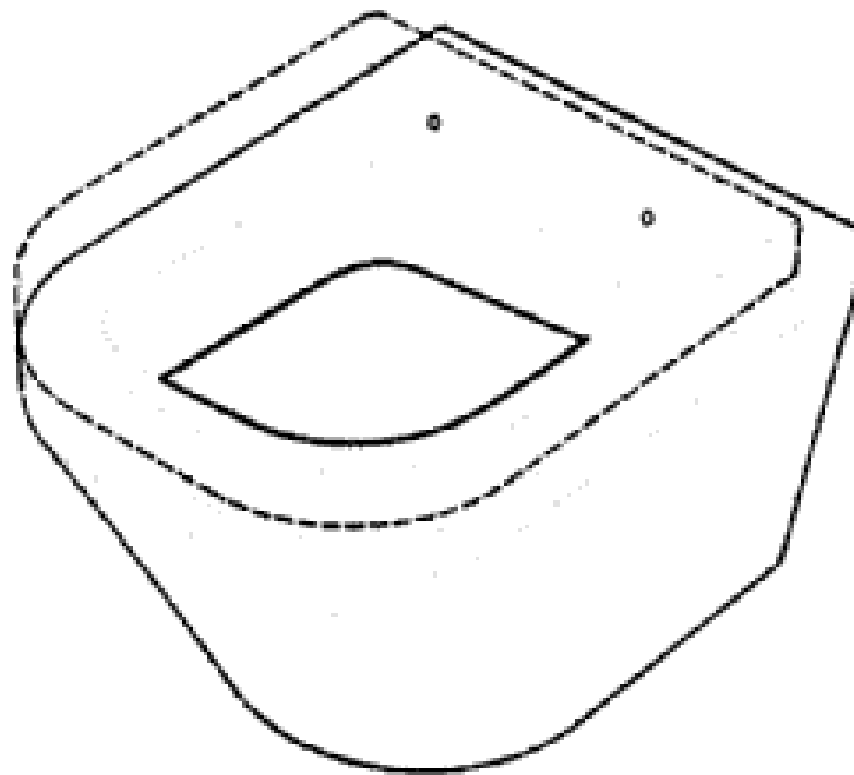
Bang Design Pty Limited
91 Beattie Street Balmain New South Wales 2041 Australia

(72) Name(s) of Designer(s): **Bryan Marshall and Jesse Keith**

(45) Registration Date: **12 November 2010**

(56) Related Art Documents: **Not Applicable**

(57) Statement of Newness and Distinctiveness: **Newness and distinctiveness is claimed in those visual features that are represented in the unbroken lines.**



(21) Design Number: **14349/2010**

(22) Date of Filing Application: **05 October 2010**

(24) Date from which industrial property rights may have effect: **05 October 2010**

(54) Product in respect of which the design is registered: **Basin**

(51) International Design Classification: **23-02F**

(71) Name(s) and Address(s) of Applicant(s):

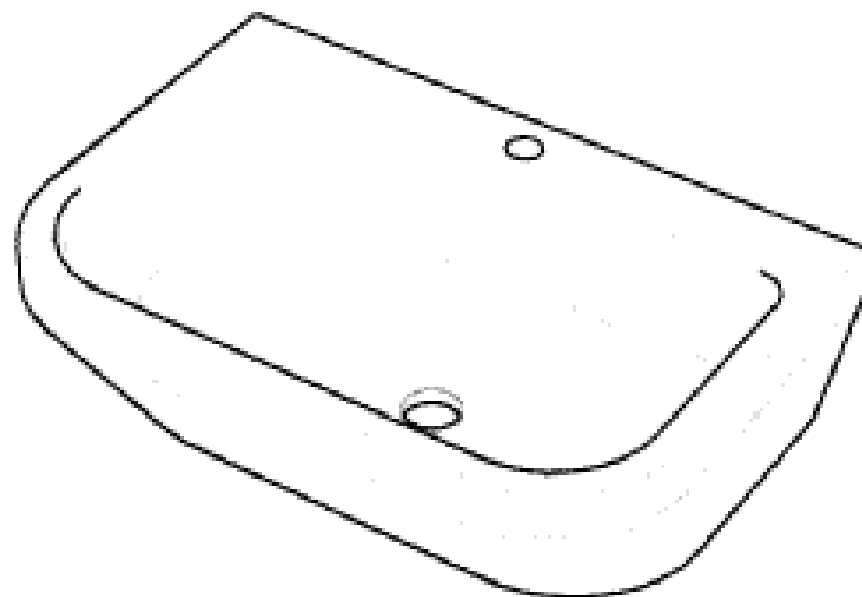
Bang Design Pty Limited
91 Beattie Street Balmain New South Wales 2041 Australia

(72) Name(s) of Designer(s): **Bryan Marshall and Jesse Keith**

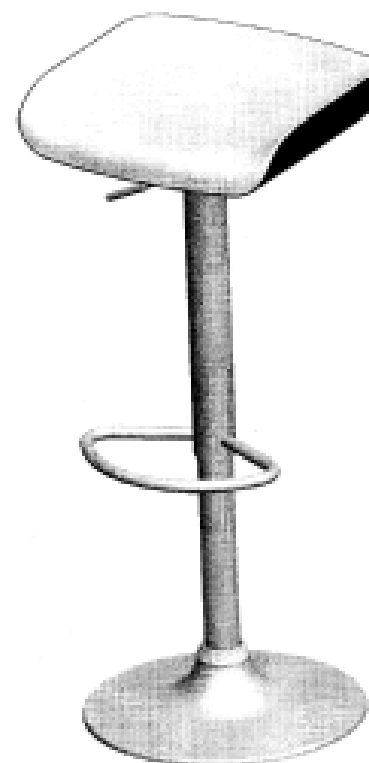
(45) Registration Date: **12 November 2010**

(56) Related Art Documents: **Not Applicable**

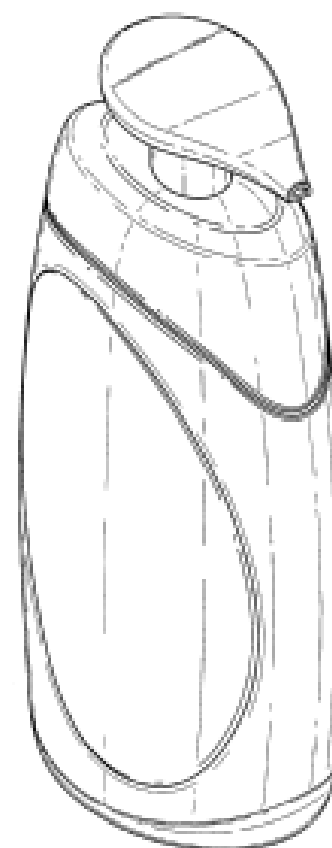
(57) Statement of Newness and Distinctiveness: **Newness and distinctiveness is claimed in those visual features as shown in the representations.**



- (21) Design Number: **13290/2010**
(22) Date of Filing Application: **03 August 2010**
(24) Date from which industrial property rights may have effect: **03 August 2010**
(54) Product in respect of which the design is registered: **Bar chair**
(51) International Design Classification: **06-01E**
(71) Name(s) and Address(s) of Applicant(s):
ANJI WEIYU FURNITURE CO., LTD
Sunlight Industrial Zone Dipu Town, Anji County Zhejiang 313300
China
(72) Name(s) of Designer(s): **Hui Du**
(45) Registration Date: **12 November 2010**
(30) Convention priority data:
(31) Number (32) Date (33) Country
201030107266.9 10 Feb 2010 CHINA
(56) Related Art Documents: **Not Applicable**
(57) Statement of Newness and Distinctiveness: **Novelty resides in the ornamental design for a bar chair as shown in the drawings.**



- (21) Design Number: **14559/2010**
(22) Date of Filing Application: **21 October 2010**
(24) Date from which industrial property rights may have effect: **21 October 2010**
(54) Product in respect of which the design is registered: **Bottle**
(51) International Design Classification: **09-01NES**
(71) Name(s) and Address(s) of Applicant(s):
Reckitt & Colman (Overseas) Limited
103-105 Bath Road Slough Berkshire SL1 3UH United Kingdom
(72) Name(s) of Designer(s): **Marcus Blachford and Peter Kay**
(45) Registration Date: **12 November 2010**
(30) Convention priority data:
(31) Number (32) Date (33) Country
001702184-0001 29 Apr 2010 EUROPEAN COMMUNITY
(56) Related Art Documents: **Not Applicable**
(57) Statement of Newness and Distinctiveness: **Each feature of the design considered separately or in combination with any other feature or features.**



- (21) Design Number: **14560/2010**
(22) Date of Filing Application: **21 October 2010**
(24) Date from which industrial property rights may have effect: **21 October 2010**
(54) Product in respect of which the design is registered: **Bottle**
(51) International Design Classification: **09-01NES**
(71) Name(s) and Address(s) of Applicant(s):
Reckitt & Colman (Overseas) Limited
103-105 Bath Road Slough Berkshire SL1 3UH United Kingdom
(72) Name(s) of Designer(s): **Marcus Blachford and Peter Kay**
(45) Registration Date: **12 November 2010**
(30) Convention priority data:
(31) Number (32) Date (33) Country
001702184-0002 29 Apr 2010 EUROPEAN COMMUNITY
(56) Related Art Documents: **Not Applicable**
(57) Statement of Newness and Distinctiveness: **Each feature of the design considered separately or in combination with any other feature or features.**



- (21) Design Number: **14561/2010**
(22) Date of Filing Application: **21 October 2010**
(24) Date from which industrial property rights may have effect: **21 October 2010**
(54) Product in respect of which the design is registered: **Bottle cap**
(51) International Design Classification: **09-01NES**
(71) Name(s) and Address(s) of Applicant(s):
Reckitt & Colman (Overseas) Limited
103-105 Bath Road Slough Berkshire SL1 3UH United Kingdom
(72) Name(s) of Designer(s): **Marcus Blachford and Peter Kay**
(45) Registration Date: **12 November 2010**
(30) Convention priority data:
(31) Number (32) Date (33) Country
001702184-0003 29 Apr 2010 EUROPEAN COMMUNITY
(56) Related Art Documents: **Not Applicable**
(57) Statement of Newness and Distinctiveness: **Each feature of the design considered separately or in combination with any other feature or features.**

