



Australian Government

IP Australia

AUSTRALIAN OFFICIAL JOURNAL

OF

DESIGNS

Did you know a searchable version of this journal is now available online?

It's FREE and EASY to SEARCH.

Find it at

<http://pericles.ipaustralia.gov.au/ols/epublish/content/olsEpublications.jsp>
or using the "Online Journals" link on the IP Australia home page.

This Page Left Intentionally Blank

Contents

General Information & Notices

Proceedings Under the Designs Act 1906 preserved as a result of the provisions of Chapter 12 Part 2 of the Designs Act 2003

Extension of Period of Registration of Designs	2926
Extensions of Time Granted	2926
Names Registered - Alterations and Amendments	2927
Registrations Ceased	2926
Subsequent Owners Registered	2926

Proceedings Under the Designs Act 2003

Applications Lapsed	2938
Applications Lodged	2931
Certificate of Examination	2942
Corrigenda	2941
Extension of Period of Registration of Design	
Extension of Time Granted Under Section 137	2939
Licences Registered	2940
Names Registered - Alterations and Amendments	2940
Publication and Registration Proceedings	
Designs Registered 333646 to 333930.....	2943
Registrations Ceased	2939
Subsequent Owners Registered	2940

This Page Left Intentionally Blank

For information on the following please see our website www.ipaustralia.gov.au or contact our Customer Service Network on 1300651010

[Editorial enquiries](#)

[Contact information](#)

[Freedom of Information ACT](#)

[Professional Standards Board](#)

[Sales](#)

[Requests for Information under Section 194 \(c\)](#)

[Country Codes](#)

[Trade Mark and Designs Hearing Sessions](#)

[INID \(Internationally agreed Numbers for the Identification of Data\)](#)

“INID” NUMBERS in use on Australian Design Documents

“INID” is an acronym for “Internationally agreed Numbers for the Identification of Data”.

(10) Data concerning the registration/renewal

- (11) Serial number of the registration and/or number of the design document
- (12) Plain language designation of the kind of published document
- (19) Identification, using the two-letter code according to WIPO Standard ST.3, of the authority publishing or registering the industrial design

(20) Data concerning the application

- (21) Serial number of the application
- (22) Date of filing of the application
- (24) Date from which the industrial design right has effect

(30) Data relating to priority under the Paris Convention

- (31) Serial number assigned to the priority application
- (32) Date of filing of the priority application
- (33) Two-letter code, according to WIPO Standard ST.3, identifying the authority with which the priority application was made

(40) Date(s) of making information available to the public

- (45) Date of publication of the registered industrial design by printing or similar process, or making it available to the public by any other means

(50) Miscellaneous Information

- (51) International Classification for Industrial Designs (class and subclass of the Locarno Classification)
- (54) Designation of article(s) or product(s) covered by the industrial design or title of the industrial design
- (55) Reproduction of the industrial design (e.g., drawing, photograph) and explanations relating to the reproduction
- (56) List of prior art documents, if separate from descriptive text
- (57) Description of characteristic features of the industrial design including indication of colours

(60) References to other legally related application(s) and registration(s)

- (62) Serial number(s) and, if available, filing date(s) of application(s), registration(s) or document(s) related by division
- (66) Serial number(s) of the application, or the registration, of the design(s) which is (are) a variant(s) of the present one

(70) Identification of parties concerned with the application or registration

- (71) Name(s) and address(es) of the applicant(s)
- (72) Name(s) of the creator(s) if known to be such
- (74) Name(s) and address(es) of the representative(s)

This Page Left Intentionally Blank

Official Notice**Australian Government****IP Australia****Close-down periods for the Patent, Trade Marks,
Designs Offices and the sub-offices**

The close-down provisions in the Patents, Trade Marks and Designs legislation provide for the effect of the Patent Office, the Trade Marks Office and the Designs Office in Canberra or any of their sub-offices in the State capitals not being open for business.

Authorised Australia Post outlets, "IP Lodgement Points", in Hobart, Perth, Adelaide, Sydney, Darwin and Melbourne are sub-offices for the purposes of the Patents, Trade Marks and Designs legislation. These Australia Post outlets may be physically open to the general public for other services provided by Australia Post during the close-down period. However, as declared by the Director General, they are taken not to be open for business for the purposes of lodging IP documents and/or making IP-related payments from Saturday, 25 December 2010 up to and including Monday, 3 January 2011.

If the last day for doing an act is a day when a sub-office is not open for business, section 222A(1) of the Patents Act, section 223A(1) of the Trade Marks Act and section 136A(1) of the Designs Act allow for the act to be done on the next day when the sub-office is open for business. This means that customers will not be disadvantaged by the closure of the sub-offices for the period between Christmas Day and the New Year's Day holiday.

Contact: IP Australia
Phone: 1300 651 010
Fax: +61 2 6283 7999
E-mail: assist@ipaaustralia.gov.au
Web: www.ipaustralia.gov.au

Proceedings under the Designs Act 1906 preserved as a result of the provisions of Chapter 12 Part 2 of the Designs Act 2003.

This Page Left Intentionally Blank

Applications Lapsed

There were no Applications Lapsed under this section

Extension of Period of Registration of Designs

1st Period (Section 27A(8))

2nd Period (Section 27A(12))

152741 156920 158137

3rd Period (Section 27A(13))

139634 139681 140950
 141007 141008 141026
 141049 141099 141116
 141149 141218 141387
 141400 141486 141523
 141583 141730 141860
 141987 142103 142114
 142133 142281 142479
 142524 142594 142784
 142843 143810 144063
 144724 144725 145472

Registrations Ceased

Note: Some of the following Registrations may have been previously advertised as ceased. In this instance, the previous advertisement still prevails.

122358 123903 123925
 123974 123976 123977
 123979 123980 124006
 124035 124036 124052
 124055 124083 124110
 124117 124124 124137
 124138 124140 124277
 124278 124279 124280
 124325 124333 124335
 124336 124373 124502
 124725 124726 124741
 124751 124859 124899
 125306 125333 125767
 126453 127038 127076
 127102 127103 127104
 127106 127176 127369
 127874 128461 131945
 131946 131947 131948
 131949 131950 131951
 131952 131953 131954
 131955 131983 132692
 132693 132694 137300
 137472 137612 138918
 138919 138920 138921
 138922 138923 138924
 139065 139098 139104

139204 139205 139206
 139324 139327 139456
 139943 140008 140999
 141000 141312 141313
 142248 142278 142435
 143061 155564 155657
 155664 155665 155667
 155681 155753 155754
 155755 155756 155757
 155758 155759 155868
 155887 156858 156916
 156917 156918 156946
 156947 156948 156949
 156965 156980 156981
 156982 157006 157015
 157016 157050 157072
 157078 157141 157179
 157192 157194 157218
 157219 157228 157261
 157263 157273 157274
 157275 157293 157312
 157358 157359 157368
 157395 157413 157414
 157435 157470 157494
 157562 157563 157591
 157610 157656 157657
 157665 157690 157691
 157735 157757 157758
 157773 157802 157874
 157884 157919 157951
 158108 158122 158148
 158229 158309 158310
 158364 158380 158381
 158513

Extensions of time granted

Applications lodged for extension of time have been granted.

152741 **Darren Paul Blackberry** An Extension of time to extend a registration has been granted to 22/07/2010

152741 **Darren Paul Blackberry** An Extension of time to renew a registration has been granted to 22/11/2010

Subsequent Owners Registered

(The name in parentheses is that of the subsequent owner)

142662 (The Procter & Gamble Company) Saramar L.L.C.
 141127 (The Procter & Gamble Company) Saramar L.L.C.
 157203 (The Procter & Gamble Company) Saramar L.L.C.
 157202 (The Procter & Gamble Company) Saramar L.L.C.
 148252 (The Procter & Gamble Company) Saramar L.L.C.
 127290 (Snopak Manufacturing Pty Limited) Huhtamaki Australia Limited
 144252 (Snopak Manufacturing Pty Limited) Huhtamaki Australia Limited

Subsequent Owners Registered

146093 (**Hubco Automotive Limited**) Peter Douglas Hubbard

Names Registered - Alterations and Amendments

(The name in parentheses is the new name of the proprietor)

141167 (**LVMH Swiss Manufactures SA**) TAG Heuer S.A.

This Page Left Intentionally Blank

Proceedings under the Designs Act 2003.

This Page Left Intentionally Blank

Applications Lodged

Lodgement information is in the following order: **Applicant's Name**; International Classification, Name of Product, Lodgement Date and **Design Number**. If the applicant claims an earlier priority date under an International Convention, the Convention Country and the associated filing date are shown in parentheses before the Lodgement Date. Divisional information will also appear in parentheses before the Lodgement Date.

bioMerieux, Inc.; 19-06, Instrument for analyzing specimen containers, (US, 14 May 2010) 12 Nov 2010	14929/2010	Assembly Electronics Pty Ltd; 13-03E, Cable connector socket, 18 Nov 2010	15035/2010
bioMerieux, Inc.; 24-01, Instrument for analyzing specimen containers, (US, 14 May 2010) 12 Nov 2010	14930/2010	Astel; 02-01B, Incontinent drainage for women, 10 Nov 2010	14938/2010
iwood Australia Pty Ltd; 06-04NES, Furniture (for Indoor and Outdoor use) - Shelving, 11 Oct 2010	15164/2010	Astel; 04-02, , 10 Nov 2010	14737/2010
iwood Australia Pty Ltd; 06-04NES, Furniture (for Indoor and Outdoor use) - Shelving, 11 Oct 2010	15165/2010	Astel; 23-02B, , 10 Nov 2010	14736/2010
Abuzz Solutions Pty Ltd; 20-03NES, Electronic kiosk; directory, 17 Nov 2010	15058/2010	Astel; 21-01N, Assorted: Video adult sport games ping pong, tennis, badminton, bowls, croquet, 10 Nov 2010	14738/2010
Aguilar, Julio Cesar Rincon; Parra, Alba Zulay Gutierrez; 20-03NES, Reflective mosaic house number, 18 Nov 2010	15059/2010	Atallah, Madeleine; 06-09, The pop out nursing pillow, 15 Nov 2010	14935/2010
Air New Zealand Limited; 07-01F, A jug, (NZ, 11 May 2010) 11 Nov 2010	14849/2010	Australia Talent Plastic Design and Manufacture Pty Ltd; 25-02C, Tree guard to protect trees planted with easy installation, un-installation, re-installation, water collection and, weed growth prevention, 17 Nov 2010	15052/2010
Allen-Vanguard Technology Inc.; 02-02B, Protective body suit, (US, 27 Apr 2010) 29 Sep 2010	14931/2010	Australia Talent Plastic Design and Manufacture Pty. Ltd.; 25-02NES, Tree guard to protect trees planted with easy installation, un-installation, re-installation, water collection, and, weed growth prevention, 18 Nov 2010	15101/2010
Allen-Vanguard Technology Inc.; 02-02B, Protective body suit, (US, 27 Apr 2010) 29 Sep 2010	14932/2010	Australian Football League; 02-02NES, Garment, 15 Nov 2010	14940/2010
Alterra Tools Ltd.; 08-06, Tool handle, (US, 21 May 2010) 19 Nov 2010	15065/2010	Australian Football League; 02-02NES, Garment, 15 Nov 2010	14941/2010
Alterra Tools Ltd.; 08-05A, 08-06, Weeder handle, (US, 18 May 2010) 19 Nov 2010	15066/2010	AAG Trading Pty Ltd; 20-02NES, This product is point of sale material for use with any product displayed on stands (eg: greeting cards, wrap,, books, etc), 26 Nov 2010	15163/2010
Andrew Burns Architect Pty Ltd; 06-01E, Timber stool, 24 Nov 2010	15119/2010	ADC Communications (Australia) Pty Limited; 13-03NES, Wire termination tool, 05 Nov 2010	14916/2010
Apple Inc.; 14-03A, 14-04, Electronic device, (US, 07 Apr 2010) (Divisional of 14046/2010) 17 Nov 2010	14994/2010	Baines Masonary Blocks Pty Ltd; 25-01A, A masonry block, 19 Nov 2010	15079/2010
Apple Inc.; 14-03A, 14-04, Electronic device, (US, 07 Apr 2010) (Divisional of 14046/2010) 17 Sep 2010	14995/2010	Baines Masonary Blocks Pty Ltd; 25-01A, A masonry block, 19 Nov 2010	15080/2010
Apple Inc.; 14-03A, 14-04, Electronic device, (US, 07 Apr 2010) (Divisional of 14046/2010) 17 Sep 2010	14996/2010	Baines Masonary Blocks Pty Ltd; 25-01A, A masonry block, 19 Nov 2010	15081/2010
Apple Inc.; 14-03A, 14-04, Electronic device, (US, 07 Apr 2010) (Divisional of 14046/2010) 17 Sep 2010	14997/2010	Barnett, Michael; 21-02NES, Water wickets set, 19 Nov 2010	15067/2010
Arlec Australia Pty Ltd; 23-03B, An outdoor gas heater, 24 Nov 2010	15139/2010	Belkin International, Inc.; 14-02, Gateway device, (US, 13 May 2010) 12 Nov 2010	14918/2010
Assembly Electronics Pty Ltd; 13-03E, Cable connector plug, 18 Nov 2010	15036/2010	Berris, Alan; 08-05A, Selective lawn weeder, 15 Nov 2010	14970/2010

Black & Decker Inc; 08-03, String trimmer, (EM, 26 May 2010) 12 Nov 2010	14923/2010	Craigie, Ian; 06-07, Photo framing, photowalls, 24 Nov 2010	15123/2010
Black & Decker Inc; 08-03, String trimmer, (EM, 26 May 2010) 12 Nov 2010	14921/2010	Creswick, Amanda; Keeble, Susan; 09-03M, Multi-purpose packaging device, 24 Nov 2010	14768/2010
Bluedog Fences Australia Holdings Pty Ltd; 08-08L, A bracket for a gate hinge, 05 Nov 2010	14839/2010	Damare, Matthew; 22-99, Military training rifle - steyr, 26 Nov 2010	15162/2010
Bluedog Fences Australia Holdings Pty Ltd; 08-06, A hinge spigot assembly for a lower gate hinge, 05 Nov 2010	14838/2010	David Stuckey Investments Pty Ltd; 08-07, Dish, 19 Nov 2010	15126/2010
Bluedog Fences Australia Holdings Pty Ltd; 08-08B, A drop bolt for a gate, 05 Nov 2010	14840/2010	David Stuckey Investments Pty Ltd; 08-07, Dish, 19 Nov 2010	15127/2010
Bluedog Fences Australia Holdings Pty Ltd; 08-08B, A screw, 05 Nov 2010	14841/2010	David Stuckey Investments Pty Ltd; 08-06, Handle, 19 Nov 2010	15078/2010
Bluedog Fences Australia Holdings Pty Ltd; 08-08B, A screw, 05 Nov 2010	14842/2010	Divall, Alan David; Galway, Darren Paul; 25-01NES, An end clip, 18 Nov 2010	15085/2010
Boho Exchange Pty Ltd; 15-09, 25-04, Staircase formwork, 18 Nov 2010	15042/2010	Divall, Alan David; Galway, Darren Paul; 25-01NES, A channel, 18 Nov 2010	15084/2010
Borrowdale, Zac; 19-06, Easel, 10 Nov 2010	14905/2010	DKH Retail Limited; 02-04NES, Footwear (boots), (EM, 27 May 2010) 19 Nov 2010	15121/2010
Bradken Resources Pty Limited; 12-05, Hoist link, 17 Nov 2010	15001/2010	E. Mishan & Sons, Inc.; 08-03, Knives, (US, 08 Jun 2010) 23 Nov 2010	15115/2010
Braun GmbH; 28-03A, Epilator, (WO, 17 May 2010) 11 Nov 2010	14892/2010	E. Mishan & Sons, Inc.; 21-02F, Abdominal exercisers, (US, 05 Oct 2010) 23 Nov 2010	15116/2010
Braun GmbH; 28-03A, Epilator, (WO, 17 May 2010) 11 Nov 2010	14893/2010	Education Projects Pty Ltd; 21-01C, Rubber band boat, 17 Nov 2010	15049/2010
Braun GmbH; 28-03A, Epilator part, (WO, 17 May 2010) 11 Nov 2010	14894/2010	Electrolux Home Products Pty Limited; 15-07, Door, bin assembly and bin, 24 Nov 2010	15132/2010
Braun GmbH; 28-03A, Epilator, (WO, 17 May 2010) 11 Nov 2010	14896/2010	Electrolux Home Products Pty Limited; 15-07, Dispenser, 24 Nov 2010	15131/2010
Brook, Leanne Kaye; 02-02NES, Jacket, 23 Nov 2010	15100/2010	Electrolux Home Products Pty Limited; 15-07, Dispenser, 24 Nov 2010	15130/2010
Charlesworth, Ellen; 19-06, Generic pen clip, 17 Nov 2010	14985/2010	Electrolux Home Products Pty Limited; 07-02C, Coupler, 24 Nov 2010	15129/2010
Chillquest Pty Ltd; Visy R & D Pty Ltd; 09-03M, Linerless carton for food, 12 Nov 2010	14920/2010	Elite Dogstands Ltd; 30-02, Pet stands for animals, (EM, 11 May 2010) 11 Nov 2010	14881/2010
Clayton (Designs), Amorelita; 07-01D, Homewares, cups, mugs, coffee cups, 17 Nov 2010	14998/2010	Fifty-Fourth Rischell Pty Ltd; 02-02C, 02-02NES, A shirt, 05 Jul 2010	15002/2010
Clayton (Designs), Amorelita; 07-01D, Homewares, cups, mugs, coffee cups, 17 Nov 2010	14999/2010	Fifty-Fourth Rischell Pty Ltd; 02-02C, 02-02NES, A pair of pants, 05 Jul 2010	15010/2010
Clipsal Australia Pty Ltd; 13-02, 14-02, USB charging module, 25 Nov 2010	15176/2010	Fifty-Fourth Rischell Pty Ltd; 02-02C, 02-02NES, A pair of shorts, 05 Jul 2010	15011/2010
Clipsal Australia Pty Ltd; 13-02, 14-02, USB charging module, 25 Nov 2010	15177/2010	Fifty-Fourth Rischell Pty Ltd; 02-02C, 02-02NES, A pair of shorts, 05 Jul 2010	15012/2010
Colleen Pettiford & Associates Pty Ltd, Trading as Herbs a la Cart; 11-02C, 12-02, This ia a garden trolley to fit 4 planter pots to grow herbs, 08 Nov 2010	14924/2010	Fifty-Fourth Rischell Pty Ltd; 02-02NES, A shirt, 18 May 2010	15014/2010
		Fifty-Fourth Rischell Pty Ltd; 02-02NES, A shirt, 18 May 2010	15015/2010
		Fifty-Fourth Rischell Pty Ltd; 02-02NES, A shirt, 18 May 2010	15016/2010

Fifty-Fourth Rischell Pty Ltd; 02-02NES, A shirt, 18 May 2010	15017/2010	Galway, Darren Paul; Divall, Alan David; 25-01NES, A channel, 18 Nov 2010	15084/2010
Fifty-Fourth Rischell Pty Ltd; 02-02NES, A shirt, 18 May 2010	15018/2010	Gillette Company, The; 28-03A, Razor cartridge, (US, 12 May 2010) 11 Nov 2010	14897/2010
Fifty-Fourth Rischell Pty Ltd; 02-02NES, A shirt, 18 May 2010	15019/2010	Grabba International Pty Ltd; 14-03A, Enclosure for a handheld device used with a multifunction attachment, 10 Nov 2010	14933/2010
Fifty-Fourth Rischell Pty Ltd; 02-02NES, A T-shirt, 18 May 2010	15020/2010	Haslet,Carolynn; 30-99, A mitt designed for pet owners which will be used to clean a pet's dirty feet, or wet feet., 10 Nov 2010	15083/2010
Fifty-Fourth Rischell Pty Ltd; 02-02NES, A polo shirt, 18 May 2010	15021/2010	Haworth, Inc.; 06-01F, Office chair, (US, 26 Apr 2010) 03 Sep 2010	14891/2010
Fifty-Fourth Rischell Pty Ltd; 02-02NES, A polo shirt, 18 May 2010	15022/2010	Haworth, Inc.; 06-01F, Office chair, (US, 26 Apr 2010) 03 Sep 2010	14888/2010
Fifty-Fourth Rischell Pty Ltd; 02-02C, A pair of jeans, 18 May 2010	15023/2010	Haworth, Inc.; 06-01F, Office chair, (US, 26 Apr 2010) 03 Sep 2010	14889/2010
Fifty-Fourth Rischell Pty Ltd; 02-02C, A pair of jeans, 18 May 2010	15024/2010	Haworth, Inc.; 06-01F, Office chair, (US, 26 Apr 2010) 03 Sep 2010	14890/2010
Fifty-Fourth Rischell Pty Ltd; 02-02C, A pair of pants, 18 May 2010	15025/2010	Haworth, Inc.; 06-01F, Office chair, (US, 26 Apr 2010) 03 Sep 2010	14887/2010
Fifty-Fourth Rischell Pty Ltd; 02-02C, A pair of pants, 18 May 2010	15026/2010	Hubco Automotive Limited; 12-16K, Connection assembly, (NZ, 20 May 2010) 19 Nov 2010	15064/2010
Fifty-Fourth Rischell Pty Ltd; 02-02C, A pair of pants, 18 May 2010	15027/2010	Innovations (Global) Pty Ltd; 08-08A, Rivet, 19 Nov 2010	15062/2010
Fifty-Fourth Rischell Pty Ltd; 02-02C, A pair of pants, 18 May 2010	15028/2010	Innovations (Global) Pty Ltd; 08-08A, Rivet, 19 Nov 2010	15063/2010
Fifty-Fourth Rischell Pty Ltd; 02-02NES, A shirt, 18 May 2010	15013/2010	Irwin Industrial Tool Company; 08-03, Reciprocating saw blade, (US, 21 May 2010) 19 Nov 2010	15088/2010
Fifty-Fourth Rischell Pty Ltd; 02-02C, 02-02NES, A shirt, 05 Jul 2010	15003/2010	Jackson Industries Pty Limited; 13-03D, A power board, 17 Nov 2010	15000/2010
Fifty-Fourth Rischell Pty Ltd; 02-02C, 02-02NES, A shirt, 05 Jul 2010	15004/2010	John Wall, Inc.; 08-08K, Insulating rail bracket, (US, 10 Jun 2010) 24 Nov 2010	15133/2010
Fifty-Fourth Rischell Pty Ltd; 02-02C, 02-02NES, A shirt, 05 Jul 2010	15005/2010	John Wall, Inc.; 08-08B, Insulated grommet for end post buckles, (US, 10 Jun 2010) 24 Nov 2010	15134/2010
Fifty-Fourth Rischell Pty Ltd; 02-02C, 02-02NES, A T-shirt, 05 Jul 2010	15006/2010	Joseph Joseph Ltd; 07-04, Kitchenware, 22 Nov 2010	15092/2010
Fifty-Fourth Rischell Pty Ltd; 02-02C, 02-02NES, A polo shirt, 05 Jul 2010	15007/2010	Joseph Joseph Ltd; 07-04, Kitchenware, (EM, 21 Jun 2010) 22 Nov 2010	15095/2010
Fifty-Fourth Rischell Pty Ltd; 02-02C, 02-02NES, A polo shirt, 05 Jul 2010	15008/2010	Joseph Joseph Ltd; 10-03, Kitchenware, (EM, 21 Jun 2010) 22 Nov 2010	15096/2010
Fifty-Fourth Rischell Pty Ltd; 02-02C, 02-02NES, A pair of pants, 05 Jul 2010	15009/2010	Joseph Joseph Ltd; 07-01B, Kitchenware, (EM, 21 Jun 2010) 22 Nov 2010	15091/2010
Fletcher, Melanie Jayne; Whitworth, Barry Leslie; Whitworth, Damian Morgan; 12-16B, Ute under tray, 25 Nov 2010	15161/2010		
Funky Monkey Bars; 21-03, Children's monkey bars - stand-alone, steel, portable monkey bars for the residential back-yard, 09 Nov 2010	14834/2010		
Funky Monkey Bars; 21-03, , 09 Nov 2010	14835/2010		
Funky Monkey Bars; 21-03, , 09 Nov 2010	14836/2010		
Funky Monkey Bars; 21-03, , 09 Nov 2010	14837/2010		
Galway, Darren Paul; Divall, Alan David; 25-01NES, An end clip, 18 Nov 2010	15085/2010		

Joseph Joseph Ltd; 07-03, Kitchenware, (EM, 21 Jun 2010) 22 Nov 2010	15097/2010	Masonite Corporation; 25-02B, Molded door facing, (US, 26 Mar 2010) 17 Nov 2010	15034/2010
Joseph Joseph Ltd; 07-04, Kitchenware, 22 Nov 2010	15093/2010	Master Lock Company LLC; 08-07, Hook, (US, 03 Jun 2010) 24 Nov 2010	15140/2010
Joseph Joseph Ltd; 07-04, Kitchenware, (EM, 21 Jun 2010) 22 Nov 2010	15094/2010	Master Lock Company LLC; 08-07, Hook, (US, 03 Jun 2010) 24 Nov 2010	15141/2010
Jura Elektroapparate AG; 07-02L, Coffee maker, (WO, 14 May 2010) 11 Nov 2010	14907/2010	Master Lock Company LLC; 08-07, Hook, (US, 03 Jun 2010) 24 Nov 2010	15142/2010
K. Hartwall Oy Ab; 09-03M, Tray, (EM, 29 Jun 2010) 22 Nov 2010	15099/2010	McNicholl, Ivan William; 02-07C, A tie pin with spectacle holder, (NZ, 24 May 2010) 12 Nov 2010	14898/2010
Keeble, Susan; Creswick, Amanda; 09-03M, Multi-purpose packaging device, 24 Nov 2010	14768/2010	McNicholl, Ivan William; 02-07C, A tie pin with spectacle holder, (NZ, 24 May 2010) 12 Nov 2010	14882/2010
KeepCup Pty Ltd; 07-01C, Cup, 17 Nov 2010	15030/2010	McNicholl, Ivan William; 02-07C, A tie pin with spectacle holder, (NZ, 24 May 2010) 12 Nov 2010	14883/2010
Kinabalu Investments Ltd; 25-02NES, A road barrier, 23 Nov 2010	15128/2010	McPherson's Limited; 07-02P, Baking tray, 19 Nov 2010	15076/2010
Kinabalu Investments Ltd; 25-02NES, A road barrier, 23 Nov 2010	15143/2010	McPherson's Limited; 07-02P, Baking tray, 19 Nov 2010	15068/2010
King Furniture (Australia) Pty Ltd; 08-08M, 08-08NES, Bracket, 18 Nov 2010	15043/2010	Medical Developments International Limited; 24-99, Valve for a spacer, 10 Nov 2010	14848/2010
Kiss Products, Inc.; 09-01G, 09-01NES, Display packages, (US, 09 Jun 2010) 18 Nov 2010	15045/2010	Medical Instill Technologies, Inc.; 07-01E, Bottle with nipple, (US, 11 Mar 2010) 10 Sep 2010	14975/2010
KitVac International Pty Ltd; 15-05, Vacuum dustpan inlet, 10 Nov 2010	14846/2010	Medical Instill Technologies, Inc.; 07-01E, Bottle with nipple, (US, 11 Mar 2010) 10 Sep 2010	14974/2010
KitVac International Pty Ltd; 15-05, Dual inlet vacuum collection bag, 10 Nov 2010	14847/2010	Micador Australia Pty Ltd; 21-01E, Toy moulding clay pieces, 15 Nov 2010	14927/2010
Koninklijke Philips Electronics N.V.; 28-03A, Three head dry shaver, (EM, 20 May 2010) 15 Nov 2010	14963/2010	Michael Hill Franchise Pty Ltd; 11-01A, A ring, (NZ, 13 Oct 2010) 24 Nov 2010	15138/2010
LED Technologies Pty Ltd; 12-16E, Lens and lighting assembly, 12 Nov 2010	14914/2010	Michael Hill Franchise Pty Ltd; 11-01NES, An article of jewellery, (NZ, 13 Oct 2010) 24 Nov 2010	15137/2010
LED Technologies Pty Ltd; 26-05C, Lighting assembly, 24 Nov 2010	15135/2010	Microsoft Corporation; 14-02, Housing for a memory device, (US, 25 May 2010) 25 Nov 2010	15174/2010
LED Technologies Pty Ltd; 13-03B, Connector, 24 Nov 2010	15136/2010	Microsoft Corporation; 13-03D, Connector plug, (US, 25 May 2010) 25 Nov 2010	15175/2010
LED Technologies Pty Ltd; 13-03E, Connector, 11 Nov 2010	14906/2010	Microsoft Corporation; 13-03D, Connector plug, (US, 25 May 2010) 25 Nov 2010	15172/2010
LG Electronics Inc.; 14-03E, Mobile phone, (KR, 18 May 2010) 15 Nov 2010	14934/2010	Microsoft Corporation; 14-02, Housing for a memory device, (US, 25 May 2010) 25 Nov 2010	15173/2010
MannKind Corporation; 24-04, Dry powder inhaler, (US, 14 Jun 2010) 23 Nov 2010	15106/2010	Monkey Toe Systems Limited; 08-08NES, A clip, (NZ, 26 May 2010) 18 Nov 2010	15047/2010
MannKind Corporation; 24-04, Dry powder inhaler, (US, 14 Jun 2010) 25 Nov 2010	15159/2010	Monkey Toe Systems Limited; 08-08NES, A clip, (NZ, 26 May 2010) 18 Nov 2010	15054/2010
MannKind Corporation; 24-04, Dry powder inhaler, (US, 14 Jun 2010) 25 Nov 2010	15158/2010	Monkey Toe Systems Limited; 25-01K, An extrusion of indefinite length, (NZ, 26 May 2010) 18 Nov 2010	15048/2010

Monkey Toe Systems Limited; 25-01K, An extrusion of indefinite length, (NZ, 26 May 2010) 18 Nov 2010	15050/2010	Oticon Medical A/S; 24-99, Hearing aid, (EM, 21 Jun 2010) 18 Nov 2010	15056/2010
Monkey Toe Systems Limited; 25-01K, An extrusion of indefinite length, (NZ, 26 May 2010) 18 Nov 2010	15032/2010	Oticon Medical A/S; 24-99, Hearing aid, (EM, 21 Jun 2010) 18 Nov 2010	15055/2010
Monkey Toe Systems Limited; 25-01K, An extrusion of indefinite length, (NZ, 26 May 2010) 18 Nov 2010	15033/2010	Otsuka Pharmaceutical Co., Ltd; 28-01, Tablet, (JP, 24 May 2010) 25 Nov 2010	15169/2010
Monkey Toe Systems Limited; 25-01K, An extrusion of indefinite length, (NZ, 26 May 2010) 18 Nov 2010	15051/2010	Otto Bock HealthCare GmbH; 24-04, Orthosis, (EM, 29 Jun 2010) 24 Nov 2010	15125/2010
Monkey Toe Systems Limited; 99-00, A clip, (NZ, 26 May 2010) 18 Nov 2010	15053/2010	Pacific Market International, LLC; 09-01NES, Beverage container, (US, 17 May 2010) 16 Nov 2010	14976/2010
Motorola, Inc.; 14-03NES, Communication device, (US, 26 May 2010) 11 Nov 2010	14895/2010	Parra, Alba Zulay Gutierrez; Aguilar, Julio Cesar Rincon; 20-03NES, Reflective mosaic house number, 18 Nov 2010	15059/2010
MGM Giorgi S.p.A.; 21-01N, Foldable support for steering wheels for electronic games, (EM, 18 May 2010) 17 Nov 2010	14982/2010	Pfeiffer, Dennis Ian; 25-04, Multiple platform ladder, 09 Nov 2010	14910/2010
Nelson, Terence; 29-02, Bouyancy suit, (GB, 28 May 2010) 25 Nov 2010	15160/2010	Phoenix Industries Pty Ltd; 23-01H, Mixer tap, 17 Nov 2010	14992/2010
Nissan Jidosha Kabushiki Kaisha; 12-16C, Front bumper for automobile, (JP, 28 May 2010) 23 Nov 2010	15117/2010	Pierro, Matt; 31-00, Liquid dispenser, 24 Nov 2010	15124/2010
Nissan Jidosha Kabushiki Kaisha; 12-16C, Front bumper for automobile, (JP, 28 May 2010) 23 Nov 2010	15118/2010	Playtex Products, Inc.; 07-01D, Cup with lid, lid for cup and cup, (US, 24 May 2010) 24 Nov 2010	15146/2010
NEC Infrontia Corporation; 14-03NES, Communication relay exchange control machine, (US, 28 May 2010) 25 Nov 2010	15168/2010	Playtex Products, Inc.; 24-04, Teether and pacifier securing device, (US, 25 May 2010) 25 Nov 2010	15166/2010
Okamura Corporation; 06-01F, Chair, (JP, 17 May 2010) 17 Nov 2010	14993/2010	Poolrite Research Pty Ltd; 23-01G, A swimming pool filtration unit, 12 Nov 2010	14917/2010
Okamura Corporation; 06-01F, Chair, (JP, 17 May 2010) 16 Nov 2010	14988/2010	Prestige Wheels & Accessories Pty Ltd; 12-16A, Alloy wheel, 17 Nov 2010	15107/2010
Okamura Corporation; 06-01F, Chair, (JP, 17 May 2010) 16 Nov 2010	14989/2010	Prestige Wheels & Accessories Pty Ltd; 12-16A, Alloy wheel, 17 Nov 2010	15108/2010
Okamura Corporation; 06-01F, Chair, (JP, 08 Oct 2010) 16 Nov 2010	14990/2010	Prodir S.A.; 19-06, Writing instrument, (CH, 27 Aug 2010) 12 Nov 2010	14928/2010
Okamura Corporation; 06-01F, Chair, (JP, 17 May 2010) 16 Nov 2010	14991/2010	Psaila, Anthony; 08-05K, Tile spacer, 24 Nov 2010	15145/2010
Onesteel Reinforcing Pty Limited; 25-02C, A sheet of mesh, 08 Nov 2010	14812/2010	Raconteur by Jade Dockary; 03-01B, Leather fringed handbag with feather accessories, 22 Nov 2010	15086/2010
Onesteel Reinforcing Pty Limited; 25-02C, A sheet of mesh, 08 Nov 2010	14813/2010	Radarlux Radar Systems GmbH; 10-04, Speedometer, (WO, 22 Sep 2010) 11 Nov 2010	14903/2010
Onesteel Reinforcing Pty Limited; 25-02C, A sheet of mesh, 08 Nov 2010	14814/2010	Radarlux Radar Systems GmbH; 10-04, Speedometer, (WO, 22 Sep 2010) 11 Nov 2010	14904/2010
Onesteel Reinforcing Pty Limited; 25-02C, A sheet of mesh, 08 Nov 2010	14815/2010	Read, Sabina Victoria; 03-99, Portable baby cot, 22 Nov 2010	15060/2010
Orana Technology Pty Ltd; 14-02, An appliance, appliance cabinet, dock module, power distributions component, 15 Nov 2010	14937/2010	Recherche et Technique SA, Michelin; Societe De Technologie Michelin; 12-15A, A tyre, (US, 22 Jun 2010) 17 Nov 2010	14981/2010

Reckitt Benckiser Inc.; 09-05, Dispenser, (EM, 21 May 2010) 11 Nov 2010	14901/2010	Samar, LLC; 02-04A, Insole, (EM, 05 Aug 2010) 17 Nov 2010	14980/2010
Reckitt Benckiser Inc.; 08-08L, Dispensing device support, (EM, 27 May 2010) 19 Nov 2010	15087/2010	Scerri, John; 21-02D, Face mask including a mouth piece, 12 Nov 2010	14939/2010
Reckitt Benckiser Inc.; 09-05, Dispenser, (EM, 21 May 2010) 11 Nov 2010	14902/2010	Schering-Plough HealthCare Products, Inc.; 02-04A, Insole, (US, 28 May 2010) 24 Nov 2010	15148/2010
Red Bull GmbH; 09-01NES, Bottle, (EM, 24 Jun 2010) 12 Nov 2010	14912/2010	Schering-Plough HealthCare Products, Inc.; 02-04A, Insole, (US, 28 May 2010) 24 Nov 2010	15149/2010
Red Bull GmbH; 09-01NES, Bottle, (EM, 24 Jun 2010) 12 Nov 2010	14913/2010	Schering-Plough HealthCare Products, Inc.; 02-04A, Insole, (US, 28 May 2010) 24 Nov 2010	15150/2010
ResMed Ltd; 24-01, Respiratory mask and/or components thereof, (US, 10 Sep 2010) 15 Nov 2010	14936/2010	Schering-Plough HealthCare Products, Inc.; 02-04A, Insole, (US, 28 May 2010) 24 Nov 2010	15151/2010
Rexco Industrial Ltd; 21-01F, Scooter, 16 Nov 2010	14971/2010	Schering-Plough HealthCare Products, Inc.; 02-04A, Insole, (US, 28 May 2010) 24 Nov 2010	15147/2010
Round Point Peg Company Pty Ltd; 22-06, Mouse trap base, 19 Nov 2010	15077/2010	Schopf, John Michael; 08-08K, Clamp for fence panels, 23 Nov 2010	15122/2010
Rubbermaid Commercial Products, LLC; 23-02A, Liquid dispenser, (US, 21 May 2010) 19 Nov 2010	15090/2010	Schopf, John Michael; 08-08K, Clamp for fence panels, 22 Nov 2010	15144/2010
Rubbermaid Commercial Products, LLC; 23-02A, Liquid dispenser, (US, 21 May 2010) 19 Nov 2010	15089/2010	Sebel Furniture Ltd; 06-01E, A stool, 23 Nov 2010	15098/2010
RMD Industries Pty Ltd; 25-01K, Profile, 15 Sep 2010	14908/2010	Shepherd, Sandra Marie; 02-03, Shower cap, 24 Nov 2010	15171/2010
RMD Industries Pty Ltd; 25-01K, Profile, 15 Sep 2010	14909/2010	Sistema Plastics Limited; 07-01NES, A utensiled food container assembly, (NZ, 25 Jun 2010) 17 Nov 2010	14973/2010
S.C. Johnson & Son Inc.; 09-01K, Bottle, (US, 12 May 2010) 11 Nov 2010	14911/2010	Sitka Developments Pty Ltd; 08-08D, Pipe hanger clamp, 16 Nov 2010	14984/2010
S.C. Johnson & Son, Inc.; 09-01NES, Container shroud, (EM, 21 May 2010) 19 Nov 2010	15069/2010	Sitka Developments Pty Ltd; 08-08D, Pipe hanger clamp, 16 Nov 2010	14983/2010
S.C. Johnson & Son, Inc.; 09-01NES, Container, (EM, 21 May 2010) 19 Nov 2010	15073/2010	Skope Industries Limited; 15-07, 2 Door freezer or chiller, (NZ, 24 May 2010) 23 Nov 2010	15113/2010
S.C. Johnson & Son, Inc.; 09-01NES, Container shroud, (EM, 21 May 2010) 19 Nov 2010	15072/2010	Skope Industries Limited; 15-07, 3 Door freezer or chiller, (NZ, 24 May 2010) 23 Nov 2010	15114/2010
S.C. Johnson & Son, Inc.; 09-01NES, Container shroud, (EM, 21 May 2010) 19 Nov 2010	15070/2010	Skope Industries Limited; 15-07, 1 Door freezer or chiller, (NZ, 24 May 2010) 23 Nov 2010	15112/2010
S.C. Johnson & Son, Inc.; 09-01NES, Container, (EM, 21 May 2010) 19 Nov 2010	15071/2010	Societe Bic; 27-05, Lighter, (EM, 02 Jun 2010) 25 Nov 2010	15167/2010
Sanz, Jose Gabriel; 07-06A, Design 1 can rack (tray), 24 Nov 2010	15170/2010	Societe De Technologie Michelin; Recherche et Technique SA, Michelin; 12-15A, A tyre, (US, 22 Jun 2010) 17 Nov 2010	14981/2010
Samar, LLC; 02-04A, Insole, (EM, 05 Aug 2010) 17 Nov 2010	14978/2010	Sony Computer Entertainment Inc.; 21-01N, Supporting base, (JP, 14 Jun 2010) 24 Nov 2010	15152/2010
Samar, LLC; 02-04A, Insole, (EM, 05 Aug 2010) 17 Nov 2010	14979/2010	Sony Computer Entertainment Inc.; 21-01N, Supporting base, (JP, 14 Jun 2010) 24 Nov 2010	15153/2010
		Sony Computer Entertainment Inc.; 14-01, Speaker, (JP, 14 Jun 2010) 24 Nov 2010	15154/2010

Sony Computer Entertainment Inc.; 21-01N, Holder for remote controller, (JP, 14 Jun 2010) 24 Nov 2010	15155/2010	The Procter & Gamble Company; 09-01NES, Packaging container with surface ornamentation, (US, 17 May 2010) 15 Nov 2010	14955/2010
Sony Computer Entertainment Inc.; 14-01, Speaker, (JP, 14 Jun 2010) 24 Nov 2010	15156/2010	The Procter & Gamble Company; 09-03M, Packaging container with surface ornamentation, (US, 17 May 2010) 15 Nov 2010	14952/2010
Spenco Medical Corporation; 02-04NES, Sandal, (US, 19 May 2010) 19 Nov 2010	15074/2010	The Procter & Gamble Company; 09-03M, Packaging container with surface ornamentation, (US, 17 May 2010) 15 Nov 2010	14950/2010
Spenco Medical Corporation; 02-04NES, Sandal, (US, 19 May 2010) 19 Nov 2010	15075/2010	The Procter & Gamble Company; 09-03M, Packaging container with surface ornamentation, (US, 17 May 2010) 15 Nov 2010	14943/2010
Sprue Safety Products Ltd.; 10-05, Alarm, (EM, 12 May 2010) 12 Nov 2010	14915/2010	The Procter & Gamble Company; 09-03M, Packaging container with surface ornamentation, (US, 17 May 2010) 15 Nov 2010	14943/2010
Steelcase Inc.; 06-03NES, Workspace assembly, (US, 02 Jun 2010) 23 Nov 2010	15120/2010	The Procter & Gamble Company; 09-03M, Packaging container with surface ornamentation, (US, 17 May 2010) 15 Nov 2010	14945/2010
Storco Ministorage Systems Pty Ltd; 25-01D, A roll formed wall panel, 22 Nov 2010	15061/2010	Trailcom Ltd; 12-16M, Hydraulic calliper hand brake, 23 Nov 2010	15105/2010
Street Furniture Australia Pty Ltd; 09-09, Monsoon bin enclosure, 18 Nov 2010	15044/2010	Tru-Test Limited; 14-99, A wireless tag reader, (NZ, 17 May 2010) 15 Nov 2010	14969/2010
Stubbings, Henry; 08-08O, Plant support combination, 17 Nov 2010	15037/2010	TNBT Holdings Pty Limited; 08-07, Key blank, 19 Nov 2010	15038/2010
Summit Medical Limited; 24-01, Mixing bowl for orthopaedic bone cement, (EM, 20 May 2010) 12 Nov 2010	14922/2010	TNBT Holdings Pty Limited; 08-07, Key blank, 19 Nov 2010	15040/2010
Sunbeam Corporation Limited; 31-00, Mixer, 22 Nov 2010	15111/2010	TNBT Holdings Pty Limited; 08-07, Key blank, 19 Nov 2010	15039/2010
Sunbeam Corporation Limited; 31-00, Mixer, 22 Nov 2010	15110/2010	TNBT Holdings Pty Limited; 08-07, Key blank, 19 Nov 2010	15041/2010
SCA Hygiene Products AB; 09-03M, Tissue box, (EM, 10 Mar 2010) (Divisional of 13922/2010) 09 Sep 2010	14960/2010	Urwin, Nick; 21-01F, , (EM, 14 May 2010) 12 Nov 2010	14919/2010
SCA Hygiene Products AB; 09-03M, Tissue box, (EM, 10 Mar 2010) (Divisional of 13922/2010) 09 Sep 2010	14961/2010	Vallet, Thierry; 04-02, Toothbrush, 17 Nov 2010	15029/2010
The Decor Corporation Pty Ltd; 09-03M, Container, 22 Nov 2010	15104/2010	Vietnam Veterans Motorcycle Club (Queensland Chapter) Inc.; 11-03, Clothing patch, 23 Nov 2010	15109/2010
The Decor Corporation Pty. Ltd.; 07-01NES, Container, 22 Nov 2010	15102/2010	Viscose Closures Ltd; 09-01H, Wine bottle, (EM, 12 Mar 2010) 13 Sep 2010	14987/2010
The Decor Corporation Pty. Ltd.; 07-01NES, Container, 22 Nov 2010	15103/2010	Visy R & D Pty Ltd; Chillquest Pty Ltd; 09-03M, Linerless carton for food, 12 Nov 2010	14920/2010
The Gillette Company; 09-05, Packaging for a shaving product, (US, 27 May 2010) 16 Nov 2010	14986/2010	W A 1 Designs Limited; 08-03, Safety knife, (EM, 12 May 2010) 12 Nov 2010	14925/2010
The Procter & Gamble Company; 09-01NES, Packaging container with surface ornamentation, (US, 17 May 2010) 15 Nov 2010	14957/2010	W A 1 Designs Limited; 08-03, Safety knife, (EM, 12 May 2010) 12 Nov 2010	14926/2010
The Procter & Gamble Company; 09-01NES, Packaging container with surface ornamentation, (US, 17 May 2010) 15 Nov 2010	14953/2010	Watts Hardware Mfg Pty Ltd; 08-07, Door Corner Connector, 18 Nov 2010	15157/2010
The Procter & Gamble Company; 09-01NES, Packaging container with surface ornamentation, (US, 17 May 2010) 15 Nov 2010	14958/2010	Watts Hardware Mfg Pty Ltd; 08-08NES, Door corner connector, 18 Nov 2010	15031/2010

Weeks, Brendan Lionel; 08-08NES, Bracket for vegetable cutting system, 09 Nov 2010	14884/2010	X6D Ltd; 16-06, 3D glasses, (US, 31 Mar 2010) 07 Sep 2010	14965/2010
Whites Group Pty Ltd; 08-08L, Bracket, 11 Nov 2010	14899/2010	X6D Ltd; 16-06, 3D glasses, (US, 31 Mar 2010) 07 Sep 2010	14966/2010
Whites Group Pty Ltd; 08-08L, Bracket, 11 Nov 2010	14900/2010	X6D Ltd; 16-06, 3D glasses, (US, 31 Mar 2010) 07 Sep 2010	14967/2010
Whitworth, Barry Leslie; Whitworth, Damian Morgan; Fletcher, Melanie Jayne; 12-16B, Ute under tray, 25 Nov 2010	15161/2010	X6D Ltd; 16-06, 3D glasses, (US, 31 Mar 2010) 07 Sep 2010	14968/2010
Whitworth, Damian Morgan; Whitworth, Barry Leslie; Fletcher, Melanie Jayne; 12-16B, Ute under tray, 25 Nov 2010	15161/2010	X6D Ltd; 16-06, 3D glasses, (US, 31 Mar 2010) 07 Sep 2010	14956/2010
Work Smart Equipment; 23-01F, Water storage container, 18 Nov 2010	15082/2010	X6D Ltd; 16-06, 3D glasses, (US, 10 Mar 2010) 07 Sep 2010	14948/2010
Wu, Yuewei; 08-03, A carpet knife, (CN, 17 May 2010) 17 Nov 2010	14972/2010	X6D Ltd; 16-06, 3D glasses, (US, 10 Mar 2010) 07 Sep 2010	14949/2010
Wu, Yuewei; 08-03, A step regulatable utility knife, (CN, 17 May 2010) 17 Nov 2010	14977/2010	X6D Ltd; 16-06, 3D glasses, (US, 10 Mar 2010) 07 Sep 2010	14951/2010
Wusthof-Trident of America, Inc.; 08-05H, 4 Stage sharpener, (US, 07 Jun 2010) 11 Nov 2010	14885/2010	X6D Ltd; 16-06, 3D glasses, (US, 10 Mar 2010) 07 Sep 2010	14954/2010
Wusthof-Trident of America, Inc.; 08-05H, 2 Stage sharpener, (US, 07 Jun 2010) 11 Nov 2010	14886/2010	X6D Ltd; 16-06, 3D glasses, (US, 10 Mar 2010) 07 Sep 2010	14946/2010
XpanD, Inc.; 16-06, Improved 3D glasses, (US, 21 May 2010) 18 Nov 2010	15057/2010	X6D Ltd; 16-06, 3D glasses, (US, 10 Mar 2010) 07 Sep 2010	14942/2010
X6D Ltd; 16-06, 3D glasses, (US, 10 Mar 2010) 07 Sep 2010	14947/2010	X6D Ltd; 16-06, 3D glasses, (US, 10 Mar 2010) 07 Sep 2010	14944/2010
X6D Ltd; 16-06, 3D glasses, (US, 10 Mar 2010) 07 Sep 2010	14959/2010	X6D Ltd; 16-06, 3D glasses, (US, 10 Mar 2010) 07 Sep 2010	15046/2010
X6D Ltd; 16-06, 3D glasses, (US, 10 Mar 2010) 07 Sep 2010	14962/2010	Young, Gregory Keith; 16-06, Visor for sunglasses and or spectacles, 18 Nov 2010	
X6D Ltd; 16-06, 3D glasses, (US, 31 Mar 2010) 07 Sep 2010	14964/2010		

Applications Lapsed

11846 / 2010 (08-08NES)	11854 / 2010 (25-02A)
11980 / 2010 (02-02NES)	12787 / 2010 (06-04NES)
13215 / 2010 (09-03K)	13327 / 2010 (99-00)
13794 / 2010 (06-03NES)	13796 / 2010 (11-99)
13797 / 2010 (21-03)	13911 / 2010 (24-04)
13990 / 2010 (07-01D)	13991 / 2010 (07-01D)
13992 / 2010 (07-01D)	14861 / 2010 (24-04)
14862 / 2010 (24-04)	14863 / 2010 (24-04)
14864 / 2010 (24-04)	14865 / 2010 (24-04)

Extension of Period of Registration of Designs

302354	304277	304287
304324	304325	304329
304330	304735	304931
304932	305565	306063
306064	306065	306318
306319	306320	306460
306666	306667	306751
306752	306753	307096
307178	307219	307220
307221	307227	307228
307232	307338	307340
307350	307351	307427
307428	307475	307477
307488	307496	307498
307502	307507	307512
307525	307530	307531
307532	307582	307584
307586	307590	307592
307593	307594	307611
307627	307633	307634
307635	307647	307714
307724	307725	307727
307812	307859	307860
307964	307965	307966
307967	307968	307969
308033	308071	308096
308109	308449	308477
308494	308495	308588
308816	308862	308863
308981	308982	308983
308984	308985	309044
309086	309088	309089
309091	309147	309731
309732	309876	310483
310524	310525	310526
310527	311090	311393
311394	311395	311732
311903	313146	313178
315986	316868	316869
317241		

Registrations Ceased

303151	303320	303620
303621	303622	303623
303624	303625	303626
303628	303629	303633
303634	303645	303647
303648	303675	303681
303686	303687	303688
303689	303690	303691

303692	303693	303738
303739	303740	303741
303742	303743	303744
303745	303746	303747
303748	303749	303750
303751	303752	303753
303755	303759	303764
303765	303766	303768
303770	303771	303779
303780	303781	303785
303786	303787	303788
303802	303830	303832
303833	303834	303835
303836	303837	303838
303839	303842	303843
303844	303862	303863
303864	303865	303866
303867	303868	303870
303876	303932	303933
303934	303935	303936
303937	303938	303939
303940	303941	303942
303943	303944	303945
303946	303947	303948
303949	303950	304045
304046	304047	304048
304049	304052	304072
304089	304090	304091
304114	304115	304117
304118	304119	304120
304127	304128	304129
304130	304131	304132
304133	304134	304135
304136	304162	304165
304169	304210	304232
304243	304361	304488
304531	304533	304562
304563	304564	304565
304713	304748	304749
304895	304896	304974
305016	305202	305203
305204	305205	305206
305207	305208	305209
305664	305665	306048
306232	306263	306264
306265	306644	306656
306799	306851	306852
306904	307659	307660
307661	307662	307663
307664	307665	307666
307667	307668	307669
307670	307671	307673
307674	310116	310283
311707	311708	316293
329423		

Extensions of time granted under Section 137

Applications lodged under section 137 for extension of time have been granted.

11476/2010 Powersource Investments Pty Ltd

11477/2010 Joneschijoff Pty Ltd

Licences Registered

- 325079 A licence has been granted to **Chivas Brothers Limited**
- 325080 A licence has been granted to **Chivas Brothers Limited**
- 326223 A licence has been granted to **Chivas Brothers Limited**

Subsequent Owners Registered

(The name in parentheses is that of the subsequent owner)

- 301784 (**The Procter & Gamble Company**) Saramar LLC
- 302513 (**The Procter & Gamble Company**) Saramar L.L.C.
- 302514 (**The Procter & Gamble Company**) Saramar L.L.C.
- 302515 (**The Procter & Gamble Company**) Saramar L.L.C.
- 302516 (**The Procter & Gamble Company**) Saramar L.L.C.
- 304276 (**The Procter & Gamble Company**) Saramar LLC
- 305141 (**The Procter & Gamble Company**) Saramar LLC
- 305408 (**The Procter & Gamble Company**) Saramar, LLC
- 305409 (**The Procter & Gamble Company**) Saramar, LLC
- 305443 (**The Procter & Gamble Company**) Saramar LLC
- 306725 (**The Procter & Gamble Company**) Saramar, LLC
- 306726 (**The Procter & Gamble Company**) Saramar, LLC
- 311260 (**The Procter & Gamble Company**) Saramar, LLC
- 311682 (**The Procter & Gamble Company**) Saramar, LLC
- 313439 (**The Procter & Gamble Company**) Saramar, LLC
- 313505 (**The Procter & Gamble Company**) Saramar, LLC
- 313506 (**The Procter & Gamble Company**) Saramar, LLC
- 315630 (**The Procter & Gamble Company**) Saramar, LLC
- 315631 (**The Procter & Gamble Company**) Saramar, LLC
- 318555 (**The Procter & Gamble Company**) Saramar, LLC
- 319706 (**The Procter & Gamble Company**) Saramar, LLC
- 322295 (**The Procter & Gamble Company**) Saramar, LLC
- 322296 (**The Procter & Gamble Company**) Saramar, LLC
- 323185 (**The Procter & Gamble Company**) Saramar, LLC
- 323186 (**The Procter & Gamble Company**) Saramar, LLC
- 328783 (**The Procter & Gamble Company**) Saramar, LLC
- 325596 (**Aurora Lighting Limited**) Aurora Limited
- 325597 (**Aurora Lighting Limited**) Aurora Limited
- 325598 (**Aurora Lighting Limited**) Aurora Limited
- 327621 (**Gojo Industries Inc.;Poly-D, LLC**) Gojo Industries Inc.
- 321290 (**Shandong Hicap Closures Co., Ltd.**) Yantai Hicap Closures Co., Ltd.
- 333405 (**Lokaladda Pty Ltd**) Ladderlock Pro AUS/NZ 2004 Pty Ltd;Sean Evans
- 330480 (**Bond-Eye Holdings Pty Ltd**) The Australian Swimwear Company Pty Ltd

330481 (**Bond-Eye Holdings Pty Ltd**) The Australian Swimwear Company Pty Ltd

330482 (**Bond-Eye Holdings Pty Ltd**) The Australian Swimwear Company Pty Ltd

Names Registered - Alterations and Amendments

(The name in parentheses is that of the subsequent applicant)

- 333206 (**PAFtec Holdings Pty Ltd**) PAFtec Pty Ltd
- 332558 (**AFI (WA) Pty Ltd**) Australian Furniture Importers & Wholesalers Pty Ltd
- 332557 (**AFI (WA) Pty Ltd**) Australian Furniture Importers & Wholesalers Pty Ltd
- 332559 (**AFI (WA) Pty Ltd**) Australian Furniture Importers & Wholesalers Pty Ltd
- 332560 (**AFI (WA) Pty Ltd**) Australian Furniture Importers & Wholesalers Pty Ltd
- 332561 (**AFI (WA) Pty Ltd**) Australian Furniture Importers & Wholesalers Pty Ltd
- 332562 (**AFI (WA) Pty Ltd**) Australian Furniture Importers & Wholesalers Pty Ltd
- 332563 (**AFI (WA) Pty Ltd**) Australian Furniture Importers & Wholesalers Pty Ltd
- 332930 (**AFI (WA) Pty Ltd**) Australian Furniture Importers & Wholesalers Pty Ltd

Corrigenda

Number 302354

In Vol 24 , No 17 , page 1855 under the heading **Registrations Ceased**; This entry is to be deleted in toto.

Certificate(s) of Examination

Examination of the following Design Registration(s) has been completed. Infringement proceedings may now be commenced.

327081	23-01C	28/11/2010
327088	23-01C	28/11/2010
327819	12-16NES	21/11/2010
327820	12-16NES	25/11/2010
329021	07-02A	25/11/2010
329032	07-02A	25/11/2010
329033	07-02A	25/11/2010
329034	07-02A	25/11/2010
329873	01-06	30/11/2010
330209	16-06	24/11/2010
330210	16-06	24/11/2010
330211	16-06	24/11/2010
330449	09-01B	22/11/2010
330818	25-01A	30/11/2010
330819	25-01A	29/11/2010
330820	25-01A	29/11/2010
330821	25-01A	29/11/2010
330822	25-01A	29/11/2010
330823	25-01A	30/11/2010
331201	09-01A	24/11/2010
331443	09-03NES	30/11/2010
331458	26-05B	30/11/2010
331497	03-01NES	25/11/2010
331498	03-01NES	25/11/2010
331618	23-02C	22/11/2010
331707	09-01A	24/11/2010
331716	14-02	22/11/2010
331741	08-05P	19/11/2010
331755	12-16NES	30/11/2010
331836	12-02	30/11/2010
331876	09-01G	30/11/2010
332099	08-02	18/11/2010
332109	02-01A	18/11/2010
332200	04-02	12/11/2010
332201	04-02	15/11/2010
332202	04-02	15/11/2010
332218	08-01	17/11/2010
332257	08-01	17/11/2010
332260	08-01	17/11/2010
332261	08-01	17/11/2010
332266	07-02K	28/11/2010
332312	12-16NES	24/11/2010
332324	10-04	19/11/2010
332328	13-02	19/11/2010
332400	28-03NES	22/11/2010
332410	02-06	30/11/2010
332425	04-02	15/11/2010
332430	04-02	14/11/2010
332431	04-02	16/11/2010
332893	09-03F	21/11/2010
332938	12-08	21/11/2010
332957	07-01NES	22/11/2010
332958	07-01NES	22/11/2010
332959	07-01NES	22/11/2010
332960	07-01NES	22/11/2010
333044	24-02	28/11/2010
333089	24-02	28/11/2010
333114	14-02	16/11/2010
333115	14-02	16/11/2010
333189	24-02	28/11/2010

Publication and Registration Proceedings

Designs Registered

This section provides a concordance between design number and registration number of Designs covered in this journal. It also shows the main class and registration date.

This section covers Registration numbers 333646 to 333930 .

The registration number shown below should be used in all future correspondence.

Design Number	Registration Number	International Classification Code (IDC)	Registration Date	Design Number	Registration Number	International Classification Code (IDC)	Registration Date
11062/2010	333702	23-04	15/11/2010	13871/2010	333760	16-06	18/11/2010
11476/2010	333798	14-01	22/11/2010	13884/2010	333839	24-01	23/11/2010
11905/2010	333677	12-16E	16/11/2010	13890/2010	333827	07-01D	24/11/2010
11906/2010	333678	12-16E	16/11/2010	13893/2010	333745	06-03D	19/11/2010
11907/2010	333679	12-16NES	16/11/2010	13904/2010	333746	02-02B	19/11/2010
11908/2010	333680	12-16B	16/11/2010	13922/2010	333781	09-03NES	19/11/2010
11909/2010	333681	12-16B	16/11/2010	13949/2010	333858	24-01	26/11/2010
11910/2010	333682	12-16E	16/11/2010	13971/2010	333802	09-01H	22/11/2010
11911/2010	333683	12-16B	16/11/2010	13981/2010	333737	12-11	18/11/2010
11912/2010	333684	12-16A	16/11/2010	14000/2010	333840	12-08	23/11/2010
11913/2010	333685	12-16B	16/11/2010	14001/2010	333841	12-08	23/11/2010
11914/2010	333686	12-16B	16/11/2010	14002/2010	333859	12-16K	26/11/2010
11915/2010	333687	12-16B	16/11/2010	14046/2010	333897	14-03A	29/11/2010
11916/2010	333688	12-16C	16/11/2010	14077/2010	333726	20-02E	18/11/2010
11917/2010	333689	12-16A	16/11/2010	14097/2010	333842	06-02	23/11/2010
11918/2010	333690	12-16A	16/11/2010	14139/2010	333728	23-02C	18/11/2010
11919/2010	333691	12-16A	16/11/2010	14140/2010	333727	15-02	18/11/2010
11920/2010	333692	12-16A	16/11/2010	14141/2010	333729	23-02C	18/11/2010
11921/2010	333693	12-16A	16/11/2010	14142/2010	333713	20-02C	16/11/2010
11922/2010	333694	12-16A	16/11/2010	14214/2010	333849	26-04	24/11/2010
11923/2010	333695	12-16A	16/11/2010	14215/2010	333850	26-04	24/11/2010
11924/2010	333696	12-16A	16/11/2010	14220/2010	333738	23-01G	18/11/2010
11925/2010	333697	12-16A	16/11/2010	14221/2010	333828	30-02	24/11/2010
11926/2010	333698	12-16A	16/11/2010	14222/2010	333829	30-02	24/11/2010
11927/2010	333699	12-16A	16/11/2010	14273/2010	333806	02-02B	24/11/2010
11972/2010	333867	02-02NES	26/11/2010	14280/2010	333714	09-09	16/11/2010
12245/2010	333823	08-08L	24/11/2010	14318/2010	333793	08-07	22/11/2010
12345/2010	333824	07-02NES	24/11/2010	14336/2010	333730	06-03D	18/11/2010
12350/2010	333838	24-01	23/11/2010	14344/2010	333860	24-99	26/11/2010
12896/2010	333709	06-03NES	16/11/2010	14363/2010	333807	09-03NES	24/11/2010
12936/2010	333743	02-01A	19/11/2010	14367/2010	333715	08-08B	16/11/2010
12999/2010	333825	26-05D	24/11/2010	14368/2010	333789	08-07	22/11/2010
13089/2010	333795	23-02A	22/11/2010	14369/2010	333790	08-07	22/11/2010
13090/2010	333796	23-02A	22/11/2010	14370/2010	333791	08-07	22/11/2010
13091/2010	333797	23-02A	22/11/2010	14371/2010	333747	08-07	19/11/2010
13475/2010	333794	21-01C	22/11/2010	14372/2010	333748	08-07	19/11/2010
13494/2010	333788	19-07	22/11/2010	14373/2010	333749	08-07	19/11/2010
13565/2010	333799	07-99NES	22/11/2010	14389/2010	333736	06-03C	18/11/2010
13566/2010	333800	07-06NES	22/11/2010	14396/2010	333903	12-16B	29/11/2010
13567/2010	333801	07-06NES	22/11/2010	14404/2010	333739	09-09	18/11/2010
13578/2010	333716	08-08N	16/11/2010	14405/2010	333809	03-01D	24/11/2010
13602/2010	333700	12-16A	16/11/2010	14406/2010	333810	03-01D	24/11/2010
13603/2010	333701	12-16A	16/11/2010	14407/2010	333752	03-01D	18/11/2010
13654/2010	333772	09-01K	19/11/2010	14408/2010	333753	03-01D	18/11/2010
13668/2010	333826	02-02NES	24/11/2010	14410/2010	333731	09-07NES	18/11/2010
13692/2010	333774	04-02	19/11/2010	14411/2010	333843	25-02C	23/11/2010
13715/2010	333710	07-01F	16/11/2010	14436/2010	333851	23-01A	24/11/2010
13788/2010	333848	08-06	24/11/2010	14449/2010	333646	08-08NES	16/11/2010
13792/2010	333711	13-01	16/11/2010	14450/2010	333647	24-04	16/11/2010
13793/2010	333712	13-01	16/11/2010	14451/2010	333648	23-01A	16/11/2010
13801/2010	333744	14-02	19/11/2010	14452/2010	333649	23-01A	16/11/2010
13805/2010	333708	26-04	15/11/2010	14485/2010	333650	09-03F	16/11/2010
13870/2010	333754	16-06	18/11/2010	14486/2010	333651	09-03F	16/11/2010

Publication and Registration Proceedings - Designs Registered cont'd

Design Number	Registration Number	International Classification Code (IDC)	Registration Date	Design Number	Registration Number	International Classification Code (IDC)	Registration Date
14488/2010	333740	12-05	18/11/2010	14695/2010	333817	02-04NES	24/11/2010
14513/2010	333792	23-01NES	22/11/2010	14697/2010	333833	06-01F	24/11/2010
14514/2010	333652	25-01D	16/11/2010	14698/2010	333834	06-01F	24/11/2010
14515/2010	333653	25-01D	16/11/2010	14699/2010	333835	14-03E	24/11/2010
14516/2010	333654	25-01D	16/11/2010	14700/2010	333836	06-01F	24/11/2010
14517/2010	333655	25-01D	16/11/2010	14702/2010	333837	08-08NES	24/11/2010
14541/2010	333844	12-16NES	25/11/2010	14704/2010	333852	08-07	25/11/2010
14542/2010	333845	07-02A	25/11/2010	14706/2010	333853	07-04	25/11/2010
14543/2010	333846	02-02B	25/11/2010	14707/2010	333854	07-02P	25/11/2010
14544/2010	333847	06-01F	25/11/2010	14714/2010	333818	14-01	24/11/2010
14547/2010	333782	22-99	19/11/2010	14715/2010	333819	25-01K	24/11/2010
14548/2010	333783	22-99	19/11/2010	14717/2010	333820	12-16L	24/11/2010
14552/2010	333732	08-08K	18/11/2010	14739/2010	333855	06-01E	25/11/2010
14553/2010	333733	08-08K	18/11/2010	14747/2010	333861	02-03	26/11/2010
14554/2010	333734	08-08K	18/11/2010	14748/2010	333862	02-03	26/11/2010
14555/2010	333735	08-08K	18/11/2010	14749/2010	333863	02-03	26/11/2010
14565/2010	333721	23-01B	17/11/2010	14750/2010	333864	02-03	26/11/2010
14566/2010	333656	06-01L	16/11/2010	14752/2010	333865	26-06	26/11/2010
14570/2010	333717	08-08N	16/11/2010	14753/2010	333866	26-06	26/11/2010
14571/2010	333741	12-16C	18/11/2010	14756/2010	333901	09-01NES	29/11/2010
14574/2010	333804	09-03NES	22/11/2010	14757/2010	333902	07-04	29/11/2010
14577/2010	333722	15-05	17/11/2010	14758/2010	333920	26-05D	30/11/2010
14578/2010	333723	15-05	17/11/2010	14759/2010	333921	26-05D	30/11/2010
14579/2010	333742	23-01B	18/11/2010	14760/2010	333922	26-05D	30/11/2010
14584/2010	333724	02-03	17/11/2010	14761/2010	333923	26-05D	30/11/2010
14585/2010	333725	02-03	17/11/2010	14762/2010	333924	26-05C	30/11/2010
14586/2010	333718	12-11	16/11/2010	14766/2010	333896	31-00	26/11/2010
14588/2010	333719	06-01E	16/11/2010	14780/2010	333904	08-08NES	29/11/2010
14589/2010	333720	06-06G	16/11/2010	14781/2010	333905	02-07NES	29/11/2010
14591/2010	333808	07-06A	24/11/2010	14782/2010	333906	02-07NES	29/11/2010
14594/2010	333750	23-01F	19/11/2010	14783/2010	333907	02-07NES	29/11/2010
14595/2010	333784	06-02	19/11/2010	14784/2010	333908	02-07NES	29/11/2010
14596/2010	333785	06-02	19/11/2010	14785/2010	333909	02-07NES	29/11/2010
14597/2010	333786	07-01B	19/11/2010	14786/2010	333910	02-07NES	29/11/2010
14598/2010	333787	07-06NES	19/11/2010	14787/2010	333911	02-07NES	29/11/2010
14608/2010	333751	06-13B	19/11/2010	14788/2010	333912	02-07NES	29/11/2010
14610/2010	333703	23-04	15/11/2010	14789/2010	333913	02-07NES	29/11/2010
14611/2010	333704	23-04	15/11/2010	14790/2010	333914	02-07NES	29/11/2010
14612/2010	333705	23-01A	15/11/2010	14791/2010	333915	02-07NES	29/11/2010
14613/2010	333805	12-11	22/11/2010	14792/2010	333916	02-07NES	29/11/2010
14615/2010	333706	06-03B	15/11/2010	14793/2010	333925	03-03	30/11/2010
14616/2010	333707	06-03B	15/11/2010	14797/2010	333926	26-05C	30/11/2010
14622/2010	333811	23-04	24/11/2010	14798/2010	333927	28-99	30/11/2010
14623/2010	333812	23-01A	24/11/2010	14802/2010	333928	02-01A	30/11/2010
14651/2010	333775	04-02	19/11/2010	14803/2010	333929	02-01A	30/11/2010
14652/2010	333776	04-02	19/11/2010	14804/2010	333930	12-15A	30/11/2010
14653/2010	333777	04-02	19/11/2010	14805/2010	333917	12-15A	30/11/2010
14654/2010	333778	04-02	19/11/2010	14806/2010	333918	02-03	30/11/2010
14655/2010	333779	04-02	19/11/2010	14811/2010	333919	13-03NES	30/11/2010
14656/2010	333780	04-02	19/11/2010	14868/2010	333884	02-02A	26/11/2010
14657/2010	333773	09-01K	19/11/2010	14869/2010	333885	02-02A	26/11/2010
14668/2010	333830	21-03	24/11/2010	14870/2010	333886	02-02A	26/11/2010
14669/2010	333831	09-03L	24/11/2010	14871/2010	333887	02-02A	26/11/2010
14674/2010	333832	09-01K	24/11/2010	14872/2010	333888	02-02A	26/11/2010
14691/2010	333813	24-04	24/11/2010	14873/2010	333889	02-02A	26/11/2010
14692/2010	333814	24-04	24/11/2010	14874/2010	333890	02-02A	26/11/2010
14693/2010	333815	08-09	24/11/2010	14875/2010	333891	02-02A	26/11/2010
14694/2010	333816	08-09	24/11/2010	14876/2010	333892	02-02A	26/11/2010

Publication and Registration Proceedings - Designs Registered cont'd

Design Number	Registration Number	International Classification Code (IDC)	Registration Date	Design Number	Registration Number	International Classification Code (IDC)	Registration Date
14877/2010	333893	02-02A	26/11/2010	14968/2010	333759	16-06	18/11/2010
14878/2010	333894	02-02A	26/11/2010	14987/2010	333803	09-01H	22/11/2010
14879/2010	333895	02-02A	26/11/2010	14994/2010	333898	14-03A	29/11/2010
14931/2010	333821	02-02B	24/11/2010	14995/2010	333899	14-03A	29/11/2010
14932/2010	333822	02-02B	24/11/2010	14996/2010	333900	14-03A	29/11/2010
14942/2010	333761	16-06	18/11/2010	15013/2010	333868	02-02NES	26/11/2010
14944/2010	333762	16-06	18/11/2010	15014/2010	333869	02-02NES	26/11/2010
14946/2010	333763	16-06	18/11/2010	15015/2010	333870	02-02NES	26/11/2010
14947/2010	333764	16-06	18/11/2010	15016/2010	333871	02-02NES	26/11/2010
14948/2010	333765	16-06	18/11/2010	15017/2010	333872	02-02NES	26/11/2010
14949/2010	333766	16-06	18/11/2010	15018/2010	333873	02-02NES	26/11/2010
14951/2010	333767	16-06	18/11/2010	15019/2010	333874	02-02NES	26/11/2010
14954/2010	333768	16-06	18/11/2010	15020/2010	333875	02-02NES	26/11/2010
14956/2010	333769	16-06	18/11/2010	15021/2010	333876	02-02NES	26/11/2010
14959/2010	333770	16-06	18/11/2010	15022/2010	333877	02-02NES	26/11/2010
14960/2010	333856	09-03M	25/11/2010	15023/2010	333878	02-02C	26/11/2010
14961/2010	333857	09-03M	25/11/2010	15024/2010	333879	02-02C	26/11/2010
14962/2010	333771	16-06	18/11/2010	15025/2010	333880	02-02C	26/11/2010
14964/2010	333755	16-06	18/11/2010	15026/2010	333881	02-02C	26/11/2010
14965/2010	333756	16-06	18/11/2010	15027/2010	333882	02-02C	26/11/2010
14966/2010	333757	16-06	18/11/2010	15028/2010	333883	02-02C	26/11/2010
14967/2010	333758	16-06	18/11/2010				

Publication and Registration Proceedings
Class Listing of Designs Published or Registered

The following section shows an International Classification Code listing of the Registered or Published Designs covered in this supplement.

Classification	Registration Number	Design Number	Classification	Registration Number	Design Number
02-01 A	333743	12936/2010	02-07 NES	333915	14791/2010
02-01 A	333928	14802/2010	02-07 NES	333916	14792/2010
02-01 A	333929	14803/2010	03-01 A	333846	14543/2010
02-02 A	333884	14868/2010	03-01 D	333752	14407/2010
02-02 A	333885	14869/2010	03-01 D	333753	14408/2010
02-02 A	333886	14870/2010	03-01 D	333809	14405/2010
02-02 A	333887	14871/2010	03-01 D	333810	14406/2010
02-02 A	333888	14872/2010	03-03	333925	14793/2010
02-02 A	333889	14873/2010	04-02	333774	13692/2010
02-02 A	333890	14874/2010	04-02	333775	14651/2010
02-02 A	333891	14875/2010	04-02	333776	14652/2010
02-02 A	333892	14876/2010	04-02	333777	14653/2010
02-02 A	333893	14877/2010	04-02	333778	14654/2010
02-02 A	333894	14878/2010	04-02	333779	14655/2010
02-02 A	333895	14879/2010	04-02	333780	14656/2010
02-02 B	333746	13904/2010	06-01 E	333719	14588/2010
02-02 B	333806	14273/2010	06-01 E	333855	14739/2010
02-02 B	333821	14931/2010	06-01 F	333719	14588/2010
02-02 B	333822	14932/2010	06-01 F	333833	14697/2010
02-02 B	333846	14543/2010	06-01 F	333834	14698/2010
02-02 C	333878	15023/2010	06-01 F	333836	14700/2010
02-02 C	333879	15024/2010	06-01 F	333847	14544/2010
02-02 C	333880	15025/2010	06-01 L	333656	14566/2010
02-02 C	333881	15026/2010	06-01 L	333709	12896/2010
02-02 C	333882	15027/2010	06-02	333784	14595/2010
02-02 C	333883	15028/2010	06-02	333785	14596/2010
02-02 NES	333826	13668/2010	06-02	333842	14097/2010
02-02 NES	333867	11972/2010	06-03 B	333706	14615/2010
02-02 NES	333868	15013/2010	06-03 B	333707	14616/2010
02-02 NES	333869	15014/2010	06-03 C	333736	14389/2010
02-02 NES	333870	15015/2010	06-03 C	333842	14097/2010
02-02 NES	333871	15016/2010	06-03 D	333730	14336/2010
02-02 NES	333872	15017/2010	06-03 D	333745	13893/2010
02-02 NES	333873	15018/2010	06-03 NES	333709	12896/2010
02-02 NES	333874	15019/2010	06-05	333842	14097/2010
02-02 NES	333875	15020/2010	06-06 G	333720	14589/2010
02-02 NES	333876	15021/2010	06-13 B	333751	14608/2010
02-02 NES	333877	15022/2010	07-01 B	333786	14597/2010
02-03	333724	14584/2010	07-01 D	333827	13890/2010
02-03	333725	14585/2010	07-01 F	333710	13715/2010
02-03	333861	14747/2010	07-02 A	333845	14542/2010
02-03	333862	14748/2010	07-02 NES	333824	12345/2010
02-03	333863	14749/2010	07-02 P	333854	14707/2010
02-03	333864	14750/2010	07-04	333853	14706/2010
02-03	333918	14806/2010	07-04	333902	14757/2010
02-04 NES	333817	14695/2010	07-06 A	333808	14591/2010
02-07 NES	333905	14781/2010	07-06 NES	333787	14598/2010
02-07 NES	333906	14782/2010	07-06 NES	333800	13566/2010
02-07 NES	333907	14783/2010	07-06 NES	333801	13567/2010
02-07 NES	333908	14784/2010	07-99 NES	333799	13565/2010
02-07 NES	333909	14785/2010	08-06	333848	13788/2010
02-07 NES	333910	14786/2010	08-07	333747	14371/2010
02-07 NES	333911	14787/2010	08-07	333748	14372/2010
02-07 NES	333912	14788/2010	08-07	333749	14373/2010
02-07 NES	333913	14789/2010	08-07	333789	14368/2010
02-07 NES	333914	14790/2010	08-07	333790	14369/2010

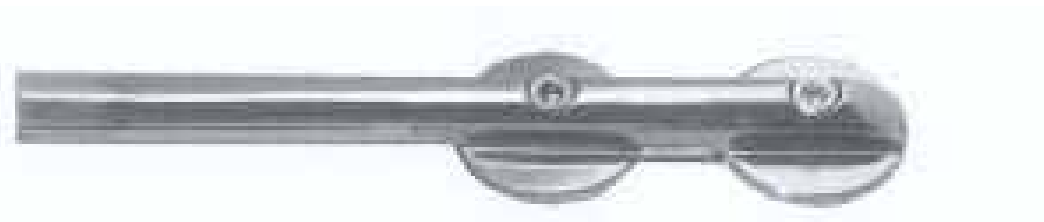
Registration Proceedings - Class Listing of Designs Published or Registered cont'd

Classification	Registration Number	Design Number	Classification	Registration Number	Design Number
08-07	333791	14370/2010	12-16 B	333681	11909/2010
08-07	333793	14318/2010	12-16 B	333683	11911/2010
08-07	333852	14704/2010	12-16 B	333685	11913/2010
08-08 B	333715	14367/2010	12-16 B	333686	11914/2010
08-08 K	333732	14552/2010	12-16 B	333687	11915/2010
08-08 K	333733	14553/2010	12-16 B	333903	14396/2010
08-08 K	333734	14554/2010	12-16 C	333688	11916/2010
08-08 K	333735	14555/2010	12-16 C	333741	14571/2010
08-08 L	333823	12245/2010	12-16 E	333677	11905/2010
08-08 N	333716	13578/2010	12-16 E	333678	11906/2010
08-08 N	333717	14570/2010	12-16 E	333682	11910/2010
08-08 NES	333646	14449/2010	12-16 K	333859	14002/2010
08-08 NES	333837	14702/2010	12-16 L	333820	14717/2010
08-08 NES	333904	14780/2010	12-16 NES	333679	11907/2010
08-09	333815	14693/2010	12-16 NES	333805	14613/2010
08-09	333816	14694/2010	12-16 NES	333844	14541/2010
09-01 H	333802	13971/2010	13-01	333711	13792/2010
09-01 H	333803	14987/2010	13-01	333712	13793/2010
09-01 K	333772	13654/2010	13-03 B	333782	14547/2010
09-01 K	333773	14657/2010	13-03 B	333783	14548/2010
09-01 K	333832	14674/2010	13-03 NES	333919	14811/2010
09-01 NES	333901	14756/2010	14-01	333798	11476/2010
09-03 F	333650	14485/2010	14-01	333818	14714/2010
09-03 F	333651	14486/2010	14-02	333736	14389/2010
09-03 L	333831	14669/2010	14-02	333744	13801/2010
09-03 M	333856	14960/2010	14-03 A	333897	14046/2010
09-03 M	333857	14961/2010	14-03 A	333898	14994/2010
09-03 NES	333781	13922/2010	14-03 A	333899	14995/2010
09-03 NES	333804	14574/2010	14-03 A	333900	14996/2010
09-03 NES	333807	14363/2010	14-03 E	333835	14699/2010
09-07 NES	333731	14410/2010	14-04	333897	14046/2010
09-09	333714	14280/2010	14-04	333898	14994/2010
09-09	333739	14404/2010	14-04	333899	14995/2010
11-05	333826	13668/2010	14-04	333900	14996/2010
12-05	333711	13792/2010	15-02	333727	14140/2010
12-05	333712	13793/2010	15-05	333722	14577/2010
12-05	333740	14488/2010	15-05	333723	14578/2010
12-08	333840	14000/2010	16-06	333754	13870/2010
12-08	333841	14001/2010	16-06	333755	14964/2010
12-11	333718	14586/2010	16-06	333756	14965/2010
12-11	333737	13981/2010	16-06	333757	14966/2010
12-11	333805	14613/2010	16-06	333758	14967/2010
12-15 A	333917	14805/2010	16-06	333759	14968/2010
12-15 A	333930	14804/2010	16-06	333760	13871/2010
12-16 A	333684	11912/2010	16-06	333761	14942/2010
12-16 A	333689	11917/2010	16-06	333762	14944/2010
12-16 A	333690	11918/2010	16-06	333763	14946/2010
12-16 A	333691	11919/2010	16-06	333764	14947/2010
12-16 A	333692	11920/2010	16-06	333765	14948/2010
12-16 A	333693	11921/2010	16-06	333766	14949/2010
12-16 A	333694	11922/2010	16-06	333767	14951/2010
12-16 A	333695	11923/2010	16-06	333768	14954/2010
12-16 A	333696	11924/2010	16-06	333769	14956/2010
12-16 A	333697	11925/2010	16-06	333770	14959/2010
12-16 A	333698	11926/2010	16-06	333771	14962/2010
12-16 A	333699	11927/2010	18-02	333744	13801/2010
12-16 A	333700	13602/2010	19-07	333788	13494/2010
12-16 A	333701	13603/2010	20-02 C	333713	14142/2010
12-16 B	333680	11908/2010	20-02 E	333726	14077/2010

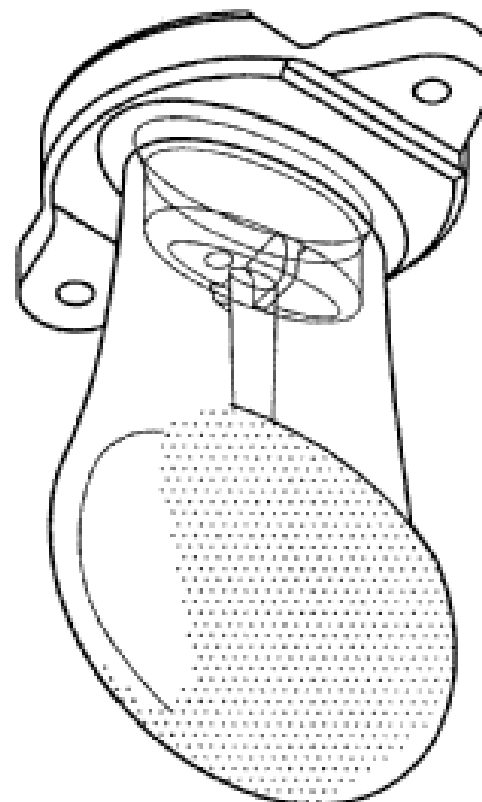
Registration Proceedings - Class Listing of Designs Published or Registered cont'd

Classification	Registration Number	Design Number	Classification	Registration Number	Design Number
21-01 A	333788	13494/2010	24-04	333814	14692/2010
21-01 C	333794	13475/2010	24-99	333860	14344/2010
21-03	333830	14668/2010	25-01 D	333652	14514/2010
22-99	333782	14547/2010	25-01 D	333653	14515/2010
22-99	333783	14548/2010	25-01 D	333654	14516/2010
23-01 A	333648	14451/2010	25-01 D	333655	14517/2010
23-01 A	333649	14452/2010	25-01 E	333732	14552/2010
23-01 A	333705	14612/2010	25-01 E	333733	14553/2010
23-01 A	333812	14623/2010	25-01 E	333734	14554/2010
23-01 A	333851	14436/2010	25-01 E	333735	14555/2010
23-01 B	333721	14565/2010	25-01 K	333819	14715/2010
23-01 B	333742	14579/2010	25-02 C	333843	14411/2010
23-01 F	333750	14594/2010	26-04	333708	13805/2010
23-01 G	333738	14220/2010	26-04	333849	14214/2010
23-01 NES	333792	14513/2010	26-04	333850	14215/2010
23-02 A	333795	13089/2010	26-05 C	333924	14762/2010
23-02 A	333796	13090/2010	26-05 C	333926	14797/2010
23-02 A	333797	13091/2010	26-05 D	333825	12999/2010
23-02 C	333728	14139/2010	26-05 D	333920	14758/2010
23-02 C	333729	14141/2010	26-05 D	333921	14759/2010
23-04	333702	11062/2010	26-05 D	333922	14760/2010
23-04	333703	14610/2010	26-05 D	333923	14761/2010
23-04	333704	14611/2010	26-06	333865	14752/2010
23-04	333811	14622/2010	26-06	333866	14753/2010
24-01	333838	12350/2010	28-99	333927	14798/2010
24-01	333839	13884/2010	30-02	333828	14221/2010
24-01	333858	13949/2010	30-02	333829	14222/2010
24-04	333647	14450/2010	31-00	333896	14766/2010
24-04	333813	14691/2010			

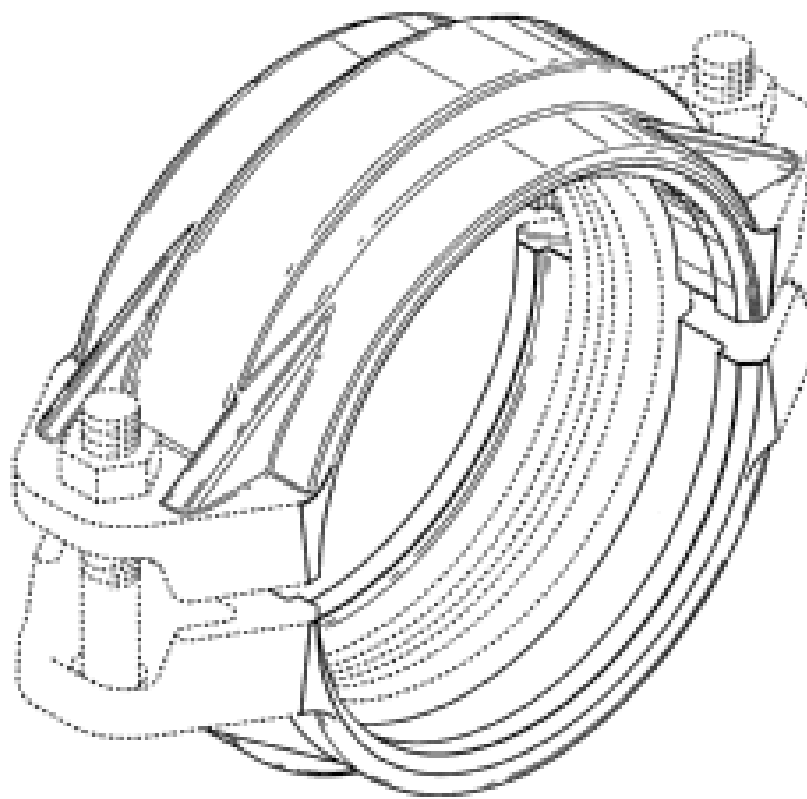
- (21) Design Number: **14449/2010**
(22) Date of Filing Application: **13 October 2010**
(24) Date from which industrial property rights may have effect: **13 October 2010**
(54) Product in respect of which the design is registered: **Clamping support for panel/sheet of glass or similar material**
(51) International Design Classification: **08-08NES**
(71) Name(s) and Address(s) of Applicant(s):
Richard Van Lieshout
7A/3545 Main Beach Parade Main Beach Gold Coast Queensland 4217 Australia
(72) Name(s) of Designer(s): **Gary Leonard Ricketts and Richard Jean-Pierre Van Lieshout**
(45) Registration Date: **16 November 2010**
(56) Related Art Documents: **Not Applicable**
(57) Statement of Newness and Distinctiveness: **Slimline appearance glass clamp with stem featuring two discs**



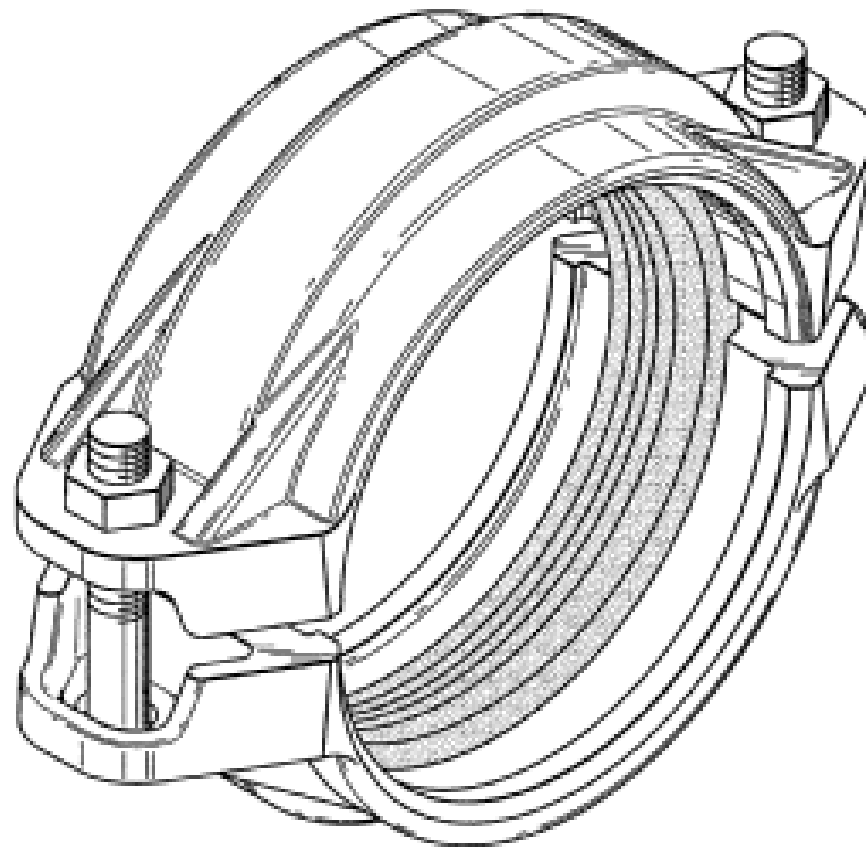
- (21) Design Number: **14450/2010**
(22) Date of Filing Application: **15 October 2010**
(24) Date from which industrial property rights may have effect: **15 October 2010**
(54) Product in respect of which the design is registered: **Suction part of pacifier**
(51) International Design Classification: **24-04**
(71) Name(s) and Address(s) of Applicant(s):
MAM Babyartikel Gesellschaft m.b.H.
Lorenz-Mandl-Gasse 50 1160 Wien Austria
(72) Name(s) of Designer(s): **Peter Rohrig**
(45) Registration Date: **16 November 2010**
(30) Convention priority data:
(31) Number (32) Date (33) Country
1708355-003 17 May 2010 EUROPEAN COMMUNITY
(56) Related Art Documents: **Not Applicable**
(57) Statement of Newness and Distinctiveness: **Newness and distinctiveness is claimed in the features of shape and/or configuration of the suction part of a pacifier as illustrated texture in the accompanying representations, along with the roughened surface on the bulbous portion of the nipple of the suction part of the pacifier shown dotted in the accompanying representations.**



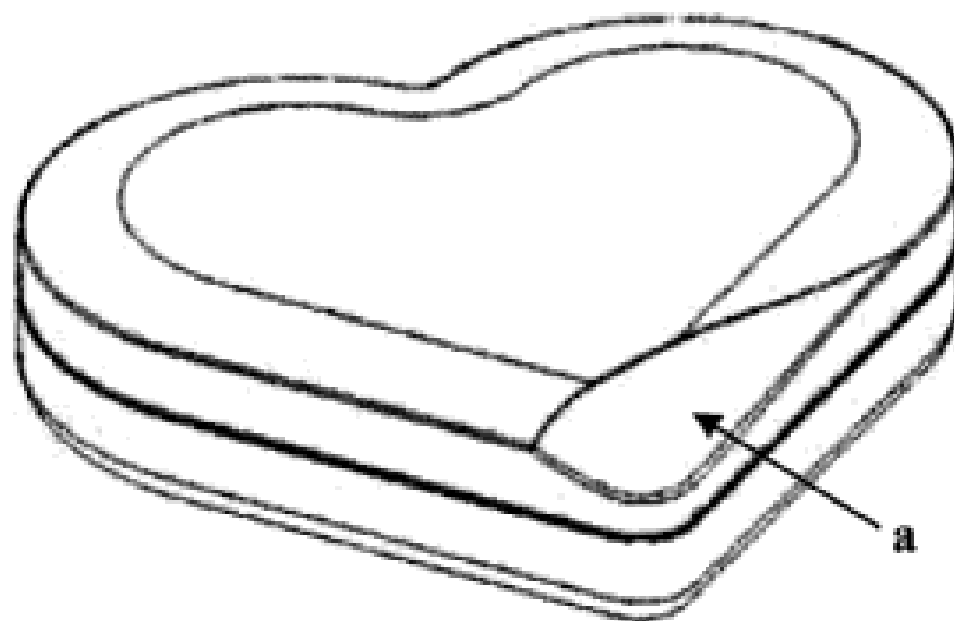
- (21) Design Number: **14451/2010**
(22) Date of Filing Application: **15 October 2010**
(24) Date from which industrial property rights may have effect: **15 October 2010**
(54) Product in respect of which the design is registered: **Pipe coupling**
(51) International Design Classification: **23-01A**
(71) Name(s) and Address(s) of Applicant(s):
Victaulic Company
4901 Kesslersville Road Easton Pennsylvania 18040 United States of America
(72) Name(s) of Designer(s): **Douglas R. Dole and Andrzej Domagala**
(45) Registration Date: **16 November 2010**
(30) Convention priority data:
(31) Number (32) Date (33) Country
29/363556 11 Jun 2010 UNITED STATES OF AMERICA
(56) Related Art Documents: **Not Applicable**
(57) Statement of Newness and Distinctiveness: **Newness and distinctiveness is claimed in those features of shape and/or configuration of a pipe coupling as illustrated in continuous lines in the accompanying representations.**



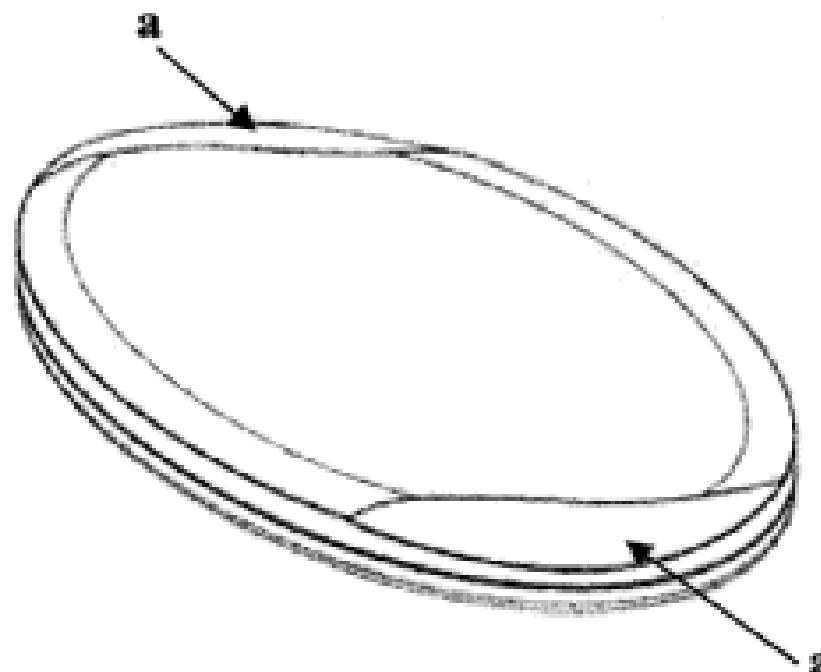
- (21) Design Number: **14452/2010**
(22) Date of Filing Application: **15 October 2010**
(24) Date from which industrial property rights may have effect: **15 October 2010**
(54) Product in respect of which the design is registered: **Pipe coupling**
(51) International Design Classification: **23-01A**
(71) Name(s) and Address(s) of Applicant(s):
Victaulic Company
4901 Kesslersville Road Easton Pennsylvania 18040 United States of America
(72) Name(s) of Designer(s): **Douglas R. Dole and Andrzej Domagala**
(45) Registration Date: **16 November 2010**
(30) Convention priority data:
(31) Number (32) Date (33) Country
29/363556 11 Jun 2010 UNITED STATES OF AMERICA
(56) Related Art Documents: **Not Applicable**
(57) Statement of Newness and Distinctiveness: **Newness and distinctiveness is claimed in the features of shape and/or configuration of a pipe coupling as illustrated in the accompanying representations.**



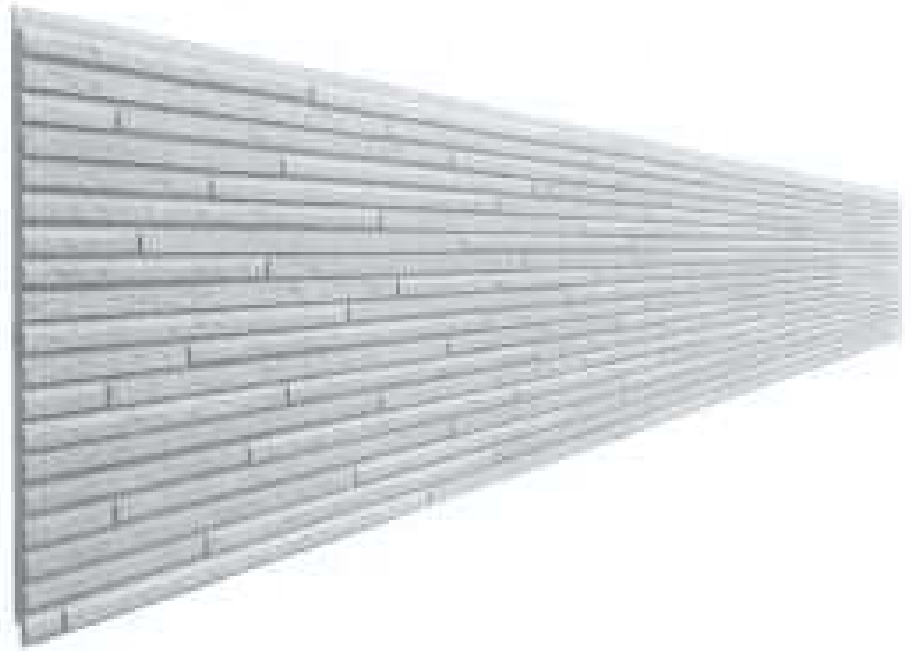
- (21) Design Number: **14485/2010**
(22) Date of Filing Application: **18 October 2010**
(24) Date from which industrial property rights may have effect: **18 October 2010**
(54) Product in respect of which the design is registered: **Container**
(51) International Design Classification: **09-03F**
(71) Name(s) and Address(s) of Applicant(s):
Mars Incorporated
6885 Elm Street McLean Virginia 22101 United States of America
(72) Name(s) of Designer(s): **Anthony Charlton and Anand Choudhry and Dominic Hale and Innes Calatrava and Tim Llewellyn and Dave Salmon**
(45) Registration Date: **16 November 2010**
(30) Convention priority data:
(31) Number (32) Date (33) Country
201030263235.2 06 Aug 2010 CHINA
(56) Related Art Documents: **Not Applicable**
(57) Statement of Newness and Distinctiveness: **The newness and distinctiveness of the design resides in the shape and configuration of the curved indentation at the base of the container's lid, marked "a" in the attached representations.**



- (21) Design Number: **14486/2010**
(22) Date of Filing Application: **18 October 2010**
(24) Date from which industrial property rights may have effect: **18 October 2010**
(54) Product in respect of which the design is registered: **Container**
(51) International Design Classification: **09-03F**
(71) Name(s) and Address(s) of Applicant(s):
Mars Incorporated
6885 Elm Street McLean Virginia 22101 United States of America
(72) Name(s) of Designer(s): **Anthony Charlton and Anand Choudhry and Dominic Hale and Innes Calatrava and Tim Llewellyn and Dave Salmon**
(45) Registration Date: **16 November 2010**
(30) Convention priority data:
(31) Number (32) Date (33) Country
201030263212.1 06 Aug 2010 CHINA
(56) Related Art Documents: **Not Applicable**
(57) Statement of Newness and Distinctiveness: **The newness and distinctiveness of the design resides in the shape and configuration of the curved indentation on the left and right ends of the lid of the Container, marked "a" in the attached representations.**



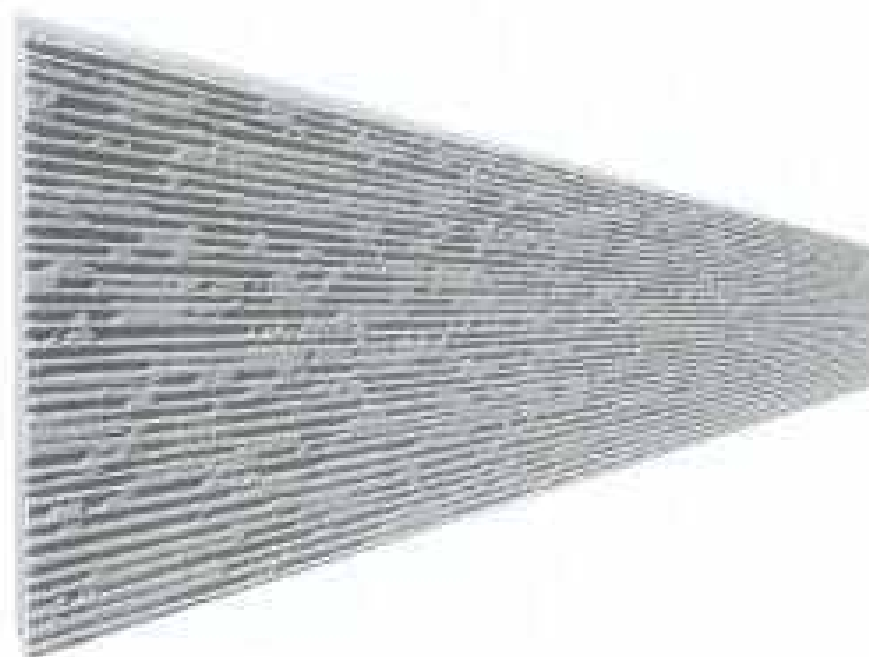
- (21) Design Number: **14514/2010**
(22) Date of Filing Application: **20 October 2010**
(24) Date from which industrial property rights may have effect: **20 October 2010**
(54) Product in respect of which the design is registered: **Building board**
(51) International Design Classification: **25-01D**
(71) Name(s) and Address(s) of Applicant(s):
Nichiha Corporation
12 Shiodome-cho Minato-ku Nagoya-shi Aichi 455-8550 Japan
(72) Name(s) of Designer(s): **Kenji Abiko and Mikihiro Kuno**
(45) Registration Date: **16 November 2010**
(56) Related Art Documents: **Not Applicable**
(57) Statement of Newness and Distinctiveness: **Nil**



- (21) Design Number: **14515/2010**
(22) Date of Filing Application: **20 October 2010**
(24) Date from which industrial property rights may have effect: **20 October 2010**
(54) Product in respect of which the design is registered: **Building board**
(51) International Design Classification: **25-01D**
(71) Name(s) and Address(s) of Applicant(s):
Nichiha Corporation
12 Shiodome-cho Minato-ku Nagoya-shi Aichi 455-8550 Japan
(72) Name(s) of Designer(s): **Yoshiyuki Miura and Kazunori Oguri**
(45) Registration Date: **16 November 2010**
(56) Related Art Documents: **Not Applicable**
(57) Statement of Newness and Distinctiveness: **Nil**



- (21) Design Number: **14516/2010**
(22) Date of Filing Application: **20 October 2010**
(24) Date from which industrial property rights may have effect: **20 October 2010**
(54) Product in respect of which the design is registered: **Building board**
(51) International Design Classification: **25-01D**
(71) Name(s) and Address(s) of Applicant(s):
Nichiha Corporation
12 Shiodome-cho Minato-ku Nagoya-shi Aichi 455-8550 Japan
(72) Name(s) of Designer(s): **Fumio Uchida**
(45) Registration Date: **16 November 2010**
(56) Related Art Documents: **Not Applicable**
(57) Statement of Newness and Distinctiveness: **Nil**



- (21) Design Number: **14517/2010**
(22) Date of Filing Application: **20 October 2010**
(24) Date from which industrial property rights may have effect: **20 October 2010**
(54) Product in respect of which the design is registered: **External corner member**
(51) International Design Classification: **25-01D**
(71) Name(s) and Address(s) of Applicant(s):
Nichiha Corporation
12 Shiodome-cho Minato-ku Nagoya-shi Aichi 455-8550 Japan
(72) Name(s) of Designer(s): **Kenji Abiko and Mikihiro Kuno**
(45) Registration Date: **16 November 2010**
(56) Related Art Documents: **Not Applicable**
(57) Statement of Newness and Distinctiveness: **Nil**



(21) Design Number: **14566/2010**

(22) Date of Filing Application: **22 October 2010**

(24) Date from which industrial property rights may have effect: **22 October 2010**

(54) Product in respect of which the design is registered: **Seat**

(51) International Design Classification: **06-01L**

(71) Name(s) and Address(s) of Applicant(s):

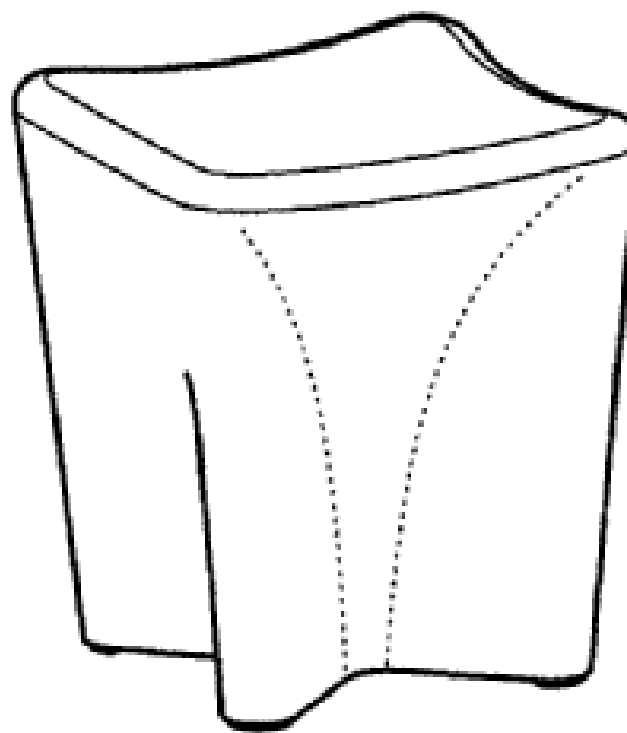
**Steendyk Holdings Pty Ltd
27 Isaac Street Spring Hill Queensland 4000 Australia**

(72) Name(s) of Designer(s): **Brian John Steendyk**

(45) Registration Date: **16 November 2010**

(56) Related Art Documents: **Not Applicable**

(57) Statement of Newness and Distinctiveness: **Monopoly is claimed in the features of shape and/or configuration of the seat as illustrated in the representations accompanying the application.**



(21) Design Number: **11905/2010**

(22) Date of Filing Application: **14 May 2010**

(24) Date from which industrial property rights may have effect: **14 May 2010**

(54) Product in respect of which the design is registered: **Vehicle headlamp lens**

(51) International Design Classification: **12-16E**

(71) Name(s) and Address(s) of Applicant(s):

**GM Global Technology Operations, Inc
300 Renaissance Centre Detroit Michigan United States of America**

(72) Name(s) of Designer(s): **Martin Love**

(45) Registration Date: **16 November 2010**

(56) Related Art Documents: **Not Applicable**

(57) Statement of Newness and Distinctiveness: **Nil**



(21) Design Number: **11906/2010**

(22) Date of Filing Application: **14 May 2010**

(24) Date from which industrial property rights may have effect: **14 May 2010**

(54) Product in respect of which the design is registered: **Vehicle headlamp bezel**

(51) International Design Classification: **12-16E**

(71) Name(s) and Address(s) of Applicant(s):

**GM Global Technology Operations, Inc
300 Renaissance Centre Detroit Michigan United States of America**

(72) Name(s) of Designer(s): **Martin Love**

(45) Registration Date: **16 November 2010**

(56) Related Art Documents: **Not Applicable**

(57) Statement of Newness and Distinctiveness: **Nil**



(21) Design Number: **11907/2010**

(22) Date of Filing Application: **14 May 2010**

(24) Date from which industrial property rights may have effect: **14 May 2010**

(54) Product in respect of which the design is registered: **Vehicle deck lid handle**

(51) International Design Classification: **12-16NES**

(71) Name(s) and Address(s) of Applicant(s):

**GM Global Technology Operations, Inc
300 Renaissance Centre Detroit Michigan United States of America**

(72) Name(s) of Designer(s): **Martin Love**

(45) Registration Date: **16 November 2010**

(56) Related Art Documents: **Not Applicable**

(57) Statement of Newness and Distinctiveness: **Nil**



(21) Design Number: **11908/2010**

(22) Date of Filing Application: **14 May 2010**

(24) Date from which industrial property rights may have effect: **14 May 2010**

(54) Product in respect of which the design is registered: **Vehicle radiator grille**

(51) International Design Classification: **12-16B**

(71) Name(s) and Address(s) of Applicant(s):

**GM Global Technology Operations, Inc
300 Renaissance Centre Detroit Michigan United States of America**

(72) Name(s) of Designer(s): **John Lueng**

(45) Registration Date: **16 November 2010**

(56) Related Art Documents: **Not Applicable**

(57) Statement of Newness and Distinctiveness: **Nil**



(21) Design Number: **11909/2010**

(22) Date of Filing Application: **14 May 2010**

(24) Date from which industrial property rights may have effect: **14 May 2010**

(54) Product in respect of which the design is registered: **Vehicle radiator grille**

(51) International Design Classification: **12-16B**

(71) Name(s) and Address(s) of Applicant(s):

**GM Global Technology Operations, Inc
300 Renaissance Centre Detroit Michigan United States of America**

(72) Name(s) of Designer(s): **John Lueng**

(45) Registration Date: **16 November 2010**

(56) Related Art Documents: **Not Applicable**

(57) Statement of Newness and Distinctiveness: **Nil**



(21) Design Number: **11910/2010**
(22) Date of Filing Application: **14 May 2010**
(24) Date from which industrial property rights may have effect: **14 May 2010**
(54) Product in respect of which the design is registered: **Vehicle fog lamp cover**
(51) International Design Classification: **12-16E**
(71) Name(s) and Address(s) of Applicant(s):
GM Global Technology Operations, Inc
300 Renaissance Centre Detroit Michigan United States of America
(72) Name(s) of Designer(s): **Peter Hughes**
(45) Registration Date: **16 November 2010**
(56) Related Art Documents: **Not Applicable**
(57) Statement of Newness and Distinctiveness: **Nil**



(21) Design Number: **11911/2010**
(22) Date of Filing Application: **14 May 2010**
(24) Date from which industrial property rights may have effect: **14 May 2010**
(54) Product in respect of which the design is registered: **Vehicle fascia grille**
(51) International Design Classification: **12-16B**
(71) Name(s) and Address(s) of Applicant(s):
GM Global Technology Operations, Inc
300 Renaissance Centre Detroit Michigan United States of America
(72) Name(s) of Designer(s): **Peter Hughes**
(45) Registration Date: **16 November 2010**
(56) Related Art Documents: **Not Applicable**
(57) Statement of Newness and Distinctiveness: **Nil**



- (21) Design Number: **11912/2010**
(22) Date of Filing Application: **14 May 2010**
(24) Date from which industrial property rights may have effect: **14 May 2010**
(54) Product in respect of which the design is registered: **Vehicle wheel centre cap**
(51) International Design Classification: **12-16A**
(71) Name(s) and Address(s) of Applicant(s):
GM Global Technology Operations, Inc
300 Renaissance Centre Detroit Michigan United States of America
(72) Name(s) of Designer(s): **Peter Hughes**
(45) Registration Date: **16 November 2010**
(56) Related Art Documents: **Not Applicable**
(57) Statement of Newness and Distinctiveness: **Nil**



- (21) Design Number: **11913/2010**
(22) Date of Filing Application: **14 May 2010**
(24) Date from which industrial property rights may have effect: **14 May 2010**
(54) Product in respect of which the design is registered: **Vehicle radiator grille**
(51) International Design Classification: **12-16B**
(71) Name(s) and Address(s) of Applicant(s):
GM Global Technology Operations, Inc
300 Renaissance Centre Detroit Michigan United States of America
(72) Name(s) of Designer(s): **Peter Hughes**
(45) Registration Date: **16 November 2010**
(56) Related Art Documents: **Not Applicable**
(57) Statement of Newness and Distinctiveness: **Nil**



- (21) Design Number: **11914/2010**
(22) Date of Filing Application: **14 May 2010**
(24) Date from which industrial property rights may have effect: **14 May 2010**
(54) Product in respect of which the design is registered: **Vehicle rear compartment lid**
(51) International Design Classification: **12-16B**
(71) Name(s) and Address(s) of Applicant(s):
GM Global Technology Operations, Inc
300 Renaissance Centre Detroit Michigan United States of America
(72) Name(s) of Designer(s): **Martin Love**
(45) Registration Date: **16 November 2010**
(56) Related Art Documents: **Not Applicable**
(57) Statement of Newness and Distinctiveness: **Nil**



- (21) Design Number: **11915/2010**
(22) Date of Filing Application: **14 May 2010**
(24) Date from which industrial property rights may have effect: **14 May 2010**
(54) Product in respect of which the design is registered: **Vehicle rear compartment lid spoiler**
(51) International Design Classification: **12-16B**
(71) Name(s) and Address(s) of Applicant(s):
GM Global Technology Operations, Inc
300 Renaissance Centre Detroit Michigan United States of America
(72) Name(s) of Designer(s): **Peter Hughes**
(45) Registration Date: **16 November 2010**
(56) Related Art Documents: **Not Applicable**
(57) Statement of Newness and Distinctiveness: **Nil**



(21) Design Number: **11916/2010**

(22) Date of Filing Application: **14 May 2010**

(24) Date from which industrial property rights may have effect: **14 May 2010**

(54) Product in respect of which the design is registered: **Vehicle front fascia**

(51) International Design Classification: **12-16C**

(71) Name(s) and Address(s) of Applicant(s):

**GM Global Technology Operations, Inc
300 Renaissance Centre Detroit Michigan United States of America**

(72) Name(s) of Designer(s): **Peter Hughes**

(45) Registration Date: **16 November 2010**

(56) Related Art Documents: **Not Applicable**

(57) Statement of Newness and Distinctiveness: **Nil**



(21) Design Number: **11917/2010**

(22) Date of Filing Application: **14 May 2010**

(24) Date from which industrial property rights may have effect: **14 May 2010**

(54) Product in respect of which the design is registered: **Vehicle wheel**

(51) International Design Classification: **12-16A**

(71) Name(s) and Address(s) of Applicant(s):

**GM Global Technology Operations, Inc
300 Renaissance Centre Detroit Michigan United States of America**

(72) Name(s) of Designer(s): **Martin Love**

(45) Registration Date: **16 November 2010**

(56) Related Art Documents: **Not Applicable**

(57) Statement of Newness and Distinctiveness: **Nil**



-
- (21) Design Number: **11918/2010**
 - (22) Date of Filing Application: **14 May 2010**
 - (24) Date from which industrial property rights may have effect: **14 May 2010**
 - (54) Product in respect of which the design is registered: **Vehicle wheel**
 - (51) International Design Classification: **12-16A**
 - (71) Name(s) and Address(s) of Applicant(s):
GM Global Technology Operations, Inc
300 Renaissance Centre Detroit Michigan United States of America
 - (72) Name(s) of Designer(s): **Peter Hughes**
 - (45) Registration Date: **16 November 2010**
 - (56) Related Art Documents: **Not Applicable**
 - (57) Statement of Newness and Distinctiveness: **Nil**



-
- (21) Design Number: **11919/2010**
 - (22) Date of Filing Application: **14 May 2010**
 - (24) Date from which industrial property rights may have effect: **14 May 2010**
 - (54) Product in respect of which the design is registered: **Vehicle wheel**
 - (51) International Design Classification: **12-16A**
 - (71) Name(s) and Address(s) of Applicant(s):
GM Global Technology Operations, Inc
300 Renaissance Centre Detroit Michigan United States of America
 - (72) Name(s) of Designer(s): **Peter Hughes**
 - (45) Registration Date: **16 November 2010**
 - (56) Related Art Documents: **Not Applicable**
 - (57) Statement of Newness and Distinctiveness: **Nil**



(21) Design Number: **11920/2010**

(22) Date of Filing Application: **14 May 2010**

(24) Date from which industrial property rights may have effect: **14 May 2010**

(54) Product in respect of which the design is registered: **Vehicle wheel**

(51) International Design Classification: **12-16A**

(71) Name(s) and Address(s) of Applicant(s):

**GM Global Technology Operations, Inc
300 Renaissance Centre Detroit Michigan United States of America**

(72) Name(s) of Designer(s): **Peter Hughes**

(45) Registration Date: **16 November 2010**

(56) Related Art Documents: **Not Applicable**

(57) Statement of Newness and Distinctiveness: **Nil**



(21) Design Number: **11921/2010**

(22) Date of Filing Application: **14 May 2010**

(24) Date from which industrial property rights may have effect: **14 May 2010**

(54) Product in respect of which the design is registered: **Vehicle wheel**

(51) International Design Classification: **12-16A**

(71) Name(s) and Address(s) of Applicant(s):

**GM Global Technology Operations, Inc
300 Renaissance Centre Detroit Michigan United States of America**

(72) Name(s) of Designer(s): **Martin Love**

(45) Registration Date: **16 November 2010**

(56) Related Art Documents: **Not Applicable**

(57) Statement of Newness and Distinctiveness: **Nil**



(21) Design Number: **11922/2010**

(22) Date of Filing Application: **14 May 2010**

(24) Date from which industrial property rights may have effect: **14 May 2010**

(54) Product in respect of which the design is registered: **Vehicle wheel**

(51) International Design Classification: **12-16A**

(71) Name(s) and Address(s) of Applicant(s):

**GM Global Technology Operations, Inc
300 Renaissance Centre Detroit Michigan United States of America**

(72) Name(s) of Designer(s): **Martin Love**

(45) Registration Date: **16 November 2010**

(56) Related Art Documents: **Not Applicable**

(57) Statement of Newness and Distinctiveness: **Nil**



(21) Design Number: **11923/2010**

(22) Date of Filing Application: **14 May 2010**

(24) Date from which industrial property rights may have effect: **14 May 2010**

(54) Product in respect of which the design is registered: **Vehicle wheel**

(51) International Design Classification: **12-16A**

(71) Name(s) and Address(s) of Applicant(s):

**GM Global Technology Operations, Inc
300 Renaissance Centre Detroit Michigan United States of America**

(72) Name(s) of Designer(s): **Ewan Kingsbury**

(45) Registration Date: **16 November 2010**

(56) Related Art Documents: **Not Applicable**

(57) Statement of Newness and Distinctiveness: **Nil**



(21) Design Number: **11924/2010**

(22) Date of Filing Application: **14 May 2010**

(24) Date from which industrial property rights may have effect: **14 May 2010**

(54) Product in respect of which the design is registered: **Vehicle wheel**

(51) International Design Classification: **12-16A**

(71) Name(s) and Address(s) of Applicant(s):

**GM Global Technology Operations, Inc
300 Renaissance Centre Detroit Michigan United States of America**

(72) Name(s) of Designer(s): **Peter Hughes**

(45) Registration Date: **16 November 2010**

(56) Related Art Documents: **Not Applicable**

(57) Statement of Newness and Distinctiveness: **Nil**



(21) Design Number: **11925/2010**

(22) Date of Filing Application: **14 May 2010**

(24) Date from which industrial property rights may have effect: **14 May 2010**

(54) Product in respect of which the design is registered: **Vehicle wheel**

(51) International Design Classification: **12-16A**

(71) Name(s) and Address(s) of Applicant(s):

**GM Global Technology Operations, Inc
300 Renaissance Centre Detroit Michigan United States of America**

(72) Name(s) of Designer(s): **Peter Hughes**

(45) Registration Date: **16 November 2010**

(56) Related Art Documents: **Not Applicable**

(57) Statement of Newness and Distinctiveness: **Nil**



(21) Design Number: **11926/2010**
(22) Date of Filing Application: **14 May 2010**
(24) Date from which industrial property rights may have effect: **14 May 2010**
(54) Product in respect of which the design is registered: **Vehicle wheel**
(51) International Design Classification: **12-16A**
(71) Name(s) and Address(s) of Applicant(s):
GM Global Technology Operations, Inc
300 Renaissance Centre Detroit Michigan United States of America
(72) Name(s) of Designer(s): **Harsha Ravi**
(45) Registration Date: **16 November 2010**
(56) Related Art Documents: **Not Applicable**
(57) Statement of Newness and Distinctiveness: **Nil**



(21) Design Number: **11927/2010**
(22) Date of Filing Application: **14 May 2010**
(24) Date from which industrial property rights may have effect: **14 May 2010**
(54) Product in respect of which the design is registered: **Vehicle wheel**
(51) International Design Classification: **12-16A**
(71) Name(s) and Address(s) of Applicant(s):
GM Global Technology Operations, Inc
300 Renaissance Centre Detroit Michigan United States of America
(72) Name(s) of Designer(s): **Martin Love**
(45) Registration Date: **16 November 2010**
(56) Related Art Documents: **Not Applicable**
(57) Statement of Newness and Distinctiveness: **Nil**



(21) Design Number: **13602/2010**

(22) Date of Filing Application: **23 August 2010**

(24) Date from which industrial property rights may have effect: **23 August 2010**

(54) Product in respect of which the design is registered: **Vehicle wheel**

(51) International Design Classification: **12-16A**

(71) Name(s) and Address(s) of Applicant(s):

**GM Global Technology Operations, Inc.
300 Renaissance Centre Detroit Michigan United States of America**

(72) Name(s) of Designer(s): **Leigh Mitchell**

(45) Registration Date: **16 November 2010**

(56) Related Art Documents: **Not Applicable**

(57) Statement of Newness and Distinctiveness: **Nil**



(21) Design Number: **13603/2010**

(22) Date of Filing Application: **20 August 2010**

(24) Date from which industrial property rights may have effect: **20 August 2010**

(54) Product in respect of which the design is registered: **A vehicle wheel**

(51) International Design Classification: **12-16A**

(71) Name(s) and Address(s) of Applicant(s):

**GM Global Technology Operations, Inc.
300 Renaissance Centre Detroit Michigan United States of America**

(72) Name(s) of Designer(s): **Peter Hughes**

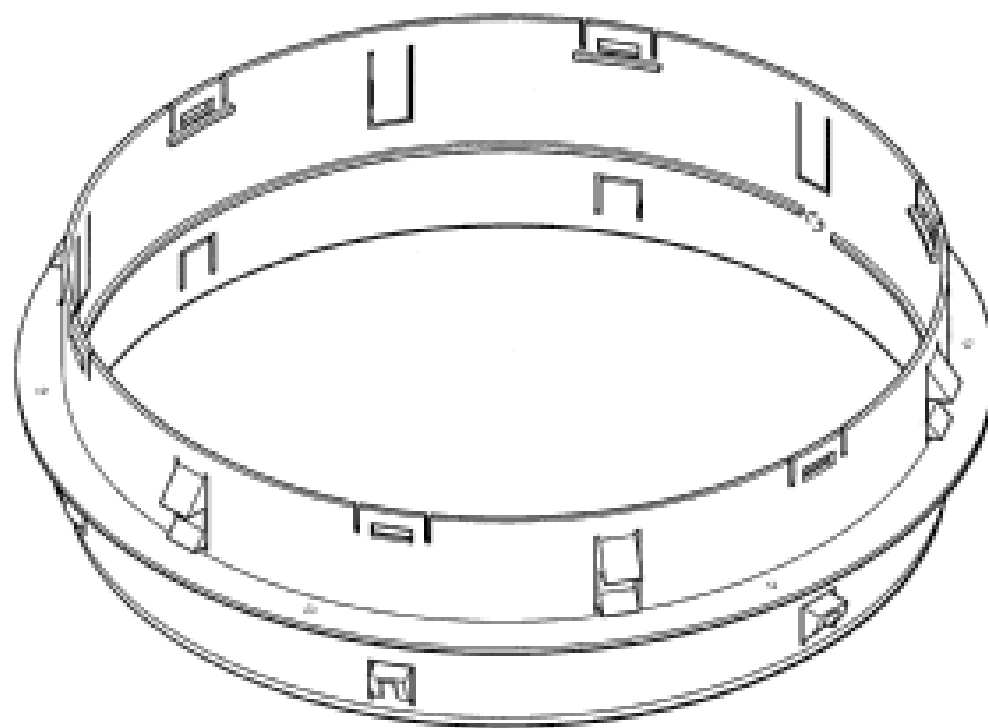
(45) Registration Date: **16 November 2010**

(56) Related Art Documents: **Not Applicable**

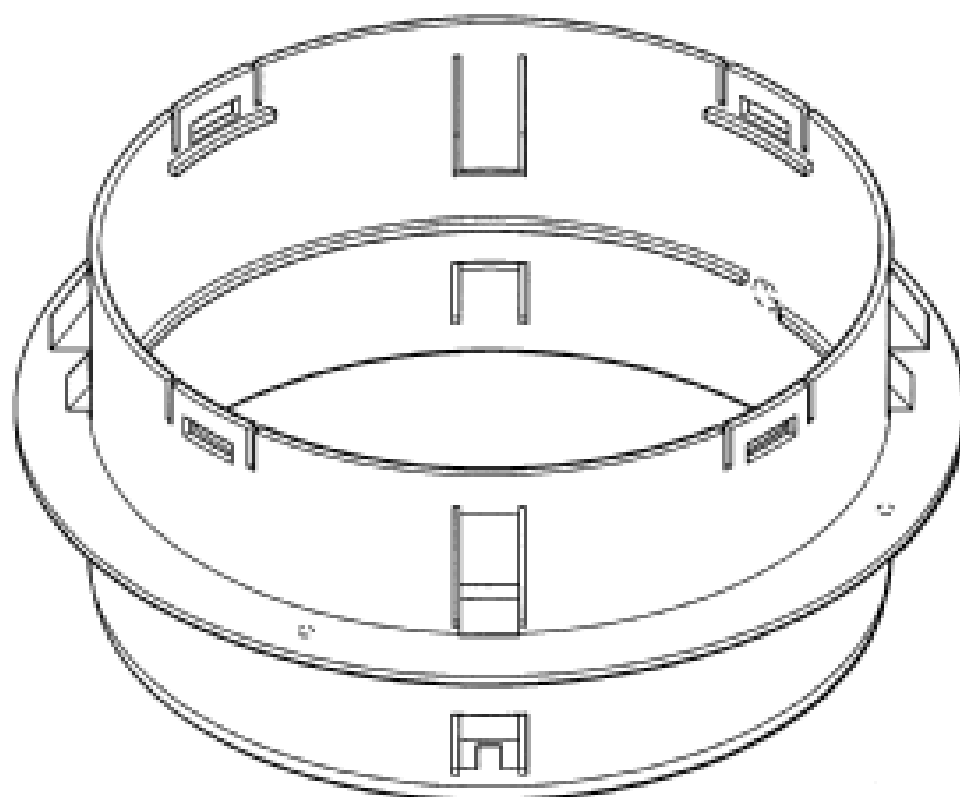
(57) Statement of Newness and Distinctiveness: **Nil**



- (21) Design Number: **11062/2010**
- (22) Date of Filing Application: **26 March 2010**
- (24) Date from which industrial property rights may have effect: **26 March 2010**
- (54) Product in respect of which the design is registered: **Connector**
- (51) International Design Classification: **23-04**
- (71) Name(s) and Address(s) of Applicant(s):
Metalflex Pty Ltd
13-17 Brand Drive Thomastown Victoria 3074 Australia
- (72) Name(s) of Designer(s): **Russell Amiguet**
- (45) Registration Date: **15 November 2010**
- (56) Related Art Documents: **Not Applicable**
- (57) Statement of Newness and Distinctiveness: **Nil**



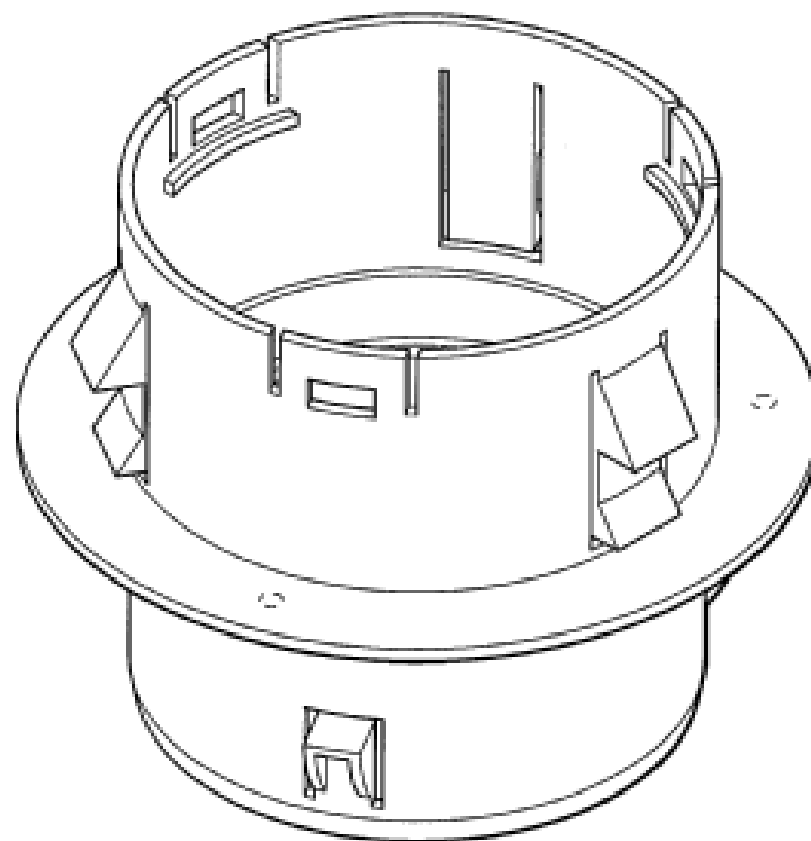
- (21) Design Number: **14610/2010**
- (22) Date of Filing Application: **26 March 2010**
- (24) Date from which industrial property rights may have effect: **26 March 2010**
- (54) Product in respect of which the design is registered: **Connector**
- (51) International Design Classification: **23-04**
- (71) Name(s) and Address(s) of Applicant(s):
Metalflex Pty Ltd
13-17 Brand Drive Thomastown Victoria 3074 Australia
- (72) Name(s) of Designer(s): **Russell Amiguet**
- (45) Registration Date: **15 November 2010**
- (56) Related Art Documents: **Not Applicable**
- (57) Statement of Newness and Distinctiveness: **Nil**



(21) Design Number: **14611/2010**
(22) Date of Filing Application: **26 March 2010**
(24) Date from which industrial property rights may have effect: **26 March 2010**
(54) Product in respect of which the design is registered: **Connector**
(51) International Design Classification: **23-04**
(71) Name(s) and Address(s) of Applicant(s):

Metalflex Pty Ltd
13-17 Brand Drive Thomastown Victoria 3074 Australia

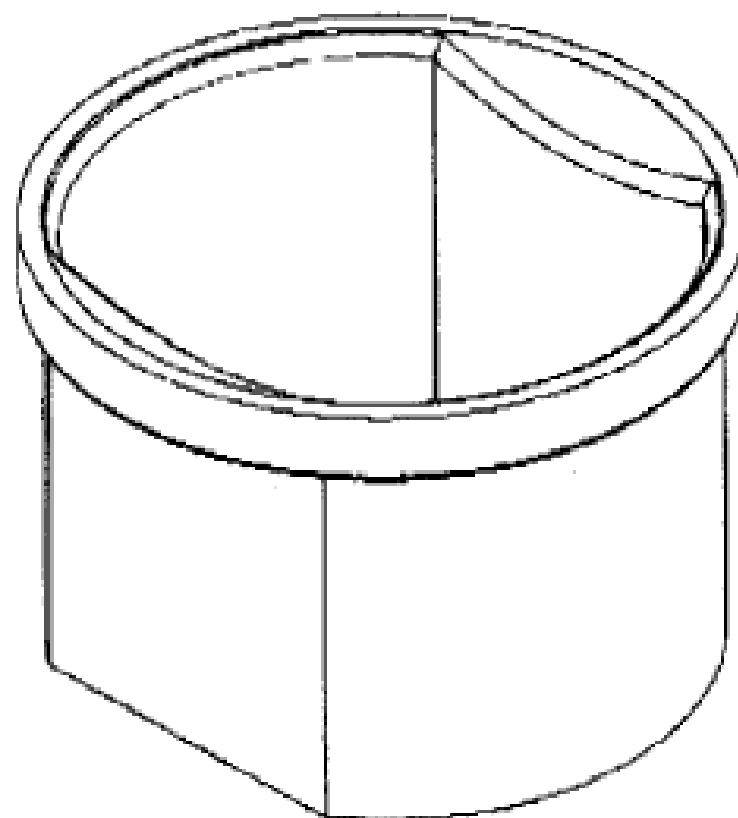
(72) Name(s) of Designer(s): **Russell Amiguet**
(45) Registration Date: **15 November 2010**
(56) Related Art Documents: **Not Applicable**
(57) Statement of Newness and Distinctiveness: **Nil**



(21) Design Number: **14612/2010**
(22) Date of Filing Application: **26 October 2010**
(24) Date from which industrial property rights may have effect: **26 October 2010**
(54) Product in respect of which the design is registered: **Pipe adaptor**
(51) International Design Classification: **23-01A**
(71) Name(s) and Address(s) of Applicant(s):

Edward Gregory Hume
2 Lind Street Thornlands Queensland 4164 Australia

(72) Name(s) of Designer(s): **Edward Gregory Hume**
(45) Registration Date: **15 November 2010**
(56) Related Art Documents: **Not Applicable**
(57) Statement of Newness and Distinctiveness: **Nil**



(21) Design Number: **14615/2010**

(22) Date of Filing Application: **26 October 2010**

(24) Date from which industrial property rights may have effect: **26 October 2010**

(54) Product in respect of which the design is registered: **Table**

(51) International Design Classification: **06-03B**

(71) Name(s) and Address(s) of Applicant(s):

BFX Ho Pty Ltd

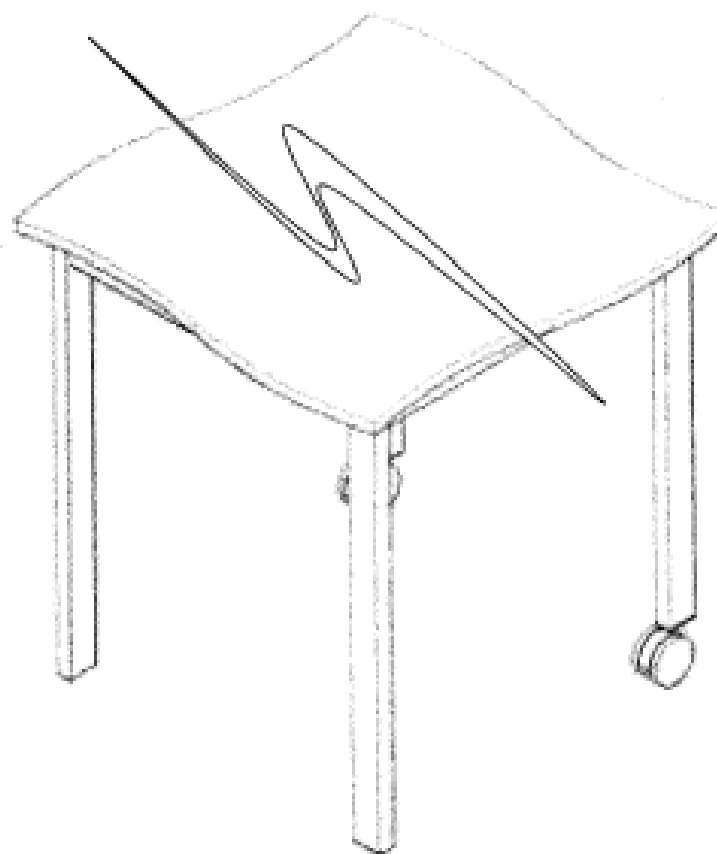
75 Wisers Road Maroochydore Queensland 4558 Australia

(72) Name(s) of Designer(s): **Penny Moore**

(45) Registration Date: **15 November 2010**

(56) Related Art Documents: **Not Applicable**

(57) Statement of Newness and Distinctiveness: **Newness and distinctiveness is claimed in the shape and/or configuration of the table shown in the accompanying representation. The table may be of any length wherein the wave pattern repeats continually over the indefinite dimension, as indicated by the broken line in the representation.**



(21) Design Number: **14616/2010**

(22) Date of Filing Application: **26 October 2010**

(24) Date from which industrial property rights may have effect: **26 October 2010**

(54) Product in respect of which the design is registered: **Table**

(51) International Design Classification: **06-03B**

(71) Name(s) and Address(s) of Applicant(s):

BFX Ho Pty Ltd

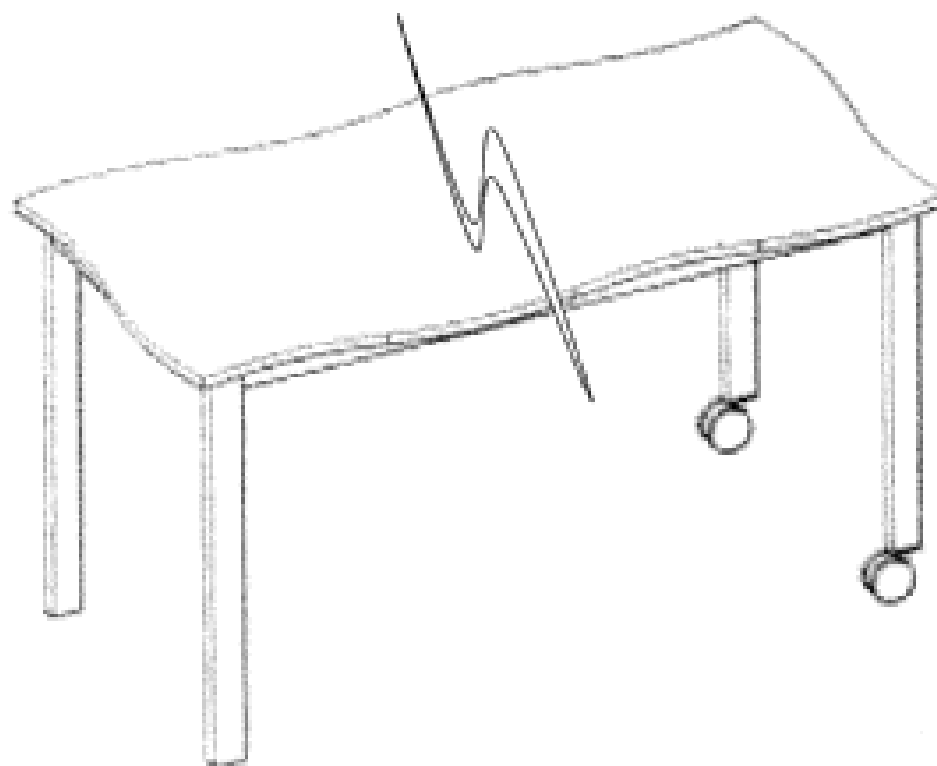
75 Wisers Road Maroochydore Queensland 4558 Australia

(72) Name(s) of Designer(s): **Penny Moore**

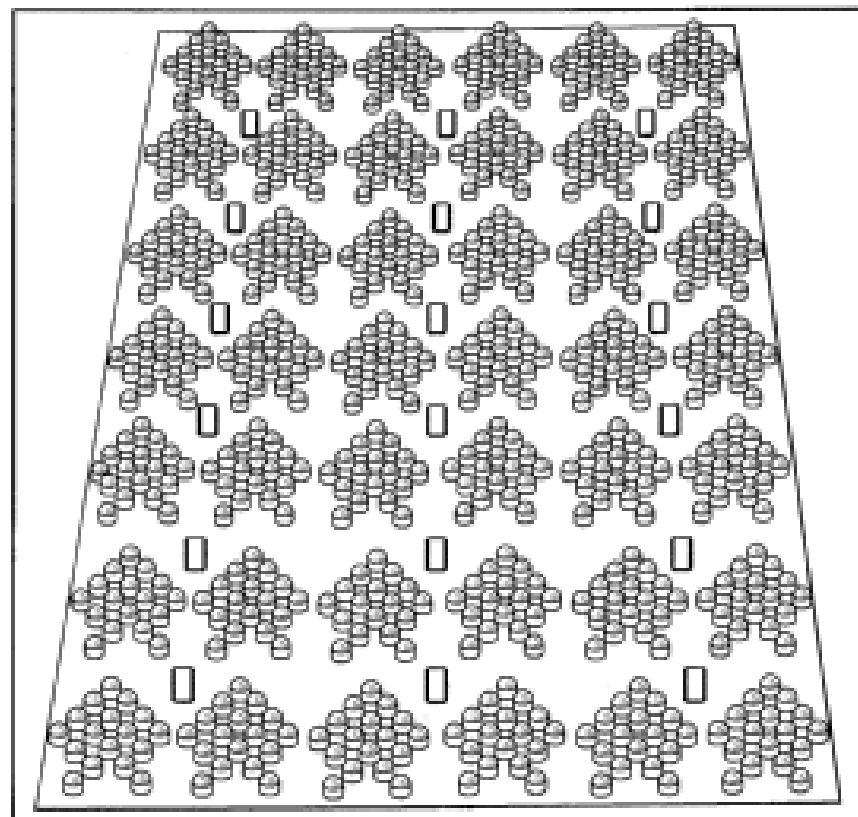
(45) Registration Date: **15 November 2010**

(56) Related Art Documents: **Not Applicable**

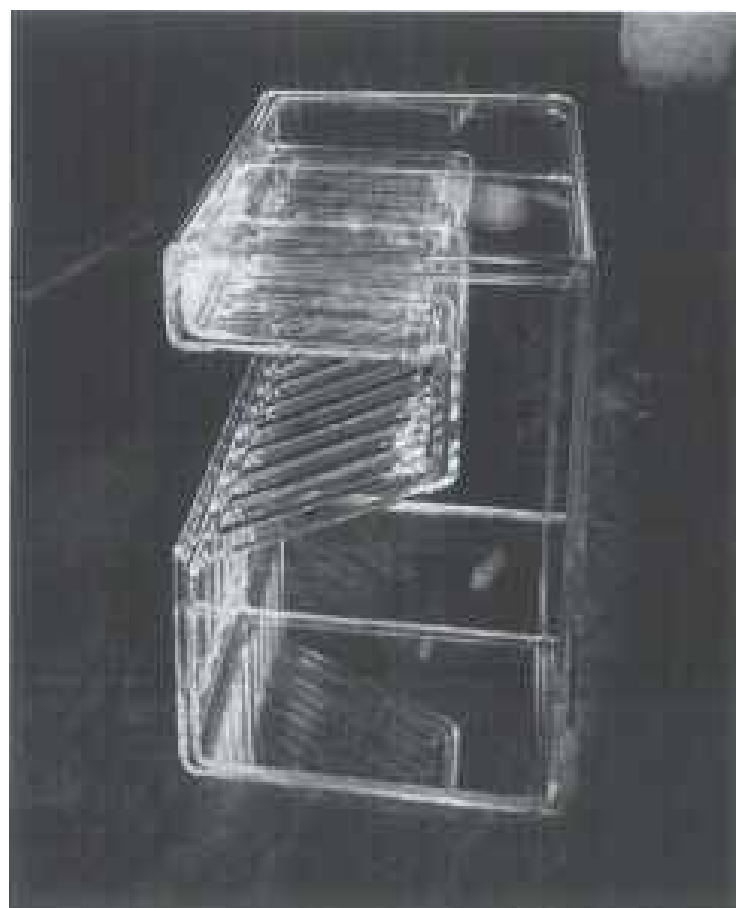
(57) Statement of Newness and Distinctiveness: **Newness and distinctiveness is claimed in the shape and/or configuration of the table shown in the accompanying representation. The table may be of any length wherein the wave pattern repeats continually over the indefinite dimension, as indicated by the broken line in the representation.**



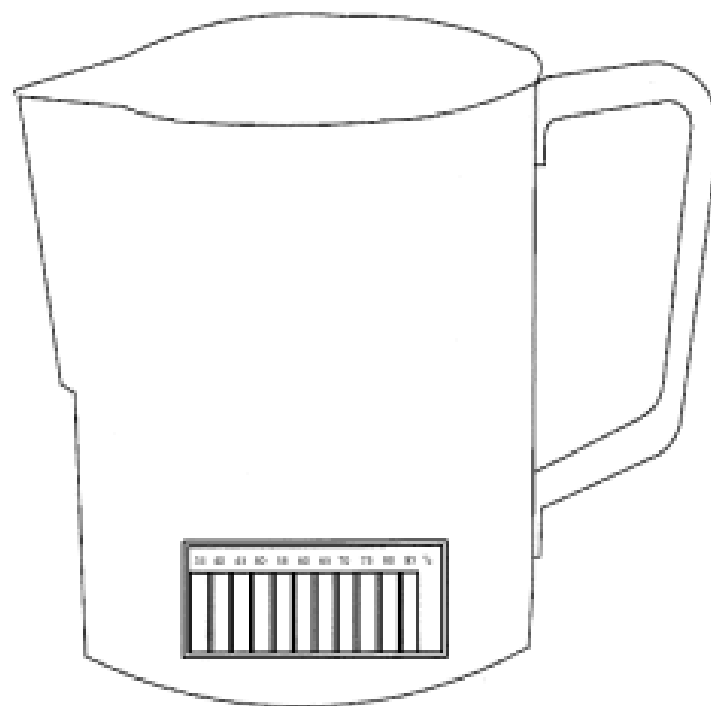
- (21) Design Number: **13805/2010**
- (22) Date of Filing Application: **01 September 2010**
- (24) Date from which industrial property rights may have effect: **01 September 2010**
- (54) Product in respect of which the design is registered: **LED module for an illuminated sign**
- (51) International Design Classification: **26-04**
- (71) Name(s) and Address(s) of Applicant(s):
Bartco Traffic Equipment Pty Ltd
28 Gordon Street Ararat Victoria 3377 Australia
- (72) Name(s) of Designer(s): **Troy Wollard**
- (45) Registration Date: **15 November 2010**
- (56) Related Art Documents: **Not Applicable**
- (57) Statement of Newness and Distinctiveness: **Newness and distinctiveness is claimed in the shape and configuration of the LED array, but not the number of rows or the number of arrays within the row.**



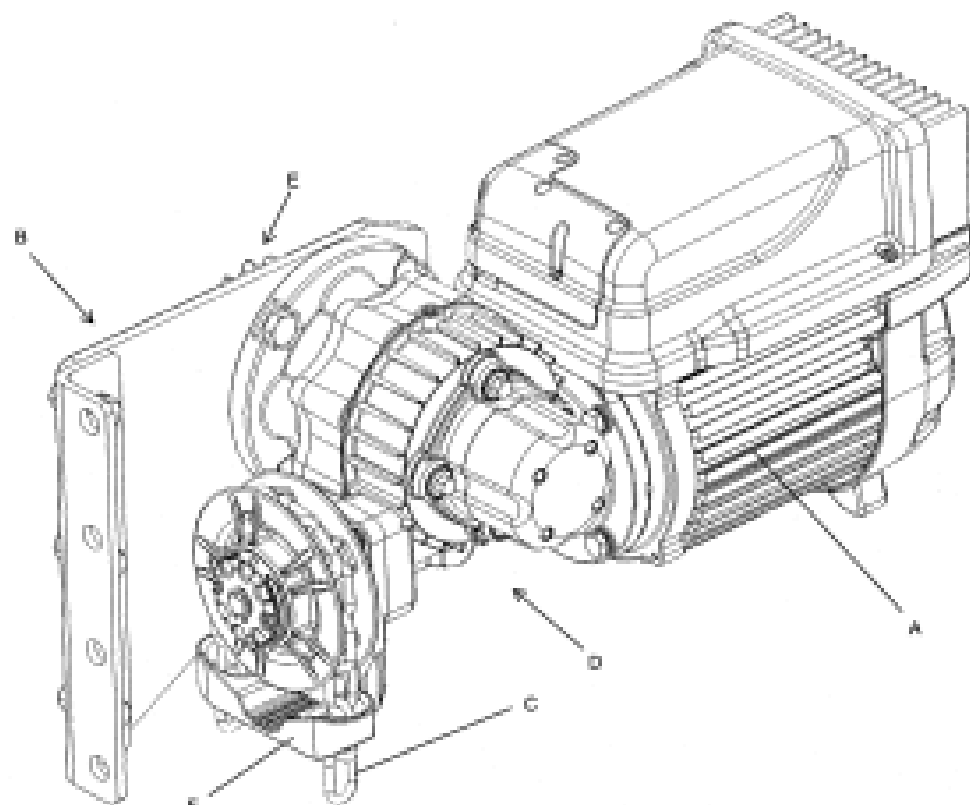
- (21) Design Number: **12896/2010**
- (22) Date of Filing Application: **13 July 2010**
- (24) Date from which industrial property rights may have effect: **13 July 2010**
- (54) Product in respect of which the design is registered: **Table and/or chair**
- (51) International Design Classification: **06-03NES, 06-01L**
- (71) Name(s) and Address(s) of Applicant(s):
Jayden Emerico Zernich
15/114A Major Road Fawkner Victoria 3060 Australia
- (72) Name(s) of Designer(s): **Jayden Emerico Zernich**
- (45) Registration Date: **16 November 2010**
- (56) Related Art Documents: **Not Applicable**
- (57) Statement of Newness and Distinctiveness: **Nil**



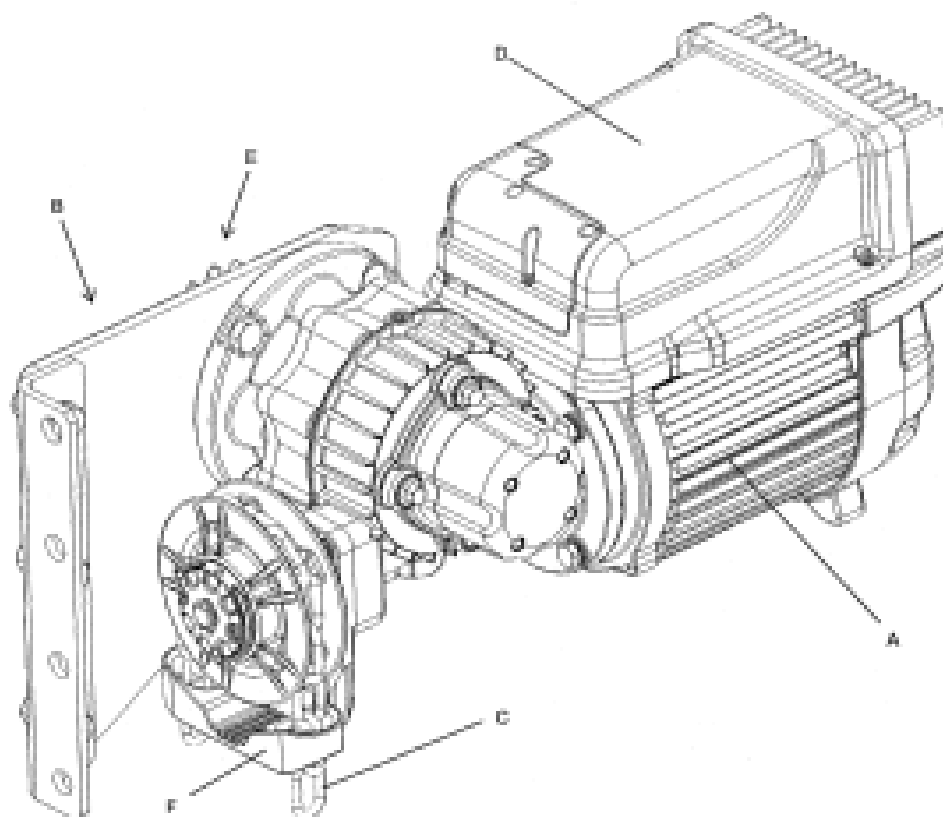
- (21) Design Number: **13715/2010**
- (22) Date of Filing Application: **26 August 2010**
- (24) Date from which industrial property rights may have effect: **26 August 2010**
- (54) Product in respect of which the design is registered: **Jug with temperature indicator**
- (51) International Design Classification: **07-01F**
- (71) Name(s) and Address(s) of Applicant(s):
Perry Mastroyanis
248-246 Charles Street Launceston Tasmania 7250 Australia
- (72) Name(s) of Designer(s): **Perry Mastroyanis**
- (45) Registration Date: **16 November 2010**
- (56) Related Art Documents: **Not Applicable**
- (57) Statement of Newness and Distinctiveness: **Nil**



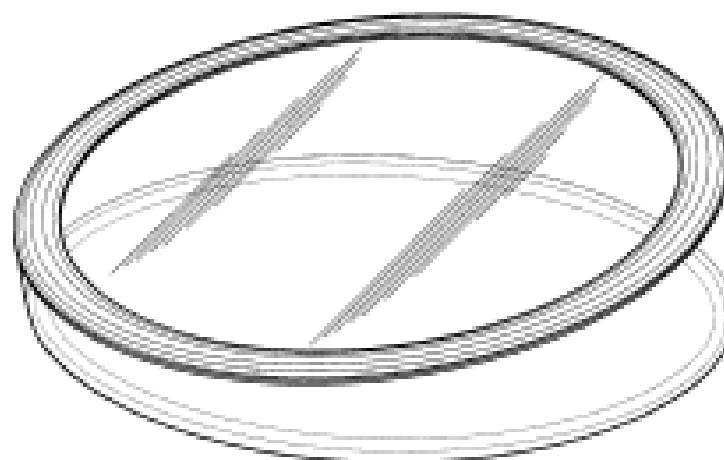
- (21) Design Number: **13792/2010**
- (22) Date of Filing Application: **01 September 2010**
- (24) Date from which industrial property rights may have effect: **01 September 2010**
- (54) Product in respect of which the design is registered: **Door operator unit**
- (51) International Design Classification: **13-01, 12-05**
- (71) Name(s) and Address(s) of Applicant(s):
Automatic Technology (Australia) Pty Ltd
6-8 Fiveways Boulevard Keysborough Victoria 3173 Australia
- (72) Name(s) of Designer(s): **Travis William Smith**
- (45) Registration Date: **16 November 2010**
- (56) Related Art Documents: **Not Applicable**
- (57) Statement of Newness and Distinctiveness: **Newness and distinctiveness is claimed in the features of shape and/or configuration of the door operator unit as shown in the representations. In considering which features are new and distinctive, the following features as referenced in the representations are to be disregarded, motor A, mounting bracket B, chain C, gear and drive unit D, E and chain guide F.**



(21) Design Number: **13793/2010**
(22) Date of Filing Application: **01 September 2010**
(24) Date from which industrial property rights may have effect: **01 September 2010**
(54) Product in respect of which the design is registered: **Door operator unit**
(51) International Design Classification: **13-01, 12-05**
(71) Name(s) and Address(s) of Applicant(s):
Automatic Technology (Australia) Pty Ltd
6-8 Fiveways Boulevard Keysborough Victoria 3173 Australia
(72) Name(s) of Designer(s): **Toan Dang and George Karban**
(45) Registration Date: **16 November 2010**
(56) Related Art Documents: **Not Applicable**
(57) Statement of Newness and Distinctiveness: **Newness and distinctiveness is claimed in the features of shape and/or configuration of the door operator unit as shown in the representations. In considering which features are new and distinctive, the following features as referenced in the representations are to be disregarded, motor A, mounting bracket B, chain C, controller unit D, output drive E and chain guide F.**



(21) Design Number: **14142/2010**
(22) Date of Filing Application: **24 September 2010**
(24) Date from which industrial property rights may have effect: **24 September 2010**
(54) Product in respect of which the design is registered: **Display stand**
(51) International Design Classification: **20-02C**
(71) Name(s) and Address(s) of Applicant(s):
Apple Inc.
1 Infinite Loop Cupertino California 95014 United States of America
(72) Name(s) of Designer(s): **Jody Akana and Bartley K. Andre and Jeremy Bataillou and Daniel J. Coster and Daniele De Iuliis and Evans Hankey and Richard P. Howarth and Jonathan P. Ive and Duncan Robert Kerr and Shin Nishibori and Matthew Dean Rohrbach and Peter Russell-Clarke and Christopher J. Stringer and Eugene Antony Whang and Rico Zorkendorfer**
(45) Registration Date: **16 November 2010**
(30) Convention priority data:
(31) Number (32) Date (33) Country
29/358997 02 Apr 2010 UNITED STATES OF AMERICA
(56) Related Art Documents: **Not Applicable**
(57) Statement of Newness and Distinctiveness: **Newness and distinctiveness resides in the features of shape shown in unbroken lines in the accompanying figures.**



(21) Design Number: **14280/2010**
 (22) Date of Filing Application: **29 September 2010**
 (24) Date from which industrial property rights may have effect: **29 September 2010**
 (54) Product in respect of which the design is registered: **Trash can**
 (51) International Design Classification: **09-09**
 (71) Name(s) and Address(s) of Applicant(s):

Base Brands, LLC
400 Technology Court SE Suite E SMYRNA 30082 Georgia United States of America

(72) Name(s) of Designer(s): **Patrick Spivey and Kenneth C. Kreadle**

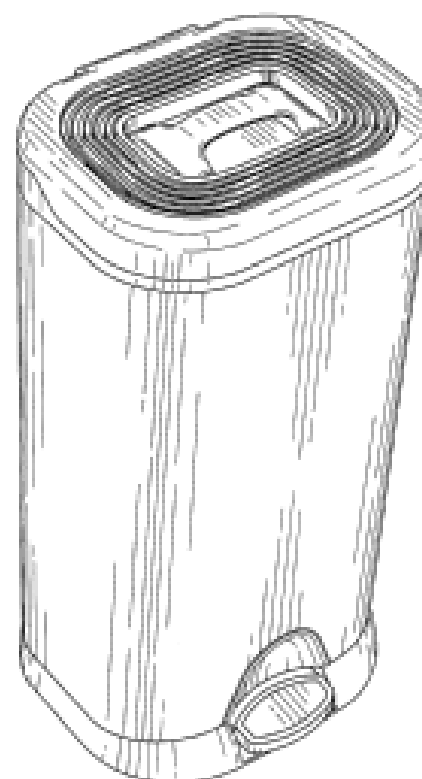
(45) Registration Date: **16 November 2010**

(30) Convention priority data:

(31) Number	(32) Date	(33) Country
001690041-0001	01 Apr 2010	EUROPEAN COMMUNITY

(56) Related Art Documents: **Not Applicable**

(57) Statement of Newness and Distinctiveness: **The newness and distinctiveness of the design resides in the shape and/or configuration of the TRASH CAN shown in the representations. When assessing newness and distinctiveness the underside portion of the TRASH CAN of Fig 7. is disclaimed.**



(21) Design Number: **14367/2010**
 (22) Date of Filing Application: **06 October 2010**
 (24) Date from which industrial property rights may have effect: **06 October 2010**
 (54) Product in respect of which the design is registered: **Cable grommet**
 (51) International Design Classification: **08-08B**
 (71) Name(s) and Address(s) of Applicant(s):

Upsite Technologies, Inc.
8100 Lang Avenue N.E. Ste 301 Albuquerque New Mexico 87109#4305 United States of America

(72) Name(s) of Designer(s): **Arthur T. Sempliner and Jonathan Pettingill**

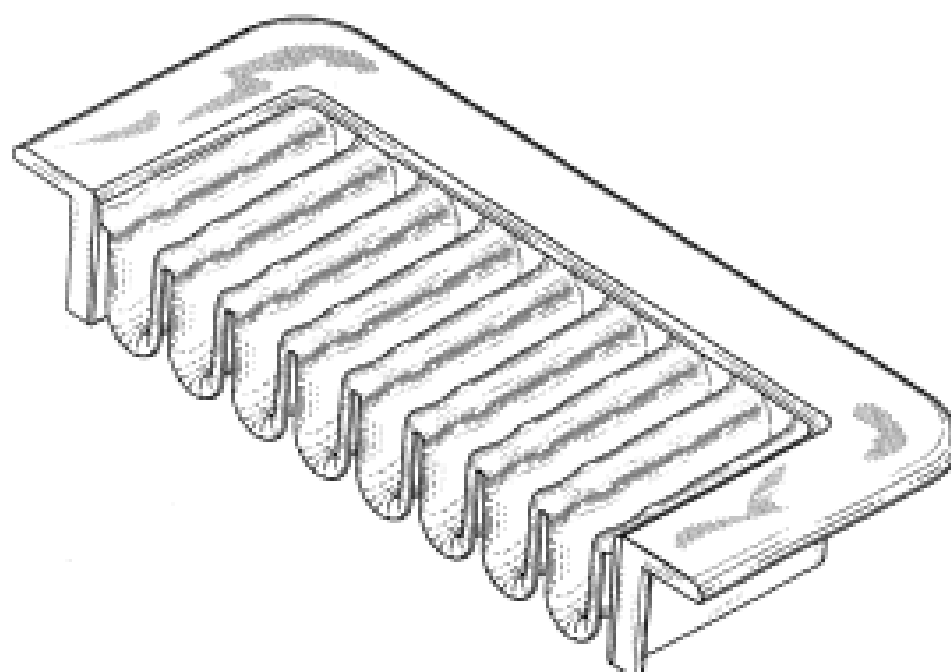
(45) Registration Date: **16 November 2010**

(30) Convention priority data:

(31) Number	(32) Date	(33) Country
29/359108	06 Apr 2010	UNITED STATES OF AMERICA

(56) Related Art Documents: **Not Applicable**

(57) Statement of Newness and Distinctiveness: **Nil**



(21) Design Number: **13578/2010**

(22) Date of Filing Application: **20 August 2010**

(24) Date from which industrial property rights may have effect: **20 August 2010**

(54) Product in respect of which the design is registered: **Shelf adapter**

(51) International Design Classification: **08-08N**

(71) Name(s) and Address(s) of Applicant(s):

**Checkpoint Systems International GmbH
Ersheimer Strasse 69 69434 Hirschorn/Neckar Germany**

(72) Name(s) of Designer(s): **Oliver Stuke**

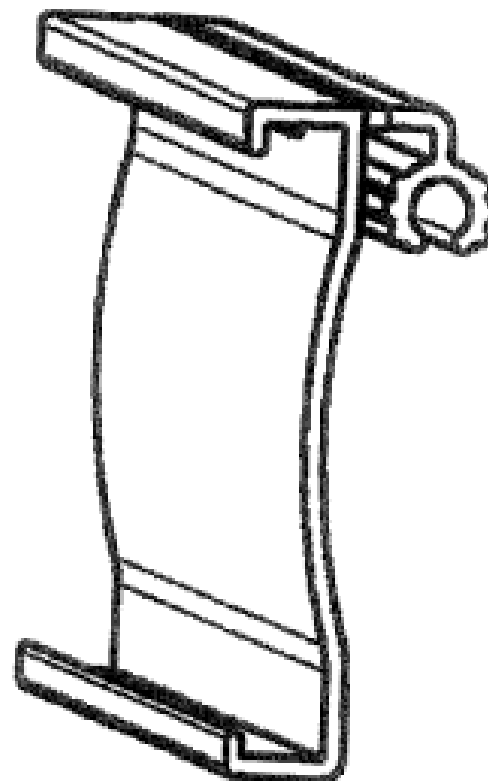
(45) Registration Date: **16 November 2010**

(30) Convention priority data:

(31) Number	(32) Date	(33) Country
001197115	22 Feb 2010	EUROPEAN COMMUNITY

(56) Related Art Documents: **Not Applicable**

(57) Statement of Newness and Distinctiveness: **Nil**



(21) Design Number: **14570/2010**

(22) Date of Filing Application: **20 August 2010**

(24) Date from which industrial property rights may have effect: **20 August 2010**

(54) Product in respect of which the design is registered: **Tag holder**

(51) International Design Classification: **08-08N**

(71) Name(s) and Address(s) of Applicant(s):

**Checkpoint Systems International GmbH
Ersheimer Strasse 69 69434 Hirschorn/Neckar Germany**

(72) Name(s) of Designer(s): **Oliver Stuke**

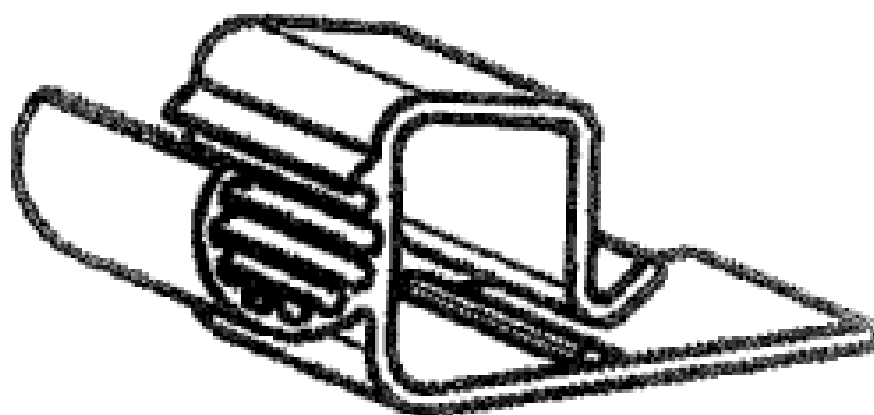
(45) Registration Date: **16 November 2010**

(30) Convention priority data:

(31) Number	(32) Date	(33) Country
001197115	22 Feb 2010	EUROPEAN COMMUNITY

(56) Related Art Documents: **Not Applicable**

(57) Statement of Newness and Distinctiveness: **Nil**



(21) Design Number: **14586/2010**

(22) Date of Filing Application: **25 October 2010**

(24) Date from which industrial property rights may have effect: **25 October 2010**

(54) Product in respect of which the design is registered: **Bicycle**

(51) International Design Classification: **12-11**

(71) Name(s) and Address(s) of Applicant(s):

Alexander Marcus Liauw

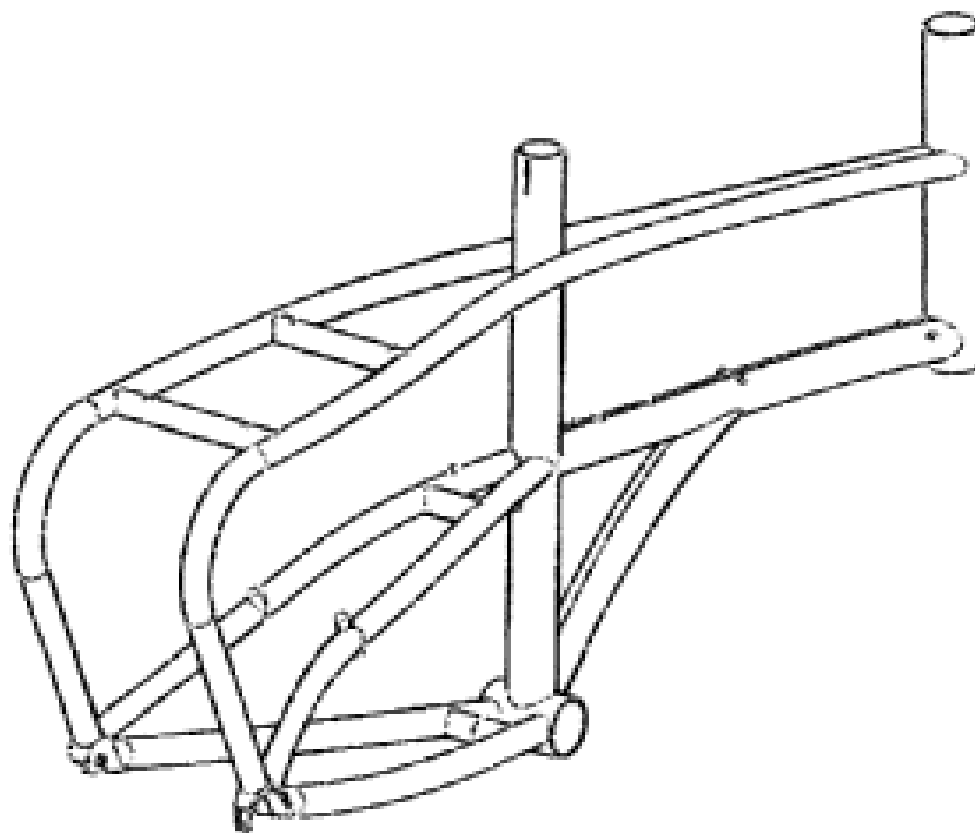
23/1 Mockridge Avenue Newington New South Wales 2127 Australia

(72) Name(s) of Designer(s): **Alexander Marcus Liauw**

(45) Registration Date: **16 November 2010**

(56) Related Art Documents: **Not Applicable**

(57) Statement of Newness and Distinctiveness: **The distinct feature is the intergration of the bicycle frames tubing into a sloping "rack" or "carrier". Pictures also attached.**



(21) Design Number: **14588/2010**

(22) Date of Filing Application: **26 October 2010**

(24) Date from which industrial property rights may have effect: **26 October 2010**

(54) Product in respect of which the design is registered: **A stool**

(51) International Design Classification: **06-01E, 06-01F**

(71) Name(s) and Address(s) of Applicant(s):

Sebel Furniture Ltd

92 Gow Street Padstow New South Wales 2211 Australia

(72) Name(s) of Designer(s): **Gregory Brent Welsh**

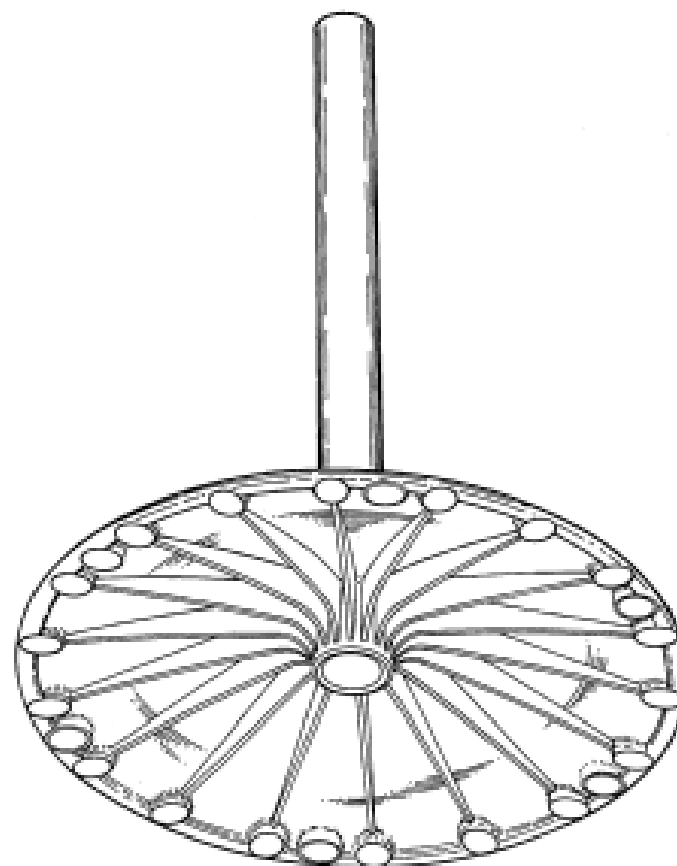
(45) Registration Date: **16 November 2010**

(56) Related Art Documents: **Not Applicable**

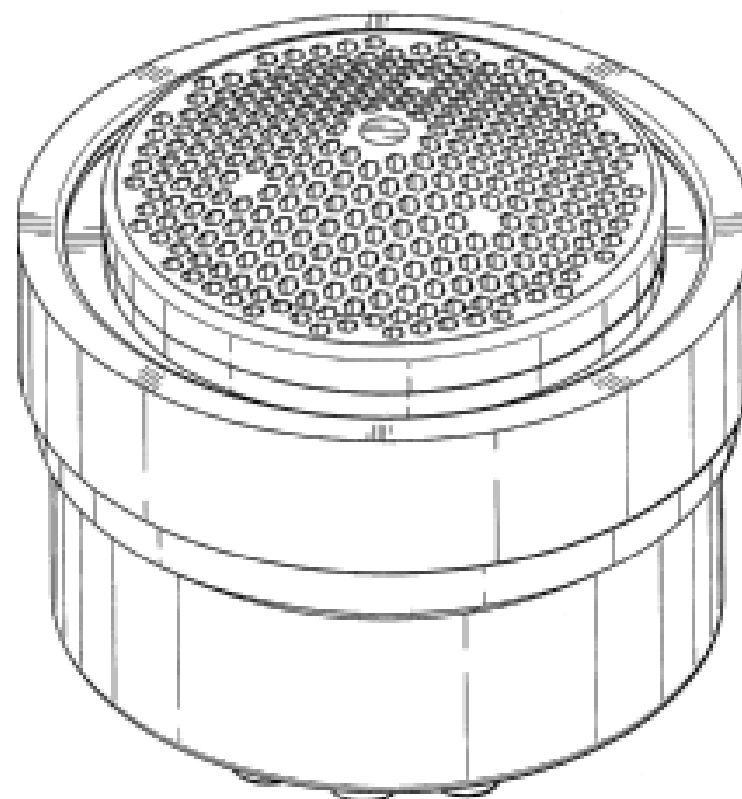
(57) Statement of Newness and Distinctiveness: **Newness and distinctiveness is claimed in respect of the shape and/or configuration of the product illustrated in the accompanying representations.**



- (21) Design Number: **14589/2010**
(22) Date of Filing Application: **26 October 2010**
(24) Date from which industrial property rights may have effect: **26 October 2010**
(54) Product in respect of which the design is registered: **A furniture base**
(51) International Design Classification: **06-06G**
(71) Name(s) and Address(s) of Applicant(s):
Sebel Furniture Ltd
92 Gow Street Padstow New South Wales 2211 Australia
(72) Name(s) of Designer(s): **Gregory Brent Welsh**
(45) Registration Date: **16 November 2010**
(56) Related Art Documents: **Not Applicable**
(57) Statement of Newness and Distinctiveness: **Newness and distinctiveness is claimed in respect of the shape and/or configuration of the product illustrated in the accompanying representations.**



- (21) Design Number: **14565/2010**
(22) Date of Filing Application: **22 October 2010**
(24) Date from which industrial property rights may have effect: **22 October 2010**
(54) Product in respect of which the design is registered: **Flow regulator**
(51) International Design Classification: **23-01B**
(71) Name(s) and Address(s) of Applicant(s):
Neoperl GmbH
Klosterrunsstrasse 11 79379 Mullheim Germany
(72) Name(s) of Designer(s): **Gerhard Blum**
(45) Registration Date: **17 November 2010**
(30) Convention priority data:
(31) Number (32) Date (33) Country
1216642 27 May 2010 EUROPEAN COMMUNITY
(56) Related Art Documents: **Not Applicable**
(57) Statement of Newness and Distinctiveness: **Those features of the flow regulator depicted in the representations that are new and distinctive are the shape and/or configuration.**



(21) Design Number: **14577/2010**

(22) Date of Filing Application: **25 October 2010**

(24) Date from which industrial property rights may have effect: **25 October 2010**

(54) Product in respect of which the design is registered: **Washing apparatus for trades equipment**

(51) International Design Classification: **15-05**

(71) Name(s) and Address(s) of Applicant(s):

Geosentinel Pty Ltd

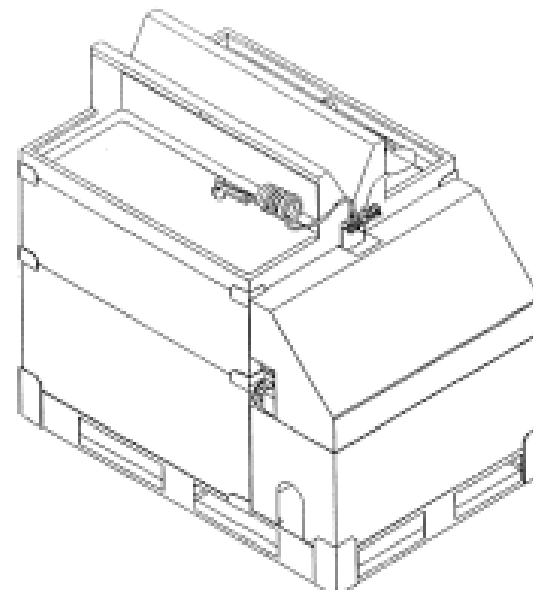
**The Chambers 30 Floss Street Hurlstone Park New South Wales 2193
Australia**

(72) Name(s) of Designer(s): **Wayne Bish and Ian Yap**

(45) Registration Date: **17 November 2010**

(56) Related Art Documents: **Not Applicable**

(57) Statement of Newness and Distinctiveness: **Newness and distinctiveness is claimed in the shape and/or configuration of a Washing Apparatus For Trades Equipment as illustrated in the representations.**



(21) Design Number: **14578/2010**

(22) Date of Filing Application: **25 October 2010**

(24) Date from which industrial property rights may have effect: **25 October 2010**

(54) Product in respect of which the design is registered: **Washing apparatus for trades equipment**

(51) International Design Classification: **15-05**

(71) Name(s) and Address(s) of Applicant(s):

Geosentinel Pty Ltd

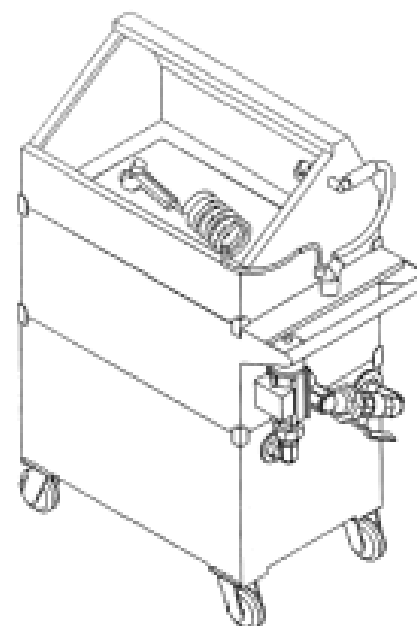
**The Chambers 30 Floss Street Hurlstone Park New South Wales 2193
Australia**

(72) Name(s) of Designer(s): **Wayne Bish and Ian Yap**

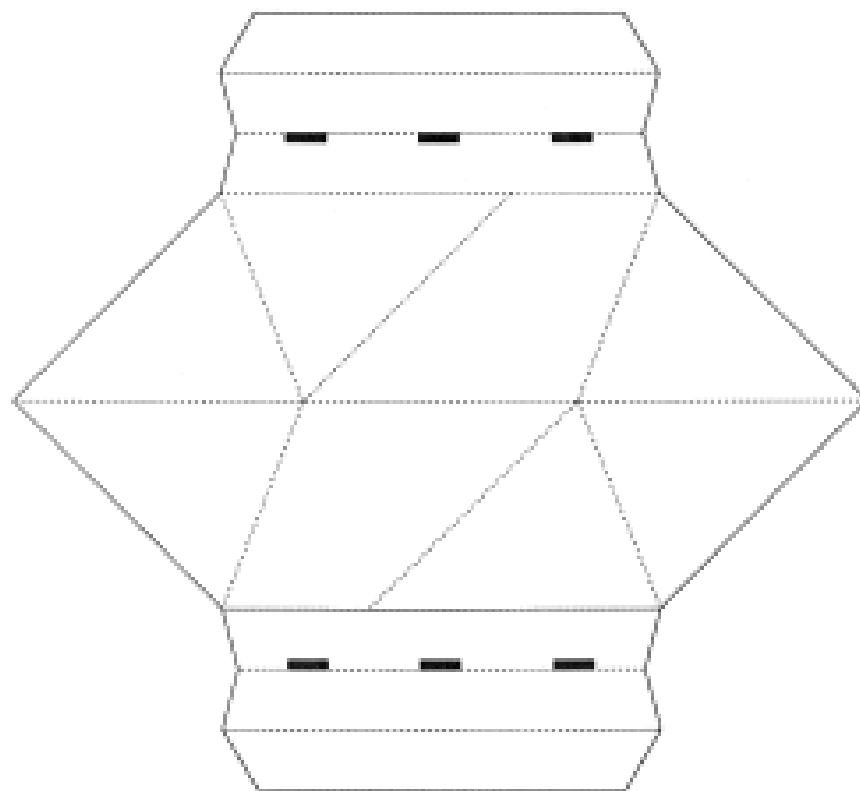
(45) Registration Date: **17 November 2010**

(56) Related Art Documents: **Not Applicable**

(57) Statement of Newness and Distinctiveness: **Newness and distinctiveness is claimed in the shape and/or configuration of a Washing Apparatus For Trades Equipment as illustrated in the representations.**



(21) Design Number: **14584/2010**
(22) Date of Filing Application: **25 October 2010**
(24) Date from which industrial property rights may have effect: **25 October 2010**
(54) Product in respect of which the design is registered: **Blank for folding hat**
(51) International Design Classification: **02-03**
(71) Name(s) and Address(s) of Applicant(s):
Joneschijoff Projects Pty Ltd
47/91 Moreland Street Footscray Victoria 3011 Australia
(72) Name(s) of Designer(s): **Michael Chijoff and Carl Jones**
(45) Registration Date: **17 November 2010**
(56) Related Art Documents: **Not Applicable**
(57) Statement of Newness and Distinctiveness: **Nil**



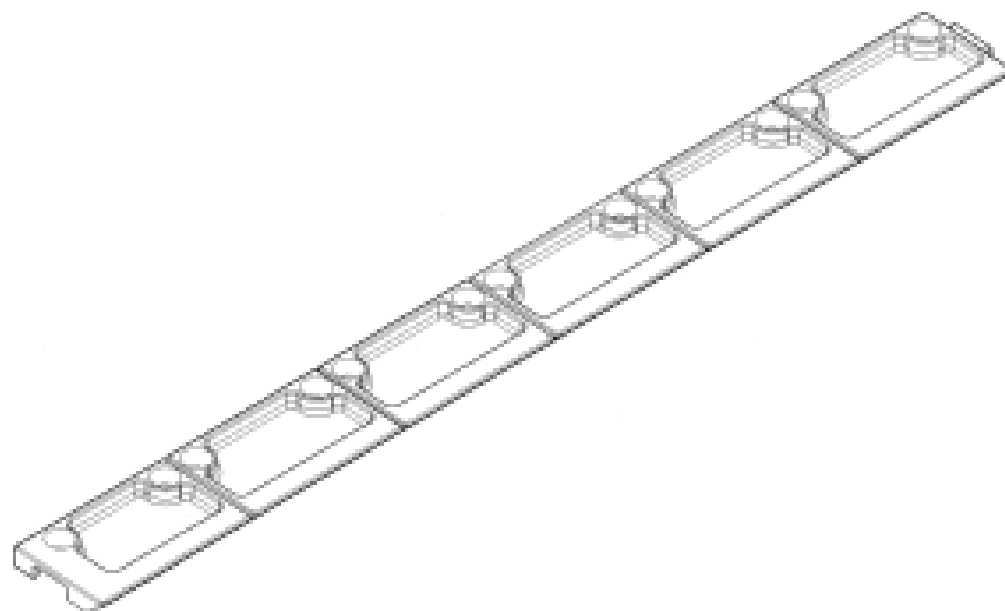
(21) Design Number: **14585/2010**
(22) Date of Filing Application: **25 October 2010**
(24) Date from which industrial property rights may have effect: **25 October 2010**
(54) Product in respect of which the design is registered: **Folding hat**
(51) International Design Classification: **02-03**
(71) Name(s) and Address(s) of Applicant(s):
Joneschijoff Projects Pty Ltd
47/91 Moreland Street Footscray Victoria 3011 Australia
(72) Name(s) of Designer(s): **Michael Chijoff and Carl Jones**
(45) Registration Date: **17 November 2010**
(56) Related Art Documents: **Not Applicable**
(57) Statement of Newness and Distinctiveness: **Nil**



(21) Design Number: **14077/2010**
(22) Date of Filing Application: **21 September 2010**
(24) Date from which industrial property rights may have effect: **21 September 2010**
(54) Product in respect of which the design is registered: **A wall hanging element**
(51) International Design Classification: **20-02E**
(71) Name(s) and Address(s) of Applicant(s):

GB Use Pty Ltd
The Old Rectory 15 Rose Terrace Wayville South Australia 5034
Australia

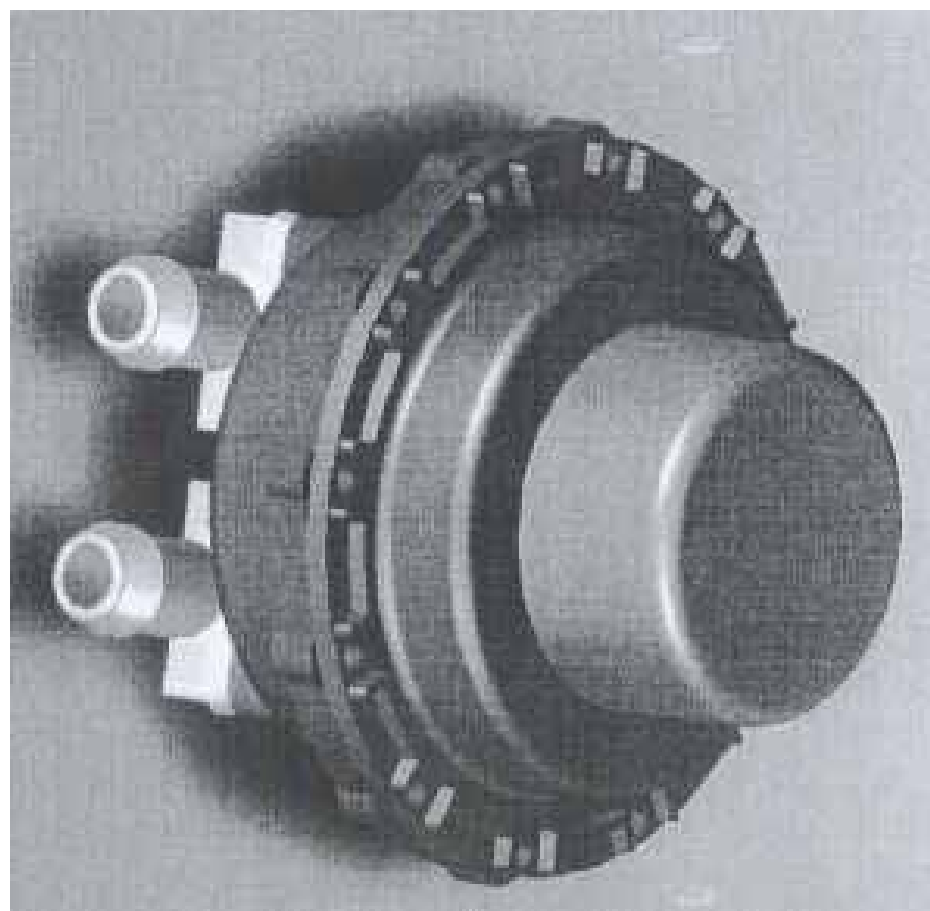
(72) Name(s) of Designer(s): **Martin Albert Cooper**
(45) Registration Date: **18 November 2010**
(56) Related Art Documents: **Not Applicable**
(57) Statement of Newness and Distinctiveness: **Nil**



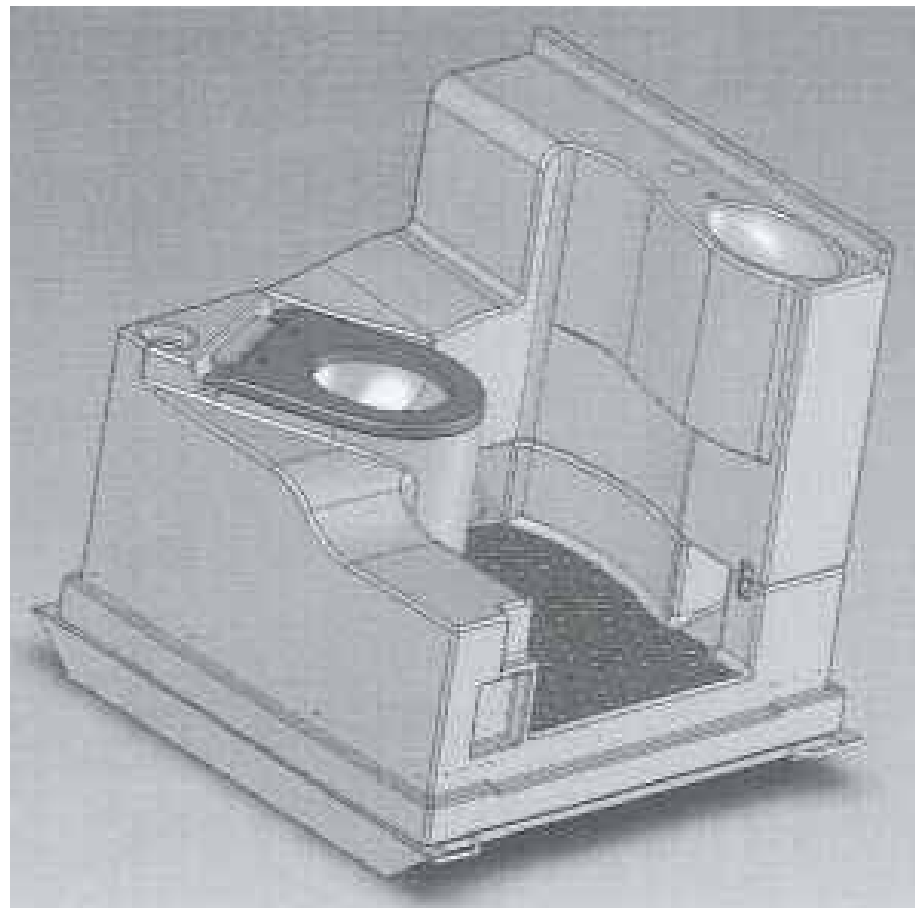
(21) Design Number: **14140/2010**
(22) Date of Filing Application: **28 September 2010**
(24) Date from which industrial property rights may have effect: **28 September 2010**
(54) Product in respect of which the design is registered: **Design application refers to the plastic molded foot operated large pump**
(51) International Design Classification: **15-02**
(71) Name(s) and Address(s) of Applicant(s):

Australian Portable Toilet Supplies Pty Ltd
51 Link Crescent Centra Park Coolumb Beach Queensland 4573
Australia

(72) Name(s) of Designer(s): **Victor Knight**
(45) Registration Date: **18 November 2010**
(56) Related Art Documents: **Not Applicable**
(57) Statement of Newness and Distinctiveness: **Nil**



- (21) Design Number: **14139/2010**
(22) Date of Filing Application: **28 September 2010**
(24) Date from which industrial property rights may have effect: **28 September 2010**
(54) Product in respect of which the design is registered: **Design application refers to the molded internal and base of a portable toilet, we have named a 381 Base**
(51) International Design Classification: **23-02C**
(71) Name(s) and Address(s) of Applicant(s):
Australian Portable Toilet Supplies Pty Ltd
51 Link Crescent Centra Park Coolum Beach Queensland 4573
Australia
(72) Name(s) of Designer(s): **Victor Knight**
(45) Registration Date: **18 November 2010**
(56) Related Art Documents: **Not Applicable**
(57) Statement of Newness and Distinctiveness: **Some particulars of this design (but not limited to) are: High capacity fresh water tank, slimline design, large handwash area.**



- (21) Design Number: **14141/2010**
(22) Date of Filing Application: **28 September 2010**
(24) Date from which industrial property rights may have effect: **28 September 2010**
(54) Product in respect of which the design is registered: **Design application refers to the plastic molded bowl and lid used in a portable toilet**
(51) International Design Classification: **23-02C**
(71) Name(s) and Address(s) of Applicant(s):
Australian Portable Toilet Supplies Pty Ltd
51 Link Crescent Centra Park Coolum Beach Queensland 4573
Australia
(72) Name(s) of Designer(s): **Victor Knight**
(45) Registration Date: **18 November 2010**
(56) Related Art Documents: **Not Applicable**
(57) Statement of Newness and Distinctiveness: **Some particulars of this design (but not limited to) are: Stainless steel flap, unique design which generates a swirling motion with water/chemical when flushed.**



(21) Design Number: **14336/2010**

(22) Date of Filing Application: **04 October 2010**

(24) Date from which industrial property rights may have effect: **04 October 2010**

(54) Product in respect of which the design is registered: **Table tennis table**

(51) International Design Classification: **06-03D**

(71) Name(s) and Address(s) of Applicant(s):

Public Outdoor Pty Ltd

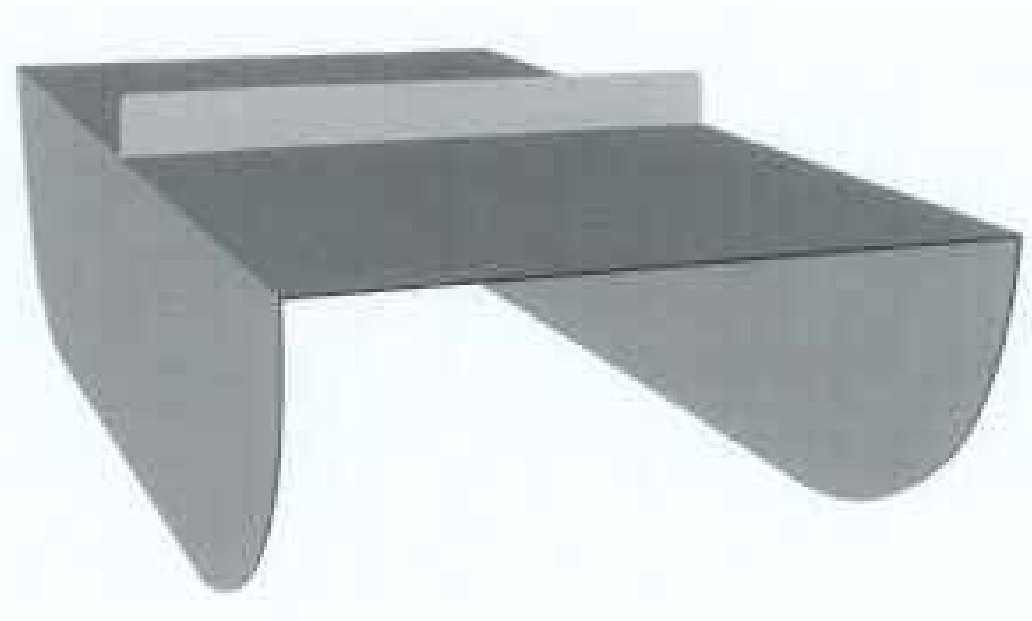
64A Whatley Crescent Mount Lawley Western Australia 6050 Australia

(72) Name(s) of Designer(s): **John Durey and Andrew Liam McClurg and Christopher Paul Adams**

(45) Registration Date: **18 November 2010**

(56) Related Art Documents: **Not Applicable**

(57) Statement of Newness and Distinctiveness: **The design is new and distinctive because: 1) the table is a fixed structure (so not collapsible); 2) the table does not have 'legs' rather two full panels providing structural support for the table top along the length and edges of the long sides; 3) the table has a fixed net (so not detachable); 4) the table sides taper inwards to the floor.**



(21) Design Number: **14410/2010**

(22) Date of Filing Application: **12 October 2010**

(24) Date from which industrial property rights may have effect: **12 October 2010**

(54) Product in respect of which the design is registered: **Lid with utensil**

(51) International Design Classification: **09-07NES**

(71) Name(s) and Address(s) of Applicant(s):

Cryovac Australia Pty Ltd

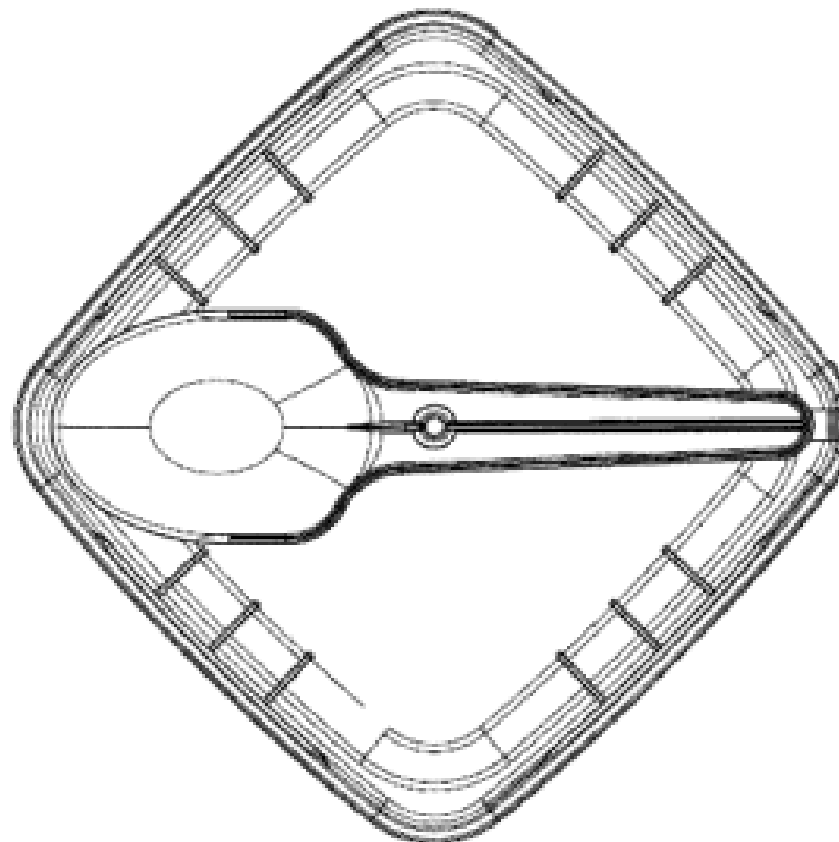
90 Keilor Park Drive Tullamarine Victoria 3043 Australia

(72) Name(s) of Designer(s): **Bryan Terry and Michael Grima**

(45) Registration Date: **18 November 2010**

(56) Related Art Documents: **Not Applicable**

(57) Statement of Newness and Distinctiveness: **Nil**



(21) Design Number: **14552/2010**

(22) Date of Filing Application: **21 October 2010**

(24) Date from which industrial property rights may have effect: **21 October 2010**

(54) Product in respect of which the design is registered: **Temporary fence foot**

(51) International Design Classification: **08-08K, 25-01E**

(71) Name(s) and Address(s) of Applicant(s):

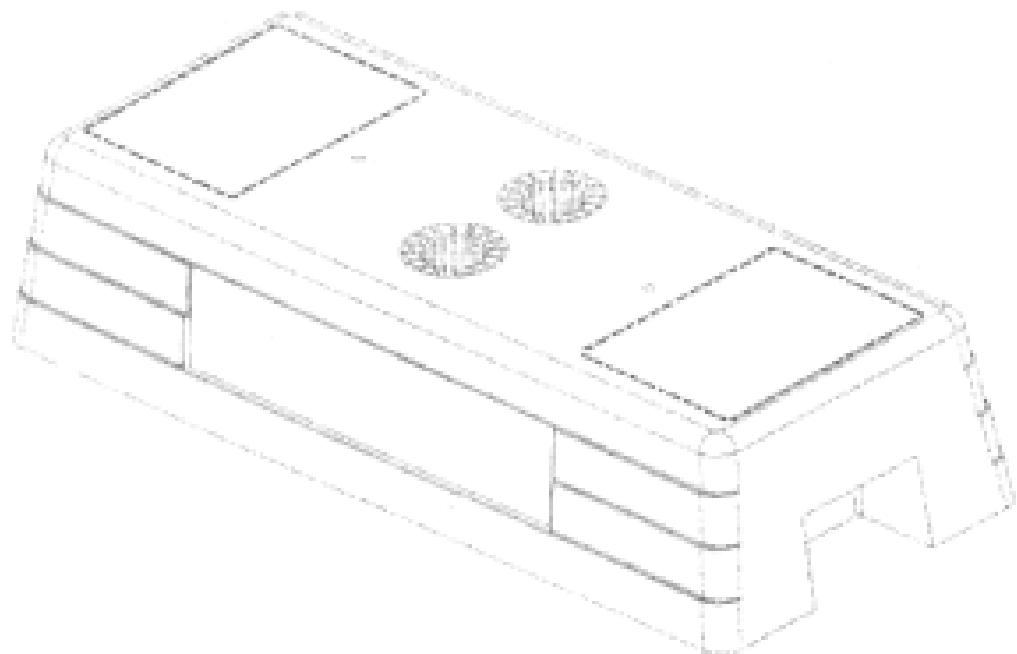
Ready Industries Pty Ltd
27 Wimmera Street Ormond Victoria 3204 Australia

(72) Name(s) of Designer(s): **Martin Fouracre**

(45) Registration Date: **18 November 2010**

(56) Related Art Documents: **Not Applicable**

(57) Statement of Newness and Distinctiveness: **Newness and distinctiveness is claimed in the visual features of the side ridge lines of the temporary fence foot shown in solid lines in the representations.**



(21) Design Number: **14553/2010**

(22) Date of Filing Application: **21 October 2010**

(24) Date from which industrial property rights may have effect: **21 October 2010**

(54) Product in respect of which the design is registered: **Temporary fence foot**

(51) International Design Classification: **08-08K, 25-01E**

(71) Name(s) and Address(s) of Applicant(s):

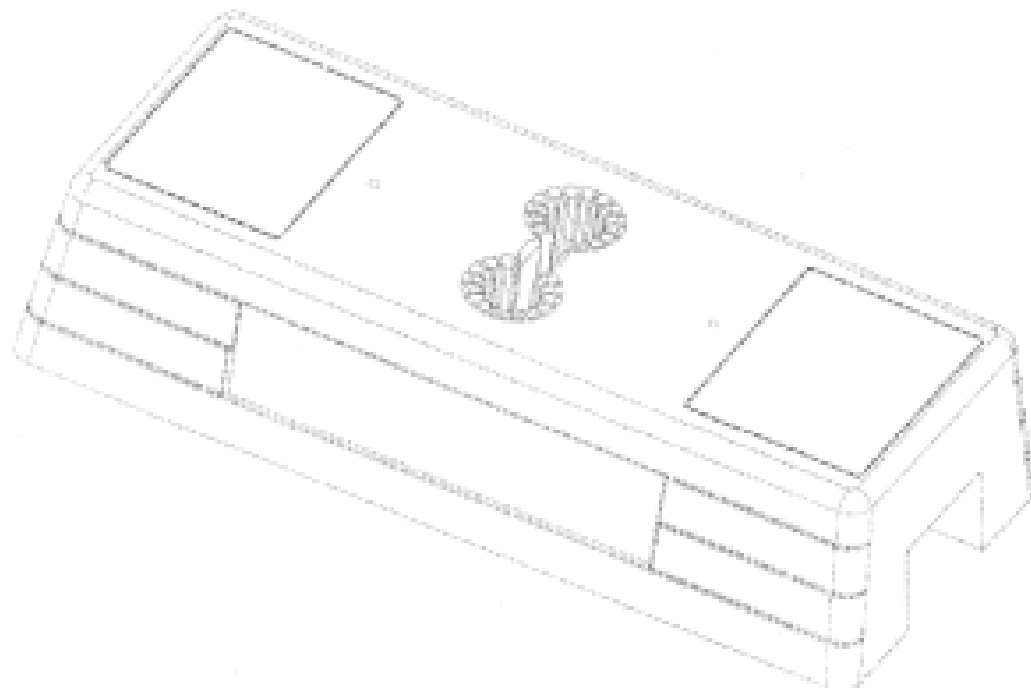
Ready Industries Pty Ltd
27 Wimmera Street Ormond Victoria 3204 Australia

(72) Name(s) of Designer(s): **Martin Fouracre**

(45) Registration Date: **18 November 2010**

(56) Related Art Documents: **Not Applicable**

(57) Statement of Newness and Distinctiveness: **Newness and distinctiveness is claimed in the visual features of the fence post recess of the temporary fence foot shown in solid lines in the representations. In an alternative configuration, the recess may be oriented longitudinally of the foot, instead of transversely as shown.**



(21) Design Number: **14554/2010**

(22) Date of Filing Application: **21 October 2010**

(24) Date from which industrial property rights may have effect: **21 October 2010**

(54) Product in respect of which the design is registered: **Temporary fence foot**

(51) International Design Classification: **08-08K, 25-01E**

(71) Name(s) and Address(s) of Applicant(s):

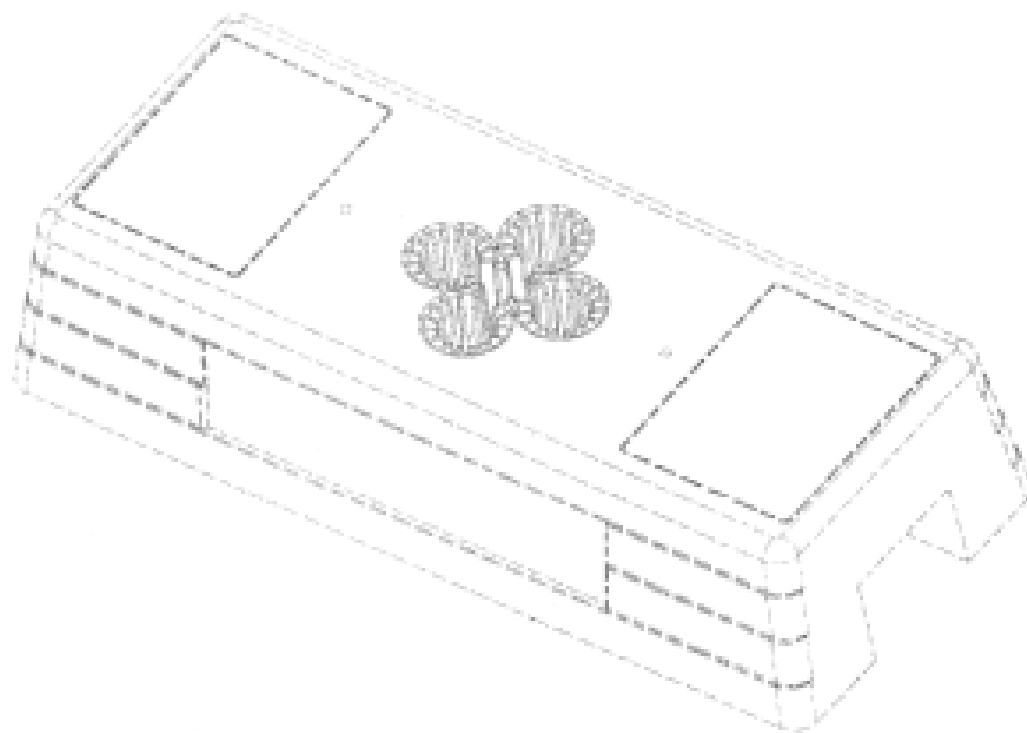
Ready Industries Pty Ltd
27 Wimmera Street Ormond Victoria 3204 Australia

(72) Name(s) of Designer(s): **Martin Fouracre**

(45) Registration Date: **18 November 2010**

(56) Related Art Documents: **Not Applicable**

(57) Statement of Newness and Distinctiveness: **Newness and distinctiveness is claimed in the visual features of the fence post recess of the temporary fence foot shown in solid lines in the representations. In an alternative configuration, the recess may be provided with a central dividing post.**



(21) Design Number: **14555/2010**

(22) Date of Filing Application: **21 October 2010**

(24) Date from which industrial property rights may have effect: **21 October 2010**

(54) Product in respect of which the design is registered: **Temporary fence foot**

(51) International Design Classification: **08-08K, 25-01E**

(71) Name(s) and Address(s) of Applicant(s):

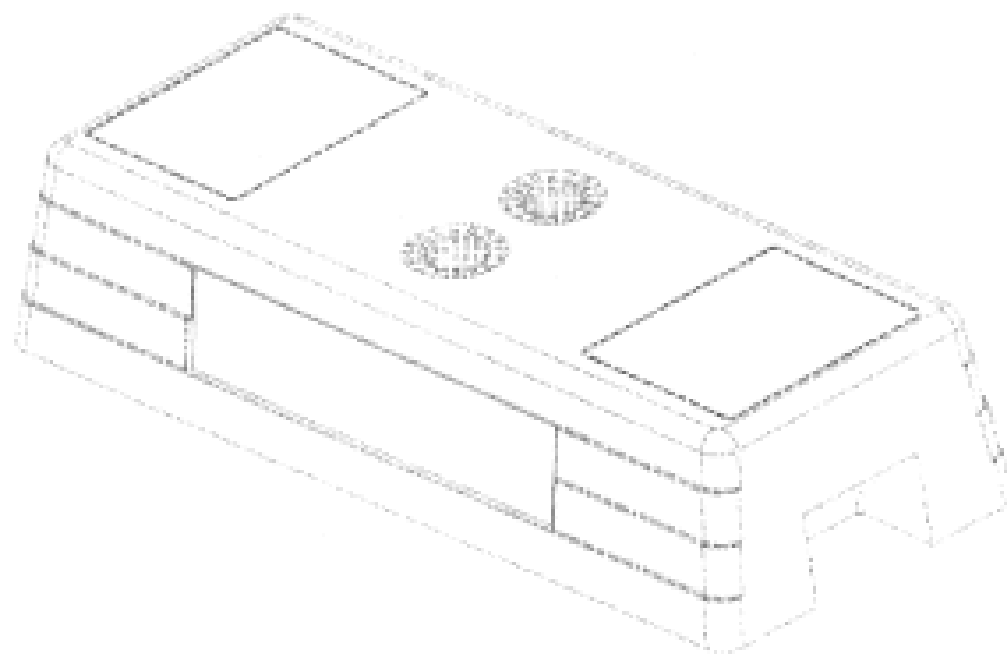
Ready Industries Pty Ltd
27 Wimmera Street Ormond Victoria 3204 Australia

(72) Name(s) of Designer(s): **Martin Fouracre**

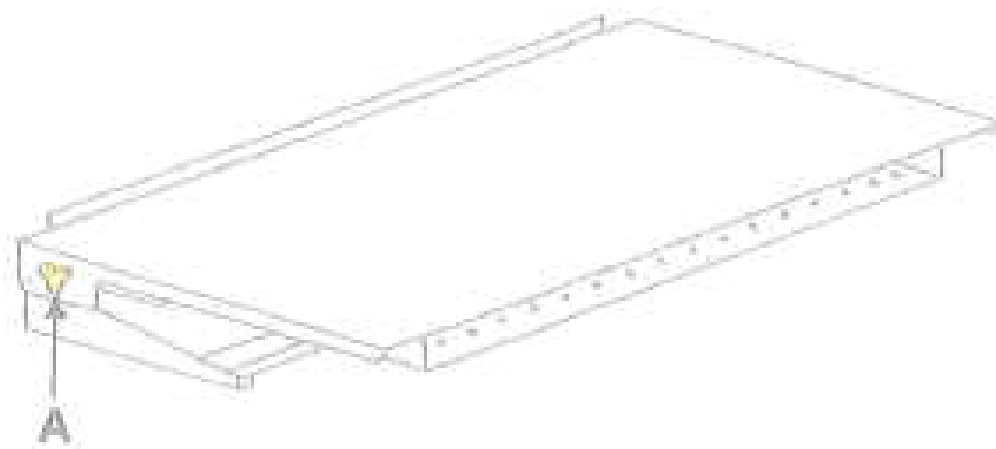
(45) Registration Date: **18 November 2010**

(56) Related Art Documents: **Not Applicable**

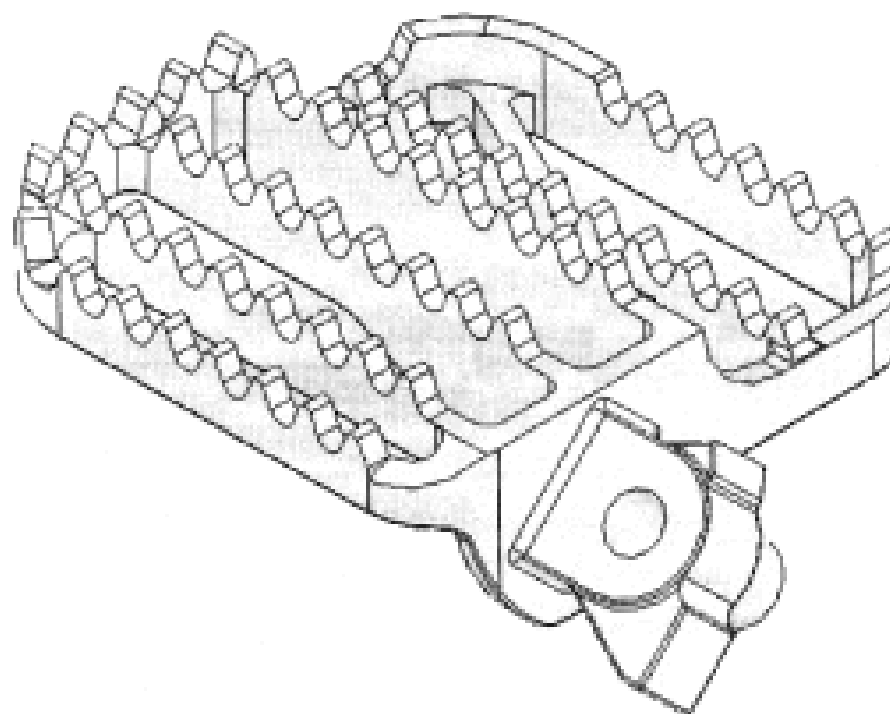
(57) Statement of Newness and Distinctiveness: **Newness and distinctiveness is claimed in the visual features of the side recessed panel of the temporary fence foot shown in solid lines in the representations.**



- (21) Design Number: **14389/2010**
(22) Date of Filing Application: **12 October 2010**
(24) Date from which industrial property rights may have effect: **12 October 2010**
(54) Product in respect of which the design is registered: **Copyholder/laptop holder combination**
(51) International Design Classification: **06-03C, 14-02**
(71) Name(s) and Address(s) of Applicant(s):
Teale Metal Products (2005) Limited
66 Rangī Road Takanini 2105 New Zealand
(72) Name(s) of Designer(s): **Allen Travers Smyth**
(45) Registration Date: **18 November 2010**
(30) Convention priority data:
(31) Number (32) Date (33) Country
413629 13 May 2010 NEW ZEALAND
(56) Related Art Documents: **Not Applicable**
(57) Statement of Newness and Distinctiveness: **Newness and distinctiveness resides in the shape and or configuration of the article as shown in the accompanying representations, excluding the tightening screw as indicated by arrow A.**



- (21) Design Number: **13981/2010**
(22) Date of Filing Application: **14 September 2010**
(24) Date from which industrial property rights may have effect: **14 September 2010**
(54) Product in respect of which the design is registered: **Set of bike pegs**
(51) International Design Classification: **12-11**
(71) Name(s) and Address(s) of Applicant(s):
Byron Bruggemann
246 Broadmeadows Road Gin Gin Queensland 4671 Australia
Chris Tuckett
232 Wallaville Goondoon Road Bungadoo Queensland 4671 Australia
(72) Name(s) of Designer(s): **Chris Tuckett and Byron Bruggemann**
(45) Registration Date: **18 November 2010**
(56) Related Art Documents: **Not Applicable**
(57) Statement of Newness and Distinctiveness: **Newness and distinctiveness resides in the shape and configuration of a set of bike pegs according to the accompanying drawings which illustrate a right hand side bike peg with the left hand side bike peg of the set being a mirror image of the right hand side bike peg. In the drawings; Fig. 1 is a pictorial representation of a right hand side bike peg from the front inside corner; Fig. 2 is a pictorial representation of a right hand side bike peg from below; Fig. 3 is a pictorial representation of a right hand side bike peg from above; Fig. 4 is a pictorial representation of a right hand side bike peg from behind; Fig. 5 is a pictorial representation of a right hand side bike peg from in front; Fig. 6 is a pictorial representation of a right hand side bike peg from below and slightly in front; and Fig. 7 is a pictorial representation of a right hand side bike peg from above the outside front corner.**



(21) Design Number: **14220/2010**

(22) Date of Filing Application: **08 October 2010**

(24) Date from which industrial property rights may have effect: **08 October 2010**

(54) Product in respect of which the design is registered: **Water treatment device**

(51) International Design Classification: **23-01G**

(71) Name(s) and Address(s) of Applicant(s):

**Access Business Group International LLC
7575 Fulton Street East Ada Michigan 49355 United States of America**

(72) Name(s) of Designer(s): **Terry L. Lautzenheiser and Bradley J. Pippel and
Kenneth E. Conrad and Richard J. Weber and Ryan D. Schamper**

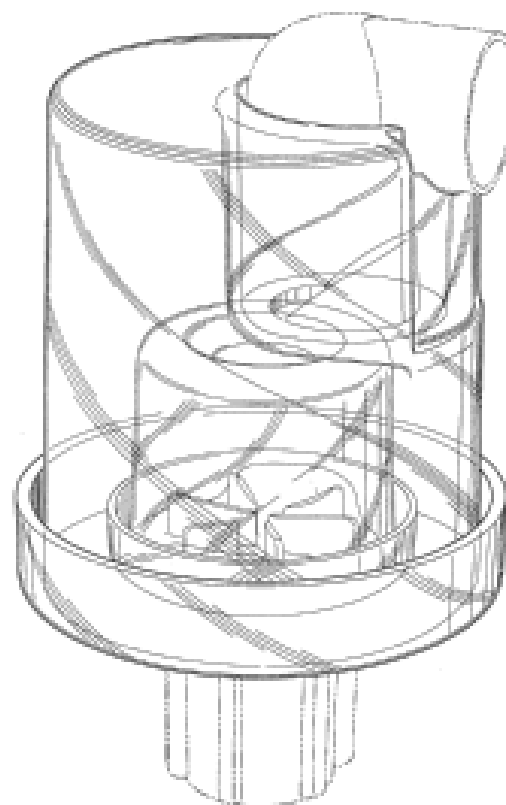
(45) Registration Date: **18 November 2010**

(30) Convention priority data:

(31) Number	(32) Date	(33) Country
29/359593	13 Apr 2010	UNITED STATES OF AMERICA

(56) Related Art Documents: **Not Applicable**

(57) Statement of Newness and Distinctiveness: **Newness and distinctiveness is claimed in the visual features shown in solid lines in the representations.**



(21) Design Number: **14404/2010**

(22) Date of Filing Application: **14 October 2010**

(24) Date from which industrial property rights may have effect: **14 October 2010**

(54) Product in respect of which the design is registered: **Rubbish bag**

(51) International Design Classification: **09-09**

(71) Name(s) and Address(s) of Applicant(s):

**Peter Lodge
4/23 Floor 3 Phillip Street Waterloo New South Wales 2017 Australia**

(72) Name(s) of Designer(s): **Peter Lodge**

(45) Registration Date: **18 November 2010**

(56) Related Art Documents: **Not Applicable**

(57) Statement of Newness and Distinctiveness: **Nil**



(21) Design Number: **14488/2010**

(22) Date of Filing Application: **18 October 2010**

(24) Date from which industrial property rights may have effect: **18 October 2010**

(54) Product in respect of which the design is registered: **Lifting device**

(51) International Design Classification: **12-05**

(71) Name(s) and Address(s) of Applicant(s):

**Allenbroer Leo Alix De Lille
Hulstsestr. 2 8860 Lendeledede Belgium**

(72) Name(s) of Designer(s): **Hein Nevejant and Dominick Joos and Dave Kendall and Brechtje De Splentere and Joeri De Vriesere**

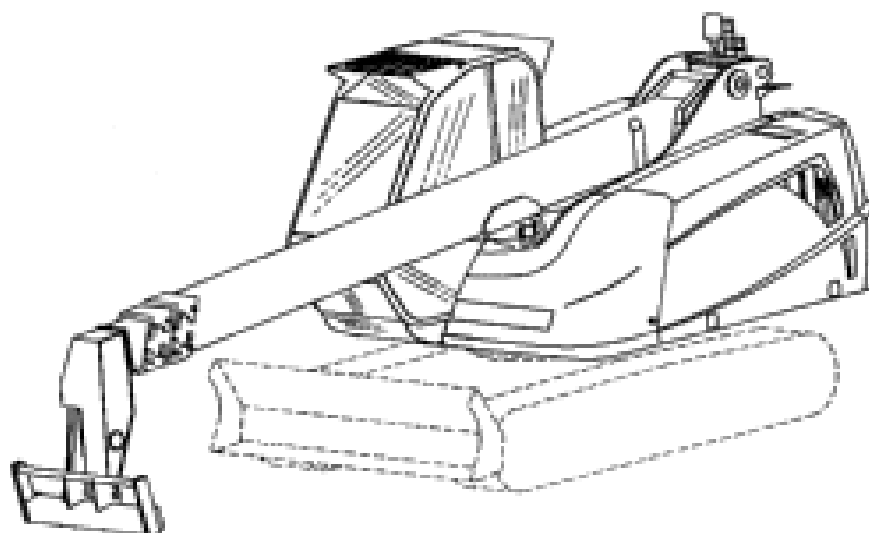
(45) Registration Date: **18 November 2010**

(30) Convention priority data:

(31) Number	(32) Date	(33) Country
001697236	19 Apr 2010	EUROPEAN COMMUNITY

(56) Related Art Documents: **Not Applicable**

(57) Statement of Newness and Distinctiveness: **Newness and distinctiveness resides in the features of shape and configuration of the main body and cabin for the lifting device shown in solid lines in the accompanying representations. The conveyancing means shown in broken lines do not form part of the design.**



(21) Design Number: **14571/2010**

(22) Date of Filing Application: **22 October 2010**

(24) Date from which industrial property rights may have effect: **22 October 2010**

(54) Product in respect of which the design is registered: **Front bumper for an automobile**

(51) International Design Classification: **12-16C**

(71) Name(s) and Address(s) of Applicant(s):

**Nissan Jidosha Kabushiki Kaisha
No. 2 Takaracho Kanagawa-ku Yokohama-shi Kanagawa-ken Japan**

(72) Name(s) of Designer(s): **Shinya Momokawa and Kenji Yamamoto and Minoru Yoshida**

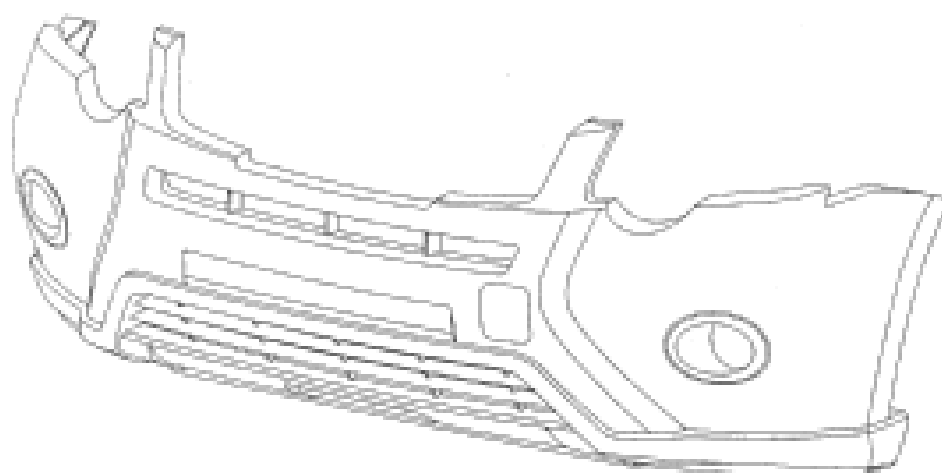
(45) Registration Date: **18 November 2010**

(30) Convention priority data:

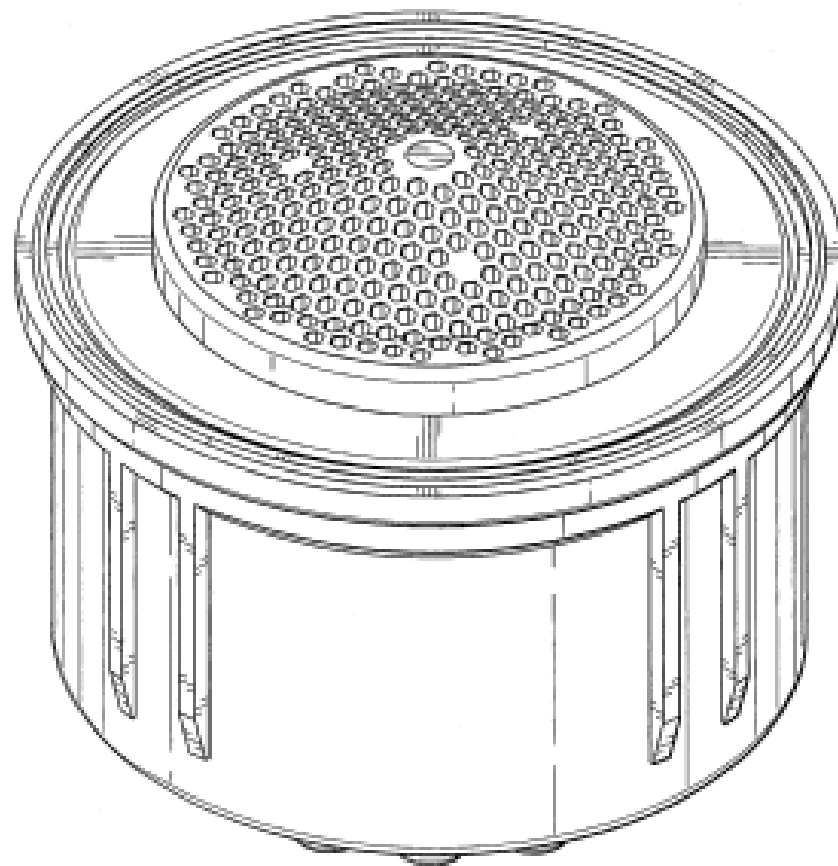
(31) Number	(32) Date	(33) Country
D2010-010218	23 Apr 2010	JAPAN

(56) Related Art Documents: **Not Applicable**

(57) Statement of Newness and Distinctiveness: **Newness and distinctiveness resides in the shape and configuration of A FRONT BUMPER OF AN AUTOMOBILE shown in the representations.**



- (21) Design Number: **14579/2010**
(22) Date of Filing Application: **22 October 2010**
(24) Date from which industrial property rights may have effect: **22 October 2010**
(54) Product in respect of which the design is registered: **Flow regulator**
(51) International Design Classification: **23-01B**
(71) Name(s) and Address(s) of Applicant(s):
Neoperl GmbH
Klosterrunsstrasse 11 79379 Mullheim Germany
(72) Name(s) of Designer(s): **Gerhard Blum**
(45) Registration Date: **18 November 2010**
(30) Convention priority data:
(31) Number (32) Date (33) Country
1216642 27 May 2010 EUROPEAN COMMUNITY
(56) Related Art Documents: **Not Applicable**
(57) Statement of Newness and Distinctiveness: **Those features of the flow regulator depicted in the representations that are new and distinctive are the shape and/or configuration.**



- (21) Design Number: **12936/2010**
(22) Date of Filing Application: **16 July 2010**
(24) Date from which industrial property rights may have effect: **16 July 2010**
(54) Product in respect of which the design is registered: **Support receivable adjacent the breasts**
(51) International Design Classification: **02-01A**
(71) Name(s) and Address(s) of Applicant(s):
Paul Evans
c/- Burwood Musculo-Skeletal 354 Burwood Highway Burwood
Victoria 3125 Australia
(72) Name(s) of Designer(s): **Paul Evans**
(45) Registration Date: **19 November 2010**
(56) Related Art Documents: **Not Applicable**
(57) Statement of Newness and Distinctiveness: **Newness and distinctiveness is claimed in the shape and configuration of a support receivable adjacent a female person's breasts, disregarding pattern, ornamentation, colour and the cavity marked X.**



- (21) Design Number: **13801/2010**
(22) Date of Filing Application: **31 August 2010**
(24) Date from which industrial property rights may have effect: **31 August 2010**
(54) Product in respect of which the design is registered: **Toner cartridge**
(51) International Design Classification: **14-02, 18-02**
(71) Name(s) and Address(s) of Applicant(s):

Brother Industries, Ltd.
15-1 Naeshiro-cho Mizuho-ku Nagoya-shi Aichi-ken Japan

(72) Name(s) of Designer(s): **Hiroki Mori and Takeyuki Takagi**

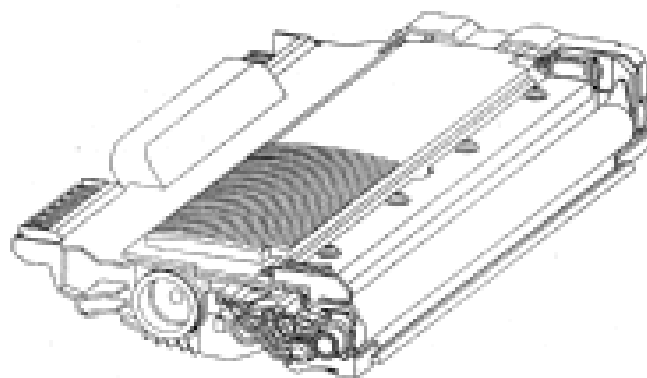
(45) Registration Date: **19 November 2010**

(30) Convention priority data:

(31) Number	(32) Date	(33) Country
2010-005040	03 Mar 2010	JAPAN

(56) Related Art Documents: **Not Applicable**

(57) Statement of Newness and Distinctiveness: **Nil**



- (21) Design Number: **13893/2010**
(22) Date of Filing Application: **07 September 2010**
(24) Date from which industrial property rights may have effect: **07 September 2010**
(54) Product in respect of which the design is registered: **Game table**
(51) International Design Classification: **06-03D**
(71) Name(s) and Address(s) of Applicant(s):

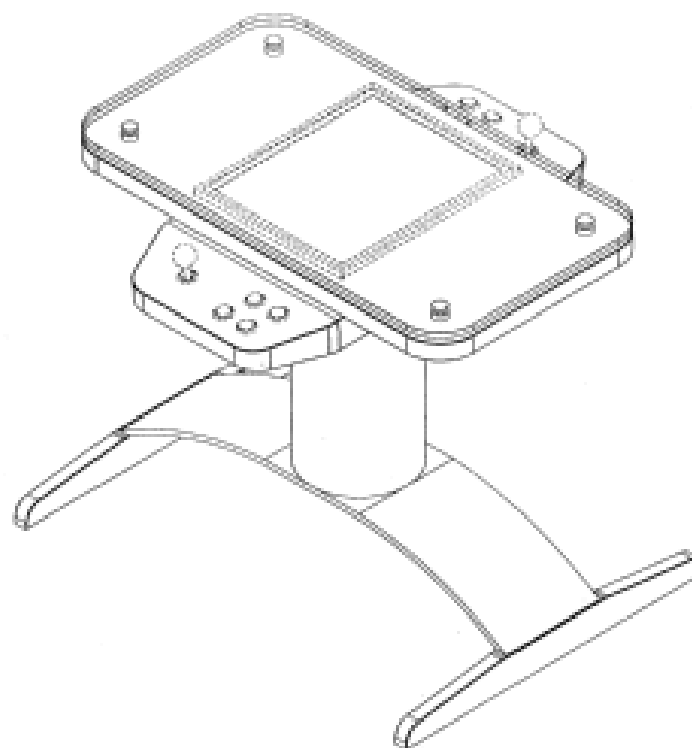
Matthew Gutowski
Unit 57 310 Warrigal Road Cheltenham Victoria 3192 Australia

(72) Name(s) of Designer(s): **Matthew Gutowski**

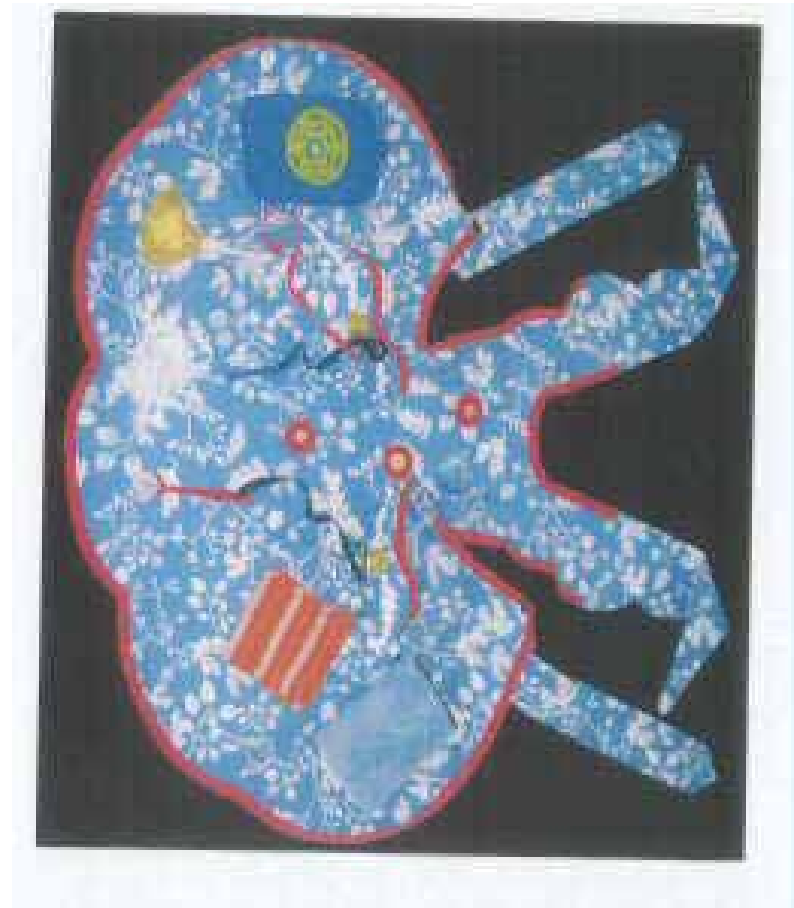
(45) Registration Date: **19 November 2010**

(56) Related Art Documents: **Not Applicable**

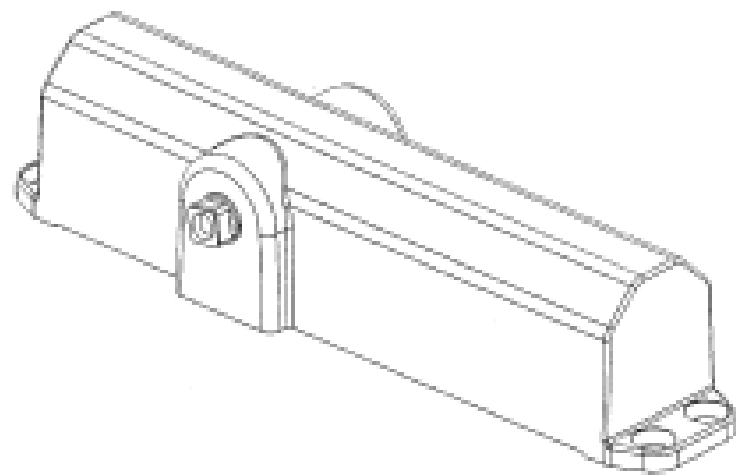
(57) Statement of Newness and Distinctiveness: **The newness and distinctiveness in the design resides in the shape and configuration of a game table as shown in the drawings; in considering the newness and distinctiveness the shape of the screen and the number and location of the controls and mounts shown in broken lines is to be disregarded.**



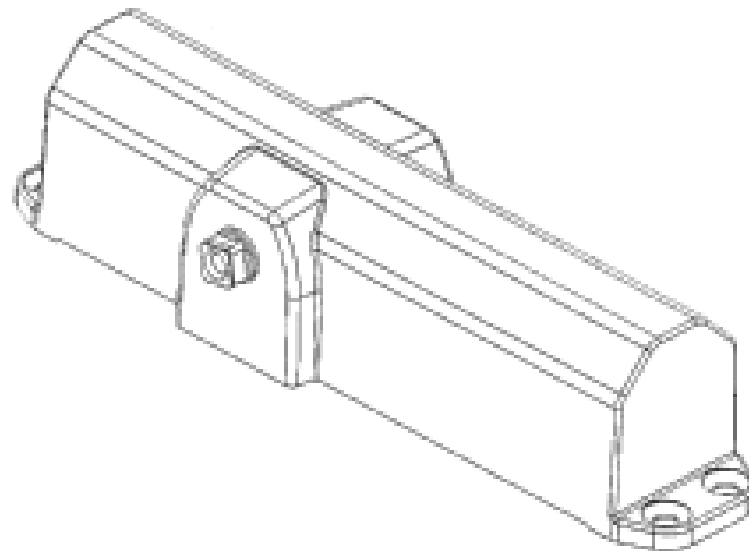
- (21) Design Number: **13904/2010**
(22) Date of Filing Application: **07 September 2010**
(24) Date from which industrial property rights may have effect: **07 September 2010**
(54) Product in respect of which the design is registered: **Domestic goddess sense-apron**
(51) International Design Classification: **02-02B**
(71) Name(s) and Address(s) of Applicant(s):
Chris Hartley
2/16 Carmody Street Burwood Victoria 3125 Australia
Alissa Westphal
2/16 Carmody Street Burwood Victoria 3125 Australia
(72) Name(s) of Designer(s): **Chris Hartley and Alissa Westphal**
(45) Registration Date: **19 November 2010**
(56) Related Art Documents: **Not Applicable**
(57) Statement of Newness and Distinctiveness: **The domestic goddess sense-apron is an apron for use in dementia care that provides sensory & occupational activities. It has domestic items attached that may be used by the wearer including feather duster, cleaning cloths, doilies, scrubbing brushes & hot pads.**



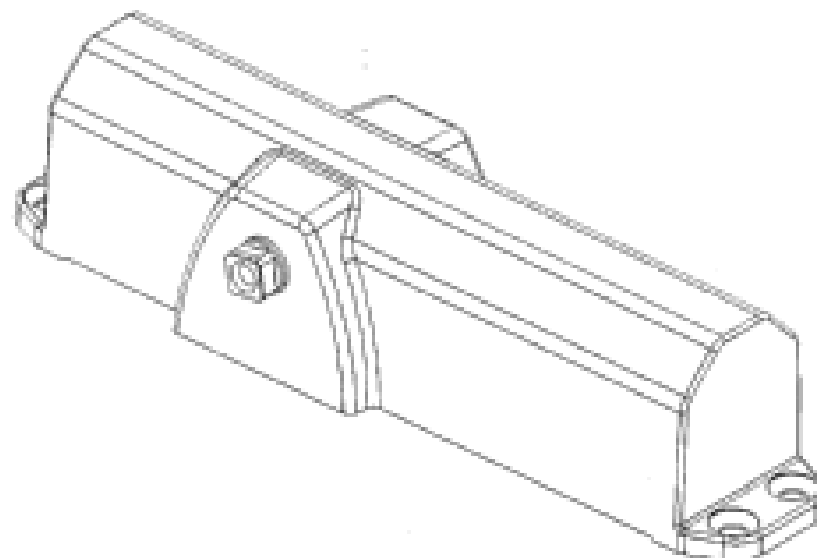
- (21) Design Number: **14371/2010**
(22) Date of Filing Application: **06 October 2010**
(24) Date from which industrial property rights may have effect: **06 October 2010**
(54) Product in respect of which the design is registered: **Closing device for a door**
(51) International Design Classification: **08-07**
(71) Name(s) and Address(s) of Applicant(s):
DORMA GmbH + Co. KG
Dorma Platz 1 Ennepetal D-58256 Germany
(72) Name(s) of Designer(s): **Alexander Hellwig and Thomas Salutzki and Georg Kaluza**
(45) Registration Date: **19 November 2010**
(30) Convention priority data:
(31) Number (32) Date (33) Country
001206007 06 Apr 2010 EUROPEAN COMMUNITY
(56) Related Art Documents: **Not Applicable**
(57) Statement of Newness and Distinctiveness: **Nil**



(21) Design Number: **14372/2010**
(22) Date of Filing Application: **06 October 2010**
(24) Date from which industrial property rights may have effect: **06 October 2010**
(54) Product in respect of which the design is registered: **Closing device for a door**
(51) International Design Classification: **08-07**
(71) Name(s) and Address(s) of Applicant(s):
DORMA GmbH + Co. KG
Dorma Platz 1 Ennepetal D-58256 Germany
(72) Name(s) of Designer(s): **Alexander Hellwig and Thomas Salutzki and Georg Kaluza**
(45) Registration Date: **19 November 2010**
(30) Convention priority data:
(31) Number (32) Date (33) Country
001206007 06 Apr 2010 EUROPEAN COMMUNITY
(56) Related Art Documents: **Not Applicable**
(57) Statement of Newness and Distinctiveness: **Nil**



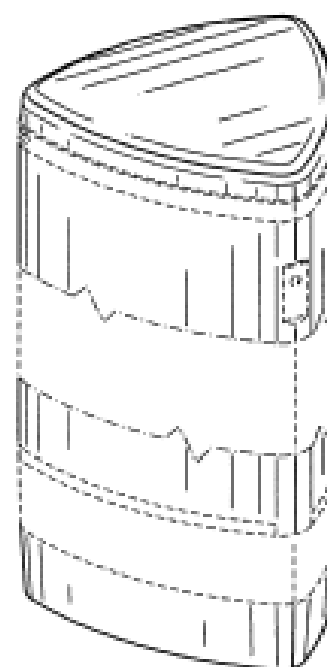
(21) Design Number: **14373/2010**
(22) Date of Filing Application: **06 October 2010**
(24) Date from which industrial property rights may have effect: **06 October 2010**
(54) Product in respect of which the design is registered: **Closing device for a door**
(51) International Design Classification: **08-07**
(71) Name(s) and Address(s) of Applicant(s):
DORMA GmbH + Co. KG
Dorma Platz 1 Ennepetal D-58256 Germany
(72) Name(s) of Designer(s): **Alexander Hellwig and Thomas Salutzki and Georg Kaluza**
(45) Registration Date: **19 November 2010**
(30) Convention priority data:
(31) Number (32) Date (33) Country
001206007 06 Apr 2010 EUROPEAN COMMUNITY
(56) Related Art Documents: **Not Applicable**
(57) Statement of Newness and Distinctiveness: **Nil**



(19) AU

- (21) Design Number: **14594/2010**
- (22) Date of Filing Application: **26 October 2010**
- (24) Date from which industrial property rights may have effect: **26 October 2010**
- (54) Product in respect of which the design is registered: **Triangular brine tank for water softener**
- (51) International Design Classification: **23-01F**
- (71) Name(s) and Address(s) of Applicant(s):
Pentair Residential Filtration, LLC
800 Wayzata Boulevard Ste. 800 Golden Valley Minnesota 55416
United States of America
- (72) Name(s) of Designer(s): **Kenneth J. Sieth**
- (45) Registration Date: **19 November 2010**
- (30) Convention priority data:

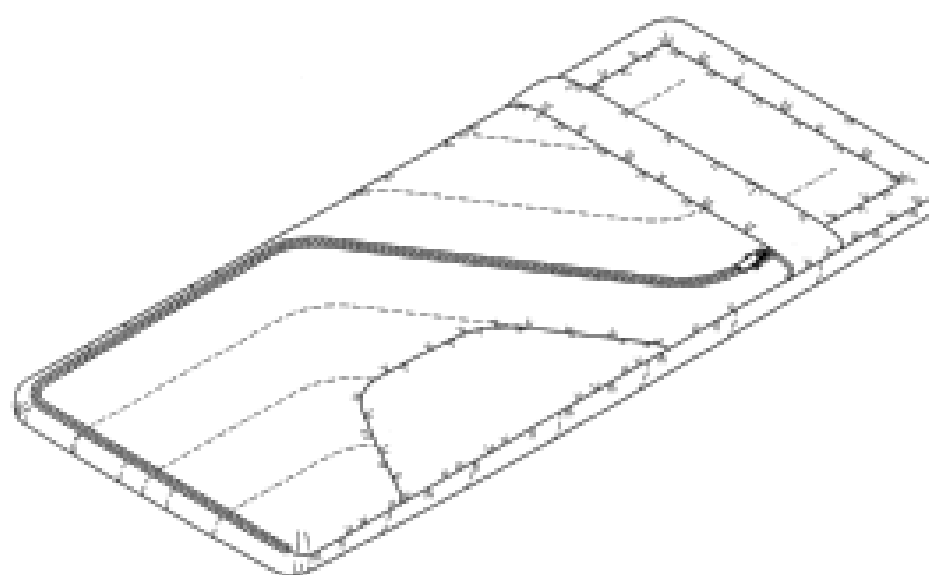
(31) Number	(32) Date	(33) Country
29/360548	27 Apr 2010	UNITED STATES OF AMERICA
- (56) Related Art Documents: **Not Applicable**
- (57) Statement of Newness and Distinctiveness: **Newness and distinctiveness is claimed in the features of shape and/or configuration of a triangular brine tank for a water softener as illustrated in continuous lines in the accompanying representations.**



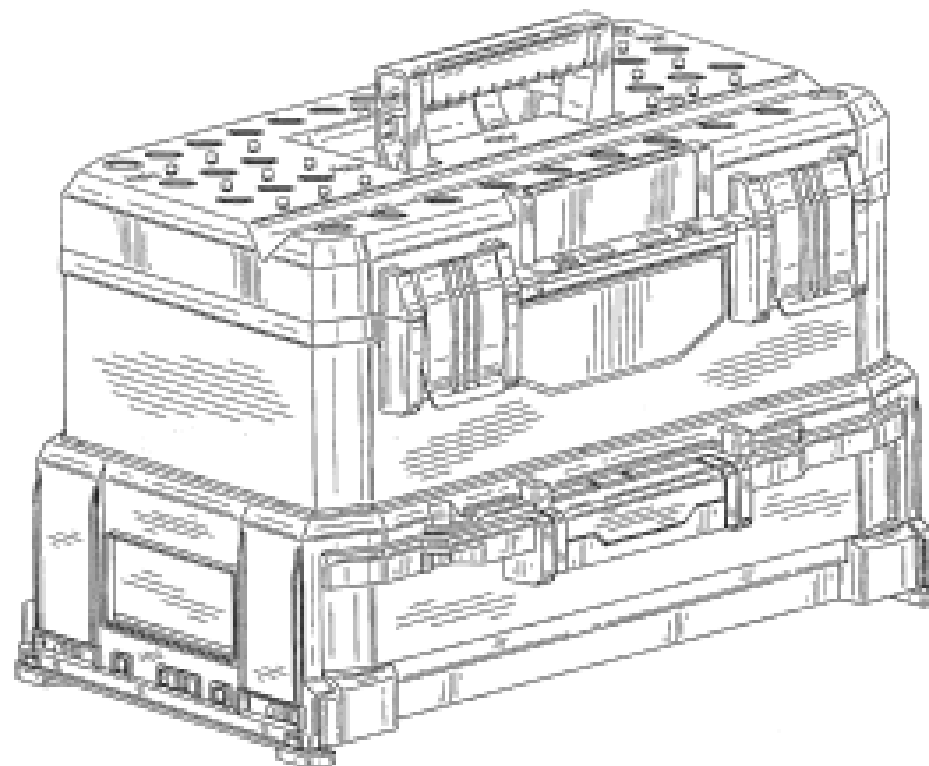
(19) AU

- (21) Design Number: **14608/2010**
- (22) Date of Filing Application: **26 October 2010**
- (24) Date from which industrial property rights may have effect: **26 October 2010**
- (54) Product in respect of which the design is registered: **Sleeping bag**
- (51) International Design Classification: **06-13B**
- (71) Name(s) and Address(s) of Applicant(s):
The Coleman Company, Inc.
3600 N. Hydraulic Wichita Kansas 67219 United States of America
- (72) Name(s) of Designer(s): **Wendy K. Dunson and Lisa A. Gronau and Ivan A. Huber and Jason R. Phillips**
- (45) Registration Date: **19 November 2010**
- (30) Convention priority data:

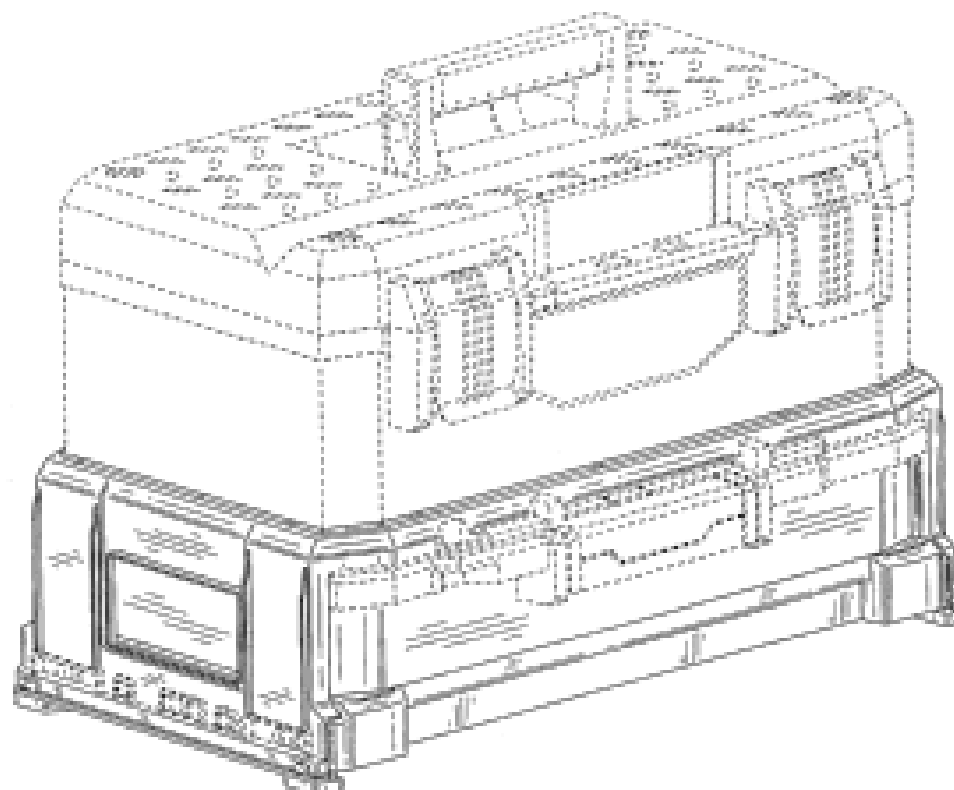
(31) Number	(32) Date	(33) Country
29/360531	27 Apr 2010	UNITED STATES OF AMERICA
- (56) Related Art Documents: **Not Applicable**
- (57) Statement of Newness and Distinctiveness: **Newness and distinctiveness resides in the visual features, including shape and configuration, of a SLEEPING BAG as shown in solid outline in the accompanying drawings. When determining whether the design 1 is substantially similar in overall impression to another design, no regard is to be had to those features shown in dotted outline in the accompanying drawings.**



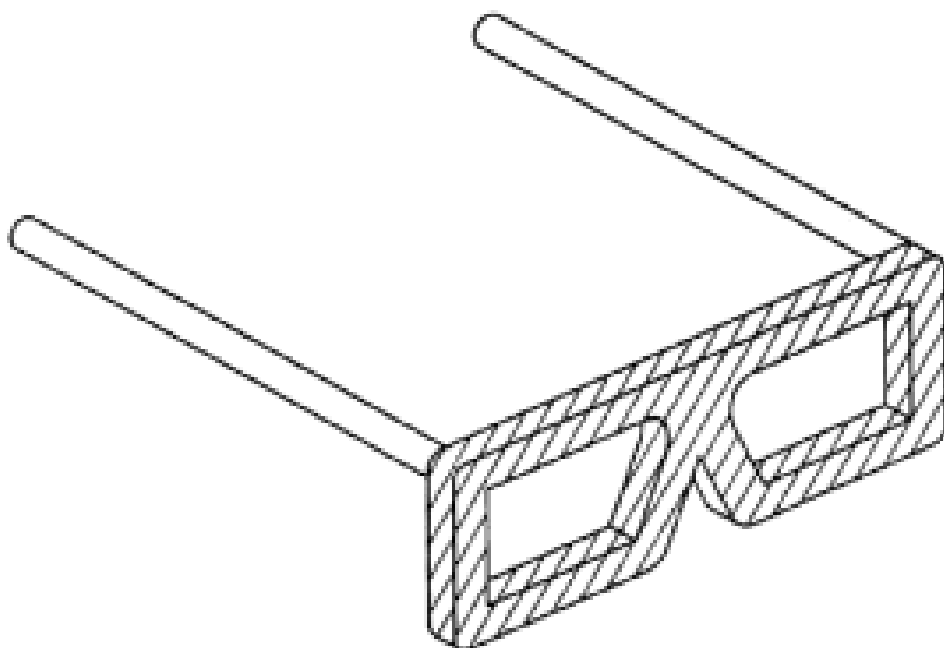
- (21) Design Number: **14407/2010**
(22) Date of Filing Application: **13 October 2010**
(24) Date from which industrial property rights may have effect: **13 October 2010**
(54) Product in respect of which the design is registered: **Toolbox arrangement**
(51) International Design Classification: **03-01D**
(71) Name(s) and Address(s) of Applicant(s):
The Stanley Works Israel Ltd.
19 Ha'melacha Street New Industrial Zone Rosh Ha'ayin 48091 Israel
(72) Name(s) of Designer(s): **David Sosnovsky and Eitan Landau**
(45) Registration Date: **18 November 2010**
(30) Convention priority data:
(31) Number (32) Date (33) Country
29/359801 15 Apr 2010 UNITED STATES OF AMERICA
(56) Related Art Documents: **Not Applicable**
(57) Statement of Newness and Distinctiveness: **Newness and distinctiveness is claimed in the visual features shown in solid lines in the representations.**



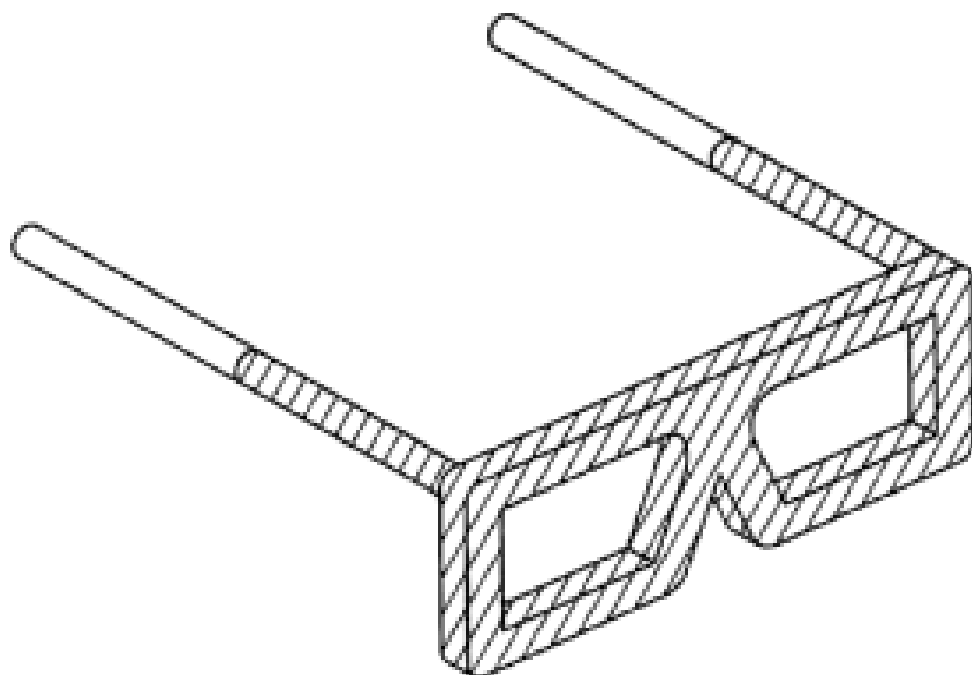
- (21) Design Number: **14408/2010**
(22) Date of Filing Application: **13 October 2010**
(24) Date from which industrial property rights may have effect: **13 October 2010**
(54) Product in respect of which the design is registered: **Toolbox arrangement**
(51) International Design Classification: **03-01D**
(71) Name(s) and Address(s) of Applicant(s):
The Stanley Works Israel Ltd.
19 Ha'melacha Street New Industrial Zone Rosh Ha'ayin 48091 Israel
(72) Name(s) of Designer(s): **David Sosnovsky and Eitan Landau**
(45) Registration Date: **18 November 2010**
(30) Convention priority data:
(31) Number (32) Date (33) Country
29/359801 15 Apr 2010 UNITED STATES OF AMERICA
(56) Related Art Documents: **Not Applicable**
(57) Statement of Newness and Distinctiveness: **Newness and distinctiveness is claimed in the visual features shown in solid lines in the representations.**



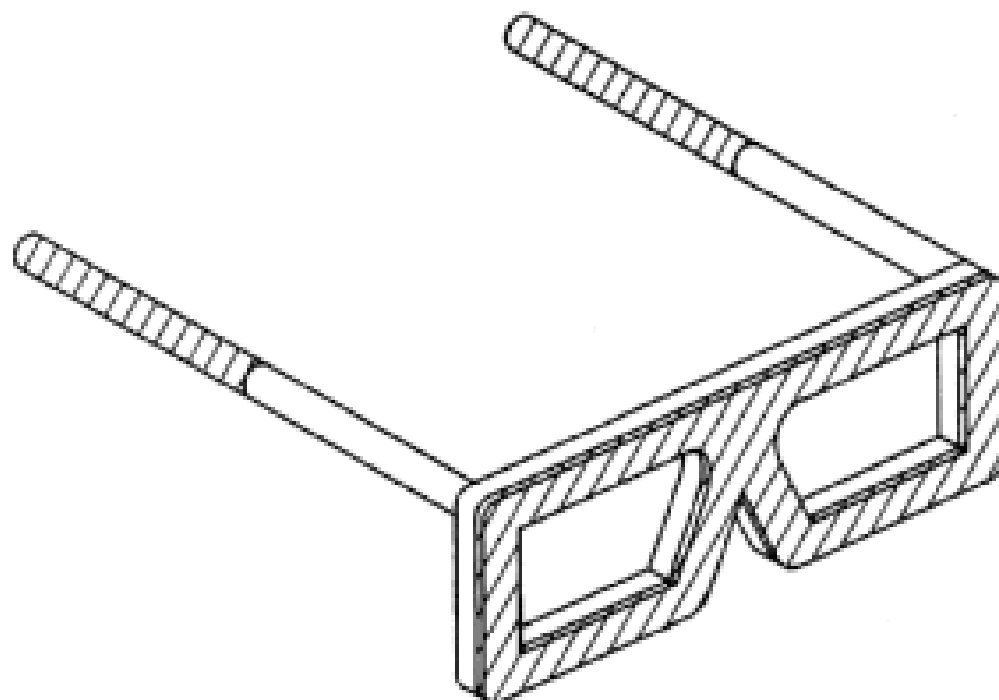
- (21) Design Number: **13870/2010**
(22) Date of Filing Application: **07 September 2010**
(24) Date from which industrial property rights may have effect: **07 September 2010**
(54) Product in respect of which the design is registered: **3D glasses**
(51) International Design Classification: **16-06**
(71) Name(s) and Address(s) of Applicant(s):
X6D Ltd
199 Arch Makarios III Avenue Limassol 3030 Cyprus
(72) Name(s) of Designer(s): **Richard A. Carlow and Eugenia J. Chen and Michael J. Chen and Craig Steel and Ashley Tilling and Roozbeh Mousavi and David T. Hamm**
(45) Registration Date: **18 November 2010**
(30) Convention priority data:
(31) Number (32) Date (33) Country
29/349414 31 Mar 2010 UNITED STATES OF AMERICA
(56) Related Art Documents: **Not Applicable**
(57) Statement of Newness and Distinctiveness: **Newness and distinctiveness is claimed in the visual features of shape, configuration, pattern and/or ornamentation of the 3D glasses illustrated in the representations. In considering the newness and distinctiveness, the variation in tone or colour, represented by hatching in the representations, should be noted.**



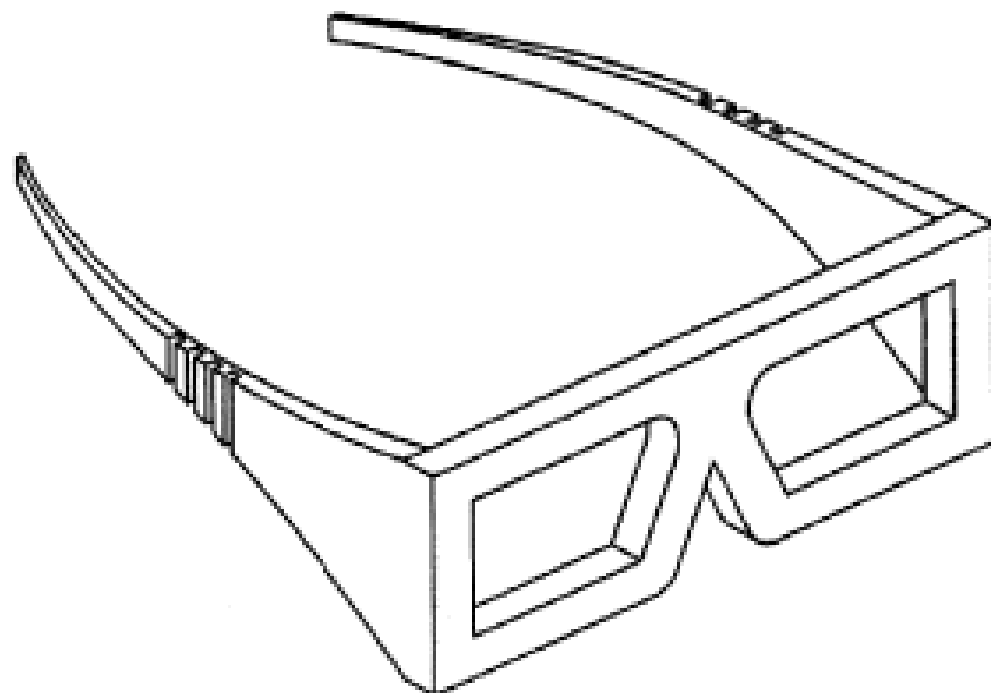
- (21) Design Number: **14964/2010**
(22) Date of Filing Application: **07 September 2010**
(24) Date from which industrial property rights may have effect: **07 September 2010**
(54) Product in respect of which the design is registered: **3D glasses**
(51) International Design Classification: **16-06**
(71) Name(s) and Address(s) of Applicant(s):
X6D Ltd
199 Arch Makarios III Avenue Limassol 3030 Cyprus
(72) Name(s) of Designer(s): **Richard A. Carlow and Eugenia J. Chen and Michael J. Chen and Craig Steel and Ashley Tilling and Roozbeh Mousavi and David T. Hamm**
(45) Registration Date: **18 November 2010**
(30) Convention priority data:
(31) Number (32) Date (33) Country
29/349414 31 Mar 2010 UNITED STATES OF AMERICA
(56) Related Art Documents: **Not Applicable**
(57) Statement of Newness and Distinctiveness: **Newness and distinctiveness is claimed in the visual features of shape, configuration, pattern and/or ornamentation of the 3D glasses illustrated in the representations. In considering the newness and distinctiveness, the variation in tone or colour, represented by hatching in the representations, should be noted.**



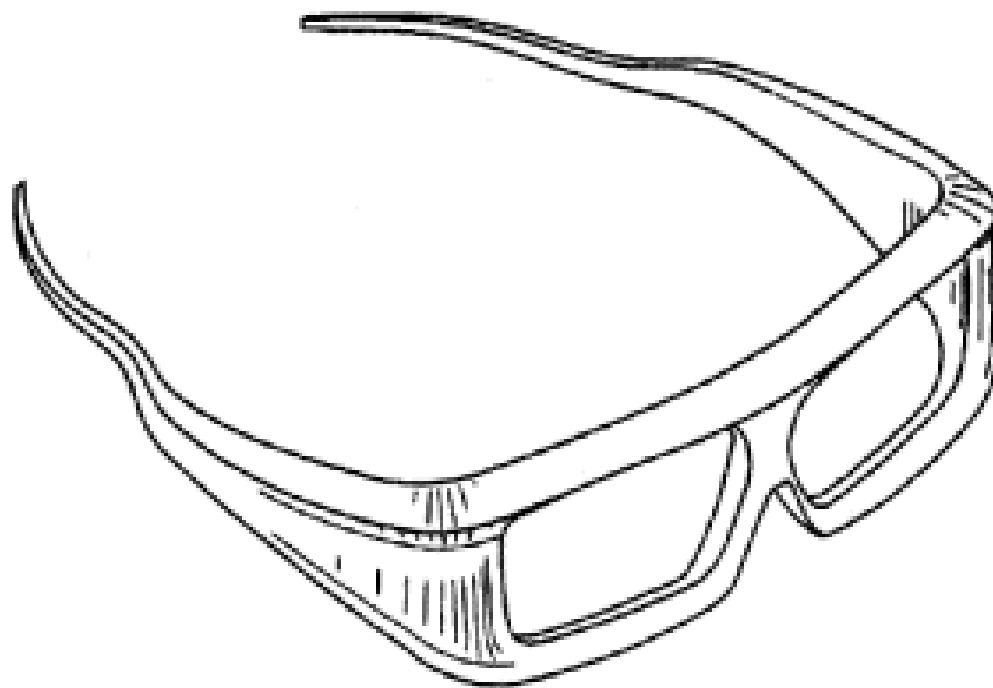
- (21) Design Number: **14965/2010**
(22) Date of Filing Application: **07 September 2010**
(24) Date from which industrial property rights may have effect: **07 September 2010**
(54) Product in respect of which the design is registered: **3D glasses**
(51) International Design Classification: **16-06**
(71) Name(s) and Address(s) of Applicant(s):
X6D Ltd
199 Arch Makarios III Avenue Limassol 3030 Cyprus
(72) Name(s) of Designer(s): **Richard A. Carlow and Eugenia J. Chen and Michael J. Chen and Craig Steel and Ashley Tilling and Roozbeh Mousavi and David T. Hamm**
(45) Registration Date: **18 November 2010**
(30) Convention priority data:
(31) Number (32) Date (33) Country
29/349414 31 Mar 2010 UNITED STATES OF AMERICA
(56) Related Art Documents: **Not Applicable**
(57) Statement of Newness and Distinctiveness: **Newness and distinctiveness is claimed in the visual features of shape, configuration, pattern and/or ornamentation of the 3D glasses illustrated in the representations. In considering the newness and distinctiveness, the variation in tone or colour, represented by hatching in the representations, should be noted.**



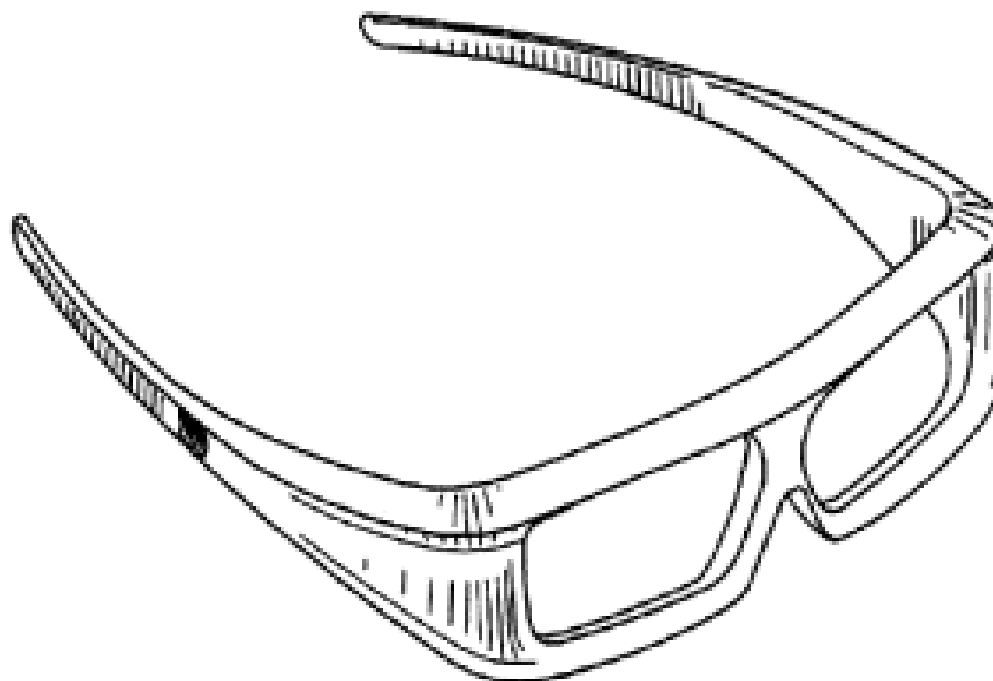
- (21) Design Number: **14966/2010**
(22) Date of Filing Application: **07 September 2010**
(24) Date from which industrial property rights may have effect: **07 September 2010**
(54) Product in respect of which the design is registered: **3D glasses**
(51) International Design Classification: **16-06**
(71) Name(s) and Address(s) of Applicant(s):
X6D Ltd
199 Arch Makarios III Avenue Limassol 3030 Cyprus
(72) Name(s) of Designer(s): **Richard A. Carlow and Eugenia J. Chen and Michael J. Chen and Craig Steel and Ashley Tilling and Roozbeh Mousavi and David T. Hamm**
(45) Registration Date: **18 November 2010**
(30) Convention priority data:
(31) Number (32) Date (33) Country
29/349414 31 Mar 2010 UNITED STATES OF AMERICA
(56) Related Art Documents: **Not Applicable**
(57) Statement of Newness and Distinctiveness: **Nil**



(21) Design Number: **14967/2010**
(22) Date of Filing Application: **07 September 2010**
(24) Date from which industrial property rights may have effect: **07 September 2010**
(54) Product in respect of which the design is registered: **3D glasses**
(51) International Design Classification: **16-06**
(71) Name(s) and Address(s) of Applicant(s):
X6D Ltd
199 Arch Makarios III Avenue Limassol 3030 Cyprus
(72) Name(s) of Designer(s): **Richard A. Carlow and Eugenia J. Chen and Michael J. Chen and Craig Steel and Ashley Tilling and Roozbeh Mousavi and David T. Hamm**
(45) Registration Date: **18 November 2010**
(30) Convention priority data:
(31) Number (32) Date (33) Country
29/349414 31 Mar 2010 UNITED STATES OF AMERICA
(56) Related Art Documents: **Not Applicable**
(57) Statement of Newness and Distinctiveness: **Nil**



(21) Design Number: **14968/2010**
(22) Date of Filing Application: **07 September 2010**
(24) Date from which industrial property rights may have effect: **07 September 2010**
(54) Product in respect of which the design is registered: **3D glasses**
(51) International Design Classification: **16-06**
(71) Name(s) and Address(s) of Applicant(s):
X6D Ltd
199 Arch Makarios III Avenue Limassol 3030 Cyprus
(72) Name(s) of Designer(s): **Richard A. Carlow and Eugenia J. Chen and Michael J. Chen and Craig Steel and Ashley Tilling and Roozbeh Mousavi and David T. Hamm**
(45) Registration Date: **18 November 2010**
(30) Convention priority data:
(31) Number (32) Date (33) Country
29/349414 31 Mar 2010 UNITED STATES OF AMERICA
(56) Related Art Documents: **Not Applicable**
(57) Statement of Newness and Distinctiveness: **Nil**



- (21) Design Number: **13871/2010**
(22) Date of Filing Application: **07 September 2010**
(24) Date from which industrial property rights may have effect: **07 September 2010**
(54) Product in respect of which the design is registered: **3D glasses**
(51) International Design Classification: **16-06**
(71) Name(s) and Address(s) of Applicant(s):
X6D Ltd
199 Arch Makarios III Avenue Limassol 3030 Cyprus
(72) Name(s) of Designer(s): **Richard A. Carlow and Eugenia J. Chen and Michael J. Chen and Craig Steel and Ashley Tilling and Roozbeh Mousavi and David T. Hamm**
(45) Registration Date: **18 November 2010**
(30) Convention priority data:
(31) Number (32) Date (33) Country
29/349127 10 Mar 2010 UNITED STATES OF AMERICA
(56) Related Art Documents: **Not Applicable**
(57) Statement of Newness and Distinctiveness: **Newness and distinctiveness is claimed in the visual features of shape, configuration, pattern and/or ornamentation of the 3D glasses shown in the representations, particularly noting the contrasting colouration.**



- (21) Design Number: **14942/2010**
(22) Date of Filing Application: **07 September 2010**
(24) Date from which industrial property rights may have effect: **07 September 2010**
(54) Product in respect of which the design is registered: **3D glasses**
(51) International Design Classification: **16-06**
(71) Name(s) and Address(s) of Applicant(s):
X6D Ltd
199 Arch Makarios III Avenue Limassol 3030 Cyprus
(72) Name(s) of Designer(s): **Richard A. Carlow and Eugenia J. Chen and Michael J. Chen and Craig Steel and Ashley Tilling and Roozbeh Mousavi and David T. Hamm**
(45) Registration Date: **18 November 2010**
(30) Convention priority data:
(31) Number (32) Date (33) Country
29/349127 10 Mar 2010 UNITED STATES OF AMERICA
(56) Related Art Documents: **Not Applicable**
(57) Statement of Newness and Distinctiveness: **Newness and distinctiveness is claimed in the visual features of shape, configuration, pattern and/or ornamentation of the 3D glasses shown in the representations, particularly noting the contrasting colouration.**



- (21) Design Number: **14944/2010**
(22) Date of Filing Application: **07 September 2010**
(24) Date from which industrial property rights may have effect: **07 September 2010**
(54) Product in respect of which the design is registered: **3D glasses**
(51) International Design Classification: **16-06**
(71) Name(s) and Address(s) of Applicant(s):
X6D Ltd
199 Arch Makarios III Avenue Limassol 3030 Cyprus
(72) Name(s) of Designer(s): **Richard A. Carlow and Eugenia J. Chen and Michael J. Chen and Craig Steel and Ashley Tilling and Roozbeh Mousavi and David T. Hamm**
(45) Registration Date: **18 November 2010**
(30) Convention priority data:
(31) Number (32) Date (33) Country
29/349127 10 Mar 2010 UNITED STATES OF AMERICA
(56) Related Art Documents: **Not Applicable**
(57) Statement of Newness and Distinctiveness: **Newness and distinctiveness is claimed in the visual features of shape, configuration, pattern and/or ornamentation of the 3D glasses shown in the representations, particularly noting the contrasting colouration.**



- (21) Design Number: **14946/2010**
(22) Date of Filing Application: **07 September 2010**
(24) Date from which industrial property rights may have effect: **07 September 2010**
(54) Product in respect of which the design is registered: **3D glasses**
(51) International Design Classification: **16-06**
(71) Name(s) and Address(s) of Applicant(s):
X6D Ltd
199 Arch Makarios III Avenue Limassol 3030 Cyprus
(72) Name(s) of Designer(s): **Richard A. Carlow and Eugenia J. Chen and Michael J. Chen and Craig Steel and Ashley Tilling and Roozbeh Mousavi and David T. Hamm**
(45) Registration Date: **18 November 2010**
(30) Convention priority data:
(31) Number (32) Date (33) Country
29/349127 10 Mar 2010 UNITED STATES OF AMERICA
(56) Related Art Documents: **Not Applicable**
(57) Statement of Newness and Distinctiveness: **Newness and distinctiveness is claimed in the visual features of shape, configuration, pattern and/or ornamentation of the 3D glasses shown in the representations, particularly noting the contrasting colouration.**



- (21) Design Number: **14947/2010**
(22) Date of Filing Application: **07 September 2010**
(24) Date from which industrial property rights may have effect: **07 September 2010**
(54) Product in respect of which the design is registered: **3D glasses**
(51) International Design Classification: **16-06**
(71) Name(s) and Address(s) of Applicant(s):
X6D Ltd
199 Arch Makarios III Avenue Limassol 3030 Cyprus
(72) Name(s) of Designer(s): **Richard A. Carlow and Eugenia J. Chen and Michael J. Chen and Craig Steel and Ashley Tilling and Roozbeh Mousavi and David T. Hamm**
(45) Registration Date: **18 November 2010**
(30) Convention priority data:
(31) Number (32) Date (33) Country
29/349127 10 Mar 2010 UNITED STATES OF AMERICA
(56) Related Art Documents: **Not Applicable**
(57) Statement of Newness and Distinctiveness: **Newness and distinctiveness is claimed in the visual features of shape, configuration, pattern and/or ornamentation of the 3D glasses shown in the representations, particularly noting the contrasting colouration.**



- (21) Design Number: **14948/2010**
(22) Date of Filing Application: **07 September 2010**
(24) Date from which industrial property rights may have effect: **07 September 2010**
(54) Product in respect of which the design is registered: **3D glasses**
(51) International Design Classification: **16-06**
(71) Name(s) and Address(s) of Applicant(s):
X6D Ltd
199 Arch Makarios III Avenue Limassol 3030 Cyprus
(72) Name(s) of Designer(s): **Richard A. Carlow and Eugenia J. Chen and Michael J. Chen and Craig Steel and Ashley Tilling and Roozbeh Mousavi and David T. Hamm**
(45) Registration Date: **18 November 2010**
(30) Convention priority data:
(31) Number (32) Date (33) Country
29/349127 10 Mar 2010 UNITED STATES OF AMERICA
(56) Related Art Documents: **Not Applicable**
(57) Statement of Newness and Distinctiveness: **Newness and distinctiveness is claimed in the visual features of shape, configuration, pattern and/or ornamentation of the 3D glasses shown in the representations, particularly noting the contrasting colouration.**



- (21) Design Number: **14949/2010**
(22) Date of Filing Application: **07 September 2010**
(24) Date from which industrial property rights may have effect: **07 September 2010**
(54) Product in respect of which the design is registered: **3D glasses**
(51) International Design Classification: **16-06**
(71) Name(s) and Address(s) of Applicant(s):
X6D Ltd
199 Arch Makarios III Avenue Limassol 3030 Cyprus
(72) Name(s) of Designer(s): **Richard A. Carlow and Eugenia J. Chen and Michael J. Chen and Craig Steel and Ashley Tilling and Roozbeh Mousavi and David T. Hamm**
(45) Registration Date: **18 November 2010**
(30) Convention priority data:
(31) Number (32) Date (33) Country
29/349127 10 Mar 2010 UNITED STATES OF AMERICA
(56) Related Art Documents: **Not Applicable**
(57) Statement of Newness and Distinctiveness: **Newness and distinctiveness is claimed in the visual features of shape, configuration, pattern and/or ornamentation of the 3D glasses shown in the representations, particularly noting the contrasting colouration.**



- (21) Design Number: **14951/2010**
(22) Date of Filing Application: **07 September 2010**
(24) Date from which industrial property rights may have effect: **07 September 2010**
(54) Product in respect of which the design is registered: **3D glasses**
(51) International Design Classification: **16-06**
(71) Name(s) and Address(s) of Applicant(s):
X6D Ltd
199 Arch Makarios III Avenue Limassol 3030 Cyprus
(72) Name(s) of Designer(s): **Richard A. Carlow and Eugenia J. Chen and Michael J. Chen and Craig Steel and Ashley Tilling and Roozbeh Mousavi and David T. Hamm**
(45) Registration Date: **18 November 2010**
(30) Convention priority data:
(31) Number (32) Date (33) Country
29/349127 10 Mar 2010 UNITED STATES OF AMERICA
(56) Related Art Documents: **Not Applicable**
(57) Statement of Newness and Distinctiveness: **Newness and distinctiveness is claimed in the visual features of shape, configuration, pattern and/or ornamentation of the 3D glasses shown in the representations, particularly noting the contrasting colouration.**



- (21) Design Number: **14954/2010**
(22) Date of Filing Application: **07 September 2010**
(24) Date from which industrial property rights may have effect: **07 September 2010**
(54) Product in respect of which the design is registered: **3D glasses**
(51) International Design Classification: **16-06**
(71) Name(s) and Address(s) of Applicant(s):
X6D Ltd
199 Arch Makarios III Avenue Limassol 3030 Cyprus
(72) Name(s) of Designer(s): **Richard A. Carlow and Eugenia J. Chen and Michael J. Chen and Craig Steel and Ashley Tilling and Roozbeh Mousavi and David T. Hamm**
(45) Registration Date: **18 November 2010**
(30) Convention priority data:
(31) Number (32) Date (33) Country
29/349127 10 Mar 2010 UNITED STATES OF AMERICA
(56) Related Art Documents: **Not Applicable**
(57) Statement of Newness and Distinctiveness: **Newness and distinctiveness is claimed in the visual features of shape, configuration, pattern and/or ornamentation of the 3D glasses shown in the representations, particularly noting the contrasting colouration.**



- (21) Design Number: **14956/2010**
(22) Date of Filing Application: **07 September 2010**
(24) Date from which industrial property rights may have effect: **07 September 2010**
(54) Product in respect of which the design is registered: **3D glasses**
(51) International Design Classification: **16-06**
(71) Name(s) and Address(s) of Applicant(s):
X6D Ltd
199 Arch Makarios III Avenue Limassol 3030 Cyprus
(72) Name(s) of Designer(s): **Richard A. Carlow and Eugenia J. Chen and Michael J. Chen and Craig Steel and Ashley Tilling and Roozbeh Mousavi and David T. Hamm**
(45) Registration Date: **18 November 2010**
(30) Convention priority data:
(31) Number (32) Date (33) Country
29/349127 10 Mar 2010 UNITED STATES OF AMERICA
(56) Related Art Documents: **Not Applicable**
(57) Statement of Newness and Distinctiveness: **Newness and distinctiveness is claimed in the visual features of shape, configuration, pattern and/or ornamentation of the 3D glasses shown in the representations, particularly noting the contrasting colouration.**



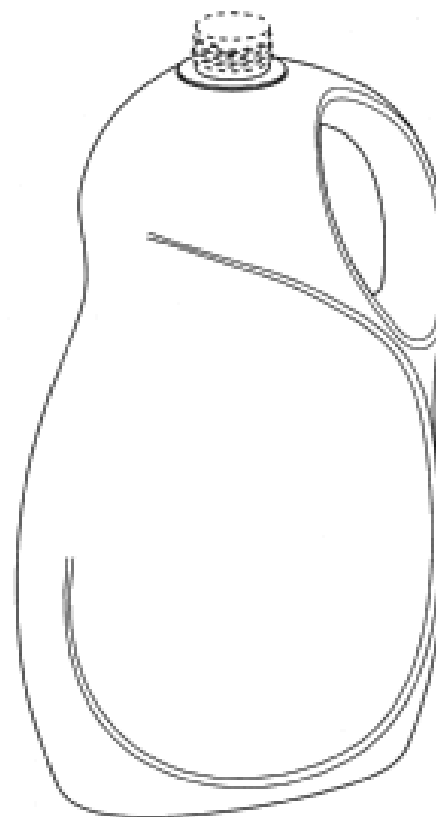
- (21) Design Number: **14959/2010**
(22) Date of Filing Application: **07 September 2010**
(24) Date from which industrial property rights may have effect: **07 September 2010**
(54) Product in respect of which the design is registered: **3D glasses**
(51) International Design Classification: **16-06**
(71) Name(s) and Address(s) of Applicant(s):
X6D Ltd
199 Arch Makarios III Avenue Limassol 3030 Cyprus
(72) Name(s) of Designer(s): **Richard A. Carlow and Eugenia J. Chen and Michael J. Chen and Craig Steel and Ashley Tilling and Roozbeh Mousavi and David T. Hamm**
(45) Registration Date: **18 November 2010**
(30) Convention priority data:
(31) Number (32) Date (33) Country
29/349127 10 Mar 2010 UNITED STATES OF AMERICA
(56) Related Art Documents: **Not Applicable**
(57) Statement of Newness and Distinctiveness: **Newness and distinctiveness is claimed in the visual features of shape, configuration, pattern and/or ornamentation of the 3D glasses shown in the representations, particularly noting the contrasting colouration.**



- (21) Design Number: **14962/2010**
(22) Date of Filing Application: **07 September 2010**
(24) Date from which industrial property rights may have effect: **07 September 2010**
(54) Product in respect of which the design is registered: **3D glasses**
(51) International Design Classification: **16-06**
(71) Name(s) and Address(s) of Applicant(s):
X6D Ltd
199 Arch Makarios III Avenue Limassol 3030 Cyprus
(72) Name(s) of Designer(s): **Richard A. Carlow and Eugenia J. Chen and Michael J. Chen and Craig Steel and Ashley Tilling and Roozbeh Mousavi and David T. Hamm**
(45) Registration Date: **18 November 2010**
(30) Convention priority data:
(31) Number (32) Date (33) Country
29/349127 10 Mar 2010 UNITED STATES OF AMERICA
(56) Related Art Documents: **Not Applicable**
(57) Statement of Newness and Distinctiveness: **Newness and distinctiveness is claimed in the visual features of shape, configuration, pattern and/or ornamentation of the 3D glasses shown in the representations, particularly noting the contrasting colouration.**



- (21) Design Number: **13654/2010**
(22) Date of Filing Application: **24 August 2010**
(24) Date from which industrial property rights may have effect: **24 August 2010**
(54) Product in respect of which the design is registered: **Container**
(51) International Design Classification: **09-01K**
(71) Name(s) and Address(s) of Applicant(s):
Colgate-Palmolive Company
300 Park Avenue New York New York 10022 United States of America
(72) Name(s) of Designer(s): **Jeffrey Mayers and Elaine Casey and John Lamb and Corinne Elstow**
(45) Registration Date: **19 November 2010**
(30) Convention priority data:
(31) Number (32) Date (33) Country
29/356380 24 Feb 2010 UNITED STATES OF AMERICA
(56) Related Art Documents: **Not Applicable**
(57) Statement of Newness and Distinctiveness: **Newness and distinctiveness reside in the features of shape and configuration of the container. When determining whether the design is substantially similar in overall impression to another design, no regard is to be had to those features shown in the designs with dotted outline, which features are provided for illustrative purposes only.**



- (21) Design Number: **14657/2010**
(22) Date of Filing Application: **24 August 2010**
(24) Date from which industrial property rights may have effect: **24 August 2010**
(54) Product in respect of which the design is registered: **Container**
(51) International Design Classification: **09-01K**
(71) Name(s) and Address(s) of Applicant(s):
Colgate-Palmolive Company
300 Park Avenue New York New York 10022 United States of America
(72) Name(s) of Designer(s): **Jeffrey Mayers and Elaine Casey and John Lamb and Corinne Elstow**
(45) Registration Date: **19 November 2010**
(30) Convention priority data:
(31) Number (32) Date (33) Country
29/356380 24 Feb 2010 UNITED STATES OF AMERICA
(56) Related Art Documents: **Not Applicable**
(57) Statement of Newness and Distinctiveness: **Newness and distinctiveness reside in the features of shape and configuration of the container. When determining whether the design is substantially similar in overall impression to another design, no regard is to be had to those features shown in the designs with dotted outline, which features are provided for illustrative purposes only.**



(21) Design Number: 13692/2010

(22) Date of Filing Application: 25 August 2010

(24) Date from which industrial property rights may have effect: 25 August 2010

(54) Product in respect of which the design is registered: Oral care implement

(51) International Design Classification: 04-02

(71) Name(s) and Address(s) of Applicant(s):

Colgate-Palmolive Company
300 Park Avenue New York New York 10022 United States of America

(72) Name(s) of Designer(s): Eduardo Jimenez and John Gatzemeyer and Robert Moskovich and Alan Sorrentino and Alberto Mantilla and Jason Liang and Lucas Wade

(45) Registration Date: 19 November 2010

(30) Convention priority data:

(31) Number	(32) Date	(33) Country
29/356495	26 Feb 2010	UNITED STATES OF AMERICA

(56) Related Art Documents: Not Applicable

(57) Statement of Newness and Distinctiveness: Newness and distinctiveness reside in the features of the shape of the head portion of an oral care implement in combination with the configuration of the tooth cleaning elements applied to the front face of the head portion, and the pattern and ornamentation applied to the rear face and peripheral edge of the head portion of the oral care implement. When determining whether the design is substantially similar in overall impression to another design, no regard is to be had to those features shown in the designs with dotted outline, which features are provided for illustrative purposes only.



(21) Design Number: 14651/2010

(22) Date of Filing Application: 25 August 2010

(24) Date from which industrial property rights may have effect: 25 August 2010

(54) Product in respect of which the design is registered: Oral care implement

(51) International Design Classification: 04-02

(71) Name(s) and Address(s) of Applicant(s):

Colgate-Palmolive Company
300 Park Avenue New York New York 10022 United States of America

(72) Name(s) of Designer(s): Eduardo Jimenez and John Gatzemeyer and Robert Moskovich and Alan Sorrentino and Alberto Mantilla and Jason Liang and Lucas Wade

(45) Registration Date: 19 November 2010

(30) Convention priority data:

(31) Number	(32) Date	(33) Country
29/356495	26 Feb 2010	UNITED STATES OF AMERICA

(56) Related Art Documents: Not Applicable

(57) Statement of Newness and Distinctiveness: Newness and distinctiveness reside in the pattern and ornamentation applied to the rear face and peripheral edge of the head portion of the oral care implement. When determining whether the design is substantially similar in overall impression to another design, no regard is to be had to those features shown in the designs with dotted outline, which features are provided for illustrative purpose only.



- (21) Design Number: **14652/2010**
(22) Date of Filing Application: **25 August 2010**
(24) Date from which industrial property rights may have effect: **25 August 2010**
(54) Product in respect of which the design is registered: **Oral care implement**
(51) International Design Classification: **04-02**
(71) Name(s) and Address(s) of Applicant(s):
Colgate-Palmolive Company
300 Park Avenue New York New York 10022 United States of America
(72) Name(s) of Designer(s): **Eduardo Jimenez and John Gatzemeyer and Robert Moskovich and Alan Sorrentino and Alberto Mantilla and Jason Liang and Lucas Wade**
(45) Registration Date: **19 November 2010**
(30) Convention priority data:
(31) Number (32) Date (33) Country
29/356495 26 Feb 2010 UNITED STATES OF AMERICA
(56) Related Art Documents: **Not Applicable**
(57) Statement of Newness and Distinctiveness: **Newness and distinctiveness reside in the features of the pattern and ornamentation applied to the rear face of the head portion of the oral care implement. When determining whether the design is substantially similar in overall impression to another design, no regard is to be had to those features shown in the designs with dotted outline, which features are provided for illustrative purposes only.**



- (21) Design Number: **14653/2010**
(22) Date of Filing Application: **25 August 2010**
(24) Date from which industrial property rights may have effect: **25 August 2010**
(54) Product in respect of which the design is registered: **Oral care implement**
(51) International Design Classification: **04-02**
(71) Name(s) and Address(s) of Applicant(s):
Colgate-Palmolive Company
300 Park Avenue New York New York 10022 United States of America
(72) Name(s) of Designer(s): **Eduardo Jimenez and John Gatzemeyer and Robert Moskovich and Alan Sorrentino and Alberto Mantilla and Jason Liang and Lucas Wade**
(45) Registration Date: **19 November 2010**
(30) Convention priority data:
(31) Number (32) Date (33) Country
29/356495 26 Feb 2010 UNITED STATES OF AMERICA
(56) Related Art Documents: **Not Applicable**
(57) Statement of Newness and Distinctiveness: **Newness and distinctiveness reside in the features of the pattern and/or ornamentation applied to the edge of the head portion of the oral care implement. When determining whether the design is substantially similar in overall impression to another design, no regard is to be had to those features shown in the design with dotted outline, which features are provided for illustrative purposes only.**



(21) Design Number: **14654/2010**

(22) Date of Filing Application: **25 August 2010**

(24) Date from which industrial property rights may have effect: **25 August 2010**

(54) Product in respect of which the design is registered: **Oral care implement**

(51) International Design Classification: **04-02**

(71) Name(s) and Address(s) of Applicant(s):

Colgate-Palmolive Company
300 Park Avenue New York New York 10022 United States of America

(72) Name(s) of Designer(s): **Eduardo Jimenez and John Gatzemeyer and Robert Moskovich and Alan Sorrentino and Alberto Mantilla and Jason Liang and Lucas Wade**

(45) Registration Date: **19 November 2010**

(30) Convention priority data:

(31) Number	(32) Date	(33) Country
29/356495	26 Feb 2010	UNITED STATES OF AMERICA

(56) Related Art Documents: **Not Applicable**

(57) Statement of Newness and Distinctiveness: **Newness and distinctiveness reside in the features of the ornamentation applied to the distal portion of the rear face of the head portion of the oral care implement. When determining whether the design is substantially similar in overall impression to another design, no regard is to be had to those features shown in the design with dotted outline, which features are provided for illustrative purposes only.**



(21) Design Number: **14655/2010**

(22) Date of Filing Application: **25 August 2010**

(24) Date from which industrial property rights may have effect: **25 August 2010**

(54) Product in respect of which the design is registered: **Oral care implement**

(51) International Design Classification: **04-02**

(71) Name(s) and Address(s) of Applicant(s):

Colgate-Palmolive Company
300 Park Avenue New York New York 10022 United States of America

(72) Name(s) of Designer(s): **Eduardo Jimenez and John Gatzemeyer and Robert Moskovich and Alan Sorrentino and Alberto Mantilla and Jason Liang and Lucas Wade**

(45) Registration Date: **19 November 2010**

(30) Convention priority data:

(31) Number	(32) Date	(33) Country
29/356495	26 Feb 2010	UNITED STATES OF AMERICA

(56) Related Art Documents: **Not Applicable**

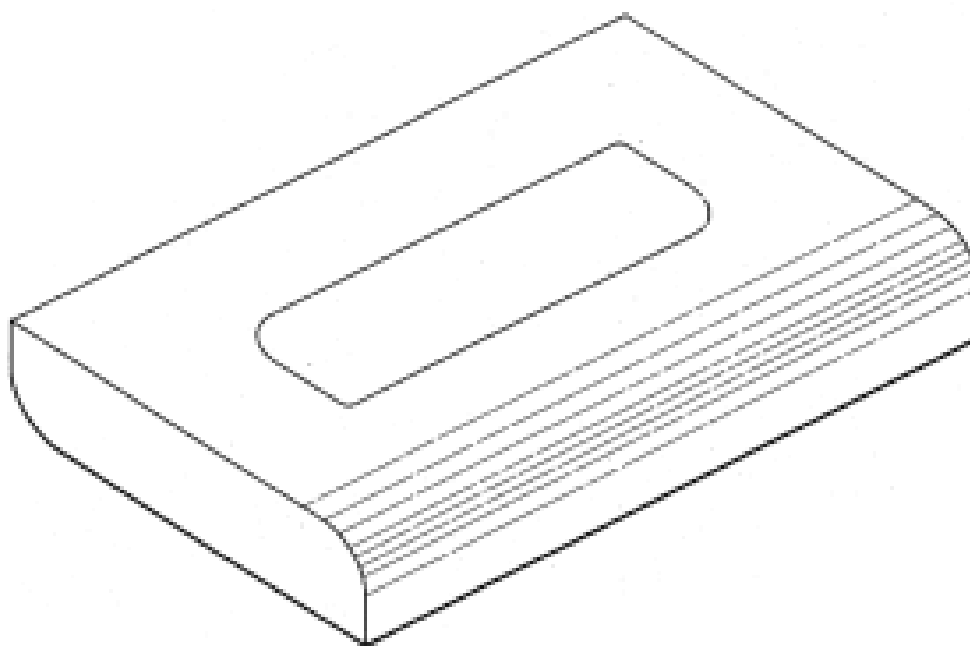
(57) Statement of Newness and Distinctiveness: **Newness and distinctiveness reside in the features of the pattern and/or ornamentation applied to the rear face of the head portion of the oral care implement. When determining whether the design is substantially similar in overall impression to another design, no regard is to be had to those features shown in the designs with dotted outline, which features are provided for illustrative purposes only.**



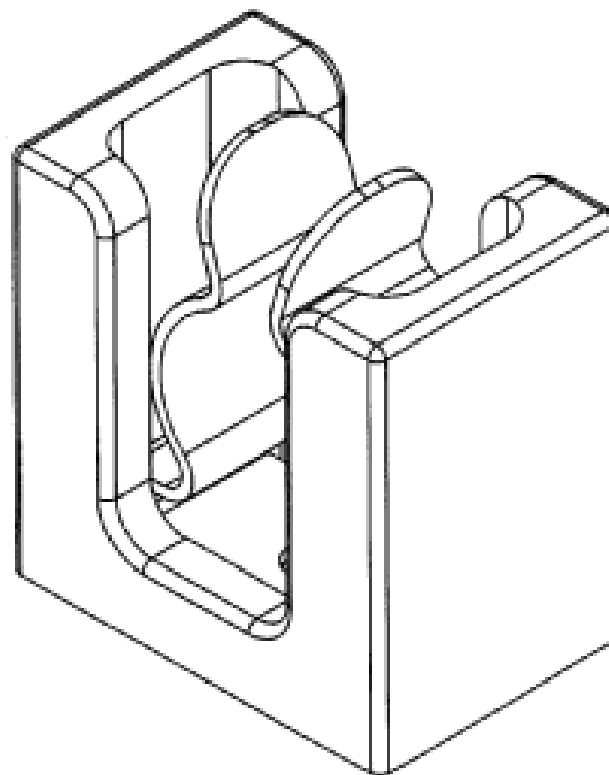
- (21) Design Number: **14656/2010**
(22) Date of Filing Application: **25 August 2010**
(24) Date from which industrial property rights may have effect: **25 August 2010**
(54) Product in respect of which the design is registered: **Oral care implement**
(51) International Design Classification: **04-02**
(71) Name(s) and Address(s) of Applicant(s):
Colgate-Palmolive Company
300 Park Avenue New York New York 10022 United States of America
(72) Name(s) of Designer(s): **Eduardo Jimenez and John Gatzemeyer and Robert Moskovich and Alan Sorrentino and Alberto Mantilla and Jason Liang and Lucas Wade**
(45) Registration Date: **19 November 2010**
(30) Convention priority data:
(31) Number (32) Date (33) Country
29/356495 26 Feb 2010 UNITED STATES OF AMERICA
(56) Related Art Documents: **Not Applicable**
(57) Statement of Newness and Distinctiveness: **Newness and distinctiveness reside in the features of the pattern and/or ornamentation applied to the rear face of the head portion of the oral care implement. When determining whether the design is substantially similar in overall impression to another design, no regard is to be had to those features shown in the designs with dotted outline, which features are provided for illustrative purposes only.**



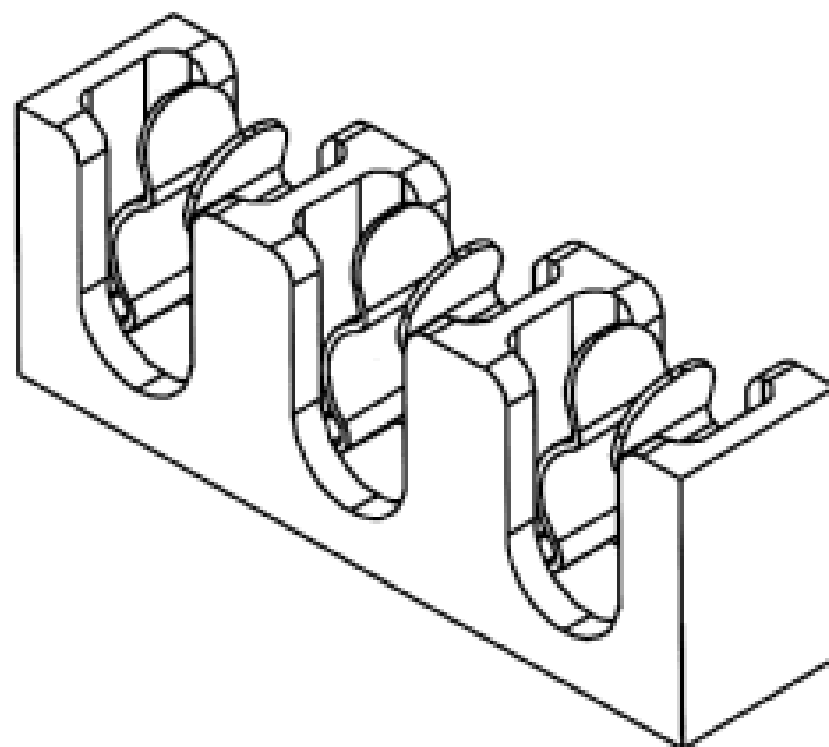
- (21) Design Number: **13922/2010**
(22) Date of Filing Application: **09 September 2010**
(24) Date from which industrial property rights may have effect: **09 September 2010**
(54) Product in respect of which the design is registered: **Tissue box**
(51) International Design Classification: **09-03NES**
(71) Name(s) and Address(s) of Applicant(s):
SCA Hygiene Products AB
S-405 03 Goteborg Sweden
(72) Name(s) of Designer(s): **Thorsten Becherer and Frank Stiller and Susanne-Luz Heuchert**
(45) Registration Date: **19 November 2010**
(30) Convention priority data:
(31) Number (32) Date (33) Country
001679911-0001 10 Mar 2010 EUROPEAN COMMUNITY
(56) Related Art Documents: **Not Applicable**
(57) Statement of Newness and Distinctiveness: **Nil**



- (21) Design Number: **14547/2010**
(22) Date of Filing Application: **21 October 2010**
(24) Date from which industrial property rights may have effect: **21 October 2010**
(54) Product in respect of which the design is registered: **Housed clip**
(51) International Design Classification: **22-99, 13-03B**
(71) Name(s) and Address(s) of Applicant(s):
Avner Klein
145 Wells Street South Melbourne Victoria 3205 Australia
(72) Name(s) of Designer(s): **Avner Klein**
(45) Registration Date: **19 November 2010**
(56) Related Art Documents: **Not Applicable**
(57) Statement of Newness and Distinctiveness: **The newness and distinctiveness of the design resides in the shape and/or configuration of the HOUSED CLIP shown in the representations.**



- (21) Design Number: **14548/2010**
(22) Date of Filing Application: **21 October 2010**
(24) Date from which industrial property rights may have effect: **21 October 2010**
(54) Product in respect of which the design is registered: **Housed clips**
(51) International Design Classification: **22-99, 13-03B**
(71) Name(s) and Address(s) of Applicant(s):
Avner Klein
145 Wells Street South Melbourne Victoria 3205 Australia
(72) Name(s) of Designer(s): **Avner Klein**
(45) Registration Date: **19 November 2010**
(56) Related Art Documents: **Not Applicable**
(57) Statement of Newness and Distinctiveness: **The newness and distinctiveness of the design resides in the shape and/or configuration of the HOUSED CLIPS shown in the representations.**



(21) Design Number: **14595/2010**

(22) Date of Filing Application: **26 October 2010**

(24) Date from which industrial property rights may have effect: **26 October 2010**

(54) Product in respect of which the design is registered: **A child's bed**

(51) International Design Classification: **06-02**

(71) Name(s) and Address(s) of Applicant(s):

Georgia Williams

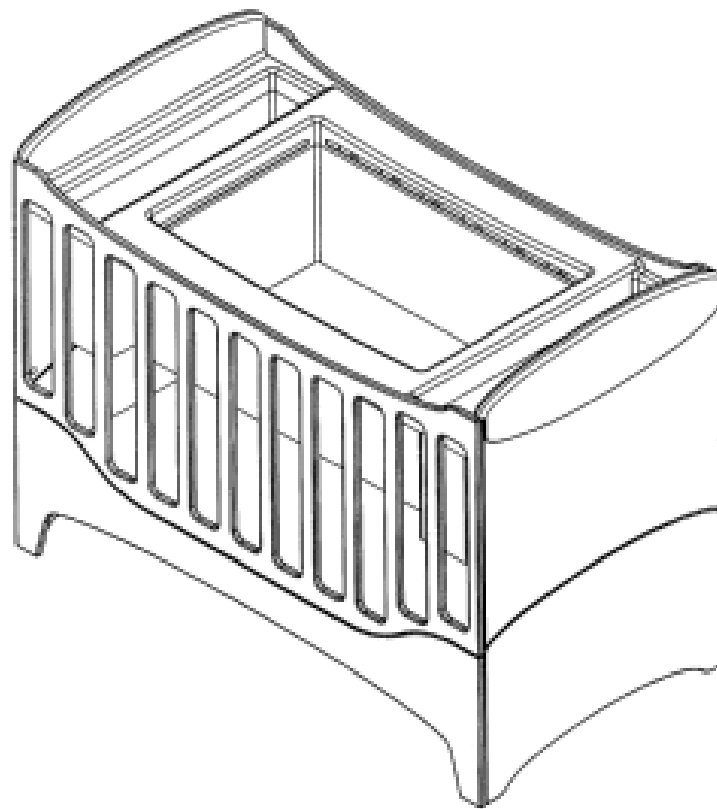
20 Lyndhurst Street Glebe New South Wales 2037 Australia

(72) Name(s) of Designer(s): **Georgia Williams**

(45) Registration Date: **19 November 2010**

(56) Related Art Documents: **Not Applicable**

(57) Statement of Newness and Distinctiveness: **Newness and distinctiveness is claimed in the features of shape and/or configuration of a child's bed as illustrated in the accompanying representations.**



(21) Design Number: **14596/2010**

(22) Date of Filing Application: **26 October 2010**

(24) Date from which industrial property rights may have effect: **26 October 2010**

(54) Product in respect of which the design is registered: **A child's bed**

(51) International Design Classification: **06-02**

(71) Name(s) and Address(s) of Applicant(s):

Georgia Williams

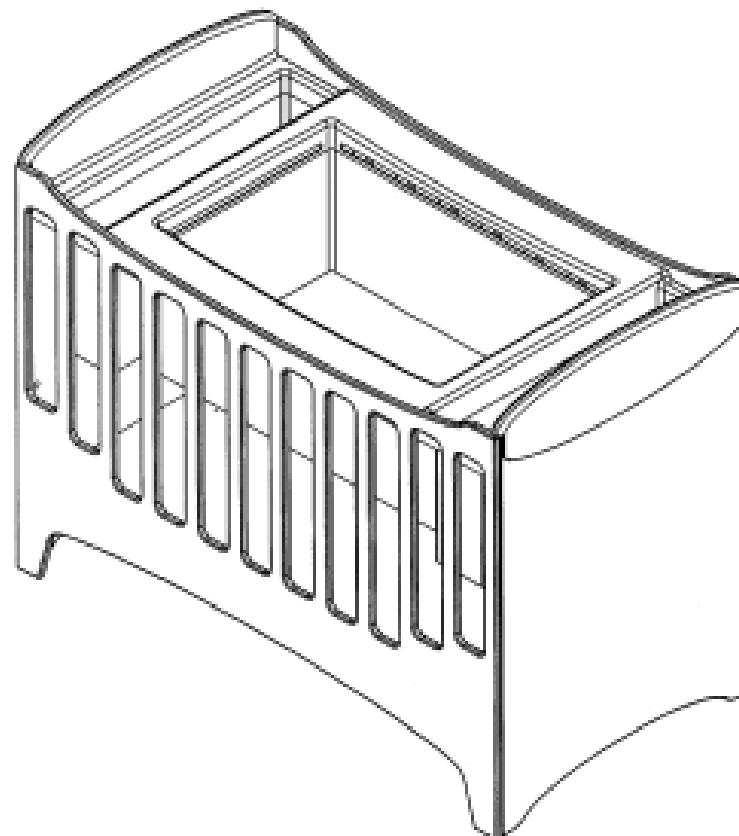
20 Lyndhurst Street Glebe New South Wales 2037 Australia

(72) Name(s) of Designer(s): **Georgia Williams**

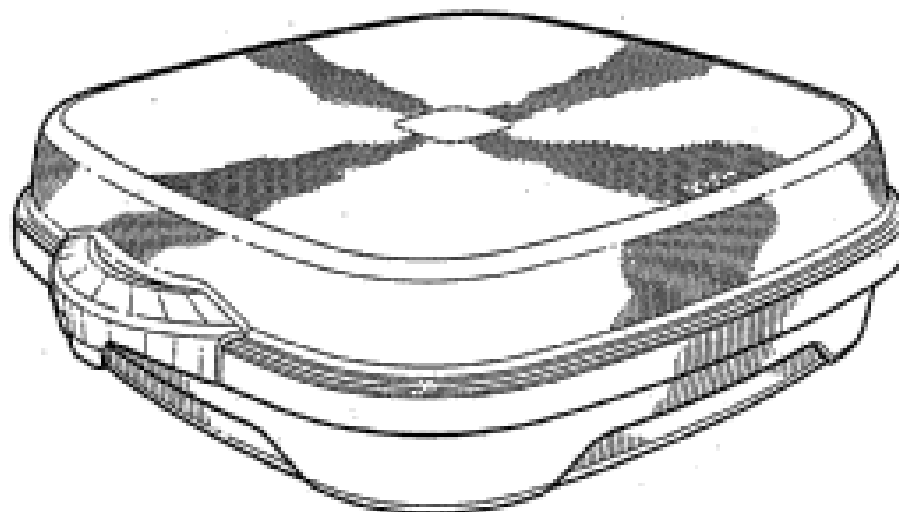
(45) Registration Date: **19 November 2010**

(56) Related Art Documents: **Not Applicable**

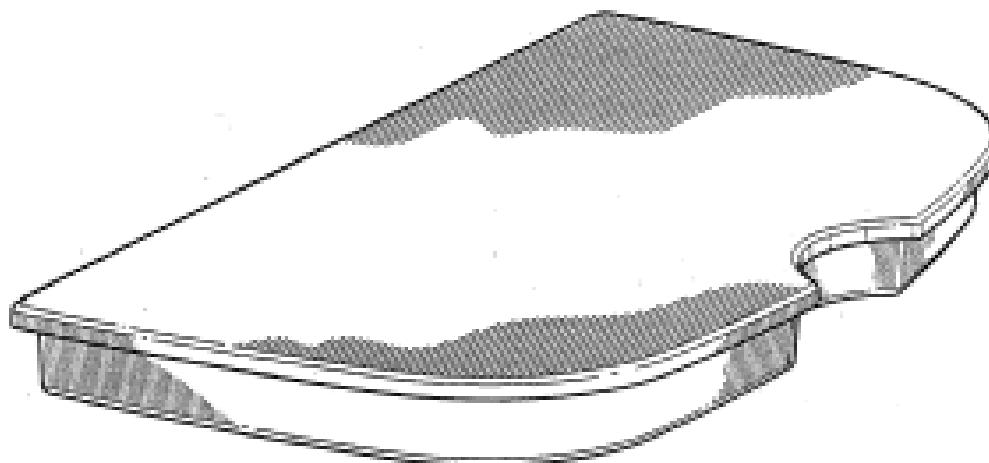
(57) Statement of Newness and Distinctiveness: **Newness and distinctiveness is claimed in the features of shape and/or configuration of a child's bed as illustrated in the accompanying representations.**



(21) Design Number: **14597/2010**
 (22) Date of Filing Application: **26 October 2010**
 (24) Date from which industrial property rights may have effect: **26 October 2010**
 (54) Product in respect of which the design is registered: **Food server**
 (51) International Design Classification: **07-01B**
 (71) Name(s) and Address(s) of Applicant(s):
Columbia Insurance Company
3024 Harney Street Omaha Nebraska 68131 United States of America
 (72) Name(s) of Designer(s): **Frances M. Coursey**
 (45) Registration Date: **19 November 2010**
 (30) Convention priority data:
 (31) Number (32) Date (33) Country
29/360428 26 Apr 2010 UNITED STATES OF AMERICA
 (56) Related Art Documents: **Not Applicable**
 (57) Statement of Newness and Distinctiveness: **Newness and distinctiveness is claimed in the features of shape and/or configuration of a food server as illustrated in the accompanying representations.**



(21) Design Number: **14598/2010**
 (22) Date of Filing Application: **26 October 2010**
 (24) Date from which industrial property rights may have effect: **26 October 2010**
 (54) Product in respect of which the design is registered: **Food server tray**
 (51) International Design Classification: **07-06NES**
 (71) Name(s) and Address(s) of Applicant(s):
Columbia Insurance Company
3024 Harney Street Omaha Nebraska 68131 United States of America
 (72) Name(s) of Designer(s): **E. Mark Harris**
 (45) Registration Date: **19 November 2010**
 (30) Convention priority data:
 (31) Number (32) Date (33) Country
29/360433 26 Apr 2010 UNITED STATES OF AMERICA
 (56) Related Art Documents: **Not Applicable**
 (57) Statement of Newness and Distinctiveness: **Newness and distinctiveness is claimed in the features of shape and/or configuration of a food server tray as illustrated in the accompanying representations.**



(21) Design Number: **13494/2010**

(22) Date of Filing Application: **12 August 2010**

(24) Date from which industrial property rights may have effect: **12 August 2010**

(54) Product in respect of which the design is registered: **Milk container - Spider**

(51) International Design Classification: **19-07, 21-01A**

(71) Name(s) and Address(s) of Applicant(s):

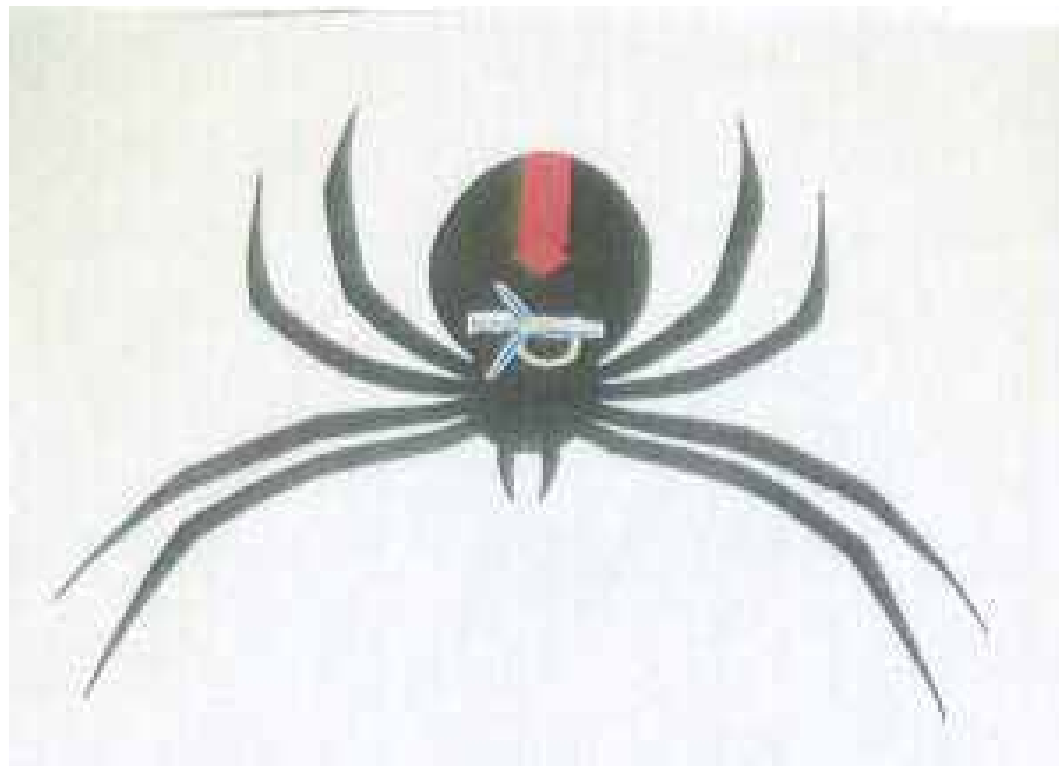
**Education Projects Pty Ltd
57 Bancroft Terrace Deception Bay Queensland 4508 Australia**

(72) Name(s) of Designer(s): **Christopher Fowler**

(45) Registration Date: **22 November 2010**

(56) Related Art Documents: **Not Applicable**

(57) Statement of Newness and Distinctiveness: **The spider is constructed out of a plastic milk containers or similar container.**



(21) Design Number: **14368/2010**

(22) Date of Filing Application: **06 October 2010**

(24) Date from which industrial property rights may have effect: **06 October 2010**

(54) Product in respect of which the design is registered: **Closing device for a door**

(51) International Design Classification: **08-07**

(71) Name(s) and Address(s) of Applicant(s):

**DORMA GmbH + Co. KG
Dorma Platz 1 Ennepetal D-58256 Germany**

(72) Name(s) of Designer(s): **Alexander Hellwig and Thomas Salutzki and Georg Kaluza**

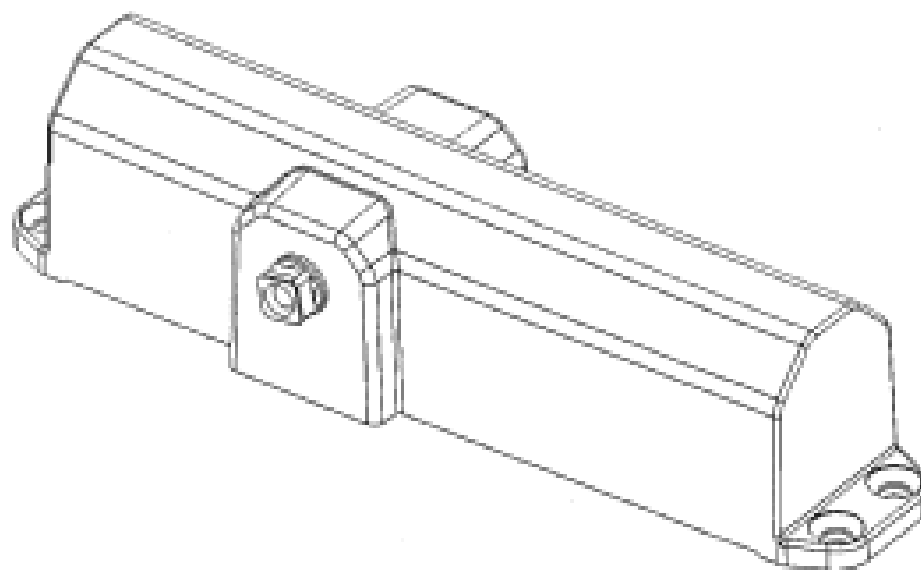
(45) Registration Date: **22 November 2010**

(30) Convention priority data:

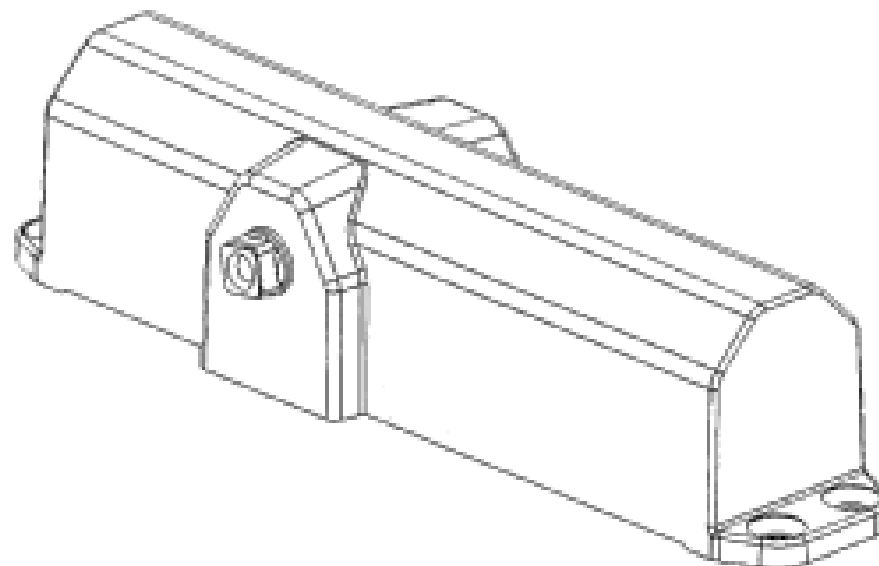
(31) Number	(32) Date	(33) Country
001206007	06 Apr 2010	EUROPEAN COMMUNITY

(56) Related Art Documents: **Not Applicable**

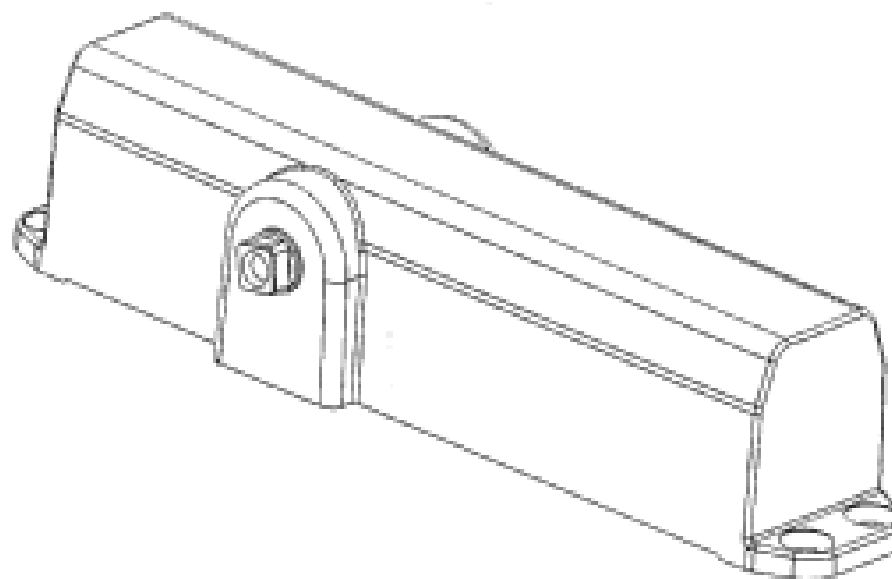
(57) Statement of Newness and Distinctiveness: **Nil**



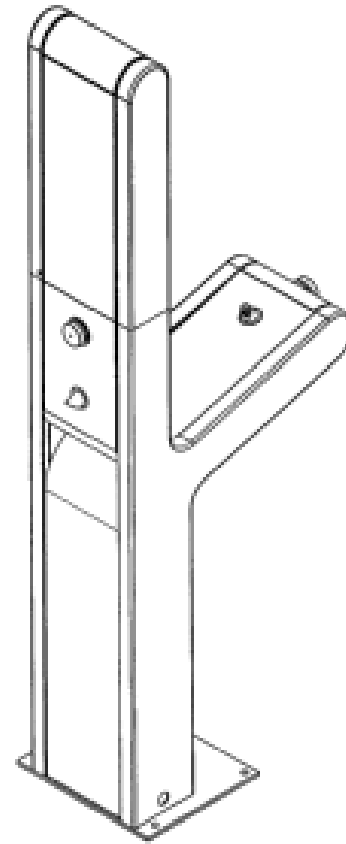
(21) Design Number: **14369/2010**
(22) Date of Filing Application: **06 October 2010**
(24) Date from which industrial property rights may have effect: **06 October 2010**
(54) Product in respect of which the design is registered: **Closing device for a door**
(51) International Design Classification: **08-07**
(71) Name(s) and Address(s) of Applicant(s):
DORMA GmbH + Co. KG
Dorma Platz 1 Ennepetal D-58256 Germany
(72) Name(s) of Designer(s): **Alexander Hellwig and Thomas Salutzki and Georg Kaluza**
(45) Registration Date: **22 November 2010**
(30) Convention priority data:
(31) Number (32) Date (33) Country
001206007 06 Apr 2010 EUROPEAN COMMUNITY
(56) Related Art Documents: **Not Applicable**
(57) Statement of Newness and Distinctiveness: **Nil**



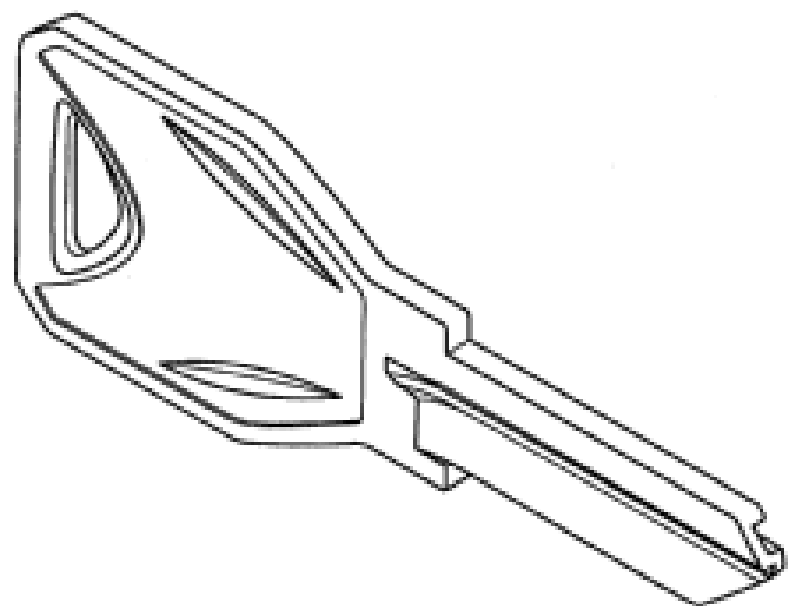
(21) Design Number: **14370/2010**
(22) Date of Filing Application: **06 October 2010**
(24) Date from which industrial property rights may have effect: **06 October 2010**
(54) Product in respect of which the design is registered: **Closing device for a door**
(51) International Design Classification: **08-07**
(71) Name(s) and Address(s) of Applicant(s):
DORMA GmbH + Co. KG
Dorma Platz 1 Ennepetal D-58256 Germany
(72) Name(s) of Designer(s): **Alexander Hellwig and Thomas Salutzki and Georg Kaluza**
(45) Registration Date: **22 November 2010**
(30) Convention priority data:
(31) Number (32) Date (33) Country
001206007 06 Apr 2010 EUROPEAN COMMUNITY
(56) Related Art Documents: **Not Applicable**
(57) Statement of Newness and Distinctiveness: **Nil**



(21) Design Number: **14513/2010**
(22) Date of Filing Application: **07 October 2010**
(24) Date from which industrial property rights may have effect: **07 October 2010**
(54) Product in respect of which the design is registered: **Drinking fountain**
(51) International Design Classification: **23-01NES**
(71) Name(s) and Address(s) of Applicant(s):
Street Furniture Australia Pty Ltd
92 Buckland Street Alexandria New South Wales 2015 Australia
(72) Name(s) of Designer(s): **William Morrison and Darrel Conybeare**
(45) Registration Date: **22 November 2010**
(56) Related Art Documents: **Not Applicable**
(57) Statement of Newness and Distinctiveness: **Nil**



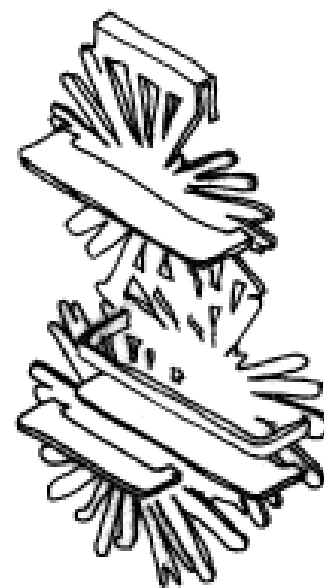
(21) Design Number: **14318/2010**
(22) Date of Filing Application: **04 October 2010**
(24) Date from which industrial property rights may have effect: **04 October 2010**
(54) Product in respect of which the design is registered: **Key blank**
(51) International Design Classification: **08-07**
(71) Name(s) and Address(s) of Applicant(s):
Newfrey LLC
1207 Drummond Plaza Newark Delaware 19711 United States of America
(72) Name(s) of Designer(s): **Sissi Gao**
(45) Registration Date: **22 November 2010**
(30) Convention priority data:
(31) Number (32) Date (33) Country
29/359122 06 Apr 2010 UNITED STATES OF AMERICA
(56) Related Art Documents: **Not Applicable**
(57) Statement of Newness and Distinctiveness: **Nil**



- (21) Design Number: **13475/2010**
(22) Date of Filing Application: **12 August 2010**
(24) Date from which industrial property rights may have effect: **12 August 2010**
(54) Product in respect of which the design is registered: **Solar boat**
(51) International Design Classification: **21-01C**
(71) Name(s) and Address(s) of Applicant(s):
Education Projects Pty Ltd
57 Bancroft Terrace Deception Bay Queensland 4508 Australia
(72) Name(s) of Designer(s): **Christopher Fowler**
(45) Registration Date: **22 November 2010**
(56) Related Art Documents: **Not Applicable**
(57) Statement of Newness and Distinctiveness: **The boats are constructed out of plastic soft drink containers or similar containers.**



- (21) Design Number: **13089/2010**
(22) Date of Filing Application: **23 July 2010**
(24) Date from which industrial property rights may have effect: **23 July 2010**
(54) Product in respect of which the design is registered: **Shower caddy**
(51) International Design Classification: **23-02A**
(71) Name(s) and Address(s) of Applicant(s):
Elaine Richardson
86 Henderson Road Alexandria New South Wales 2015 Australia
(72) Name(s) of Designer(s): **Elaine Richardson**
(45) Registration Date: **22 November 2010**
(56) Related Art Documents: **Not Applicable**
(57) Statement of Newness and Distinctiveness: **Nil**



(21) Design Number: **13090/2010**

(22) Date of Filing Application: **23 July 2010**

(24) Date from which industrial property rights may have effect: **23 July 2010**

(54) Product in respect of which the design is registered: **Soap shower caddy**

(51) International Design Classification: **23-02A**

(71) Name(s) and Address(s) of Applicant(s):

Elaine Richardson

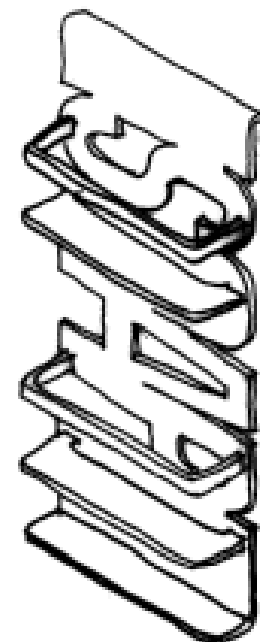
86 Henderson Road Alexandria New South Wales 2015 Australia

(72) Name(s) of Designer(s): **Elaine Richardson**

(45) Registration Date: **22 November 2010**

(56) Related Art Documents: **Not Applicable**

(57) Statement of Newness and Distinctiveness: **Nil**



(21) Design Number: **13091/2010**

(22) Date of Filing Application: **23 July 2010**

(24) Date from which industrial property rights may have effect: **23 July 2010**

(54) Product in respect of which the design is registered: **Shower caddy**

(51) International Design Classification: **23-02A**

(71) Name(s) and Address(s) of Applicant(s):

Elaine Richardson

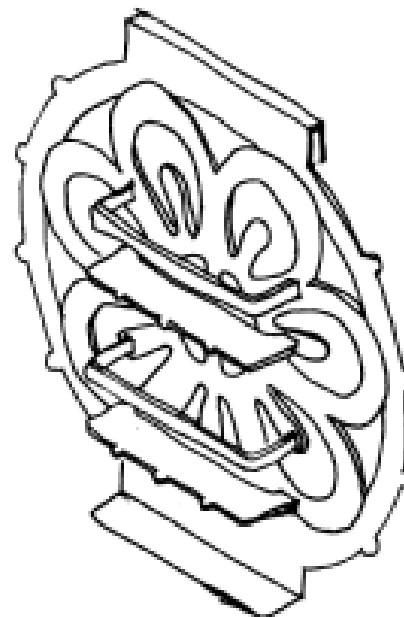
86 Henderson Road Alexandria New South Wales 2015 Australia

(72) Name(s) of Designer(s): **Elaine Richardson**

(45) Registration Date: **22 November 2010**

(56) Related Art Documents: **Not Applicable**

(57) Statement of Newness and Distinctiveness: **Nil**



(21) Design Number: **11476/2010**

(22) Date of Filing Application: **20 April 2010**

(24) Date from which industrial property rights may have effect: **20 April 2010**

(54) Product in respect of which the design is registered: **A can speaker**

(51) International Design Classification: **14-01**

(71) Name(s) and Address(s) of Applicant(s):

**Powersource Investments Pty Ltd
Level 1 176 Bridge Road Richmond Victoria 3121 Australia**

(72) Name(s) of Designer(s): **Jason Weiler**

(45) Registration Date: **22 November 2010**

(56) Related Art Documents: **Not Applicable**

(57) Statement of Newness and Distinctiveness: **The particular visual features of the design which the applicant hereby identifies as new and distinctiveness are as follows: A speaker as illustrated in the accompanying representations.**



(21) Design Number: **13565/2010**

(22) Date of Filing Application: **20 August 2010**

(24) Date from which industrial property rights may have effect: **20 August 2010**

(54) Product in respect of which the design is registered: **Cocktail pick**

(51) International Design Classification: **07-99NES**

(71) Name(s) and Address(s) of Applicant(s):

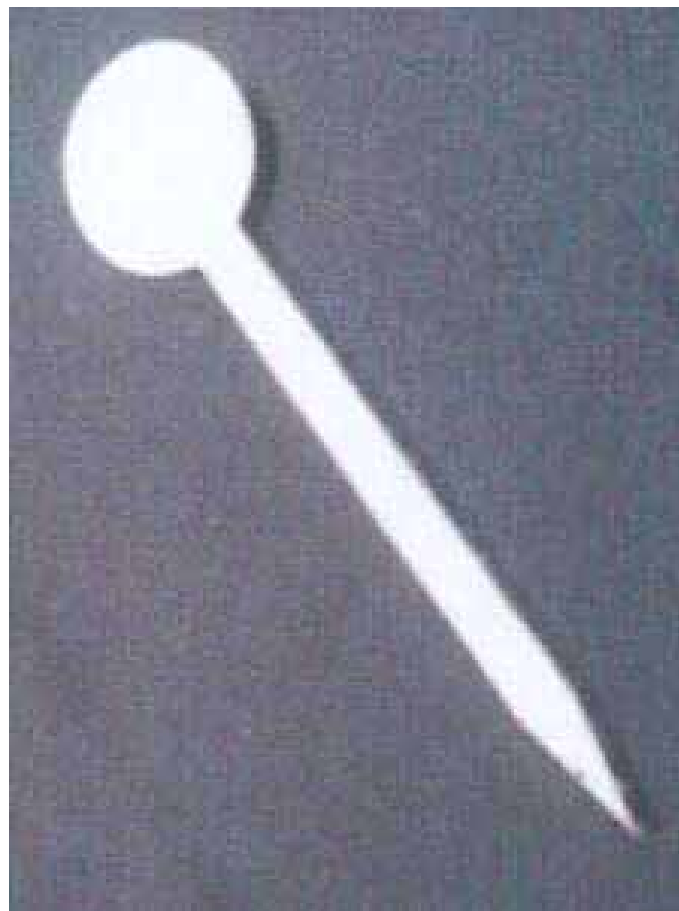
**Anita Rush
73 Iona Street Black Rock Victoria 3193 Australia**

(72) Name(s) of Designer(s): **Anita Rush**

(45) Registration Date: **22 November 2010**

(56) Related Art Documents: **Not Applicable**

(57) Statement of Newness and Distinctiveness: **The cocktail pick design is 80 mm in length with a circular disc at the top for easy grip. The disc is 20 mm in diameter and the bottom of the design forms a sharp point for piercing food. The thickness is 2 mm.**



(21) Design Number: **13566/2010**

(22) Date of Filing Application: **20 August 2010**

(24) Date from which industrial property rights may have effect: **20 August 2010**

(54) Product in respect of which the design is registered: **Cocktail stirrer**

(51) International Design Classification: **07-06NES**

(71) Name(s) and Address(s) of Applicant(s):

Anita Rush

73 Iona Street Black Rock Victoria 3193 Australia

(72) Name(s) of Designer(s): **Anita Rush**

(45) Registration Date: **22 November 2010**

(56) Related Art Documents: **Not Applicable**

(57) Statement of Newness and Distinctiveness: **The cocktail swirler (long version) has a 15 mm diameter circular disc at the top for easy grip and a paddle shape bottom. It is 212 mm in length from top to bottom.**



(21) Design Number: **13567/2010**

(22) Date of Filing Application: **20 August 2010**

(24) Date from which industrial property rights may have effect: **20 August 2010**

(54) Product in respect of which the design is registered: **Cocktail stirrer**

(51) International Design Classification: **07-06NES**

(71) Name(s) and Address(s) of Applicant(s):

Anita Rush

73 Iona Street Black Rock Victoria 3193 Australia

(72) Name(s) of Designer(s): **Anita Rush**

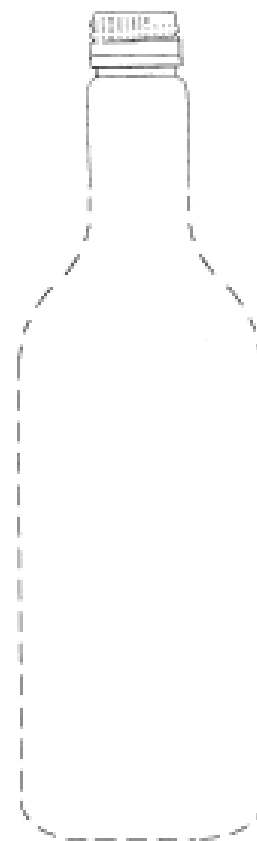
(45) Registration Date: **22 November 2010**

(56) Related Art Documents: **Not Applicable**

(57) Statement of Newness and Distinctiveness: **The cocktail swirler (short version) has a 20 mm diameter circular disc at the top for easy grip and a paddle shape bottom. It is 162 mm in length from top to bottom.**



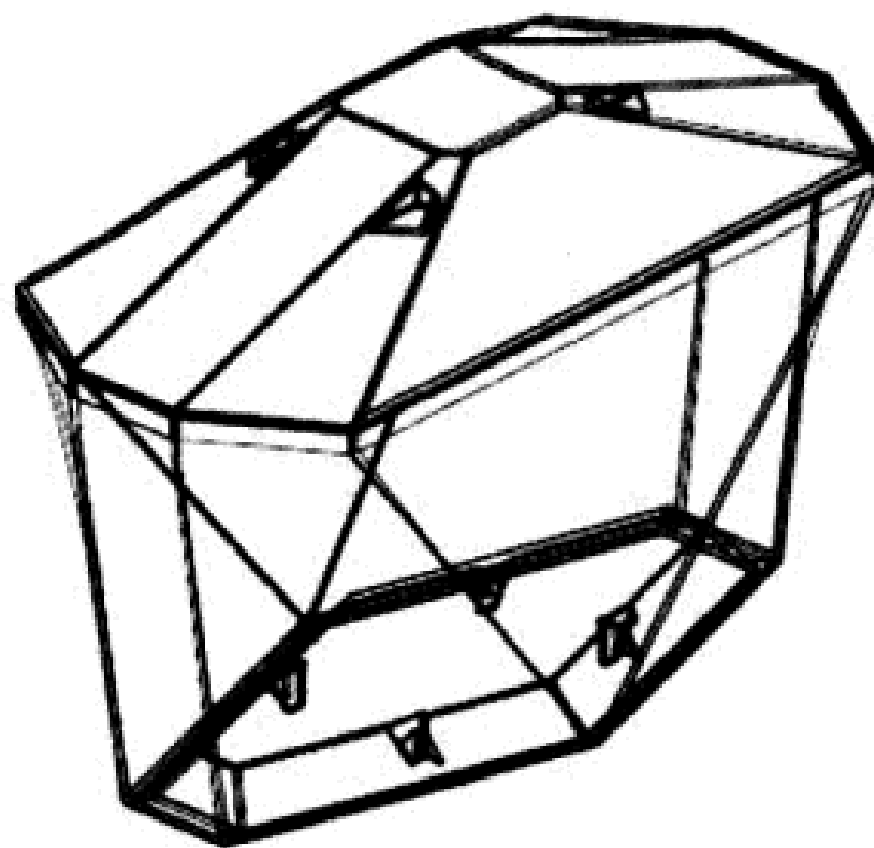
- (21) Design Number: **13971/2010**
(22) Date of Filing Application: **13 September 2010**
(24) Date from which industrial property rights may have effect: **13 September 2010**
(54) Product in respect of which the design is registered: **Wine bottle**
(51) International Design Classification: **09-01H**
(71) Name(s) and Address(s) of Applicant(s):
Viscose Closures Ltd
Unit 1 Fleming Way Crawley RH10 9JY United Kingdom
(72) Name(s) of Designer(s): **William Cartwright**
(45) Registration Date: **22 November 2010**
(30) Convention priority data:
(31) Number (32) Date (33) Country
001201529 12 Mar 2010 EUROPEAN COMMUNITY
(56) Related Art Documents: **Not Applicable**
(57) Statement of Newness and Distinctiveness: **Newness and distinctiveness resides in the features of shape shown within solid (as opposed to dashed) boundary lines in the accompanying figures.**



- (21) Design Number: **14987/2010**
(22) Date of Filing Application: **13 September 2010**
(24) Date from which industrial property rights may have effect: **13 September 2010**
(54) Product in respect of which the design is registered: **Wine bottle**
(51) International Design Classification: **09-01H**
(71) Name(s) and Address(s) of Applicant(s):
Viscose Closures Ltd
Unit 1 Fleming Way Crawley RH10 9JY United Kingdom
(72) Name(s) of Designer(s): **William Cartwright**
(45) Registration Date: **22 November 2010**
(30) Convention priority data:
(31) Number (32) Date (33) Country
001201529 12 Mar 2010 EUROPEAN COMMUNITY
(56) Related Art Documents: **Not Applicable**
(57) Statement of Newness and Distinctiveness: **Newness and distinctiveness resides in the features of shape shown within solid (as opposed to dashed) boundary lines in the accompanying figures.**



(21) Design Number: **14574/2010**
(22) Date of Filing Application: **22 October 2010**
(24) Date from which industrial property rights may have effect: **22 October 2010**
(54) Product in respect of which the design is registered: **Container**
(51) International Design Classification: **09-03NES**
(71) Name(s) and Address(s) of Applicant(s):
Mars, Incorporated
6885 Elm Street McLean Virginia 22101 United States of America
(72) Name(s) of Designer(s): **Animesh Bahattacharya**
(45) Registration Date: **22 November 2010**
(30) Convention priority data:
(31) Number (32) Date (33) Country
D116/2010 26 Apr 2010 UNITED ARAB EMIRATES
(56) Related Art Documents: **Not Applicable**
(57) Statement of Newness and Distinctiveness: **Nil**



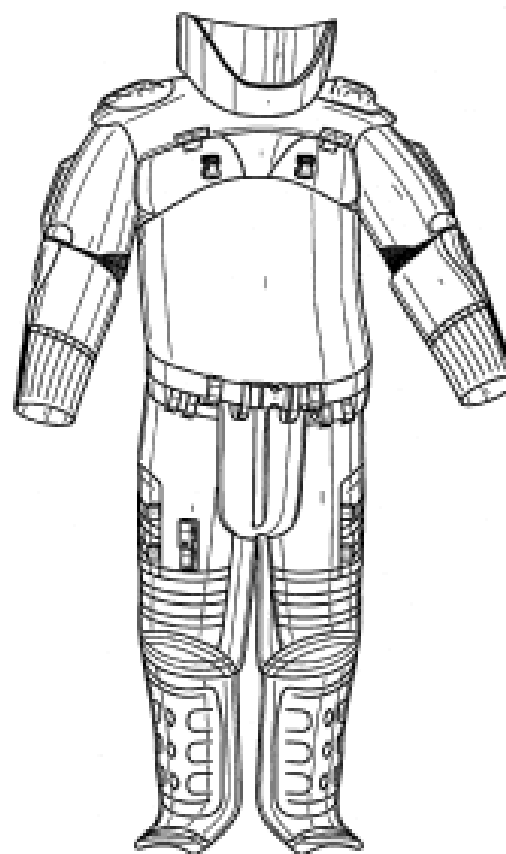
(21) Design Number: **14613/2010**
(22) Date of Filing Application: **27 October 2010**
(24) Date from which industrial property rights may have effect: **27 October 2010**
(54) Product in respect of which the design is registered: **Mounting bracket**
(51) International Design Classification: **12-11, 12-16NES**
(71) Name(s) and Address(s) of Applicant(s):
Werner Schyns
3 Hammersley Road Grays Point New South Wales 2232 Australia
(72) Name(s) of Designer(s): **Werner Schyns**
(45) Registration Date: **22 November 2010**
(56) Related Art Documents: **Not Applicable**
(57) Statement of Newness and Distinctiveness: **Nil**



(19) AU

- (21) Design Number: **14273/2010**
- (22) Date of Filing Application: **29 September 2010**
- (24) Date from which industrial property rights may have effect: **29 September 2010**
- (54) Product in respect of which the design is registered: **Protective body suit**
- (51) International Design Classification: **02-02B**
- (71) Name(s) and Address(s) of Applicant(s):
Allen-Vanguard Technology Inc.
2400 St. Laurent Boulevard Ottawa Ontario K1G 6C4 Canada
- (72) Name(s) of Designer(s): **Rob Reynolds and Rob Beland and Magda Slobozianu**
- (45) Registration Date: **24 November 2010**
- (30) Convention priority data:

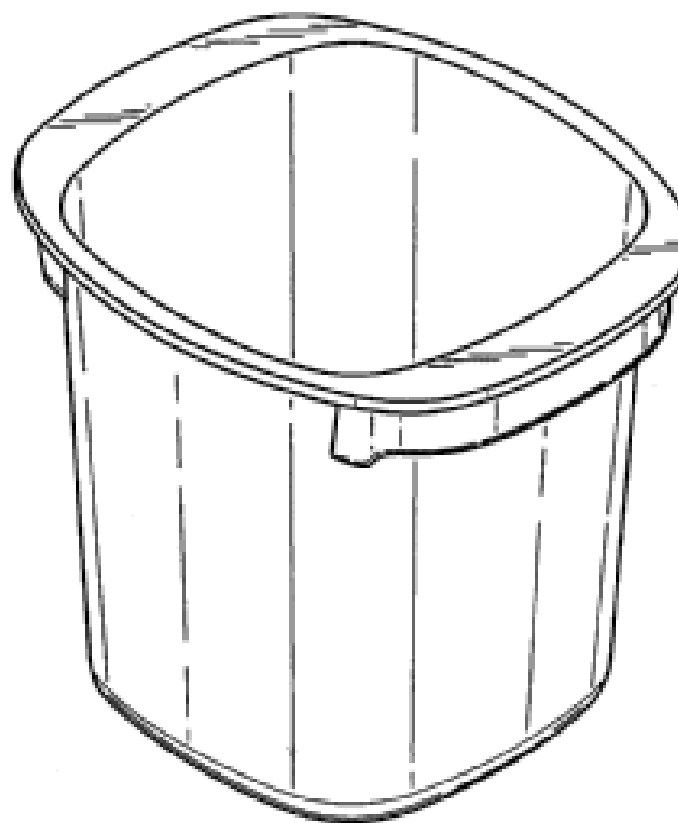
(31) Number	(32) Date	(33) Country
29/360521	27 Apr 2010	UNITED STATES OF AMERICA
- (56) Related Art Documents: **Not Applicable**
- (57) Statement of Newness and Distinctiveness: **Newness and distinctiveness resides in the visual features of shape, configuration, pattern and/or ornamentation of a protective body suit as illustrated in the accompanying representations.**



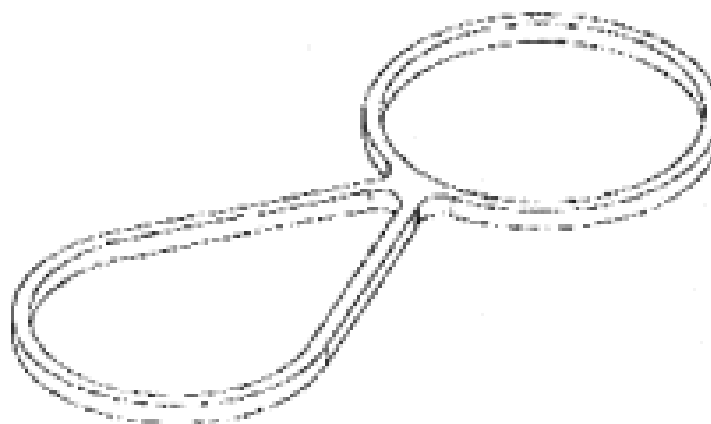
(19) AU

- (21) Design Number: **14363/2010**
- (22) Date of Filing Application: **06 October 2010**
- (24) Date from which industrial property rights may have effect: **06 October 2010**
- (54) Product in respect of which the design is registered: **A tub**
- (51) International Design Classification: **09-03NES**
- (71) Name(s) and Address(s) of Applicant(s):
Unilever PLC
Unilever House 100 Victoria Embankment London EC4Y 0DY United Kingdom
- (72) Name(s) of Designer(s): **Tiziano Joseph Bellon and Ryan Paul Davidson and Darin Charles Koestring and Kenneth Paul Meissbach and Edward Joseph Pietraniec and Russell Mapplebeck**
- (45) Registration Date: **24 November 2010**
- (30) Convention priority data:

(31) Number	(32) Date	(33) Country
4015271	14 Apr 2010	UNITED KINGDOM
- (56) Related Art Documents: **Not Applicable**
- (57) Statement of Newness and Distinctiveness: **Newness and distinctiveness is claimed in the visual features shown in solid lines in the representations.**



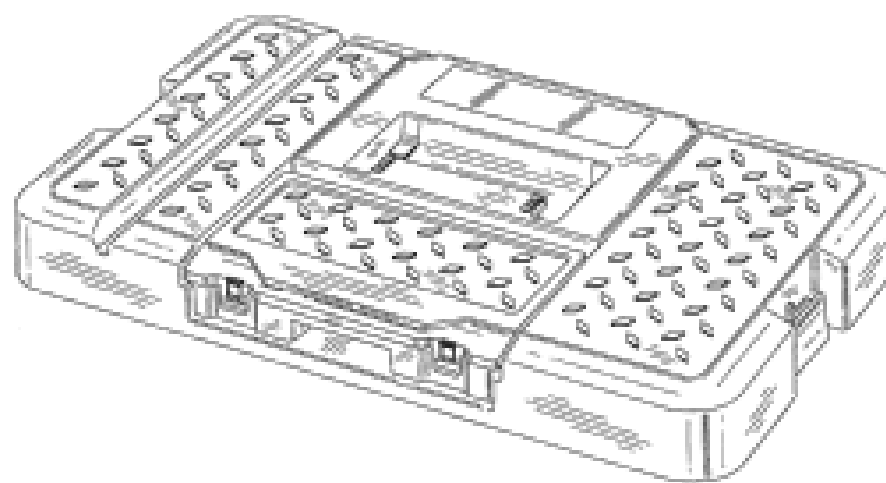
- (21) Design Number: **14591/2010**
(22) Date of Filing Application: **26 October 2010**
(24) Date from which industrial property rights may have effect: **26 October 2010**
(54) Product in respect of which the design is registered: **Bottle carrying device**
(51) International Design Classification: **07-06A**
(71) Name(s) and Address(s) of Applicant(s):
Peter Alexander Popenko
4 Krause Street Deception Bay Queensland 4508 Australia
(72) Name(s) of Designer(s): **Peter Alexander Popenko**
(45) Registration Date: **24 November 2010**
(56) Related Art Documents: **Not Applicable**
(57) Statement of Newness and Distinctiveness: **Newness and distinctiveness resides in the shape and configuration of a bottle carrying device as shown in the accompanying representations.**



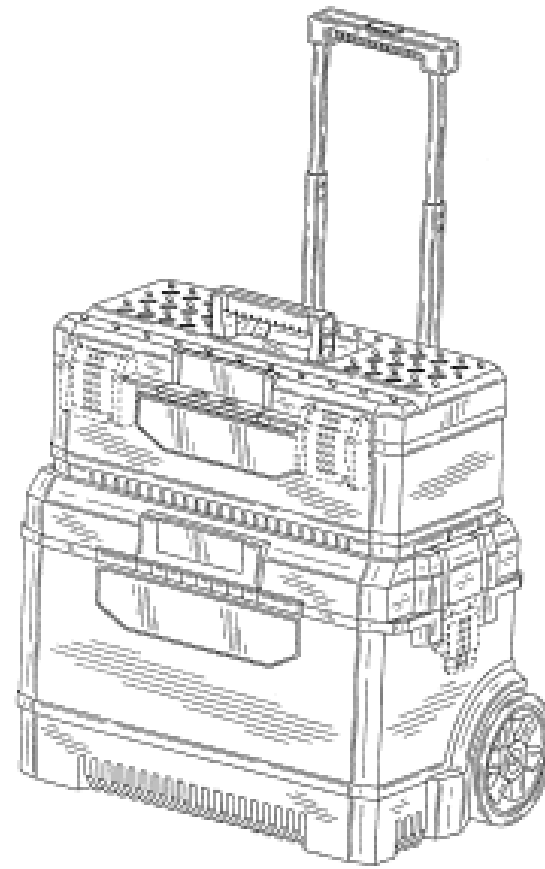
- (21) Design Number: **14405/2010**
(22) Date of Filing Application: **13 October 2010**
(24) Date from which industrial property rights may have effect: **13 October 2010**
(54) Product in respect of which the design is registered: **Toolbox top**
(51) International Design Classification: **03-01D**
(71) Name(s) and Address(s) of Applicant(s):
The Stanley Works Israel Ltd.
19 Ha'melacha Street New Industrial Zone Rosh Ha'ayin 48091 Israel
(72) Name(s) of Designer(s): **Gil Vilkomirski and Elad Hay Shitrit**
(45) Registration Date: **24 November 2010**
(30) Convention priority data:

(31) Number	(32) Date	(33) Country
29/359804	15 Apr 2010	UNITED STATES OF AMERICA

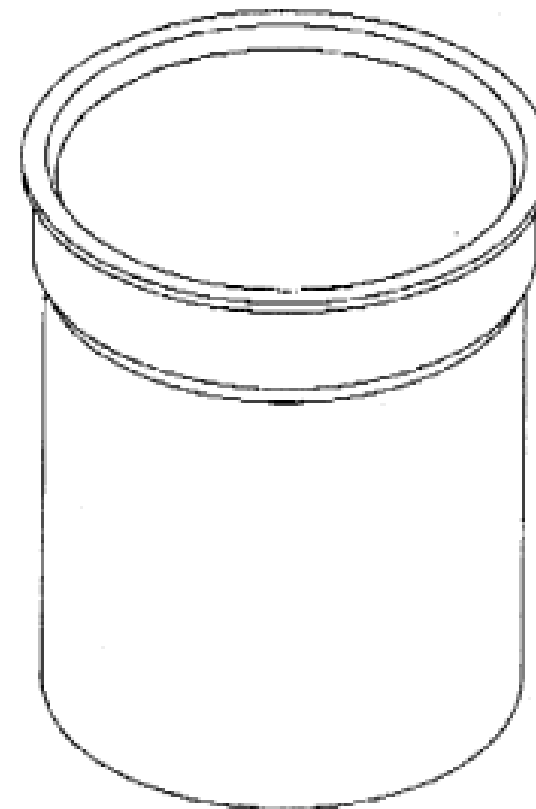
(56) Related Art Documents: **Not Applicable**
(57) Statement of Newness and Distinctiveness: **Newness and distinctiveness is claimed in the visual features shown in solid lines in the representations.**



- (21) Design Number: **14406/2010**
(22) Date of Filing Application: **13 October 2010**
(24) Date from which industrial property rights may have effect: **13 October 2010**
(54) Product in respect of which the design is registered: **Toolbox assembly**
(51) International Design Classification: **03-01D**
(71) Name(s) and Address(s) of Applicant(s):
The Stanley Works Israel Ltd.
19 Ha'melacha Street New Industrial Zone Rosh Ha'ayin 48091 Israel
(72) Name(s) of Designer(s): **David Sosnovsky and Eitan Landau**
(45) Registration Date: **24 November 2010**
(30) Convention priority data:
(31) Number (32) Date (33) Country
29/359798 15 Apr 2010 UNITED STATES OF AMERICA
(56) Related Art Documents: **Not Applicable**
(57) Statement of Newness and Distinctiveness: **Newness and distinctiveness is claimed in the visual features shown in solid lines in the representations.**



- (21) Design Number: **14622/2010**
(22) Date of Filing Application: **26 October 2010**
(24) Date from which industrial property rights may have effect: **26 October 2010**
(54) Product in respect of which the design is registered: **Pipe adaptor**
(51) International Design Classification: **23-04**
(71) Name(s) and Address(s) of Applicant(s):
Edward Gregory Hume
2 Lind Street Thornlands Queensland 4164 Australia
(72) Name(s) of Designer(s): **Edward Gregory Hume**
(45) Registration Date: **24 November 2010**
(56) Related Art Documents: **Not Applicable**
(57) Statement of Newness and Distinctiveness: **Nil**



(21) Design Number: **14623/2010**
 (22) Date of Filing Application: **26 October 2010**
 (24) Date from which industrial property rights may have effect: **26 October 2010**
 (54) Product in respect of which the design is registered: **Dehumidifiers Housing**
 (51) International Design Classification: **23-01A**
 (71) Name(s) and Address(s) of Applicant(s):

Dri-Eaz Products, Inc
15180 Josh Wilson Road Burlington WA 98233 United States of America

(72) Name(s) of Designer(s): **Kevin A. Wolfe and Robert Pendergrass**

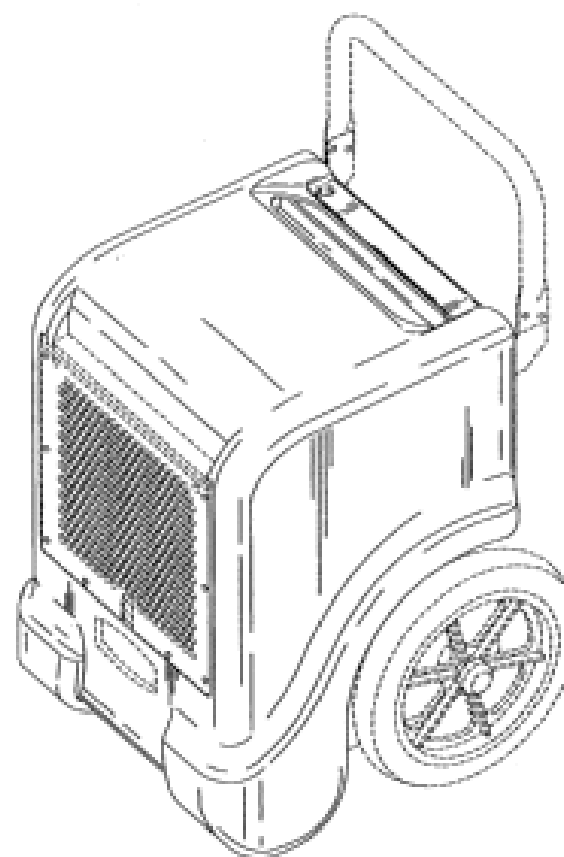
(45) Registration Date: **24 November 2010**

(30) Convention priority data:

(31) Number	(32) Date	(33) Country
29/360,550	27 Apr 2010	UNITED STATES OF AMERICA

(56) Related Art Documents: **Not Applicable**

(57) Statement of Newness and Distinctiveness: **Nil**



(21) Design Number: **14691/2010**
 (22) Date of Filing Application: **29 October 2010**
 (24) Date from which industrial property rights may have effect: **29 October 2010**
 (54) Product in respect of which the design is registered: **Sanitary Napkin**
 (51) International Design Classification: **24-04**
 (71) Name(s) and Address(s) of Applicant(s):

J&J do Brasil Industria e comercio de Produtos Para Saude Ltda.
Rodovia Presidente Dutra KM-154 CEP 12237-350 Sao Jose dos Campos Sao Paulo Brazil

(72) Name(s) of Designer(s): **Ana Maria Elena R. Marcelo and Fernanda Wiermann Paques and Steven H. White**

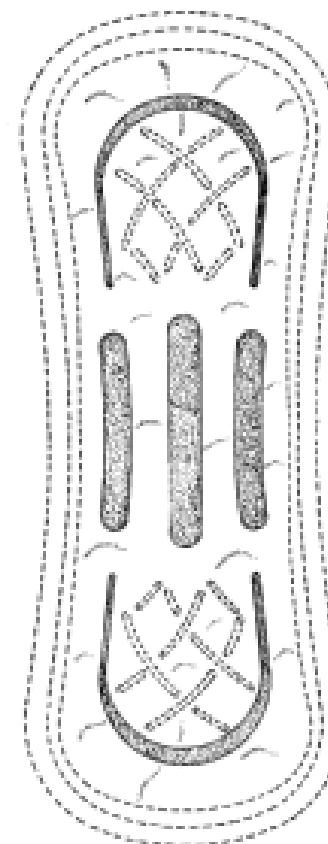
(45) Registration Date: **24 November 2010**

(30) Convention priority data:

(31) Number	(32) Date	(33) Country
29/361306	10 May 2010	UNITED STATES OF AMERICA

(56) Related Art Documents: **Not Applicable**

(57) Statement of Newness and Distinctiveness: **Newness and distinctiveness reside in the shape and configuration and/or pattern and ornamentation of the features shown in solid line of the design for a SANITARY NAPKIN.**



(21) Design Number: **14692/2010**

(22) Date of Filing Application: **29 October 2010**

(24) Date from which industrial property rights may have effect: **29 October 2010**

(54) Product in respect of which the design is registered: **Sanitary napkin**

(51) International Design Classification: **24-04**

(71) Name(s) and Address(s) of Applicant(s):

**J&J do Brasil Industria e comercio de Produtos Para Saude Ltda.
Rodovia Presidente Dutra KM-154 CEP 12237-350 Sao Jose dos
Campos Sao Paulo Brazil**

(72) Name(s) of Designer(s): **Ana Maria Elena R. Marcelo and Fernanda
Wiermann Paques and Steven H. White**

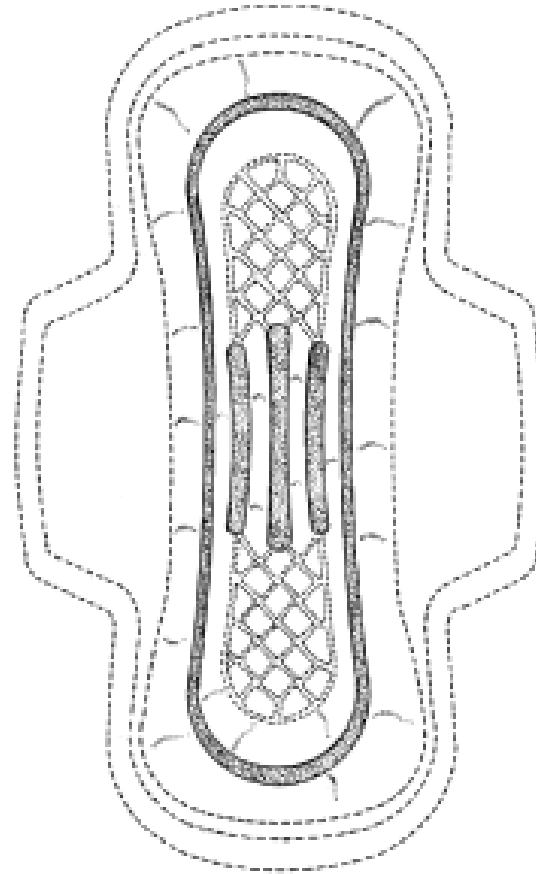
(45) Registration Date: **24 November 2010**

(30) Convention priority data:

(31) Number	(32) Date	(33) Country
29/361305	10 May 2010	UNITED STATES OF AMERICA

(56) Related Art Documents: **Not Applicable**

(57) Statement of Newness and Distinctiveness: **Newness and distinctiveness reside in the shape and configuration and/or pattern and ornamentation of the features shown in solid line of the design for a SANITARY NAPKIN.**



(21) Design Number: **14693/2010**

(22) Date of Filing Application: **29 October 2010**

(24) Date from which industrial property rights may have effect: **29 October 2010**

(54) Product in respect of which the design is registered: **A metal strap**

(51) International Design Classification: **08-09**

(71) Name(s) and Address(s) of Applicant(s):

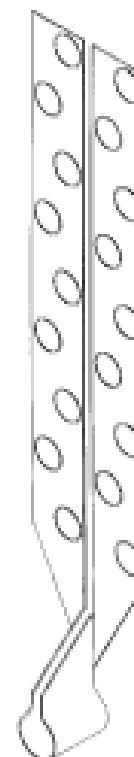
**MiTek Australia Ltd
46 Monash Drive Dandenong South Victoria 3175 Australia**

(72) Name(s) of Designer(s): **Robert Hong Seng Tan**

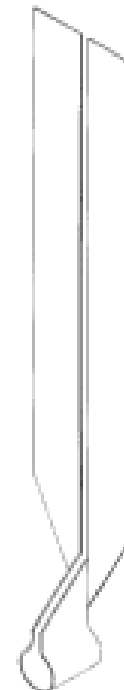
(45) Registration Date: **24 November 2010**

(56) Related Art Documents: **Not Applicable**

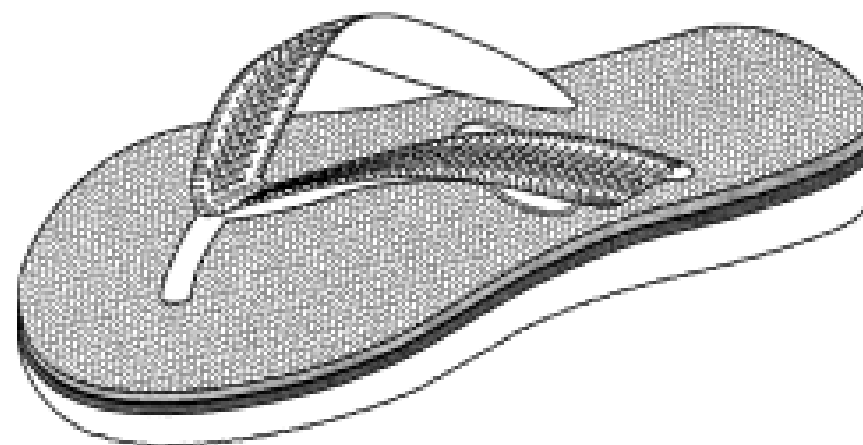
(57) Statement of Newness and Distinctiveness: **Nil**



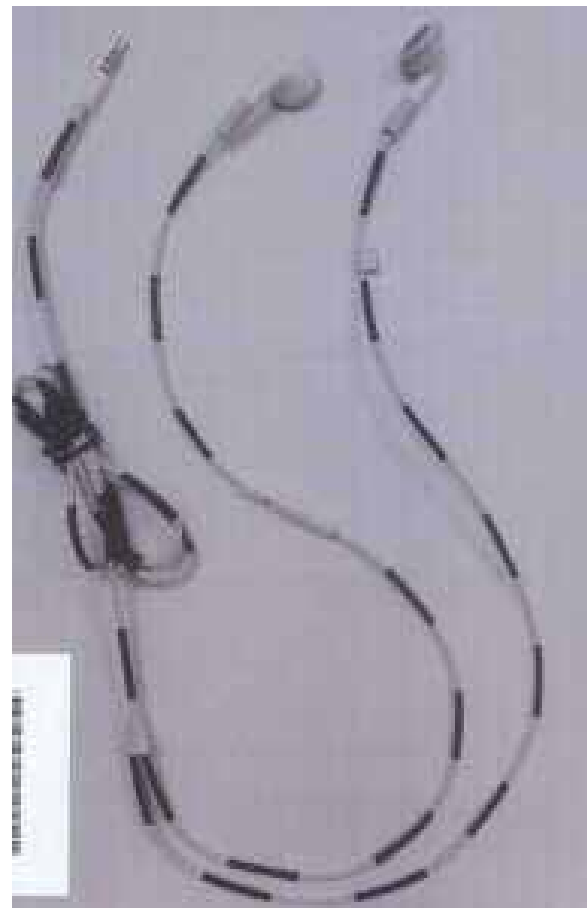
(21) Design Number: **14694/2010**
(22) Date of Filing Application: **29 October 2010**
(24) Date from which industrial property rights may have effect: **29 October 2010**
(54) Product in respect of which the design is registered: **A metal strap**
(51) International Design Classification: **08-09**
(71) Name(s) and Address(s) of Applicant(s):
MiTek Australia Ltd
46 Monash Drive Dandenong South Victoria 3175 Australia
(72) Name(s) of Designer(s): **Robert Hong Seng Tan**
(45) Registration Date: **24 November 2010**
(56) Related Art Documents: **Not Applicable**
(57) Statement of Newness and Distinctiveness: **Nil**



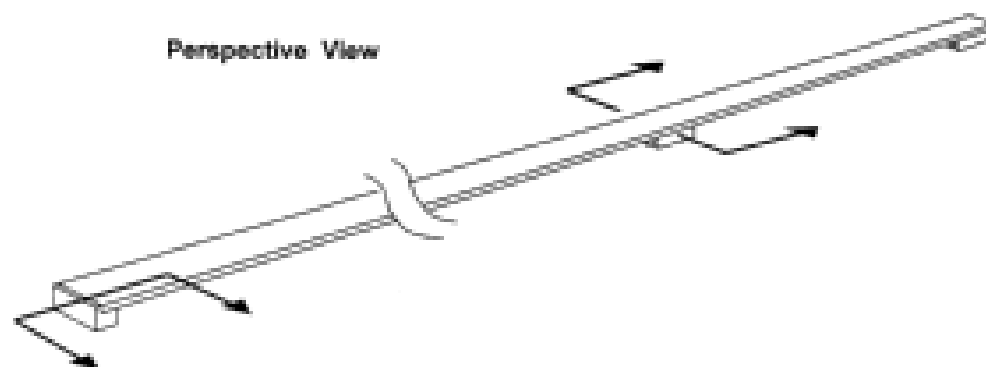
(21) Design Number: **14695/2010**
(22) Date of Filing Application: **29 October 2010**
(24) Date from which industrial property rights may have effect: **29 October 2010**
(54) Product in respect of which the design is registered:
(51) International Design Classification: **02-04NES**
(71) Name(s) and Address(s) of Applicant(s):
Sao Paulo Alpargatas S.A.
Rua Funchal no 160 Vila Olimpia CEP 04551-903 Sao Paulo SP Brazil
(72) Name(s) of Designer(s): **Julio Cesar Panariello Junior**
(45) Registration Date: **24 November 2010**
(30) Convention priority data:
(31) Number (32) Date (33) Country
D17002220-8 30 Apr 2010 BRAZIL
(56) Related Art Documents: **Not Applicable**
(57) Statement of Newness and Distinctiveness: **Nil**



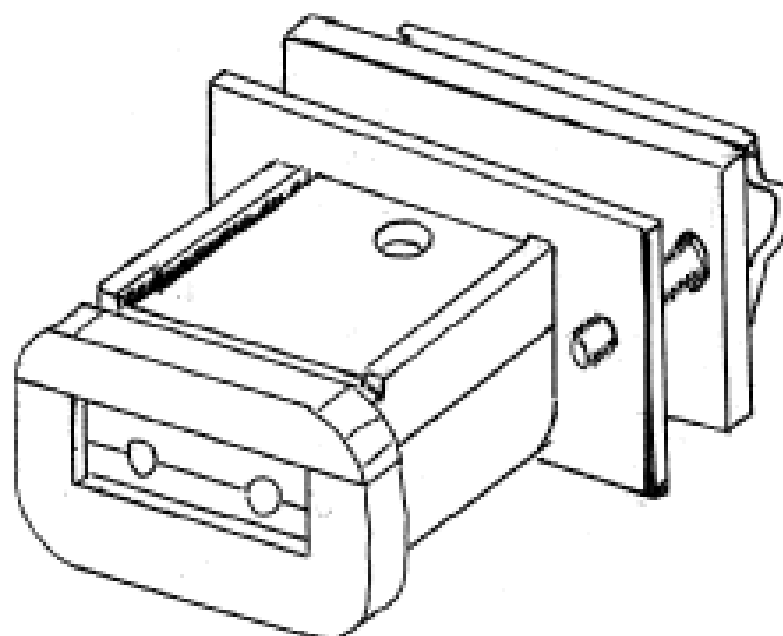
(21) Design Number: **14714/2010**
(22) Date of Filing Application: **02 November 2010**
(24) Date from which industrial property rights may have effect: **02 November 2010**
(54) Product in respect of which the design is registered: **Headphones/Earphones, cord of headphones/Earphones**
(51) International Design Classification: **14-01**
(71) Name(s) and Address(s) of Applicant(s):
Jonathan Rzetelski
53 Park Road Burwood Sydney New South Wales 2134 Australia
(72) Name(s) of Designer(s): **Jonathan Rzetelski**
(45) Registration Date: **24 November 2010**
(56) Related Art Documents: **Not Applicable**
(57) Statement of Newness and Distinctiveness: **Design of stripes applied to the cords of headphones/ earphones, includes stripes of any colour.**



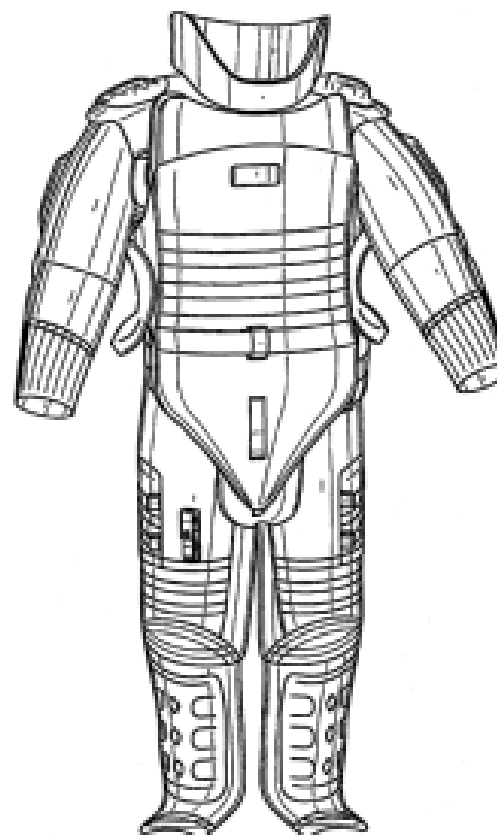
(21) Design Number: **14715/2010**
(22) Date of Filing Application: **02 November 2010**
(24) Date from which industrial property rights may have effect: **02 November 2010**
(54) Product in respect of which the design is registered: **Top brace of a frameless shower screen**
(51) International Design Classification: **25-01K**
(71) Name(s) and Address(s) of Applicant(s):
Atlantis Bathroom Style Ltd
139 Maleme Street Tauranga 3110 New Zealand
(72) Name(s) of Designer(s): **Bruce Nathan Warner**
(45) Registration Date: **24 November 2010**
(30) Convention priority data:
(31) Number (32) Date (33) Country
413225 19 Jan 2010 NEW ZEALAND
(56) Related Art Documents: **Not Applicable**
(57) Statement of Newness and Distinctiveness: **The designs, used together, are to be applied to the top brace of a frameless shower screen and the novelty resides in the features of shape and configuration as shown in the accompanying representation.**



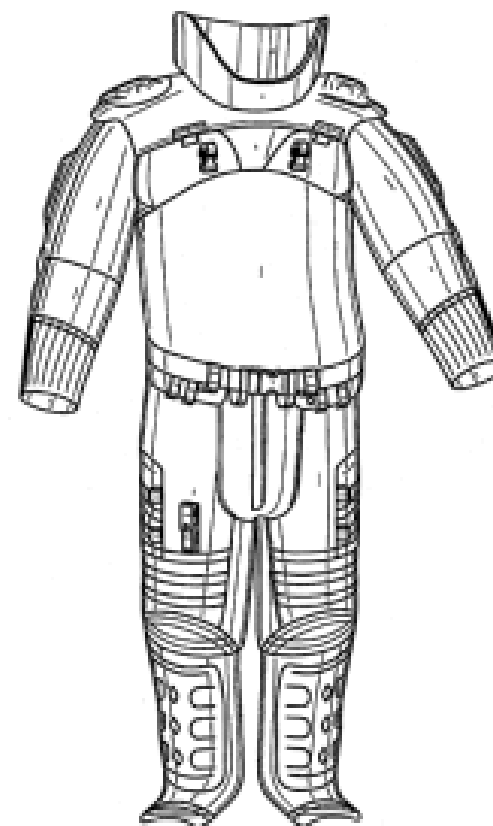
- (21) Design Number: **14717/2010**
(22) Date of Filing Application: **01 November 2010**
(24) Date from which industrial property rights may have effect: **01 November 2010**
(54) Product in respect of which the design is registered: **Flush mount connector cover assembly**
(51) International Design Classification: **12-16L**
(71) Name(s) and Address(s) of Applicant(s):
Sandra Lorraine Gravalin
271 River Street Maclean New South Wales 2463 Australia
Dennis Ronald Gravalin
271 River Street Maclean New South Wales 2463 Australia
(72) Name(s) of Designer(s): **Dennis Ronald Gravalin and Sandra Lorraine Gravalin**
(45) Registration Date: **24 November 2010**
(56) Related Art Documents: **Not Applicable**
(57) Statement of Newness and Distinctiveness: **Newness and distinctiveness is claimed in the visual features of the design in the shape and configuration of a Flush Mount Connector Cover Assembly as shown in the accompanied illustrations and representations in solid lines.**



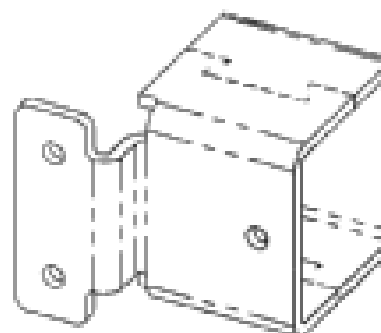
- (21) Design Number: **14931/2010**
(22) Date of Filing Application: **29 September 2010**
(24) Date from which industrial property rights may have effect: **29 September 2010**
(54) Product in respect of which the design is registered: **Protective body suit**
(51) International Design Classification: **02-02B**
(71) Name(s) and Address(s) of Applicant(s):
Allen-Vanguard Technology Inc.
2400 St. Laurent Boulevard Ottawa Ontario K1G 6C4 Canada
(72) Name(s) of Designer(s): **Rob Reynolds and Rob Beland and Magda Slobozianu**
(45) Registration Date: **24 November 2010**
(30) Convention priority data:
(31) Number (32) Date (33) Country
29/360,521 27 Apr 2010 UNITED STATES OF AMERICA
(56) Related Art Documents: **Not Applicable**
(57) Statement of Newness and Distinctiveness: **Newness and distinctiveness resides in the visual features of shape, configuration, pattern and/or ornamentation of a protective body suit as illustrated in the accompanying representations.**



- (21) Design Number: **14932/2010**
(22) Date of Filing Application: **29 September 2010**
(24) Date from which industrial property rights may have effect: **29 September 2010**
(54) Product in respect of which the design is registered: **Protective body suit**
(51) International Design Classification: **02-02B**
(71) Name(s) and Address(s) of Applicant(s):
Allen-Vanguard Technology Inc.
2400 St. Laurent Boulevard Ottawa Ontario K1G 6C4 Canada
(72) Name(s) of Designer(s): **Rob Reynolds and Rob Beland and Magda Slobozianu**
(45) Registration Date: **24 November 2010**
(30) Convention priority data:
(31) Number (32) Date (33) Country
29/360,521 27 Apr 2010 UNITED STATES OF AMERICA
(56) Related Art Documents: **Not Applicable**
(57) Statement of Newness and Distinctiveness: **Newness and distinctiveness resides in the visual features of shape, configuration, pattern and/or ornamentation of a protective body suit as illustrated in the accompanying representations.**



- (21) Design Number: **12245/2010**
(22) Date of Filing Application: **31 May 2010**
(24) Date from which industrial property rights may have effect: **31 May 2010**
(54) Product in respect of which the design is registered: **Fence rail support bracket**
(51) International Design Classification: **08-08L**
(71) Name(s) and Address(s) of Applicant(s):
Bluedog Fences Australia Pty Ltd
Unit 3/119 Wicks Road North Ryde New South Wales 2113 Australia
(72) Name(s) of Designer(s): **James D.F. West**
(45) Registration Date: **24 November 2010**
(56) Related Art Documents: **Not Applicable**
(57) Statement of Newness and Distinctiveness: **Monopoly is claimed in the features of shape and configuration of the part as shown in the representations. In particular those features of shape and configuration which constitute the symmetrical appearance of the part which eliminates the need for left and right handed versions.**



(21) Design Number: **12345/2010**

(22) Date of Filing Application: **08 June 2010**

(24) Date from which industrial property rights may have effect: **08 June 2010**

(54) Product in respect of which the design is registered: **Infuser**

(51) International Design Classification: **07-02NES**

(71) Name(s) and Address(s) of Applicant(s):

Luke Kowald

12/78 Oxford Street Collingwood Victoria 3066 Australia

(72) Name(s) of Designer(s): **Luke Kowald**

(45) Registration Date: **24 November 2010**

(56) Related Art Documents: **Not Applicable**

(57) Statement of Newness and Distinctiveness: **The new and distinctive visual features of this infuser are: - it's rounded ends, - the shape and position of the scoop at the opposite end to the tube's area of infusion.**



(21) Design Number: **12999/2010**

(22) Date of Filing Application: **19 July 2010**

(24) Date from which industrial property rights may have effect: **19 July 2010**

(54) Product in respect of which the design is registered: **Fandeck lampshade**

(51) International Design Classification: **26-05D**

(71) Name(s) and Address(s) of Applicant(s):

Yellow Diva Pty Ltd

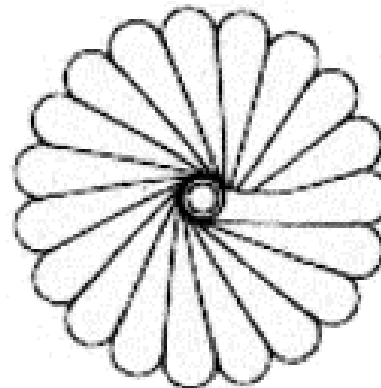
51 Victoria Street Abbotsford Victoria 3067 Australia

(72) Name(s) of Designer(s): **David Walley**

(45) Registration Date: **24 November 2010**

(56) Related Art Documents: **Not Applicable**

(57) Statement of Newness and Distinctiveness: **The 19 sections of the lampshade pivot around a central hub, so enabling the lampshade to "flat-pack".**

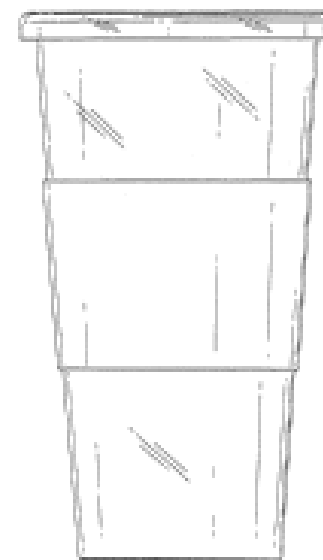


- (21) Design Number: **13668/2010**
- (22) Date of Filing Application: **26 August 2010**
- (24) Date from which industrial property rights may have effect: **26 August 2010**
- (54) Product in respect of which the design is registered: **Polo shirts and flags**
- (51) International Design Classification: **02-02NES, 11-05**
- (71) Name(s) and Address(s) of Applicant(s):
Trevor Ross
1A Douglas Street Warwick Queensland 4370 Australia
- (72) Name(s) of Designer(s): **Trevor Ross**
- (45) Registration Date: **24 November 2010**
- (56) Related Art Documents: **Not Applicable**
- (57) Statement of Newness and Distinctiveness: **The team photograph, is Queensland Maroons 2010 winning team digital printed on the shirt and flag.**

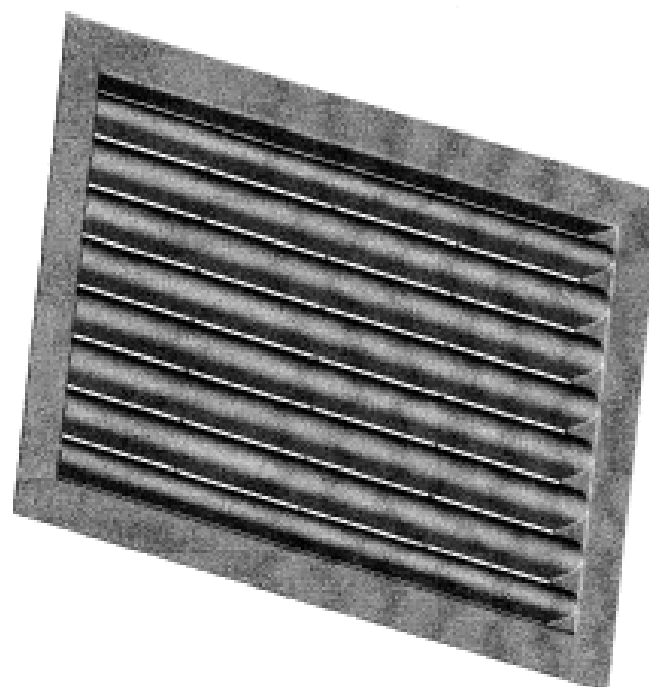


- (21) Design Number: **13890/2010**
- (22) Date of Filing Application: **09 September 2010**
- (24) Date from which industrial property rights may have effect: **09 September 2010**
- (54) Product in respect of which the design is registered: **Cup**
- (51) International Design Classification: **07-01D**
- (71) Name(s) and Address(s) of Applicant(s):
Wilton Industries, Inc.
2240 W.75th Street Woodridge IL 60517 United States of America
- (72) Name(s) of Designer(s): **David Starr and Traci Chapple and Jeffrey Chiu and Mason Umholtz and Karen Swinford and Yvonne Hau Yee Chow and Emily Carlson**
- (45) Registration Date: **24 November 2010**
- (30) Convention priority data:

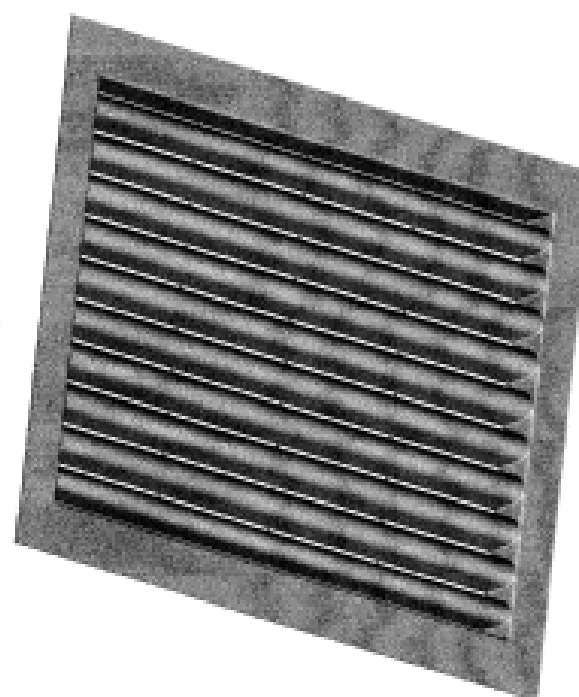
(31) Number	(32) Date	(33) Country
29/357,500	12 Mar 2010	UNITED STATES OF AMERICA
- (56) Related Art Documents: **Not Applicable**
- (57) Statement of Newness and Distinctiveness: **The newness and distinctiveness of the design resides in the features of pattern and/or ornamentation or shape and/or configuration shown in unbroken lines in the accompanying representations.**



- (21) Design Number: **14221/2010**
(22) Date of Filing Application: **11 October 2010**
(24) Date from which industrial property rights may have effect: **11 October 2010**
(54) Product in respect of which the design is registered: **Ventilated base for a bee hive**
(51) International Design Classification: **30-02**
(71) Name(s) and Address(s) of Applicant(s):
Jean Pierre Mercader
802 Faraday-Sutton Grange Road Sutton Grange Victoria 3448
Australia
(72) Name(s) of Designer(s): **Jean-Pierre Mercader and Peter Marie**
(45) Registration Date: **24 November 2010**
(56) Related Art Documents: **Not Applicable**
(57) Statement of Newness and Distinctiveness: **Beehive base board, made in one piece with load bearing ribs and ventilation slots. Slot dimensions prevent bee escape but allow bees to eject small insets and detritus. To suit 8 frame hives.**



- (21) Design Number: **14222/2010**
(22) Date of Filing Application: **11 October 2010**
(24) Date from which industrial property rights may have effect: **11 October 2010**
(54) Product in respect of which the design is registered: **Ventilated base for a bee hive**
(51) International Design Classification: **30-02**
(71) Name(s) and Address(s) of Applicant(s):
Jean Pierre Mercader
802 Faraday-Sutton Grange Road Sutton Grange Victoria 3448
Australia
(72) Name(s) of Designer(s): **Jean-Pierre Mercader and Peter Marie**
(45) Registration Date: **24 November 2010**
(56) Related Art Documents: **Not Applicable**
(57) Statement of Newness and Distinctiveness: **Beehive base board, made in one piece with load bearing ribs and ventilation slots. Slot dimensions prevent bee escape but allow bees to eject small insects and detritus. To suit 10 frame hives.**

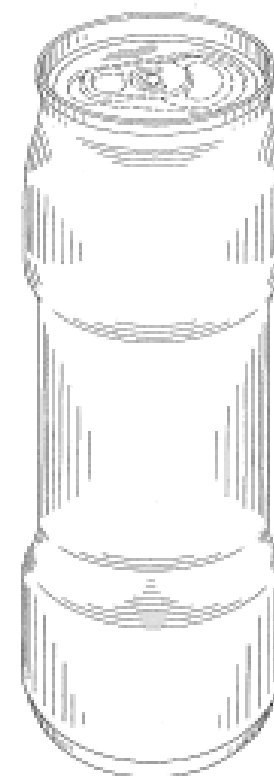


- (21) Design Number: **14668/2010**
- (22) Date of Filing Application: **28 October 2010**
- (24) Date from which industrial property rights may have effect: **28 October 2010**
- (54) Product in respect of which the design is registered: **Wagering and gaming terminal**
- (51) International Design Classification: **21-03**
- (71) Name(s) and Address(s) of Applicant(s):
Amtote Australasia Pty Limited
14-16 Suakin Street Pymble New South Wales 2073 Australia
- (72) Name(s) of Designer(s): **Stewart Sands and Murray Hunter**
- (45) Registration Date: **24 November 2010**
- (56) Related Art Documents: **Not Applicable**
- (57) Statement of Newness and Distinctiveness: **Newness and Distinctiveness is claimed in the features of shape and configuration of a wagering and gaming terminal as shown in solid lines in the attached representations.**



- (21) Design Number: **14669/2010**
- (22) Date of Filing Application: **29 October 2010**
- (24) Date from which industrial property rights may have effect: **29 October 2010**
- (54) Product in respect of which the design is registered: **Can**
- (51) International Design Classification: **09-03L**
- (71) Name(s) and Address(s) of Applicant(s):
Alcoa Inc.
Alcoa Corporate Center 201 Isabella Street Pittsburgh PA 15212-5858
United States of America
- (72) Name(s) of Designer(s): **Gary L Myers and Robert E Dick and Anthony J Fedusa and Eileen Kenzevich**
- (45) Registration Date: **24 November 2010**
- (30) Convention priority data:

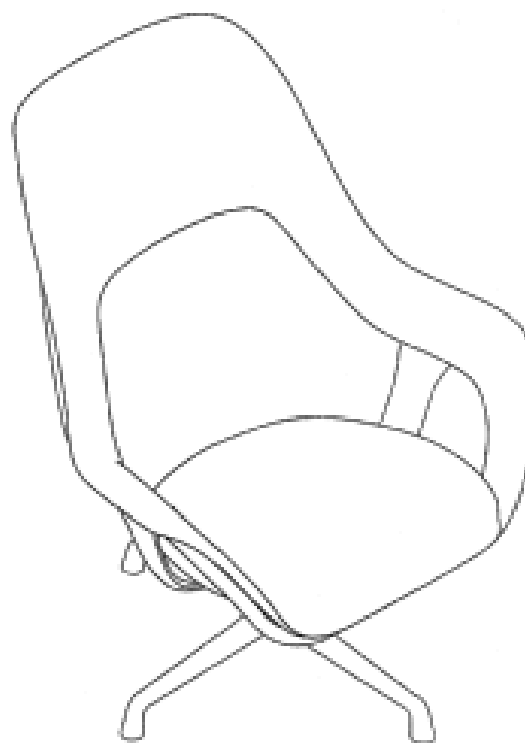
(31) Number	(32) Date	(33) Country
29/361,613	13 May 2010	UNITED STATES OF AMERICA
- (56) Related Art Documents: **Not Applicable**
- (57) Statement of Newness and Distinctiveness: **The newness and distinctiveness of the design resides in the features of pattern and/or ornamentation OR shape and/or configuration shown in unbroken lines in the accompanying representations.**



(21) Design Number: **14674/2010**
(22) Date of Filing Application: **28 October 2010**
(24) Date from which industrial property rights may have effect: **28 October 2010**
(54) Product in respect of which the design is registered: **Bottle**
(51) International Design Classification: **09-01K**
(71) Name(s) and Address(s) of Applicant(s):
Owens-Brockway Glass Container Inc.
One Michael Owens Way Perrysburg Ohio 43551 United States of America
(72) Name(s) of Designer(s): **Karl A. Reisig and Michael J. Lonsway**
(45) Registration Date: **24 November 2010**
(30) Convention priority data:
(31) Number (32) Date (33) Country
29/361328 10 May 2010 UNITED STATES OF AMERICA
(56) Related Art Documents: **Not Applicable**
(57) Statement of Newness and Distinctiveness: **Newness and Distinctiveness of the design for a bottle resides in the shape and configuration and/or pattern and ornamentation of the features shown in solid line.**



(21) Design Number: **14697/2010**
(22) Date of Filing Application: **29 October 2010**
(24) Date from which industrial property rights may have effect: **29 October 2010**
(54) Product in respect of which the design is registered: **Chair**
(51) International Design Classification: **06-01F**
(71) Name(s) and Address(s) of Applicant(s):
Steelcase Inc.,
901-44th Street Grand Rapids Michigan 49508 United States of America
(72) Name(s) of Designer(s): **Scott Wilson and D.Matthew Puhalla**
(45) Registration Date: **24 November 2010**
(30) Convention priority data:
(31) Number (32) Date (33) Country
29/360948 03 May 2010 UNITED STATES OF AMERICA
(56) Related Art Documents: **Not Applicable**
(57) Statement of Newness and Distinctiveness: **Newness and distinctiveness reside in the features of the design as shown in the representations.**



(21) Design Number: **14698/2010**

(22) Date of Filing Application: **29 October 2010**

(24) Date from which industrial property rights may have effect: **29 October 2010**

(54) Product in respect of which the design is registered: **Chair**

(51) International Design Classification: **06-01F**

(71) Name(s) and Address(s) of Applicant(s):

**Steelcase Inc.,
901-44th Street Grand Rapids Michigan 49508 United States of
America**

(72) Name(s) of Designer(s): **Scott Wilson and D.Matthew Puhalla**

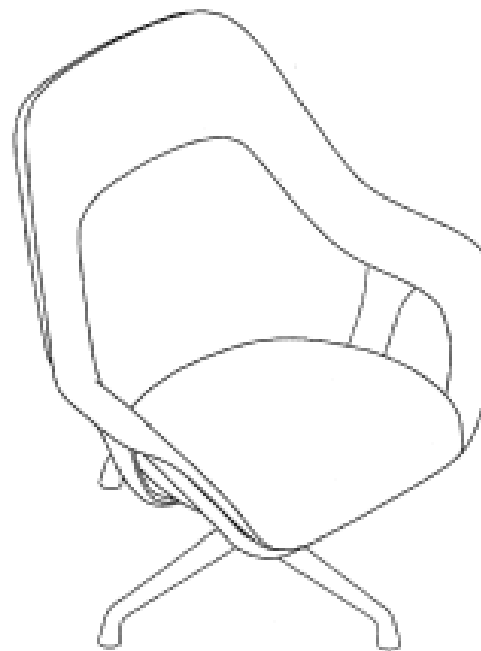
(45) Registration Date: **24 November 2010**

(30) Convention priority data:

(31) Number	(32) Date	(33) Country
29/360947	03 May 2010	UNITED STATES OF AMERICA

(56) Related Art Documents: **Not Applicable**

(57) Statement of Newness and Distinctiveness: **Newness and distinctiveness reside in the features of the design as shown in the representations.**



(21) Design Number: **14699/2010**

(22) Date of Filing Application: **29 October 2010**

(24) Date from which industrial property rights may have effect: **29 October 2010**

(54) Product in respect of which the design is registered: **Mobile phone**

(51) International Design Classification: **14-03E**

(71) Name(s) and Address(s) of Applicant(s):

**LG Electronics Inc.,
20 Yeouido-dong Yeongdeungpo-gu Seoul 150#721 Republic of Korea**

(72) Name(s) of Designer(s): **Dae Kyeong Kim and Sha Rim Choe**

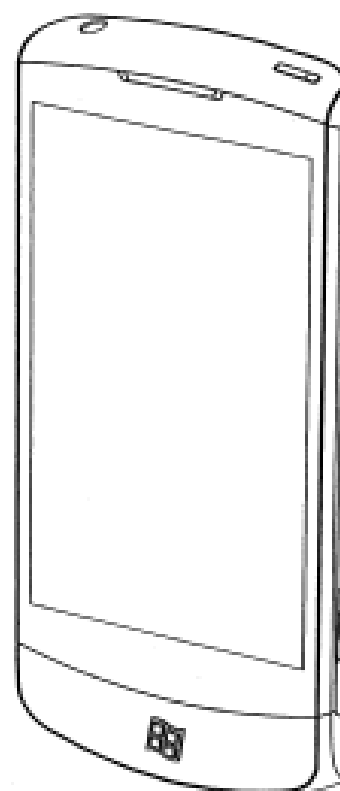
(45) Registration Date: **24 November 2010**

(30) Convention priority data:

(31) Number	(32) Date	(33) Country
30#2010#0019985	04 May 2010	REPUBLIC OF KOREA

(56) Related Art Documents: **Not Applicable**

(57) Statement of Newness and Distinctiveness: **Newness and distinctiveness reside in the features of the design as shown in the representations.**



(21) Design Number: **14700/2010**

(22) Date of Filing Application: **29 October 2010**

(24) Date from which industrial property rights may have effect: **29 October 2010**

(54) Product in respect of which the design is registered: **Chair**

(51) International Design Classification: **06-01F**

(71) Name(s) and Address(s) of Applicant(s):

**Steelcase Inc.,
901-44th Street Grand Rapids Michigan 49508 United States of
America**

(72) Name(s) of Designer(s): **Scott Wilson and D.Matthew Puhalla**

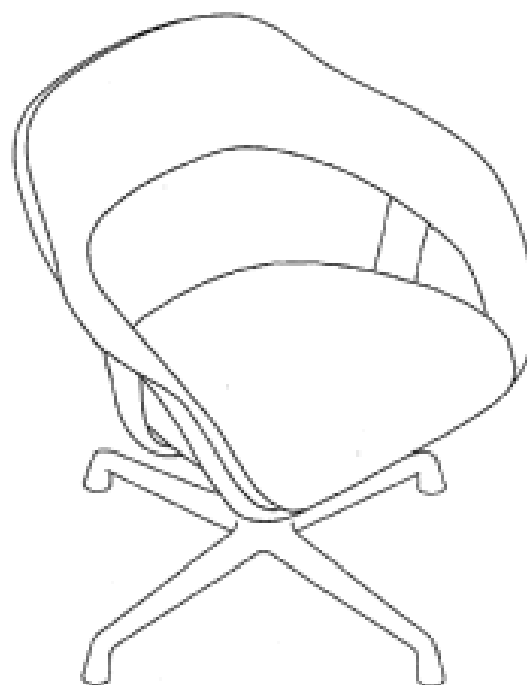
(45) Registration Date: **24 November 2010**

(30) Convention priority data:

(31) Number	(32) Date	(33) Country
29/360949	03 May 2010	UNITED STATES OF AMERICA

(56) Related Art Documents: **Not Applicable**

(57) Statement of Newness and Distinctiveness: **Newness and distinctiveness reside in the features of the design as shown in the representations.**



(21) Design Number: **14702/2010**

(22) Date of Filing Application: **29 October 2010**

(24) Date from which industrial property rights may have effect: **29 October 2010**

(54) Product in respect of which the design is registered: **Cable bracket for solar panel**

(51) International Design Classification: **08-08NES**

(71) Name(s) and Address(s) of Applicant(s):

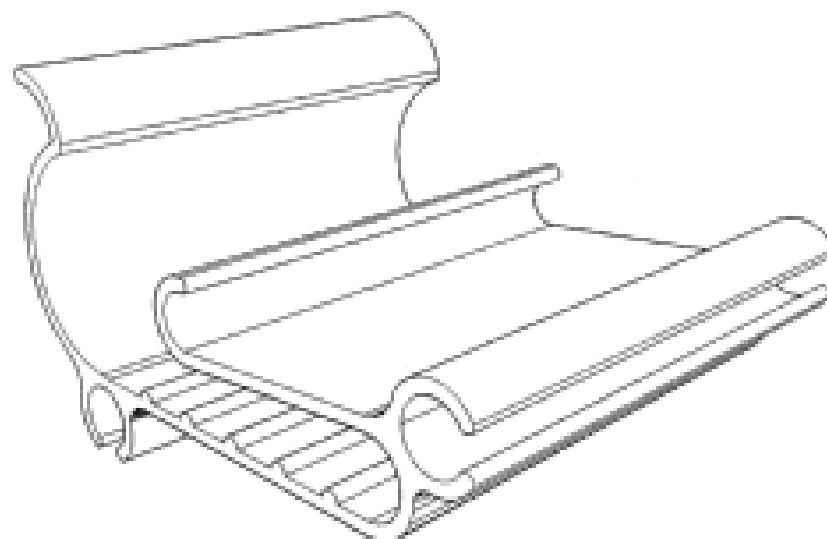
**Laszlo Csanyi
Unit 24/7 Burton Street Darlinghurst New South Wales 2010 Australia**

(72) Name(s) of Designer(s): **Laszlo Csanyi**

(45) Registration Date: **24 November 2010**

(56) Related Art Documents: **Not Applicable**

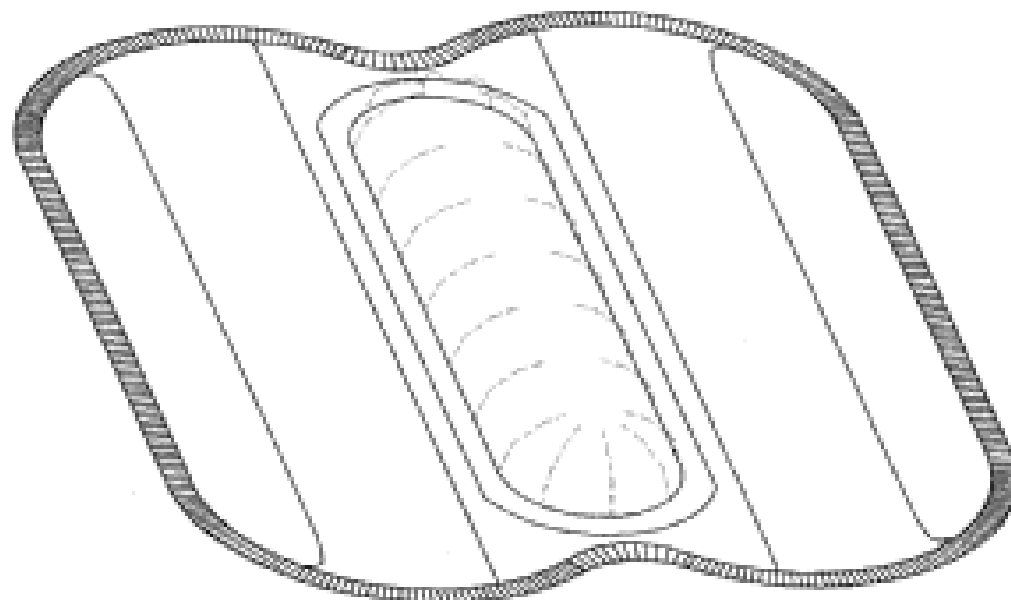
(57) Statement of Newness and Distinctiveness: **Newness and distinctiveness is claimed in the features of shape and/or configuration of a Cable bracket for solar panel as depicted in the accompanying drawings.**



- (21) Design Number: **12350/2010**
- (22) Date of Filing Application: **05 May 2010**
- (24) Date from which industrial property rights may have effect: **05 May 2010**
- (54) Product in respect of which the design is registered: **Oestrus detector**
- (51) International Design Classification: **24-01**
- (71) Name(s) and Address(s) of Applicant(s):

Jock M. Roberts
27 Satur Road Scone New South Wales 2337 Australia

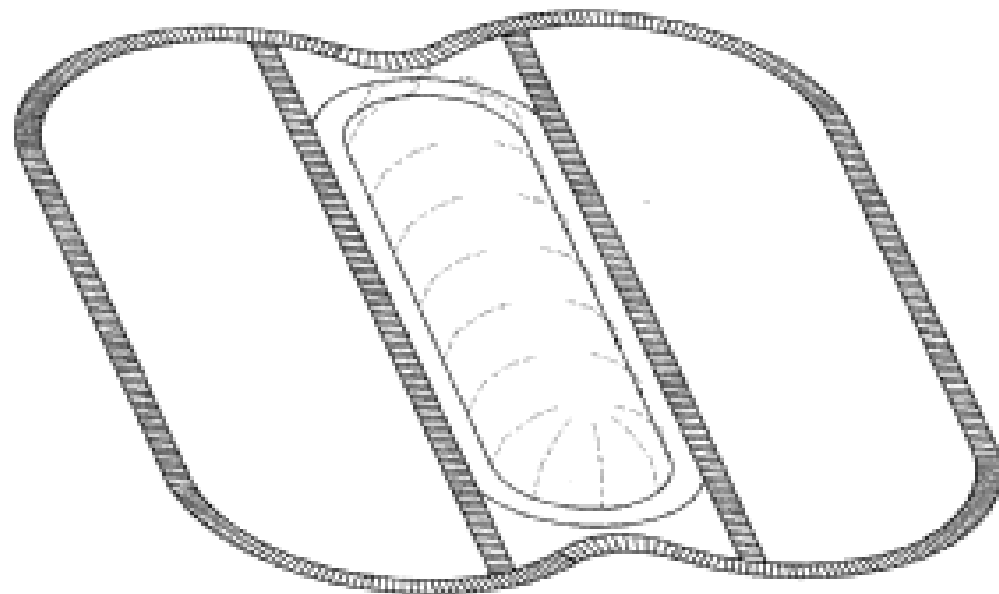
- (72) Name(s) of Designer(s): **Jock M. Roberts**
- (45) Registration Date: **23 November 2010**
- (56) Related Art Documents: **Not Applicable**
- (57) Statement of Newness and Distinctiveness: **Newness and distinctiveness resides in the shape and or configuration of an oestrus detector. Broken lines are used to illustrate shape and configuration and do not form part of the design.**



- (21) Design Number: **13884/2010**
- (22) Date of Filing Application: **05 May 2010**
- (24) Date from which industrial property rights may have effect: **05 May 2010**
- (54) Product in respect of which the design is registered: **Oestrus detector**
- (51) International Design Classification: **24-01**
- (71) Name(s) and Address(s) of Applicant(s):

Jock M. Roberts
27 Satur Road Scone New South Wales 2337 Australia

- (72) Name(s) of Designer(s): **Jock M. Roberts**
- (45) Registration Date: **23 November 2010**
- (56) Related Art Documents: **Not Applicable**
- (57) Statement of Newness and Distinctiveness: **Newness and distinctiveness resides in the shape and or configuration of an oestrus detector. Broken lines are used to illustrate shape and configuration and do not form part of the design.**



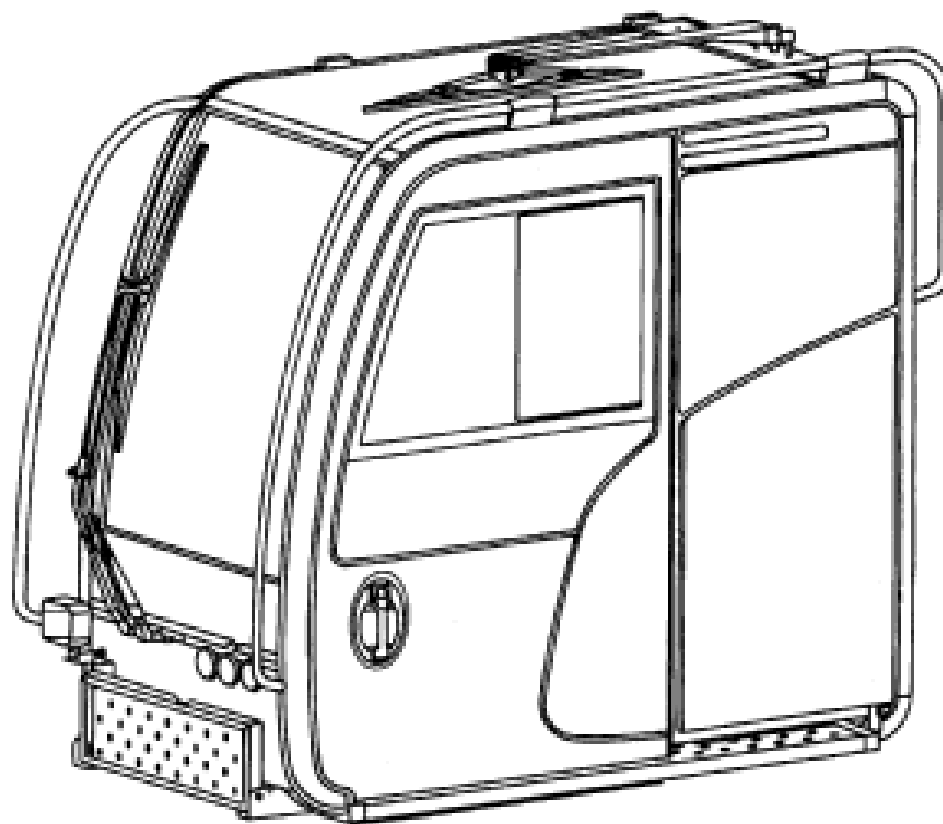
- (21) Design Number: **14000/2010**
- (22) Date of Filing Application: **15 September 2010**
- (24) Date from which industrial property rights may have effect: **15 September 2010**
- (54) Product in respect of which the design is registered: **Operator cabin**
- (51) International Design Classification: **12-08**
- (71) Name(s) and Address(s) of Applicant(s):

Terex-Demag GmbH
Dinglerstrasse 24 66482 Zweibrucken Germany

- (72) Name(s) of Designer(s): **Pinky Lai**
- (45) Registration Date: **23 November 2010**
- (30) Convention priority data:

(31) Number	(32) Date	(33) Country
001 681	16 Mar 2010	EUROPEAN COMMUNITY
8420002		

- (56) Related Art Documents: **Not Applicable**
- (57) Statement of Newness and Distinctiveness: **Nil**



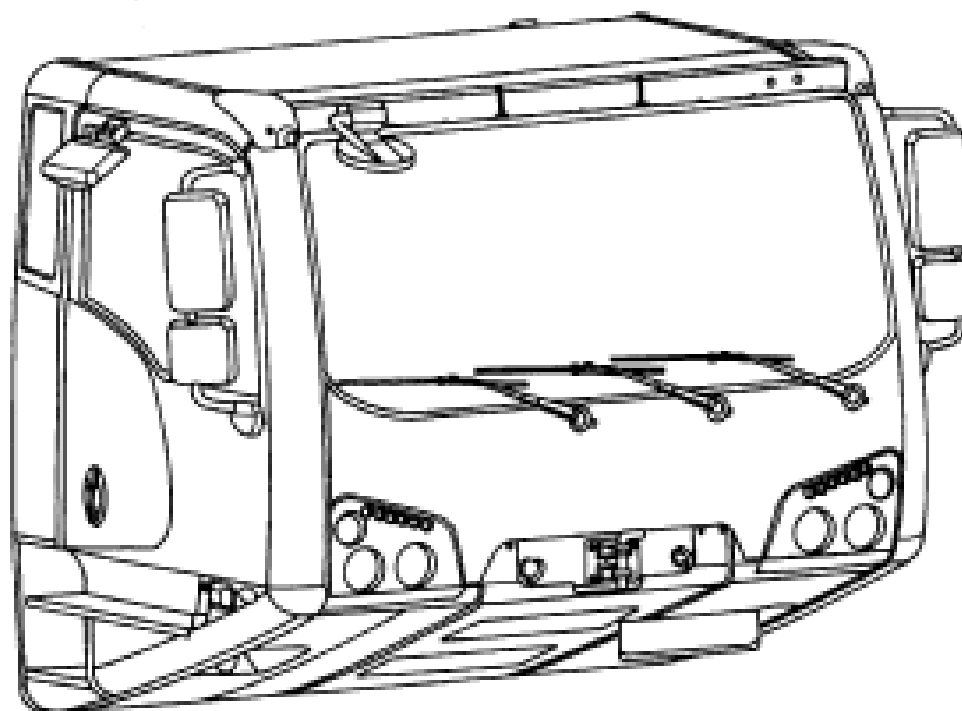
- (21) Design Number: **14001/2010**
- (22) Date of Filing Application: **15 September 2010**
- (24) Date from which industrial property rights may have effect: **15 September 2010**
- (54) Product in respect of which the design is registered: **Driver cabin**
- (51) International Design Classification: **12-08**
- (71) Name(s) and Address(s) of Applicant(s):

Terex-Demag GmbH
Dinglerstrasse 24 66482 Zweibrucken Germany

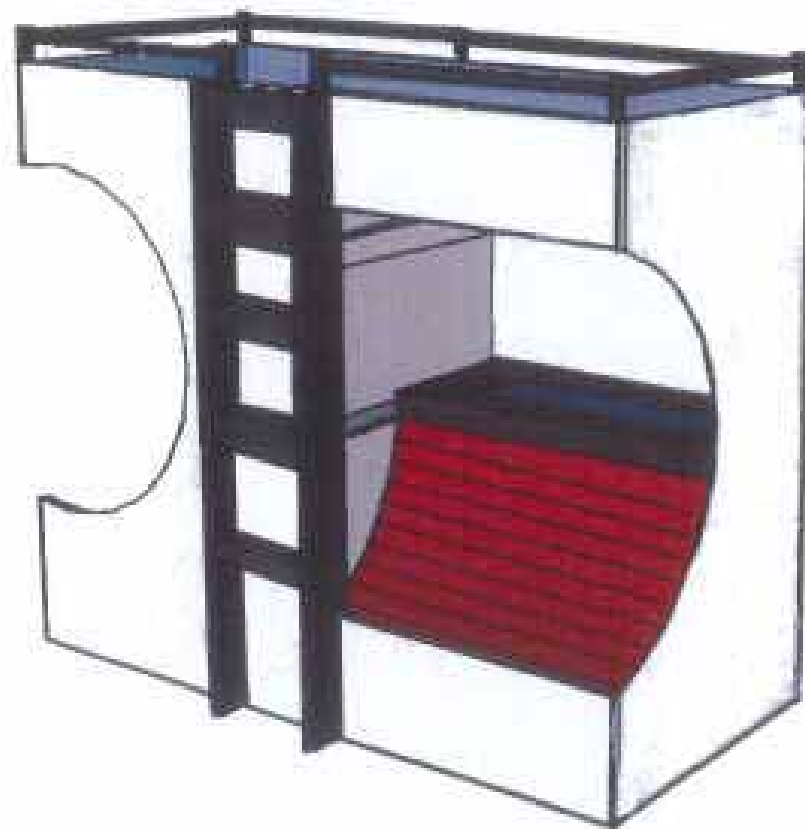
- (72) Name(s) of Designer(s): **Pinky Lai**
- (45) Registration Date: **23 November 2010**
- (30) Convention priority data:

(31) Number	(32) Date	(33) Country
001 681	16 Mar 2010	EUROPEAN COMMUNITY
8420001		

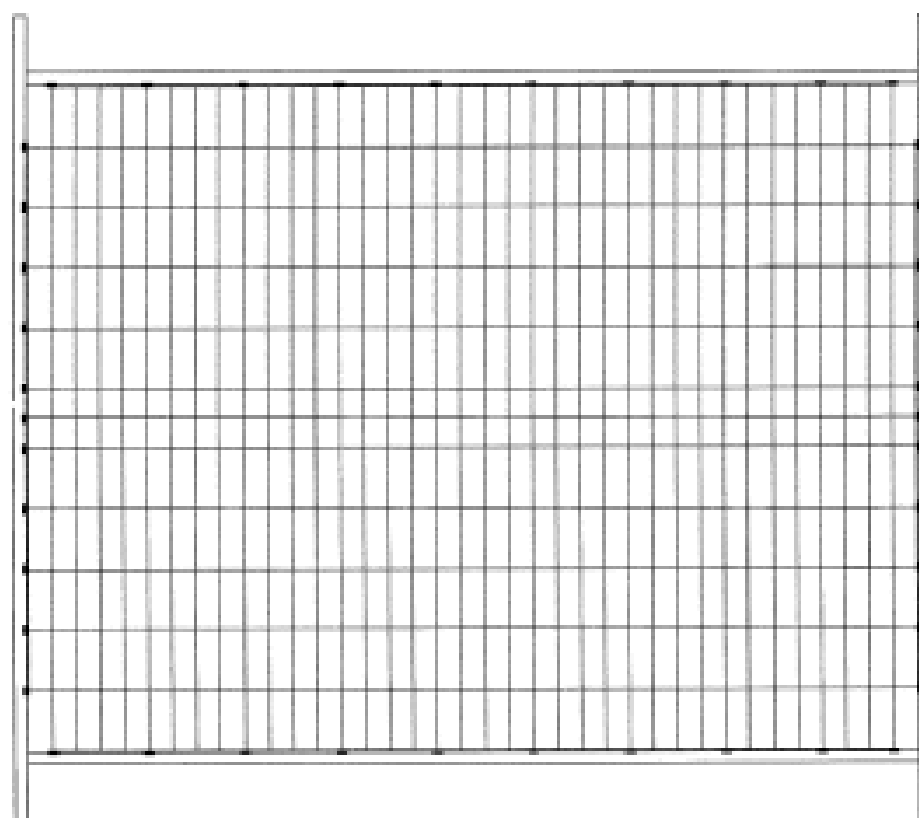
- (56) Related Art Documents: **Not Applicable**
- (57) Statement of Newness and Distinctiveness: **Nil**



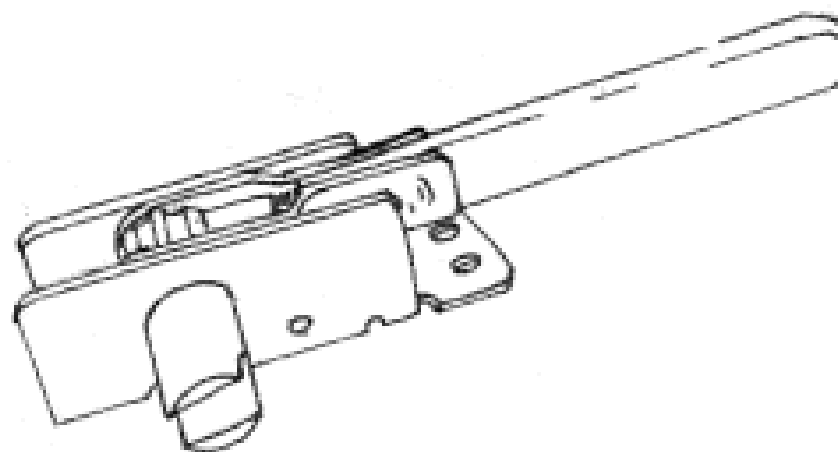
- (21) Design Number: **14097/2010**
(22) Date of Filing Application: **23 September 2010**
(24) Date from which industrial property rights may have effect: **23 September 2010**
(54) Product in respect of which the design is registered: **Multifunctional bed**
(51) International Design Classification: **06-02, 06-03C, 06-05**
(71) Name(s) and Address(s) of Applicant(s):
Charlotte Sylvia Norman
45 Cecil Street Gordon New South Wales 2072 Australia
(72) Name(s) of Designer(s): **Charlotte Sylvia Norman**
(45) Registration Date: **23 November 2010**
(56) Related Art Documents: **Not Applicable**
(57) Statement of Newness and Distinctiveness: **The bed features circular panels and a circular desk. The seating side features a built in shelf and storage space beneath the seat.**



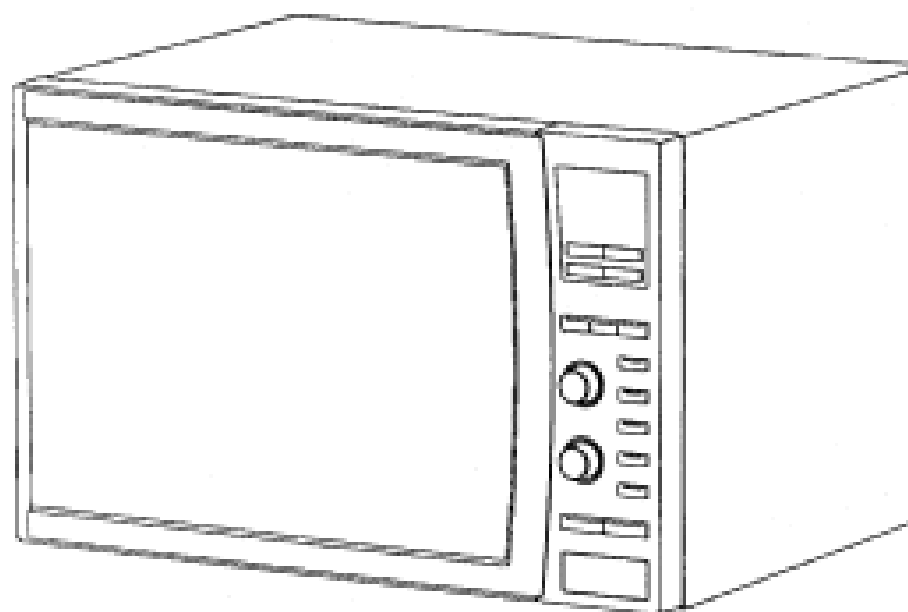
- (21) Design Number: **14411/2010**
(22) Date of Filing Application: **12 October 2010**
(24) Date from which industrial property rights may have effect: **12 October 2010**
(54) Product in respect of which the design is registered: **Fence panel**
(51) International Design Classification: **25-02C**
(71) Name(s) and Address(s) of Applicant(s):
Ready Industries Pty Ltd
27 Wimmera Street Ormond Victoria 3204 Australia
(72) Name(s) of Designer(s): **Martin Fouracre**
(45) Registration Date: **23 November 2010**
(56) Related Art Documents: **Not Applicable**
(57) Statement of Newness and Distinctiveness: **Newness and distinctiveness is claimed in the visual feature of the central horizontal band of reduced height openings resulting from the presence of an additional central cross-strand which bisects the otherwise regular vertical spacing.**



- (21) Design Number: **14541/2010**
(22) Date of Filing Application: **22 October 2010**
(24) Date from which industrial property rights may have effect: **22 October 2010**
(54) Product in respect of which the design is registered: **Side curtain ratchet tensioner for trucks/trailers/trains**
(51) International Design Classification: **12-16NES**
(71) Name(s) and Address(s) of Applicant(s):
Philip Andrew Masterson
4 Royal Street Upper Ferntree Gully Victoria 3156 Australia
(72) Name(s) of Designer(s): **Philip Andrew Masterson**
(45) Registration Date: **25 November 2010**
(56) Related Art Documents: **Not Applicable**
(57) Statement of Newness and Distinctiveness: **The compact design by mounting the body pawl under the handle latch and also maintaining the triggerless release handle.**



- (21) Design Number: **14542/2010**
(22) Date of Filing Application: **21 October 2010**
(24) Date from which industrial property rights may have effect: **21 October 2010**
(54) Product in respect of which the design is registered: **Oven range**
(51) International Design Classification: **07-02A**
(71) Name(s) and Address(s) of Applicant(s):
LG Electronics Inc
20 Yeouido-dong Yeongdeungpo-gu Seoul 150-721 Republic of Korea
(72) Name(s) of Designer(s): **Yun Tae Jung and Jin Ju Kim and Hyoung Won Roh**
(45) Registration Date: **25 November 2010**
(30) Convention priority data:
(31) Number (32) Date (33) Country
30-2010-0019425 30 Apr 2010 REPUBLIC OF KOREA
(56) Related Art Documents: **Not Applicable**
(57) Statement of Newness and Distinctiveness: **Newness and distinctiveness is claimed in the shape and/or configuration of the oven range as shown in the accompanying representations.**



- (21) Design Number: **14543/2010**
- (22) Date of Filing Application: **22 October 2010**
- (24) Date from which industrial property rights may have effect: **22 October 2010**
- (54) Product in respect of which the design is registered: **Convertible poncho and bag**

(51) International Design Classification: **02-02B, 03-01A**

(71) Name(s) and Address(s) of Applicant(s):

Peter Dall

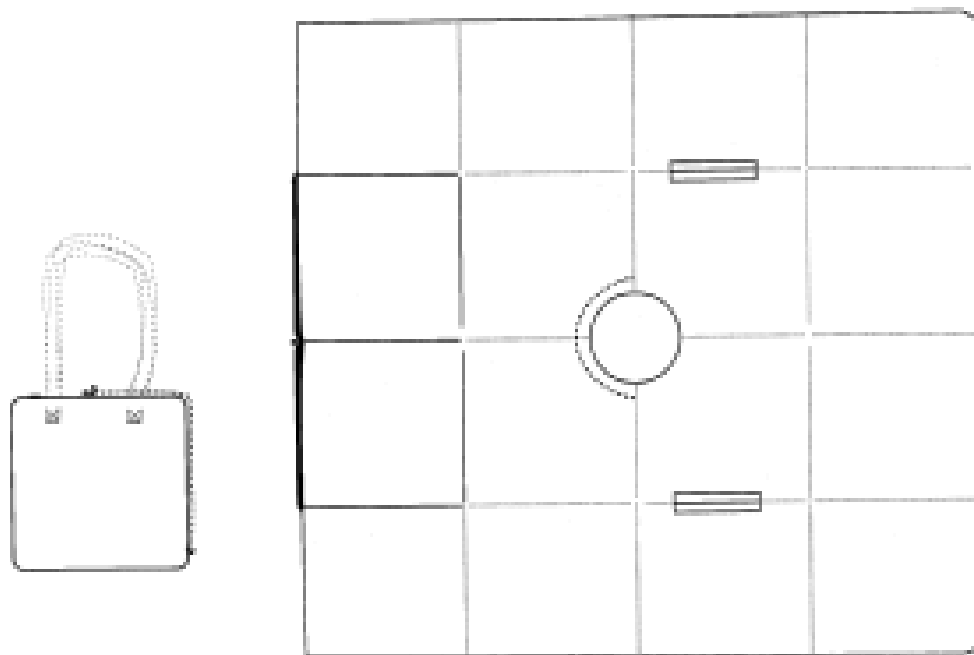
130 Rookwood Street Henley Brook Western Australia 6055 Australia

(72) Name(s) of Designer(s): **Peter Dall**

(45) Registration Date: **25 November 2010**

(56) Related Art Documents: **Not Applicable**

(57) Statement of Newness and Distinctiveness: **Newness and distinctiveness is claimed in the shape and configuration of the convertible poncho and bag product shown in the accompanying representations. The representations show the product in sequential stages of folding/unfolding in converting between a bag and a poncho and vice versa. The handles of the product are shown in dotted lines to indicate that those handles can be of different length and/or shape.**



- (21) Design Number: **14544/2010**
- (22) Date of Filing Application: **21 October 2010**
- (24) Date from which industrial property rights may have effect: **21 October 2010**
- (54) Product in respect of which the design is registered: **Chair**

(51) International Design Classification: **06-01F**

(71) Name(s) and Address(s) of Applicant(s):

George Michael Cant

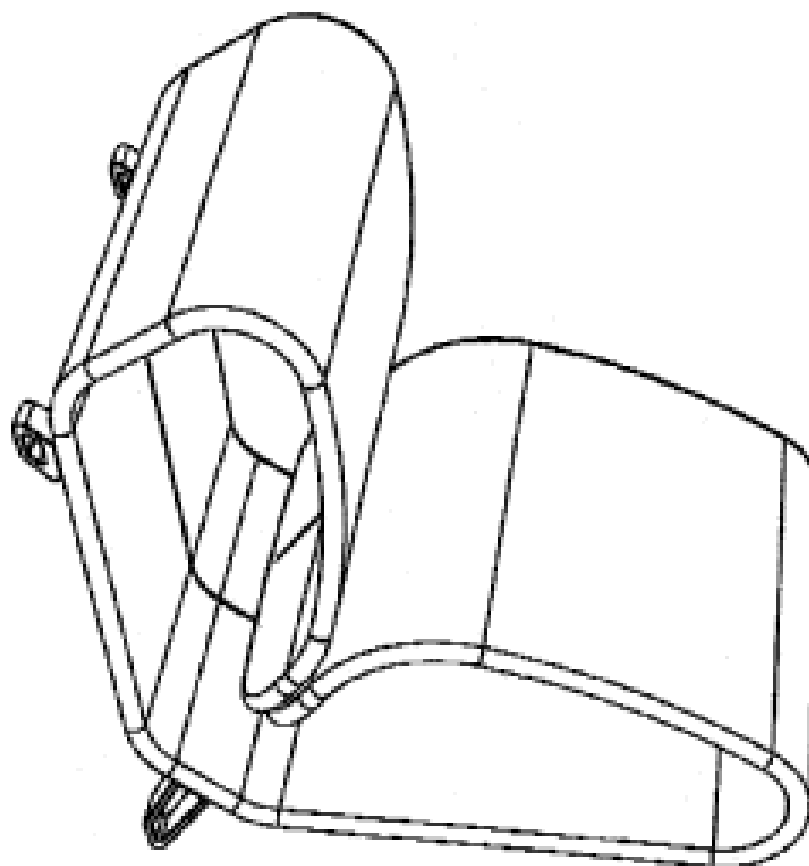
3/31 Hawkesbury Avenue Dee Why New South Wales 2099 Australia

(72) Name(s) of Designer(s): **George Michael Cant**

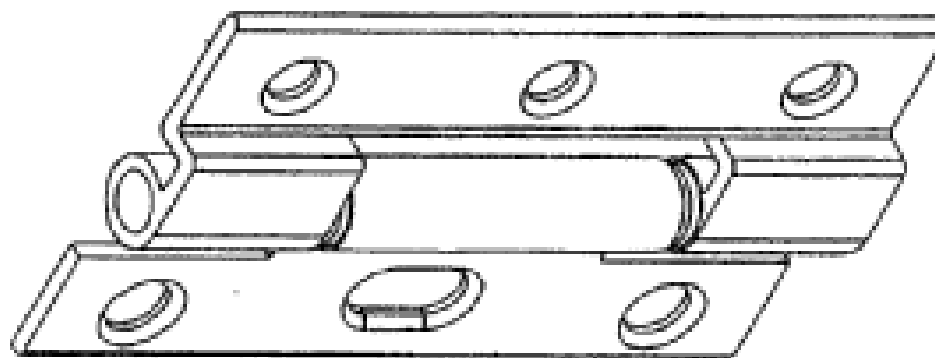
(45) Registration Date: **25 November 2010**

(56) Related Art Documents: **Not Applicable**

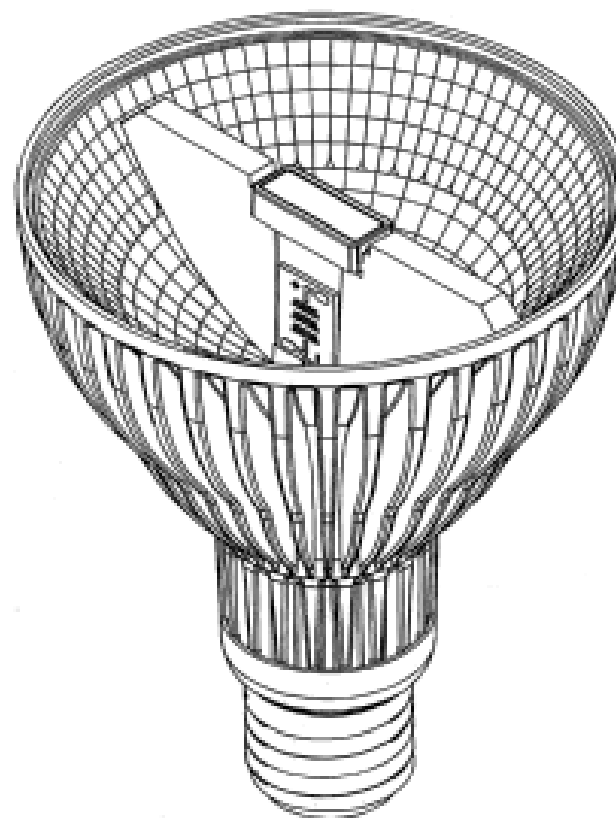
(57) Statement of Newness and Distinctiveness: **The design of the chair is new and distinctive in the following ways: Its shape and form, especially from a side view. From a side view the chair visually appears to be a thin outline of the shape with a hollow centre. The seat and the backrest section are not joined where the user's bottom and lower back would rest. This allows for movement between these two sections, providing a cushioning affect through the natural spring/flex of the frame, which in most cases will be tubular metal. A variety of covering materials maybe used to target different selling price points. Some of these coverings will be laced to or over the frame with an elastic cord (or material with retracting qualities such as a spring) to return the fabric to a taught appearance when the chair is not being sat on by a user. In some cases fabric coverings may not be used and an alternative exposed frame maybe used that provides a seating surface. This maybe sheet metal, acrylic/polycarbonate plastic, glass, etc.**



- (21) Design Number: **13788/2010**
(22) Date of Filing Application: **31 August 2010**
(24) Date from which industrial property rights may have effect: **31 August 2010**
(54) Product in respect of which the design is registered: **Hinge**
(51) International Design Classification: **08-06**
(71) Name(s) and Address(s) of Applicant(s):
RMD Industries Pty Ltd
6-10 Market Road Sunshine Victoria 3020 Australia
(72) Name(s) of Designer(s): **Louise Helen Page**
(45) Registration Date: **24 November 2010**
(56) Related Art Documents: **Not Applicable**
(57) Statement of Newness and Distinctiveness: **Nil**



- (21) Design Number: **14214/2010**
(22) Date of Filing Application: **08 October 2010**
(24) Date from which industrial property rights may have effect: **08 October 2010**
(54) Product in respect of which the design is registered: **Lamp**
(51) International Design Classification: **26-04**
(71) Name(s) and Address(s) of Applicant(s):
Mass Technology (H.K.) Limited
31/F. Two Landmark East 100 How Ming Street Kwun Tong Kowloon
Hong Kong
(72) Name(s) of Designer(s): **Onn Fah Foo**
(45) Registration Date: **24 November 2010**
(30) Convention priority data:
(31) Number (32) Date (33) Country
001692286-0002 08 Apr 2010 EUROPEAN COMMUNITY
(56) Related Art Documents: **Not Applicable**
(57) Statement of Newness and Distinctiveness: **Nil**



(21) Design Number: **14215/2010**

(22) Date of Filing Application: **08 October 2010**

(24) Date from which industrial property rights may have effect: **08 October 2010**

(54) Product in respect of which the design is registered: **Lamp**

(51) International Design Classification: **26-04**

(71) Name(s) and Address(s) of Applicant(s):

Mass Technology (H.K.) Limited
31/F. Two Landmark East 100 How Ming Street Kwun Tong Kowloon
Hong Kong

(72) Name(s) of Designer(s): **Onn Fah Foo**

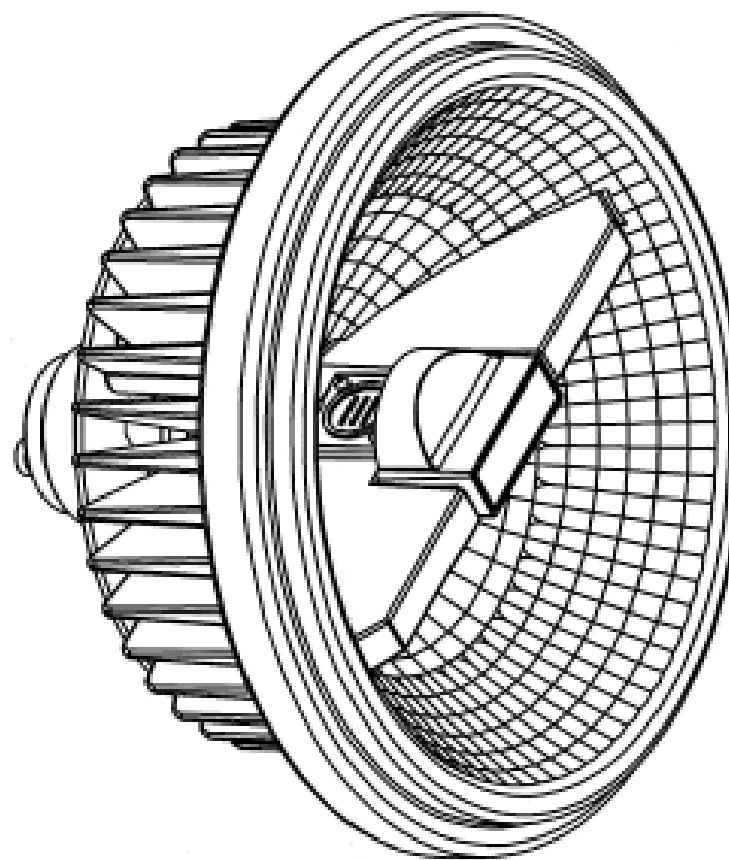
(45) Registration Date: **24 November 2010**

(30) Convention priority data:

(31) Number	(32) Date	(33) Country
001692286-0001	08 Apr 2010	EUROPEAN COMMUNITY

(56) Related Art Documents: **Not Applicable**

(57) Statement of Newness and Distinctiveness: **Nil**



(21) Design Number: **14436/2010**

(22) Date of Filing Application: **14 October 2010**

(24) Date from which industrial property rights may have effect: **14 October 2010**

(54) Product in respect of which the design is registered: **Pipe coupling**

(51) International Design Classification: **23-01A**

(71) Name(s) and Address(s) of Applicant(s):

Victaulic Company
4901 Kesslersville Road Easton Pennsylvania 18040 United States of
America

(72) Name(s) of Designer(s): **Douglas R. Dole and Alan M. Yesavage**

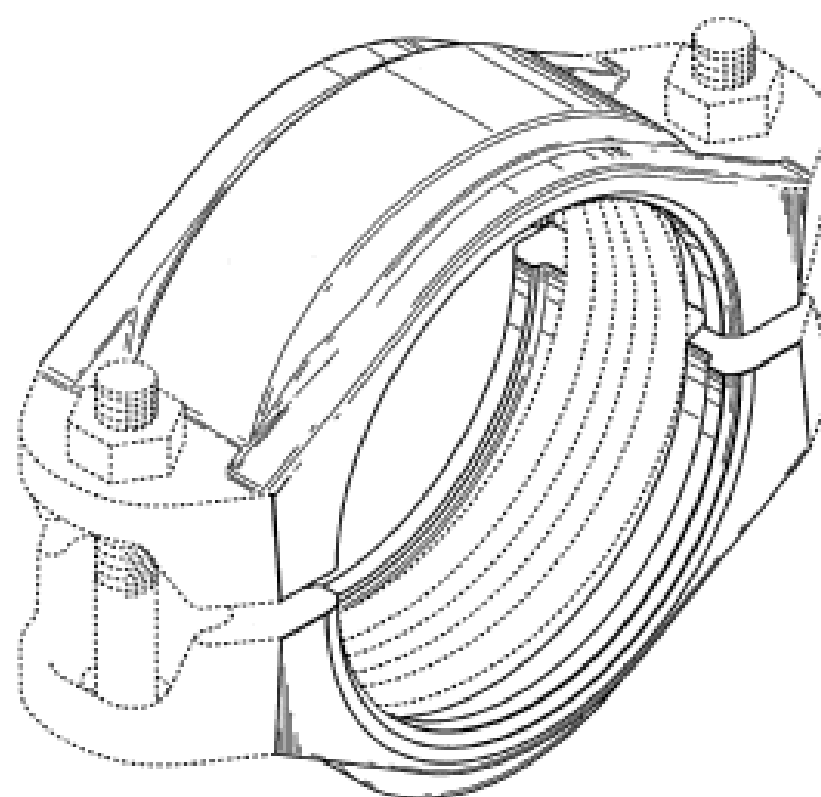
(45) Registration Date: **24 November 2010**

(30) Convention priority data:

(31) Number	(32) Date	(33) Country
29/363554	11 Jun 2010	UNITED STATES OF AMERICA

(56) Related Art Documents: **Not Applicable**

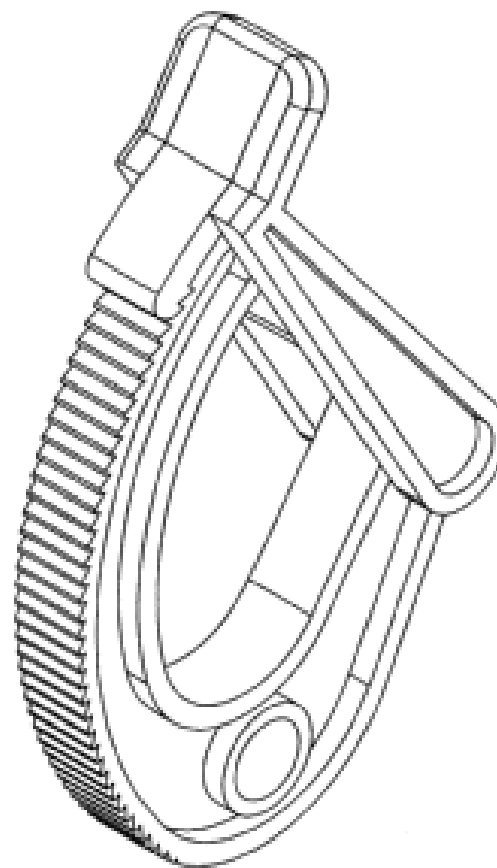
(57) Statement of Newness and Distinctiveness: **Newness and distinctiveness is claimed in those features of shape and/or configuration of a pipe coupling illustrated in continuous lines in the accompanying representations.**



- (21) Design Number: **14704/2010**
- (22) Date of Filing Application: **01 November 2010**
- (24) Date from which industrial property rights may have effect: **01 November 2010**
- (54) Product in respect of which the design is registered: **Bag closing device**
- (51) International Design Classification: **08-07**
- (71) Name(s) and Address(s) of Applicant(s):

Leo Kauhanen
102 Scenic Drive Merewether New South Wales 2291 Australia

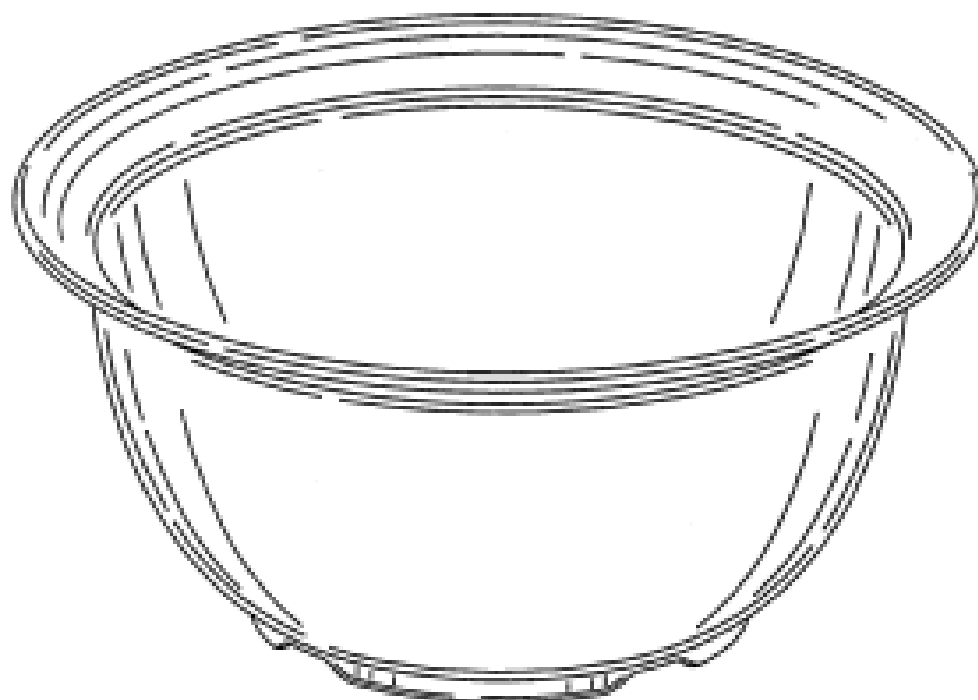
- (72) Name(s) of Designer(s): **Leo Kauhanen**
- (45) Registration Date: **25 November 2010**
- (56) Related Art Documents: **Not Applicable**
- (57) Statement of Newness and Distinctiveness: **Monopoly is claimed in the features of shape and configuration of the bag closing device as shown in the accompanying representations. Monopoly is claimed in the way the Catch pivots around main body of the C shape to ensure ratchet catches the grooves on the C section part.**



- (21) Design Number: **14706/2010**
- (22) Date of Filing Application: **01 November 2010**
- (24) Date from which industrial property rights may have effect: **01 November 2010**
- (54) Product in respect of which the design is registered: **Strainer**
- (51) International Design Classification: **07-04**
- (71) Name(s) and Address(s) of Applicant(s):

Dart Industries Inc
14901 S. Orange Blossom Trail Orlando Florida 32837 United States of America

- (72) Name(s) of Designer(s): **Jakob Heiberg and Jan-Hendrik De Groot**
- (45) Registration Date: **25 November 2010**
- (30) Convention priority data:
 - (31) Number (32) Date (33) Country
 - 29/370,132 09 Jun 2010 UNITED STATES OF AMERICA**
- (56) Related Art Documents: **Not Applicable**
- (57) Statement of Newness and Distinctiveness: **Those features of the strainer depicted in the representations that are new and distinctive are the shape and/or configuration.**



(21) Design Number: **14707/2010**

(22) Date of Filing Application: **01 November 2010**

(24) Date from which industrial property rights may have effect: **01 November 2010**

(54) Product in respect of which the design is registered: **Cutter for foodstuffs**

(51) International Design Classification: **07-02P**

(71) Name(s) and Address(s) of Applicant(s):

Dart Industries Inc
14901 S. Orange Blossom Trail Orlando Florida 32837 United States of America

(72) Name(s) of Designer(s): **Famia E. Ablo**

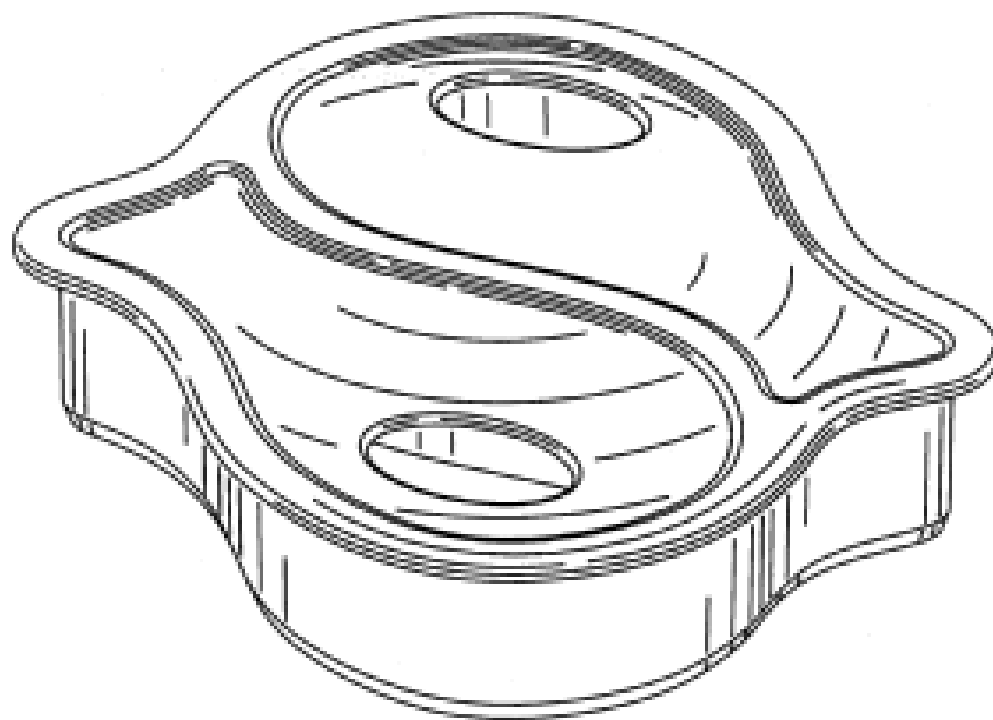
(45) Registration Date: **25 November 2010**

(30) Convention priority data:

(31) Number	(32) Date	(33) Country
29/370,131	09 Jun 2010	UNITED STATES OF AMERICA

(56) Related Art Documents: **Not Applicable**

(57) Statement of Newness and Distinctiveness: **Those features of the cutter for foodstuffs depicted in the representations that are new and distinctive are the shape and/or configuration.**



(21) Design Number: **14739/2010**

(22) Date of Filing Application: **03 November 2010**

(24) Date from which industrial property rights may have effect: **03 November 2010**

(54) Product in respect of which the design is registered: **Stool**

(51) International Design Classification: **06-01E**

(71) Name(s) and Address(s) of Applicant(s):

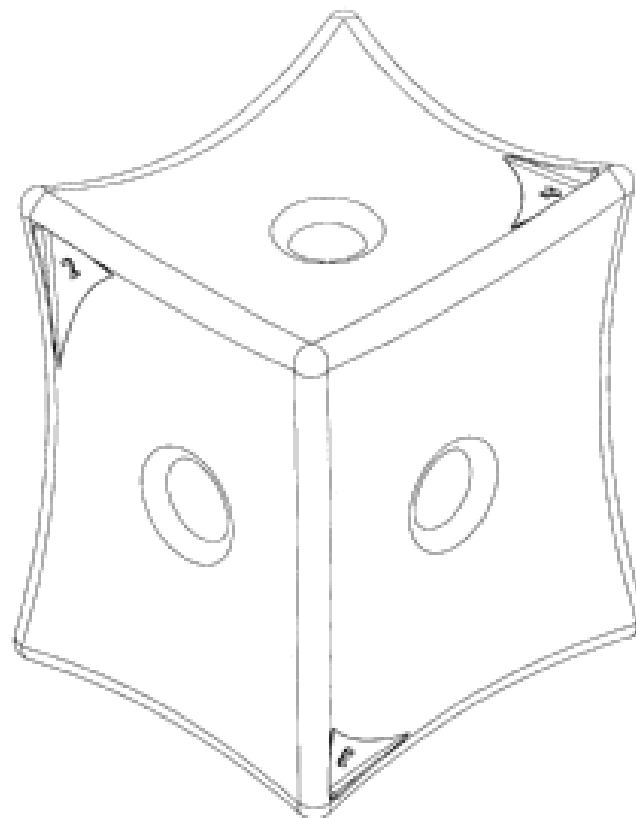
Marc Philipp Veenendaal
6/47 Wyanabah Road Cronulla New South Wales 2230 Australia

(72) Name(s) of Designer(s): **Marc Philipp Veenendaal**

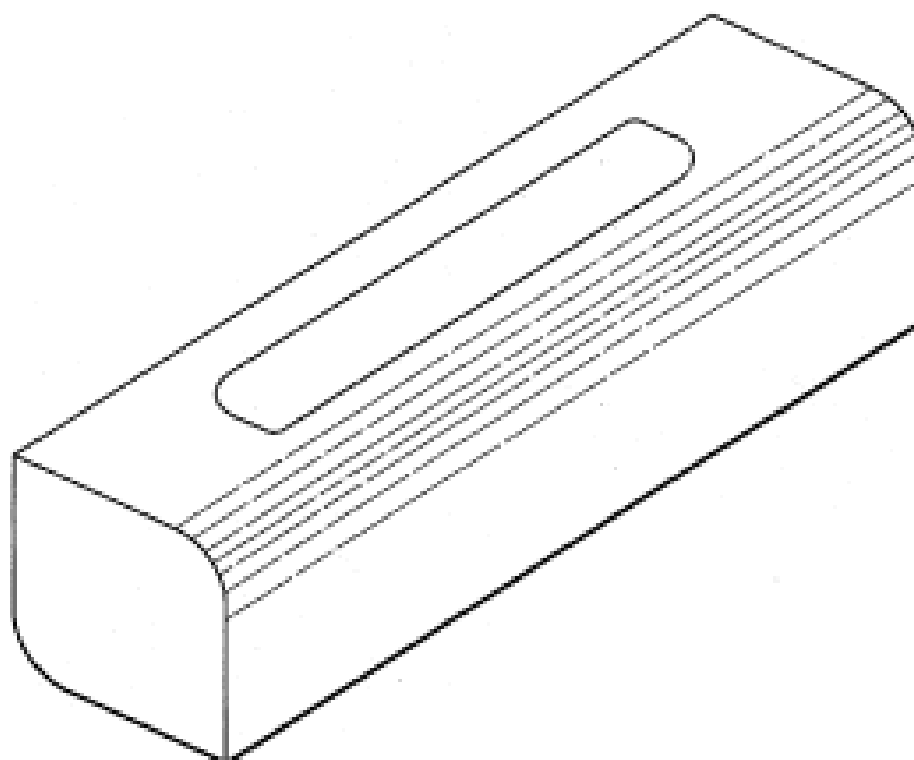
(45) Registration Date: **25 November 2010**

(56) Related Art Documents: **Not Applicable**

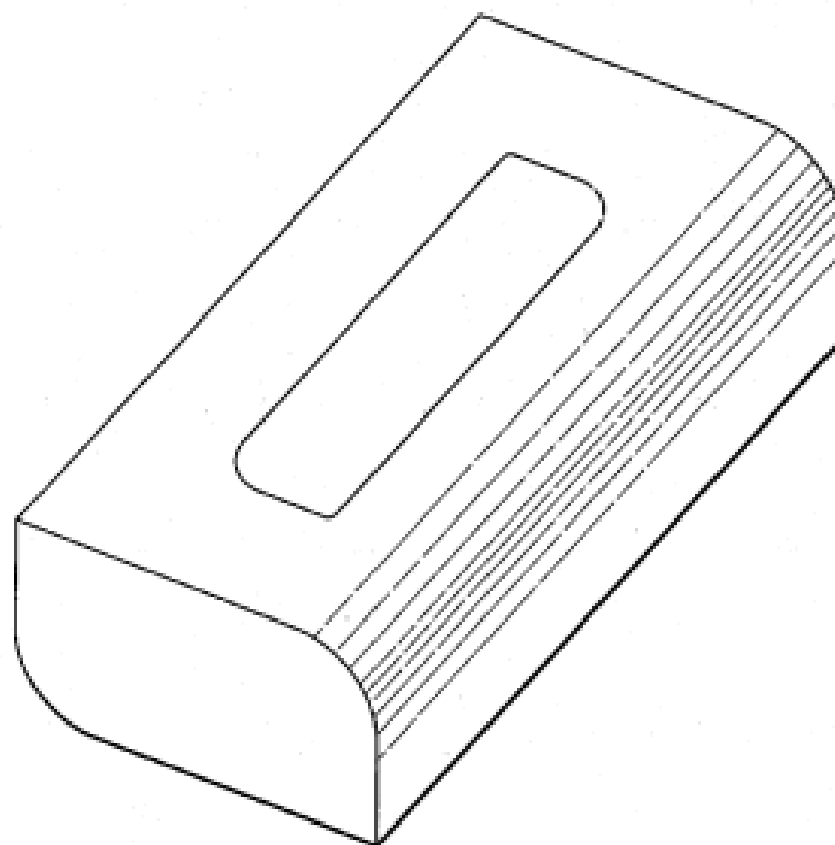
(57) Statement of Newness and Distinctiveness: **Newness and distinctiveness is claimed in the shape and/or configuration of a stool as illustrated in the representations.**



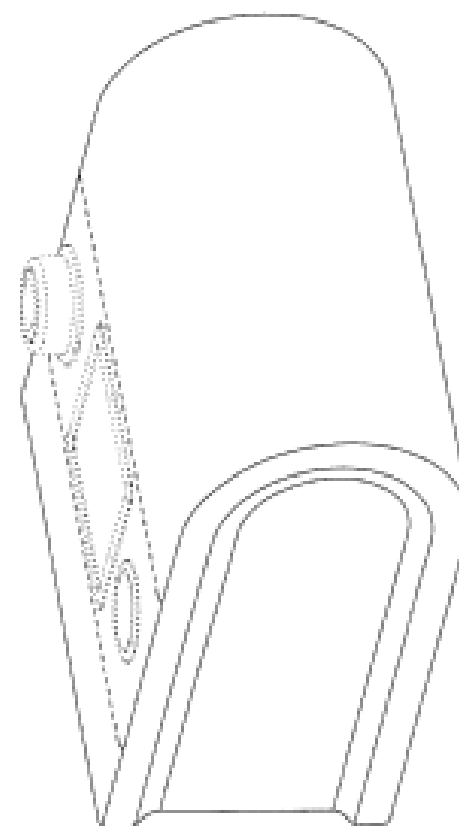
- (21) Design Number: **14960/2010**
(22) Date of Filing Application: **09 September 2010**
(24) Date from which industrial property rights may have effect: **09 September 2010**
(54) Product in respect of which the design is registered: **Tissue box**
(51) International Design Classification: **09-03M**
(71) Name(s) and Address(s) of Applicant(s):
SCA Hygiene Products AB
S-405 03 Goteborg Sweden
(72) Name(s) of Designer(s): **Thorsten Becherer and Frank Stiller and Suzanne Luz Heuchert**
(45) Registration Date: **25 November 2010**
(30) Convention priority data:
(31) Number (32) Date (33) Country
001679911#0002 10 Mar 2010 EUROPEAN COMMUNITY
(62) Divisional of: **333781**
(56) Related Art Documents: **Not Applicable**
(57) Statement of Newness and Distinctiveness: **Nil**



- (21) Design Number: **14961/2010**
(22) Date of Filing Application: **09 September 2010**
(24) Date from which industrial property rights may have effect: **09 September 2010**
(54) Product in respect of which the design is registered: **Tissue box**
(51) International Design Classification: **09-03M**
(71) Name(s) and Address(s) of Applicant(s):
SCA Hygiene Products AB
S-405 03 Goteborg Sweden
(72) Name(s) of Designer(s): **Thorsten Becherer and Frank Stiller and Suzanne Luz Heuchert**
(45) Registration Date: **25 November 2010**
(30) Convention priority data:
(31) Number (32) Date (33) Country
001679911#0005 10 Mar 2010 EUROPEAN COMMUNITY
(62) Divisional of: **333781**
(56) Related Art Documents: **Not Applicable**
(57) Statement of Newness and Distinctiveness: **Nil**



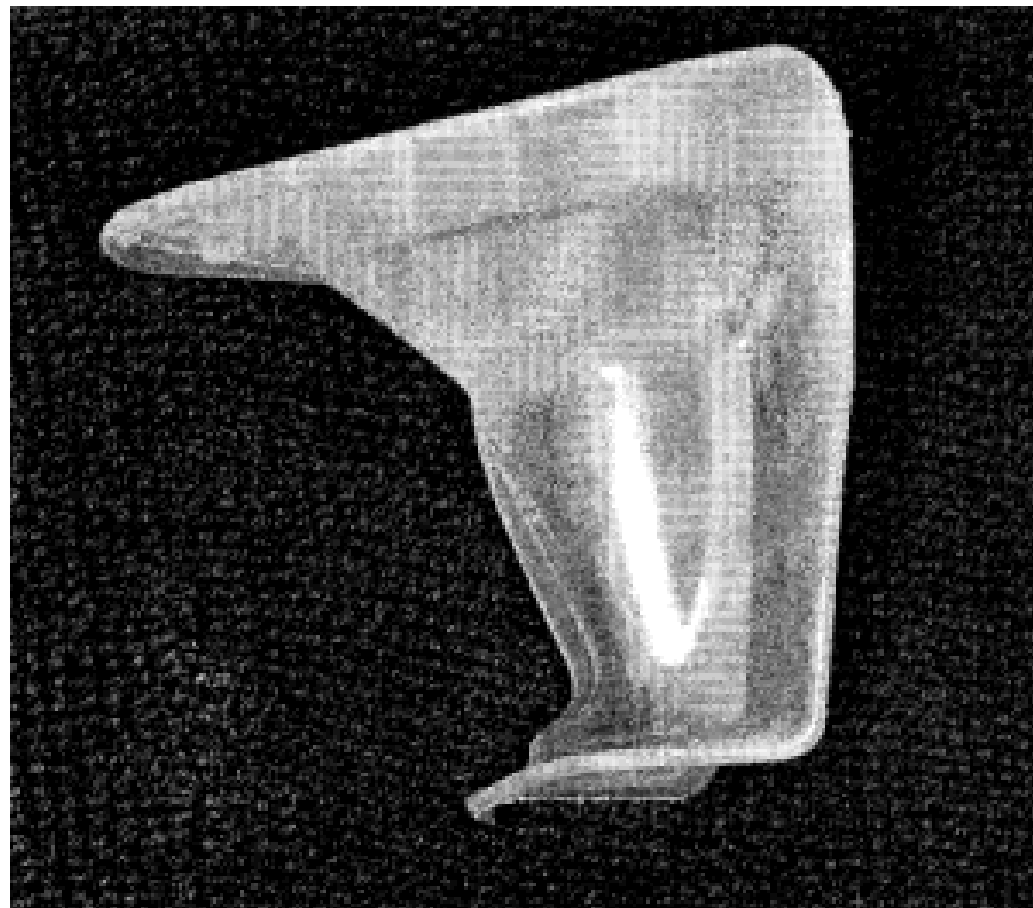
- (21) Design Number: **13949/2010**
(22) Date of Filing Application: **19 December 2008**
(24) Date from which industrial property rights may have effect: **19 December 2008**
(54) Product in respect of which the design is registered: **Positive airway pressure delivery device and humidifier**
(51) International Design Classification: **24-01**
(71) Name(s) and Address(s) of Applicant(s):
ResMed Ltd
1 Elizabeth Macarthur Drive Bella Vista New South Wales 2153
Australia
(72) Name(s) of Designer(s): **Rohan Primrose and Perry Lithgow and Mark Armstrong and Kenneth Lam and Justin Wagemakers and Henri Spaille**
(45) Registration Date: **26 November 2010**
(62) Divisional of: **332891**
(56) Related Art Documents: **Not Applicable**
(57) Statement of Newness and Distinctiveness: **Newness and distinctiveness is claimed in respect of those features shown in unbroken lines. Features shown in broken lines do not form part of the design in which monopoly is claimed.**



- (21) Design Number: **14002/2010**
(22) Date of Filing Application: **16 September 2010**
(24) Date from which industrial property rights may have effect: **16 September 2010**
(54) Product in respect of which the design is registered: **Bicycle racks**
(51) International Design Classification: **12-16K**
(71) Name(s) and Address(s) of Applicant(s):
Brad Jensen
PO Box 837 Albury New South Wales 2640 Australia
(72) Name(s) of Designer(s): **Brad Jensen**
(45) Registration Date: **26 November 2010**
(56) Related Art Documents: **Not Applicable**
(57) Statement of Newness and Distinctiveness: **Newness and distinctiveness of the design is claimed in respect of the following features: 1. Multi-faceted design of the main frame. 2. Multi-faceted design of the sub-frame rings. 3. The modular design of the main frame allows multiple racks to be added. 4. The modular design of the main frame provides a spiral effect when multiple racks are added.**



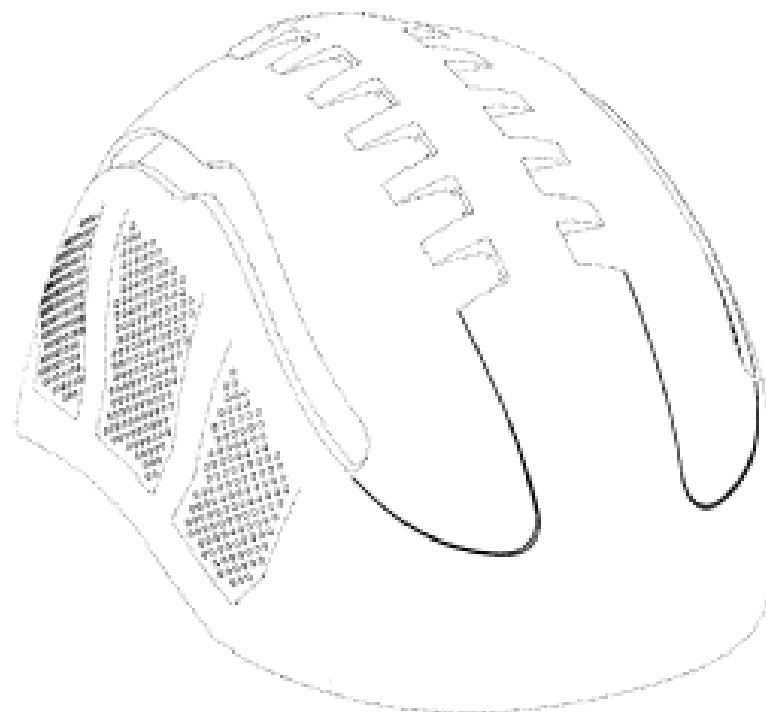
(21) Design Number: **14344/2010**
(22) Date of Filing Application: **05 October 2010**
(24) Date from which industrial property rights may have effect: **05 October 2010**
(54) Product in respect of which the design is registered: **Hygiene cover**
(51) International Design Classification: **24-99**
(71) Name(s) and Address(s) of Applicant(s):
Adventech Pty Limited
48 Pleasant Road Hawthorn East Victoria 3123 Australia
(72) Name(s) of Designer(s): **Ewan Jones and Bill Hendriks**
(45) Registration Date: **26 November 2010**
(56) Related Art Documents: **Not Applicable**
(57) Statement of Newness and Distinctiveness: **Nil**



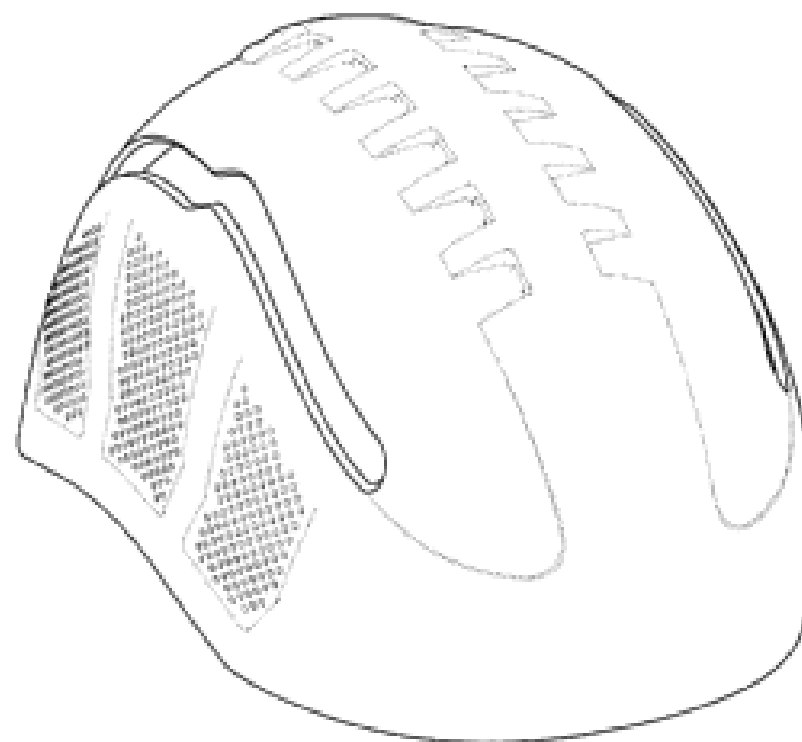
(21) Design Number: **14747/2010**
(22) Date of Filing Application: **03 November 2010**
(24) Date from which industrial property rights may have effect: **03 November 2010**
(54) Product in respect of which the design is registered: **Protective helmet**
(51) International Design Classification: **02-03**
(71) Name(s) and Address(s) of Applicant(s):
Scott Health & Safety Ltd
Pimbo Road West Pimbo Skelmersdale Lancs WN8 9RA United Kingdom
(72) Name(s) of Designer(s): **Steven Thurgood and Christopher David Ellerby**
(45) Registration Date: **26 November 2010**
(30) Convention priority data:
(31) Number (32) Date (33) Country
001213508 04 May 2010 EUROPEAN COMMUNITY
(56) Related Art Documents: **Not Applicable**
(57) Statement of Newness and Distinctiveness: **The features indicated in the representations by means of broken line do not form part of the design.**



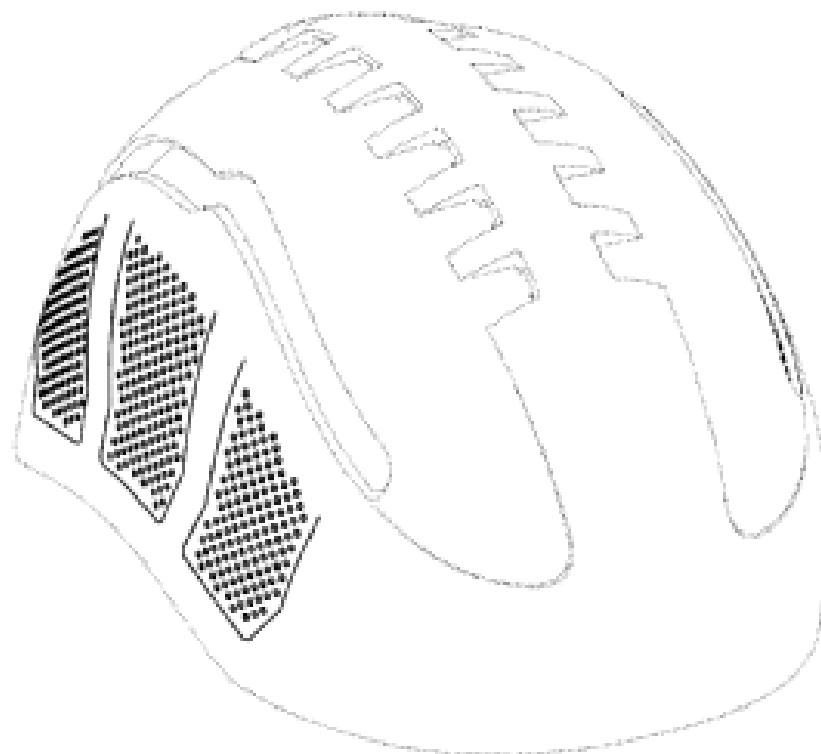
- (21) Design Number: **14748/2010**
(22) Date of Filing Application: **03 November 2010**
(24) Date from which industrial property rights may have effect: **03 November 2010**
(54) Product in respect of which the design is registered: **Protective helmet**
(51) International Design Classification: **02-03**
(71) Name(s) and Address(s) of Applicant(s):
Scott Health & Safety Ltd
Pimbo Road West Pimbo Skelmersdale Lancs WN8 9RA United Kingdom
(72) Name(s) of Designer(s): **Steven Thurgood and Christopher David Ellerby**
(45) Registration Date: **26 November 2010**
(30) Convention priority data:
(31) Number (32) Date (33) Country
001213508 04 May 2010 EUROPEAN COMMUNITY
(56) Related Art Documents: **Not Applicable**
(57) Statement of Newness and Distinctiveness: **The features indicated in the representations by means of broken line do not form part of the design.**



- (21) Design Number: **14749/2010**
(22) Date of Filing Application: **03 November 2010**
(24) Date from which industrial property rights may have effect: **03 November 2010**
(54) Product in respect of which the design is registered: **Protective helmet**
(51) International Design Classification: **02-03**
(71) Name(s) and Address(s) of Applicant(s):
Scott Health & Safety Ltd
Pimbo Road West Pimbo Skelmersdale Lancs WN8 9RA United Kingdom
(72) Name(s) of Designer(s): **Steven Thurgood and Christopher David Ellerby**
(45) Registration Date: **26 November 2010**
(30) Convention priority data:
(31) Number (32) Date (33) Country
001213508 04 May 2010 EUROPEAN COMMUNITY
(56) Related Art Documents: **Not Applicable**
(57) Statement of Newness and Distinctiveness: **The features indicated in the representations by means of broken line do not form part of the design.**



- (21) Design Number: **14750/2010**
(22) Date of Filing Application: **03 November 2010**
(24) Date from which industrial property rights may have effect: **03 November 2010**
(54) Product in respect of which the design is registered: **Protective helmet**
(51) International Design Classification: **02-03**
(71) Name(s) and Address(s) of Applicant(s):
Scott Health & Safety Ltd
Pimbo Road West Pimbo Skelmersdale Lancs WN8 9RA United Kingdom
(72) Name(s) of Designer(s): **Steven Thurgood and Christopher David Ellerby**
(45) Registration Date: **26 November 2010**
(30) Convention priority data:
(31) Number (32) Date (33) Country
001213508 04 May 2010 EUROPEAN COMMUNITY
(56) Related Art Documents: **Not Applicable**
(57) Statement of Newness and Distinctiveness: **The features indicated in the representations by means of broken line do not form part of the design.**



- (21) Design Number: **14752/2010**
(22) Date of Filing Application: **03 November 2010**
(24) Date from which industrial property rights may have effect: **03 November 2010**
(54) Product in respect of which the design is registered: **Light fitting**
(51) International Design Classification: **26-06**
(71) Name(s) and Address(s) of Applicant(s):
Brown & Watson International Pty Ltd
1500 Ferntree Gully Road Knoxfield Victoria 3180 Australia
(72) Name(s) of Designer(s): **Paul Davies**
(45) Registration Date: **26 November 2010**
(56) Related Art Documents: **Not Applicable**
(57) Statement of Newness and Distinctiveness: **Those features of the light fitting that are new and/or distinctive are the shape and/or configuration.**



(21) Design Number: **14753/2010**

(22) Date of Filing Application: **03 November 2010**

(24) Date from which industrial property rights may have effect: **03 November 2010**

(54) Product in respect of which the design is registered: **Light fitting**

(51) International Design Classification: **26-06**

(71) Name(s) and Address(s) of Applicant(s):

Brown & Watson International Pty Ltd
1500 Ferntree Gully Road Knoxfield Victoria 3180 Australia

(72) Name(s) of Designer(s): **Paul Davies**

(45) Registration Date: **26 November 2010**

(56) Related Art Documents: **Not Applicable**

(57) Statement of Newness and Distinctiveness: **Those features of the light fitting that are new and/or distinctive are the shape and/or configuration.**



(21) Design Number: **11972/2010**

(22) Date of Filing Application: **18 May 2010**

(24) Date from which industrial property rights may have effect: **18 May 2010**

(54) Product in respect of which the design is registered: **A shirt**

(51) International Design Classification: **02-02NES**

(71) Name(s) and Address(s) of Applicant(s):

Fifty-Fourth Rischell Pty Ltd
3-5 Claremont Street South Yarra Victoria 3141 Australia

(72) Name(s) of Designer(s): **Ty Henschke**

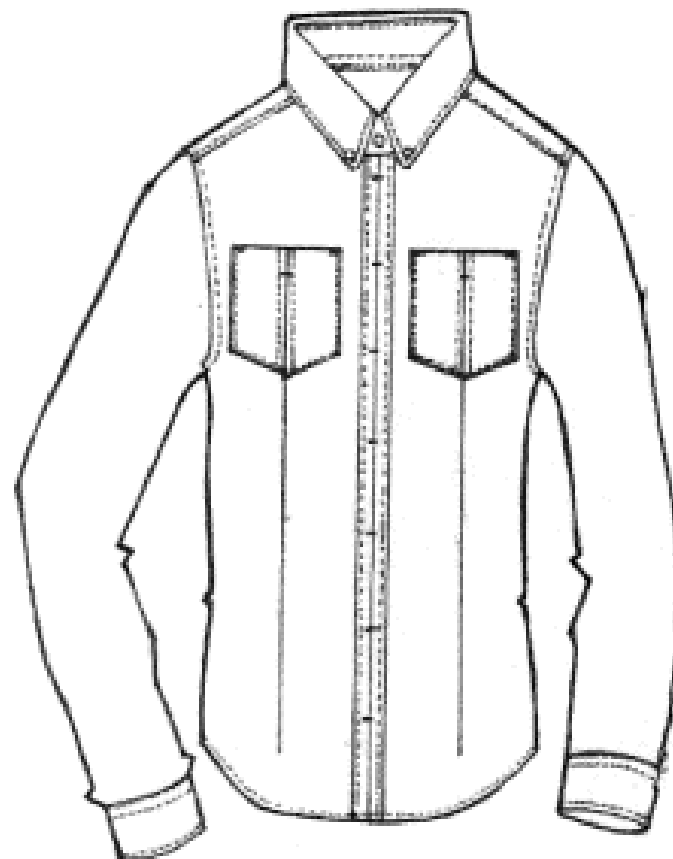
(45) Registration Date: **26 November 2010**

(56) Related Art Documents: **Not Applicable**

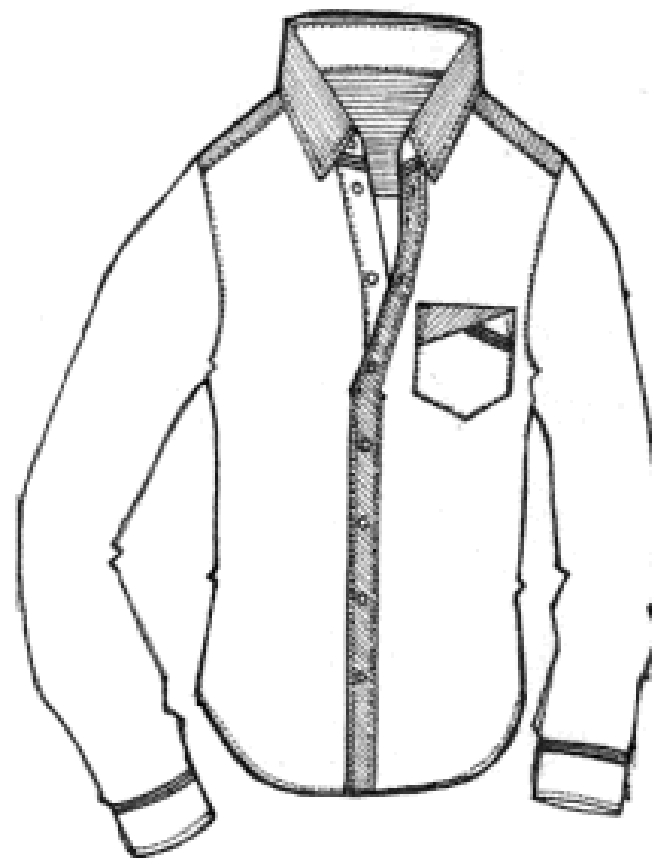
(57) Statement of Newness and Distinctiveness: **Nil**



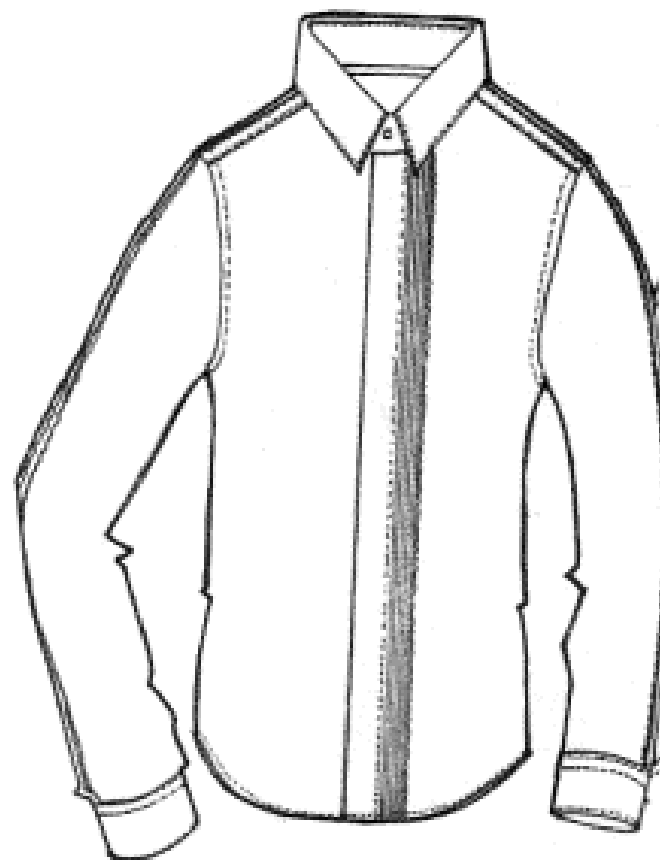
- (21) Design Number: **15013/2010**
- (22) Date of Filing Application: **18 May 2010**
- (24) Date from which industrial property rights may have effect: **18 May 2010**
- (54) Product in respect of which the design is registered: **A shirt**
- (51) International Design Classification: **02-02NES**
- (71) Name(s) and Address(s) of Applicant(s):
Fifty-Fourth Rischell Pty Ltd
3-5 Claremont Street South Yarra Victoria 3141 Australia
- (72) Name(s) of Designer(s): **Ty Henschke**
- (45) Registration Date: **26 November 2010**
- (56) Related Art Documents: **Not Applicable**
- (57) Statement of Newness and Distinctiveness: **Nil**



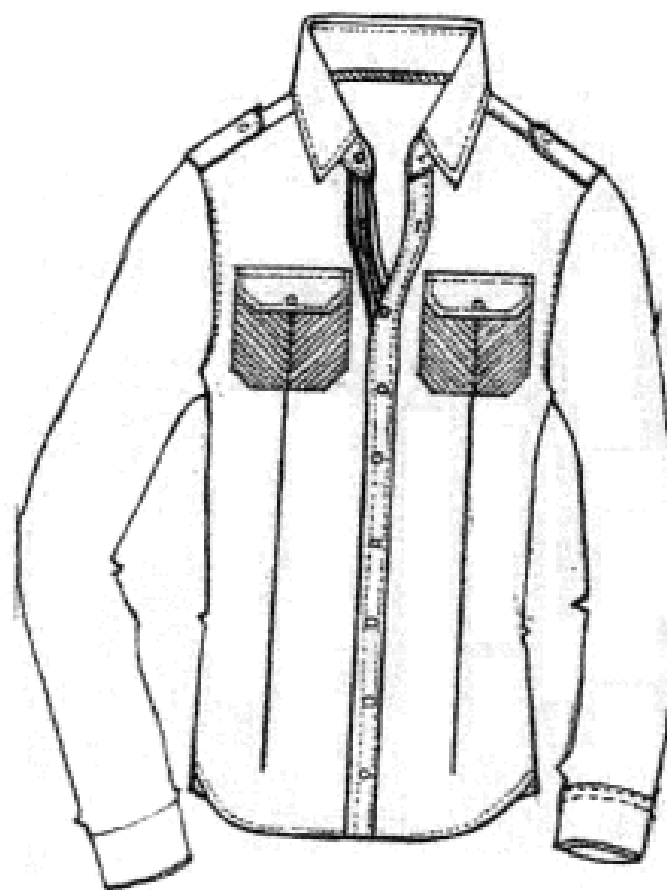
- (21) Design Number: **15014/2010**
- (22) Date of Filing Application: **18 May 2010**
- (24) Date from which industrial property rights may have effect: **18 May 2010**
- (54) Product in respect of which the design is registered: **A shirt**
- (51) International Design Classification: **02-02NES**
- (71) Name(s) and Address(s) of Applicant(s):
Fifty-Fourth Rischell Pty Ltd
3-5 Claremont Street South Yarra Victoria 3141 Australia
- (72) Name(s) of Designer(s): **Ty Henschke**
- (45) Registration Date: **26 November 2010**
- (56) Related Art Documents: **Not Applicable**
- (57) Statement of Newness and Distinctiveness: **Nil**



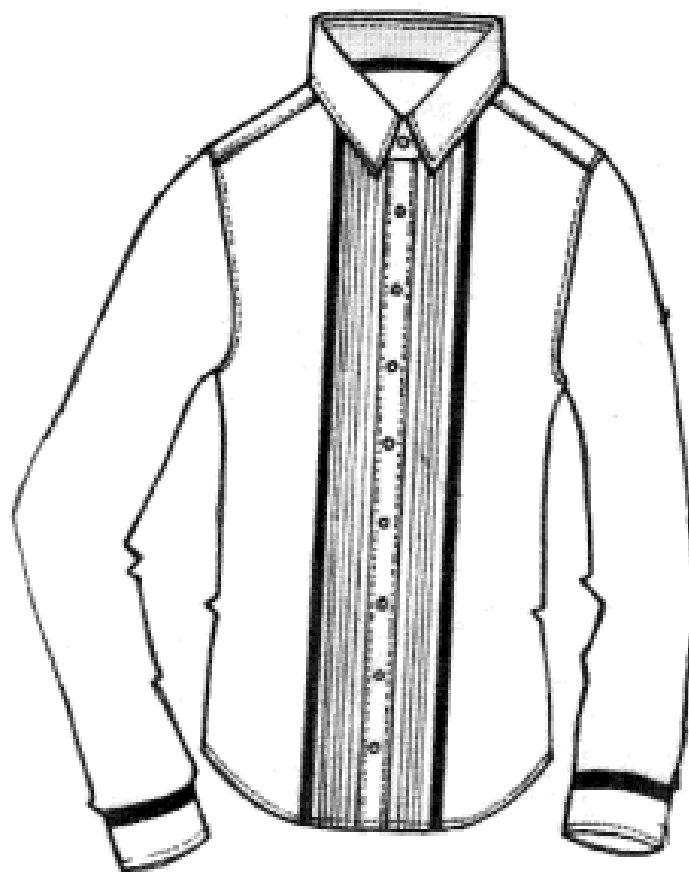
- (21) Design Number: **15015/2010**
- (22) Date of Filing Application: **18 May 2010**
- (24) Date from which industrial property rights may have effect: **18 May 2010**
- (54) Product in respect of which the design is registered: **A shirt**
- (51) International Design Classification: **02-02NES**
- (71) Name(s) and Address(s) of Applicant(s):
Fifty-Fourth Rischell Pty Ltd
3-5 Claremont Street South Yarra Victoria 3141 Australia
- (72) Name(s) of Designer(s): **Ty Henschke**
- (45) Registration Date: **26 November 2010**
- (56) Related Art Documents: **Not Applicable**
- (57) Statement of Newness and Distinctiveness: **Nil**



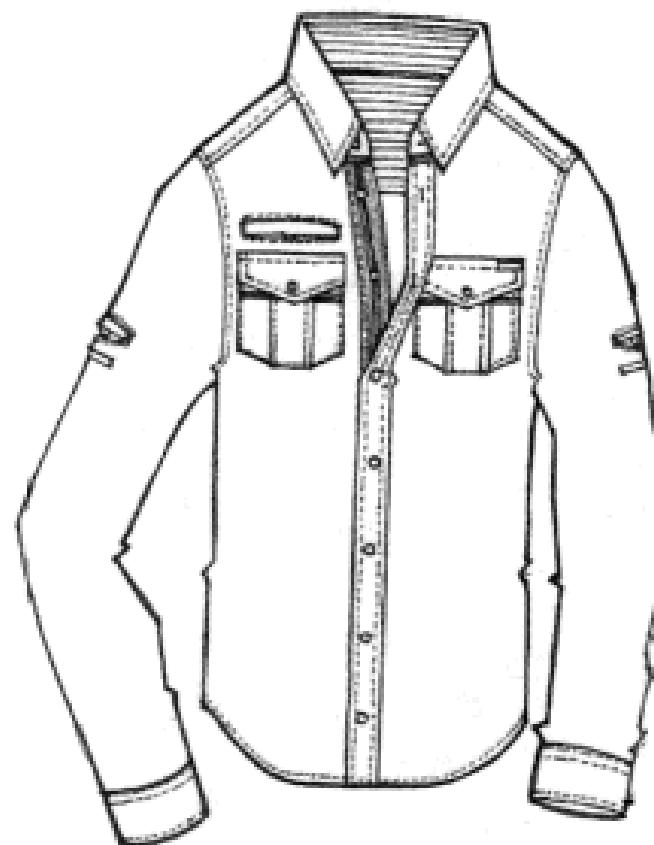
- (21) Design Number: **15016/2010**
- (22) Date of Filing Application: **18 May 2010**
- (24) Date from which industrial property rights may have effect: **18 May 2010**
- (54) Product in respect of which the design is registered: **A shirt**
- (51) International Design Classification: **02-02NES**
- (71) Name(s) and Address(s) of Applicant(s):
Fifty-Fourth Rischell Pty Ltd
3-5 Claremont Street South Yarra Victoria 3141 Australia
- (72) Name(s) of Designer(s): **Ty Henschke**
- (45) Registration Date: **26 November 2010**
- (56) Related Art Documents: **Not Applicable**
- (57) Statement of Newness and Distinctiveness: **Nil**



- (21) Design Number: **15017/2010**
- (22) Date of Filing Application: **18 May 2010**
- (24) Date from which industrial property rights may have effect: **18 May 2010**
- (54) Product in respect of which the design is registered: **A shirt**
- (51) International Design Classification: **02-02NES**
- (71) Name(s) and Address(s) of Applicant(s):
Fifty-Fourth Rischell Pty Ltd
3-5 Claremont Street South Yarra Victoria 3141 Australia
- (72) Name(s) of Designer(s): **Ty Henschke**
- (45) Registration Date: **26 November 2010**
- (56) Related Art Documents: **Not Applicable**
- (57) Statement of Newness and Distinctiveness: **Nil**



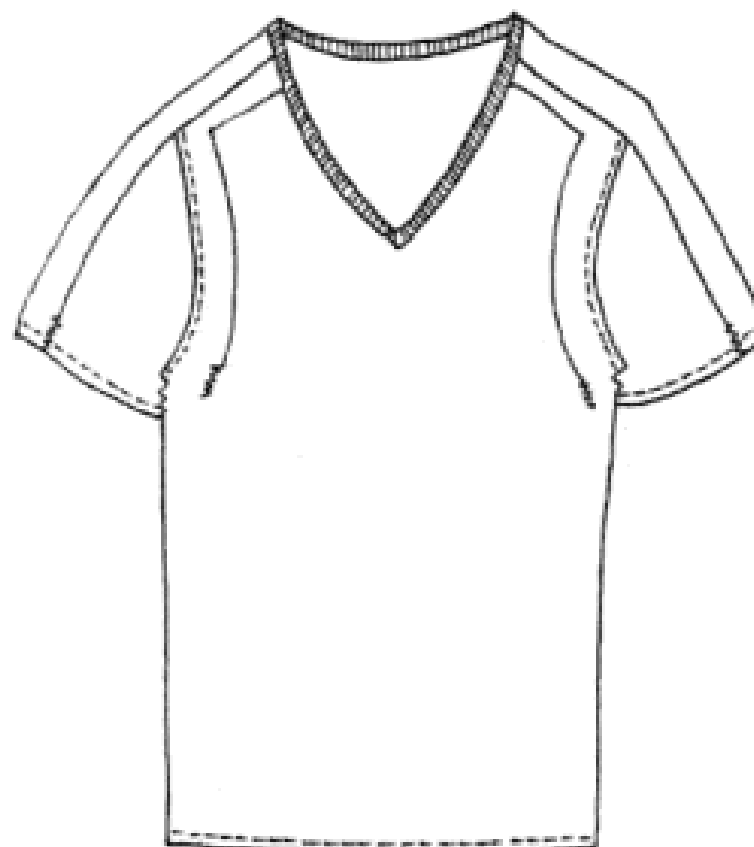
- (21) Design Number: **15018/2010**
- (22) Date of Filing Application: **18 May 2010**
- (24) Date from which industrial property rights may have effect: **18 May 2010**
- (54) Product in respect of which the design is registered: **A shirt**
- (51) International Design Classification: **02-02NES**
- (71) Name(s) and Address(s) of Applicant(s):
Fifty-Fourth Rischell Pty Ltd
3-5 Claremont Street South Yarra Victoria 3141 Australia
- (72) Name(s) of Designer(s): **Ty Henschke**
- (45) Registration Date: **26 November 2010**
- (56) Related Art Documents: **Not Applicable**
- (57) Statement of Newness and Distinctiveness: **Nil**



- (21) Design Number: **15019/2010**
- (22) Date of Filing Application: **18 May 2010**
- (24) Date from which industrial property rights may have effect: **18 May 2010**
- (54) Product in respect of which the design is registered: **A shirt**
- (51) International Design Classification: **02-02NES**
- (71) Name(s) and Address(s) of Applicant(s):
Fifty-Fourth Rischell Pty Ltd
3-5 Claremont Street South Yarra Victoria 3141 Australia
- (72) Name(s) of Designer(s): **Ty Henschke**
- (45) Registration Date: **26 November 2010**
- (56) Related Art Documents: **Not Applicable**
- (57) Statement of Newness and Distinctiveness: **Nil**



- (21) Design Number: **15020/2010**
- (22) Date of Filing Application: **18 May 2010**
- (24) Date from which industrial property rights may have effect: **18 May 2010**
- (54) Product in respect of which the design is registered: **A T-shirt**
- (51) International Design Classification: **02-02NES**
- (71) Name(s) and Address(s) of Applicant(s):
Fifty-Fourth Rischell Pty Ltd
3-5 Claremont Street South Yarra Victoria 3141 Australia
- (72) Name(s) of Designer(s): **Ty Henschke**
- (45) Registration Date: **26 November 2010**
- (56) Related Art Documents: **Not Applicable**
- (57) Statement of Newness and Distinctiveness: **Nil**



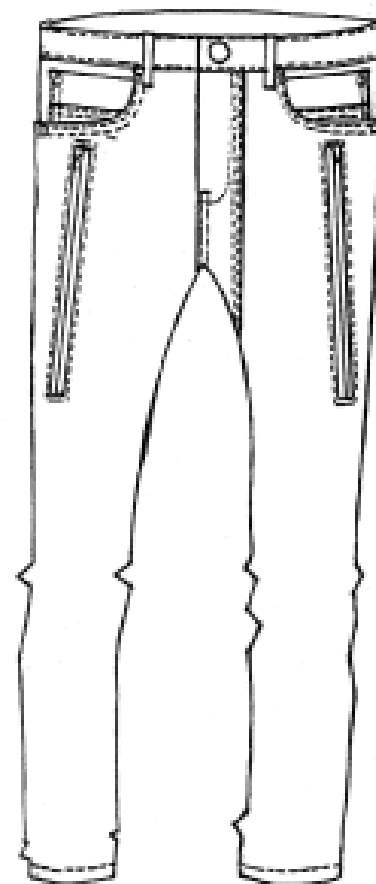
(21) Design Number: **15021/2010**
(22) Date of Filing Application: **18 May 2010**
(24) Date from which industrial property rights may have effect: **18 May 2010**
(54) Product in respect of which the design is registered: **A polo shirt**
(51) International Design Classification: **02-02NES**
(71) Name(s) and Address(s) of Applicant(s):
Fifty-Fourth Rischell Pty Ltd
3-5 Claremont Street South Yarra Victoria 3141 Australia
(72) Name(s) of Designer(s): **Ty Henschke**
(45) Registration Date: **26 November 2010**
(56) Related Art Documents: **Not Applicable**
(57) Statement of Newness and Distinctiveness: **Nil**



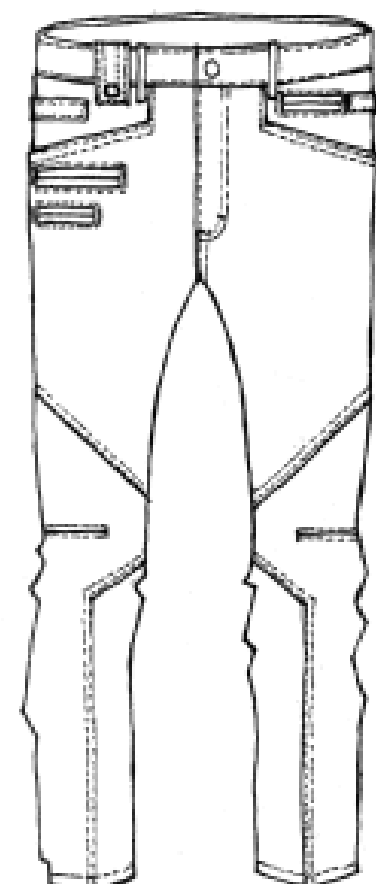
(21) Design Number: **15022/2010**
(22) Date of Filing Application: **18 May 2010**
(24) Date from which industrial property rights may have effect: **18 May 2010**
(54) Product in respect of which the design is registered: **A polo shirt**
(51) International Design Classification: **02-02NES**
(71) Name(s) and Address(s) of Applicant(s):
Fifty-Fourth Rischell Pty Ltd
3-5 Claremont Street South Yarra Victoria 3141 Australia
(72) Name(s) of Designer(s): **Ty Henschke**
(45) Registration Date: **26 November 2010**
(56) Related Art Documents: **Not Applicable**
(57) Statement of Newness and Distinctiveness: **Nil**



- (21) Design Number: **15023/2010**
- (22) Date of Filing Application: **18 May 2010**
- (24) Date from which industrial property rights may have effect: **18 May 2010**
- (54) Product in respect of which the design is registered: **A pair of jeans**
- (51) International Design Classification: **02-02C**
- (71) Name(s) and Address(s) of Applicant(s):
Fifty-Fourth Rischell Pty Ltd
3-5 Claremont Street South Yarra Victoria 3141 Australia
- (72) Name(s) of Designer(s): **Ty Henschke**
- (45) Registration Date: **26 November 2010**
- (56) Related Art Documents: **Not Applicable**
- (57) Statement of Newness and Distinctiveness: **Nil**



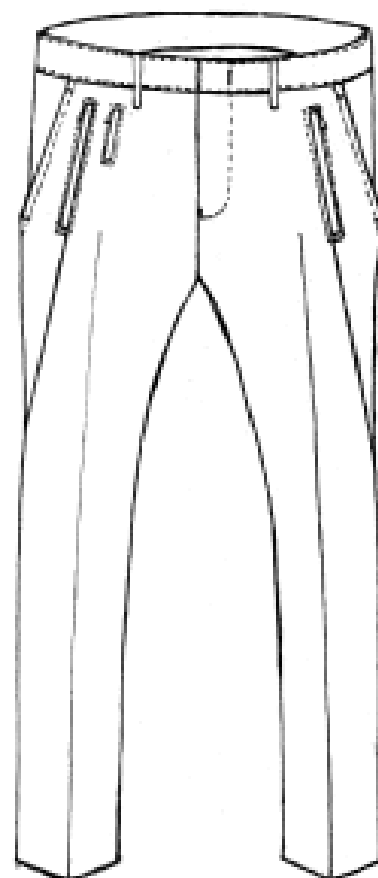
- (21) Design Number: **15024/2010**
- (22) Date of Filing Application: **18 May 2010**
- (24) Date from which industrial property rights may have effect: **18 May 2010**
- (54) Product in respect of which the design is registered: **A pair of jeans**
- (51) International Design Classification: **02-02C**
- (71) Name(s) and Address(s) of Applicant(s):
Fifty-Fourth Rischell Pty Ltd
3-5 Claremont Street South Yarra Victoria 3141 Australia
- (72) Name(s) of Designer(s): **Ty Henschke**
- (45) Registration Date: **26 November 2010**
- (56) Related Art Documents: **Not Applicable**
- (57) Statement of Newness and Distinctiveness: **Nil**



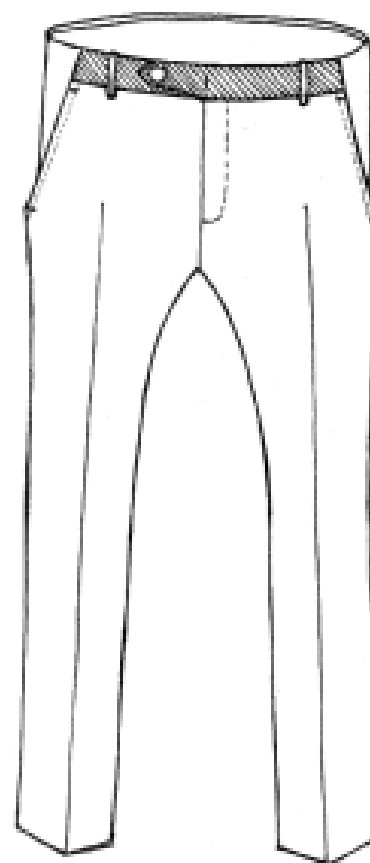
- (21) Design Number: **15025/2010**
- (22) Date of Filing Application: **18 May 2010**
- (24) Date from which industrial property rights may have effect: **18 May 2010**
- (54) Product in respect of which the design is registered: **A pair of pants**
- (51) International Design Classification: **02-02C**
- (71) Name(s) and Address(s) of Applicant(s):
Fifty-Fourth Rischell Pty Ltd
3-5 Claremont Street South Yarra Victoria 3141 Australia
- (72) Name(s) of Designer(s): **Ty Henschke**
- (45) Registration Date: **26 November 2010**
- (56) Related Art Documents: **Not Applicable**
- (57) Statement of Newness and Distinctiveness: **Nil**



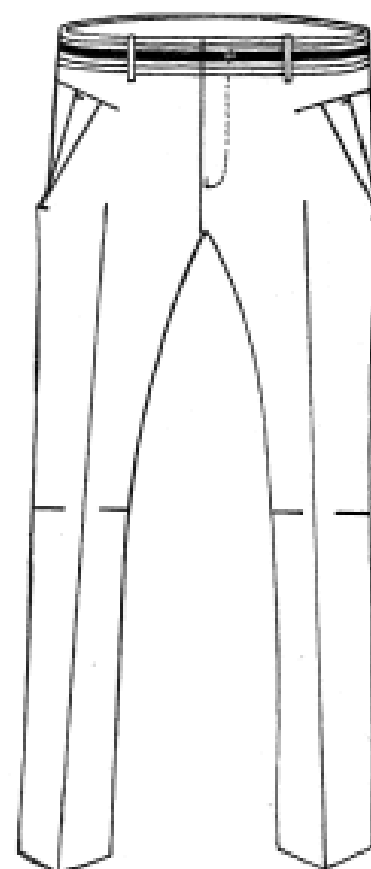
- (21) Design Number: **15026/2010**
- (22) Date of Filing Application: **18 May 2010**
- (24) Date from which industrial property rights may have effect: **18 May 2010**
- (54) Product in respect of which the design is registered: **A pair of pants**
- (51) International Design Classification: **02-02C**
- (71) Name(s) and Address(s) of Applicant(s):
Fifty-Fourth Rischell Pty Ltd
3-5 Claremont Street South Yarra Victoria 3141 Australia
- (72) Name(s) of Designer(s): **Ty Henschke**
- (45) Registration Date: **26 November 2010**
- (56) Related Art Documents: **Not Applicable**
- (57) Statement of Newness and Distinctiveness: **Nil**



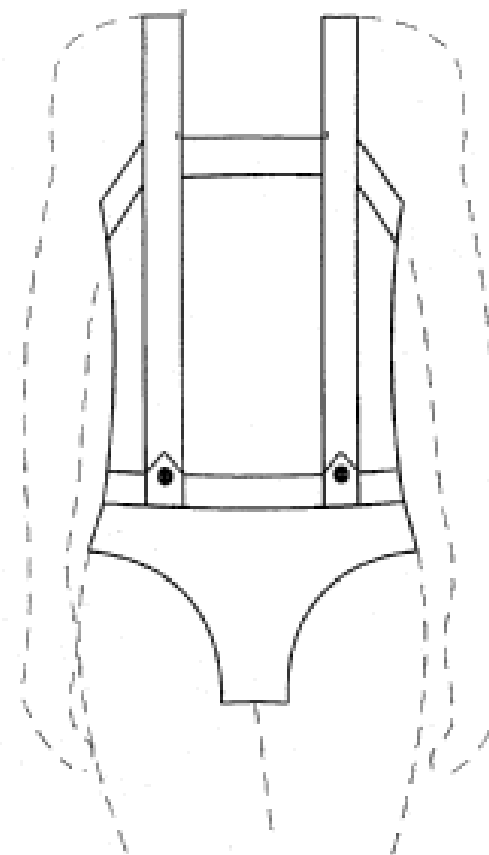
(21) Design Number: **15027/2010**
(22) Date of Filing Application: **18 May 2010**
(24) Date from which industrial property rights may have effect: **18 May 2010**
(54) Product in respect of which the design is registered: **A pair of pants**
(51) International Design Classification: **02-02C**
(71) Name(s) and Address(s) of Applicant(s):
Fifty-Fourth Rischell Pty Ltd
3-5 Claremont Street South Yarra Victoria 3141 Australia
(72) Name(s) of Designer(s): **Ty Henschke**
(45) Registration Date: **26 November 2010**
(56) Related Art Documents: **Not Applicable**
(57) Statement of Newness and Distinctiveness: **Nil**



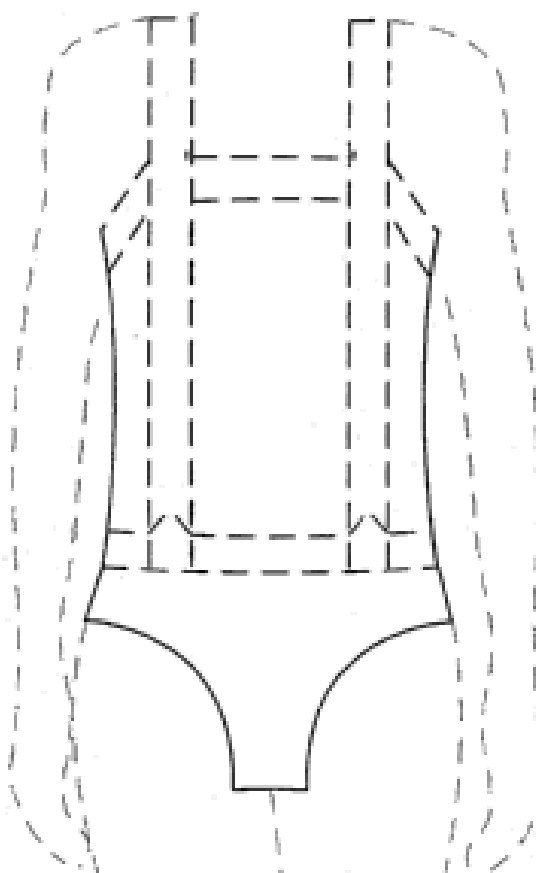
(21) Design Number: **15028/2010**
(22) Date of Filing Application: **18 May 2010**
(24) Date from which industrial property rights may have effect: **18 May 2010**
(54) Product in respect of which the design is registered: **A pair of pants**
(51) International Design Classification: **02-02C**
(71) Name(s) and Address(s) of Applicant(s):
Fifty-Fourth Rischell Pty Ltd
3-5 Claremont Street South Yarra Victoria 3141 Australia
(72) Name(s) of Designer(s): **Ty Henschke**
(45) Registration Date: **26 November 2010**
(56) Related Art Documents: **Not Applicable**
(57) Statement of Newness and Distinctiveness: **Nil**



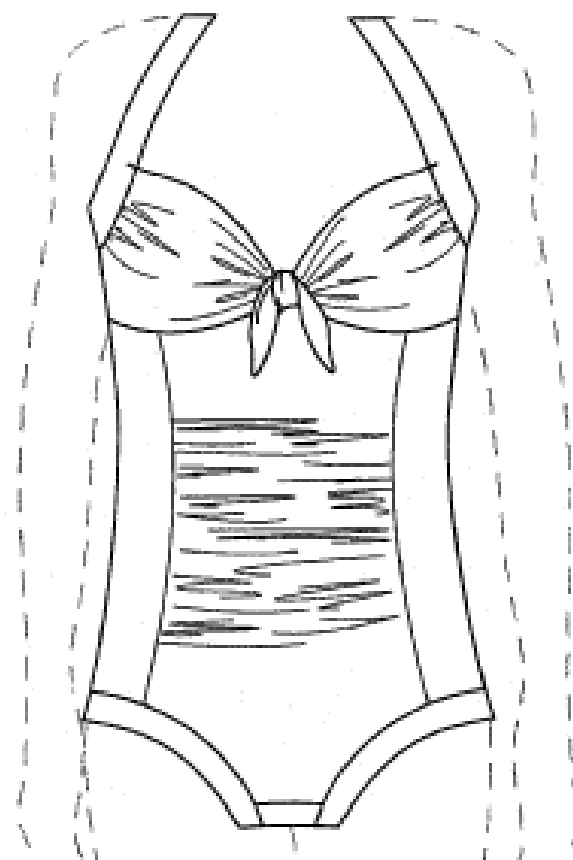
- (21) Design Number: **14868/2010**
- (22) Date of Filing Application: **08 November 2010**
- (24) Date from which industrial property rights may have effect: **08 November 2010**
- (54) Product in respect of which the design is registered: **Swimwear garment**
- (51) International Design Classification: **02-02A**
- (71) Name(s) and Address(s) of Applicant(s):
JETS Swimwear Pty Limited
8-18 Bowden Street Alexandria New South Wales 2015 Australia
- (72) Name(s) of Designer(s): **Jessika Allen**
- (45) Registration Date: **26 November 2010**
- (56) Related Art Documents: **Not Applicable**
- (57) Statement of Newness and Distinctiveness: **Newness and distinctiveness is claimed in the shape and/or configuration of the swimwear garment as depicted in the accompanying representations. The outline of the wearer, shown in broken lines, forms no part of the design.**



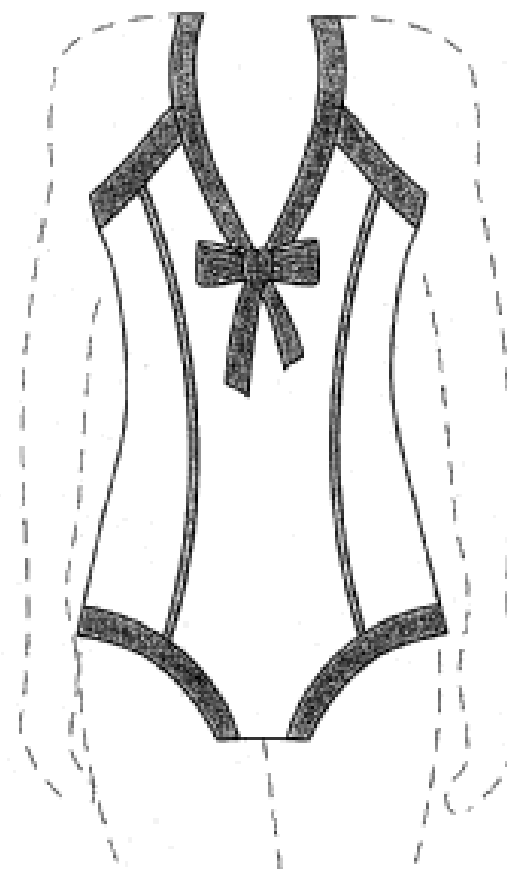
- (21) Design Number: **14869/2010**
- (22) Date of Filing Application: **08 November 2010**
- (24) Date from which industrial property rights may have effect: **08 November 2010**
- (54) Product in respect of which the design is registered: **Swimwear garment**
- (51) International Design Classification: **02-02A**
- (71) Name(s) and Address(s) of Applicant(s):
JETS Swimwear Pty Limited
8-18 Bowden Street Alexandria New South Wales 2015 Australia
- (72) Name(s) of Designer(s): **Jessika Allen**
- (45) Registration Date: **26 November 2010**
- (56) Related Art Documents: **Not Applicable**
- (57) Statement of Newness and Distinctiveness: **Newness and distinctiveness is claimed in the shape and/or configuration of the swimwear garment as depicted in the accompanying representations. The outline of the wearer and the portions of the front of the garment shown in broken lines form no part of the design.**



- (21) Design Number: **14870/2010**
(22) Date of Filing Application: **08 November 2010**
(24) Date from which industrial property rights may have effect: **08 November 2010**
(54) Product in respect of which the design is registered: **Swimwear garment**
(51) International Design Classification: **02-02A**
(71) Name(s) and Address(s) of Applicant(s):
JETS Swimwear Pty Limited
8-18 Bowden Street Alexandria New South Wales 2015 Australia
(72) Name(s) of Designer(s): **Jessika Allen**
(45) Registration Date: **26 November 2010**
(56) Related Art Documents: **Not Applicable**
(57) Statement of Newness and Distinctiveness: **Newness and distinctiveness is claimed in the shape and/or configuration of the swimwear garment as depicted in the accompanying representations. In considering newness and distinctiveness of the design, the portion of the neckstrap shown in the rear view, as indicated at "A", is to be disregarded. The outline of the wearer, shown in broken lines, forms no part of the design.**



- (21) Design Number: **14871/2010**
(22) Date of Filing Application: **08 November 2010**
(24) Date from which industrial property rights may have effect: **08 November 2010**
(54) Product in respect of which the design is registered: **Swimwear garment**
(51) International Design Classification: **02-02A**
(71) Name(s) and Address(s) of Applicant(s):
JETS Swimwear Pty Limited
8-18 Bowden Street Alexandria New South Wales 2015 Australia
(72) Name(s) of Designer(s): **Jessika Allen**
(45) Registration Date: **26 November 2010**
(56) Related Art Documents: **Not Applicable**
(57) Statement of Newness and Distinctiveness: **Newness and distinctiveness is claimed in the shape, configuration, pattern and/or ornamentation of the swimwear garment as depicted in the accompanying representations. In considering newness and distinctiveness of the design, the portion of the neckstrap shown in the rear view, as indicated at "A", is to be disregarded. The outline of the wearer, shown in broken lines, forms no part of the design.**



(21) Design Number: **14872/2010**

(22) Date of Filing Application: **08 November 2010**

(24) Date from which industrial property rights may have effect: **08 November 2010**

(54) Product in respect of which the design is registered: **Swimwear garment**

(51) International Design Classification: **02-02A**

(71) Name(s) and Address(s) of Applicant(s):

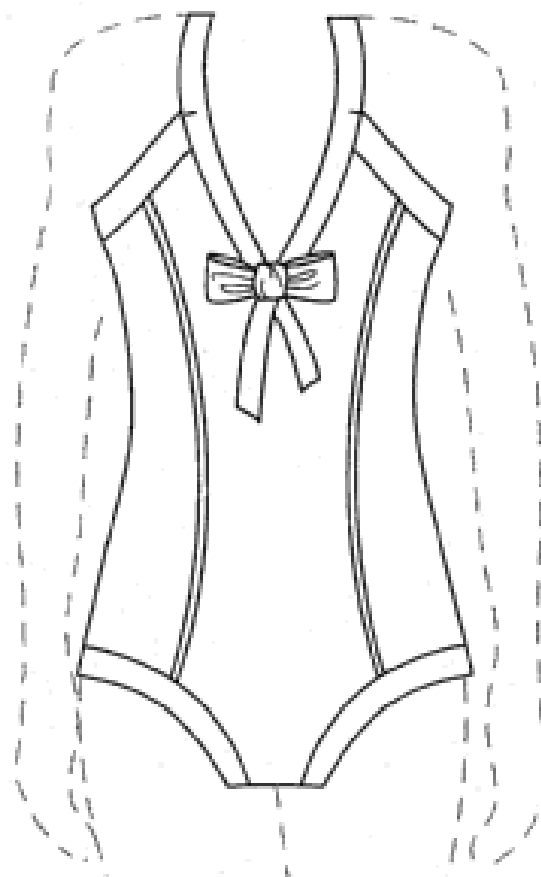
JETS Swimwear Pty Limited
8-18 Bowden Street Alexandria New South Wales 2015 Australia

(72) Name(s) of Designer(s): **Jessika Allen**

(45) Registration Date: **26 November 2010**

(56) Related Art Documents: **Not Applicable**

(57) Statement of Newness and Distinctiveness: **Newness and distinctiveness is claimed in the shape, configuration, pattern and/or ornamentation of the swimwear garment as depicted in the accompanying representations. In considering newness and distinctiveness of the design, the portion of the neckstrap shown in the rear view, as indicated at "A", is to be disregarded. The outline of the wearer, shown in broken lines, forms no part of the design.**



(21) Design Number: **14873/2010**

(22) Date of Filing Application: **08 November 2010**

(24) Date from which industrial property rights may have effect: **08 November 2010**

(54) Product in respect of which the design is registered: **Swimwear garment**

(51) International Design Classification: **02-02A**

(71) Name(s) and Address(s) of Applicant(s):

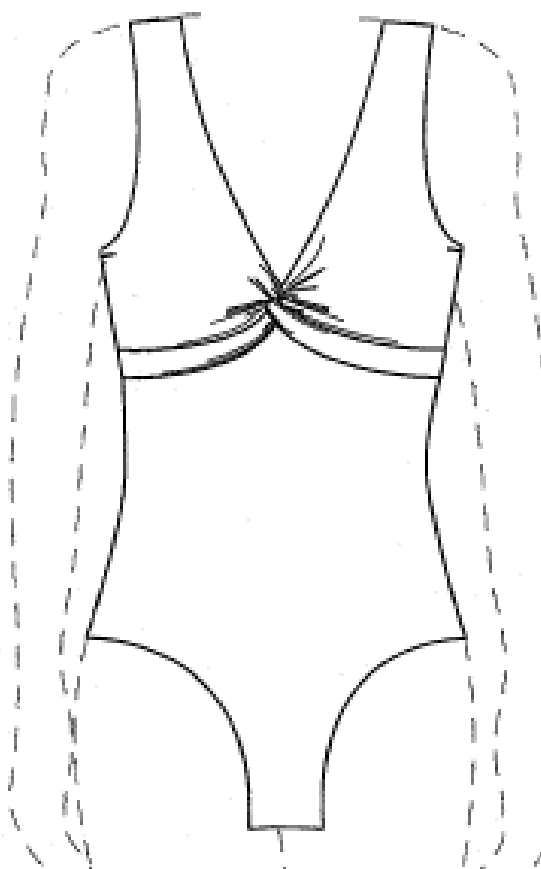
JETS Swimwear Pty Limited
8-18 Bowden Street Alexandria New South Wales 2015 Australia

(72) Name(s) of Designer(s): **Jessika Allen**

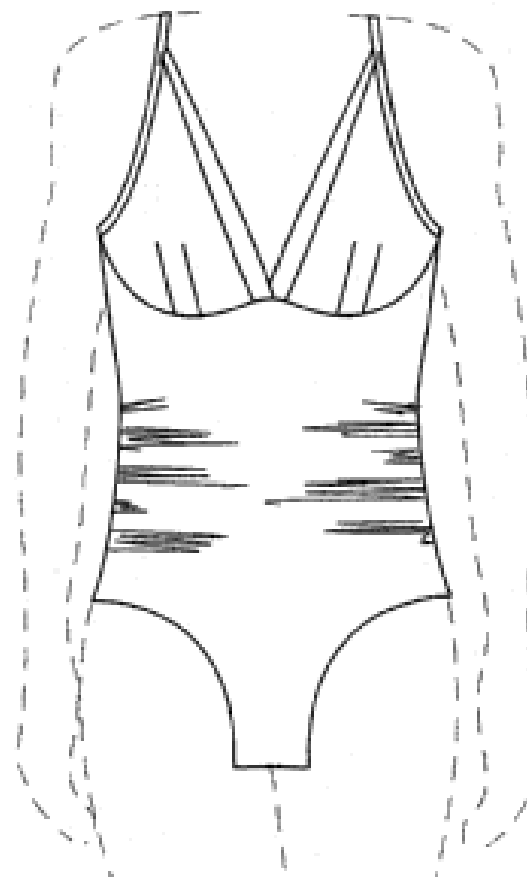
(45) Registration Date: **26 November 2010**

(56) Related Art Documents: **Not Applicable**

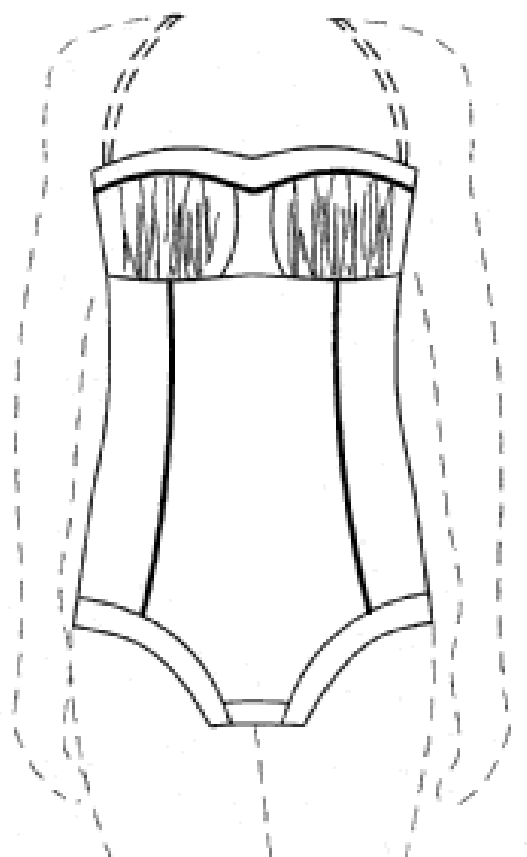
(57) Statement of Newness and Distinctiveness: **Newness and distinctiveness is claimed in the shape and/or configuration of the swimwear garment as depicted in the accompanying representations. The outline of the wearer, shown in broken lines, forms no part of the design.**



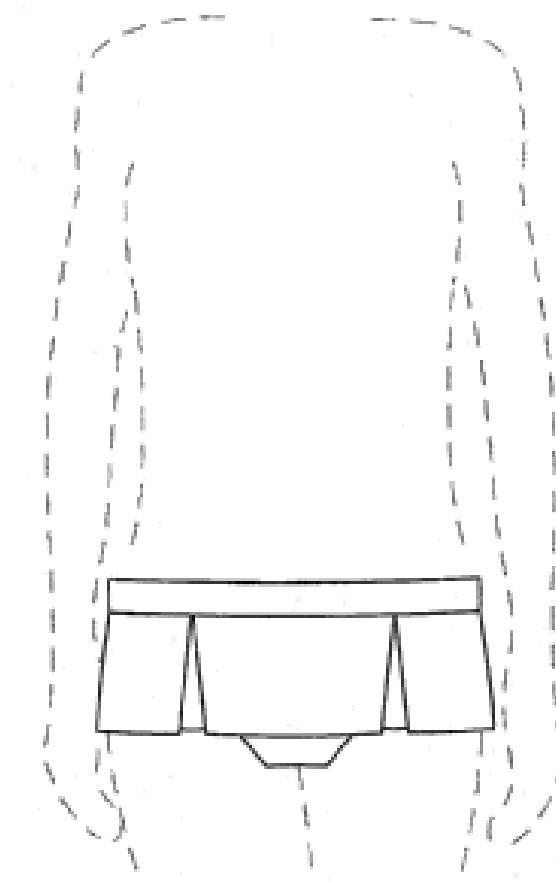
- (21) Design Number: **14874/2010**
(22) Date of Filing Application: **08 November 2010**
(24) Date from which industrial property rights may have effect: **08 November 2010**
(54) Product in respect of which the design is registered: **Swimwear garment**
(51) International Design Classification: **02-02A**
(71) Name(s) and Address(s) of Applicant(s):
JETS Swimwear Pty Limited
8-18 Bowden Street Alexandria New South Wales 2015 Australia
(72) Name(s) of Designer(s): **Jessika Allen**
(45) Registration Date: **26 November 2010**
(56) Related Art Documents: **Not Applicable**
(57) Statement of Newness and Distinctiveness: **Newness and distinctiveness is claimed in the shape and/or configuration of the swimwear garment as depicted in the accompanying representations. In considering newness and distinctiveness of the design, the straps shown in the rear view, as indicated at "A", are to be disregarded. The outline of the wearer, shown in broken lines, forms no part of the design.**



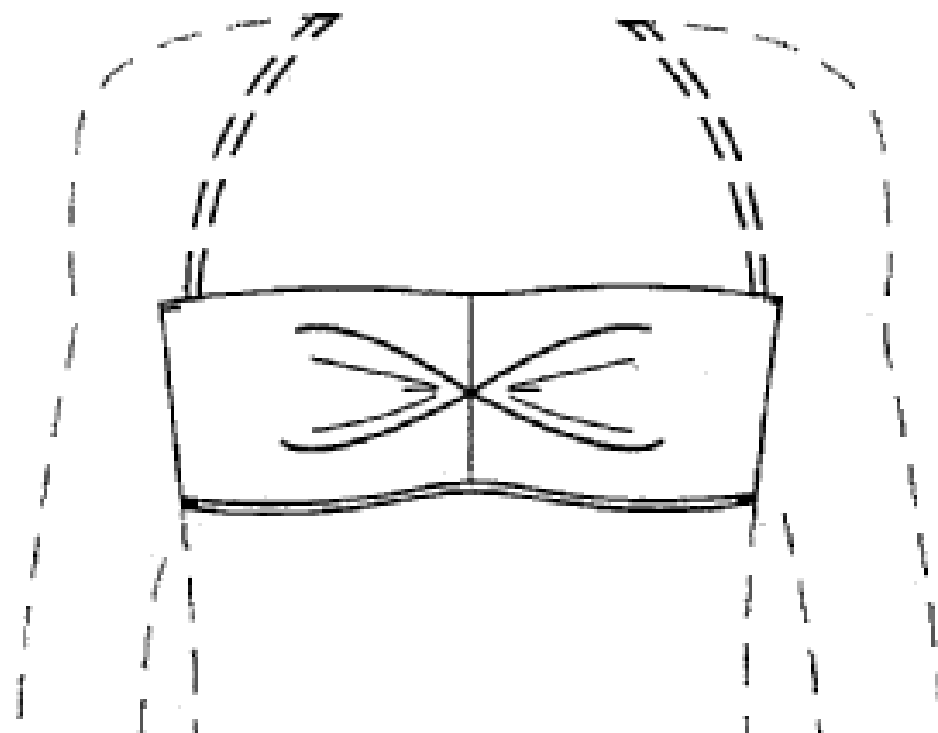
- (21) Design Number: **14875/2010**
(22) Date of Filing Application: **08 November 2010**
(24) Date from which industrial property rights may have effect: **08 November 2010**
(54) Product in respect of which the design is registered: **Swimwear garment**
(51) International Design Classification: **02-02A**
(71) Name(s) and Address(s) of Applicant(s):
JETS Swimwear Pty Limited
8-18 Bowden Street Alexandria New South Wales 2015 Australia
(72) Name(s) of Designer(s): **Jessika Allen**
(45) Registration Date: **26 November 2010**
(56) Related Art Documents: **Not Applicable**
(57) Statement of Newness and Distinctiveness: **Newness and distinctiveness is claimed in the shape and/or configuration of the swimwear garment as depicted in the accompanying representations. The outline of the wearer, the neck strap and the two longitudinal seams (in the rear view), which are shown in the broken lines, form no part of the design.**



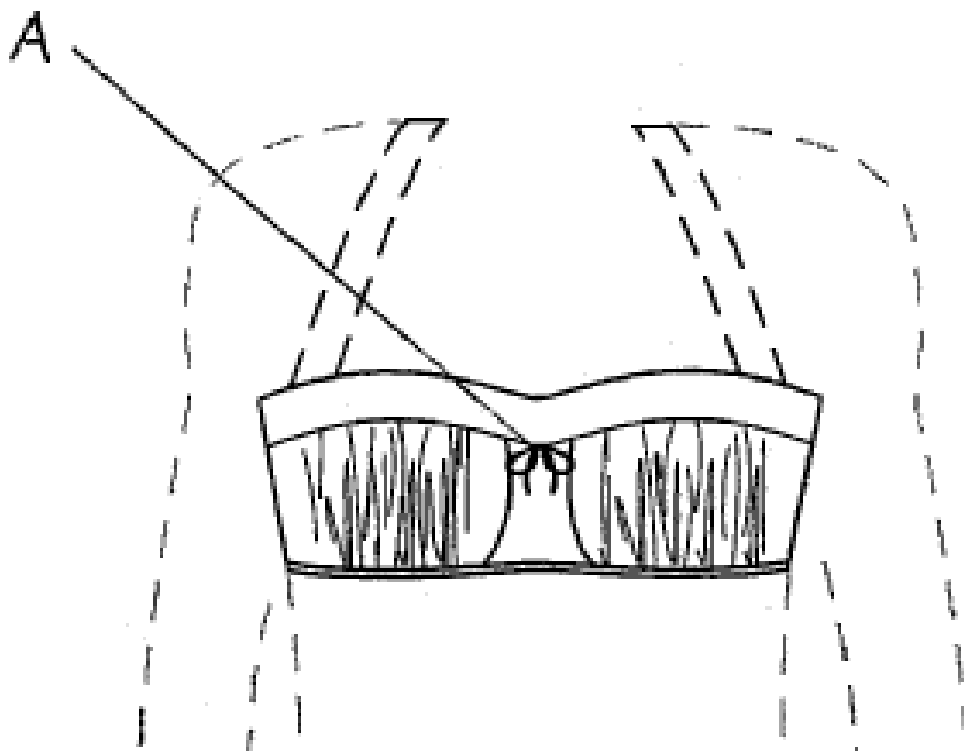
- (21) Design Number: **14876/2010**
(22) Date of Filing Application: **08 November 2010**
(24) Date from which industrial property rights may have effect: **08 November 2010**
(54) Product in respect of which the design is registered: **Swimwear garment**
(51) International Design Classification: **02-02A**
(71) Name(s) and Address(s) of Applicant(s):
JETS Swimwear Pty Limited
8-18 Bowden Street Alexandria New South Wales 2015 Australia
(72) Name(s) of Designer(s): **Jessika Allen**
(45) Registration Date: **26 November 2010**
(56) Related Art Documents: **Not Applicable**
(57) Statement of Newness and Distinctiveness: **Newness and distinctiveness is claimed in the shape and/or configuration of the swimwear garment as depicted in the accompanying representations. The outline of the wearer, shown in broken lines, forms no part of the design.**



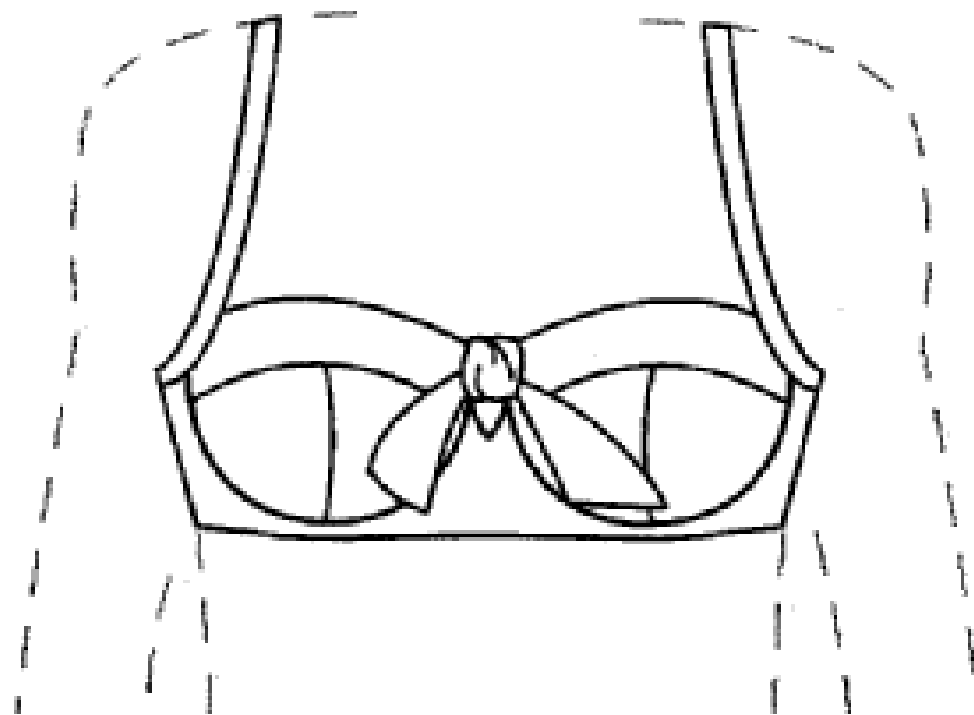
- (21) Design Number: **14877/2010**
(22) Date of Filing Application: **08 November 2010**
(24) Date from which industrial property rights may have effect: **08 November 2010**
(54) Product in respect of which the design is registered: **Swimwear garment**
(51) International Design Classification: **02-02A**
(71) Name(s) and Address(s) of Applicant(s):
JETS Swimwear Pty Limited
8-18 Bowden Street Alexandria New South Wales 2015 Australia
(72) Name(s) of Designer(s): **Jessika Allen**
(45) Registration Date: **26 November 2010**
(56) Related Art Documents: **Not Applicable**
(57) Statement of Newness and Distinctiveness: **Newness and distinctiveness is claimed in the shape and/or configuration of the swimwear garment as depicted in the accompanying representations. The outline of the wearer and the neck strap, shown in broken lines, form no part of the design.**



- (21) Design Number: **14878/2010**
- (22) Date of Filing Application: **08 November 2010**
- (24) Date from which industrial property rights may have effect: **08 November 2010**
- (54) Product in respect of which the design is registered: **Swimwear garment**
- (51) International Design Classification: **02-02A**
- (71) Name(s) and Address(s) of Applicant(s):
JETS Swimwear Pty Limited
8-18 Bowden Street Alexandria New South Wales 2015 Australia
- (72) Name(s) of Designer(s): **Jessika Allen**
- (45) Registration Date: **26 November 2010**
- (56) Related Art Documents: **Not Applicable**
- (57) Statement of Newness and Distinctiveness: **Newness and distinctiveness is claimed in the shape and/or configuration of the swimwear garment as depicted in the accompanying representations. In considering newness and distinctiveness of the design, the bow shown in the front view, as indicated at "A", is to be disregarded. The outline of the wearer and the neck strap, shown in broken lines, form no part of the design.**



- (21) Design Number: **14879/2010**
- (22) Date of Filing Application: **08 November 2010**
- (24) Date from which industrial property rights may have effect: **08 November 2010**
- (54) Product in respect of which the design is registered: **Swimwear garment**
- (51) International Design Classification: **02-02A**
- (71) Name(s) and Address(s) of Applicant(s):
JETS Swimwear Pty Limited
8-18 Bowden Street Alexandria New South Wales 2015 Australia
- (72) Name(s) of Designer(s): **Jessika Allen**
- (45) Registration Date: **26 November 2010**
- (56) Related Art Documents: **Not Applicable**
- (57) Statement of Newness and Distinctiveness: **Newness and distinctiveness is claimed in the shape, configuration, pattern and/or ornamentation of the swimwear garment as depicted in the accompanying representations. The outline of the wearer, shown in broken lines, forms no part of the design.**



(21) Design Number: **14766/2010**
 (22) Date of Filing Application: **04 November 2010**
 (24) Date from which industrial property rights may have effect: **04 November 2010**
 (54) Product in respect of which the design is registered: **Comestible maker**
 (51) International Design Classification: **31-00**
 (71) Name(s) and Address(s) of Applicant(s):

Propeller, Inc.
720 Monroe Street Suite C405 Hoboken New Jersey 07030 United States of America

(72) Name(s) of Designer(s): **Kenneth D. Zorovich and Yos Kumthampinij and John C. Earle**

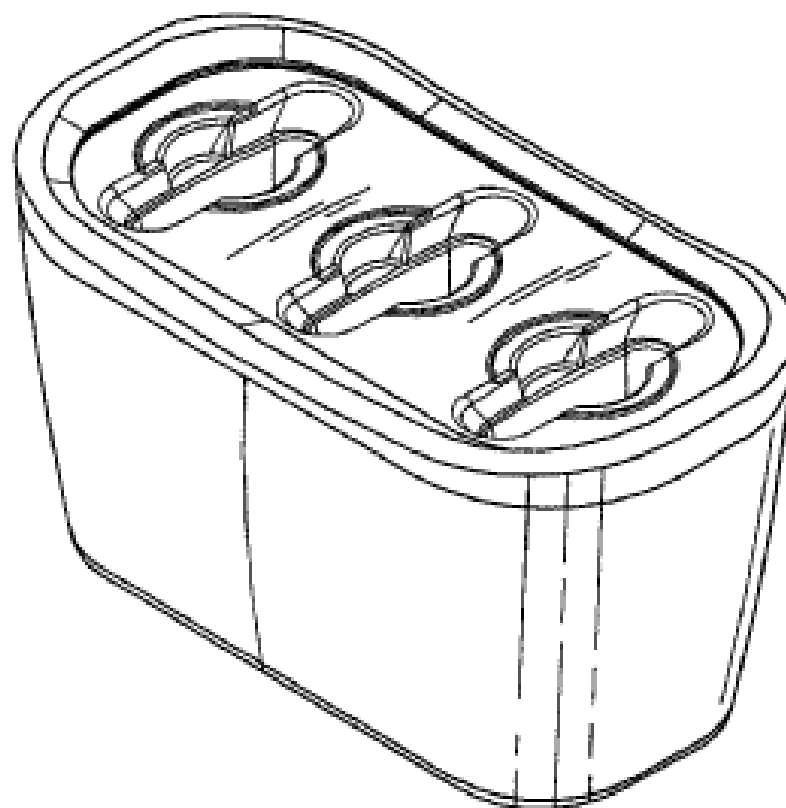
(45) Registration Date: **26 November 2010**

(30) Convention priority data:

(31) Number	(32) Date	(33) Country
29/360963	04 May 2010	UNITED STATES OF AMERICA

(56) Related Art Documents: **Not Applicable**

(57) Statement of Newness and Distinctiveness: **Newness and distinctiveness reside in the following features of shape and configuration of the design as shown in the representations: the overall shape of the housing and particularly its upper end, the top surface of the insert that includes one or more oblong-shaped cavities and corresponding circular-shaped notches.**



(21) Design Number: **14046/2010**
 (22) Date of Filing Application: **17 September 2010**
 (24) Date from which industrial property rights may have effect: **17 September 2010**
 (54) Product in respect of which the design is registered: **Electronic device**
 (51) International Design Classification: **14-03A, 14-04**
 (71) Name(s) and Address(s) of Applicant(s):

Apple Inc.
1 Infinite Loop Cupertino California 95014 United States of America

(72) Name(s) of Designer(s): **Freddy Anzures and Imran Chaudhri and Elizabeth Caroline Cranfill and Mikio Inose and Marcel Van Os and Ollie Wagner**

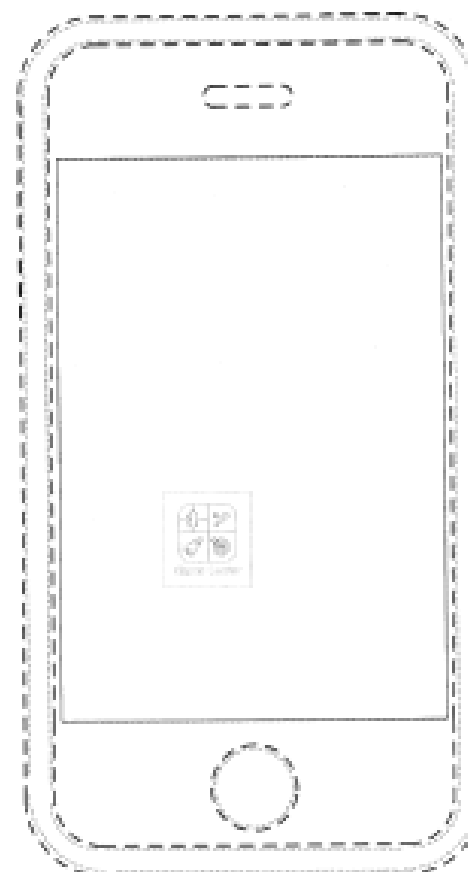
(45) Registration Date: **29 November 2010**

(30) Convention priority data:

(31) Number	(32) Date	(33) Country
29/359260	07 Apr 2010	UNITED STATES OF AMERICA

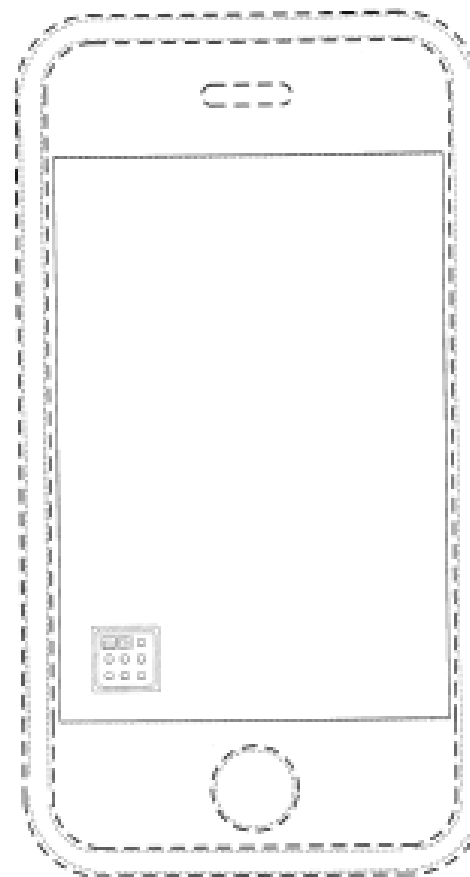
(56) Related Art Documents: **Not Applicable**

(57) Statement of Newness and Distinctiveness: **Newness and distinctiveness is claimed in the features of pattern and/or ornamentation of the front of an electronic device as shown in solid outline in the accompanying representations.**



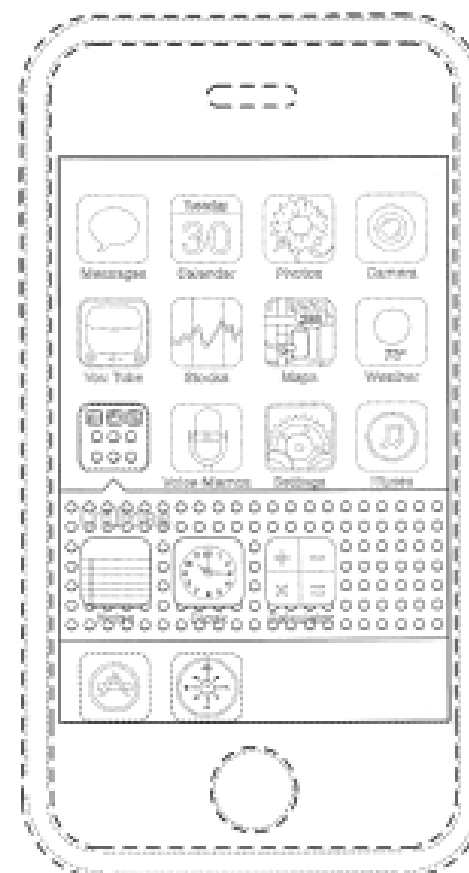
- (21) Design Number: **14994/2010**
- (22) Date of Filing Application: **17 November 2010**
- (24) Date from which industrial property rights may have effect: **17 September 2010**
- (54) Product in respect of which the design is registered: **Electronic device**
- (51) International Design Classification: **14-03A, 14-04**
- (71) Name(s) and Address(s) of Applicant(s):
Apple Inc.
1 Infinite Loop Cupertino California 95014 United States of America
- (72) Name(s) of Designer(s): **Elizabeth Caroline Cranfill and Freddy Anzures and Imran Chaudhri and Marcel Van Os and Mikio Inose and Ollie Wagner**
- (45) Registration Date: **29 November 2010**
- (30) Convention priority data:

(31) Number	(32) Date	(33) Country
29/359260	07 Apr 2010	UNITED STATES OF AMERICA
- (62) Divisional of: **333897**
- (56) Related Art Documents: **Not Applicable**
- (57) Statement of Newness and Distinctiveness: **Newness and distinctiveness is claimed in the features of pattern and/or ornamentation of the front of an electronic device as shown in solid outline in the accompanying representations.**



- (21) Design Number: **14995/2010**
- (22) Date of Filing Application: **17 September 2010**
- (24) Date from which industrial property rights may have effect: **17 September 2010**
- (54) Product in respect of which the design is registered: **Electronic device**
- (51) International Design Classification: **14-03A, 14-04**
- (71) Name(s) and Address(s) of Applicant(s):
Apple Inc.
1 Infinite Loop Cupertino California 95014 United States of America
- (72) Name(s) of Designer(s): **Elizabeth Caroline Cranfill and Freddy Anzures and Imran Chaudhri and Marcel Van Os and Mikio Inose and Ollie Wagner**
- (45) Registration Date: **29 November 2010**
- (30) Convention priority data:

(31) Number	(32) Date	(33) Country
29/359260	07 Apr 2010	UNITED STATES OF AMERICA
- (62) Divisional of: **333897**
- (56) Related Art Documents: **Not Applicable**
- (57) Statement of Newness and Distinctiveness: **Newness and distinctiveness is claimed in the features of pattern and/or ornamentation of the front of an electronic device as shown in solid outline in the accompanying representations.**



(19) AU

- (21) Design Number: **14996/2010**
- (22) Date of Filing Application: **17 September 2010**
- (24) Date from which industrial property rights may have effect: **17 September 2010**
- (54) Product in respect of which the design is registered: **Electronic device**
- (51) International Design Classification: **14-03A, 14-04**
- (71) Name(s) and Address(s) of Applicant(s):

Apple Inc.
1 Infinite Loop Cupertino California 95014 United States of America

- (72) Name(s) of Designer(s): **Elizabeth Caroline Cranfill and Freddy Anzures and Imran Chaudhri and Marcel Van Os and Mikio Inose and Ollie Wagner**

(45) Registration Date: **29 November 2010**

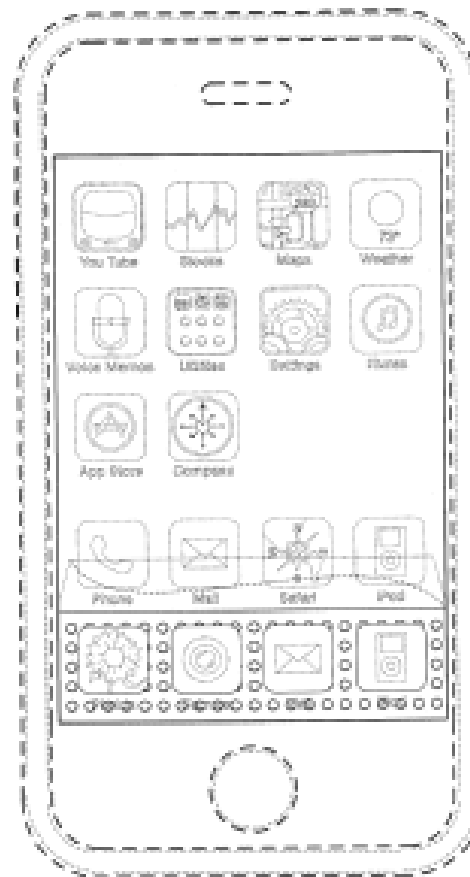
(30) Convention priority data:

(31) Number	(32) Date	(33) Country
29/359260	07 Apr 2010	UNITED STATES OF AMERICA

(62) Divisional of: **333897**

(56) Related Art Documents: **Not Applicable**

(57) Statement of Newness and Distinctiveness: **Newness and distinctiveness is claimed in the features of pattern and/or ornamentation of the front of an electronic device as shown in solid outline in the accompanying representations.**



(19) AU

- (21) Design Number: **14756/2010**
- (22) Date of Filing Application: **05 November 2010**
- (24) Date from which industrial property rights may have effect: **05 November 2010**
- (54) Product in respect of which the design is registered: **Medicine dispenser**
- (51) International Design Classification: **09-01NES**
- (71) Name(s) and Address(s) of Applicant(s):

Inspire Pharmaceuticals, Inc.
4222 Emperor Boulevard Suite 200 Durham NC 27703-8466 United States of America

- (72) Name(s) of Designer(s): **Ramesh Krishnamoorthy and Timothy S. Hansen**

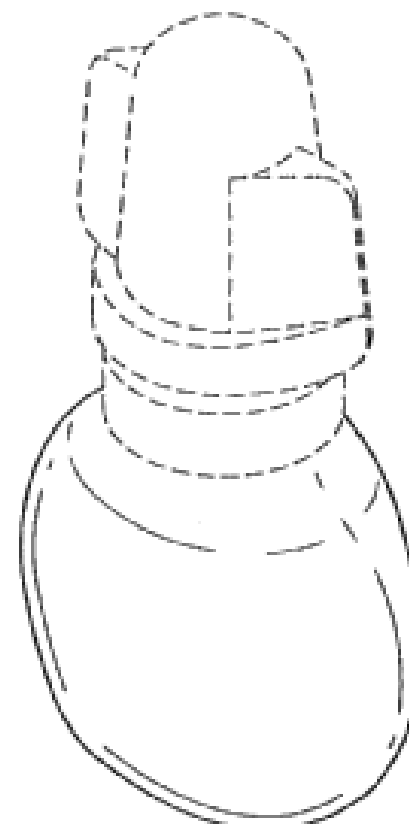
(45) Registration Date: **29 November 2010**

(30) Convention priority data:

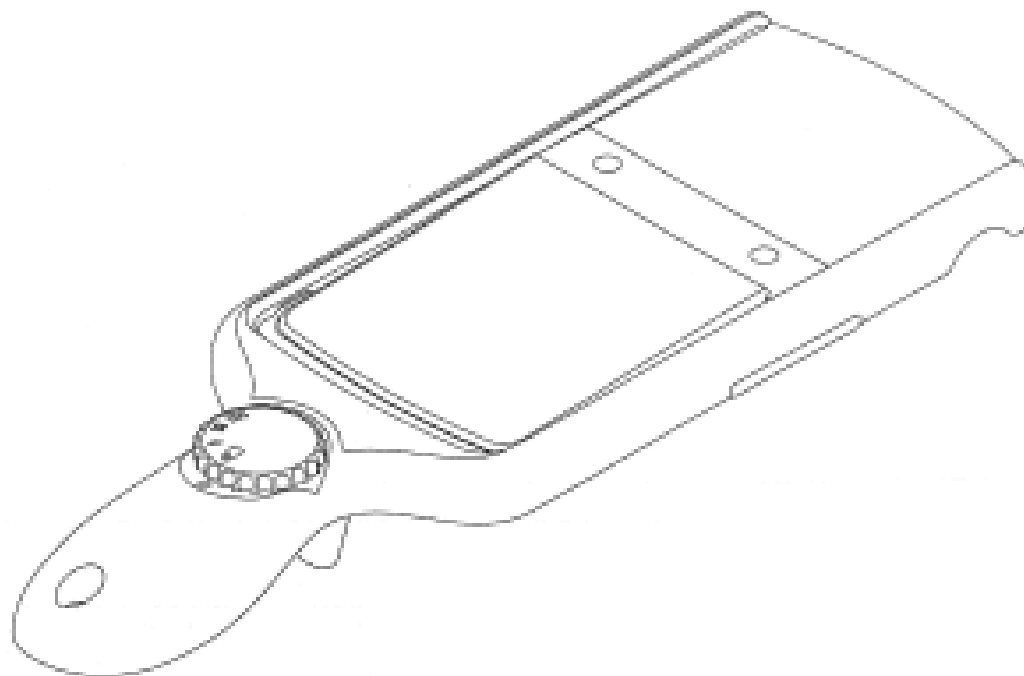
(31) Number	(32) Date	(33) Country
29/364,898	30 Jun 2010	UNITED STATES OF AMERICA

(56) Related Art Documents: **Not Applicable**

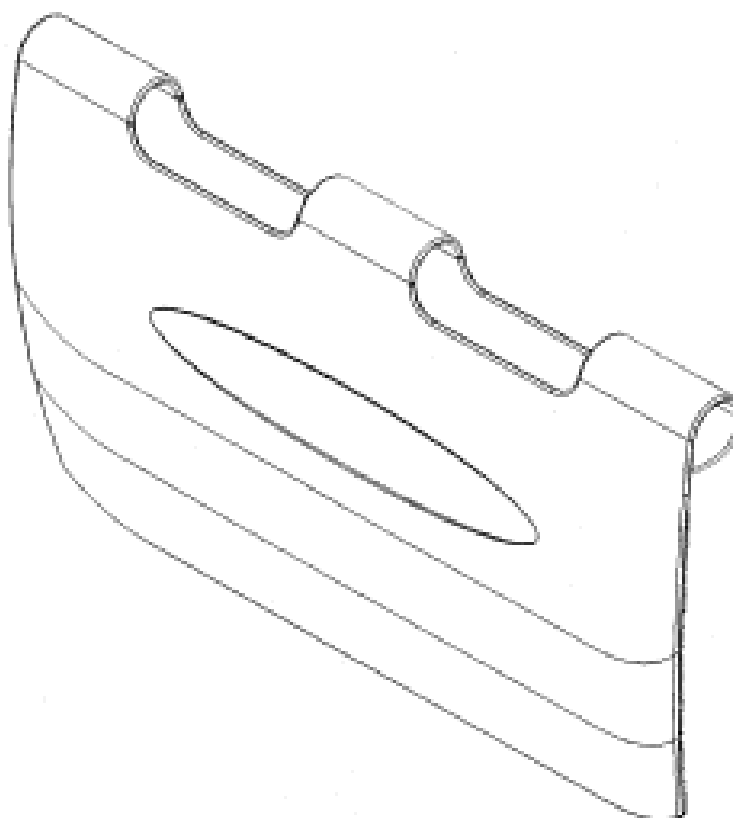
(57) Statement of Newness and Distinctiveness: **Nil**



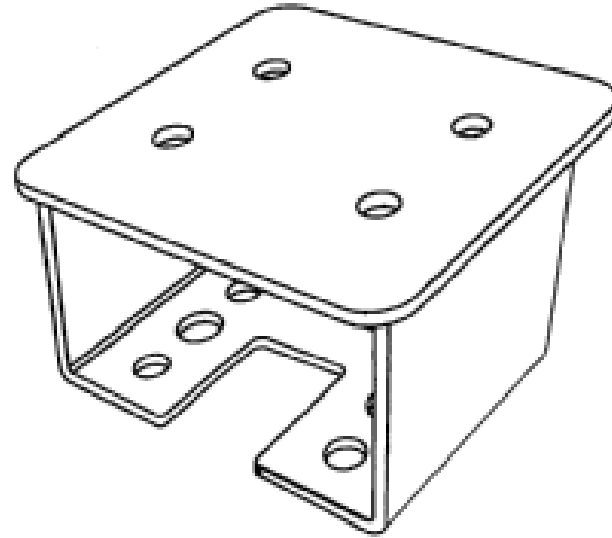
- (21) Design Number: **14757/2010**
(22) Date of Filing Application: **05 November 2010**
(24) Date from which industrial property rights may have effect: **05 November 2010**
(54) Product in respect of which the design is registered: **Slicer**
(51) International Design Classification: **07-04**
(71) Name(s) and Address(s) of Applicant(s):
Daka Research Inc.
P.O. Box 957 Offshore Incorporations Centre Road Town Tortola
British Virgin Islands
(72) Name(s) of Designer(s): **Pat Y. Mah and Alexander Joseph Kalogroulis and**
Kwong Keung Tung and Michael Ng
(45) Registration Date: **29 November 2010**
(30) Convention priority data:
(31) Number (32) Date (33) Country
1001617.2 08 Sep 2010 HONG KONG
(56) Related Art Documents: **Not Applicable**
(57) Statement of Newness and Distinctiveness: **Nil**



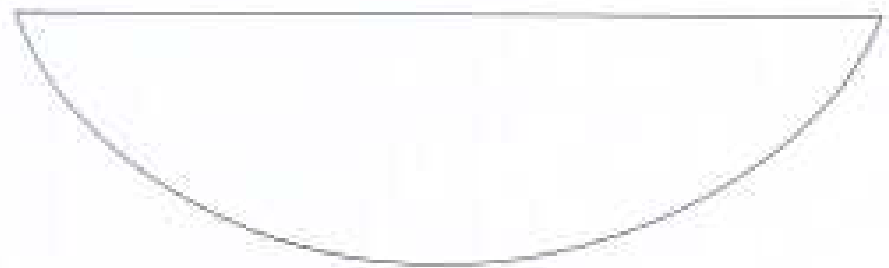
- (21) Design Number: **14396/2010**
(22) Date of Filing Application: **13 October 2010**
(24) Date from which industrial property rights may have effect: **13 October 2010**
(54) Product in respect of which the design is registered: **Adjustable visor**
(51) International Design Classification: **12-16B**
(71) Name(s) and Address(s) of Applicant(s):
Jeffrey Brian Picton
60 Durham Drive Edgeworth New South Wales 2285 Australia
(72) Name(s) of Designer(s): **Jeffrey Brian Picton**
(45) Registration Date: **29 November 2010**
(56) Related Art Documents: **Not Applicable**
(57) Statement of Newness and Distinctiveness: **Newness and distinctiveness is**
claimed in the visual features shown in solid lines in the representations.



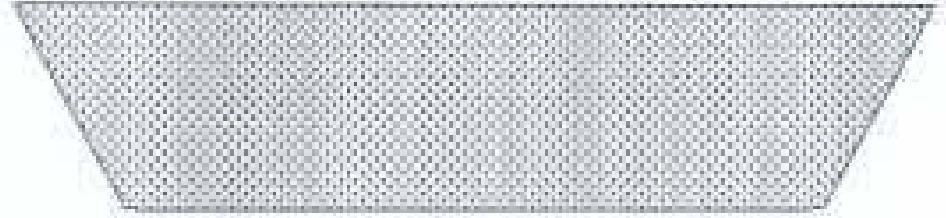
- (21) Design Number: **14780/2010**
(22) Date of Filing Application: **05 November 2010**
(24) Date from which industrial property rights may have effect: **05 November 2010**
(54) Product in respect of which the design is registered: **Bracket for a vehicle seat**
(51) International Design Classification: **08-08NES**
(71) Name(s) and Address(s) of Applicant(s):
QME Services Pty Ltd
6/18 Pinnacle Street Brendale Queensland 4500 Australia
(72) Name(s) of Designer(s): **Bryan Glasper**
(45) Registration Date: **29 November 2010**
(56) Related Art Documents: **Not Applicable**
(57) Statement of Newness and Distinctiveness: **The newness and distinctiveness of the design resides in the shape and/or configuration of a bracket for a vehicle seat as shown in the representations.**



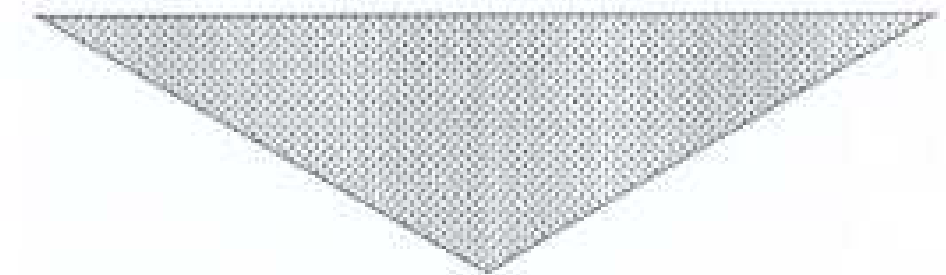
- (21) Design Number: **14781/2010**
(22) Date of Filing Application: **05 November 2010**
(24) Date from which industrial property rights may have effect: **05 November 2010**
(54) Product in respect of which the design is registered: **Gusset piece for pant crotch (Crescent)**
(51) International Design Classification: **02-07NES**
(71) Name(s) and Address(s) of Applicant(s):
Visitec Australia Pty Ltd
116 Queen Street Beaconsfield New South Wales 2015 Australia
(72) Name(s) of Designer(s): **Stuart John Doherty and Richard Ian Craig**
(45) Registration Date: **29 November 2010**
(56) Related Art Documents: **Not Applicable**
(57) Statement of Newness and Distinctiveness: **The peripheral shape and configuration of the design is claimed to be new and distinctive. No regard should be made to the texture of the drill fabric or inner form of the mesh from which the product may be made as shown in the representations when assessing the newness and distinctiveness of the design.**



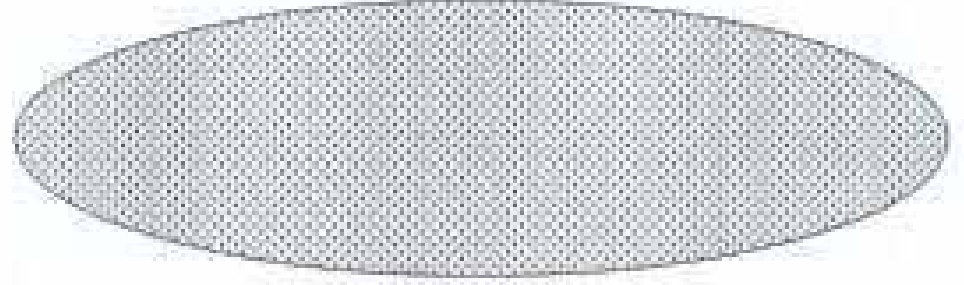
- (21) Design Number: **14782/2010**
(22) Date of Filing Application: **05 November 2010**
(24) Date from which industrial property rights may have effect: **05 November 2010**
(54) Product in respect of which the design is registered: **Gusset piece for pant crotch (Mitred)**
(51) International Design Classification: **02-07NES**
(71) Name(s) and Address(s) of Applicant(s):
Visitec Australia Pty Ltd
116 Queen Street Beaconsfield New South Wales 2015 Australia
(72) Name(s) of Designer(s): **Stuart John Doherty and Richard Ian Craig**
(45) Registration Date: **29 November 2010**
(56) Related Art Documents: **Not Applicable**
(57) Statement of Newness and Distinctiveness: **The peripheral shape and configuration of the design is claimed to be new and distinctive. No regard should be made to the texture of the drill fabric or inner form of the mesh from which the product may be made as shown in the representations when assessing the newness and distinctiveness of the design.**



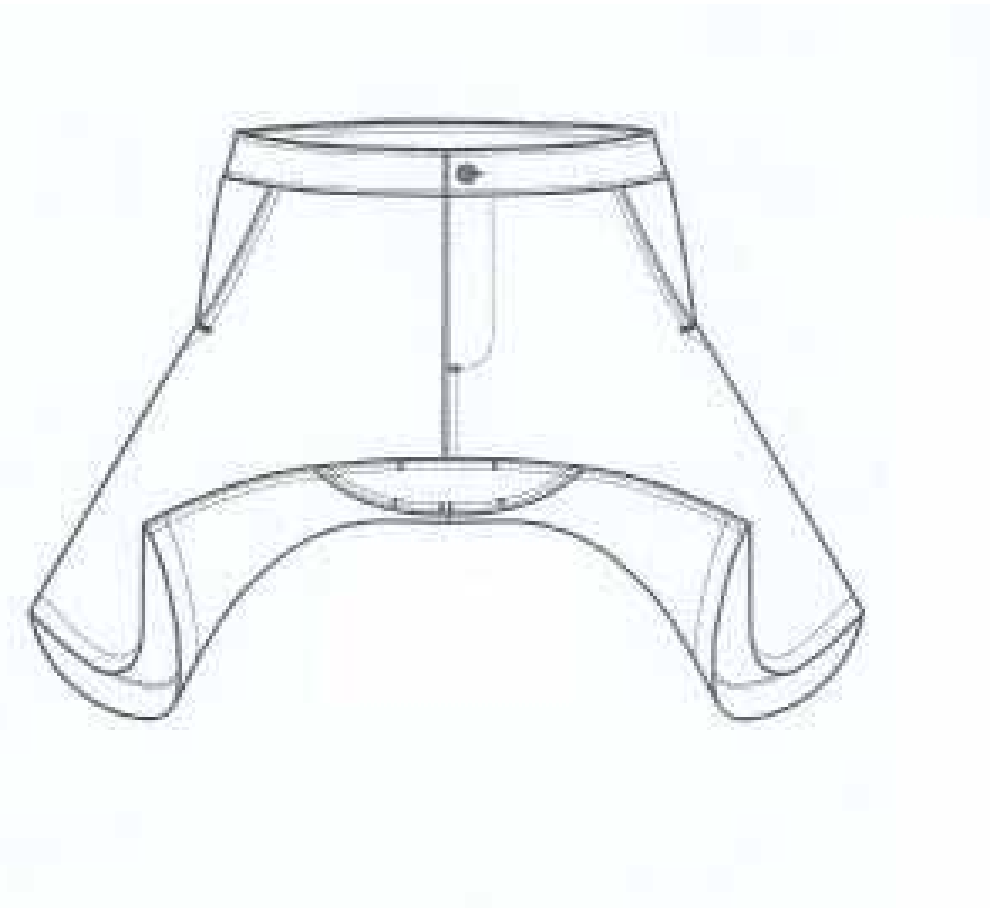
- (21) Design Number: **14783/2010**
(22) Date of Filing Application: **05 November 2010**
(24) Date from which industrial property rights may have effect: **05 November 2010**
(54) Product in respect of which the design is registered: **Gusset piece for pant crotch (Triangular)**
(51) International Design Classification: **02-07NES**
(71) Name(s) and Address(s) of Applicant(s):
Visitec Australia Pty Ltd
116 Queen Street Beaconsfield New South Wales 2015 Australia
(72) Name(s) of Designer(s): **Stuart John Doherty and Richard Ian Craig**
(45) Registration Date: **29 November 2010**
(56) Related Art Documents: **Not Applicable**
(57) Statement of Newness and Distinctiveness: **The peripheral shape and configuration of the design is claimed to be new and distinctive. No regard should be made to the texture of the drill fabric or inner form of the mesh from which the product may be made as shown in the representations when assessing the newness and distinctiveness of the design.**



- (21) Design Number: **14784/2010**
(22) Date of Filing Application: **05 November 2010**
(24) Date from which industrial property rights may have effect: **05 November 2010**
(54) Product in respect of which the design is registered: **Gusset piece for pant crotch (Circular)**
(51) International Design Classification: **02-07NES**
(71) Name(s) and Address(s) of Applicant(s):
Visitec Australia Pty Ltd
116 Queen Street Beaconsfield New South Wales 2015 Australia
(72) Name(s) of Designer(s): **Stuart John Doherty and Richard Ian Craig**
(45) Registration Date: **29 November 2010**
(56) Related Art Documents: **Not Applicable**
(57) Statement of Newness and Distinctiveness: **The peripheral shape and configuration of the design is claimed to be new and distinctive. No regard should be made to the texture of the drill fabric or inner form of the mesh from which the product may be made as shown in the representations when assessing the newness and distinctiveness of the design.**



- (21) Design Number: **14785/2010**
(22) Date of Filing Application: **05 November 2010**
(24) Date from which industrial property rights may have effect: **05 November 2010**
(54) Product in respect of which the design is registered: **Pant crotch (gusset piece - crescent)**
(51) International Design Classification: **02-07NES**
(71) Name(s) and Address(s) of Applicant(s):
Visitec Australia Pty Ltd
116 Queen Street Beaconsfield New South Wales 2015 Australia
(72) Name(s) of Designer(s): **Stuart John Doherty and Richard Ian Craig**
(45) Registration Date: **29 November 2010**
(56) Related Art Documents: **Not Applicable**
(57) Statement of Newness and Distinctiveness: **The visual features of the gusset portion of the crotch are claimed to be new and distinctive. No regard should be made to the visual features of the pant length, the pockets and their arrangement, the waistband, the stitching in areas other than the crotch, and positioning of the bar tacks adjacent the openings as shown in the representations when assessing the newness and distinctiveness of the design.**



(21) Design Number: **14786/2010**

(22) Date of Filing Application: **05 November 2010**

(24) Date from which industrial property rights may have effect: **05 November 2010**

(54) Product in respect of which the design is registered: **Pant crotch (gusset piece - mitre)**

(51) International Design Classification: **02-07NES**

(71) Name(s) and Address(s) of Applicant(s):

Visitec Australia Pty Ltd

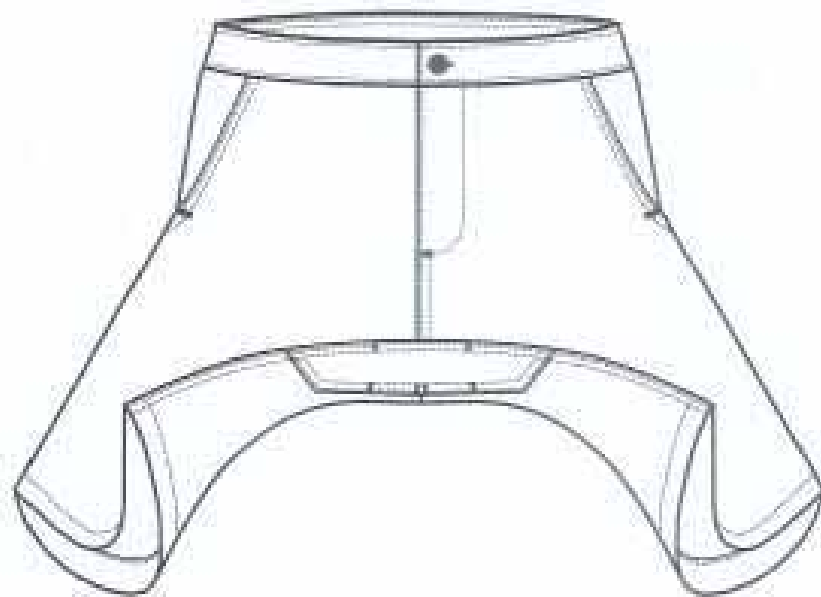
116 Queen Street Beaconsfield New South Wales 2015 Australia

(72) Name(s) of Designer(s): **Stuart John Doherty and Richard Ian Craig**

(45) Registration Date: **29 November 2010**

(56) Related Art Documents: **Not Applicable**

(57) Statement of Newness and Distinctiveness: **The visual features of the gusset portion of the crotch are claimed to be new and distinctive. No regard should be made to the visual features of the pant length, the pockets and their arrangement, the waistband, the stitching in areas other than the crotch, and positioning of the bar tacks adjacent the openings as shown in the representations when assessing the newness and distinctiveness of the design.**



(21) Design Number: **14787/2010**

(22) Date of Filing Application: **05 November 2010**

(24) Date from which industrial property rights may have effect: **05 November 2010**

(54) Product in respect of which the design is registered: **Pant crotch (gusset piece - triangle)**

(51) International Design Classification: **02-07NES**

(71) Name(s) and Address(s) of Applicant(s):

Visitec Australia Pty Ltd

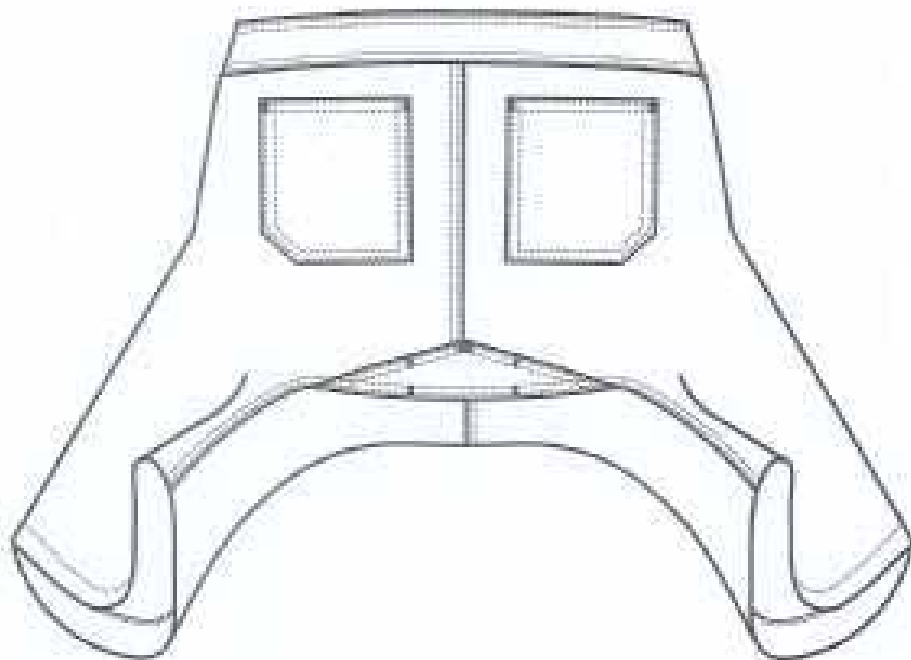
116 Queen Street Beaconsfield New South Wales 2015 Australia

(72) Name(s) of Designer(s): **Stuart John Doherty and Richard Ian Craig**

(45) Registration Date: **29 November 2010**

(56) Related Art Documents: **Not Applicable**

(57) Statement of Newness and Distinctiveness: **The visual features of the gusset portion of the crotch are claimed to be new and distinctive. No regard should be made to the visual features of the pant length, the pockets and their arrangement, the waistband, the stitching in areas other than the crotch, and positioning of the bar tacks adjacent the openings as shown in the representations when assessing the newness and distinctiveness of the design.**



(21) Design Number: **14788/2010**

(22) Date of Filing Application: **05 November 2010**

(24) Date from which industrial property rights may have effect: **05 November 2010**

(54) Product in respect of which the design is registered: **Pant crotch (gusset piece - oval)**

(51) International Design Classification: **02-07NES**

(71) Name(s) and Address(s) of Applicant(s):

Visitec Australia Pty Ltd

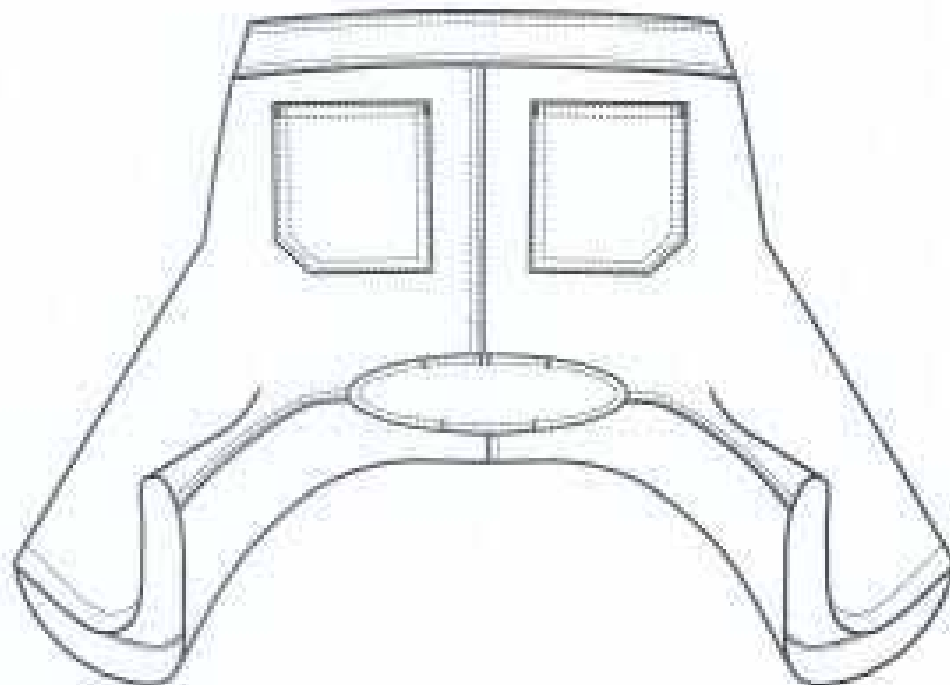
116 Queen Street Beaconsfield New South Wales 2015 Australia

(72) Name(s) of Designer(s): **Stuart John Doherty and Richard Ian Craig**

(45) Registration Date: **29 November 2010**

(56) Related Art Documents: **Not Applicable**

(57) Statement of Newness and Distinctiveness: **The visual features of the gusset portion of the crotch are claimed to be new and distinctive. No regard should be made to the visual features of the pant length, the pockets and their arrangement, the waistband, the stitching in areas other than the crotch, and positioning of the bar tacks adjacent the openings as shown in the representations when assessing the newness and distinctiveness of the design.**



(21) Design Number: **14789/2010**

(22) Date of Filing Application: **05 November 2010**

(24) Date from which industrial property rights may have effect: **05 November 2010**

(54) Product in respect of which the design is registered: **Pant crotch (mesh piece - crescent)**

(51) International Design Classification: **02-07NES**

(71) Name(s) and Address(s) of Applicant(s):

Visitec Australia Pty Ltd

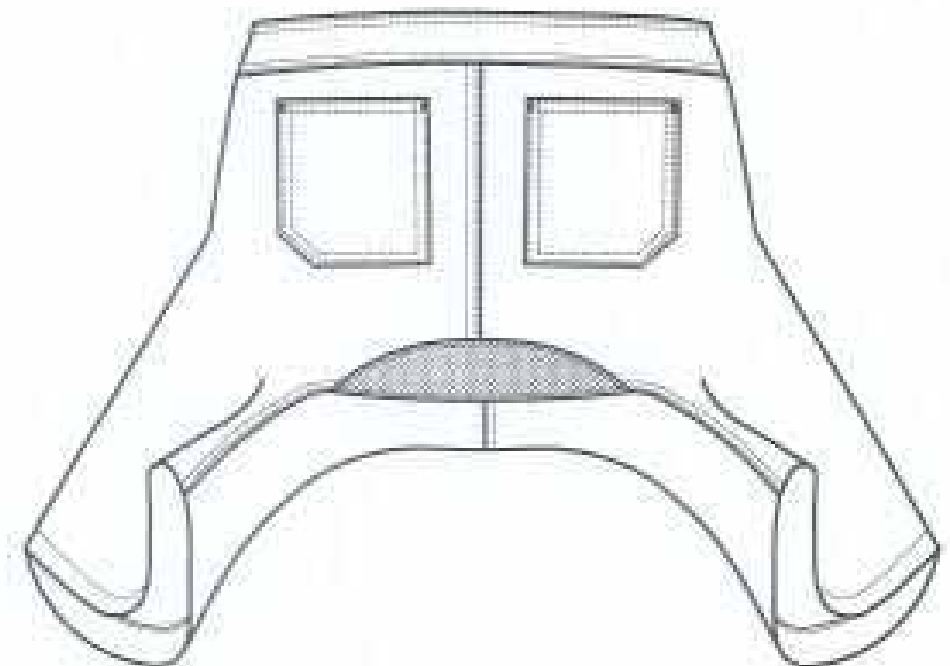
116 Queen Street Beaconsfield New South Wales 2015 Australia

(72) Name(s) of Designer(s): **Stuart John Doherty and Richard Ian Craig**

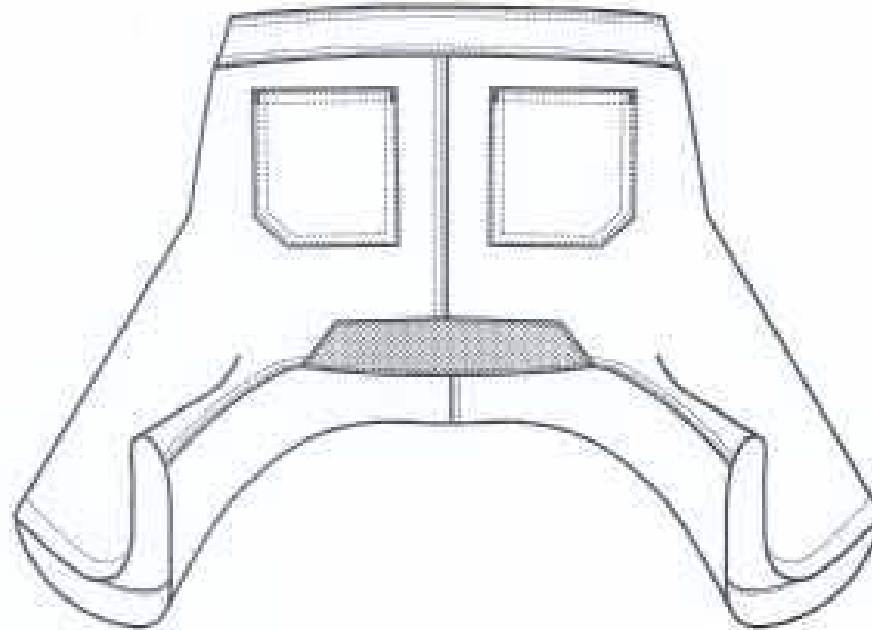
(45) Registration Date: **29 November 2010**

(56) Related Art Documents: **Not Applicable**

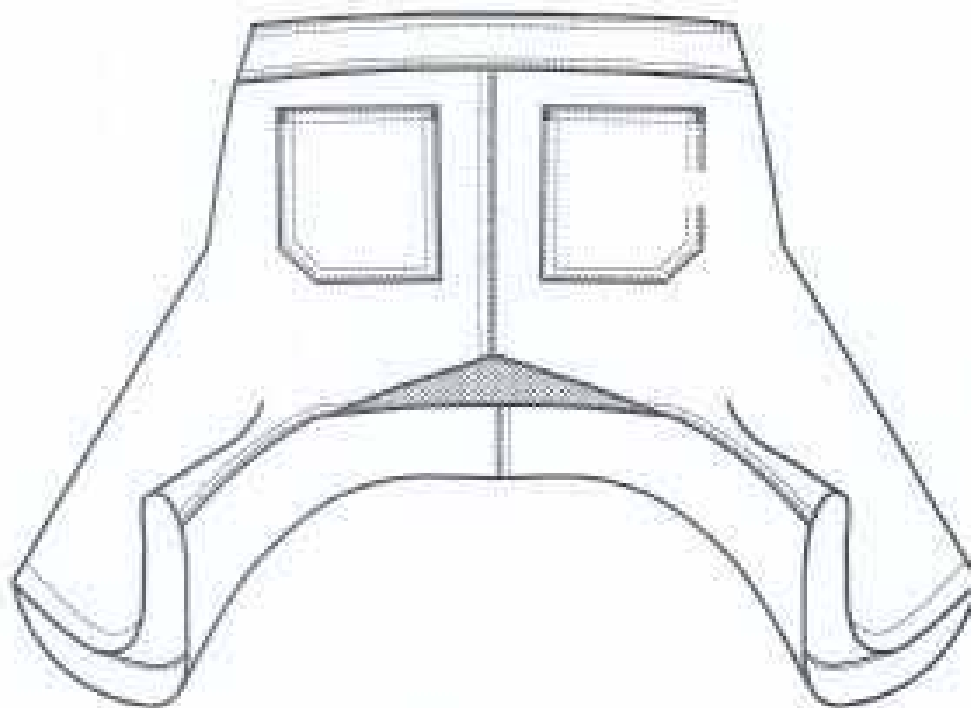
(57) Statement of Newness and Distinctiveness: **The visual features of the gusset portion of the crotch are claimed to be new and distinctive. No regard should be made to the visual features of the pant length, the pockets and their arrangement, the waistband, the stitching in areas other than the crotch, and positioning of the bar tacks adjacent the openings as shown in the representations when assessing the newness and distinctiveness of the design.**



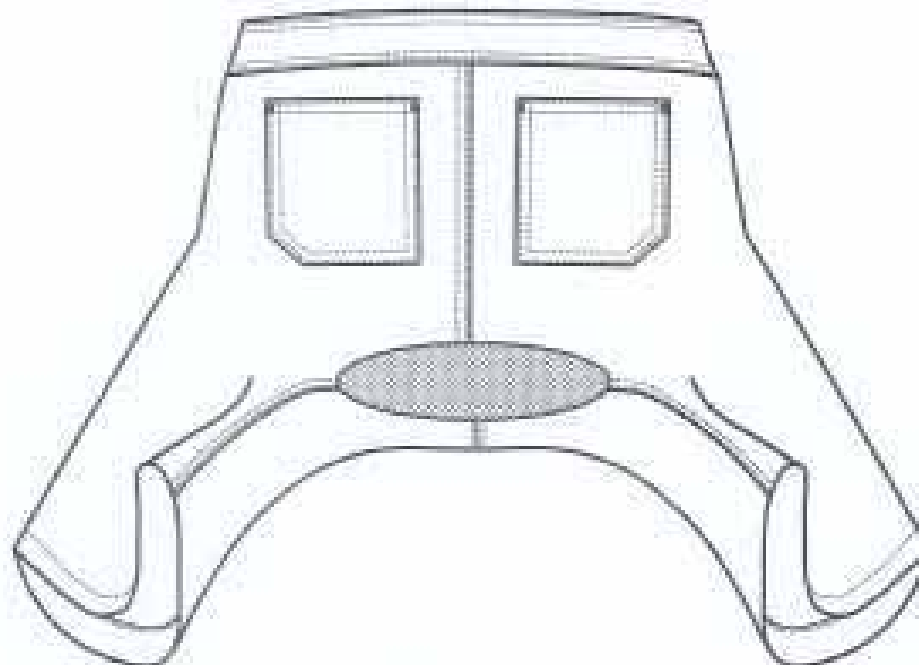
- (21) Design Number: **14790/2010**
(22) Date of Filing Application: **05 November 2010**
(24) Date from which industrial property rights may have effect: **05 November 2010**
(54) Product in respect of which the design is registered: **Pant crotch (mesh piece - mitre)**
(51) International Design Classification: **02-07NES**
(71) Name(s) and Address(s) of Applicant(s):
Visitec Australia Pty Ltd
116 Queen Street Beaconsfield New South Wales 2015 Australia
(72) Name(s) of Designer(s): **Stuart John Doherty and Richard Ian Craig**
(45) Registration Date: **29 November 2010**
(56) Related Art Documents: **Not Applicable**
(57) Statement of Newness and Distinctiveness: **The visual features of the gusset portion of the crotch are claimed to be new and distinctive. No regard should be made to the visual features of the pant length, the pockets and their arrangement, the waistband, the stitching in areas other than the crotch, and positioning of the bar tacks adjacent the openings as shown in the representations when assessing the newness and distinctiveness of the design.**



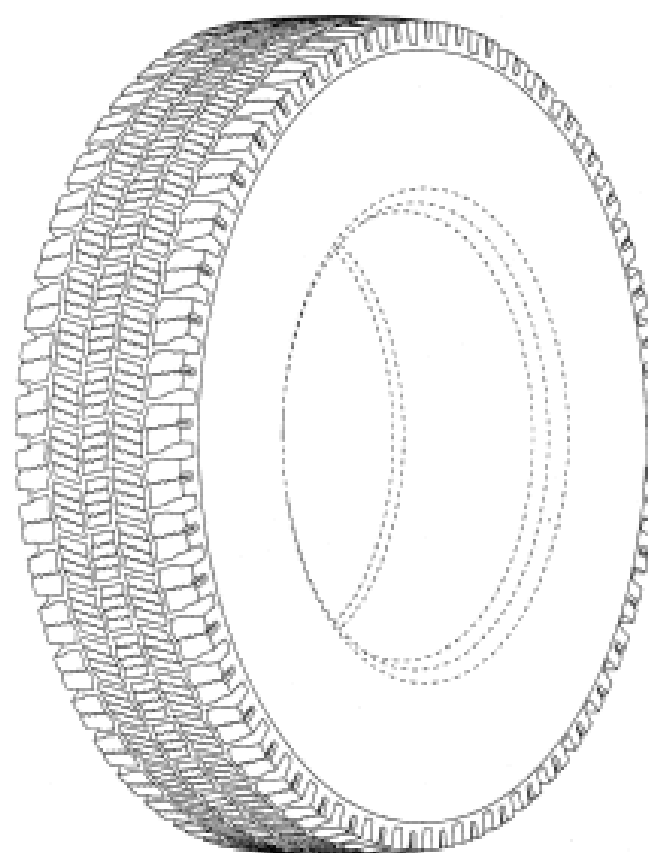
- (21) Design Number: **14791/2010**
(22) Date of Filing Application: **05 November 2010**
(24) Date from which industrial property rights may have effect: **05 November 2010**
(54) Product in respect of which the design is registered: **Pant crotch (mesh piece - triangle)**
(51) International Design Classification: **02-07NES**
(71) Name(s) and Address(s) of Applicant(s):
Visitec Australia Pty Ltd
116 Queen Street Beaconsfield New South Wales 2015 Australia
(72) Name(s) of Designer(s): **Stuart John Doherty and Richard Ian Craig**
(45) Registration Date: **29 November 2010**
(56) Related Art Documents: **Not Applicable**
(57) Statement of Newness and Distinctiveness: **The visual features of the gusset portion of the crotch are claimed to be new and distinctive. No regard should be made to the visual features of the pant length, the pockets and their arrangement, the waistband, the stitching in areas other than the crotch, and positioning of the bar tacks adjacent the openings as shown in the representations when assessing the newness and distinctiveness of the design.**



- (21) Design Number: **14792/2010**
(22) Date of Filing Application: **05 November 2010**
(24) Date from which industrial property rights may have effect: **05 November 2010**
(54) Product in respect of which the design is registered: **Pant crotch (mesh piece - oval)**
(51) International Design Classification: **02-07NES**
(71) Name(s) and Address(s) of Applicant(s):
Visitec Australia Pty Ltd
116 Queen Street Beaconsfield New South Wales 2015 Australia
(72) Name(s) of Designer(s): **Stuart John Doherty and Richard Ian Craig**
(45) Registration Date: **29 November 2010**
(56) Related Art Documents: **Not Applicable**
(57) Statement of Newness and Distinctiveness: **The visual features of the gusset portion of the crotch are claimed to be new and distinctive. No regard should be made to the visual features of the pant length, the pockets and their arrangement, the waistband, the stitching in areas other than the crotch, and positioning of the bar tacks adjacent the openings as shown in the representations when assessing the newness and distinctiveness of the design.**



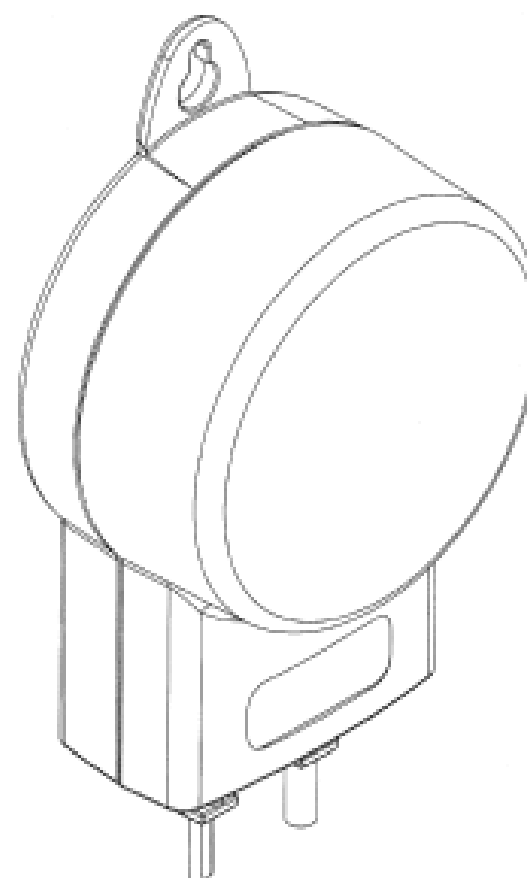
- (21) Design Number: **14805/2010**
(22) Date of Filing Application: **08 November 2010**
(24) Date from which industrial property rights may have effect: **08 November 2010**
(54) Product in respect of which the design is registered: **A tyre**
(51) International Design Classification: **12-15A**
(71) Name(s) and Address(s) of Applicant(s):
Michelin Recherche et Technique SA
Route Louis Braille 10 et 12 CH-1763 Granges-Paccot Switzerland
Societe De Technologie Michelin
23 rue Breschet F-63000 Clermont-Ferrand Cedex France
(72) Name(s) of Designer(s): **Lisa M.N. Bachtel and John Anthony Hutz and Joseph A. Stain and Eric De-Benedittis**
(45) Registration Date: **30 November 2010**
(30) Convention priority data:
(31) Number (32) Date (33) Country
29/362,247 21 May 2010 UNITED STATES OF AMERICA
(56) Related Art Documents: **Not Applicable**
(57) Statement of Newness and Distinctiveness: **Newness and distinctiveness resides in the shape, pattern and configuration applied to the tread region of the tyre shown in the annexed representations, the remainder of the tyre shown in dashed outline forms no part of the design.**



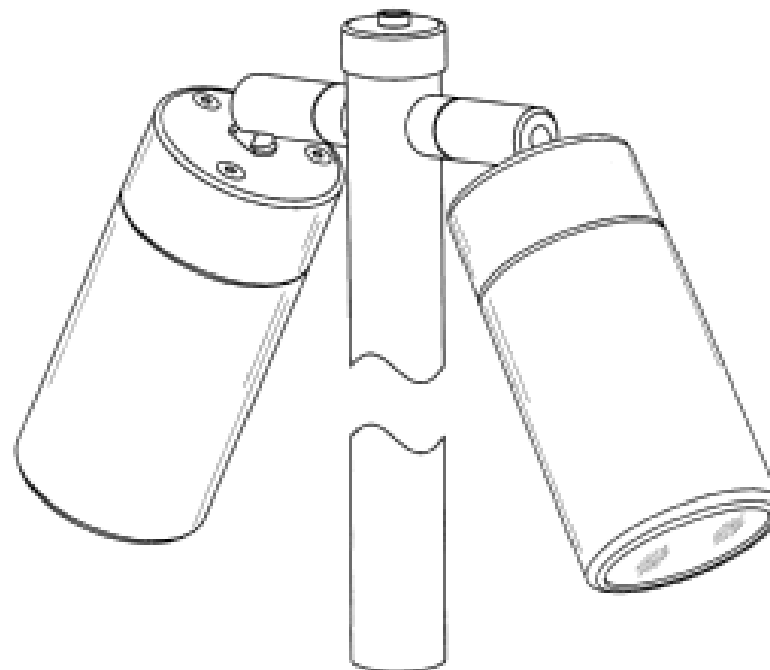
- (21) Design Number: **14806/2010**
(22) Date of Filing Application: **08 November 2010**
(24) Date from which industrial property rights may have effect: **08 November 2010**
(54) Product in respect of which the design is registered: **Hat**
(51) International Design Classification: **02-03**
(71) Name(s) and Address(s) of Applicant(s):
Fumi Barlow
79 Chalk Street Lutwyche Queensland 4030 Australia
(72) Name(s) of Designer(s): **Fumi Barlow**
(45) Registration Date: **30 November 2010**
(56) Related Art Documents: **Not Applicable**
(57) Statement of Newness and Distinctiveness: **Hat or head wear shaped like a Rooster Cockerel.**



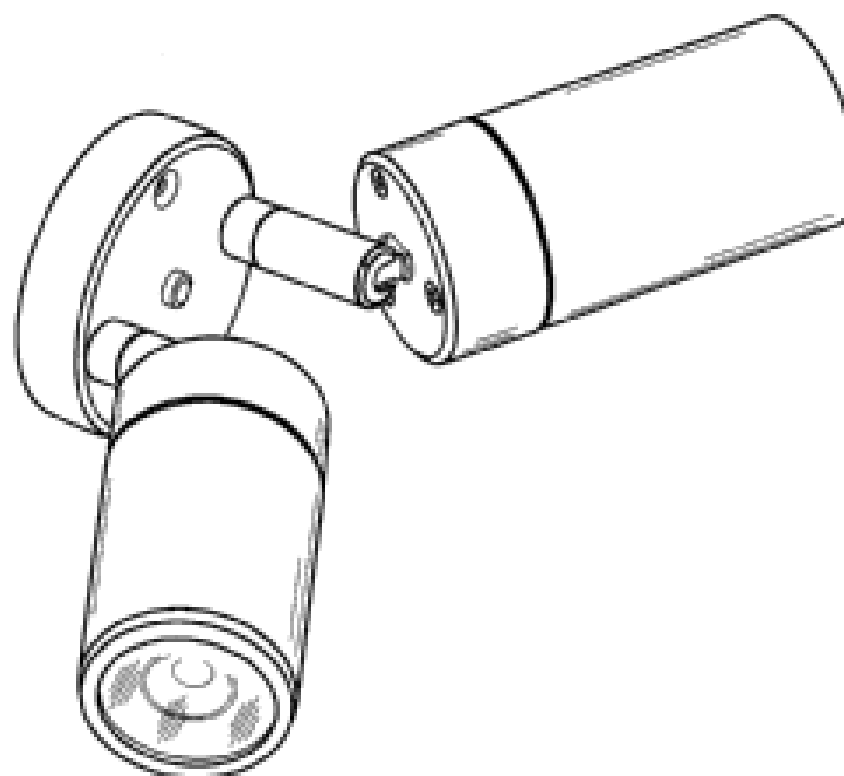
- (21) Design Number: **14811/2010**
(22) Date of Filing Application: **05 November 2010**
(24) Date from which industrial property rights may have effect: **05 November 2010**
(54) Product in respect of which the design is registered: **Power module**
(51) International Design Classification: **13-03NES**
(71) Name(s) and Address(s) of Applicant(s):
Smart Openers Pty Ltd
Suite 3 1-3 Albert Street Blackburn Victoria 3130 Australia
(72) Name(s) of Designer(s): **Glen Edward Flemming and Jack Leivenzon and Stephen Bello**
(45) Registration Date: **30 November 2010**
(56) Related Art Documents: **Not Applicable**
(57) Statement of Newness and Distinctiveness: **Nil**



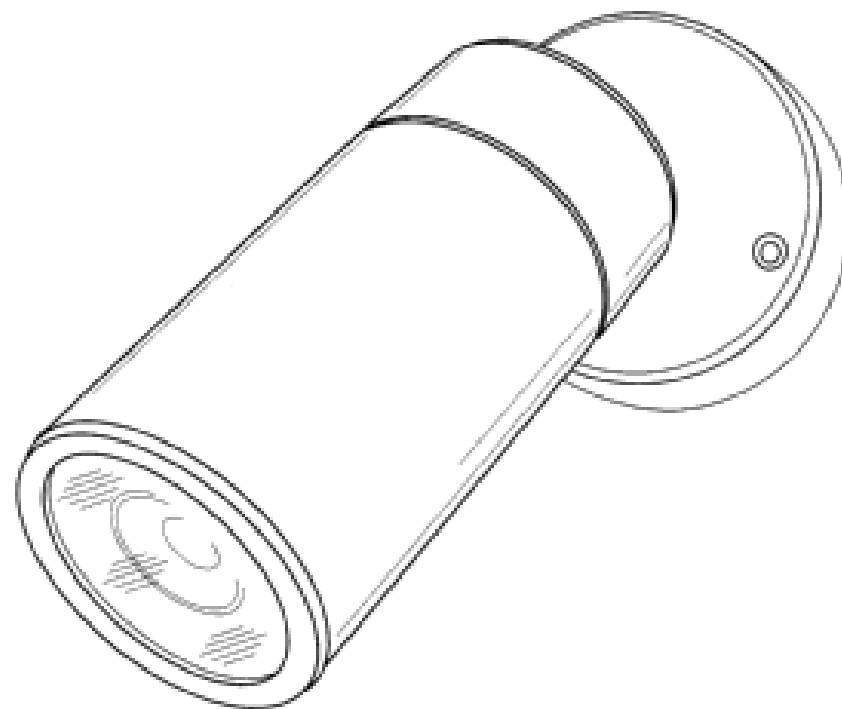
- (21) Design Number: **14758/2010**
- (22) Date of Filing Application: **04 November 2010**
- (24) Date from which industrial property rights may have effect: **04 November 2010**
- (54) Product in respect of which the design is registered: **Lamp**
- (51) International Design Classification: **26-05D**
- (71) Name(s) and Address(s) of Applicant(s):
Lumascap Lighting Industries Pty Ltd
38-44 Enterprise Street Cleveland Queensland 4163 Australia
- (72) Name(s) of Designer(s): **Cameron Spiller and Michael Agustin**
- (45) Registration Date: **30 November 2010**
- (56) Related Art Documents: **Not Applicable**
- (57) Statement of Newness and Distinctiveness: **The newness and distinctiveness of the design resides in the shape and/or configuration of the LAMP shown in the representations.**



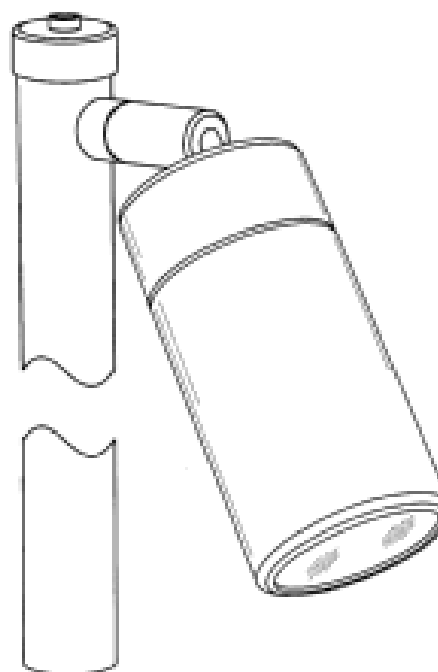
- (21) Design Number: **14759/2010**
- (22) Date of Filing Application: **04 November 2010**
- (24) Date from which industrial property rights may have effect: **04 November 2010**
- (54) Product in respect of which the design is registered: **Lamp**
- (51) International Design Classification: **26-05D**
- (71) Name(s) and Address(s) of Applicant(s):
Lumascap Lighting Industries Pty Ltd
38-44 Enterprise Street Cleveland Queensland 4163 Australia
- (72) Name(s) of Designer(s): **Cameron Spiller and Michael Agustin**
- (45) Registration Date: **30 November 2010**
- (56) Related Art Documents: **Not Applicable**
- (57) Statement of Newness and Distinctiveness: **The newness and distinctiveness of the design resides in the shape and/or configuration of the LAMP shown in the representations.**



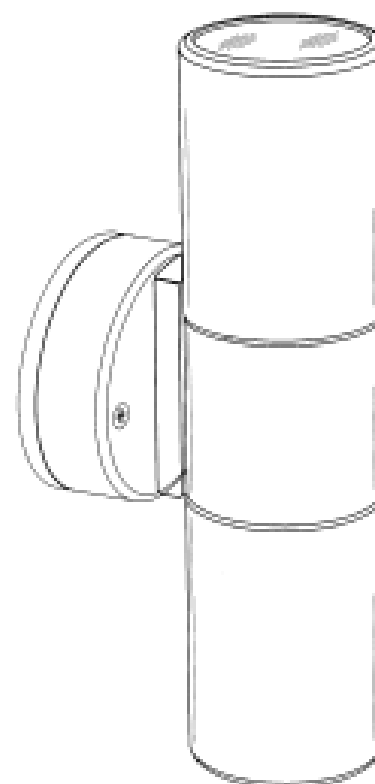
- (21) Design Number: **14760/2010**
(22) Date of Filing Application: **04 November 2010**
(24) Date from which industrial property rights may have effect: **04 November 2010**
(54) Product in respect of which the design is registered: **Lamp**
(51) International Design Classification: **26-05D**
(71) Name(s) and Address(s) of Applicant(s):
Lumascap Lighting Industries Pty Ltd
38-44 Enterprise Street Cleveland Queensland 4163 Australia
(72) Name(s) of Designer(s): **Cameron Spiller and Michael Agustin**
(45) Registration Date: **30 November 2010**
(56) Related Art Documents: **Not Applicable**
(57) Statement of Newness and Distinctiveness: **The newness and distinctiveness of the design resides in the shape and/or configuration of the LAMP shown in the representations.**



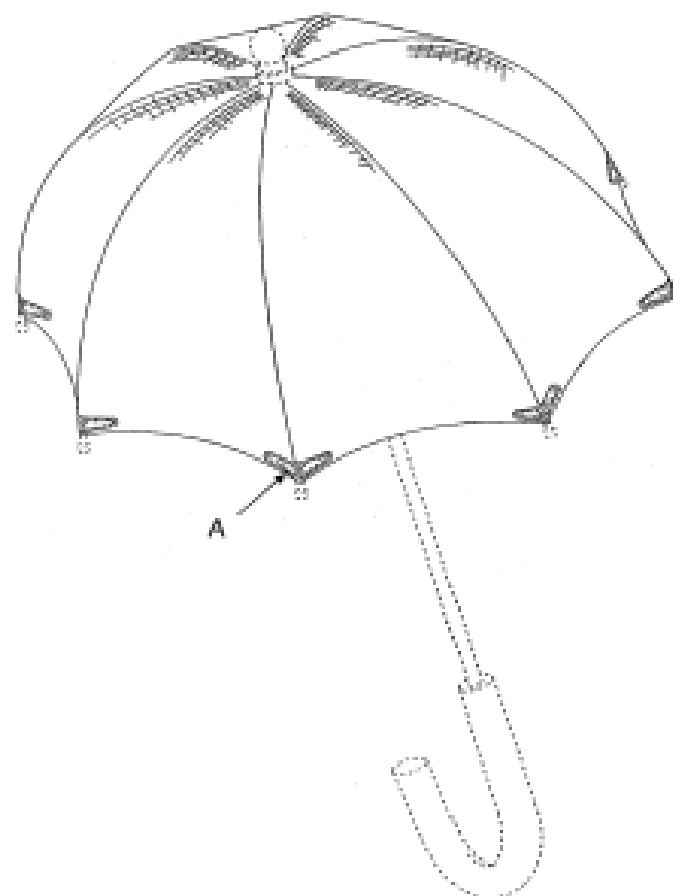
- (21) Design Number: **14761/2010**
(22) Date of Filing Application: **04 November 2010**
(24) Date from which industrial property rights may have effect: **04 November 2010**
(54) Product in respect of which the design is registered: **Lamp**
(51) International Design Classification: **26-05D**
(71) Name(s) and Address(s) of Applicant(s):
Lumascap Lighting Industries Pty Ltd
38-44 Enterprise Street Cleveland Queensland 4163 Australia
(72) Name(s) of Designer(s): **Cameron Spiller and Michael Agustin**
(45) Registration Date: **30 November 2010**
(56) Related Art Documents: **Not Applicable**
(57) Statement of Newness and Distinctiveness: **The newness and distinctiveness of the design resides in the shape and/or configuration of the LAMP shown in the representations.**



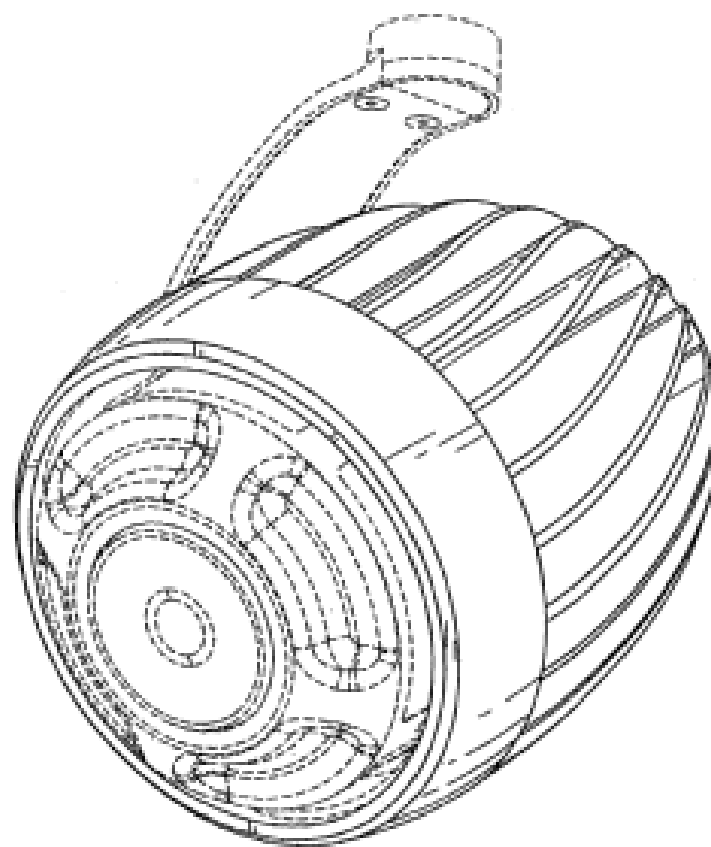
- (21) Design Number: **14762/2010**
(22) Date of Filing Application: **04 November 2010**
(24) Date from which industrial property rights may have effect: **04 November 2010**
(54) Product in respect of which the design is registered: **Lamp**
(51) International Design Classification: **26-05C**
(71) Name(s) and Address(s) of Applicant(s):
Lumascap Lighting Industries Pty Ltd
38-44 Enterprise Street Cleveland Queensland 4163 Australia
(72) Name(s) of Designer(s): **Cameron Spiller and Michael Agustin**
(45) Registration Date: **30 November 2010**
(56) Related Art Documents: **Not Applicable**
(57) Statement of Newness and Distinctiveness: **The newness and distinctiveness of the design resides in the shape and/or configuration of the LAMP shown in the representations.**



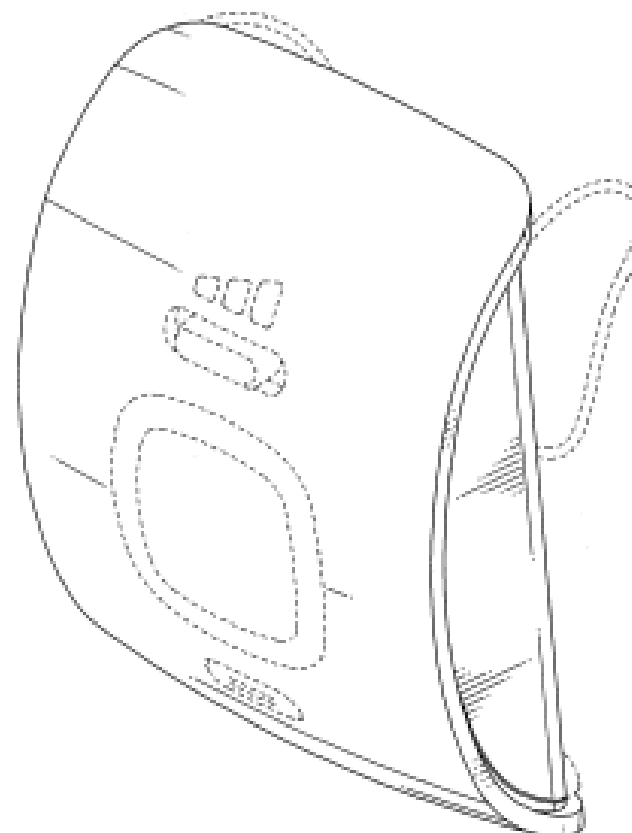
- (21) Design Number: **14793/2010**
(22) Date of Filing Application: **05 November 2010**
(24) Date from which industrial property rights may have effect: **05 November 2010**
(54) Product in respect of which the design is registered: **Umbrella having reflective material**
(51) International Design Classification: **03-03**
(71) Name(s) and Address(s) of Applicant(s):
Shedrain Corporation
8303 NE Killingsworth PO Box 55460 Portland Oregon 97238 United States of America
(72) Name(s) of Designer(s): **Jeff Blauer**
(45) Registration Date: **30 November 2010**
(30) Convention priority data:
(31) Number (32) Date (33) Country
29/361419 11 May 2010 UNITED STATES OF AMERICA
(56) Related Art Documents: **Not Applicable**
(57) Statement of Newness and Distinctiveness: **Newness and distinctiveness is claimed in the following features of an umbrella as illustrated in the accompanying representations: the segments at the edges of the umbrella panels adjacent to the ribs, one of which is marked A in the perspective view. The segments are reflective.**



(21) Design Number: **14797/2010**
 (22) Date of Filing Application: **05 November 2010**
 (24) Date from which industrial property rights may have effect: **05 November 2010**
 (54) Product in respect of which the design is registered: **Light fixture**
 (51) International Design Classification: **26-05C**
 (71) Name(s) and Address(s) of Applicant(s):
Journee Lighting, Inc.
4607 Lakeview Canyon Road #500 Westlake Village California 91361
United States of America
 (72) Name(s) of Designer(s): **Clayton Alexander and Brandon Mundell and Robert Rippey**
 (45) Registration Date: **30 November 2010**
 (30) Convention priority data:
 (31) Number (32) Date (33) Country
29/361267 07 May 2010 UNITED STATES OF AMERICA
 (56) Related Art Documents: **Not Applicable**
 (57) Statement of Newness and Distinctiveness: **Newness and distinctiveness is claimed in the features of shape and/or configuration of a light fixture as illustrated in solid lines in the accompanying representations.**



(21) Design Number: **14798/2010**
 (22) Date of Filing Application: **05 November 2010**
 (24) Date from which industrial property rights may have effect: **05 November 2010**
 (54) Product in respect of which the design is registered: **Air freshener device**
 (51) International Design Classification: **28-99**
 (71) Name(s) and Address(s) of Applicant(s):
The Procter & Gamble Company
One Procter & Gamble Plaza Cincinnati Ohio 45202 United States of America
 (72) Name(s) of Designer(s): **Ada Ho Yau Ko and Stephen Gary Bush and Danilo Rossi and Walter Sordo and Ranier Bernhard Teufel and Richard Lee Lane**
 (45) Registration Date: **30 November 2010**
 (30) Convention priority data:
 (31) Number (32) Date (33) Country
29/361,222 07 May 2010 UNITED STATES OF AMERICA
 (56) Related Art Documents: **Not Applicable**
 (57) Statement of Newness and Distinctiveness: **Those features of the air freshener device depicted in the representations that are new and distinctive are the shape and/or configuration. The features shown in broken line are not part of the design and are to be disregarded when considering the overall impression of the design.**



(21) Design Number: **14802/2010**

(22) Date of Filing Application: **05 November 2010**

(24) Date from which industrial property rights may have effect: **05 November 2010**

(54) Product in respect of which the design is registered: **Support receivable adjacent the breasts**

(51) International Design Classification: **02-01A**

(71) Name(s) and Address(s) of Applicant(s):

Paul Evans

**c/- Burwood Musculo-Skeletal 354 Burwood Highway Burwood
Victoria 3125 Australia**

(72) Name(s) of Designer(s): **Paul Evans**

(45) Registration Date: **30 November 2010**

(56) Related Art Documents: **Not Applicable**

(57) Statement of Newness and Distinctiveness: **Newness and distinctiveness is claimed in the shape and configuration of a support receivable adjacent a female person's breasts, disregarding pattern, ornamentation, colour and the cavity marked X.**



(21) Design Number: **14803/2010**

(22) Date of Filing Application: **05 November 2010**

(24) Date from which industrial property rights may have effect: **05 November 2010**

(54) Product in respect of which the design is registered: **Support receivable adjacent the breasts**

(51) International Design Classification: **02-01A**

(71) Name(s) and Address(s) of Applicant(s):

Paul Evans

**c/- Burwood Musculo-Skeletal 354 Burwood Highway Burwood
Victoria 3125 Australia**

(72) Name(s) of Designer(s): **Paul Evans**

(45) Registration Date: **30 November 2010**

(56) Related Art Documents: **Not Applicable**

(57) Statement of Newness and Distinctiveness: **Newness and distinctiveness is claimed in the shape and configuration of a support receivable adjacent a female person's breasts, disregarding pattern, ornamentation, colour and the cavity marked X.**



(21) Design Number: **14804/2010**

(22) Date of Filing Application: **08 November 2010**

(24) Date from which industrial property rights may have effect: **08 November 2010**

(54) Product in respect of which the design is registered: **A tyre**

(51) International Design Classification: **12-15A**

(71) Name(s) and Address(s) of Applicant(s):

Michelin Recherche et Technique SA
Route Louis Braille 10 et 12 CH-1763 Granges-Paccot Switzerland

Societe De Technologie Michelin
23 rue Breschet F-63000 Clermont-Ferrand Cedex France

(72) Name(s) of Designer(s): **Lisa M.N. Bachtel and John Anthony Hutz and Joseph A. Stain and Eric De-Benedittis**

(45) Registration Date: **30 November 2010**

(30) Convention priority data:

(31) Number	(32) Date	(33) Country
29/362,251	21 May 2010	UNITED STATES OF AMERICA

(56) Related Art Documents: **Not Applicable**

(57) Statement of Newness and Distinctiveness: **Newness and distinctiveness resides in the shape, pattern and configuration applied to the tread region of the tyre shown in the annexed representations, the remainder of the tyre shown in dashed outline forms no part of the design.**

