



Australian Government

IP Australia

AUSTRALIAN OFFICIAL JOURNAL

OF

DESIGNS

Did you know a searchable version of this journal is now available online?

It's FREE and EASY to SEARCH.

Find it at

<http://pericles.ipaustralia.gov.au/ols/epublish/content/olsEpublications.jsp>
or using the "Online Journals" link on the IP Australia home page.

This Page Left Intentionally Blank

Contents

General Information & Notices

Proceedings Under the Designs Act 1906 preserved as a result of the provisions of Chapter 12 Part 2 of the Designs Act 2003

Extension of Period of Registration of Designs	3084
Registrations Ceased	3084
Subsequent Owners Registered	3084

Proceedings Under the Designs Act 2003

Applications Lapsed	3093
Applications Lodged	3089
Applications Withdrawn	3093
Certificate of Examination	3096
Extension of Period of Registration of Design	
Extension of Time Granted Under Section 137	3094
Names Registered - Alterations and Amendments	3094
Publication and Registration Proceedings	
Designs Registered 333931 to 334098.....	3097
Registrations Ceased	3094
Subsequent Owners Registered	3094

This Page Left Intentionally Blank

For information on the following please see our website www.ipaustralia.gov.au or contact our Customer Service Network on 1300651010

[Editorial enquiries](#)

[Contact information](#)

[Freedom of Information ACT](#)

[Professional Standards Board](#)

[Sales](#)

[Requests for Information under Section 194 \(c\)](#)

[Country Codes](#)

[Trade Mark and Designs Hearing Sessions](#)

[INID \(Internationally agreed Numbers for the Identification of Data\)](#)

“INID” NUMBERS in use on Australian Design Documents

“INID” is an acronym for “Internationally agreed Numbers for the Identification of Data”.

(10) Data concerning the registration/renewal

- (11) Serial number of the registration and/or number of the design document
- (12) Plain language designation of the kind of published document
- (19) Identification, using the two-letter code according to WIPO Standard ST.3, of the authority publishing or registering the industrial design

(20) Data concerning the application

- (21) Serial number of the application
- (22) Date of filing of the application
- (24) Date from which the industrial design right has effect

(30) Data relating to priority under the Paris Convention

- (31) Serial number assigned to the priority application
- (32) Date of filing of the priority application
- (33) Two-letter code, according to WIPO Standard ST.3, identifying the authority with which the priority application was made

(40) Date(s) of making information available to the public

- (45) Date of publication of the registered industrial design by printing or similar process, or making it available to the public by any other means

(50) Miscellaneous Information

- (51) International Classification for Industrial Designs (class and subclass of the Locarno Classification)
- (54) Designation of article(s) or product(s) covered by the industrial design or title of the industrial design
- (55) Reproduction of the industrial design (e.g., drawing, photograph) and explanations relating to the reproduction
- (56) List of prior art documents, if separate from descriptive text
- (57) Description of characteristic features of the industrial design including indication of colours

(60) References to other legally related application(s) and registration(s)

- (62) Serial number(s) and, if available, filing date(s) of application(s), registration(s) or document(s) related by division
- (66) Serial number(s) of the application, or the registration, of the design(s) which is (are) a variant(s) of the present one

(70) Identification of parties concerned with the application or registration

- (71) Name(s) and address(es) of the applicant(s)
- (72) Name(s) of the creator(s) if known to be such
- (74) Name(s) and address(es) of the representative(s)

This Page Left Intentionally Blank

Nil notices for this journal issue.

Proceedings under the Designs Act 1906 preserved as a result of the provisions of Chapter 12 Part 2 of the Designs Act 2003.

This Page Left Intentionally Blank

Applications Lapsed

There were no Applications Lapsed under this section

Extension of Period of Registration of Designs

1st Period (Section 27A(8))

2nd Period (Section 27A(12))

3rd Period (Section 27A(13))

140850	141050	141051
141052	141053	141054
141276	141335	141357
141376	141399	141402
141463	141464	141465
141466	141495	141834
141835	141848	141849
141850	141851	141852
141853	141854	141855
141856	141857	141858
141876	141932	141933
142036	144281	145014
145015	145016	145017
145018	145058	145059
145060	145061	145062
145063	145476	145477
145478	145643	145765
151775		

Subsequent Owners Registered

(The name in parentheses is that of the subsequent owner)

151972	(Continental Automotive GmbH) Siemens Aktiengesellschaft
157227	(Continental Automotive GmbH) Siemens Aktiengesellschaft
151376	(Continental Automotive GmbH) Siemens Aktiengesellschaft
150820	(Asahi Breweries, Ltd) Schweppes Australia Pty Ltd
142011	(Asahi Breweries, Ltd) Schweppes Australia Pty Ltd

Registrations Ceased

Note: Some of the following Registrations may have been previously advertised as ceased. In this instance, the previous advertisement still prevails.

122440	122538	123939
124053	124199	124600
124601	124602	124675
124727	124752	124782
125482	127875	128876
137634	139108	139701
139861	139936	140009
140491	141125	141517
142229	155666	155937
155938	156080	156256
156257	156258	156259
156260	156340	156928
156968	156970	157007
157294	157296	157315
157317	157318	157439
157441	157626	157852
157853	157971	158006
158231	158232	158311
158448	158544	158564

This Page Left Intentionally Blank

Proceedings under the Designs Act 2003.

This Page Left Intentionally Blank

Applications Lodged

Lodgement information is in the following order: **Applicant's Name**; International Classification, Name of Product, Lodgement Date and **Design Number**. If the applicant claims an earlier priority date under an International Convention, the Convention Country and the associated filing date are shown in parentheses before the Lodgement Date. Divisional information will also appear in parentheses before the Lodgement Date.

Apple Inc.; 14-02, Dock insert, (US, 07 Jun 2010) 01 Dec 2010	15230/2010	Braun GmbH; 04-02, Toothbrush head, (WO, 04 Jun 2010) 03 Dec 2010	15324/2010
Asahi Kasei Chemicals Corporation; 23-01B, Pipe fitting for a filter, (JP, 31 May 2010) 29 Nov 2010	15287/2010	Breville Pty Ltd; 07-02G, Pie maker, 29 Nov 2010	15284/2010
Asahi Kasei Chemicals Corporation; 23-01B, Pipe fitting for a filter, (JP, 31 May 2010) 29 Nov 2010	15288/2010	Brown, Rhys Andrew; 06-04NES, 24 Bottle wine rack, 03 Dec 2010	15293/2010
ACDC Motorized Solutions Pty Ltd; 08-09, Motorized garage door opener, 01 Dec 2010	15213/2010	Bulgari S.p.A.; 09-01G, Perfume container, (CH, 20 Aug 2010) 07 Dec 2010	15335/2010
Beba Enterprises Pty Ltd; 02-02NES, Women's clothing - top, 28 May 2010	15295/2010	BFX Ho Pty Ltd; 06-01E, Seating, 07 Dec 2010	15361/2010
Beba Enterprises Pty Ltd; 02-02NES, Women's clothing - top, 28 May 2010	15296/2010	BFX Ho Pty Ltd; 06-01G, Seating, 07 Dec 2010	15362/2010
Beba Enterprises Pty Ltd; 02-02NES, Women's clothing - top, 28 May 2010	15297/2010	BFX Ho Pty Ltd; 06-01E, Seating, 07 Dec 2010	15363/2010
Beba Enterprises Pty Ltd; 02-02NES, Women's clothing - top, 28 May 2010	15298/2010	BFX Ho Pty Ltd; 06-01E, Seating, 07 Dec 2010	15364/2010
Beba Enterprises Pty Ltd; 02-02NES, Women's clothing - top, 28 May 2010	15299/2010	BFX Ho Pty Ltd; 06-01E, Seating, 07 Dec 2010	15365/2010
Beba Enterprises Pty Ltd; 02-02NES, Women's clothing - top, 28 May 2010	15300/2010	BFX Ho Pty Ltd; 06-05, Seating and storage, 07 Dec 2010	15366/2010
Bermad CS Ltd; 23-01K, Hydraulic automatic control valve, (US, 02 Jun 2010) 30 Nov 2010	15211/2010	BFX Ho Pty Ltd; 06-04NES, Storage, 07 Dec 2010	15367/2010
Bicycle Victoria Incorporated; 08-10, Bicycle rack, 18 Nov 2010	15369/2010	BFX Ho Pty Ltd; 06-03B, Table, 07 Dec 2010	15368/2010
Braun GmbH; 31-00, Hand blender, (WO, 02 Jun 2010) 30 Nov 2010	15212/2010	BFX Ho Pty Ltd; 06-04NES, Storage, 07 Dec 2010	15360/2010
Braun GmbH; 31-00, Handpiece of a hand blender, (WO, 02 Jun 2010) 30 Nov 2010	15210/2010	BFX Ho Pty Ltd; 06-01E, Seating, 07 Dec 2010	15291/2010
Braun GmbH; 04-02, Toothbrush head, (WO, 04 Jun 2010) 03 Dec 2010	15325/2010	BFX Ho Pty Ltd; 06-06G, A foot for a seat, 02 Dec 2010	15290/2010
Braun GmbH; 04-02, Toothbrush head, (WO, 04 Jun 2010) 03 Dec 2010	15326/2010	BFX Ho Pty Ltd; 06-06G, A foot for a seat, 02 Dec 2010	15337/2010
Braun GmbH; 04-02, Toothbrush head, (WO, 04 Jun 2010) 03 Dec 2010	15327/2010	Carlisle Foodservice Products, Incorporated; 07-01B, Bowl, (US, 08 Jun 2010) 06 Dec 2010	15338/2010
		Carlisle Foodservice Products, Incorporated; 07-02NES, Food cover, (US, 08 Jun 2010) 06 Dec 2010	15339/2010
		Carlisle Foodservice Products, Incorporated; 07-01D, Cup, (US, 08 Jun 2010) 06 Dec 2010	15271/2010
		Caroma Industries Limited; 07-05NES, A drainer, 02 Dec 2010	15270/2010
		Caroma Industries Limited; 07-04, A colander, 02 Dec 2010	15272/2010
		Caroma Industries Limited; 23-02F, A sink, 02 Dec 2010	15273/2010
		Caroma Industries Limited; 23-02F, A sink, 02 Dec 2010	

Caroma Industries Limited; 23-02NES, A sink waste, 02 Dec 2010	15274/2010	Davey Water Products Pty Ltd; 23-01G, Housing for a chlorinator cell, 03 Dec 2010	15323/2010
Caroma Industries Limited; 23-02NES, A sink caddy, 02 Dec 2010	15275/2010	Delta System AS; 25-04, A beam for use in a structure, (NO, 21 Sep 2009) (Divisional of 14755/2010) 22 Mar 2010	15224/2010
Caroma Industries Limited; 23-02F, A sink, 02 Dec 2010	15276/2010	Delta System AS; 25-04, A coupling member for use in a beam, (NO, 21 Sep 2009) (Divisional of 14755/2010) 22 Mar 2010	15225/2010
Caroma Industries Limited; 23-02F, A sink, 02 Dec 2010	15277/2010	Delta System AS; 25-04, A coupling member for a beam, (NO, 21 Sep 2009) (Divisional of 14755/2010) 22 Mar 2010	15223/2010
Chok-a-Blok Ltd; 09-99, Strap guard, (EM, 01 Jun 2010) 30 Nov 2010	15208/2010	Delta System AS; 25-04, A support post for use in a structure, (NO, 21 Sep 2009) (Divisional of 14755/2010) 22 Mar 2010	15222/2010
Colgate-Palmolive Company; 04-02, Oral care implement, (US, 31 Mar 2010) 30 Sep 2010	15341/2010	Erskine-Smith, Craig Mathew; 24-99, A dental hygiene item, 30 Nov 2010	15209/2010
Colgate-Palmolive Company; 04-02, Oral care implement, (US, 30 Mar 2010) 30 Sep 2010	15345/2010	Escape Fitness Limited; 21-02F, Weight disc, (EM, 07 Jun 2010) 26 Nov 2010	15196/2010
Colgate-Palmolive Company; 04-02, Oral care implement, (US, 30 Mar 2010) 30 Sep 2010	15346/2010	ECB Pty Ltd; 26-06, Light assembly, 03 Dec 2010	15330/2010
Colgate-Palmolive Company; 04-02, Oral care implement, (US, 30 Mar 2010) 30 Sep 2010	15342/2010	ENTrigue Surgical, Inc; 24-02, Insertion devices and components, (US, 04 Jun 2010) 03 Dec 2010	15248/2010
Colgate-Palmolive Company; 04-02, Oral care implement, (US, 30 Mar 2010) 30 Sep 2010	15343/2010	Finn, John; 12-10, Toolbox camper, 02 Dec 2010	15236/2010
Colgate-Palmolive Company; 04-02, Oral care implement, (US, 30 Mar 2010) 30 Sep 2010	15344/2010	FunDigital Pty Ltd; 21-01L, Doin' Time game board, 30 Nov 2010	15220/2010
Continental Reifen Deutschland GmbH; 12-15A, Tyre, (EM, 31 Aug 2010) 02 Dec 2010	15249/2010	Giustina's Limited; 01-01, A biscuit, (NZ, 08 Jun 2010) 02 Dec 2010	15294/2010
Cooper Tire & Rubber Company; 12-15B, Tire, (US, 28 Jul 2010) 26 Nov 2010	15187/2010	GETC Consolidated Inudstries Pty Ltd; 25-01C, Channel, 01 Dec 2010	15241/2010
Cooper Tire & Rubber Company; 12-15A, Tire, (US, 08 Jun 2010) 26 Nov 2010	15183/2010	GETC Consolidated Inudstries Pty Ltd; 25-01C, Channel, 01 Dec 2010	15242/2010
Cooper Tire & Rubber Company; 12-15A, Tire, (US, 08 Jun 2010) 26 Nov 2010	15184/2010	Hamlon Pty Ltd; 25-01K, Extrusion, 29 Nov 2010	15204/2010
Cooper Tire & Rubber Company; 12-15A, Tire, (US, 06 Jul 2010) 26 Nov 2010	15185/2010	Hansa Metallwerke AG; 23-01H, Mixing tap, (EM, 06 Jul 2010) 29 Nov 2010	15202/2010
Cooper Tire & Rubber Company; 12-15B, Tire, (US, 28 Jul 2010) 26 Nov 2010	15186/2010	Hardware By Design Pty Ltd; 25-01K, Extrusion, 01 Dec 2010	15238/2010
Creative Products Enterprises Pty Limited; 07-06A, Lockable bottle cooler, 30 Nov 2010	15215/2010	Hardware By Design Pty Ltd; 06-06F, Bed base end, 01 Dec 2010	15239/2010
Croft, David Drew Inglis; 24-02, Vaginal pressure sensor, 26 Nov 2010	15303/2010	Hardware By Design Pty Ltd; 25-01K, Extrusion, 01 Dec 2010	15240/2010
Crowley, Larry; 06-06NES, Adjustable footrest for bed, 25 Nov 2010	15221/2010	Hardware By Design Pty Ltd; 25-01K, Extrusion, 01 Dec 2010	15243/2010
CIE Ltd; 06-03C, Mobile workstation, 29 Nov 2010	15227/2010	Hardware By Design Pty Ltd; 06-06F, Bed base, 01 Dec 2010	15237/2010
CIE Ltd; 06-01F, Laptop chair, 29 Nov 2010	15228/2010	Hartley, Chris; Westphal, Alissa; 03-01B, 24-99, Wall-mountable storage pouch for treating dementia patients, 30 Nov 2010	15334/2010
CIE Ltd; 20-02E, Display stand, 29 Nov 2010	15226/2010		

Hayward, Matthew Benjamin; 30-02, Chicken house/coop, (GB, 29 May 2010) 26 Nov 2010	15197/2010	Meco Australia Pty Limited; 23-02B, A shower rail and slider assembly, 03 Dec 2010	15306/2010
Hisense Electric Co., Ltd; 14-03B, Television, 30 Nov 2010	15286/2010	Michelin Recherche et Technique S.A.; Societe De Technologie Michelin; 12-15A, A tyre, (FR, 15 Jun 2010) 08 Dec 2010	15350/2010
Hisense Electric Co., Ltd; 14-03B, Television, 01 Dec 2010	15247/2010	Michelin Recherche et Technique S.A.; Societe de Technologie Michelin; 12-15A, A tyre, (FR, 15 Jun 2010) 08 Dec 2010	15349/2010
Hitachi Appliances, Inc.; 23-04, Air conditioner, (JP, 30 Sep 2010) 07 Dec 2010	15359/2010	Microsoft Corporation; 21-01N, 14-02, Electronic housing, (US, 01 Jun 2010) 26 Nov 2010	15190/2010
Horsfall, Harvey David; Horsfall, Sue-Ellen; 08-99, Ratchet cover, 03 Dec 2010	15308/2010	Microsoft Corporation; 21-01N, 14-02, Electronic housing portion, (US, 01 Jun 2010) 26 Nov 2010	15191/2010
Horsfall, Sue-Ellen; Horsfall, Harvey David; 08-99, Ratchet cover, 03 Dec 2010	15308/2010	Microsoft Corporation; 21-01N, Electronic housing, (US, 01 Jun 2010) 26 Nov 2010	15192/2010
Intralux Australia; 26-05A, Fluorescent light fixture, 06 Dec 2010	15319/2010	Microsoft Corporation; 21-01N, Electronic housing, (US, 01 Jun 2010) 26 Nov 2010	15193/2010
Intralux Australia; 26-05A, Fluorescent light fixture, 06 Dec 2010	15320/2010	Microsoft Corporation; 21-01N, Electronic housing, (US, 01 Jun 2010) 26 Nov 2010	15194/2010
Jonker, John; 26-03, Lighting apparatus, 30 Nov 2010	15232/2010	Microsoft Corporation; 21-01N, Face plate for an electronic housing, (US, 01 Jun 2010) 26 Nov 2010	15195/2010
Kas Australia Pty Limited; 03-01B, Face panel for a bag, 30 Nov 2010	15229/2010	Mode Solutions Pty Ltd; 11-02B, Planter, 02 Dec 2010	15251/2010
Keter Plastic Ltd; 21-01NES, Play house, (IL, 21 Nov 2010) 01 Dec 2010	15231/2010	Mode Solutions Pty Ltd; 11-02B, Planter, 02 Dec 2010	15252/2010
Kwok, Philomena; 21-01A, Bootees - stuffed, cotton based soft toys with long legs for holding boots upright., Bean filled toy feet for weight and scent, 02 Dec 2010	15265/2010	Neyland, Helen Francis; 25-01D, A panel, 23 Aug 2010	15205/2010
Maiden New Zealand Limited; 14-99, A stand, (NZ, 03 Jun 2010) 30 Nov 2010	15278/2010	Neyland, Helen Francis; 25-01D, A panel, 23 Aug 2010	15206/2010
Master Lock Company LLC; 06-04B, Safe, (US, 02 Jun 2010) 02 Dec 2010	15279/2010	Ningbo Beilun Haiyu Automotive Lamp Co Ltd; 26-06, Light, 29 Nov 2010	15181/2010
Master Lock Company LLC; 06-04B, Safe, (US, 02 Jun 2010) 02 Dec 2010	15280/2010	Pacific Market International, LLC; 07-01NES, Food container, (US, 03 Jun 2010) 02 Dec 2010	15292/2010
Maxwell, Jay A.; 21-03, Inflatable amusement device, plaything, jumping castle, interactive inflatable, 30 Nov 2010	15207/2010	Pepsee Pty Ltd; 99-00, , 26 Nov 2010	15199/2010
McAuley, Lindsay; 99-00, Structural framework design for constructing an amphitheatre, entertainment venue or housing structure, 08 Dec 2010	15354/2010	Pi-Design AG; 07-02H, Electric grill, (WO, 02 Jun 2010) 26 Nov 2010	15182/2010
McCulloch as trustee for Alan's Family Trust, Alan; 02-04B, Shoe sole, 03 Dec 2010	15264/2010	Pi-Design AG; 07-02N, Pot, (WO, 17 Jun 2010) 06 Dec 2010	15328/2010
McCulloch as trustee for Alan's Family Trust, Alan; 02-04NES, Shoes, 03 Dec 2010	15263/2010	Pi-Design AG; 07-02N, Lid for a pot, (WO, 17 Jun 2010) 06 Dec 2010	15329/2010
McPherson's Limited; 07-02P, Baking tray, 07 Dec 2010	15356/2010	Pi-Design AG; 09-04, 06-13A, Bread basket and cloth insert, (WO, 27 May 2010) 26 Nov 2010	15178/2010
MeadWestvaco Packaging Systems LLC; 09-03E, Carton, (JP, 03 Jun 2010) 03 Dec 2010	15304/2010	Piaggio & C. S.p.A.; 12-11, Motor scooter, (EM, 18 Oct 2010) 08 Dec 2010	15351/2010
Meco Australia Pty Limited; 23-02B, A shower hand piece, 03 Dec 2010	15305/2010		

Piaggio & C. S.p.A.; 12-11, Motor scooter, (EM, 26 Nov 2010) 08 Dec 2010	15352/2010	Sagemcom Broadband SAS; 14-03E, Telephone, (EM, 02 Jun 2010) 26 Nov 2010	15179/2010
Piaggio & C. S.p.A.; 12-11, Motor scooter, (EM, 29 Nov 2010) 08 Dec 2010	15353/2010	Sanford, L.P.; 19-08, Label support sheet, (US, 04 Jun 2010) 02 Dec 2010	15289/2010
Poulter, Emma; 06-01L, Bean bag, 03 Dec 2010	15260/2010	Schneider Electric Industries SAS; 13-03D, Connector plug for recharging electrical vehicle, (EM, 29 Jun 2010) 03 Dec 2010	15254/2010
Poulter, Emma; 06-01L, Bean bag, 03 Dec 2010	15259/2010	Schneider Electric Industries SAS; 13-03C, Junction box for recharging electrical vehicle, (EM, 29 Jun 2010) 03 Dec 2010	15253/2010
Poulter, Emma; 06-01L, Bean bag, 03 Dec 2010	15258/2010	Sentek Pty Ltd; 09-07C, Sealing and connection cap, 02 Dec 2010	15283/2010
Poulter, Emma; 06-01L, Bean bag, 03 Dec 2010	15261/2010	Shenzhen Kstar New Energy Company Limited; 13-02, Solar inverter, 01 Dec 2010	15219/2010
Poulter, Emma; 06-01L, Bean bag, 03 Dec 2010	15262/2010	Shock Doctor, Inc.; 21-02NES, Tetherless custom mouthguard, (US, 02 Jun 2010) 02 Dec 2010	15268/2010
Quill International Group Limited; 23-01K, Valve and pipework arrangement for abrasive blasting apparatus, 03 Dec 2010	15302/2010	Shock Doctor, Inc.; 21-02NES, Custom mouthguard, (US, 02 Jun 2010) 02 Dec 2010	15269/2010
Randall, Sean; 07-07A, Drinking vessel/bottle and can cooler, 01 Dec 2010	15285/2010	Smash Enterprises Pty Ltd; 09-01B, Bottle with cap, 07 Dec 2010	15355/2010
Reckitt Benckiser Inc.; 09-01NES, Dispenser, (EM, 07 Jun 2010) 03 Dec 2010	15307/2010	Smith & Nephew Inc.; 24-99, Organ protection layer, (US, 03 Jun 2010) 03 Dec 2010	15321/2010
Rees Operations Pty Ltd; 09-08, A stackable pallet, 02 Dec 2010	15282/2010	Snapware Corporation; 07-01NES, Container and lid, (US, 07 Jun 2010) 02 Dec 2010	15250/2010
Robbins, Edward S. III; 20-02E, Display, (US, 29 Jun 2010) 30 Nov 2010	15217/2010	Societe de Technologie Michelin; Michelin Recherche et Technique S.A.; 12-15A, A tyre, (FR, 15 Jun 2010) 08 Dec 2010	15349/2010
Robbins, Edward S. III; 20-02E, Display, (US, 29 Jun 2010) 30 Nov 2010	15218/2010	Societe De Technologie Michelin; Michelin Recherche et Technique S.A.; 12-15A, A tyre, (FR, 15 Jun 2010) 08 Dec 2010	15350/2010
Ronald E. Graham (Holdings) Pty Ltd; 25-02NES, A lintel, 29 Nov 2010	15203/2010	Swarovski Akiengesellschaft; 19-06, Pen, (EM, 13 Jul 2010) 02 Dec 2010	15281/2010
RK & JM Holdings Pty Ltd; 08-08B, 3 Notch apertured screw, 01 Dec 2010	15244/2010	SwitchEasy Limited; 14-02, Protective casing for portable handheld electronic device, (HK, 21 Sep 2010) 03 Dec 2010	15257/2010
RK & JM Holdings Pty Ltd; 08-08B, 4 notch apertured screw, 01 Dec 2010	15245/2010	SwitchEasy Limited; 14-02, Protective casing for portable handheld electronic device, (HK, 21 Sep 2010) 03 Dec 2010	15255/2010
RK & JM Holdings Pty Ltd; 08-08B, 5 notch apertured screw, 01 Dec 2010	15246/2010	SwitchEasy Limited; 14-02, Protective casing for portable handheld electronic device, (HK, 21 Sep 2010) 03 Dec 2010	15256/2010
S. C. Johnson & Son, Inc.; 09-01NES, Dispenser housing, (US, 28 May 2010) 26 Nov 2010	15200/2010	T&R Furniture; 06-02, , 27 Nov 2010	15358/2010
S.C. Johnson & Son Inc.; 09-01NES, Dispenser housing, (US, 28 May 2010) 26 Nov 2010	15201/2010	The Decor Corporation Pty Ltd; 07-07B, Pedal, 03 Dec 2010	15322/2010
S.G. Johnson & Son, Inc.; 09-07A, Sprayer shroud, (US, 08 Jun 2010) 06 Dec 2010	15317/2010	The Decor Corporation Pty. Ltd.; 07-01NES, Lid for container, 22 Oct 2010	15331/2010
S.G. Johnson & Son, Inc.; 09-07A, Sprayer shroud, (US, 08 Jun 2010) 06 Dec 2010	15318/2010		
Saabeam Pty Ltd; 02-03, Caps, 30 Nov 2010	15216/2010		

The Decor Corporation Pty. Ltd.; 07-01NES, Lid for container, 22 Oct 2010	15332/2010	Unilever PLC; 28-01, 28-99, Toilet block, (EM, 23 Jun 2010) 06 Dec 2010	15309/2010
The Decor Corporation Pty. Ltd.; 07-01NES, Lid for container, 22 Oct 2010	15333/2010	Vasiliou, Alison; Vasiliou, Thomas; 06-06NES, Wooden didgeridoo stand, 29 Nov 2010	15180/2010
The Goodyear Tire & Rubber Company; 12-15A, 12-15NES, Tyre for motorcycle, (JP, 11 Jun 2010) 02 Dec 2010	15266/2010	Vasiliou, Thomas; Vasiliou, Alison; 06-06NES, Wooden didgeridoo stand, 29 Nov 2010	15180/2010
The Goodyear Tire & Rubber Company; 12-15A, 12-15NES, Tyre for motorcycle, (JP, 11 Jun 2010) 02 Dec 2010	15267/2010	Vicwide Platforms and Safetyrail Pty Ltd; 25-01C, 25-04, Scaffold member, 06 Dec 2010	15340/2010
The Scott Fetzer Company; 04-01, Vacuum cleaner brush attachment, (US, 22 Jul 2010) 10 Nov 2010	15357/2010	Vogel's Holding B.V.; 08-08NES, 14-99, A car mount for a multimedia apparatus, (NL, 18 Aug 2010) 30 Nov 2010	15233/2010
Tjernberg, Lisa Edlund; 03-01B, Fashion items & apparels including bags, 30 Nov 2010	15214/2010	Vogel's Holding B.V.; 08-08NES, 14-99, A wall mount for a multimedia apparatus, (NL, 18 Aug 2010) 30 Nov 2010	15234/2010
Triple M Holdings Pty Ltd; 08-06, 12-16NES, Drop side tray hinge clasp, 07 Dec 2010	15347/2010	Vogel's Holding B.V.; 14-02, A base cover for a multimedia apparatus, (NL, 18 Aug 2010) 30 Nov 2010	15235/2010
Triple M Holdings Pty Ltd; 08-06, 12-16NES, Drop side tray hinge pivot pin, 07 Dec 2010	15348/2010	Westphal, Alissa; Hartley, Chris; 03-01B, 24-99, Wall-mountable storage pouch for treating dementia patients, 30 Nov 2010	15334/2010
Unilever PLC; 28-03NES, Toilet block, (EM, 23 Jun 2010) 06 Dec 2010	15316/2010	Wirtgen GmbH; 08-03, Quick-change tool holder, (EM, 10 Nov 2010) 03 Dec 2010	15301/2010
Unilever PLC; 28-01, 28-99, Toilet block, (EM, 23 Jun 2010) 06 Dec 2010	15310/2010	Yilmaz, Ezgi Erdogan; 06-01G, Seating unit, 07 Dec 2010	15336/2010
Unilever PLC; 28-01, 28-99, Toilet block, (EM, 23 Jun 2010) 06 Dec 2010	15311/2010	Yoshiritsu Kabushiki Kaisha; 21-01E, Toy block, (JP, 22 Jul 2010) 26 Nov 2010	15188/2010
Unilever PLC; 28-01, 28-99, Toilet block, (EM, 23 Jun 2010) 06 Dec 2010	15312/2010	Yoshiritsu Kabushiki Kaisha; 21-01E, Toy block, (JP, 22 Jul 2010) 26 Nov 2010	15189/2010
Unilever PLC; 28-01, 28-99, Toilet block, (EM, 23 Jun 2010) 06 Dec 2010	15313/2010	YMC International Pty Ltd; 26-03, Light, 29 Nov 2010	15198/2010
Unilever PLC; 28-01, 28-99, Toilet block, (EM, 23 Jun 2010) 06 Dec 2010	15314/2010	3M Innovative Properties Company; 24-01, Respirator, (US, 25 Jun 2010) 08 Dec 2010	15370/2010
Unilever PLC; 28-01, 28-99, Toilet block, (EM, 23 Jun 2010) 06 Dec 2010	15315/2010		

Applications Withdrawn

14076 / 2010 (99-00)

Applications Lapsed

12111 / 2010 (08-01)

12949 / 2010 (26-06)

12951 / 2010 (26-06)

12948 / 2010 (26-06)

12950 / 2010 (26-06)

Extension of Period of Registration of Designs

304311	304312	304313
304414	304891	304892
304929	304930	305639
307034	307343	307348
307421	307453	307454
307455	307456	307458
307459	307460	307519
307536	307543	307552
307581	307730	307731
307732	307785	307813
307852	307853	308041
308099	308104	308280
308602	309126	309340
309345	309424	309672
309894	309930	311467
311707	311708	312004
312005	313578	

Registrations Ceased

303850	303851	303852
303879	303881	303898
303964	303975	303985
303988	304074	304075
304211	304212	304234
304235	304266	304267
304268	304444	304445
304534	304711	304712
304797	305017	305038
305167	305168	305213
305317	305318	305338
305344	305345	305361
305362	305363	305712
307558	307559	307560
307561	307562	307563
307564	310135	313567
313568	313569	313570
313571	313572	313573
328037	329844	

Extensions of time granted under Section 137

Applications lodged under section 137 for extension of time have been granted.

- 301767 **DineRite Pty Ltd**
- 302995 **Visy R & D Pty Ltd**
- 302996 **Visy R & D Pty Ltd**
- 302997 **Visy R & D Pty Ltd**
- 302998 **Visy R & D Pty Ltd**

- 302999 **Visy R & D Pty Ltd**
- 303000 **Visy R & D Pty Ltd**
- 303485 **Visy R & D Pty Ltd**
- 303001 **Visy R & D Pty Ltd**
- 303002 **Visy R & D Pty Ltd**
- 303003 **Visy R & D Pty Ltd**
- 311707 **HB Closure Systems Pty Ltd**
- 311708 **CTECH Closures Pty Ltd**
- 303486 **Visy R & D Pty Ltd**
- 11390/2010 **Gary Michael O'Donoghue**
- 331790 **Allergan, Inc.**
- 11943/2010 **RMD Industries Pty Ltd**
- 13797/2010 **Keith Laurence Hill**
- 14593/2010 **Honda Motor Co., Ltd.**
- 15034/2010 **Masonite Corporation**

Subsequent Owners Registered

(The name in parentheses is that of the subsequent owner)

- 316424 (**Lister Shearing Equipment Limited**) **Tru-Test Pty. Ltd**
- 303886 (**Asahi Breweries, Ltd**) **Schweppes Australia Pty Ltd**
- 322964 (**Higgins Fabrication Pty Ltd**) **Bulk Handling Australia Group Pty Ltd**
- 325977 (**Mirae Medical Co., Ltd.**) **Neuwei Biomedical Co., Ltd.**
- 330716 (**Mars Australia Pty Ltd**) **Mars, Incorporated**
- 330717 (**Mars Australia Pty Ltd**) **Mars, Incorporated**
- 331686 (**Mars Australia Pty Ltd**) **Mars Incorporated**
- 332246 (**Mars Australia Pty Ltd**) **Mars, Incorporated**
- 332248 (**Mars Australia Pty Ltd**) **Mars, Incorporated**
- 332249 (**Mars Australia Pty Ltd**) **Mars, Incorporated**
- 332251 (**Mars Australia Pty Ltd**) **Mars, Incorporated**
- 333057 (**Mars Australia Pty Ltd**) **Mars, Incorporated**
- 333058 (**Mars Australia Pty Ltd**) **Mars, Incorporated**
- 332252 (**Mars Australia Pty Ltd**) **Mars, Incorporated**
- 332289 (**Mars Australia Pty Ltd**) **Mars, Incorporated**

Names Registered - Alterations and Amendments

(The name in parentheses is that of the subsequent applicant)

- 308494 (**Les vigneron de Pfaffenheim - Gueberschwihr**) **Cave Vinicole De Pfaffenheim-Gueberschwihr et environs; Viticulteurs reunis de Pfaffenheim-Gueberschwihr et environs Societe Vinicole de Pfaffenheim-Guebersch**
- 308495 (**Les vigneron de Pfaffenheim - Gueberschwihr**) **Cave Vinicole De Pfaffenheim-Gueberschwihr et environs; Viticulteurs reunis de Pfaffenheim-Gueberschwihr et environs Societe Vinicole de Pfaffenheim-Guebersch**

303516 (**Constantia Teich GmbH**) Teich Aktiengesellschaft
303517 (**Constantia Teich GmbH**) Teich Aktiengesellschaft
303518 (**Constantia Teich GmbH**) Teich Aktiengesellschaft
303519 (**Constantia Teich GmbH**) Teich Aktiengesellschaft
303520 (**Constantia Teich GmbH**) Teich Aktiengesellschaft
303521 (**Constantia Teich GmbH**) Teich Aktiengesellschaft
303522 (**Constantia Teich GmbH**) Teich Aktiengesellschaft
303523 (**Constantia Teich GmbH**) Teich Aktiengesellschaft
303511 (**Constantia Teich GmbH**) Teich Aktiengesellschaft
303512 (**Constantia Teich GmbH**) Teich Aktiengesellschaft
303513 (**Constantia Teich GmbH**) Teich Aktiengesellschaft
303514 (**Constantia Teich GmbH**) Teich Aktiengesellschaft
303515 (**Constantia Teich GmbH**) Teich Aktiengesellschaft

Certificate(s) of Examination

Examination of the following Design Registration(s) has been completed. Infringement proceedings may now be commenced.

303856	25-02B	03/12/2010
317770	19-06	07/12/2010
324047	02-01B	30/11/2010
327159	03-01NES	30/11/2010
327590	07-01C	30/11/2010
327905	12-16B	12/12/2010
328850	25-01K	03/12/2010
328851	25-01K	03/12/2010
328853	25-01K	03/12/2010
328854	25-01K	03/12/2010
328855	25-01K	03/12/2010
330754	21-01F	07/12/2010
330814	25-01A	30/11/2010
330815	25-01A	30/11/2010
330816	25-01A	30/11/2010
330817	25-01A	30/11/2010
330878	12-15A	01/12/2010
331496	03-01A	30/11/2010
331717	23-04	30/11/2010
331742	08-05P	07/12/2010
331845	07-01C	09/12/2010
331855	14-03NES	07/12/2010
331872	14-01	07/12/2010
331951	12-16K	30/11/2010
331952	12-16K	30/11/2010
331953	12-16K	30/11/2010
331986	09-01B	07/12/2010
332384	08-06	13/12/2010
332390	30-99	07/12/2010
332398	09-01NES	06/12/2010
332399	09-01NES	06/12/2010
332424	12-12	06/12/2010
332610	08-07	05/12/2010
332611	08-07	05/12/2010
332688	09-01G	12/12/2010
332728	02-04C	30/11/2010
332904	15-04	12/12/2010
332961	07-05NES	28/11/2010
333036	26-03	06/12/2010
333063	06-04NES	06/12/2010
333064	06-04NES	06/12/2010
333094	15-07	12/12/2010
333120	14-02	30/11/2010
333121	14-02	30/11/2010
333187	07-01B	12/12/2010
333281	08-03	30/11/2010
333322	14-02	12/12/2010
333383	12-08	05/12/2010
333397	04-02	05/12/2010
333398	04-02	05/12/2010
333486	02-02C	30/11/2010

Publication and Registration Proceedings

Designs Registered

This section provides a concordance between design number and registration number of Designs covered in this journal. It also shows the main class and registration date.

This section covers Registration numbers 333931 to 334098 .

The registration number shown below should be used in all future correspondence.

Design Number	Registration Number	International Classification Code (IDC)	Registration Date	Design Number	Registration Number	International Classification Code (IDC)	Registration Date
11185/2010	334089	14-02	09/12/2010	14614/2010	333941	06-01E	30/11/2010
11773/2010	334008	03-01D	07/12/2010	14632/2010	334090	25-01K	09/12/2010
11943/2010	334083	08-07	09/12/2010	14633/2010	334034	06-01D	08/12/2010
12140/2010	333942	25-02NES	01/12/2010	14677/2010	334035	12-16L	08/12/2010
12195/2010	334055	02-02NES	08/12/2010	14696/2010	334043	18-01	07/12/2010
12243/2010	334029	25-01E	08/12/2010	14728/2010	334036	03-03	08/12/2010
12267/2010	333998	22-05	07/12/2010	14729/2010	334037	03-03	08/12/2010
12956/2010	333999	02-02NES	07/12/2010	14730/2010	334038	03-03	08/12/2010
12957/2010	334000	02-02NES	07/12/2010	14751/2010	333987	02-04B	06/12/2010
13128/2010	334030	12-16B	08/12/2010	14755/2010	334004	25-04	07/12/2010
13135/2010	333963	26-01	03/12/2010	14776/2010	333943	02-02NES	01/12/2010
13192/2010	334041	20-02NES	07/12/2010	14777/2010	333944	02-02NES	01/12/2010
13797/2010	334063	21-01L	09/12/2010	14778/2010	333945	02-02NES	01/12/2010
13905/2010	333960	24-04	02/12/2010	14779/2010	333946	12-16K	01/12/2010
13941/2010	334084	07-01E	09/12/2010	14800/2010	333971	10-04	03/12/2010
13942/2010	333989	12-16NES	06/12/2010	14812/2010	333947	25-02C	01/12/2010
14013/2010	334042	25-01K	07/12/2010	14813/2010	333948	25-02C	01/12/2010
14149/2010	333990	07-02L	06/12/2010	14814/2010	333949	25-02C	01/12/2010
14164/2010	333951	02-02B	30/11/2010	14815/2010	333950	25-02C	01/12/2010
14165/2010	333952	02-02B	30/11/2010	14816/2010	333953	14-03NES	01/12/2010
14229/2010	333966	06-04NES	03/12/2010	14817/2010	333954	14-03NES	01/12/2010
14233/2010	334031	08-05NES	08/12/2010	14818/2010	333955	14-03NES	01/12/2010
14296/2010	333991	07-06D	06/12/2010	14819/2010	333956	11-02B	01/12/2010
14322/2010	334064	09-01NES	09/12/2010	14826/2010	333934	08-08NES	30/11/2010
14323/2010	334065	09-01NES	09/12/2010	14827/2010	333935	08-08NES	30/11/2010
14324/2010	334066	09-01NES	09/12/2010	14844/2010	333988	08-02	06/12/2010
14325/2010	334067	09-01NES	09/12/2010	14848/2010	333977	24-99	03/12/2010
14326/2010	334068	09-01NES	09/12/2010	14849/2010	333978	07-01F	03/12/2010
14327/2010	334069	09-01NES	09/12/2010	14851/2010	333957	09-03M	02/12/2010
14328/2010	334070	09-01NES	09/12/2010	14853/2010	333958	23-02F	02/12/2010
14329/2010	334071	09-01NES	09/12/2010	14856/2010	333993	09-03M	06/12/2010
14330/2010	334072	09-01NES	09/12/2010	14857/2010	333994	09-05	06/12/2010
14331/2010	334073	09-01NES	09/12/2010	14859/2010	333995	23-01B	06/12/2010
14332/2010	334074	09-01NES	09/12/2010	14860/2010	333961	24-04	02/12/2010
14333/2010	334075	09-01NES	09/12/2010	14867/2010	333979	28-03NES	03/12/2010
14334/2010	334076	09-01NES	09/12/2010	14881/2010	333980	30-02	03/12/2010
14376/2010	333962	23-02B	02/12/2010	14882/2010	333981	02-07C	03/12/2010
14377/2010	333992	23-02A	06/12/2010	14883/2010	333982	02-07C	03/12/2010
14386/2010	333970	02-03	03/12/2010	14884/2010	333983	08-08NES	03/12/2010
14387/2010	334062	25-01NES	08/12/2010	14885/2010	333972	08-05H	03/12/2010
14388/2010	333931	25-01K	30/11/2010	14886/2010	333973	08-05H	03/12/2010
14393/2010	333969	02-03	03/12/2010	14895/2010	333974	14-03NES	03/12/2010
14412/2010	333932	08-05L	30/11/2010	14896/2010	333975	28-03A	03/12/2010
14413/2010	333933	08-05L	30/11/2010	14898/2010	333984	02-07C	03/12/2010
14446/2010	334009	03-01NES	07/12/2010	14901/2010	333985	09-05	03/12/2010
14448/2010	334010	03-01NES	07/12/2010	14902/2010	333986	09-05	03/12/2010
14512/2010	333964	26-05E	03/12/2010	14903/2010	334044	10-04	07/12/2010
14520/2010	334087	07-01NES	09/12/2010	14904/2010	334045	10-04	07/12/2010
14562/2010	333965	06-13B	03/12/2010	14907/2010	333996	07-02L	06/12/2010
14575/2010	334011	28-03NES	07/12/2010	14908/2010	334046	25-01K	07/12/2010
14587/2010	334001	12-12	07/12/2010	14909/2010	334047	25-01K	07/12/2010
14601/2010	334032	08-01	08/12/2010	14912/2010	334039	09-01NES	08/12/2010
14602/2010	334033	08-01	08/12/2010	14913/2010	334040	09-01NES	08/12/2010

Publication and Registration Proceedings - Designs Registered cont'd

Design Number	Registration Number	International Classification Code (IDC)	Registration Date	Design Number	Registration Number	International Classification Code (IDC)	Registration Date
14914/2010	334015	12-16E	08/12/2010	14988/2010	334079	06-01F	09/12/2010
14915/2010	334016	10-05	08/12/2010	14989/2010	334080	06-01F	09/12/2010
14918/2010	334012	14-02	07/12/2010	14990/2010	334081	06-01F	09/12/2010
14925/2010	334002	08-03	07/12/2010	14991/2010	334082	06-01F	09/12/2010
14926/2010	334003	08-03	07/12/2010	14992/2010	334096	23-01H	09/12/2010
14928/2010	334048	19-06	07/12/2010	14997/2010	334097	14-03A	09/12/2010
14929/2010	334049	19-06	07/12/2010	15000/2010	334098	13-03D	10/12/2010
14930/2010	334050	24-01	07/12/2010	15038/2010	333936	08-07	30/11/2010
14934/2010	334017	14-03E	08/12/2010	15039/2010	333937	08-07	30/11/2010
14935/2010	334018	06-09	08/12/2010	15040/2010	333938	08-07	30/11/2010
14940/2010	334013	02-02NES	07/12/2010	15041/2010	333939	08-07	30/11/2010
14941/2010	334019	02-02NES	08/12/2010	15055/2010	334051	24-99	07/12/2010
14943/2010	334020	09-03M	08/12/2010	15056/2010	334052	24-99	07/12/2010
14945/2010	334021	09-03M	08/12/2010	15059/2010	333940	20-03NES	30/11/2010
14950/2010	334022	09-03M	08/12/2010	15082/2010	334053	23-01F	07/12/2010
14952/2010	334023	09-03M	08/12/2010	15109/2010	334014	11-03	07/12/2010
14953/2010	334024	09-01NES	08/12/2010	15164/2010	333967	06-04NES	03/12/2010
14955/2010	334025	09-01NES	08/12/2010	15165/2010	333968	06-04NES	03/12/2010
14957/2010	334026	09-01NES	08/12/2010	15171/2010	333997	02-03	07/12/2010
14958/2010	334027	09-01NES	08/12/2010	15222/2010	333976	25-04	03/12/2010
14963/2010	334028	28-03A	08/12/2010	15223/2010	334005	25-04	07/12/2010
14969/2010	334091	14-99	09/12/2010	15224/2010	334006	25-04	07/12/2010
14972/2010	334088	08-03	09/12/2010	15225/2010	334007	25-04	07/12/2010
14973/2010	333959	07-01NES	02/12/2010	15295/2010	334056	02-02NES	08/12/2010
14974/2010	334085	07-01E	09/12/2010	15296/2010	334057	02-02NES	08/12/2010
14975/2010	334086	07-01E	09/12/2010	15297/2010	334058	02-02NES	08/12/2010
14977/2010	334092	08-03	09/12/2010	15298/2010	334059	02-02NES	08/12/2010
14981/2010	334093	12-15A	09/12/2010	15299/2010	334060	02-02NES	08/12/2010
14982/2010	334094	21-01N	09/12/2010	15300/2010	334061	02-02NES	08/12/2010
14983/2010	334095	08-08D	09/12/2010				
14984/2010	334077	08-08D	09/12/2010				
14985/2010	334054	19-06	08/12/2010				
14986/2010	334078	09-05	09/12/2010				

Publication and Registration Proceedings
Class Listing of Designs Published or Registered

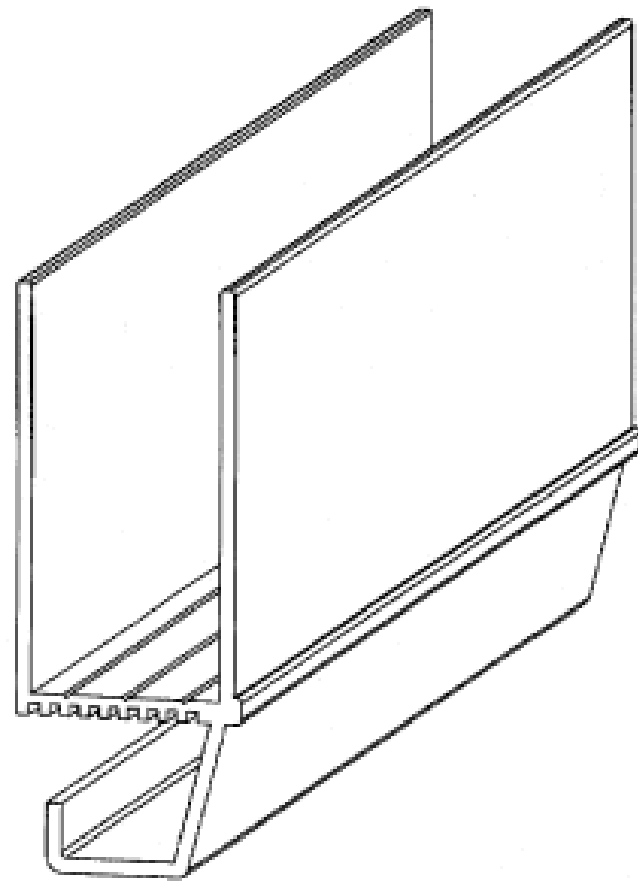
The following section shows an International Classification Code listing of the Registered or Published Designs covered in this supplement.

Classification	Registration Number	Design Number	Classification	Registration Number	Design Number
02-02 B	333951	14164/2010	08-03	334088	14972/2010
02-02 B	333952	14165/2010	08-03	334092	14977/2010
02-02 NES	333943	14776/2010	08-05 H	333972	14885/2010
02-02 NES	333944	14777/2010	08-05 H	333973	14886/2010
02-02 NES	333945	14778/2010	08-05 L	333932	14412/2010
02-02 NES	333999	12956/2010	08-05 L	333933	14413/2010
02-02 NES	334000	12957/2010	08-05 NES	333932	14412/2010
02-02 NES	334013	14940/2010	08-05 NES	333933	14413/2010
02-02 NES	334019	14941/2010	08-05 NES	333988	14844/2010
02-02 NES	334055	12195/2010	08-05 NES	334031	14233/2010
02-02 NES	334056	15295/2010	08-07	333936	15038/2010
02-02 NES	334057	15296/2010	08-07	333937	15039/2010
02-02 NES	334058	15297/2010	08-07	333938	15040/2010
02-02 NES	334059	15298/2010	08-07	333939	15041/2010
02-02 NES	334060	15299/2010	08-07	334083	11943/2010
02-02 NES	334061	15300/2010	08-08 D	334077	14984/2010
02-03	333969	14393/2010	08-08 D	334095	14983/2010
02-03	333970	14386/2010	08-08 NES	333934	14826/2010
02-03	333997	15171/2010	08-08 NES	333935	14827/2010
02-04 B	333987	14751/2010	08-08 NES	333983	14884/2010
02-06	333979	14867/2010	09-01 NES	334024	14953/2010
02-07 C	333981	14882/2010	09-01 NES	334025	14955/2010
02-07 C	333982	14883/2010	09-01 NES	334026	14957/2010
02-07 C	333984	14898/2010	09-01 NES	334027	14958/2010
03-01 D	334008	11773/2010	09-01 NES	334039	14912/2010
03-01 NES	334009	14446/2010	09-01 NES	334040	14913/2010
03-01 NES	334010	14448/2010	09-01 NES	334064	14322/2010
03-03	334001	14587/2010	09-01 NES	334065	14323/2010
03-03	334036	14728/2010	09-01 NES	334066	14324/2010
03-03	334037	14729/2010	09-01 NES	334067	14325/2010
03-03	334038	14730/2010	09-01 NES	334068	14326/2010
06-01 D	334034	14633/2010	09-01 NES	334069	14327/2010
06-01 E	333941	14614/2010	09-01 NES	334070	14328/2010
06-01 F	334079	14988/2010	09-01 NES	334071	14329/2010
06-01 F	334080	14989/2010	09-01 NES	334072	14330/2010
06-01 F	334081	14990/2010	09-01 NES	334073	14331/2010
06-01 F	334082	14991/2010	09-01 NES	334074	14332/2010
06-04 NES	333966	14229/2010	09-01 NES	334075	14333/2010
06-04 NES	333967	15164/2010	09-01 NES	334076	14334/2010
06-04 NES	333968	15165/2010	09-03 M	333957	14851/2010
06-09	334018	14935/2010	09-03 M	333993	14856/2010
06-13 B	333965	14562/2010	09-03 M	334020	14943/2010
07-01 E	334084	13941/2010	09-03 M	334021	14945/2010
07-01 E	334085	14974/2010	09-03 M	334022	14950/2010
07-01 E	334086	14975/2010	09-03 M	334023	14952/2010
07-01 F	333978	14849/2010	09-05	333985	14901/2010
07-01 NES	333959	14973/2010	09-05	333986	14902/2010
07-01 NES	334087	14520/2010	09-05	333994	14857/2010
07-02 L	333990	14149/2010	09-05	334078	14986/2010
07-02 L	333996	14907/2010	10-04	333971	14800/2010
07-06 D	333991	14296/2010	10-04	334044	14903/2010
08-01	334032	14601/2010	10-04	334045	14904/2010
08-01	334033	14602/2010	10-05	333964	14512/2010
08-02	333988	14844/2010	10-05	334016	14915/2010
08-03	334002	14925/2010	11-02 B	333956	14819/2010
08-03	334003	14926/2010	11-03	334014	15109/2010

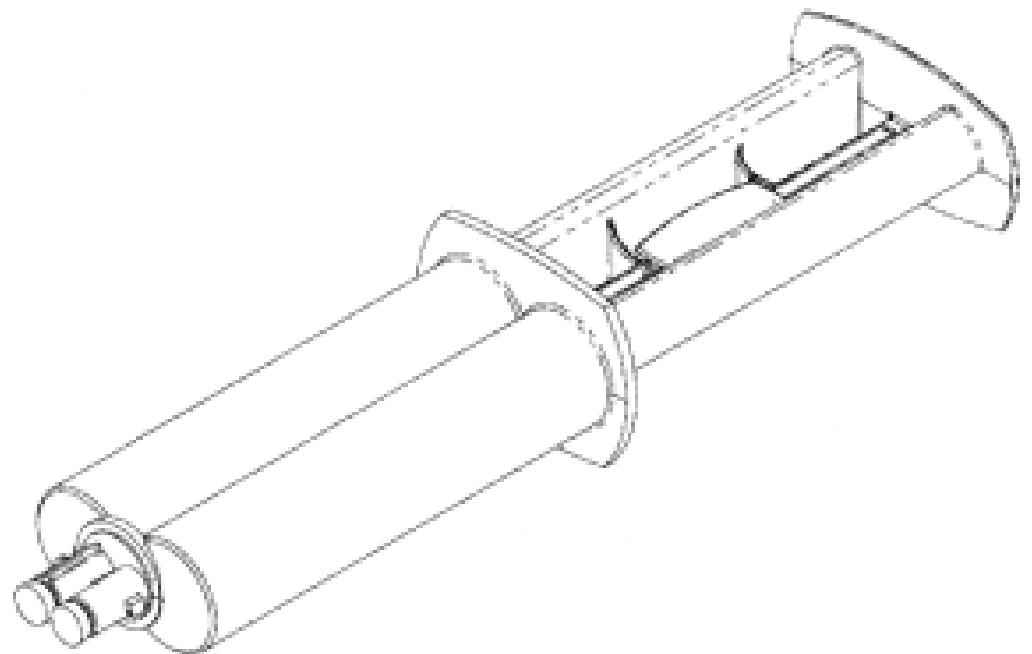
Registration Proceedings - Class Listing of Designs Published or Registered cont'd

Classification	Registration Number	Design Number	Classification	Registration Number	Design Number
12-12	334001	14587/2010	24-04	333960	13905/2010
12-15 A	334093	14981/2010	24-04	333961	14860/2010
12-16 B	334030	13128/2010	24-99	333977	14848/2010
12-16 E	334015	14914/2010	24-99	334051	15055/2010
12-16 K	333946	14779/2010	24-99	334052	15056/2010
12-16 L	334035	14677/2010	25-01 D	333934	14826/2010
12-16 NES	333989	13942/2010	25-01 D	333935	14827/2010
13-03 D	334098	15000/2010	25-01 D	333942	12140/2010
14-02	334012	14918/2010	25-01 E	334029	12243/2010
14-02	334089	11185/2010	25-01 K	333931	14388/2010
14-03 A	334097	14997/2010	25-01 K	334042	14013/2010
14-03 E	334017	14934/2010	25-01 K	334046	14908/2010
14-03 NES	333953	14816/2010	25-01 K	334047	14909/2010
14-03 NES	333954	14817/2010	25-01 K	334090	14632/2010
14-03 NES	333955	14818/2010	25-01 NES	334062	14387/2010
14-03 NES	333974	14895/2010	25-02 C	333947	14812/2010
14-03 NES	334089	11185/2010	25-02 C	333948	14813/2010
14-04	334097	14997/2010	25-02 C	333949	14814/2010
14-99	334091	14969/2010	25-02 C	333950	14815/2010
18-01	334043	14696/2010	25-02 NES	333942	12140/2010
19-06	334048	14928/2010	25-04	333976	15222/2010
19-06	334049	14929/2010	25-04	334004	14755/2010
19-06	334054	14985/2010	25-04	334005	15223/2010
20-02 NES	334041	13192/2010	25-04	334006	15224/2010
20-03 NES	333940	15059/2010	25-04	334007	15225/2010
21-01 L	334063	13797/2010	26-01	333963	13135/2010
21-01 N	334094	14982/2010	26-05 E	333964	14512/2010
21-02 B	334031	14233/2010	28-03 A	333975	14896/2010
22-05	333998	12267/2010	28-03 A	334028	14963/2010
23-01 B	333995	14859/2010	28-03 NES	333979	14867/2010
23-01 F	334053	15082/2010	28-03 NES	334011	14575/2010
23-01 H	334096	14992/2010	30-02	333980	14881/2010
23-02 A	333992	14377/2010			
23-02 B	333962	14376/2010			
23-02 F	333958	14853/2010			
24-01	334050	14930/2010			

- (21) Design Number: **14388/2010**
(22) Date of Filing Application: **11 October 2010**
(24) Date from which industrial property rights may have effect: **11 October 2010**
(54) Product in respect of which the design is registered: **Extrusion**
(51) International Design Classification: **25-01K**
(71) Name(s) and Address(s) of Applicant(s):
Watts Hardware Manufacturing Pty Ltd
L6 167 Queen Street Melbourne Victoria 3000 Australia
(72) Name(s) of Designer(s): **John Russell Watts**
(45) Registration Date: **30 November 2010**
(56) Related Art Documents: **Not Applicable**
(57) Statement of Newness and Distinctiveness: **Nil**



- (21) Design Number: **14412/2010**
(22) Date of Filing Application: **12 October 2010**
(24) Date from which industrial property rights may have effect: **12 October 2010**
(54) Product in respect of which the design is registered: **Syringe**
(51) International Design Classification: **08-05L, 08-05NES**
(71) Name(s) and Address(s) of Applicant(s):
DuluxGroup (Australia) Pty Ltd
1 Gow Street Padstow New South Wales 2211 Australia
(72) Name(s) of Designer(s): **Sean Lewis**
(45) Registration Date: **30 November 2010**
(56) Related Art Documents: **Not Applicable**
(57) Statement of Newness and Distinctiveness: **Newness and distinctiveness is claimed in the visual features of the plunger frame structure, and the curved shape of the syringe body gripping flange and the plunger end.**



(21) Design Number: **14413/2010**

(22) Date of Filing Application: **12 October 2010**

(24) Date from which industrial property rights may have effect: **12 October 2010**

(54) Product in respect of which the design is registered: **Mixer nozzle**

(51) International Design Classification: **08-05L, 08-05NES**

(71) Name(s) and Address(s) of Applicant(s):

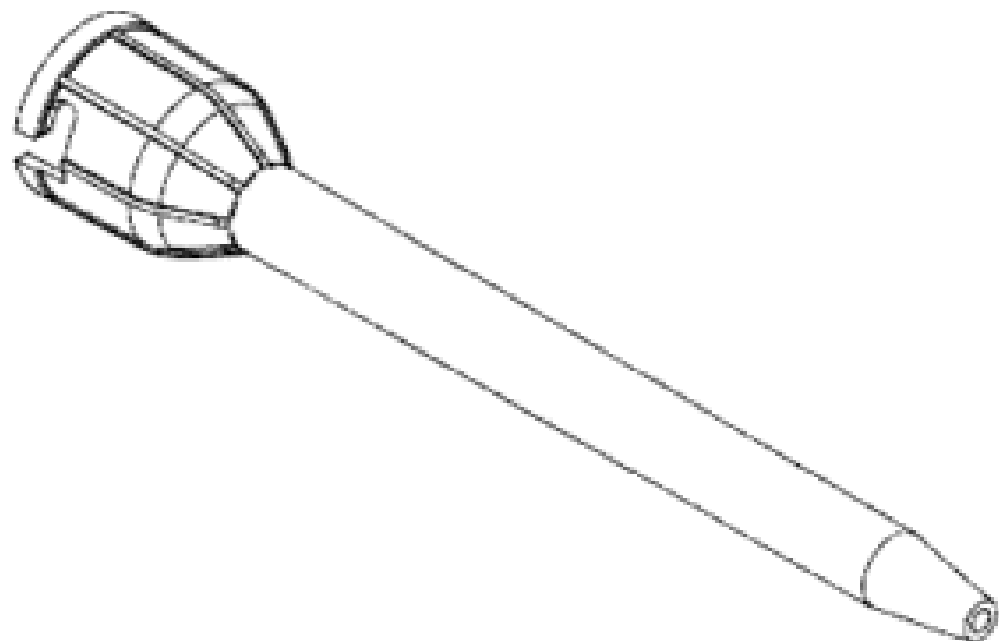
DuluxGroup (Australia) Pty Ltd
1 Gow Street Padstow New South Wales 2211 Australia

(72) Name(s) of Designer(s): **Sean Lewis**

(45) Registration Date: **30 November 2010**

(56) Related Art Documents: **Not Applicable**

(57) Statement of Newness and Distinctiveness: **Newness and distinctiveness is claimed in the visual features of the bayonet fitting and the strengthening ribs of the mixer nozzle shown in the representations.**



(21) Design Number: **14826/2010**

(22) Date of Filing Application: **08 November 2010**

(24) Date from which industrial property rights may have effect: **08 November 2010**

(54) Product in respect of which the design is registered: **Metal fitting for building boards**

(51) International Design Classification: **08-08NES, 25-01D**

(71) Name(s) and Address(s) of Applicant(s):

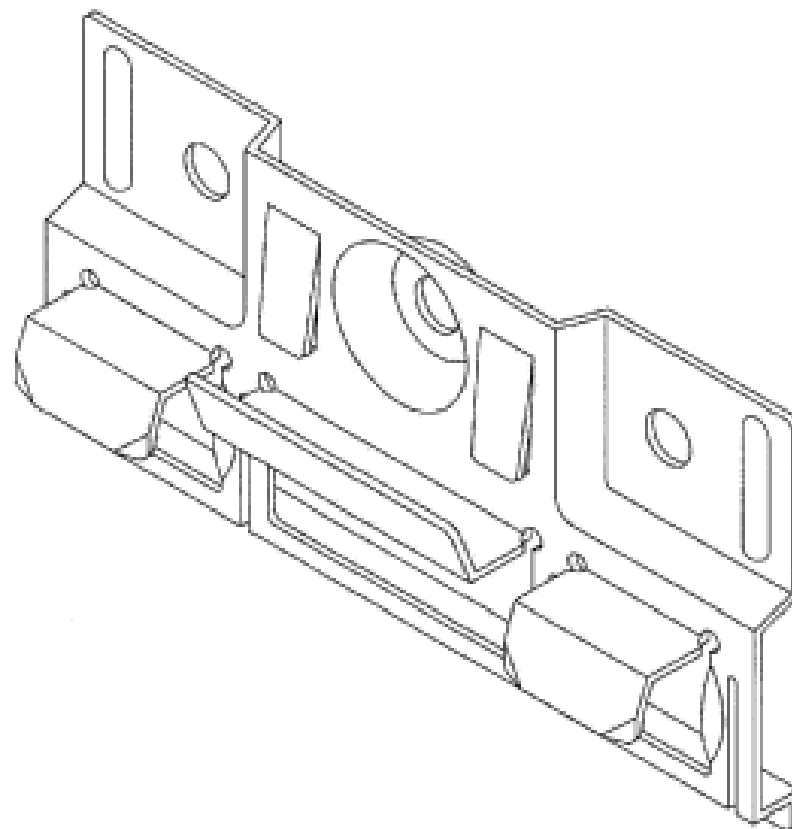
Nichiha Corporation
12 Shiodome-cho Minato-ku Nagoya-shi Aichi 455-8550 Japan

(72) Name(s) of Designer(s): **Takashi Honda**

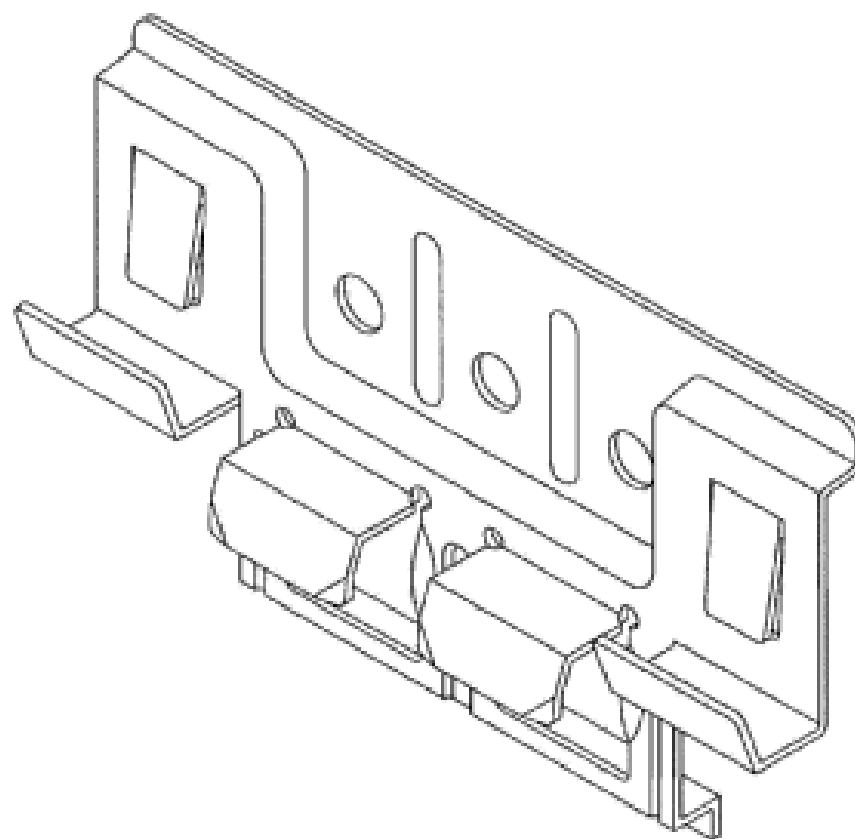
(45) Registration Date: **30 November 2010**

(56) Related Art Documents: **Not Applicable**

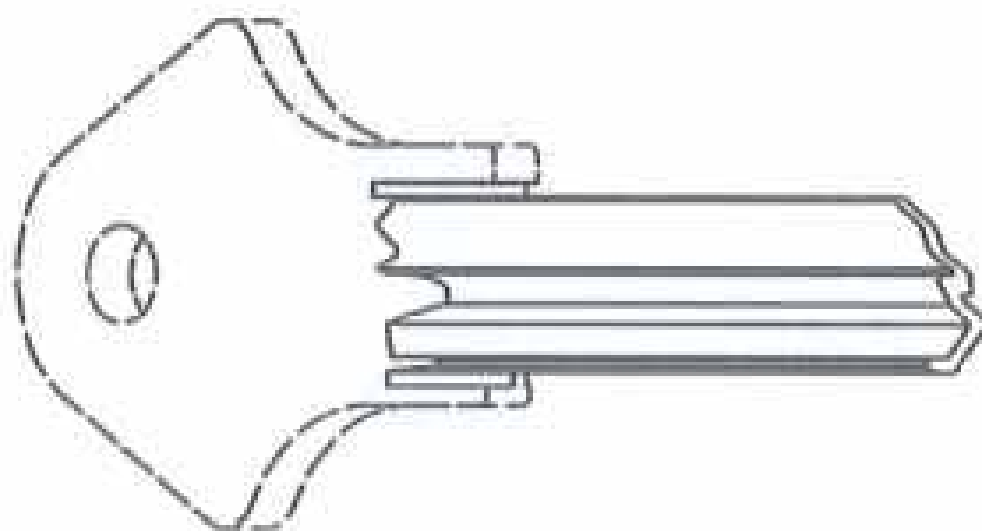
(57) Statement of Newness and Distinctiveness: **Nil**



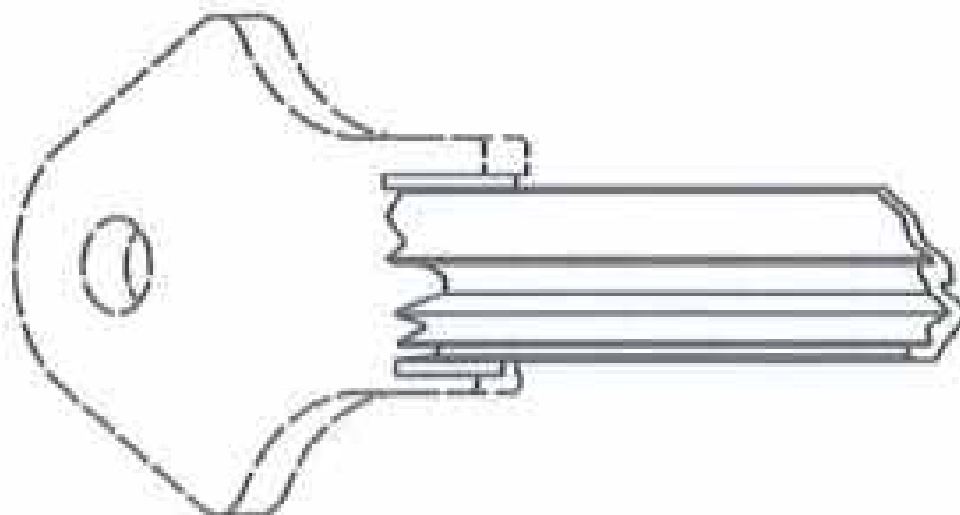
- (21) Design Number: **14827/2010**
(22) Date of Filing Application: **08 November 2010**
(24) Date from which industrial property rights may have effect: **08 November 2010**
(54) Product in respect of which the design is registered: **Metal fitting for building boards**
(51) International Design Classification: **08-08NES, 25-01D**
(71) Name(s) and Address(s) of Applicant(s):
Nichiha Corporation
12 Shiodome-cho Minato-ku Nagoya-shi Aichi 455-8550 Japan
(72) Name(s) of Designer(s): **Takashi Honda**
(45) Registration Date: **30 November 2010**
(56) Related Art Documents: **Not Applicable**
(57) Statement of Newness and Distinctiveness: **Nil**



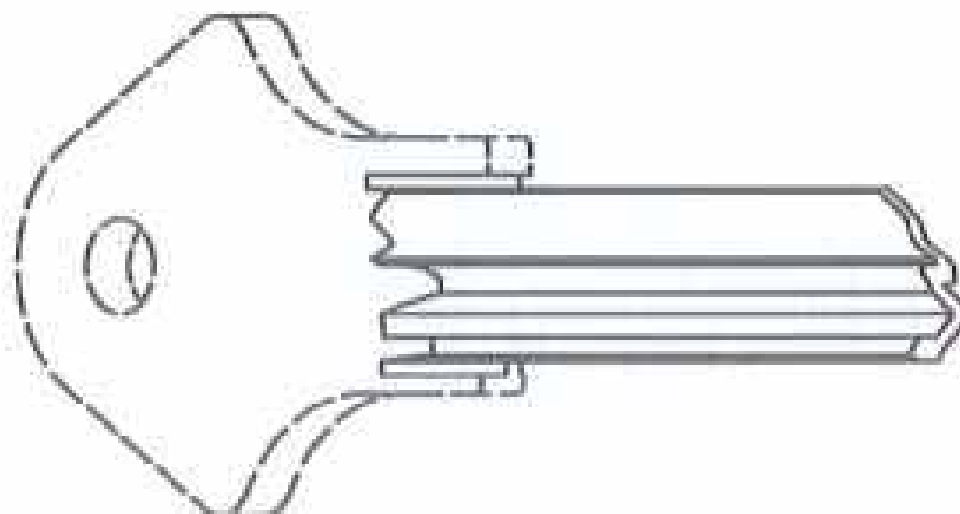
- (21) Design Number: **15038/2010**
(22) Date of Filing Application: **19 November 2010**
(24) Date from which industrial property rights may have effect: **19 November 2010**
(54) Product in respect of which the design is registered: **Key blank**
(51) International Design Classification: **08-07**
(71) Name(s) and Address(s) of Applicant(s):
TNBT Holdings Pty Limited
B1/2-6 Greenhills Avenue Moorebank New South Wales 2170 Australia
(72) Name(s) of Designer(s): **Chandrashekar Thippasandra Gangappa and Simon Butt**
(45) Registration Date: **30 November 2010**
(56) Related Art Documents: **Not Applicable**
(57) Statement of Newness and Distinctiveness: **Monopoly is claimed in respect of the cross-sectional shape of the body of a key blank as shown in Fig. 4 and also shown in all accompanying representations. No monopoly is claimed in respect of the key head as detailed by the broken lines shown in the accompanying representations.**



- (21) Design Number: **15039/2010**
(22) Date of Filing Application: **19 November 2010**
(24) Date from which industrial property rights may have effect: **19 November 2010**
(54) Product in respect of which the design is registered: **Key blank**
(51) International Design Classification: **08-07**
(71) Name(s) and Address(s) of Applicant(s):
TNBT Holdings Pty Limited
B1/2-6 Greenhills Avenue Moorebank New South Wales 2170 Australia
(72) Name(s) of Designer(s): **Chandrashekar Thippasandra Gangappa and Simon Butt**
(45) Registration Date: **30 November 2010**
(56) Related Art Documents: **Not Applicable**
(57) Statement of Newness and Distinctiveness: **Monopoly is claimed in respect of the cross-sectional shape of the body of a key blank as shown in Fig. 4 and also shown in all accompanying representations. No monopoly is claimed in respect of the key head as detailed by the broken lines shown in the accompanying representations.**



- (21) Design Number: **15040/2010**
(22) Date of Filing Application: **19 November 2010**
(24) Date from which industrial property rights may have effect: **19 November 2010**
(54) Product in respect of which the design is registered: **Key blank**
(51) International Design Classification: **08-07**
(71) Name(s) and Address(s) of Applicant(s):
TNBT Holdings Pty Limited
B1/2-6 Greenhills Avenue Moorebank New South Wales 2170 Australia
(72) Name(s) of Designer(s): **Chandrashekar Thippasandra Gangappa and Simon Butt**
(45) Registration Date: **30 November 2010**
(56) Related Art Documents: **Not Applicable**
(57) Statement of Newness and Distinctiveness: **Monopoly is claimed in respect of the cross-sectional shape of the body of a key blank as shown in Fig. 4 and also shown in all accompanying representations. No monopoly is claimed in respect of the key head as detailed by the broken lines shown in the accompanying representations.**



(21) Design Number: **15041/2010**

(22) Date of Filing Application: **19 November 2010**

(24) Date from which industrial property rights may have effect: **19 November 2010**

(54) Product in respect of which the design is registered: **Key blank**

(51) International Design Classification: **08-07**

(71) Name(s) and Address(s) of Applicant(s):

TNBT Holdings Pty Limited

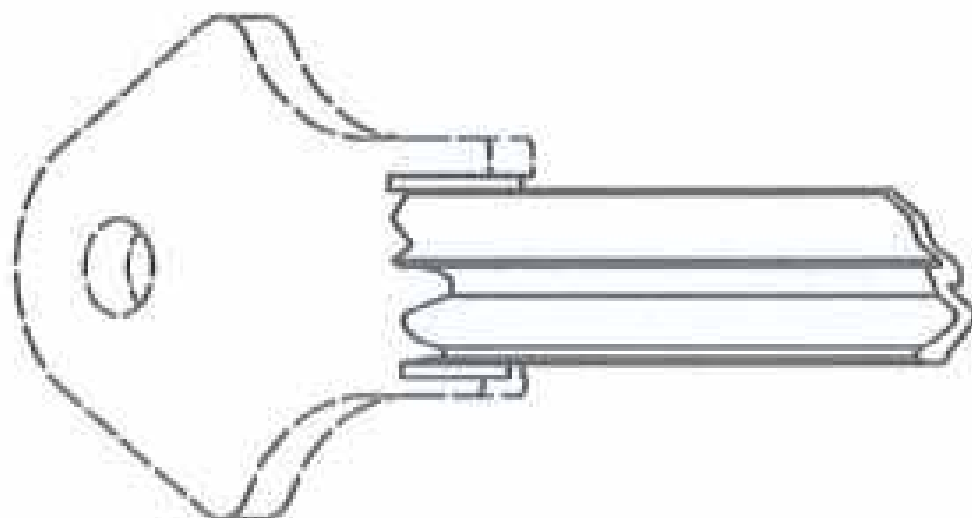
B1/2-6 Greenhills Avenue Moorebank New South Wales 2170 Australia

(72) Name(s) of Designer(s): **Chandrashekar Thippasandra Gangappa and Simon Butt**

(45) Registration Date: **30 November 2010**

(56) Related Art Documents: **Not Applicable**

(57) Statement of Newness and Distinctiveness: **Monopoly is claimed in respect of the cross-sectional shape of the body of a key blank as shown in Fig. 4 and also shown in all accompanying representations. No monopoly is claimed in respect of the key head as detailed by the broken lines shown in the accompanying representations.**



(21) Design Number: **15059/2010**

(22) Date of Filing Application: **18 November 2010**

(24) Date from which industrial property rights may have effect: **18 November 2010**

(54) Product in respect of which the design is registered: **Reflective mosaic house number**

(51) International Design Classification: **20-03NES**

(71) Name(s) and Address(s) of Applicant(s):

Alba Zulay Gutierrez Parra

12A Albemarle Street Scarborough Western Australia 6019 Australia

Julio Cesar Rincon Aguilar

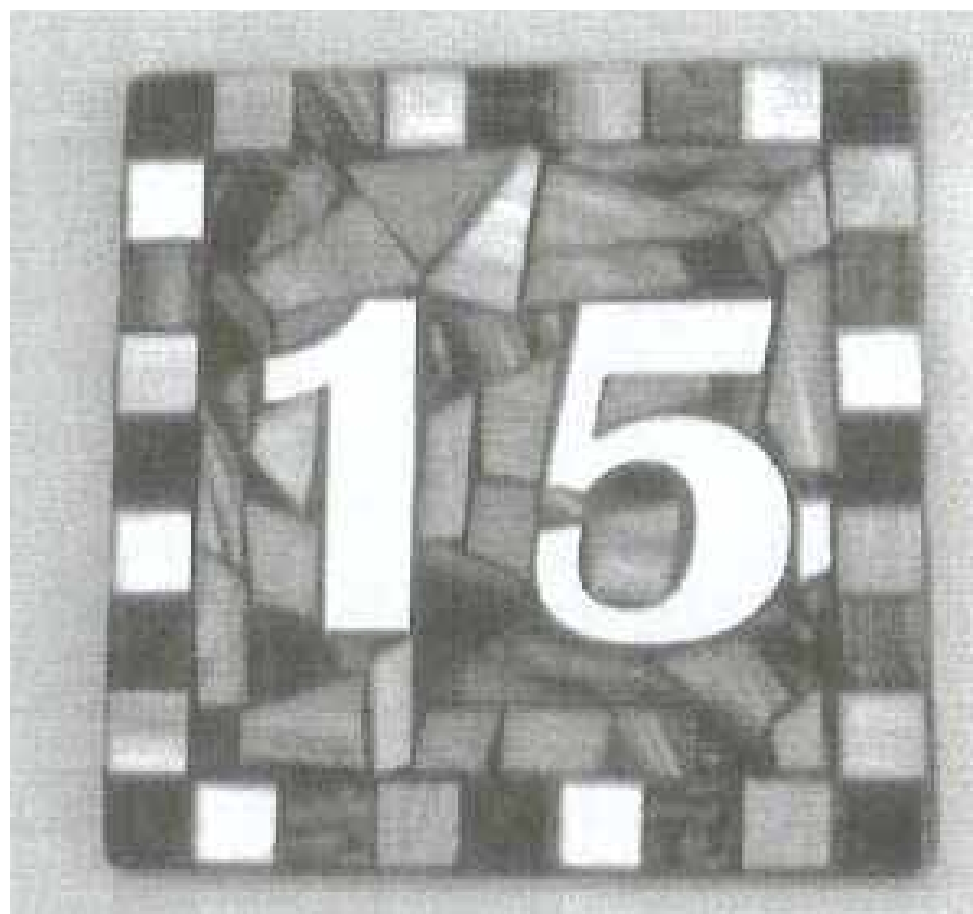
12A Albemarle Street Scarborough Western Australia 6019 Australia

(72) Name(s) of Designer(s): **Alba Zulay Gutierrez Parra and Julio Cesar Rincon Aguilar**

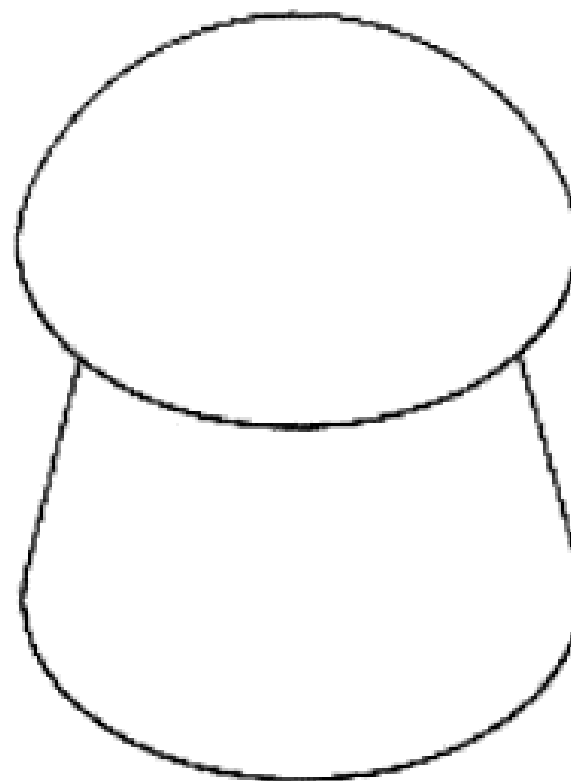
(45) Registration Date: **30 November 2010**

(56) Related Art Documents: **Not Applicable**

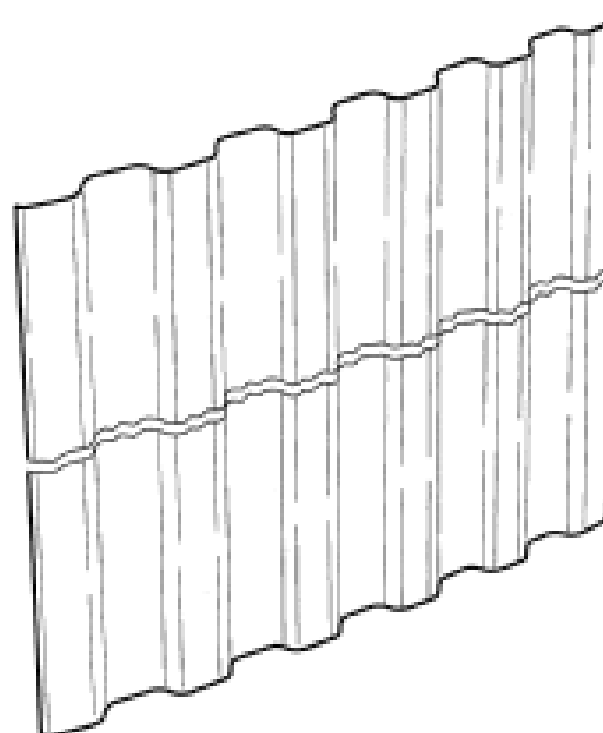
(57) Statement of Newness and Distinctiveness: **This ia a mosaic house number. The mosaic is made with four variations in colour combinations of glass tiles glued on a fiber cement board. The house number is made with laser cut acrylic glued to the board and covered with a reflective adhesive film (Scotchlite 3M in five different colour options white, red, blue, black and yellow). Two font options are also available for the number (Bold Britannic or Eras bold). This mosaic number is finished with cream or black coloured grout.**



- (21) Design Number: **14614/2010**
(22) Date of Filing Application: **26 October 2010**
(24) Date from which industrial property rights may have effect: **26 October 2010**
(54) Product in respect of which the design is registered: **Seat**
(51) International Design Classification: **06-01E**
(71) Name(s) and Address(s) of Applicant(s):
BFX Ho Pty Ltd
75 Wises Road Maroochydore Queensland 4558 Australia
(72) Name(s) of Designer(s): **Penny Moore**
(45) Registration Date: **30 November 2010**
(56) Related Art Documents: **Not Applicable**
(57) Statement of Newness and Distinctiveness: **Newness and distinctiveness is claimed in the shape and/or configuration of the seat shown in the accompanying representation.**



- (21) Design Number: **12140/2010**
(22) Date of Filing Application: **26 May 2010**
(24) Date from which industrial property rights may have effect: **26 May 2010**
(54) Product in respect of which the design is registered: **Building sheet**
(51) International Design Classification: **25-02NES, 25-01D**
(71) Name(s) and Address(s) of Applicant(s):
Jeggo Industries Pty Ltd
36 Owen Road Kelmscott Western Australia 6111 Australia
(72) Name(s) of Designer(s): **Raymond Jeggo**
(45) Registration Date: **01 December 2010**
(56) Related Art Documents: **Not Applicable**
(57) Statement of Newness and Distinctiveness: **Newness and distinctiveness is claimed in the shape and/or configuration of a building sheet of indefinite height as illustrated in the accompanying representations.**



- (21) Design Number: **14776/2010**
- (22) Date of Filing Application: **05 November 2010**
- (24) Date from which industrial property rights may have effect: **05 November 2010**
- (54) Product in respect of which the design is registered: **Vented apparel**
- (51) International Design Classification: **02-02NES**
- (71) Name(s) and Address(s) of Applicant(s):

**Columbia Sportswear North America, Inc.
 14375 NW Science Park Drive PORTLAND Oregon 97229 United States of America**

(72) Name(s) of Designer(s): **Mike Gaeir and Joe Boyle**

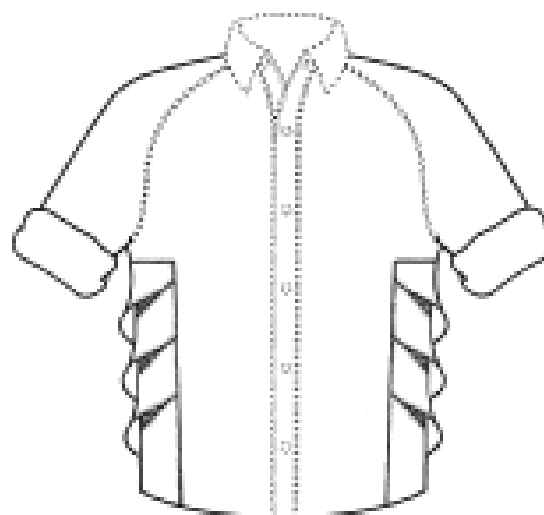
(45) Registration Date: **01 December 2010**

(30) Convention priority data:

(31) Number	(32) Date	(33) Country
29/361259	07 May 2010	UNITED STATES OF AMERICA

(56) Related Art Documents: **Not Applicable**

(57) Statement of Newness and Distinctiveness: **The newness and distinctiveness of the design resides in the shape and/or configuration of the outside of VENTED APPAREL as shown in the representations. In considering the scope of monopoly, features shown in broken outline should be discounted.**



- (21) Design Number: **14777/2010**
- (22) Date of Filing Application: **05 November 2010**
- (24) Date from which industrial property rights may have effect: **05 November 2010**
- (54) Product in respect of which the design is registered: **Vented apparel**
- (51) International Design Classification: **02-02NES**
- (71) Name(s) and Address(s) of Applicant(s):

**Columbia Sportswear North America, Inc.
 14375 NW Science Park Drive PORTLAND Oregon 97229 United States of America**

(72) Name(s) of Designer(s): **Mike Gaeir and Joe Boyle**

(45) Registration Date: **01 December 2010**

(30) Convention priority data:

(31) Number	(32) Date	(33) Country
29/361259	07 May 2010	UNITED STATES OF AMERICA

(56) Related Art Documents: **Not Applicable**

(57) Statement of Newness and Distinctiveness: **The newness and distinctiveness of the design resides in the shape and/or configuration of the outside of VENTED APPAREL as shown in the representations. In considering the scope of monopoly, features shown in broken outline should be discounted.**



- (21) Design Number: **14778/2010**
(22) Date of Filing Application: **05 November 2010**
(24) Date from which industrial property rights may have effect: **05 November 2010**
(54) Product in respect of which the design is registered: **Vented apparel**
(51) International Design Classification: **02-02NES**
(71) Name(s) and Address(s) of Applicant(s):

Columbia Sportswear North America, Inc.
14375 NW Science Park Drive PORTLAND Oregon 97229 United States of America

(72) Name(s) of Designer(s): **Mike Gaeir and Joe Boyle**

(45) Registration Date: **01 December 2010**

(30) Convention priority data:

(31) Number	(32) Date	(33) Country
29/361259	07 May 2010	UNITED STATES OF AMERICA

(56) Related Art Documents: **Not Applicable**

(57) Statement of Newness and Distinctiveness: **The newness and distinctiveness of the design resides in the shape and/or configuration of the outside of VENTED APPAREL as shown in the representations. In considering the scope of monopoly, features shown in broken outline should be discounted.**



- (21) Design Number: **14779/2010**
(22) Date of Filing Application: **05 November 2010**
(24) Date from which industrial property rights may have effect: **05 November 2010**
(54) Product in respect of which the design is registered: **Roof rack**
(51) International Design Classification: **12-16K**
(71) Name(s) and Address(s) of Applicant(s):

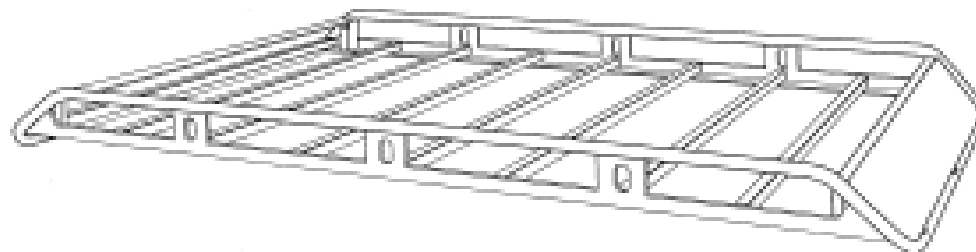
QME Services Pty Ltd
6/18 Pinnacle Street Brendale Queensland 4500 Australia

(72) Name(s) of Designer(s): **Bryan Glasper**

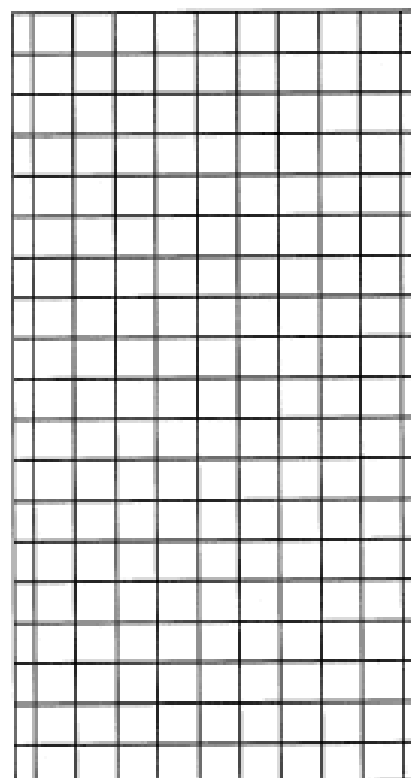
(45) Registration Date: **01 December 2010**

(56) Related Art Documents: **Not Applicable**

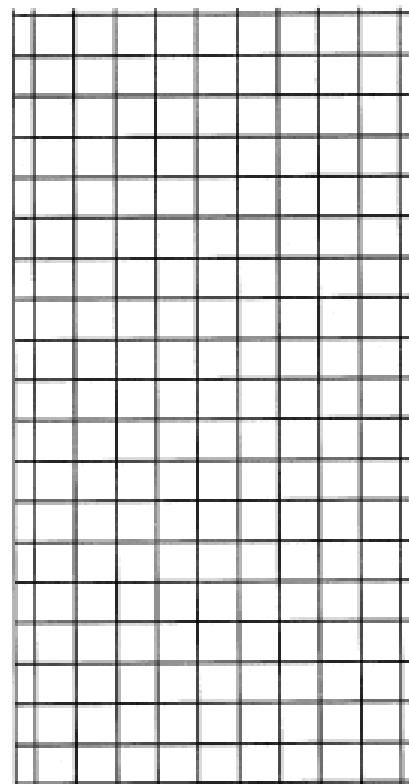
(57) Statement of Newness and Distinctiveness: **The newness and distinctiveness of the design resides in the shape and/or configuration of the ROOF RACK as shown in the representations.**



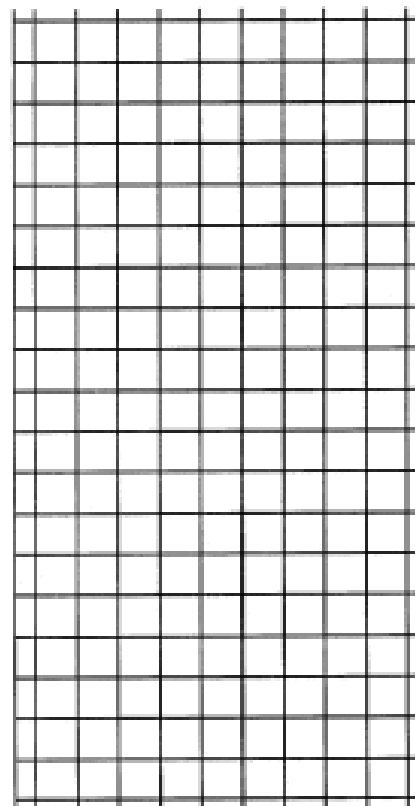
- (21) Design Number: **14812/2010**
- (22) Date of Filing Application: **08 November 2010**
- (24) Date from which industrial property rights may have effect: **08 November 2010**
- (54) Product in respect of which the design is registered: **A sheet of mesh**
- (51) International Design Classification: **25-02C**
- (71) Name(s) and Address(s) of Applicant(s):
Onesteel Reinforcing Pty Limited
1 York Street Sydney New South Wales 2000 Australia
- (72) Name(s) of Designer(s): **Graeme McGregor**
- (45) Registration Date: **01 December 2010**
- (56) Related Art Documents: **Not Applicable**
- (57) Statement of Newness and Distinctiveness: **Newness and distinctiveness resides in the configuration of the end regions of the mesh, in which at each end, the line wires terminate at the end-most cross wire. In considering whether the present design is substantially similar in overall impression to another design, no consideration is to be given to the number of line wires or cross wires.**



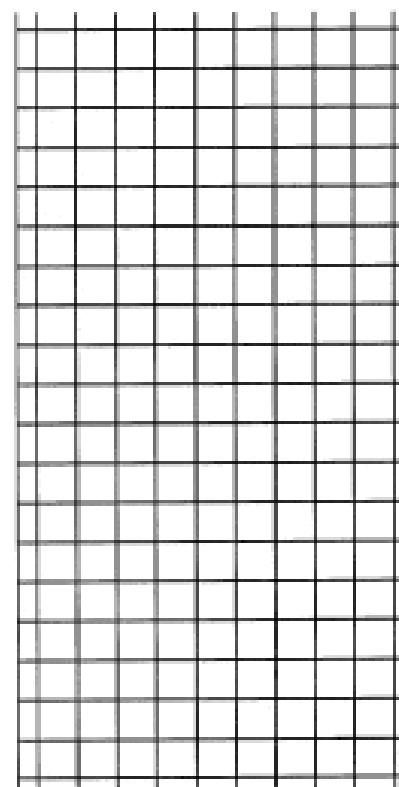
- (21) Design Number: **14813/2010**
- (22) Date of Filing Application: **08 November 2010**
- (24) Date from which industrial property rights may have effect: **08 November 2010**
- (54) Product in respect of which the design is registered: **A sheet of mesh**
- (51) International Design Classification: **25-02C**
- (71) Name(s) and Address(s) of Applicant(s):
Onesteel Reinforcing Pty Limited
1 York Street Sydney New South Wales 2000 Australia
- (72) Name(s) of Designer(s): **Graeme McGregor**
- (45) Registration Date: **01 December 2010**
- (56) Related Art Documents: **Not Applicable**
- (57) Statement of Newness and Distinctiveness: **Newness and distinctiveness resides in the configuration of the end regions of the mesh, in which at each end, the line wires terminate in flying ends that have a length of approximately 10% of the cross wire spacings. In considering whether the present design is substantially similar in overall impression to another design, no consideration is to be given to the number of line wires or cross wires.**



- (21) Design Number: **14814/2010**
- (22) Date of Filing Application: **08 November 2010**
- (24) Date from which industrial property rights may have effect: **08 November 2010**
- (54) Product in respect of which the design is registered: **A sheet of mesh**
- (51) International Design Classification: **25-02C**
- (71) Name(s) and Address(s) of Applicant(s):
Onesteel Reinforcing Pty Limited
1 York Street Sydney New South Wales 2000 Australia
- (72) Name(s) of Designer(s): **Graeme McGregor**
- (45) Registration Date: **01 December 2010**
- (56) Related Art Documents: **Not Applicable**
- (57) Statement of Newness and Distinctiveness: **Newness and distinctiveness resides in the configuration of the end regions of the mesh, in which at each end, the line wires terminate in flying ends that have a length of approximately 20% of the cross wire spacings. In considering whether the present design is substantially similar in overall impression to another design, no consideration is to be given to the number of line wires or cross wires.**



- (21) Design Number: **14815/2010**
- (22) Date of Filing Application: **08 November 2010**
- (24) Date from which industrial property rights may have effect: **08 November 2010**
- (54) Product in respect of which the design is registered: **A sheet of mesh**
- (51) International Design Classification: **25-02C**
- (71) Name(s) and Address(s) of Applicant(s):
Onesteel Reinforcing Pty Limited
1 York Street Sydney New South Wales 2000 Australia
- (72) Name(s) of Designer(s): **Graeme McGregor**
- (45) Registration Date: **01 December 2010**
- (56) Related Art Documents: **Not Applicable**
- (57) Statement of Newness and Distinctiveness: **Newness and distinctiveness resides in the configuration of the end regions of the mesh, in which at each end, the line wires terminate in flying ends that have a length of approximately 30% of the cross wire spacings. In considering whether the present design is substantially similar in overall impression to another design, no consideration is to be given to the number of line wires or cross wires.**



(21) Design Number: **14164/2010**
 (22) Date of Filing Application: **29 September 2010**
 (24) Date from which industrial property rights may have effect: **29 September 2010**
 (54) Product in respect of which the design is registered: **A pocket**
 (51) International Design Classification: **02-02B**
 (71) Name(s) and Address(s) of Applicant(s):

KNUT Clothing Limited
12/29 Rossmay Terrace Mt Eden Auckland 1024 New Zealand

(72) Name(s) of Designer(s): **Matthias May**

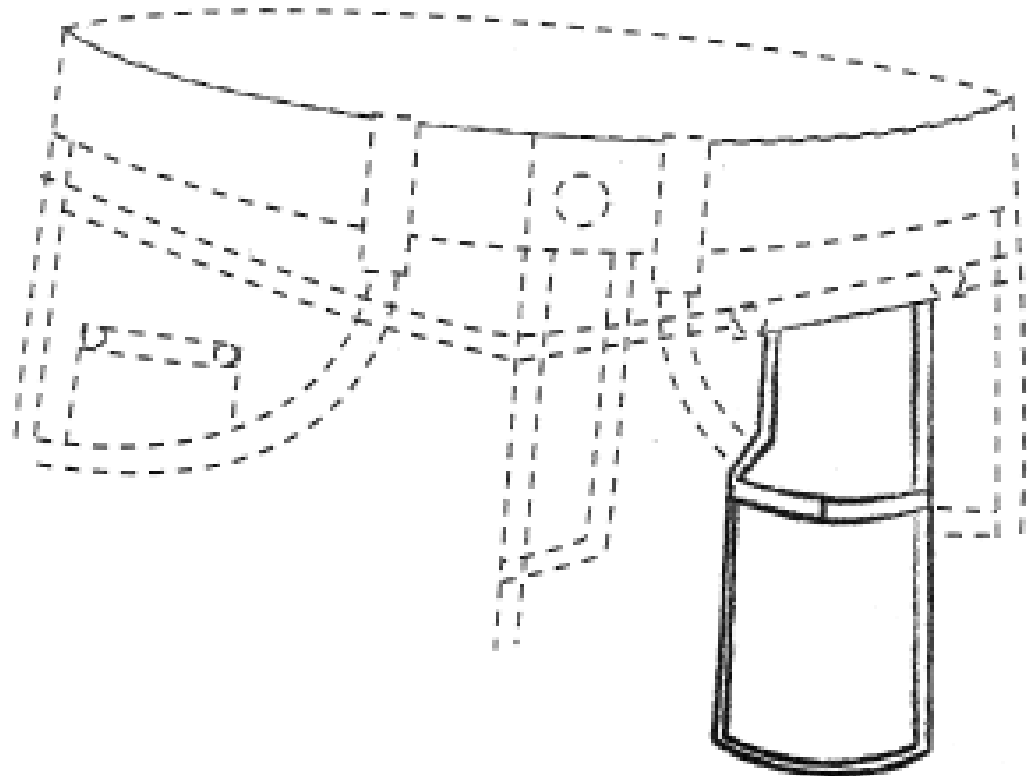
(45) Registration Date: **30 November 2010**

(30) Convention priority data:

(31) Number	(32) Date	(33) Country
413552	26 Apr 2010	NEW ZEALAND

(56) Related Art Documents: **Not Applicable**

(57) Statement of Newness and Distinctiveness: **Newness and distinctiveness resides in the shape and configuration of a pocket that can be hidden or deployed to accept a beverage container all as shown in the accompanying representations. No monopoly is claimed in the regions shown in dashed line, only in solid line and dotted line showing hidden detail.**



(21) Design Number: **14165/2010**
 (22) Date of Filing Application: **29 September 2010**
 (24) Date from which industrial property rights may have effect: **29 September 2010**
 (54) Product in respect of which the design is registered: **A pocket**
 (51) International Design Classification: **02-02B**
 (71) Name(s) and Address(s) of Applicant(s):

KNUT Clothing Limited
12/29 Rossmay Terrace Mt Eden Auckland 1024 New Zealand

(72) Name(s) of Designer(s): **Matthias May**

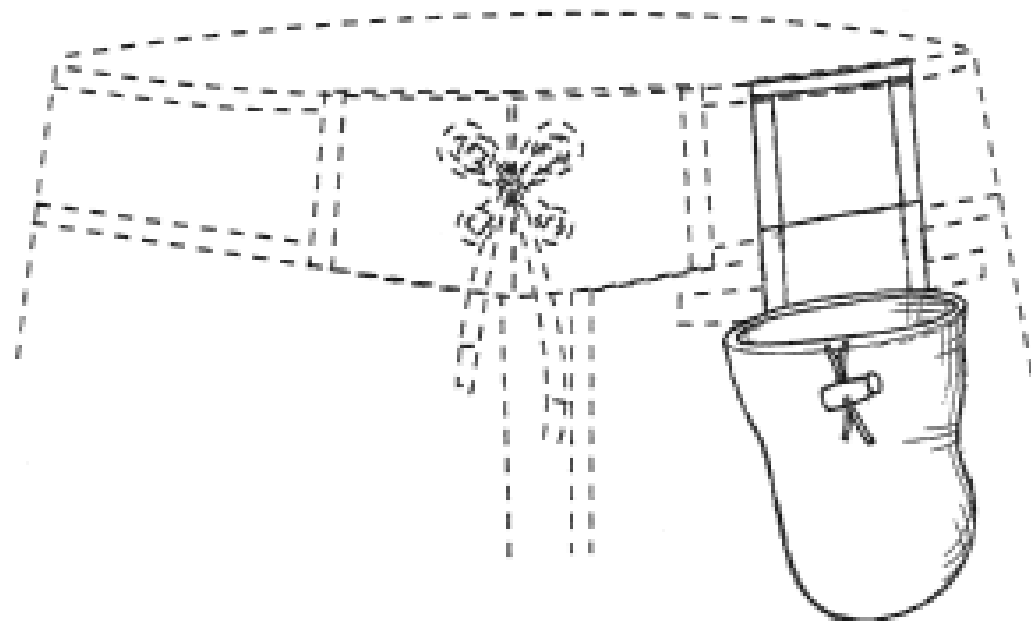
(45) Registration Date: **30 November 2010**

(30) Convention priority data:

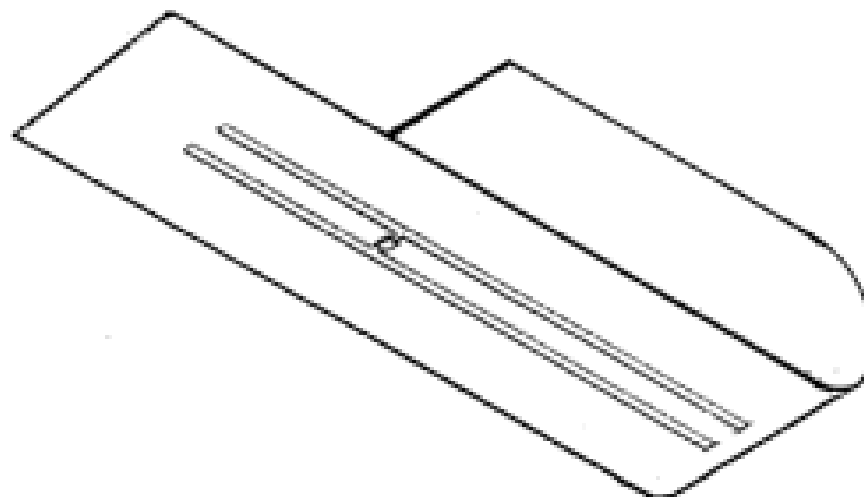
(31) Number	(32) Date	(33) Country
413552	26 Apr 2010	NEW ZEALAND

(56) Related Art Documents: **Not Applicable**

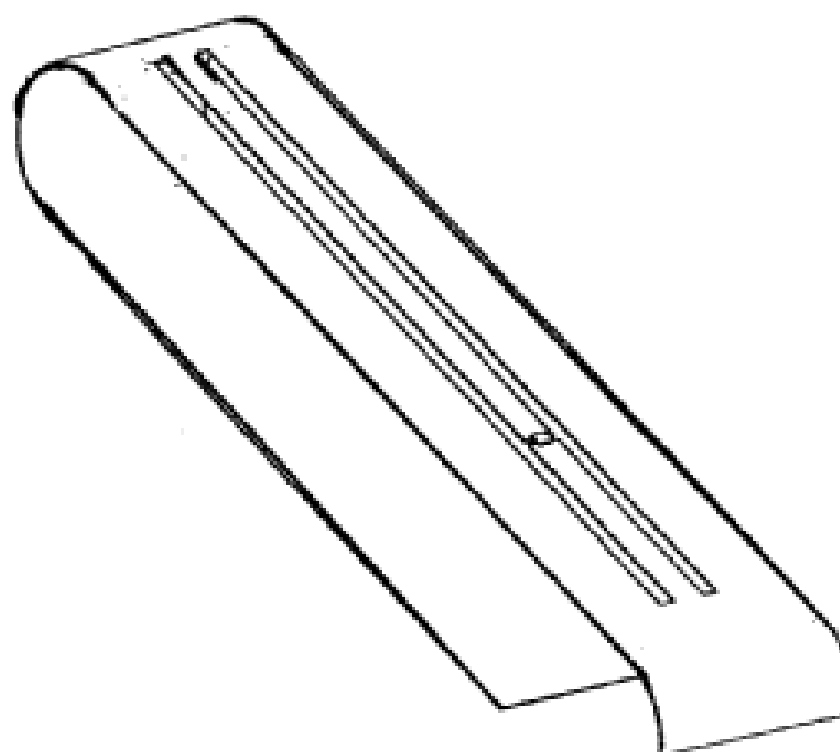
(57) Statement of Newness and Distinctiveness: **Newness and distinctiveness resides in the shape and configuration of a pocket that can be hidden or deployed to accept a beverage container all as shown in the accompanying representations. No monopoly is claimed in the regions shown in dashed line, only in solid line and dotted line showing hidden detail.**



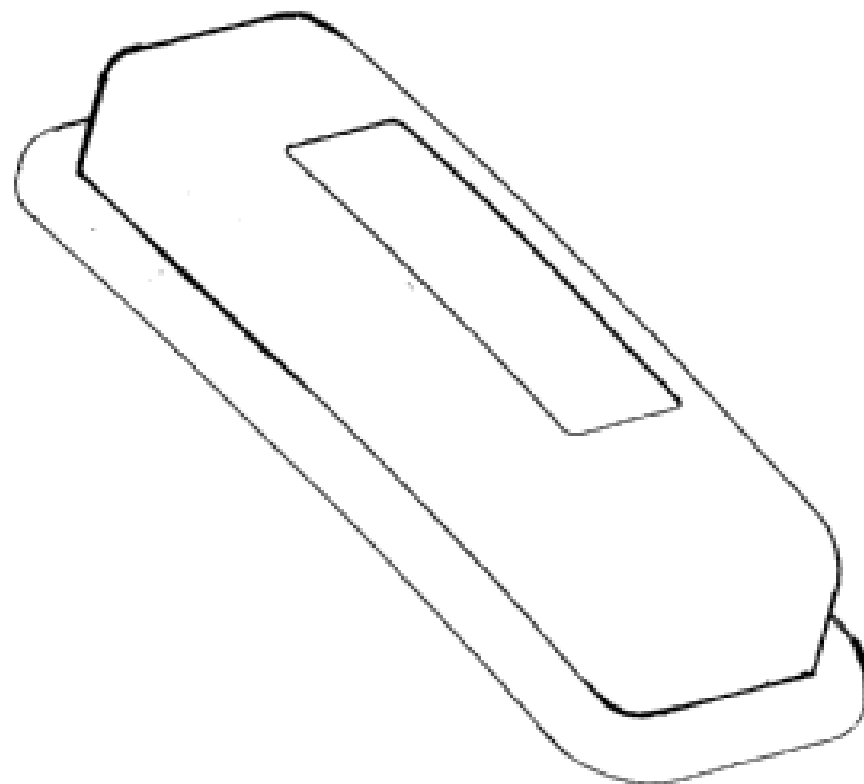
- (21) Design Number: **14816/2010**
(22) Date of Filing Application: **09 November 2010**
(24) Date from which industrial property rights may have effect: **09 November 2010**
(54) Product in respect of which the design is registered: **Transceiver for a wireless communication system**
(51) International Design Classification: **14-03NES**
(71) Name(s) and Address(s) of Applicant(s):
ASSA ABLOY AB
Klarabergsviadukten 90 P.O. Box 703 40 SE-1 07 23 Stockholm
Sweden
(72) Name(s) of Designer(s): **Elies Ennabli**
(45) Registration Date: **01 December 2010**
(30) Convention priority data:
(31) Number (32) Date (33) Country
001709437-0001 19 May 2010 EUROPEAN COMMUNITY
(56) Related Art Documents: **Not Applicable**
(57) Statement of Newness and Distinctiveness: **Newness and distinctiveness resides in the features of shape and/or configuration of the transceiver for a wireless communication system as shown in the representations.**



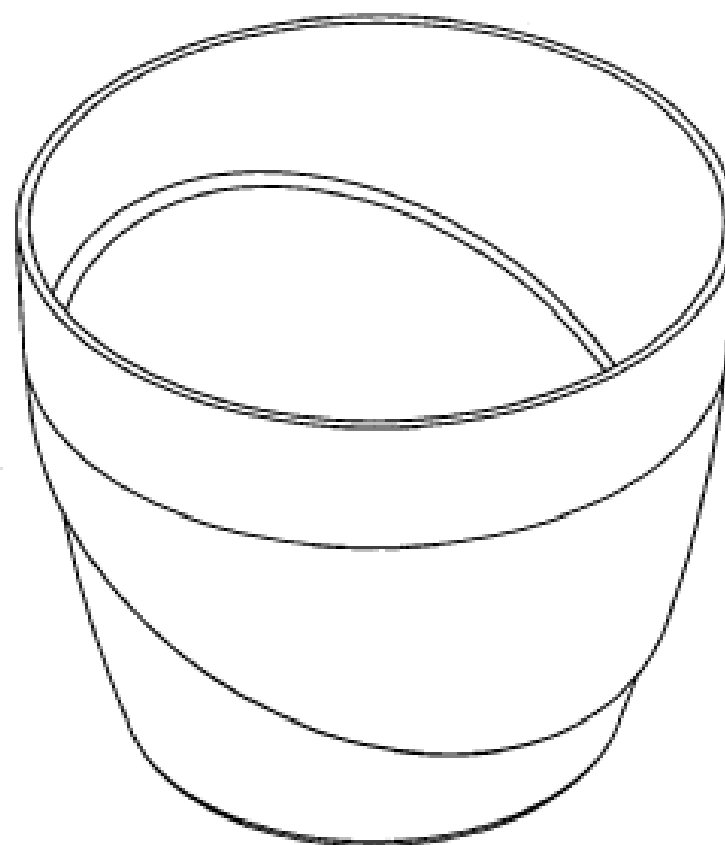
- (21) Design Number: **14817/2010**
(22) Date of Filing Application: **09 November 2010**
(24) Date from which industrial property rights may have effect: **09 November 2010**
(54) Product in respect of which the design is registered: **Transceiver for a wireless communication system**
(51) International Design Classification: **14-03NES**
(71) Name(s) and Address(s) of Applicant(s):
ASSA ABLOY AB
Klarabergsviadukten 90 P.O. Box 703 40 SE-1 07 23 Stockholm
Sweden
(72) Name(s) of Designer(s): **Elies Ennabli**
(45) Registration Date: **01 December 2010**
(30) Convention priority data:
(31) Number (32) Date (33) Country
001709437-0003 19 May 2010 EUROPEAN COMMUNITY
(56) Related Art Documents: **Not Applicable**
(57) Statement of Newness and Distinctiveness: **Newness and distinctiveness resides in the features of shape and/or configuration of the transceiver for a wireless communication system as shown in the representations.**



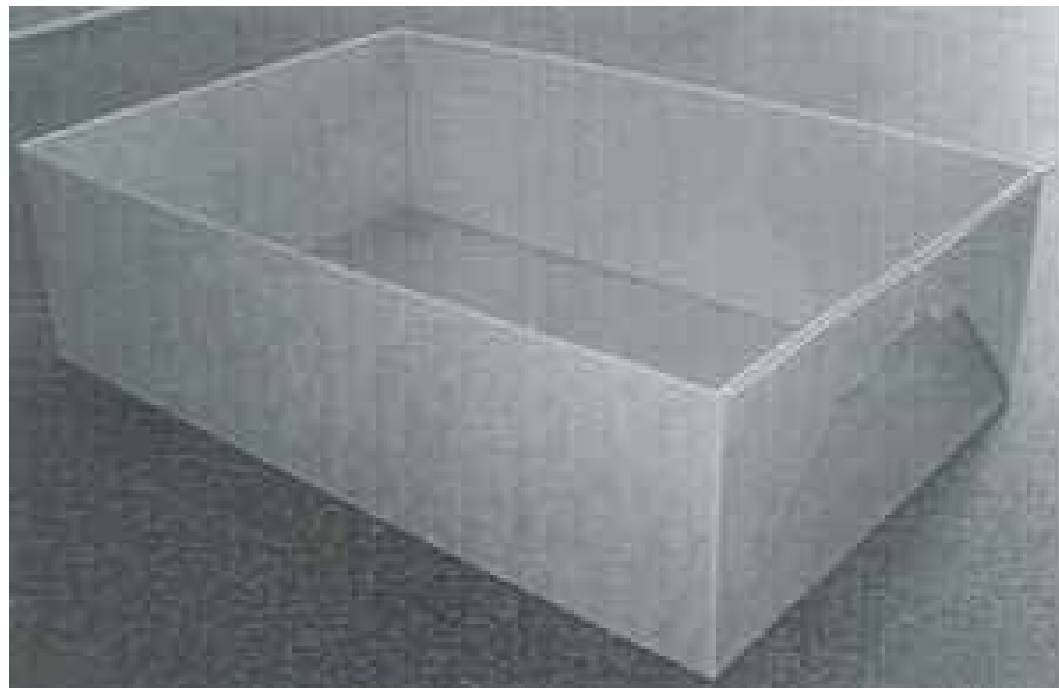
- (21) Design Number: **14818/2010**
(22) Date of Filing Application: **09 November 2010**
(24) Date from which industrial property rights may have effect: **09 November 2010**
(54) Product in respect of which the design is registered: **Transceiver for a wireless communication system**
(51) International Design Classification: **14-03NES**
(71) Name(s) and Address(s) of Applicant(s):
ASSA ABLOY AB
Klarabergsviadukten 90 P.O. Box 703 40 SE-1 07 23 Stockholm
Sweden
(72) Name(s) of Designer(s): **Elies Ennabli**
(45) Registration Date: **01 December 2010**
(30) Convention priority data:
(31) Number (32) Date (33) Country
001709437-0006 19 May 2010 EUROPEAN COMMUNITY
(56) Related Art Documents: **Not Applicable**
(57) Statement of Newness and Distinctiveness: **Newness and distinctiveness resides in the features of shape and/or configuration of the transceiver for a wireless communication system as shown in the representations.**



- (21) Design Number: **14819/2010**
(22) Date of Filing Application: **08 November 2010**
(24) Date from which industrial property rights may have effect: **08 November 2010**
(54) Product in respect of which the design is registered: **Container**
(51) International Design Classification: **11-02B**
(71) Name(s) and Address(s) of Applicant(s):
Norwood Industries Pty Ltd
6 Wedgewood Road Hallam Victoria 3803 Australia
(72) Name(s) of Designer(s): **Adam Hemmens**
(45) Registration Date: **01 December 2010**
(56) Related Art Documents: **Not Applicable**
(57) Statement of Newness and Distinctiveness: **Those features of the container depicted in the representations that are new and distinctive are the shape and/or configuration. The features shown in broken line are not part of the design and are to be disregarded when considering the overall impression of the design.**



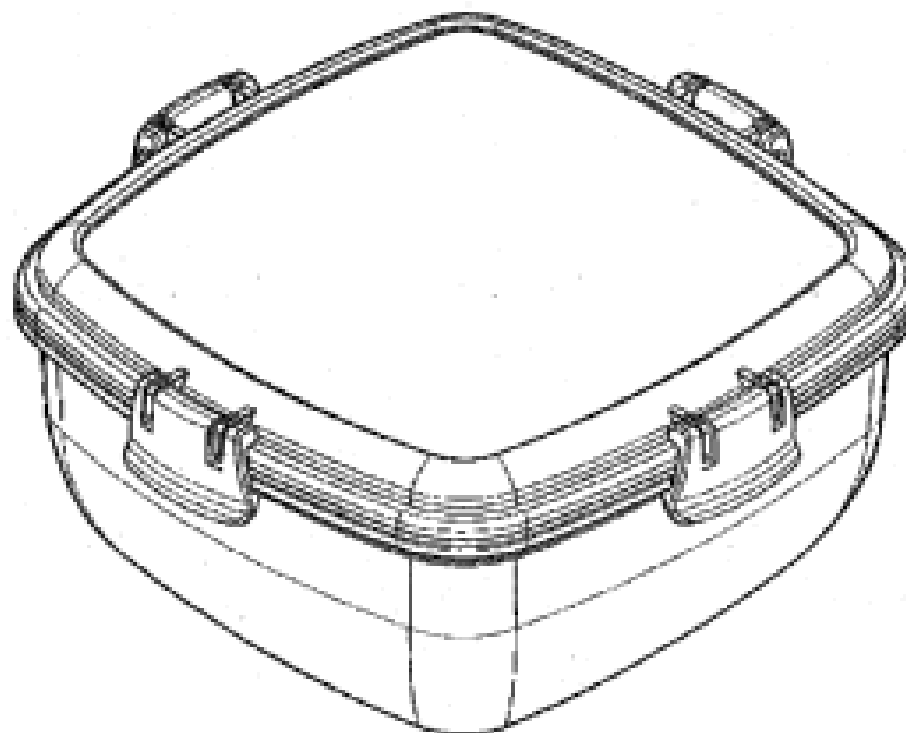
- (21) Design Number: **14851/2010**
(22) Date of Filing Application: **10 November 2010**
(24) Date from which industrial property rights may have effect: **10 November 2010**
(54) Product in respect of which the design is registered: **Container and blank therefor**
(51) International Design Classification: **09-03M**
(71) Name(s) and Address(s) of Applicant(s):
Amcor Limited
109 Burwood Road Hawthorn Victoria 3122 Australia
(72) Name(s) of Designer(s): **David Carter**
(45) Registration Date: **02 December 2010**
(56) Related Art Documents: **Not Applicable**
(57) Statement of Newness and Distinctiveness: **The new and distinctive features of the design are the features of shape and configuration of a container and a blank therefor as shown in the representations.**



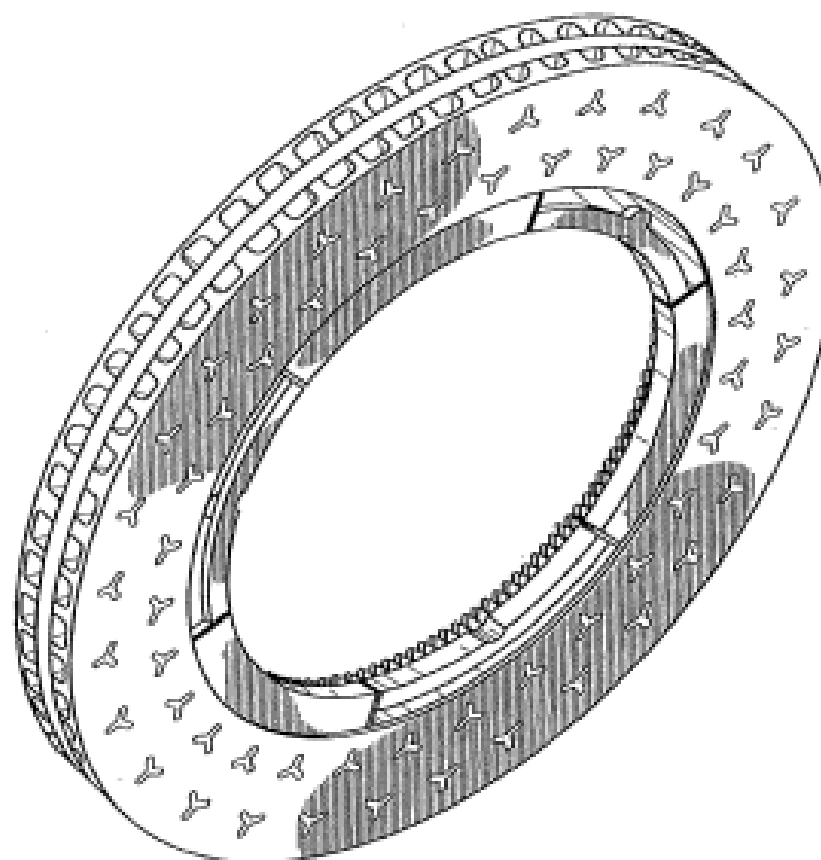
- (21) Design Number: **14853/2010**
(22) Date of Filing Application: **11 November 2010**
(24) Date from which industrial property rights may have effect: **11 November 2010**
(54) Product in respect of which the design is registered: **Vanity basin**
(51) International Design Classification: **23-02F**
(71) Name(s) and Address(s) of Applicant(s):
Rodney G. Mitchell
25 Lathams Road Carrum Downs Victoria 3201 Australia
(72) Name(s) of Designer(s): **Rodney G. Mitchell**
(45) Registration Date: **02 December 2010**
(56) Related Art Documents: **Not Applicable**
(57) Statement of Newness and Distinctiveness: **Newness and distinctiveness resides in the asymmetric contour of the basin shown in the accompanying images. The planar edge skirtings around the perimeter of the vanity basin, and the tapware aperture do not form part of the design.**



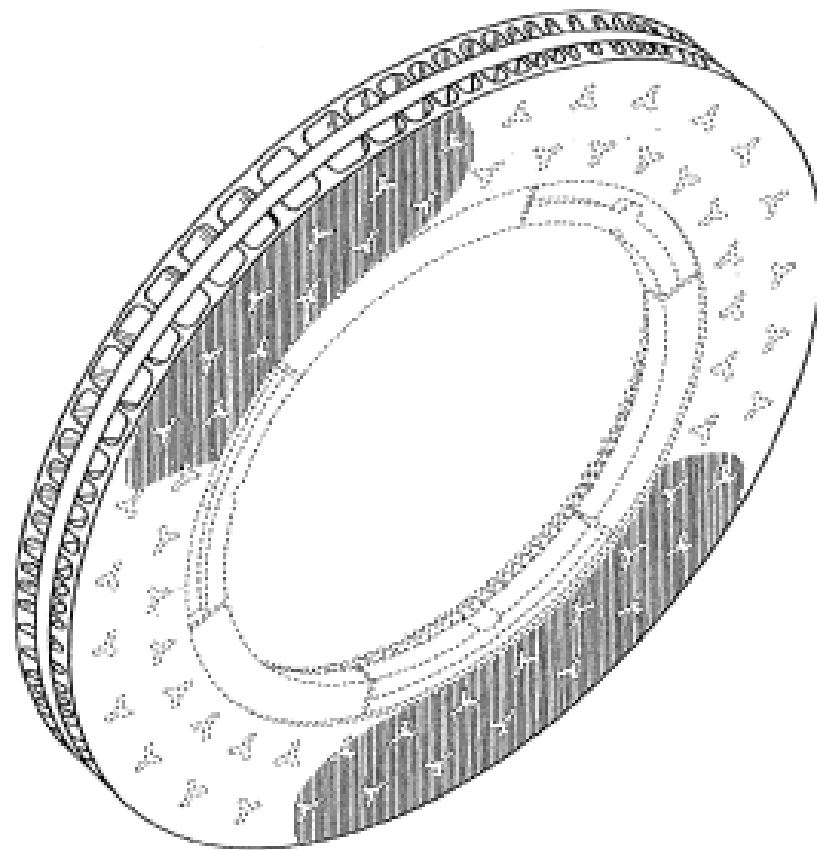
(21) Design Number: **14973/2010**
(22) Date of Filing Application: **17 November 2010**
(24) Date from which industrial property rights may have effect: **17 November 2010**
(54) Product in respect of which the design is registered: **A utensiled food container assembly**
(51) International Design Classification: **07-01NES**
(71) Name(s) and Address(s) of Applicant(s):
Sistema Plastics Limited
80 Hugo Johnson Drive Penrose Auckland New Zealand
(72) Name(s) of Designer(s): **Brendan Jon Lindsay and James Richard Manley**
(45) Registration Date: **02 December 2010**
(30) Convention priority data:
(31) Number (32) Date (33) Country
413781 25 Jun 2010 NEW ZEALAND
(56) Related Art Documents: **Not Applicable**
(57) Statement of Newness and Distinctiveness: **The novelty resides in the features of shape and/or configuration substantially as herein described with reference to the exploded views.**



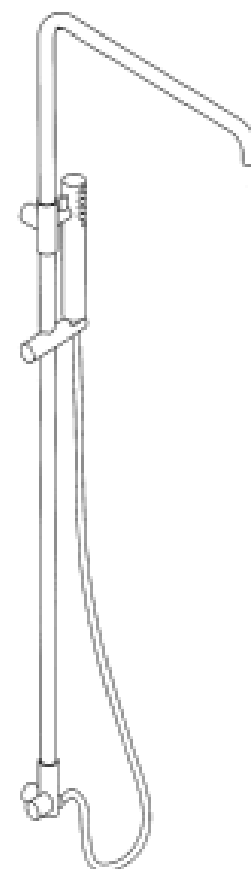
(21) Design Number: **13905/2010**
(22) Date of Filing Application: **10 September 2010**
(24) Date from which industrial property rights may have effect: **10 September 2010**
(54) Product in respect of which the design is registered: **Dose disk for dry powder inhaler**
(51) International Design Classification: **24-04**
(71) Name(s) and Address(s) of Applicant(s):
Oriel Therapeutics, Inc.
630 Davis Drive Suite 120 Durham NC 27713 United States of America
(72) Name(s) of Designer(s): **Rachel Striebig and Matthew Allen and Thomas W. Ruckdeschel and Charles Buckner**
(45) Registration Date: **02 December 2010**
(30) Convention priority data:
(31) Number (32) Date (33) Country
29/358,375 26 Mar 2010 UNITED STATES OF AMERICA
(56) Related Art Documents: **Not Applicable**
(57) Statement of Newness and Distinctiveness: **Nil**



- (21) Design Number: **14860/2010**
(22) Date of Filing Application: **10 September 2010**
(24) Date from which industrial property rights may have effect: **10 September 2010**
(54) Product in respect of which the design is registered: **Dose disk for dry powder inhaler**
(51) International Design Classification: **24-04**
(71) Name(s) and Address(s) of Applicant(s):
Oriel Therapeutics, Inc.
630 Davis Drive Suite 120 Durham NC 27713 United States of America
(72) Name(s) of Designer(s): **Rachel Striebig and Matthew Allen and Thomas W. Ruckdeschel and Charles Buckner**
(45) Registration Date: **02 December 2010**
(30) Convention priority data:
(31) Number (32) Date (33) Country
29/358,375 26 Mar 2010 UNITED STATES OF AMERICA
(56) Related Art Documents: **Not Applicable**
(57) Statement of Newness and Distinctiveness: **Nil**



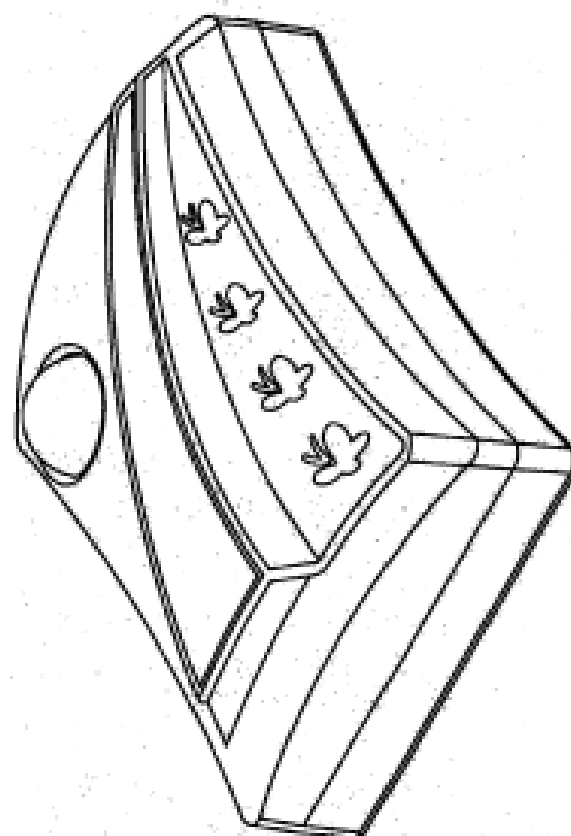
- (21) Design Number: **14376/2010**
(22) Date of Filing Application: **06 October 2010**
(24) Date from which industrial property rights may have effect: **06 October 2010**
(54) Product in respect of which the design is registered: **Combination two in one adjustable one piece shower rail system**
(51) International Design Classification: **23-02B**
(71) Name(s) and Address(s) of Applicant(s):
Sunny Group (Aust) Pty Ltd
11 Webber Parade Keilor East Victoria 3033 Australia
(72) Name(s) of Designer(s): **Gary Cai**
(45) Registration Date: **02 December 2010**
(56) Related Art Documents: **Not Applicable**
(57) Statement of Newness and Distinctiveness: **The features of shape and configuration of the shower rail shown in the accompanying representations are considered to be new and distinctive.**



- (21) Design Number: **13135/2010**
(22) Date of Filing Application: **21 July 2010**
(24) Date from which industrial property rights may have effect: **21 July 2010**
(54) Product in respect of which the design is registered: **T-light holder**
(51) International Design Classification: **26-01**
(71) Name(s) and Address(s) of Applicant(s):
Yellow Diva Pty Ltd
51 Victoria Street Abbotsford Victoria 3067 Australia
(72) Name(s) of Designer(s): **David Walley**
(45) Registration Date: **03 December 2010**
(56) Related Art Documents: **Not Applicable**
(57) Statement of Newness and Distinctiveness: **SpiraLite stretches out from flat piece of aluminium to form a spiral which holds the T-light.**



- (21) Design Number: **14512/2010**
(22) Date of Filing Application: **19 October 2010**
(24) Date from which industrial property rights may have effect: **19 October 2010**
(54) Product in respect of which the design is registered: **Motion sensor LED night light**
(51) International Design Classification: **26-05E, 10-05**
(71) Name(s) and Address(s) of Applicant(s):
Elbee Pty Ltd
16 Fairweather Street Bellevue Hill New South Wales 2023 Australia
(72) Name(s) of Designer(s): **Edmund Fang**
(45) Registration Date: **03 December 2010**
(56) Related Art Documents: **Not Applicable**
(57) Statement of Newness and Distinctiveness: **Nil**



- (21) Design Number: **14562/2010**
(22) Date of Filing Application: **21 October 2010**
(24) Date from which industrial property rights may have effect: **21 October 2010**
(54) Product in respect of which the design is registered: **Sleeping aid**
(51) International Design Classification: **06-13B**
(71) Name(s) and Address(s) of Applicant(s):

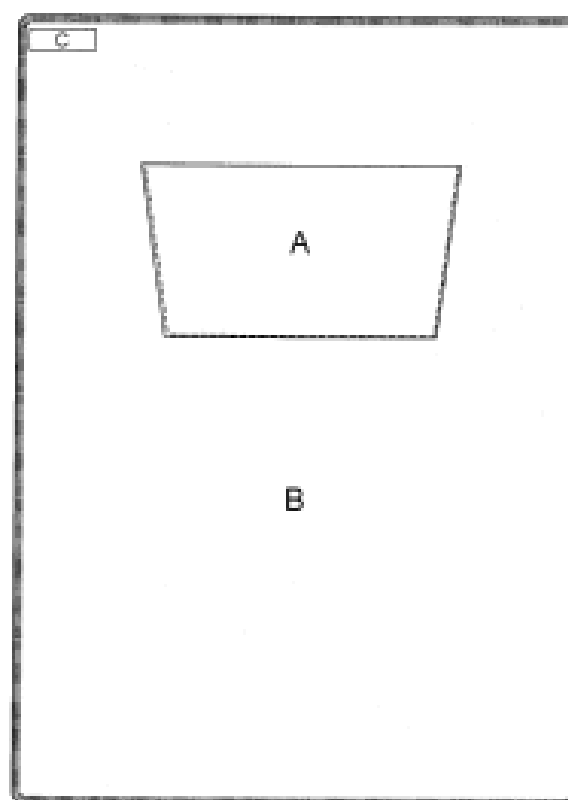
Creative Engineers Pty Ltd
165 Mount Street Coogee New South Wales 2034 Australia

- (72) Name(s) of Designer(s): **Daniel Geldard and Alexander Minney**

- (45) Registration Date: **03 December 2010**

- (56) Related Art Documents: **Not Applicable**

- (57) Statement of Newness and Distinctiveness: **Newness and distinctiveness reside in the features of shape and configuration of the pocket A on one side of the blanket B and the loop fastener C and hook fastener D on the opposite sides of the blanket B as shown in the accompanying drawings wherein: Fig. 1 is a front elevation of the sleeping aid; Fig. 2 is a rear elevation of the sleeping aid; and Fig. 3 is a side elevation of the sleeping aid. In interpreting the scope of the registration, the shape and configuration of the blanket stitching around the periphery of the blanket is to be disregarded.**



- (21) Design Number: **14229/2010**
(22) Date of Filing Application: **11 October 2010**
(24) Date from which industrial property rights may have effect: **11 October 2010**
(54) Product in respect of which the design is registered: **Furniture (for Indoor and Outdoor use) - Shelving**
(51) International Design Classification: **06-04NES**
(71) Name(s) and Address(s) of Applicant(s):

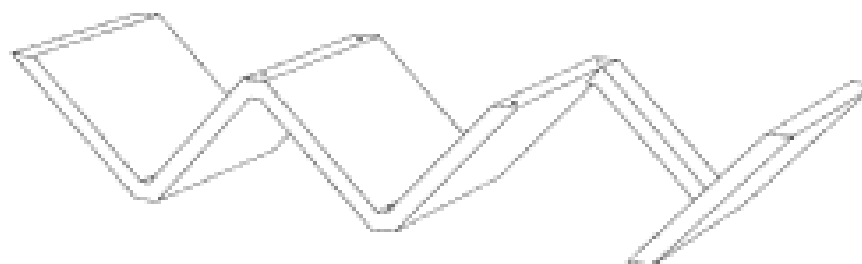
iwood Australia Pty Ltd
21 Fordson Road Reservoir Victoria 3061 Australia

- (72) Name(s) of Designer(s): **Hui Tung Lam**

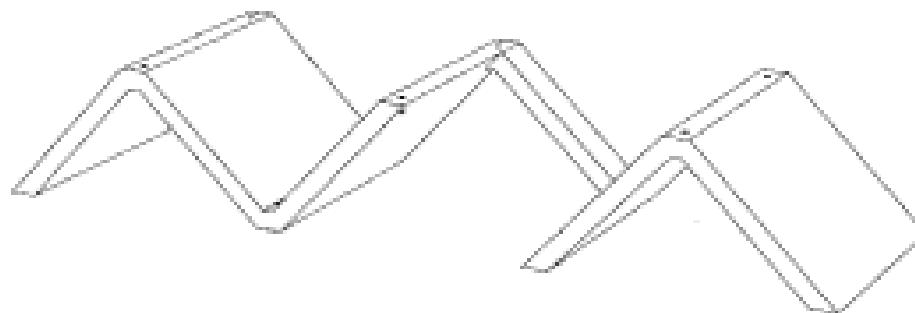
- (45) Registration Date: **03 December 2010**

- (56) Related Art Documents: **Not Applicable**

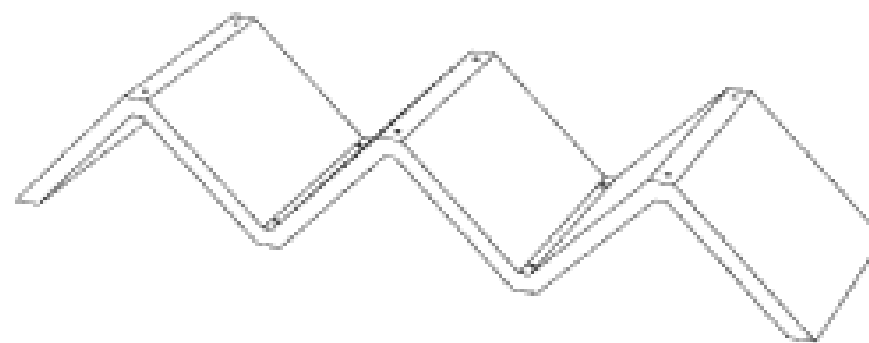
- (57) Statement of Newness and Distinctiveness: **The shelving is made up of horizontal zig zag panels that are stacked to form square or rectangular squares at 45 degree angle.**



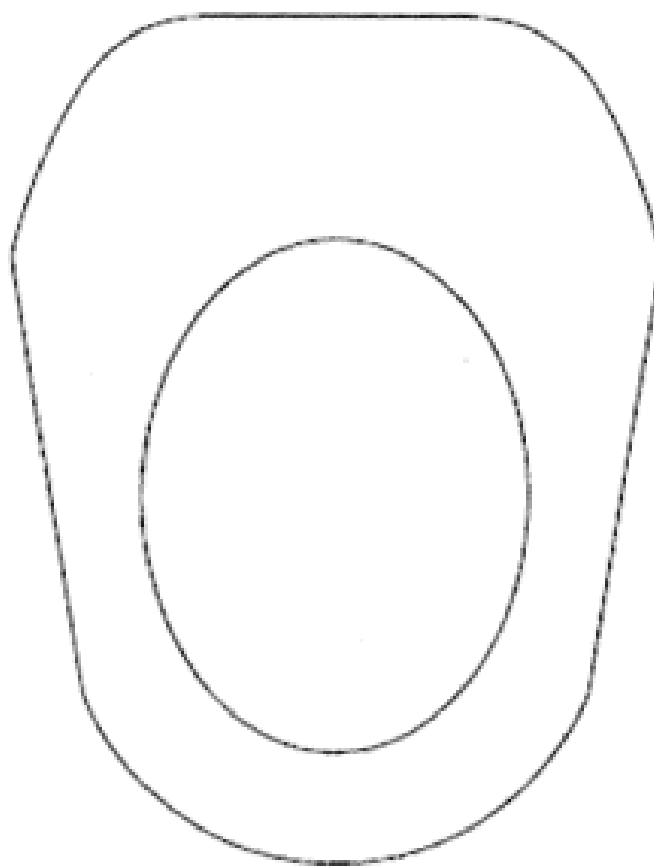
- (21) Design Number: **15164/2010**
(22) Date of Filing Application: **11 October 2010**
(24) Date from which industrial property rights may have effect: **11 October 2010**
(54) Product in respect of which the design is registered: **Furniture (for Indoor and Outdoor use) - Shelving**
(51) International Design Classification: **06-04NES**
(71) Name(s) and Address(s) of Applicant(s):
iwood Australia Pty Ltd
21 Fordson Road Reservoir Victoria 3061 Australia
(72) Name(s) of Designer(s): **Hiu Tung Lam**
(45) Registration Date: **03 December 2010**
(56) Related Art Documents: **Not Applicable**
(57) Statement of Newness and Distinctiveness: **The shelving is made up of horizontal zig zag panels that are stacked to form square or rectangular squares at 45 degree angle.**



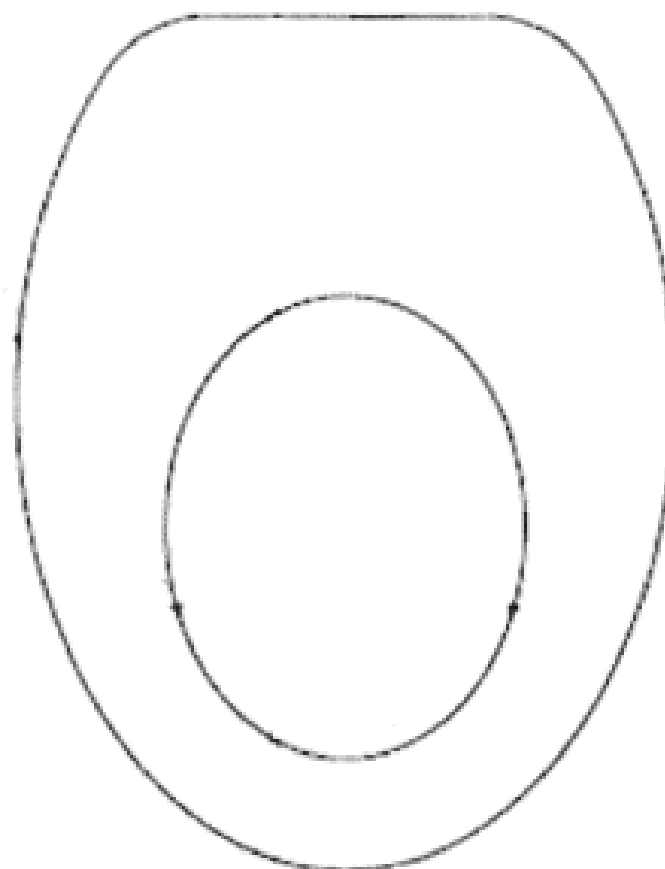
- (21) Design Number: **15165/2010**
(22) Date of Filing Application: **11 October 2010**
(24) Date from which industrial property rights may have effect: **11 October 2010**
(54) Product in respect of which the design is registered: **Furniture (for Indoor and Outdoor use) - Shelving**
(51) International Design Classification: **06-04NES**
(71) Name(s) and Address(s) of Applicant(s):
iwood Australia Pty Ltd
21 Fordson Road Reservoir Victoria 3061 Australia
(72) Name(s) of Designer(s): **Hiu Tung Lam**
(45) Registration Date: **03 December 2010**
(56) Related Art Documents: **Not Applicable**
(57) Statement of Newness and Distinctiveness: **The shelving is made up of horizontal zig zag panels that are stacked to form square or rectangular squares at 45 degree angle.**



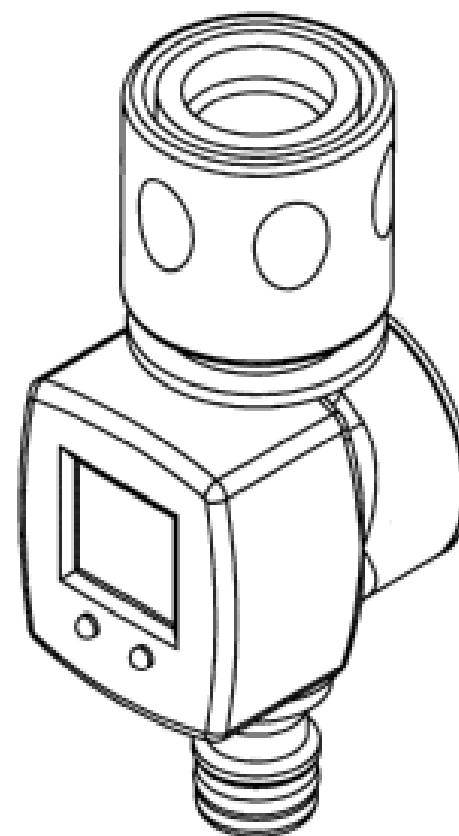
(21) Design Number: **14393/2010**
(22) Date of Filing Application: **12 October 2010**
(24) Date from which industrial property rights may have effect: **12 October 2010**
(54) Product in respect of which the design is registered: **An article of headgear**
(51) International Design Classification: **02-03**
(71) Name(s) and Address(s) of Applicant(s):
Cooler Caps Pty Ltd
12 Pool Street Hope Island Queensland 4212 Australia
(72) Name(s) of Designer(s): **Steven William Tickner**
(45) Registration Date: **03 December 2010**
(56) Related Art Documents: **Not Applicable**
(57) Statement of Newness and Distinctiveness: **Nil**



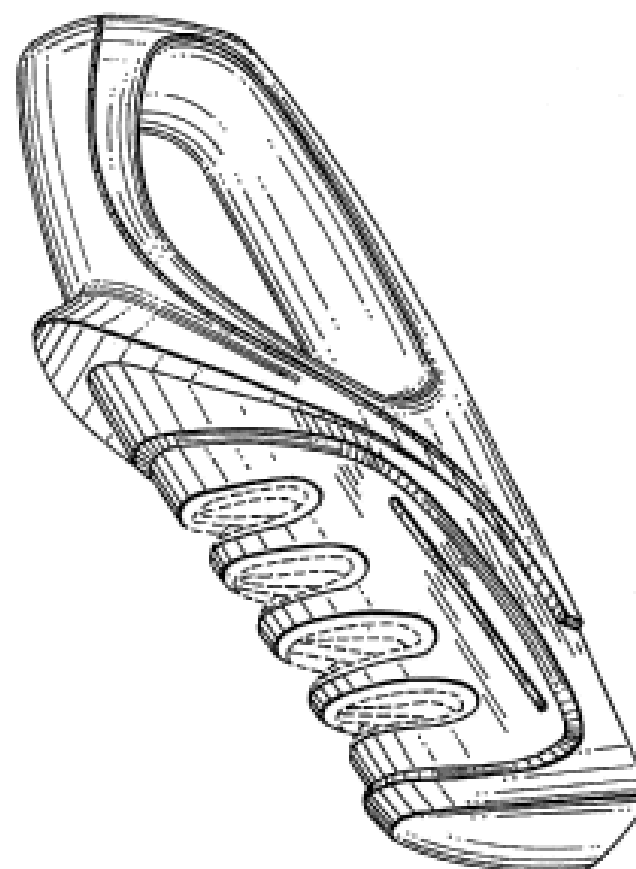
(21) Design Number: **14386/2010**
(22) Date of Filing Application: **12 October 2010**
(24) Date from which industrial property rights may have effect: **12 October 2010**
(54) Product in respect of which the design is registered: **An article of headgear**
(51) International Design Classification: **02-03**
(71) Name(s) and Address(s) of Applicant(s):
Cooler Caps Pty Ltd
12 Pool Street Hope Island Queensland 4212 Australia
(72) Name(s) of Designer(s): **Steven William Tickner**
(45) Registration Date: **03 December 2010**
(56) Related Art Documents: **Not Applicable**
(57) Statement of Newness and Distinctiveness: **Nil**



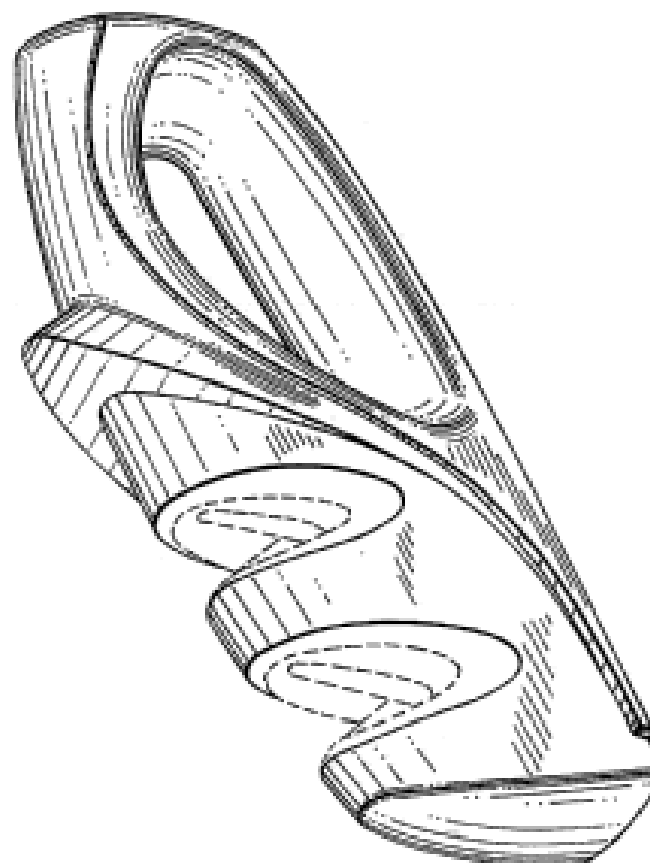
- (21) Design Number: **14800/2010**
(22) Date of Filing Application: **05 November 2010**
(24) Date from which industrial property rights may have effect: **05 November 2010**
(54) Product in respect of which the design is registered: **Water consumption meter for garden hose**
(51) International Design Classification: **10-04**
(71) Name(s) and Address(s) of Applicant(s):
Matrados Pty Ltd
463 Scarborough Beach Road Osborne Park Western Australia 6017
Australia
(72) Name(s) of Designer(s): **Matthew Roe and Daniel Williams**
(45) Registration Date: **03 December 2010**
(56) Related Art Documents: **Not Applicable**
(57) Statement of Newness and Distinctiveness: **Newness and distinctiveness is claimed in the shape and configuration of the water consumption meter for garden hose, as illustrated in the accompanying representations.**



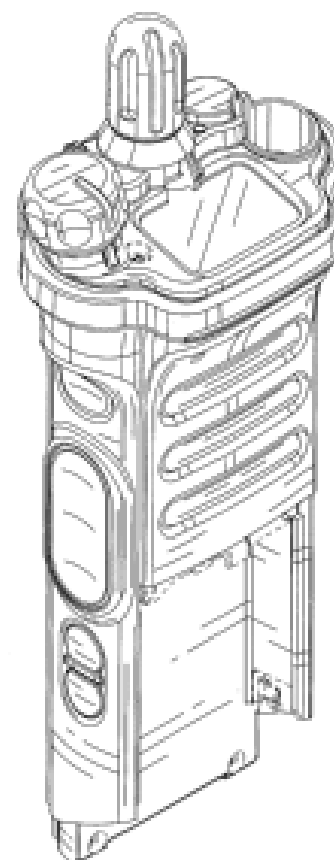
- (21) Design Number: **14885/2010**
(22) Date of Filing Application: **11 November 2010**
(24) Date from which industrial property rights may have effect: **11 November 2010**
(54) Product in respect of which the design is registered: **4 Stage sharpener**
(51) International Design Classification: **08-05H**
(71) Name(s) and Address(s) of Applicant(s):
Wusthof-Trident of America, Inc.
333 Wilson Avenue Norwalk Connecticut 06854 United States of
America
(72) Name(s) of Designer(s): **Rene Henry Stutz and Robert Krane and Cynthia**
Fu Chit
(45) Registration Date: **03 December 2010**
(30) Convention priority data:
(31) Number (32) Date (33) Country
29/363,203 07 Jun 2010 UNITED STATES OF AMERICA
(56) Related Art Documents: **Not Applicable**
(57) Statement of Newness and Distinctiveness: **Newness and distinctiveness is claimed in the features of shape and/or configuration of the 4 stage sharpener depicted in the accompanying representations.**



(21) Design Number: **14886/2010**
 (22) Date of Filing Application: **11 November 2010**
 (24) Date from which industrial property rights may have effect: **11 November 2010**
 (54) Product in respect of which the design is registered: **2 Stage sharpener**
 (51) International Design Classification: **08-05H**
 (71) Name(s) and Address(s) of Applicant(s):
Wusthof-Trident of America, Inc.
333 Wilson Avenue Norwalk Connecticut 06854 United States of America
 (72) Name(s) of Designer(s): **Rene Henry Stutz and Robert Krane and Cynthia Fu Chit**
 (45) Registration Date: **03 December 2010**
 (30) Convention priority data:
 (31) Number (32) Date (33) Country
29/363,201 07 Jun 2010 UNITED STATES OF AMERICA
 (56) Related Art Documents: **Not Applicable**
 (57) Statement of Newness and Distinctiveness: **Newness and distinctiveness is claimed in the features of shape and/or configuration of the 2 stage sharpener depicted in the accompanying representations.**



(21) Design Number: **14895/2010**
 (22) Date of Filing Application: **11 November 2010**
 (24) Date from which industrial property rights may have effect: **11 November 2010**
 (54) Product in respect of which the design is registered: **Communication device**
 (51) International Design Classification: **14-03NES**
 (71) Name(s) and Address(s) of Applicant(s):
Motorola, Inc.
1303 East Algonquin Road Schaumburg Illinois 60196 United States of America
 (72) Name(s) of Designer(s): **Scott H. Richards and Jorge L. Garcia**
 (45) Registration Date: **03 December 2010**
 (30) Convention priority data:
 (31) Number (32) Date (33) Country
29/362,475 26 May 2010 UNITED STATES OF AMERICA
 (56) Related Art Documents: **Not Applicable**
 (57) Statement of Newness and Distinctiveness: **Those features of the communication device depicted in the representations that are new and distinctive are the shape and/or configuration. The features shown in broken lines are not part of the design and should be disregarded when considering the overall impression of the design.**



- (21) Design Number: **14896/2010**
(22) Date of Filing Application: **11 November 2010**
(24) Date from which industrial property rights may have effect: **11 November 2010**
(54) Product in respect of which the design is registered: **Epilator**
(51) International Design Classification: **28-03A**
(71) Name(s) and Address(s) of Applicant(s):

Braun GmbH
Frankfurter Strasse 145 61476 Kronberg am Taunus Germany

- (72) Name(s) of Designer(s): **Bjorn Kling and Bernhard Sikora**

- (45) Registration Date: **03 December 2010**

- (30) Convention priority data:

(31) Number	(32) Date	(33) Country
547889101	17 May 2010	WORLD INTELLECTUAL PROPERTY ORGANIZATION (WIPO)

- (56) Related Art Documents: **Not Applicable**

- (57) Statement of Newness and Distinctiveness: **Those features of the epilator depicted in the representations that are new and distinctive are the shape and/or configuration.**



- (21) Design Number: **15222/2010**
(22) Date of Filing Application: **22 March 2010**
(24) Date from which industrial property rights may have effect: **22 March 2010**
(54) Product in respect of which the design is registered: **A support post for use in a structure**
(51) International Design Classification: **25-04**
(71) Name(s) and Address(s) of Applicant(s):

Delta System AS
Storebotn Naeringspark Kleppesto N-5300 Norway

- (72) Name(s) of Designer(s): **Strand Gunnar**

- (45) Registration Date: **03 December 2010**

- (30) Convention priority data:

(31) Number	(32) Date	(33) Country
2009 0470	21 Sep 2009	NORWAY

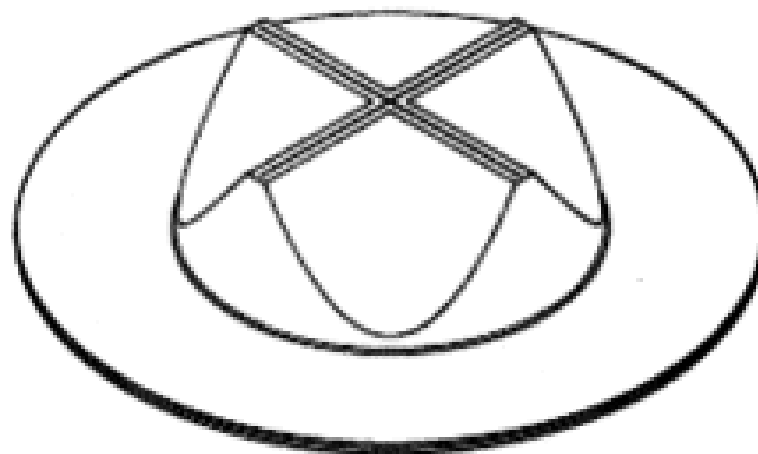
- (62) Divisional of: **334004**

- (56) Related Art Documents: **Not Applicable**

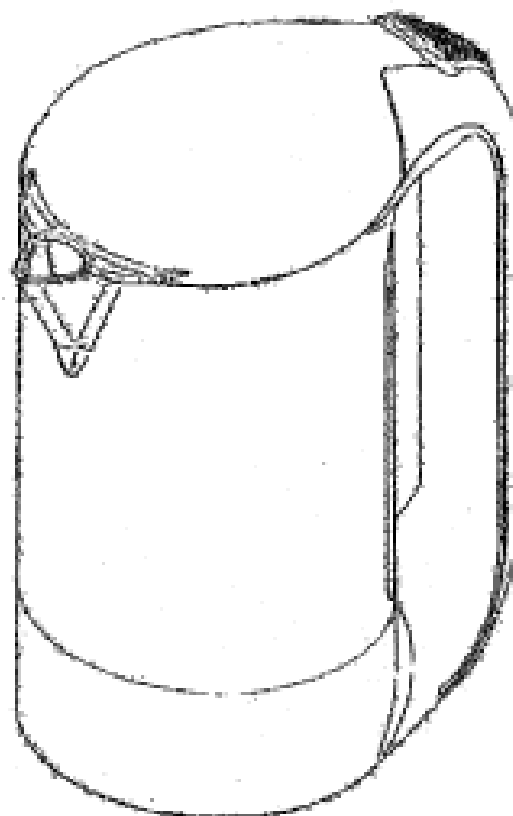
- (57) Statement of Newness and Distinctiveness: **Nil**



- (21) Design Number: **14848/2010**
(22) Date of Filing Application: **10 November 2010**
(24) Date from which industrial property rights may have effect: **10 November 2010**
(54) Product in respect of which the design is registered: **Valve for a spacer**
(51) International Design Classification: **24-99**
(71) Name(s) and Address(s) of Applicant(s):
Medical Developments International Limited
7/56 Smith Road Springvale Victoria 3171 Australia
(72) Name(s) of Designer(s): **Alan Eagle**
(45) Registration Date: **03 December 2010**
(56) Related Art Documents: **Not Applicable**
(57) Statement of Newness and Distinctiveness: **Nil**



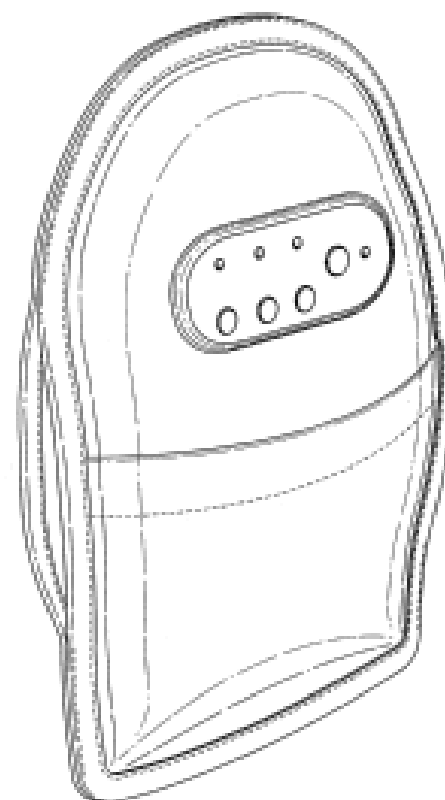
- (21) Design Number: **14849/2010**
(22) Date of Filing Application: **11 November 2010**
(24) Date from which industrial property rights may have effect: **11 November 2010**
(54) Product in respect of which the design is registered: **A jug**
(51) International Design Classification: **07-01F**
(71) Name(s) and Address(s) of Applicant(s):
Air New Zealand Limited
185 Fanshawe Street Auckland 1010 New Zealand
(72) Name(s) of Designer(s): **Sarah Jane Street and Kent Diggs and Michael Whittaker and Paul Bernard Mitchell**
(45) Registration Date: **03 December 2010**
(30) Convention priority data:
(31) Number (32) Date (33) Country
413599 11 May 2010 NEW ZEALAND
(56) Related Art Documents: **Not Applicable**
(57) Statement of Newness and Distinctiveness: **Nil**



- (21) Design Number: **14867/2010**
(22) Date of Filing Application: **09 November 2010**
(24) Date from which industrial property rights may have effect: **09 November 2010**
(54) Product in respect of which the design is registered: **A massage mitt**
(51) International Design Classification: **28-03NES, 02-06**
(71) Name(s) and Address(s) of Applicant(s):

Margaret Mary Donnelly
Grooms Lodge Hog Lane Ashley Green Chesham Buckinghamshire
HP5 3PY/GB United Kingdom

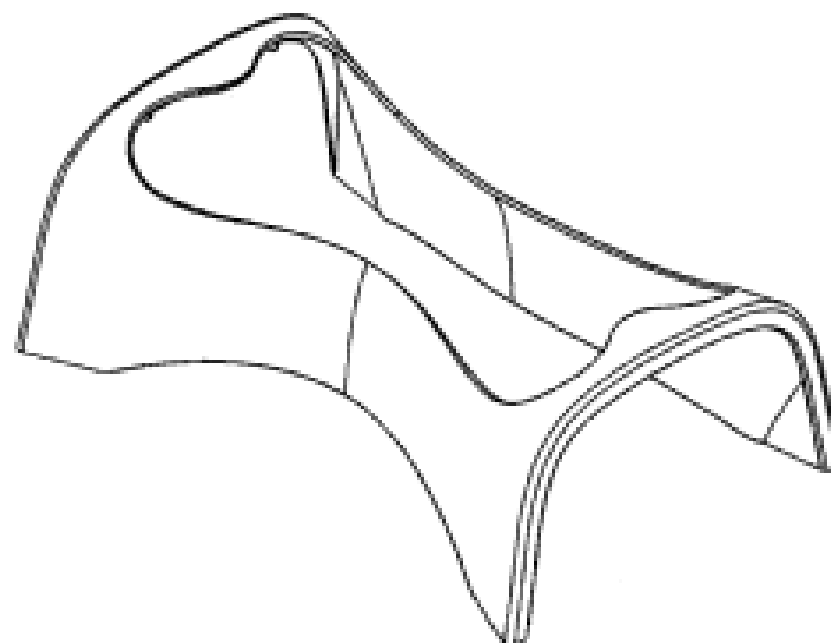
- (72) Name(s) of Designer(s): **Margaret Mary Donnelly**
(45) Registration Date: **03 December 2010**
(56) Related Art Documents: **Not Applicable**
(57) Statement of Newness and Distinctiveness: **Newness and distinctiveness reside in the features of the shape and configuration of the design shown in the representations.**



- (21) Design Number: **14881/2010**
(22) Date of Filing Application: **11 November 2010**
(24) Date from which industrial property rights may have effect: **11 November 2010**
(54) Product in respect of which the design is registered: **Pet stands for animals**
(51) International Design Classification: **30-02**
(71) Name(s) and Address(s) of Applicant(s):

Elite Dogstands Ltd
10 Marigold Place Harlow Essex CM17 0BW United Kingdom

- (72) Name(s) of Designer(s): **Dan Pitter**
(45) Registration Date: **03 December 2010**
(30) Convention priority data:
(31) Number (32) Date (33) Country
1706961 11 May 2010 EUROPEAN COMMUNITY
(56) Related Art Documents: **Not Applicable**
(57) Statement of Newness and Distinctiveness: **Newness and distinctiveness resides in the shape and configuration of pet stands for animals as shown in the accompanying representations.**



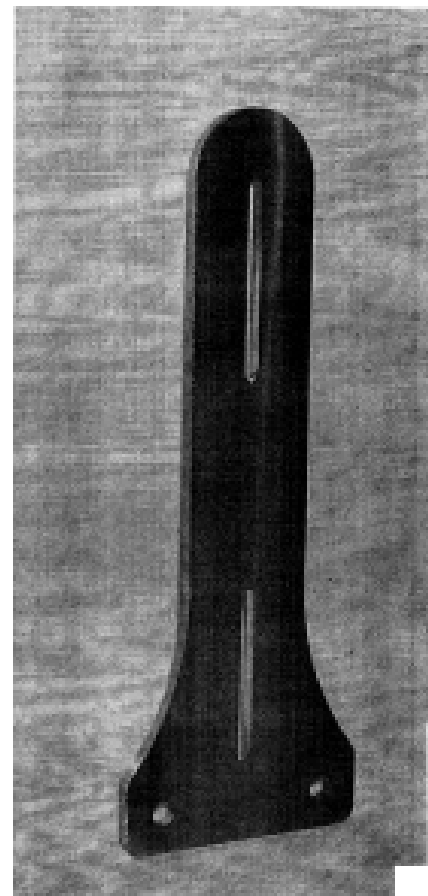
- (21) Design Number: **14882/2010**
(22) Date of Filing Application: **12 November 2010**
(24) Date from which industrial property rights may have effect: **12 November 2010**
(54) Product in respect of which the design is registered: **A tie pin with spectacle holder**
(51) International Design Classification: **02-07C**
(71) Name(s) and Address(s) of Applicant(s):
Ivan William McNicholl
7a Gurney Road Lower Hutt New Zealand 5010
(72) Name(s) of Designer(s): **Ivan William McNicholl**
(45) Registration Date: **03 December 2010**
(30) Convention priority data:
(31) Number (32) Date (33) Country
413665 24 May 2010 NEW ZEALAND
(56) Related Art Documents: **Not Applicable**
(57) Statement of Newness and Distinctiveness: **The design is to be applied to A TIE PIN WITH SPECTACLE HOLDER and the novelty resides in the features of shape and/or configuration as shown in the accompanying representations.**



- (21) Design Number: **14883/2010**
(22) Date of Filing Application: **12 November 2010**
(24) Date from which industrial property rights may have effect: **12 November 2010**
(54) Product in respect of which the design is registered: **A tie pin with spectacle holder**
(51) International Design Classification: **02-07C**
(71) Name(s) and Address(s) of Applicant(s):
Ivan William McNicholl
7a Gurney Road Lower Hutt New Zealand 5010
(72) Name(s) of Designer(s): **Ivan William McNicholl**
(45) Registration Date: **03 December 2010**
(30) Convention priority data:
(31) Number (32) Date (33) Country
413663 24 May 2010 NEW ZEALAND
(56) Related Art Documents: **Not Applicable**
(57) Statement of Newness and Distinctiveness: **The design is to be applied to A TIE PIN WITH SPECTACLE HOLDER and the novelty resides in the features of shape and/or configuration as shown in the accompanying representations.**



- (21) Design Number: **14884/2010**
(22) Date of Filing Application: **09 November 2010**
(24) Date from which industrial property rights may have effect: **09 November 2010**
(54) Product in respect of which the design is registered: **Bracket for vegetable cutting system**
(51) International Design Classification: **08-08NES**
(71) Name(s) and Address(s) of Applicant(s):
Brendan Lionel Weeks
31 Canning Drive East Devonport 7310 Tasmania Australia
(72) Name(s) of Designer(s): **Brendan Lionel Weeks**
(45) Registration Date: **03 December 2010**
(56) Related Art Documents: **Not Applicable**
(57) Statement of Newness and Distinctiveness: **Newness and distinctiveness is claimed in the shape of the bracket an end of which is attachable to a board or similar surface and wherein a blade or knife is engageable with slots in said bracket for use with a food cutting system.**



- (21) Design Number: **14898/2010**
(22) Date of Filing Application: **12 November 2010**
(24) Date from which industrial property rights may have effect: **12 November 2010**
(54) Product in respect of which the design is registered: **A tie pin with spectacle holder**
(51) International Design Classification: **02-07C**
(71) Name(s) and Address(s) of Applicant(s):
Ivan William McNicholl
7a Gurney Road Lower Hutt New Zealand 5010
(72) Name(s) of Designer(s): **Ivan William McNicholl**
(45) Registration Date: **03 December 2010**
(30) Convention priority data:
(31) Number (32) Date (33) Country
413664 24 May 2010 NEW ZEALAND
(56) Related Art Documents: **Not Applicable**
(57) Statement of Newness and Distinctiveness: **The design is to be applied to A TIE PIN WITH SPECTACLE HOLDER and the novelty resides in the features of shape and/or configuration as shown in the accompanying representations.**



(21) Design Number: **14901/2010**
(22) Date of Filing Application: **11 November 2010**
(24) Date from which industrial property rights may have effect: **11 November 2010**
(54) Product in respect of which the design is registered: **Dispenser**
(51) International Design Classification: **09-05**
(71) Name(s) and Address(s) of Applicant(s):

Reckitt Benckiser Inc.
Morris Corporate Center IV 399 Interpace Parkway Parsippany New Jersey 07054 United States of America

(72) Name(s) of Designer(s): **Philippe Dufriche**

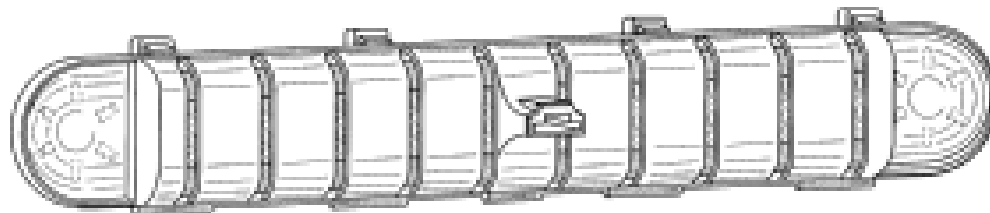
(45) Registration Date: **03 December 2010**

(30) Convention priority data:

(31) Number	(32) Date	(33) Country
001710609#0001	21 May 2010	EUROPEAN COMMUNITY

(56) Related Art Documents: **Not Applicable**

(57) Statement of Newness and Distinctiveness: **Nil**



(21) Design Number: **14902/2010**
(22) Date of Filing Application: **11 November 2010**
(24) Date from which industrial property rights may have effect: **11 November 2010**
(54) Product in respect of which the design is registered: **Dispenser**
(51) International Design Classification: **09-05**
(71) Name(s) and Address(s) of Applicant(s):

Reckitt Benckiser Inc.
Morris Corporate Center IV 399 Interpace Parkway Parsippany New Jersey 07054 United States of America

(72) Name(s) of Designer(s): **Philippe Dufriche**

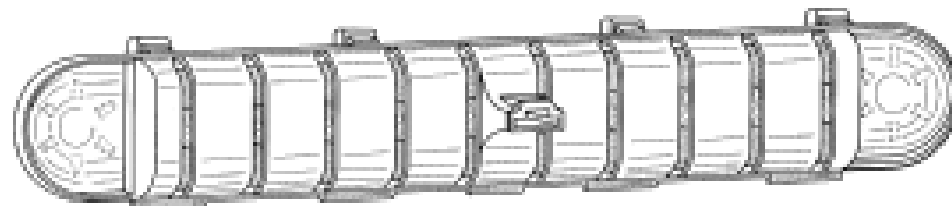
(45) Registration Date: **03 December 2010**

(30) Convention priority data:

(31) Number	(32) Date	(33) Country
001710609#0002	21 May 2010	EUROPEAN COMMUNITY

(56) Related Art Documents: **Not Applicable**

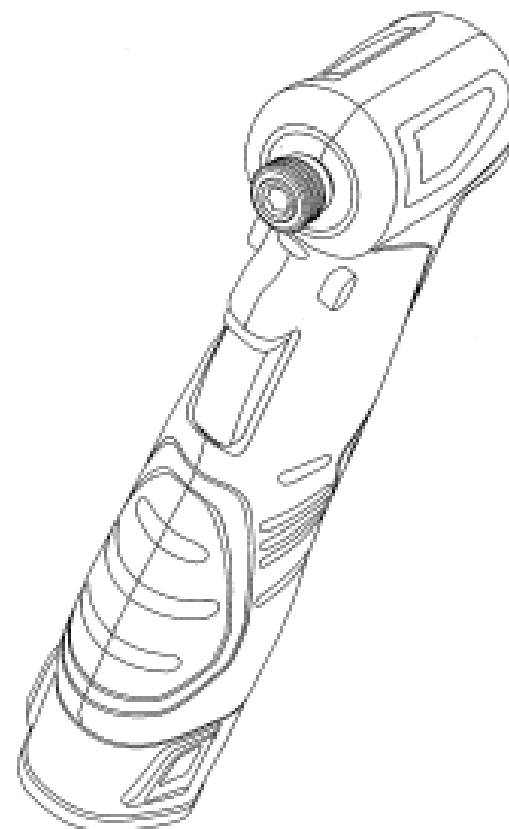
(57) Statement of Newness and Distinctiveness: **Nil**



- (21) Design Number: **14751/2010**
(22) Date of Filing Application: **03 November 2010**
(24) Date from which industrial property rights may have effect: **03 November 2010**
(54) Product in respect of which the design is registered: **Shoe sole**
(51) International Design Classification: **02-04B**
(71) Name(s) and Address(s) of Applicant(s):
Ted Noffs Foundation trading as Gideon Shoes
206A Alison Road Randwick New South Wales 2031 Australia
(72) Name(s) of Designer(s): **Matt Noffs**
(45) Registration Date: **06 December 2010**
(56) Related Art Documents: **Not Applicable**
(57) Statement of Newness and Distinctiveness: **The design is to be applied to a shoe sole. The newness and distinctiveness reside in the features of shape or/and pattern of the shoe sole as shown in the accompanying representations.**



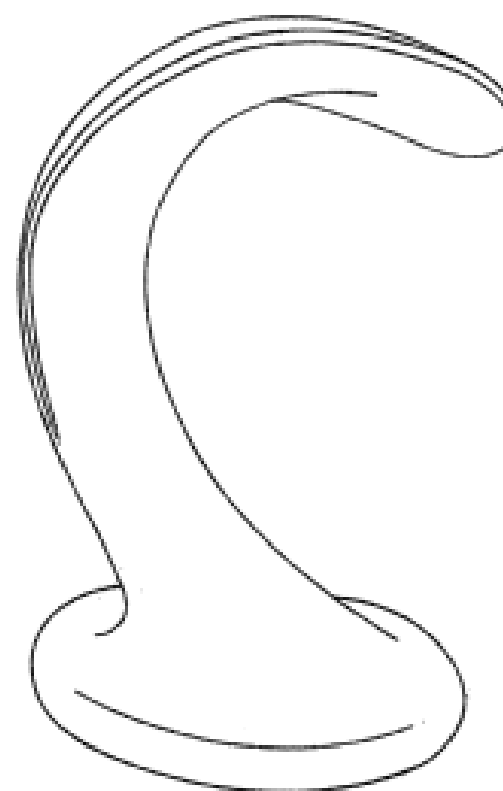
- (21) Design Number: **14844/2010**
(22) Date of Filing Application: **09 November 2010**
(24) Date from which industrial property rights may have effect: **09 November 2010**
(54) Product in respect of which the design is registered: **A portable angle impact tool**
(51) International Design Classification: **08-02, 08-05NES**
(71) Name(s) and Address(s) of Applicant(s):
Chervon Limited
Room 803B 8/F Allied Kajima Building 138 Gloucester Road Wanchai
Hong Kong China
(72) Name(s) of Designer(s): **David Allan and Wei Song**
(45) Registration Date: **06 December 2010**
(30) Convention priority data:
(31) Number (32) Date (33) Country
201030167888.0 12 May 2010 CHINA
(56) Related Art Documents: **Not Applicable**
(57) Statement of Newness and Distinctiveness: **Newness and distinctiveness is claimed in the features of shape and/or configuration of the portable angle impact tool depicted in the accompanying representations.**



(21) Design Number: **13942/2010**
(22) Date of Filing Application: **10 September 2010**
(24) Date from which industrial property rights may have effect: **10 September 2010**
(54) Product in respect of which the design is registered: **A stub hub for motor vehicles**
(51) International Design Classification: **12-16NES**
(71) Name(s) and Address(s) of Applicant(s):
Simon Shane Madigan
20 Pultney Road Reynella South Australia 5161 Australia
(72) Name(s) of Designer(s): **Simon Shane Madigan**
(45) Registration Date: **06 December 2010**
(56) Related Art Documents: **Not Applicable**
(57) Statement of Newness and Distinctiveness: **Nil**



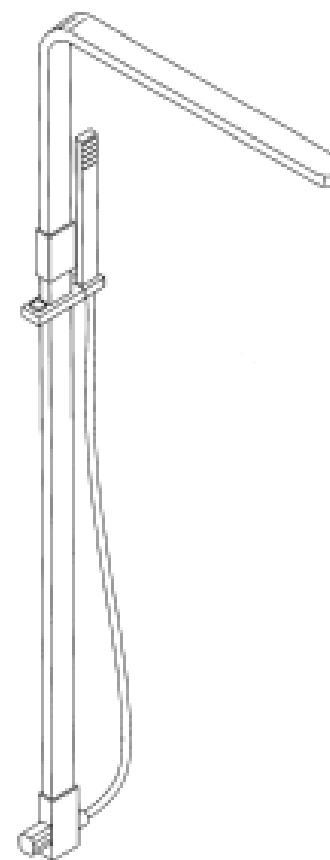
(21) Design Number: **14149/2010**
(22) Date of Filing Application: **28 September 2010**
(24) Date from which industrial property rights may have effect: **28 September 2010**
(54) Product in respect of which the design is registered: **Coffee tamper**
(51) International Design Classification: **07-02L**
(71) Name(s) and Address(s) of Applicant(s):
Compact Designs Pty. Ltd.
1/18 Johns Street Western Junction Tasmania 7212 Australia
(72) Name(s) of Designer(s): **Manfred Jokuszies**
(45) Registration Date: **06 December 2010**
(30) Convention priority data:
(31) Number (32) Date (33) Country
201030144534.4 29 Mar 2010 CHINA
(56) Related Art Documents: **Not Applicable**
(57) Statement of Newness and Distinctiveness: **Nil**



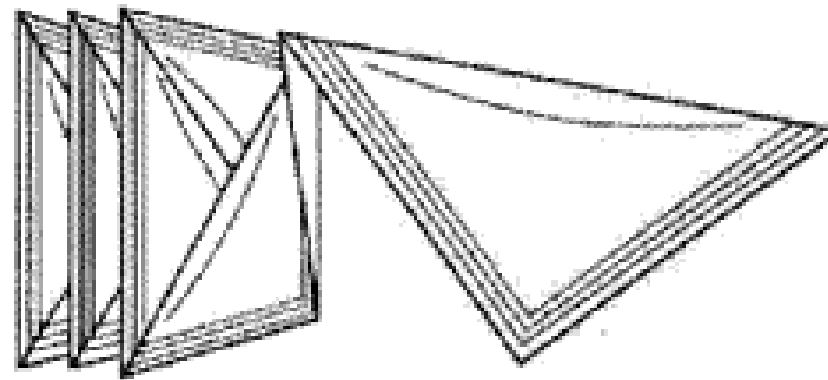
- (21) Design Number: **14296/2010**
- (22) Date of Filing Application: **30 September 2010**
- (24) Date from which industrial property rights may have effect: **30 September 2010**
- (54) Product in respect of which the design is registered: **Champagne popper**
- (51) International Design Classification: **07-06D**
- (71) Name(s) and Address(s) of Applicant(s):
Broplenty Pty Ltd
PO Box 1927 Sunshine Plaza Queensland 4558 Australia
- (72) Name(s) of Designer(s): **Jane Brown**
- (45) Registration Date: **06 December 2010**
- (56) Related Art Documents: **Not Applicable**
- (57) Statement of Newness and Distinctiveness: **Diamontes completely cover outside of champagne stopper. Large diamonte on top of push down button.**



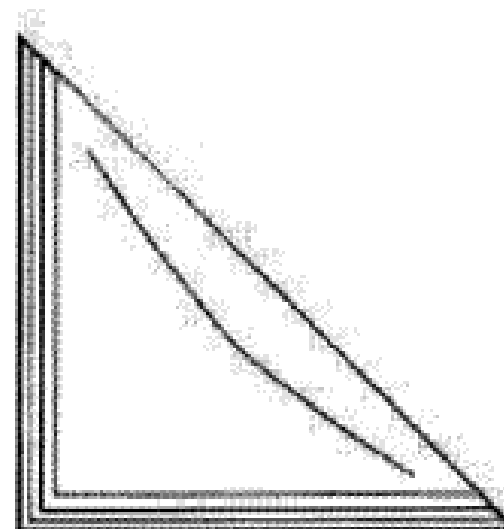
- (21) Design Number: **14377/2010**
- (22) Date of Filing Application: **06 October 2010**
- (24) Date from which industrial property rights may have effect: **06 October 2010**
- (54) Product in respect of which the design is registered: **Combination two in one adjustable one piece shower rail system**
- (51) International Design Classification: **23-02A**
- (71) Name(s) and Address(s) of Applicant(s):
Sunny Group (Aust) Pty Ltd
11 Webber Parade Keilor East Victoria 3033 Australia
- (72) Name(s) of Designer(s): **Gary Cai**
- (45) Registration Date: **06 December 2010**
- (56) Related Art Documents: **Not Applicable**
- (57) Statement of Newness and Distinctiveness: **The features of shape and configuration of the shower rail shown in the accompanying representations are considered to be new and distinctive.**



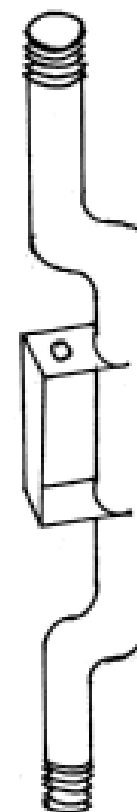
(21) Design Number: **14856/2010**
(22) Date of Filing Application: **11 November 2010**
(24) Date from which industrial property rights may have effect: **11 November 2010**
(54) Product in respect of which the design is registered: **Packaging**
(51) International Design Classification: **09-03M**
(71) Name(s) and Address(s) of Applicant(s):
Societe des Produits Nestle S.A.
1800 Vevey Switzerland
(72) Name(s) of Designer(s): **Marc Montarras**
(45) Registration Date: **06 December 2010**
(30) Convention priority data:
(31) Number (32) Date (33) Country
137075 12 Jul 2010 SWITZERLAND
(56) Related Art Documents: **Not Applicable**
(57) Statement of Newness and Distinctiveness: **Nil**



(21) Design Number: **14857/2010**
(22) Date of Filing Application: **11 November 2010**
(24) Date from which industrial property rights may have effect: **11 November 2010**
(54) Product in respect of which the design is registered: **Packaging**
(51) International Design Classification: **09-05**
(71) Name(s) and Address(s) of Applicant(s):
Societe des Produits Nestle S.A.
1800 Vevey Switzerland
(72) Name(s) of Designer(s): **Marc Montarras**
(45) Registration Date: **06 December 2010**
(30) Convention priority data:
(31) Number (32) Date (33) Country
137075 12 Jul 2010 SWITZERLAND
(56) Related Art Documents: **Not Applicable**
(57) Statement of Newness and Distinctiveness: **Nil**



- (21) Design Number: **14859/2010**
- (22) Date of Filing Application: **11 November 2010**
- (24) Date from which industrial property rights may have effect: **11 November 2010**
- (54) Product in respect of which the design is registered: **Pump float switch level sensor permitting, discharge pipe for bore pumps**
- (51) International Design Classification: **23-01B**
- (71) Name(s) and Address(s) of Applicant(s):
 - R L Faulkner**
2035 Albany Highway Maddington Western Australia 6109 Australia
 - E E Faulkner**
2035 Albany Highway Maddington Western Australia 6109 Australia
- (72) Name(s) of Designer(s): **R L Faulkner and E E Faulkner**
- (45) Registration Date: **06 December 2010**
- (56) Related Art Documents: **Not Applicable**
- (57) Statement of Newness and Distinctiveness: **The novelty claimed for the design resides in its shape and configuration. This design remedies the available space to permit the use of a float switch or level sensor at a pump inside the confines of a bore casing.**



- (21) Design Number: **14907/2010**
- (22) Date of Filing Application: **11 November 2010**
- (24) Date from which industrial property rights may have effect: **11 November 2010**
- (54) Product in respect of which the design is registered: **Coffee maker**
- (51) International Design Classification: **07-02L**
- (71) Name(s) and Address(s) of Applicant(s):
 - Jura Elektroapparate AG**
Kaffeeweltstrasse 10 4626 Niederbuchsiten Switzerland
- (72) Name(s) of Designer(s): **Martin Iseli**
- (45) Registration Date: **06 December 2010**
- (30) Convention priority data:

(31) Number	(32) Date	(33) Country
DM/073630	14 May 2010	WORLD INTELLECTUAL PROPERTY ORGANIZATION (WIPO)
- (56) Related Art Documents: **Not Applicable**
- (57) Statement of Newness and Distinctiveness: **Nil**



(21) Design Number: **15171/2010**

(22) Date of Filing Application: **24 November 2010**

(24) Date from which industrial property rights may have effect: **24 November 2010**

(54) Product in respect of which the design is registered: **Shower cap**

(51) International Design Classification: **02-03**

(71) Name(s) and Address(s) of Applicant(s):

Sandra Marie Shepherd
2 Miller Street Batemans Bay New South Wales 2536 Australia

(72) Name(s) of Designer(s): **Sandra Marie Shepherd**

(45) Registration Date: **07 December 2010**

(56) Related Art Documents: **Not Applicable**

(57) Statement of Newness and Distinctiveness: **Waterproof shower cap without elastic around the perimeter using twist and wrap style to hold in place.**



(21) Design Number: **12267/2010**

(22) Date of Filing Application: **02 June 2010**

(24) Date from which industrial property rights may have effect: **02 June 2010**

(54) Product in respect of which the design is registered: **Fishing lure**

(51) International Design Classification: **22-05**

(71) Name(s) and Address(s) of Applicant(s):

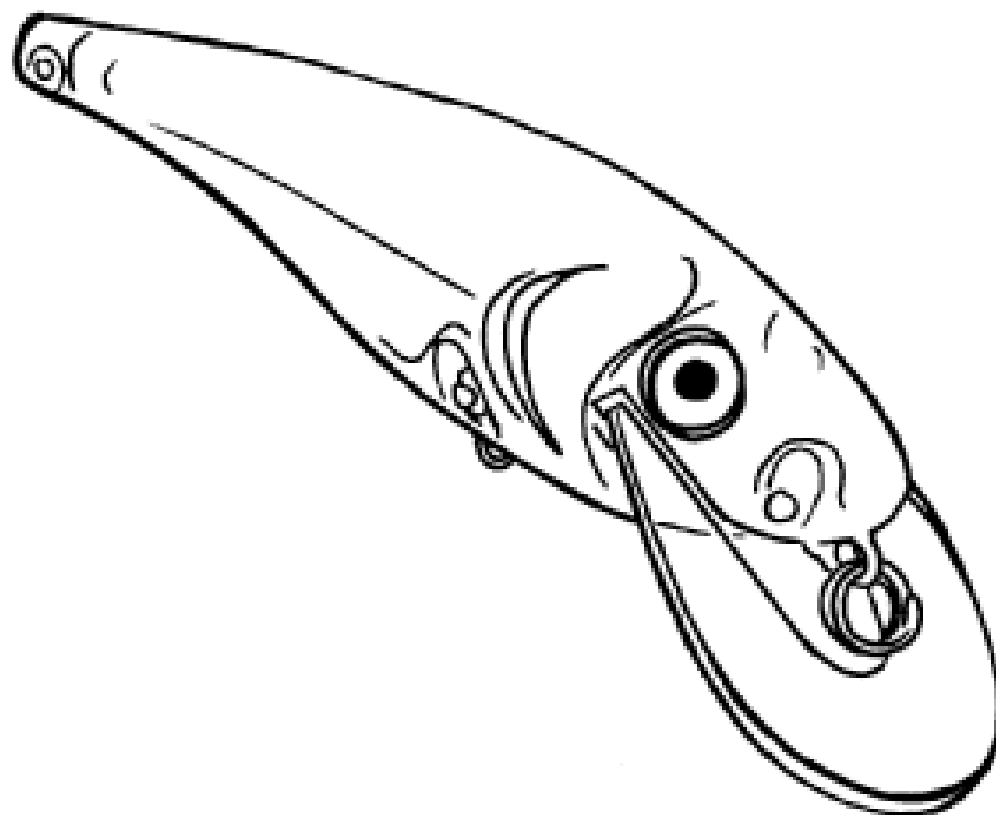
Halco Pty Ltd
PO Box 1205 Fremantle Western Australia 6959 Australia

(72) Name(s) of Designer(s): **Benjamin Neil Patrick**

(45) Registration Date: **07 December 2010**

(56) Related Art Documents: **Not Applicable**

(57) Statement of Newness and Distinctiveness: **The particular visual features of the design which are new and distinctive are shape or configuration.**



(21) Design Number: **12956/2010**

(22) Date of Filing Application: **16 July 2010**

(24) Date from which industrial property rights may have effect: **16 July 2010**

(54) Product in respect of which the design is registered: **Garment**

(51) International Design Classification: **02-02NES**

(71) Name(s) and Address(s) of Applicant(s):

Australian Football League

AFL House 140 Harbour Esplanade Docklands Victoria 3008 Australia

(72) Name(s) of Designer(s): **Lieve Torbeyns and Tracy Novak**

(45) Registration Date: **07 December 2010**

(56) Related Art Documents: **Not Applicable**

(57) Statement of Newness and Distinctiveness: **Nil**



(21) Design Number: **12957/2010**

(22) Date of Filing Application: **16 July 2010**

(24) Date from which industrial property rights may have effect: **16 July 2010**

(54) Product in respect of which the design is registered: **Garment**

(51) International Design Classification: **02-02NES**

(71) Name(s) and Address(s) of Applicant(s):

Australian Football League

AFL House 140 Harbour Esplanade Docklands Victoria 3008 Australia

(72) Name(s) of Designer(s): **Tracy Novak**

(45) Registration Date: **07 December 2010**

(56) Related Art Documents: **Not Applicable**

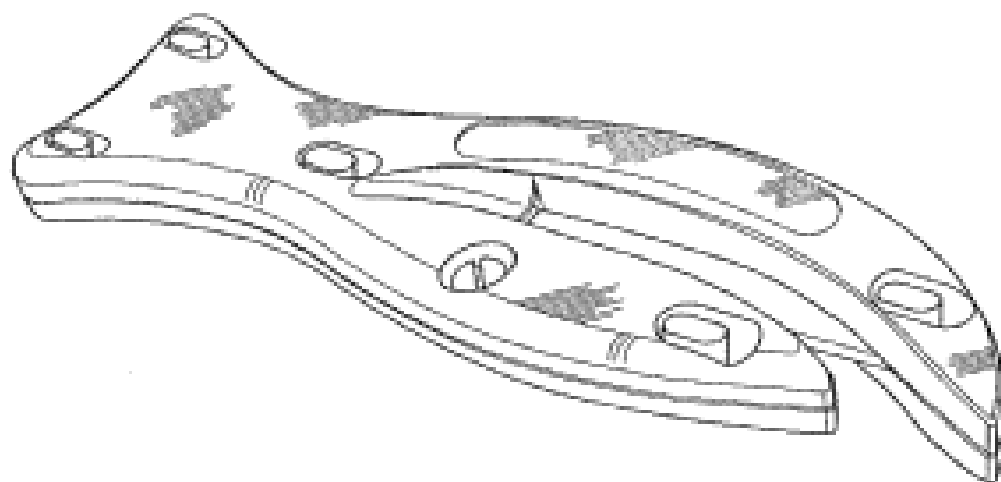
(57) Statement of Newness and Distinctiveness: **Nil**



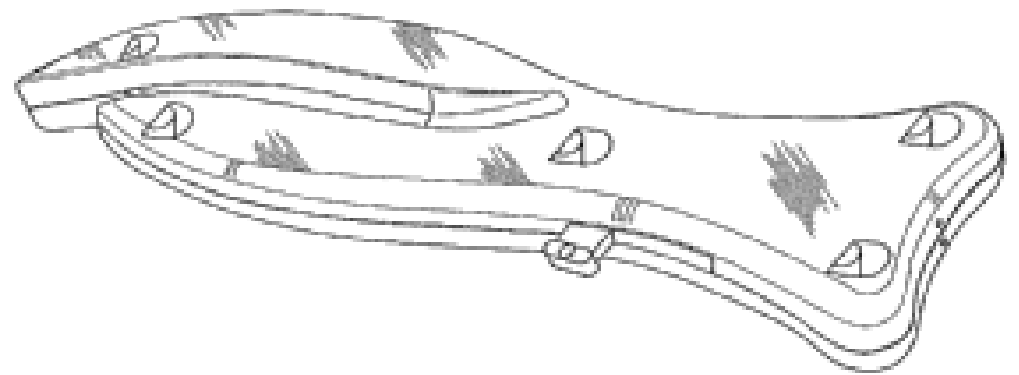
- (21) Design Number: **14587/2010**
(22) Date of Filing Application: **26 October 2010**
(24) Date from which industrial property rights may have effect: **26 October 2010**
(54) Product in respect of which the design is registered: **The product is a sleep cover for prams**
(51) International Design Classification: **12-12, 03-03**
(71) Name(s) and Address(s) of Applicant(s):
Nerida Stanton
2 Overhill Road Rathmines New South Wales 2283 Australia
(72) Name(s) of Designer(s): **Nerida Stanton**
(45) Registration Date: **07 December 2010**
(56) Related Art Documents: **Not Applicable**
(57) Statement of Newness and Distinctiveness: **Nil**



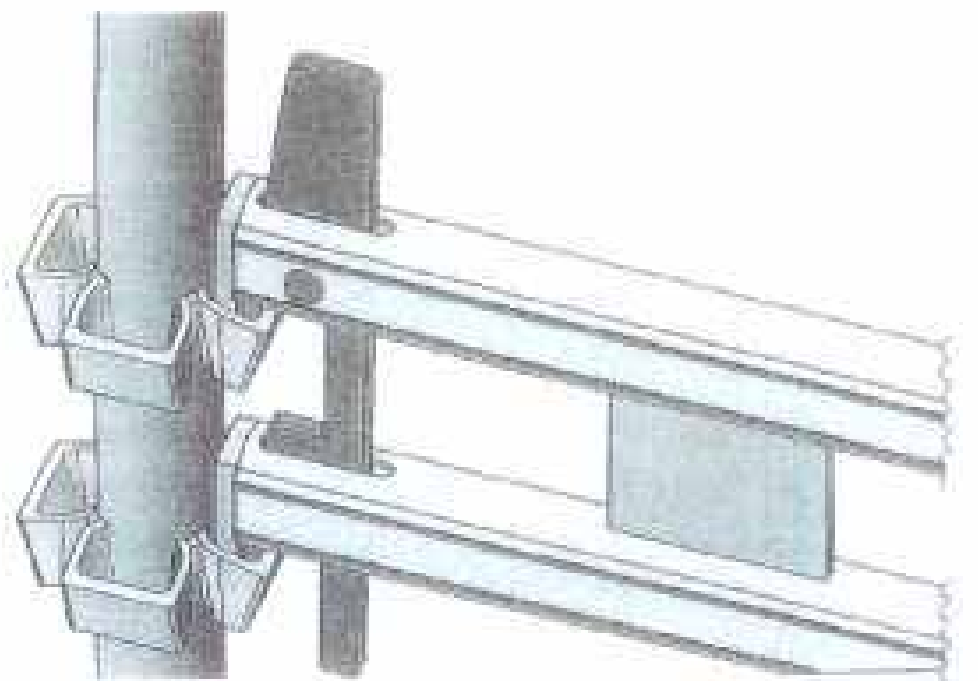
- (21) Design Number: **14925/2010**
(22) Date of Filing Application: **12 November 2010**
(24) Date from which industrial property rights may have effect: **12 November 2010**
(54) Product in respect of which the design is registered: **Safety knife**
(51) International Design Classification: **08-03**
(71) Name(s) and Address(s) of Applicant(s):
W A 1 Designs Limited
22 The Parks Minehead Somerset TA24 8BT United Kingdom
(72) Name(s) of Designer(s): **William Alfred Ireland**
(45) Registration Date: **07 December 2010**
(30) Convention priority data:
(31) Number (32) Date (33) Country
001214738-0001 12 May 2010 EUROPEAN COMMUNITY
(56) Related Art Documents: **Not Applicable**
(57) Statement of Newness and Distinctiveness: **Newness and distinctiveness resides in the features of shape shown in outline and contour lines in the accompanying representations.**



(21) Design Number: **14926/2010**
(22) Date of Filing Application: **12 November 2010**
(24) Date from which industrial property rights may have effect: **12 November 2010**
(54) Product in respect of which the design is registered: **Safety knife**
(51) International Design Classification: **08-03**
(71) Name(s) and Address(s) of Applicant(s):
W A 1 Designs Limited
22 The Parks Minehead Somerset TA24 8BT United Kingdom
(72) Name(s) of Designer(s): **William Alfred Ireland**
(45) Registration Date: **07 December 2010**
(30) Convention priority data:
(31) Number (32) Date (33) Country
001214738-0001 12 May 2010 EUROPEAN COMMUNITY
(56) Related Art Documents: **Not Applicable**
(57) Statement of Newness and Distinctiveness: **Newness and distinctiveness resides in the features of shape shown in outline and contour lines in the accompanying representations.**



(21) Design Number: **14755/2010**
(22) Date of Filing Application: **22 March 2010**
(24) Date from which industrial property rights may have effect: **22 March 2010**
(54) Product in respect of which the design is registered: **A structure**
(51) International Design Classification: **25-04**
(71) Name(s) and Address(s) of Applicant(s):
Delta System AS
Storebotn Naeringspark Kleppesto N-5300 Norway
(72) Name(s) of Designer(s): **Strand Gunnar**
(45) Registration Date: **07 December 2010**
(30) Convention priority data:
(31) Number (32) Date (33) Country
2009 0470 21 Sep 2009 NORWAY
(62) Divisional of: **333627**
(56) Related Art Documents: **Not Applicable**
(57) Statement of Newness and Distinctiveness: **Nil**



(21) Design Number: **15223/2010**
(22) Date of Filing Application: **22 March 2010**
(24) Date from which industrial property rights may have effect: **22 March 2010**
(54) Product in respect of which the design is registered: **A coupling member for a beam**
(51) International Design Classification: **25-04**
(71) Name(s) and Address(s) of Applicant(s):
Delta System AS
Storebotn Naeringspark Kleppesto N-5300 Norway
(72) Name(s) of Designer(s): **Strand Gunnar**
(45) Registration Date: **07 December 2010**
(30) Convention priority data:
(31) Number (32) Date (33) Country
2009 0470 21 Sep 2009 NORWAY
(62) Divisional of: **334004**
(56) Related Art Documents: **Not Applicable**
(57) Statement of Newness and Distinctiveness: **Nil**



(21) Design Number: **15224/2010**
(22) Date of Filing Application: **22 March 2010**
(24) Date from which industrial property rights may have effect: **22 March 2010**
(54) Product in respect of which the design is registered: **A beam for use in a structure**
(51) International Design Classification: **25-04**
(71) Name(s) and Address(s) of Applicant(s):
Delta System AS
Storebotn Naeringspark Kleppesto N-5300 Norway
(72) Name(s) of Designer(s): **Strand Gunnar**
(45) Registration Date: **07 December 2010**
(30) Convention priority data:
(31) Number (32) Date (33) Country
2009 0470 21 Sep 2009 NORWAY
(62) Divisional of: **334004**
(56) Related Art Documents: **Not Applicable**
(57) Statement of Newness and Distinctiveness: **Nil**



(21) Design Number: **15225/2010**

(22) Date of Filing Application: **22 March 2010**

(24) Date from which industrial property rights may have effect: **22 March 2010**

(54) Product in respect of which the design is registered: **A coupling member for use in a beam**

(51) International Design Classification: **25-04**

(71) Name(s) and Address(s) of Applicant(s):

Delta System AS

Storebotn Naeringspark Kleppesto N-5300 Norway

(72) Name(s) of Designer(s): **Strand Gunnar**

(45) Registration Date: **07 December 2010**

(30) Convention priority data:

(31) Number
2009 0470

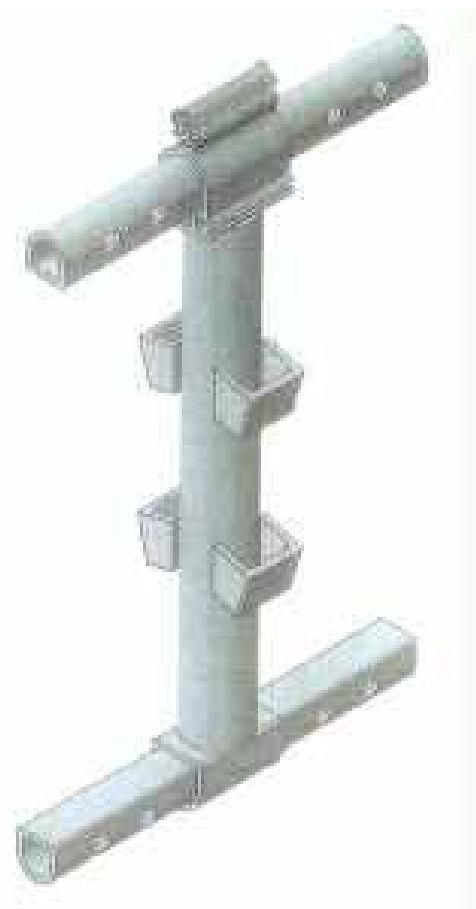
(32) Date
21 Sep 2009

(33) Country
NORWAY

(62) Divisional of: **334004**

(56) Related Art Documents: **Not Applicable**

(57) Statement of Newness and Distinctiveness: **Nil**



(21) Design Number: **11773/2010**

(22) Date of Filing Application: **06 May 2010**

(24) Date from which industrial property rights may have effect: **06 May 2010**

(54) Product in respect of which the design is registered: **Container and lid**

(51) International Design Classification: **03-01D**

(71) Name(s) and Address(s) of Applicant(s):

Majic Beauty Pty Ltd

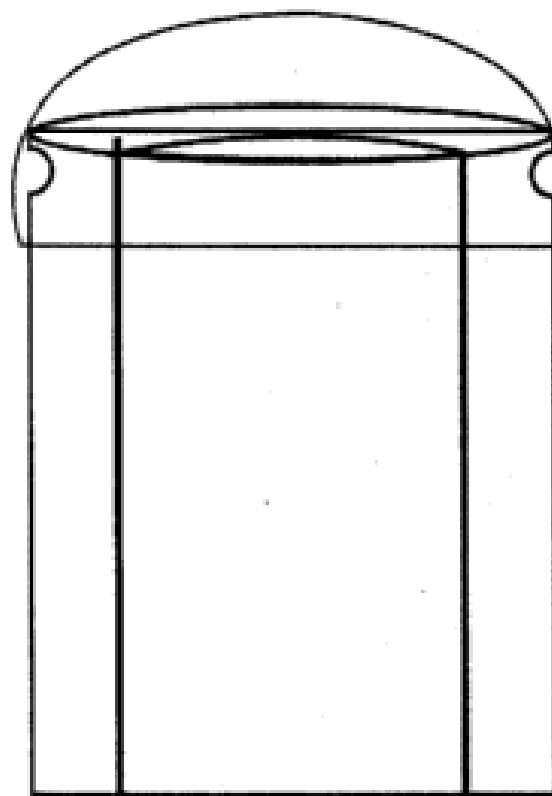
28 Young Street Moonee Ponds Victoria 3039 Australia

(72) Name(s) of Designer(s): **Rocco Mammone**

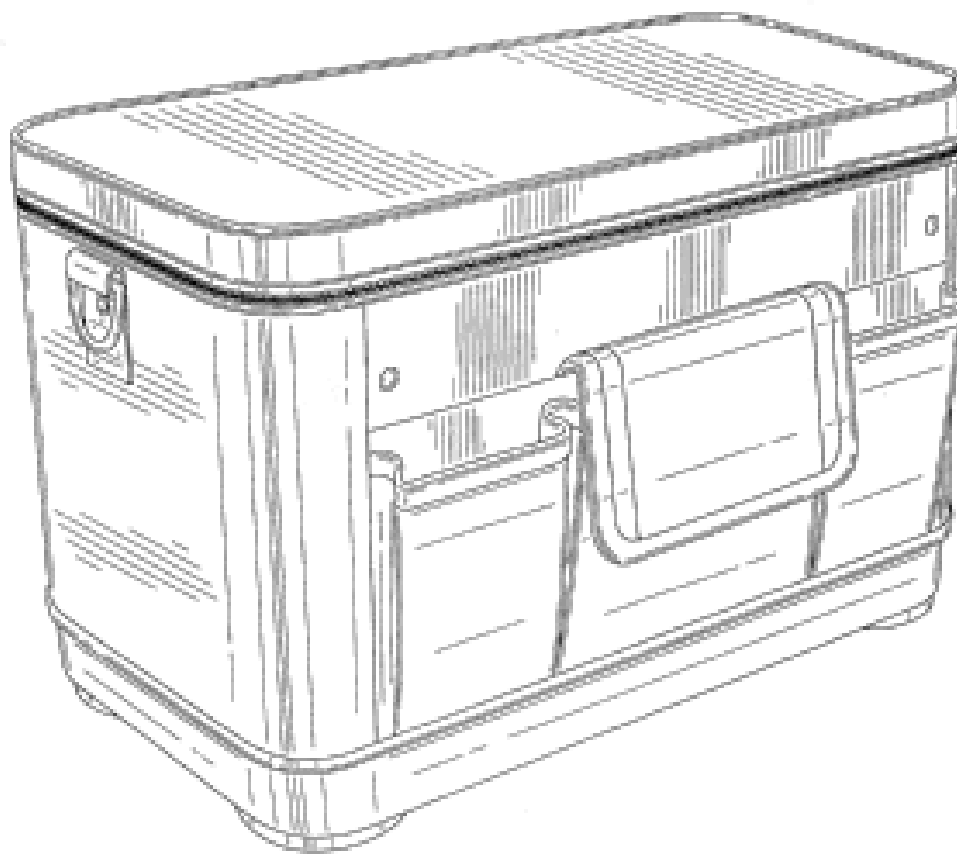
(45) Registration Date: **07 December 2010**

(56) Related Art Documents: **Not Applicable**

(57) Statement of Newness and Distinctiveness: **Newness and Distinctiveness are claimed in the internal and external features of shape and/or configuration of a container and lid, as illustrated in the accompanying representations.**



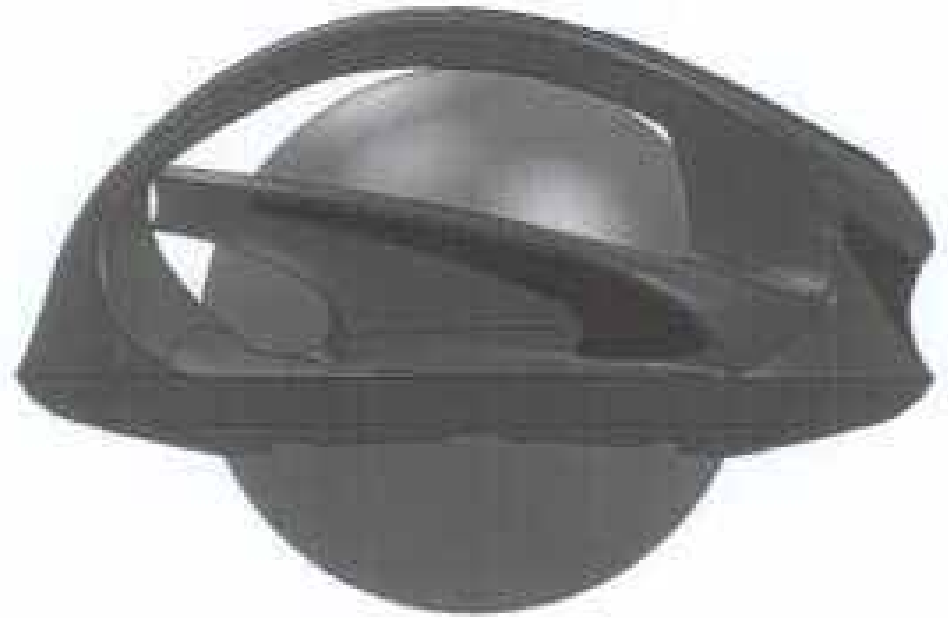
- (21) Design Number: **14446/2010**
(22) Date of Filing Application: **14 October 2010**
(24) Date from which industrial property rights may have effect: **14 October 2010**
(54) Product in respect of which the design is registered: **Tool bag**
(51) International Design Classification: **03-01NES**
(71) Name(s) and Address(s) of Applicant(s):
The Stanley Works Israel Ltd.
19 Ha'melacha Street New Industrial Zone Rosh Ha'ayin 48091 Israel
(72) Name(s) of Designer(s): **David Sosnovsky**
(45) Registration Date: **07 December 2010**
(30) Convention priority data:
(31) Number (32) Date (33) Country
29/368053 17 Aug 2010 UNITED STATES OF AMERICA
(56) Related Art Documents: **Not Applicable**
(57) Statement of Newness and Distinctiveness: **Newness and distinctiveness is claimed in the visual features shown in solid lines in the representations.**



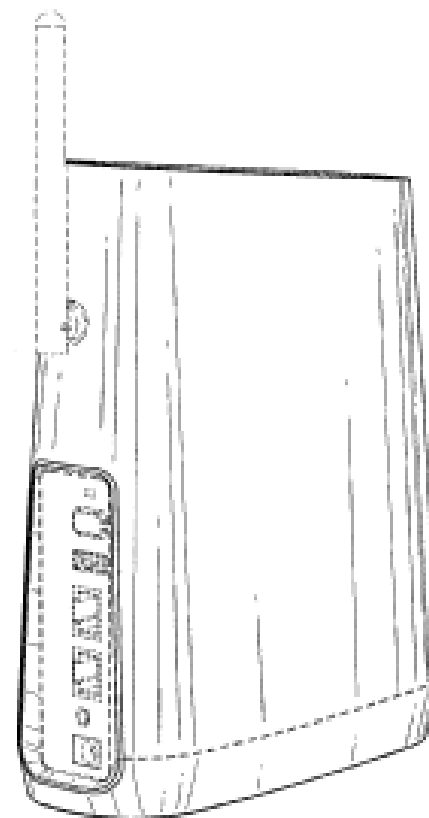
- (21) Design Number: **14448/2010**
(22) Date of Filing Application: **14 October 2010**
(24) Date from which industrial property rights may have effect: **14 October 2010**
(54) Product in respect of which the design is registered: **Tool bag**
(51) International Design Classification: **03-01NES**
(71) Name(s) and Address(s) of Applicant(s):
The Stanley Works Israel Ltd.
19 Ha'melacha Street New Industrial Zone Rosh Ha'ayin 48091 Israel
(72) Name(s) of Designer(s): **David Sosnovsky**
(45) Registration Date: **07 December 2010**
(30) Convention priority data:
(31) Number (32) Date (33) Country
29/367772 12 Aug 2010 UNITED STATES OF AMERICA
(56) Related Art Documents: **Not Applicable**
(57) Statement of Newness and Distinctiveness: **Newness and distinctiveness is claimed in the visual features shown in solid lines in the representations.**



- (21) Design Number: **14575/2010**
(22) Date of Filing Application: **22 October 2010**
(24) Date from which industrial property rights may have effect: **22 October 2010**
(54) Product in respect of which the design is registered: **Massage roller**
(51) International Design Classification: **28-03NES**
(71) Name(s) and Address(s) of Applicant(s):
Robert Sellars
5 Kelso Close Yamanto Queensland 4305 Australia
(72) Name(s) of Designer(s): **Robert Sellars**
(45) Registration Date: **07 December 2010**
(56) Related Art Documents: **Not Applicable**
(57) Statement of Newness and Distinctiveness: **Nil**



- (21) Design Number: **14918/2010**
(22) Date of Filing Application: **12 November 2010**
(24) Date from which industrial property rights may have effect: **12 November 2010**
(54) Product in respect of which the design is registered: **Gateway device**
(51) International Design Classification: **14-02**
(71) Name(s) and Address(s) of Applicant(s):
Belkin International, Inc.
12045 East Waterfront Drive Playa Vista California 90094 United States of America
(72) Name(s) of Designer(s): **Michael Wick**
(45) Registration Date: **07 December 2010**
(30) Convention priority data:
(31) Number (32) Date (33) Country
29/361687 13 May 2010 UNITED STATES OF AMERICA
(56) Related Art Documents: **Not Applicable**
(57) Statement of Newness and Distinctiveness: **Newness and disitinctiveness is claimed in the features of shape and/or configuration of a gateway device as illustrated in solid lines in the accompanying representations.**



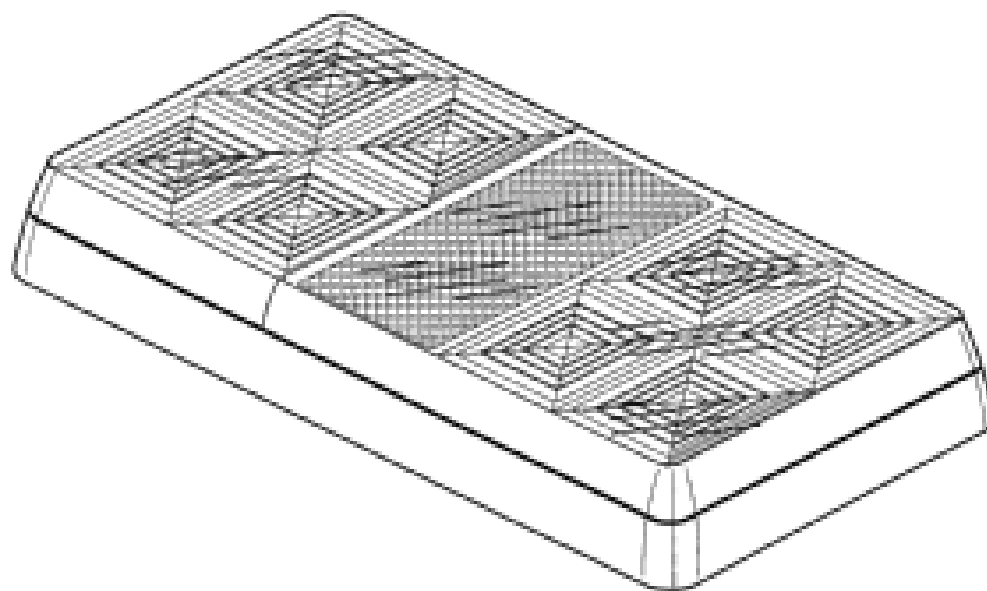
- (21) Design Number: **14940/2010**
(22) Date of Filing Application: **15 November 2010**
(24) Date from which industrial property rights may have effect: **15 November 2010**
(54) Product in respect of which the design is registered: **Garment**
(51) International Design Classification: **02-02NES**
(71) Name(s) and Address(s) of Applicant(s):
Australian Football League
AFL House 140 Harbour Esplanade Docklands Victoria 3008 Australia
(72) Name(s) of Designer(s): **Hilton Flood**
(45) Registration Date: **07 December 2010**
(56) Related Art Documents: **Not Applicable**
(57) Statement of Newness and Distinctiveness: **Nil**



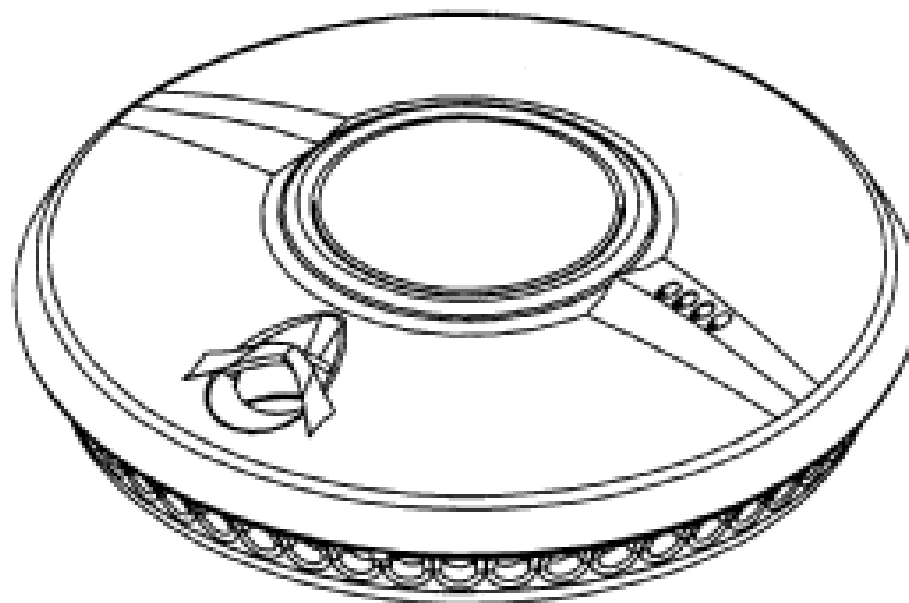
- (21) Design Number: **15109/2010**
(22) Date of Filing Application: **23 November 2010**
(24) Date from which industrial property rights may have effect: **23 November 2010**
(54) Product in respect of which the design is registered: **Clothing patch**
(51) International Design Classification: **11-03**
(71) Name(s) and Address(s) of Applicant(s):
Vietnam Veterans Motorcycle Club (Queensland Chapter) Inc.
132 Meakin Road Kingston Queensland 4144 Australia
(72) Name(s) of Designer(s): **Ian Keith Freund**
(45) Registration Date: **07 December 2010**
(56) Related Art Documents: **Not Applicable**
(57) Statement of Newness and Distinctiveness: **The newness and distinctiveness of the design resides in the pattern or ornamentation applied to the CLOTHING PATCH shown in the representation.**



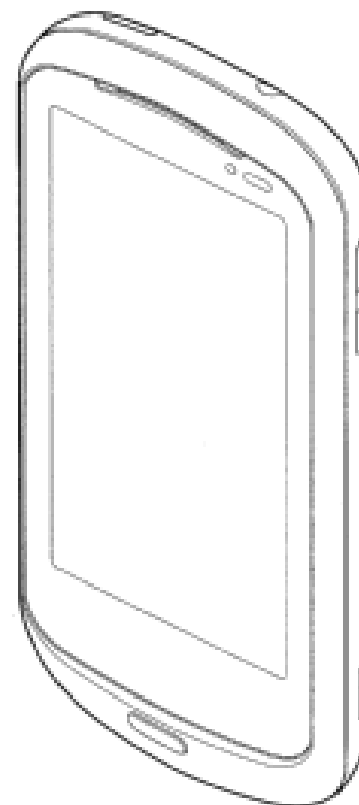
(21) Design Number: **14914/2010**
(22) Date of Filing Application: **12 November 2010**
(24) Date from which industrial property rights may have effect: **12 November 2010**
(54) Product in respect of which the design is registered: **Lens and lighting assembly**
(51) International Design Classification: **12-16E**
(71) Name(s) and Address(s) of Applicant(s):
LED Technologies Pty Ltd
Factory 1 10 Brand Drive Thomastown Victoria 3074 Australia
(72) Name(s) of Designer(s): **Tony Ottobre**
(45) Registration Date: **08 December 2010**
(56) Related Art Documents: **Not Applicable**
(57) Statement of Newness and Distinctiveness: **Nil**



(21) Design Number: **14915/2010**
(22) Date of Filing Application: **12 November 2010**
(24) Date from which industrial property rights may have effect: **12 November 2010**
(54) Product in respect of which the design is registered: **Alarm**
(51) International Design Classification: **10-05**
(71) Name(s) and Address(s) of Applicant(s):
Sprue Safety Products Ltd.
Bridge House 4 Borough High Street London SE1 9QP United Kingdom
(72) Name(s) of Designer(s): **David Treharne and Peter Brigham and Simon McMahon and Adrian Game**
(45) Registration Date: **08 December 2010**
(30) Convention priority data:
(31) Number (32) Date (33) Country
001213664 12 May 2010 EUROPEAN COMMUNITY
(56) Related Art Documents: **Not Applicable**
(57) Statement of Newness and Distinctiveness: **The shape and configuration of those parts of the design shown by means of solid lines in the representations are new and distinctive.**



(21) Design Number: **14934/2010**
(22) Date of Filing Application: **15 November 2010**
(24) Date from which industrial property rights may have effect: **15 November 2010**
(54) Product in respect of which the design is registered: **Mobile phone**
(51) International Design Classification: **14-03E**
(71) Name(s) and Address(s) of Applicant(s):
LG Electronics Inc.
20 Yeouido-dong Youngdeungpo-gu Seoul 150-721 Republic of Korea
(72) Name(s) of Designer(s): **Jinki Min**
(45) Registration Date: **08 December 2010**
(30) Convention priority data:
(31) Number (32) Date (33) Country
30-2010-0022147 18 May 2010 REPUBLIC OF KOREA
(56) Related Art Documents: **Not Applicable**
(57) Statement of Newness and Distinctiveness: **Nil**



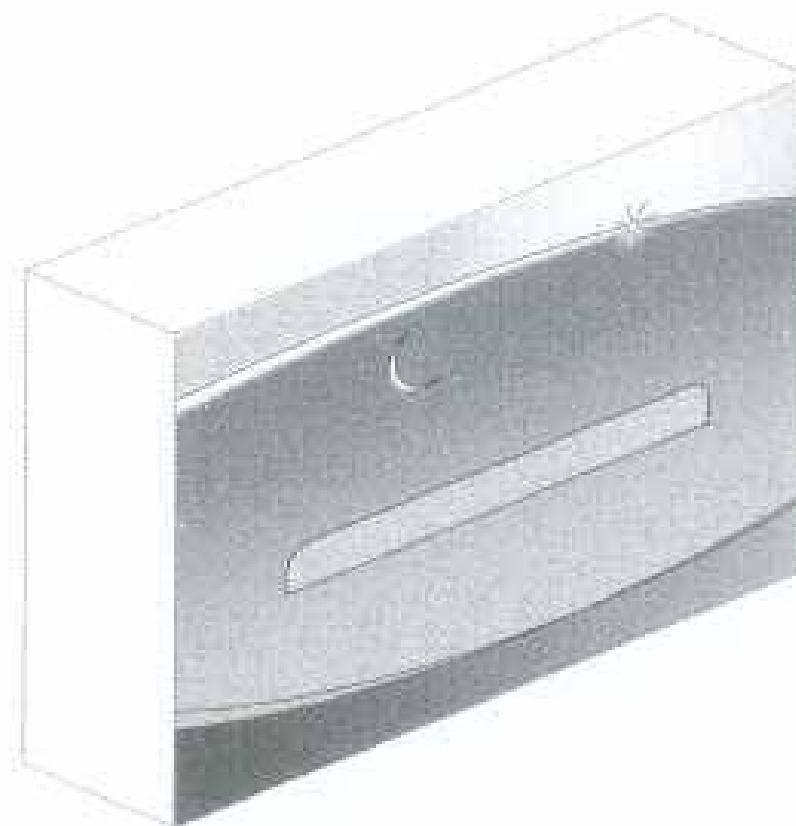
(21) Design Number: **14935/2010**
(22) Date of Filing Application: **15 November 2010**
(24) Date from which industrial property rights may have effect: **15 November 2010**
(54) Product in respect of which the design is registered: **The pop out nursing pillow**
(51) International Design Classification: **06-09**
(71) Name(s) and Address(s) of Applicant(s):
Madeleine Atallah
3/219 Alison Road Randwick New South Wales 2031 Australia
(72) Name(s) of Designer(s): **Madeleine Atallah**
(45) Registration Date: **08 December 2010**
(56) Related Art Documents: **Not Applicable**
(57) Statement of Newness and Distinctiveness: **A portable nursing pillow that folds up compactly and press studs together. Stitching above tab indicates Velcro access to removable pillow insert.**



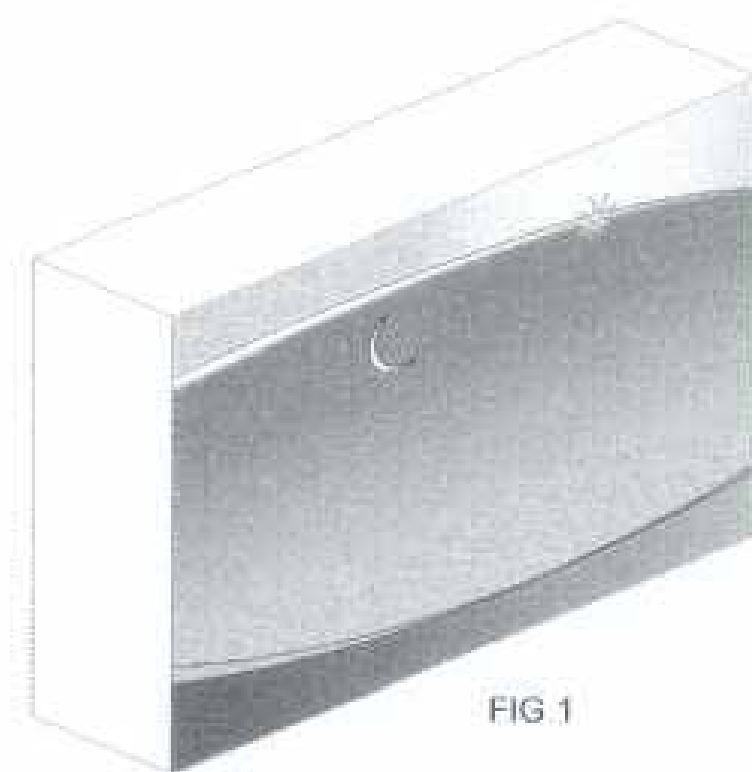
- (21) Design Number: **14941/2010**
(22) Date of Filing Application: **15 November 2010**
(24) Date from which industrial property rights may have effect: **15 November 2010**
(54) Product in respect of which the design is registered: **Garment**
(51) International Design Classification: **02-02NES**
(71) Name(s) and Address(s) of Applicant(s):
Australian Football League
AFL House 140 Harbour Esplanade Docklands Victoria 3008 Australia
(72) Name(s) of Designer(s): **Gabriel Mello**
(45) Registration Date: **08 December 2010**
(56) Related Art Documents: **Not Applicable**
(57) Statement of Newness and Distinctiveness: **Nil**



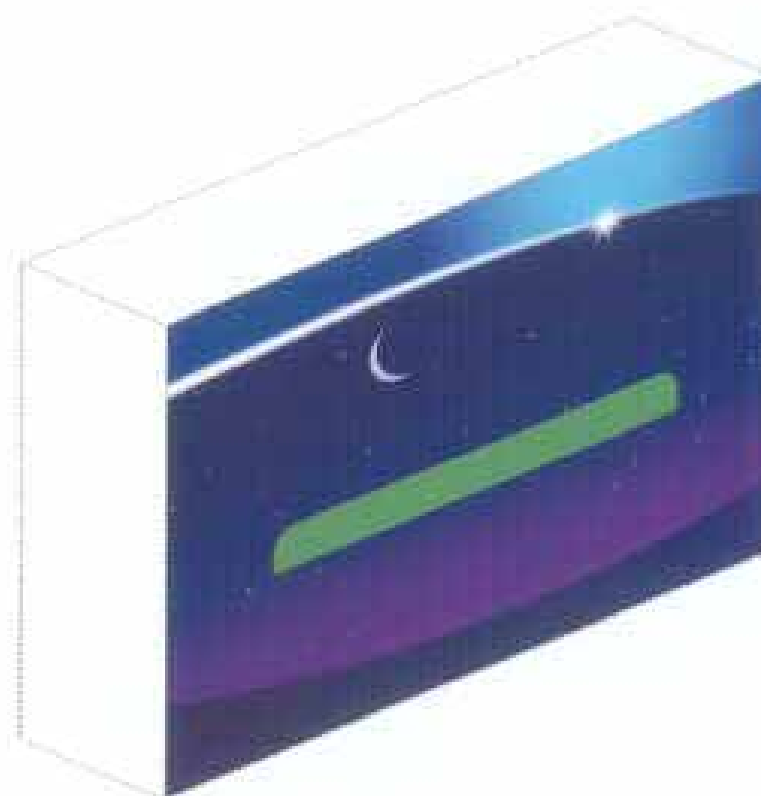
- (21) Design Number: **14943/2010**
(22) Date of Filing Application: **15 November 2010**
(24) Date from which industrial property rights may have effect: **15 November 2010**
(54) Product in respect of which the design is registered: **Packaging container with surface ornamentation**
(51) International Design Classification: **09-03M**
(71) Name(s) and Address(s) of Applicant(s):
The Procter & Gamble Company
One Procter & Gamble Plaza Cincinnati Ohio 45202 United States of America
(72) Name(s) of Designer(s): **Diane Danheiser Powers and Andrea Marie Subler and Aaron Burghard**
(45) Registration Date: **08 December 2010**
(30) Convention priority data:
(31) Number (32) Date (33) Country
29/361,869 17 May 2010 UNITED STATES OF AMERICA
(56) Related Art Documents: **Not Applicable**
(57) Statement of Newness and Distinctiveness: **Those features of the packaging for a container with surface ornamentation depicted in the representations that are new and distinctive are the pattern and/or ornamentation. The stippling shown in Figs 1-2 may be in any colour or combination of colours. The features shown in broken line are not part of the design and are to be disregarded when considering the overall impression of the design.**



- (21) Design Number: **14945/2010**
(22) Date of Filing Application: **15 November 2010**
(24) Date from which industrial property rights may have effect: **15 November 2010**
(54) Product in respect of which the design is registered: **Packaging container with surface ornamentation**
(51) International Design Classification: **09-03M**
(71) Name(s) and Address(s) of Applicant(s):
The Procter & Gamble Company
One Procter & Gamble Plaza Cincinnati Ohio 45202 United States of America
(72) Name(s) of Designer(s): **Diane Danheiser Powers and Andrea Marie Subler and Aaron Burghard**
(45) Registration Date: **08 December 2010**
(30) Convention priority data:
(31) Number (32) Date (33) Country
29/361,869 17 May 2010 UNITED STATES OF AMERICA
(56) Related Art Documents: **Not Applicable**
(57) Statement of Newness and Distinctiveness: **Those features of the packaging for a container with surface ornamentation depicted in the representations that are new and distinctive are the pattern and/or ornamentation. The stippling shown in Figs 1-2 may be in any colour or combination of colours. The features shown in broken line are not part of the design and are to be disregarded when considering the overall impression of the design.**



- (21) Design Number: **14950/2010**
(22) Date of Filing Application: **15 November 2010**
(24) Date from which industrial property rights may have effect: **15 November 2010**
(54) Product in respect of which the design is registered: **Packaging container with surface ornamentation**
(51) International Design Classification: **09-03M**
(71) Name(s) and Address(s) of Applicant(s):
The Procter & Gamble Company
One Procter & Gamble Plaza Cincinnati Ohio 45202 United States of America
(72) Name(s) of Designer(s): **Diane Danheiser Powers and Andrea Marie Subler and Aaron Burghard**
(45) Registration Date: **08 December 2010**
(30) Convention priority data:
(31) Number (32) Date (33) Country
29/361,869 17 May 2010 UNITED STATES OF AMERICA
(56) Related Art Documents: **Not Applicable**
(57) Statement of Newness and Distinctiveness: **Those features of the packaging for a container with surface ornamentation depicted in the representations that are new and distinctive are the pattern and/or ornamentation. The features shown in broken line are not part of the design and are to be disregarded when considering the overall impression of the design.**



- (21) Design Number: **14952/2010**
(22) Date of Filing Application: **15 November 2010**
(24) Date from which industrial property rights may have effect: **15 November 2010**
(54) Product in respect of which the design is registered: **Packaging container with surface ornamentation**
(51) International Design Classification: **09-03M**
(71) Name(s) and Address(s) of Applicant(s):
The Procter & Gamble Company
One Procter & Gamble Plaza Cincinnati Ohio 45202 United States of America
(72) Name(s) of Designer(s): **Diane Danheiser Powers and Andrea Marie Subler and Aaron Burghard**
(45) Registration Date: **08 December 2010**
(30) Convention priority data:
(31) Number (32) Date (33) Country
29/361,869 17 May 2010 UNITED STATES OF AMERICA
(56) Related Art Documents: **Not Applicable**
(57) Statement of Newness and Distinctiveness: **Those features of the packaging for a container with surface ornamentation depicted in the representations that are new and distinctive are the pattern and/or ornamentation. The features shown in broken line are not part of the design and are to be disregarded when considering the overall impression of the design.**



- (21) Design Number: **14953/2010**
(22) Date of Filing Application: **15 November 2010**
(24) Date from which industrial property rights may have effect: **15 November 2010**
(54) Product in respect of which the design is registered: **Packaging container with surface ornamentation**
(51) International Design Classification: **09-01NES**
(71) Name(s) and Address(s) of Applicant(s):
The Procter & Gamble Company
One Procter & Gamble Plaza Cincinnati Ohio 45202 United States of America
(72) Name(s) of Designer(s): **Diane Danheiser Powers and Andrea Marie Subler and Aaron Burghard**
(45) Registration Date: **08 December 2010**
(30) Convention priority data:
(31) Number (32) Date (33) Country
29/361,869 17 May 2010 UNITED STATES OF AMERICA
(56) Related Art Documents: **Not Applicable**
(57) Statement of Newness and Distinctiveness: **Those features of the packaging for a container with surface ornamentation depicted in the representations that are new and distinctive are the pattern and/or ornamentation. The stippling shown in Figs 1-2 may be in any colour or combination of colours. The features shown in broken line are not part of the design and are to be disregarded when considering the overall impression of the design.**



- (21) Design Number: **14955/2010**
(22) Date of Filing Application: **15 November 2010**
(24) Date from which industrial property rights may have effect: **15 November 2010**
(54) Product in respect of which the design is registered: **Packaging container with surface ornamentation**
(51) International Design Classification: **09-01NES**
(71) Name(s) and Address(s) of Applicant(s):
The Procter & Gamble Company
One Procter & Gamble Plaza Cincinnati Ohio 45202 United States of America
(72) Name(s) of Designer(s): **Diane Danheiser Powers and Andrea Marie Subler and Aaron Burghard**
(45) Registration Date: **08 December 2010**
(30) Convention priority data:
(31) Number (32) Date (33) Country
29/361,869 17 May 2010 UNITED STATES OF AMERICA
(56) Related Art Documents: **Not Applicable**
(57) Statement of Newness and Distinctiveness: **Those features of the packaging for a container with surface ornamentation depicted in the representations that are new and distinctive are the pattern and/or ornamentation. The stippling shown in Figs 1-2 may be in any colour or combination of colours. The features shown in broken line are not part of the design and are to be disregarded when considering the overall impression of the design.**



- (21) Design Number: **14957/2010**
(22) Date of Filing Application: **15 November 2010**
(24) Date from which industrial property rights may have effect: **15 November 2010**
(54) Product in respect of which the design is registered: **Packaging container with surface ornamentation**
(51) International Design Classification: **09-01NES**
(71) Name(s) and Address(s) of Applicant(s):
The Procter & Gamble Company
One Procter & Gamble Plaza Cincinnati Ohio 45202 United States of America
(72) Name(s) of Designer(s): **Diane Danheiser Powers and Andrea Marie Subler and Aaron Burghard**
(45) Registration Date: **08 December 2010**
(30) Convention priority data:
(31) Number (32) Date (33) Country
29/361,869 17 May 2010 UNITED STATES OF AMERICA
(56) Related Art Documents: **Not Applicable**
(57) Statement of Newness and Distinctiveness: **Those features of the packaging for a container with surface ornamentation depicted in the representations that are new and distinctive are the pattern and/or ornamentation. The features shown in broken line are not part of the design and are to be disregarded when considering the overall impression of the design.**



(21) Design Number: **14958/2010**

(22) Date of Filing Application: **15 November 2010**

(24) Date from which industrial property rights may have effect: **15 November 2010**

(54) Product in respect of which the design is registered: **Packaging container with surface ornamentation**

(51) International Design Classification: **09-01NES**

(71) Name(s) and Address(s) of Applicant(s):

**The Procter & Gamble Company
One Procter & Gamble Plaza Cincinnati Ohio 45202 United States of America**

(72) Name(s) of Designer(s): **Diane Danheiser Powers and Andrea Marie Subler and Aaron Burghard**

(45) Registration Date: **08 December 2010**

(30) Convention priority data:

(31) Number	(32) Date	(33) Country
29/361,869	17 May 2010	UNITED STATES OF AMERICA

(56) Related Art Documents: **Not Applicable**

(57) Statement of Newness and Distinctiveness: **Those features of the packaging for a container with surface ornamentation depicted in the representations that are new and distinctive are the pattern and/or ornamentation. The features shown in broken line are not part of the design and are to be disregarded when considering the overall impression of the design.**



(21) Design Number: **14963/2010**

(22) Date of Filing Application: **15 November 2010**

(24) Date from which industrial property rights may have effect: **15 November 2010**

(54) Product in respect of which the design is registered: **Three head dry shaver**

(51) International Design Classification: **28-03A**

(71) Name(s) and Address(s) of Applicant(s):

**Koninklijke Philips Electronics N.V.
Groenewoudseweg 1 5621 BA Eindhoven The Netherlands**

(72) Name(s) of Designer(s): **Da-Mi Byun**

(45) Registration Date: **08 December 2010**

(30) Convention priority data:

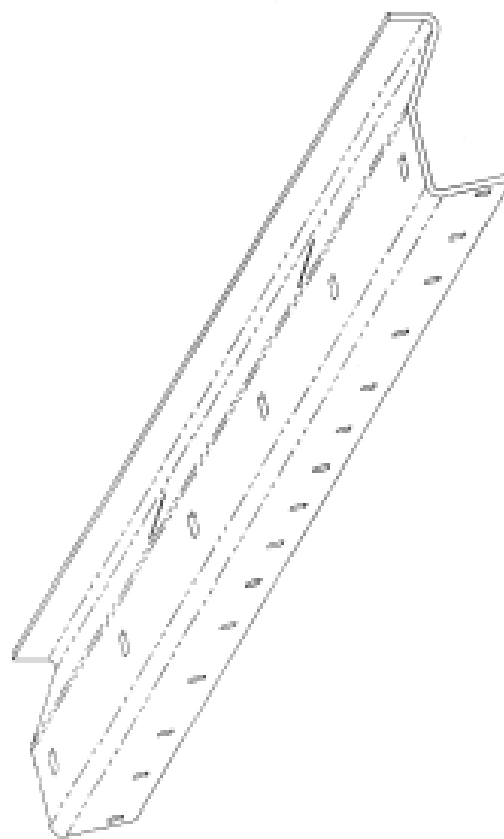
(31) Number	(32) Date	(33) Country
001710112	20 May 2010	EUROPEAN COMMUNITY

(56) Related Art Documents: **Not Applicable**

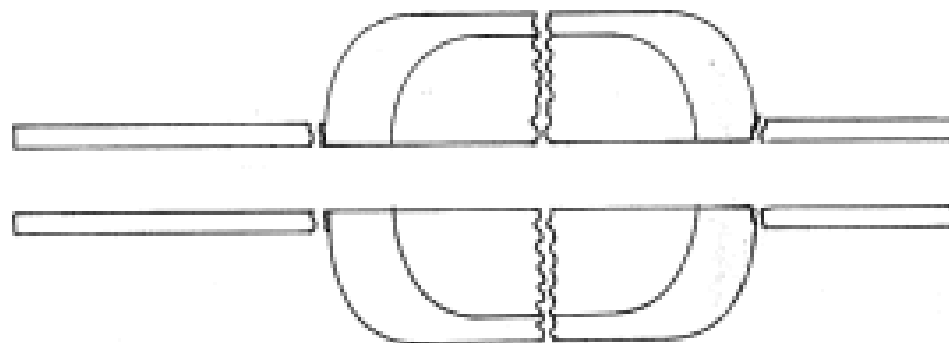
(57) Statement of Newness and Distinctiveness: **Newness and distinctiveness reside in the features of shape and configuration of the design as shown in the representations.**



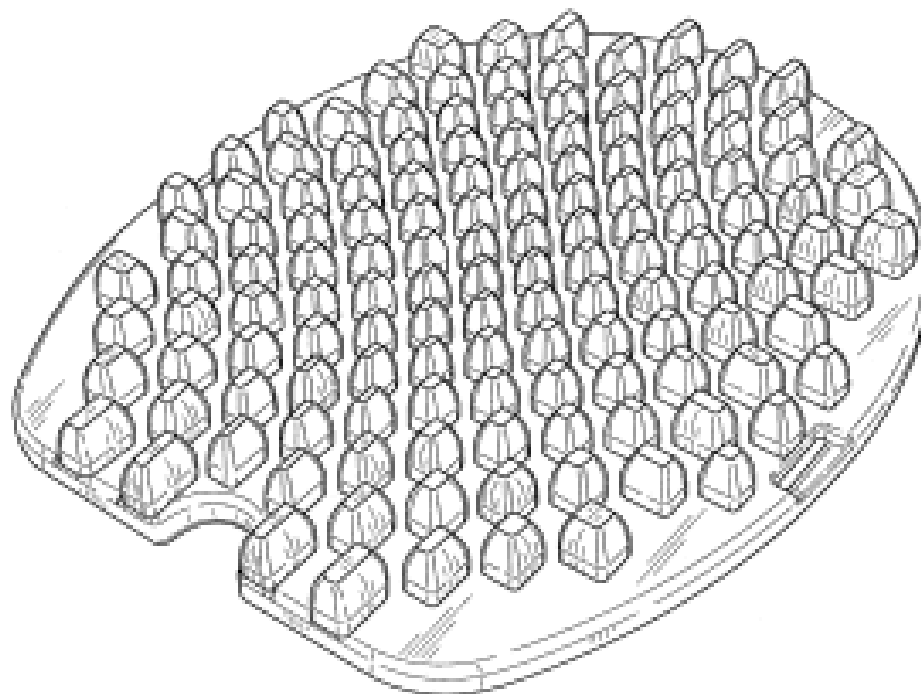
- (21) Design Number: **12243/2010**
(22) Date of Filing Application: **31 May 2010**
(24) Date from which industrial property rights may have effect: **31 May 2010**
(54) Product in respect of which the design is registered: **Fence post**
(51) International Design Classification: **25-01E**
(71) Name(s) and Address(s) of Applicant(s):
Bluedog Fences Australia Pty Ltd
Unit 3/119 Wicks Road North Ryde New South Wales 2113 Australia
(72) Name(s) of Designer(s): **James D.F. West**
(45) Registration Date: **08 December 2010**
(56) Related Art Documents: **Not Applicable**
(57) Statement of Newness and Distinctiveness: **Monopoly is claimed in the features of shape and configuration of a fence post as shown in the representations.**



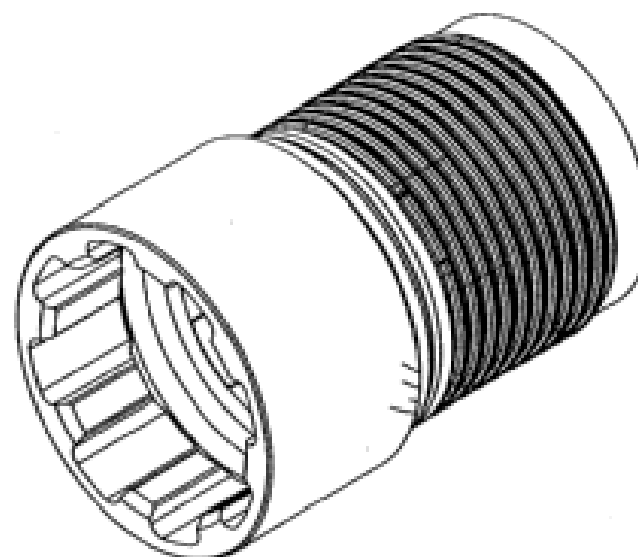
- (21) Design Number: **13128/2010**
(22) Date of Filing Application: **26 July 2010**
(24) Date from which industrial property rights may have effect: **26 July 2010**
(54) Product in respect of which the design is registered: **Utility under tray mudguard**
(51) International Design Classification: **12-16B**
(71) Name(s) and Address(s) of Applicant(s):
Melanie Jayne Fletcher
U3-124 Pohlman Street Southport Queensland 4215 Australia
Barry Leslie Whitworth
U3-124 Pohlman Street Southport Queensland 4215 Australia
Damian Morgan Whitworth
U3-124 Pohlman Street Southport Queensland 4215 Australia
(72) Name(s) of Designer(s): **Barry Leslie Whitworth and Melanie Jayne Fletcher and Damian Morgan Whitworth**
(45) Registration Date: **08 December 2010**
(56) Related Art Documents: **Not Applicable**
(57) Statement of Newness and Distinctiveness: **Under utility mudguard and side cover is to hide chassis rail and to improve the look of under the tray of the utility.**



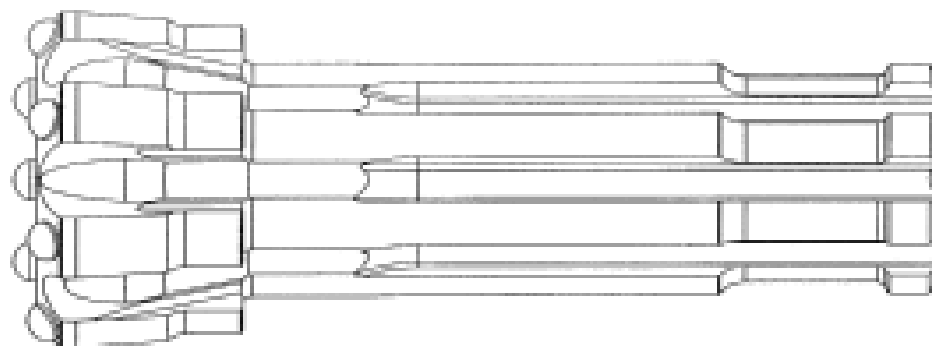
- (21) Design Number: **14233/2010**
(22) Date of Filing Application: **11 October 2010**
(24) Date from which industrial property rights may have effect: **11 October 2010**
(54) Product in respect of which the design is registered: **Adjustment racquet string device**
(51) International Design Classification: **08-05NES, 21-02B**
(71) Name(s) and Address(s) of Applicant(s):
Bartlomiej Cisek
61-23 65th Street Fl 1 Middle Village New York 11379 United States of America
(72) Name(s) of Designer(s): **Bartlomiej Cisek**
(45) Registration Date: **08 December 2010**
(30) Convention priority data:
(31) Number (32) Date (33) Country
W-118934 15 Apr 2010 POLAND
(56) Related Art Documents: **Not Applicable**
(57) Statement of Newness and Distinctiveness: **Those features of the adjustment racquet string device depicted in the representations that are new and distinctive are the shape and/or configuration. The bottom view (Fig. 7) is not part of the design and is to be disregarded when considering the overall impression of the design.**



- (21) Design Number: **14601/2010**
(22) Date of Filing Application: **22 October 2010**
(24) Date from which industrial property rights may have effect: **22 October 2010**
(54) Product in respect of which the design is registered: **Drive sub**
(51) International Design Classification: **08-01**
(71) Name(s) and Address(s) of Applicant(s):
Drilling Tools Australia Pty Ltd
24#26 Gauge Circuit Canning Vale Western Australia 6155 Australia
(72) Name(s) of Designer(s): **Brian Sanfead**
(45) Registration Date: **08 December 2010**
(56) Related Art Documents: **Not Applicable**
(57) Statement of Newness and Distinctiveness: **Nil**



- (21) Design Number: **14602/2010**
(22) Date of Filing Application: **22 October 2010**
(24) Date from which industrial property rights may have effect: **22 October 2010**
(54) Product in respect of which the design is registered: **Drill bit**
(51) International Design Classification: **08-01**
(71) Name(s) and Address(s) of Applicant(s):
Drilling Tools Australia Pty Ltd
24#26 Gauge Circuit Canning Vale Western Australia 6155 Australia
(72) Name(s) of Designer(s): **Brian Sanfead**
(45) Registration Date: **08 December 2010**
(56) Related Art Documents: **Not Applicable**
(57) Statement of Newness and Distinctiveness: **Nil**



- (21) Design Number: **14633/2010**
(22) Date of Filing Application: **27 October 2010**
(24) Date from which industrial property rights may have effect: **27 October 2010**
(54) Product in respect of which the design is registered: **Car seat**
(51) International Design Classification: **06-01D**
(71) Name(s) and Address(s) of Applicant(s):
Max-Inf (Ningbo) Baby Product Co., Ltd.
No. 188 West Jinhui Road Yinzhou Investment & Business Incubation
of Ningbo Zhejiang Province China
(72) Name(s) of Designer(s): **Lihong Xu and Gangsheng Xiao and Mingjun Liu**
(45) Registration Date: **08 December 2010**
(30) Convention priority data:
(31) Number (32) Date (33) Country
201030218470.8 18 Jun 2010 CHINA
(56) Related Art Documents: **Not Applicable**
(57) Statement of Newness and Distinctiveness: **Newness and distinctiveness resides in the features of shape and/or configuration of a car seat as shown in the accompanying representations.**



(21) Design Number: **14677/2010**
(22) Date of Filing Application: **28 October 2010**
(24) Date from which industrial property rights may have effect: **28 October 2010**
(54) Product in respect of which the design is registered: **Trailer guide post**
(51) International Design Classification: **12-16L**
(71) Name(s) and Address(s) of Applicant(s):
CMBC Direct Pty Ltd
Ground Floor 12 Gipps Street Collingwood Victoria 3066 Australia
(72) Name(s) of Designer(s): **Charlie Cutajar**
(45) Registration Date: **08 December 2010**
(56) Related Art Documents: **Not Applicable**
(57) Statement of Newness and Distinctiveness: **Nil**



(21) Design Number: **14728/2010**
(22) Date of Filing Application: **03 November 2010**
(24) Date from which industrial property rights may have effect: **03 November 2010**
(54) Product in respect of which the design is registered: **Stroller cover**
(51) International Design Classification: **03-03**
(71) Name(s) and Address(s) of Applicant(s):
Outlook Australia Pty Ltd
1 Braemer Court Benowa Queensland 4217 Australia
(72) Name(s) of Designer(s): **Eileen Marie Hoey-Slocombe**
(45) Registration Date: **08 December 2010**
(56) Related Art Documents: **Not Applicable**
(57) Statement of Newness and Distinctiveness: **Nil**



(21) Design Number: **14729/2010**

(22) Date of Filing Application: **03 November 2010**

(24) Date from which industrial property rights may have effect: **03 November 2010**

(54) Product in respect of which the design is registered: **Stroller shade**

(51) International Design Classification: **03-03**

(71) Name(s) and Address(s) of Applicant(s):

Outlook Australia Pty Ltd

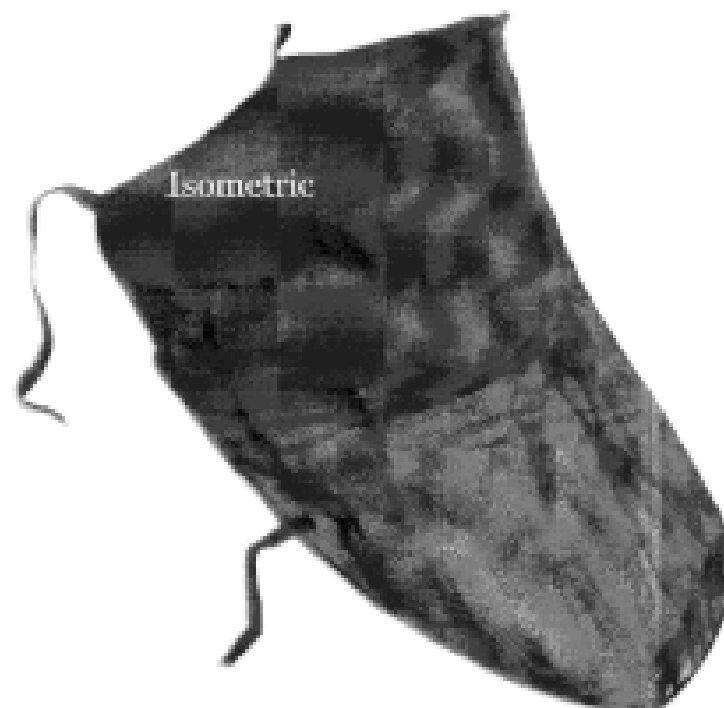
1 Braemer Court Benowa Queensland 4217 Australia

(72) Name(s) of Designer(s): **Eileen Marie Hoey-Slocombe**

(45) Registration Date: **08 December 2010**

(56) Related Art Documents: **Not Applicable**

(57) Statement of Newness and Distinctiveness: **Nil**



(21) Design Number: **14730/2010**

(22) Date of Filing Application: **03 November 2010**

(24) Date from which industrial property rights may have effect: **03 November 2010**

(54) Product in respect of which the design is registered: **Stroller shade**

(51) International Design Classification: **03-03**

(71) Name(s) and Address(s) of Applicant(s):

Outlook Australia Pty Ltd

1 Braemer Court Benowa Queensland 4217 Australia

(72) Name(s) of Designer(s): **Eileen Marie Hoey-Slocombe**

(45) Registration Date: **08 December 2010**

(56) Related Art Documents: **Not Applicable**

(57) Statement of Newness and Distinctiveness: **Nil**



(21) Design Number: **14912/2010**
(22) Date of Filing Application: **12 November 2010**
(24) Date from which industrial property rights may have effect: **12 November 2010**
(54) Product in respect of which the design is registered: **Bottle**
(51) International Design Classification: **09-01NES**
(71) Name(s) and Address(s) of Applicant(s):
Red Bull GmbH
Am Brunnen 1 5330 Fuschl am See Austria
(72) Name(s) of Designer(s): **Roland Concini and Peter Huls and Matthias Rinderer**
(45) Registration Date: **08 December 2010**
(30) Convention priority data:
(31) Number (32) Date (33) Country
001723693 24 Jun 2010 EUROPEAN COMMUNITY
(56) Related Art Documents: **Not Applicable**
(57) Statement of Newness and Distinctiveness: **Nil**



(21) Design Number: **14913/2010**
(22) Date of Filing Application: **12 November 2010**
(24) Date from which industrial property rights may have effect: **12 November 2010**
(54) Product in respect of which the design is registered: **Bottle**
(51) International Design Classification: **09-01NES**
(71) Name(s) and Address(s) of Applicant(s):
Red Bull GmbH
Am Brunnen 1 5330 Fuschl am See Austria
(72) Name(s) of Designer(s): **Roland Concini and Peter Huls and Matthias Rinderer**
(45) Registration Date: **08 December 2010**
(30) Convention priority data:
(31) Number (32) Date (33) Country
001723693 24 Jun 2010 EUROPEAN COMMUNITY
(56) Related Art Documents: **Not Applicable**
(57) Statement of Newness and Distinctiveness: **Nil**



(21) Design Number: **13192/2010**

(22) Date of Filing Application: **29 July 2010**

(24) Date from which industrial property rights may have effect: **29 July 2010**

(54) Product in respect of which the design is registered: **Banner stand**

(51) International Design Classification: **20-02NES**

(71) Name(s) and Address(s) of Applicant(s):

Bin Xiong Qian

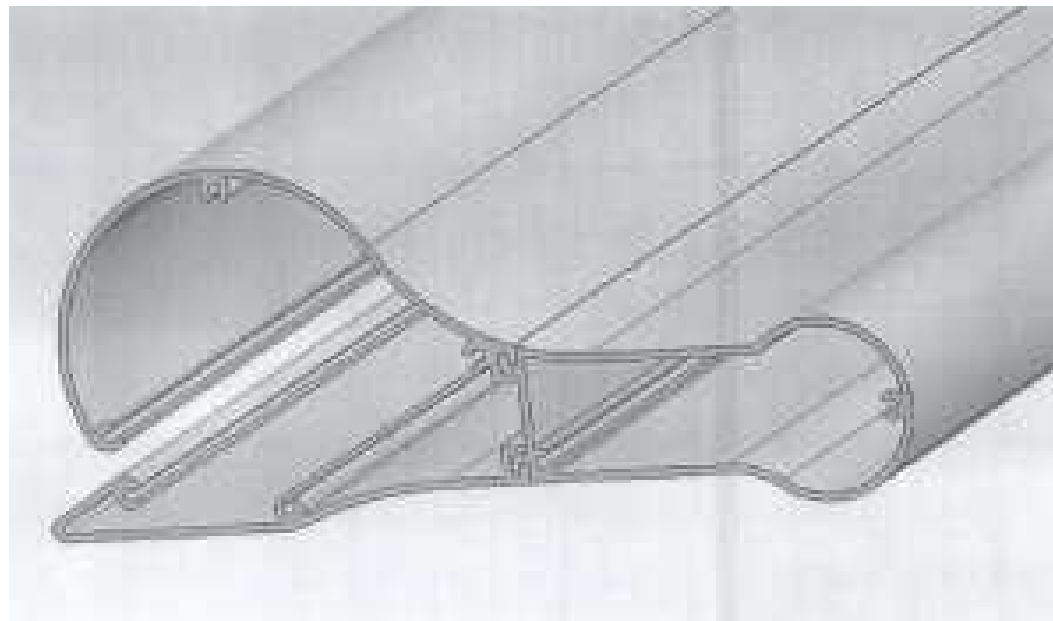
6/12-16 Short Road Riverwood New South Wales 2210 Australia

(72) Name(s) of Designer(s): **Bin Xiong Qian**

(45) Registration Date: **07 December 2010**

(56) Related Art Documents: **Not Applicable**

(57) Statement of Newness and Distinctiveness: **This banner stand is designed with graphic chamber at forefront of the base. Critical front edge largely contributed to prevent stand tipping forward. 3 extrusion profiles interconnects with side plates to form the solid structure. The low back box extrusion profile enforce the rigidness. The overall appearance.**



(21) Design Number: **14013/2010**

(22) Date of Filing Application: **15 September 2010**

(24) Date from which industrial property rights may have effect: **15 September 2010**

(54) Product in respect of which the design is registered: **Profile**

(51) International Design Classification: **25-01K**

(71) Name(s) and Address(s) of Applicant(s):

RMD Industries Pty Ltd

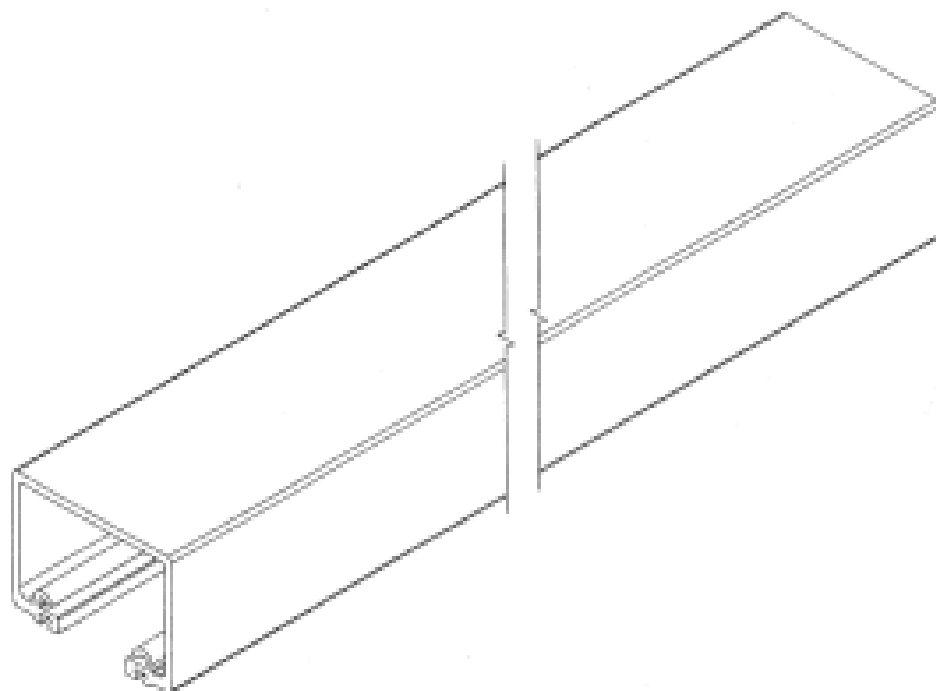
6-10 Market Road Sunshine Victoria 3020 Australia

(72) Name(s) of Designer(s): **Louise Helen Page**

(45) Registration Date: **07 December 2010**

(56) Related Art Documents: **Not Applicable**

(57) Statement of Newness and Distinctiveness: **Newness and distinctiveness is claimed in the visual features shown in the representations. The article is of indefinite length as shown by break along its length and is of constant cross-section throughout its length.**



- (21) Design Number: **14696/2010**
- (22) Date of Filing Application: **29 October 2010**
- (24) Date from which industrial property rights may have effect: **29 October 2010**
- (54) Product in respect of which the design is registered: **Electronic calculator**
- (51) International Design Classification: **18-01**
- (71) Name(s) and Address(s) of Applicant(s):

Sharp Kabushiki Kaisha
22-22 Nagaike-cho Abeno-ku Osaka Japan

- (72) Name(s) of Designer(s): **Shin Takahashi**

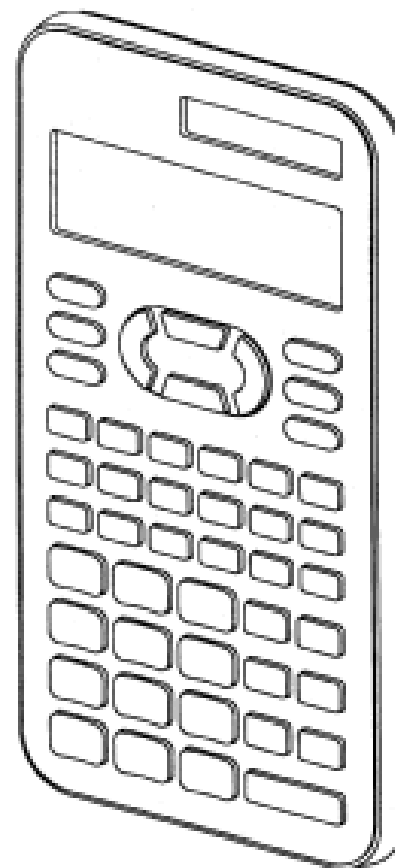
- (45) Registration Date: **07 December 2010**

- (30) Convention priority data:

(31) Number	(32) Date	(33) Country
2010-017257	15 Jul 2010	JAPAN

- (56) Related Art Documents: **Not Applicable**

- (57) Statement of Newness and Distinctiveness: **Newness and distinctiveness is claimed in the visual features shown in solid lines in the representations.**



- (21) Design Number: **14903/2010**
- (22) Date of Filing Application: **11 November 2010**
- (24) Date from which industrial property rights may have effect: **11 November 2010**
- (54) Product in respect of which the design is registered: **Speedometer**
- (51) International Design Classification: **10-04**
- (71) Name(s) and Address(s) of Applicant(s):

Radarlux Radar Systems GmbH
Rottgerweg 10 51371 Leverkusen Germany

- (72) Name(s) of Designer(s): **Arne Bergmann**

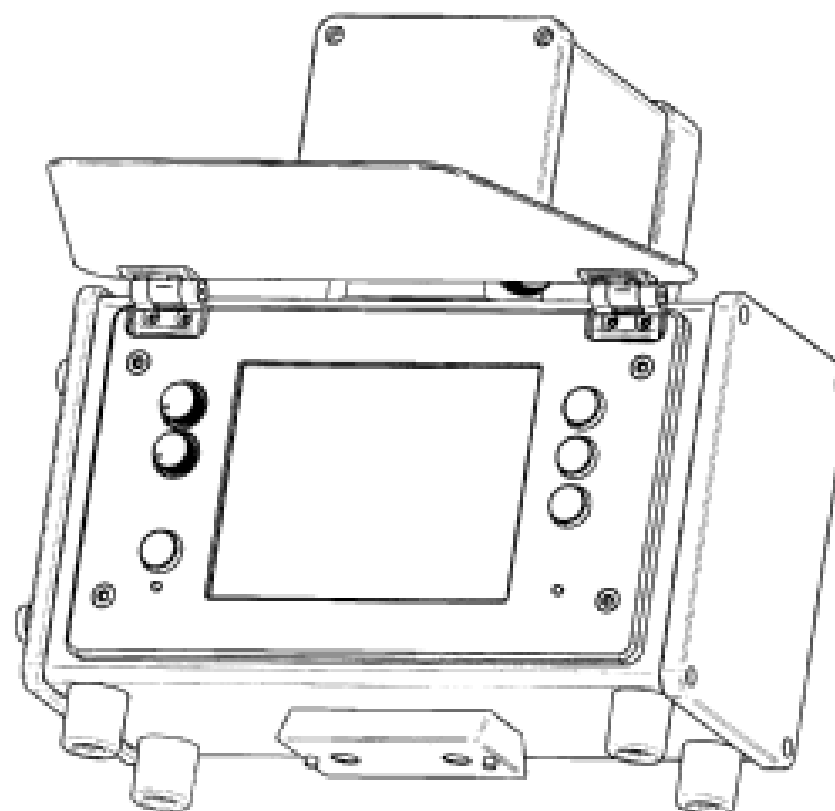
- (45) Registration Date: **07 December 2010**

- (30) Convention priority data:

(31) Number	(32) Date	(33) Country
565587801	22 Sep 2010	WORLD INTELLECTUAL PROPERTY ORGANIZATION (WIPO)

- (56) Related Art Documents: **Not Applicable**

- (57) Statement of Newness and Distinctiveness: **Newness and distinctiveness resides in the features of shape and configuration of the speedometer shown in the accompanying representations.**



(21) Design Number: **14904/2010**
(22) Date of Filing Application: **11 November 2010**
(24) Date from which industrial property rights may have effect: **11 November 2010**
(54) Product in respect of which the design is registered: **Speedometer**
(51) International Design Classification: **10-04**
(71) Name(s) and Address(s) of Applicant(s):

Radarlux Radar Systems GmbH
Rottgerweg 10 51371 Leverkusen Germany

(72) Name(s) of Designer(s): **Arne Bergmann**

(45) Registration Date: **07 December 2010**

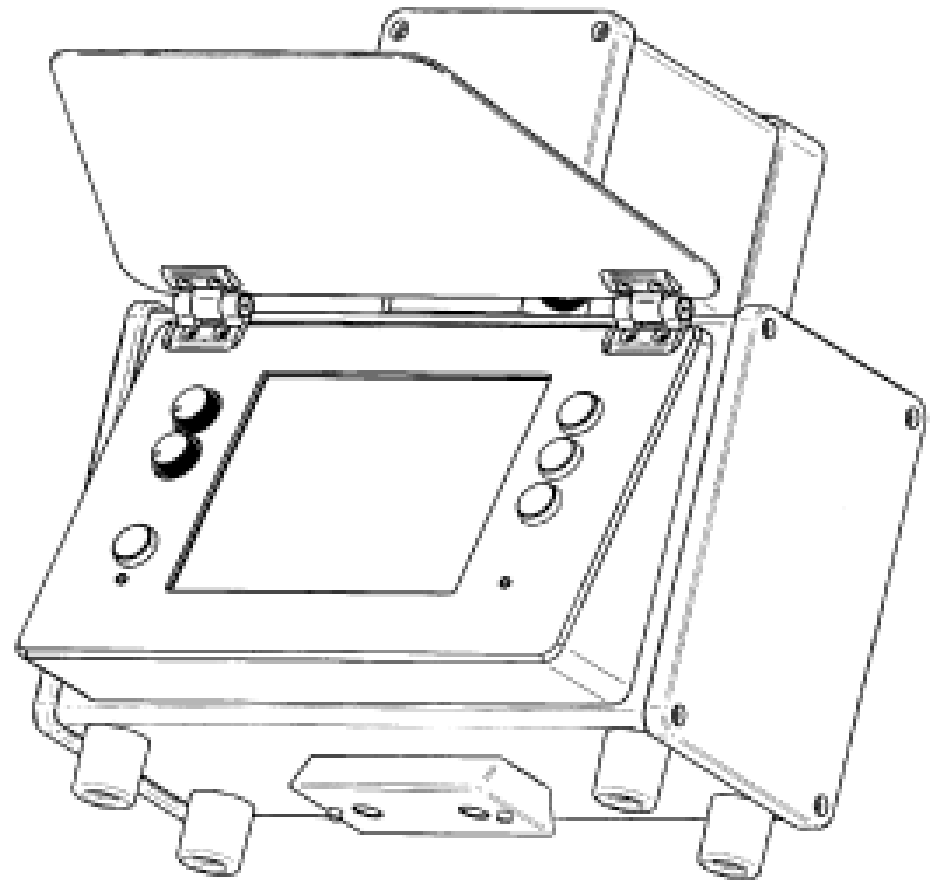
(30) Convention priority data:

(31) Number (32) Date
565587801 22 Sep 2010

(33) Country
**WORLD INTELLECTUAL
PROPERTY ORGANIZATION
(WIPO)**

(56) Related Art Documents: **Not Applicable**

(57) Statement of Newness and Distinctiveness: **Newness and distinctiveness resides in the features of shape and configuration of the speedometer shown in the accompanying representations.**



(21) Design Number: **14908/2010**
(22) Date of Filing Application: **15 September 2010**
(24) Date from which industrial property rights may have effect: **15 September 2010**
(54) Product in respect of which the design is registered: **Profile**
(51) International Design Classification: **25-01K**
(71) Name(s) and Address(s) of Applicant(s):

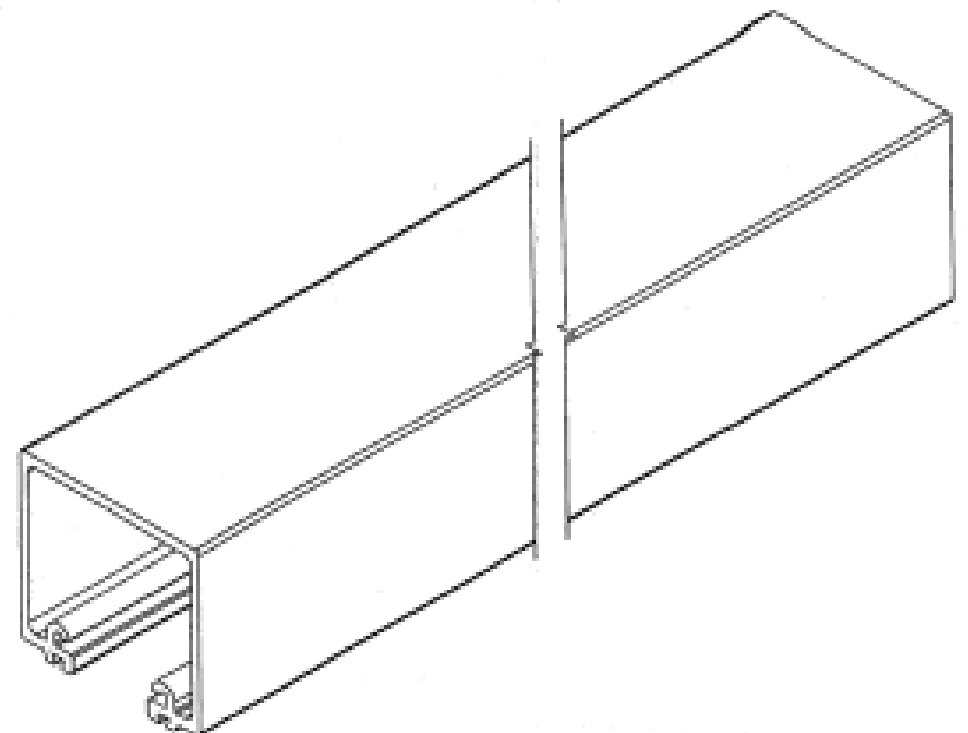
RMD Industries Pty Ltd
6-10 Market Road Sunshine Victoria 3020 Australia

(72) Name(s) of Designer(s): **Louise Helen Page**

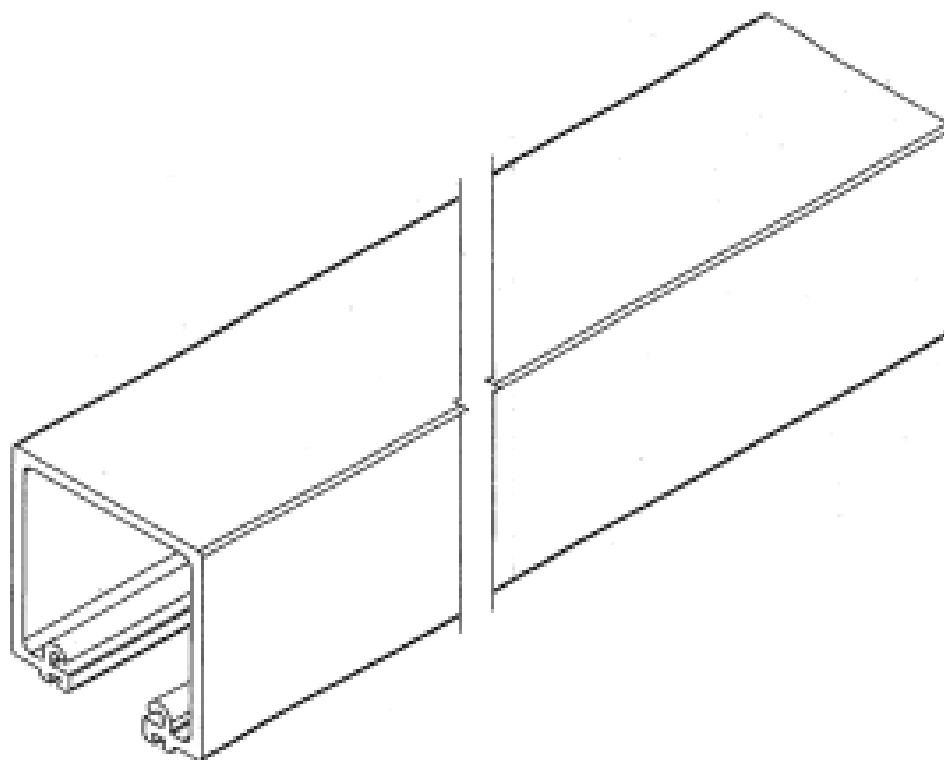
(45) Registration Date: **07 December 2010**

(56) Related Art Documents: **Not Applicable**

(57) Statement of Newness and Distinctiveness: **Newness and distinctiveness is claimed in the visual features shown in the representations. The article is of indefinite length as shown by break along its length and is of constant cross-section throughout its length.**



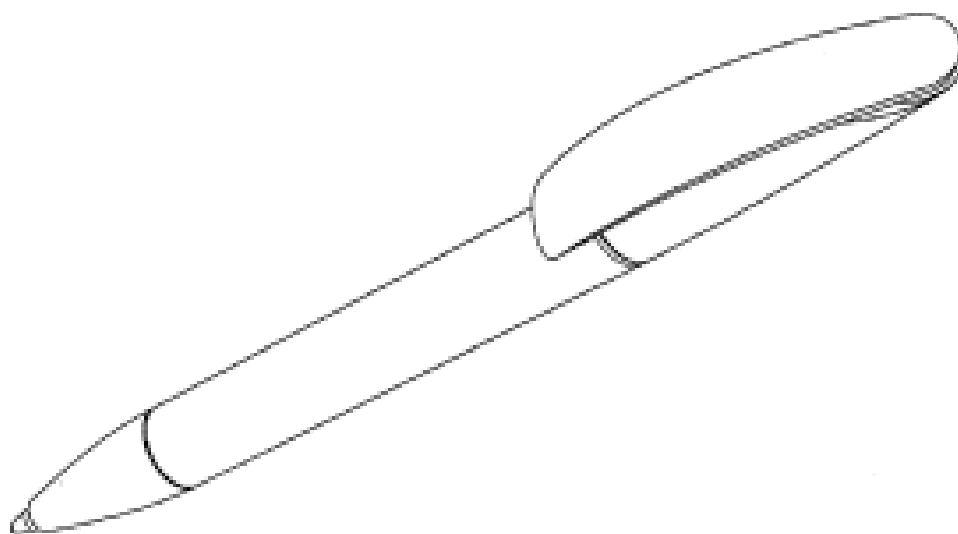
- (21) Design Number: **14909/2010**
(22) Date of Filing Application: **15 September 2010**
(24) Date from which industrial property rights may have effect: **15 September 2010**
(54) Product in respect of which the design is registered: **Profile**
(51) International Design Classification: **25-01K**
(71) Name(s) and Address(s) of Applicant(s):
RMD Industries Pty Ltd
6-10 Market Road Sunshine Victoria 3020 Australia
(72) Name(s) of Designer(s): **Louise Helen Page**
(45) Registration Date: **07 December 2010**
(56) Related Art Documents: **Not Applicable**
(57) Statement of Newness and Distinctiveness: **Newness and distinctiveness is claimed in the visual features shown in the representations. The article is of indefinite length as shown by break along its length and is of constant cross-section throughout its length.**



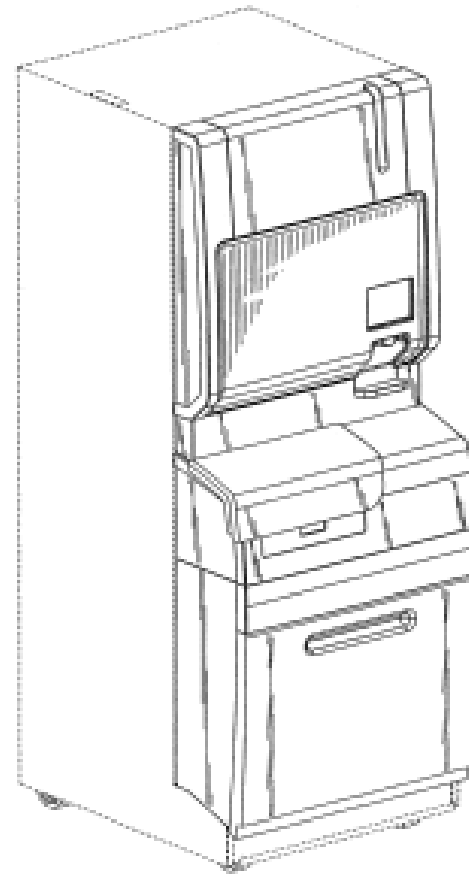
- (21) Design Number: **14928/2010**
(22) Date of Filing Application: **12 November 2010**
(24) Date from which industrial property rights may have effect: **12 November 2010**
(54) Product in respect of which the design is registered: **Writing instrument**
(51) International Design Classification: **19-06**
(71) Name(s) and Address(s) of Applicant(s):
Prodir S.A.
6814 Cadempino Switzerland
(72) Name(s) of Designer(s): **Tom Allemeier**
(45) Registration Date: **07 December 2010**
(30) Convention priority data:

(31) Number	(32) Date	(33) Country
137 248	27 Aug 2010	SWITZERLAND

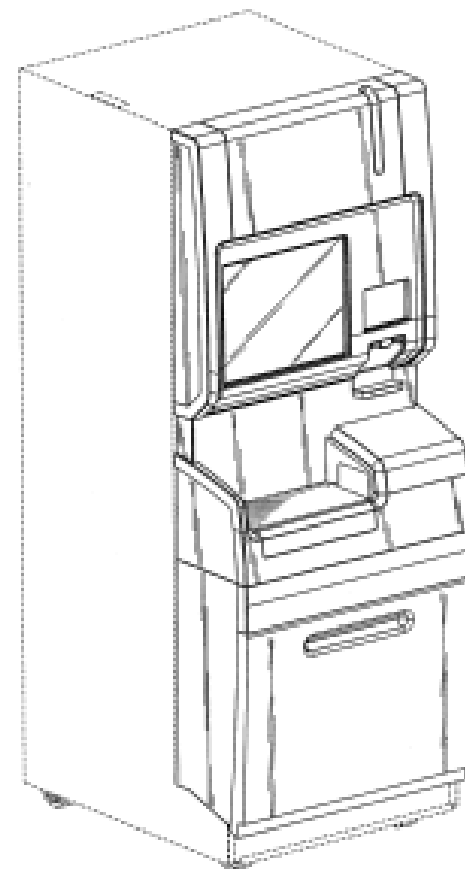
(56) Related Art Documents: **Not Applicable**
(57) Statement of Newness and Distinctiveness: **Nil**



- (21) Design Number: **14929/2010**
(22) Date of Filing Application: **12 November 2010**
(24) Date from which industrial property rights may have effect: **12 November 2010**
(54) Product in respect of which the design is registered: **Instrument for analyzing specimen containers**
(51) International Design Classification: **19-06**
(71) Name(s) and Address(s) of Applicant(s):
bioMerieux, Inc.
100 Rodolphe St Durham North Carolina 27712 United States of America
(72) Name(s) of Designer(s): **Stanley M. Philipak and Frederic Paulhet and Mark Joseph Fanning and Richard Brock and Mark W. Segrist and Thomas Gentles**
(45) Registration Date: **07 December 2010**
(30) Convention priority data:
(31) Number (32) Date (33) Country
12/780126 14 May 2010 UNITED STATES OF AMERICA
(56) Related Art Documents: **Not Applicable**
(57) Statement of Newness and Distinctiveness: **Newness and distinctiveness is claimed in those features of shape and/or configuration of an instrument for analyzing specimen containers illustrated in continuous lines in the accompanying representations.**



- (21) Design Number: **14930/2010**
(22) Date of Filing Application: **12 November 2010**
(24) Date from which industrial property rights may have effect: **12 November 2010**
(54) Product in respect of which the design is registered: **Instrument for analyzing specimen containers**
(51) International Design Classification: **24-01**
(71) Name(s) and Address(s) of Applicant(s):
bioMerieux, Inc.
100 Rodolphe St Durham North Carolina 27712 United States of America
(72) Name(s) of Designer(s): **Stanley M. Philipak and Frederic Paulhet and Mark Joseph Fanning and Richard Brock and Mark W. Segrist and Thomas Gentles**
(45) Registration Date: **07 December 2010**
(30) Convention priority data:
(31) Number (32) Date (33) Country
12/780126 14 May 2010 UNITED STATES OF AMERICA
(56) Related Art Documents: **Not Applicable**
(57) Statement of Newness and Distinctiveness: **Newness and distinctiveness is claimed in those features of shape and/or configuration of an instrument for analyzing specimen containers illustrated in continuous lines in the accompanying representations.**



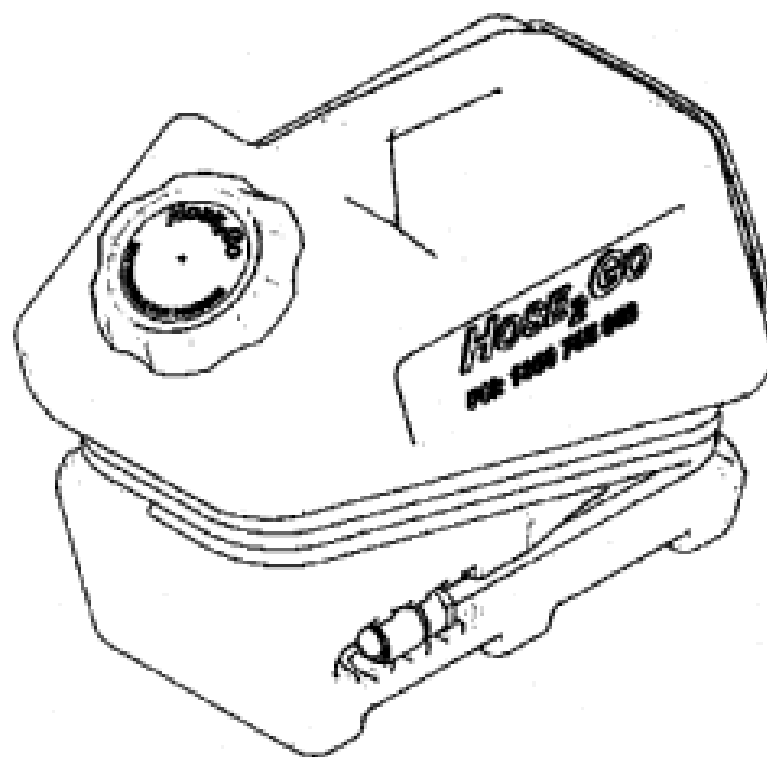
- (21) Design Number: **15055/2010**
(22) Date of Filing Application: **18 November 2010**
(24) Date from which industrial property rights may have effect: **18 November 2010**
(54) Product in respect of which the design is registered: **Hearing aid**
(51) International Design Classification: **24-99**
(71) Name(s) and Address(s) of Applicant(s):
Oticon Medical A/S
Kongebakken 9 DK-2765 Smorum Denmark
(72) Name(s) of Designer(s): **Patric Svensson**
(45) Registration Date: **07 December 2010**
(30) Convention priority data:
(31) Number (32) Date (33) Country
001722299-0001 21 Jun 2010 EUROPEAN COMMUNITY
(56) Related Art Documents: **Not Applicable**
(57) Statement of Newness and Distinctiveness: **Newness and distinctiveness is claimed in the visual features of shape and configuration of the Hearing Aid shown in the representations. In considering the extent of newness and distinctiveness, particular attention should be given to the overall shape and configuration of the outer casing of the Hearing Aid.**



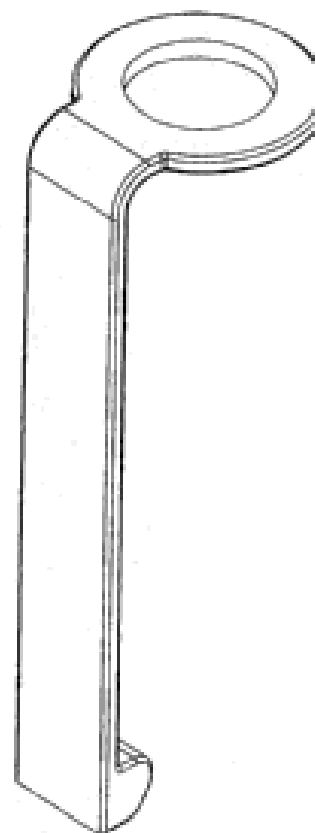
- (21) Design Number: **15056/2010**
(22) Date of Filing Application: **18 November 2010**
(24) Date from which industrial property rights may have effect: **18 November 2010**
(54) Product in respect of which the design is registered: **Hearing aid**
(51) International Design Classification: **24-99**
(71) Name(s) and Address(s) of Applicant(s):
Oticon Medical A/S
Kongebakken 9 DK-2765 Smorum Denmark
(72) Name(s) of Designer(s): **Patric Svensson**
(45) Registration Date: **07 December 2010**
(30) Convention priority data:
(31) Number (32) Date (33) Country
001722299-0002 21 Jun 2010 EUROPEAN COMMUNITY
(56) Related Art Documents: **Not Applicable**
(57) Statement of Newness and Distinctiveness: **Nil**



- (21) Design Number: **15082/2010**
(22) Date of Filing Application: **18 November 2010**
(24) Date from which industrial property rights may have effect: **18 November 2010**
(54) Product in respect of which the design is registered: **Water storage container**
(51) International Design Classification: **23-01F**
(71) Name(s) and Address(s) of Applicant(s):
Work Smart Equipment Pty Limited
Unit 3/16 Herbert Street Artarmon New South Wales 2064 Australia
(72) Name(s) of Designer(s): **Michael White**
(45) Registration Date: **07 December 2010**
(56) Related Art Documents: **Not Applicable**
(57) Statement of Newness and Distinctiveness: **Nil**



- (21) Design Number: **14985/2010**
(22) Date of Filing Application: **17 November 2010**
(24) Date from which industrial property rights may have effect: **17 November 2010**
(54) Product in respect of which the design is registered: **Generic pen clip**
(51) International Design Classification: **19-06**
(71) Name(s) and Address(s) of Applicant(s):
Ellen Charlesworth
6 Fremont Street Heathmont Victoria 3135 Australia
(72) Name(s) of Designer(s): **Ellen Charlesworth**
(45) Registration Date: **08 December 2010**
(56) Related Art Documents: **Not Applicable**
(57) Statement of Newness and Distinctiveness: **Newness and distinctiveness is claimed in the features of shape and/or configuration of the generic pen clip as illustrated in the accompanying representations.**



(21) Design Number: **12195/2010**

(22) Date of Filing Application: **28 May 2010**

(24) Date from which industrial property rights may have effect: **28 May 2010**

(54) Product in respect of which the design is registered: **Women's clothing - top**

(51) International Design Classification: **02-02NES**

(71) Name(s) and Address(s) of Applicant(s):

Beba Enterprises Pty Ltd
34 Garden Street South Yarra Victoria 3141 Australia

(72) Name(s) of Designer(s): **Arthur Soetedja**

(45) Registration Date: **08 December 2010**

(56) Related Art Documents: **Not Applicable**

(57) Statement of Newness and Distinctiveness: **Nil**



(21) Design Number: **15295/2010**

(22) Date of Filing Application: **28 May 2010**

(24) Date from which industrial property rights may have effect: **28 May 2010**

(54) Product in respect of which the design is registered: **Women's clothing - top**

(51) International Design Classification: **02-02NES**

(71) Name(s) and Address(s) of Applicant(s):

Beba Enterprises Pty Ltd
34 Garden Street South Yarra Victoria 3141 Australia

(72) Name(s) of Designer(s): **Arthur Soetedja**

(45) Registration Date: **08 December 2010**

(56) Related Art Documents: **Not Applicable**

(57) Statement of Newness and Distinctiveness: **Nil**



(21) Design Number: **15296/2010**
(22) Date of Filing Application: **28 May 2010**
(24) Date from which industrial property rights may have effect: **28 May 2010**
(54) Product in respect of which the design is registered: **Women's clothing - top**
(51) International Design Classification: **02-02NES**
(71) Name(s) and Address(s) of Applicant(s):
Beba Enterprises Pty Ltd
34 Garden Street South Yarra Victoria 3141 Australia
(72) Name(s) of Designer(s): **Arthur Soetedja**
(45) Registration Date: **08 December 2010**
(56) Related Art Documents: **Not Applicable**
(57) Statement of Newness and Distinctiveness: **Nil**



(21) Design Number: **15297/2010**
(22) Date of Filing Application: **28 May 2010**
(24) Date from which industrial property rights may have effect: **28 May 2010**
(54) Product in respect of which the design is registered: **Women's clothing - top**
(51) International Design Classification: **02-02NES**
(71) Name(s) and Address(s) of Applicant(s):
Beba Enterprises Pty Ltd
34 Garden Street South Yarra Victoria 3141 Australia
(72) Name(s) of Designer(s): **Arthur Soetedja**
(45) Registration Date: **08 December 2010**
(56) Related Art Documents: **Not Applicable**
(57) Statement of Newness and Distinctiveness: **Nil**



(21) Design Number: **15298/2010**
(22) Date of Filing Application: **28 May 2010**
(24) Date from which industrial property rights may have effect: **28 May 2010**
(54) Product in respect of which the design is registered: **Women's clothing - top**
(51) International Design Classification: **02-02NES**
(71) Name(s) and Address(s) of Applicant(s):
Beba Enterprises Pty Ltd
34 Garden Street South Yarra Victoria 3141 Australia
(72) Name(s) of Designer(s): **Arthur Soetedja**
(45) Registration Date: **08 December 2010**
(56) Related Art Documents: **Not Applicable**
(57) Statement of Newness and Distinctiveness: **Nil**



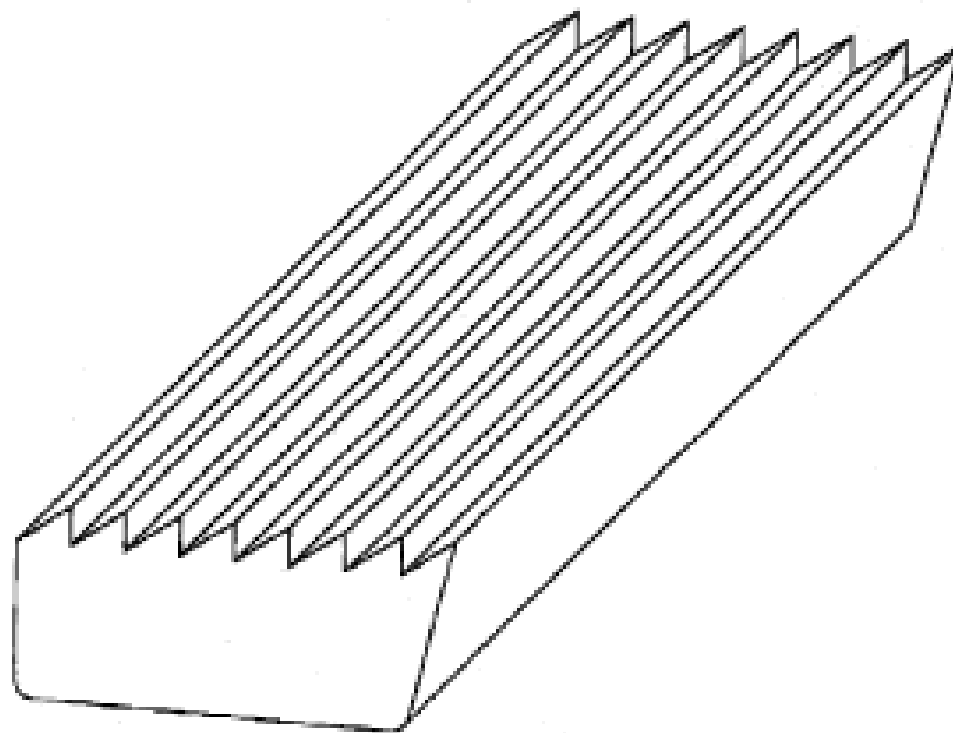
(21) Design Number: **15299/2010**
(22) Date of Filing Application: **28 May 2010**
(24) Date from which industrial property rights may have effect: **28 May 2010**
(54) Product in respect of which the design is registered: **Women's clothing - top**
(51) International Design Classification: **02-02NES**
(71) Name(s) and Address(s) of Applicant(s):
Beba Enterprises Pty Ltd
34 Garden Street South Yarra Victoria 3141 Australia
(72) Name(s) of Designer(s): **Arthur Soetedja**
(45) Registration Date: **08 December 2010**
(56) Related Art Documents: **Not Applicable**
(57) Statement of Newness and Distinctiveness: **Nil**



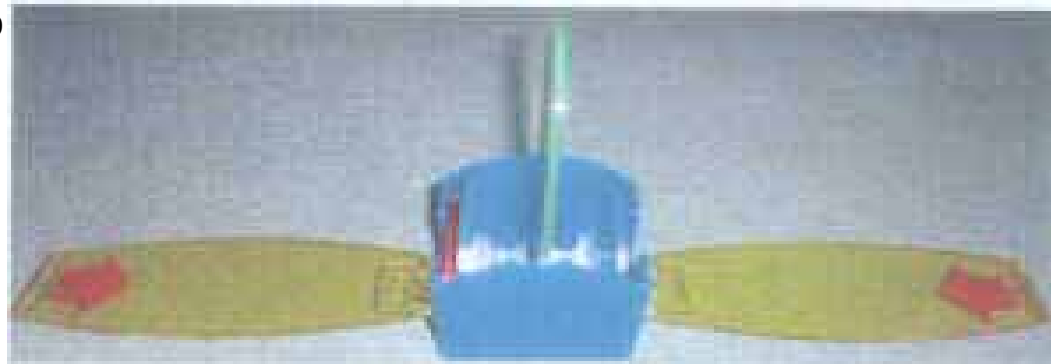
(21) Design Number: **15300/2010**
(22) Date of Filing Application: **28 May 2010**
(24) Date from which industrial property rights may have effect: **28 May 2010**
(54) Product in respect of which the design is registered: **Women's clothing - top**
(51) International Design Classification: **02-02NES**
(71) Name(s) and Address(s) of Applicant(s):
Beba Enterprises Pty Ltd
34 Garden Street South Yarra Victoria 3141 Australia
(72) Name(s) of Designer(s): **Arthur Soetedja**
(45) Registration Date: **08 December 2010**
(56) Related Art Documents: **Not Applicable**
(57) Statement of Newness and Distinctiveness: **Nil**



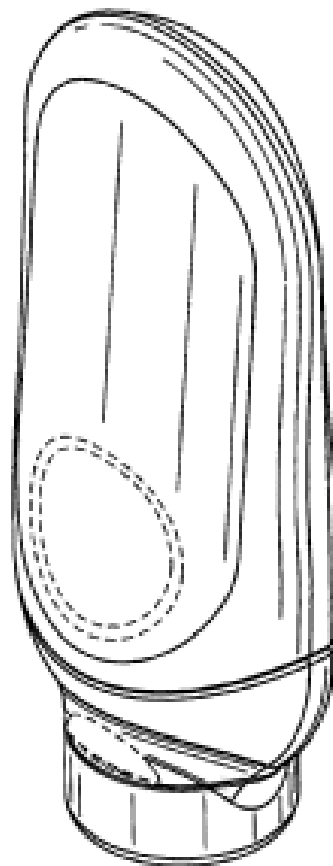
(21) Design Number: **14387/2010**
(22) Date of Filing Application: **11 October 2010**
(24) Date from which industrial property rights may have effect: **11 October 2010**
(54) Product in respect of which the design is registered: **Extrusion**
(51) International Design Classification: **25-01NES**
(71) Name(s) and Address(s) of Applicant(s):
Watts Hardware Manufacturing Pty Ltd
L6 167 Queen Street Melbourne Victoria 3000 Australia
(72) Name(s) of Designer(s): **John Russell Watts**
(45) Registration Date: **08 December 2010**
(56) Related Art Documents: **Not Applicable**
(57) Statement of Newness and Distinctiveness: **Nil**



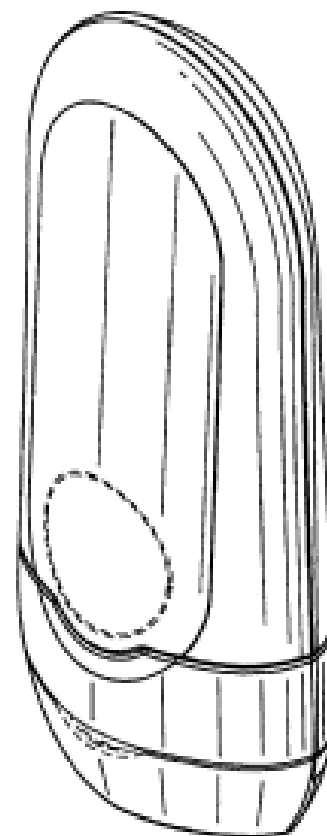
(21) Design Number: **13797/2010**
(22) Date of Filing Application: **01 September 2010**
(24) Date from which industrial property rights may have effect: **01 September 2010**
(54) Product in respect of which the design is registered: **Keno apparatus**
(51) International Design Classification: **21-01L**
(71) Name(s) and Address(s) of Applicant(s):
Keith Laurence Hill
11 Palmer Street Murgon Queensland 4605 Australia
(72) Name(s) of Designer(s): **Keith Laurence Hill**
(45) Registration Date: **09 December 2010**
(56) Related Art Documents: **Not Applicable**
(57) Statement of Newness and Distinctiveness: **Advertises four sides, holds more tickets, incorporates a storage area, fitted with fold down retractable tables on all four sides for players comfort.**



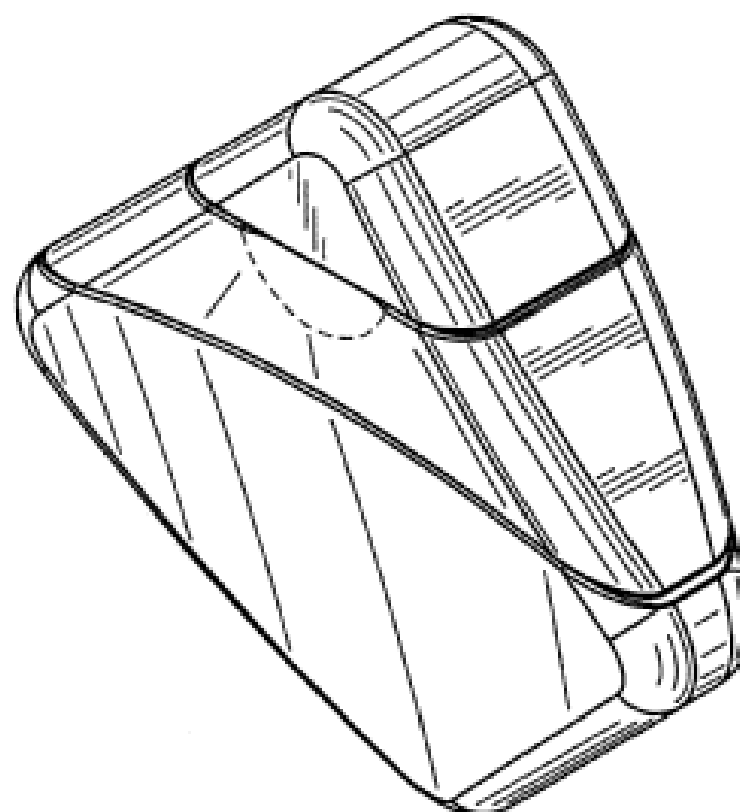
(21) Design Number: **14322/2010**
(22) Date of Filing Application: **01 October 2010**
(24) Date from which industrial property rights may have effect: **01 October 2010**
(54) Product in respect of which the design is registered: **Container**
(51) International Design Classification: **09-01NES**
(71) Name(s) and Address(s) of Applicant(s):
Kraft Foods Global Brands LLC
Three Lakes Drive Northfield IL 60093 United States of America
(72) Name(s) of Designer(s): **Piaras De Cleir and Shelley R. Markoulis and Robin Paige and Akina Kurihara and Paul F. Diehl**
(45) Registration Date: **09 December 2010**
(30) Convention priority data:
(31) Number (32) Date (33) Country
29/358934 01 Apr 2010 UNITED STATES OF AMERICA
(56) Related Art Documents: **Not Applicable**
(57) Statement of Newness and Distinctiveness: **Nil**



(21) Design Number: **14323/2010**
(22) Date of Filing Application: **01 October 2010**
(24) Date from which industrial property rights may have effect: **01 October 2010**
(54) Product in respect of which the design is registered: **Container**
(51) International Design Classification: **09-01NES**
(71) Name(s) and Address(s) of Applicant(s):
Kraft Foods Global Brands LLC
Three Lakes Drive Northfield IL 60093 United States of America
(72) Name(s) of Designer(s): **Piaras De Cleir and Shelley R. Markoulis and Robin Paige and Akina Kurihara and Paul F. Diehl**
(45) Registration Date: **09 December 2010**
(30) Convention priority data:
(31) Number (32) Date (33) Country
29/358934 01 Apr 2010 UNITED STATES OF AMERICA
(56) Related Art Documents: **Not Applicable**
(57) Statement of Newness and Distinctiveness: **Nil**



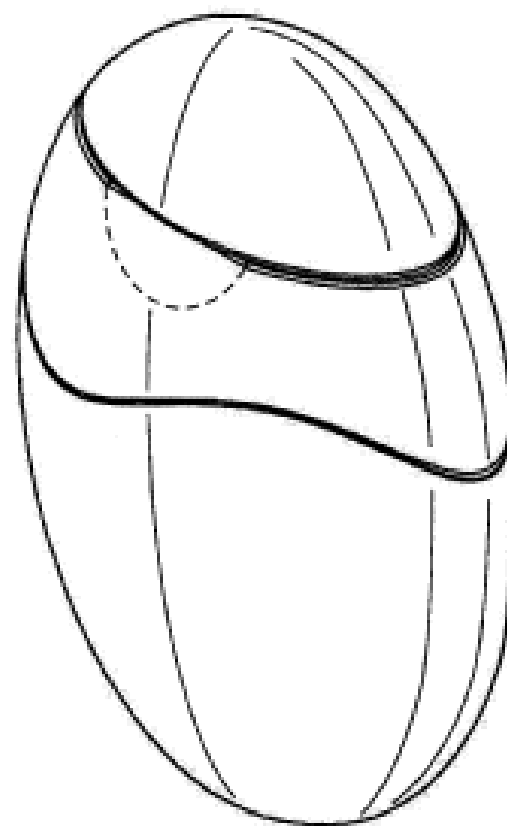
(21) Design Number: **14324/2010**
(22) Date of Filing Application: **01 October 2010**
(24) Date from which industrial property rights may have effect: **01 October 2010**
(54) Product in respect of which the design is registered: **Container**
(51) International Design Classification: **09-01NES**
(71) Name(s) and Address(s) of Applicant(s):
Kraft Foods Global Brands LLC
Three Lakes Drive Northfield IL 60093 United States of America
(72) Name(s) of Designer(s): **Piaras De Cleir and Shelley R. Markoulis and Robin Paige and Akina Kurihara and Paul F. Diehl**
(45) Registration Date: **09 December 2010**
(30) Convention priority data:
(31) Number (32) Date (33) Country
29/358934 01 Apr 2010 UNITED STATES OF AMERICA
(56) Related Art Documents: **Not Applicable**
(57) Statement of Newness and Distinctiveness: **Nil**



(21) Design Number: **14325/2010**
 (22) Date of Filing Application: **01 October 2010**
 (24) Date from which industrial property rights may have effect: **01 October 2010**
 (54) Product in respect of which the design is registered: **Container**
 (51) International Design Classification: **09-01NES**
 (71) Name(s) and Address(s) of Applicant(s):
Kraft Foods Global Brands LLC
Three Lakes Drive Northfield IL 60093 United States of America
 (72) Name(s) of Designer(s): **Piaras De Cleir and Shelley R. Markoulis and Robin Paige and Akina Kurihara and Paul F. Diehl**
 (45) Registration Date: **09 December 2010**
 (30) Convention priority data:

(31) Number	(32) Date	(33) Country
29/358934	01 Apr 2010	UNITED STATES OF AMERICA

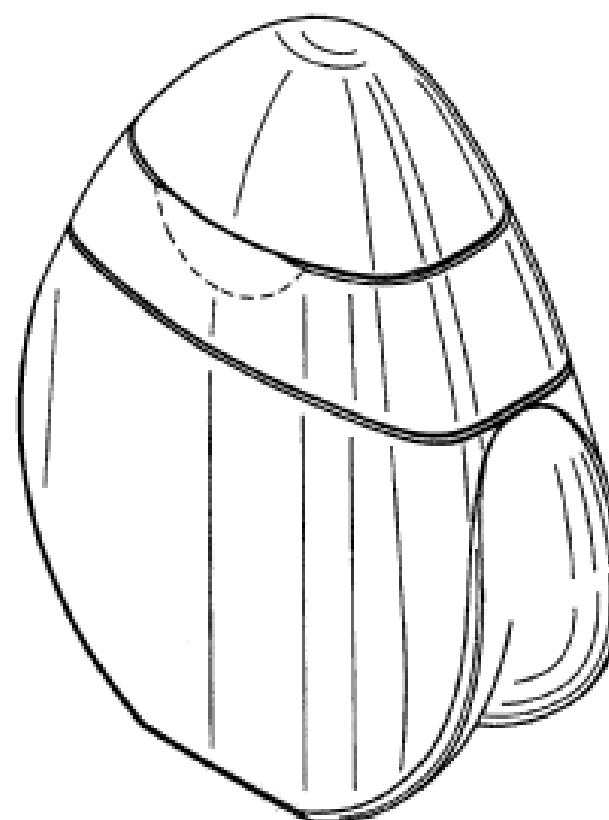
 (56) Related Art Documents: **Not Applicable**
 (57) Statement of Newness and Distinctiveness: **Nil**



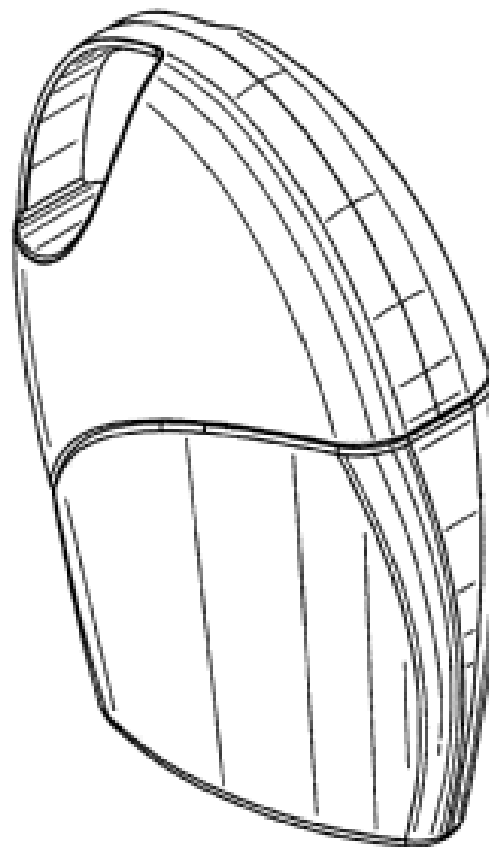
(21) Design Number: **14326/2010**
 (22) Date of Filing Application: **01 October 2010**
 (24) Date from which industrial property rights may have effect: **01 October 2010**
 (54) Product in respect of which the design is registered: **Container**
 (51) International Design Classification: **09-01NES**
 (71) Name(s) and Address(s) of Applicant(s):
Kraft Foods Global Brands LLC
Three Lakes Drive Northfield IL 60093 United States of America
 (72) Name(s) of Designer(s): **Piaras De Cleir and Shelley R. Markoulis and Robin Paige and Akina Kurihara and Paul F. Diehl**
 (45) Registration Date: **09 December 2010**
 (30) Convention priority data:

(31) Number	(32) Date	(33) Country
29/358934	01 Apr 2010	UNITED STATES OF AMERICA

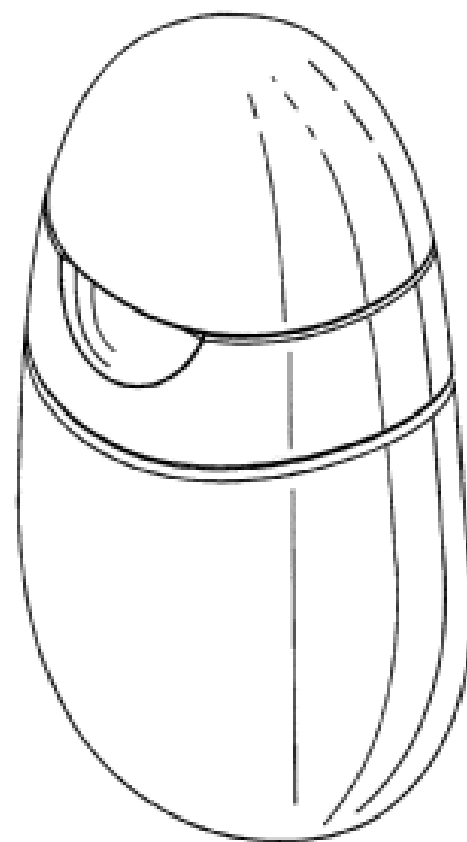
 (56) Related Art Documents: **Not Applicable**
 (57) Statement of Newness and Distinctiveness: **Nil**



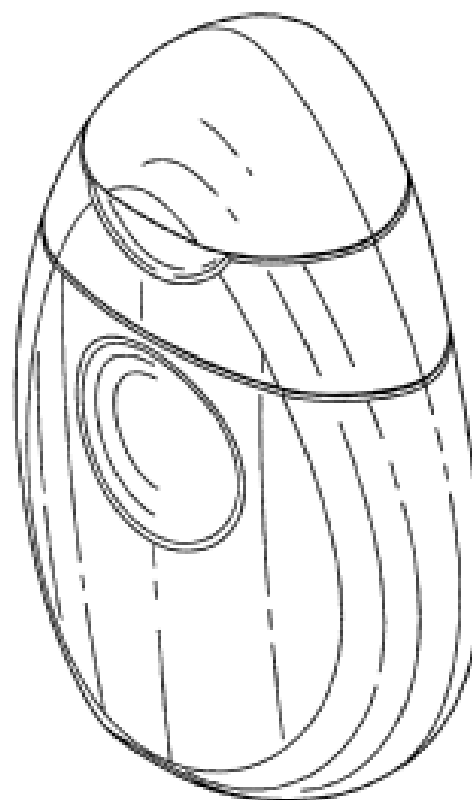
(21) Design Number: **14327/2010**
(22) Date of Filing Application: **01 October 2010**
(24) Date from which industrial property rights may have effect: **01 October 2010**
(54) Product in respect of which the design is registered: **Container**
(51) International Design Classification: **09-01NES**
(71) Name(s) and Address(s) of Applicant(s):
Kraft Foods Global Brands LLC
Three Lakes Drive Northfield IL 60093 United States of America
(72) Name(s) of Designer(s): **Piaras De Cleir and Shelley R. Markoulis and Robin Paige and Akina Kurihara and Paul F. Diehl**
(45) Registration Date: **09 December 2010**
(30) Convention priority data:
(31) Number (32) Date (33) Country
29/358934 01 Apr 2010 UNITED STATES OF AMERICA
(56) Related Art Documents: **Not Applicable**
(57) Statement of Newness and Distinctiveness: **Nil**



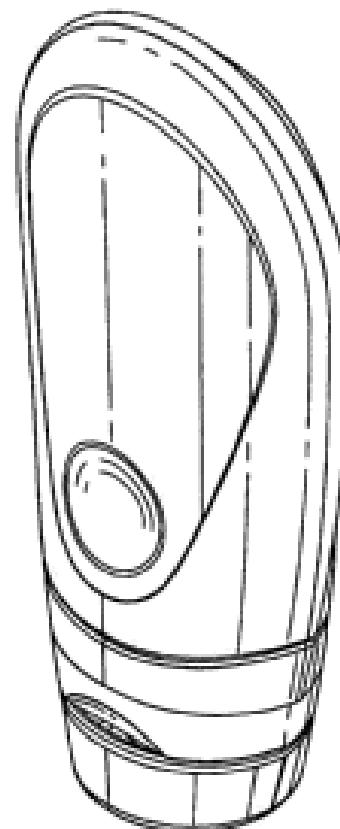
(21) Design Number: **14328/2010**
(22) Date of Filing Application: **01 October 2010**
(24) Date from which industrial property rights may have effect: **01 October 2010**
(54) Product in respect of which the design is registered: **Container**
(51) International Design Classification: **09-01NES**
(71) Name(s) and Address(s) of Applicant(s):
Kraft Foods Global Brands LLC
Three Lakes Drive Northfield IL 60093 United States of America
(72) Name(s) of Designer(s): **Piaras De Cleir and Shelley R. Markoulis and Robin Paige and Akina Kurihara and Paul F. Diehl**
(45) Registration Date: **09 December 2010**
(30) Convention priority data:
(31) Number (32) Date (33) Country
29/358934 01 Apr 2010 UNITED STATES OF AMERICA
(56) Related Art Documents: **Not Applicable**
(57) Statement of Newness and Distinctiveness: **Nil**



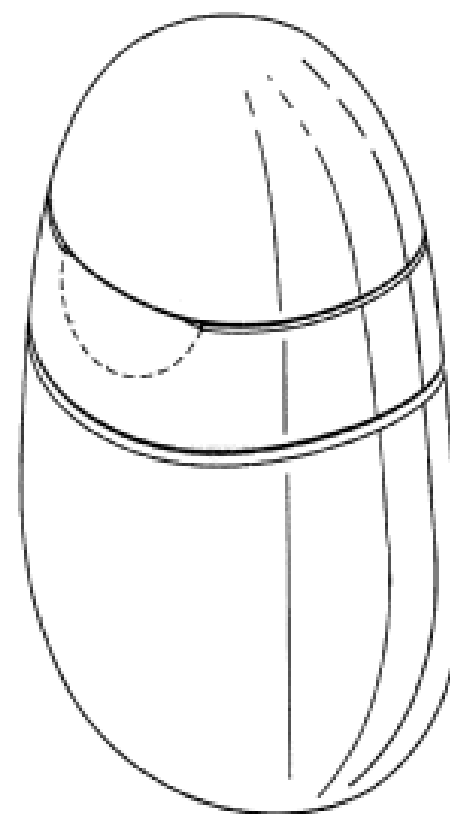
(21) Design Number: **14329/2010**
(22) Date of Filing Application: **01 October 2010**
(24) Date from which industrial property rights may have effect: **01 October 2010**
(54) Product in respect of which the design is registered: **Container**
(51) International Design Classification: **09-01NES**
(71) Name(s) and Address(s) of Applicant(s):
Kraft Foods Global Brands LLC
Three Lakes Drive Northfield IL 60093 United States of America
(72) Name(s) of Designer(s): **Piaras De Cleir and Shelley R. Markoulis and Robin Paige and Akina Kurihara and Paul F. Diehl**
(45) Registration Date: **09 December 2010**
(30) Convention priority data:
(31) Number (32) Date (33) Country
29/358934 01 Apr 2010 UNITED STATES OF AMERICA
(56) Related Art Documents: **Not Applicable**
(57) Statement of Newness and Distinctiveness: **Nil**



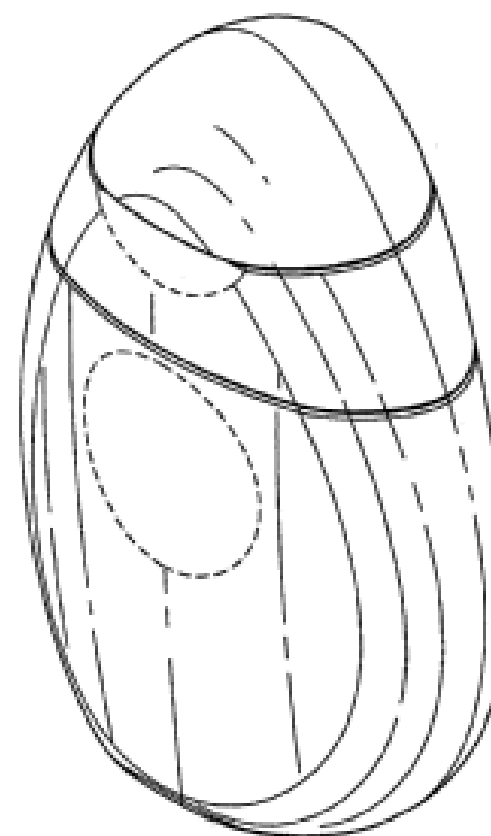
(21) Design Number: **14330/2010**
(22) Date of Filing Application: **01 October 2010**
(24) Date from which industrial property rights may have effect: **01 October 2010**
(54) Product in respect of which the design is registered: **Container**
(51) International Design Classification: **09-01NES**
(71) Name(s) and Address(s) of Applicant(s):
Kraft Foods Global Brands LLC
Three Lakes Drive Northfield IL 60093 United States of America
(72) Name(s) of Designer(s): **Piaras De Cleir and Shelley R. Markoulis and Robin Paige and Akina Kurihara and Paul F. Diehl**
(45) Registration Date: **09 December 2010**
(30) Convention priority data:
(31) Number (32) Date (33) Country
29/358934 01 Apr 2010 UNITED STATES OF AMERICA
(56) Related Art Documents: **Not Applicable**
(57) Statement of Newness and Distinctiveness: **Nil**



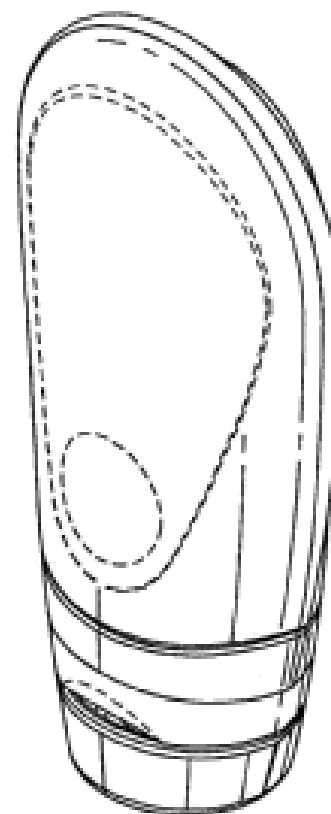
(21) Design Number: **14331/2010**
(22) Date of Filing Application: **01 October 2010**
(24) Date from which industrial property rights may have effect: **01 October 2010**
(54) Product in respect of which the design is registered: **Container**
(51) International Design Classification: **09-01NES**
(71) Name(s) and Address(s) of Applicant(s):
Kraft Foods Global Brands LLC
Three Lakes Drive Northfield IL 60093 United States of America
(72) Name(s) of Designer(s): **Piaras De Cleir and Shelley R. Markoulis and Robin Paige and Akina Kurihara and Paul F. Diehl**
(45) Registration Date: **09 December 2010**
(30) Convention priority data:
(31) Number (32) Date (33) Country
29/358934 01 Apr 2010 UNITED STATES OF AMERICA
(56) Related Art Documents: **Not Applicable**
(57) Statement of Newness and Distinctiveness: **Nil**



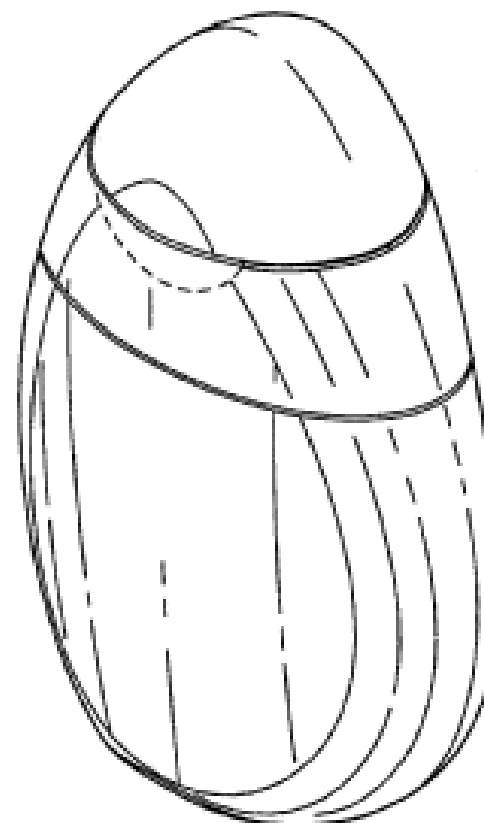
(21) Design Number: **14332/2010**
(22) Date of Filing Application: **01 October 2010**
(24) Date from which industrial property rights may have effect: **01 October 2010**
(54) Product in respect of which the design is registered: **Container**
(51) International Design Classification: **09-01NES**
(71) Name(s) and Address(s) of Applicant(s):
Kraft Foods Global Brands LLC
Three Lakes Drive Northfield IL 60093 United States of America
(72) Name(s) of Designer(s): **Piaras De Cleir and Shelley R. Markoulis and Robin Paige and Akina Kurihara and Paul F. Diehl**
(45) Registration Date: **09 December 2010**
(30) Convention priority data:
(31) Number (32) Date (33) Country
29/358934 01 Apr 2010 UNITED STATES OF AMERICA
(56) Related Art Documents: **Not Applicable**
(57) Statement of Newness and Distinctiveness: **Nil**



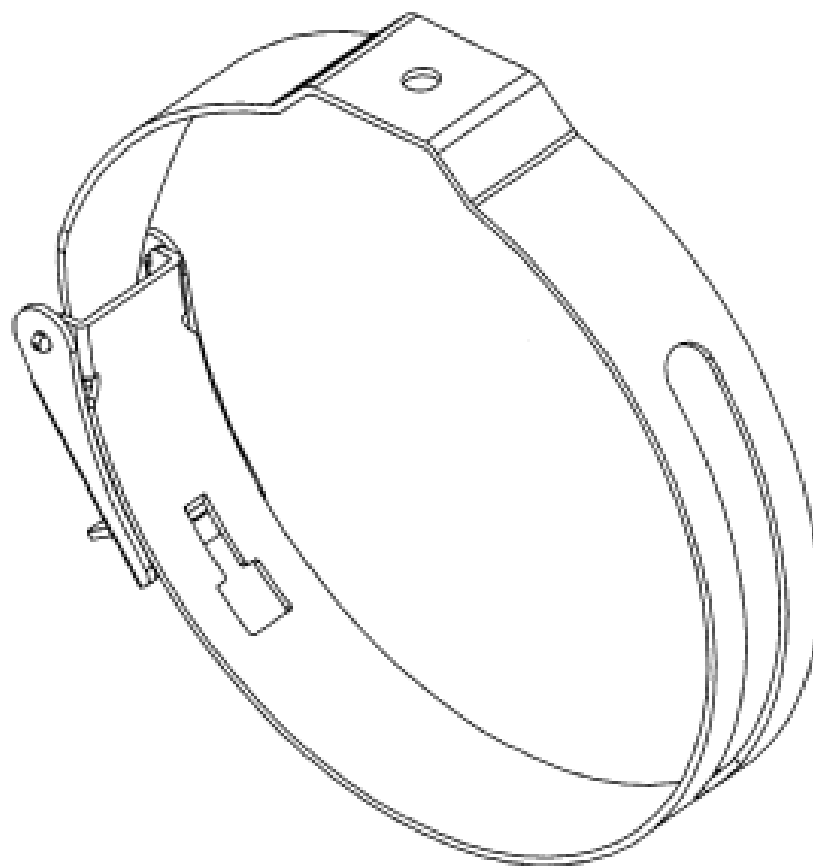
(21) Design Number: **14333/2010**
(22) Date of Filing Application: **01 October 2010**
(24) Date from which industrial property rights may have effect: **01 October 2010**
(54) Product in respect of which the design is registered: **Container**
(51) International Design Classification: **09-01NES**
(71) Name(s) and Address(s) of Applicant(s):
Kraft Foods Global Brands LLC
Three Lakes Drive Northfield IL 60093 United States of America
(72) Name(s) of Designer(s): **Piaras De Cleir and Shelley R. Markoulis and Robin Paige and Akina Kurihara and Paul F. Diehl**
(45) Registration Date: **09 December 2010**
(30) Convention priority data:
(31) Number (32) Date (33) Country
29/358934 01 Apr 2010 UNITED STATES OF AMERICA
(56) Related Art Documents: **Not Applicable**
(57) Statement of Newness and Distinctiveness: **Nil**



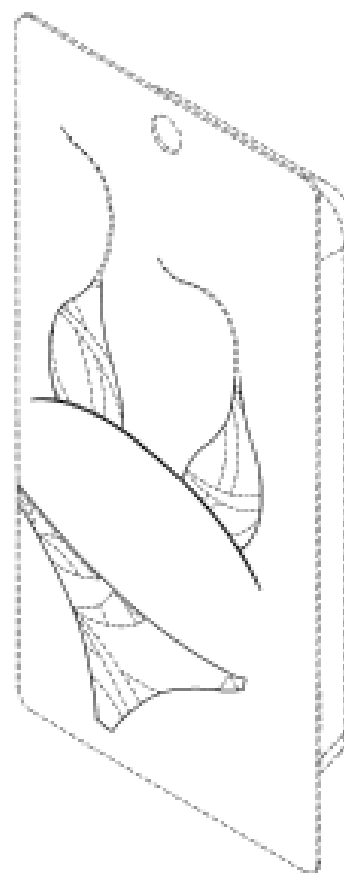
(21) Design Number: **14334/2010**
(22) Date of Filing Application: **01 October 2010**
(24) Date from which industrial property rights may have effect: **01 October 2010**
(54) Product in respect of which the design is registered: **Container**
(51) International Design Classification: **09-01NES**
(71) Name(s) and Address(s) of Applicant(s):
Kraft Foods Global Brands LLC
Three Lakes Drive Northfield IL 60093 United States of America
(72) Name(s) of Designer(s): **Piaras De Cleir and Shelley R. Markoulis and Robin Paige and Akina Kurihara and Paul F. Diehl and Gary Albaum and Lisa Buenrostro**
(45) Registration Date: **09 December 2010**
(30) Convention priority data:
(31) Number (32) Date (33) Country
29/358934 01 Apr 2010 UNITED STATES OF AMERICA
(56) Related Art Documents: **Not Applicable**
(57) Statement of Newness and Distinctiveness: **Nil**



- (21) Design Number: **14984/2010**
(22) Date of Filing Application: **16 November 2010**
(24) Date from which industrial property rights may have effect: **16 November 2010**
(54) Product in respect of which the design is registered: **Pipe hanger clamp**
(51) International Design Classification: **08-08D**
(71) Name(s) and Address(s) of Applicant(s):
Sitka Developments Pty Ltd
C/- Level 29 12 Creek Street Brisbane Queensland 4000 Australia
(72) Name(s) of Designer(s): **John Hammond and Neville King and Jonathan Haughton**
(45) Registration Date: **09 December 2010**
(56) Related Art Documents: **Not Applicable**
(57) Statement of Newness and Distinctiveness: **The newness and distinctiveness of the design resides in the shape and/or configuration of the pipe hanger clamp shown in the representations.**



- (21) Design Number: **14986/2010**
(22) Date of Filing Application: **16 November 2010**
(24) Date from which industrial property rights may have effect: **16 November 2010**
(54) Product in respect of which the design is registered: **Packaging for a shaving product**
(51) International Design Classification: **09-05**
(71) Name(s) and Address(s) of Applicant(s):
The Gillette Company
Prudential Tower Building Boston Massachusetts 02199 United States of America
(72) Name(s) of Designer(s): **Josie Leigh Graham**
(45) Registration Date: **09 December 2010**
(30) Convention priority data:
(31) Number (32) Date (33) Country
29/362,606 27 May 2010 UNITED STATES OF AMERICA
(56) Related Art Documents: **Not Applicable**
(57) Statement of Newness and Distinctiveness: **Those features of the packaging for a shaving product depicted in the representations that are new and distinctive is the pattern, namely the indicia. The features shown in broken line are not part of the design and are to be disregarded when considering the overall impression of the design.**



- (21) Design Number: **14988/2010**
(22) Date of Filing Application: **16 November 2010**
(24) Date from which industrial property rights may have effect: **16 November 2010**
(54) Product in respect of which the design is registered: **Chair**
(51) International Design Classification: **06-01F**
(71) Name(s) and Address(s) of Applicant(s):
Okamura Corporation
7-18 Kitasaiwai 2-chome Nishi-ku Yokohama-shi Kanagawa 220-0004
Japan
(72) Name(s) of Designer(s): **Fabrizio Giugiaro**
(45) Registration Date: **09 December 2010**
(30) Convention priority data:
(31) Number (32) Date (33) Country
2010-012080 17 May 2010 JAPAN
(56) Related Art Documents: **Not Applicable**
(57) Statement of Newness and Distinctiveness: **Newness and distinctiveness**
reside in the features of the design as shown in the representations.



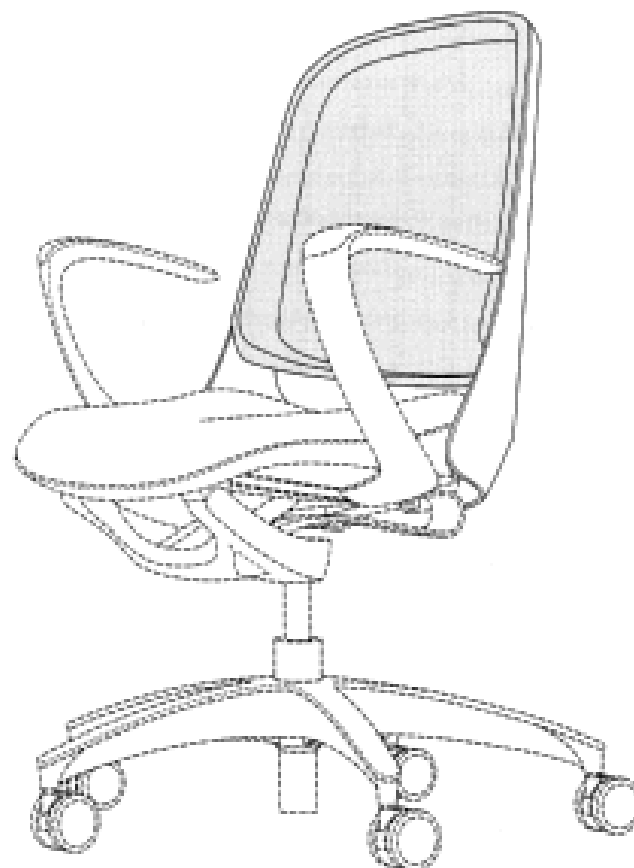
- (21) Design Number: **14989/2010**
(22) Date of Filing Application: **16 November 2010**
(24) Date from which industrial property rights may have effect: **16 November 2010**
(54) Product in respect of which the design is registered: **Chair**
(51) International Design Classification: **06-01F**
(71) Name(s) and Address(s) of Applicant(s):
Okamura Corporation
7-18 Kitasaiwai 2-chome Nishi-ku Yokohama-shi Kanagawa 220-0004
Japan
(72) Name(s) of Designer(s): **Fabrizio Giugiaro**
(45) Registration Date: **09 December 2010**
(30) Convention priority data:
(31) Number (32) Date (33) Country
2010-012081 17 May 2010 JAPAN
(56) Related Art Documents: **Not Applicable**
(57) Statement of Newness and Distinctiveness: **Newness and distinctiveness**
reside in the features of the design as shown in the representations.



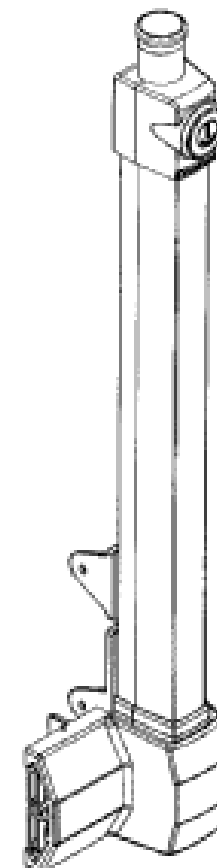
(21) Design Number: **14990/2010**
(22) Date of Filing Application: **16 November 2010**
(24) Date from which industrial property rights may have effect: **16 November 2010**
(54) Product in respect of which the design is registered: **Chair**
(51) International Design Classification: **06-01F**
(71) Name(s) and Address(s) of Applicant(s):
Okamura Corporation
7-18 Kitasaiwai 2-chome Nishi-ku Yokohama-shi Kanagawa 220-0004
Japan
(72) Name(s) of Designer(s): **Fabrizio Giugiaro**
(45) Registration Date: **09 December 2010**
(30) Convention priority data:
(31) Number (32) Date (33) Country
2010-024157 08 Oct 2010 JAPAN
(56) Related Art Documents: **Not Applicable**
(57) Statement of Newness and Distinctiveness: **Newness and distinctiveness reside in the features of the design as shown in the representations.**



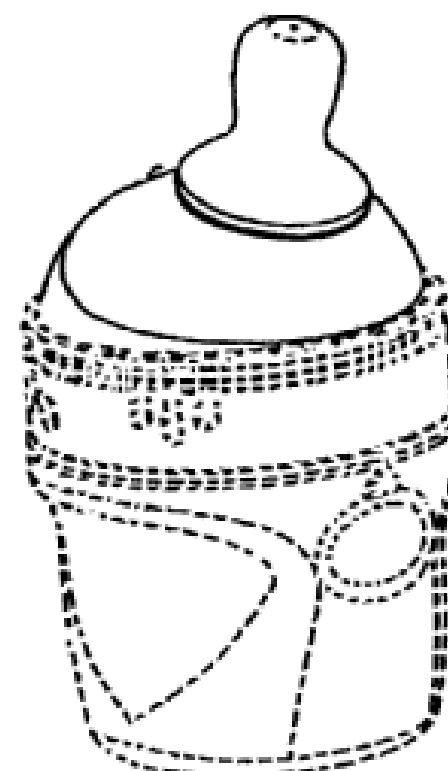
(21) Design Number: **14991/2010**
(22) Date of Filing Application: **16 November 2010**
(24) Date from which industrial property rights may have effect: **16 November 2010**
(54) Product in respect of which the design is registered: **Chair**
(51) International Design Classification: **06-01F**
(71) Name(s) and Address(s) of Applicant(s):
Okamura Corporation
7-18 Kitasaiwai 2-chome Nishi-ku Yokohama-shi Kanagawa 220-0004
Japan
(72) Name(s) of Designer(s): **Fabrizio Giugiaro**
(45) Registration Date: **09 December 2010**
(30) Convention priority data:
(31) Number (32) Date (33) Country
2010-012085 17 May 2010 JAPAN
(56) Related Art Documents: **Not Applicable**
(57) Statement of Newness and Distinctiveness: **Newness and distinctiveness reside in the features of the design shown in solid lines in the representations excluding those features shown in broken lines and excluding the mesh sheet shown in dotted shading.**



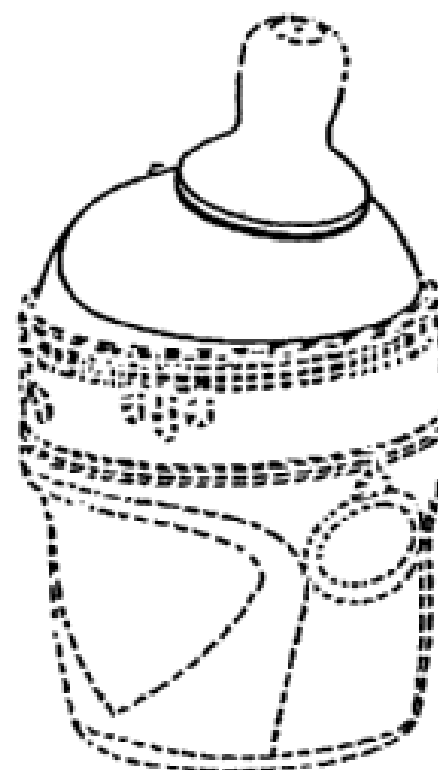
- (21) Design Number: **11943/2010**
(22) Date of Filing Application: **14 May 2010**
(24) Date from which industrial property rights may have effect: **14 May 2010**
(54) Product in respect of which the design is registered: **Top pull latching device with lock for use on security barriers**
(51) International Design Classification: **08-07**
(71) Name(s) and Address(s) of Applicant(s):
RMD Industries Pty Ltd
6-10 Market Road Sunshine Victoria 3020 Australia
(72) Name(s) of Designer(s): **John Richards and Joseph I. M. van der Plas**
(45) Registration Date: **09 December 2010**
(56) Related Art Documents: **Not Applicable**
(57) Statement of Newness and Distinctiveness: **Nil**



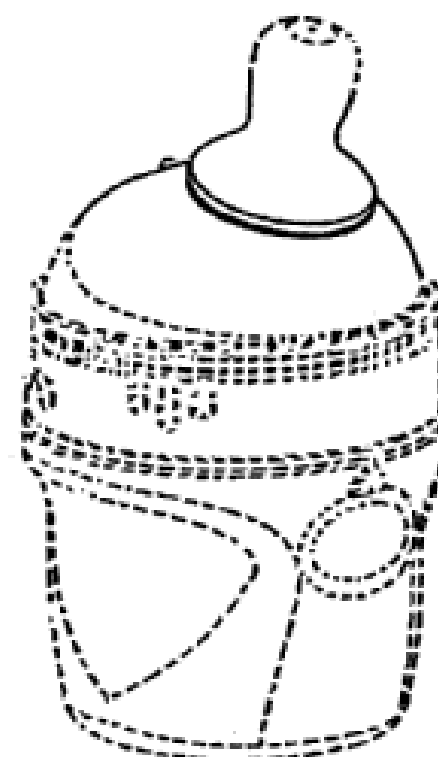
- (21) Design Number: **13941/2010**
(22) Date of Filing Application: **10 September 2010**
(24) Date from which industrial property rights may have effect: **10 September 2010**
(54) Product in respect of which the design is registered: **Bottle with nipple**
(51) International Design Classification: **07-01E**
(71) Name(s) and Address(s) of Applicant(s):
Medical Instill Technologies, Inc.
201 Housatonic Avenue New Milford Connecticut 06776 United States of America
(72) Name(s) of Designer(s): **Daniel Py**
(45) Registration Date: **09 December 2010**
(30) Convention priority data:
(31) Number (32) Date (33) Country
29/357,349 11 Mar 2010 UNITED STATES OF AMERICA
(56) Related Art Documents: **Not Applicable**
(57) Statement of Newness and Distinctiveness: **The newness and distinctiveness of the design resides in the visual features of shape and/or configuration of a bottle with nipple substantially as shown in solid lines in the accompanying representations.**



- (21) Design Number: **14974/2010**
(22) Date of Filing Application: **10 September 2010**
(24) Date from which industrial property rights may have effect: **10 September 2010**
(54) Product in respect of which the design is registered: **Bottle with nipple**
(51) International Design Classification: **07-01E**
(71) Name(s) and Address(s) of Applicant(s):
Medical Instill Technologies, Inc.
201 Housatonic Avenue New Milford Connecticut 06776 United States of America
(72) Name(s) of Designer(s): **Daniel Py**
(45) Registration Date: **09 December 2010**
(30) Convention priority data:
(31) Number (32) Date (33) Country
29/357,349 11 Mar 2010 UNITED STATES OF AMERICA
(56) Related Art Documents: **Not Applicable**
(57) Statement of Newness and Distinctiveness: **The newness and distinctiveness of the design resides in the visual features of shape and/or configuration of a bottle with nipple substantially as shown in solid lines in the accompanying representations.**



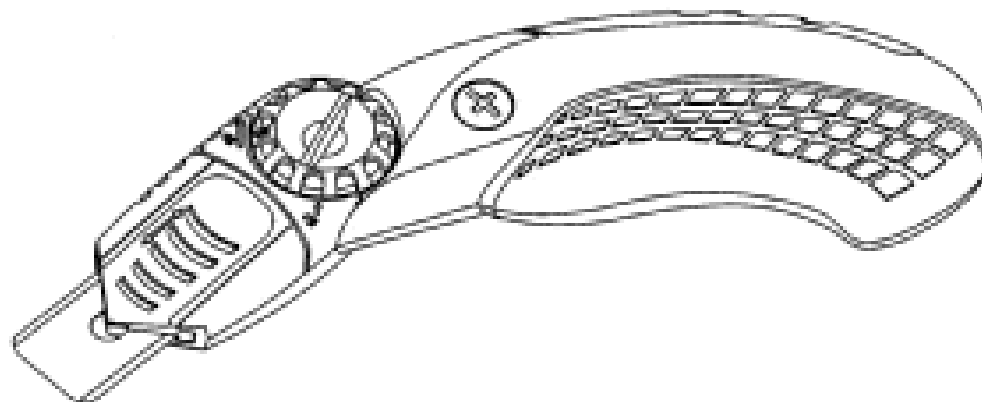
- (21) Design Number: **14975/2010**
(22) Date of Filing Application: **10 September 2010**
(24) Date from which industrial property rights may have effect: **10 September 2010**
(54) Product in respect of which the design is registered: **Bottle with nipple**
(51) International Design Classification: **07-01E**
(71) Name(s) and Address(s) of Applicant(s):
Medical Instill Technologies, Inc.
201 Housatonic Avenue New Milford Connecticut 06776 United States of America
(72) Name(s) of Designer(s): **Daniel Py**
(45) Registration Date: **09 December 2010**
(30) Convention priority data:
(31) Number (32) Date (33) Country
29/357,349 11 Mar 2010 UNITED STATES OF AMERICA
(56) Related Art Documents: **Not Applicable**
(57) Statement of Newness and Distinctiveness: **The newness and distinctiveness of the design resides in the visual features of shape and/or configuration of a bottle with nipple substantially as shown in solid lines in the accompanying representations.**



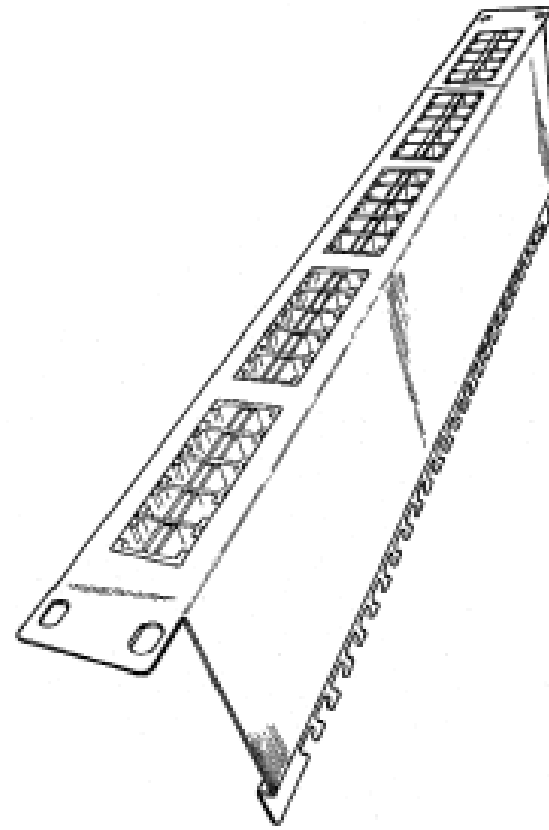
- (21) Design Number: **14520/2010**
(22) Date of Filing Application: **20 October 2010**
(24) Date from which industrial property rights may have effect: **20 October 2010**
(54) Product in respect of which the design is registered: **A container**
(51) International Design Classification: **07-01NES**
(71) Name(s) and Address(s) of Applicant(s):
Cryovac Australia Pty Ltd
90 Keilor Park Drive Tullamarine Victoria 3043 Australia
(72) Name(s) of Designer(s): **Bryan Terry and Chow Chee Yut**
(45) Registration Date: **09 December 2010**
(56) Related Art Documents: **Not Applicable**
(57) Statement of Newness and Distinctiveness: **Newness and distinctiveness is claimed in the shape and configuration of the container shown in the representations but not in the particular colours shown in the representations.**



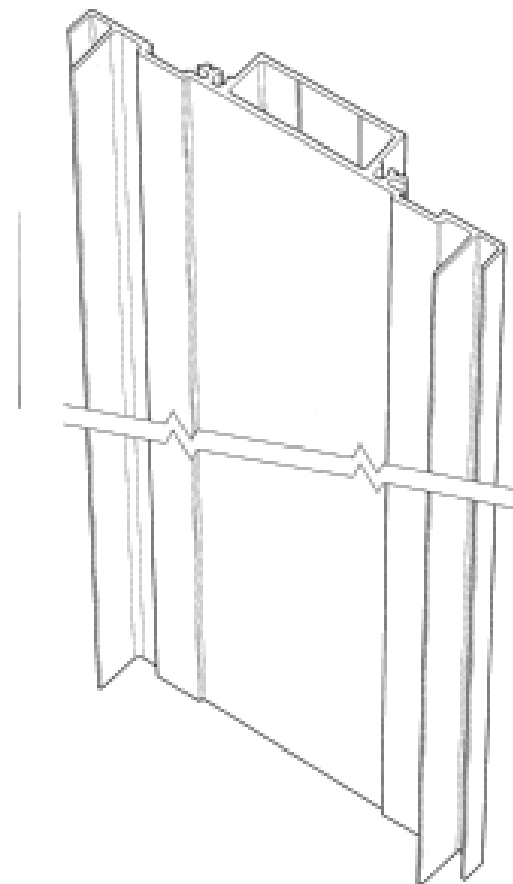
- (21) Design Number: **14972/2010**
(22) Date of Filing Application: **17 November 2010**
(24) Date from which industrial property rights may have effect: **17 November 2010**
(54) Product in respect of which the design is registered: **A carpet knife**
(51) International Design Classification: **08-03**
(71) Name(s) and Address(s) of Applicant(s):
Yuewei Wu
Ningbo Xingwei Plastic Product Co., Ltd. Industrial Zone of Xidian
Ninghai Zhejiang 315613 China
(72) Name(s) of Designer(s): **Yuewei Wu**
(45) Registration Date: **09 December 2010**
(30) Convention priority data:
(31) Number (32) Date (33) Country
201030208347.8 17 May 2010 CHINA
(56) Related Art Documents: **Not Applicable**
(57) Statement of Newness and Distinctiveness: **Nil**



- (21) Design Number: **11185/2010**
(22) Date of Filing Application: **01 April 2010**
(24) Date from which industrial property rights may have effect: **01 April 2010**
(54) Product in respect of which the design is registered: **A patch panel assembly**
(51) International Design Classification: **14-02, 14-03NES**
(71) Name(s) and Address(s) of Applicant(s):
Madison Technologies Pty Ltd
75 Proprietary Street Tingalpa Queensland 4173 Australia
(72) Name(s) of Designer(s): **David Redfern**
(45) Registration Date: **09 December 2010**
(56) Related Art Documents: **Not Applicable**
(57) Statement of Newness and Distinctiveness: **Nil**



- (21) Design Number: **14632/2010**
(22) Date of Filing Application: **27 October 2010**
(24) Date from which industrial property rights may have effect: **27 October 2010**
(54) Product in respect of which the design is registered: **Wall cap**
(51) International Design Classification: **25-01K**
(71) Name(s) and Address(s) of Applicant(s):
Prodrome Designs Pty Ltd
468 Stuart Highway Winnellie Northern Territory 0820 Australia
(72) Name(s) of Designer(s): **John Koukouvas**
(45) Registration Date: **09 December 2010**
(56) Related Art Documents: **Not Applicable**
(57) Statement of Newness and Distinctiveness: **Newness and distinctiveness resides in the features of the shape and/or configuration of a wall cap of indefinite length as shown in the accompanying representations.**



(21) Design Number: **14969/2010**
(22) Date of Filing Application: **15 November 2010**
(24) Date from which industrial property rights may have effect: **15 November 2010**
(54) Product in respect of which the design is registered: **A wireless tag reader**
(51) International Design Classification: **14-99**
(71) Name(s) and Address(s) of Applicant(s):

Tru-Test Limited
25 Carbine Road Mount Wellington Auckland New Zealand

(72) Name(s) of Designer(s): **Graham Brain**

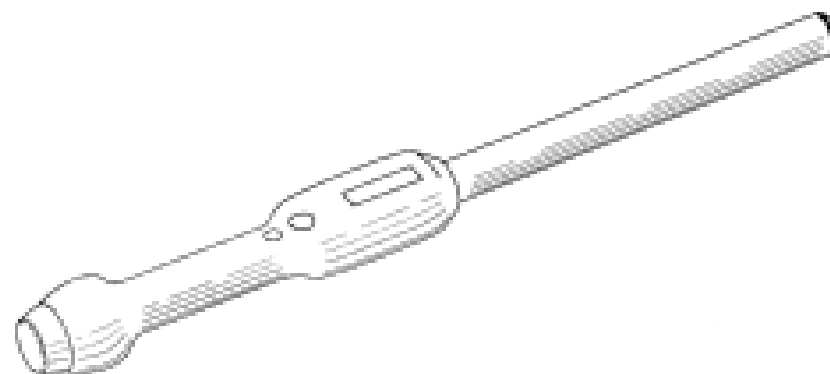
(45) Registration Date: **09 December 2010**

(30) Convention priority data:

(31) Number	(32) Date	(33) Country
413641	17 May 2010	NEW ZEALAND

(56) Related Art Documents: **Not Applicable**

(57) Statement of Newness and Distinctiveness: **Nil**



(21) Design Number: **14977/2010**
(22) Date of Filing Application: **17 November 2010**
(24) Date from which industrial property rights may have effect: **17 November 2010**
(54) Product in respect of which the design is registered: **A step regulatable utility knife**
(51) International Design Classification: **08-03**
(71) Name(s) and Address(s) of Applicant(s):

Yuewei Wu
Ningbo Xingwei Plastic Product Co., Ltd. Industrial Zone of Xidian
Ninghai Zhejiang 315613 China

(72) Name(s) of Designer(s): **Yuewei Wu**

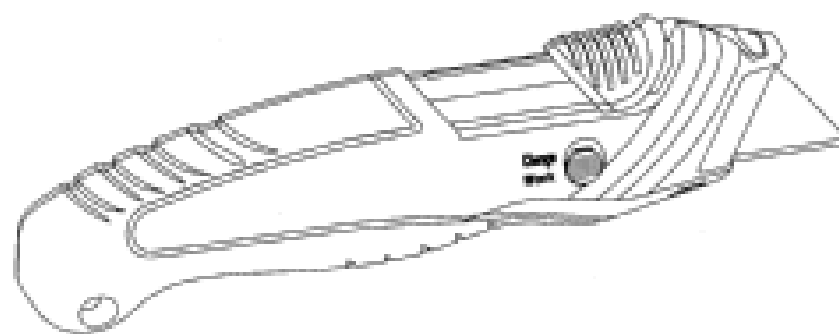
(45) Registration Date: **09 December 2010**

(30) Convention priority data:

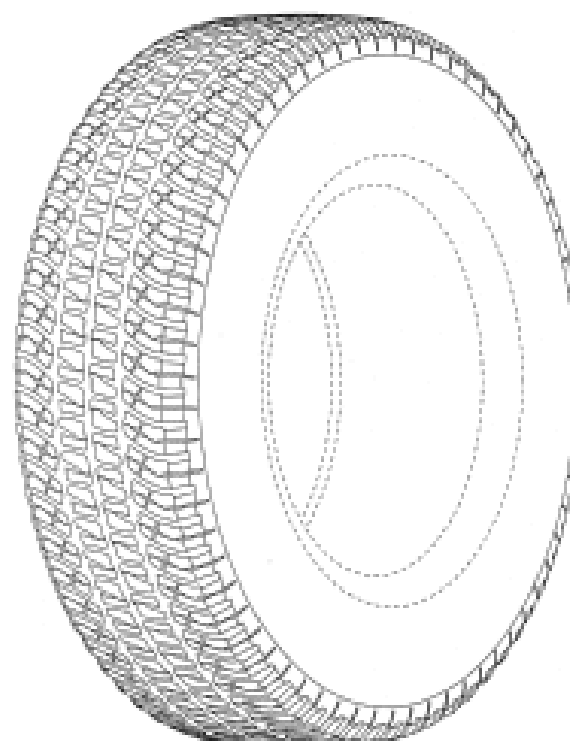
(31) Number	(32) Date	(33) Country
201030172960.9	17 May 2010	CHINA

(56) Related Art Documents: **Not Applicable**

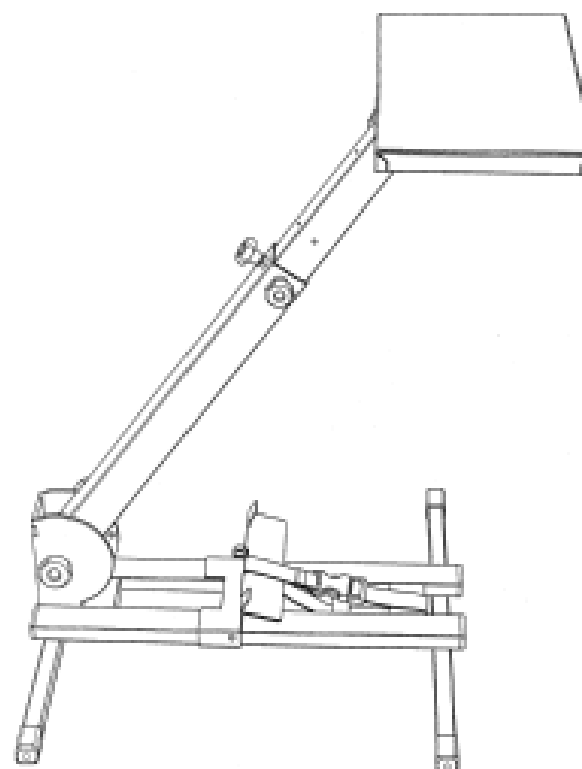
(57) Statement of Newness and Distinctiveness: **Nil**



- (21) Design Number: **14981/2010**
(22) Date of Filing Application: **17 November 2010**
(24) Date from which industrial property rights may have effect: **17 November 2010**
(54) Product in respect of which the design is registered: **A tyre**
(51) International Design Classification: **12-15A**
(71) Name(s) and Address(s) of Applicant(s):
Michelin Recherche et Technique SA
Route Louis Braille 10 et 12 CH-1763 Grandes-Paccot Switzerland
Societe De Technologie Michelin
23 rue Breschet F-63000 Clermont-Ferrand Cedex France
(72) Name(s) of Designer(s): **Benjamin E Ebel and Anthony J McPherson**
(45) Registration Date: **09 December 2010**
(30) Convention priority data:
(31) Number (32) Date (33) Country
29/364,340 22 Jun 2010 UNITED STATES OF AMERICA
(56) Related Art Documents: **Not Applicable**
(57) Statement of Newness and Distinctiveness: **Newness and distinctiveness resides in the shape, configuration and pattern of the tread of the tyre as shown in the annexed drawings, the remainder of the tyre shown in dashed outline does not form part of the design.**



- (21) Design Number: **14982/2010**
(22) Date of Filing Application: **17 November 2010**
(24) Date from which industrial property rights may have effect: **17 November 2010**
(54) Product in respect of which the design is registered: **Foldable support for steering wheels for electronic games**
(51) International Design Classification: **21-01N**
(71) Name(s) and Address(s) of Applicant(s):
MGM Giorgi S.p.A.
Via S.Quasimodo 14 20010 S. Stefano Ticino Italy
(72) Name(s) of Designer(s): **Sergio Pezzoni and Sylvia Lorandi**
(45) Registration Date: **09 December 2010**
(30) Convention priority data:
(31) Number (32) Date (33) Country
001214928 18 May 2010 EUROPEAN COMMUNITY
(56) Related Art Documents: **Not Applicable**
(57) Statement of Newness and Distinctiveness: **Nil**



(21) Design Number: **14983/2010**

(22) Date of Filing Application: **16 November 2010**

(24) Date from which industrial property rights may have effect: **16 November 2010**

(54) Product in respect of which the design is registered: **Pipe hanger clamp**

(51) International Design Classification: **08-08D**

(71) Name(s) and Address(s) of Applicant(s):

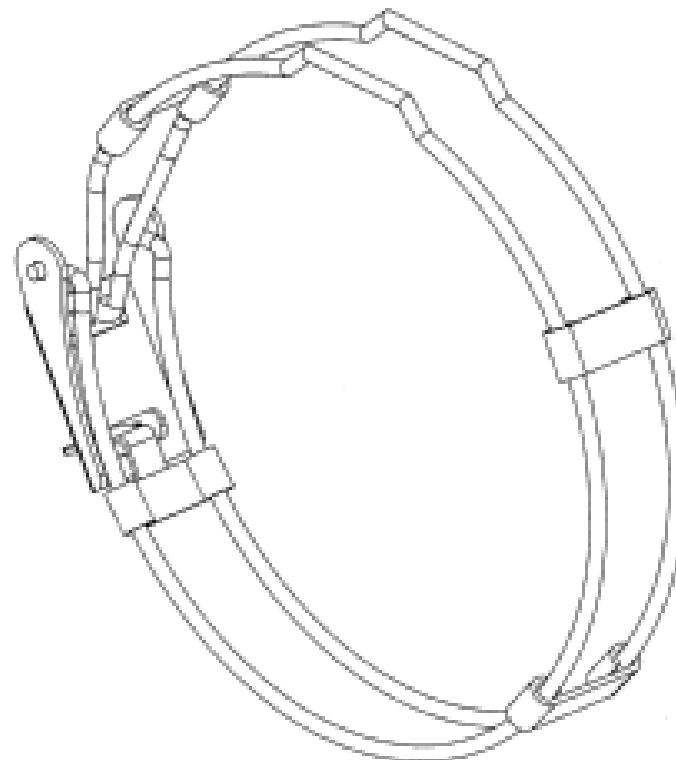
Sitka Developments Pty Ltd
C/- Level 29 12 Creek Street Brisbane Queensland 4000 Australia

(72) Name(s) of Designer(s): **John Hammond and Neville King and Jonathan Haughton**

(45) Registration Date: **09 December 2010**

(56) Related Art Documents: **Not Applicable**

(57) Statement of Newness and Distinctiveness: **The newness and distinctiveness of the design resides in the shape and/or configuration of the PIPE HANGER CLAMP shown in the representations.**



(21) Design Number: **14992/2010**

(22) Date of Filing Application: **17 November 2010**

(24) Date from which industrial property rights may have effect: **17 November 2010**

(54) Product in respect of which the design is registered: **Mixer tap**

(51) International Design Classification: **23-01H**

(71) Name(s) and Address(s) of Applicant(s):

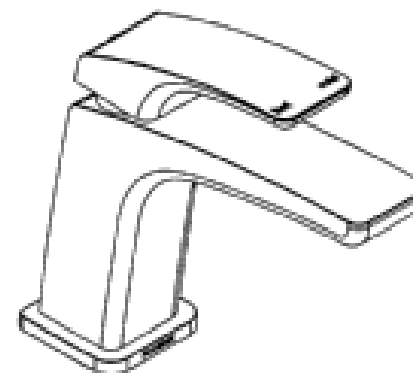
Phoenix Industries Pty Ltd
20-22 Trade Place Vermont Victoria 3133 Australia

(72) Name(s) of Designer(s): **Ban Hsi Liu**

(45) Registration Date: **09 December 2010**

(56) Related Art Documents: **Not Applicable**

(57) Statement of Newness and Distinctiveness: **Nil**



(19) AU

- (21) Design Number: **14997/2010**
- (22) Date of Filing Application: **17 September 2010**
- (24) Date from which industrial property rights may have effect: **17 September 2010**
- (54) Product in respect of which the design is registered: **Electronic device**
- (51) International Design Classification: **14-03A, 14-04**
- (71) Name(s) and Address(s) of Applicant(s):

Apple Inc.
1 Infinite Loop Cupertino California 95014 United States of America

- (72) Name(s) of Designer(s): **Elizabeth Caroline Cranfill and Freddy Anzures and Imran Chaudhri and Marcel Van Os and Mikio Inose and Ollie Wagner**

(45) Registration Date: **09 December 2010**

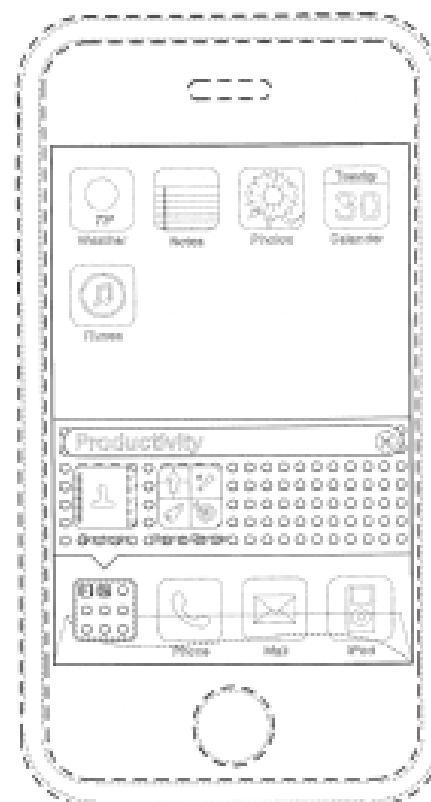
(30) Convention priority data:

(31) Number	(32) Date	(33) Country
29/359260	07 Apr 2010	UNITED STATES OF AMERICA

(62) Divisional of: **333897**

(56) Related Art Documents: **Not Applicable**

(57) Statement of Newness and Distinctiveness: **Newness and distinctiveness is claimed in the features of pattern and/or ornamentation of the front of an electronic device as shown in solid outline in the accompanying representations.**



(19) AU

- (21) Design Number: **15000/2010**
- (22) Date of Filing Application: **17 November 2010**
- (24) Date from which industrial property rights may have effect: **17 November 2010**
- (54) Product in respect of which the design is registered: **A power board**
- (51) International Design Classification: **13-03D**
- (71) Name(s) and Address(s) of Applicant(s):

Jackson Industries Pty Limited
16 Brookhollow Avenue Norwest Business Park Baulkham Hills New South Wales 2153 Australia

(72) Name(s) of Designer(s): **Ross Alec Jackson**

(45) Registration Date: **10 December 2010**

(56) Related Art Documents: **Not Applicable**

(57) Statement of Newness and Distinctiveness: **Newness and distinctiveness is claimed in the features of shape and/or configuration of a radiussed casing of a power board as illustrated in the accompanying representations.**

