



Australian Government

IP Australia

AUSTRALIAN OFFICIAL JOURNAL

OF

DESIGNS

Did you know a searchable version of this journal is now available online?

It's FREE and EASY to SEARCH.

Find it at

<http://pericles.ipaustralia.gov.au/ols/epublish/content/olsEpublications.jsp>
or using the "Online Journals" link on the IP Australia home page.

This Page Left Intentionally Blank

Contents

General Information & Notices

**Proceedings Under the Designs Act 1906 preserved as a result of the provisions of Chapter 12
Part 2 of the Designs Act 2003**

Extension of Period of Registration of Designs	2
Extensions of Time Granted	2
Registrations Ceased	2

Proceedings Under the Designs Act 2003

Applications Assigned	13
Applications Lapsed	12
Applications Lodged	7
Applications Withdrawn	12
Certificate of Examination	16
Corrigenda	15
Extension of Period of Registration of Design	
Extension of Time Granted Under Section 137	13
Names Registered - Alterations and Amendments	13
Publication and Registration Proceedings	
Designs Registered 334099 to 334310.....	17
Registrations Ceased	13
Subsequent Owners Registered	13

This Page Left Intentionally Blank

For information on the following please see our website www.ipaustralia.gov.au or contact our Customer Service Network on 1300651010

[Editorial enquiries](#)

[Contact information](#)

[Freedom of Information ACT](#)

[Professional Standards Board](#)

[Sales](#)

[Requests for Information under Section 194 \(c\)](#)

[Country Codes](#)

[Trade Mark and Designs Hearing Sessions](#)

[INID \(Internationally agreed Numbers for the Identification of Data\)](#)

“INID” NUMBERS in use on Australian Design Documents

“INID” is an acronym for “Internationally agreed Numbers for the Identification of Data”.

(10) Data concerning the registration/renewal

- (11) Serial number of the registration and/or number of the design document
- (12) Plain language designation of the kind of published document
- (19) Identification, using the two-letter code according to WIPO Standard ST.3, of the authority publishing or registering the industrial design

(20) Data concerning the application

- (21) Serial number of the application
- (22) Date of filing of the application
- (24) Date from which the industrial design right has effect

(30) Data relating to priority under the Paris Convention

- (31) Serial number assigned to the priority application
- (32) Date of filing of the priority application
- (33) Two-letter code, according to WIPO Standard ST.3, identifying the authority with which the priority application was made

(40) Date(s) of making information available to the public

- (45) Date of publication of the registered industrial design by printing or similar process, or making it available to the public by any other means

(50) Miscellaneous Information

- (51) International Classification for Industrial Designs (class and subclass of the Locarno Classification)
- (54) Designation of article(s) or product(s) covered by the industrial design or title of the industrial design
- (55) Reproduction of the industrial design (e.g., drawing, photograph) and explanations relating to the reproduction
- (56) List of prior art documents, if separate from descriptive text
- (57) Description of characteristic features of the industrial design including indication of colours

(60) References to other legally related application(s) and registration(s)

- (62) Serial number(s) and, if available, filing date(s) of application(s), registration(s) or document(s) related by division
- (66) Serial number(s) of the application, or the registration, of the design(s) which is (are) a variant(s) of the present one

(70) Identification of parties concerned with the application or registration

- (71) Name(s) and address(es) of the applicant(s)
- (72) Name(s) of the creator(s) if known to be such
- (74) Name(s) and address(es) of the representative(s)

This Page Left Intentionally Blank

Nil notices for this journal issue.

**Proceedings under the Designs Act 1906 preserved as a
result of the provisions of Chapter 12 Part 2 of the Designs
Act 2003.**

This Page Left Intentionally Blank

Applications Lapsed

There were no Applications Lapsed under this section

Extension of Period of Registration of Designs

1st Period (Section 27A(8))

2nd Period (Section 27A(12))

154818	156971	156972
156973	156975	

3rd Period (Section 27A(13))

139782	139952	140752
140848	140967	140992
141047	141134	141135
141136	141137	141138
141139	141140	141141
141154	141155	141192
141430	141572	141614
141904	142506	143163
143206	143651	143652
143653	143724	

Registrations Ceased

Note: Some of the following Registrations may have been previously advertised as ceased. In this instance, the previous advertisement still prevails.

123401	124095	124170
124200	124201	124202
124246	124252	124395
124434	124541	124542
124680	124707	126276
126664	127402	128385
129179	134883	138068
138124	138804	138805
138806	138807	138808
138809	138810	138811
138812	138813	138814
138815	138816	139349
139350	139356	139359
139362	139363	139369
139370	139373	139384
139387	139421	139490
139555	139780	139841
140389	141314	142743
142744	142745	143002
144404	144405	144818
144819	144820	155739
155829	155869	155959
155960	156300	156740
156950	157017	157133
157135	157146	157147
157155	157199	157200

157232	157281	157282
157283	157320	157324
157397	157398	157418
157496	157497	157498
157499	157500	157501
157515	157518	157519
157520	157614	157637
157666	157669	157759
157989	157990	157991
158097	158123	158135
158179	158233	158247
158263	158322	158439
158440	158471	158476
158501	158536	158565

Extensions of time granted

Applications lodged for extension of time have been granted.

156971 **Peak Innovations Inc.** An Extension of time to extend a registration has been granted to 29/10/2010

156972 **Peak Innovations Inc.** An Extension of time to extend a registration has been granted to 29/10/2010

156973 **Peak Innovations Inc.** An Extension of time to extend a registration has been granted to 29/10/2010

156975 **Peak Innovations Inc.** An Extension of time to extend a registration has been granted to 29/10/2010

154818 **Australian Security Fencing Pty Ltd** An Extension of time to extend a registration has been granted to 22/07/2010

This Page Left Intentionally Blank

Proceedings under the Designs Act 2003.

This Page Left Intentionally Blank

Applications Lodged

Lodgement information is in the following order: **Applicant's Name**; International Classification, Name of Product, Lodgement Date and **Design Number**. If the applicant claims an earlier priority date under an International Convention, the Convention Country and the associated filing date are shown in parentheses before the Lodgement Date. Divisional information will also appear in parentheses before the Lodgement Date.

iFitness Inc.; 03-01NES, 02-07A, Utility belt, (US, 15 Jun 2010) 13 Dec 2010	15440/2010	Beba Enterprises Pty Ltd; 02-02C, Dress, 05 Jul 2010	15593/2010
iFitness Inc.; 02-07A, 02-01B, Utility belt, (US, 15 Jun 2010) 13 Dec 2010	15441/2010	Becton, Dickinson and Company; 24-02, Collection container, (US, 12 Jul 2010) 14 Dec 2010	15488/2010
Abuzz Solutions Pty Ltd; 20-03NES, Electronic kiosk; directory, 14 Dec 2010	15562/2010	Becton, Dickinson and Company; 24-02, Collection container, (US, 23 Jun 2010) 14 Dec 2010	15487/2010
Abuzz Solutions Pty Ltd; 20-03NES, Electronic kiosk; directory, 13 Dec 2010	15560/2010	Bolliger, David Peter; 14-02, Computing accessory, 10 Dec 2010	15414/2010
Adbri Masonry Pty Ltd; 25-01A, A masonry retaining wall block, 20 Dec 2010	15574/2010	Boylan Nominees Pty Ltd; 25-02C, Boylan B6800 Anti-gawking screens and Boylan secure guard fencing complete with mounting bracket, 10 Dec 2010	15416/2010
Alive Girl Pty Ltd; 02-02C, Dress, (Divisional of 12496/2010) 17 Jun 2010	15576/2010	Bridgestone Americas Tire Operations, LLC; 12-15A, Tire, 20 Dec 2010	15608/2010
Ansell Limited; 09-01NES, Bottle, (US, 11 Jun 2010) 09 Dec 2010	15419/2010	Brother Industries, Ltd.; 14-02, Ink cartridge, (JP, 17 Jun 2010) 17 Dec 2010	15577/2010
Ansell Limited; 09-01NES, Bottle, (US, 11 Jun 2010) 09 Dec 2010	15418/2010	Brother Industries, Ltd.; 14-02, Ink cartridge, (JP, 17 Jun 2010) 17 Dec 2010	15578/2010
Apple Inc.; 14-01, Electronic device, (US, 16 Jun 2010) 09 Dec 2010	15380/2010	Chanel Limited; 21-01B, Doll, (GB, 19 Nov 2010) 16 Dec 2010	15551/2010
Apple Inc.; 14-02, Electronic device for data processing, (US, 15 Jun 2010) 09 Dec 2010	15381/2010	Charlesworth, Ellen; 19-06, Alphabet pen clip, 08 Dec 2010	15378/2010
ACCO Australia Pty Ltd; 19-02, Desk tray, 17 Dec 2010	15581/2010	Chilewich Sultan LLC; 07-01B, Bowl, 13 Dec 2010	15456/2010
ACCO Australia Pty Ltd; 19-02, Desk tray, 17 Dec 2010	15582/2010	Chilewich Sultan LLC; 07-01B, 20-02E, Bowls and stand, 13 Dec 2010	15457/2010
ACCO Australia Pty Ltd; 19-02, Desk tray, 17 Dec 2010	15583/2010	China Trading Co. Pty. Ltd.; 02-02NES, Map of Australia incorporating european main countries printed on back side of shirts ect., 15 Dec 2010	15480/2010
ADC Communications (Australia) Pty Limited; 14-03NES, Assembly for dispensing cable, 15 Dec 2010	15513/2010	Colebrook Bosson & Saunders (Products) Limited; 20-02NES, Display support, (EM, 09 Jun 2010) 09 Dec 2010	15417/2010
Barski, Karen; 02-02C, Arms-free infant swaddling garment, (US, 11 Jun 2010) 09 Dec 2010	15448/2010	Crown Packaging Technology, Inc.; 09-03L, Full aperture open beverage can, (US, 10 Jun 2010) 09 Dec 2010	15376/2010
Barski, Karen; 02-02C, Legs-free infant swaddling garment, (US, 11 Jun 2010) 09 Dec 2010	15451/2010	Crown Packaging Technology, Inc.; 09-03L, Full aperture open beverage can, (US, 10 Jun 2010) 09 Dec 2010	15377/2010
Beba Enterprises Pty Ltd; 02-02NES, Women's clothing, 08 Dec 2010	15413/2010	CNH Belgium NV; 15-03B, Agricultural bale press, (EM, 10 Jun 2010) 09 Dec 2010	15386/2010
Beba Enterprises Pty Ltd; 02-02C, Dress, 05 Jul 2010	15592/2010	CNH Belgium NV; 15-03B, Agricultural bale press, (EM, 10 Jun 2010) 09 Dec 2010	15387/2010
		Daikin Industries Ltd.; 23-04, Air conditioner, 14 Dec 2010	15471/2010

Daikin Industries Ltd.; 23-04, Air conditioner, (JP, 23 Jun 2010) 15 Dec 2010	15490/2010	Everstone International Pty Ltd; 25-01F, Tesserae, 10 Dec 2010	15460/2010
Daikin Industries Ltd.; 23-04, Air conditioner, (JP, 23 Jun 2010) 15 Dec 2010	15491/2010	Everstone International Pty Ltd; 25-01F, Tesserae, 10 Dec 2010	15461/2010
Daikin Industries Ltd.; 23-04, Air conditioner, (JP, 23 Jun 2010) 15 Dec 2010	15492/2010	Everstone International Pty Ltd; 25-01F, Tesserae, 10 Dec 2010	15462/2010
Daikin Industries Ltd.; 23-04, Air conditioner, (JP, 23 Jun 2010) 15 Dec 2010	15493/2010	Ferdinands, David; 22-05, Fishing rod holder, 13 Dec 2010	15452/2010
Daikin Industries Ltd.; 23-04, Air conditioner, 14 Dec 2010	15472/2010	Fifty-Fourth Rischell Pty Ltd; 02-02C, 02-02NES, Men's clothing, 17 Dec 2010	15564/2010
Daikin Industries Ltd.; 23-04, Air conditioner, 14 Dec 2010	15473/2010	Forever New Clothing Pty Ltd; 02-02C, 02-02NES, Women's fashion clothing, 13 Dec 2010	15449/2010
Daikin Industries Ltd.; 23-04, Air conditioner, 14 Dec 2010	15474/2010	Forever New Clothing Pty Ltd; 02-02C, Women's fashion clothing, 07 Jun 2010	15390/2010
Daikin Industries Ltd.; 13-03D, Adapter for air conditioning apparatus, 14 Dec 2010	15475/2010	Forever New Clothing Pty Ltd; 02-02C, Women's fashion clothing, 07 Jun 2010	15391/2010
Daikin Industries Ltd.; 23-04, Air conditioner, (JP, 23 Jun 2010) 15 Dec 2010	15494/2010	Forever New Clothing Pty Ltd; 02-02C, Women's fashion clothing, 07 Jun 2010	15392/2010
Daikin Industries Ltd.; 23-04, Air conditioner, (JP, 23 Jun 2010) 15 Dec 2010	15495/2010	Forever New Clothing Pty Ltd; 02-02C, Women's fashion clothing, 07 Jun 2010	15393/2010
Daikin Industries Ltd.; 23-04, Air conditioner, (JP, 23 Jun 2010) 15 Dec 2010	15496/2010	Forever New Clothing Pty Ltd; 02-02C, Women's fashion clothing, 07 Jun 2010	15394/2010
Daikin Industries Ltd.; 14-03NES, 23-04, Remote control for air conditioner, (JP, 07 Jul 2010) 15 Dec 2010	15497/2010	Forever New Clothing Pty Ltd; 02-02C, Women's fashion clothing, 07 Jun 2010	15395/2010
Daikin Industries Ltd.; 14-03NES, 23-04, Remote control for air conditioner, (JP, 07 Jul 2010) 15 Dec 2010	15498/2010	Forever New Clothing Pty Ltd; 02-02C, Women's fashion clothing, 07 Jun 2010	15396/2010
Dart Industries Inc.; 07-02P, Baking form, (US, 16 Jul 2010) 13 Dec 2010	15453/2010	Forever New Clothing Pty Ltd; 02-02C, Women's fashion clothing, 07 Jun 2010	15397/2010
Dart Industries Inc.; 07-02P, Baking form, (US, 16 Jul 2010) 13 Dec 2010	15454/2010	Forever New Clothing Pty Ltd; 02-02C, Women's fashion clothing, 07 Jun 2010	15398/2010
Dart Industries Inc.; 07-02P, Baking form, (US, 16 Jul 2010) 13 Dec 2010	15455/2010	Forever New Clothing Pty Ltd; 02-02NES, Women's fashion clothing, 16 Jun 2010	15382/2010
E. Mishan & Sons, Inc.; 21-02F, Abdominal exerciser, (US, 05 Oct 2010) 23 Nov 2010	15411/2010	Forever New Clothing Pty Ltd; 02-02NES, Women's fashion clothing, 16 Jun 2010	15383/2010
E. Mishan & Sons, Inc.; 08-03, Knife, (US, 08 Jun 2010) 23 Nov 2010	15412/2010	Forever New Clothing Pty Ltd; 02-02NES, Women's fashion clothing, 16 Jun 2010	15384/2010
Electrolux Home Products Pty Limited; 15-07, An appliance, a component, an appliance, a component, 14 Dec 2010	15486/2010	Forever New Clothing Pty Ltd; 02-02NES, Women's fashion clothing, 16 Jun 2010	15385/2010
Everstone International Pty Ltd; 25-01F, Tesserae, 10 Dec 2010	15458/2010	Forever New Clothing Pty Ltd; 02-02C, Women's fashion clothing, 07 Jun 2010	15388/2010
Everstone International Pty Ltd; 25-01F, Tesserae, 10 Dec 2010	15459/2010	Fridman, Ilya; 12-16K, An insulated container used to store and transport items including bottled drinks and food items, which attaches to, a bicycle and can be detached as a hand held container, 13 Dec 2010	15442/2010
		Fusionbrands Inc.; 07-06NES, Utensil, 09 Dec 2010	15371/2010

Gimex International Groupe Import Export; 07-07A, Ice bucket, (EM, 10 Jun 2010) 10 Dec 2010	15432/2010	Hume, Edward Gregory; 23-01A, Pipe coupling connector, 15 Dec 2010	15526/2010
Gimex International Groupe Import Export; 08-08L, 07-01C, Support for stemmed glasses, (EM, 10 Jun 2010) 10 Dec 2010	15433/2010	Hunter Reilly Limited; 30-02, Beehive bottom board, (NZ, 14 Jun 2010) 14 Dec 2010	15450/2010
Goodbaby Child Products Co., Ltd; 06-01E, Baby seat, (CN, 17 Jun 2010) 17 Dec 2010	15567/2010	Industrie Bitossi S.P.A.; Plasan Sasa Ltd.; 25-01F, Armour tile, 16 Dec 2010	15553/2010
Grabba International Pty Ltd; 14-03A, Enclosure and multifunction attachment for a handheld device, 08 Dec 2010	15470/2010	Kabushiki Kaisha Toshiba also Trading as Toshiba Corporation; 14-03B, A television receiver, 17 Dec 2010	15579/2010
Groundhog Industries; 15-03A, Tillage point, 10 Dec 2010	15404/2010	Koninklijke Philips Electronics N.V.; 28-03D, Beard trimmer, (EM, 22 Jun 2010) 15 Dec 2010	15499/2010
Groundhog Industries; 15-03A, Tilage point, 10 Dec 2010	15405/2010	Laporte Holding; 22-04, Target, (EM, 25 Jun 2010) 17 Dec 2010	15552/2010
Groundhog Industries; 15-03A, Fertilizer boot. Tillage point, 10 Dec 2010	15406/2010	Lugton, David; 12-16K, Bicycle touring pack and carrier, 17 Dec 2010	15572/2010
Groundhog Industries; 15-03A, Closer plate, wear shoe, 10 Dec 2010	15407/2010	LTA Corporation; 12-07, Airship, (US, 20 Jul 2010) 20 Dec 2010	15575/2010
GM Global Technology Operations, Inc.; 12-08, Whole body of car, (KR, 24 Aug 2010) 08 Dec 2010	15408/2010	Master Distributors Pty Ltd; 12-16A, Felt fusion wheels, 14 Dec 2010	15561/2010
GM Global Technology Operations, Inc.; 12-08, Whole body of car, (KR, 18 Jun 2010) 08 Dec 2010	15379/2010	Master Lock Company LLC; 08-07, Ratchet, (US, 18 Jun 2010) 17 Dec 2010	15569/2010
GWR Pty Ltd, trading as Uniquip Industries; 13-03D, Switch assembly, 15 Dec 2010	15521/2010	Master Lock Company LLC; 08-05P, Ratchet, (US, 18 Jun 2010) 17 Dec 2010	15568/2010
Haylin Systems Pty Ltd; 25-02NES, Connector, 10 Dec 2010	15482/2010	Master Lock Company, LLC; 08-07, Lock, (US, 20 Jul 2010) 15 Dec 2010	15509/2010
Haylin Systems Pty Ltd; 08-99, Tool, 10 Dec 2010	15483/2010	Mazda Motor Corporation; 12-08, Motor truck, (JP, 12 Oct 2010) 15 Dec 2010	15514/2010
Haylin Systems Pty Ltd; 25-01K, Extrusion, 10 Dec 2010	15465/2010	Mazda Motor Corporation; 12-08, Motor truck, (JP, 12 Oct 2010) 15 Dec 2010	15515/2010
Haylin Systems Pty Ltd; 25-01K, Extrusion, 10 Dec 2010	15463/2010	Mazda Motor Corporation; 12-08, Motor truck, (JP, 12 Oct 2010) 15 Dec 2010	15516/2010
Haylin Systems Pty Ltd; 25-01K, Extrusion, 10 Dec 2010	15466/2010	McNeil-PPC, Inc.; 04-02, Toothbrush, (US, 16 Jun 2010) 16 Dec 2010	15550/2010
Haylin Systems Pty Ltd; 25-01K, Extrusion, 10 Dec 2010	15467/2010	McNeil-PPC, Inc.; 04-02, Toothbrush, (US, 16 Jun 2010) 16 Dec 2010	15549/2010
Haylin Systems Pty Ltd; 08-08NES, Wedge, 10 Dec 2010	15468/2010	Mironenko, Igor; 12-05, SF 600-1 platform lift with foldable handrails and access ramp. For people in wheelchair only, 17 Dec 2010	15520/2010
Haylin Systems Pty Ltd; 25-02D, Bracket, 10 Dec 2010	15469/2010	Mort Bay Traders Pty Ltd; 13-03D, USB charger, 10 Dec 2010	15435/2010
Haylin Systems Pty Ltd; 08-08L, Bracket, 10 Dec 2010	15481/2010	Neate, Troy; 02-01B, 02-02A, Swimwear/underwear bottoms, 16 Dec 2010	15527/2010
Haylin Systems Pty Ltd; 08-08NES, Connector, 10 Dec 2010	15484/2010	Neate, Troy; 02-01B, 02-02A, Swimwear/underwear bottoms, 16 Dec 2010	15529/2010
Hills Holdings Limited; 14-03NES, Antenna, 16 Dec 2010	15524/2010		
Hills Holdings Limited; 14-03NES, Antenna, 16 Dec 2010	15523/2010		
Hills Holdings Limited; 14-03NES, Antenna, 16 Dec 2010	15525/2010		

Neate, Troy; 02-01B, 02-02A, Swimwear/underwear bottoms, 16 Dec 2010	15528/2010	Pathogen Detection Systems, Inc.; 09-07B, 24-99, Plug for a container, (US, 18 Jun 2010) 16 Dec 2010	15540/2010
Nintendo Co., Ltd.; 14-02, 19-08, Card for an electronic computer, (JP, 11 Jun 2010) 13 Dec 2010	15439/2010	Pathogen Detection Systems, Inc.; 16-99, 24-99, Optical detection system, (US, 18 Jun 2010) 16 Dec 2010	15541/2010
Nintendo Co., Ltd.; 14-02, Cartridge for electronic computer, (JP, 11 Jun 2010) 10 Dec 2010	15434/2010	Pathogen Detection Systems, Inc.; 09-07B, 24-99, Container lid, (US, 18 Jun 2010) 16 Dec 2010	15535/2010
Nintendo Co., Ltd.; 14-02, Housing component for portable electronic computer, (JP, 11 Jun 2010) 10 Dec 2010	15426/2010	Pathogen Detection Systems, Inc.; 09-03NES, 24-99, Container, (US, 18 Jun 2010) 16 Dec 2010	15536/2010
Nintendo Co., Ltd.; 19-08, Card for electronic computer, (JP, 26 Nov 2010) 10 Dec 2010	15427/2010	Plasan Sasa Ltd.; Industrie Bitossi S.P.A.; 25-01F, Armour tile, 16 Dec 2010	15553/2010
Nintendo Co., Ltd.; 19-08, Card for electronic computer, (JP, 11 Jun 2010) 10 Dec 2010	15428/2010	Playtex Products, Inc.; 24-04, Pacifier securing device, (US, 25 May 2010) 25 Nov 2010	15545/2010
Nintendo Co., Ltd.; 13-02, Storage battery, (JP, 11 Jun 2010) 10 Dec 2010	15429/2010	Playtex Products, Inc.; 24-04, Pacifier securing device, (US, 25 May 2010) 25 Nov 2010	15546/2010
Nintendo Co., Ltd.; 08-06, 14-02, Operating knob for portable electronic computer, (JP, 22 Nov 2010) 10 Dec 2010	15430/2010	Playtex Products, Inc.; 07-01D, Lid for cup, (US, 24 May 2010) 24 Nov 2010	15547/2010
Nintendo Co., Ltd.; 21-01N, Stylus pen, (JP, 11 Jun 2010) 10 Dec 2010	15431/2010	Playtex Products, Inc.; 07-01D, Cup, (US, 24 May 2010) 24 Nov 2010	15548/2010
Nintendo Co., Ltd.; 14-02, 19-08, Card for electronic computer, (JP, 26 Nov 2010) 13 Dec 2010	15438/2010	Psaila, Anthony; 08-05K, Tile spacer spindle, 14 Dec 2010	15477/2010
Nintendo Co., Ltd.; 14-02, Portable electronic computer, (JP, 11 Jun 2010) 09 Dec 2010	15401/2010	Psaila, Anthony; 08-05K, Tile spacer, 14 Dec 2010	15478/2010
Nintendo Co., Ltd.; 21-01N, Electronic computer stand, (JP, 11 Jun 2010) 09 Dec 2010	15402/2010	Quintaz B.V.; 02-07D, A ball of knitwear, (EM, 15 Dec 2010) 20 Dec 2010	15607/2010
Otto Developments Pty Ltd; 23-01NES, Culvert or footing, 15 Dec 2010	15504/2010	Reckitt Benckiser N.V.; 28-99, Container for dishwasher deodorant, (EM, 01 Jul 2010) 17 Dec 2010	15565/2010
Owens-Brockway Glass Container Inc.; 09-01H, Bottle, (US, 30 Jun 2010) 15 Dec 2010	15502/2010	Reckitt Benckiser N.V.; 28-99, Container for dishwasher deodorant, (EM, 01 Jul 2010) 17 Dec 2010	15566/2010
Papamiliades, Peter; 08-99, Caulking and Siliconing, 16 Dec 2010	15522/2010	ReIn Pty Ltd; 23-01F, Structural brace ring for a tank, 20 Sep 2010	15479/2010
Pathogen Detection Systems, Inc.; 09-07B, 24-99, Container lid, (US, 18 Jun 2010) 16 Dec 2010	15532/2010	Robert McBride Limited; 07-05NES, Capsule containing washing products, (EM, 10 Jun 2010) 09 Dec 2010	15423/2010
Pathogen Detection Systems, Inc.; 09-07B, 24-99, Plug for a container, (US, 18 Jun 2010) 16 Dec 2010	15537/2010	Robert McBride Limited; 07-05NES, Capsule containing washing products, (EM, 10 Jun 2010) 09 Dec 2010	15424/2010
Pathogen Detection Systems, Inc.; 09-07B, Plug for a container, (US, 18 Jun 2010) 16 Dec 2010	15538/2010	Robert McBride Limited; 07-05NES, Capsule containing washing products, 09 Dec 2010	15425/2010
Pathogen Detection Systems, Inc.; 09-03NES, 24-99, Container, (US, 18 Jun 2010) 16 Dec 2010	15534/2010	Rzetelski, Jonathan; 13-99, Electrical device cord, 09 Dec 2010	15409/2010
Pathogen Detection Systems, Inc.; 09-07B, Plug for a container, (US, 18 Jun 2010) 16 Dec 2010	15539/2010	RX Plastics Limited; 23-01B, A fitting, (NZ, 05 Nov 2010) 15 Dec 2010	15559/2010
		RX Plastics Limited; 23-01B, A fitting, (NZ, 05 Nov 2010) 15 Dec 2010	15563/2010

RX Plastics Limited; 23-01A, A fitting, (NZ, 05 Nov 2010) 15 Dec 2010	15518/2010	Swarovski Aktiengesellschaft; 10-07, Wristband, (EM, 13 Oct 2010) 13 Dec 2010	15444/2010
S. C. Johnson & Son, Inc.; 09-01A, Container for a fluid dispensing device, (US, 17 Jun 2010) 17 Dec 2010	15586/2010	Swarovski Aktiengesellschaft; 10-07, Wristband, (EM, 13 Oct 2010) 13 Dec 2010	15445/2010
Saabeam Pty Ltd; 03-01A, Shopping bag, 08 Dec 2010	15403/2010	Swarovski Aktiengesellschaft; 10-07, Wristband, (EM, 13 Oct 2010) 13 Dec 2010	15446/2010
Sargeant, Ian Stuart; 06-04NES, 07-99NES, Combination kitchen utensil block and book rack, 14 Dec 2010	15464/2010	SCA Hygiene Products AB; 24-04, Sanitary napkin, (EM, 26 Aug 2010) 13 Dec 2010	15415/2010
Shin-Etsu Chemical Co., Ltd.; 08-05A, Controlled-release chemical delivery device, (JP, 23 Jun 2010) 09 Dec 2010	15420/2010	Tebco International, Inc.; 02-07A, Security seal, 17 Dec 2010	15570/2010
Shin-Etsu Chemical Co., Ltd.; 08-05A, Controlled-release chemical delivery device, (JP, 23 Jun 2010) 09 Dec 2010	15421/2010	Tebco International, Inc.; 02-07A, Band of security seals, 17 Dec 2010	15571/2010
Smart Openers Pty Ltd; 15-99, Swing drive gear box module, 15 Dec 2010	15512/2010	The Gillette Company; 09-05, 19-08, Packaging label for a shaving product, (US, 18 Jan 2010) 16 Dec 2010	15556/2010
Smith's Cooking Systems Pty Ltd; 07-02C, Microwave oven trim kit, 15 Dec 2010	15519/2010	The Gillette Company; 09-05, 19-08, Packaging label for a shaving product, (US, 18 Jun 2010) 16 Dec 2010	15557/2010
Societe des Produits Nestle S.A.; 01-01, Chocolate, (CH, 28 Jun 2010) 09 Dec 2010	15436/2010	The Gillette Company; 09-05, 19-08, Packaging label for a shaving product, (US, 18 Jun 2010) 16 Dec 2010	15558/2010
Sony Computer Entertainment Inc.; 14-99, 21-01N, Holder for remote controller, (JP, 14 Jun 2010) 14 Dec 2010	15476/2010	The Gillette Company; 09-05, Packaging for combination shaving and trimming device, (US, 24 Jun 2010) 15 Dec 2010	15544/2010
Staples the Office Superstore, LLC; 18-04, Shredder, (US, 06 Jul 2010) 21 Dec 2010	15610/2010	The Goodyear Tire & Rubber Company; 12-15B, Tyre, (US, 30 Jun 2010) 16 Dec 2010	15530/2010
Staples the Office Superstore, LLC; 18-04, Shredder, (US, 06 Jul 2010) 21 Dec 2010	15611/2010	The Procter & Gamble Company; 09-03M, Packaging container with surface ornamentation, (WO, 18 Jun 2010) 20 Dec 2010	15609/2010
Steelmore Holdings Pty Ltd; 25-02C, Hand rail, 09 Dec 2010	15422/2010	The Procter & Gamble Company; 09-03M, Packaging container with surface ornamentation, (WO, 18 Jun 2010) 17 Dec 2010	15580/2010
Sunbeam Corporation Limited; 07-02L, Espresso machine, 15 Dec 2010	15503/2010	Touchup Pty Ltd; 03-01D, Metal tool box with lid, lock and carry handle, a sliding platform, one on either side, left hand and right hand side, 20 Dec 2010	15573/2010
Swanson Tool Company, Inc.; 10-04, 08-05NES, Level tool, (US, 30 Jun 2010) 16 Dec 2010	15533/2010	THQ Inc.; 21-01N, Game tablet, (US, 01 Jul 2010) 08 Dec 2010	15399/2010
Swanson Tool Company, Inc.; 10-04, Level tool, (US, 30 Jun 2010) 16 Dec 2010	15531/2010	TOJO Products Pty Ltd; 07-01C, Wine/champagne glass, 05 Dec 2010	15410/2010
Swanson Tool Company, Inc.; 10-04, 08-99, Level tool, (US, 30 Jun 2010) 17 Dec 2010	15584/2010	Unilever PLC; 07-05NES, Detergent or soap bar, (EM, 11 Jun 2010) 09 Dec 2010	15372/2010
Swanson Tool Company, Inc.; 10-04, 08-99, Level tool, (US, 30 Jun 2010) 17 Dec 2010	15585/2010	Unilever PLC; 09-05, 28-03NES, Toilet block applicator, (EM, 23 Jun 2010) 20 Dec 2010	15598/2010
Swarovski Aktiengesellschaft; 10-07, Wristband, (EM, 13 Oct 2010) 13 Dec 2010	15447/2010	Unilever PLC; 28-03NES, 09-05, Toilet block applicator, (EM, 23 Jun 2010) 20 Dec 2010	15599/2010
Swarovski Aktiengesellschaft; 10-02, Wristwatch, (EM, 13 Oct 2010) 13 Dec 2010	15443/2010		

Unilever PLC; 09-05, 28-03NES, Toilet block applicator, (EM, 23 Jun 2010) 20 Dec 2010	15600/2010	Van Ryn, Marcel James; 09-07B, Closure, 16 Dec 2010	15554/2010
Unilever PLC; 28-03NES, 09-05, Toilet block applicator, (EM, 23 Jun 2010) 20 Dec 2010	15601/2010	Van Ryn, Marcel James; 09-07B, Closure, 16 Dec 2010	15555/2010
Unilever PLC; 09-05, 28-03NES, Toilet block applicator, (EM, 23 Jun 2010) 20 Dec 2010	15602/2010	Victaulic Company; 23-01A, Pipe coupling segment, (US, 11 Jun 2010) 16 Dec 2010	15543/2010
Unilever PLC; 09-05, 28-03NES, Toilet block applicator, (EM, 23 Jun 2010) 20 Dec 2010	15603/2010	Victaulic Company; 23-01A, Pipe coupling segment, (US, 11 Jun 2010) 16 Dec 2010	15542/2010
Unilever PLC; 09-05, 28-03NES, Toilet block applicator, (EM, 23 Jun 2010) 20 Dec 2010	15604/2010	Vola A/S; 09-09, Waste container, (EM, 12 Jul 2010) 16 Dec 2010	15508/2010
Unilever PLC; 28-01, Toilet block applicator, (EM, 23 Jun 2010) 20 Dec 2010	15605/2010	Wang, Luojin; 01-99, Skewered food, 15 Dec 2010	15505/2010
Unilever PLC; 28-01, Toilet block applicator, (EM, 23 Jun 2010) 20 Dec 2010	15606/2010	Wang, Luojin; 01-01, Skewered food, 15 Dec 2010	15510/2010
Unilever PLC; 07-05NES, Detergent or soap bar, (EM, 11 Jun 2010) 09 Dec 2010	15373/2010	Wang, Luojin; 01-99, Skewered food, 15 Dec 2010	15511/2010
Unilever PLC; 07-05NES, Detergent or soap bar, (EM, 11 Jun 2010) 09 Dec 2010	15374/2010	Wang, Luojin; 01-99, Skewered Food, 15 Dec 2010	15489/2010
Unilever PLC; 07-05NES, Detergent or soap bar, (EM, 11 Jun 2010) 09 Dec 2010	15375/2010	Wang, Luojin; 01-99, Skewered food, 15 Dec 2010	15500/2010
UAG Services Pty Ltd; 20-03NES, LED module for an illuminated sign, 08 Dec 2010	15437/2010	Wilkinson, David; 08-04, Reversible screw driver, 09 Dec 2010	15400/2010
UAG Services Pty Ltd; 26-04, LED module for an illuminated sign, 08 Dec 2010	15485/2010	WE-EF Leuchten GmbH & Co. KG; 26-05C, Luminaire, 15 Dec 2010	15506/2010
		WE-EF Leuchten GmbH & Co. KG; 26-05C, Luminaire, 15 Dec 2010	15507/2010
		YUKON MEDICAL, LLC; 99-00, Shroud, (US, 17 Jun 2010) 15 Dec 2010	15517/2010

Applications Withdrawn

12269 / 2009 (09-03NES)	12270 / 2009 (09-03NES)	14647 / 2010 (11-01A)
12271 / 2009 (09-03NES)	12272 / 2009 (09-03NES)	
12273 / 2009 (09-03NES)	12274 / 2009 (09-03NES)	
12275 / 2009 (09-03NES)	12276 / 2009 (09-03NES)	

Applications Lapsed

14112 / 2010 (06-04NES)	14230 / 2010 (99-00)
14281 / 2010 (25-01K)	14309 / 2010 (02-04A)
14310 / 2010 (02-04A)	14311 / 2010 (02-04A)
14312 / 2010 (02-04A)	

Extension of Period of Registration of Designs

301767	302995	302996
302997	302998	302999
303000	303001	303002
303003	303485	303486
304842	305356	305500
305669	305670	305812
306066	306554	306604
306698	306699	306739
306740	306799	306801
306833	306862	306904
307270	307302	307402
307403	307404	307457
307492	307493	307595
307630	307675	307729
307825	307849	307850
307851	307876	307890
307924	307928	307930
307943	307944	307945
307947	308035	308055
308108	308209	308235
308281	308329	308330
308335	308336	308337
308522	308596	308698
308881	309030	309031
309032	309033	309034
309035	309036	309037
309038	309039	309040
309041	309125	309343
309344	309511	309512
309813	309814	309852
309872	310419	310420
313577	313709	314009
314218		

Registrations Ceased

303001	303002	303003
303855	303857	303858
303883	303884	303885
303887	303902	303916
303918	303919	303966
303969	303970	303992
303996	303997	304018
304020	304053	304059
304060	304093	304094
304095	304172	304213
304214	304215	304216
304226	304227	304270
304271	304272	304273
304274	304275	304284
304363	304364	304447

304448	304567	304568
304641	304714	304798
304799	304800	304801
304803	304804	304936
304937	304938	305039
305155	305156	305346
305446	305447	305448
305449	305450	305451
305452	305453	305694
305695	305995	306070
306233	306296	306409
306410	306411	306577
306581	306599	306685
306686	306687	306688
306689	306735	306884
307199	307809	328708

Extensions of time granted under Section 137

Applications lodged under section 137 for extension of time have been granted.

- 12111/2010 **Andrew Zaf**
- 12787/2010 **Unique Product & Design Co., Ltd.**
- 13680/2010 **Helen Francis Neyland**
- 13794/2010 **Cloud House Pty Ltd**
- 13911/2010 **Oriel Therapeutics, Inc.**
- 14861/2010 **Oriel Therapeutics, Inc.**
- 14862/2010 **Oriel Therapeutics, Inc.**
- 14863/2010 **Oriel Therapeutics, Inc.**
- 14864/2010 **Oriel Therapeutics, Inc.**
- 14865/2010 **Oriel Therapeutics, Inc.**

Applications Assigned

(The name in parentheses is that of the subsequent applicant)

- 14277/2010 (**Eco Efficiency Experts South East Asia Pty Ltd**) Eco Efficiency Experts (Australasia) Pty Ltd

Subsequent Owners Registered

(The name in parentheses is that of the subsequent owner)

- 326945 (**Sasi Holdings Pty Ltd**) Container Pty Ltd
- 326973 (**Sasi Holdings Pty Ltd**) Container Pty Ltd
- 333405 (**Sean Evans;Lokaladda Pty Ltd**) Ladderlock Pro AUS/NZ 2004 Pty Ltd;Sean Evans
- 333439 (**Power Balance LLC**) Troy Rodarmel

Names Registered - Alterations and Amendments

(The name in parentheses is that of the subsequent applicant)

308213 (Diversey, Inc.) JohnsonDiversey, Inc.

Corrigenda

Number 306799

In Vol 24 , No 25 , page 2939 under the heading **Registrations ceased**; This entry is to be deleted in toto.

Number 306904

In Vol 24 , No 25 , page 2939 under the heading **Registrations ceased**; This entry is to be deleted in toto..

Certificate(s) of Examination

Examination of the following Design Registration(s) has been completed. Infringement proceedings may now be commenced.

300161	09-01K	14/12/2010
310452	08-06	21/12/2010
314323	23-02NES	21/12/2010
314964	23-02NES	21/12/2010
320442	19-06	21/12/2010
320581	29-02	21/12/2010
320882	04-02	14/12/2010
320884	04-02	14/12/2010
327294	29-02	22/12/2010
327685	14-02	21/12/2010
327705	14-02	21/12/2010
328795	09-07A	14/12/2010
329405	19-06	21/12/2010
330619	14-02	21/12/2010
330620	14-02	21/12/2010
331008	20-03NES	17/12/2010
331107	28-03B	21/12/2010
331109	28-03B	21/12/2010
331110	28-03B	21/12/2010
331111	28-03B	21/12/2010
331308	08-02	21/12/2010
331365	08-09	15/12/2010
332184	25-01K	17/12/2010
332196	13-02	13/12/2010
332270	07-02L	21/12/2010
332271	13-02	21/12/2010
332272	26-02	21/12/2010
332273	26-02	21/12/2010
332383	14-01	21/12/2010
332640	09-03M	21/12/2010
332641	09-03NES	21/12/2010
332745	14-01	13/12/2010
332949	23-01L	22/12/2010
332983	25-01E	20/12/2010
332989	25-02G	21/12/2010
333110	19-06	21/12/2010
333111	19-06	21/12/2010
333112	19-06	21/12/2010
333113	19-06	21/12/2010
333116	24-01	20/12/2010
333123	19-06	21/12/2010
333124	19-06	21/12/2010
333170	08-07	14/12/2010
333267	25-01G	13/12/2010
333477	19-06	21/12/2010
333478	19-06	21/12/2010
333512	01-01	14/12/2010
333513	01-01	14/12/2010
333550	04-02	21/12/2010
333551	04-02	21/12/2010
333552	04-02	21/12/2010
333553	04-02	21/12/2010

Publication and Registration Proceedings

Designs Registered

This section provides a concordance between design number and registration number of Designs covered in this journal. It also shows the main class and registration date.

This section covers Registration numbers 334099 to 334310 .

The registration number shown below should be used in all future correspondence.

Design Number	Registration Number	International Classification Code (IDC)	Registration Date	Design Number	Registration Number	International Classification Code (IDC)	Registration Date
10733/2010	334125	02-02C	14/12/2010	14863/2010	334299	24-04	22/12/2010
10734/2010	334126	02-02C	14/12/2010	14864/2010	334300	24-04	22/12/2010
11061/2010	334139	23-04	14/12/2010	14865/2010	334301	24-04	22/12/2010
11208/2010	334111	25-01NES	13/12/2010	14887/2010	334173	06-01F	15/12/2010
12737/2010	334182	02-02C	16/12/2010	14888/2010	334174	06-01F	15/12/2010
12787/2010	334302	06-04NES	22/12/2010	14889/2010	334175	06-01F	15/12/2010
13132/2010	334274	08-05E	20/12/2010	14890/2010	334176	06-01F	15/12/2010
13569/2010	334141	25-01K	14/12/2010	14891/2010	334177	06-01F	15/12/2010
13840/2010	334172	06-01F	15/12/2010	14899/2010	334228	08-08L	20/12/2010
13911/2010	334296	24-04	22/12/2010	14900/2010	334229	08-08L	20/12/2010
13995/2010	334112	07-02N	13/12/2010	14919/2010	334157	21-01F	15/12/2010
14007/2010	334178	09-03D	15/12/2010	14920/2010	334288	09-03M	22/12/2010
14058/2010	334285	23-01F	22/12/2010	14923/2010	334170	08-03	15/12/2010
14113/2010	334110	08-07	14/12/2010	14939/2010	334304	21-02D	22/12/2010
14178/2010	334127	25-99	14/12/2010	15001/2010	334105	12-05	14/12/2010
14191/2010	334207	07-02E	17/12/2010	15002/2010	334186	02-02C	16/12/2010
14197/2010	334208	07-02E	17/12/2010	15003/2010	334187	02-02C	16/12/2010
14218/2010	334183	25-03	16/12/2010	15004/2010	334188	02-02C	16/12/2010
14279/2010	334276	02-01A	20/12/2010	15005/2010	334189	02-02C	16/12/2010
14289/2010	334260	04-02	21/12/2010	15006/2010	334190	02-02C	16/12/2010
14290/2010	334099	04-02	14/12/2010	15007/2010	334191	02-02C	16/12/2010
14316/2010	334275	08-05E	20/12/2010	15008/2010	334192	02-02C	16/12/2010
14447/2010	334113	03-01NES	13/12/2010	15009/2010	334193	02-02C	16/12/2010
14455/2010	334303	09-01A	22/12/2010	15010/2010	334194	02-02C	16/12/2010
14522/2010	334184	07-01NES	16/12/2010	15011/2010	334195	02-02C	16/12/2010
14572/2010	334133	07-01NES	14/12/2010	15012/2010	334196	02-02C	16/12/2010
14603/2010	334262	23-01B	21/12/2010	15030/2010	334106	07-01C	14/12/2010
14609/2010	334140	23-04	14/12/2010	15031/2010	334114	08-08NES	13/12/2010
14628/2010	334143	25-01K	14/12/2010	15032/2010	334115	25-01K	13/12/2010
14629/2010	334144	11-02F	14/12/2010	15034/2010	334180	25-02B	15/12/2010
14630/2010	334145	10-04	14/12/2010	15035/2010	334134	13-03E	14/12/2010
14634/2010	334146	06-01D	14/12/2010	15036/2010	334135	13-03E	14/12/2010
14641/2010	334263	11-01D	21/12/2010	15037/2010	334136	08-08O	14/12/2010
14642/2010	334264	11-01D	21/12/2010	15042/2010	334109	15-09	14/12/2010
14643/2010	334265	11-01NES	21/12/2010	15043/2010	334116	08-08M	13/12/2010
14644/2010	334266	11-01NES	21/12/2010	15047/2010	334117	08-08NES	13/12/2010
14645/2010	334267	11-01NES	21/12/2010	15048/2010	334137	25-01K	14/12/2010
14646/2010	334268	11-01A	21/12/2010	15050/2010	334138	25-01K	14/12/2010
14660/2010	334147	16-01	14/12/2010	15051/2010	334118	25-01K	13/12/2010
14661/2010	334142	25-01K	14/12/2010	15054/2010	334197	08-08NES	16/12/2010
14662/2010	334148	26-06	14/12/2010	15060/2010	334158	03-99	15/12/2010
14663/2010	334149	26-03	14/12/2010	15061/2010	334159	25-01D	15/12/2010
14664/2010	334150	26-99	14/12/2010	15062/2010	334160	08-08A	15/12/2010
14670/2010	334151	06-06NES	14/12/2010	15063/2010	334161	08-08A	15/12/2010
14678/2010	334152	06-06NES	14/12/2010	15064/2010	334162	12-16K	15/12/2010
14685/2010	334286	11-02F	22/12/2010	15065/2010	334163	08-06	15/12/2010
14688/2010	334287	11-02F	22/12/2010	15068/2010	334164	07-02P	15/12/2010
14740/2010	334179	07-01C	15/12/2010	15074/2010	334119	02-04NES	13/12/2010
14799/2010	334308	22-04	22/12/2010	15075/2010	334120	02-04NES	13/12/2010
14854/2010	334155	04-01	15/12/2010	15076/2010	334121	07-02P	13/12/2010
14858/2010	334185	23-01G	16/12/2010	15079/2010	334122	25-01A	13/12/2010
14861/2010	334297	24-04	22/12/2010	15080/2010	334123	25-01A	13/12/2010
14862/2010	334298	24-04	22/12/2010	15081/2010	334124	25-01A	13/12/2010

Publication and Registration Proceedings - Designs Registered cont'd

Design Number	Registration Number	International Classification Code (IDC)	Registration Date	Design Number	Registration Number	International Classification Code (IDC)	Registration Date
15084/2010	334198	25-01NES	16/12/2010	15173/2010	334289	14-02	22/12/2010
15085/2010	334199	25-01NES	16/12/2010	15174/2010	334128	14-02	14/12/2010
15087/2010	334200	08-08L	16/12/2010	15175/2010	334129	13-03D	14/12/2010
15089/2010	334201	23-02A	16/12/2010	15176/2010	334272	13-02	21/12/2010
15090/2010	334202	23-02A	16/12/2010	15177/2010	334273	13-02	21/12/2010
15098/2010	334165	06-01E	15/12/2010	15178/2010	334305	09-04	22/12/2010
15099/2010	334233	09-03M	17/12/2010	15179/2010	334306	14-03E	22/12/2010
15100/2010	334166	02-02NES	15/12/2010	15180/2010	334307	06-06NES	22/12/2010
15102/2010	334153	07-01NES	14/12/2010	15181/2010	334181	26-06	15/12/2010
15103/2010	334154	07-01NES	14/12/2010	15182/2010	334290	07-02H	22/12/2010
15112/2010	334204	15-07	16/12/2010	15183/2010	334291	12-15A	22/12/2010
15113/2010	334205	15-07	16/12/2010	15184/2010	334292	12-15A	22/12/2010
15114/2010	334206	15-07	16/12/2010	15185/2010	334293	12-15A	22/12/2010
15115/2010	334167	08-03	15/12/2010	15186/2010	334294	12-15B	22/12/2010
15117/2010	334230	12-16C	20/12/2010	15187/2010	334277	12-15B	20/12/2010
15118/2010	334231	12-16C	20/12/2010	15188/2010	334278	21-01E	20/12/2010
15120/2010	334232	06-03NES	20/12/2010	15189/2010	334279	21-01E	20/12/2010
15122/2010	334234	08-08K	17/12/2010	15190/2010	334280	21-01N	20/12/2010
15125/2010	334235	24-04	17/12/2010	15191/2010	334281	21-01N	20/12/2010
15128/2010	334236	25-02NES	17/12/2010	15203/2010	334169	25-02NES	15/12/2010
15133/2010	334209	08-08K	17/12/2010	15207/2010	334309	21-03	22/12/2010
15134/2010	334210	08-08B	17/12/2010	15209/2010	334310	24-99	22/12/2010
15135/2010	334211	26-05C	17/12/2010	15220/2010	334171	21-01L	15/12/2010
15136/2010	334212	13-03B	17/12/2010	15236/2010	334108	12-10	14/12/2010
15137/2010	334213	11-01NES	17/12/2010	15284/2010	334203	07-02G	16/12/2010
15138/2010	334214	11-01A	17/12/2010	15331/2010	334130	07-01NES	14/12/2010
15139/2010	334215	23-03B	17/12/2010	15332/2010	334131	07-01NES	14/12/2010
15140/2010	334216	08-07	17/12/2010	15333/2010	334132	07-01NES	14/12/2010
15141/2010	334217	08-07	17/12/2010	15334/2010	334282	03-01B	20/12/2010
15142/2010	334218	08-07	17/12/2010	15341/2010	334261	04-02	21/12/2010
15143/2010	334219	25-02NES	17/12/2010	15342/2010	334100	04-02	14/12/2010
15144/2010	334220	08-08K	17/12/2010	15343/2010	334101	04-02	14/12/2010
15145/2010	334269	08-05K	21/12/2010	15344/2010	334102	04-02	14/12/2010
15147/2010	334223	02-04A	16/12/2010	15345/2010	334103	04-02	14/12/2010
15148/2010	334224	02-04A	16/12/2010	15346/2010	334104	04-02	14/12/2010
15149/2010	334225	02-04A	16/12/2010	15357/2010	334156	04-01	15/12/2010
15150/2010	334226	02-04A	16/12/2010	15412/2010	334168	08-03	15/12/2010
15151/2010	334227	02-04A	16/12/2010	15424/2010	334221	07-05NES	17/12/2010
15158/2010	334237	24-04	17/12/2010	15425/2010	334222	07-05NES	17/12/2010
15159/2010	334238	24-04	17/12/2010				
15162/2010	334270	22-99	21/12/2010				
15163/2010	334271	20-02NES	21/12/2010				
15172/2010	334107	13-03D	14/12/2010				

Publication and Registration Proceedings
Class Listing of Designs Published or Registered

The following section shows an International Classification Code listing of the Registered or Published Designs covered in this supplement.

Classification	Registration Number	Design Number	Classification	Registration Number	Design Number
02-01 A	334276	14279/2010	06-01 F	334175	14889/2010
02-02 C	334125	10733/2010	06-01 F	334176	14890/2010
02-02 C	334126	10734/2010	06-01 F	334177	14891/2010
02-02 C	334182	12737/2010	06-03 NES	334232	15120/2010
02-02 C	334186	15002/2010	06-04 NES	334302	12787/2010
02-02 C	334187	15003/2010	06-06 NES	334151	14670/2010
02-02 C	334188	15004/2010	06-06 NES	334152	14678/2010
02-02 C	334189	15005/2010	06-06 NES	334307	15180/2010
02-02 C	334190	15006/2010	06-12	334144	14629/2010
02-02 C	334191	15007/2010	06-12	334286	14685/2010
02-02 C	334192	15008/2010	06-12	334287	14688/2010
02-02 C	334193	15009/2010	06-13 A	334305	15178/2010
02-02 C	334194	15010/2010	07-01 C	334106	15030/2010
02-02 C	334195	15011/2010	07-01 C	334179	14740/2010
02-02 C	334196	15012/2010	07-01 NES	334130	15331/2010
02-02 NES	334166	15100/2010	07-01 NES	334131	15332/2010
02-02 NES	334182	12737/2010	07-01 NES	334132	15333/2010
02-02 NES	334186	15002/2010	07-01 NES	334133	14572/2010
02-02 NES	334187	15003/2010	07-01 NES	334153	15102/2010
02-02 NES	334188	15004/2010	07-01 NES	334154	15103/2010
02-02 NES	334189	15005/2010	07-01 NES	334184	14522/2010
02-02 NES	334190	15006/2010	07-02 E	334207	14191/2010
02-02 NES	334191	15007/2010	07-02 E	334208	14197/2010
02-02 NES	334192	15008/2010	07-02 G	334203	15284/2010
02-02 NES	334193	15009/2010	07-02 H	334290	15182/2010
02-02 NES	334194	15010/2010	07-02 N	334112	13995/2010
02-02 NES	334195	15011/2010	07-02 P	334121	15076/2010
02-02 NES	334196	15012/2010	07-02 P	334164	15068/2010
02-04 A	334223	15147/2010	07-05 NES	334221	15424/2010
02-04 A	334224	15148/2010	07-05 NES	334222	15425/2010
02-04 A	334225	15149/2010	08-03	334167	15115/2010
02-04 A	334226	15150/2010	08-03	334168	15412/2010
02-04 A	334227	15151/2010	08-03	334170	14923/2010
02-04 NES	334119	15074/2010	08-05 E	334274	13132/2010
02-04 NES	334120	15075/2010	08-05 E	334275	14316/2010
03-01 B	334282	15334/2010	08-05 K	334269	15145/2010
03-01 NES	334113	14447/2010	08-06	334163	15065/2010
03-99	334158	15060/2010	08-07	334110	14113/2010
04-01	334155	14854/2010	08-07	334216	15140/2010
04-01	334156	15357/2010	08-07	334217	15141/2010
04-02	334099	14290/2010	08-07	334218	15142/2010
04-02	334100	15342/2010	08-08 A	334160	15062/2010
04-02	334101	15343/2010	08-08 A	334161	15063/2010
04-02	334102	15344/2010	08-08 B	334210	15134/2010
04-02	334103	15345/2010	08-08 K	334209	15133/2010
04-02	334104	15346/2010	08-08 K	334220	15144/2010
04-02	334260	14289/2010	08-08 K	334234	15122/2010
04-02	334261	15341/2010	08-08 L	334200	15087/2010
05-06 NES	334144	14629/2010	08-08 L	334228	14899/2010
05-06 NES	334286	14685/2010	08-08 L	334229	14900/2010
05-06 NES	334287	14688/2010	08-08 M	334116	15043/2010
06-01 D	334146	14634/2010	08-08 NES	334114	15031/2010
06-01 E	334165	15098/2010	08-08 NES	334116	15043/2010
06-01 F	334172	13840/2010	08-08 NES	334117	15047/2010
06-01 F	334173	14887/2010	08-08 NES	334197	15054/2010
06-01 F	334174	14888/2010	08-08 O	334136	15037/2010

Registration Proceedings - Class Listing of Designs Published or Registered cont'd

Classification	Registration Number	Design Number	Classification	Registration Number	Design Number
09-01 A	334303	14455/2010	21-02 D	334304	14939/2010
09-03 D	334178	14007/2010	21-03	334309	15207/2010
09-03 F	334178	14007/2010	22-04	334308	14799/2010
09-03 M	334233	15099/2010	22-99	334270	15162/2010
09-03 M	334288	14920/2010	23-01 B	334262	14603/2010
09-04	334305	15178/2010	23-01 F	334285	14058/2010
10-04	334145	14630/2010	23-01 G	334145	14630/2010
11-01 A	334214	15138/2010	23-01 G	334185	14858/2010
11-01 A	334268	14646/2010	23-02 A	334201	15089/2010
11-01 D	334263	14641/2010	23-02 A	334202	15090/2010
11-01 D	334264	14642/2010	23-03 B	334215	15139/2010
11-01 NES	334213	15137/2010	23-04	334139	11061/2010
11-01 NES	334265	14643/2010	23-04	334140	14609/2010
11-01 NES	334266	14644/2010	24-04	334235	15125/2010
11-01 NES	334267	14645/2010	24-04	334237	15158/2010
11-02 F	334144	14629/2010	24-04	334238	15159/2010
11-02 F	334286	14685/2010	24-04	334296	13911/2010
11-02 F	334287	14688/2010	24-04	334297	14861/2010
12-05	334105	15001/2010	24-04	334298	14862/2010
12-10	334108	15236/2010	24-04	334299	14863/2010
12-15 A	334291	15183/2010	24-04	334300	14864/2010
12-15 A	334292	15184/2010	24-04	334301	14865/2010
12-15 A	334293	15185/2010	24-99	334282	15334/2010
12-15 B	334277	15187/2010	24-99	334310	15209/2010
12-15 B	334294	15186/2010	25-01 A	334122	15079/2010
12-16 C	334230	15117/2010	25-01 A	334123	15080/2010
12-16 C	334231	15118/2010	25-01 A	334124	15081/2010
12-16 K	334162	15064/2010	25-01 D	334159	15061/2010
13-02	334272	15176/2010	25-01 K	334115	15032/2010
13-02	334273	15177/2010	25-01 K	334118	15051/2010
13-03 B	334212	15136/2010	25-01 K	334137	15048/2010
13-03 D	334107	15172/2010	25-01 K	334138	15050/2010
13-03 D	334129	15175/2010	25-01 K	334141	13569/2010
13-03 E	334134	15035/2010	25-01 K	334142	14661/2010
13-03 E	334135	15036/2010	25-01 K	334143	14628/2010
14-02	334128	15174/2010	25-01 NES	334111	11208/2010
14-02	334272	15176/2010	25-01 NES	334198	15084/2010
14-02	334273	15177/2010	25-01 NES	334199	15085/2010
14-02	334280	15190/2010	25-02 B	334180	15034/2010
14-02	334281	15191/2010	25-02 NES	334169	15203/2010
14-02	334289	15173/2010	25-02 NES	334219	15143/2010
14-03 E	334306	15179/2010	25-02 NES	334236	15128/2010
15-07	334204	15112/2010	25-03	334183	14218/2010
15-07	334205	15113/2010	25-04	334109	15042/2010
15-07	334206	15114/2010	25-99	334127	14178/2010
15-09	334109	15042/2010	26-03	334149	14663/2010
16-01	334147	14660/2010	26-05 C	334211	15135/2010
20-02 NES	334271	15163/2010	26-06	334148	14662/2010
21-01 E	334278	15188/2010	26-06	334181	15181/2010
21-01 E	334279	15189/2010	26-99	334150	14664/2010
21-01 F	334157	14919/2010			
21-01 L	334171	15220/2010			
21-01 N	334280	15190/2010			
21-01 N	334281	15191/2010			

- (21) Design Number: **14290/2010**
- (22) Date of Filing Application: **30 September 2010**
- (24) Date from which industrial property rights may have effect: **30 September 2010**
- (54) Product in respect of which the design is registered: **Oral care implement**
- (51) International Design Classification: **04-02**
- (71) Name(s) and Address(s) of Applicant(s):

Colgate-Palmolive Company
300 Park Avenue New York New York 10022 United States of America

- (72) Name(s) of Designer(s): **Xi Wen Jin and Liu Yu and Ding Xiang Ji and Ji Yan Mei**
- (45) Registration Date: **14 December 2010**

- (30) Convention priority data:

(31) Number	(32) Date	(33) Country
29/358641	30 Mar 2010	UNITED STATES OF AMERICA

- (56) Related Art Documents: **Not Applicable**

- (57) Statement of Newness and Distinctiveness: **Newness and distinctiveness reside in the features of the shape of the handle of an oral care implement in combination with the configuration of the tooth cleaning elements applied to the front face of the head portion of the oral care implement and the pattern and/or ornamentation applied to the rear face of the head portion of the oral care implement, and the pattern and/or ornamentation applied to the handle of the oral care implement. When determining whether the design is substantially similar in overall impression to another design, no regard is to be had to those features shown in the designs with dotted outline, which features are provided for illustrative purposes only.**



- (21) Design Number: **15342/2010**
- (22) Date of Filing Application: **30 September 2010**
- (24) Date from which industrial property rights may have effect: **30 September 2010**
- (54) Product in respect of which the design is registered: **Oral care implement**
- (51) International Design Classification: **04-02**
- (71) Name(s) and Address(s) of Applicant(s):

Colgate-Palmolive Company
300 Park Avenue New York New York 10022 United States of America

- (72) Name(s) of Designer(s): **Xi Wen Jin and Liu Yu and Ding Xiang Ji and Ji Yan Mei**
- (45) Registration Date: **14 December 2010**

- (30) Convention priority data:

(31) Number	(32) Date	(33) Country
29/358641	30 Mar 2010	UNITED STATES OF AMERICA

- (56) Related Art Documents: **Not Applicable**

- (57) Statement of Newness and Distinctiveness: **Newness and distinctiveness reside in the features of the shape of the handle of an oral care implement in combination with the pattern and/or ornamentation applied to the handle of the oral care implement. When determining whether the design is substantially similar in overall impression to another design, no regard is to be had to those features shown in the designs with dotted outline, which features are provided for illustrative purposes only.**



- (21) Design Number: **15343/2010**
(22) Date of Filing Application: **30 September 2010**
(24) Date from which industrial property rights may have effect: **30 September 2010**
(54) Product in respect of which the design is registered: **Oral care implement**
(51) International Design Classification: **04-02**
(71) Name(s) and Address(s) of Applicant(s):
Colgate-Palmolive Company
300 Park Avenue New York New York 10022 United States of America
(72) Name(s) of Designer(s): **Xi Wen Jin and Liu Yu and Ding Xiang Ji and Ji Yan Mei**
(45) Registration Date: **14 December 2010**
(30) Convention priority data:
(31) Number (32) Date (33) Country
29/358641 30 Mar 2010 UNITED STATES OF AMERICA
(56) Related Art Documents: **Not Applicable**
(57) Statement of Newness and Distinctiveness: **Newness and distinctiveness reside in the features of the shape of the head of an oral care implement in combination with the configuration of the tooth cleaning elements applied to the front face of the head portion of the oral care implement and the pattern and/or ornamentation applied to the rear face of the head portion of the oral care implement. When determining whether the design is substantially similar in overall impression to another design, no regard is to be had to those features shown in the designs with dotted outline, which features are provided for illustrative purposes only.**



- (21) Design Number: **15344/2010**
(22) Date of Filing Application: **30 September 2010**
(24) Date from which industrial property rights may have effect: **30 September 2010**
(54) Product in respect of which the design is registered: **Oral care implement**
(51) International Design Classification: **04-02**
(71) Name(s) and Address(s) of Applicant(s):
Colgate-Palmolive Company
300 Park Avenue New York New York 10022 United States of America
(72) Name(s) of Designer(s): **Xi Wen Jin and Liu Yu and Ding Xiang Ji and Ji Yan Mei**
(45) Registration Date: **14 December 2010**
(30) Convention priority data:
(31) Number (32) Date (33) Country
29/358641 30 Mar 2010 UNITED STATES OF AMERICA
(56) Related Art Documents: **Not Applicable**
(57) Statement of Newness and Distinctiveness: **Newness and distinctiveness reside in the features of the pattern and/or ornamentation applied to the rear face of the head of an oral care implement. When determining whether the design is substantially similar in overall impression to another design, no regard is to be had to those features shown in the designs with dotted outline, which features are provided for illustrative purposes only.**



- (21) Design Number: **15345/2010**
- (22) Date of Filing Application: **30 September 2010**
- (24) Date from which industrial property rights may have effect: **30 September 2010**
- (54) Product in respect of which the design is registered: **Oral care implement**
- (51) International Design Classification: **04-02**
- (71) Name(s) and Address(s) of Applicant(s):
Colgate-Palmolive Company
300 Park Avenue New York New York 10022 United States of America
- (72) Name(s) of Designer(s): **Xi Wen Jin and Liu Yu and Ding Xiang Ji and Ji Yan Mei**
- (45) Registration Date: **14 December 2010**
- (30) Convention priority data:

(31) Number	(32) Date	(33) Country
29/358641	30 Mar 2010	UNITED STATES OF AMERICA
- (56) Related Art Documents: **Not Applicable**
- (57) Statement of Newness and Distinctiveness: **Newness and distinctiveness reside in the features of the pattern and/or ornamentation applied to the rear of the handle of an oral care implement. When determining whether the design is substantially similar in overall impression to another design, no regard is to be had to those features shown in the designs with dotted outline, which features are provided for illustrative purposes only.**

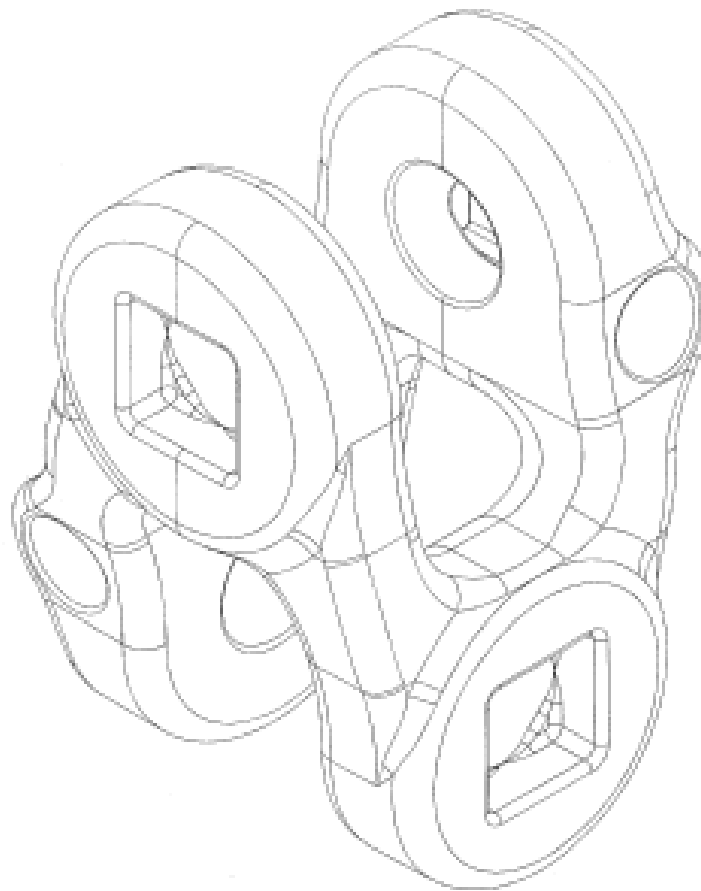


- (21) Design Number: **15346/2010**
- (22) Date of Filing Application: **30 September 2010**
- (24) Date from which industrial property rights may have effect: **30 September 2010**
- (54) Product in respect of which the design is registered: **Oral care implement**
- (51) International Design Classification: **04-02**
- (71) Name(s) and Address(s) of Applicant(s):
Colgate-Palmolive Company
300 Park Avenue New York New York 10022 United States of America
- (72) Name(s) of Designer(s): **Xi Wen Jin and Liu Yu and Ding Xiang Ji and Ji Yan Mei**
- (45) Registration Date: **14 December 2010**
- (30) Convention priority data:

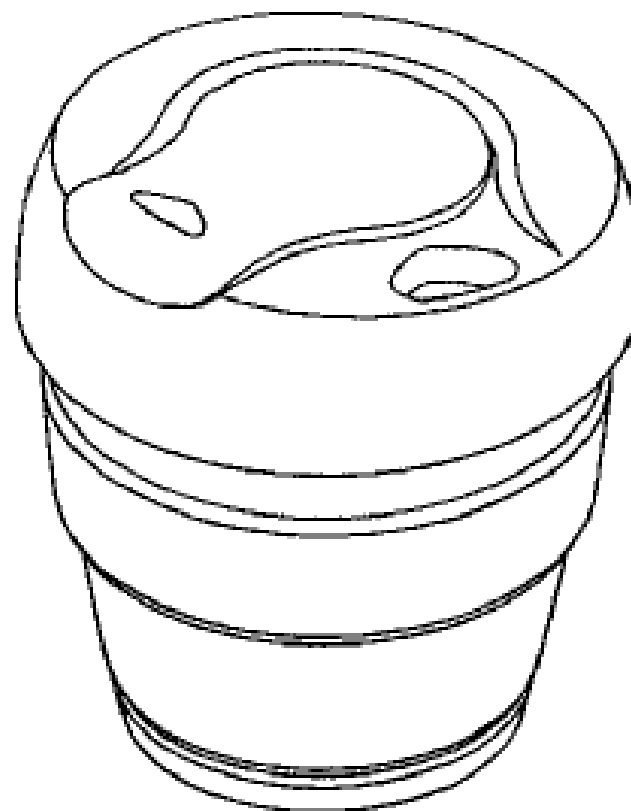
(31) Number	(32) Date	(33) Country
29/358641	30 Mar 2010	UNITED STATES OF AMERICA
- (56) Related Art Documents: **Not Applicable**
- (57) Statement of Newness and Distinctiveness: **Newness and distinctiveness reside in the features of the pattern and/or ornamentation applied to the front of the handle of an oral care implement. When determining whether the design is substantially similar in overall impression to another design, no regard is to be had to those features shown in the designs with dotted outline, which features are provided for illustrative purposes only.**



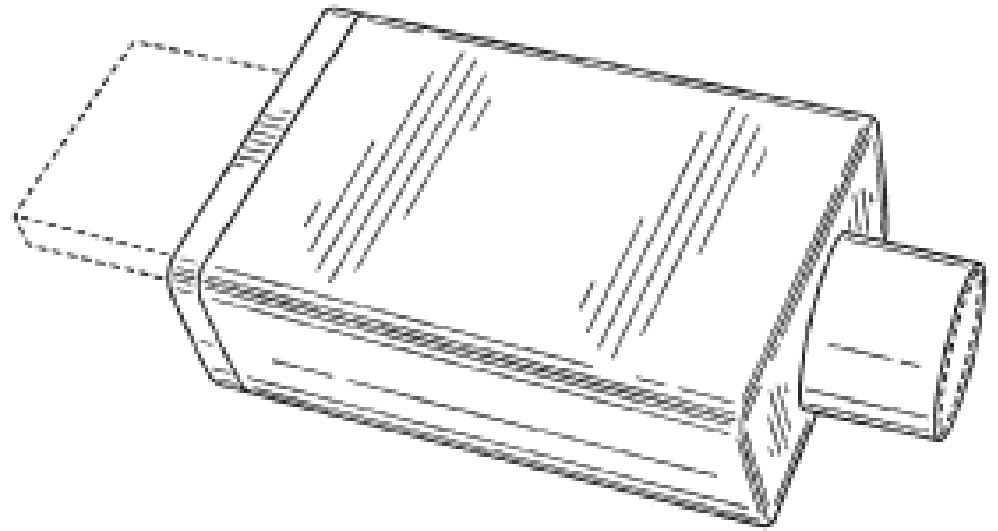
- (21) Design Number: **15001/2010**
- (22) Date of Filing Application: **17 November 2010**
- (24) Date from which industrial property rights may have effect: **17 November 2010**
- (54) Product in respect of which the design is registered: **Hoist link**
- (51) International Design Classification: **12-05**
- (71) Name(s) and Address(s) of Applicant(s):
Bradken Resources Pty Limited
2 Maud Street Mayfield West New South Wales 2304 Australia
- (72) Name(s) of Designer(s): **Joel Nelio Martinelli and Reece Attwood**
- (45) Registration Date: **14 December 2010**
- (56) Related Art Documents: **Not Applicable**
- (57) Statement of Newness and Distinctiveness: **Nil**



- (21) Design Number: **15030/2010**
- (22) Date of Filing Application: **17 November 2010**
- (24) Date from which industrial property rights may have effect: **17 November 2010**
- (54) Product in respect of which the design is registered: **Cup**
- (51) International Design Classification: **07-01C**
- (71) Name(s) and Address(s) of Applicant(s):
KeepCup Pty Ltd
156 Westgarth Street Fitzroy Victoria 3065 Australia
- (72) Name(s) of Designer(s): **Abigail Forsyth**
- (45) Registration Date: **14 December 2010**
- (56) Related Art Documents: **Not Applicable**
- (57) Statement of Newness and Distinctiveness: **Nil**



- (21) Design Number: **15172/2010**
(22) Date of Filing Application: **25 November 2010**
(24) Date from which industrial property rights may have effect: **25 November 2010**
(54) Product in respect of which the design is registered: **Connector plug**
(51) International Design Classification: **13-03D**
(71) Name(s) and Address(s) of Applicant(s):
Microsoft Corporation
One Microsoft Way Redmond Washington 98052 United States of America
(72) Name(s) of Designer(s): **Carl J. Ledbetter and Alex Diener and Claire M. Gerhardt**
(45) Registration Date: **14 December 2010**
(30) Convention priority data:
(31) Number (32) Date (33) Country
29/362455 25 May 2010 UNITED STATES OF AMERICA
(56) Related Art Documents: **Not Applicable**
(57) Statement of Newness and Distinctiveness: **Newness and distinctiveness reside in the shape and/or configuration of the connector plug, as illustrated by solid lines in the accompanying representations. The features shown in broken or discontinuous lines are for illustrative purposes only and do not form part of the design.**



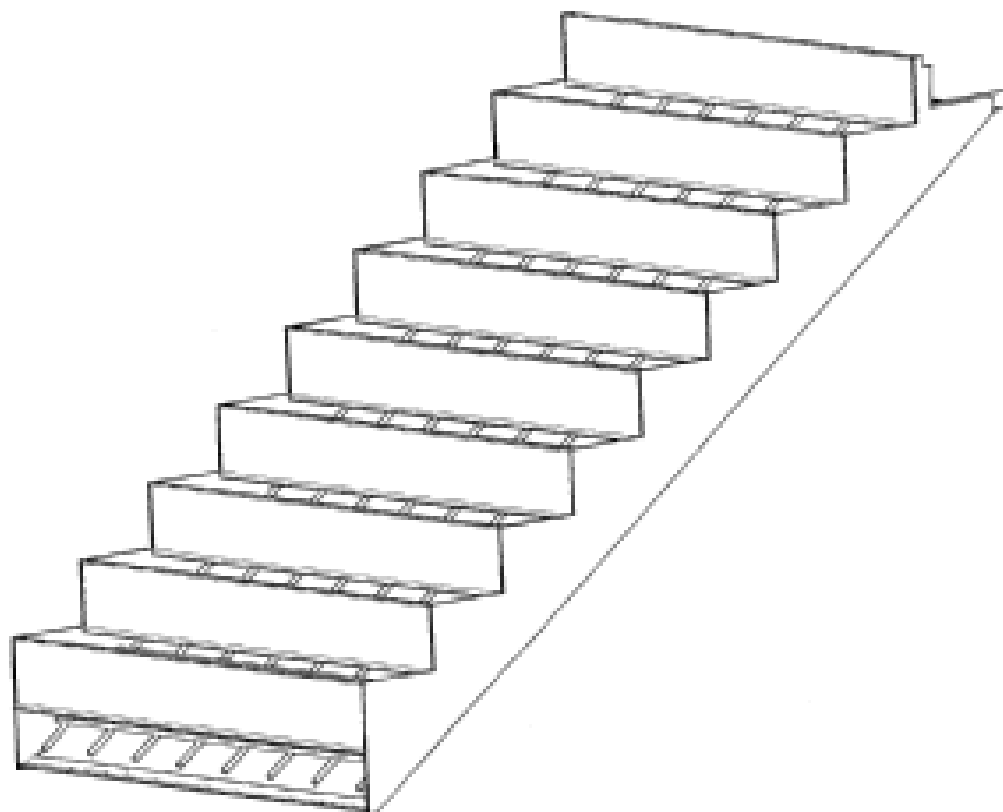
- (21) Design Number: **15236/2010**
(22) Date of Filing Application: **02 December 2010**
(24) Date from which industrial property rights may have effect: **02 December 2010**
(54) Product in respect of which the design is registered: **Toolbox camper**
(51) International Design Classification: **12-10**
(71) Name(s) and Address(s) of Applicant(s):
John Finn
1 Ourimbah Street Lisarow New South Wales 2250 Australia
(72) Name(s) of Designer(s): **John Finn**
(45) Registration Date: **14 December 2010**
(56) Related Art Documents: **Not Applicable**
(57) Statement of Newness and Distinctiveness: **This is an all in one slide out toolbox and camper. It has the following new and distinctive features: In one action the camper expands from a single bed to a double bed in seconds. It also has a slide out verandah. When the camper is in the closed position and you are travelling, rear view mirror access is still available. The camper/toolbox is available in a range of colours. The camper and verandah are available in a range of different materials. The vehicle shown in the photographs is for illustration purposes only.**



- (21) Design Number: **15042/2010**
(22) Date of Filing Application: **18 November 2010**
(24) Date from which industrial property rights may have effect: **18 November 2010**
(54) Product in respect of which the design is registered: **Staircase formwork**
(51) International Design Classification: **15-09, 25-04**
(71) Name(s) and Address(s) of Applicant(s):

Boho Exchange Pty Ltd
6 Kinwal Court Moorabbin Victoria 3189 Australia

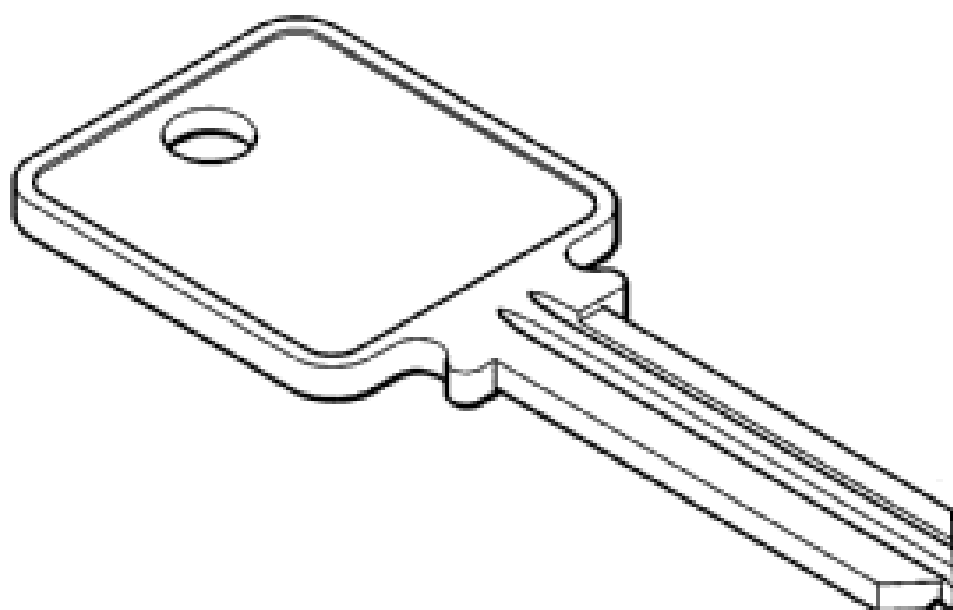
- (72) Name(s) of Designer(s): **Malcolm Ian Burnside**
(45) Registration Date: **14 December 2010**
(56) Related Art Documents: **Not Applicable**
(57) Statement of Newness and Distinctiveness: **The shape or configuration of the staircase formwork, in which formwork width is indefinite, formwork length and hence riser number is indefinite, riser height is indefinite and reinforcing bar layout may be varied without departing from the design, is new and distinctive.**



- (21) Design Number: **14113/2010**
(22) Date of Filing Application: **23 September 2010**
(24) Date from which industrial property rights may have effect: **23 September 2010**
(54) Product in respect of which the design is registered: **Key**
(51) International Design Classification: **08-07**
(71) Name(s) and Address(s) of Applicant(s):

Total Lock Pty Ltd
2 Bruce Street Preston Victoria 3072 Australia

- (72) Name(s) of Designer(s): **Employees of Shenzhen Padlock Factory**
(45) Registration Date: **14 December 2010**
(56) Related Art Documents: **Not Applicable**
(57) Statement of Newness and Distinctiveness: **The new and distinctive feature of the key is the cross-sectional shape of the blade of the key as shown more particularly in enlarged section A-A and the keyway profile. The shape and/or configuration of the head of the key is disregarded when considering newness and distinctiveness.**



(21) Design Number: **11208/2010**

(22) Date of Filing Application: **01 April 2010**

(24) Date from which industrial property rights may have effect: **01 April 2010**

(54) Product in respect of which the design is registered: **Construction block**

(51) International Design Classification: **25-01NES**

(71) Name(s) and Address(s) of Applicant(s):

David Yong Hsien Ta

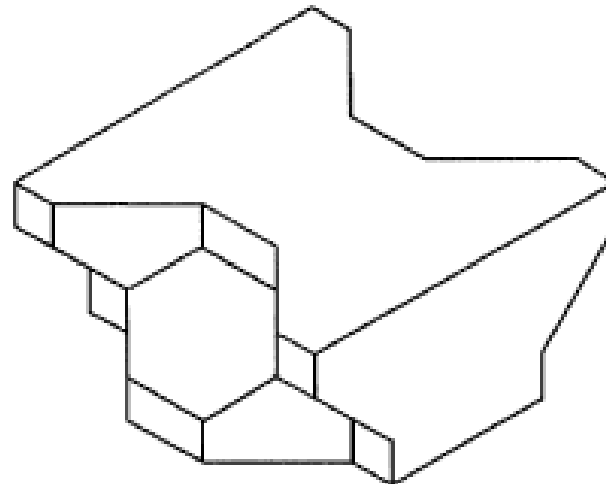
PO Box 883 Nedlands Western Australia 6909 Australia

(72) Name(s) of Designer(s): **David Yong Hsien Ta**

(45) Registration Date: **13 December 2010**

(56) Related Art Documents: **Not Applicable**

(57) Statement of Newness and Distinctiveness: **Newness and distinctiveness of the design lies in the particular interlocking shape of the upper and lower block surfaces. In considering the design no regard is to be given to the presence or otherwise of additional fixing holes, or whether or not the edges are sharp or rounded.**



(21) Design Number: **13995/2010**

(22) Date of Filing Application: **14 September 2010**

(24) Date from which industrial property rights may have effect: **14 September 2010**

(54) Product in respect of which the design is registered: **Frying pan**

(51) International Design Classification: **07-02N**

(71) Name(s) and Address(s) of Applicant(s):

Loftus Enterprises Pty Ltd

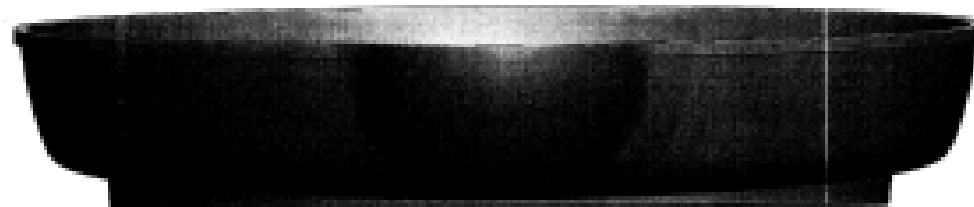
102 Slater Road East Keilor Victoria 3033 Australia

(72) Name(s) of Designer(s): **Craig Loftus**

(45) Registration Date: **13 December 2010**

(56) Related Art Documents: **Not Applicable**

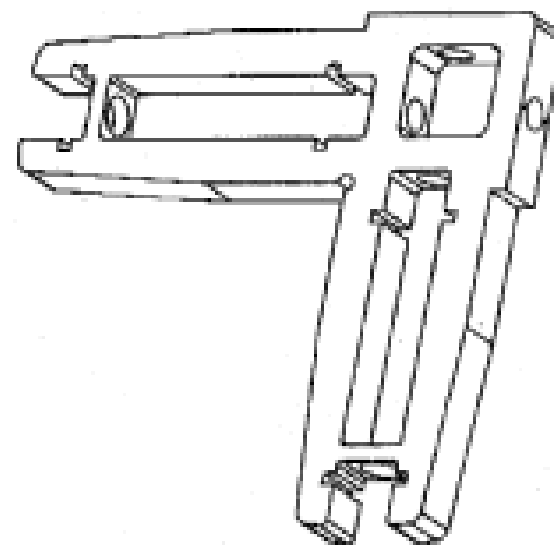
(57) Statement of Newness and Distinctiveness: **Our pan is unique because of the base and the interior is out of level by 20mm.**



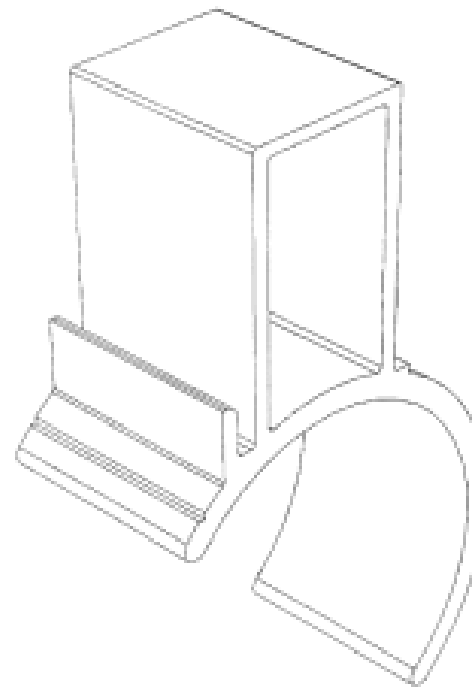
- (21) Design Number: **14447/2010**
(22) Date of Filing Application: **14 October 2010**
(24) Date from which industrial property rights may have effect: **14 October 2010**
(54) Product in respect of which the design is registered: **Tool carrier**
(51) International Design Classification: **03-01NES**
(71) Name(s) and Address(s) of Applicant(s):
The Stanley Works Israel Ltd.
19 Ha'melacha Street New Industrial Zone Rosh Ha'ayin 48091 Israel
(72) Name(s) of Designer(s): **David Sosnovsky**
(45) Registration Date: **13 December 2010**
(30) Convention priority data:
(31) Number (32) Date (33) Country
29/367771 12 Aug 2010 UNITED STATES OF AMERICA
(56) Related Art Documents: **Not Applicable**
(57) Statement of Newness and Distinctiveness: **Newness and distinctiveness is claimed in the visual features shown in solid lines in the representations.**



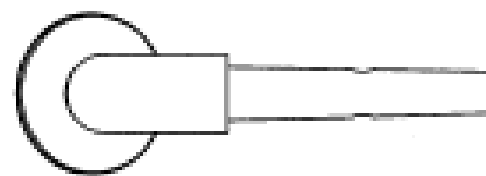
- (21) Design Number: **15031/2010**
(22) Date of Filing Application: **18 November 2010**
(24) Date from which industrial property rights may have effect: **18 November 2010**
(54) Product in respect of which the design is registered: **Door corner connector**
(51) International Design Classification: **08-08NES**
(71) Name(s) and Address(s) of Applicant(s):
Watts Hardware Mfg Pty Ltd
L6 167 Queen Street Melbourne Victoria 3000 Australia
(72) Name(s) of Designer(s): **John Russell Watts**
(45) Registration Date: **13 December 2010**
(56) Related Art Documents: **Not Applicable**
(57) Statement of Newness and Distinctiveness: **Nil**



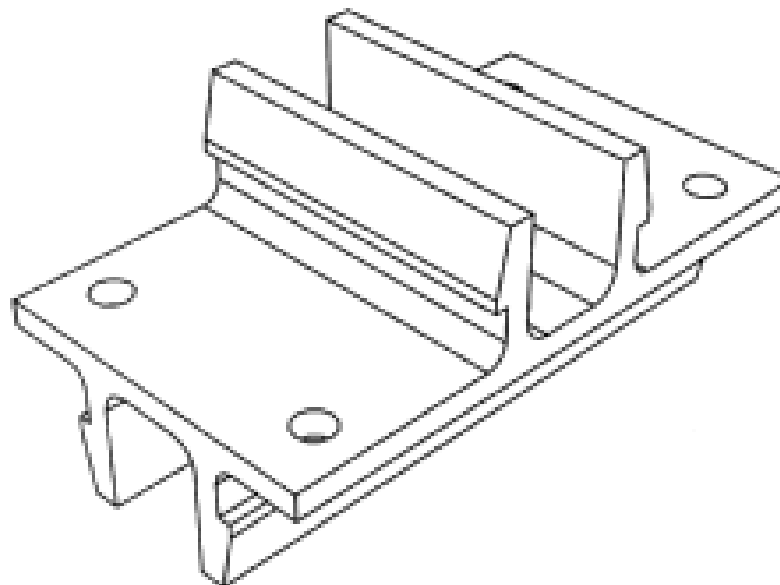
- (21) Design Number: **15032/2010**
(22) Date of Filing Application: **18 November 2010**
(24) Date from which industrial property rights may have effect: **18 November 2010**
(54) Product in respect of which the design is registered: **An extrusion of indefinite length**
(51) International Design Classification: **25-01K**
(71) Name(s) and Address(s) of Applicant(s):
Monkey Toe Systems Limited
C/- Harris & Taylor Limited Chartered Accountants 67 High Street
Hawera 4610 New Zealand
(72) Name(s) of Designer(s): **Timothy Peter Prestidge and Vernon Budd Prestidge**
(45) Registration Date: **13 December 2010**
(30) Convention priority data:
(31) Number (32) Date (33) Country
413677 26 May 2010 NEW ZEALAND
(56) Related Art Documents: **Not Applicable**
(57) Statement of Newness and Distinctiveness: **Nil**



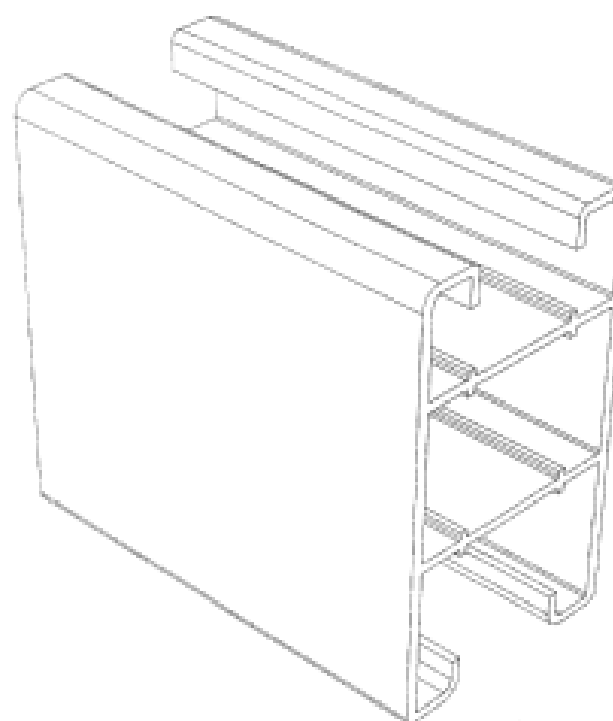
- (21) Design Number: **15043/2010**
(22) Date of Filing Application: **18 November 2010**
(24) Date from which industrial property rights may have effect: **18 November 2010**
(54) Product in respect of which the design is registered: **Bracket**
(51) International Design Classification: **08-08M, 08-08NES**
(71) Name(s) and Address(s) of Applicant(s):
King Furniture (Australia) Pty Ltd
123 Turrella Street Turrella New South Wales 2205 Australia
(72) Name(s) of Designer(s): **David King and Ryan Lawson**
(45) Registration Date: **13 December 2010**
(56) Related Art Documents: **Not Applicable**
(57) Statement of Newness and Distinctiveness: **Newness and distinctiveness reside in the features of shape and/or configuration of the design as shown in the representations.**



(21) Design Number: **15047/2010**
(22) Date of Filing Application: **18 November 2010**
(24) Date from which industrial property rights may have effect: **18 November 2010**
(54) Product in respect of which the design is registered: **A clip**
(51) International Design Classification: **08-08NES**
(71) Name(s) and Address(s) of Applicant(s):
Monkey Toe Systems Limited
C/- Harris & Taylor Limited Chartered Accountants 67 High Street
Hawera 4610 New Zealand
(72) Name(s) of Designer(s): **Timothy Peter Prestidge and Vernon Budd**
Prestidge
(45) Registration Date: **13 December 2010**
(30) Convention priority data:
(31) Number (32) Date (33) Country
413671 26 May 2010 NEW ZEALAND
(56) Related Art Documents: **Not Applicable**
(57) Statement of Newness and Distinctiveness: **Nil**



(21) Design Number: **15051/2010**
(22) Date of Filing Application: **18 November 2010**
(24) Date from which industrial property rights may have effect: **18 November 2010**
(54) Product in respect of which the design is registered: **An extrusion of indefinite length**
(51) International Design Classification: **25-01K**
(71) Name(s) and Address(s) of Applicant(s):
Monkey Toe Systems Limited
C/- Harris & Taylor Limited 67 High Street Hawera 4610 New Zealand
(72) Name(s) of Designer(s): **Timothy Peter Prestidge and Vernon Budd**
Prestidge
(45) Registration Date: **13 December 2010**
(30) Convention priority data:
(31) Number (32) Date (33) Country
413676 26 May 2010 NEW ZEALAND
(56) Related Art Documents: **Not Applicable**
(57) Statement of Newness and Distinctiveness: **Nil**



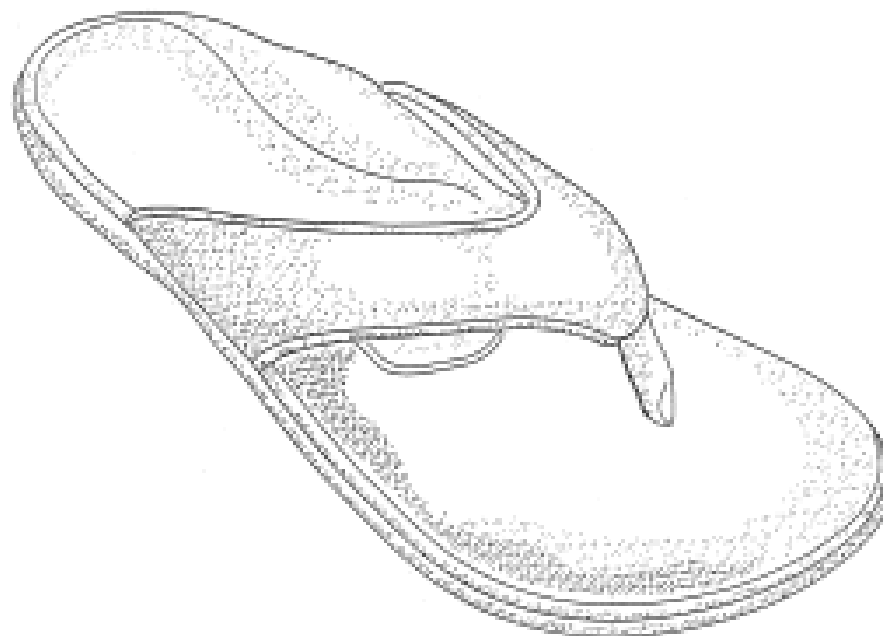
- (21) Design Number: **15074/2010**
- (22) Date of Filing Application: **19 November 2010**
- (24) Date from which industrial property rights may have effect: **19 November 2010**
- (54) Product in respect of which the design is registered: **Sandal**
- (51) International Design Classification: **02-04NES**
- (71) Name(s) and Address(s) of Applicant(s):
Spenco Medical Corporation
PO Box 2501 Waco Texas 76702 United States of America
- (72) Name(s) of Designer(s): **Jacob Martinez and David B. Granger and Paul Lewis**
- (45) Registration Date: **13 December 2010**
- (30) Convention priority data:

(31) Number	(32) Date	(33) Country
29/362044	19 May 2010	UNITED STATES OF AMERICA
- (56) Related Art Documents: **Not Applicable**
- (57) Statement of Newness and Distinctiveness: **Newness and distinctiveness is claimed in the features of shape and/or configuration of the footbed of a sandal illustrated in continuous lines in the accompanying representations.**

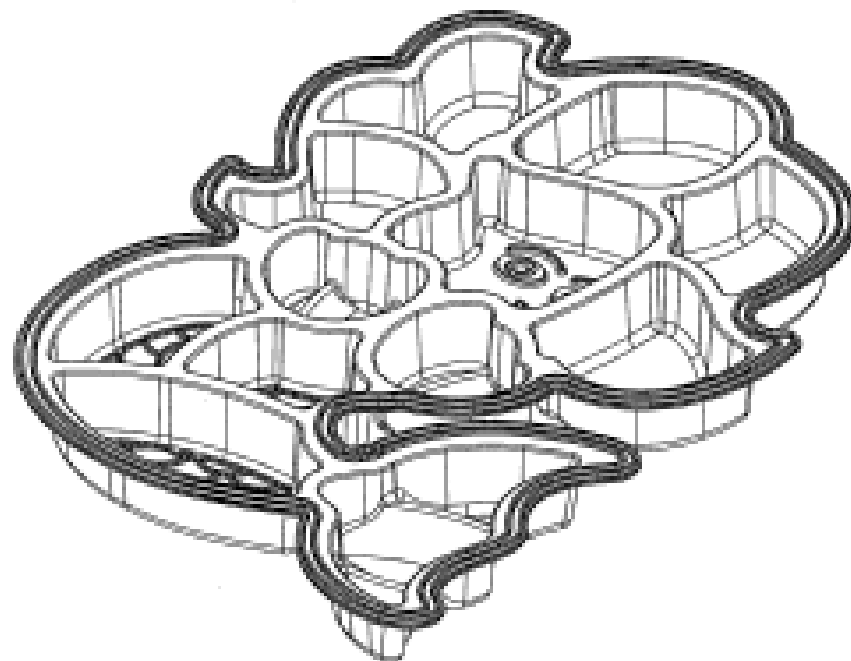


- (21) Design Number: **15075/2010**
- (22) Date of Filing Application: **19 November 2010**
- (24) Date from which industrial property rights may have effect: **19 November 2010**
- (54) Product in respect of which the design is registered: **Sandal**
- (51) International Design Classification: **02-04NES**
- (71) Name(s) and Address(s) of Applicant(s):
Spenco Medical Corporation
PO Box 2501 Waco Texas 76702 United States of America
- (72) Name(s) of Designer(s): **Jacob Martinez and David B. Granger and Paul Lewis**
- (45) Registration Date: **13 December 2010**
- (30) Convention priority data:

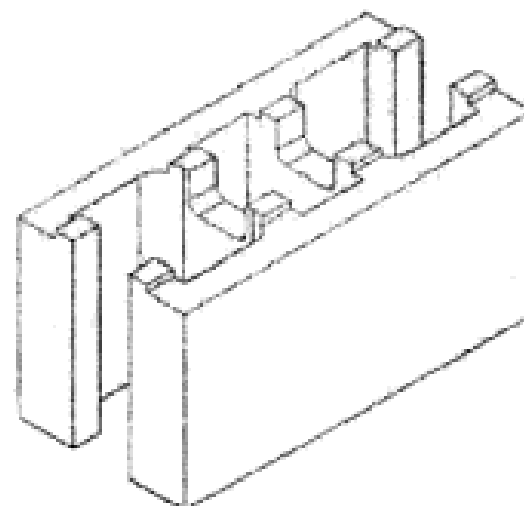
(31) Number	(32) Date	(33) Country
29/362044	19 May 2010	UNITED STATES OF AMERICA
- (56) Related Art Documents: **Not Applicable**
- (57) Statement of Newness and Distinctiveness: **Newness and distinctiveness is claimed in the features of shape and/or configuration of a sandal as illustrated in the accompanying representations.**



- (21) Design Number: **15076/2010**
(22) Date of Filing Application: **19 November 2010**
(24) Date from which industrial property rights may have effect: **19 November 2010**
(54) Product in respect of which the design is registered: **Baking tray**
(51) International Design Classification: **07-02P**
(71) Name(s) and Address(s) of Applicant(s):
McPherson's Limited
5 Dunlop Road Mulgrave Victoria 3170 Australia
(72) Name(s) of Designer(s): **Clive Solari**
(45) Registration Date: **13 December 2010**
(56) Related Art Documents: **Not Applicable**
(57) Statement of Newness and Distinctiveness: **Those features of the baking tray depicted in the representations that are new and distinctive are the shape and/or configuration.**



- (21) Design Number: **15079/2010**
(22) Date of Filing Application: **19 November 2010**
(24) Date from which industrial property rights may have effect: **19 November 2010**
(54) Product in respect of which the design is registered: **A masonry block**
(51) International Design Classification: **25-01A**
(71) Name(s) and Address(s) of Applicant(s):
Baines Masonry Blocks Pty Ltd
900 Wilton Road Appin New South Wales 2560 Australia
(72) Name(s) of Designer(s): **Tim McGoldrick**
(45) Registration Date: **13 December 2010**
(56) Related Art Documents: **Not Applicable**
(57) Statement of Newness and Distinctiveness: **Newness and distinctiveness is claimed in the features of the open front and rear ends and the recesses in the top of the internal partitions of a masonry block as illustrated in the accompanying representations.**



(21) Design Number: **15080/2010**

(22) Date of Filing Application: **19 November 2010**

(24) Date from which industrial property rights may have effect: **19 November 2010**

(54) Product in respect of which the design is registered: **A masonry block**

(51) International Design Classification: **25-01A**

(71) Name(s) and Address(s) of Applicant(s):

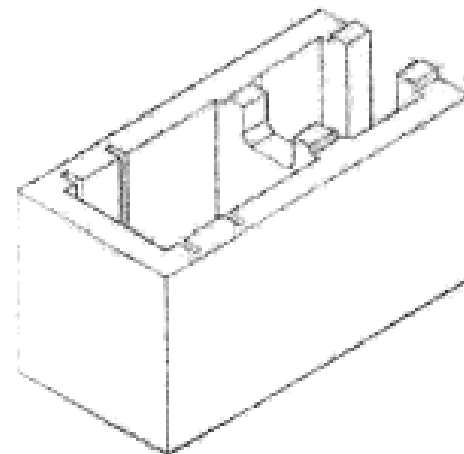
Baines Masonary Blocks Pty Ltd
900 Wilton Road Appin New South Wales 2560 Australia

(72) Name(s) of Designer(s): **Tim McGoldrick**

(45) Registration Date: **13 December 2010**

(56) Related Art Documents: **Not Applicable**

(57) Statement of Newness and Distinctiveness: **Newness and distinctiveness is claimed in the features of the open rear end and the recess in the top of the internal partition of a masonry block as illustrated in the accompanying representations.**



(21) Design Number: **15081/2010**

(22) Date of Filing Application: **19 November 2010**

(24) Date from which industrial property rights may have effect: **19 November 2010**

(54) Product in respect of which the design is registered: **A masonry block**

(51) International Design Classification: **25-01A**

(71) Name(s) and Address(s) of Applicant(s):

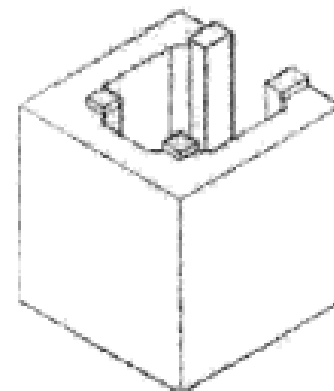
Baines Masonary Blocks Pty Ltd
900 Wilton Road Appin New South Wales 2560 Australia

(72) Name(s) of Designer(s): **Tim McGoldrick**

(45) Registration Date: **13 December 2010**

(56) Related Art Documents: **Not Applicable**

(57) Statement of Newness and Distinctiveness: **Newness and distinctiveness is claimed in the features of the open rear end of a masonry block as illustrated in the accompanying representations.**



(21) Design Number: **10733/2010**

(22) Date of Filing Application: **02 March 2010**

(24) Date from which industrial property rights may have effect: **02 March 2010**

(54) Product in respect of which the design is registered: **A combination pant/skirt (uniform) featuring an efficient system of pockets and attachments to carry clinical/medical**

(51) International Design Classification: **02-02C**

(71) Name(s) and Address(s) of Applicant(s):

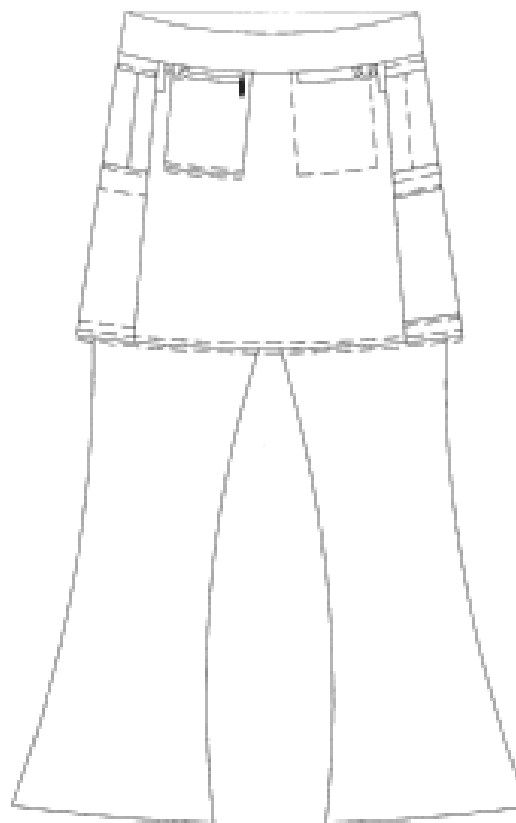
**Nursesheart Pty Ltd
Suite 6, 1401 Bourke Road East Kew Victoria 3102 Australia**

(72) Name(s) of Designer(s): **Wendy Miles**

(45) Registration Date: **14 December 2010**

(56) Related Art Documents: **Not Applicable**

(57) Statement of Newness and Distinctiveness: **Monopoly is claimed in the features of combination of pant and skirt containing the shape and configuration of the pockets and other attachments/accessories sewn into the garment as shown in the accompanying representations.**



(21) Design Number: **10734/2010**

(22) Date of Filing Application: **02 March 2010**

(24) Date from which industrial property rights may have effect: **02 March 2010**

(54) Product in respect of which the design is registered: **A specialised (uniform) skirt featuring an efficient system of pockets and attachments designed to carry**

(51) International Design Classification: **02-02C**

(71) Name(s) and Address(s) of Applicant(s):

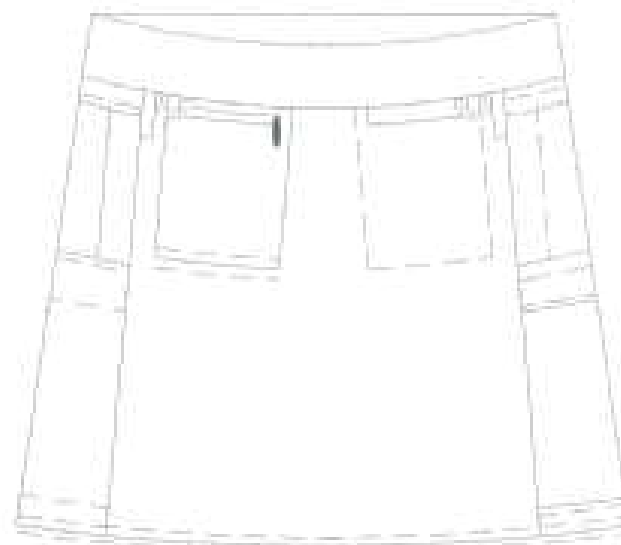
**Nursesheart Pty Ltd
Suite 6, 1401 Bourke Road East Kew Victoria 3102 Australia**

(72) Name(s) of Designer(s): **Wendy Miles**

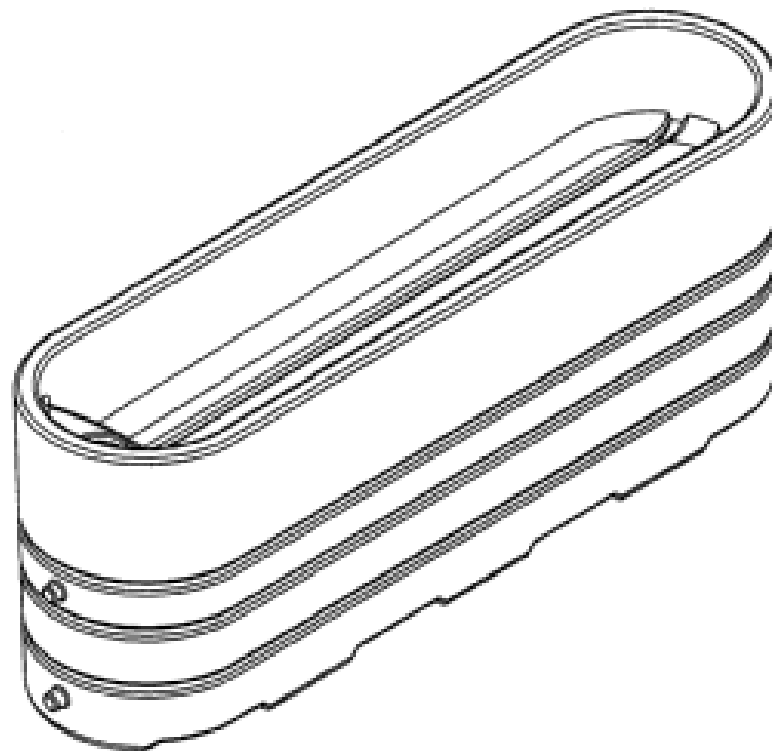
(45) Registration Date: **14 December 2010**

(56) Related Art Documents: **Not Applicable**

(57) Statement of Newness and Distinctiveness: **Monopoly is claimed in the features on the skirt containing the shape and configuration of the pockets and other attachments/accessories sewn into the garment to carry specific equipment as required in healthcare as shown in the accompanying representations.**

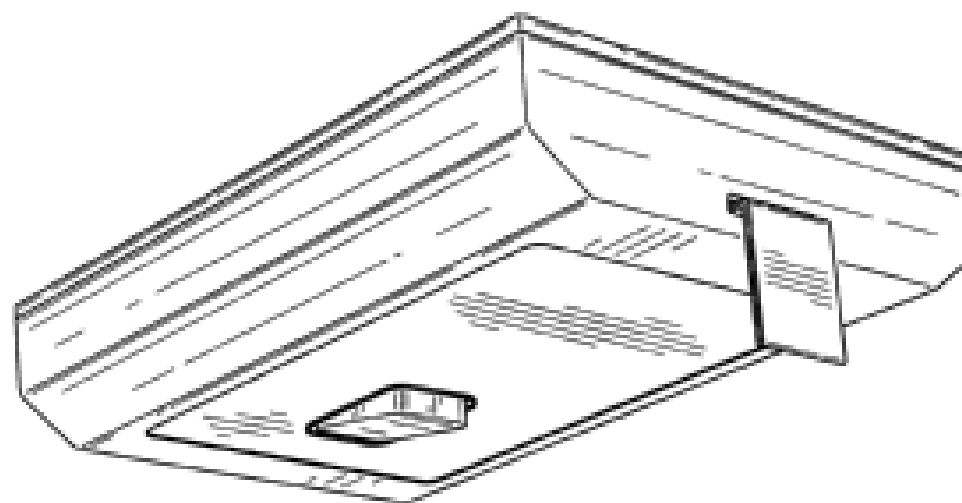


- (21) Design Number: **14178/2010**
- (22) Date of Filing Application: **08 October 2010**
- (24) Date from which industrial property rights may have effect: **08 October 2010**
- (54) Product in respect of which the design is registered: **Raised polymer garden bed**
- (51) International Design Classification: **25-99**
- (71) Name(s) and Address(s) of Applicant(s):
Spring Carnival Pty Ltd
3 Toolang Road St Ives New South Wales 2075 Australia
- (72) Name(s) of Designer(s): **Jonathon David Springfield**
- (45) Registration Date: **14 December 2010**
- (56) Related Art Documents: **Not Applicable**
- (57) Statement of Newness and Distinctiveness: **Water recycle system built into raised garden bed and shape design of garden bed.**



- (21) Design Number: **15174/2010**
- (22) Date of Filing Application: **25 November 2010**
- (24) Date from which industrial property rights may have effect: **25 November 2010**
- (54) Product in respect of which the design is registered: **Housing for a memory device**
- (51) International Design Classification: **14-02**
- (71) Name(s) and Address(s) of Applicant(s):
Microsoft Corporation
One Microsoft Way Redmond Washington 98052 United States of America
- (72) Name(s) of Designer(s): **Carl J. Ledbetter and Dustin R. Brown**
- (45) Registration Date: **14 December 2010**
- (30) Convention priority data:

(31) Number	(32) Date	(33) Country
29/362453	25 May 2010	UNITED STATES OF AMERICA
- (56) Related Art Documents: **Not Applicable**
- (57) Statement of Newness and Distinctiveness: **Newness and distinctiveness reside in the shape and/or configuration of the housing for a memory device, as illustrated by solid lines in the accompanying representations. The features shown in broken or discontinuous lines are for illustrative purposes only and do not form part of the design.**



- (21) Design Number: **15175/2010**
(22) Date of Filing Application: **25 November 2010**
(24) Date from which industrial property rights may have effect: **25 November 2010**
(54) Product in respect of which the design is registered: **Connector plug**
(51) International Design Classification: **13-03D**
(71) Name(s) and Address(s) of Applicant(s):

Microsoft Corporation
One Microsoft Way Redmond Washington 98052 United States of America

- (72) Name(s) of Designer(s): **Carl J. Ledbetter and Claire M. Gerhardt and Alex Diener**

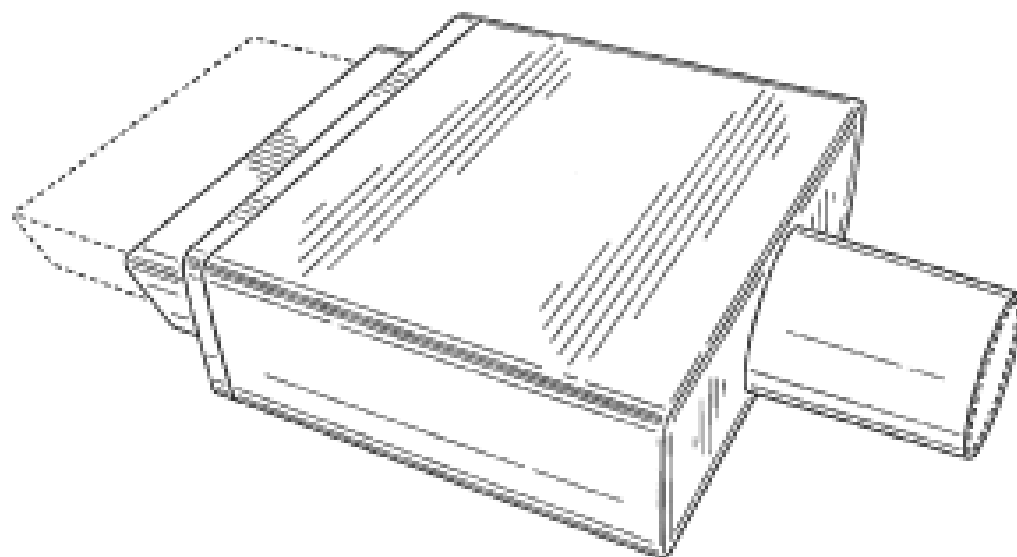
(45) Registration Date: **14 December 2010**

(30) Convention priority data:

(31) Number	(32) Date	(33) Country
29/362456	25 May 2010	UNITED STATES OF AMERICA

(56) Related Art Documents: **Not Applicable**

- (57) Statement of Newness and Distinctiveness: **Newness and distinctiveness reside in the shape and/or configuration of the connector plug, as illustrated by solid lines in the accompanying representations. The features shown in broken or discontinuous lines are for illustrative purposes only and do not form part of the design.**



- (21) Design Number: **15331/2010**
(22) Date of Filing Application: **22 October 2010**
(24) Date from which industrial property rights may have effect: **22 October 2010**
(54) Product in respect of which the design is registered: **Lid for container**
(51) International Design Classification: **07-01NES**
(71) Name(s) and Address(s) of Applicant(s):

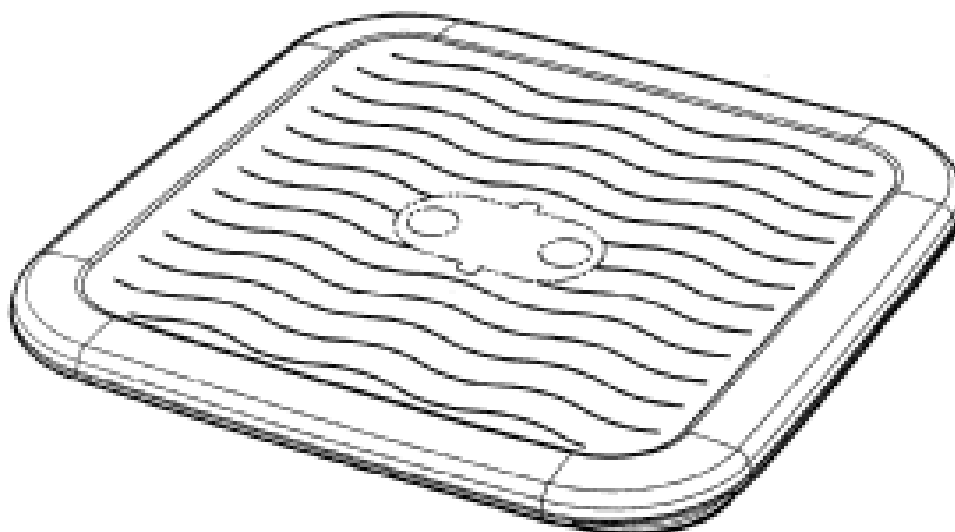
The Decor Corporation Pty. Ltd.
1314 Ferntree Gully Road Scoresby Victoria 3179 Australia

- (72) Name(s) of Designer(s): **Jim Samartgis**

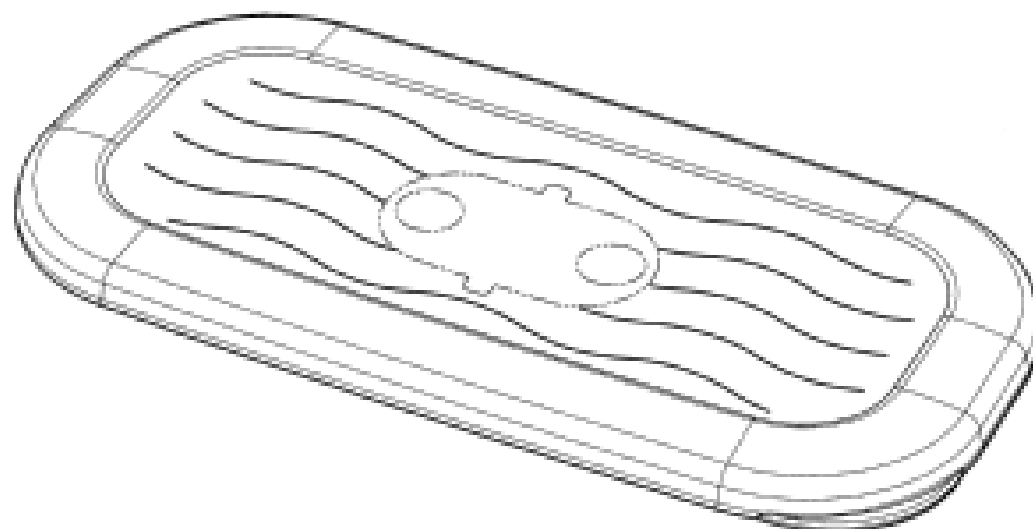
(45) Registration Date: **14 December 2010**

(56) Related Art Documents: **Not Applicable**

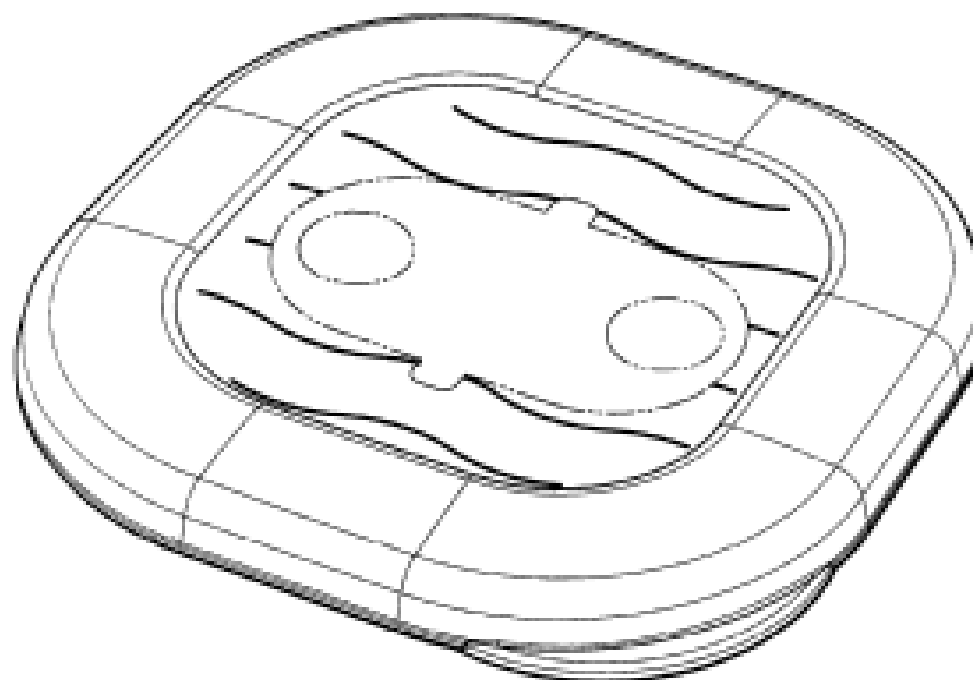
- (57) Statement of Newness and Distinctiveness: **Newness and distinctiveness resides in the visual features of pattern and/or ornamentation as applied to A Lid for a Container, being a series or array of spaced-apart wavy lines, as shown in the attached representations. Features shown in phantom line in the attached representations do not form part of the design and newness and distinctiveness does not reside therein.**



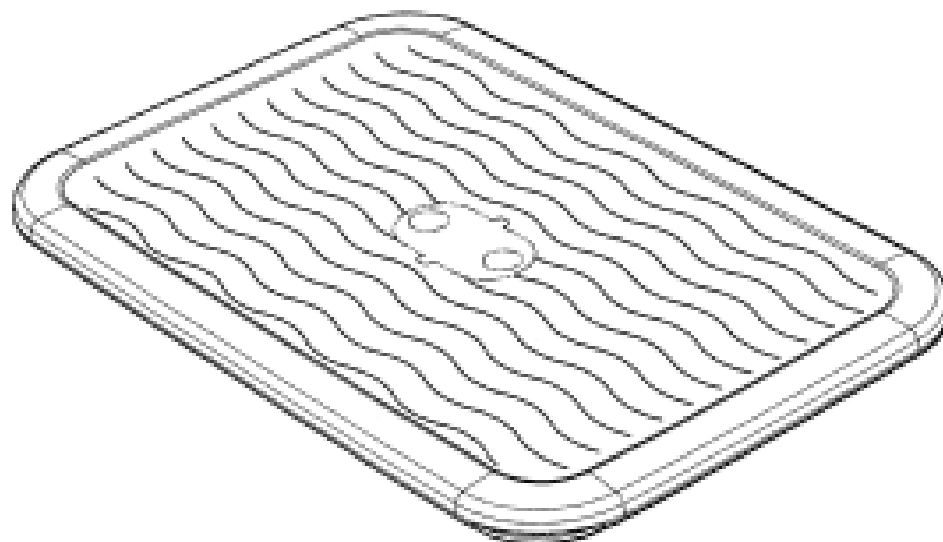
- (21) Design Number: **15332/2010**
(22) Date of Filing Application: **22 October 2010**
(24) Date from which industrial property rights may have effect: **22 October 2010**
(54) Product in respect of which the design is registered: **Lid for container**
(51) International Design Classification: **07-01NES**
(71) Name(s) and Address(s) of Applicant(s):
The Decor Corporation Pty. Ltd.
1314 Ferntree Gully Road Scoresby Victoria 3179 Australia
(72) Name(s) of Designer(s): **Jim Samartgis**
(45) Registration Date: **14 December 2010**
(56) Related Art Documents: **Not Applicable**
(57) Statement of Newness and Distinctiveness: **Newness and distinctiveness resides in the visual features of pattern and/or ornamentation as applied to A Lid for a Container, being a series or array of spaced-apart wavy lines, as shown in the attached representations. Features shown in phantom line in the attached representations do not form part of the design and newness and distinctiveness does not reside therein.**



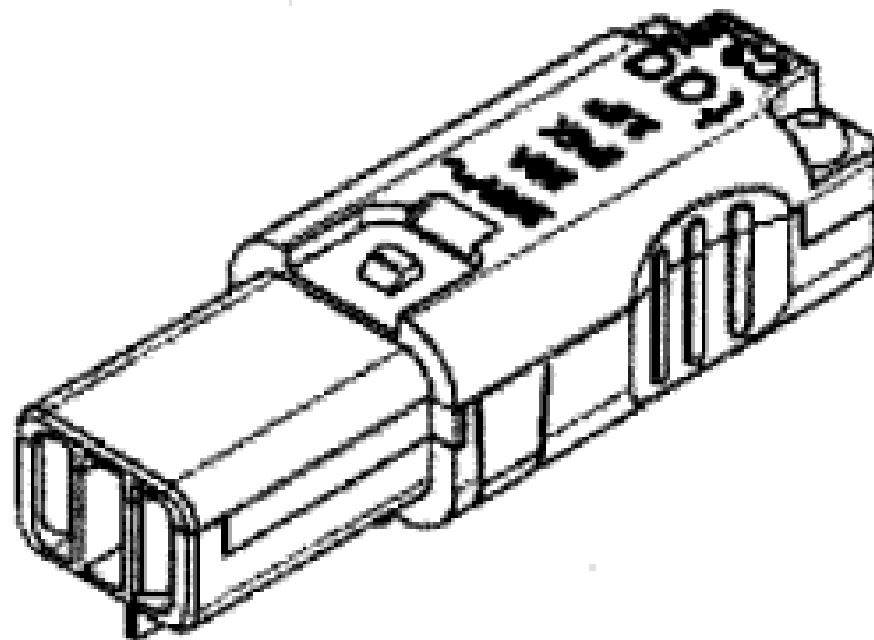
- (21) Design Number: **15333/2010**
(22) Date of Filing Application: **22 October 2010**
(24) Date from which industrial property rights may have effect: **22 October 2010**
(54) Product in respect of which the design is registered: **Lid for container**
(51) International Design Classification: **07-01NES**
(71) Name(s) and Address(s) of Applicant(s):
The Decor Corporation Pty. Ltd.
1314 Ferntree Gully Road Scoresby Victoria 3179 Australia
(72) Name(s) of Designer(s): **Jim Samartgis**
(45) Registration Date: **14 December 2010**
(56) Related Art Documents: **Not Applicable**
(57) Statement of Newness and Distinctiveness: **Newness and distinctiveness resides in the visual features of pattern and/or ornamentation as applied to A Lid for a Container, being a series or array of spaced-apart wavy lines, as shown in the attached representations. Features shown in phantom line in the attached representations do not form part of the design and newness and distinctiveness does not reside therein.**



- (21) Design Number: **14572/2010**
(22) Date of Filing Application: **22 October 2010**
(24) Date from which industrial property rights may have effect: **22 October 2010**
(54) Product in respect of which the design is registered: **Lids for containers**
(51) International Design Classification: **07-01NES**
(71) Name(s) and Address(s) of Applicant(s):
The Decor Corporation Pty. Ltd.
1314 Ferntree Gully Road Scoresby Victoria 3179 Australia
(72) Name(s) of Designer(s): **Jim Samartgis**
(45) Registration Date: **14 December 2010**
(56) Related Art Documents: **Not Applicable**
(57) Statement of Newness and Distinctiveness: **Newness and distinctiveness resides in the visual features of pattern and/or ornamentation as applied to Lids for Containers, being a series or array of spaced-apart wavy lines, as shown in the attached representations. Features shown in phantom line in the attached representations do not form part of the design and newness and distinctiveness does not reside therein.**



- (21) Design Number: **15035/2010**
(22) Date of Filing Application: **18 November 2010**
(24) Date from which industrial property rights may have effect: **18 November 2010**
(54) Product in respect of which the design is registered: **Cable connector socket**
(51) International Design Classification: **13-03E**
(71) Name(s) and Address(s) of Applicant(s):
Assembly Electronics Pty Ltd
24 Binney Road Kings Park New South Wales 2148 Australia
(72) Name(s) of Designer(s): **John Schmidli**
(45) Registration Date: **14 December 2010**
(56) Related Art Documents: **Not Applicable**
(57) Statement of Newness and Distinctiveness: **Nil**



(21) Design Number: **15036/2010**

(22) Date of Filing Application: **18 November 2010**

(24) Date from which industrial property rights may have effect: **18 November 2010**

(54) Product in respect of which the design is registered: **Cable connector plug**

(51) International Design Classification: **13-03E**

(71) Name(s) and Address(s) of Applicant(s):

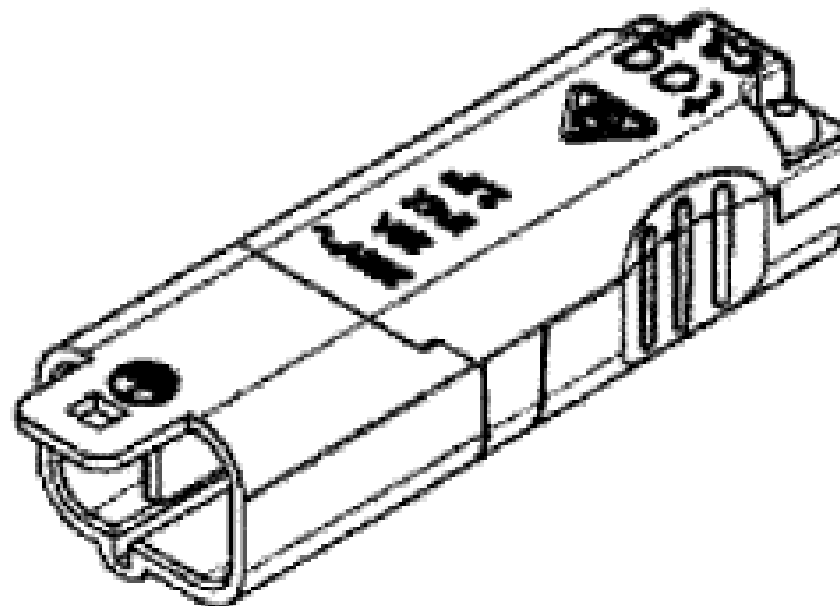
Assembly Electronics Pty Ltd
24 Binney Road Kings Park New South Wales 2148 Australia

(72) Name(s) of Designer(s): **John Schmidli**

(45) Registration Date: **14 December 2010**

(56) Related Art Documents: **Not Applicable**

(57) Statement of Newness and Distinctiveness: **Nil**



(21) Design Number: **15037/2010**

(22) Date of Filing Application: **17 November 2010**

(24) Date from which industrial property rights may have effect: **17 November 2010**

(54) Product in respect of which the design is registered: **Plant support combination**

(51) International Design Classification: **08-08O**

(71) Name(s) and Address(s) of Applicant(s):

Henry Stubbings
44 Magdalene Terrace Pasadena South Australia 5042 Australia

(72) Name(s) of Designer(s): **Henry Stubbings**

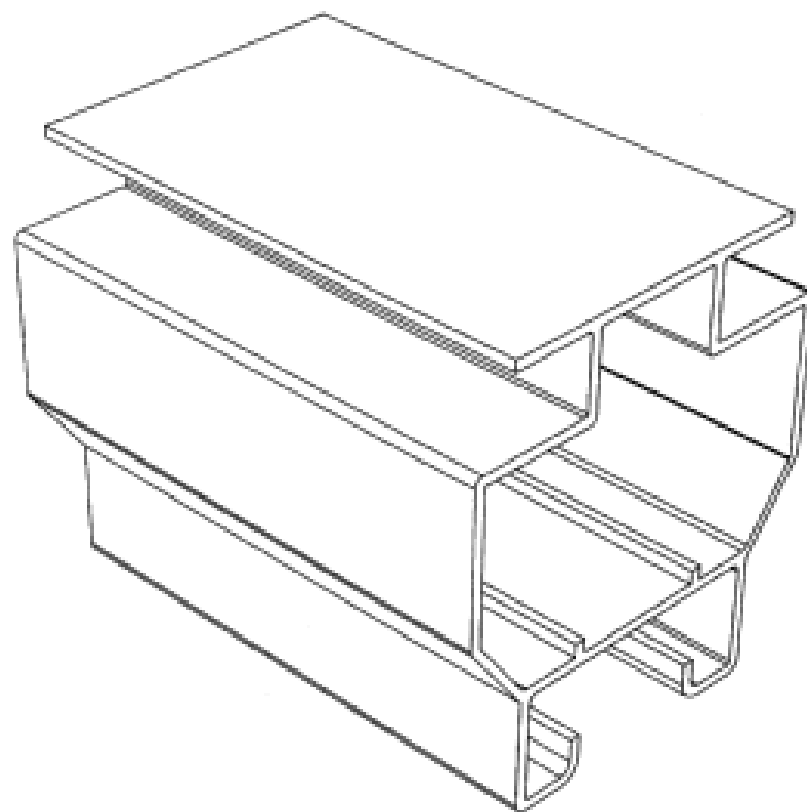
(45) Registration Date: **14 December 2010**

(56) Related Art Documents: **Not Applicable**

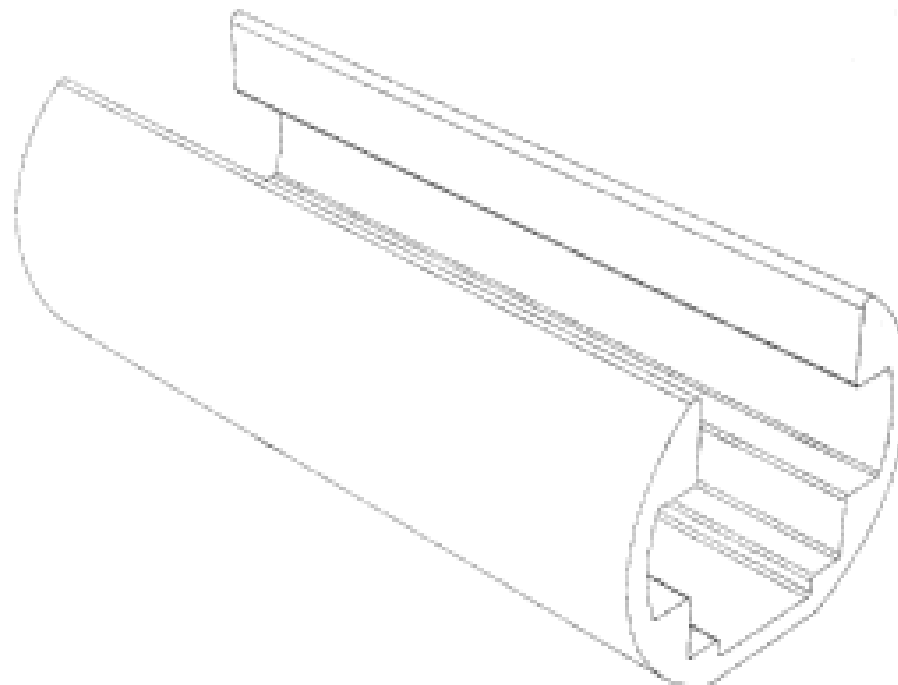
(57) Statement of Newness and Distinctiveness: **The design is a Plant Support Combination. Where as the stake become part of the plant support itself. The stakes shape provides minimal resistance to enter soil. The support and stake are one product, one purchase. For any plant in need of support . Gives freedom and protection also.**



(21) Design Number: **15048/2010**
(22) Date of Filing Application: **18 November 2010**
(24) Date from which industrial property rights may have effect: **18 November 2010**
(54) Product in respect of which the design is registered: **An extrusion of indefinite length**
(51) International Design Classification: **25-01K**
(71) Name(s) and Address(s) of Applicant(s):
Monkey Toe Systems Limited
C/- Harris & Taylor Limited Chartered Accountants 67 High Street
Hawera 4610 New Zealand
(72) Name(s) of Designer(s): **Timothy Peter Prestidge and Vernon Budd Prestidge**
(45) Registration Date: **14 December 2010**
(30) Convention priority data:
(31) Number (32) Date (33) Country
413675 26 May 2010 NEW ZEALAND
(56) Related Art Documents: **Not Applicable**
(57) Statement of Newness and Distinctiveness: **Nil**



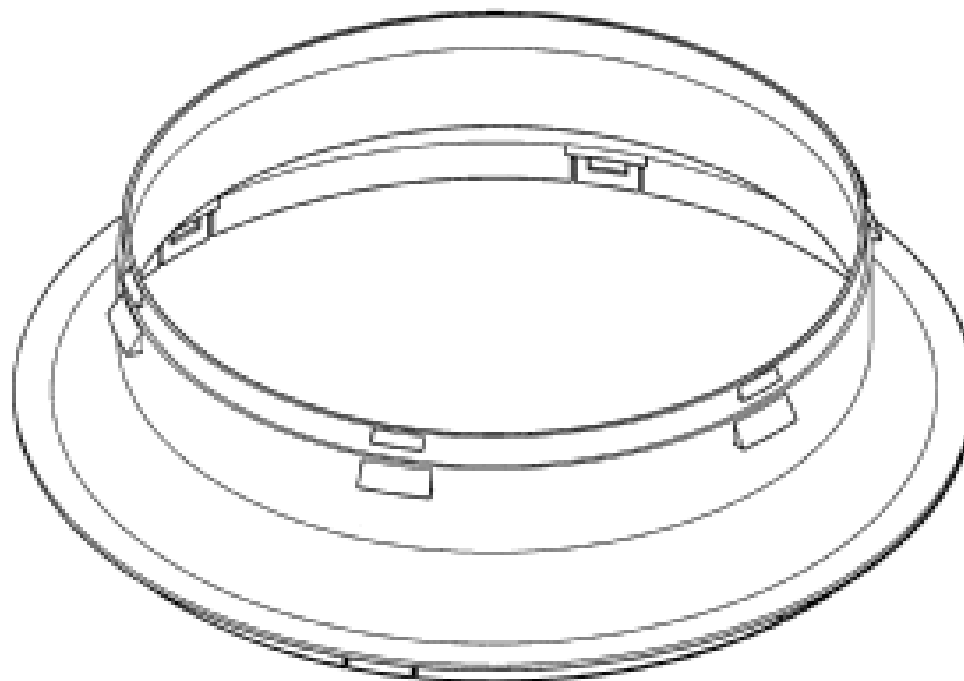
(21) Design Number: **15050/2010**
(22) Date of Filing Application: **18 November 2010**
(24) Date from which industrial property rights may have effect: **18 November 2010**
(54) Product in respect of which the design is registered: **An extrusion of indefinite length**
(51) International Design Classification: **25-01K**
(71) Name(s) and Address(s) of Applicant(s):
Monkey Toe Systems Limited
C/- Harris & Taylor Limited Chartered Accountants 67 High Street
Hawera 4610 New Zealand
(72) Name(s) of Designer(s): **Timothy Peter Prestidge and Vernon Budd Prestidge**
(45) Registration Date: **14 December 2010**
(30) Convention priority data:
(31) Number (32) Date (33) Country
413678 26 May 2010 NEW ZEALAND
(56) Related Art Documents: **Not Applicable**
(57) Statement of Newness and Distinctiveness: **Nil**



- (21) Design Number: **11061/2010**
- (22) Date of Filing Application: **26 March 2010**
- (24) Date from which industrial property rights may have effect: **26 March 2010**
- (54) Product in respect of which the design is registered: **Reducer**
- (51) International Design Classification: **23-04**
- (71) Name(s) and Address(s) of Applicant(s):

Metalflex Pty Ltd
13-17 Brand Drive Thomastown Victoria 3074 Australia

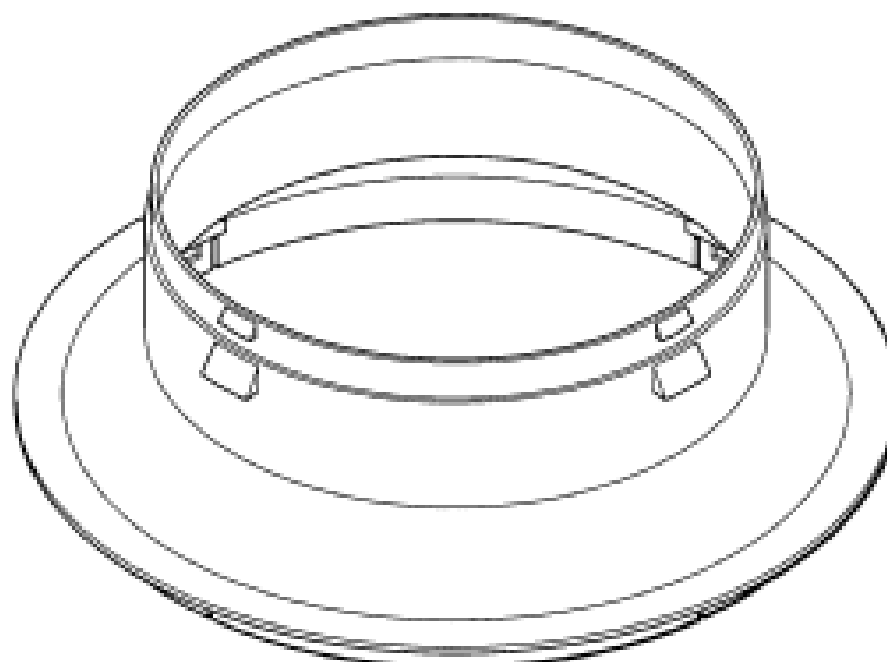
- (72) Name(s) of Designer(s): **Russell Amiguet**
- (45) Registration Date: **14 December 2010**
- (56) Related Art Documents: **Not Applicable**
- (57) Statement of Newness and Distinctiveness: **Nil**



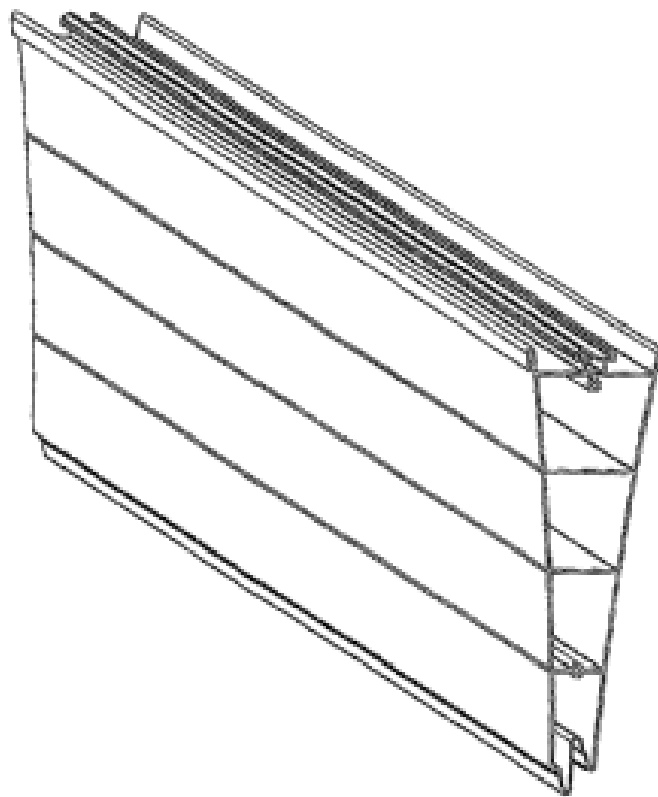
- (21) Design Number: **14609/2010**
- (22) Date of Filing Application: **26 March 2010**
- (24) Date from which industrial property rights may have effect: **26 March 2010**
- (54) Product in respect of which the design is registered: **Reducer**
- (51) International Design Classification: **23-04**
- (71) Name(s) and Address(s) of Applicant(s):

Metalflex Pty Ltd
13-17 Brand Drive Thomastown Victoria 3074 Australia

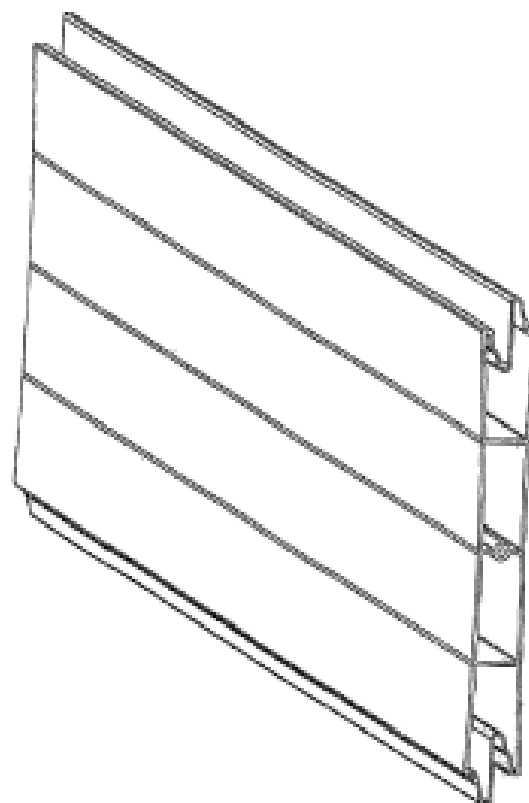
- (72) Name(s) of Designer(s): **Russell Amiguet**
- (45) Registration Date: **14 December 2010**
- (56) Related Art Documents: **Not Applicable**
- (57) Statement of Newness and Distinctiveness: **Nil**



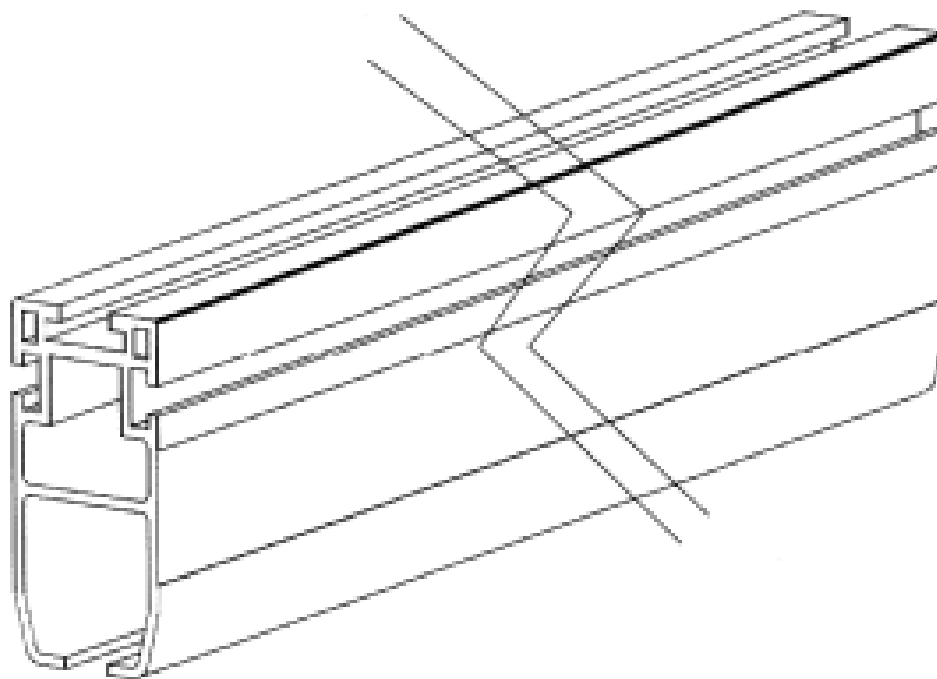
- (21) Design Number: **13569/2010**
(22) Date of Filing Application: **19 August 2010**
(24) Date from which industrial property rights may have effect: **19 August 2010**
(54) Product in respect of which the design is registered: **Support profile bar**
(51) International Design Classification: **25-01K**
(71) Name(s) and Address(s) of Applicant(s):
Checkpoint Systems International GmbH
Ersheimer Strasse 69 69434 Hirschorn/Neckar Germany
(72) Name(s) of Designer(s): **Oliver Stuke**
(45) Registration Date: **14 December 2010**
(30) Convention priority data:
(31) Number (32) Date (33) Country
001197016 19 Feb 2010 EUROPEAN COMMUNITY
(56) Related Art Documents: **Not Applicable**
(57) Statement of Newness and Distinctiveness: **Newness and distinctiveness is claimed in the shape and configuration of the support profile bar as shown in the accompanying representations. The support profile bar is of indefinite length.**



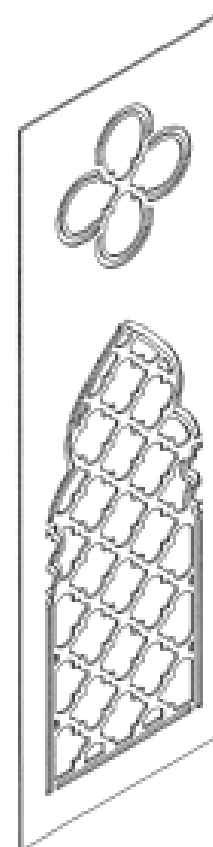
- (21) Design Number: **14661/2010**
(22) Date of Filing Application: **19 August 2010**
(24) Date from which industrial property rights may have effect: **19 August 2010**
(54) Product in respect of which the design is registered: **Support profile bar**
(51) International Design Classification: **25-01K**
(71) Name(s) and Address(s) of Applicant(s):
Checkpoint Systems International GmbH
Ersheimer Strasse 69 69434 Hirschorn/Neckar Germany
(72) Name(s) of Designer(s): **Oliver Stuke**
(45) Registration Date: **14 December 2010**
(30) Convention priority data:
(31) Number (32) Date (33) Country
001197016 19 Feb 2010 EUROPEAN COMMUNITY
(56) Related Art Documents: **Not Applicable**
(57) Statement of Newness and Distinctiveness: **Newness and distinctiveness is claimed in the shape and configuration of the support profile bar as shown in the accompanying representations. The support profile bar is of indefinite length.**



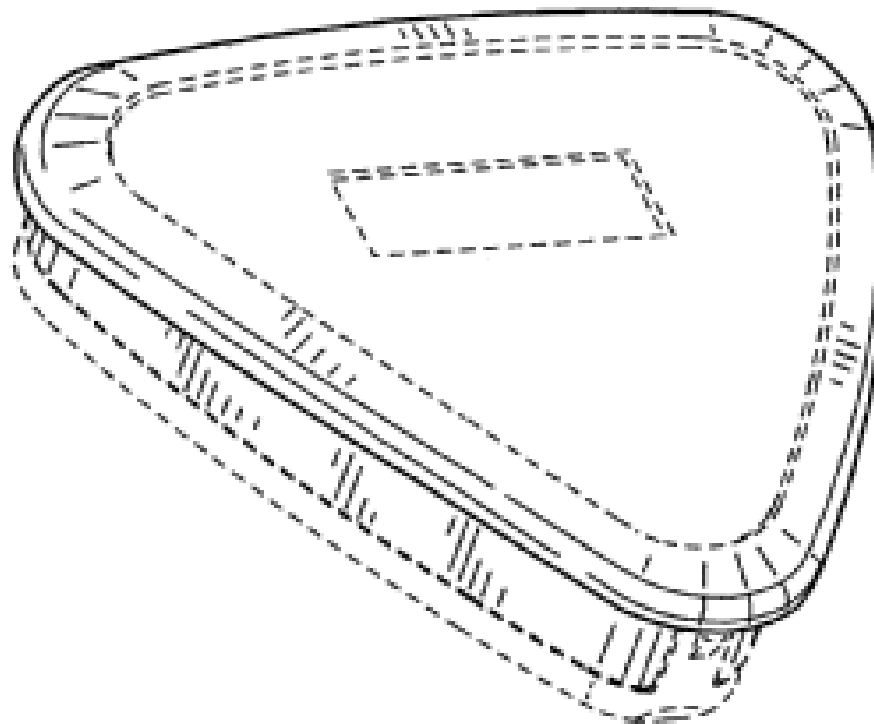
- (21) Design Number: **14628/2010**
(22) Date of Filing Application: **27 October 2010**
(24) Date from which industrial property rights may have effect: **27 October 2010**
(54) Product in respect of which the design is registered: **Track**
(51) International Design Classification: **25-01K**
(71) Name(s) and Address(s) of Applicant(s):
Roland Stephen Voss
44 Kalman Drive Boronia Victoria 3155 Australia
(72) Name(s) of Designer(s): **Roland Stephen Voss**
(45) Registration Date: **14 December 2010**
(56) Related Art Documents: **Not Applicable**
(57) Statement of Newness and Distinctiveness: **Newness and distinctiveness is claimed in the features of shape and configuration of the Track of indeterminate length with constant cross-section as illustrated in the accompanying representations.**



- (21) Design Number: **14629/2010**
(22) Date of Filing Application: **27 October 2010**
(24) Date from which industrial property rights may have effect: **27 October 2010**
(54) Product in respect of which the design is registered: **Hanging screen**
(51) International Design Classification: **11-02F, 05-06NES, 06-12**
(71) Name(s) and Address(s) of Applicant(s):
Meriam Salama trading as Twenty Six Letters
3/5 Gnarwin Road Carnegie Victoria 3163 Australia
Marianne Sourial trading as Twenty Six Letters
3/5 Gnarwin Road Carnegie Victoria 3163 Australia
(72) Name(s) of Designer(s): **Meriam Salama and Marianne Sourial**
(45) Registration Date: **14 December 2010**
(56) Related Art Documents: **Not Applicable**
(57) Statement of Newness and Distinctiveness: **Newness and distinctiveness is claimed in the features of shape, configuration, pattern and ornamentation of the cut-outs of the HANGING SCREEN as illustrated in the accompanying representations.**



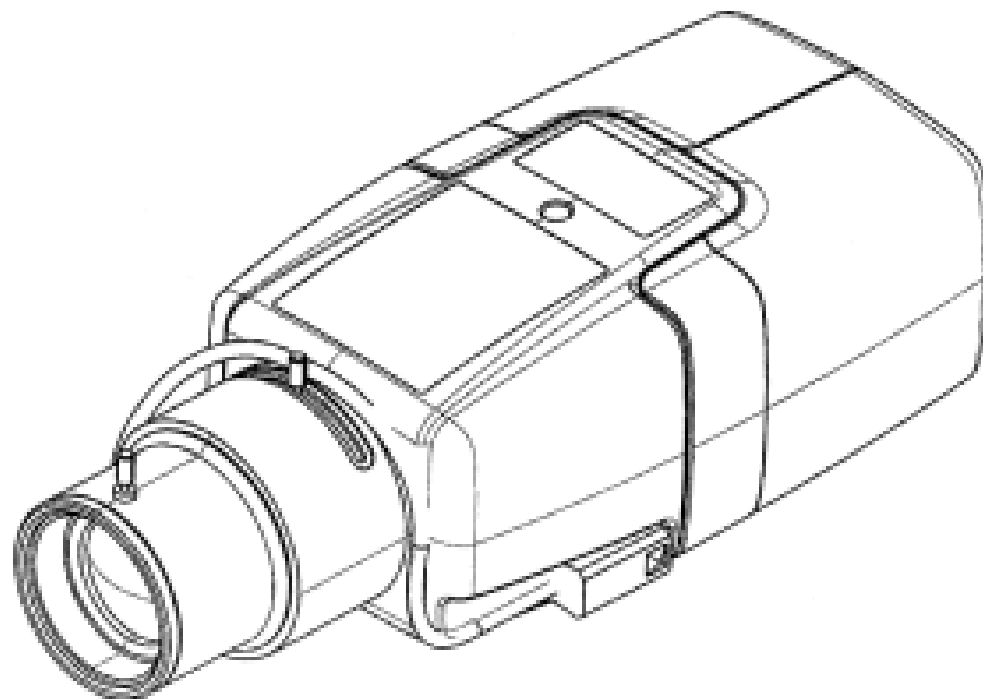
- (21) Design Number: **14630/2010**
(22) Date of Filing Application: **27 October 2010**
(24) Date from which industrial property rights may have effect: **27 October 2010**
(54) Product in respect of which the design is registered: **Triangular remote indicator for a water softener**
(51) International Design Classification: **10-04, 23-01G**
(71) Name(s) and Address(s) of Applicant(s):
Pentair Residential Filtration, LLC
800 Wayzata Boulevard Ste. 800 Golden Valley Minnesota 55416
United States of America
(72) Name(s) of Designer(s): **Thomas P. Honzelka**
(45) Registration Date: **14 December 2010**
(30) Convention priority data:
(31) Number (32) Date (33) Country
29/360551 27 Apr 2010 UNITED STATES OF AMERICA
(56) Related Art Documents: **Not Applicable**
(57) Statement of Newness and Distinctiveness: **Newness and distinctiveness is claimed in the features of shape and/or configuration of a triangular remote indicator for a water softener as illustrated in continuous lines in the accompanying representations.**



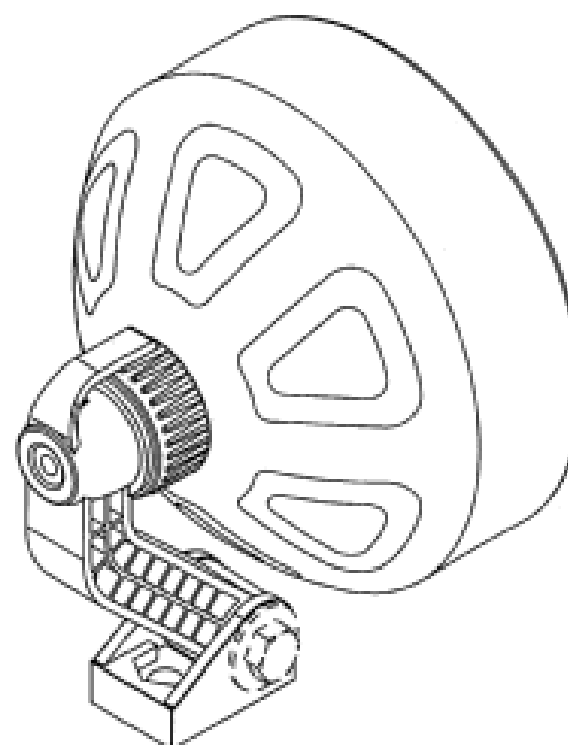
- (21) Design Number: **14634/2010**
(22) Date of Filing Application: **27 October 2010**
(24) Date from which industrial property rights may have effect: **27 October 2010**
(54) Product in respect of which the design is registered: **Car seat**
(51) International Design Classification: **06-01D**
(71) Name(s) and Address(s) of Applicant(s):
Max-Inf (Ningbo) Baby Product Co., Ltd.
No. 188 West Jinhui Road Yinzhou Investment & Business Incubation
of Ningbo Zhejiang Province China
(72) Name(s) of Designer(s): **Lihong Xu and Dong Xu**
(45) Registration Date: **14 December 2010**
(30) Convention priority data:
(31) Number (32) Date (33) Country
201030503913.8 31 Aug 2010 CHINA
(56) Related Art Documents: **Not Applicable**
(57) Statement of Newness and Distinctiveness: **Newness and distinctiveness resides in the features of shape and/or configuration of a car seat as shown in the accompanying representations.**



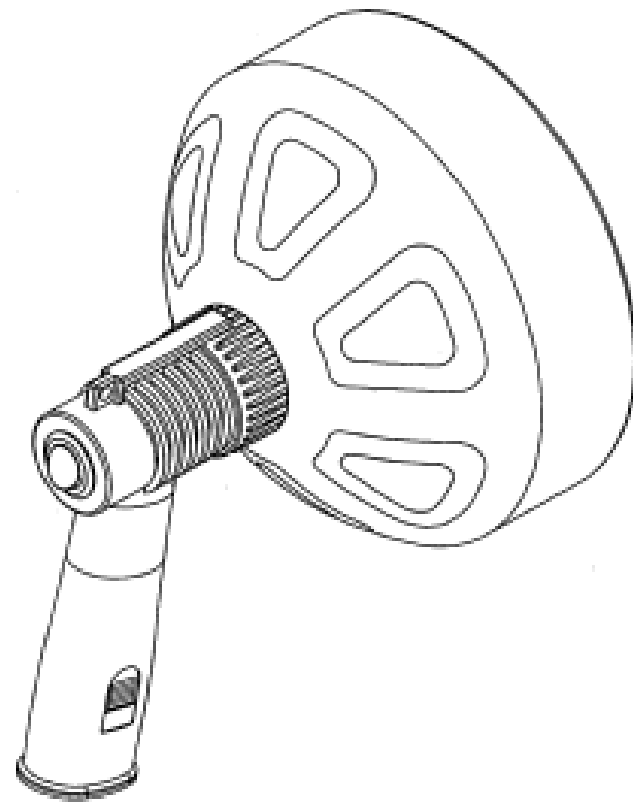
(21) Design Number: **14660/2010**
(22) Date of Filing Application: **28 October 2010**
(24) Date from which industrial property rights may have effect: **28 October 2010**
(54) Product in respect of which the design is registered: **Camera**
(51) International Design Classification: **16-01**
(71) Name(s) and Address(s) of Applicant(s):
Robert Bosch GmbH
Postfach 30 20 20 70442 Stuttgart Germany
(72) Name(s) of Designer(s): **Wessel Deurwaarder**
(45) Registration Date: **14 December 2010**
(30) Convention priority data:
(31) Number (32) Date (33) Country
001753203 10 Sep 2010 EUROPEAN COMMUNITY
(56) Related Art Documents: **Not Applicable**
(57) Statement of Newness and Distinctiveness: **Nil**



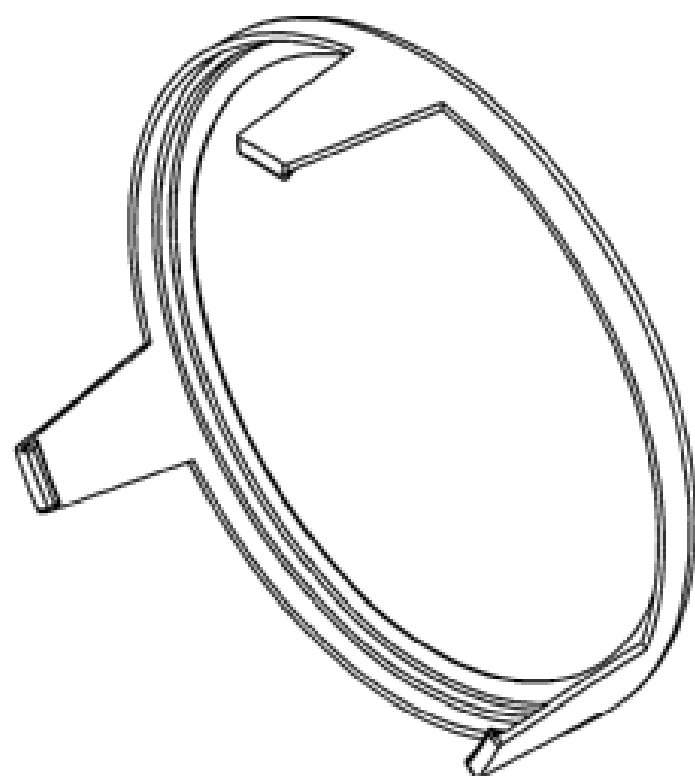
(21) Design Number: **14662/2010**
(22) Date of Filing Application: **28 October 2010**
(24) Date from which industrial property rights may have effect: **28 October 2010**
(54) Product in respect of which the design is registered: **Lighting device for a vehicle**
(51) International Design Classification: **26-06**
(71) Name(s) and Address(s) of Applicant(s):
Global Trade Imports Pty Ltd
205 Arden Street North Melbourne Victoria 3051 Australia
(72) Name(s) of Designer(s): **Shane Panczel**
(45) Registration Date: **14 December 2010**
(56) Related Art Documents: **Not Applicable**
(57) Statement of Newness and Distinctiveness: **Those features of the lighting device for a vehicle depicted in the representations that are new and distinctive are the shape and/or configuration.**



- (21) Design Number: **14663/2010**
(22) Date of Filing Application: **28 October 2010**
(24) Date from which industrial property rights may have effect: **28 October 2010**
(54) Product in respect of which the design is registered: **Lighting device**
(51) International Design Classification: **26-03**
(71) Name(s) and Address(s) of Applicant(s):
Global Trade Imports Pty Ltd
205 Arden Street North Melbourne Victoria 3051 Australia
(72) Name(s) of Designer(s): **Shane Panczel**
(45) Registration Date: **14 December 2010**
(56) Related Art Documents: **Not Applicable**
(57) Statement of Newness and Distinctiveness: **Those features of the lighting device depicted in the representations that are new and distinctive are the shape and/or configuration.**



- (21) Design Number: **14664/2010**
(22) Date of Filing Application: **28 October 2010**
(24) Date from which industrial property rights may have effect: **28 October 2010**
(54) Product in respect of which the design is registered: **Cover for lighting device**
(51) International Design Classification: **26-99**
(71) Name(s) and Address(s) of Applicant(s):
Global Trade Imports Pty Ltd
205 Arden Street North Melbourne Victoria 3051 Australia
(72) Name(s) of Designer(s): **Shane Panczel**
(45) Registration Date: **14 December 2010**
(56) Related Art Documents: **Not Applicable**
(57) Statement of Newness and Distinctiveness: **Those features of the cover for lighting device depicted in the representations that are new and distinctive are the shape and/or configuration.**



(21) Design Number: **14670/2010**

(22) Date of Filing Application: **29 October 2010**

(24) Date from which industrial property rights may have effect: **29 October 2010**

(54) Product in respect of which the design is registered: **Cabinet edging system-external corner**

(51) International Design Classification: **06-06NES**

(71) Name(s) and Address(s) of Applicant(s):

Channel Panel Pty Ltd

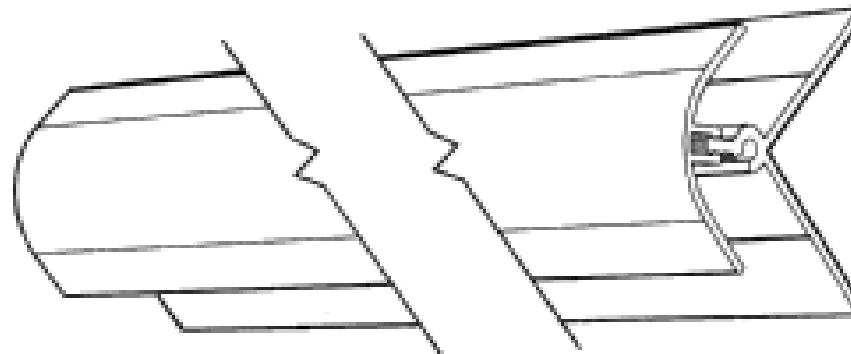
6/30 Leighton Place Hornsby New South Wales 2077 Australia

(72) Name(s) of Designer(s): **Andrew Stolp and Garry Holder**

(45) Registration Date: **14 December 2010**

(56) Related Art Documents: **Not Applicable**

(57) Statement of Newness and Distinctiveness: **The system consists of two extruded profiles that lock together in several different positions to accommodate different panel thicknesses.**



(21) Design Number: **14678/2010**

(22) Date of Filing Application: **29 October 2010**

(24) Date from which industrial property rights may have effect: **29 October 2010**

(54) Product in respect of which the design is registered: **Cabinet edging system - end corner**

(51) International Design Classification: **06-06NES**

(71) Name(s) and Address(s) of Applicant(s):

Channel Panel Pty Ltd

6/30 Leighton Place Hornsby New South Wales 2077 Australia

(72) Name(s) of Designer(s): **Andrew Stolp and Garry Holder**

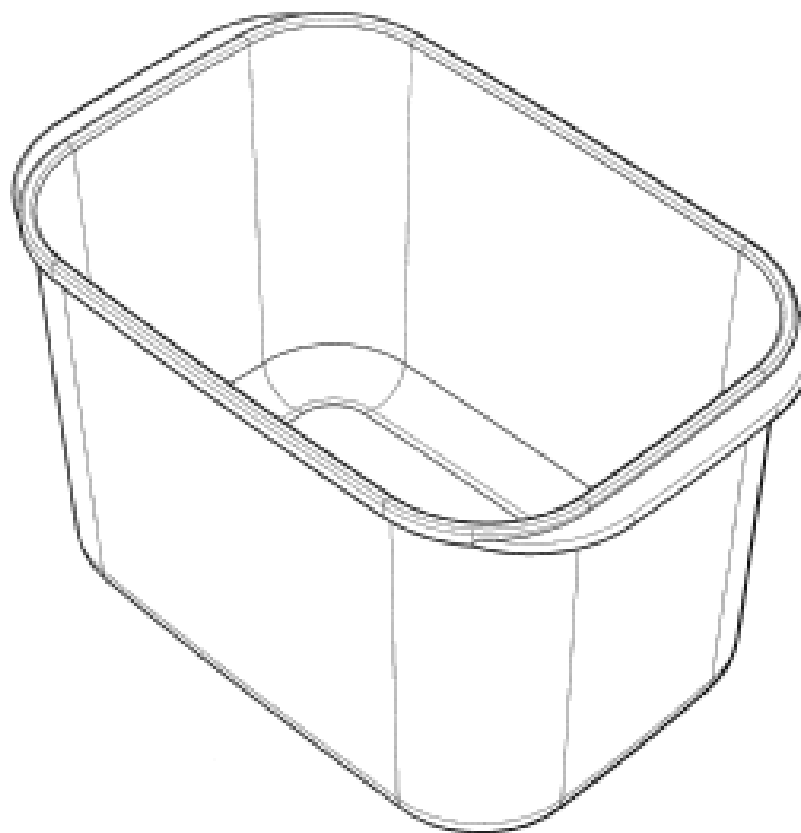
(45) Registration Date: **14 December 2010**

(56) Related Art Documents: **Not Applicable**

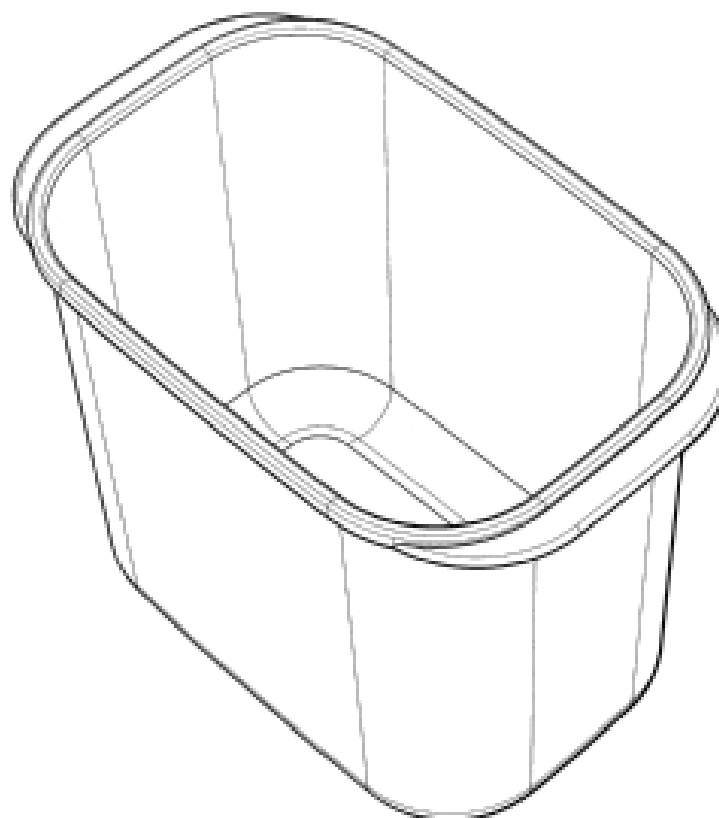
(57) Statement of Newness and Distinctiveness: **The system consists of two extruded profiles that lock together in several different positions to accommodate different panel thicknesses**



- (21) Design Number: **15102/2010**
(22) Date of Filing Application: **22 November 2010**
(24) Date from which industrial property rights may have effect: **22 November 2010**
(54) Product in respect of which the design is registered: **Container**
(51) International Design Classification: **07-01NES**
(71) Name(s) and Address(s) of Applicant(s):
The Decor Corporation Pty. Ltd.
1314 Ferntree Gully Road Scoresby Victoria 3179 Australia
(72) Name(s) of Designer(s): **Jim Samartgis**
(45) Registration Date: **14 December 2010**
(56) Related Art Documents: **Not Applicable**
(57) Statement of Newness and Distinctiveness: **Nil**



- (21) Design Number: **15103/2010**
(22) Date of Filing Application: **22 November 2010**
(24) Date from which industrial property rights may have effect: **22 November 2010**
(54) Product in respect of which the design is registered: **Container**
(51) International Design Classification: **07-01NES**
(71) Name(s) and Address(s) of Applicant(s):
The Decor Corporation Pty. Ltd.
1314 Ferntree Gully Road Scoresby Victoria 3179 Australia
(72) Name(s) of Designer(s): **Jim Samartgis**
(45) Registration Date: **14 December 2010**
(56) Related Art Documents: **Not Applicable**
(57) Statement of Newness and Distinctiveness: **Nil**



(21) Design Number: **14854/2010**
 (22) Date of Filing Application: **10 November 2010**
 (24) Date from which industrial property rights may have effect: **10 November 2010**
 (54) Product in respect of which the design is registered: **Vacuum cleaner brush attachment**

(51) International Design Classification: **04-01**

(71) Name(s) and Address(s) of Applicant(s):

The Scott Fetzer Company
28800 Clemens Road Westlake Ohio 44145-1197 United States of America

(72) Name(s) of Designer(s): **Daniel L. Steel**

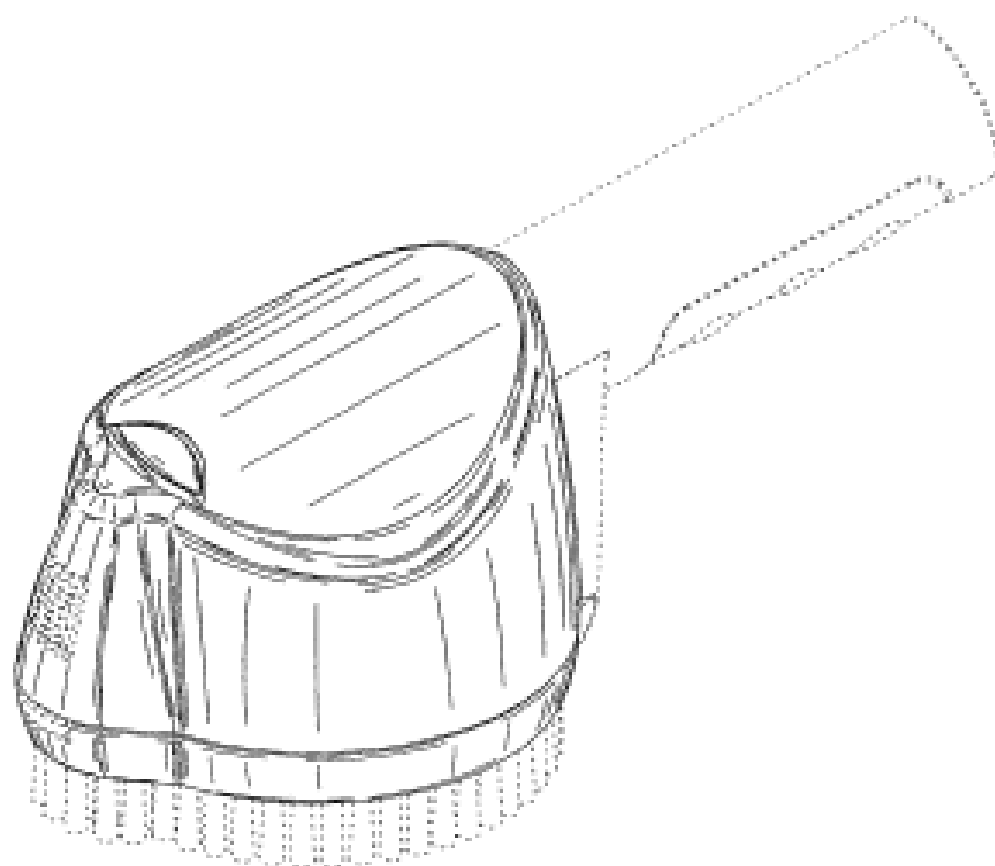
(45) Registration Date: **15 December 2010**

(30) Convention priority data:

(31) Number	(32) Date	(33) Country
29/366246	22 Jul 2010	UNITED STATES OF AMERICA

(56) Related Art Documents: **Not Applicable**

(57) Statement of Newness and Distinctiveness: **Design No 1 Those features of the vacuum cleaner brush attachment depicted in the representations that are new and distinctive are the shape and/or configuration. The features shown in broken lines are not part of the design and should be disregarded when considering the overall impression of design.**



(21) Design Number: **15357/2010**
 (22) Date of Filing Application: **10 November 2010**
 (24) Date from which industrial property rights may have effect: **10 November 2010**
 (54) Product in respect of which the design is registered: **Vacuum cleaner brush attachment**

(51) International Design Classification: **04-01**

(71) Name(s) and Address(s) of Applicant(s):

The Scott Fetzer Company
28800 Clemens Road Westlake Ohio 44145-1197 United States of America

(72) Name(s) of Designer(s): **Daniel L. Steel**

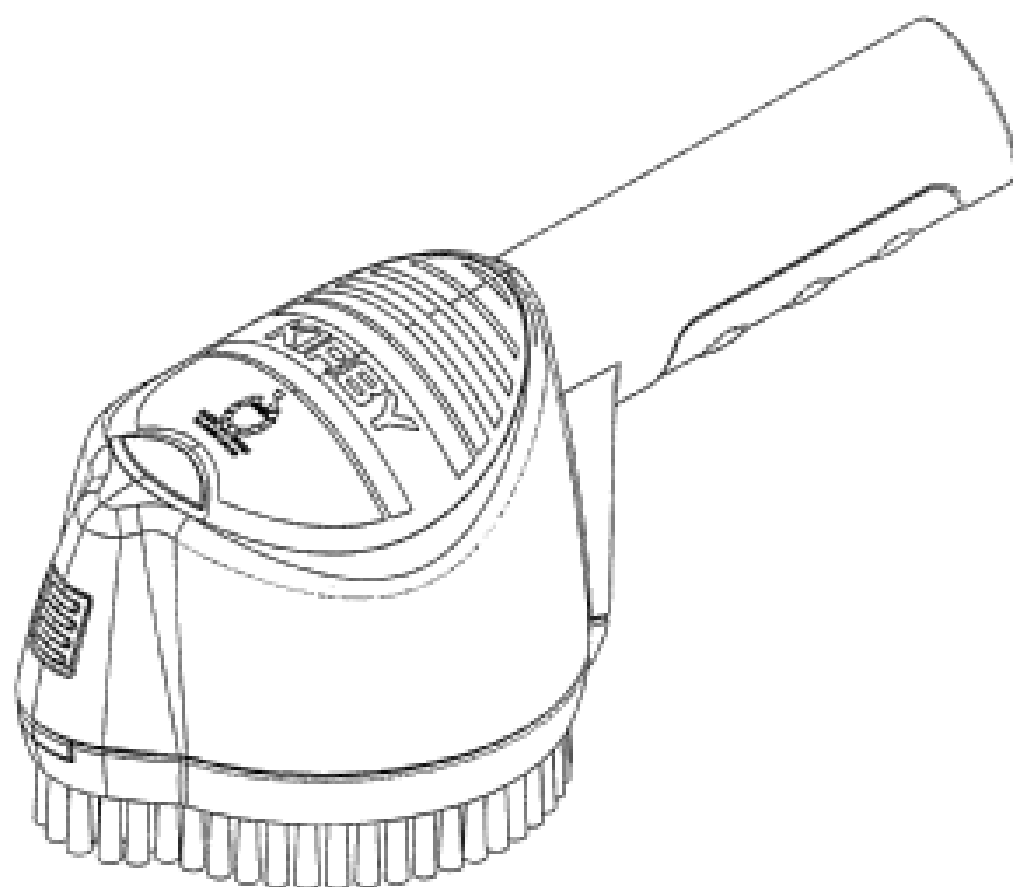
(45) Registration Date: **15 December 2010**

(30) Convention priority data:

(31) Number	(32) Date	(33) Country
29/366246	22 Jul 2010	UNITED STATES OF AMERICA

(56) Related Art Documents: **Not Applicable**

(57) Statement of Newness and Distinctiveness: **Design No 2 Those features of the vacuum cleaner brush attachment depicted in the representations that are new and distinctive are the shape and/or configuration. The textual matter shown is not part of the design and should be disregarded when considering the overall impression of the design.**



(21) Design Number: **14919/2010**
(22) Date of Filing Application: **12 November 2010**
(24) Date from which industrial property rights may have effect: **12 November 2010**
(54) Product in respect of which the design is registered: **A wooden toy plaything**
(51) International Design Classification: **21-01F**
(71) Name(s) and Address(s) of Applicant(s):

Nick Urwin
Brenton Cottage Gunnislake Cornwall PL18 9EL United Kingdom

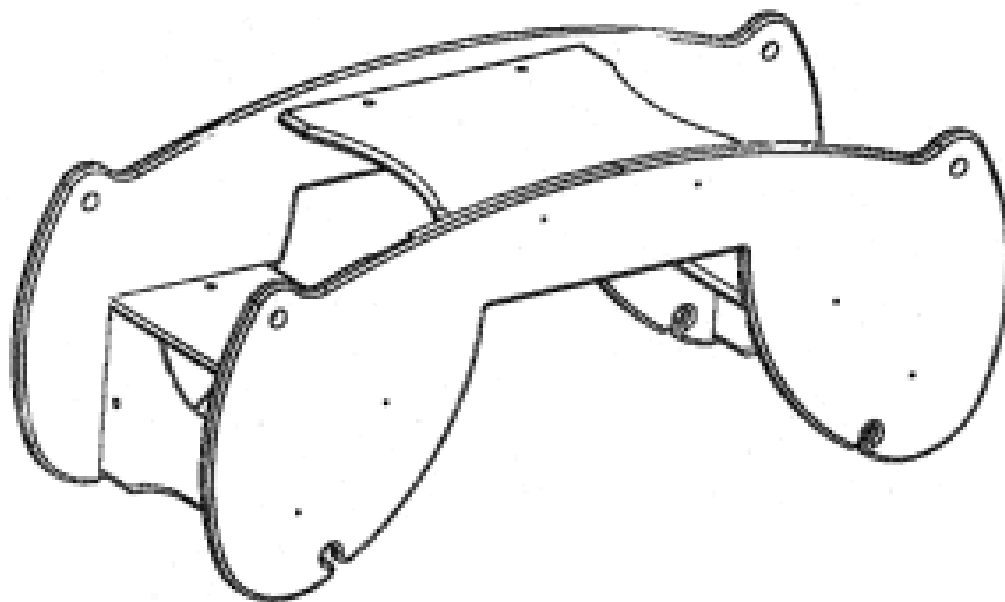
(72) Name(s) of Designer(s): **Nick Urwin**
(45) Registration Date: **15 December 2010**

(30) Convention priority data:

(31) Number	(32) Date	(33) Country
001708173	14 May 2010	EUROPEAN COMMUNITY

(56) Related Art Documents: **Not Applicable**

(57) Statement of Newness and Distinctiveness: **Nil**



(21) Design Number: **15060/2010**
(22) Date of Filing Application: **22 November 2010**
(24) Date from which industrial property rights may have effect: **22 November 2010**
(54) Product in respect of which the design is registered: **Portable baby cot**
(51) International Design Classification: **03-99**
(71) Name(s) and Address(s) of Applicant(s):

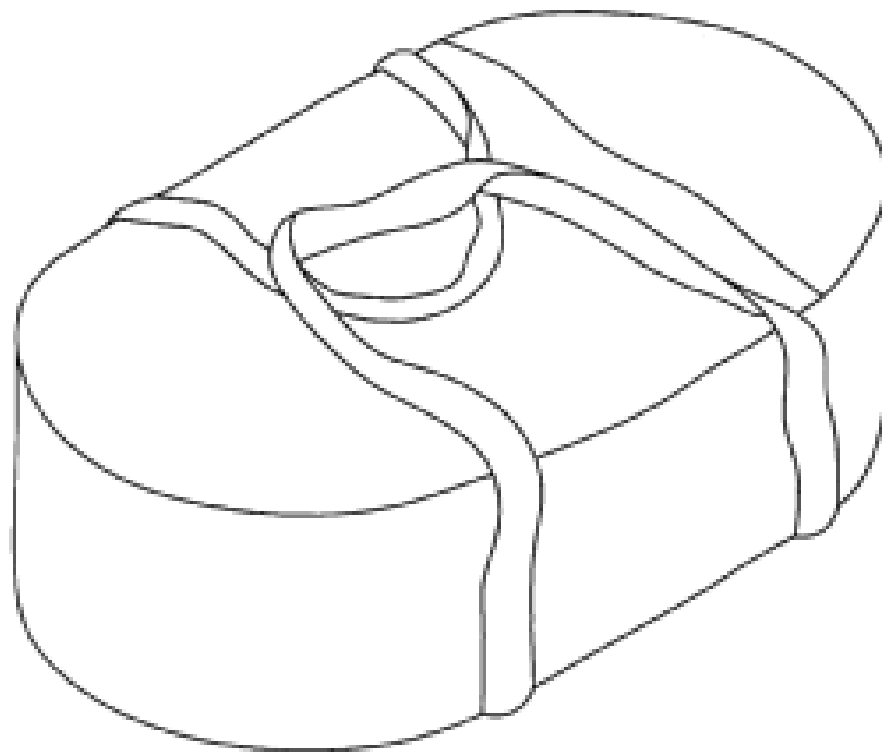
Sabina Victoria Read
7 Burruga Avenue Terry Hills New South Wales 2084 Australia

(72) Name(s) of Designer(s): **Sabina Victoria Read**

(45) Registration Date: **15 December 2010**

(56) Related Art Documents: **Not Applicable**

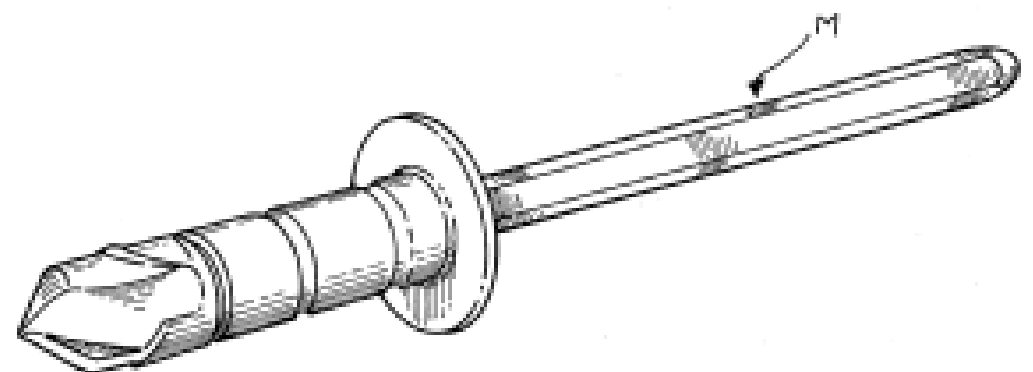
(57) Statement of Newness and Distinctiveness: **Nil**



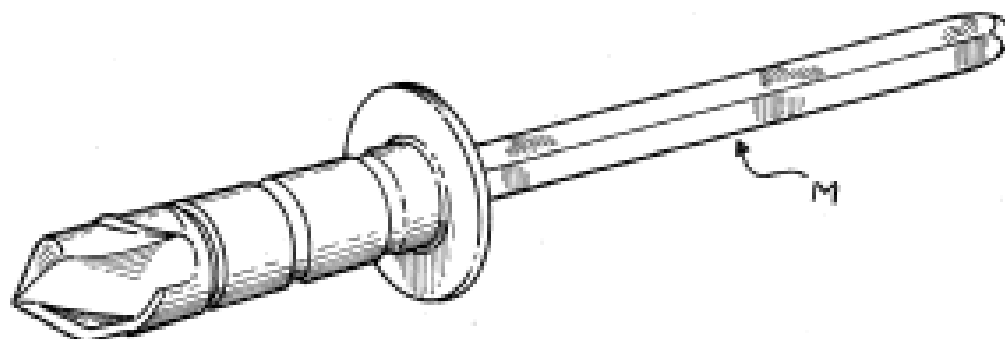
- (21) Design Number: **15061/2010**
(22) Date of Filing Application: **22 November 2010**
(24) Date from which industrial property rights may have effect: **22 November 2010**
(54) Product in respect of which the design is registered: **A roll formed wall panel**
(51) International Design Classification: **25-01D**
(71) Name(s) and Address(s) of Applicant(s):
Storco Ministorage Systems Pty Ltd
2 Strathgrove Way Orange New South Wales 2800 Australia
(72) Name(s) of Designer(s): **Jonathan Scott Layton**
(45) Registration Date: **15 December 2010**
(56) Related Art Documents: **Not Applicable**
(57) Statement of Newness and Distinctiveness: **Monopoly is claimed in the shape and configuration of a roll formed wall panel of indefinite length, as shown in the representations.**



- (21) Design Number: **15062/2010**
(22) Date of Filing Application: **19 November 2010**
(24) Date from which industrial property rights may have effect: **19 November 2010**
(54) Product in respect of which the design is registered: **Rivet**
(51) International Design Classification: **08-08A**
(71) Name(s) and Address(s) of Applicant(s):
Innovations (Global) Pty Ltd
90-96 Blowering Road Tumut New South Wales 2720 Australia
(72) Name(s) of Designer(s): **Joseph Patrick Costello and Raymond Lister Tolver**
(45) Registration Date: **15 December 2010**
(56) Related Art Documents: **Not Applicable**
(57) Statement of Newness and Distinctiveness: **We wish to submit a Statement of Newness and Distinctiveness (set out below) in respect of particular visual features of the design but in so doing do not imply that other visual features of the design lack newness or distinctiveness. Statement of Newness and Distinctiveness: The shape and configuration of the rivet mandrel indicated "M" in the representations is new and distinctive.**



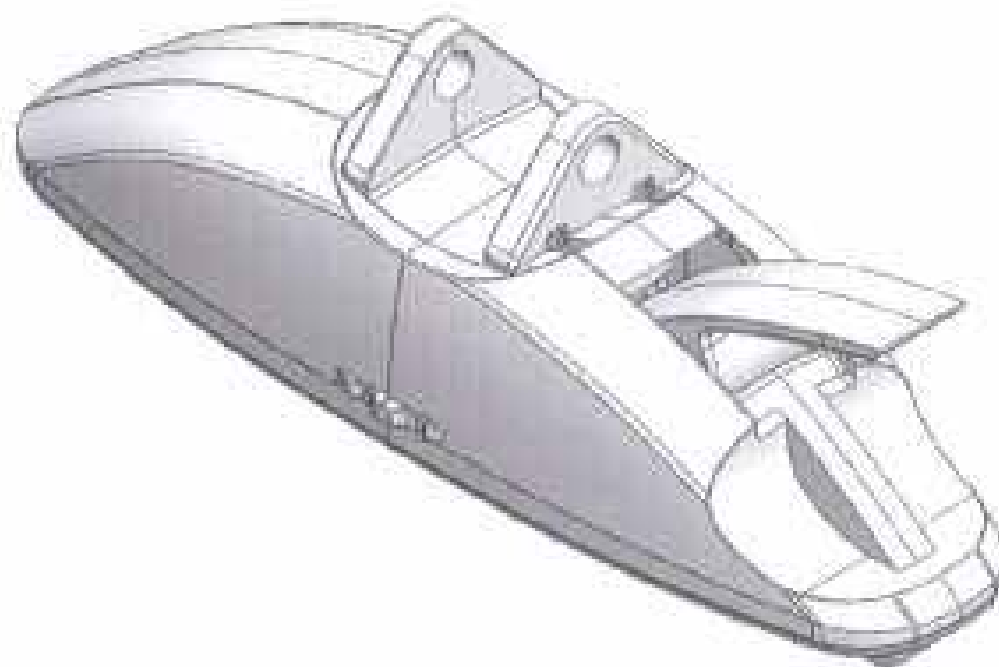
(21) Design Number: **15063/2010**
 (22) Date of Filing Application: **19 November 2010**
 (24) Date from which industrial property rights may have effect: **19 November 2010**
 (54) Product in respect of which the design is registered: **Rivet**
 (51) International Design Classification: **08-08A**
 (71) Name(s) and Address(s) of Applicant(s):
Innovations (Global) Pty Ltd
90-96 Blowering Road Tumut New South Wales 2720 Australia
 (72) Name(s) of Designer(s): **Joseph Patrick Costello and Raymond Lister Tolver**
 (45) Registration Date: **15 December 2010**
 (56) Related Art Documents: **Not Applicable**
 (57) Statement of Newness and Distinctiveness: **We wish to submit a Statement of Newness and Distinctiveness (set out below) in respect of particular visual features of the design but in so doing do not imply that other visual features of the design lack newness or distinctiveness. Statement of Newness and Distinctiveness: The shape and configuration of the rivet mandrel indicated "M" in the representations is/are new and distinctive.**



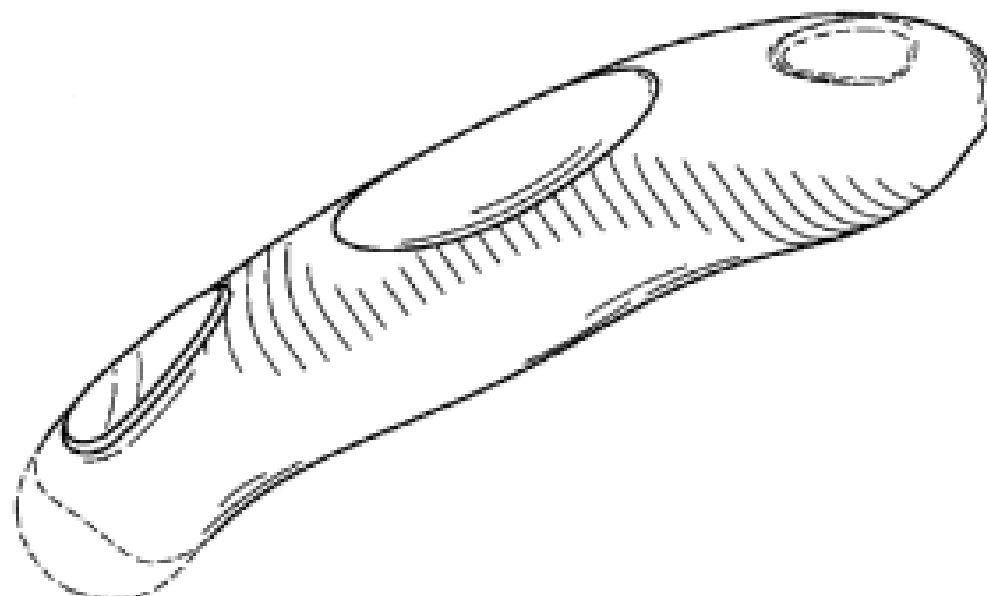
(21) Design Number: **15064/2010**
 (22) Date of Filing Application: **19 November 2010**
 (24) Date from which industrial property rights may have effect: **19 November 2010**
 (54) Product in respect of which the design is registered: **Connection assembly**
 (51) International Design Classification: **12-16K**
 (71) Name(s) and Address(s) of Applicant(s):
Hubco Automotive Limited
102-112 Daniell Street Newtown Wellington New Zealand
 (72) Name(s) of Designer(s): **Bruce John Robertson**
 (45) Registration Date: **15 December 2010**
 (30) Convention priority data:

(31) Number	(32) Date	(33) Country
413653	20 May 2010	NEW ZEALAND

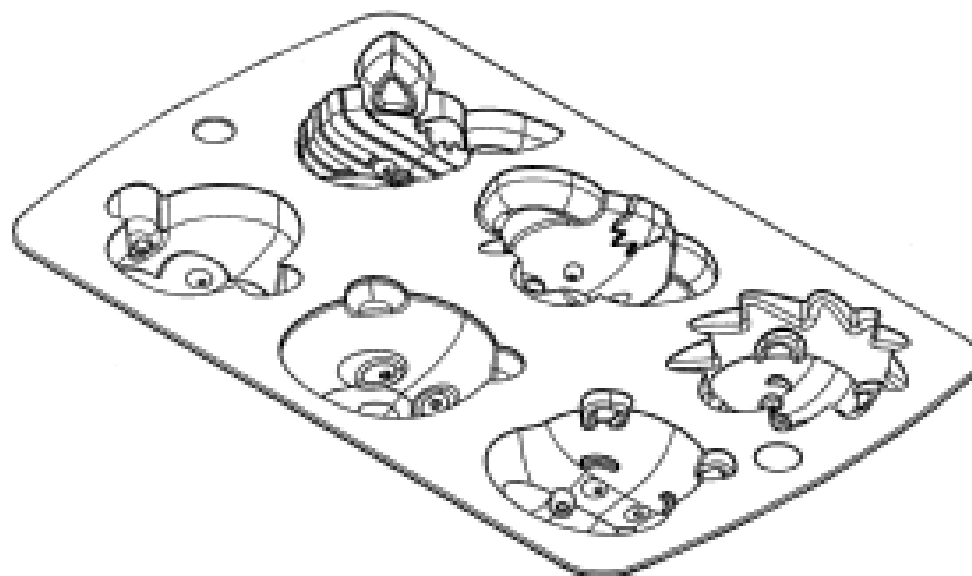
 (56) Related Art Documents: **Not Applicable**
 (57) Statement of Newness and Distinctiveness: **Nil**



(21) Design Number: **15065/2010**
(22) Date of Filing Application: **19 November 2010**
(24) Date from which industrial property rights may have effect: **19 November 2010**
(54) Product in respect of which the design is registered: **Tool handle**
(51) International Design Classification: **08-06**
(71) Name(s) and Address(s) of Applicant(s):
Alterra Tools Ltd.
Rooms 1214-1215 12th Floor Mew Mandarin Plaza Tower A 14 Science
Museum Rd Tsimshatsui East Kowloon Hong Kong
(72) Name(s) of Designer(s): **Renfu Chen**
(45) Registration Date: **15 December 2010**
(30) Convention priority data:
(31) Number (32) Date (33) Country
29/362,258 21 May 2010 UNITED STATES OF AMERICA
(56) Related Art Documents: **Not Applicable**
(57) Statement of Newness and Distinctiveness: **The shape or configuration of those portions of the product shown with solid lines is new and distinctive.**



(21) Design Number: **15068/2010**
(22) Date of Filing Application: **19 November 2010**
(24) Date from which industrial property rights may have effect: **19 November 2010**
(54) Product in respect of which the design is registered: **Baking tray**
(51) International Design Classification: **07-02P**
(71) Name(s) and Address(s) of Applicant(s):
McPherson's Limited
5 Dunlop Road Mulgrave Victoria 3170 Australia
(72) Name(s) of Designer(s): **Catherine McLachlan**
(45) Registration Date: **15 December 2010**
(56) Related Art Documents: **Not Applicable**
(57) Statement of Newness and Distinctiveness: **Those features of the baking tray depicted in the representations that are new and distinctive are the shape and/or configuration.**



- (21) Design Number: **15098/2010**
(22) Date of Filing Application: **23 November 2010**
(24) Date from which industrial property rights may have effect: **23 November 2010**
(54) Product in respect of which the design is registered: **A stool**
(51) International Design Classification: **06-01E**
(71) Name(s) and Address(s) of Applicant(s):
Sebel Furniture Ltd
22 Gow Street Padstow New South Wales 2211 Australia
(72) Name(s) of Designer(s): **Robert Carlo Ukmar**
(45) Registration Date: **15 December 2010**
(56) Related Art Documents: **Not Applicable**
(57) Statement of Newness and Distinctiveness: **Newness and distinctiveness is claimed in respect of the shape and/or configuration of the product illustrated in the accompanying representations. In carrying out a consideration in accordance with Section 19 the shape and/or configuration of the seat illustrated in the representations is not to be considered either new or distinctive and does not form part of the design.**



- (21) Design Number: **15100/2010**
(22) Date of Filing Application: **23 November 2010**
(24) Date from which industrial property rights may have effect: **23 November 2010**
(54) Product in respect of which the design is registered: **Jacket**
(51) International Design Classification: **02-02NES**
(71) Name(s) and Address(s) of Applicant(s):
Leanne Kaye Brook
36 Lennox Street Rockhampton Queensland 4700 Australia
(72) Name(s) of Designer(s): **Leanne Kaye Brook**
(45) Registration Date: **15 December 2010**
(56) Related Art Documents: **Not Applicable**
(57) Statement of Newness and Distinctiveness: **This design is a circle of fabric with a diameter of approx. 150 cm or 60 in. The armholes are two circular cut-outs that are approx. 13-18 cm dia. with a distance of approx. 18-26 cm between them which creates the back of the garment. The arm holes are cut out parallel but approx. 5 cm above the diameter of the circle. The above measurements are designed for size 10-14 Australian women. It can be called a cloak, a cape or a long jacket, a wrap dress, a gown then turned upside down for a short jacket, a tunic, a swing vest. I believe it is a new design as I do not see them on the market and I made this design for my dolls when I were a child from my imagination. The uniqueness of the garment is that the arm holes are cut out off-centre so that if the circle is worn one way it becomes a longer garment with a shorter cowl or turned upside down it can be worn as a shorter jacket with a longer cowl. They can be made smaller or larger. The arms are put in the armholes as one would put on a sleeveless shirt.**



(21) Design Number: **15115/2010**
(22) Date of Filing Application: **23 November 2010**
(24) Date from which industrial property rights may have effect: **23 November 2010**
(54) Product in respect of which the design is registered: **Knife blade**
(51) International Design Classification: **08-03**
(71) Name(s) and Address(s) of Applicant(s):

E. Mishan & Sons, Inc.
230 Fifth Avenue New York New York 10001 United States of America

(72) Name(s) of Designer(s): **Fred Hollinger**

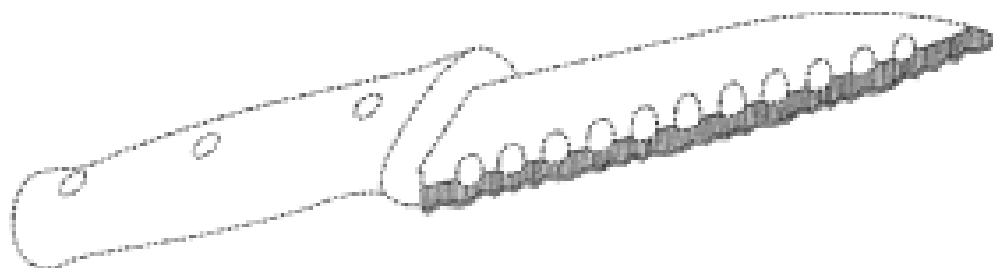
(45) Registration Date: **15 December 2010**

(30) Convention priority data:

(31) Number	(32) Date	(33) Country
29/363,357	08 Jun 2010	UNITED STATES OF AMERICA

(56) Related Art Documents: **Not Applicable**

(57) Statement of Newness and Distinctiveness: **Newness and distinctiveness are provided by the shape and/or configuration of the design shown in the representations. The features shown in broken lines in the representations are for illustrative purposes only and should not be considered when construing visual features of the design.**



(21) Design Number: **15412/2010**
(22) Date of Filing Application: **23 November 2010**
(24) Date from which industrial property rights may have effect: **23 November 2010**
(54) Product in respect of which the design is registered: **Knife**
(51) International Design Classification: **08-03**
(71) Name(s) and Address(s) of Applicant(s):

E. Mishan & Sons, Inc.
230 Fifth Avenue New York New York 10001 United States of America

(72) Name(s) of Designer(s): **Fred Hollinger**

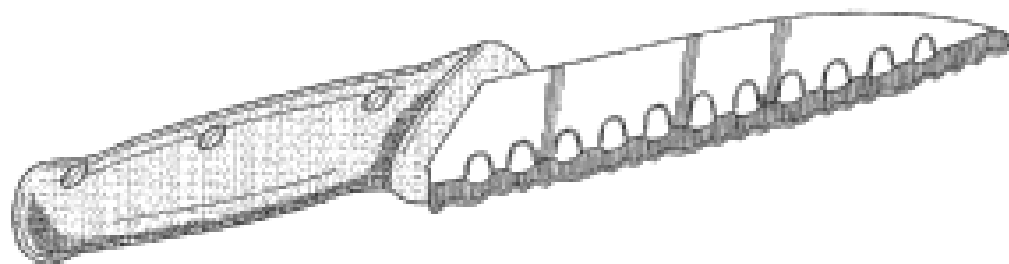
(45) Registration Date: **15 December 2010**

(30) Convention priority data:

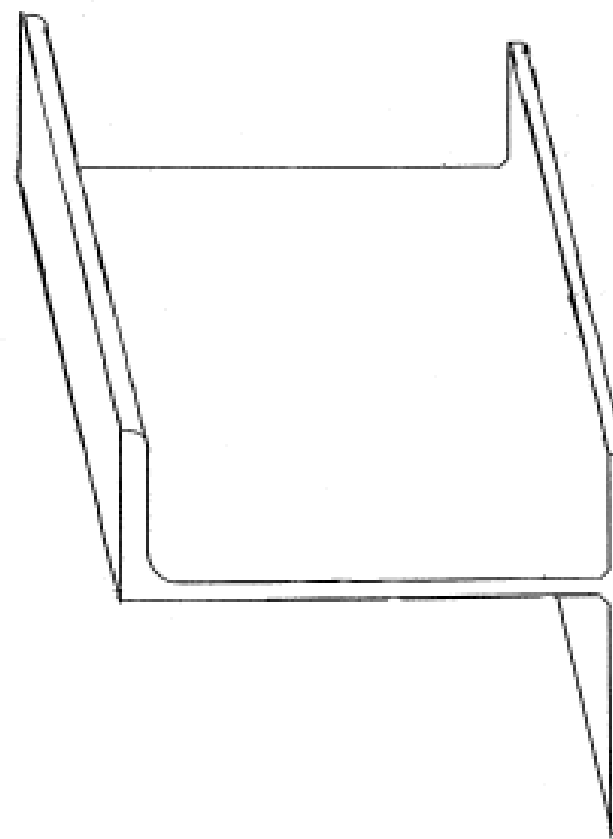
(31) Number	(32) Date	(33) Country
29/363,357	08 Jun 2010	UNITED STATES OF AMERICA

(56) Related Art Documents: **Not Applicable**

(57) Statement of Newness and Distinctiveness: **Nil**

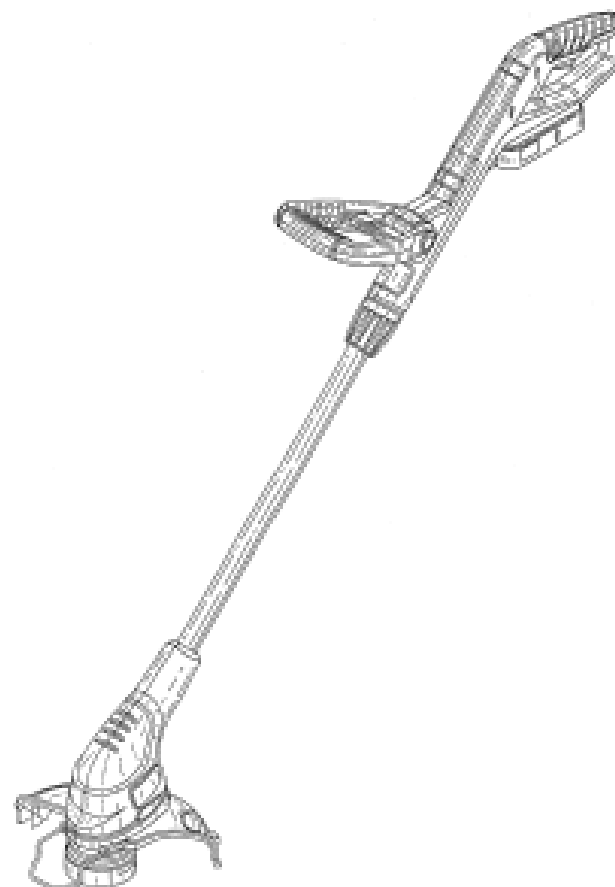


- (21) Design Number: **15203/2010**
- (22) Date of Filing Application: **29 November 2010**
- (24) Date from which industrial property rights may have effect: **29 November 2010**
- (54) Product in respect of which the design is registered: **A lintel**
- (51) International Design Classification: **25-02NES**
- (71) Name(s) and Address(s) of Applicant(s):
Ronald E. Graham (Holdings) Pty Ltd
117-153 Rookwook Road Yagoona New South Wales 2199 Australia
- (72) Name(s) of Designer(s): **John Robert Morris**
- (45) Registration Date: **15 December 2010**
- (56) Related Art Documents: **Not Applicable**
- (57) Statement of Newness and Distinctiveness: **Newness and distinctiveness is claimed in the cross-section of a lintel as shown in the accompanying representations, the cross-section is constant throughout the length of the lintel.**



- (21) Design Number: **14923/2010**
- (22) Date of Filing Application: **12 November 2010**
- (24) Date from which industrial property rights may have effect: **12 November 2010**
- (54) Product in respect of which the design is registered: **String trimmer**
- (51) International Design Classification: **08-03**
- (71) Name(s) and Address(s) of Applicant(s):
Black & Decker Inc
1207 Drummond Plaza Newark Delaware 19711 United States of America
- (72) Name(s) of Designer(s): **Sean Sweeney**
- (45) Registration Date: **15 December 2010**
- (30) Convention priority data:

(31) Number	(32) Date	(33) Country
001216196	26 May 2010	EUROPEAN COMMUNITY
- (56) Related Art Documents: **Not Applicable**
- (57) Statement of Newness and Distinctiveness: **Nil**



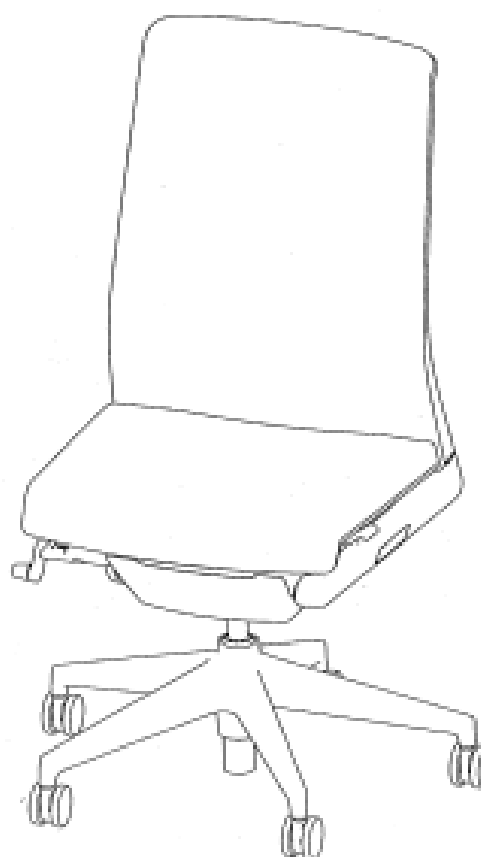
(21) Design Number: **15220/2010**
 (22) Date of Filing Application: **30 November 2010**
 (24) Date from which industrial property rights may have effect: **30 November 2010**
 (54) Product in respect of which the design is registered: **Doin' Time game board**
 (51) International Design Classification: **21-01L**
 (71) Name(s) and Address(s) of Applicant(s):
FunDigital Pty Ltd
27 Oceanic Drive Dawesville Western Australia 6211 Australia
 (72) Name(s) of Designer(s): **Kathryn du Buisson and Jean du Buisson**
 (45) Registration Date: **15 December 2010**
 (56) Related Art Documents: **Not Applicable**
 (57) Statement of Newness and Distinctiveness: **Nil**



(21) Design Number: **13840/2010**
 (22) Date of Filing Application: **03 September 2010**
 (24) Date from which industrial property rights may have effect: **03 September 2010**
 (54) Product in respect of which the design is registered: **Office chair**
 (51) International Design Classification: **06-01F**
 (71) Name(s) and Address(s) of Applicant(s):
Haworth Inc.
One Haworth Center 1400 Highway M-40 Holland MI 49423 United States of America
 (72) Name(s) of Designer(s): **Nicolai Czumaj-Bront and Michael W. Welsh**
 (45) Registration Date: **15 December 2010**
 (30) Convention priority data:

(31) Number	(32) Date	(33) Country
29/349,720	26 Apr 2010	UNITED STATES OF AMERICA

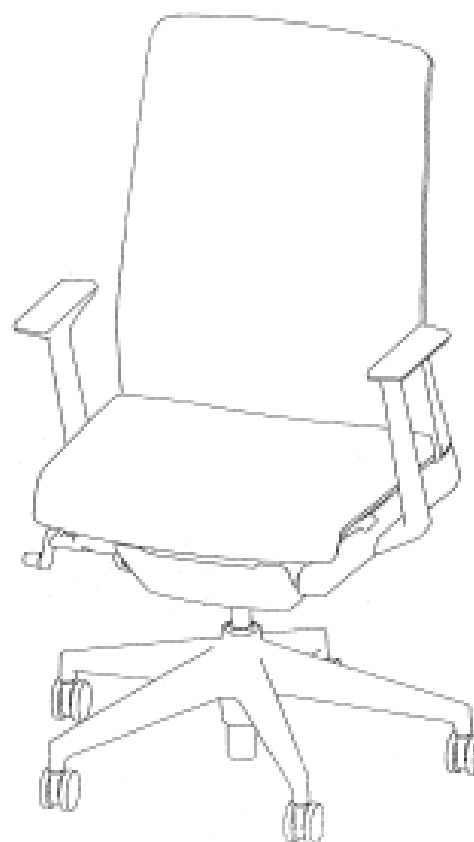
 (56) Related Art Documents: **Not Applicable**
 (57) Statement of Newness and Distinctiveness: **Nil**



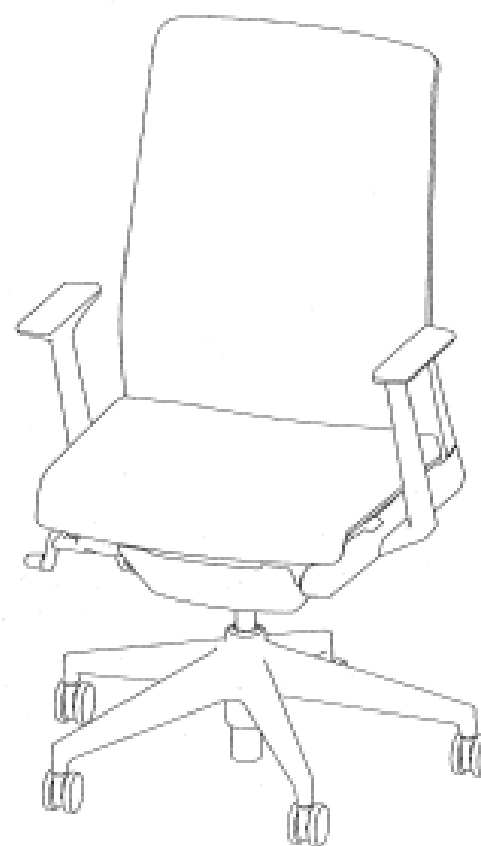
(21) Design Number: **14887/2010**
(22) Date of Filing Application: **03 September 2010**
(24) Date from which industrial property rights may have effect: **03 September 2010**
(54) Product in respect of which the design is registered: **Office chair**
(51) International Design Classification: **06-01F**
(71) Name(s) and Address(s) of Applicant(s):
Haworth, Inc.
One Haworth Center 1400 Highway M-40 Holland MI 49423 United States of America
(72) Name(s) of Designer(s): **Nicolai Czumaj-Bront and Michael W. Welsh**
(45) Registration Date: **15 December 2010**
(30) Convention priority data:
(31) Number (32) Date (33) Country
29/349,720 26 Apr 2010 UNITED STATES OF AMERICA
(56) Related Art Documents: **Not Applicable**
(57) Statement of Newness and Distinctiveness: **Nil**



(21) Design Number: **14888/2010**
(22) Date of Filing Application: **03 September 2010**
(24) Date from which industrial property rights may have effect: **03 September 2010**
(54) Product in respect of which the design is registered: **Office chair**
(51) International Design Classification: **06-01F**
(71) Name(s) and Address(s) of Applicant(s):
Haworth, Inc.
One Haworth Center 1400 Highway M-40 Holland MI 49423 United States of America
(72) Name(s) of Designer(s): **Nicolai Czumaj-Bront and Michael W. Welsh**
(45) Registration Date: **15 December 2010**
(30) Convention priority data:
(31) Number (32) Date (33) Country
29/349,720 26 Apr 2010 UNITED STATES OF AMERICA
(56) Related Art Documents: **Not Applicable**
(57) Statement of Newness and Distinctiveness: **Nil**



(21) Design Number: **14889/2010**
(22) Date of Filing Application: **03 September 2010**
(24) Date from which industrial property rights may have effect: **03 September 2010**
(54) Product in respect of which the design is registered: **Office chair**
(51) International Design Classification: **06-01F**
(71) Name(s) and Address(s) of Applicant(s):
Haworth, Inc.
One Haworth Center 1400 Highway M-40 Holland MI 49423 United States of America
(72) Name(s) of Designer(s): **Nicolai Czumaj-Bront and Michael W. Welsh**
(45) Registration Date: **15 December 2010**
(30) Convention priority data:
(31) Number (32) Date (33) Country
29/349,720 26 Apr 2010 UNITED STATES OF AMERICA
(56) Related Art Documents: **Not Applicable**
(57) Statement of Newness and Distinctiveness: **Nil**



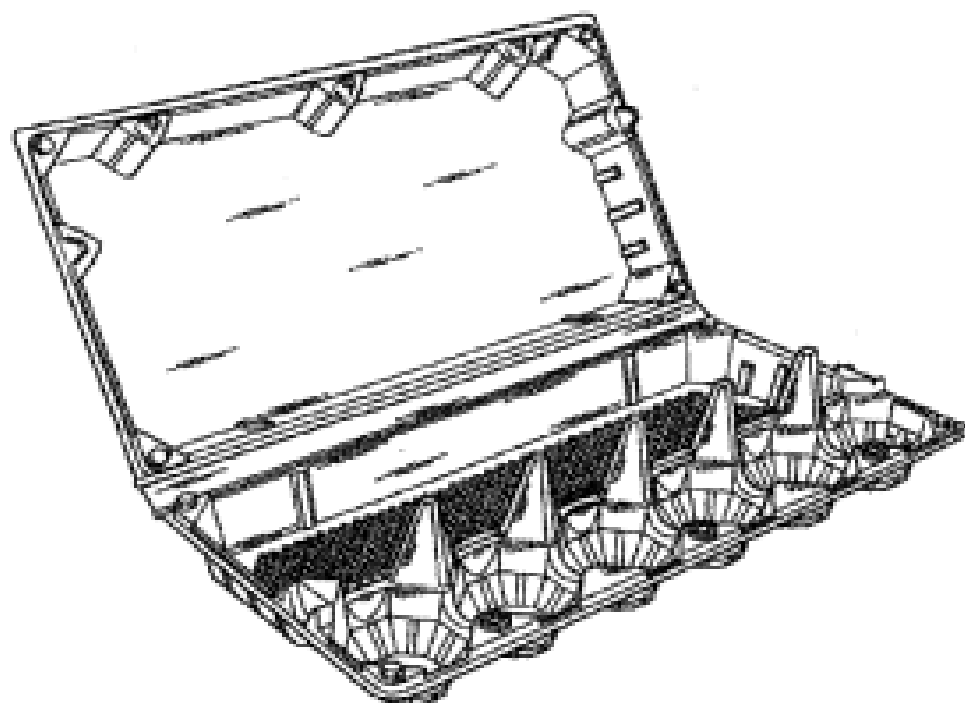
(21) Design Number: **14890/2010**
(22) Date of Filing Application: **03 September 2010**
(24) Date from which industrial property rights may have effect: **03 September 2010**
(54) Product in respect of which the design is registered: **Office chair**
(51) International Design Classification: **06-01F**
(71) Name(s) and Address(s) of Applicant(s):
Haworth, Inc.
One Haworth Center 1400 Highway M-40 Holland MI 49423 United States of America
(72) Name(s) of Designer(s): **Nicolai Czumaj-Bront and Michael W. Welsh**
(45) Registration Date: **15 December 2010**
(30) Convention priority data:
(31) Number (32) Date (33) Country
29/349,720 26 Apr 2010 UNITED STATES OF AMERICA
(56) Related Art Documents: **Not Applicable**
(57) Statement of Newness and Distinctiveness: **Nil**



- (21) Design Number: **14891/2010**
(22) Date of Filing Application: **03 September 2010**
(24) Date from which industrial property rights may have effect: **03 September 2010**
(54) Product in respect of which the design is registered: **Office chair**
(51) International Design Classification: **06-01F**
(71) Name(s) and Address(s) of Applicant(s):
Haworth, Inc.
One Haworth Center 1400 Highway M-40 Holland MI 49423 United States of America
(72) Name(s) of Designer(s): **Nicolai Czumaj-Bront and Michael W. Welsh**
(45) Registration Date: **15 December 2010**
(30) Convention priority data:
(31) Number (32) Date (33) Country
29/349,720 26 Apr 2010 UNITED STATES OF AMERICA
(56) Related Art Documents: **Not Applicable**
(57) Statement of Newness and Distinctiveness: **Nil**



- (21) Design Number: **14007/2010**
(22) Date of Filing Application: **15 September 2010**
(24) Date from which industrial property rights may have effect: **15 September 2010**
(54) Product in respect of which the design is registered: **Carton**
(51) International Design Classification: **09-03D, 09-03F**
(71) Name(s) and Address(s) of Applicant(s):
Nightbay Pty Ltd
C/- Turco & Co Level 1 38 Adelaide Street Fremantle 6160 Western Australia Australia
(72) Name(s) of Designer(s): **Roland Bee**
(45) Registration Date: **15 December 2010**
(56) Related Art Documents: **Not Applicable**
(57) Statement of Newness and Distinctiveness: **Nil**



- (21) Design Number: **14740/2010**
- (22) Date of Filing Application: **04 November 2010**
- (24) Date from which industrial property rights may have effect: **04 November 2010**
- (54) Product in respect of which the design is registered: **Beverage vessel**
- (51) International Design Classification: **07-01C**
- (71) Name(s) and Address(s) of Applicant(s):

Dean Collins
34 Wakley Crescent Wantirna Victoria 3152 Australia

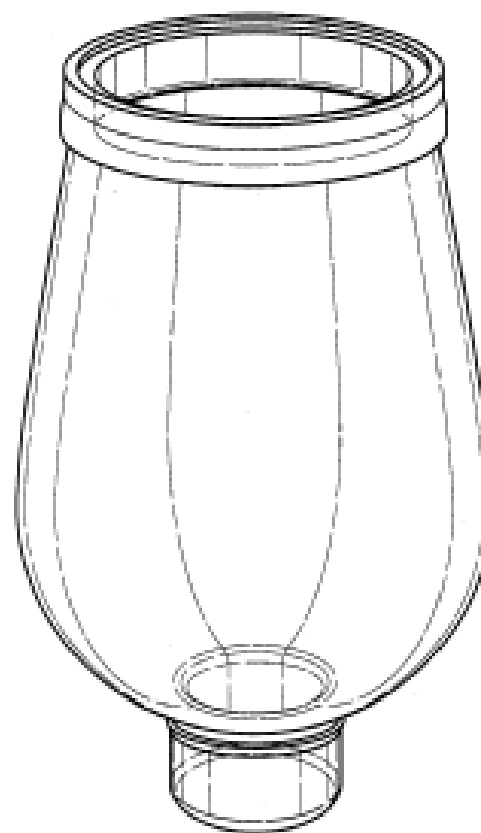
David Margaritis
34 Wakley Crescent Wantrina Victoria 3152 Australia

- (72) Name(s) of Designer(s): **Dean Collins and David Margaritis**

- (45) Registration Date: **15 December 2010**

- (56) Related Art Documents: **Not Applicable**

- (57) Statement of Newness and Distinctiveness: **Newness and distinctiveness resides in the features of shape and configuration of the opening, lip and sidewalls of the beverage vessel shown in the accompanying representations.**



- (21) Design Number: **15034/2010**
- (22) Date of Filing Application: **17 November 2010**
- (24) Date from which industrial property rights may have effect: **17 November 2010**
- (54) Product in respect of which the design is registered: **Molded door facing**
- (51) International Design Classification: **25-02B**
- (71) Name(s) and Address(s) of Applicant(s):

Masonite Corporation
One North Dale Mabry Highway Suite 950 Tampa Florida 33609 United States of America

- (72) Name(s) of Designer(s): **David Paxton and Gregory J. Wysock and Jason M. Walsh and Robert C. Allen and Timothy Gouge and Peter Philip Moran and Michael Conlon and Cormac Anthony Kearns**

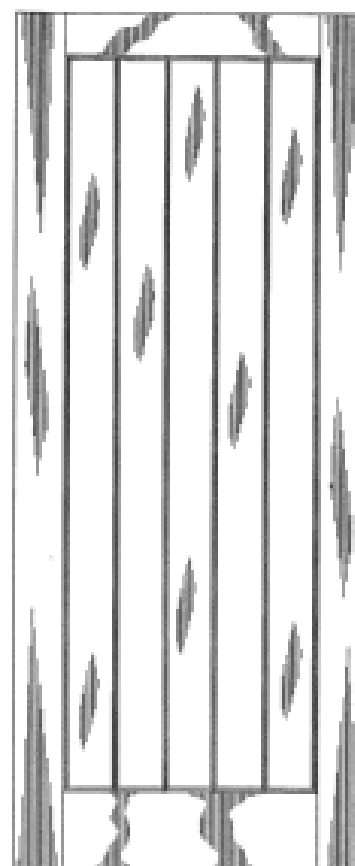
- (45) Registration Date: **15 December 2010**

- (30) Convention priority data:

(31) Number	(32) Date	(33) Country
29/358,377	26 Mar 2010	UNITED STATES OF AMERICA

- (56) Related Art Documents: **Not Applicable**

- (57) Statement of Newness and Distinctiveness: **The newness and distinctiveness of the design resides in the visual features of shape and/or configuration of a Molded Door Facing as shown in the accompanying representations.**



(21) Design Number: **15181/2010**

(22) Date of Filing Application: **29 November 2010**

(24) Date from which industrial property rights may have effect: **29 November 2010**

(54) Product in respect of which the design is registered: **Light**

(51) International Design Classification: **26-06**

(71) Name(s) and Address(s) of Applicant(s):

**Ningbo Beilun Haiyu Automotive Lamp Co Ltd
Daqi Town Beilun District Ningbo 315826 China**

(72) Name(s) of Designer(s): **Tonny He**

(45) Registration Date: **15 December 2010**

(56) Related Art Documents: **Not Applicable**

(57) Statement of Newness and Distinctiveness: **The shape and configuration of the light assembly as shown in accompanying representations are new and distinctive.**



(21) Design Number: **12737/2010**

(22) Date of Filing Application: **05 July 2010**

(24) Date from which industrial property rights may have effect: **05 July 2010**

(54) Product in respect of which the design is registered: **A shirt**

(51) International Design Classification: **02-02C, 02-02NES**

(71) Name(s) and Address(s) of Applicant(s):

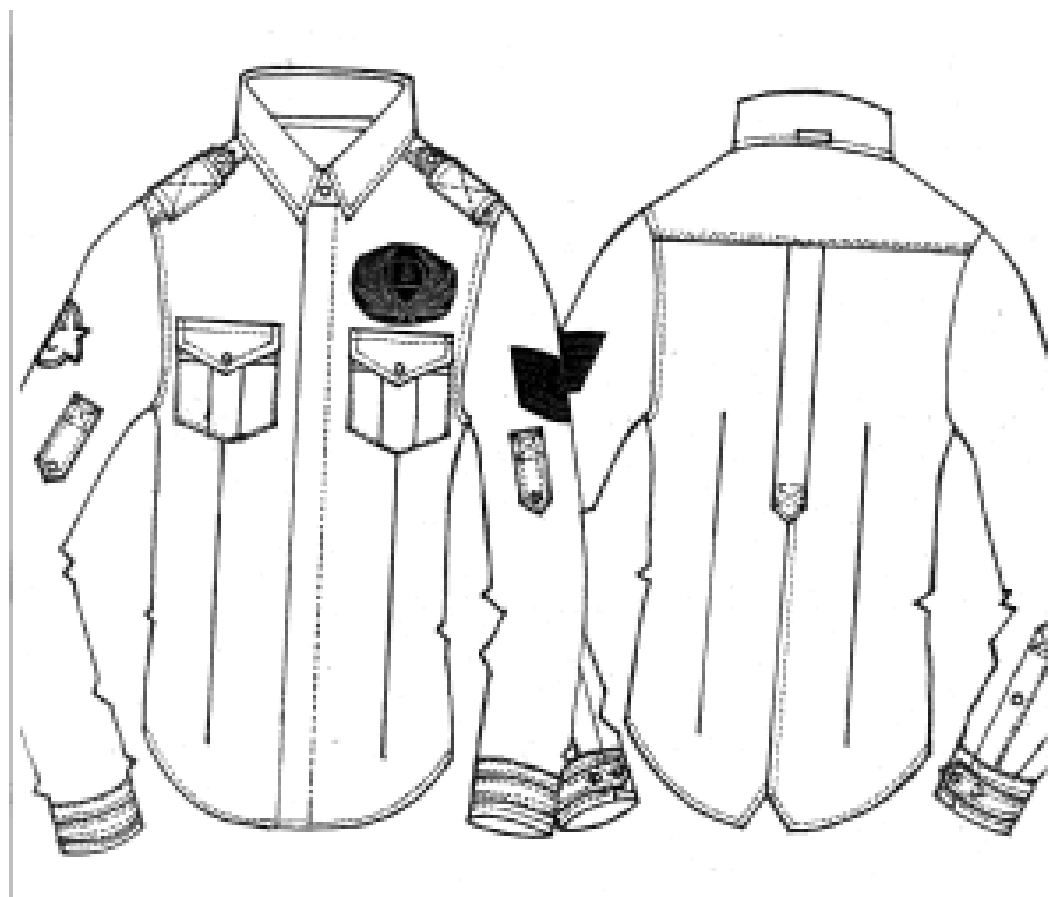
**Fifty-Fourth Rischell Pty Ltd
3-5 Claremont Street South Yarra Victoria 3141 Australia**

(72) Name(s) of Designer(s): **Ty Henschke**

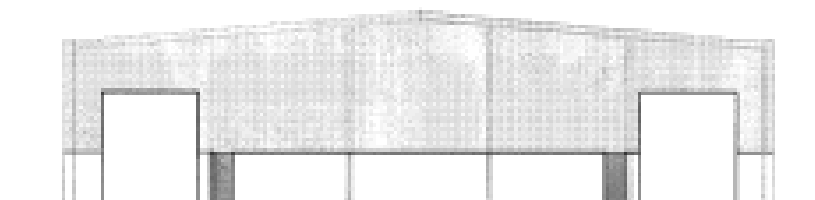
(45) Registration Date: **16 December 2010**

(56) Related Art Documents: **Not Applicable**

(57) Statement of Newness and Distinctiveness: **Nil**



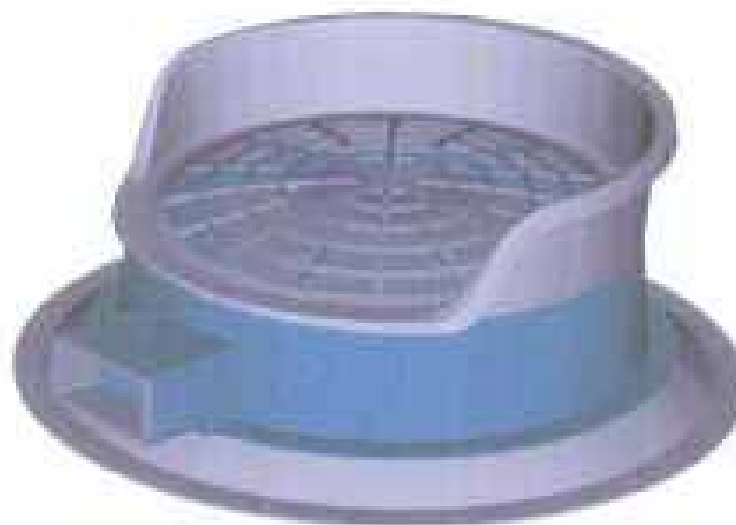
- (21) Design Number: **14218/2010**
(22) Date of Filing Application: **08 October 2010**
(24) Date from which industrial property rights may have effect: **08 October 2010**
(54) Product in respect of which the design is registered: **Foundations, concrete slab, structural steel, fixings, cladding, general factory layout**
(51) International Design Classification: **25-03**
(71) Name(s) and Address(s) of Applicant(s):
Mark Allen
8 Iris Avenue Wendouree Victoria 3355 Australia
(72) Name(s) of Designer(s): **Mark Allen and R.E Proud & Associates**
(45) Registration Date: **16 December 2010**
(56) Related Art Documents: **Not Applicable**
(57) Statement of Newness and Distinctiveness: **The purpose built factory is designed to speed up the processing of structural steel components. Reducing truck loading and unloading and material handling time.**



- (21) Design Number: **14522/2010**
(22) Date of Filing Application: **20 October 2010**
(24) Date from which industrial property rights may have effect: **20 October 2010**
(54) Product in respect of which the design is registered: **A container**
(51) International Design Classification: **07-01NES**
(71) Name(s) and Address(s) of Applicant(s):
Cryovac Australia Pty Ltd
90 Keilor Park Drive Tullamarine Victoria 3043 Australia
(72) Name(s) of Designer(s): **Brian Terry and Chow Chee Yut**
(45) Registration Date: **16 December 2010**
(56) Related Art Documents: **Not Applicable**
(57) Statement of Newness and Distinctiveness: **Newness and distinctiveness is claimed in the shape and configuration of the container shown in the representations but not in the particular colours shown in the representations.**



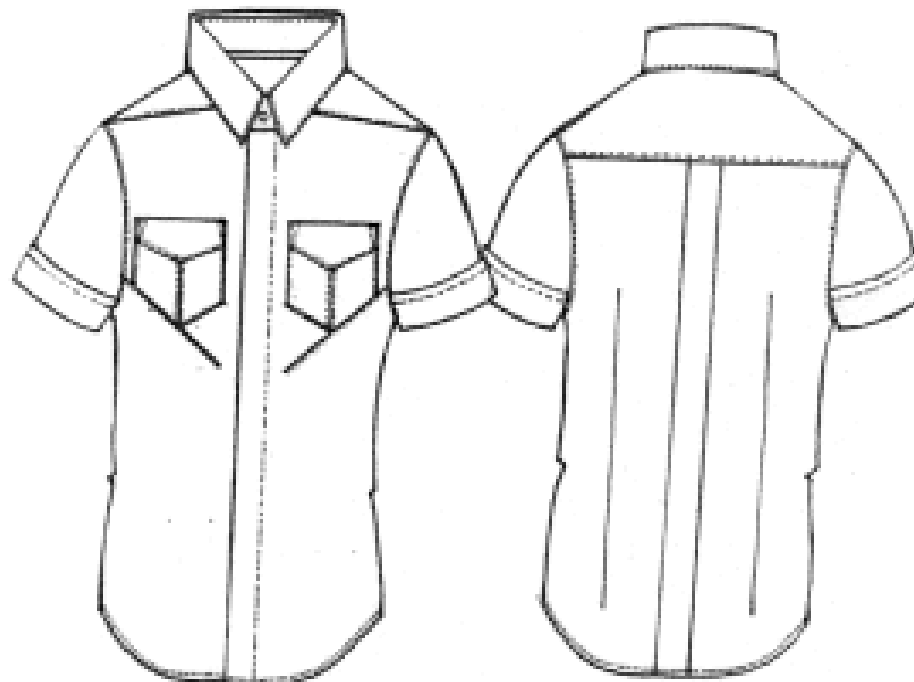
- (21) Design Number: **14858/2010**
(22) Date of Filing Application: **11 November 2010**
(24) Date from which industrial property rights may have effect: **11 November 2010**
(54) Product in respect of which the design is registered: **Tank inlet screen as identified on the attached four (4) representations**
(51) International Design Classification: **23-01G**
(71) Name(s) and Address(s) of Applicant(s):
Mark Edward Trail
873 Yaamba Road Rockhampton Queensland 4700 Australia
(72) Name(s) of Designer(s): **Mark Edward Trail**
(45) Registration Date: **16 December 2010**
(56) Related Art Documents: **Not Applicable**
(57) Statement of Newness and Distinctiveness: **The design of the angle of the top screen and water splash seal has the effect of preventing contaminates falling off the screen.**



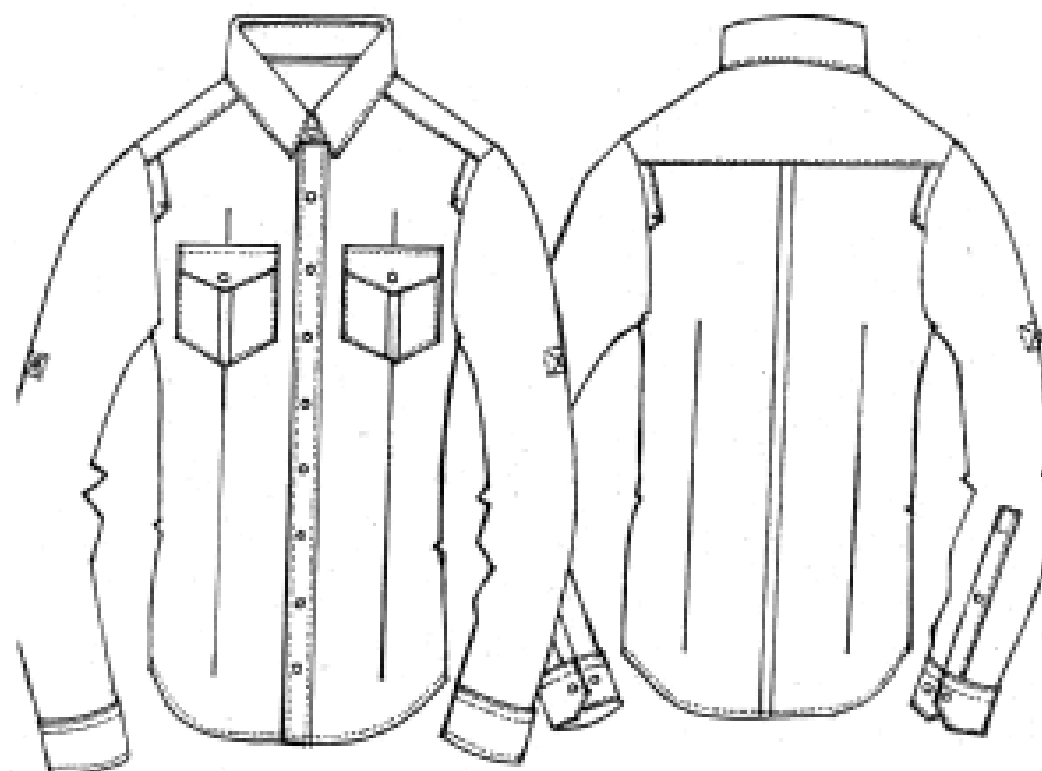
- (21) Design Number: **15002/2010**
(22) Date of Filing Application: **05 July 2010**
(24) Date from which industrial property rights may have effect: **05 July 2010**
(54) Product in respect of which the design is registered: **A shirt**
(51) International Design Classification: **02-02C, 02-02NES**
(71) Name(s) and Address(s) of Applicant(s):
Fifty-Fourth Rischell Pty Ltd
3-5 Claremont Street South Yarra Victoria 3141 Australia
(72) Name(s) of Designer(s): **Ty Henschke**
(45) Registration Date: **16 December 2010**
(56) Related Art Documents: **Not Applicable**
(57) Statement of Newness and Distinctiveness: **Nil**



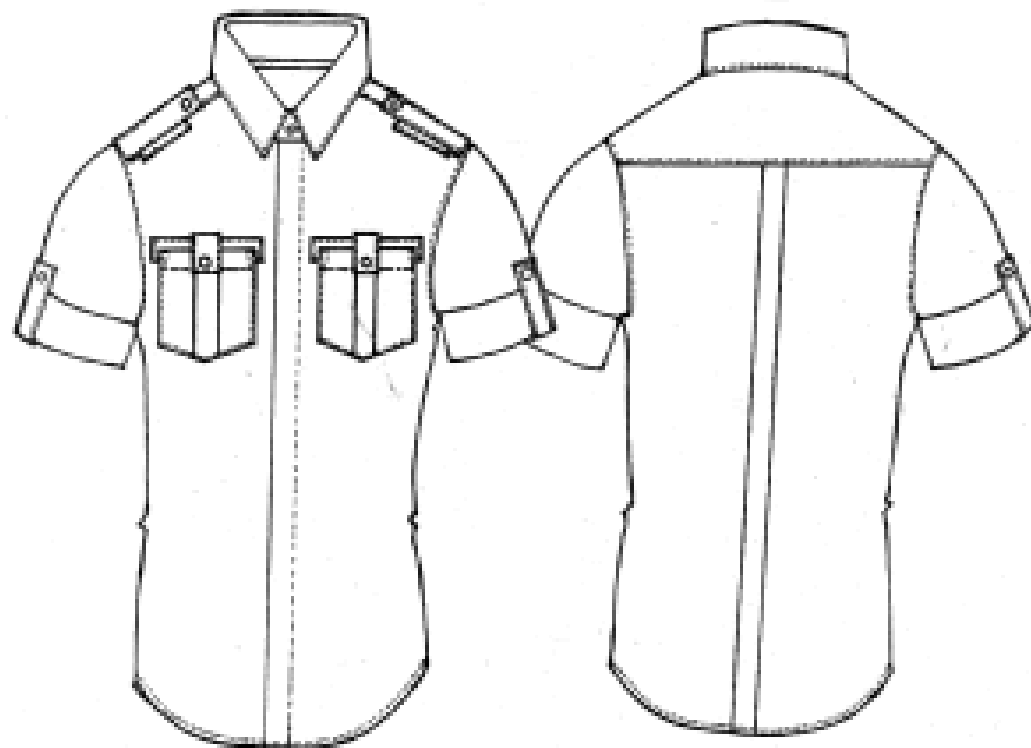
- (21) Design Number: **15003/2010**
- (22) Date of Filing Application: **05 July 2010**
- (24) Date from which industrial property rights may have effect: **05 July 2010**
- (54) Product in respect of which the design is registered: **A shirt**
- (51) International Design Classification: **02-02C, 02-02NES**
- (71) Name(s) and Address(s) of Applicant(s):
Fifty-Fourth Rischell Pty Ltd
3-5 Claremont Street South Yarra Victoria 3141 Australia
- (72) Name(s) of Designer(s): **Ty Henschke**
- (45) Registration Date: **16 December 2010**
- (56) Related Art Documents: **Not Applicable**
- (57) Statement of Newness and Distinctiveness: **Nil**



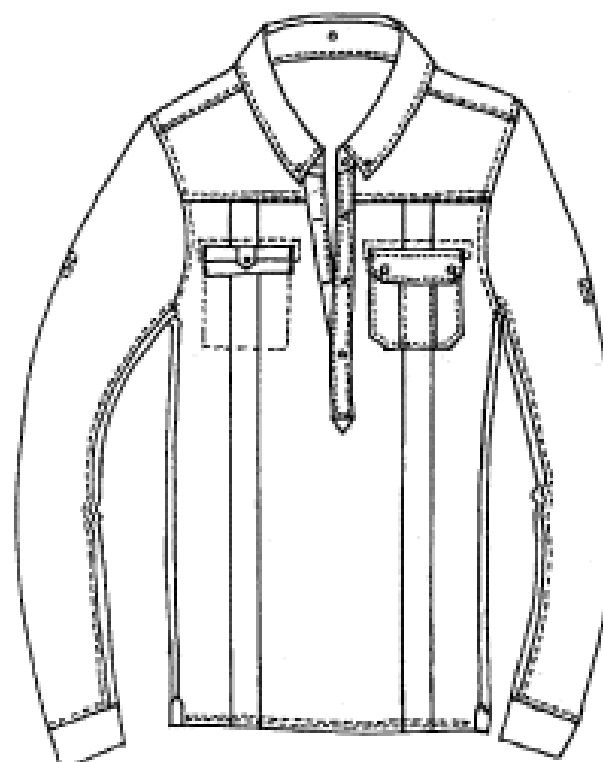
- (21) Design Number: **15004/2010**
- (22) Date of Filing Application: **05 July 2010**
- (24) Date from which industrial property rights may have effect: **05 July 2010**
- (54) Product in respect of which the design is registered: **A shirt**
- (51) International Design Classification: **02-02C, 02-02NES**
- (71) Name(s) and Address(s) of Applicant(s):
Fifty-Fourth Rischell Pty Ltd
3-5 Claremont Street South Yarra Victoria 3141 Australia
- (72) Name(s) of Designer(s): **Ty Henschke**
- (45) Registration Date: **16 December 2010**
- (56) Related Art Documents: **Not Applicable**
- (57) Statement of Newness and Distinctiveness: **Nil**



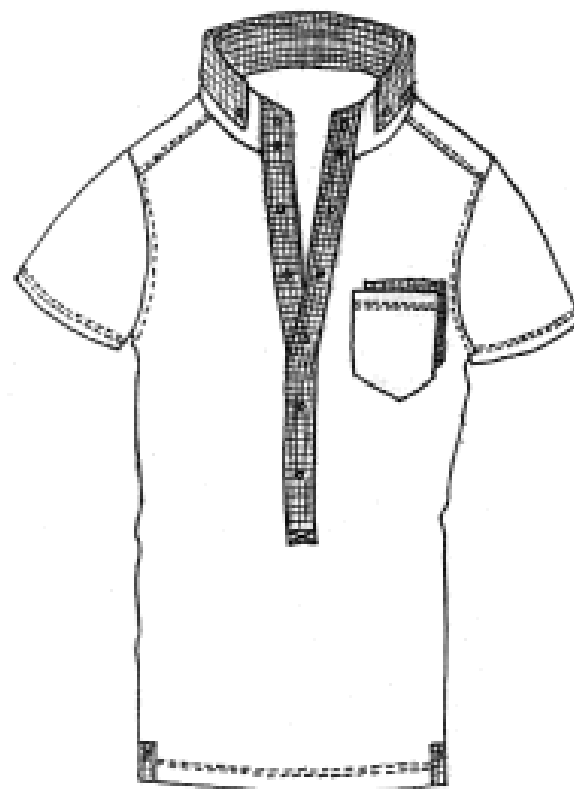
- (21) Design Number: **15005/2010**
- (22) Date of Filing Application: **05 July 2010**
- (24) Date from which industrial property rights may have effect: **05 July 2010**
- (54) Product in respect of which the design is registered: **A shirt**
- (51) International Design Classification: **02-02C, 02-02NES**
- (71) Name(s) and Address(s) of Applicant(s):
Fifty-Fourth Rischell Pty Ltd
3-5 Claremont Street South Yarra Victoria 3141 Australia
- (72) Name(s) of Designer(s): **Ty Henschke**
- (45) Registration Date: **16 December 2010**
- (56) Related Art Documents: **Not Applicable**
- (57) Statement of Newness and Distinctiveness: **Nil**



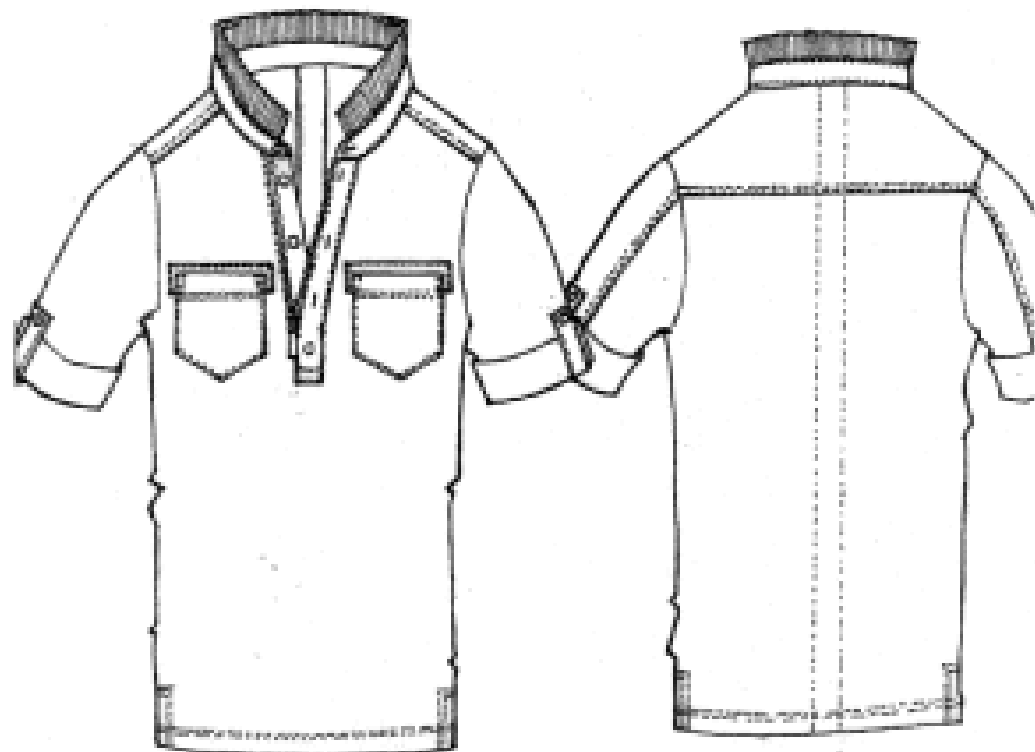
- (21) Design Number: **15006/2010**
- (22) Date of Filing Application: **05 July 2010**
- (24) Date from which industrial property rights may have effect: **05 July 2010**
- (54) Product in respect of which the design is registered: **A T-shirt**
- (51) International Design Classification: **02-02C, 02-02NES**
- (71) Name(s) and Address(s) of Applicant(s):
Fifty-Fourth Rischell Pty Ltd
3-5 Claremont Street South Yarra Victoria 3141 Australia
- (72) Name(s) of Designer(s): **Ty Henschke**
- (45) Registration Date: **16 December 2010**
- (56) Related Art Documents: **Not Applicable**
- (57) Statement of Newness and Distinctiveness: **Nil**



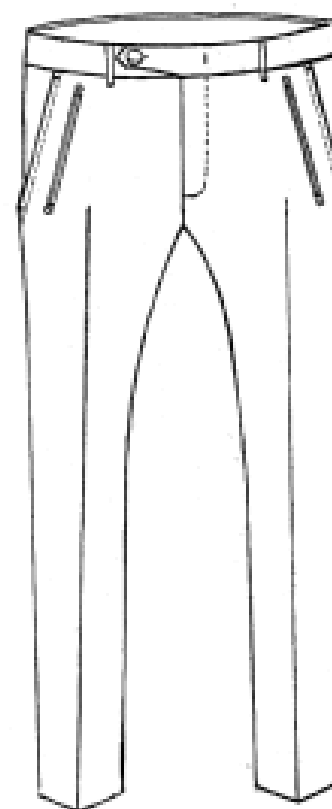
- (21) Design Number: **15007/2010**
- (22) Date of Filing Application: **05 July 2010**
- (24) Date from which industrial property rights may have effect: **05 July 2010**
- (54) Product in respect of which the design is registered: **A polo shirt**
- (51) International Design Classification: **02-02C, 02-02NES**
- (71) Name(s) and Address(s) of Applicant(s):
Fifty-Fourth Rischell Pty Ltd
3-5 Claremont Street South Yarra Victoria 3141 Australia
- (72) Name(s) of Designer(s): **Ty Henschke**
- (45) Registration Date: **16 December 2010**
- (56) Related Art Documents: **Not Applicable**
- (57) Statement of Newness and Distinctiveness: **Nil**



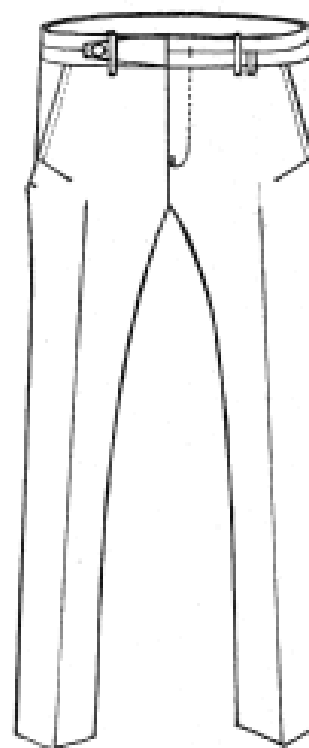
- (21) Design Number: **15008/2010**
- (22) Date of Filing Application: **05 July 2010**
- (24) Date from which industrial property rights may have effect: **05 July 2010**
- (54) Product in respect of which the design is registered: **A polo shirt**
- (51) International Design Classification: **02-02C, 02-02NES**
- (71) Name(s) and Address(s) of Applicant(s):
Fifty-Fourth Rischell Pty Ltd
3-5 Claremont Street South Yarra Victoria 3141 Australia
- (72) Name(s) of Designer(s): **Ty Henschke**
- (45) Registration Date: **16 December 2010**
- (56) Related Art Documents: **Not Applicable**
- (57) Statement of Newness and Distinctiveness: **Nil**



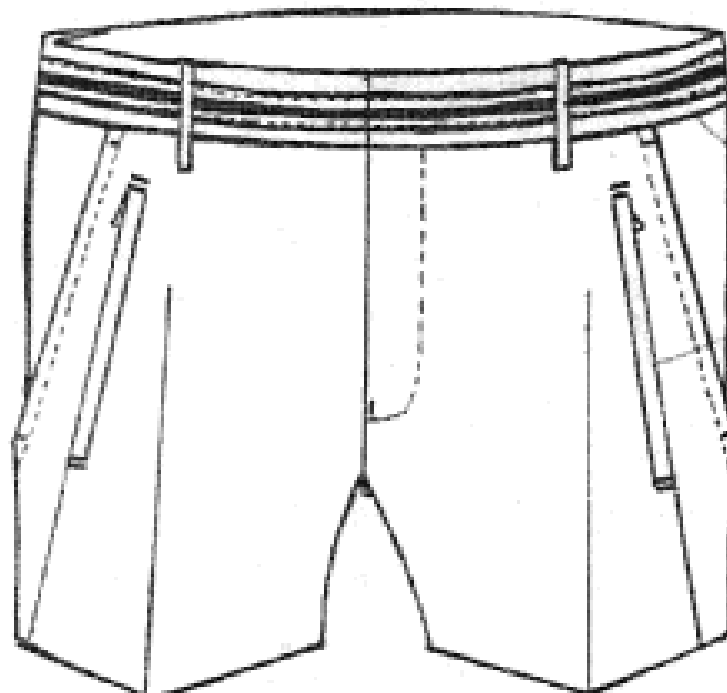
- (21) Design Number: **15009/2010**
(22) Date of Filing Application: **05 July 2010**
(24) Date from which industrial property rights may have effect: **05 July 2010**
(54) Product in respect of which the design is registered: **A pair of pants**
(51) International Design Classification: **02-02C, 02-02NES**
(71) Name(s) and Address(s) of Applicant(s):
Fifty-Fourth Rischell Pty Ltd
3-5 Claremont Street South Yarra Victoria 3141 Australia
(72) Name(s) of Designer(s): **Ty Henschke**
(45) Registration Date: **16 December 2010**
(56) Related Art Documents: **Not Applicable**
(57) Statement of Newness and Distinctiveness: **Nil**



- (21) Design Number: **15010/2010**
(22) Date of Filing Application: **05 July 2010**
(24) Date from which industrial property rights may have effect: **05 July 2010**
(54) Product in respect of which the design is registered: **A pair of pants**
(51) International Design Classification: **02-02C, 02-02NES**
(71) Name(s) and Address(s) of Applicant(s):
Fifty-Fourth Rischell Pty Ltd
3-5 Claremont Street South Yarra Victoria 3141 Australia
(72) Name(s) of Designer(s): **Ty Henschke**
(45) Registration Date: **16 December 2010**
(56) Related Art Documents: **Not Applicable**
(57) Statement of Newness and Distinctiveness: **Nil**



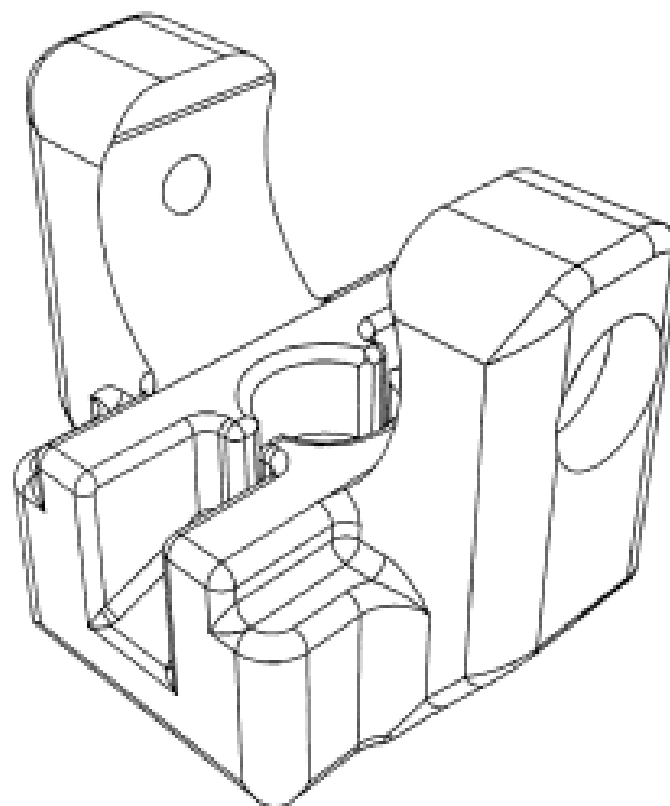
- (21) Design Number: **15011/2010**
- (22) Date of Filing Application: **05 July 2010**
- (24) Date from which industrial property rights may have effect: **05 July 2010**
- (54) Product in respect of which the design is registered: **A pair of shorts**
- (51) International Design Classification: **02-02C, 02-02NES**
- (71) Name(s) and Address(s) of Applicant(s):
Fifty-Fourth Rischell Pty Ltd
3-5 Claremont Street South Yarra Victoria 3141 Australia
- (72) Name(s) of Designer(s): **Ty Henschke**
- (45) Registration Date: **16 December 2010**
- (56) Related Art Documents: **Not Applicable**
- (57) Statement of Newness and Distinctiveness: **Nil**



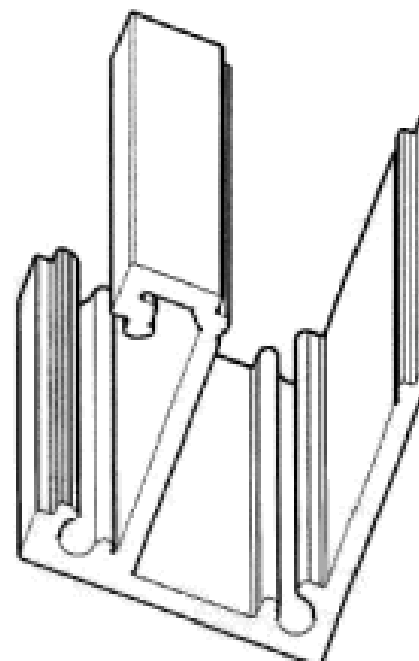
- (21) Design Number: **15012/2010**
- (22) Date of Filing Application: **05 July 2010**
- (24) Date from which industrial property rights may have effect: **05 July 2010**
- (54) Product in respect of which the design is registered: **A pair of shorts**
- (51) International Design Classification: **02-02C, 02-02NES**
- (71) Name(s) and Address(s) of Applicant(s):
Fifty-Fourth Rischell Pty Ltd
3-5 Claremont Street South Yarra Victoria 3141 Australia
- (72) Name(s) of Designer(s): **Ty Henschke**
- (45) Registration Date: **16 December 2010**
- (56) Related Art Documents: **Not Applicable**
- (57) Statement of Newness and Distinctiveness: **Nil**



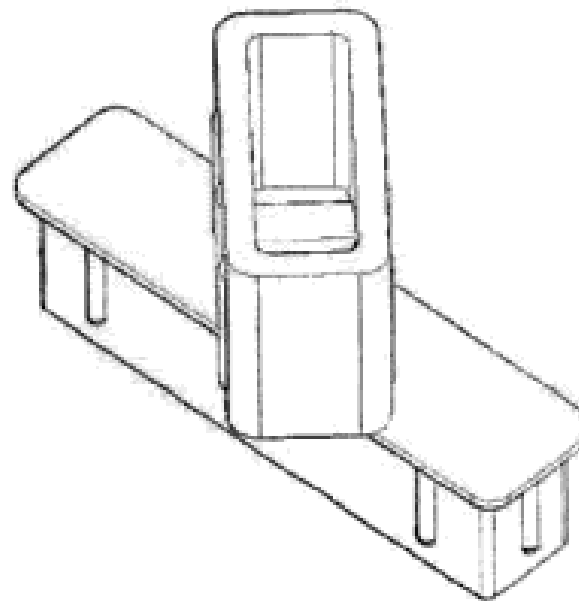
(21) Design Number: **15054/2010**
(22) Date of Filing Application: **18 November 2010**
(24) Date from which industrial property rights may have effect: **18 November 2010**
(54) Product in respect of which the design is registered: **A clip**
(51) International Design Classification: **08-08NES**
(71) Name(s) and Address(s) of Applicant(s):
Monkey Toe Systems Limited
C/- Harris & Taylor Limited 67 High Street Hawera 4610 New Zealand
(72) Name(s) of Designer(s): **Timothy Peter Prestidge and Vernon Budd Prestidge**
(45) Registration Date: **16 December 2010**
(30) Convention priority data:
(31) Number (32) Date (33) Country
413673 26 May 2010 NEW ZEALAND
(56) Related Art Documents: **Not Applicable**
(57) Statement of Newness and Distinctiveness: **Nil**



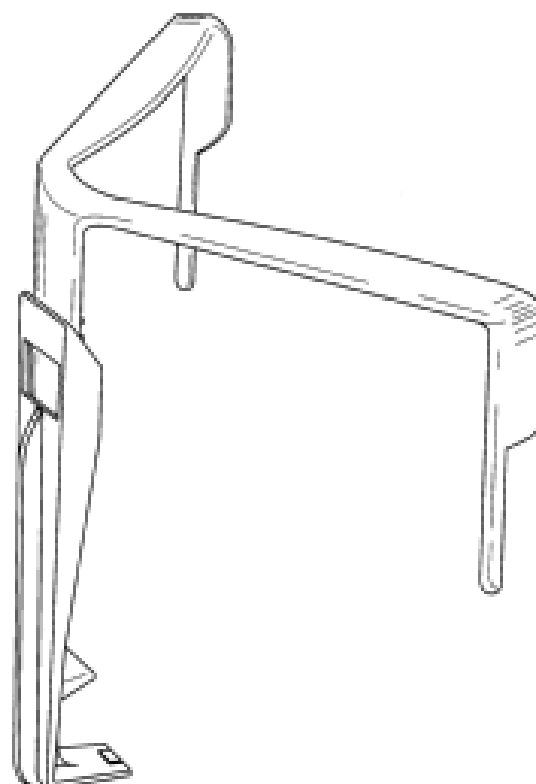
(21) Design Number: **15084/2010**
(22) Date of Filing Application: **18 November 2010**
(24) Date from which industrial property rights may have effect: **18 November 2010**
(54) Product in respect of which the design is registered: **A channel**
(51) International Design Classification: **25-01NES**
(71) Name(s) and Address(s) of Applicant(s):
Alan David Divall
2018 The Boulevard Royal Pines Riverside Ashmore Queensland 4214 Australia
Darren Paul Galway
26A Lennie Avenue Main Beach Queensland 4217 Australia
(72) Name(s) of Designer(s): **Alan David Divall and Darren Paul Galway**
(45) Registration Date: **16 December 2010**
(56) Related Art Documents: **Not Applicable**
(57) Statement of Newness and Distinctiveness: **Nil**



(21) Design Number: **15085/2010**
(22) Date of Filing Application: **18 November 2010**
(24) Date from which industrial property rights may have effect: **18 November 2010**
(54) Product in respect of which the design is registered: **An end clip**
(51) International Design Classification: **25-01NES**
(71) Name(s) and Address(s) of Applicant(s):
 Alan David Divall
 2018 The Boulevard Royal Pines Riverside Ashmore Queensland 4214
 Australia
 Darren Paul Galway
 26A Lennie Avenue Main Beach Queensland 4217 Australia
(72) Name(s) of Designer(s): **Alan David Divall and Darren Paul Galway**
(45) Registration Date: **16 December 2010**
(56) Related Art Documents: **Not Applicable**
(57) Statement of Newness and Distinctiveness: **Nil**

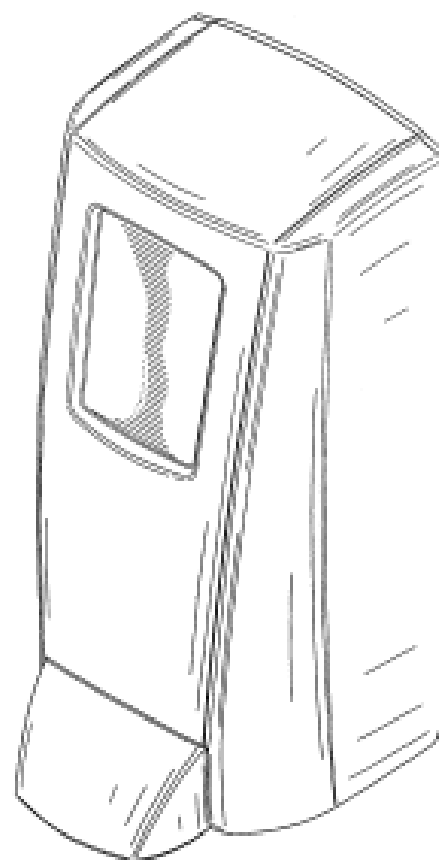


(21) Design Number: **15087/2010**
(22) Date of Filing Application: **19 November 2010**
(24) Date from which industrial property rights may have effect: **19 November 2010**
(54) Product in respect of which the design is registered: **Dispensing device support**
(51) International Design Classification: **08-08L**
(71) Name(s) and Address(s) of Applicant(s):
 Reckitt Benckiser Inc.
 Morris Corporate Center IV 399 Interpac Parkway Parsippany New
 Jersey 07054 United States of America
(72) Name(s) of Designer(s): **Stella Louise Knorr and Adrian Charles and Ian**
 Scott-Murphy and Sasha Miu and Saravanabhavan Selvalingam
(45) Registration Date: **16 December 2010**
(30) Convention priority data:
 (31) Number (32) Date (33) Country
 001712514-0001 27 May 2010 EUROPEAN COMMUNITY
(56) Related Art Documents: **Not Applicable**
(57) Statement of Newness and Distinctiveness: **Nil**



- (21) Design Number: **15089/2010**
- (22) Date of Filing Application: **19 November 2010**
- (24) Date from which industrial property rights may have effect: **19 November 2010**
- (54) Product in respect of which the design is registered: **Liquid dispenser**
- (51) International Design Classification: **23-02A**
- (71) Name(s) and Address(s) of Applicant(s):
Rubbermaid Commercial Products, LLC
3124 Valley Avenue Winchester 22601 Virginia United States of America
- (72) Name(s) of Designer(s): **Maria Levina Weststrate and Sylvia Boshuizen and Don Presnell**
- (45) Registration Date: **16 December 2010**
- (30) Convention priority data:

(31) Number	(32) Date	(33) Country
29/362228	21 May 2010	UNITED STATES OF AMERICA
- (56) Related Art Documents: **Not Applicable**
- (57) Statement of Newness and Distinctiveness: **Newness and distinctiveness reside in the shape and configuration of a liquid dispenser as shown in the accompanying drawings. The material shown in broken line forms no part of the design.**



- (21) Design Number: **15090/2010**
- (22) Date of Filing Application: **19 November 2010**
- (24) Date from which industrial property rights may have effect: **19 November 2010**
- (54) Product in respect of which the design is registered: **Liquid dispenser**
- (51) International Design Classification: **23-02A**
- (71) Name(s) and Address(s) of Applicant(s):
Rubbermaid Commercial Products, LLC
3124 Valley Avenue Winchester 22601 Virginia United States of America
- (72) Name(s) of Designer(s): **Maria Levina Weststrate and Sylvia Boshuizen**
- (45) Registration Date: **16 December 2010**
- (30) Convention priority data:

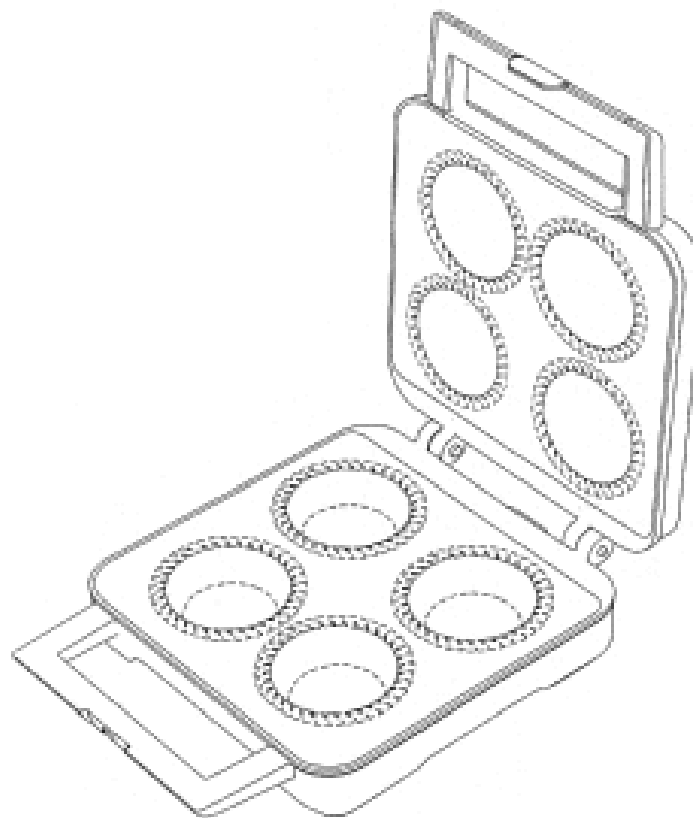
(31) Number	(32) Date	(33) Country
29/362227	21 May 2010	UNITED STATES OF AMERICA
- (56) Related Art Documents: **Not Applicable**
- (57) Statement of Newness and Distinctiveness: **Newness and distinctiveness reside in the shape and configuration of a liquid dispenser as shown in the accompanying drawings. The material shown in broken line forms no part of the design.**



- (21) Design Number: **15284/2010**
(22) Date of Filing Application: **29 November 2010**
(24) Date from which industrial property rights may have effect: **29 November 2010**
(54) Product in respect of which the design is registered: **Pie maker**
(51) International Design Classification: **07-02G**
(71) Name(s) and Address(s) of Applicant(s):

Breville Pty Ltd
Building 2 Port Air Industrial Estate 1A Hale Street Botany New South
Wales 2019 Australia

- (72) Name(s) of Designer(s): **Richard Harrod**
(45) Registration Date: **16 December 2010**
(56) Related Art Documents: **Not Applicable**
(57) Statement of Newness and Distinctiveness: **Newness is claimed in the features of shape and configuration of the pie maker as shown in the accompanying representations. Elements shown in dashed lines form no part of the design.**



- (21) Design Number: **15112/2010**
(22) Date of Filing Application: **23 November 2010**
(24) Date from which industrial property rights may have effect: **23 November 2010**
(54) Product in respect of which the design is registered: **1 Door freezer or chiller**
(51) International Design Classification: **15-07**
(71) Name(s) and Address(s) of Applicant(s):

Skope Industries Limited
66 Princess Street Christchurch New Zealand

- (72) Name(s) of Designer(s): **Barry Newlands**
(45) Registration Date: **16 December 2010**
(30) Convention priority data:
(31) Number (32) Date (33) Country
413662 24 May 2010 NEW ZEALAND
(56) Related Art Documents: **Not Applicable**
(57) Statement of Newness and Distinctiveness: **The particular visual features of the design which are new and distinctive are shape and configuration.**



(21) Design Number: **15113/2010**

(22) Date of Filing Application: **23 November 2010**

(24) Date from which industrial property rights may have effect: **23 November 2010**

(54) Product in respect of which the design is registered: **2 Door freezer or chiller**

(51) International Design Classification: **15-07**

(71) Name(s) and Address(s) of Applicant(s):

**Skope Industries Limited
66 Princess Street Christchurch New Zealand**

(72) Name(s) of Designer(s): **Barry Newlands**

(45) Registration Date: **16 December 2010**

(30) Convention priority data:

(31) Number	(32) Date	(33) Country
413666	24 May 2010	NEW ZEALAND

(56) Related Art Documents: **Not Applicable**

(57) Statement of Newness and Distinctiveness: **The particular visual features of the design which are new and distinctive are shape and configuration.**



(21) Design Number: **15114/2010**

(22) Date of Filing Application: **23 November 2010**

(24) Date from which industrial property rights may have effect: **23 November 2010**

(54) Product in respect of which the design is registered: **3 Door freezer or chiller**

(51) International Design Classification: **15-07**

(71) Name(s) and Address(s) of Applicant(s):

**Skope Industries Limited
66 Princess Street Christchurch New Zealand**

(72) Name(s) of Designer(s): **Barry Newlands**

(45) Registration Date: **16 December 2010**

(30) Convention priority data:

(31) Number	(32) Date	(33) Country
413668	24 May 2010	NEW ZEALAND

(56) Related Art Documents: **Not Applicable**

(57) Statement of Newness and Distinctiveness: **The particular visual features of the design which are new and distinctive are shape and configuration.**



(21) Design Number: **14191/2010**

(22) Date of Filing Application: **08 October 2010**

(24) Date from which industrial property rights may have effect: **08 October 2010**

(54) Product in respect of which the design is registered: **Pizza oven barbeque**

(51) International Design Classification: **07-02E**

(71) Name(s) and Address(s) of Applicant(s):

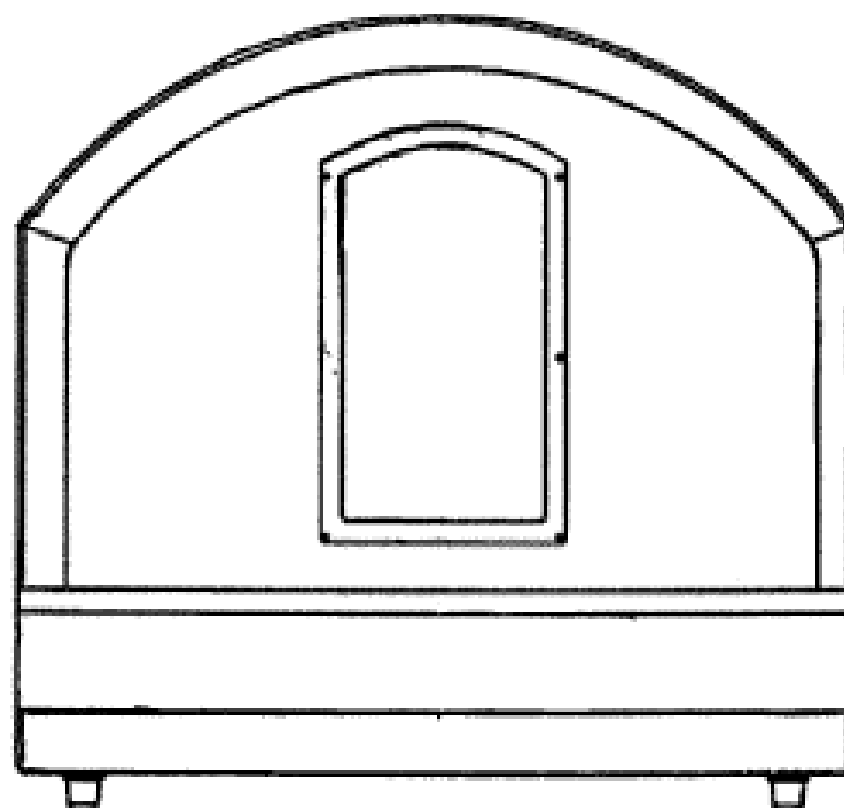
**Turner Leisure Products Pty Ltd
33-35 Lionel Road Mt Waverley Victoria 3149 Australia**

(72) Name(s) of Designer(s): **Phil Simpfendorfer**

(45) Registration Date: **17 December 2010**

(56) Related Art Documents: **Not Applicable**

(57) Statement of Newness and Distinctiveness: **Newness and distinctiveness is claimed in the shape and configuration of the window located in the door of the pizza oven. Other details and features should be ignored.**



(21) Design Number: **14197/2010**

(22) Date of Filing Application: **08 October 2010**

(24) Date from which industrial property rights may have effect: **08 October 2010**

(54) Product in respect of which the design is registered: **Pizza oven barbeque**

(51) International Design Classification: **07-02E**

(71) Name(s) and Address(s) of Applicant(s):

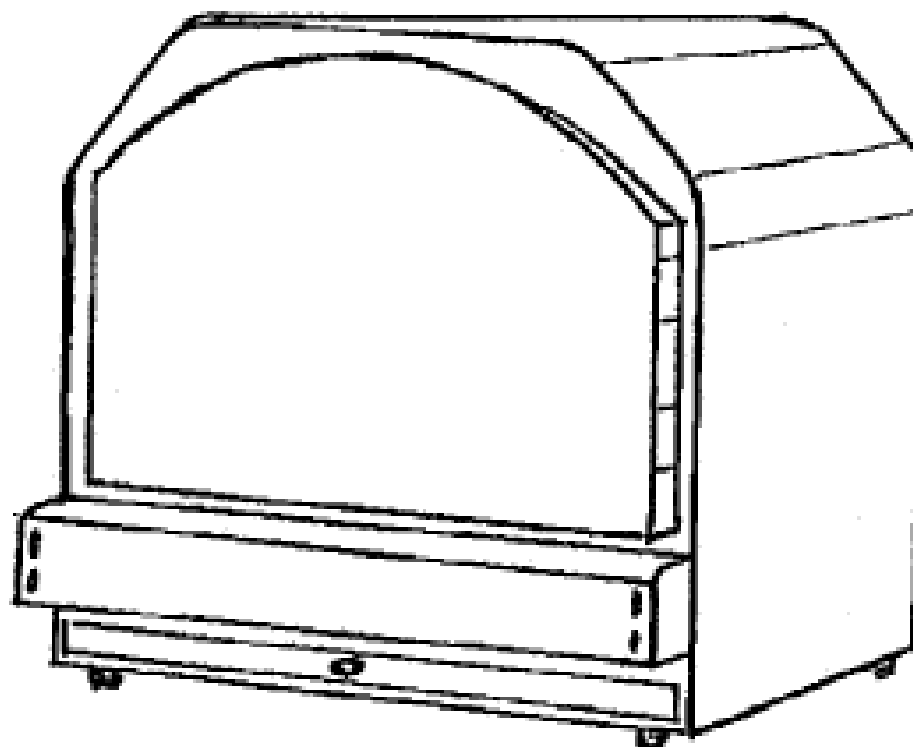
**Turner Leisure Products Pty Ltd
33-35 Lionel Road Mt Waverley Victoria 3149 Australia**

(72) Name(s) of Designer(s): **Phil Simpfendorfer**

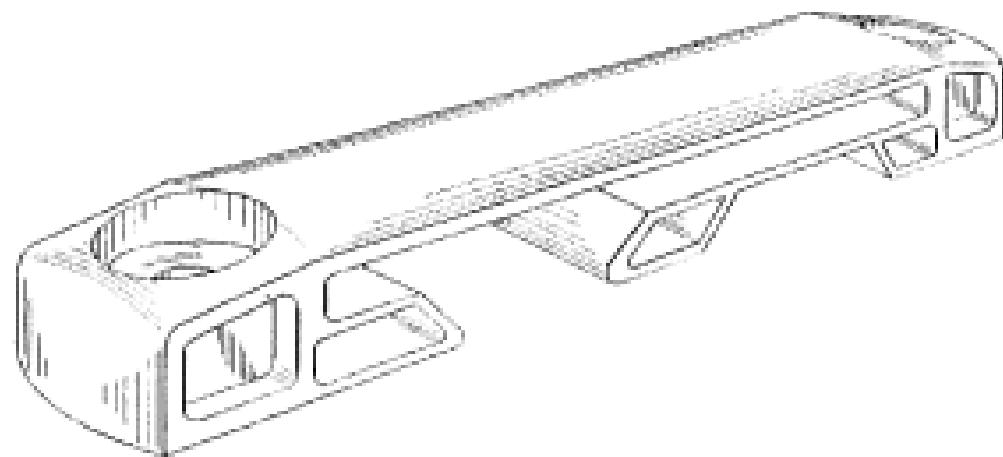
(45) Registration Date: **17 December 2010**

(56) Related Art Documents: **Not Applicable**

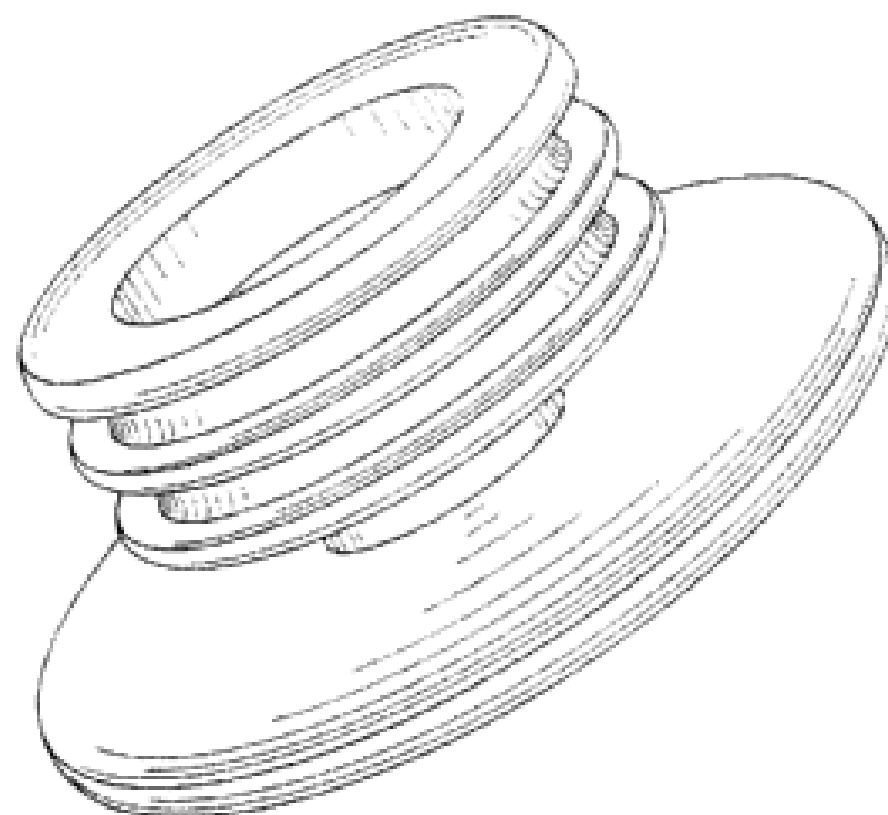
(57) Statement of Newness and Distinctiveness: **Newness and distinctiveness is claimed in the shape of the door of the pizza oven together with the shape of the roof of the pizza oven. Other details and features should be ignored.**



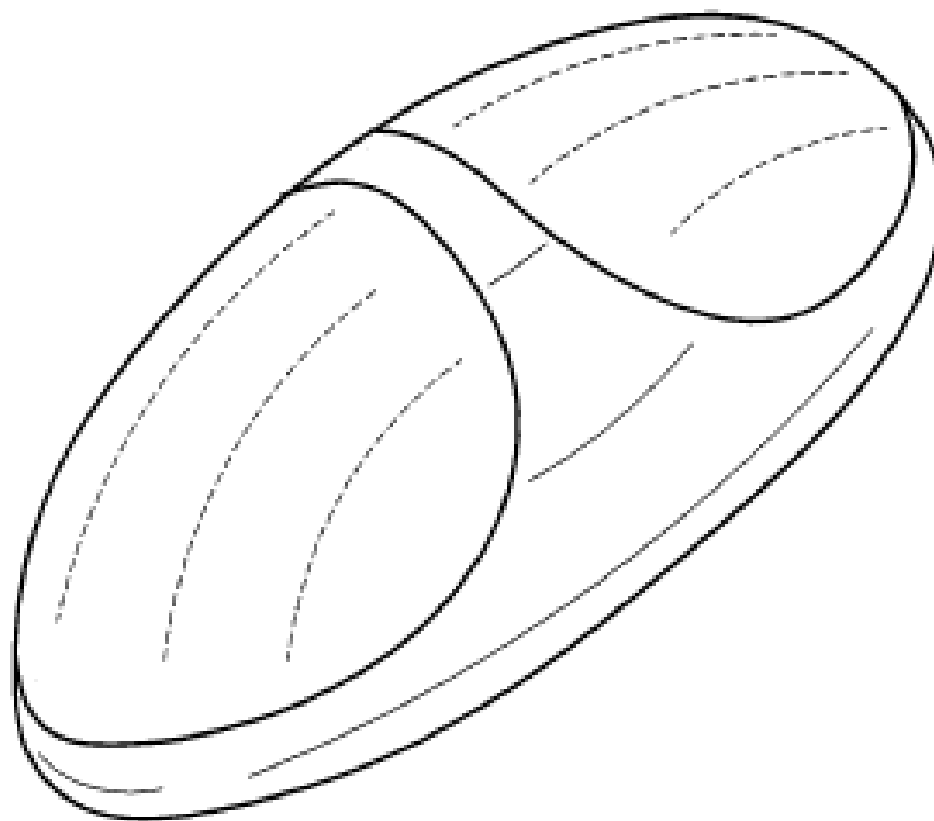
(21) Design Number: **15133/2010**
(22) Date of Filing Application: **24 November 2010**
(24) Date from which industrial property rights may have effect: **24 November 2010**
(54) Product in respect of which the design is registered: **Insulating rail bracket**
(51) International Design Classification: **08-08K**
(71) Name(s) and Address(s) of Applicant(s):
John Wall, Inc.
440 West Greene Street Carmichaels PA 15320 United States of America
(72) Name(s) of Designer(s): **John R. Wall**
(45) Registration Date: **17 December 2010**
(30) Convention priority data:
(31) Number (32) Date (33) Country
29/363,519 10 Jun 2010 UNITED STATES OF AMERICA
(56) Related Art Documents: **Not Applicable**
(57) Statement of Newness and Distinctiveness: **Nil**



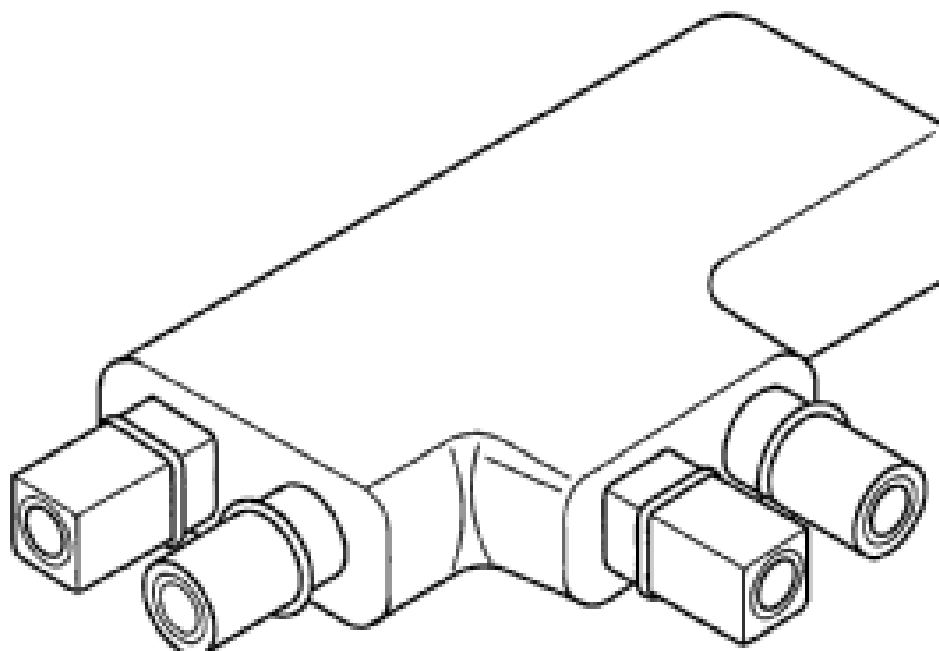
(21) Design Number: **15134/2010**
(22) Date of Filing Application: **24 November 2010**
(24) Date from which industrial property rights may have effect: **24 November 2010**
(54) Product in respect of which the design is registered: **Insulated grommet for end post buckles**
(51) International Design Classification: **08-08B**
(71) Name(s) and Address(s) of Applicant(s):
John Wall, Inc.
440 West Greene Street Carmichaels PA 15320 United States of America
(72) Name(s) of Designer(s): **John R. Wall**
(45) Registration Date: **17 December 2010**
(30) Convention priority data:
(31) Number (32) Date (33) Country
29/363,510 10 Jun 2010 UNITED STATES OF AMERICA
(56) Related Art Documents: **Not Applicable**
(57) Statement of Newness and Distinctiveness: **Newness and distinctiveness resides in the features of shape and/or configuration of an insulated grommet for end post buckles as shown in solid lines in the accompanying representations.**



- (21) Design Number: **15135/2010**
- (22) Date of Filing Application: **24 November 2010**
- (24) Date from which industrial property rights may have effect: **24 November 2010**
- (54) Product in respect of which the design is registered: **Lighting assembly**
- (51) International Design Classification: **26-05C**
- (71) Name(s) and Address(s) of Applicant(s):
LED Technologies Pty Ltd
Factory 1 10 Brand Drive Thomastown Victoria 3074 Australia
- (72) Name(s) of Designer(s): **Tony Ottobre**
- (45) Registration Date: **17 December 2010**
- (56) Related Art Documents: **Not Applicable**
- (57) Statement of Newness and Distinctiveness: **Nil**



- (21) Design Number: **15136/2010**
- (22) Date of Filing Application: **24 November 2010**
- (24) Date from which industrial property rights may have effect: **24 November 2010**
- (54) Product in respect of which the design is registered: **Connector**
- (51) International Design Classification: **13-03B**
- (71) Name(s) and Address(s) of Applicant(s):
LED Technologies Pty Ltd
Factory 1 10 Brand Drive Thomastown Victoria 3074 Australia
- (72) Name(s) of Designer(s): **Tony Ottobre**
- (45) Registration Date: **17 December 2010**
- (56) Related Art Documents: **Not Applicable**
- (57) Statement of Newness and Distinctiveness: **Nil**



(21) Design Number: **15137/2010**

(22) Date of Filing Application: **24 November 2010**

(24) Date from which industrial property rights may have effect: **24 November 2010**

(54) Product in respect of which the design is registered: **An article of jewellery**

(51) International Design Classification: **11-01NES**

(71) Name(s) and Address(s) of Applicant(s):

**Michael Hill Franchise Pty Limited
7 Smallwood Place Murarrie Queensland 4172 Australia**

(72) Name(s) of Designer(s): **Megan Black and Christine Hill**

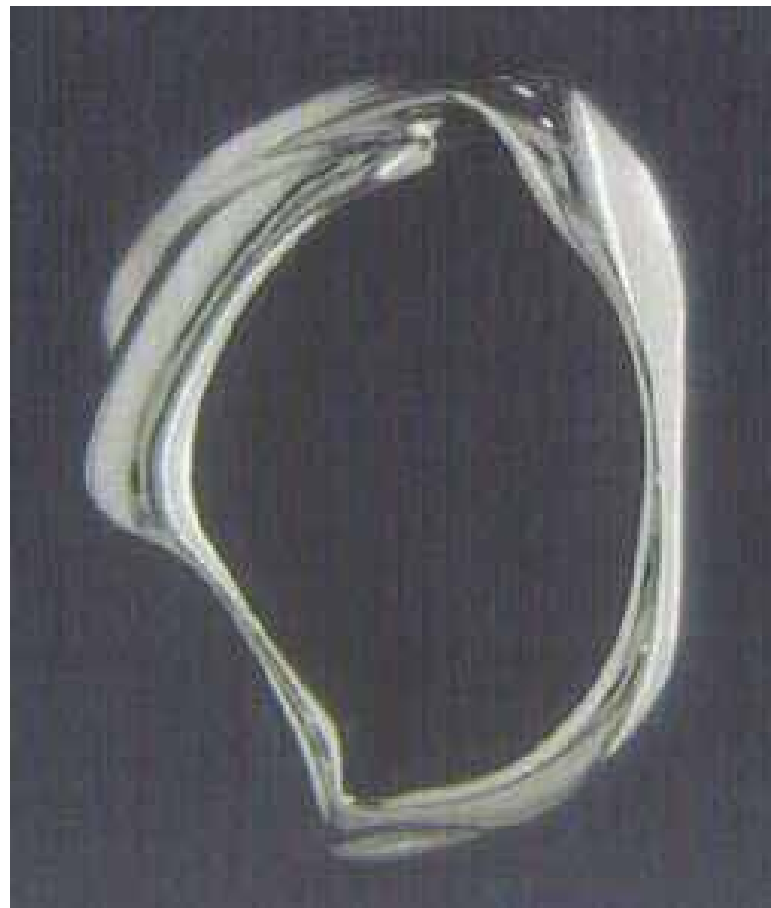
(45) Registration Date: **17 December 2010**

(30) Convention priority data:

(31) Number	(32) Date	(33) Country
414146	13 Oct 2010	NEW ZEALAND

(56) Related Art Documents: **Not Applicable**

(57) Statement of Newness and Distinctiveness: **Newness and distinctiveness is claimed in the features of shape and/or configuration applied to an article of jewellery as shown in the accompanying representations.**



(21) Design Number: **15138/2010**

(22) Date of Filing Application: **24 November 2010**

(24) Date from which industrial property rights may have effect: **24 November 2010**

(54) Product in respect of which the design is registered: **A ring**

(51) International Design Classification: **11-01A**

(71) Name(s) and Address(s) of Applicant(s):

**Michael Hill Franchise Pty Limited
7 Smallwood Place Murarrie Queensland 4172 Australia**

(72) Name(s) of Designer(s): **Megan Black and Christine Hill**

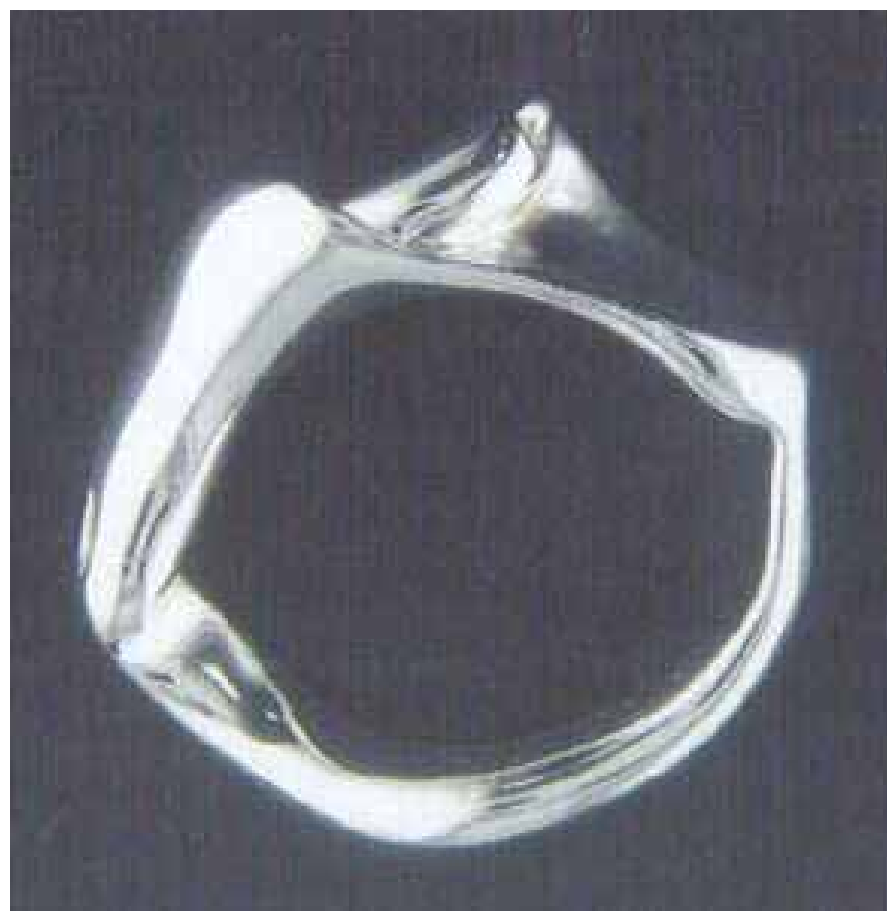
(45) Registration Date: **17 December 2010**

(30) Convention priority data:

(31) Number	(32) Date	(33) Country
414147	13 Oct 2010	NEW ZEALAND

(56) Related Art Documents: **Not Applicable**

(57) Statement of Newness and Distinctiveness: **Newness and distinctiveness is claimed in the features of shape and/or configuration applied to a ring as shown in the accompanying representations.**

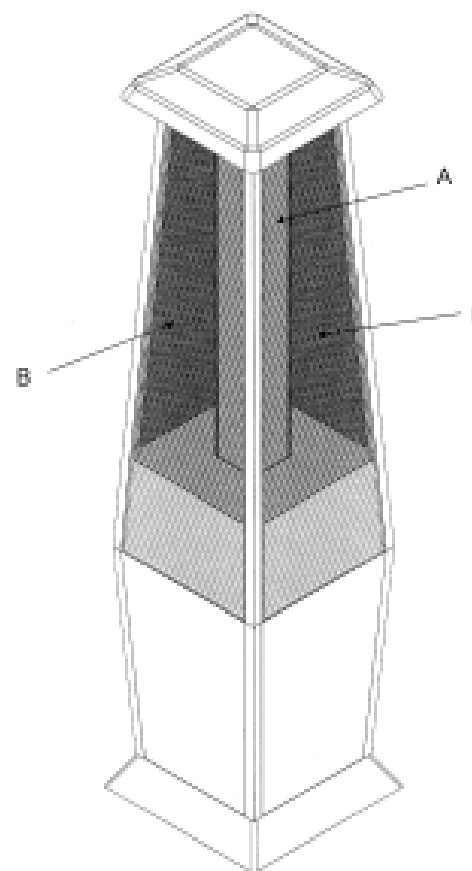


(21) Design Number: **15139/2010**
 (22) Date of Filing Application: **24 November 2010**
 (24) Date from which industrial property rights may have effect: **24 November 2010**
 (54) Product in respect of which the design is registered: **An outdoor gas heater**
 (51) International Design Classification: **23-03B**
 (71) Name(s) and Address(s) of Applicant(s):

Arlec Australia Pty Ltd
272-274 Maroondah Highway Chirnside Park Victoria 3116 Australia

(72) Name(s) of Designer(s): **Filipe Lim**
 (45) Registration Date: **17 December 2010**
 (56) Related Art Documents: **Not Applicable**

(57) Statement of Newness and Distinctiveness: **Newness and distinctiveness is claimed in the shape and configuration of the heater shown in the representations but not including the shape of the central heater element marked "A" or in the grid configuration of the outer guard marked "B" enclosing the heater element.**



(21) Design Number: **15140/2010**
 (22) Date of Filing Application: **24 November 2010**
 (24) Date from which industrial property rights may have effect: **24 November 2010**
 (54) Product in respect of which the design is registered: **Hook**
 (51) International Design Classification: **08-07**
 (71) Name(s) and Address(s) of Applicant(s):

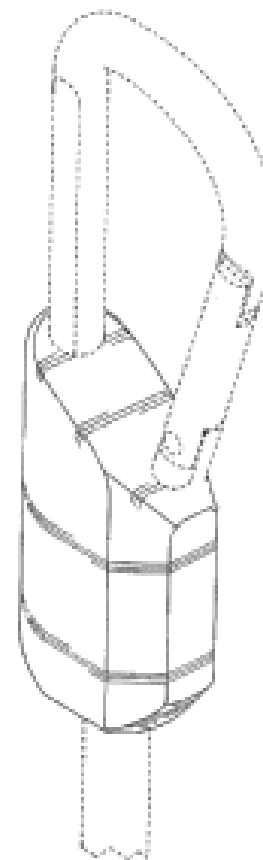
Master Lock Company LLC
137 W. Forest Hill Avenue Oak Creek Wisconsin 53154 United States of America

(72) Name(s) of Designer(s): **Scott B. Stevens and Scott Kalous**
 (45) Registration Date: **17 December 2010**
 (30) Convention priority data:

(31) Number	(32) Date	(33) Country
29/362,995	03 Jun 2010	UNITED STATES OF AMERICA

(56) Related Art Documents: **Not Applicable**

(57) Statement of Newness and Distinctiveness: **Newness and distinctiveness are provided by the shape and/or configuration of the design shown in the representations. The features shown in broken lines in the representations are for illustrative purposes only and should not be considered when construing visual features of the design.**



(21) Design Number: **15141/2010**
 (22) Date of Filing Application: **24 November 2010**
 (24) Date from which industrial property rights may have effect: **24 November 2010**
 (54) Product in respect of which the design is registered: **Hook**
 (51) International Design Classification: **08-07**
 (71) Name(s) and Address(s) of Applicant(s):

Master Lock Company LLC
137 W. Forest Hill Avenue Oak Creek Wisconsin 53154 United States of America

(72) Name(s) of Designer(s): **Scott B. Stevens**

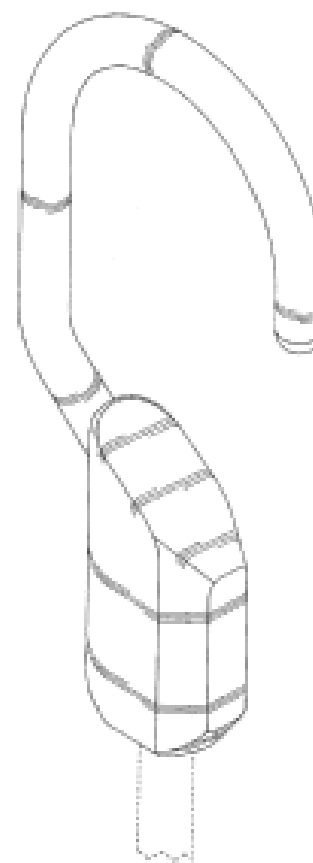
(45) Registration Date: **17 December 2010**

(30) Convention priority data:

(31) Number	(32) Date	(33) Country
29/362,994	03 Jun 2010	UNITED STATES OF AMERICA

(56) Related Art Documents: **Not Applicable**

(57) Statement of Newness and Distinctiveness: **Newness and distinctiveness are provided by the shape and/or configuration of the design shown in the representations. The features shown in broken lines in the representations are for illustrative purposes only and should not be considered when construing visual features of the design.**



(21) Design Number: **15142/2010**
 (22) Date of Filing Application: **24 November 2010**
 (24) Date from which industrial property rights may have effect: **24 November 2010**
 (54) Product in respect of which the design is registered: **Hook**
 (51) International Design Classification: **08-07**
 (71) Name(s) and Address(s) of Applicant(s):

Master Lock Company LLC
137 W. Forest Hill Avenue Oak Creek Wisconsin 53154 United States of America

(72) Name(s) of Designer(s): **Scott B. Stevens and Scott Kalous**

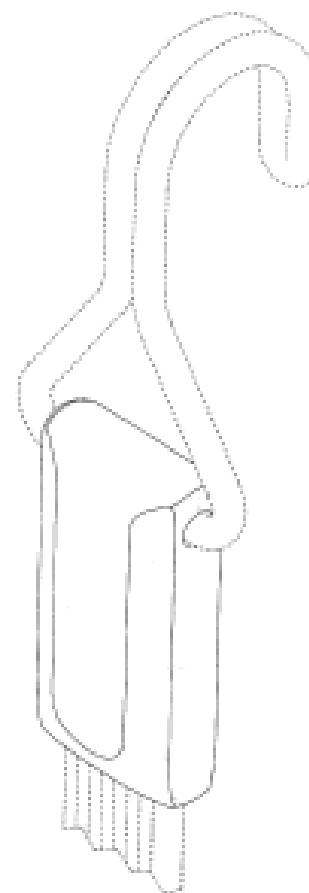
(45) Registration Date: **17 December 2010**

(30) Convention priority data:

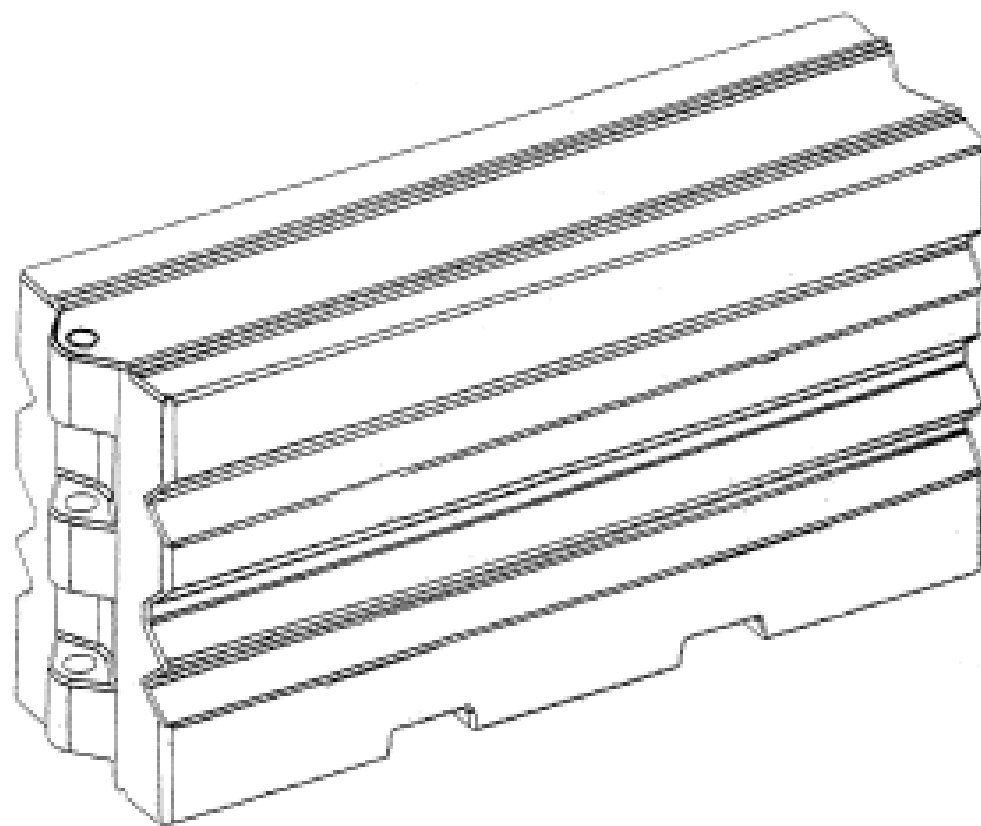
(31) Number	(32) Date	(33) Country
29/362,996	03 Jun 2010	UNITED STATES OF AMERICA

(56) Related Art Documents: **Not Applicable**

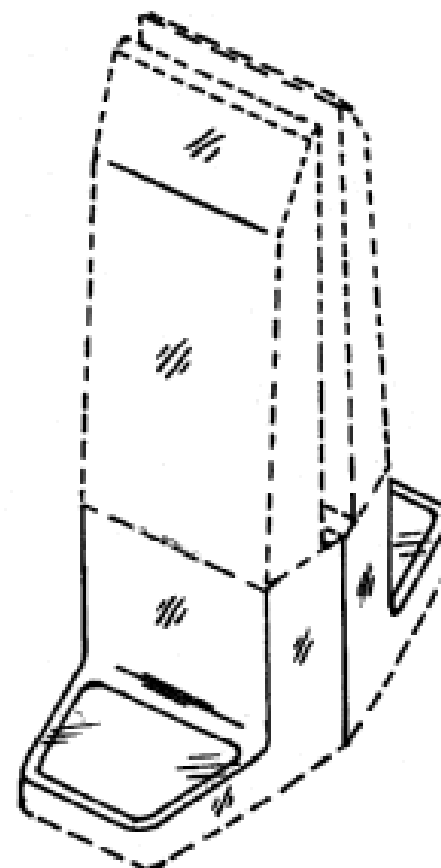
(57) Statement of Newness and Distinctiveness: **Newness and distinctiveness are provided by the shape and/or configuration of the design shown in the representations. The features shown in broken lines in the representations are for illustrative purposes only and should not be considered when construing visual features of the design.**



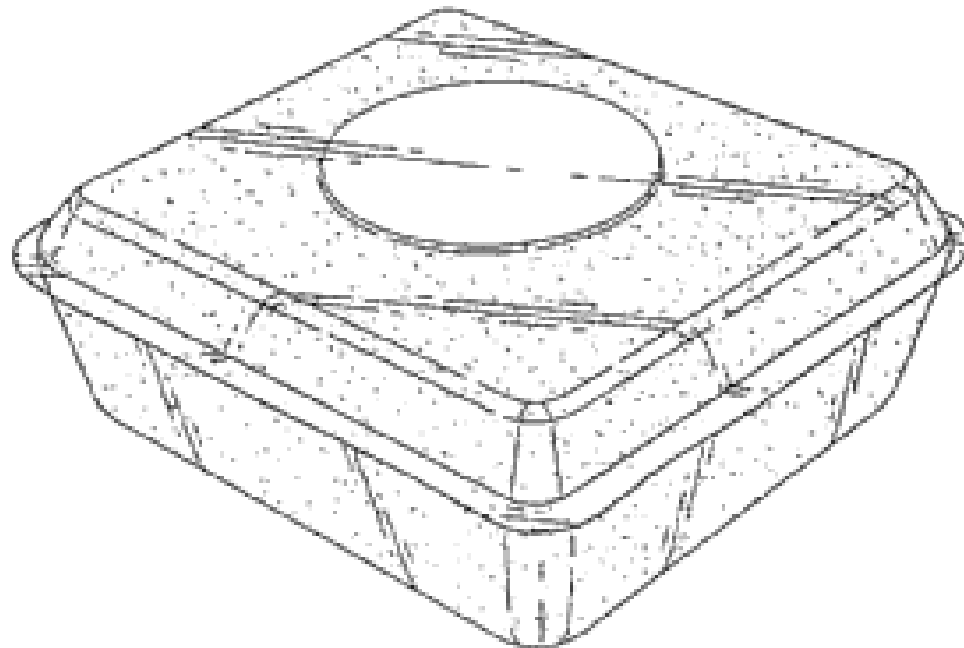
- (21) Design Number: **15143/2010**
(22) Date of Filing Application: **23 November 2010**
(24) Date from which industrial property rights may have effect: **23 November 2010**
(54) Product in respect of which the design is registered: **A road barrier**
(51) International Design Classification: **25-02NES**
(71) Name(s) and Address(s) of Applicant(s):
Kinabalu Investments Ltd
5 Christensen Road Stapylton Queensland 4207 Australia
(72) Name(s) of Designer(s): **Graham Kerby and Nadine Young**
(45) Registration Date: **17 December 2010**
(56) Related Art Documents: **Not Applicable**
(57) Statement of Newness and Distinctiveness: **The newness and distinctiveness of the design resides in the visual features of shape and/or configuration as shown in the accompanying representations applied to a road barrier.**



- (21) Design Number: **15144/2010**
(22) Date of Filing Application: **22 November 2010**
(24) Date from which industrial property rights may have effect: **22 November 2010**
(54) Product in respect of which the design is registered: **Clamp for fence panels**
(51) International Design Classification: **08-08K**
(71) Name(s) and Address(s) of Applicant(s):
John Michael Schopf
Unit 2 325 Mansfield Street Thornbury Victoria 3071 Australia
(72) Name(s) of Designer(s): **John Michael Schopf**
(45) Registration Date: **17 December 2010**
(56) Related Art Documents: **Not Applicable**
(57) Statement of Newness and Distinctiveness: **Newness and distinctiveness resides in the combination of the shape of a clamp lower part and of two flanges protruding therefrom. The clamp parts shown in dotted lines are not part of the design.**



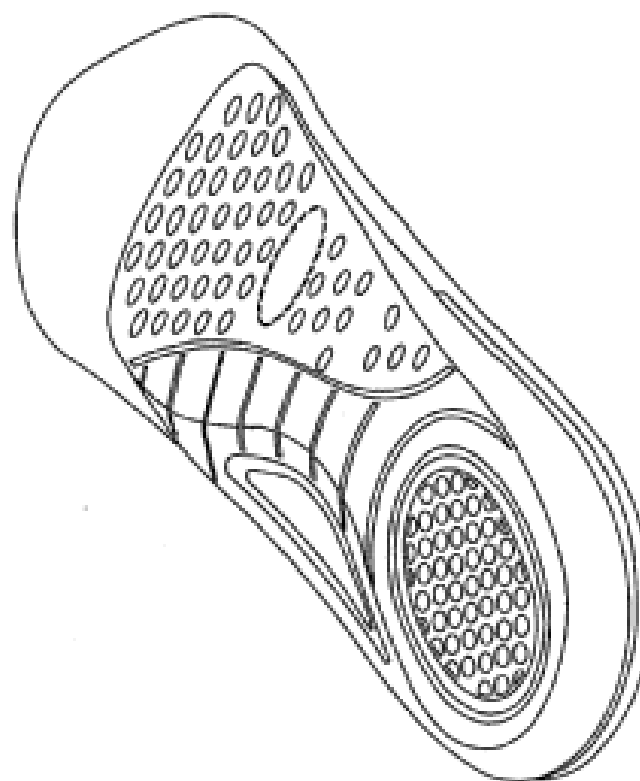
- (21) Design Number: **15424/2010**
(22) Date of Filing Application: **09 December 2010**
(24) Date from which industrial property rights may have effect: **09 December 2010**
(54) Product in respect of which the design is registered: **Capsule containing washing products**
(51) International Design Classification: **07-05NES**
(71) Name(s) and Address(s) of Applicant(s):
Robert McBride Limited
Middleton Way Middleton Manchester M24 4DP United Kingdom
(72) Name(s) of Designer(s): **Steven Hedley Holden and James William Gordon**
(45) Registration Date: **17 December 2010**
(30) Convention priority data:
(31) Number (32) Date (33) Country
001219224-0012 10 Jun 2010 EUROPEAN COMMUNITY
(56) Related Art Documents: **Not Applicable**
(57) Statement of Newness and Distinctiveness: **Newness and distinctiveness of the capsule containing washing products resides in the features of shape and configuration of the capsule.**



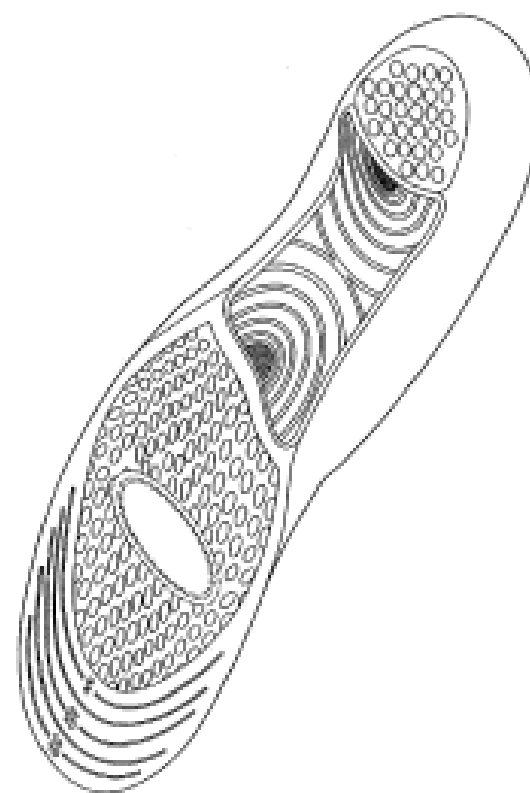
- (21) Design Number: **15425/2010**
(22) Date of Filing Application: **09 December 2010**
(24) Date from which industrial property rights may have effect: **09 December 2010**
(54) Product in respect of which the design is registered: **Capsule containing washing products**
(51) International Design Classification: **07-05NES**
(71) Name(s) and Address(s) of Applicant(s):
Robert McBride Limited
Middleton Way Middleton Manchester M24 4DP United Kingdom
(72) Name(s) of Designer(s): **James William Gordon and Steven Hedley Holden**
(45) Registration Date: **17 December 2010**
(56) Related Art Documents: **Not Applicable**
(57) Statement of Newness and Distinctiveness: **Newness and distinctiveness of the capsule containing washing products includes the features of pattern and ornamentation of the capsule.**



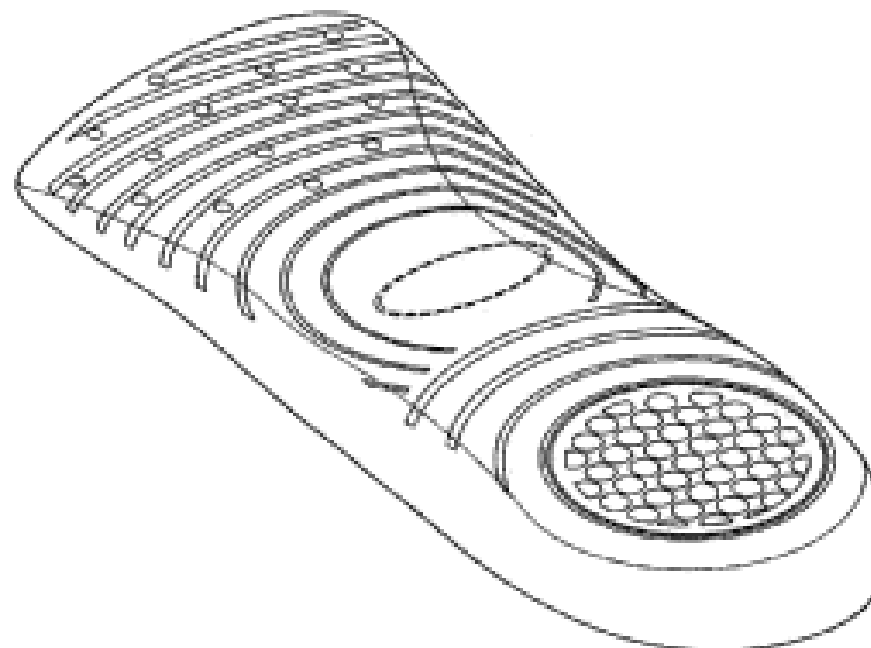
- (21) Design Number: **15147/2010**
(22) Date of Filing Application: **24 November 2010**
(24) Date from which industrial property rights may have effect: **24 November 2010**
(54) Product in respect of which the design is registered: **Insole**
(51) International Design Classification: **02-04A**
(71) Name(s) and Address(s) of Applicant(s):
Schering-Plough HealthCare Products, Inc.
3030 Jackson Avenue Memphis Tennessee 38151 United States of America
(72) Name(s) of Designer(s): **Karla Klein and Pamela Curtis and Brendan Reilly and Theresa Chee and Richard T. Avent and Swapna Purani and Leanne Blair and David Contract and Christopher Cortina and Elizabeth Morgan**
(45) Registration Date: **16 December 2010**
(30) Convention priority data:
(31) Number (32) Date (33) Country
29/362663 28 May 2010 UNITED STATES OF AMERICA
(56) Related Art Documents: **Not Applicable**
(57) Statement of Newness and Distinctiveness: **Nil**



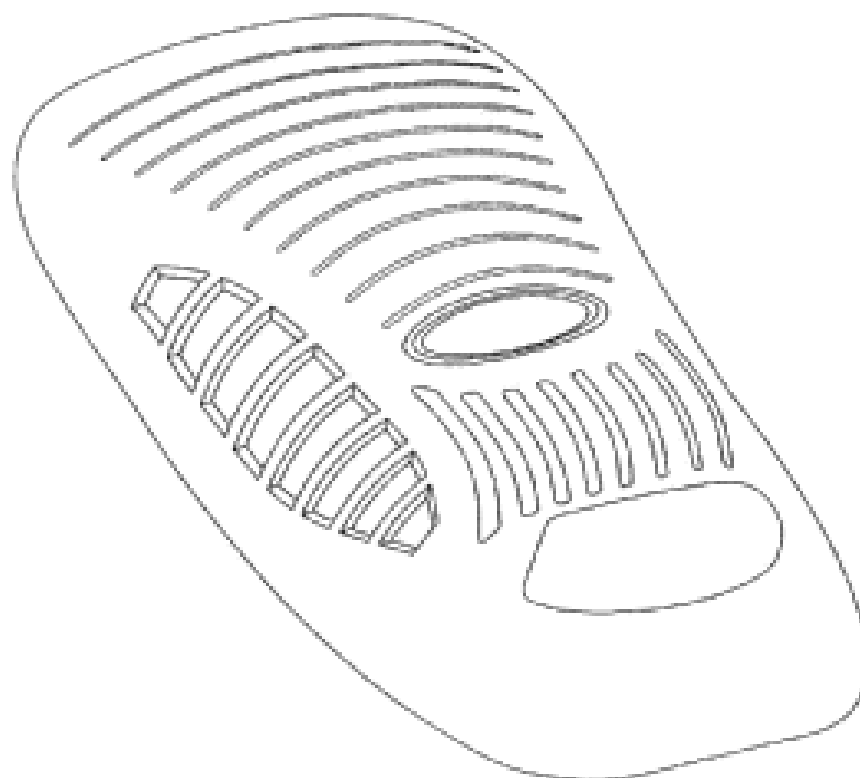
- (21) Design Number: **15148/2010**
(22) Date of Filing Application: **24 November 2010**
(24) Date from which industrial property rights may have effect: **24 November 2010**
(54) Product in respect of which the design is registered: **Insole**
(51) International Design Classification: **02-04A**
(71) Name(s) and Address(s) of Applicant(s):
Schering-Plough HealthCare Products, Inc.
3030 Jackson Avenue Memphis Tennessee 38151 United States of America
(72) Name(s) of Designer(s): **Karla Klein and Pamela Curtis and Brendan Reilly and Theresa Chee and Richard T. Avent and Swapna Purani and Leanne Blair and David Contract and Christopher Cortina and Elizabeth Morgan**
(45) Registration Date: **16 December 2010**
(30) Convention priority data:
(31) Number (32) Date (33) Country
29/362666 28 May 2010 UNITED STATES OF AMERICA
(56) Related Art Documents: **Not Applicable**
(57) Statement of Newness and Distinctiveness: **Nil**



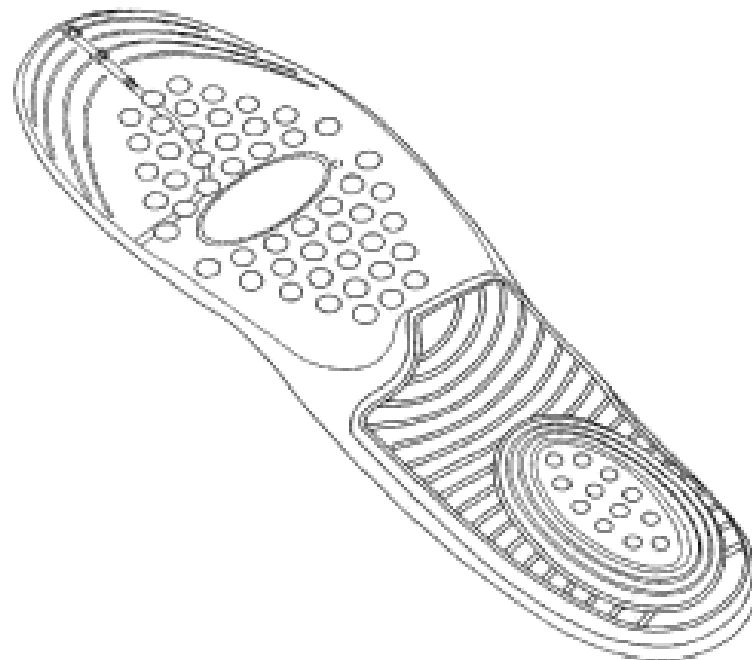
- (21) Design Number: **15149/2010**
(22) Date of Filing Application: **24 November 2010**
(24) Date from which industrial property rights may have effect: **24 November 2010**
(54) Product in respect of which the design is registered: **Insole**
(51) International Design Classification: **02-04A**
(71) Name(s) and Address(s) of Applicant(s):
Schering-Plough HealthCare Products, Inc.
3030 Jackson Avenue Memphis Tennessee 38151 United States of America
(72) Name(s) of Designer(s): **Karla Klein and Pamela Curtis and Brendan Reilly and Theresa Chee and Richard T. Avent and Swapna Purani and Leanne Blair and David Contract and Christopher Cortina and Elizabeth Morgan**
(45) Registration Date: **16 December 2010**
(30) Convention priority data:
(31) Number (32) Date (33) Country
29/362665 28 May 2010 UNITED STATES OF AMERICA
(56) Related Art Documents: **Not Applicable**
(57) Statement of Newness and Distinctiveness: **Nil**



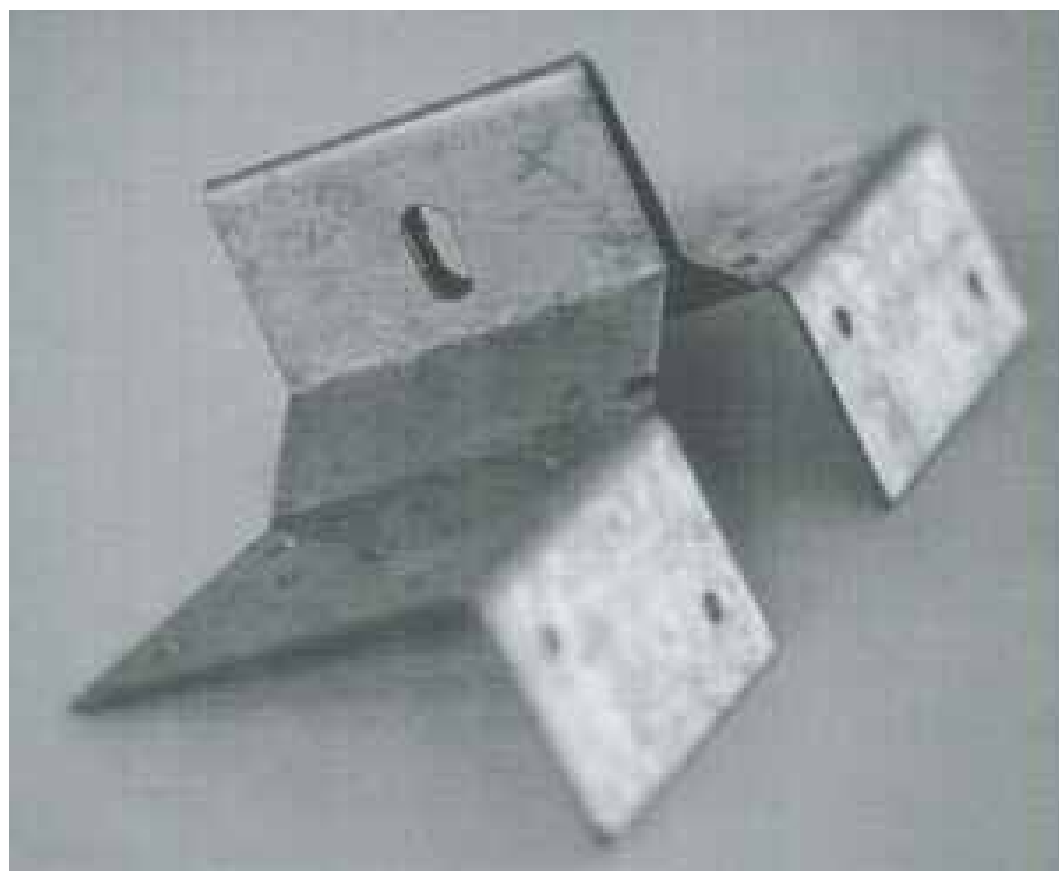
- (21) Design Number: **15150/2010**
(22) Date of Filing Application: **24 November 2010**
(24) Date from which industrial property rights may have effect: **24 November 2010**
(54) Product in respect of which the design is registered: **Insole**
(51) International Design Classification: **02-04A**
(71) Name(s) and Address(s) of Applicant(s):
Schering-Plough HealthCare Products, Inc.
3030 Jackson Avenue Memphis Tennessee 38151 United States of America
(72) Name(s) of Designer(s): **Karla Klein and Pamela Curtis and Brendan Reilly and Theresa Chee and Richard T. Avent and Swapna Purani and Leanne Blair and David Contract and Christopher Cortina and Elizabeth Morgan**
(45) Registration Date: **16 December 2010**
(30) Convention priority data:
(31) Number (32) Date (33) Country
29/362667 28 May 2010 UNITED STATES OF AMERICA
(56) Related Art Documents: **Not Applicable**
(57) Statement of Newness and Distinctiveness: **Nil**



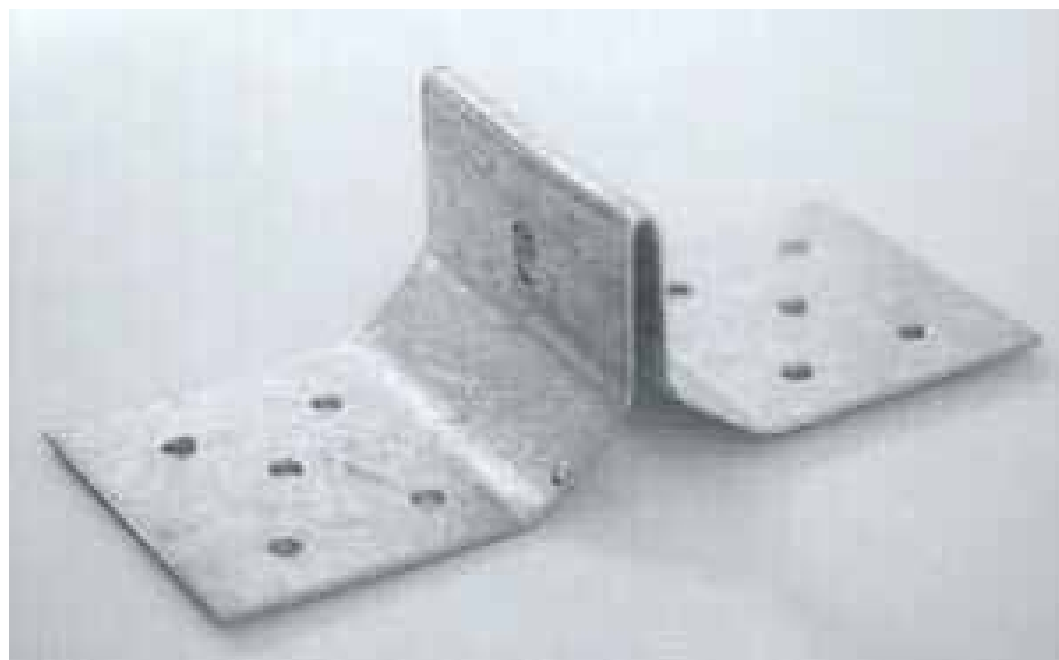
- (21) Design Number: **15151/2010**
(22) Date of Filing Application: **24 November 2010**
(24) Date from which industrial property rights may have effect: **24 November 2010**
(54) Product in respect of which the design is registered: **Insole**
(51) International Design Classification: **02-04A**
(71) Name(s) and Address(s) of Applicant(s):
Schering-Plough HealthCare Products, Inc.
3030 Jackson Avenue Memphis Tennessee 38151 United States of America
(72) Name(s) of Designer(s): **Karla Klein and Pamela Curtis and Brendan Reilly and Theresa Chee and Richard T. Avent and Swapna Purani and Leanne Blair and David Contract and Christopher Cortina and Elizabeth Morgan**
(45) Registration Date: **16 December 2010**
(30) Convention priority data:
(31) Number (32) Date (33) Country
29/362664 28 May 2010 UNITED STATES OF AMERICA
(56) Related Art Documents: **Not Applicable**
(57) Statement of Newness and Distinctiveness: **Nil**



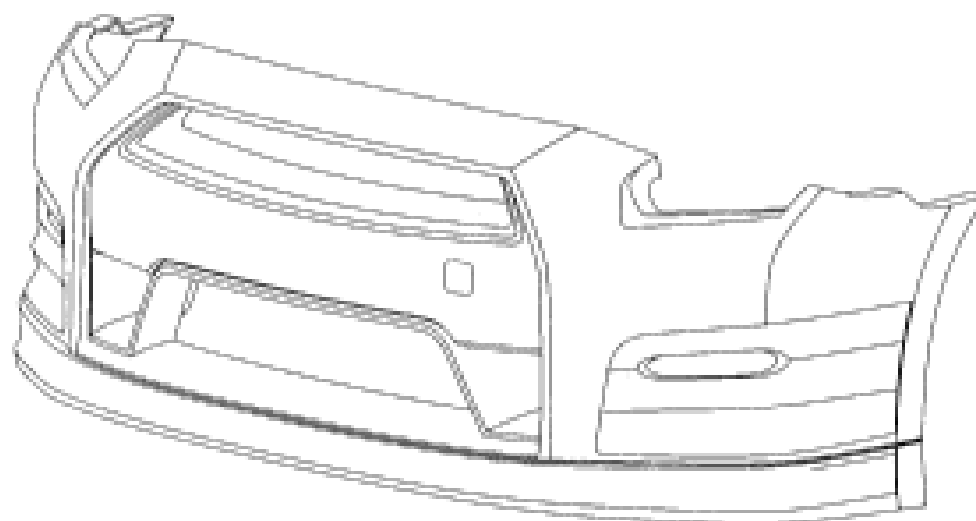
- (21) Design Number: **14899/2010**
(22) Date of Filing Application: **11 November 2010**
(24) Date from which industrial property rights may have effect: **11 November 2010**
(54) Product in respect of which the design is registered: **Bracket**
(51) International Design Classification: **08-08L**
(71) Name(s) and Address(s) of Applicant(s):
Whites Group Pty Ltd
4 Decker Place Hungtingwood New South Wales 2148 Australia
(72) Name(s) of Designer(s): **Brian Gray and Peter Kelly**
(45) Registration Date: **20 December 2010**
(56) Related Art Documents: **Not Applicable**
(57) Statement of Newness and Distinctiveness: **Newness and Distinctiveness reside in the shape and configuration of the bracket as shown in the representations and in particular in the cross section/profile of the bracket as shown in the "rear view" and in the elongated hole extending through the middle of the profile shown in the "perspective view of front, side and top", and in the two flanges extending perpendicular to the main body of the bracket**



- (21) Design Number: **14900/2010**
(22) Date of Filing Application: **11 November 2010**
(24) Date from which industrial property rights may have effect: **11 November 2010**
(54) Product in respect of which the design is registered: **Bracket**
(51) International Design Classification: **08-08L**
(71) Name(s) and Address(s) of Applicant(s):
Whites Group Pty Ltd
4 Decker Place Hungtingwood New South Wales 2148 Australia
(72) Name(s) of Designer(s): **Brian Gray and Peter Kelly**
(45) Registration Date: **20 December 2010**
(56) Related Art Documents: **Not Applicable**
(57) Statement of Newness and Distinctiveness: **Newness and Distinctiveness reside in the shape and configuration of the bracket as shown in the representations and in particular in the cross section/profile of the bracket as shown in the "view from right side and below" and in the elongated hole in the middle of the profile shown in the "perspective view from right side and above.**

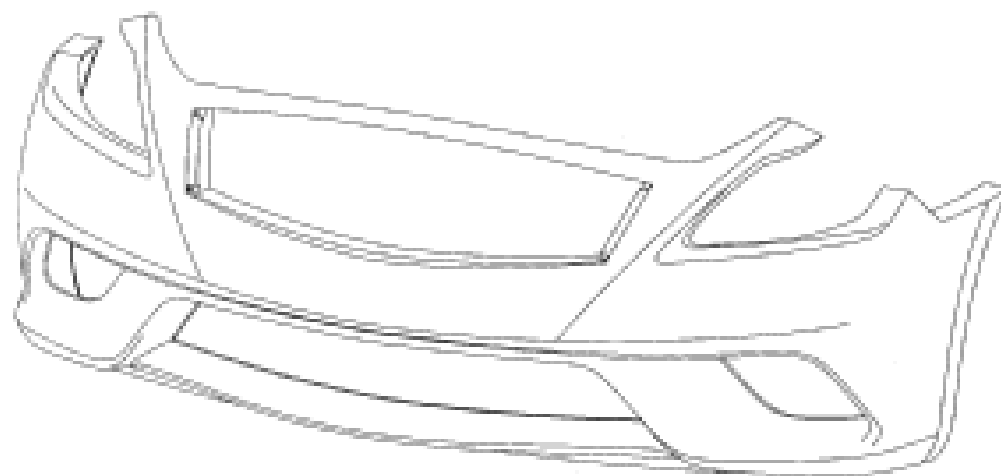


- (21) Design Number: **15117/2010**
(22) Date of Filing Application: **23 November 2010**
(24) Date from which industrial property rights may have effect: **23 November 2010**
(54) Product in respect of which the design is registered: **Front bumper for automobile**
(51) International Design Classification: **12-16C**
(71) Name(s) and Address(s) of Applicant(s):
Nissan Jidosha Kabushiki Kaisha
No. 2 Takaracho Kanagawa-ku Yokohama-shi Kanagawa-ken Japan
(72) Name(s) of Designer(s): **Shinichi Nakagawa**
(45) Registration Date: **20 December 2010**
(30) Convention priority data:
(31) Number (32) Date (33) Country
D2010#013271 28 May 2010 JAPAN
(56) Related Art Documents: **Not Applicable**
(57) Statement of Newness and Distinctiveness: **Newness and distinctiveness resides in the visual features, including shape and configuration of front bumper for an automobile as shown in solid outline in the accompanying drawings.**



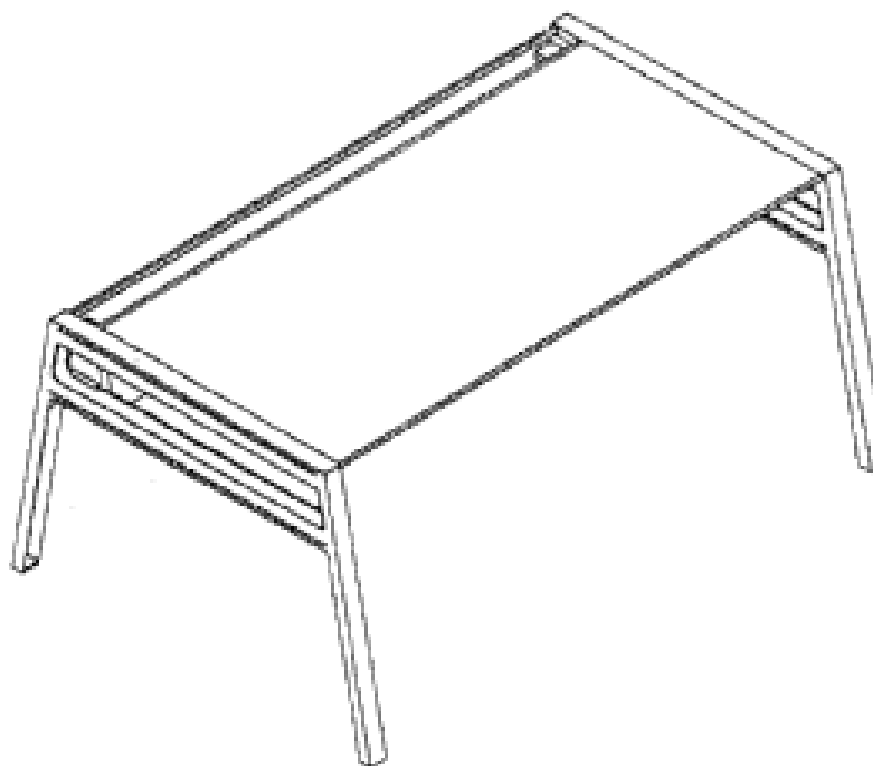
(19) AU

- (21) Design Number: **15118/2010**
(22) Date of Filing Application: **23 November 2010**
(24) Date from which industrial property rights may have effect: **23 November 2010**
(54) Product in respect of which the design is registered: **Front bumper for automobile**
(51) International Design Classification: **12-16C**
(71) Name(s) and Address(s) of Applicant(s):
Nissan Jidosha Kabushiki Kaisha
No. 2 Takaracho Kanagawa-ku Yokohama-shi Kanagawa-ken Japan
(72) Name(s) of Designer(s): **Shinichi Nakagawa**
(45) Registration Date: **20 December 2010**
(30) Convention priority data:
(31) Number (32) Date (33) Country
D2010#013268 28 May 2010 JAPAN
(56) Related Art Documents: **Not Applicable**
(57) Statement of Newness and Distinctiveness: **Newness and distinctiveness resides in the visual features, including shape and configuration of front bumper for an automobile as shown in solid outline in the accompanying drawings.**

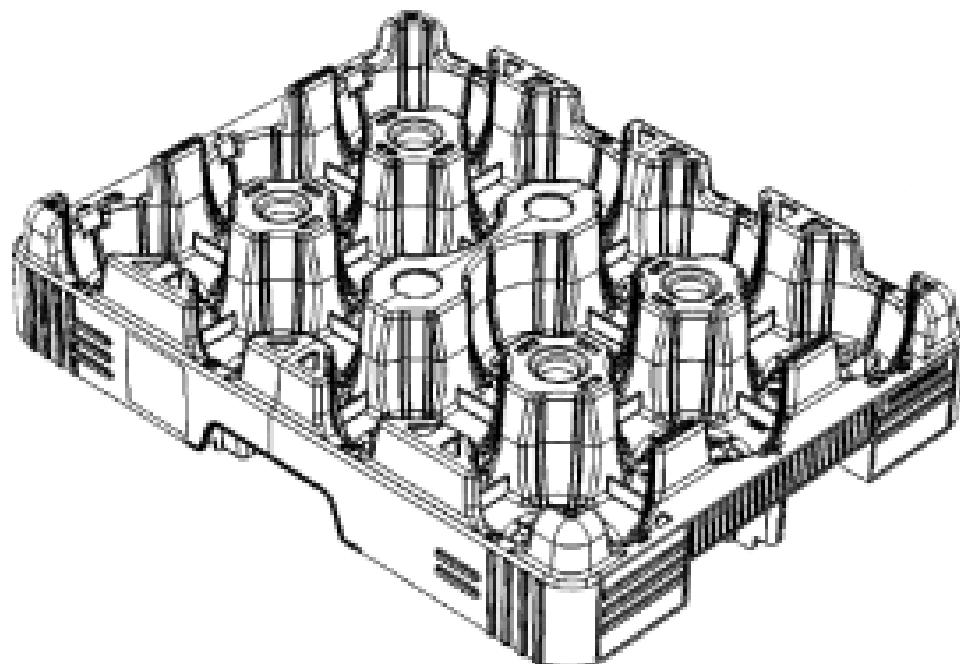


(19) AU

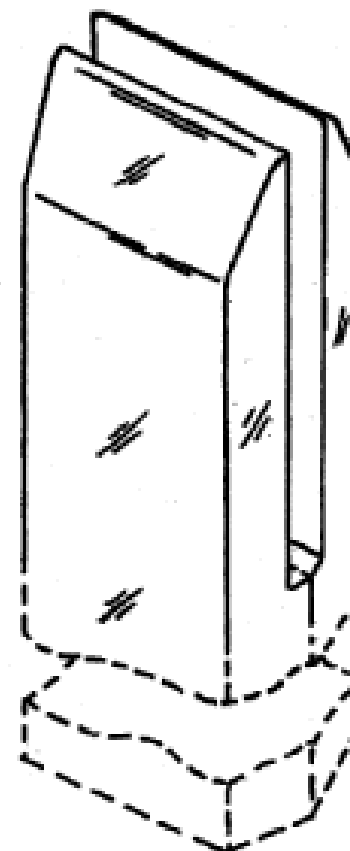
- (21) Design Number: **15120/2010**
(22) Date of Filing Application: **23 November 2010**
(24) Date from which industrial property rights may have effect: **23 November 2010**
(54) Product in respect of which the design is registered: **Workspace assembly**
(51) International Design Classification: **06-03NES**
(71) Name(s) and Address(s) of Applicant(s):
Steelcase Inc.
901 44th Street S.E. PO Box 1967 Grand Rapids MI 49508 United States of America
(72) Name(s) of Designer(s): **David Eberlein and Kirt Martin**
(45) Registration Date: **20 December 2010**
(30) Convention priority data:
(31) Number (32) Date (33) Country
29/362,958 02 Jun 2010 UNITED STATES OF AMERICA
(56) Related Art Documents: **Not Applicable**
(57) Statement of Newness and Distinctiveness: **Nil**



(21) Design Number: **15099/2010**
(22) Date of Filing Application: **22 November 2010**
(24) Date from which industrial property rights may have effect: **22 November 2010**
(54) Product in respect of which the design is registered: **Tray**
(51) International Design Classification: **09-03M**
(71) Name(s) and Address(s) of Applicant(s):
K. Hartwall Oy Ab
Kay Hartwalls vag 2 01150 Soderkulla Finland
(72) Name(s) of Designer(s): **Johan Lindstrom**
(45) Registration Date: **17 December 2010**
(30) Convention priority data:
(31) Number (32) Date (33) Country
001725383-0001 29 Jun 2010 EUROPEAN COMMUNITY
(56) Related Art Documents: **Not Applicable**
(57) Statement of Newness and Distinctiveness: **Nil**



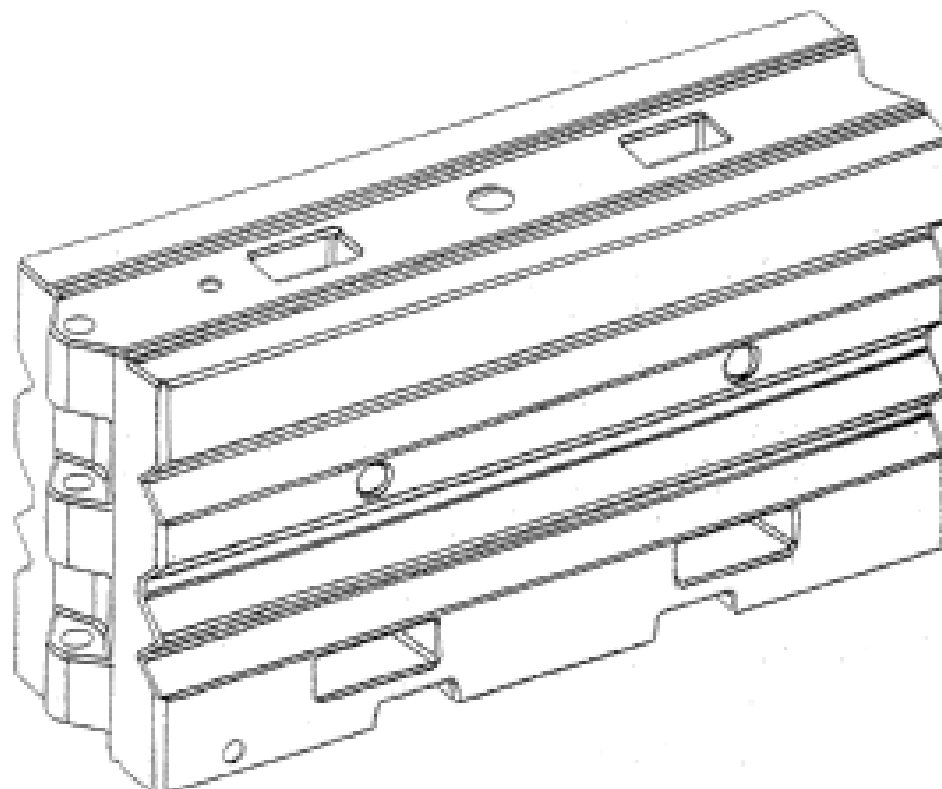
(21) Design Number: **15122/2010**
(22) Date of Filing Application: **23 November 2010**
(24) Date from which industrial property rights may have effect: **23 November 2010**
(54) Product in respect of which the design is registered: **Clamp for fence panels**
(51) International Design Classification: **08-08K**
(71) Name(s) and Address(s) of Applicant(s):
John Michael Schopf
Unit 2 325 Mansfield Street Thornbury Victoria 3071 Australia
(72) Name(s) of Designer(s): **John Michael Schopf**
(45) Registration Date: **17 December 2010**
(56) Related Art Documents: **Not Applicable**
(57) Statement of Newness and Distinctiveness: **The clamp parts shown in dotted lines are not part of the design.**



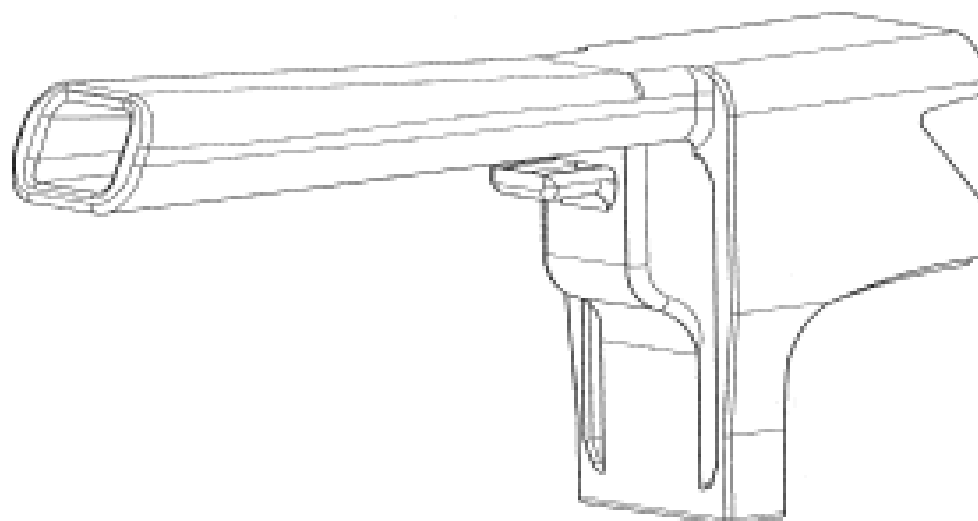
- (21) Design Number: **15125/2010**
(22) Date of Filing Application: **24 November 2010**
(24) Date from which industrial property rights may have effect: **24 November 2010**
(54) Product in respect of which the design is registered: **Orthosis**
(51) International Design Classification: **24-04**
(71) Name(s) and Address(s) of Applicant(s):
Otto Bock HealthCare GmbH
Max-Nader-Strasse 15 37115 Duderstadt Germany
(72) Name(s) of Designer(s): **Adam Wehsely-Swiczinsky**
(45) Registration Date: **17 December 2010**
(30) Convention priority data:
(31) Number (32) Date (33) Country
001725771 29 Jun 2010 EUROPEAN COMMUNITY
(56) Related Art Documents: **Not Applicable**
(57) Statement of Newness and Distinctiveness: **The newness and distinctiveness of the design resides in the shape and/or configuration of the ORTHOSIS shown in the representations. In considering the scope of protection, no reference should be made to the model foot and lower leg which are for display purposes.**



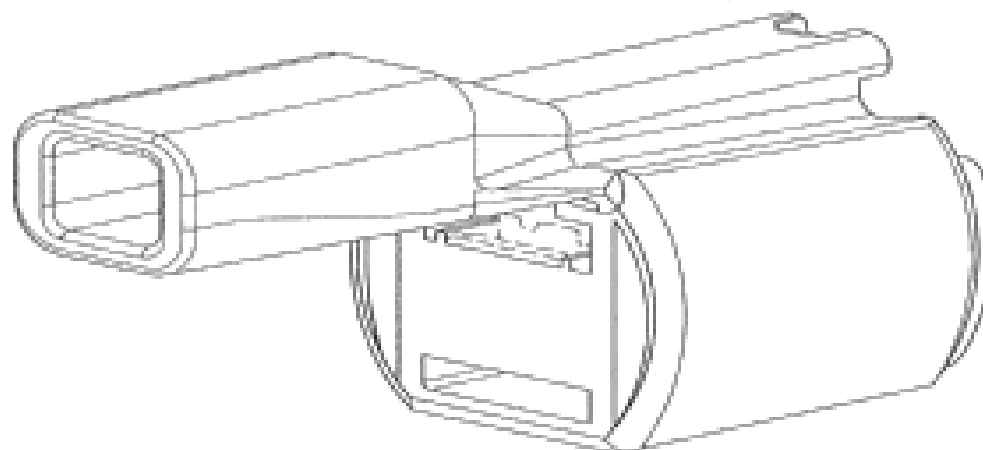
- (21) Design Number: **15128/2010**
(22) Date of Filing Application: **23 November 2010**
(24) Date from which industrial property rights may have effect: **23 November 2010**
(54) Product in respect of which the design is registered: **A road barrier**
(51) International Design Classification: **25-02NES**
(71) Name(s) and Address(s) of Applicant(s):
Kinabalu Investments Ltd
5 Christensen Road Stapylton Queensland 4207 Australia
(72) Name(s) of Designer(s): **Graham Kerby and Nadine Young**
(45) Registration Date: **17 December 2010**
(56) Related Art Documents: **Not Applicable**
(57) Statement of Newness and Distinctiveness: **The newness and distinctiveness of the design resides in the visual features of shape and/or configuration as shown in the accompanying representations applied to a road barrier.**



(21) Design Number: **15158/2010**
 (22) Date of Filing Application: **25 November 2010**
 (24) Date from which industrial property rights may have effect: **25 November 2010**
 (54) Product in respect of which the design is registered: **Dry powder inhaler**
 (51) International Design Classification: **24-04**
 (71) Name(s) and Address(s) of Applicant(s):
MannKind Corporation
28903 North Avenue Paine Valencia CA 91355 United States of America
 (72) Name(s) of Designer(s): **John M. Polidoro and Chad C. Smutney and P. Spencer Kinsey and Benoit Adamo and Brendan Laurenzi**
 (45) Registration Date: **17 December 2010**
 (30) Convention priority data:
 (31) Number (32) Date (33) Country
29/363,775 14 Jun 2010 UNITED STATES OF AMERICA
 (56) Related Art Documents: **Not Applicable**
 (57) Statement of Newness and Distinctiveness: **Nil**



(21) Design Number: **15159/2010**
 (22) Date of Filing Application: **25 November 2010**
 (24) Date from which industrial property rights may have effect: **25 November 2010**
 (54) Product in respect of which the design is registered: **Dry powder inhaler**
 (51) International Design Classification: **24-04**
 (71) Name(s) and Address(s) of Applicant(s):
MannKind Corporation
28903 North Avenue Paine Valencia CA 91355 United States of America
 (72) Name(s) of Designer(s): **John M. Polidoro and Chad C. Smutney and P. Spencer Kinsey and Benoit Adamo and Brendan Laurenzi**
 (45) Registration Date: **17 December 2010**
 (30) Convention priority data:
 (31) Number (32) Date (33) Country
29/363,768 14 Jun 2010 UNITED STATES OF AMERICA
 (56) Related Art Documents: **Not Applicable**
 (57) Statement of Newness and Distinctiveness: **Nil**



- (21) Design Number: **14289/2010**
(22) Date of Filing Application: **30 September 2010**
(24) Date from which industrial property rights may have effect: **30 September 2010**
(54) Product in respect of which the design is registered: **Oral care implement**
(51) International Design Classification: **04-02**
(71) Name(s) and Address(s) of Applicant(s):

Colgate-Palmolive Company
300 Park Avenue New York New York 10022 United States of America

- (72) Name(s) of Designer(s): **Xi Wen Jin and Zhang Kai and Ji Yan Mei**

- (45) Registration Date: **21 December 2010**

- (30) Convention priority data:

(31) Number	(32) Date	(33) Country
29/358682	31 Mar 2010	UNITED STATES OF AMERICA

- (56) Related Art Documents: **Not Applicable**

- (57) Statement of Newness and Distinctiveness: **Newness and distinctiveness reside in the features of the shape of the head of an oral care implement in combination with the pattern and ornamentation applied to the rear face of the head portion of the oral care implement. When determining whether the design is substantially similar in overall impression to another design, no regard is to be had to those features shown in the designs with dotted outline, which features are provided for illustrative purposes only.**



- (21) Design Number: **15341/2010**
(22) Date of Filing Application: **30 September 2010**
(24) Date from which industrial property rights may have effect: **30 September 2010**
(54) Product in respect of which the design is registered: **Oral care implement**
(51) International Design Classification: **04-02**
(71) Name(s) and Address(s) of Applicant(s):

Colgate-Palmolive Company
300 Park Avenue New York New York 10022 United States of America

- (72) Name(s) of Designer(s): **Xi Wen Jin and Zhang Kai and Ji Yan Mei**

- (45) Registration Date: **21 December 2010**

- (30) Convention priority data:

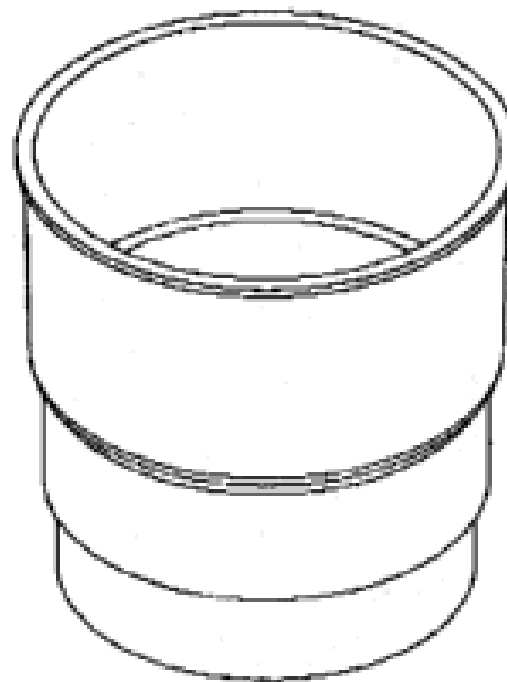
(31) Number	(32) Date	(33) Country
29/358682	31 Mar 2010	UNITED STATES OF AMERICA

- (56) Related Art Documents: **Not Applicable**

- (57) Statement of Newness and Distinctiveness: **Newness and distinctiveness reside in the features of the shape of the head of an oral care implement in combination with the pattern and ornamentation applied to the rear face of the head portion of the oral care implement. When determining whether the design is substantially similar in overall impression to another design, no regard is to be had to those features shown in the designs with dotted outline, which features are provided for illustrative purposes only.**



(21) Design Number: **14603/2010**
(22) Date of Filing Application: **26 October 2010**
(24) Date from which industrial property rights may have effect: **26 October 2010**
(54) Product in respect of which the design is registered: **Pipe adaptor reducer**
(51) International Design Classification: **23-01B**
(71) Name(s) and Address(s) of Applicant(s):
Edward Gregory Hume
2 Lind Street Thornlands Queensland 4164 Australia
(72) Name(s) of Designer(s): **Edward Gregory Hume**
(45) Registration Date: **21 December 2010**
(56) Related Art Documents: **Not Applicable**
(57) Statement of Newness and Distinctiveness: **Nil**



(21) Design Number: **14641/2010**
(22) Date of Filing Application: **28 October 2010**
(24) Date from which industrial property rights may have effect: **28 October 2010**
(54) Product in respect of which the design is registered: **Design E378 - Earring**
(51) International Design Classification: **11-01D**
(71) Name(s) and Address(s) of Applicant(s):
Georgini Holdings Pty Ltd
Unit 7 110-116 Bourke Road Alexandria New South Wales 2015
Australia
(72) Name(s) of Designer(s): **Gina Kougias**
(45) Registration Date: **21 December 2010**
(56) Related Art Documents: **Not Applicable**
(57) Statement of Newness and Distinctiveness: **Nil**



(21) Design Number: **14642/2010**

(22) Date of Filing Application: **28 October 2010**

(24) Date from which industrial property rights may have effect: **28 October 2010**

(54) Product in respect of which the design is registered: **Design E380 - Earring**

(51) International Design Classification: **11-01D**

(71) Name(s) and Address(s) of Applicant(s):

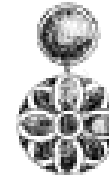
**Georgini Holdings Pty Ltd
Unit 7 110-116 Bourke Road Alexandria New South Wales 2015
Australia**

(72) Name(s) of Designer(s): **Gina Kougias**

(45) Registration Date: **21 December 2010**

(56) Related Art Documents: **Not Applicable**

(57) Statement of Newness and Distinctiveness: **Nil**



(21) Design Number: **14643/2010**

(22) Date of Filing Application: **28 October 2010**

(24) Date from which industrial property rights may have effect: **28 October 2010**

(54) Product in respect of which the design is registered: **Design P388 - Pendant**

(51) International Design Classification: **11-01NES**

(71) Name(s) and Address(s) of Applicant(s):

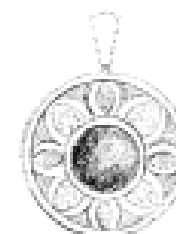
**Georgini Holdings Pty Ltd
Unit 7 110-116 Bourke Road Alexandria New South Wales 2015
Australia**

(72) Name(s) of Designer(s): **Gina Kougias**

(45) Registration Date: **21 December 2010**

(56) Related Art Documents: **Not Applicable**

(57) Statement of Newness and Distinctiveness: **When determining whether the design is substantially similar in overall impression to another design, no regard is to be had to those features shown in the dotted outline in the accompanying drawings.**



(21) Design Number: **14644/2010**

(22) Date of Filing Application: **28 October 2010**

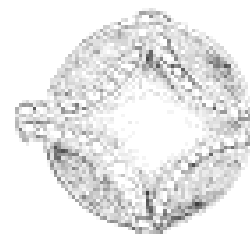
(24) Date from which industrial property rights may have effect: **28 October 2010**

(54) Product in respect of which the design is registered: **Design P390 - Pendant**

(51) International Design Classification: **11-01NES**

(71) Name(s) and Address(s) of Applicant(s):

**Georgini Holdings Pty Ltd
Unit 7 110-116 Bourke Road Alexandria New South Wales 2015
Australia**



(72) Name(s) of Designer(s): **Gina Kougias**

(45) Registration Date: **21 December 2010**

(56) Related Art Documents: **Not Applicable**

(57) Statement of Newness and Distinctiveness: **When determining whether the design is substantially similar in overall impression to another design, no regard is to be had to those features shown in the dotted outline in the accompanying drawings.**

(21) Design Number: **14645/2010**

(22) Date of Filing Application: **28 October 2010**

(24) Date from which industrial property rights may have effect: **28 October 2010**

(54) Product in respect of which the design is registered: **Design P391 - Pendant**

(51) International Design Classification: **11-01NES**

(71) Name(s) and Address(s) of Applicant(s):

**Georgini Holdings Pty Ltd
Unit 7 110-116 Bourke Road Alexandria New South Wales 2015
Australia**

(72) Name(s) of Designer(s): **Gina Kougias**

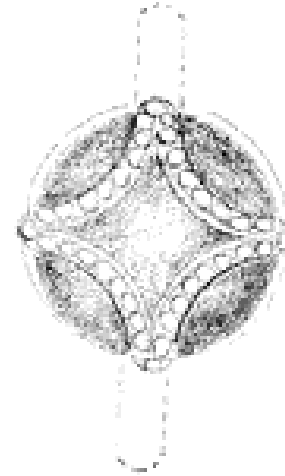
(45) Registration Date: **21 December 2010**

(56) Related Art Documents: **Not Applicable**

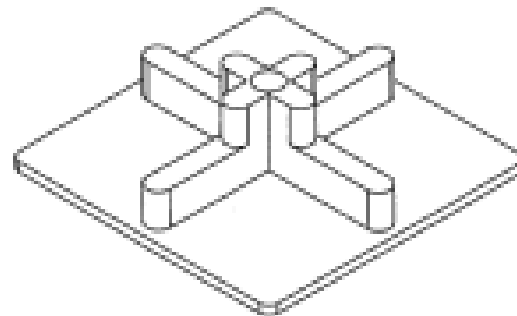
(57) Statement of Newness and Distinctiveness: **When determining whether the design is substantially similar in overall impression to another design, no regard is to be had to those features shown in the dotted outline in the accompanying drawings.**



- (21) Design Number: **14646/2010**
(22) Date of Filing Application: **28 October 2010**
(24) Date from which industrial property rights may have effect: **28 October 2010**
(54) Product in respect of which the design is registered: **Design R205 - Ring**
(51) International Design Classification: **11-01A**
(71) Name(s) and Address(s) of Applicant(s):
Georgini Holdings Pty Ltd
Unit 7 110-116 Bourke Road Alexandria New South Wales 2015
Australia
(72) Name(s) of Designer(s): **Gina Kougias**
(45) Registration Date: **21 December 2010**
(56) Related Art Documents: **Not Applicable**
(57) Statement of Newness and Distinctiveness: **When determining whether the design is substantially similar in overall impression to another design, no regard is to be had to those features shown in the dotted outline in the accompanying drawings.**



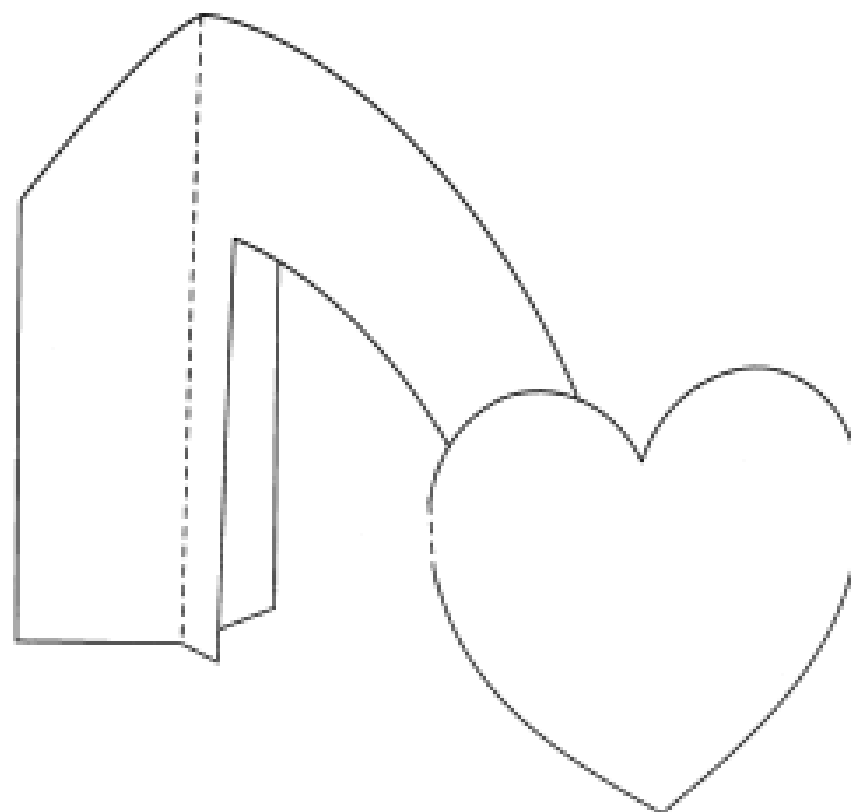
- (21) Design Number: **15145/2010**
(22) Date of Filing Application: **24 November 2010**
(24) Date from which industrial property rights may have effect: **24 November 2010**
(54) Product in respect of which the design is registered: **Tile spacer**
(51) International Design Classification: **08-05K**
(71) Name(s) and Address(s) of Applicant(s):
Anthony Psaila
27 Parer Road Airport West Victoria 3042 Australia
(72) Name(s) of Designer(s): **Anthony Psaila**
(45) Registration Date: **21 December 2010**
(56) Related Art Documents: **Not Applicable**
(57) Statement of Newness and Distinctiveness: **Those features of the tile spacer depicted in the representations that are new and distinctive are the shape and/or configuration.**



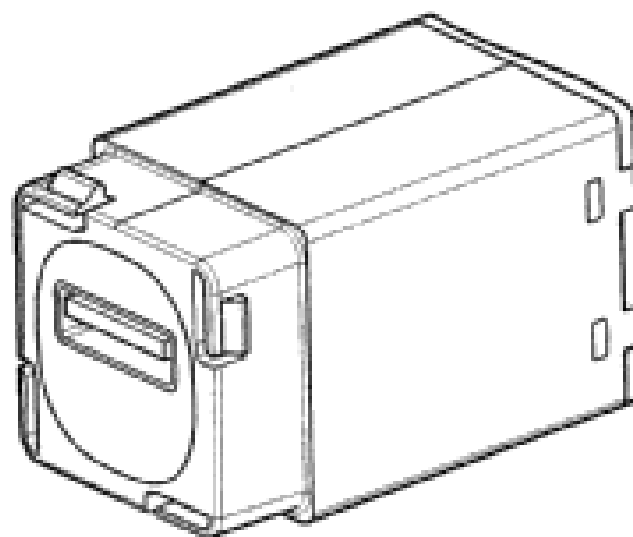
- (21) Design Number: **15162/2010**
- (22) Date of Filing Application: **26 November 2010**
- (24) Date from which industrial property rights may have effect: **26 November 2010**
- (54) Product in respect of which the design is registered: **Military training rifle - steyr**
- (51) International Design Classification: **22-99**
- (71) Name(s) and Address(s) of Applicant(s):
Matthew Damare
14 Nambour Street Gaythorne Queensland 4051 Australia
- (72) Name(s) of Designer(s): **Matthew Damare**
- (45) Registration Date: **21 December 2010**
- (56) Related Art Documents: **Not Applicable**
- (57) Statement of Newness and Distinctiveness: **Military Training Rifle - Steyr, is designed to provide ADF members a training aid to be used when the use of the F88 Steyr is either inappropriate or unsuitable such as, but not limited to, collective physical training activities when weapon firing is not required, or individual training for courses such as SASR Selection Cse.**



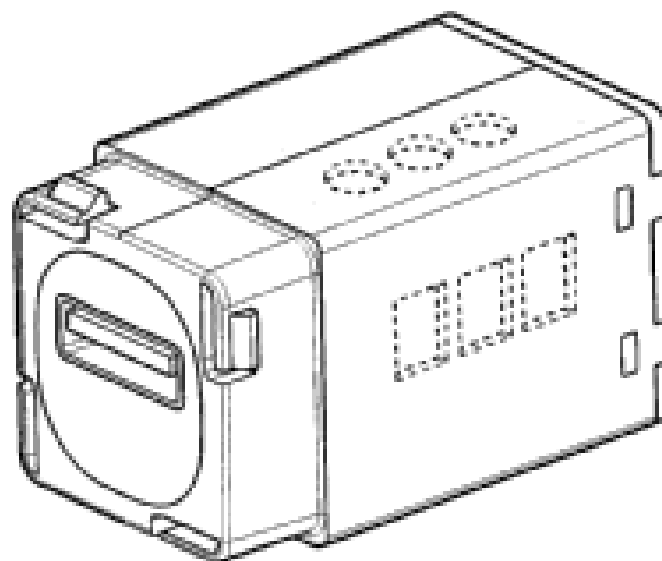
- (21) Design Number: **15163/2010**
- (22) Date of Filing Application: **26 November 2010**
- (24) Date from which industrial property rights may have effect: **26 November 2010**
- (54) Product in respect of which the design is registered: **Information/point of sale display**
- (51) International Design Classification: **20-02NES**
- (71) Name(s) and Address(s) of Applicant(s):
AAG Trading Pty Ltd
4 Simpson Street Moorabbin Victoria 3189 Australia
- (72) Name(s) of Designer(s): **Narelle Cunningham and Alex Gajic**
- (45) Registration Date: **21 December 2010**
- (56) Related Art Documents: **Not Applicable**
- (57) Statement of Newness and Distinctiveness: **Shape-cut 3D point of sale, with 3 visible sides for information to be displayed**



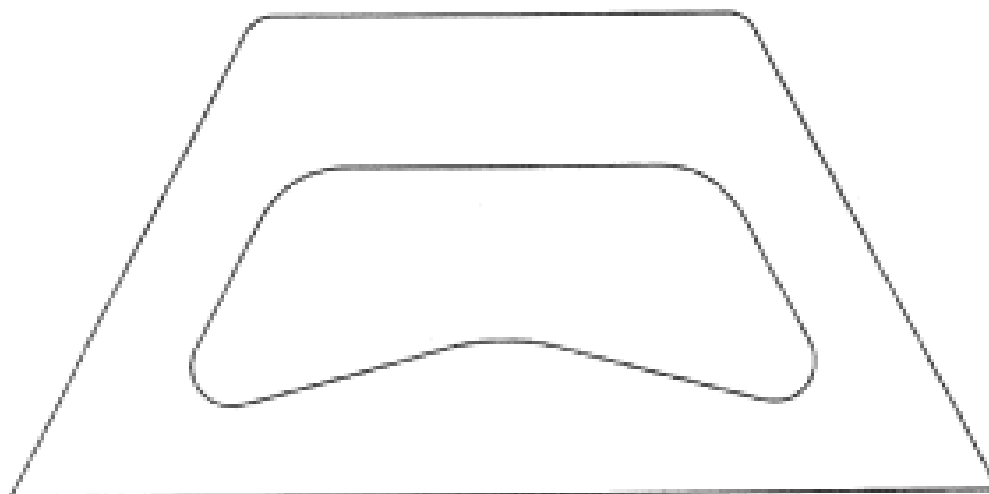
- (21) Design Number: **15176/2010**
(22) Date of Filing Application: **25 November 2010**
(24) Date from which industrial property rights may have effect: **25 November 2010**
(54) Product in respect of which the design is registered: **USB charging module**
(51) International Design Classification: **13-02, 14-02**
(71) Name(s) and Address(s) of Applicant(s):
Clipsal Australia Pty Ltd
2 Solent Circuit Norwest Business Park Baulkham Hills New South
Wales 2153 Australia
(72) Name(s) of Designer(s): **Gerrit de Man**
(45) Registration Date: **21 December 2010**
(56) Related Art Documents: **Not Applicable**
(57) Statement of Newness and Distinctiveness: **Newness and distinctiveness resides in the shape and/or configuration of the USB charging module illustrated in the accompanying representations.**



- (21) Design Number: **15177/2010**
(22) Date of Filing Application: **25 November 2010**
(24) Date from which industrial property rights may have effect: **25 November 2010**
(54) Product in respect of which the design is registered: **USB charging module**
(51) International Design Classification: **13-02, 14-02**
(71) Name(s) and Address(s) of Applicant(s):
Clipsal Australia Pty Ltd
2 Solent Circuit Norwest Business Park Baulkham Hills New South
Wales 2153 Australia
(72) Name(s) of Designer(s): **Gerrit de Man**
(45) Registration Date: **21 December 2010**
(56) Related Art Documents: **Not Applicable**
(57) Statement of Newness and Distinctiveness: **Newness and distinctiveness resides in the shape and/or configuration of the USB charging module illustrated in the accompanying representations. In considering the scope of the design, no regard should be had to the features shown in the dotted lines.**



(21) Design Number: **13132/2010**
(22) Date of Filing Application: **26 July 2010**
(24) Date from which industrial property rights may have effect: **26 July 2010**
(54) Product in respect of which the design is registered: **Hose connector**
(51) International Design Classification: **08-05E**
(71) Name(s) and Address(s) of Applicant(s):
NVB International UK Ltd
Amberley Place 107-111 Peascod Street Windsor, Berkshire, SL4 1TE
United Kingdom
(72) Name(s) of Designer(s): **Nicolaas van der Blom**
(45) Registration Date: **20 December 2010**
(30) Convention priority data:
(31) Number (32) Date (33) Country
201000013 26 Jan 2010 DENMARK
(56) Related Art Documents: **Not Applicable**
(57) Statement of Newness and Distinctiveness: **Newness and distinctiveness is claimed in the visual features of shape and configuration of the hose connector shown in the accompanying representations.**



(21) Design Number: **14316/2010**
(22) Date of Filing Application: **26 July 2010**
(24) Date from which industrial property rights may have effect: **26 July 2010**
(54) Product in respect of which the design is registered: **Bicycle pump**
(51) International Design Classification: **08-05E**
(71) Name(s) and Address(s) of Applicant(s):
NVB International UK Ltd
Amberley Place 107-111 Peascod Street Windsor, Berkshire, SL4 1TE
United Kingdom
(72) Name(s) of Designer(s): **Nicolaas van der Blom**
(45) Registration Date: **20 December 2010**
(30) Convention priority data:
(31) Number (32) Date (33) Country
201000013 26 Jan 2010 DENMARK
(56) Related Art Documents: **Not Applicable**
(57) Statement of Newness and Distinctiveness: **Newness and distinctiveness is claimed in the visual features of shape and configuration of the bicycle pump as illustrated in the accompanying representations. In considering the extent of newness and distinctiveness, particular attention should be focused on the 'hose connection' feature thereof. Also, in considering the extent of newness and distinctiveness, the pressure gauge should be disregarded.**



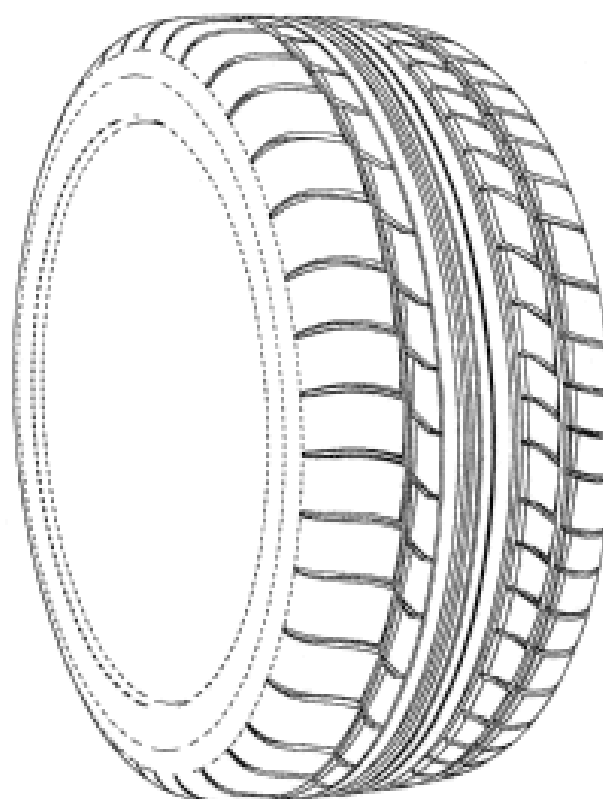
- (21) Design Number: **14279/2010**
(22) Date of Filing Application: **29 September 2010**
(24) Date from which industrial property rights may have effect: **29 September 2010**
(54) Product in respect of which the design is registered: **Brassiere**
(51) International Design Classification: **02-01A**
(71) Name(s) and Address(s) of Applicant(s):
Ryan Gardiner
24 Taldra Crescent Seaford Victoria 3198 Australia
(72) Name(s) of Designer(s): **Ryan Gardiner**
(45) Registration Date: **20 December 2010**
(56) Related Art Documents: **Not Applicable**
(57) Statement of Newness and Distinctiveness: **This design offers a bra for women with different sized breasts. One side is padded up to make appearance they are the same.**



- (21) Design Number: **15187/2010**
(22) Date of Filing Application: **26 November 2010**
(24) Date from which industrial property rights may have effect: **26 November 2010**
(54) Product in respect of which the design is registered: **Tire**
(51) International Design Classification: **12-15B**
(71) Name(s) and Address(s) of Applicant(s):
Cooper Tire & Rubber Company
701 Lima Avenue Findlay Ohio 45840 United States of America
(72) Name(s) of Designer(s): **Jeremy J. Jacobs**
(45) Registration Date: **20 December 2010**
(30) Convention priority data:

(31) Number	(32) Date	(33) Country
29/370,508	28 Jul 2010	UNITED STATES OF AMERICA

(56) Related Art Documents: **Not Applicable**
(57) Statement of Newness and Distinctiveness: **Those features of the tire depicted in the representations that are new and distinctive are the shape and/or configuration of the tread of the tire. The features shown in broken line are not part of the design and are to be disregarded when considering the overall impression of the design.**



(21) Design Number: **15188/2010**
(22) Date of Filing Application: **26 November 2010**
(24) Date from which industrial property rights may have effect: **26 November 2010**
(54) Product in respect of which the design is registered: **Toy block**
(51) International Design Classification: **21-01E**
(71) Name(s) and Address(s) of Applicant(s):

Yoshiritsu Kabushiki Kaisha
1563 Koshibe Oyodo-cho Yoshino-gun Nara Japan

(72) Name(s) of Designer(s): **Hiroshi Kichijo and Yoshiie Kichijo**

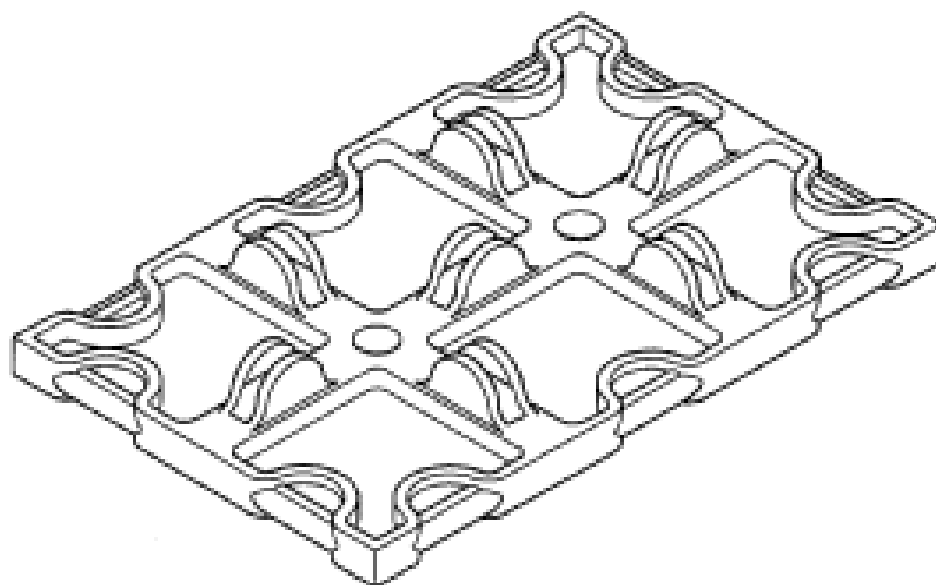
(45) Registration Date: **20 December 2010**

(30) Convention priority data:

(31) Number	(32) Date	(33) Country
2010-017758	22 Jul 2010	JAPAN

(56) Related Art Documents: **Not Applicable**

(57) Statement of Newness and Distinctiveness: **Nil**



(21) Design Number: **15189/2010**
(22) Date of Filing Application: **26 November 2010**
(24) Date from which industrial property rights may have effect: **26 November 2010**
(54) Product in respect of which the design is registered: **Toy block**
(51) International Design Classification: **21-01E**
(71) Name(s) and Address(s) of Applicant(s):

Yoshiritsu Kabushiki Kaisha
1563 Koshibe Oyodo-cho Yoshino-gun Nara Japan

(72) Name(s) of Designer(s): **Hiroshi Kichijo and Yoshiie Kichijo**

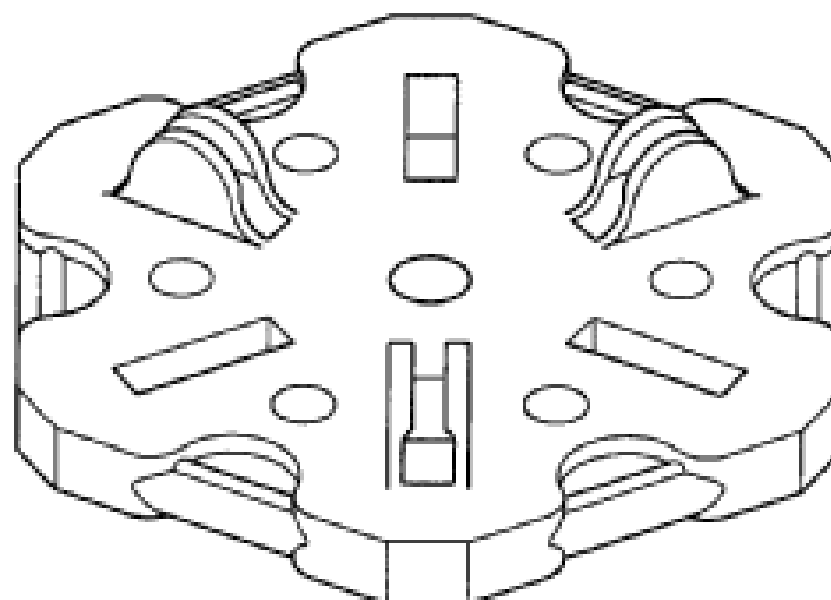
(45) Registration Date: **20 December 2010**

(30) Convention priority data:

(31) Number	(32) Date	(33) Country
2010-017755	22 Jul 2010	JAPAN

(56) Related Art Documents: **Not Applicable**

(57) Statement of Newness and Distinctiveness: **Nil**



- (21) Design Number: **15190/2010**
- (22) Date of Filing Application: **26 November 2010**
- (24) Date from which industrial property rights may have effect: **26 November 2010**
- (54) Product in respect of which the design is registered: **Electronic housing**
- (51) International Design Classification: **21-01N, 14-02**
- (71) Name(s) and Address(s) of Applicant(s):

Microsoft Corporation
One Microsoft Way Redmond Washington 98052 United States of America

- (72) Name(s) of Designer(s): **Carl J. Ledbetter and Dustin R. Brown and John Ikeda and Scott Harold Wilson and Claire M. Gerhardt and Stephen Christopher**

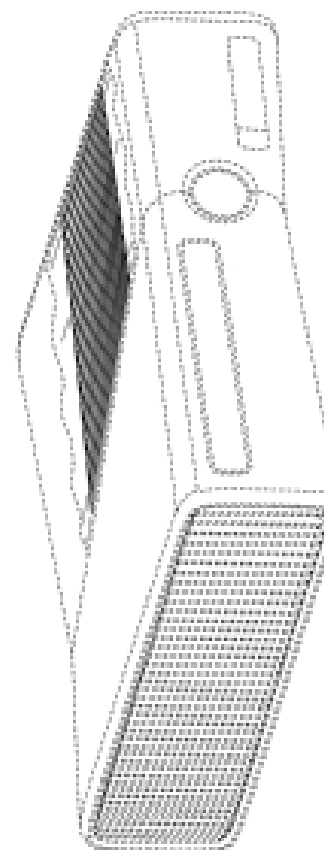
(45) Registration Date: **20 December 2010**

(30) Convention priority data:

(31) Number	(32) Date	(33) Country
29/362865	01 Jun 2010	UNITED STATES OF AMERICA

(56) Related Art Documents: **Not Applicable**

(57) Statement of Newness and Distinctiveness: **Newness and distinctiveness reside in the shape and/or configuration of the electronic housing, as illustrated by solid lines in the accompanying representations. The features shown in broken or discontinuous lines are for illustrative purposes only and do not form part of the design.**



- (21) Design Number: **15191/2010**
- (22) Date of Filing Application: **26 November 2010**
- (24) Date from which industrial property rights may have effect: **26 November 2010**
- (54) Product in respect of which the design is registered: **Electronic housing portion**
- (51) International Design Classification: **21-01N, 14-02**
- (71) Name(s) and Address(s) of Applicant(s):

Microsoft Corporation
One Microsoft Way Redmond Washington 98052 United States of America

- (72) Name(s) of Designer(s): **Carl J. Ledbetter and Dustin R. Brown and John Ikeda and Scott Harold Wilson and Claire M. Gerhardt and Stephen Christopher**

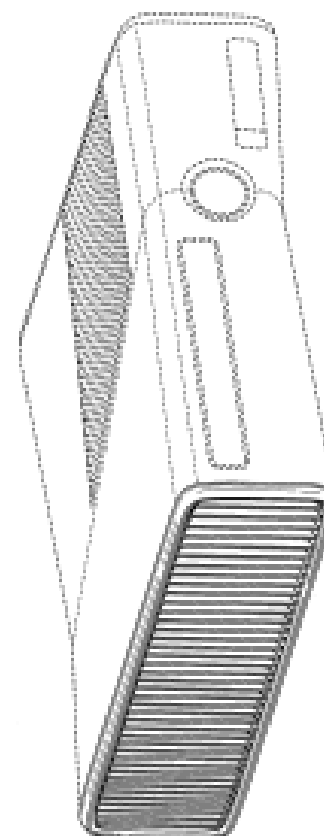
(45) Registration Date: **20 December 2010**

(30) Convention priority data:

(31) Number	(32) Date	(33) Country
29/362868	01 Jun 2010	UNITED STATES OF AMERICA

(56) Related Art Documents: **Not Applicable**

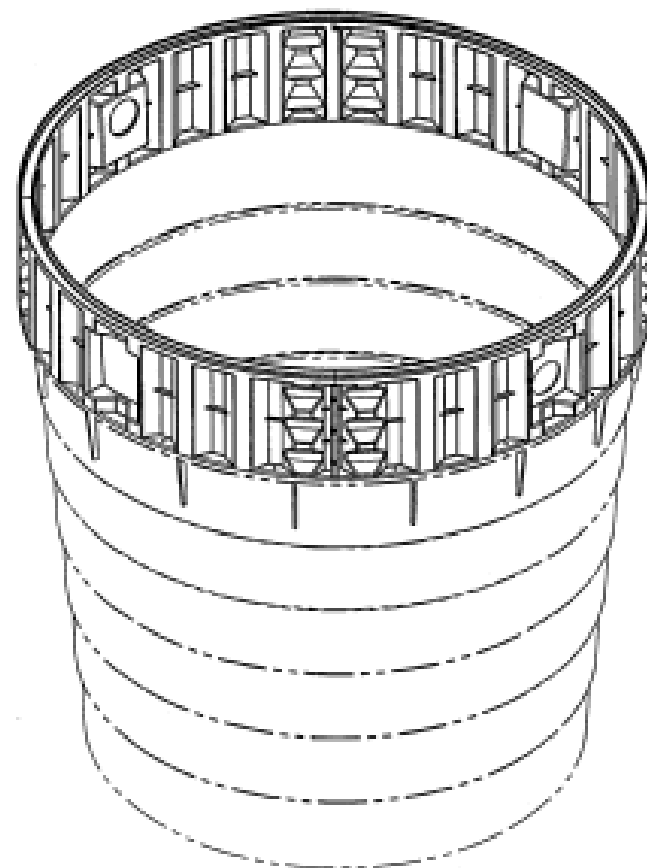
(57) Statement of Newness and Distinctiveness: **Newness and distinctiveness reside in the shape and/or configuration of the electronic housing portion, as illustrated by solid lines in the accompanying representations. The features shown in broken or discontinuous lines are for illustrative purposes only and do not form part of the design.**



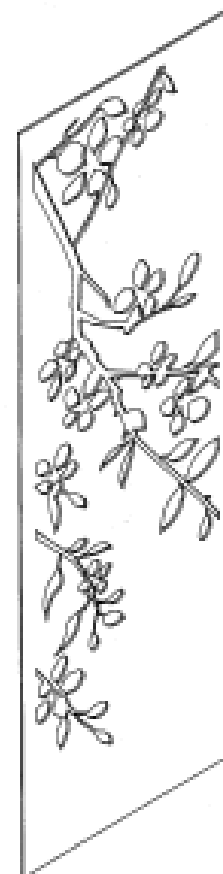
- (21) Design Number: **15334/2010**
(22) Date of Filing Application: **30 November 2010**
(24) Date from which industrial property rights may have effect: **30 November 2010**
(54) Product in respect of which the design is registered: **Wall-mountable storage pouch for treating dementia patients**
(51) International Design Classification: **03-01B, 24-99**
(71) Name(s) and Address(s) of Applicant(s):
Chris Hartley
2/16 Carmody Street Burwood Victoria 3125 Australia
Alissa Westphal
2/16 Carmody Street Burwood Victoria 3125 Australia
(72) Name(s) of Designer(s): **Chris Hartley and Alissa Westphal**
(45) Registration Date: **20 December 2010**
(56) Related Art Documents: **Not Applicable**
(57) Statement of Newness and Distinctiveness: **A teardrop shaped, wall-mountable pod, with distinctive red embroidery around the opening. For storage of various items which allow dementia patients to interact with and explore the contents.**



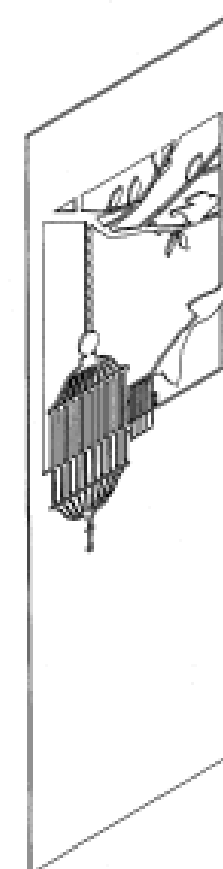
- (21) Design Number: **14058/2010**
(22) Date of Filing Application: **20 September 2010**
(24) Date from which industrial property rights may have effect: **20 September 2010**
(54) Product in respect of which the design is registered: **Tank extension**
(51) International Design Classification: **23-01F**
(71) Name(s) and Address(s) of Applicant(s):
ReIn Pty Ltd
14B Williamson Road Ingleburn New South Wales 2565 Australia
(72) Name(s) of Designer(s): **Luke Nigel Natrass and Owen Luke**
(45) Registration Date: **22 December 2010**
(56) Related Art Documents: **Not Applicable**
(57) Statement of Newness and Distinctiveness: **Those features of the tank extension depicted in the representations that are new and distinctive are the shape and/or configuration. The features shown in broken lines are not part of the design and are to be disregarded when considering the overall impression of the design.**



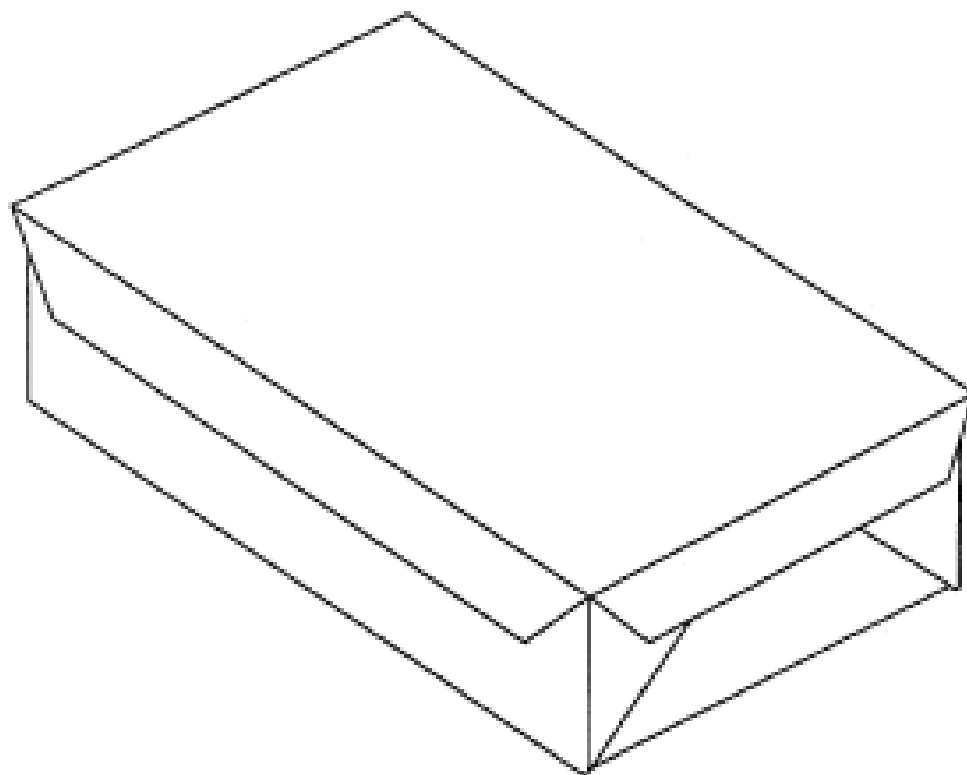
- (21) Design Number: **14685/2010**
(22) Date of Filing Application: **28 October 2010**
(24) Date from which industrial property rights may have effect: **28 October 2010**
(54) Product in respect of which the design is registered: **Hanging screen**
(51) International Design Classification: **11-02F, 05-06NES, 06-12**
(71) Name(s) and Address(s) of Applicant(s):
Meriam Salama trading as Twenty Six Letters
3/5 Gnarwyn Road Carnegie Victoria 3163 Australia
Marianne Sourial trading as Twenty Six Letters
3/5 Gnarwyn Road Carnegie Victoria 3163 Australia
(72) Name(s) of Designer(s): **Meriam Salama and Marianne Sourial**
(45) Registration Date: **22 December 2010**
(56) Related Art Documents: **Not Applicable**
(57) Statement of Newness and Distinctiveness: **Newness and distinctiveness is claimed in the features of shape, configuration, pattern and ornamentation of the cut-outs of the HANGING SCREEN as illustrated in the accompanying representations.**



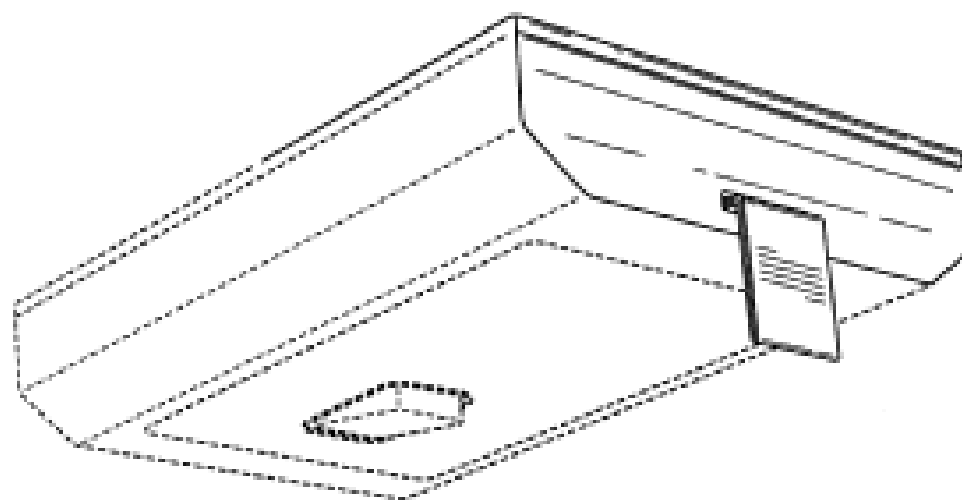
- (21) Design Number: **14688/2010**
(22) Date of Filing Application: **28 October 2010**
(24) Date from which industrial property rights may have effect: **28 October 2010**
(54) Product in respect of which the design is registered: **Hanging screen**
(51) International Design Classification: **11-02F, 05-06NES, 06-12**
(71) Name(s) and Address(s) of Applicant(s):
Meriam Salama trading as Twenty Six Letters
3/5 Gnarwyn Road Carnegie Victoria 3163 Australia
Marianne Sourial trading as Twenty Six Letters
3/5 Gnarwyn Road Carnegie Victoria 3163 Australia
(72) Name(s) of Designer(s): **Meriam Salama and Marianne Sourial**
(45) Registration Date: **22 December 2010**
(56) Related Art Documents: **Not Applicable**
(57) Statement of Newness and Distinctiveness: **Newness and distinctiveness is claimed in the features of shape, configuration, pattern and ornamentation of the cut-outs of the HANGING SCREEN as illustrated in the accompanying representations.**



- (21) Design Number: **14920/2010**
(22) Date of Filing Application: **12 November 2010**
(24) Date from which industrial property rights may have effect: **12 November 2010**
(54) Product in respect of which the design is registered: **Linerless carton for food**
(51) International Design Classification: **09-03M**
(71) Name(s) and Address(s) of Applicant(s):
Visy R & D Pty Ltd
Level 11 2 Southbank Boulevard Southbank Victoria 3006 Australia
Chillquest Pty Ltd
34 Healy Court Mudgeeraba Queensland 4213 Australia
(72) Name(s) of Designer(s): **Deane Howard**
(45) Registration Date: **22 December 2010**
(56) Related Art Documents: **Not Applicable**
(57) Statement of Newness and Distinctiveness: **The features of shape and configuration of the carton shown in the accompanying representations are considered to be new and distinctive.**



- (21) Design Number: **15173/2010**
(22) Date of Filing Application: **25 November 2010**
(24) Date from which industrial property rights may have effect: **25 November 2010**
(54) Product in respect of which the design is registered: **Housing for a memory device**
(51) International Design Classification: **14-02**
(71) Name(s) and Address(s) of Applicant(s):
Microsoft Corporation
One Microsoft Way Redmond Washington 98052 United States of America
(72) Name(s) of Designer(s): **Carl J. Ledbetter and Dustin R. Brown**
(45) Registration Date: **22 December 2010**
(30) Convention priority data:
(31) Number (32) Date (33) Country
29/362454 25 May 2010 UNITED STATES OF AMERICA
(56) Related Art Documents: **Not Applicable**
(57) Statement of Newness and Distinctiveness: **Newness and distinctiveness reside in the shape and/or configuration of the housing for a memory device, as illustrated by solid lines in the accompanying representations. The features shown in broken or discontinuous lines are for illustrative purposes only and do not form part of the design.**



(21) Design Number: **15182/2010**
(22) Date of Filing Application: **26 November 2010**
(24) Date from which industrial property rights may have effect: **26 November 2010**
(54) Product in respect of which the design is registered: **Electric grill**
(51) International Design Classification: **07-02H**
(71) Name(s) and Address(s) of Applicant(s):

Pi-Design AG
Kantonsstrasse 100 6234 Triengen Switzerland

(72) Name(s) of Designer(s): **Jorgen Bodum**

(45) Registration Date: **22 December 2010**

(30) Convention priority data:

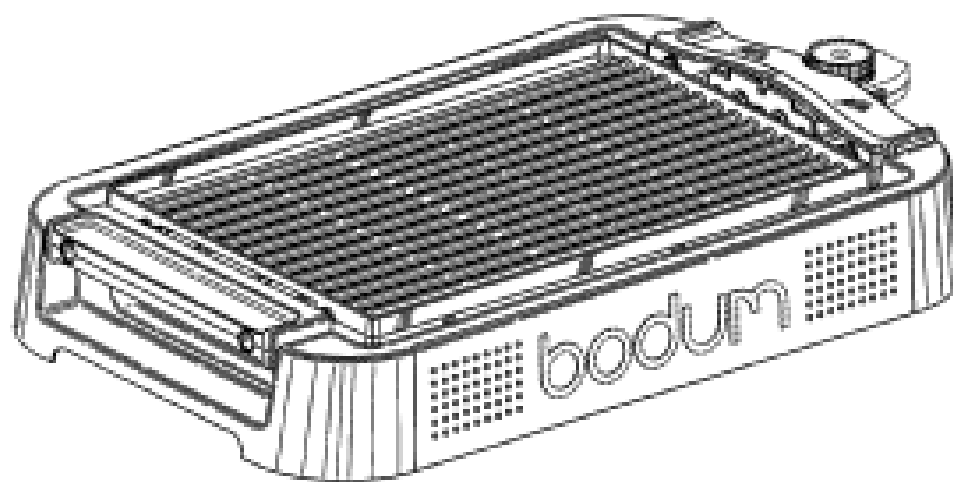
(31) Number
DM/073 816

(32) Date
02 Jun 2010

(33) Country
**WORLD INTELLECTUAL
PROPERTY ORGANIZATION
(WIPO)**

(56) Related Art Documents: **Not Applicable**

(57) Statement of Newness and Distinctiveness: **Nil**



(21) Design Number: **15183/2010**
(22) Date of Filing Application: **26 November 2010**
(24) Date from which industrial property rights may have effect: **26 November 2010**
(54) Product in respect of which the design is registered: **Tire**
(51) International Design Classification: **12-15A**
(71) Name(s) and Address(s) of Applicant(s):

Cooper Tire & Rubber Company
701 Lima Avenue Findlay Ohio 45840 United States of America

(72) Name(s) of Designer(s): **Carl E. Cole and Christopher D. Grote**

(45) Registration Date: **22 December 2010**

(30) Convention priority data:

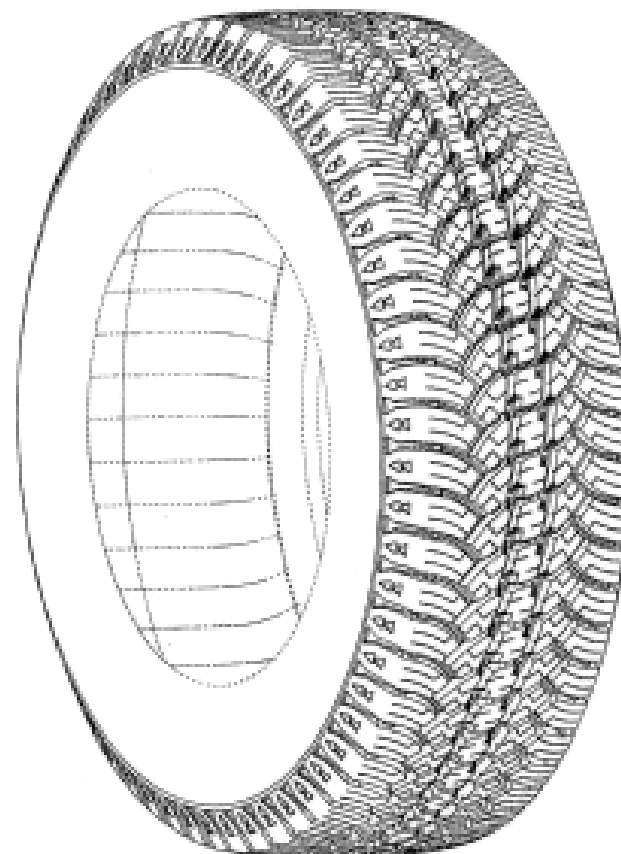
(31) Number
29/370,134

(32) Date
08 Jun 2010

(33) Country
UNITED STATES OF AMERICA

(56) Related Art Documents: **Not Applicable**

(57) Statement of Newness and Distinctiveness: **Those features of the tire depicted in the representations that are new and distinctive are the shape and/or configuration of the tread of the tire. The features shown in broken line are not part of the design and are to be disregarded when considering the overall impression of the design.**



- (21) Design Number: **15184/2010**
- (22) Date of Filing Application: **26 November 2010**
- (24) Date from which industrial property rights may have effect: **26 November 2010**
- (54) Product in respect of which the design is registered: **Tire**
- (51) International Design Classification: **12-15A**
- (71) Name(s) and Address(s) of Applicant(s):

Cooper Tire & Rubber Company
701 Lima Avenue Findlay Ohio 45840 United States of America

- (72) Name(s) of Designer(s): **Carl E. Cole and Christopher D. Grote**

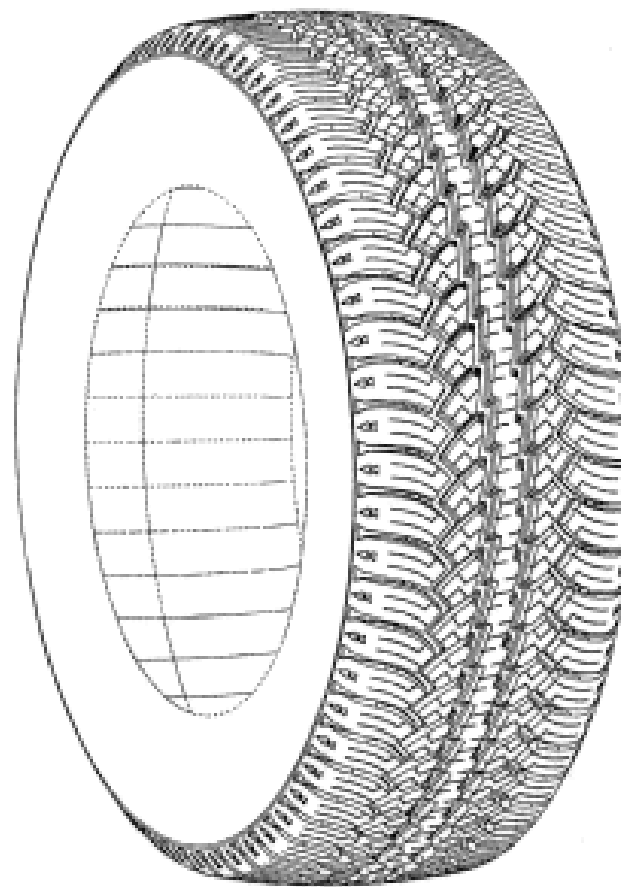
- (45) Registration Date: **22 December 2010**

- (30) Convention priority data:

(31) Number	(32) Date	(33) Country
29/370,135	08 Jun 2010	UNITED STATES OF AMERICA

- (56) Related Art Documents: **Not Applicable**

- (57) Statement of Newness and Distinctiveness: **Those features of the tire depicted in the representations that are new and distinctive are the shape and/or configuration of the tread of the tire. The features shown in broken line are not part of the design and are to be disregarded when considering the overall impression of the design.**



- (21) Design Number: **15185/2010**
- (22) Date of Filing Application: **26 November 2010**
- (24) Date from which industrial property rights may have effect: **26 November 2010**
- (54) Product in respect of which the design is registered: **Tire**
- (51) International Design Classification: **12-15A**
- (71) Name(s) and Address(s) of Applicant(s):

Cooper Tire & Rubber Company
701 Lima Avenue Findlay Ohio 45840 United States of America

- (72) Name(s) of Designer(s): **James R. Fleckner**

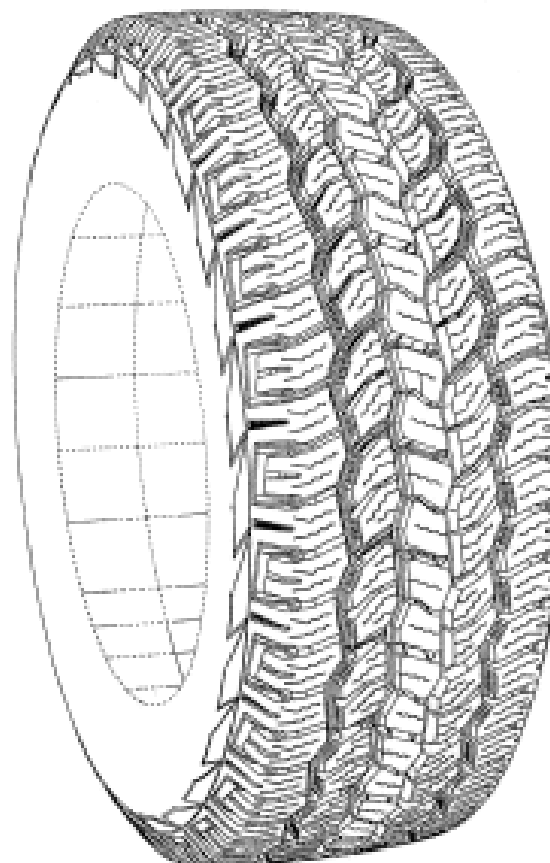
- (45) Registration Date: **22 December 2010**

- (30) Convention priority data:

(31) Number	(32) Date	(33) Country
29/370,358	06 Jul 2010	UNITED STATES OF AMERICA

- (56) Related Art Documents: **Not Applicable**

- (57) Statement of Newness and Distinctiveness: **Those features of the tire depicted in the representations that are new and distinctive are the shape and/or configuration of the tread of the tire. The features shown in broken line are not part of the design and are to be disregarded when considering the overall impression of the design.**



(21) Design Number: **15186/2010**
 (22) Date of Filing Application: **26 November 2010**
 (24) Date from which industrial property rights may have effect: **26 November 2010**
 (54) Product in respect of which the design is registered: **Tire**
 (51) International Design Classification: **12-15B**
 (71) Name(s) and Address(s) of Applicant(s):

Cooper Tire & Rubber Company
701 Lima Avenue Findlay Ohio 45840 United States of America

(72) Name(s) of Designer(s): **Jeremy J. Jacobs**

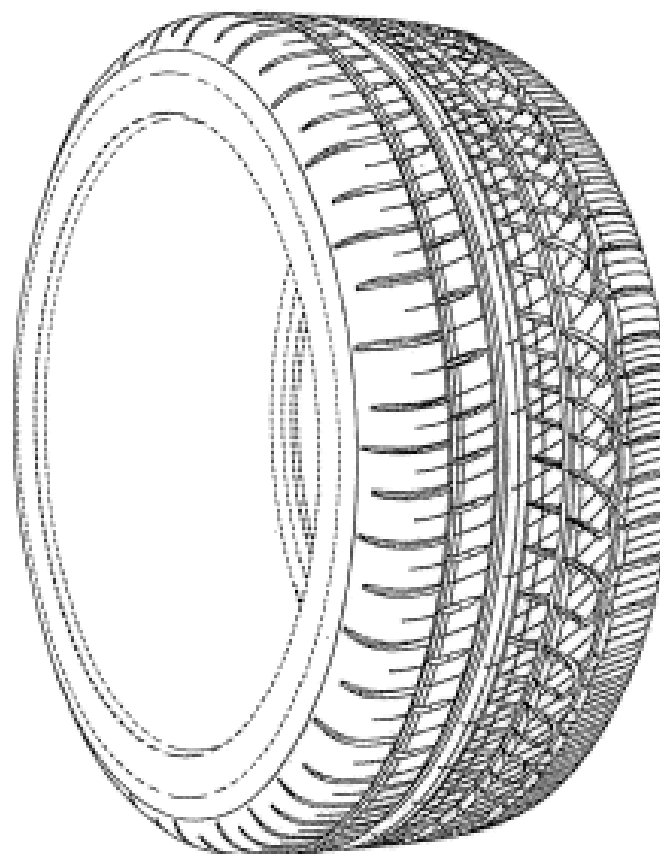
(45) Registration Date: **22 December 2010**

(30) Convention priority data:

(31) Number	(32) Date	(33) Country
29/370,511	28 Jul 2010	UNITED STATES OF AMERICA

(56) Related Art Documents: **Not Applicable**

(57) Statement of Newness and Distinctiveness: **Those features of the tire depicted in the representations that are new and distinctive are the shape and/or configuration of the tread of the tire. The features shown in broken line are not part of the design and are to be disregarded when considering the overall impression of the design.**



(21) Design Number: **13911/2010**
 (22) Date of Filing Application: **10 September 2010**
 (24) Date from which industrial property rights may have effect: **10 September 2010**
 (54) Product in respect of which the design is registered: **Dry powder inhaler**
 (51) International Design Classification: **24-04**
 (71) Name(s) and Address(s) of Applicant(s):

Oriel Therapeutics, Inc.
630 Davis Drive Suite 120 Durham NC 27713 United States of America

(72) Name(s) of Designer(s): **Thomas W. Ruckdeschel and Charles Buckner and Jerome A. Grunstad and Cyan Godfrey and Daniel Deaton and Andrew J. Valentine and Margaret F. Butler**

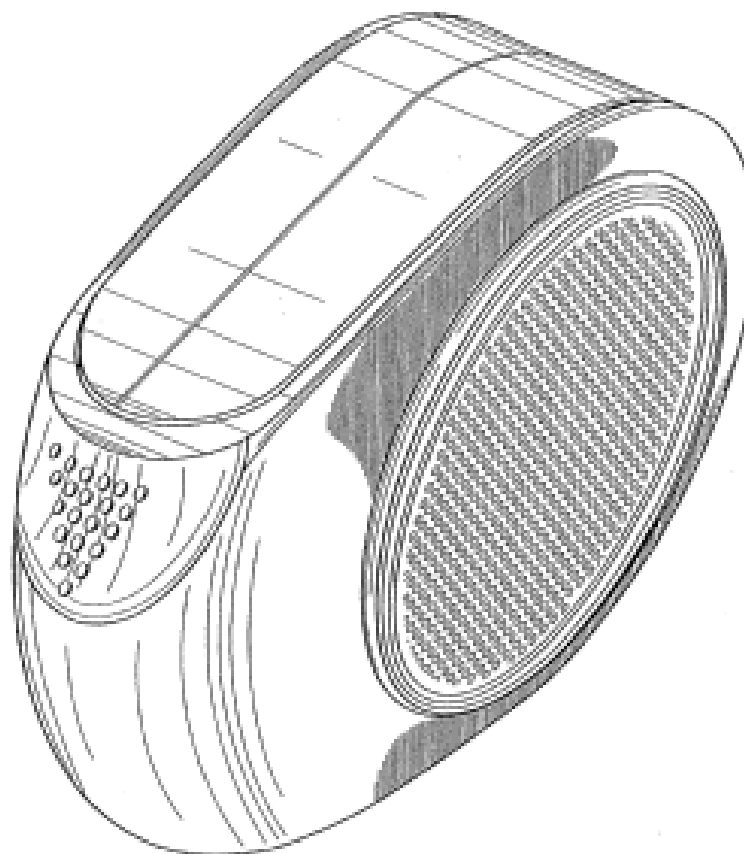
(45) Registration Date: **22 December 2010**

(30) Convention priority data:

(31) Number	(32) Date	(33) Country
29/358,433	26 Mar 2010	UNITED STATES OF AMERICA

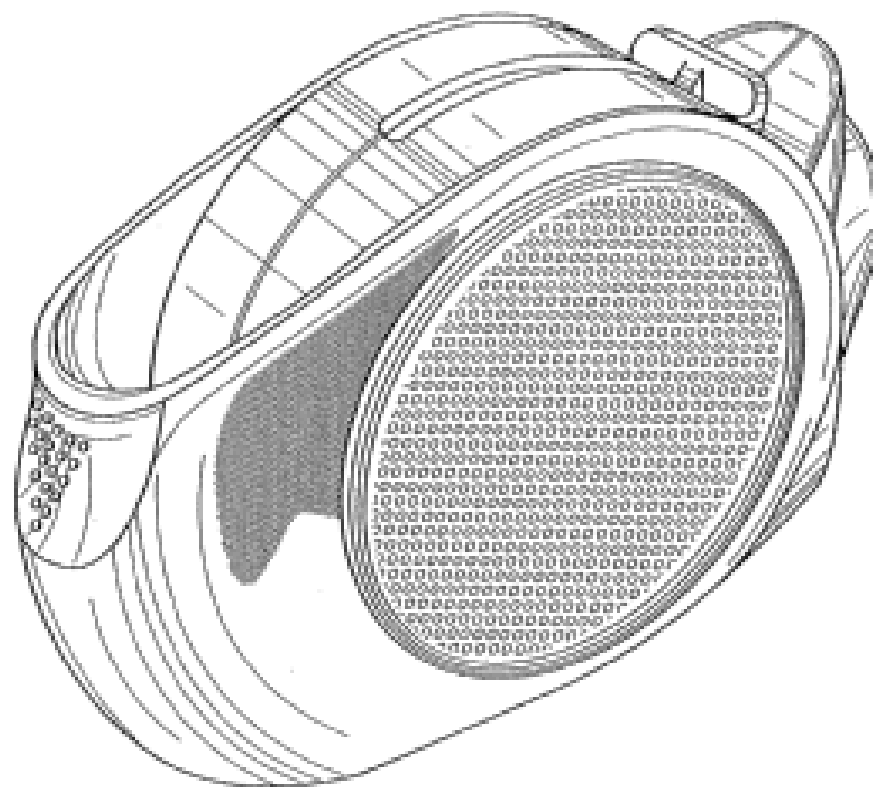
(56) Related Art Documents: **Not Applicable**

(57) Statement of Newness and Distinctiveness: **Nil**



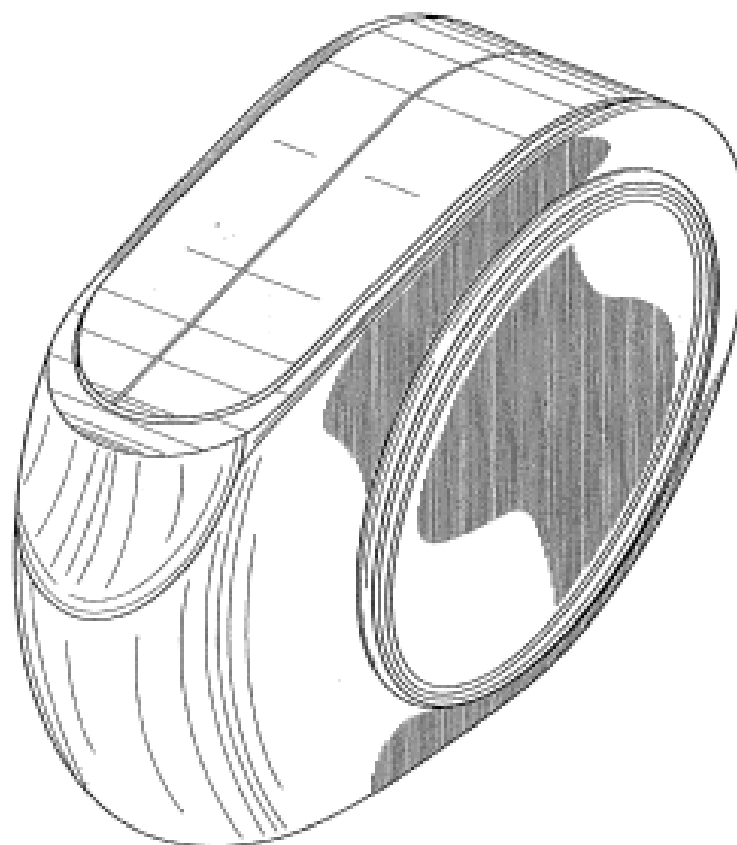
- (21) Design Number: **14861/2010**
- (22) Date of Filing Application: **10 September 2010**
- (24) Date from which industrial property rights may have effect: **10 September 2010**
- (54) Product in respect of which the design is registered: **Dry powder inhaler**
- (51) International Design Classification: **24-04**
- (71) Name(s) and Address(s) of Applicant(s):
Oriel Therapeutics, Inc.
630 Davis Drive Suite 120 Durham NC 27713 United States of America
- (72) Name(s) of Designer(s): **Thomas W. Ruckdeschel and Daniel Deaton and Charles Buckner and Jerome A. Grunstad and Cyan Godfrey and Andrew J. Valentine and Margaret F. Butler**
- (45) Registration Date: **22 December 2010**
- (30) Convention priority data:

(31) Number	(32) Date	(33) Country
29/358,433	26 Mar 2010	UNITED STATES OF AMERICA
- (56) Related Art Documents: **Not Applicable**
- (57) Statement of Newness and Distinctiveness: **Nil**

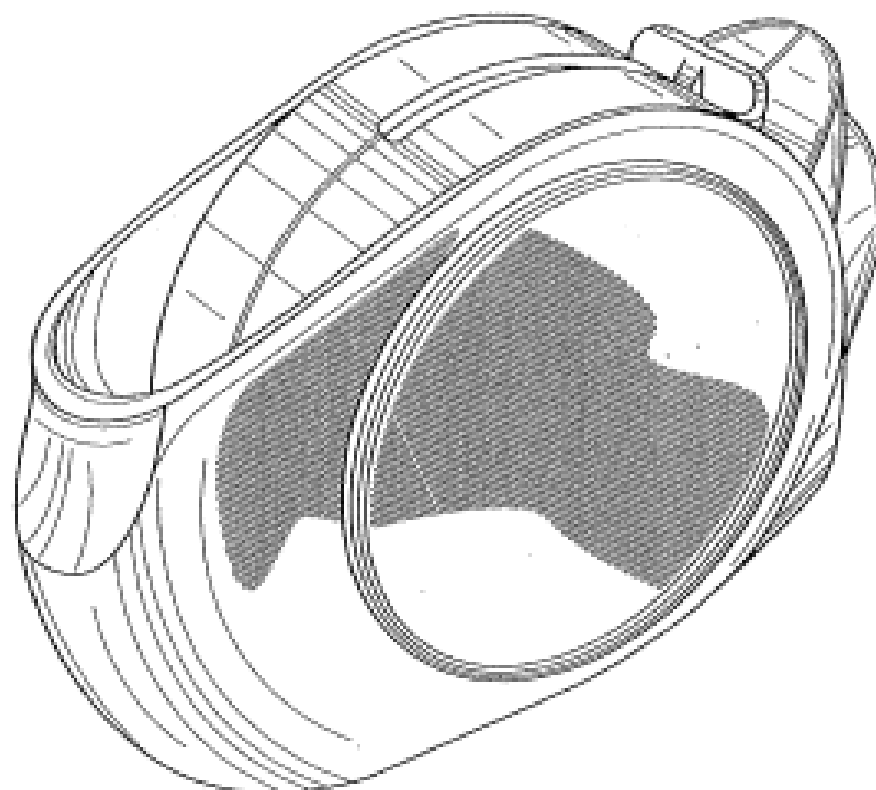


- (21) Design Number: **14862/2010**
- (22) Date of Filing Application: **10 September 2010**
- (24) Date from which industrial property rights may have effect: **10 September 2010**
- (54) Product in respect of which the design is registered: **Dry powder inhaler**
- (51) International Design Classification: **24-04**
- (71) Name(s) and Address(s) of Applicant(s):
Oriel Therapeutics, Inc.
630 Davis Drive Suite 120 Durham NC 27713 United States of America
- (72) Name(s) of Designer(s): **Thomas W. Ruckdeschel and Charles Buckner and Jerome A. Grunstad and Cyan Godfrey and Daniel Deaton and Andrew J. Valentine and Margaret F. Butler**
- (45) Registration Date: **22 December 2010**
- (30) Convention priority data:

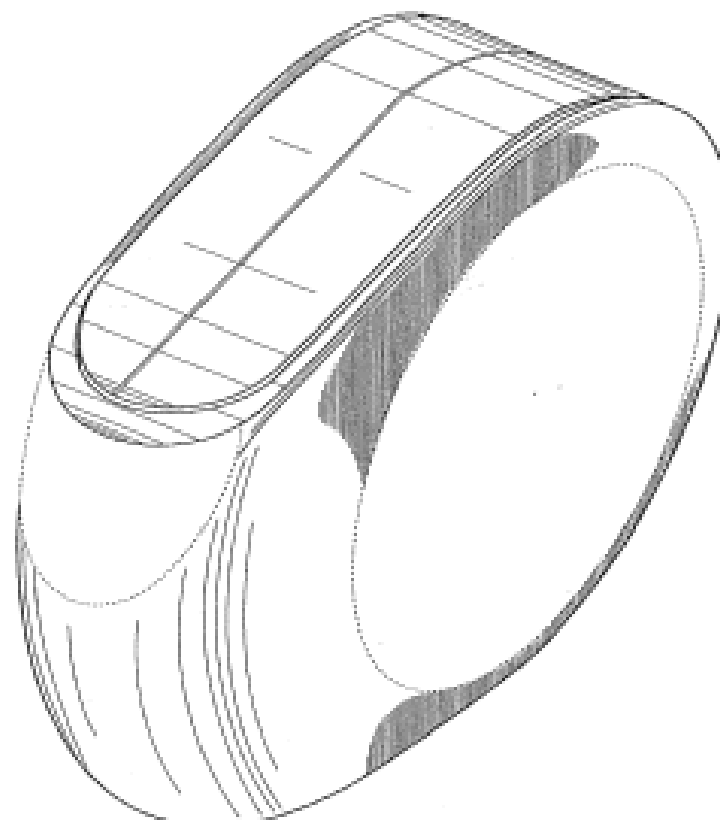
(31) Number	(32) Date	(33) Country
29/358,433	26 Mar 2010	UNITED STATES OF AMERICA
- (56) Related Art Documents: **Not Applicable**
- (57) Statement of Newness and Distinctiveness: **Nil**



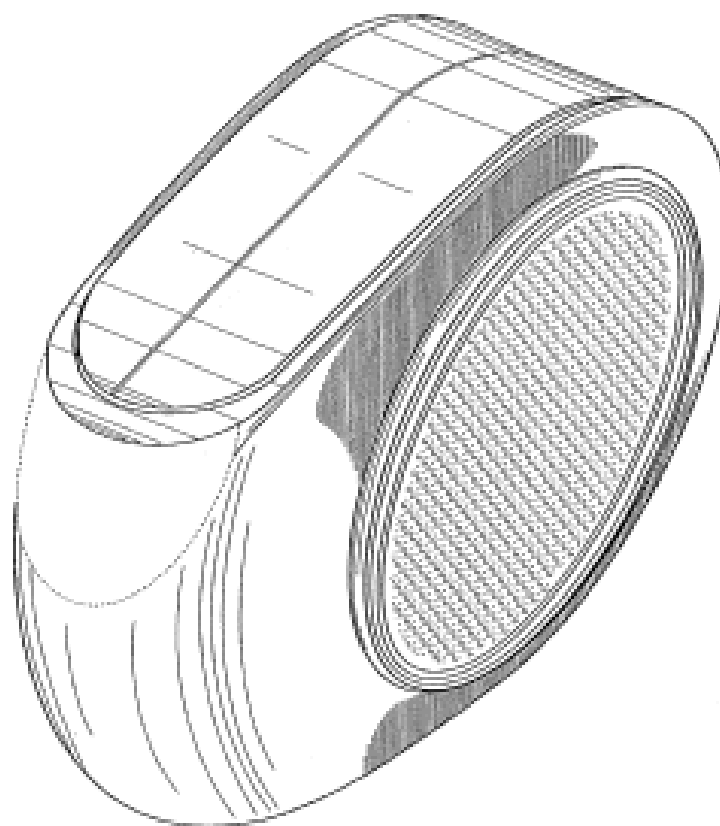
(21) Design Number: **14863/2010**
(22) Date of Filing Application: **10 September 2010**
(24) Date from which industrial property rights may have effect: **10 September 2010**
(54) Product in respect of which the design is registered: **Dry powder inhaler**
(51) International Design Classification: **24-04**
(71) Name(s) and Address(s) of Applicant(s):
Oriel Therapeutics, Inc.
630 Davis Drive Suite 120 Durham NC 27713 United States of America
(72) Name(s) of Designer(s): **Thomas W. Ruckdeschel and Charles Buckner and Jerome A. Grunstad and Cyan Godfrey and Daniel Deaton and Andrew J. Valentine and Margaret F. Butler**
(45) Registration Date: **22 December 2010**
(30) Convention priority data:
(31) Number (32) Date (33) Country
29/358,433 26 Mar 2010 UNITED STATES OF AMERICA
(56) Related Art Documents: **Not Applicable**
(57) Statement of Newness and Distinctiveness: **Nil**



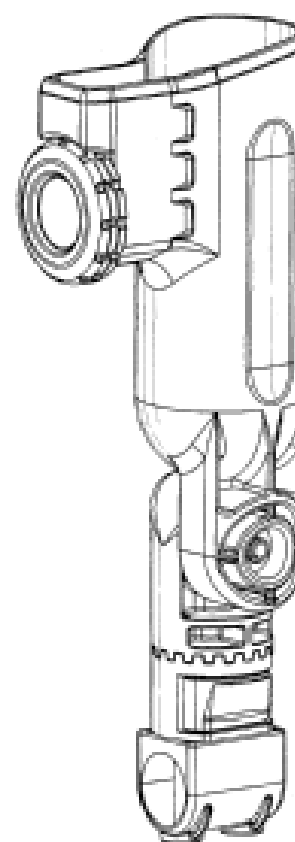
(21) Design Number: **14864/2010**
(22) Date of Filing Application: **10 September 2010**
(24) Date from which industrial property rights may have effect: **10 September 2010**
(54) Product in respect of which the design is registered: **Dry powder inhaler**
(51) International Design Classification: **24-04**
(71) Name(s) and Address(s) of Applicant(s):
Oriel Therapeutics, Inc.
630 Davis Drive Suite 120 Durham NC 27713 United States of America
(72) Name(s) of Designer(s): **Thomas W. Ruckdeschel and Charles Buckner and Jerome A. Grunstad and Cyan Godfrey and Daniel Deaton and Andrew J. Valentine and Margaret F. Butler**
(45) Registration Date: **22 December 2010**
(30) Convention priority data:
(31) Number (32) Date (33) Country
29/358,433 26 Mar 2010 UNITED STATES OF AMERICA
(56) Related Art Documents: **Not Applicable**
(57) Statement of Newness and Distinctiveness: **Nil**



- (21) Design Number: **14865/2010**
(22) Date of Filing Application: **10 September 2010**
(24) Date from which industrial property rights may have effect: **10 September 2010**
(54) Product in respect of which the design is registered: **Dry powder inhaler**
(51) International Design Classification: **24-04**
(71) Name(s) and Address(s) of Applicant(s):
Oriel Therapeutics, Inc.
630 Davis Drive Suite 120 Durham NC 27713 United States of America
(72) Name(s) of Designer(s): **Thomas W. Ruckdeschel and Charles Buckner and Jerome A. Grunstad and Cyan Godfrey and Daniel Deaton and Andrew J. Valentine and Margaret F. Butler**
(45) Registration Date: **22 December 2010**
(30) Convention priority data:
(31) Number (32) Date (33) Country
29/358,433 26 Mar 2010 UNITED STATES OF AMERICA
(56) Related Art Documents: **Not Applicable**
(57) Statement of Newness and Distinctiveness: **Nil**



- (21) Design Number: **12787/2010**
(22) Date of Filing Application: **06 July 2010**
(24) Date from which industrial property rights may have effect: **06 July 2010**
(54) Product in respect of which the design is registered: **Umbrella holder**
(51) International Design Classification: **06-04NES**
(71) Name(s) and Address(s) of Applicant(s):
Unique Product & Design Co., Ltd.
No. 5 Ming Dong Road Yung Kang City Tainan Hsien Taiwan
(72) Name(s) of Designer(s): **Gordon Liao**
(45) Registration Date: **22 December 2010**
(56) Related Art Documents: **Not Applicable**
(57) Statement of Newness and Distinctiveness: **Novelty resides in the ornamental design for a umbrella holder as shown in the drawings.**



(21) Design Number: **14455/2010**

(22) Date of Filing Application: **15 October 2010**

(24) Date from which industrial property rights may have effect: **15 October 2010**

(54) Product in respect of which the design is registered: **Dispenser housing**

(51) International Design Classification: **09-01A**

(71) Name(s) and Address(s) of Applicant(s):

**S.C. Johnson & Son, Inc.
1525 Howe Street Racine Wisconsin 53403 United States of America**

(72) Name(s) of Designer(s): **Matthew Abbondanzio and George Kyaw Maung Aye and Andrew Michael Brooks and Jeffrey Allen Gershune and Joseph Thomas Graceffa and Maria Dora Lalli and David Brian Seal**

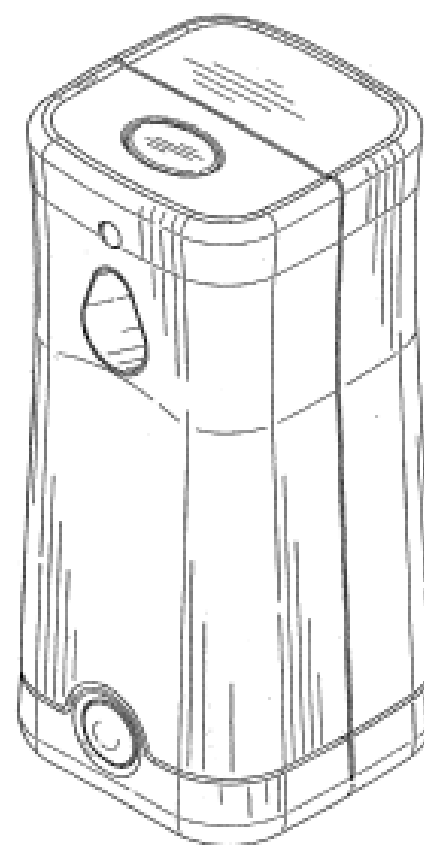
(45) Registration Date: **22 December 2010**

(30) Convention priority data:

(31) Number	(32) Date	(33) Country
29/359828	15 Apr 2010	UNITED STATES OF AMERICA

(56) Related Art Documents: **Not Applicable**

(57) Statement of Newness and Distinctiveness: **Newness and distinctiveness is claimed in those features of shape and/or configuration of a dispenser housing as illustrated in continuous lines in the accompanying representations.**



(21) Design Number: **14939/2010**

(22) Date of Filing Application: **12 November 2010**

(24) Date from which industrial property rights may have effect: **12 November 2010**

(54) Product in respect of which the design is registered: **Face mask including a mouth piece**

(51) International Design Classification: **21-02D**

(71) Name(s) and Address(s) of Applicant(s):

**John Scerri
28 Capricorn Street Bentley Park Queensland 4869 Australia**

(72) Name(s) of Designer(s): **John Scerri**

(45) Registration Date: **22 December 2010**

(56) Related Art Documents: **Not Applicable**

(57) Statement of Newness and Distinctiveness: **Newness and distinctiveness reside in the shape, configuration, pattern and or ornamentation of the face mask including a mouth piece as illustrated in the representations. The features having broken lines are to be disregarded for consideration of the scope of the design.**



(21) Design Number: **15178/2010**
(22) Date of Filing Application: **26 November 2010**
(24) Date from which industrial property rights may have effect: **26 November 2010**
(54) Product in respect of which the design is registered: **Bread basket and cloth insert**

(51) International Design Classification: **09-04, 06-13A**

(71) Name(s) and Address(s) of Applicant(s):

Pi-Design AG
Kantonsstrasse 100 6234 Triengen Switzerland

(72) Name(s) of Designer(s): **Jorgen Bodum**

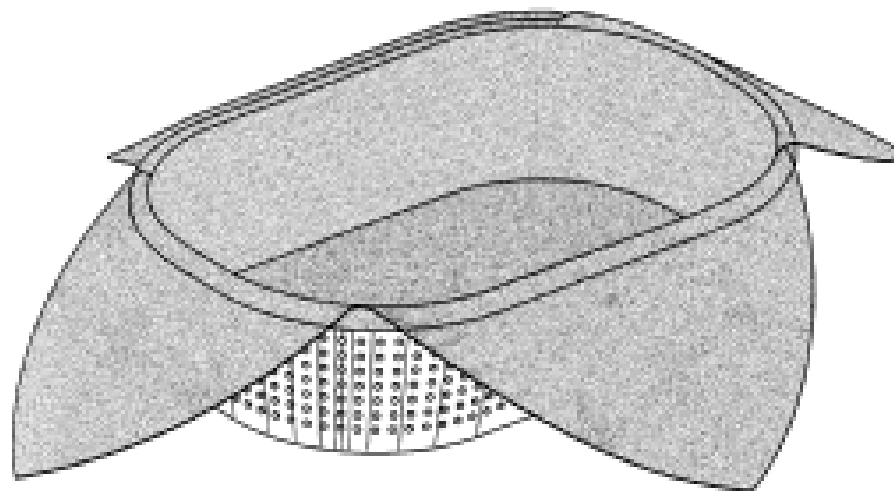
(45) Registration Date: **22 December 2010**

(30) Convention priority data:

(31) Number	(32) Date	(33) Country
DM/073 787	27 May 2010	WORLD INTELLECTUAL PROPERTY ORGANIZATION (WIPO)

(56) Related Art Documents: **Not Applicable**

(57) Statement of Newness and Distinctiveness: **The following visual features of the design are new and distinctive: The combination of a bread basket and cloth insert for bread basket together.**



(21) Design Number: **15179/2010**
(22) Date of Filing Application: **26 November 2010**
(24) Date from which industrial property rights may have effect: **26 November 2010**
(54) Product in respect of which the design is registered: **Telephone**

(51) International Design Classification: **14-03E**

(71) Name(s) and Address(s) of Applicant(s):

Sagemcom Broadband SAS
250 route de l'Empereur 92500 Rueil Malmaison France

(72) Name(s) of Designer(s): **Olivier Scala**

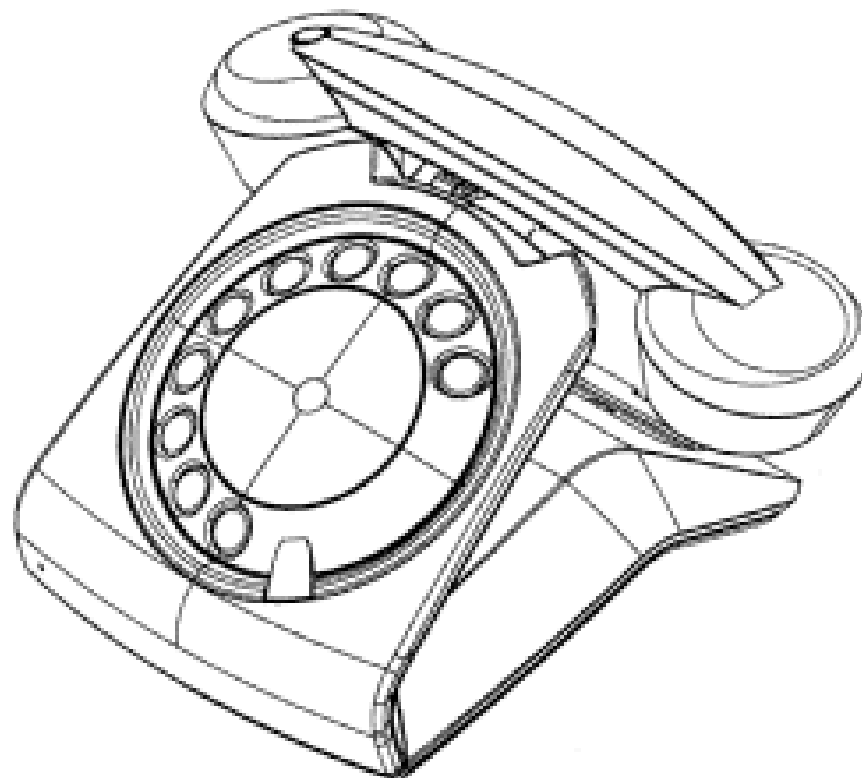
(45) Registration Date: **22 December 2010**

(30) Convention priority data:

(31) Number	(32) Date	(33) Country
001217590-0002	02 Jun 2010	EUROPEAN COMMUNITY

(56) Related Art Documents: **Not Applicable**

(57) Statement of Newness and Distinctiveness: **Newness and distinctiveness reside in the features of the design as shown in the representations.**



- (21) Design Number: **15180/2010**
(22) Date of Filing Application: **29 November 2010**
(24) Date from which industrial property rights may have effect: **29 November 2010**
(54) Product in respect of which the design is registered: **Wooden didgeridoo stand**
(51) International Design Classification: **06-06NES**
(71) Name(s) and Address(s) of Applicant(s):
Alison Vasiliou
10 Peacock Street Brunswick West Victoria 3055 Australia
Thomas Vasiliou
10 Peacock Street Brunswick West Victoria 3055 Australia
(72) Name(s) of Designer(s): **Alison Vasiliou and Thomas Vasiliou**
(45) Registration Date: **22 December 2010**
(56) Related Art Documents: **Not Applicable**
(57) Statement of Newness and Distinctiveness: **Didgeridoo stand in the shape of a map of Australia.**



- (21) Design Number: **14799/2010**
(22) Date of Filing Application: **08 November 2010**
(24) Date from which industrial property rights may have effect: **08 November 2010**
(54) Product in respect of which the design is registered: **Target**
(51) International Design Classification: **22-04**
(71) Name(s) and Address(s) of Applicant(s):
Laporte Holding
357 Allee Du Val De Pome 06410 Biot France
(72) Name(s) of Designer(s): **Jean-Michel Laporte and Jean-Marc Fouques**
(45) Registration Date: **22 December 2010**
(30) Convention priority data:

(31) Number	(32) Date	(33) Country
001705260	06 May 2010	EUROPEAN COMMUNITY

(56) Related Art Documents: **Not Applicable**
(57) Statement of Newness and Distinctiveness: **Newness and distinctiveness resides in the shape and/or configuration and the pattern and/or ornament created by the tonal contrast of the colours applied to the target as shown in the accompanying representations.**



(21) Design Number: **15207/2010**
(22) Date of Filing Application: **30 November 2010**
(24) Date from which industrial property rights may have effect: **30 November 2010**
(54) Product in respect of which the design is registered: **Inflatable amusement device, plaything, jumping castle, interactive inflatable**
(51) International Design Classification: **21-03**
(71) Name(s) and Address(s) of Applicant(s):
Jay A. Maxwell
5 Savannah Place Erskine Park New South Wales 2759 Australia
(72) Name(s) of Designer(s): **Jay A. Maxwell**
(45) Registration Date: **22 December 2010**
(56) Related Art Documents: **Not Applicable**
(57) Statement of Newness and Distinctiveness: **Nil**



(21) Design Number: **15209/2010**
(22) Date of Filing Application: **30 November 2010**
(24) Date from which industrial property rights may have effect: **30 November 2010**
(54) Product in respect of which the design is registered: **A dental hygiene item**
(51) International Design Classification: **24-99**
(71) Name(s) and Address(s) of Applicant(s):
Craig Mathew Erskine-Smith
16/148 Old Pittwater Road Brookvale New South Wales 2065 Australia
(72) Name(s) of Designer(s): **Craig Mathew Erskine-Smith**
(45) Registration Date: **22 December 2010**
(56) Related Art Documents: **Not Applicable**
(57) Statement of Newness and Distinctiveness: **Newness and distinctiveness is claimed in the features of shape and/or configuration of a dental hygiene item as illustrated in the accompanying representations.**

