



Australian Government

IP Australia

AUSTRALIAN OFFICIAL JOURNAL

OF

DESIGNS

Did you know a searchable version of this journal is now available online?

It's FREE and EASY to SEARCH.

Find it at

<http://pericles.ipaustralia.gov.au/ols/epublish/content/olsEpublications.jsp>
or using the "Online Journals" link on the IP Australia home page.

This Page Left Intentionally Blank

Contents

General Information & Notices

Proceedings Under the Designs Act 1906 preserved as a result of the provisions of Chapter 12 Part 2 of the Designs Act 2003

Extension of Period of Registration of Designs	290
Names Registered - Alterations and Amendments	290
Registrations Ceased	290
Subsequent Owners Registered	290

Proceedings Under the Designs Act 2003

Applications Lapsed	297
Applications Lodged	295
Applications Withdrawn	297
Certificate of Examination	300
Extension of Period of Registration of Design	
Extension of Time Granted Under Section 137	298
Names Registered - Alterations and Amendments	299
Publication and Registration Proceedings	
Designs Registered 334586 to 334834.....	301
Registrations Ceased	298
Subsequent Owners Registered	298

This Page Left Intentionally Blank

For information on the following please see our website www.ipaustralia.gov.au or contact our Customer Service Network on 1300651010

[Editorial enquiries](#)

[Contact information](#)

[Freedom of Information ACT](#)

[Professional Standards Board](#)

[Sales](#)

[Requests for Information under Section 194 \(c\)](#)

[Country Codes](#)

[Trade Mark and Designs Hearing Sessions](#)

[INID \(Internationally agreed Numbers for the Identification of Data\)](#)

“INID” NUMBERS in use on Australian Design Documents

“INID” is an acronym for “Internationally agreed Numbers for the Identification of Data”.

(10) Data concerning the registration/renewal

- (11) Serial number of the registration and/or number of the design document
- (12) Plain language designation of the kind of published document
- (19) Identification, using the two-letter code according to WIPO Standard ST.3, of the authority publishing or registering the industrial design

(20) Data concerning the application

- (21) Serial number of the application
- (22) Date of filing of the application
- (24) Date from which the industrial design right has effect

(30) Data relating to priority under the Paris Convention

- (31) Serial number assigned to the priority application
- (32) Date of filing of the priority application
- (33) Two-letter code, according to WIPO Standard ST.3, identifying the authority with which the priority application was made

(40) Date(s) of making information available to the public

- (45) Date of publication of the registered industrial design by printing or similar process, or making it available to the public by any other means

(50) Miscellaneous Information

- (51) International Classification for Industrial Designs (class and subclass of the Locarno Classification)
- (54) Designation of article(s) or product(s) covered by the industrial design or title of the industrial design
- (55) Reproduction of the industrial design (e.g., drawing, photograph) and explanations relating to the reproduction
- (56) List of prior art documents, if separate from descriptive text
- (57) Description of characteristic features of the industrial design including indication of colours

(60) References to other legally related application(s) and registration(s)

- (62) Serial number(s) and, if available, filing date(s) of application(s), registration(s) or document(s) related by division
- (66) Serial number(s) of the application, or the registration, of the design(s) which is (are) a variant(s) of the present one

(70) Identification of parties concerned with the application or registration

- (71) Name(s) and address(es) of the applicant(s)
- (72) Name(s) of the creator(s) if known to be such
- (74) Name(s) and address(es) of the representative(s)

This Page Left Intentionally Blank

Official Notice**Declaration of a day or days when the Brisbane Office is taken not to be open for business**

On 11th January 2011, the Brisbane Office is not open for business owing to local flooding and will not open until further notice.

On 11th January 2011, the Director General of IP Australia declared that the Brisbane Office is taken not to be open for business on 11th January 2011. A copy of the declaration is below.

This declaration is made under the close-down provisions in the designs, olympic insignia protection, patents, plant breeder's rights and trade marks legislation. The close-down provisions govern the effect of the Designs Office, the Patent Office, the PBR Office and the Trade Marks Office in Canberra or any of their IP Lodgement Points not being open for business. They allow the Director General's declaration to be made before, on or after the day on which the relevant office is taken not to be open for business.

For more information on the effect of the close-down provisions, please see the Official Notices of 23 March 2007 titled *Intellectual Property Legislation Amendment Regulations 2007 (No. 1)* and *The new close-down provisions in the trade marks legislation* available on [IP Australia's website](#).

Contact: IP Australia
Phone: 1300 651 010
Fax: +61 2 6283 7999
E-mail: assist@ipaustrialia.gov.au
Web: www.ipaustrialia.gov.au

Official Notice**Declaration of a day or days when the Brisbane Office is taken not to be open for business**

On 14th January 2011, the Director General of IP Australia declared that the Brisbane Office is taken not to be open for business on 17th January 2011. A copy of the declaration is below.

This declaration is made under the close-down provisions in the designs, olympic insignia protection, patents, plant breeder's rights and trade marks legislation. The close-down provisions govern the effect of the Designs Office, the Patent Office, the PBR Office and the Trade Marks Office in Canberra or any of their IP Lodgement Points not being open for business. They allow the Director General's declaration to be made before, on or after the day on which the relevant office is taken not to be open for business.

For more information on the effect of the close-down provisions, please see the Official Notices of 23 March 2007 titled *Intellectual Property Legislation Amendment Regulations 2007 (No. 1)* and *The new close-down provisions in the trade marks legislation* available on IP Australia's website through the page www.ipaustralia.gov.au/resources/officialnotices.shtml.

Contact: IP Australia
Phone: 1300 651 010
Fax: +61 2 6283 7999
E-mail: assist@ipaustralia.gov.au

Official Notice

**Designs Act 2003
Correction of Register**

A request under Regulation 9.05 (2) (a) of the *Designs Regulation 2004* has been made by the registered owner of Design Registration No. **331599** to add Sean Innis as co-designer and joint owner of the registration.

Any interested person may give notice to the Registrar that he or she opposes the amendment. This notice must be given within 1 month after 3 February 2011.

Address for Service: Griffith Hack Level 19 109 St Georges Terrace
PERTH WA 6000

Contact: IP Australia
Phone: 1300 651 010
Fax: +61 2 6283 7999
E-Mail: assist@ipaaustralia.gov.au
Web: www.ipaustralia.gov.au

Queries: Contact: Gary Flint
Trade Marks and Designs Administration
+61 2 6283 2023

Proceedings under the Designs Act 1906 preserved as a result of the provisions of Chapter 12 Part 2 of the Designs Act 2003.

This Page Left Intentionally Blank

Applications Lapsed

There were no Applications Lapsed under this section

Extension of Period of Registration of Designs

1st Period (Section 27A(8))

2nd Period (Section 27A(12))

3rd Period (Section 27A(13))

140082	140202	140869
141198	141253	141290
141291	141292	141293
141323	141324	141358
141468	141469	141470
141689	141755	141878
142155	142156	142157
142158	142274	142376
142441	142501	142636
142658	142667	142865
143389	144147	145165
145429	145974	145975
145976	146119	151518
151519		

Subsequent Owners Registered

	Aktiengesellschaft
131304	(Motorola Mobility, Inc.) Motorola Inc.
137020	(Motorola Mobility, Inc.) Motorola Inc.
143116	(Motorola Mobility, Inc.) Motorola Inc.
142823	(Ideal Standard International BVBA) Ideal-Standard G.m.b.H. & Co. OHG
142824	(Ideal Standard International BVBA) Ideal-Standard G.m.b.H. & Co. OHG
142825	(Ideal Standard International BVBA) Ideal-Standard G.m.b.H. & Co. OHG
142826	(Ideal Standard International BVBA) Ideal-Standard G.m.b.H. & Co. OHG

Names Registered - Alterations and Amendments

(The name in parentheses is the new name of the proprietor)

127949	(Siemens Aktiengesellschaft) Mannesmann VDO AG
127950	(Siemens Aktiengesellschaft) Mannesmann VDO AG
127951	(Siemens Aktiengesellschaft) Mannesmann VDO AG
146388	(Siemens Aktiengesellschaft) Mannesmann VDO A.G.

Registrations Ceased

Note: Some of the following Registrations may have been previously advertised as ceased. In this instance, the previous advertisement still prevails.

124427	124428	124429
124467	124488	124617
124846	124903	125042
125062	125314	125315
127303	128593	137937
138491	138667	139495
139496	139744	139824
141846	142612	143062
143842	143961	150684

Subsequent Owners Registered

(The name in parentheses is that of the subsequent owner)

148953	(Crab'n Gear Pty Ltd) Sandra Joy Conroy;Michael Jon Conroy
126722	(Ecolab Pty Ltd) Campbell Brothers Limited
141012	(Simon Knowles) Alexander James Witney
146388	(Continental Automotive GmbH) Siemens Aktiengesellschaft
127949	(Continental Automotive GmbH) Siemens Aktiengesellschaft
127950	(Continental Automotive GmbH) Siemens Aktiengesellschaft
127951	(Continental Automotive GmbH) Siemens

This Page Left Intentionally Blank

Proceedings under the Designs Act 2003.

This Page Left Intentionally Blank

Applications Lodged

Lodgement information is in the following order: **Applicant's Name**; International Classification, Name of Product, Lodgement Date and **Design Number**. If the applicant claims an earlier priority date under an International Convention, the Convention Country and the associated filing date are shown in parentheses before the Lodgement Date. Divisional information will also appear in parentheses before the Lodgement Date.

Apple Inc.; 14-01, Electronic device, (US, 16 Aug 2010) 21 Jan 2011	10159/2011	Cequent Performance Products, Inc.; 12-05, Integrated winchhead, (US, 11 May 2010) 11 Nov 2010	10120/2011
Asahi Breweries, Ltd; Showa Aluminum Can Corporation; 09-07B, End panel for cans, (JP, 15 Jul 2010) 12 Jan 2011	10080/2011	Chenoweth, Charles Philip Ernest; 06-01E, 06-03B, Stool or table. By varying principally the column height and the diameter of the top the design becomes more, suitable for either a stool or table, 14 Jan 2011	10115/2011
Asia Pacific Market Development Pty Ltd; 09-01A, Spray bottle, 19 Jan 2011	10126/2011	Coca-Cola Company, The; 09-01H, Bottle, (US, 16 Jul 2010) 14 Jan 2011	10108/2011
Australian Performance Development Pty Ltd; 12-16NES, Air intake snorkel for a vehicle, 12 Jan 2011	10089/2011	Davenport, Rosie; 02-02A, Interchangeable and reversible bikini, 17 Jan 2011	10117/2011
Balneario Y Aguas De Solan De Cabras, S.L.; 09-01NES, Bottle, (EM, 10 May 2010) 10 Nov 2010	10091/2011	Deutsche Extrakt Kaffee GmbH; 09-03M, Transparent container and opaque lid, (WO, 19 Aug 2010) 12 Jan 2011	10085/2011
Balneario Y Aguas De Solan De Cabras, S.L.; 09-01NES, Bottle, (EM, 10 May 2010) 10 Nov 2010	10092/2011	Dezinal Pty Ltd; 08-09, 25-01K, Bi-dold door head insert track, 17 Jan 2011	10141/2011
Bang & Olufsen a/s; 14-01, Loudspeaker, (DK, 04 Aug 2010) 12 Jan 2011	10086/2011	Dezinal Pty Ltd; 08-09, 25-01K, Bi-dold door head, 17 Jan 2011	10140/2011
Beba Enterprises Pty Ltd; 02-02C, 02-02NES, Women's clothing, 11 Jan 2011	10078/2011	DYMO; 14-02, Printer cassette, (Divisional of 14638/2010) 27 Oct 2010	10125/2011
Bilotto, Francis V.; 20-02E, Support member for a display stand, 14 Apr 2010	15712/2010	DYMO; 14-02, Printer cassette, (Divisional of 14638/2010) 27 Oct 2010	10124/2011
Bilotto, Francis V.; 20-02E, Tray with attachment means for a display stand, 14 Apr 2010	15801/2010	Education Projects Pty Ltd; 21-01C, Rubber band powered boat - milk, 11 Jan 2011	10088/2011
Bilotto, Francis V.; 20-02E, Display stand, 14 Apr 2010	15802/2010	Elite Dogstands Ltd; 30-03, Feeding device for animals, (EM, 23 Jul 2010) 20 Jan 2011	10144/2011
Bilotto, Francis V.; 20-02E, Display stand, 14 Apr 2010	15803/2010	Euro Communication Equipements; 14-03A, Bluetooth hands-free car kit to be clipped on the sun visor. Dimensions 125 x 22 x 59mm. Oblong shape, with a squared, side. The microphone is situated on the top, on the round side, and is covered with rubber., 13 Jan 2011	10107/2011
Bilotto, Francis V.; 20-02E, Tray with attachment means for a display stand, 14 Apr 2010	15804/2010	Evans, Sean; Lokaladda Pty Ltd; 08-08D, Clamp, 19 Jan 2011	10123/2011
Bilotto, Francis V.; 20-02E, Tray with attachment means for a display stand, 14 Apr 2010	15805/2010	Everstone International Pty Limited; 25-01F, Tesserae, 19 Jan 2011	10130/2011
Bilotto, Francis V.; 20-02E, Tray with attachment means for a display stand, 14 Apr 2010	15806/2010	Everstone International Pty Limited; 25-01F, Tesserae, 19 Jan 2011	10131/2011
Bilotto, Francis V.; 20-02E, Base platform for a display stand, 14 Apr 2010	15807/2010	Everstone International Pty Limited; 25-01F, Tesserae, 19 Jan 2011	10132/2011
Cequent Performance Products, Inc.; 12-05, Integrated winchhead, (US, 11 May 2010) 11 Nov 2010	10119/2011	Everstone International Pty Limited; 25-01F, Tesserae, 19 Jan 2011	10133/2011
		Everstone International Pty Limited; 25-01F, Tile, 19 Jan 2011	10134/2011

EWA; 07-01B, The product is used for dining events where canapes and wine are served- it is a form of dinnerware with a unique square, design and 2 round openings, one where a wine glass would sit and the other a thumb can grip, 14 Jan 2011	10101/2011	Kabushiki Kaisha Toshiba, also trading as Toshiba Corporation; 14-03B, A television receiver, (JP, 29 Nov 2010) 14 Jan 2011	10112/2011
Ferguson, Merv; 11-03, A badge, 18 Jan 2011	10148/2011	Kamigaki, Robert Tsuyoshi; 08-05P, Hub for lug wrench, (US, 20 Jul 2010) 19 Jan 2011	10138/2011
Flip Innovations Pty Ltd; 12-11, Foldable bicycle, 14 Jan 2011	10111/2011	Kamigaki, Robert Tsuyoshi; 08-05P, Hub for a lug wrench, (US, 20 Jul 2010) 19 Jan 2011	10137/2011
Fodder Solutions (QLD) Pty Ltd; 09-03K, 25-03, Fodder growing enclosure, 21 Jan 2011	10151/2011	Kirin Beer Kabushiki Kaisha; Kirin Beverage Company Limited; 09-01K, Bottle, (JP, 23 Aug 2010) 19 Jan 2011	10122/2011
Friob Pty Ltd; 25-04, Interlocking modular platform, 22 Oct 2010	15808/2010	Kirin Beverage Company Limited; Kirin Beer Kabushiki Kaisha; 09-01K, Bottle, (JP, 23 Aug 2010) 19 Jan 2011	10122/2011
Friob Pty Ltd; 25-04, Interlocking modular platform, 22 Oct 2010	15809/2010	Koninklijke Philips Electronics N.V.; 28-03NES, Skin rejuvenation apparatus, (EM, 13 Jul 2010) 11 Jan 2011	10093/2011
Friob Pty Ltd; 25-04, Interlocking modular platform, 22 Oct 2010	15810/2010	Koninklijke Philips Electronics N.V.; 24-01, Sterilizer, (EM, 13 Jul 2010) 12 Jan 2011	10087/2011
Gillette Company, The; 28-03A, Razor packaging, (US, 23 Jul 2010) 14 Jan 2011	10110/2011	KCI Licensing, Inc; 24-01, Fluid collection canister, (US, 20 Jul 2010) 12 Jan 2011	10102/2011
Gillette Company of America, The; 28-03A, Razor Packaging, (US, 23 Jul 2010) 14 Jan 2011	10109/2011	L-3 Communications Eotech, Inc.; 16-06, Weapon sight, (US, 15 Jul 2010) 14 Jan 2011	10114/2011
Groyears Investments Pty Ltd, Trading as Grocorp; 06-02, Babies cot, 11 Jan 2011	10084/2011	Lokaladda Pty Ltd; Evans, Sean; 08-08D, Clamp, 19 Jan 2011	10123/2011
GHD KOREA Inc.; 99-00, A device from which is emitting a mist, (KR, 17 Dec 2010) 13 Jan 2011	10082/2011	LG Electronics Inc.; 14-01, Speaker, (KR, 20 Jul 2010) 20 Jan 2011	10145/2011
GHD KOREA Inc.; 99-00, A device from which is emitting a mist, (KR, 17 Dec 2010) 13 Jan 2011	10083/2011	LG Electronics Inc.; 14-01, Speaker, (KR, 20 Jul 2010) 20 Jan 2011	10146/2011
GHD KOREA Inc.; 28-03B, Hair drier, (KR, 17 Dec 2010) 13 Jan 2011	10081/2011	Mahi Enterprises Pty Ltd; 13-03D, Energy saving switch. Switch off power including from stand by appliances, 12 Jan 2011	10098/2011
GM Global Technology Operations LLC; 12-08, A vehicle, 21 Jan 2011	10158/2011	McCulloch as trustee for Alan's Family Trust, Alan; 02-04NES, Shoes, 17 Jan 2011	10121/2011
Harrison Hygiene Inc.; 04-02, Head for a powered denture brush, (US, 22 Jul 2010) 21 Jan 2011	10157/2011	Michelin Recherche et Technique SA; Societe De Technologie Michelin; 12-15A, A tyre, (US, 31 Aug 2010) 24 Jan 2011	10161/2011
Harrison Hygiene Inc.; 04-02, Head for a powered denture brush, (US, 22 Jul 2010) 21 Jan 2011	10162/2011	Michelin Recherche et Technique SA; Societe De Technologie Michelin; 12-15B, A tyre, (US, 31 Aug 2010) 21 Jan 2011	10149/2011
International Truck Intellectual Property Company, LLC; 12-16B, Skirt of a truck vehicle, (US, 12 Aug 2010) 24 Jan 2011	10160/2011	Niewiarowski, Wieslaw Szczepan; Niewiarowski, Irena Barbara; 12-16NES, Car remote control for Holden Commodore VE & WM, 12 Jan 2011	10079/2011
International Truck Intellectual Property Company, LLC; 12-16C, Bumper of a truck vehicle, (US, 12 Aug 2010) 21 Jan 2011	10150/2011	Niewiarowski, Irena Barbara; Niewiarowski, Wieslaw Szczepan; 12-16NES, Car remote control for Holden Commodore VE & WM, 12 Jan 2011	10079/2011
		Pfanner, Anton; 02-03, Protective helmet, (EM, 13 Jul 2010) 12 Jan 2011	10090/2011

Pike, Brian Wyndham Edwin; 12-16L, Trailer hitch, trailers, camper trailer, 17 Jan 2011	10113/2011	Shop Vac Corporation; 03-01D, 15-05, Combination toolbox and vacuum cleaner, (US, 30 Nov 2010) 20 Jan 2011	10147/2011
Primus Australia; 09-02B, 08-07, Jerry can, 17 Jan 2011	10116/2011	Showa Aluminum Can Corporation; Asahi Breweries, Ltd; 09-07B, End panel for cans, (JP, 15 Jul 2010) 12 Jan 2011	10080/2011
PTS Technologies Pte Ltd; 30-08, Animal tag, (EM, 17 Dec 2010) 13 Jan 2011	10100/2011	Snapware Corporation; 07-01NES, Bowls, lids and bowl-lid combinations, (US, 13 Jul 2010) 13 Jan 2011	10097/2011
QHDC Australia Pty Ltd; 12-02, A shopping trolley, 18 Jan 2011	10136/2011	Societe De Technologie Michelin; Michelin Recherche et Technique SA; 12-15A, A tyre, (US, 31 Aug 2010) 24 Jan 2011	10161/2011
QHDC Australia Pty Ltd; 12-02, A shopping trolley, 18 Jan 2011	10135/2011	Societe De Technologie Michelin; Michelin Recherche et Technique SA; 12-15B, A tyre, (US, 31 Aug 2010) 21 Jan 2011	10149/2011
Reckitt Benckiser LLC; 09-03NES, Dispenser, (EM, 23 Jul 2010) 20 Jan 2011	10142/2011	Source Vagabond Systems Ltd; 09-01NES, Bottle, (US, 13 Jul 2010) 12 Jan 2011	10096/2011
Reckitt Benckiser LLC; 09-03NES, Dispenser, (EM, 23 Jul 2010) 20 Jan 2011	10143/2011	Stallard, Cary; 26-05E, PCB for LED lighting, 18 Jan 2011	10118/2011
Research In Motion Limited; 14-03E, Handheld electronic device, (US, 12 Jul 2010) 11 Jan 2011	10077/2011	Streetwave Pte Ltd; 21-02E, Casterboard, 14 Jan 2011	10105/2011
Sasskot Australia Pty Ltd; 19-06, Combined writing instrument and dispensing device, 20 Jan 2011	10152/2011	SMG Brands, Inc; 22-06, Animal trap, (US, 16 Jul 2010) 14 Jan 2011	10104/2011
Sasskot Australia Pty Ltd; 19-06, Combined writing instrument and dispensing device, 20 Jan 2011	10153/2011	SMG Brands, Inc; 22-06, Animal trap, (US, 16 Jul 2010) 14 Jan 2011	10103/2011
Scentsy, Inc; 21-01A, Toy animal, (US, 23 Jul 2010) 19 Jan 2011	10154/2011	Team Poly Pty Ltd; 12-16C, Mounting arrangement for a front bumper for a vehicle, 19 Jan 2011	10139/2011
Scentsy, Inc; 21-01A, Toy animal, (US, 23 Jul 2010) 19 Jan 2011	10155/2011	The Procter & Gamble Company; 05-06NES, Flow wrap for a container with surface ornamentation, (US, 12 Jul 2010) 12 Jan 2011	10094/2011
Scentsy, Inc; 21-01A, Toy animal, (US, 23 Jul 2010) 19 Jan 2011	10156/2011	The Procter & Gamble Company; 09-03M, Packaging container with surface ornamentation, (US, 12 Jul 2010) 12 Jan 2011	10095/2011
Sharp Kabushiki Kaisha; 14-03B, Television, (JP, 19 Oct 2010) 21 Jan 2011	10163/2011	Wong, Ryan; 06-03NES, Portable multifunctional ergonomic tray table comprising an arm rest and a retractable reading stand, (US, 18 Aug 2010) 13 Jan 2011	10099/2011
Sharp Kabushiki Kaisha; 14-02, Remote controller, (JP, 19 Oct 2010) 14 Jan 2011	10106/2011		

Applications Withdrawn

15427 / 2010 (19-08)

15428 / 2010 (19-08)

Applications Lapsed

13239 / 2010 (12-16L)

14342 / 2010 (08-05P)

14716 / 2010 (25-02A)

14938 / 2010 (02-01B)

Extension of Period of Registration of Designs

306342	306408	306508
306516	307607	307757
307758	307804	307846
307847	307877	307879
307891	307932	307933
307934	307935	307957
307974	308000	308040
308042	308044	308045
308046	308048	308049
308056	308075	308144
308145	308175	308221
308233	308237	308238
308308	308311	308312
308313	308314	308315
308316	308317	308318
308319	308320	308377
308389	308391	308395
308396	308397	308399
308400	308510	308680
308728	308821	308942
309046	309149	309150
309151	309408	309509
309517	309812	309955
310007	310045	310046
310165	310451	310452
310453	310560	310561
310613	310614	310615
310818	310853	311087
311153	311415	311679
311685	312091	312092
312187	312823	316876
316877	316878	

Registrations Ceased

302601	302602	304152
304154	304155	304157
304204	304205	304206
304207	304208	304250
304254	304255	304294
304296	304299	304300
304316	304347	304356
304358	304372	304375
304376	304389	304417
304419	304420	304436
304440	304449	304450
304451	304462	304463
304464	304465	304507
304508	304536	304579
304580	304581	304812
304899	304975	305078

305226	305470	305771
305772	305940	305942
306071	306072	306073
306074	306075	306076
306077	306717	306719
306835	306850	307160
307161	307162	307163
307259	307260	309083
311775	314003	314064
316780	316781	316782
317239	317242	317243

Extensions of time granted under Section 137

Applications lodged under section 137 for extension of time have been granted.

11805/2010 **SULO MGB Australia Pty Ltd**

Subsequent Owners Registered

(The name in parentheses is that of the subsequent owner)

301386	(Alto Manufacturing Pty Ltd) Huhtamaki Australia Limited
301388	(Alto Manufacturing Pty Ltd) Huhtamaki Australia Limited
303363	(Alto Manufacturing Pty Ltd) Huhtamaki Australia Limited
303364	(Alto Manufacturing Pty Ltd) Huhtamaki Australia Limited
304643	(Alto Manufacturing Pty Ltd) Huhtamaki Australia Pty Limited
310210	(Alto Manufacturing Pty Ltd) Huhtamaki Australia Pty Limited
310211	(Alto Manufacturing Pty Ltd) Huhtamaki Australia Pty Limited
310467	(Alto Manufacturing Pty Ltd) Huhtamaki Australia Pty Limited
310738	(Alto Manufacturing Pty Ltd) Huhtamaki Australia Pty Limited
310739	(Alto Manufacturing Pty Ltd) Huhtamaki Australia Pty Limited
310740	(Alto Manufacturing Pty Ltd) Huhtamaki Australia Pty Limited
310741	(Alto Manufacturing Pty Ltd) Huhtamaki Australia Pty Limited
310742	(Alto Manufacturing Pty Ltd) Huhtamaki Australia Pty Limited
310793	(Alto Manufacturing Pty Ltd) Huhtamaki Australia Pty Limited
310800	(Alto Manufacturing Pty Ltd) Huhtamaki Australia Pty Limited
310801	(Alto Manufacturing Pty Ltd) Huhtamaki Australia Pty Limited
310802	(Alto Manufacturing Pty Ltd) Huhtamaki Australia Pty Limited
310842	(Alto Manufacturing Pty Ltd) Huhtamaki Australia Pty Limited

310860	(Alto Manufacturing Pty Ltd) Huhtamaki Australia Pty Limited	Technologies, Inc.
311078	(Alto Manufacturing Pty Ltd) Huhtamaki Australia Pty Limited	311392 (Crab'n Gear Pty Ltd) M.J. Conroy;S.J. Conroy
311079	(Alto Manufacturing Pty Ltd) Huhtamaki Australia Pty Limited	312619 (Crab'n Gear Pty Ltd) Michael Conroy;Sandie Conroy
312818	(Alto Manufacturing Pty Ltd) Huhtamaki Australia Pty Limited	330119 (Crab'n Gear Pty Ltd) Michael J. Conroy;Sandra J. Conroy
323523	(Alto Manufacturing Pty Ltd) Huhtamaki Australia Pty Limited	321217 (Continental Reifen Deutschland GmbH) Continental Aktiengesellschaft
324639	(Alto Manufacturing Pty Ltd) Huhtamaki Australia Pty Limited	325570 (Continental Reifen Deutschland GmbH) Continental Aktiengesellschaft
324640	(Alto Manufacturing Pty Ltd) Huhtamaki Australia Pty Limited	325571 (Continental Reifen Deutschland GmbH) Continental Aktiengesellschaft
325042	(Alto Manufacturing Pty Ltd) Huhtamaki Australia Pty Limited	325569 (Continental Reifen Deutschland GmbH) Continental Aktiengesellschaft
325112	(Alto Manufacturing Pty Ltd) Huhtamaki Australia Pty Limited	322760 (Continental Reifen Deutschland GmbH) Continental Aktiengesellschaft
328472	(Alto Manufacturing Pty Ltd) Huhtamaki Australia Pty Limited	321218 (Continental Reifen Deutschland GmbH) Continental Aktiengesellschaft
328474	(Alto Manufacturing Pty Ltd) Huhtamaki Australia Pty Limited	327943 (Continental Reifen Deutschland GmbH) Continental Aktiengesellschaft
328476	(Alto Manufacturing Pty Ltd) Huhtamaki Australia Pty Limited	327944 (Continental Reifen Deutschland GmbH) Continental Aktiengesellschaft
328477	(Alto Manufacturing Pty Ltd) Huhtamaki Australia Pty Limited	322405 (Continental Reifen Deutschland GmbH) Continental Aktiengesellschaft
328490	(Alto Manufacturing Pty Ltd) Huhtamaki Australia Pty Limited	332072 (ADC GmbH) ADC Communications (Australia) Pty Limited
328491	(Alto Manufacturing Pty Ltd) Huhtamaki Australia Pty Limited	325572 (Continental Reifen Deutschland GmbH) Continental Aktiengesellschaft
330583	(Alto Manufacturing Pty Ltd) Huhtamaki Australia Pty Limited	312003 (Rusdra Pty Ltd) Paul G. Maloney;Barbara M. Maloney
328473	(Alto Manufacturing Pty Ltd) Huhtamaki Australia Pty Ltd	311983 (Rusdra Pty Ltd) Paul G. Maloney;Barbara M. Maloney
328475	(Alto Manufacturing Pty Ltd) Huhtamaki Australia Pty Ltd	
328527	(Alto Manufacturing Pty Ltd) Huhtamaki Australia Pty Ltd	
330085	(Alto Manufacturing Pty Ltd) Huhtamaki Australia Pty Ltd	
310208	(Alto Manufacturing Pty Ltd) Huhtamaki Australia Pty Limited	
323521	(Alto Manufacturing Pty Ltd) Huhtamaki Australia Pty Limited	
328471	(Alto Manufacturing Pty Ltd) Huhtamaki Australia Pty Ltd	
301387	(Alto Manufacturing Pty Ltd) Huhtamaki Australia Limited	
309423	(Siemens Industry, Inc) Siemens Building Technologies, Inc.	
309444	(Siemens Industry, Inc) Siemens Building Technologies, Inc.	
309906	(Siemens Industry, Inc) Siemens Building Technologies, Inc.	
309907	(Siemens Industry, Inc) Siemens Building Technologies, Inc.	
309908	(Siemens Industry, Inc) Siemens Building Technologies, Inc.	
309422	(Siemens Industry, Inc) Siemens Building	
		Names Registered - Alterations and Amendments
		(The name in parentheses is that of the subsequent applicant)
		305866 (AHT Cooling Systems GmbH) AHT Cooling Systems GmbH & Co. KG
		305872 (AHT Cooling Systems GmbH) AHT Cooling Systems GmbH & Co. KG
		305871 (AHT Cooling Systems GmbH) AHT Cooling Systems GmbH & Co. KG
		305870 (AHT Cooling Systems GmbH) AHT Cooling Systems GmbH & Co. KG
		305869 (AHT Cooling Systems GmbH) AHT Cooling Systems GmbH & Co. KG
		305867 (AHT Cooling Systems GmbH) AHT Cooling Systems GmbH & Co. KG
		305868 (AHT Cooling Systems GmbH) AHT Cooling Systems GmbH & Co. KG

Certificate(s) of Examination

Examination of the following Design Registration(s) has been completed. Infringement proceedings may now be commenced.

310526	07-99A	17/01/2011
330051	09-01NES	14/01/2011
330332	06-03C	21/01/2011
331298	09-01A	25/01/2011
331504	13-03D	24/01/2011
332508	23-03E	14/01/2011
332509	23-03E	14/01/2011
332603	02-02B	14/01/2011
332632	02-03	17/01/2011
332981	06-07	20/01/2011
333129	09-01B	14/01/2011
333326	14-02	25/01/2011
333327	14-02	25/01/2011

Publication and Registration Proceedings

Designs Registered

This section provides a concordance between design number and registration number of Designs covered in this journal. It also shows the main class and registration date.

This section covers Registration numbers 334586 to 334834 .

The registration number shown below should be used in all future correspondence.

Design Number	Registration Number	International Classification Code (IDC)	Registration Date	Design Number	Registration Number	International Classification Code (IDC)	Registration Date
15837/2008	334594	14-04	13/01/2011	15155/2010	334740	21-01N	21/01/2011
15838/2008	334595	14-04	13/01/2011	15156/2010	334741	14-01	21/01/2011
15839/2008	334596	14-04	13/01/2011	15197/2010	334756	30-02	24/01/2011
11383/2010	334689	20-02E	19/01/2011	15202/2010	334825	23-01H	25/01/2011
11477/2010	334721	31-00	21/01/2011	15255/2010	334639	14-02	17/01/2011
11805/2010	334629	09-09	17/01/2011	15287/2010	334621	23-01B	17/01/2011
12101/2010	334817	12-15A	25/01/2011	15288/2010	334620	23-01B	17/01/2011
12102/2010	334818	12-15A	25/01/2011	15309/2010	334757	28-01	24/01/2011
12103/2010	334819	12-15A	25/01/2011	15310/2010	334758	28-01	24/01/2011
12332/2010	334606	02-02C	17/01/2011	15311/2010	334759	28-01	24/01/2011
12461/2010	334640	02-02NES	17/01/2011	15312/2010	334760	28-01	24/01/2011
12466/2010	334618	23-03D	17/01/2011	15313/2010	334762	28-01	24/01/2011
12496/2010	334735	02-02C	21/01/2011	15314/2010	334763	28-01	24/01/2011
12869/2010	334716	07-02H	20/01/2011	15315/2010	334764	28-01	24/01/2011
13164/2010	334820	08-08NES	25/01/2011	15319/2010	334622	26-05A	17/01/2011
13615/2010	334597	12-08	13/01/2011	15320/2010	334623	26-05A	17/01/2011
14190/2010	334586	02-02C	14/01/2011	15371/2010	334685	07-06NES	19/01/2011
14199/2010	334587	02-02C	14/01/2011	15382/2010	334641	02-02NES	17/01/2011
14212/2010	334753	07-01D	24/01/2011	15383/2010	334642	02-02NES	17/01/2011
14213/2010	334754	07-01D	24/01/2011	15384/2010	334643	02-02NES	17/01/2011
14267/2010	334599	30-06	17/01/2011	15385/2010	334644	02-02NES	17/01/2011
14281/2010	334638	25-01K	17/01/2011	15388/2010	334607	02-02C	17/01/2011
14576/2010	334748	25-04	21/01/2011	15389/2010	334608	02-02C	17/01/2011
14599/2010	334619	12-08	17/01/2011	15390/2010	334609	02-02C	17/01/2011
14600/2010	334752	09-01D	21/01/2011	15391/2010	334610	02-02C	17/01/2011
14626/2010	334821	02-02C	25/01/2011	15392/2010	334611	02-02C	17/01/2011
14627/2010	334822	02-02C	25/01/2011	15393/2010	334612	02-02C	17/01/2011
14631/2010	334717	23-01G	20/01/2011	15394/2010	334613	02-02C	17/01/2011
14638/2010	334736	14-02	21/01/2011	15395/2010	334614	02-02C	17/01/2011
14681/2010	334670	02-05	17/01/2011	15396/2010	334615	02-02C	17/01/2011
14724/2010	334707	23-01NES	19/01/2011	15397/2010	334616	02-02C	17/01/2011
14725/2010	334708	23-01NES	19/01/2011	15398/2010	334617	02-02C	17/01/2011
14726/2010	334709	23-01NES	19/01/2011	15438/2010	334728	14-02	20/01/2011
14727/2010	334710	23-01E	19/01/2011	15439/2010	334729	14-02	20/01/2011
14820/2010	334630	31-00	17/01/2011	15443/2010	334766	10-02	24/01/2011
14821/2010	334631	31-00	17/01/2011	15444/2010	334768	10-07	24/01/2011
14822/2010	334632	31-00	17/01/2011	15445/2010	334770	10-07	24/01/2011
14823/2010	334633	31-00	17/01/2011	15446/2010	334772	10-07	24/01/2011
14824/2010	334634	31-00	17/01/2011	15447/2010	334742	10-02	21/01/2011
14825/2010	334635	31-00	17/01/2011	15452/2010	334722	22-05	21/01/2011
14845/2010	334737	28-03A	21/01/2011	15464/2010	334645	06-04NES	17/01/2011
14852/2010	334682	09-01NES	17/01/2011	15472/2010	334589	23-04	14/01/2011
14892/2010	334718	28-03A	20/01/2011	15473/2010	334590	23-04	14/01/2011
14893/2010	334719	28-03A	20/01/2011	15474/2010	334591	23-04	14/01/2011
14894/2010	334720	28-03A	20/01/2011	15477/2010	334592	08-05K	14/01/2011
14911/2010	334755	09-01K	24/01/2011	15478/2010	334593	08-05K	14/01/2011
14916/2010	334598	08-05P	13/01/2011	15489/2010	334730	01-99	20/01/2011
15029/2010	334588	04-02	14/01/2011	15490/2010	334646	23-04	17/01/2011
15070/2010	334823	09-01NES	25/01/2011	15491/2010	334647	23-04	17/01/2011
15071/2010	334824	09-01NES	25/01/2011	15492/2010	334648	23-04	17/01/2011
15072/2010	334790	09-01NES	24/01/2011	15493/2010	334649	23-04	17/01/2011
15152/2010	334738	21-01N	21/01/2011	15494/2010	334624	23-04	17/01/2011
15153/2010	334739	21-01N	21/01/2011	15495/2010	334625	23-04	17/01/2011

Publication and Registration Proceedings - Designs Registered cont'd

Design Number	Registration Number	International Classification Code (IDC)	Registration Date	Design Number	Registration Number	International Classification Code (IDC)	Registration Date
15496/2010	334626	23-04	17/01/2011	15585/2010	334779	10-04	24/01/2011
15497/2010	334698	14-03NES	18/01/2011	15586/2010	334780	09-01A	24/01/2011
15498/2010	334699	14-03NES	18/01/2011	15588/2010	334732	01-01	20/01/2011
15499/2010	334627	28-03D	17/01/2011	15589/2010	334733	01-01	20/01/2011
15500/2010	334628	01-99	17/01/2011	15591/2010	334734	02-02B	20/01/2011
15501/2010	334600	01-99	17/01/2011	15610/2010	334711	18-04	19/01/2011
15502/2010	334601	09-01H	17/01/2011	15611/2010	334712	18-04	19/01/2011
15504/2010	334602	23-01NES	17/01/2011	15614/2010	334761	07-01G	24/01/2011
15505/2010	334603	01-99	17/01/2011	15615/2010	334765	07-01G	24/01/2011
15506/2010	334604	26-05C	17/01/2011	15616/2010	334767	07-02N	24/01/2011
15507/2010	334605	26-05C	17/01/2011	15617/2010	334769	09-07B	24/01/2011
15509/2010	334671	08-07	17/01/2011	15618/2010	334771	25-01NES	24/01/2011
15511/2010	334774	01-01	24/01/2011	15619/2010	334773	12-16B	24/01/2011
15512/2010	334672	15-99	17/01/2011	15626/2010	334743	16-01	21/01/2011
15514/2010	334656	12-08	17/01/2011	15627/2010	334744	12-16L	21/01/2011
15515/2010	334657	12-08	17/01/2011	15630/2010	334723	15-07	21/01/2011
15516/2010	334658	12-08	17/01/2011	15631/2010	334724	14-01	21/01/2011
15519/2010	334659	07-02C	17/01/2011	15632/2010	334791	07-02N	24/01/2011
15523/2010	334650	14-03NES	17/01/2011	15633/2010	334725	12-11	21/01/2011
15524/2010	334651	14-03NES	17/01/2011	15634/2010	334726	15-03B	21/01/2011
15525/2010	334652	14-03NES	17/01/2011	15635/2010	334727	15-03B	21/01/2011
15526/2010	334653	23-01A	17/01/2011	15636/2010	334781	11-01K	24/01/2011
15530/2010	334654	12-15B	17/01/2011	15637/2010	334782	11-01K	24/01/2011
15531/2010	334655	10-04	17/01/2011	15638/2010	334783	11-01NES	24/01/2011
15532/2010	334673	09-07B	17/01/2011	15639/2010	334784	11-01K	24/01/2011
15533/2010	334674	10-04	17/01/2011	15640/2010	334785	11-01K	24/01/2011
15534/2010	334675	09-03NES	17/01/2011	15641/2010	334786	11-01NES	24/01/2011
15535/2010	334676	09-07B	17/01/2011	15642/2010	334787	11-01NES	24/01/2011
15536/2010	334677	09-03NES	17/01/2011	15651/2010	334795	13-03NES	24/01/2011
15537/2010	334678	09-07B	17/01/2011	15652/2010	334796	08-08B	24/01/2011
15538/2010	334679	09-07B	17/01/2011	15653/2010	334797	25-01B	24/01/2011
15539/2010	334680	09-07B	17/01/2011	15654/2010	334798	25-01K	24/01/2011
15544/2010	334660	09-05	17/01/2011	15655/2010	334799	25-01B	24/01/2011
15549/2010	334661	04-02	17/01/2011	15656/2010	334800	12-16M	24/01/2011
15550/2010	334662	04-02	17/01/2011	15658/2010	334801	12-99	24/01/2011
15551/2010	334663	21-01B	17/01/2011	15659/2010	334802	08-06	24/01/2011
15552/2010	334664	22-04	17/01/2011	15660/2010	334803	25-01NES	24/01/2011
15554/2010	334665	09-07B	17/01/2011	15661/2010	334804	25-01K	24/01/2011
15555/2010	334666	09-07B	17/01/2011	15662/2010	334805	12-16M	24/01/2011
15556/2010	334667	09-05	17/01/2011	15663/2010	334806	25-01NES	24/01/2011
15557/2010	334668	09-05	17/01/2011	15668/2010	334794	02-02C	24/01/2011
15558/2010	334669	09-05	17/01/2011	15681/2010	334807	14-01	24/01/2011
15565/2010	334700	28-99	18/01/2011	15682/2010	334808	12-15B	24/01/2011
15566/2010	334701	28-99	18/01/2011	15683/2010	334809	08-99	24/01/2011
15567/2010	334702	06-01E	18/01/2011	15684/2010	334810	12-11	24/01/2011
15568/2010	334703	08-05P	18/01/2011	15685/2010	334811	15-03B	24/01/2011
15569/2010	334704	08-07	18/01/2011	15687/2010	334812	12-11	24/01/2011
15570/2010	334705	02-07A	18/01/2011	15689/2010	334813	23-02F	24/01/2011
15571/2010	334706	02-07A	18/01/2011	15690/2010	334814	23-02F	24/01/2011
15572/2010	334681	12-16K	17/01/2011	15691/2010	334815	09-01NES	24/01/2011
15574/2010	334686	25-01A	19/01/2011	15692/2010	334816	22-06	24/01/2011
15575/2010	334687	12-07	19/01/2011	15693/2010	334826	09-01K	25/01/2011
15576/2010	334731	02-02C	20/01/2011	15694/2010	334827	09-01NES	25/01/2011
15579/2010	334688	14-03B	19/01/2011	15698/2010	334828	09-07A	25/01/2011
15581/2010	334775	19-02	24/01/2011	15699/2010	334829	09-07A	25/01/2011
15582/2010	334776	19-02	24/01/2011	15701/2010	334830	15-05	25/01/2011
15583/2010	334777	19-02	24/01/2011	15702/2010	334831	15-05	25/01/2011
15584/2010	334778	10-04	24/01/2011	15703/2010	334832	15-05	25/01/2011

Publication and Registration Proceedings - Designs Registered cont'd

Design Number	Registration Number	International Classification Code (IDC)	Registration Date	Design Number	Registration Number	International Classification Code (IDC)	Registration Date
15704/2010	334833	06-01G	25/01/2011	15801/2010	334691	20-02E	19/01/2011
15705/2010	334834	06-01G	25/01/2011	15802/2010	334692	20-02E	19/01/2011
15706/2010	334745	06-01G	21/01/2011	15803/2010	334693	20-02E	19/01/2011
15708/2010	334746	06-01G	21/01/2011	15804/2010	334694	20-02E	19/01/2011
15709/2010	334747	06-01G	21/01/2011	15805/2010	334695	20-02E	19/01/2011
15712/2010	334690	20-02E	19/01/2011	15806/2010	334696	20-02E	19/01/2011
15724/2010	334713	26-05NES	19/01/2011	15807/2010	334697	20-02E	19/01/2011
15728/2010	334714	09-03M	19/01/2011	15808/2010	334749	25-04	21/01/2011
15729/2010	334792	11-02C	24/01/2011	15809/2010	334750	25-04	21/01/2011
15730/2010	334788	11-02C	24/01/2011	15810/2010	334751	25-04	21/01/2011
15733/2010	334789	24-04	24/01/2011	10091/2011	334683	09-01NES	17/01/2011
15782/2010	334636	05-05A	17/01/2011	10092/2011	334684	09-01NES	17/01/2011
15784/2010	334637	05-05C	17/01/2011	10124/2011	334793	14-02	24/01/2011
15787/2010	334715	05-05A	19/01/2011				

Publication and Registration Proceedings
Class Listing of Designs Published or Registered

The following section shows an International Classification Code listing of the Registered or Published Designs covered in this supplement.

Classification	Registration Number	Design Number	Classification	Registration Number	Design Number
01-01	334732	15588/2010	07-06 NES	334685	15371/2010
01-01	334733	15589/2010	07-99 NES	334645	15464/2010
01-01	334774	15511/2010	08-05 K	334592	15477/2010
01-99	334600	15501/2010	08-05 K	334593	15478/2010
01-99	334603	15505/2010	08-05 NES	334674	15533/2010
01-99	334628	15500/2010	08-05 P	334598	14916/2010
01-99	334730	15489/2010	08-05 P	334703	15568/2010
02-02 B	334734	15591/2010	08-06	334802	15659/2010
02-02 C	334586	14190/2010	08-07	334671	15509/2010
02-02 C	334587	14199/2010	08-07	334704	15569/2010
02-02 C	334606	12332/2010	08-08 B	334796	15652/2010
02-02 C	334607	15388/2010	08-08 E	334809	15683/2010
02-02 C	334608	15389/2010	08-08 NES	334820	13164/2010
02-02 C	334609	15390/2010	08-99	334778	15584/2010
02-02 C	334610	15391/2010	08-99	334779	15585/2010
02-02 C	334611	15392/2010	08-99	334809	15683/2010
02-02 C	334612	15393/2010	09-01 A	334780	15586/2010
02-02 C	334613	15394/2010	09-01 D	334752	14600/2010
02-02 C	334614	15395/2010	09-01 H	334601	15502/2010
02-02 C	334615	15396/2010	09-01 K	334755	14911/2010
02-02 C	334616	15397/2010	09-01 K	334826	15693/2010
02-02 C	334617	15398/2010	09-01 NES	334682	14852/2010
02-02 C	334731	15576/2010	09-01 NES	334683	10091/2011
02-02 C	334735	12496/2010	09-01 NES	334684	10092/2011
02-02 C	334794	15668/2010	09-01 NES	334790	15072/2010
02-02 C	334821	14626/2010	09-01 NES	334815	15691/2010
02-02 C	334822	14627/2010	09-01 NES	334823	15070/2010
02-02 NES	334640	12461/2010	09-01 NES	334824	15071/2010
02-02 NES	334641	15382/2010	09-01 NES	334827	15694/2010
02-02 NES	334642	15383/2010	09-03 M	334714	15728/2010
02-02 NES	334643	15384/2010	09-03 NES	334675	15534/2010
02-02 NES	334644	15385/2010	09-03 NES	334677	15536/2010
02-05	334670	14681/2010	09-05	334660	15544/2010
02-07 A	334705	15570/2010	09-05	334667	15556/2010
02-07 A	334706	15571/2010	09-05	334668	15557/2010
04-02	334588	15029/2010	09-05	334669	15558/2010
04-02	334661	15549/2010	09-07 A	334828	15698/2010
04-02	334662	15550/2010	09-07 A	334829	15699/2010
05-05 A	334636	15782/2010	09-07 B	334665	15554/2010
05-05 A	334715	15787/2010	09-07 B	334666	15555/2010
05-05 C	334637	15784/2010	09-07 B	334673	15532/2010
06-01 E	334702	15567/2010	09-07 B	334676	15535/2010
06-01 G	334745	15706/2010	09-07 B	334678	15537/2010
06-01 G	334746	15708/2010	09-07 B	334679	15538/2010
06-01 G	334747	15709/2010	09-07 B	334680	15539/2010
06-01 G	334833	15704/2010	09-07 B	334769	15617/2010
06-01 G	334834	15705/2010	09-09	334629	11805/2010
06-04 NES	334645	15464/2010	10-02	334742	15447/2010
07-01 D	334753	14212/2010	10-02	334766	15443/2010
07-01 D	334754	14213/2010	10-04	334655	15531/2010
07-01 G	334761	15614/2010	10-04	334674	15533/2010
07-01 G	334765	15615/2010	10-04	334778	15584/2010
07-02 C	334659	15519/2010	10-04	334779	15585/2010
07-02 H	334716	12869/2010	10-07	334768	15444/2010
07-02 N	334767	15616/2010	10-07	334770	15445/2010
07-02 N	334791	15632/2010	10-07	334772	15446/2010

Registration Proceedings - Class Listing of Designs Published or Registered cont'd

Classification	Registration Number	Design Number	Classification	Registration Number	Design Number
11-01 K	334781	15636/2010	16-01	334743	15626/2010
11-01 K	334782	15637/2010	18-04	334711	15610/2010
11-01 K	334784	15639/2010	18-04	334712	15611/2010
11-01 K	334785	15640/2010	19-02	334775	15581/2010
11-01 NES	334783	15638/2010	19-02	334776	15582/2010
11-01 NES	334786	15641/2010	19-02	334777	15583/2010
11-01 NES	334787	15642/2010	19-08	334667	15556/2010
11-02 C	334788	15730/2010	19-08	334668	15557/2010
11-02 C	334792	15729/2010	19-08	334669	15558/2010
12-07	334687	15575/2010	19-08	334728	15438/2010
12-08	334597	13615/2010	19-08	334729	15439/2010
12-08	334619	14599/2010	20-02 E	334689	11383/2010
12-08	334656	15514/2010	20-02 E	334690	15712/2010
12-08	334657	15515/2010	20-02 E	334691	15801/2010
12-08	334658	15516/2010	20-02 E	334692	15802/2010
12-11	334725	15633/2010	20-02 E	334693	15803/2010
12-11	334810	15684/2010	20-02 E	334694	15804/2010
12-11	334812	15687/2010	20-02 E	334695	15805/2010
12-15 A	334817	12101/2010	20-02 E	334696	15806/2010
12-15 A	334818	12102/2010	20-02 E	334697	15807/2010
12-15 A	334819	12103/2010	20-02 NES	334721	11477/2010
12-15 B	334654	15530/2010	21-01 B	334663	15551/2010
12-15 B	334808	15682/2010	21-01 N	334738	15152/2010
12-16 B	334773	15619/2010	21-01 N	334739	15153/2010
12-16 K	334681	15572/2010	21-01 N	334740	15155/2010
12-16 L	334744	15627/2010	21-04	334820	13164/2010
12-16 M	334800	15656/2010	22-04	334664	15552/2010
12-16 M	334805	15662/2010	22-05	334722	15452/2010
12-16 NES	334807	15681/2010	22-06	334816	15692/2010
12-99	334801	15658/2010	23-01 A	334653	15526/2010
12-99	334804	15661/2010	23-01 A	334707	14724/2010
13-03 NES	334795	15651/2010	23-01 A	334708	14725/2010
14-01	334724	15631/2010	23-01 B	334620	15288/2010
14-01	334741	15156/2010	23-01 B	334621	15287/2010
14-01	334807	15681/2010	23-01 E	334710	14727/2010
14-02	334639	15255/2010	23-01 G	334717	14631/2010
14-02	334728	15438/2010	23-01 H	334709	14726/2010
14-02	334729	15439/2010	23-01 H	334710	14727/2010
14-02	334736	14638/2010	23-01 H	334825	15202/2010
14-02	334793	10124/2011	23-01 NES	334602	15504/2010
14-03 A	334724	15631/2010	23-01 NES	334707	14724/2010
14-03 B	334688	15579/2010	23-01 NES	334708	14725/2010
14-03 NES	334650	15523/2010	23-01 NES	334709	14726/2010
14-03 NES	334651	15524/2010	23-02 F	334813	15689/2010
14-03 NES	334652	15525/2010	23-02 F	334814	15690/2010
14-03 NES	334698	15497/2010	23-03 D	334618	12466/2010
14-03 NES	334699	15498/2010	23-04	334589	15472/2010
14-03 NES	334807	15681/2010	23-04	334590	15473/2010
14-04	334594	15837/2008	23-04	334591	15474/2010
14-04	334595	15838/2008	23-04	334624	15494/2010
14-04	334596	15839/2008	23-04	334625	15495/2010
15-03 B	334726	15634/2010	23-04	334626	15496/2010
15-03 B	334727	15635/2010	23-04	334646	15490/2010
15-03 B	334811	15685/2010	23-04	334647	15491/2010
15-05	334830	15701/2010	23-04	334648	15492/2010
15-05	334831	15702/2010	23-04	334649	15493/2010
15-05	334832	15703/2010	23-04	334698	15497/2010
15-07	334723	15630/2010	23-04	334699	15498/2010
15-99	334672	15512/2010	24-04	334789	15733/2010

Registration Proceedings - Class Listing of Designs Published or Registered cont'd

Classification	Registration Number	Design Number	Classification	Registration Number	Design Number
24-99	334673	15532/2010	28-01	334760	15312/2010
24-99	334675	15534/2010	28-01	334762	15313/2010
24-99	334676	15535/2010	28-01	334763	15314/2010
24-99	334677	15536/2010	28-01	334764	15315/2010
24-99	334678	15537/2010	28-03 A	334718	14892/2010
24-99	334679	15538/2010	28-03 A	334719	14893/2010
24-99	334680	15539/2010	28-03 A	334720	14894/2010
25-01 A	334686	15574/2010	28-03 A	334737	14845/2010
25-01 B	334797	15653/2010	28-03 D	334627	15499/2010
25-01 B	334799	15655/2010	28-99	334700	15565/2010
25-01 K	334638	14281/2010	28-99	334701	15566/2010
25-01 K	334797	15653/2010	28-99	334757	15309/2010
25-01 K	334798	15654/2010	28-99	334758	15310/2010
25-01 K	334804	15661/2010	28-99	334759	15311/2010
25-01 NES	334771	15618/2010	28-99	334760	15312/2010
25-01 NES	334803	15660/2010	28-99	334762	15313/2010
25-01 NES	334806	15663/2010	28-99	334763	15314/2010
25-04	334748	14576/2010	28-99	334764	15315/2010
25-04	334749	15808/2010	30-02	334756	15197/2010
25-04	334750	15809/2010	30-06	334599	14267/2010
25-04	334751	15810/2010	31-00	334630	14820/2010
26-05 A	334622	15319/2010	31-00	334631	14821/2010
26-05 A	334623	15320/2010	31-00	334632	14822/2010
26-05 C	334604	15506/2010	31-00	334633	14823/2010
26-05 C	334605	15507/2010	31-00	334634	14824/2010
26-05 NES	334713	15724/2010	31-00	334635	14825/2010
28-01	334757	15309/2010	31-00	334721	11477/2010
28-01	334758	15310/2010			
28-01	334759	15311/2010			

(21) Design Number: **14190/2010**

(22) Date of Filing Application: **05 October 2010**

(24) Date from which industrial property rights may have effect: **05 October 2010**

(54) Product in respect of which the design is registered: **A swaddling**

(51) International Design Classification: **02-02C**

(71) Name(s) and Address(s) of Applicant(s):

Melanie Cook

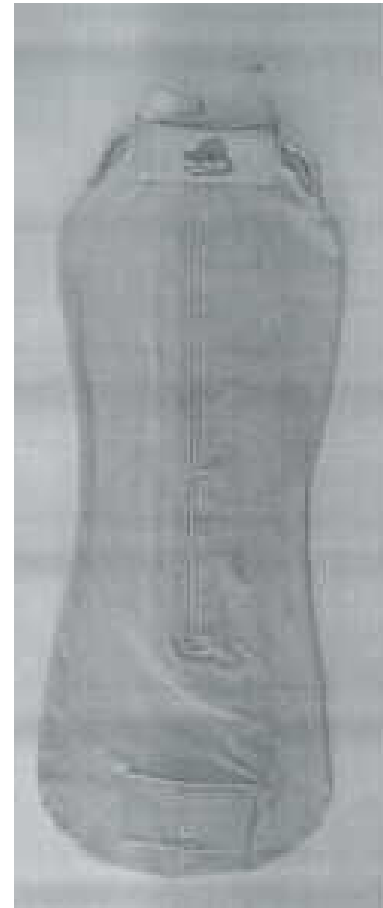
7 Allcorn Street Farrar Northern Territory 0830 Australia

(72) Name(s) of Designer(s): **Melanie Cook**

(45) Registration Date: **14 January 2011**

(56) Related Art Documents: **Not Applicable**

(57) Statement of Newness and Distinctiveness: **Newness and distinctiveness of the swaddling resides in the shape and/or configuration as shown in the accompanying representations.**



(21) Design Number: **14199/2010**

(22) Date of Filing Application: **05 October 2010**

(24) Date from which industrial property rights may have effect: **05 October 2010**

(54) Product in respect of which the design is registered: **A swaddling**

(51) International Design Classification: **02-02C**

(71) Name(s) and Address(s) of Applicant(s):

Melanie Cook

7 Allcorn Street Farrar Northern Territory 0830 Australia

(72) Name(s) of Designer(s): **Melanie Cook**

(45) Registration Date: **14 January 2011**

(56) Related Art Documents: **Not Applicable**

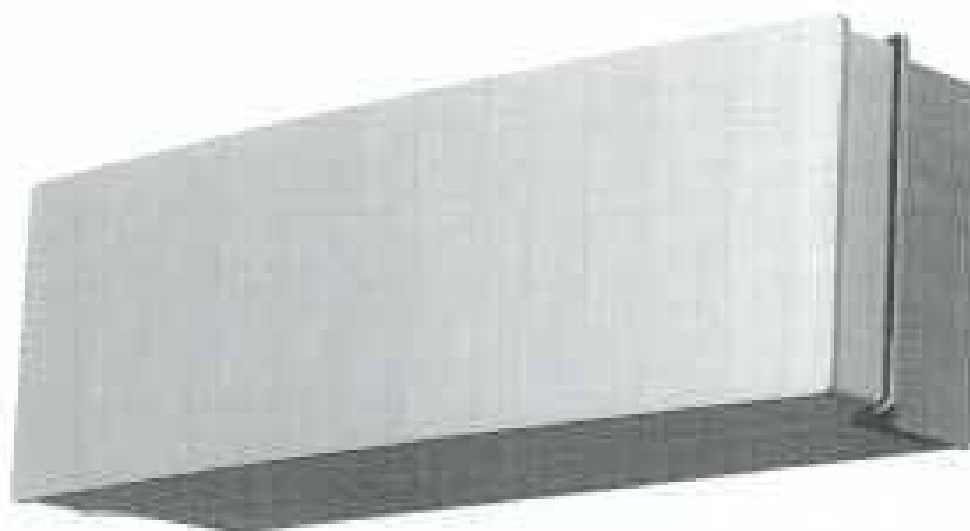
(57) Statement of Newness and Distinctiveness: **Newness and distinctiveness of the swaddling resides in the shape and/or configuration as shown in the accompanying representations.**



- (21) Design Number: **15029/2010**
(22) Date of Filing Application: **17 November 2010**
(24) Date from which industrial property rights may have effect: **17 November 2010**
(54) Product in respect of which the design is registered: **Toothbrush**
(51) International Design Classification: **04-02**
(71) Name(s) and Address(s) of Applicant(s):
Thierry Vallet
La Rejailliere - 42480 La Fouillouse France
(72) Name(s) of Designer(s): **Thierry Vallet**
(45) Registration Date: **14 January 2011**
(56) Related Art Documents: **Not Applicable**
(57) Statement of Newness and Distinctiveness: **Nil**



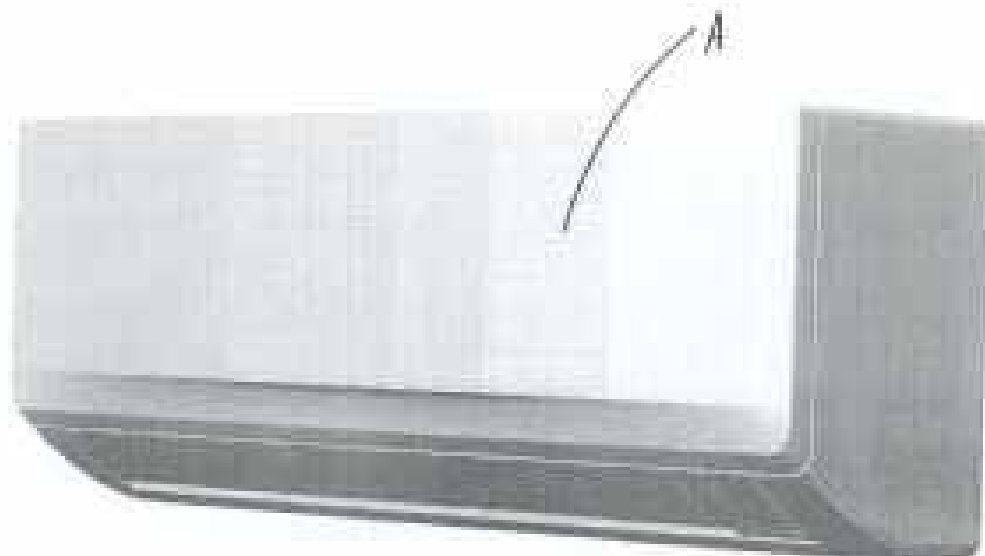
- (21) Design Number: **15472/2010**
(22) Date of Filing Application: **14 December 2010**
(24) Date from which industrial property rights may have effect: **14 December 2010**
(54) Product in respect of which the design is registered: **Air conditioner**
(51) International Design Classification: **23-04**
(71) Name(s) and Address(s) of Applicant(s):
Daikin Industries Ltd.
Umeda Center Building 4-12 Nakazaki-Nishi 2-chome Kita-Ku
Osaka-shi Osaka-fu Japan
(72) Name(s) of Designer(s): **Yumi Saitou**
(45) Registration Date: **14 January 2011**
(56) Related Art Documents: **Not Applicable**
(57) Statement of Newness and Distinctiveness: **The newness and distinctiveness resides in the features of shape and configuration of the design illustrated in the accompanying representations.**



- (21) Design Number: **15473/2010**
(22) Date of Filing Application: **14 December 2010**
(24) Date from which industrial property rights may have effect: **14 December 2010**
(54) Product in respect of which the design is registered: **Air conditioner**
(51) International Design Classification: **23-04**
(71) Name(s) and Address(s) of Applicant(s):
Daikin Industries Ltd.
Umeda Center Building 4-12 Nakazaki-Nishi 2-chome Kita-Ku
Osaka-shi Osaka-fu Japan
(72) Name(s) of Designer(s): **Yumi Saitou and Masahiko Chouji**
(45) Registration Date: **14 January 2011**
(56) Related Art Documents: **Not Applicable**
(57) Statement of Newness and Distinctiveness: **The newness and distinctiveness resides in the features of shape and configuration of the design illustrated in the accompanying representations.**



- (21) Design Number: **15474/2010**
(22) Date of Filing Application: **14 December 2010**
(24) Date from which industrial property rights may have effect: **14 December 2010**
(54) Product in respect of which the design is registered: **Air conditioner**
(51) International Design Classification: **23-04**
(71) Name(s) and Address(s) of Applicant(s):
Daikin Industries Ltd.
Umeda Center Building 4-12 Nakazaki-Nishi 2-chome Kita-Ku
Osaka-shi Osaka-fu Japan
(72) Name(s) of Designer(s): **Kouichirou Seki**
(45) Registration Date: **14 January 2011**
(56) Related Art Documents: **Not Applicable**
(57) Statement of Newness and Distinctiveness: **The newness and distinctiveness of the design resides in the shape and configuraion of the front panel of the air conditioner, marked "A" in the accompanying representations.**



(21) Design Number: **15477/2010**

(22) Date of Filing Application: **14 December 2010**

(24) Date from which industrial property rights may have effect: **14 December 2010**

(54) Product in respect of which the design is registered: **Tile spacer spindle**

(51) International Design Classification: **08-05K**

(71) Name(s) and Address(s) of Applicant(s):

Anthony Psaila

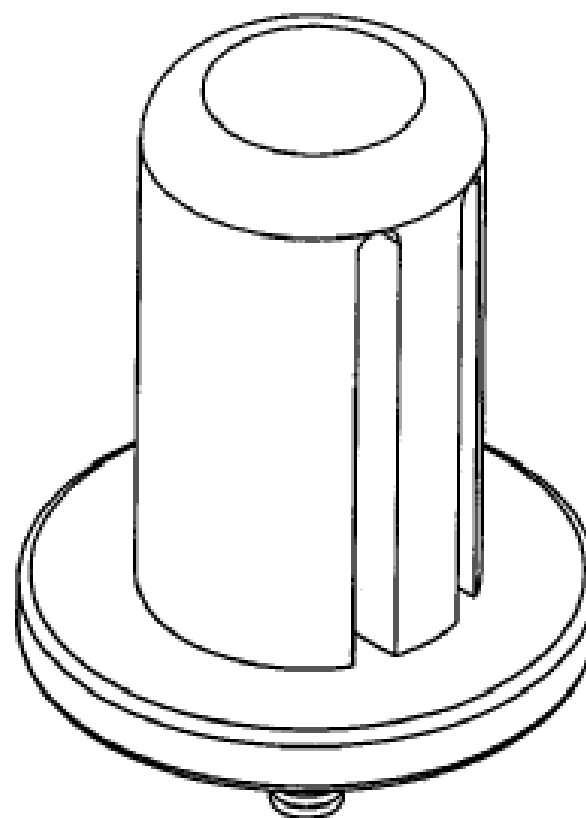
77 Parer Road Airport West Victoria 3042 Australia

(72) Name(s) of Designer(s): **Anthony Psaila**

(45) Registration Date: **14 January 2011**

(56) Related Art Documents: **Not Applicable**

(57) Statement of Newness and Distinctiveness: **Those features of the tile spacer depicted in the representations that are new and distinctive are the shape and/or configuration.**



(21) Design Number: **15478/2010**

(22) Date of Filing Application: **14 December 2010**

(24) Date from which industrial property rights may have effect: **14 December 2010**

(54) Product in respect of which the design is registered: **Tile spacer**

(51) International Design Classification: **08-05K**

(71) Name(s) and Address(s) of Applicant(s):

Anthony Psaila

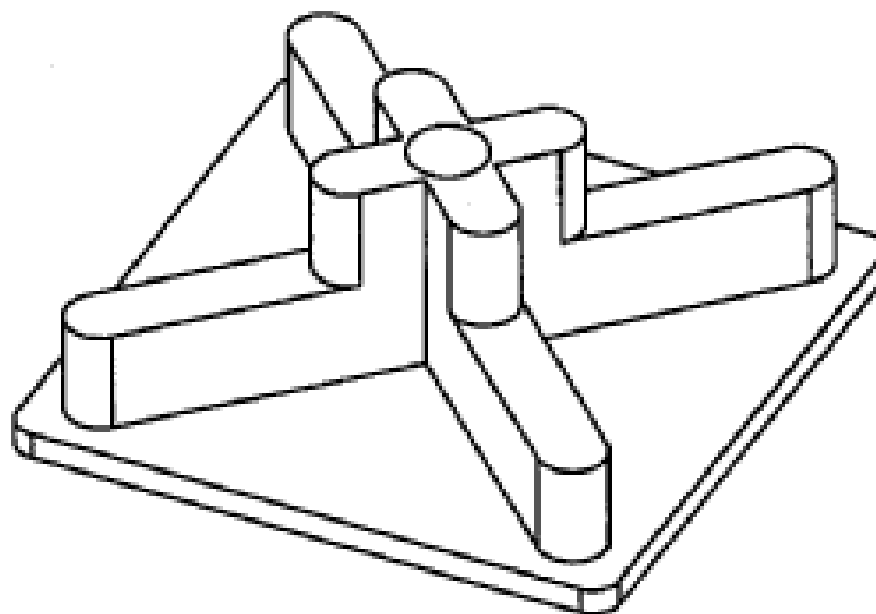
77 Parer Road Airport West Victoria 3042 Australia

(72) Name(s) of Designer(s): **Anthony Psaila**

(45) Registration Date: **14 January 2011**

(56) Related Art Documents: **Not Applicable**

(57) Statement of Newness and Distinctiveness: **Those features of the tile spacer depicted in the representations that are new and distinctive are the shape and/or configuration.**



(19) AU

- (21) Design Number: **15837/2008**
(22) Date of Filing Application: **11 December 2008**
(24) Date from which industrial property rights may have effect: **11 December 2008**
(54) Product in respect of which the design is registered: **Compliance display for a glucose meter**
(51) International Design Classification: **14-04**
(71) Name(s) and Address(s) of Applicant(s):
Egomedical Swiss AG
Freudenbergstrasse 24 9241 Oberuzwil Switzerland
(72) Name(s) of Designer(s): **Eurig Wyn Jones and Matthias Stiene**
(45) Registration Date: **13 January 2011**
(30) Convention priority data:
(31) Number (32) Date (33) Country
000951470-0008 16 Jun 2008 EUROPEAN COMMUNITY
(56) Related Art Documents: **Not Applicable**
(57) Statement of Newness and Distinctiveness: **Newness and distinctiveness of the design resides in the features of pattern and/or ornamentation of the compliance display as depicted in the accompanying representation.**



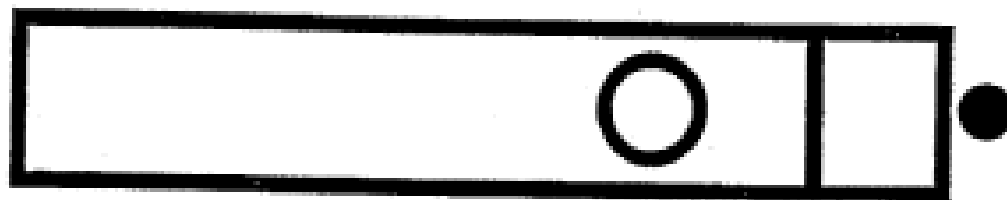
(19) AU

- (21) Design Number: **15838/2008**
(22) Date of Filing Application: **11 December 2008**
(24) Date from which industrial property rights may have effect: **11 December 2008**
(54) Product in respect of which the design is registered: **Compliance display for a glucose meter**
(51) International Design Classification: **14-04**
(71) Name(s) and Address(s) of Applicant(s):
Egomedical Swiss AG
Freudenbergstrasse 24 9241 Oberuzwil Switzerland
(72) Name(s) of Designer(s): **Eurig Wyn Jones and Matthias Stiene**
(45) Registration Date: **13 January 2011**
(30) Convention priority data:
(31) Number (32) Date (33) Country
000951470-0013 16 Jun 2008 EUROPEAN COMMUNITY
(56) Related Art Documents: **Not Applicable**
(57) Statement of Newness and Distinctiveness: **Newness and distinctiveness of the design resides in the features of pattern and/or ornamentation of the compliance display as depicted in the accompanying representation.**



(19) AU

- (21) Design Number: **15839/2008**
(22) Date of Filing Application: **11 December 2008**
(24) Date from which industrial property rights may have effect: **11 December 2008**
(54) Product in respect of which the design is registered: **Compliance display for a glucose meter**
(51) International Design Classification: **14-04**
(71) Name(s) and Address(s) of Applicant(s):
Egomedical Swiss AG
Freudenbergstrasse 24 9241 Oberuzwil Switzerland
(72) Name(s) of Designer(s): **Eurig Wyn Jones and Matthias Stiene**
(45) Registration Date: **13 January 2011**
(30) Convention priority data:
(31) Number (32) Date (33) Country
000951470-0016 16 Jun 2008 EUROPEAN COMMUNITY
(56) Related Art Documents: **Not Applicable**
(57) Statement of Newness and Distinctiveness: **Newness and distinctiveness of the design resides in the features of pattern and/or ornamentation of the compliance display as depicted in the accompanying representation.**

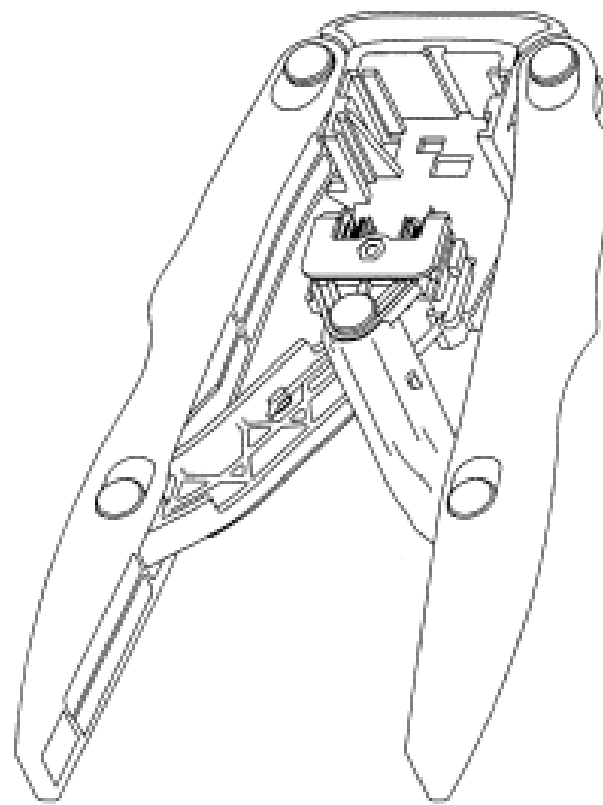


(19) AU

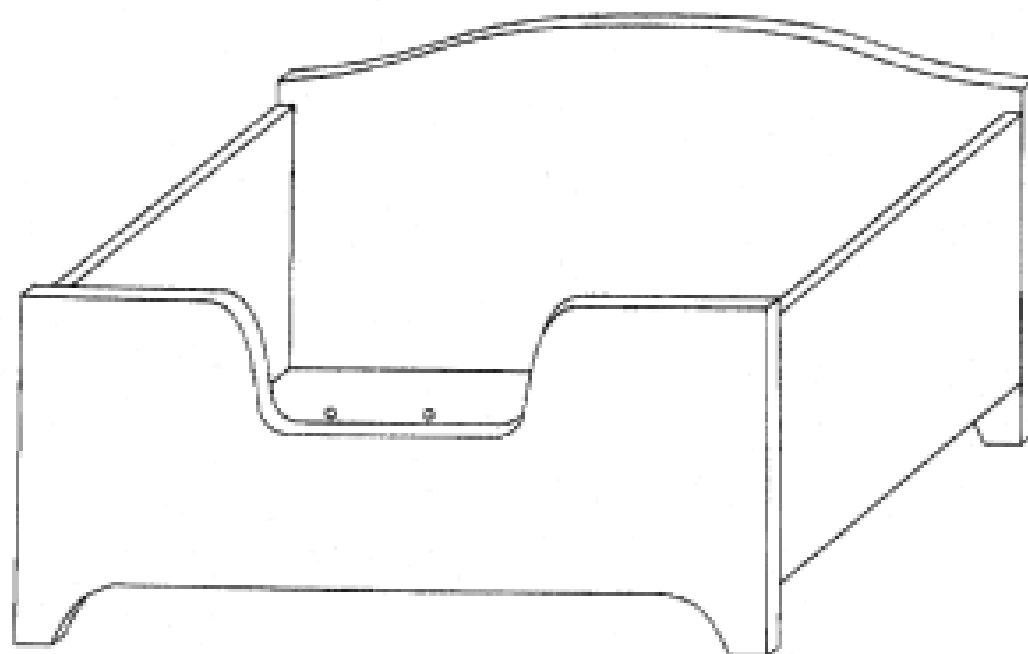
- (21) Design Number: **13615/2010**
(22) Date of Filing Application: **23 August 2010**
(24) Date from which industrial property rights may have effect: **23 August 2010**
(54) Product in respect of which the design is registered: **Automobile**
(51) International Design Classification: **12-08**
(71) Name(s) and Address(s) of Applicant(s):
Toyota Jidosha Kabushiki Kaisha
1 Toyota-cho Toyota-shi Aichi-ken 471-8571 Japan
(72) Name(s) of Designer(s): **Yahiko Kumai and Daichi Kimura and Ken Nagasaka**
(45) Registration Date: **13 January 2011**
(56) Related Art Documents: **Not Applicable**
(57) Statement of Newness and Distinctiveness: **Newness and distinctiveness is claimed in those features of shape and/or configuration of an automobile as illustrated in darker shades in the additional views of the accompanying representations, apart from Toyota emblem.**



- (21) Design Number: **14916/2010**
(22) Date of Filing Application: **05 November 2010**
(24) Date from which industrial property rights may have effect: **05 November 2010**
(54) Product in respect of which the design is registered: **Wire termination tool**
(51) International Design Classification: **08-05P**
(71) Name(s) and Address(s) of Applicant(s):
ADC Communications (Australia) Pty Limited
2 Hereford Street Berkeley Vale New South Wales 2261 Australia
(72) Name(s) of Designer(s): **Brett Hoe Slater and Bryce Lindsay Nicholls**
(45) Registration Date: **13 January 2011**
(56) Related Art Documents: **Not Applicable**
(57) Statement of Newness and Distinctiveness: **The features of shape and configuration of the wire termination tool shown in the accompanying representations are considered to be new and distinctive.**



- (21) Design Number: **14267/2010**
(22) Date of Filing Application: **07 October 2010**
(24) Date from which industrial property rights may have effect: **07 October 2010**
(54) Product in respect of which the design is registered: **Pet bed**
(51) International Design Classification: **30-06**
(71) Name(s) and Address(s) of Applicant(s):
Fiona Brown
314 Rahui Road R.D.3. Otaki 5583 New Zealand
(72) Name(s) of Designer(s): **Fiona Brown**
(45) Registration Date: **17 January 2011**
(30) Convention priority data:
(31) Number (32) Date (33) Country
412334 02 Jun 2009 NEW ZEALAND
(56) Related Art Documents: **Not Applicable**
(57) Statement of Newness and Distinctiveness: **The novelty of the design resides in the features of shape and configuration of a pet bed as shown in the accompanying representations.**



(19) AU

- (21) Design Number: **15501/2010**
- (22) Date of Filing Application: **15 December 2010**
- (24) Date from which industrial property rights may have effect: **15 December 2010**
- (54) Product in respect of which the design is registered: **Skewered food**
- (51) International Design Classification: **01-99**
- (71) Name(s) and Address(s) of Applicant(s):

Luojin Wang
7/19 Gloucester Road Hurstville New South Wales 2220 Australia

- (72) Name(s) of Designer(s): **Luojin Wang**
- (45) Registration Date: **17 January 2011**
- (56) Related Art Documents: **Not Applicable**
- (57) Statement of Newness and Distinctiveness: **Nil**

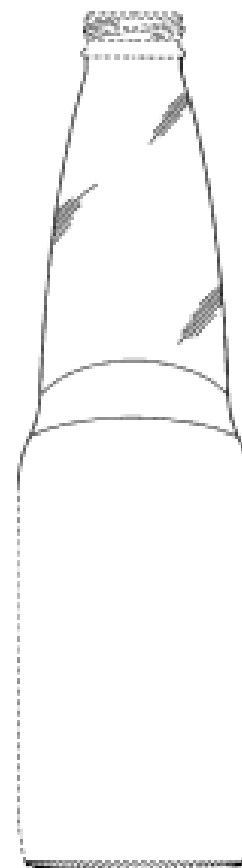


(19) AU

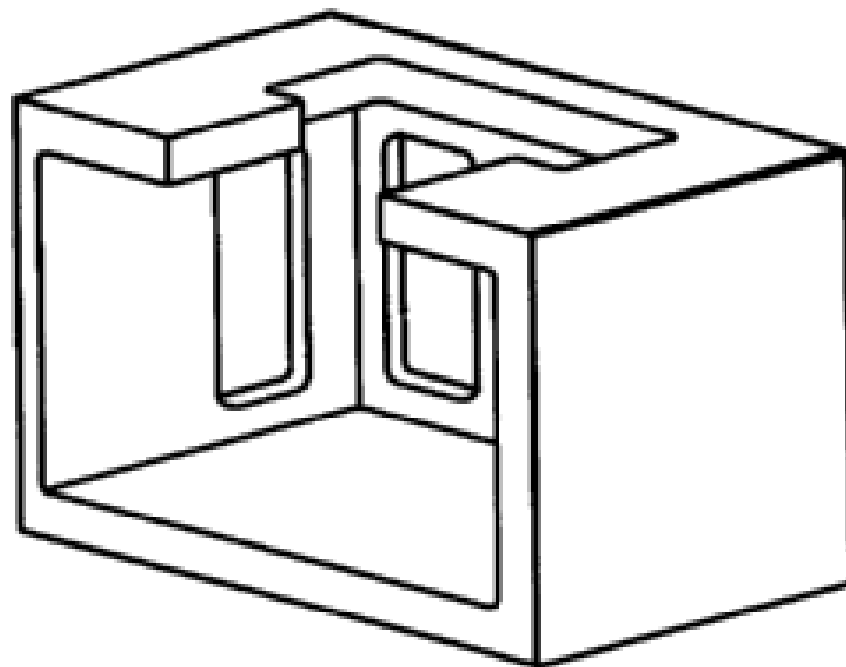
- (21) Design Number: **15502/2010**
- (22) Date of Filing Application: **15 December 2010**
- (24) Date from which industrial property rights may have effect: **15 December 2010**
- (54) Product in respect of which the design is registered: **Bottle**
- (51) International Design Classification: **09-01H**
- (71) Name(s) and Address(s) of Applicant(s):

Owens-Brockway Glass Container Inc.
One Michael Owens Way Perrysburg Ohio 43551 United States of America

- (72) Name(s) of Designer(s): **Karl A. Reisig**
 - (45) Registration Date: **17 January 2011**
 - (30) Convention priority data:
- | | | |
|------------------|--------------------|---------------------------------|
| (31) Number | (32) Date | (33) Country |
| 29/364925 | 30 Jun 2010 | UNITED STATES OF AMERICA |
- (56) Related Art Documents: **Not Applicable**
 - (57) Statement of Newness and Distinctiveness: **Newness and distinctiveness reside in the shape and configuration of the neck and shoulder portions of the design for a bottle as shown in solid line in the accompanying representations. Those features shown in the broken line are illustrative only and do not form part of the design.**



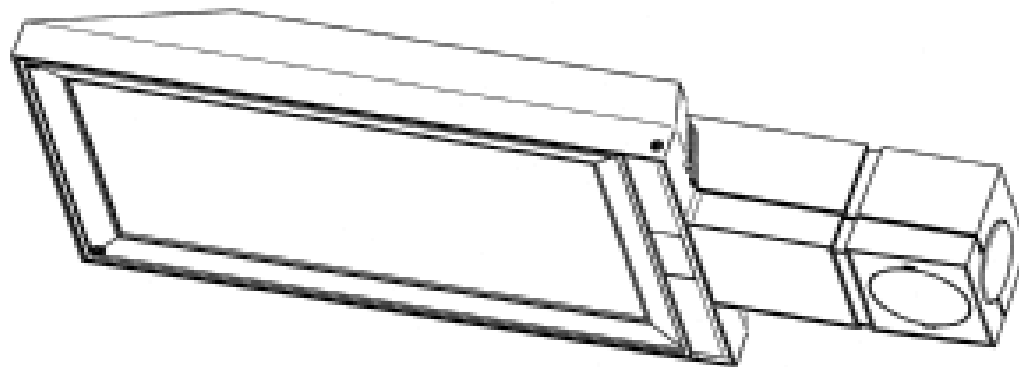
- (21) Design Number: **15504/2010**
- (22) Date of Filing Application: **15 December 2010**
- (24) Date from which industrial property rights may have effect: **15 December 2010**
- (54) Product in respect of which the design is registered: **Culvert or footing**
- (51) International Design Classification: **23-01NES**
- (71) Name(s) and Address(s) of Applicant(s):
Otto Developments Pty Ltd
43 Enterprise Street Bundaberg Queensland 4670 Australia
- (72) Name(s) of Designer(s): **Brett Adrian Otto**
- (45) Registration Date: **17 January 2011**
- (56) Related Art Documents: **Not Applicable**
- (57) Statement of Newness and Distinctiveness: **The newness and distinctiveness of the design resides in the shape and configuration of the culvert or footing shown in the representations.**



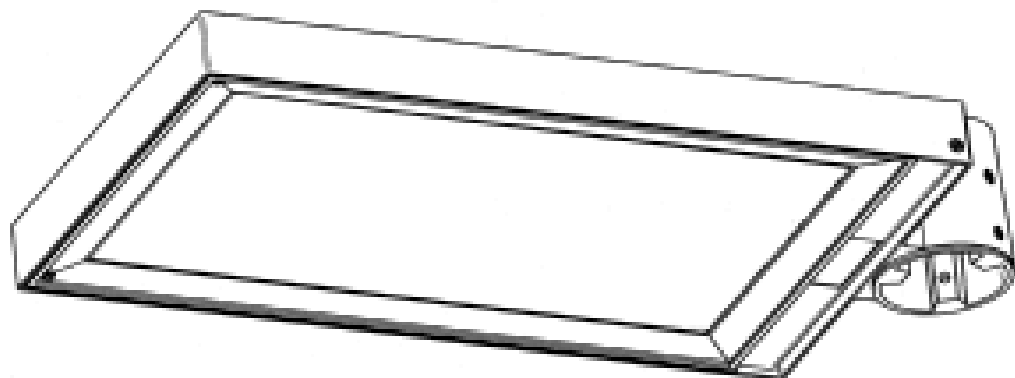
- (21) Design Number: **15505/2010**
- (22) Date of Filing Application: **15 December 2010**
- (24) Date from which industrial property rights may have effect: **15 December 2010**
- (54) Product in respect of which the design is registered: **Skewered food**
- (51) International Design Classification: **01-99**
- (71) Name(s) and Address(s) of Applicant(s):
Luojin Wang
7/19 Gloucester Road Hurstville New South Wales 2220 Australia
- (72) Name(s) of Designer(s): **Luojin Wang**
- (45) Registration Date: **17 January 2011**
- (56) Related Art Documents: **Not Applicable**
- (57) Statement of Newness and Distinctiveness: **Nil**



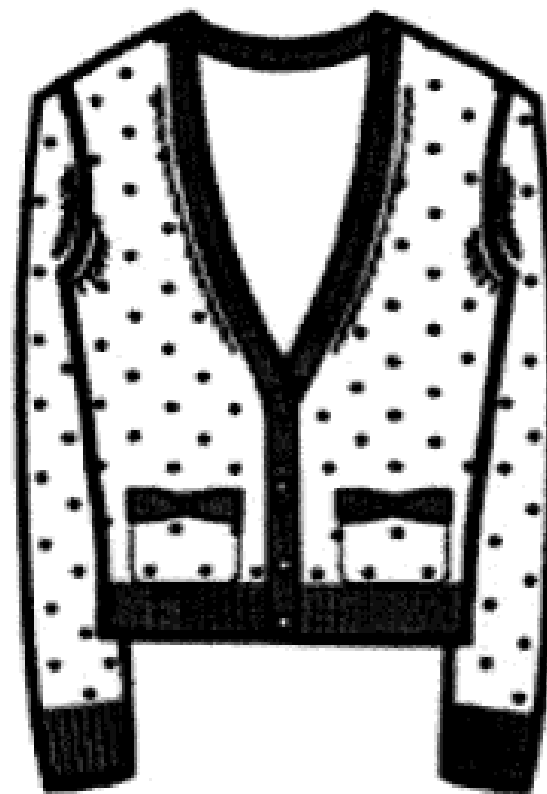
- (21) Design Number: **15506/2010**
(22) Date of Filing Application: **15 December 2010**
(24) Date from which industrial property rights may have effect: **15 December 2010**
(54) Product in respect of which the design is registered: **Luminaire**
(51) International Design Classification: **26-05C**
(71) Name(s) and Address(s) of Applicant(s):
WE-EF Leuchten GmbH & Co. KG
Topinger Strasse 19 Bispingen 29646 Germany
(72) Name(s) of Designer(s): **Petra Stieteih-Denst**
(45) Registration Date: **17 January 2011**
(56) Related Art Documents: **Not Applicable**
(57) Statement of Newness and Distinctiveness: **Nil**



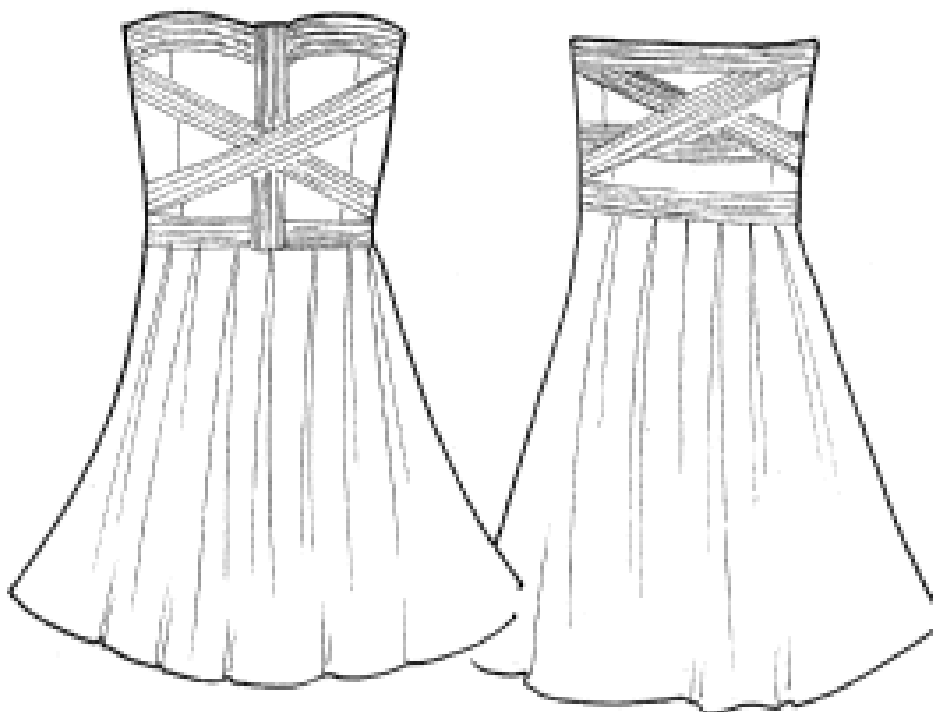
- (21) Design Number: **15507/2010**
(22) Date of Filing Application: **15 December 2010**
(24) Date from which industrial property rights may have effect: **15 December 2010**
(54) Product in respect of which the design is registered: **Luminaire**
(51) International Design Classification: **26-05C**
(71) Name(s) and Address(s) of Applicant(s):
WE-EF Leuchten GmbH & Co. KG
Topinger Strasse 19 Bispingen 29646 Germany
(72) Name(s) of Designer(s): **Petra Stieteih-Denst**
(45) Registration Date: **17 January 2011**
(56) Related Art Documents: **Not Applicable**
(57) Statement of Newness and Distinctiveness: **Nil**



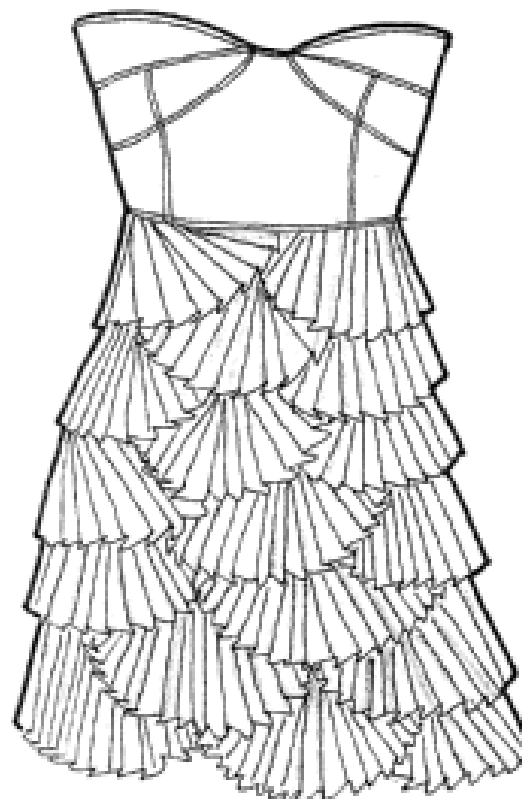
- (21) Design Number: **12332/2010**
(22) Date of Filing Application: **07 June 2010**
(24) Date from which industrial property rights may have effect: **07 June 2010**
(54) Product in respect of which the design is registered: **Women's fashion clothing**
(51) International Design Classification: **02-02C**
(71) Name(s) and Address(s) of Applicant(s):
Forever New Clothing Pty Ltd
Ground Floor 714-716 High Street Kew Victoria 3101 Australia
(72) Name(s) of Designer(s): **Susan Abbott**
(45) Registration Date: **17 January 2011**
(56) Related Art Documents: **Not Applicable**
(57) Statement of Newness and Distinctiveness: **The particular visual features of the design which the applicant hereby identifies as new and distinctive are as follows: "Women's Fashion Clothing", as illustrated in the accompanying representations.**



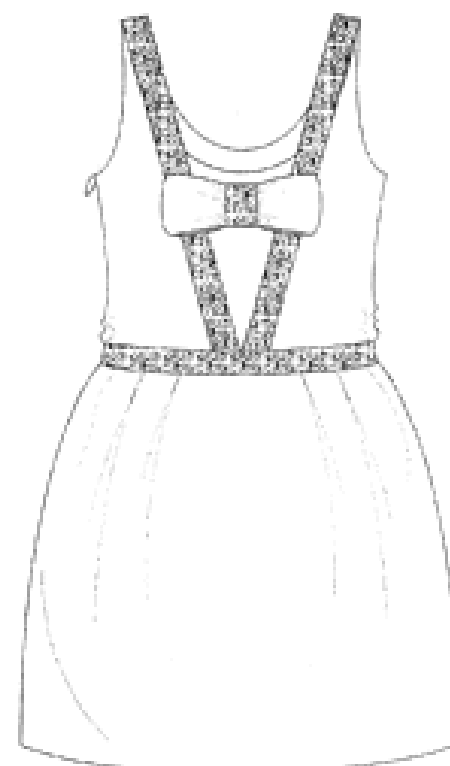
- (21) Design Number: **15388/2010**
(22) Date of Filing Application: **07 June 2010**
(24) Date from which industrial property rights may have effect: **07 June 2010**
(54) Product in respect of which the design is registered: **Women's fashion clothing**
(51) International Design Classification: **02-02C**
(71) Name(s) and Address(s) of Applicant(s):
Forever New Clothing Pty Ltd
Ground Floor 714-716 High Street Kew Victoria 3101 Australia
(72) Name(s) of Designer(s): **Tristan Melle**
(45) Registration Date: **17 January 2011**
(56) Related Art Documents: **Not Applicable**
(57) Statement of Newness and Distinctiveness: **The particular visual features of the design which the applicant hereby identifies as new and distinctive are as follows: "Women's Fashion Clothing", as illustrated in the accompanying representations.**



- (21) Design Number: **15389/2010**
(22) Date of Filing Application: **07 June 2010**
(24) Date from which industrial property rights may have effect: **07 June 2010**
(54) Product in respect of which the design is registered: **Women's fashion clothing**
(51) International Design Classification: **02-02C**
(71) Name(s) and Address(s) of Applicant(s):
Forever New Clothing Pty Ltd
Ground Floor 714-716 High Street Kew Victoria 3101 Australia
(72) Name(s) of Designer(s): **Tristan Melle**
(45) Registration Date: **17 January 2011**
(56) Related Art Documents: **Not Applicable**
(57) Statement of Newness and Distinctiveness: **The particular visual features of the design which the applicant hereby identifies as new and distinctive are as follows: "Women's Fashion Clothing", as illustrated in the accompanying representations.**



- (21) Design Number: **15390/2010**
(22) Date of Filing Application: **07 June 2010**
(24) Date from which industrial property rights may have effect: **07 June 2010**
(54) Product in respect of which the design is registered: **Women's fashion clothing**
(51) International Design Classification: **02-02C**
(71) Name(s) and Address(s) of Applicant(s):
Forever New Clothing Pty Ltd
Ground Floor 714-716 High Street Kew Victoria 3101 Australia
(72) Name(s) of Designer(s): **Tristan Melle**
(45) Registration Date: **17 January 2011**
(56) Related Art Documents: **Not Applicable**
(57) Statement of Newness and Distinctiveness: **The particular visual features of the design which the applicant hereby identifies as new and distinctive are as follows: "Women's Fashion Clothing", as illustrated in the accompanying representations.**



(21) Design Number: 15391/2010

(22) Date of Filing Application: 07 June 2010

(24) Date from which industrial property rights may have effect: 07 June 2010

(54) Product in respect of which the design is registered: **Women's fashion clothing**

(51) International Design Classification: 02-02C

(71) Name(s) and Address(s) of Applicant(s):

Forever New Clothing Pty Ltd
Ground Floor 714-716 High Street Kew Victoria 3101 Australia

(72) Name(s) of Designer(s): **Tristan Melle**

(45) Registration Date: 17 January 2011

(56) Related Art Documents: **Not Applicable**

(57) Statement of Newness and Distinctiveness: **The particular visual features of the design which the applicant hereby identifies as new and distinctive are as follows: "Women's Fashion Clothing", as illustrated in the accompanying representations.**



(21) Design Number: 15392/2010

(22) Date of Filing Application: 07 June 2010

(24) Date from which industrial property rights may have effect: 07 June 2010

(54) Product in respect of which the design is registered: **Women's fashion clothing**

(51) International Design Classification: 02-02C

(71) Name(s) and Address(s) of Applicant(s):

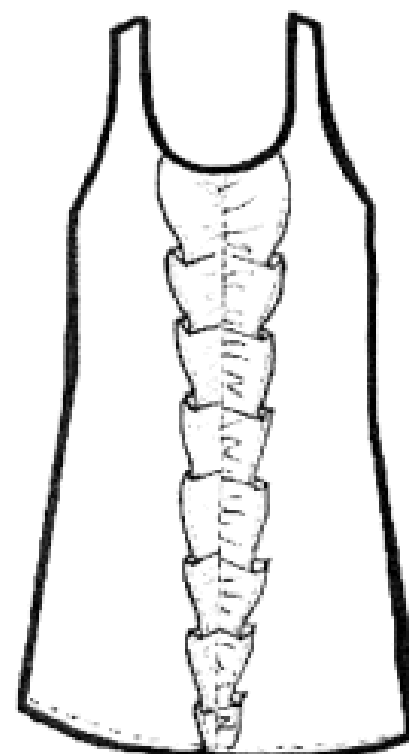
Forever New Clothing Pty Ltd
Ground Floor 714-716 High Street Kew Victoria 3101 Australia

(72) Name(s) of Designer(s): **Tristan Melle**

(45) Registration Date: 17 January 2011

(56) Related Art Documents: **Not Applicable**

(57) Statement of Newness and Distinctiveness: **The particular visual features of the design which the applicant hereby identifies as new and distinctive are as follows: "Women's Fashion Clothing", as illustrated in the accompanying representations.**



(21) Design Number: **15393/2010**

(22) Date of Filing Application: **07 June 2010**

(24) Date from which industrial property rights may have effect: **07 June 2010**

(54) Product in respect of which the design is registered: **Women's fashion clothing**

(51) International Design Classification: **02-02C**

(71) Name(s) and Address(s) of Applicant(s):

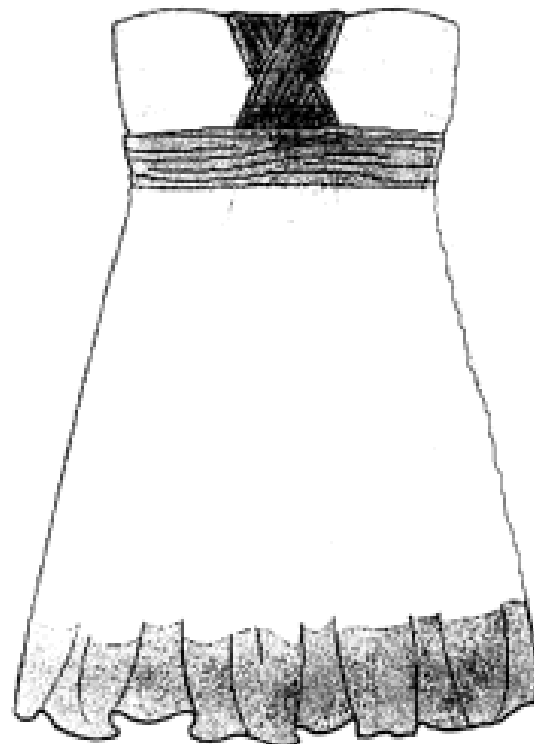
Forever New Clothing Pty Ltd
Ground Floor 714-716 High Street Kew Victoria 3101 Australia

(72) Name(s) of Designer(s): **Tristan Melle**

(45) Registration Date: **17 January 2011**

(56) Related Art Documents: **Not Applicable**

(57) Statement of Newness and Distinctiveness: **The particular visual features of the design which the applicant hereby identifies as new and distinctive are as follows: "Women's Fashion Clothing", as illustrated in the accompanying representations.**



(21) Design Number: **15394/2010**

(22) Date of Filing Application: **07 June 2010**

(24) Date from which industrial property rights may have effect: **07 June 2010**

(54) Product in respect of which the design is registered: **Women's fashion clothing**

(51) International Design Classification: **02-02C**

(71) Name(s) and Address(s) of Applicant(s):

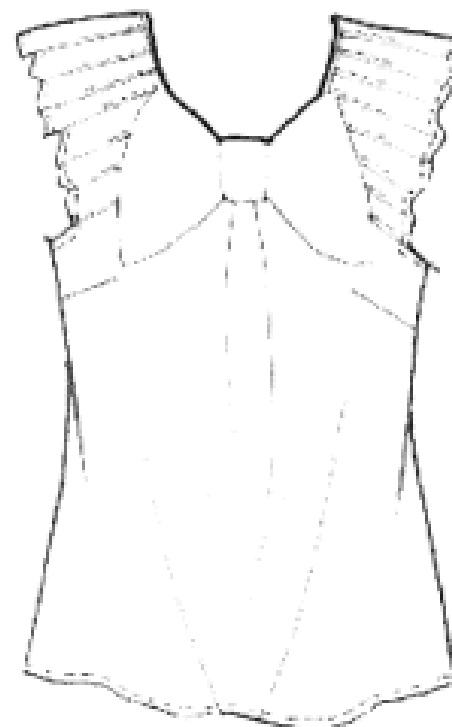
Forever New Clothing Pty Ltd
Ground Floor 714-716 High Street Kew Victoria 3101 Australia

(72) Name(s) of Designer(s): **Dulcie Flynn**

(45) Registration Date: **17 January 2011**

(56) Related Art Documents: **Not Applicable**

(57) Statement of Newness and Distinctiveness: **The particular visual features of the design which the applicant hereby identifies as new and distinctive are as follows: "Women's Fashion Clothing", as illustrated in the accompanying representations.**



- (21) Design Number: **15395/2010**
(22) Date of Filing Application: **07 June 2010**
(24) Date from which industrial property rights may have effect: **07 June 2010**
(54) Product in respect of which the design is registered: **Women's fashion clothing**
(51) International Design Classification: **02-02C**
(71) Name(s) and Address(s) of Applicant(s):
Forever New Clothing Pty Ltd
Ground Floor 714-716 High Street Kew Victoria 3101 Australia
(72) Name(s) of Designer(s): **Dulcie Flynn**
(45) Registration Date: **17 January 2011**
(56) Related Art Documents: **Not Applicable**
(57) Statement of Newness and Distinctiveness: **The particular visual features of the design which the applicant hereby identifies as new and distinctive are as follows: "Women's Fashion Clothing", as illustrated in the accompanying representations.**



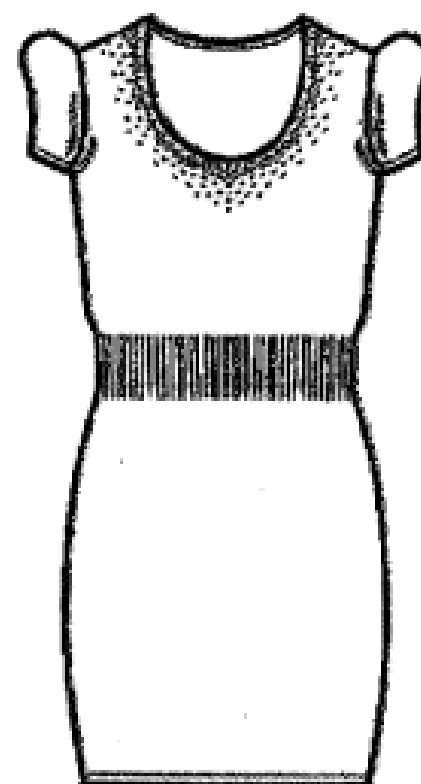
- (21) Design Number: **15396/2010**
(22) Date of Filing Application: **07 June 2010**
(24) Date from which industrial property rights may have effect: **07 June 2010**
(54) Product in respect of which the design is registered: **Women's fashion clothing**
(51) International Design Classification: **02-02C**
(71) Name(s) and Address(s) of Applicant(s):
Forever New Clothing Pty Ltd
Ground Floor 714-716 High Street Kew Victoria 3101 Australia
(72) Name(s) of Designer(s): **Dulcie Flynn**
(45) Registration Date: **17 January 2011**
(56) Related Art Documents: **Not Applicable**
(57) Statement of Newness and Distinctiveness: **The particular visual features of the design which the applicant hereby identifies as new and distinctive are as follows: "Women's Fashion Clothing", as illustrated in the accompanying representations.**



- (21) Design Number: **15397/2010**
(22) Date of Filing Application: **07 June 2010**
(24) Date from which industrial property rights may have effect: **07 June 2010**
(54) Product in respect of which the design is registered: **Women's fashion clothing**
(51) International Design Classification: **02-02C**
(71) Name(s) and Address(s) of Applicant(s):
Forever New Clothing Pty Ltd
Ground Floor 714-716 High Street Kew Victoria 3101 Australia
(72) Name(s) of Designer(s): **Susan Abbott**
(45) Registration Date: **17 January 2011**
(56) Related Art Documents: **Not Applicable**
(57) Statement of Newness and Distinctiveness: **The particular visual features of the design which the applicant hereby identifies as new and distinctive are as follows: "Women's Fashion Clothing", as illustrated in the accompanying representations.**



- (21) Design Number: **15398/2010**
(22) Date of Filing Application: **07 June 2010**
(24) Date from which industrial property rights may have effect: **07 June 2010**
(54) Product in respect of which the design is registered: **Women's fashion clothing**
(51) International Design Classification: **02-02C**
(71) Name(s) and Address(s) of Applicant(s):
Forever New Clothing Pty Ltd
Ground Floor 714-716 High Street Kew Victoria 3101 Australia
(72) Name(s) of Designer(s): **Susan Abbott**
(45) Registration Date: **17 January 2011**
(56) Related Art Documents: **Not Applicable**
(57) Statement of Newness and Distinctiveness: **The particular visual features of the design which the applicant hereby identifies as new and distinctive are as follows: "Women's Fashion Clothing", as illustrated in the accompanying representations.**



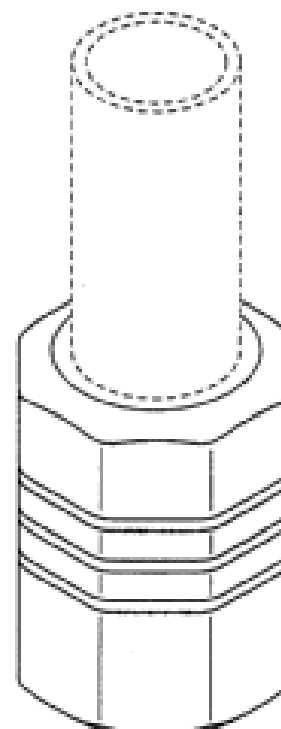
- (21) Design Number: **12466/2010**
(22) Date of Filing Application: **16 June 2010**
(24) Date from which industrial property rights may have effect: **16 June 2010**
(54) Product in respect of which the design is registered: **A heat exchanger for a solar panel**
(51) International Design Classification: **23-03D**
(71) Name(s) and Address(s) of Applicant(s):
Solarark Pty Ltd
Unit 7 9 Mavis Street Revesby New South Wales 2212 Australia
(72) Name(s) of Designer(s): **Ravei Bachir**
(45) Registration Date: **17 January 2011**
(56) Related Art Documents: **Not Applicable**
(57) Statement of Newness and Distinctiveness: **Newness and distinctiveness is claimed in the features of shape and/or configuration of a heat exchanger for a solar panel being of indefinite length as illustrated in the accompanying representations.**



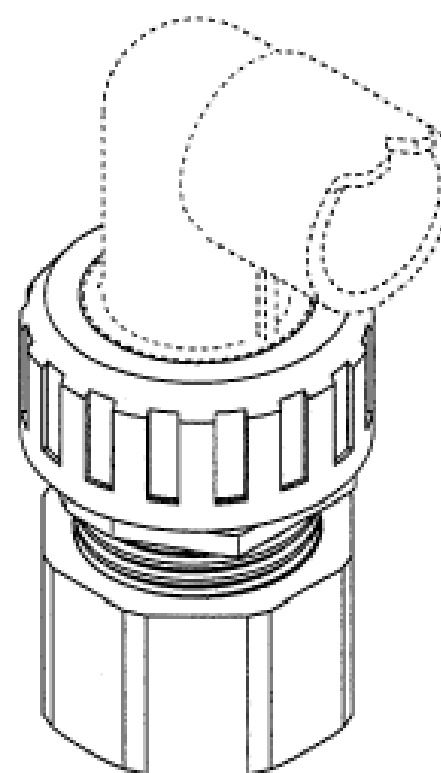
- (21) Design Number: **14599/2010**
(22) Date of Filing Application: **26 October 2010**
(24) Date from which industrial property rights may have effect: **26 October 2010**
(54) Product in respect of which the design is registered: **Electric vehicle**
(51) International Design Classification: **12-08**
(71) Name(s) and Address(s) of Applicant(s):
Suzhou Eagle Electric Vehicle Manufacturing Co., Ltd.
No. 699 TongYuan Road Suzhou Industrial Park Suzhou City People's Republic of China
(72) Name(s) of Designer(s): **Li Xue**
(45) Registration Date: **17 January 2011**
(30) Convention priority data:
(31) Number (32) Date (33) Country
201030181372.1 27 May 2010 CHINA
(56) Related Art Documents: **Not Applicable**
(57) Statement of Newness and Distinctiveness: **Newness and distinctiveness is claimed in the features of shape and/or configuration of an Electric Vehicle as illustrated in the accompanying representations.**



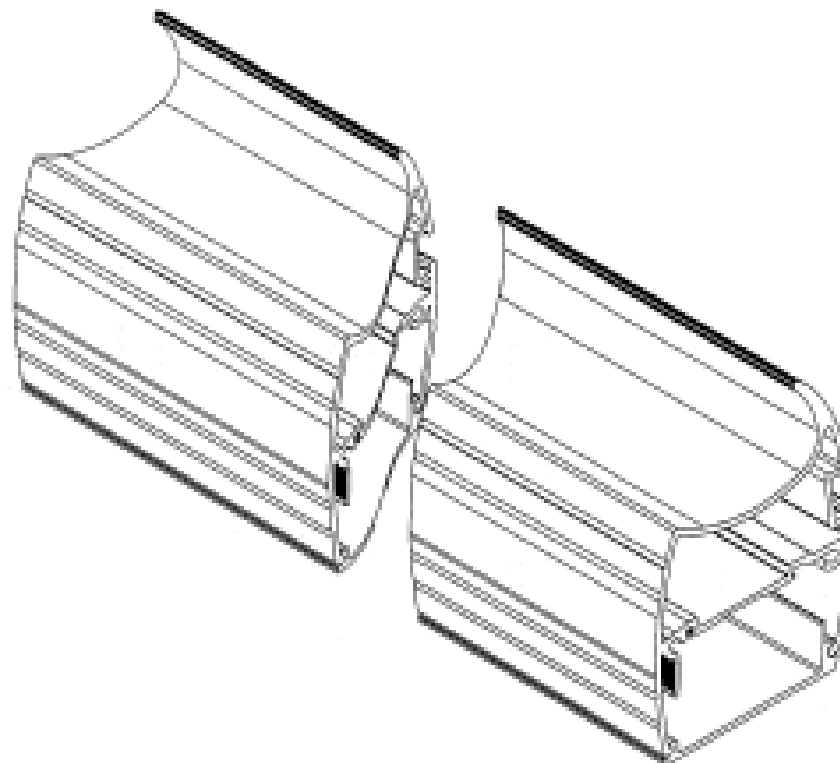
- (21) Design Number: **15288/2010**
(22) Date of Filing Application: **29 November 2010**
(24) Date from which industrial property rights may have effect: **29 November 2010**
(54) Product in respect of which the design is registered: **Pipe fitting for a filter**
(51) International Design Classification: **23-01B**
(71) Name(s) and Address(s) of Applicant(s):
Asahi Kasei Chemicals Corporation
1-105 Kanda Jinbocho Chiyoda-ku Tokyo 101-8101 Japan
(72) Name(s) of Designer(s): **Noriyuki Morishita**
(45) Registration Date: **17 January 2011**
(30) Convention priority data:
(31) Number (32) Date (33) Country
D2010-013374 31 May 2010 JAPAN
(56) Related Art Documents: **Not Applicable**
(57) Statement of Newness and Distinctiveness: **Newness and distinctiveness resides in the features of shape and configuration of the pipe fitting for a filter, shown by unbroken lines in the representations; the parts shown as dotted lines in the various figures do not form a part of the design.**



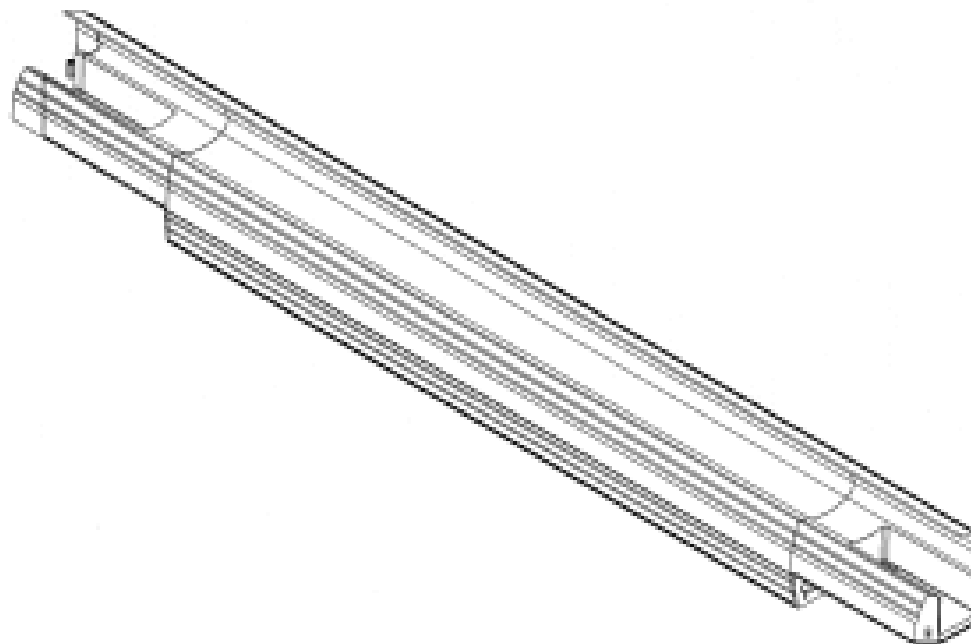
- (21) Design Number: **15287/2010**
(22) Date of Filing Application: **29 November 2010**
(24) Date from which industrial property rights may have effect: **29 November 2010**
(54) Product in respect of which the design is registered: **Pipe fitting for a filter**
(51) International Design Classification: **23-01B**
(71) Name(s) and Address(s) of Applicant(s):
Asahi Kasei Chemicals Corporation
1-105 Kanda Jinbocho Chiyoda-ku Tokyo 101-8101 Japan
(72) Name(s) of Designer(s): **Noriyuki Morishita**
(45) Registration Date: **17 January 2011**
(30) Convention priority data:
(31) Number (32) Date (33) Country
D2010-013373 31 May 2010 JAPAN
(56) Related Art Documents: **Not Applicable**
(57) Statement of Newness and Distinctiveness: **Newness and distinctiveness resides in the features of shape and configuration of the pipe fitting for a filter, shown by unbroken lines in the representations; the parts shown as dotted lines in the various figures do not form a part of the design.**



- (21) Design Number: **15319/2010**
(22) Date of Filing Application: **06 December 2010**
(24) Date from which industrial property rights may have effect: **06 December 2010**
(54) Product in respect of which the design is registered: **Fluorescent light fixture**
(51) International Design Classification: **26-05A**
(71) Name(s) and Address(s) of Applicant(s):
Intralux Australia Pty Ltd
23 Enterprise Street Richlands Queensland 4077 Australia
(72) Name(s) of Designer(s): **Jenny Loqvist**
(45) Registration Date: **17 January 2011**
(56) Related Art Documents: **Not Applicable**
(57) Statement of Newness and Distinctiveness: **Ability of fitting to provide shadow free illumination in straight, radius and square corner arrangements due to adaptable end caps. Fixture is of indefinite length.**



- (21) Design Number: **15320/2010**
(22) Date of Filing Application: **06 December 2010**
(24) Date from which industrial property rights may have effect: **06 December 2010**
(54) Product in respect of which the design is registered: **Fluorescent light fixture**
(51) International Design Classification: **26-05A**
(71) Name(s) and Address(s) of Applicant(s):
Intralux Australia Pty Ltd
23 Enterprise Street Richlands Queensland 4077 Australia
(72) Name(s) of Designer(s): **Jenny Loqvist**
(45) Registration Date: **17 January 2011**
(56) Related Art Documents: **Not Applicable**
(57) Statement of Newness and Distinctiveness: **Ability of fixture to provide shadow free illumination in straight, radius & corner arrangements due to adaptable end caps. Ability of fitting to provide assymmetric illumination due to the clip-on reflector. Fixture is of indefinte length.**



- (21) Design Number: **15494/2010**
(22) Date of Filing Application: **15 December 2010**
(24) Date from which industrial property rights may have effect: **15 December 2010**
(54) Product in respect of which the design is registered: **Air conditioner**
(51) International Design Classification: **23-04**
(71) Name(s) and Address(s) of Applicant(s):

Daikin Industries Ltd.
Umeda Center Building 4-12 Nakazaki-Nishi 2-chome Kita-Ku
Osaka-shi Osaka-fu Japan

(72) Name(s) of Designer(s): **Masahiko Chouji**

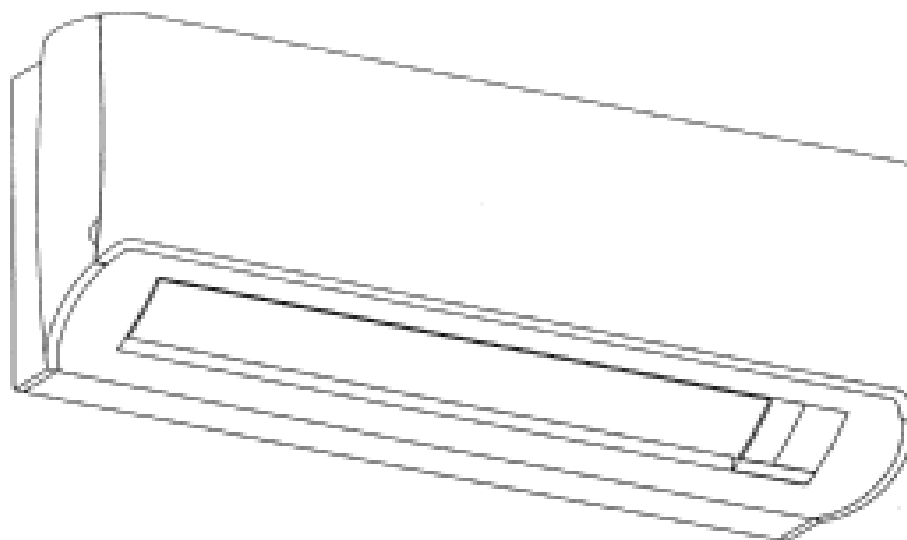
(45) Registration Date: **17 January 2011**

(30) Convention priority data:

(31) Number	(32) Date	(33) Country
2010-015412	23 Jun 2010	JAPAN

(56) Related Art Documents: **Not Applicable**

(57) Statement of Newness and Distinctiveness: **The newness and distinctiveness of the design resides in the features of shape and configuration of the design illustrated in the accompanying representations.**



- (21) Design Number: **15495/2010**
(22) Date of Filing Application: **15 December 2010**
(24) Date from which industrial property rights may have effect: **15 December 2010**
(54) Product in respect of which the design is registered: **Air conditioner**
(51) International Design Classification: **23-04**
(71) Name(s) and Address(s) of Applicant(s):

Daikin Industries Ltd.
Umeda Center Building 4-12 Nakazaki-Nishi 2-chome Kita-Ku
Osaka-shi Osaka-fu Japan

(72) Name(s) of Designer(s): **Masahiko Chouji**

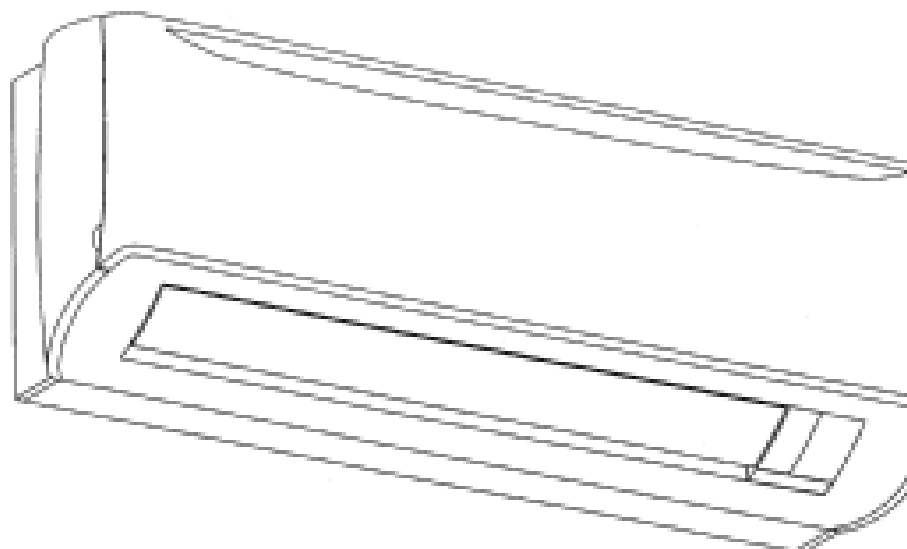
(45) Registration Date: **17 January 2011**

(30) Convention priority data:

(31) Number	(32) Date	(33) Country
2010-015413	23 Jun 2010	JAPAN

(56) Related Art Documents: **Not Applicable**

(57) Statement of Newness and Distinctiveness: **The newness and distinctiveness of the design resides in the features of shape and configuration of the design illustrated in the accompanying representations.**



- (21) Design Number: **15496/2010**
(22) Date of Filing Application: **15 December 2010**
(24) Date from which industrial property rights may have effect: **15 December 2010**
(54) Product in respect of which the design is registered: **Air conditioner**
(51) International Design Classification: **23-04**
(71) Name(s) and Address(s) of Applicant(s):

Daikin Industries Ltd.
Umeda Center Building 4-12 Nakazaki-Nishi 2-chome Kita-ku
Osaka-shi Osaka-fu Japan

(72) Name(s) of Designer(s): **Masahiko Chouji**

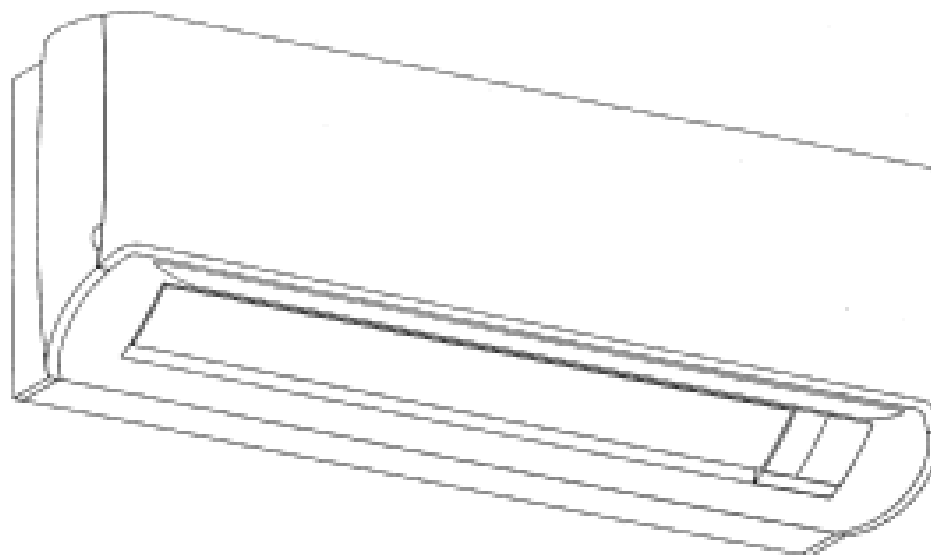
(45) Registration Date: **17 January 2011**

(30) Convention priority data:

(31) Number	(32) Date	(33) Country
2010-015414	23 Jun 2010	JAPAN

(56) Related Art Documents: **Not Applicable**

(57) Statement of Newness and Distinctiveness: **The newness and distinctiveness of the design resides in the features of shape and configuration of the design illustrated in the accompanying representations.**



- (21) Design Number: **15499/2010**
(22) Date of Filing Application: **15 December 2010**
(24) Date from which industrial property rights may have effect: **15 December 2010**
(54) Product in respect of which the design is registered: **Beard trimmer**
(51) International Design Classification: **28-03D**
(71) Name(s) and Address(s) of Applicant(s):

Koninklijke Philips Electronics N.V.
Groenewoudseweg 1 5621 BA Eindhoven The Netherlands

(72) Name(s) of Designer(s): **Christian Geiger**

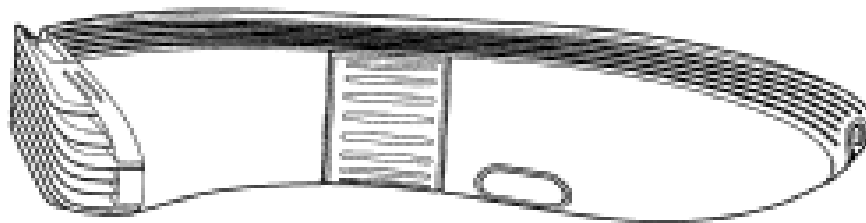
(45) Registration Date: **17 January 2011**

(30) Convention priority data:

(31) Number	(32) Date	(33) Country
001722968	22 Jun 2010	EUROPEAN COMMUNITY

(56) Related Art Documents: **Not Applicable**

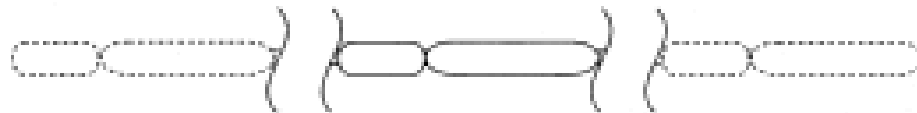
(57) Statement of Newness and Distinctiveness: **Newness and distinctiveness reside in the features of shape and configuration of the design as shown in the representations.**



- (21) Design Number: **15500/2010**
(22) Date of Filing Application: **15 December 2010**
(24) Date from which industrial property rights may have effect: **15 December 2010**
(54) Product in respect of which the design is registered: **Skewered food**
(51) International Design Classification: **01-99**
(71) Name(s) and Address(s) of Applicant(s):

Luojin Wang
7/19 Gloucester Road Hurstville New South Wales 2220 Australia

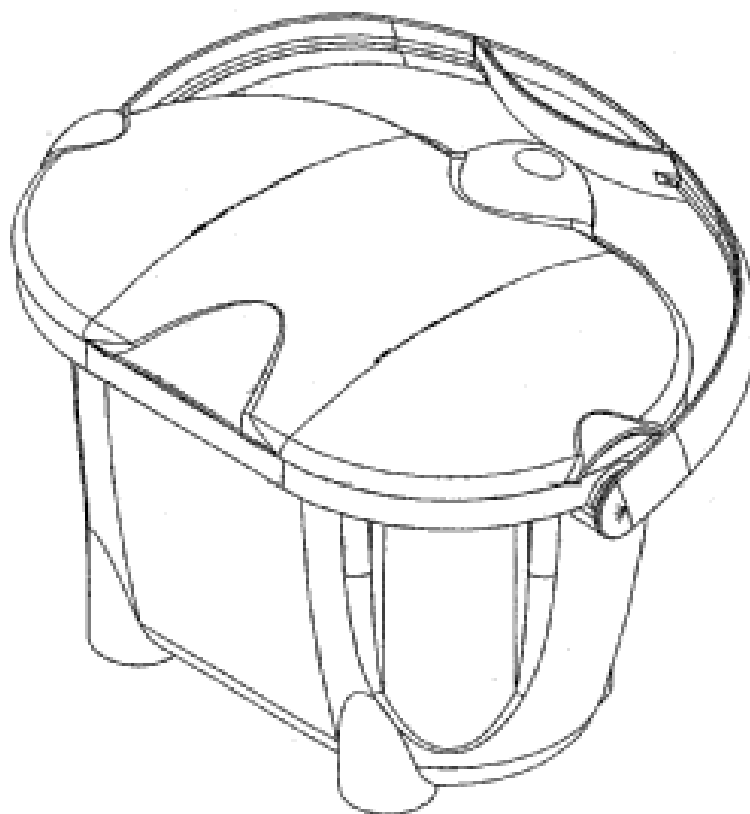
- (72) Name(s) of Designer(s): **Luojin Wang**
(45) Registration Date: **17 January 2011**
(56) Related Art Documents: **Not Applicable**
(57) Statement of Newness and Distinctiveness: **Nil**



- (21) Design Number: **11805/2010**
(22) Date of Filing Application: **07 May 2010**
(24) Date from which industrial property rights may have effect: **07 May 2010**
(54) Product in respect of which the design is registered: **Container**
(51) International Design Classification: **09-09**
(71) Name(s) and Address(s) of Applicant(s):

SULO MGB Australia Pty Ltd
123 Wisemans Ferry Road Somersby New South Wales 2250 Australia

- (72) Name(s) of Designer(s): **Thorsten Voss and Jon Pryor and John Kernahan and Vienna Spence**
(45) Registration Date: **17 January 2011**
(56) Related Art Documents: **Not Applicable**
(57) Statement of Newness and Distinctiveness: **Particular regard should be placed on the shape and configuration of the kitchen tidy body when assessing newness and distinctiveness. The handle design is included for context only.**



(21) Design Number: **14820/2010**
(22) Date of Filing Application: **08 November 2010**
(24) Date from which industrial property rights may have effect: **08 November 2010**
(54) Product in respect of which the design is registered: **Juicer**
(51) International Design Classification: **31-00**
(71) Name(s) and Address(s) of Applicant(s):

Braun GmbH
Frankfurter Strasse 145 61476 Kronberg am Taunus Germany

(72) Name(s) of Designer(s): **Wolfgang Stegmann and Christine Bachmann and Udo Bady and Oliver Grabes and Rory McGarry and Franziska Schmid and Sven Wuttig and Phong Duy Vu**

(45) Registration Date: **17 January 2011**

(30) Convention priority data:

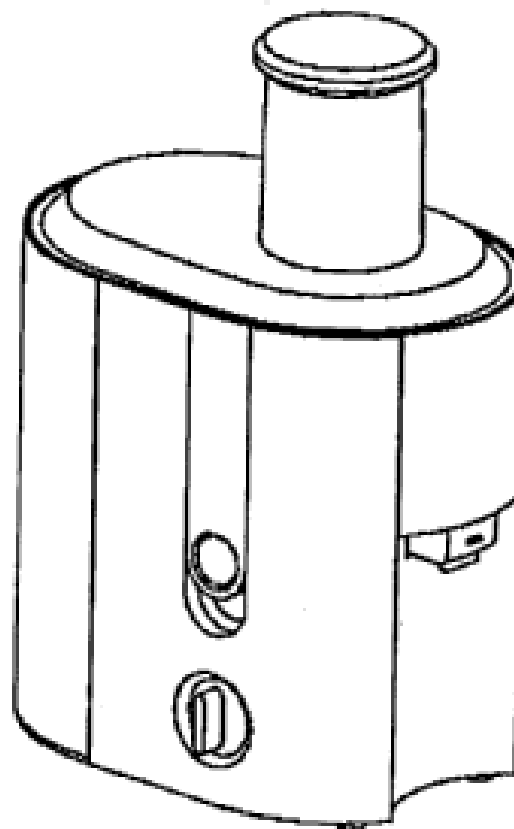
(31) Number
547296401

(32) Date
11 May 2010

(33) Country
**WORLD INTELLECTUAL
PROPERTY ORGANIZATION
(WIPO)**

(56) Related Art Documents: **Not Applicable**

(57) Statement of Newness and Distinctiveness: **Those features of the juicer depicted in the representations that are new and distinctive are the shape and/or configuration.**



(21) Design Number: **14821/2010**
(22) Date of Filing Application: **08 November 2010**
(24) Date from which industrial property rights may have effect: **08 November 2010**
(54) Product in respect of which the design is registered: **A juicer part**
(51) International Design Classification: **31-00**
(71) Name(s) and Address(s) of Applicant(s):

Braun GmbH
Frankfurter Strasse 145 61476 Kronberg am Taunus Germany

(72) Name(s) of Designer(s): **Wolfgang Stegmann and Christine Bachmann and Udo Bady and Oliver Grabes and Rory McGarry and Franziska Schmid and Sven Wuttig and Phong Duy Vu**

(45) Registration Date: **17 January 2011**

(30) Convention priority data:

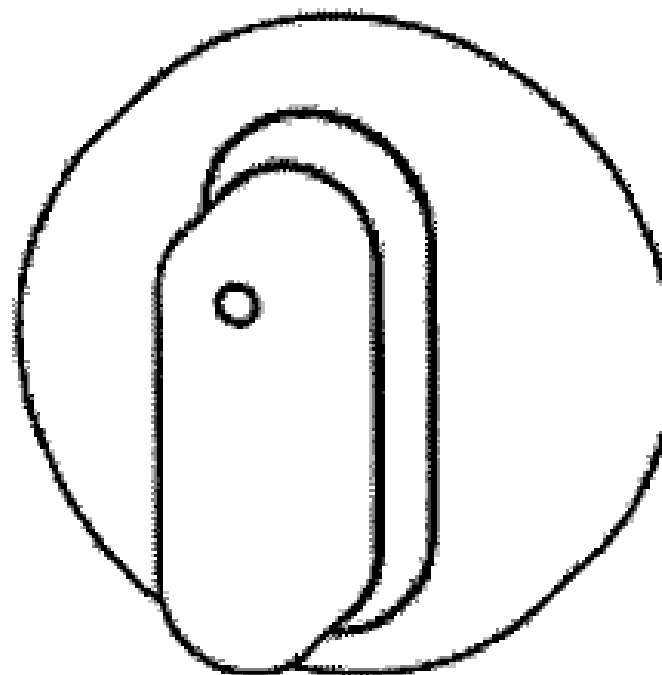
(31) Number
547296401

(32) Date
11 May 2010

(33) Country
**WORLD INTELLECTUAL
PROPERTY ORGANIZATION
(WIPO)**

(56) Related Art Documents: **Not Applicable**

(57) Statement of Newness and Distinctiveness: **Nil**



(21) Design Number: **14822/2010**
 (22) Date of Filing Application: **08 November 2010**
 (24) Date from which industrial property rights may have effect: **08 November 2010**
 (54) Product in respect of which the design is registered: **A juicer part**
 (51) International Design Classification: **31-00**
 (71) Name(s) and Address(s) of Applicant(s):

Braun GmbH
Frankfurter Strasse 145 61476 Kronberg am Taunus Germany

(72) Name(s) of Designer(s): **Wolfgang Stegmann and Christine Bachmann and Udo Bady and Oliver Grabes and Rory McGarry and Franziska Schmid and Sven Wuttig and Phong Duy Vu**

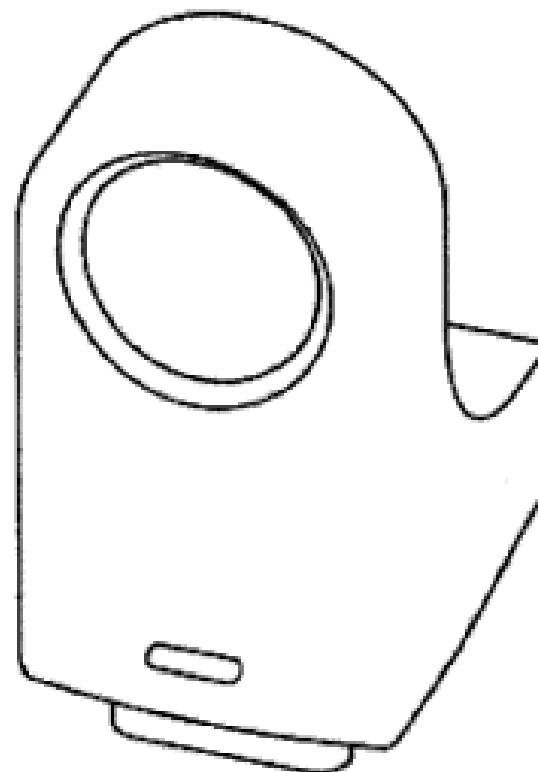
(45) Registration Date: **17 January 2011**

(30) Convention priority data:

(31) Number	(32) Date	(33) Country
547296401	11 May 2010	WORLD INTELLECTUAL PROPERTY ORGANIZATION (WIPO)

(56) Related Art Documents: **Not Applicable**

(57) Statement of Newness and Distinctiveness: **Nil**



(21) Design Number: **14823/2010**
 (22) Date of Filing Application: **08 November 2010**
 (24) Date from which industrial property rights may have effect: **08 November 2010**
 (54) Product in respect of which the design is registered: **Juicer**
 (51) International Design Classification: **31-00**
 (71) Name(s) and Address(s) of Applicant(s):

Braun GmbH
Frankfurter Strasse 145 61476 Kronberg am Taunus Germany

(72) Name(s) of Designer(s): **Wolfgang Stegmann and Christine Bachmann and Udo Bady and Oliver Grabes and Rory McGarry and Franziska Schmid and Sven Wuttig and Phong Duy Vu**

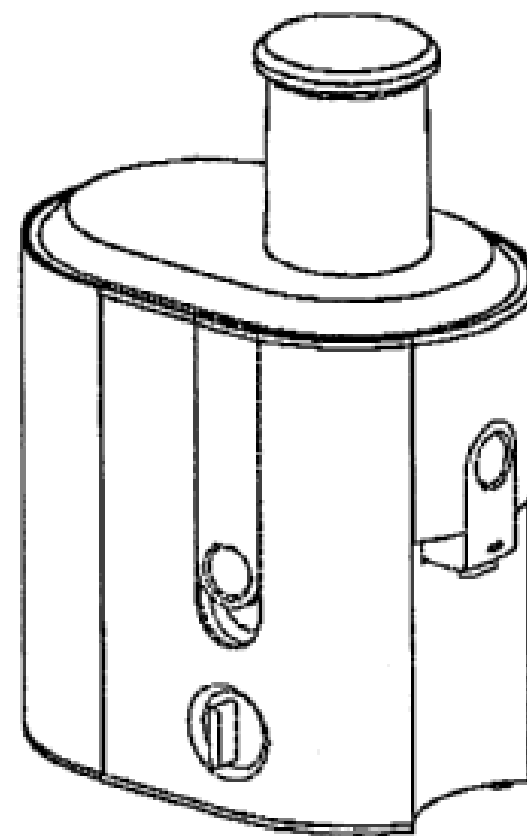
(45) Registration Date: **17 January 2011**

(30) Convention priority data:

(31) Number	(32) Date	(33) Country
547296401	11 May 2010	WORLD INTELLECTUAL PROPERTY ORGANIZATION (WIPO)

(56) Related Art Documents: **Not Applicable**

(57) Statement of Newness and Distinctiveness: **Those features of the juicer depicted in the representations that are new and distinctive are the shape and/or configuration.**



- (21) Design Number: **14824/2010**
- (22) Date of Filing Application: **08 November 2010**
- (24) Date from which industrial property rights may have effect: **08 November 2010**
- (54) Product in respect of which the design is registered: **Juicer**
- (51) International Design Classification: **31-00**
- (71) Name(s) and Address(s) of Applicant(s):

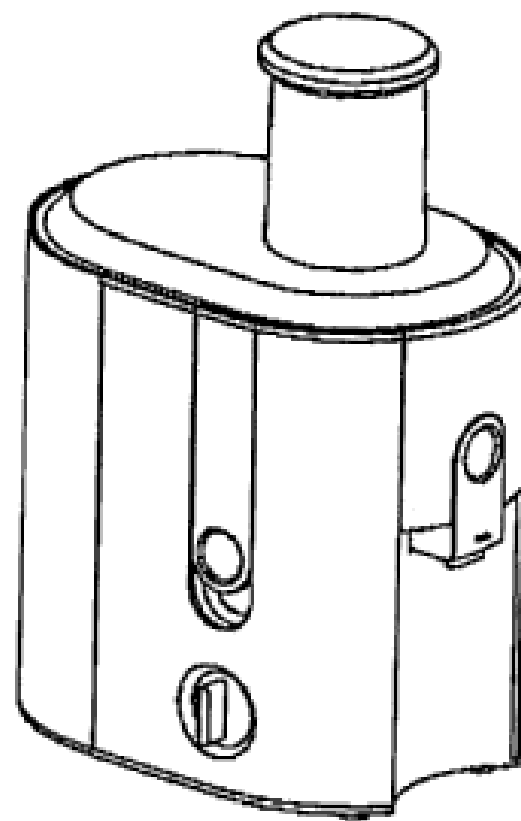
Braun GmbH
Frankfurter Strasse 145 61476 Kronberg am Taunus Germany

- (72) Name(s) of Designer(s): **Wolfgang Stegmann and Christine Bachmann and Udo Bady and Oliver Grabes and Rory McGarry and Franziska Schmid and Sven Wuttig and Phong Duy Vu**
- (45) Registration Date: **17 January 2011**

(30) Convention priority data:

(31) Number	(32) Date	(33) Country
547296401	11 May 2010	WORLD INTELLECTUAL PROPERTY ORGANIZATION (WIPO)

- (56) Related Art Documents: **Not Applicable**
- (57) Statement of Newness and Distinctiveness: **Those features of the juicer depicted in the representations that are new and distinctive are the shape and/or configuration.**



- (21) Design Number: **14825/2010**
- (22) Date of Filing Application: **08 November 2010**
- (24) Date from which industrial property rights may have effect: **08 November 2010**
- (54) Product in respect of which the design is registered: **Juicer**
- (51) International Design Classification: **31-00**
- (71) Name(s) and Address(s) of Applicant(s):

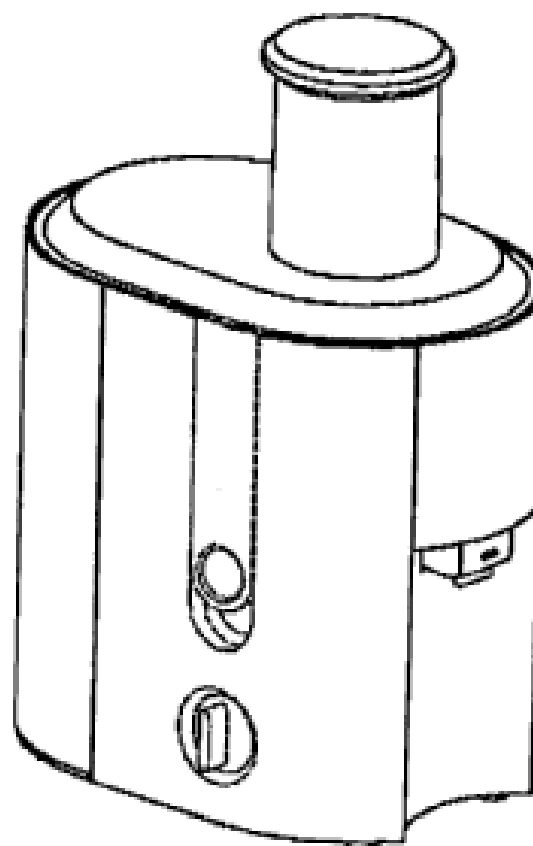
Braun GmbH
Frankfurter Strasse 145 61476 Kronberg am Taunus Germany

- (72) Name(s) of Designer(s): **Wolfgang Stegmann and Christine Bachmann and Udo Bady and Oliver Grabes and Rory McGarry and Franziska Schmid and Sven Wuttig and Phong Duy Vu**
- (45) Registration Date: **17 January 2011**

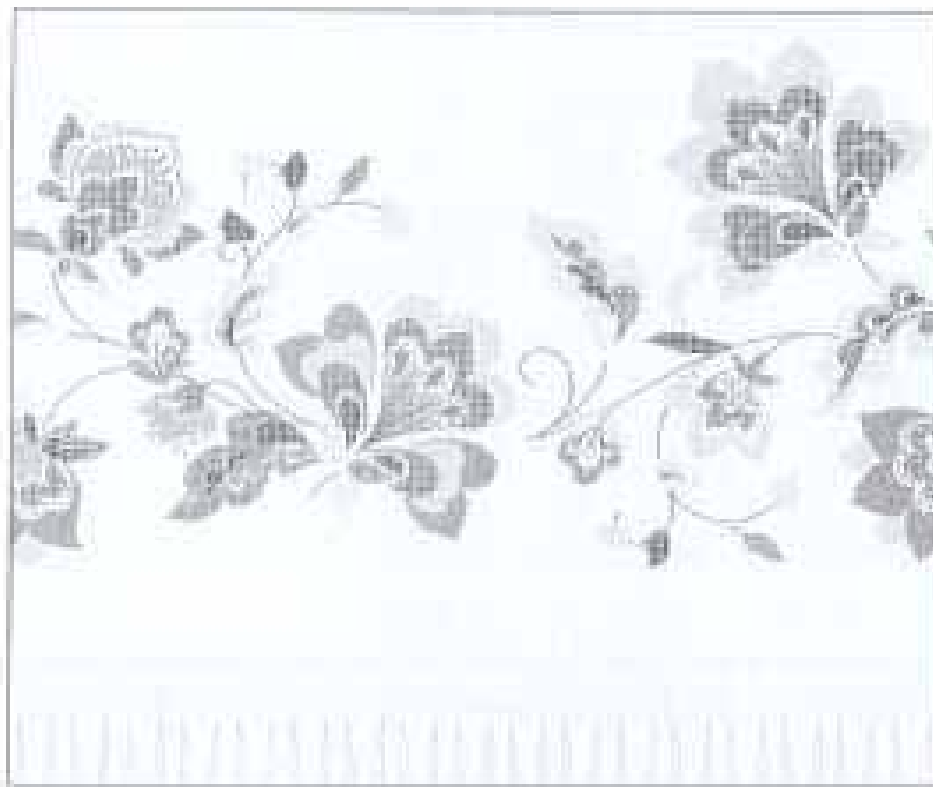
(30) Convention priority data:

(31) Number	(32) Date	(33) Country
547296401	11 May 2010	WORLD INTELLECTUAL PROPERTY ORGANIZATION (WIPO)

- (56) Related Art Documents: **Not Applicable**
- (57) Statement of Newness and Distinctiveness: **Those features of the juicer depicted in the representations that are new and distinctive are the shape and/or configuration.**



- (21) Design Number: **15782/2010**
(22) Date of Filing Application: **24 December 2010**
(24) Date from which industrial property rights may have effect: **24 December 2010**
(54) Product in respect of which the design is registered: **Textile**
(51) International Design Classification: **05-05A**
(71) Name(s) and Address(s) of Applicant(s):
Kas Australia Pty Limited
78 O'Riordan Street Alexandria New South Wales 2015 Australia
(72) Name(s) of Designer(s): **Maree Patterson**
(45) Registration Date: **17 January 2011**
(56) Related Art Documents: **Not Applicable**
(57) Statement of Newness and Distinctiveness: **Newness and distinctiveness are claimed in relation to the features of pattern and/or ornamentation (not limited by colour) of a panel of a textile as shown in the representation. The textile is of indefinite length and width, which may be repeated.**



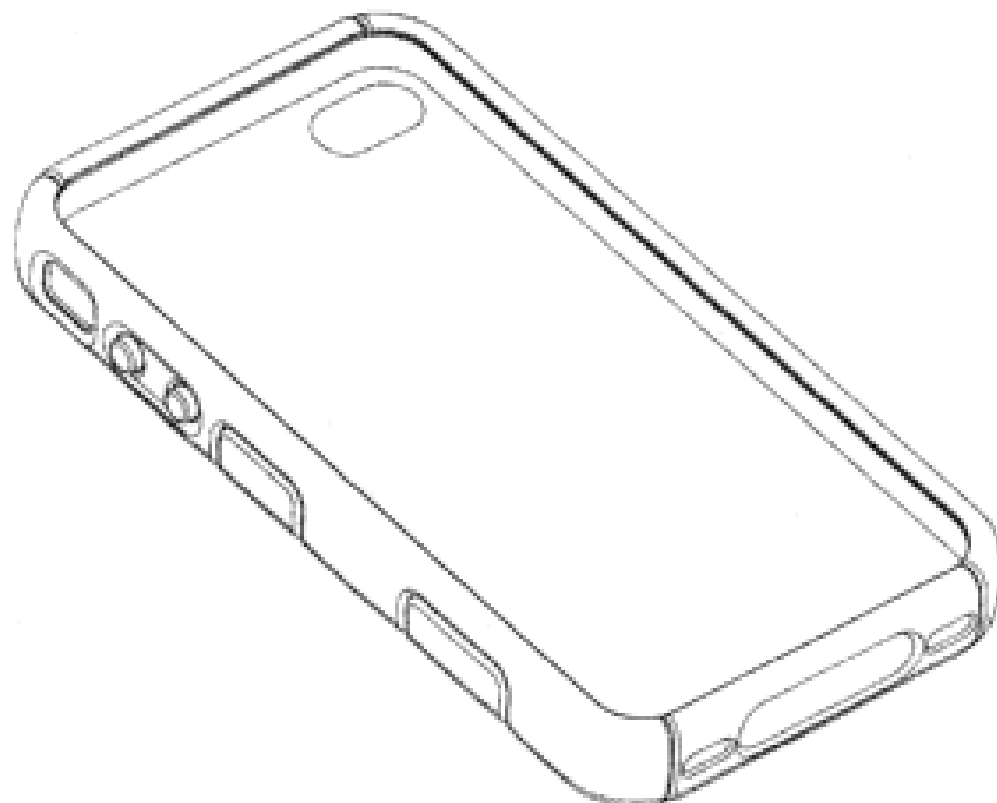
- (21) Design Number: **15784/2010**
(22) Date of Filing Application: **24 December 2010**
(24) Date from which industrial property rights may have effect: **24 December 2010**
(54) Product in respect of which the design is registered: **Textile**
(51) International Design Classification: **05-05C**
(71) Name(s) and Address(s) of Applicant(s):
Kas Australia Pty Limited
78 O'Riordan Street Alexandria New South Wales 2015 Australia
(72) Name(s) of Designer(s): **Ella Leach**
(45) Registration Date: **17 January 2011**
(56) Related Art Documents: **Not Applicable**
(57) Statement of Newness and Distinctiveness: **Newness and distinctiveness are claimed in relation to the features of pattern and/or ornamentation (not limited by colour) of a panel of a textile as shown in the representation. The textile is of indefinite length and width, which may be repeated.**



- (21) Design Number: **14281/2010**
(22) Date of Filing Application: **29 September 2010**
(24) Date from which industrial property rights may have effect: **29 September 2010**
(54) Product in respect of which the design is registered: **Aluminium rectangular box beams**
(51) International Design Classification: **25-01K**
(71) Name(s) and Address(s) of Applicant(s):
Ming On Building Supplies Pty Ltd
54-56 Chadderton Street Lansvale New South Wales 2166 Australia
(72) Name(s) of Designer(s): **Cuong Tang**
(45) Registration Date: **17 January 2011**
(56) Related Art Documents: **Not Applicable**
(57) Statement of Newness and Distinctiveness: **Nil**



- (21) Design Number: **15255/2010**
(22) Date of Filing Application: **03 December 2010**
(24) Date from which industrial property rights may have effect: **03 December 2010**
(54) Product in respect of which the design is registered: **Protective casing for portable handheld electronic device**
(51) International Design Classification: **14-02**
(71) Name(s) and Address(s) of Applicant(s):
SwitchEasy Limited
Room 314 Sing Win Factory Building 15-17 Shing Yip Street Kwun Tong Kowloon Hong Kong
(72) Name(s) of Designer(s): **Chi Vun Steven Bau**
(45) Registration Date: **17 January 2011**
(30) Convention priority data:
(31) Number (32) Date (33) Country
1001712.3M001 21 Sep 2010 HONG KONG
(56) Related Art Documents: **Not Applicable**
(57) Statement of Newness and Distinctiveness: **Nil**



(21) Design Number: **12461/2010**

(22) Date of Filing Application: **16 June 2010**

(24) Date from which industrial property rights may have effect: **16 June 2010**

(54) Product in respect of which the design is registered: **Women's fashion clothing**

(51) International Design Classification: **02-02NES**

(71) Name(s) and Address(s) of Applicant(s):

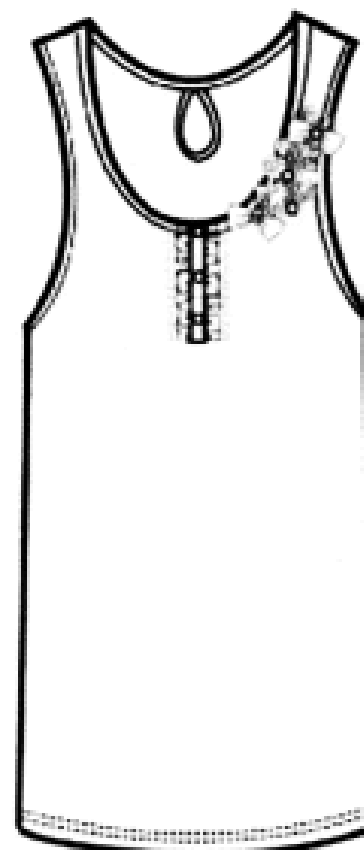
Forever New Clothing Pty Ltd
Ground Floor 714-716 High Street Kew Victoria 3101 Australia

(72) Name(s) of Designer(s): **Simon Edwards**

(45) Registration Date: **17 January 2011**

(56) Related Art Documents: **Not Applicable**

(57) Statement of Newness and Distinctiveness: **The particular visual features of the design which the Applicant hereby identifies as new and distinctive are as follows: "Women's Fashion Clothing", as illustrated in the accompanying representations.**



(21) Design Number: **15382/2010**

(22) Date of Filing Application: **16 June 2010**

(24) Date from which industrial property rights may have effect: **16 June 2010**

(54) Product in respect of which the design is registered: **Women's fashion clothing**

(51) International Design Classification: **02-02NES**

(71) Name(s) and Address(s) of Applicant(s):

Forever New Clothing Pty Ltd
Ground Floor 714-716 High Street Kew Victoria 3101 Australia

(72) Name(s) of Designer(s): **Simon Edwards**

(45) Registration Date: **17 January 2011**

(56) Related Art Documents: **Not Applicable**

(57) Statement of Newness and Distinctiveness: **The particular visual features of the design which the Applicant hereby identifies as new and distinctive are as follows: "Women's Fashion Clothing", as illustrated in the accompanying representations.**



(21) Design Number: **15383/2010**

(22) Date of Filing Application: **16 June 2010**

(24) Date from which industrial property rights may have effect: **16 June 2010**

(54) Product in respect of which the design is registered: **Women's fashion clothing**

(51) International Design Classification: **02-02NES**

(71) Name(s) and Address(s) of Applicant(s):

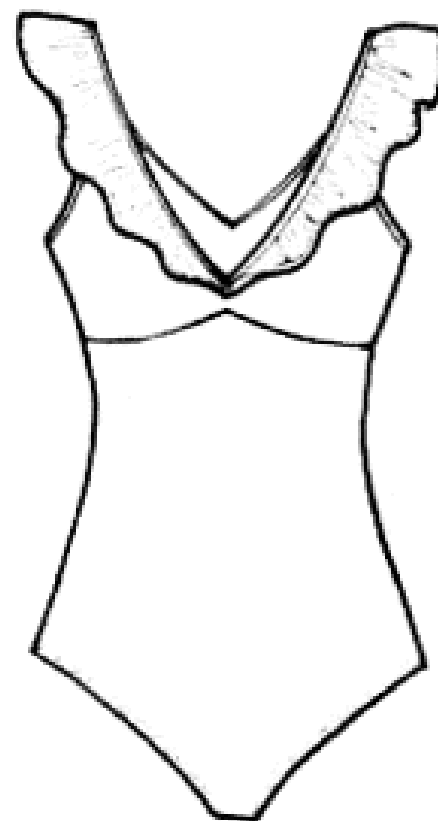
Forever New Clothing Pty Ltd
Ground Floor 714-716 High Street Kew Victoria 3101 Australia

(72) Name(s) of Designer(s): **Simon Edwards**

(45) Registration Date: **17 January 2011**

(56) Related Art Documents: **Not Applicable**

(57) Statement of Newness and Distinctiveness: **The particular visual features of the design which the Applicant hereby identifies as new and distinctive are as follows: "Women's Fashion Clothing", as illustrated in the accompanying representations.**



(21) Design Number: **15384/2010**

(22) Date of Filing Application: **16 June 2010**

(24) Date from which industrial property rights may have effect: **16 June 2010**

(54) Product in respect of which the design is registered: **Women's fashion clothing**

(51) International Design Classification: **02-02NES**

(71) Name(s) and Address(s) of Applicant(s):

Forever New Clothing Pty Ltd
Ground Floor 714-716 High Street Kew Victoria 3101 Australia

(72) Name(s) of Designer(s): **Simon Edwards**

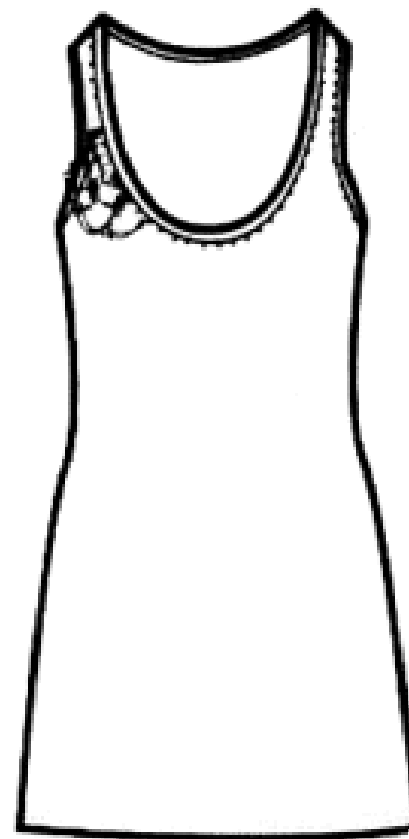
(45) Registration Date: **17 January 2011**

(56) Related Art Documents: **Not Applicable**

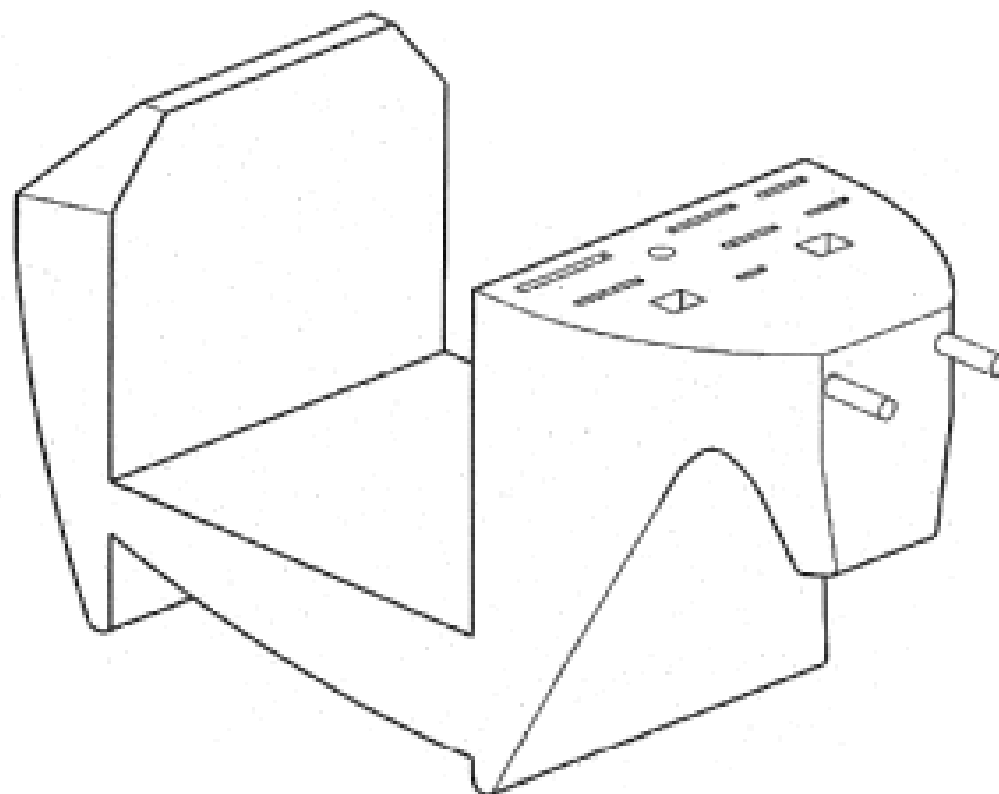
(57) Statement of Newness and Distinctiveness: **The particular visual features of the design which the Applicant hereby identifies as new and distinctive are as follows: "Women's Fashion Clothing", as illustrated in the accompanying representations.**



- (21) Design Number: **15385/2010**
(22) Date of Filing Application: **16 June 2010**
(24) Date from which industrial property rights may have effect: **16 June 2010**
(54) Product in respect of which the design is registered: **Women's fashion clothing**
(51) International Design Classification: **02-02NES**
(71) Name(s) and Address(s) of Applicant(s):
Forever New Clothing Pty Ltd
Ground Floor 714-716 High Street Kew Victoria 3101 Australia
(72) Name(s) of Designer(s): **Simon Edwards**
(45) Registration Date: **17 January 2011**
(56) Related Art Documents: **Not Applicable**
(57) Statement of Newness and Distinctiveness: **The particular visual features of the design which the Applicant hereby identifies as new and distinctive are as follows: "Women's Fashion Clothing", as illustrated in the accompanying representations.**



- (21) Design Number: **15464/2010**
(22) Date of Filing Application: **14 December 2010**
(24) Date from which industrial property rights may have effect: **14 December 2010**
(54) Product in respect of which the design is registered: **Combination kitchen utensil block and book rack**
(51) International Design Classification: **06-04NES, 07-99NES**
(71) Name(s) and Address(s) of Applicant(s):
Ian Stuart Sargeant
17 Pendle Way Pendle Hill New South Wales 2145 Australia
(72) Name(s) of Designer(s): **Ian Stuart Sargeant**
(45) Registration Date: **17 January 2011**
(56) Related Art Documents: **Not Applicable**
(57) Statement of Newness and Distinctiveness: **Newness and distinctiveness resides in the features of shape and/or configuration of the product as shown in the reps, without limitation to the number and position of the knife slots.**



- (21) Design Number: **15490/2010**
(22) Date of Filing Application: **15 December 2010**
(24) Date from which industrial property rights may have effect: **15 December 2010**
(54) Product in respect of which the design is registered: **Air conditioner**
(51) International Design Classification: **23-04**
(71) Name(s) and Address(s) of Applicant(s):

Daikin Industries Ltd.
Umeda Center Building 4-12 Nakazaki-Nishi 2-chome Kita-Ku
Osaka-shi Osaka-fu Japan

(72) Name(s) of Designer(s): **Kouichirou Seki**

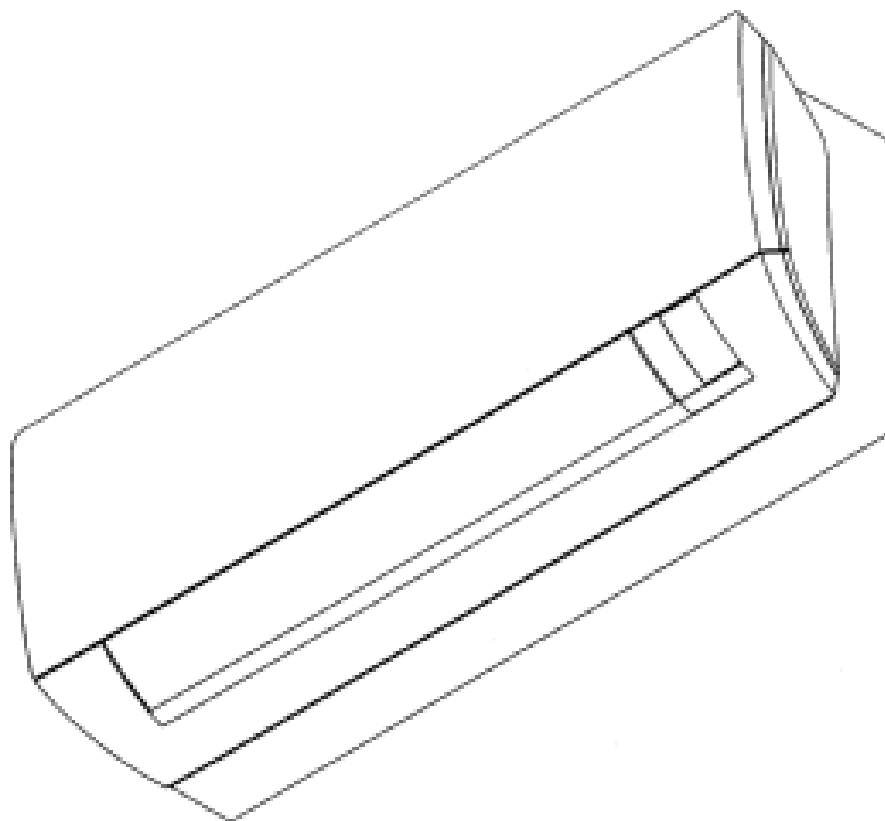
(45) Registration Date: **17 January 2011**

(30) Convention priority data:

(31) Number	(32) Date	(33) Country
2010-015408	23 Jun 2010	JAPAN

(56) Related Art Documents: **Not Applicable**

(57) Statement of Newness and Distinctiveness: **The newness and distinctiveness of the design resides in the features of shape and configuration of the design illustrated in the accompanying representations.**



- (21) Design Number: **15491/2010**
(22) Date of Filing Application: **15 December 2010**
(24) Date from which industrial property rights may have effect: **15 December 2010**
(54) Product in respect of which the design is registered: **Air conditioner**
(51) International Design Classification: **23-04**
(71) Name(s) and Address(s) of Applicant(s):

Daikin Industries Ltd.
Umeda Center Building 4-12 Nakazaki-Nishi 2-chome Kita-Ku
Osaka-shi Osaka-fu Japan

(72) Name(s) of Designer(s): **Kouichirou Seki**

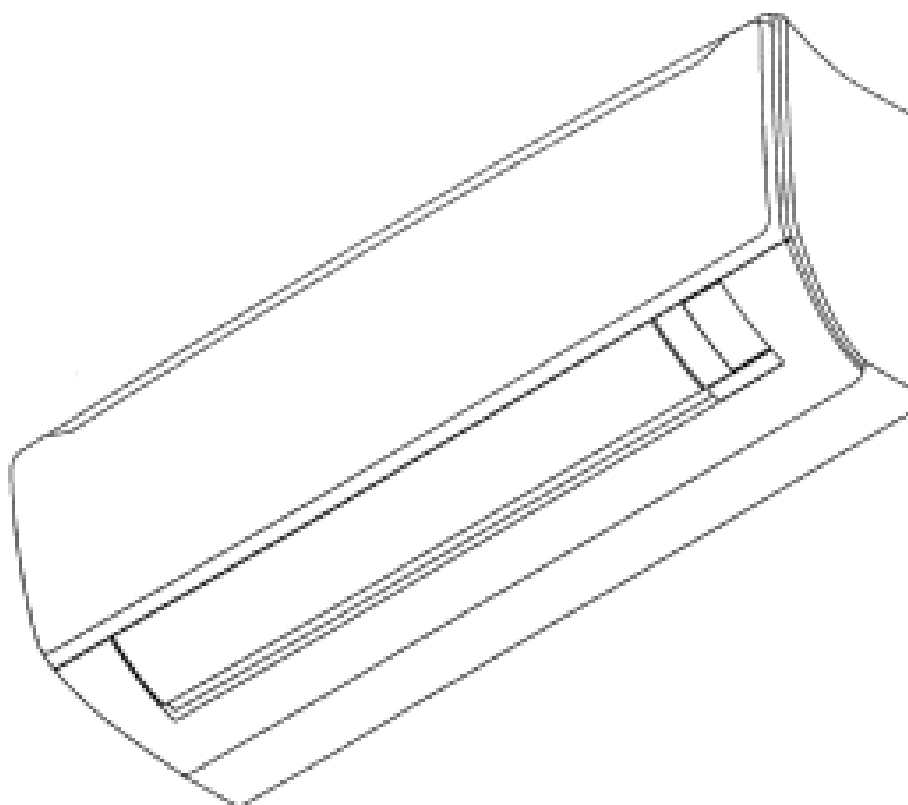
(45) Registration Date: **17 January 2011**

(30) Convention priority data:

(31) Number	(32) Date	(33) Country
2010-015409	23 Jun 2010	JAPAN

(56) Related Art Documents: **Not Applicable**

(57) Statement of Newness and Distinctiveness: **The newness and distinctiveness of the design resides in the features of shape and configuration of the design illustrated in the accompanying representations.**



- (21) Design Number: **15492/2010**
(22) Date of Filing Application: **15 December 2010**
(24) Date from which industrial property rights may have effect: **15 December 2010**
(54) Product in respect of which the design is registered: **Air conditioner**
(51) International Design Classification: **23-04**
(71) Name(s) and Address(s) of Applicant(s):

Daikin Industries Ltd.
Umeda Center Building 4-12 Nakazaki-Nishi 2-chome Kita-Ku
Osaka-shi Osaka-fu Japan

(72) Name(s) of Designer(s): **Kouichirou Seki**

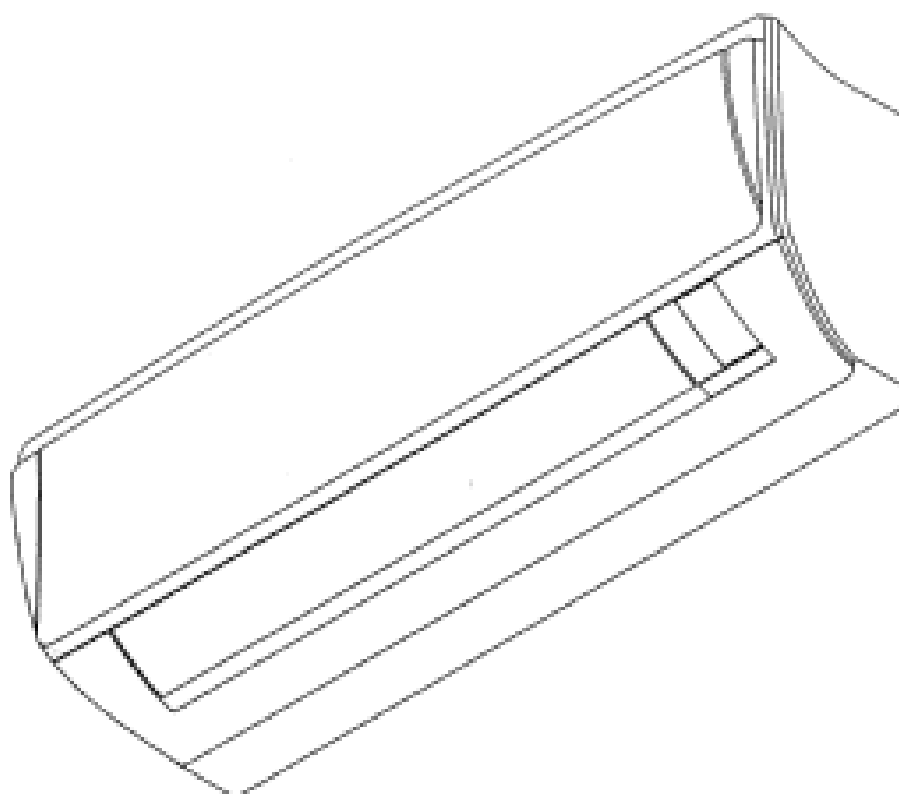
(45) Registration Date: **17 January 2011**

(30) Convention priority data:

(31) Number	(32) Date	(33) Country
2010-015410	23 Jun 2010	JAPAN

(56) Related Art Documents: **Not Applicable**

(57) Statement of Newness and Distinctiveness: **The newness and distinctiveness of the design resides in the features of shape and configuration of the design illustrated in the accompanying representations.**



- (21) Design Number: **15493/2010**
(22) Date of Filing Application: **15 December 2010**
(24) Date from which industrial property rights may have effect: **15 December 2010**
(54) Product in respect of which the design is registered: **Air conditioner**
(51) International Design Classification: **23-04**
(71) Name(s) and Address(s) of Applicant(s):

Daikin Industries Ltd.
Umeda Center Building 4-12 Nakazaki-Nishi 2-chome Kita-Ku
Osaka-shi Osaka-fu Japan

(72) Name(s) of Designer(s): **Kouichirou Seki**

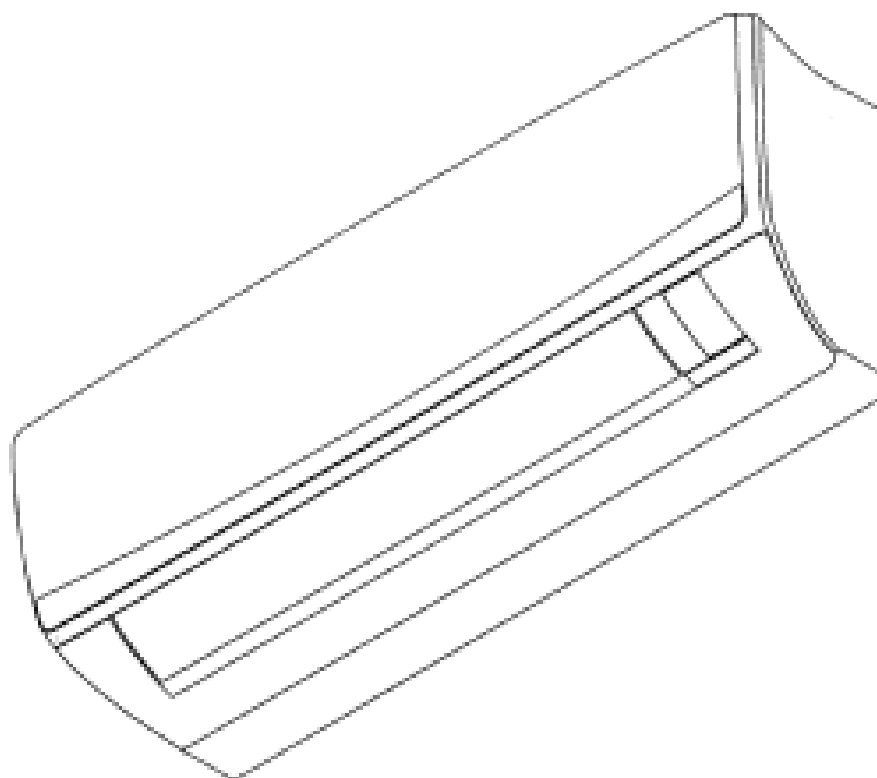
(45) Registration Date: **17 January 2011**

(30) Convention priority data:

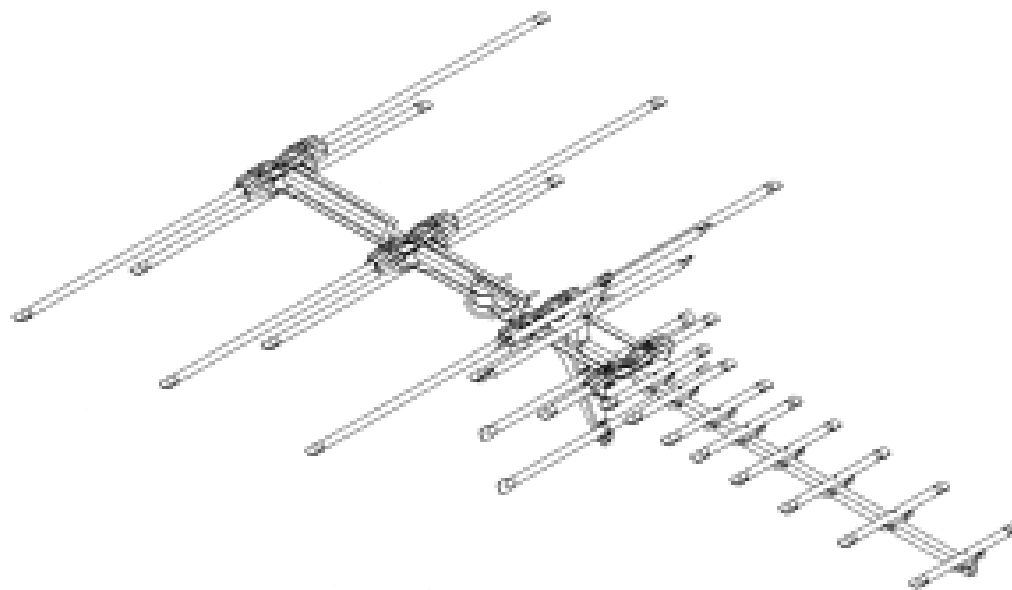
(31) Number	(32) Date	(33) Country
2010-015411	23 Jun 2010	JAPAN

(56) Related Art Documents: **Not Applicable**

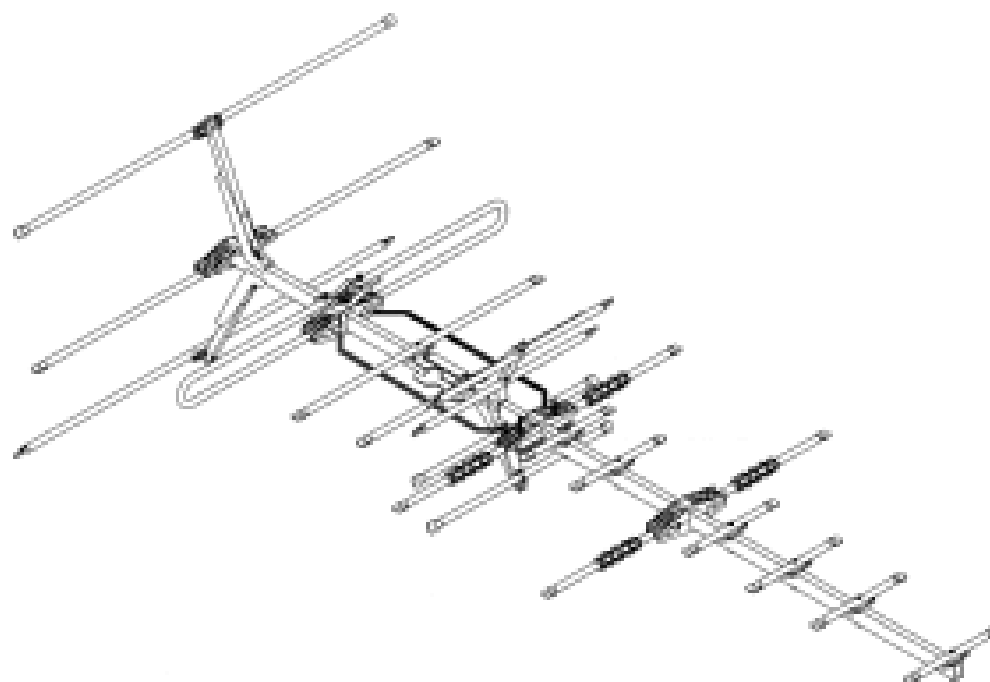
(57) Statement of Newness and Distinctiveness: **The newness and distinctiveness of the design resides in the features of shape and configuration of the design illustrated in the accompanying representations.**



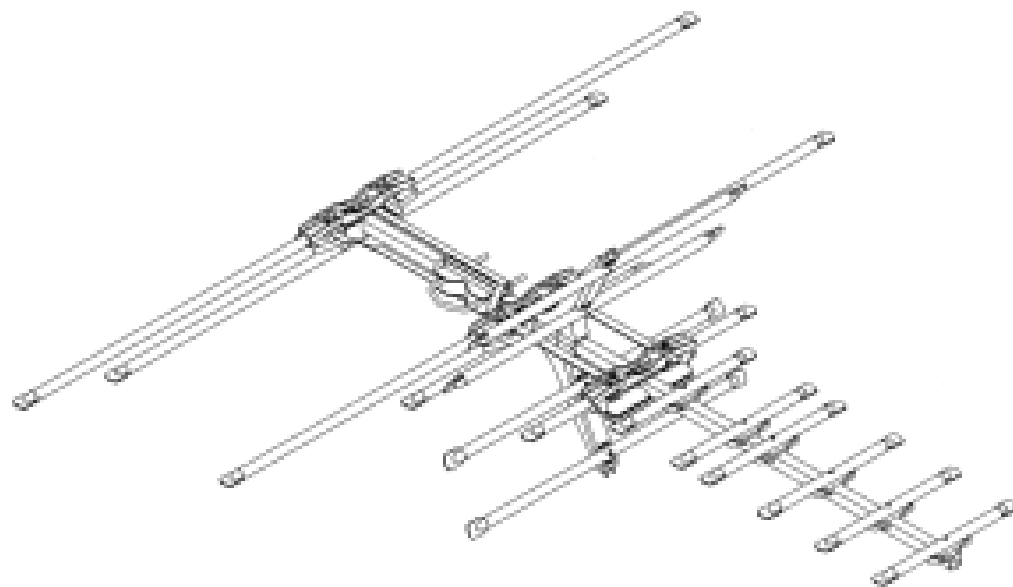
- (21) Design Number: **15523/2010**
(22) Date of Filing Application: **16 December 2010**
(24) Date from which industrial property rights may have effect: **16 December 2010**
(54) Product in respect of which the design is registered: **Antenna**
(51) International Design Classification: **14-03NES**
(71) Name(s) and Address(s) of Applicant(s):
Hills Holdings Limited
944-956 South Road Edwardstown 5039 South Australia Australia
(72) Name(s) of Designer(s): **Andrew Richard John Thomas and Brad Pickett**
(45) Registration Date: **17 January 2011**
(56) Related Art Documents: **Not Applicable**
(57) Statement of Newness and Distinctiveness: **The new and distinctive features of the design are the shape and configuration of the antenna elements along the boom of the article as shown in the representations.**



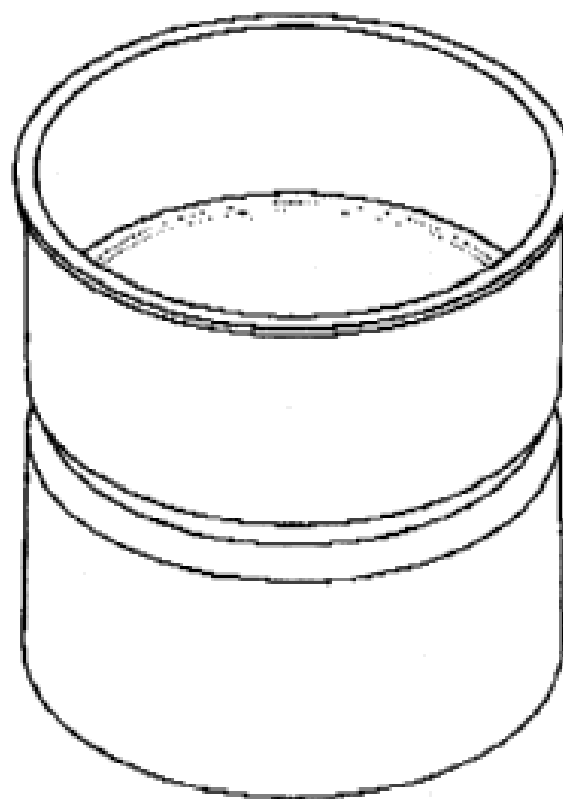
- (21) Design Number: **15524/2010**
(22) Date of Filing Application: **16 December 2010**
(24) Date from which industrial property rights may have effect: **16 December 2010**
(54) Product in respect of which the design is registered: **Antenna**
(51) International Design Classification: **14-03NES**
(71) Name(s) and Address(s) of Applicant(s):
Hills Holdings Limited
944-956 South Road Edwardstown 5039 South Australia Australia
(72) Name(s) of Designer(s): **Andrew Richard John Thomas and Brad Pickett**
(45) Registration Date: **17 January 2011**
(56) Related Art Documents: **Not Applicable**
(57) Statement of Newness and Distinctiveness: **The new and distinctive features of the design are the shape and configuration of the antenna elements along the boom of the article as shown in the representations.**



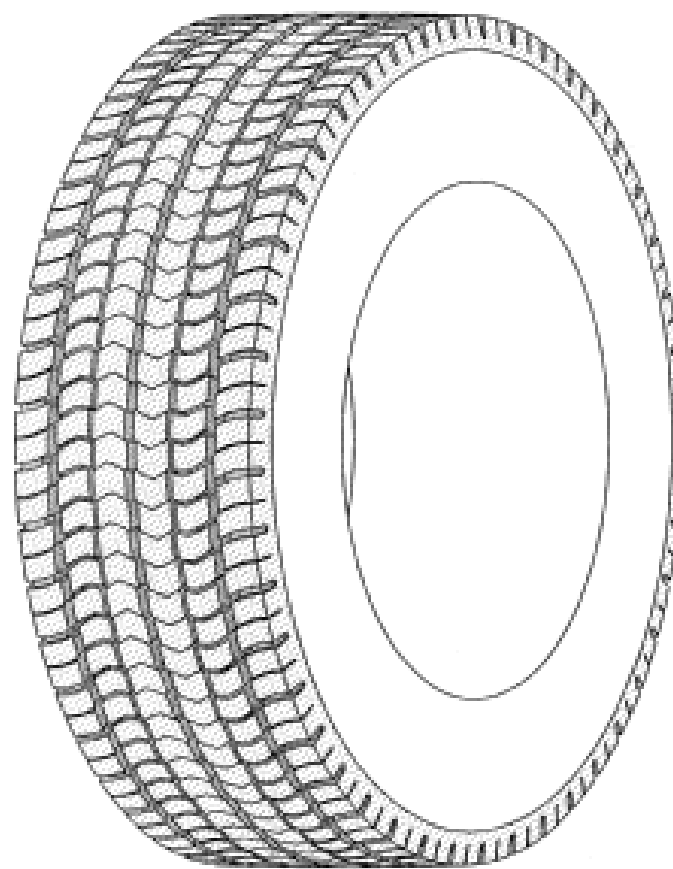
- (21) Design Number: **15525/2010**
(22) Date of Filing Application: **16 December 2010**
(24) Date from which industrial property rights may have effect: **16 December 2010**
(54) Product in respect of which the design is registered: **Antenna**
(51) International Design Classification: **14-03NES**
(71) Name(s) and Address(s) of Applicant(s):
Hills Holdings Limited
944-956 South Road Edwardstown 5039 South Australia Australia
(72) Name(s) of Designer(s): **Andrew Richard John Thomas and Brad Pickett**
(45) Registration Date: **17 January 2011**
(56) Related Art Documents: **Not Applicable**
(57) Statement of Newness and Distinctiveness: **The new and distinctive features of the design are the shape and configuration of the antenna elements along the boom of the article as shown in the representations.**



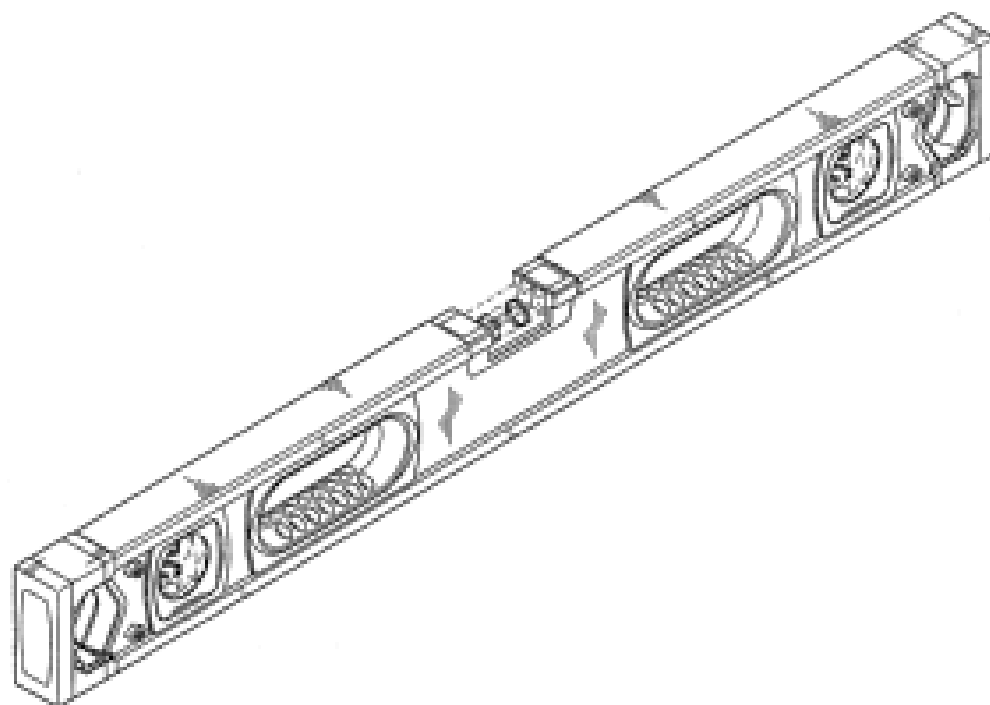
- (21) Design Number: **15526/2010**
(22) Date of Filing Application: **15 December 2010**
(24) Date from which industrial property rights may have effect: **15 December 2010**
(54) Product in respect of which the design is registered: **Pipe coupling connector**
(51) International Design Classification: **23-01A**
(71) Name(s) and Address(s) of Applicant(s):
Edward Gregory Hume
2 Lind Street Thornlands Queensland 4164 Australia
(72) Name(s) of Designer(s): **Edward Gregory Hume**
(45) Registration Date: **17 January 2011**
(56) Related Art Documents: **Not Applicable**
(57) Statement of Newness and Distinctiveness: **Nil**



- (21) Design Number: **15530/2010**
(22) Date of Filing Application: **16 December 2010**
(24) Date from which industrial property rights may have effect: **16 December 2010**
(54) Product in respect of which the design is registered: **Tyre**
(51) International Design Classification: **12-15B**
(71) Name(s) and Address(s) of Applicant(s):
The Goodyear Tire & Rubber Company
1144 East Market Street Akron Ohio 44316-0001 United States of America
(72) Name(s) of Designer(s): **Christophe Rodicq and Murat Ahmet Yasar Susutoglu**
(45) Registration Date: **17 January 2011**
(30) Convention priority data:
(31) Number (32) Date (33) Country
29/364888 30 Jun 2010 UNITED STATES OF AMERICA
(56) Related Art Documents: **Not Applicable**
(57) Statement of Newness and Distinctiveness: **Newness and distinctiveness is claimed in the features of shape and/or configuration of the tread of a tyre as illustrated in the accompanying representations, wherein the shape and/or configuration of the tread is repeated throughout the circumference of the tyre.**



- (21) Design Number: **15531/2010**
(22) Date of Filing Application: **16 December 2010**
(24) Date from which industrial property rights may have effect: **16 December 2010**
(54) Product in respect of which the design is registered: **Level tool**
(51) International Design Classification: **10-04**
(71) Name(s) and Address(s) of Applicant(s):
Swanson Tool Company, Inc.
211 Ontario Street Frankfort Illinois 60423 United States of America
(72) Name(s) of Designer(s): **James S. Allemand**
(45) Registration Date: **17 January 2011**
(30) Convention priority data:
(31) Number (32) Date (33) Country
29/364965 30 Jun 2010 UNITED STATES OF AMERICA
(56) Related Art Documents: **Not Applicable**
(57) Statement of Newness and Distinctiveness: **Newness and distinctiveness is claimed in the features of shape and/or configuration of a level tool as illustrated in the accompanying representations.**



- (21) Design Number: **15514/2010**
(22) Date of Filing Application: **15 December 2010**
(24) Date from which industrial property rights may have effect: **15 December 2010**
(54) Product in respect of which the design is registered: **Motor truck**
(51) International Design Classification: **12-08**
(71) Name(s) and Address(s) of Applicant(s):
Mazda Motor Corporation
No. 3-1 Shinchi Fuchu-cho Aki-gun Hiroshima Japan
(72) Name(s) of Designer(s): **Ryo Yanagisawa and Atsushi Yoshida and Yoshihiko Hara**
(45) Registration Date: **17 January 2011**
(30) Convention priority data:
(31) Number (32) Date (33) Country
2010-024368 12 Oct 2010 JAPAN
(56) Related Art Documents: **Not Applicable**
(57) Statement of Newness and Distinctiveness: **Newness and distinctiveness is claimed in the features of shape and/or configuration of a motor truck as illustrated in the accompanying representations.**



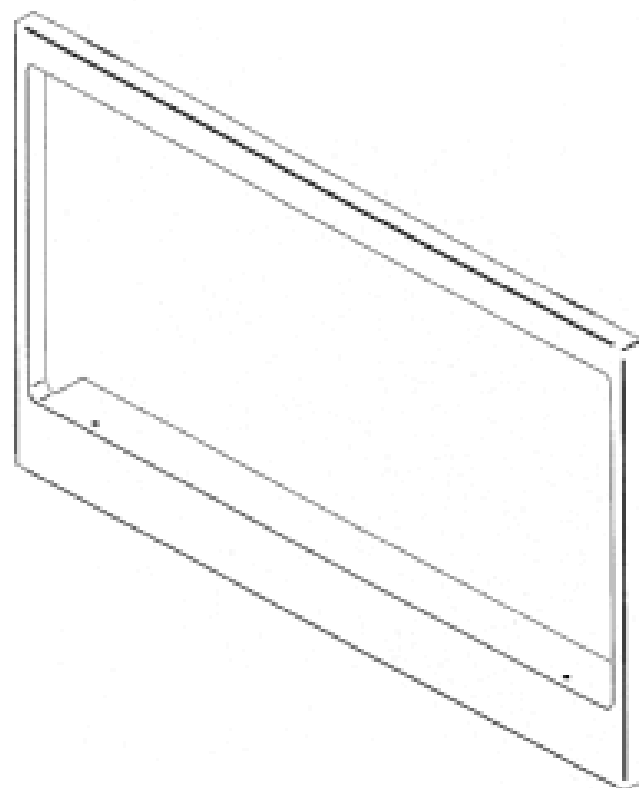
- (21) Design Number: **15515/2010**
(22) Date of Filing Application: **15 December 2010**
(24) Date from which industrial property rights may have effect: **15 December 2010**
(54) Product in respect of which the design is registered: **Motor truck**
(51) International Design Classification: **12-08**
(71) Name(s) and Address(s) of Applicant(s):
Mazda Motor Corporation
No. 3-1 Shinchi Fuchu-cho Aki-gun Hiroshima Japan
(72) Name(s) of Designer(s): **Ryo Yanagisawa and Yusuke Nakamura and Yuki Suga and Yoshihiko Hara and Takafumi Nishimura and Atsunori Mori and Takahiro Matsui and Kaname Sawai**
(45) Registration Date: **17 January 2011**
(30) Convention priority data:
(31) Number (32) Date (33) Country
2010-024367 12 Oct 2010 JAPAN
(56) Related Art Documents: **Not Applicable**
(57) Statement of Newness and Distinctiveness: **Newness and distinctiveness is claimed in the features of shape and/or configuration of a motor truck as illustrated in the accompanying representations.**



- (21) Design Number: **15516/2010**
(22) Date of Filing Application: **15 December 2010**
(24) Date from which industrial property rights may have effect: **15 December 2010**
(54) Product in respect of which the design is registered: **Motor truck**
(51) International Design Classification: **12-08**
(71) Name(s) and Address(s) of Applicant(s):
Mazda Motor Corporation
No. 3-1 Shinchi Fuchu-cho Aki-gun Hiroshima Japan
(72) Name(s) of Designer(s): **Ryo Yanagisawa and Atsushi Yoshida and Yoshihiko Hara**
(45) Registration Date: **17 January 2011**
(30) Convention priority data:
(31) Number (32) Date (33) Country
2010-024369 12 Oct 2010 JAPAN
(56) Related Art Documents: **Not Applicable**
(57) Statement of Newness and Distinctiveness: **Newness and distinctiveness is claimed in the features of shape and/or configuration of a motor truck as illustrated in the accompanying representations.**

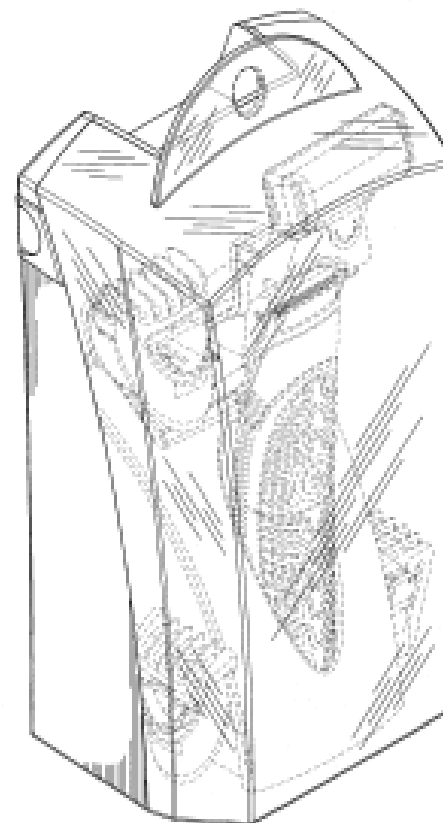


- (21) Design Number: **15519/2010**
(22) Date of Filing Application: **15 December 2010**
(24) Date from which industrial property rights may have effect: **15 December 2010**
(54) Product in respect of which the design is registered: **Microwave oven trim kit**
(51) International Design Classification: **07-02C**
(71) Name(s) and Address(s) of Applicant(s):
Smith's Cooking Systems Pty Ltd
3 Barmedman Road Temora New South Wales 2666 Australia
(72) Name(s) of Designer(s): **John Smith**
(45) Registration Date: **17 January 2011**
(56) Related Art Documents: **Not Applicable**
(57) Statement of Newness and Distinctiveness: **Newness is claimed in the features of shape and configuration of the microwave oven trim kit as shown in the accompanying representations.**



- (21) Design Number: **15544/2010**
- (22) Date of Filing Application: **15 December 2010**
- (24) Date from which industrial property rights may have effect: **15 December 2010**
- (54) Product in respect of which the design is registered: **Packaging for combination shaving and trimming device**
- (51) International Design Classification: **09-05**
- (71) Name(s) and Address(s) of Applicant(s):
The Gillette Company
Prudential Tower Building Boston Massachusetts 02199 United States of America
- (72) Name(s) of Designer(s): **Kristopher William Schulz and James Arthur Meech and Jiong Hui Li and John Philip Kalinowsky and John Kevin Clay and Barry Alan Rowing and Trevor David Hubbard and Matthew Michael Long and Christopher Moulson and Bruce William Palmer**
- (45) Registration Date: **17 January 2011**
- (30) Convention priority data:

(31) Number	(32) Date	(33) Country
29/364,548	24 Jun 2010	UNITED STATES OF AMERICA
- (56) Related Art Documents: **Not Applicable**
- (57) Statement of Newness and Distinctiveness: **Those features of the packaging for combination shaving and trimming device depicted in the representations that are new and distinctive are the shape and/or configuration. The features shown in broken lines are not part of the design and are to be disregarded when considering the overall impression of the design.**



- (21) Design Number: **15549/2010**
- (22) Date of Filing Application: **16 December 2010**
- (24) Date from which industrial property rights may have effect: **16 December 2010**
- (54) Product in respect of which the design is registered: **Toothbrush**
- (51) International Design Classification: **04-02**
- (71) Name(s) and Address(s) of Applicant(s):
McNeil-PPC, Inc.
199 Grandview Road Skillman New Jersey 08558 United States of America
- (72) Name(s) of Designer(s): **Stephen Blanchard and Janette Suh Edelstein**
- (45) Registration Date: **17 January 2011**
- (30) Convention priority data:

(31) Number	(32) Date	(33) Country
29/363963	16 Jun 2010	UNITED STATES OF AMERICA
- (56) Related Art Documents: **Not Applicable**
- (57) Statement of Newness and Distinctiveness: **Newness and distinctiveness reside in the features of shape and configuration shown in solid line in the design for a toothbrush as illustrated in the accompanying representations. The features shown in broken line are illustrative only and do not form part of the design.**



- (21) Design Number: **15550/2010**
(22) Date of Filing Application: **16 December 2010**
(24) Date from which industrial property rights may have effect: **16 December 2010**
(54) Product in respect of which the design is registered: **Toothbrush**
(51) International Design Classification: **04-02**
(71) Name(s) and Address(s) of Applicant(s):

McNeil-PPC, Inc.
199 Grandview Road Skillman New Jersey 08558 United States of America

- (72) Name(s) of Designer(s): **Stephen Blanchard and Janette Suh Edelstein**
(45) Registration Date: **17 January 2011**

- (30) Convention priority data:

(31) Number	(32) Date	(33) Country
29/363963	16 Jun 2010	UNITED STATES OF AMERICA

- (56) Related Art Documents: **Not Applicable**

- (57) Statement of Newness and Distinctiveness: **Newness and distinctiveness reside in the features of shape and configuration shown in solid line in the design for a toothbrush as illustrated in the accompanying representations. The features shown in broken line are illustrative only and do not form part of the design.**



- (21) Design Number: **15551/2010**
(22) Date of Filing Application: **16 December 2010**
(24) Date from which industrial property rights may have effect: **16 December 2010**
(54) Product in respect of which the design is registered: **Doll**
(51) International Design Classification: **21-01B**
(71) Name(s) and Address(s) of Applicant(s):

Chanel Limited
Queensway Croydon Surrey CR9 4DL United Kingdom

- (72) Name(s) of Designer(s): **Karl Lagerfeld**
(45) Registration Date: **17 January 2011**

- (30) Convention priority data:

(31) Number	(32) Date	(33) Country
4017866	19 Nov 2010	UNITED KINGDOM

- (56) Related Art Documents: **Not Applicable**

- (57) Statement of Newness and Distinctiveness: **Nil**



(21) Design Number: **15552/2010**

(22) Date of Filing Application: **17 December 2010**

(24) Date from which industrial property rights may have effect: **17 December 2010**

(54) Product in respect of which the design is registered: **Target**

(51) International Design Classification: **22-04**

(71) Name(s) and Address(s) of Applicant(s):

Laporte Holding

357 Allee du Val de Pome Biot 06410 France

(72) Name(s) of Designer(s): **Jean-Michel Laporte and Jean-Marc Fouques**

(45) Registration Date: **17 January 2011**

(30) Convention priority data:

(31) Number

(32) Date

(33) Country

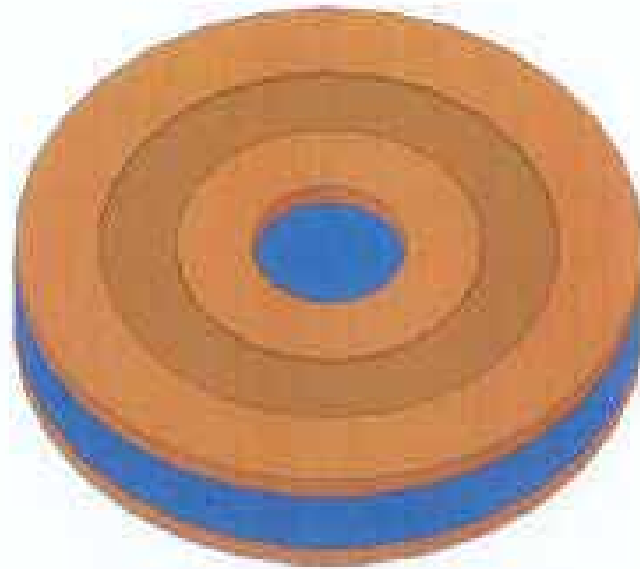
001724154

25 Jun 2010

EUROPEAN COMMUNITY

(56) Related Art Documents: **Not Applicable**

(57) Statement of Newness and Distinctiveness: **Newness and distinctiveness resides in the shape and/or configuration and the pattern and/or ornamentation created by the tonal contrast of the colours applied to the target as shown in the accompanying representations.**



(21) Design Number: **15554/2010**

(22) Date of Filing Application: **16 December 2010**

(24) Date from which industrial property rights may have effect: **16 December 2010**

(54) Product in respect of which the design is registered: **Closure**

(51) International Design Classification: **09-07B**

(71) Name(s) and Address(s) of Applicant(s):

Marcel James Van Ryn

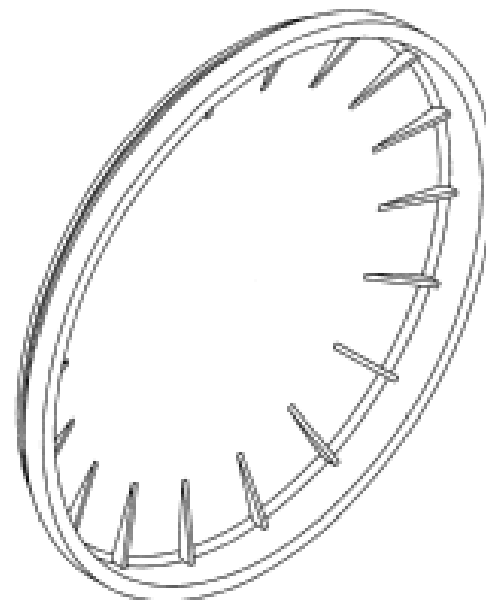
23 Voltri Street Cheltenham Victoria 3192 Australia

(72) Name(s) of Designer(s): **Marcel James Van Ryn**

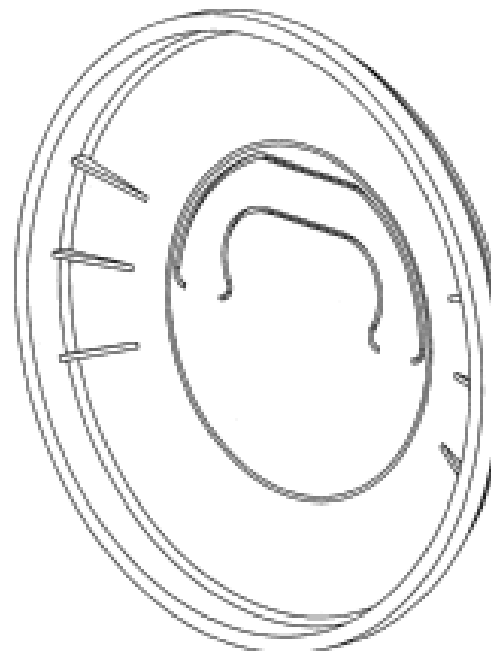
(45) Registration Date: **17 January 2011**

(56) Related Art Documents: **Not Applicable**

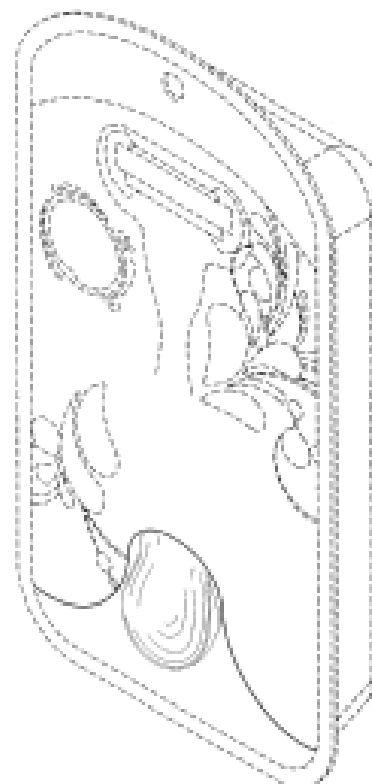
(57) Statement of Newness and Distinctiveness: **Those features of the closure depicted in the representations that are new and distinctive are the shape and/or configuration.**



- (21) Design Number: **15555/2010**
(22) Date of Filing Application: **16 December 2010**
(24) Date from which industrial property rights may have effect: **16 December 2010**
(54) Product in respect of which the design is registered: **Closure**
(51) International Design Classification: **09-07B**
(71) Name(s) and Address(s) of Applicant(s):
Marcel James Van Ryn
23 Voltri Street Cheltenham Victoria 3192 Australia
(72) Name(s) of Designer(s): **Marcel James Van Ryn**
(45) Registration Date: **17 January 2011**
(56) Related Art Documents: **Not Applicable**
(57) Statement of Newness and Distinctiveness: **Those features of the closure depicted in the representations that are new and distinctive are the shape and/or configuration.**

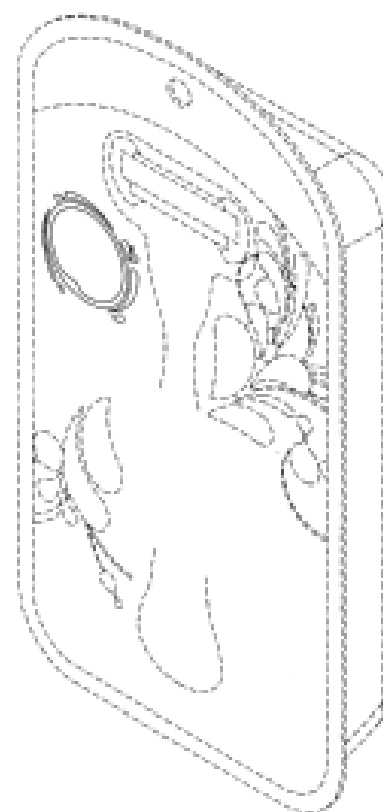


- (21) Design Number: **15556/2010**
(22) Date of Filing Application: **16 December 2010**
(24) Date from which industrial property rights may have effect: **16 December 2010**
(54) Product in respect of which the design is registered: **Packaging label for a shaving product**
(51) International Design Classification: **09-05, 19-08**
(71) Name(s) and Address(s) of Applicant(s):
The Gillette Company
Prudential Tower Building Boston Massachusetts 02199 United States of America
(72) Name(s) of Designer(s): **Josie Leigh Graham and Valerie Michelle Aurilio and Kartika Amber Huston**
(45) Registration Date: **17 January 2011**
(30) Convention priority data:
(31) Number (32) Date (33) Country
29/364,149 18 Jan 2010 UNITED STATES OF AMERICA
(56) Related Art Documents: **Not Applicable**
(57) Statement of Newness and Distinctiveness: **Newness and distinctiveness resides in area below the solid line being translucent/translucent in contrast to the area above the solid line being opaque. The features shown in broken lines and the razor handle end shown in faint line are not part of the design and should be disregarded when considering the overall impression of the design.**



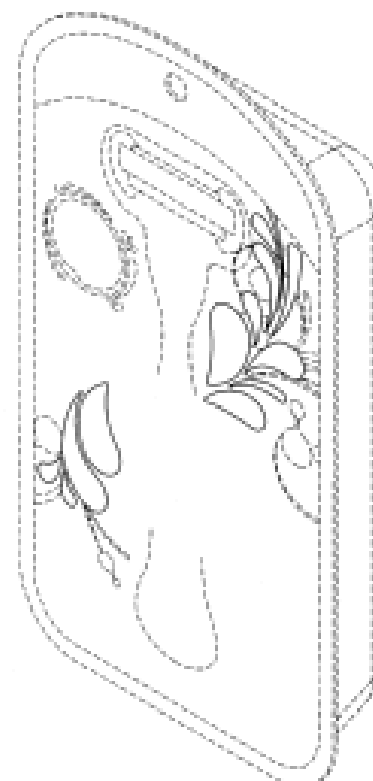
- (21) Design Number: **15557/2010**
- (22) Date of Filing Application: **16 December 2010**
- (24) Date from which industrial property rights may have effect: **16 December 2010**
- (54) Product in respect of which the design is registered: **Packaging label for a shaving product**
- (51) International Design Classification: **09-05, 19-08**
- (71) Name(s) and Address(s) of Applicant(s):
The Gillette Company
Prudential Tower Building Boston Massachusetts 02199 United States of America
- (72) Name(s) of Designer(s): **Josie Leigh Graham and Valerie Michelle Aurilio and Kartika Amber Huston**
- (45) Registration Date: **17 January 2011**
- (30) Convention priority data:

(31) Number	(32) Date	(33) Country
29/364,142	18 Jun 2010	UNITED STATES OF AMERICA
- (56) Related Art Documents: **Not Applicable**
- (57) Statement of Newness and Distinctiveness: **Newness and distinctiveness resides in the ornamentation of the packaging label for a shaving product as depicted in the accompanying representations. Those features shown in broken lines are not part of the design and should be disregarded when considering the overall impression of the design.**



- (21) Design Number: **15558/2010**
- (22) Date of Filing Application: **16 December 2010**
- (24) Date from which industrial property rights may have effect: **16 December 2010**
- (54) Product in respect of which the design is registered: **Packaging label for a shaving product**
- (51) International Design Classification: **09-05, 19-08**
- (71) Name(s) and Address(s) of Applicant(s):
The Gillette Company
Prudential Tower Building Boston Massachusetts 02199 United States of America
- (72) Name(s) of Designer(s): **Josie Leigh Graham and Valerie Michelle Aurilio and Kartika Amber Huston**
- (45) Registration Date: **17 January 2011**
- (30) Convention priority data:

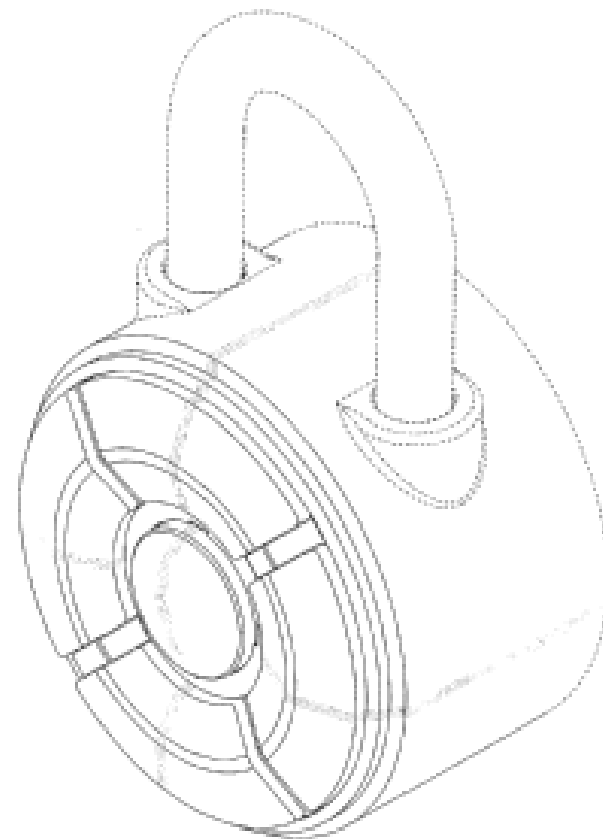
(31) Number	(32) Date	(33) Country
29/364,146	18 Jun 2010	UNITED STATES OF AMERICA
- (56) Related Art Documents: **Not Applicable**
- (57) Statement of Newness and Distinctiveness: **Newness and distinctiveness resides in the ornamentation of the packaging label for a shaving product as depicted in the accompanying representations. Those features shown in broken lines are not part of the design and should be disregarded when considering the overall impression of the design.**



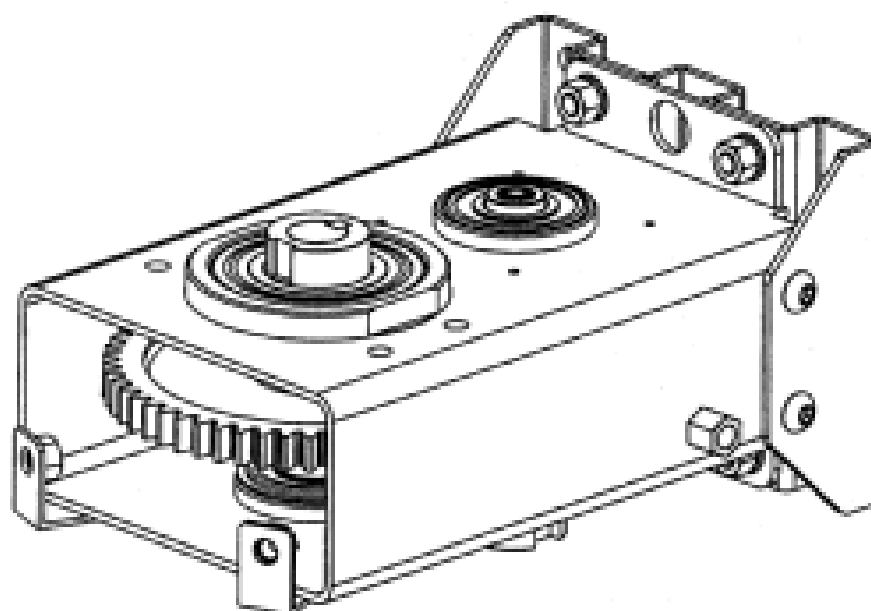
- (21) Design Number: **14681/2010**
(22) Date of Filing Application: **27 October 2010**
(24) Date from which industrial property rights may have effect: **27 October 2010**
(54) Product in respect of which the design is registered: **Neck Cooler**
(51) International Design Classification: **02-05**
(71) Name(s) and Address(s) of Applicant(s):
Julie Doris Peddie
28 Pearcedale Road Pearcedale Victoria 3912 Australia
(72) Name(s) of Designer(s): **Julie Doris Peddie**
(45) Registration Date: **17 January 2011**
(56) Related Art Documents: **Not Applicable**
(57) Statement of Newness and Distinctiveness: **Twelve divided sections. Curve shape lower section. Curved neck shape. Reflective tape, quick release Velcro, High Visual Fabric.**



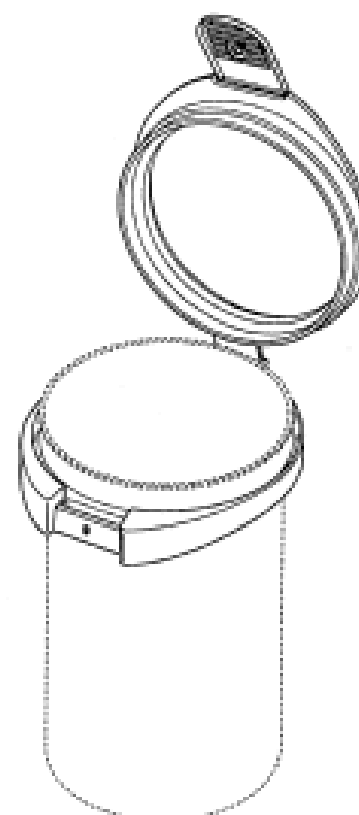
- (21) Design Number: **15509/2010**
(22) Date of Filing Application: **15 December 2010**
(24) Date from which industrial property rights may have effect: **15 December 2010**
(54) Product in respect of which the design is registered: **Lock**
(51) International Design Classification: **08-07**
(71) Name(s) and Address(s) of Applicant(s):
Master Lock Company, LLC
137 W. Forest Hill Avenue Oak Creek Wisconsin 53154 United States of America
(72) Name(s) of Designer(s): **Lea Marie Plato**
(45) Registration Date: **17 January 2011**
(30) Convention priority data:
(31) Number (32) Date (33) Country
29/366,092 20 Jul 2010 UNITED STATES OF AMERICA
(56) Related Art Documents: **Not Applicable**
(57) Statement of Newness and Distinctiveness: **Newness and distinctiveness are provided by the shape and/or configuration of the design shown in the representations. The features shown in broken lines in the representations are for illustrative purposes only and should not be considered when construing visual features of the design.**



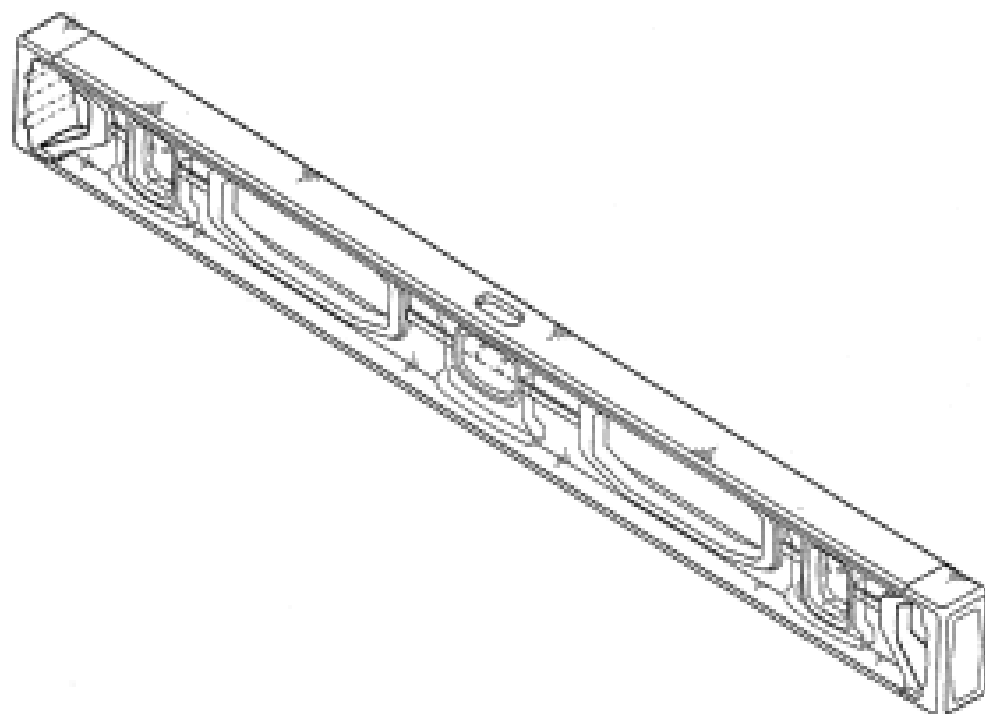
- (21) Design Number: **15512/2010**
(22) Date of Filing Application: **15 December 2010**
(24) Date from which industrial property rights may have effect: **15 December 2010**
(54) Product in respect of which the design is registered: **Swing drive gear box module**
(51) International Design Classification: **15-99**
(71) Name(s) and Address(s) of Applicant(s):
Smart Openers Pty Ltd
Suite 3 1-3 Albert Street Blackburn Victoria 3130 Australia
(72) Name(s) of Designer(s): **Jack Leivenzon and Cheng Qiu Wang and Stephen Bello**
(45) Registration Date: **17 January 2011**
(56) Related Art Documents: **Not Applicable**
(57) Statement of Newness and Distinctiveness: **The shape and configuration of the gear box module is new and distinctive and particular consideration should be given to the shape and configuration of the gear box module chassis and mounting bracket when considering the design as a whole.**



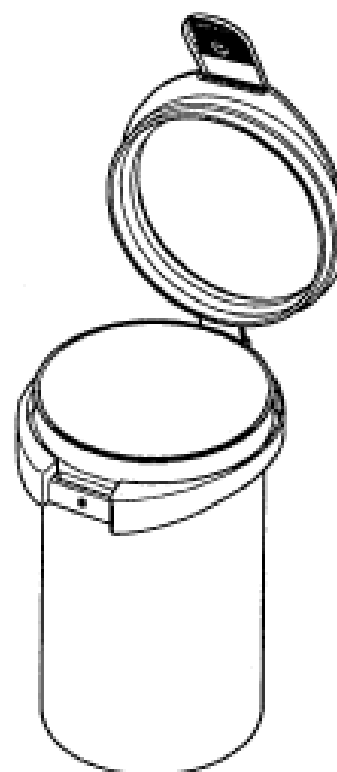
- (21) Design Number: **15532/2010**
(22) Date of Filing Application: **16 December 2010**
(24) Date from which industrial property rights may have effect: **16 December 2010**
(54) Product in respect of which the design is registered: **Container lid**
(51) International Design Classification: **09-07B, 24-99**
(71) Name(s) and Address(s) of Applicant(s):
Pathogen Detection Systems, Inc.
Suite 4697 Biosciences Complex 116 Barrie Street Kingston Ontario K7L 3N6 Canada
Queen's University at Kingston
Kingston Ontario K7L 3N6 Canada
(72) Name(s) of Designer(s): **R. Stephen Brown and Eric Marcotte and Michelle Douma and Michael Miron and Doug Wilton and Peter Gallant and David Dolphin and Lee Underwood and David Robinson and Peter Holdcroft and Matthew Miles and Les Stokes**
(45) Registration Date: **17 January 2011**
(30) Convention priority data:
(31) Number (32) Date (33) Country
29/364110 18 Jun 2010 UNITED STATES OF AMERICA
(56) Related Art Documents: **Not Applicable**
(57) Statement of Newness and Distinctiveness: **Newness and distinctiveness is claimed in the features of shape and/or configuration of a container lid as illustrated in solid lines in the accompanying representations.**



(21) Design Number: **15533/2010**
 (22) Date of Filing Application: **16 December 2010**
 (24) Date from which industrial property rights may have effect: **16 December 2010**
 (54) Product in respect of which the design is registered: **Level tool**
 (51) International Design Classification: **10-04, 08-05NES**
 (71) Name(s) and Address(s) of Applicant(s):
Swanson Tool Company, Inc.
211 Ontario Street Frankfort Illinois 60423 United States of America
 (72) Name(s) of Designer(s): **James S. Allemand**
 (45) Registration Date: **17 January 2011**
 (30) Convention priority data:
 (31) Number (32) Date (33) Country
29/364967 30 Jun 2010 UNITED STATES OF AMERICA
 (56) Related Art Documents: **Not Applicable**
 (57) Statement of Newness and Distinctiveness: **Newness and distinctiveness is claimed in the features of shape and/or configuration of a level tool as illustrated in the accompanying representations.**

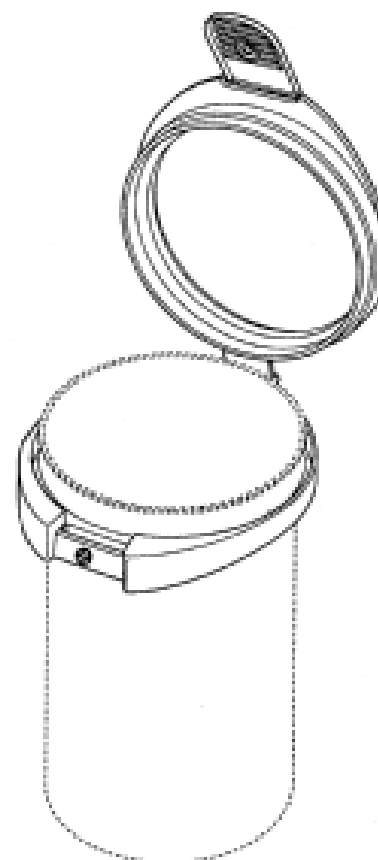


(21) Design Number: **15534/2010**
 (22) Date of Filing Application: **16 December 2010**
 (24) Date from which industrial property rights may have effect: **16 December 2010**
 (54) Product in respect of which the design is registered: **Container**
 (51) International Design Classification: **09-03NES, 24-99**
 (71) Name(s) and Address(s) of Applicant(s):
Pathogen Detection Systems, Inc.
Suite 4697 Biosciences Complex 116 Barrie Street Kingston Ontario
K7L 3N6 Canada
Queen's University at Kingston
Kingston Ontario K7L 3N6 Canada
 (72) Name(s) of Designer(s): **R. Stephen Brown and Eric Marcotte and Michelle Douma and Michael Miron and Doug Wilton and Peter Gallant and David Dolphin and Lee Underwood and David Robinson and Les Stokes and Peter Holdcroft and Matthew Miles**
 (45) Registration Date: **17 January 2011**
 (30) Convention priority data:
 (31) Number (32) Date (33) Country
29/364161 18 Jun 2010 UNITED STATES OF AMERICA
 (56) Related Art Documents: **Not Applicable**
 (57) Statement of Newness and Distinctiveness: **Newness and distinctiveness is claimed in the features of shape and/or configuration of a container as illustrated in the accompanying representations.**



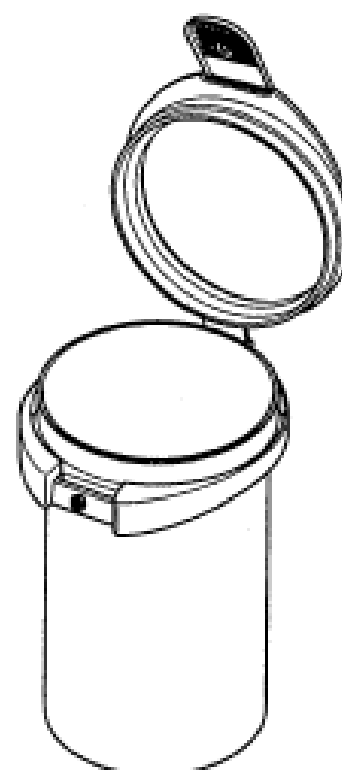
- (21) Design Number: **15535/2010**
- (22) Date of Filing Application: **16 December 2010**
- (24) Date from which industrial property rights may have effect: **16 December 2010**
- (54) Product in respect of which the design is registered: **Container lid**
- (51) International Design Classification: **09-07B, 24-99**
- (71) Name(s) and Address(s) of Applicant(s):
Pathogen Detection Systems, Inc.
Suite 4697 Biosciences Complex 116 Barrie Street Kingston Ontario
K7L 3N6 Canada
Queen's University at Kingston
Kingston Ontario K7L 3N6 Canada
- (72) Name(s) of Designer(s): **R. Stephen Brown and Eric Marcotte and Michelle Douma and Michael Miron and Doug Wilton and Peter Gallant and David Dolphin and Lee Underwood and David Robinson and Peter Holdcroft and Matthew Miles and Les Stokes**
- (45) Registration Date: **17 January 2011**
- (30) Convention priority data:

(31) Number	(32) Date	(33) Country
29/364110	18 Jun 2010	UNITED STATES OF AMERICA
- (56) Related Art Documents: **Not Applicable**
- (57) Statement of Newness and Distinctiveness: **Newness and distinctiveness is claimed in the features of shape and/or configuration of a container lid as illustrated in solid lines in the accompanying representations.**



- (21) Design Number: **15536/2010**
- (22) Date of Filing Application: **16 December 2010**
- (24) Date from which industrial property rights may have effect: **16 December 2010**
- (54) Product in respect of which the design is registered: **Container**
- (51) International Design Classification: **09-03NES, 24-99**
- (71) Name(s) and Address(s) of Applicant(s):
Pathogen Detection Systems, Inc.
Suite 4697 Biosciences Complex 116 Barrie Street Kingston Ontario
K7L 3N6 Canada
Queen's University at Kingston
Kingston Ontario K7L 3N6 Canada
- (72) Name(s) of Designer(s): **R. Stephen Brown and Eric Marcotte and Michelle Douma and Michael Miron and Doug Wilton and Peter Gallant and David Dolphin and Lee Underwood and David Robinson and Les Stokes and Peter Holdcroft and Matthew Miles**
- (45) Registration Date: **17 January 2011**
- (30) Convention priority data:

(31) Number	(32) Date	(33) Country
29/364161	18 Jun 2010	UNITED STATES OF AMERICA
- (56) Related Art Documents: **Not Applicable**
- (57) Statement of Newness and Distinctiveness: **Newness and distinctiveness is claimed in the features of shape and/or configuration of a container as illustrated in the accompanying representations.**



- (21) Design Number: **15537/2010**
- (22) Date of Filing Application: **16 December 2010**
- (24) Date from which industrial property rights may have effect: **16 December 2010**
- (54) Product in respect of which the design is registered: **Plug for a container**
- (51) International Design Classification: **09-07B, 24-99**
- (71) Name(s) and Address(s) of Applicant(s):

Pathogen Detection Systems, Inc.
Suite 4697 Biosciences Complex 116 Barrie Street Kingston Ontario
K7L 3N6 Canada

Queen's University at Kingston
Kingston Ontario K7L 3N6 Canada

- (72) Name(s) of Designer(s): **R. Stephen Brown and Eric Marcotte and Michelle Douma and Doug Wilton and Michael Miron**

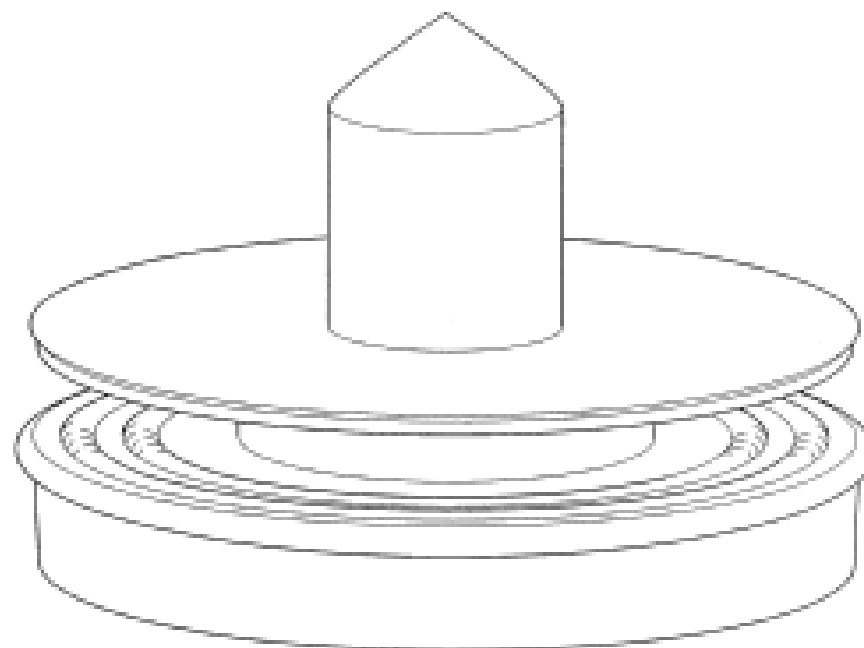
- (45) Registration Date: **17 January 2011**

- (30) Convention priority data:

(31) Number	(32) Date	(33) Country
29/364168	18 Jun 2010	UNITED STATES OF AMERICA

- (56) Related Art Documents: **Not Applicable**

- (57) Statement of Newness and Distinctiveness: **Newness and distinctiveness is claimed in the features of shape and/or configuration of a plug for a container as illustrated in the accompanying representations.**



- (21) Design Number: **15538/2010**
- (22) Date of Filing Application: **16 December 2010**
- (24) Date from which industrial property rights may have effect: **16 December 2010**
- (54) Product in respect of which the design is registered: **Plug for a container**
- (51) International Design Classification: **09-07B, 24-99**
- (71) Name(s) and Address(s) of Applicant(s):

Pathogen Detection Systems, Inc.
Suite 4697 Biosciences Complex 116 Barrie Street Kingston Ontario
K7L 3N6 Canada

Queens University at Kingston
Kingston, Ontario, K7L 3N6 Canada

- (72) Name(s) of Designer(s): **R. Stephen Brown and Eric Marcotte and Michelle Douma and Doug Wilton and Michael Miron**

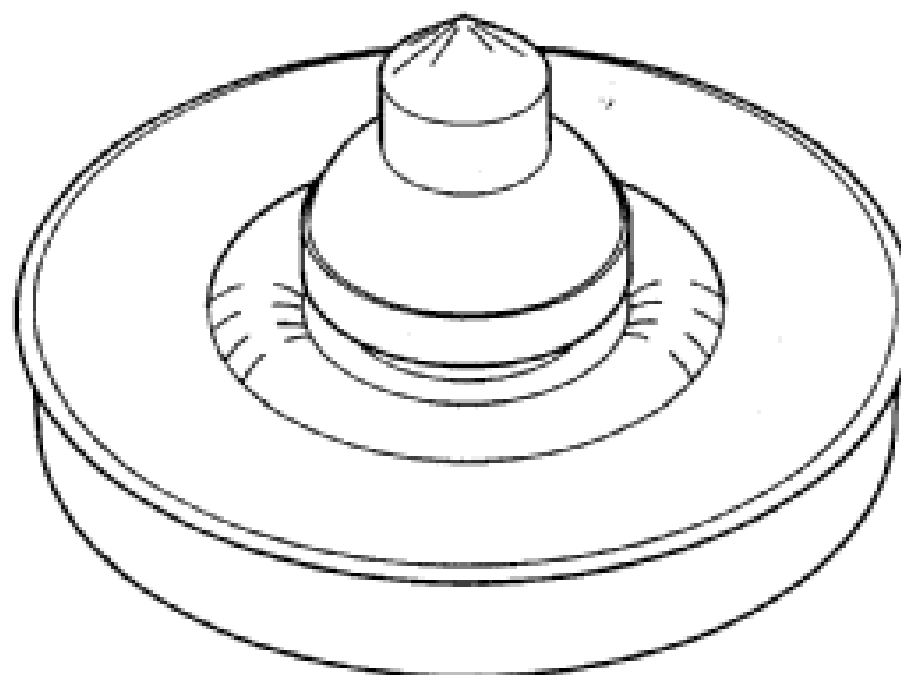
- (45) Registration Date: **17 January 2011**

- (30) Convention priority data:

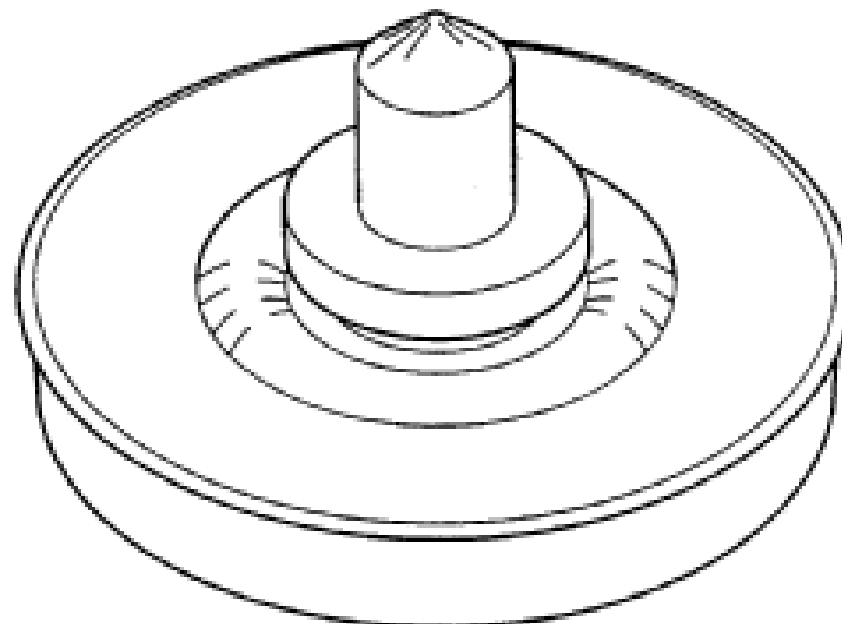
(31) Number	(32) Date	(33) Country
29/364168	18 Jun 2010	UNITED STATES OF AMERICA

- (56) Related Art Documents: **Not Applicable**

- (57) Statement of Newness and Distinctiveness: **Newness and distinctiveness is claimed in the features of shape and/or configuration of a plug for a container as illustrated in the accompanying representations.**



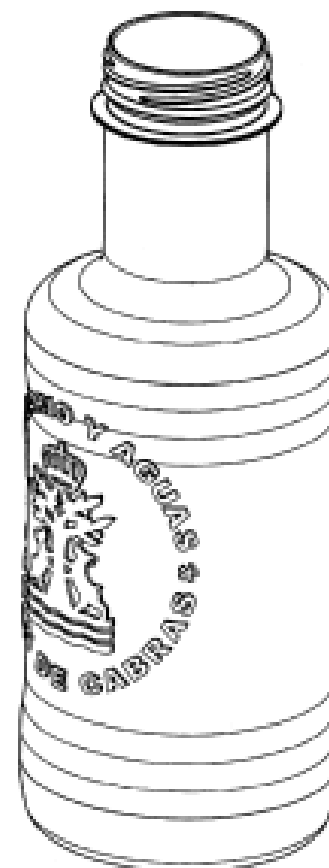
- (21) Design Number: **15539/2010**
(22) Date of Filing Application: **16 December 2010**
(24) Date from which industrial property rights may have effect: **16 December 2010**
(54) Product in respect of which the design is registered: **Plug for a container**
(51) International Design Classification: **09-07B, 24-99**
(71) Name(s) and Address(s) of Applicant(s):
Pathogen Detection Systems, Inc.
Suite 4697 Biosciences Complex 116 Barrie Street Kingston Ontario
K7L 3N6 Canada
Queens University at Kingston
Kingston, Ontario, K7L 3N6 Canada
(72) Name(s) of Designer(s): **R. Stephen Brown and Eric Marcotte and Michelle Douma and Doug Wilton and Michael Miron**
(45) Registration Date: **17 January 2011**
(30) Convention priority data:
(31) Number (32) Date (33) Country
29/364168 18 Jun 2010 UNITED STATES OF AMERICA
(56) Related Art Documents: **Not Applicable**
(57) Statement of Newness and Distinctiveness: **Newness and distinctiveness is claimed in the features of shape and/or configuration of a plug for a container as illustrated in the accompanying representations.**



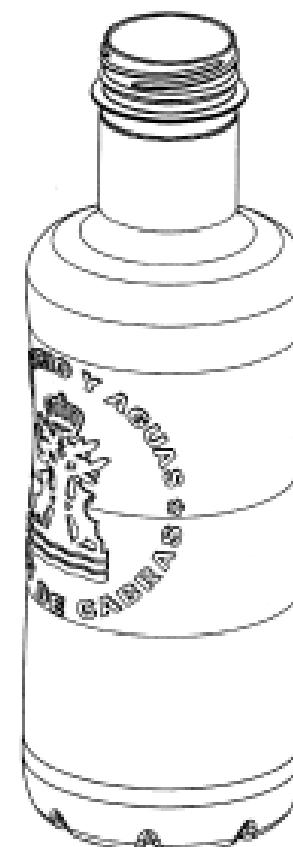
- (21) Design Number: **15572/2010**
(22) Date of Filing Application: **17 December 2010**
(24) Date from which industrial property rights may have effect: **17 December 2010**
(54) Product in respect of which the design is registered: **Bicycle touring pack and carrier**
(51) International Design Classification: **12-16K**
(71) Name(s) and Address(s) of Applicant(s):
David Lugton
PO Box 486 Coburg Victoria 3058 Australia
(72) Name(s) of Designer(s): **David William Lugton**
(45) Registration Date: **17 January 2011**
(56) Related Art Documents: **Not Applicable**
(57) Statement of Newness and Distinctiveness: **The newness and distinctiveness of this design resides in the overall shapes. Shape and features are shown in the attached illustrations.**



- (21) Design Number: **14852/2010**
(22) Date of Filing Application: **10 November 2010**
(24) Date from which industrial property rights may have effect: **10 November 2010**
(54) Product in respect of which the design is registered: **Bottle**
(51) International Design Classification: **09-01NES**
(71) Name(s) and Address(s) of Applicant(s):
Balneario Y Aguas De Solan De Cabras S.L.
C/Colon 53 1a planta 16002 Cuenca Spain
(72) Name(s) of Designer(s): **Adela Lario Rivas**
(45) Registration Date: **17 January 2011**
(30) Convention priority data:
(31) Number (32) Date (33) Country
1706177 10 May 2010 EUROPEAN COMMUNITY
(56) Related Art Documents: **Not Applicable**
(57) Statement of Newness and Distinctiveness: **Newness and distinctiveness resides in the features of shape, configuration, pattern and ornamentation as applied to the bottle as illustrated in the attached representations. The wording and other material of a literary or artistic nature as appearing in the representations constitutes part of the design.**



- (21) Design Number: **10091/2011**
(22) Date of Filing Application: **10 November 2010**
(24) Date from which industrial property rights may have effect: **10 November 2010**
(54) Product in respect of which the design is registered: **Bottle**
(51) International Design Classification: **09-01NES**
(71) Name(s) and Address(s) of Applicant(s):
Balneario Y Aguas De Solan De Cabras, S.L.
C/Colon 53 1a planta 16002 Cuenca Spain
(72) Name(s) of Designer(s): **Adela Lario Rivas**
(45) Registration Date: **17 January 2011**
(30) Convention priority data:
(31) Number (32) Date (33) Country
1706177 10 May 2010 EUROPEAN COMMUNITY
(56) Related Art Documents: **Not Applicable**
(57) Statement of Newness and Distinctiveness: **Newness and distinctiveness resides in the features of shape, configuration, pattern and ornamentation as applied to the bottle as illustrated in the attached representations. The wording and other material of a literary or artistic nature as appearing in the representations constitutes part of the design.**



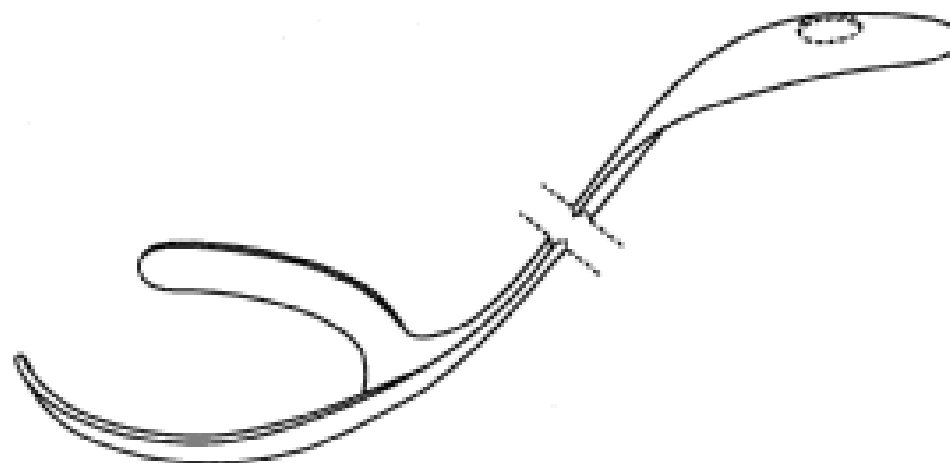
(19) AU

- (21) Design Number: **10092/2011**
(22) Date of Filing Application: **10 November 2010**
(24) Date from which industrial property rights may have effect: **10 November 2010**
(54) Product in respect of which the design is registered: **Bottle**
(51) International Design Classification: **09-01NES**
(71) Name(s) and Address(s) of Applicant(s):
Balneario Y Aguas De Solan De Cabras, S.L.
C/Colon 53 1a planta 16002 Cuenca Spain
(72) Name(s) of Designer(s): **Adela Lario Rivas**
(45) Registration Date: **17 January 2011**
(30) Convention priority data:
(31) Number (32) Date (33) Country
1706177 10 May 2010 EUROPEAN COMMUNITY
(56) Related Art Documents: **Not Applicable**
(57) Statement of Newness and Distinctiveness: **Newness and distinctiveness resides in the features of shape, configuration, pattern and ornamentation as applied to the bottle as illustrated in the attached representations. The wording and other material of a literary or artistic nature as appearing in the representations constitutes part of the design.**

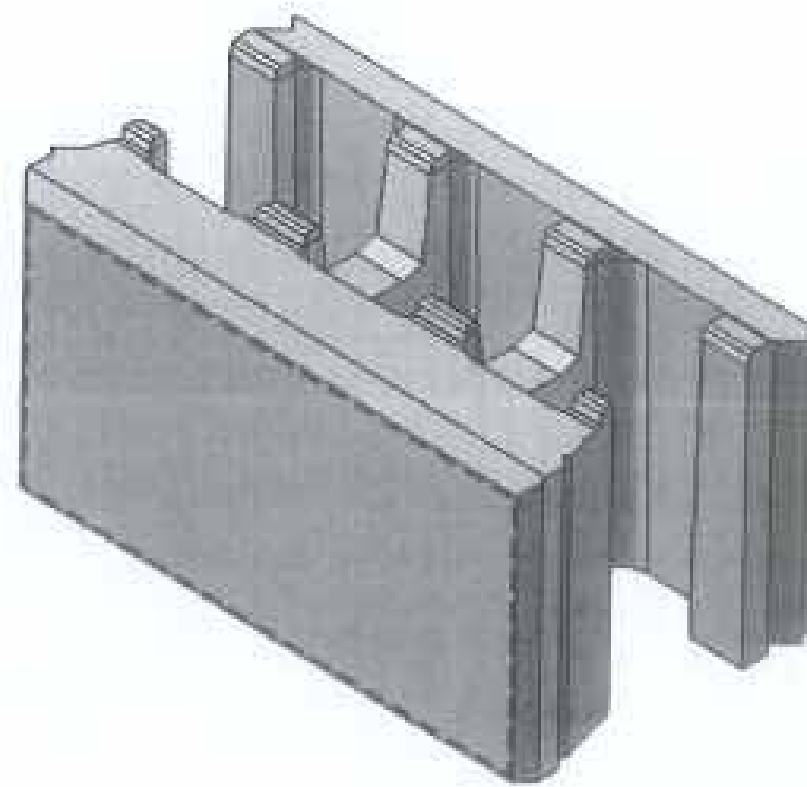


(19) AU

- (21) Design Number: **15371/2010**
(22) Date of Filing Application: **09 December 2010**
(24) Date from which industrial property rights may have effect: **09 December 2010**
(54) Product in respect of which the design is registered: **Utensil**
(51) International Design Classification: **07-06NES**
(71) Name(s) and Address(s) of Applicant(s):
Fusionbrands Inc.
PO Box 100 Naples NY 14512 United States of America
(72) Name(s) of Designer(s): **Anna M. Stewart and Stephen Kraigh Stewart**
(45) Registration Date: **19 January 2011**
(56) Related Art Documents: **Not Applicable**
(57) Statement of Newness and Distinctiveness: **Newness and distinctiveness is claimed in the visual features of shape and/or configuration of a utensil as illustrated in the accompanying representations, the utensil having a handle portion of indefinite length.**



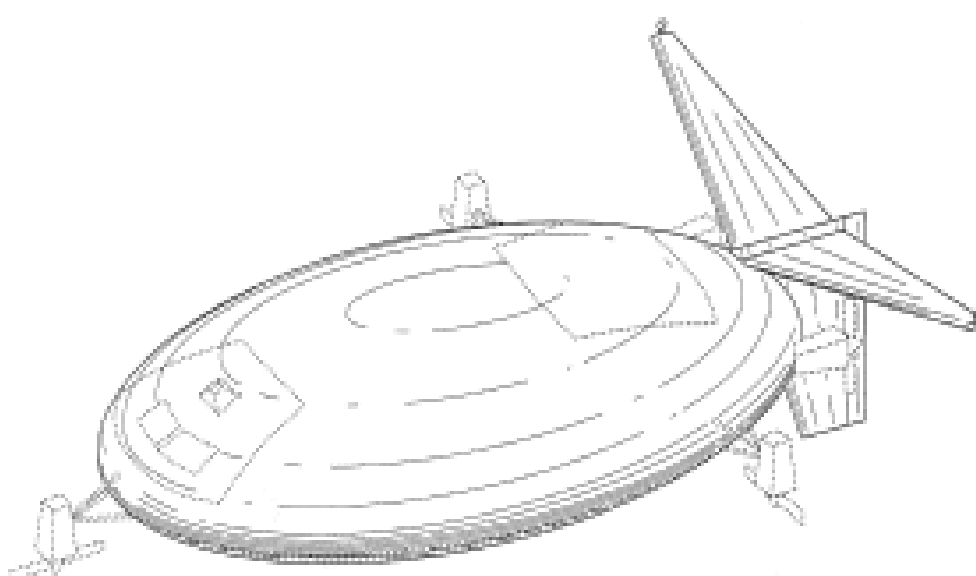
(21) Design Number: **15574/2010**
 (22) Date of Filing Application: **20 December 2010**
 (24) Date from which industrial property rights may have effect: **20 December 2010**
 (54) Product in respect of which the design is registered: **A masonry retaining wall block**
 (51) International Design Classification: **25-01A**
 (71) Name(s) and Address(s) of Applicant(s):
Adbri Masonry Pty Ltd
Level 1 157 Grenfell Street Adelaide South Australia 5000 Australia
 (72) Name(s) of Designer(s): **John Kenneth Dyson**
 (45) Registration Date: **19 January 2011**
 (56) Related Art Documents: **Not Applicable**
 (57) Statement of Newness and Distinctiveness: **The newness and distinctiveness of the design resides in the shape and/or configuration of the masonry retaining wall block shown in the representations.**



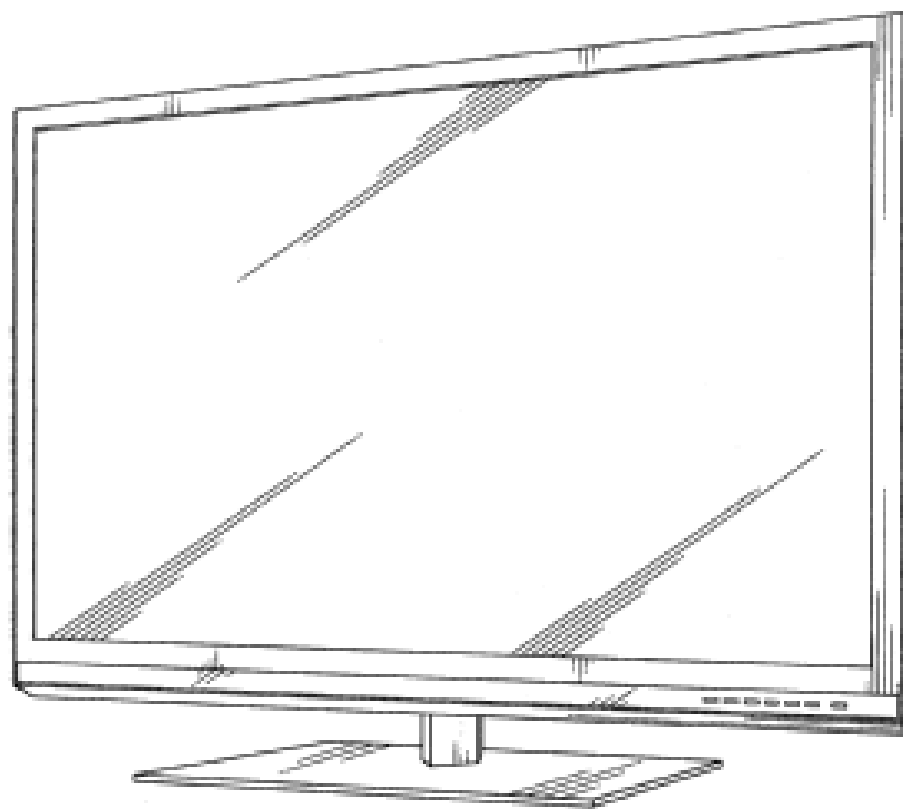
(21) Design Number: **15575/2010**
 (22) Date of Filing Application: **20 December 2010**
 (24) Date from which industrial property rights may have effect: **20 December 2010**
 (54) Product in respect of which the design is registered: **Airship**
 (51) International Design Classification: **12-07**
 (71) Name(s) and Address(s) of Applicant(s):
LTA Corporation
C/- Goelet LLC 425 Park Avenue New York NY 10022 United States of America
 (72) Name(s) of Designer(s): **John Goelet**
 (45) Registration Date: **19 January 2011**
 (30) Convention priority data:

(31) Number	(32) Date	(33) Country
29/366,163	20 Jul 2010	UNITED STATES OF AMERICA

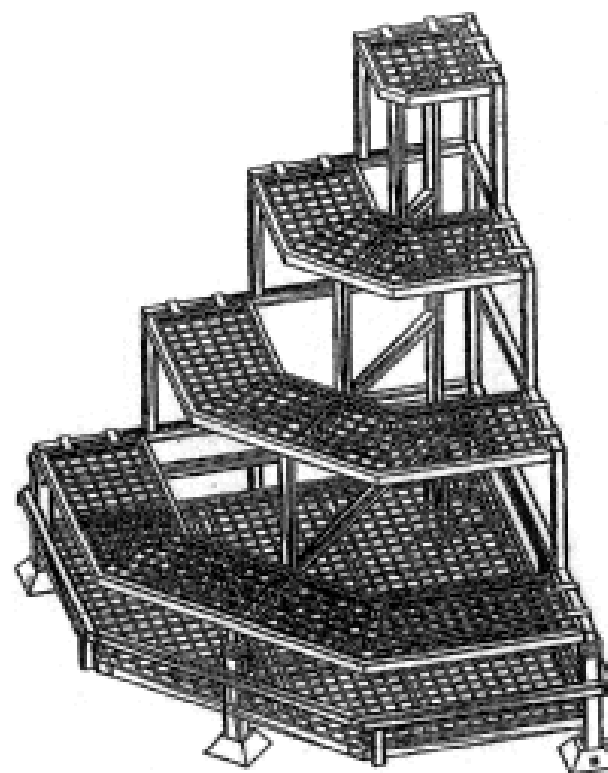
 (56) Related Art Documents: **Not Applicable**
 (57) Statement of Newness and Distinctiveness: **The newness and distinctiveness of the design resides in the features of pattern and/or ornamentation OR shape and/or configuration shown in unbroken lines in the accompanying representations.**



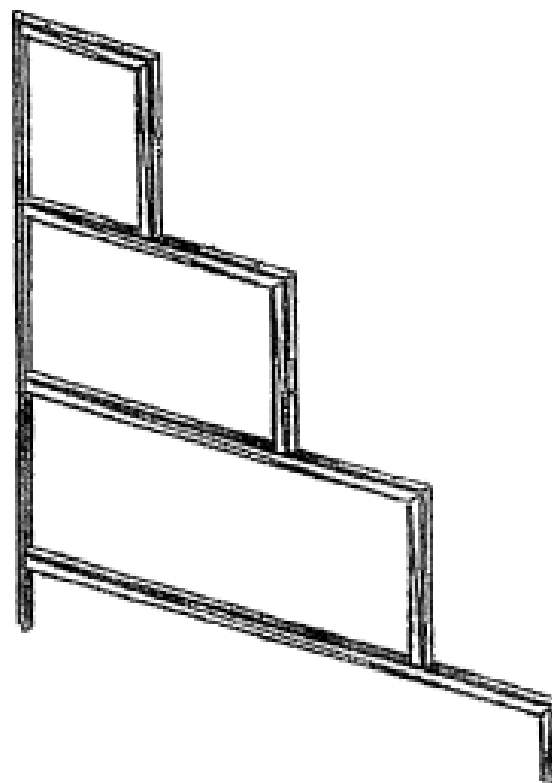
- (21) Design Number: **15579/2010**
(22) Date of Filing Application: **17 December 2010**
(24) Date from which industrial property rights may have effect: **17 December 2010**
(54) Product in respect of which the design is registered: **A television receiver**
(51) International Design Classification: **14-03B**
(71) Name(s) and Address(s) of Applicant(s):
Kabushiki Kaisha Toshiba also Trading as Toshiba Corporation
1-1 Shibaura 1-chome Minato-ku Tokyo Japan
(72) Name(s) of Designer(s): **Satoshi Araki**
(45) Registration Date: **19 January 2011**
(56) Related Art Documents: **Not Applicable**
(57) Statement of Newness and Distinctiveness: **Newness and Distinctiveness is claimed in the features of shape and/or configuration of a television receiver as illustrated in the accompanying representations.**



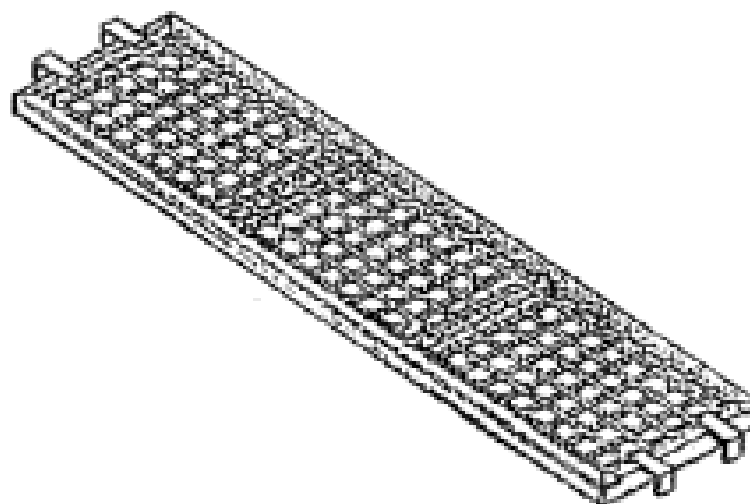
- (21) Design Number: **11383/2010**
(22) Date of Filing Application: **14 April 2010**
(24) Date from which industrial property rights may have effect: **14 April 2010**
(54) Product in respect of which the design is registered: **Display stand and trays**
(51) International Design Classification: **20-02E**
(71) Name(s) and Address(s) of Applicant(s):
Francis V. Bilotto
Lot 49 Pine Lane Heatherton Victoria 3101 Australia
(72) Name(s) of Designer(s): **Hu Yong Jun and Francis V. Bilotto**
(45) Registration Date: **19 January 2011**
(56) Related Art Documents: **Not Applicable**
(57) Statement of Newness and Distinctiveness: **The particular visual features of the design which the Applicant hereby identifies as new and distinctive are as follows: display stand and trays, as illustrated in the accompanying representations.**



- (21) Design Number: **15712/2010**
(22) Date of Filing Application: **14 April 2010**
(24) Date from which industrial property rights may have effect: **14 April 2010**
(54) Product in respect of which the design is registered: **Support member for a display stand**
(51) International Design Classification: **20-02E**
(71) Name(s) and Address(s) of Applicant(s):
Francis V. Bilotto
Lot 49 Pine Lane Heatherton Victoria 3101 Australia
(72) Name(s) of Designer(s): **Francis V. Bilotto and Hu Yong Jun**
(45) Registration Date: **19 January 2011**
(56) Related Art Documents: **Not Applicable**
(57) Statement of Newness and Distinctiveness: **The particular visual features of the design which the Applicant hereby identifies as new and distinctive are as follows: Support member for a display stand, as illustrated in the accompanying representations.**



- (21) Design Number: **15801/2010**
(22) Date of Filing Application: **14 April 2010**
(24) Date from which industrial property rights may have effect: **14 April 2010**
(54) Product in respect of which the design is registered: **Tray with attachment means for a display stand**
(51) International Design Classification: **20-02E**
(71) Name(s) and Address(s) of Applicant(s):
Francis V. Bilotto
Lot 49 Pine Lane Heatherton Victoria 3101 Australia
(72) Name(s) of Designer(s): **Francis V. Bilotto and Hu Yong Jun**
(45) Registration Date: **19 January 2011**
(56) Related Art Documents: **Not Applicable**
(57) Statement of Newness and Distinctiveness: **The particular visual features of the design which the Applicant hereby identifies as new and distinctive are as follows: Tray with attachment means for a display stand, as illustrated in the accompanying representations - attachment means are marked 'C'. Please note that the shape of openings (marked 'A') in trays are excluded.**



(21) Design Number: **15802/2010**

(22) Date of Filing Application: **14 April 2010**

(24) Date from which industrial property rights may have effect: **14 April 2010**

(54) Product in respect of which the design is registered: **Display stand**

(51) International Design Classification: **20-02E**

(71) Name(s) and Address(s) of Applicant(s):

Francis V. Bilotto

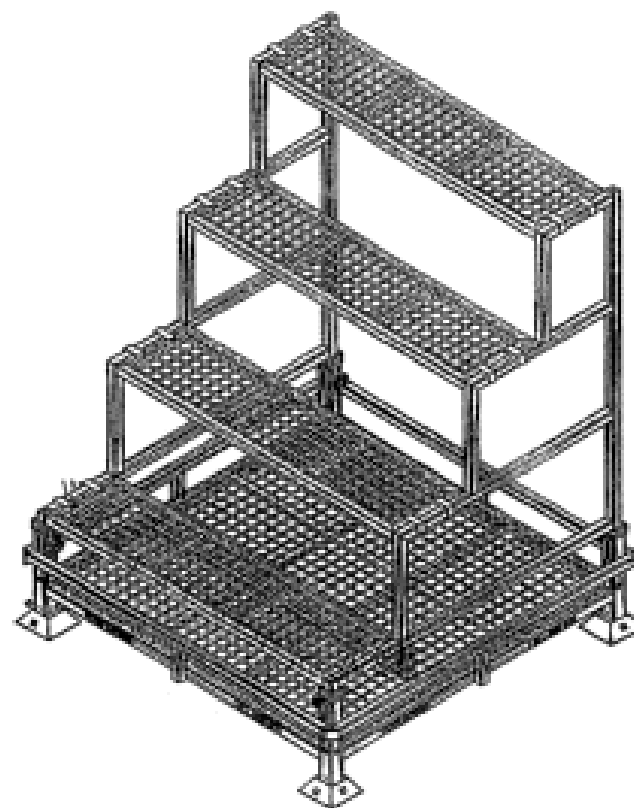
Lot 49 Pine Lane Heatherton Victoria 3101 Australia

(72) Name(s) of Designer(s): **Francis V. Bilotto and Hu Yong Jun**

(45) Registration Date: **19 January 2011**

(56) Related Art Documents: **Not Applicable**

(57) Statement of Newness and Distinctiveness: **The particular visual features of the design which the Applicant hereby identifies as new and distinctive are as follows: Display Stand, as illustrated in the accompanying representations - the shape of openings (marked 'A') in trays and base platform, and the shape of feet (marked 'B') are excluded.**



(21) Design Number: **15803/2010**

(22) Date of Filing Application: **14 April 2010**

(24) Date from which industrial property rights may have effect: **14 April 2010**

(54) Product in respect of which the design is registered: **Display stand**

(51) International Design Classification: **20-02E**

(71) Name(s) and Address(s) of Applicant(s):

Francis V. Bilotto

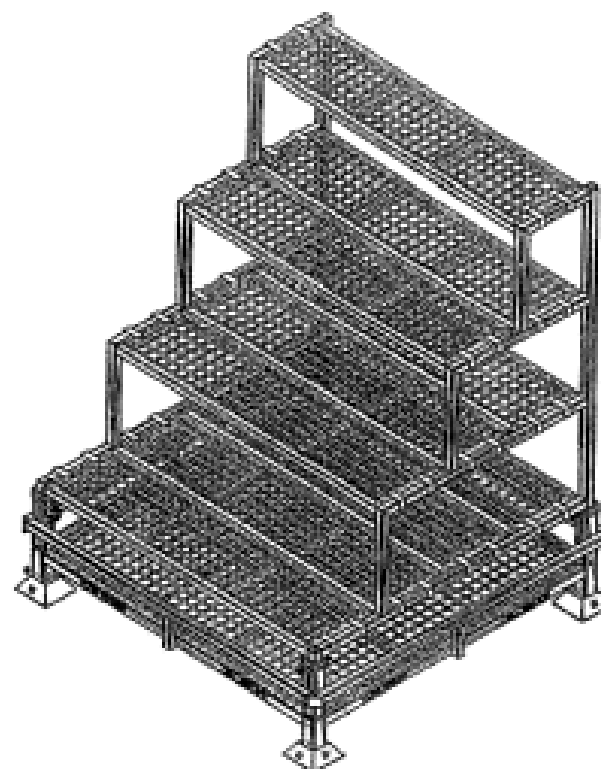
Lot 49 Pine Lane Heatherton Victoria 3101 Australia

(72) Name(s) of Designer(s): **Francis V. Bilotto and Hu Yong Jun**

(45) Registration Date: **19 January 2011**

(56) Related Art Documents: **Not Applicable**

(57) Statement of Newness and Distinctiveness: **The particular visual features of the design which the Applicant hereby identifies as new and distinctive are as follows: Display Stand, as illustrated in the accompanying representations - the shape of openings (marked 'A') in trays and base platform, and the shape of feet (marked 'B') are excluded.**



(21) Design Number: **15804/2010**

(22) Date of Filing Application: **14 April 2010**

(24) Date from which industrial property rights may have effect: **14 April 2010**

(54) Product in respect of which the design is registered: **Tray with attachment means for a display stand**

(51) International Design Classification: **20-02E**

(71) Name(s) and Address(s) of Applicant(s):

Francis V. Bilotto

Lot 49 Pine Lane Heatherton Victoria 3101 Australia

(72) Name(s) of Designer(s): **Francis V. Bilotto and Hu Yong Jun**

(45) Registration Date: **19 January 2011**

(56) Related Art Documents: **Not Applicable**

(57) Statement of Newness and Distinctiveness: **The particular visual features of the design which the Applicant hereby identifies as new and distinctive are as follows: Tray with attachment means for a display stand, as illustrated in the accompanying representations - attachment means are marked 'C'. Please note that the shape of openings (marked 'A') in trays are excluded.**



(21) Design Number: **15805/2010**

(22) Date of Filing Application: **14 April 2010**

(24) Date from which industrial property rights may have effect: **14 April 2010**

(54) Product in respect of which the design is registered: **Tray with attachment means for a display stand**

(51) International Design Classification: **20-02E**

(71) Name(s) and Address(s) of Applicant(s):

Francis V. Bilotto

Lot 49 Pine Lane Heatherton Victoria 3101 Australia

(72) Name(s) of Designer(s): **Francis V. Bilotto and Hu Yong Jun**

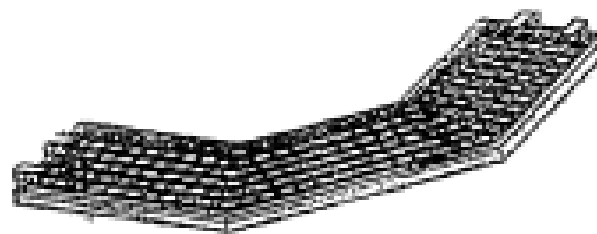
(45) Registration Date: **19 January 2011**

(56) Related Art Documents: **Not Applicable**

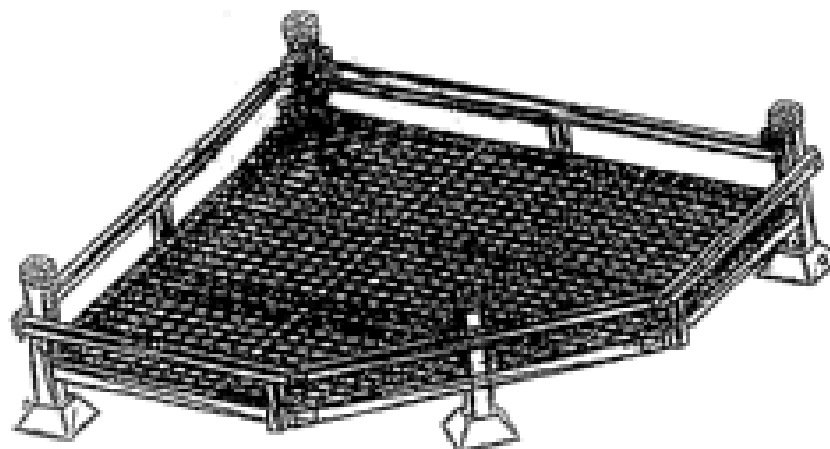
(57) Statement of Newness and Distinctiveness: **The particular visual features of the design which the Applicant hereby identifies as new and distinctive are as follows: Tray with attachment means for a display stand, as illustrated in the accompanying representations - attachment means are marked 'C'. Please note that the shape of openings (marked 'A') in trays are excluded.**



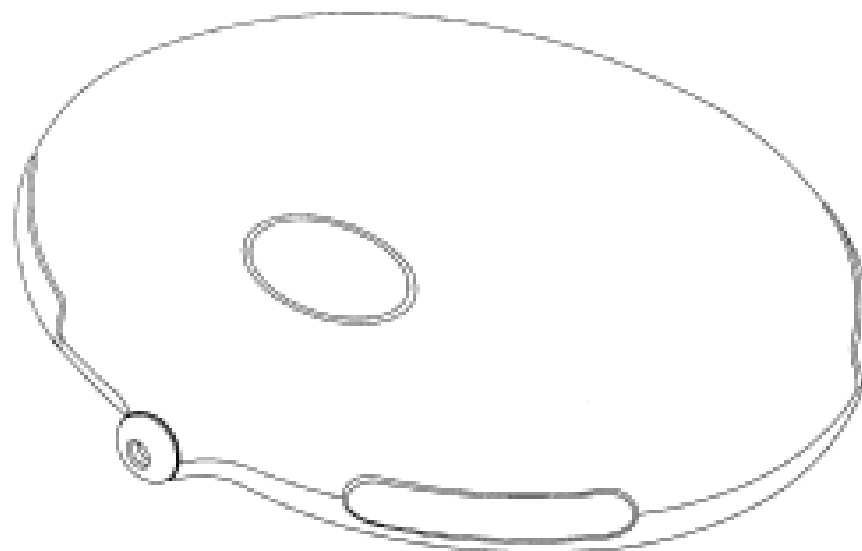
- (21) Design Number: **15806/2010**
(22) Date of Filing Application: **14 April 2010**
(24) Date from which industrial property rights may have effect: **14 April 2010**
(54) Product in respect of which the design is registered: **Tray with attachment means for a display stand**
(51) International Design Classification: **20-02E**
(71) Name(s) and Address(s) of Applicant(s):
Francis V. Bilotto
Lot 49 Pine Lane Heatherton Victoria 3101 Australia
(72) Name(s) of Designer(s): **Francis V. Bilotto and Hu Yong Jun**
(45) Registration Date: **19 January 2011**
(56) Related Art Documents: **Not Applicable**
(57) Statement of Newness and Distinctiveness: **The particular visual features of the design which the Applicant hereby identifies as new and distinctive are as follows: Tray with attachment means for a display stand, as illustrated in the accompanying representations - attachment means are marked 'C'. Please note that the shape of openings (marked 'A') in trays are excluded.**



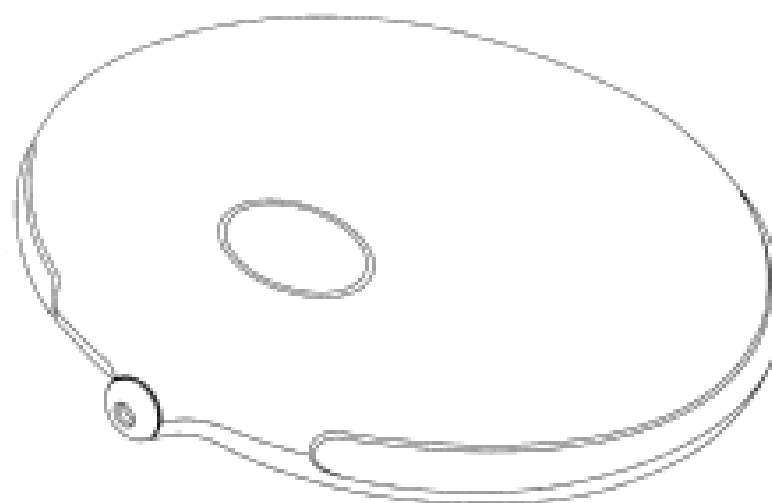
- (21) Design Number: **15807/2010**
(22) Date of Filing Application: **14 April 2010**
(24) Date from which industrial property rights may have effect: **14 April 2010**
(54) Product in respect of which the design is registered: **Base platform for a display stand**
(51) International Design Classification: **20-02E**
(71) Name(s) and Address(s) of Applicant(s):
Francis V. Bilotto
Lot 49 Pine Lane Heatherton Victoria 3101 Australia
(72) Name(s) of Designer(s): **Francis V. Bilotto and Hu Yong Jun**
(45) Registration Date: **19 January 2011**
(56) Related Art Documents: **Not Applicable**
(57) Statement of Newness and Distinctiveness: **The particular visual features of the design which the Applicant hereby identifies as new and distinctive are as follows: Base platform for a display Stand, as illustrated in the accompanying representations.**



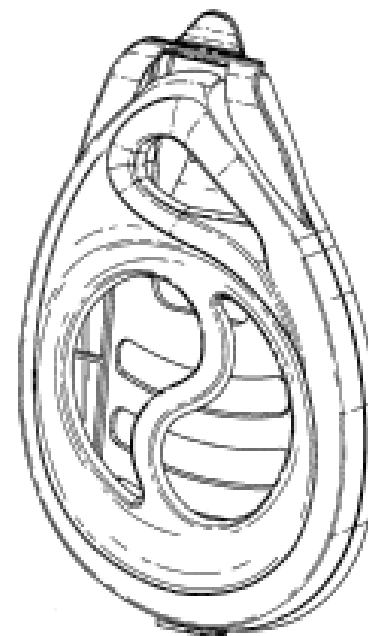
- (21) Design Number: **15497/2010**
(22) Date of Filing Application: **15 December 2010**
(24) Date from which industrial property rights may have effect: **15 December 2010**
(54) Product in respect of which the design is registered: **Remote control for air conditioner**
(51) International Design Classification: **14-03NES, 23-04**
(71) Name(s) and Address(s) of Applicant(s):
Daikin Industries Ltd.
Umeda Center Building 4-12 Nakazaki-Nishi 2-chome Kita-ku
Osaka-shi Osaka-fu Japan
(72) Name(s) of Designer(s): **Kouichirou Seki and Yumi Saitou**
(45) Registration Date: **18 January 2011**
(30) Convention priority data:
(31) Number (32) Date (33) Country
2010-016620 07 Jul 2010 JAPAN
(56) Related Art Documents: **Not Applicable**
(57) Statement of Newness and Distinctiveness: **The newness and distinctiveness of the design resides in the features of shape and configuration of the design illustrated in the accompanying representations.**



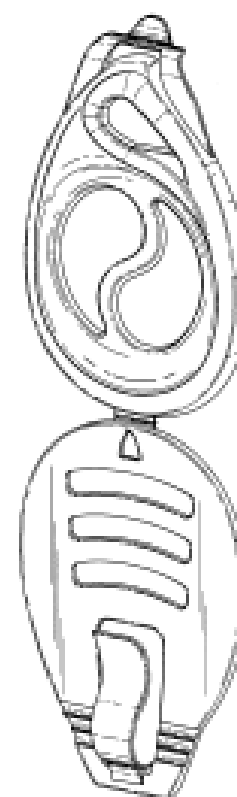
- (21) Design Number: **15498/2010**
(22) Date of Filing Application: **15 December 2010**
(24) Date from which industrial property rights may have effect: **15 December 2010**
(54) Product in respect of which the design is registered: **Remote control for air conditioner**
(51) International Design Classification: **14-03NES, 23-04**
(71) Name(s) and Address(s) of Applicant(s):
Daikin Industries Ltd.
Umeda Center Building 4-12 Nakazaki-Nishi 2-chome Kita-ku
Osaka-shi Osaka-fu Japan
(72) Name(s) of Designer(s): **Kouichirou Seki and Yumi Saitou**
(45) Registration Date: **18 January 2011**
(30) Convention priority data:
(31) Number (32) Date (33) Country
2010-016621 07 Jul 2010 JAPAN
(56) Related Art Documents: **Not Applicable**
(57) Statement of Newness and Distinctiveness: **The newness and distinctiveness of the design resides in the features of shape and configuration of the design illustrated in the accompanying representations.**



(21) Design Number: **15565/2010**
(22) Date of Filing Application: **17 December 2010**
(24) Date from which industrial property rights may have effect: **17 December 2010**
(54) Product in respect of which the design is registered: **Container for dishwasher deodorant**
(51) International Design Classification: **28-99**
(71) Name(s) and Address(s) of Applicant(s):
Reckitt Benckiser N.V.
Siriusdreef 14 2132 W Hoofddorp The Netherlands
(72) Name(s) of Designer(s): **Bruno Lablaine**
(45) Registration Date: **18 January 2011**
(30) Convention priority data:
(31) Number (32) Date (33) Country
001726803-0001 01 Jul 2010 EUROPEAN COMMUNITY
(56) Related Art Documents: **Not Applicable**
(57) Statement of Newness and Distinctiveness: **Nil**



(21) Design Number: **15566/2010**
(22) Date of Filing Application: **17 December 2010**
(24) Date from which industrial property rights may have effect: **17 December 2010**
(54) Product in respect of which the design is registered: **Container for dishwasher deodorant**
(51) International Design Classification: **28-99**
(71) Name(s) and Address(s) of Applicant(s):
Reckitt Benckiser N.V.
Siriusdreef 14 2132 W Hoofddorp The Netherlands
(72) Name(s) of Designer(s): **Bruno Lablaine**
(45) Registration Date: **18 January 2011**
(30) Convention priority data:
(31) Number (32) Date (33) Country
001726803-0002 01 Jul 2010 EUROPEAN COMMUNITY
(56) Related Art Documents: **Not Applicable**
(57) Statement of Newness and Distinctiveness: **Nil**



(21) Design Number: **15567/2010**

(22) Date of Filing Application: **17 December 2010**

(24) Date from which industrial property rights may have effect: **17 December 2010**

(54) Product in respect of which the design is registered: **Baby seat**

(51) International Design Classification: **06-01E**

(71) Name(s) and Address(s) of Applicant(s):

Goodbaby Child Products Co., Ltd
No. 20 Luxi East Road Lujia Town Kunshan Jiangsu 215331 China

(72) Name(s) of Designer(s): **Zhenghuan Song**

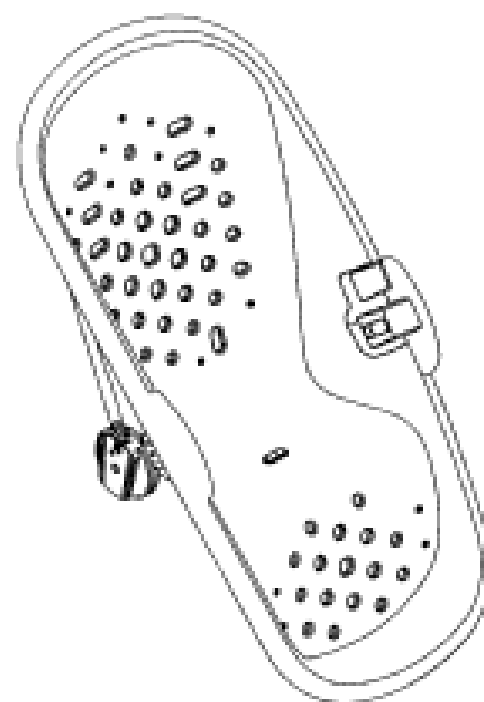
(45) Registration Date: **18 January 2011**

(30) Convention priority data:

(31) Number	(32) Date	(33) Country
201030205235.7	17 Jun 2010	CHINA

(56) Related Art Documents: **Not Applicable**

(57) Statement of Newness and Distinctiveness: **Newness and distinctiveness reside in the features of shape and/or configuration of a baby seat as illustrated in the accompanying representations.**



(21) Design Number: **15568/2010**

(22) Date of Filing Application: **17 December 2010**

(24) Date from which industrial property rights may have effect: **17 December 2010**

(54) Product in respect of which the design is registered: **Ratchet**

(51) International Design Classification: **08-05P**

(71) Name(s) and Address(s) of Applicant(s):

Master Lock Company LLC
137 W. Forest Hill Avenue Oak Creek Wisconsin 53154 United States of America

(72) Name(s) of Designer(s): **Scott B. Stevens and Scott Kalous**

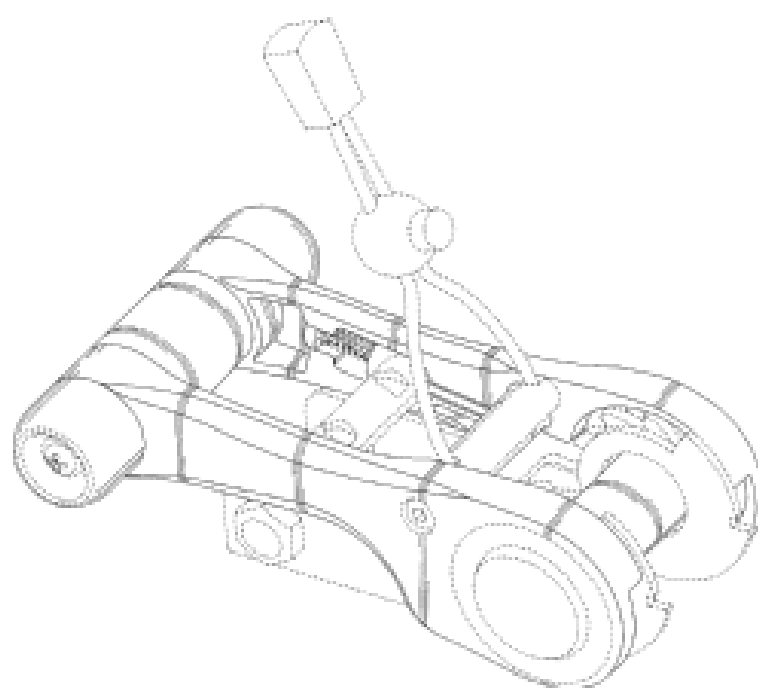
(45) Registration Date: **18 January 2011**

(30) Convention priority data:

(31) Number	(32) Date	(33) Country
29/364,116	18 Jun 2010	UNITED STATES OF AMERICA

(56) Related Art Documents: **Not Applicable**

(57) Statement of Newness and Distinctiveness: **Newness and distinctiveness are provided by the shape and/or configuration of the design shown in the representations. The features shown in broken lines in the representations are for illustrative purposes only and should not be considered when construing visual features of the design.**



- (21) Design Number: **15569/2010**
- (22) Date of Filing Application: **17 December 2010**
- (24) Date from which industrial property rights may have effect: **17 December 2010**
- (54) Product in respect of which the design is registered: **Ratchet**
- (51) International Design Classification: **08-07**
- (71) Name(s) and Address(s) of Applicant(s):

Master Lock Company LLC
137 W. Forest Hill Avenue Oak Creek Wisconsin 53154 United States of America

- (72) Name(s) of Designer(s): **Scott B. Stevens and Scott Kalous**

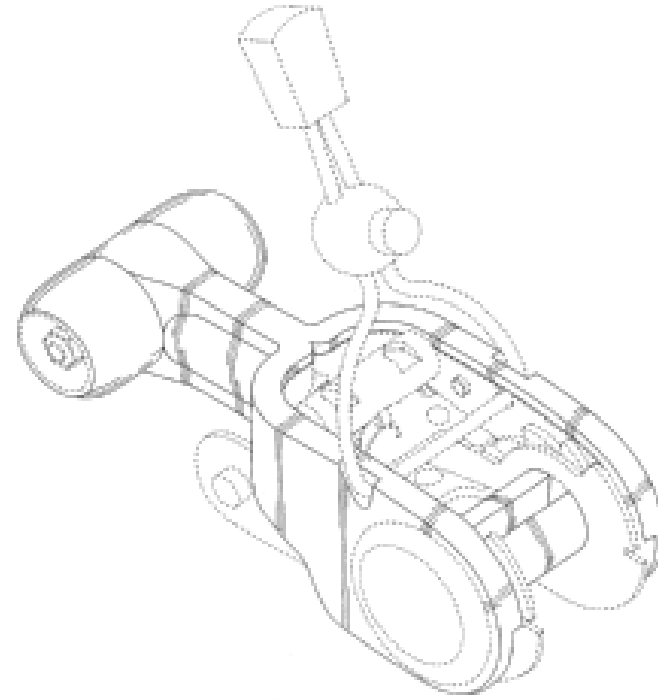
- (45) Registration Date: **18 January 2011**

- (30) Convention priority data:

(31) Number	(32) Date	(33) Country
29/364,116	18 Jun 2010	UNITED STATES OF AMERICA

- (56) Related Art Documents: **Not Applicable**

- (57) Statement of Newness and Distinctiveness: **Newness and distinctiveness are provided by the shape and/or configuration of the design shown in the representations. The features shown in broken lines in the representations are for illustrative purposes only and should not be considered when construing visual features of the design.**



- (21) Design Number: **15570/2010**
- (22) Date of Filing Application: **17 December 2010**
- (24) Date from which industrial property rights may have effect: **17 December 2010**
- (54) Product in respect of which the design is registered: **Security seal**
- (51) International Design Classification: **02-07A**
- (71) Name(s) and Address(s) of Applicant(s):

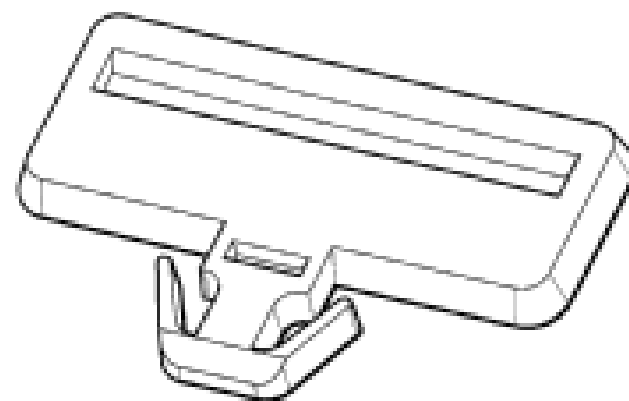
Tebco International, Inc.
1400 Sans Souci Parkway Hanover Township Pennsylvania 18706 United States of America

- (72) Name(s) of Designer(s): **Robert Frank Coco**

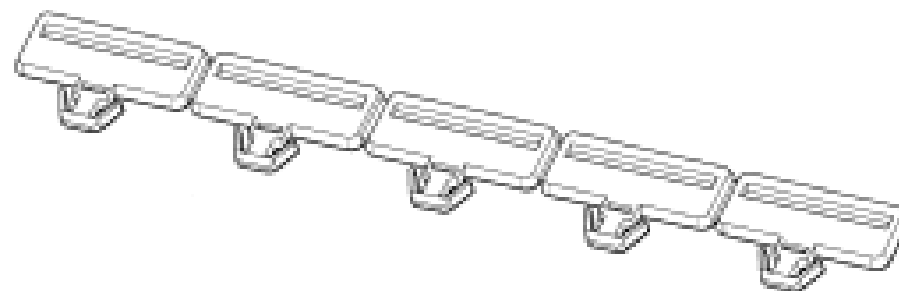
- (45) Registration Date: **18 January 2011**

- (56) Related Art Documents: **Not Applicable**

- (57) Statement of Newness and Distinctiveness: **Newness and distinctiveness lies in the shape and/or configuration of the security seal shown in representations, with reference to the co-planarity of the detents with respect to the body of the security seal.**



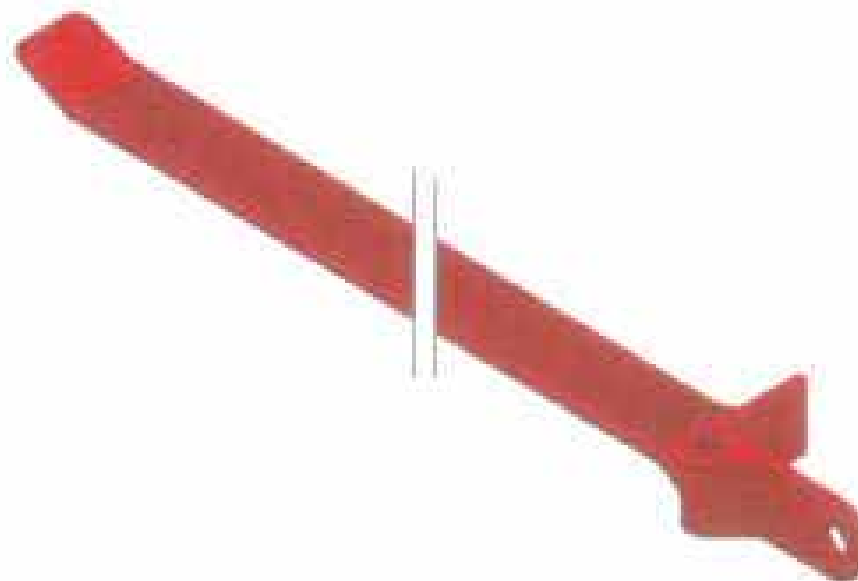
- (21) Design Number: **15571/2010**
(22) Date of Filing Application: **17 December 2010**
(24) Date from which industrial property rights may have effect: **17 December 2010**
(54) Product in respect of which the design is registered: **Band of security seals**
(51) International Design Classification: **02-07A**
(71) Name(s) and Address(s) of Applicant(s):
Tebco International, Inc.
1400 Sans Souci Parkway Hanover Township Pennsylvania 18706
United States of America
(72) Name(s) of Designer(s): **Robert Frank Coco**
(45) Registration Date: **18 January 2011**
(56) Related Art Documents: **Not Applicable**
(57) Statement of Newness and Distinctiveness: **Novelty and distinctiveness lies in the shape and/or configuration of the band of security seals shown in the representations, with the proviso that the number of security seals in the band is not restricted to the number shown in the representations.**



- (21) Design Number: **14724/2010**
(22) Date of Filing Application: **03 November 2010**
(24) Date from which industrial property rights may have effect: **03 November 2010**
(54) Product in respect of which the design is registered: **Adjustable pipe clip**
(51) International Design Classification: **23-01NES, 23-01A**
(71) Name(s) and Address(s) of Applicant(s):
Art Plastics Pty Ltd
14 White Street Bayswater Western Australia 6053 Australia
(72) Name(s) of Designer(s): **Time Lucas**
(45) Registration Date: **19 January 2011**
(56) Related Art Documents: **Not Applicable**
(57) Statement of Newness and Distinctiveness: **Monopoly is claimed for an adjustable pipe clip with fixing provisions as highlighted in the circled area; the strap section outside the circled area can be of varying length.**



- (21) Design Number: **14725/2010**
- (22) Date of Filing Application: **03 November 2010**
- (24) Date from which industrial property rights may have effect: **03 November 2010**
- (54) Product in respect of which the design is registered: **Adjustable pipe clip**
- (51) International Design Classification: **23-01NES, 23-01A**
- (71) Name(s) and Address(s) of Applicant(s):
Art Plastics Pty Ltd
14 White Street Bayswater Western Australia 6053 Australia
- (72) Name(s) of Designer(s): **Time Lucas**
- (45) Registration Date: **19 January 2011**
- (56) Related Art Documents: **Not Applicable**
- (57) Statement of Newness and Distinctiveness: **Monopoly is claimed for an offset adjustable pipe clip with fixing provisions as highlighted in the circled area; the strap section outside the circled area can be of varying length**



- (21) Design Number: **14726/2010**
- (22) Date of Filing Application: **03 November 2010**
- (24) Date from which industrial property rights may have effect: **03 November 2010**
- (54) Product in respect of which the design is registered: **Base and waste**
- (51) International Design Classification: **23-01NES, 23-01H**
- (71) Name(s) and Address(s) of Applicant(s):
Art Plastics Pty Ltd
14 White Street Bayswater Western Australia 6053 Australia
- (72) Name(s) of Designer(s): **Time Lucas**
- (45) Registration Date: **19 January 2011**
- (56) Related Art Documents: **Not Applicable**
- (57) Statement of Newness and Distinctiveness: **Nil**



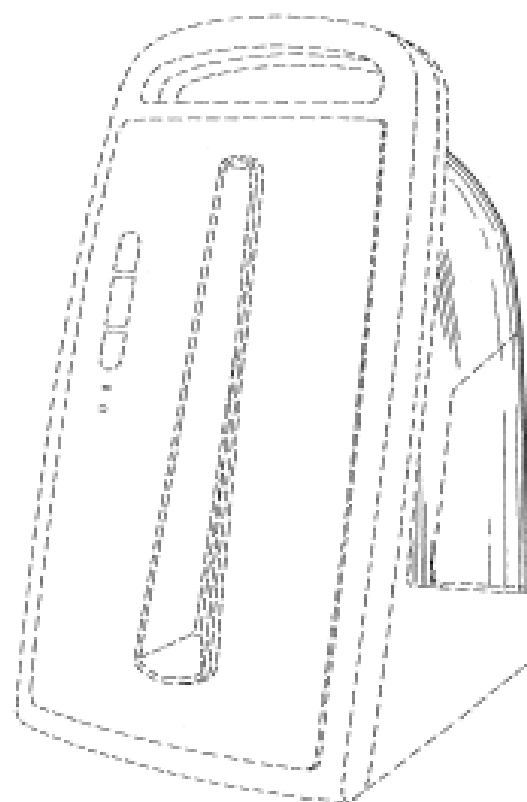
- (21) Design Number: **14727/2010**
(22) Date of Filing Application: **03 November 2010**
(24) Date from which industrial property rights may have effect: **03 November 2010**
(54) Product in respect of which the design is registered: **Drainage pit**
(51) International Design Classification: **23-01E, 23-01H**
(71) Name(s) and Address(s) of Applicant(s):
Art Plastics Pty Ltd
14 White Street Bayswater Western Australia 6053 Australia
(72) Name(s) of Designer(s): **Time Lucas**
(45) Registration Date: **19 January 2011**
(56) Related Art Documents: **Not Applicable**
(57) Statement of Newness and Distinctiveness: **Nil**



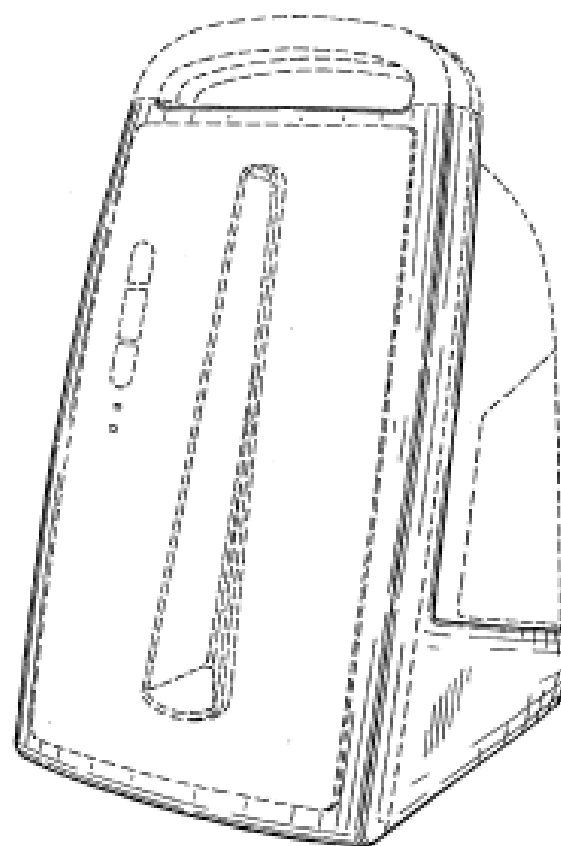
- (21) Design Number: **15610/2010**
(22) Date of Filing Application: **21 December 2010**
(24) Date from which industrial property rights may have effect: **21 December 2010**
(54) Product in respect of which the design is registered: **Shredder**
(51) International Design Classification: **18-04**
(71) Name(s) and Address(s) of Applicant(s):
Staples the Office Superstore, LLC
500 Staples Drive Framingham MA 01702 United States of America
(72) Name(s) of Designer(s): **Michael Kent and William D. Hester and David Gerard D'Angelo**
(45) Registration Date: **19 January 2011**
(30) Convention priority data:

(31) Number	(32) Date	(33) Country
29/365,220	06 Jul 2010	UNITED STATES OF AMERICA

(56) Related Art Documents: **Not Applicable**
(57) Statement of Newness and Distinctiveness: **The newness and distinctiveness of the design resides in the features of pattern and/or ornamentation OR shape and/or configuration shown in unbroken lines in the accompanying representations.**



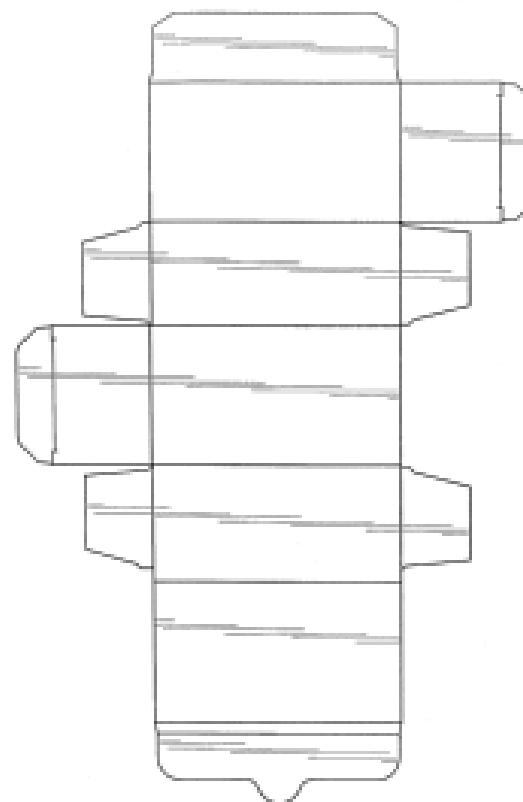
- (21) Design Number: **15611/2010**
(22) Date of Filing Application: **21 December 2010**
(24) Date from which industrial property rights may have effect: **21 December 2010**
(54) Product in respect of which the design is registered: **Shredder**
(51) International Design Classification: **18-04**
(71) Name(s) and Address(s) of Applicant(s):
Staples the Office Superstore, LLC
500 Staples Drive Framingham MA 01702 United States of America
(72) Name(s) of Designer(s): **Michael Kent and William D. Hester and David Gerard D'Angelo**
(45) Registration Date: **19 January 2011**
(30) Convention priority data:
(31) Number (32) Date (33) Country
29/365,222 06 Jul 2010 UNITED STATES OF AMERICA
(56) Related Art Documents: **Not Applicable**
(57) Statement of Newness and Distinctiveness: **The newness and distinctiveness of the design resides in the features of pattern and/or ornamentation OR shape and/or configuration shown in unbroken lines in the accompanying representations.**



- (21) Design Number: **15724/2010**
(22) Date of Filing Application: **23 December 2010**
(24) Date from which industrial property rights may have effect: **23 December 2010**
(54) Product in respect of which the design is registered: **Lighting assembly**
(51) International Design Classification: **26-05NES**
(71) Name(s) and Address(s) of Applicant(s):
Roadvision Pty Ltd
10 Kingston Park Court Knoxfield Victoria 3178 Australia
(72) Name(s) of Designer(s): **Gary Parker**
(45) Registration Date: **19 January 2011**
(56) Related Art Documents: **Not Applicable**
(57) Statement of Newness and Distinctiveness: **Newness and distinctiveness resides in the shape and configuration of the rear lamp assembly illustrated in the accompanying representations, and in particular 1) the slim line appearance (most evident in the side and end views) and 2) the flush mounted lens sharing a common surface contour to the base, and 3) the unique lens pattern; colour and ornamentation are to be disregarded.**



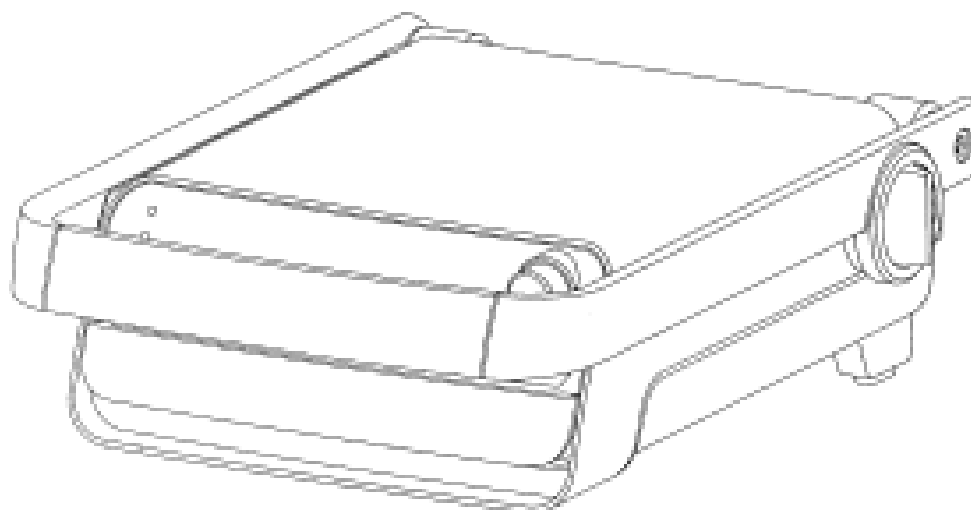
- (21) Design Number: **15728/2010**
(22) Date of Filing Application: **23 December 2010**
(24) Date from which industrial property rights may have effect: **23 December 2010**
(54) Product in respect of which the design is registered: **Packaging**
(51) International Design Classification: **09-03M**
(71) Name(s) and Address(s) of Applicant(s):
AstraZeneca UK Limited
2 Kingdom Street London W2 6BD United Kingdom
(72) Name(s) of Designer(s): **Sebastian Corvez and Mark Kraaijenbrink and Robert Hipperson**
(45) Registration Date: **19 January 2011**
(30) Convention priority data:
(31) Number (32) Date (33) Country
001727058-0001 01 Jul 2010 EUROPEAN COMMUNITY
(56) Related Art Documents: **Not Applicable**
(57) Statement of Newness and Distinctiveness: **Newness and distinctiveness resides in the shape and configuration of the packaging as shown in the representations.**



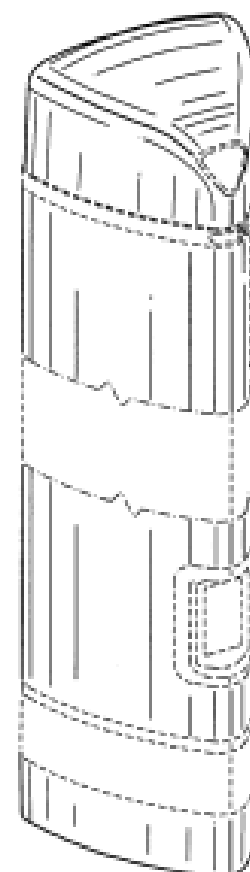
- (21) Design Number: **15787/2010**
(22) Date of Filing Application: **24 December 2010**
(24) Date from which industrial property rights may have effect: **24 December 2010**
(54) Product in respect of which the design is registered: **Textile**
(51) International Design Classification: **05-05A**
(71) Name(s) and Address(s) of Applicant(s):
Kas Australia Pty Limited
78 O'Riordan Street Alexandria New South Wales 2015 Australia
(72) Name(s) of Designer(s): **Maree Patterson**
(45) Registration Date: **19 January 2011**
(56) Related Art Documents: **Not Applicable**
(57) Statement of Newness and Distinctiveness: **Newness and distinctiveness are claimed in relation to the features of pattern and/or ornamentation (not limited by colour) of a panel of a textile as shown in the representation. The textile is of indefinite length and width, which may be repeated.**



- (21) Design Number: **12869/2010**
(22) Date of Filing Application: **13 July 2010**
(24) Date from which industrial property rights may have effect: **13 July 2010**
(54) Product in respect of which the design is registered: **Grill**
(51) International Design Classification: **07-02H**
(71) Name(s) and Address(s) of Applicant(s):
Sunbeam Corporation Limited
Units 5 & 6 13 Lord Street Botany New South Wales 2019 Australia
(72) Name(s) of Designer(s): **Andrew John Grigor**
(45) Registration Date: **20 January 2011**
(56) Related Art Documents: **Not Applicable**
(57) Statement of Newness and Distinctiveness: **Newness and distinctiveness resides in the features of shape and/or configuration of a grill as shown in the accompanying representations.**



- (21) Design Number: **14631/2010**
(22) Date of Filing Application: **27 October 2010**
(24) Date from which industrial property rights may have effect: **27 October 2010**
(54) Product in respect of which the design is registered: **Triangular resin tank for a water softener**
(51) International Design Classification: **23-01G**
(71) Name(s) and Address(s) of Applicant(s):
Pentair Residential Filtration, LLC
800 Wayzata Boulevard Ste. 800 Golden Valley Minnesota 55416
United States of America
(72) Name(s) of Designer(s): **Kenneth J. Sieth**
(45) Registration Date: **20 January 2011**
(30) Convention priority data:
(31) Number (32) Date (33) Country
29/360552 27 Apr 2010 UNITED STATES OF AMERICA
(56) Related Art Documents: **Not Applicable**
(57) Statement of Newness and Distinctiveness: **Newness and distinctiveness is claimed in the features of shape and/or configuration of a triangular resin tank for a water softener as illustrated in continuous lines in the accompanying representations.**



(21) Design Number: **14892/2010**
(22) Date of Filing Application: **11 November 2010**
(24) Date from which industrial property rights may have effect: **11 November 2010**
(54) Product in respect of which the design is registered: **Epilator**
(51) International Design Classification: **28-03A**
(71) Name(s) and Address(s) of Applicant(s):

Braun GmbH
Frankfurter Strasse 145 61476 Kronberg am Taunus Germany

(72) Name(s) of Designer(s): **Bjorn Kling and Bernhard Sikora**

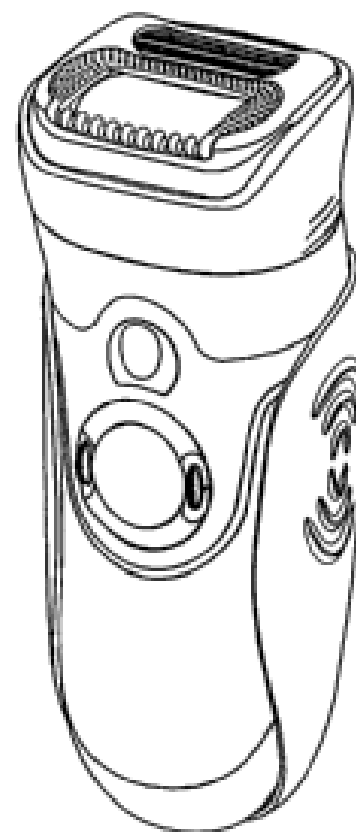
(45) Registration Date: **20 January 2011**

(30) Convention priority data:

(31) Number	(32) Date	(33) Country
547889101	17 May 2010	WORLD INTELLECTUAL PROPERTY ORGANIZATION (WIPO)

(56) Related Art Documents: **Not Applicable**

(57) Statement of Newness and Distinctiveness: **Those features of the epilator depicted in the representations that are new and distinctive are the shape and/or configuration.**



(21) Design Number: **14893/2010**
(22) Date of Filing Application: **11 November 2010**
(24) Date from which industrial property rights may have effect: **11 November 2010**
(54) Product in respect of which the design is registered: **Epilator**
(51) International Design Classification: **28-03A**
(71) Name(s) and Address(s) of Applicant(s):

Braun GmbH
Frankfurter Strasse 145 61476 Kronberg am Taunus Germany

(72) Name(s) of Designer(s): **Bjorn Kling and Bernhard Sikora**

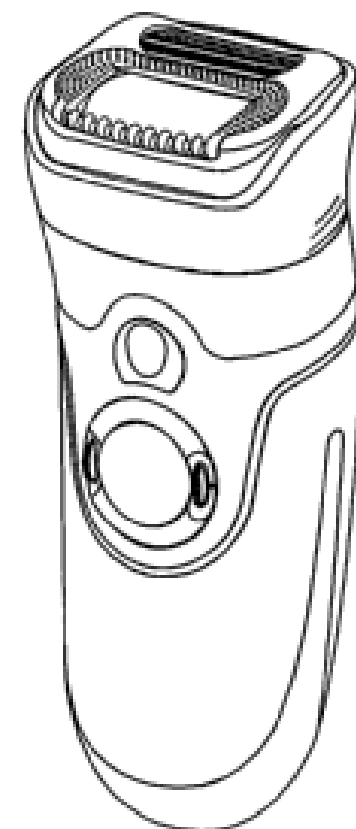
(45) Registration Date: **20 January 2011**

(30) Convention priority data:

(31) Number	(32) Date	(33) Country
547889101	17 May 2010	WORLD INTELLECTUAL PROPERTY ORGANIZATION (WIPO)

(56) Related Art Documents: **Not Applicable**

(57) Statement of Newness and Distinctiveness: **Those features of the epilator depicted in the representations that are new and distinctive are the shape and/or configuration.**



(21) Design Number: **14894/2010**

(22) Date of Filing Application: **11 November 2010**

(24) Date from which industrial property rights may have effect: **11 November 2010**

(54) Product in respect of which the design is registered: **Epilator part**

(51) International Design Classification: **28-03A**

(71) Name(s) and Address(s) of Applicant(s):

Braun GmbH
Frankfurter Strasse 145 61476 Kronberg am Taunus Germany

(72) Name(s) of Designer(s): **Bjorn Kling and Bernhard Sikora**

(45) Registration Date: **20 January 2011**

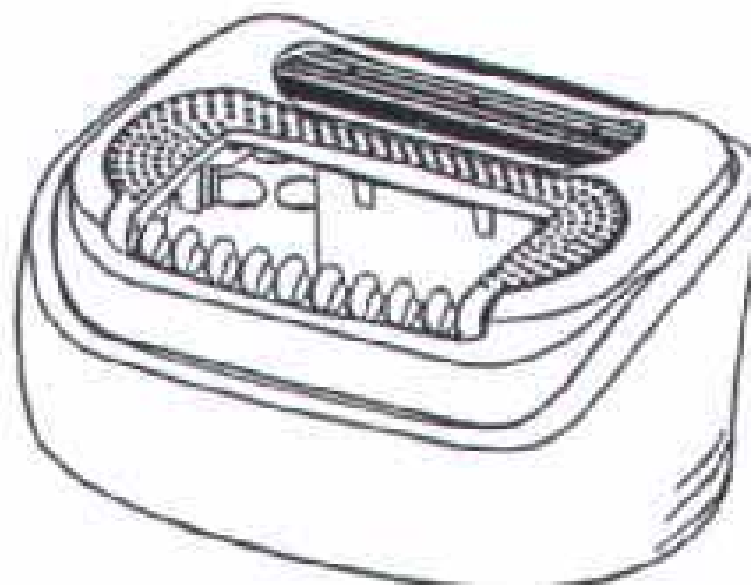
(30) Convention priority data:

(31) Number (32) Date
547889101 17 May 2010

(33) Country
**WORLD INTELLECTUAL
PROPERTY ORGANIZATION
(WIPO)**

(56) Related Art Documents: **Not Applicable**

(57) Statement of Newness and Distinctiveness: **Those features of the epilator part depicted in the representations that are new and distinctive are the shape and/or configuration.**



(21) Design Number: **11477/2010**

(22) Date of Filing Application: **20 April 2010**

(24) Date from which industrial property rights may have effect: **20 April 2010**

(54) Product in respect of which the design is registered: **Beer display and sampling system**

(51) International Design Classification: **31-00, 20-02NES**

(71) Name(s) and Address(s) of Applicant(s):

Joneschijoff Pty Ltd
47/91 Moreland Street Footscray Victoria 3011 Australia

(72) Name(s) of Designer(s): **Michael Chijoff**

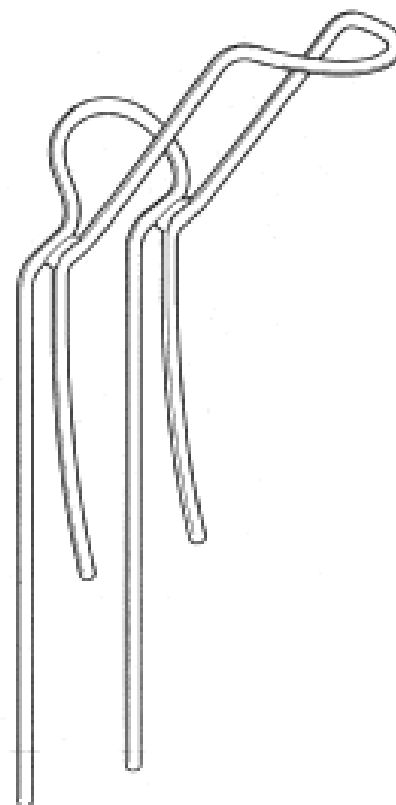
(45) Registration Date: **21 January 2011**

(56) Related Art Documents: **Not Applicable**

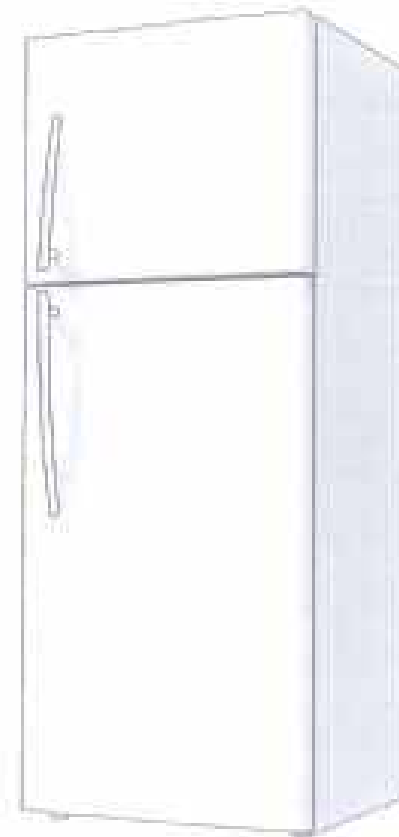
(57) Statement of Newness and Distinctiveness: **The particular visual features of the design which the applicant hereby identifies as new and distinctiveness are as follows: A beer display and sampling system as illustrated in the accompanying representations.**



- (21) Design Number: **15452/2010**
(22) Date of Filing Application: **13 December 2010**
(24) Date from which industrial property rights may have effect: **13 December 2010**
(54) Product in respect of which the design is registered: **Fishing rod holder**
(51) International Design Classification: **22-05**
(71) Name(s) and Address(s) of Applicant(s):
David Ferdinands
65 Jacaranda Drive Craigmore South Australia 5114 Australia
(72) Name(s) of Designer(s): **David Ferdinands**
(45) Registration Date: **21 January 2011**
(56) Related Art Documents: **Not Applicable**
(57) Statement of Newness and Distinctiveness: **Newness and distinctiveness is claimed in the shape and configuration of the fishing rod holder as shown in the accompanying representations.**



- (21) Design Number: **15630/2010**
(22) Date of Filing Application: **21 December 2010**
(24) Date from which industrial property rights may have effect: **21 December 2010**
(54) Product in respect of which the design is registered: **Refrigerator**
(51) International Design Classification: **15-07**
(71) Name(s) and Address(s) of Applicant(s):
Hisense Ronshen (guangdong) Refrigerator Co., Ltd
No 8 Ronggang Road Ronggui Shunde Foshan Guangdong China
(72) Name(s) of Designer(s): **Jia Chen and Zhibing Chen and Ye He and Donghua Fu and Mingfang Yang**
(45) Registration Date: **21 January 2011**
(30) Convention priority data:
(31) Number (32) Date (33) Country
201030614398.0 11 Nov 2010 CHINA
(56) Related Art Documents: **Not Applicable**
(57) Statement of Newness and Distinctiveness: **Newness and distinctiveness resides in the shape and configuration of a refrigerator as shown in the accompanying representations.**



- (21) Design Number: **15631/2010**
(22) Date of Filing Application: **21 December 2010**
(24) Date from which industrial property rights may have effect: **21 December 2010**
(54) Product in respect of which the design is registered: **Headset**
(51) International Design Classification: **14-01, 14-03A**
(71) Name(s) and Address(s) of Applicant(s):

Bose Corporation
The Mountain Framingham Massachusetts 01701-9168 United States of America

- (72) Name(s) of Designer(s): **Kevin M. Krauss and Michael E. Laude and David H. Pitcher and Adam A. Carr and Nathan David Schaal**

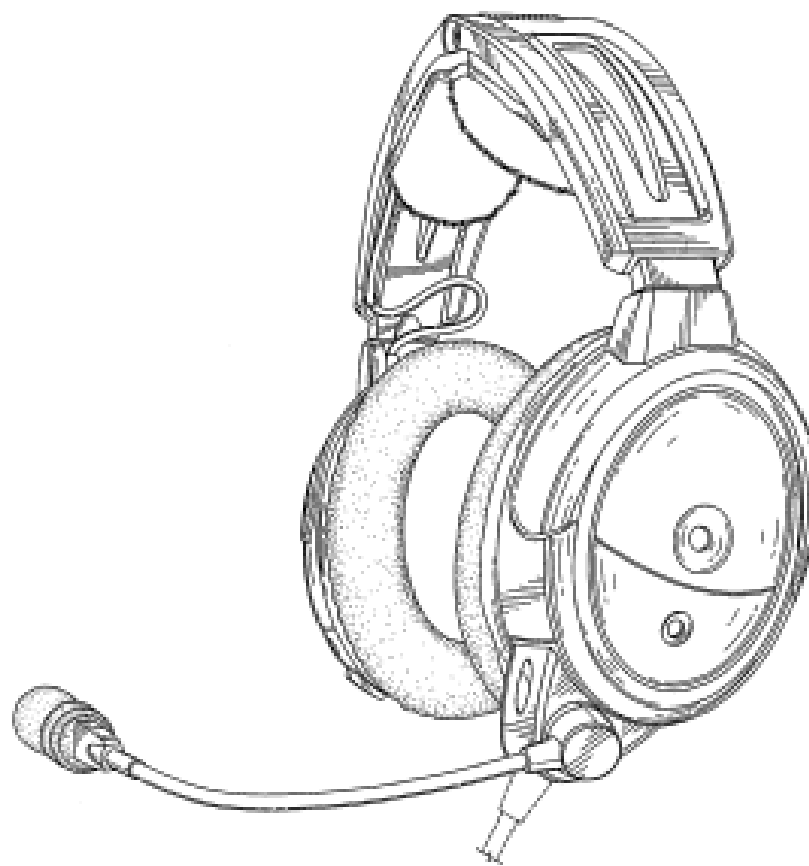
(45) Registration Date: **21 January 2011**

(30) Convention priority data:

(31) Number	(32) Date	(33) Country
29/356,879	16 Jul 2010	UNITED STATES OF AMERICA

(56) Related Art Documents: **Not Applicable**

- (57) Statement of Newness and Distinctiveness: **Those features of the headset depicted in the representations that are new and distinctive are the shape and/or configuration. The feature shown in broken line is not part of the design and is to be disregarded when considering the overall impression of the design.**



- (21) Design Number: **15633/2010**
(22) Date of Filing Application: **21 December 2010**
(24) Date from which industrial property rights may have effect: **21 December 2010**
(54) Product in respect of which the design is registered: **A rear grip for a motor scooter**
(51) International Design Classification: **12-11**
(71) Name(s) and Address(s) of Applicant(s):

Honda Motor Co., Ltd.
1-1 Minami-Aoyama 2-Chome Minato-ku Tokyo Japan

- (72) Name(s) of Designer(s): **Lai Shoucui and Ni Shengjie and Hiroshi Nitta**

(45) Registration Date: **21 January 2011**

(30) Convention priority data:

(31) Number	(32) Date	(33) Country
201030225324.8	28 Jun 2010	CHINA

(56) Related Art Documents: **Not Applicable**

- (57) Statement of Newness and Distinctiveness: **Newness and distinctiveness is claimed in the features of shape and/or configuration of a rear grip for a motor scooter as illustrated in the accompanying representations.**



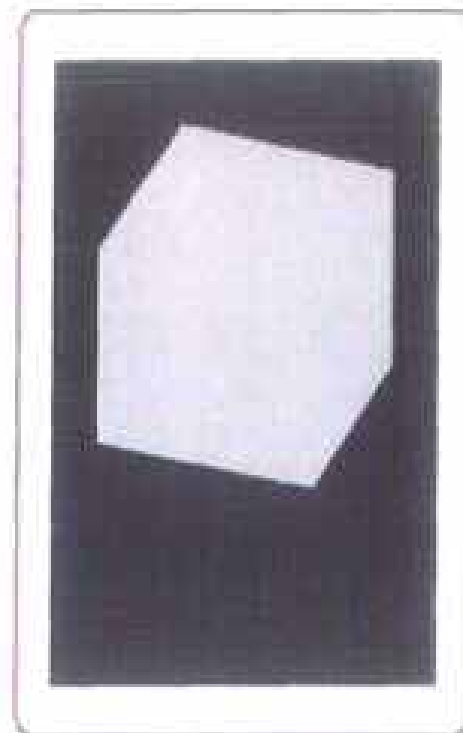
- (21) Design Number: **15634/2010**
(22) Date of Filing Application: **21 December 2010**
(24) Date from which industrial property rights may have effect: **21 December 2010**
(54) Product in respect of which the design is registered: **A motor cover for a lawn mower**
(51) International Design Classification: **15-03B**
(71) Name(s) and Address(s) of Applicant(s):
Honda Motor Co., Ltd.
1-1 Minami-Aoyama 2-Chome Minato-Ku Tokyo Japan
(72) Name(s) of Designer(s): **Hiromi Yuzuriha and Fumiya Isono and Koji Terada**
(45) Registration Date: **21 January 2011**
(30) Convention priority data:
(31) Number (32) Date (33) Country
2010-015328 22 Jun 2010 JAPAN
(56) Related Art Documents: **Not Applicable**
(57) Statement of Newness and Distinctiveness: **Newness and distinctiveness is claimed in the features of shape and/or configuration of a motor cover for a lawn mower as illustrated in the accompanying representations.**



- (21) Design Number: **15635/2010**
(22) Date of Filing Application: **21 December 2010**
(24) Date from which industrial property rights may have effect: **21 December 2010**
(54) Product in respect of which the design is registered: **A top cover for a lawn mower**
(51) International Design Classification: **15-03B**
(71) Name(s) and Address(s) of Applicant(s):
Honda Motor Co., Ltd.
1-1 Minami-Aoyama 2-Chome Minato-Ku Tokyo Japan
(72) Name(s) of Designer(s): **Hiromi Yuzuriha and Fumiya Isono and Koji Terada**
(45) Registration Date: **21 January 2011**
(30) Convention priority data:
(31) Number (32) Date (33) Country
2010-015326 22 Jun 2010 JAPAN
(56) Related Art Documents: **Not Applicable**
(57) Statement of Newness and Distinctiveness: **Newness and distinctiveness is claimed in the features of shape and/or configuration of a top cover for a lawn mower as illustrated in the accompanying representations.**



- (21) Design Number: **15438/2010**
(22) Date of Filing Application: **13 December 2010**
(24) Date from which industrial property rights may have effect: **13 December 2010**
(54) Product in respect of which the design is registered: **Card for electronic computer**
(51) International Design Classification: **14-02, 19-08**
(71) Name(s) and Address(s) of Applicant(s):
Nintendo Co., Ltd.
11-1 Kamitoba Hokotate-cho Minami-ku Kyoto Japan
(72) Name(s) of Designer(s): **Kaori Mishima**
(45) Registration Date: **20 January 2011**
(30) Convention priority data:
(31) Number (32) Date (33) Country
2010-028224 26 Nov 2010 JAPAN
(56) Related Art Documents: **Not Applicable**
(57) Statement of Newness and Distinctiveness: **Newness and distinctiveness is claimed in the visual features of the top surface of a card for an electronic computer as shown in the representations.**



- (21) Design Number: **15439/2010**
(22) Date of Filing Application: **13 December 2010**
(24) Date from which industrial property rights may have effect: **13 December 2010**
(54) Product in respect of which the design is registered: **Card for an electronic computer**
(51) International Design Classification: **14-02, 19-08**
(71) Name(s) and Address(s) of Applicant(s):
Nintendo Co., Ltd.
11-1 Kamitoba Hokotate-cho Minami-ku Kyoto Japan
(72) Name(s) of Designer(s): **Kaori Mishima**
(45) Registration Date: **20 January 2011**
(30) Convention priority data:
(31) Number (32) Date (33) Country
2010-014466 11 Jun 2010 JAPAN
(56) Related Art Documents: **Not Applicable**
(57) Statement of Newness and Distinctiveness: **Newness and distinctiveness is claimed in the visual features of the top surface of a card for an electronic computer as shown in the representations.**



- (21) Design Number: **15489/2010**
(22) Date of Filing Application: **15 December 2010**
(24) Date from which industrial property rights may have effect: **15 December 2010**
(54) Product in respect of which the design is registered: **Skewered Food**
(51) International Design Classification: **01-99**
(71) Name(s) and Address(s) of Applicant(s):

Luojin Wang
7/19 Gloucester Road Hurstville New South Wales 2220 Australia

- (72) Name(s) of Designer(s): **Luojin Wang**
(45) Registration Date: **20 January 2011**
(56) Related Art Documents: **Not Applicable**
(57) Statement of Newness and Distinctiveness: **Nil**



- (21) Design Number: **15576/2010**
(22) Date of Filing Application: **17 June 2010**
(24) Date from which industrial property rights may have effect: **17 June 2010**
(54) Product in respect of which the design is registered: **Dress**
(51) International Design Classification: **02-02C**
(71) Name(s) and Address(s) of Applicant(s):

Alive Girl Pty Ltd
125-135 Langridge Street Collingwood Victoria 3066 Australia

- (72) Name(s) of Designer(s): **Vanessa Kortlang**
(45) Registration Date: **20 January 2011**
(62) Divisional of: **334735**
(56) Related Art Documents: **Not Applicable**
(57) Statement of Newness and Distinctiveness: **Newness and distinctiveness is claimed in the visual features, not including colouring, of the dress shown in the representations.**



(21) Design Number: **15588/2010**
(22) Date of Filing Application: **17 December 2010**
(24) Date from which industrial property rights may have effect: **17 December 2010**
(54) Product in respect of which the design is registered: **Confectionery**
(51) International Design Classification: **01-01**
(71) Name(s) and Address(s) of Applicant(s):

Cadbury UK Limited
Bournville Birmingham B30 2LU United Kingdom

(72) Name(s) of Designer(s): **Nicola Heaton**

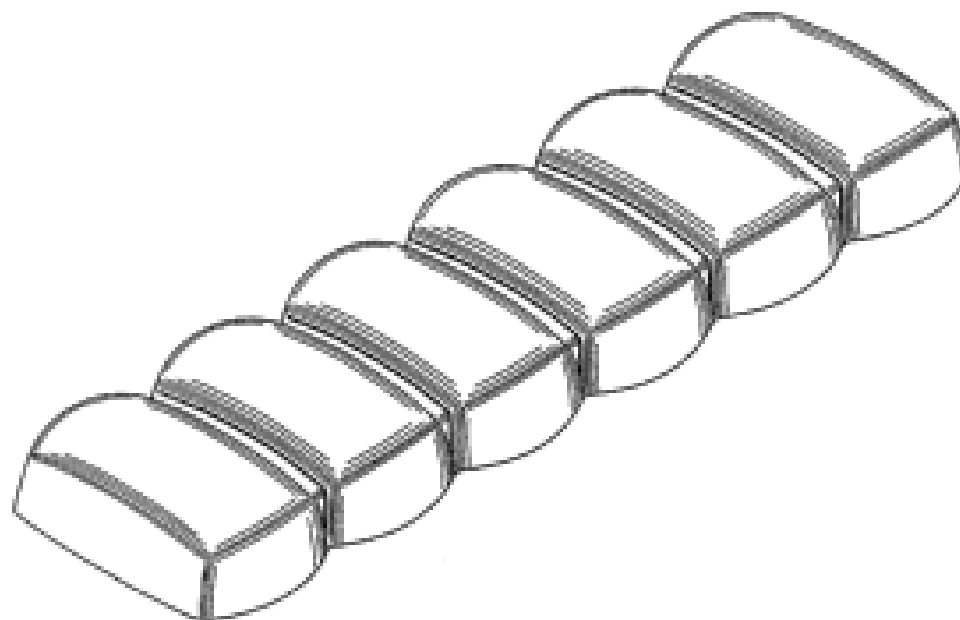
(45) Registration Date: **20 January 2011**

(30) Convention priority data:

(31) Number	(32) Date	(33) Country
1224844-0001	10 Jul 2010	EUROPEAN COMMUNITY

(56) Related Art Documents: **Not Applicable**

(57) Statement of Newness and Distinctiveness: **Nil**



(21) Design Number: **15589/2010**
(22) Date of Filing Application: **17 December 2010**
(24) Date from which industrial property rights may have effect: **17 December 2010**
(54) Product in respect of which the design is registered: **Confectionery**
(51) International Design Classification: **01-01**
(71) Name(s) and Address(s) of Applicant(s):

Cadbury UK Limited
Bournville Birmingham B30 2LU United Kingdom

(72) Name(s) of Designer(s): **Nicola Heaton**

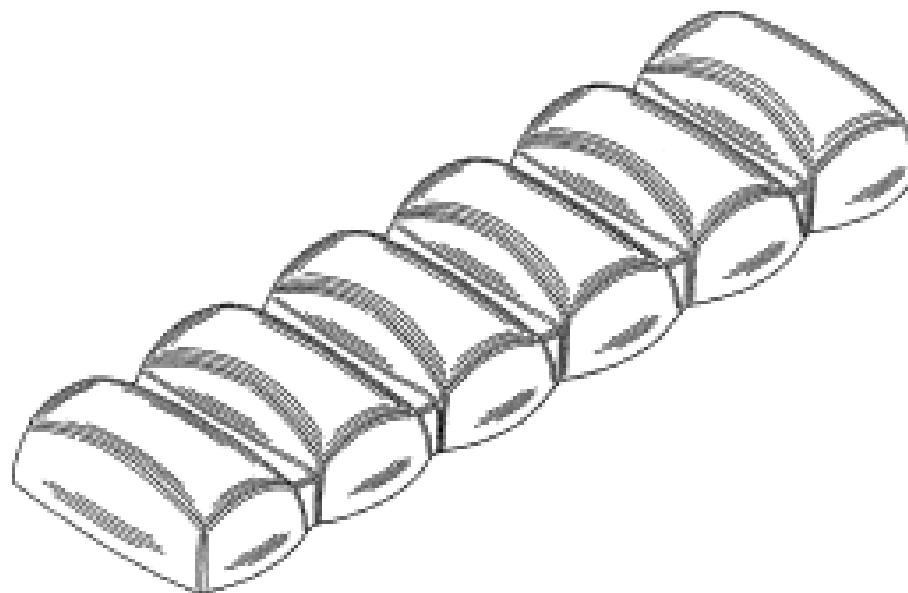
(45) Registration Date: **20 January 2011**

(30) Convention priority data:

(31) Number	(32) Date	(33) Country
1224844-0003	10 Jul 2010	EUROPEAN COMMUNITY

(56) Related Art Documents: **Not Applicable**

(57) Statement of Newness and Distinctiveness: **Nil**



(21) Design Number: **15591/2010**

(22) Date of Filing Application: **21 December 2010**

(24) Date from which industrial property rights may have effect: **21 December 2010**

(54) Product in respect of which the design is registered: **A hood**

(51) International Design Classification: **02-02B**

(71) Name(s) and Address(s) of Applicant(s):

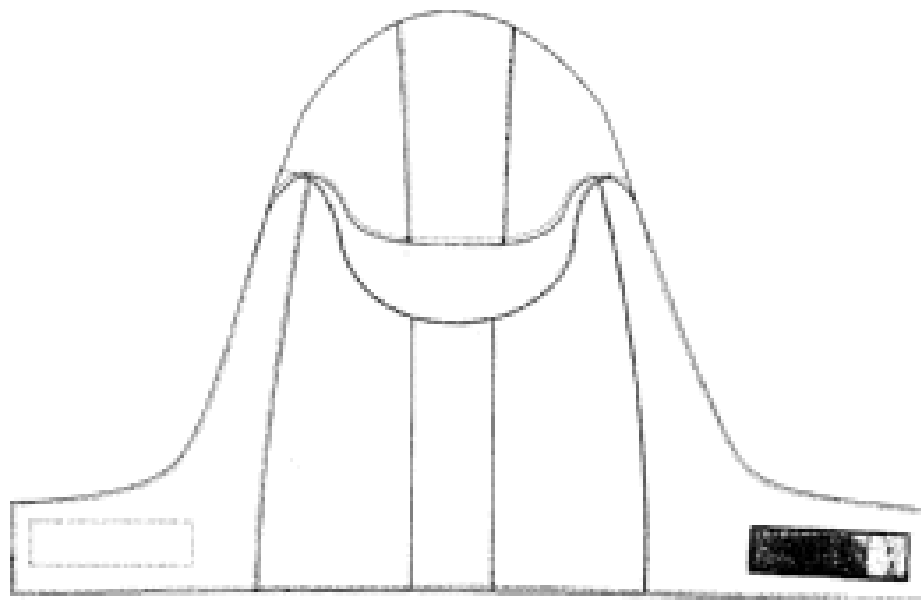
**Global Safety Solutions & Management Pty Limited
Unit 5 25 Ossary Street Mascot New South Wales 2020 Australia**

(72) Name(s) of Designer(s): **Dennis Mahony**

(45) Registration Date: **20 January 2011**

(56) Related Art Documents: **Not Applicable**

(57) Statement of Newness and Distinctiveness: **Newness and distinctiveness is claimed in the shape and/or configuration of A HOOD as illustrated by the unbroken lines in the accompanying representations.**



(21) Design Number: **12496/2010**

(22) Date of Filing Application: **17 June 2010**

(24) Date from which industrial property rights may have effect: **17 June 2010**

(54) Product in respect of which the design is registered: **Dress**

(51) International Design Classification: **02-02C**

(71) Name(s) and Address(s) of Applicant(s):

**Alive Girl Pty Ltd
125-135 Langridge Street Collingwood Victoria 3066 Australia**

(72) Name(s) of Designer(s): **Vanessa Kortlang**

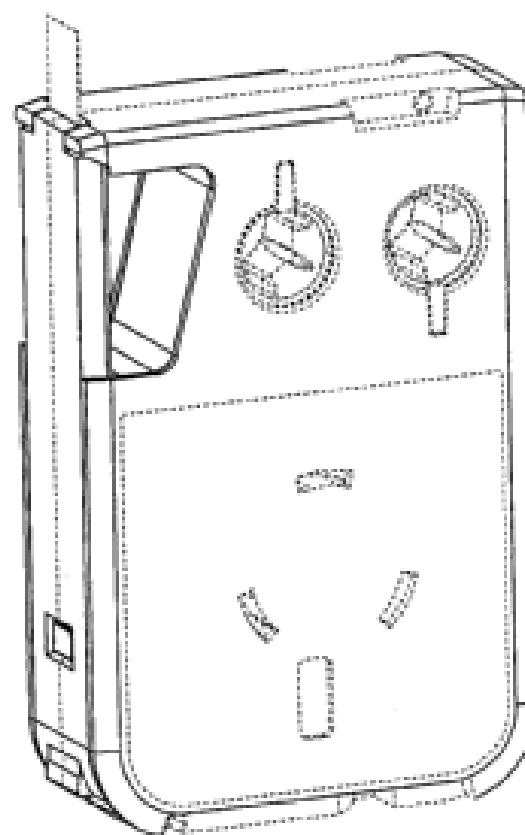
(45) Registration Date: **21 January 2011**

(56) Related Art Documents: **Not Applicable**

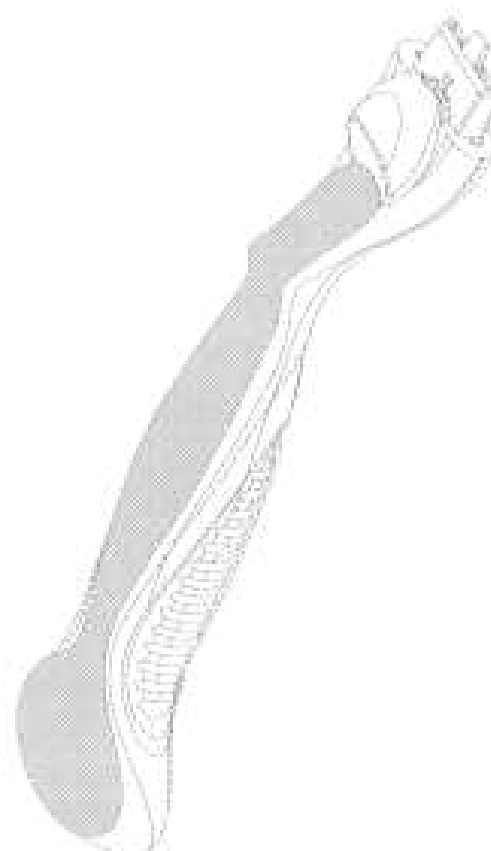
(57) Statement of Newness and Distinctiveness: **Newness and distinctiveness is claimed in the visual features, not including colouring, of the dress shown in the representations.**



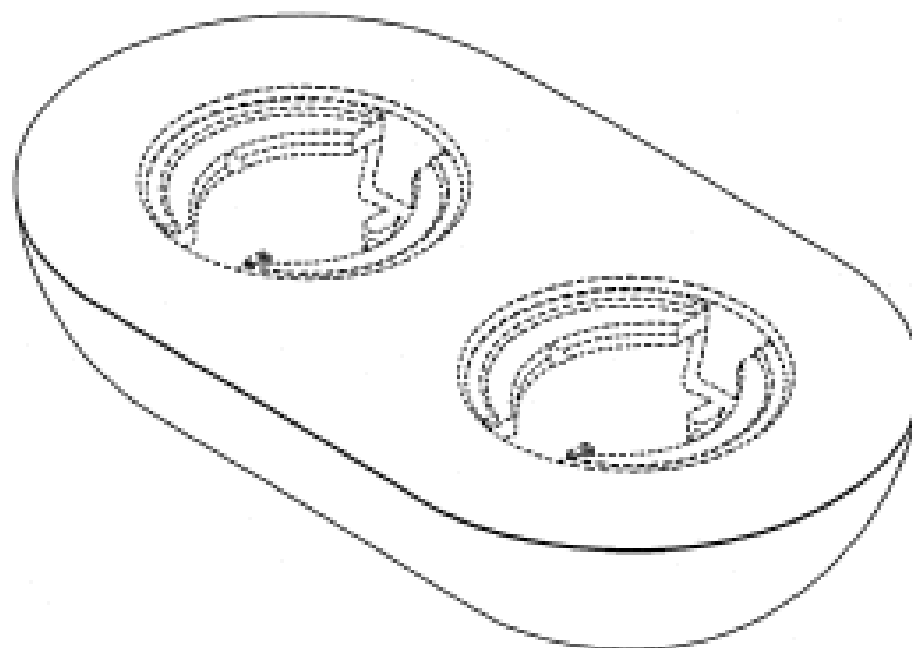
- (21) Design Number: **14638/2010**
(22) Date of Filing Application: **27 October 2010**
(24) Date from which industrial property rights may have effect: **27 October 2010**
(54) Product in respect of which the design is registered: **Printer cassette**
(51) International Design Classification: **14-02**
(71) Name(s) and Address(s) of Applicant(s):
DYMO
Industriepark-Noord 30 B-9100 St-Niklass Belgium
(72) Name(s) of Designer(s): **Stefaan Van den Broecke**
(45) Registration Date: **21 January 2011**
(30) Convention priority data:
(31) Number (32) Date (33) Country
001212104 28 Apr 2010 EUROPEAN COMMUNITY
(56) Related Art Documents: **Not Applicable**
(57) Statement of Newness and Distinctiveness: **Newness and distinctiveness resides in the features of shape and/or configuration shown in solid lines in the representations.**



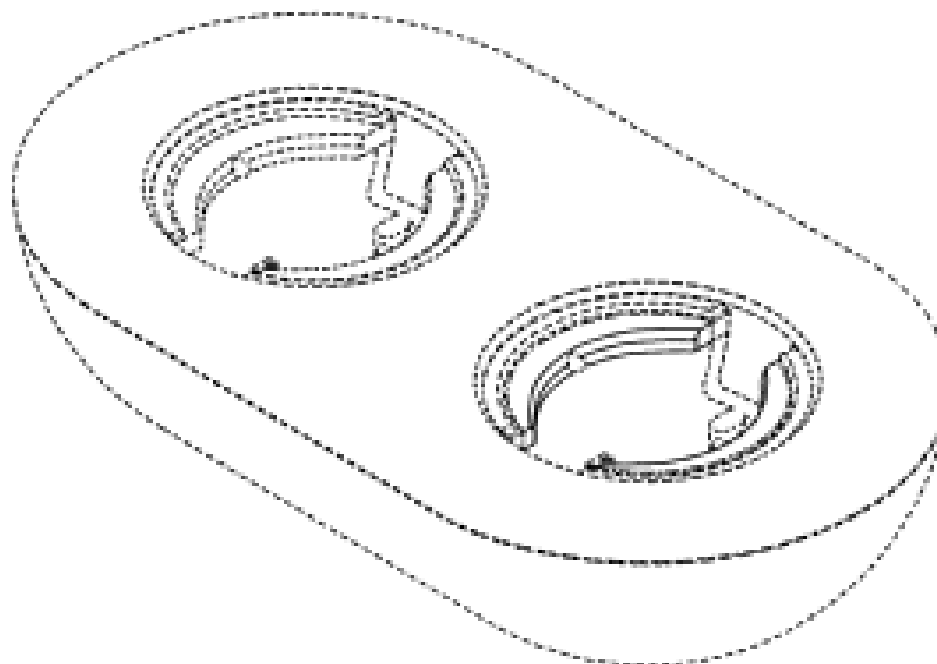
- (21) Design Number: **14845/2010**
(22) Date of Filing Application: **09 November 2010**
(24) Date from which industrial property rights may have effect: **09 November 2010**
(54) Product in respect of which the design is registered: **Razor handle**
(51) International Design Classification: **28-03A**
(71) Name(s) and Address(s) of Applicant(s):
The Gillette Company
Prudential Tower Building Boston Massachusetts 02199 United States of America
(72) Name(s) of Designer(s): **Jo Wilby**
(45) Registration Date: **21 January 2011**
(30) Convention priority data:
(31) Number (32) Date (33) Country
29/361,501 12 May 2010 UNITED STATES OF AMERICA
(56) Related Art Documents: **Not Applicable**
(57) Statement of Newness and Distinctiveness: **Those features of the razor handle depicted in the representations that are new and distinctive are the shape, configuration, pattern and/or ornamentation. The features shown in broken line are not part of the design and are to be disregarded when considering the overall impression of the design. The portion of the handle shown in stippling in Figs 1-7 represents a colour which may contrast with the other portions of the razor handle, and preferably represents, a gold colour as shown in Appendix A.**



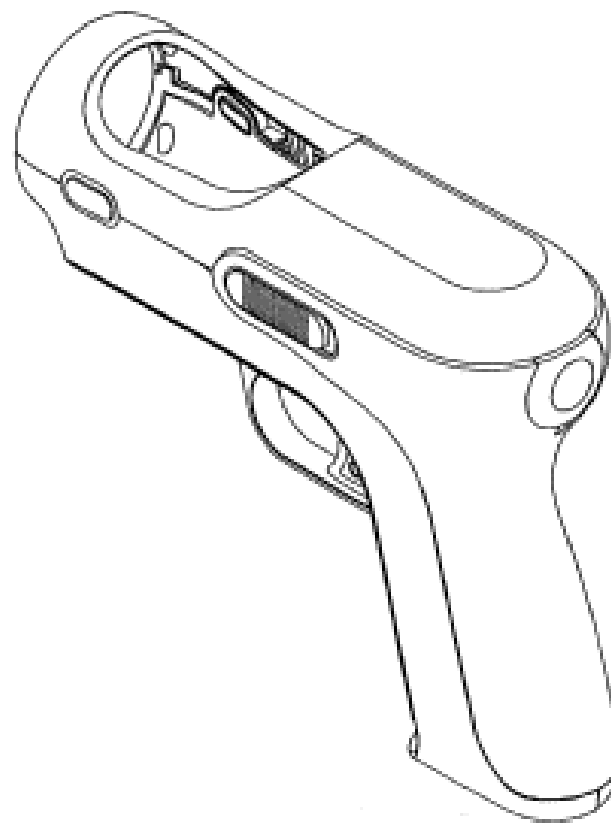
- (21) Design Number: **15152/2010**
(22) Date of Filing Application: **24 November 2010**
(24) Date from which industrial property rights may have effect: **24 November 2010**
(54) Product in respect of which the design is registered: **Supporting base for electronic device**
(51) International Design Classification: **21-01N**
(71) Name(s) and Address(s) of Applicant(s):
Sony Computer Entertainment Inc.
2-6-21 Minami-Aoyama Minato-ku Tokyo Japan
(72) Name(s) of Designer(s): **Taichi Nokuo**
(45) Registration Date: **21 January 2011**
(30) Convention priority data:
(31) Number (32) Date (33) Country
2010-014542 14 Jun 2010 JAPAN
(56) Related Art Documents: **Not Applicable**
(57) Statement of Newness and Distinctiveness: **Newness and distinctiveness reside in the features of the design shown in solid lines in the representations such that the overall impression of the design is to be assessed without regard to those features shown in broken lines.**



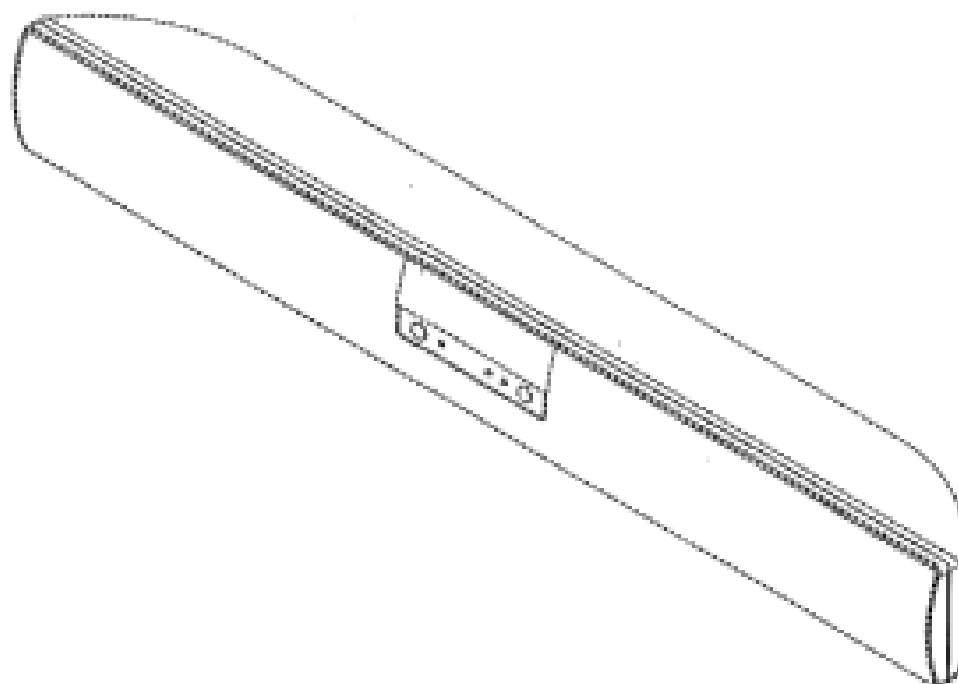
- (21) Design Number: **15153/2010**
(22) Date of Filing Application: **24 November 2010**
(24) Date from which industrial property rights may have effect: **24 November 2010**
(54) Product in respect of which the design is registered: **Supporting base for electronic device**
(51) International Design Classification: **21-01N**
(71) Name(s) and Address(s) of Applicant(s):
Sony Computer Entertainment Inc.
2-6-21 Minami-Aoyama Minato-ku Tokyo Japan
(72) Name(s) of Designer(s): **Taichi Nokuo**
(45) Registration Date: **21 January 2011**
(30) Convention priority data:
(31) Number (32) Date (33) Country
2010-014543 14 Jun 2010 JAPAN
(56) Related Art Documents: **Not Applicable**
(57) Statement of Newness and Distinctiveness: **Newness and distinctiveness reside in the features of the design shown in solid lines in the representations such that the overall impression of the design is to be assessed without regard to those features shown in broken lines.**



(21) Design Number: **15155/2010**
(22) Date of Filing Application: **24 November 2010**
(24) Date from which industrial property rights may have effect: **24 November 2010**
(54) Product in respect of which the design is registered: **Holder for remote controller**
(51) International Design Classification: **21-01N**
(71) Name(s) and Address(s) of Applicant(s):
Sony Computer Entertainment Inc.
2-6-21 Minami-Aoyama Minato-ku Tokyo Japan
(72) Name(s) of Designer(s): **Takashi Sogabe**
(45) Registration Date: **21 January 2011**
(30) Convention priority data:
(31) Number (32) Date (33) Country
2010-014573 14 Jun 2010 JAPAN
(56) Related Art Documents: **Not Applicable**
(57) Statement of Newness and Distinctiveness: **Nil**



(21) Design Number: **15156/2010**
(22) Date of Filing Application: **24 November 2010**
(24) Date from which industrial property rights may have effect: **24 November 2010**
(54) Product in respect of which the design is registered: **Speaker**
(51) International Design Classification: **14-01**
(71) Name(s) and Address(s) of Applicant(s):
Sony Computer Entertainment Inc.
2-6-21 Minami-Aoyama Minato-ku Tokyo Japan
(72) Name(s) of Designer(s): **Kazunori Kusuki**
(45) Registration Date: **21 January 2011**
(30) Convention priority data:
(31) Number (32) Date (33) Country
2010-014563 14 Jun 2010 JAPAN
(56) Related Art Documents: **Not Applicable**
(57) Statement of Newness and Distinctiveness: **Newness and distinctiveness reside in the features of the design shown in solid lines in the representations such that the overall impression of the design is to be assessed without regard to those features shown in broken lines.**



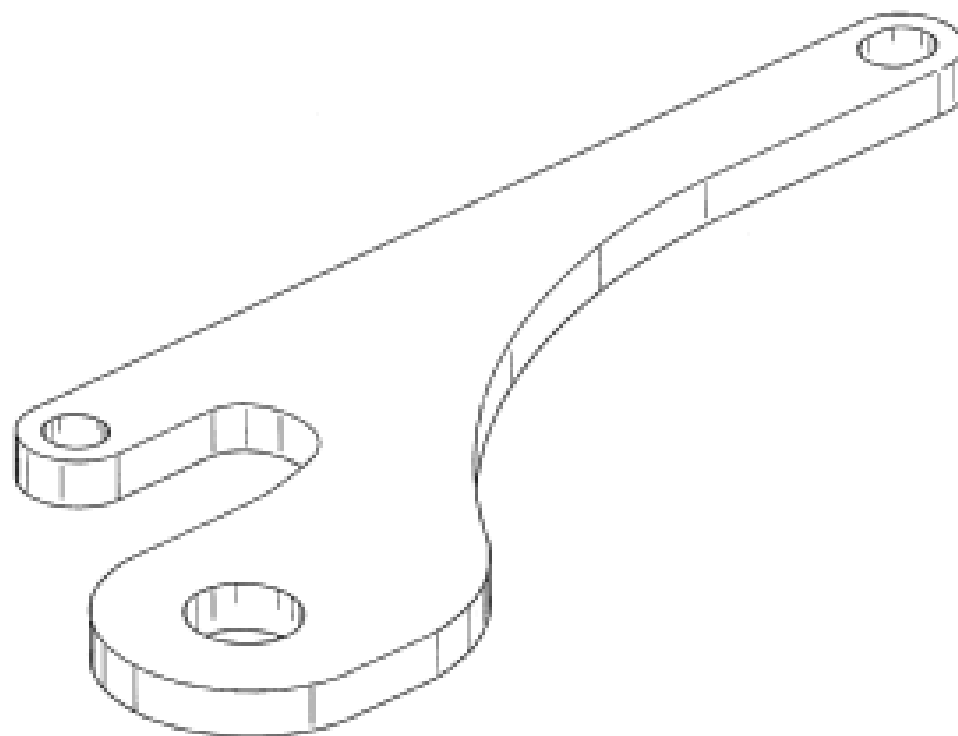
- (21) Design Number: **15447/2010**
(22) Date of Filing Application: **13 December 2010**
(24) Date from which industrial property rights may have effect: **13 December 2010**
(54) Product in respect of which the design is registered: **Wrist watch**
(51) International Design Classification: **10-02**
(71) Name(s) and Address(s) of Applicant(s):
Swarovski Aktiengesellschaft
Droschistrasse 15 FL-9495 Triesen Liechtenstein
(72) Name(s) of Designer(s): **Mahito Nashimoto**
(45) Registration Date: **21 January 2011**
(30) Convention priority data:
(31) Number (32) Date (33) Country
001767401#0003 13 Oct 2010 EUROPEAN COMMUNITY
(56) Related Art Documents: **Not Applicable**
(57) Statement of Newness and Distinctiveness: **Newness and distinctiveness resides in the features of shape and/or configuration as applied to a wrist watch as shown in the attached representations.**



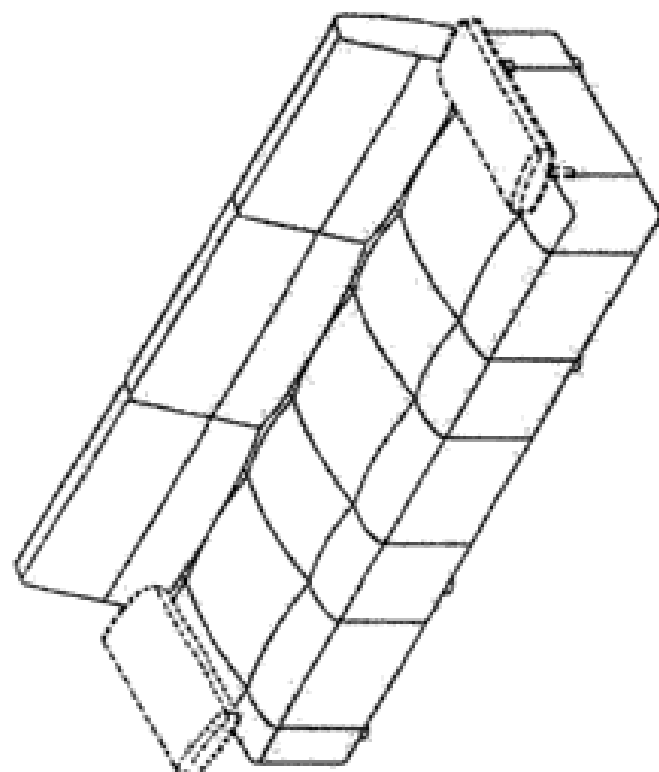
- (21) Design Number: **15626/2010**
(22) Date of Filing Application: **21 December 2010**
(24) Date from which industrial property rights may have effect: **21 December 2010**
(54) Product in respect of which the design is registered: **Digital camera**
(51) International Design Classification: **16-01**
(71) Name(s) and Address(s) of Applicant(s):
Aigo Digital Technology Co.,Ltd
11th Floor Ideal Plaza 58 West Road North 4th Ring Road Haidian
District Beijing 100080 China
(72) Name(s) of Designer(s): **Dushi Li**
(45) Registration Date: **21 January 2011**
(56) Related Art Documents: **Not Applicable**
(57) Statement of Newness and Distinctiveness: **Newness and distinctiveness reside in the pattern and/or ornamentation on the surface of the digital camera, as illustrated by solid lines in the accompanying representations.**



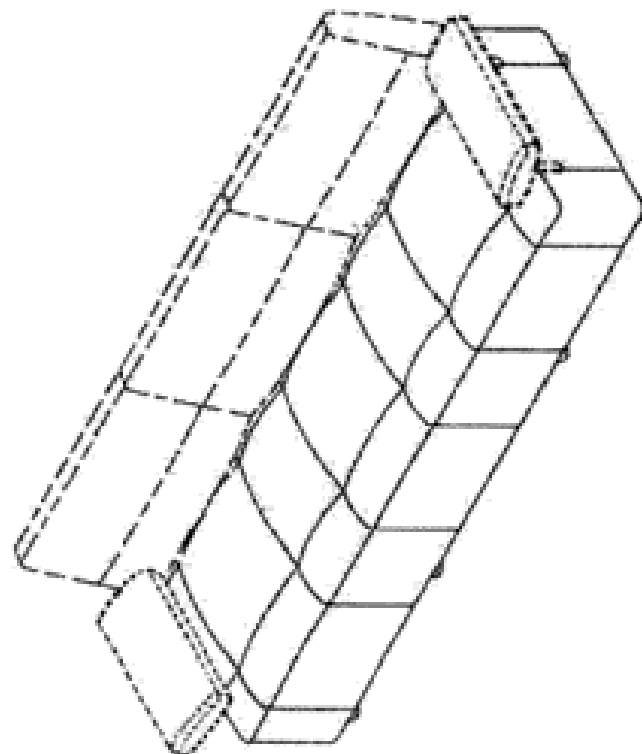
- (21) Design Number: **15627/2010**
(22) Date of Filing Application: **21 December 2010**
(24) Date from which industrial property rights may have effect: **21 December 2010**
(54) Product in respect of which the design is registered: **Towing bracket**
(51) International Design Classification: **12-16L**
(71) Name(s) and Address(s) of Applicant(s):
John Robert Whimpey
1 Niki Close Albanvale Victoria 3021 Australia
(72) Name(s) of Designer(s): **John Robert Whimpey**
(45) Registration Date: **21 January 2011**
(56) Related Art Documents: **Not Applicable**
(57) Statement of Newness and Distinctiveness: **Nil**



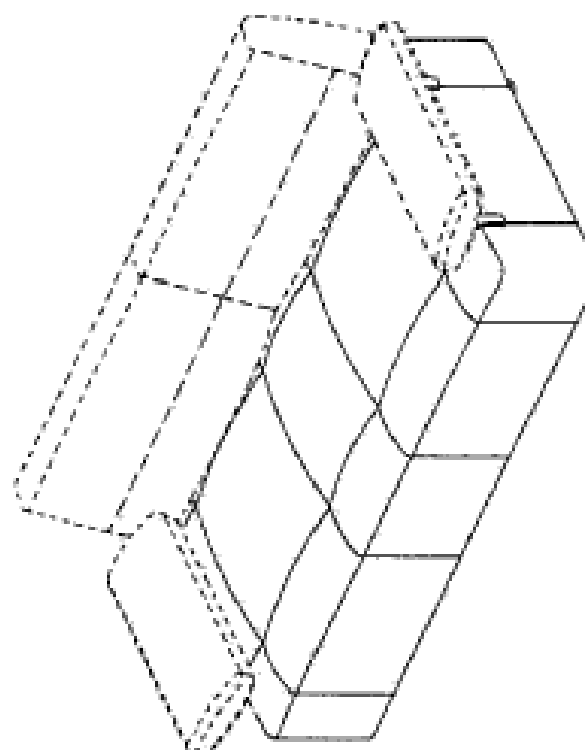
- (21) Design Number: **15706/2010**
(22) Date of Filing Application: **23 December 2010**
(24) Date from which industrial property rights may have effect: **23 December 2010**
(54) Product in respect of which the design is registered: **A sofa**
(51) International Design Classification: **06-01G**
(71) Name(s) and Address(s) of Applicant(s):
King Furniture (Australia) Pty Ltd
123 Turrella Street Turrella New South Wales 2205 Australia
(72) Name(s) of Designer(s): **David King and Ryan Lawson**
(45) Registration Date: **21 January 2011**
(56) Related Art Documents: **Not Applicable**
(57) Statement of Newness and Distinctiveness: **Newness and distinctiveness reside in the features of the design as shown in the representations, wherein the number of armrests, which are shown in broken lines, may vary between zero and two.**



- (21) Design Number: **15708/2010**
(22) Date of Filing Application: **23 December 2010**
(24) Date from which industrial property rights may have effect: **23 December 2010**
(54) Product in respect of which the design is registered: **A sofa**
(51) International Design Classification: **06-01G**
(71) Name(s) and Address(s) of Applicant(s):
King Furniture (Australia) Pty Ltd
123 Turrella Street Turrella New South Wales 2205 Australia
(72) Name(s) of Designer(s): **David King and Ryan Lawson**
(45) Registration Date: **21 January 2011**
(56) Related Art Documents: **Not Applicable**
(57) Statement of Newness and Distinctiveness: **Newness and distinctiveness reside in the features of the design as shown in the representations, wherein the number of armrests, which are shown in broken lines, may vary between zero and two, and the number of backrests, which are also shown in broken lines, may vary between zero and three.**



- (21) Design Number: **15709/2010**
(22) Date of Filing Application: **23 December 2010**
(24) Date from which industrial property rights may have effect: **23 December 2010**
(54) Product in respect of which the design is registered: **A sofa**
(51) International Design Classification: **06-01G**
(71) Name(s) and Address(s) of Applicant(s):
King Furniture (Australia) Pty Ltd
123 Turrella Street Turrella New South Wales 2205 Australia
(72) Name(s) of Designer(s): **David King and Ryan Lawson**
(45) Registration Date: **21 January 2011**
(56) Related Art Documents: **Not Applicable**
(57) Statement of Newness and Distinctiveness: **Newness and distinctiveness reside in the features of the design as shown in the representations, wherein the number of armrests, which are shown in broken lines, may vary between zero and two, and the number of backrests, which are also shown in broken lines, may vary between zero and two.**



- (21) Design Number: **14576/2010**
(22) Date of Filing Application: **22 October 2010**
(24) Date from which industrial property rights may have effect: **22 October 2010**
(54) Product in respect of which the design is registered: **Interlocking modular platform**
(51) International Design Classification: **25-04**
(71) Name(s) and Address(s) of Applicant(s):
Friob Pty Ltd
16 Midas Road Malaga Western Australia 6090 Australia
(72) Name(s) of Designer(s): **John Sarusi and Rodney Simpson**
(45) Registration Date: **21 January 2011**
(56) Related Art Documents: **Not Applicable**
(57) Statement of Newness and Distinctiveness: **Based upon a base model platform, the system is designed to build various platform options such as: fan service; anfo loader; double deck; and, custom designed modules. The modules will interlock safely to the base model.**



- (21) Design Number: **15808/2010**
(22) Date of Filing Application: **22 October 2010**
(24) Date from which industrial property rights may have effect: **22 October 2010**
(54) Product in respect of which the design is registered: **Interlocking modular platform**
(51) International Design Classification: **25-04**
(71) Name(s) and Address(s) of Applicant(s):
Friob Pty Ltd
16 Midas Road Malaga Western Australia 6090 Australia
(72) Name(s) of Designer(s): **John Sarusi and Rodney Simpson**
(45) Registration Date: **21 January 2011**
(56) Related Art Documents: **Not Applicable**
(57) Statement of Newness and Distinctiveness: **Based upon a base model platform, the system is designed to build various platform options such as: fan service; anfo loader; double deck; and, custom designed modules. The modules will interlock safely to the base model.**



- (21) Design Number: **15809/2010**
(22) Date of Filing Application: **22 October 2010**
(24) Date from which industrial property rights may have effect: **22 October 2010**
(54) Product in respect of which the design is registered: **Interlocking modular platform**
(51) International Design Classification: **25-04**
(71) Name(s) and Address(s) of Applicant(s):
Friob Pty Ltd
16 Midas Road Malaga Western Australia 6090 Australia
(72) Name(s) of Designer(s): **John Sarusi and Rodney Simpson**
(45) Registration Date: **21 January 2011**
(56) Related Art Documents: **Not Applicable**
(57) Statement of Newness and Distinctiveness: **Based upon a base model platform, the system is designed to build various platform options such as: fan service; anfo loader; double deck; and, custom designed modules. The modules will interlock safely to the base model.**



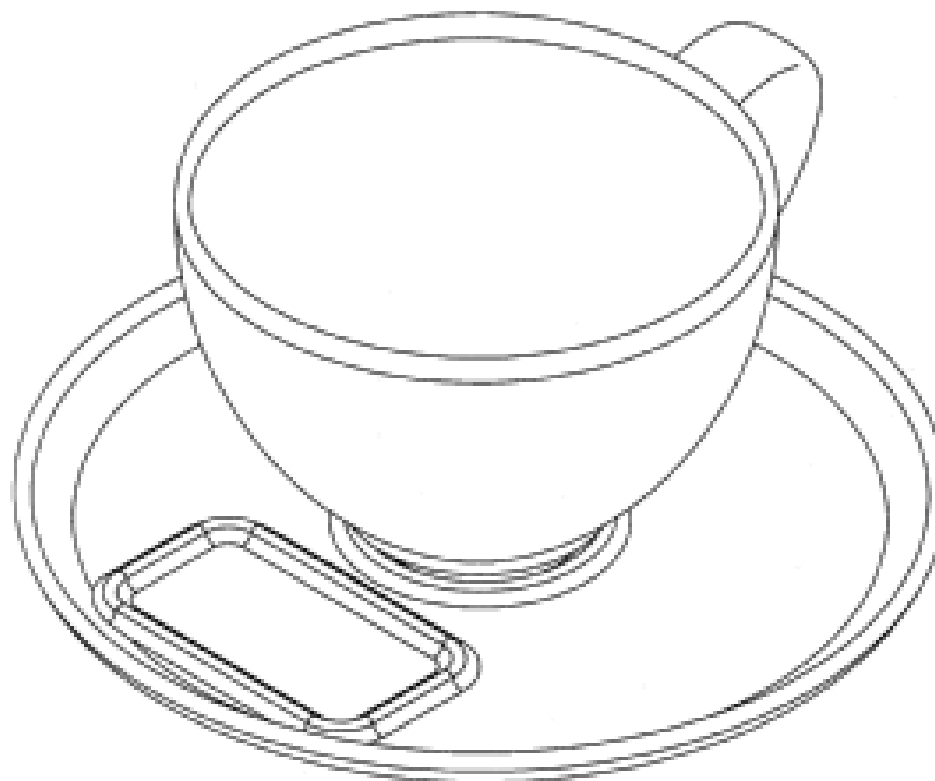
- (21) Design Number: **15810/2010**
(22) Date of Filing Application: **22 October 2010**
(24) Date from which industrial property rights may have effect: **22 October 2010**
(54) Product in respect of which the design is registered: **Interlocking modular platform**
(51) International Design Classification: **25-04**
(71) Name(s) and Address(s) of Applicant(s):
Friob Pty Ltd
16 Midas Road Malaga Western Australia 6090 Australia
(72) Name(s) of Designer(s): **John Sarusi and Rodney Simpson**
(45) Registration Date: **21 January 2011**
(56) Related Art Documents: **Not Applicable**
(57) Statement of Newness and Distinctiveness: **Based upon a base model platform, the system is designed to build various platform options such as: fan service; anfo loader; double deck; and, custom designed modules. The modules will interlock safely to the base model.**



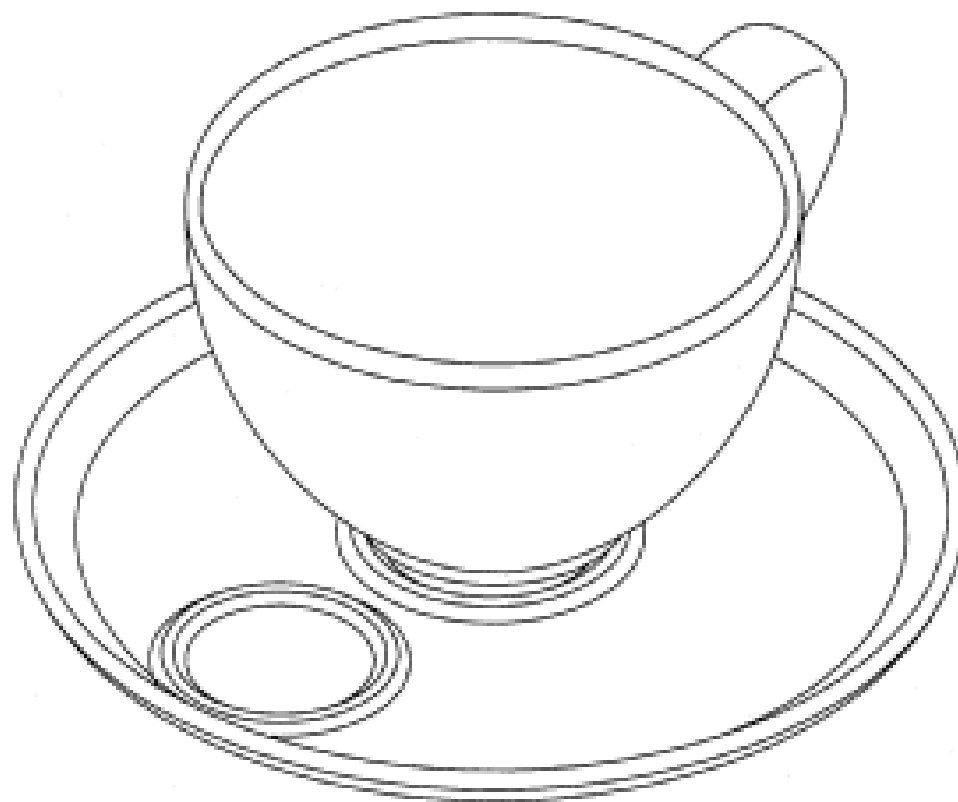
- (21) Design Number: **14600/2010**
(22) Date of Filing Application: **26 October 2010**
(24) Date from which industrial property rights may have effect: **26 October 2010**
(54) Product in respect of which the design is registered: **Container with lid**
(51) International Design Classification: **09-01D**
(71) Name(s) and Address(s) of Applicant(s):
Hutzler Manufacturing Co., Inc.
4 Grace Way Canaan Connecticut 06018 United States of America
(72) Name(s) of Designer(s): **Richard Ehrenhaus and Kate Hixon**
(45) Registration Date: **21 January 2011**
(30) Convention priority data:
(31) Number (32) Date (33) Country
29/364731 28 Jun 2010 UNITED STATES OF AMERICA
(56) Related Art Documents: **Not Applicable**
(57) Statement of Newness and Distinctiveness: **Newness and distinctiveness reside in the features of the design as shown in the representations.**



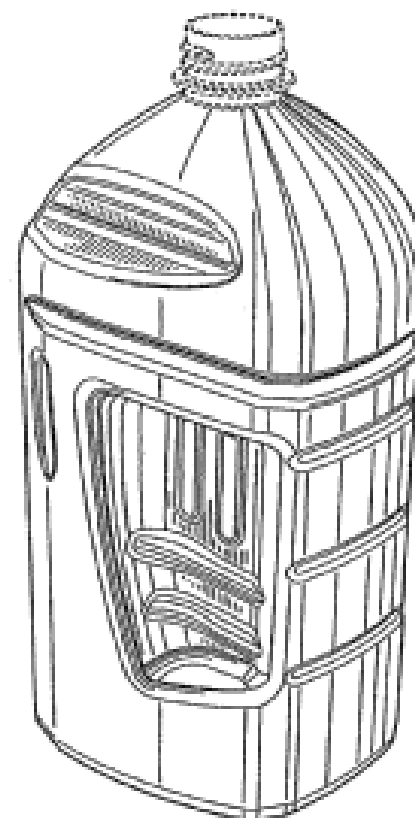
- (21) Design Number: **14212/2010**
(22) Date of Filing Application: **11 October 2010**
(24) Date from which industrial property rights may have effect: **11 October 2010**
(54) Product in respect of which the design is registered: **Saucer, crockery**
(51) International Design Classification: **07-01D**
(71) Name(s) and Address(s) of Applicant(s):
Make Me Iconic Pty Ltd
PO Box 2422 Mount Waverley Victoria 3149 Australia
(72) Name(s) of Designer(s): **Natasha Skunca**
(45) Registration Date: **24 January 2011**
(56) Related Art Documents: **Not Applicable**
(57) Statement of Newness and Distinctiveness: **Newness and distinctiveness is claimed in the shape of the saucer, being uniquely shaped to hold in place through raised edges a popular biscuit manufactured by Arnott's called "Tim Tam".**



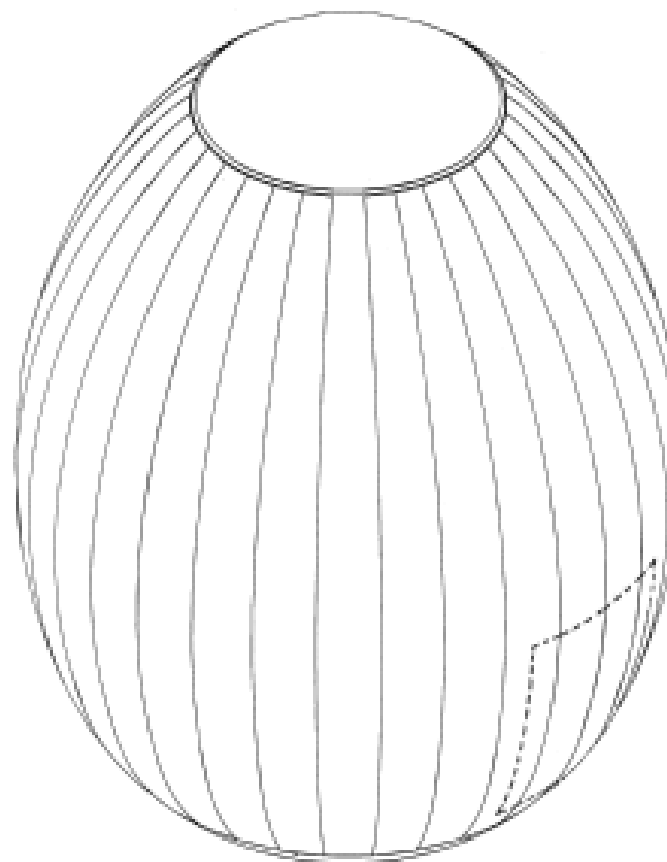
- (21) Design Number: **14213/2010**
(22) Date of Filing Application: **11 October 2010**
(24) Date from which industrial property rights may have effect: **11 October 2010**
(54) Product in respect of which the design is registered: **Saucer, crockery**
(51) International Design Classification: **07-01D**
(71) Name(s) and Address(s) of Applicant(s):
Make Me Iconic Pty Ltd
PO Box 2422 Mount Waverley Victoria 3149 Australia
(72) Name(s) of Designer(s): **Natasha Skunca**
(45) Registration Date: **24 January 2011**
(56) Related Art Documents: **Not Applicable**
(57) Statement of Newness and Distinctiveness: **Newness and distinctiveness is claimed in the shape of the saucer, being uniquely shaped to hold in place through raised edges a popular biscuit named "Oreo".**



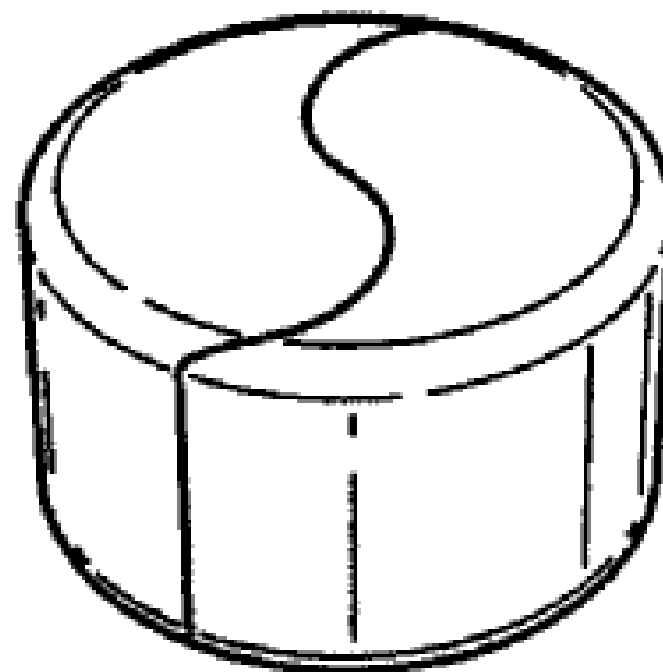
- (21) Design Number: **14911/2010**
(22) Date of Filing Application: **11 November 2010**
(24) Date from which industrial property rights may have effect: **11 November 2010**
(54) Product in respect of which the design is registered: **Bottle**
(51) International Design Classification: **09-01K**
(71) Name(s) and Address(s) of Applicant(s):
S.C. Johnson & Son Inc.
1525 Howe Street Racine Wisconsin 53403-2236 United States of America
(72) Name(s) of Designer(s): **Christopher R. Sheridan and Peter M. Neumann and Timothy R. Bartlett**
(45) Registration Date: **24 January 2011**
(30) Convention priority data:
(31) Number (32) Date (33) Country
29/361548 12 May 2010 UNITED STATES OF AMERICA
(56) Related Art Documents: **Not Applicable**
(57) Statement of Newness and Distinctiveness: **Newness and distinctiveness is claimed in those features of shape and/or configuration of a bottle as illustrated in continuous lines in the accompanying representations.**



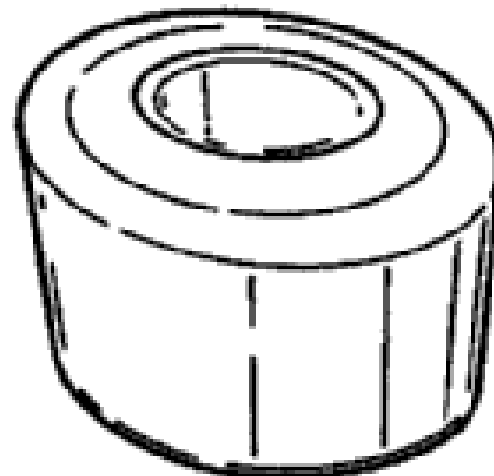
(21) Design Number: **15197/2010**
(22) Date of Filing Application: **26 November 2010**
(24) Date from which industrial property rights may have effect: **26 November 2010**
(54) Product in respect of which the design is registered: **Chicken house/coop**
(51) International Design Classification: **30-02**
(71) Name(s) and Address(s) of Applicant(s):
Matthew Benjamin Hayward
81 Someries Cottages Someries LU2 9PL United Kingdom
(72) Name(s) of Designer(s): **Matthew Benjamin Hayward**
(45) Registration Date: **24 January 2011**
(30) Convention priority data:
(31) Number (32) Date (33) Country
4015774 29 May 2010 UNITED KINGDOM
(56) Related Art Documents: **Not Applicable**
(57) Statement of Newness and Distinctiveness: **Newness and distinctiveness is claimed in the visual features shown in solid lines in the representations.**



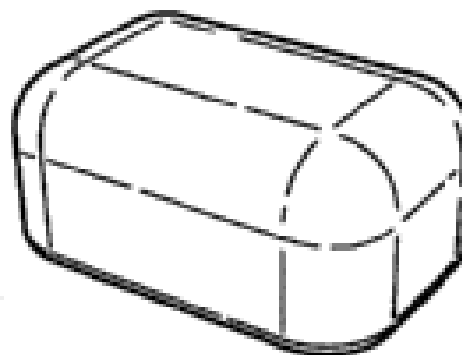
(21) Design Number: **15309/2010**
(22) Date of Filing Application: **06 December 2010**
(24) Date from which industrial property rights may have effect: **06 December 2010**
(54) Product in respect of which the design is registered: **Toilet block**
(51) International Design Classification: **28-01, 28-99**
(71) Name(s) and Address(s) of Applicant(s):
Unilever PLC
Unilever House 100 Victoria Embankment London EC4Y 0DY United Kingdom
(72) Name(s) of Designer(s): **Ildiko Beder and Stefano Cademartiri and Elisabetta Capasso and Ivan Valcarenghi**
(45) Registration Date: **24 January 2011**
(30) Convention priority data:
(31) Number (32) Date (33) Country
01221477-0001 23 Jun 2010 EUROPEAN COMMUNITY
(56) Related Art Documents: **Not Applicable**
(57) Statement of Newness and Distinctiveness: **Newness and distinctiveness is claimed in the visual features shown in solid lines in the representations.**



- (21) Design Number: **15310/2010**
(22) Date of Filing Application: **06 December 2010**
(24) Date from which industrial property rights may have effect: **06 December 2010**
(54) Product in respect of which the design is registered: **Toilet block**
(51) International Design Classification: **28-01, 28-99**
(71) Name(s) and Address(s) of Applicant(s):
Unilever PLC
Unilever House 100 Victoria Embankment London EC4Y 0DY United Kingdom
(72) Name(s) of Designer(s): **Ildiko Beder and Stefano Cademartiri and Elisabetta Capasso and Ivan Valcarenghi**
(45) Registration Date: **24 January 2011**
(30) Convention priority data:
(31) Number (32) Date (33) Country
001221477-0002 23 Jun 2010 EUROPEAN COMMUNITY
(56) Related Art Documents: **Not Applicable**
(57) Statement of Newness and Distinctiveness: **Newness and distinctiveness is claimed in the visual features shown in solid lines in the representations.**



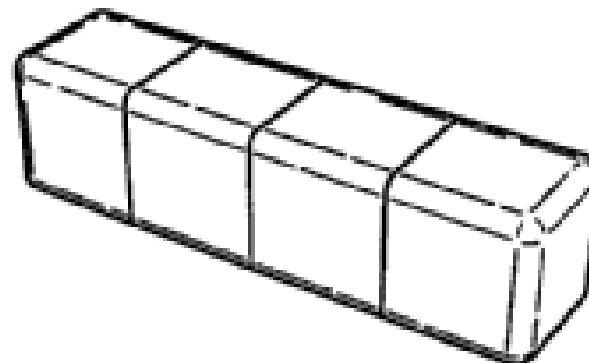
- (21) Design Number: **15311/2010**
(22) Date of Filing Application: **06 December 2010**
(24) Date from which industrial property rights may have effect: **06 December 2010**
(54) Product in respect of which the design is registered: **Toilet block**
(51) International Design Classification: **28-01, 28-99**
(71) Name(s) and Address(s) of Applicant(s):
Unilever PLC
Unilever House 100 Victoria Embankment London EC4Y 0DY United Kingdom
(72) Name(s) of Designer(s): **Ildiko Beder and Stefano Cademartiri and Elisabetta Capasso and Ivan Valcarenghi**
(45) Registration Date: **24 January 2011**
(30) Convention priority data:
(31) Number (32) Date (33) Country
001221477-0003 23 Jun 2010 EUROPEAN COMMUNITY
(56) Related Art Documents: **Not Applicable**
(57) Statement of Newness and Distinctiveness: **Newness and distinctiveness is claimed in the visual features shown in solid lines in the representations.**



- (21) Design Number: **15312/2010**
(22) Date of Filing Application: **06 December 2010**
(24) Date from which industrial property rights may have effect: **06 December 2010**
(54) Product in respect of which the design is registered: **Toilet block**
(51) International Design Classification: **28-01, 28-99**
(71) Name(s) and Address(s) of Applicant(s):

Unilever PLC
Unilever House 100 Victoria Embankment London EC4Y 0DY United Kingdom

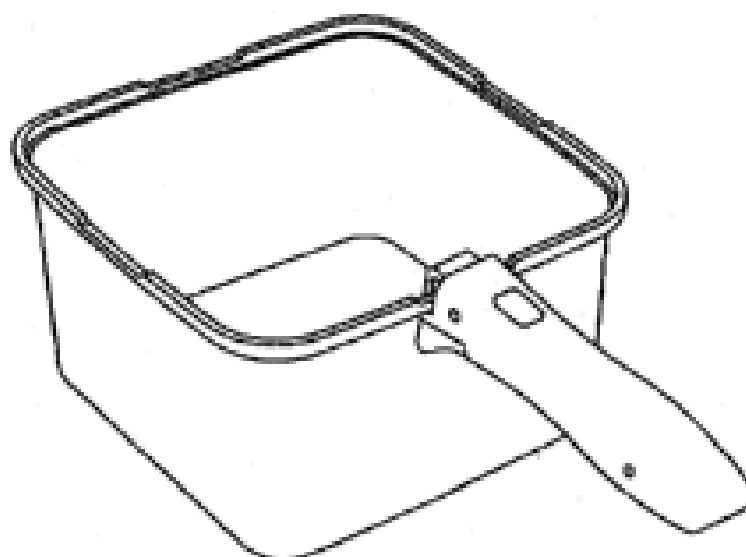
- (72) Name(s) of Designer(s): **Ildiko Beder and Stefano Cademartiri and Elisabetta Capasso and Ivan Valcarenghi**
(45) Registration Date: **24 January 2011**
(30) Convention priority data:
(31) Number (32) Date (33) Country
001221477-0004 23 Jun 2010 EUROPEAN COMMUNITY
(56) Related Art Documents: **Not Applicable**
(57) Statement of Newness and Distinctiveness: **Newness and distinctiveness is claimed in the visual features shown in solid lines in the representations.**



- (21) Design Number: **15614/2010**
(22) Date of Filing Application: **22 December 2010**
(24) Date from which industrial property rights may have effect: **22 December 2010**
(54) Product in respect of which the design is registered: **A pot**
(51) International Design Classification: **07-01G**
(71) Name(s) and Address(s) of Applicant(s):

AGD Holdings Limited
C/ Wynyard Wood Level 15 51-53 Shortland Street Auckland 1140 New Zealand

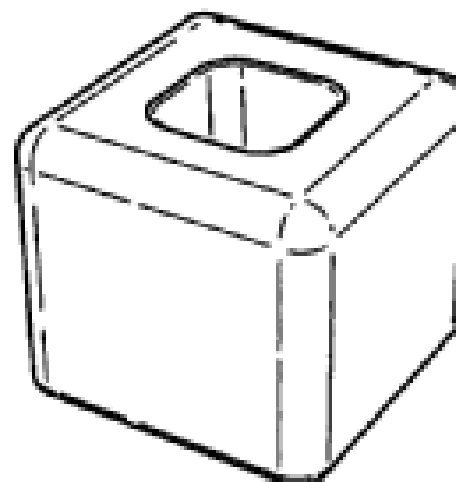
- (72) Name(s) of Designer(s): **David Moodie and Graham Robert Brett Dalton**
(45) Registration Date: **24 January 2011**
(30) Convention priority data:
(31) Number (32) Date (33) Country
413778 24 Jun 2010 NEW ZEALAND
(56) Related Art Documents: **Not Applicable**
(57) Statement of Newness and Distinctiveness: **Newness and distinctiveness is claimed in those features of shape and/or configuration of a pot as shown in the accompanying representations. No claim is made in respect of the handle which has been shown in some views.**



- (21) Design Number: **15313/2010**
(22) Date of Filing Application: **06 December 2010**
(24) Date from which industrial property rights may have effect: **06 December 2010**
(54) Product in respect of which the design is registered: **Toilet block**
(51) International Design Classification: **28-01, 28-99**
(71) Name(s) and Address(s) of Applicant(s):

Unilever PLC
Unilever House 100 Victoria Embankment London EC4Y 0DY United Kingdom

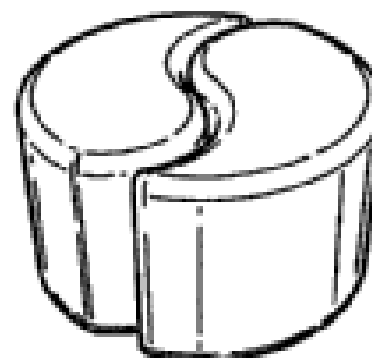
- (72) Name(s) of Designer(s): **Ildiko Beder and Stefano Cademartiri and Elisabetta Capasso and Ivan Valcarenghi**
(45) Registration Date: **24 January 2011**
(30) Convention priority data:
(31) Number (32) Date (33) Country
001221477-0005 23 Jun 2010 EUROPEAN COMMUNITY
(56) Related Art Documents: **Not Applicable**
(57) Statement of Newness and Distinctiveness: **Newness and distinctiveness is claimed in the visual features shown in solid lines in the representations.**



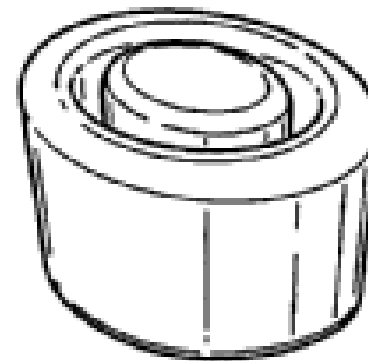
- (21) Design Number: **15314/2010**
(22) Date of Filing Application: **06 December 2010**
(24) Date from which industrial property rights may have effect: **06 December 2010**
(54) Product in respect of which the design is registered: **Toilet block**
(51) International Design Classification: **28-01, 28-99**
(71) Name(s) and Address(s) of Applicant(s):

Unilever PLC
Unilever House 100 Victoria Embankment London EC4Y 0DY United Kingdom

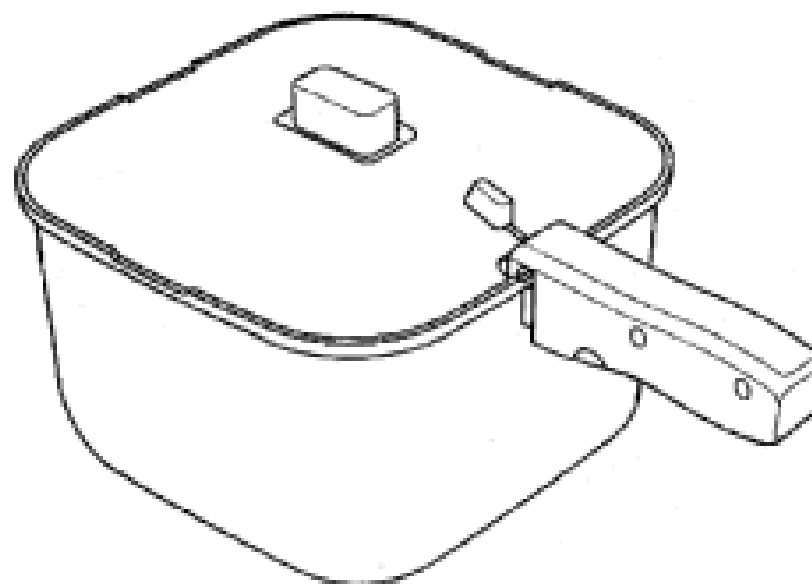
- (72) Name(s) of Designer(s): **Ildiko Beder and Stefano Cademartiri and Elisabetta Capasso and Ivan Valcarenghi**
(45) Registration Date: **24 January 2011**
(30) Convention priority data:
(31) Number (32) Date (33) Country
001221477-0006 23 Jun 2010 EUROPEAN COMMUNITY
(56) Related Art Documents: **Not Applicable**
(57) Statement of Newness and Distinctiveness: **Newness and distinctiveness is claimed in the visual features shown in solid lines in the representations.**



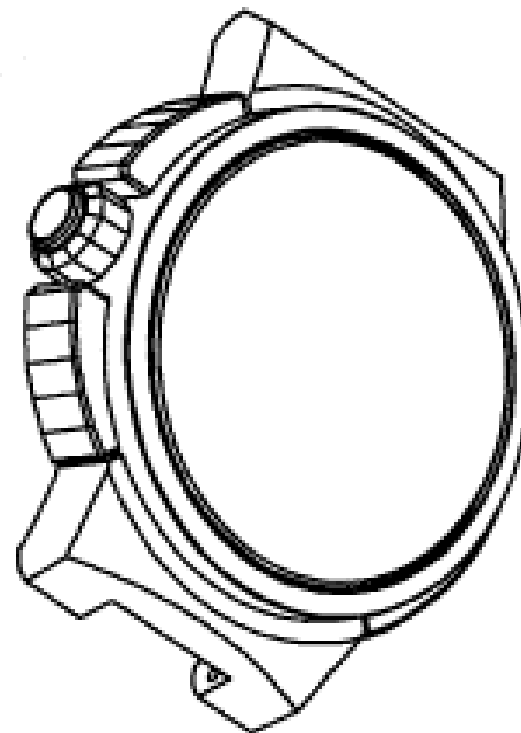
- (21) Design Number: **15315/2010**
(22) Date of Filing Application: **06 December 2010**
(24) Date from which industrial property rights may have effect: **06 December 2010**
(54) Product in respect of which the design is registered: **Toilet block**
(51) International Design Classification: **28-01, 28-99**
(71) Name(s) and Address(s) of Applicant(s):
Unilever PLC
Unilever House 100 Victoria Embankment London EC4Y 0DY United Kingdom
(72) Name(s) of Designer(s): **Ildiko Beder and Stefano Cademartiri and Elisabetta Capasso and Ivan Valcarenghi**
(45) Registration Date: **24 January 2011**
(30) Convention priority data:
(31) Number (32) Date (33) Country
001221477-0007 23 Jun 2010 EUROPEAN COMMUNITY
(56) Related Art Documents: **Not Applicable**
(57) Statement of Newness and Distinctiveness: **Newness and distinctiveness is claimed in the visual features shown in solid lines in the representations.**



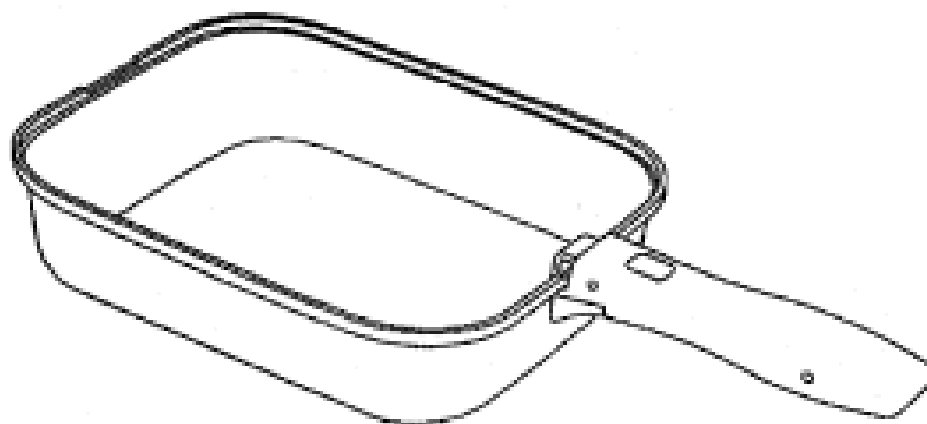
- (21) Design Number: **15615/2010**
(22) Date of Filing Application: **22 December 2010**
(24) Date from which industrial property rights may have effect: **22 December 2010**
(54) Product in respect of which the design is registered: **A pot**
(51) International Design Classification: **07-01G**
(71) Name(s) and Address(s) of Applicant(s):
AGD Holdings Limited
C/ Wynyard Wood Level 15 51-53 Shortland Street Auckland 1140 New Zealand
(72) Name(s) of Designer(s): **David Moodie and Graham Robert Brett Dalton**
(45) Registration Date: **24 January 2011**
(30) Convention priority data:
(31) Number (32) Date (33) Country
413778 24 Jun 2010 NEW ZEALAND
(56) Related Art Documents: **Not Applicable**
(57) Statement of Newness and Distinctiveness: **Nil**



- (21) Design Number: **15443/2010**
(22) Date of Filing Application: **13 December 2010**
(24) Date from which industrial property rights may have effect: **13 December 2010**
(54) Product in respect of which the design is registered: **Case for a wristwatch**
(51) International Design Classification: **10-02**
(71) Name(s) and Address(s) of Applicant(s):
Swarovski Aktiengesellschaft
Droschistrasse 15 FL-9495 Triesen Liechtenstein
(72) Name(s) of Designer(s): **Mahito Nashimoto**
(45) Registration Date: **24 January 2011**
(30) Convention priority data:
(31) Number (32) Date (33) Country
001767401-0006 13 Oct 2010 EUROPEAN COMMUNITY
(56) Related Art Documents: **Not Applicable**
(57) Statement of Newness and Distinctiveness: **Newness and distinctiveness resides in the features of shape and/or configuration as applied to a wrist band for a wrist watch as shown in the attached representations.**



- (21) Design Number: **15616/2010**
(22) Date of Filing Application: **22 December 2010**
(24) Date from which industrial property rights may have effect: **22 December 2010**
(54) Product in respect of which the design is registered: **A pan**
(51) International Design Classification: **07-02N**
(71) Name(s) and Address(s) of Applicant(s):
AGD Holdings Limited
C/ Wynyard Wood Level 15 51-53 Shortland Street Auckland 1140 New Zealand
(72) Name(s) of Designer(s): **David Moodie and Graham Robert Brett Dalton**
(45) Registration Date: **24 January 2011**
(30) Convention priority data:
(31) Number (32) Date (33) Country
413778 24 Jun 2010 NEW ZEALAND
(56) Related Art Documents: **Not Applicable**
(57) Statement of Newness and Distinctiveness: **Nil**



(21) Design Number: **15444/2010**
(22) Date of Filing Application: **13 December 2010**
(24) Date from which industrial property rights may have effect: **13 December 2010**
(54) Product in respect of which the design is registered: **Wrist watch**
(51) International Design Classification: **10-07**
(71) Name(s) and Address(s) of Applicant(s):

Swarovski Aktiengesellschaft
Droschistrasse 15 FL-9495 Triesen Liechtenstein

(72) Name(s) of Designer(s): **Mahito Nashimoto**

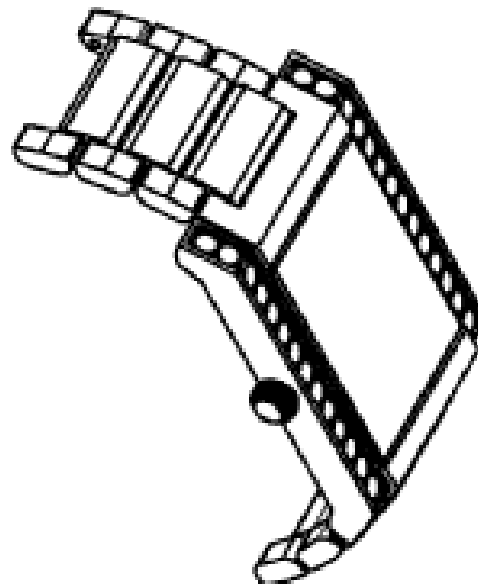
(45) Registration Date: **24 January 2011**

(30) Convention priority data:

(31) Number	(32) Date	(33) Country
001767401-0004	13 Oct 2010	EUROPEAN COMMUNITY

(56) Related Art Documents: **Not Applicable**

(57) Statement of Newness and Distinctiveness: **Newness and distinctiveness resides in the features of shape and/or configuration as applied to a wrist band for a wrist watch as shown in the attached representations. The length of the wrist band is indefinite and does not constitute part of the design.**



(21) Design Number: **15617/2010**
(22) Date of Filing Application: **22 December 2010**
(24) Date from which industrial property rights may have effect: **22 December 2010**
(54) Product in respect of which the design is registered: **A lid**
(51) International Design Classification: **09-07B**
(71) Name(s) and Address(s) of Applicant(s):

AGD Holdings Limited
C/ Wynyard Wood Level 15 51-53 Shortland Street Auckland 1140 New Zealand

(72) Name(s) of Designer(s): **David Moodie and Graham Robert Brett Dalton**

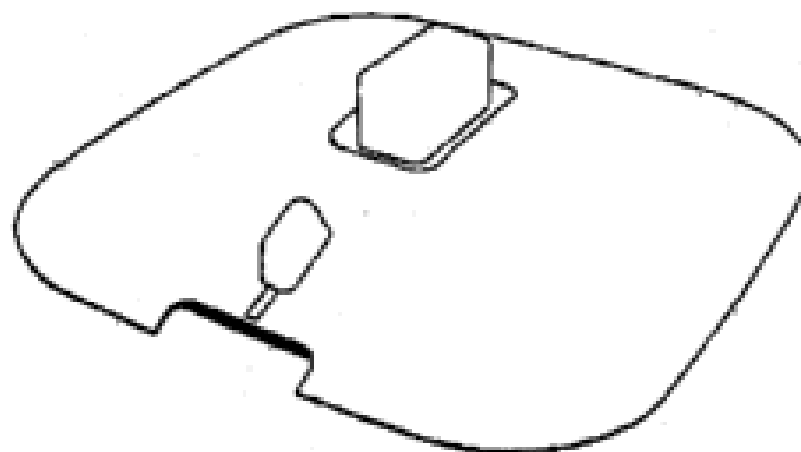
(45) Registration Date: **24 January 2011**

(30) Convention priority data:

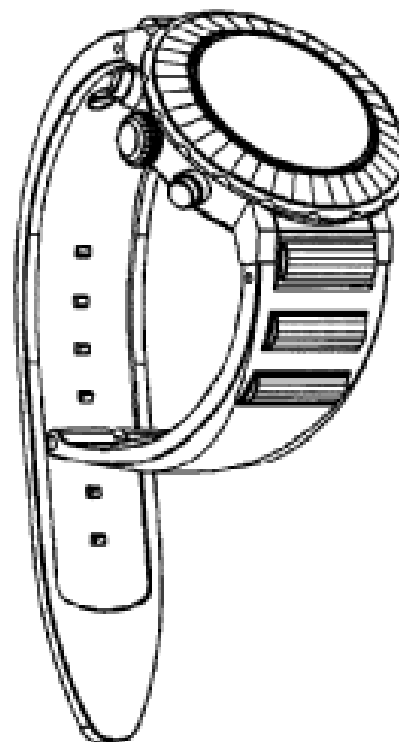
(31) Number	(32) Date	(33) Country
414400	13 Dec 2010	NEW ZEALAND

(56) Related Art Documents: **Not Applicable**

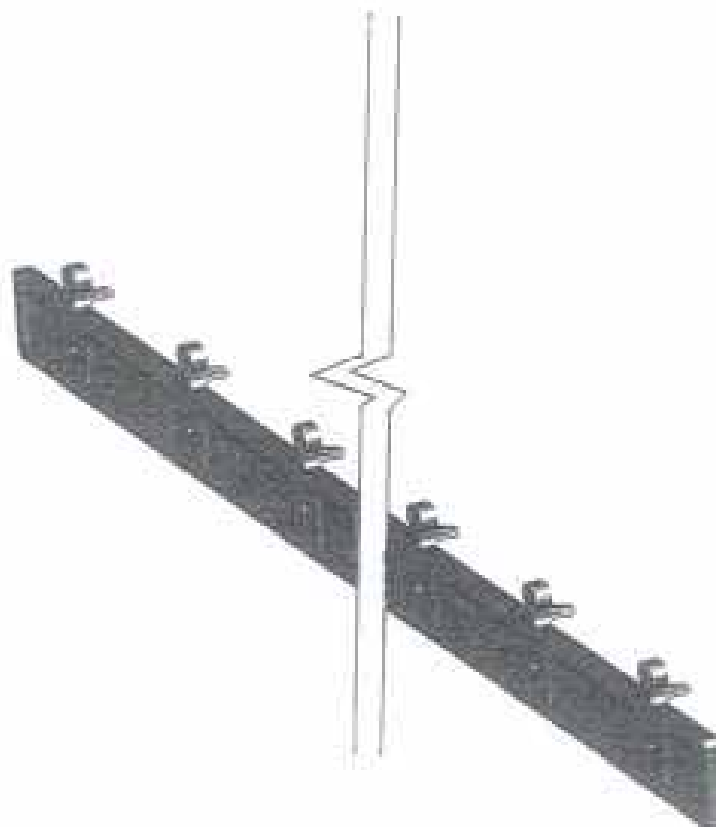
(57) Statement of Newness and Distinctiveness: **Nil**



- (21) Design Number: **15445/2010**
(22) Date of Filing Application: **13 December 2010**
(24) Date from which industrial property rights may have effect: **13 December 2010**
(54) Product in respect of which the design is registered: **Wrist watch**
(51) International Design Classification: **10-07**
(71) Name(s) and Address(s) of Applicant(s):
Swarovski Aktiengesellschaft
Droschistrasse 15 FL-9495 Triesen Liechtenstein
(72) Name(s) of Designer(s): **Mahito Nashimoto**
(45) Registration Date: **24 January 2011**
(30) Convention priority data:
(31) Number (32) Date (33) Country
001767401-0001 13 Oct 2010 EUROPEAN COMMUNITY
(56) Related Art Documents: **Not Applicable**
(57) Statement of Newness and Distinctiveness: **Newness and distinctiveness resides in the features of shape and/or configuration as applied to a wrist band for a wrist watch as shown in the attached representations. The length of the wrist band is indefinite and does not constitute part of the design.**



- (21) Design Number: **15618/2010**
(22) Date of Filing Application: **22 December 2010**
(24) Date from which industrial property rights may have effect: **22 December 2010**
(54) Product in respect of which the design is registered: **Decking fixing component**
(51) International Design Classification: **25-01NES**
(71) Name(s) and Address(s) of Applicant(s):
Melbourne Timber Manufacturing Pty Ltd
28-36 Jappady Street Mordialloc Victoria 3195 Australia
(72) Name(s) of Designer(s): **Brian Richardson**
(45) Registration Date: **24 January 2011**
(56) Related Art Documents: **Not Applicable**
(57) Statement of Newness and Distinctiveness: **Monopoly is claimed in the shape or configuration of the decking component of infinite length as shown in the accompanying representations, excluding the location and shape of indentations and fixing holes in the rectangular base of the decking component.**



(19) AU

- (21) Design Number: **15446/2010**
- (22) Date of Filing Application: **13 December 2010**
- (24) Date from which industrial property rights may have effect: **13 December 2010**
- (54) Product in respect of which the design is registered: **Wrist watch**
- (51) International Design Classification: **10-07**
- (71) Name(s) and Address(s) of Applicant(s):

Swarovski Aktiengesellschaft
Droschistrasse 15 FL-9495 Triesen Liechtenstein

(72) Name(s) of Designer(s): **Xavier Perrenoud**

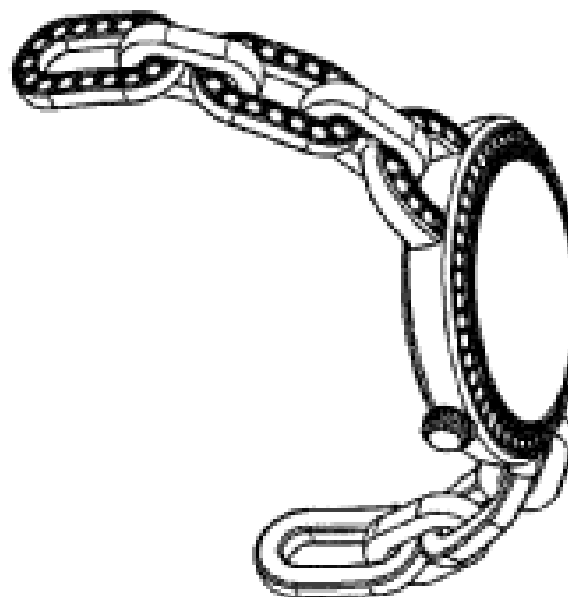
(45) Registration Date: **24 January 2011**

(30) Convention priority data:

(31) Number	(32) Date	(33) Country
001767401-0002	13 Oct 2010	EUROPEAN COMMUNITY

(56) Related Art Documents: **Not Applicable**

(57) Statement of Newness and Distinctiveness: **Newness and distinctiveness resides in the features of shape and/or configuration as applied to a wrist band for a wrist watch as shown in the attached representations. The length of the wrist band is indefinite and does not constitute part of the design.**



(19) AU

- (21) Design Number: **15619/2010**
- (22) Date of Filing Application: **22 December 2010**
- (24) Date from which industrial property rights may have effect: **22 December 2010**
- (54) Product in respect of which the design is registered: **Grill of a truck vehicle**
- (51) International Design Classification: **12-16B**
- (71) Name(s) and Address(s) of Applicant(s):

International Truck Intellectual Property Company, LLC
4201 Winfield Road Warrenville Illinois 60555 United States of America

(72) Name(s) of Designer(s): **Steve C. Aris and Glen Durmisevich and Christian Hardin and Christopher Lee Koonce and George McCowan and Mark Oberly and John Song**

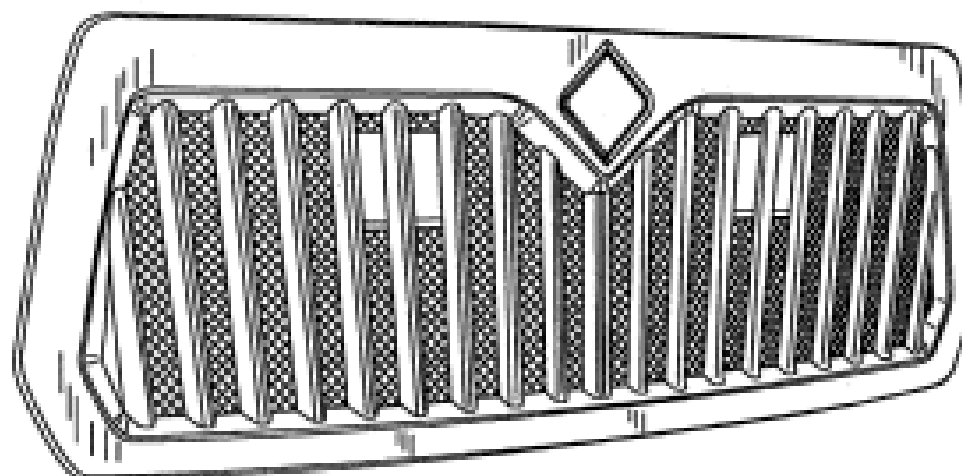
(45) Registration Date: **24 January 2011**

(30) Convention priority data:

(31) Number	(32) Date	(33) Country
29/367,777	12 Aug 2010	UNITED STATES OF AMERICA

(56) Related Art Documents: **Not Applicable**

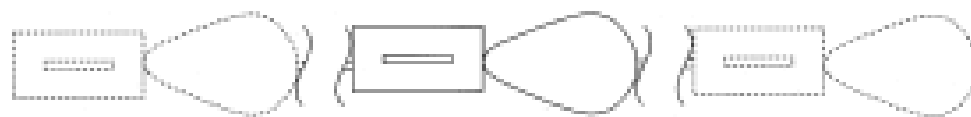
(57) Statement of Newness and Distinctiveness: **Newness and distinctiveness resides in the appearance of the front elevation view of the Grill shown in the annexed drawings, the other views of the Grill not forming part of the design.**



- (21) Design Number: **15511/2010**
- (22) Date of Filing Application: **15 December 2010**
- (24) Date from which industrial property rights may have effect: **15 December 2010**
- (54) Product in respect of which the design is registered: **Skewered food**
- (51) International Design Classification: **01-01**
- (71) Name(s) and Address(s) of Applicant(s):

Luojin Wang
7/19 Gloucester Road Hurstville New South Wales 2220 Australia

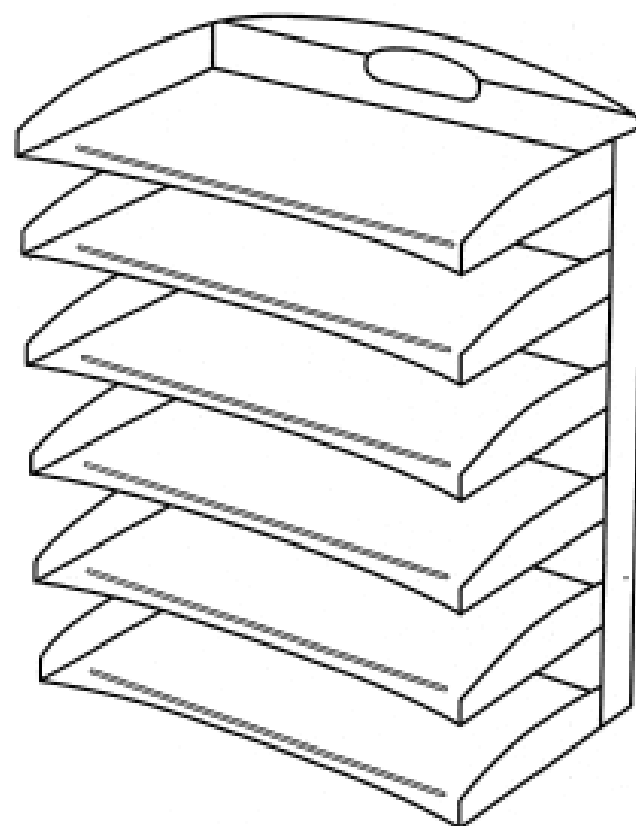
- (72) Name(s) of Designer(s): **Luojin Wang**
- (45) Registration Date: **24 January 2011**
- (56) Related Art Documents: **Not Applicable**
- (57) Statement of Newness and Distinctiveness: **Nil**



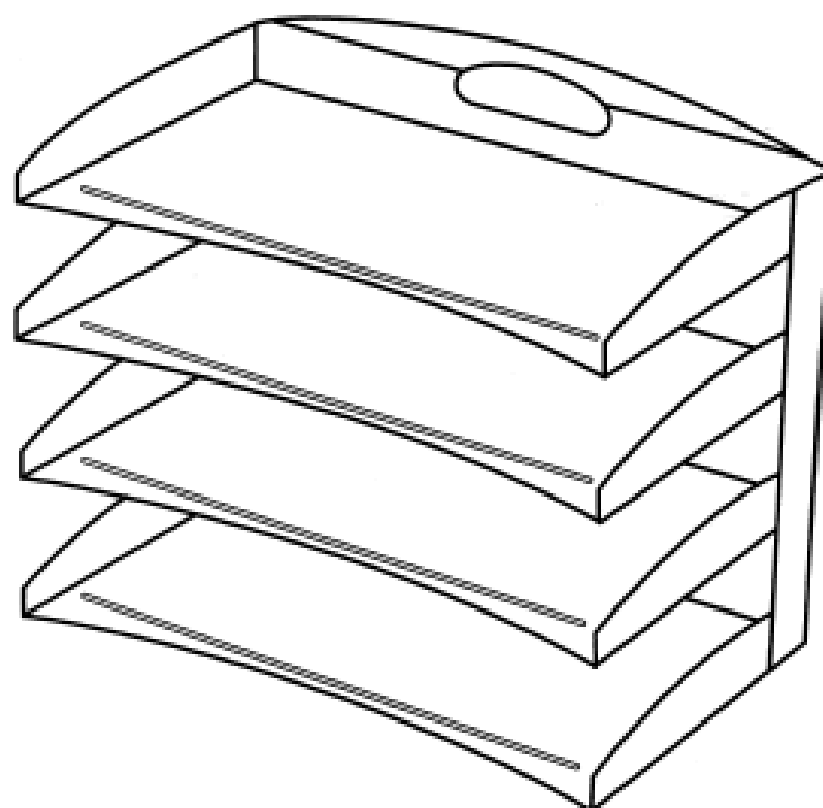
- (21) Design Number: **15581/2010**
- (22) Date of Filing Application: **17 December 2010**
- (24) Date from which industrial property rights may have effect: **17 December 2010**
- (54) Product in respect of which the design is registered: **Desk tray**
- (51) International Design Classification: **19-02**
- (71) Name(s) and Address(s) of Applicant(s):

ACCO Australia Pty Ltd
Level 2 8 Lord Street Botany New South Wales 2019 Australia

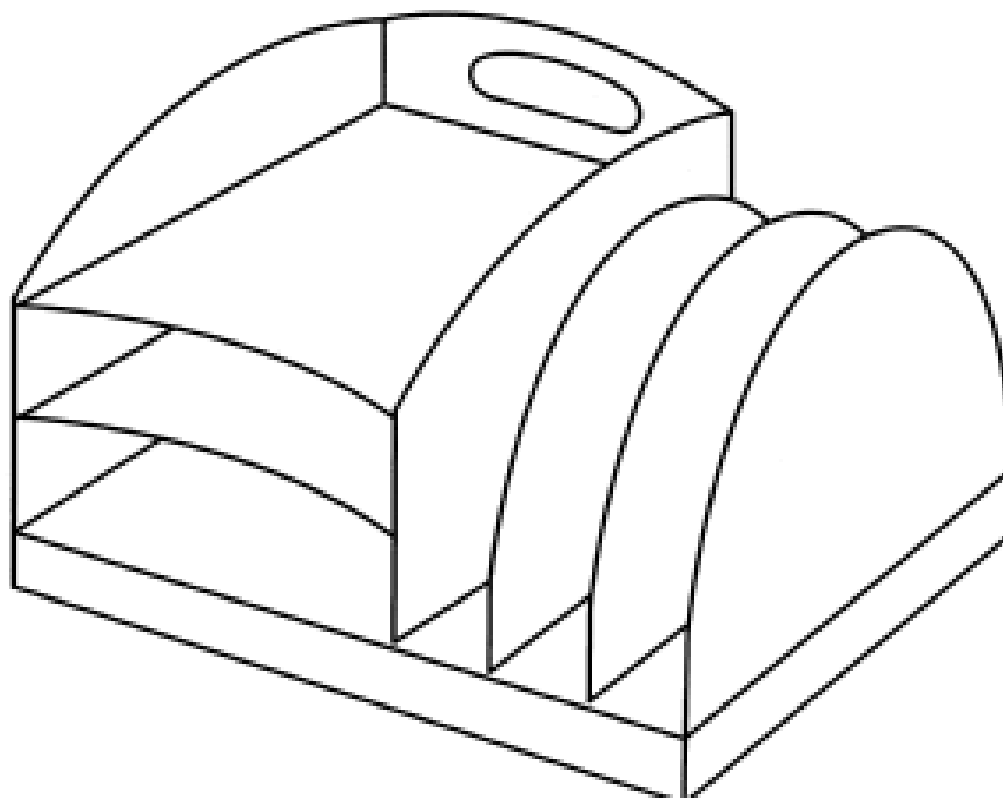
- (72) Name(s) of Designer(s): **Allan Boolkin**
- (45) Registration Date: **24 January 2011**
- (56) Related Art Documents: **Not Applicable**
- (57) Statement of Newness and Distinctiveness: **Nil**



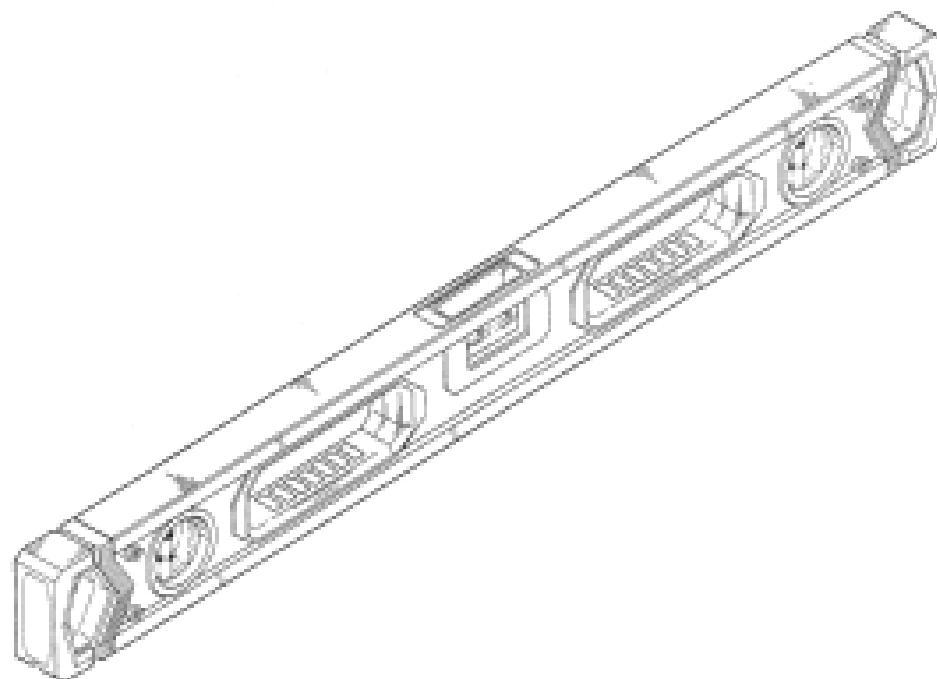
(21) Design Number: **15582/2010**
(22) Date of Filing Application: **17 December 2010**
(24) Date from which industrial property rights may have effect: **17 December 2010**
(54) Product in respect of which the design is registered: **Desk tray**
(51) International Design Classification: **19-02**
(71) Name(s) and Address(s) of Applicant(s):
ACCO Australia Pty Ltd
Level 2 8 Lord Street Botany New South Wales 2019 Australia
(72) Name(s) of Designer(s): **Allan Boolkin**
(45) Registration Date: **24 January 2011**
(56) Related Art Documents: **Not Applicable**
(57) Statement of Newness and Distinctiveness: **Nil**



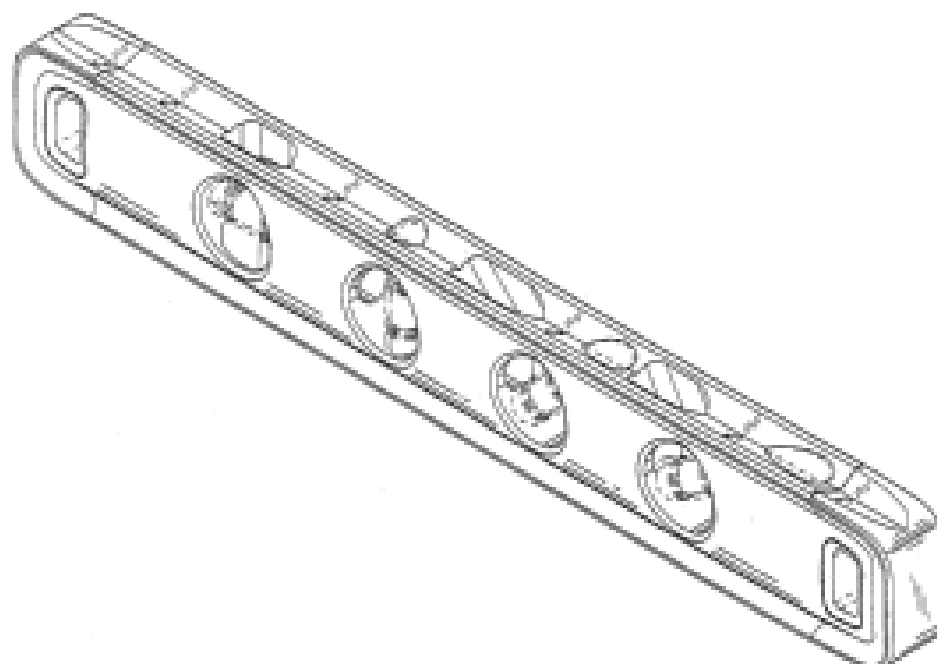
(21) Design Number: **15583/2010**
(22) Date of Filing Application: **17 December 2010**
(24) Date from which industrial property rights may have effect: **17 December 2010**
(54) Product in respect of which the design is registered: **Desk tray**
(51) International Design Classification: **19-02**
(71) Name(s) and Address(s) of Applicant(s):
ACCO Australia Pty Ltd
Level 2 8 Lord Street Botany New South Wales 2019 Australia
(72) Name(s) of Designer(s): **Allan Boolkin**
(45) Registration Date: **24 January 2011**
(56) Related Art Documents: **Not Applicable**
(57) Statement of Newness and Distinctiveness: **Nil**



- (21) Design Number: **15584/2010**
(22) Date of Filing Application: **17 December 2010**
(24) Date from which industrial property rights may have effect: **17 December 2010**
(54) Product in respect of which the design is registered: **Level tool**
(51) International Design Classification: **10-04, 08-99**
(71) Name(s) and Address(s) of Applicant(s):
Swanson Tool Company, Inc.
211 Ontario Street Frankfort Illinois 60423 United States of America
(72) Name(s) of Designer(s): **James S. Allemand**
(45) Registration Date: **24 January 2011**
(30) Convention priority data:
(31) Number (32) Date (33) Country
29/364966 30 Jun 2010 UNITED STATES OF AMERICA
(56) Related Art Documents: **Not Applicable**
(57) Statement of Newness and Distinctiveness: **Newness and distinctiveness is claimed in the features of shape and/or configuration of a level tool as illustrated in the accompanying representations.**



- (21) Design Number: **15585/2010**
(22) Date of Filing Application: **17 December 2010**
(24) Date from which industrial property rights may have effect: **17 December 2010**
(54) Product in respect of which the design is registered: **Level tool**
(51) International Design Classification: **10-04, 08-99**
(71) Name(s) and Address(s) of Applicant(s):
Swanson Tool Company, Inc.
211 Ontario Street Frankfort Illinois 60423 United States of America
(72) Name(s) of Designer(s): **James S. Allemand**
(45) Registration Date: **24 January 2011**
(30) Convention priority data:
(31) Number (32) Date (33) Country
29/364968 30 Jun 2010 UNITED STATES OF AMERICA
(56) Related Art Documents: **Not Applicable**
(57) Statement of Newness and Distinctiveness: **Newness and distinctiveness is claimed in the features of shape and/or configuration of a level tool as illustrated in the accompanying representations.**



- (21) Design Number: **15586/2010**
(22) Date of Filing Application: **17 December 2010**
(24) Date from which industrial property rights may have effect: **17 December 2010**
(54) Product in respect of which the design is registered: **Container for a fluid dispensing device**
(51) International Design Classification: **09-01A**
(71) Name(s) and Address(s) of Applicant(s):
S. C. Johnson & Son, Inc.
1525 Howe Street Racine Wisconsin 53403-2236 United States of America
(72) Name(s) of Designer(s): **Cory J. Nelson and Jose M. Arevalo and Jim Stango and Aaron B. Eiger**
(45) Registration Date: **24 January 2011**
(30) Convention priority data:
(31) Number (32) Date (33) Country
29/364040 17 Jun 2010 UNITED STATES OF AMERICA
(56) Related Art Documents: **Not Applicable**
(57) Statement of Newness and Distinctiveness: **Newness and distinctiveness is claimed in those features of shape and/or configuration of a container for a fluid dispensing device as illustrated in continuous lines in the accompanying representations.**



- (21) Design Number: **15636/2010**
(22) Date of Filing Application: **21 December 2010**
(24) Date from which industrial property rights may have effect: **21 December 2010**
(54) Product in respect of which the design is registered: **Gold and silver pendant, cockatoos on a distinctive gum tree background**
(51) International Design Classification: **11-01K**
(71) Name(s) and Address(s) of Applicant(s):
Edward Swaab
The Civic Building Level 2 Suite 73 48 George Street Parramatta NSW 2150 Australia
(72) Name(s) of Designer(s): **Edward Swaab**
(45) Registration Date: **24 January 2011**
(56) Related Art Documents: **Not Applicable**
(57) Statement of Newness and Distinctiveness: **Nil**



(21) Design Number: **15637/2010**

(22) Date of Filing Application: **21 December 2010**

(24) Date from which industrial property rights may have effect: **21 December 2010**

(54) Product in respect of which the design is registered: **Gold and silver pendant, geckos on a distinctive gum tree background**

(51) International Design Classification: **11-01K**

(71) Name(s) and Address(s) of Applicant(s):

Edward Swaab

**The Civic Building Level 2 Suite 73 48 George Street Parramatta NSW
2150 Australia**

(72) Name(s) of Designer(s): **Edward Swaab**

(45) Registration Date: **24 January 2011**

(56) Related Art Documents: **Not Applicable**

(57) Statement of Newness and Distinctiveness: **Nil**



(21) Design Number: **15638/2010**

(22) Date of Filing Application: **21 December 2010**

(24) Date from which industrial property rights may have effect: **21 December 2010**

(54) Product in respect of which the design is registered: **Gold and silver pendant, a frog on a distinctive billabong background**

(51) International Design Classification: **11-01NES**

(71) Name(s) and Address(s) of Applicant(s):

Edward Swaab

**The Civic Building Level 2 Suite 73 48 George Street Parramatta NSW
2150 Australia**

(72) Name(s) of Designer(s): **Edward Swaab**

(45) Registration Date: **24 January 2011**

(56) Related Art Documents: **Not Applicable**

(57) Statement of Newness and Distinctiveness: **Nil**



(21) Design Number: **15639/2010**

(22) Date of Filing Application: **21 December 2010**

(24) Date from which industrial property rights may have effect: **21 December 2010**

(54) Product in respect of which the design is registered: **Gold and silver pendant, emus on a distinctive red centre background**

(51) International Design Classification: **11-01K**

(71) Name(s) and Address(s) of Applicant(s):

Edward Swaab

**The Civic Building Level 2 Suite 73 48 George Street Parramatta NSW
2150 Australia**

(72) Name(s) of Designer(s): **Edward Swaab**

(45) Registration Date: **24 January 2011**

(56) Related Art Documents: **Not Applicable**

(57) Statement of Newness and Distinctiveness: **Nil**



(21) Design Number: **15640/2010**

(22) Date of Filing Application: **21 December 2010**

(24) Date from which industrial property rights may have effect: **21 December 2010**

(54) Product in respect of which the design is registered: **Gold and silver pendant, a kangaroo on a distinctive red centre background**

(51) International Design Classification: **11-01K**

(71) Name(s) and Address(s) of Applicant(s):

Edward Swaab

**The Civic Building Level 2 Suite 73 48 George Street Parramatta NSW
2150 Australia**

(72) Name(s) of Designer(s): **Edward Swaab**

(45) Registration Date: **24 January 2011**

(56) Related Art Documents: **Not Applicable**

(57) Statement of Newness and Distinctiveness: **Nil**



(21) Design Number: **15641/2010**

(22) Date of Filing Application: **21 December 2010**

(24) Date from which industrial property rights may have effect: **21 December 2010**

(54) Product in respect of which the design is registered: **Gold and silver pendant, dolphins on a distinctive ocean wave background**

(51) International Design Classification: **11-01NES**

(71) Name(s) and Address(s) of Applicant(s):

Edward Swaab

**The Civic Building Level 2 Suite 73 48 George Street Parramatta NSW
2150 Australia**

(72) Name(s) of Designer(s): **Edward Swaab**

(45) Registration Date: **24 January 2011**

(56) Related Art Documents: **Not Applicable**

(57) Statement of Newness and Distinctiveness: **Nil**



(21) Design Number: **15642/2010**

(22) Date of Filing Application: **21 December 2010**

(24) Date from which industrial property rights may have effect: **21 December 2010**

(54) Product in respect of which the design is registered: **Gold and silver pendant, sea horses on a distinctive ocean wave background**

(51) International Design Classification: **11-01NES**

(71) Name(s) and Address(s) of Applicant(s):

Edward Swaab

**The Civic Building Level 2 Suite 73 48 George Street Parramatta NSW
2150 Australia**

(72) Name(s) of Designer(s): **Edward Swaab**

(45) Registration Date: **24 January 2011**

(56) Related Art Documents: **Not Applicable**

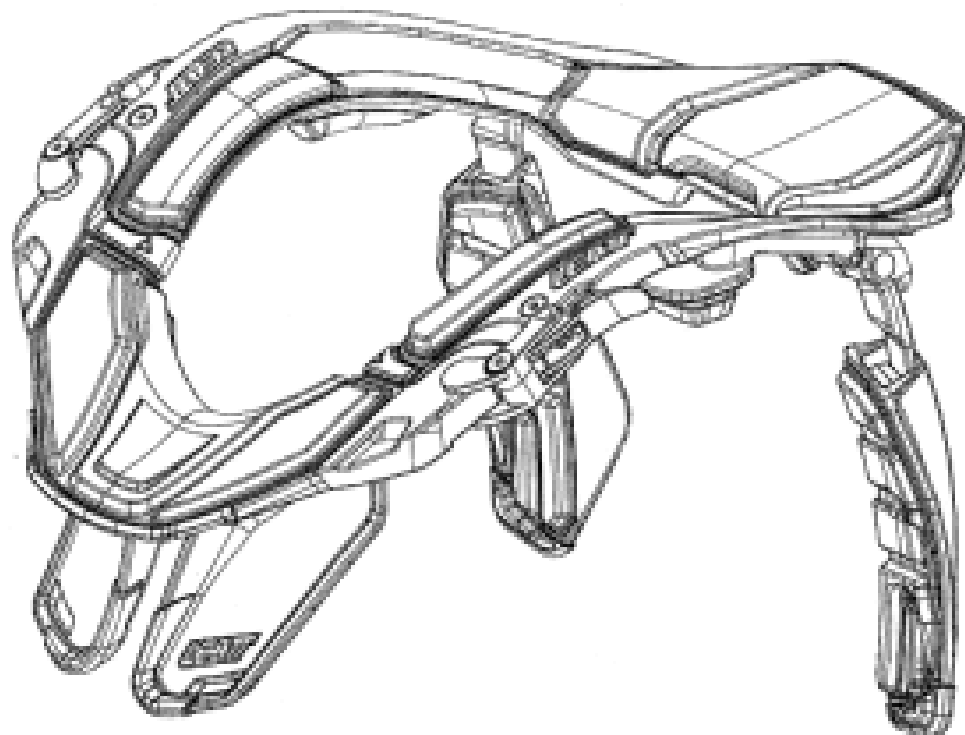
(57) Statement of Newness and Distinctiveness: **Nil**



- (21) Design Number: **15730/2010**
(22) Date of Filing Application: **23 December 2010**
(24) Date from which industrial property rights may have effect: **23 December 2010**
(54) Product in respect of which the design is registered: **Pot**
(51) International Design Classification: **11-02C**
(71) Name(s) and Address(s) of Applicant(s):
DuluxGroup (Australia) Pty Ltd
1 Gow Street Padstow New South Wales 2211 Australia
(72) Name(s) of Designer(s): **Sean Lewis**
(45) Registration Date: **24 January 2011**
(56) Related Art Documents: **Not Applicable**
(57) Statement of Newness and Distinctiveness: **Nil**



- (21) Design Number: **15733/2010**
(22) Date of Filing Application: **23 December 2010**
(24) Date from which industrial property rights may have effect: **23 December 2010**
(54) Product in respect of which the design is registered: **Neck brace**
(51) International Design Classification: **24-04**
(71) Name(s) and Address(s) of Applicant(s):
Leatt Corporation
5348 Las Vegas Drive Office No 775 Las Vegas Nevada 89108 United States of America
(72) Name(s) of Designer(s): **Christopher James Leatt and Mark Eric Hopkins and Carel Sias Meyer and Pieter Andre Keevy and Cornelis Uys De Jongh**
(45) Registration Date: **24 January 2011**
(56) Related Art Documents: **Not Applicable**
(57) Statement of Newness and Distinctiveness: **Newness and distinctiveness is claimed in the visual features of shape and configuration of the neck brace shown in the representations.**



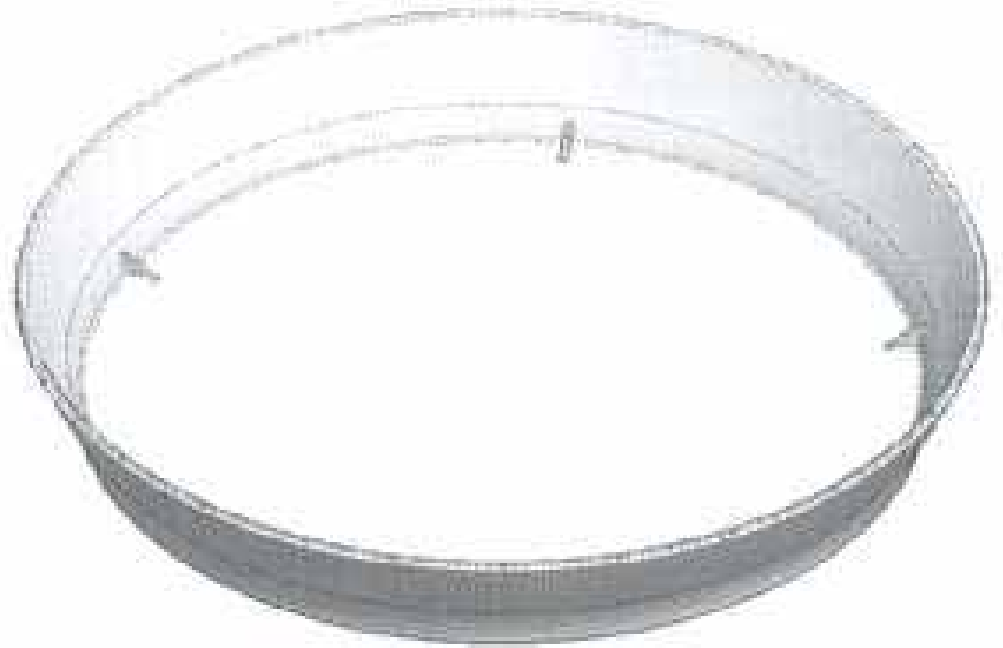
- (21) Design Number: **15072/2010**
(22) Date of Filing Application: **19 November 2010**
(24) Date from which industrial property rights may have effect: **19 November 2010**
(54) Product in respect of which the design is registered: **Container shroud**
(51) International Design Classification: **09-01NES**
(71) Name(s) and Address(s) of Applicant(s):
S.C. Johnson & Son, Inc.
1525 Howe Street Racine Wisconsin 53403-2236 United States of America
(72) Name(s) of Designer(s): **Jonathan N. Mandell and Nathaniel Giraitis and Erica Eden Cohen and Jacob Palmborg and Nicholas Oxley and Jessi Pervola and Richard Whitehall**
(45) Registration Date: **24 January 2011**
(30) Convention priority data:
(31) Number (32) Date (33) Country
001215701 21 May 2010 EUROPEAN COMMUNITY
(56) Related Art Documents: **Not Applicable**
(57) Statement of Newness and Distinctiveness: **Newness and distinctiveness is claimed in those features of shape and/or configuration of a container shroud as illustrated in continuous lines in the accompanying representations.**



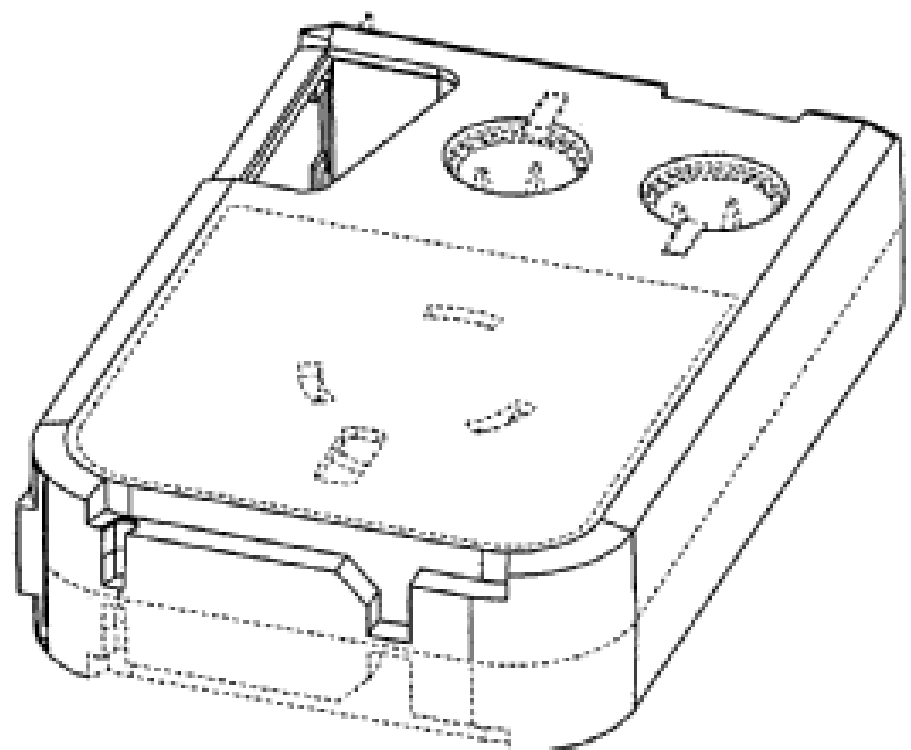
- (21) Design Number: **15632/2010**
(22) Date of Filing Application: **22 December 2010**
(24) Date from which industrial property rights may have effect: **22 December 2010**
(54) Product in respect of which the design is registered: **A pot**
(51) International Design Classification: **07-02N**
(71) Name(s) and Address(s) of Applicant(s):
AGD Holdings Limited
C/ Wynyard Wood Level 15 51-53 Shortland Street Auckland 1140 New Zealand
(72) Name(s) of Designer(s): **David Moodie and Graham Robert Brett Dalton**
(45) Registration Date: **24 January 2011**
(30) Convention priority data:
(31) Number (32) Date (33) Country
413778 24 Jun 2010 NEW ZEALAND
(56) Related Art Documents: **Not Applicable**
(57) Statement of Newness and Distinctiveness: **Newness and distinctiveness is claimed in those features of shape and/or configuration of a pot as shown in the accompanying representations.**



- (21) Design Number: **15729/2010**
(22) Date of Filing Application: **23 December 2010**
(24) Date from which industrial property rights may have effect: **23 December 2010**
(54) Product in respect of which the design is registered: **Saucer**
(51) International Design Classification: **11-02C**
(71) Name(s) and Address(s) of Applicant(s):
DuluxGroup (Australia) Pty Ltd
1 Gow Street Padstow New South Wales 2211 Australia
(72) Name(s) of Designer(s): **Sean Lewis**
(45) Registration Date: **24 January 2011**
(56) Related Art Documents: **Not Applicable**
(57) Statement of Newness and Distinctiveness: **Nil**



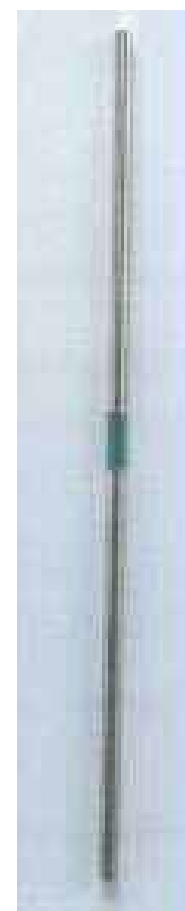
- (21) Design Number: **10124/2011**
(22) Date of Filing Application: **27 October 2010**
(24) Date from which industrial property rights may have effect: **27 October 2010**
(54) Product in respect of which the design is registered: **Printer cassette**
(51) International Design Classification: **14-02**
(71) Name(s) and Address(s) of Applicant(s):
DYMO
Industriepark-Noord 30 9100 Sint-Niklaas Belgium
(72) Name(s) of Designer(s): **Stefaan Van Den Broecke**
(45) Registration Date: **24 January 2011**
(62) Divisional of: **334736**
(56) Related Art Documents: **Not Applicable**
(57) Statement of Newness and Distinctiveness: **Newness and distinctiveness resides in the features of shape and/or configuration shown in solid lines in the representations.**



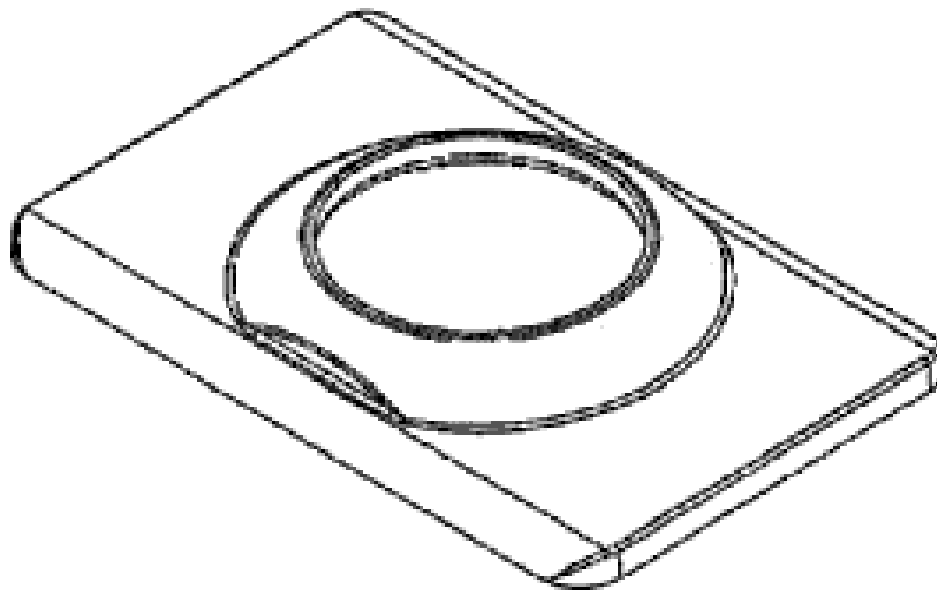
- (21) Design Number: **15668/2010**
(22) Date of Filing Application: **22 December 2010**
(24) Date from which industrial property rights may have effect: **22 December 2010**
(54) Product in respect of which the design is registered: **A woman's garment, comprising beaded parts and accessories on the front and back**
(51) International Design Classification: **02-02C**
(71) Name(s) and Address(s) of Applicant(s):
Johanna Johnson
C/- Finn Roache Lawyers Level 5 22 Market Street Sydney New South Wales 2000 Australia
(72) Name(s) of Designer(s): **Johanna Johnson**
(45) Registration Date: **24 January 2011**
(56) Related Art Documents: **Not Applicable**
(57) Statement of Newness and Distinctiveness: **Nil**



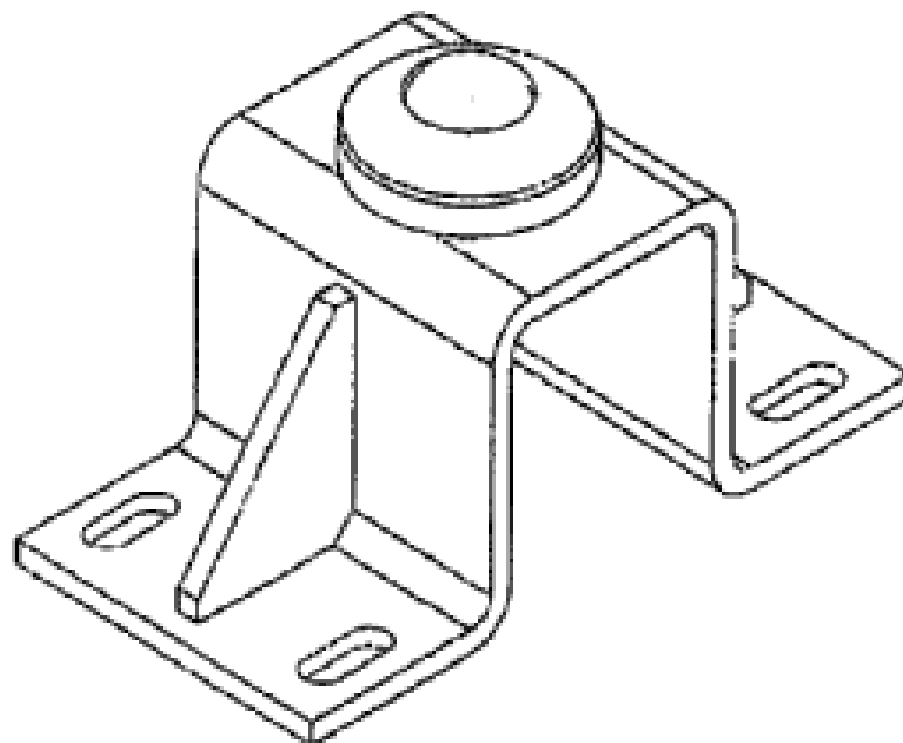
- (21) Design Number: **15651/2010**
(22) Date of Filing Application: **23 December 2010**
(24) Date from which industrial property rights may have effect: **23 December 2010**
(54) Product in respect of which the design is registered: **An electrode**
(51) International Design Classification: **13-03NES**
(71) Name(s) and Address(s) of Applicant(s):
Gesellschaft fur Wolfram Industrie mbH
Permanederstr. 34 83278 Traunstein Germany
(72) Name(s) of Designer(s): **Marion Freifrau von Cetto**
(45) Registration Date: **24 January 2011**
(30) Convention priority data:
(31) Number (32) Date (33) Country
001723297-0013 23 Jun 2010 EUROPEAN COMMUNITY
(56) Related Art Documents: **Not Applicable**
(57) Statement of Newness and Distinctiveness: **Newness and distinctiveness is claimed in the shape and/or configuration of AN ELECTRODE with a turquoise banderole as illustrated by the unbroken lines in the accompanying representation/s.**



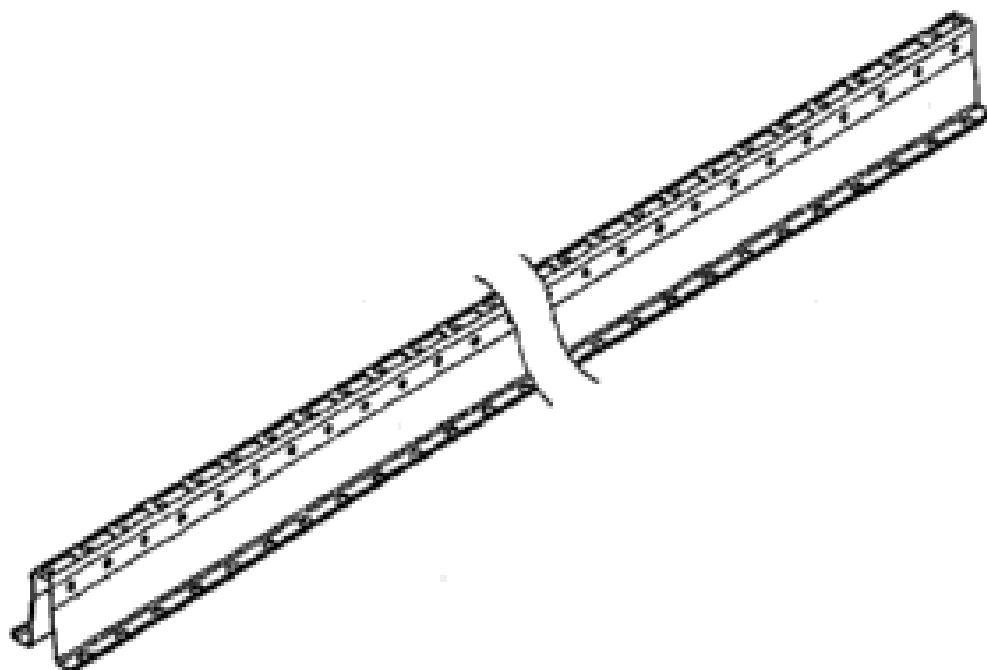
- (21) Design Number: **15652/2010**
(22) Date of Filing Application: **22 December 2010**
(24) Date from which industrial property rights may have effect: **22 December 2010**
(54) Product in respect of which the design is registered: **A spacer for use with a connector means for load beam extrusions**
(51) International Design Classification: **08-08B**
(71) Name(s) and Address(s) of Applicant(s):
Glidestore Freetrack Pty Ltd
48 Fullarton Road Norwood South Australia 5067 Australia
(72) Name(s) of Designer(s): **Brian Parker and Andrew Stevens**
(45) Registration Date: **24 January 2011**
(56) Related Art Documents: **Not Applicable**
(57) Statement of Newness and Distinctiveness: **Newness and distinctiveness resides in the shape and/or configuration of the A spacer for use with a connector means for load beam extrusions as shown in the accompanying representations.**



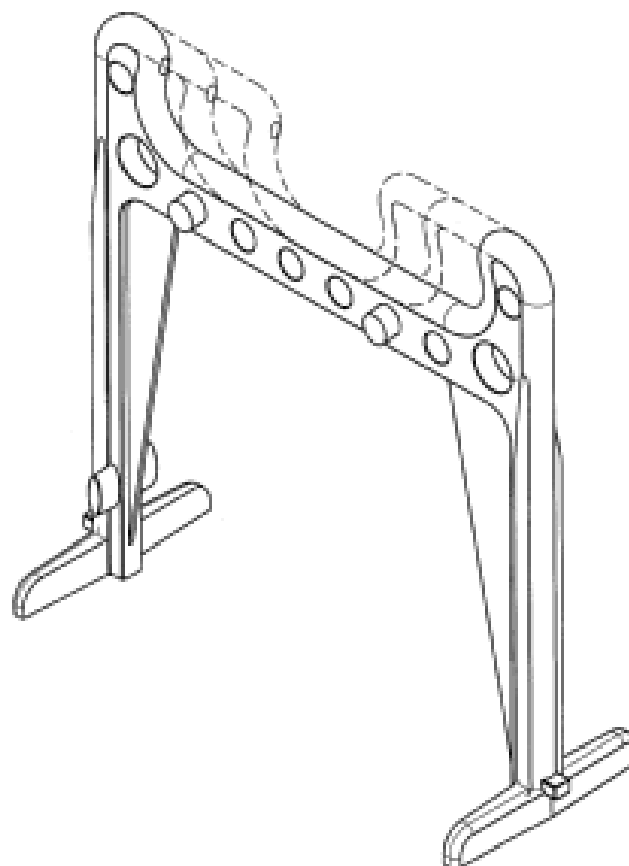
- (21) Design Number: **15653/2010**
(22) Date of Filing Application: **22 December 2010**
(24) Date from which industrial property rights may have effect: **22 December 2010**
(54) Product in respect of which the design is registered: **A connector means for load beam extrusions**
(51) International Design Classification: **25-01B, 25-01K**
(71) Name(s) and Address(s) of Applicant(s):
Glidestore Freetrack Pty Ltd
48 Fullarton Road Norwood South Australia 5067 Australia
(72) Name(s) of Designer(s): **Brian Parker and Andrew Stevens**
(45) Registration Date: **24 January 2011**
(56) Related Art Documents: **Not Applicable**
(57) Statement of Newness and Distinctiveness: **Newness and distinctiveness resides in the shape and/or configuration of the A connector means for load beam extrusions as shown in the accompanying representations.**



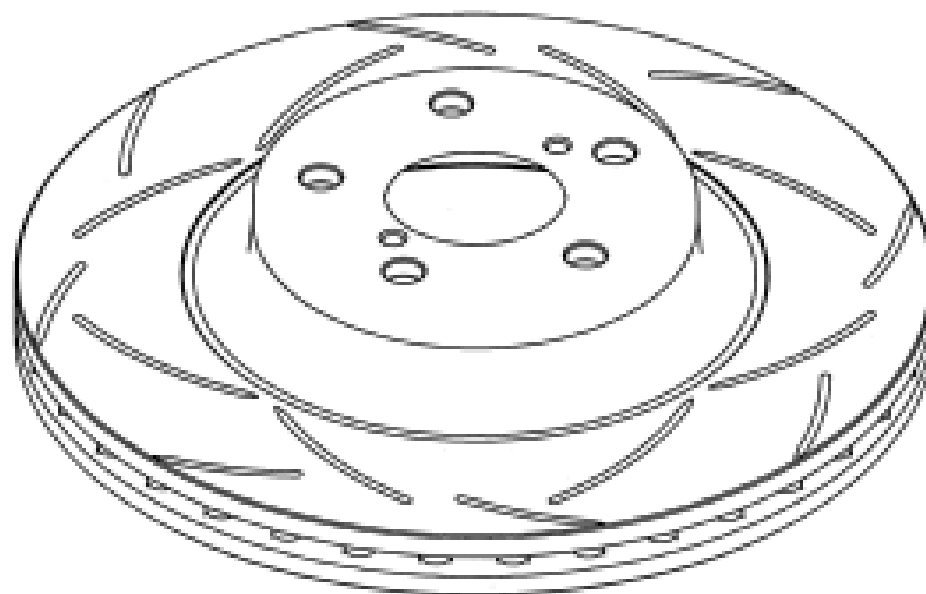
- (21) Design Number: **15654/2010**
(22) Date of Filing Application: **22 December 2010**
(24) Date from which industrial property rights may have effect: **22 December 2010**
(54) Product in respect of which the design is registered: **A load-bearing beam extrusion**
(51) International Design Classification: **25-01K**
(71) Name(s) and Address(s) of Applicant(s):
Glidestore Freetrack Pty Ltd
48 Fullarton Road Norwood South Australia 5067 Australia
(72) Name(s) of Designer(s): **Brian Parker and Andrew Stevens**
(45) Registration Date: **24 January 2011**
(56) Related Art Documents: **Not Applicable**
(57) Statement of Newness and Distinctiveness: **Newness and distinctiveness resides in the shape and/or configuration of the A load-bearing beam extrusion as shown in the accompanying representations.**



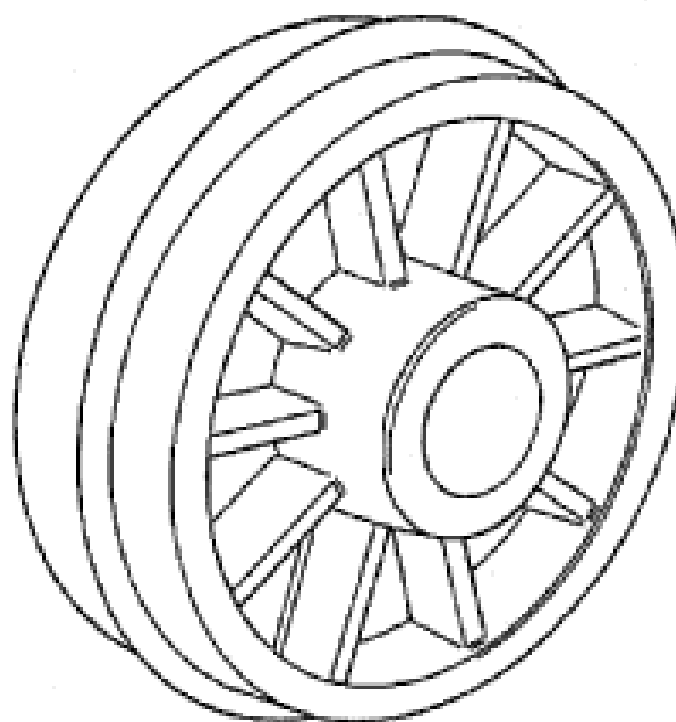
- (21) Design Number: **15655/2010**
(22) Date of Filing Application: **22 December 2010**
(24) Date from which industrial property rights may have effect: **22 December 2010**
(54) Product in respect of which the design is registered: **Bar chair**
(51) International Design Classification: **25-01B**
(71) Name(s) and Address(s) of Applicant(s):
Michael Kym Hornsey
PO Box 754 Parkes New South Wales 2870 Australia
(72) Name(s) of Designer(s): **Michael Kym Hornsey**
(45) Registration Date: **24 January 2011**
(56) Related Art Documents: **Not Applicable**
(57) Statement of Newness and Distinctiveness: **Newness and distinctiveness resides in the shape and/or configuration of the Bar Chair having variable width of the bar retaining gap as shown in the accompanying representations.**



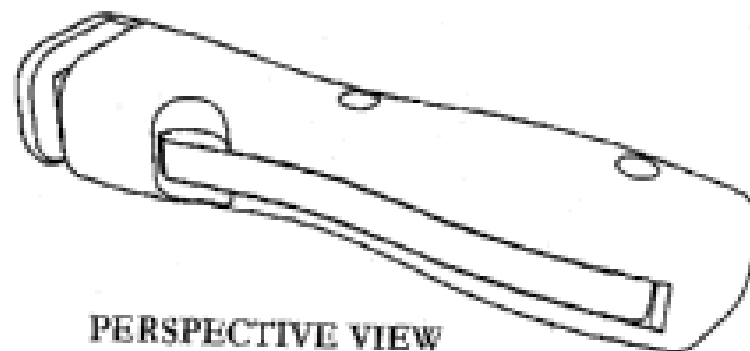
- (21) Design Number: **15656/2010**
(22) Date of Filing Application: **22 December 2010**
(24) Date from which industrial property rights may have effect: **22 December 2010**
(54) Product in respect of which the design is registered: **Slotted disc brake rotor
A**
(51) International Design Classification: **12-16M**
(71) Name(s) and Address(s) of Applicant(s):
**Disc Brakes Australia Pty Limited
Unit 3 Slough Business Park Holker Street Silverwater New South
Wales 2128 Australia**
(72) Name(s) of Designer(s): **Phillip Joseph**
(45) Registration Date: **24 January 2011**
(56) Related Art Documents: **Not Applicable**
(57) Statement of Newness and Distinctiveness: **Nil**



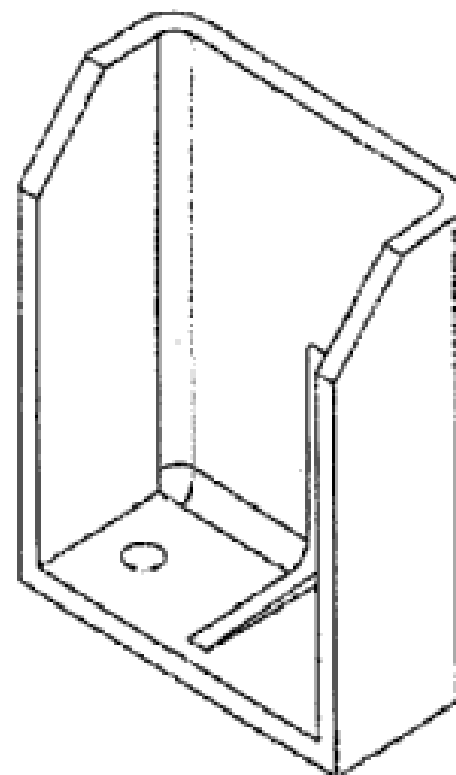
- (21) Design Number: **15658/2010**
(22) Date of Filing Application: **22 December 2010**
(24) Date from which industrial property rights may have effect: **22 December 2010**
(54) Product in respect of which the design is registered: **A wheel for use with
load beam extrusions**
(51) International Design Classification: **12-99**
(71) Name(s) and Address(s) of Applicant(s):
**Glidestore Freetrack Pty Ltd
48 Fullarton Road Norwood South Australia 5067 Australia**
(72) Name(s) of Designer(s): **Brian Parker and Andrew Stevens**
(45) Registration Date: **24 January 2011**
(56) Related Art Documents: **Not Applicable**
(57) Statement of Newness and Distinctiveness: **Newness and distinctiveness
resides in the shape and/or configuration of the A WHEEL FOR USE
WITH LOAD BEAM EXTRUSIONS as shown in the accompanying
representations.**



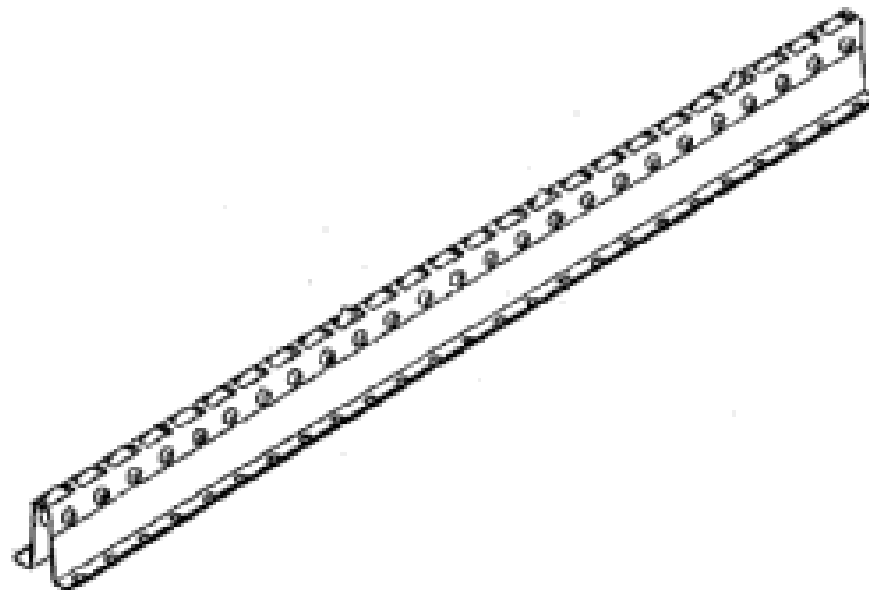
- (21) Design Number: **15659/2010**
(22) Date of Filing Application: **22 December 2010**
(24) Date from which industrial property rights may have effect: **22 December 2010**
(54) Product in respect of which the design is registered: **A handle**
(51) International Design Classification: **08-06**
(71) Name(s) and Address(s) of Applicant(s):
AGD Holdings Limited
C/ Wynyard Wood Level 15 51-53 Shortland Street Auckland 1140 New Zealand
(72) Name(s) of Designer(s): **David Moodie and Graham Robert Brett Dalton**
(45) Registration Date: **24 January 2011**
(30) Convention priority data:
(31) Number (32) Date (33) Country
413777 24 Jun 2010 NEW ZEALAND
(56) Related Art Documents: **Not Applicable**
(57) Statement of Newness and Distinctiveness: **Nil**



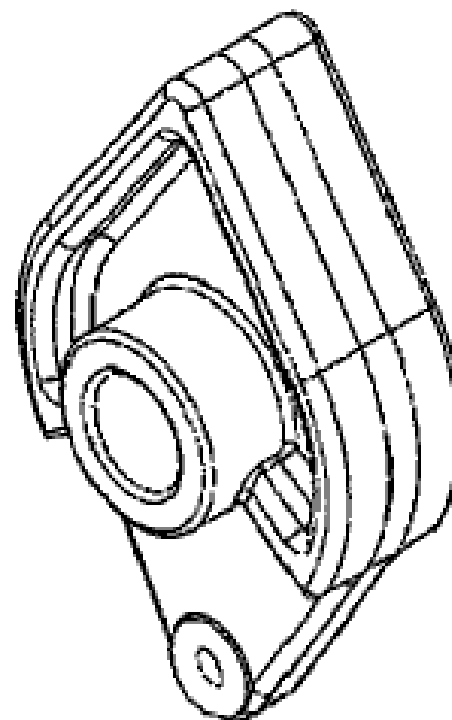
- (21) Design Number: **15660/2010**
(22) Date of Filing Application: **22 December 2010**
(24) Date from which industrial property rights may have effect: **22 December 2010**
(54) Product in respect of which the design is registered: **An end stop for load beam extrusions**
(51) International Design Classification: **25-01NES**
(71) Name(s) and Address(s) of Applicant(s):
Glidestore Freetrack Pty Ltd
48 Fullarton Road Norwood South Australia 5067 Australia
(72) Name(s) of Designer(s): **Brian Parker and Andrew Stevens**
(45) Registration Date: **24 January 2011**
(56) Related Art Documents: **Not Applicable**
(57) Statement of Newness and Distinctiveness: **Newness and distinctiveness resides in the shape and/or configuration of the AN END STOP FOR LOAD BEAM EXTRUSIONS as shown in the accompanying representations.**



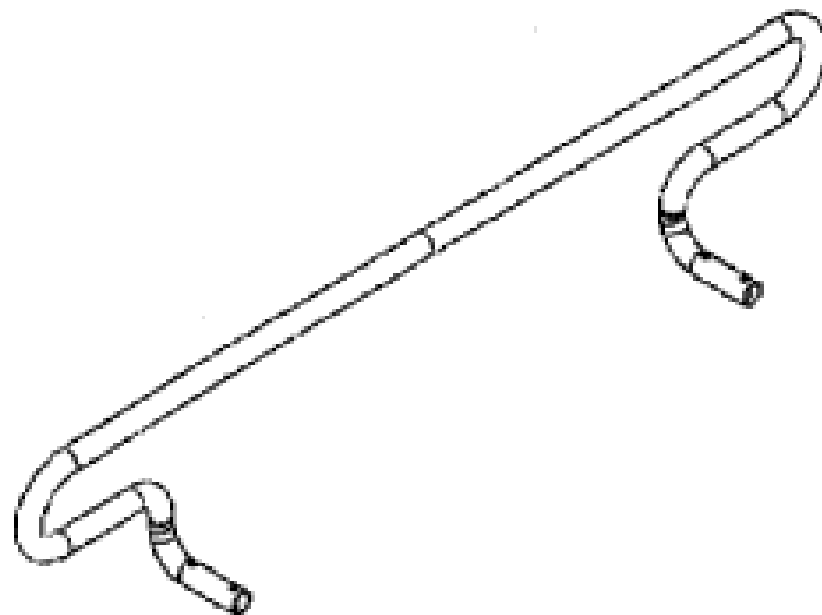
- (21) Design Number: **15661/2010**
(22) Date of Filing Application: **22 December 2010**
(24) Date from which industrial property rights may have effect: **22 December 2010**
(54) Product in respect of which the design is registered: **A load bearing beam extrusion having a plurality of wheels for supporting cargo movement**
(51) International Design Classification: **25-01K, 12-99**
(71) Name(s) and Address(s) of Applicant(s):
Glidestore Freetrack Pty Ltd
48 Fullarton Road Norwood South Australia 5067 Australia
(72) Name(s) of Designer(s): **Brian Parker and Andrew Stevens**
(45) Registration Date: **24 January 2011**
(56) Related Art Documents: **Not Applicable**
(57) Statement of Newness and Distinctiveness: **Newness and distinctiveness resides in the shape and/or configuration of the A LOAD BEARING BEAM EXTRUSION HAVING A PLURALITY OF WHEELS FOR SUPPORTING CARGO MOVEMENT as shown in the accompanying representations.**



- (21) Design Number: **15662/2010**
(22) Date of Filing Application: **22 December 2010**
(24) Date from which industrial property rights may have effect: **22 December 2010**
(54) Product in respect of which the design is registered: **A braking clip for use with load beam extrusions**
(51) International Design Classification: **12-16M**
(71) Name(s) and Address(s) of Applicant(s):
Glidestore Freetrack Pty Ltd
48 Fullarton Road Norwood South Australia 5067 Australia
(72) Name(s) of Designer(s): **Brian Parker and Andrew Stevens**
(45) Registration Date: **24 January 2011**
(56) Related Art Documents: **Not Applicable**
(57) Statement of Newness and Distinctiveness: **Newness and distinctiveness resides in the shape and/or configuration of the A BRAKING CLIP FOR USE WITH LOAD BEAM EXTRUSIONS as shown in the accompanying representations.**



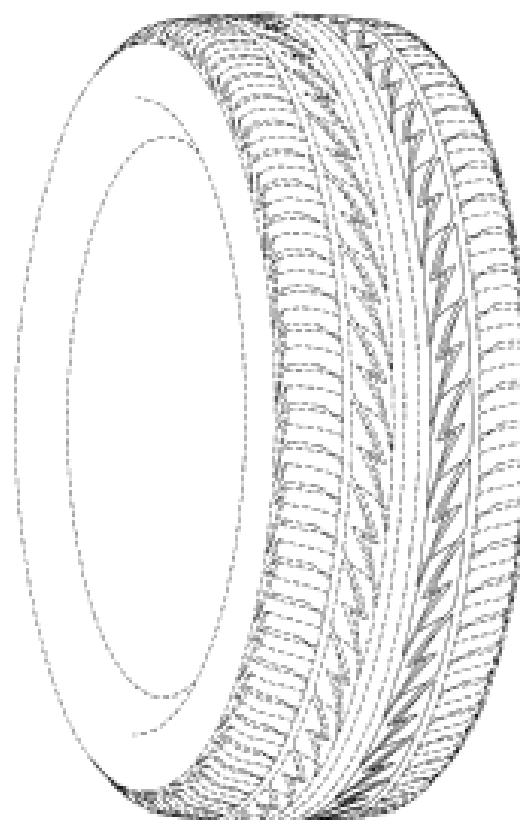
- (21) Design Number: **15663/2010**
(22) Date of Filing Application: **22 December 2010**
(24) Date from which industrial property rights may have effect: **22 December 2010**
(54) Product in respect of which the design is registered: **A guide rail for use with a load beam extrusion**
(51) International Design Classification: **25-01NES**
(71) Name(s) and Address(s) of Applicant(s):
Glidestore Freetrack Pty Ltd
48 Fullarton Road Norwood South Australia 5067 Australia
(72) Name(s) of Designer(s): **Brian Parker and Andrew Stevens**
(45) Registration Date: **24 January 2011**
(56) Related Art Documents: **Not Applicable**
(57) Statement of Newness and Distinctiveness: **Newness and distinctiveness resides in the shape and/or configuration of the A GUIDE RAIL FOR USE WITH A LOAD BEAM EXTRUSION as shown in the accompanying representations.**



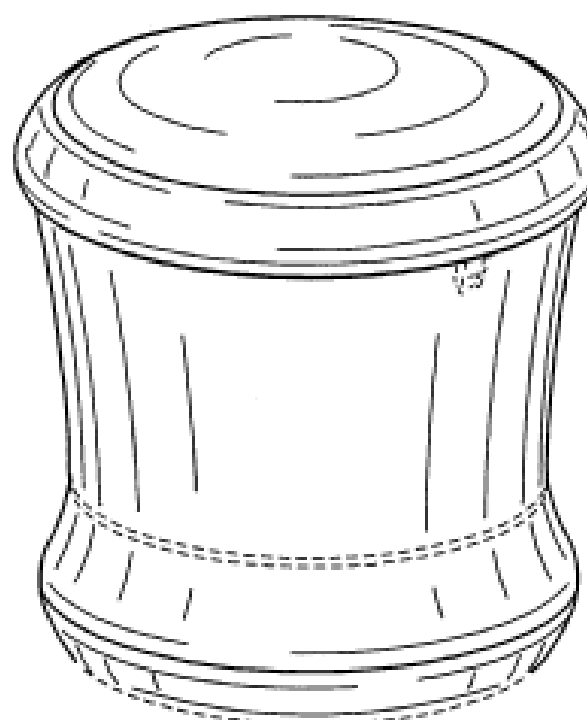
- (21) Design Number: **15681/2010**
(22) Date of Filing Application: **23 December 2010**
(24) Date from which industrial property rights may have effect: **23 December 2010**
(54) Product in respect of which the design is registered: **Combined digital disc player and automotive navigation system**
(51) International Design Classification: **14-01, 14-03NES, 12-16NES**
(71) Name(s) and Address(s) of Applicant(s):
Fujitsu Ten Limited
2-28 Goshodori 1-chome Hyogo-ku Kobe-shi Hyogo 652-8510 Japan
(72) Name(s) of Designer(s): **Koji Miyazato**
(45) Registration Date: **24 January 2011**
(30) Convention priority data:
(31) Number (32) Date (33) Country
2010-022023 13 Sep 2010 JAPAN
(56) Related Art Documents: **Not Applicable**
(57) Statement of Newness and Distinctiveness: **The shape and configuration of the front face of the combined digital disc player and automotive navigation system is new and distinctive. When assessing whether this design is substantially similar in overall impression to another design, the following features are to be disregarded: symbols and alphanumeric markings on the surface of the system; features of shape and configuration of the chassis of the combined digital disc player and automotive navigation system; and components visible on the rear surface of the combined digital disc player and automotive navigation system.**



- (21) Design Number: **15682/2010**
(22) Date of Filing Application: **23 December 2010**
(24) Date from which industrial property rights may have effect: **23 December 2010**
(54) Product in respect of which the design is registered: **Automobile tyre**
(51) International Design Classification: **12-15B**
(71) Name(s) and Address(s) of Applicant(s):
Bridgestone Corporation
10-1 Kyobashi 1-Chome Chuo-Ku Tokyo 104-8340 Japan
(72) Name(s) of Designer(s): **Sotaro Iwabuchi**
(45) Registration Date: **24 January 2011**
(30) Convention priority data:
(31) Number (32) Date (33) Country
JP2010-015767 28 Jun 2010 JAPAN
(56) Related Art Documents: **Not Applicable**
(57) Statement of Newness and Distinctiveness: **The shape, configuration and pattern of the tread portion, as shown in solid lines in the representations, are new and distinctive.**



- (21) Design Number: **15683/2010**
(22) Date of Filing Application: **22 December 2010**
(24) Date from which industrial property rights may have effect: **22 December 2010**
(54) Product in respect of which the design is registered: **Garden hose container**
(51) International Design Classification: **08-99, 08-08E**
(71) Name(s) and Address(s) of Applicant(s):
Briggs & Stratton Corporation
12301 West Wirth Street Wauwatosa Wisconsin 53222 United States of America
(72) Name(s) of Designer(s): **Richard J. Gilpatrick and Dale S. Dilulio and Bart Mayer**
(45) Registration Date: **24 January 2011**
(30) Convention priority data:
(31) Number (32) Date (33) Country
29/364439 23 Jun 2010 UNITED STATES OF AMERICA
(56) Related Art Documents: **Not Applicable**
(57) Statement of Newness and Distinctiveness: **Newness and distinctiveness is claimed in the features of shape and/or configuration of a garden hose container illustrated in continuous lines in the accompanying representations.**



- (21) Design Number: **15684/2010**
(22) Date of Filing Application: **22 December 2010**
(24) Date from which industrial property rights may have effect: **22 December 2010**
(54) Product in respect of which the design is registered: **A front top cover for a motor scooter**
(51) International Design Classification: **12-11**
(71) Name(s) and Address(s) of Applicant(s):
Honda Motor Co., Ltd.
1-1 Minami-Aoyama 2-chome Minato-ku Tokyo Japan
(72) Name(s) of Designer(s): **Hiroshi Nitta and Xiu Min Shi and Shengjie Ni**
(45) Registration Date: **24 January 2011**
(30) Convention priority data:
(31) Number (32) Date (33) Country
201030225325.2 28 Jun 2010 CHINA
(56) Related Art Documents: **Not Applicable**
(57) Statement of Newness and Distinctiveness: **Newness and distinctiveness is claimed in the features of shape and/or configuration of a front top cover for a motor scooter as illustrated in the accompanying representations.**



- (21) Design Number: **15685/2010**
(22) Date of Filing Application: **22 December 2010**
(24) Date from which industrial property rights may have effect: **22 December 2010**
(54) Product in respect of which the design is registered: **A motor cover for a lawn mower**
(51) International Design Classification: **15-03B**
(71) Name(s) and Address(s) of Applicant(s):
Honda Motor Co., Ltd.
1-1 Minami-Aoyama 2-chome Minato-ku Tokyo Japan
(72) Name(s) of Designer(s): **Hiromi Yuzuriha and Fumiya Isono and Koji Terada**
(45) Registration Date: **24 January 2011**
(30) Convention priority data:
(31) Number (32) Date (33) Country
2010-015327 22 Jun 2010 JAPAN
(56) Related Art Documents: **Not Applicable**
(57) Statement of Newness and Distinctiveness: **Newness and distinctiveness is claimed in the features of shape and/or configuration of a motor cover for a lawn mower as illustrated in the accompanying representations.**



(21) Design Number: **15687/2010**

(22) Date of Filing Application: **22 December 2010**

(24) Date from which industrial property rights may have effect: **22 December 2010**

(54) Product in respect of which the design is registered: **A motor scooter**

(51) International Design Classification: **12-11**

(71) Name(s) and Address(s) of Applicant(s):

Honda Motor Co., Ltd.

1-1 Minami-Aoyama 2-chome Minato-ku Tokyo Japan

(72) Name(s) of Designer(s): **Xiu Min Shi and Shengjie Ni and Hiroshi Nitta**

(45) Registration Date: **24 January 2011**

(30) Convention priority data:

(31) Number	(32) Date	(33) Country
201030225323.3	28 Jun 2010	CHINA

(56) Related Art Documents: **Not Applicable**

(57) Statement of Newness and Distinctiveness: **Newness and distinctiveness is claimed in the features of shape and/or configuration of a motor scooter as illustrated in the accompanying representations.**



(21) Design Number: **15689/2010**

(22) Date of Filing Application: **23 December 2010**

(24) Date from which industrial property rights may have effect: **23 December 2010**

(54) Product in respect of which the design is registered: **Portable hand wash stations and apparatus for sanitary purposes**

(51) International Design Classification: **23-02F**

(71) Name(s) and Address(s) of Applicant(s):

Teal Patents Ltd.

**Unit 2 Waterloo Avenue Chelmsley Wood Industrial Estate
Birmingham B376QQ England**

(72) Name(s) of Designer(s): **Mike Stanley and Martin Millson**

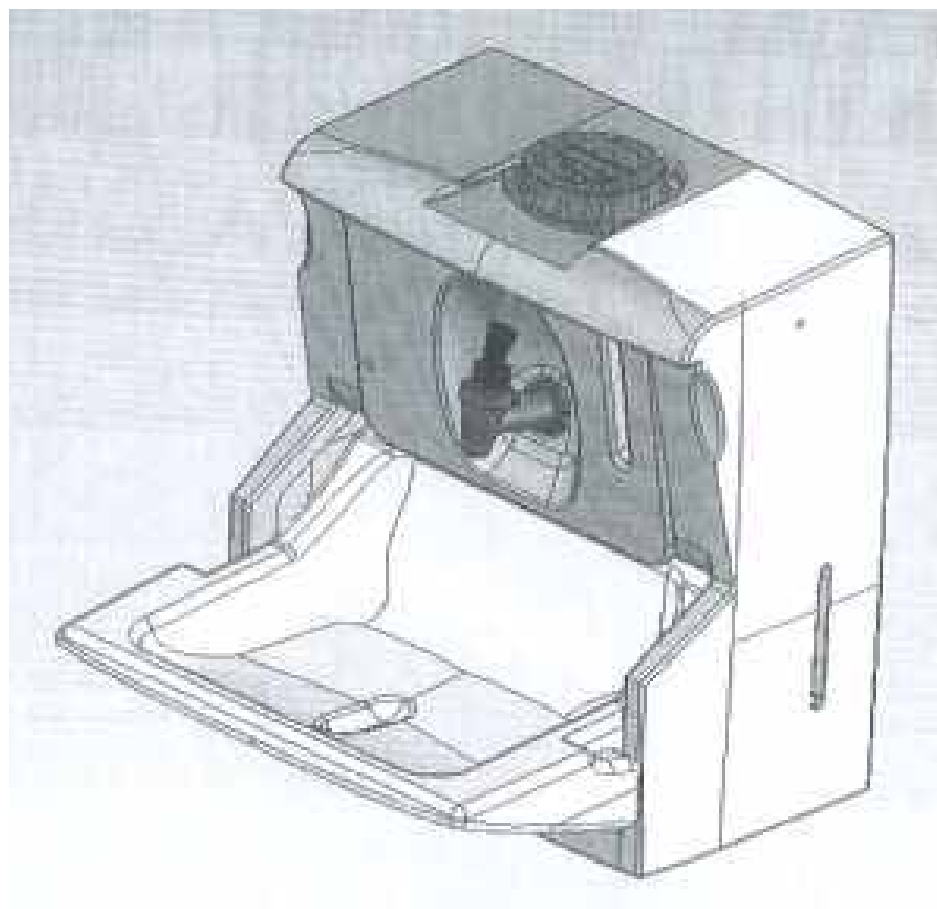
(45) Registration Date: **24 January 2011**

(56) Related Art Documents: **Not Applicable**

(57) Statement of Newness and Distinctiveness: **The design is normally applied to a portable hand wash basin featuring curvilinear forms to reflect the nature of water as shown in the accompanying representations.**

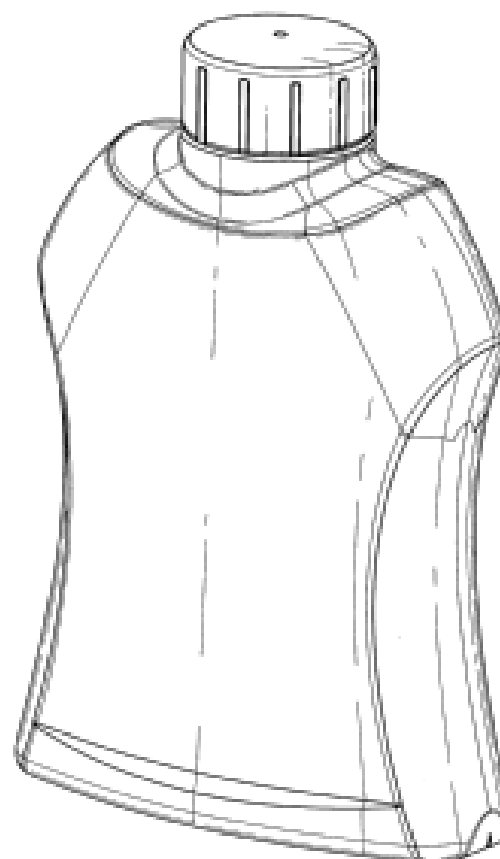


- (21) Design Number: **15690/2010**
- (22) Date of Filing Application: **23 December 2010**
- (24) Date from which industrial property rights may have effect: **23 December 2010**
- (54) Product in respect of which the design is registered: **Portable hand wash basins and apparatus for sanitary purposes**
- (51) International Design Classification: **23-02F**
- (71) Name(s) and Address(s) of Applicant(s):
Teal Patents Ltd.
Unit 2 Waterloo Avenue Chelmsley Wood Industrial Estate
Birmingham B376QQ England
- (72) Name(s) of Designer(s): **Mike Stanley and Martin Millson**
- (45) Registration Date: **24 January 2011**
- (56) Related Art Documents: **Not Applicable**
- (57) Statement of Newness and Distinctiveness: **The design is normally applied to a portable hand wash basin featuring a retractable basin for stowage as shown in the accompanying representations.**

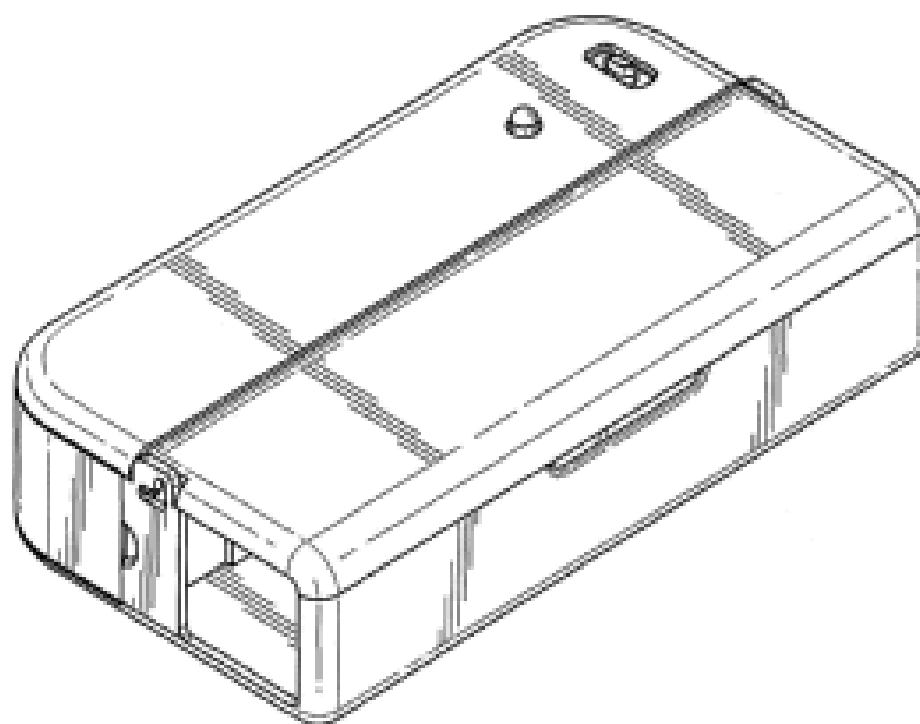


- (21) Design Number: **15691/2010**
- (22) Date of Filing Application: **23 December 2010**
- (24) Date from which industrial property rights may have effect: **23 December 2010**
- (54) Product in respect of which the design is registered: **Bottle with cap**
- (51) International Design Classification: **09-01NES**
- (71) Name(s) and Address(s) of Applicant(s):
Reckitt Benckiser Inc.
Morris Corporate Center IV 399 Interpace Parkway Parsippany New
Jersey 07054 United States of America
- (72) Name(s) of Designer(s): **Arnoldus Johannus Claassen**
- (45) Registration Date: **24 January 2011**
- (30) Convention priority data:

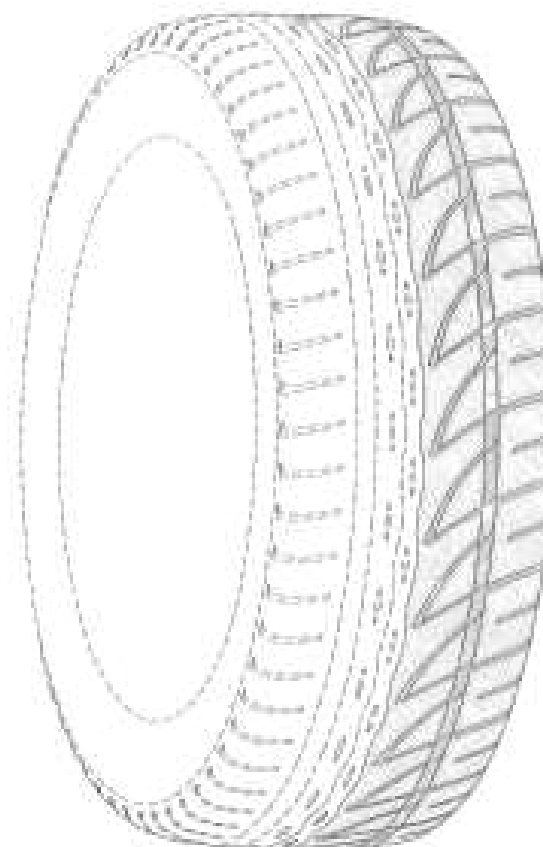
(31) Number	(32) Date	(33) Country
001727686-0003	05 Jul 2010	EUROPEAN COMMUNITY
- (56) Related Art Documents: **Not Applicable**
- (57) Statement of Newness and Distinctiveness: **Newness and distinctiveness resides in the features of shape and/or configuration of a bottle with cap as shown in solid lines in the accompanying representations. The features shown in broken lines are for illustrative purposes only and should be disregarded when considering the overall impression of the design.**



(21) Design Number: **15692/2010**
(22) Date of Filing Application: **23 December 2010**
(24) Date from which industrial property rights may have effect: **23 December 2010**
(54) Product in respect of which the design is registered: **Rodent bait station**
(51) International Design Classification: **22-06**
(71) Name(s) and Address(s) of Applicant(s):
Reckitt & Colman (Overseas) Limited
103-105 Bath Road Slough Berkshire SL1 3UH United Kingdom
(72) Name(s) of Designer(s): **Duncan McLeod Watson and Claud Warren**
(45) Registration Date: **24 January 2011**
(30) Convention priority data:
(31) Number (32) Date (33) Country
001725896-0001 29 Jun 2010 EUROPEAN COMMUNITY
(56) Related Art Documents: **Not Applicable**
(57) Statement of Newness and Distinctiveness: **Nil**



(21) Design Number: **12101/2010**
(22) Date of Filing Application: **25 May 2010**
(24) Date from which industrial property rights may have effect: **25 May 2010**
(54) Product in respect of which the design is registered: **Automobile tyre**
(51) International Design Classification: **12-15A**
(71) Name(s) and Address(s) of Applicant(s):
Bridgestone Corporation
10-1 Kyobashi 1-Chome Chuo-Ku Tokyo 104-8340 Japan
(72) Name(s) of Designer(s): **Takamitsu Nakamura**
(45) Registration Date: **25 January 2011**
(56) Related Art Documents: **Not Applicable**
(57) Statement of Newness and Distinctiveness: **The shape, configuration and/or pattern of the portion of the tread shown by means of solid lines in the representations are new and distinctive.**



(21) Design Number: **12102/2010**

(22) Date of Filing Application: **25 May 2010**

(24) Date from which industrial property rights may have effect: **25 May 2010**

(54) Product in respect of which the design is registered: **Automobile tyre**

(51) International Design Classification: **12-15A**

(71) Name(s) and Address(s) of Applicant(s):

Bridgestone Corporation

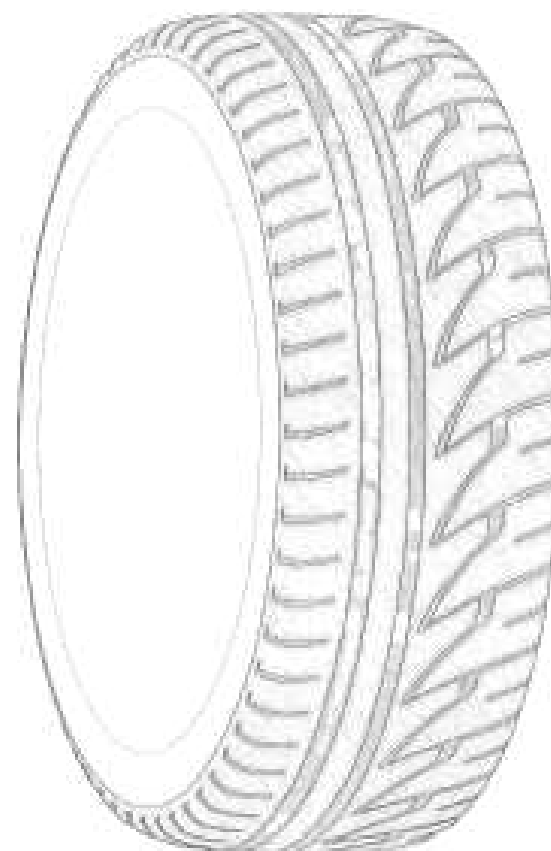
10-1 Kyobashi 1-Chome Chuo-Ku Tokyo 104-8340 Japan

(72) Name(s) of Designer(s): **Takamitsu Nakamura**

(45) Registration Date: **25 January 2011**

(56) Related Art Documents: **Not Applicable**

(57) Statement of Newness and Distinctiveness: **The shape, configuration and/or pattern of the tread portion of the tire are new and distinctive.**



(21) Design Number: **12103/2010**

(22) Date of Filing Application: **25 May 2010**

(24) Date from which industrial property rights may have effect: **25 May 2010**

(54) Product in respect of which the design is registered: **Automobile tyre**

(51) International Design Classification: **12-15A**

(71) Name(s) and Address(s) of Applicant(s):

Bridgestone Corporation

10-1 Kyobashi 1-Chome Chuo-Ku Tokyo 104-8340 Japan

(72) Name(s) of Designer(s): **Takamitsu Nakamura**

(45) Registration Date: **25 January 2011**

(56) Related Art Documents: **Not Applicable**

(57) Statement of Newness and Distinctiveness: **The shape, configuration and/or pattern of the tread portion of the tire are new and distinctive.**



(21) Design Number: **13164/2010**

(22) Date of Filing Application: **27 July 2010**

(24) Date from which industrial property rights may have effect: **27 July 2010**

(54) Product in respect of which the design is registered: **Ground peg or anchor**

(51) International Design Classification: **08-08NES, 21-04**

(71) Name(s) and Address(s) of Applicant(s):

Mattane Pty Ltd

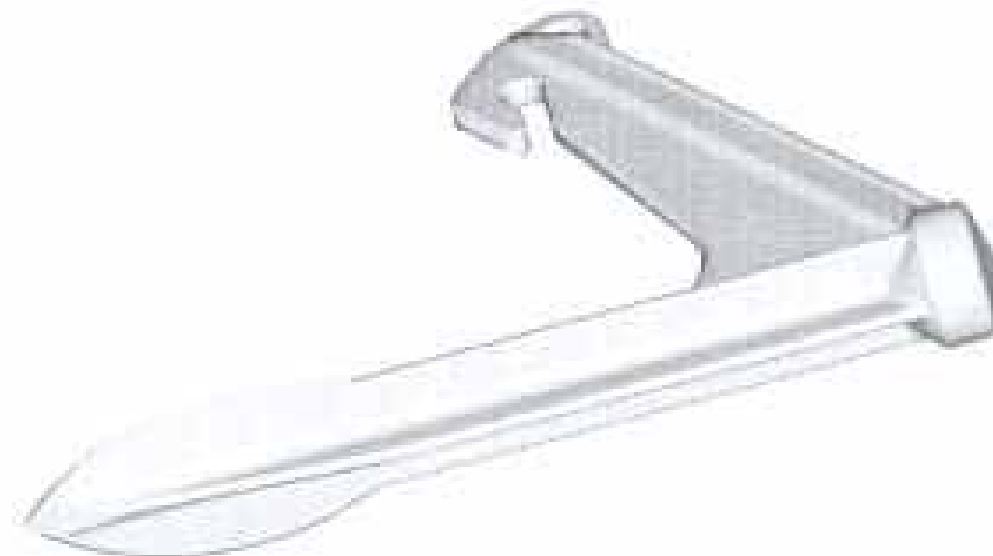
14 Binary Street Yatala Queensland 4207 Australia

(72) Name(s) of Designer(s): **David George Cook**

(45) Registration Date: **25 January 2011**

(56) Related Art Documents: **Not Applicable**

(57) Statement of Newness and Distinctiveness: **Newness and distinctiveness reside in the features of shape and configuration of a ground peg or anchor as shown in the accompanying representations.**



(21) Design Number: **14626/2010**

(22) Date of Filing Application: **27 October 2010**

(24) Date from which industrial property rights may have effect: **27 October 2010**

(54) Product in respect of which the design is registered: **Jeans to be worn for motorcycle riding or horse riding**

(51) International Design Classification: **02-02C**

(71) Name(s) and Address(s) of Applicant(s):

Sartso I.P. Pty Ltd

9 Iris Court Glenmore Park New South Wales 2745 Australia

(72) Name(s) of Designer(s): **Michael So**

(45) Registration Date: **25 January 2011**

(56) Related Art Documents: **Not Applicable**

(57) Statement of Newness and Distinctiveness: **Nil**



- (21) Design Number: **14627/2010**
(22) Date of Filing Application: **27 October 2010**
(24) Date from which industrial property rights may have effect: **27 October 2010**
(54) Product in respect of which the design is registered: **Jeans to be worn for motorcycle riding or horse riding**
(51) International Design Classification: **02-02C**
(71) Name(s) and Address(s) of Applicant(s):
Sartso I.P. Pty Ltd
9 Iris Court Glenmore Park New South Wales 2745 Australia
(72) Name(s) of Designer(s): **Michael So**
(45) Registration Date: **25 January 2011**
(56) Related Art Documents: **Not Applicable**
(57) Statement of Newness and Distinctiveness: **Nil**



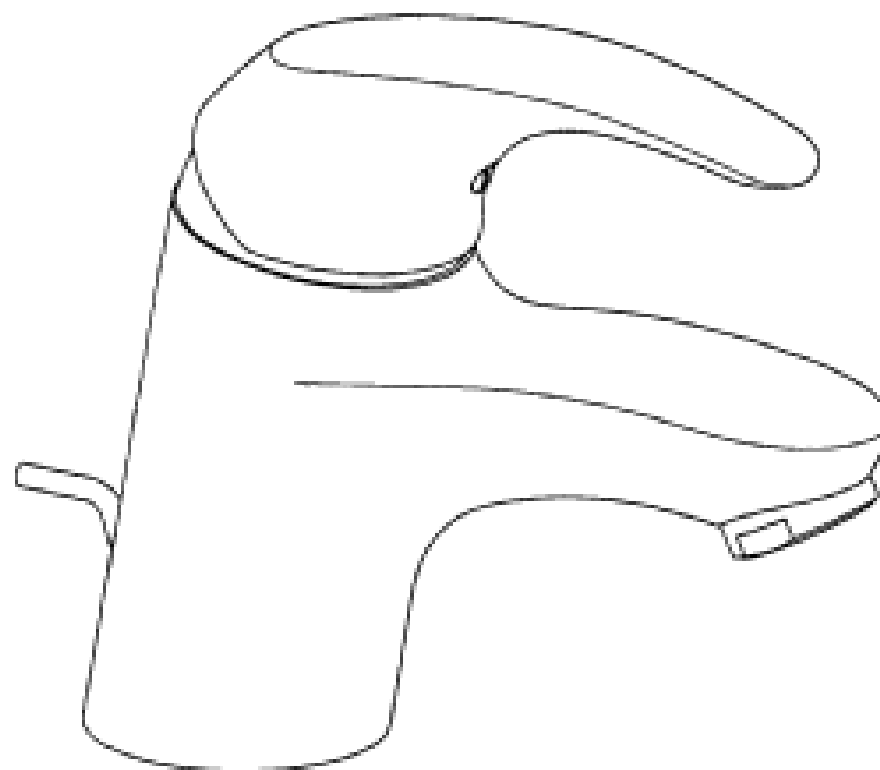
- (21) Design Number: **15070/2010**
(22) Date of Filing Application: **19 November 2010**
(24) Date from which industrial property rights may have effect: **19 November 2010**
(54) Product in respect of which the design is registered: **Container shroud**
(51) International Design Classification: **09-01NES**
(71) Name(s) and Address(s) of Applicant(s):
S.C. Johnson & Son, Inc.
1525 Howe Street Racine Wisconsin 53403-2236 United States of America
(72) Name(s) of Designer(s): **Jonathan N. Mandell and Nathaniel Giraitis and Erica Eden Cohen and Jacob Palmberg and Nicholas Oxley and Jessi Pervola and Richard Whitehall**
(45) Registration Date: **25 January 2011**
(30) Convention priority data:
(31) Number (32) Date (33) Country
001215701 21 May 2010 EUROPEAN COMMUNITY
(56) Related Art Documents: **Not Applicable**
(57) Statement of Newness and Distinctiveness: **Newness and distinctiveness is claimed in those features of shape and/or configuration of a container shroud as illustrated in continuous lines in the accompanying representations.**



- (21) Design Number: **15071/2010**
(22) Date of Filing Application: **19 November 2010**
(24) Date from which industrial property rights may have effect: **19 November 2010**
(54) Product in respect of which the design is registered: **Container**
(51) International Design Classification: **09-01NES**
(71) Name(s) and Address(s) of Applicant(s):
S.C. Johnson & Son, Inc.
1525 Howe Street Racine Wisconsin 53403-2236 United States of America
(72) Name(s) of Designer(s): **Jonathan N. Mandell and Nathaniel Giraitis and Erica Eden Cohen and Jacob Palmborg and Nicholas Oxley and Jessi Pervola and Richard Whitehall**
(45) Registration Date: **25 January 2011**
(30) Convention priority data:
(31) Number (32) Date (33) Country
001215875 21 May 2010 EUROPEAN COMMUNITY
(56) Related Art Documents: **Not Applicable**
(57) Statement of Newness and Distinctiveness: **Newness and distinctiveness is claimed in the features of shape and/or configuration of a container as illustrated in the accompanying representations.**



- (21) Design Number: **15202/2010**
(22) Date of Filing Application: **29 November 2010**
(24) Date from which industrial property rights may have effect: **29 November 2010**
(54) Product in respect of which the design is registered: **Mixing tap**
(51) International Design Classification: **23-01H**
(71) Name(s) and Address(s) of Applicant(s):
Hansa Metallwerke AG
Sigmaringer Str. 107 D-70567 Stuttgart Germany
(72) Name(s) of Designer(s): **Michael Zeisel and Michael Lammel**
(45) Registration Date: **25 January 2011**
(30) Convention priority data:
(31) Number (32) Date (33) Country
001728221-001 06 Jul 2010 EUROPEAN COMMUNITY
(56) Related Art Documents: **Not Applicable**
(57) Statement of Newness and Distinctiveness: **Nil**



- (21) Design Number: **15693/2010**
(22) Date of Filing Application: **23 December 2010**
(24) Date from which industrial property rights may have effect: **23 December 2010**
(54) Product in respect of which the design is registered: **Bottle**
(51) International Design Classification: **09-01K**
(71) Name(s) and Address(s) of Applicant(s):

Reckitt Benckiser Inc.
Morris Corporate Center IV 399 Interpace Parkway Parsippany New Jersey 07054 United States of America

(72) Name(s) of Designer(s): **Arnoldus Johannus Claassen**

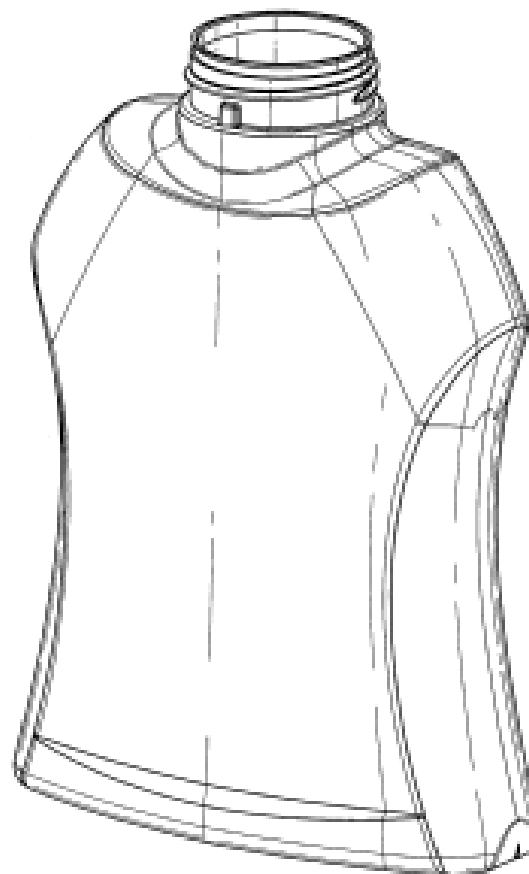
(45) Registration Date: **25 January 2011**

(30) Convention priority data:

(31) Number	(32) Date	(33) Country
001727686-0002	05 Jul 2010	EUROPEAN COMMUNITY

(56) Related Art Documents: **Not Applicable**

(57) Statement of Newness and Distinctiveness: **Newness and distinctiveness resides in the features of shape and/or configuration of a bottle as shown in solid lines in the accompanying representations. The features shown in broken lines are for illustrative purposes only and should be disregarded when considering the overall impression of the design.**



- (21) Design Number: **15694/2010**
(22) Date of Filing Application: **23 December 2010**
(24) Date from which industrial property rights may have effect: **23 December 2010**
(54) Product in respect of which the design is registered: **Bottle with cap**
(51) International Design Classification: **09-01NES**
(71) Name(s) and Address(s) of Applicant(s):

Reckitt Benckiser Inc.
Morris Corporate Center IV 399 Interpace Parkway Parsippany New Jersey 07054 United States of America

(72) Name(s) of Designer(s): **Arnoldus Johannus Claassen**

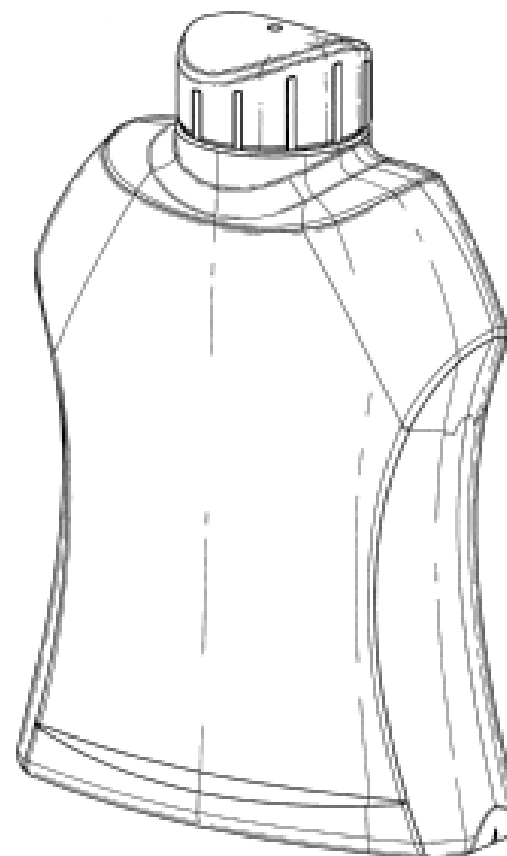
(45) Registration Date: **25 January 2011**

(30) Convention priority data:

(31) Number	(32) Date	(33) Country
001727686-0001	05 Jul 2010	EUROPEAN COMMUNITY

(56) Related Art Documents: **Not Applicable**

(57) Statement of Newness and Distinctiveness: **Newness and distinctiveness resides in the features of shape and/or configuration of a bottle with cap as shown in solid lines in the accompanying representations. The features shown in broken lines are for illustrative purposes only and should be disregarded when considering the overall impression of the design.**



- (21) Design Number: **15698/2010**
(22) Date of Filing Application: **23 December 2010**
(24) Date from which industrial property rights may have effect: **23 December 2010**
(54) Product in respect of which the design is registered: **Bayonet shroud**
(51) International Design Classification: **09-07A**
(71) Name(s) and Address(s) of Applicant(s):

Meadwestvaco Calmar, Inc.
11901 Grandview Road Grandview 64030 Missouri United States of America

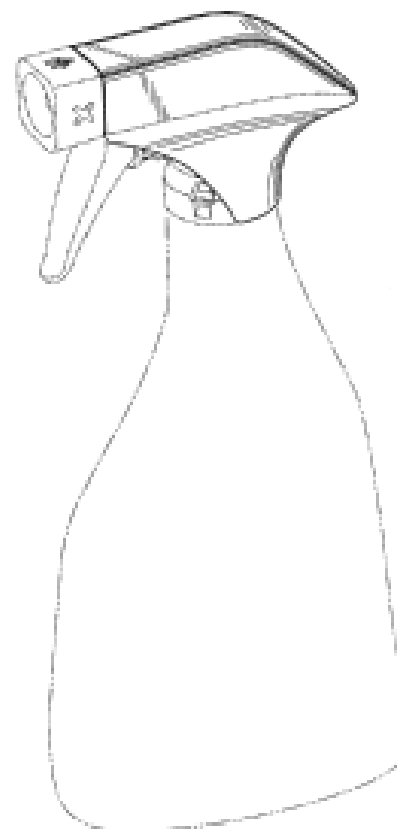
- (72) Name(s) of Designer(s): **Steven L. Sweeton**
(45) Registration Date: **25 January 2011**

(30) Convention priority data:

(31) Number	(32) Date	(33) Country
29/370285	25 Jun 2010	UNITED STATES OF AMERICA

(56) Related Art Documents: **Not Applicable**

(57) Statement of Newness and Distinctiveness: **The newness and distinctiveness of the design resides in the shape and/or configuration of the bayonet shroud shown in the representations. The dashed portion should be disregarded when assessing newness and distinctiveness.**



- (21) Design Number: **15699/2010**
(22) Date of Filing Application: **23 December 2010**
(24) Date from which industrial property rights may have effect: **23 December 2010**
(54) Product in respect of which the design is registered: **Continuous thread shroud**
(51) International Design Classification: **09-07A**
(71) Name(s) and Address(s) of Applicant(s):

Meadwestvaco Calmar, Inc.
11901 Grandview Road Grandview 64030 Missouri United States of America

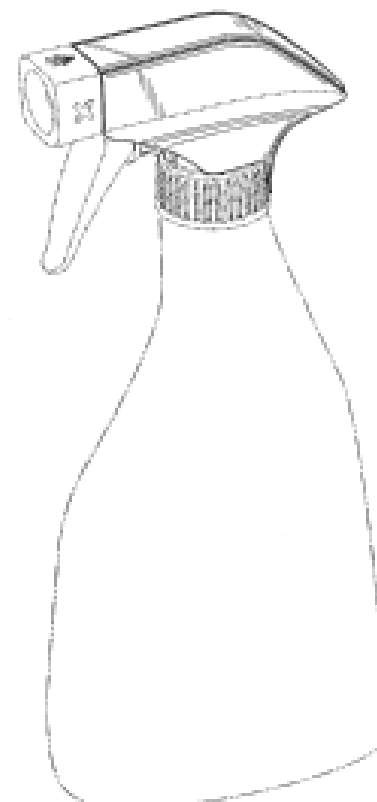
- (72) Name(s) of Designer(s): **Steven L. Sweeton**
(45) Registration Date: **25 January 2011**

(30) Convention priority data:

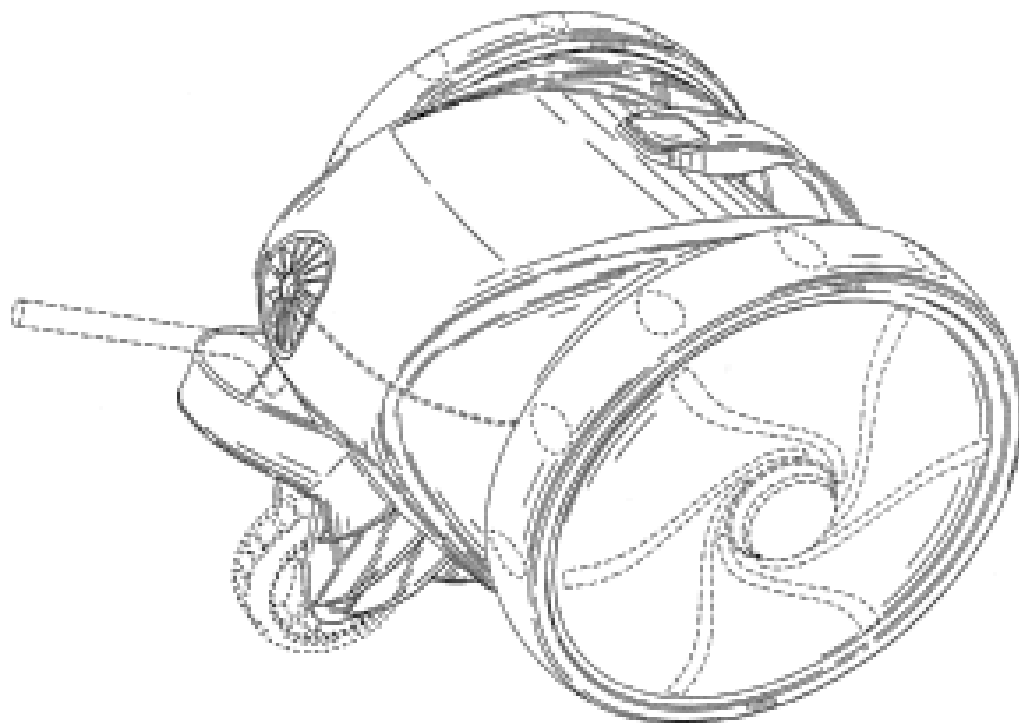
(31) Number	(32) Date	(33) Country
29/370286	25 Jun 2010	UNITED STATES OF AMERICA

(56) Related Art Documents: **Not Applicable**

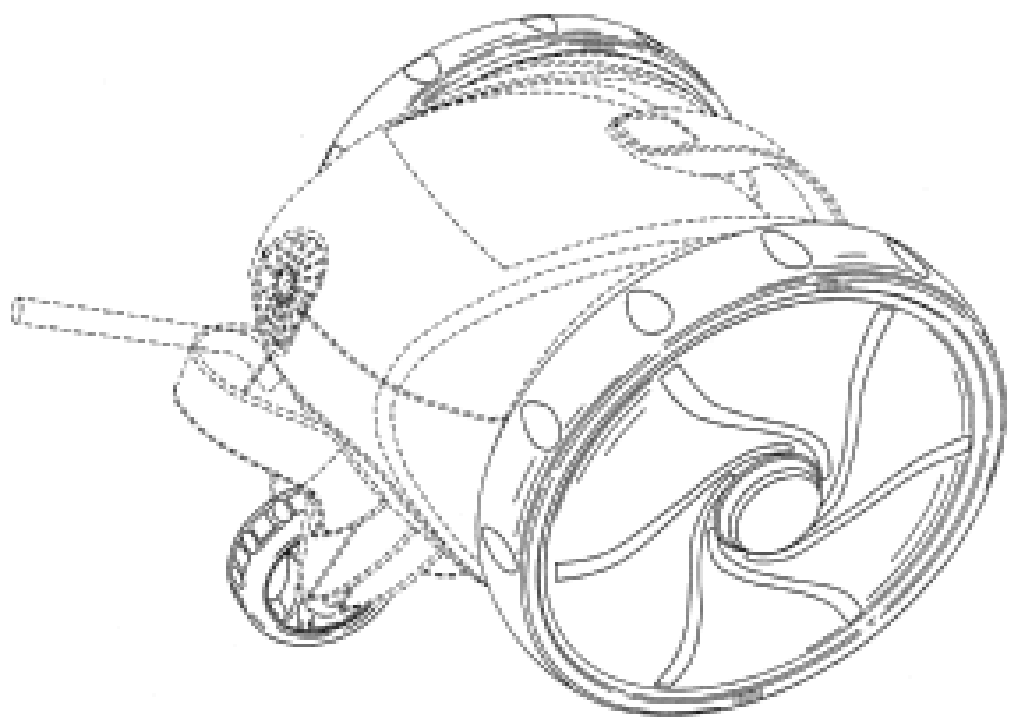
(57) Statement of Newness and Distinctiveness: **The newness and distinctiveness of the design resides in the shape and/or configuration of the continuous thread shroud shown in the representations. The dashed portion should be disregarded when assessing newness and distinctiveness.**



- (21) Design Number: **15701/2010**
(22) Date of Filing Application: **23 December 2010**
(24) Date from which industrial property rights may have effect: **23 December 2010**
(54) Product in respect of which the design is registered: **Pool cleaner robot**
(51) International Design Classification: **15-05**
(71) Name(s) and Address(s) of Applicant(s):
Zodiac Pool Care Europe
1 Quai de Grenelle 75015 Paris France
(72) Name(s) of Designer(s): **Emmanuel Mastio and Philippe Blanc-Tailleur and Philippe Pichon**
(45) Registration Date: **25 January 2011**
(30) Convention priority data:
(31) Number (32) Date (33) Country
001222418-0001 30 Jun 2010 EUROPEAN COMMUNITY
(56) Related Art Documents: **Not Applicable**
(57) Statement of Newness and Distinctiveness: **Newness and distinctiveness reside in the features of shape and configuration of the design as shown in solid lines in the representations with the features shown in dashed lines being disclaimed.**



- (21) Design Number: **15702/2010**
(22) Date of Filing Application: **23 December 2010**
(24) Date from which industrial property rights may have effect: **23 December 2010**
(54) Product in respect of which the design is registered: **Pool cleaner robot**
(51) International Design Classification: **15-05**
(71) Name(s) and Address(s) of Applicant(s):
Zodiac Pool Care Europe
1 Quai de Grenelle 75015 Paris France
(72) Name(s) of Designer(s): **Emmanuel Mastio and Philippe Blanc-Tailleur and Philippe Pichon**
(45) Registration Date: **25 January 2011**
(30) Convention priority data:
(31) Number (32) Date (33) Country
001222418-0001 30 Jun 2010 EUROPEAN COMMUNITY
(56) Related Art Documents: **Not Applicable**
(57) Statement of Newness and Distinctiveness: **Newness and distinctiveness reside in the features of shape and configuration of the design as shown in solid lines in the representations with the features shown in dashed lines being disclaimed.**



(21) Design Number: **15703/2010**

(22) Date of Filing Application: **23 December 2010**

(24) Date from which industrial property rights may have effect: **23 December 2010**

(54) Product in respect of which the design is registered: **Poole cleaner robot**

(51) International Design Classification: **15-05**

(71) Name(s) and Address(s) of Applicant(s):

**Zodiac Pool Care Europe
1 Quai de Grenelle 75015 Paris France**

(72) Name(s) of Designer(s): **Emmanuel Mastio and Philippe Blanc-Tailleur and Philippe Pichon**

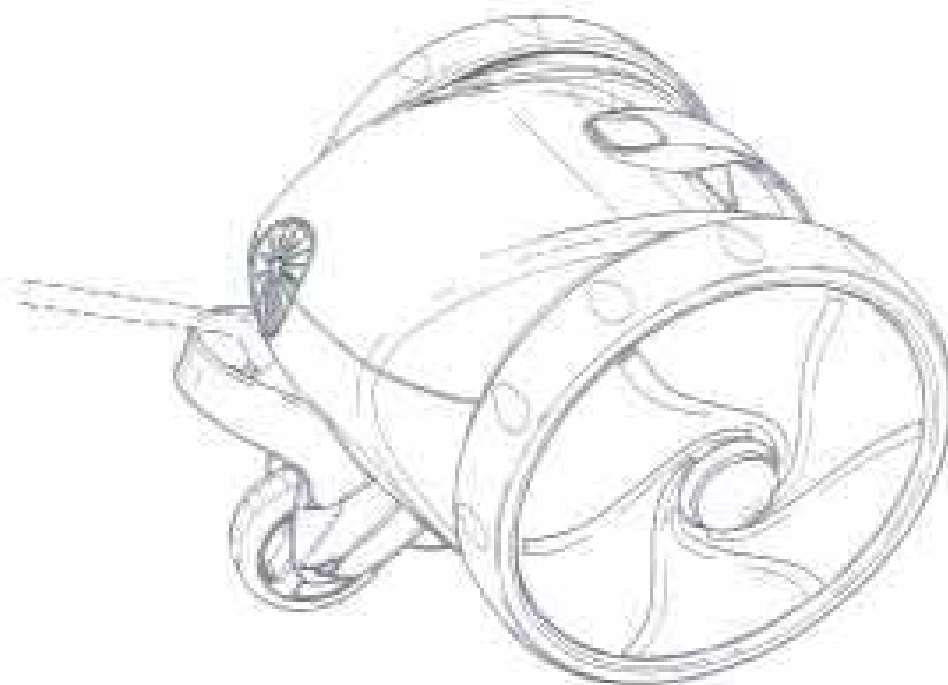
(45) Registration Date: **25 January 2011**

(30) Convention priority data:

(31) Number	(32) Date	(33) Country
001222418-0001	30 Jun 2010	EUROPEAN COMMUNITY

(56) Related Art Documents: **Not Applicable**

(57) Statement of Newness and Distinctiveness: **Newness and distinctiveness reside in the features of shape and configuration of the design as shown in the representations excluding those features shown in broken lines.**



(21) Design Number: **15704/2010**

(22) Date of Filing Application: **23 December 2010**

(24) Date from which industrial property rights may have effect: **23 December 2010**

(54) Product in respect of which the design is registered: **An article of furniture**

(51) International Design Classification: **06-01G**

(71) Name(s) and Address(s) of Applicant(s):

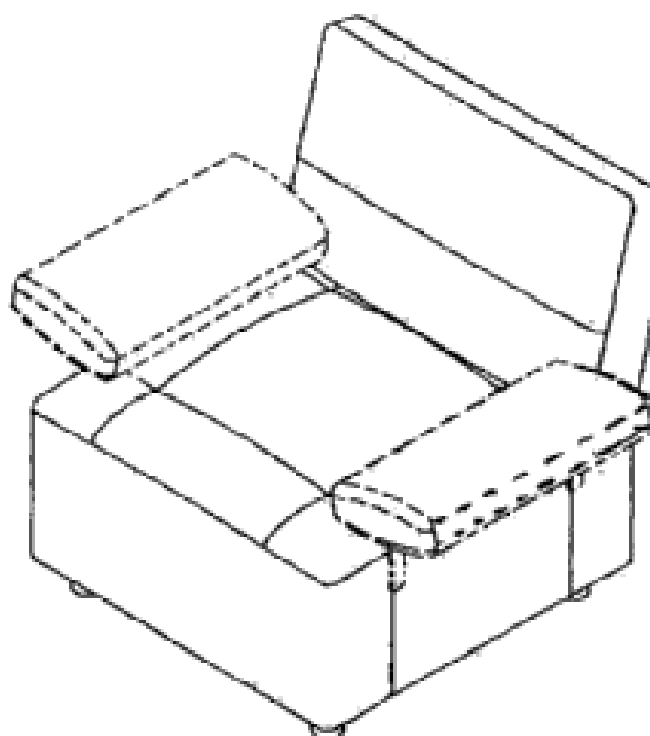
**King Furniture (Australia) Pty Ltd
123 Turrella Street Turrella New South Wales 2205 Australia**

(72) Name(s) of Designer(s): **David King and Ryan Lawson**

(45) Registration Date: **25 January 2011**

(56) Related Art Documents: **Not Applicable**

(57) Statement of Newness and Distinctiveness: **Newness and distinctiveness reside in the features of the design as shown in the representations, wherein the number of armrests, which are shown in broken lines, may vary between zero and two.**



(21) Design Number: **15705/2010**

(22) Date of Filing Application: **23 December 2010**

(24) Date from which industrial property rights may have effect: **23 December 2010**

(54) Product in respect of which the design is registered: **An article of furniture**

(51) International Design Classification: **06-01G**

(71) Name(s) and Address(s) of Applicant(s):

King Furniture (Australia) Pty Ltd
123 Turrella Street Turrella New South Wales 2205 Australia

(72) Name(s) of Designer(s): **David King and Ryan Lawson**

(45) Registration Date: **25 January 2011**

(56) Related Art Documents: **Not Applicable**

(57) Statement of Newness and Distinctiveness: **Newness and distinctiveness reside in the features of the design as shown in the representations, wherein the number of armrests, which are shown in broken lines, may vary between zero and two.**

