



Australian Government

IP Australia

AUSTRALIAN OFFICIAL JOURNAL

OF

DESIGNS

Did you know a searchable version of this journal is now available online?

It's FREE and EASY to SEARCH.

Find it at

<http://pericles.ipaustralia.gov.au/ols/epublish/content/olsEpublications.jsp>
or using the "Online Journals" link on the IP Australia home page.

This Page Left Intentionally Blank

Contents

General Information & Notices

Proceedings Under the Designs Act 1906 preserved as a result of the provisions of Chapter 12 Part 2 of the Designs Act 2003

Applications for Extension of Time	434
Extension of Period of Registration of Designs	434
Names Registered - Alterations and Amendments	434
Registrations Ceased	434
Subsequent Owners Registered	434

Proceedings Under the Designs Act 2003

Applications for Extension of Time Under Section 137	445
Applications Lapsed	444
Applications Lodged	439
Certificate of Examination	448
Corrigenda	447
Extension of Period of Registration of Design	
Extension of Time Granted Under Section 137	445
Names Registered - Alterations and Amendments	446
Publication and Registration Proceedings	
Designs Registered 334835 to 335033.....	449
Registrations Ceased	445
Subsequent Owners Registered	445

This Page Left Intentionally Blank

For information on the following please see our website www.ipaustralia.gov.au or contact our Customer Service Network on 1300651010

[Editorial enquiries](#)

[Contact information](#)

[Freedom of Information ACT](#)

[Professional Standards Board](#)

[Sales](#)

[Requests for Information under Section 194 \(c\)](#)

[Country Codes](#)

[Trade Mark and Designs Hearing Sessions](#)

[INID \(Internationally agreed Numbers for the Identification of Data\)](#)

“INID” NUMBERS in use on Australian Design Documents

“INID” is an acronym for “Internationally agreed Numbers for the Identification of Data”.

(10) Data concerning the registration/renewal

- (11) Serial number of the registration and/or number of the design document
- (12) Plain language designation of the kind of published document
- (19) Identification, using the two-letter code according to WIPO Standard ST.3, of the authority publishing or registering the industrial design

(20) Data concerning the application

- (21) Serial number of the application
- (22) Date of filing of the application
- (24) Date from which the industrial design right has effect

(30) Data relating to priority under the Paris Convention

- (31) Serial number assigned to the priority application
- (32) Date of filing of the priority application
- (33) Two-letter code, according to WIPO Standard ST.3, identifying the authority with which the priority application was made

(40) Date(s) of making information available to the public

- (45) Date of publication of the registered industrial design by printing or similar process, or making it available to the public by any other means

(50) Miscellaneous Information

- (51) International Classification for Industrial Designs (class and subclass of the Locarno Classification)
- (54) Designation of article(s) or product(s) covered by the industrial design or title of the industrial design
- (55) Reproduction of the industrial design (e.g., drawing, photograph) and explanations relating to the reproduction
- (56) List of prior art documents, if separate from descriptive text
- (57) Description of characteristic features of the industrial design including indication of colours

(60) References to other legally related application(s) and registration(s)

- (62) Serial number(s) and, if available, filing date(s) of application(s), registration(s) or document(s) related by division
- (66) Serial number(s) of the application, or the registration, of the design(s) which is (are) a variant(s) of the present one

(70) Identification of parties concerned with the application or registration

- (71) Name(s) and address(es) of the applicant(s)
- (72) Name(s) of the creator(s) if known to be such
- (74) Name(s) and address(es) of the representative(s)

This Page Left Intentionally Blank

Nil notices for this journal issue.

Proceedings under the Designs Act 1906 preserved as a result of the provisions of Chapter 12 Part 2 of the Designs Act 2003.

This Page Left Intentionally Blank

Applications Lapsed

There were no Applications Lapsed under this section

Extension of Period of Registration of Designs

142632	142635	143335
143963	144121	148531
151726		

1st Period (Section 27A(8))

Applications for Extension of time

2nd Period (Section 27A(12))

Applications for extension of time have been lodged. Objections must be lodged within 1 month from the date of this journal.

3rd Period (Section 27A(13))

156649 **Visy R & D Pty Ltd** Extension of time to extend a registration. Address for Service: Davies Collison Cave Level 15 1 Nicholson Street MELBOURNE VIC 3000

140002	140141	140467
140519	140569	140683
140760	140780	140829
141194	141256	141259
141339	141340	141361
141362	141492	141513
141575	141592	141603
141609	141676	141677
141690	141708	141709
141710	141711	141712
141774	141775	141811
141812	141869	141881
142115	142116	142147
142148	142149	142254
142755	142756	142828
142945	143304	144044
144045	144046	144047
144048	144065	144260
144593	145426	145544
145603	145604	145920
145926	146040	147722
157693	157694	

Subsequent Owners Registered

(The name in parentheses is that of the subsequent owner)

149160	(Mattane Pty Ltd)	David George Cook
152860	(Mattane Pty Ltd)	David George Cook
153021	(Mattane Pty Ltd)	David George Cook

Names Registered - Alterations and Amendments

(The name in parentheses is the new name of the proprietor)

131876	(GM Global Technology Operations, LLC.)	GM Global Technology Operations, Inc.
--------	--	---------------------------------------

Registrations Ceased

Note: Some of the following Registrations may have been previously advertised as ceased. In this instance, the previous advertisement still prevails.

123144	124554	124555
124556	124558	124561
124566	124567	124576
124577	124608	124711
124712	124801	125022
125186	125265	125375
127121	128206	128442
128635	129857	134988
138200	138492	138494
138710	139596	139715
139722	139723	139724
139786	139789	139848
139850	139851	139852
139891	139903	140092
140191	140511	140524
140525	141002	141081

This Page Left Intentionally Blank

Proceedings under the Designs Act 2003.

This Page Left Intentionally Blank

Applications Lodged

Lodgement information is in the following order: **Applicant's Name**; International Classification, Name of Product, Lodgement Date and **Design Number**. If the applicant claims an earlier priority date under an International Convention, the Convention Country and the associated filing date are shown in parentheses before the Lodgement Date. Divisional information will also appear in parentheses before the Lodgement Date.

Aktiebolaget Electrolux; 07-02L, Coffee machine, (EM, 12 Apr 2010) 11 Oct 2010	10299/2011	Bridgestone Australia Ltd; 12-08, Truck body, 02 Feb 2011	10292/2011
Aktiebolaget Electrolux; 07-02L, Coffee machine, (EM, 12 Apr 2010) 11 Oct 2010	10300/2011	Bulk Connections Australia Pty Ltd; 09-03K, Intermodal shipping and domestic containers, 01 Feb 2011	10279/2011
Alive Girl Pty Ltd; 02-02NES, Apparel, 03 Feb 2011	10322/2011	Callaway Golf Company; 21-02C, Golf club head, (US, 30 Jul 2010) 28 Jan 2011	10237/2011
Anthony, Mark; 12-16NES, Golf buggy wheel axels, 03 Feb 2011	10315/2011	Carmody, Joshua; 99-00, , 08 Feb 2011	10355/2011
Architectural Window Systems Pty Ltd; 25-01K, An extrusion, 31 Jan 2011	10255/2011	Cequent Performance Products, Inc.; 08-05E, 12-16L, Fifth wheel hitch skid plate cover, (US, 26 Jul 2010) 27 Jan 2011	10187/2011
Architectural Window Systems Pty Ltd; 25-01K, An extrusion, 31 Jan 2011	10253/2011	Cequent Performance Products, Inc.; 12-16L, Fifth wheel hitch, (US, 26 Jul 2010) 27 Jan 2011	10197/2011
Architectural Window Systems Pty Ltd; 25-01K, An extrusion, 31 Jan 2011	10254/2011	Charlesworth, Ellen; 19-06, Alphabet pen clip, 08 Dec 2010	10376/2011
ACS Stainless Steel Fixings Limited; 08-08A, Accoustic cavity wall tie, 25 Jan 2011	10165/2011	Charlesworth, Ellen; 19-06, Alphabet pen clip, 08 Dec 2010	10377/2011
ACS Stainless Steel Fixings Limited; 08-08A, Adjustable stone restraint tie, 25 Jan 2011	10166/2011	Chiam, Heng Foo; Gibbs, Nicholas James; 23-03D, Support member for a display stand, 27 Jul 2010	10219/2011
Beaute Prestige International; 09-01G, Flask, (EM, 20 Sep 2010) 01 Feb 2011	10282/2011	Chillquest Pty Ltd; 07-07A, Disposable ice box, 25 Jan 2011	10128/2011
Beba Enterprises Pty Ltd; 02-02C, Women's clothing, 02 Feb 2011	10294/2011	Chok-a-Blok Ltd; 09-99, Strap guard, (EM, 01 Jun 2010) (Divisional of 15208/2010) 30 Nov 2010	10269/2011
Bellamy, Drew; 03-01NES, Radio frequency identification device enabled mining and exploration mineral sample bag, 27 Jan 2011	10213/2011	Cie Ltd; 06-03C, Counter, 07 Feb 2011	10352/2011
Black & Decker Inc; 04-01, Steam mop, (EM, 04 Aug 2010) 31 Jan 2011	10265/2011	Cie Ltd; 06-03C, Desk, 07 Feb 2011	10353/2011
Blinman, Cameron; 10-01, Analogue clock, 27 Jan 2011	10186/2011	Cie Ltd; 06-03C, Desk, 07 Feb 2011	10354/2011
Bong, Sung Jong; 09-03F, Sushi takeaway pack/food container, (NZ, 06 Dec 2010) 28 Jan 2011	10220/2011	Clarkson, Ryan; 21-01B, Product design relates to a childrens character/toy. DVD merchandise, 31 Jan 2011	10290/2011
Braun GmbH; 04-02, Toothbrush head, (US, 30 Jul 2010) 27 Jan 2011	10191/2011	Click Clack Limited; 07-01F, Jug, (NZ, 25 Jan 2011) 01 Feb 2011	10287/2011
Braun GmbH; 04-02, Toothbrush head, (US, 30 Jul 2010) 27 Jan 2011	10192/2011	Click Clack Limited; 09-02NES, 07-07A, Canister, (NZ, 25 Jan 2011) 01 Feb 2011	10288/2011
Braun GmbH; 04-02, Portion of a toothbrush, (US, 30 Jul 2010) 27 Jan 2011	10193/2011	Click Clack Limited; 07-01F, Jug, (NZ, 25 Jan 2011) 01 Feb 2011	10289/2011
Braun GmbH; 04-02, Portion of a toothbrush, (US, 30 Jul 2010) 27 Jan 2011	10194/2011	Click Clack Limited; 07-01F, Carafe, (NZ, 25 Jan 2011) 01 Feb 2011	10276/2011
		Coles Supermarkets Australia Pty Ltd; 07-02P, Cake holder, 27 Jan 2011	10189/2011
		Colgar, Emel; 24-99, Physiotherapy band, 07 Feb 2011	10369/2011

Colgate-Palmolive Company; 09-01K, Transverse portion of a container, (US, 30 Jul 2010) 27 Jan 2011	10210/2011	Deckers Outdoor Corporation; 02-04NES, Portion of a knit footwear upper, (US, 02 Nov 2010) 27 Jan 2011	10206/2011
Colgate-Palmolive Company; 09-01K, Container, (US, 30 Jul 2010) 27 Jan 2011	10209/2011	Deckers Outdoor Corporation; 02-04B, Footwear outsole, (US, 09 Nov 2010) 27 Jan 2011	10199/2011
Colgate-Palmolive Company; 09-01K, Lower portion of a container, (US, 30 Jul 2010) 27 Jan 2011	10211/2011	Deckers Outdoor Corporation; 02-04B, Footwear outsole, (US, 04 Nov 2010) 27 Jan 2011	10200/2011
Cox, Suesan; 21-01B, A Doll, 25 Jan 2011	10167/2011	Deckers Outdoor Corporation; 02-04NES, Knit boot, (US, 02 Nov 2010) 27 Jan 2011	10207/2011
Creative Products Enterprises Pty Limited; 07-99NES, Stubby holder dispenser, 31 Jan 2011	10266/2011	Deckers Outdoor Corporation; 02-04NES, Portion of a knit footwear upper, (US, 02 Nov 2010) 27 Jan 2011	10208/2011
Culley, Timothy Breandan; 25-04, 26-04, 29-99, Internally illuminated raised pavement marker internal assembly, 01 Feb 2011	10284/2011	Deckers Outdoor Corporation; 02-04NES, Portion of a footwear upper, (US, 01 Nov 2010) 27 Jan 2011	10205/2011
Culley, Timothy Breandan; 10-06, Internally illuminated raised pavement marker, 05 Feb 2011	10345/2011	Dezinal Pty Ltd; 25-02H, Awning window mechanical corner stake, 02 Feb 2011	10344/2011
Daikin Industries Ltd.; 23-04, Air conditioner, (JP, 16 Sep 2010) 31 Jan 2011	10261/2011	Discovery Group; 02-02C, "Hostie" ring detail tee, 28 Jan 2011	10257/2011
Daikin Industries Ltd.; 23-04, Air conditioner, (JP, 16 Sep 2010) 31 Jan 2011	10262/2011	Discovery Group; 02-02C, "Friendly" ring detail tunic, 28 Jan 2011	10258/2011
Daikin Industries Ltd.; 23-04, Air conditioner, (JP, 16 Sep 2010) 31 Jan 2011	10263/2011	Donaldson, Glen Murray; Donaldson, Leonie Rose; Donaldson, Marion Rose; 08-09, Door cap, (NZ, 29 Jul 2010) 27 Jan 2011	10196/2011
Daikin Industries Ltd.; 23-04, Air conditioner, (JP, 16 Sep 2010) 31 Jan 2011	10259/2011	Donaldson, Leonie Rose; Donaldson, Glen Murray; Donaldson, Marion Rose; 08-09, Door cap, (NZ, 29 Jul 2010) 27 Jan 2011	10196/2011
Daikin Industries Ltd.; 23-04, Air conditioner, (JP, 26 Oct 2010) 31 Jan 2011	10260/2011	Donaldson, Marion Rose; Donaldson, Glen Murray; Donaldson, Leonie Rose; 08-09, Door cap, (NZ, 29 Jul 2010) 27 Jan 2011	10196/2011
Dart Industries Inc.; 07-01NES, Cover, (US, 01 Sep 2010) 07 Feb 2011	10357/2011	Dyson Limited; 15-05, A vacuum cleaner, (EM, 27 Aug 2010) 31 Jan 2011	10272/2011
Dart Industries Inc.; 07-01B, 07-04, Bowl with removable handle, (US, 19 Aug 2010) 25 Jan 2011	10174/2011	Dyson Limited; 15-05, A vacuum cleaner, (EM, 27 Aug 2010) 31 Jan 2011	10271/2011
Decina Bathroomware Pty. Ltd.; 23-02NES, A dome top waste, 27 Jan 2011	10178/2011	Dyson Limited; 15-05, A vacuum cleaner, (EM, 27 Aug 2010) 31 Jan 2011	10273/2011
Deckers Outdoor Corporation; 02-04B, Footwear outsole, (US, 08 Nov 2010) 27 Jan 2011	10203/2011	Dyson Limited; 15-05, A vacuum cleaner, (EM, 27 Aug 2010) 31 Jan 2011	10270/2011
Deckers Outdoor Corporation; 02-04NES, Portion of a footwear upper, (US, 01 Nov 2010) 28 Jan 2011	10241/2011	Dyson Limited; 15-05, A vacuum cleaner, (EM, 27 Aug 2010) 31 Jan 2011	10268/2011
Deckers Outdoor Corporation; 02-04NES, Footwear upper, (US, 12 Nov 2010) 27 Jan 2011	10204/2011	DM Orthotics Limited; 02-02C, Sports shorts, (CA, 03 Aug 2010) 02 Feb 2011	10301/2011
Deckers Outdoor Corporation; 02-04B, Footwear outsole, (US, 05 Nov 2010) 27 Jan 2011	10201/2011	Ekornes ASA; 06-01D, Chair, (NO, 21 Oct 2010) 02 Feb 2011	10302/2011
Deckers Outdoor Corporation; 02-04B, Footwear outsole, (US, 04 Nov 2010) 27 Jan 2011	10202/2011	Ettlinger, Omi Shoham; Shoham, Dotan; 02-04NES, Sweater shoe, (US, 04 Aug 2010) 04 Feb 2011	10340/2011

Everstone International Pty Ltd; 25-01F, Tile formation, 24 Jan 2011	10170/2011	Haworth; 06-06E, Furniture leg, (EM, 13 Oct 2010) 02 Feb 2011	10297/2011
ENTrigue Surgical, Inc; 24-02, Medical insertion device, (US, 04 Jun 2010) 03 Dec 2010	10343/2011	Hinkler Books Pty Ltd; 21-01D, External component for a foldable toy building, 27 Jan 2011	10175/2011
F. Smit Holding B.V.; 06-01D, Chair, (EM, 18 Aug 2010) 01 Feb 2011	10286/2011	Hinkler Books Pty Ltd; 21-01D, Internal component for a foldable toy building, 27 Jan 2011	10179/2011
Fellner, Di Albert; 14-03E, Wireless telephone, (US, 25 Oct 2010) 02 Feb 2011	10277/2011	Hinkler Books Pty Ltd; 21-01D, Foldable toy building, 27 Jan 2011	10182/2011
Fellner, Di Albert; 14-03E, Wireless telephone, (US, 25 Oct 2010) 02 Feb 2011	10278/2011	Hirack Pty Limited; 08-08NES, Securing clip, 04 Feb 2011	10323/2011
Fitzpatrick, Alex; 06-01G, Sofa, lounge, 31 Jan 2011	10274/2011	Hirack Pty Limited; 25-02A, Column protector, 04 Feb 2011	10324/2011
French, Cameron John; 25-02E, Ceiling panel, 21 Jan 2011	10198/2011	Honda Motor Co., Ltd.; 12-08, Automobile, (JP, 06 Aug 2010) 28 Jan 2011	10236/2011
Gibbs, Nicholas James; Chiam, Heng Foo; 23-03D, Support member for a display stand, 27 Jul 2010	10219/2011	Honda Motor Co., Ltd.; 26-06, Front combination lamp for automobile, (JP, 06 Aug 2010) 28 Jan 2011	10234/2011
Gration, Tristan Kent; 06-06NES, Office workstation partition, 04 Feb 2011	10346/2011	Honda Motor Co., Ltd.; 12-08, Automobile, (JP, 06 Aug 2010) 28 Jan 2011	10235/2011
Gration, Tristan Kent; 06-06NES, Office workstation partition, 04 Feb 2011	10347/2011	Hoover Limited; 15-05, Vacuum cleaner, (EM, 05 Aug 2010) 28 Jan 2011	10225/2011
Gration, Tristan Kent; 06-06NES, Office workstation partition, 04 Feb 2011	10348/2011	Hoover Limited; 15-05, Vacuum cleaner, (EM, 05 Aug 2010) 28 Jan 2011	10228/2011
Gration, Tristan Kent; 06-06NES, Office workstation partition, 04 Feb 2011	10349/2011	Hoover Limited; 15-05, Vacuum cleaner, (EM, 05 Aug 2010) 28 Jan 2011	10226/2011
Gration, Tristan Kent; 06-06NES, Office workstation partition, 04 Feb 2011	10350/2011	Hoover Limited; 15-05, Vacuum cleaner, (EM, 05 Aug 2010) 28 Jan 2011	10227/2011
Gration, Tristan Kent; 06-06NES, Office workstation partition, 04 Feb 2011	10351/2011	Horsfall, Barry; 06-03A, Tern table, 31 Jan 2011	10252/2011
Gravolin, Dennis Ronald; Gravolin, Sandra Lorraine; 08-08L, Bracket, 08 Feb 2011	10361/2011	Hunca Kozmetik Sanayi Anonim Sirketi; 09-03L, Package, 31 Jan 2011	10267/2011
Gravolin, Sandra Lorraine; Gravolin, Dennis Ronald; 08-08L, Bracket, 08 Feb 2011	10362/2011	Hunt, Ethan; Kalinowski, Michael; 12-16NES, 14-99, Replacement button pad to suit car remote controls, 02 Feb 2011	10285/2011
Gravolin, Dennis Ronald; Gravolin, Sandra Lorraine; 08-08L, Bracket, 08 Feb 2011	10362/2011	Irwin Industrial Tool Company; 08-03, Reciprocating saw blade, (US, 21 May 2010) 19 Nov 2010	15811/2010
Gravolin, Sandra Lorraine; Gravolin, Dennis Ronald; 08-08L, Bracket, 08 Feb 2011	10361/2011	Irwin Industrial Tool Company; 08-03, Reciprocating saw blade, (US, 21 May 2010) 19 Nov 2010	15812/2010
Gustav Klauke GmbH; 08-01, Hand powered tool, (EM, 11 Aug 2010) 08 Feb 2011	10363/2011	Irwin Industrial Tool Company; 08-03, Reciprocating saw blade, (US, 21 May 2010) 19 Nov 2010	15813/2010
Hamer, Jennifer for Canberra City Pipes and Drums; 02-02NES, T-Shirt, 01 Feb 2011	10275/2011	Isringhausen GmbH & Co. KG; 06-01E, Truck seat, (EM, 29 Dec 2010) 27 Jan 2011	10177/2011
		Iveco S.p.A.; 12-08, Prime mover, (EM, 28 Jul 2010) 27 Jan 2011	10190/2011

JPMorgan Chase Bank, N.A.; 19-08, A metal transaction device with gem-like surface, (US, 29 Jul 2010) 28 Jan 2011	10224/2011	Manitowoc FSG Operations, LLC; 15-07, An ice machine, (US, 04 Aug 2010) 04 Feb 2011	10316/2011
Kalinowski, Michael; Hunt, Ethan; 12-16NES, 14-99, Replacement button pad to suit car remote controls, 02 Feb 2011	10285/2011	Manitowoc FSG Operations, LLC; 15-07, A display for an ice machine, (US, 04 Aug 2010) 04 Feb 2011	10317/2011
Kenwood Limited; 31-00, Fruit juice extractors (electric), (EM, 13 Aug 2010) 28 Jan 2011	10246/2011	Mascull, Roger Thomas; 08-08D, A headrest clamp assembly, 26 Jan 2011	10181/2011
Kimberly-Clark Worldwide, Inc.; 14-04, Wetness indicator, (US, 06 Aug 2010) 02 Feb 2011	10308/2011	Master Lock Company LLC; 08-07, Lock, (US, 27 Jul 2010) 24 Jan 2011	10171/2011
Kimberly-Clark Worldwide, Inc.; 14-04, Wetness indicator, (US, 06 Aug 2010) 02 Feb 2011	10304/2011	Meco Australia Pty Limited; 23-02F, Hand wash basin, 03 Feb 2011	10312/2011
Koninklijke Philips Electronics N.V.; 28-03A, Electric shaver, (EM, 29 Jul 2010) 28 Jan 2011	10242/2011	Meco Australia Pty Limited; 23-02F, Hand wash basin, 02 Feb 2011	10310/2011
Koninklijke Philips Electronics N.V.; 28-03D, Hair clipper, (EM, 04 Aug 2010) 04 Feb 2011	10333/2011	Meco Australia Pty Limited; 23-02F, Hand wash basin, 02 Feb 2011	10311/2011
Koninklijke Philips Electronics N.V.; Sara Lee/DE N.V.; 07-01D, Coffee cup, (EM, 04 Aug 2010) 04 Feb 2011	10334/2011	Melbourne Timber Manufacturing Pty Ltd; 25-01D, Grooved decking board, 31 Jan 2011	10240/2011
Kurtzman, David; 12-16NES, Motorcycle/handlebars, 03 Feb 2011	10321/2011	Melbourne Timber Manufacturing Pty Ltd; 25-01NES, Decking fixing component, 31 Jan 2011	10238/2011
Lava Ltd; 16-06, Sunglasses, 07 Feb 2011	10327/2011	Meng, Tianyu; Zhang, Jie; 25-02NES, Tree guard to protect trees planted with easy installation, un-installation, re-installation, water collection, and, weed growth prevention., 28 Jan 2011	10223/2011
Lava Ltd; 16-06, Sunglasses, 07 Feb 2011	10328/2011	Metal Science Technologies; 08-05M, 08-05N, Electrochemical weld cleaning brush, 27 Jan 2011	10127/2011
Lava Ltd; 16-06, Sunglasses, 07 Feb 2011	10329/2011	Micador Australia Pty Ltd; 21-01E, Toy moulding clay piece, (Divisional of 14927/2010) 15 Nov 2010	10247/2011
Lava Ltd; 16-06, Sunglasses, 07 Feb 2011	10330/2011	Micador Australia Pty Ltd; 21-01E, Toy moulding clay piece, (Divisional of 14927/2010) 15 Nov 2010	10248/2011
Lava Ltd; 16-06, Sunglasses, 07 Feb 2011	10331/2011	Micador Australia Pty Ltd; 21-01E, Toy moulding clay piece, (Divisional of 14927/2010) 15 Nov 2010	10249/2011
Lava Ltd; 16-06, Sunglasses, 07 Feb 2011	10332/2011	Micador Australia Pty Ltd; 21-01E, Toy moulding clay piece, (Divisional of 14927/2010) 15 Nov 2010	10250/2011
Len Walter Enterprises, LLC; 24-01, Pill sorting stylus tool and tray, (US, 05 Aug 2010) 04 Feb 2011	10325/2011	Morris, Gregory; 13-03D, An adaptor, 31 Jan 2011	10256/2011
LG Electronics Inc.; 14-03E, Mobile phone, (KR, 22 Nov 2010) 01 Feb 2011	10280/2011	Optima Solutions UK Limited; 99-00, Logo, (EM, 15 Oct 2010) 28 Jan 2011	10230/2011
LG Electronics Inc.; 14-01, Blu-ray disc player, (KR, 09 Aug 2010) 01 Feb 2011	10281/2011	Optima Solutions UK Limited; 99-00, A logo applied to a carrier, that carrier being a box, case, container, paper (including writing, drawing and printing, paper), screen display, clothing, building or vehicle, (EM, 15 Oct 2010) 28 Jan 2011	10231/2011
LRC Products Limited; 28-99, Stimulation device, (EM, 11 Aug 2010) 08 Feb 2011	10212/2011	Optima Solutions UK Limited; 99-00, A logo applied to a carrier, the carrier being a box, case, container, paper (including writing, drawing and printing, paper), screen display, clothing, building or vehicle, (EM, 15 Oct 2010) 28 Jan 2011	10232/2011
Magic Beauty Pty Ltd; 28-03NES, Cosmetic applicator, 25 Jan 2011	10129/2011		
Manfred Frank Patent Holdings Limited; 08-06, A hinge, (NZ, 09 Aug 2010) 08 Feb 2011	10371/2011		
Manfred Frank Patent Holdings Limited; 08-06, A hinge, (NZ, 09 Aug 2010) 08 Feb 2011	10372/2011		

Optima Solutions UK Limited; 99-00, Logo, (EM, 15 Oct 2010) 28 Jan 2011	10233/2011	Sanford, L.P.; 19-08, Label support sheet, (US, 04 Jun 2010) 02 Dec 2010	10342/2011
OttLite Technologies, Inc.; 26-05B, Convertible table lamp, (US, 06 Aug 2010) 04 Feb 2011	10337/2011	Sanford, L.P.; 19-06, Writing instrument, 22 Dec 2010	10364/2011
Pacific Market International, LLC; 07-01C, Beverage container, (US, 30 Jul 2010) 28 Jan 2011	10239/2011	Sanford, L.P.; 19-08, Label support sheet, (US, 04 Jun 2010) 02 Dec 2010	10358/2011
Pacific Market International, LLC; 07-01D, Beverage container, (US, 30 Jul 2010) 27 Jan 2011	10195/2011	Sanford, L.P.; 19-08, Label support sheet, (US, 04 Jun 2010) 02 Dec 2010	10359/2011
Pi-Design AG; 07-01B, Bowl, (WO, 04 Aug 2010) 04 Feb 2011	10338/2011	Sanford, L.P.; 19-08, Label support sheet, (US, 04 Jun 2010) 02 Dec 2010	10360/2011
Pi-Design AG; 07-01B, Bowl, (WO, 04 Aug 2010) 04 Feb 2011	10339/2011	Sara Lee/DE N.V.; Koninklijke Philips Electronics N.V.; 07-01D, Coffee cup, (EM, 04 Aug 2010) 04 Feb 2011	10334/2011
Playinnovation Limited; 21-01H, Target wall for ball game (2), (EM, 05 Aug 2010) 03 Feb 2011	10336/2011	Scanpan A/S; 07-99NES, A knife block, 03 Feb 2011	10318/2011
Playinnovation Limited; 21-01H, Target wall for ball game (1), (EM, 05 Aug 2010) 03 Feb 2011	10335/2011	Scanpan A/S; 07-99NES, A knife block, 03 Feb 2011	10319/2011
Pod IP Pty Ltd; 24-04, Knee brace, 08 Feb 2011	10373/2011	Shoham, Dotan; Ettlinger, Omi Shoham; 02-04NES, Sweater shoe, (US, 04 Aug 2010) 04 Feb 2011	10340/2011
Preformed Line Products Company; 13-03C, Cable housing of indefinite length, 08 Feb 2011	10370/2011	Shop Vac Corporation; 15-05, Wall-mountable vacuum cleaner and bracket, (US, 30 Nov 2010) 25 Jan 2011	10176/2011
Procson Pty Ltd; 06-06NES, Adjustable height lectern, 03 Feb 2011	10298/2011	Sistema Plastics Limited; 09-07B, A lid assembly, (NZ, 30 Jul 2010) 28 Jan 2011	10229/2011
Quality Blow Moulders Pty Ltd; 09-01K, Bottle with lid, 31 Jan 2011	10251/2011	Sistema Plastics Limited; 09-03NES, A utensiled food container assembly, (NZ, 30 Jul 2010) 28 Jan 2011	10221/2011
Realworld Investments Pty Ltd; 07-01C, Triple wall 's' wave paper cup, 20 Jan 2011	10164/2011	Sistema Plastics Limited; 09-03NES, Container assembly, (NZ, 30 Jul 2010) 28 Jan 2011	10222/2011
Reckitt & Colman (Overseas) Limited; 26-04, Candle, (EM, 10 Aug 2010) 27 Jan 2011	10217/2011	Skullcandy, Inc.; 14-01, Headphone band, (US, 06 Jan 2011) 07 Feb 2011	10356/2011
Reckitt & Colman (Overseas) Limited; 26-04, Packaged candle, (EM, 10 Aug 2010) 27 Jan 2011	10218/2011	Snapware Corporation; 07-01NES, Plates, lids and plate-lid combinations, (US, 30 Jul 2010) 27 Jan 2011	10215/2011
Reln Pty Ltd; 23-01NES, Drainage grate frame, (Divisional of 12309/2010) 04 Jun 2010	10374/2011	Snapware Corporation; 07-01NES, Lids for storage vessels, (US, 30 Jul 2010) 27 Jan 2011	10216/2011
Retractable Technologies, Inc.; 24-02, Housing for a collection device for bodily fluids, (US, 29 Jul 2010) 24 Jan 2011	10169/2011	Societe Des Produits Nestle S.A.; 01-99, A foodstuff, (CH, 07 Sep 2010) 03 Feb 2011	10291/2011
Roberts, Charlotte; 09-01NES, Container, 25 Jan 2011	10180/2011	Societe Des Produits Nestle S.A.; 31-00, Beverage dispenser, (CH, 19 Oct 2010) 08 Feb 2011	10365/2011
Rope & Plastic Products Pty Ltd; 23-01B, A diverter, 01 Feb 2011	10283/2011	Societe Des Produits Nestle S.A.; 31-00, Beverage dispenser, (CH, 19 Oct 2010) 08 Feb 2011	10366/2011
RMD Industries Pty Ltd; 08-06, Plain hinge, 24 Jan 2011	10183/2011	Spears, John Alan; 10-04, Mitre angle tool, 02 Feb 2011	10295/2011
RMD Industries Pty Ltd; 08-06, Self closing hinge with fixed spring tension, 24 Jan 2011	10184/2011		
RMD Industries Pty Ltd; 08-06, Self closing hinge with adjustable spring tension, 24 Jan 2011	10185/2011		

Suzuki Motor Corporation; 12-08, Automobile, (JP, 18 Aug 2010) 03 Feb 2011	10296/2011	Visy R & D Pty Ltd; 09-03M, Carton and blank for forming same, 08 Feb 2011	10368/2011
SIG Technology AG; 09-03E, 09-03M, Beverage package, (EM, 05 Aug 2010) 04 Feb 2011	10341/2011	Visy R & D Pty Ltd; 07-01F, Container, 28 Jan 2011	10245/2011
The Flowering Potter; 11-02B, Planter box, 04 Feb 2011	10313/2011	Visy R & D Pty Ltd; 07-01C, Container, 28 Jan 2011	10243/2011
The Quaker Oats Company; 09-03NES, Container, (US, 03 Aug 2010) 02 Feb 2011	10309/2011	WalkMed Infusion LLC; 24-02, Combination slide clamp and occlusion clamp actuator, (US, 06 Aug 2010) 24 Jan 2011	10173/2011
Thermos L.L.C.; 07-01F, Bottle with lid, (US, 09 Nov 2010) 02 Feb 2011	10305/2011	Wallis, Dean Ashley; 22-05, Fishing lure, 04 Feb 2011	10326/2011
Thermos L.L.C.; 07-01F, Bottle, (US, 09 Nov 2010) 02 Feb 2011	10306/2011	Watson, Robert Baird; 25-02E, Ceiling rail, 03 Feb 2011	10320/2011
Thermos L.L.C.; 09-07C, Lid, (US, 09 Nov 2010) 02 Feb 2011	10307/2011	Whitworth, Clive; 25-02C, Fence panel, 21 Jan 2011	10168/2011
Tobey, Karen R.; 16-06, Eyewear strap cover, (US, 03 Dec 2010) 02 Feb 2011	10293/2011	Wu, Guangquan; 25-01K, Frame member, 31 Jan 2011	10264/2011
TomTom International B.V.; 08-08NES, Mount for a navigation device, (WO, 10 Aug 2010) 08 Feb 2011	10375/2011	YUKON MEDICAL, LLC; 24-01, 24-02, Shroud, (US, 17 Jun 2010) 15 Dec 2010	10172/2011
TMA Australia Pty Limited; 07-01C, Beverage container, 27 Jan 2011	10188/2011	Zhang, Jie; Meng, Tianyu; 25-02NES, Tree guard to protect trees planted with easy installation, un-installation, re-installation, water collection, and, weed growth prevention., 28 Jan 2011	10223/2011
Visy R & D Pty Ltd; 07-01C, Container, 28 Jan 2011	10244/2011	3M Innovative Properties Company; 08-08G, A hook, (US, 03 Aug 2010) 03 Feb 2011	10314/2011
Visy R & D Pty Ltd; 09-03M, Carton and blank for forming same, 08 Feb 2011	10367/2011	3M Innovative Properties Company; 07-05NES, Scouring pad holder, (CN, 02 Aug 2010) 02 Feb 2011	10303/2011

Applications Lapsed

11594 / 2010 (25-01K)	13201 / 2010 (23-01H)
13877 / 2010 (13-02)	14109 / 2010 (21-02F)
14682 / 2010 (25-03)	14830 / 2010 (02-04NES)
14831 / 2010 (02-04NES)	14832 / 2010 (02-04NES)
14833 / 2010 (06-03C)	14970 / 2010 (08-05A)
15052 / 2010 (25-02C)	15057 / 2010 (16-06)
15083 / 2010 (30-99)	15086 / 2010 (03-01B)
15101 / 2010 (25-02NES)	15107 / 2010 (12-16A)
15108 / 2010 (12-16A)	15161 / 2010 (12-16B)
15219 / 2010 (13-02)	15226 / 2010 (20-02E)
15227 / 2010 (06-03C)	15228 / 2010 (06-01F)

Extension of Period of Registration of Designs

305813	306007	306008
306518	306520	306521
306578	307200	307703
307802	307882	307883
307981	308002	308003
308004	308005	308006
308087	308118	308127
308143	308148	308159
308160	308203	308204
308216	308239	308242
308244	308245	308262
308282	308286	308309
308322	308323	308324
308502	308553	308634
308681	308697	308711
308802	308803	308806
308807	308808	308809
308831	308832	308833
308848	308861	308919
308925	308926	309045
309325	309369	309383
309391	309404	309412
309488	309534	309595
309596	309597	309598
309599	309815	309854
309956	310042	310043
310044	310226	310619
310712	310920	311028
311029	311116	311118
311396	311466	312307
312487	312509	312534
312795	313043	313044
313201	315785	315786
315787	315788	315789
316127		

Registrations Ceased

303814	304349	304377
304378	304379	304537
304538	304659	304661
304665	304718	304723
304730	304757	304767
304769	304772	304813
304817	304818	304819
304820	304823	304825
304827	304828	304829
304832	304833	304835
304882	304883	305045
305234	305276	305277
305289	305290	305291

305292	305293	305294
305466	305542	305667
305954	305955	305957
306052	306053	306539
306540	306541	306542
306929	307005	307041
307182	307184	307187
307484	308060	308095
309467	311637	311638
311639	311640	311641
312020	312021	312022
312023		

Applications for Extension of time under Section 137

Applications under section 137 for extension of time have been lodged. Objections must be lodged within 1 month from the date of this journal.

302586 **Visy R & D Pty Ltd** Address for Service: Davies Collison Cave Level 15 1 Nicholson Street MELBOURNE VIC 3000

302587 **Visy R & D Pty Ltd** Address for Service: Davies Collison Cave Level 15 1 Nicholson Street MELBOURNE VIC 3000

302589 **Visy R & D Pty Ltd** Address for Service: Davies Collison Cave Level 15 1 Nicholson Street MELBOURNE VIC 3000

302590 **Visy R & D Pty Ltd** Address for Service: Davies Collison Cave Level 15 1 Nicholson Street MELBOURNE VIC 3000

302592 **Visy R & D Pty Ltd** Address for Service: Davies Collison Cave Level 15 1 Nicholson Street MELBOURNE VIC 3000

302593 **Visy R & D Pty Ltd** Address for Service: Davies Collison Cave Level 15 1 Nicholson Street MELBOURNE VIC 3000

302594 **Visy R & D Pty Ltd** Address for Service: Davies Collison Cave Level 15 1 Nicholson Street MELBOURNE VIC 3000

302595 **Visy R & D Pty Ltd** Address for Service: Davies Collison Cave Level 15 1 Nicholson Street MELBOURNE VIC 3000

Extensions of time granted under Section 137

Applications lodged under section 137 for extension of time have been granted.

12401/2010 **GM Global Technology Operations, LLC.**

14495/2010 **S. C. Johnson & Son, Inc.**

14718/2010 **Ozicorp Pty Ltd**

14719/2010 **Ozicorp Pty Ltd**

15169/2010 **Otsuka Pharmaceutical Co., Ltd**

15232/2010 **John Jonker**

15542/2010 **Victaulic Company**

15543/2010 **Victaulic Company**

Subsequent Owners Registered

(The name in parentheses is that of the subsequent owner)

300074	(Mattane Pty Ltd) David George Cook
309517	(Mattane Pty Ltd) David Cook
317833	(Mattane Pty Ltd) David George Cook
320687	(Mattane Pty Ltd) David George Cook
325210	(Mattane Pty Ltd) David George Cook
325211	(Mattane Pty Ltd) David George Cook
325212	(Mattane Pty Ltd) David George Cook
325927	(Mattane Pty Ltd) David George Cook
326695	(Mattane Pty Ltd) David George Cook
326696	(Mattane Pty Ltd) David George Cook
326697	(Mattane Pty Ltd) David George Cook
326699	(Mattane Pty Ltd) David George Cook
326700	(Mattane Pty Ltd) David George Cook
327440	(Mattane Pty Ltd) David George Cook
327441	(Mattane Pty Ltd) David George Cook
327442	(Mattane Pty Ltd) David George Cook
327443	(Mattane Pty Ltd) David George Cook
327444	(Mattane Pty Ltd) David George Cook
327445	(Mattane Pty Ltd) David George Cook
328005	(Mattane Pty Ltd) David George Cook
328006	(Mattane Pty Ltd) David George Cook
328007	(Mattane Pty Ltd) David George Cook
328008	(Mattane Pty Ltd) David George Cook
328009	(Mattane Pty Ltd) David George Cook
328010	(Mattane Pty Ltd) David George Cook
330283	(Mattane Pty Ltd) David George Cook
330284	(Mattane Pty Ltd) David George Cook
325928	(Mattane Pty Ltd) David George Cook
326698	(Mattane Pty Ltd) David George Cook
322406	(Anthony Russell) Hyper Jet Pty Ltd
306328	(Allen-Vanguard Corporation) Allen-Vanguard Technologies Inc.
333806	(Allen-Vanguard Corporation) Allen-Vanguard Technology Inc.
333822	(Allen-Vanguard Corporation) Allen-Vanguard Technology Inc.
333821	(Allen-Vanguard Corporation) Allen-Vanguard Technology Inc.

Names Registered - Alterations and Amendments

(The name in parentheses is that of the subsequent applicant)

310189	(XY, LLC) XY, Inc.
317859	(Fox Head, Inc.) Fox Racing, Inc
317858	(Fox Head, Inc.) Fox Racing, Inc
317857	(Fox Head, Inc.) Fox Racing, Inc
317856	(Fox Head, Inc.) Fox Racing, Inc
317855	(Fox Head, Inc.) Fox Racing, Inc
301161	(GM Global Technology Operations, LLC.) GM Global Technology Operations, Inc.

Corrigenda

Number 302350

In Vol 24 , No 17 , page 1855 under the heading **Registrations Ceased**; This entry is to be deleted in toto.

Number 302419

In Vol 24 , No 17 , page 1855 under the heading **Registrations Ceased**; This entry is to be deleted in toto.

Number 303001

In Vol 25 , No 1 , page 13 under the heading **Registrations Ceased**; This entry is to be deleted in toto..

Number 303002

In Vol 25 , No 1 , page 13 under the heading **Registrations Ceased**; This entry is to be deleted in toto..

Number 334667

In Vol 25 , No 3 , page 347 under the heading **Publication and Registration Proceedings** Replace Convention Details as follows: 29/364,149 18 June 2010 UNITED STATES OF AMERICA

Number 334667

In Vol 25 , No 3 , page 347 under the heading **Publication and Registration Proceedings** Replace Convention Details as follows: 29/364,149 18 June 2010 UNITED STATES OF AMERICA.

Certificate(s) of Examination

Examination of the following Design Registration(s) has been completed. Infringement proceedings may now be commenced.

304403	15-04	31/01/2011
304423	15-04	31/01/2011
304424	15-04	31/01/2011
312945	07-01D	31/01/2011
312946	07-01D	31/01/2011
323015	04-02	03/02/2011
331640	08-05P	03/02/2011
331641	08-05P	03/02/2011
331642	08-05P	03/02/2011
331643	08-05P	03/02/2011
332055	09-01G	28/01/2011
332084	02-02B	31/01/2011
332113	06-04B	01/02/2011
332114	06-04B	01/02/2011
332335	12-16M	28/01/2011
332467	12-15B	28/01/2011
333023	14-01	09/02/2011
333203	02-04A	11/02/2011
333328	14-02	28/01/2011
333329	14-02	28/01/2011
333330	14-02	28/01/2011
333331	14-02	28/01/2011
333332	08-08B	09/02/2011
333341	07-06A	28/01/2011
333342	07-06A	28/01/2011
333655	25-01D	10/02/2011
333658	25-01C	01/02/2011
333659	25-01C	10/02/2011
333936	08-07	31/01/2011
333937	08-07	31/01/2011
333938	08-07	31/01/2011
333939	08-07	31/01/2011

Publication and Registration Proceedings

Designs Registered

This section provides a concordance between design number and registration number of Designs covered in this journal. It also shows the main class and registration date.

This section covers Registration numbers 334835 to 335033 .

The registration number shown below should be used in all future correspondence.

Design Number	Registration Number	International Classification Code (IDC)	Registration Date	Design Number	Registration Number	International Classification Code (IDC)	Registration Date
12308/2010	334895	19-04	31/01/2011	15375/2010	334967	07-05NES	04/02/2011
13200/2010	334993	23-01H	04/02/2011	15402/2010	334860	21-01N	27/01/2011
13202/2010	334994	23-01C	04/02/2011	15416/2010	335026	25-02C	08/02/2011
13323/2010	334954	23-01H	04/02/2011	15470/2010	334916	14-03A	01/02/2011
13738/2010	334900	06-01L	01/02/2011	15475/2010	334917	13-03D	01/02/2011
14063/2010	335018	25-03	08/02/2011	15476/2010	334938	14-99	01/02/2011
14635/2010	334901	14-02	01/02/2011	15517/2010	334918	24-01	01/02/2011
14636/2010	334902	14-02	01/02/2011	15518/2010	334920	23-01A	01/02/2011
14665/2010	334903	25-01K	01/02/2011	15521/2010	334861	13-03D	27/01/2011
14666/2010	334904	25-01K	01/02/2011	15542/2010	334898	23-01A	31/01/2011
14680/2010	334905	12-10	01/02/2011	15543/2010	334899	23-01A	31/01/2011
14683/2010	334906	24-01	01/02/2011	15590/2010	334996	14-03A	04/02/2011
14689/2010	334907	02-06	01/02/2011	15624/2010	334968	07-01C	04/02/2011
14690/2010	334855	24-01	27/01/2011	15649/2010	334862	13-03NES	27/01/2011
14701/2010	334909	20-02C	01/02/2011	15650/2010	334863	13-03NES	27/01/2011
14703/2010	334955	08-08NES	04/02/2011	15680/2010	334997	10-07	04/02/2011
14746/2010	335019	02-03	08/02/2011	15695/2010	334878	07-02L	27/01/2011
14764/2010	334877	20-03NES	27/01/2011	15696/2010	334879	07-02L	27/01/2011
14771/2010	335020	07-02L	08/02/2011	15697/2010	334880	07-02L	27/01/2011
14829/2010	334910	21-01F	01/02/2011	15707/2010	334921	02-04NES	01/02/2011
14897/2010	334911	28-03A	01/02/2011	15710/2010	334835	14-01	27/01/2011
14927/2010	334956	21-01E	04/02/2011	15711/2010	334922	07-04	01/02/2011
14933/2010	334987	14-03A	06/02/2011	15713/2010	334836	25-01B	27/01/2011
14971/2010	334988	21-01F	06/02/2011	15714/2010	334837	25-01B	27/01/2011
14978/2010	334856	02-04A	27/01/2011	15715/2010	334838	15-09	27/01/2011
14979/2010	334857	02-04A	27/01/2011	15721/2010	334864	07-05A	27/01/2011
14980/2010	334858	02-04A	27/01/2011	15722/2010	334865	25-01F	27/01/2011
15044/2010	334995	09-09	04/02/2011	15723/2010	334866	25-01F	27/01/2011
15049/2010	335021	21-01C	08/02/2011	15727/2010	334867	09-03M	27/01/2011
15066/2010	334890	08-05A	31/01/2011	15731/2010	334868	24-01	27/01/2011
15069/2010	334896	09-01NES	31/01/2011	15732/2010	334869	24-01	27/01/2011
15073/2010	334897	09-01NES	31/01/2011	15739/2010	334969	09-01A	04/02/2011
15088/2010	334989	08-03	06/02/2011	15740/2010	334970	07-05E	04/02/2011
15123/2010	335008	20-02E	07/02/2011	15741/2010	334971	07-05E	04/02/2011
15124/2010	335002	31-00	04/02/2011	15742/2010	334972	09-01A	04/02/2011
15154/2010	334912	14-01	01/02/2011	15743/2010	334923	21-02A	01/02/2011
15160/2010	335003	29-02	04/02/2011	15751/2010	334973	13-03D	04/02/2011
15170/2010	335022	07-06A	08/02/2011	15752/2010	334974	13-03D	04/02/2011
15196/2010	334913	21-02F	01/02/2011	15753/2010	334975	13-03D	04/02/2011
15199/2010	334859	28-03B	27/01/2011	15754/2010	334976	13-03D	04/02/2011
15200/2010	334939	09-01NES	01/02/2011	15755/2010	334839	09-01K	27/01/2011
15201/2010	334940	09-01NES	01/02/2011	15756/2010	334840	09-01K	27/01/2011
15214/2010	334961	03-01A	04/02/2011	15757/2010	334841	09-01K	27/01/2011
15217/2010	334962	20-02E	04/02/2011	15758/2010	334842	09-01K	27/01/2011
15218/2010	334963	20-02E	04/02/2011	15759/2010	334843	09-01K	27/01/2011
15292/2010	334941	07-01NES	01/02/2011	15760/2010	334844	13-03D	27/01/2011
15316/2010	334914	28-03NES	01/02/2011	15761/2010	334845	13-03D	27/01/2011
15317/2010	335024	09-07A	08/02/2011	15762/2010	334846	13-03D	27/01/2011
15318/2010	335025	09-07A	08/02/2011	15763/2010	334847	13-03D	27/01/2011
15322/2010	334915	07-07B	01/02/2011	15764/2010	334848	13-03D	27/01/2011
15372/2010	334964	07-05NES	04/02/2011	15765/2010	334849	13-03D	27/01/2011
15373/2010	334965	07-05NES	04/02/2011	15766/2010	334850	06-01F	27/01/2011
15374/2010	334966	07-05NES	04/02/2011	15767/2010	334851	06-01F	27/01/2011

Publication and Registration Proceedings - Designs Registered cont'd

Design Number	Registration Number	International Classification Code (IDC)	Registration Date	Design Number	Registration Number	International Classification Code (IDC)	Registration Date
15768/2010	334852	13-03D	27/01/2011	10035/2011	335027	14-03B	08/02/2011
15769/2010	334853	13-03D	27/01/2011	10037/2011	335028	07-99NES	08/02/2011
15770/2010	334854	13-03D	27/01/2011	10038/2011	334979	06-04NES	04/02/2011
15771/2010	334881	13-03D	27/01/2011	10042/2011	334980	06-01E	04/02/2011
15772/2010	334882	13-03D	27/01/2011	10043/2011	334948	06-01E	01/02/2011
15773/2010	334883	12-15B	27/01/2011	10044/2011	334949	13-03D	01/02/2011
15774/2010	334884	12-15B	27/01/2011	10045/2011	334950	13-03D	01/02/2011
15775/2010	334885	12-15C	27/01/2011	10046/2011	334951	13-03D	01/02/2011
15776/2010	334886	12-15C	27/01/2011	10047/2011	334933	15-05	01/02/2011
15780/2010	334887	09-01B	27/01/2011	10048/2011	334934	15-05	01/02/2011
15783/2010	334888	05-05A	27/01/2011	10049/2011	334935	15-05	01/02/2011
15785/2010	334889	05-05A	27/01/2011	10050/2011	334936	12-15B	01/02/2011
15786/2010	334870	05-05A	27/01/2011	10051/2011	334937	21-01F	01/02/2011
15788/2010	334871	05-05A	27/01/2011	10052/2011	334981	23-02C	04/02/2011
15789/2010	334872	05-05A	27/01/2011	10055/2011	334982	15-05	04/02/2011
15790/2010	334873	05-05A	27/01/2011	10056/2011	334983	15-05	04/02/2011
15791/2010	334874	05-05A	27/01/2011	10057/2011	334952	01-01	01/02/2011
15792/2010	334875	05-05A	27/01/2011	10066/2011	334984	08-08NES	04/02/2011
15796/2010	334876	25-02NES	27/01/2011	10068/2011	334985	03-01NES	04/02/2011
15800/2010	334924	06-06NES	01/02/2011	10074/2011	335004	23-01F	04/02/2011
15811/2010	334990	08-03	06/02/2011	10079/2011	335012	12-16NES	08/02/2011
15812/2010	334991	08-03	06/02/2011	10080/2011	334953	09-07B	01/02/2011
15813/2010	334992	08-03	06/02/2011	10086/2011	335013	14-01	08/02/2011
10000/2011	334942	07-02L	01/02/2011	10087/2011	335014	24-01	08/02/2011
10001/2011	334943	07-02L	01/02/2011	10089/2011	335015	12-16NES	08/02/2011
10002/2011	334944	07-02L	01/02/2011	10090/2011	335016	02-03	08/02/2011
10003/2011	334945	07-02L	01/02/2011	10093/2011	335005	28-03NES	04/02/2011
10004/2011	334946	07-02L	01/02/2011	10095/2011	335006	09-03M	04/02/2011
10005/2011	334947	07-02L	01/02/2011	10096/2011	335007	09-01NES	04/02/2011
10007/2011	334998	11-01NES	04/02/2011	10099/2011	334986	06-03NES	04/02/2011
10008/2011	334999	11-01NES	04/02/2011	10100/2011	335029	30-08	08/02/2011
10014/2011	334925	07-01NES	01/02/2011	10102/2011	335030	24-01	08/02/2011
10016/2011	334926	14-02	01/02/2011	10108/2011	335001	09-01H	04/02/2011
10017/2011	334977	02-02NES	04/02/2011	10109/2011	335031	28-03A	08/02/2011
10020/2011	334927	20-01	01/02/2011	10110/2011	335032	28-03A	08/02/2011
10022/2011	334891	09-01K	31/01/2011	10111/2011	335033	12-11	08/02/2011
10023/2011	334892	12-15A	31/01/2011	10154/2011	335009	21-01A	07/02/2011
10024/2011	334893	28-03D	31/01/2011	10155/2011	335010	21-01A	07/02/2011
10025/2011	334894	28-03D	31/01/2011	10156/2011	335011	21-01A	07/02/2011
10026/2011	334928	28-03D	01/02/2011	10172/2011	334919	24-01	01/02/2011
10027/2011	334929	14-03NES	01/02/2011	10247/2011	334957	21-01E	04/02/2011
10028/2011	334930	12-16NES	01/02/2011	10248/2011	334958	21-01E	04/02/2011
10029/2011	334931	12-16NES	01/02/2011	10249/2011	334959	21-01E	04/02/2011
10030/2011	334932	09-01A	01/02/2011	10250/2011	334960	21-01E	04/02/2011
10031/2011	334908	02-06	01/02/2011				
10033/2011	334978	14-02	04/02/2011				
10034/2011	335000	25-03	04/02/2011				

Publication and Registration Proceedings
Class Listing of Designs Published or Registered

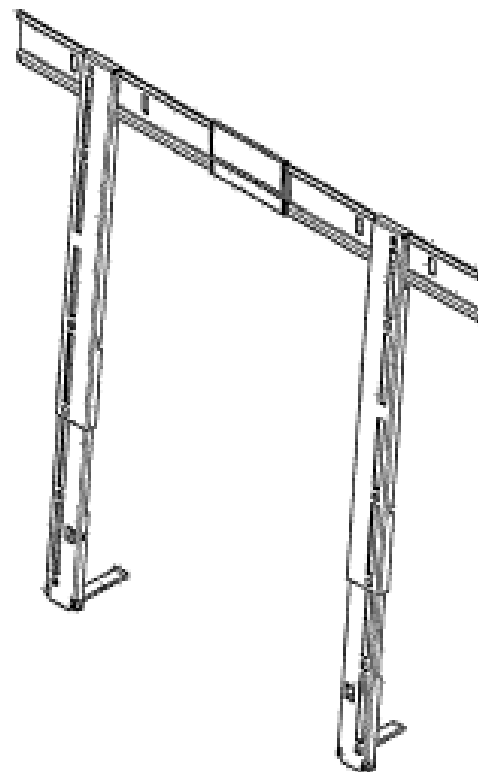
The following section shows an International Classification Code listing of the Registered or Published Designs covered in this supplement.

Classification	Registration Number	Design Number	Classification	Registration Number	Design Number
01-01	334952	10057/2011	07-06 A	335022	15170/2010
02-02 NES	334977	10017/2011	07-07 B	334915	15322/2010
02-03	334977	10017/2011	07-99 NES	335028	10037/2011
02-03	335016	10090/2011	08-03	334989	15088/2010
02-03	335019	14746/2010	08-03	334990	15811/2010
02-04 A	334856	14978/2010	08-03	334991	15812/2010
02-04 A	334857	14979/2010	08-03	334992	15813/2010
02-04 A	334858	14980/2010	08-05 A	334890	15066/2010
02-04 NES	334921	15707/2010	08-06	334890	15066/2010
02-06	334907	14689/2010	08-08 NES	334955	14703/2010
02-06	334908	10031/2011	08-08 NES	334984	10066/2011
03-01 A	334961	15214/2010	08-99	334997	15680/2010
03-01 NES	334985	10068/2011	09-01 A	334932	10030/2011
05-05 A	334870	15786/2010	09-01 A	334969	15739/2010
05-05 A	334871	15788/2010	09-01 A	334972	15742/2010
05-05 A	334872	15789/2010	09-01 B	334887	15780/2010
05-05 A	334873	15790/2010	09-01 H	335001	10108/2011
05-05 A	334874	15791/2010	09-01 K	334839	15755/2010
05-05 A	334875	15792/2010	09-01 K	334840	15756/2010
05-05 A	334888	15783/2010	09-01 K	334841	15757/2010
05-05 A	334889	15785/2010	09-01 K	334842	15758/2010
06-01 E	334948	10043/2011	09-01 K	334843	15759/2010
06-01 E	334980	10042/2011	09-01 K	334891	10022/2011
06-01 F	334850	15766/2010	09-01 NES	334880	15697/2010
06-01 F	334851	15767/2010	09-01 NES	334896	15069/2010
06-01 L	334900	13738/2010	09-01 NES	334897	15073/2010
06-03 NES	334986	10099/2011	09-01 NES	334939	15200/2010
06-04 NES	334979	10038/2011	09-01 NES	334940	15201/2010
06-06 NES	334924	15800/2010	09-01 NES	335007	10096/2011
07-01 C	334968	15624/2010	09-03 M	334867	15727/2010
07-01 G	334942	10000/2011	09-03 M	335006	10095/2011
07-01 G	334943	10001/2011	09-07 A	335024	15317/2010
07-01 G	334944	10002/2011	09-07 A	335025	15318/2010
07-01 G	334945	10003/2011	09-07 B	334953	10080/2011
07-01 G	334946	10004/2011	09-09	334995	15044/2010
07-01 G	334947	10005/2011	10-07	334997	15680/2010
07-01 NES	334925	10014/2011	11-01 NES	334998	10007/2011
07-01 NES	334941	15292/2010	11-01 NES	334999	10008/2011
07-02 L	334878	15695/2010	12-10	334905	14680/2010
07-02 L	334879	15696/2010	12-11	335033	10111/2011
07-02 L	334880	15697/2010	12-15 A	334892	10023/2011
07-02 L	334942	10000/2011	12-15 B	334883	15773/2010
07-02 L	334943	10001/2011	12-15 B	334884	15774/2010
07-02 L	334944	10002/2011	12-15 B	334936	10050/2011
07-02 L	334945	10003/2011	12-15 C	334885	15775/2010
07-02 L	334946	10004/2011	12-15 C	334886	15776/2010
07-02 L	334947	10005/2011	12-16 B	334905	14680/2010
07-02 L	335020	14771/2010	12-16 NES	334930	10028/2011
07-04	334922	15711/2010	12-16 NES	334931	10029/2011
07-05 A	334864	15721/2010	12-16 NES	335012	10079/2011
07-05 E	334970	15740/2010	12-16 NES	335015	10089/2011
07-05 E	334971	15741/2010	13-03 D	334844	15760/2010
07-05 NES	334964	15372/2010	13-03 D	334845	15761/2010
07-05 NES	334965	15373/2010	13-03 D	334846	15762/2010
07-05 NES	334966	15374/2010	13-03 D	334847	15763/2010
07-05 NES	334967	15375/2010	13-03 D	334848	15764/2010

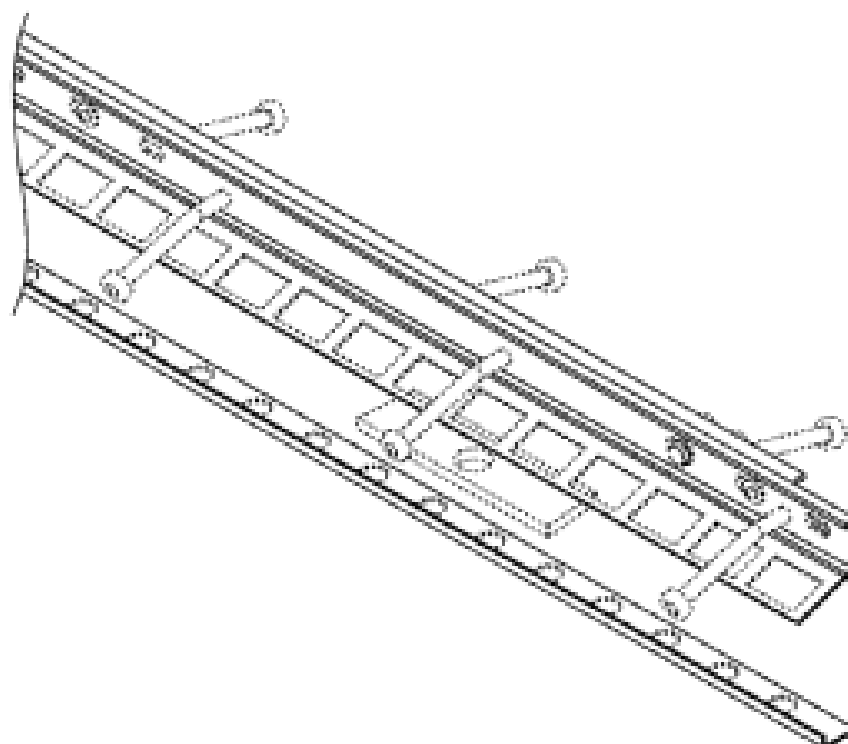
Registration Proceedings - Class Listing of Designs Published or Registered cont'd

Classification	Registration Number	Design Number	Classification	Registration Number	Design Number
13-03 D	334849	15765/2010	21-01 E	334959	10249/2011
13-03 D	334852	15768/2010	21-01 E	334960	10250/2011
13-03 D	334853	15769/2010	21-01 F	334910	14829/2010
13-03 D	334854	15770/2010	21-01 F	334937	10051/2011
13-03 D	334861	15521/2010	21-01 F	334988	14971/2010
13-03 D	334881	15771/2010	21-01 N	334860	15402/2010
13-03 D	334882	15772/2010	21-01 N	334938	15476/2010
13-03 D	334917	15475/2010	21-01 NES	335021	15049/2010
13-03 D	334949	10044/2011	21-02 A	334923	15743/2010
13-03 D	334950	10045/2011	21-02 F	334913	15196/2010
13-03 D	334951	10046/2011	23-01 A	334898	15542/2010
13-03 D	334973	15751/2010	23-01 A	334899	15543/2010
13-03 D	334974	15752/2010	23-01 A	334920	15518/2010
13-03 D	334975	15753/2010	23-01 C	334994	13202/2010
13-03 D	334976	15754/2010	23-01 F	335004	10074/2011
13-03 NES	334862	15649/2010	23-01 H	334954	13323/2010
13-03 NES	334863	15650/2010	23-01 H	334993	13200/2010
14-01	334835	15710/2010	23-02 C	334981	10052/2011
14-01	334912	15154/2010	24-01	334855	14690/2010
14-01	335013	10086/2011	24-01	334868	15731/2010
14-02	334901	14635/2010	24-01	334869	15732/2010
14-02	334902	14636/2010	24-01	334906	14683/2010
14-02	334926	10016/2011	24-01	334918	15517/2010
14-02	334978	10033/2011	24-01	334919	10172/2011
14-03 A	334916	15470/2010	24-01	335014	10087/2011
14-03 A	334978	10033/2011	24-01	335030	10102/2011
14-03 A	334987	14933/2010	24-02	334918	15517/2010
14-03 A	334996	15590/2010	24-02	334919	10172/2011
14-03 B	335027	10035/2011	25-01 B	334836	15713/2010
14-03 NES	334929	10027/2011	25-01 B	334837	15714/2010
14-99	334938	15476/2010	25-01 D	334924	15800/2010
15-02	334855	14690/2010	25-01 F	334865	15722/2010
15-02	334868	15731/2010	25-01 F	334866	15723/2010
15-02	334869	15732/2010	25-01 K	334903	14665/2010
15-05	334933	10047/2011	25-01 K	334904	14666/2010
15-05	334934	10048/2011	25-02 C	335026	15416/2010
15-05	334935	10049/2011	25-02 NES	334876	15796/2010
15-05	334982	10055/2011	25-03	335000	10034/2011
15-05	334983	10056/2011	25-03	335018	14063/2010
15-09	334838	15715/2010	28-03 A	334911	14897/2010
19-04	334895	12308/2010	28-03 A	335031	10109/2011
20-01	334927	10020/2011	28-03 A	335032	10110/2011
20-02 C	334909	14701/2010	28-03 B	334859	15199/2010
20-02 E	334962	15217/2010	28-03 D	334893	10024/2011
20-02 E	334963	15218/2010	28-03 D	334894	10025/2011
20-02 E	335008	15123/2010	28-03 D	334928	10026/2011
20-03 NES	334877	14764/2010	28-03 NES	334914	15316/2010
21-01 A	335009	10154/2011	28-03 NES	335005	10093/2011
21-01 A	335010	10155/2011	29-02	335003	15160/2010
21-01 A	335011	10156/2011	30-08	335029	10100/2011
21-01 C	335021	15049/2010	31-00	335002	15124/2010
21-01 E	334956	14927/2010			
21-01 E	334957	10247/2011			
21-01 E	334958	10248/2011			

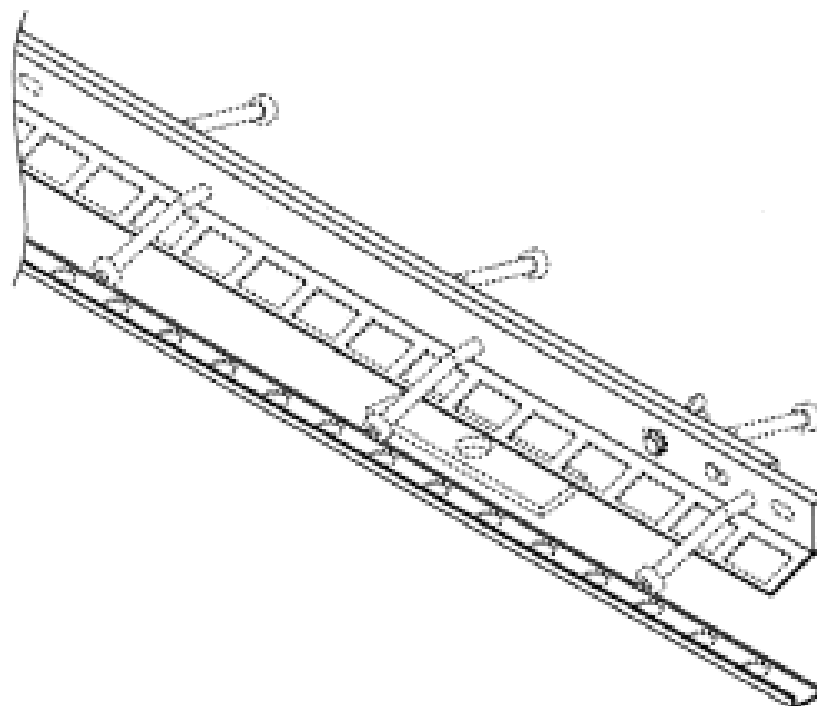
- (21) Design Number: **15710/2010**
(22) Date of Filing Application: **23 December 2010**
(24) Date from which industrial property rights may have effect: **23 December 2010**
(54) Product in respect of which the design is registered: **Wall mount for audio-, video- and sound equipment**
(51) International Design Classification: **14-01**
(71) Name(s) and Address(s) of Applicant(s):
Vogel's Holding B.V.
Hondsruglaan 93 5628 DB Eindhoven Netherlands
(72) Name(s) of Designer(s): **Folke Guido Marie van Alphen**
(45) Registration Date: **27 January 2011**
(30) Convention priority data:
(31) Number (32) Date (33) Country
001725888-0001 29 Jun 2010 EUROPEAN COMMUNITY
(56) Related Art Documents: **Not Applicable**
(57) Statement of Newness and Distinctiveness: **Nil**



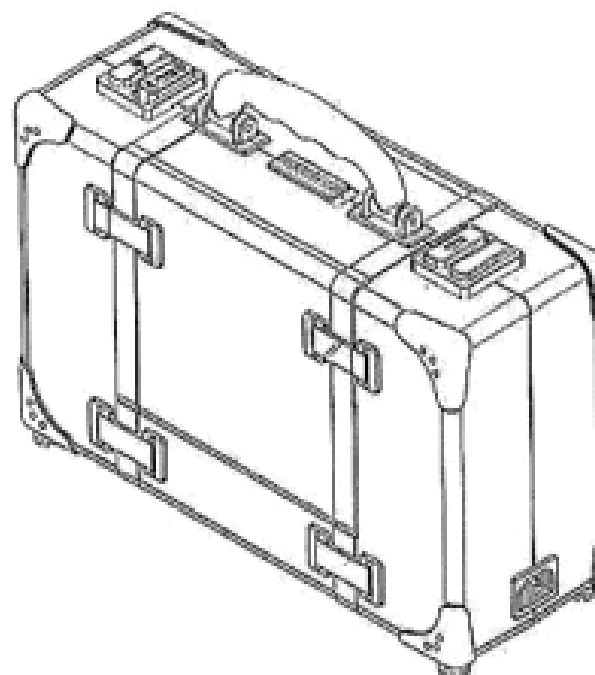
- (21) Design Number: **15713/2010**
(22) Date of Filing Application: **23 December 2010**
(24) Date from which industrial property rights may have effect: **23 December 2010**
(54) Product in respect of which the design is registered: **Joint system for a concrete slab**
(51) International Design Classification: **25-01B**
(71) Name(s) and Address(s) of Applicant(s):
Permaban Limited
Mill Close Lee Mill Industrial Estate Ivybridge Devon PL21 9GL United Kingdom
(72) Name(s) of Designer(s): **Rodney Malcolm Arnold**
(45) Registration Date: **27 January 2011**
(30) Convention priority data:
(31) Number (32) Date (33) Country
001223838-0002 05 Jul 2010 EUROPEAN COMMUNITY
(56) Related Art Documents: **Not Applicable**
(57) Statement of Newness and Distinctiveness: **Those features of the joint system for a concrete slab depicted in the representations that are new and distinctive are the shape and/or configuration. The joint system for a concrete slab may be of indefinite length. The features shown in broken lines are not part of the design and are to be disregarded when considering the overall impression of the design.**



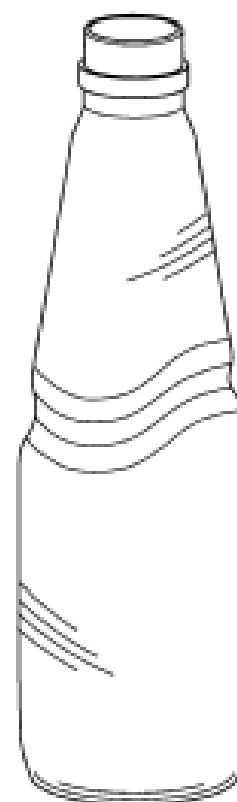
(21) Design Number: **15714/2010**
(22) Date of Filing Application: **23 December 2010**
(24) Date from which industrial property rights may have effect: **23 December 2010**
(54) Product in respect of which the design is registered: **Joint system for a concrete slab**
(51) International Design Classification: **25-01B**
(71) Name(s) and Address(s) of Applicant(s):
Permaban Limited
Mill Close Lee Mill Industrial Estate Ivybridge Devon PL21 9GL United Kingdom
(72) Name(s) of Designer(s): **Rodney Malcolm Arnold**
(45) Registration Date: **27 January 2011**
(30) Convention priority data:
(31) Number (32) Date (33) Country
001223838-0001 05 Jul 2010 EUROPEAN COMMUNITY
(56) Related Art Documents: **Not Applicable**
(57) Statement of Newness and Distinctiveness: **Those features of the joint system for a concrete slab depicted in the representations that are new and distinctive are the shape and/or configuration. The joint system for a concrete slab may be of indefinite length. The features shown in broken lines are not part of the design and are to be disregarded when considering the overall impression of the design.**



(21) Design Number: **15715/2010**
(22) Date of Filing Application: **22 December 2010**
(24) Date from which industrial property rights may have effect: **22 December 2010**
(54) Product in respect of which the design is registered: **Portable motorized roller press**
(51) International Design Classification: **15-09**
(71) Name(s) and Address(s) of Applicant(s):
Ellison Educational Equipment, Inc.
25862 Commercentre Drive Lake Forest California 92630-8804 United States of America
(72) Name(s) of Designer(s): **Kevin L. Corcoran and Robert E. Smathers**
(45) Registration Date: **27 January 2011**
(30) Convention priority data:
(31) Number (32) Date (33) Country
29/370343 01 Jul 2010 UNITED STATES OF AMERICA
(56) Related Art Documents: **Not Applicable**
(57) Statement of Newness and Distinctiveness: **Nil**



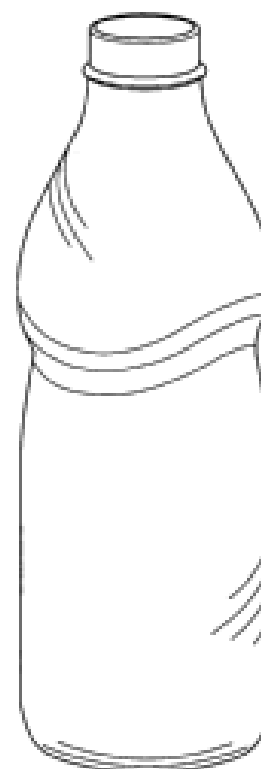
(21) Design Number: **15755/2010**
(22) Date of Filing Application: **24 December 2010**
(24) Date from which industrial property rights may have effect: **24 December 2010**
(54) Product in respect of which the design is registered: **Bottle**
(51) International Design Classification: **09-01K**
(71) Name(s) and Address(s) of Applicant(s):
Owens-Brockway Glass Container Inc.
One Michael Owens Way Perrysburg Ohio 43551 United States of America
(72) Name(s) of Designer(s): **Matthias Warneke and Steffi Lenz**
(45) Registration Date: **27 January 2011**
(30) Convention priority data:
(31) Number (32) Date (33) Country
001725920 29 Jun 2010 EUROPEAN COMMUNITY
(56) Related Art Documents: **Not Applicable**
(57) Statement of Newness and Distinctiveness: **Newness and distinctiveness reside in the features of shape and/or configuration of the design for a bottle as shown in the representations.**



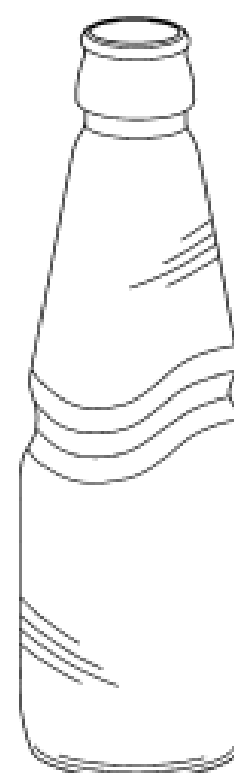
(21) Design Number: **15756/2010**
(22) Date of Filing Application: **24 December 2010**
(24) Date from which industrial property rights may have effect: **24 December 2010**
(54) Product in respect of which the design is registered: **Bottle**
(51) International Design Classification: **09-01K**
(71) Name(s) and Address(s) of Applicant(s):
Owens-Brockway Glass Container Inc.
One Michael Owens Way Perrysburg Ohio 43551 United States of America
(72) Name(s) of Designer(s): **Matthias Warneke and Steffi Lenz**
(45) Registration Date: **27 January 2011**
(30) Convention priority data:
(31) Number (32) Date (33) Country
001725920 29 Jun 2010 EUROPEAN COMMUNITY
(56) Related Art Documents: **Not Applicable**
(57) Statement of Newness and Distinctiveness: **Newness and distinctiveness reside in the features of shape and/or configuration of the design for a bottle as shown in the representations.**



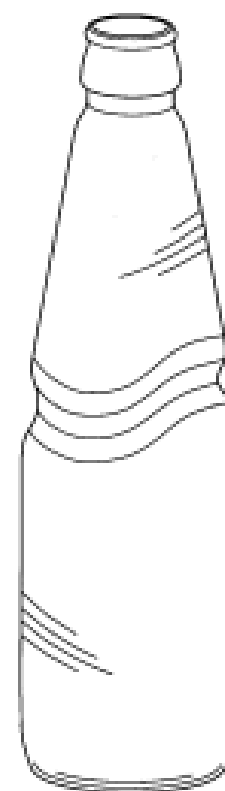
(21) Design Number: **15757/2010**
(22) Date of Filing Application: **24 December 2010**
(24) Date from which industrial property rights may have effect: **24 December 2010**
(54) Product in respect of which the design is registered: **Bottle**
(51) International Design Classification: **09-01K**
(71) Name(s) and Address(s) of Applicant(s):
Owens-Brockway Glass Container Inc.
One Michael Owens Way Perrysburg Ohio 43551 United States of America
(72) Name(s) of Designer(s): **Matthias Warneke and Steffi Lenz**
(45) Registration Date: **27 January 2011**
(30) Convention priority data:
(31) Number (32) Date (33) Country
001725920 29 Jun 2010 EUROPEAN COMMUNITY
(56) Related Art Documents: **Not Applicable**
(57) Statement of Newness and Distinctiveness: **Newness and distinctiveness reside in the features of shape and/or configuration of the design for a bottle as shown in the representations.**



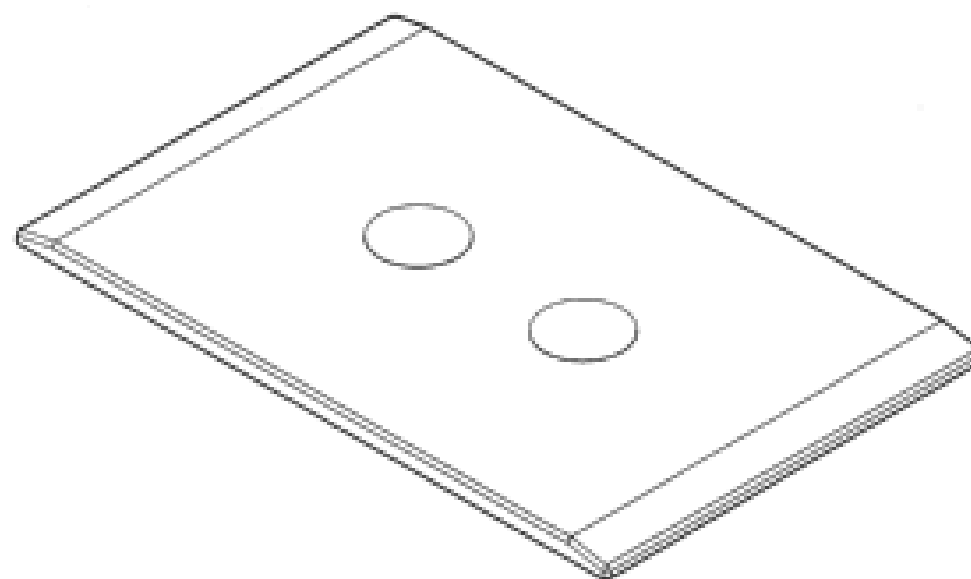
(21) Design Number: **15758/2010**
(22) Date of Filing Application: **24 December 2010**
(24) Date from which industrial property rights may have effect: **24 December 2010**
(54) Product in respect of which the design is registered: **Bottle**
(51) International Design Classification: **09-01K**
(71) Name(s) and Address(s) of Applicant(s):
Owens-Brockway Glass Container Inc.
One Michael Owens Way Perrysburg Ohio 43551 United States of America
(72) Name(s) of Designer(s): **Matthias Warneke and Steffi Lenz**
(45) Registration Date: **27 January 2011**
(30) Convention priority data:
(31) Number (32) Date (33) Country
001725920 29 Jun 2010 EUROPEAN COMMUNITY
(56) Related Art Documents: **Not Applicable**
(57) Statement of Newness and Distinctiveness: **Newness and distinctiveness reside in the features of shape and/or configuration of the design for a bottle as shown in the representations.**



- (21) Design Number: **15759/2010**
(22) Date of Filing Application: **24 December 2010**
(24) Date from which industrial property rights may have effect: **24 December 2010**
(54) Product in respect of which the design is registered: **Bottle**
(51) International Design Classification: **09-01K**
(71) Name(s) and Address(s) of Applicant(s):
Owens-Brockway Glass Container Inc.
One Michael Owens Way Perrysburg Ohio 43551 United States of America
(72) Name(s) of Designer(s): **Matthias Warneke and Steffi Lenz**
(45) Registration Date: **27 January 2011**
(30) Convention priority data:
(31) Number (32) Date (33) Country
001725920 29 Jun 2010 EUROPEAN COMMUNITY
(56) Related Art Documents: **Not Applicable**
(57) Statement of Newness and Distinctiveness: **Newness and distinctiveness reside in the features of shape and/or configuration of the design for a bottle as shown in the representations.**



- (21) Design Number: **15760/2010**
(22) Date of Filing Application: **24 December 2010**
(24) Date from which industrial property rights may have effect: **24 December 2010**
(54) Product in respect of which the design is registered: **Switch faceplate**
(51) International Design Classification: **13-03D**
(71) Name(s) and Address(s) of Applicant(s):
Clipsal Australia Pty Ltd
2 Solent Circuit Norwest Business Park Baulkham Hills New South Wales 2153 Australia
(72) Name(s) of Designer(s): **Elizabeth Tunde Juhasz**
(45) Registration Date: **27 January 2011**
(56) Related Art Documents: **Not Applicable**
(57) Statement of Newness and Distinctiveness: **Newness and distinctiveness is claimed in the shape and/or configuration of a switch faceplate as shown in the accompanying drawings.**



(21) Design Number: **15761/2010**

(22) Date of Filing Application: **24 December 2010**

(24) Date from which industrial property rights may have effect: **24 December 2010**

(54) Product in respect of which the design is registered: **Switch faceplate**

(51) International Design Classification: **13-03D**

(71) Name(s) and Address(s) of Applicant(s):

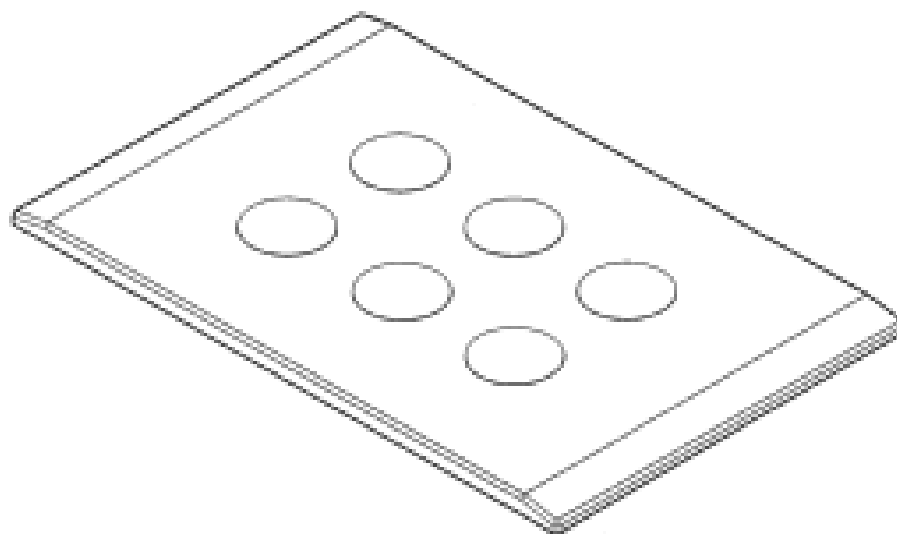
**Clipsal Australia Pty Ltd
2 Solent Circuit Norwest Business Park Baulkham Hills New South
Wales 2153 Australia**

(72) Name(s) of Designer(s): **Elizabeth Tunde Juhasz**

(45) Registration Date: **27 January 2011**

(56) Related Art Documents: **Not Applicable**

(57) Statement of Newness and Distinctiveness: **Newness and distinctiveness is claimed in the shape and/or configuration of a switch faceplate as shown in the accompanying drawings.**



(21) Design Number: **15762/2010**

(22) Date of Filing Application: **24 December 2010**

(24) Date from which industrial property rights may have effect: **24 December 2010**

(54) Product in respect of which the design is registered: **Switch faceplate**

(51) International Design Classification: **13-03D**

(71) Name(s) and Address(s) of Applicant(s):

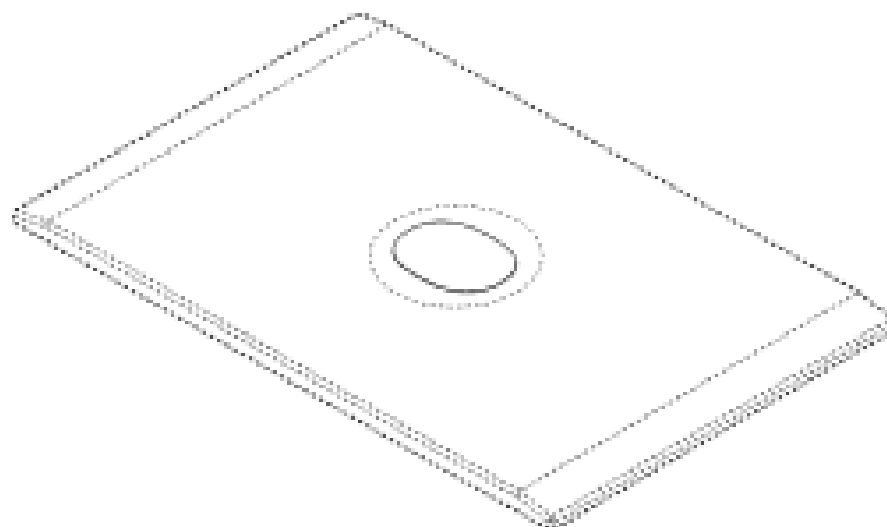
**Clipsal Australia Pty Ltd
2 Solent Circuit Norwest Business Park Baulkham Hills New South
Wales 2153 Australia**

(72) Name(s) of Designer(s): **Elizabeth Tunde Juhasz**

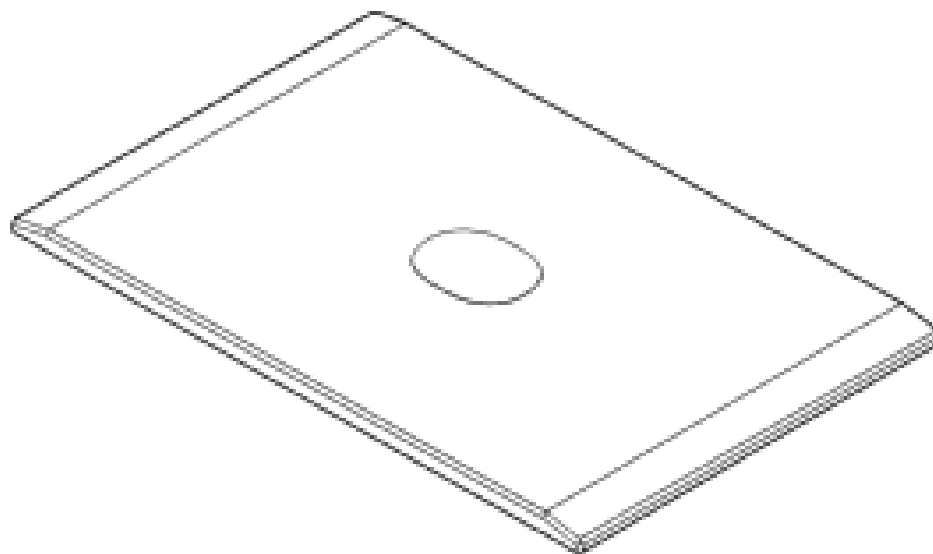
(45) Registration Date: **27 January 2011**

(56) Related Art Documents: **Not Applicable**

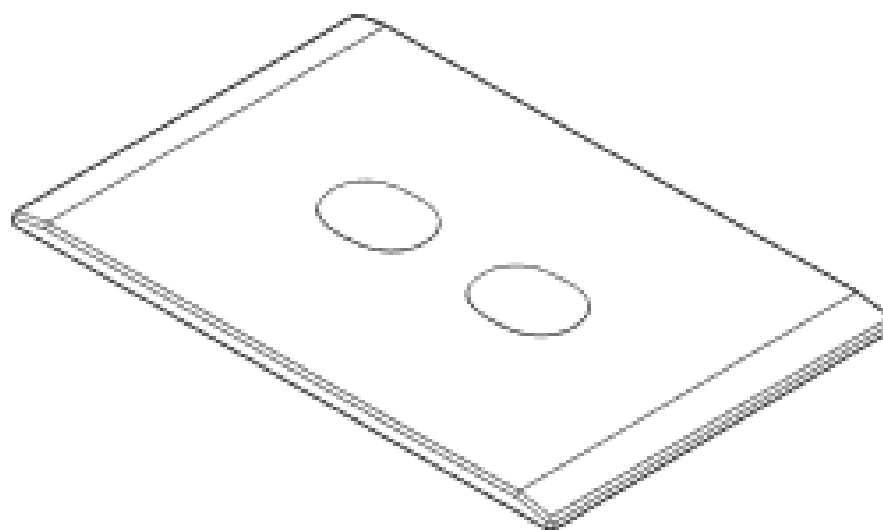
(57) Statement of Newness and Distinctiveness: **Newness and distinctiveness is claimed in the shape and/or configuration of a switch faceplate as shown in the accompanying drawings. In determining the scope of monopoly, no regard will be had to the region outside of the central circle shown in dotted lines.**



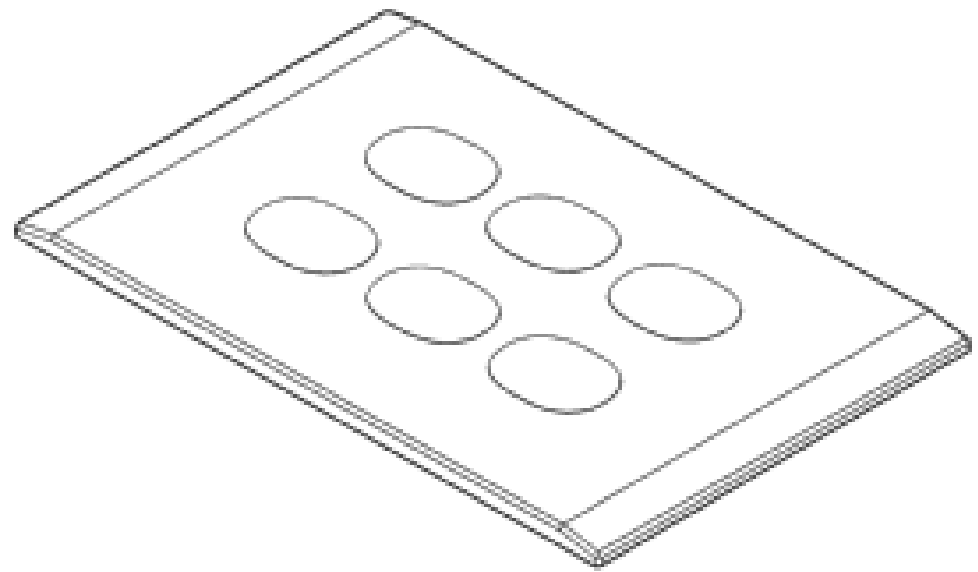
- (21) Design Number: **15763/2010**
(22) Date of Filing Application: **24 December 2010**
(24) Date from which industrial property rights may have effect: **24 December 2010**
(54) Product in respect of which the design is registered: **Switch faceplate**
(51) International Design Classification: **13-03D**
(71) Name(s) and Address(s) of Applicant(s):
Clipsal Australia Pty Ltd
2 Solent Circuit Norwest Business Park Baulkham Hills New South
Wales 2153 Australia
(72) Name(s) of Designer(s): **Elizabeth Tunde Juhasz**
(45) Registration Date: **27 January 2011**
(56) Related Art Documents: **Not Applicable**
(57) Statement of Newness and Distinctiveness: **Newness and distinctiveness is claimed in the shape and/or configuration of a switch faceplate as shown in the accompanying drawings.**



- (21) Design Number: **15764/2010**
(22) Date of Filing Application: **24 December 2010**
(24) Date from which industrial property rights may have effect: **24 December 2010**
(54) Product in respect of which the design is registered: **Switch faceplate**
(51) International Design Classification: **13-03D**
(71) Name(s) and Address(s) of Applicant(s):
Clipsal Australia Pty Ltd
2 Solent Circuit Norwest Business Park Baulkham Hills New South
Wales 2153 Australia
(72) Name(s) of Designer(s): **Elizabeth Tunde Juhasz**
(45) Registration Date: **27 January 2011**
(56) Related Art Documents: **Not Applicable**
(57) Statement of Newness and Distinctiveness: **Newness and distinctiveness is claimed in the shape and/or configuration of a switch faceplate as shown in the accompanying drawings.**



- (21) Design Number: **15765/2010**
(22) Date of Filing Application: **24 December 2010**
(24) Date from which industrial property rights may have effect: **24 December 2010**
(54) Product in respect of which the design is registered: **Switch faceplate**
(51) International Design Classification: **13-03D**
(71) Name(s) and Address(s) of Applicant(s):
Clipsal Australia Pty Ltd
2 Solent Circuit Norwest Business Park Baulkham Hills New South
Wales 2153 Australia
(72) Name(s) of Designer(s): **Elizabeth Tunde Juhasz**
(45) Registration Date: **27 January 2011**
(56) Related Art Documents: **Not Applicable**
(57) Statement of Newness and Distinctiveness: **Newness and distinctiveness is claimed in the shape and/or configuration of a switch faceplate as shown in the accompanying drawings.**



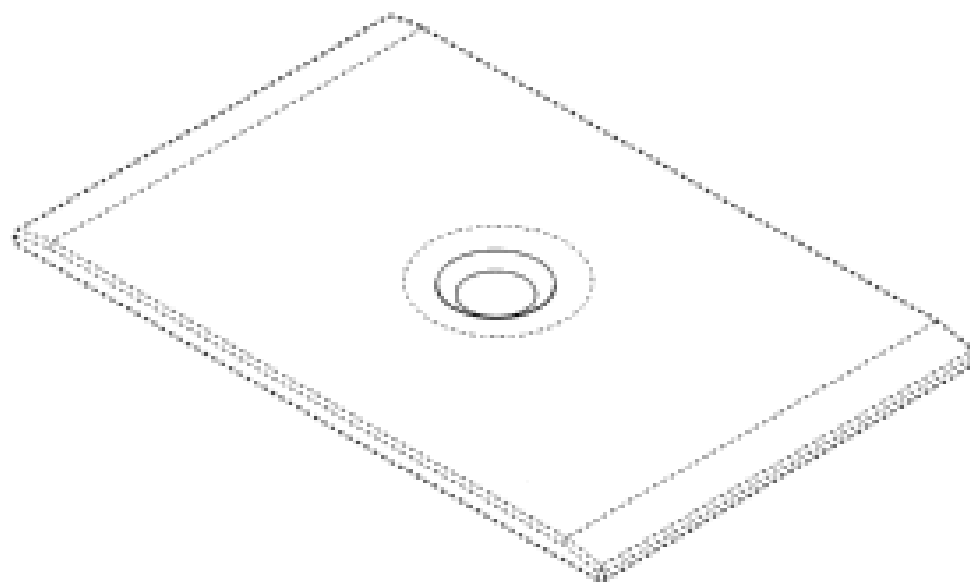
- (21) Design Number: **15766/2010**
(22) Date of Filing Application: **24 December 2010**
(24) Date from which industrial property rights may have effect: **24 December 2010**
(54) Product in respect of which the design is registered: **Chair**
(51) International Design Classification: **06-01F**
(71) Name(s) and Address(s) of Applicant(s):
Okamura Corporation
7-18 Kitasaiwai 2-chome Nishi-ku Yokohama-shi Kanagawa 220-0004
Japan
(72) Name(s) of Designer(s): **Hiroshi Saotome**
(45) Registration Date: **27 January 2011**
(56) Related Art Documents: **Not Applicable**
(57) Statement of Newness and Distinctiveness: **Newness and distinctiveness reside in the features of the design as shown in the representations excluding the design of the material held within the frame of the backrest and the seat.**



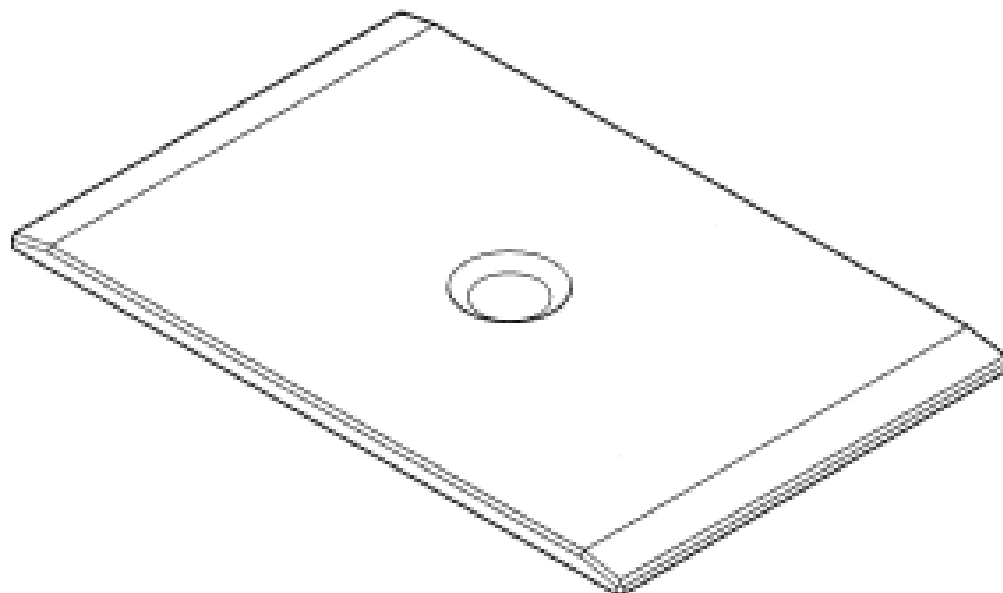
- (21) Design Number: **15767/2010**
(22) Date of Filing Application: **24 December 2010**
(24) Date from which industrial property rights may have effect: **24 December 2010**
(54) Product in respect of which the design is registered: **Chair**
(51) International Design Classification: **06-01F**
(71) Name(s) and Address(s) of Applicant(s):
Okamura Corporation
7-18 Kitasaiwai 2-chome Nishi-ku Yokohama-shi Kanagawa 220-0004
Japan
(72) Name(s) of Designer(s): **Hiroshi Saotome**
(45) Registration Date: **27 January 2011**
(56) Related Art Documents: **Not Applicable**
(57) Statement of Newness and Distinctiveness: **Newness and distinctiveness reside in the features of the design as shown in the representations excluding the design of the material held within the frame of the backrest and the seat.**



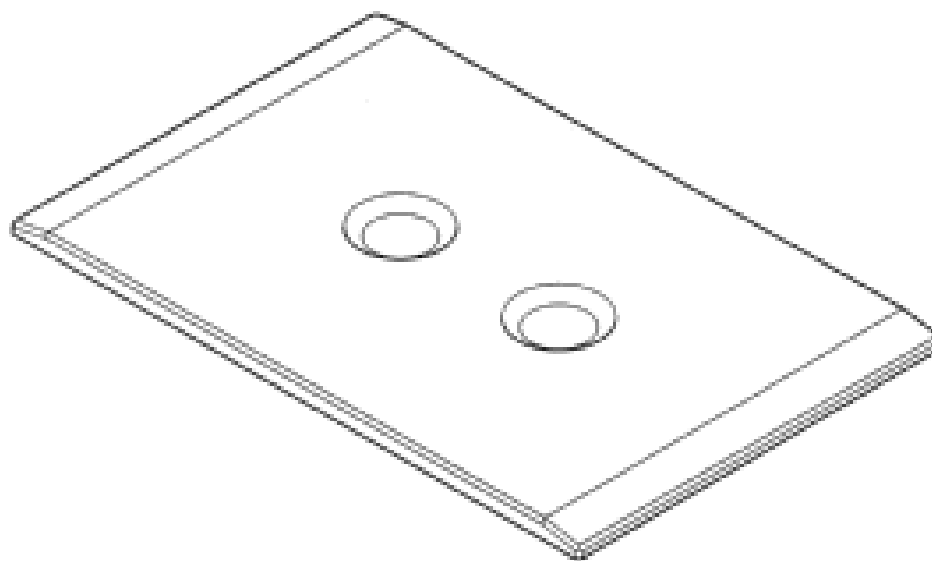
- (21) Design Number: **15768/2010**
(22) Date of Filing Application: **24 December 2010**
(24) Date from which industrial property rights may have effect: **24 December 2010**
(54) Product in respect of which the design is registered: **Switch faceplate**
(51) International Design Classification: **13-03D**
(71) Name(s) and Address(s) of Applicant(s):
Clipsal Australia Pty Ltd
2 Solent Circuit Norwest Business Park Baulkham Hills New South
Wales 2153 Australia
(72) Name(s) of Designer(s): **Elizabeth Tunde Juhasz**
(45) Registration Date: **27 January 2011**
(56) Related Art Documents: **Not Applicable**
(57) Statement of Newness and Distinctiveness: **Newness and distinctiveness is claimed in the shape and/or configuration of a switch faceplate as shown in the accompanying drawings. In determining the scope of monopoly, no regard will be had to the region outside of the central circle shown in dotted lines.**



- (21) Design Number: **15769/2010**
(22) Date of Filing Application: **24 December 2010**
(24) Date from which industrial property rights may have effect: **24 December 2010**
(54) Product in respect of which the design is registered: **Switch faceplate**
(51) International Design Classification: **13-03D**
(71) Name(s) and Address(s) of Applicant(s):
Clipsal Australia Pty Ltd
2 Solent Circuit Norwest Business Park Baulkham Hills New South
Wales 2153 Australia
(72) Name(s) of Designer(s): **Elizabeth Tunde Juhasz**
(45) Registration Date: **27 January 2011**
(56) Related Art Documents: **Not Applicable**
(57) Statement of Newness and Distinctiveness: **Newness and distinctiveness is claimed in the shape and/or configuration of a switch faceplate as shown in the accompanying drawings.**



- (21) Design Number: **15770/2010**
(22) Date of Filing Application: **24 December 2010**
(24) Date from which industrial property rights may have effect: **24 December 2010**
(54) Product in respect of which the design is registered: **Switch faceplate**
(51) International Design Classification: **13-03D**
(71) Name(s) and Address(s) of Applicant(s):
Clipsal Australia Pty Ltd
2 Solent Circuit Norwest Business Park Baulkham Hills New South
Wales 2153 Australia
(72) Name(s) of Designer(s): **Elizabeth Tunde Juhasz**
(45) Registration Date: **27 January 2011**
(56) Related Art Documents: **Not Applicable**
(57) Statement of Newness and Distinctiveness: **Newness and distinctiveness is claimed in the shape and/or configuration of a switch faceplate as shown in the accompanying drawings.**



(21) Design Number: **14690/2010**
 (22) Date of Filing Application: **29 October 2010**
 (24) Date from which industrial property rights may have effect: **29 October 2010**
 (54) Product in respect of which the design is registered: **Implantable blood pump**
 (51) International Design Classification: **24-01, 15-02**
 (71) Name(s) and Address(s) of Applicant(s):

Thoratec Corporation
6035 Stoneridge Drive Pleasanton California 94588 United States of America

(72) Name(s) of Designer(s): **Kevin Bourque**

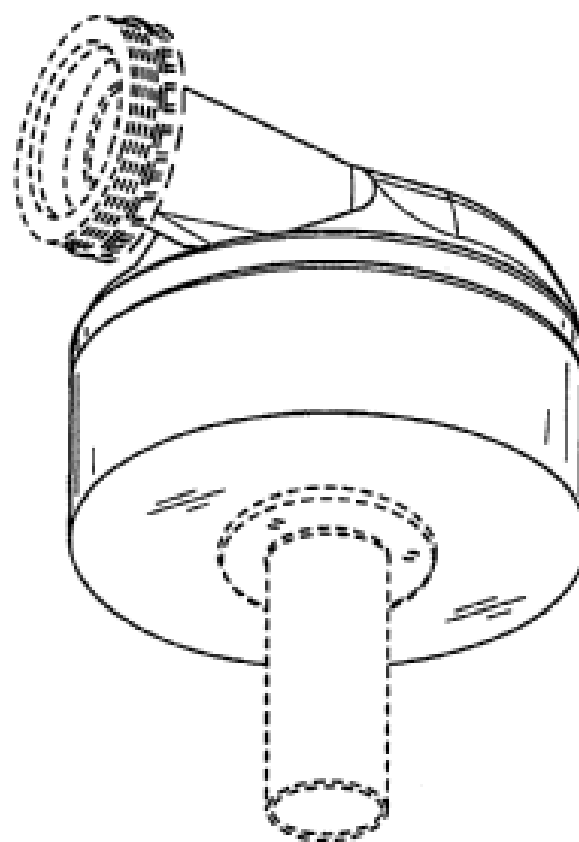
(45) Registration Date: **27 January 2011**

(30) Convention priority data:

(31) Number	(32) Date	(33) Country
29/368272	20 Aug 2010	UNITED STATES OF AMERICA

(56) Related Art Documents: **Not Applicable**

(57) Statement of Newness and Distinctiveness: **Newness and distinctiveness is claimed in the visual features shown in solid lines in the representations.**



(21) Design Number: **14978/2010**
 (22) Date of Filing Application: **17 November 2010**
 (24) Date from which industrial property rights may have effect: **17 November 2010**
 (54) Product in respect of which the design is registered: **Insole**
 (51) International Design Classification: **02-04A**
 (71) Name(s) and Address(s) of Applicant(s):

Samar, LLC
70 West Madison Chicago IL 60602 United States of America

(72) Name(s) of Designer(s): **Joost Robert van Haasteren**

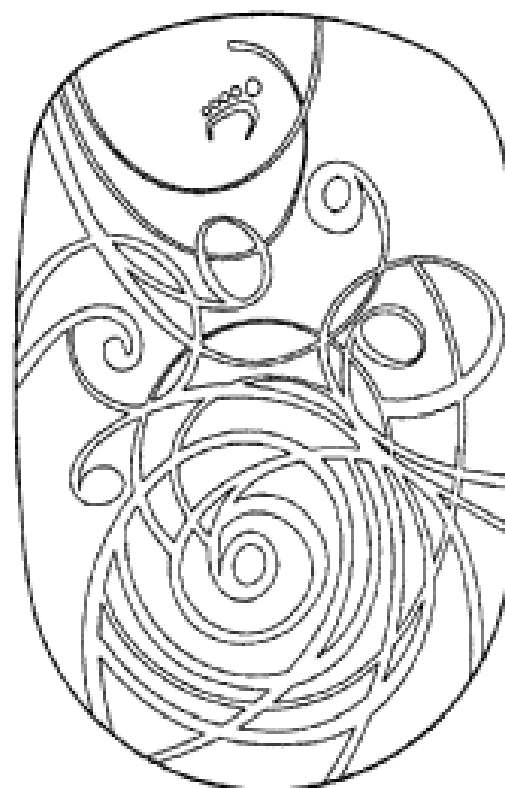
(45) Registration Date: **27 January 2011**

(30) Convention priority data:

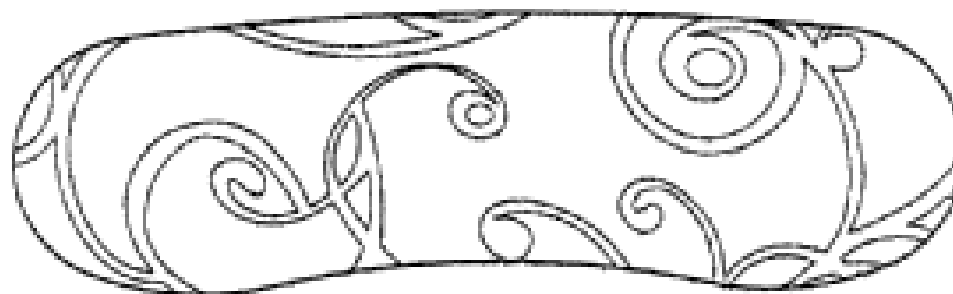
(31) Number	(32) Date	(33) Country
001740655#0001	05 Aug 2010	EUROPEAN COMMUNITY

(56) Related Art Documents: **Not Applicable**

(57) Statement of Newness and Distinctiveness: **Nil**



(21) Design Number: **14979/2010**
(22) Date of Filing Application: **17 November 2010**
(24) Date from which industrial property rights may have effect: **17 November 2010**
(54) Product in respect of which the design is registered: **Insole**
(51) International Design Classification: **02-04A**
(71) Name(s) and Address(s) of Applicant(s):
Samar, LLC
70 West Madison Chicago IL 60602 United States of America
(72) Name(s) of Designer(s): **Joost Robert van Haasteren**
(45) Registration Date: **27 January 2011**
(30) Convention priority data:
(31) Number (32) Date (33) Country
001740697#0001 05 Aug 2010 EUROPEAN COMMUNITY
(56) Related Art Documents: **Not Applicable**
(57) Statement of Newness and Distinctiveness: **Nil**



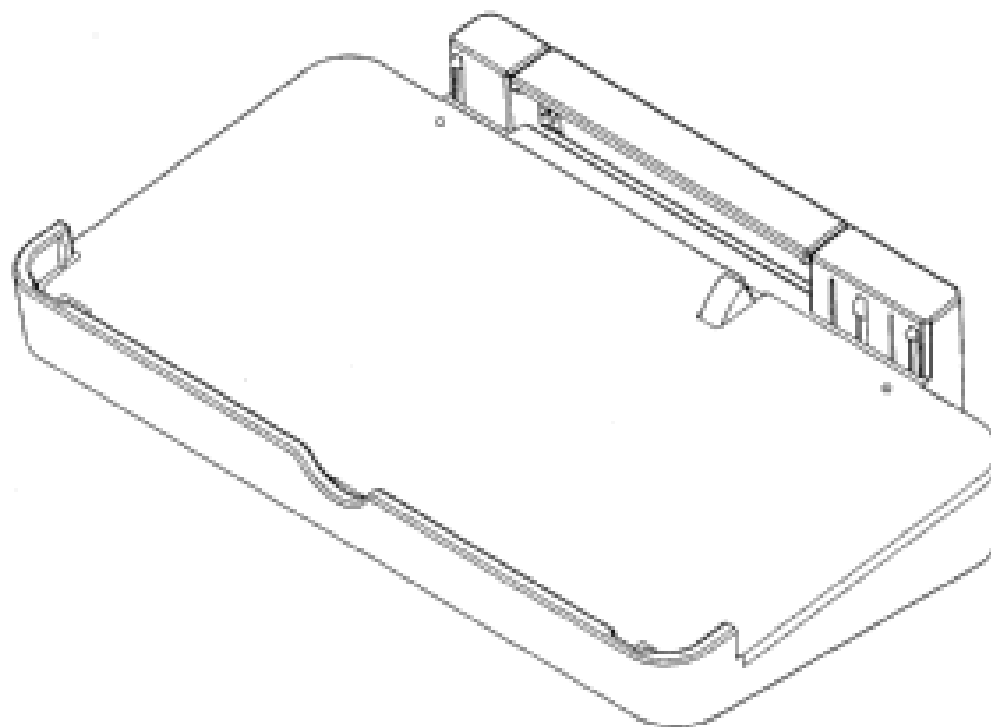
(21) Design Number: **14980/2010**
(22) Date of Filing Application: **17 November 2010**
(24) Date from which industrial property rights may have effect: **17 November 2010**
(54) Product in respect of which the design is registered: **Insole**
(51) International Design Classification: **02-04A**
(71) Name(s) and Address(s) of Applicant(s):
Samar, LLC
70 West Madison Chicago IL 60602 United States of America
(72) Name(s) of Designer(s): **Joost Robert van Haasteren**
(45) Registration Date: **27 January 2011**
(30) Convention priority data:
(31) Number (32) Date (33) Country
001740614#0001 05 Aug 2010 EUROPEAN COMMUNITY
(56) Related Art Documents: **Not Applicable**
(57) Statement of Newness and Distinctiveness: **Nil**



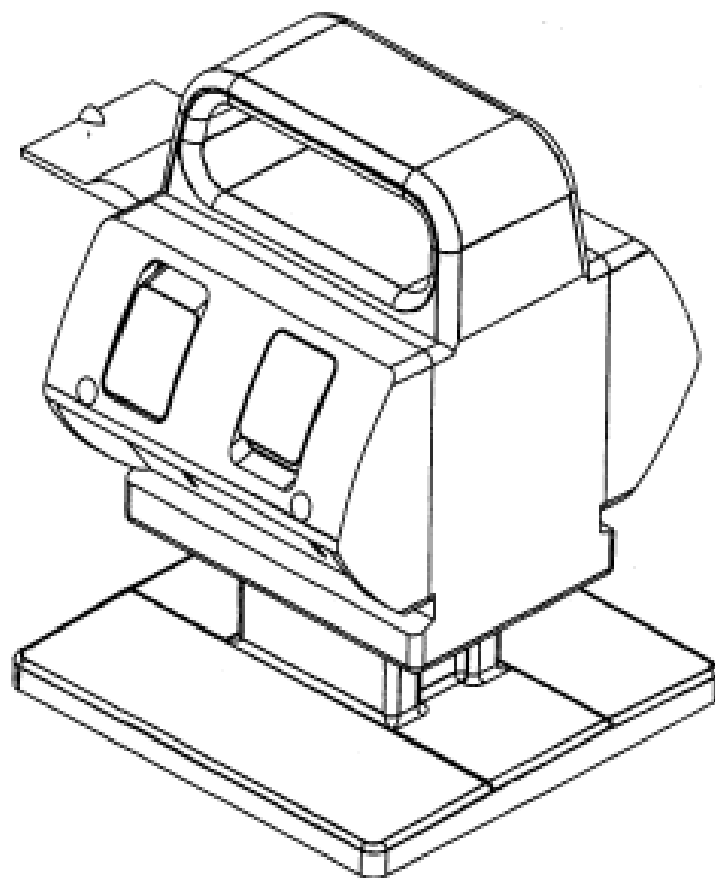
- (21) Design Number: **15199/2010**
(22) Date of Filing Application: **26 November 2010**
(24) Date from which industrial property rights may have effect: **26 November 2010**
(54) Product in respect of which the design is registered: **Interactive digital hairstyling station**
(51) International Design Classification: **28-03B**
(71) Name(s) and Address(s) of Applicant(s):
Pepsee Pty Ltd
276 Abercrombie Street Darlington New South Wales 2008 Australia
(72) Name(s) of Designer(s): **Cornelis de Bilde**
(45) Registration Date: **27 January 2011**
(56) Related Art Documents: **Not Applicable**
(57) Statement of Newness and Distinctiveness: **A hairdressing work station, full mirror with space to fit a LCD screen behind the mirror. It is an object of the present design to substantially overcome, or at least ameliorate, one or more disadvantages of existing arrangements. According to an aspect of the present disclosure, there is provided a salon system through the mirror, for displaying at least part of a person's body.**



- (21) Design Number: **15402/2010**
(22) Date of Filing Application: **09 December 2010**
(24) Date from which industrial property rights may have effect: **09 December 2010**
(54) Product in respect of which the design is registered: **Electronic computer stand**
(51) International Design Classification: **21-01N**
(71) Name(s) and Address(s) of Applicant(s):
Nintendo Co., Ltd.
11-1 Kamitoba Hokotate-cho Minami-ku Kyoto Japan
(72) Name(s) of Designer(s): **Yuko Zenri and Hideaki Kamata**
(45) Registration Date: **27 January 2011**
(30) Convention priority data:
(31) Number (32) Date (33) Country
2010-014467 11 Jun 2010 JAPAN
(56) Related Art Documents: **Not Applicable**
(57) Statement of Newness and Distinctiveness: **Nil**



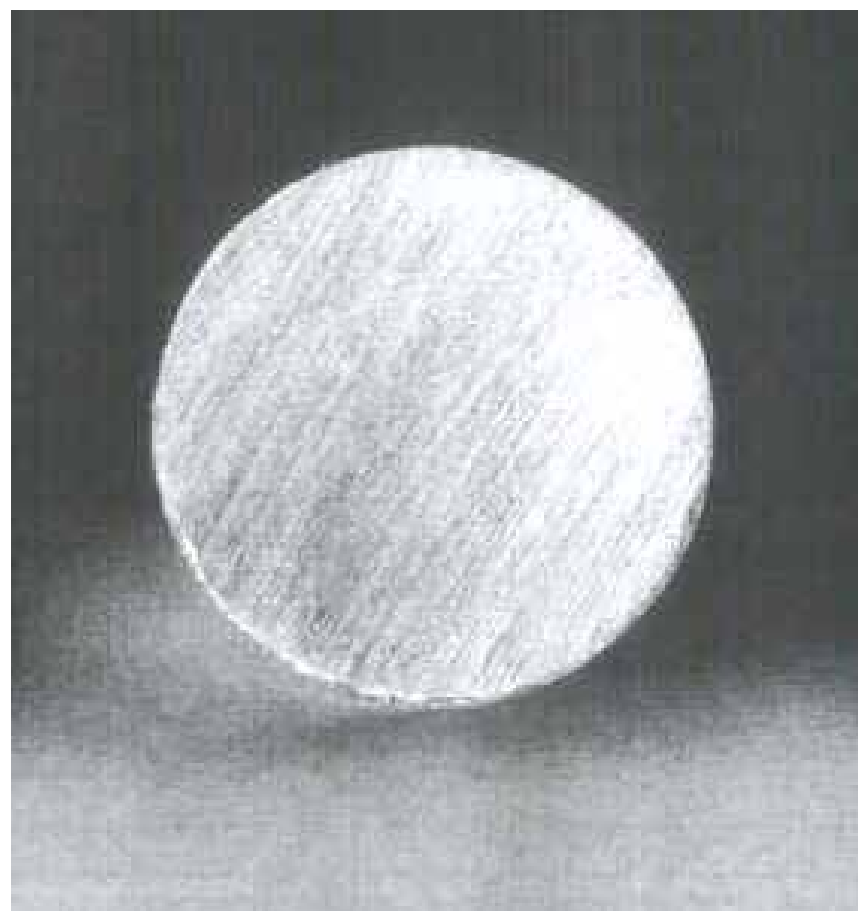
- (21) Design Number: **15521/2010**
(22) Date of Filing Application: **15 December 2010**
(24) Date from which industrial property rights may have effect: **15 December 2010**
(54) Product in respect of which the design is registered: **Switch assembly**
(51) International Design Classification: **13-03D**
(71) Name(s) and Address(s) of Applicant(s):
GWR Pty Ltd trading as Uniquip Industries
30 Pickett Street Bayswater Western Australia 6053 Australia
(72) Name(s) of Designer(s): **Geoffrey William Ruddle**
(45) Registration Date: **27 January 2011**
(56) Related Art Documents: **Not Applicable**
(57) Statement of Newness and Distinctiveness: **The particular visual features of the design which are new and distinctive are shape OR configuration.**



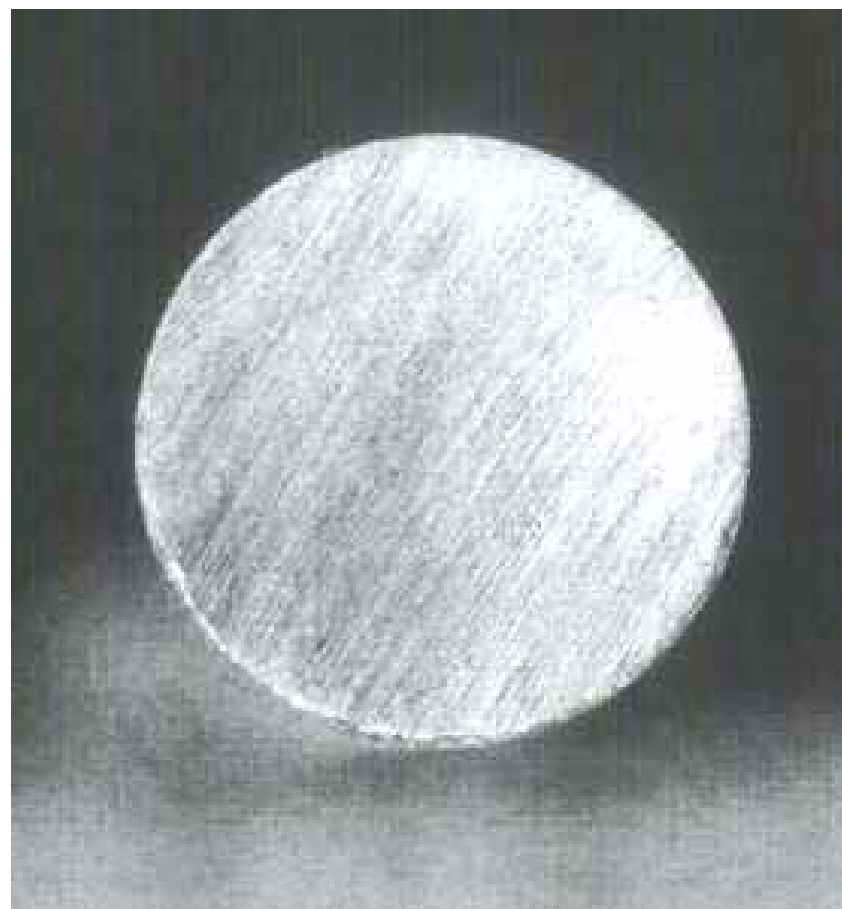
- (21) Design Number: **15649/2010**
(22) Date of Filing Application: **23 December 2010**
(24) Date from which industrial property rights may have effect: **23 December 2010**
(54) Product in respect of which the design is registered: **An electrode**
(51) International Design Classification: **13-03NES**
(71) Name(s) and Address(s) of Applicant(s):
Gesellschaft fur Wolfram Industrie mbH
Permanederstr. 34 83278 Traunstein Germany
(72) Name(s) of Designer(s): **Marion Freifrau von Cetto**
(45) Registration Date: **27 January 2011**
(30) Convention priority data:

(31) Number	(32) Date	(33) Country
001723297-0001	23 Jun 2010	EUROPEAN COMMUNITY

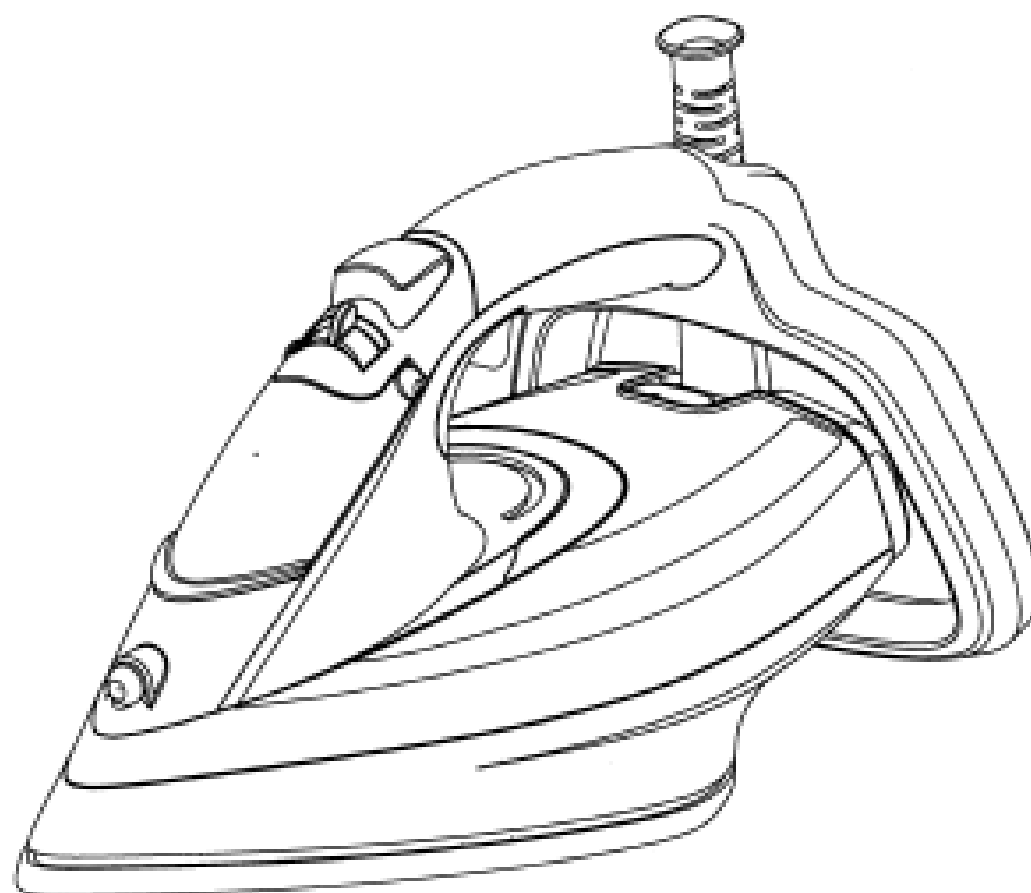
(56) Related Art Documents: **Not Applicable**
(57) Statement of Newness and Distinctiveness: **Newness and distinctiveness is claimed in the shape and/or configuration of an electrode with a blue banderole as illustrated by the unbroken lines in the accompanying representation/s.**



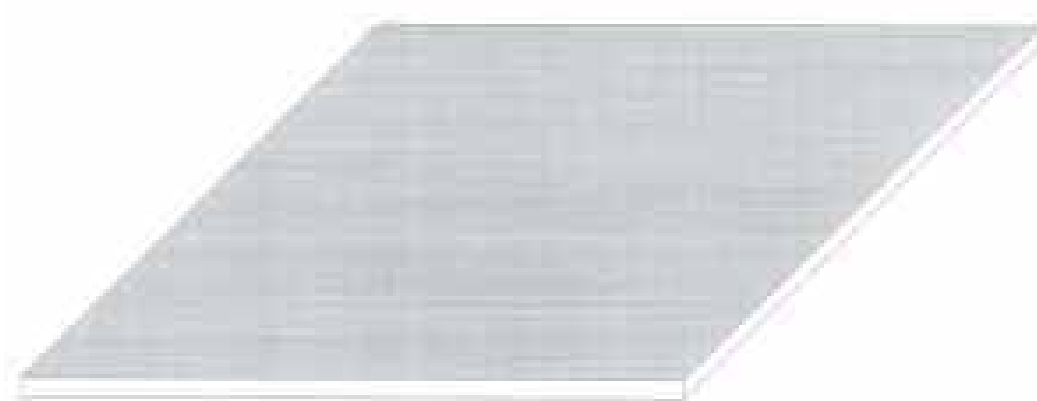
- (21) Design Number: **15650/2010**
(22) Date of Filing Application: **23 December 2010**
(24) Date from which industrial property rights may have effect: **23 December 2010**
(54) Product in respect of which the design is registered: **An electrode**
(51) International Design Classification: **13-03NES**
(71) Name(s) and Address(s) of Applicant(s):
Gesellschaft fur Wolfram Industrie mbH
Permanederstr. 34 83278 Traunstein Germany
(72) Name(s) of Designer(s): **Marion Freifrau von Cetto**
(45) Registration Date: **27 January 2011**
(30) Convention priority data:
(31) Number (32) Date (33) Country
001723297-0005 23 Jun 2010 EUROPEAN COMMUNITY
(56) Related Art Documents: **Not Applicable**
(57) Statement of Newness and Distinctiveness: **Newness and distinctiveness is claimed in the shape and/or configuration of an electrode with a grey banderole as illustrated by the unbroken lines in the accompanying representation/s.**



- (21) Design Number: **15721/2010**
(22) Date of Filing Application: **22 December 2010**
(24) Date from which industrial property rights may have effect: **22 December 2010**
(54) Product in respect of which the design is registered: **Steam laundry iron**
(51) International Design Classification: **07-05A**
(71) Name(s) and Address(s) of Applicant(s):
Calor
Place Ambroise Courtois Lyon 69008 France
(72) Name(s) of Designer(s): **Dick Powell**
(45) Registration Date: **27 January 2011**
(30) Convention priority data:
(31) Number (32) Date (33) Country
001224422-0001 12 Jul 2010 EUROPEAN COMMUNITY
(56) Related Art Documents: **Not Applicable**
(57) Statement of Newness and Distinctiveness: **Nil**



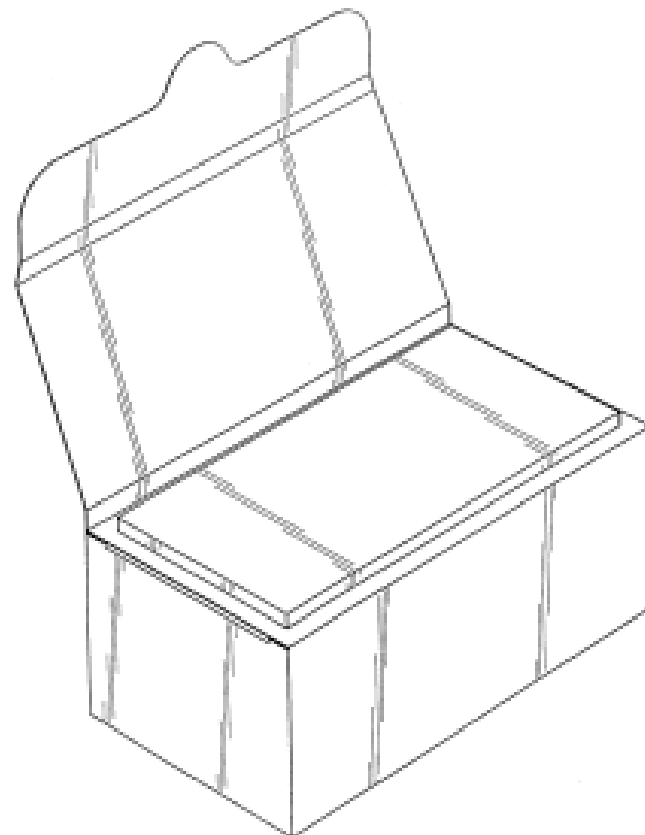
- (21) Design Number: **15722/2010**
(22) Date of Filing Application: **22 December 2010**
(24) Date from which industrial property rights may have effect: **22 December 2010**
(54) Product in respect of which the design is registered: **Tile**
(51) International Design Classification: **25-01F**
(71) Name(s) and Address(s) of Applicant(s):
Ceramiche Atlas Concorde SPA
Via Canaletto 141 Spezzano di Fiorano 41042 Italy
(72) Name(s) of Designer(s): **Luca Mussini**
(45) Registration Date: **27 January 2011**
(30) Convention priority data:
(31) Number (32) Date (33) Country
001759721-0001 26 Sep 2010 EUROPEAN COMMUNITY
(56) Related Art Documents: **Not Applicable**
(57) Statement of Newness and Distinctiveness: **The pattern apparent on the front of the product, which is of indefinite thickness and width and which may be varied in colour or number of pattern repetitions without departing from the design, is new and distinctive.**



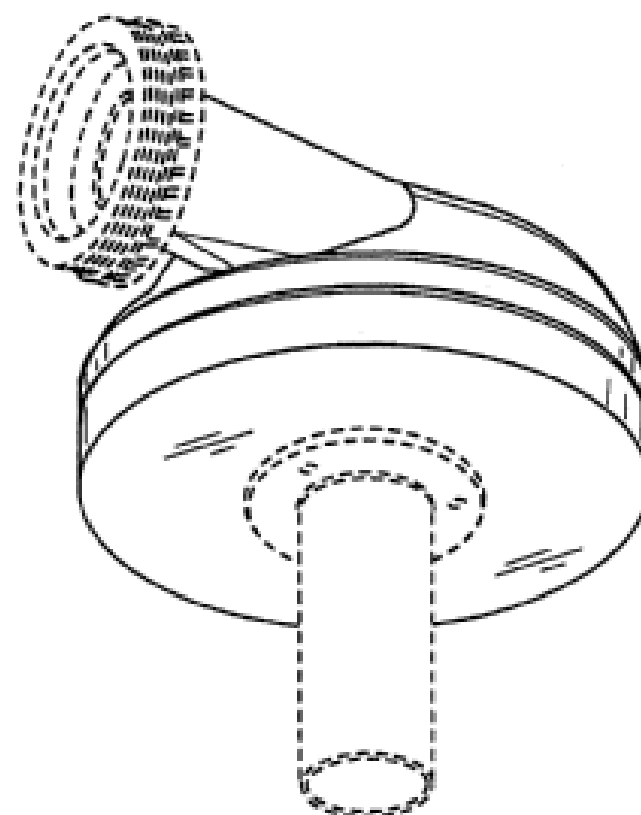
- (21) Design Number: **15723/2010**
(22) Date of Filing Application: **22 December 2010**
(24) Date from which industrial property rights may have effect: **22 December 2010**
(54) Product in respect of which the design is registered: **Tile**
(51) International Design Classification: **25-01F**
(71) Name(s) and Address(s) of Applicant(s):
Ceramiche Atlas Concorde SPA
Via Canaletto 141 Spezzano di Fiorano 41042 Italy
(72) Name(s) of Designer(s): **Luca Mussini**
(45) Registration Date: **27 January 2011**
(30) Convention priority data:
(31) Number (32) Date (33) Country
001759721-0001 26 Sep 2010 EUROPEAN COMMUNITY
(56) Related Art Documents: **Not Applicable**
(57) Statement of Newness and Distinctiveness: **The pattern apparent on the front of the product, which is of indefinite thickness and width and which may be varied in colour or number of pattern repetitions without departing from the design, is new and distinctive.**



(21) Design Number: **15727/2010**
(22) Date of Filing Application: **23 December 2010**
(24) Date from which industrial property rights may have effect: **23 December 2010**
(54) Product in respect of which the design is registered: **Packaging**
(51) International Design Classification: **09-03M**
(71) Name(s) and Address(s) of Applicant(s):
AstraZeneca UK Limited
2 Kingdom Street London W2 6BD United Kingdom
(72) Name(s) of Designer(s): **Sebastian Corvez and Mark Kraaijenbrink and Robert Hipperson**
(45) Registration Date: **27 January 2011**
(30) Convention priority data:
(31) Number (32) Date (33) Country
01727058-0002 01 Jul 2010 EUROPEAN COMMUNITY
(56) Related Art Documents: **Not Applicable**
(57) Statement of Newness and Distinctiveness: **Newness and distinctiveness resides in the shape and configuration of a blank for packaging shown in the representations.**



(21) Design Number: **15731/2010**
(22) Date of Filing Application: **29 October 2010**
(24) Date from which industrial property rights may have effect: **29 October 2010**
(54) Product in respect of which the design is registered: **Implantable blood pump**
(51) International Design Classification: **24-01, 15-02**
(71) Name(s) and Address(s) of Applicant(s):
Thoratec Corporation
6035 Stoneridge Drive Pleasanton California 94588 United States of America
(72) Name(s) of Designer(s): **Kevin Bourque**
(45) Registration Date: **27 January 2011**
(30) Convention priority data:
(31) Number (32) Date (33) Country
29/368272 20 Aug 2010 UNITED STATES OF AMERICA
(62) Divisional of: **334855**
(56) Related Art Documents: **Not Applicable**
(57) Statement of Newness and Distinctiveness: **Newness and distinctiveness is claimed in the visual features shown in solid lines in the representations.**



(21) Design Number: **15732/2010**
(22) Date of Filing Application: **29 October 2010**
(24) Date from which industrial property rights may have effect: **29 October 2010**
(54) Product in respect of which the design is registered: **Implantable blood pump**
(51) International Design Classification: **24-01, 15-02**
(71) Name(s) and Address(s) of Applicant(s):

Thoratec Corporation
6035 Stoneridge Drive Pleasanton California 94588 United States of America

(72) Name(s) of Designer(s): **Kevin Bourque**

(45) Registration Date: **27 January 2011**

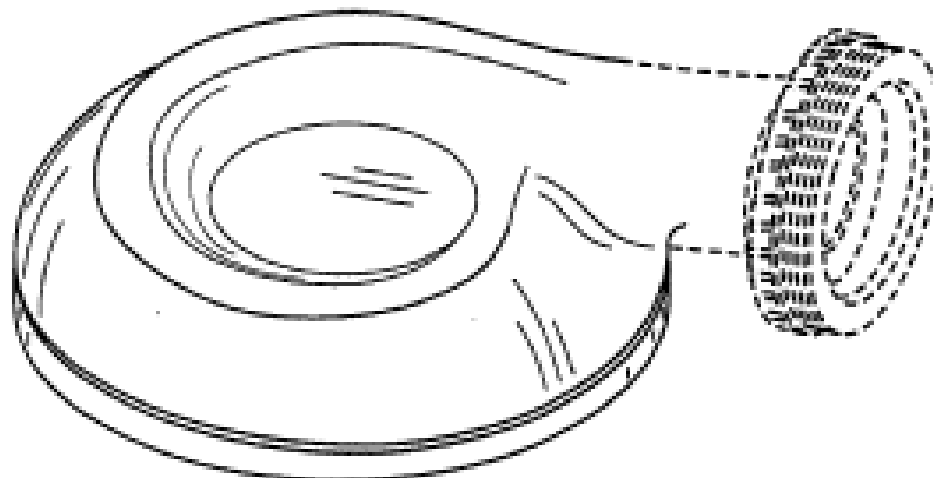
(30) Convention priority data:

(31) Number	(32) Date	(33) Country
29/368272	20 Aug 2010	UNITED STATES OF AMERICA

(62) Divisional of: **334855**

(56) Related Art Documents: **Not Applicable**

(57) Statement of Newness and Distinctiveness: **Newness and distinctiveness is claimed in the visual features shown in solid lines in the representations.**



(21) Design Number: **15786/2010**
(22) Date of Filing Application: **24 December 2010**
(24) Date from which industrial property rights may have effect: **24 December 2010**
(54) Product in respect of which the design is registered: **Textile**
(51) International Design Classification: **05-05A**
(71) Name(s) and Address(s) of Applicant(s):

Kas Australia Pty Limited
78 O'Riordan Street Alexandria New South Wales 2015 Australia

(72) Name(s) of Designer(s): **Skye Gemell**

(45) Registration Date: **27 January 2011**

(56) Related Art Documents: **Not Applicable**

(57) Statement of Newness and Distinctiveness: **Newness and distinctiveness are claimed in relation to the features of pattern and/or ornamentation (not limited by colour) of a panel of a textile as shown in the representation. The textile is of indefinite length and width, which may be repeated.**



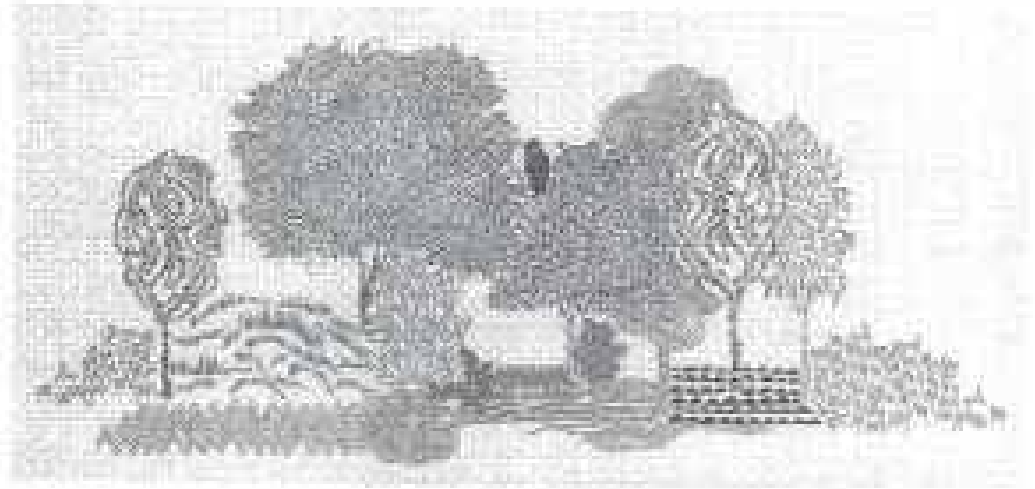
- (21) Design Number: **15788/2010**
(22) Date of Filing Application: **24 December 2010**
(24) Date from which industrial property rights may have effect: **24 December 2010**
(54) Product in respect of which the design is registered: **Textile**
(51) International Design Classification: **05-05A**
(71) Name(s) and Address(s) of Applicant(s):
Kas Australia Pty Limited
78 O'Riordan Street Alexandria New South Wales 2015 Australia
(72) Name(s) of Designer(s): **Skye Gemell**
(45) Registration Date: **27 January 2011**
(56) Related Art Documents: **Not Applicable**
(57) Statement of Newness and Distinctiveness: **Newness and distinctiveness are claimed in relation to the features of pattern and/or ornamentation (not limited by colour) of a panel of a textile as shown in the representation. The textile is of indefinite length and width, which may be repeated.**



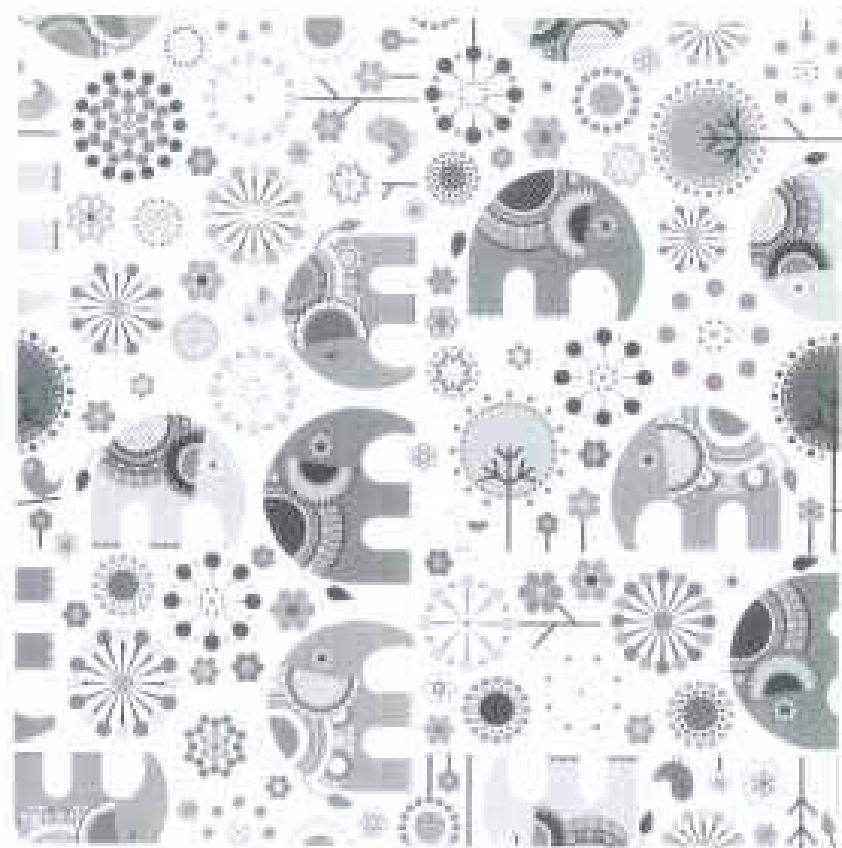
- (21) Design Number: **15789/2010**
(22) Date of Filing Application: **24 December 2010**
(24) Date from which industrial property rights may have effect: **24 December 2010**
(54) Product in respect of which the design is registered: **Textile**
(51) International Design Classification: **05-05A**
(71) Name(s) and Address(s) of Applicant(s):
Kas Australia Pty Limited
78 O'Riordan Street Alexandria New South Wales 2015 Australia
(72) Name(s) of Designer(s): **Ella Leach**
(45) Registration Date: **27 January 2011**
(56) Related Art Documents: **Not Applicable**
(57) Statement of Newness and Distinctiveness: **Newness and distinctiveness are claimed in relation to the features of pattern and/or ornamentation (not limited by colour) of a panel of a textile as shown in the representation. The textile is of indefinite length and width, which may be repeated.**



- (21) Design Number: **15790/2010**
(22) Date of Filing Application: **24 December 2010**
(24) Date from which industrial property rights may have effect: **24 December 2010**
(54) Product in respect of which the design is registered: **Textile**
(51) International Design Classification: **05-05A**
(71) Name(s) and Address(s) of Applicant(s):
Kas Australia Pty Limited
78 O'Riordan Street Alexandria New South Wales 2015 Australia
(72) Name(s) of Designer(s): **Skye Gemell**
(45) Registration Date: **27 January 2011**
(56) Related Art Documents: **Not Applicable**
(57) Statement of Newness and Distinctiveness: **Newness and distinctiveness are claimed in relation to the features of pattern and/or ornamentation (not limited by colour) of a panel of a textile as shown in the representation. The textile is of indefinite length and width, which may be repeated.**



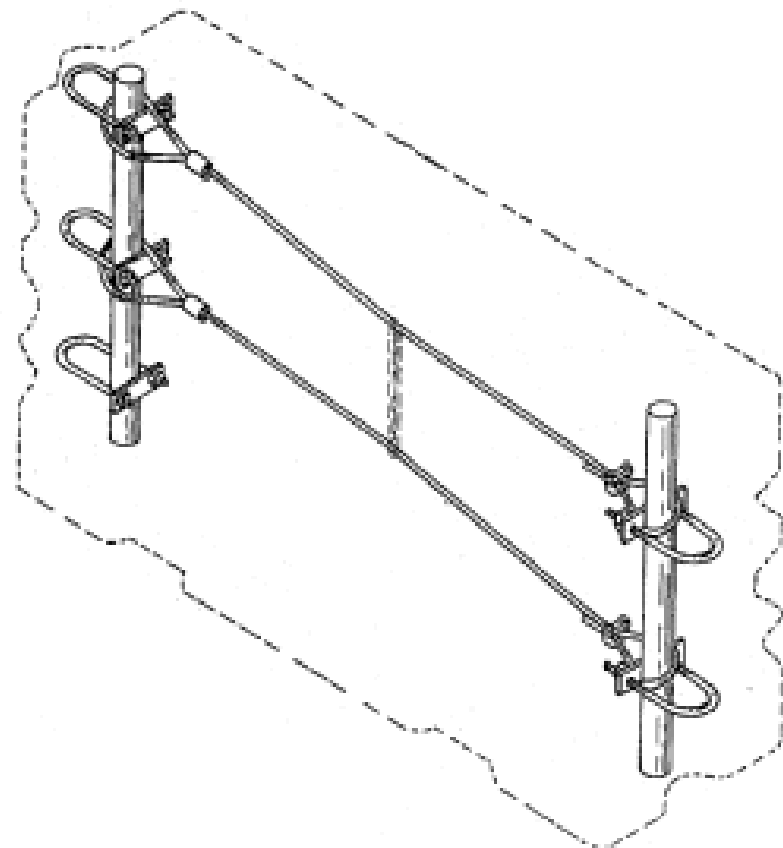
- (21) Design Number: **15791/2010**
(22) Date of Filing Application: **24 December 2010**
(24) Date from which industrial property rights may have effect: **24 December 2010**
(54) Product in respect of which the design is registered: **Textile**
(51) International Design Classification: **05-05A**
(71) Name(s) and Address(s) of Applicant(s):
Kas Australia Pty Limited
78 O'Riordan Street Alexandria New South Wales 2015 Australia
(72) Name(s) of Designer(s): **Ella Leach**
(45) Registration Date: **27 January 2011**
(56) Related Art Documents: **Not Applicable**
(57) Statement of Newness and Distinctiveness: **Newness and distinctiveness are claimed in relation to the features of pattern and/or ornamentation (not limited by colour) of a panel of a textile as shown in the representation. The textile is of indefinite length and width, which may be repeated.**



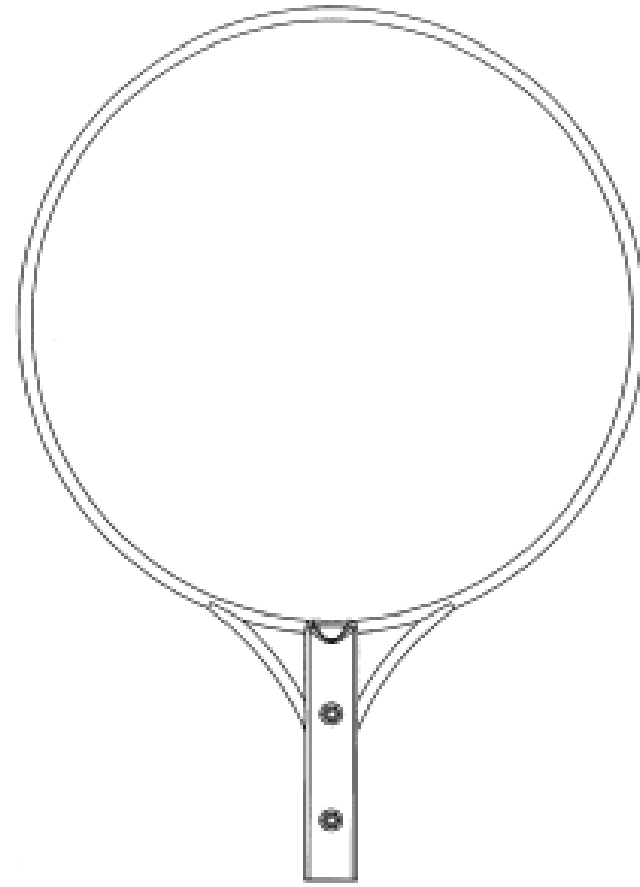
- (21) Design Number: **15792/2010**
(22) Date of Filing Application: **24 December 2010**
(24) Date from which industrial property rights may have effect: **24 December 2010**
(54) Product in respect of which the design is registered: **Textile**
(51) International Design Classification: **05-05A**
(71) Name(s) and Address(s) of Applicant(s):
Kas Australia Pty Limited
78 O'Riordan Street Alexandria New South Wales 2015 Australia
(72) Name(s) of Designer(s): **Maree Patterson**
(45) Registration Date: **27 January 2011**
(56) Related Art Documents: **Not Applicable**
(57) Statement of Newness and Distinctiveness: **Newness and distinctiveness are claimed in relation to the features of pattern and/or ornamentation (not limited by colour) of a panel of a textile as shown in the representation. The textile is of indefinite length and width, which may be repeated.**



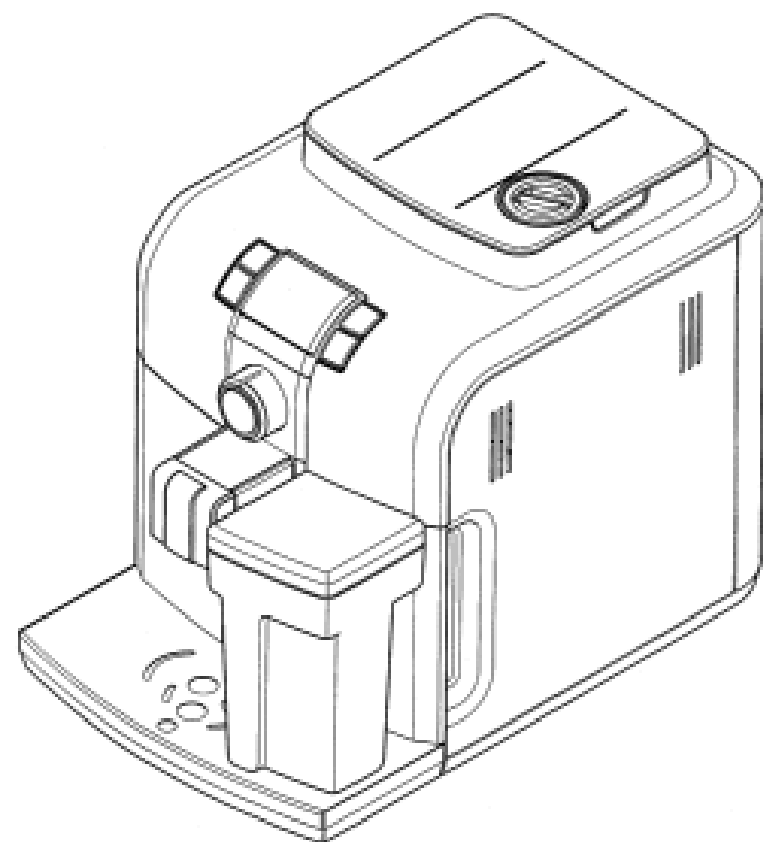
- (21) Design Number: **15796/2010**
(22) Date of Filing Application: **23 November 2010**
(24) Date from which industrial property rights may have effect: **23 November 2010**
(54) Product in respect of which the design is registered: **A road barrier**
(51) International Design Classification: **25-02NES**
(71) Name(s) and Address(s) of Applicant(s):
Kinabalu Investments Ltd
5 Christensen Road Stapylton Queensland 4207 Australia
(72) Name(s) of Designer(s): **Graham Kerby and Craig Stobbart and Garry Smith and Robin Adcock**
(45) Registration Date: **27 January 2011**
(56) Related Art Documents: **Not Applicable**
(57) Statement of Newness and Distinctiveness: **The newness and distinctiveness of the design resides in the features of shape and/or configuration shown in solid lines in the accompanying representations applied to a road barrier.**



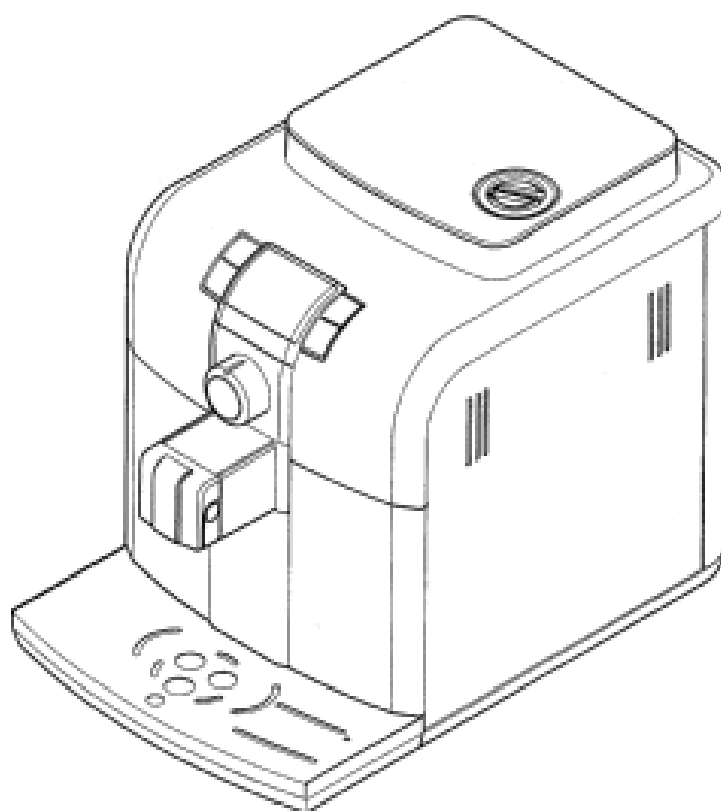
- (21) Design Number: **14764/2010**
(22) Date of Filing Application: **03 November 2010**
(24) Date from which industrial property rights may have effect: **03 November 2010**
(54) Product in respect of which the design is registered: **Sign frame**
(51) International Design Classification: **20-03NES**
(71) Name(s) and Address(s) of Applicant(s):
Matthew Calvi
40 Eucalypt Drive Lilydale Victoria 3140 Australia
(72) Name(s) of Designer(s): **Matthew Calvi and Anthony Lawson**
(45) Registration Date: **27 January 2011**
(56) Related Art Documents: **Not Applicable**
(57) Statement of Newness and Distinctiveness: **Incorporated handle, raised outer edge.**



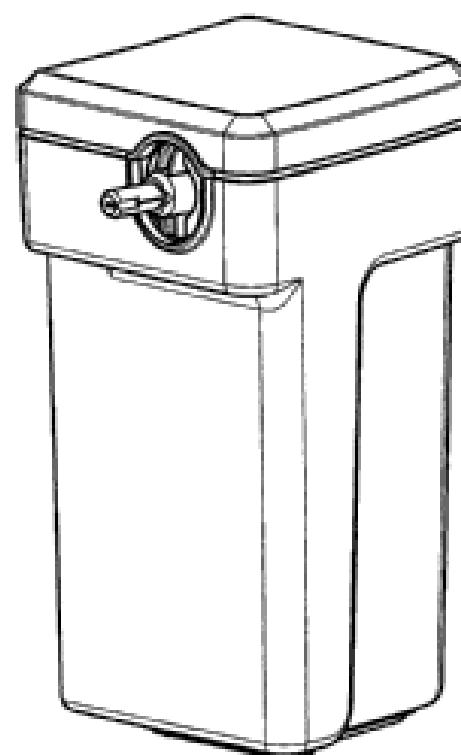
- (21) Design Number: **15695/2010**
(22) Date of Filing Application: **22 December 2010**
(24) Date from which industrial property rights may have effect: **22 December 2010**
(54) Product in respect of which the design is registered: **Coffee maker**
(51) International Design Classification: **07-02L**
(71) Name(s) and Address(s) of Applicant(s):
Koninklijke Philips Electronics N.V.
Groenewoudseweg 1 5621 BA Eindhoven The Netherlands
(72) Name(s) of Designer(s): **Tiziano Zoppellari**
(45) Registration Date: **27 January 2011**
(30) Convention priority data:
(31) Number (32) Date (33) Country
001726373-0001 30 Jun 2010 EUROPEAN COMMUNITY
(56) Related Art Documents: **Not Applicable**
(57) Statement of Newness and Distinctiveness: **Newness and distinctiveness reside in the shape and configuration of the design as shown in the representations.**



- (21) Design Number: **15696/2010**
(22) Date of Filing Application: **22 December 2010**
(24) Date from which industrial property rights may have effect: **22 December 2010**
(54) Product in respect of which the design is registered: **Coffee maker**
(51) International Design Classification: **07-02L**
(71) Name(s) and Address(s) of Applicant(s):
Koninklijke Philips Electronics N.V.
Groenewoudseweg 1 5621 BA Eindhoven The Netherlands
(72) Name(s) of Designer(s): **Tiziano Zoppellari**
(45) Registration Date: **27 January 2011**
(30) Convention priority data:
(31) Number (32) Date (33) Country
001726373-0002 30 Jun 2010 EUROPEAN COMMUNITY
(56) Related Art Documents: **Not Applicable**
(57) Statement of Newness and Distinctiveness: **Newness and distinctiveness reside in the shape and configuration of the design as shown in the representations.**



- (21) Design Number: **15697/2010**
(22) Date of Filing Application: **22 December 2010**
(24) Date from which industrial property rights may have effect: **22 December 2010**
(54) Product in respect of which the design is registered: **Milk container**
(51) International Design Classification: **07-02L, 09-01NES**
(71) Name(s) and Address(s) of Applicant(s):
Koninklijke Philips Electronics N.V.
Groenewoudseweg 1 5621 BA Eindhoven The Netherlands
(72) Name(s) of Designer(s): **Tiziano Zoppellari**
(45) Registration Date: **27 January 2011**
(30) Convention priority data:
(31) Number (32) Date (33) Country
001726373-0003 30 Jun 2010 EUROPEAN COMMUNITY
(56) Related Art Documents: **Not Applicable**
(57) Statement of Newness and Distinctiveness: **Newness and distinctiveness reside in the shape and configuration of the design as shown in the representations.**



(21) Design Number: **15771/2010**

(22) Date of Filing Application: **24 December 2010**

(24) Date from which industrial property rights may have effect: **24 December 2010**

(54) Product in respect of which the design is registered: **Switch faceplate**

(51) International Design Classification: **13-03D**

(71) Name(s) and Address(s) of Applicant(s):

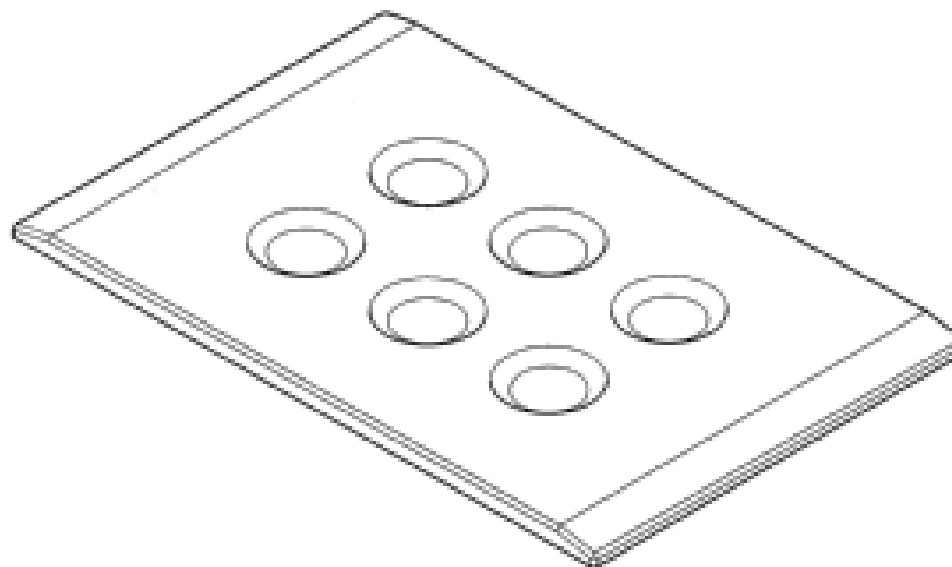
**Clipsal Australia Pty Ltd
2 Solent Circuit Norwest Business Park Baulkham Hills New South
Wales 2153 Australia**

(72) Name(s) of Designer(s): **Elizabeth Tunde Juhasz**

(45) Registration Date: **27 January 2011**

(56) Related Art Documents: **Not Applicable**

(57) Statement of Newness and Distinctiveness: **Newness and distinctiveness is claimed in the shape and/or configuration of a switch faceplate as shown in the accompanying drawings.**



(21) Design Number: **15772/2010**

(22) Date of Filing Application: **24 December 2010**

(24) Date from which industrial property rights may have effect: **24 December 2010**

(54) Product in respect of which the design is registered: **Touch switch module**

(51) International Design Classification: **13-03D**

(71) Name(s) and Address(s) of Applicant(s):

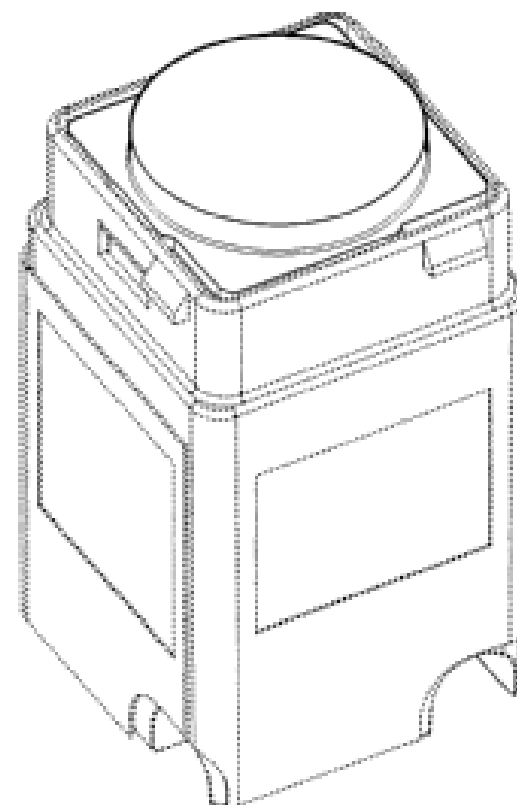
**Clipsal Australia Pty Ltd
2 Solent Circuit Norwest Business Park Baulkham Hills New South
Wales 2153 Australia**

(72) Name(s) of Designer(s): **Elizabeth Tunde Juhasz**

(45) Registration Date: **27 January 2011**

(56) Related Art Documents: **Not Applicable**

(57) Statement of Newness and Distinctiveness: **Newness and distinctiveness is claimed in the shape and/or configuration of a touch switch module as shown in the accompanying drawings. In determining the scope of monopoly, no regard will be had to the features depicted in dotted lines.**



- (21) Design Number: **15773/2010**
- (22) Date of Filing Application: **24 December 2010**
- (24) Date from which industrial property rights may have effect: **24 December 2010**
- (54) Product in respect of which the design is registered: **Tire**
- (51) International Design Classification: **12-15B**
- (71) Name(s) and Address(s) of Applicant(s):

Cooper Tire & Rubber Company
701 Lima Avenue Findlay Ohio 45840 United States of America

- (72) Name(s) of Designer(s): **Christopher D. Grote and Jason Q. Fu**

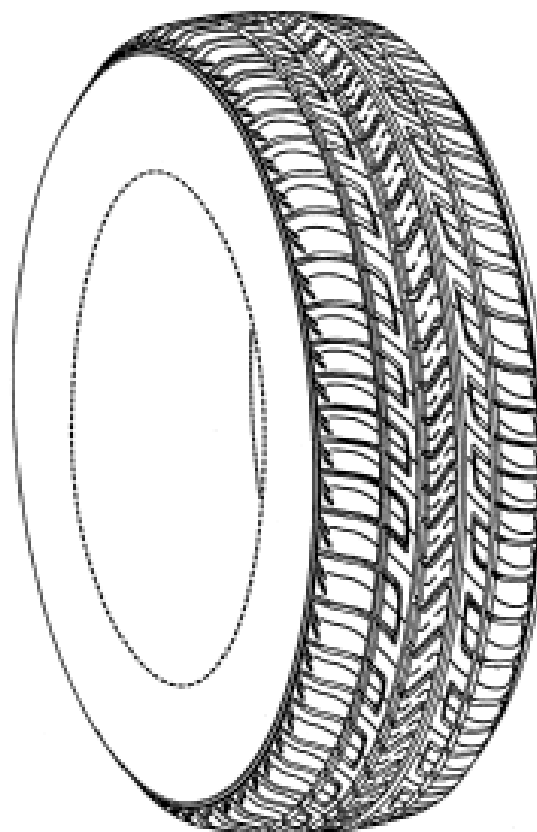
- (45) Registration Date: **27 January 2011**

- (30) Convention priority data:

(31) Number	(32) Date	(33) Country
29/372,075	12 Oct 2010	UNITED STATES OF AMERICA

- (56) Related Art Documents: **Not Applicable**

- (57) Statement of Newness and Distinctiveness: **Those features of the tire depicted in the representations that are new and distinctive are the shape and/or configuration of the tread of the tire. The features shown in broken line are not part of the design and are to be disregarded when considering the overall impression of the design.**



- (21) Design Number: **15774/2010**
- (22) Date of Filing Application: **24 December 2010**
- (24) Date from which industrial property rights may have effect: **24 December 2010**
- (54) Product in respect of which the design is registered: **Tire**
- (51) International Design Classification: **12-15B**
- (71) Name(s) and Address(s) of Applicant(s):

Cooper Tire & Rubber Company
701 Lima Avenue Findlay Ohio 45840 United States of America

- (72) Name(s) of Designer(s): **Christopher D. Grote**

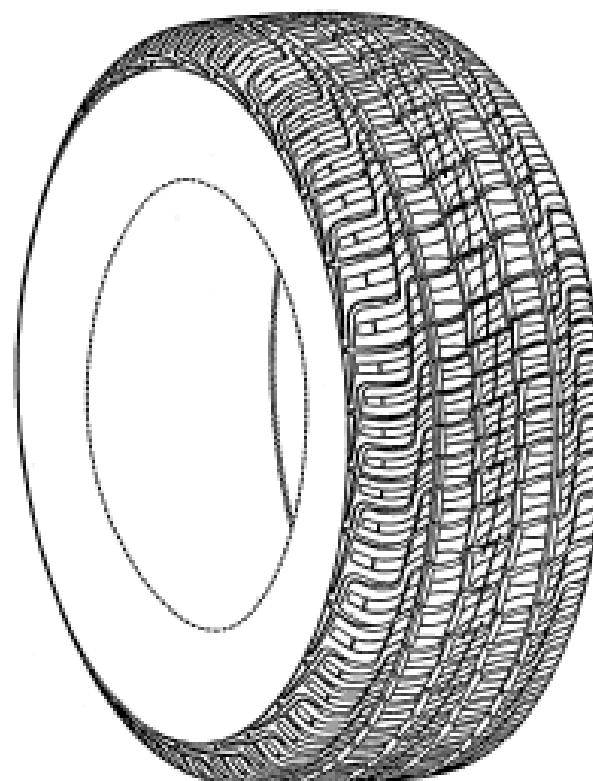
- (45) Registration Date: **27 January 2011**

- (30) Convention priority data:

(31) Number	(32) Date	(33) Country
29/372,074	12 Oct 2010	UNITED STATES OF AMERICA

- (56) Related Art Documents: **Not Applicable**

- (57) Statement of Newness and Distinctiveness: **Those features of the tire depicted in the representations that are new and distinctive are the shape and/or configuration of the tread of the tire. The features shown in broken line are not part of the design and are to be disregarded when considering the overall impression of the design.**



- (21) Design Number: **15775/2010**
- (22) Date of Filing Application: **24 December 2010**
- (24) Date from which industrial property rights may have effect: **24 December 2010**
- (54) Product in respect of which the design is registered: **Tire**
- (51) International Design Classification: **12-15C**
- (71) Name(s) and Address(s) of Applicant(s):

Cooper Tire & Rubber Company
701 Lima Avenue Findlay Ohio 45840 United States of America

- (72) Name(s) of Designer(s): **Jeremy J. Jacobs**

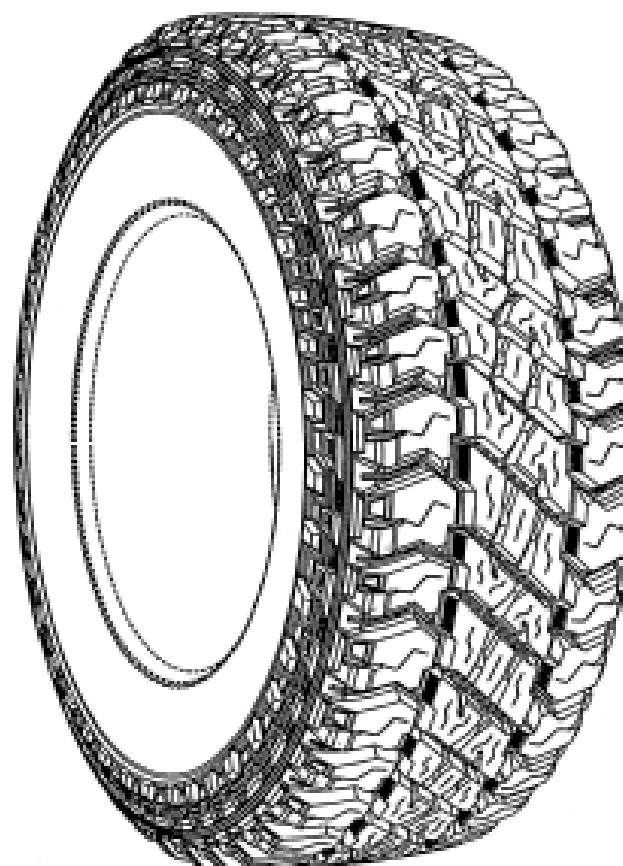
- (45) Registration Date: **27 January 2011**

- (30) Convention priority data:

(31) Number	(32) Date	(33) Country
29/372,082	13 Oct 2010	UNITED STATES OF AMERICA

- (56) Related Art Documents: **Not Applicable**

- (57) Statement of Newness and Distinctiveness: **Those features of the tire depicted in the representations that are new and distinctive are the shape and/or configuration of the tread of the tire. The features shown in broken line are not part of the design and are to be disregarded when considering the overall impression of the design.**



- (21) Design Number: **15776/2010**
- (22) Date of Filing Application: **24 December 2010**
- (24) Date from which industrial property rights may have effect: **24 December 2010**
- (54) Product in respect of which the design is registered: **Tire**
- (51) International Design Classification: **12-15C**
- (71) Name(s) and Address(s) of Applicant(s):

Cooper Tire & Rubber Company
701 Lima Avenue Findlay Ohio 45840 United States of America

- (72) Name(s) of Designer(s): **Robert W. Rau**

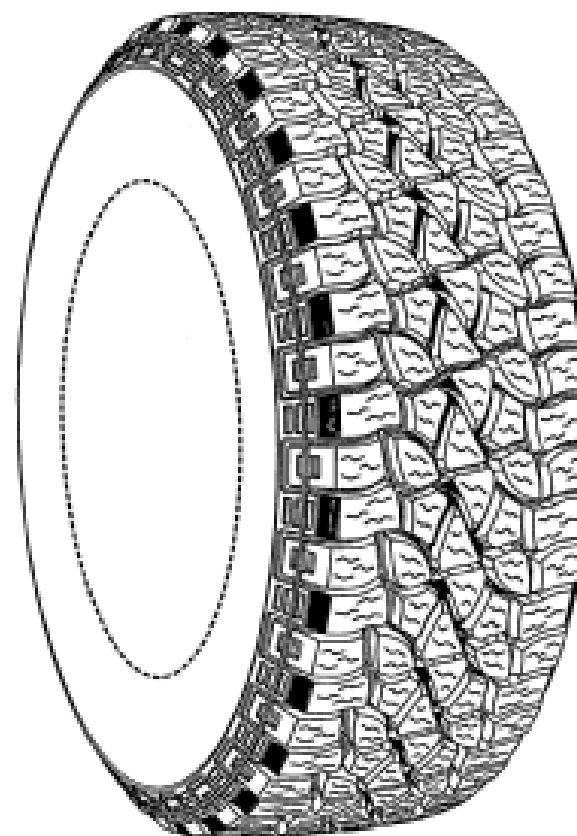
- (45) Registration Date: **27 January 2011**

- (30) Convention priority data:

(31) Number	(32) Date	(33) Country
29/372,144	21 Oct 2010	UNITED STATES OF AMERICA

- (56) Related Art Documents: **Not Applicable**

- (57) Statement of Newness and Distinctiveness: **Those features of the tire depicted in the representations that are new and distinctive are the shape and/or configuration of the tread of the tire. The features shown in broken line are not part of the design and are to be disregarded when considering the overall impression of the design.**



(21) Design Number: **15780/2010**

(22) Date of Filing Application: **24 December 2010**

(24) Date from which industrial property rights may have effect: **24 December 2010**

(54) Product in respect of which the design is registered: **Plastic bottle (with cap) for foodstuffs**

(51) International Design Classification: **09-01B**

(71) Name(s) and Address(s) of Applicant(s):

Anchor Foods Pty Ltd

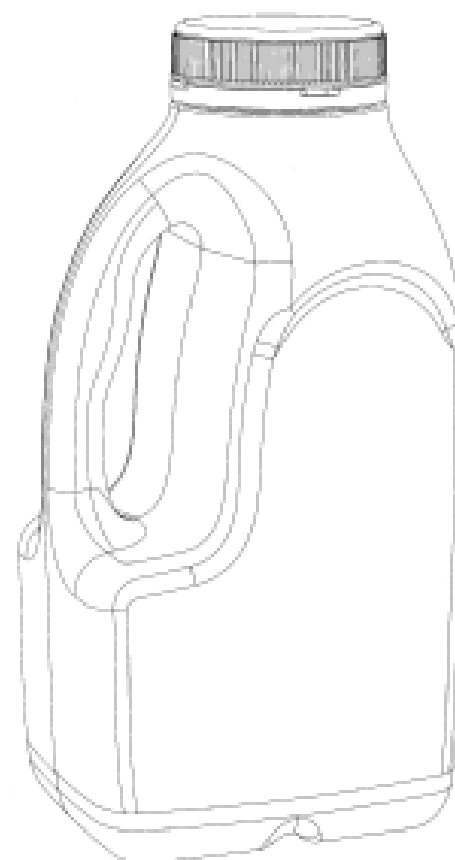
148 Carrington Street Fremantle Western Australia 6163 Australia

(72) Name(s) of Designer(s): **Dean Prestige**

(45) Registration Date: **27 January 2011**

(56) Related Art Documents: **Not Applicable**

(57) Statement of Newness and Distinctiveness: **Nil**



(21) Design Number: **15783/2010**

(22) Date of Filing Application: **24 December 2010**

(24) Date from which industrial property rights may have effect: **24 December 2010**

(54) Product in respect of which the design is registered: **Textile**

(51) International Design Classification: **05-05A**

(71) Name(s) and Address(s) of Applicant(s):

Kas Australia Pty Limited

78 O'Riordan Street Alexandria New South Wales 2015 Australia

(72) Name(s) of Designer(s): **Maree Patterson**

(45) Registration Date: **27 January 2011**

(56) Related Art Documents: **Not Applicable**

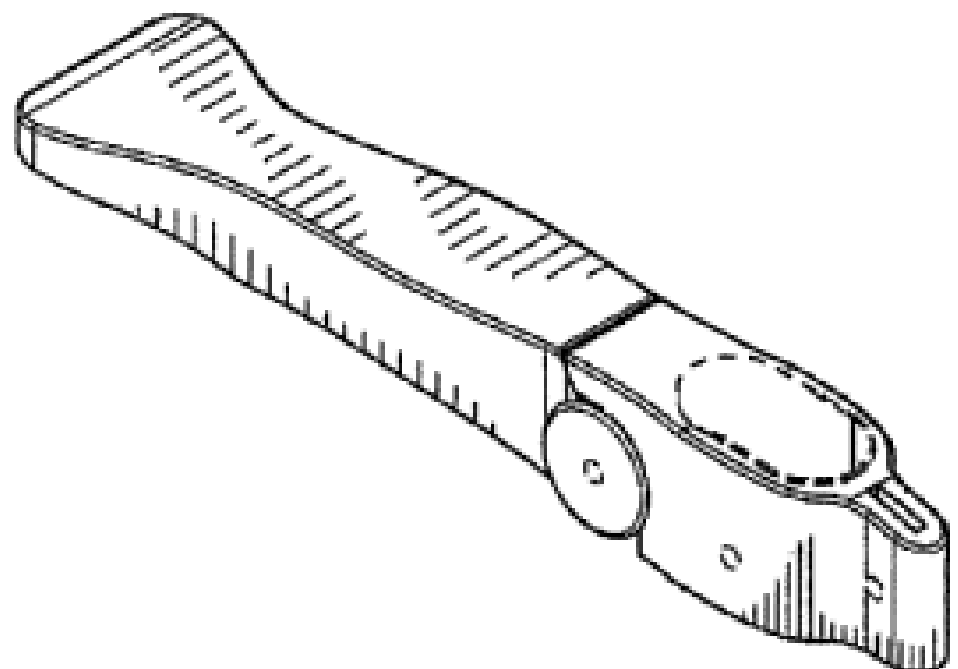
(57) Statement of Newness and Distinctiveness: **Newness and distinctiveness are claimed in relation to the features of pattern and/or ornamentation (not limited by colour) of a panel of a textile as shown in the representation. The textile is of indefinite length and width, which may be repeated.**



- (21) Design Number: **15785/2010**
(22) Date of Filing Application: **24 December 2010**
(24) Date from which industrial property rights may have effect: **24 December 2010**
(54) Product in respect of which the design is registered: **Textile**
(51) International Design Classification: **05-05A**
(71) Name(s) and Address(s) of Applicant(s):
Kas Australia Pty Limited
78 O'Riordan Street Alexandria New South Wales 2015 Australia
(72) Name(s) of Designer(s): **Edward Li**
(45) Registration Date: **27 January 2011**
(56) Related Art Documents: **Not Applicable**
(57) Statement of Newness and Distinctiveness: **Newness and distinctiveness are claimed in relation to the features of pattern and/or ornamentation (not limited by colour) of a panel of a textile as shown in the representation. The textile is of indefinite length and width, which may be repeated.**



- (21) Design Number: **15066/2010**
(22) Date of Filing Application: **19 November 2010**
(24) Date from which industrial property rights may have effect: **19 November 2010**
(54) Product in respect of which the design is registered: **Weeder handle**
(51) International Design Classification: **08-05A, 08-06**
(71) Name(s) and Address(s) of Applicant(s):
Alterra Tools Ltd.
Rooms 1214-1215 12th Floor Mew Mandarin Plaza Tower A 14 Science Museum Rd Tsimshatsui East Kowloon Hong Kong
(72) Name(s) of Designer(s): **Renfu Chen**
(45) Registration Date: **31 January 2011**
(56) Related Art Documents: **Not Applicable**
(57) Statement of Newness and Distinctiveness: **The shape or configuration of those portions of the product shown with solid lines is new and distinctive.**



(19) AU

- (21) Design Number: **10022/2011**
- (22) Date of Filing Application: **05 January 2011**
- (24) Date from which industrial property rights may have effect: **05 January 2011**
- (54) Product in respect of which the design is registered: **Bottle**
- (51) International Design Classification: **09-01K**
- (71) Name(s) and Address(s) of Applicant(s):
Asahi Soft Drinks Co., Ltd.
23-1 Azumabashi 1-chome Sumida-ku Tokyo 130-8602 Japan
Asahi Breweries, Ltd
23-1 Azumabashi 1-chome Sumida-ku Tokyo 130-8602 Japan
- (72) Name(s) of Designer(s): **Yoshinori Mizusawa and Yuji Yasuda and Kazuhiro Hasegawa and Tatsuhiro Hayano**
- (45) Registration Date: **31 January 2011**
- (30) Convention priority data:

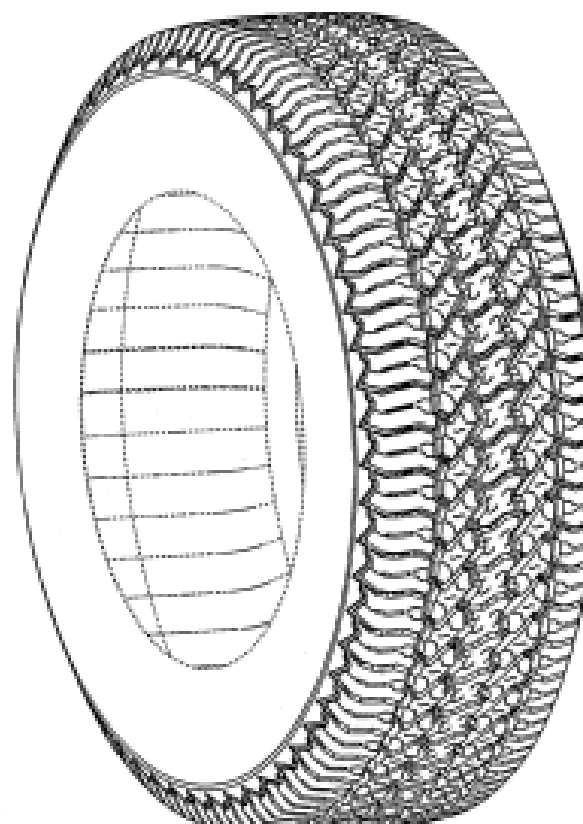
(31) Number	(32) Date	(33) Country
2010-018874	03 Aug 2010	JAPAN
- (56) Related Art Documents: **Not Applicable**
- (57) Statement of Newness and Distinctiveness: **Newness and distinctiveness of the design resides in the overall shape of the design.**



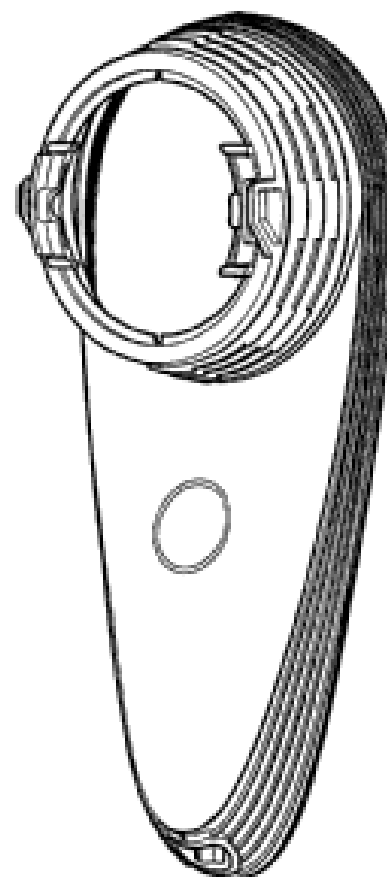
(19) AU

- (21) Design Number: **10023/2011**
- (22) Date of Filing Application: **05 January 2011**
- (24) Date from which industrial property rights may have effect: **05 January 2011**
- (54) Product in respect of which the design is registered: **Tire**
- (51) International Design Classification: **12-15A**
- (71) Name(s) and Address(s) of Applicant(s):
Cooper Tire & Rubber Company
701 Lima Avenue Findlay Ohio 45840 United States of America
- (72) Name(s) of Designer(s): **Christopher D. Grote**
- (45) Registration Date: **31 January 2011**
- (30) Convention priority data:

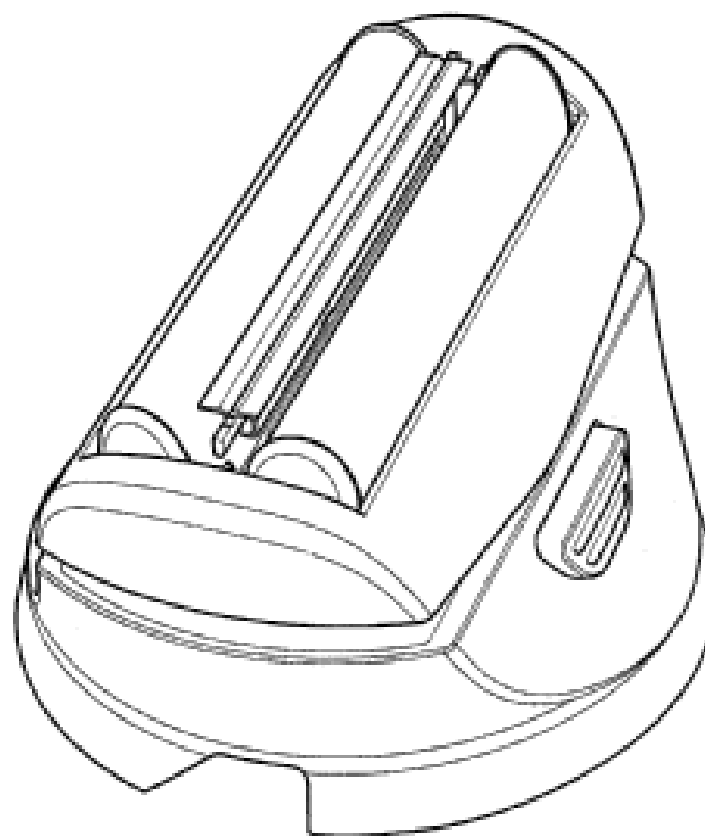
(31) Number	(32) Date	(33) Country
29/370,356	06 Jul 2010	UNITED STATES OF AMERICA
- (56) Related Art Documents: **Not Applicable**
- (57) Statement of Newness and Distinctiveness: **Those features of the tire depicted in the representations that are new and distinctive are the shape and/or configuration of the tread of the tire. The features shown in broken line are not part of the design and are to be disregarded when considering the overall impression of the design.**



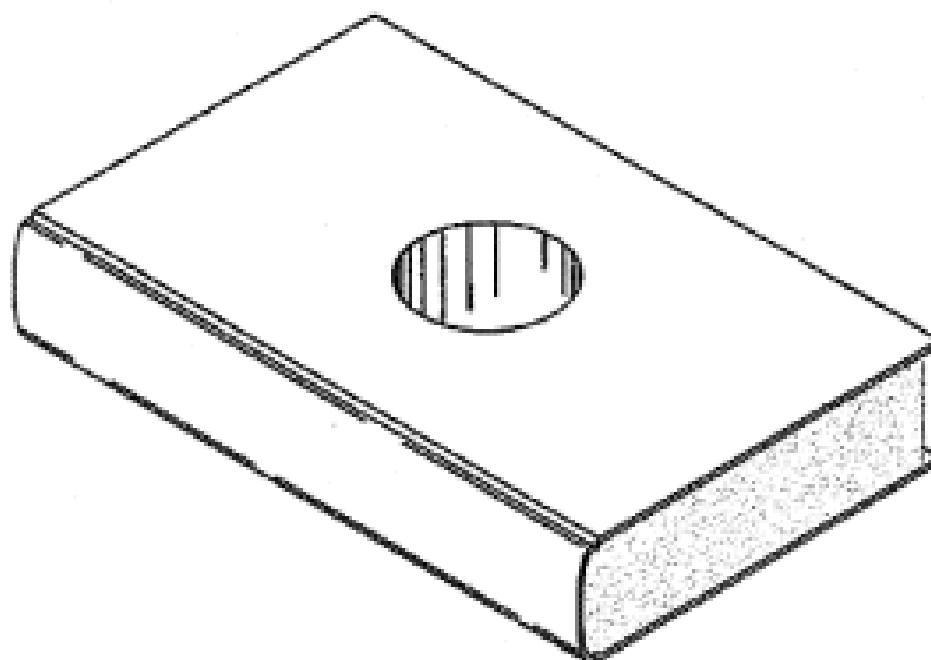
- (21) Design Number: **10024/2011**
(22) Date of Filing Application: **05 January 2011**
(24) Date from which industrial property rights may have effect: **05 January 2011**
(54) Product in respect of which the design is registered: **Hair clipper**
(51) International Design Classification: **28-03D**
(71) Name(s) and Address(s) of Applicant(s):
Koninklijke Philips Electronics N.V.
Groenewoudseweg 1 5621 BA Eindhoven The Netherlands
(72) Name(s) of Designer(s): **Ki-Hyun Yoon**
(45) Registration Date: **31 January 2011**
(30) Convention priority data:
(31) Number (32) Date (33) Country
001729005-0001 07 Jul 2010 EUROPEAN COMMUNITY
(56) Related Art Documents: **Not Applicable**
(57) Statement of Newness and Distinctiveness: **Newness and distinctiveness reside in the features of shape and configuration of the design as shown in the representations.**



- (21) Design Number: **10025/2011**
(22) Date of Filing Application: **05 January 2011**
(24) Date from which industrial property rights may have effect: **05 January 2011**
(54) Product in respect of which the design is registered: **Attachment for hair clipper**
(51) International Design Classification: **28-03D**
(71) Name(s) and Address(s) of Applicant(s):
Koninklijke Philips Electronics N.V.
Groenewoudseweg 1 5621 BA Eindhoven The Netherlands
(72) Name(s) of Designer(s): **Ki-Hyun Yoon**
(45) Registration Date: **31 January 2011**
(30) Convention priority data:
(31) Number (32) Date (33) Country
001729005-0002 07 Jul 2010 EUROPEAN COMMUNITY
(56) Related Art Documents: **Not Applicable**
(57) Statement of Newness and Distinctiveness: **Newness and distinctiveness reside in the features of shape and configuration of the design as shown in the representations.**



- (21) Design Number: **12308/2010**
(22) Date of Filing Application: **04 June 2010**
(24) Date from which industrial property rights may have effect: **04 June 2010**
(54) Product in respect of which the design is registered: **Book**
(51) International Design Classification: **19-04**
(71) Name(s) and Address(s) of Applicant(s):
Carlo Raschi
8 Penguin Street Dianella Western Australia 6059 Australia
(72) Name(s) of Designer(s): **Attilio Nobile**
(45) Registration Date: **31 January 2011**
(30) Convention priority data:
(31) Number (32) Date (33) Country
SO2009O000004 16 Nov 2009 ITALY
(56) Related Art Documents: **Not Applicable**
(57) Statement of Newness and Distinctiveness: **Newness and distinctiveness is claimed in the shape and configuration of an opening extending through a printed publication such as a book, as shown in the representations.**



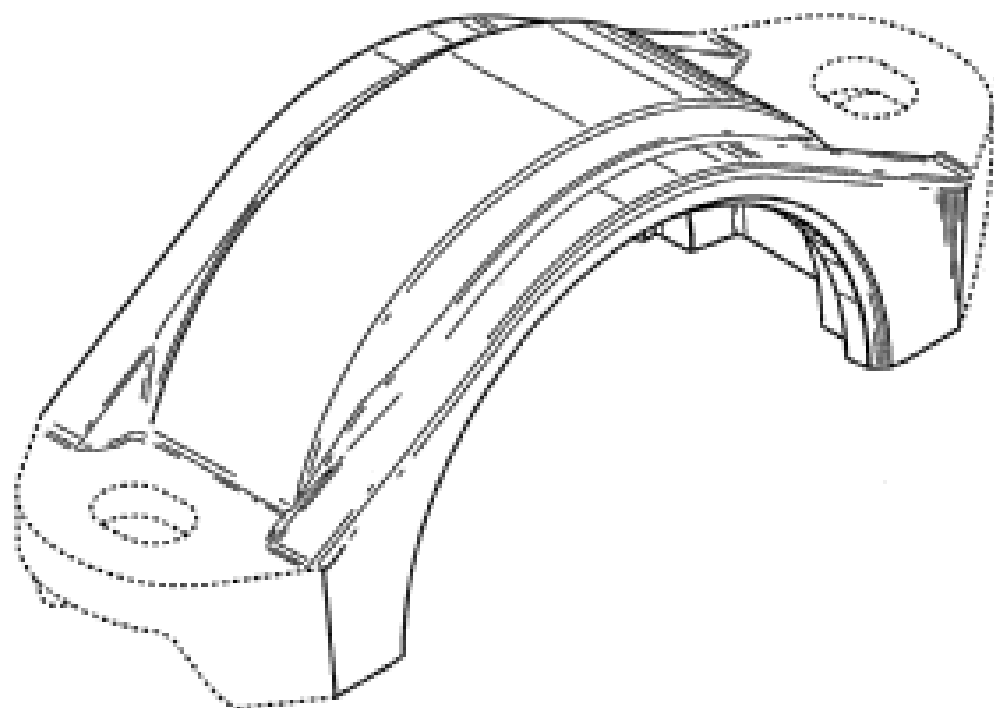
- (21) Design Number: **15069/2010**
(22) Date of Filing Application: **19 November 2010**
(24) Date from which industrial property rights may have effect: **19 November 2010**
(54) Product in respect of which the design is registered: **Container shroud**
(51) International Design Classification: **09-01NES**
(71) Name(s) and Address(s) of Applicant(s):
S.C. Johnson & Son, Inc.
1525 Howe Street Racine Wisconsin 53403-2236 United States of America
(72) Name(s) of Designer(s): **Jonathan N. Mandell and Nathaniel Giraitis and Erica Eden Cohen and Jacob Palmberg and Nicholas Oxley and Jessi Pervola and Richard Whitehall**
(45) Registration Date: **31 January 2011**
(30) Convention priority data:
(31) Number (32) Date (33) Country
001215701 21 May 2010 EUROPEAN COMMUNITY
(56) Related Art Documents: **Not Applicable**
(57) Statement of Newness and Distinctiveness: **Newness and distinctiveness is claimed in the features of shape and/or configuration of a container shroud as illustrated in the accompanying representations.**



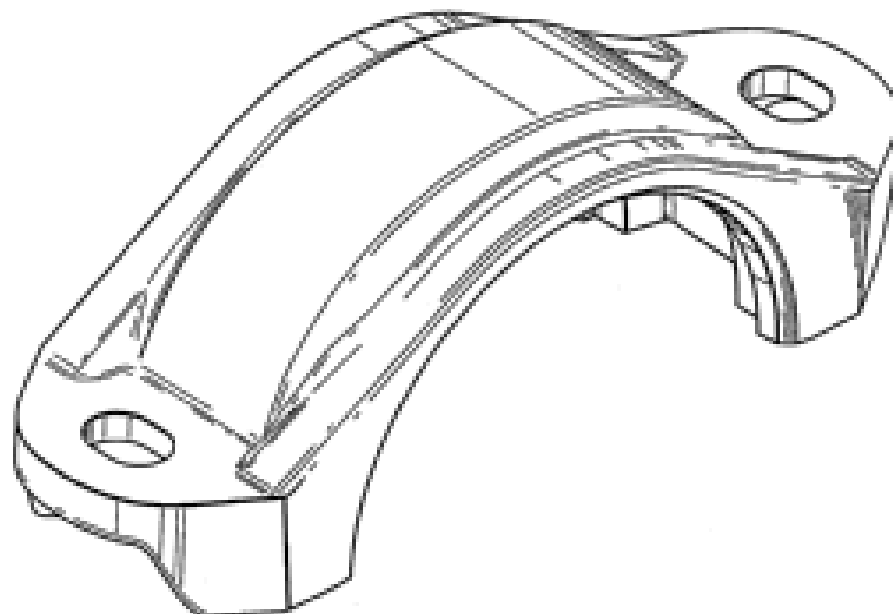
(21) Design Number: **15073/2010**
 (22) Date of Filing Application: **19 November 2010**
 (24) Date from which industrial property rights may have effect: **19 November 2010**
 (54) Product in respect of which the design is registered: **Container**
 (51) International Design Classification: **09-01NES**
 (71) Name(s) and Address(s) of Applicant(s):
S.C. Johnson & Son, Inc.
1525 Howe Street Racine Wisconsin 53403-2236 United States of America
 (72) Name(s) of Designer(s): **Jonathan N. Mandell and Nathaniel Giraitis and Erica Eden Cohen and Jacob Palmborg and Nicholas Oxley and Jessi Pervola and Richard Whitehall**
 (45) Registration Date: **31 January 2011**
 (30) Convention priority data:
 (31) Number (32) Date (33) Country
001215875 21 May 2010 EUROPEAN COMMUNITY
 (56) Related Art Documents: **Not Applicable**
 (57) Statement of Newness and Distinctiveness: **Newness and distinctiveness is claimed in those features of shape and/or configuration of a container as illustrated in continuous lines in the accompanying representations.**



(21) Design Number: **15542/2010**
 (22) Date of Filing Application: **16 December 2010**
 (24) Date from which industrial property rights may have effect: **16 December 2010**
 (54) Product in respect of which the design is registered: **Pipe coupling segment**
 (51) International Design Classification: **23-01A**
 (71) Name(s) and Address(s) of Applicant(s):
Victaulic Company
4901 Kesslersville Road Easton Pennsylvania 18040 United States of America
 (72) Name(s) of Designer(s): **Douglas R. Dole and Alan M. Yesavage**
 (45) Registration Date: **31 January 2011**
 (30) Convention priority data:
 (31) Number (32) Date (33) Country
29/363555 11 Jun 2010 UNITED STATES OF AMERICA
 (56) Related Art Documents: **Not Applicable**
 (57) Statement of Newness and Distinctiveness: **Newness and distinctiveness is claimed in those features of shape and/or configuration of a pipe coupling segment illustrated in continuous lines in the accompanying representations.**



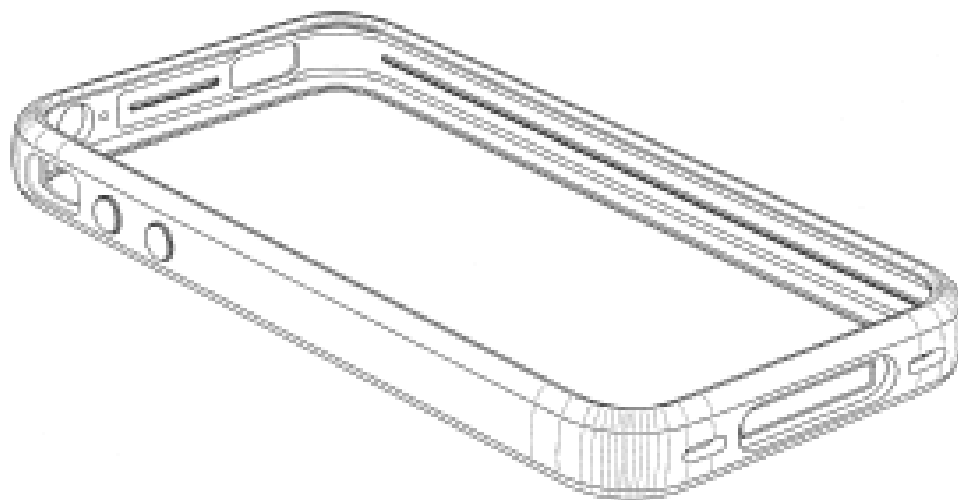
- (21) Design Number: **15543/2010**
(22) Date of Filing Application: **16 December 2010**
(24) Date from which industrial property rights may have effect: **16 December 2010**
(54) Product in respect of which the design is registered: **Pipe coupling segment**
(51) International Design Classification: **23-01A**
(71) Name(s) and Address(s) of Applicant(s):
Victaulic Company
4901 Kesslersville Road Easton Pennsylvania 18040 United States of America
(72) Name(s) of Designer(s): **Douglas R. Dole and Alan M. Yesavage**
(45) Registration Date: **31 January 2011**
(30) Convention priority data:
(31) Number (32) Date (33) Country
29/363555 11 Jun 2010 UNITED STATES OF AMERICA
(56) Related Art Documents: **Not Applicable**
(57) Statement of Newness and Distinctiveness: **Newness and distinctiveness is claimed in the features of shape and/or configuration of a pipe coupling segment as illustrated in the accompanying representations.**



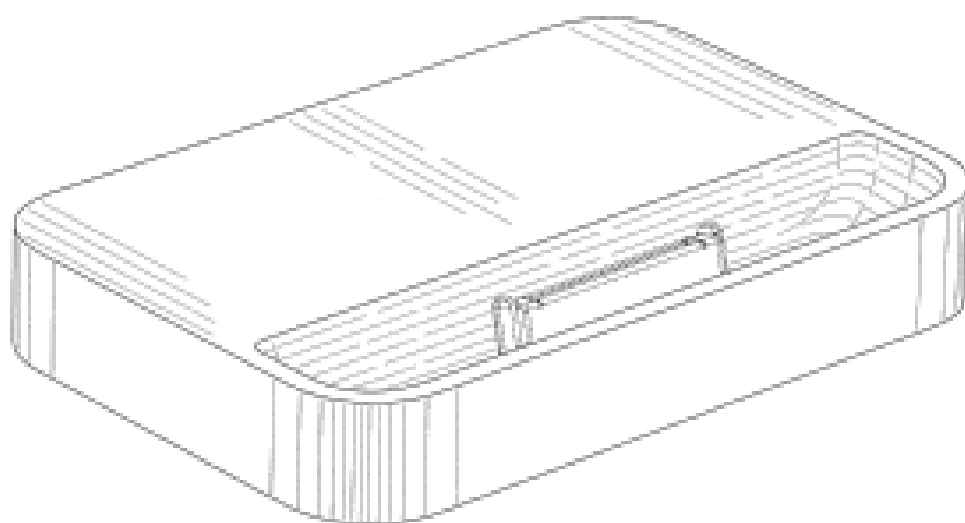
- (21) Design Number: **13738/2010**
(22) Date of Filing Application: **30 August 2010**
(24) Date from which industrial property rights may have effect: **30 August 2010**
(54) Product in respect of which the design is registered: **Chair/furniture/outdoor furniture**
(51) International Design Classification: **06-01L**
(71) Name(s) and Address(s) of Applicant(s):
Harold Comer
62A Flora Terrace Watermans Bay Western Australia 6020 Australia
(72) Name(s) of Designer(s): **Harold Logan Comer**
(45) Registration Date: **01 February 2011**
(56) Related Art Documents: **Not Applicable**
(57) Statement of Newness and Distinctiveness: **Designed for rotational moulding, tapered faces, overall appearance makes it unique as well, plastic.**



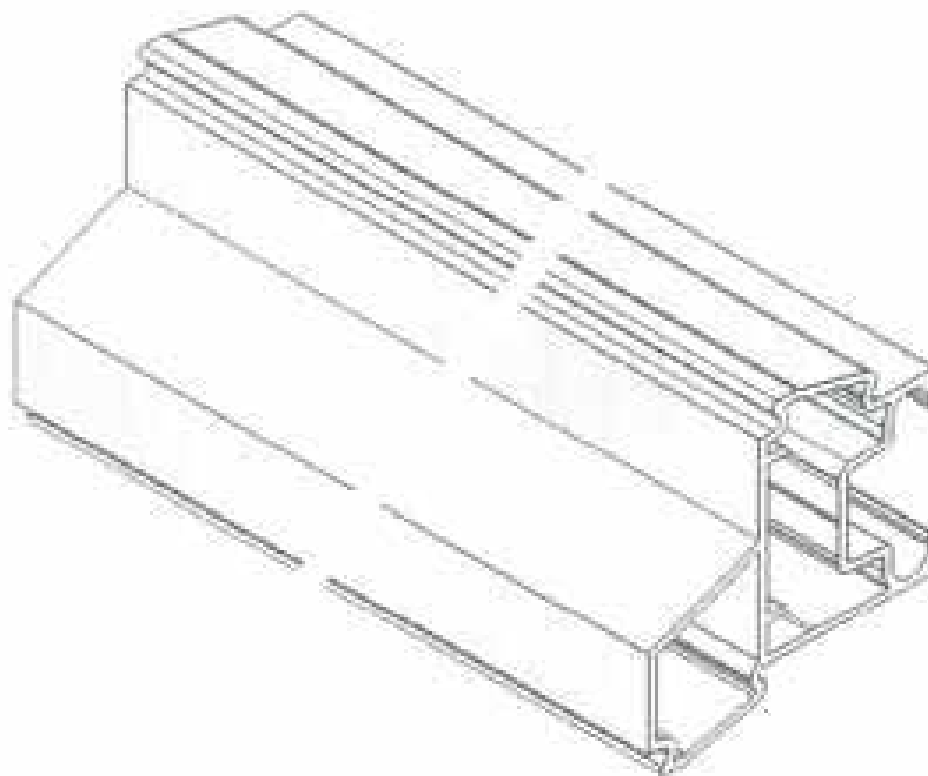
(21) Design Number: **14635/2010**
 (22) Date of Filing Application: **27 October 2010**
 (24) Date from which industrial property rights may have effect: **27 October 2010**
 (54) Product in respect of which the design is registered: **Cover for an electronic device**
 (51) International Design Classification: **14-02**
 (71) Name(s) and Address(s) of Applicant(s):
Apple Inc.
1 Infinite Loop Cupertino California 95014 United States of America
 (72) Name(s) of Designer(s): **Jody Akana and Jeremy Bataillou and Daniele De Iuliis and Evans Hankey and Duncan Robert Kerr and Shin Nishibori and Matthew Dean Rohrbach and Peter Russell-Clarke and Eugene Antony Whang and Rico Zorkendorfer and Bartley K. Andre and Daniel J. Coster and Richard P. Howarth and Jonathan P. Ive and Christopher J. Stringer**
 (45) Registration Date: **01 February 2011**
 (30) Convention priority data:
 (31) Number (32) Date (33) Country
29/363175 05 Jun 2010 UNITED STATES OF AMERICA
 (56) Related Art Documents: **Not Applicable**
 (57) Statement of Newness and Distinctiveness: **Newness and distinctiveness resides in the features of shape shown in outline and contour lines in the accompanying representations.**



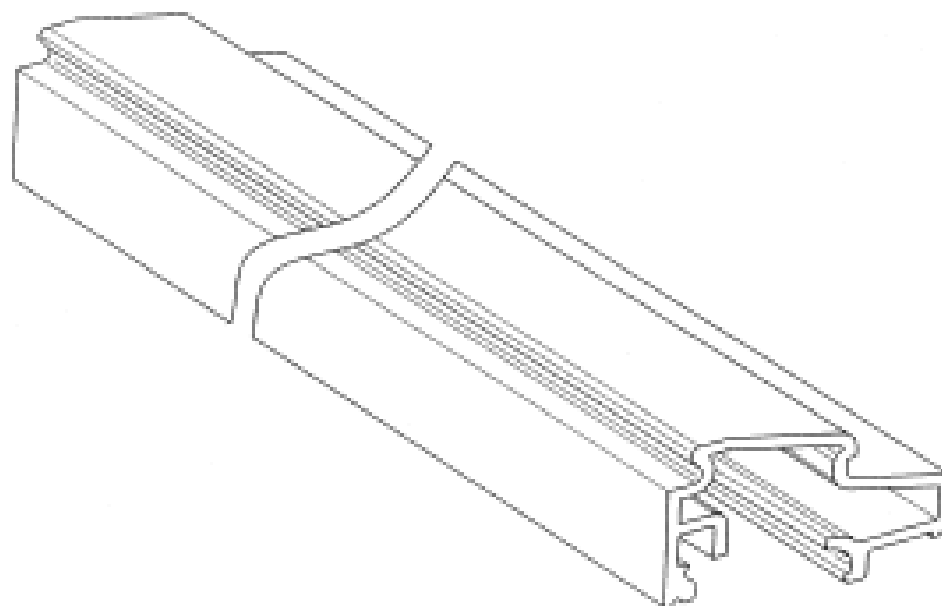
(21) Design Number: **14636/2010**
 (22) Date of Filing Application: **27 October 2010**
 (24) Date from which industrial property rights may have effect: **27 October 2010**
 (54) Product in respect of which the design is registered: **Docking station**
 (51) International Design Classification: **14-02**
 (71) Name(s) and Address(s) of Applicant(s):
Apple Inc.
1 Infinite Loop Cupertino California 95014 United States of America
 (72) Name(s) of Designer(s): **Jody Akana and Jeremy Bataillou and Daniele De Iuliis and Evans Hankey and Duncan Robert Kerr and Shin Nishibori and Matthew Dean Rohrbach and Peter Russell-Clarke and Eugene Anthony Whang and Rico Zorkendorfer and Bartley K. Andre and Daniel J. Coster and Richard P. Howarth and Jonathan P. Ive and Christopher J. Stringer**
 (45) Registration Date: **01 February 2011**
 (30) Convention priority data:
 (31) Number (32) Date (33) Country
29/363128 04 Jun 2010 UNITED STATES OF AMERICA
 (56) Related Art Documents: **Not Applicable**
 (57) Statement of Newness and Distinctiveness: **Newness and distinctiveness resides in the features of shape shown in solid outline and contour lines in the accompanying representations.**



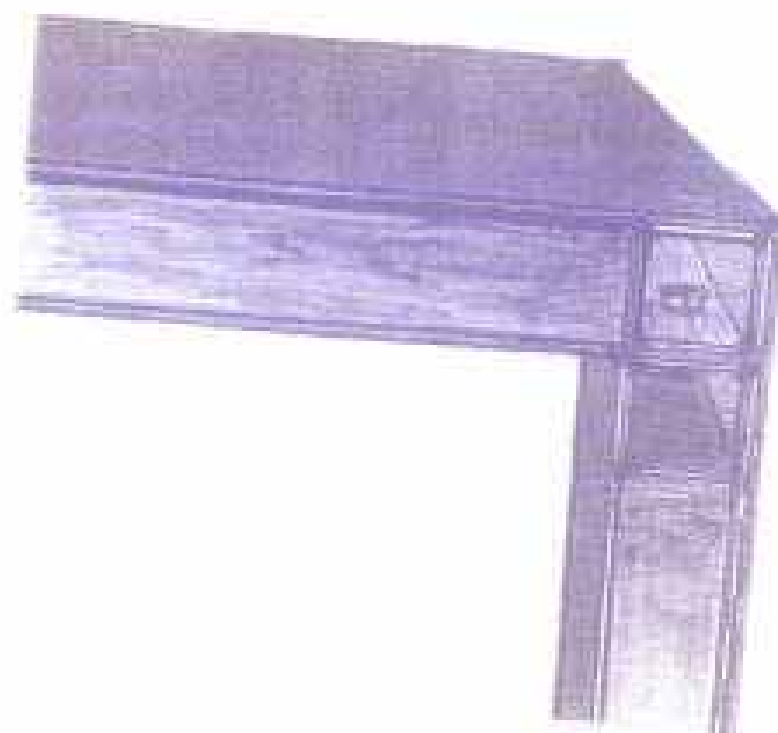
- (21) Design Number: **14665/2010**
(22) Date of Filing Application: **28 October 2010**
(24) Date from which industrial property rights may have effect: **28 October 2010**
(54) Product in respect of which the design is registered: **Sideform**
(51) International Design Classification: **25-01K**
(71) Name(s) and Address(s) of Applicant(s):
Illinois Tool Works Inc.
3600 West Lake Avenue Glenview Illinois 60026 United States of America
(72) Name(s) of Designer(s): **John Alberti and Gavin Kalitis**
(45) Registration Date: **01 February 2011**
(56) Related Art Documents: **Not Applicable**
(57) Statement of Newness and Distinctiveness: **Newness and distinctiveness is claimed in the shape and configuration of a sideform of indefinite length, as shown in the drawings.**



- (21) Design Number: **14666/2010**
(22) Date of Filing Application: **28 October 2010**
(24) Date from which industrial property rights may have effect: **28 October 2010**
(54) Product in respect of which the design is registered: **Sideform extension**
(51) International Design Classification: **25-01K**
(71) Name(s) and Address(s) of Applicant(s):
Illinois Tool Works Inc.
3600 West Lake Avenue Glenview Illinois 60026 United States of America
(72) Name(s) of Designer(s): **Robert Urquhart Connell**
(45) Registration Date: **01 February 2011**
(56) Related Art Documents: **Not Applicable**
(57) Statement of Newness and Distinctiveness: **Newness and distinctiveness is claimed in the shape and configuration of a sideform extension of indefinite length, as shown in the drawings.**



- (21) Design Number: **14680/2010**
(22) Date of Filing Application: **21 October 2010**
(24) Date from which industrial property rights may have effect: **21 October 2010**
(54) Product in respect of which the design is registered: **Wall structure to caravan**
(51) International Design Classification: **12-10, 12-16B**
(71) Name(s) and Address(s) of Applicant(s):
Aero Design & Development Pty Ltd
5 Muraban Street Mooloolaba Queensland 4557 Australia
(72) Name(s) of Designer(s): **Ralf Brosch**
(45) Registration Date: **01 February 2011**
(56) Related Art Documents: **Not Applicable**
(57) Statement of Newness and Distinctiveness: **A revolutionary design incorporating an aluminium structural frame; inside the fibre glass moulding which can be glued and bolted together: creating a strong smooth wall system**



- (21) Design Number: **14683/2010**
(22) Date of Filing Application: **20 October 2010**
(24) Date from which industrial property rights may have effect: **20 October 2010**
(54) Product in respect of which the design is registered: **Light treatment apparatus**
(51) International Design Classification: **24-01**
(71) Name(s) and Address(s) of Applicant(s):
CyDen Limited
Technium Kings Road Swansea SA1 8PH UNITED KINGDOM
(72) Name(s) of Designer(s): **Stuart Terry Jones and Simon James Fisher**
(45) Registration Date: **01 February 2011**
(30) Convention priority data:
(31) Number (32) Date (33) Country
1697707 20 Apr 2010 EUROPEAN COMMUNITY
(56) Related Art Documents: **Not Applicable**
(57) Statement of Newness and Distinctiveness: **Newness and distinctiveness is claimed in the shape or configuration of a Light Treatment Apparatus as illustrated in the representations. The representations use colour, rendering and shading to assist in the illustration of features of shape and or configuration. Such colour, rendering and shading do not form part of the design.**



(21) Design Number: **14689/2010**
(22) Date of Filing Application: **29 October 2010**
(24) Date from which industrial property rights may have effect: **29 October 2010**
(54) Product in respect of which the design is registered: **Gloves for touchscreen use**
(51) International Design Classification: **02-06**
(71) Name(s) and Address(s) of Applicant(s):
The Echo Design Group, Inc
10 East 40th Street New York New York 10016 United States of America
(72) Name(s) of Designer(s): **Carol Ann Asiaghi**
(45) Registration Date: **01 February 2011**
(30) Convention priority data:
(31) Number (32) Date (33) Country
12/770,669 29 Apr 2010 UNITED STATES OF AMERICA
(56) Related Art Documents: **Not Applicable**
(57) Statement of Newness and Distinctiveness: **Those features of the glove for touchscreen use depicted in the representations that are new and distinctive are the shape and/or configuration of the portions of the gloves marked "A" .**



(21) Design Number: **10031/2011**
(22) Date of Filing Application: **29 October 2010**
(24) Date from which industrial property rights may have effect: **29 October 2010**
(54) Product in respect of which the design is registered: **Glove for touchscreen use**
(51) International Design Classification: **02-06**
(71) Name(s) and Address(s) of Applicant(s):
The Echo Design Group, Inc
10 East 40th Street New York New York 10016 United States of America
(72) Name(s) of Designer(s): **Carol Ann Asiaghi**
(45) Registration Date: **01 February 2011**
(30) Convention priority data:
(31) Number (32) Date (33) Country
12/770,669 29 Apr 2010 UNITED STATES OF AMERICA
(56) Related Art Documents: **Not Applicable**
(57) Statement of Newness and Distinctiveness: **Those features of the glove for touchscreen use depicted in the representations that are new and distinctive are the shape and/or configuration of the portions of the gloves marked "B" and "C".**



(21) Design Number: **14701/2010**

(22) Date of Filing Application: **29 October 2010**

(24) Date from which industrial property rights may have effect: **29 October 2010**

(54) Product in respect of which the design is registered: **Product display and partitioning device**

(51) International Design Classification: **20-02C**

(71) Name(s) and Address(s) of Applicant(s):

Olivia Pei-Wen Shih

**Suite 9.10 Level 9 2-14 Kingscross Road Potts Point New South Wales
2011 Australia**

Yoshihito Kashiwagi

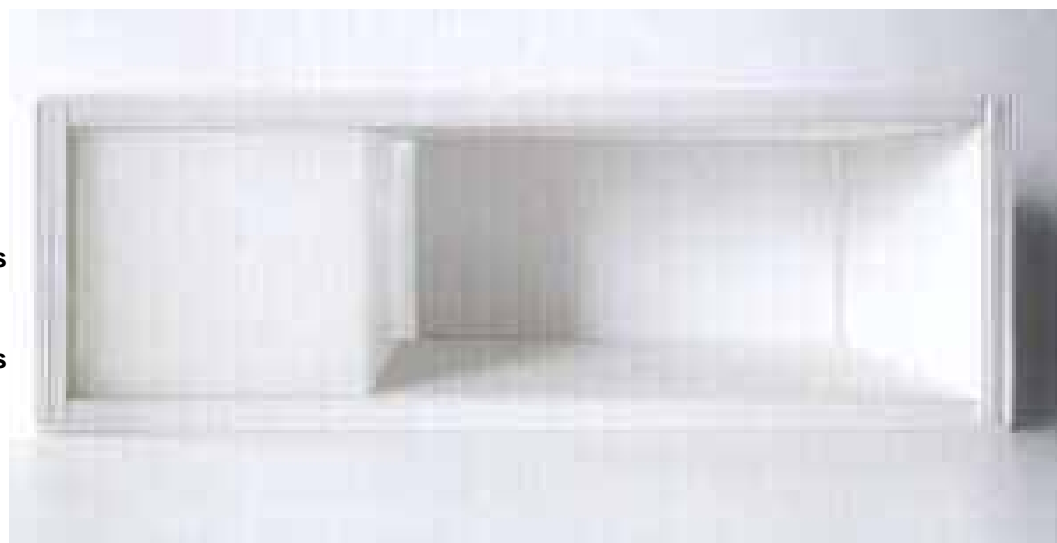
**Suite 9.10 Level 9 2-14 Kingscross Road Potts Point New South Wales
2011 Australia**

(72) Name(s) of Designer(s): **Olivia Pei-Wen Shih and Yoshihito Kashiwagi**

(45) Registration Date: **01 February 2011**

(56) Related Art Documents: **Not Applicable**

(57) Statement of Newness and Distinctiveness: **The "Product display and partitioning device" is a product display box constructed of solid material. It features: 1. Individual lighting box incorporated within each "Product display and partitioning device" to illuminate the display; 2. Each box can incorporate glass front and rear panel to keep display secure, or solid rear panel to form visual screening; 3. Solid construction of the "Product display and partitioning devices" enables stacking of the boxes, structurally strong enough to form a physical barrier/partitioning; 4. When the "Product display and partitioning devices" are stacked into larger formation, they provide ambient lighting for the space; 5. There can be light programming in place to provide lighting patterns when in larger formation (eg, wave pattern across the partitioning).**



(21) Design Number: **14829/2010**

(22) Date of Filing Application: **08 November 2010**

(24) Date from which industrial property rights may have effect: **08 November 2010**

(54) Product in respect of which the design is registered: **Wooden pedal car**

(51) International Design Classification: **21-01F**

(71) Name(s) and Address(s) of Applicant(s):

Nadine Palasovski

11 Braemar Avenue St.Andrews New South Wales 2566 Australia

Tony Palasovski

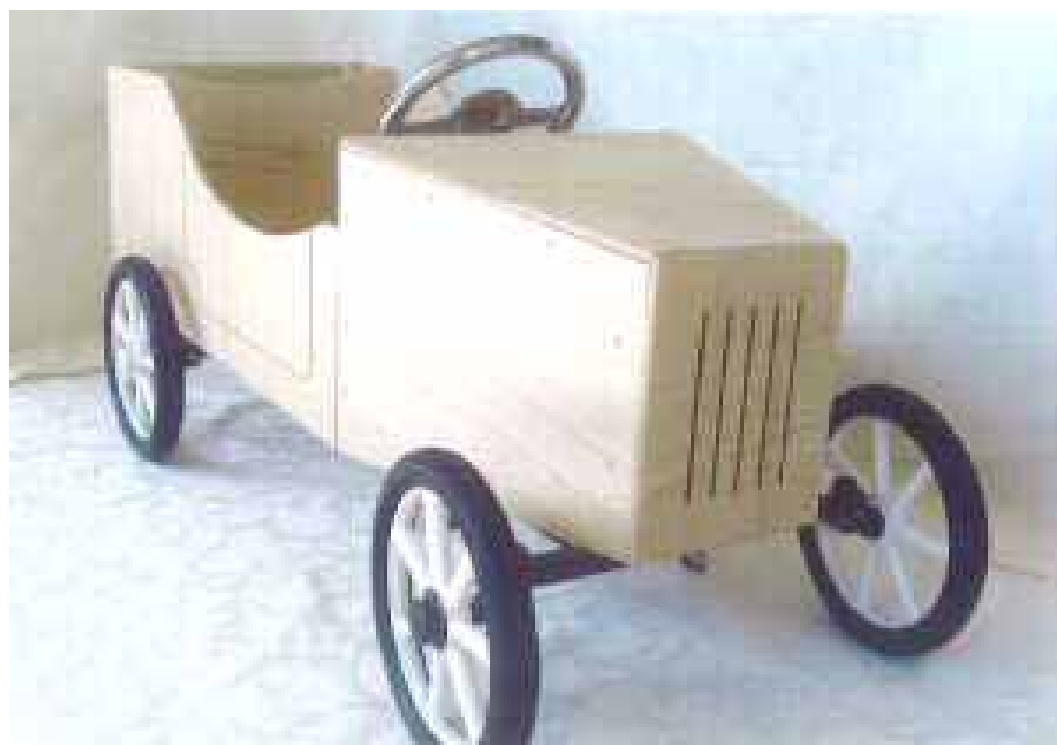
11 Braemar Avenue St.Andrews New South Wales 2566 Australia

(72) Name(s) of Designer(s): **Tony Palasovski and Nadine Palasovski**

(45) Registration Date: **01 February 2011**

(56) Related Art Documents: **Not Applicable**

(57) Statement of Newness and Distinctiveness: **Monopoly is claimed in the shape, features and configuration of the pedal car as shown in the representation.**



(21) Design Number: **14897/2010**

(22) Date of Filing Application: **11 November 2010**

(24) Date from which industrial property rights may have effect: **11 November 2010**

(54) Product in respect of which the design is registered: **Razor cartridge**

(51) International Design Classification: **28-03A**

(71) Name(s) and Address(s) of Applicant(s):

**The Gillette Company
Prudential Tower Building Boston Massachusetts 02199 United States
of America**

(72) Name(s) of Designer(s): **Jo Wilby**

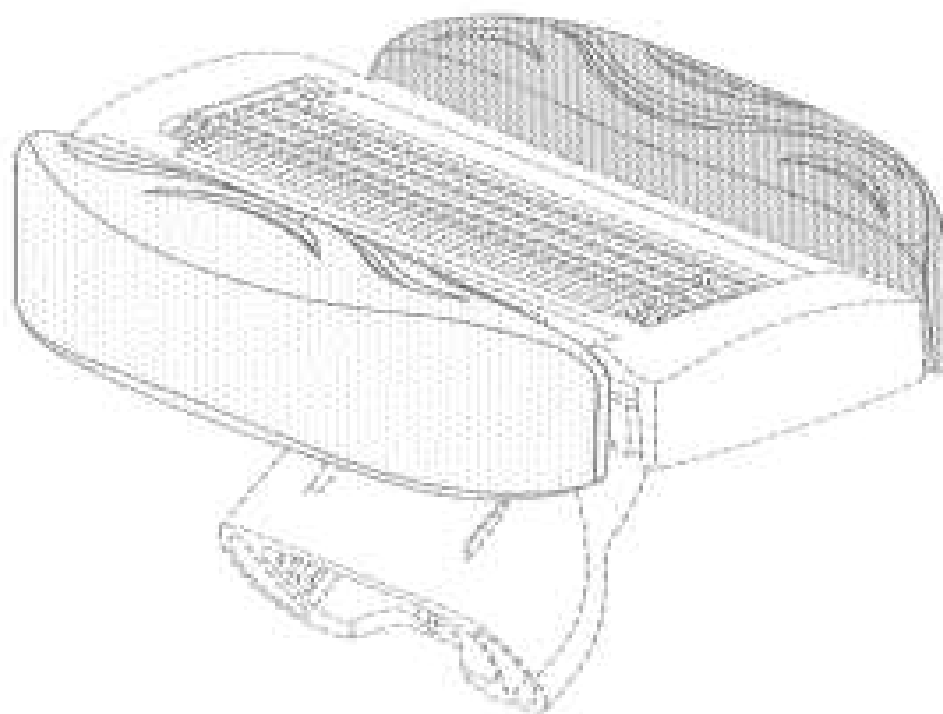
(45) Registration Date: **01 February 2011**

(30) Convention priority data:

(31) Number	(32) Date	(33) Country
29/361,504	12 May 2010	UNITED STATES OF AMERICA

(56) Related Art Documents: **Not Applicable**

(57) Statement of Newness and Distinctiveness: **Newness and distinctiveness resides in the features of pattern and/or ornamentation, as represented by stipple shading, applied to the lubrication portions of the razor cartridge shown in Fig 1 to 7 of the representations. The stipple shading on one lubrication portion represents one colour and the stipple shading on the other lubrication portion represents a second contrasting colour. The shape and configuration of the lubrication portions are to be disregarded when considering the overall impression of the design. The features shown in broken lines are not part of the design and are to be disregarded when considering the overall impression of the design.**



(21) Design Number: **15154/2010**

(22) Date of Filing Application: **24 November 2010**

(24) Date from which industrial property rights may have effect: **24 November 2010**

(54) Product in respect of which the design is registered: **Speaker**

(51) International Design Classification: **14-01**

(71) Name(s) and Address(s) of Applicant(s):

**Sony Computer Entertainment Inc.
2-6-21 Minami-Aoyama Minato-ku Tokyo Japan**

(72) Name(s) of Designer(s): **Kazunori Kusuki**

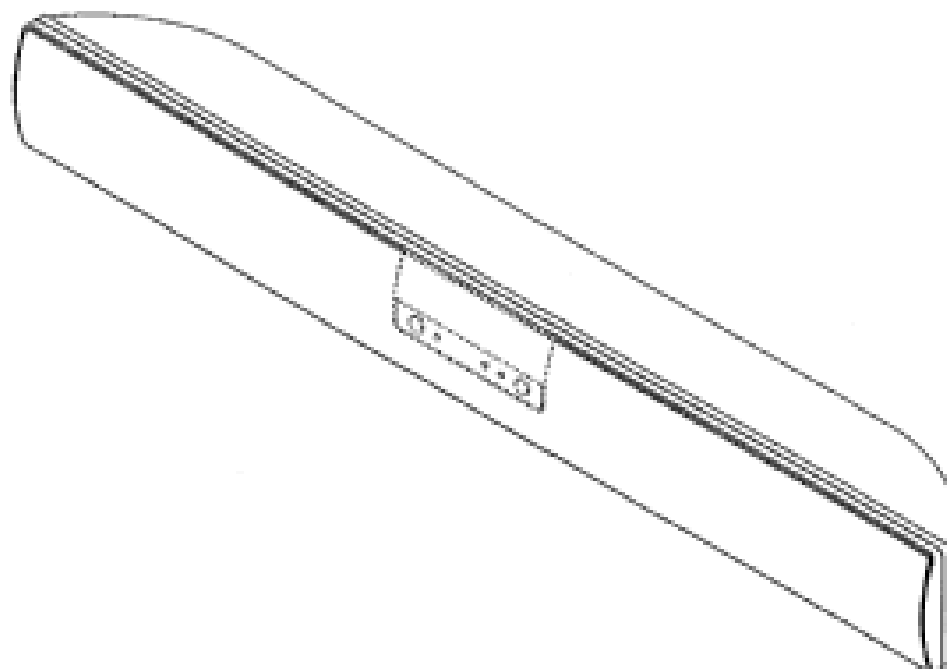
(45) Registration Date: **01 February 2011**

(30) Convention priority data:

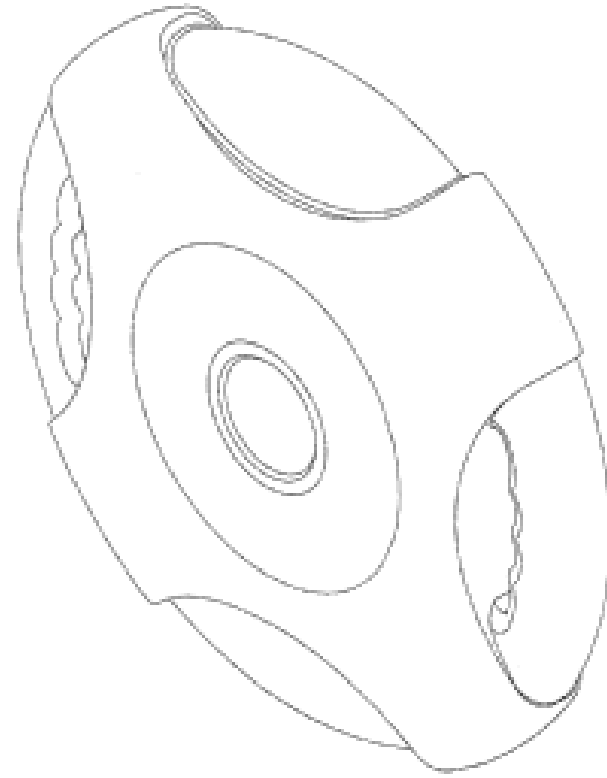
(31) Number	(32) Date	(33) Country
2010-014562	14 Jun 2010	JAPAN

(56) Related Art Documents: **Not Applicable**

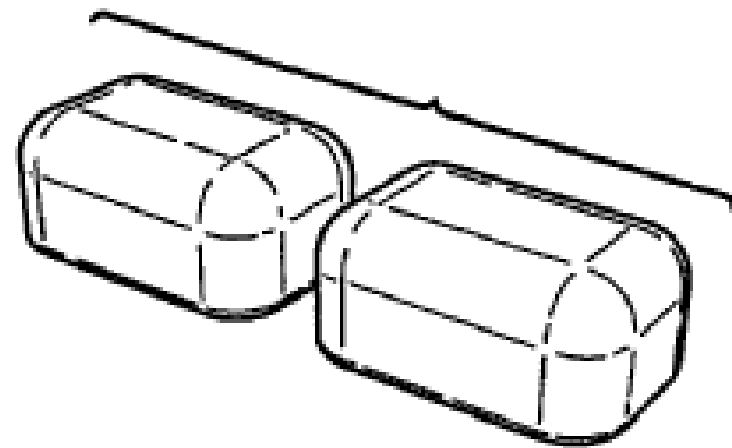
(57) Statement of Newness and Distinctiveness: **Newness and distinctiveness reside in the features of the design shown in solid lines in the representations such that the overall impression of the design is to be assessed without regard to those features shown in broken lines.**



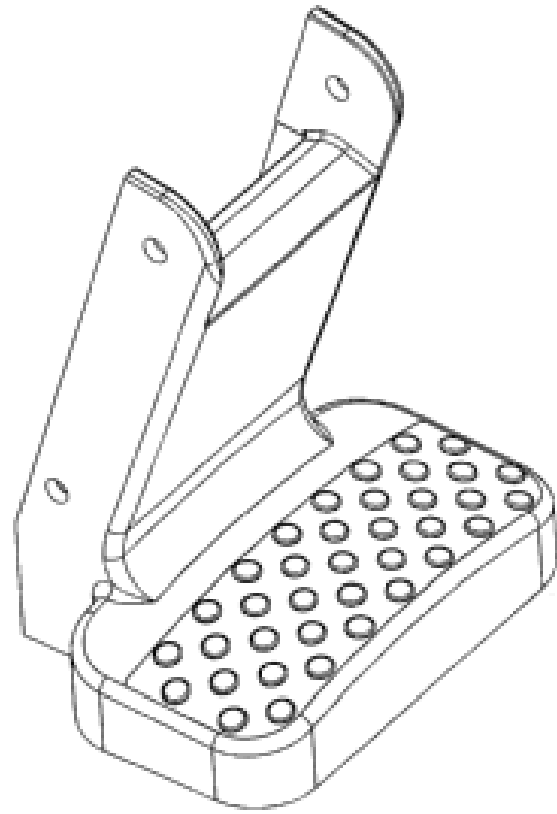
- (21) Design Number: **15196/2010**
(22) Date of Filing Application: **26 November 2010**
(24) Date from which industrial property rights may have effect: **26 November 2010**
(54) Product in respect of which the design is registered: **Weight disc**
(51) International Design Classification: **21-02F**
(71) Name(s) and Address(s) of Applicant(s):
Escape Fitness Limited
Eastwood House The Office Village Cygnet Park Hampton
Peterborough PE7 8FD United Kingdom
(72) Name(s) of Designer(s): **Martin Childs**
(45) Registration Date: **01 February 2011**
(30) Convention priority data:
(31) Number (32) Date (33) Country
001716333#0004 07 Jun 2010 EUROPEAN COMMUNITY
(56) Related Art Documents: **Not Applicable**
(57) Statement of Newness and Distinctiveness: **Nil**



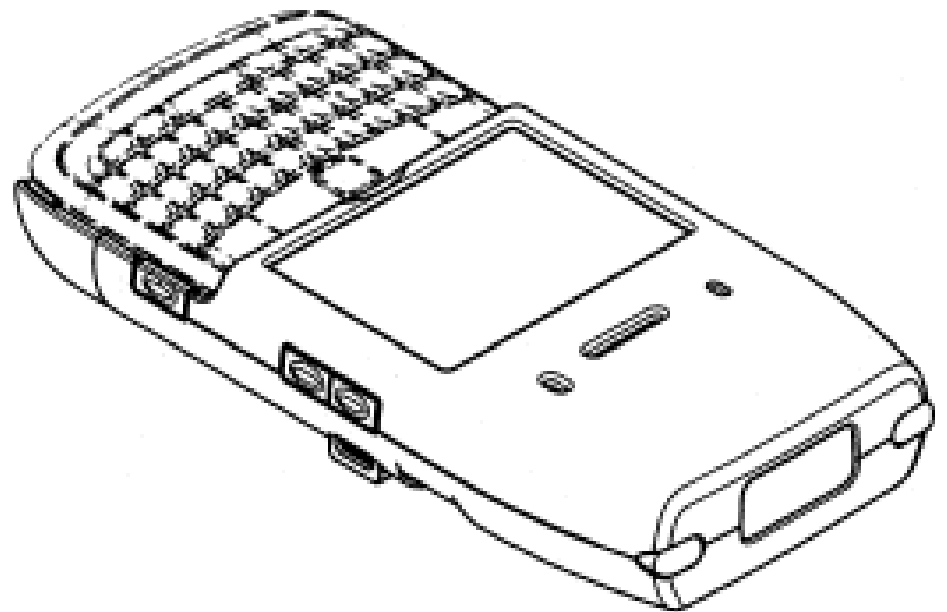
- (21) Design Number: **15316/2010**
(22) Date of Filing Application: **06 December 2010**
(24) Date from which industrial property rights may have effect: **06 December 2010**
(54) Product in respect of which the design is registered: **Toilet block**
(51) International Design Classification: **28-03NES**
(71) Name(s) and Address(s) of Applicant(s):
Unilever PLC
Unilever House 100 Victoria Embankment London EC4Y 0DY United Kingdom
(72) Name(s) of Designer(s): **Ildiko Beder and Stefano Cademartiri and Elisabetta Capasso and Ivan Valcarenghi**
(45) Registration Date: **01 February 2011**
(30) Convention priority data:
(31) Number (32) Date (33) Country
001221477#0008 23 Jun 2010 EUROPEAN COMMUNITY
(56) Related Art Documents: **Not Applicable**
(57) Statement of Newness and Distinctiveness: **Newness and distinctiveness is claimed in the visual features shown in solid lines in the representations**



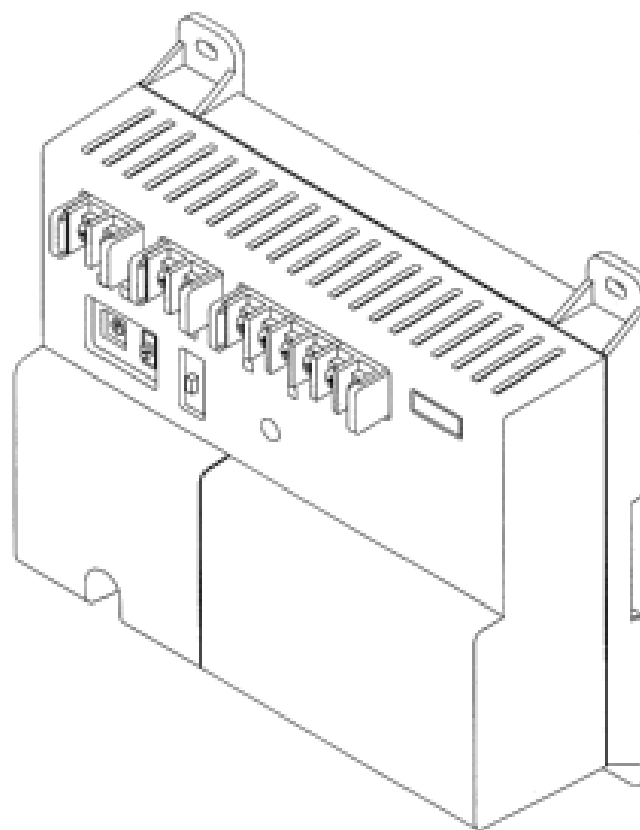
- (21) Design Number: **15322/2010**
(22) Date of Filing Application: **03 December 2010**
(24) Date from which industrial property rights may have effect: **03 December 2010**
(54) Product in respect of which the design is registered: **Pedal for mop bucket**
(51) International Design Classification: **07-07B**
(71) Name(s) and Address(s) of Applicant(s):
The Decor Corporation Pty Ltd
1314 Ferntree Gully Road Scoresby Victoria 3179 Australia
(72) Name(s) of Designer(s): **Jim Samartgis**
(45) Registration Date: **01 February 2011**
(56) Related Art Documents: **Not Applicable**
(57) Statement of Newness and Distinctiveness: **Nil**



- (21) Design Number: **15470/2010**
(22) Date of Filing Application: **08 December 2010**
(24) Date from which industrial property rights may have effect: **08 December 2010**
(54) Product in respect of which the design is registered: **Enclosure and multifunction attachment for a handheld electronic device**
(51) International Design Classification: **14-03A**
(71) Name(s) and Address(s) of Applicant(s):
Grabba International Pty Ltd
Unit 1 12 Selhurst Street Coopers Plains Queensland 4108 Australia
(72) Name(s) of Designer(s): **Paul Andrew Nichols and Cecil Luscombe and Gordon Haslewood Stuart**
(45) Registration Date: **01 February 2011**
(56) Related Art Documents: **Not Applicable**
(57) Statement of Newness and Distinctiveness: **Nil**

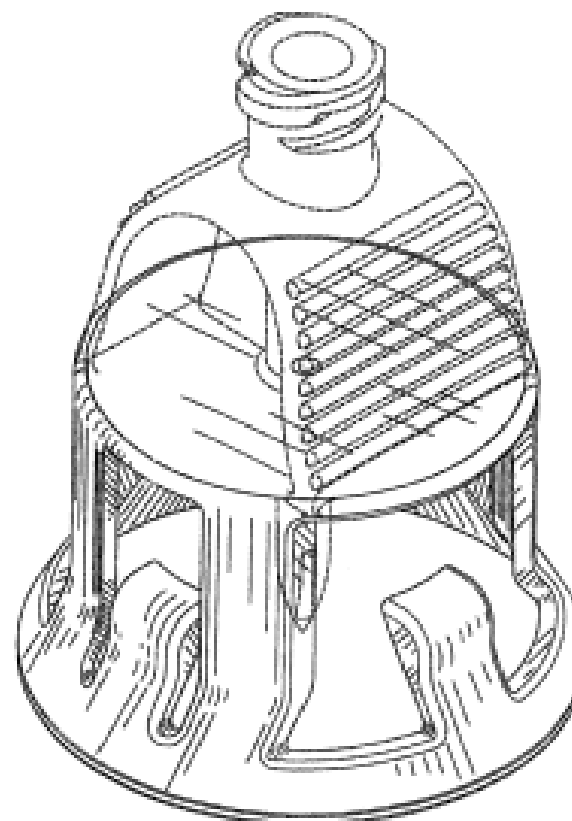


- (21) Design Number: **15475/2010**
- (22) Date of Filing Application: **14 December 2010**
- (24) Date from which industrial property rights may have effect: **14 December 2010**
- (54) Product in respect of which the design is registered: **Adapter for air conditioning apparatus**
- (51) International Design Classification: **13-03D**
- (71) Name(s) and Address(s) of Applicant(s):
Daikin Industries Ltd.
Umeda Center Building 4-12 Nakazaki-Nishi 2-chome Kita-Ku
Osaka-shi Osaka-fu Japan
- (72) Name(s) of Designer(s): **Hiroko Kashimoto**
- (45) Registration Date: **01 February 2011**
- (56) Related Art Documents: **Not Applicable**
- (57) Statement of Newness and Distinctiveness: **The newness and distinctiveness of the design resides in the features of shape and configuraion of the design illustrated in the accompanying representations.**



- (21) Design Number: **15517/2010**
- (22) Date of Filing Application: **15 December 2010**
- (24) Date from which industrial property rights may have effect: **15 December 2010**
- (54) Product in respect of which the design is registered: **Shroud**
- (51) International Design Classification: **24-01, 24-02**
- (71) Name(s) and Address(s) of Applicant(s):
YUKON MEDICAL, LLC
4022-300 Stirrup Creek Drive Durham North Carolina 27703 United
States of America
- (72) Name(s) of Designer(s): **Theodore J. Mosler and David L. Foshee**
- (45) Registration Date: **01 February 2011**
- (30) Convention priority data:

(31) Number	(32) Date	(33) Country
29/364,016	17 Jun 2010	UNITED STATES OF AMERICA
- (56) Related Art Documents: **Not Applicable**
- (57) Statement of Newness and Distinctiveness: **Newness and distinctiveness are provided by the shape and/or figuration of the design shown in the representations. The features shown in broken lines in the representations are for instructive purposes only and should not be considered when construing visual features of the design.**



(21) Design Number: **10172/2011**
 (22) Date of Filing Application: **15 December 2010**
 (24) Date from which industrial property rights may have effect: **15 December 2010**
 (54) Product in respect of which the design is registered: **Shroud**
 (51) International Design Classification: **24-01, 24-02**
 (71) Name(s) and Address(s) of Applicant(s):

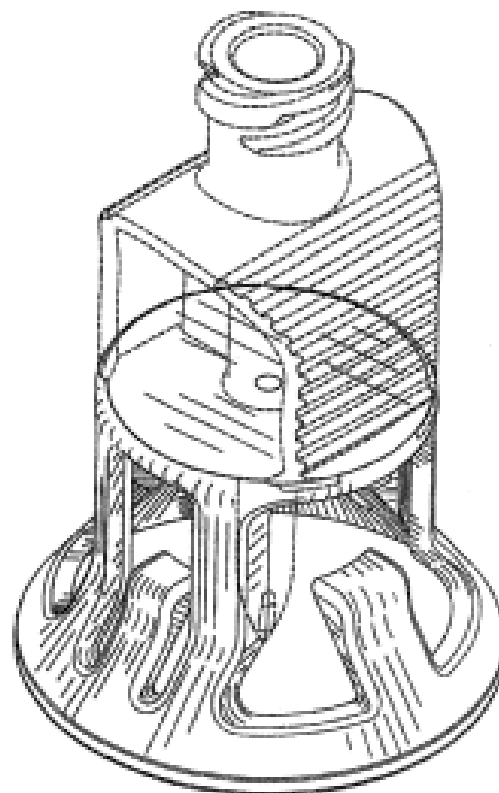
YUKON MEDICAL, LLC
4022-300 Stirrup Creek Drive Durham North Carolina 27703 United States of America

(72) Name(s) of Designer(s): **Theodore J. Mosler and David L. Foshee**
 (45) Registration Date: **01 February 2011**

(30) Convention priority data:

(31) Number	(32) Date	(33) Country
29/364,016	17 Jun 2010	UNITED STATES OF AMERICA

(56) Related Art Documents: **Not Applicable**
 (57) Statement of Newness and Distinctiveness: **Newness and distinctiveness are provided by the shape and/or figuration of the design shown in the representations. The features shown in broken lines in the representations are for instructive purposes only and should not be considered when construing visual features of the design.**



(21) Design Number: **15518/2010**
 (22) Date of Filing Application: **15 December 2010**
 (24) Date from which industrial property rights may have effect: **15 December 2010**
 (54) Product in respect of which the design is registered: **A fitting**
 (51) International Design Classification: **23-01A**
 (71) Name(s) and Address(s) of Applicant(s):

RX Plastics Limited
445-453 West Street Ashburton 7700 New Zealand

(72) Name(s) of Designer(s): **Christopher Clay and Jonathan Phillip Gray**
 (45) Registration Date: **01 February 2011**

(30) Convention priority data:

(31) Number	(32) Date	(33) Country
414236	05 Nov 2010	NEW ZEALAND

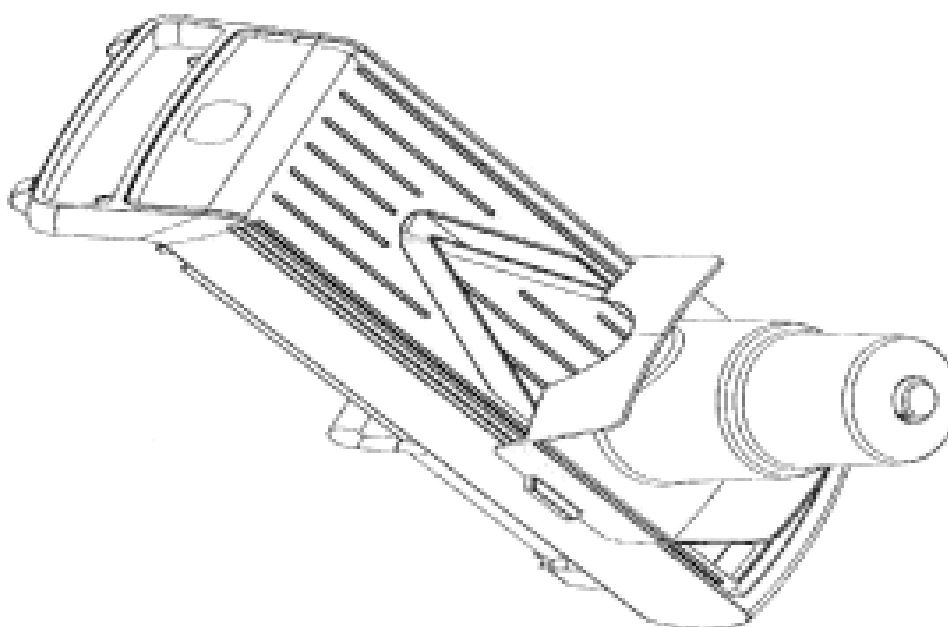
(56) Related Art Documents: **Not Applicable**
 (57) Statement of Newness and Distinctiveness: **This design is to be applied to a FITTING and the novelty resides in features of shape and configuration of the article, all as shown in the accompanying representations.**



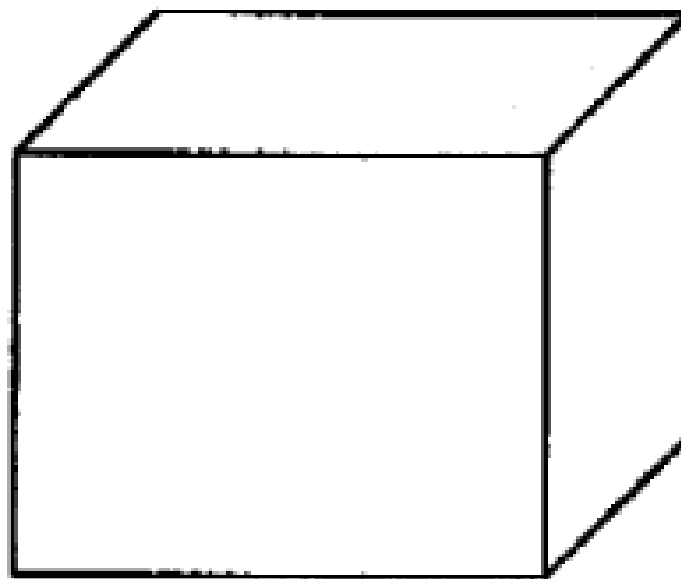
- (21) Design Number: **15707/2010**
(22) Date of Filing Application: **23 December 2010**
(24) Date from which industrial property rights may have effect: **23 December 2010**
(54) Product in respect of which the design is registered: **Shoes**
(51) International Design Classification: **02-04NES**
(71) Name(s) and Address(s) of Applicant(s):
Vibram S.p.A.
Via Cristoforo Colombo 5 I-21041 Albizzate (Varese) Italy
(72) Name(s) of Designer(s): **Marco Bramani and Robert Fliri and Peter Von Conta**
(45) Registration Date: **01 February 2011**
(30) Convention priority data:
(31) Number (32) Date (33) Country
1725482 29 Jun 2010 EUROPEAN COMMUNITY
(56) Related Art Documents: **Not Applicable**
(57) Statement of Newness and Distinctiveness: **Newness and distinctiveness reside in the features of the design as shown in the representations.**



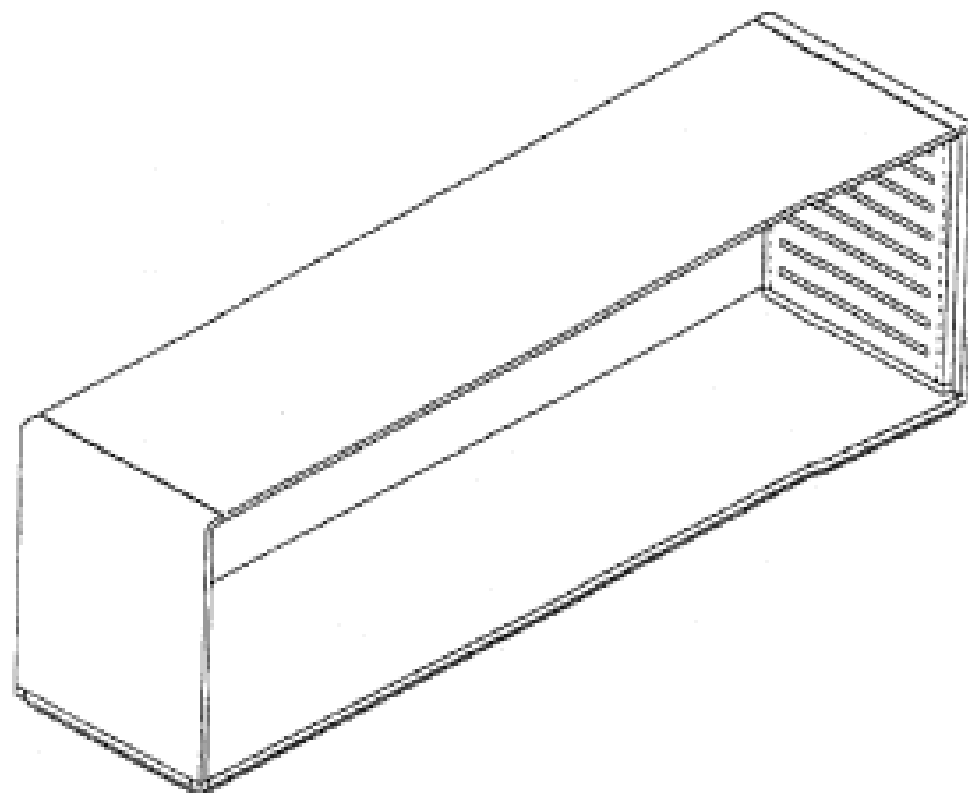
- (21) Design Number: **15711/2010**
(22) Date of Filing Application: **22 December 2010**
(24) Date from which industrial property rights may have effect: **22 December 2010**
(54) Product in respect of which the design is registered: **Food slicer**
(51) International Design Classification: **07-04**
(71) Name(s) and Address(s) of Applicant(s):
DKB Household UK Limited
Bridge House Eelmoor Road Farnborough Hampshire GU14 7UE
United Kingdom
(72) Name(s) of Designer(s): **Andrew Thornton**
(45) Registration Date: **01 February 2011**
(30) Convention priority data:
(31) Number (32) Date (33) Country
001728932-0001 07 Jul 2010 EUROPEAN COMMUNITY
(56) Related Art Documents: **Not Applicable**
(57) Statement of Newness and Distinctiveness: **Novelty and distinctiveness is claimed in the shape and/or configuration of the food slicer as depicted in the accompanying representations other than the bottom view.**



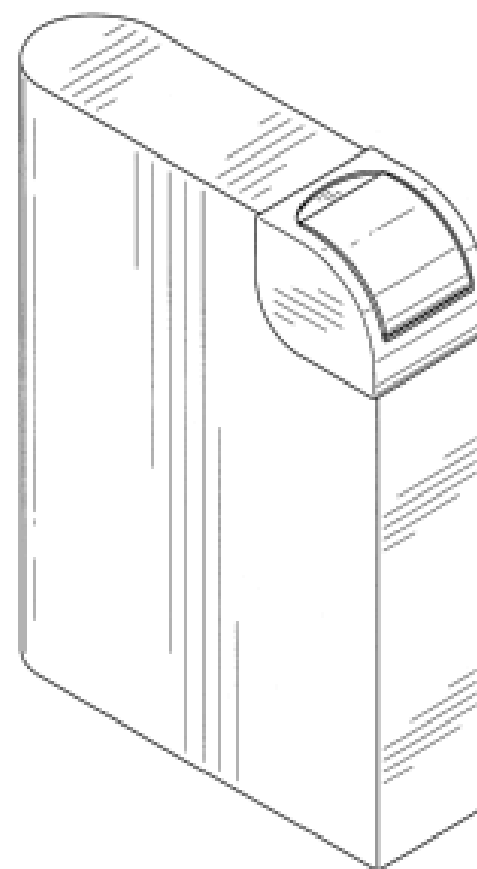
- (21) Design Number: **15743/2010**
(22) Date of Filing Application: **23 December 2010**
(24) Date from which industrial property rights may have effect: **23 December 2010**
(54) Product in respect of which the design is registered: **A sports ball**
(51) International Design Classification: **21-02A**
(71) Name(s) and Address(s) of Applicant(s):
 Damon Justin Park
 65 Millendon Street Carramar Western Australia 6031 Australia
 Ryan Ashley Atkinson
 15 Reseda Elbow Banksia Grove Western Australia 6031 Australia
(72) Name(s) of Designer(s): **Damon Justin Park and Ryan Ashley Atkinson**
(45) Registration Date: **01 February 2011**
(56) Related Art Documents: **Not Applicable**
(57) Statement of Newness and Distinctiveness: **Nil**



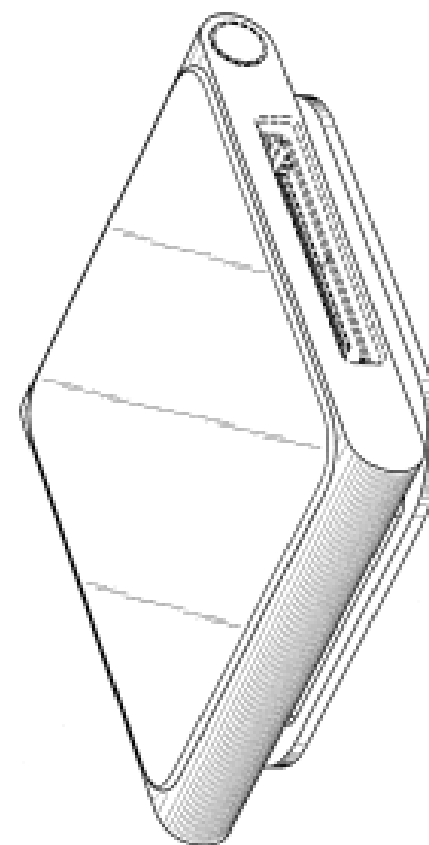
- (21) Design Number: **15800/2010**
(22) Date of Filing Application: **24 December 2010**
(24) Date from which industrial property rights may have effect: **24 December 2010**
(54) Product in respect of which the design is registered: **A partition**
(51) International Design Classification: **06-06NES, 25-01D**
(71) Name(s) and Address(s) of Applicant(s):
 Steelcase Asia Pacific Ltd.
 Citco Building Wickham's Cay P.O. Box 662 Road Town Tortola
 British Virgin Islands
(72) Name(s) of Designer(s): **Stefan Brodbeck**
(45) Registration Date: **01 February 2011**
(30) Convention priority data:
 (31) Number (32) Date (33) Country
 001237028-0001 13 Sep 2010 EUROPEAN COMMUNITY
(56) Related Art Documents: **Not Applicable**
(57) Statement of Newness and Distinctiveness: **Newness and distinctiveness is claimed in the shape and/or configuration of A PARTITION as illustrated by the unbroken lines in the accompanying representations.**



- (21) Design Number: **10014/2011**
(22) Date of Filing Application: **04 January 2011**
(24) Date from which industrial property rights may have effect: **04 January 2011**
(54) Product in respect of which the design is registered: **Container**
(51) International Design Classification: **07-01NES**
(71) Name(s) and Address(s) of Applicant(s):
The Quaker Oats Company
555 West Monroe Street Chicago Illinois 60661 United States of America
(72) Name(s) of Designer(s): **James J. Maki and Marcus H. Parsons and Jonathan A. Lee**
(45) Registration Date: **01 February 2011**
(30) Convention priority data:
(31) Number (32) Date (33) Country
29/365197 06 Jul 2010 UNITED STATES OF AMERICA
(56) Related Art Documents: **Not Applicable**
(57) Statement of Newness and Distinctiveness: **Newness and distinctiveness is claimed in the features of shape and/or configuration of a container as illustrated in the accompanying representations.**



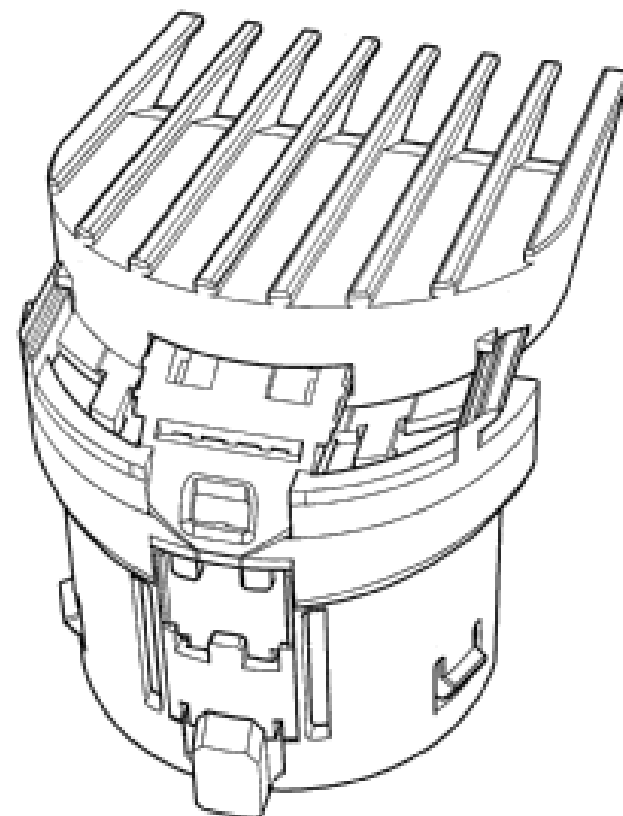
- (21) Design Number: **10016/2011**
(22) Date of Filing Application: **05 January 2011**
(24) Date from which industrial property rights may have effect: **05 January 2011**
(54) Product in respect of which the design is registered: **Electronic device**
(51) International Design Classification: **14-02**
(71) Name(s) and Address(s) of Applicant(s):
Apple Inc.
1 Infinite Loop Cupertino California 95014 United States of America
(72) Name(s) of Designer(s): **Jody Akana and Bartley K. Andre and Jeremy Bataillou and Daniel J. Coster and Daniele De Iuliis and Evans Hankey and Richard P. Howarth and Jonathan P. Ive and Duncan Robert Kerr and Shin Nishibori and Matthew Dean Rohrbach and Peter Russell-Clarke and Christopher J. Stringer and Eugene Antony Whang and Rico Zorkendorfer**
(45) Registration Date: **01 February 2011**
(30) Convention priority data:
(31) Number (32) Date (33) Country
29/367996 16 Aug 2010 UNITED STATES OF AMERICA
(56) Related Art Documents: **Not Applicable**
(57) Statement of Newness and Distinctiveness: **Newness and distinctiveness resides in the features of shape and/or configuration of an electronic device as shown in solid outline in the accompanying representations.**



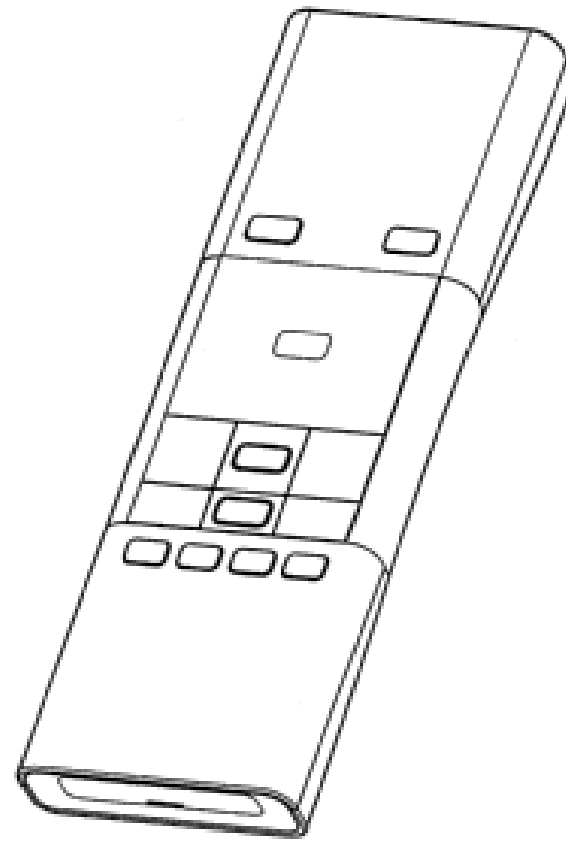
- (21) Design Number: **10020/2011**
(22) Date of Filing Application: **04 January 2011**
(24) Date from which industrial property rights may have effect: **04 January 2011**
(54) Product in respect of which the design is registered: **Automatic vending machine**
(51) International Design Classification: **20-01**
(71) Name(s) and Address(s) of Applicant(s):
PARKEON
Le Barjac 1 Boulevard Victor Paris 75015 France
(72) Name(s) of Designer(s): **Thierry Mougin and Thierry Brusseau**
(45) Registration Date: **01 February 2011**
(30) Convention priority data:
(31) Number (32) Date (33) Country
001729997-0001 09 Jul 2010 EUROPEAN COMMUNITY
(56) Related Art Documents: **Not Applicable**
(57) Statement of Newness and Distinctiveness: **Nil**



- (21) Design Number: **10026/2011**
(22) Date of Filing Application: **05 January 2011**
(24) Date from which industrial property rights may have effect: **05 January 2011**
(54) Product in respect of which the design is registered: **Attachment for hair clipper**
(51) International Design Classification: **28-03D**
(71) Name(s) and Address(s) of Applicant(s):
Koninklijke Philips Electronics N.V.
Groenewoudseweg 1 5621 BA Eindhoven The Netherlands
(72) Name(s) of Designer(s): **Ki-Hyun Yoon**
(45) Registration Date: **01 February 2011**
(30) Convention priority data:
(31) Number (32) Date (33) Country
001729005-0003 07 Jul 2010 EUROPEAN COMMUNITY
(56) Related Art Documents: **Not Applicable**
(57) Statement of Newness and Distinctiveness: **Newness and distinctiveness reside in the features of shape and configuration of the design as shown in the representations.**



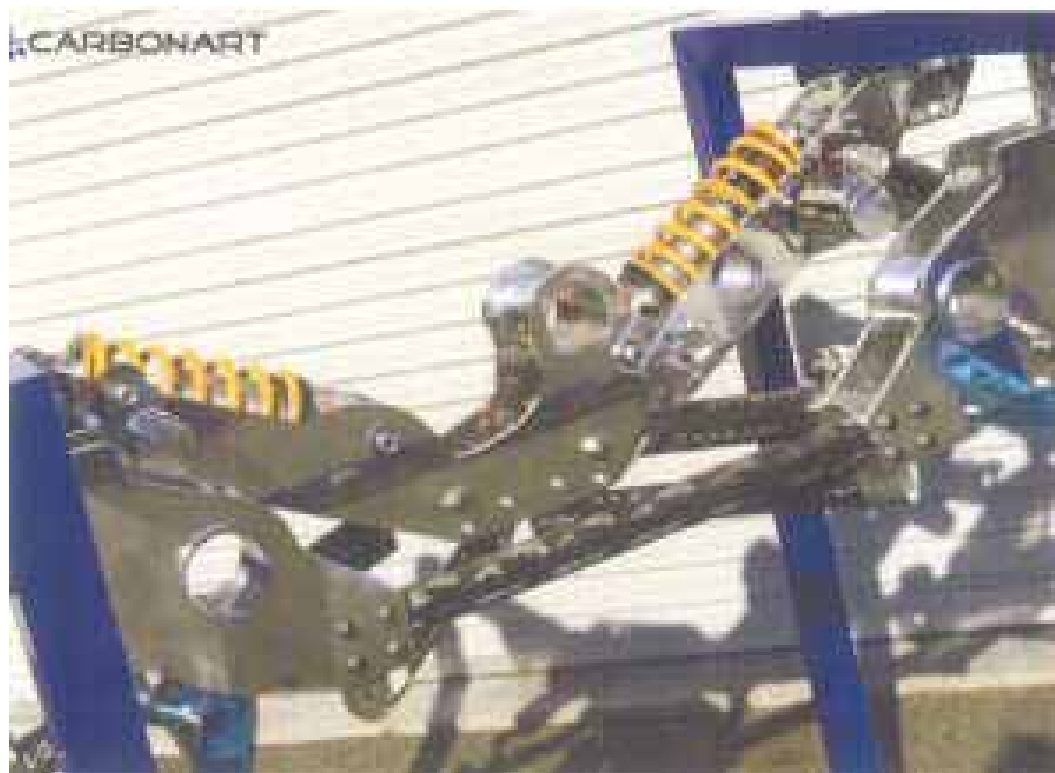
- (21) Design Number: **10027/2011**
(22) Date of Filing Application: **05 January 2011**
(24) Date from which industrial property rights may have effect: **05 January 2011**
(54) Product in respect of which the design is registered: **Remote control unit**
(51) International Design Classification: **14-03NES**
(71) Name(s) and Address(s) of Applicant(s):
Koninklijke Philips Electronics N.V.
Groenewoudseweg 1 5621 BA Eindhoven The Netherlands
(72) Name(s) of Designer(s): **Rodney Jun Kern Loh**
(45) Registration Date: **01 February 2011**
(30) Convention priority data:
(31) Number (32) Date (33) Country
001728650 07 Jul 2010 EUROPEAN COMMUNITY
(56) Related Art Documents: **Not Applicable**
(57) Statement of Newness and Distinctiveness: **Newness and distinctiveness reside in the features of shape and configuration of the design as shown in the representations.**



- (21) Design Number: **10028/2011**
(22) Date of Filing Application: **05 January 2011**
(24) Date from which industrial property rights may have effect: **05 January 2011**
(54) Product in respect of which the design is registered: **Carbon fiber and aerospace aluminium/titanium modular control arm**
(51) International Design Classification: **12-16NES**
(71) Name(s) and Address(s) of Applicant(s):
Redbase Holdings Pty Ltd Trading as Carbonart
Unit 11/17 Mosey Street Landsdale Western Australia 6065 Australia
(72) Name(s) of Designer(s): **Grant C Reynolds**
(45) Registration Date: **01 February 2011**
(56) Related Art Documents: **Not Applicable**
(57) Statement of Newness and Distinctiveness: **Carbon fiber body with aerospace grade adjustable rod ends.**



- (21) Design Number: **10029/2011**
- (22) Date of Filing Application: **05 January 2011**
- (24) Date from which industrial property rights may have effect: **05 January 2011**
- (54) Product in respect of which the design is registered: **Carbon fiber and aerospace aluminium/titanium modular rear suspension system**
- (51) International Design Classification: **12-16NES**
- (71) Name(s) and Address(s) of Applicant(s):
Redbase Holdings Pty Ltd Trading as Carbonart
Unit 11/17 Mosey Street Landsdale Western Australia 6065 Australia
- (72) Name(s) of Designer(s): **Grant C Reynolds**
- (45) Registration Date: **01 February 2011**
- (56) Related Art Documents: **Not Applicable**
- (57) Statement of Newness and Distinctiveness: **Carbon fiber and aerospace grade aluminium and titanium modular rear suspension cradle system using pushrod actuated remote positioned shock absorber.**



- (21) Design Number: **10030/2011**
- (22) Date of Filing Application: **04 January 2011**
- (24) Date from which industrial property rights may have effect: **04 January 2011**
- (54) Product in respect of which the design is registered: **Dispenser**
- (51) International Design Classification: **09-01A**
- (71) Name(s) and Address(s) of Applicant(s):
The Procter & Gamble Company
One Procter & Gamble Plaza Cincinnati Ohio 45202 United States of America
- (72) Name(s) of Designer(s): **Luisa Navarro Cerda and Craig Martin Wilkinson and Scott Edward Smith**
- (45) Registration Date: **01 February 2011**
- (30) Convention priority data:

(31) Number	(32) Date	(33) Country
29/365,387	08 Jul 2010	UNITED STATES OF AMERICA
- (56) Related Art Documents: **Not Applicable**
- (57) Statement of Newness and Distinctiveness: **Those features of the dispenser depicted in the representations that are new and distinctive are the shape and/or configuration.**



- (21) Design Number: **10047/2011**
(22) Date of Filing Application: **06 January 2011**
(24) Date from which industrial property rights may have effect: **06 January 2011**
(54) Product in respect of which the design is registered: **Control panel for a washing machine**
(51) International Design Classification: **15-05**
(71) Name(s) and Address(s) of Applicant(s):
BSH Bosch und Siemens Hausgerate GmbH
Carl-Wery-Str. 34 81739 Munchen Germany
(72) Name(s) of Designer(s): **Klaus Forsterling and Johannes Geyer and Florian Metz and Carsten Weber**
(45) Registration Date: **01 February 2011**
(30) Convention priority data:
(31) Number (32) Date (33) Country
001225536 07 Jul 2010 EUROPEAN COMMUNITY
(56) Related Art Documents: **Not Applicable**
(57) Statement of Newness and Distinctiveness: **Newness and distinctiveness is claimed in the features of shape and/or configuration of a display, LEDs, buttons and a turn handle of a control panel for a washing machine illustrated in the accompanying representations.**



- (21) Design Number: **10048/2011**
(22) Date of Filing Application: **06 January 2011**
(24) Date from which industrial property rights may have effect: **06 January 2011**
(54) Product in respect of which the design is registered: **Washing machine**
(51) International Design Classification: **15-05**
(71) Name(s) and Address(s) of Applicant(s):
BSH Bosch und Siemens Hausgerate GmbH
Carl-Wery-Str. 34 81739 Munchen Germany
(72) Name(s) of Designer(s): **Klaus Forsterling and Johannes Geyer and Florian Metz and Carsten Weber**
(45) Registration Date: **01 February 2011**
(30) Convention priority data:
(31) Number (32) Date (33) Country
001225510 07 Jul 2010 EUROPEAN COMMUNITY
(56) Related Art Documents: **Not Applicable**
(57) Statement of Newness and Distinctiveness: **Newness and distinctiveness is claimed in the features of shape and/or configuration of a control panel, a detergent drawer, a window, a handle of the window, and left and right side walls of a washing machine illustrated in the accompanying representations.**



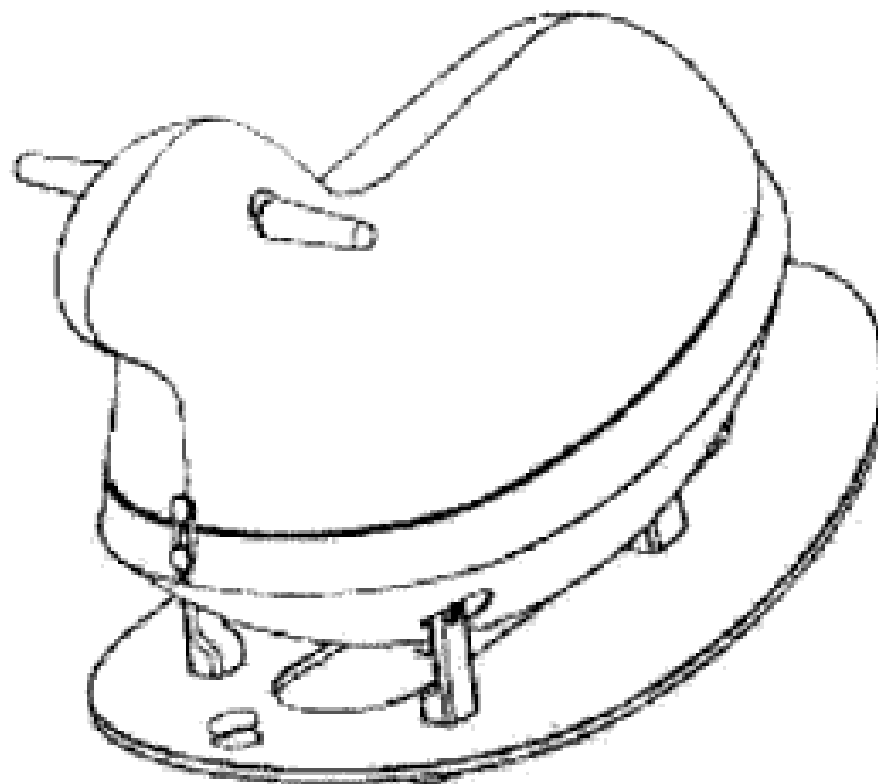
- (21) Design Number: **10049/2011**
(22) Date of Filing Application: **06 January 2011**
(24) Date from which industrial property rights may have effect: **06 January 2011**
(54) Product in respect of which the design is registered: **Washing machine**
(51) International Design Classification: **15-05**
(71) Name(s) and Address(s) of Applicant(s):
BSH Bosch und Siemens Hausgerate GmbH
Carl-Wery-Str. 34 81739 Munchen Germany
(72) Name(s) of Designer(s): **Klaus Forsterling and Johannes Geyer and Florian Metz and Carsten Weber**
(45) Registration Date: **01 February 2011**
(30) Convention priority data:
(31) Number (32) Date (33) Country
001225510 07 Jul 2010 EUROPEAN COMMUNITY
(56) Related Art Documents: **Not Applicable**
(57) Statement of Newness and Distinctiveness: **Newness and distinctiveness is claimed in the features of shape and/or configuration of a control panel, a detergent drawer, a window, a handle of the window, and left and right side walls of a washing machine illustrated in the accompanying representations.**



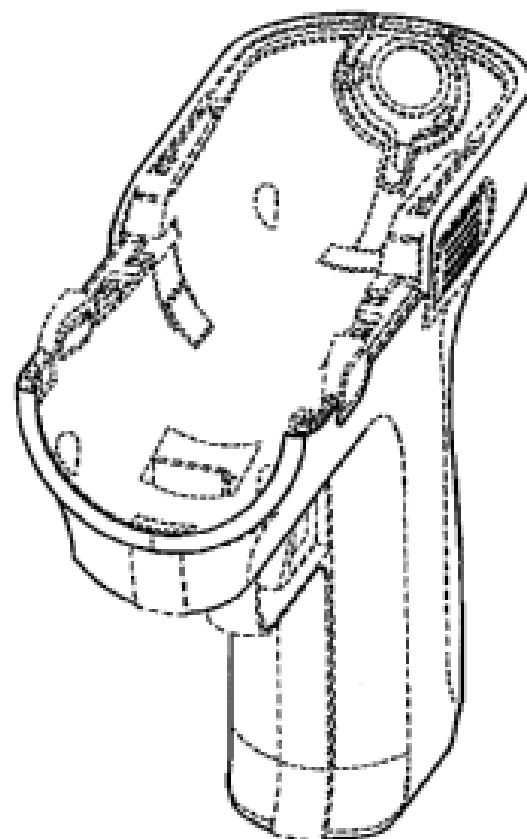
- (21) Design Number: **10050/2011**
(22) Date of Filing Application: **06 January 2011**
(24) Date from which industrial property rights may have effect: **06 January 2011**
(54) Product in respect of which the design is registered: **A tyre**
(51) International Design Classification: **12-15B**
(71) Name(s) and Address(s) of Applicant(s):
The Goodyear Tire & Rubber Company
1144 East Market Street Akron Ohio 44316-0001 United States of America
(72) Name(s) of Designer(s): **William Urbano Villamizar and Bernard Jean Francois Croissant and Manfred Josef Jung and Matthieu Pingnat and Sebastien Willy Fontaine and Alexander Ossipov and Nicolas Claude Jean-Claude Froger and Richard Heinen**
(45) Registration Date: **01 February 2011**
(30) Convention priority data:
(31) Number (32) Date (33) Country
29/366027 19 Jul 2010 JAPAN
(56) Related Art Documents: **Not Applicable**
(57) Statement of Newness and Distinctiveness: **Newness and distinctiveness is claimed in the features of shape and/or configuration of a tyre as illustrated in the accompanying representations.**



- (21) Design Number: **10051/2011**
(22) Date of Filing Application: **06 January 2011**
(24) Date from which industrial property rights may have effect: **06 January 2011**
(54) Product in respect of which the design is registered: **A baby rocker**
(51) International Design Classification: **21-01F**
(71) Name(s) and Address(s) of Applicant(s):
Bower and Beyond Pty Ltd
PO Box 409 Waverly New South Wales 2024 Australia
(72) Name(s) of Designer(s): **Adam Fransen and Michael Hoppe**
(45) Registration Date: **01 February 2011**
(56) Related Art Documents: **Not Applicable**
(57) Statement of Newness and Distinctiveness: **Newness and distinctiveness is claimed in the features of shape and/or configuration of a baby rocker as illustrated in the accompanying representations.**

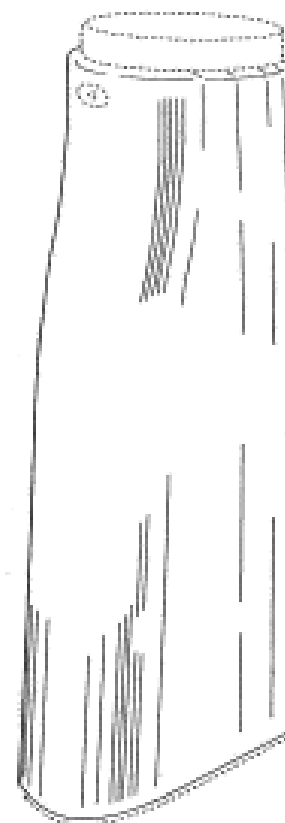


- (21) Design Number: **15476/2010**
(22) Date of Filing Application: **14 December 2010**
(24) Date from which industrial property rights may have effect: **14 December 2010**
(54) Product in respect of which the design is registered: **Holder for remote controller**
(51) International Design Classification: **14-99, 21-01N**
(71) Name(s) and Address(s) of Applicant(s):
Sony Computer Entertainment Inc.
2-6-21 Minami-Aoyama Minato-ku Tokyo Japan
(72) Name(s) of Designer(s): **Takashi Sogabe**
(45) Registration Date: **01 February 2011**
(30) Convention priority data:
(31) Number (32) Date (33) Country
2010-014573 14 Jun 2010 JAPAN
(56) Related Art Documents: **Not Applicable**
(57) Statement of Newness and Distinctiveness: **Newness and distinctiveness resides in the features of the design shown in solid lines in the accompanying representations such that the overall impression of the design is to be assessed without regard to those features shown in broken lines.**



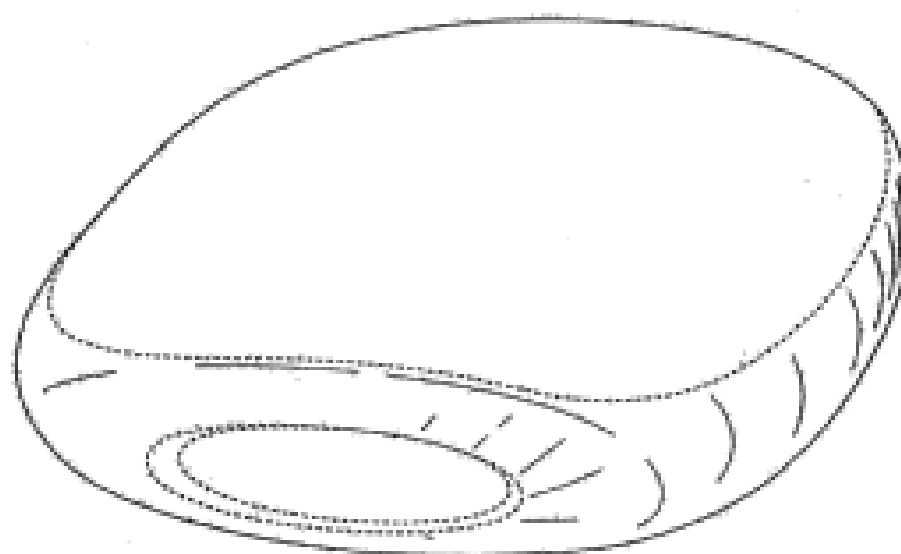
- (21) Design Number: **15200/2010**
- (22) Date of Filing Application: **26 November 2010**
- (24) Date from which industrial property rights may have effect: **26 November 2010**
- (54) Product in respect of which the design is registered: **Dispenser housing**
- (51) International Design Classification: **09-01NES**
- (71) Name(s) and Address(s) of Applicant(s):
S. C. Johnson & Son, Inc.
1525 Howe Street Racine Wisconsin 53403-2236 United States of America
- (72) Name(s) of Designer(s): **Eric Eden Cohen and Nathaniel Giraitis and Jacob Palmborg and Jessi Pervola and Richard Whitehall and Allen Zadeh**
- (45) Registration Date: **01 February 2011**
- (30) Convention priority data:

(31) Number	(32) Date	(33) Country
29/362715	28 May 2010	UNITED STATES OF AMERICA
- (56) Related Art Documents: **Not Applicable**
- (57) Statement of Newness and Distinctiveness: **Newness and distinctiveness is claimed in those features of shape and/or configuration of a dispenser housing as illustrated in continuous lines in the accompanying representations.**

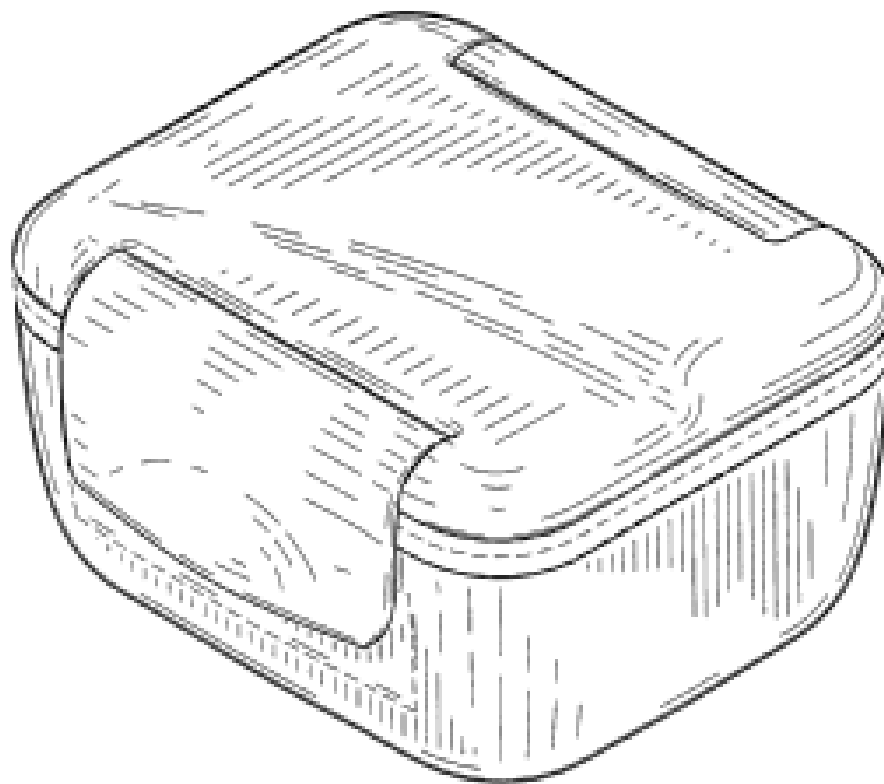


- (21) Design Number: **15201/2010**
- (22) Date of Filing Application: **26 November 2010**
- (24) Date from which industrial property rights may have effect: **26 November 2010**
- (54) Product in respect of which the design is registered: **Dispenser housing**
- (51) International Design Classification: **09-01NES**
- (71) Name(s) and Address(s) of Applicant(s):
S.C. Johnson & Son Inc.
1525 Howe Street Racine Wisconsin 53403-2236 United States of America
- (72) Name(s) of Designer(s): **Eric Eden Cohen and Nathaniel Giraitis and Jacob Palmborg and Jessi Pervola and Richard Whitehall and Allen Zadeh**
- (45) Registration Date: **01 February 2011**
- (30) Convention priority data:

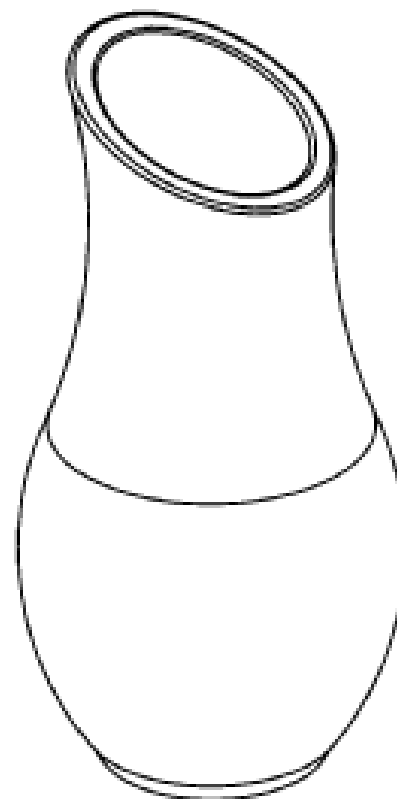
(31) Number	(32) Date	(33) Country
29/362711	28 May 2010	UNITED STATES OF AMERICA
- (56) Related Art Documents: **Not Applicable**
- (57) Statement of Newness and Distinctiveness: **Newness and distinctiveness is claimed in those features of shape and/or configuration of a dispenser housing as illustrated in continuous lines in the accompanying representations.**



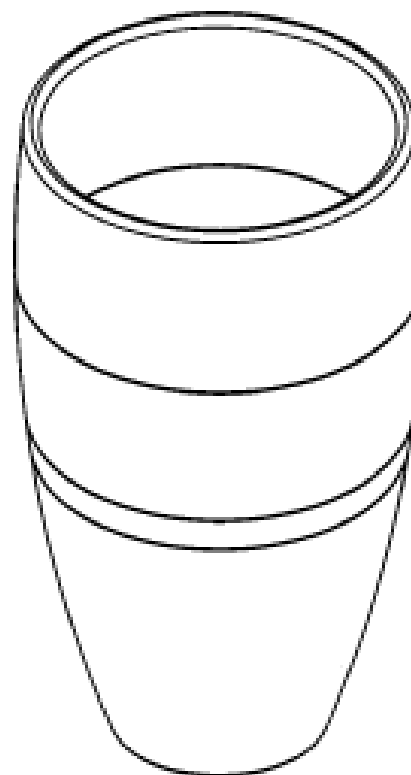
- (21) Design Number: **15292/2010**
(22) Date of Filing Application: **02 December 2010**
(24) Date from which industrial property rights may have effect: **02 December 2010**
(54) Product in respect of which the design is registered: **Food container**
(51) International Design Classification: **07-01NES**
(71) Name(s) and Address(s) of Applicant(s):
Pacific Market International, LLC
2401 Elliott Avenue Fourth Floor Seattle WA 98121 United States of America
(72) Name(s) of Designer(s): **Sarah Danger George**
(45) Registration Date: **01 February 2011**
(30) Convention priority data:
(31) Number (32) Date (33) Country
29/363,000 03 Jun 2010 UNITED STATES OF AMERICA
(56) Related Art Documents: **Not Applicable**
(57) Statement of Newness and Distinctiveness: **The shape and configuration of those parts of the design shown by means of solid lines in the representations are new and distinctive.**



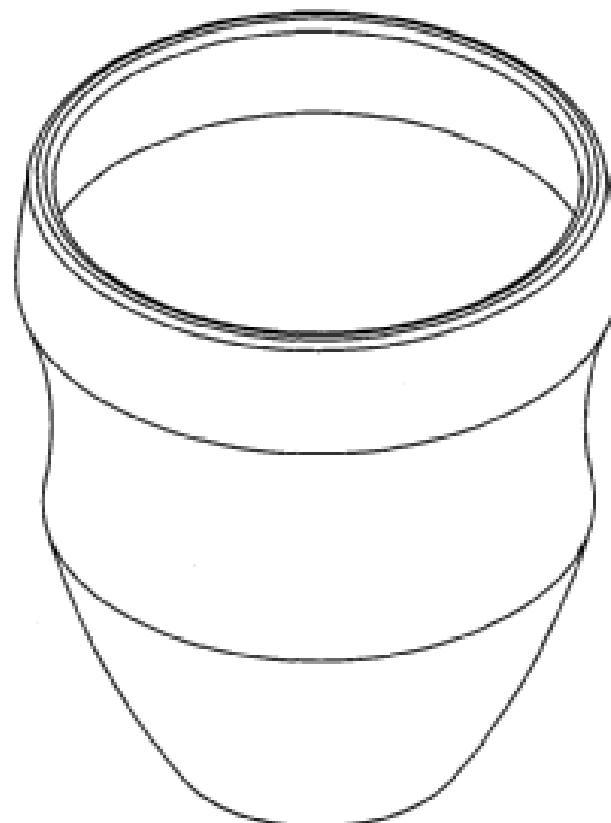
- (21) Design Number: **10000/2011**
(22) Date of Filing Application: **04 January 2011**
(24) Date from which industrial property rights may have effect: **04 January 2011**
(54) Product in respect of which the design is registered: **Container_e - coffee vessel**
(51) International Design Classification: **07-02L, 07-01G**
(71) Name(s) and Address(s) of Applicant(s):
Adrienne Murphy
3 Luscombe Street Brunswick Victoria 3056 Australia
(72) Name(s) of Designer(s): **Adrienne Murphy**
(45) Registration Date: **01 February 2011**
(56) Related Art Documents: **Not Applicable**
(57) Statement of Newness and Distinctiveness: **Nil**



- (21) Design Number: **10001/2011**
- (22) Date of Filing Application: **04 January 2011**
- (24) Date from which industrial property rights may have effect: **04 January 2011**
- (54) Product in respect of which the design is registered: **Container_m - coffee vessel**
- (51) International Design Classification: **07-02L, 07-01G**
- (71) Name(s) and Address(s) of Applicant(s):
Adrienne Murphy
3 Luscombe Street Brunswick Victoria 3056 Australia
- (72) Name(s) of Designer(s): **Adrienne Murphy**
- (45) Registration Date: **01 February 2011**
- (56) Related Art Documents: **Not Applicable**
- (57) Statement of Newness and Distinctiveness: **Glass rings create lines/levels that are easily seen when container is empty. Container is handle-less.**



- (21) Design Number: **10002/2011**
- (22) Date of Filing Application: **04 January 2011**
- (24) Date from which industrial property rights may have effect: **04 January 2011**
- (54) Product in respect of which the design is registered: **Container_l - coffee vessel**
- (51) International Design Classification: **07-02L, 07-01G**
- (71) Name(s) and Address(s) of Applicant(s):
Adrienne Murphy
3 Luscombe Street Brunswick Victoria 3056 Australia
- (72) Name(s) of Designer(s): **Adrienne Murphy**
- (45) Registration Date: **01 February 2011**
- (56) Related Art Documents: **Not Applicable**
- (57) Statement of Newness and Distinctiveness: **Nil**



(21) Design Number: **10003/2011**

(22) Date of Filing Application: **04 January 2011**

(24) Date from which industrial property rights may have effect: **04 January 2011**

(54) Product in respect of which the design is registered: **Container_c - coffee vessel**

(51) International Design Classification: **07-02L, 07-01G**

(71) Name(s) and Address(s) of Applicant(s):

Adrienne Murphy

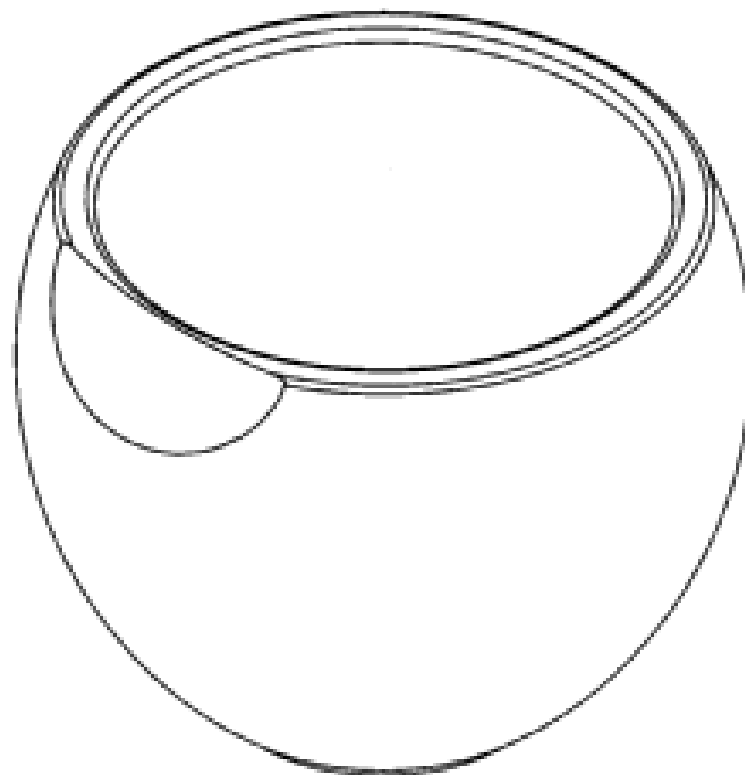
3 Luscombe Street Brunswick Victoria 3056 Australia

(72) Name(s) of Designer(s): **Adrienne Murphy**

(45) Registration Date: **01 February 2011**

(56) Related Art Documents: **Not Applicable**

(57) Statement of Newness and Distinctiveness: **Container has small cut out on top edge portion. Container is handle-less.**



(21) Design Number: **10004/2011**

(22) Date of Filing Application: **04 January 2011**

(24) Date from which industrial property rights may have effect: **04 January 2011**

(54) Product in respect of which the design is registered: **Container_f - coffee vessel**

(51) International Design Classification: **07-02L, 07-01G**

(71) Name(s) and Address(s) of Applicant(s):

Adrienne Murphy

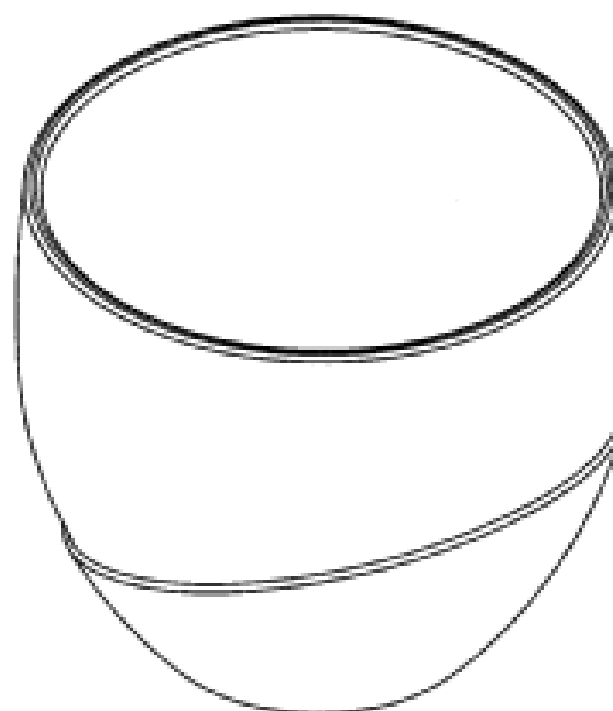
3 Luscombe Street Brunswick Victoria 3056 Australia

(72) Name(s) of Designer(s): **Adrienne Murphy**

(45) Registration Date: **01 February 2011**

(56) Related Art Documents: **Not Applicable**

(57) Statement of Newness and Distinctiveness: **Container has assymetrical ceramic band that slips over glass bulbous form. Container is handle-less.**



(21) Design Number: **10005/2011**

(22) Date of Filing Application: **04 January 2011**

(24) Date from which industrial property rights may have effect: **04 January 2011**

(54) Product in respect of which the design is registered: **Container_lb - coffee vessel**

(51) International Design Classification: **07-02L, 07-01G**

(71) Name(s) and Address(s) of Applicant(s):

Adrienne Murphy

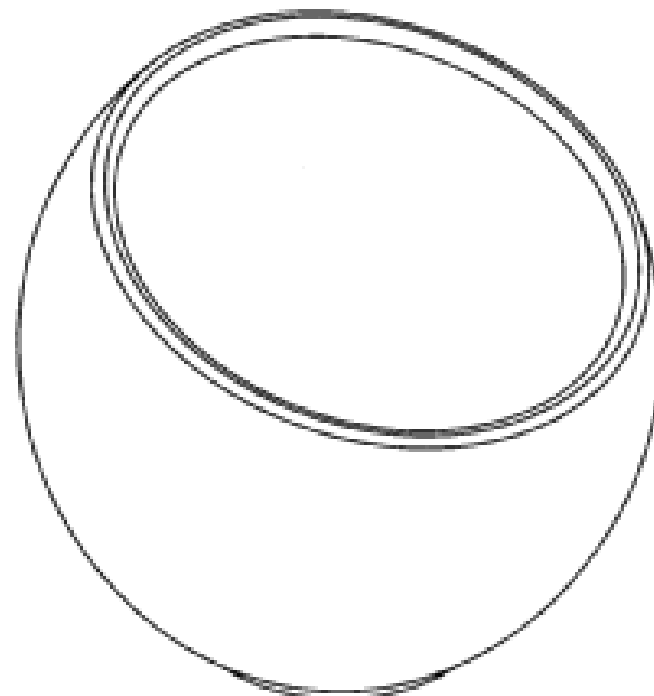
3 Luscombe Street Brunswick Victoria 3056 Australia

(72) Name(s) of Designer(s): **Adrienne Murphy**

(45) Registration Date: **01 February 2011**

(56) Related Art Documents: **Not Applicable**

(57) Statement of Newness and Distinctiveness: **Container has wedge cutout to create asymmetrical vessel. Container is handle-less.**



(21) Design Number: **10043/2011**

(22) Date of Filing Application: **06 January 2011**

(24) Date from which industrial property rights may have effect: **06 January 2011**

(54) Product in respect of which the design is registered: **A baby rocker**

(51) International Design Classification: **06-01E**

(71) Name(s) and Address(s) of Applicant(s):

Bower and Beyond Pty Ltd

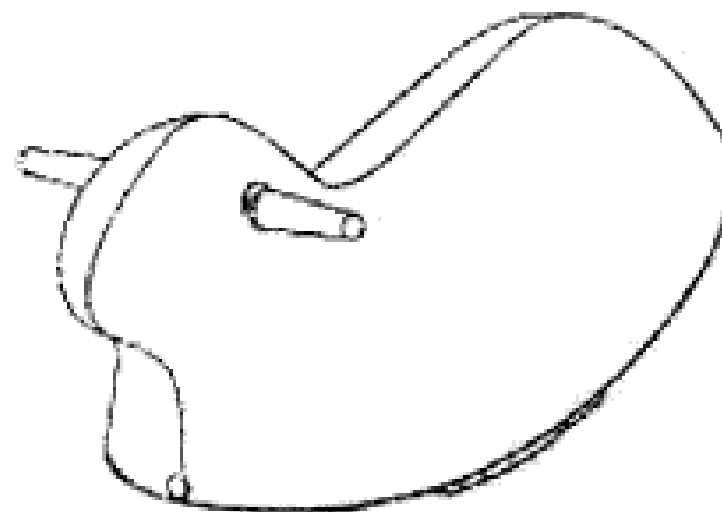
PO Box 409 Waverly New South Wales 2024 Australia

(72) Name(s) of Designer(s): **Adam Fransen and Michael Hoppe**

(45) Registration Date: **01 February 2011**

(56) Related Art Documents: **Not Applicable**

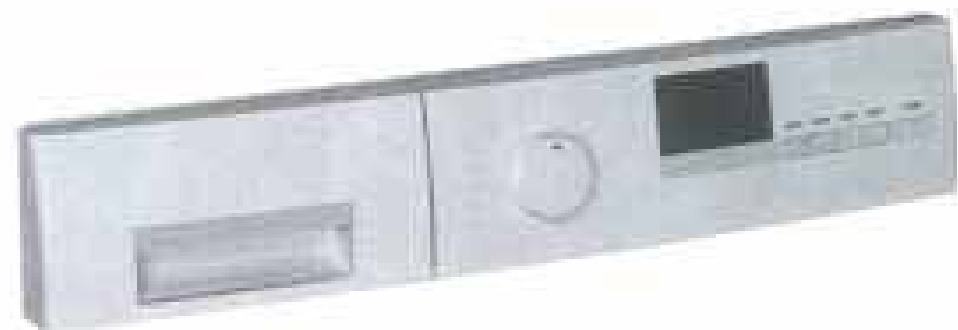
(57) Statement of Newness and Distinctiveness: **Newness and distinctiveness is claimed in the features of shape and/or configuration of a baby rocker as illustrated in the accompanying representations.**



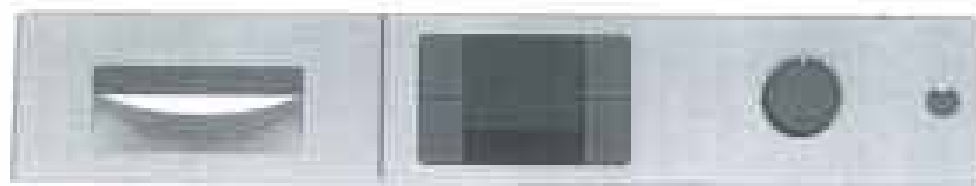
- (21) Design Number: **10044/2011**
(22) Date of Filing Application: **06 January 2011**
(24) Date from which industrial property rights may have effect: **06 January 2011**
(54) Product in respect of which the design is registered: **Control panel for a washing machine**
(51) International Design Classification: **13-03D**
(71) Name(s) and Address(s) of Applicant(s):
BSH Bosch und Siemens Hausgerate GmbH
Carl-Wery-Str. 34 81739 Munchen Germany
(72) Name(s) of Designer(s): **Klaus Forsterling and Johannes Geyer and Florian Metz and Carsten Weber**
(45) Registration Date: **01 February 2011**
(30) Convention priority data:
(31) Number (32) Date (33) Country
001225536 07 Jul 2010 EUROPEAN COMMUNITY
(56) Related Art Documents: **Not Applicable**
(57) Statement of Newness and Distinctiveness: **Newness and distinctiveness is claimed in the features of shape and/or configuration of a display, buttons and a turn handle of a control panel for a washing machine as illustrated in the accompanying representations.**



- (21) Design Number: **10045/2011**
(22) Date of Filing Application: **06 January 2011**
(24) Date from which industrial property rights may have effect: **06 January 2011**
(54) Product in respect of which the design is registered: **Control panel for a washing machine**
(51) International Design Classification: **13-03D**
(71) Name(s) and Address(s) of Applicant(s):
BSH Bosch und Siemens Hausgerate GmbH
Carl-Wery-Str. 34 81739 Munchen Germany
(72) Name(s) of Designer(s): **Klaus Forsterling and Johannes Geyer and Florian Metz and Carsten Weber**
(45) Registration Date: **01 February 2011**
(30) Convention priority data:
(31) Number (32) Date (33) Country
001225536 07 Jul 2010 EUROPEAN COMMUNITY
(56) Related Art Documents: **Not Applicable**
(57) Statement of Newness and Distinctiveness: **Newness and distinctiveness is claimed in the features of shape and/or configuration of a display, LEDs, buttons and a turn handle of a control panel for a washing machine as illustrated in the accompanying representations.**



- (21) Design Number: **10046/2011**
(22) Date of Filing Application: **06 January 2011**
(24) Date from which industrial property rights may have effect: **06 January 2011**
(54) Product in respect of which the design is registered: **Control panel for a washing machine**
(51) International Design Classification: **13-03D**
(71) Name(s) and Address(s) of Applicant(s):
BSH Bosch und Siemens Hausgerate GmbH
Carl-Wery-Str. 34 81739 Munchen Germany
(72) Name(s) of Designer(s): **Klaus Forsterling and Johannes Geyer and Florian Metz and Carsten Weber**
(45) Registration Date: **01 February 2011**
(30) Convention priority data:
(31) Number (32) Date (33) Country
001225536 07 Jul 2010 EUROPEAN COMMUNITY
(56) Related Art Documents: **Not Applicable**
(57) Statement of Newness and Distinctiveness: **Newness and distinctiveness is claimed in the features of shape and/or configuration of a display, LED, buttons and a turn handle of a control panel for a washing machine illustrated in the accompanying representations.**



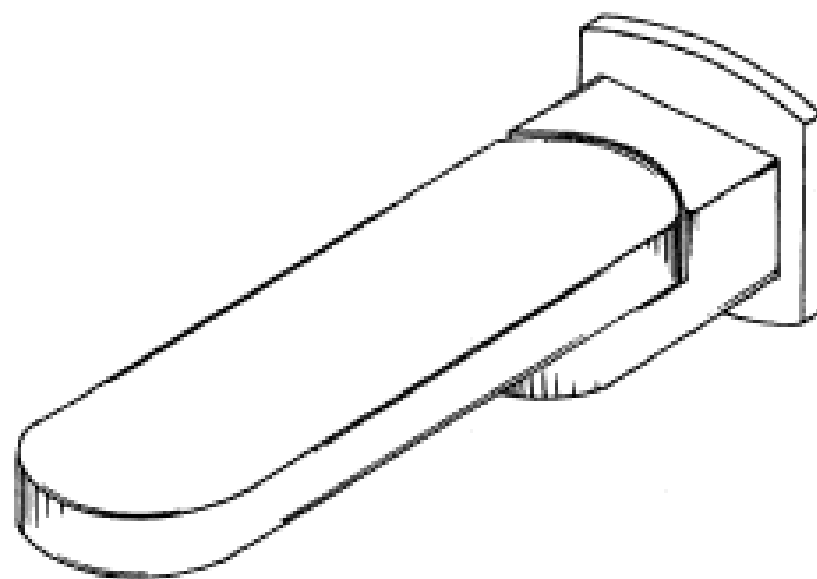
- (21) Design Number: **10057/2011**
(22) Date of Filing Application: **07 January 2011**
(24) Date from which industrial property rights may have effect: **07 January 2011**
(54) Product in respect of which the design is registered: **Chocolate/confectionery**
(51) International Design Classification: **01-01**
(71) Name(s) and Address(s) of Applicant(s):
Mars, Incorporated
6885 Elm Street McLean Virginia 22101 United States of America
(72) Name(s) of Designer(s): **Bruce Hannant and Chithra P. Panchapakesan and Kirk Fujioka and William J. Greer**
(45) Registration Date: **01 February 2011**
(30) Convention priority data:
(31) Number (32) Date (33) Country
29/365,515 09 Jul 2010 UNITED STATES OF AMERICA
(56) Related Art Documents: **Not Applicable**
(57) Statement of Newness and Distinctiveness: **The novelty of the design resides in the visual appearance of shape and configuration of: a) each individual block element; b) all 20 block elements joined together to form the design as depicted in figures 1,2 and 3; and c) the frame surrounding the entire 20 block elements joined together as depicted in figures 2 to 5.**



(21) Design Number: **10080/2011**
(22) Date of Filing Application: **12 January 2011**
(24) Date from which industrial property rights may have effect: **12 January 2011**
(54) Product in respect of which the design is registered: **End panel for cans**
(51) International Design Classification: **09-07B**
(71) Name(s) and Address(s) of Applicant(s):
Asahi Breweries, Ltd
23-1 Azumabashi 1-chome Sumida-ku Tokyo 130-8602 Japan
Showa Aluminum Can Corporation
30-3 Inuzuka 1-chome Oyama Tochigi 323-0811 Japan
(72) Name(s) of Designer(s): **Ryoichi Seki and Yoshio Hatsumi and Junichi Sato and Morihiro Mishiba**
(45) Registration Date: **01 February 2011**
(30) Convention priority data:
(31) Number (32) Date (33) Country
2010-017306 15 Jul 2010 JAPAN
(56) Related Art Documents: **Not Applicable**
(57) Statement of Newness and Distinctiveness: **Nil**



(21) Design Number: **13323/2010**
(22) Date of Filing Application: **06 August 2010**
(24) Date from which industrial property rights may have effect: **06 August 2010**
(54) Product in respect of which the design is registered: **Rounded spout**
(51) International Design Classification: **23-01H**
(71) Name(s) and Address(s) of Applicant(s):
Novetec Building Products Pty Ltd
Level 1 46 King Edward Road Osborne Park Western Australia 6017
Australia
(72) Name(s) of Designer(s): **Armando Rigo**
(45) Registration Date: **04 February 2011**
(56) Related Art Documents: **Not Applicable**
(57) Statement of Newness and Distinctiveness: **The particular visual features of the design which are new and distinctive are shape or configuration.**



(21) Design Number: **14703/2010**

(22) Date of Filing Application: **29 October 2010**

(24) Date from which industrial property rights may have effect: **29 October 2010**

(54) Product in respect of which the design is registered: **Fall arrest anchor point**

(51) International Design Classification: **08-08NES**

(71) Name(s) and Address(s) of Applicant(s):

Roland Stephen Voss

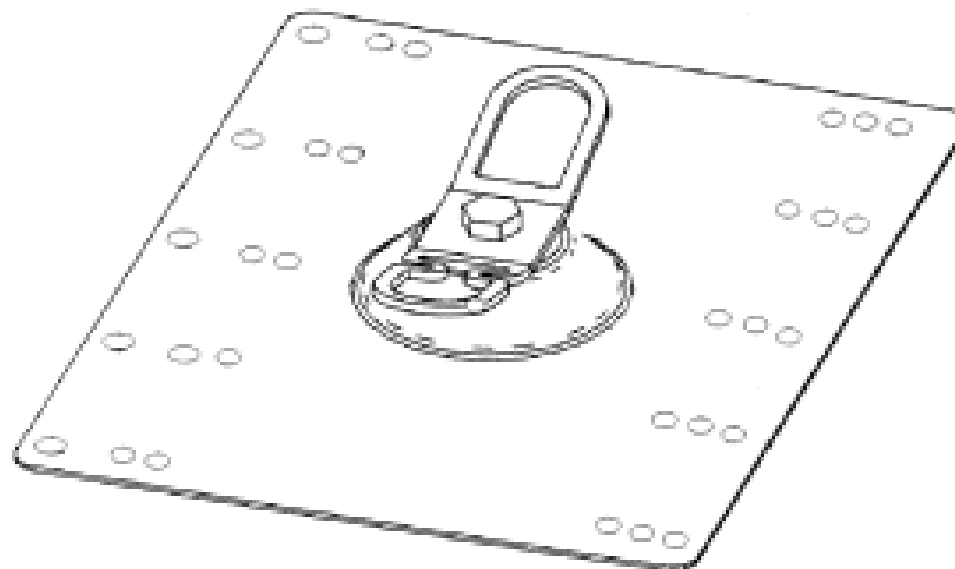
44 Kalman Drive Boronia Victoria 3155 Australia

(72) Name(s) of Designer(s): **Roland Stephen Voss**

(45) Registration Date: **04 February 2011**

(56) Related Art Documents: **Not Applicable**

(57) Statement of Newness and Distinctiveness: **Newness and distinctiveness is claimed in the features of shape and/or configuration of the fall arrest anchor point as illustrated in solid lines in the accompanying representations and particularly the abseil and hook attached to the top of the domed plate of the fall arrest anchor point as illustrated in the accompanying representations.**



(21) Design Number: **14927/2010**

(22) Date of Filing Application: **15 November 2010**

(24) Date from which industrial property rights may have effect: **15 November 2010**

(54) Product in respect of which the design is registered: **Toy moulding clay pieces**

(51) International Design Classification: **21-01E**

(71) Name(s) and Address(s) of Applicant(s):

Micador Australia Pty Ltd

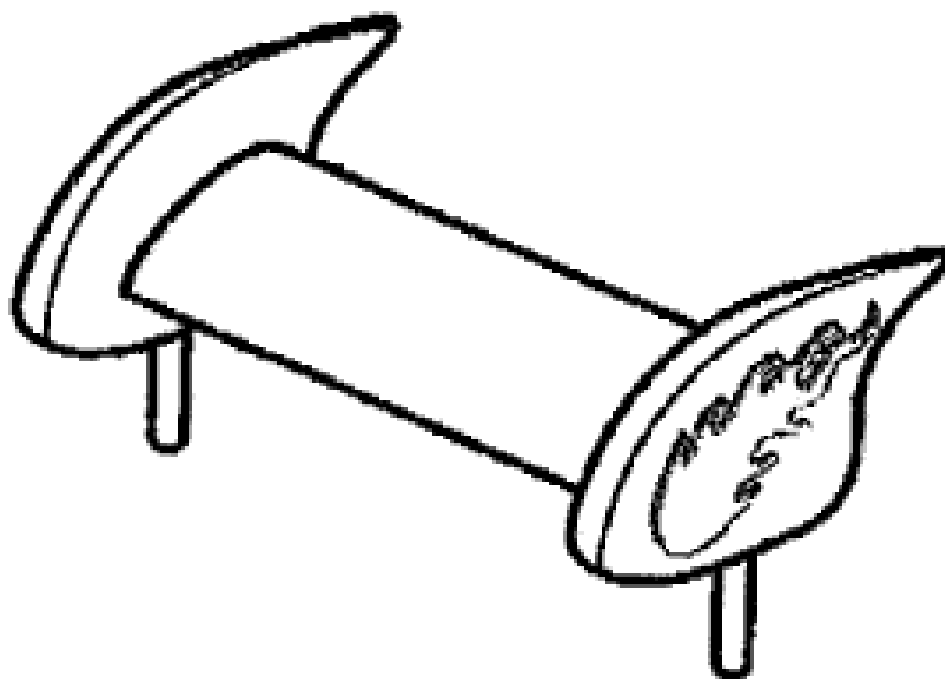
4/132 Bangholme Road Dandenong South Victoria 3175 Australia

(72) Name(s) of Designer(s): **Danielle Jurisic and Benjamin Dortimer**

(45) Registration Date: **04 February 2011**

(56) Related Art Documents: **Not Applicable**

(57) Statement of Newness and Distinctiveness: **Newness and distinctiveness are claimed in the shape and configuration of toy moulding clay pieces as depicted in the accompanying representations.**



(21) Design Number: **10247/2011**

(22) Date of Filing Application: **15 November 2010**

(24) Date from which industrial property rights may have effect: **15 November 2010**

(54) Product in respect of which the design is registered: **Toy moulding clay piece**

(51) International Design Classification: **21-01E**

(71) Name(s) and Address(s) of Applicant(s):

Micador Australia Pty Ltd
4/132 Bangholme Road Dandenong South Victoria 3175 Australia

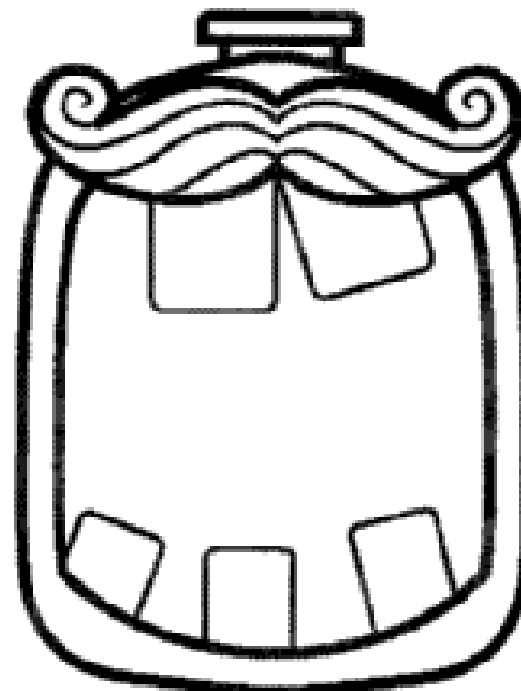
(72) Name(s) of Designer(s): **Danielle Jurisic and Benjamin Dortimer**

(45) Registration Date: **04 February 2011**

(62) Divisional of: **334956**

(56) Related Art Documents: **Not Applicable**

(57) Statement of Newness and Distinctiveness: **Newness and distinctiveness is claimed in the shape and configuration of the toy moulding clay piece as depicted in the accompanying representation.**



(21) Design Number: **10248/2011**

(22) Date of Filing Application: **15 November 2010**

(24) Date from which industrial property rights may have effect: **15 November 2010**

(54) Product in respect of which the design is registered: **Toy moulding clay piece**

(51) International Design Classification: **21-01E**

(71) Name(s) and Address(s) of Applicant(s):

Micador Australia Pty Ltd
4/132 Bangholme Road Dandenong South Victoria 3175 Australia

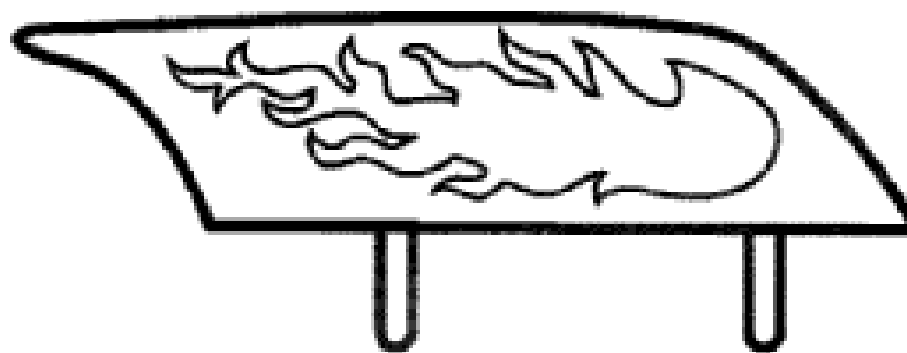
(72) Name(s) of Designer(s): **Danielle Jurisic and Benjamin Dortimer**

(45) Registration Date: **04 February 2011**

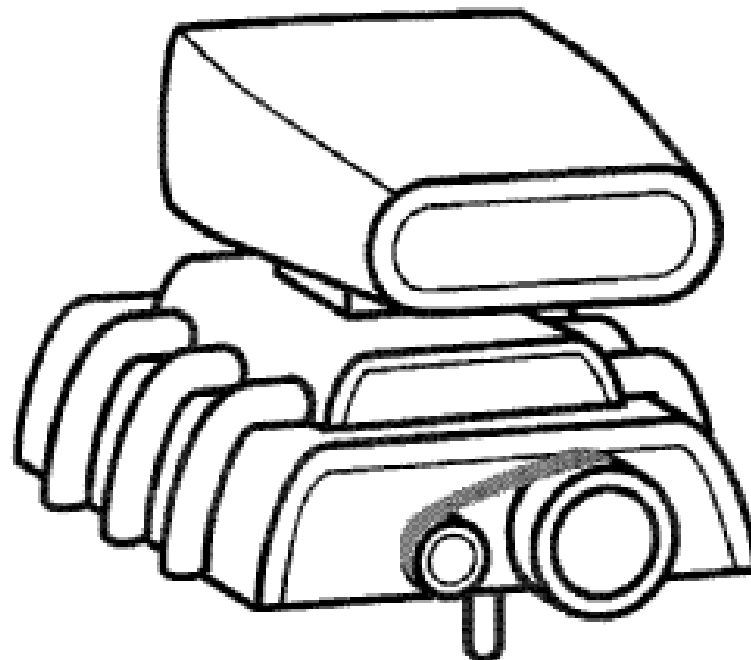
(62) Divisional of: **334956**

(56) Related Art Documents: **Not Applicable**

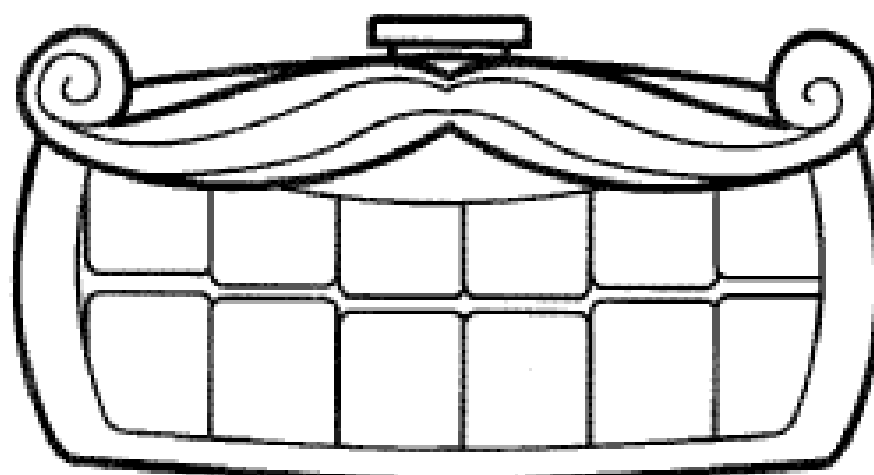
(57) Statement of Newness and Distinctiveness: **Newness and distinctiveness is claimed in the shape and configuration of the toy moulding clay piece as depicted in the accompanying representation.**



- (21) Design Number: **10249/2011**
- (22) Date of Filing Application: **15 November 2010**
- (24) Date from which industrial property rights may have effect: **15 November 2010**
- (54) Product in respect of which the design is registered: **Toy moulding clay piece**
- (51) International Design Classification: **21-01E**
- (71) Name(s) and Address(s) of Applicant(s):
Micador Australia Pty Ltd
4/132 Bangholme Road Dandenong South Victoria 3175 Australia
- (72) Name(s) of Designer(s): **Danielle Jurisic and Benjamin Dortimer**
- (45) Registration Date: **04 February 2011**
- (62) Divisional of: **334956**
- (56) Related Art Documents: **Not Applicable**
- (57) Statement of Newness and Distinctiveness: **Newness and distinctiveness is claimed in the shape and configuration of the toy moulding clay piece as depicted in the accompanying representation.**



- (21) Design Number: **10250/2011**
- (22) Date of Filing Application: **15 November 2010**
- (24) Date from which industrial property rights may have effect: **15 November 2010**
- (54) Product in respect of which the design is registered: **Toy moulding clay piece**
- (51) International Design Classification: **21-01E**
- (71) Name(s) and Address(s) of Applicant(s):
Micador Australia Pty Ltd
4/132 Bangholme Road Dandenong South Victoria 3175 Australia
- (72) Name(s) of Designer(s): **Danielle Jurisic and Benjamin Dortimer**
- (45) Registration Date: **04 February 2011**
- (62) Divisional of: **334956**
- (56) Related Art Documents: **Not Applicable**
- (57) Statement of Newness and Distinctiveness: **Newness and distinctiveness is claimed in the shape and configuration of the toy moulding clay piece as depicted in the accompanying representation.**



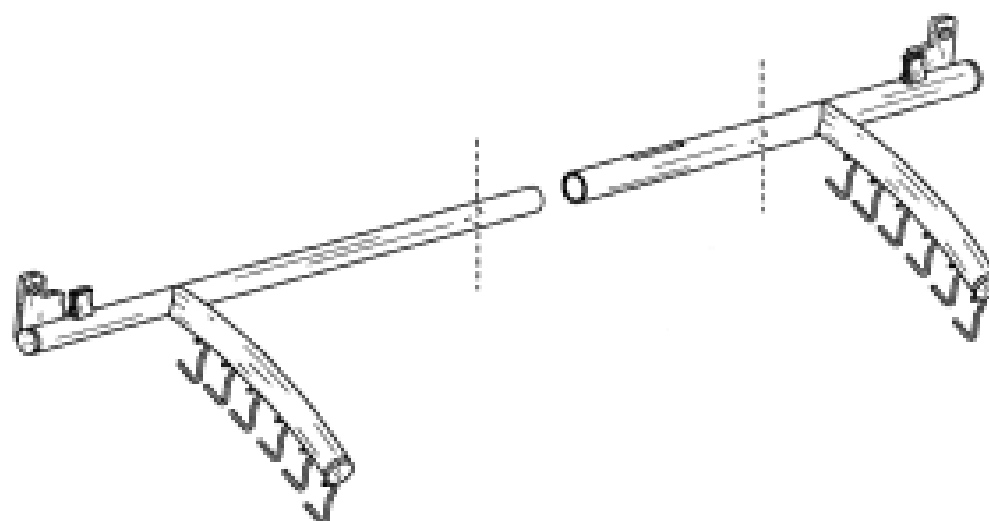
(21) Design Number: **15214/2010**
 (22) Date of Filing Application: **30 November 2010**
 (24) Date from which industrial property rights may have effect: **30 November 2010**
 (54) Product in respect of which the design is registered: **Back pack**
 (51) International Design Classification: **03-01A**
 (71) Name(s) and Address(s) of Applicant(s):
Lisa Edlund Tjernberg
1/1a Kingsley Street Elwood Victoria 3184 Australia
 (72) Name(s) of Designer(s): **Lisa Edlund Tjernberg**
 (45) Registration Date: **04 February 2011**
 (56) Related Art Documents: **Not Applicable**
 (57) Statement of Newness and Distinctiveness: **The application of this pattern is new and distinctive in its shape and layout. Different parts of the pattern or different scales may be used to achieve variations. The pattern can be used both as decorative and functional elements.**



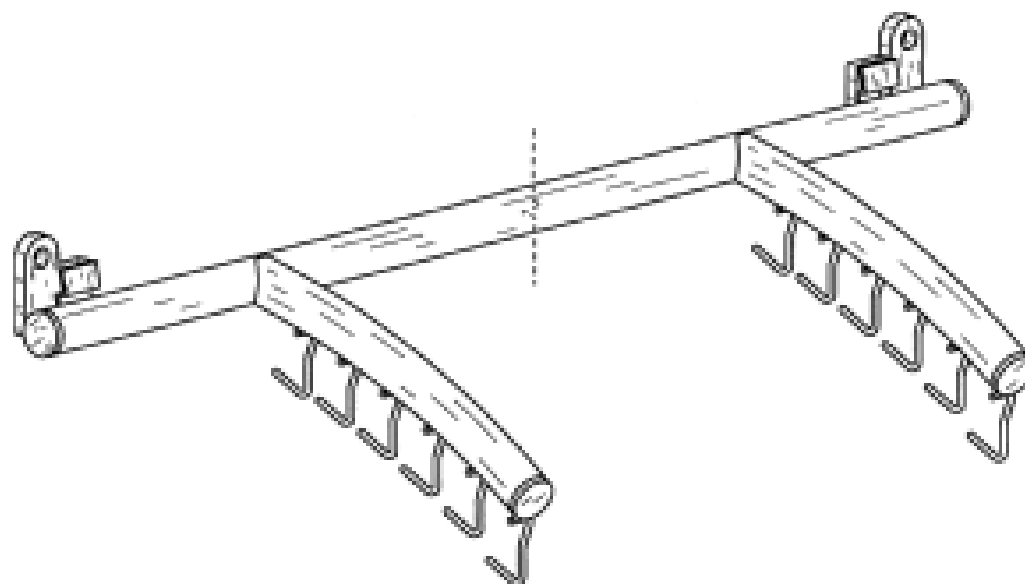
(21) Design Number: **15217/2010**
 (22) Date of Filing Application: **30 November 2010**
 (24) Date from which industrial property rights may have effect: **30 November 2010**
 (54) Product in respect of which the design is registered: **Display**
 (51) International Design Classification: **20-02E**
 (71) Name(s) and Address(s) of Applicant(s):
Edward S. Robbins III
2802 Avalon Avenue Muscle Shoals AL 35630 United States of America
 (72) Name(s) of Designer(s): **Bryan Frederick Magee and Bailey Jean Black Jr.**
 (45) Registration Date: **04 February 2011**
 (30) Convention priority data:

(31) Number	(32) Date	(33) Country
29/364,832	29 Jun 2010	UNITED STATES OF AMERICA

 (56) Related Art Documents: **Not Applicable**
 (57) Statement of Newness and Distinctiveness: **The shape and configuration of the product, which has a telescopic main rod of indefinite length, is new and distinctive.**



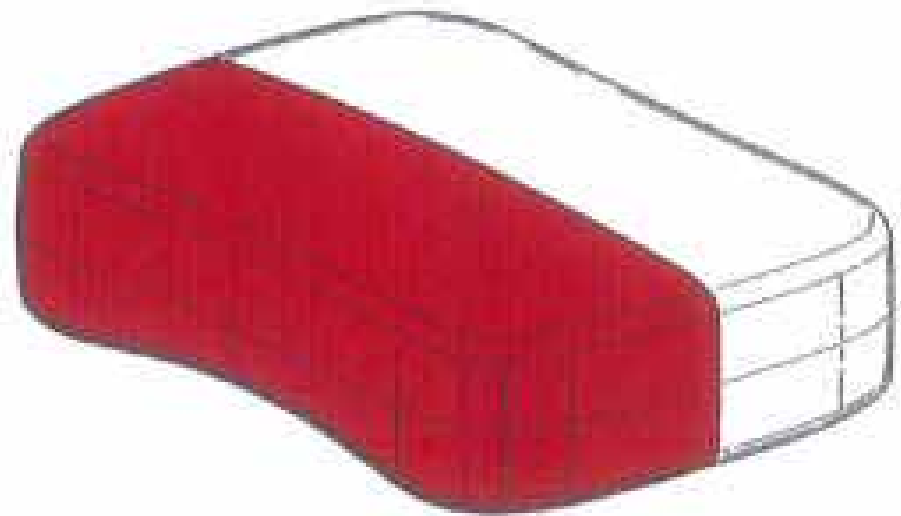
- (21) Design Number: **15218/2010**
(22) Date of Filing Application: **30 November 2010**
(24) Date from which industrial property rights may have effect: **30 November 2010**
(54) Product in respect of which the design is registered: **Display**
(51) International Design Classification: **20-02E**
(71) Name(s) and Address(s) of Applicant(s):
Edward S. Robbins III
2802 Avalon Avenue Muscle Shoals AL 35630 United States of America
(72) Name(s) of Designer(s): **Bryan Frederick Magee and Bailey Jean Black Jr.**
(45) Registration Date: **04 February 2011**
(30) Convention priority data:
(31) Number (32) Date (33) Country
29/364,832 29 Jun 2010 UNITED STATES OF AMERICA
(56) Related Art Documents: **Not Applicable**
(57) Statement of Newness and Distinctiveness: **The shape and configuration of the product, which has a main rod of indefinite length, is new and distinctive.**



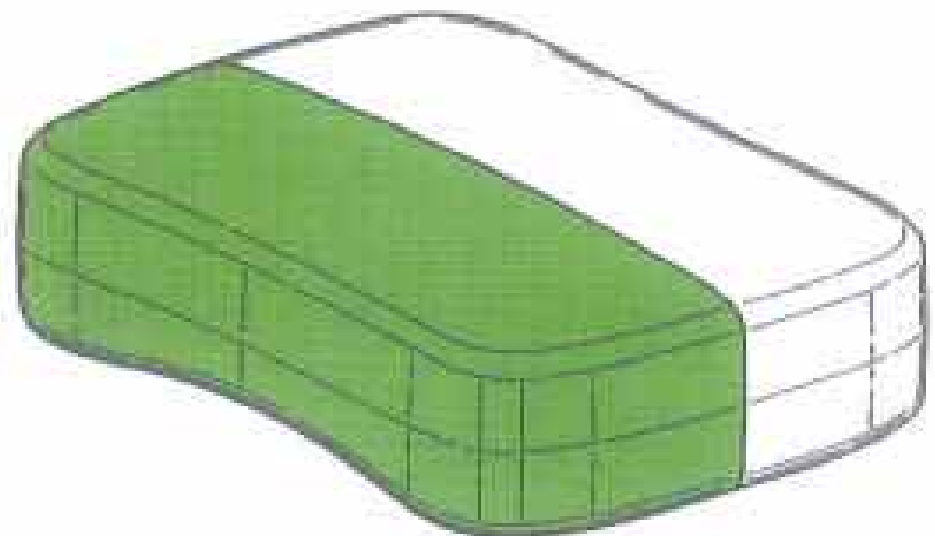
- (21) Design Number: **15372/2010**
(22) Date of Filing Application: **09 December 2010**
(24) Date from which industrial property rights may have effect: **09 December 2010**
(54) Product in respect of which the design is registered: **Detergent or soap bar**
(51) International Design Classification: **07-05NES**
(71) Name(s) and Address(s) of Applicant(s):
Unilever PLC
Unilever House 100 Victoria Embankment London EC4Y 0DY United Kingdom
(72) Name(s) of Designer(s): **Ajit Manohar Agarkhed and Shashank Narendra Gupta and Nayantara Ekanath Pai and Rajan Raghavachari and Amit Shukla**
(45) Registration Date: **04 February 2011**
(30) Convention priority data:
(31) Number (32) Date (33) Country
001718685-0001 11 Jun 2010 EUROPEAN COMMUNITY
(56) Related Art Documents: **Not Applicable**
(57) Statement of Newness and Distinctiveness: **Newness and distinctiveness is claimed in the visual features shown in the representations with reference to the colour variation.**



- (21) Design Number: **15373/2010**
(22) Date of Filing Application: **09 December 2010**
(24) Date from which industrial property rights may have effect: **09 December 2010**
(54) Product in respect of which the design is registered: **Detergent or soap bar**
(51) International Design Classification: **07-05NES**
(71) Name(s) and Address(s) of Applicant(s):
Unilever PLC
Unilever House 100 Victoria Embankment London EC4Y 0DY United Kingdom
(72) Name(s) of Designer(s): **Ajit Manohar Agarkhed and Shashank Narendra Gupta and Nayantara Ekanath Pai and Rajan Raghavachari and Amit Shukla**
(45) Registration Date: **04 February 2011**
(30) Convention priority data:
(31) Number (32) Date (33) Country
001718685-0002 11 Jun 2010 EUROPEAN COMMUNITY
(56) Related Art Documents: **Not Applicable**
(57) Statement of Newness and Distinctiveness: **Newness and distinctiveness is claimed in the visual features shown in the representations with reference to the colour variation.**



- (21) Design Number: **15374/2010**
(22) Date of Filing Application: **09 December 2010**
(24) Date from which industrial property rights may have effect: **09 December 2010**
(54) Product in respect of which the design is registered: **Detergent or soap bar**
(51) International Design Classification: **07-05NES**
(71) Name(s) and Address(s) of Applicant(s):
Unilever PLC
Unilever House 100 Victoria Embankment London EC4Y 0DY United Kingdom
(72) Name(s) of Designer(s): **Ajit Manohar Agarkhed and Shashank Narendra Gupta and Nayantara Ekanath Pai and Rajan Raghavachari and Amit Shukla**
(45) Registration Date: **04 February 2011**
(30) Convention priority data:
(31) Number (32) Date (33) Country
001718685-0003 11 Jun 2010 EUROPEAN COMMUNITY
(56) Related Art Documents: **Not Applicable**
(57) Statement of Newness and Distinctiveness: **Newness and distinctiveness is claimed in the visual features shown in the representations with reference to the colour variation.**



(21) Design Number: **15375/2010**

(22) Date of Filing Application: **09 December 2010**

(24) Date from which industrial property rights may have effect: **09 December 2010**

(54) Product in respect of which the design is registered: **Detergent or soap bar**

(51) International Design Classification: **07-05NES**

(71) Name(s) and Address(s) of Applicant(s):

Unilever PLC

Unilever House 100 Victoria Embankment London EC4Y 0DY United Kingdom

(72) Name(s) of Designer(s): **Ajit Manohar Agarkhed and Shashank Narendra Gupta and Nayantara Ekanath Pai and Rajan Raghavachari and Amit Shukla**

(45) Registration Date: **04 February 2011**

(30) Convention priority data:

(31) Number

(32) Date

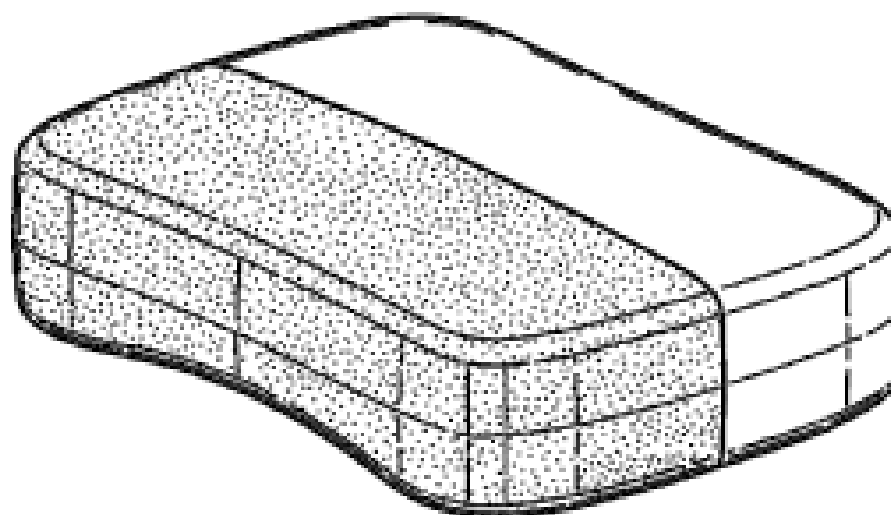
(33) Country

001718685-0004 11 Jun 2010

EUROPEAN COMMUNITY

(56) Related Art Documents: **Not Applicable**

(57) Statement of Newness and Distinctiveness: **Newness and distinctiveness is claimed in the visual features shown in the representations with reference to the contrasting colour variation depicted by the shaded and non-shaded regions.**



(21) Design Number: **15624/2010**

(22) Date of Filing Application: **21 December 2010**

(24) Date from which industrial property rights may have effect: **21 December 2010**

(54) Product in respect of which the design is registered: **Beverage container**

(51) International Design Classification: **07-01C**

(71) Name(s) and Address(s) of Applicant(s):

Pacific Market International, LLC

2401 Elliott Avenue Fourth Floor Seattle WA 98121 United States of America

(72) Name(s) of Designer(s): **Tyler Sean Gilbert**

(45) Registration Date: **04 February 2011**

(30) Convention priority data:

(31) Number

(32) Date

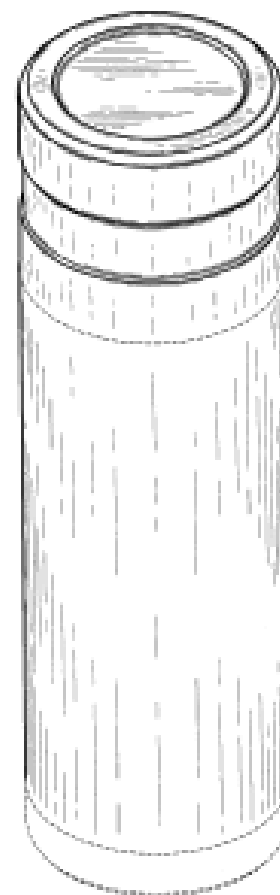
(33) Country

29/365,072 02 Jul 2010

UNITED STATES OF AMERICA

(56) Related Art Documents: **Not Applicable**

(57) Statement of Newness and Distinctiveness: **The shape and configuration of those parts of the design shown by means of solid lines in the representations are new and distinctive.**



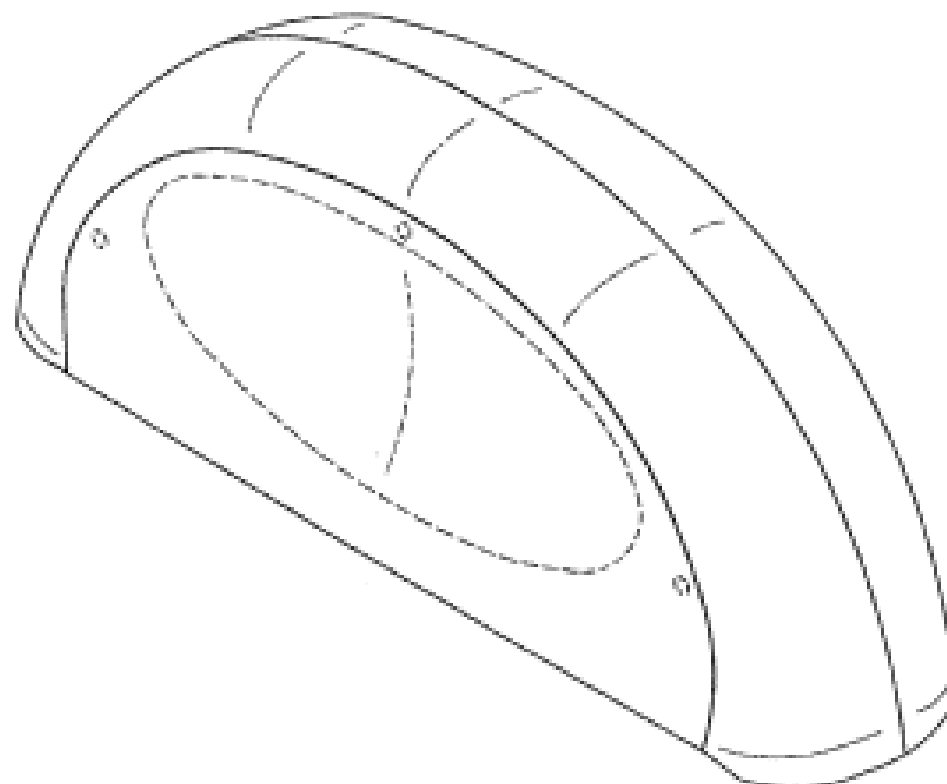
- (21) Design Number: **15739/2010**
- (22) Date of Filing Application: **24 December 2010**
- (24) Date from which industrial property rights may have effect: **24 December 2010**
- (54) Product in respect of which the design is registered: **Dispenser housing**
- (51) International Design Classification: **09-01A**
- (71) Name(s) and Address(s) of Applicant(s):
S.C. Johnson & Son, Inc.
1525 Howe Street Racine Wisconsin 53403-2236 United States of America
- (72) Name(s) of Designer(s): **Brian T. Davis and Donald J. Schumacher and Gregory E. Healey and Bradley H. Price and Eric Ping Pang and Shigure G. Natsume**
- (45) Registration Date: **04 February 2011**
- (30) Convention priority data:

(31) Number	(32) Date	(33) Country
29/364651	25 Jun 2010	UNITED STATES OF AMERICA
- (56) Related Art Documents: **Not Applicable**
- (57) Statement of Newness and Distinctiveness: **Newness and distinctiveness is claimed in the features of shape and/or configuration of a dispenser housing as illustrated in the accompanying representations.**

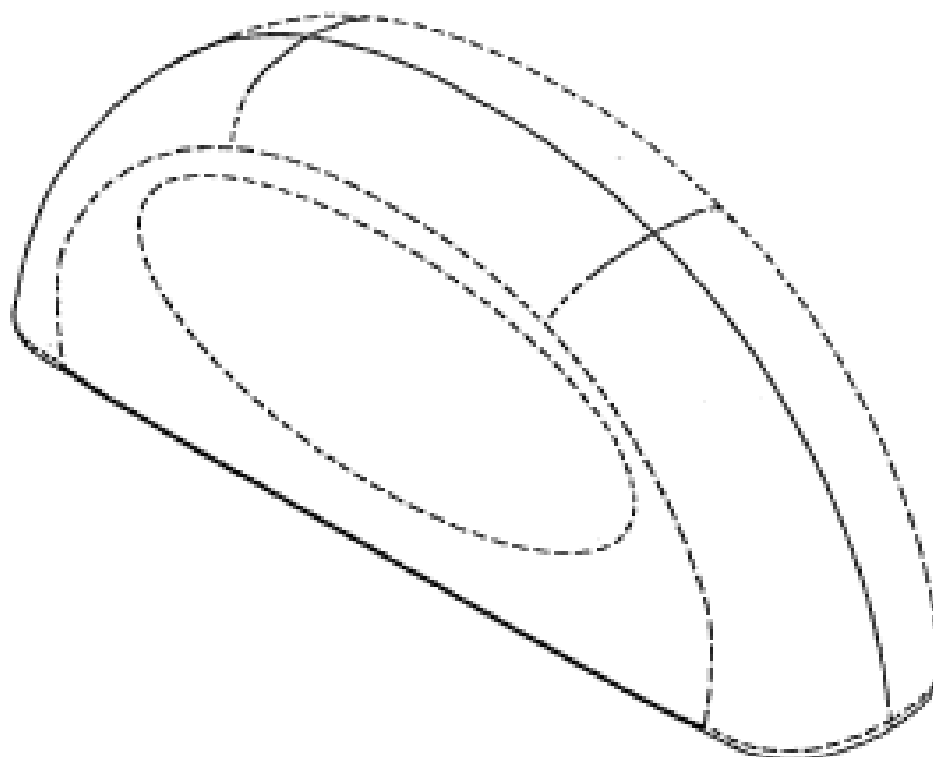


- (21) Design Number: **15740/2010**
- (22) Date of Filing Application: **24 December 2010**
- (24) Date from which industrial property rights may have effect: **24 December 2010**
- (54) Product in respect of which the design is registered: **Fabric sweeper**
- (51) International Design Classification: **07-05E**
- (71) Name(s) and Address(s) of Applicant(s):
S.C. Johnson & Son, Inc.
1525 Howe Street Racine Wisconsin 53403-2236 United States of America
- (72) Name(s) of Designer(s): **Matthew N. Thurin**
- (45) Registration Date: **04 February 2011**
- (30) Convention priority data:

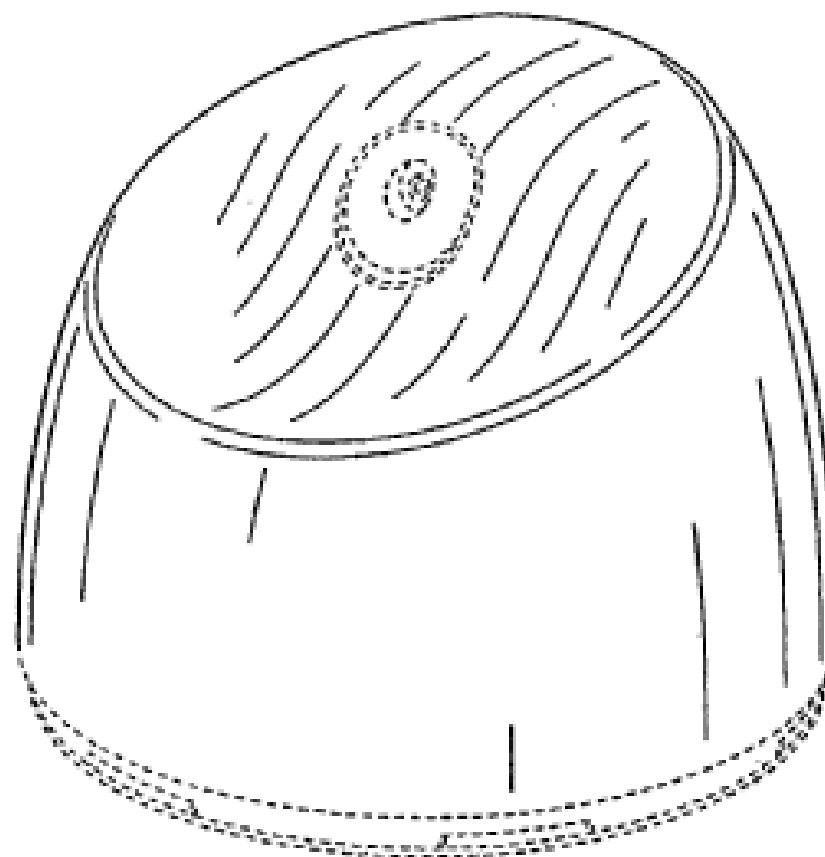
(31) Number	(32) Date	(33) Country
29/364533	24 Jun 2010	UNITED STATES OF AMERICA
- (56) Related Art Documents: **Not Applicable**
- (57) Statement of Newness and Distinctiveness: **Newness and distinctiveness is claimed in those features of shape and/or configuration of a fabric sweeper as illustrated in continuous lines in the accompanying representations.**



(21) Design Number: **15741/2010**
 (22) Date of Filing Application: **24 December 2010**
 (24) Date from which industrial property rights may have effect: **24 December 2010**
 (54) Product in respect of which the design is registered: **Fabric sweeper**
 (51) International Design Classification: **07-05E**
 (71) Name(s) and Address(s) of Applicant(s):
S.C. Johnson & Son, Inc.
1525 Howe Street Racine Wisconsin 53403-2236 United States of America
 (72) Name(s) of Designer(s): **Matthew N. Thurin**
 (45) Registration Date: **04 February 2011**
 (30) Convention priority data:
 (31) Number (32) Date (33) Country
29/364536 24 Jun 2010 UNITED STATES OF AMERICA
 (56) Related Art Documents: **Not Applicable**
 (57) Statement of Newness and Distinctiveness: **Newness and distinctiveness is claimed in those features of shape and/or configuration of a fabric sweeper illustrated in continuous lines in the accompanying representations.**



(21) Design Number: **15742/2010**
 (22) Date of Filing Application: **24 December 2010**
 (24) Date from which industrial property rights may have effect: **24 December 2010**
 (54) Product in respect of which the design is registered: **Portion of a dispenser housing**
 (51) International Design Classification: **09-01A**
 (71) Name(s) and Address(s) of Applicant(s):
S.C. Johnson & Son, Inc.
1525 Howe Street Racine Wisconsin 53403-2236 United States of America
 (72) Name(s) of Designer(s): **Brian T. Davis and Donald J. Schumacher and Gregory E. Healey and Bradley H. Price and Eric Ping Pang and Shigure G. Natsume**
 (45) Registration Date: **04 February 2011**
 (30) Convention priority data:
 (31) Number (32) Date (33) Country
29/364651 25 Jun 2010 UNITED STATES OF AMERICA
 (56) Related Art Documents: **Not Applicable**
 (57) Statement of Newness and Distinctiveness: **Newness and distinctiveness is claimed in those features of shape and/or configuration of a portion of a dispenser housing illustrated in continuous lines in the accompanying representations.**



(21) Design Number: **15751/2010**

(22) Date of Filing Application: **24 December 2010**

(24) Date from which industrial property rights may have effect: **24 December 2010**

(54) Product in respect of which the design is registered: **Touch switch module**

(51) International Design Classification: **13-03D**

(71) Name(s) and Address(s) of Applicant(s):

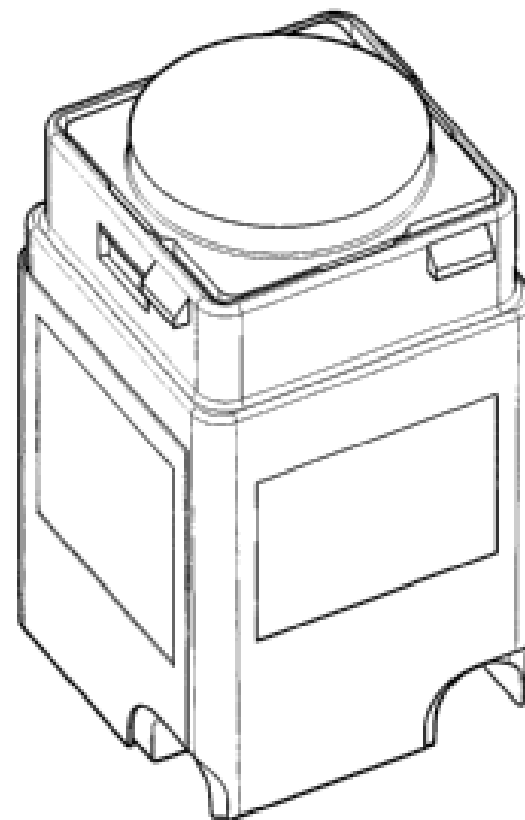
**Clipsal Australia Pty Ltd
2 Solent Circuit Norwest Business Park Baulkham Hills New South
Wales 2153 Australia**

(72) Name(s) of Designer(s): **Elizabeth Tunde Juhasz**

(45) Registration Date: **04 February 2011**

(56) Related Art Documents: **Not Applicable**

(57) Statement of Newness and Distinctiveness: **Newness and distinctiveness is claimed in the shape and/or configuration of a touch switch module as shown in the accompanying drawings. In determining the scope of monopoly, no regard will be had to the features depicted in dotted lines.**



(21) Design Number: **15752/2010**

(22) Date of Filing Application: **24 December 2010**

(24) Date from which industrial property rights may have effect: **24 December 2010**

(54) Product in respect of which the design is registered: **Switch faceplate**

(51) International Design Classification: **13-03D**

(71) Name(s) and Address(s) of Applicant(s):

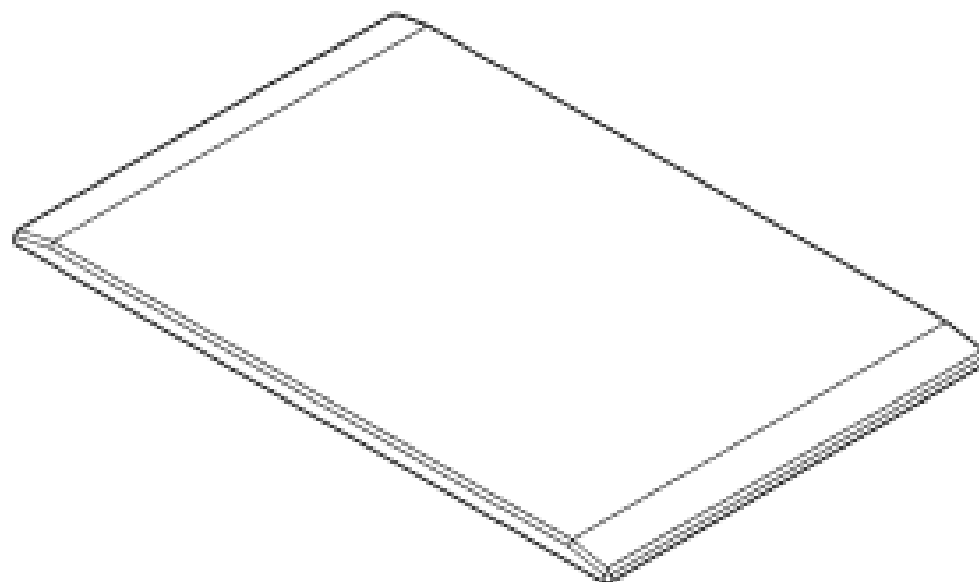
**Clipsal Australia Pty Ltd
2 Solent Circuit Norwest Business Park Baulkham Hills New South
Wales 2153 Australia**

(72) Name(s) of Designer(s): **Elizabeth Tunde Juhasz**

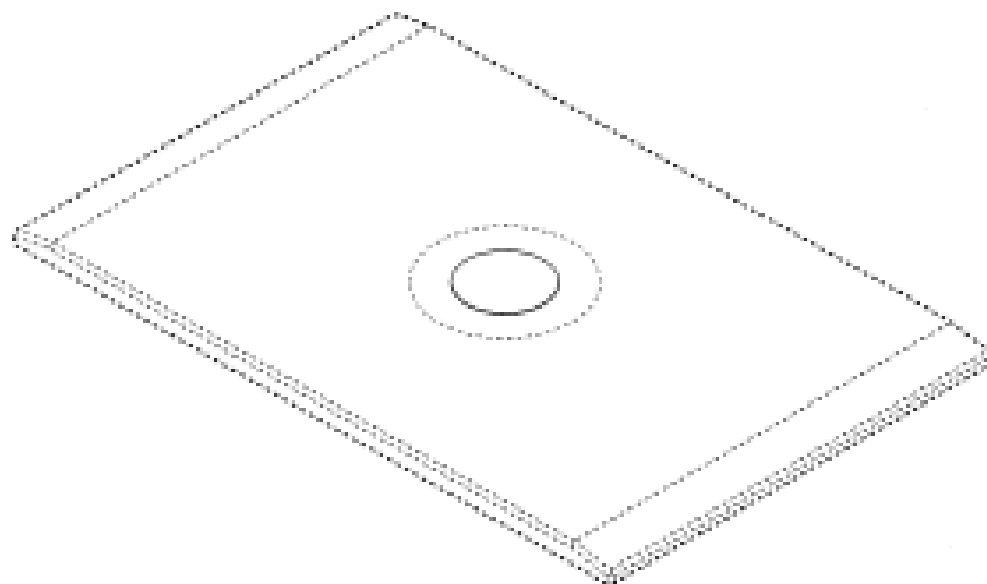
(45) Registration Date: **04 February 2011**

(56) Related Art Documents: **Not Applicable**

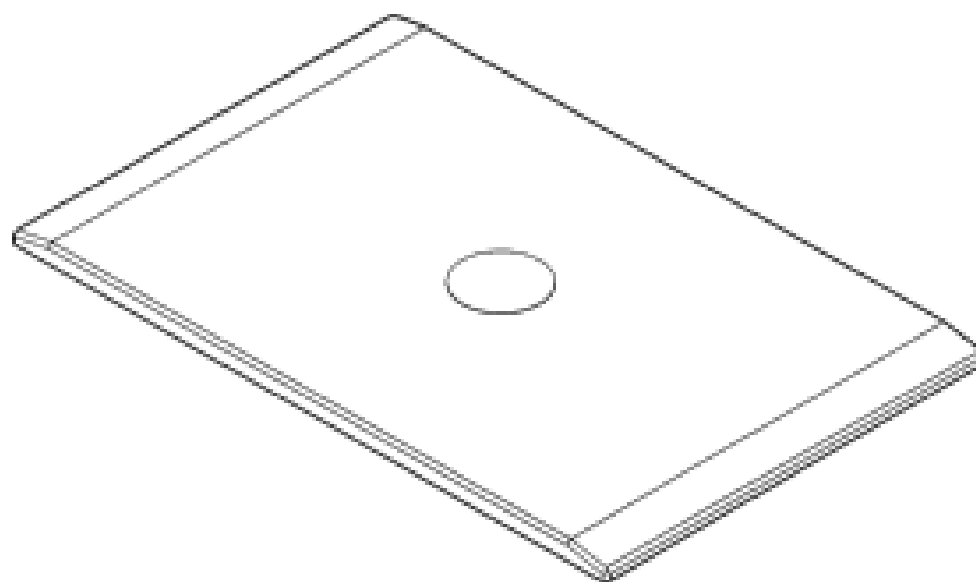
(57) Statement of Newness and Distinctiveness: **Newness and distinctiveness is claimed in the shape and/or configuration of a switch faceplate as shown in the accompanying drawings.**



- (21) Design Number: **15753/2010**
(22) Date of Filing Application: **24 December 2010**
(24) Date from which industrial property rights may have effect: **24 December 2010**
(54) Product in respect of which the design is registered: **Switch faceplate**
(51) International Design Classification: **13-03D**
(71) Name(s) and Address(s) of Applicant(s):
Clipsal Australia Pty Ltd
2 Solent Circuit Norwest Business Park Baulkham Hills New South
Wales 2153 Australia
(72) Name(s) of Designer(s): **Elizabeth Tunde Juhasz**
(45) Registration Date: **04 February 2011**
(56) Related Art Documents: **Not Applicable**
(57) Statement of Newness and Distinctiveness: **Newness and distinctiveness is claimed in the shape and/or configuration of a switch faceplate as shown in the accompanying drawings. In determining the scope of monopoly, no regard will be had to the region outside of the central circle shown in dotted lines.**



- (21) Design Number: **15754/2010**
(22) Date of Filing Application: **24 December 2010**
(24) Date from which industrial property rights may have effect: **24 December 2010**
(54) Product in respect of which the design is registered: **Switch faceplate**
(51) International Design Classification: **13-03D**
(71) Name(s) and Address(s) of Applicant(s):
Clipsal Australia Pty Ltd
2 Solent Circuit Norwest Business Park Baulkham Hills New South
Wales 2153 Australia
(72) Name(s) of Designer(s): **Elizabeth Tunde Juhasz**
(45) Registration Date: **04 February 2011**
(56) Related Art Documents: **Not Applicable**
(57) Statement of Newness and Distinctiveness: **Newness and distinctiveness is claimed in the shape and/or configuration of a switch faceplate as shown in the accompanying drawings.**



- (21) Design Number: **10017/2011**
- (22) Date of Filing Application: **05 January 2011**
- (24) Date from which industrial property rights may have effect: **05 January 2011**
- (54) Product in respect of which the design is registered: **Polo shirts and caps**
- (51) International Design Classification: **02-02NES, 02-03**
- (71) Name(s) and Address(s) of Applicant(s):

Sagar Juvekar
5/38 Bates Street Homebush New South Wales 2140 Australia

(72) Name(s) of Designer(s): **Sagar Juvekar**

(45) Registration Date: **04 February 2011**

(56) Related Art Documents: **Not Applicable**

(57) Statement of Newness and Distinctiveness: **The design of the garment is unique and distinctive in the following aspects: 1. Ability to display an illustration on the front of the garment. 2. Ability to change the illustration on the front of the garment to display a different illustration. The change in the illustration is controlled by the user of the garment and is changed at will. 3. Ability to revert back to the original illustration on the front of the garment. The newness and distinctiveness of the article of clothing resides in the pattern and/or ornamentation, and the ability to achieve a change in the illustration, as shown in the accompanying representations, irrespective of the shape and colour of the article of clothing.**



- (21) Design Number: **10033/2011**
- (22) Date of Filing Application: **06 January 2011**
- (24) Date from which industrial property rights may have effect: **06 January 2011**
- (54) Product in respect of which the design is registered: **Electronic device**
- (51) International Design Classification: **14-02, 14-03A**
- (71) Name(s) and Address(s) of Applicant(s):

Apple Inc.
1 Infinite Loop Cupertino California 95014 United States of America

(72) Name(s) of Designer(s): **Jody Akana and Bartley K. Andre and Jeremy Bataillou and Daniel J. Coster and Daniele De Iuliis and Evans Hankey and Richard P. Howarth and Jonathan P. Ive and Steve Jobs and Duncan Robert Kerr and Shin Nishibori and Matthew Dean Rohrbach and Peter Russell-Clarke and Christopher J. Stringer and Eugene Antony Whang and Rico Zorkendorfer**

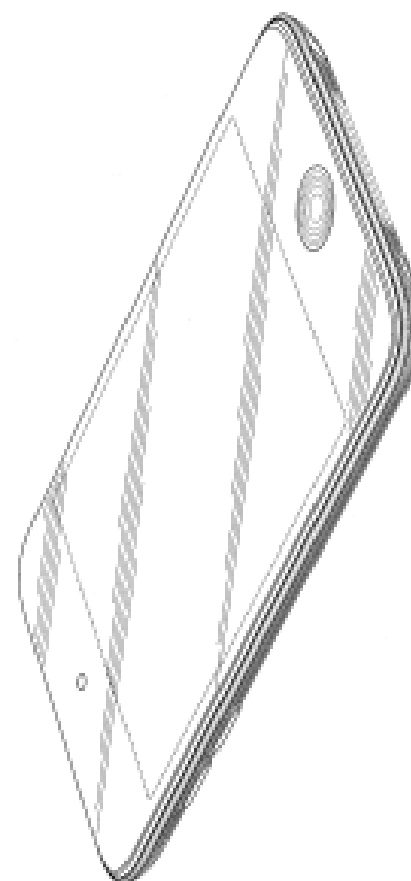
(45) Registration Date: **04 February 2011**

(30) Convention priority data:

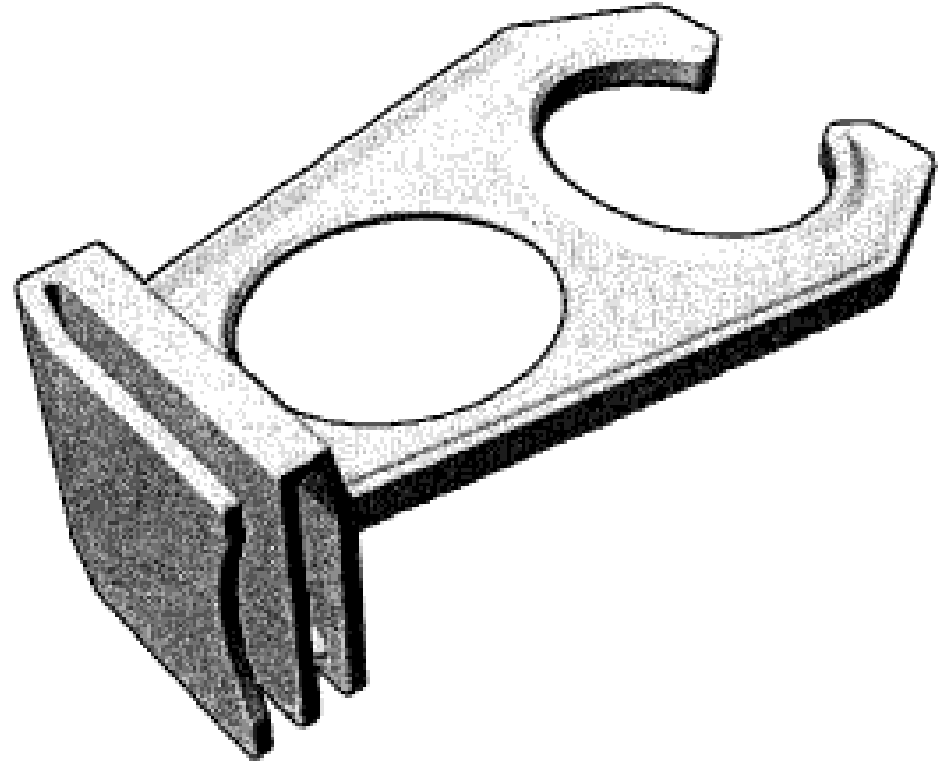
(31) Number	(32) Date	(33) Country
29/367997	16 Aug 2010	UNITED STATES OF AMERICA

(56) Related Art Documents: **Not Applicable**

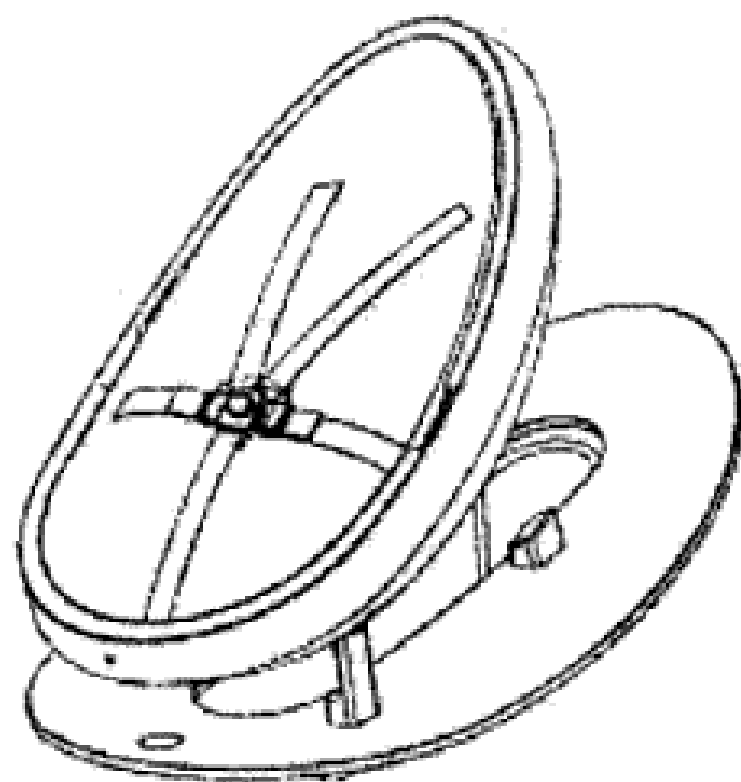
(57) Statement of Newness and Distinctiveness: **Newness and distinctiveness is claimed in the features of shape and/or configuration of an electronic device as shown in solid outline in the accompanying representations and including a stepped profile as shown in the partial enlarged view of figure 11.**



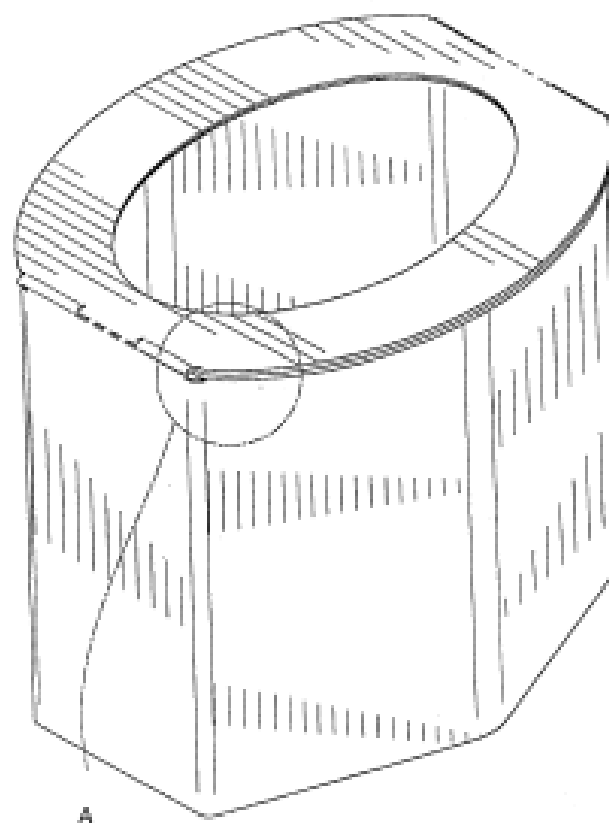
- (21) Design Number: **10038/2011**
(22) Date of Filing Application: **06 January 2011**
(24) Date from which industrial property rights may have effect: **06 January 2011**
(54) Product in respect of which the design is registered: **Bottle rack**
(51) International Design Classification: **06-04NES**
(71) Name(s) and Address(s) of Applicant(s):
Hisense Ronshen (guangdong) Refrigerator Co., Ltd
No 8 Ronggang Road Ronggui Shunde Foshan Guangdong China
(72) Name(s) of Designer(s): **Zhibing Chen and Ye He and Xiaoqing Su and Yuanhui Tan**
(45) Registration Date: **04 February 2011**
(30) Convention priority data:
(31) Number (32) Date (33) Country
201030668550.3 09 Dec 2010 CHINA
(56) Related Art Documents: **Not Applicable**
(57) Statement of Newness and Distinctiveness: **Newness and distinctiveness resides in the shape and configuration of a bottle rack as shown in the accompanying representations.**



- (21) Design Number: **10042/2011**
(22) Date of Filing Application: **06 January 2011**
(24) Date from which industrial property rights may have effect: **06 January 2011**
(54) Product in respect of which the design is registered: **A baby rocker**
(51) International Design Classification: **06-01E**
(71) Name(s) and Address(s) of Applicant(s):
Bower and Beyond Pty Ltd
PO Box 409 Waverly New South Wales 2024 Australia
(72) Name(s) of Designer(s): **Adam Fransen and Michael Hoppe**
(45) Registration Date: **04 February 2011**
(56) Related Art Documents: **Not Applicable**
(57) Statement of Newness and Distinctiveness: **Newness and distinctiveness is claimed in the features of shape and/or configuration of a baby rocker as illustrated in the accompanying representations.**



- (21) Design Number: **10052/2011**
(22) Date of Filing Application: **07 January 2011**
(24) Date from which industrial property rights may have effect: **07 January 2011**
(54) Product in respect of which the design is registered: **Folding portable potty with double seat**
(51) International Design Classification: **23-02C**
(71) Name(s) and Address(s) of Applicant(s):
M. Corn Inc.
7442 Campo Florida Boca Raton Florida 33433 United States of America
(72) Name(s) of Designer(s): **Morris Corn**
(45) Registration Date: **04 February 2011**
(30) Convention priority data:
(31) Number (32) Date (33) Country
29/365290 07 Jul 2010 UNITED STATES OF AMERICA
(56) Related Art Documents: **Not Applicable**
(57) Statement of Newness and Distinctiveness: **Newness and distinctiveness is claimed in the features of shape and/or configuration of a folding portable potty with double seat as illustrated in the accompanying representations.**



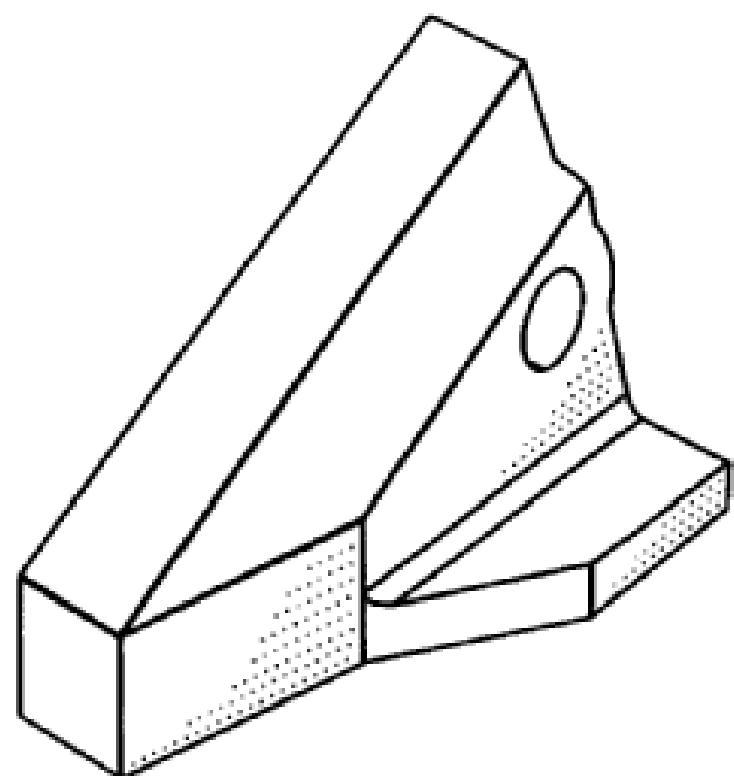
- (21) Design Number: **10055/2011**
(22) Date of Filing Application: **07 January 2011**
(24) Date from which industrial property rights may have effect: **07 January 2011**
(54) Product in respect of which the design is registered: **Washing machine**
(51) International Design Classification: **15-05**
(71) Name(s) and Address(s) of Applicant(s):
BSH Bosch und Siemens Hausgerate GmbH
Carl-Wery-Str. 34 81739 Munchen Germany
(72) Name(s) of Designer(s): **Klaus Forsterling and Johannes Geyer and Florian Metz and Carsten Weber**
(45) Registration Date: **04 February 2011**
(30) Convention priority data:
(31) Number (32) Date (33) Country
001225528 07 Jul 2010 EUROPEAN COMMUNITY
(56) Related Art Documents: **Not Applicable**
(57) Statement of Newness and Distinctiveness: **Newness and distinctiveness is claimed in the features of shape and/or configuration of a control panel, a detergent drawer, a window, a handle of the window, and left and right side walls of a washing machine illustrated in the accompanying representations.**



- (21) Design Number: **10056/2011**
(22) Date of Filing Application: **07 January 2011**
(24) Date from which industrial property rights may have effect: **07 January 2011**
(54) Product in respect of which the design is registered: **Washing machine**
(51) International Design Classification: **15-05**
(71) Name(s) and Address(s) of Applicant(s):
BSH Bosch und Siemens Hausgerate GmbH
Carl-Wery-Str. 34 81739 Munchen Germany
(72) Name(s) of Designer(s): **Klaus Forsterling and Johannes Geyer and Florian Metz and Carsten Weber**
(45) Registration Date: **04 February 2011**
(30) Convention priority data:
(31) Number (32) Date (33) Country
001225528 07 Jul 2010 EUROPEAN COMMUNITY
(56) Related Art Documents: **Not Applicable**
(57) Statement of Newness and Distinctiveness: **Newness and distinctiveness is claimed in the features of shape and/or configuration of a control panel, a detergent drawer, a window, a handle of the window, and left and right side walls of a washing machine illustrated in the accompanying representations.**



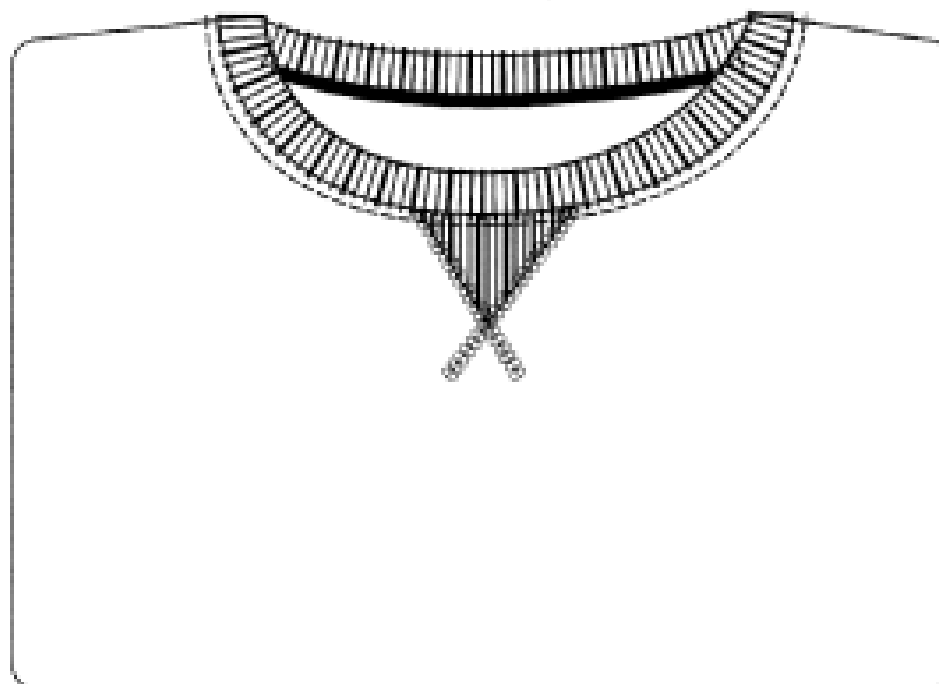
- (21) Design Number: **10066/2011**
(22) Date of Filing Application: **10 January 2011**
(24) Date from which industrial property rights may have effect: **10 January 2011**
(54) Product in respect of which the design is registered: **Wear member**
(51) International Design Classification: **08-08NES**
(71) Name(s) and Address(s) of Applicant(s):
Castpoints Pty Ltd
2 Wyndham Street Toowoomba Queensland 4350 Australia
(72) Name(s) of Designer(s): **Robert Edward Steggall**
(45) Registration Date: **04 February 2011**
(56) Related Art Documents: **Not Applicable**
(57) Statement of Newness and Distinctiveness: **The newness and distinctiveness of the design resides in the shape and/or configuration of the wear member shown in the representations. In considering the scope of monopoly particular regard is to be had to the internal chamber of the wear member having chamfered corners, as best seen in section B-B of the representations.**



- (21) Design Number: **10068/2011**
- (22) Date of Filing Application: **10 January 2011**
- (24) Date from which industrial property rights may have effect: **10 January 2011**
- (54) Product in respect of which the design is registered: **Laptop case**
- (51) International Design Classification: **03-01NES**
- (71) Name(s) and Address(s) of Applicant(s):

Cheddar Pocket Pty Ltd
10 Sumach Place Palm Beach Queensland 4221 Australia

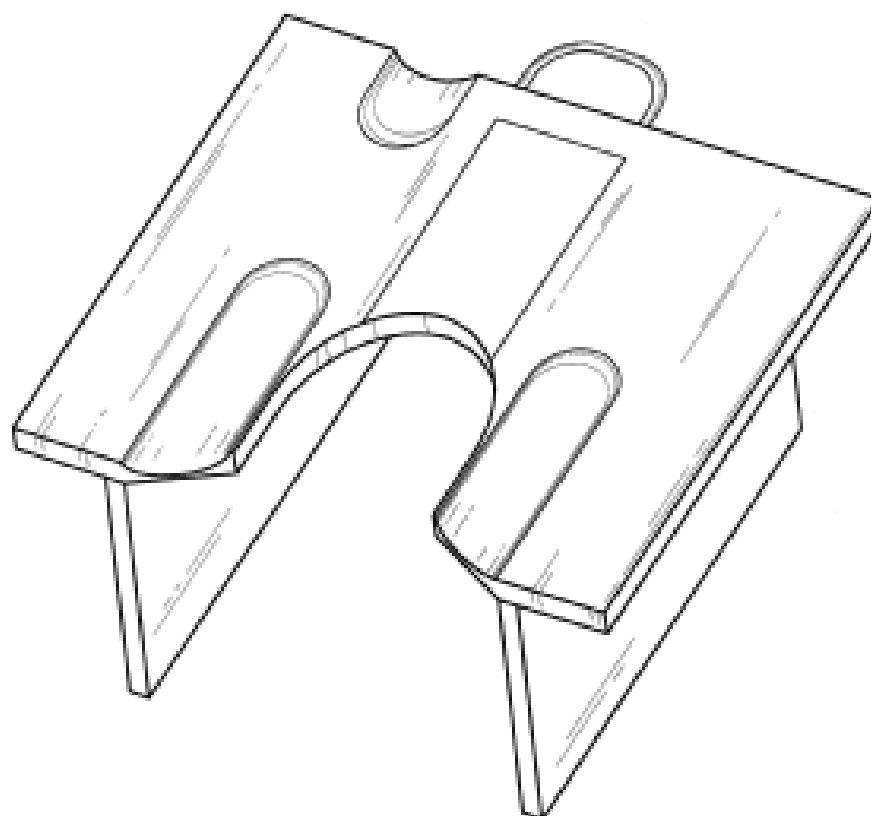
- (72) Name(s) of Designer(s): **Chance Byron Burns**
- (45) Registration Date: **04 February 2011**
- (56) Related Art Documents: **Not Applicable**
- (57) Statement of Newness and Distinctiveness: **Newness and distinctiveness is claimed in the features of shape and/or configuration of a laptop case as depicted in the accompanying drawings, and when considering the extent of monopoly protection, particular regard is to be given to the opening.**



- (21) Design Number: **10099/2011**
- (22) Date of Filing Application: **13 January 2011**
- (24) Date from which industrial property rights may have effect: **13 January 2011**
- (54) Product in respect of which the design is registered: **Portable multifunctional ergonomic tray table comprising an arm rest and a retractable reading stand**
- (51) International Design Classification: **06-03NES**
- (71) Name(s) and Address(s) of Applicant(s):

Ryan Wong
77 Pond Avenue C812 Brookline MA 02445 United States of America

- (72) Name(s) of Designer(s): **Ryan Wong**
 - (45) Registration Date: **04 February 2011**
 - (30) Convention priority data:
- | | | |
|-------------------|--------------------|---------------------------------|
| (31) Number | (32) Date | (33) Country |
| 29/368,129 | 18 Aug 2010 | UNITED STATES OF AMERICA |
- (56) Related Art Documents: **Not Applicable**
 - (57) Statement of Newness and Distinctiveness: **The shape and configuration of a Portable Multifunctional Ergonomic Tray Table Comprising an Arm Rest and a Retractable Reading Stand as illustrated in the accompanying representations.**



(21) Design Number: **14933/2010**

(22) Date of Filing Application: **10 November 2010**

(24) Date from which industrial property rights may have effect: **10 November 2010**

(54) Product in respect of which the design is registered: **Enclosure for a handheld device used with a multifunction attachment**

(51) International Design Classification: **14-03A**

(71) Name(s) and Address(s) of Applicant(s):

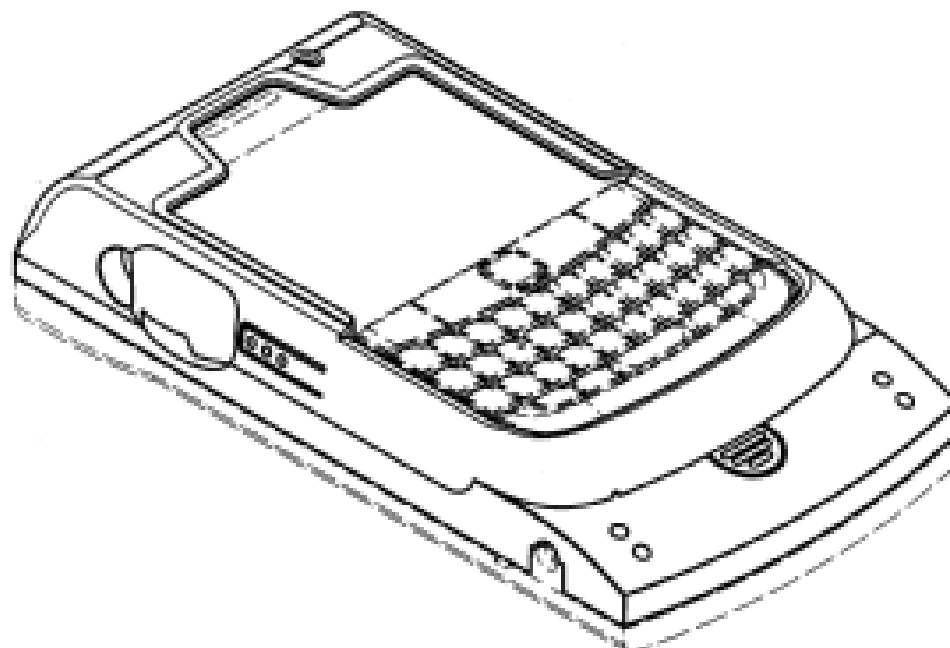
**Grabba International Pty Ltd
Unit 1 12 Selhurst Street Coopers Plains Queensland 4108 Australia**

(72) Name(s) of Designer(s): **Cecil Luscombe and Gordon Haslewood Stuart**

(45) Registration Date: **06 February 2011**

(56) Related Art Documents: **Not Applicable**

(57) Statement of Newness and Distinctiveness: **Nil**



(21) Design Number: **14971/2010**

(22) Date of Filing Application: **16 November 2010**

(24) Date from which industrial property rights may have effect: **16 November 2010**

(54) Product in respect of which the design is registered: **Scooter**

(51) International Design Classification: **21-01F**

(71) Name(s) and Address(s) of Applicant(s):

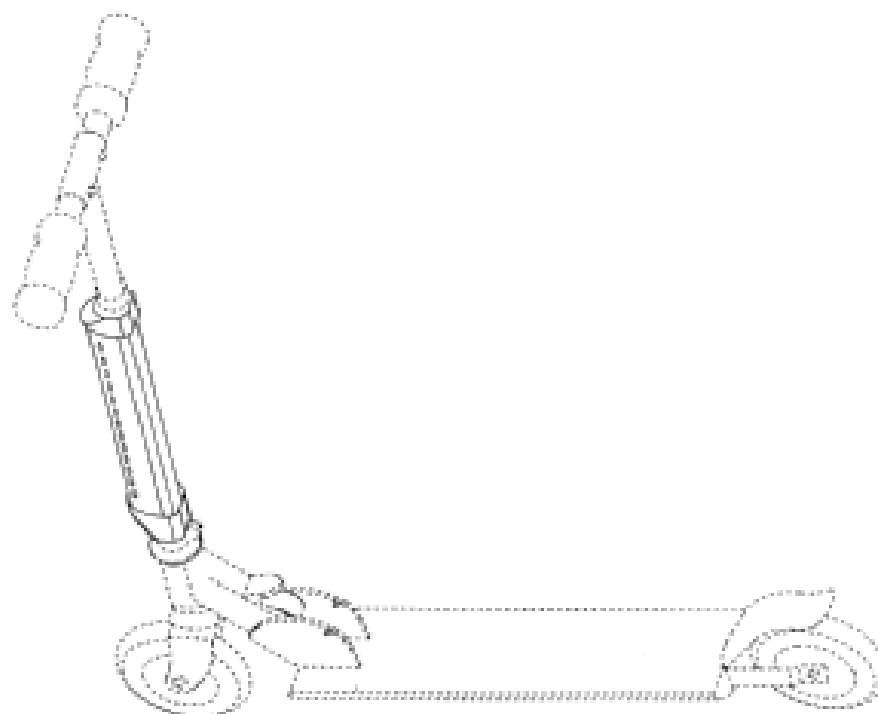
**Rexco Industrial Ltd
4B Block 1 Tai Ping Industrial Centre 57 Ting Kok Road Tai Po N.T.
Hong Kong**

(72) Name(s) of Designer(s): **Wai Ming Ngai**

(45) Registration Date: **06 February 2011**

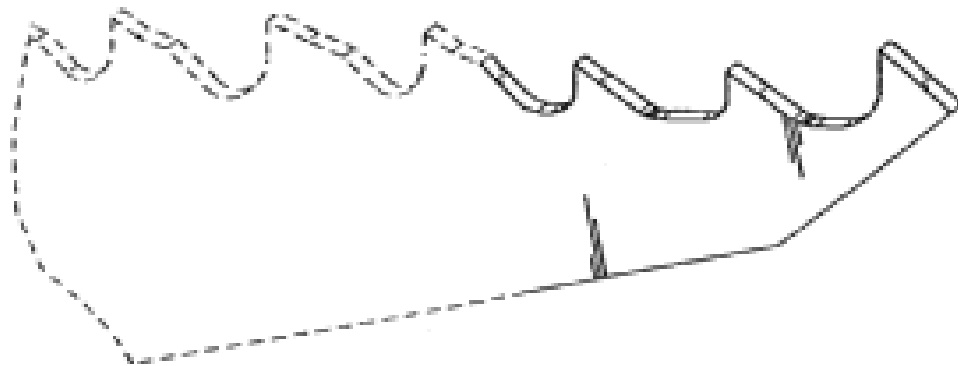
(56) Related Art Documents: **Not Applicable**

(57) Statement of Newness and Distinctiveness: **Rights are claimed in the shape of the scooter as shown in the accompanying drawings. Elements of the scooter not shown in solid lines are not considered to be part of the design.**



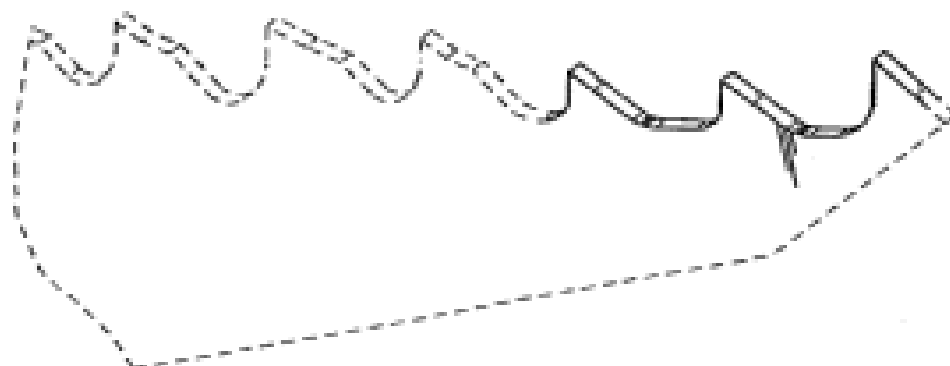
(19) AU

- (21) Design Number: **15088/2010**
(22) Date of Filing Application: **19 November 2010**
(24) Date from which industrial property rights may have effect: **19 November 2010**
(54) Product in respect of which the design is registered: **Reciprocating saw blade**
(51) International Design Classification: **08-03**
(71) Name(s) and Address(s) of Applicant(s):
Irwin Industrial Tool Company
8935 North Pointe Executive Drive Huntersville North Carolina 28078
United States of America
(72) Name(s) of Designer(s): **Charles M. O'Keefe and Douglas K. Fosberg Jr.**
(45) Registration Date: **06 February 2011**
(30) Convention priority data:
(31) Number (32) Date (33) Country
29/362,234 21 May 2010 UNITED STATES OF AMERICA
(56) Related Art Documents: **Not Applicable**
(57) Statement of Newness and Distinctiveness: **The newness and distinctiveness of the design resides in the visual features of shape and/or configuration of a reciprocating saw blade substantially as shown in solid lines in the accompanying representations.**



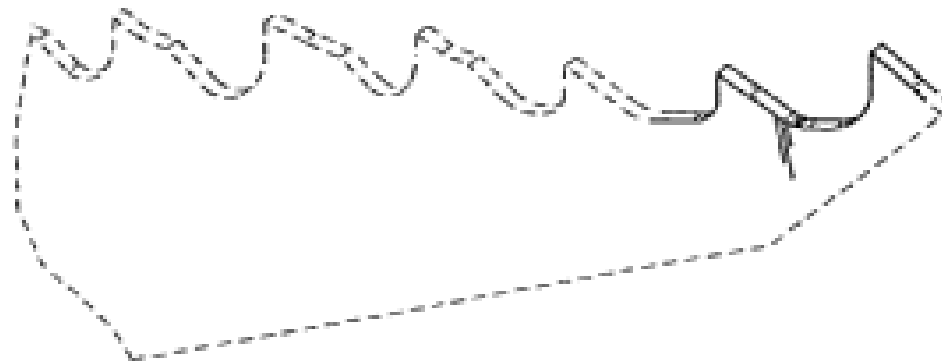
(19) AU

- (21) Design Number: **15811/2010**
(22) Date of Filing Application: **19 November 2010**
(24) Date from which industrial property rights may have effect: **19 November 2010**
(54) Product in respect of which the design is registered: **Reciprocating saw blade**
(51) International Design Classification: **08-03**
(71) Name(s) and Address(s) of Applicant(s):
Irwin Industrial Tool Company
8935 North Pointe Executive Drive Huntersville North Carolina 28078
United States of America
(72) Name(s) of Designer(s): **Charles M. O'Keefe and Douglas K. Fosberg Jr.**
(45) Registration Date: **06 February 2011**
(30) Convention priority data:
(31) Number (32) Date (33) Country
29/362,234 21 May 2010 UNITED STATES OF AMERICA
(56) Related Art Documents: **Not Applicable**
(57) Statement of Newness and Distinctiveness: **The newness and distinctiveness of the design resides in the visual features of shape and/or configuration of a reciprocating saw blade substantially as shown in solid lines in the accompanying representations.**



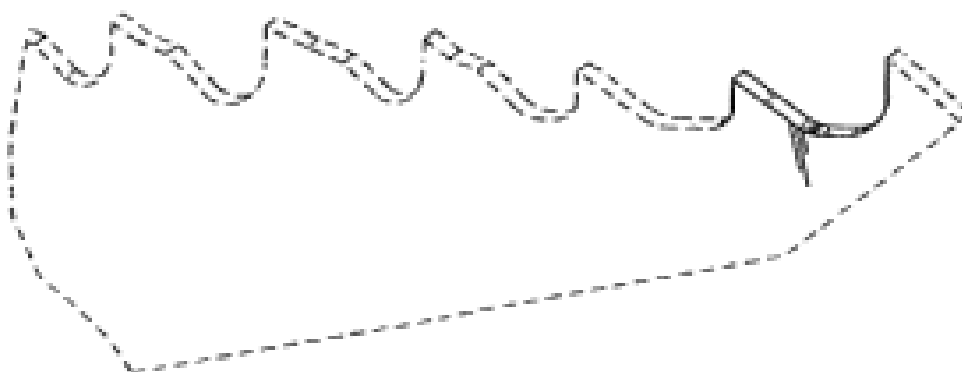
(19) AU

- (21) Design Number: **15812/2010**
(22) Date of Filing Application: **19 November 2010**
(24) Date from which industrial property rights may have effect: **19 November 2010**
(54) Product in respect of which the design is registered: **Reciprocating saw blade**
(51) International Design Classification: **08-03**
(71) Name(s) and Address(s) of Applicant(s):
Irwin Industrial Tool Company
8935 North Pointe Executive Drive Huntersville North Carolina 28078
United States of America
(72) Name(s) of Designer(s): **Charles M. O'Keefe and Douglas K. Fosberg Jr.**
(45) Registration Date: **06 February 2011**
(30) Convention priority data:
(31) Number (32) Date (33) Country
29/362,234 21 May 2010 UNITED STATES OF AMERICA
(56) Related Art Documents: **Not Applicable**
(57) Statement of Newness and Distinctiveness: **The newness and distinctiveness of the design resides in the visual features of shape and/or configuration of a reciprocating saw blade substantially as shown in solid lines in the accompanying representations.**



(19) AU

- (21) Design Number: **15813/2010**
(22) Date of Filing Application: **19 November 2010**
(24) Date from which industrial property rights may have effect: **19 November 2010**
(54) Product in respect of which the design is registered: **Reciprocating saw blade**
(51) International Design Classification: **08-03**
(71) Name(s) and Address(s) of Applicant(s):
Irwin Industrial Tool Company
8935 North Pointe Executive Drive Huntersville North Carolina 28078
United States of America
(72) Name(s) of Designer(s): **Charles M. O'Keefe and Douglas K. Fosberg Jr.**
(45) Registration Date: **06 February 2011**
(30) Convention priority data:
(31) Number (32) Date (33) Country
29/362,234 21 May 2010 UNITED STATES OF AMERICA
(56) Related Art Documents: **Not Applicable**
(57) Statement of Newness and Distinctiveness: **The newness and distinctiveness of the design resides in the visual features of shape and/or configuration of a reciprocating saw blade substantially as shown in solid lines in the accompanying representations.**



(21) Design Number: **13200/2010**

(22) Date of Filing Application: **28 July 2010**

(24) Date from which industrial property rights may have effect: **28 July 2010**

(54) Product in respect of which the design is registered: **Square spout**

(51) International Design Classification: **23-01H**

(71) Name(s) and Address(s) of Applicant(s):

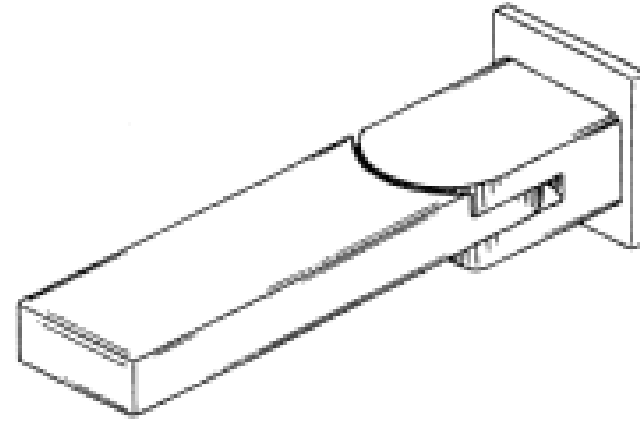
**Novotec Building Products Pty Ltd
Level 1 46 King Edward Road Osborne Park Western Australia 6017
Australia**

(72) Name(s) of Designer(s): **Armando Rigo**

(45) Registration Date: **04 February 2011**

(56) Related Art Documents: **Not Applicable**

(57) Statement of Newness and Distinctiveness: **The particular visual features of the design which are new and distinctive are shape OR configuration.**



(21) Design Number: **13202/2010**

(22) Date of Filing Application: **28 July 2010**

(24) Date from which industrial property rights may have effect: **28 July 2010**

(54) Product in respect of which the design is registered: **Bathroom hosing**

(51) International Design Classification: **23-01C**

(71) Name(s) and Address(s) of Applicant(s):

**Novotec Building Products Pty Ltd
Level 1 46 King Edward Road Osborne Park Western Australia 6017
Australia**

(72) Name(s) of Designer(s): **Armando Rigo**

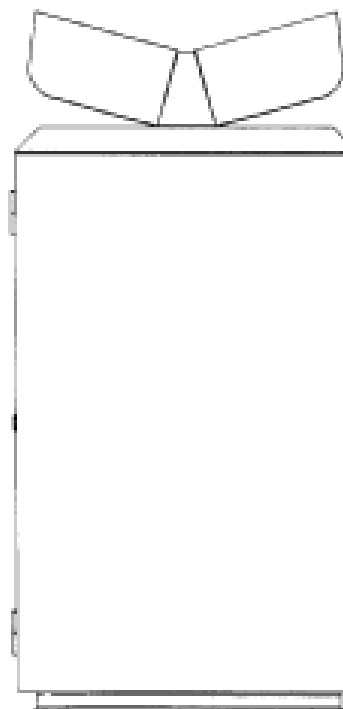
(45) Registration Date: **04 February 2011**

(56) Related Art Documents: **Not Applicable**

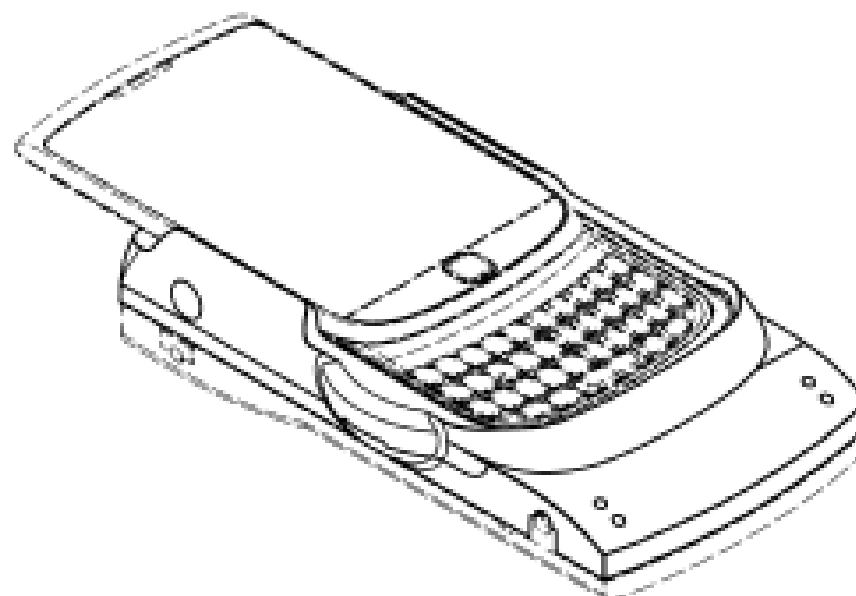
(57) Statement of Newness and Distinctiveness: **The particular visual features of the design which are new and distinctive are the external surface of a bathroom hosing, of indefinite length having a substantially uniform cross section, including pattern OR ornamentation.**



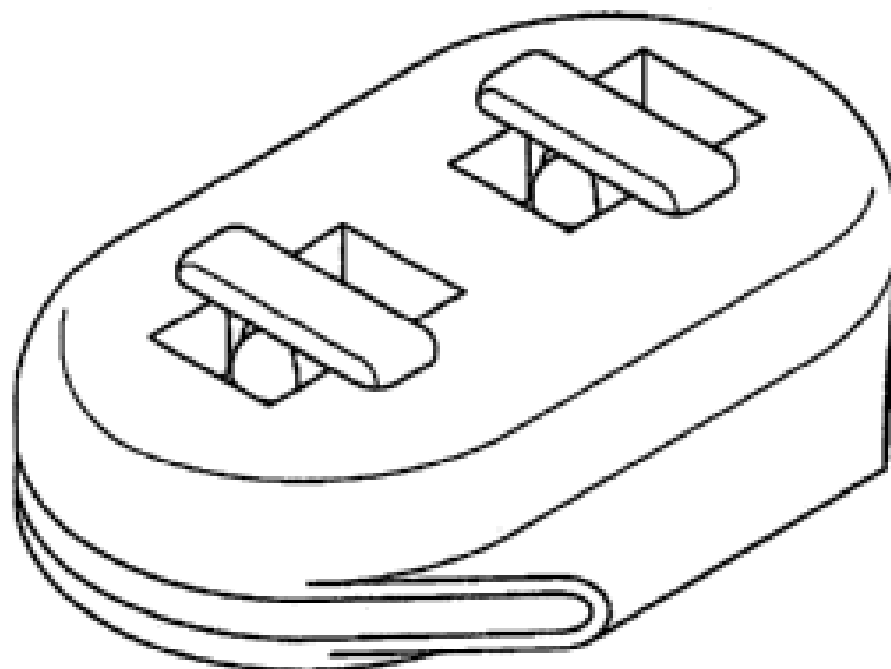
- (21) Design Number: **15044/2010**
(22) Date of Filing Application: **18 November 2010**
(24) Date from which industrial property rights may have effect: **18 November 2010**
(54) Product in respect of which the design is registered: **Bin enclosure**
(51) International Design Classification: **09-09**
(71) Name(s) and Address(s) of Applicant(s):
Street Furniture Australia Pty Ltd
92 Buckland Street Alexandria New South Wales 2015 Australia
(72) Name(s) of Designer(s): **William Morrison and Darrel Conybeare**
(45) Registration Date: **04 February 2011**
(56) Related Art Documents: **Not Applicable**
(57) Statement of Newness and Distinctiveness: **Nil**



- (21) Design Number: **15590/2010**
(22) Date of Filing Application: **16 December 2010**
(24) Date from which industrial property rights may have effect: **16 December 2010**
(54) Product in respect of which the design is registered: **Enclosure for a handheld device used with a multifunction attachment**
(51) International Design Classification: **14-03A**
(71) Name(s) and Address(s) of Applicant(s):
Grabba International Pty Ltd
Unit 1 12 Selhurst Street Coopers Plains Queensland 4108 Australia
(72) Name(s) of Designer(s): **Cecil Luscombe and Gordon Haslewood Stuart**
(45) Registration Date: **04 February 2011**
(56) Related Art Documents: **Not Applicable**
(57) Statement of Newness and Distinctiveness: **Nil**



- (21) Design Number: **15680/2010**
(22) Date of Filing Application: **23 December 2010**
(24) Date from which industrial property rights may have effect: **23 December 2010**
(54) Product in respect of which the design is registered: **Clip for wristband**
(51) International Design Classification: **10-07, 08-99**
(71) Name(s) and Address(s) of Applicant(s):
Seiko Epson Corporation
4-1 Nishishinjuku 2-chome Shinjuku-ku Tokyo 163-0811 Japan
(72) Name(s) of Designer(s): **Hiroshi Wanibuchi and Masaru Tejima and Satoshi Koizumi**
(45) Registration Date: **04 February 2011**
(30) Convention priority data:
(31) Number (32) Date (33) Country
2010-016684 08 Jul 2010 JAPAN
(56) Related Art Documents: **Not Applicable**
(57) Statement of Newness and Distinctiveness: **Newness and distinctiveness is claimed in the visual features of shape and/or configuration of the clip for a wristband shown in the accompanying representations.**



- (21) Design Number: **10007/2011**
(22) Date of Filing Application: **04 January 2011**
(24) Date from which industrial property rights may have effect: **04 January 2011**
(54) Product in respect of which the design is registered: **Jewellery**
(51) International Design Classification: **11-01NES**
(71) Name(s) and Address(s) of Applicant(s):
Anastasia Serrano
15 Rosemeath Avenue Kingsgrove New South Wales 2208 Australia
(72) Name(s) of Designer(s): **Anastasia Serrano**
(45) Registration Date: **04 February 2011**
(56) Related Art Documents: **Not Applicable**
(57) Statement of Newness and Distinctiveness: **Ornamental design for jewellery for the ankle.**



(21) Design Number: **10008/2011**

(22) Date of Filing Application: **04 January 2011**

(24) Date from which industrial property rights may have effect: **04 January 2011**

(54) Product in respect of which the design is registered: **Accessory (jewellery)**

(51) International Design Classification: **11-01NES**

(71) Name(s) and Address(s) of Applicant(s):

Anastasia Serrano

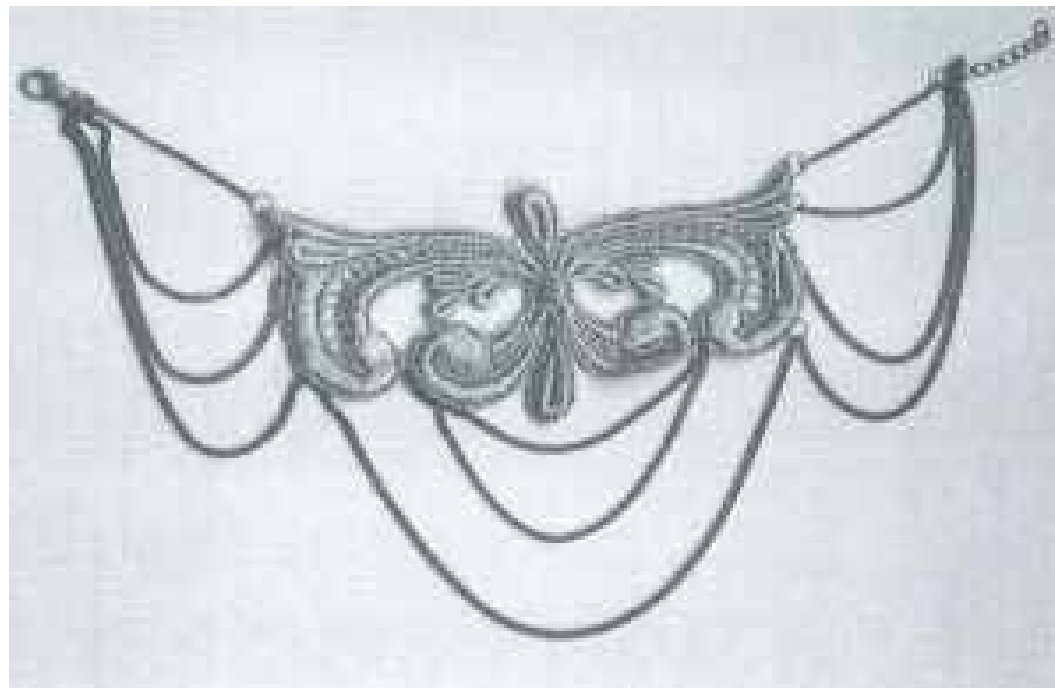
15 Rosemeath Avenue Kingsgrove New South Wales 2208 Australia

(72) Name(s) of Designer(s): **Anastasia Serrano**

(45) Registration Date: **04 February 2011**

(56) Related Art Documents: **Not Applicable**

(57) Statement of Newness and Distinctiveness: **Ornamental design for an accessory for the ankle.**



(21) Design Number: **10034/2011**

(22) Date of Filing Application: **06 January 2011**

(24) Date from which industrial property rights may have effect: **06 January 2011**

(54) Product in respect of which the design is registered: **Cubby house/children's playhouse**

(51) International Design Classification: **25-03**

(71) Name(s) and Address(s) of Applicant(s):

James Edward Bishop

33 Folkes Street Elderslie New South Wales 2570 Australia

(72) Name(s) of Designer(s): **James Edward Bishop**

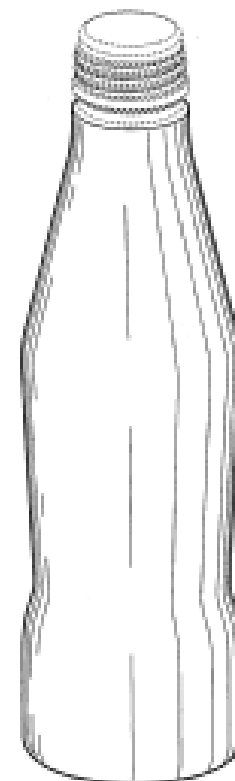
(45) Registration Date: **04 February 2011**

(56) Related Art Documents: **Not Applicable**

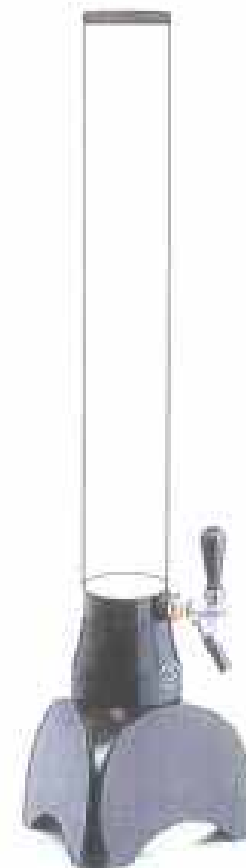
(57) Statement of Newness and Distinctiveness: **Angle splay of walls and front windows.**



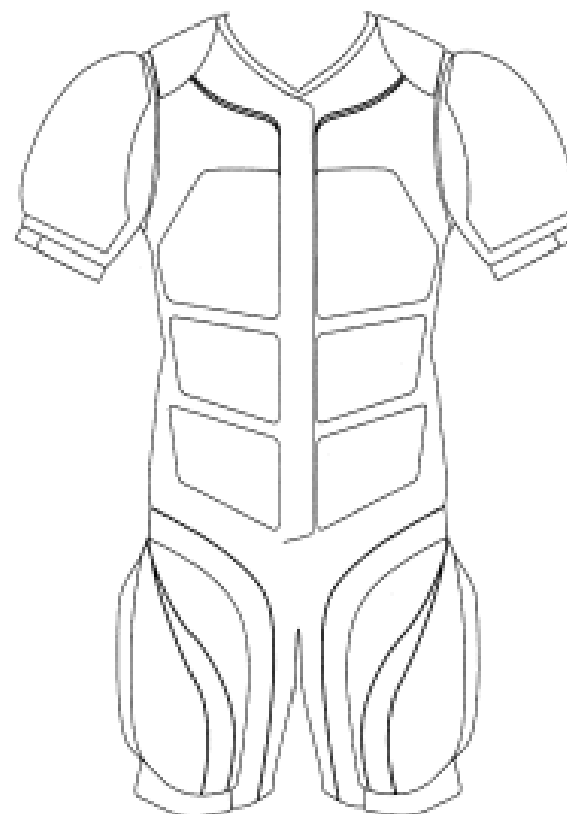
- (21) Design Number: **10108/2011**
(22) Date of Filing Application: **14 January 2011**
(24) Date from which industrial property rights may have effect: **14 January 2011**
(54) Product in respect of which the design is registered: **Bottle**
(51) International Design Classification: **09-01H**
(71) Name(s) and Address(s) of Applicant(s):
The Coca-Cola Company
310 North Avenue Atlanta Georgia 30313 United States of America
(72) Name(s) of Designer(s): **Scott C. Biondich and Vincent Voron and Darryl J. Dawson Sr. and Brett Horn**
(45) Registration Date: **04 February 2011**
(30) Convention priority data:
(31) Number (32) Date (33) Country
29/365,933 16 Jul 2010 UNITED STATES OF AMERICA
(56) Related Art Documents: **Not Applicable**
(57) Statement of Newness and Distinctiveness: **Those features of the bottle depicted in the representations that are new and distinctive are the shape and/or configuration. The features shown in broken lines are not part of the design and are to be disregarded when considering the overall impression of the design.**



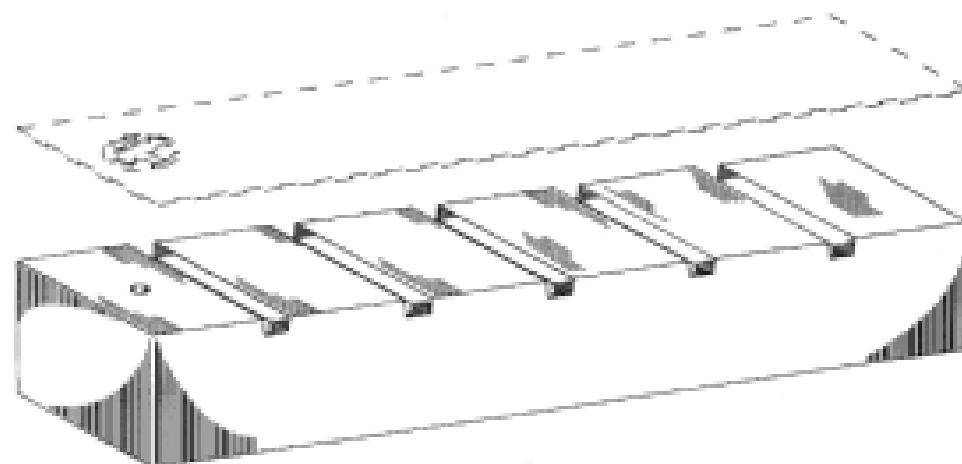
- (21) Design Number: **15124/2010**
(22) Date of Filing Application: **24 November 2010**
(24) Date from which industrial property rights may have effect: **24 November 2010**
(54) Product in respect of which the design is registered: **Liquid dispenser**
(51) International Design Classification: **31-00**
(71) Name(s) and Address(s) of Applicant(s):
Matt Pierro
40 Lackenheath Drive Tullamarine Victoria 3043 Australia
(72) Name(s) of Designer(s): **Matt Pierro**
(45) Registration Date: **04 February 2011**
(56) Related Art Documents: **Not Applicable**
(57) Statement of Newness and Distinctiveness: **Newness and Distinctiveness are claimed in the features of shape and/or configuration of a liquid dispenser as illustrated in the accompanying representations. Excluded from the design application is colour, the internal contents of the liquid dispenser and the text appearing on the design.**



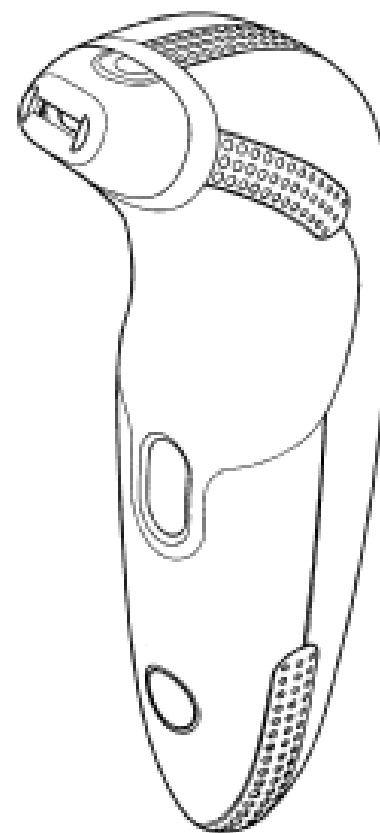
- (21) Design Number: **15160/2010**
(22) Date of Filing Application: **25 November 2010**
(24) Date from which industrial property rights may have effect: **25 November 2010**
(54) Product in respect of which the design is registered: **Bouyancy suit**
(51) International Design Classification: **29-02**
(71) Name(s) and Address(s) of Applicant(s):
Terence Nelson
25 Waterloo Warehouse Waterloo Road Liverpool L3 0BG United Kingdom
(72) Name(s) of Designer(s): **Terence Nelson**
(45) Registration Date: **04 February 2011**
(30) Convention priority data:
(31) Number (32) Date (33) Country
4015719 28 May 2010 UNITED KINGDOM
(56) Related Art Documents: **Not Applicable**
(57) Statement of Newness and Distinctiveness: **Newness and distinctiveness is claimed in the visual features shown in solid lines in the representations.**



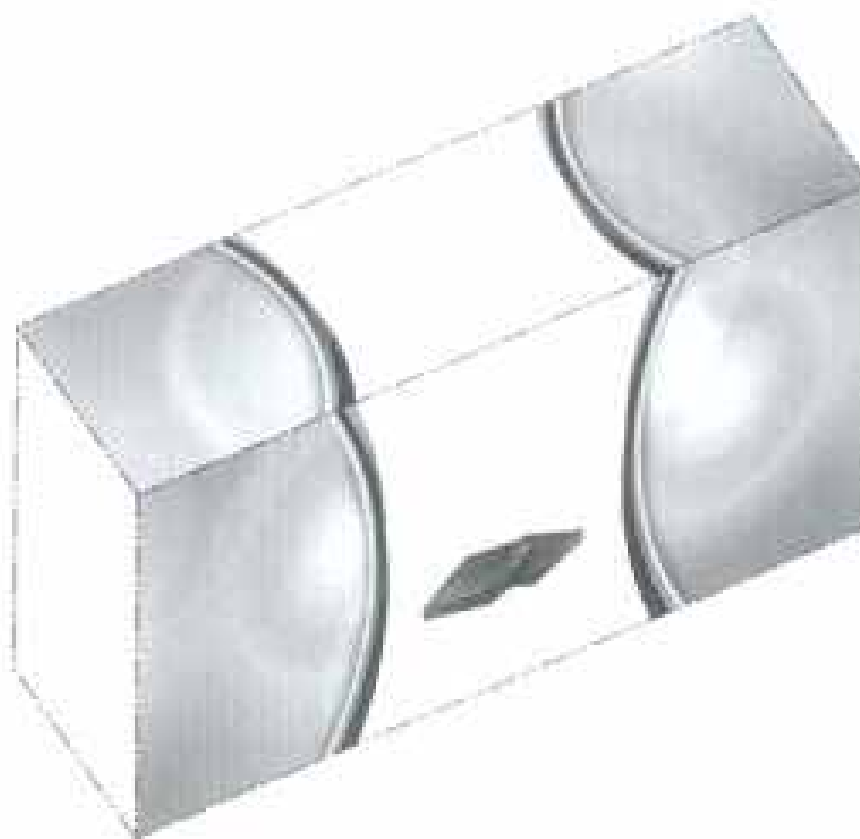
- (21) Design Number: **10074/2011**
(22) Date of Filing Application: **11 January 2011**
(24) Date from which industrial property rights may have effect: **11 January 2011**
(54) Product in respect of which the design is registered: **Especially designed water tank**
(51) International Design Classification: **23-01F**
(71) Name(s) and Address(s) of Applicant(s):
Fodder Solutions (QLD) Pty Ltd
PO Box 7452 Toowoomba South Queensland 4350 Australia
(72) Name(s) of Designer(s): **Terry Colless and Flavio Raccanello**
(45) Registration Date: **04 February 2011**
(56) Related Art Documents: **Not Applicable**
(57) Statement of Newness and Distinctiveness: **Especially designed water tank with grooves and ridges.**



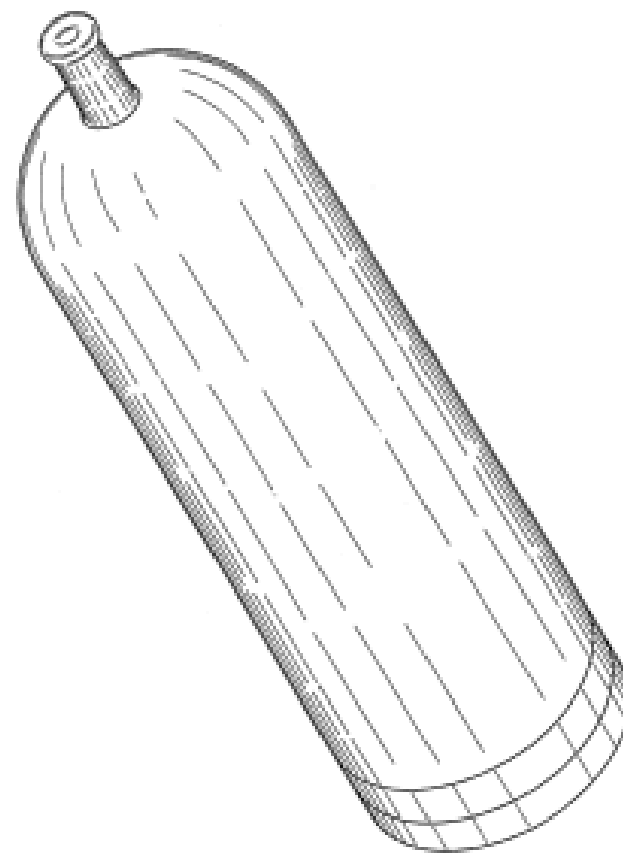
- (21) Design Number: **10093/2011**
(22) Date of Filing Application: **11 January 2011**
(24) Date from which industrial property rights may have effect: **11 January 2011**
(54) Product in respect of which the design is registered: **Skin rejuvenation apparatus**
(51) International Design Classification: **28-03NES**
(71) Name(s) and Address(s) of Applicant(s):
Koninklijke Philips Electronics N.V.
Groenewoudseweg 1 5621 BA Eindhoven The Netherlands
(72) Name(s) of Designer(s): **Rafael Tamsiran**
(45) Registration Date: **04 February 2011**
(30) Convention priority data:
(31) Number (32) Date (33) Country
001730698 13 Jul 2010 EUROPEAN COMMUNITY
(56) Related Art Documents: **Not Applicable**
(57) Statement of Newness and Distinctiveness: **Newness and distinctiveness reside in the features of shape and configuration of the design as shown in the representations.**



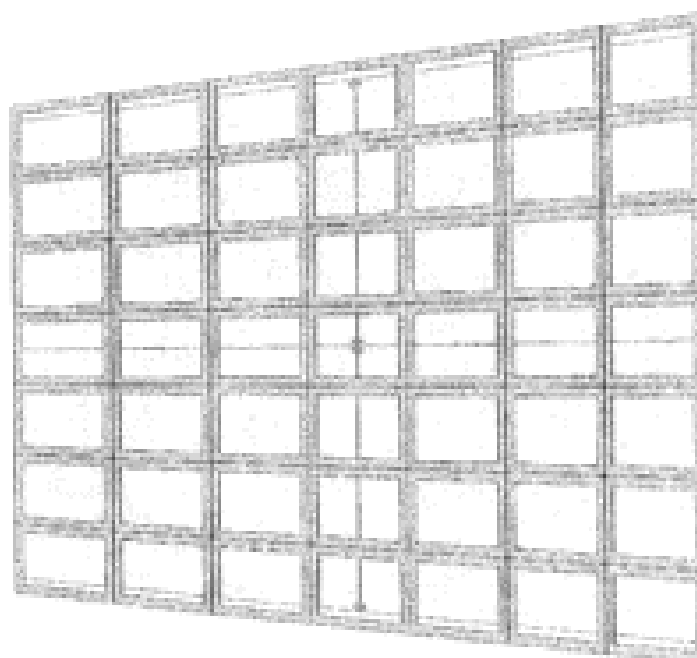
- (21) Design Number: **10095/2011**
(22) Date of Filing Application: **12 January 2011**
(24) Date from which industrial property rights may have effect: **12 January 2011**
(54) Product in respect of which the design is registered: **Packaging container with surface ornamentation**
(51) International Design Classification: **09-03M**
(71) Name(s) and Address(s) of Applicant(s):
The Procter & Gamble Company
One Procter & Gamble Plaza Cincinnati Ohio 45202 United States of America
(72) Name(s) of Designer(s): **Jean Martin Campbell and Molly Ann Hablutzel and Kenneth Robert Helmes and Frederick Mason Mariani**
(45) Registration Date: **04 February 2011**
(30) Convention priority data:
(31) Number (32) Date (33) Country
29/365,568 12 Jul 2010 UNITED STATES OF AMERICA
(56) Related Art Documents: **Not Applicable**
(57) Statement of Newness and Distinctiveness: **Those features of the packaging container with surface ornamentation depicted in the representations that are new and distinctive are the pattern and/or ornamentation. The packaging container may be of any colour, but not limited to any particular colour. The features shown in broken line are not part of the design and are to be disregarded when considering the overall impression of the design.**



- (21) Design Number: **10096/2011**
(22) Date of Filing Application: **12 January 2011**
(24) Date from which industrial property rights may have effect: **12 January 2011**
(54) Product in respect of which the design is registered: **Bottle**
(51) International Design Classification: **09-01NES**
(71) Name(s) and Address(s) of Applicant(s):
Source Vagabond Systems Ltd
PO Box 32 Tirat Carmel 39100 Israel
(72) Name(s) of Designer(s): **Yoram Gill and Roe Bigger and Yariv Sade and Arik Yuval**
(45) Registration Date: **04 February 2011**
(30) Convention priority data:
(31) Number (32) Date (33) Country
29/365,662 13 Jul 2010 UNITED STATES OF AMERICA
(56) Related Art Documents: **Not Applicable**
(57) Statement of Newness and Distinctiveness: **Those features of the bottle depicted in the representations that are new and distinctive are the shape and/or configuration. The feature shown in broken line is not part of the design and is to be disregarded when considering the overall impression of the design.**



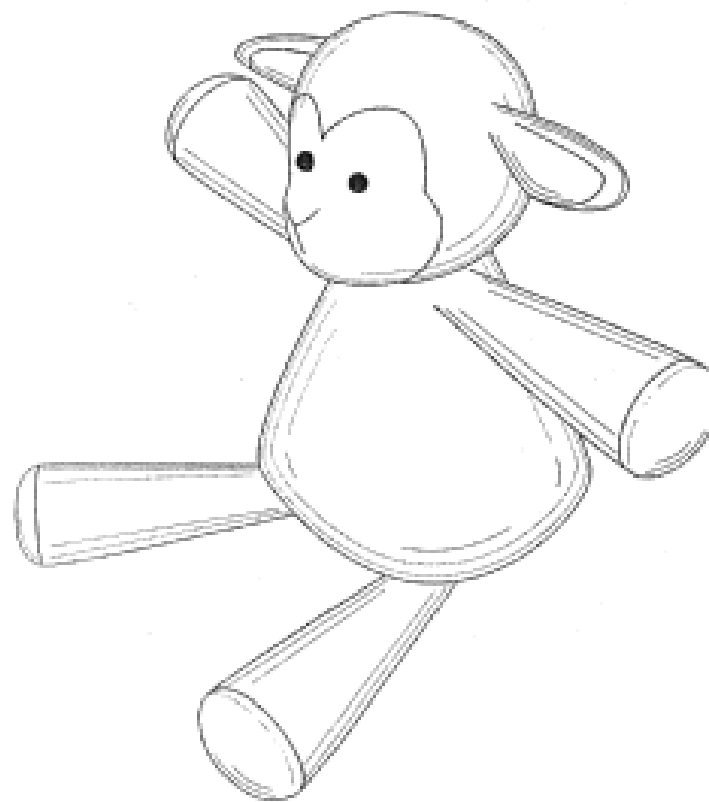
- (21) Design Number: **15123/2010**
(22) Date of Filing Application: **24 November 2010**
(24) Date from which industrial property rights may have effect: **24 November 2010**
(54) Product in respect of which the design is registered: **A display device**
(51) International Design Classification: **20-02E**
(71) Name(s) and Address(s) of Applicant(s):
Ian Craigie
18/84 Old Pittwater Road Brookvale New South Wales 2100 Australia
(72) Name(s) of Designer(s): **Ian Craigie**
(45) Registration Date: **07 February 2011**
(56) Related Art Documents: **Not Applicable**
(57) Statement of Newness and Distinctiveness: **The design is new and distinctive as it consists of a photo display device with a multiple panels and multiple frames to display multiple photos. No limitation is claimed for the number of panels that can be used in the display. No limitation is claimed for the number of frames that can be used in the display.**



(19) AU

- (21) Design Number: **10154/2011**
- (22) Date of Filing Application: **19 January 2011**
- (24) Date from which industrial property rights may have effect: **19 January 2011**
- (54) Product in respect of which the design is registered: **Toy animal**
- (51) International Design Classification: **21-01A**
- (71) Name(s) and Address(s) of Applicant(s):
Scentsy, Inc
3698 E Lanark Meridian Idaho 83642 United States of America
- (72) Name(s) of Designer(s): **Julianne Stewart**
- (45) Registration Date: **07 February 2011**
- (30) Convention priority data:

(31) Number	(32) Date	(33) Country
29/366,404	23 Jul 2010	UNITED STATES OF AMERICA
- (56) Related Art Documents: **Not Applicable**
- (57) Statement of Newness and Distinctiveness: **Visual features of the design which are new and distinctive are the features of shape and configuration of TOY ANIMAL as illustrated in the representations.**



(19) AU

- (21) Design Number: **10155/2011**
- (22) Date of Filing Application: **19 January 2011**
- (24) Date from which industrial property rights may have effect: **19 January 2011**
- (54) Product in respect of which the design is registered: **Toy animal**
- (51) International Design Classification: **21-01A**
- (71) Name(s) and Address(s) of Applicant(s):
Scentsy, Inc
3698 E Lanark Meridian Idaho 83642 United States of America
- (72) Name(s) of Designer(s): **Julianne Stewart**
- (45) Registration Date: **07 February 2011**
- (30) Convention priority data:

(31) Number	(32) Date	(33) Country
29/366,404	23 Jul 2010	UNITED STATES OF AMERICA
- (56) Related Art Documents: **Not Applicable**
- (57) Statement of Newness and Distinctiveness: **Visual features of the design which are new and distinctive are the features of shape and configuration of TOY ANIMAL as illustrated in the representations.**



(21) Design Number: **10156/2011**

(22) Date of Filing Application: **19 January 2011**

(24) Date from which industrial property rights may have effect: **19 January 2011**

(54) Product in respect of which the design is registered: **Toy animal**

(51) International Design Classification: **21-01A**

(71) Name(s) and Address(s) of Applicant(s):

Scentsy, Inc

3698 E Lanark Meridian Idaho 83642 United States of America

(72) Name(s) of Designer(s): **Julianne Stewart**

(45) Registration Date: **07 February 2011**

(30) Convention priority data:

(31) Number

(32) Date

(33) Country

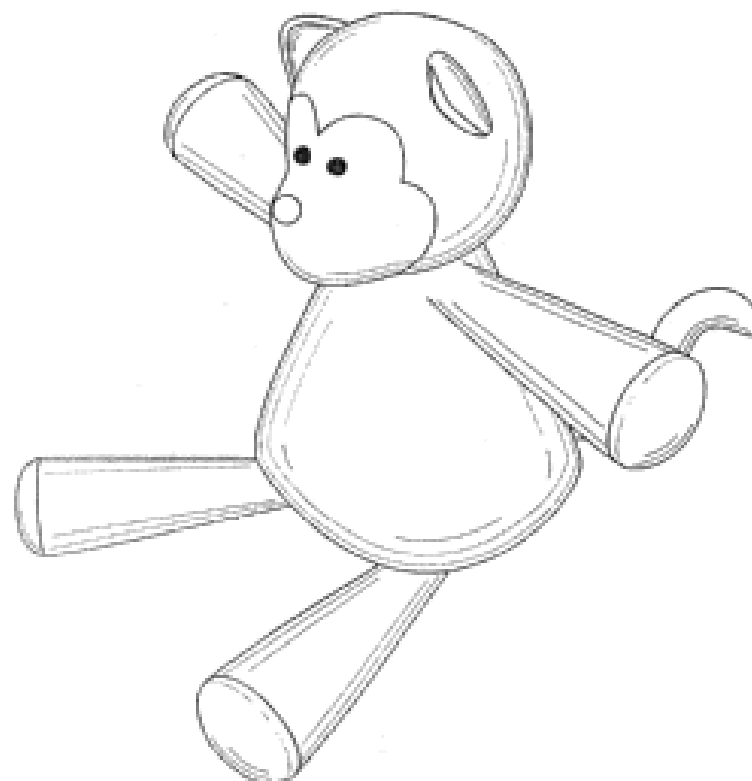
29/366,404

23 Jul 2010

UNITED STATES OF AMERICA

(56) Related Art Documents: **Not Applicable**

(57) Statement of Newness and Distinctiveness: **Visual features of the design which are new and distinctive are the features of shape and configuration of TOY ANIMAL as illustrated in the representations.**



(21) Design Number: **10079/2011**

(22) Date of Filing Application: **12 January 2011**

(24) Date from which industrial property rights may have effect: **12 January 2011**

(54) Product in respect of which the design is registered: **Car remote control for Holden Commodore VE & WM**

(51) International Design Classification: **12-16NES**

(71) Name(s) and Address(s) of Applicant(s):

Wieslaw Szczepan Niewiarowski

115 Paramatta Road Doubleview Western Australia 6018 Australia

Irena Barbara Niewiarowski

115 Paramatta Road Doubleview Western Australia 6018 Australia

(72) Name(s) of Designer(s): **Wieslaw Niewiarowski**

(45) Registration Date: **08 February 2011**

(56) Related Art Documents: **Not Applicable**

(57) Statement of Newness and Distinctiveness: **Uniquely shaped key pad made from flexible material like Silicone, to be press fit in hard shell of Commodore VE & WM remote control, replacing worn keypad and incorporating 3 round, elevated key buttons with engraved car function symbols and tactile single and double dots for thumb recognition.**



- (21) Design Number: **10086/2011**
(22) Date of Filing Application: **12 January 2011**
(24) Date from which industrial property rights may have effect: **12 January 2011**
(54) Product in respect of which the design is registered: **Loudspeaker**
(51) International Design Classification: **14-01**
(71) Name(s) and Address(s) of Applicant(s):

Bang & Olufsen a/s
Peter Bangs Vej 15 Postboks 40 DK-7600 Struer Denmark

(72) Name(s) of Designer(s): **Anders Hermansen**

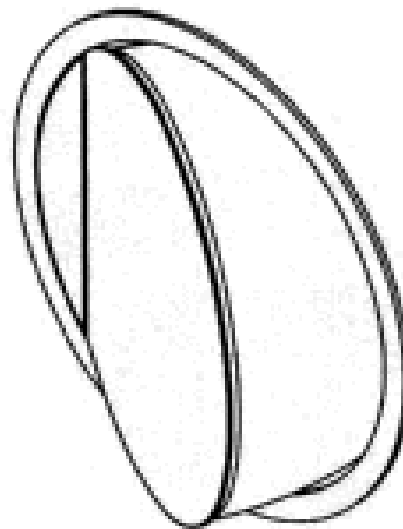
(45) Registration Date: **08 February 2011**

(30) Convention priority data:

(31) Number	(32) Date	(33) Country
DA 2010 00119	04 Aug 2010	DENMARK

(56) Related Art Documents: **Not Applicable**

(57) Statement of Newness and Distinctiveness: **Newness and distinctiveness resides in the visual features, including shape and configuration of a loudspeaker as shown in solid outline in the accompanying drawings. When determining whether the design is substantially similar in overall impression to another design, no regard is to be had to those features shown in dotted outline in the accompanying drawings, which features are provided for illustrative purposes only.**



- (21) Design Number: **10087/2011**
(22) Date of Filing Application: **12 January 2011**
(24) Date from which industrial property rights may have effect: **12 January 2011**
(54) Product in respect of which the design is registered: **Sterilizer**
(51) International Design Classification: **24-01**
(71) Name(s) and Address(s) of Applicant(s):

Koninklijke Philips Electronics N.V.
Groenewoudseweg 1 5621 BA Eindhoven The Netherlands

(72) Name(s) of Designer(s): **Marten Frans Elkerbout and Manfred Nitsch and Bart Johannes**

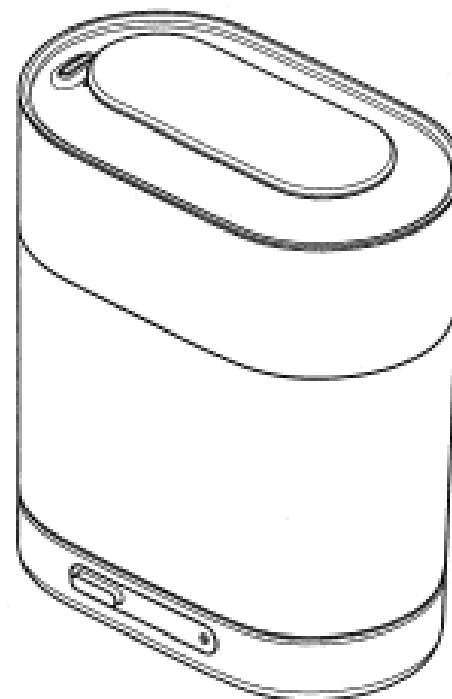
(45) Registration Date: **08 February 2011**

(30) Convention priority data:

(31) Number	(32) Date	(33) Country
001730755	13 Jul 2010	EUROPEAN COMMUNITY

(56) Related Art Documents: **Not Applicable**

(57) Statement of Newness and Distinctiveness: **Newness and distinctiveness reside in the features of shape and configuration of the design as shown in the representations.**



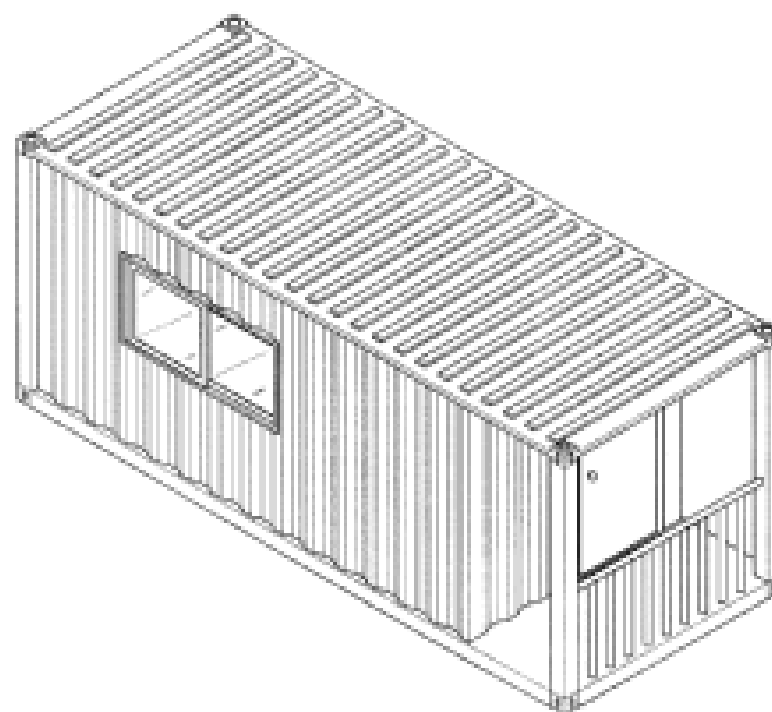
- (21) Design Number: **10089/2011**
(22) Date of Filing Application: **12 January 2011**
(24) Date from which industrial property rights may have effect: **12 January 2011**
(54) Product in respect of which the design is registered: **Air intake snorkel for a vehicle**
(51) International Design Classification: **12-16NES**
(71) Name(s) and Address(s) of Applicant(s):
Australian Performance Development Pty Ltd
73 Merrindale Drive South Croydon Victoria 3136 Australia
(72) Name(s) of Designer(s): **Peter Luxon and Manvir Randhawa**
(45) Registration Date: **08 February 2011**
(56) Related Art Documents: **Not Applicable**
(57) Statement of Newness and Distinctiveness: **Newness and distinctiveness is claimed in the features of shape and/or configuration of an air intake snorkel for a vehicle as illustrated in the accompanying representations.**



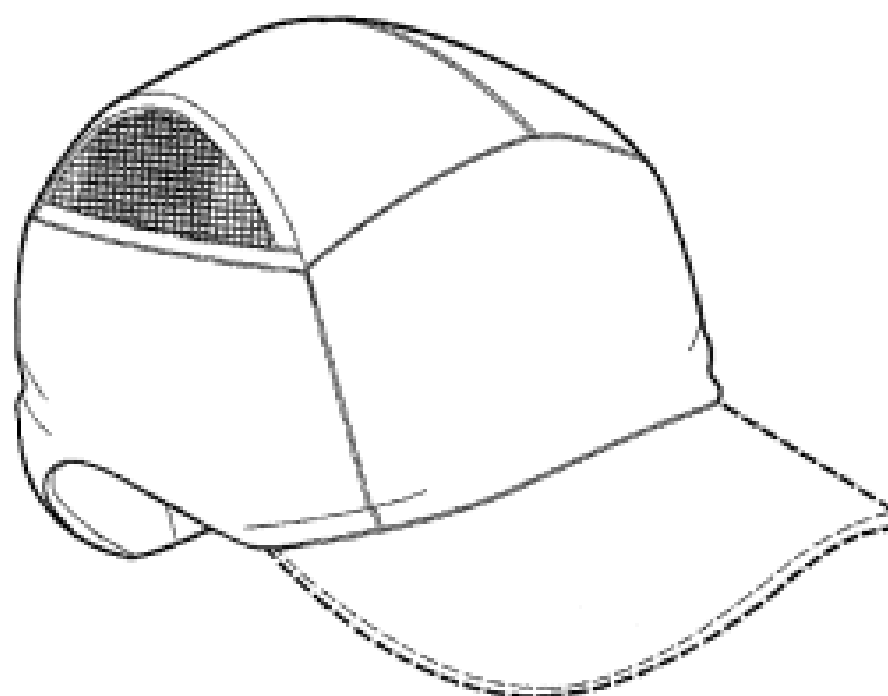
- (21) Design Number: **10090/2011**
(22) Date of Filing Application: **12 January 2011**
(24) Date from which industrial property rights may have effect: **12 January 2011**
(54) Product in respect of which the design is registered: **Protective helmet**
(51) International Design Classification: **02-03**
(71) Name(s) and Address(s) of Applicant(s):
Anton Pfanner
Schlossbergstrasse 15 6845 Hohenems Austria
(72) Name(s) of Designer(s): **Anton Pfanner and Martin Greber**
(45) Registration Date: **08 February 2011**
(30) Convention priority data:
(31) Number (32) Date (33) Country
001731167-0001 13 Jul 2010 EUROPEAN COMMUNITY
(56) Related Art Documents: **Not Applicable**
(57) Statement of Newness and Distinctiveness: **Nil**



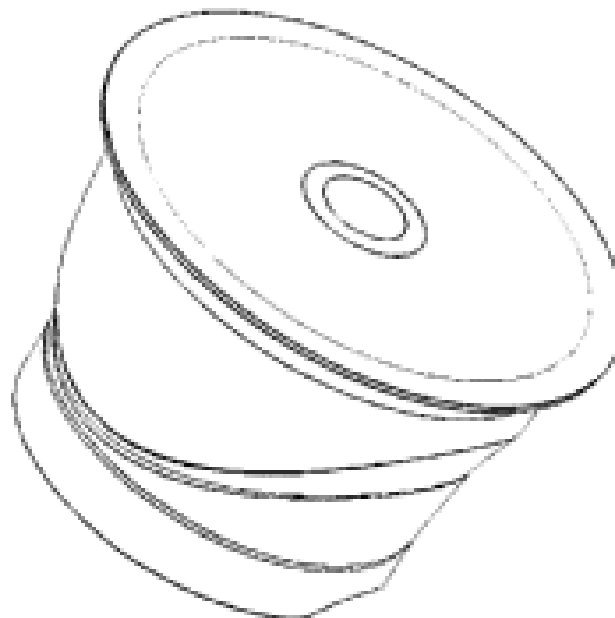
(21) Design Number: **14063/2010**
(22) Date of Filing Application: **15 September 2010**
(24) Date from which industrial property rights may have effect: **15 September 2010**
(54) Product in respect of which the design is registered: **Container for a residence**
(51) International Design Classification: **25-03**
(71) Name(s) and Address(s) of Applicant(s):
Ki-Sub Shin
203-403 Daewoo Apt. 535 Yatap-dong Bundang-gu Seongnam-si
Gyeonggi-do 463-926 Korea
(72) Name(s) of Designer(s): **Ki-Sub Shin**
(45) Registration Date: **08 February 2011**
(30) Convention priority data:
(31) Number (32) Date (33) Country
30-2010-0011428 16 Mar 2010 REPUBLIC OF KOREA
(56) Related Art Documents: **Not Applicable**
(57) Statement of Newness and Distinctiveness: **Novelty resides in the ornamental design for a container for a residence as shown in the drawings.**



(21) Design Number: **14746/2010**
(22) Date of Filing Application: **03 November 2010**
(24) Date from which industrial property rights may have effect: **03 November 2010**
(54) Product in respect of which the design is registered: **Protective helmet**
(51) International Design Classification: **02-03**
(71) Name(s) and Address(s) of Applicant(s):
Scott Health & Safety Ltd
Pimbo Road West Pimbo Skelmersdale Lancs WN8 9RA United Kingdom
(72) Name(s) of Designer(s): **Steven Thurgood and Christopher David Ellerby and Sally Leyland and Robert Carr**
(45) Registration Date: **08 February 2011**
(30) Convention priority data:
(31) Number (32) Date (33) Country
001213508 04 May 2010 EUROPEAN COMMUNITY
(56) Related Art Documents: **Not Applicable**
(57) Statement of Newness and Distinctiveness: **The features indicated in the representations by means of broken line do not form part of the design.**



(21) Design Number: **14771/2010**
(22) Date of Filing Application: **04 November 2010**
(24) Date from which industrial property rights may have effect: **04 November 2010**
(54) Product in respect of which the design is registered: **Capsule for a beverage preparing machine**
(51) International Design Classification: **07-02L**
(71) Name(s) and Address(s) of Applicant(s):
Brita GmbH
Heinrich-Hertz Strasse 4 65232 Taunusstein Germany
(72) Name(s) of Designer(s): **Thomas Milewski and Heiko Tullney**
(45) Registration Date: **08 February 2011**
(30) Convention priority data:
(31) Number (32) Date (33) Country
402010002779.5 19 May 2010 GERMANY
(56) Related Art Documents: **Not Applicable**
(57) Statement of Newness and Distinctiveness: **Nil**



(21) Design Number: **15049/2010**
(22) Date of Filing Application: **17 November 2010**
(24) Date from which industrial property rights may have effect: **17 November 2010**
(54) Product in respect of which the design is registered: **Toy-Rubber band boat**
PET
(51) International Design Classification: **21-01C, 21-01NES**
(71) Name(s) and Address(s) of Applicant(s):
Education Projects Pty Ltd
57 Bancroft Terrace Deception Bay Queensland 4508 Australia
(72) Name(s) of Designer(s): **Christopher Fowler**
(45) Registration Date: **08 February 2011**
(56) Related Art Documents: **Not Applicable**
(57) Statement of Newness and Distinctiveness: **The Rubber Band powered boat is constructed from a plastic soft drink container.**



(21) Design Number: **15170/2010**

(22) Date of Filing Application: **24 November 2010**

(24) Date from which industrial property rights may have effect: **24 November 2010**

(54) Product in respect of which the design is registered: **Bottle/drink can or cup holder**

(51) International Design Classification: **07-06A**

(71) Name(s) and Address(s) of Applicant(s):

Jose Gabriel Sanz

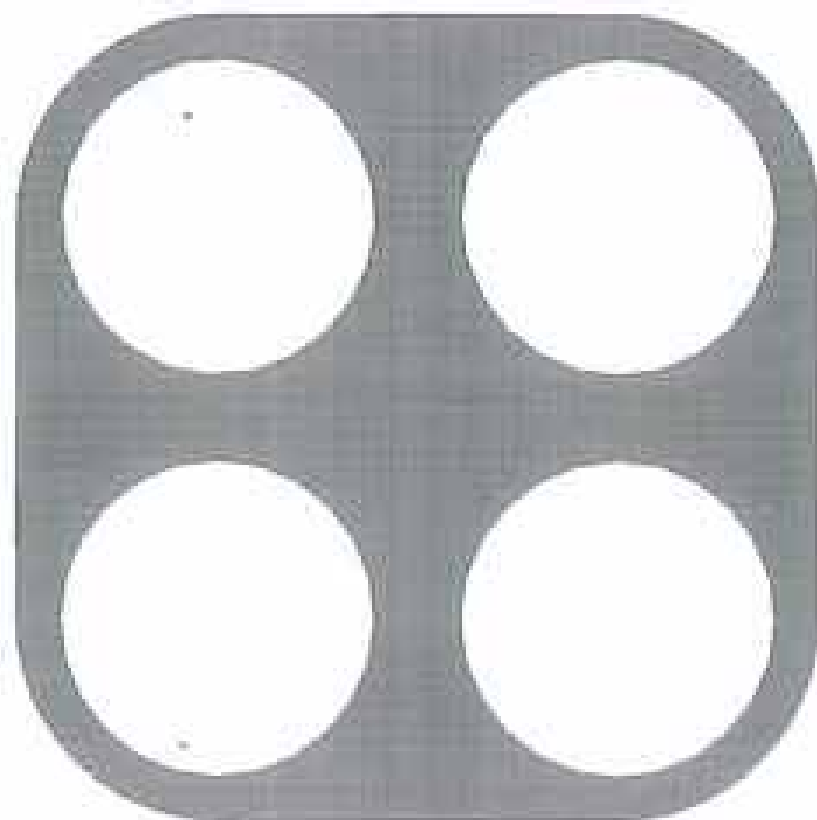
91 Oxford Street Cambridge Park New South Wales 2747 Australia

(72) Name(s) of Designer(s): **Jose Gabriel Sanz**

(45) Registration Date: **08 February 2011**

(56) Related Art Documents: **Not Applicable**

(57) Statement of Newness and Distinctiveness: **The can rack is designed to function both as a stadium or event vessel holder (or other venue including the home) of cups and drinks with large diameters or, with the addition of the flexible top layer with cuts in it (shown in figures), to allow vessels to pass through and have the ability to hold cans and bottles in the same capacity. It is the unique marriage of a soft top layer combined with a rigid bottom layer that makes it new and distinctive.**



(21) Design Number: **15317/2010**

(22) Date of Filing Application: **06 December 2010**

(24) Date from which industrial property rights may have effect: **06 December 2010**

(54) Product in respect of which the design is registered: **Sprayer shroud**

(51) International Design Classification: **09-07A**

(71) Name(s) and Address(s) of Applicant(s):

S.G. Johnson & Son, Inc.

1525 Howe Street Racine Wisconsin 53403#2236 United States of America

(72) Name(s) of Designer(s): **Jose de Jesus Castillo Higareda and Peter M. Neumann and Gary B. Swetish**

(45) Registration Date: **08 February 2011**

(30) Convention priority data:

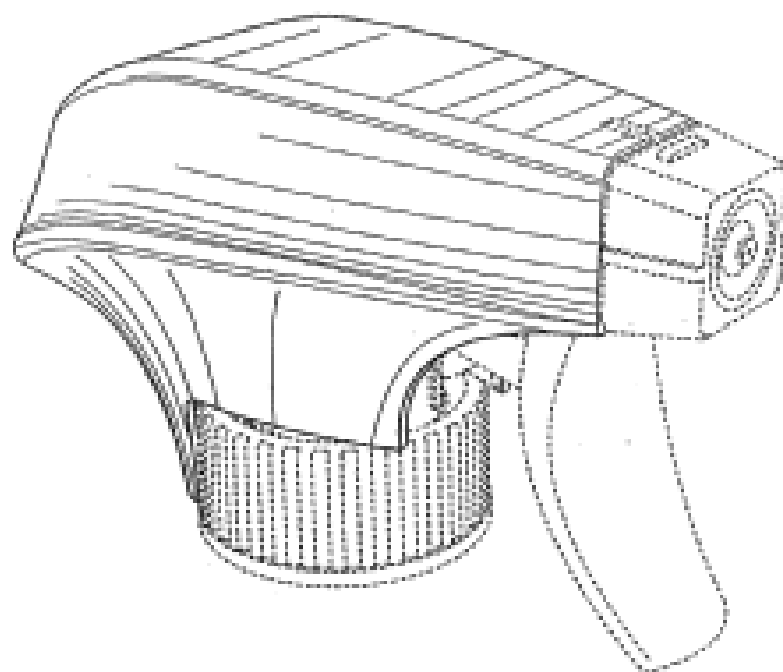
(31) Number
29/363355

(32) Date
08 Jun 2010

(33) Country
UNITED STATES OF AMERICA

(56) Related Art Documents: **Not Applicable**

(57) Statement of Newness and Distinctiveness: **Newness and distinctiveness is claimed in those features of shape and/or configuration of a sprayer shroud as illustrated in continuous lines in the accompanying representations.**



(21) Design Number: **15318/2010**
 (22) Date of Filing Application: **06 December 2010**
 (24) Date from which industrial property rights may have effect: **06 December 2010**
 (54) Product in respect of which the design is registered: **Sprayer shroud**
 (51) International Design Classification: **09-07A**
 (71) Name(s) and Address(s) of Applicant(s):

S.C. Johnson & Son, Inc.
1525 Howe Street Racine Wisconsin 53403-2236 United States of America

(72) Name(s) of Designer(s): **Jose de Jesus Castillo Higareda and Peter M. Neumann and Jacqueline V. Lepow**

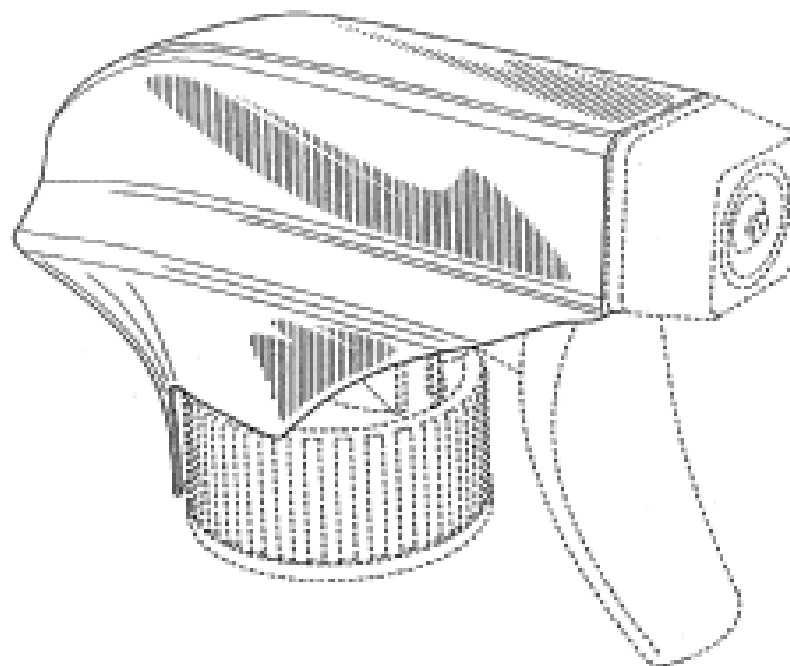
(45) Registration Date: **08 February 2011**

(30) Convention priority data:

(31) Number	(32) Date	(33) Country
29/363363	08 Jun 2010	UNITED STATES OF AMERICA

(56) Related Art Documents: **Not Applicable**

(57) Statement of Newness and Distinctiveness: **Newness and distinctiveness is claimed in those features of shape and/or configuration of a sprayer shroud as illustrated in continuous lines in the accompanying representations.**



(21) Design Number: **15416/2010**
 (22) Date of Filing Application: **10 December 2010**
 (24) Date from which industrial property rights may have effect: **10 December 2010**
 (54) Product in respect of which the design is registered: **Security screen device**
 (51) International Design Classification: **25-02C**
 (71) Name(s) and Address(s) of Applicant(s):

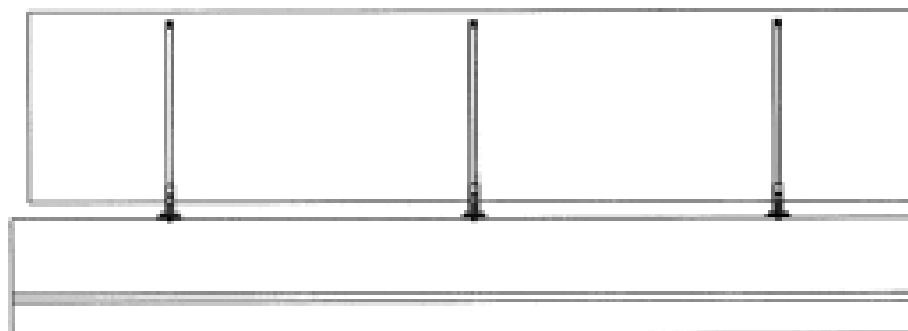
Boylan Nominees Pty Ltd
Suite 7 448 Pacific Highway Artarmon New South Wales 2064 Australia

(72) Name(s) of Designer(s): **Wayne Duckworth**

(45) Registration Date: **08 February 2011**

(56) Related Art Documents: **Not Applicable**

(57) Statement of Newness and Distinctiveness: **Nil**



(21) Design Number: **10035/2011**

(22) Date of Filing Application: **05 January 2011**

(24) Date from which industrial property rights may have effect: **05 January 2011**

(54) Product in respect of which the design is registered: **Television**

(51) International Design Classification: **14-03B**

(71) Name(s) and Address(s) of Applicant(s):

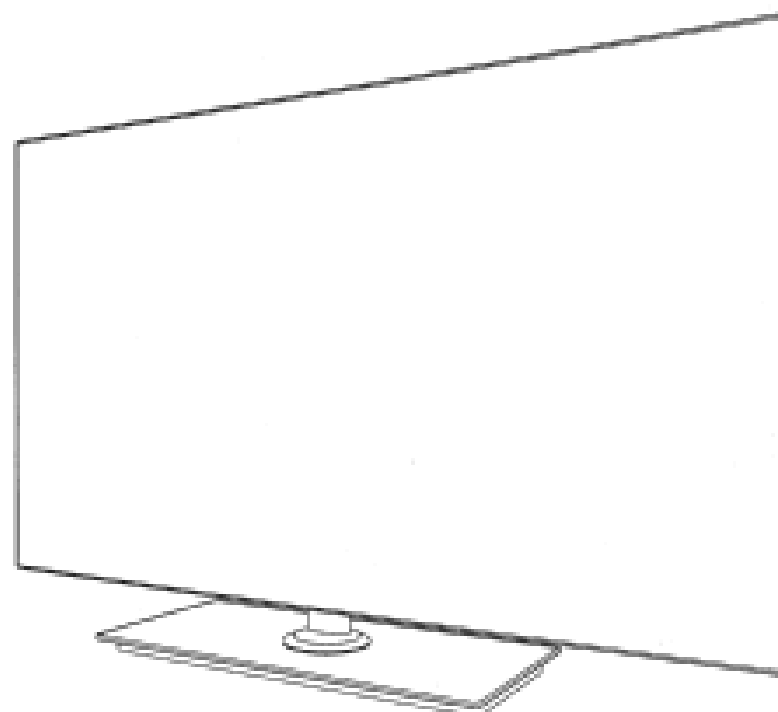
Hisense Electric Co., Ltd
218 Qian Wangang Road Qingdao Economic and Development Zone
Qingdao Shan Dong Province 266555 China

(72) Name(s) of Designer(s): **Wenming Zhang**

(45) Registration Date: **08 February 2011**

(56) Related Art Documents: **Not Applicable**

(57) Statement of Newness and Distinctiveness: **Nil**



perspective view

(21) Design Number: **10037/2011**

(22) Date of Filing Application: **04 January 2011**

(24) Date from which industrial property rights may have effect: **04 January 2011**

(54) Product in respect of which the design is registered: **Table wear adhesive device**

(51) International Design Classification: **07-99NES**

(71) Name(s) and Address(s) of Applicant(s):

Sarah Bell
1 Gibbs Court Diddillibah Queensland 4559 Australia

(72) Name(s) of Designer(s): **Sarah Jean Kathleen Bell**

(45) Registration Date: **08 February 2011**

(56) Related Art Documents: **Not Applicable**

(57) Statement of Newness and Distinctiveness: **Sticky plate consists of a number (more than one) of double-sided 'suckers' on a circular base.**



- (21) Design Number: **10100/2011**
(22) Date of Filing Application: **13 January 2011**
(24) Date from which industrial property rights may have effect: **13 January 2011**
(54) Product in respect of which the design is registered: **Animal tag**
(51) International Design Classification: **30-08**
(71) Name(s) and Address(s) of Applicant(s):

PTS Technologies Pte Ltd
Blk 2 Kaki Bukit Avenue 1 #04-05 Singapore 417938 Singapore

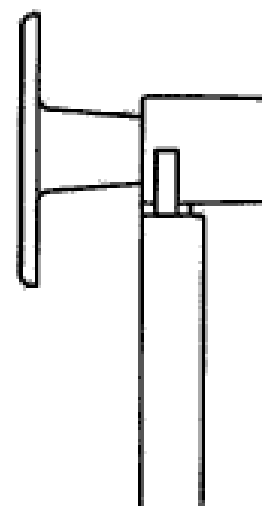
- (72) Name(s) of Designer(s): **Toon Liang Huang and Kim Huat Albert Loh**
(45) Registration Date: **08 February 2011**

- (30) Convention priority data:

(31) Number	(32) Date	(33) Country
001795022	17 Dec 2010	EUROPEAN COMMUNITY

- (56) Related Art Documents: **Not Applicable**

- (57) Statement of Newness and Distinctiveness: **Nil**



- (21) Design Number: **10102/2011**
(22) Date of Filing Application: **12 January 2011**
(24) Date from which industrial property rights may have effect: **12 January 2011**
(54) Product in respect of which the design is registered: **Fluid collection canister**
(51) International Design Classification: **24-01**
(71) Name(s) and Address(s) of Applicant(s):

KCI Licensing, Inc
8023 Vantage Drive San Antonio Texas 78230 United States of America

- (72) Name(s) of Designer(s): **Aldan Marcus Tout and Christopher Brian Locke and Benjamin A. Pratt**

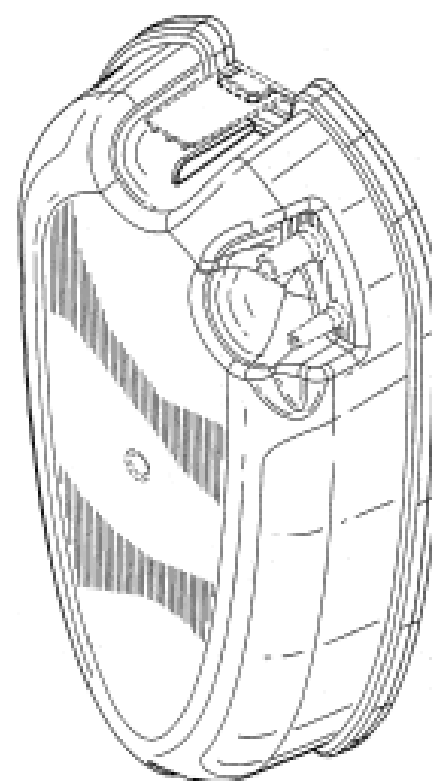
- (45) Registration Date: **08 February 2011**

- (30) Convention priority data:

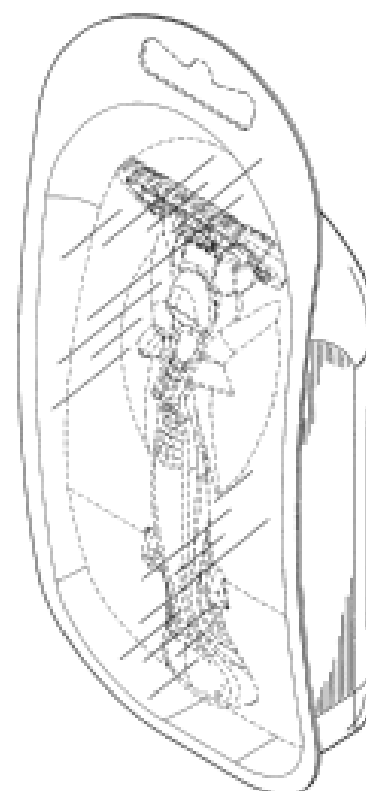
(31) Number	(32) Date	(33) Country
29/366,135	20 Jul 2010	UNITED STATES OF AMERICA

- (56) Related Art Documents: **Not Applicable**

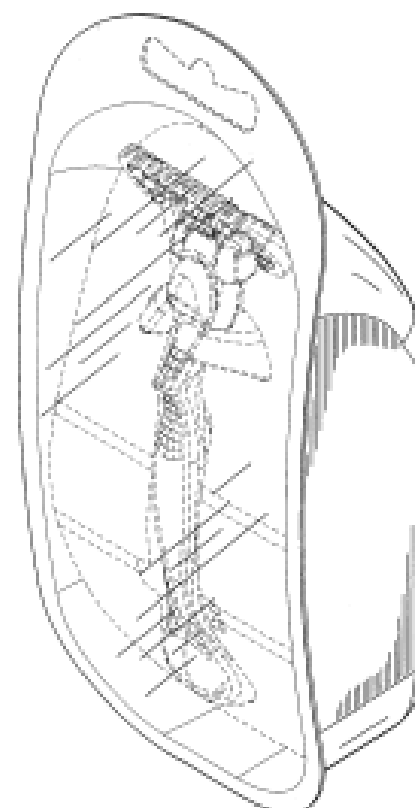
- (57) Statement of Newness and Distinctiveness: **The shape and configuration of those parts of the design shown by means of solid lines in the representations is/are new and distinctive.**



(21) Design Number: **10109/2011**
 (22) Date of Filing Application: **14 January 2011**
 (24) Date from which industrial property rights may have effect: **14 January 2011**
 (54) Product in respect of which the design is registered: **Razor Packaging**
 (51) International Design Classification: **28-03A**
 (71) Name(s) and Address(s) of Applicant(s):
The Gillette Company of America
Prudential Tower Building Boston Massachusetts 02199 United States of America
 (72) Name(s) of Designer(s): **Stanley Michael Marcinkowski and Richard Kevin Sennett**
 (45) Registration Date: **08 February 2011**
 (30) Convention priority data:
 (31) Number (32) Date (33) Country
29/366,364 23 Jul 2010 UNITED STATES OF AMERICA
 (56) Related Art Documents: **Not Applicable**
 (57) Statement of Newness and Distinctiveness: **Those features of the razor packaging depicted in the representations that are new and distinctive are the shape and/or configuration. The features shown in broken line are not part of the design and are to be disregarded when considering the overall impression of the design.**



(21) Design Number: **10110/2011**
 (22) Date of Filing Application: **14 January 2011**
 (24) Date from which industrial property rights may have effect: **14 January 2011**
 (54) Product in respect of which the design is registered: **Razor packaging**
 (51) International Design Classification: **28-03A**
 (71) Name(s) and Address(s) of Applicant(s):
The Gillette Company
Prudential Tower Building Boston Massachusetts 02199 United States of America
 (72) Name(s) of Designer(s): **Stanley Michael Marcinkowski and Richard Kevin Sennett**
 (45) Registration Date: **08 February 2011**
 (30) Convention priority data:
 (31) Number (32) Date (33) Country
29/366,364 23 Jul 2010 UNITED STATES OF AMERICA
 (56) Related Art Documents: **Not Applicable**
 (57) Statement of Newness and Distinctiveness: **Those features of the razor packaging depicted in the representations that are new and distinctive are the shape and/or configuration. The features shown in broken line are not part of the design and are to be disregarded when considering the overall impression of the design.**



(21) Design Number: **10111/2011**

(22) Date of Filing Application: **14 January 2011**

(24) Date from which industrial property rights may have effect: **14 January 2011**

(54) Product in respect of which the design is registered: **Foldable bicycle**

(51) International Design Classification: **12-11**

(71) Name(s) and Address(s) of Applicant(s):

Flip Innovations Pty Ltd
125 Cecil Street South Melbourne Victoria 3205 Australia

(72) Name(s) of Designer(s): **Matthew Golias and Michael Russell and Jon Seddon**

(45) Registration Date: **08 February 2011**

(56) Related Art Documents: **Not Applicable**

(57) Statement of Newness and Distinctiveness: **Newness and distinctiveness resides in the features of shape and/or configuration of foldable bicycle as shown in solid lines in the accompanying representations.**

