



Australian Government

IP Australia

AUSTRALIAN OFFICIAL JOURNAL

OF

DESIGNS

Did you know a searchable version of this journal is now available online?

It's FREE and EASY to SEARCH.

Find it on our website (www.ipaustralia.gov.au)

by using the "Journals" link on the home page.

This Page Left Intentionally Blank

Contents

General Information & Notices

**Proceedings Under the Designs Act 1906 preserved as a result of the provisions of Chapter 12
Part 2 of the Designs Act 2003**

Extension of Period of Registration of Designs	554
Extensions of Time Granted	554
Names Registered - Alterations and Amendments	554
Registrations Ceased	554
Subsequent Owners Registered	554

Proceedings Under the Designs Act 2003

Applications for Extension of Time Under Section 137	567
Applications Lapsed	566
Applications Lodged	558
Certificate of Examination	570
Extension of Period of Registration of Design	567
Extension of Time Granted Under Section 137	567
Licences Registered	568
Mortgages Registered	567
Names Registered - Alterations and Amendments	568
Publication and Registration Proceedings	
Designs Registered 335017 to 335261.....	571
Registrations Ceased	567
Subsequent Owners Registered	568

This Page Left Intentionally Blank

For information on the following please see our website www.ipaustralia.gov.au or contact our Customer Service Network on 1300651010

[Editorial enquiries](#)

[Contact information](#)

[Freedom of Information ACT](#)

[Professional Standards Board](#)

[Sales](#)

[Requests for Information under Section 194 \(c\)](#)

[Country Codes](#)

[Trade Mark and Designs Hearing Sessions](#)

[INID \(Internationally agreed Numbers for the Identification of Data\)](#)

“INID” NUMBERS in use on Australian Design Documents

“INID” is an acronym for “Internationally agreed Numbers for the Identification of Data”.

(10) Data concerning the registration/renewal

- (11) Serial number of the registration and/or number of the design document
- (12) Plain language designation of the kind of published document
- (19) Identification, using the two-letter code according to WIPO Standard ST.3, of the authority publishing or registering the industrial design

(20) Data concerning the application

- (21) Serial number of the application
- (22) Date of filing of the application
- (24) Date from which the industrial design right has effect

(30) Data relating to priority under the Paris Convention

- (31) Serial number assigned to the priority application
- (32) Date of filing of the priority application
- (33) Two-letter code, according to WIPO Standard ST.3, identifying the authority with which the priority application was made

(40) Date(s) of making information available to the public

- (45) Date of publication of the registered industrial design by printing or similar process, or making it available to the public by any other means

(50) Miscellaneous Information

- (51) International Classification for Industrial Designs (class and subclass of the Locarno Classification)
- (54) Designation of article(s) or product(s) covered by the industrial design or title of the industrial design
- (55) Reproduction of the industrial design (e.g., drawing, photograph) and explanations relating to the reproduction
- (56) List of prior art documents, if separate from descriptive text
- (57) Description of characteristic features of the industrial design including indication of colours

(60) References to other legally related application(s) and registration(s)

- (62) Serial number(s) and, if available, filing date(s) of application(s), registration(s) or document(s) related by division
- (66) Serial number(s) of the application, or the registration, of the design(s) which is (are) a variant(s) of the present one

(70) Identification of parties concerned with the application or registration

- (71) Name(s) and address(es) of the applicant(s)
- (72) Name(s) of the creator(s) if known to be such
- (74) Name(s) and address(es) of the representative(s)

This Page Left Intentionally Blank

Nil notices for this journal issue.

Proceedings under the Designs Act 1906 preserved as a result of the provisions of Chapter 12 Part 2 of the Designs Act 2003.

This Page Left Intentionally Blank

Applications Lapsed

There were no Applications Lapsed under this section

Extension of Period of Registration of Designs

1st Period (Section 27A(8))

2nd Period (Section 27A(12))

3rd Period (Section 27A(13))

140143	141427	141471
141550	141610	141721
141722	141725	142117
142118	142129	142315
142336	142595	143016
143154	143425	143474
143569	145709	146113

Registrations Ceased

Note: Some of the following Registrations may have been previously advertised as ceased. In this instance, the previous advertisement still prevails.

124583	124585	124591
124642	125619	125768
125891	127177	128755
128862	129684	138818
139806	139905	140193
140195	141166	141168
141924	141925	

Extensions of time granted

Applications lodged for extension of time have been granted.

138435 **Robert E. Montgomery** An An Extension of time to extend a registration has been granted to 08/12/2010

Subsequent Owners Registered

(The name in parentheses is that of the subsequent owner)

152200	(Aspen Pumps Limited) Aspen Oldco Limited
152260	(Aspen Pumps Limited) Aspen Oldco Limited
142092	(GSM Holdings Limited) Sales Express Pty Ltd

Names Registered - Alterations and Amendments

(The name in parentheses is the new name of the proprietor)

128574	(VIP Plastic Packaging Pty Ltd) Visy Industrial Plastics Pty Ltd
142092	(Sales Express Pty Ltd) Mistral International Pty Ltd
152200	(Aspen Oldco Limited) Aspen Pumps Limited
152260	(Aspen Oldco Limited) Aspen Pumps Limited

This Page Left Intentionally Blank

Proceedings under the Designs Act 2003.

This Page Left Intentionally Blank

Applications Lodged

Lodgement information is in the following order: **Applicant's Name**; International Classification, Name of Product, Lodgement Date and **Design Number**. If the applicant claims an earlier priority date under an International Convention, the Convention Country and the associated filing date are shown in parentheses before the Lodgement Date. Divisional information will also appear in parentheses before the Lodgement Date.

A. Richard Tools Co.;Outils A. Richard Co.; 08-05N, Corner sanding sponge, (CA, 30 Sep 2010) 09 Feb 2011	10388/2011	Bed Toppings; 06-13B, Bedding set for a child - single bed size fitted sheet, flat sheet, cover and pillow case design, 15 Feb 2011	10443/2011
Angel Playing Cards Co., Ltd.; 21-01K, Playing card, 14 Feb 2011	10438/2011	Bed Toppings; 06-13B, Beddings set for a child - single bed size fitted sheet, flat sheet, cover and pillow case design, 15 Feb 2011	10445/2011
Angel Playing Cards Co., Ltd.; 21-01K, Playing card, 14 Feb 2011	10434/2011	Bed Toppings; 06-13B, Bedding set for a child - single bed size fitted sheet, flat sheet, cover and pillow case design, 15 Feb 2011	10446/2011
Angel Playing Cards Co., Ltd.; 21-01K, Playing cards, 14 Feb 2011	10435/2011	Bed Toppings; 06-13B, Bedding set for a child - single bed size fitted sheet, flat sheet, cover and pillow case design, 15 Feb 2011	10444/2011
Angel Playing Cards Co., Ltd.; 21-01K, Playing cards, 14 Feb 2011	10436/2011	Bed Toppings; 06-13B, Bedding set for a child - single bed size fitted sheet, flat sheet, cover and pillow case design, 15 Feb 2011	10421/2011
Arlec Australia Pty Ltd; 10-03, A plug-in timer, 11 Feb 2011	10425/2011	Blank, Samuel; 07-01D, T-mug, 11 Feb 2011	10588/2011
Arlec Australia Pty Ltd; 10-03, A plug-in timer, 11 Feb 2011	10426/2011	Bose Corporation; 14-01, Earpiece, (US, 18 Aug 2010) 18 Feb 2011	10580/2011
Austin Engineering Ltd; 15-99, Article handling apparatus, 14 Feb 2011	10441/2011	Breville Pty Limited; 07-02L, Drip coffee filter, 18 Feb 2011	10378/2011
Australian Valve Group Pty Ltd; 23-01A, Connector pipe, 17 Feb 2011	10546/2011	British American Tobacco (Investments) Limited; 09-03A, Cigarette packaging component, (WO, 10 Aug 2010) 09 Feb 2011	10379/2011
Australian Valve Group Pty Ltd; 23-01A, Connector pipe, 17 Feb 2011	10501/2011	British American Tobacco (Investments) Limited; 09-03A, Cigarette packaging component, (WO, 10 Aug 2010) 09 Feb 2011	10455/2011
AAL Group Ltd; 25-01D, Panel, (EM, 24 Aug 2010) 22 Feb 2011	10637/2011	Cetinich, Renata;Edwards, Louise Cherilyn; 03-01A, Book bag, 14 Feb 2011	10385/2011
AAL Group Ltd; 25-01D, Panel, (EM, 24 Aug 2010) 22 Feb 2011	10638/2011	Chef'n Corporation; 07-02R, A handle, (US, 31 Aug 2010) 09 Feb 2011	10601/2011
AAL Group Ltd; 25-01D, Panel, (EM, 24 Aug 2010) 22 Feb 2011	10639/2011	Chung, Suny; 12-16A, Wheel, (US, 18 Nov 2010) 18 Feb 2011	10399/2011
AAL Group Ltd; 25-01D, Panel, (EM, 24 Aug 2010) 22 Feb 2011	10640/2011	Colebrook Bosson & Saunders (Products) Limited; 20-02NES, Display support, (EM, 11 Aug 2010) 10 Feb 2011	10575/2011
AAL Group Ltd; 25-01D, Panel, (EM, 24 Aug 2010) 22 Feb 2011	10641/2011	Colgar, Emel; 24-99, Physiotherapy band, 18 Feb 2011	10381/2011
AAL Group Ltd; 25-01D, Panel, (EM, 24 Aug 2010) 22 Feb 2011	10642/2011	Colour Me Clean Pty Ltd.; 09-01D, Product is a children's shampoo designed in the shape of a crayon - It has a pop up top, 10 Feb 2011	
AAL Group Ltd; 25-01D, Panel, (EM, 24 Aug 2010) 22 Feb 2011	10643/2011		
AAL Group Ltd; 25-01D, Panel, (EM, 24 Aug 2010) 22 Feb 2011	10636/2011		
Beba Enterprises Pty Ltd; 02-02C, Dress, 17 Aug 2010	10449/2011		

Crown Equipment Corporation; 12-05, Reach truck, (US, 10 Sep 2010) 15 Feb 2011	10483/2011	Discovery Group; 02-02NES, "Perfection" asymmetrical flutter sleeve chiffon gown, 16 Feb 2011	10568/2011
Culley, Timothy Breandan; 10-06, Internally illuminated pavement marker, 16 Feb 2011	10480/2011	Discovery Group; 02-02C, "Madonna" lace bustier dress, 16 Feb 2011	10569/2011
Dias Aluminium Products Pty. Ltd.; 08-08NES, Corner stake with slide-on cover, 11 Feb 2011	10603/2011	Discovery Group; 02-02C, "Re-Emerge" chiffon detail bustier dress, 16 Feb 2011	10570/2011
Dias Aluminium Products Pty. Ltd.; 08-08NES, Slide-on cover for corner stake, 11 Feb 2011	10506/2011	Discovery Group; 02-02NES, "Drama" strapless fishtail gown, 16 Feb 2011	10550/2011
Dias Aluminium Products Pty. Ltd.; 08-08NES, Corner stake, 14 Feb 2011	10548/2011	Discovery Group; 02-02NES, "Dramatize" cap sleeve fishtail gown, 16 Feb 2011	10551/2011
Dias Aluminium Products Pty. Ltd.; 08-08NES, Corner stake, 11 Feb 2011	10549/2011	Discovery Group; 02-02NES, "Sizzle" godet gown, 16 Feb 2011	10552/2011
Dias Aluminium Products Pty.Ltd.; 08-08NES, Corner stake with slide-on cover, 14 Feb 2011	10499/2011	Discovery Group; 02-02NES, "Faith" strapless chiffon gown, 16 Feb 2011	10553/2011
Dias Aluminium Products Pty.Ltd.; 08-08NES, Slide-on cover for corner stake, 14 Feb 2011	10500/2011	Discovery Group; 02-02C, "Rejuvenate" cowl neck dress, 16 Feb 2011	10554/2011
Discovery Group; 02-02C, "CONTACT" Tunic, 17 Feb 2011	10514/2011	Discovery Group; 02-02C, "Delicate" lace detail dress, 16 Feb 2011	10555/2011
Discovery Group; 02-02C, "Dancer" zipper detail dress, 16 Feb 2011	10563/2011	Discovery Group; 02-02NES, "Roman" drape 1 shoulder gown, 16 Feb 2011	10556/2011
Discovery Group; 02-02C, "Belina" asymmetrical chiffon cocktail dress, 16 Feb 2011	10564/2011	Discovery Group; 02-02NES, "Established" tuck front gown, 16 Feb 2011	10557/2011
Discovery Group; 02-02C, "Poisonous" strapless jumpsuit, 16 Feb 2011	10565/2011	Discovery Group; 02-02NES, "Opera" empire line gown, 16 Feb 2011	10558/2011
Discovery Group; 02-02NES, "Phantom" asymmetric cocktail gown, 16 Feb 2011	10566/2011	Discovery Group; 02-02NES, "Spotlight" 1 shoulder tuck gown, 16 Feb 2011	10559/2011
Discovery Group; 02-02NES, "Striking" strapless gown, 16 Feb 2011	10571/2011	Discovery Group; 02-02NES, "Fascinate" Swarovski embellished 1 shoulder gown, 16 Feb 2011	10560/2011
Discovery Group; 02-02C, "RESTRAINT" Zip detail tunic, 17 Feb 2011	10533/2011	Discovery Group; 02-02NES, "Drama Queen" asymmetric gown, 16 Feb 2011	10561/2011
Discovery Group; 02-02C, "DECAY" 1 shoulder dress, 17 Feb 2011	10534/2011	Discovery Group; 02-02NES, "Princess" wrap gown, 16 Feb 2011	10562/2011
Discovery Group; 02-02C, "DRAMATIC" 1 shoulder dress, 17 Feb 2011	10535/2011	Discovery Group; 02-02C, "FALLING" Flamingo dress, 17 Feb 2011	10515/2011
Discovery Group; 02-02C, "PSYCHOTIC" Cut out dress, 17 Feb 2011	10536/2011	Discovery Group; 02-02C, "SOCIETY" 1 shoulder dress, 17 Feb 2011	10623/2011
Discovery Group; 02-02C, "Showcase" cocktail dress, 16 Feb 2011	10567/2011		

Discovery Group; 02-02C, "EXODUS" Sleeve detail tunic, 17 Feb 2011	10624/2011	Discovery Group; 02-02C, "COLLAPSE" Frill front dress, 17 Feb 2011	10617/2011
Discovery Group; 02-02C, "FLUID" Wrap front dress, 17 Feb 2011	10625/2011	Discovery Group; 02-02NES, "EASTERN" Kimino detail top, 17 Feb 2011	10618/2011
Discovery Group; 02-02C, "HAMILTON" Drape tunic, 17 Feb 2011	10626/2011	Discovery Group; 02-02C, "UNDRESS" Wrap dress, 17 Feb 2011	10619/2011
Discovery Group; 02-02C, "STARLET" Rouche front dress, 17 Feb 2011	10627/2011	Discovery Group; 02-02C, "EXPERIENCE" Empire dress, 17 Feb 2011	10620/2011
Discovery Group; 02-02C, "NOVELTY" Rouche front dress, 17 Feb 2011	10628/2011	Discovery Group; 02-02C, "SENSUAL" Drape dress, 17 Feb 2011	10621/2011
Discovery Group; 02-02C, "LOOKING UP" Rouche front dress, 17 Feb 2011	10629/2011	Discovery Group; 02-02C, "UNDRESS" Wrap dress, 17 Feb 2011	10622/2011
Discovery Group; 02-02C, "REALITY" drape tunic, 17 Feb 2011	10630/2011	Discovery Group; 02-02C, "PRESTIGE" Panel dress, 17 Feb 2011	10517/2011
Discovery Group; 02-02C, "BONANZA" Ponte bodysuit, 17 Feb 2011	10516/2011	Discovery Group; 02-02C, "SMILE" Zip front dress, 17 Feb 2011	10518/2011
Discovery Group; 02-02C, "REFLECT" Faux wrap dress, 17 Feb 2011	10606/2011	Discovery Group; 02-02C, 02-02NES, "COMPANY" Tie front kaftan, 17 Feb 2011	10519/2011
Discovery Group; 02-02C, "TWILIGHT" Pom Pom detail tunic, 17 Feb 2011	10607/2011	Discovery Group; 02-02C, "TRUTH" Asym neck dress, 17 Feb 2011	10520/2011
Discovery Group; 02-02C, "ICONIC" Rouche detail dress, 17 Feb 2011	10608/2011	Discovery Group; 02-02C, "CONFESS" Halter neck dress, 17 Feb 2011	10521/2011
Discovery Group; 02-02C, "SATIN" Ruche sleeve tunic, 17 Feb 2011	10609/2011	Discovery Group; 02-02C, "LABRATORY" Halter neck jumpsuit, 17 Feb 2011	10522/2011
Discovery Group; 02-02C, "PROM" Cowl neck dress, 17 Feb 2011	10610/2011	Discovery Group; 02-02C, "LUST" Longline skirt, 17 Feb 2011	10508/2011
Discovery Group; 02-02C, "ARTIFICIAL" Tie front dress, 17 Feb 2011	10611/2011	Discovery Group; 02-02C, "CRUSH" Twist neck tunic, 17 Feb 2011	10509/2011
Discovery Group; 02-02C, "BE SEEN" Tie front tunic, 17 Feb 2011	10612/2011	Discovery Group; 02-02C, "IN CONTEXT" Twist front tunic, 17 Feb 2011	10510/2011
Discovery Group; 02-02C, "SERENITY" Ruche dress, 17 Feb 2011	10613/2011	Discovery Group; 02-02C, "BULLETPROOF" Turtleneck tunic, 17 Feb 2011	10511/2011
Discovery Group; 02-02C, "HERITAGE" Empire dress, 17 Feb 2011	10614/2011	Discovery Group; 02-02C, "HAMILTON" Drape tunic, 17 Feb 2011	10512/2011
Discovery Group; 02-02NES, "CHALK" Wrap top, 17 Feb 2011	10615/2011	Discovery Group; 02-02C, "DANCEHALL" Wrap dress, 17 Feb 2011	10513/2011
Discovery Group; 02-02C, "PUCCI" Panel detail tunic, 17 Feb 2011	10616/2011		

Discovery Group; 02-02C, "CONFIDE" Flutter sleeve dress, 17 Feb 2011	10523/2011	Free Energy Drink Australia Pty. Ltd.; 09-03NES, Duo pack packaging, 22 Feb 2011	10655/2011
Discovery Group; 02-02C, "DNA" Zip front tunic, 17 Feb 2011	10524/2011	Gasflues Pty Ltd; 23-03B, Gas flue elbow assembly having a condensation trap, 21 Feb 2011	10578/2011
Discovery Group; 02-02C, "ENEMY" Tuck front dress, 17 Feb 2011	10525/2011	Gasflues Pty Ltd; 23-03B, Gas flue elbow having a condensation trap, 21 Feb 2011	10579/2011
Discovery Group; 02-02C, "FOOL" Panel dress, 17 Feb 2011	10526/2011	Grant Products International, Inc.; 12-16A, Steering wheel for a marine vehicle, (US, 18 Aug 2010) 18 Feb 2011	10585/2011
Discovery Group; 02-02C, "LEVEL" Drape dress, 17 Feb 2011	10527/2011	Groupe Adeo S.A.; 26-03, Solar lighting unit, (EM, 22 Dec 2010) 18 Feb 2011	10574/2011
Discovery Group; 02-02C, "FLY" Kimono sleeve tunic, 17 Feb 2011	10528/2011	Groupe Adeo S.A.; 26-03, Solar lighting unit, (EM, 22 Dec 2010) 18 Feb 2011	10573/2011
Discovery Group; 02-02C, "FREAKSHOW" Long halter dress, 17 Feb 2011	10529/2011	Gutter-Vac Pty Ltd; 04-99, The Ballantyne TBar new model, 14 Feb 2011	10422/2011
Discovery Group; 02-02C, "FANATICAL" Strapless dress, 17 Feb 2011	10530/2011	Gutter-Vac Pty Ltd; 04-99, The Ballantyne Super TBar new model, 14 Feb 2011	10423/2011
Discovery Group; 02-02C, "SIREN" Wrap dress, 17 Feb 2011	10531/2011	GS Fitouts Pty Limited; 08-08N, Shelf bracket, 16 Feb 2011	10502/2011
Discovery Group; 02-02C, "DIGITAL LOVE" Empire dress, 17 Feb 2011	10532/2011	Hames, Katharine; Troy, Darius; 02-04C, Socks with thick sheep wool lining - named Bed Uggs, 08 Feb 2011	10424/2011
Discovery Group; 02-02C, "CHEEKY" Empire line tunic, 17 Feb 2011	10507/2011	Happinet Corpation; WiZ Co., Ltd; 03-01NES, Coin bank (Locarno Classification:03-01), 14 Feb 2011	10459/2011
Edwards, Louise Cherilyn; Cetinich, Renata; 03-01A, Book bag, 14 Feb 2011	10455/2011	Havenga, Victor Lionel Snr; Havenga, Leonie; Havenga, Victor Lionel Jr; 12-16L, A coupling adaptor, (ZA, 09 Sep 2010) 14 Feb 2011	10453/2011
Embelton Industries Pty Ltd; 99-00, Isolator, 22 Feb 2011	10663/2011	Havenga, Victor Lionel Jr; Havenga, Leonie; Havenga, Victor Lionel Snr; 12-16L, A coupling adaptor, (ZA, 09 Sep 2010) 14 Feb 2011	10453/2011
Emile Henry; 07-01A, Pizza plate, (EM, 21 Jan 2011) 18 Feb 2011	10581/2011	Havenga, Victor Lionel Snr; Havenga, Leonie; Havenga, Victor Lionel Jr; 12-16L, A release mechanism, (ZA, 24 Aug 2010) 14 Feb 2011	10454/2011
Erskine-Smith, Craig Mathew; 24-04, A dental hygiene item, 11 Feb 2011	10439/2011	Havenga, Victor Lionel Snr; Havenga, Leonie; Havenga, Victor Lionel Jr; 12-16L, A release mechanism, (ZA, 24 Aug 2010) 14 Feb 2011	10454/2011
Eveready Battery Company, Inc.; 13-02, Charger, (US, 17 Aug 2010) 10 Feb 2011	10416/2011	Havenga, Victor Lionel Snr; Havenga, Leonie; Havenga, Victor Lionel Jr; 12-16L, A coupling adaptor, (ZA, 09 Sep 2010) 14 Feb 2011	10453/2011
ED Oates Pty Ltd; 04-02, Toilet brush with holder, 22 Feb 2011	10656/2011	Havenga, Victor Lionel Snr; Havenga, Leonie; Havenga, Victor Lionel Jr; 12-16L, A release mechanism, (ZA, 24 Aug 2010) 14 Feb 2011	10454/2011
ED Oates Pty Ltd; 04-02, Toilet brush, 22 Feb 2011	10657/2011	Havenga, Victor Lionel Snr; Havenga, Leonie; Havenga, Victor Lionel Jr; 12-16L, A release mechanism, (ZA, 24 Aug 2010) 14 Feb 2011	10454/2011
Faber-Castell Aktiengesellschaft; 19-06, Writing/drawing implement, (WO, 04 Nov 2010) 16 Feb 2011	10496/2011	Havenga, Victor Lionel Snr; Havenga, Leonie; Havenga, Victor Lionel Jr; 12-16L, A coupling adaptor, (ZA, 09 Sep 2010) 14 Feb 2011	10453/2011
Faber-Castell Aktiengesellschaft; 19-06, Writing/drawing implement, (WO, 04 Nov 2010) 16 Feb 2011	10497/2011		
Famdenz Pty Ltd; 25-02A, A post, 18 Feb 2011	10590/2011		

Havenga, Leonie;Havenga, Victor Lionel Snr;Havenga, Victor Lionel Jr; 12-16L, A coupler, (ZA, 24 Aug 2010) 14 Feb 2011	10452/2011	JAG Poly Pty. Ltd.; 23-01G, Poly suction strainer pot with toggle eye bolt UD retainers, 17 Feb 2011	10484/2011
Havenga, Victor Lionel Snr;Havenga, Leonie;Havenga, Victor Lionel Jr; 12-16L, A coupler, (ZA, 24 Aug 2010) 14 Feb 2011	10452/2011	Kabushiki Kaisha Toshiba;Toshiba Home Appliances Corporation; 15-05, Vacuum cleaner head, (JP, 26 Aug 2010) 14 Feb 2011	10471/2011
Havenga, Victor Lionel Jr;Havenga, Leonie;Havenga, Victor Lionel Snr; 12-16L, A coupler, (ZA, 24 Aug 2010) 14 Feb 2011	10452/2011	Kabushiki Kaisha Toshiba, also trading as Toshiba Corporation; 14-03B, A television receiver, (JP, 29 Nov 2010) 14 Jan 2011	10537/2011
Havenga, Leonie;Havenga, Victor Lionel Snr;Havenga, Victor Lionel Jr; 12-16L, A combination buffer-coupler device, (ZA, 24 Aug 2010) 14 Feb 2011	10451/2011	Kabushiki Kaisha Toshiba, also trading as Toshiba Corporation; 14-03B, A television receiver, (JP, 29 Nov 2010) 14 Jan 2011	10538/2011
Havenga, Victor Lionel Snr;Havenga, Leonie;Havenga, Victor Lionel Jr; 12-16L, A combination buffer-coupler device, (ZA, 24 Aug 2010) 14 Feb 2011	10451/2011	Kimberly-Clark Worldwide, Inc.; 23-02A, Wet wip dispenser, (US, 30 Aug 2010) 16 Feb 2011	10487/2011
Havenga, Victor Lionel Jr;Havenga, Leonie;Havenga, Victor Lionel Snr; 12-16L, A combination buffer-coupler device, (ZA, 24 Aug 2010) 14 Feb 2011	10451/2011	Kirkness, Neil William; 99-00, Box formwork modules, 22 Feb 2011	10654/2011
Henry, Emile; 07-02N, Pie dish, (EM, 21 Jan 2011) 18 Feb 2011	10589/2011	Koninklijke Philips Electronics N.V.; 15-05, Vacuum cleaner, (EM, 30 Aug 2010) 21 Feb 2011	10593/2011
Holster Fashion Pty Ltd; 02-04B, A sole, 10 Feb 2011	10395/2011	Koninklijke Philips Electronics N.V.; 26-03, Luminaire for road lighting, (EP, 27 Aug 2010) 18 Feb 2011	10584/2011
Holster Fashion Pty Ltd; 02-04NES, An upper for footwear, 10 Feb 2011	10396/2011	Koninklijke Philips Electronics N.V.; 28-03A, Electric shaver, (EM, 24 Aug 2010) 21 Feb 2011	10592/2011
Holster Fashion Pty Ltd; 02-04NES, An upper for footwear, 10 Feb 2011	10397/2011	KTM-Sportmotorcycle AG; 12-11, Motorcycle, 17 Feb 2011	10539/2011
Holster Fashion Pty Ltd; 02-04NES, An upper for footwear, 10 Feb 2011	10398/2011	Laerdal Medical AS; 24-99, Card with symbol/icon, (WO, 01 Jul 2010) 22 Dec 2010	10389/2011
Honda Motor Co., Ltd.; 12-11, Rear cover for motor scooter, (JP, 23 Aug 2010) 21 Feb 2011	10596/2011	Laerdal Medical AS; 24-99, Card with symbol/icon, (WO, 01 Jul 2010) 22 Dec 2010	10390/2011
Honda Motor Co., Ltd.; 12-11, Front top cover for motor scooter, (JP, 23 Aug 2010) 21 Feb 2011	10597/2011	Laerdal Medical AS; 24-99, Card with symbol/icon, (WO, 01 Jul 2010) 22 Dec 2010	10391/2011
Honda Motor Co., Ltd.; 12-11, Motor scooter, (JP, 23 Aug 2010) 21 Feb 2011	10598/2011	Lessing, Stefanus Christian; 11-05, Flag, 17 Feb 2011	10653/2011
Hydrokleen International Pty Ltd; 23-01F, Hydrokleen water collection unit, 14 Feb 2011	10440/2011	Lessing, Stefanus Christian; 11-05, Flag, 22 Feb 2011	10599/2011
InDepth Pty Ltd; 14-03A, Mobile phone case, 10 Feb 2011	10392/2011	Lessing, Stefanus Christian; 11-05, Flag, 16 Feb 2011	10547/2011
Isuzu Motors Limited; 12-08, Truck, 15 Feb 2011	10482/2011	Lob-ster, Inc.; 21-02NES, Ball throwing machine, (US, 24 Aug 2010) 22 Feb 2011	10658/2011
Isuzu Motors Limited; 12-08, Truck, 15 Feb 2011	10481/2011	Marrone, David; 09-03M, Gift box of a bulbous shape, referred to as a bulbous gift box, 18 Feb 2011	10503/2011
		McDonald, Stephen; 03-01A, Town name bags, 18 Feb 2011	10591/2011

Method Products, Inc.; 09-01NES, Bottle, (US, 15 Sep 2010) 16 Feb 2011	10505/2011	Panasonic Corporation; 15-05, Drum for a washing machine, (JP, 02 Sep 2010) 10 Feb 2011	10402/2011
Michelin Recherche et Technique SA;Societe De Technologie Michelin; 12-16A, Wheel, (US, 31 Aug 2010) 21 Feb 2011	10576/2011	Panasonic Corporation; 15-05, Drum for a washing machine, (JP, 02 Sep 2010) 10 Feb 2011	10403/2011
Michelin Recherche et Technique SA;Societe De Technologie Michelin; 12-16A, Wheel centre, (US, 31 Aug 2010) 21 Feb 2011	10577/2011	Pental Products Pty Ltd; 21-01A, Teddy bear soft toy, 09 Feb 2011	10380/2011
Michelin Recherche et Technique SA;Societe De Technologie Michelin; 12-15B, Tyre tread, (US, 31 Aug 2010) 17 Feb 2011	10488/2011	Private Brand Tools (Australia) Pty Ltd; 08-05F, A sealing clamp, 18 Feb 2011	10586/2011
Michelin Recherche et Technique SA;Societe De Technologie Michelin; 12-15B, Tyre tread, (US, 31 Aug 2010) 17 Feb 2011	10489/2011	Private Brand Tools (Australia) Pty Ltd; 08-05F, A sealing clamp, 18 Feb 2011	10587/2011
Multisteps Pty Ltd; 09-04, A crate, 14 Feb 2011	10448/2011	Queensland Police Service; 24-01, Trace DNA tapelift, 21 Feb 2011	10604/2011
Multisteps Pty Ltd; 09-04, A crate, 14 Feb 2011	10447/2011	Queensland Police Service; 24-01, Trace DNA tapelift kit, 21 Feb 2011	10605/2011
Naviron Kft.; 09-01D, Soft drink bottle, (EM, 17 Sep 2010) 17 Feb 2011	10545/2011	Read, Sabina Victoria; 21-01NES, Baby bar - Child mobile toy dangler fittable to baby car seats, 23 Feb 2011	10667/2011
Neethling, Hugo; 10-04, Square, (ZA, 13 Aug 2010) 11 Feb 2011	10433/2011	Reckitt Benckiser LLC; 28-99, Air sanitizing device, (EM, 19 Aug 2010) 14 Feb 2011	10442/2011
Nipro Corporation; 24-01, Blood reservoir with oxygenator, (JP, 17 Aug 2010) 11 Feb 2011	10427/2011	Reckitt Benckiser LLC; 09-01A, Dispenser with refill unit, (EM, 17 Aug 2010) 16 Feb 2011	10490/2011
Nipro Corporation; 24-01, Oxygenator, (JP, 17 Aug 2010) 11 Feb 2011	10428/2011	Reckitt Benckiser LLC; 09-01A, Refill unit for dispenser, (EM, 17 Aug 2010) 16 Feb 2011	10491/2011
Nu-Poly; 30-03, Collapsible feeding cover frame and roof, 14 Feb 2011	10595/2011	Reckitt Benckiser LLC; 09-01A, Dispenser with refill unit, (EM, 17 Aug 2010) 16 Feb 2011	10492/2011
Nu-Poly; 30-03, Collapsible feeding cover frame and roof, 14 Feb 2011	10602/2011	Reckitt Benckiser LLC; 09-01A, Dispenser, (EM, 17 Aug 2010) 16 Feb 2011	10494/2011
Odell, James; 16-06, Sunglasses, 15 Feb 2011	10457/2011	Reckitt Benckiser LLC; 09-01A, Dispenser with refill unit, (EM, 17 Aug 2010) 16 Feb 2011	10495/2011
Odell, James; 16-06, Sunglasses, 15 Feb 2011	10456/2011	Reckitt Benckiser LLC; 09-01A, Dispenser, (EM, 17 Aug 2010) 16 Feb 2011	10493/2011
Oticon A/S; 24-99, Hearing aid, (EM, 24 Aug 2010) 14 Feb 2011	10470/2011	Removerite Incorporated; 08-08B, Screw with elongate head, 10 Feb 2011	10393/2011
Outils A. Richard Co.;A. Richard Tools Co.; 08-05N, Corner sanding sponge, (CA, 30 Sep 2010) 09 Feb 2011	10388/2011	Removerite Incorporated; 08-08B, Screw with elongate head, 10 Feb 2011	10394/2011
Panasonic Corporation; 15-05, Drum for a washing machine, (JP, 02 Sep 2010) 10 Feb 2011	10401/2011	Research In Motion Limited; 14-02, , (US, 11 Aug 2010) 10 Feb 2011	10400/2011
		Rida Corp Pty Ltd; 99-00, An elephant, 11 Feb 2011	10458/2011
		Rida Corp Pty Ltd as Trustee for Rida Trust; 99-00, A garment, 16 Feb 2011	10498/2011

Ruslyn Holdings Pty Ltd; 08-99, Ruslyn pack reel, 08 Feb 2011	10382/2011	Soremartec S.A.; 01-01, Confectionery, (WO, 23 Aug 2010) 17 Feb 2011	10540/2011
RFM AG Pty Ltd; 15-03A, A coultter disc, 18 Feb 2011	10582/2011	Stanley Works Israel Ltd., The; 03-01D, Container assembly, (US, 12 Aug 2010) 10 Feb 2011	10406/2011
RFM AG Pty Ltd; 15-03A, An assembly for use in mounting a tyne to a frame., 18 Feb 2011	10583/2011	Stanley Works Israel Ltd., The; 08-99, Sawhorse, (US, 12 Aug 2010) 10 Feb 2011	10407/2011
S.C. Johnson & Son, Inc.; 09-01NES, Container and cap, (EM, 12 Aug 2010) 11 Feb 2011	10432/2011	Stanley Works Israel Ltd., The; 08-99, A sawhorse, (US, 12 Aug 2010) 10 Feb 2011	10408/2011
S.C. Johnson & Son, Inc.; 24-99, Container and cap, (EM, 12 Aug 2010) 11 Feb 2011	10429/2011	SCA Hygiene Products AB; 24-04, Sanitary napkin (without wings), (EM, 26 Aug 2010) 13 Dec 2010	10486/2011
S.C. Johnson & Son, Inc.; 09-01NES, Container and cap, (EM, 12 Aug 2010) 11 Feb 2011	10430/2011	STABILA Messgerate Gustav Ullrich GmbH; 10-04, Level with asymmetric profile, 15 Feb 2011	10460/2011
S.C. Johnson & Son, Inc.; 09-01NES, Container and cap, (EM, 12 Aug 2010) 11 Feb 2011	10431/2011	Tech Engineering NSW Pty Ltd; 99-00, Steel cast in box, 10 Feb 2011	10404/2011
Santman, Gerrit Dinand;Vissers, Cornelis Gerardus Johannes; 21-01NES, Game, (EM, 13 Sep 2010) 16 Feb 2011	10504/2011	Techtronic Power Tools Technology Limited; 08-01, Mattock, (US, 11 Aug 2010) 10 Feb 2011	10420/2011
Sharp Kabushiki Kaisha; 14-02, Trim for multiscreen display, (JP, 01 Oct 2010) 22 Feb 2011	10665/2011	Techtronic Power Tools Technology Limited; 08-01, Mattock head, (US, 11 Aug 2010) 10 Feb 2011	10417/2011
Sharp Kabushiki Kaisha; 16-06, 3D glasses, (JP, 02 Nov 2010) 22 Feb 2011	10666/2011	Techtronic Power Tools Technology Limited; 08-01, Mattock, (US, 11 Aug 2010) 10 Feb 2011	10418/2011
Sinochem Ningbo Ltd; 06-01NES, Hammock, 15 Feb 2011	10479/2011	Techtronic Power Tools Technology Limited; 08-01, Mattock head, (US, 11 Aug 2010) 10 Feb 2011	10419/2011
Skullcandy, Inc.; 14-01, Headphones, (US, 18 Aug 2010) 09 Feb 2011	10383/2011	The Decor Corporation Pty. Ltd.; 07-01NES, Grid for storage container, 14 Feb 2011	10476/2011
Societe De Technologie Michelin;Michelin Recherche et Technique SA; 12-15B, Tyre tread, (US, 31 Aug 2010) 17 Feb 2011	10488/2011	The Decor Corporation Pty. Ltd.; 07-01NES, Container base, 14 Feb 2011	10477/2011
Societe De Technologie Michelin;Michelin Recherche et Technique SA; 12-16A, Wheel centre, (US, 31 Aug 2010) 21 Feb 2011	10577/2011	The Decor Corporation Pty. Ltd.; 07-01NES, Cover for butter storer, 14 Feb 2011	10478/2011
Societe De Technologie Michelin;Michelin Recherche et Technique SA; 12-16A, Wheel, (US, 31 Aug 2010) 21 Feb 2011	10576/2011	The Decor Corporation Pty. Ltd.; 07-01NES, Container lid, 14 Feb 2011	10473/2011
Societe De Technologie Michelin;Michelin Recherche et Technique SA; 12-15B, Tyre tread, (US, 31 Aug 2010) 17 Feb 2011	10489/2011	The Decor Corporation Pty. Ltd.; 07-01NES, Container base, 14 Feb 2011	10472/2011
Soremartec S.A.; 01-01, Confectionery, (WO, 23 Aug 2010) 17 Feb 2011	10541/2011	The Decor Corporation Pty. Ltd.; 07-01NES, Cover for butter storer, 14 Feb 2011	10485/2011
Soremartec S.A.; 01-01, Confectionery, (WO, 23 Aug 2010) 17 Feb 2011	10542/2011	The Decor Corporation Pty. Ltd.; 07-01NES, Container base, 14 Feb 2011	10474/2011
		The Decor Corporation Pty. Ltd.; 07-01NES, Container base, 14 Feb 2011	10475/2011

The Gillette Company; 28-03A, Razor package, (US, 13 Aug 2010) 09 Feb 2011	10384/2011	Three Eagles Enterprises Pty Ltd; 07-02P, Cake mould, 15 Feb 2011	10461/2011
The Gillette Company; 28-03A, 09-05, Arrangement of a trimmer and razor attachment in packaging for combination shaving and trimming device, (US, 30 Aug 2010) 16 Feb 2011	10543/2011	Toshiba Home Appliances Corporation;Kabushiki Kaisha Toshiba; 15-05, Vacuum cleaner head, (JP, 26 Aug 2010) 14 Feb 2011	10471/2011
The Gillette Company; 28-03A, Portion of a shaving razor, (US, 23 Aug 2010) 16 Feb 2011	10544/2011	Troy, Darius;Hames, Katharine; 02-04C, Socks with thick sheep wool lining - named Bed Uggs, 08 Feb 2011	10424/2011
The Procter & Gamble Company; 09-03M, Packaging container with surface ornamentation, (WO, 18 Jun 2010) 20 Dec 2010	10660/2011	Turner, Scott David; 14-02, 21-01C, Model remote control flying glider, 21 Feb 2011	10652/2011
The Procter & Gamble Company; 09-03M, Packaging container with surface ornamentation, (WO, 18 Jun 2010) 17 Dec 2010	10659/2011	Turner Leisure Products Pty Ltd; 07-02E, Barbeque in the shape of an identical combustion engine, 21 Feb 2011	10594/2011
The Procter & Gamble Company; 09-03M, Packaging container with surface ornamentation, (WO, 18 Jun 2010) 20 Dec 2010	10661/2011	TMA Australia Pty Limited; 07-01C, Beverage container, 11 Feb 2011	10437/2011
The Procter & Gamble Company; 09-03M, Packaging container with surface ornamentation, (WO, 18 Jun 2010) 20 Dec 2010	10662/2011	Unilever PLC; 07-02L, Brewing device, (EM, 13 Aug 2010) 10 Feb 2011	10412/2011
The Procter & Gamble Company; 09-03M, Packaging container with surface ornamentation, (WO, 18 Jun 2010) 20 Dec 2010	10661/2011	Unilever PLC; 07-02L, Brewing device, (EM, 13 Aug 2010) 10 Feb 2011	10413/2011
The Procter & Gamble Company; 09-03M, Packaging container with surface ornamentation, (WO, 18 Jun 2010) 20 Dec 2010	10662/2011	Usual Suspects Pty Ltd; 02-02C, The design apply to jeans/pants as photos provided, 10 Feb 2011	10405/2011
The Stanley Works Israel Ltd.; 09-03NES, Container assembly, (US, 12 Aug 2010) 10 Feb 2011	10409/2011	USG Interiors, Inc.; 25-02E, Suspended ceiling grid tee, (US, 12 Aug 2010) 09 Feb 2011	10386/2011
The Stanley Works Israel Ltd.; 03-01D, Organiser, (US, 12 Aug 2010) 10 Feb 2011	10410/2011	USG Interiors, Inc.; 25-02E, Suspended ceiling grid tee assembly, (US, 12 Aug 2010) 09 Feb 2011	10387/2011
The Stanley Works Israel Ltd.; 03-01D, Organiser, (US, 12 Aug 2010) 10 Feb 2011	10411/2011	Vissers, Cornelis Gerardus Johannes;Santman, Gerrit Dinand; 21-01NES, Game, (EM, 13 Sep 2010) 16 Feb 2011	10504/2011
Three Eagles Enterprises Pty Ltd; 07-02P, Cake mould, 15 Feb 2011	10462/2011	WiZ Co.,Ltd;Happinet Corpation; 03-01NES, Coin bank (Locarno Classification:03-01), 14 Feb 2011	10459/2011
Three Eagles Enterprises Pty Ltd; 07-02P, Cake mould, 15 Feb 2011	10463/2011	WBC Group Pty Ltd; 13-03B, An electrical connector unit, 21 Feb 2011	10600/2011
Three Eagles Enterprises Pty Ltd; 07-02P, Cake mould, 15 Feb 2011	10464/2011	X6D Ltd; 16-06, 3D glasses, (US, 27 Aug 2010) 22 Feb 2011	10664/2011
Three Eagles Enterprises Pty Ltd; 07-02P, Cake mould, 15 Feb 2011	10465/2011	3M Innovative Properties Company; 02-03, Head gear, (US, 31 Aug 2010) 14 Feb 2011	10450/2011
Three Eagles Enterprises Pty Ltd; 07-02P, Cake mould, 15 Feb 2011	10466/2011	3M Innovative Properties Company; 02-03, Head gear, (US, 31 Aug 2010) 10 Feb 2011	10414/2011
Three Eagles Enterprises Pty Ltd; 07-02P, Cake mould, 15 Feb 2011	10467/2011	3M Innovative Properties Company; 02-03, Head gear, (US, 31 Aug 2010) 10 Feb 2011	10415/2011
Three Eagles Enterprises Pty Ltd; 07-02P, Cake mould, 15 Feb 2011	10468/2011		
Three Eagles Enterprises Pty Ltd; 07-02P, Cake mould, 15 Feb 2011	10469/2011		

Applications Lapsed

11390 / 2010 (13-03NES)

15437 / 2010 (20-03NES)

Extension of Period of Registration of Designs

306477	306478	306479
306480	306481	306484
306493	306503	307909
307911	307939	307940
307942	308001	308019
308020	308074	308082
308083	308090	308112
308136	308137	308138
308139	308140	308149
308150	308158	308189
308190	308191	308192
308196	308197	308222
308223	308224	308225
308254	308305	308334
308338	308339	308348
308405	308493	308521
308525	308593	308594
308603	308604	308654
308705	308706	308707
308708	308710	308730
308731	308732	308737
308770	308771	308804
308805	308812	308825
308868	308882	308944
308945	308946	308947
308952	308971	309047
309048	309120	309370
309880	309934	309940
310616	310617	310618
310714	310757	311073
311173	311185	311186
311187	311188	312516
312533	312535	312536
313610	313611	313612
314175		

Registrations Ceased

303637	303638	303639
303891	304511	304731
304830	304837	304839
304841	304850	304851
304852	304853	304854
304855	304856	304857
304864	304865	304866
304868	304869	304871
304886	304887	304888
304900	304901	304902
304906	304907	304908
304909	304911	304942

304943	304945	305023
305024	305026	305028
305029	305048	305049
305159	305160	305161
305162	305163	305164
305166	305235	305236
305237	305238	305239
305240	305241	305243
305245	305246	305247
305248	305249	305250
305251	305252	305253
305254	305255	305256
305257	305258	305259
305260	305312	305313
305314	305315	305332
305333	305334	305364
305366	305367	305374
305396	305471	305547
305548	305549	305550
305551	305552	305553
305696	305697	305698
305699	305700	305701
305719	305774	305958
306025	306029	306054
306093	306098	306277
306278	306308	306309
306383	306384	306385
306386	306387	306388
306633	306715	306716
306822	307704	307708
307709	307710	307711
307712	308815	308938
312564	331633	331634

Applications for Extension of time under Section 137

Applications under section 137 for extension of time have been lodged. Objections must be lodged within 1 month from the date of this journal.

10459/2011 **WiZ Co.,Ltd** Address for Service: C/- Yukio Hayashi & Assoc. Suite 2 Level 10 82 Elizabeth Street SYDNEY NSW 2000

Extensions of time granted under Section 137

Applications lodged under section 137 for extension of time have been granted.

14716/2010 **Craig Quinsey**

Mortgages Registered

315372 A mortgage has been granted to **Fraser Patison OLD**

- 315371 A mortgage has been granted to **Fraser Patison OLD**
- 314140 A mortgage has been granted to **Fraser Patison OLD**
- 313827 A mortgage has been granted to **Fraser Patison OLD**
- 313789 A mortgage has been granted to **Fraser Patison OLD**
- 313441 A mortgage has been granted to **Fraser Patison OLD**
- 313440 A mortgage has been granted to **Fraser Patison OLD**
- 313026 A mortgage has been granted to **Fraser Patison OLD**
- 312568 A mortgage has been granted to **Fraser Patison OLD**
- 312567 A mortgage has been granted to **Fraser Patison OLD**
- 312566 A mortgage has been granted to **Fraser Patison OLD**
- 309923 A mortgage has been granted to **Fraser Patison OLD**
- 309922 A mortgage has been granted to **Fraser Patison OLD**
- 309826 A mortgage has been granted to **Fraser Patison OLD**
- 309616 A mortgage has been granted to **Fraser Patison OLD**
- 309615 A mortgage has been granted to **Fraser Patison OLD**
- 309336 A mortgage has been granted to **Fraser Patison OLD**
- 309335 A mortgage has been granted to **Fraser Patison OLD**
- 309334 A mortgage has been granted to **Fraser Patison OLD**
- 309333 A mortgage has been granted to **Fraser Patison OLD**
- 309332 A mortgage has been granted to **Fraser Patison OLD**
- 309315 A mortgage has been granted to **Fraser Patison OLD**
- 309314 A mortgage has been granted to **Fraser Patison OLD**
- 309313 A mortgage has been granted to **Fraser Patison OLD**
- 309282 A mortgage has been granted to **Fraser Patison OLD**
- 309281 A mortgage has been granted to **Fraser Patison OLD**

Licences Registered

- 310209 A licence has been granted to **Alto Manufacturing Pty Ltd**
- 310861 A licence has been granted to **Alto Manufacturing Pty Ltd**

Subsequent Owners Registered

(The name in parentheses is that of the subsequent owner)

- 325398 (**Cool Gear International, LLC**) Donna Roth;Hank Roth
- 333629 (**The Nutro Company**) Mars, Incorporated
- 330631 (**Bluedog Fences Australia Holdings Pty Ltd**) Bluedog Fences Australia Pty Ltd
- 334029 (**Bluedog Fences Australia Holdings Pty Ltd**) Bluedog Fences Australia Pty Ltd
- 333823 (**Bluedog Fences Australia Holdings Pty Ltd**) Bluedog Fences Australia Pty Ltd
- 331847 (**Bluedog Fences Australia Holdings Pty Ltd**) Bluedog Fences Australia Pty Ltd
- 331852 (**Bluedog Fences Australia Holdings Pty Ltd**) Bluedog Fences Australia Pty Ltd
- 331851 (**Bluedog Fences Australia Holdings Pty Ltd**) Bluedog Fences Australia Pty Ltd
- 331850 (**Bluedog Fences Australia Holdings Pty Ltd**) Bluedog Fences Australia Pty Ltd
- 331849 (**Bluedog Fences Australia Holdings Pty Ltd**) Bluedog Fences Australia Pty Ltd
- 331848 (**Bluedog Fences Australia Holdings Pty Ltd**) Bluedog Fences Australia Pty Ltd
- 328776 (**Cool Gear International, LLC**) Donna Roth;Henry Roth
- 312166 (**BFM Technology Limited**) Filtercorp International Limited
- 312256 (**BFM Technology Limited**) Filtercorp International Limited
- 312257 (**BFM Technology Limited**) Filtercorp International Limited
- 315070 (**Roadside Products Pty Ltd**) Saint & Rogue Gastro Pubs & Restaurants Pty Ltd

Names Registered - Alterations and Amendments

(The name in parentheses is that of the subsequent applicant)

- 301144 (**VIP Plastic Packaging Pty Ltd**) Visy Industrial Plastics Pty Ltd
- 302005 (**VIP Plastic Packaging Pty Ltd**) Visy Industrial Plastics Pty Ltd
- 306055 (**VIP Plastic Packaging Pty Ltd**) Visy Industrial Plastics Pty Ltd
- 307223 (**VIP Plastic Packaging Pty Ltd**) Visy Industrial Plastics Pty Ltd
- 311681 (**VIP Plastic Packaging Pty Ltd**) Visy Industrial Plastics Pty Ltd
- 312603 (**VIP Plastic Packaging Pty Ltd**) Visy Industrial Plastics Pty Ltd
- 329345 (**Alliance Sealing Pty Limited**) Interseal Pty Limited
- 325644 (**Couture Colour LLC**) GG Colour LLC
- 325645 (**Couture Colour LLC**) GG Colour LLC
- 331969 (**Alliance Sealing Pty Limited**) Interseal Pty Ltd
- 315070 (**Saint & Rogue Gastro Pubs & Restaurants Pty Ltd**) Roadside Products Pty Ltd
- 319198 (**Paladin Brands Group, Inc.**) Attachment Technologies Incorporated
- 319197 (**Paladin Brands Group, Inc.**) Attachment Technologies Incorporated

307447 (**EVVA Sicherheitstechnologie GmbH**) EVVA-
WERK Spezialerzeugung von Zylinder-und
Sicherheitsschlossern Gesellschaft m.b.H & Co.
Kommanditgesellschaft

Certificate(s) of Examination

Examination of the following Design Registration(s) has been completed. Infringement proceedings may now be commenced.

322933	12-10	03/02/2011
332902	22-05	18/02/2011
332935	14-03E	16/02/2011
333295	12-06NES	11/02/2011
333324	12-15F	16/02/2011
333365	31-00	18/02/2011
333366	31-00	18/02/2011
333504	01-02	17/02/2011
333630	08-03	24/02/2011
333639	13-02	22/02/2011
333641	13-02	22/02/2011
333642	13-02	22/02/2011
333645	09-03L	23/02/2011
333652	25-01D	16/02/2011
333653	25-01D	16/02/2011
333654	25-01D	16/02/2011
333831	09-03L	23/02/2011

Publication and Registration Proceedings

Designs Registered

This section provides a concordance between design number and registration number of Designs covered in this journal. It also shows the main class and registration date.

This section covers Registration numbers 335017 to 335261 .

The registration number shown below should be used in all future correspondence.

Design Number	Registration Number	International Classification Code (IDC)	Registration Date	Design Number	Registration Number	International Classification Code (IDC)	Registration Date
12309/2010	335152	23-01NES	22/02/2011	15407/2010	335058	15-03A	11/02/2011
12401/2010	335109	12-16E	15/02/2011	15414/2010	335169	14-02	22/02/2011
12836/2010	335110	07-07B	15/02/2011	15415/2010	335171	24-04	22/02/2011
12837/2010	335034	23-02A	11/02/2011	15426/2010	335138	14-02	18/02/2011
12838/2010	335035	04-01	11/02/2011	15429/2010	335119	13-02	15/02/2011
12839/2010	335036	04-01	11/02/2011	15430/2010	335089	08-06	11/02/2011
12840/2010	335037	23-02A	11/02/2011	15431/2010	335090	21-01N	11/02/2011
12841/2010	335038	04-01	11/02/2011	15432/2010	335091	07-07A	11/02/2011
12842/2010	335039	07-07B	11/02/2011	15433/2010	335092	08-08L	11/02/2011
12843/2010	335040	07-07B	11/02/2011	15434/2010	335093	14-02	11/02/2011
12844/2010	335111	07-07B	15/02/2011	15458/2010	335243	25-01F	24/02/2011
12845/2010	335112	07-07B	15/02/2011	15459/2010	335244	25-01F	24/02/2011
12846/2010	335113	04-01	15/02/2011	15460/2010	335245	25-01F	24/02/2011
12847/2010	335114	04-01	15/02/2011	15461/2010	335246	25-01F	24/02/2011
13101/2010	335073	08-09	14/02/2011	15462/2010	335247	25-01F	24/02/2011
13102/2010	335074	08-09	14/02/2011	15463/2010	335120	25-01K	15/02/2011
13103/2010	335075	08-09	14/02/2011	15466/2010	335121	25-01K	15/02/2011
13452/2010	335147	28-03NES	22/02/2011	15467/2010	335122	25-01K	15/02/2011
13515/2010	335041	07-02C	11/02/2011	15468/2010	335150	25-02NES	22/02/2011
13516/2010	335042	07-02C	11/02/2011	15469/2010	335151	25-02NES	22/02/2011
13540/2010	335043	25-02NES	11/02/2011	15480/2010	335094	02-02NES	11/02/2011
13542/2010	335258	02-02C	25/02/2011	15481/2010	335059	08-08L	11/02/2011
13577/2010	335238	12-08	23/02/2011	15482/2010	335123	25-02NES	15/02/2011
13669/2010	335148	08-07	22/02/2011	15484/2010	335060	08-08NES	11/02/2011
13670/2010	335149	08-07	22/02/2011	15485/2010	335095	26-04	11/02/2011
14270/2010	335044	07-02NES	11/02/2011	15487/2010	335096	24-02	11/02/2011
14295/2010	335135	24-01	18/02/2011	15488/2010	335097	24-02	11/02/2011
14495/2010	335218	09-01A	23/02/2011	15510/2010	335124	01-99	15/02/2011
14593/2010	335045	12-11	11/02/2011	15561/2010	335219	06-06C	23/02/2011
14716/2010	335136	25-02A	18/02/2011	15573/2010	335061	03-01D	11/02/2011
14745/2010	335046	02-03	11/02/2011	15605/2010	335062	28-01	11/02/2011
14855/2010	335053	12-05	11/02/2011	15606/2010	335063	28-01	11/02/2011
14924/2010	335047	11-02C	11/02/2011	15657/2010	335049	12-16M	11/02/2011
15169/2010	335048	28-01	11/02/2011	15664/2010	335083	19-06	11/02/2011
15208/2010	335017	09-99	18/02/2011	15716/2010	335154	24-99	22/02/2011
15210/2010	335214	31-00	22/02/2011	15750/2010	335084	13-03E	11/02/2011
15231/2010	335079	21-01NES	11/02/2011	15781/2010	335260	06-13B	25/02/2011
15232/2010	335078	26-03	11/02/2011	15793/2010	335098	06-13C	11/02/2011
15248/2010	335080	24-02	11/02/2011	15794/2010	335099	06-13C	11/02/2011
15265/2010	335221	21-01A	23/02/2011	15795/2010	335050	25-02NES	11/02/2011
15268/2010	335115	21-02NES	15/02/2011	15797/2010	335051	25-02NES	11/02/2011
15269/2010	335116	21-02NES	15/02/2011	15798/2010	335052	08-08L	11/02/2011
15289/2010	335137	19-08	18/02/2011	10006/2011	335248	14-02	24/02/2011
15304/2010	335117	09-03E	15/02/2011	10058/2011	335139	02-02NES	18/02/2011
15359/2010	335118	23-04	15/02/2011	10059/2011	335249	14-02	24/02/2011
15401/2010	335088	14-02	11/02/2011	10060/2011	335131	20-02C	16/02/2011
15403/2010	335054	03-01A	11/02/2011	10061/2011	335132	20-02C	16/02/2011
15404/2010	335055	15-03A	11/02/2011	10062/2011	335133	20-02C	16/02/2011
15405/2010	335056	15-03A	11/02/2011	10063/2011	335134	20-02C	16/02/2011
15406/2010	335057	15-03A	11/02/2011	10070/2011	335064	14-03NES	11/02/2011

Publication and Registration Proceedings - Designs Registered cont'd

Design Number	Registration Number	International Classification Code (IDC)	Registration Date	Design Number	Registration Number	International Classification Code (IDC)	Registration Date
10073/2011	335065	07-02E	11/02/2011	10179/2011	335206	21-01D	22/02/2011
10076/2011	335239	14-02	23/02/2011	10181/2011	335242	08-08D	23/02/2011
10077/2011	335066	14-03E	11/02/2011	10182/2011	335207	21-01D	22/02/2011
10081/2011	335067	28-03B	11/02/2011	10183/2011	335162	08-06	22/02/2011
10084/2011	335068	06-02	11/02/2011	10184/2011	335163	08-06	22/02/2011
10098/2011	335125	13-03D	15/02/2011	10185/2011	335164	08-06	22/02/2011
10101/2011	335130	07-01B	16/02/2011	10186/2011	335165	10-01	22/02/2011
10112/2011	335215	14-03B	22/02/2011	10188/2011	335086	07-01C	11/02/2011
10113/2011	335076	12-16L	14/02/2011	10190/2011	335166	12-08	22/02/2011
10115/2011	335220	06-01E	23/02/2011	10191/2011	335167	04-02	22/02/2011
10119/2011	335069	12-05	11/02/2011	10193/2011	335208	04-02	22/02/2011
10120/2011	335070	12-05	11/02/2011	10194/2011	335209	04-02	22/02/2011
10121/2011	335077	02-04NES	14/02/2011	10195/2011	335128	07-01D	15/02/2011
10122/2011	335071	09-01K	11/02/2011	10196/2011	335261	08-09	25/02/2011
10123/2011	335126	08-08D	15/02/2011	10198/2011	335129	25-02E	15/02/2011
10125/2011	335085	14-02	11/02/2011	10199/2011	335210	02-04B	22/02/2011
10129/2011	335127	28-03NES	15/02/2011	10200/2011	335211	02-04B	22/02/2011
10130/2011	335100	25-01F	11/02/2011	10201/2011	335212	02-04B	22/02/2011
10131/2011	335101	25-01F	11/02/2011	10202/2011	335213	02-04B	22/02/2011
10132/2011	335102	25-01F	11/02/2011	10203/2011	335181	02-04B	22/02/2011
10133/2011	335103	25-01F	11/02/2011	10204/2011	335182	02-04NES	22/02/2011
10134/2011	335140	25-01F	18/02/2011	10205/2011	335183	02-04NES	22/02/2011
10135/2011	335141	12-02	18/02/2011	10207/2011	335184	02-04NES	22/02/2011
10136/2011	335142	12-02	18/02/2011	10208/2011	335185	02-04NES	22/02/2011
10137/2011	335104	08-05P	14/02/2011	10209/2011	335186	09-01K	22/02/2011
10138/2011	335105	08-05P	14/02/2011	10210/2011	335187	09-01K	22/02/2011
10139/2011	335106	12-16C	14/02/2011	10211/2011	335188	09-01K	22/02/2011
10140/2011	335107	08-09	14/02/2011	10212/2011	335189	28-99	22/02/2011
10141/2011	335108	08-09	14/02/2011	10213/2011	335173	03-01NES	21/02/2011
10142/2011	335190	09-03NES	22/02/2011	10217/2011	335174	26-04	21/02/2011
10143/2011	335191	09-03NES	22/02/2011	10218/2011	335175	26-04	21/02/2011
10144/2011	335192	30-03	22/02/2011	10224/2011	335158	19-08	22/02/2011
10145/2011	335193	14-01	22/02/2011	10241/2011	335168	02-04NES	22/02/2011
10146/2011	335160	14-01	22/02/2011	10269/2011	335023	09-99	18/02/2011
10149/2011	335161	12-15B	22/02/2011	10286/2011	335087	06-01D	11/02/2011
10150/2011	335176	12-16C	22/02/2011	10310/2011	335250	23-02F	24/02/2011
10151/2011	335072	09-03K	11/02/2011	10311/2011	335251	23-02F	24/02/2011
10152/2011	335177	19-06	22/02/2011	10316/2011	335222	15-07	23/02/2011
10153/2011	335178	19-06	22/02/2011	10317/2011	335223	15-07	23/02/2011
10157/2011	335172	04-02	21/02/2011	10318/2011	335224	07-99NES	23/02/2011
10159/2011	335194	14-01	22/02/2011	10323/2011	335225	08-08NES	23/02/2011
10160/2011	335195	12-16B	22/02/2011	10324/2011	335226	25-02A	23/02/2011
10161/2011	335179	12-15A	22/02/2011	10325/2011	335227	24-01	23/02/2011
10162/2011	335180	04-02	22/02/2011	10327/2011	335228	16-06	23/02/2011
10165/2011	335196	08-08A	22/02/2011	10328/2011	335229	16-06	23/02/2011
10166/2011	335197	08-08A	22/02/2011	10329/2011	335230	16-06	23/02/2011
10167/2011	335198	21-01B	22/02/2011	10341/2011	335252	09-03E	24/02/2011
10170/2011	335159	25-01F	22/02/2011	10342/2011	335143	19-08	18/02/2011
10171/2011	335199	08-07	22/02/2011	10343/2011	335081	24-02	11/02/2011
10173/2011	335200	24-02	22/02/2011	10344/2011	335253	25-02H	24/02/2011
10174/2011	335201	07-01B	22/02/2011	10357/2011	335240	07-01NES	23/02/2011
10175/2011	335202	21-01D	22/02/2011	10358/2011	335144	19-08	18/02/2011
10176/2011	335203	15-05	22/02/2011	10359/2011	335145	19-08	18/02/2011
10177/2011	335204	06-01E	22/02/2011	10361/2011	335241	08-08L	23/02/2011
10178/2011	335205	23-02NES	22/02/2011	10362/2011	335255	08-08L	24/02/2011

Publication and Registration Proceedings - Designs Registered cont'd

Design Number	Registration Number	International Classification Code (IDC)	Registration Date	Design Number	Registration Number	International Classification Code (IDC)	Registration Date
10363/2011	335256	08-01	24/02/2011	10391/2011	335157	24-99	22/02/2011
10364/2011	335082	19-06	11/02/2011	10449/2011	335259	02-02C	25/02/2011
10365/2011	335257	31-00	24/02/2011	10486/2011	335170	24-04	22/02/2011
10366/2011	335254	31-00	24/02/2011	10537/2011	335216	14-03B	22/02/2011
10374/2011	335153	23-01NES	22/02/2011	10538/2011	335217	14-03B	22/02/2011
10389/2011	335155	24-99	22/02/2011				
10390/2011	335156	24-99	22/02/2011				

Publication and Registration Proceedings

Class Listing of Designs Published or Registered

The following section shows an International Classification Code listing of the Registered or Published Designs covered in this supplement.

Classification	Registration Number	Design Number	Classification	Registration Number	Design Number
01-99	335124	15510/2010	07-07B	335111	12844/2010
02-02C	335258	13542/2010	07-07B	335112	12845/2010
02-02C	335259	10449/2011	07-99NES	335221	15265/2010
02-02NES	335094	15480/2010	07-99NES	335224	10318/2011
02-02NES	335139	10058/2011	08-01	335256	10363/2011
02-03	335046	14745/2010	08-05P	335104	10137/2011
02-04B	335181	10203/2011	08-05P	335105	10138/2011
02-04B	335210	10199/2011	08-06	335089	15430/2010
02-04B	335211	10200/2011	08-06	335113	12846/2010
02-04B	335212	10201/2011	08-06	335162	10183/2011
02-04B	335213	10202/2011	08-06	335163	10184/2011
02-04NES	335077	10121/2011	08-06	335164	10185/2011
02-04NES	335168	10241/2011	08-07	335073	13101/2010
02-04NES	335182	10204/2011	08-07	335074	13102/2010
02-04NES	335183	10205/2011	08-07	335075	13103/2010
02-04NES	335184	10207/2011	08-07	335148	13669/2010
02-04NES	335185	10208/2011	08-07	335149	13670/2010
03-01A	335054	15403/2010	08-07	335199	10171/2011
03-01D	335061	15573/2010	08-08A	335196	10165/2011
03-01NES	335173	10213/2011	08-08A	335197	10166/2011
04-01	335035	12838/2010	08-08D	335126	10123/2011
04-01	335036	12839/2010	08-08D	335242	10181/2011
04-01	335038	12841/2010	08-08L	335052	15798/2010
04-01	335113	12846/2010	08-08L	335059	15481/2010
04-01	335114	12847/2010	08-08L	335092	15433/2010
04-02	335167	10191/2011	08-08L	335241	10361/2011
04-02	335172	10157/2011	08-08L	335255	10362/2011
04-02	335180	10162/2011	08-08NES	335060	15484/2010
04-02	335208	10193/2011	08-08NES	335225	10323/2011
04-02	335209	10194/2011	08-09	335073	13101/2010
06-01D	335087	10286/2011	08-09	335074	13102/2010
06-01E	335204	10177/2011	08-09	335075	13103/2010
06-01E	335220	10115/2011	08-09	335107	10140/2011
06-02	335068	10084/2011	08-09	335108	10141/2011
06-06C	335219	15561/2010	08-09	335148	13669/2010
06-13B	335260	15781/2010	08-09	335149	13670/2010
06-13C	335098	15793/2010	08-09	335261	10196/2011
06-13C	335099	15794/2010	09-01A	335218	14495/2010
07-01B	335130	10101/2011	09-01K	335071	10122/2011
07-01B	335201	10174/2011	09-01K	335186	10209/2011
07-01C	335086	10188/2011	09-01K	335187	10210/2011
07-01C	335092	15433/2010	09-01K	335188	10211/2011
07-01D	335128	10195/2011	09-03E	335117	15304/2010
07-01NES	335240	10357/2011	09-03E	335252	10341/2011
07-02C	335041	13515/2010	09-03K	335072	10151/2011
07-02C	335042	13516/2010	09-03M	335252	10341/2011
07-02E	335065	10073/2011	09-03NES	335190	10142/2011
07-02NES	335044	14270/2010	09-03NES	335191	10143/2011
07-04	335201	10174/2011	09-99	335017	15208/2010
07-07A	335091	15432/2010	09-99	335023	10269/2011
07-07B	335039	12842/2010	10-01	335165	10186/2011
07-07B	335040	12843/2010	11-02C	335047	14924/2010
07-07B	335110	12836/2010	12-02	335047	14924/2010

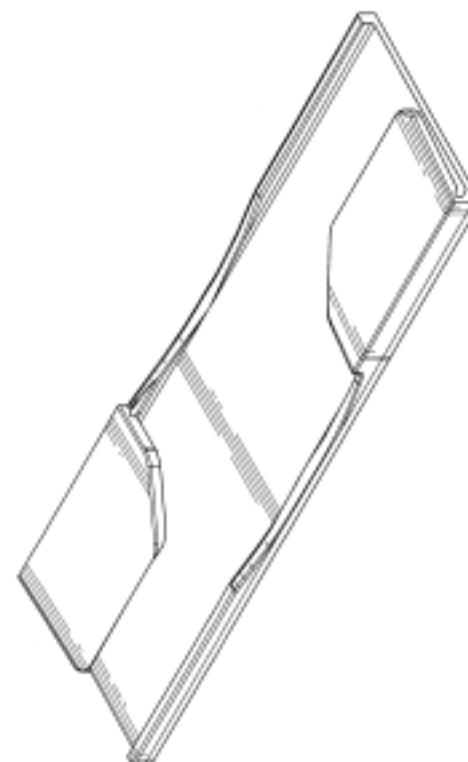
Registration Proceedings - Class Listing of Designs Published or Registered cont'd

Classification	Registration Number	Design Number	Classification	Registration Number	Design Number
12-02	335141	10135/2011	19-08	335144	10358/2011
12-02	335142	10136/2011	19-08	335145	10359/2011
12-05	335053	14855/2010	19-08	335158	10224/2011
12-05	335069	10119/2011	20-02C	335131	10060/2011
12-05	335070	10120/2011	20-02C	335132	10061/2011
12-08	335166	10190/2011	20-02C	335133	10062/2011
12-08	335238	13577/2010	20-02C	335134	10063/2011
12-11	335045	14593/2010	21-01A	335221	15265/2010
12-15A	335179	10161/2011	21-01B	335198	10167/2011
12-15B	335161	10149/2011	21-01D	335202	10175/2011
12-16B	335195	10160/2011	21-01D	335206	10179/2011
12-16C	335106	10139/2011	21-01D	335207	10182/2011
12-16C	335176	10150/2011	21-01N	335090	15431/2010
12-16E	335109	12401/2010	21-01NES	335079	15231/2010
12-16L	335076	10113/2011	21-02NES	335115	15268/2010
12-16M	335049	15657/2010	21-02NES	335116	15269/2010
13-02	335119	15429/2010	23-01NES	335152	12309/2010
13-03D	335125	10098/2011	23-01NES	335153	10374/2011
13-03E	335084	15750/2010	23-02A	335034	12837/2010
14-01	335160	10146/2011	23-02A	335036	12839/2010
14-01	335193	10145/2011	23-02A	335037	12840/2010
14-01	335194	10159/2011	23-02A	335038	12841/2010
14-02	335085	10125/2011	23-02F	335250	10310/2011
14-02	335088	15401/2010	23-02F	335251	10311/2011
14-02	335089	15430/2010	23-02NES	335205	10178/2011
14-02	335093	15434/2010	23-04	335118	15359/2010
14-02	335138	15426/2010	24-01	335135	14295/2010
14-02	335169	15414/2010	24-01	335227	10325/2011
14-02	335239	10076/2011	24-02	335080	15248/2010
14-02	335248	10006/2011	24-02	335081	10343/2011
14-02	335249	10059/2011	24-02	335096	15487/2010
14-03B	335215	10112/2011	24-02	335097	15488/2010
14-03B	335216	10537/2011	24-02	335200	10173/2011
14-03B	335217	10538/2011	24-04	335170	10486/2011
14-03E	335066	10077/2011	24-04	335171	15415/2010
14-03NES	335064	10070/2011	24-99	335154	15716/2010
15-03A	335055	15404/2010	24-99	335155	10389/2011
15-03A	335056	15405/2010	24-99	335156	10390/2011
15-03A	335057	15406/2010	24-99	335157	10391/2011
15-03A	335058	15407/2010	25-01F	335100	10130/2011
15-05	335203	10176/2011	25-01F	335101	10131/2011
15-07	335131	10060/2011	25-01F	335102	10132/2011
15-07	335132	10061/2011	25-01F	335103	10133/2011
15-07	335133	10062/2011	25-01F	335140	10134/2011
15-07	335134	10063/2011	25-01F	335159	10170/2011
15-07	335222	10316/2011	25-01F	335243	15458/2010
15-07	335223	10317/2011	25-01F	335244	15459/2010
16-06	335228	10327/2011	25-01F	335245	15460/2010
16-06	335229	10328/2011	25-01F	335246	15461/2010
16-06	335230	10329/2011	25-01F	335247	15462/2010
19-06	335082	10364/2011	25-01K	335107	10140/2011
19-06	335083	15664/2010	25-01K	335108	10141/2011
19-06	335177	10152/2011	25-01K	335120	15463/2010
19-06	335178	10153/2011	25-01K	335121	15466/2010
19-08	335137	15289/2010	25-01K	335122	15467/2010
19-08	335143	10342/2011	25-02A	335136	14716/2010

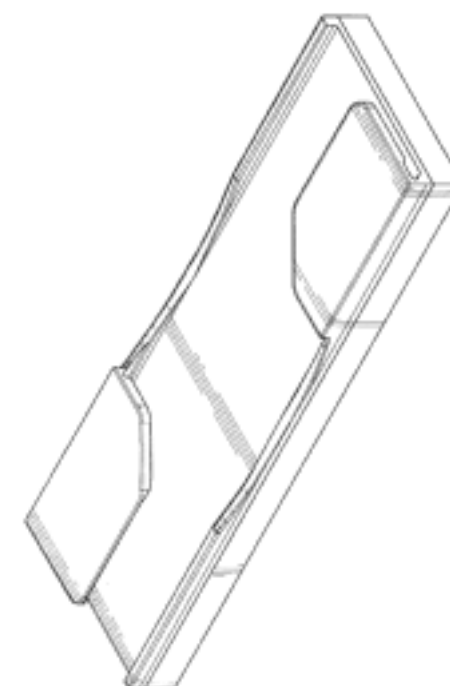
Registration Proceedings - Class Listing of Designs Published or Registered cont'd

Classification	Registration Number	Design Number	Classification	Registration Number	Design Number
25-02A	335226	10324/2011	28-01	335048	15169/2010
25-02E	335129	10198/2011	28-01	335062	15605/2010
25-02H	335253	10344/2011	28-01	335063	15606/2010
25-02NES	335043	13540/2010	28-03B	335067	10081/2011
25-02NES	335050	15795/2010	28-03NES	335127	10129/2011
25-02NES	335051	15797/2010	28-03NES	335147	13452/2010
25-02NES	335123	15482/2010	28-99	335189	10212/2011
25-02NES	335150	15468/2010	30-03	335192	10144/2011
25-02NES	335151	15469/2010	31-00	335214	15210/2010
25-03	335072	10151/2011	31-00	335254	10366/2011
26-03	335078	15232/2010	31-00	335257	10365/2011
26-04	335095	15485/2010			
26-04	335174	10217/2011			
26-04	335175	10218/2011			

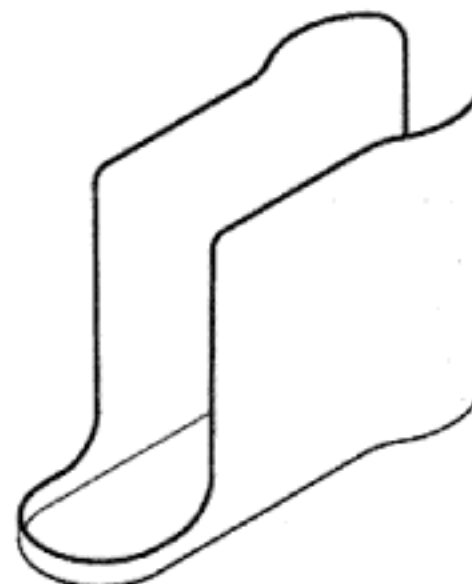
- (21) Design Number: **15208/2010**
(22) Date of Filing Application: **30 November 2010**
(24) Date from which industrial property rights may have effect: **30 November 2010**
(54) Product in respect of which the design is registered: **Strap guard**
(51) International Design Classification: **09-99**
(74) Name(s) of Attorney(s): **Shelston IP**
(71) Name(s) and Address(s) of Applicant(s):
Chok-a-Blok Ltd
11 Wood Lane Bournemouth Dorset BH11 9NG United Kingdom
(72) Name(s) of Designer(s): **Alexander Richardson and Alister James Richardson**
(45) Registration Date: **18 February 2011**
(30) Convention priority data:
(31) Number (32) Date (33) Country
001714395-0001 16 Jun 2010 EUROPEAN COMMUNITY
(56) Related Art Documents: **Not Applicable**
(57) Statement of Newness and Distinctiveness: **Newness and distinctiveness resides in the features of shape and/or configuration of a STRAP GUARD as illustrated in the accompanying representations.**



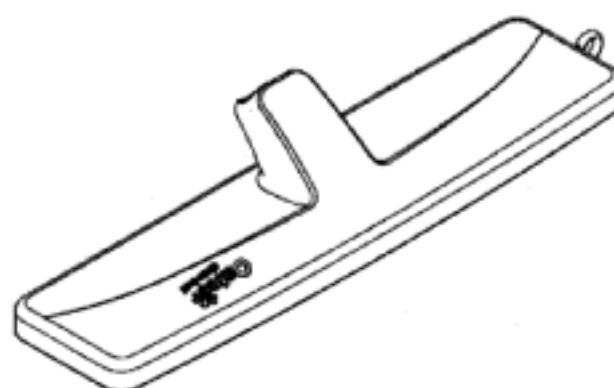
- (21) Design Number: **10269/2011**
(22) Date of Filing Application: **30 November 2010**
(24) Date from which industrial property rights may have effect: **30 November 2010**
(54) Product in respect of which the design is registered: **Strap guard**
(51) International Design Classification: **09-99**
(74) Name(s) of Attorney(s): **Shelston IP**
(71) Name(s) and Address(s) of Applicant(s):
Chok-a-Blok Ltd
11 Wood Lane Bournemouth Dorset BH11 9NG United Kingdom
(72) Name(s) of Designer(s): **Alexander Richardson and Alister James Richardson**
(45) Registration Date: **18 February 2011**
(30) Convention priority data:
(31) Number (32) Date (33) Country
001714395-0001 01 Jun 2010 EUROPEAN COMMUNITY
(62) Divisional of: **335017**
(56) Related Art Documents: **Not Applicable**
(57) Statement of Newness and Distinctiveness: **Newness and distinctiveness reside in the features of shape and/or configuration of a STRAP GUARD as illustrated in the accompanying representations.**



- (21) Design Number: **12837/2010**
(22) Date of Filing Application: **09 July 2010**
(24) Date from which industrial property rights may have effect: **09 July 2010**
(54) Product in respect of which the design is registered: **Toilet roll holder caddy**
(51) International Design Classification: **23-02A**
(74) Name(s) of Attorney(s): **Allens Arthur Robinson**
(71) Name(s) and Address(s) of Applicant(s):
ED Oates Pty Ltd
Maygar Boulevard Broadmeadows Victoria 3047 Australia
(72) Name(s) of Designer(s): **Jonathan Ben-Tovim and Paul Charlwood**
(45) Registration Date: **11 February 2011**
(56) Related Art Documents: **Not Applicable**
(57) Statement of Newness and Distinctiveness: **Newness and distinctiveness resides in the visual features of shape and/or configuration of a toilet roll holder caddy as illustrated in the accompanying representations.**



- (21) Design Number: **12838/2010**
(22) Date of Filing Application: **09 July 2010**
(24) Date from which industrial property rights may have effect: **09 July 2010**
(54) Product in respect of which the design is registered: **Broom head**
(51) International Design Classification: **04-01**
(74) Name(s) of Attorney(s): **Allens Arthur Robinson**
(71) Name(s) and Address(s) of Applicant(s):
ED Oates Pty Ltd
Maygar Boulevard Broadmeadows Victoria 3047 Australia
(72) Name(s) of Designer(s): **Jonathan Ben-Tovim and Paul Charlwood**
(45) Registration Date: **11 February 2011**
(56) Related Art Documents: **Not Applicable**
(57) Statement of Newness and Distinctiveness: **Newness and distinctiveness resides in the visual features of shape and/or configuration of a broom head as illustrated in the accompanying representations. The "Oates Cleans Best" and the flower device do not form part of the design and are to be disregarded when considering whether the design is identical or substantially similar in overall impression to another design.**



- (21) Design Number: **12839/2010**
(22) Date of Filing Application: **09 July 2010**
(24) Date from which industrial property rights may have effect: **09 July 2010**
(54) Product in respect of which the design is registered: **Toilet brush set**
(51) International Design Classification: **04-01, 23-02A**
(74) Name(s) of Attorney(s): **Allens Arthur Robinson**
(71) Name(s) and Address(s) of Applicant(s):

ED Oates Pty Ltd
Maygar Boulevard Broadmeadows Victoria 3047 Australia

- (72) Name(s) of Designer(s): **Jonathan Ben-Tovim and Paul Charlwood**

(45) Registration Date: **11 February 2011**

(56) Related Art Documents: **Not Applicable**

- (57) Statement of Newness and Distinctiveness: **Newness and distinctiveness resides in the visual features of shape and/or configuration of a toilet brush set as illustrated with solid lines in the accompanying representations. The "Oates Cleans Best" and the flower device do not form part of the design and are to be disregarded when considering whether the design is identical or substantially similar in overall impression to another design.**



- (21) Design Number: **12840/2010**
(22) Date of Filing Application: **09 July 2010**
(24) Date from which industrial property rights may have effect: **09 July 2010**
(54) Product in respect of which the design is registered: **Toilet roll holder**
(51) International Design Classification: **23-02A**
(74) Name(s) of Attorney(s): **Allens Arthur Robinson**
(71) Name(s) and Address(s) of Applicant(s):

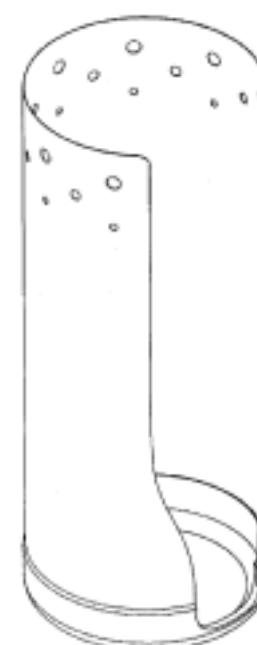
ED Oates Pty Ltd
Maygar Boulevard Broadmeadows Victoria 3047 Australia

- (72) Name(s) of Designer(s): **Jonathan Ben-Tovim and Paul Charlwood**

(45) Registration Date: **11 February 2011**

(56) Related Art Documents: **Not Applicable**

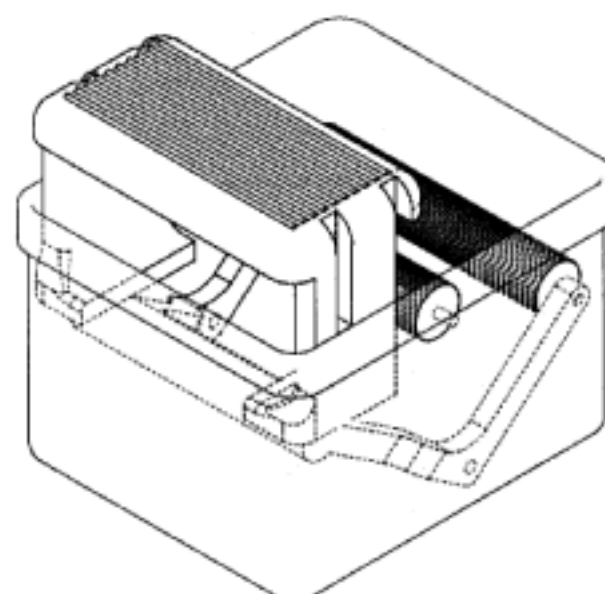
- (57) Statement of Newness and Distinctiveness: **Newness and distinctiveness resides in the visual features of shape and/or configuration of a toilet roll holder as illustrated in the accompanying representations.**



- (21) Design Number: **12841/2010**
(22) Date of Filing Application: **09 July 2010**
(24) Date from which industrial property rights may have effect: **09 July 2010**
(54) Product in respect of which the design is registered: **Toilet brush set**
(51) International Design Classification: **04-01, 23-02A**
(74) Name(s) of Attorney(s): **Allens Arthur Robinson**
(71) Name(s) and Address(s) of Applicant(s):
ED Oates Pty Ltd
Maygar Boulevard Broadmeadows Victoria 3047 Australia
(72) Name(s) of Designer(s): **Jonathan Ben-Tovim and Paul Charlwood**
(45) Registration Date: **11 February 2011**
(56) Related Art Documents: **Not Applicable**
(57) Statement of Newness and Distinctiveness: **Newness and distinctiveness resides in the visual features of shape and/or configuration of a toilet brush set as illustrated with solid lines in the accompanying representations.**



- (21) Design Number: **12842/2010**
(22) Date of Filing Application: **09 July 2010**
(24) Date from which industrial property rights may have effect: **09 July 2010**
(54) Product in respect of which the design is registered: **Wringer bucket**
(51) International Design Classification: **07-07B**
(74) Name(s) of Attorney(s): **Allens Arthur Robinson**
(71) Name(s) and Address(s) of Applicant(s):
ED Oates Pty Ltd
Maygar Boulevard Broadmeadows Victoria 3047 Australia
(72) Name(s) of Designer(s): **Jonathan Ben-Tovim and Paul Charlwood**
(45) Registration Date: **11 February 2011**
(56) Related Art Documents: **Not Applicable**
(57) Statement of Newness and Distinctiveness: **Newness and distinctiveness resides in the visual features of shape and/or configuration of a wringer bucket as illustrated with solid lines in the accompanying representations.**



- (21) Design Number: **12843/2010**
(22) Date of Filing Application: **09 July 2010**
(24) Date from which industrial property rights may have effect: **09 July 2010**
(54) Product in respect of which the design is registered: **Mop socket**
(51) International Design Classification: **07-07B**
(74) Name(s) of Attorney(s): **Allens Arthur Robinson**
(71) Name(s) and Address(s) of Applicant(s):
ED Oates Pty Ltd
Maygar Boulevard Broadmeadows Victoria 3047 Australia
(72) Name(s) of Designer(s): **Jonathan Ben-Tovim and Paul Charlwood**
(45) Registration Date: **11 February 2011**
(56) Related Art Documents: **Not Applicable**
(57) Statement of Newness and Distinctiveness: **Newness and distinctiveness resides in the visual features of shape and/or configuration of a mop socket as illustrated in the accompanying representations.**



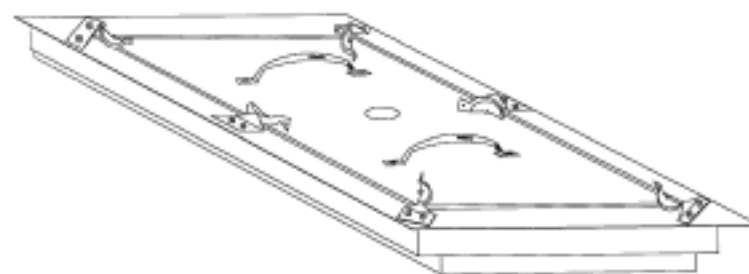
- (21) Design Number: **13515/2010**
(22) Date of Filing Application: **13 August 2010**
(24) Date from which industrial property rights may have effect: **13 August 2010**
(54) Product in respect of which the design is registered: **Handle**
(51) International Design Classification: **07-02C**
(74) Name(s) of Attorney(s): **Halfords IP**
(71) Name(s) and Address(s) of Applicant(s):
Electrolux Home Products Pty Limited
163 O'Riordan Street Mascot New South Wales 2020 Australia
(72) Name(s) of Designer(s): **Parinya Wongtiyot and Lyndon Craig**
(45) Registration Date: **11 February 2011**
(56) Related Art Documents: **Not Applicable**
(57) Statement of Newness and Distinctiveness: **Nil**



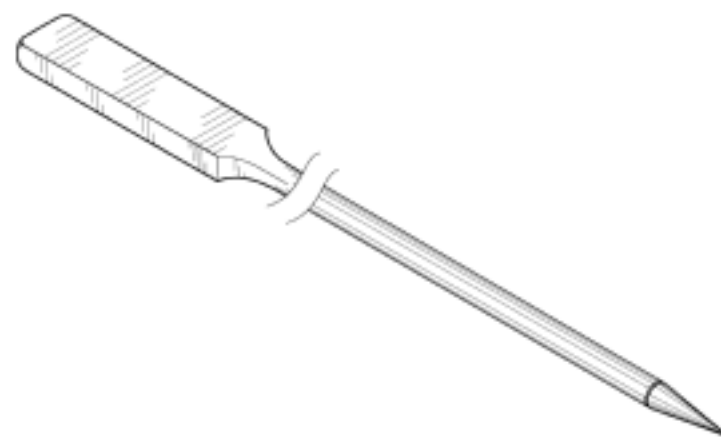
- (21) Design Number: **13516/2010**
(22) Date of Filing Application: **13 August 2010**
(24) Date from which industrial property rights may have effect: **13 August 2010**
(54) Product in respect of which the design is registered: **Handle**
(51) International Design Classification: **07-02C**
(74) Name(s) of Attorney(s): **Halfords IP**
(71) Name(s) and Address(s) of Applicant(s):
Electrolux Home Products Pty Limited
163 O'Riordan Street Mascot New South Wales 2020 Australia
(72) Name(s) of Designer(s): **Parinya Wongtiyot and Lyndon Craig**
(45) Registration Date: **11 February 2011**
(56) Related Art Documents: **Not Applicable**
(57) Statement of Newness and Distinctiveness: **Nil**



- (21) Design Number: **13540/2010**
(22) Date of Filing Application: **17 August 2010**
(24) Date from which industrial property rights may have effect: **17 August 2010**
(54) Product in respect of which the design is registered: **Access panel**
(51) International Design Classification: **25-02NES**
(74) Name(s) of Attorney(s): **Halfords IP**
(71) Name(s) and Address(s) of Applicant(s):
L. & A. Fazzini Manufacturing Pty Ltd
23-25 Wentworth Street Greenacre New South Wales 2190 Australia
(72) Name(s) of Designer(s): **Lorenzo Fazzini**
(45) Registration Date: **11 February 2011**
(56) Related Art Documents: **Not Applicable**
(57) Statement of Newness and Distinctiveness: **Newness and distinctiveness resides in the shape and configuration of an access panel as illustrated in the attached figures, and in particular in a rectangular access panel having four corners and locks located near or at the four corners.**



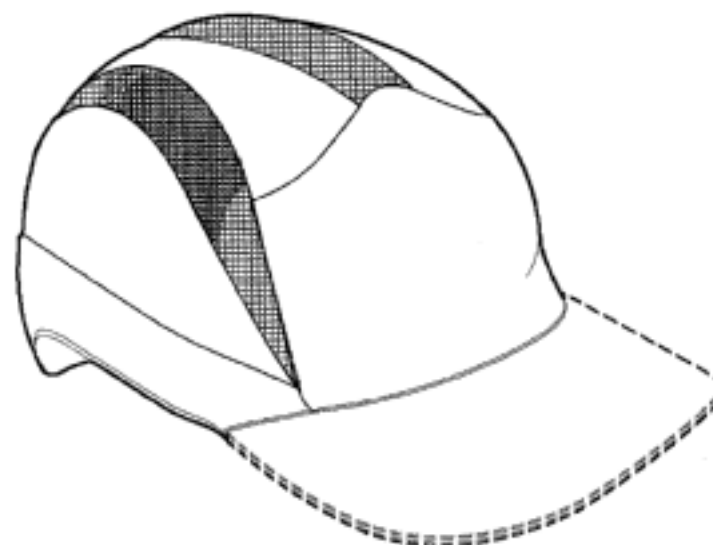
- (21) Design Number: **14270/2010**
(22) Date of Filing Application: **29 September 2010**
(24) Date from which industrial property rights may have effect: **29 September 2010**
(54) Product in respect of which the design is registered: **Frangible skewer**
(51) International Design Classification: **07-02NES**
(74) Name(s) of Attorney(s): **Actuate IP**
(71) Name(s) and Address(s) of Applicant(s):
Victoria Snack Food Corporation Pty Ltd
64-66 Chifley Drive Preston Victoria 3072 Australia
(72) Name(s) of Designer(s): **Chris Tsioukis**
(45) Registration Date: **11 February 2011**
(56) Related Art Documents: **Not Applicable**
(57) Statement of Newness and Distinctiveness: **Newness and distinctiveness is claimed in the features of shape and configuration of the frangible skewer of indefinite length as illustrated in the accompanying representations and particularly the frangible point.**



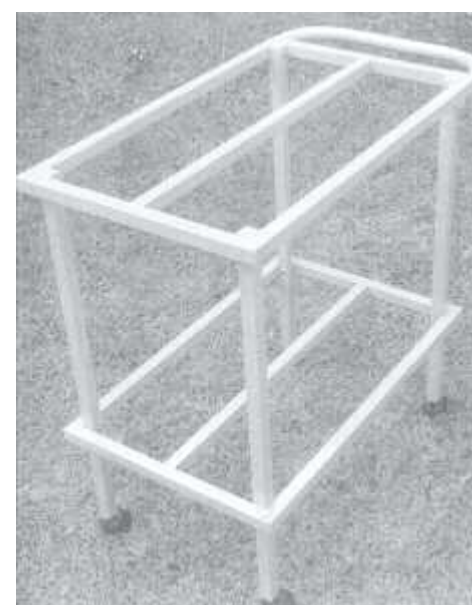
- (21) Design Number: **14593/2010**
(22) Date of Filing Application: **26 October 2010**
(24) Date from which industrial property rights may have effect: **26 October 2010**
(54) Product in respect of which the design is registered: **A motorcycle**
(51) International Design Classification: **12-11**
(74) Name(s) of Attorney(s): **SPRUSON & FERGUSON**
(71) Name(s) and Address(s) of Applicant(s):
Honda Motor Co., Ltd.
1-1 Minami-Aoyama 2-Chome Minato-ku Tokyo Japan
(72) Name(s) of Designer(s): **Hajime Kashima and Yoshiyuki Ishiguri**
(45) Registration Date: **11 February 2011**
(30) Convention priority data:
(31) Number (32) Date (33) Country
2010-010405 26 Apr 2010 JAPAN
(56) Related Art Documents: **Not Applicable**
(57) Statement of Newness and Distinctiveness: **Newness and distinctiveness is claimed in the features of shape and/or configuration of a motorcycle as illustrated in the accompanying representations.**



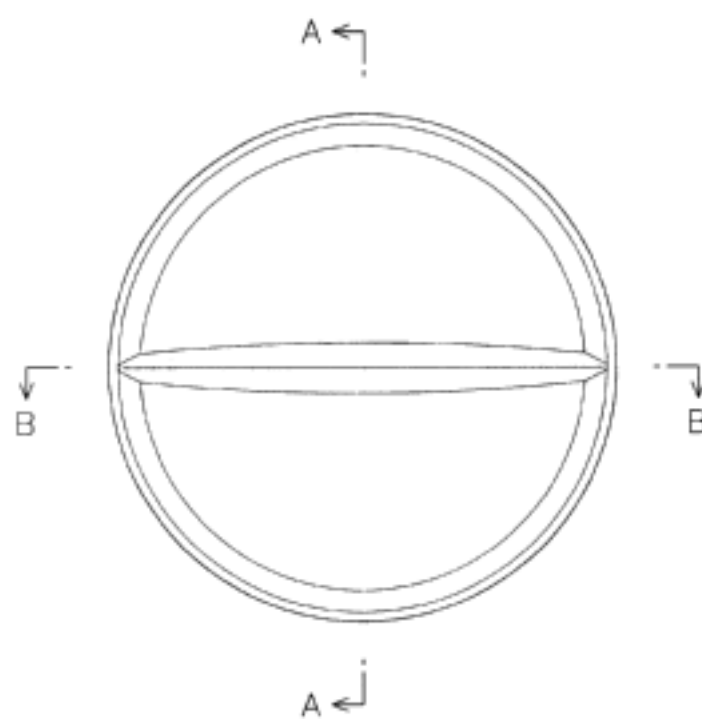
- (21) Design Number: **14745/2010**
(22) Date of Filing Application: **03 November 2010**
(24) Date from which industrial property rights may have effect: **03 November 2010**
(54) Product in respect of which the design is registered: **Protective helmet**
(51) International Design Classification: **02-03**
(74) Name(s) of Attorney(s): **Griffith Hack**
(71) Name(s) and Address(s) of Applicant(s):
Scott Health & Safety Ltd
Pimbo Road West Pimbo Skelmersdale Lancs WN8 9RA United Kingdom
(72) Name(s) of Designer(s): **Steven Thurgood and Christopher David Ellerby**
and Sally Leyland and Robert Carr
(45) Registration Date: **11 February 2011**
(30) Convention priority data:
(31) Number (32) Date (33) Country
001213508 04 May 2010 EUROPEAN COMMUNITY
(56) Related Art Documents: **Not Applicable**
(57) Statement of Newness and Distinctiveness: **The features indicated in the representations by means of broken line do not form part of the design.**



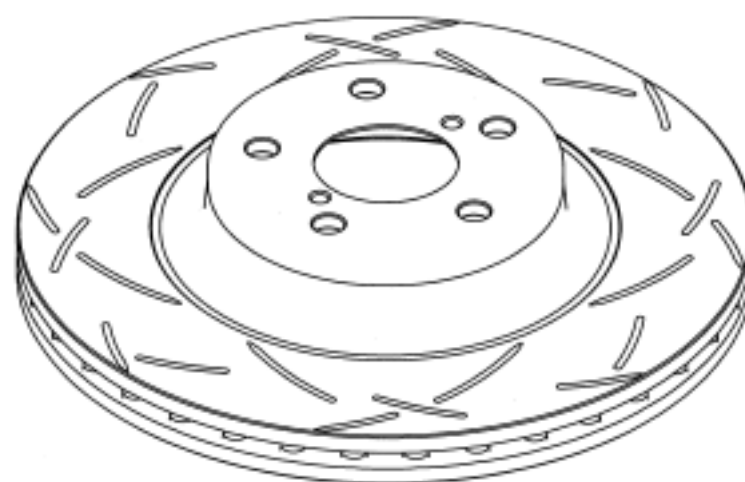
- (21) Design Number: **14924/2010**
(22) Date of Filing Application: **08 November 2010**
(24) Date from which industrial property rights may have effect: **08 November 2010**
(54) Product in respect of which the design is registered: **This is a garden trolley to fit 4 planter pots to grow herbs**
(51) International Design Classification: **11-02C, 12-02**
(74) Name(s) of Attorney(s):
(71) Name(s) and Address(s) of Applicant(s):
Colleen Pettiford & Associates Pty Ltd Trading as Herbs a la Cart
17 Bruce Street Rozelle New South Wales 2039 Australia
(72) Name(s) of Designer(s): **Colleen Nina Pettiford**
(45) Registration Date: **11 February 2011**
(56) Related Art Documents: **Not Applicable**
(57) Statement of Newness and Distinctiveness: **This design is a compact new mobile approach to growing herbs, flowers and small vegies. The frame can be easily assembled and taken apart for moving. It is designed to hold only Decor planter pots and is accessible for all including those in wheelchairs.**



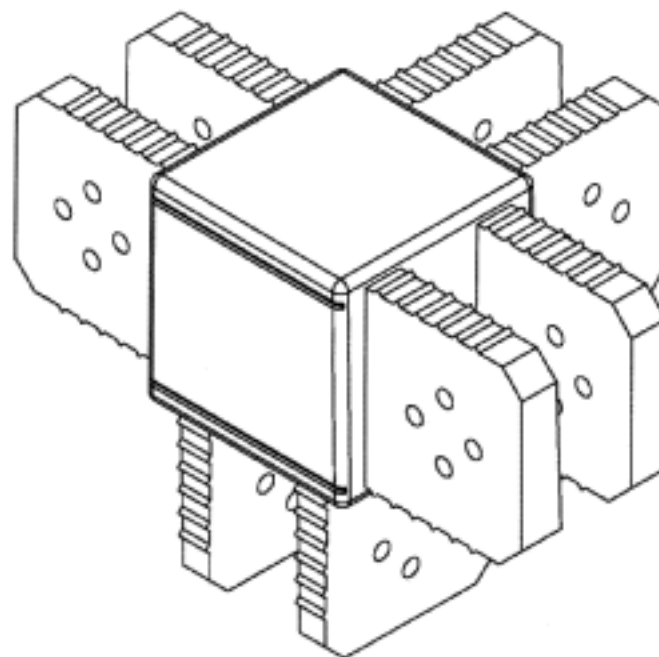
(21) Design Number: **15169/2010**
(22) Date of Filing Application: **25 November 2010**
(24) Date from which industrial property rights may have effect: **25 November 2010**
(54) Product in respect of which the design is registered: **Tablet**
(51) International Design Classification: **28-01**
(74) Name(s) of Attorney(s): **Griffith Hack**
(71) Name(s) and Address(s) of Applicant(s):
Otsuka Pharmaceutical Co., Ltd
2-9 Kanda-Tsukasamachi Chiyoda-ku Tokyo 101-8535 Japan
(72) Name(s) of Designer(s): **Ryusuke Tsuda and Takeshi Matsuda**
(45) Registration Date: **11 February 2011**
(30) Convention priority data:
(31) Number (32) Date (33) Country
2010-012680 24 May 2010 JAPAN
(56) Related Art Documents: **Not Applicable**
(57) Statement of Newness and Distinctiveness: **Nil**



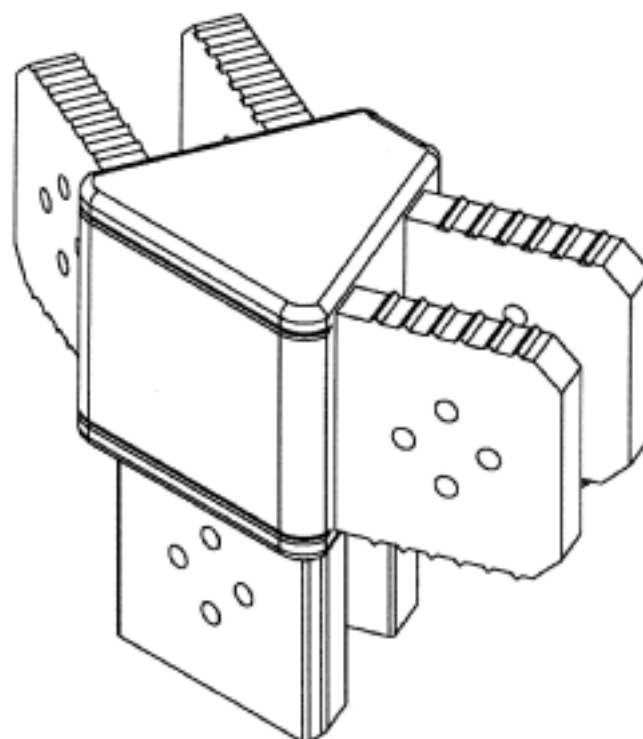
(21) Design Number: **15657/2010**
(22) Date of Filing Application: **22 December 2010**
(24) Date from which industrial property rights may have effect: **22 December 2010**
(54) Product in respect of which the design is registered: **Slotted disc brake rotor**
B
(51) International Design Classification: **12-16M**
(74) Name(s) of Attorney(s): **WALLINGTON-DUMMER**
(71) Name(s) and Address(s) of Applicant(s):
Disc Brakes Australia Pty Limited
Unit 3 Slough Business Park Holker Street Silverwater New South Wales
2128 Australia
(72) Name(s) of Designer(s): **Phillip Joseph**
(45) Registration Date: **11 February 2011**
(56) Related Art Documents: **Not Applicable**
(57) Statement of Newness and Distinctiveness: **Nil**



(21) Design Number: **15795/2010**
(22) Date of Filing Application: **22 December 2010**
(24) Date from which industrial property rights may have effect: **22 December 2010**
(54) Product in respect of which the design is registered: **Connector**
(51) International Design Classification: **25-02NES**
(74) Name(s) of Attorney(s):
(71) Name(s) and Address(s) of Applicant(s):
Haylin Systems Pty Ltd
Unit 2 73 Prestige Parade Wangara Western Australia 6065 Australia
(72) Name(s) of Designer(s): **Edward Joseph Khoury and Darren Hayter and Mark Meehan**
(45) Registration Date: **11 February 2011**
(56) Related Art Documents: **Not Applicable**
(57) Statement of Newness and Distinctiveness: **Nil**



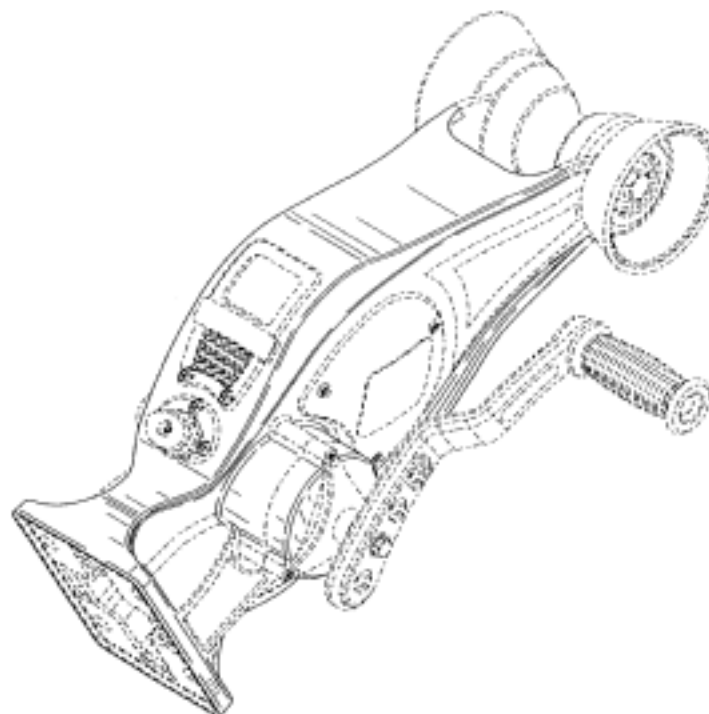
(21) Design Number: **15797/2010**
(22) Date of Filing Application: **22 December 2010**
(24) Date from which industrial property rights may have effect: **22 December 2010**
(54) Product in respect of which the design is registered: **Connector**
(51) International Design Classification: **25-02NES**
(74) Name(s) of Attorney(s):
(71) Name(s) and Address(s) of Applicant(s):
Haylin Systems Pty Ltd
Unit 2 73 Prestige Parade Wangara Western Australia 6065 Australia
(72) Name(s) of Designer(s): **Edward Joseph Khoury and Darren Hayter and Mark Meehan**
(45) Registration Date: **11 February 2011**
(56) Related Art Documents: **Not Applicable**
(57) Statement of Newness and Distinctiveness: **Nil**



- (21) Design Number: **15798/2010**
(22) Date of Filing Application: **24 December 2010**
(24) Date from which industrial property rights may have effect: **24 December 2010**
(54) Product in respect of which the design is registered: **A bracket**
(51) International Design Classification: **08-08L**
(74) Name(s) of Attorney(s): **Chrysiliou IP**
(71) Name(s) and Address(s) of Applicant(s):
Ecobuild Solutions Limited
170 South Creek Road Cromer New South Wales 2099 Australia
(72) Name(s) of Designer(s): **Trevor Proctor**
(45) Registration Date: **11 February 2011**
(56) Related Art Documents: **Not Applicable**
(57) Statement of Newness and Distinctiveness: **Nil**



- (21) Design Number: **14855/2010**
(22) Date of Filing Application: **11 November 2010**
(24) Date from which industrial property rights may have effect: **11 November 2010**
(54) Product in respect of which the design is registered: **Integrated winchhead**
(51) International Design Classification: **12-05**
(74) Name(s) of Attorney(s): **PETER MAXWELL & ASSOCIATES**
(71) Name(s) and Address(s) of Applicant(s):
Cequent Performance Products, Inc.
47774 Anchor Court West Plymouth MI 48170 United States of America
(72) Name(s) of Designer(s): **Eric Anderson and Kawa-She-Quoen Okerlund and Todd Walstrom and Victor Burmeister and Kyle Osimitz**
(45) Registration Date: **11 February 2011**
(30) Convention priority data:
(31) Number (32) Date (33) Country
29/361,465 11 May 2010 UNITED STATES OF AMERICA
(56) Related Art Documents: **Not Applicable**
(57) Statement of Newness and Distinctiveness: **Newness and distinctiveness is claimed in the shape and/or configuration of integrated winchhead as illustrated by the unbroken lines in the accompanying representation/s.**



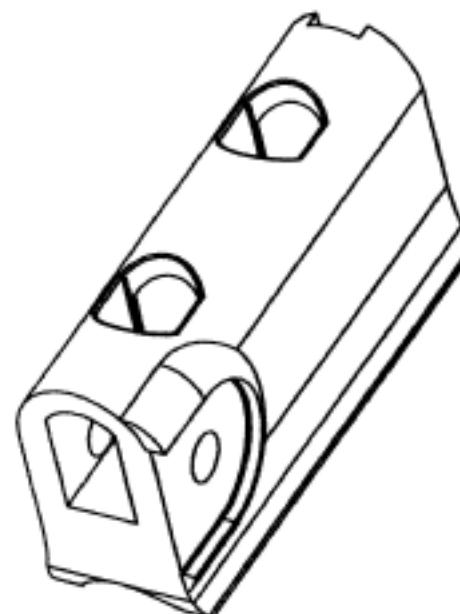
- (21) Design Number: **15403/2010**
(22) Date of Filing Application: **09 December 2010**
(24) Date from which industrial property rights may have effect: **09 December 2010**
(54) Product in respect of which the design is registered: **Shopping bag**
(51) International Design Classification: **03-01A**
(74) Name(s) of Attorney(s):
(71) Name(s) and Address(s) of Applicant(s):
Saabeam Pty Ltd
12 Childs Road Chipping Norton New South Wales 2170 Australia
(72) Name(s) of Designer(s): **David Lao**
(45) Registration Date: **11 February 2011**
(56) Related Art Documents: **Not Applicable**
(57) Statement of Newness and Distinctiveness: **Monopoly is claimed in the pattern and ornamentation of the bag as illustrated in the representation.**



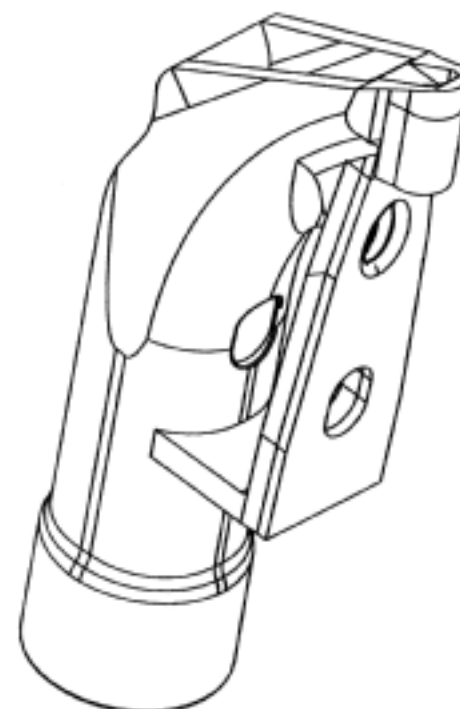
- (21) Design Number: **15404/2010**
(22) Date of Filing Application: **10 December 2010**
(24) Date from which industrial property rights may have effect: **10 December 2010**
(54) Product in respect of which the design is registered: **Tillage point**
(51) International Design Classification: **15-03A**
(74) Name(s) of Attorney(s):
(71) Name(s) and Address(s) of Applicant(s):
Jack M. Auldish
32 Walker Street South Fremantle Western Australia 6162 Australia
(72) Name(s) of Designer(s): **Jack M. Auldish**
(45) Registration Date: **11 February 2011**
(56) Related Art Documents: **Not Applicable**
(57) Statement of Newness and Distinctiveness: **Newness and distinctiveness is claimed in the features of shape and/or configuration of a wear blade as illustrated in the accompanying representations. The features shown in dashed lines are to be disregarded.**



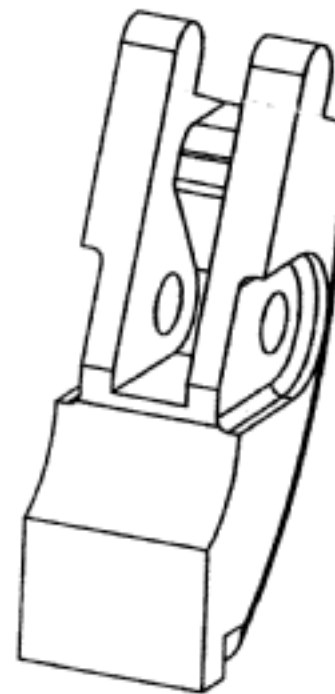
- (21) Design Number: **15405/2010**
(22) Date of Filing Application: **10 December 2010**
(24) Date from which industrial property rights may have effect: **10 December 2010**
(54) Product in respect of which the design is registered: **Tillage point**
(51) International Design Classification: **15-03A**
(74) Name(s) of Attorney(s):
(71) Name(s) and Address(s) of Applicant(s):
Jack M. Auld
32 Walker Street South Freemantle Western Australia 6162 Australia
(72) Name(s) of Designer(s): **Jack M. Auld**
(45) Registration Date: **11 February 2011**
(56) Related Art Documents: **Not Applicable**
(57) Statement of Newness and Distinctiveness: **Newness and distinctiveness is claimed in the features of shape and/or configuration of the knife holder as illustrated in the accompanying representations.**



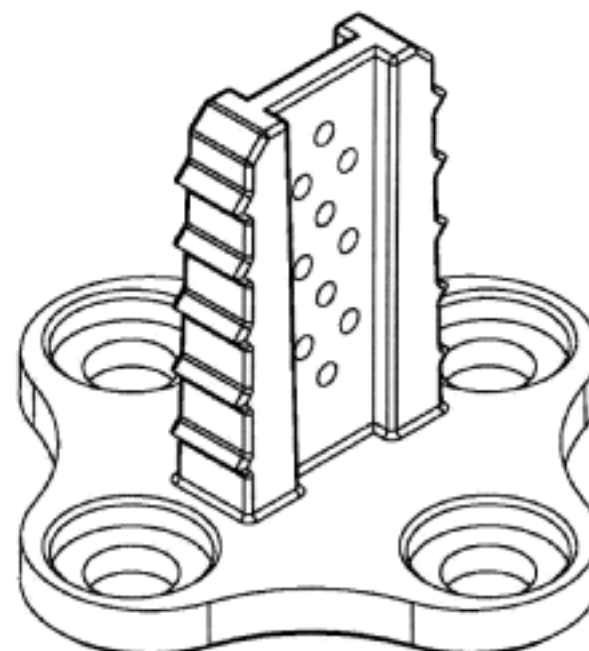
- (21) Design Number: **15406/2010**
(22) Date of Filing Application: **10 December 2010**
(24) Date from which industrial property rights may have effect: **10 December 2010**
(54) Product in respect of which the design is registered: **Fertilizer boot. Tillage point**
(51) International Design Classification: **15-03A**
(74) Name(s) of Attorney(s):
(71) Name(s) and Address(s) of Applicant(s):
Jack M. Auld
32 Walker Street South Freemantle Western Australia 6162 Australia
(72) Name(s) of Designer(s): **Jack M. Auld**
(45) Registration Date: **11 February 2011**
(56) Related Art Documents: **Not Applicable**
(57) Statement of Newness and Distinctiveness: **Newness and distinctiveness is claimed in the features of shape and/or configuration of the fertilizer boot as illustrated in the accompanying representations.**



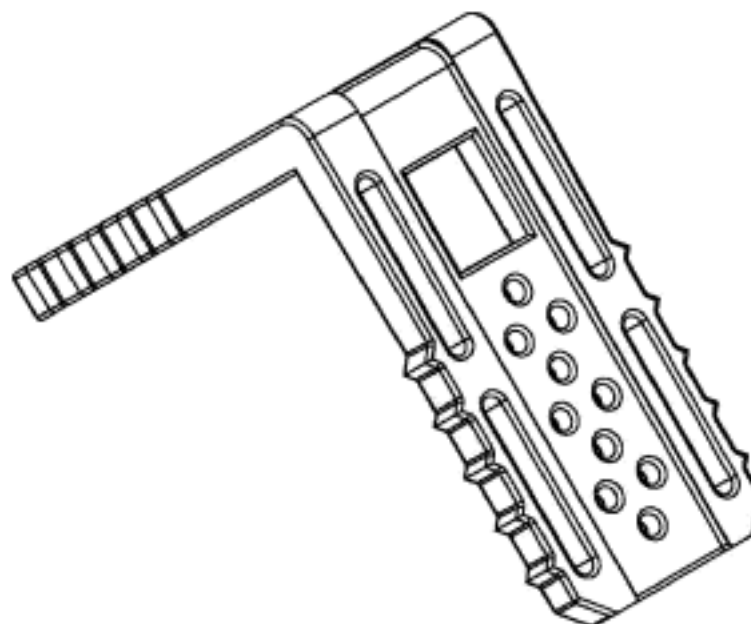
- (21) Design Number: **15407/2010**
(22) Date of Filing Application: **10 December 2010**
(24) Date from which industrial property rights may have effect: **10 December 2010**
(54) Product in respect of which the design is registered: **Closer plate, wear shoe**
(51) International Design Classification: **15-03A**
(74) Name(s) of Attorney(s):
(71) Name(s) and Address(s) of Applicant(s):
Jack M. Auld
32 Walker Street South Freemantle Western Australia 6162 Australia
(72) Name(s) of Designer(s): **Jack M. Auld**
(45) Registration Date: **11 February 2011**
(56) Related Art Documents: **Not Applicable**
(57) Statement of Newness and Distinctiveness: **Newness and distinctiveness is claimed in the features of shape and/or configuration.**



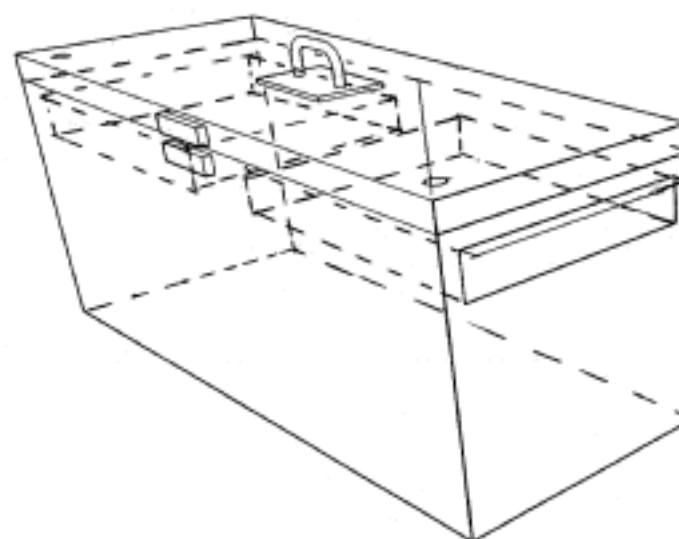
- (21) Design Number: **15481/2010**
(22) Date of Filing Application: **10 December 2010**
(24) Date from which industrial property rights may have effect: **10 December 2010**
(54) Product in respect of which the design is registered: **Bracket**
(51) International Design Classification: **08-08L**
(74) Name(s) of Attorney(s):
(71) Name(s) and Address(s) of Applicant(s):
Haylin Systems Pty Ltd
Unit 2 73 Prestige Parade Wangara Western Australia 6065 Australia
(72) Name(s) of Designer(s): **Edward Joseph Khoury and Darren Hayter and Mark Meehan**
(45) Registration Date: **11 February 2011**
(56) Related Art Documents: **Not Applicable**
(57) Statement of Newness and Distinctiveness: **Nil**



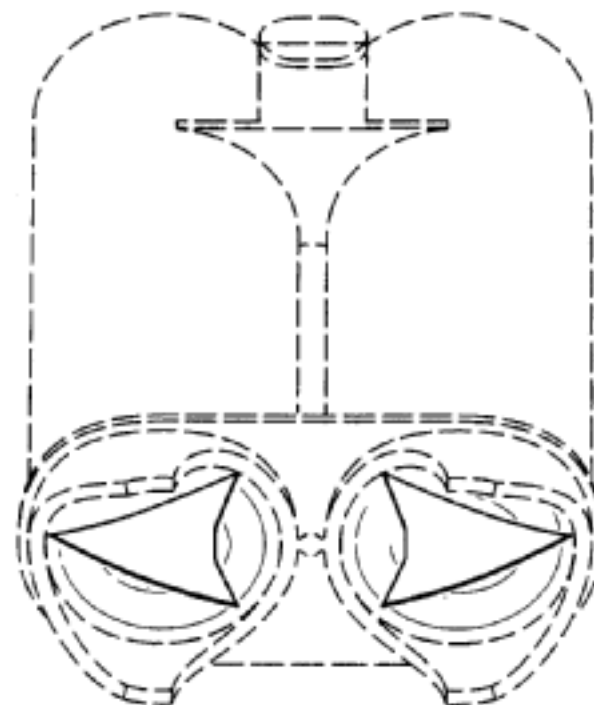
- (21) Design Number: **15484/2010**
(22) Date of Filing Application: **10 December 2010**
(24) Date from which industrial property rights may have effect: **10 December 2010**
(54) Product in respect of which the design is registered: **Connector**
(51) International Design Classification: **08-08NES**
(74) Name(s) of Attorney(s):
(71) Name(s) and Address(s) of Applicant(s):
Haylin Systems Pty Ltd
Unit 2 73 Prestige Parade Wangara Western Australia 6065 Australia
(72) Name(s) of Designer(s): **Edward Joseph Khoury and Darren Hayter and Mark Meehan**
(45) Registration Date: **11 February 2011**
(56) Related Art Documents: **Not Applicable**
(57) Statement of Newness and Distinctiveness: **Nil**



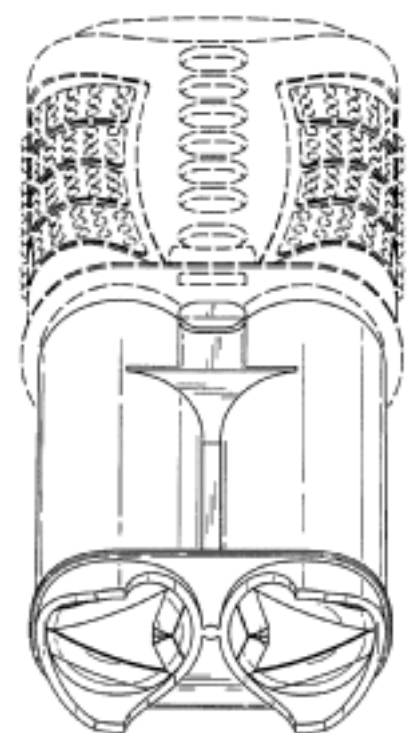
- (21) Design Number: **15573/2010**
(22) Date of Filing Application: **20 December 2010**
(24) Date from which industrial property rights may have effect: **20 December 2010**
(54) Product in respect of which the design is registered: **Metal tool box with lid, lock and carry handle, a sliding platform, one on either side, left hand and right hand side**
(51) International Design Classification: **03-01D**
(74) Name(s) of Attorney(s):
(71) Name(s) and Address(s) of Applicant(s):
Touchup Pty Ltd
Rear 636 Parramatta Road Croydon New South Wales 2132 Australia
(72) Name(s) of Designer(s): **Michael Biady**
(45) Registration Date: **11 February 2011**
(56) Related Art Documents: **Not Applicable**
(57) Statement of Newness and Distinctiveness: **Metal tool box with a sliding platform, one on either side of the box that create a work bench area that extends from the top left and top right sides of the box. The platforms are on roller wheels that allow the platforms to slide in and out of the unit. Platforms when not extended are locked in when the lid is down using a lock system built in the lid.**



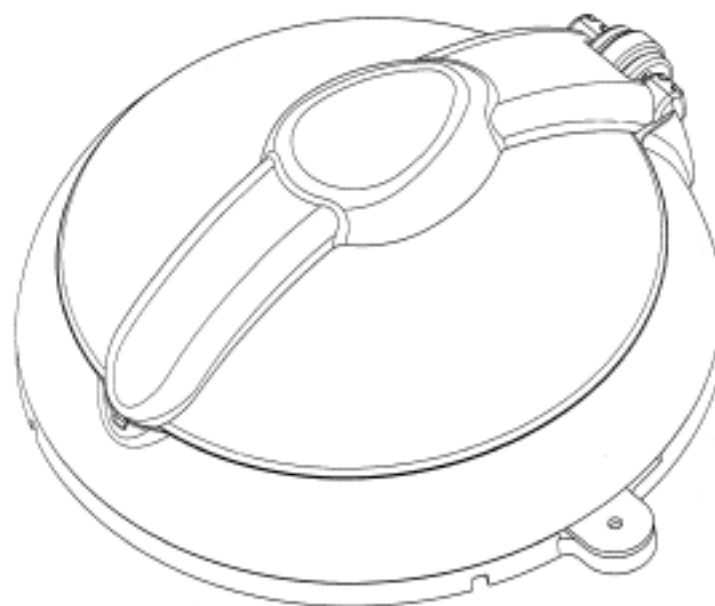
- (21) Design Number: **15605/2010**
(22) Date of Filing Application: **20 December 2010**
(24) Date from which industrial property rights may have effect: **20 December 2010**
(54) Product in respect of which the design is registered: **Toilet block applicator**
(51) International Design Classification: **28-01**
(74) Name(s) of Attorney(s): **Davies Collison Cave**
(71) Name(s) and Address(s) of Applicant(s):
Unilever PLC
Unilever House 100 Victoria Embankment London EC4Y ODY United Kingdom
(72) Name(s) of Designer(s): **Ildiko Beder and Stefano Cademartiri and Elisabetta Capasso and Ivan Valcarenghi**
(45) Registration Date: **11 February 2011**
(30) Convention priority data:
(31) Number (32) Date (33) Country
001221469-0002 23 Jun 2010 EUROPEAN COMMUNITY
(56) Related Art Documents: **Not Applicable**
(57) Statement of Newness and Distinctiveness: **Newness and distinctiveness is claimed in the visual features shown in solid lines in the representations.**



- (21) Design Number: **15606/2010**
(22) Date of Filing Application: **20 December 2010**
(24) Date from which industrial property rights may have effect: **20 December 2010**
(54) Product in respect of which the design is registered: **Toilet block applicator**
(51) International Design Classification: **28-01**
(74) Name(s) of Attorney(s): **Davies Collison Cave**
(71) Name(s) and Address(s) of Applicant(s):
Unilever PLC
Unilever House 100 Victoria Embankment London EC4Y ODY United Kingdom
(72) Name(s) of Designer(s): **Ildiko Beder and Stefano Cademartiri and Elisabetta Capasso and Ivan Valcarenghi**
(45) Registration Date: **11 February 2011**
(30) Convention priority data:
(31) Number (32) Date (33) Country
001221469-0001 23 Jun 2010 EUROPEAN COMMUNITY
(56) Related Art Documents: **Not Applicable**
(57) Statement of Newness and Distinctiveness: **Newness and distinctiveness is claimed in the visual features shown in solid lines in the representations.**



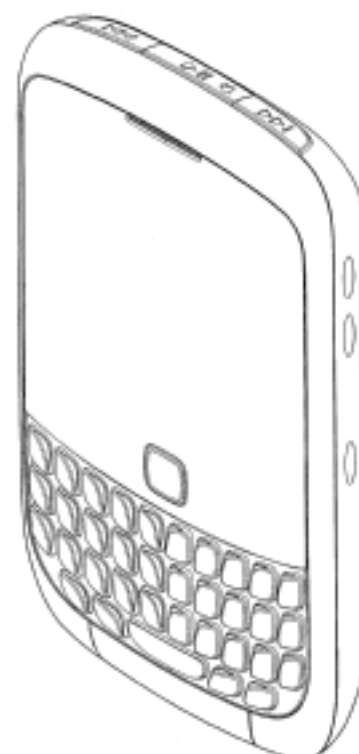
(21) Design Number: **10070/2011**
(22) Date of Filing Application: **11 January 2011**
(24) Date from which industrial property rights may have effect: **11 January 2011**
(54) Product in respect of which the design is registered: **Aerial**
(51) International Design Classification: **14-03NES**
(74) Name(s) of Attorney(s): **WATERMARK PATENT AND TRADE MARKS ATTORNEYS**
(71) Name(s) and Address(s) of Applicant(s):
Mobil Tech Di Barin Luca & C. s.a.s.
Via Brughetti, 9/E, 20030 Bovisio Masciago, Italy
(72) Name(s) of Designer(s): **Luca Barin**
(45) Registration Date: **11 February 2011**
(30) Convention priority data:
(31) Number (32) Date (33) Country
001225148 16 Jul 2010 EUROPEAN COMMUNITY
(56) Related Art Documents: **Not Applicable**
(57) Statement of Newness and Distinctiveness: **Nil**



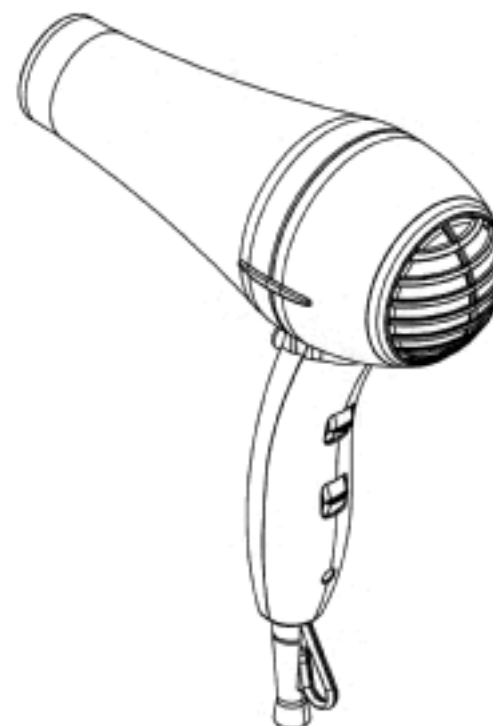
(21) Design Number: **10073/2011**
(22) Date of Filing Application: **10 January 2011**
(24) Date from which industrial property rights may have effect: **10 January 2011**
(54) Product in respect of which the design is registered: **Grill**
(51) International Design Classification: **07-02E**
(74) Name(s) of Attorney(s): **MALLESONS STEPHEN JAQUES**
(71) Name(s) and Address(s) of Applicant(s):
Pi-Design AG
Kantonsstrasse 10 6234 Triengen Switzerland
(72) Name(s) of Designer(s): **Jorgen Bodum**
(45) Registration Date: **11 February 2011**
(30) Convention priority data:
(31) Number (32) Date (33) Country
DM/073 963 16 Jul 2010 WORLD INTELLECTUAL PROPERTY ORGANIZATION (WIPO)
(56) Related Art Documents: **Not Applicable**
(57) Statement of Newness and Distinctiveness: **Nil**



- (21) Design Number: **10077/2011**
(22) Date of Filing Application: **11 January 2011**
(24) Date from which industrial property rights may have effect: **11 January 2011**
(54) Product in respect of which the design is registered: **Handheld electronic device**
(51) International Design Classification: **14-03E**
(74) Name(s) of Attorney(s): **SPRUSON & FERGUSON**
(71) Name(s) and Address(s) of Applicant(s):
Research In Motion Limited
295 Phillip Street Waterloo Ontario N2L 3W8 Canada
(72) Name(s) of Designer(s): **Marco Sixtus Ferrari and Todd Andrew Wood and Min Zhu and Di Tao**
(45) Registration Date: **11 February 2011**
(30) Convention priority data:
(31) Number (32) Date (33) Country
29/365609 12 Jul 2010 UNITED STATES OF AMERICA
(56) Related Art Documents: **Not Applicable**
(57) Statement of Newness and Distinctiveness: **Newness and distinctiveness is claimed in the features of shape and/or configuration of a handheld electronic device as illustrated in the accompanying representations.**



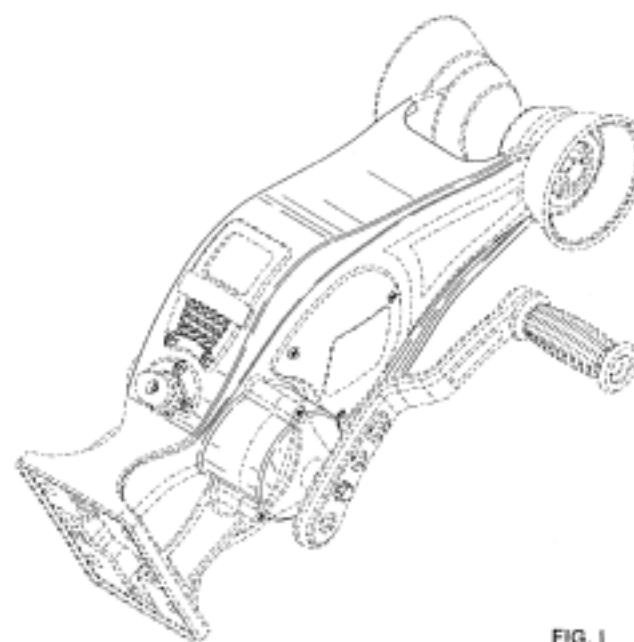
- (21) Design Number: **10081/2011**
(22) Date of Filing Application: **13 January 2011**
(24) Date from which industrial property rights may have effect: **13 January 2011**
(54) Product in respect of which the design is registered: **Hair drier**
(51) International Design Classification: **28-03B**
(74) Name(s) of Attorney(s): **WATERMARK PATENT AND TRADE MARKS ATTORNEYS**
(71) Name(s) and Address(s) of Applicant(s):
GHD KOREA Inc.
110-2 Samgok-Ri Seonggeo-Eup Cheonan-Si Chungcheongnam-Do
330-833 South Korea
(72) Name(s) of Designer(s): **Hae Jin Kim**
(45) Registration Date: **11 February 2011**
(30) Convention priority data:
(31) Number (32) Date (33) Country
30-2010-0054796 17 Dec 2010 REPUBLIC OF KOREA
(56) Related Art Documents: **Not Applicable**
(57) Statement of Newness and Distinctiveness: **Nil**



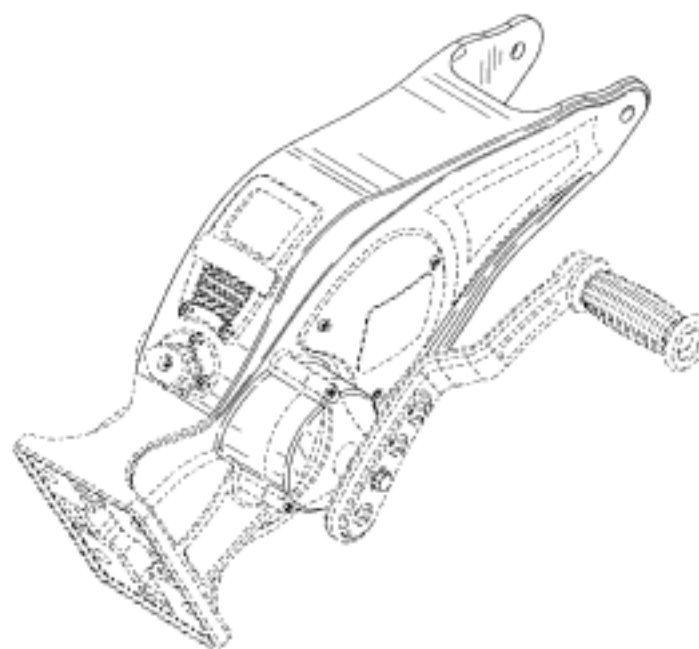
- (21) Design Number: **10084/2011**
(22) Date of Filing Application: **11 January 2011**
(24) Date from which industrial property rights may have effect: **11 January 2011**
(54) Product in respect of which the design is registered: **Babies cot**
(51) International Design Classification: **06-02**
(74) Name(s) of Attorney(s):
(71) Name(s) and Address(s) of Applicant(s):
Groyears Investments Pty Ltd Trading as Grocorp
10 Martini Parade Lithgow New South Wales 2790 Australia
(72) Name(s) of Designer(s): **Stephen Joyce**
(45) Registration Date: **11 February 2011**
(56) Related Art Documents: **Not Applicable**
(57) Statement of Newness and Distinctiveness: **The particular visual features we are focusing on is the end panels of the cot the curved feature at the top is new and distinctive.**



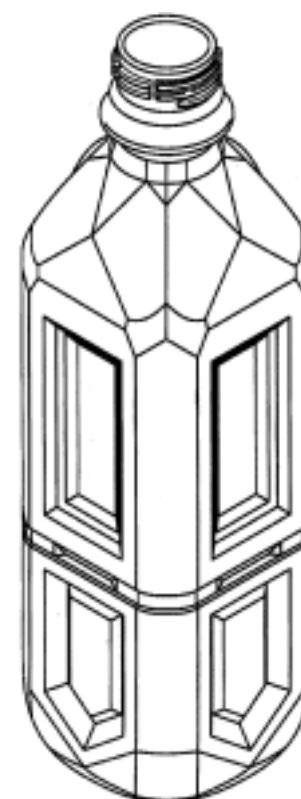
- (21) Design Number: **10119/2011**
(22) Date of Filing Application: **11 November 2010**
(24) Date from which industrial property rights may have effect: **11 November 2010**
(54) Product in respect of which the design is registered: **Integrated winchhead**
(51) International Design Classification: **12-05**
(74) Name(s) of Attorney(s): **PETER MAXWELL & ASSOCIATES**
(71) Name(s) and Address(s) of Applicant(s):
Cequent Performance Products, Inc.
47774 Anchor Court West Plymouth MI 48170 United States of America
(72) Name(s) of Designer(s): **Eric Anderson and Kawa-She-Quoen Okerlund and Todd Walstrom and Victor Burmeister and Kyle Osimitz**
(45) Registration Date: **11 February 2011**
(30) Convention priority data:
(31) Number (32) Date (33) Country
29/361,465 11 May 2010 UNITED STATES OF AMERICA
(56) Related Art Documents: **Not Applicable**
(57) Statement of Newness and Distinctiveness: **Newness and distinctiveness is claimed in the shape and/or configuration of integrated winchhead as illustrated by the unbroken lines in the accompanying representation/s.**



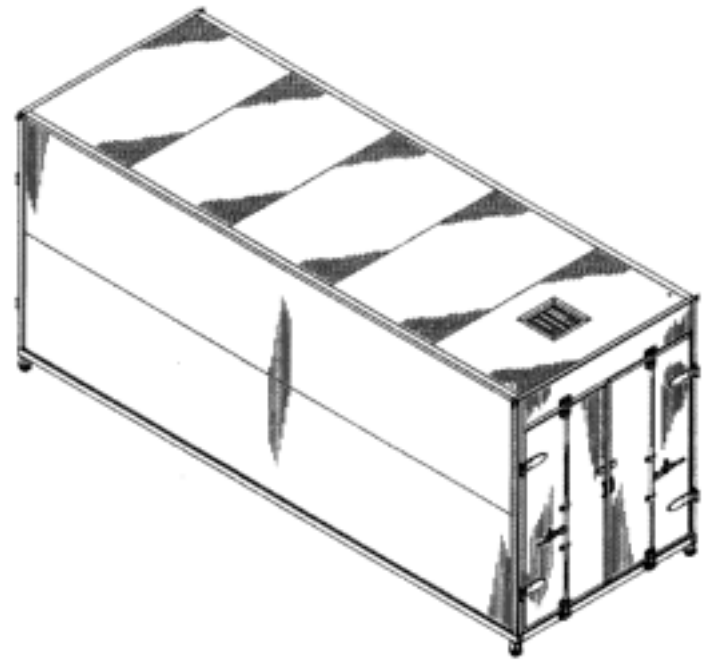
- (21) Design Number: **10120/2011**
(22) Date of Filing Application: **11 November 2010**
(24) Date from which industrial property rights may have effect: **11 November 2010**
(54) Product in respect of which the design is registered: **Integrated winchhead**
(51) International Design Classification: **12-05**
(74) Name(s) of Attorney(s): **PETER MAXWELL & ASSOCIATES**
(71) Name(s) and Address(s) of Applicant(s):
Cequent Performance Products, Inc.
47774 Anchor Court West Plymouth MI 48170 United States of America
(72) Name(s) of Designer(s): **Eric Anderson and Kawa-She-Quoen Okerlund and Todd Walstrom and Victor Burmeister and Kyle Osimitz**
(45) Registration Date: **11 February 2011**
(30) Convention priority data:
(31) Number (32) Date (33) Country
29/361,465 11 May 2010 UNITED STATES OF AMERICA
(56) Related Art Documents: **Not Applicable**
(57) Statement of Newness and Distinctiveness: **Newness and distinctiveness is claimed in the shape and/or configuration of integrated winchhead as illustrated by the unbroken lines in the accompanying representation/s.**



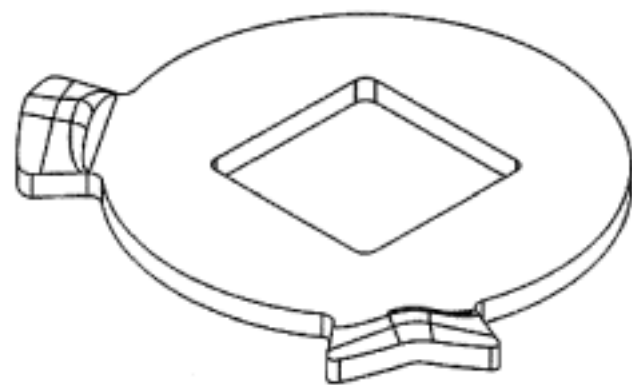
- (21) Design Number: **10122/2011**
(22) Date of Filing Application: **19 January 2011**
(24) Date from which industrial property rights may have effect: **19 January 2011**
(54) Product in respect of which the design is registered: **Bottle**
(51) International Design Classification: **09-01K**
(74) Name(s) of Attorney(s): **WATERMARK PATENT AND TRADE MARKS ATTORNEYS**
(71) Name(s) and Address(s) of Applicant(s):
Kirin Beverage Company Limited
1 Kanda Izumu-cho Chiyoda-ku Tokyo Japan
Kirin Beer Kabushiki Kaisha
10-1 Shinkawa 2-chome Chuo-ku Tokyo Japan
(72) Name(s) of Designer(s): **Norikazu Satou and Kanako Aoki and Kouji Nakamura and Junko Shigenai and Akiko Nagatani**
(45) Registration Date: **11 February 2011**
(30) Convention priority data:
(31) Number (32) Date (33) Country
2010-020330 23 Aug 2010 JAPAN
(56) Related Art Documents: **Not Applicable**
(57) Statement of Newness and Distinctiveness: **Nil**



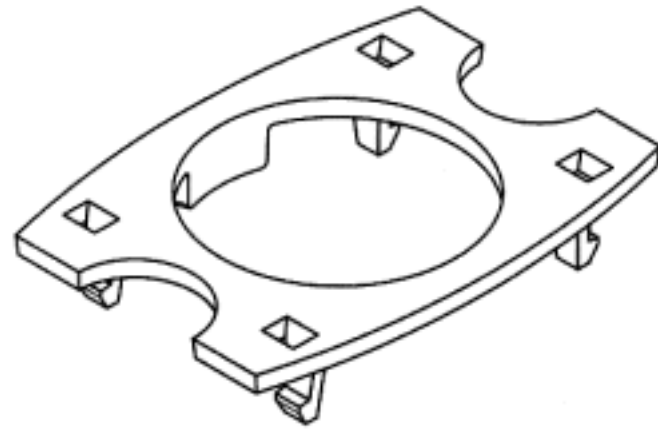
- (21) Design Number: **10151/2011**
(22) Date of Filing Application: **21 January 2011**
(24) Date from which industrial property rights may have effect: **21 January 2011**
(54) Product in respect of which the design is registered: **Fodder growing enclosure**
(51) International Design Classification: **09-03K, 25-03**
(74) Name(s) of Attorney(s): **Trademark Central**
(71) Name(s) and Address(s) of Applicant(s):
Fodder Solutions (QLD) Pty Ltd
9 York Road Buderim Queensland 4556 Australia
(72) Name(s) of Designer(s): **Terry Colless and Flavio Raccanello**
(45) Registration Date: **11 February 2011**
(56) Related Art Documents: **Not Applicable**
(57) Statement of Newness and Distinctiveness: **The fodder growing enclosure has allocation for an especially designed water tank at the back of the enclosure, provision for ventilation, and an internal rack assembly that includes a plurality of especially designed racks.**



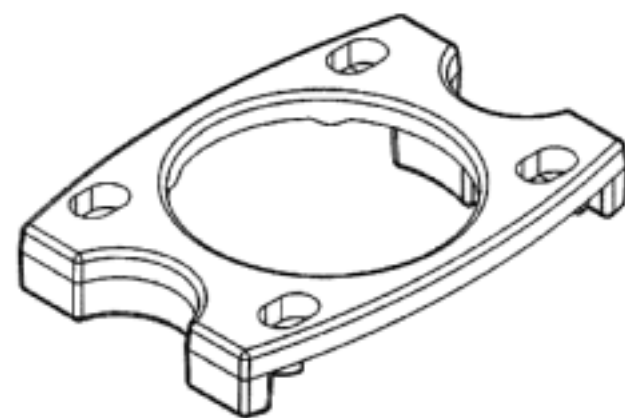
- (21) Design Number: **13101/2010**
(22) Date of Filing Application: **23 July 2010**
(24) Date from which industrial property rights may have effect: **23 July 2010**
(54) Product in respect of which the design is registered: **Disc member for a lock**
(51) International Design Classification: **08-09, 08-07**
(74) Name(s) of Attorney(s): **Houlihan2**
(71) Name(s) and Address(s) of Applicant(s):
David Stuckey Investments Pty Ltd
Pitcher Partners 6th Floor 161 Collins Street Melbourne Victoria 3000
Australia
(72) Name(s) of Designer(s): **David Martin Stuckey**
(45) Registration Date: **14 February 2011**
(56) Related Art Documents: **Not Applicable**
(57) Statement of Newness and Distinctiveness: **Nil**



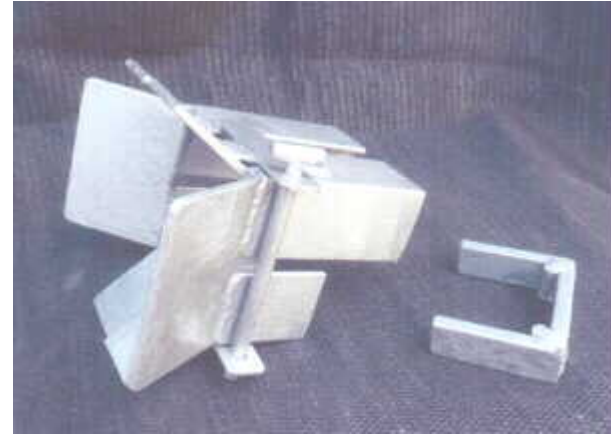
(21) Design Number: **13102/2010**
(22) Date of Filing Application: **23 July 2010**
(24) Date from which industrial property rights may have effect: **23 July 2010**
(54) Product in respect of which the design is registered: **Limitter for a lock**
(51) International Design Classification: **08-09, 08-07**
(74) Name(s) of Attorney(s): **Houlihan2**
(71) Name(s) and Address(s) of Applicant(s):
David Stuckey Investments Pty Ltd
Pitcher Partners 6th Floor 161 Collins Street Melbourne Victoria 3000
Australia
(72) Name(s) of Designer(s): **David Martin Stuckey**
(45) Registration Date: **14 February 2011**
(56) Related Art Documents: **Not Applicable**
(57) Statement of Newness and Distinctiveness: **Nil**



(21) Design Number: **13103/2010**
(22) Date of Filing Application: **23 July 2010**
(24) Date from which industrial property rights may have effect: **23 July 2010**
(54) Product in respect of which the design is registered: **Insert for a lock**
(51) International Design Classification: **08-09, 08-07**
(74) Name(s) of Attorney(s): **Houlihan2**
(71) Name(s) and Address(s) of Applicant(s):
David Stuckey Investments Pty Ltd
Pitcher Partners 6th Floor 161 Collins Street Melbourne Victoria 3000
Australia
(72) Name(s) of Designer(s): **David Martin Stuckey**
(45) Registration Date: **14 February 2011**
(56) Related Art Documents: **Not Applicable**
(57) Statement of Newness and Distinctiveness: **Nil**



- (21) Design Number: **10113/2011**
(22) Date of Filing Application: **17 January 2011**
(24) Date from which industrial property rights may have effect: **17 January 2011**
(54) Product in respect of which the design is registered: **Trailer hitch, trailers, camper trailer**
(51) International Design Classification: **12-16L**
(74) Name(s) of Attorney(s):
(71) Name(s) and Address(s) of Applicant(s):
Brian Wyndham Edwin Pike
21 Isambert Road Glenview Queensland 4553 Australia
(72) Name(s) of Designer(s): **Brian Wyndham Edwin Pike**
(45) Registration Date: **14 February 2011**
(56) Related Art Documents: **Not Applicable**
(57) Statement of Newness and Distinctiveness: **A. Hitching aid - does not attach permanently to towing vehicle. B. Hitching aid - pushes on to yoke of towing vehicle. C. Breaks into two parts for removal when hitching completed.**



- (21) Design Number: **10121/2011**
(22) Date of Filing Application: **17 January 2011**
(24) Date from which industrial property rights may have effect: **17 January 2011**
(54) Product in respect of which the design is registered: **Shoes**
(51) International Design Classification: **02-04NES**
(74) Name(s) of Attorney(s): **Trademark Central**
(71) Name(s) and Address(s) of Applicant(s):
Alan McCulloch
46 Royston Street Brookfield Queensland 4069 Australia
(72) Name(s) of Designer(s): **Alan McCulloch and Caroline McCulloch**
(45) Registration Date: **14 February 2011**
(56) Related Art Documents: **Not Applicable**
(57) Statement of Newness and Distinctiveness: **Especially designed shoe with unique design.**



(21) Design Number: **15232/2010**

(22) Date of Filing Application: **30 November 2010**

(24) Date from which industrial property rights may have effect: **30 November 2010**

(54) Product in respect of which the design is registered: **Lighting apparatus**

(51) International Design Classification: **26-03**

(74) Name(s) of Attorney(s): **Ahearn Fox**

(71) Name(s) and Address(s) of Applicant(s):

John Jonker

**c/- Ahearn Fox Patent & Trade Mark Attorneys Level 4 T&G Building 141
Queen Street BRISBANE QLD 4000**

(72) Name(s) of Designer(s): **John Jonker**

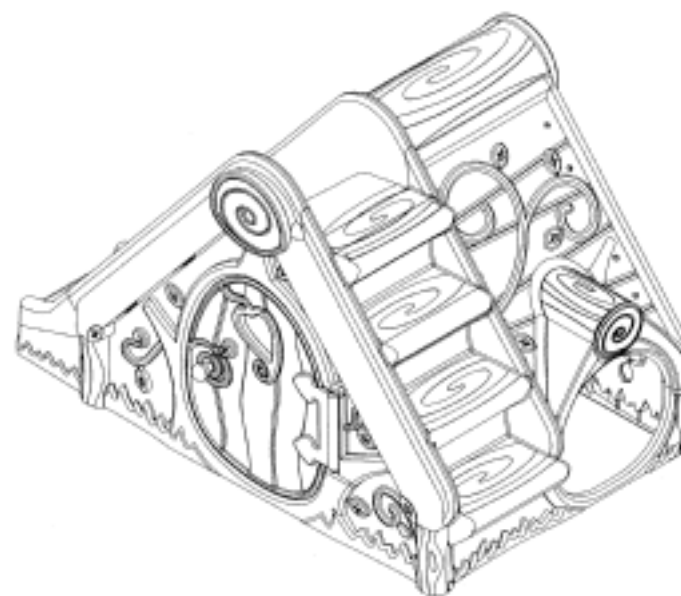
(45) Registration Date: **11 February 2011**

(56) Related Art Documents: **Not Applicable**

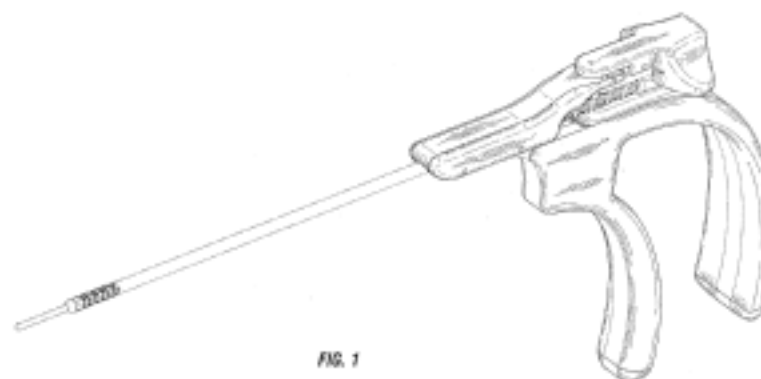
(57) Statement of Newness and Distinctiveness: **Newness and distinctiveness reside in the features of shape and configuration of the lighting apparatus as shown in the accompanying drawings wherein; Fig. 1 is a perspective view of the apparatus from one side with the boom retracted and raised with the turret turned; Fig. 2 is a perspective view of the apparatus from the same side as Fig. 1 with the boom extended and raised; Fig. 3 is a perspective view of the apparatus from the same side as Fig. 3 with the boom retracted and fully lowered; Fig. 4 is another perspective view of the apparatus from the opposite side of Fig. 1 with the boom retracted and fully lowered; Fig. 5 is a perspective view of the apparatus from the front slightly to one side with the boom retracted and lowered; Fig. 6 is a perspective view of the apparatus from the front with the boom retracted and raised; Fig. 7 is a perspective view from the side opposite to Fig. 3 with the boom retracted and lowered; Fig. 8 is a perspective view of the apparatus from the rear with the boom extended and raised; Fig. 9 is a perspective view of the apparatus from the rear with the boom retracted and lowered; Fig. 10 is a perspective view of the apparatus from the front to one side with the boom retracted and lowered; and Fig. 11 is a perspective view of the apparatus from one side and to the rear with the boom retracted and lowered; Fig. 12 is a perspective view of the apparatus from the opposite side as Fig. 1 with the boom extended and raised; Fig. 13 is another perspective view of the apparatus from the opposite side of Fig. 1 with the boom extended and lowered; Fig. 14 is a perspective view of the apparatus from the front with the turret turned with the boom only partly shown; Fig. 15 is a perspective view of the apparatus from the front with the boom extended and lowered with the turret turned; and Fig. 16 is a perspective view from one side with the boom extended and raised and the turret turned and showing its back end.**



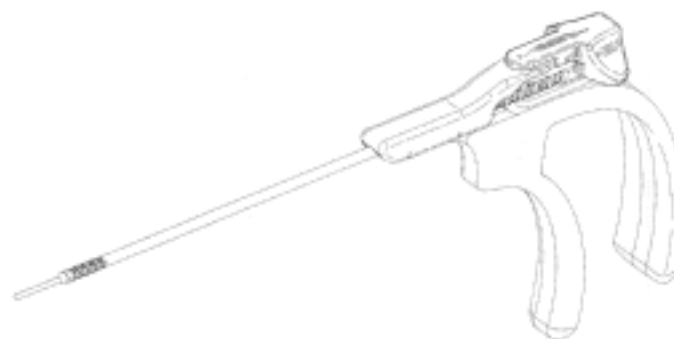
(21) Design Number: **15231/2010**
(22) Date of Filing Application: **01 December 2010**
(24) Date from which industrial property rights may have effect: **01 December 2010**
(54) Product in respect of which the design is registered: **Play house**
(51) International Design Classification: **21-01NES**
(74) Name(s) of Attorney(s): **Davies Collison Cave**
(71) Name(s) and Address(s) of Applicant(s):
Keter Plastic Ltd
2 Sapir Street Herzlia 46852 Israel
(72) Name(s) of Designer(s): **Meital Perlman**
(45) Registration Date: **11 February 2011**
(30) Convention priority data:
(31) Number (32) Date (33) Country
50314 21 Nov 2010 ISRAEL
(56) Related Art Documents: **Not Applicable**
(57) Statement of Newness and Distinctiveness: **Nil**



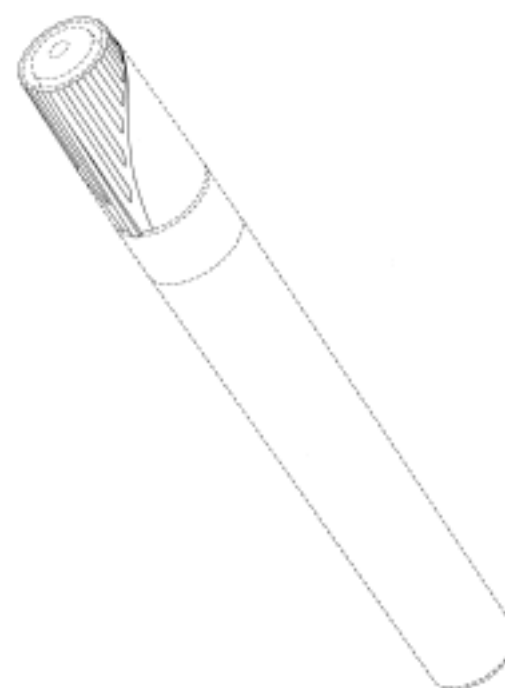
(21) Design Number: **15248/2010**
(22) Date of Filing Application: **03 December 2010**
(24) Date from which industrial property rights may have effect: **03 December 2010**
(54) Product in respect of which the design is registered: **Medical insertion device**
(51) International Design Classification: **24-02**
(74) Name(s) of Attorney(s): **PIZZEYS**
(71) Name(s) and Address(s) of Applicant(s):
ENTrigue Surgical, Inc
12672 Silicon Drive Suite 150 San Antonio TX 78249 United States of America
(72) Name(s) of Designer(s): **Donald Albert Gonzales and Fred B. Dinger III and Jeffrey Wrana**
(45) Registration Date: **11 February 2011**
(30) Convention priority data:
(31) Number (32) Date (33) Country
29/363,134 04 Jun 2010 UNITED STATES OF AMERICA
(56) Related Art Documents: **Not Applicable**
(57) Statement of Newness and Distinctiveness: **The newness and distinctiveness of the design resides in the features of pattern and/or ornamentation OR shape and/or configuration shown in unbroken lines in the accompanying representations. The dashed lines in FIGS. 1-35 represent environmental structure and form no part of the claimed designs. All other surface(s) or portion(s) of the embodiments of our designs not shown in the figures or otherwise described in the specification form no part of the claimed designs.**



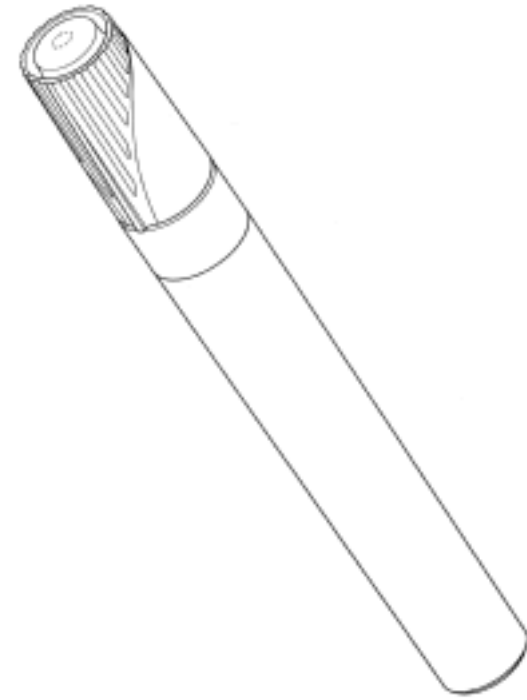
(21) Design Number: **10343/2011**
(22) Date of Filing Application: **03 December 2010**
(24) Date from which industrial property rights may have effect: **03 December 2010**
(54) Product in respect of which the design is registered: **Medical insertion device**
(51) International Design Classification: **24-02**
(74) Name(s) of Attorney(s): **PIZZEYS**
(71) Name(s) and Address(s) of Applicant(s):
ENTrigue Surgical, Inc
12672 Silicon Drive Suite 150 San Antonio TX 78249 United States of America
(72) Name(s) of Designer(s): **Donald Albert Gonzales and Fred B. Dinger III and Jeffrey Wrana**
(45) Registration Date: **11 February 2011**
(30) Convention priority data:
(31) Number (32) Date (33) Country
29/363,134 04 Jun 2010 UNITED STATES OF AMERICA
(56) Related Art Documents: **Not Applicable**
(57) Statement of Newness and Distinctiveness: **Nil**



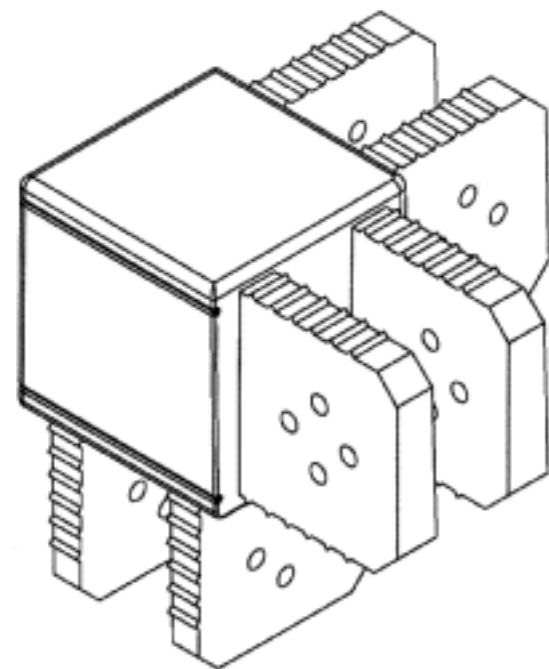
(21) Design Number: **10364/2011**
(22) Date of Filing Application: **22 December 2010**
(24) Date from which industrial property rights may have effect: **22 December 2010**
(54) Product in respect of which the design is registered: **Writing instrument**
(51) International Design Classification: **19-06**
(74) Name(s) of Attorney(s): **PIZZEYS**
(71) Name(s) and Address(s) of Applicant(s):
Sanford, L.P.
2707 Butterfield Road Suite 100 Oak Brook IL 60523 United States of America
(72) Name(s) of Designer(s): **Matthew J. Gerules**
(45) Registration Date: **11 February 2011**
(56) Related Art Documents: **Not Applicable**
(57) Statement of Newness and Distinctiveness: **Nil**



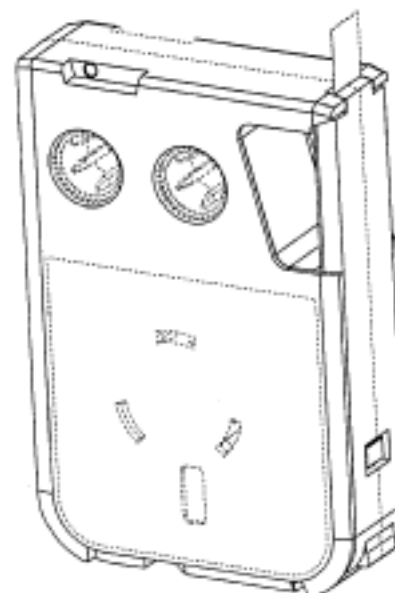
(21) Design Number: **15664/2010**
(22) Date of Filing Application: **22 December 2010**
(24) Date from which industrial property rights may have effect: **22 December 2010**
(54) Product in respect of which the design is registered: **Writing instrument**
(51) International Design Classification: **19-06**
(74) Name(s) of Attorney(s): **PIZZEYS**
(71) Name(s) and Address(s) of Applicant(s):
Sanford, L.P.
2707 Butterfield Road Suite 100 Oak Brook IL 60523 United States of America
(72) Name(s) of Designer(s): **Matthew J. Gerules**
(45) Registration Date: **11 February 2011**
(56) Related Art Documents: **Not Applicable**
(57) Statement of Newness and Distinctiveness: **Nil**



(21) Design Number: **15750/2010**
(22) Date of Filing Application: **22 December 2010**
(24) Date from which industrial property rights may have effect: **22 December 2010**
(54) Product in respect of which the design is registered: **Connector**
(51) International Design Classification: **13-03E**
(74) Name(s) of Attorney(s):
(71) Name(s) and Address(s) of Applicant(s):
Haylin Systems Pty Ltd
Unit 2 73 Prestige Parade Wangara Western Australia 6065 Australia
(72) Name(s) of Designer(s): **Edward Joseph Khoury and Darren Hayter and Mark Meehan**
(45) Registration Date: **11 February 2011**
(56) Related Art Documents: **Not Applicable**
(57) Statement of Newness and Distinctiveness: **Nil**



- (21) Design Number: **10125/2011**
(22) Date of Filing Application: **27 October 2010**
(24) Date from which industrial property rights may have effect: **27 October 2010**
(54) Product in respect of which the design is registered: **Printer cassette**
(51) International Design Classification: **14-02**
(74) Name(s) of Attorney(s): **Freehills Patent & Trade Mark Attorneys**
(71) Name(s) and Address(s) of Applicant(s):
DYMO
Industriepark-Noord 30 9100 Sint-Niklaas Belgium
(72) Name(s) of Designer(s): **Stefaan Van den Broecke**
(45) Registration Date: **11 February 2011**
(62) Divisional of: **334736**
(56) Related Art Documents: **Not Applicable**
(57) Statement of Newness and Distinctiveness: **Newness and distinctiveness resides in the features of shape and/or configuration shown in solid lines in the representations.**



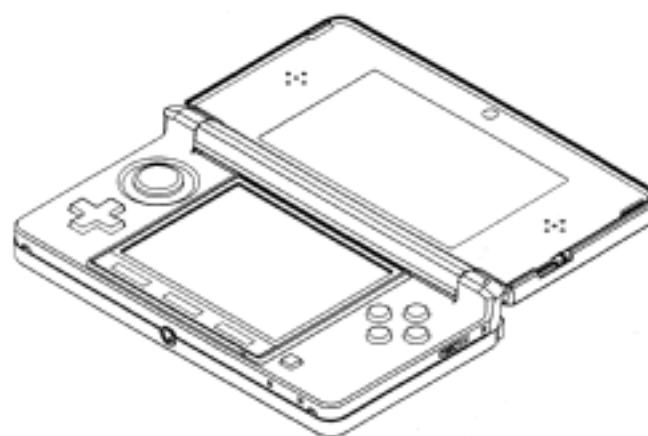
- (21) Design Number: **10188/2011**
(22) Date of Filing Application: **27 January 2011**
(24) Date from which industrial property rights may have effect: **27 January 2011**
(54) Product in respect of which the design is registered: **Beverage container**
(51) International Design Classification: **07-01C**
(74) Name(s) of Attorney(s): **Fraser Old & Sohn**
(71) Name(s) and Address(s) of Applicant(s):
TMA Australia Pty Limited
4-6 Straits Avenue South Granville New South Wales 2142 Australia
(72) Name(s) of Designer(s): **Carl Karam**
(45) Registration Date: **11 February 2011**
(56) Related Art Documents: **Not Applicable**
(57) Statement of Newness and Distinctiveness: **Newness and distinctiveness is claimed in respect of the and/or configuration of the outside surface of the beverage container illustrated in the accompanying representations. In carrying out a consideration in accordance with Section 19 the shape and/or configuration of the inside surface of the beverage container is not to be considered either new or distinctive and does not form part of the design.**



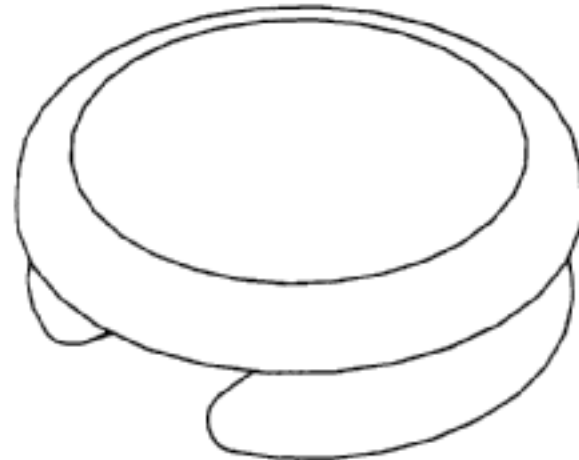
(21) Design Number: **10286/2011**
(22) Date of Filing Application: **01 February 2011**
(24) Date from which industrial property rights may have effect: **01 February 2011**
(54) Product in respect of which the design is registered: **Chair**
(51) International Design Classification: **06-01D**
(74) Name(s) of Attorney(s): **Corrs Chambers Westgarth**
(71) Name(s) and Address(s) of Applicant(s):
F. Smit Holding B.V.
Oude Terborgseweg 210 7004 KA Doetinchem The Netherlands
(72) Name(s) of Designer(s): **Fernando Smit**
(45) Registration Date: **11 February 2011**
(30) Convention priority data:
(31) Number (32) Date (33) Country
001744814-0001 18 Aug 2010 EUROPEAN COMMUNITY
(56) Related Art Documents: **Not Applicable**
(57) Statement of Newness and Distinctiveness: **Nil**



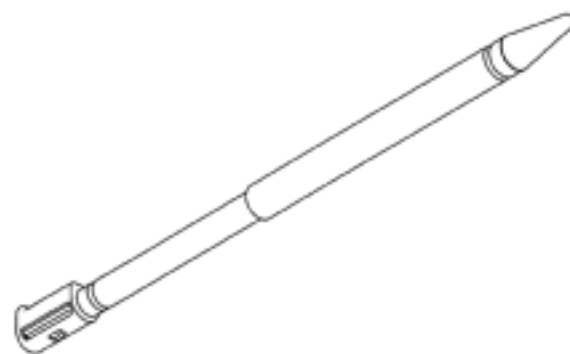
(21) Design Number: **15401/2010**
(22) Date of Filing Application: **09 December 2010**
(24) Date from which industrial property rights may have effect: **09 December 2010**
(54) Product in respect of which the design is registered: **Portable electronic computer**
(51) International Design Classification: **14-02**
(74) Name(s) of Attorney(s): **Davies Collison Cave**
(71) Name(s) and Address(s) of Applicant(s):
Nintendo Co., Ltd.
11-1 Kamitoba Hokotate-cho Minami-ku Kyoto Japan
(72) Name(s) of Designer(s): **Yui Ehara and Junichiro Miyatake and Hiroki Goto and Kochi Kawai and Satoshi Ishibashi**
(45) Registration Date: **11 February 2011**
(30) Convention priority data:
(31) Number (32) Date (33) Country
2010-014470 11 Jun 2010 JAPAN
(56) Related Art Documents: **Not Applicable**
(57) Statement of Newness and Distinctiveness: **Nil**



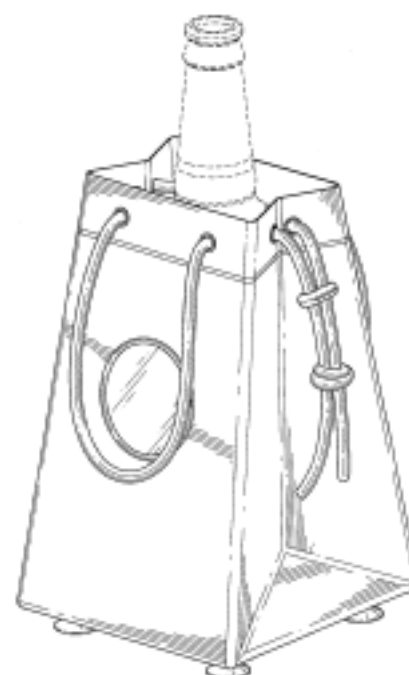
(21) Design Number: **15430/2010**
(22) Date of Filing Application: **10 December 2010**
(24) Date from which industrial property rights may have effect: **10 December 2010**
(54) Product in respect of which the design is registered: **Operating knob for portable electronic computer**
(51) International Design Classification: **08-06, 14-02**
(74) Name(s) of Attorney(s): **Davies Collison Cave**
(71) Name(s) and Address(s) of Applicant(s):
Nintendo Co., Ltd.
11-1 Kamitoba Hokotate-cho Minami-ku Kyoto Japan
(72) Name(s) of Designer(s): **Yuki Taniguchi and Junichiro Miyatake**
(45) Registration Date: **11 February 2011**
(30) Convention priority data:
(31) Number (32) Date (33) Country
2010-027959 22 Nov 2010 JAPAN
(56) Related Art Documents: **Not Applicable**
(57) Statement of Newness and Distinctiveness: **Newness and distinctiveness is claimed in the visual features shown in solid lines in the representations.**



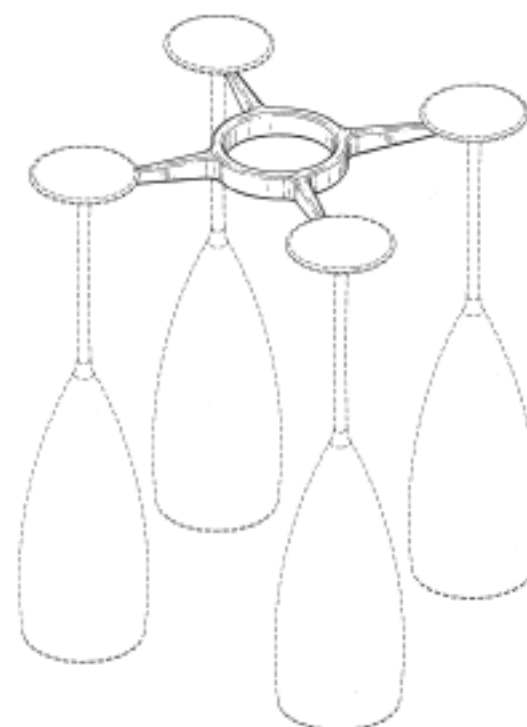
(21) Design Number: **15431/2010**
(22) Date of Filing Application: **10 December 2010**
(24) Date from which industrial property rights may have effect: **10 December 2010**
(54) Product in respect of which the design is registered: **Stylus pen**
(51) International Design Classification: **21-01N**
(74) Name(s) of Attorney(s): **Davies Collison Cave**
(71) Name(s) and Address(s) of Applicant(s):
Nintendo Co., Ltd.
11-1 Kamitoba Hokotate-cho Minami-ku Kyoto Japan
(72) Name(s) of Designer(s): **Hideaki Kamata and Tetsuya Akama**
(45) Registration Date: **11 February 2011**
(30) Convention priority data:
(31) Number (32) Date (33) Country
2010-014453 11 Jun 2010 JAPAN
(56) Related Art Documents: **Not Applicable**
(57) Statement of Newness and Distinctiveness: **Nil**



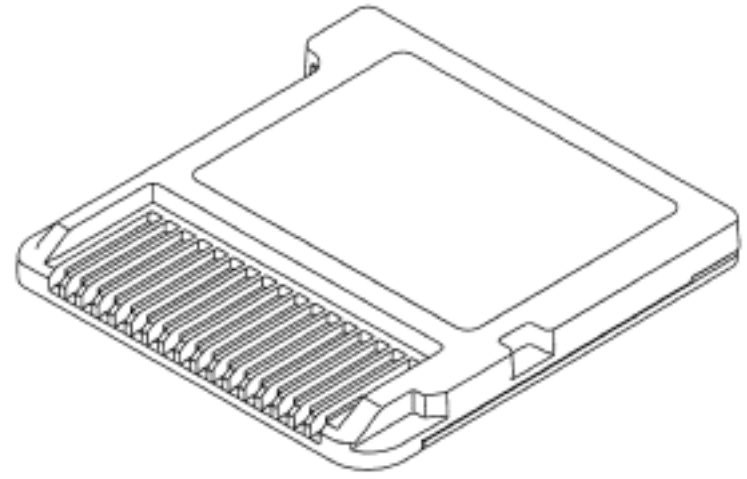
- (21) Design Number: **15432/2010**
(22) Date of Filing Application: **10 December 2010**
(24) Date from which industrial property rights may have effect: **10 December 2010**
(54) Product in respect of which the design is registered: **Ice bucket**
(51) International Design Classification: **07-07A**
(74) Name(s) of Attorney(s): **Davies Collison Cave**
(71) Name(s) and Address(s) of Applicant(s):
Gimex International Groupe Import Export
Parc Gutenberg 2 Voie La Cardon Palaiseau F-91120 France
(72) Name(s) of Designer(s): **Gerard Corbin**
(45) Registration Date: **11 February 2011**
(30) Convention priority data:
(31) Number (32) Date (33) Country
001718081-0001 10 Jun 2010 EUROPEAN COMMUNITY
(56) Related Art Documents: **Not Applicable**
(57) Statement of Newness and Distinctiveness: **Newness and distinctiveness is claimed in the visual features shown in solid lines in the representations. The bottle shown in broken lines in the representations does not form part of the design.**



- (21) Design Number: **15433/2010**
(22) Date of Filing Application: **10 December 2010**
(24) Date from which industrial property rights may have effect: **10 December 2010**
(54) Product in respect of which the design is registered: **Support for stemmed glasses**
(51) International Design Classification: **08-08L, 07-01C**
(74) Name(s) of Attorney(s): **Davies Collison Cave**
(71) Name(s) and Address(s) of Applicant(s):
Gimex International Groupe Import Export
Parc Gutenberg 2 Voie La Cardon Palaiseau F-91120 France
(72) Name(s) of Designer(s): **Gerard Corbin**
(45) Registration Date: **11 February 2011**
(30) Convention priority data:
(31) Number (32) Date (33) Country
001717935-0002 10 Jun 2010 EUROPEAN COMMUNITY
(56) Related Art Documents: **Not Applicable**
(57) Statement of Newness and Distinctiveness: **Newness and distinctiveness is claimed in the visual features shown in solid lines in the representations. The glasses shown in broken lines in the representations does not form part of the design.**



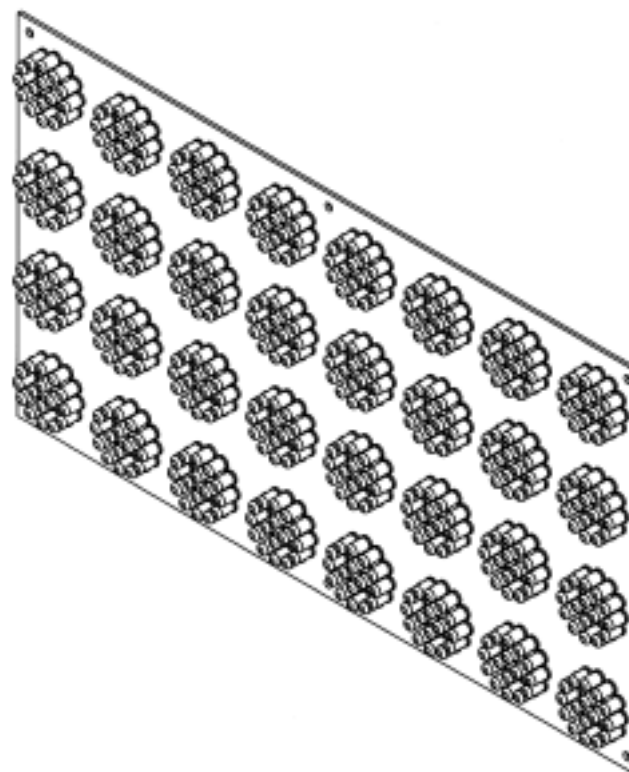
(21) Design Number: **15434/2010**
(22) Date of Filing Application: **10 December 2010**
(24) Date from which industrial property rights may have effect: **10 December 2010**
(54) Product in respect of which the design is registered: **Cartridge for electronic computer**
(51) International Design Classification: **14-02**
(74) Name(s) of Attorney(s): **Davies Collison Cave**
(71) Name(s) and Address(s) of Applicant(s):
Nintendo Co., Ltd.
11-1 Kamitoba Hokotate-cho Minami-ku Kyoto Japan
(72) Name(s) of Designer(s): **Takayoshi Matsui and Hideaki Kamata**
(45) Registration Date: **11 February 2011**
(30) Convention priority data:
(31) Number (32) Date (33) Country
2010-014465 11 Jun 2010 JAPAN
(56) Related Art Documents: **Not Applicable**
(57) Statement of Newness and Distinctiveness: **Nil**



(21) Design Number: **15480/2010**
(22) Date of Filing Application: **15 December 2010**
(24) Date from which industrial property rights may have effect: **15 December 2010**
(54) Product in respect of which the design is registered: **Map of Australia incorporating european main countries printed on back side of T-shirts and polo shirts**
(51) International Design Classification: **02-02NES**
(74) Name(s) of Attorney(s):
(71) Name(s) and Address(s) of Applicant(s):
China Trading Co. Pty. Ltd.
PO Box 1883 Kingscliff New South Wales 2487 Australia
(72) Name(s) of Designer(s): **Geoffrey Graham Todd**
(45) Registration Date: **11 February 2011**
(56) Related Art Documents: **Not Applicable**
(57) Statement of Newness and Distinctiveness: **The map design will be printed on back of garments only, and front side printed or embroidered with name of buyer/s, e.g. "Sydney motel" etc.**



- (21) Design Number: **15485/2010**
(22) Date of Filing Application: **08 December 2010**
(24) Date from which industrial property rights may have effect: **08 December 2010**
(54) Product in respect of which the design is registered: **LED module for an illuminated sign**
(51) International Design Classification: **26-04**
(74) Name(s) of Attorney(s):
(71) Name(s) and Address(s) of Applicant(s):
UAG Services Pty Ltd
7 Gabrielle Circuit Bayswater North Victoria 3153 Australia
(72) Name(s) of Designer(s): **Matthew Calvi and Anthony Lawson**
(45) Registration Date: **11 February 2011**
(56) Related Art Documents: **Not Applicable**
(57) Statement of Newness and Distinctiveness: **Newness and distinctiveness is claimed in the shape and configuration of the LED array but not the number of rows or the number of arrays within the row.**



- (21) Design Number: **15487/2010**
(22) Date of Filing Application: **14 December 2010**
(24) Date from which industrial property rights may have effect: **14 December 2010**
(54) Product in respect of which the design is registered: **Collection container**
(51) International Design Classification: **24-02**
(74) Name(s) of Attorney(s): **F B Rice & Co**
(71) Name(s) and Address(s) of Applicant(s):
Becton, Dickinson and Company
1 Becton Drive Franklin Lakes New Jersey 07417 United states of America
(72) Name(s) of Designer(s): **Bradley M Wilkinson**
(45) Registration Date: **11 February 2011**
(30) Convention priority data:
(31) Number (32) Date (33) Country
29/364390 23 Jun 2010 UNITED STATES OF AMERICA
(56) Related Art Documents: **Not Applicable**
(57) Statement of Newness and Distinctiveness: **Newness and distinctiveness reside in the features of the design shown in solid lines in the representations excluding those features shown in broken lines.**



(21) Design Number: **15488/2010**
(22) Date of Filing Application: **14 December 2010**
(24) Date from which industrial property rights may have effect: **14 December 2010**
(54) Product in respect of which the design is registered: **Collection container**
(51) International Design Classification: **24-02**
(74) Name(s) of Attorney(s): **F B Rice & Co**
(71) Name(s) and Address(s) of Applicant(s):
Becton, Dickinson and Company
1 Becton Drive Franklin Lakes New Jersey 07417 United states of America
(72) Name(s) of Designer(s): **Bradley M Wilkinson**
(45) Registration Date: **11 February 2011**
(30) Convention priority data:
(31) Number (32) Date (33) Country
29/365586 12 Jul 2010 UNITED STATES OF AMERICA
(56) Related Art Documents: **Not Applicable**
(57) Statement of Newness and Distinctiveness: **Newness and distinctiveness reside in the features of the design shown in solid lines in the representations excluding those features shown in broken lines.**



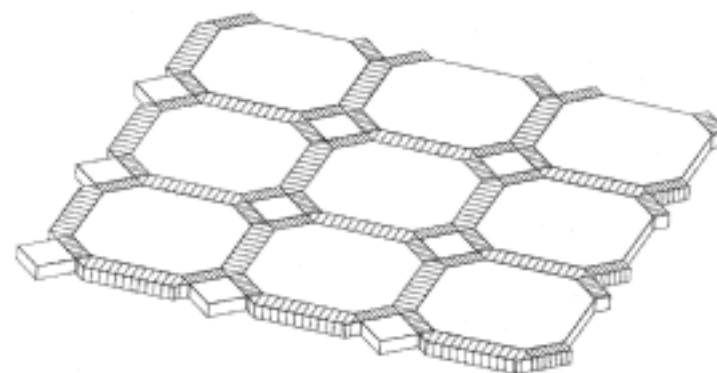
(21) Design Number: **15793/2010**
(22) Date of Filing Application: **24 December 2010**
(24) Date from which industrial property rights may have effect: **24 December 2010**
(54) Product in respect of which the design is registered: **Towel**
(51) International Design Classification: **06-13C**
(74) Name(s) of Attorney(s): **HODGKINSON McINNES PATENTS**
(71) Name(s) and Address(s) of Applicant(s):
Kas Australia Pty Limited
78 O'Riordan Street Alexandria New South Wales 2015 Australia
(72) Name(s) of Designer(s): **Skye Gemell**
(45) Registration Date: **11 February 2011**
(56) Related Art Documents: **Not Applicable**
(57) Statement of Newness and Distinctiveness: **Newness and distinctiveness is claimed in the pattern and/or ornamentation (not limited by colour) applied to reversible two tone toweling of indefinite width and length as shown in the attached representations.**



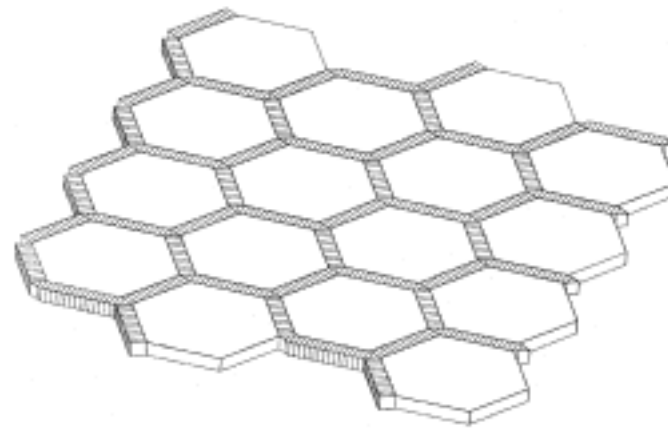
- (21) Design Number: **15794/2010**
(22) Date of Filing Application: **24 December 2010**
(24) Date from which industrial property rights may have effect: **24 December 2010**
(54) Product in respect of which the design is registered: **Towel**
(51) International Design Classification: **06-13C**
(74) Name(s) of Attorney(s): **HODGKINSON McINNES PATENTS**
(71) Name(s) and Address(s) of Applicant(s):
Kas Australia Pty Limited
78 O'Riordan Street Alexandria New South Wales 2015 Australia
(72) Name(s) of Designer(s): **Skye Gemell**
(45) Registration Date: **11 February 2011**
(56) Related Art Documents: **Not Applicable**
(57) Statement of Newness and Distinctiveness: **Newness and distinctiveness is claimed in the pattern and/or ornamentation (not limited by colour) applied to reversible two tone toweling of indefinite width and length as shown in the attached representations.**



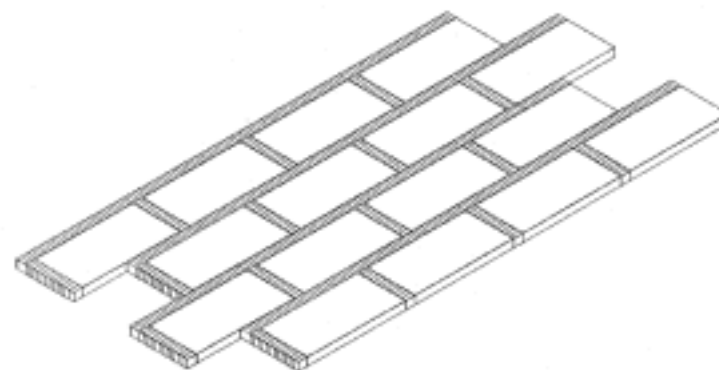
- (21) Design Number: **10130/2011**
(22) Date of Filing Application: **19 January 2011**
(24) Date from which industrial property rights may have effect: **19 January 2011**
(54) Product in respect of which the design is registered: **Tesserae**
(51) International Design Classification: **25-01F**
(74) Name(s) of Attorney(s): **Allens Arthur Robinson**
(71) Name(s) and Address(s) of Applicant(s):
Everstone International Pty Limited
20 Princes Road East Auburn New South Wales 2144 Australia
(72) Name(s) of Designer(s): **John Zeng**
(45) Registration Date: **11 February 2011**
(56) Related Art Documents: **Not Applicable**
(57) Statement of Newness and Distinctiveness: **Newness and distinctiveness is claimed in the tesserae as shown in the attached representations. It is to be understood that a basic element of the tesserae is shown, however, the tesserae can be repeated with other basic elements so that the tesserae is of indefinite length and/or width.**



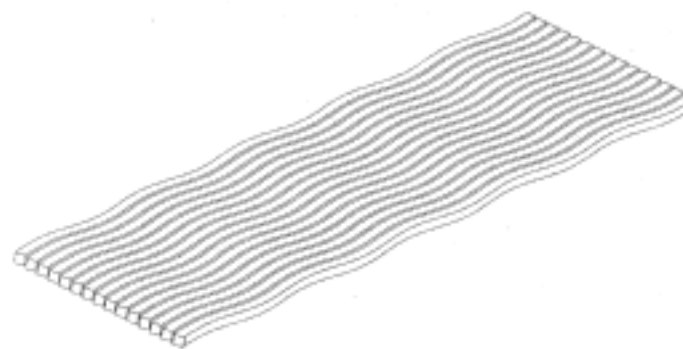
- (21) Design Number: **10131/2011**
(22) Date of Filing Application: **19 January 2011**
(24) Date from which industrial property rights may have effect: **19 January 2011**
(54) Product in respect of which the design is registered: **Tesserae**
(51) International Design Classification: **25-01F**
(74) Name(s) of Attorney(s): **Allens Arthur Robinson**
(71) Name(s) and Address(s) of Applicant(s):
Everstone International Pty Limited
20 Princes Road East Auburn New South Wales 2144 Australia
(72) Name(s) of Designer(s): **John Zeng**
(45) Registration Date: **11 February 2011**
(56) Related Art Documents: **Not Applicable**
(57) Statement of Newness and Distinctiveness: **Newness and distinctiveness is claimed in the tesserae as shown in the attached representations. It is to be understood that a basic element of the tesserae is shown, however, the tesserae can be repeated with other basic elements so that the tesserae is of indefinite length and/or width.**



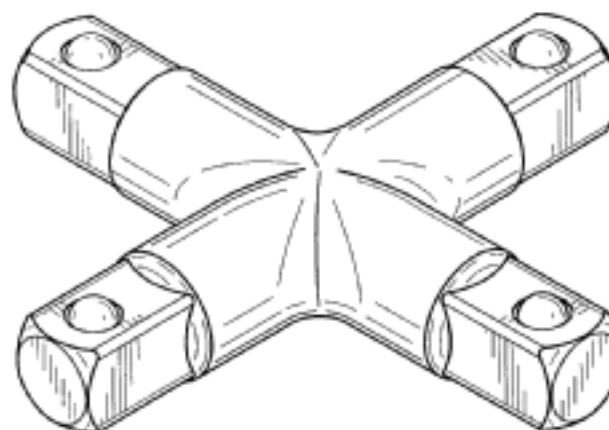
- (21) Design Number: **10132/2011**
(22) Date of Filing Application: **19 January 2011**
(24) Date from which industrial property rights may have effect: **19 January 2011**
(54) Product in respect of which the design is registered: **Tesserae**
(51) International Design Classification: **25-01F**
(74) Name(s) of Attorney(s): **Allens Arthur Robinson**
(71) Name(s) and Address(s) of Applicant(s):
Everstone International Pty Limited
20 Princes Road East Auburn New South Wales 2144 Australia
(72) Name(s) of Designer(s): **John Zeng**
(45) Registration Date: **11 February 2011**
(56) Related Art Documents: **Not Applicable**
(57) Statement of Newness and Distinctiveness: **Newness and distinctiveness is claimed in the tesserae as shown in the attached representations. It is to be understood that a basic element of the tesserae is shown, however, the tesserae can be repeated with other basic elements so that the tesserae is of indefinite length and/or width.**



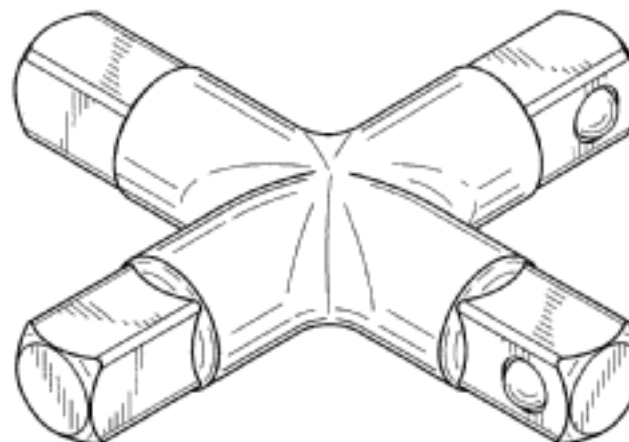
(21) Design Number: **10133/2011**
(22) Date of Filing Application: **19 January 2011**
(24) Date from which industrial property rights may have effect: **19 January 2011**
(54) Product in respect of which the design is registered: **Tesserae**
(51) International Design Classification: **25-01F**
(74) Name(s) of Attorney(s): **Allens Arthur Robinson**
(71) Name(s) and Address(s) of Applicant(s):
Everstone International Pty Limited
20 Princes Road East Auburn New South Wales 2144 Australia
(72) Name(s) of Designer(s): **John Zeng**
(45) Registration Date: **11 February 2011**
(56) Related Art Documents: **Not Applicable**
(57) Statement of Newness and Distinctiveness: **Newness and distinctiveness is claimed in the tesserae as shown in the attached representations. It is to be understood that a basic element of the tesserae is shown, however, the tesserae can be repeated with other basic elements so that the tesserae is of indefinite length and/or width.**



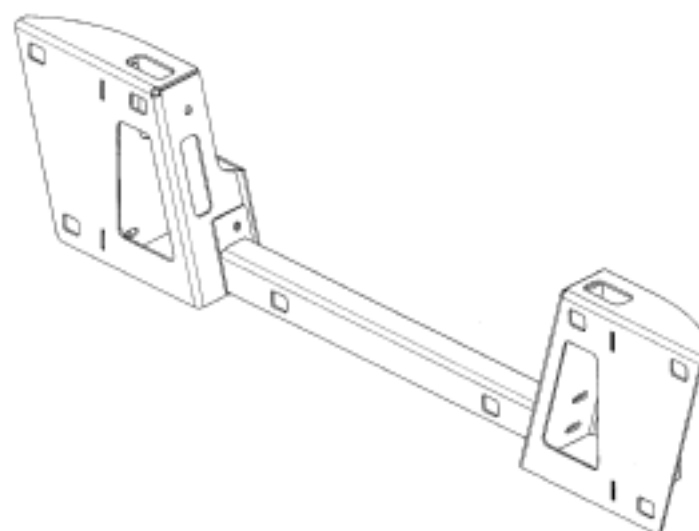
(21) Design Number: **10137/2011**
(22) Date of Filing Application: **19 January 2011**
(24) Date from which industrial property rights may have effect: **19 January 2011**
(54) Product in respect of which the design is registered: **Hub for lug wrench**
(51) International Design Classification: **08-05P**
(74) Name(s) of Attorney(s): **Freehills Patent & Trade Mark Attorneys**
(71) Name(s) and Address(s) of Applicant(s):
Robert Tsuyoshi Kamigaki
PO Box 507 Capt. Cook Hawaii 96704 United States of America
(72) Name(s) of Designer(s): **Robert Tsuyoshi Kamigaki**
(45) Registration Date: **14 February 2011**
(30) Convention priority data:
(31) Number (32) Date (33) Country
29/370465 20 Jul 2010 UNITED STATES OF AMERICA
(56) Related Art Documents: **Not Applicable**
(57) Statement of Newness and Distinctiveness: **Newness and distinctiveness of the design resides in the features of shape and configuration of the design illustrated in the accompanying drawings.**



- (21) Design Number: **10138/2011**
(22) Date of Filing Application: **19 January 2011**
(24) Date from which industrial property rights may have effect: **19 January 2011**
(54) Product in respect of which the design is registered: **Hub for lug wrench**
(51) International Design Classification: **08-05P**
(74) Name(s) of Attorney(s): **Freehills Patent & Trade Mark Attorneys**
(71) Name(s) and Address(s) of Applicant(s):
Robert Tsuyoshi Kamigaki
PO Box 507 Capt. Cook Hawaii 96704 United States of America
(72) Name(s) of Designer(s): **Robert Tsuyoshi Kamigaki**
(45) Registration Date: **14 February 2011**
(30) Convention priority data:
(31) Number (32) Date (33) Country
29/370465 20 Jul 2010 UNITED STATES OF AMERICA
(56) Related Art Documents: **Not Applicable**
(57) Statement of Newness and Distinctiveness: **Newness and distinctiveness of the design resides in the features of shape and configuration of the design illustrated in the accompanying drawings.**



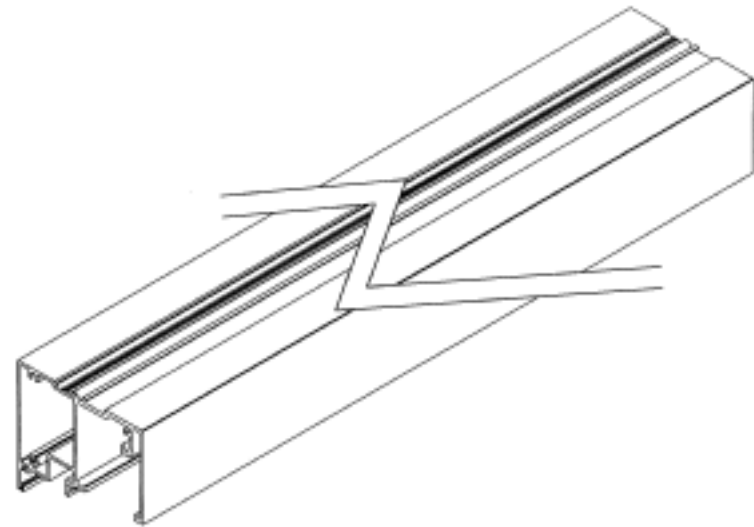
- (21) Design Number: **10139/2011**
(22) Date of Filing Application: **19 January 2011**
(24) Date from which industrial property rights may have effect: **19 January 2011**
(54) Product in respect of which the design is registered: **Mounting arrangement for a front bumper for a vehicle**
(51) International Design Classification: **12-16C**
(74) Name(s) of Attorney(s): **Madderns**
(71) Name(s) and Address(s) of Applicant(s):
Team Poly Pty Ltd
36 Waddikee Road Lonsdale South Australia 5160 Australia
(72) Name(s) of Designer(s): **Lachlan Daff**
(45) Registration Date: **14 February 2011**
(56) Related Art Documents: **Not Applicable**
(57) Statement of Newness and Distinctiveness: **Newness and distinctiveness resides in the features of shape and configuration of a mounting arrangement for a front bumper for a vehicle as shown in the accompanying representations.**



(21) Design Number: **10140/2011**
(22) Date of Filing Application: **17 January 2011**
(24) Date from which industrial property rights may have effect: **17 January 2011**
(54) Product in respect of which the design is registered: **Bi-fold door head**
(51) International Design Classification: **08-09, 25-01K**
(74) Name(s) of Attorney(s):
(71) Name(s) and Address(s) of Applicant(s):

Dezinal Pty Ltd
C/- GCY Accountants Suites 1 & 2 Level 1-67 Lytton Road East Brisbane
Queensland 4169 Australia

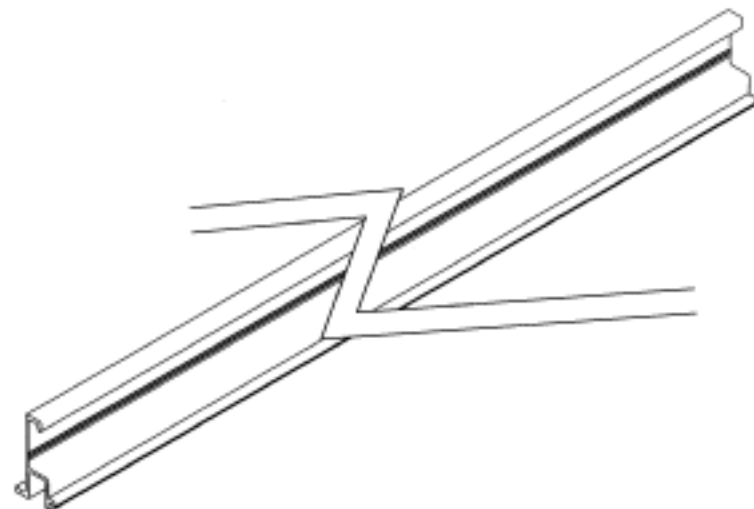
(72) Name(s) of Designer(s): **Ronald Maxwell**
(45) Registration Date: **14 February 2011**
(56) Related Art Documents: **Not Applicable**
(57) Statement of Newness and Distinctiveness: **Nil**



(21) Design Number: **10141/2011**
(22) Date of Filing Application: **17 January 2011**
(24) Date from which industrial property rights may have effect: **17 January 2011**
(54) Product in respect of which the design is registered: **Bi-fold door head insert track**
(51) International Design Classification: **08-09, 25-01K**
(74) Name(s) of Attorney(s):
(71) Name(s) and Address(s) of Applicant(s):

Dezinal Pty Ltd
C/- GCY Accountants Suites 1 & 2 Level 1-67 Lytton Road East Brisbane
Queensland 4169 Australia

(72) Name(s) of Designer(s): **Ronald Maxwell**
(45) Registration Date: **14 February 2011**
(56) Related Art Documents: **Not Applicable**
(57) Statement of Newness and Distinctiveness: **Nil**



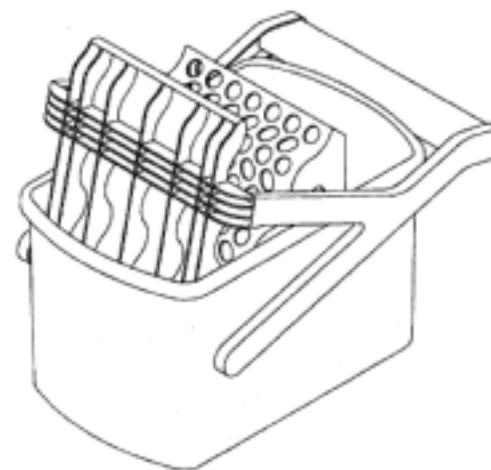
- (21) Design Number: **12401/2010**
(22) Date of Filing Application: **11 June 2010**
(24) Date from which industrial property rights may have effect: **11 June 2010**
(54) Product in respect of which the design is registered: **Left-side and right-side vehicle foglamp surround**
(51) International Design Classification: **12-16E**
(74) Name(s) of Attorney(s): **MIDDLETONS**
(71) Name(s) and Address(s) of Applicant(s):
GM Global Technology Operations, Inc
300 Renaissance Centre Detroit Michigan United States of America
(72) Name(s) of Designer(s): **Adam Ty Dean Smith**
(45) Registration Date: **15 February 2011**
(56) Related Art Documents: **Not Applicable**
(57) Statement of Newness and Distinctiveness: **Nil**



- (21) Design Number: **12836/2010**
(22) Date of Filing Application: **09 July 2010**
(24) Date from which industrial property rights may have effect: **09 July 2010**
(54) Product in respect of which the design is registered: **Mop wringer**
(51) International Design Classification: **07-07B**
(74) Name(s) of Attorney(s): **Allens Arthur Robinson**
(71) Name(s) and Address(s) of Applicant(s):
ED Oates Pty Ltd
Maygar Boulevard Broadmeadows Victoria 3047 Australia
(72) Name(s) of Designer(s): **Jonathan Ben-Tovim and Paul Charlwood**
(45) Registration Date: **15 February 2011**
(56) Related Art Documents: **Not Applicable**
(57) Statement of Newness and Distinctiveness: **Newness and distinctiveness resides in the visual features of shape and/or configuration of a mop wringer as illustrated in the accompanying representations. The "Oates Cleans Best" and the flower device do not form part of the design and are to be disregarded when considering whether the design is identical or substantially similar in overall impression to another design.**



- (21) Design Number: **12844/2010**
(22) Date of Filing Application: **09 July 2010**
(24) Date from which industrial property rights may have effect: **09 July 2010**
(54) Product in respect of which the design is registered: **Wringer bucket**
(51) International Design Classification: **07-07B**
(74) Name(s) of Attorney(s): **Allens Arthur Robinson**
(71) Name(s) and Address(s) of Applicant(s):
ED Oates Pty Ltd
Maygar Boulevard Broadmeadows Victoria 3047 Australia
(72) Name(s) of Designer(s): **Jonathan Ben-Tovim and Paul Charlwood**
(45) Registration Date: **15 February 2011**
(56) Related Art Documents: **Not Applicable**
(57) Statement of Newness and Distinctiveness: **Newness and distinctiveness resides in the visual features of shape and/or configuration of a wringer bucket as illustrated in the accompanying representations.**



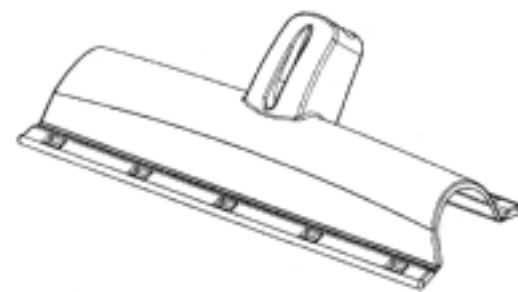
- (21) Design Number: **12845/2010**
(22) Date of Filing Application: **09 July 2010**
(24) Date from which industrial property rights may have effect: **09 July 2010**
(54) Product in respect of which the design is registered: **Wringer bucket**
(51) International Design Classification: **07-07B**
(74) Name(s) of Attorney(s): **Allens Arthur Robinson**
(71) Name(s) and Address(s) of Applicant(s):
ED Oates Pty Ltd
Maygar Boulevard Broadmeadows Victoria 3047 Australia
(72) Name(s) of Designer(s): **Jonathan Ben-Tovim and Paul Charlwood**
(45) Registration Date: **15 February 2011**
(56) Related Art Documents: **Not Applicable**
(57) Statement of Newness and Distinctiveness: **Newness and distinctiveness resides in the visual features of shape and/or configuration of a wringer bucket as illustrated in the accompanying representations.**



- (21) Design Number: **12846/2010**
(22) Date of Filing Application: **09 July 2010**
(24) Date from which industrial property rights may have effect: **09 July 2010**
(54) Product in respect of which the design is registered: **Squeeze mop handle**
(51) International Design Classification: **04-01, 08-06**
(74) Name(s) of Attorney(s): **Allens Arthur Robinson**
(71) Name(s) and Address(s) of Applicant(s):
ED Oates Pty Ltd
Maygar Boulevard Broadmeadows Victoria 3047 Australia
(72) Name(s) of Designer(s): **Luca Abate and Paul Charlwood**
(45) Registration Date: **15 February 2011**
(56) Related Art Documents: **Not Applicable**
(57) Statement of Newness and Distinctiveness: **Newness and distinctiveness resides in the visual features of shape and/or configuration of a squeeze mop handle as illustrated in the accompanying representations.**



- (21) Design Number: **12847/2010**
(22) Date of Filing Application: **09 July 2010**
(24) Date from which industrial property rights may have effect: **09 July 2010**
(54) Product in respect of which the design is registered: **Mop head**
(51) International Design Classification: **04-01**
(74) Name(s) of Attorney(s): **Allens Arthur Robinson**
(71) Name(s) and Address(s) of Applicant(s):
ED Oates Pty Ltd
Maygar Boulevard Broadmeadows Victoria 3047 Australia
(72) Name(s) of Designer(s): **Luca Abate and Paul Charlwood**
(45) Registration Date: **15 February 2011**
(56) Related Art Documents: **Not Applicable**
(57) Statement of Newness and Distinctiveness: **Newness and distinctiveness resides in the visual features of shape and/or configuration of a mop head as illustrated in the accompanying representations.**

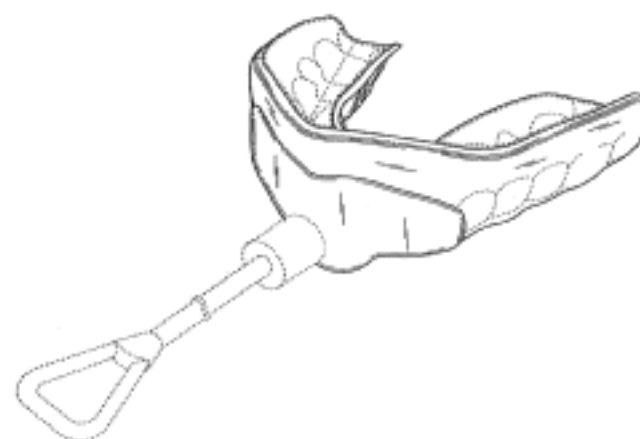


(21) Design Number: **15268/2010**
(22) Date of Filing Application: **02 December 2010**
(24) Date from which industrial property rights may have effect: **02 December 2010**
(54) Product in respect of which the design is registered: **Tetherless custom mouthguard**
(51) International Design Classification: **21-02NES**
(74) Name(s) of Attorney(s): **SPRUSON & FERGUSON**
(71) Name(s) and Address(s) of Applicant(s):
Shock Doctor, Inc.
3300 Fernbrook Lane North Suite 250 Plymouth Minnesota 55447 United States of America



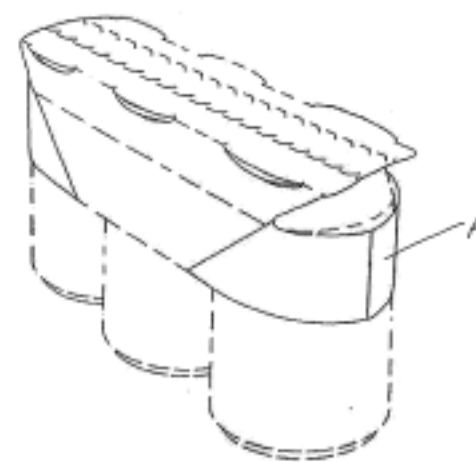
(72) Name(s) of Designer(s): **Jay N. Turkbash and Daniel J. Brett**
(45) Registration Date: **15 February 2011**
(30) Convention priority data:
(31) Number (32) Date (33) Country
29/362919 02 Jun 2010 UNITED STATES OF AMERICA
(56) Related Art Documents: **Not Applicable**
(57) Statement of Newness and Distinctiveness: **Newness and distinctiveness is claimed in the features of shape and/or configuration of a tetherless custom mouthguard as illustrated in the accompanying representations, and particularly the following parts: -anterior portion;and -embedded insert labelled "A".**

(21) Design Number: **15269/2010**
(22) Date of Filing Application: **02 December 2010**
(24) Date from which industrial property rights may have effect: **02 December 2010**
(54) Product in respect of which the design is registered: **Custom mouthguard**
(51) International Design Classification: **21-02NES**
(74) Name(s) of Attorney(s): **SPRUSON & FERGUSON**
(71) Name(s) and Address(s) of Applicant(s):
Shock Doctor, Inc.
3300 Fernbrook Lane North Suite 250 Plymouth Minnesota 55447 United States of America



(72) Name(s) of Designer(s): **Jay N. Turkbash and Daniel J. Brett**
(45) Registration Date: **15 February 2011**
(30) Convention priority data:
(31) Number (32) Date (33) Country
29/362918 02 Jun 2010 UNITED STATES OF AMERICA
(56) Related Art Documents: **Not Applicable**
(57) Statement of Newness and Distinctiveness: **Newness and distinctiveness is claimed in the features of shape and/or configuration of a custom mouthguard as illustrated in the accompanying representations, and particularly the following parts: -anterior portion;and -embedded insert labelled "A".**

(21) Design Number: **15304/2010**
(22) Date of Filing Application: **03 December 2010**
(24) Date from which industrial property rights may have effect: **03 December 2010**
(54) Product in respect of which the design is registered: **Carton**
(51) International Design Classification: **09-03E**
(74) Name(s) of Attorney(s): **SPRUSON & FERGUSON**
(71) Name(s) and Address(s) of Applicant(s):



MeadWestvaco Packaging Systems LLC
501 South 5th Street Richmond Virginia 232190501 United States of America

(72) Name(s) of Designer(s): **Tamio Ikeda**

(45) Registration Date: **15 February 2011**

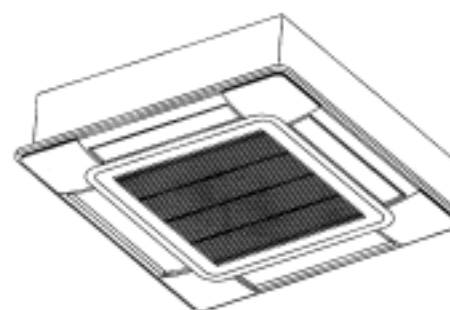
(30) Convention priority data:

(31) Number	(32) Date	(33) Country
2010013718	03 Jun 2010	JAPAN

(56) Related Art Documents: **Not Applicable**

(57) Statement of Newness and Distinctiveness: **Newness and distinctiveness is claimed in those features of shape and/or configuration of a carton as illustrated in continuous lines and labelled A in the accompanying representations.**

(21) Design Number: **15359/2010**
(22) Date of Filing Application: **07 December 2010**
(24) Date from which industrial property rights may have effect: **07 December 2010**
(54) Product in respect of which the design is registered: **Air conditioner**
(51) International Design Classification: **23-04**
(74) Name(s) of Attorney(s): **Davies Collison Cave**
(71) Name(s) and Address(s) of Applicant(s):



Hitachi Appliances, Inc.
16-1 Kaigan 1-chome Minato-ku Tokyo Japan

(72) Name(s) of Designer(s): **Miyako Iida and Kazuhisa Yagi and Hajime Sasaki and Naoki Muramatsu and Kunihito Kawamura**

(45) Registration Date: **15 February 2011**

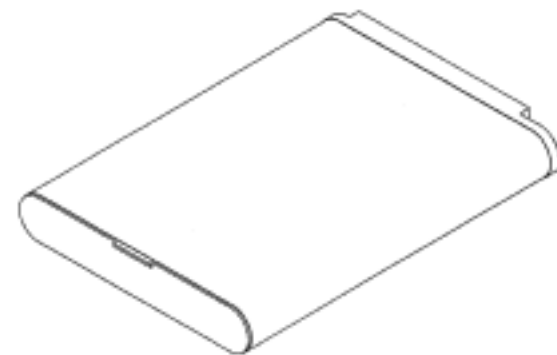
(30) Convention priority data:

(31) Number	(32) Date	(33) Country
2010-023440	30 Sep 2010	JAPAN

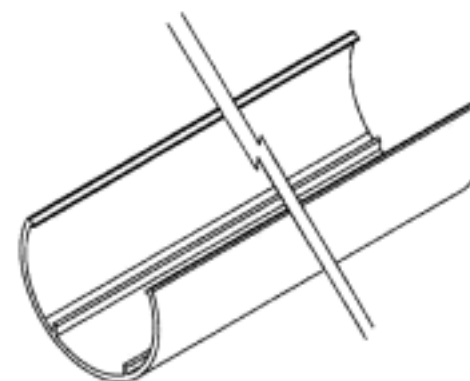
(56) Related Art Documents: **Not Applicable**

(57) Statement of Newness and Distinctiveness: **Nil**

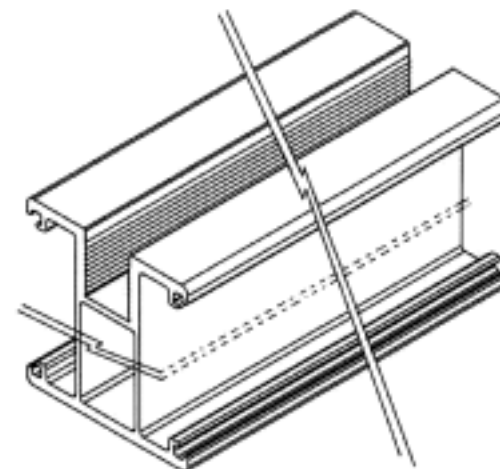
(21) Design Number: **15429/2010**
(22) Date of Filing Application: **10 December 2010**
(24) Date from which industrial property rights may have effect: **10 December 2010**
(54) Product in respect of which the design is registered: **Storage battery**
(51) International Design Classification: **13-02**
(74) Name(s) of Attorney(s): **Davies Collison Cave**
(71) Name(s) and Address(s) of Applicant(s):
Nintendo Co., Ltd.
11-1 Kamitoba Hokotate-cho Minami-ku Kyoto Japan
(72) Name(s) of Designer(s): **Kazuumi Otani and Takeshi Nabesaka and Takumi Nakahira**
(45) Registration Date: **15 February 2011**
(30) Convention priority data:
(31) Number (32) Date (33) Country
2010-014468 11 Jun 2010 JAPAN
(56) Related Art Documents: **Not Applicable**
(57) Statement of Newness and Distinctiveness: **Nil**



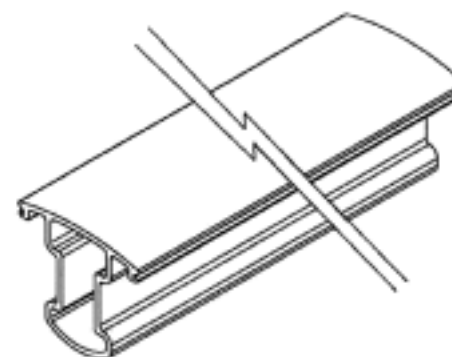
(21) Design Number: **15463/2010**
(22) Date of Filing Application: **10 December 2010**
(24) Date from which industrial property rights may have effect: **10 December 2010**
(54) Product in respect of which the design is registered: **Extrusion**
(51) International Design Classification: **25-01K**
(74) Name(s) of Attorney(s):
(71) Name(s) and Address(s) of Applicant(s):
Haylin Systems Pty Ltd
Unit 2 73 Prestige Parade Wangara Western Australia 6065 Australia
(72) Name(s) of Designer(s): **Edward Joseph Khoury and Darren Hayter and Mark Meehan**
(45) Registration Date: **15 February 2011**
(56) Related Art Documents: **Not Applicable**
(57) Statement of Newness and Distinctiveness: **Newness and distinctiveness resides in the features of shape and/or configuration of an extrusion of indefinite length as shown in the accompanying representations.**



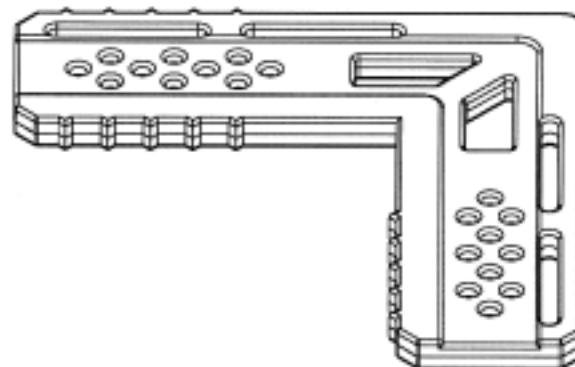
- (21) Design Number: **15466/2010**
(22) Date of Filing Application: **10 December 2010**
(24) Date from which industrial property rights may have effect: **10 December 2010**
(54) Product in respect of which the design is registered: **Extrusion**
(51) International Design Classification: **25-01K**
(74) Name(s) of Attorney(s):
(71) Name(s) and Address(s) of Applicant(s):
Haylin Systems Pty Ltd
Unit 2 73 Prestige Parade Wangara Western Australia 6065 Australia
(72) Name(s) of Designer(s): **Edward Joseph Khoury and Darren Hayter and Mark Meehan**
(45) Registration Date: **15 February 2011**
(56) Related Art Documents: **Not Applicable**
(57) Statement of Newness and Distinctiveness: **Newness and distinctiveness resides in the features of shape and/or configuration of an extrusion of indefinite length as shown in the accompanying representations. In cross section, a side of the extrusion is also of indefinite length, as shown by the break line in the cross sectional view.**



- (21) Design Number: **15467/2010**
(22) Date of Filing Application: **10 December 2010**
(24) Date from which industrial property rights may have effect: **10 December 2010**
(54) Product in respect of which the design is registered: **Extrusion**
(51) International Design Classification: **25-01K**
(74) Name(s) of Attorney(s):
(71) Name(s) and Address(s) of Applicant(s):
Haylin Systems Pty Ltd
Unit 2 73 Prestige Parade Wangara Western Australia 6065 Australia
(72) Name(s) of Designer(s): **Edward Joseph Khoury and Darren Hayter and Mark Meehan**
(45) Registration Date: **15 February 2011**
(56) Related Art Documents: **Not Applicable**
(57) Statement of Newness and Distinctiveness: **Newness and distinctiveness resides in the features of shape and/or configuration of an extrusion of indefinite length as shown in the accompanying representations.**



(21) Design Number: **15482/2010**
(22) Date of Filing Application: **10 December 2010**
(24) Date from which industrial property rights may have effect: **10 December 2010**
(54) Product in respect of which the design is registered: **Connector**
(51) International Design Classification: **25-02NES**
(74) Name(s) of Attorney(s):
(71) Name(s) and Address(s) of Applicant(s):
Haylin Systems Pty Ltd
Unit 2 73 Prestige Parade Wangara Western Australia 6065 Australia
(72) Name(s) of Designer(s): **Edward Joseph Khoury and Darren Hayter and Mark Meehan**
(45) Registration Date: **15 February 2011**
(56) Related Art Documents: **Not Applicable**
(57) Statement of Newness and Distinctiveness: **Nil**



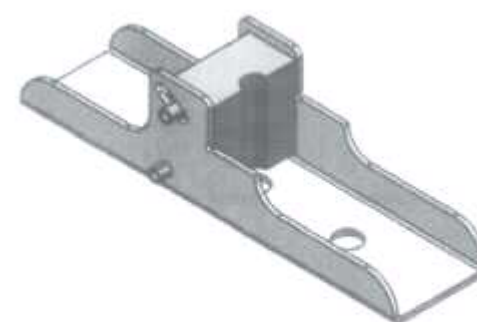
(21) Design Number: **15510/2010**
(22) Date of Filing Application: **15 December 2010**
(24) Date from which industrial property rights may have effect: **15 December 2010**
(54) Product in respect of which the design is registered: **Skewered food**
(51) International Design Classification: **01-99**
(74) Name(s) of Attorney(s): **Baxter IP**
(71) Name(s) and Address(s) of Applicant(s):
Luojin Wang
7/19 Gloucester Road Hurstville New South Wales 2220 Australia
(72) Name(s) of Designer(s): **Luojin Wang**
(45) Registration Date: **15 February 2011**
(56) Related Art Documents: **Not Applicable**
(57) Statement of Newness and Distinctiveness: **Nil**



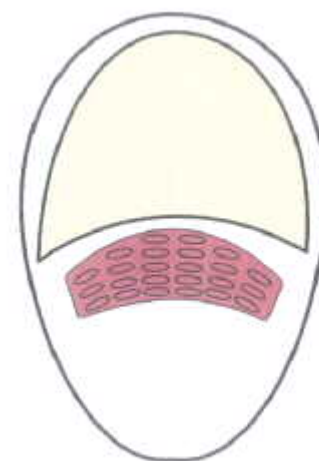
(21) Design Number: **10098/2011**
(22) Date of Filing Application: **12 January 2011**
(24) Date from which industrial property rights may have effect: **12 January 2011**
(54) Product in respect of which the design is registered: **Energy saving switch kit**
(51) International Design Classification: **13-03D**
(74) Name(s) of Attorney(s):
(71) Name(s) and Address(s) of Applicant(s):
Mahi Enterprises Pty Ltd
4 Fernbrook Place Castle Hill New South Wales 2154 Australia
(72) Name(s) of Designer(s): **Nagarajah Rajkumar**
(45) Registration Date: **15 February 2011**
(56) Related Art Documents: **Not Applicable**
(57) Statement of Newness and Distinctiveness: **Nil**



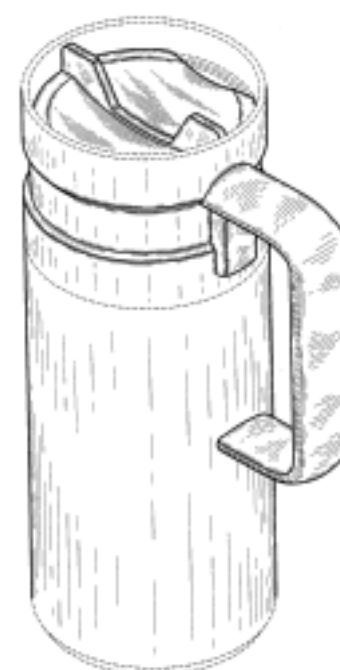
(21) Design Number: **10123/2011**
(22) Date of Filing Application: **19 January 2011**
(24) Date from which industrial property rights may have effect: **19 January 2011**
(54) Product in respect of which the design is registered: **Clamp**
(51) International Design Classification: **08-08D**
(74) Name(s) of Attorney(s): **Trademark Central**
(71) Name(s) and Address(s) of Applicant(s):
Sean Evans
132 Acanthus Avenue Burleigh Heads Gold Coast Queensland 4220
Australia
Lokaladda Pty Ltd
132 Acanthus Avenue Burleigh Heads Gold Coast Queensland 4220
Australia
(72) Name(s) of Designer(s): **Sean Evans**
(45) Registration Date: **15 February 2011**
(56) Related Art Documents: **Not Applicable**
(57) Statement of Newness and Distinctiveness: **Especially designed clamping device used to secure items.**



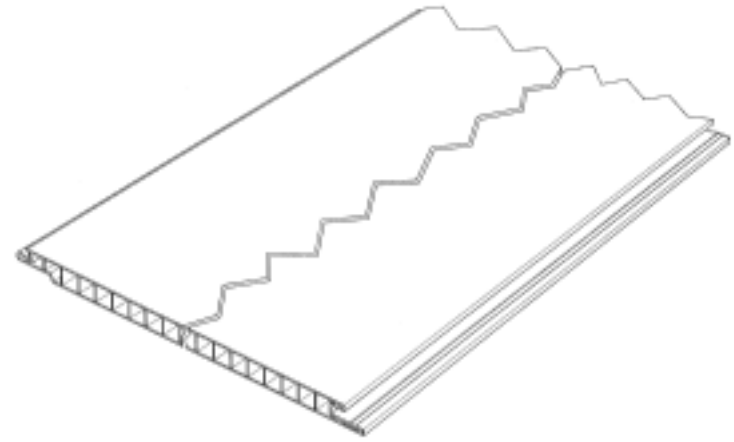
(21) Design Number: **10129/2011**
(22) Date of Filing Application: **25 January 2011**
(24) Date from which industrial property rights may have effect: **25 January 2011**
(54) Product in respect of which the design is registered: **Cosmetic applicator**
(51) International Design Classification: **28-03NES**
(74) Name(s) of Attorney(s): **Actuate IP**
(71) Name(s) and Address(s) of Applicant(s):
Magic Beauty Pty Ltd
Level 1 Suite 1 28 Young Street Moonee Ponds Victoria 3039 Australia
(72) Name(s) of Designer(s): **Rocky Mammone**
(45) Registration Date: **15 February 2011**
(56) Related Art Documents: **Not Applicable**
(57) Statement of Newness and Distinctiveness: **Newness and distinctiveness resides in the visual features, including shape and configuration of a cosmetic applicator as shown in solid outline in the accompanying drawings. When determining whether the design is substantially similar in overall impression to another design, primary regard is to be had to those features of outer shape and configuration of the cosmetic applicator and lesser regard to the relative location of the cosmetic material shown on the surface in the accompanying drawings, which features are provided for illustrative purposes only.**



(21) Design Number: **10195/2011**
(22) Date of Filing Application: **27 January 2011**
(24) Date from which industrial property rights may have effect: **27 January 2011**
(54) Product in respect of which the design is registered: **Beverage container**
(51) International Design Classification: **07-01D**
(74) Name(s) of Attorney(s): **Griffith Hack**
(71) Name(s) and Address(s) of Applicant(s):
Pacific Market International, LLC
2401 Elliott Avenue Fourth Floor Seattle WA 98121 United States of America
(72) Name(s) of Designer(s): **Tyler Sean Gilbert**
(45) Registration Date: **15 February 2011**
(30) Convention priority data:
(31) Number (32) Date (33) Country
29/366,831 30 Jul 2010 UNITED STATES OF AMERICA
(56) Related Art Documents: **Not Applicable**
(57) Statement of Newness and Distinctiveness: **The shape and configuration of those parts of the design shown by means of solid lines in the representations are new and distinctive.**



- (21) Design Number: **10198/2011**
(22) Date of Filing Application: **21 January 2011**
(24) Date from which industrial property rights may have effect: **21 January 2011**
(54) Product in respect of which the design is registered: **Ceiling panel**
(51) International Design Classification: **25-02E**
(74) Name(s) of Attorney(s):
(71) Name(s) and Address(s) of Applicant(s):
Cameron John French
RMB 215 Brungle Creek New South Wales 2722 Australia
(72) Name(s) of Designer(s): **Cameron John French**
(45) Registration Date: **15 February 2011**
(56) Related Art Documents: **Not Applicable**
(57) Statement of Newness and Distinctiveness: **Nil**



- (21) Design Number: **10101/2011**
(22) Date of Filing Application: **14 January 2011**
(24) Date from which industrial property rights may have effect: **14 January 2011**
(54) Product in respect of which the design is registered: **Serving tray**
(51) International Design Classification: **07-01B**
(74) Name(s) of Attorney(s):
(71) Name(s) and Address(s) of Applicant(s):
Matthew Barrett
13 Tiber Crescent Springfield Queensland 4300 Australia
Wilhelmina Barrett
13 Tiber Crescent Springfield Queensland 4300 Australia
(72) Name(s) of Designer(s): **Wilhelmina Barrett and Matthew Barrett**
(45) Registration Date: **16 February 2011**
(56) Related Art Documents: **Not Applicable**
(57) Statement of Newness and Distinctiveness: **The product logo ('EWA') is embossed on the base of the plate. There are two distinct openings on the square plate (20cm X 20cm). Both openings are round, adjacent to each other, with one opening having a small gap to allow a wine glass stem to fit in.**



(21) Design Number: **10060/2011**
(22) Date of Filing Application: **10 January 2011**
(24) Date from which industrial property rights may have effect: **10 January 2011**
(54) Product in respect of which the design is registered: **Parts for refrigerated sales counters**
(51) International Design Classification: **20-02C, 15-07**
(74) Name(s) of Attorney(s): **MALLESONS STEPHEN JAQUES**
(71) Name(s) and Address(s) of Applicant(s):
BEHR A/S
Magevej 14 A 8370 Hadsten Denmark
(72) Name(s) of Designer(s): **Soren Olesen and Kristain Ib Schmidt Behr**
(45) Registration Date: **16 February 2011**
(30) Convention priority data:
(31) Number (32) Date (33) Country
1729823 09 Jul 2010 EUROPEAN COMMUNITY
(56) Related Art Documents: **Not Applicable**
(57) Statement of Newness and Distinctiveness: **Nil**



(21) Design Number: **10061/2011**
(22) Date of Filing Application: **10 January 2011**
(24) Date from which industrial property rights may have effect: **10 January 2011**
(54) Product in respect of which the design is registered: **Parts for refrigerated sales counters**
(51) International Design Classification: **20-02C, 15-07**
(74) Name(s) of Attorney(s): **MALLESONS STEPHEN JAQUES**
(71) Name(s) and Address(s) of Applicant(s):
BEHR A/S
Magevej 14 A 8370 Hadsten Denmark
(72) Name(s) of Designer(s): **Soren Olesen and Kristain Ib Schmidt Behr**
(45) Registration Date: **16 February 2011**
(30) Convention priority data:
(31) Number (32) Date (33) Country
1729823 09 Jul 2010 EUROPEAN COMMUNITY
(56) Related Art Documents: **Not Applicable**
(57) Statement of Newness and Distinctiveness: **Nil**



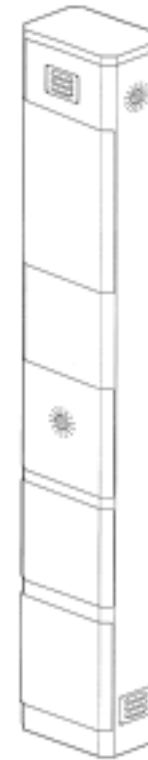
(21) Design Number: **10062/2011**
(22) Date of Filing Application: **10 January 2011**
(24) Date from which industrial property rights may have effect: **10 January 2011**
(54) Product in respect of which the design is registered: **Parts for refrigerated sales counters**
(51) International Design Classification: **20-02C, 15-07**
(74) Name(s) of Attorney(s): **MALLESONS STEPHEN JAQUES**
(71) Name(s) and Address(s) of Applicant(s):
BEHR A/S
Magevej 14 A 8370 Hadsten Denmark
(72) Name(s) of Designer(s): **Soren Olesen and Kristain Ib Schmidt Behr**
(45) Registration Date: **16 February 2011**
(30) Convention priority data:
(31) Number (32) Date (33) Country
1729823 09 Jul 2010 EUROPEAN COMMUNITY
(56) Related Art Documents: **Not Applicable**
(57) Statement of Newness and Distinctiveness: **Nil**



(21) Design Number: **10063/2011**
(22) Date of Filing Application: **10 January 2011**
(24) Date from which industrial property rights may have effect: **10 January 2011**
(54) Product in respect of which the design is registered: **Parts for refrigerated sales counters**
(51) International Design Classification: **20-02C, 15-07**
(74) Name(s) of Attorney(s): **MALLESONS STEPHEN JAQUES**
(71) Name(s) and Address(s) of Applicant(s):
BEHR A/S
Magevej 14 A 8370 Hadsten Denmark
(72) Name(s) of Designer(s): **Soren Olesen and Kristain Ib Schmidt Behr**
(45) Registration Date: **16 February 2011**
(30) Convention priority data:
(31) Number (32) Date (33) Country
1729823 09 Jul 2010 EUROPEAN COMMUNITY
(56) Related Art Documents: **Not Applicable**
(57) Statement of Newness and Distinctiveness: **Nil**



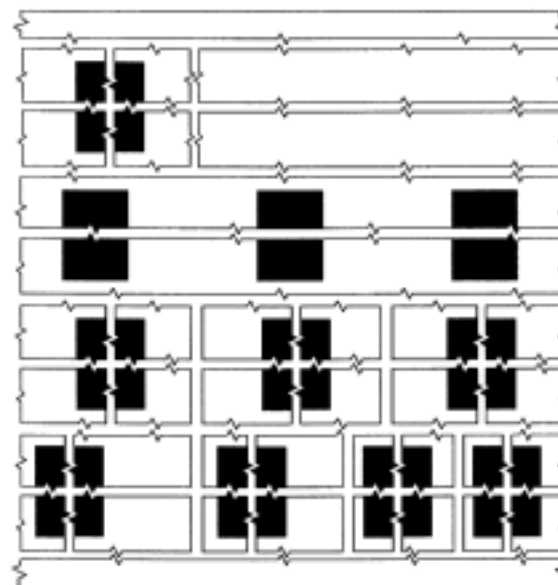
- (21) Design Number: **14295/2010**
(22) Date of Filing Application: **30 September 2010**
(24) Date from which industrial property rights may have effect: **30 September 2010**
(54) Product in respect of which the design is registered: **Emergency tower housing for a defibrillator**
(51) International Design Classification: **24-01**
(74) Name(s) of Attorney(s): **Roger Syn & Co. Patent & Trade Mark Attorneys**
(71) Name(s) and Address(s) of Applicant(s):
Cedar Ridge Nominees Pty Ltd
39 Cedar Ridge Road Kiama New South Wales 2533 Australia
(72) Name(s) of Designer(s): **Paul Jones**
(45) Registration Date: **18 February 2011**
(56) Related Art Documents: **Not Applicable**
(57) Statement of Newness and Distinctiveness: **Nil**



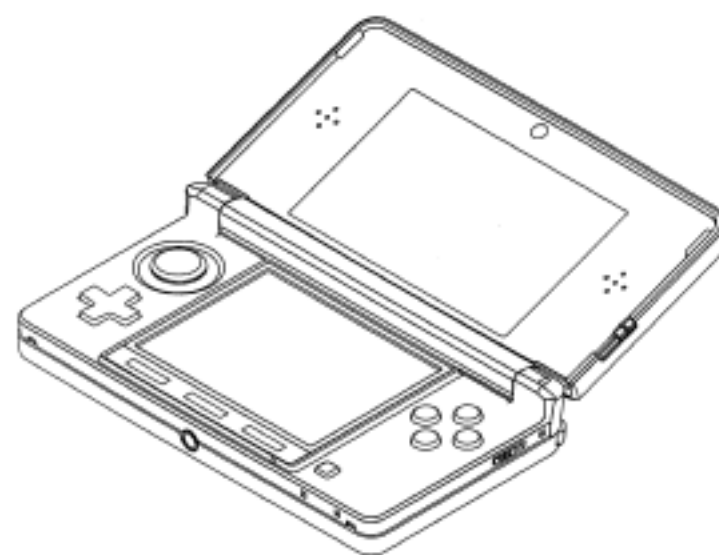
- (21) Design Number: **14716/2010**
(22) Date of Filing Application: **01 November 2010**
(24) Date from which industrial property rights may have effect: **01 November 2010**
(54) Product in respect of which the design is registered: **Post support and cover kit**
(51) International Design Classification: **25-02A**
(74) Name(s) of Attorney(s):
(71) Name(s) and Address(s) of Applicant(s):
Craig Quinsey
62 Kalyan Avenue Bradbury New South Wales 2560 Australia
(72) Name(s) of Designer(s): **Craig Quinsey**
(45) Registration Date: **18 February 2011**
(56) Related Art Documents: **Not Applicable**
(57) Statement of Newness and Distinctiveness: **The shape and configuration.**



(21) Design Number: **15289/2010**
(22) Date of Filing Application: **02 December 2010**
(24) Date from which industrial property rights may have effect: **02 December 2010**
(54) Product in respect of which the design is registered: **Label support sheet**
(51) International Design Classification: **19-08**
(74) Name(s) of Attorney(s): **PIZZEYS**
(71) Name(s) and Address(s) of Applicant(s):
Sanford, L.P.
2707 Butterfield Road Oak Brook IL 60523 United States of America
(72) Name(s) of Designer(s): **Daniel P. Clark and Joseph K. Patterson and Patrick Reitz and Christopher Campetti and Alan Wheeler**
(45) Registration Date: **18 February 2011**
(30) Convention priority data:
(31) Number (32) Date (33) Country
29/363,115 04 Jun 2010 UNITED STATES OF AMERICA
(56) Related Art Documents: **Not Applicable**
(57) Statement of Newness and Distinctiveness: **Nil**



(21) Design Number: **15426/2010**
(22) Date of Filing Application: **10 December 2010**
(24) Date from which industrial property rights may have effect: **10 December 2010**
(54) Product in respect of which the design is registered: **Housing component for portable electronic computer**
(51) International Design Classification: **14-02**
(74) Name(s) of Attorney(s): **Davies Collison Cave**
(71) Name(s) and Address(s) of Applicant(s):
Nintendo Co., Ltd.
11-1 Kamitoba Hokotate-cho Minami-ku Kyoto Japan
(72) Name(s) of Designer(s): **Yui Ehara and Junichiro Miyatake and Hiroki Goto and Kochi Kawai and Satoshi Ishibashi**
(45) Registration Date: **18 February 2011**
(30) Convention priority data:
(31) Number (32) Date (33) Country
2010-014464 11 Jun 2010 JAPAN
(56) Related Art Documents: **Not Applicable**
(57) Statement of Newness and Distinctiveness: **Nil**



- (21) Design Number: **10058/2011**
(22) Date of Filing Application: **07 January 2011**
(24) Date from which industrial property rights may have effect: **07 January 2011**
(54) Product in respect of which the design is registered: **T-shirts, polo shirts**
(51) International Design Classification: **02-02NES**
(74) Name(s) of Attorney(s):
(71) Name(s) and Address(s) of Applicant(s):

Sagar Juvekar
5/38 Bates Street Homebush New South Wales 2140 Australia

(72) Name(s) of Designer(s): **Sagar Juvekar**

(45) Registration Date: **18 February 2011**

(56) Related Art Documents: **Not Applicable**

- (57) Statement of Newness and Distinctiveness: **The design of the garment is unique and distinctive in the following aspects: 1. Ability to display an illustration on the front of the garment. 2. Ability to achieve a change to the illustration on the front of the garment. The change in illustration is controlled by the user of the garment. 3. Ability to revert back to the original illustration on the front of the garment. The newness and distinctiveness of the article of clothing resides in the pattern and/or ornamentation, and the ability to achieve a change in the illustration, as shown in the accompanying representations.**



- (21) Design Number: **10134/2011**
(22) Date of Filing Application: **19 January 2011**
(24) Date from which industrial property rights may have effect: **19 January 2011**
(54) Product in respect of which the design is registered: **Tile**
(51) International Design Classification: **25-01F**
(74) Name(s) of Attorney(s): **Allens Arthur Robinson**
(71) Name(s) and Address(s) of Applicant(s):

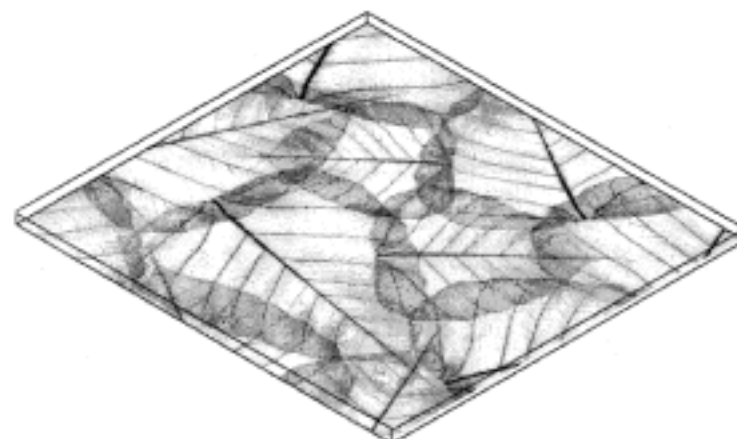
Everstone International Pty Limited
20 Princes Road East Auburn New South Wales 2144 Australia

(72) Name(s) of Designer(s): **John Zeng**

(45) Registration Date: **18 February 2011**

(56) Related Art Documents: **Not Applicable**

- (57) Statement of Newness and Distinctiveness: **Newness and distinctiveness is claimed in the pattern and ornamentation applied to a tile as shown in the attached representations**



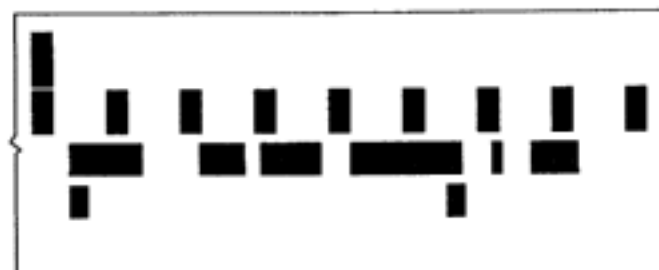
(21) Design Number: **10135/2011**
(22) Date of Filing Application: **18 January 2011**
(24) Date from which industrial property rights may have effect: **18 January 2011**
(54) Product in respect of which the design is registered: **A shopping trolley**
(51) International Design Classification: **12-02**
(74) Name(s) of Attorney(s):
(71) Name(s) and Address(s) of Applicant(s):
QHDC Australia Pty Ltd
11 Greg Chappell Drive Burleigh Gardens Industrial Pt Queensland 4220
Australia
(72) Name(s) of Designer(s): **Wayne Sully**
(45) Registration Date: **18 February 2011**
(56) Related Art Documents: **Not Applicable**
(57) Statement of Newness and Distinctiveness: **Nil**



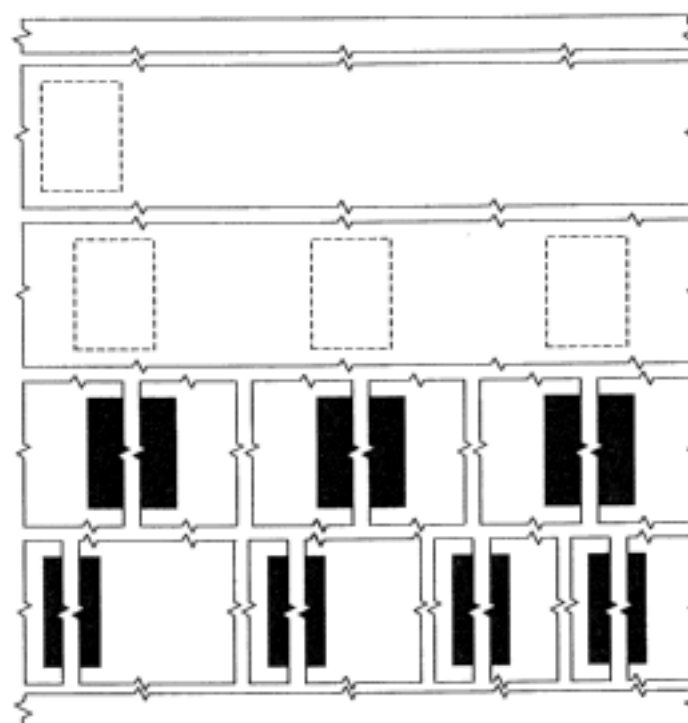
(21) Design Number: **10136/2011**
(22) Date of Filing Application: **18 January 2011**
(24) Date from which industrial property rights may have effect: **18 January 2011**
(54) Product in respect of which the design is registered: **A shopping trolley**
(51) International Design Classification: **12-02**
(74) Name(s) of Attorney(s):
(71) Name(s) and Address(s) of Applicant(s):
QHDC Australia Pty Ltd
11 Greg Chappell Drive Burleigh Gardens Industrial Pt Queensland 4220
Australia
(72) Name(s) of Designer(s): **Wayne Sully**
(45) Registration Date: **18 February 2011**
(56) Related Art Documents: **Not Applicable**
(57) Statement of Newness and Distinctiveness: **Nil**



(21) Design Number: **10342/2011**
(22) Date of Filing Application: **02 December 2010**
(24) Date from which industrial property rights may have effect: **02 December 2010**
(54) Product in respect of which the design is registered: **Label support sheet**
(51) International Design Classification: **19-08**
(74) Name(s) of Attorney(s): **PIZZEYS**
(71) Name(s) and Address(s) of Applicant(s):
Sanford, L.P.
2707 Butterfield Road Oak Brook IL 60523 United States of America
(72) Name(s) of Designer(s): **Daniel P. Clark and Joseph K. Patterson and Patrick Reitz and Christopher Campetti and Alan Wheeler**
(45) Registration Date: **18 February 2011**
(30) Convention priority data:
(31) Number (32) Date (33) Country
29/363,115 04 Jun 2010 UNITED STATES OF AMERICA
(56) Related Art Documents: **Not Applicable**
(57) Statement of Newness and Distinctiveness: **Nil**



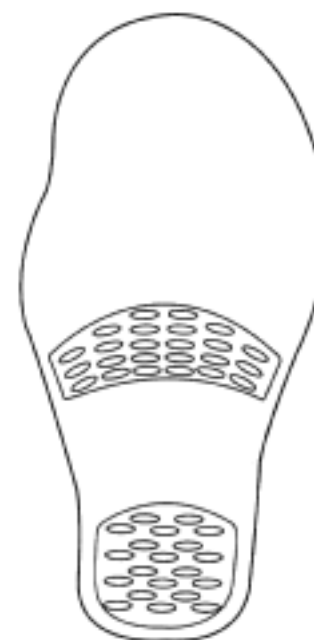
(21) Design Number: **10358/2011**
(22) Date of Filing Application: **02 December 2010**
(24) Date from which industrial property rights may have effect: **02 December 2010**
(54) Product in respect of which the design is registered: **Label support sheet**
(51) International Design Classification: **19-08**
(74) Name(s) of Attorney(s): **PIZZEYS**
(71) Name(s) and Address(s) of Applicant(s):
Sanford, L.P.
2707 Butterfield Road Oak Brook IL 60523 United States of America
(72) Name(s) of Designer(s): **Daniel P. Clark and Joseph K. Patterson and Patrick Reitz and Christopher Campetti and Alan Wheeler**
(45) Registration Date: **18 February 2011**
(30) Convention priority data:
(31) Number (32) Date (33) Country
29/363,115 04 Jun 2010 UNITED STATES OF AMERICA
(56) Related Art Documents: **Not Applicable**
(57) Statement of Newness and Distinctiveness: **Nil**



- (21) Design Number: **10359/2011**
(22) Date of Filing Application: **02 December 2010**
(24) Date from which industrial property rights may have effect: **02 December 2010**
(54) Product in respect of which the design is registered: **Label support sheet**
(51) International Design Classification: **19-08**
(74) Name(s) of Attorney(s): **PIZZEYS**
(71) Name(s) and Address(s) of Applicant(s):
Sanford, L.P.
2707 Butterfield Road Oak Brook IL 60523 United States of America
(72) Name(s) of Designer(s): **Daniel P. Clark and Joseph K. Patterson and Patrick Reitz and Christopher Campetti and Alan Wheeler**
(45) Registration Date: **18 February 2011**
(30) Convention priority data:
(31) Number (32) Date (33) Country
29/363,115 04 Jun 2010 UNITED STATES OF AMERICA
(56) Related Art Documents: **Not Applicable**
(57) Statement of Newness and Distinctiveness: **Nil**



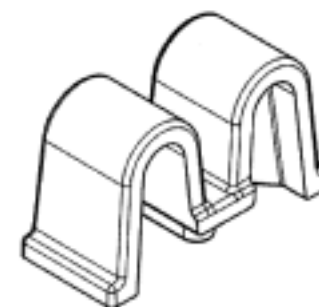
- (21) Design Number: **13452/2010**
(22) Date of Filing Application: **11 August 2010**
(24) Date from which industrial property rights may have effect: **11 August 2010**
(54) Product in respect of which the design is registered: **Cosmetic applicator**
(51) International Design Classification: **28-03NES**
(74) Name(s) of Attorney(s): **Actuate IP**
(71) Name(s) and Address(s) of Applicant(s):
Majic Beauty Pty Ltd
Suite 1 28 Young Street Moonee Ponds Victoria 3039 Australia
(72) Name(s) of Designer(s): **Rocco Mammone**
(45) Registration Date: **22 February 2011**
(56) Related Art Documents: **Not Applicable**
(57) Statement of Newness and Distinctiveness: **Newness and distinctiveness are claimed in the features of shape and/or configuration of a cosmetic applicator including the relative location of the cosmetic wells, as illustrated in the accompanying representations.**



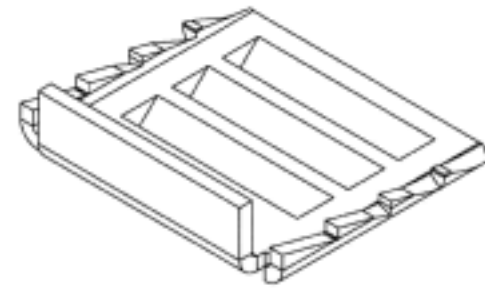
(21) Design Number: **13669/2010**
(22) Date of Filing Application: **24 August 2010**
(24) Date from which industrial property rights may have effect: **24 August 2010**
(54) Product in respect of which the design is registered: **A fitting for a lock**
(51) International Design Classification: **08-07, 08-09**
(74) Name(s) of Attorney(s): **Houlihan2**
(71) Name(s) and Address(s) of Applicant(s):
David Stuckey Investments Pty Ltd
Pitcher Partners 6th Floor 161 Collins Street Melbourne Victoria 3000
Australia
(72) Name(s) of Designer(s): **David Martin Stuckey**
(45) Registration Date: **22 February 2011**
(56) Related Art Documents: **Not Applicable**
(57) Statement of Newness and Distinctiveness: **Nil**



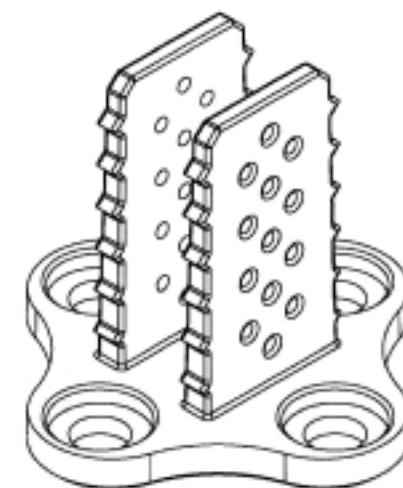
(21) Design Number: **13670/2010**
(22) Date of Filing Application: **24 August 2010**
(24) Date from which industrial property rights may have effect: **24 August 2010**
(54) Product in respect of which the design is registered: **A fitting for a lock**
(51) International Design Classification: **08-07, 08-09**
(74) Name(s) of Attorney(s): **Houlihan2**
(71) Name(s) and Address(s) of Applicant(s):
David Stuckey Investments Pty Ltd
Pitcher Partners 6th Floor 161 Collins Street Melbourne Victoria 3000
Australia
(72) Name(s) of Designer(s): **David Martin Stuckey**
(45) Registration Date: **22 February 2011**
(56) Related Art Documents: **Not Applicable**
(57) Statement of Newness and Distinctiveness: **Nil**



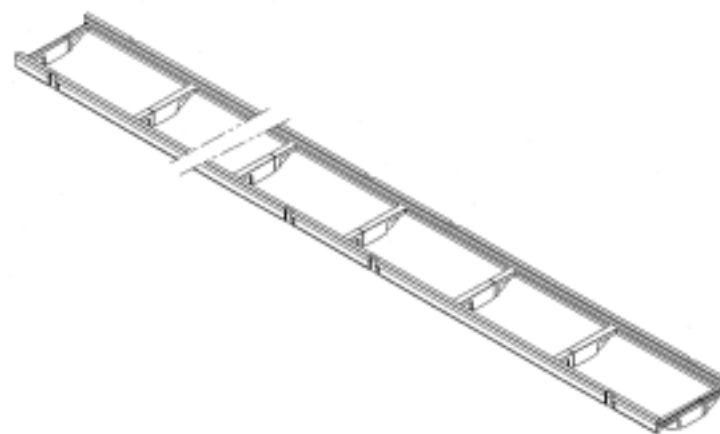
- (21) Design Number: **15468/2010**
(22) Date of Filing Application: **10 December 2010**
(24) Date from which industrial property rights may have effect: **10 December 2010**
(54) Product in respect of which the design is registered: **Wedge**
(51) International Design Classification: **25-02NES**
(74) Name(s) of Attorney(s):
(71) Name(s) and Address(s) of Applicant(s):
Haylin Systems Pty Ltd
Unit 2 73 Prestige Parade Wangara Western Australia 6065 Australia
(72) Name(s) of Designer(s): **Edward Joseph Khoury and Darren Hayter and Mark Meehan**
(45) Registration Date: **22 February 2011**
(56) Related Art Documents: **Not Applicable**
(57) Statement of Newness and Distinctiveness: **Nil**



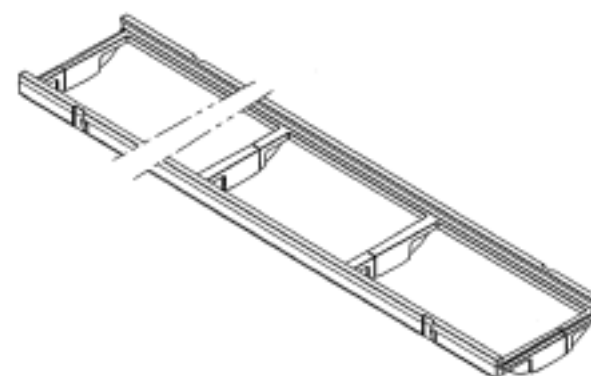
- (21) Design Number: **15469/2010**
(22) Date of Filing Application: **10 December 2010**
(24) Date from which industrial property rights may have effect: **10 December 2010**
(54) Product in respect of which the design is registered: **Bracket**
(51) International Design Classification: **25-02NES**
(74) Name(s) of Attorney(s):
(71) Name(s) and Address(s) of Applicant(s):
Haylin Systems Pty Ltd
Unit 2 73 Prestige Parade Wangara Western Australia 6065 Australia
(72) Name(s) of Designer(s): **Edward Joseph Khoury and Darren Hayter and Mark Meehan**
(45) Registration Date: **22 February 2011**
(56) Related Art Documents: **Not Applicable**
(57) Statement of Newness and Distinctiveness: **Nil**



- (21) Design Number: **12309/2010**
(22) Date of Filing Application: **04 June 2010**
(24) Date from which industrial property rights may have effect: **04 June 2010**
(54) Product in respect of which the design is registered: **Drainage grate frame**
(51) International Design Classification: **23-01NES**
(74) Name(s) of Attorney(s): **PHILLIPS ORMONDE FITZPATRICK**
(71) Name(s) and Address(s) of Applicant(s):
ReIn Pty Ltd
14B Williamson Road Ingleburn New South Wales 2565 Australia
(72) Name(s) of Designer(s): **Owen Luke**
(45) Registration Date: **22 February 2011**
(56) Related Art Documents: **Not Applicable**
(57) Statement of Newness and Distinctiveness: **Those features of the drainage grate frame depicted in the representations that are new and distinctive are the shape and/or configuration. The drainage grate frame may be of indefinite length.**



- (21) Design Number: **10374/2011**
(22) Date of Filing Application: **04 June 2010**
(24) Date from which industrial property rights may have effect: **04 June 2010**
(54) Product in respect of which the design is registered: **Drainage grate frame**
(51) International Design Classification: **23-01NES**
(74) Name(s) of Attorney(s): **PHILLIPS ORMONDE FITZPATRICK**
(71) Name(s) and Address(s) of Applicant(s):
ReIn Pty Ltd
14B Williamson Road Ingleburn New South Wales 2565 Australia
(72) Name(s) of Designer(s): **Owen Luke**
(45) Registration Date: **22 February 2011**
(62) Divisional of: **335152**
(56) Related Art Documents: **Not Applicable**
(57) Statement of Newness and Distinctiveness: **Those features of the drainage grate frame depicted in the representations that are new and distinctive are the shape and/or configuration. The drainage grate frame may be of indefinite length.**



(21) Design Number: **15716/2010**
(22) Date of Filing Application: **22 December 2010**
(24) Date from which industrial property rights may have effect: **22 December 2010**
(54) Product in respect of which the design is registered: **Card with symbol/icon**
(51) International Design Classification: **24-99**
(74) Name(s) of Attorney(s): **Davies Collison Cave**
(71) Name(s) and Address(s) of Applicant(s):
Laerdal Medical AS
PO Box 377 N-4002 Stavanger Norway
(72) Name(s) of Designer(s): **Mathias Molden and Hege Torsvik**
(45) Registration Date: **22 February 2011**
(30) Convention priority data:
(31) Number (32) Date (33) Country
DM/074630 01 Jul 2010 WORLD INTELLECTUAL
PROPERTY ORGANIZATION
(WIPO)



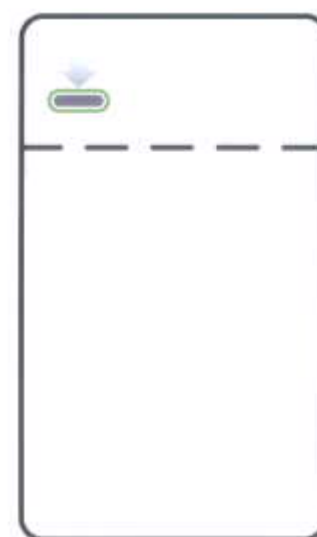
(56) Related Art Documents: **Not Applicable**
(57) Statement of Newness and Distinctiveness: **Newness and distinctiveness is claimed in the visual features of pattern and ornamentation of the icons/symbols shown on the card. In considering the scope of protection, the specific shape and/or configuration of the card shown in the representations should be disregarded.**

(21) Design Number: **10389/2011**
(22) Date of Filing Application: **22 December 2010**
(24) Date from which industrial property rights may have effect: **22 December 2010**
(54) Product in respect of which the design is registered: **Card with symbol/icon**
(51) International Design Classification: **24-99**
(74) Name(s) of Attorney(s): **Davies Collison Cave**
(71) Name(s) and Address(s) of Applicant(s):
Laerdal Medical AS
PO Box 377 N-4002 Stavanger Norway
(72) Name(s) of Designer(s): **Mathias Molden and Hege Torsvik**
(45) Registration Date: **22 February 2011**
(30) Convention priority data:
(31) Number (32) Date (33) Country
DM/074630 01 Jul 2010 WORLD INTELLECTUAL
PROPERTY ORGANIZATION
(WIPO)



(56) Related Art Documents: **Not Applicable**
(57) Statement of Newness and Distinctiveness: **Newness and distinctiveness is claimed in the visual features of pattern and ornamentation of the icons/symbols shown on the card. In considering the scope of protection, the specific shape and/or configuration of the card shown in the representations should be disregarded.**

(21) Design Number: **10390/2011**
(22) Date of Filing Application: **22 December 2010**
(24) Date from which industrial property rights may have effect: **22 December 2010**
(54) Product in respect of which the design is registered: **Card with symbol/icon**
(51) International Design Classification: **24-99**
(74) Name(s) of Attorney(s): **Davies Collison Cave**
(71) Name(s) and Address(s) of Applicant(s):
Laerdal Medical AS
PO Box 377 N-4002 Stavanger Norway
(72) Name(s) of Designer(s): **Mathias Molden and Hege Torsvik**
(45) Registration Date: **22 February 2011**
(30) Convention priority data:
(31) Number (32) Date (33) Country
DM/074630 01 Jul 2010 WORLD INTELLECTUAL
PROPERTY ORGANIZATION
(WIPO)



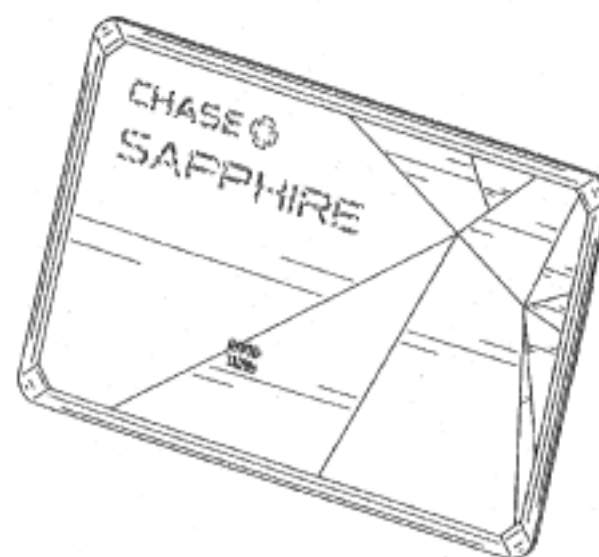
(56) Related Art Documents: **Not Applicable**
(57) Statement of Newness and Distinctiveness: **Newness and distinctiveness is claimed in the visual features of pattern and ornamentation of the icons/symbols shown on the card. In considering the scope of protection, the specific shape and/or configuration of the card shown in the representations should be disregarded.**

(21) Design Number: **10391/2011**
(22) Date of Filing Application: **22 December 2010**
(24) Date from which industrial property rights may have effect: **22 December 2010**
(54) Product in respect of which the design is registered: **Card with symbol/icon**
(51) International Design Classification: **24-99**
(74) Name(s) of Attorney(s): **Davies Collison Cave**
(71) Name(s) and Address(s) of Applicant(s):
Laerdal Medical AS
PO Box 377 N-4002 Stavanger Norway
(72) Name(s) of Designer(s): **Mathias Molden and Hege Torsvik**
(45) Registration Date: **22 February 2011**
(30) Convention priority data:
(31) Number (32) Date (33) Country
DM/074630 01 Jul 2010 WORLD INTELLECTUAL
PROPERTY ORGANIZATION
(WIPO)



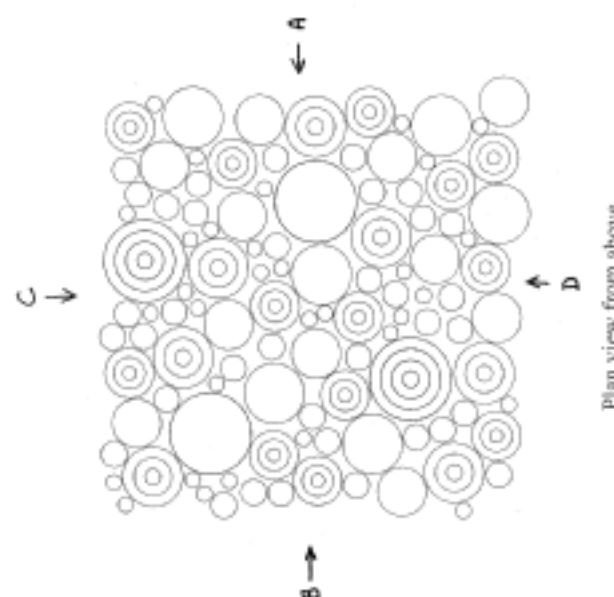
(56) Related Art Documents: **Not Applicable**
(57) Statement of Newness and Distinctiveness: **Newness and distinctiveness is claimed in the visual features of pattern and ornamentation of the icons/symbols shown on the card. In considering the scope of protection, the specific shape and/or configuration of the card shown in the representations should be disregarded.**

(21) Design Number: **10224/2011**
(22) Date of Filing Application: **28 January 2011**
(24) Date from which industrial property rights may have effect: **28 January 2011**
(54) Product in respect of which the design is registered: **A metal transaction device with gem-like surface**
(51) International Design Classification: **19-08**
(74) Name(s) of Attorney(s): **A J Park**
(71) Name(s) and Address(s) of Applicant(s):
JPMorgan Chase Bank, N.A.
270 Park Avenue New York New York 10036 United States of America
(72) Name(s) of Designer(s): **Dori K. Skelding and Walter Brent Reinhard**
(45) Registration Date: **22 February 2011**
(30) Convention priority data:
(31) Number (32) Date (33) Country
29/366,749 29 Jul 2010 UNITED STATES OF AMERICA

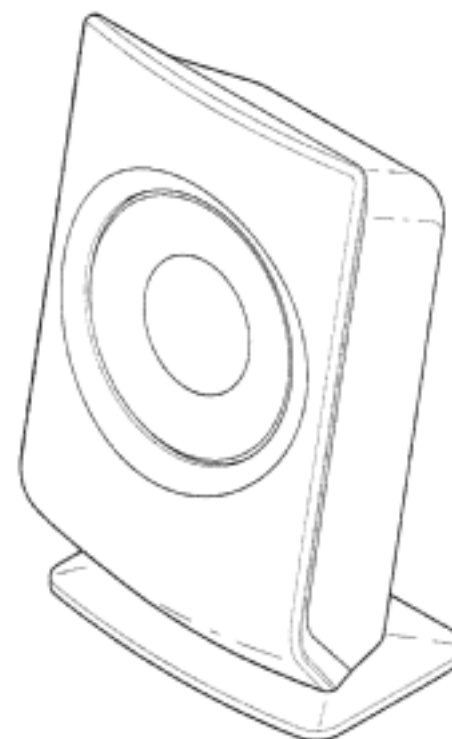


(56) Related Art Documents: **Not Applicable**
(57) Statement of Newness and Distinctiveness: **Newness and distinctiveness reside in the features of shape and/or configuration of the metal transaction device with gem-like surface, including the shape and/or configuration of the front surface of the metal transaction device with gem-like surface, as shown in the representations. Newness and distinctiveness are not claimed in relation to the features shown in broken lines in the representations.**

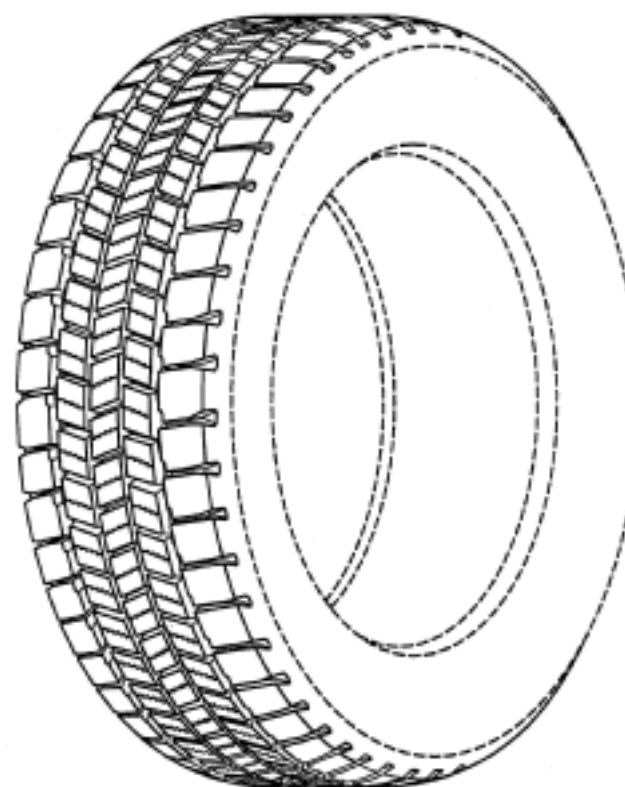
(21) Design Number: **10170/2011**
(22) Date of Filing Application: **24 January 2011**
(24) Date from which industrial property rights may have effect: **24 January 2011**
(54) Product in respect of which the design is registered: **Tile formation**
(51) International Design Classification: **25-01F**
(74) Name(s) of Attorney(s): **Chrysiliou IP**
(71) Name(s) and Address(s) of Applicant(s):
Everstone International Pty Ltd
8 George Young Street Auburn New South Wales 2144 Australia
(72) Name(s) of Designer(s): **John Zeng**
(45) Registration Date: **22 February 2011**
(56) Related Art Documents: **Not Applicable**
(57) Statement of Newness and Distinctiveness: **Nil**



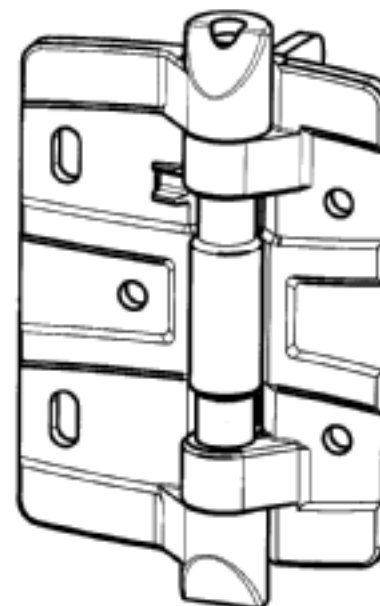
- (21) Design Number: **10146/2011**
(22) Date of Filing Application: **20 January 2011**
(24) Date from which industrial property rights may have effect: **20 January 2011**
(54) Product in respect of which the design is registered: **Speaker**
(51) International Design Classification: **14-01**
(74) Name(s) of Attorney(s): **Freehills Patent & Trade Mark Attorneys**
(71) Name(s) and Address(s) of Applicant(s):
LG Electronics Inc.
20 Yeouido-dong Youngdeungpo-gu Seoul 150-721 Republic of Korea
(72) Name(s) of Designer(s): **Jiyeon Lee and Sunggu Joe and Sunghoon Oh**
(45) Registration Date: **22 February 2011**
(30) Convention priority data:
(31) Number (32) Date (33) Country
30-2010-0031857 20 Jul 2010 REPUBLIC OF KOREA
(56) Related Art Documents: **Not Applicable**
(57) Statement of Newness and Distinctiveness: **Newness and distinctiveness of the design resides in the features of shape and configuration of the design illustrated in the accompanying drawings.**



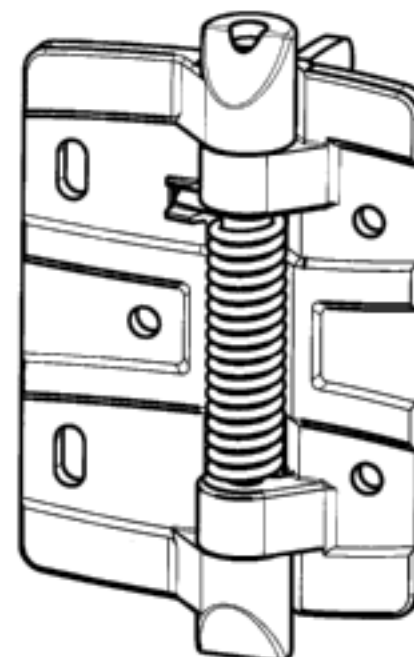
- (21) Design Number: **10149/2011**
(22) Date of Filing Application: **21 January 2011**
(24) Date from which industrial property rights may have effect: **21 January 2011**
(54) Product in respect of which the design is registered: **A tyre**
(51) International Design Classification: **12-15B**
(74) Name(s) of Attorney(s): **WATERMARK PATENT AND TRADE MARKS ATTORNEYS**
(71) Name(s) and Address(s) of Applicant(s):
Michelin Recherche et Technique SA
Route Louis Braille 10 et 12 CH-1763 Granges-Paccot Switzerland
Societe De Technologie Michelin
23 rue Breschet F-63000 Clermont-Ferrand Cedex France
(72) Name(s) of Designer(s): **Eric De Benedittis and Ralston Moore and Benjamin Quantinet**
(45) Registration Date: **22 February 2011**
(30) Convention priority data:
(31) Number (32) Date (33) Country
29/368,899 31 Aug 2010 UNITED STATES OF AMERICA
(56) Related Art Documents: **Not Applicable**
(57) Statement of Newness and Distinctiveness: **Newness and distinctiveness resides in the tread region of the tyre. The remainder of the tyre shown in broken outline do not form part of the design.**



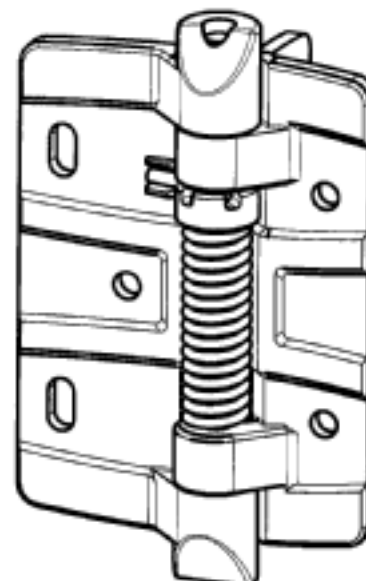
- (21) Design Number: **10183/2011**
(22) Date of Filing Application: **24 January 2011**
(24) Date from which industrial property rights may have effect: **24 January 2011**
(54) Product in respect of which the design is registered: **Plain hinge**
(51) International Design Classification: **08-06**
(74) Name(s) of Attorney(s):
(71) Name(s) and Address(s) of Applicant(s):
RMD Industries Pty Ltd
6-10 Market Road Sunshine Victoria 3020 Australia
(72) Name(s) of Designer(s): **Joseph I. M. van der Plas**
(45) Registration Date: **22 February 2011**
(56) Related Art Documents: **Not Applicable**
(57) Statement of Newness and Distinctiveness: **Curved shape of the hinge's leaves, which incorporates similarly curved strengthening ribs and clearance space for the protruding heads of fasteners. Chamfered top and bottom knuckle, which prevents a foot from getting a toe hold on this product.**



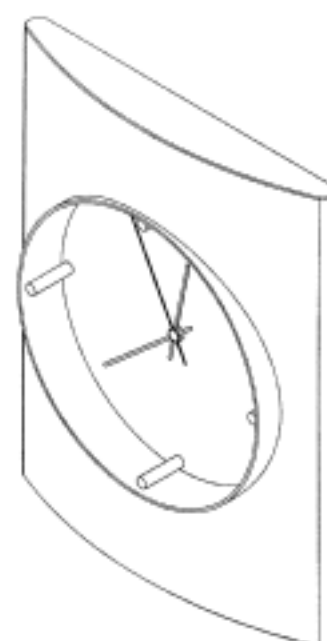
- (21) Design Number: **10184/2011**
(22) Date of Filing Application: **24 January 2011**
(24) Date from which industrial property rights may have effect: **24 January 2011**
(54) Product in respect of which the design is registered: **Self closing hinge with fixed spring tension**
(51) International Design Classification: **08-06**
(74) Name(s) of Attorney(s):
(71) Name(s) and Address(s) of Applicant(s):
RMD Industries Pty Ltd
6-10 Market Road Sunshine Victoria 3020 Australia
(72) Name(s) of Designer(s): **Joseph I. M. van der Plas**
(45) Registration Date: **22 February 2011**
(56) Related Art Documents: **Not Applicable**
(57) Statement of Newness and Distinctiveness: **Curved shape of the hinge's leaves, which incorporates similarly curved strengthening ribs and clearance space for the protruding heads of fasteners. Chamfered top and bottom knuckle, which prevents a foot from getting a toe hold on this product.**



- (21) Design Number: **10185/2011**
(22) Date of Filing Application: **24 January 2011**
(24) Date from which industrial property rights may have effect: **24 January 2011**
(54) Product in respect of which the design is registered: **Self closing hinge with adjustable spring tension**
(51) International Design Classification: **08-06**
(74) Name(s) of Attorney(s):
(71) Name(s) and Address(s) of Applicant(s):
RMD Industries Pty Ltd
6-10 Market Road Sunshine Victoria 3020 Australia
(72) Name(s) of Designer(s): **Joseph I. M. van der Plas**
(45) Registration Date: **22 February 2011**
(56) Related Art Documents: **Not Applicable**
(57) Statement of Newness and Distinctiveness: **Curved shape of the hinge's leaves, which incorporates similarly curved strengthening ribs and clearance space for the protruding heads of fasteners. Chamfered top and bottom knuckle, which prevents a foot from getting a toe hold on this product.**



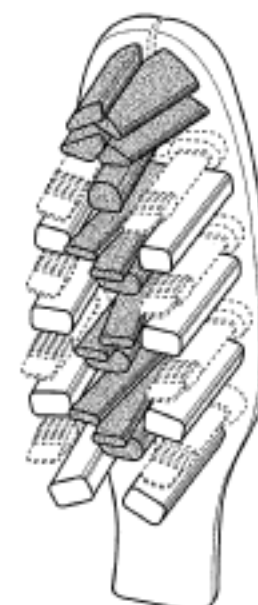
- (21) Design Number: **10186/2011**
(22) Date of Filing Application: **27 January 2011**
(24) Date from which industrial property rights may have effect: **27 January 2011**
(54) Product in respect of which the design is registered: **Analogue clock**
(51) International Design Classification: **10-01**
(74) Name(s) of Attorney(s):
(71) Name(s) and Address(s) of Applicant(s):
Cameron Blinman
20 Griffin Crescent Manning Western Australia 6152 Australia
(72) Name(s) of Designer(s): **Cameron Blinman**
(45) Registration Date: **22 February 2011**
(56) Related Art Documents: **Not Applicable**
(57) Statement of Newness and Distinctiveness: **Curved wooden face; metal ring/clock component surrounding clock face; leather face for clock.**



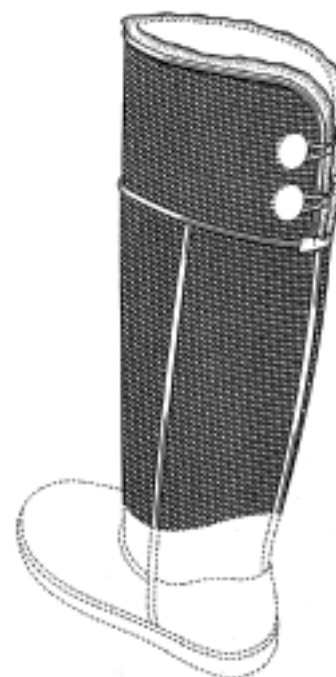
- (21) Design Number: **10190/2011**
(22) Date of Filing Application: **27 January 2011**
(24) Date from which industrial property rights may have effect: **27 January 2011**
(54) Product in respect of which the design is registered: **Prime mover**
(51) International Design Classification: **12-08**
(74) Name(s) of Attorney(s): **Fisher Adams Kelly**
(71) Name(s) and Address(s) of Applicant(s):
Iveco S.p.A.
Via Puglia 35 Torino 10156 Italy
(72) Name(s) of Designer(s): **Pietro Camardella and Raffaele Vergano and Paolo Tadini and Giandomenico Fioretti and Biagio Nicosia**
(45) Registration Date: **22 February 2011**
(30) Convention priority data:
(31) Number (32) Date (33) Country
001737339-0001 28 Jul 2010 EUROPEAN COMMUNITY
(56) Related Art Documents: **Not Applicable**
(57) Statement of Newness and Distinctiveness: **The newness and distinctiveness of the design resides in the shape and/or configuration of the PRIME MOVER shown in the representations.**



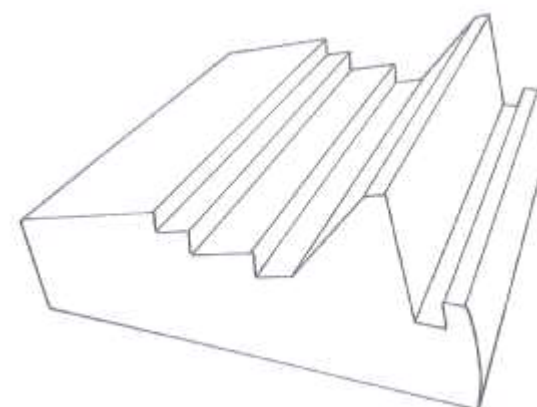
- (21) Design Number: **10191/2011**
(22) Date of Filing Application: **27 January 2011**
(24) Date from which industrial property rights may have effect: **27 January 2011**
(54) Product in respect of which the design is registered: **Toothbrush head**
(51) International Design Classification: **04-02**
(74) Name(s) of Attorney(s): **PHILLIPS ORMONDE FITZPATRICK**
(71) Name(s) and Address(s) of Applicant(s):
Braun GmbH
Frankfurter Strasse 145 61476 Kronberg am Taunus Germany
(72) Name(s) of Designer(s): **Andreas Birk and Ellen Conrad and Tilmann Winkler**
(45) Registration Date: **22 February 2011**
(30) Convention priority data:
(31) Number (32) Date (33) Country
29/366,869 30 Jul 2010 UNITED STATES OF AMERICA
(56) Related Art Documents: **Not Applicable**
(57) Statement of Newness and Distinctiveness: **Those features of the toothbrush head depicted in the representations that are new and distinctive are the shape and/or configuration and/or the pattern and/or ornamentation. The bristles shown in stippled surface shading represents a colour, the colour being the same colour where shown. The area immediately adjacent to the stippled surface shading represents a contrasting colour to that of the stippled area. The features shown in broken lines are not part of the design and are to be disregarded when considering the overall impression of the design.**



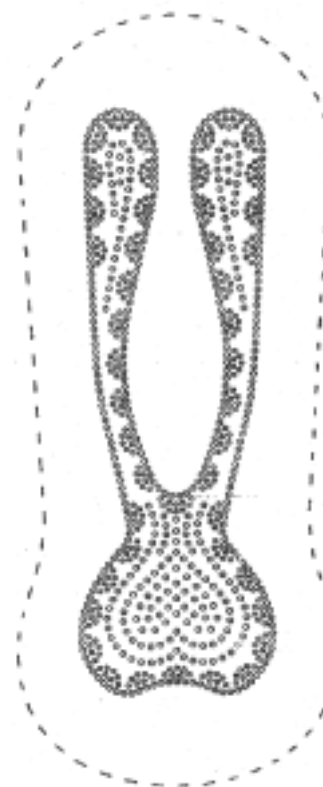
- (21) Design Number: **10241/2011**
(22) Date of Filing Application: **28 January 2011**
(24) Date from which industrial property rights may have effect: **28 January 2011**
(54) Product in respect of which the design is registered: **Portion of a footwear upper**
(51) International Design Classification: **02-04NES**
(74) Name(s) of Attorney(s): **F B Rice & Co**
(71) Name(s) and Address(s) of Applicant(s):
Deckers Outdoor Corporation
495-A South Fairview Avenue Goleta California 93117 United States of America
(72) Name(s) of Designer(s): **Jennifer MacIntyre**
(45) Registration Date: **22 February 2011**
(30) Convention priority data:
(31) Number (32) Date (33) Country
29/378201 01 Nov 2010 UNITED STATES OF AMERICA
(56) Related Art Documents: **Not Applicable**
(57) Statement of Newness and Distinctiveness: **Newness and distinctiveness reside in the visual features of shape and configuration of the design as shown in solid lines in the representations, in combination with the visual features of ornamentation derived from the use of sequins as shown in the representations. The features shown in broken lines should be disregarded.**



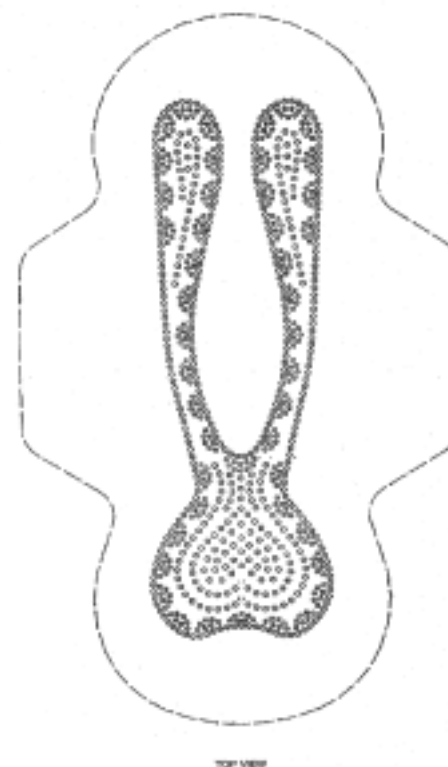
- (21) Design Number: **15414/2010**
(22) Date of Filing Application: **10 December 2010**
(24) Date from which industrial property rights may have effect: **10 December 2010**
(54) Product in respect of which the design is registered: **Computing accessory**
(51) International Design Classification: **14-02**
(74) Name(s) of Attorney(s): **Griffith Hack**
(71) Name(s) and Address(s) of Applicant(s):
David Peter Bolliger
9/140 Hastings Parade North Bondi New South Wales 2026 Australia
(72) Name(s) of Designer(s): **David Peter Bolliger**
(45) Registration Date: **22 February 2011**
(56) Related Art Documents: **Not Applicable**
(57) Statement of Newness and Distinctiveness: **Nil**



- (21) Design Number: **10486/2011**
(22) Date of Filing Application: **13 December 2010**
(24) Date from which industrial property rights may have effect: **13 December 2010**
(54) Product in respect of which the design is registered: **Sanitary napkin (without wings)**
(51) International Design Classification: **24-04**
(74) Name(s) of Attorney(s): **WATERMARK PATENT AND TRADE MARKS ATTORNEYS**
(71) Name(s) and Address(s) of Applicant(s):
SCA Hygiene Products AB
S-405 03 Goteborg Sweden
(72) Name(s) of Designer(s): **Anna Bagger Sjoback**
(45) Registration Date: **22 February 2011**
(30) Convention priority data:
(31) Number (32) Date (33) Country
001747395 26 Aug 2010 EUROPEAN COMMUNITY
(56) Related Art Documents: **Not Applicable**
(57) Statement of Newness and Distinctiveness: **Newness and distinctiveness is claimed in the shape and pattern of ornamentation in the top of the napkin. The shape of the napkin in broken outline is to be disregarded.**



- (21) Design Number: **15415/2010**
(22) Date of Filing Application: **13 December 2010**
(24) Date from which industrial property rights may have effect: **13 December 2010**
(54) Product in respect of which the design is registered: **Sanitary napkin (with wings)**
(51) International Design Classification: **24-04**
(74) Name(s) of Attorney(s): **WATERMARK PATENT AND TRADE MARKS ATTORNEYS**
(71) Name(s) and Address(s) of Applicant(s):
SCA Hygiene Products AB
S-405 03 Goteborg Sweden
(72) Name(s) of Designer(s): **Anna Bagger Sjoback**
(45) Registration Date: **22 February 2011**
(30) Convention priority data:
(31) Number (32) Date (33) Country
001747395 26 Aug 2010 EUROPEAN COMMUNITY
(56) Related Art Documents: **Not Applicable**
(57) Statement of Newness and Distinctiveness: **Newness and distinctiveness is claimed in the shape and pattern of ornamentation in the top of the napkin. The shape of the napkin in broken outline is to be disregarded.**



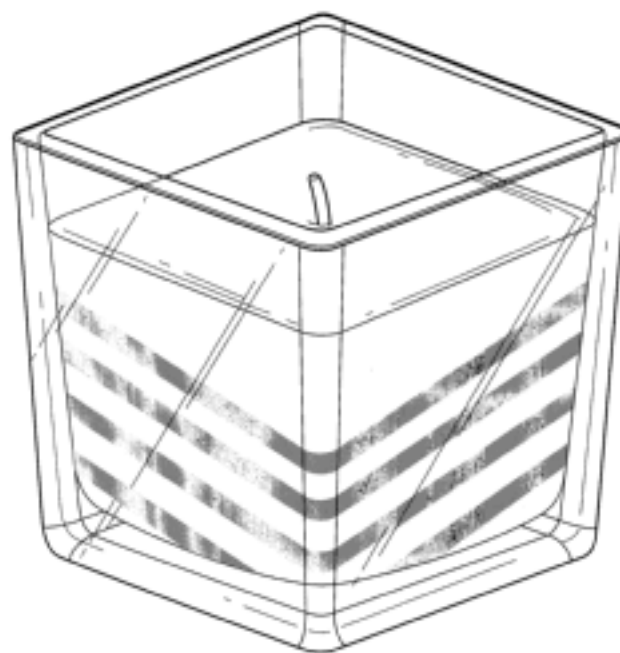
- (21) Design Number: **10157/2011**
(22) Date of Filing Application: **21 January 2011**
(24) Date from which industrial property rights may have effect: **21 January 2011**
(54) Product in respect of which the design is registered: **Head for a powered denture brush**
(51) International Design Classification: **04-02**
(74) Name(s) of Attorney(s): **LESICAR PERRIN**
(71) Name(s) and Address(s) of Applicant(s):
Harrison Hygiene Inc.
12 Second Street Collingwood Ontario L9Y 1E3 Canada
(72) Name(s) of Designer(s): **James Harrison and Robert G. Dickie**
(45) Registration Date: **21 February 2011**
(30) Convention priority data:
(31) Number (32) Date (33) Country
29/366,259 22 Jul 2010 UNITED STATES OF AMERICA
(56) Related Art Documents: **Not Applicable**
(57) Statement of Newness and Distinctiveness: **Newness and distinctiveness is claimed in the shape and configuration of the head for a powered denture brush depicted in full lines in the accompanying representations. The broken lines in the representations are illustrative of the environment which the head is used and form no part of the claimed design.**



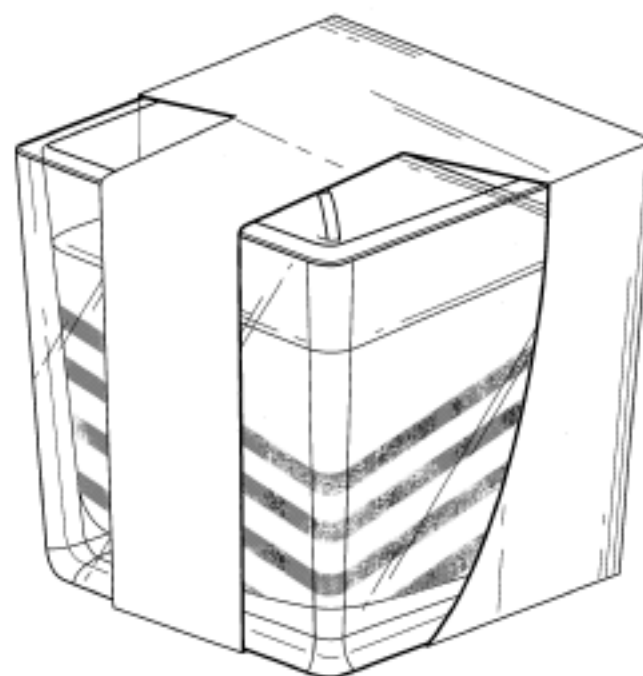
- (21) Design Number: **10213/2011**
(22) Date of Filing Application: **27 January 2011**
(24) Date from which industrial property rights may have effect: **27 January 2011**
(54) Product in respect of which the design is registered: **Radio frequency identification device enabled mining and exploration mineral sample bag**
(51) International Design Classification: **03-01NES**
(74) Name(s) of Attorney(s):
(71) Name(s) and Address(s) of Applicant(s):
Drew Bellamy
8 West Lorne Street Floreat Western Australia 6014 Australia
(72) Name(s) of Designer(s): **Drew Bellamy**
(45) Registration Date: **21 February 2011**
(56) Related Art Documents: **Not Applicable**
(57) Statement of Newness and Distinctiveness: **RFid microchip sown into the side seam of a mining and exploration mineral sample bag via a pocket with a label on top which fully encloses it.**



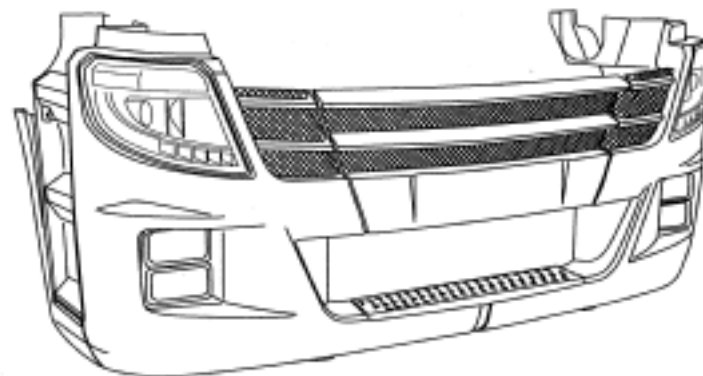
(21) Design Number: **10217/2011**
(22) Date of Filing Application: **27 January 2011**
(24) Date from which industrial property rights may have effect: **27 January 2011**
(54) Product in respect of which the design is registered: **Candle**
(51) International Design Classification: **26-04**
(74) Name(s) of Attorney(s): **Shelston IP**
(71) Name(s) and Address(s) of Applicant(s):
Reckitt & Colman (Overseas) Limited
103-105 Bath Road Slough Berkshire SL1 3UH United Kingdom
(72) Name(s) of Designer(s): **Victoria Heather Cobb and Matthew Copeman and Alun Williams**
(45) Registration Date: **21 February 2011**
(30) Convention priority data:
(31) Number (32) Date (33) Country
001741927-0001 10 Aug 2010 EUROPEAN COMMUNITY
(56) Related Art Documents: **Not Applicable**
(57) Statement of Newness and Distinctiveness: **Nil**



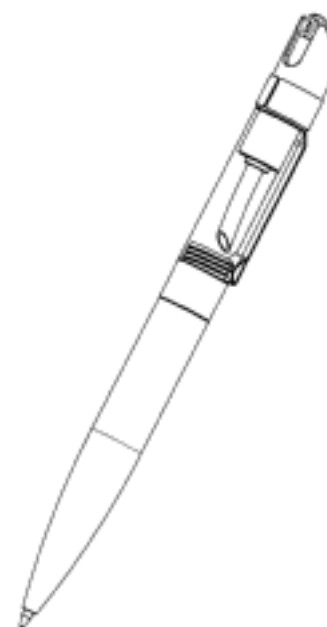
(21) Design Number: **10218/2011**
(22) Date of Filing Application: **27 January 2011**
(24) Date from which industrial property rights may have effect: **27 January 2011**
(54) Product in respect of which the design is registered: **Packaged candle**
(51) International Design Classification: **26-04**
(74) Name(s) of Attorney(s): **Shelston IP**
(71) Name(s) and Address(s) of Applicant(s):
Reckitt & Colman (Overseas) Limited
103-105 Bath Road Slough Berkshire SL1 3UH United Kingdom
(72) Name(s) of Designer(s): **Victoria Heather Cobb and Matthew Copeman and Alun Williams**
(45) Registration Date: **21 February 2011**
(30) Convention priority data:
(31) Number (32) Date (33) Country
001741927-0002 10 Aug 2010 EUROPEAN COMMUNITY
(56) Related Art Documents: **Not Applicable**
(57) Statement of Newness and Distinctiveness: **Nil**



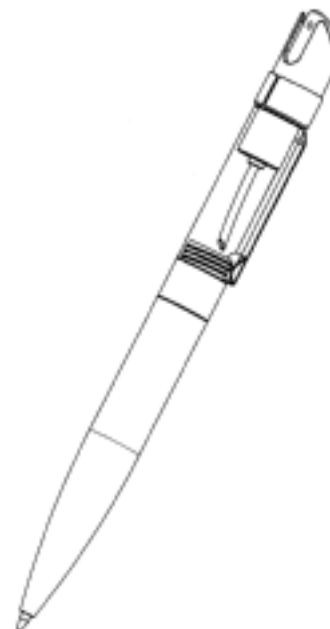
- (21) Design Number: **10150/2011**
(22) Date of Filing Application: **21 January 2011**
(24) Date from which industrial property rights may have effect: **21 January 2011**
(54) Product in respect of which the design is registered: **Bumper of a truck vehicle**
(51) International Design Classification: **12-16C**
(74) Name(s) of Attorney(s): **WATERMARK PATENT AND TRADE MARKS ATTORNEYS**
(71) Name(s) and Address(s) of Applicant(s):
International Truck Intellectual Property Company, LLC
4201 Winfield Road Warrenville Illinois 60555 United States of America
(72) Name(s) of Designer(s): **Steve Charles Aris and Glen Durmisevich and Christian Hardin and Christopher Lee Koonce and George McCowan and Mark Oberly and John Song and Christopher Spurlin and Rachele Cocks and Ron Schoon**
(45) Registration Date: **22 February 2011**
(30) Convention priority data:
(31) Number (32) Date (33) Country
29/367,781 12 Aug 2010 UNITED STATES OF AMERICA
(56) Related Art Documents: **Not Applicable**
(57) Statement of Newness and Distinctiveness: **Newness and distinctiveness resides in the shape and configuration of a bumper for a truck vehicle as represented in the annexed drawings, the rear and underneath plan views not forming part of the design.**



- (21) Design Number: **10152/2011**
(22) Date of Filing Application: **20 January 2011**
(24) Date from which industrial property rights may have effect: **20 January 2011**
(54) Product in respect of which the design is registered: **Combined writing instrument and dispensing device**
(51) International Design Classification: **19-06**
(74) Name(s) of Attorney(s): **EKM patent & trade marks**
(71) Name(s) and Address(s) of Applicant(s):
Sasskot Australia Pty Ltd
C/- 45 Breton Drive Hoppers Crossing Victoria 3029 Australia
(72) Name(s) of Designer(s): **Peter Sass and Michael Russell**
(45) Registration Date: **22 February 2011**
(56) Related Art Documents: **Not Applicable**
(57) Statement of Newness and Distinctiveness: **Newness and distinctiveness resides in the features of shape and/or configuration of a combined writing instrument and dispensing device as shown in the accompanying representations.**



- (21) Design Number: **10153/2011**
(22) Date of Filing Application: **20 January 2011**
(24) Date from which industrial property rights may have effect: **20 January 2011**
(54) Product in respect of which the design is registered: **Combined writing instrument and dispensing device**
(51) International Design Classification: **19-06**
(74) Name(s) of Attorney(s): **EKM patent & trade marks**
(71) Name(s) and Address(s) of Applicant(s):
Sasskot Australia Pty Ltd
C/- 45 Breton Drive Hoppers Crossing Victoria 3029 Australia
(72) Name(s) of Designer(s): **Peter Sass and Michael Russell**
(45) Registration Date: **22 February 2011**
(56) Related Art Documents: **Not Applicable**
(57) Statement of Newness and Distinctiveness: **Newness and distinctiveness resides in the features of shape and/or configuration of a combined writing instrument and dispensing device as shown in the accompanying representations.**



- (21) Design Number: **10161/2011**
(22) Date of Filing Application: **24 January 2011**
(24) Date from which industrial property rights may have effect: **24 January 2011**
(54) Product in respect of which the design is registered: **A tyre**
(51) International Design Classification: **12-15A**
(74) Name(s) of Attorney(s): **WATERMARK PATENT AND TRADE MARKS ATTORNEYS**
(71) Name(s) and Address(s) of Applicant(s):
Michelin Recherche et Technique SA
Route Louis Braille 10 et 12 CH-1763 Granges-Paccot Switzerland
Societe De Technologie Michelin
23 rue Breschet F-63000 Clermont-Ferrand Cedex France
(72) Name(s) of Designer(s): **Eric De Benedittis and Ralston Moore**
(45) Registration Date: **22 February 2011**
(30) Convention priority data:
(31) Number (32) Date (33) Country
29/368,907 31 Aug 2010 UNITED STATES OF AMERICA
(56) Related Art Documents: **Not Applicable**
(57) Statement of Newness and Distinctiveness: **Newness and distinctiveness resides in the shape and configuration of the tread region of the tyre shown in the annexed representations, the remainder of the tyre shown in broken outline does not form part of the design.**



(21) Design Number: **10162/2011**
(22) Date of Filing Application: **21 January 2011**
(24) Date from which industrial property rights may have effect: **21 January 2011**
(54) Product in respect of which the design is registered: **Head for a powered denture brush**
(51) International Design Classification: **04-02**
(74) Name(s) of Attorney(s): **LESICAR PERRIN**
(71) Name(s) and Address(s) of Applicant(s):
Harrison Hygiene Inc.
12 Second Street Collingwood Ontario L9Y 1E3 Canada
(72) Name(s) of Designer(s): **James Harrison and Robert G. Dickie**
(45) Registration Date: **22 February 2011**
(30) Convention priority data:
(31) Number (32) Date (33) Country
29/366,259 22 Jul 2010 UNITED STATES OF AMERICA
(56) Related Art Documents: **Not Applicable**
(57) Statement of Newness and Distinctiveness: **Newness and distinctiveness is claimed in the shape and configuration of the head for a powered denture brush depicted in full lines in the accompanying representations. The broken lines in the representations are illustrative of the environment which the head is used and form no part of the claimed design.**



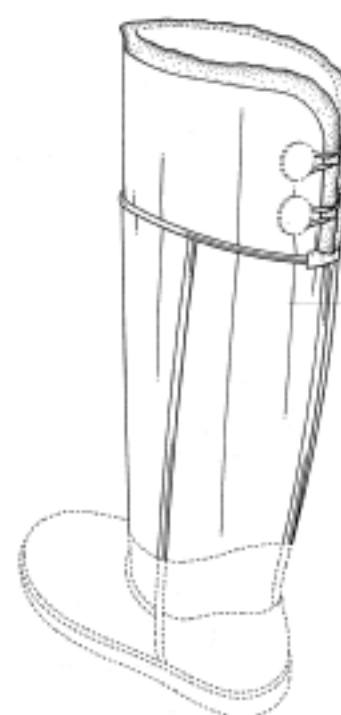
(21) Design Number: **10203/2011**
(22) Date of Filing Application: **27 January 2011**
(24) Date from which industrial property rights may have effect: **27 January 2011**
(54) Product in respect of which the design is registered: **Footwear outsole**
(51) International Design Classification: **02-04B**
(74) Name(s) of Attorney(s): **F B Rice & Co**
(71) Name(s) and Address(s) of Applicant(s):
Deckers Outdoor Corporation
495-A South Fairview Avenue Goleta California 93117 United States of America
(72) Name(s) of Designer(s): **Damon Butler**
(45) Registration Date: **22 February 2011**
(30) Convention priority data:
(31) Number (32) Date (33) Country
29/378655 08 Nov 2010 UNITED STATES OF AMERICA
(56) Related Art Documents: **Not Applicable**
(57) Statement of Newness and Distinctiveness: **Newness and distinctiveness reside in the visual features of shape and configuration of the design shown in solid lines in the representations excluding those features shown in broken lines.**



(21) Design Number: **10204/2011**
(22) Date of Filing Application: **27 January 2011**
(24) Date from which industrial property rights may have effect: **27 January 2011**
(54) Product in respect of which the design is registered: **Footwear upper**
(51) International Design Classification: **02-04NES**
(74) Name(s) of Attorney(s): **F B Rice & Co**
(71) Name(s) and Address(s) of Applicant(s):
Deckers Outdoor Corporation
495-A South Fairview Avenue Goleta California 93117 United States of America
(72) Name(s) of Designer(s): **Lavion Domir Gibson**
(45) Registration Date: **22 February 2011**
(30) Convention priority data:
(31) Number (32) Date (33) Country
29/378974 12 Nov 2010 UNITED STATES OF AMERICA
(56) Related Art Documents: **Not Applicable**
(57) Statement of Newness and Distinctiveness: **Newness and distinctiveness reside in the visual features of shape and configuration of the design shown in solid lines in the representations excluding those features shown in broken lines.**



(21) Design Number: **10205/2011**
(22) Date of Filing Application: **27 January 2011**
(24) Date from which industrial property rights may have effect: **27 January 2011**
(54) Product in respect of which the design is registered: **Portion of a footwear upper**
(51) International Design Classification: **02-04NES**
(74) Name(s) of Attorney(s): **F B Rice & Co**
(71) Name(s) and Address(s) of Applicant(s):
Deckers Outdoor Corporation
495-A South Fairview Avenue Goleta California 93117 United States of America
(72) Name(s) of Designer(s): **Jennifer MacIntyre**
(45) Registration Date: **22 February 2011**
(30) Convention priority data:
(31) Number (32) Date (33) Country
29/378201 01 Nov 2010 UNITED STATES OF AMERICA
(56) Related Art Documents: **Not Applicable**
(57) Statement of Newness and Distinctiveness: **Newness and distinctiveness reside in the visual features of shape and configuration of the design as shown in solid lines in the representations, in combination with the visual features of ornamentation derived from the use of a smooth material. The features in broken lines should be disregarded.**



(21) Design Number: **10207/2011**

(22) Date of Filing Application: **27 January 2011**

(24) Date from which industrial property rights may have effect: **27 January 2011**

(54) Product in respect of which the design is registered: **Knit boot**

(51) International Design Classification: **02-04NES**

(74) Name(s) of Attorney(s): **F B Rice & Co**

(71) Name(s) and Address(s) of Applicant(s):

Deckers Outdoor Corporation

495-A South Fairview Avenue Goleta California 93117 United States of America

(72) Name(s) of Designer(s): **Jennifer MacIntyre**

(45) Registration Date: **22 February 2011**

(30) Convention priority data:

(31) Number	(32) Date	(33) Country
29/378270	02 Nov 2010	UNITED STATES OF AMERICA

(56) Related Art Documents: **Not Applicable**

(57) Statement of Newness and Distinctiveness: **Newness and distinctiveness reside in the visual features of shape and configuration of the design as shown in solid lines in the representations, in combination with the visual features of ornamentation derived from the use of soft-knit or crochet material. The features in broken lines should be disregarded.**



(21) Design Number: **10208/2011**

(22) Date of Filing Application: **27 January 2011**

(24) Date from which industrial property rights may have effect: **27 January 2011**

(54) Product in respect of which the design is registered: **Portion of a knit footwear upper**

(51) International Design Classification: **02-04NES**

(74) Name(s) of Attorney(s): **F B Rice & Co**

(71) Name(s) and Address(s) of Applicant(s):

Deckers Outdoor Corporation

495-A South Fairview Avenue Goleta California 93117 United States of America

(72) Name(s) of Designer(s): **Jennifer MacIntyre**

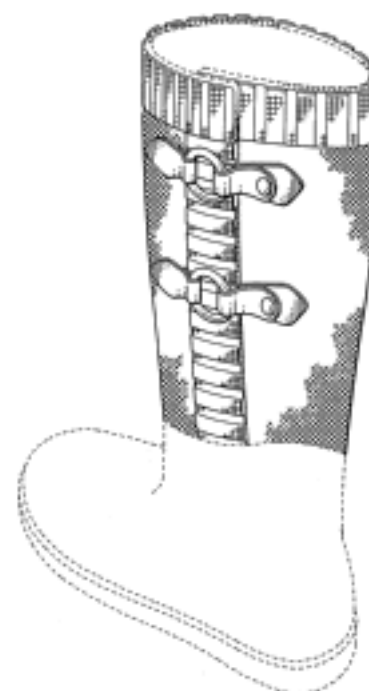
(45) Registration Date: **22 February 2011**

(30) Convention priority data:

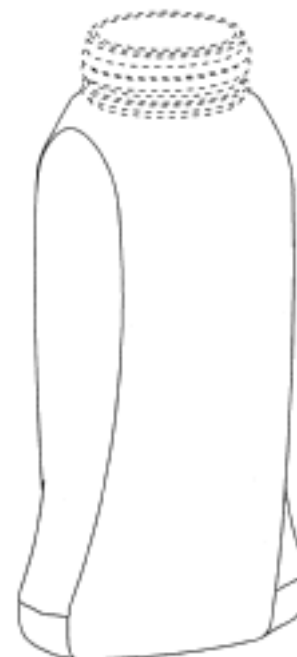
(31) Number	(32) Date	(33) Country
29/378306	02 Nov 2010	UNITED STATES OF AMERICA

(56) Related Art Documents: **Not Applicable**

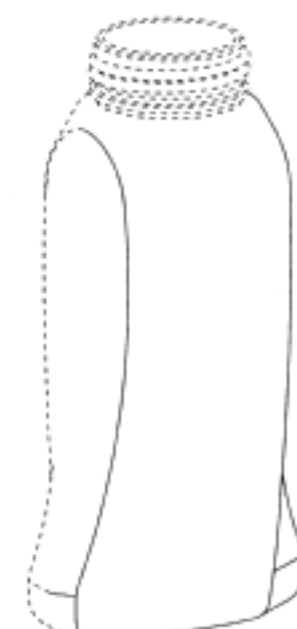
(57) Statement of Newness and Distinctiveness: **Newness and distinctiveness reside in the visual features of shape and configuration of the design as shown in solid lines in the representations, in combination with the visual features of ornamentation derived from the use of soft-knit or crochet material. The features in broken lines should be disregarded.**



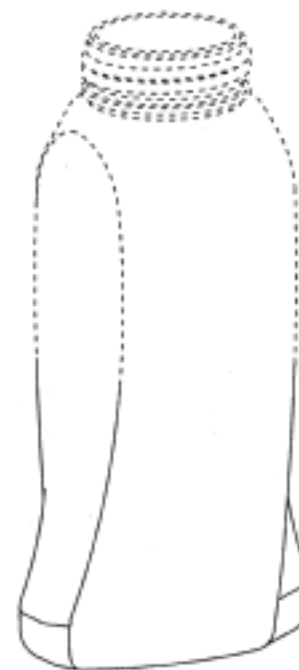
(21) Design Number: **10209/2011**
(22) Date of Filing Application: **27 January 2011**
(24) Date from which industrial property rights may have effect: **27 January 2011**
(54) Product in respect of which the design is registered: **Container**
(51) International Design Classification: **09-01K**
(74) Name(s) of Attorney(s): **F.B. Rice & Co.**
(71) Name(s) and Address(s) of Applicant(s):
Colgate-Palmolive Company
300 Park Avenue New York New York 10022 United States of America
(72) Name(s) of Designer(s): **Kiat-Cheong Toh and Simon Nicholas Dutton**
(45) Registration Date: **22 February 2011**
(30) Convention priority data:
(31) Number (32) Date (33) Country
29/366820 30 Jul 2010 UNITED STATES OF AMERICA
(56) Related Art Documents: **Not Applicable**
(57) Statement of Newness and Distinctiveness: **Newness and distinctiveness reside in the features of shape and configuration of the container shown in the drawings. When determining whether the design is substantially similar in overall impression to another design, no regard is to be had to those features shown in the drawings with dotted outline, which features are provided for illustrative purposes only.**



(21) Design Number: **10210/2011**
(22) Date of Filing Application: **27 January 2011**
(24) Date from which industrial property rights may have effect: **27 January 2011**
(54) Product in respect of which the design is registered: **Transverse portion of a container**
(51) International Design Classification: **09-01K**
(74) Name(s) of Attorney(s): **F.B. Rice & Co.**
(71) Name(s) and Address(s) of Applicant(s):
Colgate-Palmolive Company
300 Park Avenue New York New York 10022 United States of America
(72) Name(s) of Designer(s): **Kiat-Cheong Toh and Simon Nicholas Dutton**
(45) Registration Date: **22 February 2011**
(30) Convention priority data:
(31) Number (32) Date (33) Country
29/366823 30 Jul 2010 UNITED STATES OF AMERICA
(56) Related Art Documents: **Not Applicable**
(57) Statement of Newness and Distinctiveness: **Newness and distinctiveness reside in the features of shape and configuration of the container shown in the drawings. When determining whether the design is substantially similar in overall impression to another design, no regard is to be had to those features shown in the drawings with dotted outline, which features are provided for illustrative purposes only.**



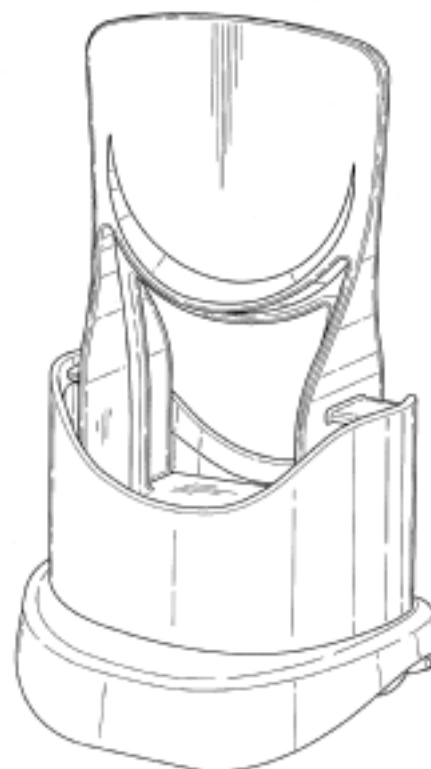
(21) Design Number: **10211/2011**
(22) Date of Filing Application: **27 January 2011**
(24) Date from which industrial property rights may have effect: **27 January 2011**
(54) Product in respect of which the design is registered: **Lower portion of a container**
(51) International Design Classification: **09-01K**
(74) Name(s) of Attorney(s): **F.B. Rice & Co.**
(71) Name(s) and Address(s) of Applicant(s):
Colgate-Palmolive Company
300 Park Avenue New York New York 10022 United States of America
(72) Name(s) of Designer(s): **Kiat-Cheong Toh and Simon Nicholas Dutton**
(45) Registration Date: **22 February 2011**
(30) Convention priority data:
(31) Number (32) Date (33) Country
29/366824 30 Jul 2010 UNITED STATES OF AMERICA
(56) Related Art Documents: **Not Applicable**
(57) Statement of Newness and Distinctiveness: **Newness and distinctiveness reside in the features of shape and configuration of the lower portion of the container shown in the drawings. When determining whether the design is substantially similar in overall impression to another design, no regard is to be had to those features shown in the drawings with dotted outline, which features are provided for illustrative purposes only.**



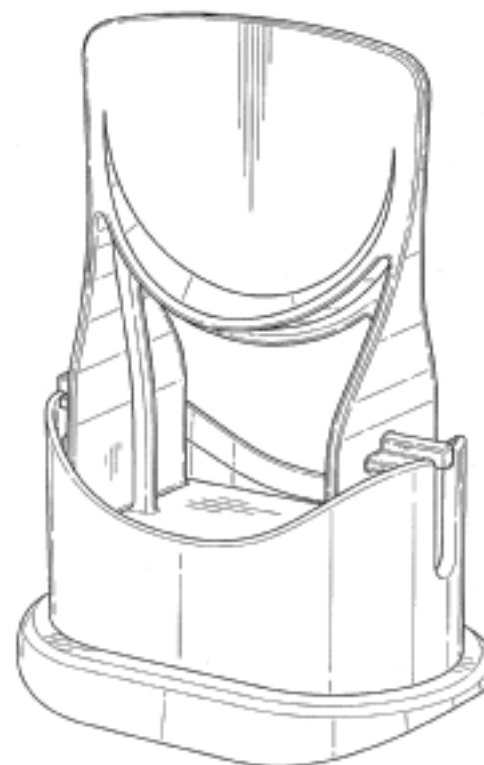
(21) Design Number: **10212/2011**
(22) Date of Filing Application: **08 February 2011**
(24) Date from which industrial property rights may have effect: **08 February 2011**
(54) Product in respect of which the design is registered: **Stimulation device**
(51) International Design Classification: **28-99**
(74) Name(s) of Attorney(s): **Madderns**
(71) Name(s) and Address(s) of Applicant(s):
LRC Products Limited
35 New Bridge Street London EC4V 6BW United Kingdom
(72) Name(s) of Designer(s): **Nicholas Charles Talbot and Tanja Langgner**
(45) Registration Date: **22 February 2011**
(30) Convention priority data:
(31) Number (32) Date (33) Country
001229975-0001 11 Aug 2010 EUROPEAN COMMUNITY
(56) Related Art Documents: **Not Applicable**
(57) Statement of Newness and Distinctiveness: **Nil**



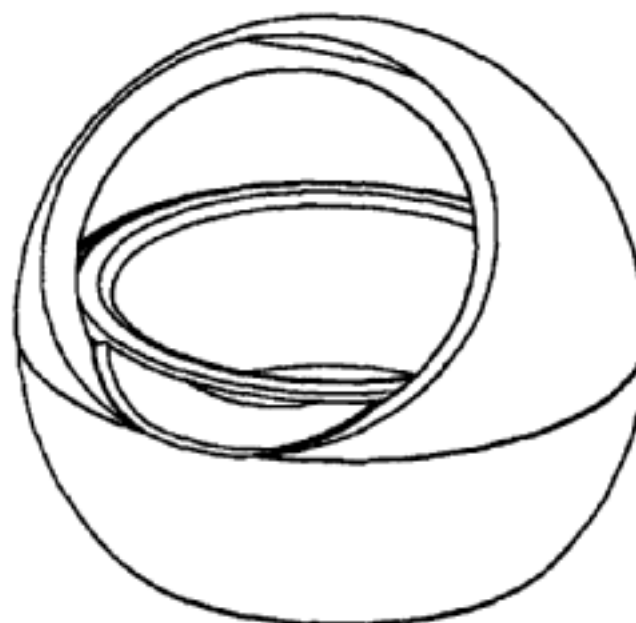
(21) Design Number: **10142/2011**
(22) Date of Filing Application: **20 January 2011**
(24) Date from which industrial property rights may have effect: **20 January 2011**
(54) Product in respect of which the design is registered: **Dispenser**
(51) International Design Classification: **09-03NES**
(74) Name(s) of Attorney(s): **Shelston IP**
(71) Name(s) and Address(s) of Applicant(s):
Reckitt Benckiser LLC
Morris Corporate Center IV 399 Interpace Parkway Parsippany New Jersey 07054 United States of America
(72) Name(s) of Designer(s): **Jesse DelGigante and Christopher Leonard Padain**
(45) Registration Date: **22 February 2011**
(30) Convention priority data:
(31) Number (32) Date (33) Country
001735564-0002 23 Jul 2010 EUROPEAN COMMUNITY
(56) Related Art Documents: **Not Applicable**
(57) Statement of Newness and Distinctiveness: **Nil**



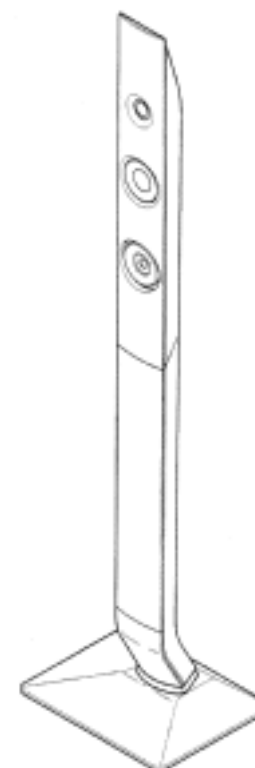
(21) Design Number: **10143/2011**
(22) Date of Filing Application: **20 January 2011**
(24) Date from which industrial property rights may have effect: **20 January 2011**
(54) Product in respect of which the design is registered: **Dispenser**
(51) International Design Classification: **09-03NES**
(74) Name(s) of Attorney(s): **Shelston IP**
(71) Name(s) and Address(s) of Applicant(s):
Reckitt Benckiser LLC
Morris Corporate Center IV 399 Interpace Parkway Parsippany New Jersey 07054 United States of America
(72) Name(s) of Designer(s): **Jesse DelGigante and Christopher Leonard Padain**
(45) Registration Date: **22 February 2011**
(30) Convention priority data:
(31) Number (32) Date (33) Country
001735564-0001 23 Jul 2010 EUROPEAN COMMUNITY
(56) Related Art Documents: **Not Applicable**
(57) Statement of Newness and Distinctiveness: **Nil**



(21) Design Number: **10144/2011**
(22) Date of Filing Application: **20 January 2011**
(24) Date from which industrial property rights may have effect: **20 January 2011**
(54) Product in respect of which the design is registered: **Feeding device for animals**
(51) International Design Classification: **30-03**
(74) Name(s) of Attorney(s): **Madderns**
(71) Name(s) and Address(s) of Applicant(s):
Elite Dogstands Ltd
10 Marigold Place Harlow Essex CM17 0BW United Kingdom
(72) Name(s) of Designer(s): **Dan Pitter**
(45) Registration Date: **22 February 2011**
(30) Convention priority data:
(31) Number (32) Date (33) Country
1735606 23 Jul 2010 EUROPEAN COMMUNITY
(56) Related Art Documents: **Not Applicable**
(57) Statement of Newness and Distinctiveness: **Newness and distinctiveness resides in the shape and configuration of a feeding device for animals as shown in the accompanying representations.**



(21) Design Number: **10145/2011**
(22) Date of Filing Application: **20 January 2011**
(24) Date from which industrial property rights may have effect: **20 January 2011**
(54) Product in respect of which the design is registered: **Speaker**
(51) International Design Classification: **14-01**
(74) Name(s) of Attorney(s): **Freehills Patent & Trade Mark Attorneys**
(71) Name(s) and Address(s) of Applicant(s):
LG Electronics Inc.
20 Yeouido-dong Yeongdeungpo-gu Seoul 150-721 Republic of Korea
(72) Name(s) of Designer(s): **Jiyeon Lee and Sunggu Joe and Sunghoon Oh**
(45) Registration Date: **22 February 2011**
(30) Convention priority data:
(31) Number (32) Date (33) Country
30-2010-0031829 20 Jul 2010 REPUBLIC OF KOREA
(56) Related Art Documents: **Not Applicable**
(57) Statement of Newness and Distinctiveness: **Newness and distinctiveness of the design resides in the features of shape and configuration of the design illustrated in the accompanying drawings.**



- (21) Design Number: **10159/2011**
(22) Date of Filing Application: **21 January 2011**
(24) Date from which industrial property rights may have effect: **21 January 2011**
(54) Product in respect of which the design is registered: **Electronic device**
(51) International Design Classification: **14-01**
(74) Name(s) of Attorney(s): **Freehills Patent & Trade Mark Attorneys**
(71) Name(s) and Address(s) of Applicant(s):

Apple Inc.
1 Infinite Loop Cupertino California 95014 United States of America

- (72) Name(s) of Designer(s): **Jody Akana and Bartley K. Andre and Jeremy Bataillou and Daniel J. Coster and Daniele De Iuliis and Evans Hankey and Richard P. Howarth and Jonathan P. Ive and Duncan Robert Kerr and Shin Nishibori and Matthew Dean Rohrbach and Peter Russell-Clarke and Christopher J. Stringer and Eugene Antony Whang and Rico Zorkendorfer**

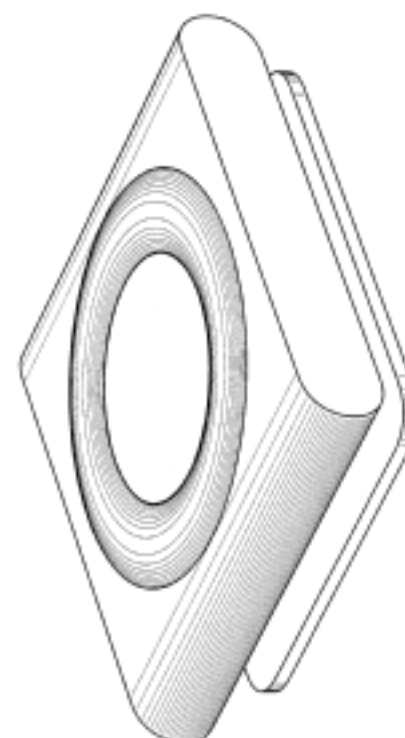
- (45) Registration Date: **22 February 2011**

- (30) Convention priority data:

(31) Number	(32) Date	(33) Country
29/367998	16 Aug 2010	UNITED STATES OF AMERICA

- (56) Related Art Documents: **Not Applicable**

- (57) Statement of Newness and Distinctiveness: **Newness and distinctiveness is claimed in the features of shape shown in solid outline lines and solid contour lines in the accompanying representations.**



- (21) Design Number: **10160/2011**
(22) Date of Filing Application: **24 January 2011**
(24) Date from which industrial property rights may have effect: **24 January 2011**
(54) Product in respect of which the design is registered: **Skirt of a truck vehicle**
(51) International Design Classification: **12-16B**
(74) Name(s) of Attorney(s): **WATERMARK PATENT AND TRADE MARKS ATTORNEYS**
(71) Name(s) and Address(s) of Applicant(s):

International Truck Intellectual Property Company, LLC
4201 Winfield Road Warrenville Illinois 60555 United States of America

- (72) Name(s) of Designer(s): **Steve Charles Aris and Rachele Cocks and Glen Durmisevich and Christopher Lee Koonce and George McCowan and Mark Oberly and Ron Schoon and John Song**

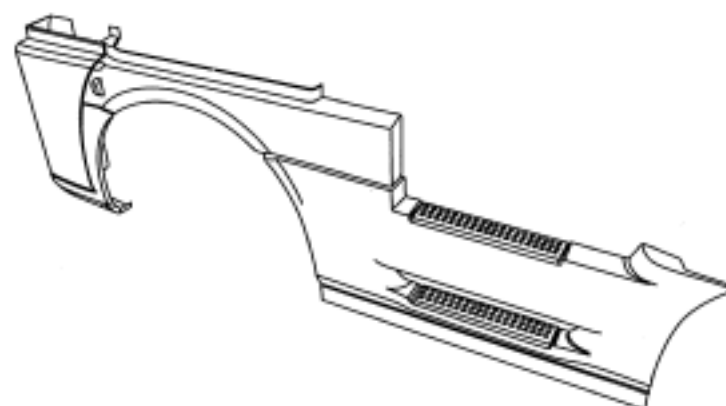
- (45) Registration Date: **22 February 2011**

- (30) Convention priority data:

(31) Number	(32) Date	(33) Country
29/367,773	12 Aug 2010	UNITED STATES OF AMERICA

- (56) Related Art Documents: **Not Applicable**

- (57) Statement of Newness and Distinctiveness: **Newness and distinctiveness resides in the shape and configuration of a skirt for a truck vehicle as represented in the annexed drawings. The rear and bottom plan view do not form part of the design.**



(21) Design Number: **10165/2011**

(22) Date of Filing Application: **25 January 2011**

(24) Date from which industrial property rights may have effect: **25 January 2011**

(54) Product in respect of which the design is registered: **Accoustic cavity wall tie**

(51) International Design Classification: **08-08A**

(74) Name(s) of Attorney(s):

(71) Name(s) and Address(s) of Applicant(s):

ACS Stainless Steel Fixings Limited

**1 Cross Green Approach Cross Green Industrial Estate Leeds West
Yorkshire LS90SG England United Kingdom**

(72) Name(s) of Designer(s): **Matthew Freeman**

(45) Registration Date: **22 February 2011**

(56) Related Art Documents: **Not Applicable**

(57) Statement of Newness and Distinctiveness: **Using special rubber dampening connection details to attenuate the noise transfer through the product.**



(21) Design Number: **10166/2011**

(22) Date of Filing Application: **25 January 2011**

(24) Date from which industrial property rights may have effect: **25 January 2011**

(54) Product in respect of which the design is registered: **Adjustable stone restraint tie**

(51) International Design Classification: **08-08A**

(74) Name(s) of Attorney(s):

(71) Name(s) and Address(s) of Applicant(s):

ACS Stainless Steel Fixings Limited

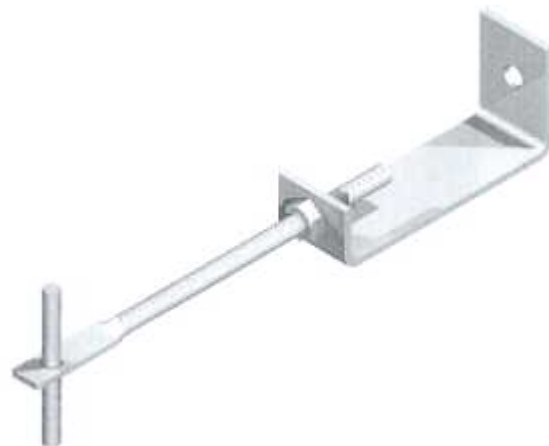
**1 Cross Green Approach Cross Green Industrial Estate Leeds West
Yorkshire LS90SG England United Kingdom**

(72) Name(s) of Designer(s): **Matthew Freeman**

(45) Registration Date: **22 February 2011**

(56) Related Art Documents: **Not Applicable**

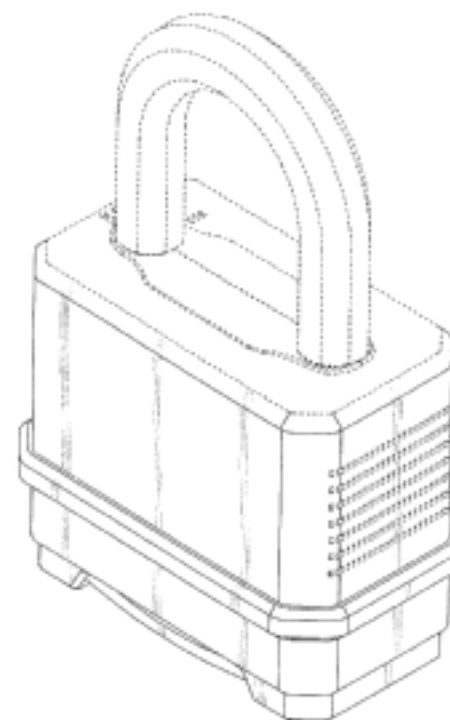
(57) Statement of Newness and Distinctiveness: **Uses a flattened paddle (spade) anchor into a captivated locknut to achieve adjustment.**



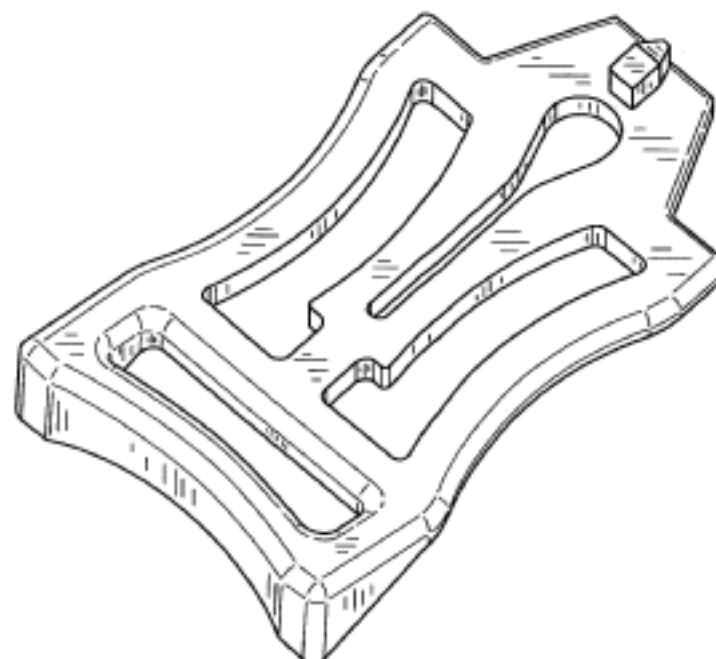
(21) Design Number: **10167/2011**
(22) Date of Filing Application: **25 January 2011**
(24) Date from which industrial property rights may have effect: **25 January 2011**
(54) Product in respect of which the design is registered: **A Doll**
(51) International Design Classification: **21-01B**
(74) Name(s) of Attorney(s):
(71) Name(s) and Address(s) of Applicant(s):
Suesan Cox
26 Templeton Way Doonan Queensland 4562 Australia
(72) Name(s) of Designer(s): **Suesan Cox**
(45) Registration Date: **22 February 2011**
(56) Related Art Documents: **Not Applicable**
(57) Statement of Newness and Distinctiveness: **Nil**



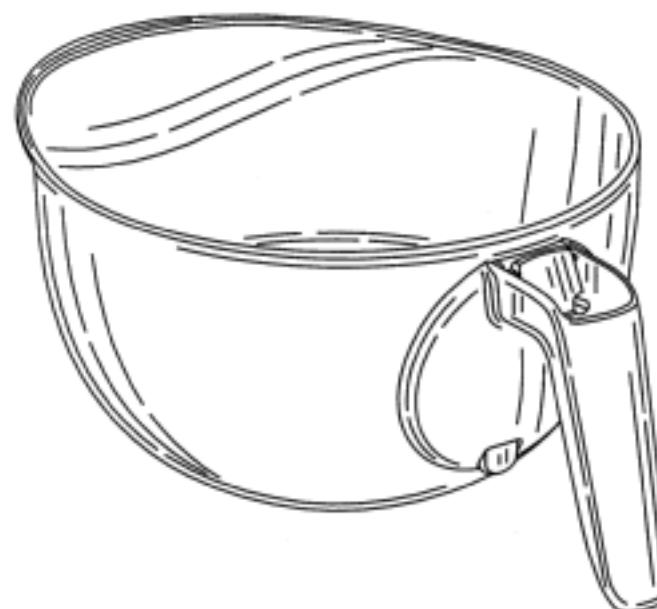
(21) Design Number: **10171/2011**
(22) Date of Filing Application: **24 January 2011**
(24) Date from which industrial property rights may have effect: **24 January 2011**
(54) Product in respect of which the design is registered: **Lock**
(51) International Design Classification: **08-07**
(74) Name(s) of Attorney(s): **Callinans**
(71) Name(s) and Address(s) of Applicant(s):
Master Lock Company LLC
137 W. Forest Hill Avenue Oak Creek Wisconsin 53154 United States of America
(72) Name(s) of Designer(s): **Scott B. Stevens**
(45) Registration Date: **22 February 2011**
(30) Convention priority data:
(31) Number (32) Date (33) Country
29/366,550 27 Jul 2010 UNITED STATES OF AMERICA
(56) Related Art Documents: **Not Applicable**
(57) Statement of Newness and Distinctiveness: **Newness and distinctiveness are provided by the shape and/or configuration of the design shown in the representations. The features shown in broken lines in the representations are for illustrative purposes only and should not be considered when construing visual features of the design.**



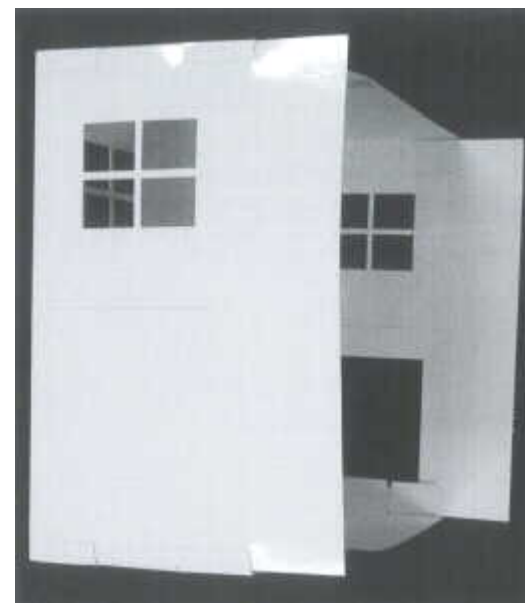
(21) Design Number: **10173/2011**
(22) Date of Filing Application: **24 January 2011**
(24) Date from which industrial property rights may have effect: **24 January 2011**
(54) Product in respect of which the design is registered: **Combination slide clamp and occlusion clamp actuator**
(51) International Design Classification: **24-02**
(74) Name(s) of Attorney(s): **Shelston IP**
(71) Name(s) and Address(s) of Applicant(s):
WalkMed Infusion LLC
96 Inverness Drive East Suite J Englewood Colorado 80112 United States of America
(72) Name(s) of Designer(s): **Lee W. Travis and Christina Wamsley**
(45) Registration Date: **22 February 2011**
(30) Convention priority data:
(31) Number (32) Date (33) Country
29/367410 06 Aug 2010 UNITED STATES OF AMERICA
(56) Related Art Documents: **Not Applicable**
(57) Statement of Newness and Distinctiveness: **Newness and distinctiveness resides in the features of shape and/or configuration of a combination slide clamp and occlusion clamp actuator as illustrated in the accompanying representations. The features shown by phantom lines do not form part of the design.**



(21) Design Number: **10174/2011**
(22) Date of Filing Application: **25 January 2011**
(24) Date from which industrial property rights may have effect: **25 January 2011**
(54) Product in respect of which the design is registered: **Bowl with removable handle**
(51) International Design Classification: **07-01B, 07-04**
(74) Name(s) of Attorney(s): **PHILLIPS ORMONDE FITZPATRICK**
(71) Name(s) and Address(s) of Applicant(s):
Dart Industries Inc.
14901 S. Orange Blossom Trail Orlando Florida 32837 United States of America
(72) Name(s) of Designer(s): **Jakob Heiberg and Jan-Hendrik De Groot**
(45) Registration Date: **22 February 2011**
(30) Convention priority data:
(31) Number (32) Date (33) Country
29/370,669 19 Aug 2010 UNITED STATES OF AMERICA
(56) Related Art Documents: **Not Applicable**
(57) Statement of Newness and Distinctiveness: **Nil**



- (21) Design Number: **10175/2011**
(22) Date of Filing Application: **27 January 2011**
(24) Date from which industrial property rights may have effect: **27 January 2011**
(54) Product in respect of which the design is registered: **External component for a foldable toy building**
(51) International Design Classification: **21-01D**
(74) Name(s) of Attorney(s): **Macpherson + Kelley**
(71) Name(s) and Address(s) of Applicant(s):
Hinkler Books Pty Ltd
44-55 Fairchild Street Heatherton Victoria 3202 Australia
(72) Name(s) of Designer(s): **Nicholas James Bryant**
(45) Registration Date: **22 February 2011**
(56) Related Art Documents: **Not Applicable**
(57) Statement of Newness and Distinctiveness: **Monopoly is claimed in the features of shape and configuration of an external component for a foldable toy building illustrated in the accompanying images excluding the placement and shape of the windows and doors.**



- (21) Design Number: **10176/2011**
(22) Date of Filing Application: **25 January 2011**
(24) Date from which industrial property rights may have effect: **25 January 2011**
(54) Product in respect of which the design is registered: **Wall-mountable vacuum cleaner and bracket**
(51) International Design Classification: **15-05**
(74) Name(s) of Attorney(s): **Griffith Hack**
(71) Name(s) and Address(s) of Applicant(s):
Shop Vac Corporation
2323 Reach Road Williamsport PA 17701 United States of America
(72) Name(s) of Designer(s): **Robert Lent Crevling Jr and Jason Gottschall and Kevin D. Fry and John Griffin**
(45) Registration Date: **22 February 2011**
(30) Convention priority data:
(31) Number (32) Date (33) Country
29/380073 30 Nov 2010 UNITED STATES OF AMERICA
(56) Related Art Documents: **Not Applicable**
(57) Statement of Newness and Distinctiveness: **Newness and distinctiveness resides in the visual features, including shape, and configuration of a wall-mountable vacuum cleaner and bracket as shown in solid outline in the accompanying drawings. When determining whether the design is substantially similar in overall impression to another design, no regard is to be had to those features shown in dotted outline, nor to the trademarks that appear in the drawings, nor to the details of the lower portion of the bracket and of the latches, openings, vents, buttons, and handle on the vacuum cleaner, in the accompanying drawings, which features are provided for illustrative purposes only.**



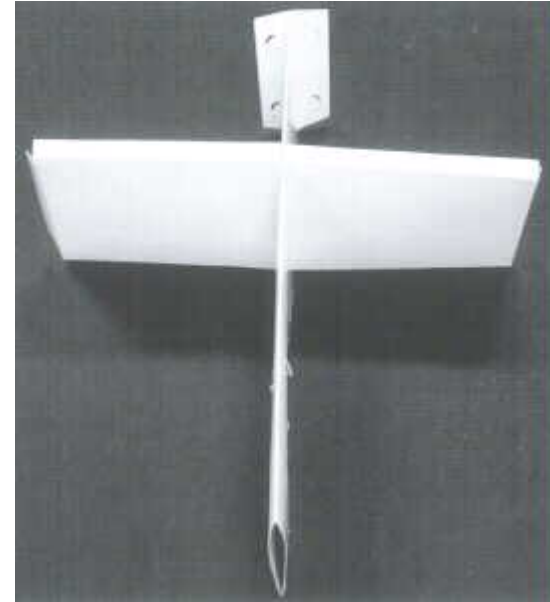
(21) Design Number: **10177/2011**
(22) Date of Filing Application: **27 January 2011**
(24) Date from which industrial property rights may have effect: **27 January 2011**
(54) Product in respect of which the design is registered: **Truck seat**
(51) International Design Classification: **06-01E**
(74) Name(s) of Attorney(s): **PIZZEYS**
(71) Name(s) and Address(s) of Applicant(s):
Isringhausen GmbH & Co. KG
Isringhausen-Ring 58 Lemgo 32657 Germany
(72) Name(s) of Designer(s): **Karl-Heinz Wagener**
(45) Registration Date: **22 February 2011**
(30) Convention priority data:
(31) Number (32) Date (33) Country
001799610 29 Dec 2010 EUROPEAN COMMUNITY
(56) Related Art Documents: **Not Applicable**
(57) Statement of Newness and Distinctiveness: **Nil**



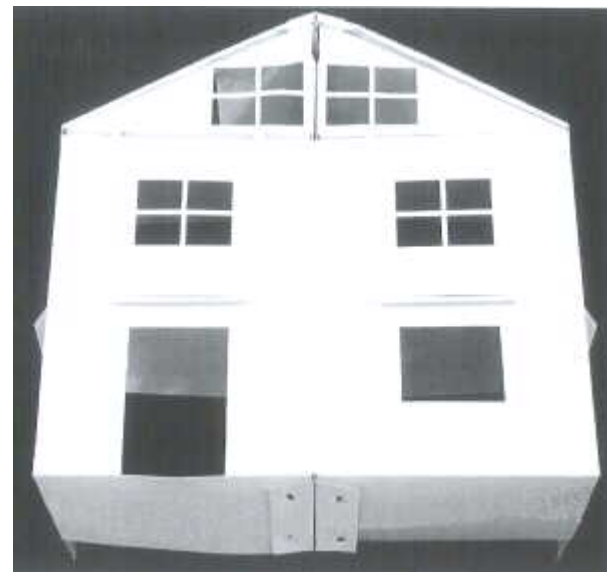
(21) Design Number: **10178/2011**
(22) Date of Filing Application: **27 January 2011**
(24) Date from which industrial property rights may have effect: **27 January 2011**
(54) Product in respect of which the design is registered: **A dome top waste**
(51) International Design Classification: **23-02NES**
(74) Name(s) of Attorney(s):
(71) Name(s) and Address(s) of Applicant(s):
Decina Bathroomware Pty. Ltd.
99 Colbalt Street Carole Park Queensland 4300 Australia
(72) Name(s) of Designer(s): **Michael John Dorrough**
(45) Registration Date: **22 February 2011**
(56) Related Art Documents: **Not Applicable**
(57) Statement of Newness and Distinctiveness: **The shape and configuration of a waste as depicted in the accompanying representations.**



- (21) Design Number: **10179/2011**
(22) Date of Filing Application: **27 January 2011**
(24) Date from which industrial property rights may have effect: **27 January 2011**
(54) Product in respect of which the design is registered: **Internal component for a foldable toy building**
(51) International Design Classification: **21-01D**
(74) Name(s) of Attorney(s): **Macpherson + Kelley**
(71) Name(s) and Address(s) of Applicant(s):
Hinkler Books Pty Ltd
44-55 Fairchild Street Heatherton Victoria 3202 Australia
(72) Name(s) of Designer(s): **Nicholas James Bryant**
(45) Registration Date: **22 February 2011**
(56) Related Art Documents: **Not Applicable**
(57) Statement of Newness and Distinctiveness: **Monopoly is claimed in the features of shape and configuration of an internal wall and floor component for a foldable toy building illustrated in the accompanying images.**



- (21) Design Number: **10182/2011**
(22) Date of Filing Application: **27 January 2011**
(24) Date from which industrial property rights may have effect: **27 January 2011**
(54) Product in respect of which the design is registered: **Foldable toy building**
(51) International Design Classification: **21-01D**
(74) Name(s) of Attorney(s): **Macpherson + Kelley**
(71) Name(s) and Address(s) of Applicant(s):
Hinkler Books Pty Ltd
44-55 Fairchild Street Heatherton Victoria 3202 Australia
(72) Name(s) of Designer(s): **Nicholas James Bryant**
(45) Registration Date: **22 February 2011**
(56) Related Art Documents: **Not Applicable**
(57) Statement of Newness and Distinctiveness: **Monopoly is claimed in the features of shape and configuration of a foldable toy building illustrated in the accompanying images excluding the placement and shape of the windows and doors.**



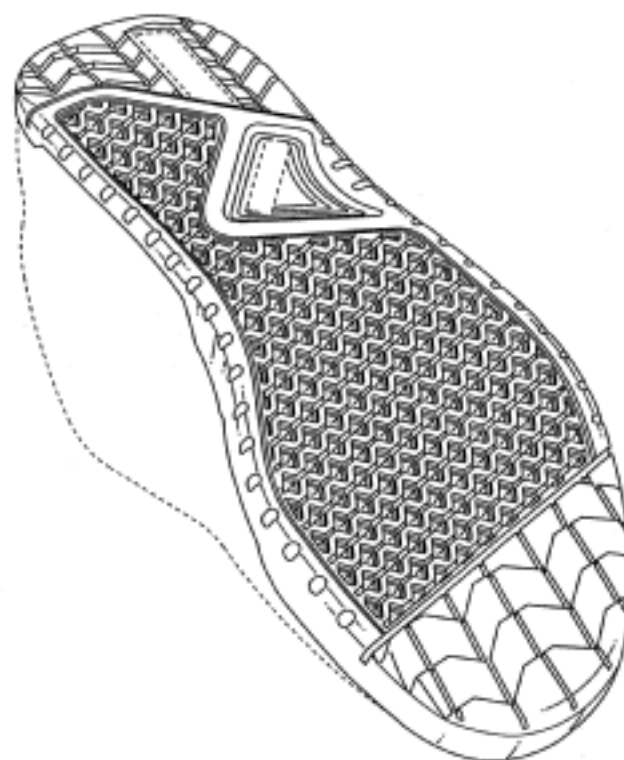
(21) Design Number: **10193/2011**
(22) Date of Filing Application: **27 January 2011**
(24) Date from which industrial property rights may have effect: **27 January 2011**
(54) Product in respect of which the design is registered: **Portion of a toothbrush**
(51) International Design Classification: **04-02**
(74) Name(s) of Attorney(s): **PHILLIPS ORMONDE FITZPATRICK**
(71) Name(s) and Address(s) of Applicant(s):
Braun GmbH
Frankfurter Strasse 145 61476 Kronberg am Taunus Germany
(72) Name(s) of Designer(s): **Andreas Birk and Ellen Conrad and Tilmann Winkler**
(45) Registration Date: **22 February 2011**
(30) Convention priority data:
(31) Number (32) Date (33) Country
29/366,866 30 Jul 2010 UNITED STATES OF AMERICA
(56) Related Art Documents: **Not Applicable**
(57) Statement of Newness and Distinctiveness: **Newness and distinctiveness resides in the shape and/or configuration of the portion of the toothbrush shown in continuous lines in the accompanying representations. The features shown in broken line are not part of the design and are to be disregarded when considering the overall impression of the design.**



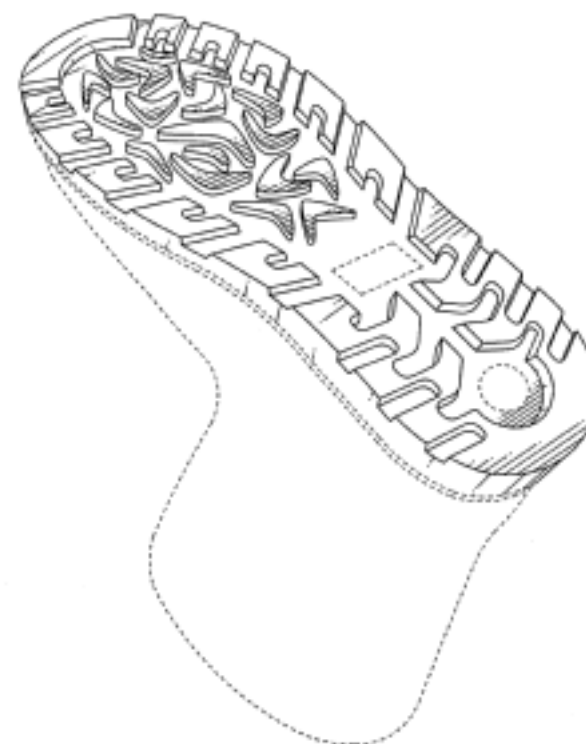
(21) Design Number: **10194/2011**
(22) Date of Filing Application: **27 January 2011**
(24) Date from which industrial property rights may have effect: **27 January 2011**
(54) Product in respect of which the design is registered: **Portion of a toothbrush**
(51) International Design Classification: **04-02**
(74) Name(s) of Attorney(s): **PHILLIPS ORMONDE FITZPATRICK**
(71) Name(s) and Address(s) of Applicant(s):
Braun GmbH
Frankfurter Strasse 145 61476 Kronberg am Taunus Germany
(72) Name(s) of Designer(s): **Andreas Birk and Ellen Conrad and Tilmann Winkler**
(45) Registration Date: **22 February 2011**
(30) Convention priority data:
(31) Number (32) Date (33) Country
29/366,866 30 Jul 2010 UNITED STATES OF AMERICA
(56) Related Art Documents: **Not Applicable**
(57) Statement of Newness and Distinctiveness: **Newness and distinctiveness resides in the shape and/or configuration of the portion of the toothbrush shown in continuous lines in the accompanying representations. The features shown in broken line are not part of the design and are to be disregarded when considering the overall impression of the design.**



- (21) Design Number: **10199/2011**
(22) Date of Filing Application: **27 January 2011**
(24) Date from which industrial property rights may have effect: **27 January 2011**
(54) Product in respect of which the design is registered: **Footwear outsole**
(51) International Design Classification: **02-04B**
(74) Name(s) of Attorney(s): **F B Rice & Co**
(71) Name(s) and Address(s) of Applicant(s):
Deckers Outdoor Corporation
495-A South Fairview Avenue Goleta California 93117 United States of America
(72) Name(s) of Designer(s): **Lavion Domir Gibson**
(45) Registration Date: **22 February 2011**
(30) Convention priority data:
(31) Number (32) Date (33) Country
29/378745 09 Nov 2010 UNITED STATES OF AMERICA
(56) Related Art Documents: **Not Applicable**
(57) Statement of Newness and Distinctiveness: **Newness and distinctiveness reside in the visual features of shape and configuration of the design shown in solid lines in the representations excluding those features shown in broken lines.**



- (21) Design Number: **10200/2011**
(22) Date of Filing Application: **27 January 2011**
(24) Date from which industrial property rights may have effect: **27 January 2011**
(54) Product in respect of which the design is registered: **Footwear outsole**
(51) International Design Classification: **02-04B**
(74) Name(s) of Attorney(s): **F B Rice & Co**
(71) Name(s) and Address(s) of Applicant(s):
Deckers Outdoor Corporation
495-A South Fairview Avenue Goleta California 93117 United States of America
(72) Name(s) of Designer(s): **Natalie Ng**
(45) Registration Date: **22 February 2011**
(30) Convention priority data:
(31) Number (32) Date (33) Country
29/378406 04 Nov 2010 UNITED STATES OF AMERICA
(56) Related Art Documents: **Not Applicable**
(57) Statement of Newness and Distinctiveness: **Newness and distinctiveness reside in the visual features of shape and configuration of the design shown in solid lines in the representations excluding those features shown in broken lines.**



(19) AU

(21) Design Number: 10201/2011

(22) Date of Filing Application: 27 January 2011

(24) Date from which industrial property rights may have effect: 27 January 2011

(54) Product in respect of which the design is registered: Footwear outsole

(51) International Design Classification: 02-04B

(74) Name(s) of Attorney(s): F B Rice & Co

(71) Name(s) and Address(s) of Applicant(s):

Deckers Outdoor Corporation

495-A South Fairview Avenue Goleta California 93117 United States of America

(72) Name(s) of Designer(s): Natalie Ng

(45) Registration Date: 22 February 2011

(30) Convention priority data:

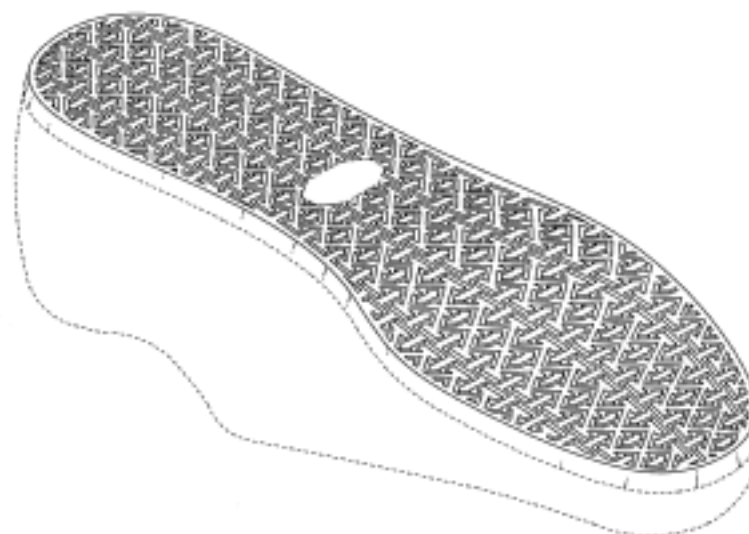
(31) Number
29/378523

(32) Date
05 Nov 2010

(33) Country
UNITED STATES OF AMERICA

(56) Related Art Documents: **Not Applicable**

(57) Statement of Newness and Distinctiveness: **Newness and distinctiveness reside in the visual features of shape and configuration of the design shown in solid lines in the representations excluding those features shown in broken lines.**



(19) AU

(21) Design Number: 10202/2011

(22) Date of Filing Application: 27 January 2011

(24) Date from which industrial property rights may have effect: 27 January 2011

(54) Product in respect of which the design is registered: Footwear outsole

(51) International Design Classification: 02-04B

(74) Name(s) of Attorney(s): F B Rice & Co

(71) Name(s) and Address(s) of Applicant(s):

Deckers Outdoor Corporation

495-A South Fairview Avenue Goleta California 93117 United States of America

(72) Name(s) of Designer(s): Martin Mariman

(45) Registration Date: 22 February 2011

(30) Convention priority data:

(31) Number
29/378408

(32) Date
04 Nov 2010

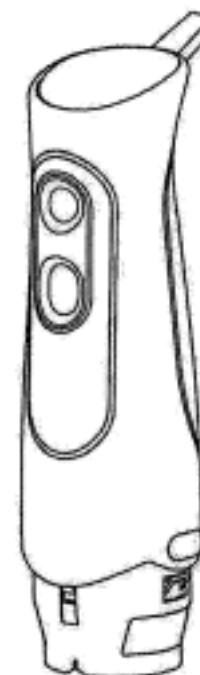
(33) Country
UNITED STATES OF AMERICA

(56) Related Art Documents: **Not Applicable**

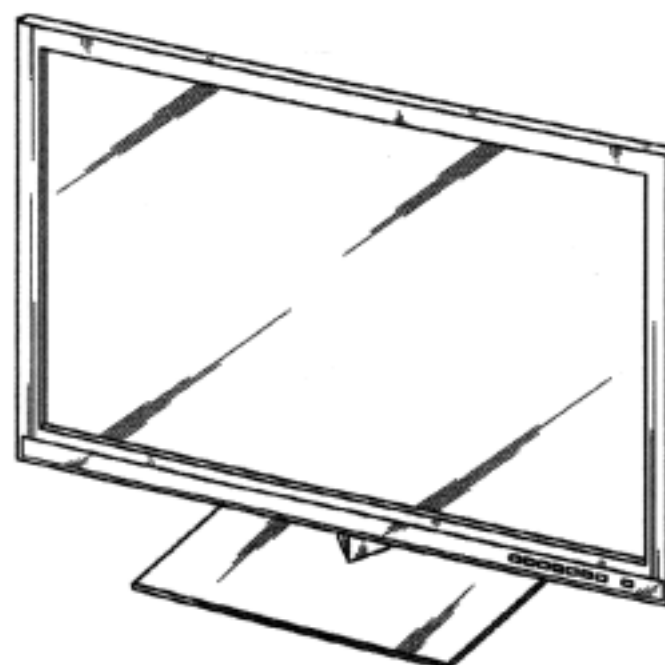
(57) Statement of Newness and Distinctiveness: **Newness and distinctiveness reside in the visual features of shape and configuration of the design shown in solid lines in the representations excluding those features shown in broken lines.**



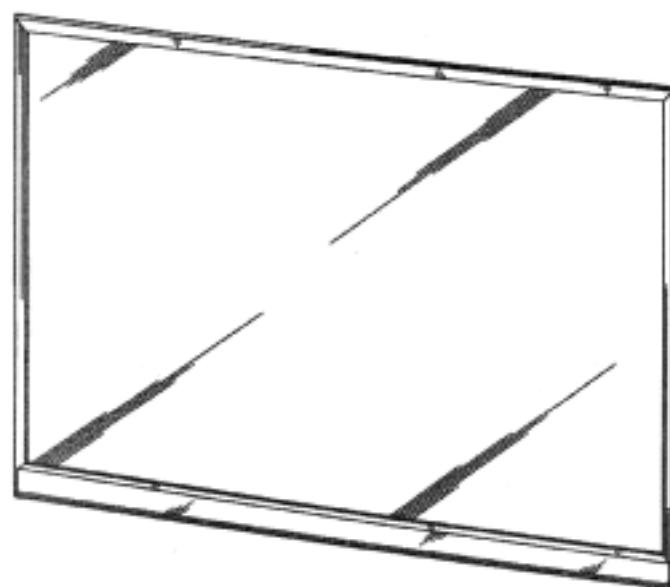
(21) Design Number: **15210/2010**
(22) Date of Filing Application: **30 November 2010**
(24) Date from which industrial property rights may have effect: **30 November 2010**
(54) Product in respect of which the design is registered: **Handpiece of a hand blender**
(51) International Design Classification: **31-00**
(74) Name(s) of Attorney(s): **PHILLIPS ORMONDE FITZPATRICK**
(71) Name(s) and Address(s) of Applicant(s):
Braun GmbH
Frankfurter Strasse 145 61476 Kronberg am Taunus Germany
(72) Name(s) of Designer(s): **Oliver Grabes and Sven Wuttig and Phong Duy Vu**
(45) Registration Date: **22 February 2011**
(30) Convention priority data:
(31) Number (32) Date (33) Country
**550813301 02 Jun 2010 WORLD INTELLECTUAL
PROPERTY ORGANIZATION
(WIPO)**
(56) Related Art Documents: **Not Applicable**
(57) Statement of Newness and Distinctiveness: **Nil**



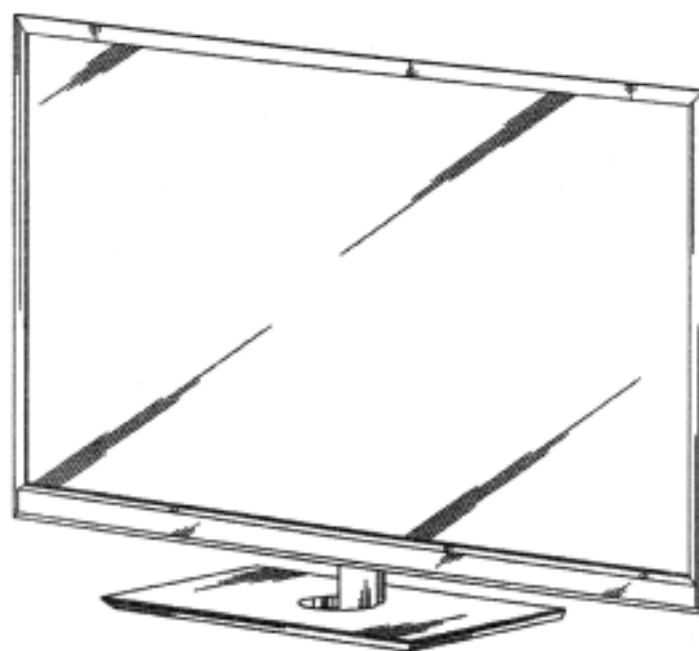
(21) Design Number: **10112/2011**
(22) Date of Filing Application: **14 January 2011**
(24) Date from which industrial property rights may have effect: **14 January 2011**
(54) Product in respect of which the design is registered: **A television receiver**
(51) International Design Classification: **14-03B**
(74) Name(s) of Attorney(s): **HODGKINSON McINNES PATENTS**
(71) Name(s) and Address(s) of Applicant(s):
Kabushiki Kaisha Toshiba also trading as Toshiba Corporation
1-1 Shibaura 1-chome Minato-ku Tokyo Japan
(72) Name(s) of Designer(s): **Satoshi Araki and Tatsuya Honda**
(45) Registration Date: **22 February 2011**
(30) Convention priority data:
(31) Number (32) Date (33) Country
2010-028357 29 Nov 2010 JAPAN
(56) Related Art Documents: **Not Applicable**
(57) Statement of Newness and Distinctiveness: **Newness and Distinctiveness is claimed in the features of shape and/or configuration of a television receiver as illustrated in the accompanying representations.**



- (21) Design Number: **10537/2011**
(22) Date of Filing Application: **14 January 2011**
(24) Date from which industrial property rights may have effect: **14 January 2011**
(54) Product in respect of which the design is registered: **A television receiver**
(51) International Design Classification: **14-03B**
(74) Name(s) of Attorney(s): **HODGKINSON McINNES PATENTS**
(71) Name(s) and Address(s) of Applicant(s):
Kabushiki Kaisha Toshiba also trading as Toshiba Corporation
1-1 Shibaura 1-chome Minato-ku Tokyo Japan
(72) Name(s) of Designer(s): **Satoshi Araki and Tatsuya Honda**
(45) Registration Date: **22 February 2011**
(30) Convention priority data:
(31) Number (32) Date (33) Country
2010-028358 29 Nov 2010 JAPAN
(56) Related Art Documents: **Not Applicable**
(57) Statement of Newness and Distinctiveness: **Newness and Distinctiveness is claimed in the features of shape and/or configuration of a television receiver as illustrated in the accompanying representations.**



- (21) Design Number: **10538/2011**
(22) Date of Filing Application: **14 January 2011**
(24) Date from which industrial property rights may have effect: **14 January 2011**
(54) Product in respect of which the design is registered: **A television receiver**
(51) International Design Classification: **14-03B**
(74) Name(s) of Attorney(s): **HODGKINSON McINNES PATENTS**
(71) Name(s) and Address(s) of Applicant(s):
Kabushiki Kaisha Toshiba also trading as Toshiba Corporation
1-1 Shibaura 1-chome Minato-ku Tokyo Japan
(72) Name(s) of Designer(s): **Satoshi Araki and Tatsuya Honda**
(45) Registration Date: **22 February 2011**
(30) Convention priority data:
(31) Number (32) Date (33) Country
2010-028359 29 Nov 2010 JAPAN
(56) Related Art Documents: **Not Applicable**
(57) Statement of Newness and Distinctiveness: **Newness and Distinctiveness is claimed in the features of shape and/or configuration of a television receiver as illustrated in the accompanying representations.**



- (21) Design Number: **14495/2010**
(22) Date of Filing Application: **19 October 2010**
(24) Date from which industrial property rights may have effect: **19 October 2010**
(54) Product in respect of which the design is registered: **Dispenser**
(51) International Design Classification: **09-01A**
(74) Name(s) of Attorney(s): **SPRUSON & FERGUSON**
(71) Name(s) and Address(s) of Applicant(s):
S. C. Johnson & Son, Inc.
1525 Howe Street Racine Wisconsin 53403 United States of America
(72) Name(s) of Designer(s): **Nancy L. Broen and Daria Costantini and William L. Driskell and Matthew J. Forst and Judith A. Rath and Steven A. Sell and David A. Smith and Cynthia A. Stevens and Steven A. Sweeton and Matthew N. Thurin and Steven A. Zach**
(45) Registration Date: **23 February 2011**
(30) Convention priority data:
(31) Number (32) Date (33) Country
29/360 022 19 Apr 2010 UNITED STATES OF AMERICA
(56) Related Art Documents: **Not Applicable**
(57) Statement of Newness and Distinctiveness: **Newness and distinctiveness is claimed in those features of shape and/or configuration of a dispenser as illustrated in continuous lines in the accompanying representations.**



- (21) Design Number: **15561/2010**
(22) Date of Filing Application: **14 December 2010**
(24) Date from which industrial property rights may have effect: **14 December 2010**
(54) Product in respect of which the design is registered: **Felt fusion wheels**
(51) International Design Classification: **06-06C**
(74) Name(s) of Attorney(s):
(71) Name(s) and Address(s) of Applicant(s):
Master Distributors Pty Ltd
31 Dunlop Road Mulgrave Victoria 3170 Australia
(72) Name(s) of Designer(s): **Thino Kiefer**
(45) Registration Date: **23 February 2011**
(56) Related Art Documents: **Not Applicable**
(57) Statement of Newness and Distinctiveness: **Monopoly is claimed for the felt fusion to the wheels.**



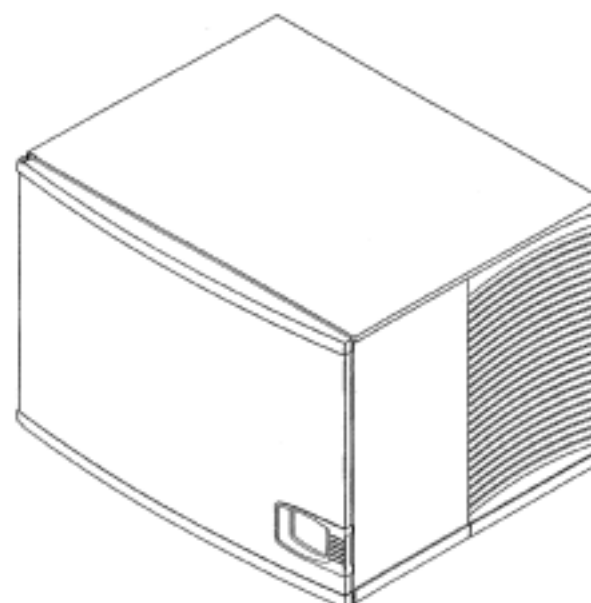
- (21) Design Number: **10115/2011**
(22) Date of Filing Application: **14 January 2011**
(24) Date from which industrial property rights may have effect: **14 January 2011**
(54) Product in respect of which the design is registered: **Stool**
(51) International Design Classification: **06-01E**
(74) Name(s) of Attorney(s):
(71) Name(s) and Address(s) of Applicant(s):
Charles Philip Ernest Chenoweth
16 Churchill Road Taroom Tasmania 7053 Australia
(72) Name(s) of Designer(s): **Charles Philip Ernest Chenoweth**
(45) Registration Date: **23 February 2011**
(56) Related Art Documents: **Not Applicable**
(57) Statement of Newness and Distinctiveness: **The hollow square column of thin sheet material is fenestrated for visual interest and weight loss. Adjacent sides are joined by through mortice and tenon. Visually simple side extensions at top and bottom provide adequate support for a thin seat and strongly bound legs. The stool pictured weights only 1.2 kg and is easily carried.**



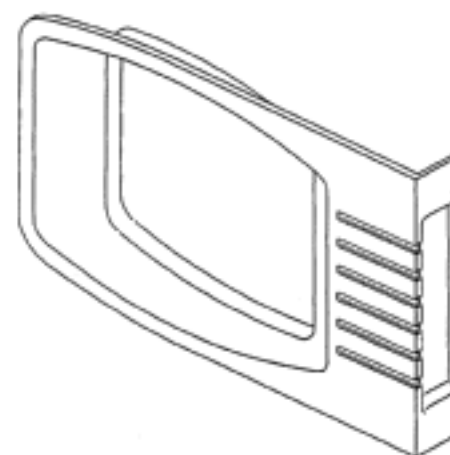
- (21) Design Number: **15265/2010**
(22) Date of Filing Application: **02 December 2010**
(24) Date from which industrial property rights may have effect: **02 December 2010**
(54) Product in respect of which the design is registered: **Bootees - stuffed, cotton based soft toys with long legs for holding boots upright.**
(51) International Design Classification: **21-01A, 07-99NES**
(74) Name(s) of Attorney(s):
(71) Name(s) and Address(s) of Applicant(s):
Philomena Kwok
11 Mitchell Street Naremburn New South Wales 2065 Australia
(72) Name(s) of Designer(s): **Philomena Kwok**
(45) Registration Date: **23 February 2011**
(56) Related Art Documents: **Not Applicable**
(57) Statement of Newness and Distinctiveness: **Linen or linen/cotton blend construction in full or part (for antibacterial qualities). Scented bean filled feet. Fabric neck bow, loop for hanging and straight fabric ears of differing lengths.**



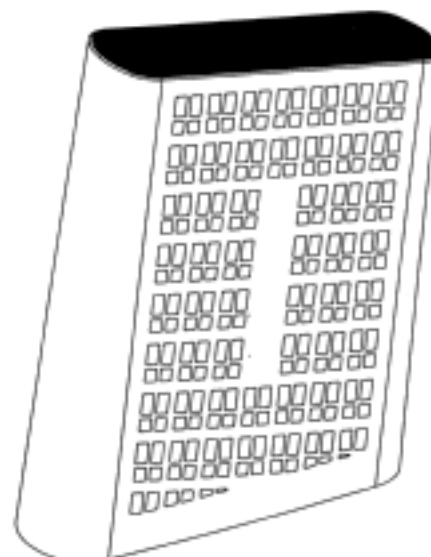
- (21) Design Number: **10316/2011**
(22) Date of Filing Application: **04 February 2011**
(24) Date from which industrial property rights may have effect: **04 February 2011**
(54) Product in respect of which the design is registered: **An ice machine**
(51) International Design Classification: **15-07**
(74) Name(s) of Attorney(s): **IP Gateway Patent & Trademark Attorneys**
(71) Name(s) and Address(s) of Applicant(s):
Manitowoc FSG Operations, LLC
2400 South 24th Street Manitowoc Wisconsin 54221 United States of America
(72) Name(s) of Designer(s): **Marty J. LaFond and Brad A. Blaha and John T. Sara III and Douglas J. Carpiaux and Meghan M. McGuire and Dale S. Dilulio and William E. Olson Jr.**
(45) Registration Date: **23 February 2011**
(30) Convention priority data:
(31) Number (32) Date (33) Country
29/367,235 04 Aug 2010 UNITED STATES OF AMERICA
(56) Related Art Documents: **Not Applicable**
(57) Statement of Newness and Distinctiveness: **The newness and distinctiveness of the design resides in the visual features of shape and/or configuration of AN ICE MACHINE as shown in the accompanying representations.**



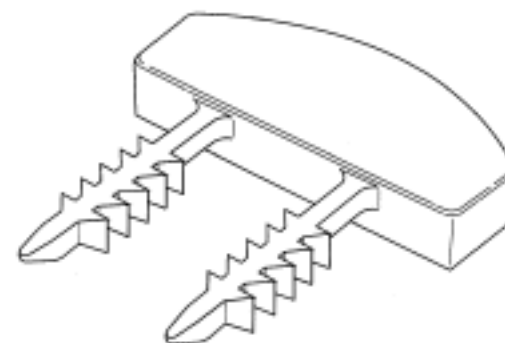
- (21) Design Number: **10317/2011**
(22) Date of Filing Application: **04 February 2011**
(24) Date from which industrial property rights may have effect: **04 February 2011**
(54) Product in respect of which the design is registered: **A display for an ice machine**
(51) International Design Classification: **15-07**
(74) Name(s) of Attorney(s): **IP Gateway Patent & Trademark Attorneys**
(71) Name(s) and Address(s) of Applicant(s):
Manitowoc FSG Operations, LLC
2400 South 24th Street Manitowoc Wisconsin 54221 United States of America
(72) Name(s) of Designer(s): **Marty J. LaFond and William E. Olson Jr. and Brad A. Blaha and John T. Sara III and Douglas J. Carpiaux and Meghan M. McGuire and Dale S. Dilulio**
(45) Registration Date: **23 February 2011**
(30) Convention priority data:
(31) Number (32) Date (33) Country
29/367,235 04 Aug 2010 UNITED STATES OF AMERICA
(56) Related Art Documents: **Not Applicable**
(57) Statement of Newness and Distinctiveness: **The newness and distinctiveness of the design resides in the visual features of shape and/or configuration of A DISPLAY FOR AN ICE MACHINE as shown in the accompanying representations.**



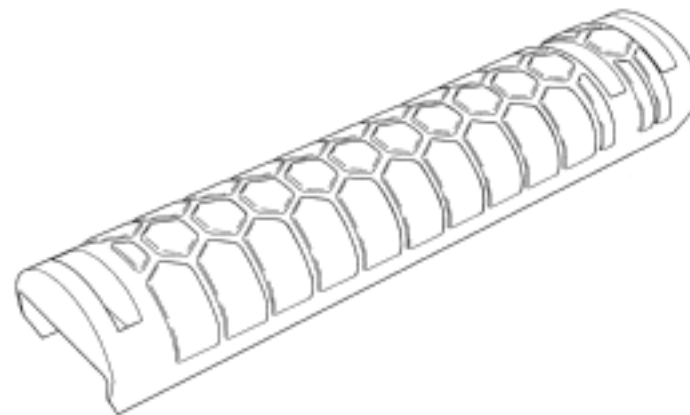
- (21) Design Number: **10318/2011**
(22) Date of Filing Application: **03 February 2011**
(24) Date from which industrial property rights may have effect: **03 February 2011**
(54) Product in respect of which the design is registered: **A knife block**
(51) International Design Classification: **07-99NES**
(74) Name(s) of Attorney(s): **SPRUSON & FERGUSON**
(71) Name(s) and Address(s) of Applicant(s):
Scanpan A/S
Industrivej 49 8550 Ryomgaard Denmark
(72) Name(s) of Designer(s): **Jacky Liang**
(45) Registration Date: **23 February 2011**
(56) Related Art Documents: **Not Applicable**
(57) Statement of Newness and Distinctiveness: **Newness and distinctiveness is claimed in the features of shape and/or configuration of a knife block as illustrated in the accompanying representations.**



- (21) Design Number: **10323/2011**
(22) Date of Filing Application: **04 February 2011**
(24) Date from which industrial property rights may have effect: **04 February 2011**
(54) Product in respect of which the design is registered: **Securing clip**
(51) International Design Classification: **08-08NES**
(74) Name(s) of Attorney(s): **Golja Haines & Friend**
(71) Name(s) and Address(s) of Applicant(s):
Hirack Pty Limited
17 Doune Place Willetton Western Australia 6155 Australia
(72) Name(s) of Designer(s): **Sandeep Singh Marwaha and Stephen Richard Heynes Pembshaw**
(45) Registration Date: **23 February 2011**
(56) Related Art Documents: **Not Applicable**
(57) Statement of Newness and Distinctiveness: **Newness and distinctiveness is claimed in the shape and configuration of the ribs within the body of the securing clip illustrated in the accompanying representations.**



- (21) Design Number: **10324/2011**
(22) Date of Filing Application: **04 February 2011**
(24) Date from which industrial property rights may have effect: **04 February 2011**
(54) Product in respect of which the design is registered: **Column protector**
(51) International Design Classification: **25-02A**
(74) Name(s) of Attorney(s): **Golja Haines & Friend**
(71) Name(s) and Address(s) of Applicant(s):
Hirack Pty Limited
17 Doune Place Willetton Western Australia 6155 Australia
(72) Name(s) of Designer(s): **Sandeep Singh Marwaha and Stephen Richard Heynes Pembshaw**
(45) Registration Date: **23 February 2011**
(56) Related Art Documents: **Not Applicable**
(57) Statement of Newness and Distinctiveness: **Newness and distinctiveness is claimed in the shape, configuration, pattern and ornamentation of external surface protuberances on the column protector as shown in the accompanying representations.**



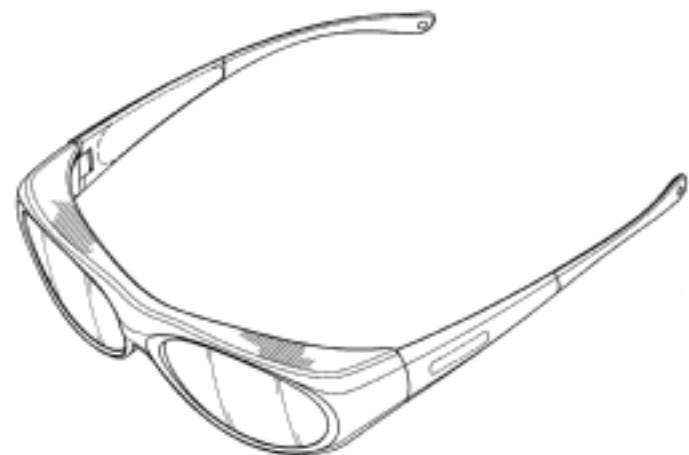
- (21) Design Number: **10325/2011**
(22) Date of Filing Application: **04 February 2011**
(24) Date from which industrial property rights may have effect: **04 February 2011**
(54) Product in respect of which the design is registered: **Pill sorting stylus tool and tray**
(51) International Design Classification: **24-01**
(74) Name(s) of Attorney(s):
(71) Name(s) and Address(s) of Applicant(s):
Len Walter Enterprises, LLC
2222 Flossmoor Road Flossmoor 60422 Illinois United States of America
(72) Name(s) of Designer(s): **Leonard Jay Walter**
(45) Registration Date: **23 February 2011**
(30) Convention priority data:
(31) Number (32) Date (33) Country
29/367,300 05 Aug 2010 UNITED STATES OF AMERICA
(56) Related Art Documents: **Not Applicable**
(57) Statement of Newness and Distinctiveness: **Nil**



(21) Design Number: **10327/2011**
(22) Date of Filing Application: **07 February 2011**
(24) Date from which industrial property rights may have effect: **07 February 2011**
(54) Product in respect of which the design is registered: **Sunglasses**
(51) International Design Classification: **16-06**
(74) Name(s) of Attorney(s):
(71) Name(s) and Address(s) of Applicant(s):
 Lava Ltd
 PO Box No. 80589 Cheung Sha Wan Post Office Hong Kong
(72) Name(s) of Designer(s): **Paul Stables**
(45) Registration Date: **23 February 2011**
(56) Related Art Documents: **Not Applicable**
(57) Statement of Newness and Distinctiveness: **Nil**



(21) Design Number: **10328/2011**
(22) Date of Filing Application: **07 February 2011**
(24) Date from which industrial property rights may have effect: **07 February 2011**
(54) Product in respect of which the design is registered: **Sunglasses**
(51) International Design Classification: **16-06**
(74) Name(s) of Attorney(s):
(71) Name(s) and Address(s) of Applicant(s):
 Lava Ltd
 PO Box No. 80589 Cheung Sha Wan Post Office Hong Kong
(72) Name(s) of Designer(s): **Paul Stables**
(45) Registration Date: **23 February 2011**
(56) Related Art Documents: **Not Applicable**
(57) Statement of Newness and Distinctiveness: **Nil**



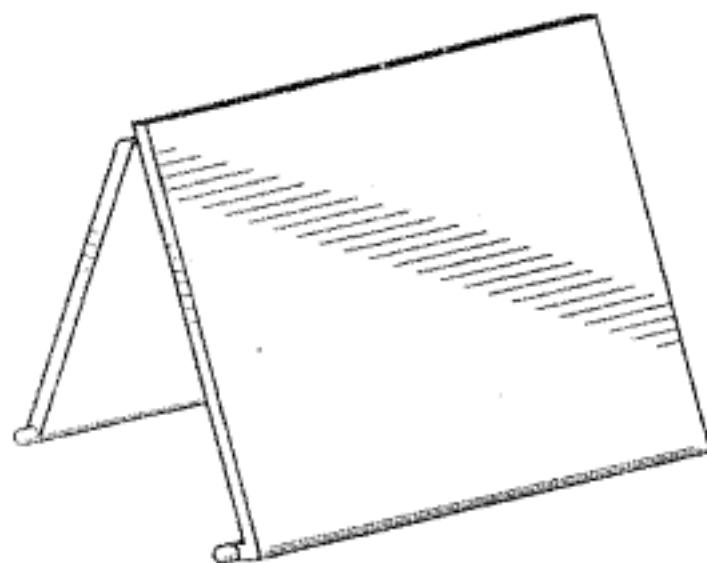
- (21) Design Number: **10329/2011**
(22) Date of Filing Application: **07 February 2011**
(24) Date from which industrial property rights may have effect: **07 February 2011**
(54) Product in respect of which the design is registered: **Sunglasses**
(51) International Design Classification: **16-06**
(74) Name(s) of Attorney(s):
(71) Name(s) and Address(s) of Applicant(s):
 Lava Ltd
 PO Box No. 80589 Cheung Sha Wan Post Office Hong Kong
(72) Name(s) of Designer(s): **Paul Stables**
(45) Registration Date: **23 February 2011**
(56) Related Art Documents: **Not Applicable**
(57) Statement of Newness and Distinctiveness: **Nil**



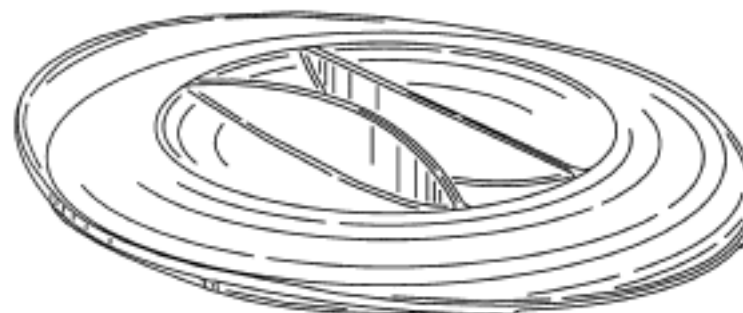
- (21) Design Number: **13577/2010**
(22) Date of Filing Application: **19 August 2010**
(24) Date from which industrial property rights may have effect: **19 August 2010**
(54) Product in respect of which the design is registered: **Automobile**
(51) International Design Classification: **12-08**
(74) Name(s) of Attorney(s): **SPRUSON & FERGUSON**
(71) Name(s) and Address(s) of Applicant(s):
 Toyota Jidosha Kabushiki Kaisha
 1 Toyota-cho Toyota-shi Aichi-ken 471-8571 Japan
(72) Name(s) of Designer(s): **Kousuke Kubo and Mineo Imaiida and Masanori Kinoshita**
(45) Registration Date: **23 February 2011**
(56) Related Art Documents: **Not Applicable**
(57) Statement of Newness and Distinctiveness: **Newness and distinctiveness is claimed in the features of shape and/or configuration of an automobile as illustrated in the accompanying representations, apart from Toyota emblems.**



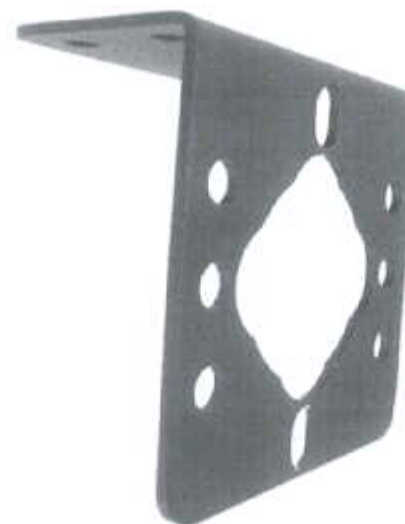
(21) Design Number: **10076/2011**
(22) Date of Filing Application: **10 January 2011**
(24) Date from which industrial property rights may have effect: **10 January 2011**
(54) Product in respect of which the design is registered: **Support element of a protective cover for a mobile computing device**
(51) International Design Classification: **14-02**
(74) Name(s) of Attorney(s): **PATENT ATTORNEY SERVICES**
(71) Name(s) and Address(s) of Applicant(s):
Zagg Incorporated
3855 South 500 West Suite J Salt Lake City Utah 84115 United States of America
(72) Name(s) of Designer(s): **David Gengler**
(45) Registration Date: **23 February 2011**
(30) Convention priority data:
(31) Number (32) Date (33) Country
12/832,845 08 Jul 2010 UNITED STATES OF AMERICA
(56) Related Art Documents: **Not Applicable**
(57) Statement of Newness and Distinctiveness: **Visual features of the design which are new and distinctive are the features of shape and configuration of SUPPORT ELEMENT OF A PROTECTIVE COVER FOR A MOBILE COMPUTING DEVICE as illustrated in the representations.**



(21) Design Number: **10357/2011**
(22) Date of Filing Application: **07 February 2011**
(24) Date from which industrial property rights may have effect: **07 February 2011**
(54) Product in respect of which the design is registered: **Cover**
(51) International Design Classification: **07-01NES**
(74) Name(s) of Attorney(s): **PHILLIPS ORMONDE FITZPATRICK**
(71) Name(s) and Address(s) of Applicant(s):
Dart Industries Inc
14901 S. Orange Blossom Trail Orlando Florida 32837 United States of America
(72) Name(s) of Designer(s): **Jakob Heiberg and Jan-Hendrik de Groote**
(45) Registration Date: **23 February 2011**
(30) Convention priority data:
(31) Number (32) Date (33) Country
29/370,755 01 Sep 2010 UNITED STATES OF AMERICA
(56) Related Art Documents: **Not Applicable**
(57) Statement of Newness and Distinctiveness: **Those features of the cover depicted in the representations that are new and distinctive are the shape and/or configuration.**



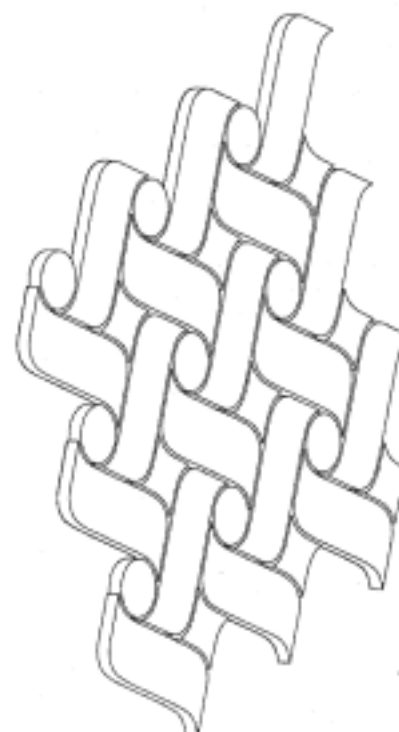
- (21) Design Number: **10361/2011**
(22) Date of Filing Application: **08 February 2011**
(24) Date from which industrial property rights may have effect: **08 February 2011**
(54) Product in respect of which the design is registered: **A bracket**
(51) International Design Classification: **08-08L**
(74) Name(s) of Attorney(s):
(71) Name(s) and Address(s) of Applicant(s):
Dennis Ronald Gravalin
271 River Street Maclean New South Wales 2463 Australia
Sandra Lorraine Gravalin
271 River Street Maclean New South Wales 2463 Australia
(72) Name(s) of Designer(s): **Dennis Ronald Gravalin and Sandra Lorraine Gravalin**
(45) Registration Date: **23 February 2011**
(56) Related Art Documents: **Not Applicable**
(57) Statement of Newness and Distinctiveness: **Newness and distinctiveness is claimed in the visual features of the design in the shape and configuration of A Bracket as shown in the accompanied illustrations and representations in solid lines.**



- (21) Design Number: **10181/2011**
(22) Date of Filing Application: **26 January 2011**
(24) Date from which industrial property rights may have effect: **26 January 2011**
(54) Product in respect of which the design is registered: **A headrest clamp assembly**
(51) International Design Classification: **08-08D**
(74) Name(s) of Attorney(s):
(71) Name(s) and Address(s) of Applicant(s):
Roger Thomas Mascull
C/- Medifab 7 Allens Road Ashburton 8300 New Zealand
(72) Name(s) of Designer(s): **Roger Thomas Mascull**
(45) Registration Date: **23 February 2011**
(56) Related Art Documents: **Not Applicable**
(57) Statement of Newness and Distinctiveness: **Novelty resides in the features of shape as shown in the accompanying representations.**



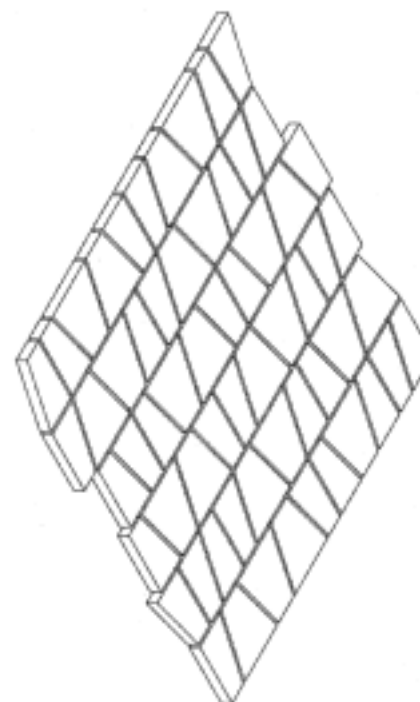
- (21) Design Number: **15458/2010**
(22) Date of Filing Application: **10 December 2010**
(24) Date from which industrial property rights may have effect: **10 December 2010**
(54) Product in respect of which the design is registered: **Tesserae**
(51) International Design Classification: **25-01F**
(74) Name(s) of Attorney(s): **Allens Arthur Robinson**
(71) Name(s) and Address(s) of Applicant(s):
Everstone International Pty Ltd
20 Princes Road East Auburn New South Wales 2000 Australia
(72) Name(s) of Designer(s): **John Zeng**
(45) Registration Date: **24 February 2011**
(56) Related Art Documents: **Not Applicable**
(57) Statement of Newness and Distinctiveness: **Newness and distinctiveness is claimed in the shape and configuration of a tesserae as shown in the attached representations.**



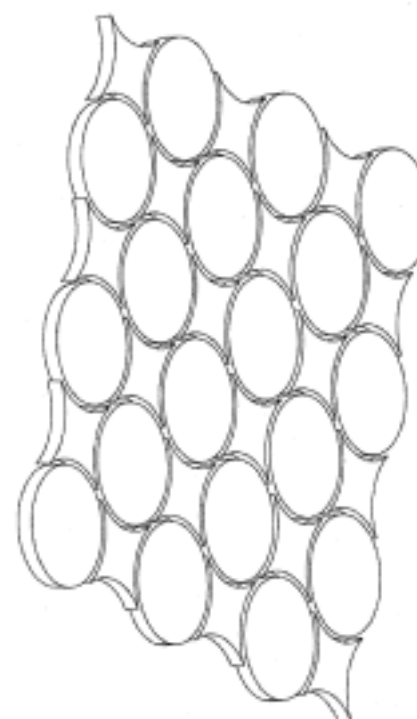
- (21) Design Number: **15459/2010**
(22) Date of Filing Application: **10 December 2010**
(24) Date from which industrial property rights may have effect: **10 December 2010**
(54) Product in respect of which the design is registered: **Tesserae**
(51) International Design Classification: **25-01F**
(74) Name(s) of Attorney(s): **Allens Arthur Robinson**
(71) Name(s) and Address(s) of Applicant(s):
Everstone International Pty Ltd
20 Princes Road East Auburn New South Wales 2144 Australia
(72) Name(s) of Designer(s): **John Zeng**
(45) Registration Date: **24 February 2011**
(56) Related Art Documents: **Not Applicable**
(57) Statement of Newness and Distinctiveness: **Newness and distinctiveness is claimed in the shape and configuration of a tesserae as shown in the attached representations.**



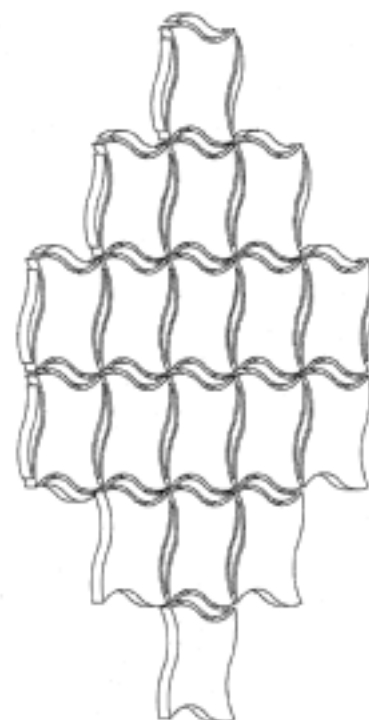
- (21) Design Number: **15460/2010**
(22) Date of Filing Application: **10 December 2010**
(24) Date from which industrial property rights may have effect: **10 December 2010**
(54) Product in respect of which the design is registered: **Tesserae**
(51) International Design Classification: **25-01F**
(74) Name(s) of Attorney(s): **Allens Arthur Robinson**
(71) Name(s) and Address(s) of Applicant(s):
Everstone International Pty Ltd
20 Princes Road East Auburn New South Wales 2144 Australia
(72) Name(s) of Designer(s): **John Zeng**
(45) Registration Date: **24 February 2011**
(56) Related Art Documents: **Not Applicable**
(57) Statement of Newness and Distinctiveness: **Newness and distinctiveness is claimed in the shape and configuration of a tesserae as shown in the attached representations.**



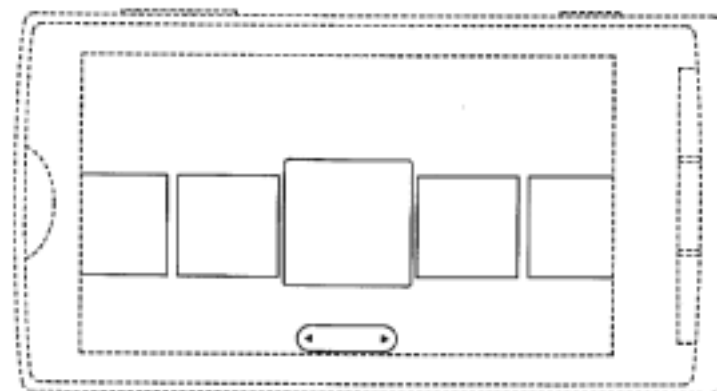
- (21) Design Number: **15461/2010**
(22) Date of Filing Application: **10 December 2010**
(24) Date from which industrial property rights may have effect: **10 December 2010**
(54) Product in respect of which the design is registered: **Tesserae**
(51) International Design Classification: **25-01F**
(74) Name(s) of Attorney(s): **Allens Arthur Robinson**
(71) Name(s) and Address(s) of Applicant(s):
Everstone International Pty Ltd
20 Princes Road East Auburn New South Wales 2144 Australia
(72) Name(s) of Designer(s): **John Zeng**
(45) Registration Date: **24 February 2011**
(56) Related Art Documents: **Not Applicable**
(57) Statement of Newness and Distinctiveness: **Newness and distinctiveness is claimed in the shape and configuration of a tesserae as shown in the attached representations.**



(21) Design Number: **15462/2010**
(22) Date of Filing Application: **10 December 2010**
(24) Date from which industrial property rights may have effect: **10 December 2010**
(54) Product in respect of which the design is registered: **Tesserae**
(51) International Design Classification: **25-01F**
(74) Name(s) of Attorney(s): **Allens Arthur Robinson**
(71) Name(s) and Address(s) of Applicant(s):
Everstone International Pty Ltd
20 Princes Road East Auburn New South Wales 2144 Australia
(72) Name(s) of Designer(s): **John Zeng**
(45) Registration Date: **24 February 2011**
(56) Related Art Documents: **Not Applicable**
(57) Statement of Newness and Distinctiveness: **Newness and distinctiveness is claimed in the shape and configuration of a tesserae as shown in the attached representations.**

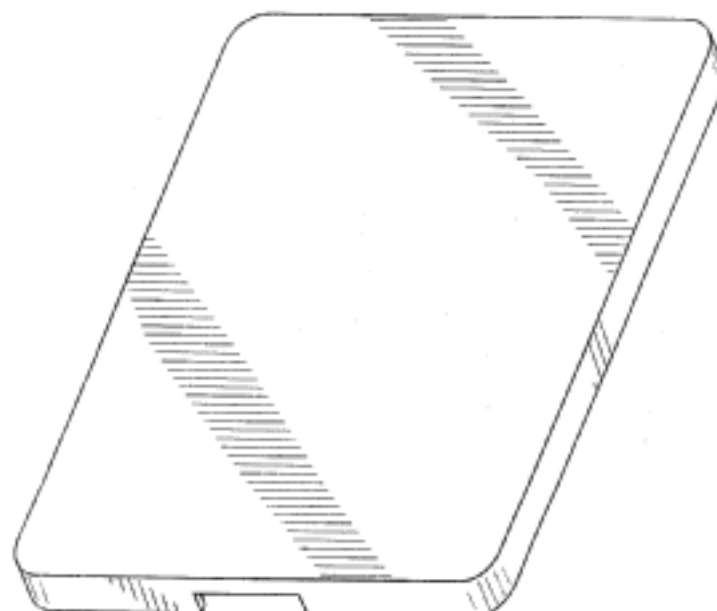


(21) Design Number: **10006/2011**
(22) Date of Filing Application: **04 January 2011**
(24) Date from which industrial property rights may have effect: **04 January 2011**
(54) Product in respect of which the design is registered: **Portable information terminal**
(51) International Design Classification: **14-02**
(74) Name(s) of Attorney(s): **Shelston IP**
(71) Name(s) and Address(s) of Applicant(s):
Sony Computer Entertainment Inc.
2-6-21 Minami-Aoyama Minato-ku Tokyo Japan
(72) Name(s) of Designer(s): **Shunsuke Kunieda and Yoshimitsu Funabashi**
(45) Registration Date: **24 February 2011**
(30) Convention priority data:
(31) Number (32) Date (33) Country
2010-016863 09 Jul 2010 JAPAN

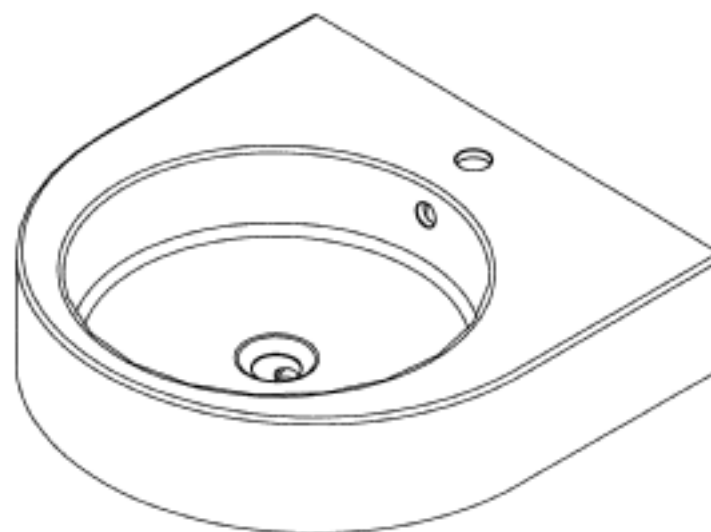


(56) Related Art Documents: **Not Applicable**
(57) Statement of Newness and Distinctiveness: **Newness and distinctiveness reside in the rectangular objects, relative sizing thereof and the elongated operational part arranged below them displayed on a screen of a portable information terminal as represented as solid lines in the accompanying representations such that the overall impression of the design is to be assessed without regard to those features of the product shown in broken lines.**

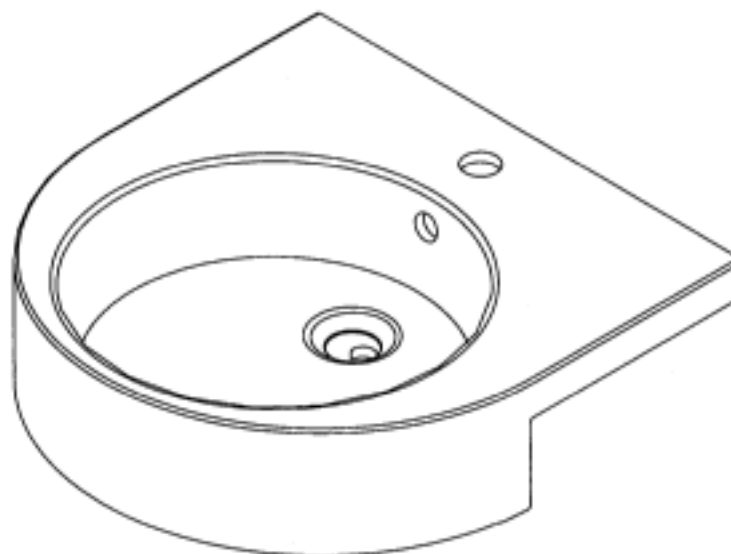
(21) Design Number: **10059/2011**
(22) Date of Filing Application: **10 January 2011**
(24) Date from which industrial property rights may have effect: **10 January 2011**
(54) Product in respect of which the design is registered: **Protective cover for a mobile computing device**
(51) International Design Classification: **14-02**
(74) Name(s) of Attorney(s): **PATENT ATTORNEY SERVICES**
(71) Name(s) and Address(s) of Applicant(s):
Zagg Incorporated
3855 South 500 West Suite J Salt Lake City Utah 84115 United States of America
(72) Name(s) of Designer(s): **David Gengler**
(45) Registration Date: **24 February 2011**
(30) Convention priority data:
(31) Number (32) Date (33) Country
12/832,845 08 Jul 2010 UNITED STATES OF AMERICA
(56) Related Art Documents: **Not Applicable**
(57) Statement of Newness and Distinctiveness: **Visual features of the design which are new and distinctive are the features of shape and configuration of PROTECTIVE COVER FOR A MOBILE COMPUTING DEVICE as illustrated in the representations.**



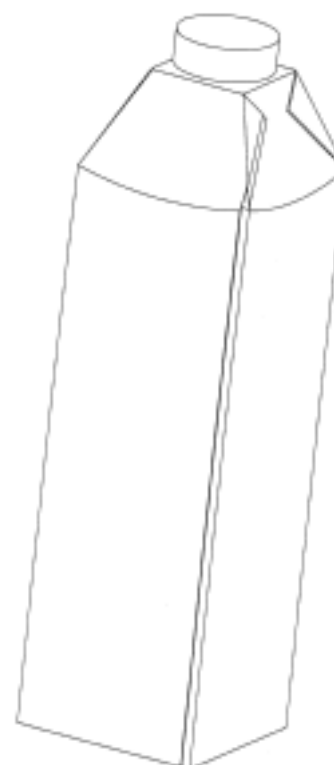
(21) Design Number: **10310/2011**
(22) Date of Filing Application: **02 February 2011**
(24) Date from which industrial property rights may have effect: **02 February 2011**
(54) Product in respect of which the design is registered: **Hand wash basin**
(51) International Design Classification: **23-02F**
(74) Name(s) of Attorney(s): **PETER MAXWELL & ASSOCIATES**
(71) Name(s) and Address(s) of Applicant(s):
Meco Australia Pty Limited
30 Stennett Road Ingleburn New South Wales 2565 Australia
(72) Name(s) of Designer(s): **Nicholas Kroopin**
(45) Registration Date: **24 February 2011**
(56) Related Art Documents: **Not Applicable**
(57) Statement of Newness and Distinctiveness: **Newness and distinctiveness is claimed in the shape and/or configuration of a HAND WASH BASIN as illustrated by the unbroken lines in the accompanying representation/s.**



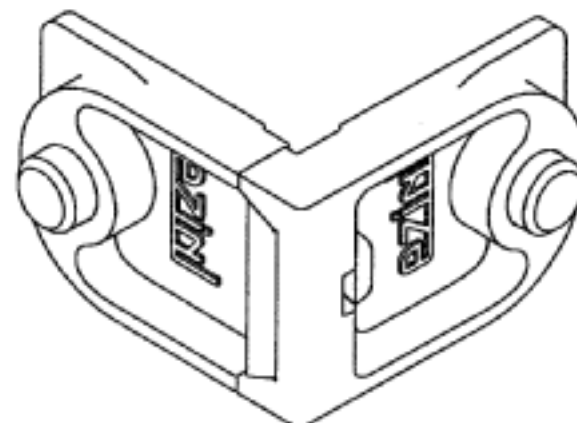
- (21) Design Number: **10311/2011**
(22) Date of Filing Application: **02 February 2011**
(24) Date from which industrial property rights may have effect: **02 February 2011**
(54) Product in respect of which the design is registered: **Hand wash basin**
(51) International Design Classification: **23-02F**
(74) Name(s) of Attorney(s): **PETER MAXWELL & ASSOCIATES**
(71) Name(s) and Address(s) of Applicant(s):
Meco Australia Pty Limited
30 Stennett Road Ingleburn New South Wales 2565 Australia
(72) Name(s) of Designer(s): **Nicholas Kroopin**
(45) Registration Date: **24 February 2011**
(56) Related Art Documents: **Not Applicable**
(57) Statement of Newness and Distinctiveness: **Newness and distinctiveness is claimed in the shape and/or configuration of a HAND WASH BASIN as illustrated by the unbroken lines in the accompanying representation/s.**



- (21) Design Number: **10341/2011**
(22) Date of Filing Application: **04 February 2011**
(24) Date from which industrial property rights may have effect: **04 February 2011**
(54) Product in respect of which the design is registered: **Beverage package**
(51) International Design Classification: **09-03E, 09-03M**
(74) Name(s) of Attorney(s): **Golja Haines & Friend**
(71) Name(s) and Address(s) of Applicant(s):
SIG Technology AG
Laufengasse 18 8212 Neuhausen am Rheinfall Switzerland
(72) Name(s) of Designer(s): **Ulrich Leenen**
(45) Registration Date: **24 February 2011**
(30) Convention priority data:
(31) Number (32) Date (33) Country
001740408-0001 05 Aug 2010 EUROPEAN COMMUNITY
(56) Related Art Documents: **Not Applicable**
(57) Statement of Newness and Distinctiveness: **Newness and distinctiveness resides in the visual features of shape and/or configuration of the truncated pyramid top of the beverage package with its folded flaps that extend from the sloped edges and that lie bent down in adjacent pairs onto opposed sloped surfaces of the truncated pyramid top of the beverage package illustrated in the representations.**



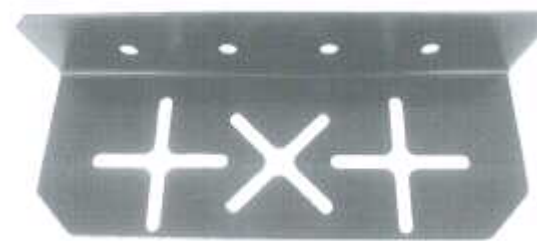
- (21) Design Number: **10344/2011**
(22) Date of Filing Application: **02 February 2011**
(24) Date from which industrial property rights may have effect: **02 February 2011**
(54) Product in respect of which the design is registered: **Awning window mechanical corner stake**
(51) International Design Classification: **25-02H**
(74) Name(s) of Attorney(s):
(71) Name(s) and Address(s) of Applicant(s):
Dezinal Pty Ltd
C/- GCY Accountants Suites 1 & 2 Level 1-67 Lytton Road East Brisbane
Queensland 4169 Australia
(72) Name(s) of Designer(s): **Ronald Maxwell**
(45) Registration Date: **24 February 2011**
(56) Related Art Documents: **Not Applicable**
(57) Statement of Newness and Distinctiveness: **Designed to guide the two parts of the mechanical corner vertically, horizontally and laterally into the fully closed position, locking two pieces of metal together at 90 degrees. The mechanical corner fits into hollow cavities forming a 90 degree corner, the nominal dimension of the cavities is 32mm x 10mm plus or minus 2mm.**



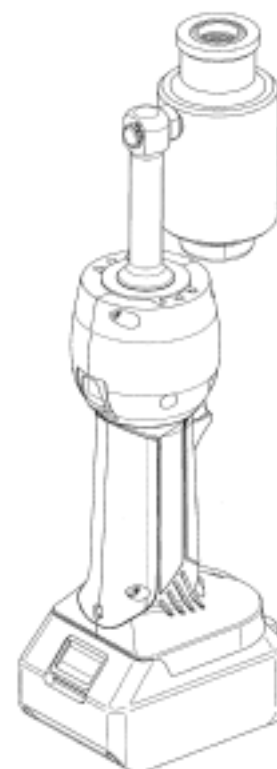
- (21) Design Number: **10366/2011**
(22) Date of Filing Application: **08 February 2011**
(24) Date from which industrial property rights may have effect: **08 February 2011**
(54) Product in respect of which the design is registered: **Beverage dispenser**
(51) International Design Classification: **31-00**
(74) Name(s) of Attorney(s): **Banki Haddock Fiora**
(71) Name(s) and Address(s) of Applicant(s):
Societe Des Produits Nestle S.A.
1800 Vevey Switzerland
(72) Name(s) of Designer(s): **Damien Regamey and Remy Jacquet and**
Sebastien Dassi and Yves Marmier
(45) Registration Date: **24 February 2011**
(30) Convention priority data:
(31) Number (32) Date (33) Country
137345 19 Oct 2010 SWITZERLAND
(56) Related Art Documents: **Not Applicable**
(57) Statement of Newness and Distinctiveness: **Nil**



- (21) Design Number: **10362/2011**
(22) Date of Filing Application: **08 February 2011**
(24) Date from which industrial property rights may have effect: **08 February 2011**
(54) Product in respect of which the design is registered: **Bracket**
(51) International Design Classification: **08-08L**
(74) Name(s) of Attorney(s):
(71) Name(s) and Address(s) of Applicant(s):
Dennis Ronald Gravalin
271 River Street Maclean New South Wales 2463 Australia
Sandra Lorraine Gravalin
271 River Street Maclean New South Wales 2463 Australia
(72) Name(s) of Designer(s): **Dennis Ronald Gravalin and Sandra Lorraine Gravalin**
(45) Registration Date: **24 February 2011**
(56) Related Art Documents: **Not Applicable**
(57) Statement of Newness and Distinctiveness: **Newness and distinctiveness is claimed in the visual features of the design in the shape and configuration of a Bracket as shown in the accompanied illustrations and representations in solid lines.**



- (21) Design Number: **10363/2011**
(22) Date of Filing Application: **08 February 2011**
(24) Date from which industrial property rights may have effect: **08 February 2011**
(54) Product in respect of which the design is registered: **Hand powered tool**
(51) International Design Classification: **08-01**
(74) Name(s) of Attorney(s): **PIZZEYS**
(71) Name(s) and Address(s) of Applicant(s):
Gustav Klauke GmbH
Auf dem Knapp 46 Remscheid 42855 Germany
(72) Name(s) of Designer(s): **Egbert Frenken**
(45) Registration Date: **24 February 2011**
(30) Convention priority data:
(31) Number (32) Date (33) Country
001229405 11 Aug 2010 EUROPEAN COMMUNITY
(56) Related Art Documents: **Not Applicable**
(57) Statement of Newness and Distinctiveness: **Nil**



(21) Design Number: **10365/2011**
(22) Date of Filing Application: **08 February 2011**
(24) Date from which industrial property rights may have effect: **08 February 2011**
(54) Product in respect of which the design is registered: **Beverage dispenser**
(51) International Design Classification: **31-00**
(74) Name(s) of Attorney(s): **Banki Haddock Fiora**
(71) Name(s) and Address(s) of Applicant(s):
Societe Des Produits Nestle S.A.
1800 Vevey Switzerland
(72) Name(s) of Designer(s): **Damien Regamey and Remy Jacquet and**
Sebastien Dassi and Yves Marmier
(45) Registration Date: **24 February 2011**
(30) Convention priority data:
(31) Number (32) Date (33) Country
137345 19 Oct 2010 SWITZERLAND
(56) Related Art Documents: **Not Applicable**
(57) Statement of Newness and Distinctiveness: **Nil**



(21) Design Number: **13542/2010**
(22) Date of Filing Application: **17 August 2010**
(24) Date from which industrial property rights may have effect: **17 August 2010**
(54) Product in respect of which the design is registered: **Dress**
(51) International Design Classification: **02-02C**
(74) Name(s) of Attorney(s): **MIDDLETONS**
(71) Name(s) and Address(s) of Applicant(s):
Beba Enterprises Pty Ltd
34 Garden Street South Yarra Victoria 3141 Australia
(72) Name(s) of Designer(s): **Arthur Soetedja**
(45) Registration Date: **25 February 2011**
(56) Related Art Documents: **Not Applicable**
(57) Statement of Newness and Distinctiveness: **Nil**



- (21) Design Number: **10449/2011**
(22) Date of Filing Application: **17 August 2010**
(24) Date from which industrial property rights may have effect: **17 August 2010**
(54) Product in respect of which the design is registered: **Dress**
(51) International Design Classification: **02-02C**
(74) Name(s) of Attorney(s): **MIDDLETONS**
(71) Name(s) and Address(s) of Applicant(s):
Beba Enterprises Pty Ltd
34 Garden Street South Yarra Victoria 3141 Australia
(72) Name(s) of Designer(s): **Arthur Soetedja**
(45) Registration Date: **25 February 2011**
(56) Related Art Documents: **Not Applicable**
(57) Statement of Newness and Distinctiveness: **Nil**



- (21) Design Number: **15781/2010**
(22) Date of Filing Application: **24 December 2010**
(24) Date from which industrial property rights may have effect: **24 December 2010**
(54) Product in respect of which the design is registered: **A one size fits 000 - 2 sleeping bag with enclosed sleeve for babies with eczema**
(51) International Design Classification: **06-13B**
(74) Name(s) of Attorney(s):
(71) Name(s) and Address(s) of Applicant(s):
Kelly Northey
356 Harrogate Road Nairne South Australia 5252 Australia
(72) Name(s) of Designer(s): **Kelly Northey**
(45) Registration Date: **25 February 2011**
(56) Related Art Documents: **Not Applicable**
(57) Statement of Newness and Distinctiveness: **The distinctive feature of this sleeping bag is the one size fits size 000 - 2 enclosed sleeve design. Sleeve has 4 strips which can be used to turn the sleeve in on itself changing the size of the garment.**



- (21) Design Number: **10196/2011**
(22) Date of Filing Application: **27 January 2011**
(24) Date from which industrial property rights may have effect: **27 January 2011**
(54) Product in respect of which the design is registered: **Door cap**
(51) International Design Classification: **08-09**
(74) Name(s) of Attorney(s): **James & Wells Intellectual Property**
(71) Name(s) and Address(s) of Applicant(s):

Glen Murray Donaldson
29 Te Ana Lane RD 2 Thames 3577 New Zealand

Leonie Rose Donaldson
29 Te Ana Lane RD 2 Thames 3577 New Zealand

Marion Rose Donaldson
29 Te Ana Lane RD 2 Thames 3577 New Zealand

(72) Name(s) of Designer(s): **Glen Murray Donaldson**

(45) Registration Date: **25 February 2011**

(30) Convention priority data:

(31) Number	(32) Date	(33) Country
413879	29 Jul 2010	NEW ZEALAND

(56) Related Art Documents: **Not Applicable**

(57) Statement of Newness and Distinctiveness: **The newness of the design resides in the features of shape and configuration all as shown in the accompanying representations.**

