



Australian Government

IP Australia

AUSTRALIAN OFFICIAL JOURNAL

OF

DESIGNS

Did you know a searchable version of this journal is now available online?

It's FREE and EASY to SEARCH.

Find it on our website (www.ipaustralia.gov.au)

by using the "Journals" link on the home page.

This Page Left Intentionally Blank

Contents

General Information & Notices

**Proceedings Under the Designs Act 1906 preserved as a result of the provisions of Chapter 12
Part 2 of the Designs Act 2003**

Extension of Period of Registration of Designs 830
Names Registered - Alterations and Amendments 830
Registrations Ceased 830
Subsequent Owners Registered 830

Proceedings Under the Designs Act 2003

Applications Lapsed 840
Applications Lodged 834
Applications Withdrawn 840
Certificate of Examination 844
Corrigenda 843
Extension of Period of Registration of Design 841
Extension of Time Granted Under Section 137 841
Names Registered - Alterations and Amendments 842
Publication and Registration Proceedings
Designs Registered 335458 to 335684..... 845
Registrations Ceased 841
Revocation of Design Registrations 841
Subsequent Owners Registered 842

This Page Left Intentionally Blank

For information on the following please see our website www.ipaustralia.gov.au or contact our Customer Service Network on 1300651010

[Editorial enquiries](#)

[Contact information](#)

[Freedom of Information ACT](#)

[Professional Standards Board](#)

[Sales](#)

[Requests for Information under Section 194 \(c\)](#)

[Country Codes](#)

[Trade Mark and Designs Hearing Sessions](#)

[INID \(Internationally agreed Numbers for the Identification of Data\)](#)

“INID” NUMBERS in use on Australian Design Documents

“INID” is an acronym for “Internationally agreed Numbers for the Identification of Data”.

(10) Data concerning the registration/renewal

- (11) Serial number of the registration and/or number of the design document
- (12) Plain language designation of the kind of published document
- (19) Identification, using the two-letter code according to WIPO Standard ST.3, of the authority publishing or registering the industrial design

(20) Data concerning the application

- (21) Serial number of the application
- (22) Date of filing of the application
- (24) Date from which the industrial design right has effect

(30) Data relating to priority under the Paris Convention

- (31) Serial number assigned to the priority application
- (32) Date of filing of the priority application
- (33) Two-letter code, according to WIPO Standard ST.3, identifying the authority with which the priority application was made

(40) Date(s) of making information available to the public

- (45) Date of publication of the registered industrial design by printing or similar process, or making it available to the public by any other means

(50) Miscellaneous Information

- (51) International Classification for Industrial Designs (class and subclass of the Locarno Classification)
- (54) Designation of article(s) or product(s) covered by the industrial design or title of the industrial design
- (55) Reproduction of the industrial design (e.g., drawing, photograph) and explanations relating to the reproduction
- (56) List of prior art documents, if separate from descriptive text
- (57) Description of characteristic features of the industrial design including indication of colours

(60) References to other legally related application(s) and registration(s)

- (62) Serial number(s) and, if available, filing date(s) of application(s), registration(s) or document(s) related by division
- (66) Serial number(s) of the application, or the registration, of the design(s) which is (are) a variant(s) of the present one

(70) Identification of parties concerned with the application or registration

- (71) Name(s) and address(es) of the applicant(s)
- (72) Name(s) of the creator(s) if known to be such
- (74) Name(s) and address(es) of the representative(s)

This Page Left Intentionally Blank

Nil notices for this journal issue.

Proceedings under the Designs Act 1906 preserved as a result of the provisions of Chapter 12 Part 2 of the Designs Act 2003.

This Page Left Intentionally Blank

Applications Lapsed

There were no Applications Lapsed under this section

Extension of Period of Registration of Designs

142556	142823	142824
142825	142826	143764
144022	144847	

1st Period (Section 27A(8))

2nd Period (Section 27A(12))

3rd Period (Section 27A(13))

141629	141741	141780
142045	142135	142136
142169	142187	142220
142238	142239	142287
142338	142354	142489
142571	142598	142792
142837	142849	142955
143310	143341	143850
143982	144003	144351
144378	144679	145236
145237	145238	145240
145241	145284	145546
145547	145972	145973
146433	146434	146435
146436	146437	146438
146439	146440	146441
146694	148147	148219
149144	149474	154643

Subsequent Owners Registered

(The name in parentheses is that of the subsequent owner)

155903	(Dold IP Trustee Limited) Dold Manufacturing Limited
155354	(Heltech Precast Pty Ltd) Heltech Industries Pty Ltd
155355	(Heltech Precast Pty Ltd) Heltech Industries Pty Ltd
158537	(Heltech Precast Pty Ltd) Heltech Industries Pty Ltd
158538	(Heltech Precast Pty Ltd) Heltech Industries Pty Ltd
130754	(Marbletrend Pty Ltd) R & R Industries (Australia) Pty Limited

Names Registered - Alterations and Amendments

(The name in parentheses is the new name of the proprietor)

127113	(Plaspak Management Pty Limited) G.V. Engineering Pty Ltd
--------	--

Registrations Ceased

Note: Some of the following Registrations may have been previously advertised as ceased. In this instance, the previous advertisement still prevails.

125026	125049	125050
125066	125073	125151
125152	125206	125269
125270	125271	125309
125310	125538	125621
125623	125624	125625
125626	125627	125628
125870	125871	125892
126048	126053	126163
126367	126471	127790
129139	129140	129485
132639	138930	139029
140073	140112	140116
140117	140120	140121
140137	140213	140229
140233	140234	140235
140236	140251	140320
140342	140344	140415
140498	140644	141169
141330	141568	142099

This Page Left Intentionally Blank

Proceedings under the Designs Act 2003.

This Page Left Intentionally Blank

Applications Lodged

Lodgement information is in the following order: **Applicant's Name**; International Classification, Name of Product, Lodgement Date and **Design Number**. If the applicant claims an earlier priority date under an International Convention, the Convention Country and the associated filing date are shown in parentheses before the Lodgement Date. Divisional information will also appear in parentheses before the Lodgement Date.

Aluminium Industries of Australia Pty Ltd; 25-01K, Wardrobe, 22 Mar 2011	11191/2011	Black & Decker Inc; 08-03, 15-03B, Hedge trimmer, (EM, 07 Oct 2010) 23 Mar 2011	11262/2011
Aluminium Industries of Australia Pty Ltd; 25-01K, Wardrobe, 22 Mar 2011	11192/2011	Blue Ass Fly Pty Ltd; 21-01L, Cricket board game, 17 Mar 2011	11134/2011
Aluminium Industries of Australia Pty Ltd; 25-01K, Wardrobe, 22 Mar 2011	11193/2011	Bose Corporation; 14-01, Loudspeaker, (US, 05 Oct 2010) 15 Mar 2011	11115/2011
Aluminium Industries of Australia Pty Ltd; 25-01K, Wardrobe, 22 Mar 2011	11194/2011	Breville Pty Limited; 07-02L, Espresso machine, 24 Mar 2011	11287/2011
Anheuser-Busch, Inc.; 09-02C, Personal draught appliance, (US, 21 Sep 2010) 21 Mar 2011	11203/2011	Brightcape Sales Pty Ltd; 25-02H, Exterior awning, 22 Mar 2011	11190/2011
Anheuser-Busch, Inc.; 09-02C, Personal draught appliance, (US, 21 Sep 2010) 21 Mar 2011	11201/2011	C Preme Limited LLC; 02-03, Shark helmet, (US, 26 Nov 2010) 15 Mar 2011	11123/2011
Anheuser-Busch, Inc.; 09-02C, Personal draught appliance, (US, 21 Sep 2010) 21 Mar 2011	11202/2011	Cequent Performance Products, Inc.; 12-16L, A skid plate of a fifth wheel hitch, (US, 26 Jul 2010) 27 Jan 2011	11290/2011
Apple Inc.; 14-02, Cover with portable display device, (US, 17 Sep 2010) 17 Mar 2011	11164/2011	Christie Engineering Pty Ltd; 08-05NES, Christie Engineering post driver, 22 Mar 2011	11227/2011
Apple Inc.; 14-02, Cover, (US, 17 Sep 2010) 17 Mar 2011	11140/2011	Colgate-Palmolive Company; 04-02, Oral care implement, (US, 10 Oct 2010) 21 Mar 2011	11204/2011
Apple Inc.; 14-02, Cover, (US, 17 Sep 2010) 17 Mar 2011	11141/2011	Colgate-Palmolive Company; 04-02, Oral care implement, (US, 01 Oct 2010) 21 Mar 2011	11205/2011
Apple Inc.; 14-02, Cover, (US, 17 Sep 2010) 17 Mar 2011	11142/2011	Continental Reifen Deutschland GmbH; 12-15B, Tyre, (EM, 03 Feb 2011) 22 Mar 2011	11242/2011
Area 55, Inc.; 09-03E, Wine aerator travel case, (US, 24 Sep 2010) 24 Mar 2011	11282/2011	Cooper Technologies Company; 14-02, Control interface, (US, 13 Sep 2010) 14 Mar 2011	11078/2011
Aussiroo KDK Homeware Pty Ltd; 23-02C, Toilet pan, 24 Mar 2011	11283/2011	Crompton, Diane Margaret; 19-06, 20-02NES, Interior design, advertising and media, textile and fashion design, fine arts and crafts, business and, home sector, (NZ, 17 Feb 2011) 25 Mar 2011	11286/2011
Aussiroo KDK Homeware Pty Ltd; 23-02C, Toilet pan, 24 Mar 2011	11284/2011	Cryovac Australia Pty Ltd; 09-03F, Tray, 23 Mar 2011	11260/2011
Australian Inhibitor Pty Ltd; 26-99, Glow dome, 25 Mar 2011	11307/2011	Cryovac Australia Pty Ltd; 09-03M, Tray, 23 Mar 2011	11261/2011
Belkin International, Inc.; 14-03NES, Receiver enclosure, (US, 24 Sep 2010) 24 Mar 2011	11294/2011	CONG TY CO PHAN KY NGHE THUC PHAM VIET NAM (VIFON); 09-05, Packaging for food, 16 Mar 2011	11107/2011
Belkin International, Inc.; 15-03NES, Router, (US, 24 Sep 2010) 24 Mar 2011	11295/2011	CONG TY CO PHAN KY NGHE THUC PHAM VIET NAM (VIFON); 09-05, Packaging for food, 16 Mar 2011	11108/2011
Beneli, Meir; 07-05D, Covered clothes line, 23 Mar 2011	11257/2011		
Bennetto, Peter Geoffrey; Van Heerden, Jack Denys; 12-10, Trailer for a road vehicle, 10 Mar 2011	11092/2011		

CONG TY CO PHAN KY NGHE THUC PHAM VIET NAM (VIFON); 09-05, Packaging for food, 16 Mar 2011	11109/2011	Enghard, Florian; 07-01C, Multi-chamber drinking vessel, (DE, 22 Sep 2010) 22 Mar 2011	11224/2011
CONG TY CO PHAN KY NGHE THUC PHAM VIET NAM (VIFON); 09-05, Packaging for food, 16 Mar 2011	11110/2011	Enghard, Florian; 07-07A, Insulating cover for beverage containers, (DE, 13 Sep 2010) 14 Mar 2011	11076/2011
Daimler AG; 12-16A, Wheel for vehicle, 21 Mar 2011	11182/2011	Enghard, Florian; 07-07A, Insulating cover for beverage containers, (DE, 13 Sep 2010) 14 Mar 2011	11077/2011
Daimler AG; 12-16A, Wheel for vehicle, 21 Mar 2011	11183/2011	Eveready Battery Company, Inc.; 13-02, Charger, (US, 04 Oct 2010) 15 Mar 2011	11098/2011
Daimler AG; 12-16A, Wheel for vehicle, 21 Mar 2011	11184/2011	Everstone International Pty Limited; 25-01F, Tesserae, 25 Mar 2011	11302/2011
Daimler AG; 12-16A, Wheel for vehicle, 21 Mar 2011	11185/2011	ED Oates Pty Ltd; 04-01, Toilet tidy, 18 Mar 2011	11163/2011
Daimler AG; 12-16A, Wheel for vehicle, 21 Mar 2011	11186/2011	EVRSafe Technologies Pty Ltd; 10-05, Atmospheric safety monitoring device, 15 Mar 2011	11111/2011
Daimler AG; 12-16A, Wheel for vehicle, (EM, 01 Oct 2010) 21 Mar 2011	11187/2011	Factor 3 Pty Ltd; 09-05, Plastic bottle with flip cap, 17 Mar 2011	11156/2011
Daimler AG; 12-16A, Wheel for vehicle, (EM, 01 Oct 2010) 21 Mar 2011	11188/2011	Factor 3 Pty Ltd; 09-01A, Plastic bottle with lotion pump, 17 Mar 2011	11157/2011
Daimler AG; 12-16A, Wheel for vehicle, (EM, 01 Oct 2010) 21 Mar 2011	11189/2011	Ferguson, Graeme John; 07-02E, Barbeque, 11 Mar 2011	11095/2011
Dart Industries Inc.; 07-02N, 07-02NES, Covered baking container, (US, 15 Oct 2010) 24 Mar 2011	11296/2011	Fielders Australia Pty Ltd; 23-01A, Blank for angled downpipes, 11 Mar 2011	11100/2011
Dart Industries Inc.; 07-02B, Sauce tray for a microwave steamer, (US, 06 Oct 2010) 16 Mar 2011	11137/2011	Fodder Solutions (QLD) Pty Ltd; 09-03F, Especially designed hydroponics tray, 18 Mar 2011	11149/2011
David (Aust) Pty Ltd; 08-01, Drill attachment, 23 Mar 2011	11279/2011	Forever New Clothing Pty Ltd; 02-02C, Women's fashion clothing, 24 Sep 2010	11297/2011
Deckers Outdoor Corporation; 02-04NES, Portion of a footwear upper, (US, 24 Jan 2011) 17 Mar 2011	11143/2011	Forever New Clothing Pty Ltd; 02-02C, Women's fashion clothing, 24 Sep 2010	11299/2011
Decor Corporation Pty. Ltd., The; 07-01D, Mug, 18 Mar 2011	11162/2011	Forever New Clothing Pty Ltd; 02-02C, Women's fashion clothing, 24 Sep 2010	11316/2011
Decor Corporation Pty. Ltd., The; 07-01B, Large bowl, 18 Mar 2011	11161/2011	Forever New Clothing Pty Ltd; 02-02C, Women's fashion clothing, 24 Sep 2010	11317/2011
Demag Cranes & Components GmbH; 12-05, Rail, (EM, 22 Sep 2010) 15 Mar 2011	11099/2011	Forever New Clothing Pty Ltd; 02-02C, Women's fashion clothing, 24 Sep 2010	11318/2011
Drilling Tools Australia Pty Ltd; 08-01, Drill Bit, 17 Mar 2011	11144/2011	Forever New Clothing Pty Ltd; 02-02NES, Women's fashion clothing, 24 Sep 2010	11298/2011
Drilling Tools Australia Pty Ltd; 08-01, A drill bit, 18 Mar 2011	11167/2011	Forever New Clothing Pty Ltd; 02-02C, Women's fashion clothing, 24 Sep 2010	11300/2011
Drilling Tools Australia Pty Ltd; 08-01, Crown block for a drill bit, 17 Mar 2011	11145/2011		
DIY Resolutions Pty Ltd; 06-03C, Desk, 17 Mar 2011	11148/2011		
Enghard, Florian; 07-01C, Drinking vessel, (DE, 22 Sep 2010) 22 Mar 2011	11225/2011		

Forever New Clothing Pty Ltd; 02-02C, Women's fashion clothing, 24 Sep 2010	11319/2011	Goodyear Tire & Rubber Company, The; 12-15B, Tyre, (US, 01 Oct 2010) 17 Mar 2011	11151/2011
Forever New Clothing Pty Ltd; 05-05A, Women's fashion clothing, 24 Sep 2010	11320/2011	Goodyear Tire & Rubber Company, The; 12-15B, Tyre, (US, 30 Sep 2010) 17 Mar 2011	11152/2011
Foster, Peter; 12-16F, Vehicle window attachment used to allow filtered air flow, 22 Mar 2011	11243/2011	Goodyear Tire & Rubber Company, The; 12-15B, Tyre, (US, 01 Oct 2010) 17 Mar 2011	11153/2011
Fragrance and Skincare S.L.; 09-01G, Perfume bottle, (EM, 15 Feb 2011) 17 Mar 2011	10595/2011	Hansa Metallwerke AG; 23-01H, 23-01K, Mixing tap, (EM, 05 Oct 2010) 21 Mar 2011	11180/2011
Fuji Xerox Co., Ltd.; 14-02, Toner cartridge, (JP, 15 Sep 2010) 15 Mar 2011	11122/2011	Harlequin International Group Pty Ltd; 03-01A, Bag, 16 Mar 2011	11133/2011
Fuji Xerox Co., Ltd.; 14-02, Toner cartridge, (JP, 15 Sep 2010) 15 Mar 2011	11120/2011	Honda Motor Co., Ltd.; 12-08, Automobile, (JP, 21 Oct 2010) 15 Mar 2011	11101/2011
Fuji Xerox Co., Ltd.; 14-02, Toner cartridge, (JP, 15 Sep 2010) 15 Mar 2011	11118/2011	Honda Motor Co., Ltd.; 26-06, Front combination lamp for automobiles, (JP, 04 Oct 2010) 25 Mar 2011	11306/2011
Fuji Xerox Co., Ltd.; 14-02, Toner cartridge, (JP, 15 Sep 2010) 15 Mar 2011	11121/2011	Honda Motor Co., Ltd.; 26-06, Front combination lamp for automobile, (JP, 21 Oct 2010) 15 Mar 2011	11102/2011
Fuji Xerox Co., Ltd.; 14-02, Toner cartridge, (JP, 15 Sep 2010) 14 Mar 2011	11079/2011	Honda Motor Co., Ltd.; 12-08, Automobile, (JP, 15 Oct 2010) 15 Mar 2011	11103/2011
Fuji Xerox Co., Ltd.; 14-02, Toner cartridge, (JP, 15 Sep 2010) 15 Mar 2011	11119/2011	Honda Motor Company, Ltd.; 12-11, Saddle type vehicle, (US, 01 Oct 2010) 22 Mar 2011	11226/2011
Fullview Plastics Pty Ltd; 09-01K, Bottle, 15 Mar 2011	11129/2011	Huang, Ming-Hsien; 08-08L, 20-02NES, Display wall mount, 25 Mar 2011	11285/2011
Gold, Howard Marc; 09-05, Food container, 23 Mar 2011	11253/2011	Huang, Ming-Hsien; 08-08D, Display wall mount, 25 Mar 2011	11289/2011
Gondwana Jewels; 03-01B, 03-01NES, Leather pouches for mobile phones, 21 Mar 2011	11170/2011	Hunter Pacific International Pty Ltd; 23-04, Ceiling fan hub, 22 Mar 2011	11240/2011
Gondwana Jewels; 03-01B, 03-01NES, Leather pouches for mobile phones, 21 Mar 2011	11172/2011	Hunter Pacific International Pty Ltd; 23-04, Ceiling fan blade, 22 Mar 2011	11241/2011
Gondwana Jewels; 03-01B, 03-01NES, Leather pouches for mobile phones, 21 Mar 2011	11173/2011	Iacuone, Michael; 11-05, Flags, bunting, tee shirts, caps, clothing, ornaments, crockery, advertising, promotions, 22 Mar 2011	11207/2011
Gondwana Jewels; 03-01NES, 03-01B, Leather pouches for mobile phones, 21 Mar 2011	11174/2011	Illinois Tool Works Inc.; 12-02, A wheelbarrow, 22 Mar 2011	11232/2011
Gondwana Jewels; 03-01B, 03-01NES, Leather pouches for mobile phones, 21 Mar 2011	11175/2011	Illinois Tool Works Inc.; 12-02, A wheelbarrow, 22 Mar 2011	11233/2011
Gondwana Jewels; 03-01B, 03-01NES, Leather pouches for mobile phones, 21 Mar 2011	11171/2011	Illinois Tool Works Inc.; 12-02, A kit for assembly to form a chassis frame for a wheelbarrow, 22 Mar 2011	11231/2011
Goodyear Tire & Rubber Company, The; 12-15B, A tyre, (US, 30 Sep 2010) 17 Mar 2011	11150/2011	Illinois Tool Works Inc.; 12-02, A kit for assembly to form a chassis frame for a wheelbarrow, 22 Mar 2011	11230/2011
		Johnson, Geoffrey;Johnson, Christine; 30-03, Animal feeder, 11 Mar 2011	11126/2011

Johnson, Christine;Johnson, Geoffrey; 30-03, Animal feeder, 11 Mar 2011	11126/2011	Mace Engineering Group Pty Ltd; 15-01, Design is applied to SIDI engine manifold, 15 Mar 2011	11097/2011
Kainotomies Verde-Kyvika Logika Paignidia A.E.B.E - Verdes Innovations SA; 21-01M, Logic toy, (EM, 01 Dec 2010) 17 Mar 2011	11138/2011	Macsim Fastenings Pty Limited; 09-07B, A flip top lid assembly, 22 Mar 2011	11106/2011
Karsten Manufacturing Corporation; 21-02C, Golf club head, (US, 07 Jan 2011) 24 Mar 2011	11280/2011	McBerns Pty Ltd; 25-02NES, 29-99, Access cover, 25 Mar 2011	11305/2011
Karsten Manufacturing Corporation; 21-02C, Golf club head, (US, 07 Jan 2011) 24 Mar 2011	11281/2011	McCann, Christine;McCann, John; 11-04, Bead flower having five large beads and five small beads, 18 Mar 2011	11197/2011
Kimberly-Clark Worldwide, Inc.; 15-09, Welding auto-darkening filter assembly, (US, 26 Oct 2010) 24 Mar 2011	11292/2011	McCann, John;McCann, Christine; 11-04, Bead flower having five large beads and five small beads, 18 Mar 2011	11197/2011
Kimberly-Clark Worldwide, Inc.; 15-09, Welding auto-darkening filter assembly, (US, 26 Oct 2010) 24 Mar 2011	11291/2011	McCann, Christine;McCann, John; 11-04, Bead flower having four large beads and four small beads, 18 Mar 2011	11198/2011
Kimberly-Clark Worldwide, Inc.; 15-09, Welding auto-darkening filter assembly, (US, 26 Oct 2010) 24 Mar 2011	11293/2011	McCann, John;McCann, Christine; 11-04, Bead flower having four large beads and four small beads, 18 Mar 2011	11198/2011
Kirin Beverage Kabushiki Kaisha, (also trading as Kirin Beverage Company;Limited); 09-01K, Plastic bottle, 15 Mar 2011	11127/2011	McCann, Christine;McCann, John; 11-04, Bead flower having three large beads and three small beads, 18 Mar 2011	11199/2011
Kirin Beverage Kabushiki Kaisha, (also trading as Kirin Beverage Company;Limited); 09-01K, Plastic bottle, 15 Mar 2011	11128/2011	McCann, John;McCann, Christine; 11-04, Bead flower having three large beads and three small beads, 18 Mar 2011	11199/2011
Kruger GmbH & Co. KG; 09-03NES, 09-01C, Pacakging for foodstuffs, (WO, 11 Jan 2011) 22 Mar 2011	11223/2011	McCann, Christine;McCann, John; 11-01NES, Beaded ribbon bow, 18 Mar 2011	11200/2011
Lee, Robert John; 12-06NES, Shock absorbing boat stand, 22 Mar 2011	11196/2011	McCann, John;McCann, Christine; 11-01NES, Beaded ribbon bow, 18 Mar 2011	11200/2011
Leung, Katy Sau May; 02-02NES, 03-01A, A multi pocket vest/ jacket which can be transformed into a shoulder bag, (ES, 13 Feb 2011) 15 Mar 2011	11093/2011	McCann, Christine;McCann, John; 11-04, Bead flower having six large beads and six small beads, 18 Mar 2011	11168/2011
Libman Company, The; 07-07B, Part for a mop, (US, 13 Jan 2011) 18 Mar 2011	11221/2011	McCann, John;McCann, Christine; 11-04, Bead flower having six large beads and six small beads, 18 Mar 2011	11168/2011
Libman Company, The; 04-01, Part for a mop, (US, 13 Jan 2011) 18 Mar 2011	11208/2011	McCue, Katrina A.; 07-06A, It's a bottle/cup holder for a cot rail, or bed head rail, 10 Mar 2011	11116/2011
Libman Company, The; 04-01, Part for a mop, (US, 13 Jan 2011) 18 Mar 2011	11209/2011	Melbourne, Keith; 06-03A, 06-06H, 06-01E, The cascade design will be applied to tables, benches and stools, 28 Mar 2011	11301/2011
LG Electronics Inc.; 14-03E, Mobile phone, (KR, 15 Oct 2010) 23 Mar 2011	11247/2011	Meys, Jean-Michel; 21-01L, Pieces for a game, (CH, 16 Sep 2010) 11 Mar 2011	11083/2011
LG Electronics Inc.; 15-05, Vacuum cleaner body, (KR, 15 Sep 2010) 15 Mar 2011	11105/2011	Meys, Jean-Michel; 21-01L, Piece for a game, (CH, 16 Sep 2010) 11 Mar 2011	11086/2011
		Meys, Jean-Michel; 21-01L, Piece for a game, (CH, 16 Sep 2010) 11 Mar 2011	11084/2011
		Meys, Jean-Michel; 21-01L, Piece for a game, (CH, 16 Sep 2010) 11 Mar 2011	11087/2011

Meys, Jean-Michel; 21-01L, Piece for a game, (CH, 16 Sep 2010) 11 Mar 2011	11088/2011	Okamura Corporation; 06-03C, Table, (JP, 13 Sep 2010) 11 Mar 2011	11090/2011
Meys, Jean-Michel; 21-01L, Piece for a game, (CH, 16 Sep 2010) 11 Mar 2011	11085/2011	Okamura Corporation; 06-03C, Table, (JP, 13 Sep 2010) 11 Mar 2011	11091/2011
Miller, William Howard; 25-02NES, Drain cleaning equipment - hoses - nozzles - high pressure water jetting equipment, 22 Mar 2011	11234/2011	Pacific Market International, LLC; 07-01NES, Food container, (US, 01 Oct 2010) 25 Mar 2011	11308/2011
Miller, William Howard; 23-01E, Sidecutter nozzle - high pressure water jetting nozzles for drain cleaning, 22 Mar 2011	11235/2011	Panasales Clearance Centre Pty Ltd; 14-03NES, A shield for radio waves, 21 Mar 2011	11169/2011
Milligan, Michael John; 08-05NES, A peg driver, (NZ, 21 Sep 2010) 22 Mar 2011	11238/2011	Petts, Daryl John; 08-08NES, Anchor for a chain, 23 Mar 2011	11254/2011
Milligan, Michael John; 08-05NES, An open side peg driver, (NZ, 21 Sep 2010) 22 Mar 2011	11239/2011	Pi-Design AG; 07-02H, Grill, (WO, 01 Oct 2010) 23 Mar 2011	11229/2011
MOHA Moderne Haushaltwaren AG; 07-06D, 07-99D, Multifunctional opener for bottles and cans, (WO, 09 Nov 2010) 21 Mar 2011	11195/2011	Procter & Gamble Company, The; 09-03M, Packaging container with surface ornamentation, (US, 23 Sep 2010) 23 Mar 2011	11273/2011
Nichiha Corporation; 25-01D, Building board, 23 Mar 2011	11263/2011	Procter & Gamble Company, The; 09-01NES, Packaging container with surface ornamentation, (US, 23 Sep 2010) 23 Mar 2011	11271/2011
Nichiha Corporation; 25-01D, Building board, 23 Mar 2011	11264/2011	Procter & Gamble Company, The; 09-03M, Packaging container with surface ornamentation, (US, 23 Sep 2010) 23 Mar 2011	11272/2011
Nichiha Corporation; 25-01D, Building board, 23 Mar 2011	11265/2011	Procter & Gamble Company, The; 09-03M, Packaging container with surface ornamentation, (US, 23 Sep 2010) 23 Mar 2011	11269/2011
Nichiha Corporation; 25-01D, Building board, 23 Mar 2011	11266/2011	Procter & Gamble Company, The; 09-03M, Packaging container with surface ornamentation, (US, 23 Sep 2010) 23 Mar 2011	11270/2011
Nintendo Co., Ltd.; 14-02, A keyboard, (JP, 24 Sep 2010) 23 Mar 2011	11258/2011	Procter & Gamble Company, The; 09-03F, 09-03NES, Packaging container with surface ornamentation, (US, 13 Sep 2010) 11 Mar 2011	11074/2011
Nintendo Co., Ltd.; 14-02, Stand for a portable electronic computer, (JP, 24 Sep 2010) 23 Mar 2011	11259/2011	Procter & Gamble Company, The; 09-03F, 09-03NES, Packaging container with surface ornamentation, (US, 13 Sep 2010) 11 Mar 2011	11075/2011
Okamura Corporation; 06-01F, Chair, (JP, 24 Sep 2010) 23 Mar 2011	11248/2011	Psaila, Anthony; 08-08A, Tile clamp, 23 Mar 2011	11267/2011
Okamura Corporation; 06-01F, Chair, (JP, 24 Sep 2010) 23 Mar 2011	11249/2011	Psaila, Anthony; 08-08B, Tile spacer, 23 Mar 2011	11268/2011
Okamura Corporation; 06-01F, Chair, (JP, 24 Sep 2010) 23 Mar 2011	11250/2011	PP & L Enterprises Pty Ltd; 12-10, Collapsible motorcycle trailer, 24 Mar 2011	11251/2011
Okamura Corporation; 06-03C, Table, (JP, 13 Sep 2010) 11 Mar 2011	11089/2011	PP & L Enterprises Pty Ltd; 12-01, Collapsible boat trailer, 23 Mar 2011	11228/2011
Okamura Corporation; 06-03C, Table, (JP, 30 Sep 2010) 25 Mar 2011	11303/2011	Q-Cells SE; 13-99, 13-03NES, Solar cell, 21 Mar 2011	11181/2011
Okamura Corporation; 06-03C, Table, (JP, 30 Sep 2010) 25 Mar 2011	11304/2011		

RapidVet Pty Ltd; 02-04A, Insole, 17 Mar 2011	11139/2011	Snapware Corporation; 07-01B, 07-01NES, A bowl and lid, (Divisional of 10097/2011) 13 Jan 2011	11219/2011
ResMed Ltd; 24-01, Frame for a respiratory mask, (US, 10 Sep 2010) 15 Nov 2010	11274/2011	Snapware Corporation; 07-01NES, Lid for a bowl, 13 Jan 2011	11217/2011
ResMed Ltd; 24-01, Cushion for a respiratory mask, (US, 10 Sep 2010) 15 Nov 2010	11275/2011	Snapware Corporation; 07-01NES, Lid for a bowl, (Divisional of 10097/2011) 13 Jan 2011	11220/2011
ResMed Ltd; 24-01, Elbow for a respiratory mask, (US, 10 Sep 2010) 15 Nov 2010	11276/2011	Societe des Produits Nestle S.A.; 23-01G, Water filter, (CH, 01 Nov 2010) 15 Mar 2011	11117/2011
ResMed Ltd; 24-01, Headgear for a respiratory mask, (US, 10 Sep 2010) 15 Nov 2010	11277/2011	Societe des Produits Nestle S.A.; 07-02L, A dispenser, (CH, 01 Nov 2010) 25 Mar 2011	11288/2011
Sabco Australia Pty Ltd; 04-01, Broom block, (Divisional of 10752/2011) 16 Mar 2011	11131/2011	St. Jude Medical, Inc.; 24-03, Surgical stent assembly, (US, 20 Sep 2010) 15 Mar 2011	11112/2011
Sabco Australia Pty Ltd; 04-01, Broom block, (Divisional of 10752/2011) 16 Mar 2011	11132/2011	St. Jude Medical, Inc.; 24-02, Surgical cuff, (US, 20 Sep 2010) 15 Mar 2011	11113/2011
Siemens Water Technologies Corp.; 23-01G, Moving bed biofilm reactor media, (US, 28 Sep 2010) 23 Mar 2011	11256/2011	St. Jude Medical, Inc.; 24-03, Surgical stent, (US, 20 Sep 2010) 15 Mar 2011	11114/2011
Siemens Water Technologies Corp.; 23-01G, Moving bed biofilm reactor media, (US, 28 Sep 2010) 23 Mar 2011	11255/2011	Starpartner Pty Ltd; 08-08NES, Support, 22 Mar 2011	11236/2011
Simmons, Stephen L.; 12-05, Retail unloader, 21 Mar 2011	11222/2011	Starpartner Pty Ltd; 25-01C, Support, 22 Mar 2011	11237/2011
Smith, Michael Gary; 30-02, Terrarium/animal enclosure, 15 Mar 2011	11125/2011	Tea-Cha Australia Pty.Ltd; 12-08, A mobile food cart/kitchen comprising a coloured capsule mounted on a truck, 18 Mar 2011	11147/2011
Snapware Corporation; 07-01B, 07-01NES, A bowl and lid, (Divisional of 10097/2011) 13 Jan 2011	11210/2011	Telwin Spa; 13-02, Battery charger B, 11 Mar 2011	11094/2011
Snapware Corporation; 07-01NES, Lid for a bowl, 13 Jan 2011	11211/2011	Telwin Spa; 13-03NES, Battery charger A, 11 Mar 2011	11124/2011
Snapware Corporation; 07-01B, A bowl, (Divisional of 10097/2011) 13 Jan 2011	11212/2011	Thane International, Inc.; 15-05, Floor cleaning device, (EM, 10 Dec 2010) 18 Mar 2011	11165/2011
Snapware Corporation; 07-01B, A bowl, (Divisional of 10097/2011) 13 Jan 2011	11213/2011	Thane International, Inc.; 15-05, Steam cleaning device, (EM, 10 Dec 2010) 18 Mar 2011	11166/2011
Snapware Corporation; 07-01NES, Lid for a bowl, (Divisional of 10097/2011) 13 Jan 2011	11214/2011	The Decor Corporation Pty. Ltd.; 07-01C, Tumbler, 18 Mar 2011	11158/2011
Snapware Corporation; 07-01B, 07-01NES, A bowl and lid, (Divisional of 10097/2011) 13 Jan 2011	11215/2011	The Decor Corporation Pty. Ltd.; 07-01A, Large plate, 18 Mar 2011	11159/2011
Snapware Corporation; 07-01B, 07-01NES, A bowl and lid, (Divisional of 10097/2011) 13 Jan 2011	11216/2011	The Decor Corporation Pty. Ltd.; 07-01A, Small plate, 18 Mar 2011	11160/2011
Snapware Corporation; 07-01B, A bowl, (Divisional of 10097/2011) 13 Jan 2011	11218/2011	The Procter & Gamble Company; 09-01K, Packaging container with surface ornamentation, (US, 23 Sep 2010) 21 Mar 2011	11176/2011
		The Procter & Gamble Company; 09-03M, Packaging container with surface ornamentation, (US, 23 Sep 2010) 21 Mar 2011	11177/2011

The Procter & Gamble Company; 09-03M, Packaging container with surface ornamentation, (US, 23 Sep 2010) 21 Mar 2011	11178/2011	Wilson, Carolyn; 01-01, Cafe lolli, 28 Mar 2011	11312/2011
The Procter & Gamble Company; 09-03L, 09-01NES, Packaging container with surface ornamentation, (US, 23 Sep 2010) 21 Mar 2011	11179/2011	Wilson, Carolyn; 01-01, Cafe lolli, 28 Mar 2011	11313/2011
Toyota Jidosha Kabushiki Kaisha; 12-08, Automobile, 11 Mar 2011	11080/2011	Wilson, Carolyn; 01-01, Cafe lolli, 28 Mar 2011	11314/2011
Toyota Jidosha Kabushiki Kaisha; 12-08, Automobile, 11 Mar 2011	11081/2011	Wilson, Carolyn; 01-01, Cafe lolli, 28 Mar 2011	11315/2011
Toyota Jidosha Kabushiki Kaisha; 12-08, Automobile, 11 Mar 2011	11082/2011	Wm. Wrigley Jr. Company; 09-03M, Consumable product package, (US, 17 Sep 2010) 17 Mar 2011	11154/2011
Van Heerden, Jack Denys;Bennetto, Peter Geoffrey; 12-10, Trailer for a road vehicle, 10 Mar 2011	11092/2011	Woodpend Pty Ltd; 08-07, Stand - alone wireless swipe lock with anti-ligature furniture, 22 Mar 2011	11278/2011
Virdi, Paramraj Singh; 12-16L, Jockey wheel swivel bracket heavy duty, 18 Mar 2011	11146/2011	World Products, LLC; 14-03NES, Antenna, (US, 14 Sep 2010) 11 Mar 2011	11096/2011
Virdi, Paramraj Singh; 12-16L, Jockey wheel swing up heavy duty, 22 Mar 2011	11206/2011	Xydias, Harry; 12-05, Anchor roller, 16 Mar 2011	11130/2011
Vita-Mix Corporation; 07-03, 31-00, Spoon, (US, 24 Sep 2010) 18 Mar 2011	11155/2011	Zemanek, Paul; 08-08NES, Elongated-objects holder, 09 Mar 2011	11104/2011
Wilson, Carolyn; 01-01, Cafe lolli, 28 Mar 2011	11309/2011	Zhejiang Rainbow Fish Communications Technology Co., Ltd; 14-02, Connector for data transmission optic fiber, (CN, 31 Dec 2010) 16 Mar 2011	11135/2011
Wilson, Carolyn; 01-01, Cafe lolli, 28 Mar 2011	11310/2011	Zhejiang Rainbow Fish Communications Technology Co., Ltd.; 14-02, Connector for data transmission optic fiber, (CN, 31 Dec 2010) 16 Mar 2011	11136/2011
Wilson, Carolyn; 01-01, Cafe lolli, 28 Mar 2011	11311/2011	3M Innovative Properties Company; 02-03, Face shield holder with face shield, (EM, 29 Sep 2010) 23 Mar 2011	11252/2011

Applications Withdrawn

10652 / 2011 (14-02)

Applications Lapsed

15744 / 2010 (08-99)	15745 / 2010 (25-01E)
15746 / 2010 (25-02NES)	15747 / 2010 (25-02NES)
15799 / 2010 (14-99)	10085 / 2011 (09-03M)
10114 / 2011 (16-06)	10117 / 2011 (02-02A)

Extension of Period of Registration of Designs

312896

313175

313486

302586	302587	302589
302590	302592	302593
302594	302595	305801
305826	306487	306524
306671	306819	307000
307001	307761	307762
307763	307764	308086
308116	308119	308124
308257	308352	308353
308455	308456	308457
308458	308459	308460
308503	308569	308601
308643	308647	308742
308834	308936	309025
309052	309073	309074
309095	309140	309141
309330	309349	309390
309420	309469	309479
309480	309481	309542
309543	309590	309591
309594	309601	309602
309603	309604	309605
309606	309607	309674
309678	309712	309780
309790	309856	309942
309943	309944	309951
309968	309973	309974
309975	309976	309977
309978	309979	309980
309981	309982	310015
310083	310084	310088
310145	310172	310318
310319	310592	310594
310596	310679	310697
310698	310699	310700
310701	310702	310713
310716	310717	310720
310721	310722	310758
310762	310763	310764
310765	310838	310854
310856	310881	310988
311257	311300	311303
311304	311309	311310
311321	311323	311324
311405	311406	311407
311411	311413	311512
311601	311674	311675
311776	311942	312186
312432	312433	312434
312435	312436	312499
312500	312501	312502

Revocation of Design Registrations

The following Design Registration(s) have been revoked and are taken never to have been registered:

310423 22-05

Registrations Ceased

305094	305584	305585
305621	305622	305623
305624	305627	305628
305629	305630	305631
305634	305635	305636
305637	305638	305672
305708	305709	305710
305726	305727	305728
305730	305731	305735
305736	305737	305739
305764	305765	305769
305770	305777	305778
305799	305802	305803
305804	305805	305806
305807	305808	305824
305825	305829	305985
305990	305991	305993
305994	305996	306151
306152	306165	306166
306237	306238	306266
306429	306565	306566
306567	306568	306569
306570	306571	306572
306582	306603	306635
306659	306738	306776
306824	306863	306864
306865	306866	306867
306868	306869	306870
306871	306872	307043
308062	311457	311458
312521	312522	312523
312524	312525	312526
312527	312528	

Extensions of time granted under Section 137

Applications lodged under section 137 for extension of time have been granted.

302586 **Visy R & D Pty Ltd**

302587 **Visy R & D Pty Ltd**

302589 **Visy R & D Pty Ltd**
 302590 **Visy R & D Pty Ltd**
 302592 **Visy R & D Pty Ltd**
 302593 **Visy R & D Pty Ltd**
 302594 **Visy R & D Pty Ltd**
 302595 **Visy R & D Pty Ltd**
 308116 **Amicus Trade AB**
 15777/2010 **Jemella Group Limited**
 15778/2010 **Jemella Group Limited**
 15779/2010 **Jemella Group Limited**
 11238/2011 **Michael John Milligan**
 11239/2011 **Michael John Milligan**

Subsequent Owners Registered

(The name in parentheses is that of the subsequent owner)

333213 (**Jamie Mollo**) TWM Group Pty Ltd
 333214 (**Jamie Mollo**) TWM Group Pty Ltd
 333008 (**CIE Limited**) Paul White;Isabel White
 326006 (**CIE Limited**) Paul White;Isabel White
 326007 (**CIE Limited**) Paul White;Isabel White
 326008 (**CIE Limited**) Paul White;Isabel White
 326009 (**CIE Limited**) Paul White;Isabel White
 328055 (**CIE Limited**) Paul White;Isabel White
 328056 (**CIE Limited**) Paul White;Isabel White
 328057 (**CIE Limited**) Paul White;Isabel White
 329428 (**CIE Limited**) Paul White;Isabel White
 333007 (**CIE Limited**) Paul White;Isabel White
 320704 (**Dold IP Trustee Limited**) Dold Manufacturing Limited
 320705 (**Dold IP Trustee Limited**) Dold Manufacturing Limited
 318064 (**CIE Limited**) Paul White;Isabel White
 318065 (**CIE Limited**) Paul White;Isabel White
 318066 (**CIE Limited**) Paul White;Isabel White
 318067 (**CIE Limited**) Paul White;Isabel White
 318068 (**CIE Limited**) Paul White;Isabel White
 326005 (**CIE Limited**) Paul White;Isabel White
 312926 (**Heltech Precast Pty Ltd**) Heltech Industries Pty Ltd
 318530 (**Heltech Precast Pty Ltd**) Heltech Industries Pty Ltd
 321907 (**Heltech Precast Pty Ltd**) Heltech Industries Pty Ltd
 321564 (**Heltech Precast Pty Ltd**) Heltech Industries Pty Ltd
 322769 (**Amtor Packaging (Australia) Pty Ltd**) Carter Holt Harvey Packaging Pty Limited
 322770 (**Amtor Packaging (Australia) Pty Ltd**) Carter Holt Harvey Packaging Pty Limited
 322771 (**Amtor Packaging (Australia) Pty Ltd**) Carter Holt Harvey Packaging Pty Limited
 322772 (**Amtor Packaging (Australia) Pty Ltd**) Carter Holt Harvey Packaging Pty Limited
 322773 (**Amtor Packaging (Australia) Pty Ltd**) Carter Holt Harvey Packaging Pty Limited
 322774 (**Amtor Packaging (Australia) Pty Ltd**) Carter Holt Harvey Packaging Pty Limited
 322775 (**Amtor Packaging (Australia) Pty Ltd**) Carter Holt Harvey Packaging Pty Limited
 324299 (**Amtor Packaging (Australia) Pty Ltd**) Carter Holt Harvey Packaging Pty Limited

324300 (**Amtor Packaging (Australia) Pty Ltd**) Carter Holt Harvey Packaging Pty Limited
 324301 (**Amtor Packaging (Australia) Pty Ltd**) Carter Holt Harvey Packaging Pty Limited
 324302 (**Amtor Packaging (Australia) Pty Ltd**) Carter Holt Harvey Packaging Pty Limited
 324836 (**Amtor Packaging (Australia) Pty Ltd**) Carter Holt Harvey Packaging Pty Limited
 324837 (**Amtor Packaging (Australia) Pty Ltd**) Carter Holt Harvey Packaging Pty Limited
 324838 (**Amtor Packaging (Australia) Pty Ltd**) Carter Holt Harvey Packaging Pty Limited
 324839 (**Amtor Packaging (Australia) Pty Ltd**) Carter Holt Harvey Packaging Pty Limited
 310941 (**IGT**) Cyberview Technology, Inc.
 325605 (**Kim Lorraine Gibbon**) Graham John Gibbon
 334598 (**ADC GmbH**) ADC Communications (Australia) Pty Limited
 328800 (**Factor 3 Holdings Pty Ltd**) Container Pty Ltd
 332723 (**Rubie's Masquerade Co (Australia) Pty Ltd**) Deerfield Pty Ltd
 334573 (**ADC GmbH**) ADC Communications (Australia) Pty Limited
 308172 (**Colopak Limited**) Carter Holt Harvey Packaging Pty Limited
 320900 (**Colopak Limited**) Carter Holt Harvey Packaging Pty Limited
 320897 (**Colopak Limited**) Carter Holt Harvey Packaging Pty Limited
 320902 (**Colopak Limited**) Carter Holt Harvey Packaging Pty Limited
 320901 (**Colopak Limited**) Carter Holt Harvey Packaging Pty Limited
 320899 (**Colopak Limited**) Carter Holt Harvey Packaging Pty Limited
 320898 (**Colopak Limited**) Carter Holt Harvey Packaging Pty Limited
 332641 (**Colopak Limited**) Carter Holt Harvey Packaging Pty Limited
 332640 (**Colopak Limited**) Carter Holt Harvey Packaging Pty Limited
 316104 (**American Medical Innovations L.L.C.**) Juvent, Inc
 313609 (**Allen-Vanguard Corporation**) Allen-Vanguard Technologies Inc.
 313610 (**Allen-Vanguard Corporation**) Allen-Vanguard Technologies Inc.
 313611 (**Allen-Vanguard Corporation**) Allen-Vanguard Technologies Inc.
 313612 (**Allen-Vanguard Corporation**) Allen-Vanguard Technologies Inc.

Names Registered - Alterations and Amendments

(The name in parentheses is that of the subsequent applicant)

325515 (**Energy Matters Pty Ltd**) Apollo Energy Pty Ltd
 325516 (**Energy Matters Pty Ltd**) Apollo Energy Pty Ltd
 328538 (**Energy Matters Pty Ltd**) Apollo Energy Pty Ltd
 308043 (**Panasonic Corporation**) Matsushita Electric Industrial Co. Ltd

Certificate(s) of Examination

Examination of the following Design Registration(s) has been completed. Infringement proceedings may now be commenced.

301792	13-02	24/03/2011
303025	09-03F	25/03/2011
307124	19-01	21/03/2011
315070	10-06	20/03/2011
321804	07-05E	24/03/2011
330611	23-01A	25/03/2011
330612	23-01A	25/03/2011
330613	23-01A	25/03/2011
330614	23-01A	25/03/2011
330615	23-01A	25/03/2011
331708	26-03	21/03/2011
332486	25-01K	18/03/2011
332597	08-05NES	17/03/2011
332873	08-05NES	17/03/2011
333460	09-01B	20/03/2011
333499	21-02A	20/03/2011
333604	14-03NES	18/03/2011
333605	14-03NES	18/03/2011
333606	14-03NES	18/03/2011
333713	20-02C	21/03/2011
333721	23-01G	27/03/2011
333742	23-01G	27/03/2011
333806	22-99	28/03/2011
333812	23-04	21/03/2011
333821	22-99	27/03/2011
333822	22-99	27/03/2011
333827	07-01D	21/03/2011
333901	09-01NES	21/03/2011
334028	28-03A	25/03/2011
334165	06-01E	11/03/2011
334168	08-03	17/03/2011
334235	24-04	24/03/2011
334285	23-01F	20/03/2011
334295	23-01F	20/03/2011
334296	24-04	22/03/2011
334297	24-04	22/03/2011
334298	24-04	22/03/2011
334299	24-04	22/03/2011
334300	24-04	22/03/2011
334301	24-04	22/03/2011
334307	06-06NES	17/03/2011
334345	08-09	28/03/2011
334467	23-01A	22/03/2011
334468	23-01A	22/03/2011
334504	07-01B	27/03/2011
334505	07-01B	27/03/2011
334627	28-03D	21/03/2011
334687	12-07	17/03/2011
334711	18-04	20/03/2011
334712	18-04	20/03/2011
334746	06-01G	28/03/2011
334747	06-01G	28/03/2011
334893	28-03D	27/03/2011
334894	28-03D	27/03/2011
334920	23-01A	22/03/2011
334928	28-03D	28/03/2011
334930	12-16NES	25/03/2011
334931	12-16NES	29/03/2011

Publication and Registration Proceedings

Designs Registered

This section provides a concordance between design number and registration number of Designs covered in this journal. It also shows the main class and registration date.

This section covers Registration numbers 335458 to 335684 .

The registration number shown below should be used in all future correspondence.

Design Number	Registration Number	International Classification Code (IDC)	Registration Date	Design Number	Registration Number	International Classification Code (IDC)	Registration Date
12675/2008	335651	14-04	25/03/2011	10054/2011	335475	15-05	17/03/2011
12730/2010	335595	10-05	24/03/2011	10071/2011	335565	23-01B	23/03/2011
13023/2010	335587	02-02NES	24/03/2011	10088/2011	335566	21-01C	23/03/2011
13024/2010	335588	02-02NES	24/03/2011	10097/2011	335663	07-01B	28/03/2011
13036/2010	335612	12-16L	25/03/2011	10106/2011	335596	14-02	24/03/2011
13037/2010	335613	12-16L	25/03/2011	10126/2011	335630	09-01A	25/03/2011
13038/2010	335614	12-16L	25/03/2011	10163/2011	335554	14-03B	22/03/2011
13039/2010	335615	12-16L	25/03/2011	10223/2011	335476	25-02NES	17/03/2011
13040/2010	335616	12-16L	25/03/2011	10265/2011	335649	04-01	25/03/2011
13041/2010	335617	12-16L	25/03/2011	10282/2011	335477	09-01G	17/03/2011
13042/2010	335618	12-16L	25/03/2011	10321/2011	335478	12-16NES	17/03/2011
13043/2010	335619	12-16L	25/03/2011	10397/2011	335512	02-04NES	18/03/2011
13044/2010	335620	12-16L	25/03/2011	10412/2011	335514	07-02L	18/03/2011
13045/2010	335621	13-03E	25/03/2011	10413/2011	335515	07-02L	18/03/2011
13046/2010	335622	13-03E	25/03/2011	10470/2011	335458	24-99	17/03/2011
13047/2010	335623	13-03E	25/03/2011	10472/2011	335459	07-01NES	17/03/2011
13048/2010	335624	12-16A	25/03/2011	10473/2011	335460	07-01NES	17/03/2011
13049/2010	335625	12-16A	25/03/2011	10474/2011	335461	07-01NES	17/03/2011
13050/2010	335626	12-16L	25/03/2011	10475/2011	335462	07-01NES	17/03/2011
13051/2010	335627	12-16L	25/03/2011	10476/2011	335463	07-01NES	17/03/2011
13052/2010	335628	13-03B	25/03/2011	10477/2011	335464	07-01NES	17/03/2011
13053/2010	335629	13-03E	25/03/2011	10478/2011	335465	07-01NES	17/03/2011
13322/2010	335679	23-04	29/03/2011	10483/2011	335466	12-05	17/03/2011
13484/2010	335470	02-02NES	17/03/2011	10484/2011	335479	23-01G	17/03/2011
13681/2010	335524	02-01B	22/03/2011	10488/2011	335525	12-15B	22/03/2011
13975/2010	335573	25-01C	24/03/2011	10489/2011	335526	12-15B	22/03/2011
13976/2010	335574	25-01C	24/03/2011	10490/2011	335467	09-01A	17/03/2011
14080/2010	335582	13-03D	28/03/2011	10491/2011	335468	09-01A	17/03/2011
14081/2010	335583	13-03D	28/03/2011	10492/2011	335469	09-01A	17/03/2011
14120/2010	335560	13-03D	23/03/2011	10502/2011	335480	08-08N	17/03/2011
14121/2010	335561	13-03D	23/03/2011	10575/2011	335490	24-99	17/03/2011
14283/2010	335552	27-03	22/03/2011	10576/2011	335491	12-16A	17/03/2011
14284/2010	335562	27-03	23/03/2011	10591/2011	335481	03-01A	17/03/2011
14285/2010	335563	27-03	23/03/2011	10592/2011	335516	28-03A	18/03/2011
14286/2010	335564	27-99	23/03/2011	10593/2011	335517	15-05	18/03/2011
14592/2010	335473	02-04C	17/03/2011	10594/2011	335518	07-02E	18/03/2011
14905/2010	335671	19-06	29/03/2011	10596/2011	335541	12-11	22/03/2011
15161/2010	335589	12-16B	24/03/2011	10597/2011	335542	12-11	22/03/2011
15598/2010	335482	09-05	17/03/2011	10598/2011	335543	12-11	22/03/2011
15599/2010	335483	28-03NES	17/03/2011	10600/2011	335544	13-03B	22/03/2011
15600/2010	335484	09-05	17/03/2011	10602/2011	335650	30-03	25/03/2011
15601/2010	335485	28-03NES	17/03/2011	10631/2011	335519	23-01F	18/03/2011
15602/2010	335678	09-05	29/03/2011	10632/2011	335553	11-01D	22/03/2011
15603/2010	335486	09-05	17/03/2011	10634/2011	335520	25-01D	18/03/2011
15604/2010	335487	09-05	17/03/2011	10635/2011	335521	25-01D	18/03/2011
15607/2010	335631	02-07D	25/03/2011	10636/2011	335527	25-01D	22/03/2011
15644/2010	335648	13-03D	25/03/2011	10637/2011	335528	25-01D	22/03/2011
15814/2010	335575	23-01E	24/03/2011	10638/2011	335529	25-01D	22/03/2011
10021/2011	335474	12-16NES	17/03/2011	10639/2011	335530	25-01D	22/03/2011
10053/2011	335513	15-05	18/03/2011	10640/2011	335531	25-01D	22/03/2011

Publication and Registration Proceedings - Designs Registered cont'd

Design Number	Registration Number	International Classification Code (IDC)	Registration Date	Design Number	Registration Number	International Classification Code (IDC)	Registration Date
10641/2011	335532	25-01D	22/03/2011	10750/2011	335593	21-01N	24/03/2011
10642/2011	335533	25-01D	22/03/2011	10751/2011	335594	21-01N	24/03/2011
10643/2011	335534	25-01D	22/03/2011	10752/2011	335576	04-01	24/03/2011
10644/2011	335535	25-01D	22/03/2011	10753/2011	335641	20-02NES	28/03/2011
10645/2011	335536	25-01D	22/03/2011	10754/2011	335642	20-02NES	28/03/2011
10646/2011	335537	25-01D	22/03/2011	10755/2011	335643	20-02NES	28/03/2011
10647/2011	335538	25-01D	22/03/2011	10756/2011	335644	20-02NES	28/03/2011
10648/2011	335539	25-01D	22/03/2011	10757/2011	335645	20-02NES	28/03/2011
10649/2011	335540	25-01D	22/03/2011	10758/2011	335646	20-02NES	28/03/2011
10658/2011	335522	21-02NES	18/03/2011	10759/2011	335647	12-11	28/03/2011
10667/2011	335523	21-01NES	18/03/2011	10760/2011	335664	21-02F	28/03/2011
10669/2011	335555	08-09	22/03/2011	10761/2011	335665	24-02	28/03/2011
10670/2011	335556	23-01G	22/03/2011	10762/2011	335666	24-02	28/03/2011
10671/2011	335557	25-02A	22/03/2011	10763/2011	335667	25-01K	28/03/2011
10672/2011	335545	25-01C	22/03/2011	10764/2011	335579	09-07C	24/03/2011
10673/2011	335546	08-08B	22/03/2011	10774/2011	335634	25-01D	25/03/2011
10676/2011	335672	28-03NES	29/03/2011	10775/2011	335635	08-06	25/03/2011
10679/2011	335632	21-01D	25/03/2011	10776/2011	335636	07-02L	25/03/2011
10680/2011	335633	21-01D	25/03/2011	10777/2011	335637	07-02L	25/03/2011
10681/2011	335547	08-06	22/03/2011	10778/2011	335638	07-02L	25/03/2011
10682/2011	335548	14-03E	22/03/2011	10779/2011	335639	25-01K	25/03/2011
10683/2011	335549	14-03E	22/03/2011	10780/2011	335640	07-01NES	25/03/2011
10685/2011	335550	09-01G	22/03/2011	10785/2011	335674	21-02D	29/03/2011
10686/2011	335551	25-01K	22/03/2011	10786/2011	335675	11-01NES	29/03/2011
10698/2011	335567	24-99	23/03/2011	10787/2011	335676	28-99	29/03/2011
10699/2011	335568	21-02F	23/03/2011	10804/2011	335670	13-03D	28/03/2011
10700/2011	335569	21-02F	23/03/2011	10881/2011	335580	08-07	24/03/2011
10705/2011	335488	25-02H	17/03/2011	10882/2011	335581	08-08B	24/03/2011
10706/2011	335489	25-02H	17/03/2011	10917/2011	335558	07-02NES	22/03/2011
10714/2011	335584	23-01F	28/03/2011	10918/2011	335559	07-02NES	22/03/2011
10715/2011	335585	09-03M	28/03/2011	10927/2011	335684	07-06A	29/03/2011
10716/2011	335586	09-03M	28/03/2011	10930/2011	335570	23-01E	23/03/2011
10720/2011	335597	17-99	24/03/2011	10932/2011	335571	08-07	23/03/2011
10722/2011	335598	06-01NES	24/03/2011	11001/2011	335471	02-02NES	17/03/2011
10723/2011	335599	10-07	24/03/2011	11002/2011	335472	02-02C	17/03/2011
10724/2011	335673	12-05	29/03/2011	11094/2011	335572	13-02	23/03/2011
10725/2011	335600	12-05	24/03/2011	11096/2011	335677	14-03NES	29/03/2011
10726/2011	335607	26-04	25/03/2011	11131/2011	335577	04-01	24/03/2011
10727/2011	335608	26-04	25/03/2011	11132/2011	335578	04-01	24/03/2011
10728/2011	335609	26-04	25/03/2011	11210/2011	335652	07-01B	28/03/2011
10730/2011	335610	10-04	25/03/2011	11211/2011	335653	07-01NES	28/03/2011
10734/2011	335611	09-07A	25/03/2011	11212/2011	335654	07-01B	28/03/2011
10735/2011	335601	09-07A	24/03/2011	11213/2011	335655	07-01B	28/03/2011
10739/2011	335602	21-02C	24/03/2011	11214/2011	335656	07-01NES	28/03/2011
10740/2011	335603	12-11	24/03/2011	11215/2011	335657	07-01B	28/03/2011
10741/2011	335604	09-01K	24/03/2011	11216/2011	335658	07-01B	28/03/2011
10742/2011	335605	02-06	24/03/2011	11217/2011	335659	07-01NES	28/03/2011
10743/2011	335606	14-03B	24/03/2011	11218/2011	335660	07-01B	28/03/2011
10744/2011	335668	08-08NES	28/03/2011	11219/2011	335661	07-01B	28/03/2011
10746/2011	335669	08-08NES	28/03/2011	11220/2011	335662	07-01NES	28/03/2011
10747/2011	335590	21-01N	24/03/2011				
10748/2011	335591	21-01N	24/03/2011				
10749/2011	335592	21-01N	24/03/2011				

Publication and Registration Proceedings

Class Listing of Designs Published or Registered

The following section shows an International Classification Code listing of the Registered or Published Designs covered in this supplement.

Classification	Registration Number	Design Number	Classification	Registration Number	Design Number
02-01B	335524	13681/2010	08-07	335571	10932/2011
02-02C	335472	11002/2011	08-07	335580	10881/2011
02-02NES	335470	13484/2010	08-08B	335546	10673/2011
02-02NES	335471	11001/2011	08-08B	335581	10882/2011
02-02NES	335587	13023/2010	08-08N	335480	10502/2011
02-02NES	335588	13024/2010	08-08NES	335573	13975/2010
02-04C	335473	14592/2010	08-08NES	335574	13976/2010
02-04NES	335512	10397/2011	08-08NES	335668	10744/2011
02-06	335605	10742/2011	08-08NES	335669	10746/2011
02-07D	335631	15607/2010	08-09	335555	10669/2011
03-01A	335481	10591/2011	09-01A	335467	10490/2011
04-01	335576	10752/2011	09-01A	335468	10491/2011
04-01	335577	11131/2011	09-01A	335469	10492/2011
04-01	335578	11132/2011	09-01A	335630	10126/2011
04-01	335649	10265/2011	09-01G	335477	10282/2011
06-01NES	335598	10722/2011	09-01G	335550	10685/2011
07-01B	335652	11210/2011	09-01K	335604	10741/2011
07-01B	335654	11212/2011	09-03M	335585	10715/2011
07-01B	335655	11213/2011	09-03M	335586	10716/2011
07-01B	335657	11215/2011	09-05	335482	15598/2010
07-01B	335658	11216/2011	09-05	335483	15599/2010
07-01B	335660	11218/2011	09-05	335484	15600/2010
07-01B	335661	11219/2011	09-05	335485	15601/2010
07-01B	335663	10097/2011	09-05	335486	15603/2010
07-01NES	335459	10472/2011	09-05	335487	15604/2010
07-01NES	335460	10473/2011	09-05	335678	15602/2010
07-01NES	335461	10474/2011	09-07A	335601	10735/2011
07-01NES	335462	10475/2011	09-07A	335611	10734/2011
07-01NES	335463	10476/2011	09-07C	335579	10764/2011
07-01NES	335464	10477/2011	10-04	335610	10730/2011
07-01NES	335465	10478/2011	10-05	335595	12730/2010
07-01NES	335640	10780/2011	10-07	335599	10723/2011
07-01NES	335652	11210/2011	11-01D	335553	10632/2011
07-01NES	335653	11211/2011	11-01NES	335675	10786/2011
07-01NES	335656	11214/2011	12-02	335635	10775/2011
07-01NES	335657	11215/2011	12-05	335466	10483/2011
07-01NES	335658	11216/2011	12-05	335600	10725/2011
07-01NES	335659	11217/2011	12-05	335673	10724/2011
07-01NES	335661	11219/2011	12-11	335541	10596/2011
07-01NES	335662	11220/2011	12-11	335542	10597/2011
07-02E	335518	10594/2011	12-11	335543	10598/2011
07-02L	335514	10412/2011	12-11	335603	10740/2011
07-02L	335515	10413/2011	12-11	335647	10759/2011
07-02L	335636	10776/2011	12-15B	335525	10488/2011
07-02L	335637	10777/2011	12-15B	335526	10489/2011
07-02L	335638	10778/2011	12-16A	335491	10576/2011
07-02N	335558	10917/2011	12-16A	335624	13048/2010
07-02N	335559	10918/2011	12-16A	335625	13049/2010
07-02NES	335558	10917/2011	12-16B	335589	15161/2010
07-02NES	335559	10918/2011	12-16L	335612	13036/2010
07-06A	335684	10927/2011	12-16L	335613	13037/2010
08-06	335547	10681/2011	12-16L	335614	13038/2010
08-06	335635	10775/2011	12-16L	335615	13039/2010

Registration Proceedings - Class Listing of Designs Published or Registered cont'd

Classification	Registration Number	Design Number	Classification	Registration Number	Design Number
12-16L	335616	13040/2010	21-01C	335566	10088/2011
12-16L	335617	13041/2010	21-01D	335632	10679/2011
12-16L	335618	13042/2010	21-01D	335633	10680/2011
12-16L	335619	13043/2010	21-01N	335590	10747/2011
12-16L	335620	13044/2010	21-01N	335591	10748/2011
12-16L	335621	13045/2010	21-01N	335592	10749/2011
12-16L	335622	13046/2010	21-01N	335593	10750/2011
12-16L	335623	13047/2010	21-01N	335594	10751/2011
12-16L	335626	13050/2010	21-01NES	335523	10667/2011
12-16L	335627	13051/2010	21-02C	335602	10739/2011
12-16L	335629	13053/2010	21-02D	335674	10785/2011
12-16NES	335474	10021/2011	21-02F	335568	10699/2011
12-16NES	335478	10321/2011	21-02F	335569	10700/2011
13-02	335572	11094/2011	21-02F	335664	10760/2011
13-03B	335544	10600/2011	21-02NES	335522	10658/2011
13-03B	335628	13052/2010	23-01B	335565	10071/2011
13-03D	335560	14120/2010	23-01E	335570	10930/2011
13-03D	335561	14121/2010	23-01E	335575	15814/2010
13-03D	335582	14080/2010	23-01F	335519	10631/2011
13-03D	335583	14081/2010	23-01F	335584	10714/2011
13-03D	335648	15644/2010	23-01G	335479	10484/2011
13-03D	335670	10804/2011	23-01G	335556	10670/2011
13-03E	335582	14080/2010	23-04	335679	13322/2010
13-03E	335583	14081/2010	24-02	335665	10761/2011
13-03E	335612	13036/2010	24-02	335666	10762/2011
13-03E	335613	13037/2010	24-99	335458	10470/2011
13-03E	335614	13038/2010	24-99	335490	10575/2011
13-03E	335615	13039/2010	24-99	335567	10698/2011
13-03E	335616	13040/2010	25-01C	335545	10672/2011
13-03E	335617	13041/2010	25-01C	335573	13975/2010
13-03E	335618	13042/2010	25-01C	335574	13976/2010
13-03E	335619	13043/2010	25-01D	335520	10634/2011
13-03E	335620	13044/2010	25-01D	335521	10635/2011
13-03E	335621	13045/2010	25-01D	335527	10636/2011
13-03E	335622	13046/2010	25-01D	335528	10637/2011
13-03E	335623	13047/2010	25-01D	335529	10638/2011
13-03E	335629	13053/2010	25-01D	335530	10639/2011
14-02	335596	10106/2011	25-01D	335531	10640/2011
14-03B	335554	10163/2011	25-01D	335532	10641/2011
14-03B	335606	10743/2011	25-01D	335533	10642/2011
14-03E	335548	10682/2011	25-01D	335534	10643/2011
14-03E	335549	10683/2011	25-01D	335535	10644/2011
14-03NES	335677	11096/2011	25-01D	335536	10645/2011
14-04	335651	12675/2008	25-01D	335537	10646/2011
15-05	335475	10054/2011	25-01D	335538	10647/2011
15-05	335513	10053/2011	25-01D	335539	10648/2011
15-05	335517	10593/2011	25-01D	335540	10649/2011
16-01	335599	10723/2011	25-01D	335634	10774/2011
17-99	335597	10720/2011	25-01K	335551	10686/2011
19-06	335671	14905/2010	25-01K	335555	10669/2011
20-02NES	335641	10753/2011	25-01K	335639	10779/2011
20-02NES	335642	10754/2011	25-01K	335667	10763/2011
20-02NES	335643	10755/2011	25-02A	335557	10671/2011
20-02NES	335644	10756/2011	25-02C	335519	10631/2011
20-02NES	335645	10757/2011	25-02H	335488	10705/2011
20-02NES	335646	10758/2011	25-02H	335489	10706/2011

Registration Proceedings - Class Listing of Designs Published or Registered cont'd

Classification	Registration Number	Design Number	Classification	Registration Number	Design Number
25-02NES	335476	10223/2011	28-03NES	335484	15600/2010
26-04	335607	10726/2011	28-03NES	335485	15601/2010
26-04	335608	10727/2011	28-03NES	335486	15603/2010
26-04	335609	10728/2011	28-03NES	335487	15604/2010
27-03	335552	14283/2010	28-03NES	335672	10676/2011
27-03	335562	14284/2010	28-03NES	335678	15602/2010
27-03	335563	14285/2010	28-99	335676	10787/2011
27-99	335564	14286/2010	30-03	335650	10602/2011
28-03A	335516	10592/2011			
28-03NES	335482	15598/2010			
28-03NES	335483	15599/2010			

(21) Design Number: **10470/2011**
(22) Date of Filing Application: **14 February 2011**
(24) Date from which industrial property rights may have effect: **14 February 2011**
(54) Product in respect of which the design is registered: **Hearing aid**
(51) International Design Classification: **24-99**
(74) Name(s) of Attorney(s): **Golja Haines & Friend**
(71) Name(s) and Address(s) of Applicant(s):

Oticon A/S
Kongebakken 9 DK-2765 Smorum Denmark

(72) Name(s) of Designer(s): **Lars Pedersen**

(45) Registration Date: **17 March 2011**

(30) Convention priority data:

(31) Number	(32) Date	(33) Country
001746322-0001	24 Aug 2010	EUROPEAN COMMUNITY

(56) Related Art Documents: **Not Applicable**

(57) Statement of Newness and Distinctiveness: **Newness and distinctiveness are provided by the shape and/or configuration of the hearing aid, including the uniform transition from the hook to the body of the hearing aid, and the placement and positioning of apertures, control elements and indicators. The use of a grey shading in the representations is for illustrative purposes only and should not be considered as being a pattern or ornamentation of the design.**



(21) Design Number: **10472/2011**
(22) Date of Filing Application: **14 February 2011**
(24) Date from which industrial property rights may have effect: **14 February 2011**
(54) Product in respect of which the design is registered: **Container base**
(51) International Design Classification: **07-01NES**
(74) Name(s) of Attorney(s): **Callinans**
(71) Name(s) and Address(s) of Applicant(s):

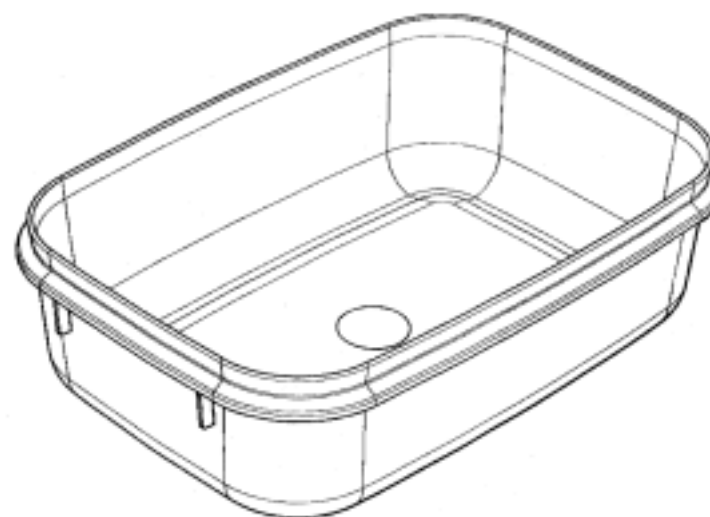
The Decor Corporation Pty. Ltd.
1314 Ferntree Gully Road Scoresby Victoria 3179 Australia

(72) Name(s) of Designer(s): **Arthur Richard Carlson**

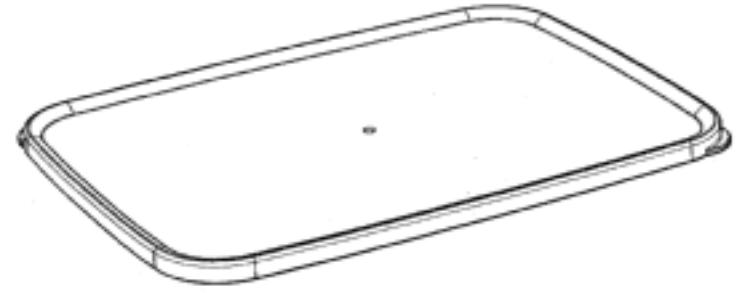
(45) Registration Date: **17 March 2011**

(56) Related Art Documents: **Not Applicable**

(57) Statement of Newness and Distinctiveness: **Nil**



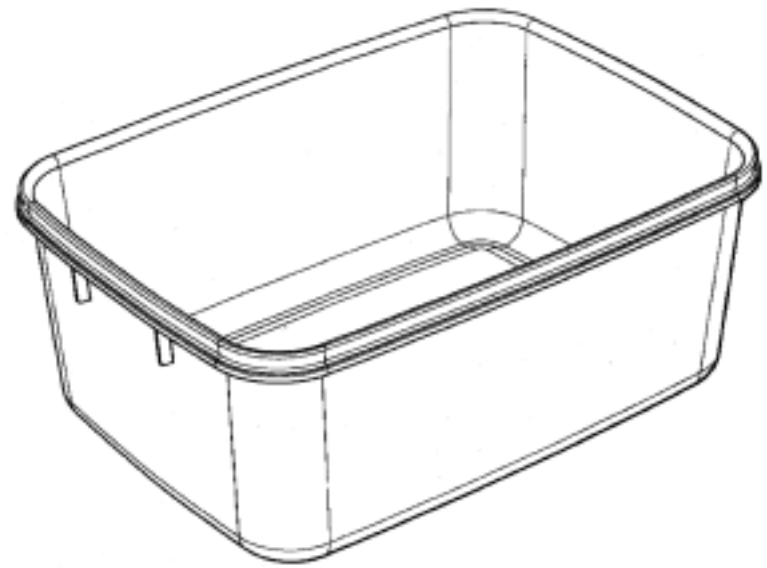
- (21) Design Number: **10473/2011**
(22) Date of Filing Application: **14 February 2011**
(24) Date from which industrial property rights may have effect: **14 February 2011**
(54) Product in respect of which the design is registered: **Container lid**
(51) International Design Classification: **07-01NES**
(74) Name(s) of Attorney(s): **Callinans**
(71) Name(s) and Address(s) of Applicant(s):
The Decor Corporation Pty. Ltd.
1314 Ferntree Gully Road Scoresby Victoria 3179 Australia
(72) Name(s) of Designer(s): **Arthur Richard Carlson**
(45) Registration Date: **17 March 2011**
(56) Related Art Documents: **Not Applicable**
(57) Statement of Newness and Distinctiveness: **Nil**



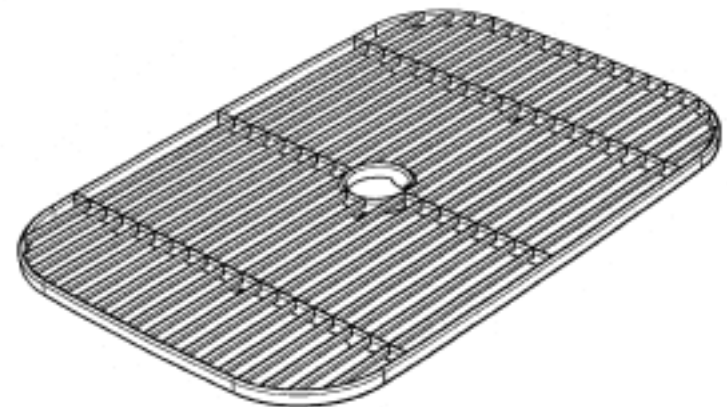
- (21) Design Number: **10474/2011**
(22) Date of Filing Application: **14 February 2011**
(24) Date from which industrial property rights may have effect: **14 February 2011**
(54) Product in respect of which the design is registered: **Container base**
(51) International Design Classification: **07-01NES**
(74) Name(s) of Attorney(s): **Callinans**
(71) Name(s) and Address(s) of Applicant(s):
The Decor Corporation Pty. Ltd.
1314 Ferntree Gully Road Scoresby Victoria 3179 Australia
(72) Name(s) of Designer(s): **Arthur Richard Carlson**
(45) Registration Date: **17 March 2011**
(56) Related Art Documents: **Not Applicable**
(57) Statement of Newness and Distinctiveness: **Nil**



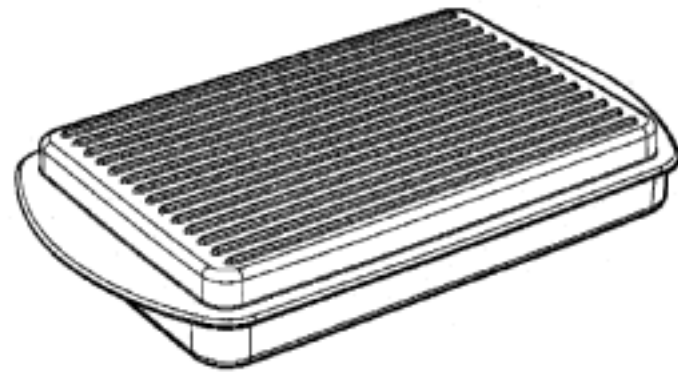
(21) Design Number: **10475/2011**
(22) Date of Filing Application: **14 February 2011**
(24) Date from which industrial property rights may have effect: **14 February 2011**
(54) Product in respect of which the design is registered: **Container base**
(51) International Design Classification: **07-01NES**
(74) Name(s) of Attorney(s): **Callinans**
(71) Name(s) and Address(s) of Applicant(s):
The Decor Corporation Pty. Ltd.
1314 Ferntree Gully Road Scoresby Victoria 3179 Australia
(72) Name(s) of Designer(s): **Arthur Richard Carlson**
(45) Registration Date: **17 March 2011**
(56) Related Art Documents: **Not Applicable**
(57) Statement of Newness and Distinctiveness: **Nil**



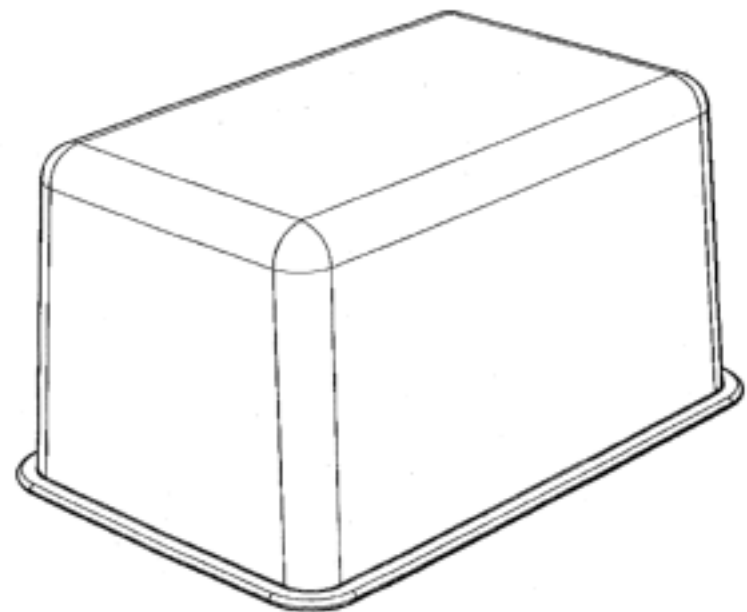
(21) Design Number: **10476/2011**
(22) Date of Filing Application: **14 February 2011**
(24) Date from which industrial property rights may have effect: **14 February 2011**
(54) Product in respect of which the design is registered: **Grid for storage container**
(51) International Design Classification: **07-01NES**
(74) Name(s) of Attorney(s): **Callinans**
(71) Name(s) and Address(s) of Applicant(s):
The Decor Corporation Pty. Ltd.
1314 Ferntree Gully Road Scoresby Victoria 3179 Australia
(72) Name(s) of Designer(s): **Jim Samartgis**
(45) Registration Date: **17 March 2011**
(56) Related Art Documents: **Not Applicable**
(57) Statement of Newness and Distinctiveness: **Nil**



(21) Design Number: **10477/2011**
(22) Date of Filing Application: **14 February 2011**
(24) Date from which industrial property rights may have effect: **14 February 2011**
(54) Product in respect of which the design is registered: **Container base**
(51) International Design Classification: **07-01NES**
(74) Name(s) of Attorney(s): **Callinans**
(71) Name(s) and Address(s) of Applicant(s):
The Decor Corporation Pty. Ltd.
1314 Ferntree Gully Road Scoresby Victoria 3179 Australia
(72) Name(s) of Designer(s): **Anthony Henry Wolfenden**
(45) Registration Date: **17 March 2011**
(56) Related Art Documents: **Not Applicable**
(57) Statement of Newness and Distinctiveness: **Nil**



(21) Design Number: **10478/2011**
(22) Date of Filing Application: **14 February 2011**
(24) Date from which industrial property rights may have effect: **14 February 2011**
(54) Product in respect of which the design is registered: **Cover for butter storer**
(51) International Design Classification: **07-01NES**
(74) Name(s) of Attorney(s): **Callinans**
(71) Name(s) and Address(s) of Applicant(s):
The Decor Corporation Pty. Ltd.
1314 Ferntree Gully Road Scoresby Victoria 3179 Australia
(72) Name(s) of Designer(s): **Anthony Henry Wolfenden**
(45) Registration Date: **17 March 2011**
(56) Related Art Documents: **Not Applicable**
(57) Statement of Newness and Distinctiveness: **Nil**



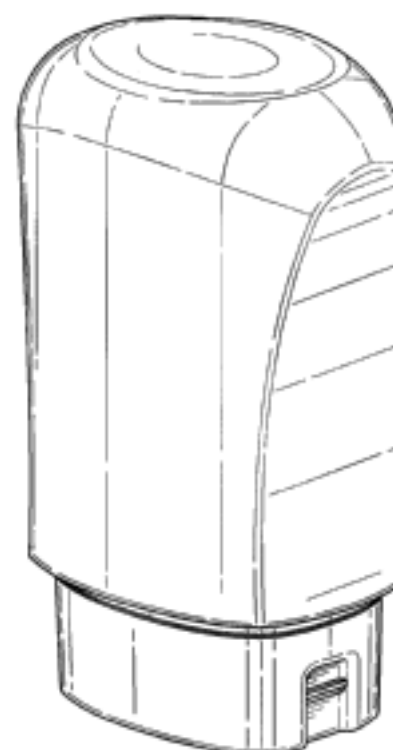
- (21) Design Number: **10483/2011**
(22) Date of Filing Application: **15 February 2011**
(24) Date from which industrial property rights may have effect: **15 February 2011**
(54) Product in respect of which the design is registered: **Reach truck**
(51) International Design Classification: **12-05**
(74) Name(s) of Attorney(s): **Griffith Hack**
(71) Name(s) and Address(s) of Applicant(s):
Crown Equipment Corporation
40 South Washington Street New Bremen OH 45869 United States of America
(72) Name(s) of Designer(s): **Adam M. Ruppert and Benjamin J. Purrenhage and Robert J. Henshaw**
(45) Registration Date: **17 March 2011**
(30) Convention priority data:
(31) Number (32) Date (33) Country
29/369,627 10 Sep 2010 UNITED STATES OF AMERICA
(56) Related Art Documents: **Not Applicable**
(57) Statement of Newness and Distinctiveness: **The shape and configuration of those parts of the design shown by means of solid lines in the representations is new and distinctive.**



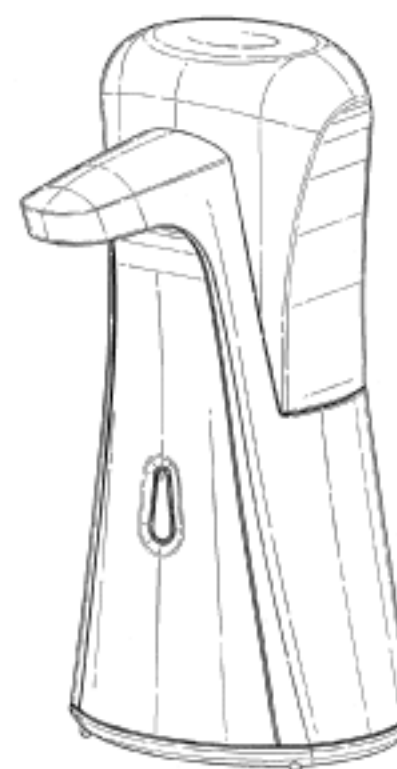
- (21) Design Number: **10490/2011**
(22) Date of Filing Application: **16 February 2011**
(24) Date from which industrial property rights may have effect: **16 February 2011**
(54) Product in respect of which the design is registered: **Dispenser with refill unit**
(51) International Design Classification: **09-01A**
(74) Name(s) of Attorney(s): **Shelston IP**
(71) Name(s) and Address(s) of Applicant(s):
Reckitt Benckiser LLC
Morris Corporate Center IV 399 Interpace Parkway Parsippany New Jersey 07054 United States of America
(72) Name(s) of Designer(s): **Jesse DeIGigante and Christopher Leonard Padain and Richard Brian Clough and Peter Kay and Clive John Southerwood and Stephanie Anne Marije Verschoor**
(45) Registration Date: **17 March 2011**
(30) Convention priority data:
(31) Number (32) Date (33) Country
001744541-0002 17 Aug 2010 EUROPEAN COMMUNITY
(56) Related Art Documents: **Not Applicable**
(57) Statement of Newness and Distinctiveness: **Nil**



(21) Design Number: **10491/2011**
(22) Date of Filing Application: **16 February 2011**
(24) Date from which industrial property rights may have effect: **16 February 2011**
(54) Product in respect of which the design is registered: **Refill unit for dispenser**
(51) International Design Classification: **09-01A**
(74) Name(s) of Attorney(s): **Shelston IP**
(71) Name(s) and Address(s) of Applicant(s):
Reckitt Benckiser LLC
Morris Corporate Center IV 399 Interpace Parkway Parsippany New Jersey 07054 United States of America
(72) Name(s) of Designer(s): **Jesse DelGigante and Christopher Leonard Padain and Richard Brian Clough and Peter Kay and Clive John Southerwood and Stephanie Anne Marije Verschoor**
(45) Registration Date: **17 March 2011**
(30) Convention priority data:
(31) Number (32) Date (33) Country
001744541-0005 17 Aug 2010 EUROPEAN COMMUNITY
(56) Related Art Documents: **Not Applicable**
(57) Statement of Newness and Distinctiveness: **Nil**



(21) Design Number: **10492/2011**
(22) Date of Filing Application: **16 February 2011**
(24) Date from which industrial property rights may have effect: **16 February 2011**
(54) Product in respect of which the design is registered: **Dispenser with refill unit**
(51) International Design Classification: **09-01A**
(74) Name(s) of Attorney(s): **Shelston IP**
(71) Name(s) and Address(s) of Applicant(s):
Reckitt Benckiser LLC
Morris Corporate Center IV 399 Interpace Parkway Parsippany New Jersey 07054 United States of America
(72) Name(s) of Designer(s): **Jesse DelGigante and Christopher Leonard Padain and Richard Brian Clough and Peter Kay and Clive John Southerwood and Stephanie Anne Marije Verschoor**
(45) Registration Date: **17 March 2011**
(30) Convention priority data:
(31) Number (32) Date (33) Country
001744541-0004 17 Aug 2010 EUROPEAN COMMUNITY
(56) Related Art Documents: **Not Applicable**
(57) Statement of Newness and Distinctiveness: **Nil**



- (21) Design Number: **13484/2010**
(22) Date of Filing Application: **12 August 2010**
(24) Date from which industrial property rights may have effect: **12 August 2010**
(54) Product in respect of which the design is registered: **Women's fashion clothing**
(51) International Design Classification: **02-02NES**
(74) Name(s) of Attorney(s): **MILLS OAKLEY LAWYERS**
(71) Name(s) and Address(s) of Applicant(s):
Forever New Clothing Pty Ltd
Ground Floor 714-716 High Street Kew Victoria 3101 Australia
(72) Name(s) of Designer(s): **Susan Abbott**
(45) Registration Date: **17 March 2011**
(56) Related Art Documents: **Not Applicable**
(57) Statement of Newness and Distinctiveness: **The particular visual features of the design which the Applicant hereby identifies as new and distinctive are as follows: shape and pattern of "Women's Fashion Clothing" (not limited to colour although shown in colour to better identify the pattern).**



- (21) Design Number: **11001/2011**
(22) Date of Filing Application: **12 August 2010**
(24) Date from which industrial property rights may have effect: **12 August 2010**
(54) Product in respect of which the design is registered: **Women's fashion clothing**
(51) International Design Classification: **02-02NES**
(74) Name(s) of Attorney(s): **MILLS OAKLEY LAWYERS**
(71) Name(s) and Address(s) of Applicant(s):
Forever New Clothing Pty Ltd
Ground Floor 714-716 High Street Kew Victoria 3101 Australia
(72) Name(s) of Designer(s): **Simon Edwards**
(45) Registration Date: **17 March 2011**
(56) Related Art Documents: **Not Applicable**
(57) Statement of Newness and Distinctiveness: **The particular visual features of the design which the Applicant hereby identifies as new and distinctive are as follows: "Women's Fashion Clothing", as illustrated in the accompanying representations.**



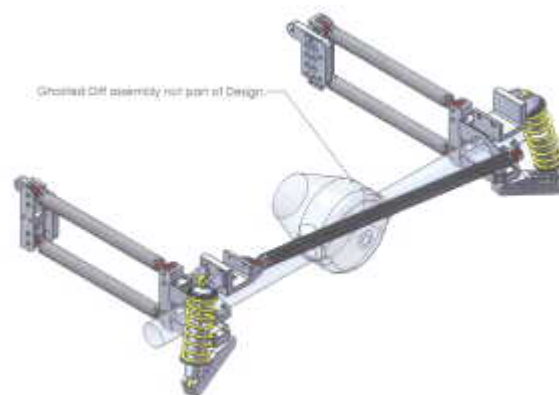
- (21) Design Number: **11002/2011**
(22) Date of Filing Application: **12 August 2010**
(24) Date from which industrial property rights may have effect: **12 August 2010**
(54) Product in respect of which the design is registered: **Women's fashion clothing**
(51) International Design Classification: **02-02C**
(74) Name(s) of Attorney(s): **MILLS OAKLEY LAWYERS**
(71) Name(s) and Address(s) of Applicant(s):
Forever New Clothing Pty Ltd
Ground Floor 714-716 High Street Kew Victoria 3101 Australia
(72) Name(s) of Designer(s): **Tristan Melle**
(45) Registration Date: **17 March 2011**
(56) Related Art Documents: **Not Applicable**
(57) Statement of Newness and Distinctiveness: **The particular visual features of the design which the Applicant hereby identifies as new and distinctive are as follows: "Women's Fashion Clothing", as illustrated in the accompanying representations.**



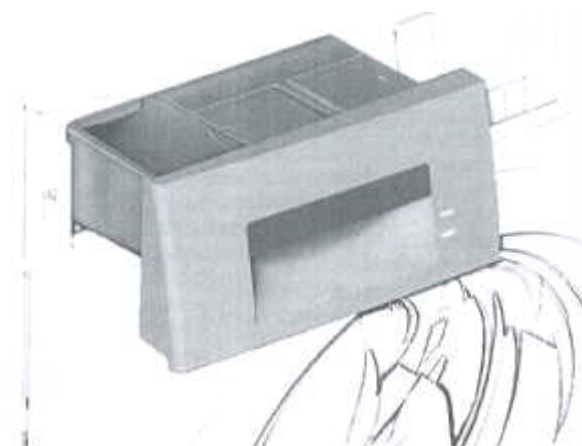
- (21) Design Number: **14592/2010**
(22) Date of Filing Application: **26 October 2010**
(24) Date from which industrial property rights may have effect: **26 October 2010**
(54) Product in respect of which the design is registered: **Seamless leggings**
(51) International Design Classification: **02-04C**
(74) Name(s) of Attorney(s):
(71) Name(s) and Address(s) of Applicant(s):
LM Australasia Pty Ltd
12/663 Victoria Street Abbotsford Victoria 3067 Australia
(72) Name(s) of Designer(s): **Lesley Abeysekera**
(45) Registration Date: **17 March 2011**
(56) Related Art Documents: **Not Applicable**
(57) Statement of Newness and Distinctiveness: **These seamless leggings have a unique jacquard knitting structure that enables the back rise to be higher than the front rise therefore enabling a better fit. The structure of the waistband is the new and distinctive aspect of this garment.**



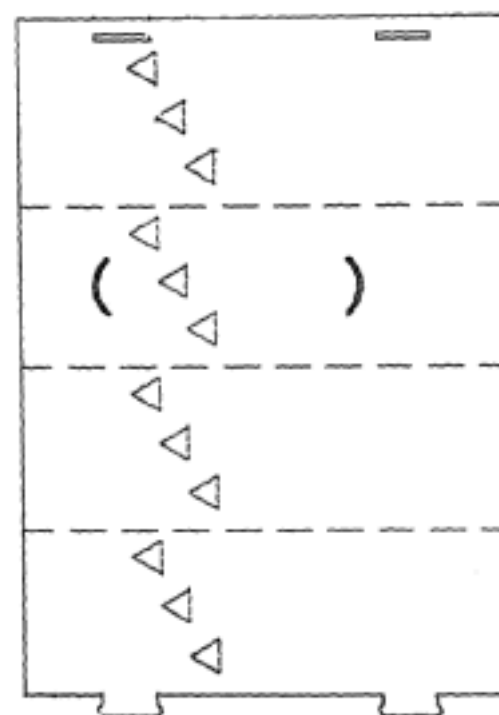
- (21) Design Number: **10021/2011**
(22) Date of Filing Application: **05 January 2011**
(24) Date from which industrial property rights may have effect: **05 January 2011**
(54) Product in respect of which the design is registered: **Modular multilink replacement for leaf spring vehicles**
(51) International Design Classification: **12-16NES**
(74) Name(s) of Attorney(s):
(71) Name(s) and Address(s) of Applicant(s):
Redbase Holdings Pty Ltd Trading as Carbonart
Unit 11/17 Mosey Street Landsdale Western Australia 6065 Australia
(72) Name(s) of Designer(s): **Grant C. Reynolds**
(45) Registration Date: **17 March 2011**
(56) Related Art Documents: **Not Applicable**
(57) Statement of Newness and Distinctiveness: **Carbon fiber and aerospace grade aluminium modular rear suspension to replace vehicles equipped with leaf springs.**



- (21) Design Number: **10054/2011**
(22) Date of Filing Application: **07 January 2011**
(24) Date from which industrial property rights may have effect: **07 January 2011**
(54) Product in respect of which the design is registered: **Detergent drawer for a washing machine**
(51) International Design Classification: **15-05**
(74) Name(s) of Attorney(s): **SPRUSON & FERGUSON**
(71) Name(s) and Address(s) of Applicant(s):
BSH Bosch und Siemens Hausgerate GmbH
Carl-Wery-Str. 34 81739 Munchen Germany
(72) Name(s) of Designer(s): **Klaus Forsterling and Johannes Geyer and Florian Metz and Carsten Weber**
(45) Registration Date: **17 March 2011**
(30) Convention priority data:
(31) Number (32) Date (33) Country
001225528 07 Jul 2010 EUROPEAN COMMUNITY
(56) Related Art Documents: **Not Applicable**
(57) Statement of Newness and Distinctiveness: **Newness and distinctiveness is claimed in the features of shape and/or configuration of detergent compartments with covers and a handle with indication lights of a detergent drawer for a washing machine illustrated in the accompanying representations.**



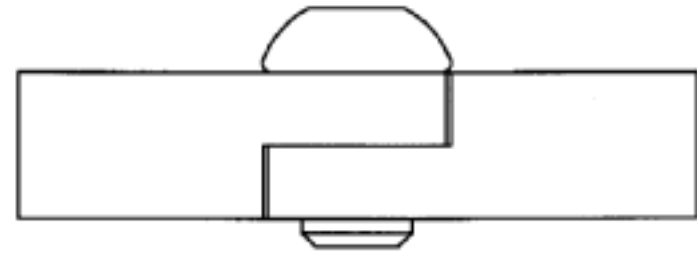
- (21) Design Number: **10223/2011**
(22) Date of Filing Application: **28 January 2011**
(24) Date from which industrial property rights may have effect: **28 January 2011**
(54) Product in respect of which the design is registered: **Tree guard to protect trees planted with easy installation, un-installation, re-installation, water collection, and**
(51) International Design Classification: **25-02NES**
(74) Name(s) of Attorney(s):
(71) Name(s) and Address(s) of Applicant(s):
Tianyu Meng
4 Frater Court Doncaster East Victoria 3109 Australia
Jie Zhang
16 Newman Court Berwick Victoria 3806 Australia
(72) Name(s) of Designer(s): **Tianyu Meng and Jie Zhang**
(45) Registration Date: **17 March 2011**
(56) Related Art Documents: **Not Applicable**
(57) Statement of Newness and Distinctiveness: **Attachment 1 Features: Effective shelter for young trees and saplings. Easy to assemble and install. Innovative self-locking system. Light weight, strong and reusable material. UV stabilised plastic. Water collected naturally via holes in the wall of the Enviro Tree Guard. Triangle shape holes help to form the water drop, and lead to plant root. Flat bamboo stick - resistant up to 5 grade wind. Weed guard - plastic bottom to prevent weed growth and minimise evaporation losses. Radial pattern.**



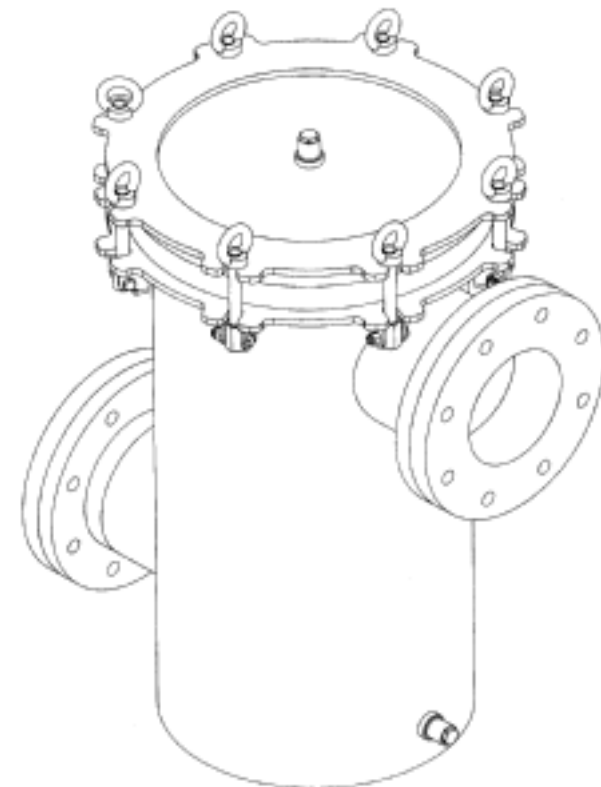
- (21) Design Number: **10282/2011**
(22) Date of Filing Application: **01 February 2011**
(24) Date from which industrial property rights may have effect: **01 February 2011**
(54) Product in respect of which the design is registered: **Flask**
(51) International Design Classification: **09-01G**
(74) Name(s) of Attorney(s): **Callinans**
(71) Name(s) and Address(s) of Applicant(s):
Beaute Prestige International
28/32 avenue Victor Hugo 75116 Paris France
(72) Name(s) of Designer(s): **Sylvie de France**
(45) Registration Date: **17 March 2011**
(30) Convention priority data:
(31) Number (32) Date (33) Country
001757212-0001 20 Sep 2010 EUROPEAN COMMUNITY
(56) Related Art Documents: **Not Applicable**
(57) Statement of Newness and Distinctiveness: **Newness and distinctiveness is claimed in the features of shape and/or configuration of a flask as illustrated in the accompanying representations.**



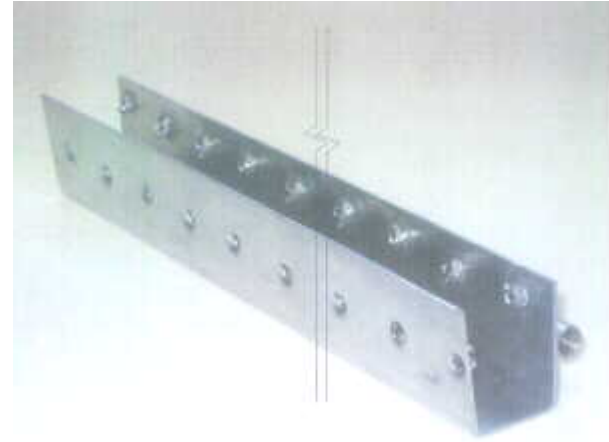
- (21) Design Number: **10321/2011**
(22) Date of Filing Application: **03 February 2011**
(24) Date from which industrial property rights may have effect: **03 February 2011**
(54) Product in respect of which the design is registered: **Motorcycle/handlebars**
(51) International Design Classification: **12-16NES**
(74) Name(s) of Attorney(s):
(71) Name(s) and Address(s) of Applicant(s):
David Kurtzman
2/16 Ern Harley Drive Burleigh Queensland 4220 Australia
(72) Name(s) of Designer(s): **David John Kurtzman**
(45) Registration Date: **17 March 2011**
(56) Related Art Documents: **Not Applicable**
(57) Statement of Newness and Distinctiveness: **Unique center clamp design for motorcycle handlebars allowing simple and rapid adjustment for variable riding positions.**



- (21) Design Number: **10484/2011**
(22) Date of Filing Application: **17 February 2011**
(24) Date from which industrial property rights may have effect: **17 February 2011**
(54) Product in respect of which the design is registered: **Poly suction strainer pot with toggle eye bolt UD retainers**
(51) International Design Classification: **23-01G**
(74) Name(s) of Attorney(s):
(71) Name(s) and Address(s) of Applicant(s):
JAG Poly Pty. Ltd.
Unit 6 272 Lavarack Avenue Pinkenba Queensland 4008 Australia
(72) Name(s) of Designer(s): **John Masters and Robert Wiersma**
(45) Registration Date: **17 March 2011**
(56) Related Art Documents: **Not Applicable**
(57) Statement of Newness and Distinctiveness: **The lid retaining mechanism using toggle bolts and eye bolt fasteners is unique and distinctive.**



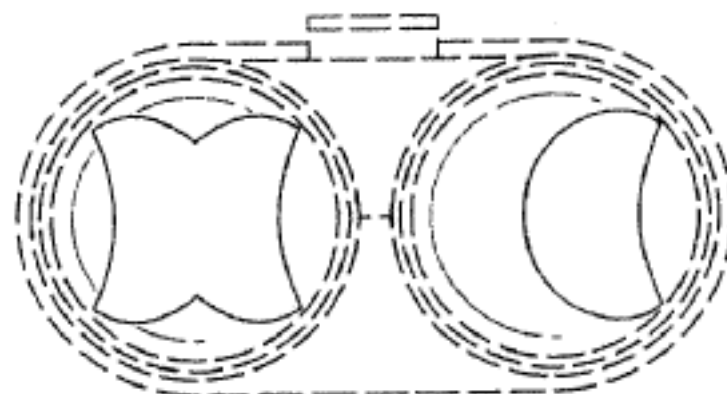
- (21) Design Number: **10502/2011**
(22) Date of Filing Application: **16 February 2011**
(24) Date from which industrial property rights may have effect: **16 February 2011**
(54) Product in respect of which the design is registered: **Shelf bracket**
(51) International Design Classification: **08-08N**
(74) Name(s) of Attorney(s): **Macpherson + Kelley**
(71) Name(s) and Address(s) of Applicant(s):
GS Fitouts Pty Limited
266 Glebe Point Road Glebe New South Wales 2037 Australia
(72) Name(s) of Designer(s): **Glen Scott**
(45) Registration Date: **17 March 2011**
(56) Related Art Documents: **Not Applicable**
(57) Statement of Newness and Distinctiveness: **Monopoly is claimed in the shape and configuration of the shelf bracket of infinite length as shown in the accompanying representations, excepting the location and shape of holes which run throughout the length of the shelf bracket.**



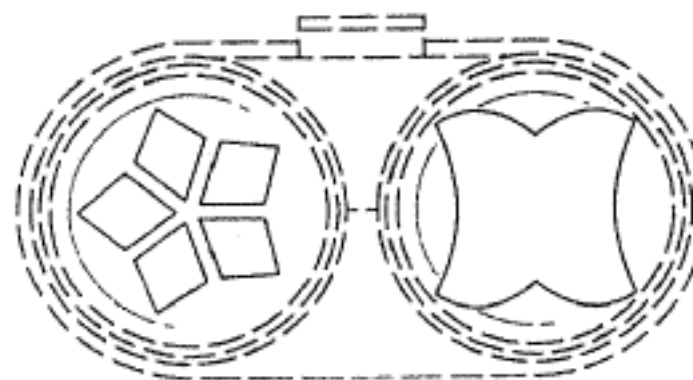
- (21) Design Number: **10591/2011**
(22) Date of Filing Application: **18 February 2011**
(24) Date from which industrial property rights may have effect: **18 February 2011**
(54) Product in respect of which the design is registered: **Town name bags**
(51) International Design Classification: **03-01A**
(74) Name(s) of Attorney(s):
(71) Name(s) and Address(s) of Applicant(s):
Stephen McDonald
24 Tarcoola Avenue Ferny Hills Queensland 4055 Australia
(72) Name(s) of Designer(s): **Stephen McDonald**
(45) Registration Date: **17 March 2011**
(56) Related Art Documents: **Not Applicable**
(57) Statement of Newness and Distinctiveness: **Nil**



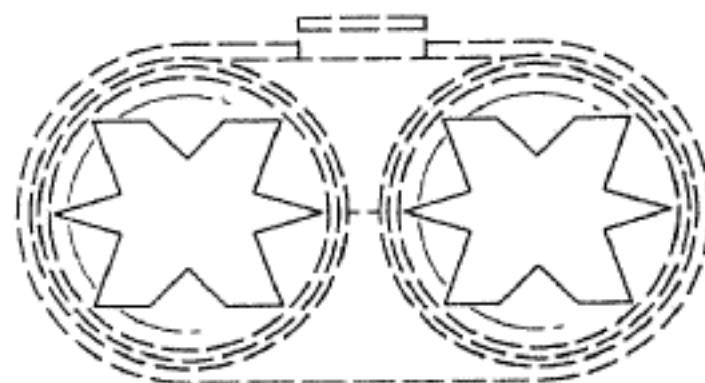
- (21) Design Number: **15598/2010**
(22) Date of Filing Application: **20 December 2010**
(24) Date from which industrial property rights may have effect: **20 December 2010**
(54) Product in respect of which the design is registered: **Toilet block applicator**
(51) International Design Classification: **09-05, 28-03NES**
(74) Name(s) of Attorney(s): **Davies Collison Cave**
(71) Name(s) and Address(s) of Applicant(s):
Unilever PLC
Unilever House 100 Victoria Embankment London EC4Y 0DY United Kingdom
(72) Name(s) of Designer(s): **Ildiko Beder and Stefano Cademartiri and Elisabetta Capasso and Ivan Valcarengi**
(45) Registration Date: **17 March 2011**
(30) Convention priority data:
(31) Number (32) Date (33) Country
001221469-0009 23 Jun 2010 EUROPEAN COMMUNITY
(56) Related Art Documents: **Not Applicable**
(57) Statement of Newness and Distinctiveness: **Newness and distinctiveness is claimed in the visual features shown in solid lines in the representations.**



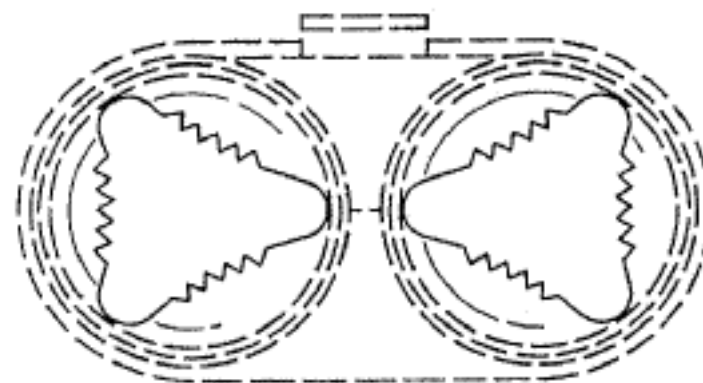
- (21) Design Number: **15599/2010**
(22) Date of Filing Application: **20 December 2010**
(24) Date from which industrial property rights may have effect: **20 December 2010**
(54) Product in respect of which the design is registered: **Toilet block applicator**
(51) International Design Classification: **28-03NES, 09-05**
(74) Name(s) of Attorney(s): **Davies Collison Cave**
(71) Name(s) and Address(s) of Applicant(s):
Unilever PLC
Unilever House 100 Victoria Embankment London EC4Y 0DY United Kingdom
(72) Name(s) of Designer(s): **Ildiko Beder and Stefano Cademartiri and Elisabetta Capasso and Ivan Valcarengi**
(45) Registration Date: **17 March 2011**
(30) Convention priority data:
(31) Number (32) Date (33) Country
001221469-0008 23 Jun 2010 EUROPEAN COMMUNITY
(56) Related Art Documents: **Not Applicable**
(57) Statement of Newness and Distinctiveness: **Newness and distinctiveness is claimed in the visual features shown in solid lines in the representations.**



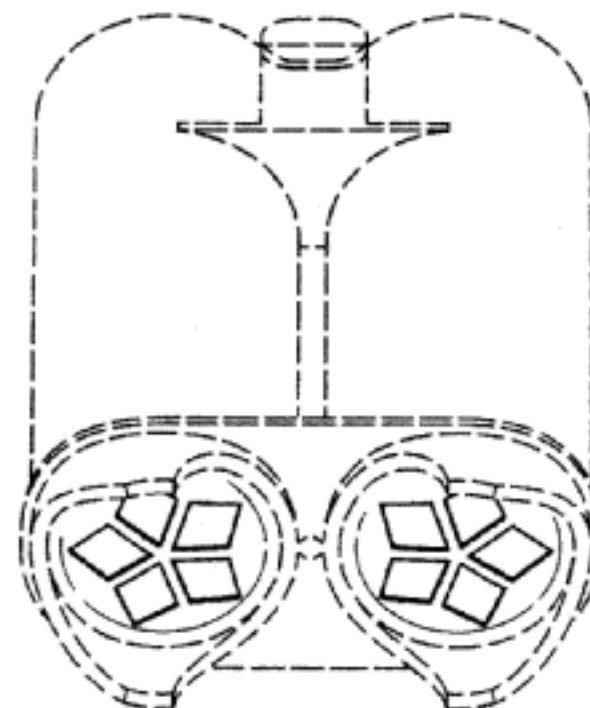
- (21) Design Number: **15600/2010**
(22) Date of Filing Application: **20 December 2010**
(24) Date from which industrial property rights may have effect: **20 December 2010**
(54) Product in respect of which the design is registered: **Toilet block applicator**
(51) International Design Classification: **09-05, 28-03NES**
(74) Name(s) of Attorney(s): **Davies Collison Cave**
(71) Name(s) and Address(s) of Applicant(s):
Unilever PLC
Unilever House 100 Victoria Embankment London EC4Y 0DY United Kingdom
(72) Name(s) of Designer(s): **Ildiko Beder and Stefano Cademartiri and Elisabetta Capasso and Ivan Valcarenghi**
(45) Registration Date: **17 March 2011**
(30) Convention priority data:
(31) Number (32) Date (33) Country
001221469-0007 23 Jun 2010 EUROPEAN COMMUNITY
(56) Related Art Documents: **Not Applicable**
(57) Statement of Newness and Distinctiveness: **Newness and distinctiveness is claimed in the visual features shown in solid lines in the representations.**



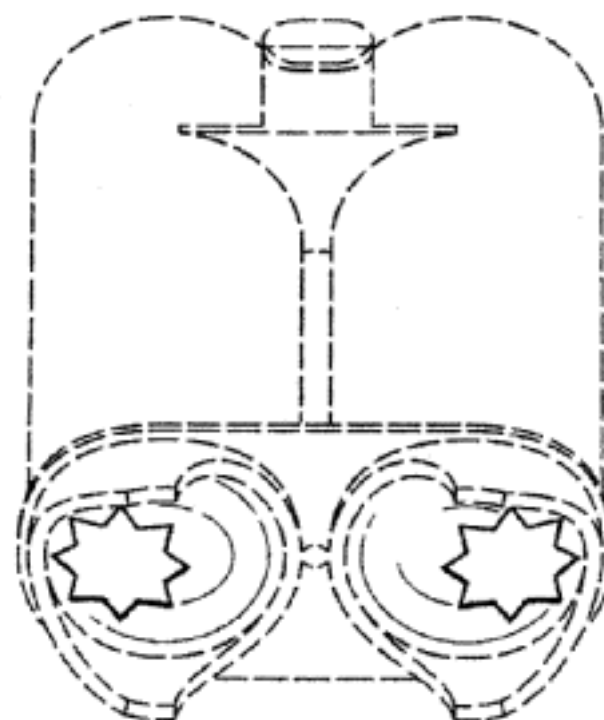
- (21) Design Number: **15601/2010**
(22) Date of Filing Application: **20 December 2010**
(24) Date from which industrial property rights may have effect: **20 December 2010**
(54) Product in respect of which the design is registered: **Toilet block applicator**
(51) International Design Classification: **28-03NES, 09-05**
(74) Name(s) of Attorney(s): **Davies Collison Cave**
(71) Name(s) and Address(s) of Applicant(s):
Unilever PLC
Unilever House 100 Victoria Embankment London EC4Y 0DY United Kingdom
(72) Name(s) of Designer(s): **Ildiko Beder and Stefano Cademartiri and Elisabetta Capasso and Ivan Valcarenghi**
(45) Registration Date: **17 March 2011**
(30) Convention priority data:
(31) Number (32) Date (33) Country
001221469-0006 23 Jun 2010 EUROPEAN COMMUNITY
(56) Related Art Documents: **Not Applicable**
(57) Statement of Newness and Distinctiveness: **Newness and distinctiveness is claimed in the visual features shown in solid lines in the representations.**



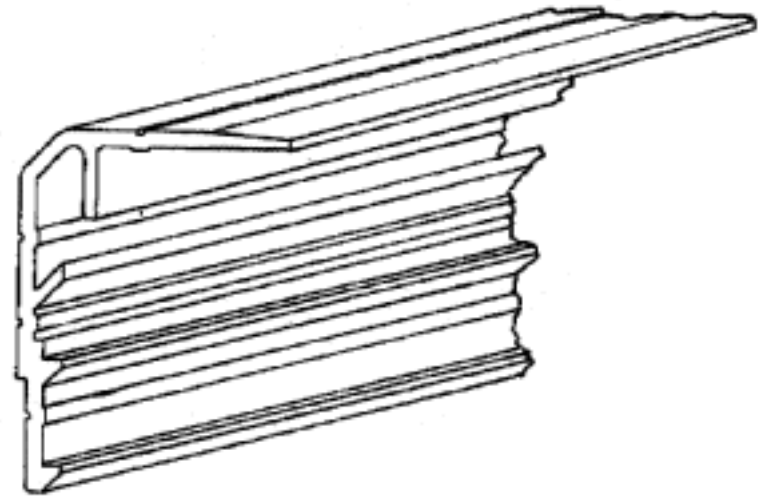
- (21) Design Number: **15603/2010**
(22) Date of Filing Application: **20 December 2010**
(24) Date from which industrial property rights may have effect: **20 December 2010**
(54) Product in respect of which the design is registered: **Toilet block applicator**
(51) International Design Classification: **09-05, 28-03NES**
(74) Name(s) of Attorney(s): **Davies Collison Cave**
(71) Name(s) and Address(s) of Applicant(s):
Unilever PLC
Unilever House 100 Victoria Embankment London EC4Y 0DY United Kingdom
(72) Name(s) of Designer(s): **Ildiko Beder and Stefano Cademartiri and Elisabetta Capasso and Ivan Valcarenghi**
(45) Registration Date: **17 March 2011**
(30) Convention priority data:
(31) Number (32) Date (33) Country
001221469-0004 23 Jun 2010 EUROPEAN COMMUNITY
(56) Related Art Documents: **Not Applicable**
(57) Statement of Newness and Distinctiveness: **Newness and distinctiveness is claimed in the visual features shown in solid lines in the representations.**



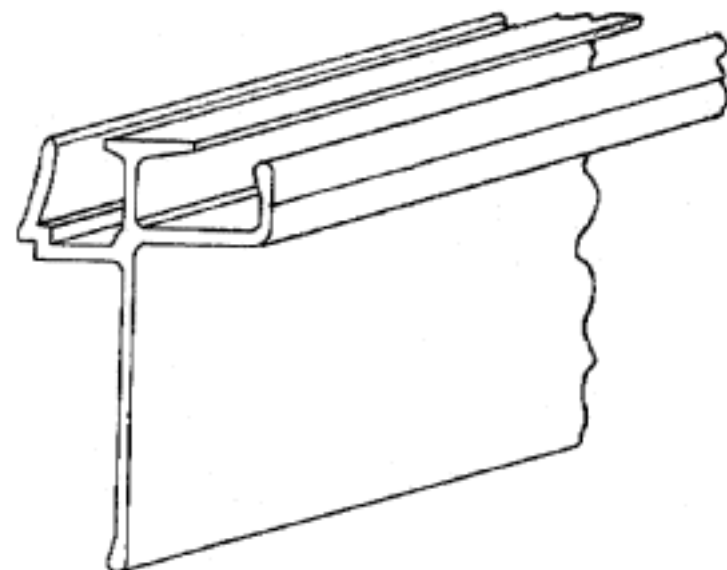
- (21) Design Number: **15604/2010**
(22) Date of Filing Application: **20 December 2010**
(24) Date from which industrial property rights may have effect: **20 December 2010**
(54) Product in respect of which the design is registered: **Toilet block applicator**
(51) International Design Classification: **09-05, 28-03NES**
(74) Name(s) of Attorney(s): **Davies Collison Cave**
(71) Name(s) and Address(s) of Applicant(s):
Unilever PLC
Unilever House 100 Victoria Embankment London EC4Y 0DY United Kingdom
(72) Name(s) of Designer(s): **Ildiko Beder and Stefano Cademartiri and Elisabetta Capasso and Ivan Valcarenghi**
(45) Registration Date: **17 March 2011**
(30) Convention priority data:
(31) Number (32) Date (33) Country
001221469-0003 23 Jun 2010 EUROPEAN COMMUNITY
(56) Related Art Documents: **Not Applicable**
(57) Statement of Newness and Distinctiveness: **Newness and distinctiveness is claimed in the visual features shown in solid lines in the representations.**



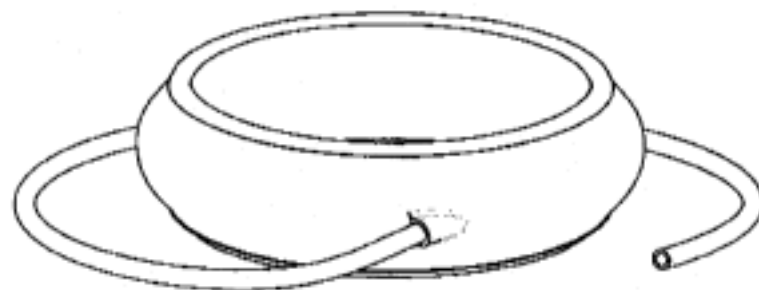
- (21) Design Number: **10705/2011**
(22) Date of Filing Application: **24 February 2011**
(24) Date from which industrial property rights may have effect: **24 February 2011**
(54) Product in respect of which the design is registered: **Drawing No. 00572
skylight extrusion**
(51) International Design Classification: **25-02H**
(74) Name(s) of Attorney(s):
(71) Name(s) and Address(s) of Applicant(s):
Skyspan Australia Pty Ltd
59 Wellington Street Riverstone New South Wales 2765 Australia
(72) Name(s) of Designer(s): **Rodric Lindsay Fooks**
(45) Registration Date: **17 March 2011**
(56) Related Art Documents: **Not Applicable**
(57) Statement of Newness and Distinctiveness: **Nil**



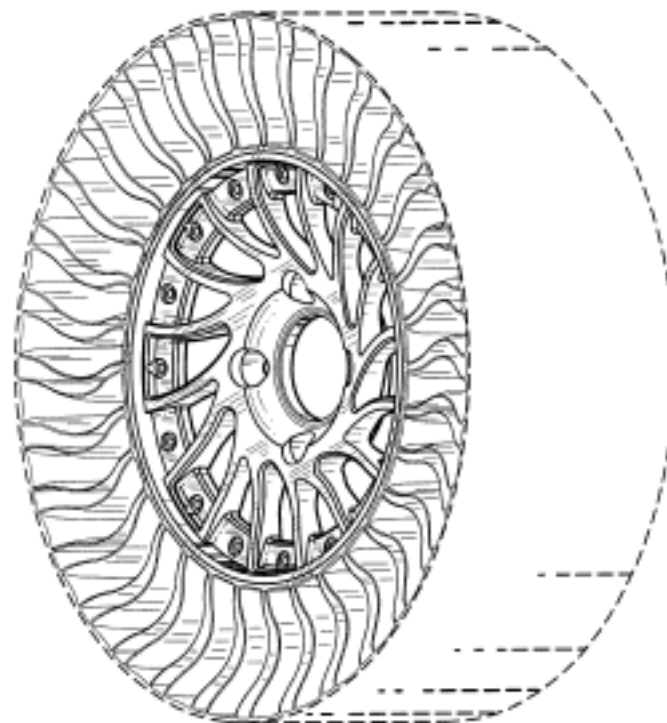
- (21) Design Number: **10706/2011**
(22) Date of Filing Application: **24 February 2011**
(24) Date from which industrial property rights may have effect: **24 February 2011**
(54) Product in respect of which the design is registered: **Drawing No. 00573
skylight extrusion**
(51) International Design Classification: **25-02H**
(74) Name(s) of Attorney(s):
(71) Name(s) and Address(s) of Applicant(s):
Skyspan Australia Pty Ltd
59 Wellington Street Riverstone New South Wales 2765 Australia
(72) Name(s) of Designer(s): **Rodric Lindsay Fooks**
(45) Registration Date: **17 March 2011**
(56) Related Art Documents: **Not Applicable**
(57) Statement of Newness and Distinctiveness: **Nil**



(21) Design Number: **10575/2011**
(22) Date of Filing Application: **18 February 2011**
(24) Date from which industrial property rights may have effect: **18 February 2011**
(54) Product in respect of which the design is registered: **Physiotherapy band**
(51) International Design Classification: **24-99**
(74) Name(s) of Attorney(s):
(71) Name(s) and Address(s) of Applicant(s):
Emel Colgar
7 Sylvia Avenue Carlingford New South Wales 2118 Australia
(72) Name(s) of Designer(s): **Emel Colgar**
(45) Registration Date: **17 March 2011**
(56) Related Art Documents: **Not Applicable**
(57) Statement of Newness and Distinctiveness: **Nil**



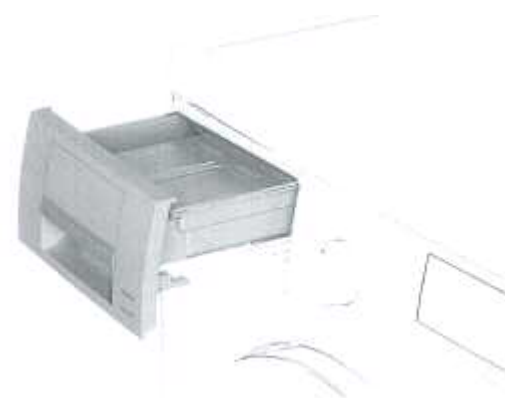
(21) Design Number: **10576/2011**
(22) Date of Filing Application: **21 February 2011**
(24) Date from which industrial property rights may have effect: **21 February 2011**
(54) Product in respect of which the design is registered: **Wheel**
(51) International Design Classification: **12-16A**
(74) Name(s) of Attorney(s): **WATERMARK PATENT AND TRADE MARKS ATTORNEYS**
(71) Name(s) and Address(s) of Applicant(s):
Michelin Recherche et Technique SA
Route Louis Braille 10 et 12 CH-1763 Granges-Paccot Switzerland
Societe De Technologie Michelin
23 rue Breschet F-63000 Clermont-Ferrand Cedex France
(72) Name(s) of Designer(s): **Benjamin E. Ebel and Derick Lonell Harris**
(45) Registration Date: **17 March 2011**
(30) Convention priority data:
(31) Number (32) Date (33) Country
29/368,943 31 Aug 2010 UNITED STATES OF AMERICA
(56) Related Art Documents: **Not Applicable**
(57) Statement of Newness and Distinctiveness: **Newness and distinctiveness resides in the front side elevational view shown in the drawings, the rear side elevational view and the portions of the wheel shown in dashed outline do not form part of the design.**



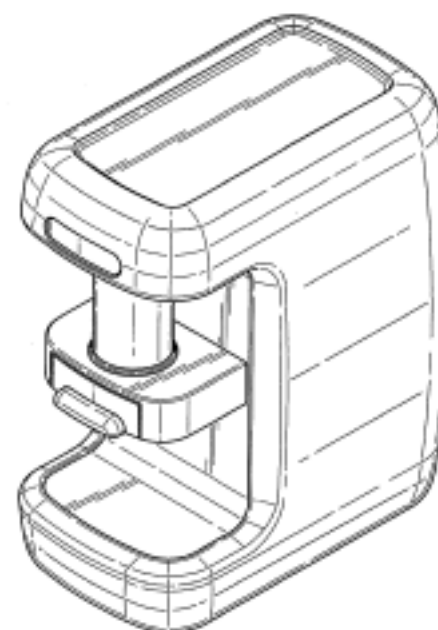
- (21) Design Number: **10397/2011**
(22) Date of Filing Application: **10 February 2011**
(24) Date from which industrial property rights may have effect: **10 February 2011**
(54) Product in respect of which the design is registered: **An upper for footwear**
(51) International Design Classification: **02-04NES**
(74) Name(s) of Attorney(s): **Cullens Patent and Trade Mark Attorneys**
(71) Name(s) and Address(s) of Applicant(s):
Holster Fashion Pty Ltd
6-55 Gateway Drive Noosaville Queensland 4566 Australia
(72) Name(s) of Designer(s): **Natalie Miller**
(45) Registration Date: **18 March 2011**
(56) Related Art Documents: **Not Applicable**
(57) Statement of Newness and Distinctiveness: **The design is applied to an upper for footwear, and the novelty resides in features of shape and configuration of an upper for footwear as shown in the accompanying representations.**



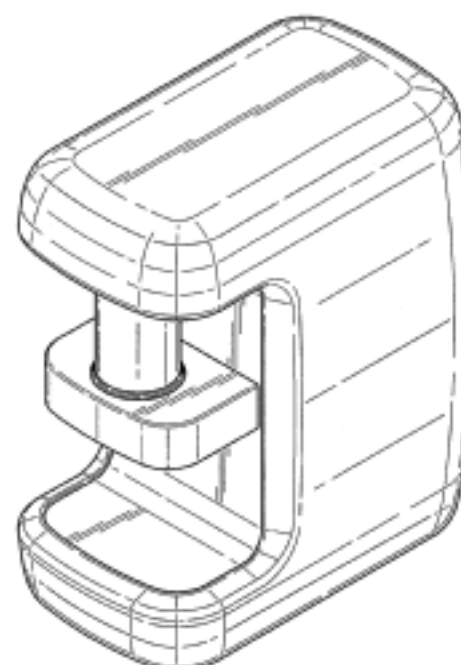
- (21) Design Number: **10053/2011**
(22) Date of Filing Application: **07 January 2011**
(24) Date from which industrial property rights may have effect: **07 January 2011**
(54) Product in respect of which the design is registered: **Detergent drawer for a washing machine**
(51) International Design Classification: **15-05**
(74) Name(s) of Attorney(s): **SPRUSON & FERGUSON**
(71) Name(s) and Address(s) of Applicant(s):
BSH Bosch und Siemens Hausgerate GmbH
Carl-Wery-Str. 34 81739 Munchen Germany
(72) Name(s) of Designer(s): **Klaus Forsterling and Johannes Geyer and Florian Metz and Carsten Weber**
(45) Registration Date: **18 March 2011**
(30) Convention priority data:
(31) Number (32) Date (33) Country
001225528 07 Jul 2010 EUROPEAN COMMUNITY
(56) Related Art Documents: **Not Applicable**
(57) Statement of Newness and Distinctiveness: **Newness and distinctiveness is claimed in the features of shape and/or configuration of detergent compartments with covers and a handle with indication lights of a detergent drawer for a washing machine illustrated in the accompanying representations.**



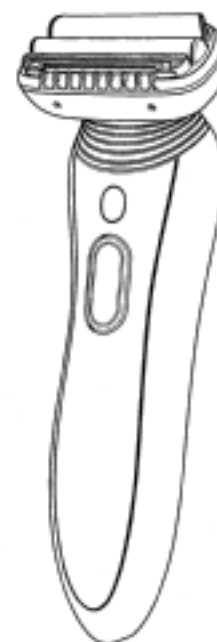
(21) Design Number: **10412/2011**
(22) Date of Filing Application: **10 February 2011**
(24) Date from which industrial property rights may have effect: **10 February 2011**
(54) Product in respect of which the design is registered: **Brewing device**
(51) International Design Classification: **07-02L**
(74) Name(s) of Attorney(s): **Davies Collison Cave**
(71) Name(s) and Address(s) of Applicant(s):
Unilever PLC
Unilever House 100 Victoria Embankment London EC4Y 0DY United Kingdom
(72) Name(s) of Designer(s): **Robert Wim Bronwasser**
(45) Registration Date: **18 March 2011**
(30) Convention priority data:
(31) Number (32) Date (33) Country
001743402-0001 13 Aug 2010 EUROPEAN COMMUNITY
(56) Related Art Documents: **Not Applicable**
(57) Statement of Newness and Distinctiveness: **Newness and distinctiveness is claimed in the visual features shown in solid lines in the reproductions.**



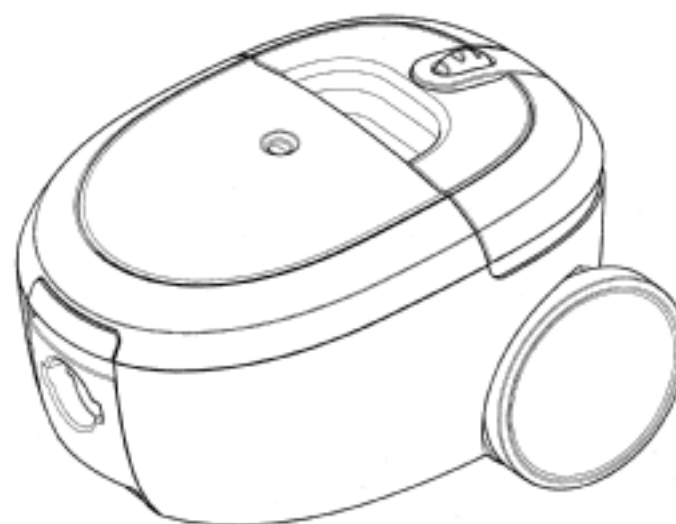
(21) Design Number: **10413/2011**
(22) Date of Filing Application: **10 February 2011**
(24) Date from which industrial property rights may have effect: **10 February 2011**
(54) Product in respect of which the design is registered: **Brewing device**
(51) International Design Classification: **07-02L**
(74) Name(s) of Attorney(s): **Davies Collison Cave**
(71) Name(s) and Address(s) of Applicant(s):
Unilever PLC
Unilever House 100 Victoria Embankment London EC4Y 0DY United Kingdom
(72) Name(s) of Designer(s): **Robert Wim Bronwasser**
(45) Registration Date: **18 March 2011**
(30) Convention priority data:
(31) Number (32) Date (33) Country
001743402-0002 13 Aug 2010 EUROPEAN COMMUNITY
(56) Related Art Documents: **Not Applicable**
(57) Statement of Newness and Distinctiveness: **Newness and distinctiveness is claimed in the visual features shown in solid lines in the reproductions.**



(21) Design Number: **10592/2011**
(22) Date of Filing Application: **21 February 2011**
(24) Date from which industrial property rights may have effect: **21 February 2011**
(54) Product in respect of which the design is registered: **Electric shaver**
(51) International Design Classification: **28-03A**
(74) Name(s) of Attorney(s): **FB Rice**
(71) Name(s) and Address(s) of Applicant(s):
Koninklijke Philips Electronics N.V.
High Tech Campus 5 5656 AE Eindhoven The Netherlands
(72) Name(s) of Designer(s): **Patrick Doulobakas and Da-Mi Byun**
(45) Registration Date: **18 March 2011**
(30) Convention priority data:
(31) Number (32) Date (33) Country
001746371-0001 24 Aug 2010 EUROPEAN COMMUNITY
(56) Related Art Documents: **Not Applicable**
(57) Statement of Newness and Distinctiveness: **Newness and distinctiveness reside in the features of shape and configuration of the design as shown in the representations.**



(21) Design Number: **10593/2011**
(22) Date of Filing Application: **21 February 2011**
(24) Date from which industrial property rights may have effect: **21 February 2011**
(54) Product in respect of which the design is registered: **Vacuum cleaner**
(51) International Design Classification: **15-05**
(74) Name(s) of Attorney(s): **FB Rice**
(71) Name(s) and Address(s) of Applicant(s):
Koninklijke Philips Electronics N.V.
Groenewoudseweg 1 5621 BA Eindhoven The Netherlands
(72) Name(s) of Designer(s): **Stefan Andreesen and Georg Johann Hagenauer and Guy Anthony Brown**
(45) Registration Date: **18 March 2011**
(30) Convention priority data:
(31) Number (32) Date (33) Country
001748443-0001 30 Aug 2010 EUROPEAN COMMUNITY
(56) Related Art Documents: **Not Applicable**
(57) Statement of Newness and Distinctiveness: **Newness and distinctiveness reside in the features of shape and configuration of the design as shown in the representations.**



- (21) Design Number: **10594/2011**
(22) Date of Filing Application: **21 February 2011**
(24) Date from which industrial property rights may have effect: **21 February 2011**
(54) Product in respect of which the design is registered: **Barbeque in the shape of an identical combustion engine**
(51) International Design Classification: **07-02E**
(74) Name(s) of Attorney(s):
(71) Name(s) and Address(s) of Applicant(s):
Turner Leisure Products Pty Ltd
33-35 Lionel Road Mt Waverley Victoria 3149 Australia
(72) Name(s) of Designer(s): **Andy Chong**
(45) Registration Date: **18 March 2011**
(56) Related Art Documents: **Not Applicable**
(57) Statement of Newness and Distinctiveness: **Distinctiveness is claimed in the BBQ with opening hood resembling combustion engine.**



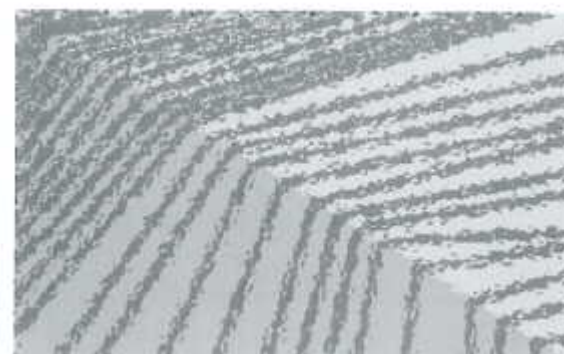
- (21) Design Number: **10631/2011**
(22) Date of Filing Application: **23 February 2011**
(24) Date from which industrial property rights may have effect: **23 February 2011**
(54) Product in respect of which the design is registered: **Tank and fence**
(51) International Design Classification: **23-01F, 25-02C**
(74) Name(s) of Attorney(s):
(71) Name(s) and Address(s) of Applicant(s):
Grahame William Hazelton
36 Haslingden Street Moruya New South Wales 2537 Australia
(72) Name(s) of Designer(s): **Grahame William Hazelton**
(45) Registration Date: **18 March 2011**
(56) Related Art Documents: **Not Applicable**
(57) Statement of Newness and Distinctiveness: **The tank is new in the way it fits into the post and rail of an existing colourbond or similar steel panel fence.**



- (21) Design Number: **10634/2011**
(22) Date of Filing Application: **22 February 2011**
(24) Date from which industrial property rights may have effect: **22 February 2011**
(54) Product in respect of which the design is registered: **Panel**
(51) International Design Classification: **25-01D**
(74) Name(s) of Attorney(s): **FB Rice**
(71) Name(s) and Address(s) of Applicant(s):
AAL Group Ltd
PO Box 137-126 Parnell Auckland 1151 New Zealand
(72) Name(s) of Designer(s): **John Arnold MacCulloch**
(45) Registration Date: **18 March 2011**
(30) Convention priority data:
(31) Number (32) Date (33) Country
001231856-01-80 24 Aug 2010 EUROPEAN COMMUNITY
(56) Related Art Documents: **Not Applicable**
(57) Statement of Newness and Distinctiveness: **Newness and distinctiveness reside in the features of pattern and ornamentation of the design as shown in the representations applied to a panel, particularly a panel for use on building exteriors or interiors.**



- (21) Design Number: **10635/2011**
(22) Date of Filing Application: **22 February 2011**
(24) Date from which industrial property rights may have effect: **22 February 2011**
(54) Product in respect of which the design is registered: **Panel**
(51) International Design Classification: **25-01D**
(74) Name(s) of Attorney(s): **FB Rice**
(71) Name(s) and Address(s) of Applicant(s):
AAL Group Ltd
PO Box 137-126 Parnell Auckland 1151 New Zealand
(72) Name(s) of Designer(s): **John Arnold MacCulloch**
(45) Registration Date: **18 March 2011**
(30) Convention priority data:
(31) Number (32) Date (33) Country
001231856-01-80 24 Aug 2010 EUROPEAN COMMUNITY
(56) Related Art Documents: **Not Applicable**
(57) Statement of Newness and Distinctiveness: **Newness and distinctiveness reside in the features of pattern and ornamentation of the design as shown in the representations applied to a panel, particularly a panel for use on building exteriors or interiors.**



(21) Design Number: **10658/2011**
(22) Date of Filing Application: **22 February 2011**
(24) Date from which industrial property rights may have effect: **22 February 2011**
(54) Product in respect of which the design is registered: **Ball throwing machine**
(51) International Design Classification: **21-02NES**
(74) Name(s) of Attorney(s): **PHILLIPS ORMONDE FITZPATRICK**
(71) Name(s) and Address(s) of Applicant(s):
Lob-ster, Inc
7340 Fulton Avenue North Hollywood California 91605 United States of America

(72) Name(s) of Designer(s): **Timothy Nugent**

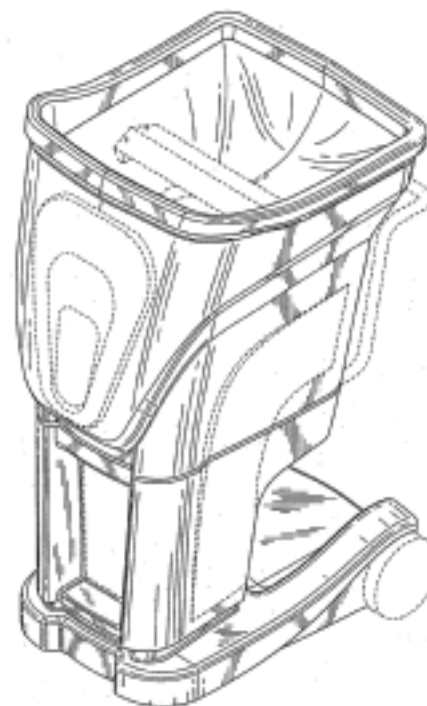
(45) Registration Date: **18 March 2011**

(30) Convention priority data:

(31) Number	(32) Date	(33) Country
29/368,439	24 Aug 2010	UNITED STATES OF AMERICA

(56) Related Art Documents: **Not Applicable**

(57) Statement of Newness and Distinctiveness: **Those features of the ball throwing machine depicted in the representations that are new and distinctive are the shape and/or configuration. The features shown in broken lines are not part of the design and are to be disregarded when considering the overall impression of the design.**



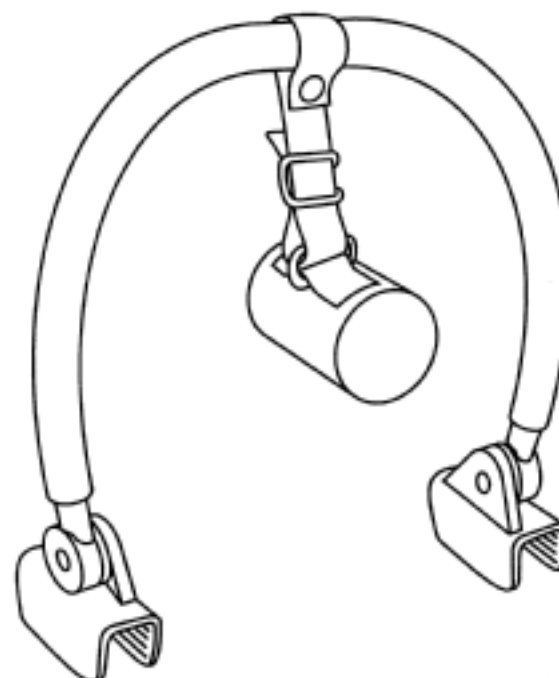
(21) Design Number: **10667/2011**
(22) Date of Filing Application: **23 February 2011**
(24) Date from which industrial property rights may have effect: **23 February 2011**
(54) Product in respect of which the design is registered: **Baby bar - Child mobile toy dangler fittable to baby car seats**
(51) International Design Classification: **21-01NES**
(74) Name(s) of Attorney(s): **Trademark Works**
(71) Name(s) and Address(s) of Applicant(s):
Sabina Victoria Read
7 Burruga Avenue Terry Hills New South Wales 2084 Australia

(72) Name(s) of Designer(s): **Sabina Victoria Read**

(45) Registration Date: **18 March 2011**

(56) Related Art Documents: **Not Applicable**

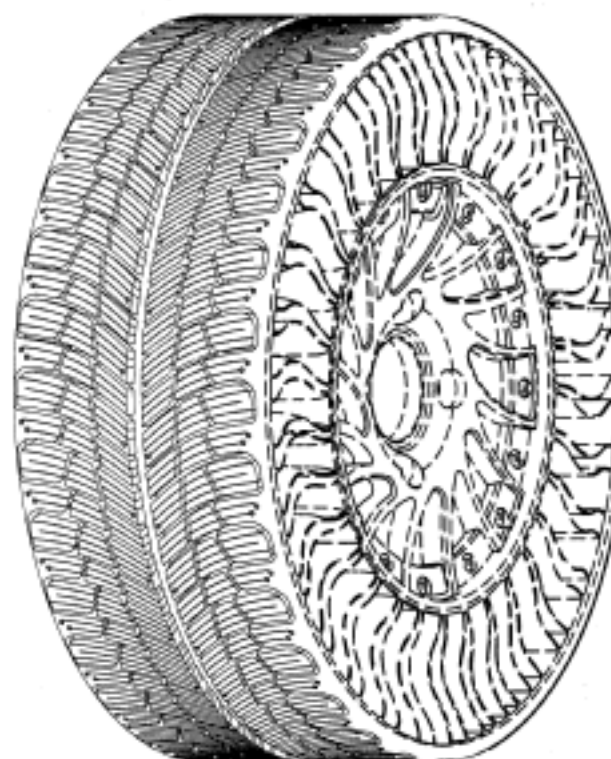
(57) Statement of Newness and Distinctiveness: **Nil**



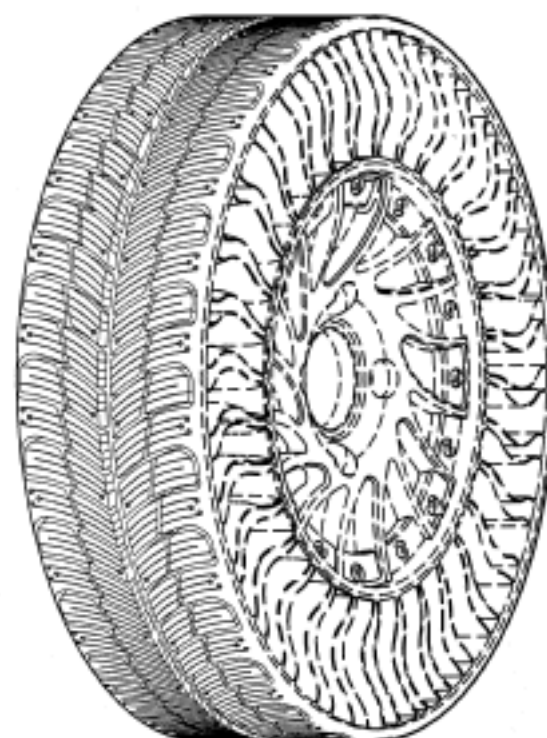
(21) Design Number: **13681/2010**
(22) Date of Filing Application: **24 August 2010**
(24) Date from which industrial property rights may have effect: **24 August 2010**
(54) Product in respect of which the design is registered: **Cushie Tushies one-size reusable swimming nappy**
(51) International Design Classification: **02-01B**
(74) Name(s) of Attorney(s):
(71) Name(s) and Address(s) of Applicant(s):
Cushie Tushies Pty Ltd
93 Mildura Drive Helensvale Queensland 4212 Australia
(72) Name(s) of Designer(s): **Michelle Fowler**
(45) Registration Date: **22 March 2011**
(56) Related Art Documents: **Not Applicable**
(57) Statement of Newness and Distinctiveness: **A one-size-fits-most reusable swimming nappy featuring a unique press stud formation that allows the one nappy to fit from approximately 4 months of age to toddler (6kg to 17kg).**



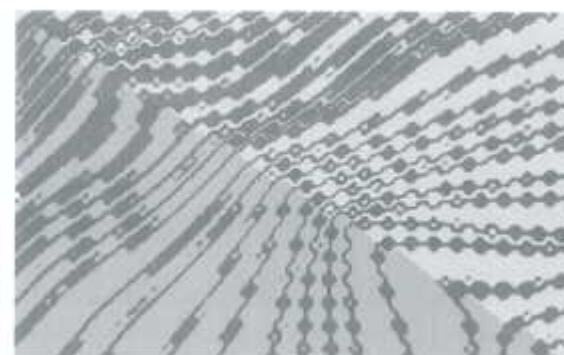
(21) Design Number: **10488/2011**
(22) Date of Filing Application: **17 February 2011**
(24) Date from which industrial property rights may have effect: **17 February 2011**
(54) Product in respect of which the design is registered: **Tyre tread**
(51) International Design Classification: **12-15B**
(74) Name(s) of Attorney(s): **WATERMARK PATENT AND TRADE MARKS ATTORNEYS**
(71) Name(s) and Address(s) of Applicant(s):
Michelin Recherche et Technique SA
Route Louis Braille 10 et 12 CH-1763 Granges-Paccot Switzerland
Societe De Technologie Michelin
23 rue Breschet F-63000 Clermont-Ferrand France
(72) Name(s) of Designer(s): **Derick Lonell Harris and Benjamin E. Ebel**
(45) Registration Date: **22 March 2011**
(30) Convention priority data:
(31) Number (32) Date (33) Country
29/368,926 31 Aug 2010 UNITED STATES OF AMERICA
(56) Related Art Documents: **Not Applicable**
(57) Statement of Newness and Distinctiveness: **Newness and distinctiveness resides in the pattern and configuration of the tread region of a tyre tread as represented in the drawings, the wheel structures shown in dashed outline not forming part of the design.**



- (21) Design Number: **10489/2011**
(22) Date of Filing Application: **17 February 2011**
(24) Date from which industrial property rights may have effect: **17 February 2011**
(54) Product in respect of which the design is registered: **Tyre tread**
(51) International Design Classification: **12-15B**
(74) Name(s) of Attorney(s): **WATERMARK PATENT AND TRADE MARKS ATTORNEYS**
(71) Name(s) and Address(s) of Applicant(s):
Michelin Recherche et Technique SA
Route Louis Braille 10 et 12 CH-1763 Granges-Paccot Switzerland
Societe De Technologie Michelin
23 rue Breschet F-63000 Clermont-Ferrand France
(72) Name(s) of Designer(s): **Derick Lonell Harris and Benjamin E. Ebel**
(45) Registration Date: **22 March 2011**
(30) Convention priority data:
(31) Number (32) Date (33) Country
29/368,932 31 Aug 2010 UNITED STATES OF AMERICA
(56) Related Art Documents: **Not Applicable**
(57) Statement of Newness and Distinctiveness: **Newness and distinctiveness resides in the pattern and configuration of the tread region of a tyre tread as represented in the drawings, the wheel structures shown in dashed outline not forming part of the design.**



- (21) Design Number: **10636/2011**
(22) Date of Filing Application: **22 February 2011**
(24) Date from which industrial property rights may have effect: **22 February 2011**
(54) Product in respect of which the design is registered: **Panel**
(51) International Design Classification: **25-01D**
(74) Name(s) of Attorney(s): **FB Rice**
(71) Name(s) and Address(s) of Applicant(s):
AAL Group Ltd
PO Box 137-126 Parnell Auckland 1151 New Zealand
(72) Name(s) of Designer(s): **John Arnold MacCulloch**
(45) Registration Date: **22 March 2011**
(30) Convention priority data:
(31) Number (32) Date (33) Country
001231856-01-80 24 Aug 2010 EUROPEAN COMMUNITY
(56) Related Art Documents: **Not Applicable**
(57) Statement of Newness and Distinctiveness: **Newness and distinctiveness reside in the features of pattern and ornamentation of the design as shown in the representations applied to a panel, particularly a panel for use on building exteriors or interiors.**



(21) Design Number: **10637/2011**
(22) Date of Filing Application: **22 February 2011**
(24) Date from which industrial property rights may have effect: **22 February 2011**
(54) Product in respect of which the design is registered: **Panel**
(51) International Design Classification: **25-01D**
(74) Name(s) of Attorney(s): **FB Rice**
(71) Name(s) and Address(s) of Applicant(s):
AAL Group Ltd
PO Box 137-126 Parnell Auckland 1151 New Zealand
(72) Name(s) of Designer(s): **John Arnold MacCulloch**
(45) Registration Date: **22 March 2011**
(30) Convention priority data:
(31) Number (32) Date (33) Country
001231856-01-80 24 Aug 2010 EUROPEAN COMMUNITY
(56) Related Art Documents: **Not Applicable**
(57) Statement of Newness and Distinctiveness: **Newness and distinctiveness reside in the features of pattern and ornamentation of the design as shown in the representations applied to a panel, particularly a panel for use on building exteriors or interiors.**



(21) Design Number: **10638/2011**
(22) Date of Filing Application: **22 February 2011**
(24) Date from which industrial property rights may have effect: **22 February 2011**
(54) Product in respect of which the design is registered: **Panel**
(51) International Design Classification: **25-01D**
(74) Name(s) of Attorney(s): **FB Rice**
(71) Name(s) and Address(s) of Applicant(s):
AAL Group Ltd
PO Box 137-126 Parnell Auckland 1151 New Zealand
(72) Name(s) of Designer(s): **John Arnold MacCulloch**
(45) Registration Date: **22 March 2011**
(30) Convention priority data:
(31) Number (32) Date (33) Country
001231856-01-80 24 Aug 2010 EUROPEAN COMMUNITY
(56) Related Art Documents: **Not Applicable**
(57) Statement of Newness and Distinctiveness: **Newness and distinctiveness reside in the features of pattern and ornamentation of the design as shown in the representations applied to a panel, particularly a panel for use on building exteriors or interiors.**



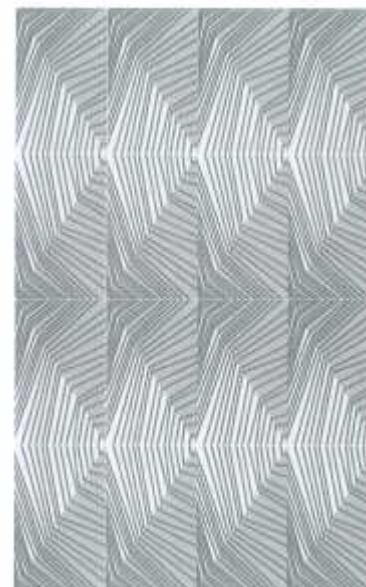
(21) Design Number: **10639/2011**
(22) Date of Filing Application: **22 February 2011**
(24) Date from which industrial property rights may have effect: **22 February 2011**
(54) Product in respect of which the design is registered: **Panel**
(51) International Design Classification: **25-01D**
(74) Name(s) of Attorney(s): **FB Rice**
(71) Name(s) and Address(s) of Applicant(s):
AAL Group Ltd
PO Box 137-126 Parnell Auckland 1151 New Zealand
(72) Name(s) of Designer(s): **John Arnold MacCulloch**
(45) Registration Date: **22 March 2011**
(30) Convention priority data:
(31) Number (32) Date (33) Country
001231856-01-80 24 Aug 2010 EUROPEAN COMMUNITY
(56) Related Art Documents: **Not Applicable**
(57) Statement of Newness and Distinctiveness: **Newness and distinctiveness reside in the features of pattern and ornamentation of the design as shown in the representations applied to a panel, particularly a panel for use on building exteriors or interiors.**



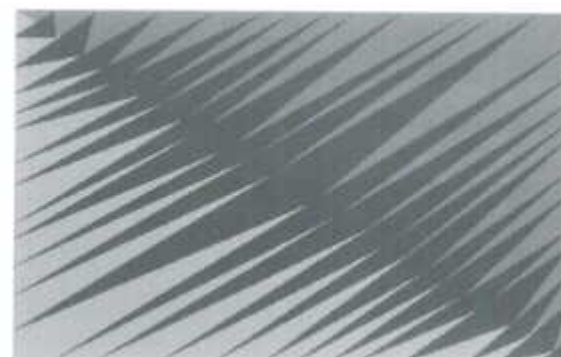
(21) Design Number: **10640/2011**
(22) Date of Filing Application: **22 February 2011**
(24) Date from which industrial property rights may have effect: **22 February 2011**
(54) Product in respect of which the design is registered: **Panel**
(51) International Design Classification: **25-01D**
(74) Name(s) of Attorney(s): **FB Rice**
(71) Name(s) and Address(s) of Applicant(s):
AAL Group Ltd
PO Box 137-126 Parnell Auckland 1151 New Zealand
(72) Name(s) of Designer(s): **John Arnold MacCulloch**
(45) Registration Date: **22 March 2011**
(30) Convention priority data:
(31) Number (32) Date (33) Country
001231856-01-80 24 Aug 2010 EUROPEAN COMMUNITY
(56) Related Art Documents: **Not Applicable**
(57) Statement of Newness and Distinctiveness: **Newness and distinctiveness reside in the features of pattern and ornamentation of the design as shown in the representations applied to a panel, particularly a panel for use on building exteriors or interiors.**



(21) Design Number: **10641/2011**
(22) Date of Filing Application: **22 February 2011**
(24) Date from which industrial property rights may have effect: **22 February 2011**
(54) Product in respect of which the design is registered: **Panel**
(51) International Design Classification: **25-01D**
(74) Name(s) of Attorney(s): **FB Rice**
(71) Name(s) and Address(s) of Applicant(s):
AAL Group Ltd
PO Box 137-126 Parnell Auckland 1151 New Zealand
(72) Name(s) of Designer(s): **John Arnold MacCulloch**
(45) Registration Date: **22 March 2011**
(30) Convention priority data:
(31) Number (32) Date (33) Country
001231856-01-80 24 Aug 2010 EUROPEAN COMMUNITY
(56) Related Art Documents: **Not Applicable**
(57) Statement of Newness and Distinctiveness: **Newness and distinctiveness reside in the features of pattern and ornamentation of the design as shown in the representations applied to a panel, particularly a panel for use on building exteriors or interiors.**



(21) Design Number: **10642/2011**
(22) Date of Filing Application: **22 February 2011**
(24) Date from which industrial property rights may have effect: **22 February 2011**
(54) Product in respect of which the design is registered: **Panel**
(51) International Design Classification: **25-01D**
(74) Name(s) of Attorney(s): **FB Rice**
(71) Name(s) and Address(s) of Applicant(s):
AAL Group Ltd
PO Box 137-126 Parnell Auckland 1151 New Zealand
(72) Name(s) of Designer(s): **John Arnold MacCulloch**
(45) Registration Date: **22 March 2011**
(30) Convention priority data:
(31) Number (32) Date (33) Country
001231856-01-80 24 Aug 2010 EUROPEAN COMMUNITY
(56) Related Art Documents: **Not Applicable**
(57) Statement of Newness and Distinctiveness: **Newness and distinctiveness reside in the features of pattern and ornamentation of the design as shown in the representations applied to a panel, particularly a panel for use on building exteriors or interiors.**



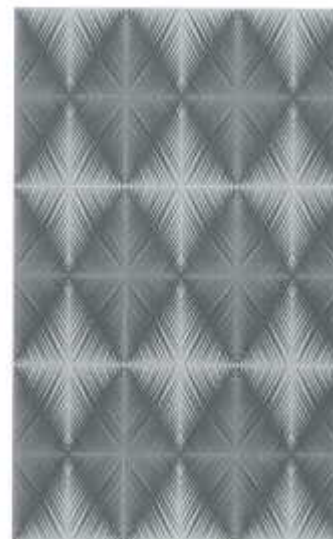
(21) Design Number: **10643/2011**
(22) Date of Filing Application: **22 February 2011**
(24) Date from which industrial property rights may have effect: **22 February 2011**
(54) Product in respect of which the design is registered: **Panel**
(51) International Design Classification: **25-01D**
(74) Name(s) of Attorney(s): **FB Rice**
(71) Name(s) and Address(s) of Applicant(s):
AAL Group Ltd
PO Box 137-126 Parnell Auckland 1151 New Zealand
(72) Name(s) of Designer(s): **John Arnold MacCulloch**
(45) Registration Date: **22 March 2011**
(30) Convention priority data:
(31) Number (32) Date (33) Country
001231856-01-80 24 Aug 2010 EUROPEAN COMMUNITY
(56) Related Art Documents: **Not Applicable**
(57) Statement of Newness and Distinctiveness: **Newness and distinctiveness reside in the features of pattern and ornamentation of the design as shown in the representations applied to a panel, particularly a panel for use on building exteriors or interiors.**



(21) Design Number: **10644/2011**
(22) Date of Filing Application: **22 February 2011**
(24) Date from which industrial property rights may have effect: **22 February 2011**
(54) Product in respect of which the design is registered: **Panel**
(51) International Design Classification: **25-01D**
(74) Name(s) of Attorney(s): **FB Rice**
(71) Name(s) and Address(s) of Applicant(s):
AAL Group Ltd
PO Box 137-126 Parnell Auckland 1151 New Zealand
(72) Name(s) of Designer(s): **John Arnold MacCulloch**
(45) Registration Date: **22 March 2011**
(30) Convention priority data:
(31) Number (32) Date (33) Country
001231856-01-80 24 Aug 2010 EUROPEAN COMMUNITY
(56) Related Art Documents: **Not Applicable**
(57) Statement of Newness and Distinctiveness: **Newness and distinctiveness reside in the features of pattern and ornamentation of the design as shown in the representations applied to a panel, particularly a panel for use on building exteriors or interiors.**



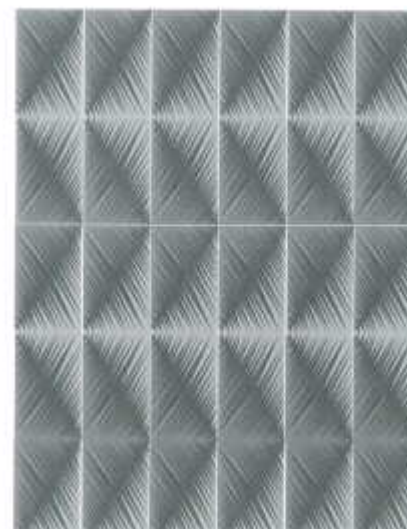
(21) Design Number: **10645/2011**
(22) Date of Filing Application: **22 February 2011**
(24) Date from which industrial property rights may have effect: **22 February 2011**
(54) Product in respect of which the design is registered: **Panel**
(51) International Design Classification: **25-01D**
(74) Name(s) of Attorney(s): **FB Rice**
(71) Name(s) and Address(s) of Applicant(s):
AAL Group Ltd
PO Box 137-126 Parnell Auckland 1151 New Zealand
(72) Name(s) of Designer(s): **John Arnold MacCulloch**
(45) Registration Date: **22 March 2011**
(30) Convention priority data:
(31) Number (32) Date (33) Country
001231856-01-80 24 Aug 2010 EUROPEAN COMMUNITY
(56) Related Art Documents: **Not Applicable**
(57) Statement of Newness and Distinctiveness: **Newness and distinctiveness reside in the features of pattern and ornamentation of the design as shown in the representations applied to a panel, particularly a panel for use on building exteriors or interiors.**



(21) Design Number: **10646/2011**
(22) Date of Filing Application: **22 February 2011**
(24) Date from which industrial property rights may have effect: **22 February 2011**
(54) Product in respect of which the design is registered: **Panel**
(51) International Design Classification: **25-01D**
(74) Name(s) of Attorney(s): **FB Rice**
(71) Name(s) and Address(s) of Applicant(s):
AAL Group Ltd
PO Box 137-126 Parnell Auckland 1151 New Zealand
(72) Name(s) of Designer(s): **John Arnold MacCulloch**
(45) Registration Date: **22 March 2011**
(30) Convention priority data:
(31) Number (32) Date (33) Country
001231856-01-80 24 Aug 2010 EUROPEAN COMMUNITY
(56) Related Art Documents: **Not Applicable**
(57) Statement of Newness and Distinctiveness: **Newness and distinctiveness reside in the features of pattern and ornamentation of the design as shown in the representations applied to a panel, particularly a panel for use on building exteriors or interiors.**



(21) Design Number: **10647/2011**
(22) Date of Filing Application: **22 February 2011**
(24) Date from which industrial property rights may have effect: **22 February 2011**
(54) Product in respect of which the design is registered: **Panel**
(51) International Design Classification: **25-01D**
(74) Name(s) of Attorney(s): **FB Rice**
(71) Name(s) and Address(s) of Applicant(s):
AAL Group Ltd
PO Box 137-126 Parnell Auckland 1151 New Zealand
(72) Name(s) of Designer(s): **John Arnold MacCulloch**
(45) Registration Date: **22 March 2011**
(30) Convention priority data:
(31) Number (32) Date (33) Country
001231856-01-80 24 Aug 2010 EUROPEAN COMMUNITY
(56) Related Art Documents: **Not Applicable**
(57) Statement of Newness and Distinctiveness: **Newness and distinctiveness reside in the features of pattern and ornamentation of the design as shown in the representations applied to a panel, particularly a panel for use on building exteriors or interiors.**



(21) Design Number: **10648/2011**
(22) Date of Filing Application: **22 February 2011**
(24) Date from which industrial property rights may have effect: **22 February 2011**
(54) Product in respect of which the design is registered: **Panel**
(51) International Design Classification: **25-01D**
(74) Name(s) of Attorney(s): **FB Rice**
(71) Name(s) and Address(s) of Applicant(s):
AAL Group Ltd
PO Box 137-126 Parnell Auckland 1151 New Zealand
(72) Name(s) of Designer(s): **John Arnold MacCulloch**
(45) Registration Date: **22 March 2011**
(30) Convention priority data:
(31) Number (32) Date (33) Country
001231856-01-80 24 Aug 2010 EUROPEAN COMMUNITY
(56) Related Art Documents: **Not Applicable**
(57) Statement of Newness and Distinctiveness: **Newness and distinctiveness reside in the features of pattern and ornamentation of the design as shown in the representations applied to a panel, particularly a panel for use on building exteriors or interiors.**



- (21) Design Number: **10649/2011**
(22) Date of Filing Application: **22 February 2011**
(24) Date from which industrial property rights may have effect: **22 February 2011**
(54) Product in respect of which the design is registered: **Panel**
(51) International Design Classification: **25-01D**
(74) Name(s) of Attorney(s): **FB Rice**
(71) Name(s) and Address(s) of Applicant(s):
AAL Group Ltd
PO Box 137-126 Parnell Auckland 1151 New Zealand
(72) Name(s) of Designer(s): **John Arnold MacCulloch**
(45) Registration Date: **22 March 2011**
(30) Convention priority data:
(31) Number (32) Date (33) Country
001231856-01-80 24 Aug 2010 EUROPEAN COMMUNITY
(56) Related Art Documents: **Not Applicable**
(57) Statement of Newness and Distinctiveness: **Newness and distinctiveness reside in the features of pattern and ornamentation of the design as shown in the representations applied to a panel, particularly a panel for use on building exteriors or interiors.**



- (21) Design Number: **10596/2011**
(22) Date of Filing Application: **21 February 2011**
(24) Date from which industrial property rights may have effect: **21 February 2011**
(54) Product in respect of which the design is registered: **Rear cover for motor scooter**
(51) International Design Classification: **12-11**
(74) Name(s) of Attorney(s): **SPRUSON & FERGUSON**
(71) Name(s) and Address(s) of Applicant(s):
Honda Motor Co., Ltd.
1-1 Minamiaoyama 2-chome Minato-ku Tokyo Japan
(72) Name(s) of Designer(s): **Kenji Shimizu and Takayuki Yamazaki**
(45) Registration Date: **22 March 2011**
(30) Convention priority data:
(31) Number (32) Date (33) Country
2010-020348 23 Aug 2010 JAPAN
(56) Related Art Documents: **Not Applicable**
(57) Statement of Newness and Distinctiveness: **Newness and distinctiveness is claimed in the features of shape and/or configuration of a rear cover for motor scooter as illustrated in the accompanying representations.**



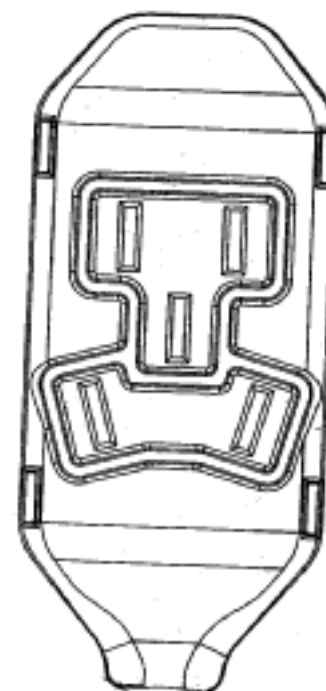
- (21) Design Number: **10597/2011**
(22) Date of Filing Application: **21 February 2011**
(24) Date from which industrial property rights may have effect: **21 February 2011**
(54) Product in respect of which the design is registered: **Front top cover for motor scooter**
(51) International Design Classification: **12-11**
(74) Name(s) of Attorney(s): **SPRUSON & FERGUSON**
(71) Name(s) and Address(s) of Applicant(s):
Honda Motor Co., Ltd.
1-1 Minamiaoyama 2-chome Minato-ku Tokyo Japan
(72) Name(s) of Designer(s): **Kenji Shimizu and Takehiro Ishikawa**
(45) Registration Date: **22 March 2011**
(30) Convention priority data:
(31) Number (32) Date (33) Country
2010-020347 23 Aug 2010 JAPAN
(56) Related Art Documents: **Not Applicable**
(57) Statement of Newness and Distinctiveness: **Newness and distinctiveness is claimed in the features of shape and/or configuration of a front top cover for motor scooter as illustrated in the accompanying representations.**



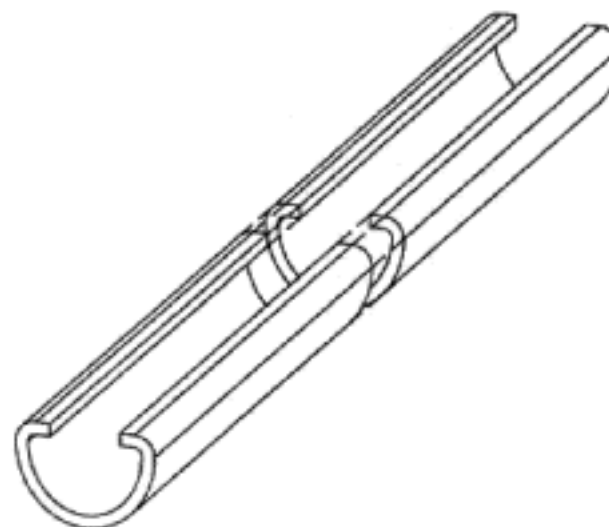
- (21) Design Number: **10598/2011**
(22) Date of Filing Application: **21 February 2011**
(24) Date from which industrial property rights may have effect: **21 February 2011**
(54) Product in respect of which the design is registered: **Motor scooter**
(51) International Design Classification: **12-11**
(74) Name(s) of Attorney(s): **SPRUSON & FERGUSON**
(71) Name(s) and Address(s) of Applicant(s):
Honda Motor Co., Ltd.
1-1 Minamiaoyama 2-chome Minato-ku Tokyo Japan
(72) Name(s) of Designer(s): **Tokumaru Watanabe and Kenji Shimizu**
(45) Registration Date: **22 March 2011**
(30) Convention priority data:
(31) Number (32) Date (33) Country
2010-020346 23 Aug 2010 JAPAN
(56) Related Art Documents: **Not Applicable**
(57) Statement of Newness and Distinctiveness: **Newness and distinctiveness is claimed in the features of shape and/or configuration of a motor scooter as illustrated in the accompanying representations.**



(21) Design Number: **10600/2011**
(22) Date of Filing Application: **21 February 2011**
(24) Date from which industrial property rights may have effect: **21 February 2011**
(54) Product in respect of which the design is registered: **An electrical connector unit**
(51) International Design Classification: **13-03B**
(74) Name(s) of Attorney(s): **Collison & Co**
(71) Name(s) and Address(s) of Applicant(s):
WBC Group Pty Ltd
28 Mellor Avenue Lockleys South Australia 5032 Australia
(72) Name(s) of Designer(s): **Mark T. Fahey**
(45) Registration Date: **22 March 2011**
(56) Related Art Documents: **Not Applicable**
(57) Statement of Newness and Distinctiveness: **Nil**



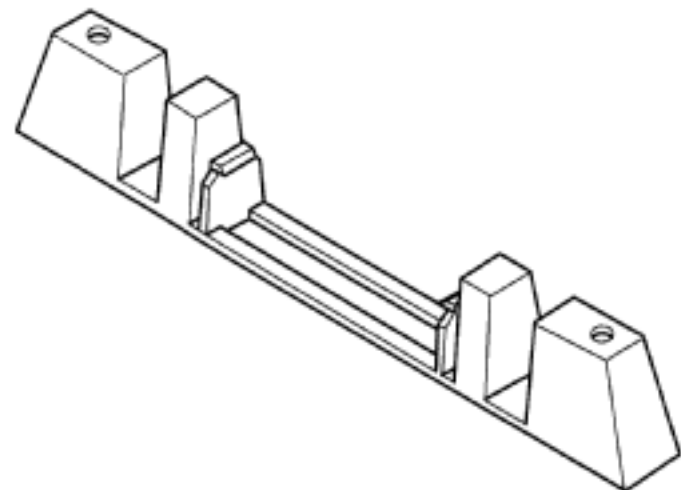
(21) Design Number: **10672/2011**
(22) Date of Filing Application: **23 February 2011**
(24) Date from which industrial property rights may have effect: **23 February 2011**
(54) Product in respect of which the design is registered: **Channel of indefinite length for anchoring components**
(51) International Design Classification: **25-01C**
(74) Name(s) of Attorney(s): **Griffith Hack**
(71) Name(s) and Address(s) of Applicant(s):
ACS Stainless Steel Fixings Limited
1 Cross Green Approach Leeds LS9 0SG United Kingdom
(72) Name(s) of Designer(s): **Matthew Freeman**
(45) Registration Date: **22 March 2011**
(30) Convention priority data:
(31) Number (32) Date (33) Country
001792227-0001 10 Dec 2010 EUROPEAN COMMUNITY
(56) Related Art Documents: **Not Applicable**
(57) Statement of Newness and Distinctiveness: **Nil**



(21) Design Number: **10673/2011**
(22) Date of Filing Application: **23 February 2011**
(24) Date from which industrial property rights may have effect: **23 February 2011**
(54) Product in respect of which the design is registered: **Anchoring components**
(51) International Design Classification: **08-08B**
(74) Name(s) of Attorney(s): **Griffith Hack**
(71) Name(s) and Address(s) of Applicant(s):
ACS Stainless Steel Fixings Limited
1 Cross Green Approach Leeds LS9 0SG United Kingdom
(72) Name(s) of Designer(s): **Matthew Freeman**
(45) Registration Date: **22 March 2011**
(30) Convention priority data:
(31) Number (32) Date (33) Country
001792227-0002 10 Dec 2010 EUROPEAN COMMUNITY
(56) Related Art Documents: **Not Applicable**
(57) Statement of Newness and Distinctiveness: **Nil**



(21) Design Number: **10681/2011**
(22) Date of Filing Application: **24 February 2011**
(24) Date from which industrial property rights may have effect: **24 February 2011**
(54) Product in respect of which the design is registered: **Casket handle body**
(51) International Design Classification: **08-06**
(74) Name(s) of Attorney(s):
(71) Name(s) and Address(s) of Applicant(s):
Zeus Products Pty. Ltd.
c/o Scanlan Carroll Business Lawyers 85-87 Charles Street Kew Victoria
3101 Australia
(72) Name(s) of Designer(s): **Gerard Osborne Suttie and Gary Scott**
(45) Registration Date: **22 March 2011**
(56) Related Art Documents: **Not Applicable**
(57) Statement of Newness and Distinctiveness: **Newness and distinctiveness reside in the shape and configuration of the Casket Handle Body as shown in the accompanying representations.**



(21) Design Number: **10682/2011**
(22) Date of Filing Application: **23 February 2011**
(24) Date from which industrial property rights may have effect: **23 February 2011**
(54) Product in respect of which the design is registered: **Telephone**
(51) International Design Classification: **14-03E**
(74) Name(s) of Attorney(s): **Griffith Hack**
(71) Name(s) and Address(s) of Applicant(s):
NEC Infrontia Corporation
6-1 Kitamikata 2-chome Takatsu-ku Kawasaki-shi Kanagawa Japan
(72) Name(s) of Designer(s): **Eiichi Taniguchi and Jun Tamatsu and Masaru Kunii and Naoki Ozawa and Tadamine Toh and Wataru Kuwajima**
(45) Registration Date: **22 March 2011**
(30) Convention priority data:
(31) Number (32) Date (33) Country
001232573 27 Aug 2010 EUROPEAN COMMUNITY
(56) Related Art Documents: **Not Applicable**
(57) Statement of Newness and Distinctiveness: **Nil**



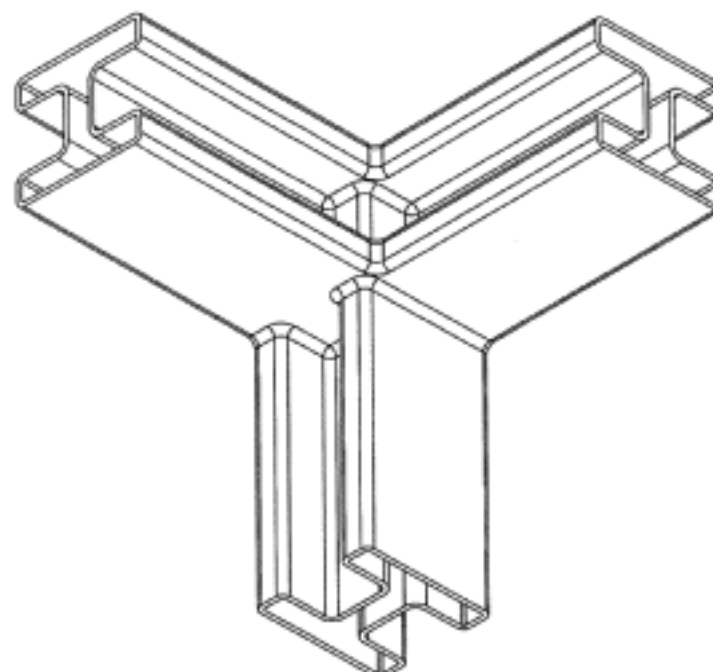
(21) Design Number: **10683/2011**
(22) Date of Filing Application: **23 February 2011**
(24) Date from which industrial property rights may have effect: **23 February 2011**
(54) Product in respect of which the design is registered: **Telephone**
(51) International Design Classification: **14-03E**
(74) Name(s) of Attorney(s): **Griffith Hack**
(71) Name(s) and Address(s) of Applicant(s):
NEC Infrontia Corporation
6-1 Kitamikata 2-chome Takatsu-ku Kawasaki-shi Kanagawa Japan
(72) Name(s) of Designer(s): **Eiichi Taniguchi and Jun Tamatsu and Masaru Kunii and Naoki Ozawa and Tadamine Toh and Wataru Kuwajima**
(45) Registration Date: **22 March 2011**
(30) Convention priority data:
(31) Number (32) Date (33) Country
001232573 27 Aug 2010 EUROPEAN COMMUNITY
(56) Related Art Documents: **Not Applicable**
(57) Statement of Newness and Distinctiveness: **Nil**



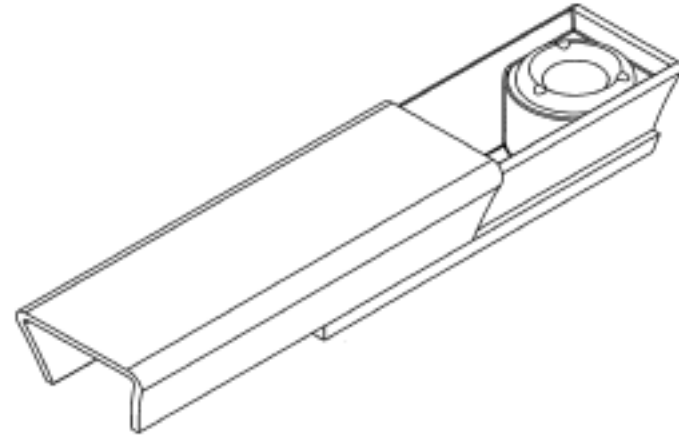
(21) Design Number: **10685/2011**
(22) Date of Filing Application: **23 February 2011**
(24) Date from which industrial property rights may have effect: **23 February 2011**
(54) Product in respect of which the design is registered: **Flask for perfumery products**
(51) International Design Classification: **09-01G**
(74) Name(s) of Attorney(s): **Griffith Hack**
(71) Name(s) and Address(s) of Applicant(s):
KENZO S.A.
18 rue Vivienne Paris 75002 France
(72) Name(s) of Designer(s): **Ron Arad**
(45) Registration Date: **22 March 2011**
(30) Convention priority data:
(31) Number (32) Date (33) Country
10/4602 14 Sep 2010 FRANCE
(56) Related Art Documents: **Not Applicable**
(57) Statement of Newness and Distinctiveness: **Nil**



(21) Design Number: **10686/2011**
(22) Date of Filing Application: **23 February 2011**
(24) Date from which industrial property rights may have effect: **23 February 2011**
(54) Product in respect of which the design is registered: **An extrusion**
(51) International Design Classification: **25-01K**
(74) Name(s) of Attorney(s): **SPRUSON & FERGUSON**
(71) Name(s) and Address(s) of Applicant(s):
Trans-World Foods Pty Limited
4 Tathra Street West Gosford New South Wales 2250 Australia
(72) Name(s) of Designer(s): **Stanley Parker**
(45) Registration Date: **22 March 2011**
(56) Related Art Documents: **Not Applicable**
(57) Statement of Newness and Distinctiveness: **Newness and distinctiveness is claimed in the features of shape and/or configuration of an extrusion as illustrated in the accompanying representations.**



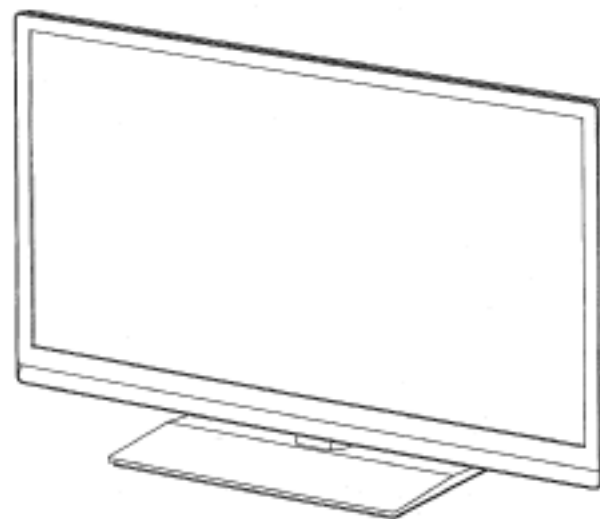
- (21) Design Number: **14283/2010**
(22) Date of Filing Application: **30 September 2010**
(24) Date from which industrial property rights may have effect: **30 September 2010**
(54) Product in respect of which the design is registered: **Ashtray**
(51) International Design Classification: **27-03**
(74) Name(s) of Attorney(s): **Halfords IP**
(71) Name(s) and Address(s) of Applicant(s):
Michael Edwards
2 Gold Street Blakehurst New South Wales 2221 Australia
(72) Name(s) of Designer(s): **Michael Edwards**
(45) Registration Date: **22 March 2011**
(56) Related Art Documents: **Not Applicable**
(57) Statement of Newness and Distinctiveness: **Nil**



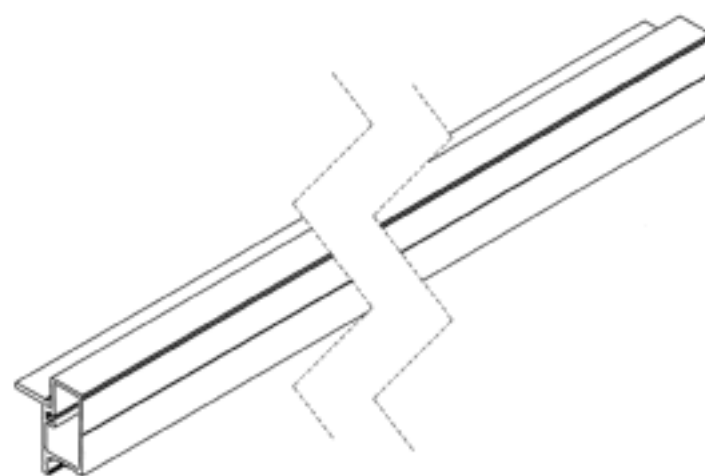
- (21) Design Number: **10632/2011**
(22) Date of Filing Application: **22 February 2011**
(24) Date from which industrial property rights may have effect: **22 February 2011**
(54) Product in respect of which the design is registered: **Earring hook**
(51) International Design Classification: **11-01D**
(74) Name(s) of Attorney(s):
(71) Name(s) and Address(s) of Applicant(s):
Connie Yuk Wan Lai
21 Lady Penryn Drive Beacon Hill New South Wales 2100 Australia
(72) Name(s) of Designer(s): **Connie Yuk Wan Lai**
(45) Registration Date: **22 March 2011**
(56) Related Art Documents: **Not Applicable**
(57) Statement of Newness and Distinctiveness: **I designed and created the earring hook.**



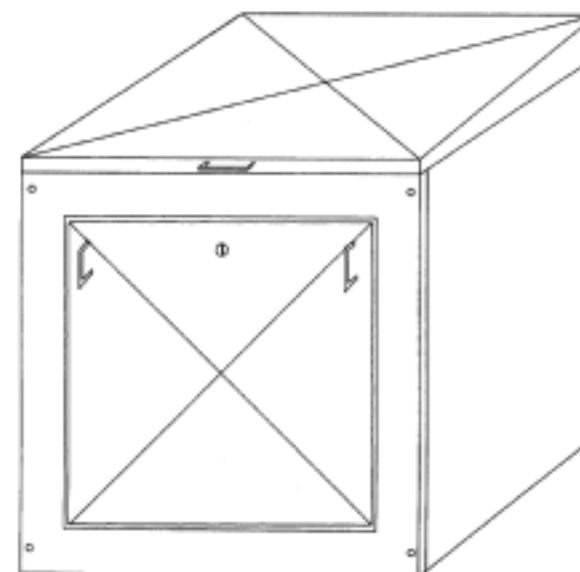
- (21) Design Number: **10163/2011**
(22) Date of Filing Application: **21 January 2011**
(24) Date from which industrial property rights may have effect: **21 January 2011**
(54) Product in respect of which the design is registered: **Television**
(51) International Design Classification: **14-03B**
(74) Name(s) of Attorney(s): **Davies Collison Cave**
(71) Name(s) and Address(s) of Applicant(s):
Sharp Kabushiki Kaisha
22-22 Nagaïke-cho Abeno-ku Osaka Japan
(72) Name(s) of Designer(s): **Katsuhiko Iida and Tohru Ohtani and Yoshito Fujii and Takeshi Kadera and Hiroshi Yamamizu and Kohichi Iida**
(45) Registration Date: **22 March 2011**
(30) Convention priority data:
(31) Number (32) Date (33) Country
2010-024964 19 Oct 2010 JAPAN
(56) Related Art Documents: **Not Applicable**
(57) Statement of Newness and Distinctiveness: **Nil**



- (21) Design Number: **10669/2011**
(22) Date of Filing Application: **23 February 2011**
(24) Date from which industrial property rights may have effect: **23 February 2011**
(54) Product in respect of which the design is registered: **Operable louvre screen buildout**
(51) International Design Classification: **08-09, 25-01K**
(74) Name(s) of Attorney(s):
(71) Name(s) and Address(s) of Applicant(s):
Dezinal Pty Ltd
C/- GCY Accountants Suites 1 & 2 Level 1-67 Lytton Road East Brisbane Queensland 4169 Australia
(72) Name(s) of Designer(s): **Ronald Maxwell**
(45) Registration Date: **22 March 2011**
(56) Related Art Documents: **Not Applicable**
(57) Statement of Newness and Distinctiveness: **The function of the plant on screen adaptor is to make adding security or flyscreens easy to fit to the outside of the frame while allowing operable louvres to be fully opened without hitting the back of the screen. This is a retrofit frame that can be installed to new or existing window frames, the hollow section reduces twist strengthening the frame, this creates a barrier that is burglar resistant.**



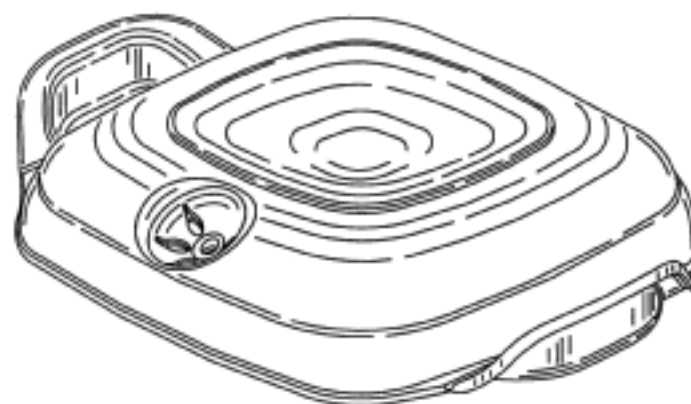
(21) Design Number: **10670/2011**
(22) Date of Filing Application: **24 February 2011**
(24) Date from which industrial property rights may have effect: **24 February 2011**
(54) Product in respect of which the design is registered: **Pool filter box**
(51) International Design Classification: **23-01G**
(74) Name(s) of Attorney(s): **PETER MAXWELL & ASSOCIATES**
(71) Name(s) and Address(s) of Applicant(s):
Nada Manufacturing Pty Ltd
Unit 2 103 Wetherill Street Silverwater New South Wales 2128 Australia
(72) Name(s) of Designer(s): **Paul Andrew Bellifemine**
(45) Registration Date: **22 March 2011**
(56) Related Art Documents: **Not Applicable**
(57) Statement of Newness and Distinctiveness: **Newness and distinctiveness is claimed in the shape and/or configuration of a POOL FILTER BOX as illustrated by the unbroken lines in the accompanying representations.**



(21) Design Number: **10671/2011**
(22) Date of Filing Application: **24 February 2011**
(24) Date from which industrial property rights may have effect: **24 February 2011**
(54) Product in respect of which the design is registered: **Bollard**
(51) International Design Classification: **25-02A**
(74) Name(s) of Attorney(s):
(71) Name(s) and Address(s) of Applicant(s):
Gavin Cook
26 Wildfire Road Maddington Western Australia 6109 Australia
Belinda Cook
26 Wildfire Road Maddington Western Australia 6109 Australia
Jonathan Cook
26 Wildfire Road Maddington Western Australia 6109 Australia
Teresa Cook
26 Wildfire Road Maddington Western Australia 6109 Australia
(72) Name(s) of Designer(s): **Gavin Cook**
(45) Registration Date: **22 March 2011**
(56) Related Art Documents: **Not Applicable**
(57) Statement of Newness and Distinctiveness: **Nil**



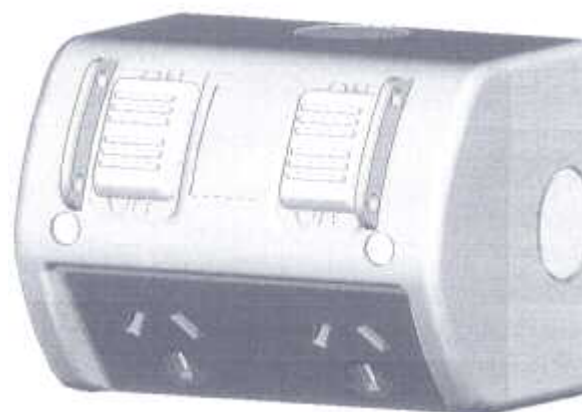
- (21) Design Number: **10917/2011**
(22) Date of Filing Application: **07 March 2011**
(24) Date from which industrial property rights may have effect: **07 March 2011**
(54) Product in respect of which the design is registered: **Cover for a microwave container**
(51) International Design Classification: **07-02NES, 07-02N**
(74) Name(s) of Attorney(s): **PHILLIPS ORMONDE FITZPATRICK**
(71) Name(s) and Address(s) of Applicant(s):
Dart Industries Inc
14901 S. Orange Blossom Trail Orlando Florida 32837 United States of America
(72) Name(s) of Designer(s): **Dimitri M.C.J. Backaert and Jan-Hendrik De Groote and Maartkin Demuyneck**
(45) Registration Date: **22 March 2011**
(30) Convention priority data:
(31) Number (32) Date (33) Country
29/370,952 24 Sep 2010 UNITED STATES OF AMERICA
(56) Related Art Documents: **Not Applicable**
(57) Statement of Newness and Distinctiveness: **Those features of the cover for a microwave oven depicted in the representations that are new and distinctive are the shape and/or configuration.**



- (21) Design Number: **10918/2011**
(22) Date of Filing Application: **07 March 2011**
(24) Date from which industrial property rights may have effect: **07 March 2011**
(54) Product in respect of which the design is registered: **Cover for a microwave container**
(51) International Design Classification: **07-02NES, 07-02N**
(74) Name(s) of Attorney(s): **PHILLIPS ORMONDE FITZPATRICK**
(71) Name(s) and Address(s) of Applicant(s):
Dart Industries Inc
14901 S. Orange Blossom Trail Orlando Florida 32837 United States of America
(72) Name(s) of Designer(s): **Dimitri M.C.J. Backaert and Jan-Hendrik De Groote and Maartkin Demuyneck**
(45) Registration Date: **22 March 2011**
(30) Convention priority data:
(31) Number (32) Date (33) Country
29/370,952 24 Sep 2010 UNITED STATES OF AMERICA
(56) Related Art Documents: **Not Applicable**
(57) Statement of Newness and Distinctiveness: **Those features of the cover for a microwave oven depicted in the representations that are new and distinctive are the shape and/or configuration.**



- (21) Design Number: **14120/2010**
(22) Date of Filing Application: **24 September 2010**
(24) Date from which industrial property rights may have effect: **24 September 2010**
(54) Product in respect of which the design is registered: **Powerpoint**
(51) International Design Classification: **13-03D**
(74) Name(s) of Attorney(s): **Lord & Company**
(71) Name(s) and Address(s) of Applicant(s):
Techtrade Marketing & Distribution Ltd
10 Lancewood Drive Halswell Christchurch 8025 New Zealand
(72) Name(s) of Designer(s): **Richard Carl Hall**
(45) Registration Date: **23 March 2011**
(56) Related Art Documents: **Not Applicable**
(57) Statement of Newness and Distinctiveness: **The particular visual features of the design which are new and distinctive are shape or configuration.**



- (21) Design Number: **14121/2010**
(22) Date of Filing Application: **24 September 2010**
(24) Date from which industrial property rights may have effect: **24 September 2010**
(54) Product in respect of which the design is registered: **Switch**
(51) International Design Classification: **13-03D**
(74) Name(s) of Attorney(s): **Lord & Company**
(71) Name(s) and Address(s) of Applicant(s):
Techtrade Marketing & Distribution Ltd
10 Lancewood Drive Halswell Christchurch 8025 New Zealand
(72) Name(s) of Designer(s): **Richard Carl Hall**
(45) Registration Date: **23 March 2011**
(56) Related Art Documents: **Not Applicable**
(57) Statement of Newness and Distinctiveness: **The particular visual features of the design which are new and distinctive are shape or configuration.**



(21) Design Number: **14284/2010**

(22) Date of Filing Application: **30 September 2010**

(24) Date from which industrial property rights may have effect: **30 September 2010**

(54) Product in respect of which the design is registered: **Ashtray container**

(51) International Design Classification: **27-03**

(74) Name(s) of Attorney(s): **Halfords IP**

(71) Name(s) and Address(s) of Applicant(s):

Michael Edwards

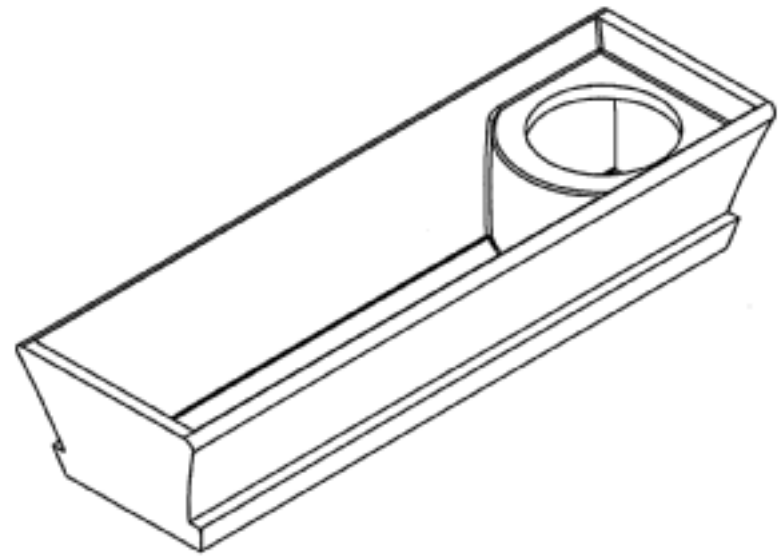
2 Gold Street Blakehurst New South Wales 2221 Australia

(72) Name(s) of Designer(s): **Michael Edwards**

(45) Registration Date: **23 March 2011**

(56) Related Art Documents: **Not Applicable**

(57) Statement of Newness and Distinctiveness: **Nil**



(21) Design Number: **14285/2010**

(22) Date of Filing Application: **30 September 2010**

(24) Date from which industrial property rights may have effect: **30 September 2010**

(54) Product in respect of which the design is registered: **Ashtray lid**

(51) International Design Classification: **27-03**

(74) Name(s) of Attorney(s): **Halfords IP**

(71) Name(s) and Address(s) of Applicant(s):

Michael Edwards

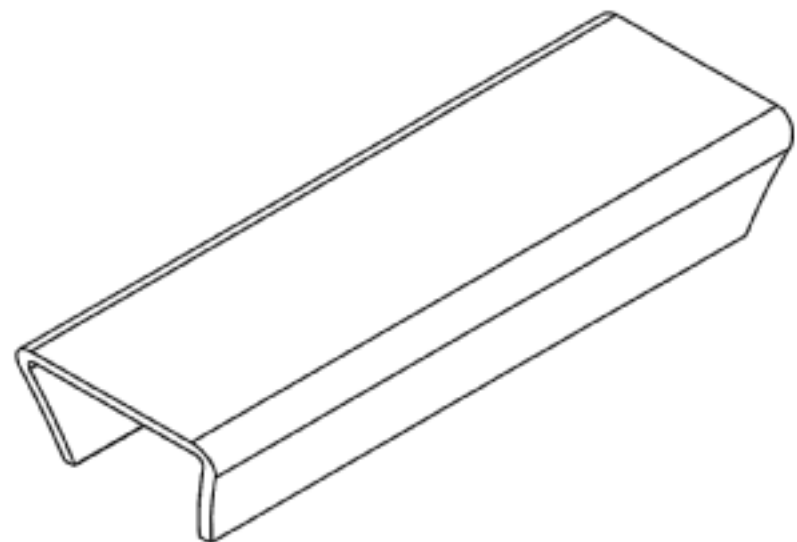
2 Gold Street Blakehurst New South Wales 2221 Australia

(72) Name(s) of Designer(s): **Michael Edwards**

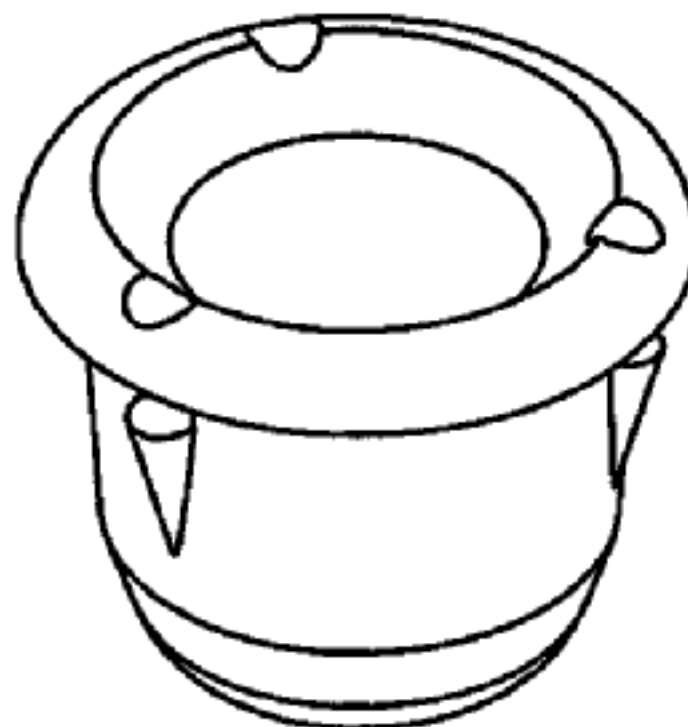
(45) Registration Date: **23 March 2011**

(56) Related Art Documents: **Not Applicable**

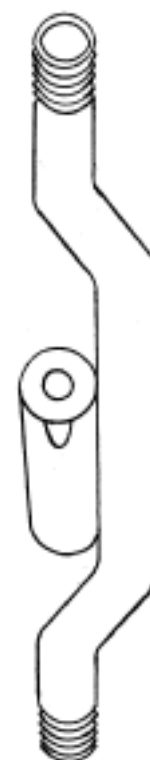
(57) Statement of Newness and Distinctiveness: **Nil**



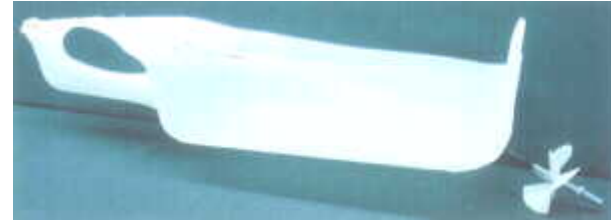
(21) Design Number: **14286/2010**
(22) Date of Filing Application: **30 September 2010**
(24) Date from which industrial property rights may have effect: **30 September 2010**
(54) Product in respect of which the design is registered: **Cigarette snuffer**
(51) International Design Classification: **27-99**
(74) Name(s) of Attorney(s): **Halfords IP**
(71) Name(s) and Address(s) of Applicant(s):
Michael Edwards
2 Gold Street Blakehurst New South Wales 2221 Australia
(72) Name(s) of Designer(s): **Michael Edwards**
(45) Registration Date: **23 March 2011**
(56) Related Art Documents: **Not Applicable**
(57) Statement of Newness and Distinctiveness: **Nil**



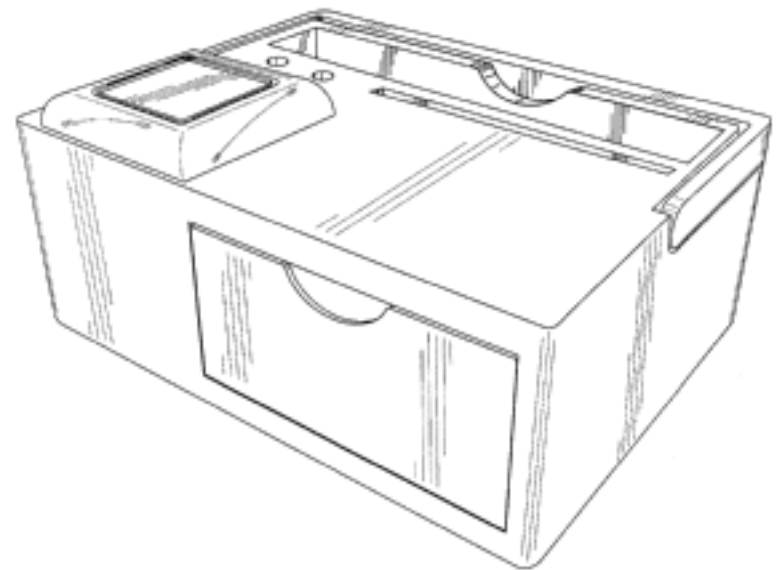
(21) Design Number: **10071/2011**
(22) Date of Filing Application: **06 January 2011**
(24) Date from which industrial property rights may have effect: **06 January 2011**
(54) Product in respect of which the design is registered: **Pump float switch level sensor permitting discharge pipe for bore pumps**
(51) International Design Classification: **23-01B**
(74) Name(s) of Attorney(s):
(71) Name(s) and Address(s) of Applicant(s):
Reginald Leigh Faulkner
2035 Albany Highway Maddington Western Australia 6109 Australia
Edith Eweyi Faulkner
2035 Albany Highway Maddington Western Australia 6109 Australia
(72) Name(s) of Designer(s): **Reginald Leigh Faulkner and Edith Eweyi Faulkner**
(45) Registration Date: **23 March 2011**
(56) Related Art Documents: **Not Applicable**
(57) Statement of Newness and Distinctiveness: **The novelty claimed for the design resides in its shape and configuration. This design remedies the available space to permit the use of a float switch or level sensor at a pump inside the confines of a bore casing.**



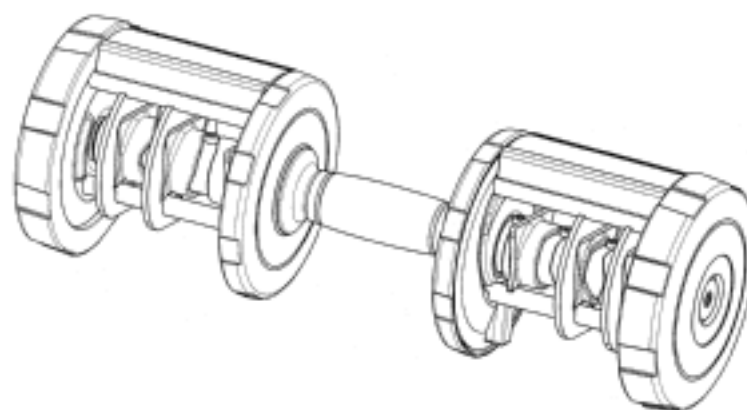
(21) Design Number: **10088/2011**
(22) Date of Filing Application: **11 January 2011**
(24) Date from which industrial property rights may have effect: **11 January 2011**
(54) Product in respect of which the design is registered: **Rubber band powered boat - milk**
(51) International Design Classification: **21-01C**
(74) Name(s) of Attorney(s):
(71) Name(s) and Address(s) of Applicant(s):
Education Projects Pty Ltd
57 Bancroft Terrace Deception Bay Queensland 4508 Australia
(72) Name(s) of Designer(s): **Christopher Fowler**
(45) Registration Date: **23 March 2011**
(56) Related Art Documents: **Not Applicable**
(57) Statement of Newness and Distinctiveness: **This boat is constructed out of a plastic milk container.**



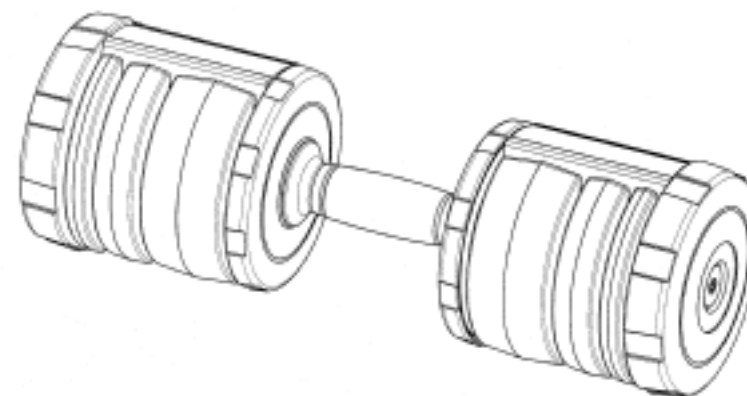
(21) Design Number: **10698/2011**
(22) Date of Filing Application: **25 February 2011**
(24) Date from which industrial property rights may have effect: **25 February 2011**
(54) Product in respect of which the design is registered: **Combination patient education and storage article**
(51) International Design Classification: **24-99**
(74) Name(s) of Attorney(s): **WATERMARK PATENT AND TRADE MARKS ATTORNEYS**
(71) Name(s) and Address(s) of Applicant(s):
Sanofi-Aventis U.S. L.L.C.
55 Corporate Drive Bridgewater NJ 08807 United States of America
(72) Name(s) of Designer(s): **Linda Szych**
(45) Registration Date: **23 March 2011**
(30) Convention priority data:
(31) Number (32) Date (33) Country
29/375,229 20 Sep 2010 UNITED STATES OF AMERICA
(56) Related Art Documents: **Not Applicable**
(57) Statement of Newness and Distinctiveness: **Nil**



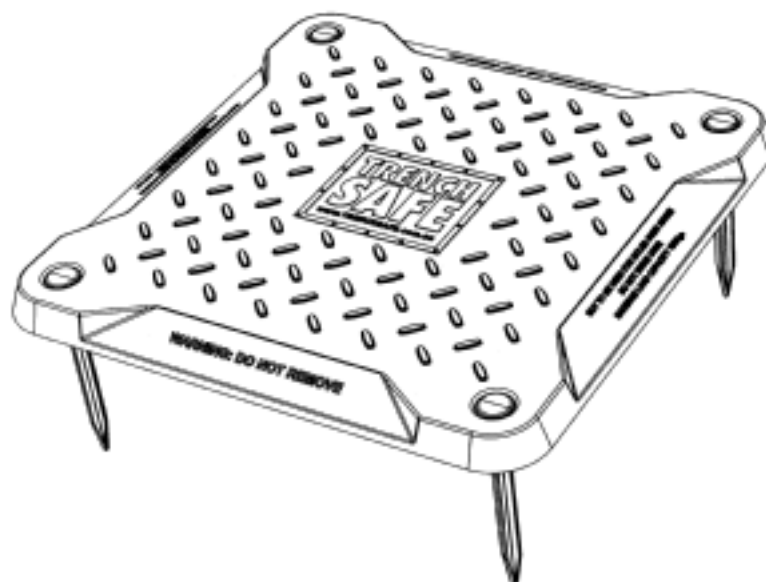
(21) Design Number: **10699/2011**
(22) Date of Filing Application: **24 February 2011**
(24) Date from which industrial property rights may have effect: **24 February 2011**
(54) Product in respect of which the design is registered: **Exercise weight system**
(51) International Design Classification: **21-02F**
(74) Name(s) of Attorney(s): **Fisher Adams Kelly**
(71) Name(s) and Address(s) of Applicant(s):
Icon IP, Inc.
1500 South 1000 West Logan 84321 Utah United States of America
(72) Name(s) of Designer(s): **William Dalebout and Michael Olson and Richard Evans**
(45) Registration Date: **23 March 2011**
(30) Convention priority data:
(31) Number (32) Date (33) Country
29/385021 08 Feb 2011 UNITED STATES OF AMERICA
(56) Related Art Documents: **Not Applicable**
(57) Statement of Newness and Distinctiveness: **The newness and distinctiveness of the design resides in the shape and/or configuration of the exercise weight system shown in the representations.**



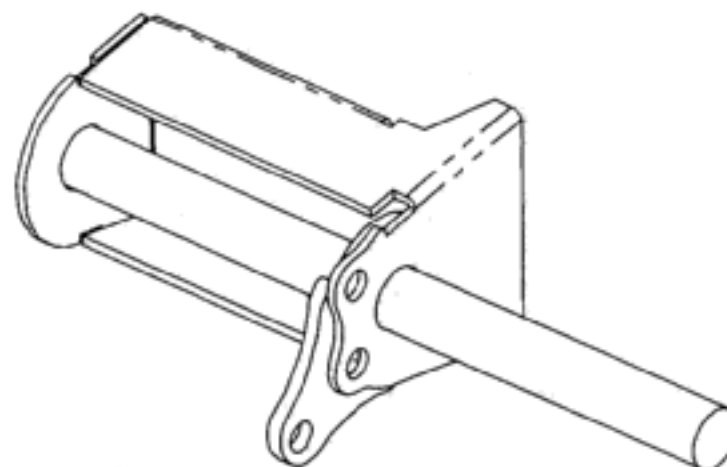
(21) Design Number: **10700/2011**
(22) Date of Filing Application: **24 February 2011**
(24) Date from which industrial property rights may have effect: **24 February 2011**
(54) Product in respect of which the design is registered: **Exercise weight system**
(51) International Design Classification: **21-02F**
(74) Name(s) of Attorney(s): **Fisher Adams Kelly**
(71) Name(s) and Address(s) of Applicant(s):
Icon IP, Inc.
1500 South 1000 West Logan 84321 Utah United States of America
(72) Name(s) of Designer(s): **William Dalebout and Richard Evans**
(45) Registration Date: **23 March 2011**
(30) Convention priority data:
(31) Number (32) Date (33) Country
29/385025 08 Feb 2011 UNITED STATES OF AMERICA
(56) Related Art Documents: **Not Applicable**
(57) Statement of Newness and Distinctiveness: **The newness and distinctiveness of the design resides in the shape and/or configuration of the exercise weight system shown in the representations.**



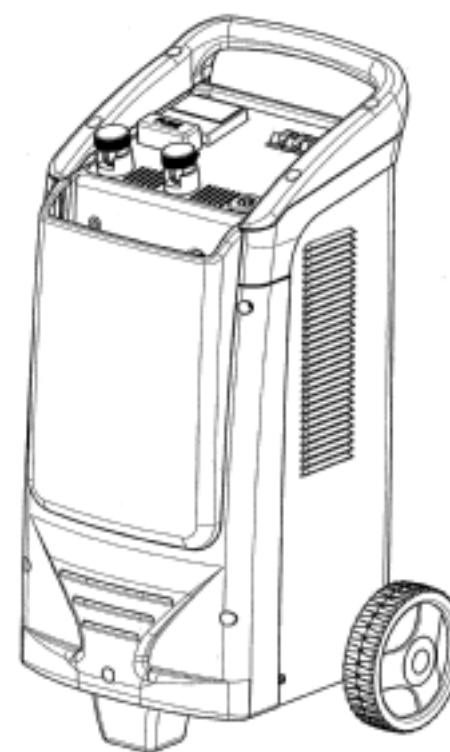
- (21) Design Number: **10930/2011**
(22) Date of Filing Application: **08 March 2011**
(24) Date from which industrial property rights may have effect: **08 March 2011**
(54) Product in respect of which the design is registered: **Post hole safety cover**
(51) International Design Classification: **23-01E**
(74) Name(s) of Attorney(s):
(71) Name(s) and Address(s) of Applicant(s):
Trench Safe Pty Ltd
19 Cedar Creek Road Cedar Creek Queensland 4207 Australia
(72) Name(s) of Designer(s): **Alexander Wall**
(45) Registration Date: **23 March 2011**
(56) Related Art Documents: **Not Applicable**
(57) Statement of Newness and Distinctiveness: **Ramped edges for water runoff and reduce trips, grid for grip, warnings, stackable, honeycombing for strength, easy to use pin locking system.**



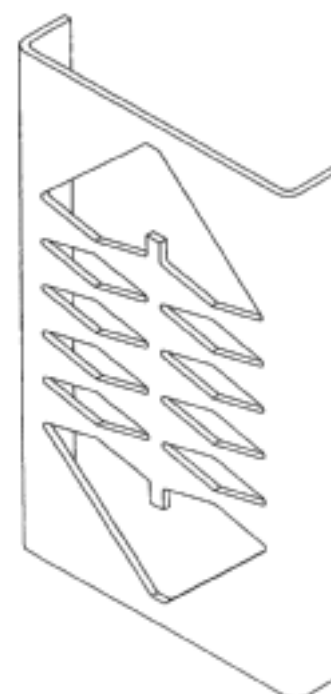
- (21) Design Number: **10932/2011**
(22) Date of Filing Application: **04 March 2011**
(24) Date from which industrial property rights may have effect: **04 March 2011**
(54) Product in respect of which the design is registered: **A slide bolt latch assembly for securing a gate in the closed position**
(51) International Design Classification: **08-07**
(74) Name(s) of Attorney(s):
(71) Name(s) and Address(s) of Applicant(s):
Bluedog Fences Australia Holdings Pty Ltd
Unit 3/119 Wicks Road North Ryde New South Wales 2113 Australia
(72) Name(s) of Designer(s): **James D.F. West**
(45) Registration Date: **23 March 2011**
(56) Related Art Documents: **Not Applicable**
(57) Statement of Newness and Distinctiveness: **Newness and distinctiveness is claimed in the shape and/or configuration of a slide bolt latch assembly as shown in the representations.**



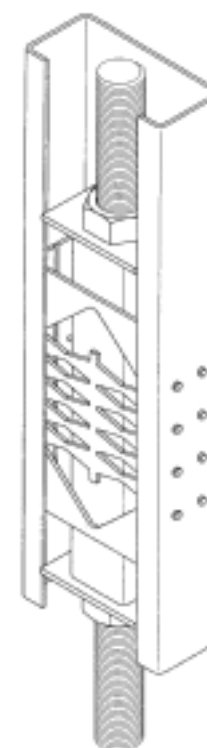
(21) Design Number: **11094/2011**
(22) Date of Filing Application: **11 March 2011**
(24) Date from which industrial property rights may have effect: **11 March 2011**
(54) Product in respect of which the design is registered: **Battery charger B**
(51) International Design Classification: **13-02**
(74) Name(s) of Attorney(s): **WALLINGTON-DUMMER**
(71) Name(s) and Address(s) of Applicant(s):
Telwin Spa
Via della Tecnica No. 3 Villaverla (VI) 36030 Italy
(72) Name(s) of Designer(s): **Antonio Spillere**
(45) Registration Date: **23 March 2011**
(56) Related Art Documents: **Not Applicable**
(57) Statement of Newness and Distinctiveness: **Nil**



(21) Design Number: **13975/2010**
(22) Date of Filing Application: **13 September 2010**
(24) Date from which industrial property rights may have effect: **13 September 2010**
(54) Product in respect of which the design is registered: **Vibration-damping hardware**
(51) International Design Classification: **25-01C, 08-08NES**
(74) Name(s) of Attorney(s): **Griffith Hack**
(71) Name(s) and Address(s) of Applicant(s):
Nippon Steel Corporation
6-1 Marunouchi 2-chome Chiyoda-ku Tokyo 100-8071 Japan
(72) Name(s) of Designer(s): **Fuminobu Ozaki and Yoshimichi Kawai**
(45) Registration Date: **24 March 2011**
(30) Convention priority data:
(31) Number (32) Date (33) Country
2010-019573 10 Aug 2010 JAPAN
(56) Related Art Documents: **Not Applicable**
(57) Statement of Newness and Distinctiveness: **The shape and configuration of the vibration-damping hardware is new and distinctive.**



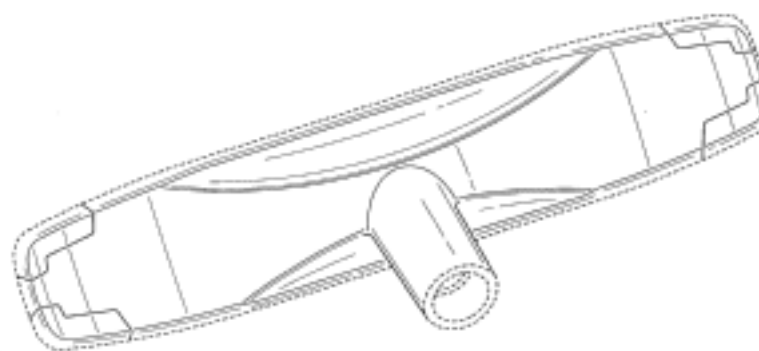
- (21) Design Number: **13976/2010**
(22) Date of Filing Application: **13 September 2010**
(24) Date from which industrial property rights may have effect: **13 September 2010**
(54) Product in respect of which the design is registered: **Vibration-damping device**
(51) International Design Classification: **25-01C, 08-08NES**
(74) Name(s) of Attorney(s): **Griffith Hack**
(71) Name(s) and Address(s) of Applicant(s):
Nippon Steel Corporation
6-1 Marunouchi 2-chome Chiyoda-ku Tokyo 100-8071 Japan
(72) Name(s) of Designer(s): **Fuminobu Ozaki and Yoshimichi Kawai**
(45) Registration Date: **24 March 2011**
(30) Convention priority data:
(31) Number (32) Date (33) Country
2010-019572 10 Aug 2010 JAPAN
(56) Related Art Documents: **Not Applicable**
(57) Statement of Newness and Distinctiveness: **The shape and configuration of the vibration-damping device is new and distinctive.**



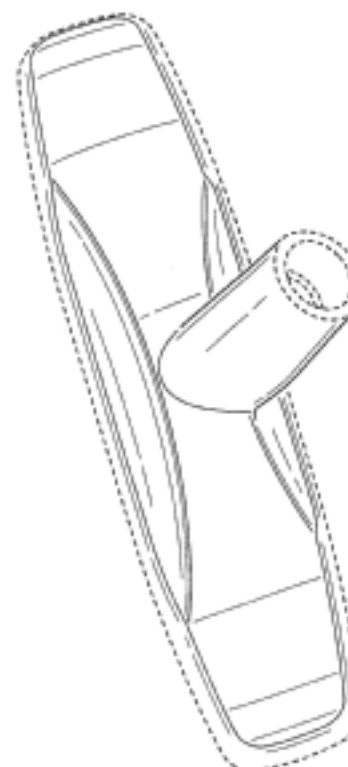
- (21) Design Number: **15814/2010**
(22) Date of Filing Application: **25 February 2011**
(24) Date from which industrial property rights may have effect: **25 February 2011**
(54) Product in respect of which the design is registered: **Improvement to the traditional slide door for water control on large pipe or head walls**
(51) International Design Classification: **23-01E**
(74) Name(s) of Attorney(s):
(71) Name(s) and Address(s) of Applicant(s):
Recycled Plastic Pipe Manufactures Pty Ltd
280 Kyabram Road Lancaster Victoria 3620 Australia
(72) Name(s) of Designer(s): **Christopher James Kay and Terry James Kay**
(45) Registration Date: **24 March 2011**
(56) Related Art Documents: **Not Applicable**
(57) Statement of Newness and Distinctiveness: **We have eliminated the bottom sealing sill of the traditional slide door and the vertical rubber guides/seal. The problem with the bottom sealing sill was that debris would build up and stop the door from sealing. Our new design the door has a radius bottom with a one piece rubber seal attached to the door sealing against the backing plate.**



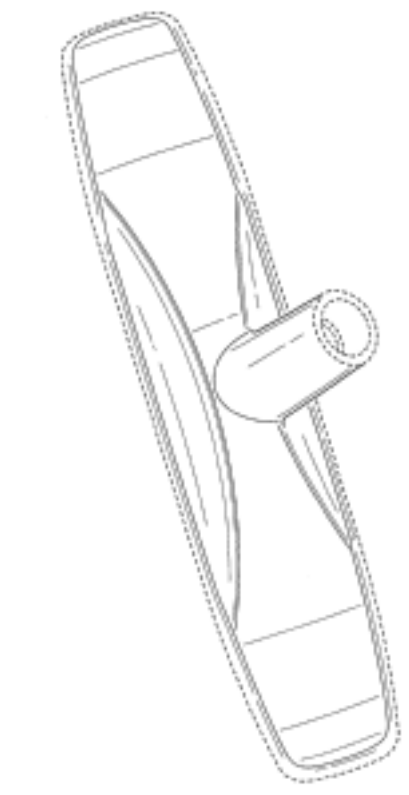
- (21) Design Number: **10752/2011**
(22) Date of Filing Application: **28 February 2011**
(24) Date from which industrial property rights may have effect: **28 February 2011**
(54) Product in respect of which the design is registered: **Broom block**
(51) International Design Classification: **04-01**
(74) Name(s) of Attorney(s): **Shelston IP**
(71) Name(s) and Address(s) of Applicant(s):
Sabco Australia Pty Ltd
9-13 Link Way Laverton North Victoria 3026 Australia
(72) Name(s) of Designer(s): **Ken Joiner and Leanne Amanda Smith**
(45) Registration Date: **24 March 2011**
(56) Related Art Documents: **Not Applicable**
(57) Statement of Newness and Distinctiveness: **Newness and distinctiveness reside in the shape and/or configuration of a broom block, as illustrated by solid lines in the accompanying representations. The broken lines immediately adjacent to the shaded area represent unclaimed boundaries of the design and the features shown in the remaining broken or discontinuous lines are for illustrative purposes only and do not form part of the design.**



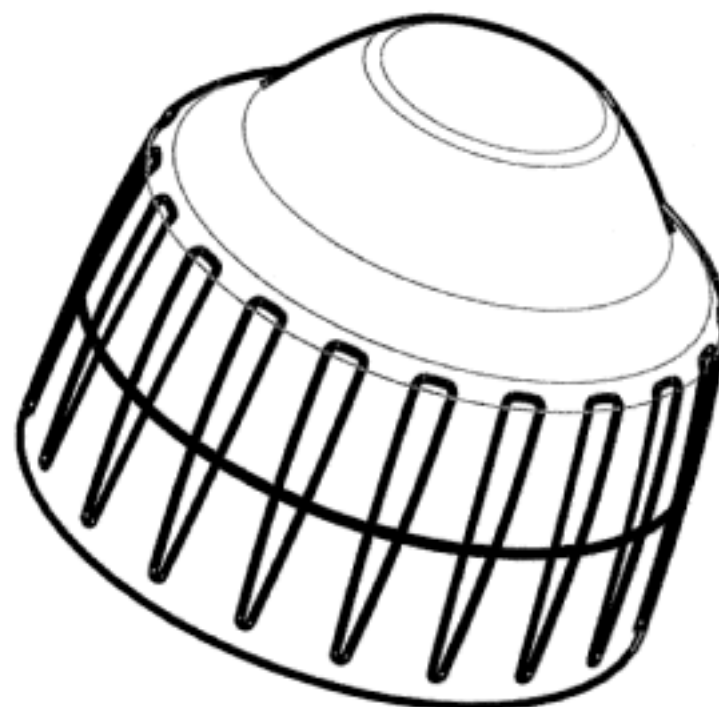
- (21) Design Number: **11131/2011**
(22) Date of Filing Application: **16 March 2011**
(24) Date from which industrial property rights may have effect: **28 February 2011**
(54) Product in respect of which the design is registered: **Broom block**
(51) International Design Classification: **04-01**
(74) Name(s) of Attorney(s): **Shelston IP**
(71) Name(s) and Address(s) of Applicant(s):
Sabco Australia Pty Ltd
9-13 Link Way Laverton North Victoria 3026 Australia
(72) Name(s) of Designer(s): **Kenneth Raymond Joiner and Leanne Amanda Smith**
(45) Registration Date: **24 March 2011**
(62) Divisional of: **335576**
(56) Related Art Documents: **Not Applicable**
(57) Statement of Newness and Distinctiveness: **Newness and distinctiveness reside in the shape and/or configuration of a broom block, as illustrated by solid lines in the accompanying representations. The broken lines immediately adjacent to the shaded area represent unclaimed boundaries of the design and the features shown in the remaining broken or discontinuous lines are for illustrative purposes only and do not form part of the design.**



- (21) Design Number: **11132/2011**
(22) Date of Filing Application: **16 March 2011**
(24) Date from which industrial property rights may have effect: **28 February 2011**
(54) Product in respect of which the design is registered: **Broom block**
(51) International Design Classification: **04-01**
(74) Name(s) of Attorney(s): **Shelston IP**
(71) Name(s) and Address(s) of Applicant(s):
Sabco Australia Pty Ltd
9-13 Link Way Laverton North Victoria 3026 Australia
(72) Name(s) of Designer(s): **Kenneth Raymond Joiner and Leanne Amanda Smith**
(45) Registration Date: **24 March 2011**
(62) Divisional of: **335576**
(56) Related Art Documents: **Not Applicable**
(57) Statement of Newness and Distinctiveness: **Newness and distinctiveness reside in the shape and/or configuration of a broom block, as illustrated by solid lines in the accompanying representations. The broken lines immediately adjacent to the shaded area represent unclaimed boundaries of the design and the features shown in the remaining broken or discontinuous lines are for illustrative purposes only and do not form part of the design.**



- (21) Design Number: **10764/2011**
(22) Date of Filing Application: **01 March 2011**
(24) Date from which industrial property rights may have effect: **01 March 2011**
(54) Product in respect of which the design is registered: **A closure for a bottle**
(51) International Design Classification: **09-07C**
(74) Name(s) of Attorney(s): **Cullens Patent and Trade Mark Attorneys**
(71) Name(s) and Address(s) of Applicant(s):
Ecococoon Pty Ltd
2 Millbrook Drive Pullenvale 4069 Queensland Australia
(72) Name(s) of Designer(s): **Scot Farley**
(45) Registration Date: **24 March 2011**
(56) Related Art Documents: **Not Applicable**
(57) Statement of Newness and Distinctiveness: **Newness and distinctiveness is claimed in the shape and configuration of the closure as shown in the accompanying drawings.**



(21) Design Number: **10881/2011**

(22) Date of Filing Application: **04 March 2011**

(24) Date from which industrial property rights may have effect: **04 March 2011**

(54) Product in respect of which the design is registered: **Latch for a boat trailer**

(51) International Design Classification: **08-07**

(74) Name(s) of Attorney(s):

(71) Name(s) and Address(s) of Applicant(s):

John Robert Pomper

33 Song Street Narre Warren Victoria 3805 Australia

(72) Name(s) of Designer(s): **John Robert Pomper**

(45) Registration Date: **24 March 2011**

(56) Related Art Documents: **Not Applicable**

(57) Statement of Newness and Distinctiveness: **Boat latch consists of two arms which have holes at one end, joined together at the other end by a rod which has a rotating rubber sleeve and a spring to one side.**



(21) Design Number: **10882/2011**

(22) Date of Filing Application: **04 March 2011**

(24) Date from which industrial property rights may have effect: **04 March 2011**

(54) Product in respect of which the design is registered: **Bolt for a boat**

(51) International Design Classification: **08-08B**

(74) Name(s) of Attorney(s):

(71) Name(s) and Address(s) of Applicant(s):

John Robert Pomper

33 Song Street Narre Warren Victoria 3805 Australia

(72) Name(s) of Designer(s): **John Robert Pomper**

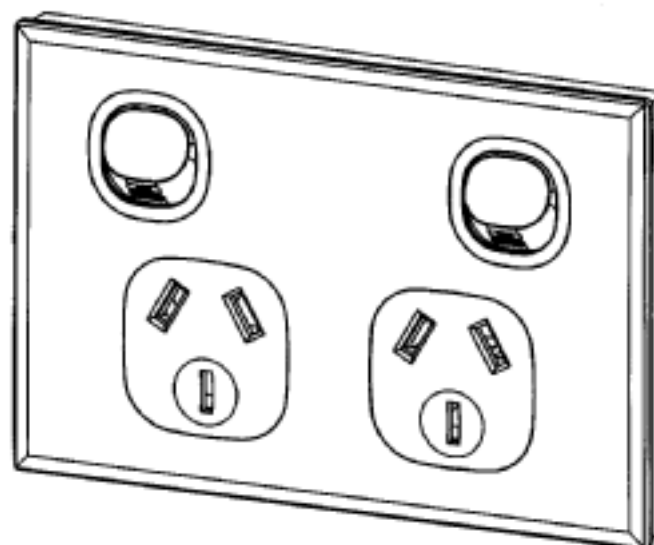
(45) Registration Date: **24 March 2011**

(56) Related Art Documents: **Not Applicable**

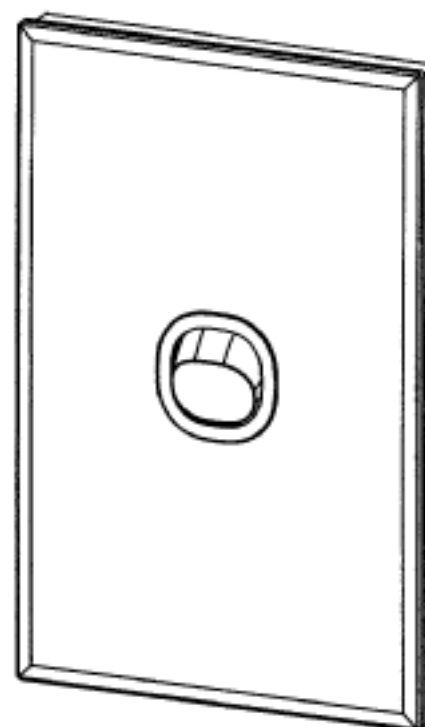
(57) Statement of Newness and Distinctiveness: **The bow eye bolt has a large hole at the top, a small hole in the middle and a protruding straight hook at the bottom and two threaded bolts.**



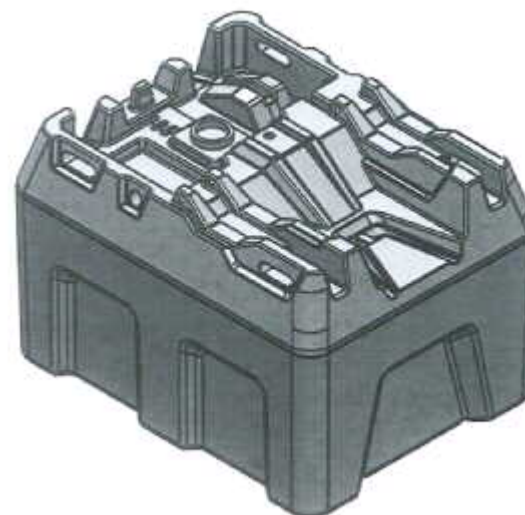
- (21) Design Number: **14080/2010**
(22) Date of Filing Application: **22 September 2010**
(24) Date from which industrial property rights may have effect: **22 September 2010**
(54) Product in respect of which the design is registered: **Powerpoint**
(51) International Design Classification: **13-03D, 13-03E**
(74) Name(s) of Attorney(s): **Lord & Company**
(71) Name(s) and Address(s) of Applicant(s):
Techtrade Marketing & Distribution Ltd
10 Lancewood Drive Halswell Christchurch 8025 New Zealand
(72) Name(s) of Designer(s): **Richard Carl Hall**
(45) Registration Date: **28 March 2011**
(56) Related Art Documents: **Not Applicable**
(57) Statement of Newness and Distinctiveness: **The particular visual features of the design which are new and distinctive are shape or configuration.**



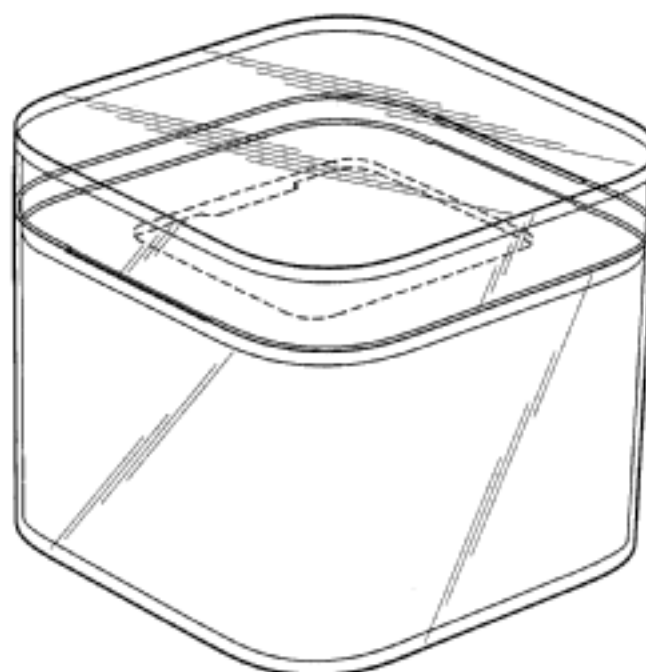
- (21) Design Number: **14081/2010**
(22) Date of Filing Application: **22 September 2010**
(24) Date from which industrial property rights may have effect: **22 September 2010**
(54) Product in respect of which the design is registered: **Switch**
(51) International Design Classification: **13-03D, 13-03E**
(74) Name(s) of Attorney(s): **Lord & Company**
(71) Name(s) and Address(s) of Applicant(s):
Techtrade Marketing & Distribution Ltd
10 Lancewood Drive Halswell Christchurch 8025 New Zealand
(72) Name(s) of Designer(s): **Richard Carl Hall**
(45) Registration Date: **28 March 2011**
(56) Related Art Documents: **Not Applicable**
(57) Statement of Newness and Distinctiveness: **The particular visual features of the design which are new and distinctive are shape or configuration.**



- (21) Design Number: **10714/2011**
(22) Date of Filing Application: **25 February 2011**
(24) Date from which industrial property rights may have effect: **25 February 2011**
(54) Product in respect of which the design is registered: **300L tank**
(51) International Design Classification: **23-01F**
(74) Name(s) of Attorney(s):
(71) Name(s) and Address(s) of Applicant(s):
Silvan Australia Pty Ltd
244 Greens Road Dandenong Sth Victoria 3175 Australia
(72) Name(s) of Designer(s): **Steve Forest**
(45) Registration Date: **28 March 2011**
(56) Related Art Documents: **Not Applicable**
(57) Statement of Newness and Distinctiveness: **Nil**



- (21) Design Number: **10715/2011**
(22) Date of Filing Application: **25 February 2011**
(24) Date from which industrial property rights may have effect: **25 February 2011**
(54) Product in respect of which the design is registered: **Packaging**
(51) International Design Classification: **09-03M**
(74) Name(s) of Attorney(s): **Freehills Patent & Trade Mark Attorneys**
(71) Name(s) and Address(s) of Applicant(s):
Apple Inc.
1 Infinite Loop Cupertino California 95014 United States of America
(72) Name(s) of Designer(s): **Jody Akana and Bartley K. Andre and Jeremy Bataillou and Daniel J. Coster and Daniele De Iulii and Evans Hankey and Richard P. Howarth and Jonathan P. Ive and Duncan Robert Kerr and Shin Nishibori and Matthew Dean Rohrbach and Peter Russell-Clarke and Christopher J. Stringer and Eugene Antony Whang and Rico Zorkendorfer**
(45) Registration Date: **28 March 2011**
(30) Convention priority data:
(31) Number (32) Date (33) Country
29/368992 31 Aug 2010 UNITED STATES OF AMERICA
(56) Related Art Documents: **Not Applicable**
(57) Statement of Newness and Distinctiveness: **Newness and distinctiveness resides in the features represented by solid lines in the accompanying figures.**



(21) Design Number: **10716/2011**
(22) Date of Filing Application: **25 February 2011**
(24) Date from which industrial property rights may have effect: **25 February 2011**
(54) Product in respect of which the design is registered: **Packaging**
(51) International Design Classification: **09-03M**
(74) Name(s) of Attorney(s): **Freehills Patent & Trade Mark Attorneys**
(71) Name(s) and Address(s) of Applicant(s):

Apple Inc.
1 Infinite Loop Cupertino California 95014 United States of America

(72) Name(s) of Designer(s): **Jody Akana and Bartley K. Andre and Jeremy Bataillou and Daniel J. Coster and Daniele De Iuliis and Evans Hankey and Richard P. Howarth and Jonathan P. Ive and Duncan Robert Kerr and Shin Nishibori and Matthew Dean Rohrbach and Peter Russell-Clarke and Christopher J. Stringer and Eugene Antony Whang and Rico Zorkendorfer**

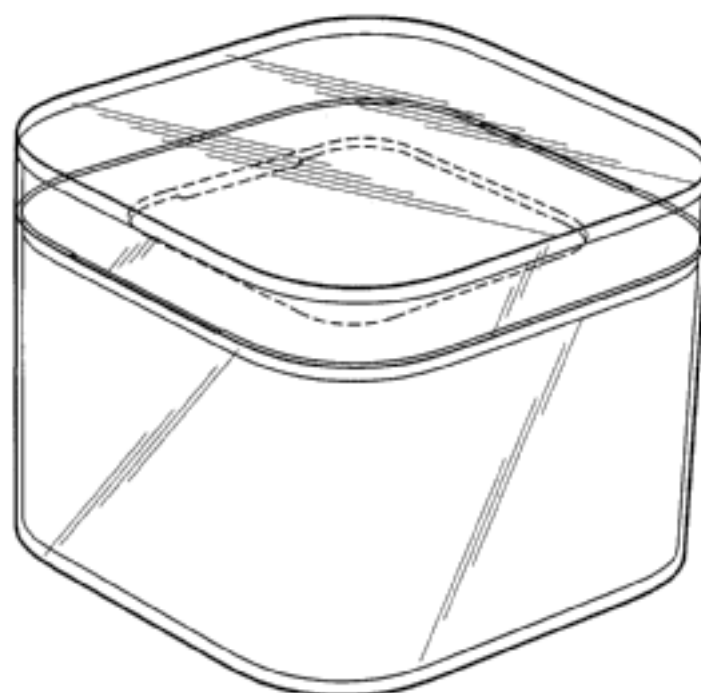
(45) Registration Date: **28 March 2011**

(30) Convention priority data:

(31) Number	(32) Date	(33) Country
29/368992	31 Aug 2010	UNITED STATES OF AMERICA

(56) Related Art Documents: **Not Applicable**

(57) Statement of Newness and Distinctiveness: **Newness and distinctiveness resides in the features represented by solid lines in the accompanying figures.**



(21) Design Number: **13023/2010**
(22) Date of Filing Application: **21 July 2010**
(24) Date from which industrial property rights may have effect: **21 July 2010**
(54) Product in respect of which the design is registered: **Garment**
(51) International Design Classification: **02-02NES**
(74) Name(s) of Attorney(s): **Allens Arthur Robinson**
(71) Name(s) and Address(s) of Applicant(s):

Melbourne Rebels Rugby Union Ltd
Suite 229 1 Queens Road Melbourne Victoria 3004 Australia

(72) Name(s) of Designer(s): **Rod Macqueen**

(45) Registration Date: **24 March 2011**

(56) Related Art Documents: **Not Applicable**

(57) Statement of Newness and Distinctiveness: **Newness and distinctiveness resides in the visual features of pattern and/or ornamentation of a garment as illustrated in the accompanying representations. The words 'Melbourne Rebels' and 'KooGa', the shield device appearing immediately above the words 'Melbourne Rebels', and the number 5, do not form part of the design and are to be disregarded when considering whether the design is identical or substantially similar in overall impression to another design.**



(21) Design Number: **13024/2010**
(22) Date of Filing Application: **21 July 2010**
(24) Date from which industrial property rights may have effect: **21 July 2010**
(54) Product in respect of which the design is registered: **Garment**
(51) International Design Classification: **02-02NES**
(74) Name(s) of Attorney(s): **Allens Arthur Robinson**
(71) Name(s) and Address(s) of Applicant(s):

Melbourne Rebels Rugby Union Ltd
Suite 229 1 Queens Road Melbourne Victoria 3004 Australia

(72) Name(s) of Designer(s): **Rod Macqueen**

(45) Registration Date: **24 March 2011**

(56) Related Art Documents: **Not Applicable**

(57) Statement of Newness and Distinctiveness: **Newness and distinctiveness resides in the visual features of pattern and/or ornamentation of a garment as illustrated in the accompanying representations. The words 'Melbourne Rebels' and 'KooGa', the shield device appearing immediately above the words 'Melbourne Rebels', and the number 5, do not form part of the design and are to be disregarded when considering whether the design is identical or substantially similar in overall impression to another design.**



(21) Design Number: **15161/2010**
(22) Date of Filing Application: **25 November 2010**
(24) Date from which industrial property rights may have effect: **25 November 2010**
(54) Product in respect of which the design is registered: **Utility under tray side curtain**

(51) International Design Classification: **12-16B**

(74) Name(s) of Attorney(s):

(71) Name(s) and Address(s) of Applicant(s):

Barry Leslie Whitworth
U3-124 Pohlman Street Southport Queensland 4215 Australia

Damian Morgan Whitworth
U3-124 Pohlman Street Southport Queensland 4215 Australia

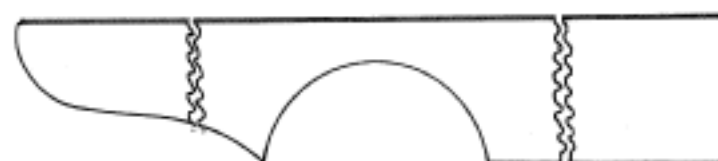
Melanie Jayne Fletcher
U3-124 Pohlman Street Southport Queensland 4215 Australia

(72) Name(s) of Designer(s): **Barry Leslie Whitworth and Damian Morgan Whitworth and Melanie Jayne Fletcher**

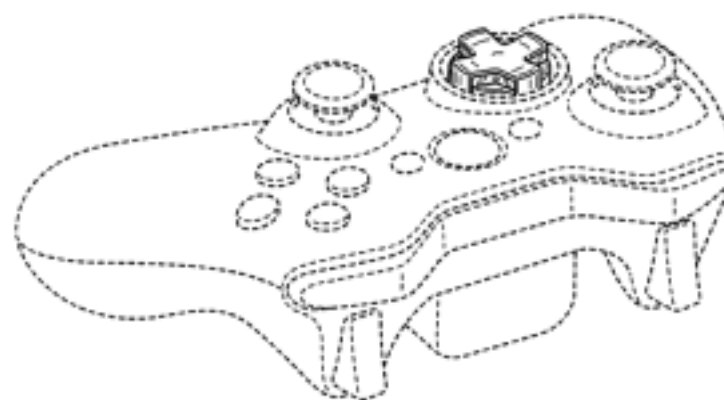
(45) Registration Date: **24 March 2011**

(56) Related Art Documents: **Not Applicable**

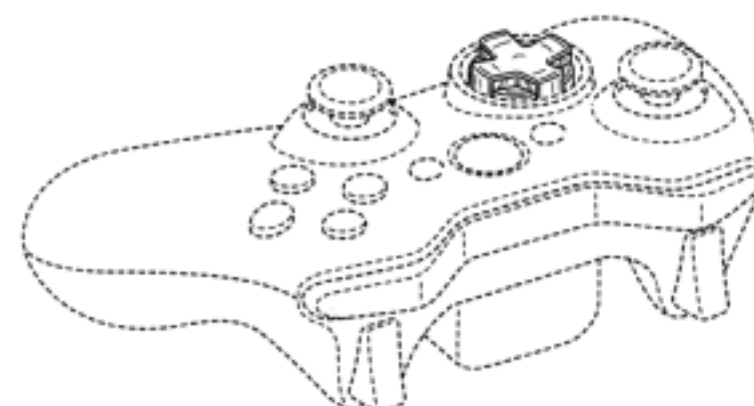
(57) Statement of Newness and Distinctiveness: **To improve the look of under the tray of a ute.**



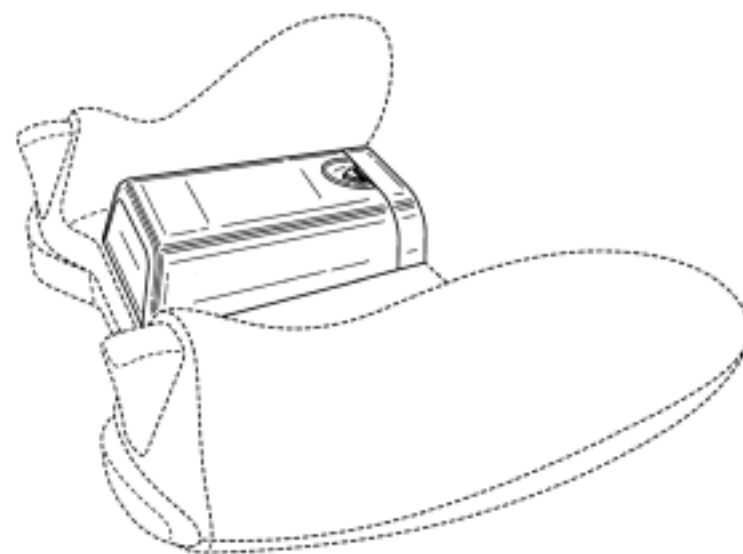
(21) Design Number: **10747/2011**
(22) Date of Filing Application: **28 February 2011**
(24) Date from which industrial property rights may have effect: **28 February 2011**
(54) Product in respect of which the design is registered: **Controller element for a game controller**
(51) International Design Classification: **21-01N**
(74) Name(s) of Attorney(s): **Shelston IP**
(71) Name(s) and Address(s) of Applicant(s):
Microsoft Corporation
One Microsoft Way Redmond Washington 98052 United States of America
(72) Name(s) of Designer(s): **John Ikeda and Carl L. Ledbetter and Peter Bristol**
(45) Registration Date: **24 March 2011**
(30) Convention priority data:
(31) Number (32) Date (33) Country
29/368837 30 Aug 2010 UNITED STATES OF AMERICA
(56) Related Art Documents: **Not Applicable**
(57) Statement of Newness and Distinctiveness: **Newness and distinctiveness reside in the shape and/or configuration of a controller element for a game controller, as illustrated by solid lines in the accompanying representations. The features shown in broken or discontinuous lines are for illustrative purposes only and do not form part of the design.**



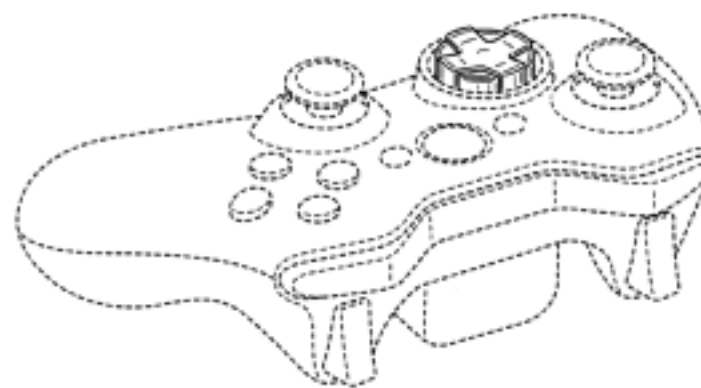
(21) Design Number: **10748/2011**
(22) Date of Filing Application: **28 February 2011**
(24) Date from which industrial property rights may have effect: **28 February 2011**
(54) Product in respect of which the design is registered: **Multi-positional state controller element for a game controller**
(51) International Design Classification: **21-01N**
(74) Name(s) of Attorney(s): **Shelston IP**
(71) Name(s) and Address(s) of Applicant(s):
Microsoft Corporation
One Microsoft Way Redmond Washington 98052 United States of America
(72) Name(s) of Designer(s): **John Ikeda and Carl L. Ledbetter and Peter Bristol**
(45) Registration Date: **24 March 2011**
(30) Convention priority data:
(31) Number (32) Date (33) Country
29/368839 30 Aug 2010 UNITED STATES OF AMERICA
(56) Related Art Documents: **Not Applicable**
(57) Statement of Newness and Distinctiveness: **Newness and distinctiveness reside in the shape and/or configuration of a multi-positional state controller element for a game controller, as illustrated by solid lines in the accompanying representations. The features shown in broken or discontinuous lines are for illustrative purposes only and do not form part of the design.**



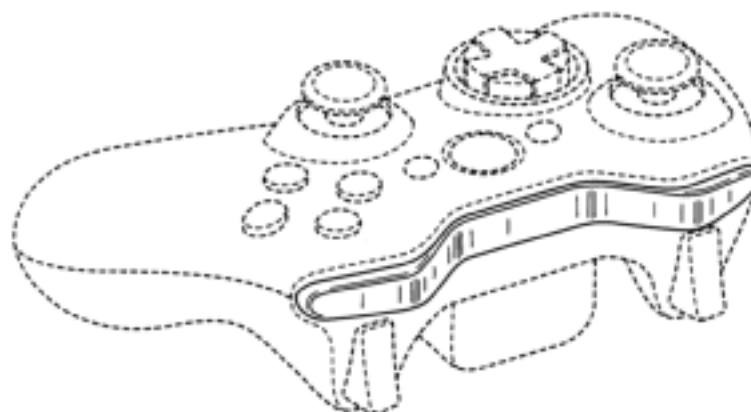
(21) Design Number: **10749/2011**
(22) Date of Filing Application: **28 February 2011**
(24) Date from which industrial property rights may have effect: **28 February 2011**
(54) Product in respect of which the design is registered: **Battery cover for a game controller**
(51) International Design Classification: **21-01N**
(74) Name(s) of Attorney(s): **Shelston IP**
(71) Name(s) and Address(s) of Applicant(s):
Microsoft Corporation
One Microsoft Way Redmond Washington 98052 United States of America
(72) Name(s) of Designer(s): **John Ikeda and Carl L. Ledbetter and Peter Bristol**
(45) Registration Date: **24 March 2011**
(30) Convention priority data:
(31) Number (32) Date (33) Country
29/368841 30 Aug 2010 UNITED STATES OF AMERICA
(56) Related Art Documents: **Not Applicable**
(57) Statement of Newness and Distinctiveness: **Newness and distinctiveness reside in the shape and/or configuration of a battery cover for a game controller, as illustrated by solid lines in the accompanying representations. The features shown in broken or discontinuous lines are for illustrative purposes only and do not form part of the design.**



(21) Design Number: **10750/2011**
(22) Date of Filing Application: **28 February 2011**
(24) Date from which industrial property rights may have effect: **28 February 2011**
(54) Product in respect of which the design is registered: **Controller element for a game controller**
(51) International Design Classification: **21-01N**
(74) Name(s) of Attorney(s): **Shelston IP**
(71) Name(s) and Address(s) of Applicant(s):
Microsoft Corporation
One Microsoft Way Redmond Washington 98052 United States of America
(72) Name(s) of Designer(s): **John Ikeda and Carl L. Ledbetter and Peter Bristol**
(45) Registration Date: **24 March 2011**
(30) Convention priority data:
(31) Number (32) Date (33) Country
29/368838 30 Aug 2010 UNITED STATES OF AMERICA
(56) Related Art Documents: **Not Applicable**
(57) Statement of Newness and Distinctiveness: **Newness and distinctiveness reside in the shape and/or configuration of a controller element for a game controller, as illustrated by solid lines in the accompanying representations. The features shown in broken or discontinuous lines are for illustrative purposes only and do not form part of the design.**

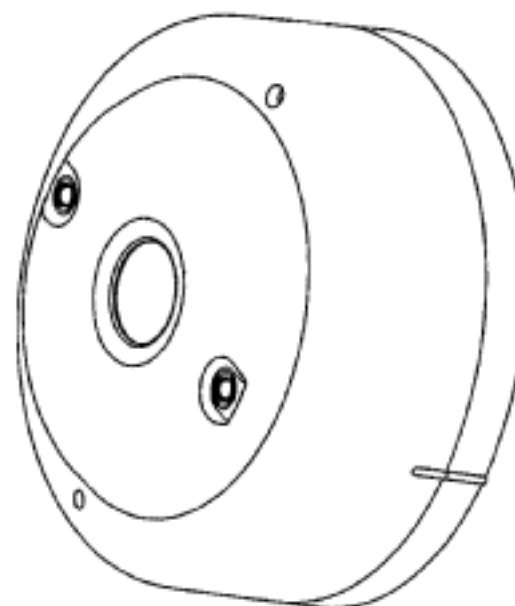


(21) Design Number: **10751/2011**
(22) Date of Filing Application: **28 February 2011**
(24) Date from which industrial property rights may have effect: **28 February 2011**
(54) Product in respect of which the design is registered: **Elongated controller element for a game controller**
(51) International Design Classification: **21-01N**
(74) Name(s) of Attorney(s): **Shelston IP**
(71) Name(s) and Address(s) of Applicant(s):
Microsoft Corporation
One Microsoft Way Redmond Washington 98052 United States of America
(72) Name(s) of Designer(s): **John Ikeda and Carl L. Ledbetter and Peter Bristol**
(45) Registration Date: **24 March 2011**
(30) Convention priority data:
(31) Number (32) Date (33) Country
29/368840 30 Aug 2010 UNITED STATES OF AMERICA



(56) Related Art Documents: **Not Applicable**
(57) Statement of Newness and Distinctiveness: **Newness and distinctiveness reside in the shape and/or configuration of an elongated controller element for a game controller, as illustrated by solid lines in the accompanying representations. The features shown in broken or discontinuous lines are for illustrative purposes only and do not form part of the design.**

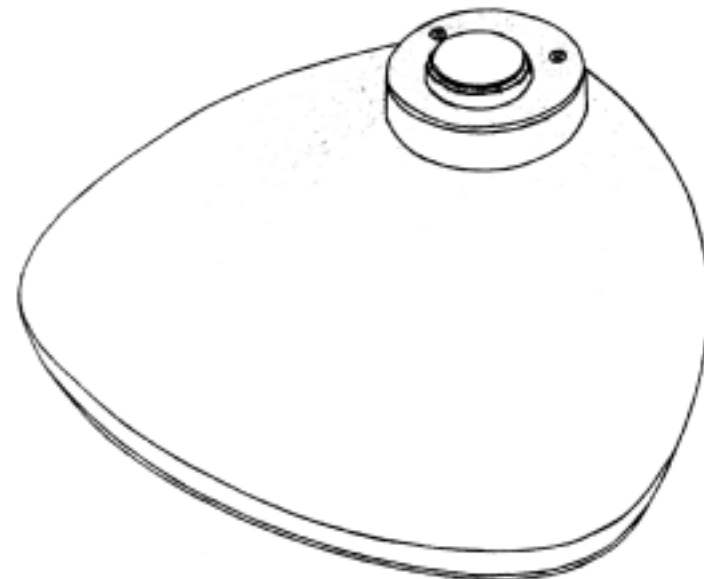
(21) Design Number: **12730/2010**
(22) Date of Filing Application: **02 July 2010**
(24) Date from which industrial property rights may have effect: **02 July 2010**
(54) Product in respect of which the design is registered: **Fire detector**
(51) International Design Classification: **10-05**
(74) Name(s) of Attorney(s): **Griffith Hack**
(71) Name(s) and Address(s) of Applicant(s):
Hochiki Corporation
10-43 Kamiosaki 2-chome Shinagawa-ku Tokyo 141-8660 Japan
(72) Name(s) of Designer(s): **Makoto Suzuki and Hayato Tsurumi**
(45) Registration Date: **24 March 2011**
(56) Related Art Documents: **Not Applicable**
(57) Statement of Newness and Distinctiveness: **Nil**



(21) Design Number: **10106/2011**
(22) Date of Filing Application: **14 January 2011**
(24) Date from which industrial property rights may have effect: **14 January 2011**
(54) Product in respect of which the design is registered: **Remote controller**
(51) International Design Classification: **14-02**
(74) Name(s) of Attorney(s): **Davies Collison Cave**
(71) Name(s) and Address(s) of Applicant(s):
Sharp Kabushiki Kaisha
22-22 Nagaike-cho Abeno-ku Osaka Japan
(72) Name(s) of Designer(s): **Kuniharu Wakata**
(45) Registration Date: **24 March 2011**
(30) Convention priority data:
(31) Number (32) Date (33) Country
2010-024971 19 Oct 2010 JAPAN
(56) Related Art Documents: **Not Applicable**
(57) Statement of Newness and Distinctiveness: **Nil**



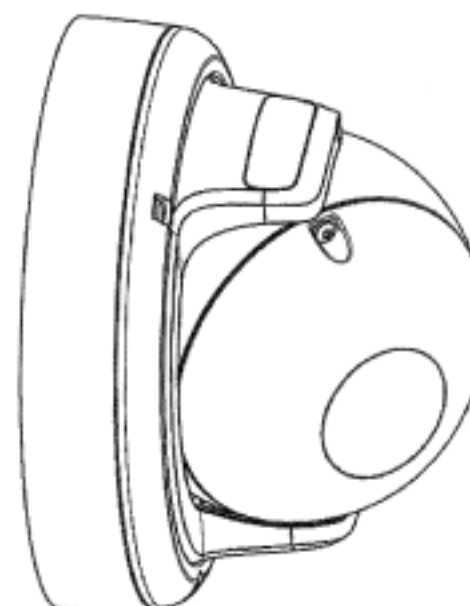
(21) Design Number: **10720/2011**
(22) Date of Filing Application: **25 February 2011**
(24) Date from which industrial property rights may have effect: **25 February 2011**
(54) Product in respect of which the design is registered: **Musical instrument**
(51) International Design Classification: **17-99**
(74) Name(s) of Attorney(s):
(71) Name(s) and Address(s) of Applicant(s):
Warwick Porter
1A Burra Burra Close Ocean Shores New South Wales 2483 Australia
(72) Name(s) of Designer(s): **Warwick Porter**
(45) Registration Date: **24 March 2011**
(56) Related Art Documents: **Not Applicable**
(57) Statement of Newness and Distinctiveness: **Nil**



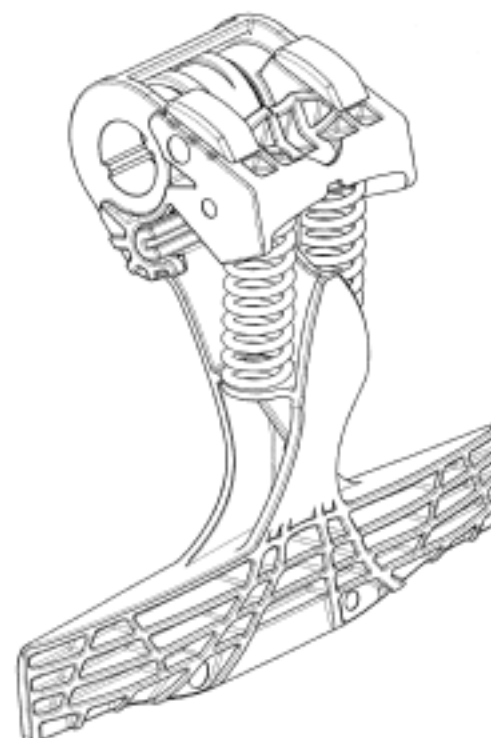
(21) Design Number: **10722/2011**
(22) Date of Filing Application: **25 February 2011**
(24) Date from which industrial property rights may have effect: **25 February 2011**
(54) Product in respect of which the design is registered: **Evacuation chairs**
(51) International Design Classification: **06-01NES**
(74) Name(s) of Attorney(s): **FB Rice**
(71) Name(s) and Address(s) of Applicant(s):
Gerald David Morrish
Enable Access 16 Plantagenet Road Barnet Herts EN5 5JG United Kingdom
Kenneth George Morrish
Enable Access 16 Plantagenet Road Barnet Herts EN5 5JG United Kingdom
(72) Name(s) of Designer(s): **Gerald David Morrish and Kenneth George Morrish**
(45) Registration Date: **24 March 2011**
(30) Convention priority data:
(31) Number (32) Date (33) Country
001747361-0001 26 Aug 2010 EUROPEAN COMMUNITY
(56) Related Art Documents: **Not Applicable**
(57) Statement of Newness and Distinctiveness: **Newness and distinctiveness reside in the features of shape and configuration of the design as shown in the representations.**



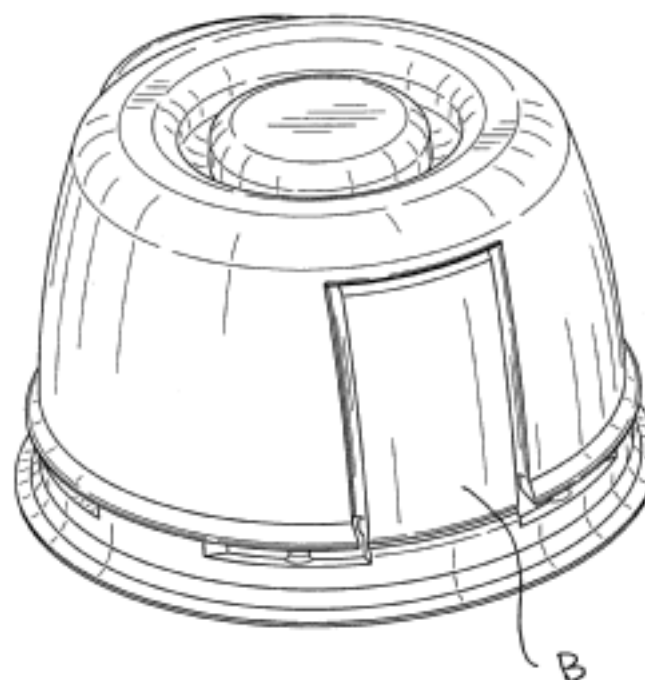
(21) Design Number: **10723/2011**
(22) Date of Filing Application: **25 February 2011**
(24) Date from which industrial property rights may have effect: **25 February 2011**
(54) Product in respect of which the design is registered: **Housing for surveillance camera**
(51) International Design Classification: **10-07, 16-01**
(74) Name(s) of Attorney(s): **Callinans**
(71) Name(s) and Address(s) of Applicant(s):
Robert Bosch GmbH
Postfach 30 02 20 70442 Stuttgart Germany
(72) Name(s) of Designer(s): **Wessel Deurwaarder**
(45) Registration Date: **24 March 2011**
(30) Convention priority data:
(31) Number (32) Date (33) Country
001798968 27 Dec 2010 EUROPEAN COMMUNITY
(56) Related Art Documents: **Not Applicable**
(57) Statement of Newness and Distinctiveness: **Nil**



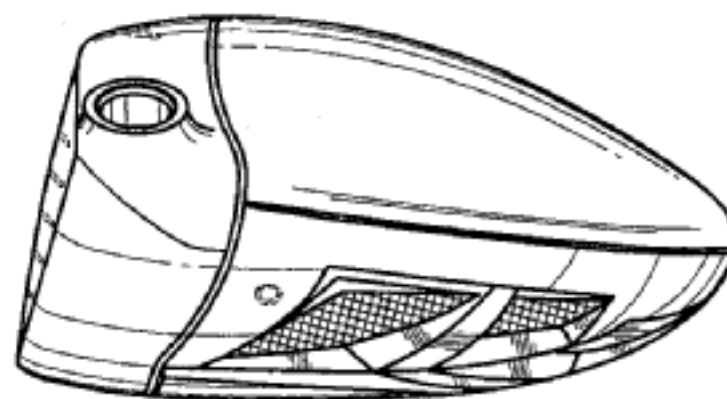
(21) Design Number: **10725/2011**
(22) Date of Filing Application: **25 February 2011**
(24) Date from which industrial property rights may have effect: **25 February 2011**
(54) Product in respect of which the design is registered: **Grippers and parts thereof for handling paper**
(51) International Design Classification: **12-05**
(74) Name(s) of Attorney(s): **Griffith Hack**
(71) Name(s) and Address(s) of Applicant(s):
Ferag AG
Zurichstrasse 74 8340 Hinwil Switzerland
(72) Name(s) of Designer(s): **Konrad Auf der Maur**
(45) Registration Date: **24 March 2011**
(30) Convention priority data:
(31) Number (32) Date (33) Country
571 069 401 29 Oct 2010 WORLD INTELLECTUAL PROPERTY ORGANIZATION (WIPO)
(56) Related Art Documents: **Not Applicable**
(57) Statement of Newness and Distinctiveness: **Nil**



(21) Design Number: **10735/2011**
(22) Date of Filing Application: **28 February 2011**
(24) Date from which industrial property rights may have effect: **28 February 2011**
(54) Product in respect of which the design is registered: **Closure for container**
(51) International Design Classification: **09-07A**
(74) Name(s) of Attorney(s): **SPRUSON & FERGUSON**
(71) Name(s) and Address(s) of Applicant(s):
Portola Packaging, Inc.
40 Shuman Boulevard Suite 220 Naperville Illinois 60563 United States of America
(72) Name(s) of Designer(s): **Gerry Mavin and Timothy Stephenson**
(45) Registration Date: **24 March 2011**
(30) Convention priority data:
(31) Number (32) Date (33) Country
001233555 09 Sep 2010 EUROPEAN COMMUNITY
(56) Related Art Documents: **Not Applicable**
(57) Statement of Newness and Distinctiveness: **Newness and distinctiveness is claimed in the features of shape and/or configuration of the following features of a closure for container as illustrated and labelled in the accompanying representations: - the v shaped ribbed outer peripheral wall in the front of the closure labelled "A"; - the rectangular hinge extending vertically along the back of the closure labelled "B"; and - the material extending between the hinge and the closure to close off the interior from the exterior of the closure when the lid is in a closed position labelled "C".**



(21) Design Number: **10739/2011**
(22) Date of Filing Application: **25 February 2011**
(24) Date from which industrial property rights may have effect: **25 February 2011**
(54) Product in respect of which the design is registered: **Golf club head**
(51) International Design Classification: **21-02C**
(74) Name(s) of Attorney(s): **SPRUSON & FERGUSON**
(71) Name(s) and Address(s) of Applicant(s):
Callaway Golf Company
2180 Rutherford Road Carlsbad California 92008-7328 United States of America
(72) Name(s) of Designer(s): **Kevin Weejoung Kim and Daniel M. Stevens and Michael Hallack**
(45) Registration Date: **24 March 2011**
(30) Convention priority data:
(31) Number (32) Date (33) Country
29/368568 25 Aug 2010 UNITED STATES OF AMERICA
(56) Related Art Documents: **Not Applicable**
(57) Statement of Newness and Distinctiveness: **Newness and distinctiveness is claimed in those features of shape and/or configuration of a golf club head illustrated in continuous lines in the accompanying representations.**



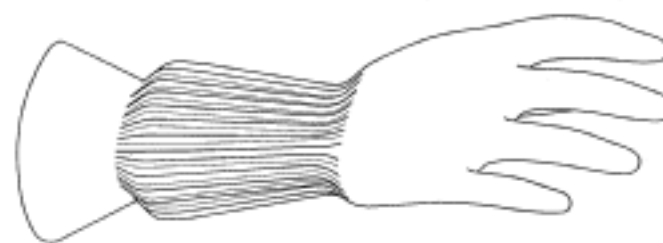
(21) Design Number: **10740/2011**
(22) Date of Filing Application: **25 February 2011**
(24) Date from which industrial property rights may have effect: **25 February 2011**
(54) Product in respect of which the design is registered: **Motorcycle**
(51) International Design Classification: **12-11**
(74) Name(s) of Attorney(s): **SPRUSON & FERGUSON**
(71) Name(s) and Address(s) of Applicant(s):
Yamaha Hatsudoki Kabushiki Kaisha
2500 Shingai Iwata-shi Shizuoka-ken 438-8501 Japan
(72) Name(s) of Designer(s): **Kazumasa Sasanami**
(45) Registration Date: **24 March 2011**
(30) Convention priority data:
(31) Number (32) Date (33) Country
2010-020929 31 Aug 2010 JAPAN
(56) Related Art Documents: **Not Applicable**
(57) Statement of Newness and Distinctiveness: **Newness and distinctiveness is claimed in the features of shape and/or configuration of the front, side and rear covers/fairings of a motorcycle as illustrated in the accompanying representations.**



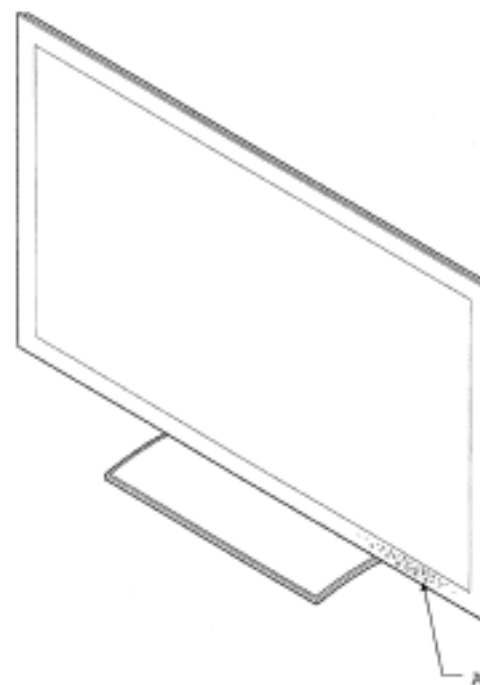
- (21) Design Number: **10741/2011**
(22) Date of Filing Application: **25 February 2011**
(24) Date from which industrial property rights may have effect: **25 February 2011**
(54) Product in respect of which the design is registered: **Bottle**
(51) International Design Classification: **09-01K**
(74) Name(s) of Attorney(s): **SPRUSON & FERGUSON**
(71) Name(s) and Address(s) of Applicant(s):
Aloxxi International Corporation
14144 Ventura Boulevard No. 110 Sherman Oaks California 91423 United States of America
(72) Name(s) of Designer(s): **George W. Schaeffer**
(45) Registration Date: **24 March 2011**
(30) Convention priority data:
(31) Number (32) Date (33) Country
29/370728 26 Aug 2010 UNITED STATES OF AMERICA
(56) Related Art Documents: **Not Applicable**
(57) Statement of Newness and Distinctiveness: **Newness and distinctiveness is claimed in the features of shape and/or configuration of a bottle as illustrated in the accompanying representations.**



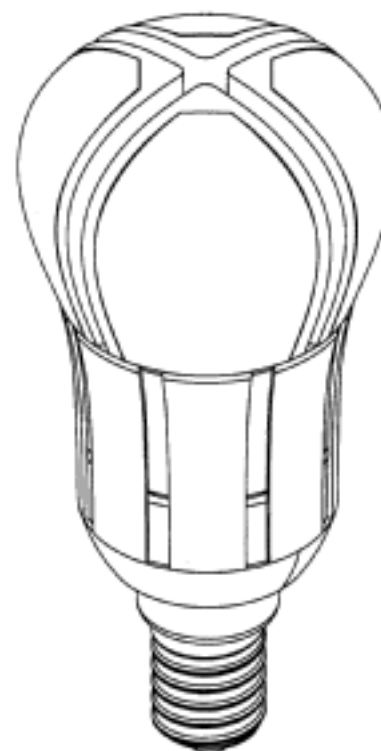
- (21) Design Number: **10742/2011**
(22) Date of Filing Application: **25 February 2011**
(24) Date from which industrial property rights may have effect: **25 February 2011**
(54) Product in respect of which the design is registered: **Glove**
(51) International Design Classification: **02-06**
(74) Name(s) of Attorney(s): **SPRUSON & FERGUSON**
(71) Name(s) and Address(s) of Applicant(s):
Sumitomo Rubber Industries, Ltd.
6-9 Wakinohama-cho 3-chome Chuo-ku Kobe-shi Hyogo 651-0072 Japan
(72) Name(s) of Designer(s): **Atsuko Ochi and Atsushi Takai and Yoshiaki Miyamoto**
(45) Registration Date: **24 March 2011**
(30) Convention priority data:
(31) Number (32) Date (33) Country
D2010-020886 30 Aug 2010 JAPAN
(56) Related Art Documents: **Not Applicable**
(57) Statement of Newness and Distinctiveness: **Newness and distinctiveness is claimed in the features of the profile of the fingertip regions of a glove as identified and labelled "A" in the top and bottom views of the accompanying representations.**



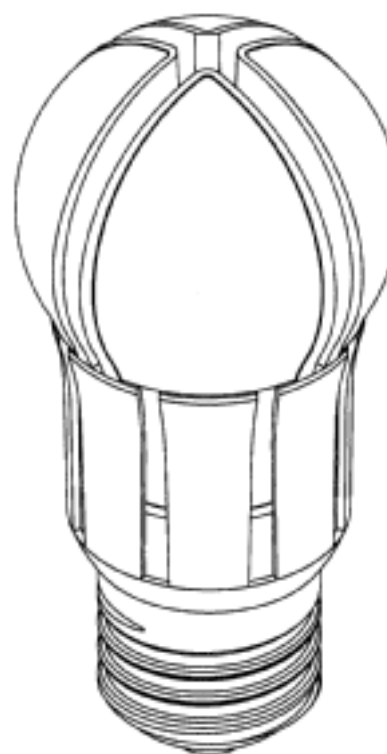
(21) Design Number: **10743/2011**
(22) Date of Filing Application: **28 February 2011**
(24) Date from which industrial property rights may have effect: **28 February 2011**
(54) Product in respect of which the design is registered: **Television receiver**
(51) International Design Classification: **14-03B**
(74) Name(s) of Attorney(s): **Freehills Patent & Trade Mark Attorneys**
(71) Name(s) and Address(s) of Applicant(s):
LG Electronics Inc.
20 Yeouido-dong Yeongdeungpo-gu Seoul 150-721 Republic of Korea
(72) Name(s) of Designer(s): **Jaewon Lim and Byungmu Huh and Yongjoon Hwang and Hyuntae Ahn**
(45) Registration Date: **24 March 2011**
(30) Convention priority data:
(31) Number (32) Date (33) Country
30-2010-0037948 30 Aug 2010 REPUBLIC OF KOREA
(56) Related Art Documents: **Not Applicable**
(57) Statement of Newness and Distinctiveness: **Newness and distinctiveness of the design resides in the features of pattern and ornamentation illustrated in the lower right of the screen surround and marked "A" in the accompanying drawings.**



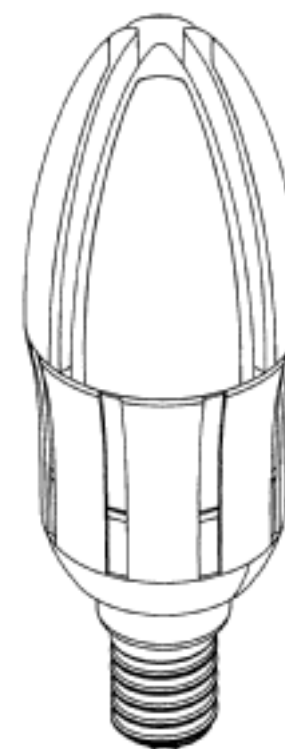
(21) Design Number: **10726/2011**
(22) Date of Filing Application: **28 February 2011**
(24) Date from which industrial property rights may have effect: **28 February 2011**
(54) Product in respect of which the design is registered: **LED bulb**
(51) International Design Classification: **26-04**
(74) Name(s) of Attorney(s): **Madderns**
(71) Name(s) and Address(s) of Applicant(s):
Jie Shi
1601-1604# Hui Jie Plaza No. 268 Zhongshan Road Nanjing City Jiangsu Province 210008 China
(72) Name(s) of Designer(s): **Jie Shi**
(45) Registration Date: **25 March 2011**
(30) Convention priority data:
(31) Number (32) Date (33) Country
201030524187.8 17 Sep 2010 CHINA
(56) Related Art Documents: **Not Applicable**
(57) Statement of Newness and Distinctiveness: **Nil**



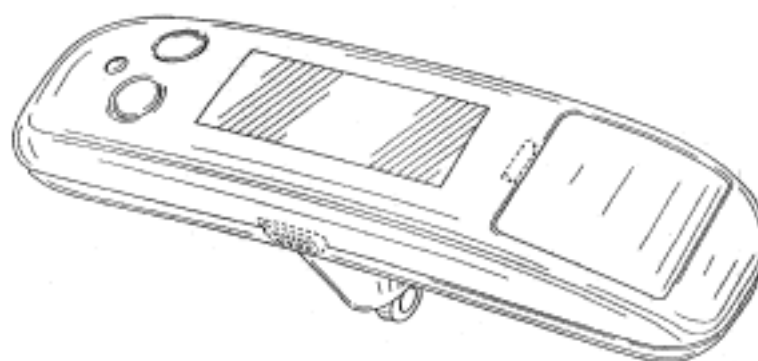
(21) Design Number: **10727/2011**
(22) Date of Filing Application: **28 February 2011**
(24) Date from which industrial property rights may have effect: **28 February 2011**
(54) Product in respect of which the design is registered: **LED bulb**
(51) International Design Classification: **26-04**
(74) Name(s) of Attorney(s): **Madderns**
(71) Name(s) and Address(s) of Applicant(s):
Jie Shi
1601-1604# Hui Jie Plaza No. 268 Zhongshan Road Nanjing City Jiangsu
Province 210008 China
(72) Name(s) of Designer(s): **Jie Shi**
(45) Registration Date: **25 March 2011**
(30) Convention priority data:
(31) Number (32) Date (33) Country
201030524199.0 17 Sep 2010 CHINA
(56) Related Art Documents: **Not Applicable**
(57) Statement of Newness and Distinctiveness: **Nil**



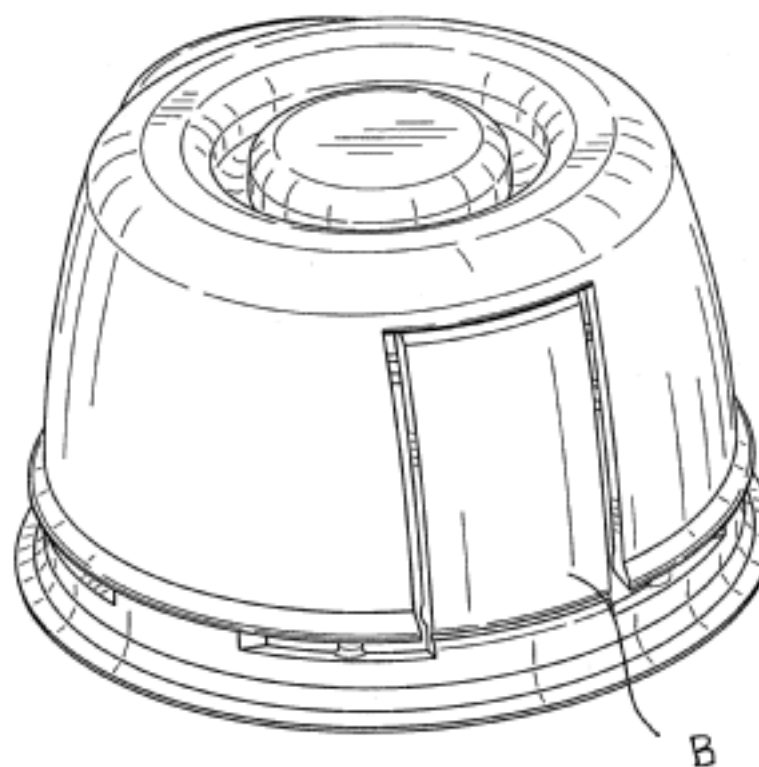
(21) Design Number: **10728/2011**
(22) Date of Filing Application: **28 February 2011**
(24) Date from which industrial property rights may have effect: **28 February 2011**
(54) Product in respect of which the design is registered: **LED bulb**
(51) International Design Classification: **26-04**
(74) Name(s) of Attorney(s): **Madderns**
(71) Name(s) and Address(s) of Applicant(s):
Jie Shi
1601-1604# Hui Jie Plaza No. 268 Zhongshan Road Nanjing City Jiangsu
Province 210008 China
(72) Name(s) of Designer(s): **Jie Shi**
(45) Registration Date: **25 March 2011**
(30) Convention priority data:
(31) Number (32) Date (33) Country
201030524188.2 17 Sep 2010 CHINA
(56) Related Art Documents: **Not Applicable**
(57) Statement of Newness and Distinctiveness: **Nil**



(21) Design Number: **10730/2011**
(22) Date of Filing Application: **28 February 2011**
(24) Date from which industrial property rights may have effect: **28 February 2011**
(54) Product in respect of which the design is registered: **Handheld electronic luggage scale**
(51) International Design Classification: **10-04**
(74) Name(s) of Attorney(s): **Collison & Co**
(71) Name(s) and Address(s) of Applicant(s):
Heys (USA), Inc.
7950 NW 77 Street Unit C-1 Miami 33166 United States of America
(72) Name(s) of Designer(s): **Haroon Sheikh**
(45) Registration Date: **25 March 2011**
(30) Convention priority data:
(31) Number (32) Date (33) Country
29/368726 27 Aug 2010 UNITED STATES OF AMERICA
(56) Related Art Documents: **Not Applicable**
(57) Statement of Newness and Distinctiveness: **Newness and distinctiveness is claimed in the shape and configuration of the handheld electronic luggage scale as shown in the accompanying representations excluding the features shown by the broken lines.**



(21) Design Number: **10734/2011**
(22) Date of Filing Application: **28 February 2011**
(24) Date from which industrial property rights may have effect: **28 February 2011**
(54) Product in respect of which the design is registered: **Closure for container**
(51) International Design Classification: **09-07A**
(74) Name(s) of Attorney(s): **SPRUSON & FERGUSON**
(71) Name(s) and Address(s) of Applicant(s):
Portola Packaging, Inc.
40 Shuman Boulevard Ste 220 Naperville Illinois 60563 United States of America
(72) Name(s) of Designer(s): **Gerry Mavin and Timothy Stephenson**
(45) Registration Date: **25 March 2011**
(30) Convention priority data:
(31) Number (32) Date (33) Country
001233555 09 Sep 2010 EUROPEAN COMMUNITY
(56) Related Art Documents: **Not Applicable**
(57) Statement of Newness and Distinctiveness: **Newness and distinctiveness is claimed in the features of shape and/or configuration of the following parts of a closure for container as illustrated and labelled in the accompanying representations: - the v shape ribbed outer peripheral wall in the front of the closure labelled "A"; - the rectangular hinge extending vertically along the back of the closure labelled "B"; and - the opened spaces between the hinge and the closure labelled "C".**



(21) Design Number: **13036/2010**

(22) Date of Filing Application: **20 July 2010**

(24) Date from which industrial property rights may have effect: **20 July 2010**

(54) Product in respect of which the design is registered: **Electrical connector**

(51) International Design Classification: **12-16L, 13-03E**

(74) Name(s) of Attorney(s): **Acumen Intellectual Property**

(71) Name(s) and Address(s) of Applicant(s):

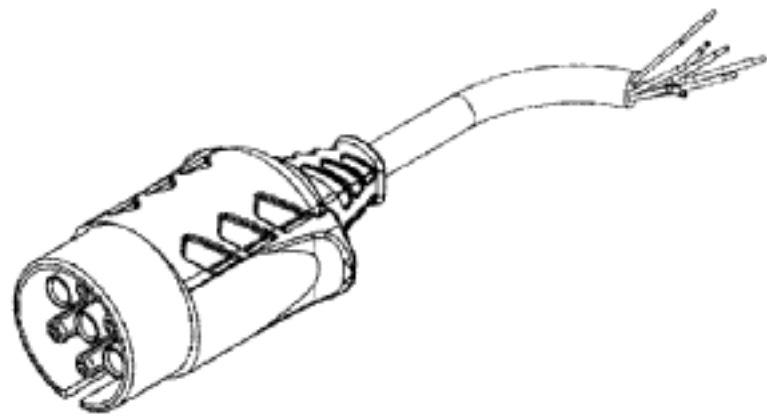
**ARK Corporation Pty Ltd
8 Smoothy Place Arndell Park New South Wales 2148 Australia**

(72) Name(s) of Designer(s): **Richard Arakelian**

(45) Registration Date: **25 March 2011**

(56) Related Art Documents: **Not Applicable**

(57) Statement of Newness and Distinctiveness: **Newness and distinctiveness is claimed in the features of shape and/or configuration of an electrical connector as illustrated in the accompanying representations.**



(21) Design Number: **13037/2010**

(22) Date of Filing Application: **20 July 2010**

(24) Date from which industrial property rights may have effect: **20 July 2010**

(54) Product in respect of which the design is registered: **Electrical connector**

(51) International Design Classification: **12-16L, 13-03E**

(74) Name(s) of Attorney(s): **Acumen Intellectual Property**

(71) Name(s) and Address(s) of Applicant(s):

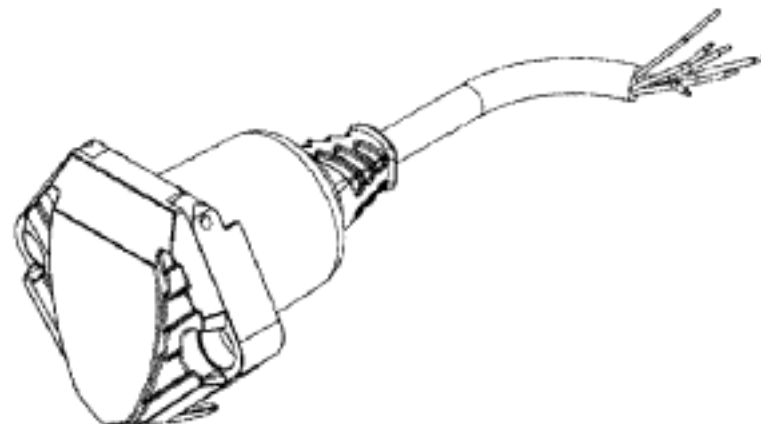
**ARK Corporation Pty Ltd
8 Smoothy Place Arndell Park New South Wales 2148 Australia**

(72) Name(s) of Designer(s): **Richard Arakelian**

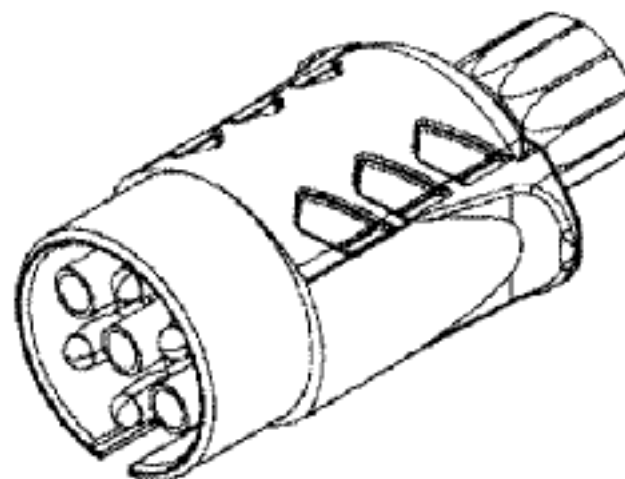
(45) Registration Date: **25 March 2011**

(56) Related Art Documents: **Not Applicable**

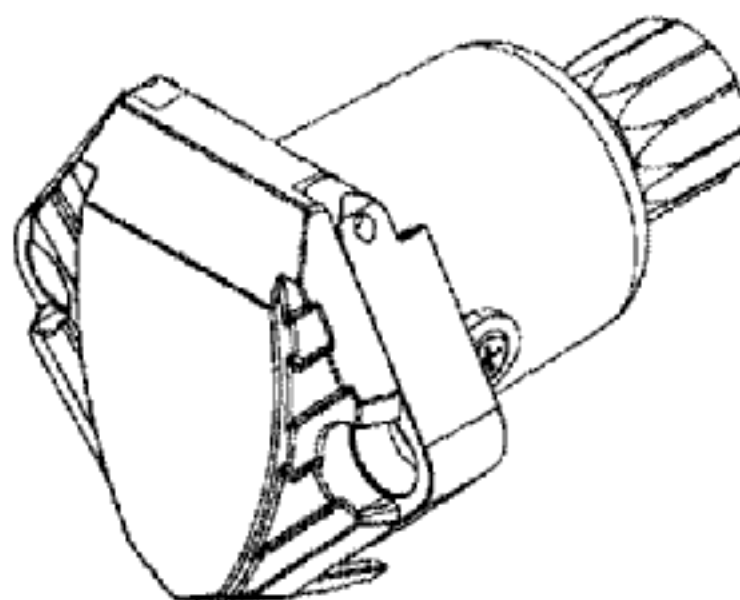
(57) Statement of Newness and Distinctiveness: **Newness and distinctiveness is claimed in the features of shape and/or configuration of an electrical connector as illustrated in the accompanying representations.**



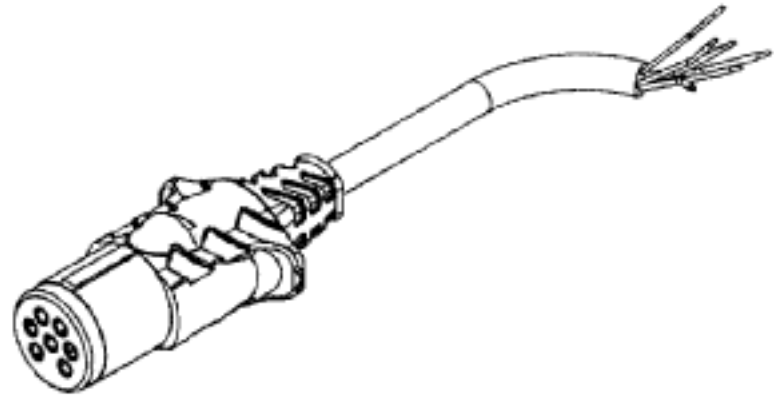
- (21) Design Number: **13038/2010**
(22) Date of Filing Application: **20 July 2010**
(24) Date from which industrial property rights may have effect: **20 July 2010**
(54) Product in respect of which the design is registered: **Electrical connector**
(51) International Design Classification: **12-16L, 13-03E**
(74) Name(s) of Attorney(s): **Acumen Intellectual Property**
(71) Name(s) and Address(s) of Applicant(s):
ARK Corporation Pty Ltd
8 Smoothy Place Arndell Park New South Wales 2148 Australia
(72) Name(s) of Designer(s): **Richard Arakelian**
(45) Registration Date: **25 March 2011**
(56) Related Art Documents: **Not Applicable**
(57) Statement of Newness and Distinctiveness: **Newness and distinctiveness is claimed in the features of shape and/or configuration of an electrical connector as illustrated in the accompanying representations.**



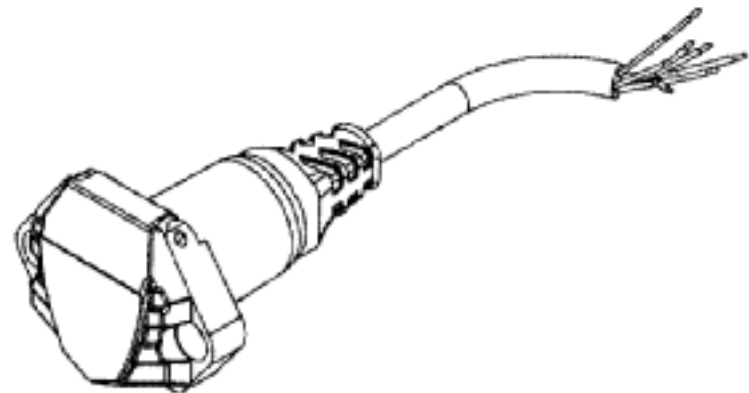
- (21) Design Number: **13039/2010**
(22) Date of Filing Application: **20 July 2010**
(24) Date from which industrial property rights may have effect: **20 July 2010**
(54) Product in respect of which the design is registered: **Electrical connector**
(51) International Design Classification: **12-16L, 13-03E**
(74) Name(s) of Attorney(s): **Acumen Intellectual Property**
(71) Name(s) and Address(s) of Applicant(s):
ARK Corporation Pty Ltd
8 Smoothy Place Arndell Park New South Wales 2148 Australia
(72) Name(s) of Designer(s): **Richard Arakelian**
(45) Registration Date: **25 March 2011**
(56) Related Art Documents: **Not Applicable**
(57) Statement of Newness and Distinctiveness: **Newness and distinctiveness is claimed in the features of shape and/or configuration of an electrical connector as illustrated in the accompanying representations.**



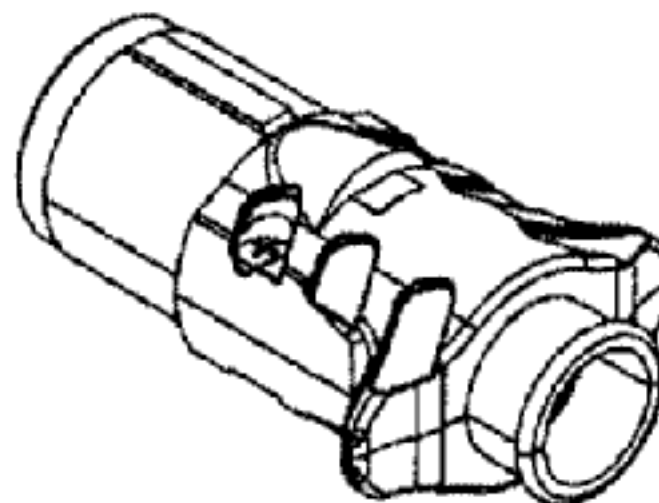
- (21) Design Number: **13040/2010**
(22) Date of Filing Application: **20 July 2010**
(24) Date from which industrial property rights may have effect: **20 July 2010**
(54) Product in respect of which the design is registered: **Electrical connector**
(51) International Design Classification: **12-16L, 13-03E**
(74) Name(s) of Attorney(s): **Acumen Intellectual Property**
(71) Name(s) and Address(s) of Applicant(s):
ARK Corporation Pty Ltd
8 Smoothy Place Arndell Park New South Wales 2148 Australia
(72) Name(s) of Designer(s): **Richard Arakelian**
(45) Registration Date: **25 March 2011**
(56) Related Art Documents: **Not Applicable**
(57) Statement of Newness and Distinctiveness: **Newness and distinctiveness is claimed in the features of shape and/or configuration of an electrical connector as illustrated in the accompanying representations.**



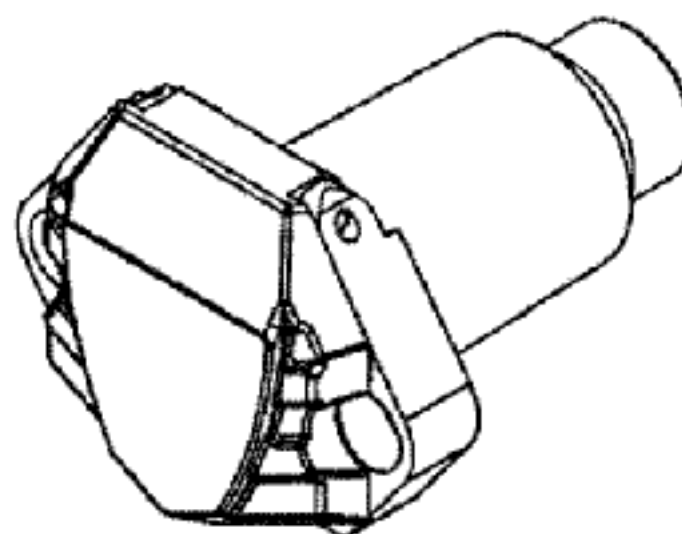
- (21) Design Number: **13041/2010**
(22) Date of Filing Application: **20 July 2010**
(24) Date from which industrial property rights may have effect: **20 July 2010**
(54) Product in respect of which the design is registered: **Electrical connector**
(51) International Design Classification: **12-16L, 13-03E**
(74) Name(s) of Attorney(s): **Acumen Intellectual Property**
(71) Name(s) and Address(s) of Applicant(s):
ARK Corporation Pty Ltd
8 Smoothy Place Arndell Park New South Wales 2148 Australia
(72) Name(s) of Designer(s): **Richard Arakelian**
(45) Registration Date: **25 March 2011**
(56) Related Art Documents: **Not Applicable**
(57) Statement of Newness and Distinctiveness: **Newness and distinctiveness is claimed in the features of shape and/or configuration of an electrical connector as illustrated in the accompanying representations.**



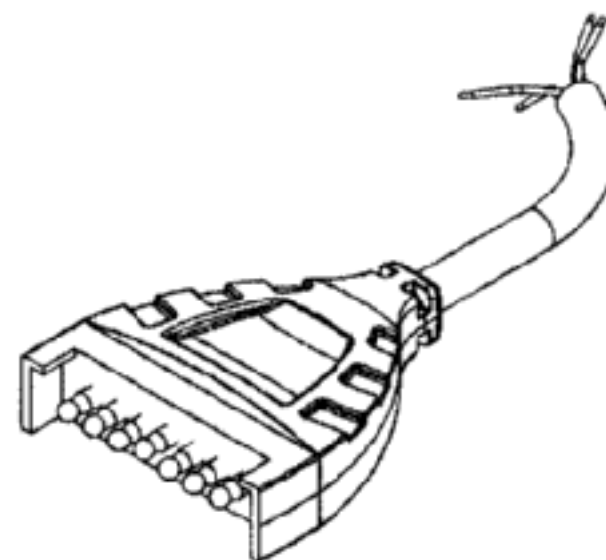
- (21) Design Number: **13042/2010**
(22) Date of Filing Application: **20 July 2010**
(24) Date from which industrial property rights may have effect: **20 July 2010**
(54) Product in respect of which the design is registered: **Electrical connector**
(51) International Design Classification: **12-16L, 13-03E**
(74) Name(s) of Attorney(s): **Acumen Intellectual Property**
(71) Name(s) and Address(s) of Applicant(s):
ARK Corporation Pty Ltd
8 Smoothy Place Arndell Park New South Wales 2148 Australia
(72) Name(s) of Designer(s): **Richard Arakelian**
(45) Registration Date: **25 March 2011**
(56) Related Art Documents: **Not Applicable**
(57) Statement of Newness and Distinctiveness: **Newness and distinctiveness is claimed in the features of shape and/or configuration of an electrical connector as illustrated in the accompanying representations.**



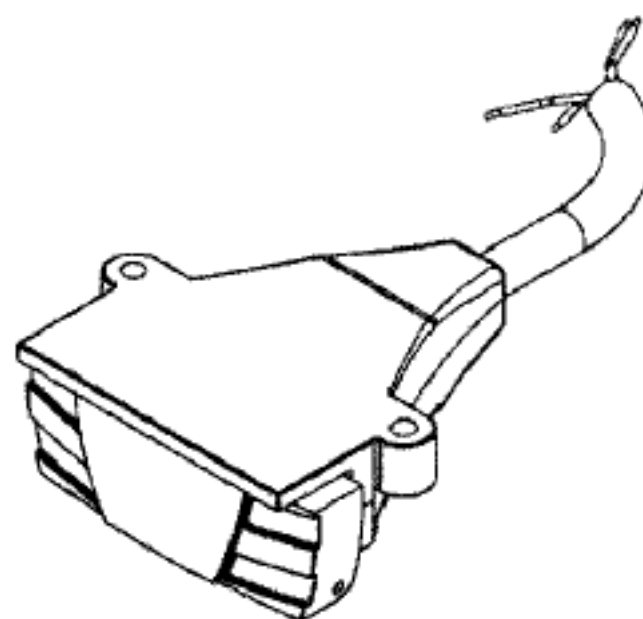
- (21) Design Number: **13043/2010**
(22) Date of Filing Application: **20 July 2010**
(24) Date from which industrial property rights may have effect: **20 July 2010**
(54) Product in respect of which the design is registered: **Electrical connector**
(51) International Design Classification: **12-16L, 13-03E**
(74) Name(s) of Attorney(s): **Acumen Intellectual Property**
(71) Name(s) and Address(s) of Applicant(s):
ARK Corporation Pty Ltd
8 Smoothy Place Arndell Park New South Wales 2148 Australia
(72) Name(s) of Designer(s): **Richard Arakelian**
(45) Registration Date: **25 March 2011**
(56) Related Art Documents: **Not Applicable**
(57) Statement of Newness and Distinctiveness: **Newness and distinctiveness is claimed in the features of shape and/or configuration of an electrical connector as illustrated in the accompanying representations.**



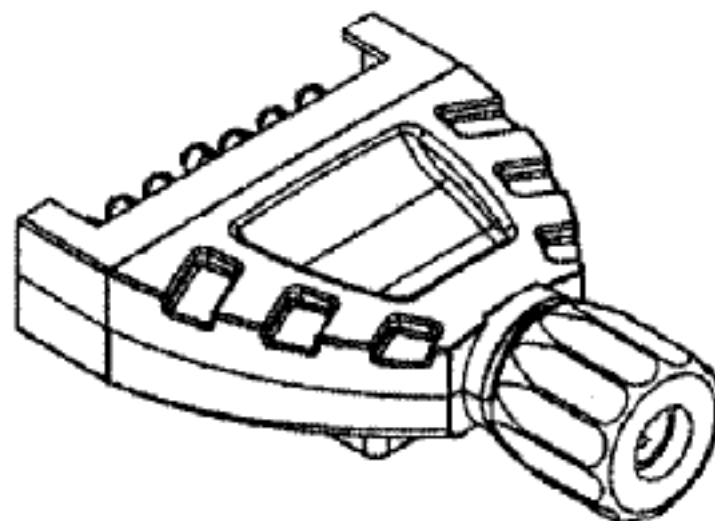
- (21) Design Number: **13044/2010**
(22) Date of Filing Application: **20 July 2010**
(24) Date from which industrial property rights may have effect: **20 July 2010**
(54) Product in respect of which the design is registered: **Electrical connector**
(51) International Design Classification: **12-16L, 13-03E**
(74) Name(s) of Attorney(s): **Acumen Intellectual Property**
(71) Name(s) and Address(s) of Applicant(s):
ARK Corporation Pty Ltd
8 Smoothy Place Arndell Park New South Wales 2148 Australia
(72) Name(s) of Designer(s): **Richard Arakelian**
(45) Registration Date: **25 March 2011**
(56) Related Art Documents: **Not Applicable**
(57) Statement of Newness and Distinctiveness: **Newness and distinctiveness is claimed in the features of shape and/or configuration of an electrical connector as illustrated in the accompanying representations.**



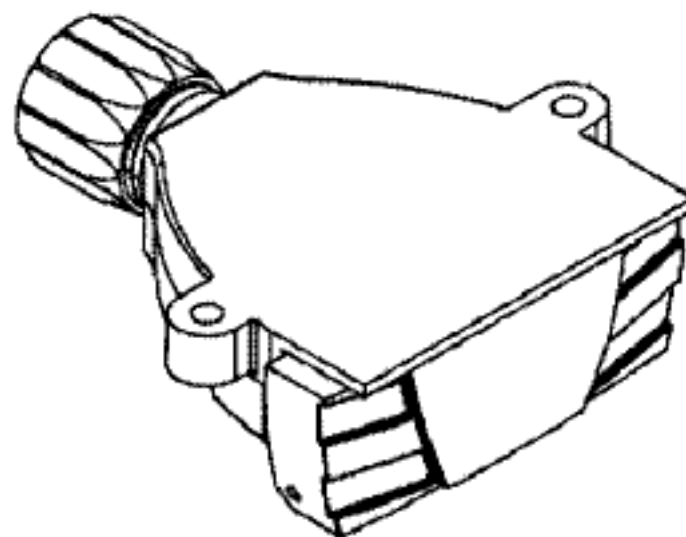
- (21) Design Number: **13045/2010**
(22) Date of Filing Application: **20 July 2010**
(24) Date from which industrial property rights may have effect: **20 July 2010**
(54) Product in respect of which the design is registered: **Electrical connector**
(51) International Design Classification: **13-03E, 12-16L**
(74) Name(s) of Attorney(s): **Acumen Intellectual Property**
(71) Name(s) and Address(s) of Applicant(s):
ARK Corporation Pty Ltd
8 Smoothy Place Arndell Park New South Wales 2148 Australia
(72) Name(s) of Designer(s): **Richard Arakelian**
(45) Registration Date: **25 March 2011**
(56) Related Art Documents: **Not Applicable**
(57) Statement of Newness and Distinctiveness: **Newness and distinctiveness is claimed in the features of shape and/or configuration of an electrical connector as illustrated in the accompanying representations.**



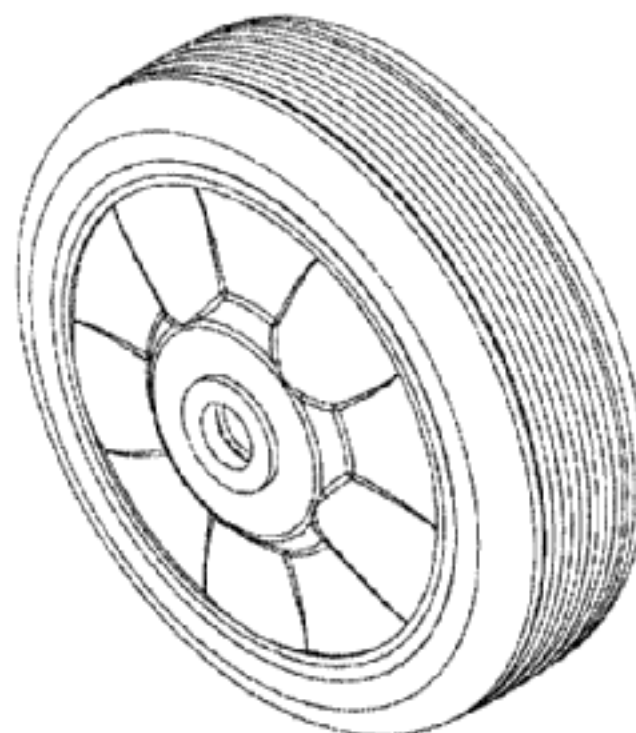
- (21) Design Number: **13046/2010**
(22) Date of Filing Application: **20 July 2010**
(24) Date from which industrial property rights may have effect: **20 July 2010**
(54) Product in respect of which the design is registered: **Electrical connector**
(51) International Design Classification: **13-03E, 12-16L**
(74) Name(s) of Attorney(s): **Acumen Intellectual Property**
(71) Name(s) and Address(s) of Applicant(s):
ARK Corporation Pty Ltd
8 Smoothy Place Arndell Park New South Wales 2148 Australia
(72) Name(s) of Designer(s): **Richard Arakelian**
(45) Registration Date: **25 March 2011**
(56) Related Art Documents: **Not Applicable**
(57) Statement of Newness and Distinctiveness: **Newness and distinctiveness is claimed in the features of shape and/or configuration of an electrical connector as illustrated in the accompanying representations.**



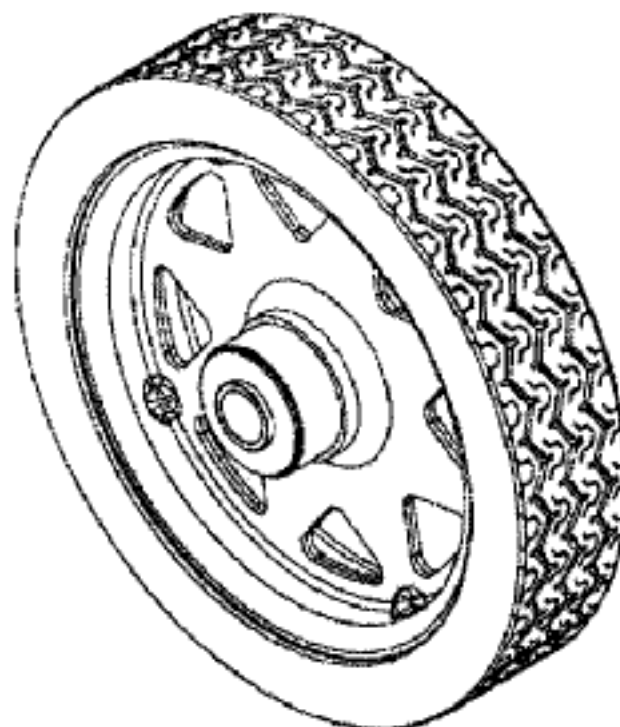
- (21) Design Number: **13047/2010**
(22) Date of Filing Application: **20 July 2010**
(24) Date from which industrial property rights may have effect: **20 July 2010**
(54) Product in respect of which the design is registered: **Electrical connector**
(51) International Design Classification: **13-03E, 12-16L**
(74) Name(s) of Attorney(s): **Acumen Intellectual Property**
(71) Name(s) and Address(s) of Applicant(s):
ARK Corporation Pty Ltd
8 Smoothy Place Arndell Park New South Wales 2148 Australia
(72) Name(s) of Designer(s): **Richard Arakelian**
(45) Registration Date: **25 March 2011**
(56) Related Art Documents: **Not Applicable**
(57) Statement of Newness and Distinctiveness: **Newness and distinctiveness is claimed in the features of shape and/or configuration of an electrical connector as illustrated in the accompanying representations.**



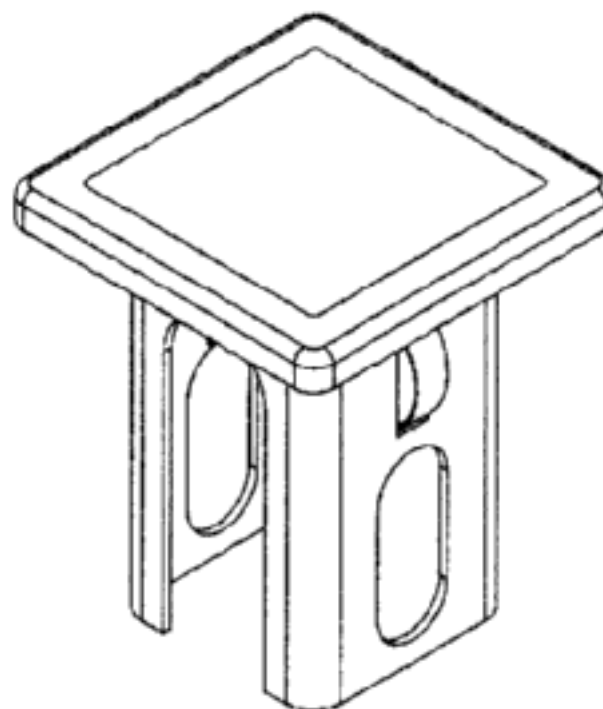
- (21) Design Number: **13048/2010**
(22) Date of Filing Application: **20 July 2010**
(24) Date from which industrial property rights may have effect: **20 July 2010**
(54) Product in respect of which the design is registered: **Wheel**
(51) International Design Classification: **12-16A**
(74) Name(s) of Attorney(s): **Acumen Intellectual Property**
(71) Name(s) and Address(s) of Applicant(s):
ARK Corporation Pty Ltd
8 Smoothy Place Arndell Park New South Wales 2148 Australia
(72) Name(s) of Designer(s): **Richard Arakelian**
(45) Registration Date: **25 March 2011**
(56) Related Art Documents: **Not Applicable**
(57) Statement of Newness and Distinctiveness: **Newness and distinctiveness is claimed in the features of shape and/or configuration of a wheel as illustrated in the accompanying representations in which the tread pattern does not form part of the design.**



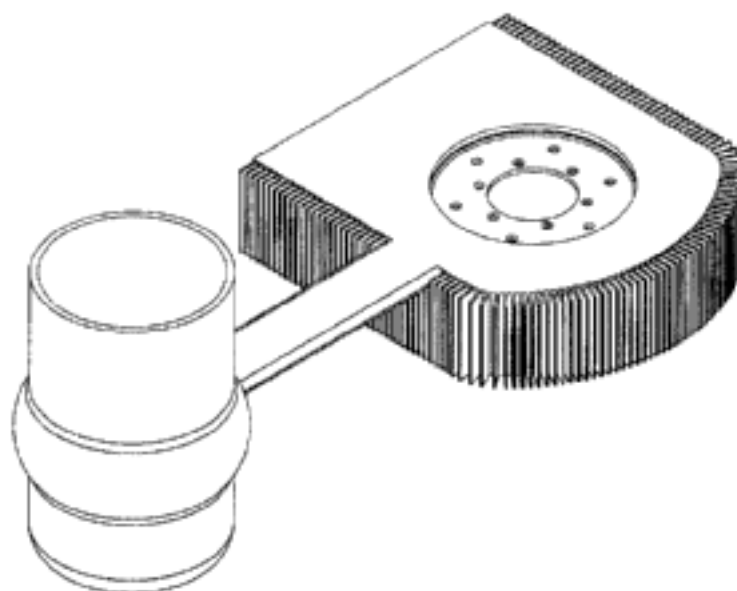
- (21) Design Number: **13049/2010**
(22) Date of Filing Application: **20 July 2010**
(24) Date from which industrial property rights may have effect: **20 July 2010**
(54) Product in respect of which the design is registered: **Wheel**
(51) International Design Classification: **12-16A**
(74) Name(s) of Attorney(s): **Acumen Intellectual Property**
(71) Name(s) and Address(s) of Applicant(s):
ARK Corporation Pty Ltd
8 Smoothy Place Arndell Park New South Wales 2148 Australia
(72) Name(s) of Designer(s): **Richard Arakelian**
(45) Registration Date: **25 March 2011**
(56) Related Art Documents: **Not Applicable**
(57) Statement of Newness and Distinctiveness: **Newness and distinctiveness is claimed in the features of shape and/or configuration of a wheel as illustrated in the accompanying representations in which the tread pattern does not form part of the design.**



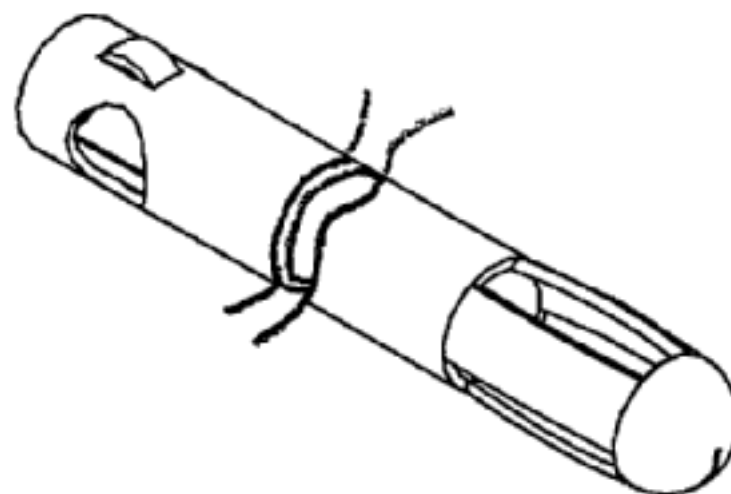
(21) Design Number: **13050/2010**
(22) Date of Filing Application: **20 July 2010**
(24) Date from which industrial property rights may have effect: **20 July 2010**
(54) Product in respect of which the design is registered: **Hitch cover**
(51) International Design Classification: **12-16L**
(74) Name(s) of Attorney(s): **Acumen Intellectual Property**
(71) Name(s) and Address(s) of Applicant(s):
ARK Corporation Pty Ltd
8 Smoothy Place Arndell Park New South Wales 2148 Australia
(72) Name(s) of Designer(s): **Richard Arakelian**
(45) Registration Date: **25 March 2011**
(56) Related Art Documents: **Not Applicable**
(57) Statement of Newness and Distinctiveness: **Newness and distinctiveness is claimed in the features of shape and/or configuration of hitch cover as illustrated in the accompanying representations.**



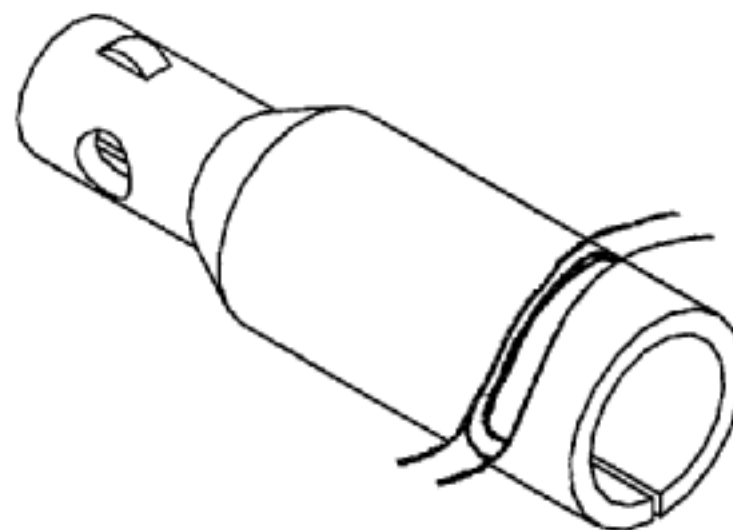
(21) Design Number: **13051/2010**
(22) Date of Filing Application: **20 July 2010**
(24) Date from which industrial property rights may have effect: **20 July 2010**
(54) Product in respect of which the design is registered: **Tow bar shin protector**
(51) International Design Classification: **12-16L**
(74) Name(s) of Attorney(s): **Acumen Intellectual Property**
(71) Name(s) and Address(s) of Applicant(s):
ARK Corporation Pty Ltd
8 Smoothy Place Arndell Park New South Wales 2148 Australia
(72) Name(s) of Designer(s): **Richard Arakelian**
(45) Registration Date: **25 March 2011**
(56) Related Art Documents: **Not Applicable**
(57) Statement of Newness and Distinctiveness: **Newness and distinctiveness is claimed in the features of shape and/or configuration of a Tow bar shin protector as illustrated in the accompanying representations.**



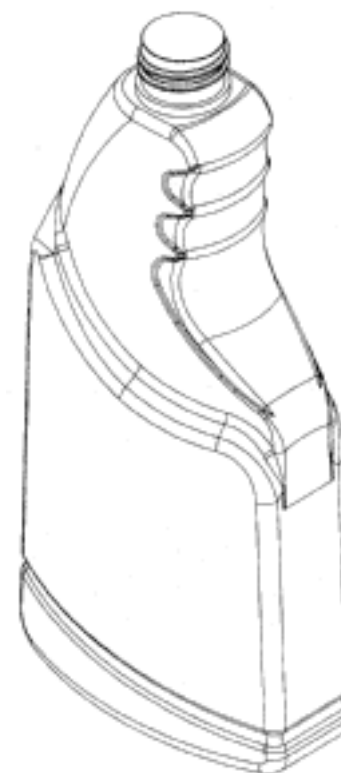
- (21) Design Number: **13052/2010**
(22) Date of Filing Application: **20 July 2010**
(24) Date from which industrial property rights may have effect: **20 July 2010**
(54) Product in respect of which the design is registered: **Electrical connector pin**
(51) International Design Classification: **13-03B**
(74) Name(s) of Attorney(s): **Acumen Intellectual Property**
(71) Name(s) and Address(s) of Applicant(s):
ARK Corporation Pty Ltd
8 Smoothy Place Arndell Park New South Wales 2148 Australia
(72) Name(s) of Designer(s): **Richard Arakelian**
(45) Registration Date: **25 March 2011**
(56) Related Art Documents: **Not Applicable**
(57) Statement of Newness and Distinctiveness: **Newness and distinctiveness is claimed in the features of shape and/or configuration of an electrical connector pin as illustrated in the accompanying representations.**



- (21) Design Number: **13053/2010**
(22) Date of Filing Application: **20 July 2010**
(24) Date from which industrial property rights may have effect: **20 July 2010**
(54) Product in respect of which the design is registered: **Electrical connector socket**
(51) International Design Classification: **13-03E, 12-16L**
(74) Name(s) of Attorney(s): **Acumen Intellectual Property**
(71) Name(s) and Address(s) of Applicant(s):
ARK Corporation Pty Ltd
8 Smoothy Place Arndell Park New South Wales 2148 Australia
(72) Name(s) of Designer(s): **Richard Arakelian**
(45) Registration Date: **25 March 2011**
(56) Related Art Documents: **Not Applicable**
(57) Statement of Newness and Distinctiveness: **Newness and distinctiveness is claimed in the features of shape and/or configuration of an electrical connector socket as illustrated in the accompanying representations.**



(21) Design Number: **10126/2011**
(22) Date of Filing Application: **19 January 2011**
(24) Date from which industrial property rights may have effect: **19 January 2011**
(54) Product in respect of which the design is registered: **Spray bottle**
(51) International Design Classification: **09-01A**
(74) Name(s) of Attorney(s):
(71) Name(s) and Address(s) of Applicant(s):
Asia Pacific Market Development Pty Ltd
38-40 Ralph Street Alexandria New South Wales 2015 Australia
(72) Name(s) of Designer(s): **Ian Godwin and Mariam Tulevski**
(45) Registration Date: **25 March 2011**
(56) Related Art Documents: **Not Applicable**
(57) Statement of Newness and Distinctiveness: **Nil**



(21) Design Number: **15607/2010**
(22) Date of Filing Application: **20 December 2010**
(24) Date from which industrial property rights may have effect: **20 December 2010**
(54) Product in respect of which the design is registered: **A ball of knitwear**
(51) International Design Classification: **02-07D**
(74) Name(s) of Attorney(s):
(71) Name(s) and Address(s) of Applicant(s):
Quintaz B.V.
Binckhorstlaan 36 M052 'S-GRAVENHAGE 2516BE The Netherlands
(72) Name(s) of Designer(s): **Geertruida Jacomijntje Mosies**
(45) Registration Date: **25 March 2011**
(30) Convention priority data:
(31) Number (32) Date (33) Country
001793852-0001 15 Dec 2010 EUROPEAN COMMUNITY
(56) Related Art Documents: **Not Applicable**
(57) Statement of Newness and Distinctiveness: **Nil**



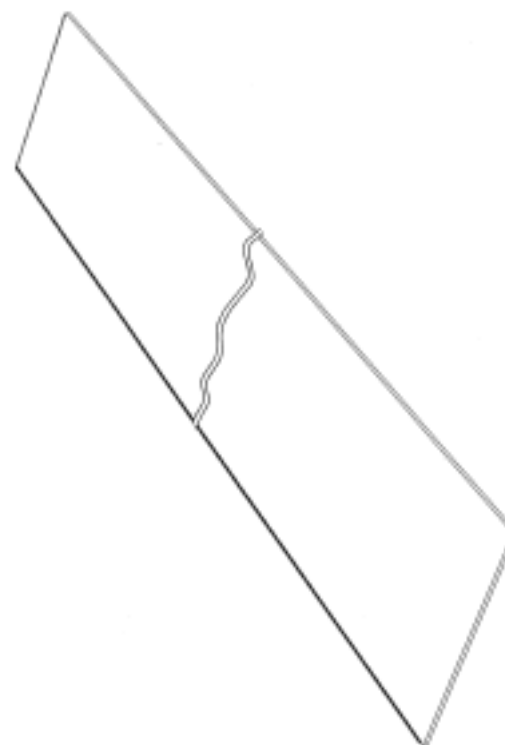
(21) Design Number: **10679/2011**
(22) Date of Filing Application: **21 February 2011**
(24) Date from which industrial property rights may have effect: **21 February 2011**
(54) Product in respect of which the design is registered: **Model of a miners cottage**
(51) International Design Classification: **21-01D**
(74) Name(s) of Attorney(s):
(71) Name(s) and Address(s) of Applicant(s):
Marcus Bree
116 Bilyana Street Balmoral Queensland 4171 Australia
(72) Name(s) of Designer(s): **Marcus Bree**
(45) Registration Date: **25 March 2011**
(56) Related Art Documents: **Not Applicable**
(57) Statement of Newness and Distinctiveness: **Nil**



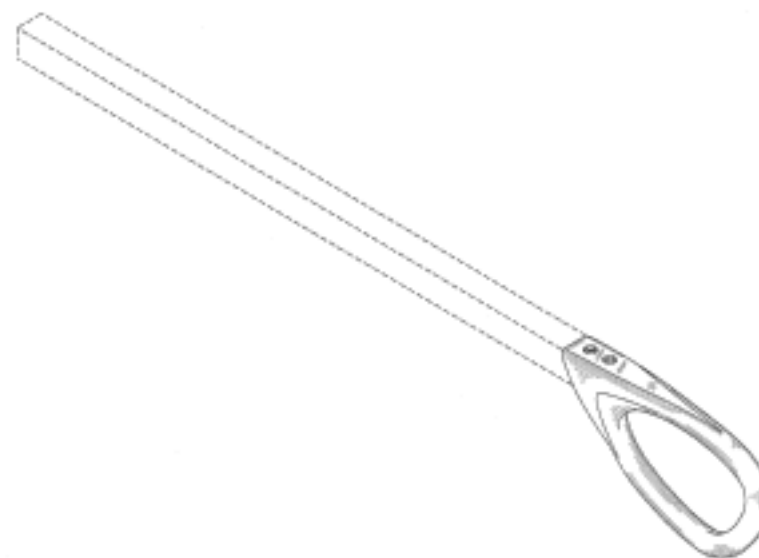
(21) Design Number: **10680/2011**
(22) Date of Filing Application: **21 February 2011**
(24) Date from which industrial property rights may have effect: **21 February 2011**
(54) Product in respect of which the design is registered: **Model of a Surry Hills terrace**
(51) International Design Classification: **21-01D**
(74) Name(s) of Attorney(s):
(71) Name(s) and Address(s) of Applicant(s):
Marcus Bree
116 Bilyana Street Balmoral Queensland 4171 Australia
(72) Name(s) of Designer(s): **Marcus Bree**
(45) Registration Date: **25 March 2011**
(56) Related Art Documents: **Not Applicable**
(57) Statement of Newness and Distinctiveness: **Nil**



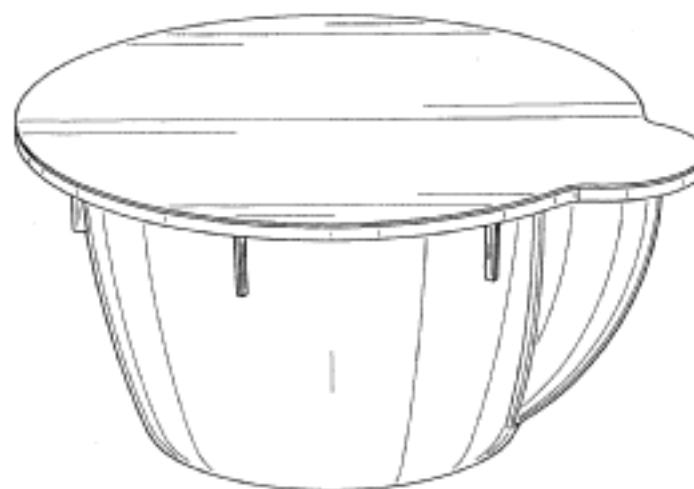
(21) Design Number: **10774/2011**
(22) Date of Filing Application: **01 March 2011**
(24) Date from which industrial property rights may have effect: **01 March 2011**
(54) Product in respect of which the design is registered: **Board**
(51) International Design Classification: **25-01D**
(74) Name(s) of Attorney(s): **Wrays**
(71) Name(s) and Address(s) of Applicant(s):
Knock Lock Pty Ltd
Villa 6 17 Anthony Way Tuart Hill Western Australian 6060 Australia
(72) Name(s) of Designer(s): **Richard Kell and Marco Vittorio Vittiglia**
(45) Registration Date: **25 March 2011**
(56) Related Art Documents: **Not Applicable**
(57) Statement of Newness and Distinctiveness: **Newness and distinctiveness is claimed in the shape and configuration of a board of indefinite length as shown in the representations.**



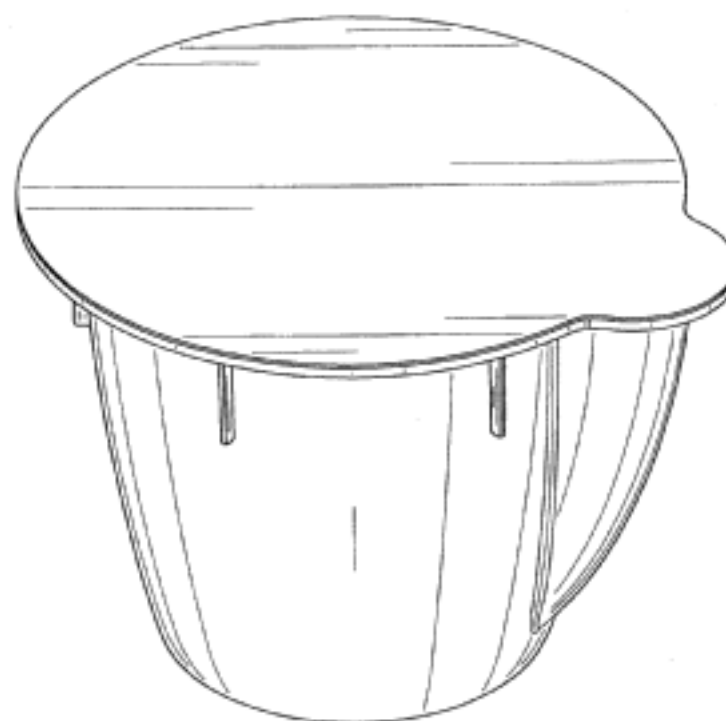
(21) Design Number: **10775/2011**
(22) Date of Filing Application: **02 March 2011**
(24) Date from which industrial property rights may have effect: **02 March 2011**
(54) Product in respect of which the design is registered: **Loop grip handle for wheelbarrows**
(51) International Design Classification: **08-06, 12-02**
(74) Name(s) of Attorney(s): **PIZZEYS**
(71) Name(s) and Address(s) of Applicant(s):
Ames True Temper, Inc.
465 Railroad Avenue Camp Hill PA 17011 United States of America
(72) Name(s) of Designer(s): **Eric Hyp and Stephen D. Hatcher and Daniel F. Marshall**
(45) Registration Date: **25 March 2011**
(30) Convention priority data:
(31) Number (32) Date (33) Country
29/369,237 03 Sep 2010 UNITED STATES OF AMERICA
(56) Related Art Documents: **Not Applicable**
(57) Statement of Newness and Distinctiveness: **Nil**



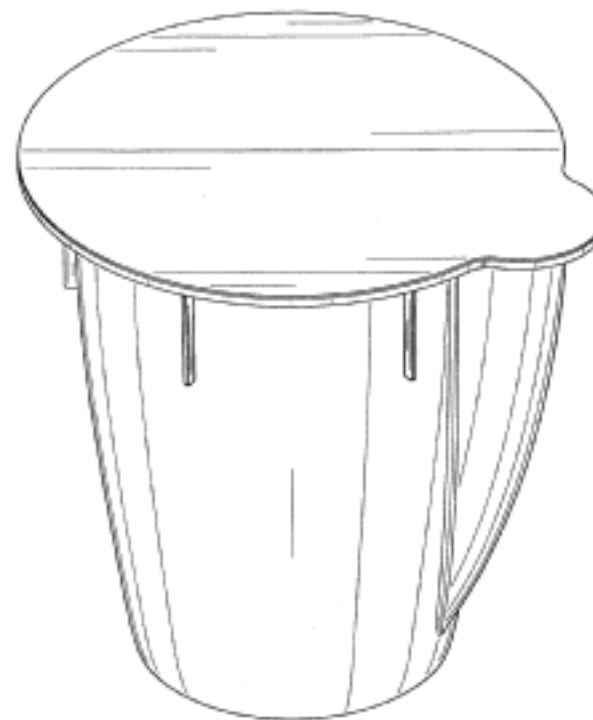
(21) Design Number: **10776/2011**
(22) Date of Filing Application: **02 March 2011**
(24) Date from which industrial property rights may have effect: **02 March 2011**
(54) Product in respect of which the design is registered: **Beverage cartridge**
(51) International Design Classification: **07-02L**
(74) Name(s) of Attorney(s): **PIZZEYS**
(71) Name(s) and Address(s) of Applicant(s):
Keurig, Incorporated
55 Walkers Brook Drive Reading MA 01867-3272 United States of America
(72) Name(s) of Designer(s): **Karl T. Winkler**
(45) Registration Date: **25 March 2011**
(30) Convention priority data:
(31) Number (32) Date (33) Country
29/369,115 02 Sep 2010 UNITED STATES OF AMERICA
(56) Related Art Documents: **Not Applicable**
(57) Statement of Newness and Distinctiveness: **Nil**



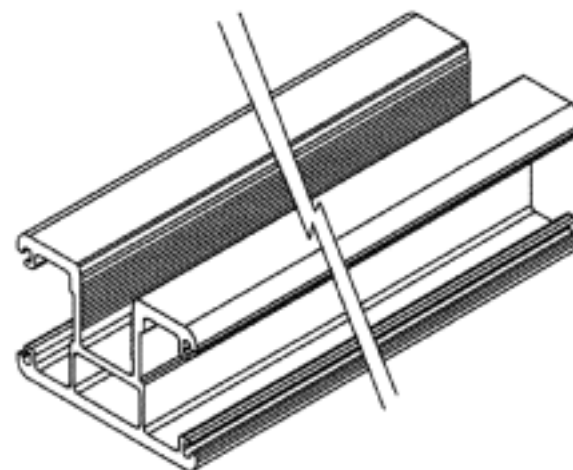
(21) Design Number: **10777/2011**
(22) Date of Filing Application: **02 March 2011**
(24) Date from which industrial property rights may have effect: **02 March 2011**
(54) Product in respect of which the design is registered: **Beverage cartridge**
(51) International Design Classification: **07-02L**
(74) Name(s) of Attorney(s): **PIZZEYS**
(71) Name(s) and Address(s) of Applicant(s):
Keurig, Incorporated
55 Walkers Brook Drive Reading MA 01867-3272 United States of America
(72) Name(s) of Designer(s): **Karl T. Winkler**
(45) Registration Date: **25 March 2011**
(30) Convention priority data:
(31) Number (32) Date (33) Country
29/369,118 02 Sep 2010 UNITED STATES OF AMERICA
(56) Related Art Documents: **Not Applicable**
(57) Statement of Newness and Distinctiveness: **Nil**



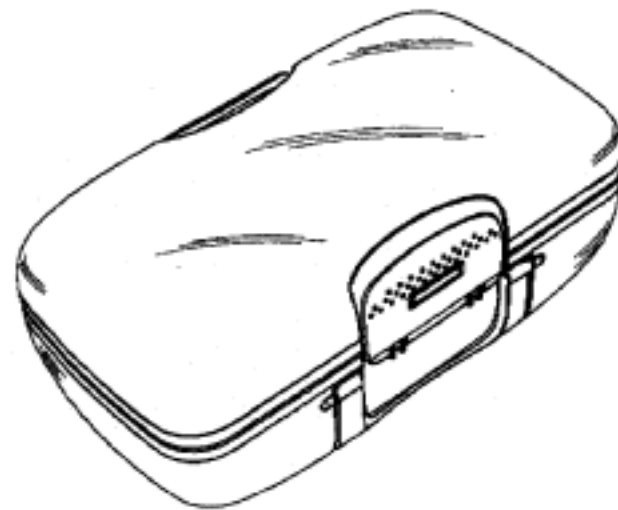
(21) Design Number: **10778/2011**
(22) Date of Filing Application: **02 March 2011**
(24) Date from which industrial property rights may have effect: **02 March 2011**
(54) Product in respect of which the design is registered: **Beverage cartridge**
(51) International Design Classification: **07-02L**
(74) Name(s) of Attorney(s): **PIZZEYS**
(71) Name(s) and Address(s) of Applicant(s):
Keurig, Incorporated
55 Walkers Brook Drive Reading MA 01867-3272 United States of America
(72) Name(s) of Designer(s): **Karl T. Winkler**
(45) Registration Date: **25 March 2011**
(30) Convention priority data:
(31) Number (32) Date (33) Country
29/369,121 02 Sep 2010 UNITED STATES OF AMERICA
(56) Related Art Documents: **Not Applicable**
(57) Statement of Newness and Distinctiveness: **Nil**



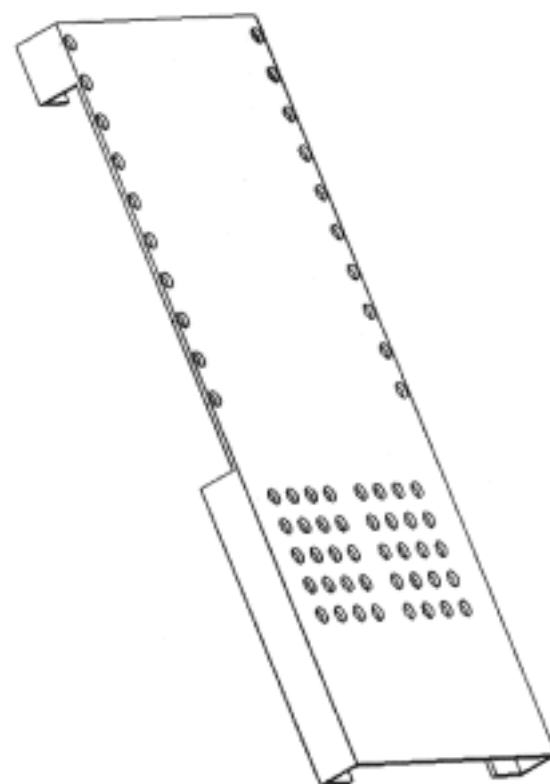
(21) Design Number: **10779/2011**
(22) Date of Filing Application: **28 February 2011**
(24) Date from which industrial property rights may have effect: **28 February 2011**
(54) Product in respect of which the design is registered: **Extrusion**
(51) International Design Classification: **25-01K**
(74) Name(s) of Attorney(s):
(71) Name(s) and Address(s) of Applicant(s):
Haylin Systems Pty Ltd
Unit 2 73 Prestige Parade Wangara Western Australia 6065 Australia
(72) Name(s) of Designer(s): **Edward Joseph Khoury and Darren Hayter and Mark Meehan**
(45) Registration Date: **25 March 2011**
(56) Related Art Documents: **Not Applicable**
(57) Statement of Newness and Distinctiveness: **Newness and distinctiveness resides in the features of shape and/or configuration of an extrusion of indefinite length as shown in the accompanying representations.**



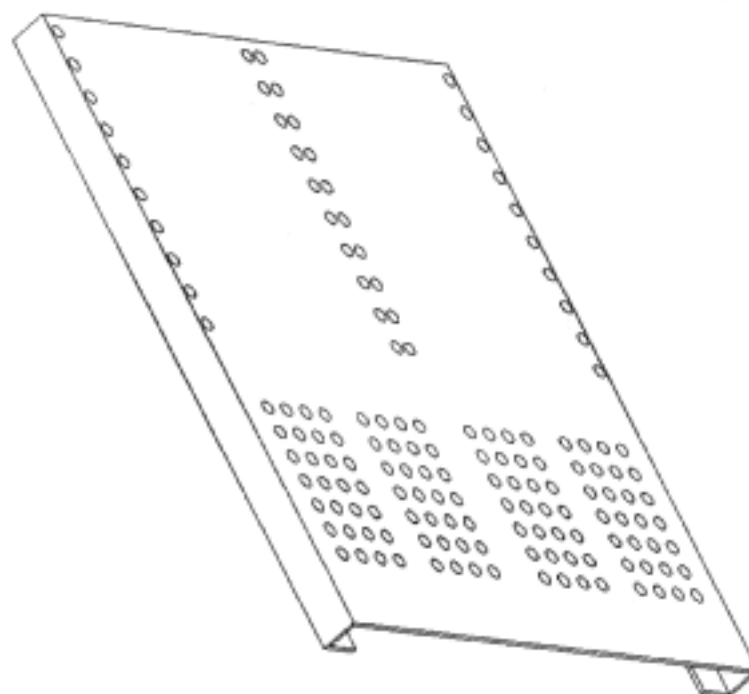
- (21) Design Number: **10780/2011**
(22) Date of Filing Application: **01 March 2011**
(24) Date from which industrial property rights may have effect: **01 March 2011**
(54) Product in respect of which the design is registered: **Lunch box**
(51) International Design Classification: **07-01NES**
(74) Name(s) of Attorney(s):
(71) Name(s) and Address(s) of Applicant(s):
Tukka Pty Ltd
30 Carramar Street Morningside Queensland 4170 Australia
(72) Name(s) of Designer(s): **Maria Packard and Laetitia Hockings**
(45) Registration Date: **25 March 2011**
(56) Related Art Documents: **Not Applicable**
(57) Statement of Newness and Distinctiveness: **All elements of the design are confined within a single form.**



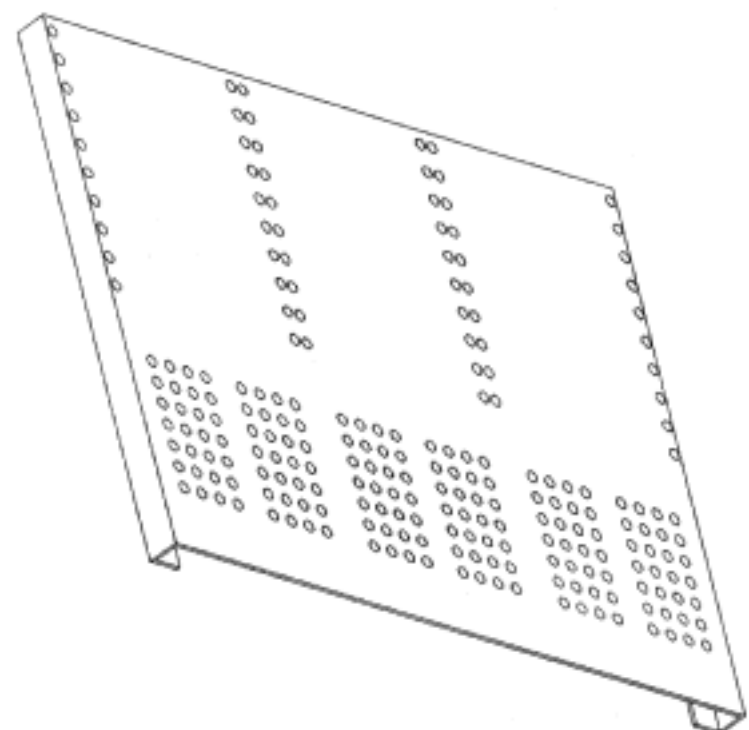
- (21) Design Number: **10753/2011**
(22) Date of Filing Application: **01 March 2011**
(24) Date from which industrial property rights may have effect: **01 March 2011**
(54) Product in respect of which the design is registered: **Medal mounting board**
(51) International Design Classification: **20-02NES**
(74) Name(s) of Attorney(s): **Cotters Patent & Trade Mark Attorneys**
(71) Name(s) and Address(s) of Applicant(s):
Gregory James Hopper
Unit 7 10-12 Nelson Street Penshurst New South Wales 2222 Australia
(72) Name(s) of Designer(s): **Gregory James Hopper**
(45) Registration Date: **28 March 2011**
(56) Related Art Documents: **Not Applicable**
(57) Statement of Newness and Distinctiveness: **Newness and distinctiveness is claimed in the features of shape and/or configuration of a medal mounting board as depicted in the accompanying drawings.**



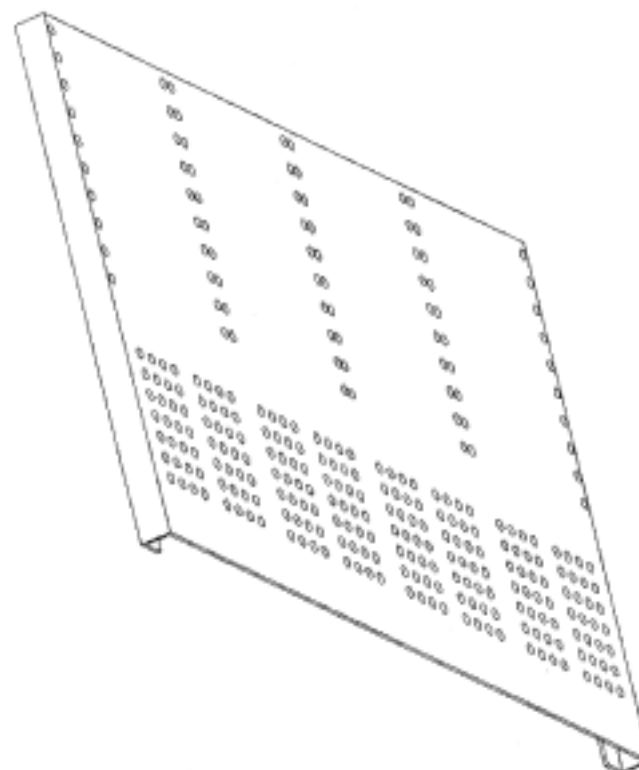
- (21) Design Number: **10754/2011**
(22) Date of Filing Application: **01 March 2011**
(24) Date from which industrial property rights may have effect: **01 March 2011**
(54) Product in respect of which the design is registered: **Medal mounting board**
(51) International Design Classification: **20-02NES**
(74) Name(s) of Attorney(s): **Cotters Patent & Trade Mark Attorneys**
(71) Name(s) and Address(s) of Applicant(s):
Gregory James Hopper
Unit 7 10-12 Nelson Street Penshurst New South Wales 2222 Australia
(72) Name(s) of Designer(s): **Gregory James Hopper**
(45) Registration Date: **28 March 2011**
(56) Related Art Documents: **Not Applicable**
(57) Statement of Newness and Distinctiveness: **Newness and distinctiveness is claimed in the features of shape and/or configuration of a medal mounting board as depicted in the accompanying drawings.**



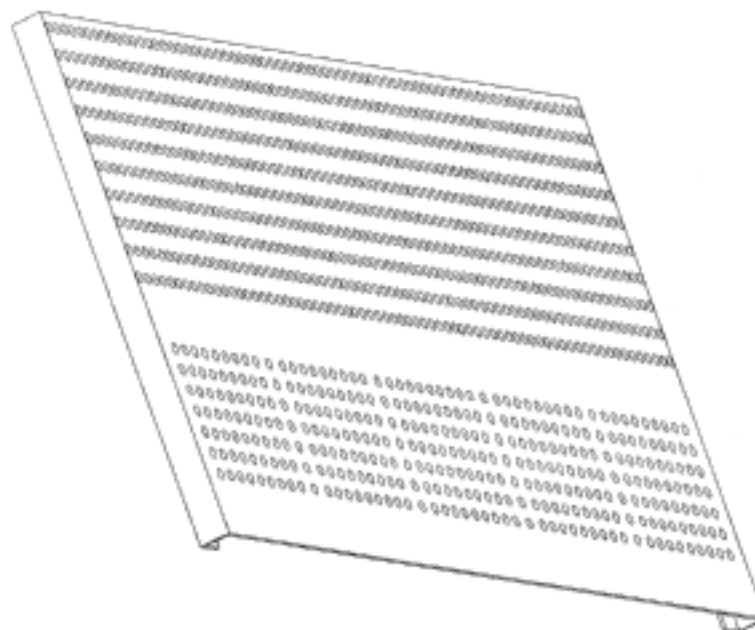
- (21) Design Number: **10755/2011**
(22) Date of Filing Application: **01 March 2011**
(24) Date from which industrial property rights may have effect: **01 March 2011**
(54) Product in respect of which the design is registered: **Medal mounting board**
(51) International Design Classification: **20-02NES**
(74) Name(s) of Attorney(s): **Cotters Patent & Trade Mark Attorneys**
(71) Name(s) and Address(s) of Applicant(s):
Gregory James Hopper
Unit 7 10-12 Nelson Street Penshurst New South Wales 2222 Australia
(72) Name(s) of Designer(s): **Gregory James Hopper**
(45) Registration Date: **28 March 2011**
(56) Related Art Documents: **Not Applicable**
(57) Statement of Newness and Distinctiveness: **Newness and distinctiveness is claimed in the features of shape and/or configuration of a medal mounting board as depicted in the accompanying drawings.**



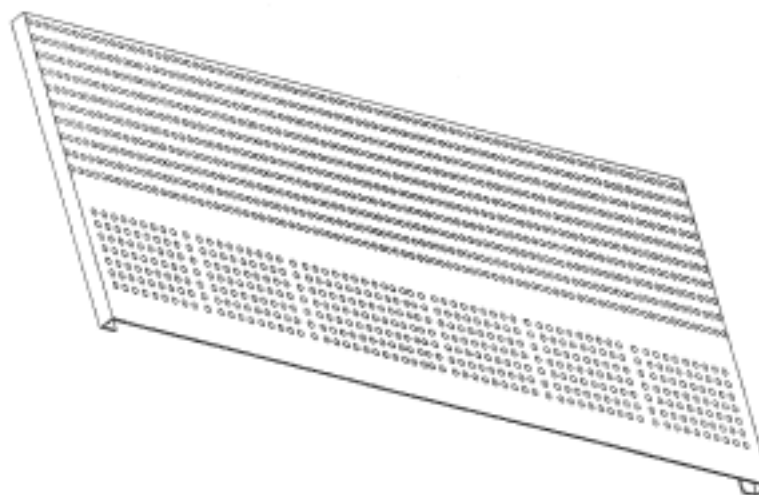
- (21) Design Number: **10756/2011**
(22) Date of Filing Application: **01 March 2011**
(24) Date from which industrial property rights may have effect: **01 March 2011**
(54) Product in respect of which the design is registered: **Medal mounting board**
(51) International Design Classification: **20-02NES**
(74) Name(s) of Attorney(s): **Cotters Patent & Trade Mark Attorneys**
(71) Name(s) and Address(s) of Applicant(s):
Gregory James Hopper
Unit 7 10-12 Nelson Street Penshurst New South Wales 2222 Australia
(72) Name(s) of Designer(s): **Gregory James Hopper**
(45) Registration Date: **28 March 2011**
(56) Related Art Documents: **Not Applicable**
(57) Statement of Newness and Distinctiveness: **Newness and distinctiveness is claimed in the features of shape and/or configuration of a medal mounting board as depicted in the accompanying drawings.**



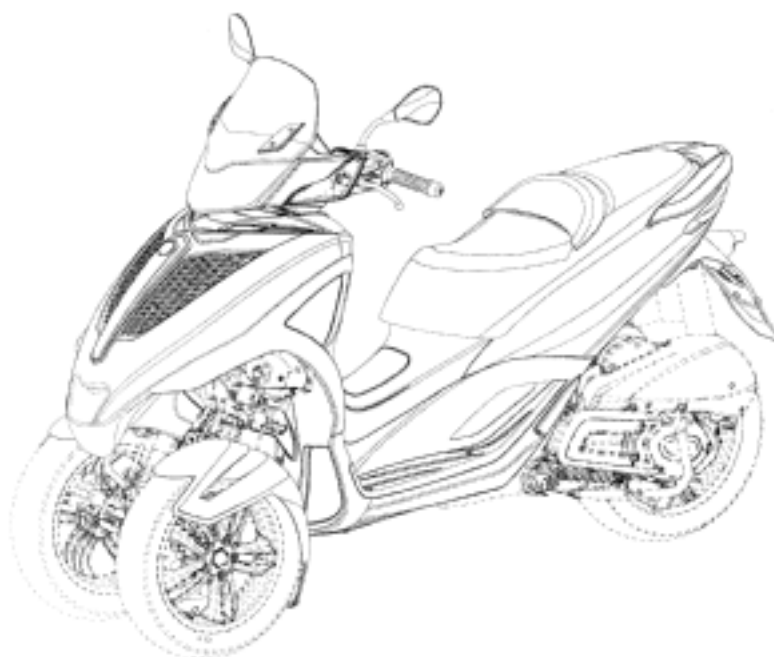
- (21) Design Number: **10757/2011**
(22) Date of Filing Application: **01 March 2011**
(24) Date from which industrial property rights may have effect: **01 March 2011**
(54) Product in respect of which the design is registered: **Medal mounting board**
(51) International Design Classification: **20-02NES**
(74) Name(s) of Attorney(s): **Cotters Patent & Trade Mark Attorneys**
(71) Name(s) and Address(s) of Applicant(s):
Gregory James Hopper
Unit 7 10-12 Nelson Street Penshurst New South Wales 2222 Australia
(72) Name(s) of Designer(s): **Gregory James Hopper**
(45) Registration Date: **28 March 2011**
(56) Related Art Documents: **Not Applicable**
(57) Statement of Newness and Distinctiveness: **Newness and distinctiveness is claimed in the features of shape and/or configuration of a medal mounting board as depicted in the accompanying drawings.**



- (21) Design Number: **10758/2011**
(22) Date of Filing Application: **01 March 2011**
(24) Date from which industrial property rights may have effect: **01 March 2011**
(54) Product in respect of which the design is registered: **Medal mounting board**
(51) International Design Classification: **20-02NES**
(74) Name(s) of Attorney(s): **Cotters Patent & Trade Mark Attorneys**
(71) Name(s) and Address(s) of Applicant(s):
Gregory James Hopper
Unit 7 10-12 Nelson Street Penshurst New South Wales 2222 Australia
(72) Name(s) of Designer(s): **Gregory James Hopper**
(45) Registration Date: **28 March 2011**
(56) Related Art Documents: **Not Applicable**
(57) Statement of Newness and Distinctiveness: **Newness and distinctiveness is claimed in the features of shape and/or configuration of a medal mounting board as depicted in the accompanying drawings.**



- (21) Design Number: **10759/2011**
(22) Date of Filing Application: **02 March 2011**
(24) Date from which industrial property rights may have effect: **02 March 2011**
(54) Product in respect of which the design is registered: **Motor scooter**
(51) International Design Classification: **12-11**
(74) Name(s) of Attorney(s): **WATERMARK PATENT AND TRADE MARKS ATTORNEYS**
(71) Name(s) and Address(s) of Applicant(s):
Piaggio & C. S.p.A.
Viale Rinaldo Piaggio 25 56025 Pontedera Pisa Italy
(72) Name(s) of Designer(s): **Marco Lambri and Riccardo Minuti**
(45) Registration Date: **28 March 2011**
(30) Convention priority data:
(31) Number (32) Date (33) Country
001769597 18 Oct 2010 EUROPEAN COMMUNITY
(56) Related Art Documents: **Not Applicable**
(57) Statement of Newness and Distinctiveness: **Newness and distinctiveness resides in the visual features of the motor scooter shown in the accompanying representations. Those features shown in broken lines do not form part of the design.**



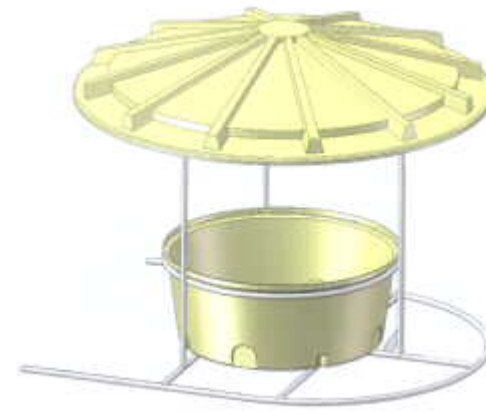
- (21) Design Number: **15644/2010**
(22) Date of Filing Application: **17 December 2010**
(24) Date from which industrial property rights may have effect: **17 December 2010**
(54) Product in respect of which the design is registered: **Electrical switch boxes**
(51) International Design Classification: **13-03D**
(74) Name(s) of Attorney(s):
(71) Name(s) and Address(s) of Applicant(s):
John Patrick Keane
12 Casuarina Lane Shelbourne Victoria 3515 Australia
(72) Name(s) of Designer(s): **John Patrick Keane**
(45) Registration Date: **25 March 2011**
(56) Related Art Documents: **Not Applicable**
(57) Statement of Newness and Distinctiveness: **This shaft replaces the standard solid shaft and it allows movement in both directions with a return to a central neutral position.**



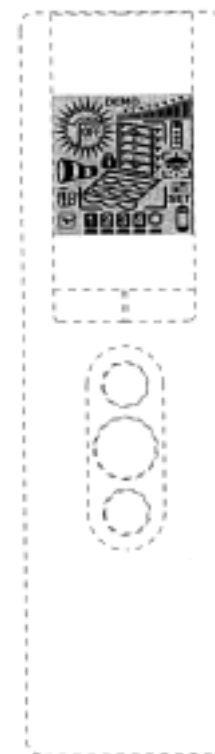
- (21) Design Number: **10265/2011**
(22) Date of Filing Application: **31 January 2011**
(24) Date from which industrial property rights may have effect: **31 January 2011**
(54) Product in respect of which the design is registered: **Steam mop**
(51) International Design Classification: **04-01**
(74) Name(s) of Attorney(s): **Davies Collison Cave**
(71) Name(s) and Address(s) of Applicant(s):
Black & Decker Inc
1207 Drummond Plaza Newark Delaware 19711 United States of America
(72) Name(s) of Designer(s): **Stephen Houghton**
(45) Registration Date: **25 March 2011**
(30) Convention priority data:
(31) Number (32) Date (33) Country
001228167 04 Aug 2010 EUROPEAN COMMUNITY
(56) Related Art Documents: **Not Applicable**
(57) Statement of Newness and Distinctiveness: **Nil**



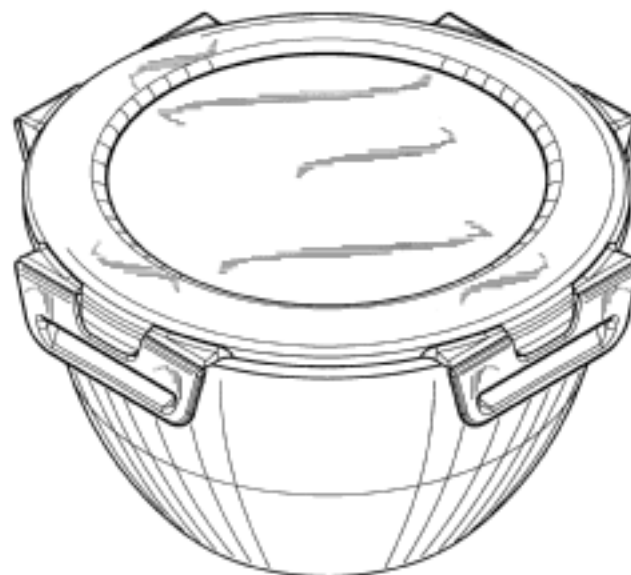
- (21) Design Number: **10602/2011**
(22) Date of Filing Application: **14 February 2011**
(24) Date from which industrial property rights may have effect: **14 February 2011**
(54) Product in respect of which the design is registered: **Collapsible feeding cover frame and roof**
(51) International Design Classification: **30-03**
(74) Name(s) of Attorney(s):
(71) Name(s) and Address(s) of Applicant(s):
Nu-Poly Pty Ltd
873 Yaamba Road Rockhampton Queensland 4702 Australia
(72) Name(s) of Designer(s): **Mark Trail**
(45) Registration Date: **25 March 2011**
(56) Related Art Documents: **Not Applicable**
(57) Statement of Newness and Distinctiveness: **The new feeder has two main features: 1. The new feeder design has a towable front position with stabilising back legs which stabilise the feeder when being towed preventing the feeder from tipping over. 2. The new feeder has been designed with a hinged frame design enabling the feeder frame to be collapsed for transport and re-assembled when at required destination.**



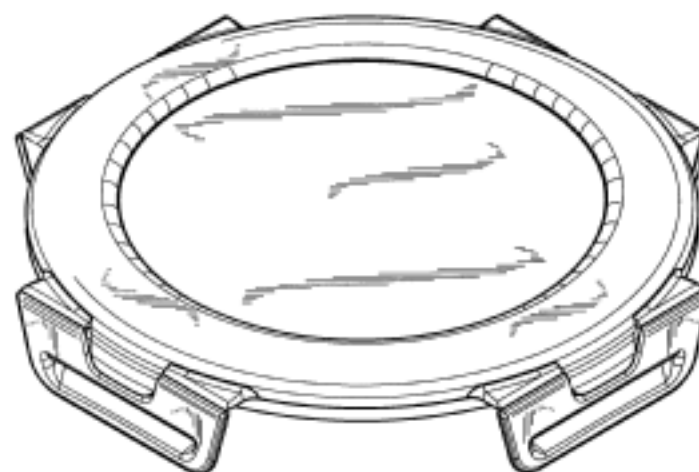
- (21) Design Number: **12675/2008**
(22) Date of Filing Application: **03 June 2008**
(24) Date from which industrial property rights may have effect: **03 June 2008**
(54) Product in respect of which the design is registered: **An LCD screen for a remote control**
(51) International Design Classification: **14-04**
(74) Name(s) of Attorney(s): **PIZZEYS**
(71) Name(s) and Address(s) of Applicant(s):
Somfy SAS
50 avenue du Nouveau Monde Cluses 74300 France
(72) Name(s) of Designer(s): **Olivier Poulet and Marc Limousin**
(45) Registration Date: **25 March 2011**
(30) Convention priority data:
(31) Number (32) Date (33) Country
000837018 04 Dec 2007 EUROPEAN COMMUNITY
(56) Related Art Documents: **Not Applicable**
(57) Statement of Newness and Distinctiveness: **The newness and distinctiveness of the design resides in the features of pattern and/or ornamentation of the LCD screen.**



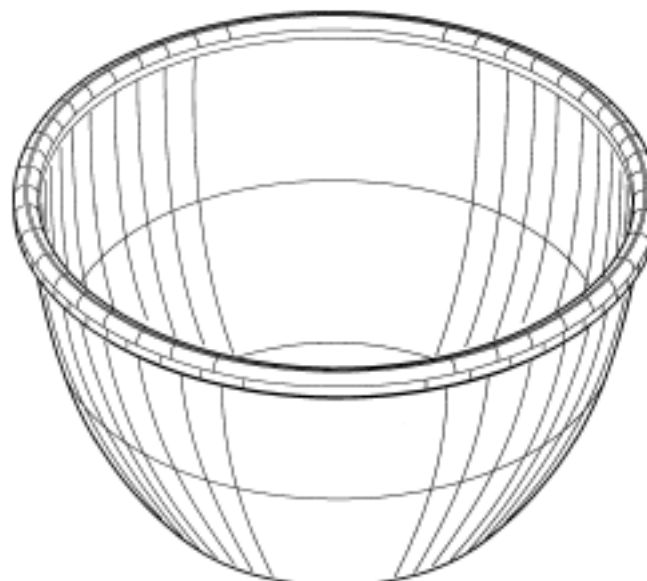
- (21) Design Number: **11210/2011**
(22) Date of Filing Application: **13 January 2011**
(24) Date from which industrial property rights may have effect: **13 January 2011**
(54) Product in respect of which the design is registered: **A bowl and lid**
(51) International Design Classification: **07-01B, 07-01NES**
(74) Name(s) of Attorney(s): **Shelston IP**
(71) Name(s) and Address(s) of Applicant(s):
Snapware Corporation
3900 Hamner Avenue Mira Loma California 91752 United States of America
(72) Name(s) of Designer(s): **Justin Smyers**
(45) Registration Date: **28 March 2011**
(62) Divisional of: **335663**
(56) Related Art Documents: **Not Applicable**
(57) Statement of Newness and Distinctiveness: **Newness and distinctiveness reside in the features of shape and/or configuration of a LID FOR A BOWL as illustrated in the accompanying representations.**



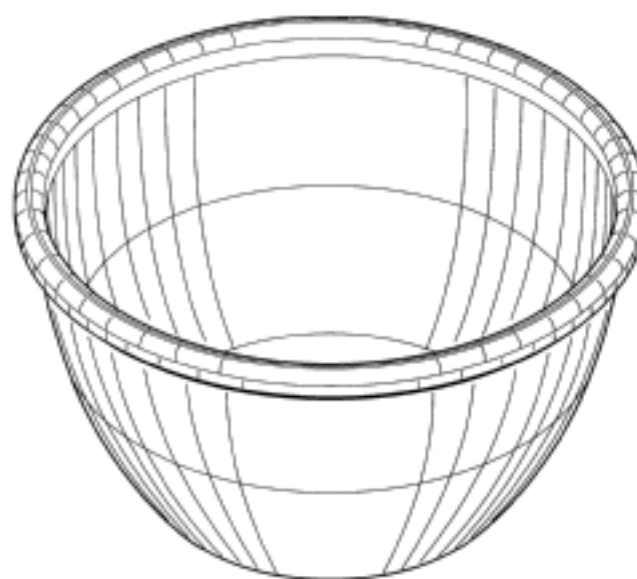
- (21) Design Number: **11211/2011**
(22) Date of Filing Application: **13 January 2011**
(24) Date from which industrial property rights may have effect: **13 January 2011**
(54) Product in respect of which the design is registered: **Lid for a bowl**
(51) International Design Classification: **07-01NES**
(74) Name(s) of Attorney(s): **Shelston IP**
(71) Name(s) and Address(s) of Applicant(s):
Snapware Corporation
3900 Hamner Avenue Mira Loma California 91752 United States of America
(72) Name(s) of Designer(s): **Justin Smyers**
(45) Registration Date: **28 March 2011**
(56) Related Art Documents: **Not Applicable**
(57) Statement of Newness and Distinctiveness: **Newness and distinctiveness reside in the features of shape and/or configuration of a LID FOR A BOWL as illustrated in the accompanying representations.**



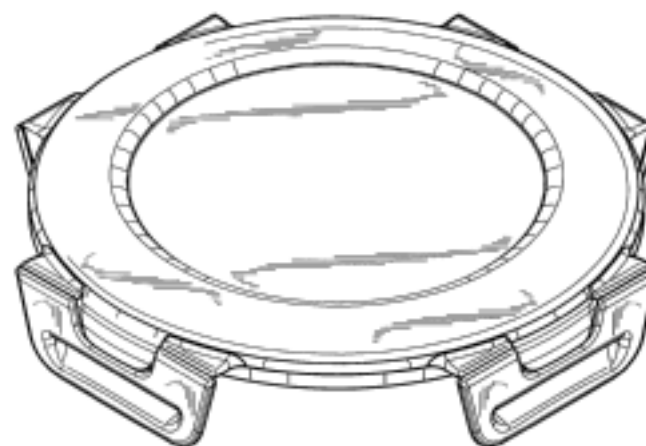
- (21) Design Number: **11212/2011**
(22) Date of Filing Application: **13 January 2011**
(24) Date from which industrial property rights may have effect: **13 January 2011**
(54) Product in respect of which the design is registered: **A bowl**
(51) International Design Classification: **07-01B**
(74) Name(s) of Attorney(s): **Shelston IP**
(71) Name(s) and Address(s) of Applicant(s):
Snapware Corporation
3900 Hamner Avenue Mira Loma California 91752 United States of America
(72) Name(s) of Designer(s): **Justin Smyers**
(45) Registration Date: **28 March 2011**
(62) Divisional of: **335663**
(56) Related Art Documents: **Not Applicable**
(57) Statement of Newness and Distinctiveness: **Newness and distinctiveness reside in the features of shape and/or configuration of A BOWL as illustrated in the accompanying representations.**



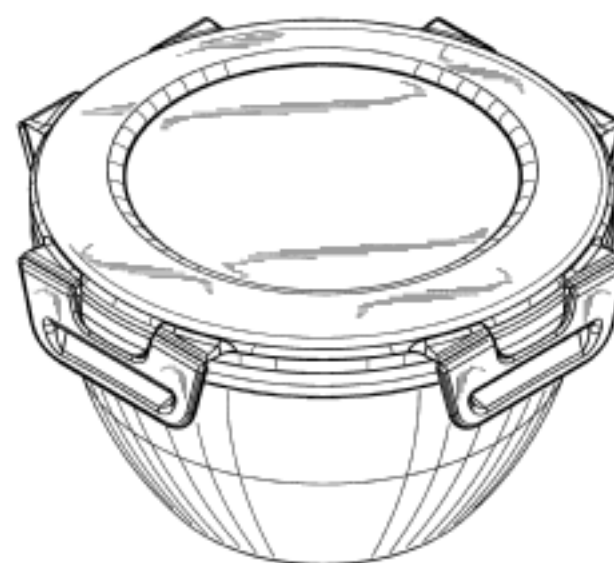
- (21) Design Number: **11213/2011**
(22) Date of Filing Application: **13 January 2011**
(24) Date from which industrial property rights may have effect: **13 January 2011**
(54) Product in respect of which the design is registered: **A bowl**
(51) International Design Classification: **07-01B**
(74) Name(s) of Attorney(s): **Shelston IP**
(71) Name(s) and Address(s) of Applicant(s):
Snapware Corporation
3900 Hamner Avenue Mira Loma California 91752 United States of America
(72) Name(s) of Designer(s): **Justin Smyers**
(45) Registration Date: **28 March 2011**
(62) Divisional of: **335663**
(56) Related Art Documents: **Not Applicable**
(57) Statement of Newness and Distinctiveness: **Newness and distinctiveness reside in the features of shape and/or configuration of A BOWL as illustrated in the accompanying representations.**



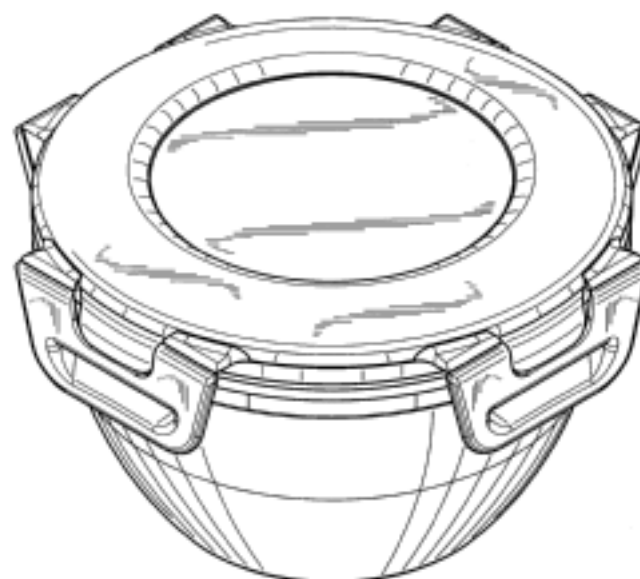
- (21) Design Number: **11214/2011**
(22) Date of Filing Application: **13 January 2011**
(24) Date from which industrial property rights may have effect: **13 January 2011**
(54) Product in respect of which the design is registered: **Lid for a bowl**
(51) International Design Classification: **07-01NES**
(74) Name(s) of Attorney(s): **Shelston IP**
(71) Name(s) and Address(s) of Applicant(s):
Snapware Corporation
3900 Hamner Avenue Mira Loma California 91752 United States of America
(72) Name(s) of Designer(s): **Justin Smyers**
(45) Registration Date: **28 March 2011**
(62) Divisional of: **335663**
(56) Related Art Documents: **Not Applicable**
(57) Statement of Newness and Distinctiveness: **Newness and distinctiveness reside in the features of shape and/or configuration of a LID FOR A BOWL as illustrated in the accompanying representations.**



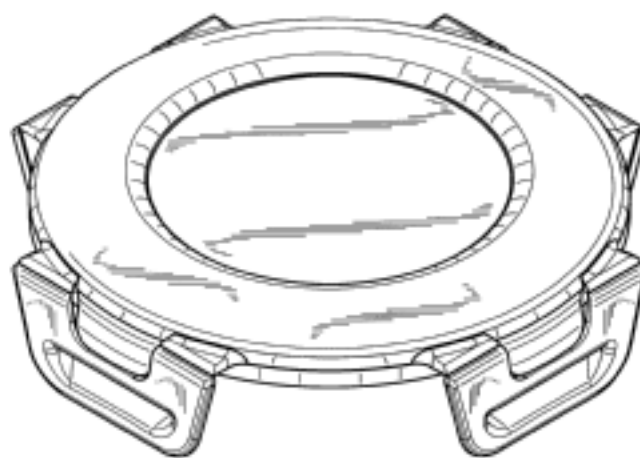
- (21) Design Number: **11215/2011**
(22) Date of Filing Application: **13 January 2011**
(24) Date from which industrial property rights may have effect: **13 January 2011**
(54) Product in respect of which the design is registered: **A bowl and lid**
(51) International Design Classification: **07-01B, 07-01NES**
(74) Name(s) of Attorney(s): **Shelston IP**
(71) Name(s) and Address(s) of Applicant(s):
Snapware Corporation
3900 Hamner Avenue Mira Loma California 91752 United States of America
(72) Name(s) of Designer(s): **Justin Smyers**
(45) Registration Date: **28 March 2011**
(62) Divisional of: **335663**
(56) Related Art Documents: **Not Applicable**
(57) Statement of Newness and Distinctiveness: **Newness and distinctiveness reside in the features of shape and/or configuration of A BOWL AND LID as illustrated in the accompanying representations.**



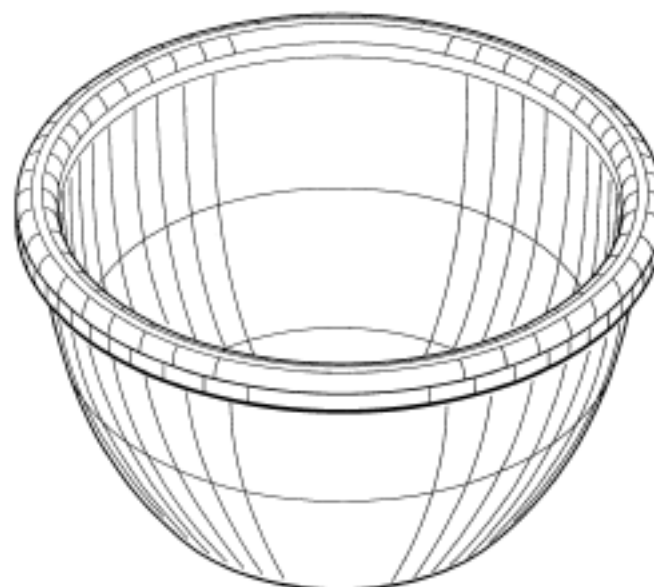
- (21) Design Number: **11216/2011**
(22) Date of Filing Application: **13 January 2011**
(24) Date from which industrial property rights may have effect: **13 January 2011**
(54) Product in respect of which the design is registered: **A bowl and lid**
(51) International Design Classification: **07-01B, 07-01NES**
(74) Name(s) of Attorney(s): **Shelston IP**
(71) Name(s) and Address(s) of Applicant(s):
Snapware Corporation
3900 Hamner Avenue Mira Loma California 91752 United States of America
(72) Name(s) of Designer(s): **Justin Smyers**
(45) Registration Date: **28 March 2011**
(62) Divisional of: **335663**
(56) Related Art Documents: **Not Applicable**
(57) Statement of Newness and Distinctiveness: **Newness and distinctiveness reside in the features of shape and/or configuration of A BOWL AND LID as illustrated in the accompanying representations.**



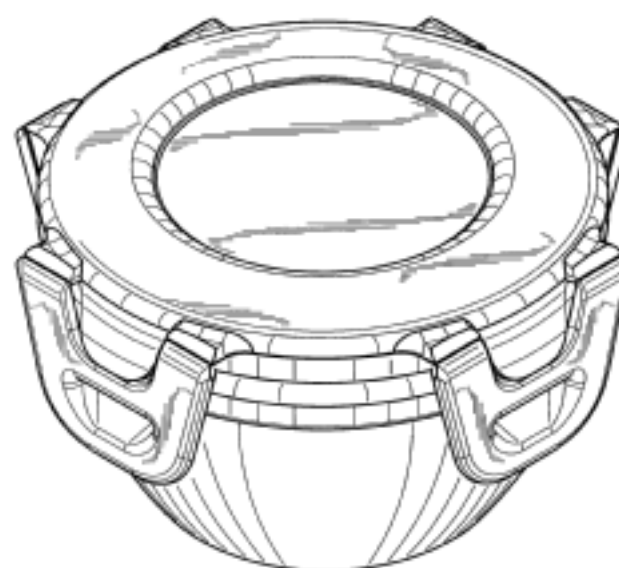
- (21) Design Number: **11217/2011**
(22) Date of Filing Application: **13 January 2011**
(24) Date from which industrial property rights may have effect: **13 January 2011**
(54) Product in respect of which the design is registered: **Lid for a bowl**
(51) International Design Classification: **07-01NES**
(74) Name(s) of Attorney(s): **Shelston IP**
(71) Name(s) and Address(s) of Applicant(s):
Snapware Corporation
3900 Hamner Avenue Mira Loma California 91752 United States of America
(72) Name(s) of Designer(s): **Justin Smyers**
(45) Registration Date: **28 March 2011**
(56) Related Art Documents: **Not Applicable**
(57) Statement of Newness and Distinctiveness: **Newness and distinctiveness reside in the features of shape and/or configuration of a LID FOR A BOWL as illustrated in the accompanying representations.**



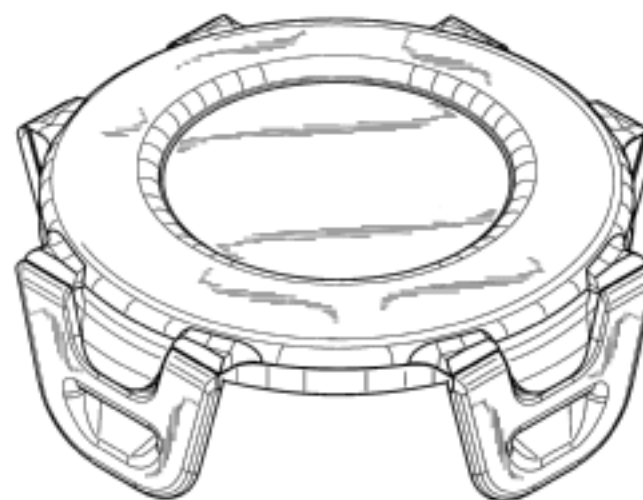
- (21) Design Number: **11218/2011**
(22) Date of Filing Application: **13 January 2011**
(24) Date from which industrial property rights may have effect: **13 January 2011**
(54) Product in respect of which the design is registered: **A bowl**
(51) International Design Classification: **07-01B**
(74) Name(s) of Attorney(s): **Shelston IP**
(71) Name(s) and Address(s) of Applicant(s):
Snapware Corporation
3900 Hamner Avenue Mira Loma California 91752 United States of America
(72) Name(s) of Designer(s): **Justin Smyers**
(45) Registration Date: **28 March 2011**
(62) Divisional of: **335663**
(56) Related Art Documents: **Not Applicable**
(57) Statement of Newness and Distinctiveness: **Newness and distinctiveness reside in the features of shape and/or configuration of A BOWL as illustrated in the accompanying representations.**



- (21) Design Number: **11219/2011**
(22) Date of Filing Application: **13 January 2011**
(24) Date from which industrial property rights may have effect: **13 January 2011**
(54) Product in respect of which the design is registered: **A bowl and lid**
(51) International Design Classification: **07-01B, 07-01NES**
(74) Name(s) of Attorney(s): **Shelston IP**
(71) Name(s) and Address(s) of Applicant(s):
Snapware Corporation
3900 Hamner Avenue Mira Loma California 91752 United States of America
(72) Name(s) of Designer(s): **Justin Smyers**
(45) Registration Date: **28 March 2011**
(62) Divisional of: **335663**
(56) Related Art Documents: **Not Applicable**
(57) Statement of Newness and Distinctiveness: **Newness and distinctiveness reside in the features of shape and/or configuration of a BOWL AND LID as illustrated in the accompanying representations.**



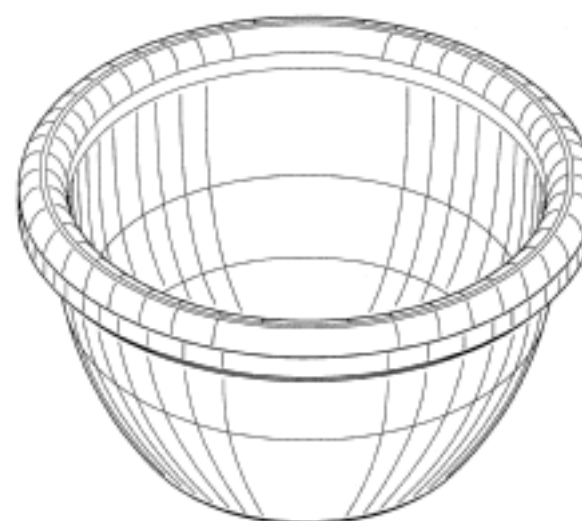
- (21) Design Number: **11220/2011**
(22) Date of Filing Application: **13 January 2011**
(24) Date from which industrial property rights may have effect: **13 January 2011**
(54) Product in respect of which the design is registered: **Lid for a bowl**
(51) International Design Classification: **07-01NES**
(74) Name(s) of Attorney(s): **Shelston IP**
(71) Name(s) and Address(s) of Applicant(s):
Snapware Corporation
3900 Hamner Avenue Mira Loma California 91752 United States of America
(72) Name(s) of Designer(s): **Justin Smyers**
(45) Registration Date: **28 March 2011**
(62) Divisional of: **335663**
(56) Related Art Documents: **Not Applicable**
(57) Statement of Newness and Distinctiveness: **Newness and distinctiveness reside in the features of shape and/or configuration of a LID FOR A BOWL as illustrated in the accompanying representations.**



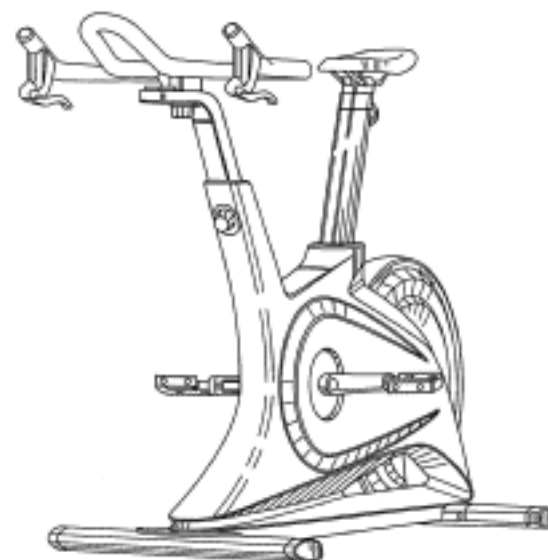
- (21) Design Number: **10097/2011**
(22) Date of Filing Application: **13 January 2011**
(24) Date from which industrial property rights may have effect: **13 January 2011**
(54) Product in respect of which the design is registered: **A Bowl**
(51) International Design Classification: **07-01B**
(74) Name(s) of Attorney(s): **Shelston IP**
(71) Name(s) and Address(s) of Applicant(s):
Snapware Corporation
3900 Hamner Avenue Mira Loma California 91752 United States of America
(72) Name(s) of Designer(s): **Justin Smyers**
(45) Registration Date: **28 March 2011**
(30) Convention priority data:

(31) Number	(32) Date	(33) Country
29/365704	13 Jul 2010	UNITED STATES OF AMERICA

(56) Related Art Documents: **Not Applicable**
(57) Statement of Newness and Distinctiveness: **Newness and distinctiveness resides in the features of shape and/or configuration of A BOWL as illustrated in the accompanying representations.**



(21) Design Number: **10760/2011**
(22) Date of Filing Application: **28 February 2011**
(24) Date from which industrial property rights may have effect: **28 February 2011**
(54) Product in respect of which the design is registered: **Stationery exercise bicycle**
(51) International Design Classification: **21-02F**
(74) Name(s) of Attorney(s): **PHILLIPS ORMONDE FITZPATRICK**
(71) Name(s) and Address(s) of Applicant(s):
Power Plate International Limited
9a Utopia Village 7 Chalcot Road Primrose Hill London NW1 8LH United Kingdom
(72) Name(s) of Designer(s): **Augustinus Leonardus Nicolaas Van der Meer and Jelte Tijmen Tempelaars and Tom Schreuder**
(45) Registration Date: **28 March 2011**
(30) Convention priority data:
(31) Number (32) Date (33) Country
001748542-0001 30 Aug 2010 EUROPEAN COMMUNITY
(56) Related Art Documents: **Not Applicable**
(57) Statement of Newness and Distinctiveness: **Those features of the stationary exercise bicycle depicted in the representations that are new and distinctive are the shape and/or configuration.**



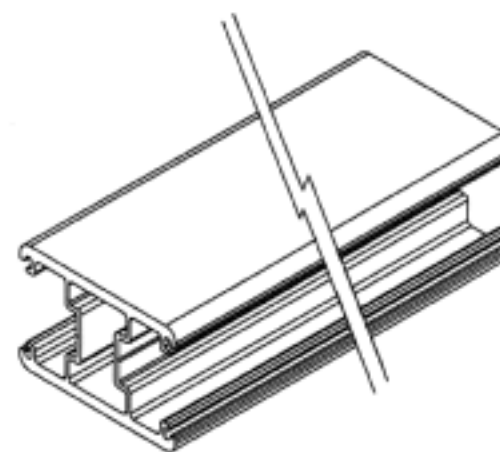
(21) Design Number: **10761/2011**
(22) Date of Filing Application: **28 February 2011**
(24) Date from which industrial property rights may have effect: **28 February 2011**
(54) Product in respect of which the design is registered: **Nasal cleaning device**
(51) International Design Classification: **24-02**
(74) Name(s) of Attorney(s): **Blake Dawson**
(71) Name(s) and Address(s) of Applicant(s):
Illes Csok es Tarsa Kkt.
Ajtosi Durer sor 35 1146 Budapest Hungary
(72) Name(s) of Designer(s): **Anna Illes Csok**
(45) Registration Date: **28 March 2011**
(30) Convention priority data:
(31) Number (32) Date (33) Country
001749375-0002 01 Sep 2010 EUROPEAN COMMUNITY
(56) Related Art Documents: **Not Applicable**
(57) Statement of Newness and Distinctiveness: **Nil**



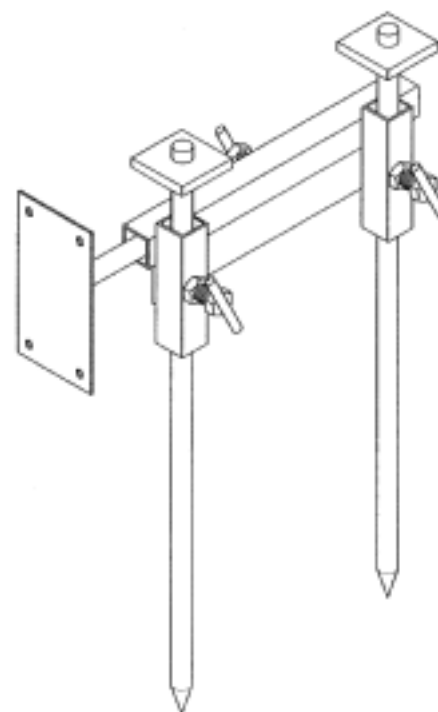
(21) Design Number: **10762/2011**
(22) Date of Filing Application: **28 February 2011**
(24) Date from which industrial property rights may have effect: **28 February 2011**
(54) Product in respect of which the design is registered: **Nasal cleaning device**
(51) International Design Classification: **24-02**
(74) Name(s) of Attorney(s): **Blake Dawson**
(71) Name(s) and Address(s) of Applicant(s):
Illes Csok es Tarsa Kkt.
Ajtosi Durer sor 35 1146 Budapest Hungary
(72) Name(s) of Designer(s): **Anna Illes Csok**
(45) Registration Date: **28 March 2011**
(30) Convention priority data:
(31) Number (32) Date (33) Country
001749375-0001 01 Sep 2010 EUROPEAN COMMUNITY
(56) Related Art Documents: **Not Applicable**
(57) Statement of Newness and Distinctiveness: **Nil**



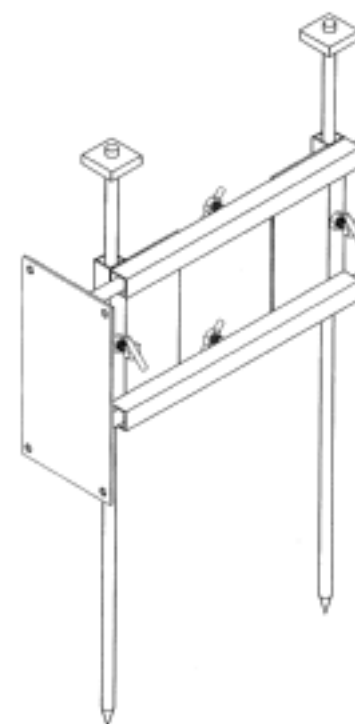
(21) Design Number: **10763/2011**
(22) Date of Filing Application: **28 February 2011**
(24) Date from which industrial property rights may have effect: **28 February 2011**
(54) Product in respect of which the design is registered: **Extrusion**
(51) International Design Classification: **25-01K**
(74) Name(s) of Attorney(s):
(71) Name(s) and Address(s) of Applicant(s):
Haylin Systems Pty Ltd
Unit 2 73 Prestige Parade Wangara Western Australia 6065 Australia
(72) Name(s) of Designer(s): **Edward Joseph Khoury and Darren Hayter and Mark Meehan**
(45) Registration Date: **28 March 2011**
(56) Related Art Documents: **Not Applicable**
(57) Statement of Newness and Distinctiveness: **Newness and distinctiveness resides in the features of shape and/or configuration of an extrusion of indefinite length as shown in the accompanying representations.**



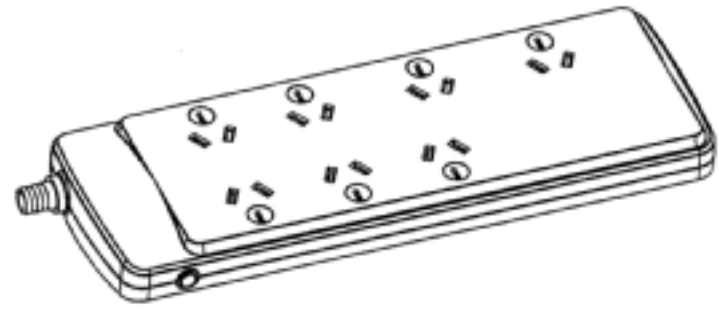
- (21) Design Number: **10744/2011**
(22) Date of Filing Application: **25 February 2011**
(24) Date from which industrial property rights may have effect: **25 February 2011**
(54) Product in respect of which the design is registered: **A brace**
(51) International Design Classification: **08-08NES**
(74) Name(s) of Attorney(s): **A J Park**
(71) Name(s) and Address(s) of Applicant(s):
Hoani Brown
93a Morley Street Westown New Plymouth New Zealand
(72) Name(s) of Designer(s): **Hoani Brown**
(45) Registration Date: **28 March 2011**
(56) Related Art Documents: **Not Applicable**
(57) Statement of Newness and Distinctiveness: **The novelty claimed for the design resides in the features of shape and/or configuration of a brace as shown in the representations.**



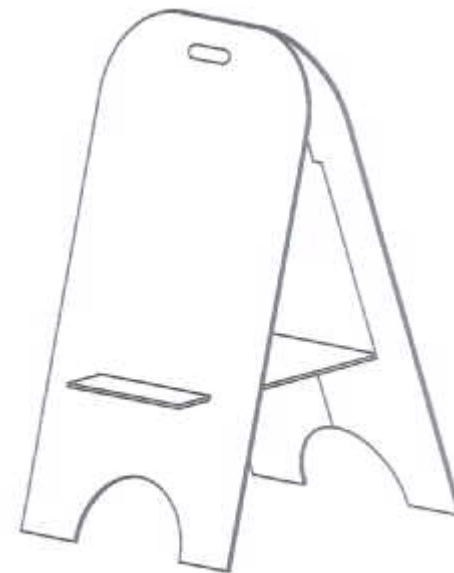
- (21) Design Number: **10746/2011**
(22) Date of Filing Application: **25 February 2011**
(24) Date from which industrial property rights may have effect: **25 February 2011**
(54) Product in respect of which the design is registered: **A brace**
(51) International Design Classification: **08-08NES**
(74) Name(s) of Attorney(s): **A J Park**
(71) Name(s) and Address(s) of Applicant(s):
Hoani Brown
93a Morley Street Westown New Plymouth New Zealand
(72) Name(s) of Designer(s): **Hoani Brown**
(45) Registration Date: **28 March 2011**
(56) Related Art Documents: **Not Applicable**
(57) Statement of Newness and Distinctiveness: **The novelty claimed for the design resides in the features of shape and/or configuration of a brace as shown in the representations.**



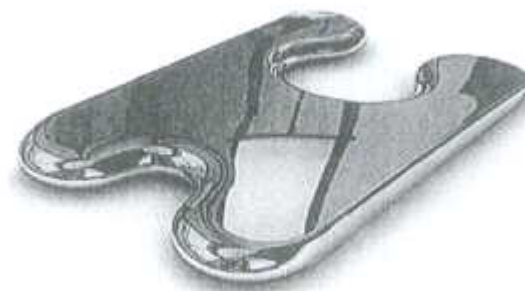
- (21) Design Number: **10804/2011**
(22) Date of Filing Application: **02 March 2011**
(24) Date from which industrial property rights may have effect: **02 March 2011**
(54) Product in respect of which the design is registered: **A power board**
(51) International Design Classification: **13-03D**
(74) Name(s) of Attorney(s): **SPRUSON & FERGUSON**
(71) Name(s) and Address(s) of Applicant(s):
Jackson Industries Pty Limited
16 Brookhollow Avenue Norwest Business Park Baulkham Hills New
South Wales 2153 Australia
(72) Name(s) of Designer(s): **Ross Alec Jackson**
(45) Registration Date: **28 March 2011**
(56) Related Art Documents: **Not Applicable**
(57) Statement of Newness and Distinctiveness: **Newness and distinctiveness**
is claimed in the features of shape and/or configuration of a
radiussed casing of a power board as illustrated in the accompanying
representations.



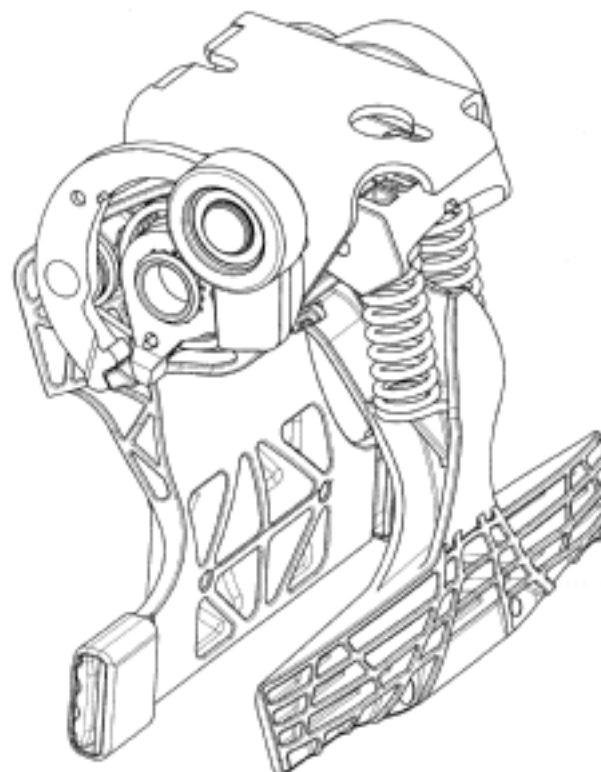
- (21) Design Number: **14905/2010**
(22) Date of Filing Application: **10 November 2010**
(24) Date from which industrial property rights may have effect: **10 November 2010**
(54) Product in respect of which the design is registered: **Easel**
(51) International Design Classification: **19-06**
(74) Name(s) of Attorney(s):
(71) Name(s) and Address(s) of Applicant(s):
Zac Borrowdale
125 Bedford Street Newtown New South Wales 2042 Australia
(72) Name(s) of Designer(s): **Zac Borrowdale**
(45) Registration Date: **29 March 2011**
(56) Related Art Documents: **Not Applicable**
(57) Statement of Newness and Distinctiveness: **Nil**



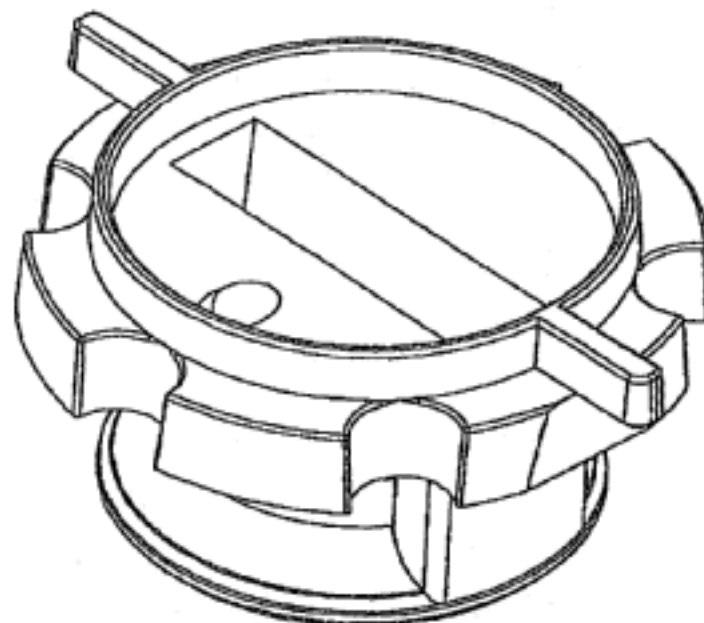
(21) Design Number: **10676/2011**
(22) Date of Filing Application: **23 February 2011**
(24) Date from which industrial property rights may have effect: **23 February 2011**
(54) Product in respect of which the design is registered: **Facial massaging tool**
(51) International Design Classification: **28-03NES**
(74) Name(s) of Attorney(s): **Shelston IP**
(71) Name(s) and Address(s) of Applicant(s):
Chanel Limited
Queensway Croydon Surrey England CR9 4DL United Kingdom
(72) Name(s) of Designer(s): **Christian Michou**
(45) Registration Date: **29 March 2011**
(30) Convention priority data:
(31) Number (32) Date (33) Country
4017823 16 Nov 2010 UNITED KINGDOM
(56) Related Art Documents: **Not Applicable**
(57) Statement of Newness and Distinctiveness: **Nil**



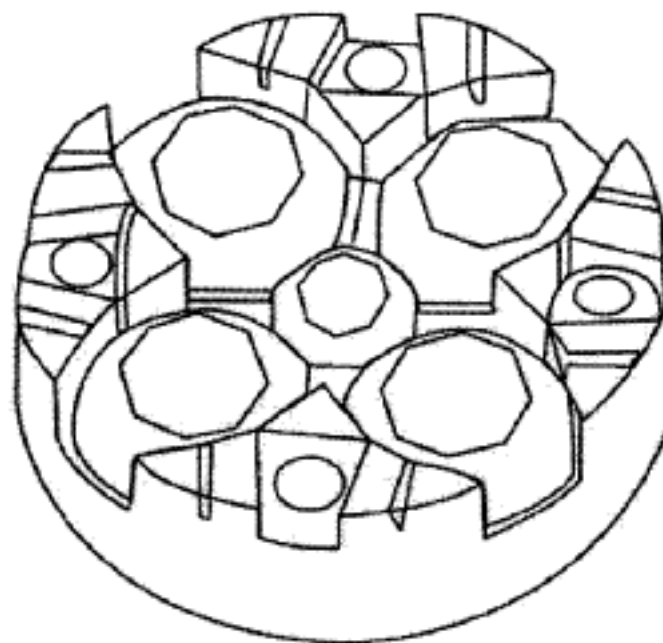
(21) Design Number: **10724/2011**
(22) Date of Filing Application: **25 February 2011**
(24) Date from which industrial property rights may have effect: **25 February 2011**
(54) Product in respect of which the design is registered: **Grippers and parts thereof for handling paper**
(51) International Design Classification: **12-05**
(74) Name(s) of Attorney(s): **Griffith Hack**
(71) Name(s) and Address(s) of Applicant(s):
Ferag AG
Zurichstrasse 74 8340 Hinwil Switzerland
(72) Name(s) of Designer(s): **Konrad Auf der Maur**
(45) Registration Date: **29 March 2011**
(30) Convention priority data:
(31) Number (32) Date (33) Country
571 069 401 29 Oct 2010 SWITZERLAND
(56) Related Art Documents: **Not Applicable**
(57) Statement of Newness and Distinctiveness: **Nil**



- (21) Design Number: **10785/2011**
(22) Date of Filing Application: **28 February 2011**
(24) Date from which industrial property rights may have effect: **28 February 2011**
(54) Product in respect of which the design is registered: **Fin plug for a surfcraft**
(51) International Design Classification: **21-02D**
(74) Name(s) of Attorney(s): **Wynnes Patent & Trade Mark Attorneys**
(71) Name(s) and Address(s) of Applicant(s):
Shapers (Aust.) Pty Ltd
9/7 Traders Way Currumbin Queensland 4223 Australia
(72) Name(s) of Designer(s): **Daniel Holloway and Len Holloway**
(45) Registration Date: **29 March 2011**
(56) Related Art Documents: **Not Applicable**
(57) Statement of Newness and Distinctiveness: **Newness and distinctiveness resides in the visual features of shape and/or configuration of a fin plug for a surfcraft as shown in the accompanying representations.**



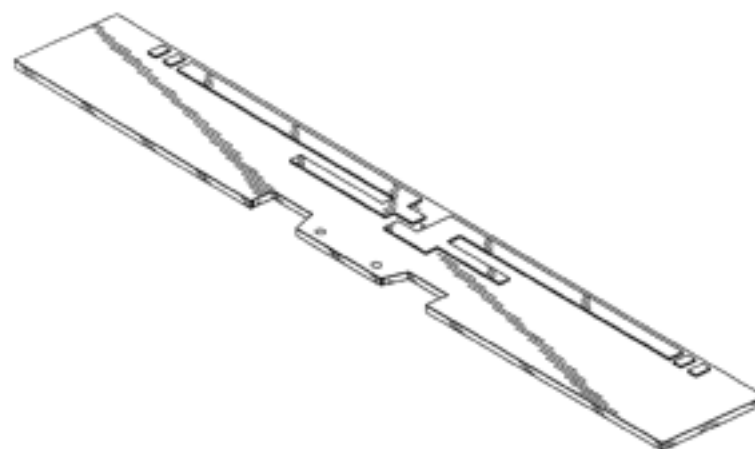
- (21) Design Number: **10786/2011**
(22) Date of Filing Application: **02 March 2011**
(24) Date from which industrial property rights may have effect: **02 March 2011**
(54) Product in respect of which the design is registered: **Diamond ornament**
(51) International Design Classification: **11-01NES**
(74) Name(s) of Attorney(s): **FB Rice**
(71) Name(s) and Address(s) of Applicant(s):
Su-Raj Inter Gold Pvt. Ltd.
191 Soi Chokechaijongjamroen Rama 3 Road Bangpongpang Yannawa
Bangkok 10120 Thailand
(72) Name(s) of Designer(s): **Rajan Khimavat**
(45) Registration Date: **29 March 2011**
(56) Related Art Documents: **Not Applicable**
(57) Statement of Newness and Distinctiveness: **Newness and distinctiveness reside in the features of the design as shown in the representations.**



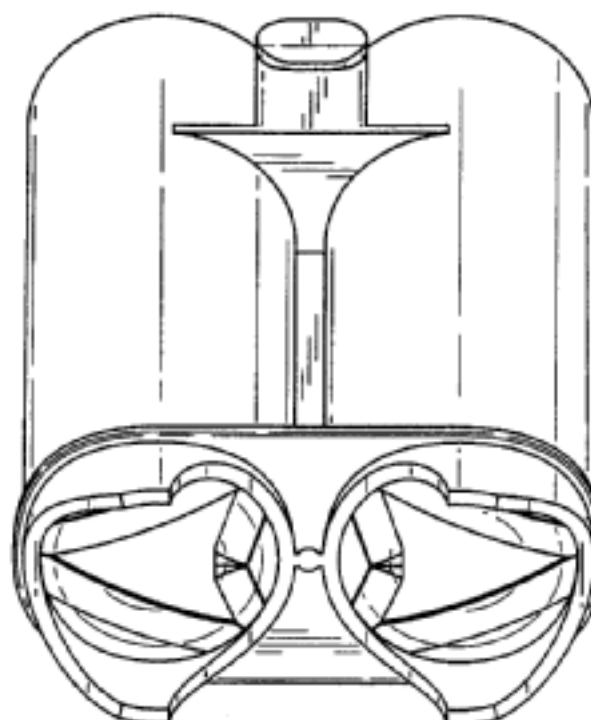
(21) Design Number: **10787/2011**
(22) Date of Filing Application: **02 March 2011**
(24) Date from which industrial property rights may have effect: **02 March 2011**
(54) Product in respect of which the design is registered: **Stimulation device**
(51) International Design Classification: **28-99**
(74) Name(s) of Attorney(s): **Madderns**
(71) Name(s) and Address(s) of Applicant(s):
LRC Products Limited
103-105 Bath Road Slough Berkshire SL1 3UH United Kingdom
(72) Name(s) of Designer(s): **Nicholas Charles Talbot and Ketan Mistry**
(45) Registration Date: **29 March 2011**
(30) Convention priority data:
(31) Number (32) Date (33) Country
001234645-0001 10 Sep 2010 EUROPEAN COMMUNITY
(56) Related Art Documents: **Not Applicable**
(57) Statement of Newness and Distinctiveness: **Nil**



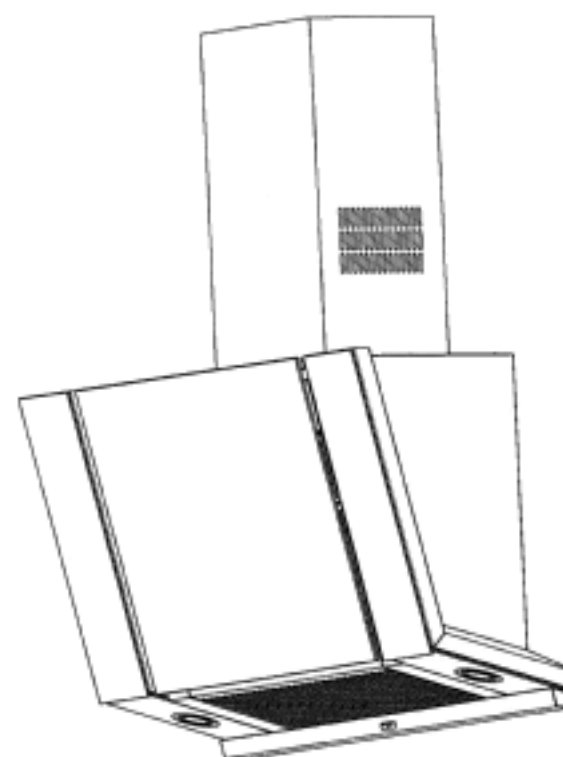
(21) Design Number: **11096/2011**
(22) Date of Filing Application: **11 March 2011**
(24) Date from which industrial property rights may have effect: **11 March 2011**
(54) Product in respect of which the design is registered: **Antenna**
(51) International Design Classification: **14-03NES**
(74) Name(s) of Attorney(s): **WATERMARK PATENT AND TRADE MARKS ATTORNEYS**
(71) Name(s) and Address(s) of Applicant(s):
World Products, LLC
19654 Eighth Street East Sonoma California 95476 United States of America
(72) Name(s) of Designer(s): **Bharadvaj R. Podduturi**
(45) Registration Date: **29 March 2011**
(30) Convention priority data:
(31) Number (32) Date (33) Country
29/369,858 14 Sep 2010 UNITED STATES OF AMERICA
(56) Related Art Documents: **Not Applicable**
(57) Statement of Newness and Distinctiveness: **Nil**



- (21) Design Number: **15602/2010**
(22) Date of Filing Application: **20 December 2010**
(24) Date from which industrial property rights may have effect: **20 December 2010**
(54) Product in respect of which the design is registered: **Toilet block applicator**
(51) International Design Classification: **09-05, 28-03NES**
(74) Name(s) of Attorney(s): **Davies Collison Cave**
(71) Name(s) and Address(s) of Applicant(s):
Unilever PLC
Unilever House 100 Victoria Embankment London EC4Y 0DY United Kingdom
(72) Name(s) of Designer(s): **Ildiko Beder and Stefano Cademartiri and Elisabetta Capasso and Ivan Valcarenghi**
(45) Registration Date: **29 March 2011**
(30) Convention priority data:
(31) Number (32) Date (33) Country
001221469-0005 23 Jun 2010 EUROPEAN COMMUNITY
(56) Related Art Documents: **Not Applicable**
(57) Statement of Newness and Distinctiveness: **Newness and distinctiveness is claimed in the visual features shown in solid lines in the representations.**



- (21) Design Number: **13322/2010**
(22) Date of Filing Application: **06 August 2010**
(24) Date from which industrial property rights may have effect: **06 August 2010**
(54) Product in respect of which the design is registered: **A range hood**
(51) International Design Classification: **23-04**
(74) Name(s) of Attorney(s): **Halfords IP**
(71) Name(s) and Address(s) of Applicant(s):
Electrolux Home Products Pty Limited
163 O'Riordan Street Mascot New South Wales 2020 Australia
(72) Name(s) of Designer(s): **Scott King and Blair Hopgood**
(45) Registration Date: **29 March 2011**
(56) Related Art Documents: **Not Applicable**
(57) Statement of Newness and Distinctiveness: **Nil**



- (21) Design Number: **10927/2011**
(22) Date of Filing Application: **08 March 2011**
(24) Date from which industrial property rights may have effect: **08 March 2011**
(54) Product in respect of which the design is registered: **Bottle holder**
(51) International Design Classification: **07-06A**
(74) Name(s) of Attorney(s): **Shelston IP**
(71) Name(s) and Address(s) of Applicant(s):
Suki Shufu LLP
19 Dacre Street London SW1H 0DH United Kingdom
(72) Name(s) of Designer(s): **Caroline White**
(45) Registration Date: **29 March 2011**
(30) Convention priority data:
(31) Number (32) Date (33) Country
1234512 09 Sep 2010 EUROPEAN COMMUNITY
(56) Related Art Documents: **Not Applicable**
(57) Statement of Newness and Distinctiveness: **Nil**

