



**Australian Government**

---

**IP Australia**

**AUSTRALIAN OFFICIAL JOURNAL**

**OF**

**DESIGNS**

Did you know a searchable version of this journal is now available online?

It's FREE and EASY to SEARCH.

Find it on our website ([www.ipaustralia.gov.au](http://www.ipaustralia.gov.au))

by using the "Journals" link on the home page.

This Page Left Intentionally Blank

Contents

General Information & Notices

Proceedings Under the Designs Act 1906 preserved as a result of the provisions of Chapter 12  
Part 2 of the Designs Act 2003

Extension of Period of Registration of Designs .....	954
Extensions of Time Granted .....	954
Names Registered - Alterations and Amendments .....	954
Registrations Ceased .....	954

Proceedings Under the Designs Act 2003

Applications Lapsed .....	963
Applications Lodged .....	958
Applications Withdrawn .....	963
Certificate of Examination .....	965
Extension of Period of Registration of Design .....	964
Extension of Time Granted Under Section 137 .....	964
Names Registered - Alterations and Amendments .....	964
Publication and Registration Proceedings	
Designs Registered 335680 to 335955.....	966
Registrations Ceased .....	964
Subsequent Owners Registered .....	964

This Page Left Intentionally Blank

For information on the following please see our website [www.ipaustralia.gov.au](http://www.ipaustralia.gov.au) or contact our Customer Service Network on 1300651010

[Editorial enquiries](#)

[Contact information](#)

[Freedom of Information ACT](#)

[Professional Standards Board](#)

[Sales](#)

[Requests for Information under Section 194 \(c\)](#)

[Country Codes](#)

[Trade Mark and Designs Hearing Sessions](#)

[INID \(Internationally agreed Numbers for the Identification of Data\)](#)

## “INID” NUMBERS in use on Australian Design Documents

“INID” is an acronym for “Internationally agreed Numbers for the Identification of Data”.

### (10) Data concerning the registration/renewal

- (11) Serial number of the registration and/or number of the design document
- (12) Plain language designation of the kind of published document
- (19) Identification, using the two-letter code according to WIPO Standard ST.3, of the authority publishing or registering the industrial design

### (20) Data concerning the application

- (21) Serial number of the application
- (22) Date of filing of the application
- (24) Date from which the industrial design right has effect

### (30) Data relating to priority under the Paris Convention

- (31) Serial number assigned to the priority application
- (32) Date of filing of the priority application
- (33) Two-letter code, according to WIPO Standard ST.3, identifying the authority with which the priority application was made

### (40) Date(s) of making information available to the public

- (45) Date of publication of the registered industrial design by printing or similar process, or making it available to the public by any other means

### (50) Miscellaneous Information

- (51) International Classification for Industrial Designs (class and subclass of the Locarno Classification)
- (54) Designation of article(s) or product(s) covered by the industrial design or title of the industrial design
- (55) Reproduction of the industrial design (e.g., drawing, photograph) and explanations relating to the reproduction
- (56) List of prior art documents, if separate from descriptive text
- (57) Description of characteristic features of the industrial design including indication of colours

### (60) References to other legally related application(s) and registration(s)

- (62) Serial number(s) and, if available, filing date(s) of application(s), registration(s) or document(s) related by division
- (66) Serial number(s) of the application, or the registration, of the design(s) which is (are) a variant(s) of the present one

### (70) Identification of parties concerned with the application or registration

- (71) Name(s) and address(es) of the applicant(s)
- (72) Name(s) of the creator(s) if known to be such
- (74) Name(s) and address(es) of the representative(s)

This Page Left Intentionally Blank

**Nil notices for this journal issue.**

**Proceedings under the Designs Act 1906 preserved as a result of the provisions of Chapter 12 Part 2 of the Designs Act 2003.**

This Page Left Intentionally Blank

**Applications Lapsed**

There were no Applications Lapsed under this section

**Extension of Period of Registration of Designs**

**1st Period (Section 27A(8))**

**2nd Period (Section 27A(12))**

**3rd Period (Section 27A(13))**

142189	142190	142240
142348	146372	146373

**Registrations Ceased**

Note: Some of the following Registrations may have been previously advertised as ceased. In this instance, the previous advertisement still prevails.

123192	123294	123404
124104	125070	125092
125093	125094	125108
125168	125169	125170
125174	125175	125378
125507	125836	125872
126370	126999	127866
128159	128486	128511
128901	130369	134846
136817	140180	140181
140220	140253	140299
140301	140377	140378
140419	140478	140479
140858	140926	140927
140928	141129	141231
141246	141247	141248
142827	142873	142874
143045	143046	143384
143424	144264	148516

**Extensions of time granted**

Applications lodged for extension of time have been granted.

144022 **Carolyn Kaye Jenner** An An Extension of time to extend a registration has been granted to 13/04/2011

**Names Registered - Alterations and Amendments**

(The name in parentheses is the new name of the proprietor)

151597 ( **Motorola Solutions, Inc** ) Motorola Inc.

This Page Left Intentionally Blank

**Proceedings under the Designs Act 2003.**

This Page Left Intentionally Blank

**Applications Lodged**

Lodgement information is in the following order: **Applicant's Name**; International Classification, Name of Product, Lodgement Date and **Design Number**. If the applicant claims an earlier priority date under an International Convention, the Convention Country and the associated filing date are shown in parentheses before the Lodgement Date. Divisional information will also appear in parentheses before the Lodgement Date.

<b>Acro Metalform;</b> 08-08NES, Height safety anchor point, 01 Apr 2011	<b>11420/2011</b>	<b>Apple Inc.;</b> 14-02, Electronic device, (US, 19 Oct 2010) 29 Mar 2011	<b>11361/2011</b>
<b>Advanced Filtration Systems, Inc.;Caterpillar Inc.;Donaldson Company, Inc.;</b> 23-01G, Fuel filter, (US, 01 Oct 2010) 30 Mar 2011	<b>11399/2011</b>	<b>Arper S.p.A.;</b> 06-01G, Sofa, (WO, 20 Oct 2010) 05 Apr 2011	<b>11475/2011</b>
<b>Advanced Filtration Systems, Inc.;Caterpillar Inc.;Donaldson Company, Inc.;</b> 23-01G, Filter, (US, 01 Oct 2010) 30 Mar 2011	<b>11405/2011</b>	<b>Arper S.p.A.;</b> 06-01E, Pouf, (WO, 20 Oct 2010) 05 Apr 2011	<b>11476/2011</b>
<b>Advanced Filtration Systems, Inc.;Caterpillar Inc.;Donaldson Company, Inc.;</b> 23-01G, Filter, (US, 01 Oct 2010) 30 Mar 2011	<b>11400/2011</b>	<b>Arper S.p.A.;</b> 06-01F, Chair, (WO, 20 Oct 2010) 05 Apr 2011	<b>11477/2011</b>
<b>Advanced Filtration Systems, Inc.;Caterpillar Inc.;Donaldson Company, Inc.;</b> 23-01G, Fuel filter, (US, 01 Oct 2010) 30 Mar 2011	<b>11401/2011</b>	<b>Arper S.p.A.;</b> 06-01F, Chair, (WO, 20 Oct 2010) 05 Apr 2011	<b>11478/2011</b>
<b>Advanced Filtration Systems, Inc.;Caterpillar Inc.;Donaldson Company, Inc.;</b> 23-01G, Fuel filter, (US, 01 Oct 2010) 30 Mar 2011	<b>11406/2011</b>	<b>Arper S.p.A.;</b> 06-01F, Chair, (WO, 20 Oct 2010) 05 Apr 2011	<b>11479/2011</b>
<b>Advanced Filtration Systems, Inc.;Caterpillar Inc.;Donaldson Company, Inc.;</b> 23-01G, Fuel filter, (US, 01 Oct 2010) 30 Mar 2011	<b>11403/2011</b>	<b>Arper S.p.A.;</b> 06-01F, Chair, (WO, 20 Oct 2010) 05 Apr 2011	<b>11480/2011</b>
<b>Advanced Filtration Systems, Inc.;Caterpillar Inc.;Donaldson Company, Inc.;</b> 23-01G, Filter, (US, 01 Oct 2010) 30 Mar 2011	<b>11404/2011</b>	<b>Australian Pump Industries Pty Ltd;</b> 23-01NES, A frame used on Aussie Pump pressure cleaner range, 09 Mar 2011	<b>11003/2011</b>
<b>Advanced Filtration Systems, Inc.;Caterpillar Inc.;Donaldson Company, Inc.;</b> 23-01G, Fuel filter, (US, 01 Oct 2010) 30 Mar 2011	<b>11402/2011</b>	<b>ADA Cosmetic GmbH;</b> 28-03NES, Container, (EM, 11 Oct 2010) 06 Apr 2011	<b>11486/2011</b>
<b>Advanced Filtration Systems, Inc.;Caterpillar Inc.;Donaldson Company, Inc.;</b> 23-01G, Fuel filter, (US, 01 Oct 2010) 30 Mar 2011	<b>11404/2011</b>	<b>ADA Cosmetic GmbH;</b> 28-03NES, Assembled container with wall holder, (EM, 11 Oct 2010) 06 Apr 2011	<b>11487/2011</b>
<b>Advanced Filtration Systems, Inc.;Caterpillar Inc.;Donaldson Company, Inc.;</b> 23-01G, Fuel filter, (US, 01 Oct 2010) 30 Mar 2011	<b>11402/2011</b>	<b>ADA Cosmetic GmbH;</b> 08-08M, 28-03NES, Wall holder, (EM, 11 Oct 2010) 06 Apr 2011	<b>11488/2011</b>
<b>Alvin International Pty Ltd;</b> 21-02NES, Ball launcher, 01 Apr 2011	<b>11442/2011</b>	<b>Beats Electronics, LLC;</b> 14-01, Audio speaker system, (US, 28 Sep 2010) 28 Mar 2011	<b>11339/2011</b>
<b>Apple Inc.;</b> 14-02, USB device, (US, 15 Oct 2010) 31 Mar 2011	<b>11421/2011</b>	<b>Beba Enterprises Pty Ltd;</b> 02-02NES, Jacket, 30 Sep 2010	<b>11379/2011</b>
<b>Apple Inc.;</b> 14-02, Electronic device, (US, 19 Oct 2010) 29 Mar 2011	<b>11360/2011</b>	<b>Beba Enterprises Pty Ltd;</b> 02-02C, Dress, 30 Sep 2010	<b>11381/2011</b>
		<b>Beba Enterprises Pty Ltd;</b> 02-02NES, Top, 30 Sep 2010	<b>11382/2011</b>
		<b>Beba Enterprises Pty Ltd;</b> 02-02NES, Shirt, 30 Sep 2010	<b>11380/2011</b>
		<b>Beba Enterprises Pty Ltd;</b> 02-02C, Dress, 30 Sep 2010	<b>11378/2011</b>
		<b>Bennetto, Peter Geoffrey;Van Heerden, Jack Denys;</b> 12-10, Trailer for a road vehicle, 10 Mar 2011	<b>11506/2011</b>

<b>Birrell, Peter John;</b> 14-03NES, Antennas, 03 Aug 2010	<b>11327/2011</b>	<b>Caterpillar Inc.;Advanced Filtration Systems, Inc.;Donaldson Company, Inc.;</b> 23-01G, Fuel filter, (US, 01 Oct 2010) 30 Mar 2011	<b>11404/2011</b>
<b>Blue Ass Fly Pty Ltd;</b> 21-01L, Scoreboard for game board, (Divisional of 11134/2011) 17 Mar 2011	<b>11395/2011</b>	<b>Caterpillar Inc.;Advanced Filtration Systems, Inc.;Donaldson Company, Inc.;</b> 23-01G, Fuel filter, (US, 01 Oct 2010) 30 Mar 2011	<b>11402/2011</b>
<b>Blue Ass Fly Pty Ltd;</b> 21-01L, Spinner (ball) and bat scoring mechanism, (Divisional of 11134/2011) 17 Mar 2011	<b>11394/2011</b>	<b>Cequent Performance Products, Inc.;</b> 08-05E, 12-16L, Fifth wheel hitch skid plate cover, (US, 26 Jul 2010) 27 Jan 2011	<b>11439/2011</b>
<b>Bolliger, David Peter;</b> 14-02, Computing accessory, 25 Mar 2011	<b>11328/2011</b>	<b>Cequent Performance Products, Inc.;</b> 08-05E, 12-16L, Fifth wheel hitch skid plate cover, (US, 26 Jul 2010) 27 Jan 2011	<b>11440/2011</b>
<b>Brightgreen Pty Ltd;</b> 26-04, Downlight, 30 Mar 2011	<b>11396/2011</b>	<b>Cheshire, Simon Leslie;</b> 11-02F, Hand painted art on canvas with internal LED backlighting, 01 Apr 2011	<b>11443/2011</b>
<b>Brightgreen Pty Ltd.;</b> 26-05C, Downlight, 30 Mar 2011	<b>11397/2011</b>	<b>Clarion Co., Ltd;</b> 14-01, In-vehicle and shipboard digital amplifier, (JP, 29 Oct 2010) 04 Apr 2011	<b>11449/2011</b>
<b>Bulgari S.p.A.;</b> 11-01C, Bracelet, (EM, 21 Oct 2010) 06 Apr 2011	<b>11503/2011</b>	<b>Coin Purse Holdings Pty Ltd;</b> 03-01B, Plastic money clip, 29 Mar 2011	<b>11366/2011</b>
<b>Bulgari S.p.A.;</b> 11-01E, Strap with pendant, (CH, 08 Oct 2010) 06 Apr 2011	<b>11504/2011</b>	<b>Colgate-Palmolive Company;</b> 09-07B, Cap for a container, (US, 01 Nov 2010) 30 Mar 2011	<b>11372/2011</b>
<b>Bulgari S.p.A.;</b> 11-01A, Ring, (CH, 08 Oct 2010) 06 Apr 2011	<b>11505/2011</b>	<b>Colgate-Palmolive Company;</b> 09-07B, Cap for a container, (US, 01 Nov 2010) 31 Mar 2011	<b>11429/2011</b>
<b>Burgundy Trial Pty Ltd;</b> 99-00, Connector, 30 Mar 2011	<b>11362/2011</b>	<b>Colgate-Palmolive Company;</b> 09-07B, Cap for a container, (US, 01 Nov 2010) 31 Mar 2011	<b>11428/2011</b>
<b>C C E Group Pty Ltd;</b> 23-03NES, Gas heater back space frame, 31 Mar 2011	<b>11423/2011</b>	<b>Colgate-Palmolive Company;</b> 09-07C, Cap for a container, (US, 01 Nov 2010) 30 Mar 2011	<b>11370/2011</b>
<b>Caterpillar Inc.;Advanced Filtration Systems, Inc.;Donaldson Company, Inc.;</b> 23-01G, Fuel filter, (US, 01 Oct 2010) 30 Mar 2011	<b>11399/2011</b>	<b>Colgate-Palmolive Company;</b> 09-07B, Cap for a container, (US, 01 Nov 2010) 31 Mar 2011	<b>11427/2011</b>
<b>Caterpillar Inc.;Advanced Filtration Systems, Inc.;Donaldson Company, Inc.;</b> 23-01G, Fuel filter, (US, 01 Oct 2010) 30 Mar 2011	<b>11400/2011</b>	<b>Colgate-Palmolive Company;</b> 09-07C, Cap for a container, (US, 01 Nov 2010) 30 Mar 2011	<b>11371/2011</b>
<b>Caterpillar Inc.;Advanced Filtration Systems, Inc.;Donaldson Company, Inc.;</b> 23-01G, Fuel filter, (US, 01 Oct 2010) 30 Mar 2011	<b>11403/2011</b>	<b>Conroy, Michael J.;Conroy, Sandra Joy;</b> 22-06, Toad traps, 29 Mar 2011	<b>11356/2011</b>
<b>Caterpillar Inc.;Advanced Filtration Systems, Inc.;Donaldson Company, Inc.;</b> 23-01G, Fuel filter, (US, 01 Oct 2010) 30 Mar 2011	<b>11401/2011</b>	<b>Conroy, Sandra Joy;Conroy, Michael J.;</b> 22-06, Toad traps, 29 Mar 2011	<b>11356/2011</b>
<b>Caterpillar Inc.;Advanced Filtration Systems, Inc.;Donaldson Company, Inc.;</b> 23-01G, Filter, (US, 01 Oct 2010) 30 Mar 2011	<b>11406/2011</b>	<b>CMI Limited;</b> 08-08C, A connector, (NZ, 04 Oct 2010) 04 Apr 2011	<b>11437/2011</b>
<b>Caterpillar Inc.;Advanced Filtration Systems, Inc.;Donaldson Company, Inc.;</b> 23-01G, Filter, (US, 01 Oct 2010) 30 Mar 2011	<b>11405/2011</b>	<b>CMI Limited;</b> 23-01A, A connector, (NZ, 04 Oct 2010) 04 Apr 2011	<b>11435/2011</b>
<b>Caterpillar Inc.;Advanced Filtration Systems, Inc.;Donaldson Company, Inc.;</b> 23-01G, Filter, (US, 01 Oct 2010) 30 Mar 2011		<b>CMI Limited;</b> 99-00, A divider assembly, (NZ, 04 Oct 2010) 04 Apr 2011	<b>11436/2011</b>
		<b>CMI Limited;</b> 13-03E, A connector, (NZ, 04 Oct 2010) 04 Apr 2011	<b>11441/2011</b>

<b>Dixon, Matthew;</b> 12-06NES, Wake-board tower rack clamping apparatus, 05 Apr 2011	<b>11454/2011</b>	<b>Dyson Limited;</b> 15-05, A vacuum cleaner, (EM, 29 Sep 2010) 28 Mar 2011	<b>11351/2011</b>
<b>Doevendans, Shane;</b> 08-05P, 22-05, Live crab holding pliers, 04 Apr 2011	<b>11459/2011</b>	<b>Dyson Limited;</b> 15-05, Part of a vacuum cleaner, (EM, 29 Sep 2010) 28 Mar 2011	<b>11344/2011</b>
<b>Donaldson Company, Inc.;Caterpillar Inc.;Advanced Filtration Systems, Inc.;</b> 23-01G, Fuel filter, (US, 01 Oct 2010) 30 Mar 2011	<b>11401/2011</b>	<b>Dyson Limited;</b> 15-05, Part of a vacuum cleaner, (EM, 29 Sep 2010) 28 Mar 2011	<b>11345/2011</b>
<b>Donaldson Company, Inc.;Caterpillar Inc.;Advanced Filtration Systems, Inc.;</b> 23-01G, Fuel filter, (US, 01 Oct 2010) 30 Mar 2011	<b>11400/2011</b>	<b>Dyson Limited;</b> 15-05, A vacuum cleaner, (EM, 29 Sep 2010) 28 Mar 2011	<b>11346/2011</b>
<b>Donaldson Company, Inc.;Caterpillar Inc.;Advanced Filtration Systems, Inc.;</b> 23-01G, Fuel filter, (US, 01 Oct 2010) 30 Mar 2011	<b>11399/2011</b>	<b>Ellis, Steven Murray;Optikool QLD Pty Ltd;</b> 15-07, Filter casing, 05 Apr 2011	<b>11484/2011</b>
<b>Donaldson Company, Inc.;Caterpillar Inc.;Advanced Filtration Systems, Inc.;</b> 23-01G, Fuel filter, (US, 01 Oct 2010) 30 Mar 2011	<b>11403/2011</b>	<b>Ellis, Steven Murray;Optikool QLD Pty Ltd;</b> 15-07, Filter casing, 05 Apr 2011	<b>11485/2011</b>
<b>Donaldson Company, Inc.;Caterpillar Inc.;Advanced Filtration Systems, Inc.;</b> 23-01G, Fuel filter, (US, 01 Oct 2010) 30 Mar 2011	<b>11404/2011</b>	<b>Emile Henry;</b> 07-02N, Braising pot, (WO, 02 Feb 2011) 28 Mar 2011	<b>11352/2011</b>
<b>Donaldson Company, Inc.;Caterpillar Inc.;Advanced Filtration Systems, Inc.;</b> 23-01G, Fuel filter, (US, 01 Oct 2010) 30 Mar 2011	<b>11405/2011</b>	<b>Freedom Screens of Australia Pty Ltd;</b> 08-06, A handle for a screen, 31 Mar 2011	<b>11367/2011</b>
<b>Donaldson Company, Inc.;Caterpillar Inc.;Advanced Filtration Systems, Inc.;</b> 23-01G, Fuel filter, (US, 01 Oct 2010) 30 Mar 2011	<b>11402/2011</b>	<b>Gessi S.P.A.;</b> 23-01H, Faucet, (IT, 27 Sep 2010) 25 Mar 2011	<b>11324/2011</b>
<b>Donaldson Company, Inc.;Caterpillar Inc.;Advanced Filtration Systems, Inc.;</b> 23-01G, Filter, (US, 01 Oct 2010) 30 Mar 2011	<b>11406/2011</b>	<b>Gessi S.P.A.;</b> 23-01H, Faucet, (IT, 27 Sep 2010) 25 Mar 2011	<b>11322/2011</b>
<b>Draagroik Pty Ltd;</b> 07-02P, A baking tin or mould in a triangular v shape, 31 Mar 2011	<b>11364/2011</b>	<b>Goodwin, Rhonda;</b> 02-02NES, 06-13C, Baby bath wrap/towel, 30 Mar 2011	<b>11353/2011</b>
<b>Drilling Tools Australia Pty Ltd;</b> 08-01, Pick extractor for a drill bit, 30 Mar 2011	<b>11383/2011</b>	<b>Great Ideas In Nutrition Pty Ltd;</b> 07-01B, 07-01C, 07-01D, Graduated bowl, mug, cup, glass, 05 Apr 2011	<b>11448/2011</b>
<b>Dyson Limited;</b> 15-05, A vacuum cleaner, (EM, 29 Sep 2010) 28 Mar 2011	<b>11347/2011</b>	<b>Hancock, Darras L.J.;</b> 25-02NES, Safety guard, 01 Apr 2011	<b>11432/2011</b>
<b>Dyson Limited;</b> 15-05, A vacuum cleaner, (EM, 29 Sep 2010) 28 Mar 2011	<b>11348/2011</b>	<b>Hatzis Holdings Pty Ltd;</b> 02-02C, Ladies garments, 29 Mar 2011	<b>11393/2011</b>
<b>Dyson Limited;</b> 15-05, A vacuum cleaner, (EM, 29 Sep 2010) 28 Mar 2011	<b>11349/2011</b>	<b>Honda Motor Co., Ltd.;</b> 12-11, A motor scooter, (JP, 04 Oct 2010) 04 Apr 2011	<b>11444/2011</b>
<b>Dyson Limited;</b> 15-05, A vacuum cleaner, (EM, 29 Sep 2010) 28 Mar 2011	<b>11350/2011</b>	<b>Honda Motor Co., Ltd.;</b> 26-06, A turn signal lamp case for a motor scooter, (JP, 04 Oct 2010) 04 Apr 2011	<b>11445/2011</b>
		<b>Honda Motor Co., Ltd.;</b> 26-06, A rear combination lamp for a motor scooter, (JP, 04 Oct 2010) 04 Apr 2011	<b>11446/2011</b>
		<b>Hynds Limited;</b> 25-02G, Grate, 01 Apr 2011	<b>11424/2011</b>
		<b>Kanyana Engineering Pty Ltd;</b> 12-10, Camper trailer, 06 Apr 2011	<b>11456/2011</b>
		<b>Kanyana Engineering Pty Ltd;</b> 12-10, Camper trailer, 06 Apr 2011	<b>11457/2011</b>

<b>Kanyana Engineering Pty Ltd;</b> 12-10, Camper trailer, 06 Apr 2011	<b>11458/2011</b>	<b>Novartis AG;</b> 24-04, Inhaler, (EM, 29 Sep 2010) 25 Mar 2011	<b>11336/2011</b>
<b>Kennovations Pty Limited;</b> 25-02NES, A road plate, 05 Apr 2011	<b>11471/2011</b>	<b>Novartis AG;</b> 09-03M, 28-99, A pack for pharmaceutical products, (WO, 28 Sep 2010) 28 Mar 2011	<b>11340/2011</b>
<b>Kennovations Pty Limited;</b> 25-02NES, A road plate, 05 Apr 2011	<b>11447/2011</b>	<b>Novartis AG;</b> 09-03M, A pack for pharmaceutical products, (WO, 28 Sep 2010) 28 Mar 2011	<b>11341/2011</b>
<b>Koninklijke Philips Electronics N.V.;</b> 26-03, Luminaire for road lighting, (EM, 06 Oct 2010) 30 Mar 2011	<b>11369/2011</b>	<b>Novartis AG;</b> 09-05, A blister pack for pharmaceutical products, (WO, 28 Sep 2010) 28 Mar 2011	<b>11342/2011</b>
<b>Leisurelife (Aust) Pty Ltd;</b> 06-06H, Chair frame, 29 Mar 2011	<b>11354/2011</b>	<b>Novartis AG;</b> 09-05, A blister pack for pharmaceutical products, (WO, 28 Sep 2010) 28 Mar 2011	<b>11343/2011</b>
<b>LG Electronics Inc.;</b> 07-02B, Microwave oven, (KR, 08 Oct 2010) 06 Apr 2011	<b>11491/2011</b>	<b>Nu-Poly;</b> 30-03, Nu-Molasses storage feeder and float cover Nu-Molasses storage feeder, 01 Apr 2011	<b>11422/2011</b>
<b>Mac Siomoin, Dean;</b> 11-01C, Jewellery item, 04 Apr 2011	<b>11451/2011</b>	<b>Oki Data Corporation;</b> 14-02, Image drum cartridge, (JP, 30 Sep 2010) 25 Mar 2011	<b>11323/2011</b>
<b>Mace Engineering Group Pty Ltd;</b> 15-01, Design is applied to SIDI engine manifold, 15 Mar 2011	<b>11430/2011</b>	<b>Oki Data Corporation;</b> 14-02, Toner cartridge, (JP, 30 Sep 2010) 25 Mar 2011	<b>11325/2011</b>
<b>Mace Engineering Group Pty Ltd;</b> 15-01, Design is applied to SIDI engine manifold, 15 Mar 2011	<b>11431/2011</b>	<b>Oki Data Corporation;</b> 14-02, Image drum cartridge, (JP, 30 Sep 2010) 25 Mar 2011	<b>11326/2011</b>
<b>Manrex Pty. Ltd.;</b> 09-05, A stiffening card for a blister sheet as shown in the accompanying representations, 29 Mar 2011	<b>11332/2011</b>	<b>Opresnik, Maria;</b> 19-06, Pattern drafting ruler metric/imperial, 31 Mar 2011	<b>11398/2011</b>
<b>Master Lock Company LLC;</b> 08-07, Lock, (US, 30 Sep 2010) 28 Mar 2011	<b>11321/2011</b>	<b>Optikool QLD Pty Ltd;Ellis, Steven Murray;</b> 15-07, Filter casing, 05 Apr 2011	<b>11485/2011</b>
<b>McCarthy, Julie;</b> 05-05A, Reusable fabric wrapping, used a book bag and for wrapping a variety of other gift types, 06 Apr 2011	<b>11469/2011</b>	<b>Optikool QLD Pty Ltd;Ellis, Steven Murray;</b> 15-07, Filter casing, 05 Apr 2011	<b>11484/2011</b>
<b>Minova Australia Pty Ltd;</b> 08-08NES, Mine bolt plate, 05 Apr 2011	<b>11481/2011</b>	<b>Peng, I-Sin;</b> 15-02, Fuel line assembly packaging, 29 Mar 2011	<b>11337/2011</b>
<b>MTMM Pty Ltd;</b> 24-02, Bi-directional perfusion cannula, 05 Apr 2011	<b>11474/2011</b>	<b>Perusahaan Otomobil Nasional SDN. BHD;</b> 12-16C, Rear bumper for an automobile, (MY, 04 Oct 2010) 30 Mar 2011	<b>11388/2011</b>
<b>Newstyle Nominees Pty Ltd;</b> 25-01E, Railway sleeper support block, 05 Apr 2011	<b>11453/2011</b>	<b>Perusahaan Otomobil Nasional SDN. BHD;</b> 12-16C, Front bumper for an automobile, (MY, 04 Oct 2010) 30 Mar 2011	<b>11389/2011</b>
<b>Newstyle Nominees Pty Ltd;</b> 25-01E, Railway sleeper support block, 04 Apr 2011	<b>11452/2011</b>	<b>Perusahaan Otomobil Nasional SDN. BHD;</b> 12-16B, Front skirt for an automobile, (MY, 04 Oct 2010) 30 Mar 2011	<b>11390/2011</b>
<b>Noms De Code;</b> 09-01D, Flask, (EM, 07 Oct 2010) 29 Mar 2011	<b>11355/2011</b>	<b>Perusahaan Otomobil Nasional SDN. BHD;</b> 12-16B, Rear skirt for an automobile, (MY, 04 Oct 2010) 30 Mar 2011	<b>11391/2011</b>
<b>Novartis AG;</b> 24-04, Inhaler, (EM, 29 Sep 2010) 25 Mar 2011	<b>11333/2011</b>		
<b>Novartis AG;</b> 24-04, Inhaler, (EM, 29 Sep 2010) 25 Mar 2011	<b>11334/2011</b>		
<b>Novartis AG;</b> 24-04, Inhaler, (EM, 29 Sep 2010) 25 Mar 2011	<b>11335/2011</b>		

<b>Perusahaan Otomobil Nasional SDN. BHD;</b> 12-16B, Side skirt for an automobile, (MY, 04 Oct 2010) 30 Mar 2011	<b>11392/2011</b>	<b>Snapware Corporation;</b> 07-01NES, Plate-lid combination, (US, 30 Jul 2010) (Divisional of 10215/2011) 27 Jan 2011	<b>11415/2011</b>
<b>Perusahaan Otomobil Nasional SDN. BHD;</b> 12-16B, Upper grille for an automobile, (MY, 04 Oct 2010) 30 Mar 2011	<b>11387/2011</b>	<b>Snapware Corporation;</b> 07-01NES, A plate, (US, 30 Jul 2010) (Divisional of 10215/2011) 27 Jan 2011	<b>11416/2011</b>
<b>Perusahaan Otomobil Nasional SDN. BHD;</b> 12-16B, Lower grille for an automobile, (MY, 04 Oct 2010) 30 Mar 2011	<b>11386/2011</b>	<b>Snapware Corporation;</b> 07-01NES, A lid, (US, 30 Jul 2010) (Divisional of 10215/2011) 27 Jan 2011	<b>11417/2011</b>
<b>Perusahaan Otomobil Nasional SDN. BHD;</b> 26-06, Fog lamp for an automobile (left), (MY, 04 Oct 2010) 30 Mar 2011	<b>11384/2011</b>	<b>Snapware Corporation;</b> 07-01NES, Plate-lid combination, (US, 30 Jul 2010) (Divisional of 10215/2011) 27 Jan 2011	<b>11418/2011</b>
<b>Perusahaan Otomobil Nasional SDN. BHD;</b> 26-06, Fog lamp for an automobile (right), (MY, 04 Oct 2010) 30 Mar 2011	<b>11385/2011</b>	<b>Snapware Corporation;</b> 07-01NES, 09-07NES, Lid for storage vessel, (Divisional of 10216/2011) 27 Jan 2011	<b>11411/2011</b>
<b>Ramtaps Pty Ltd;</b> 23-01K, Headworks valve, 06 Apr 2011	<b>11472/2011</b>	<b>Snapware Corporation;</b> 07-01NES, 09-07NES, Lid for storage vessel, (Divisional of 10216/2011) 27 Jan 2011	<b>11412/2011</b>
<b>Raven Products Pty Ltd;</b> 09-03NES, Packaging carton with window, 04 Apr 2011	<b>11433/2011</b>	<b>Snapware Corporation;</b> 07-01NES, 09-07NES, Lid for storage vessel, (Divisional of 10216/2011) 27 Jan 2011	<b>11413/2011</b>
<b>Raven Products Pty Ltd;</b> 09-03M, Packaging carton with window, 04 Apr 2011	<b>11434/2011</b>	<b>Snapware Corporation;</b> 07-01NES, A lid, (US, 30 Jul 2010) (Divisional of 10215/2011) 27 Jan 2011	<b>11414/2011</b>
<b>Redarc Technologies Pty Ltd;</b> 13-02, Power supply, 31 Mar 2011	<b>11425/2011</b>	<b>Snapware Corporation;</b> 07-01NES, 09-07NES, Lid for storage vessel, (Divisional of 10216/2011) 27 Jan 2011	<b>11409/2011</b>
<b>Redarc Technologies Pty Ltd;</b> 13-02, Power supply, 31 Mar 2011	<b>11426/2011</b>	<b>Stackpool, Anna Marie;</b> 21-01F, Scooter, 30 Mar 2011	<b>11365/2011</b>
<b>Render, Karin S.;</b> 02-07A, 03-01B, Adventure belt, (GB, 16 Oct 2010) 31 Mar 2011	<b>11363/2011</b>	<b>Sternlight, David Bret;Sternlight, Kyna Rose;</b> 03-01A, Combination carrying pack and blanket and pillow, (US, 19 Nov 2010) 31 Mar 2011	<b>11419/2011</b>
<b>Right Promotions Pty Ltd;</b> 21-01B, A toy pixie, 29 Mar 2011	<b>11329/2011</b>	<b>Sternlight, Kyna Rose;Sternlight, David Bret;</b> 03-01A, Combination carrying pack and blanket and pillow, (US, 19 Nov 2010) 31 Mar 2011	<b>11419/2011</b>
<b>Right Promotions Pty Ltd;</b> 21-01B, A toy pixie, 29 Mar 2011	<b>11330/2011</b>	<b>Stiebel Eltron GmbH &amp; Co. KG.;</b> 15-05, Hand dryer, (EM, 04 Nov 2010) 06 Apr 2011	<b>11489/2011</b>
<b>Right Promotions Pty Ltd;</b> 21-01B, A toy pixie, 29 Mar 2011	<b>11331/2011</b>	<b>Suisaku Kabushiki Kaisha;</b> 30-02, 23-01G, Siphon-type water changing apparatus for an aquarium, (JP, 05 Oct 2010) 05 Apr 2011	<b>11468/2011</b>
<b>Riha, Mirko;</b> 25-03, Flood, earthquake, tsunami proof house, 05 Apr 2011	<b>11490/2011</b>	<b>Suisaku Kabushiki Kaisha;</b> 30-02, Floating island for an aquarium, (JP, 08 Oct 2010) 05 Apr 2011	<b>11466/2011</b>
<b>Shinhan Art International Inc.;</b> 19-06, Writing instrument, (US, 05 Oct 2010) 05 Apr 2011	<b>11483/2011</b>	<b>Suisaku Kabushiki Kaisha;</b> 30-02, Floating island for an aquarium, (JP, 07 Oct 2010) 05 Apr 2011	<b>11467/2011</b>
<b>Shinhan Art International Inc.;</b> 19-06, Writing instrument, (US, 05 Oct 2010) 05 Apr 2011	<b>11482/2011</b>		
<b>Snapware Corporation;</b> 07-01NES, 09-07NES, Lid for storage vessel, (Divisional of 10216/2011) 27 Jan 2011	<b>11410/2011</b>		

<b>SwitchEasy Limited;</b> 03-01NES, 14-02, Protective casing for portable handheld electronic device, (HK, 05 Nov 2010) 30 Mar 2011	<b>11368/2011</b>	<b>Van Heerden, Jack Denys;Bennetto, Peter Geoffrey;</b> 12-10, Trailer for a road vehicle, 10 Mar 2011	<b>11506/2011</b>
<b>SMA Solar Technology AG;</b> 14-04, Display, (EM, 14 Oct 2010) (Divisional of 10067/2011) 10 Jan 2011	<b>11473/2011</b>	<b>Victoria &amp; Maude;</b> 03-01NES, Straightening iron roll. This is a product used to store a hair straightening irons while the product is not in use, or, while travelling, 25 Mar 2011	<b>11357/2011</b>
<b>Tech Engineering NSW Pty Ltd;</b> 26-05A, Wall mounted multipurpose security light body and components. Painted steel structure, brass stainless steel, material for the use in correctional facility cells. Tamper proof, 06 Apr 2011	<b>11455/2011</b>	<b>VIRBAC;</b> 24-02, Pipette for aural care, 04 Apr 2011	<b>11450/2011</b>
<b>Tenob Wholesale Marine Ltd;</b> 12-10, S Hook, (NZ, 23 Mar 2011) 04 Apr 2011	<b>11438/2011</b>	<b>Whirlpool Corporation;</b> 07-02K, Kettle, (US, 08 Nov 2010) 30 Mar 2011	<b>11407/2011</b>
<b>Turner, Scott David;</b> 21-01C, Model remote control flying glider, 18 Mar 2011	<b>11245/2011</b>	<b>Whirlpool Corporation;</b> 31-00, Beater blade, (US, 05 Oct 2010) 30 Mar 2011	<b>11408/2011</b>
<b>Tyco Healthcare Group, LP;</b> 24-02, Open vessel sealing forceps, (US, 01 Oct 2010) 29 Mar 2011	<b>11358/2011</b>	<b>Woods Furniture Pty Ltd;</b> 06-03B, Irregular table top combination, 06 Apr 2011	<b>11463/2011</b>
<b>Unilever PLC;</b> 09-03M, Packaging box, (EP, 15 Oct 2010) 30 Mar 2011	<b>11373/2011</b>	<b>Woods Furniture Pty Ltd;</b> 06-03B, Curved table top, 06 Apr 2011	<b>11460/2011</b>
<b>Unilever PLC;</b> 09-03M, Packaging box, (EP, 15 Oct 2010) 30 Mar 2011	<b>11374/2011</b>	<b>Woods Furniture Pty Ltd;</b> 06-03B, Irregular table top, 06 Apr 2011	<b>11461/2011</b>
<b>Unilever PLC;</b> 09-03M, Packaging box, (EP, 15 Oct 2010) 30 Mar 2011	<b>11375/2011</b>	<b>Woods Furniture Pty Ltd;</b> 06-03B, Curved table top combination, 06 Apr 2011	<b>11462/2011</b>
<b>Unilever PLC;</b> 09-03M, Packaging box, (EP, 15 Oct 2010) 30 Mar 2011	<b>11376/2011</b>	<b>Woods Furniture Pty Ltd;</b> 06-03B, Irregular table top combination, 06 Apr 2011	<b>11464/2011</b>
<b>Unilever PLC;</b> 09-03M, Packaging box, (EP, 15 Oct 2010) 30 Mar 2011	<b>11377/2011</b>	<b>Woods Furniture Pty Ltd;</b> 06-03B, Curved table top combination, 06 Apr 2011	<b>11465/2011</b>
<b>Universal Trade Service B.V.;</b> 03-01NES, LiceSafe (TM) Garment protection bag, 18 Mar 2011	<b>11246/2011</b>	<b>Yuan Li Hang Industrial Co., Ltd.;</b> 15-04, 12-05, Bearing seat, 29 Mar 2011	<b>11359/2011</b>
<b>Universal Trade Service B.V.;</b> 03-01NES, LiceBags (TM) Garment protection bag, 18 Mar 2011	<b>11244/2011</b>	<b>Zevex, Inc.;</b> 24-04, Fluid delivery cassette, (US, 01 Oct 2010) 28 Mar 2011	<b>11338/2011</b>
		<b>Zonda Trade LLC;</b> 15-05, Geowash cart, 06 Apr 2011	<b>11470/2011</b>

**Applications Withdrawn**

11116 / 2011 (07-06A)

**Applications Lapsed**

10230 / 2011 (99-00)	10231 / 2011 (99-00)
10232 / 2011 (99-00)	10233 / 2011 (99-00)

**Extension of Period of Registration of Designs**

307833	308022	308260
308344	308498	308499
308500	308501	308584
308618	308619	308620
308621	308622	308650
308673	308798	308799
308841	308887	308894
308933	308934	309006
309058	309105	309142
309175	309331	309353
309354	309513	309539
309675	309772	309773
309775	309794	309823
309838	309844	309846
309847	310014	310118
310173	310174	310208
310210	310211	310467
310739	310740	310741
310879	311210	311211
311212	311213	314166

**Registrations Ceased**

305743	305744	305745
305746	305747	305779
305780	305782	305783
305784	305785	305853
305854	305855	305879
305880	305881	305882
305883	305884	305885
305886	305887	305888
305889	305890	305891
305892	305893	305894
305895	305899	306002
306004	306005	306006
306033	306034	306039
306040	306057	306079
306080	306104	306105
306106	306107	306108
306109	306125	306126
306127	306153	306154
306196	306243	306310
306329	306343	306661
306662	306795	306796
306826	306836	306886
306887	306908	306909
306931	306932	307006
307566	308011	308012
308759	309145	309148
310778		

**Extensions of time granted under Section 137**

Applications lodged under section 137 for extension of time have been granted.

305322 **Johnson & Johnson Consumer Companies, Inc.**

**Subsequent Owners Registered**

(The name in parentheses is that of the subsequent owner)

316054	( Atlas AGI Holdings LLC ) MeadWestvaco Corporation
316055	( Atlas AGI Holdings LLC ) MeadWestvaco Corporation
316056	( Atlas AGI Holdings LLC ) MeadWestvaco Corporation
316057	( Atlas AGI Holdings LLC ) MeadWestvaco Corporation
316058	( Atlas AGI Holdings LLC ) MeadWestvaco Corporation
316059	( Atlas AGI Holdings LLC ) MeadWestvaco Corporation
316060	( Atlas AGI Holdings LLC ) MeadWestvaco Corporation
310441	( Bob Malcolm Cumming ) Advanced Group Pty Ltd

**Names Registered - Alterations and Amendments**

(The name in parentheses is that of the subsequent applicant)

333974	( Motorola Solutions, Inc ) Motorola, Inc.
318260	( Motorola Solutions, Inc ) Motorola, Inc.
324638	( Motorola Solutions, Inc ) Motorola, Inc.
323776	( Motorola Solutions, Inc ) Motorola, Inc.
325860	( Motorola Solutions, Inc ) Motorola, Inc.

**Certificate(s) of Examination**

Examination of the following Design Registration(s) has been completed. Infringement proceedings may now be commenced.

315816	21-02B	04/04/2011
333546	09-07C	07/04/2011
333772	09-01K	04/04/2011
333773	09-01K	04/04/2011
334171	21-01L	29/03/2011
334213	11-01NES	07/04/2011
334214	11-01A	07/04/2011
334391	12-15A	08/04/2011
334392	12-15D	31/03/2011
334830	15-05	30/03/2011
334831	15-05	30/03/2011
334832	15-05	30/03/2011
334878	07-02L	30/03/2011
334879	07-02L	30/03/2011
334902	14-02	30/03/2011

**Publication and Registration Proceedings**

**Designs Registered**

This section provides a concordance between design number and registration number of Designs covered in this journal. It also shows the main class and registration date.

This section covers Registration numbers 335680 to 335955 .

The registration number shown below should be used in all future correspondence.

<b>Design Number</b>	<b>Registration Number</b>	<b>International Classification Code (IDC)</b>	<b>Registration Date</b>	<b>Design Number</b>	<b>Registration Number</b>	<b>International Classification Code (IDC)</b>	<b>Registration Date</b>
12629/2010	335739	15-99	31/03/2011	10438/2011	335715	21-01K	31/03/2011
12630/2010	335740	15-99	31/03/2011	10439/2011	335716	24-04	31/03/2011
13170/2010	335843	23-03D	05/04/2011	10440/2011	335944	23-01F	08/04/2011
13291/2010	335775	14-03NES	31/03/2011	10447/2011	335717	09-04	31/03/2011
14062/2010	335680	09-01G	31/03/2011	10448/2011	335718	09-04	31/03/2011
14109/2010	335681	21-02F	31/03/2011	10455/2011	335719	03-01A	31/03/2011
15321/2010	335709	24-99	31/03/2011	10496/2011	335905	19-06	08/04/2011
15777/2010	335685	28-03B	30/03/2011	10497/2011	335906	19-06	08/04/2011
15778/2010	335686	28-03B	30/03/2011	10498/2011	335823	19-99	04/04/2011
15779/2010	335687	28-03B	30/03/2011	10577/2011	335907	12-16A	08/04/2011
10147/2011	335938	03-01D	08/04/2011	10578/2011	335909	23-03B	07/04/2011
10148/2011	335767	11-03	31/03/2011	10579/2011	335720	23-03B	31/03/2011
10164/2011	335777	07-01C	31/03/2011	10654/2011	335856	25-01A	05/04/2011
10168/2011	335949	25-02C	08/04/2011	10665/2011	335742	14-02	31/03/2011
10187/2011	335886	08-05E	06/04/2011	10701/2011	335872	23-01G	06/04/2011
10192/2011	335939	04-02	08/04/2011	10736/2011	335873	23-01G	06/04/2011
10197/2011	335721	12-16L	31/03/2011	10773/2011	335682	23-02C	31/03/2011
10215/2011	335848	07-01NES	05/04/2011	10797/2011	335683	30-03	31/03/2011
10216/2011	335862	07-01NES	06/04/2011	10799/2011	335874	08-03	06/04/2011
10219/2011	335844	23-03D	05/04/2011	10810/2011	335688	12-15C	30/03/2011
10225/2011	335889	15-05	07/04/2011	10811/2011	335689	15-05	30/03/2011
10227/2011	335890	15-05	07/04/2011	10812/2011	335690	15-05	30/03/2011
10228/2011	335902	15-05	08/04/2011	10813/2011	335691	15-05	30/03/2011
10229/2011	335903	09-07B	08/04/2011	10816/2011	335692	25-01K	30/03/2011
10238/2011	335940	25-01NES	08/04/2011	10817/2011	335693	25-01K	30/03/2011
10243/2011	335941	07-01C	08/04/2011	10819/2011	335748	14-02	06/04/2011
10244/2011	335854	07-01C	05/04/2011	10820/2011	335749	23-01K	06/04/2011
10245/2011	335855	07-01F	05/04/2011	10828/2011	335695	26-03	31/03/2011
10268/2011	335950	15-05	08/04/2011	10829/2011	335696	26-03	31/03/2011
10270/2011	335951	15-05	08/04/2011	10838/2011	335743	06-09	31/03/2011
10271/2011	335952	15-05	08/04/2011	10839/2011	335744	06-09	31/03/2011
10272/2011	335953	15-05	08/04/2011	10841/2011	335750	12-11	06/04/2011
10274/2011	335954	06-01G	08/04/2011	10842/2011	335751	16-06	06/04/2011
10275/2011	335955	02-02NES	08/04/2011	10843/2011	335752	16-06	06/04/2011
10303/2011	335694	07-05NES	31/03/2011	10844/2011	335753	16-06	06/04/2011
10314/2011	335816	08-08G	04/04/2011	10845/2011	335754	08-06	06/04/2011
10378/2011	335942	09-03A	08/04/2011	10846/2011	335755	08-06	06/04/2011
10379/2011	335943	09-03A	08/04/2011	10847/2011	335756	30-03	06/04/2011
10381/2011	335817	09-01D	04/04/2011	10848/2011	335757	30-03	06/04/2011
10387/2011	335710	25-02E	31/03/2011	10849/2011	335758	30-03	06/04/2011
10393/2011	335711	08-08B	31/03/2011	10850/2011	335759	30-03	06/04/2011
10394/2011	335712	08-08B	31/03/2011	10851/2011	335760	06-06NES	06/04/2011
10406/2011	335769	03-01D	31/03/2011	10855/2011	335723	26-06	31/03/2011
10407/2011	335770	08-99	31/03/2011	10856/2011	335724	12-11	31/03/2011
10408/2011	335771	08-99	31/03/2011	10857/2011	335725	12-11	31/03/2011
10409/2011	335822	09-03NES	04/04/2011	10858/2011	335726	26-06	31/03/2011
10410/2011	335904	03-01D	08/04/2011	10859/2011	335727	26-06	31/03/2011
10416/2011	335741	13-02	31/03/2011	10860/2011	335728	26-06	31/03/2011
10424/2011	335713	02-04C	31/03/2011	10861/2011	335729	12-11	31/03/2011
10434/2011	335714	21-01K	31/03/2011	10863/2011	335730	12-16C	31/03/2011

Publication and Registration Proceedings - Designs Registered cont'd

Design Number	Registration Number	International Classification Code (IDC)	Registration Date	Design Number	Registration Number	International Classification Code (IDC)	Registration Date
10864/2011	335731	12-16C	31/03/2011	10957/2011	335825	07-04	04/04/2011
10865/2011	335732	13-03B	31/03/2011	10958/2011	335826	11-04	04/04/2011
10866/2011	335733	26-04	31/03/2011	10959/2011	335827	11-04	04/04/2011
10867/2011	335734	26-05E	31/03/2011	10960/2011	335875	11-04	06/04/2011
10868/2011	335735	13-03D	31/03/2011	10961/2011	335876	12-16B	06/04/2011
10869/2011	335697	14-02	31/03/2011	10962/2011	335877	12-11	06/04/2011
10870/2011	335698	14-02	31/03/2011	10963/2011	335828	22-01	04/04/2011
10871/2011	335699	26-04	31/03/2011	10964/2011	335829	01-06	04/04/2011
10872/2011	335700	08-08O	31/03/2011	10965/2011	335830	23-01A	04/04/2011
10873/2011	335701	14-02	31/03/2011	10966/2011	335794	02-02A	07/04/2011
10874/2011	335702	10-05	30/03/2011	10967/2011	335795	02-02A	07/04/2011
10875/2011	335703	26-03	30/03/2011	10968/2011	335796	02-02A	07/04/2011
10876/2011	335704	14-02	30/03/2011	10969/2011	335797	02-02A	07/04/2011
10877/2011	335705	12-11	30/03/2011	10970/2011	335798	02-02A	07/04/2011
10878/2011	335706	12-11	30/03/2011	10971/2011	335799	02-02A	07/04/2011
10879/2011	335707	12-11	30/03/2011	10972/2011	335800	02-02A	07/04/2011
10880/2011	335708	12-10	30/03/2011	10973/2011	335801	02-02A	07/04/2011
10889/2011	335908	08-01	08/04/2011	10974/2011	335802	02-02A	07/04/2011
10890/2011	335745	14-02	31/03/2011	10975/2011	335803	02-02A	07/04/2011
10893/2011	335746	31-00	31/03/2011	10976/2011	335804	02-02A	07/04/2011
10894/2011	335747	31-00	31/03/2011	10977/2011	335805	02-02A	07/04/2011
10895/2011	335736	26-04	31/03/2011	10978/2011	335806	02-02A	07/04/2011
10897/2011	335737	14-03A	31/03/2011	10979/2011	335807	02-02A	07/04/2011
10898/2011	335738	14-03A	31/03/2011	10980/2011	335808	02-02A	07/04/2011
10907/2011	335793	06-04NES	07/04/2011	10981/2011	335809	02-02A	07/04/2011
10908/2011	335761	06-04NES	31/03/2011	10982/2011	335810	02-02A	07/04/2011
10909/2011	335762	09-08	31/03/2011	10983/2011	335811	02-02A	07/04/2011
10910/2011	335763	28-03NES	31/03/2011	10984/2011	335812	02-02A	07/04/2011
10911/2011	335764	28-03NES	31/03/2011	10985/2011	335813	02-02A	07/04/2011
10912/2011	335765	08-05K	31/03/2011	10986/2011	335814	02-02A	07/04/2011
10913/2011	335766	07-04	31/03/2011	10987/2011	335815	02-02A	07/04/2011
10914/2011	335772	07-02NES	31/03/2011	10989/2011	335831	14-02	05/04/2011
10915/2011	335773	07-02R	31/03/2011	10990/2011	335832	07-02E	05/04/2011
10916/2011	335774	07-02NES	31/03/2011	10991/2011	335833	07-02E	05/04/2011
10922/2011	335786	11-04	04/04/2011	10992/2011	335834	07-02E	05/04/2011
10923/2011	335787	11-04	04/04/2011	10993/2011	335835	09-01K	05/04/2011
10924/2011	335788	13-01	04/04/2011	10994/2011	335836	09-01K	05/04/2011
10925/2011	335789	11-04	04/04/2011	10995/2011	335837	09-01K	05/04/2011
10926/2011	335790	11-04	04/04/2011	10996/2011	335838	09-01K	05/04/2011
10928/2011	335791	24-04	04/04/2011	10997/2011	335839	09-03M	05/04/2011
10933/2011	335792	11-04	04/04/2011	10998/2011	335840	09-03M	05/04/2011
10934/2011	335779	11-04	01/04/2011	10999/2011	335841	09-03M	05/04/2011
10937/2011	335780	11-04	01/04/2011	11000/2011	335842	09-03M	05/04/2011
10938/2011	335781	11-04	01/04/2011	11041/2011	335868	23-01L	06/04/2011
10942/2011	335782	11-04	01/04/2011	11042/2011	335869	21-01F	06/04/2011
10943/2011	335857	08-01	05/04/2011	11047/2011	335859	31-00	05/04/2011
10944/2011	335858	08-01	05/04/2011	11049/2011	335860	28-03A	05/04/2011
10945/2011	335783	11-04	01/04/2011	11050/2011	335861	28-03A	05/04/2011
10946/2011	335784	11-04	01/04/2011	11051/2011	335878	23-04	06/04/2011
10947/2011	335785	11-04	01/04/2011	11052/2011	335879	07-01C	06/04/2011
10948/2011	335818	08-08D	04/04/2011	11061/2011	335891	09-05	07/04/2011
10949/2011	335819	25-01K	04/04/2011	11062/2011	335892	09-05	07/04/2011
10950/2011	335820	08-08D	04/04/2011	11063/2011	335893	09-05	07/04/2011
10952/2011	335821	08-08D	04/04/2011	11064/2011	335894	09-05	07/04/2011
10956/2011	335824	11-04	04/04/2011	11065/2011	335895	09-05	07/04/2011

Publication and Registration Proceedings - Designs Registered cont'd

Design Number	Registration Number	International Classification Code (IDC)	Registration Date	Design Number	Registration Number	International Classification Code (IDC)	Registration Date
11066/2011	335896	09-05	07/04/2011	11121/2011	335947	14-02	08/04/2011
11067/2011	335897	09-05	07/04/2011	11122/2011	335948	14-02	08/04/2011
11068/2011	335898	09-05	07/04/2011	11137/2011	335768	07-02B	31/03/2011
11069/2011	335870	06-01F	06/04/2011	11167/2011	335778	08-01	31/03/2011
11070/2011	335871	06-01F	06/04/2011	11287/2011	335910	07-02L	07/04/2011
11071/2011	335899	24-04	07/04/2011	11290/2011	335722	12-16L	31/03/2011
11072/2011	335900	09-05	07/04/2011	11327/2011	335776	14-03NES	31/03/2011
11073/2011	335901	09-05	07/04/2011	11409/2011	335863	07-01NES	06/04/2011
11086/2011	335880	21-01L	06/04/2011	11410/2011	335864	07-01NES	06/04/2011
11087/2011	335881	21-01L	06/04/2011	11411/2011	335865	07-01NES	06/04/2011
11088/2011	335882	21-01L	06/04/2011	11412/2011	335866	07-01NES	06/04/2011
11089/2011	335883	06-03C	06/04/2011	11413/2011	335867	07-01NES	06/04/2011
11090/2011	335884	06-03C	06/04/2011	11414/2011	335849	07-01NES	05/04/2011
11091/2011	335885	06-03C	06/04/2011	11415/2011	335850	07-01NES	05/04/2011
11095/2011	335934	07-02E	08/04/2011	11416/2011	335851	07-01NES	05/04/2011
11097/2011	335845	15-01	05/04/2011	11417/2011	335852	07-01NES	05/04/2011
11098/2011	335935	13-02	08/04/2011	11418/2011	335853	07-01NES	05/04/2011
11099/2011	335936	12-05	08/04/2011	11430/2011	335846	15-01	05/04/2011
11100/2011	335937	23-01A	08/04/2011	11431/2011	335847	15-01	05/04/2011
11111/2011	335931	10-05	07/04/2011	11439/2011	335887	08-05E	06/04/2011
11115/2011	335932	14-01	07/04/2011	11440/2011	335888	08-05E	06/04/2011
11117/2011	335933	23-01G	07/04/2011				
11119/2011	335945	14-02	08/04/2011				
11120/2011	335946	14-02	08/04/2011				

**Publication and Registration Proceedings**

**Class Listing of Designs Published or Registered**

The following section shows an International Classification Code listing of the Registered or Published Designs covered in this supplement.

<b>Classification</b>	<b>Registration Number</b>	<b>Design Number</b>	<b>Classification</b>	<b>Registration Number</b>	<b>Design Number</b>
01-06	335829	10964/2011	07-01NES	335863	11409/2011
02-02A	335794	10966/2011	07-01NES	335864	11410/2011
02-02A	335795	10967/2011	07-01NES	335865	11411/2011
02-02A	335796	10968/2011	07-01NES	335866	11412/2011
02-02A	335797	10969/2011	07-01NES	335867	11413/2011
02-02A	335798	10970/2011	07-02B	335768	11137/2011
02-02A	335799	10971/2011	07-02E	335832	10990/2011
02-02A	335800	10972/2011	07-02E	335833	10991/2011
02-02A	335801	10973/2011	07-02E	335834	10992/2011
02-02A	335802	10974/2011	07-02E	335934	11095/2011
02-02A	335803	10975/2011	07-02L	335910	11287/2011
02-02A	335804	10976/2011	07-02NES	335772	10914/2011
02-02A	335805	10977/2011	07-02NES	335774	10916/2011
02-02A	335806	10978/2011	07-02R	335773	10915/2011
02-02A	335807	10979/2011	07-04	335766	10913/2011
02-02A	335808	10980/2011	07-04	335825	10957/2011
02-02A	335809	10981/2011	07-05NES	335694	10303/2011
02-02A	335810	10982/2011	08-01	335778	11167/2011
02-02A	335811	10983/2011	08-01	335857	10943/2011
02-02A	335812	10984/2011	08-01	335858	10944/2011
02-02A	335813	10985/2011	08-01	335908	10889/2011
02-02A	335814	10986/2011	08-03	335874	10799/2011
02-02A	335815	10987/2011	08-05E	335886	10187/2011
02-02NES	335955	10275/2011	08-05E	335887	11439/2011
02-04C	335713	10424/2011	08-05E	335888	11440/2011
03-01A	335719	10455/2011	08-05K	335765	10912/2011
03-01D	335769	10406/2011	08-06	335754	10845/2011
03-01D	335904	10410/2011	08-06	335755	10846/2011
03-01D	335938	10147/2011	08-08B	335711	10393/2011
04-02	335939	10192/2011	08-08B	335712	10394/2011
06-01F	335870	11069/2011	08-08D	335818	10948/2011
06-01F	335871	11070/2011	08-08D	335820	10950/2011
06-01G	335954	10274/2011	08-08D	335821	10952/2011
06-03C	335883	11089/2011	08-08G	335816	10314/2011
06-03C	335884	11090/2011	08-08O	335700	10872/2011
06-03C	335885	11091/2011	08-99	335770	10407/2011
06-04NES	335761	10908/2011	08-99	335771	10408/2011
06-04NES	335793	10907/2011	09-01D	335817	10381/2011
06-06NES	335760	10851/2011	09-01G	335680	14062/2010
06-09	335743	10838/2011	09-01K	335835	10993/2011
06-09	335744	10839/2011	09-01K	335836	10994/2011
07-01C	335777	10164/2011	09-01K	335837	10995/2011
07-01C	335854	10244/2011	09-01K	335838	10996/2011
07-01C	335879	11052/2011	09-03A	335942	10378/2011
07-01C	335941	10243/2011	09-03A	335943	10379/2011
07-01F	335855	10245/2011	09-03M	335839	10997/2011
07-01NES	335848	10215/2011	09-03M	335840	10998/2011
07-01NES	335849	11414/2011	09-03M	335841	10999/2011
07-01NES	335850	11415/2011	09-03M	335842	11000/2011
07-01NES	335851	11416/2011	09-03NES	335822	10409/2011
07-01NES	335852	11417/2011	09-04	335717	10447/2011
07-01NES	335853	11418/2011	09-04	335718	10448/2011
07-01NES	335862	10216/2011	09-05	335891	11061/2011

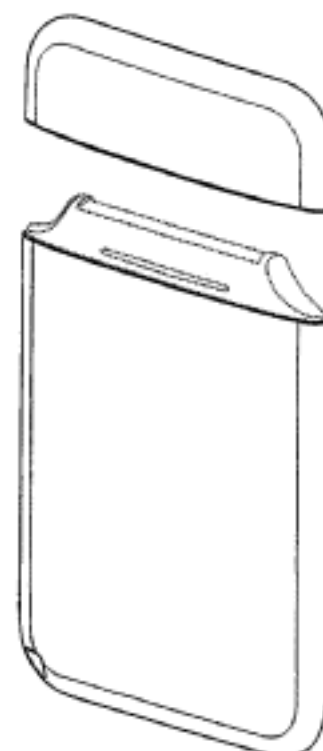
Registration Proceedings - Class Listing of Designs Published or Registered cont'd

Classification	Registration Number	Design Number	Classification	Registration Number	Design Number
09-05	335892	11062/2011	12-16L	335887	11439/2011
09-05	335893	11063/2011	12-16L	335888	11440/2011
09-05	335894	11064/2011	13-01	335788	10924/2011
09-05	335895	11065/2011	13-02	335741	10416/2011
09-05	335896	11066/2011	13-02	335935	11098/2011
09-05	335897	11067/2011	13-03B	335732	10865/2011
09-05	335898	11068/2011	13-03D	335735	10868/2011
09-05	335900	11072/2011	14-01	335932	11115/2011
09-05	335901	11073/2011	14-02	335697	10869/2011
09-07A	335749	10820/2011	14-02	335698	10870/2011
09-07B	335903	10229/2011	14-02	335701	10873/2011
09-07NES	335862	10216/2011	14-02	335704	10876/2011
09-07NES	335863	11409/2011	14-02	335742	10665/2011
09-07NES	335864	11410/2011	14-02	335745	10890/2011
09-07NES	335865	11411/2011	14-02	335748	10819/2011
09-07NES	335866	11412/2011	14-02	335831	10989/2011
09-07NES	335867	11413/2011	14-02	335945	11119/2011
09-08	335762	10909/2011	14-02	335946	11120/2011
10-05	335702	10874/2011	14-02	335947	11121/2011
10-05	335931	11111/2011	14-02	335948	11122/2011
11-03	335767	10148/2011	14-03A	335737	10897/2011
11-04	335779	10934/2011	14-03A	335738	10898/2011
11-04	335780	10937/2011	14-03NES	335775	13291/2010
11-04	335781	10938/2011	14-03NES	335776	11327/2011
11-04	335782	10942/2011	14-99	335831	10989/2011
11-04	335783	10945/2011	15-01	335845	11097/2011
11-04	335784	10946/2011	15-01	335846	11430/2011
11-04	335785	10947/2011	15-01	335847	11431/2011
11-04	335786	10922/2011	15-05	335689	10811/2011
11-04	335787	10923/2011	15-05	335690	10812/2011
11-04	335789	10925/2011	15-05	335691	10813/2011
11-04	335790	10926/2011	15-05	335889	10225/2011
11-04	335792	10933/2011	15-05	335890	10227/2011
11-04	335824	10956/2011	15-05	335902	10228/2011
11-04	335826	10958/2011	15-05	335938	10147/2011
11-04	335827	10959/2011	15-05	335950	10268/2011
11-04	335875	10960/2011	15-05	335951	10270/2011
12-05	335936	11099/2011	15-05	335952	10271/2011
12-10	335708	10880/2011	15-05	335953	10272/2011
12-11	335705	10877/2011	15-99	335739	12629/2010
12-11	335706	10878/2011	15-99	335740	12630/2010
12-11	335707	10879/2011	16-06	335751	10842/2011
12-11	335724	10856/2011	16-06	335752	10843/2011
12-11	335725	10857/2011	16-06	335753	10844/2011
12-11	335729	10861/2011	19-06	335905	10496/2011
12-11	335750	10841/2011	19-06	335906	10497/2011
12-11	335877	10962/2011	19-99	335823	10498/2011
12-15C	335688	10810/2011	21-01F	335869	11042/2011
12-16A	335907	10577/2011	21-01K	335714	10434/2011
12-16B	335876	10961/2011	21-01K	335715	10438/2011
12-16C	335730	10863/2011	21-01L	335880	11086/2011
12-16C	335731	10864/2011	21-01L	335881	11087/2011
12-16E	335707	10879/2011	21-01L	335882	11088/2011
12-16L	335721	10197/2011	21-02F	335681	14109/2010
12-16L	335722	11290/2011	22-01	335828	10963/2011
12-16L	335886	10187/2011	23-01A	335830	10965/2011

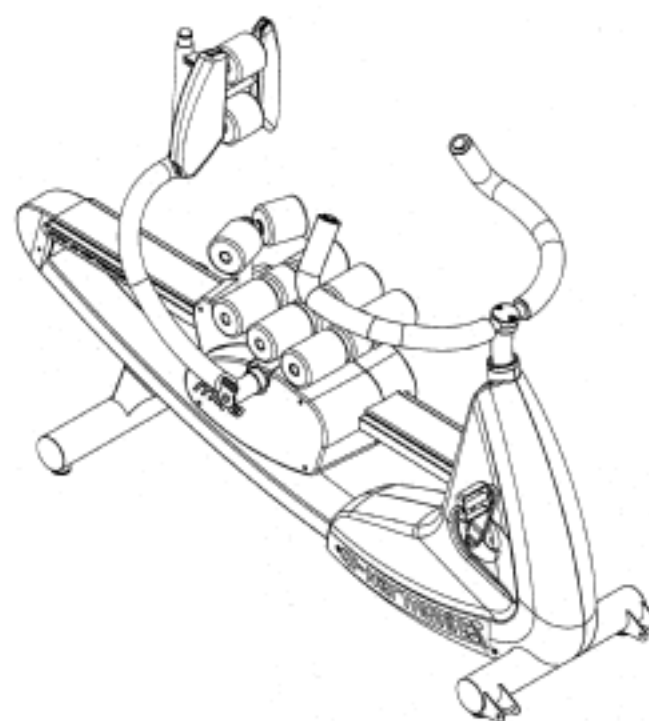
Registration Proceedings - Class Listing of Designs Published or Registered cont'd

Classification	Registration Number	Design Number	Classification	Registration Number	Design Number
23-01A	335937	11100/2011	26-03	335703	10875/2011
23-01F	335944	10440/2011	26-04	335699	10871/2011
23-01G	335872	10701/2011	26-04	335733	10866/2011
23-01G	335873	10736/2011	26-04	335736	10895/2011
23-01G	335933	11117/2011	26-05E	335734	10867/2011
23-01K	335749	10820/2011	26-06	335723	10855/2011
23-01L	335868	11041/2011	26-06	335726	10858/2011
23-02C	335682	10773/2011	26-06	335727	10859/2011
23-03B	335720	10579/2011	26-06	335728	10860/2011
23-03B	335909	10578/2011	28-03A	335860	11049/2011
23-03D	335843	13170/2010	28-03A	335861	11050/2011
23-03D	335844	10219/2011	28-03B	335685	15777/2010
23-04	335873	10736/2011	28-03B	335686	15778/2010
23-04	335878	11051/2011	28-03B	335687	15779/2010
24-04	335709	15321/2010	28-03NES	335763	10910/2011
24-04	335716	10439/2011	28-03NES	335764	10911/2011
24-04	335791	10928/2011	28-99	335680	14062/2010
24-04	335899	11071/2011	30-03	335683	10797/2011
24-99	335709	15321/2010	30-03	335756	10847/2011
25-01A	335856	10654/2011	30-03	335757	10848/2011
25-01K	335692	10816/2011	30-03	335758	10849/2011
25-01K	335693	10817/2011	30-03	335759	10850/2011
25-01K	335819	10949/2011	31-00	335746	10893/2011
25-01NES	335940	10238/2011	31-00	335747	10894/2011
25-02C	335949	10168/2011	31-00	335859	11047/2011
25-02E	335710	10387/2011			
26-03	335695	10828/2011			
26-03	335696	10829/2011			

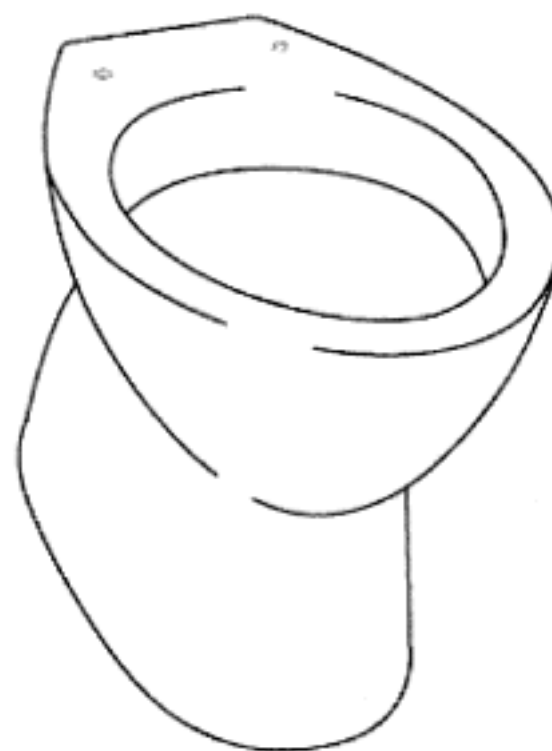
- (21) Design Number: **14062/2010**  
(22) Date of Filing Application: **22 September 2010**  
(24) Date from which industrial property rights may have effect: **22 September 2010**  
(54) Product in respect of which the design is registered: **Container for fragrance products**  
(51) International Design Classification: **09-01G, 28-99**  
(74) Name(s) of Attorney(s): **Griffith Hack**  
(71) Name(s) and Address(s) of Applicant(s):  
**Cologne Card Pty Ltd**  
**Level 2 21 Moray Street Southbank Victoria 3006 Australia**  
(72) Name(s) of Designer(s): **Adam Wierzbowski and Sacha Caller and Tim Besley**  
(45) Registration Date: **31 March 2011**  
(56) Related Art Documents: **Not Applicable**  
(57) Statement of Newness and Distinctiveness: **The shape and configuration of those parts of the design shown by means of solid lines in the representations are new and distinctive.**



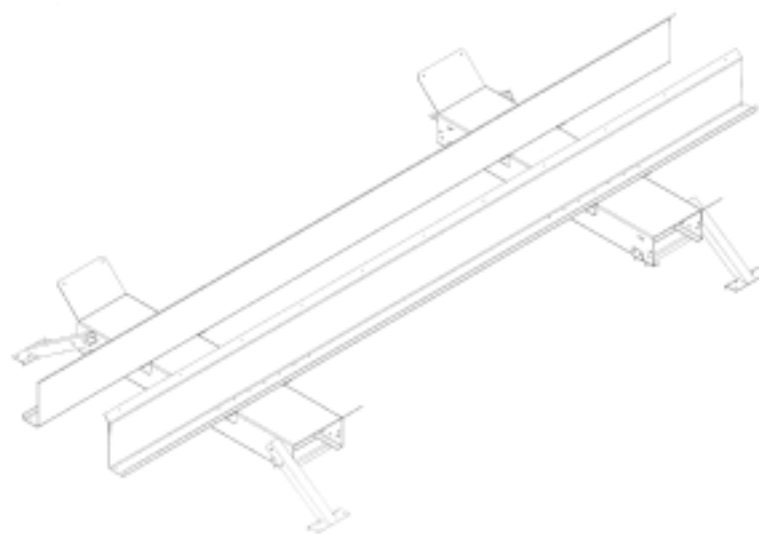
- (21) Design Number: **14109/2010**  
(22) Date of Filing Application: **20 September 2010**  
(24) Date from which industrial property rights may have effect: **20 September 2010**  
(54) Product in respect of which the design is registered: **Exercise equipment/ appartus**  
(51) International Design Classification: **21-02F**  
(74) Name(s) of Attorney(s):  
(71) Name(s) and Address(s) of Applicant(s):  
**Qingshan Liu**  
**825/5/1503 Chenhui Road Pudong District Shanghai 201203 China**  
(72) Name(s) of Designer(s): **Qingshan Liu**  
(45) Registration Date: **31 March 2011**  
(30) Convention priority data:  
(31) Number      (32) Date      (33) Country  
**DEN/539917101    18 Mar 2010      WORLD INTELLECTUAL  
PROPERTY ORGANIZATION  
(WIPO)**  
(56) Related Art Documents: **Not Applicable**  
(57) Statement of Newness and Distinctiveness: **Moving backrest, sliding seat, which are part of resistant/massage system. Massaging rolls on the backrest, lower back and seat surface. The main form of the device-frame and outlooking.**



- (21) Design Number: **10773/2011**  
(22) Date of Filing Application: **28 February 2011**  
(24) Date from which industrial property rights may have effect: **28 February 2011**  
(54) Product in respect of which the design is registered: **Toilet pan**  
(51) International Design Classification: **23-02C**  
(74) Name(s) of Attorney(s): **HODGKINSON McINNES PATENTS**  
(71) Name(s) and Address(s) of Applicant(s):  
**Gemini Industries Pty Ltd**  
**3/97 Banksia Street Botany New South Wales 2019 Australia**  
(72) Name(s) of Designer(s): **James Arthur Longley**  
(45) Registration Date: **31 March 2011**  
(56) Related Art Documents: **Not Applicable**  
(57) Statement of Newness and Distinctiveness: **Newness and distinctiveness are claimed in relation to the shape and/or configuration of a toilet pan as shown in the attached representations. The shape and/or configuration of the cistern, toilet lid and attachment points shown in ghost lines are to be ignored and do not form part of design.**



- (21) Design Number: **10797/2011**  
(22) Date of Filing Application: **02 March 2011**  
(24) Date from which industrial property rights may have effect: **02 March 2011**  
(54) Product in respect of which the design is registered: **Advantage feeders lift kit - to be attached to an Advantage feeders lick grain feeder - model Next Generation**  
(51) International Design Classification: **30-03**  
(74) Name(s) of Attorney(s):  
(71) Name(s) and Address(s) of Applicant(s):  
**Advantage Feeders Pty Ltd**  
**10/1517 Malvern Road Glen Iris Victoria 3146 Australia**  
(72) Name(s) of Designer(s): **Timothy Roney and Gerard Roney**  
(45) Registration Date: **31 March 2011**  
(56) Related Art Documents: **Not Applicable**  
(57) Statement of Newness and Distinctiveness: **The lift kit 2 is a different model from the previously registered lift kit. It connects to the lick grain feeder at a different point, and doesn't require end plates. It is therefore a different shape and was designed to be attached to a newer version of the grain feeder.**



(21) Design Number: **15777/2010**  
(22) Date of Filing Application: **24 December 2010**  
(24) Date from which industrial property rights may have effect: **24 December 2010**  
(54) Product in respect of which the design is registered: **Hair styling apparatus**  
(51) International Design Classification: **28-03B**  
(74) Name(s) of Attorney(s): **PHILLIPS ORMONDE FITZPATRICK**  
(71) Name(s) and Address(s) of Applicant(s):



**Jemella Group Limited**  
**C/- Eversheds LLP Eversheds House 70 Great Bridgewater Street**  
**Manchester M1 5ES United Kingdom**

(72) Name(s) of Designer(s): **John Hein**  
(45) Registration Date: **30 March 2011**  
(30) Convention priority data:  
(31) Number (32) Date (33) Country  
**001727017 01 Jul 2010 EUROPEAN COMMUNITY**

(56) Related Art Documents: **Not Applicable**  
(57) Statement of Newness and Distinctiveness: **The newness and distinctiveness of the design lies in a dot pattern applied to the article. The dot pattern is partly formed by different textured areas and partly formed by depressions in the body of the article. The newness and distinctiveness of the design also lies in the shape and configuration of a switch shown in the representations.**

(21) Design Number: **15778/2010**  
(22) Date of Filing Application: **24 December 2010**  
(24) Date from which industrial property rights may have effect: **24 December 2010**  
(54) Product in respect of which the design is registered: **Hair styling apparatus**  
(51) International Design Classification: **28-03B**  
(74) Name(s) of Attorney(s): **PHILLIPS ORMONDE FITZPATRICK**  
(71) Name(s) and Address(s) of Applicant(s):



**Jemella Group Limited**  
**C/- Eversheds LLP Eversheds House 70 Great Bridgewater Street**  
**Manchester M1 5ES United Kingdom**

(72) Name(s) of Designer(s): **John Hein**  
(45) Registration Date: **30 March 2011**  
(30) Convention priority data:  
(31) Number (32) Date (33) Country  
**001727017 01 Jul 2010 EUROPEAN COMMUNITY**

(56) Related Art Documents: **Not Applicable**  
(57) Statement of Newness and Distinctiveness: **The newness and distinctiveness of the design lies in a dot pattern applied to the article. The dot pattern is partly formed by different textured areas and partly formed by depressions in the body of the article. The newness and distinctiveness of the design also lies in the shape and configuration of a switch shown in the representations.**

(21) Design Number: **15779/2010**  
(22) Date of Filing Application: **24 December 2010**  
(24) Date from which industrial property rights may have effect: **24 December 2010**  
(54) Product in respect of which the design is registered: **Hair styling apparatus**  
(51) International Design Classification: **28-03B**  
(74) Name(s) of Attorney(s): **PHILLIPS ORMONDE FITZPATRICK**  
(71) Name(s) and Address(s) of Applicant(s):

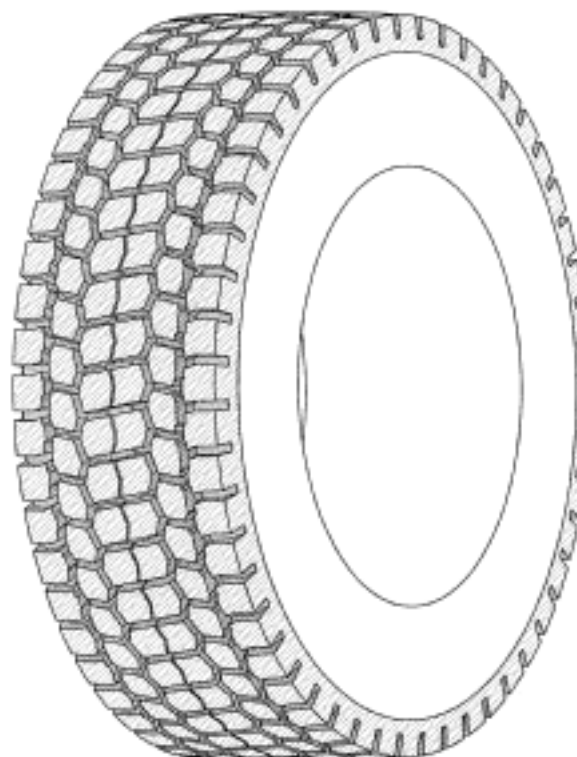


**Jemella Group Limited**  
**C/- Eversheds LLP Eversheds House 70 Great Bridgewater Street**  
**Manchester M1 5ES United Kingdom**

(72) Name(s) of Designer(s): **John Hein**  
(45) Registration Date: **30 March 2011**  
(30) Convention priority data:  
(31) Number      (32) Date      (33) Country  
**001727017      01 Jul 2010      EUROPEAN COMMUNITY**

(56) Related Art Documents: **Not Applicable**  
(57) Statement of Newness and Distinctiveness: **The newness and distinctiveness of the design lies in a dot pattern applied to the article. The dot pattern is partly formed by different textured areas and partly formed by depressions in the body of the article. The newness and distinctiveness of the design also lies in the shape and configuration of a switch shown in the representations.**

(21) Design Number: **10810/2011**  
(22) Date of Filing Application: **03 March 2011**  
(24) Date from which industrial property rights may have effect: **03 March 2011**  
(54) Product in respect of which the design is registered: **Tire**  
(51) International Design Classification: **12-15C**  
(74) Name(s) of Attorney(s): **SPRUSON & FERGUSON**  
(71) Name(s) and Address(s) of Applicant(s):

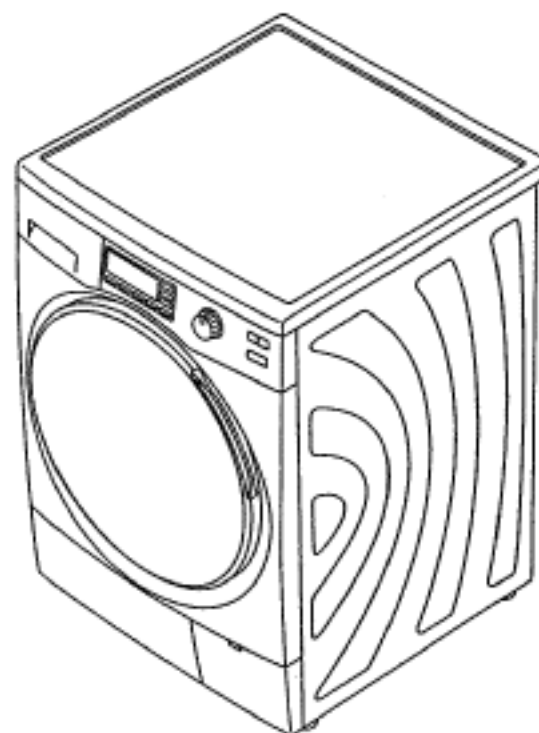


**The Goodyear Tire & Rubber Company**  
**1144 East Market Street Akron Ohio 44316-0001 United States of**  
**America**

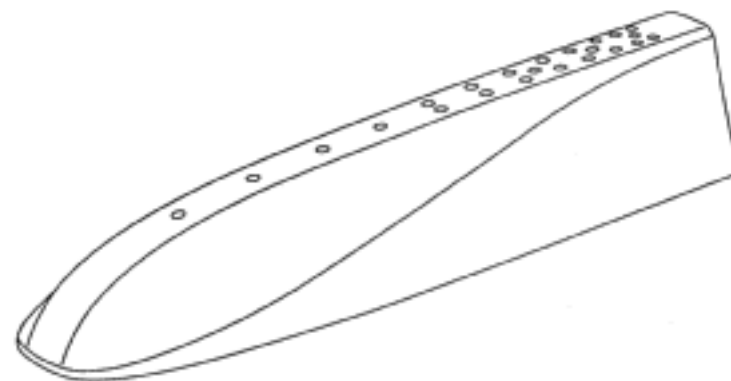
(72) Name(s) of Designer(s): **Bernard Robert Nicolas and Nizar Toumni**  
(45) Registration Date: **30 March 2011**  
(30) Convention priority data:  
(31) Number      (32) Date      (33) Country  
**29/375105      17 Sep 2010      UNITED STATES OF AMERICA**

(56) Related Art Documents: **Not Applicable**  
(57) Statement of Newness and Distinctiveness: **Newness and distinctiveness is claimed in the features of shape and/or configuration of the tread of a tire as illustrated in the accompanying representations, wherein the shape and/or configuration of the tread is repeated throughout the circumference of the tire.**

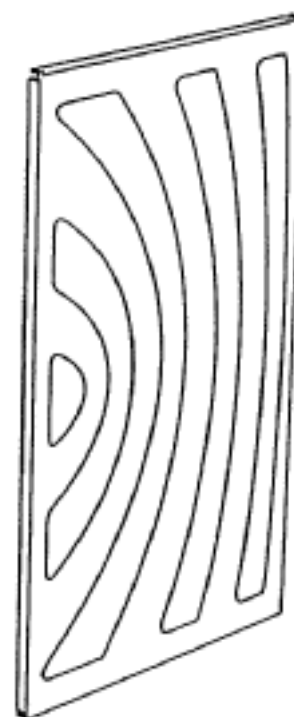
(21) Design Number: **10811/2011**  
(22) Date of Filing Application: **01 March 2011**  
(24) Date from which industrial property rights may have effect: **01 March 2011**  
(54) Product in respect of which the design is registered: **Washing machine**  
(51) International Design Classification: **15-05**  
(74) Name(s) of Attorney(s): **SPRUSON & FERGUSON**  
(71) Name(s) and Address(s) of Applicant(s):  
**Panasonic Corporation**  
**1006 Oaza Kadoma Kadoma-shi Osaka 571-8501 Japan**  
(72) Name(s) of Designer(s): **Koji Murakami and Tomoyoshi Inoue and Shinichiro Kobayashi**  
(45) Registration Date: **30 March 2011**  
(30) Convention priority data:  
(31) Number (32) Date (33) Country  
**2010-021172 01 Sep 2010 JAPAN**  
(56) Related Art Documents: **Not Applicable**  
(57) Statement of Newness and Distinctiveness: **Newness and distinctiveness is claimed in the features of shape and/or configuration of a washing machine as illustrated in the accompanying representations.**



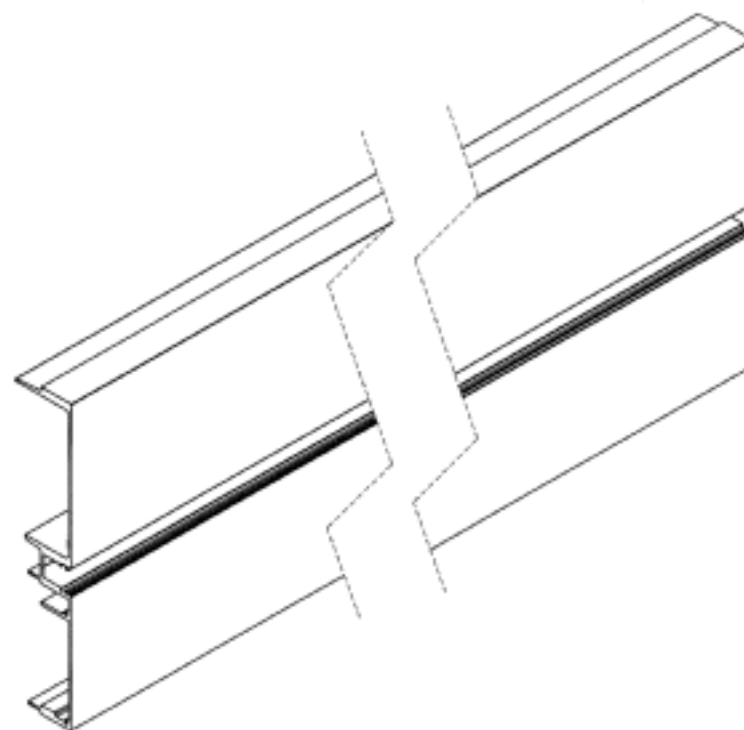
(21) Design Number: **10812/2011**  
(22) Date of Filing Application: **01 March 2011**  
(24) Date from which industrial property rights may have effect: **01 March 2011**  
(54) Product in respect of which the design is registered: **Baffle for washing machine**  
(51) International Design Classification: **15-05**  
(74) Name(s) of Attorney(s): **SPRUSON & FERGUSON**  
(71) Name(s) and Address(s) of Applicant(s):  
**Panasonic Corporation**  
**1006 Oaza Kadoma Kadoma-shi Osaka 571-8501 Japan**  
(72) Name(s) of Designer(s): **Koji Murakami and Tomoyoshi Inoue and Hiroko Minayoshi and Hideaki Ushijima**  
(45) Registration Date: **30 March 2011**  
(30) Convention priority data:  
(31) Number (32) Date (33) Country  
**2010-021175 01 Sep 2010 JAPAN**  
(56) Related Art Documents: **Not Applicable**  
(57) Statement of Newness and Distinctiveness: **Newness and distinctiveness is claimed in the features of shape and/or configuration of a baffle for washing machine as illustrated in the accompanying representations.**



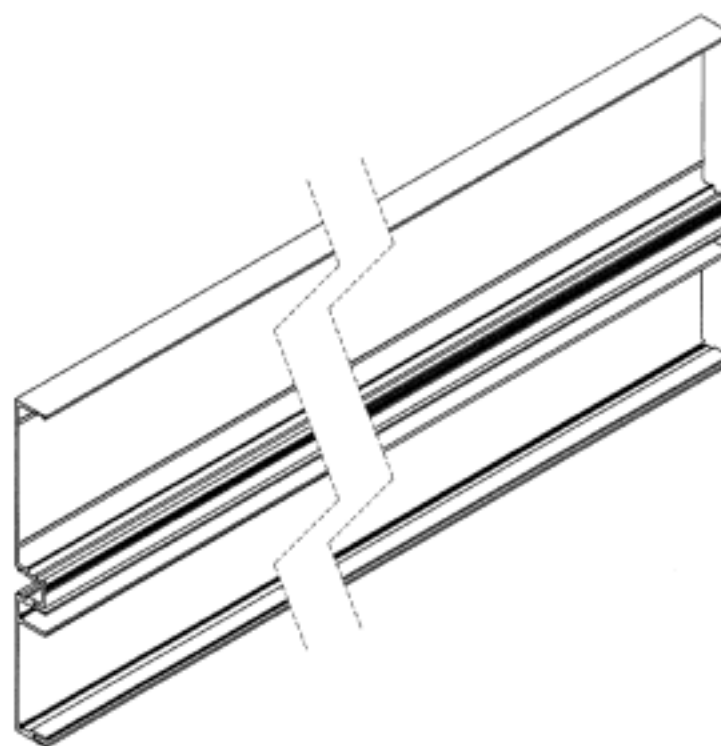
- (21) Design Number: **10813/2011**  
(22) Date of Filing Application: **01 March 2011**  
(24) Date from which industrial property rights may have effect: **01 March 2011**  
(54) Product in respect of which the design is registered: **Side-board for washing machine**  
(51) International Design Classification: **15-05**  
(74) Name(s) of Attorney(s): **SPRUSON & FERGUSON**  
(71) Name(s) and Address(s) of Applicant(s):  
**Panasonic Corporation**  
**1006 Oaza Kadoma Kadoma-shi Osaka 571-8501 Japan**  
(72) Name(s) of Designer(s): **Koji Murakami and Tomoyoshi Inoue and Shinichiro Kobayashi**  
(45) Registration Date: **30 March 2011**  
(30) Convention priority data:  
(31) Number (32) Date (33) Country  
**2010-021174 01 Sep 2010 JAPAN**  
(56) Related Art Documents: **Not Applicable**  
(57) Statement of Newness and Distinctiveness: **Newness and distinctiveness is claimed in the features of shape and/or configuration of a side-board for washing machine as illustrated in the accompanying representations.**



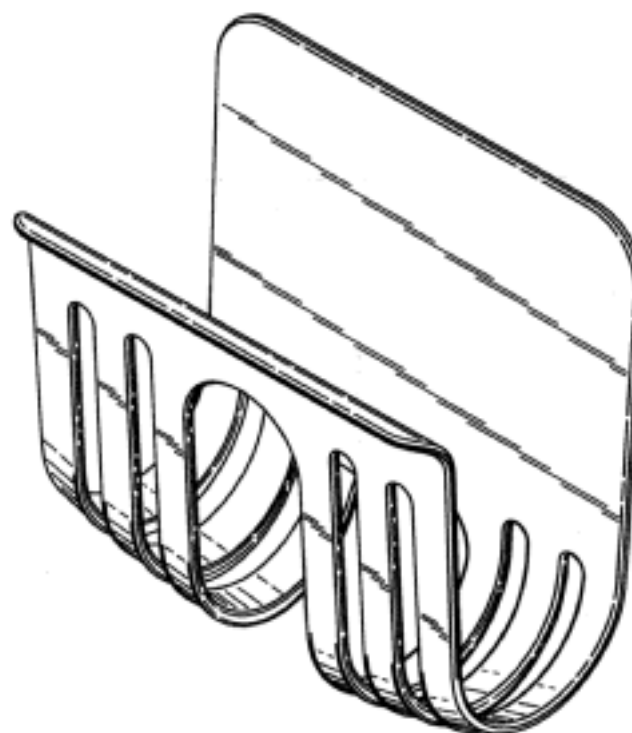
- (21) Design Number: **10816/2011**  
(22) Date of Filing Application: **03 March 2011**  
(24) Date from which industrial property rights may have effect: **03 March 2011**  
(54) Product in respect of which the design is registered: **150mm extra heavy duty front glazed male mullion**  
(51) International Design Classification: **25-01K**  
(74) Name(s) of Attorney(s):  
(71) Name(s) and Address(s) of Applicant(s):  
**Dezinal Pty Ltd**  
**C/- GCY Accountants Suites 1 & 2 Level 1-67 Lytton Road East Brisbane Queensland 4169 Australia**  
(72) Name(s) of Designer(s): **Robert Maxwell**  
(45) Registration Date: **30 March 2011**  
(56) Related Art Documents: **Not Applicable**  
(57) Statement of Newness and Distinctiveness: **The fundamentals of FG852 are to mate with FG853 to form a mullion that can be fabricated with a 150mm front glazed aluminium shopfront system. When these two sections are mated they can also accommodate a 75mm x 50mm box section in the front area adding considerable strength to the mullion formed.**



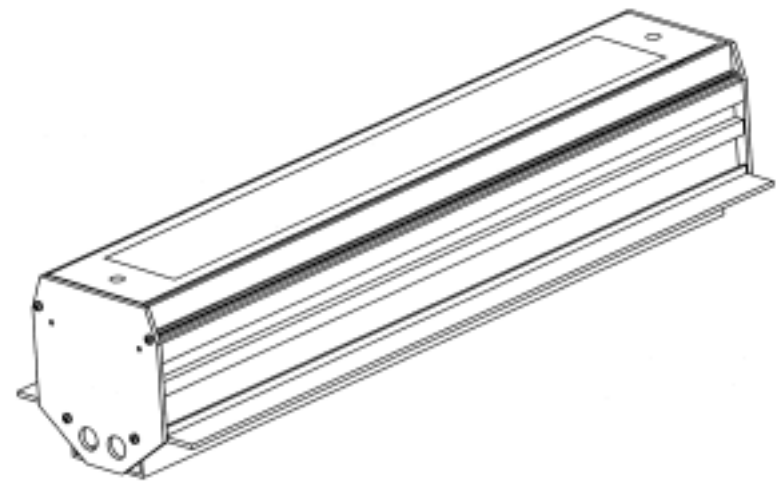
- (21) Design Number: **10817/2011**  
(22) Date of Filing Application: **03 March 2011**  
(24) Date from which industrial property rights may have effect: **03 March 2011**  
(54) Product in respect of which the design is registered: **150mm extra heavy duty front glazed female mullion**  
(51) International Design Classification: **25-01K**  
(74) Name(s) of Attorney(s):  
(71) Name(s) and Address(s) of Applicant(s):  
**Dezinal Pty Ltd**  
**C/- GCY Accountants Suites 1 & 2 Level 1-67 Lytton Road East Brisbane Queensland 4169 Australia**  
(72) Name(s) of Designer(s): **Robert Maxwell**  
(45) Registration Date: **30 March 2011**  
(56) Related Art Documents: **Not Applicable**  
(57) Statement of Newness and Distinctiveness: **The fundamentals of FG853 are to mate with FG852 to form a mullion that can be fabricated with a 150mm front glazed aluminium shopfront system. When these two sections are mated they can also accommodate a 75mm x 50mm box section in the front area adding considerable strength to the mullion formed.**



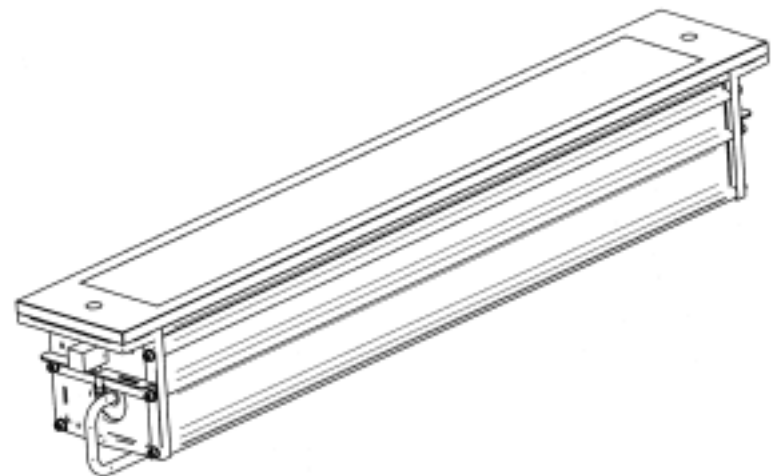
- (21) Design Number: **10303/2011**  
(22) Date of Filing Application: **02 February 2011**  
(24) Date from which industrial property rights may have effect: **02 February 2011**  
(54) Product in respect of which the design is registered: **Scouring pad holder**  
(51) International Design Classification: **07-05NES**  
(74) Name(s) of Attorney(s): **Davies Collison Cave**  
(71) Name(s) and Address(s) of Applicant(s):  
**3M Innovative Properties Company**  
**3M Center Saint Paul Minnesota 55133-3427 United States of America**  
(72) Name(s) of Designer(s): **Hsin Kun Ho and Po Lin Fu**  
(45) Registration Date: **31 March 2011**  
(30) Convention priority data:  
(31) Number      (32) Date      (33) Country  
**201030260139.2    02 Aug 2010      CHINA**  
(56) Related Art Documents: **Not Applicable**  
(57) Statement of Newness and Distinctiveness: **Nil**



(21) Design Number: **10828/2011**  
(22) Date of Filing Application: **03 March 2011**  
(24) Date from which industrial property rights may have effect: **03 March 2011**  
(54) Product in respect of which the design is registered: **Luminaire**  
(51) International Design Classification: **26-03**  
(74) Name(s) of Attorney(s):  
(71) Name(s) and Address(s) of Applicant(s):  
**WE-EF Leuchten GmbH & Co. KG**  
**Topinger Strasse 19 Bispingen 29646 Germany**  
(72) Name(s) of Designer(s): **Paul Smart**  
(45) Registration Date: **31 March 2011**  
(56) Related Art Documents: **Not Applicable**  
(57) Statement of Newness and Distinctiveness: **Nil**



(21) Design Number: **10829/2011**  
(22) Date of Filing Application: **03 March 2011**  
(24) Date from which industrial property rights may have effect: **03 March 2011**  
(54) Product in respect of which the design is registered: **Luminaire**  
(51) International Design Classification: **26-03**  
(74) Name(s) of Attorney(s):  
(71) Name(s) and Address(s) of Applicant(s):  
**WE-EF Leuchten GmbH & Co. KG**  
**Topinger Strasse 19 Bispingen 29646 Germany**  
(72) Name(s) of Designer(s): **Paul Smart**  
(45) Registration Date: **31 March 2011**  
(56) Related Art Documents: **Not Applicable**  
(57) Statement of Newness and Distinctiveness: **Nil**



(21) Design Number: **10869/2011**  
(22) Date of Filing Application: **04 March 2011**  
(24) Date from which industrial property rights may have effect: **04 March 2011**  
(54) Product in respect of which the design is registered: **Inline receiver**  
(51) International Design Classification: **14-02**  
(74) Name(s) of Attorney(s): **SPRUSON & FERGUSON**  
(71) Name(s) and Address(s) of Applicant(s):

**Huizhou Light Engine Limited**  
**No 7 Building No 21 Jiang Bei Yun Shan East Road Huizhou City**  
**Guangdong China**

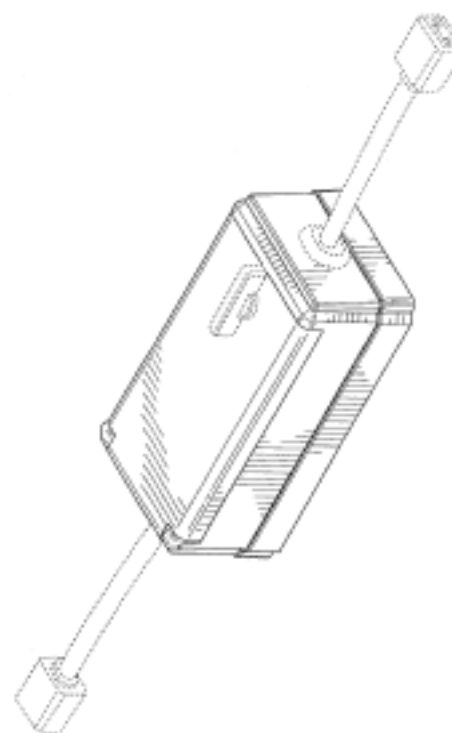
(72) Name(s) of Designer(s): **Eddie Ping Kuen Li and Sue-Anne Tean Leung**  
(45) Registration Date: **31 March 2011**

(30) Convention priority data:

(31) Number	(32) Date	(33) Country
<b>29/377591</b>	<b>22 Oct 2010</b>	<b>UNITED STATES OF AMERICA</b>

(56) Related Art Documents: **Not Applicable**

(57) Statement of Newness and Distinctiveness: **Newness and distinctiveness is claimed in the features of shape and/or configuration of an inline receiver as illustrated in continuous lines in the accompanying representations.**



(21) Design Number: **10870/2011**  
(22) Date of Filing Application: **04 March 2011**  
(24) Date from which industrial property rights may have effect: **04 March 2011**  
(54) Product in respect of which the design is registered: **Remote control**  
(51) International Design Classification: **14-02**  
(74) Name(s) of Attorney(s): **SPRUSON & FERGUSON**  
(71) Name(s) and Address(s) of Applicant(s):

**Huizhou Light Engine Limited**  
**No 7 Building No 21 Jiang Bei Yun Shan East Road Huizhou City**  
**Guangdong China**

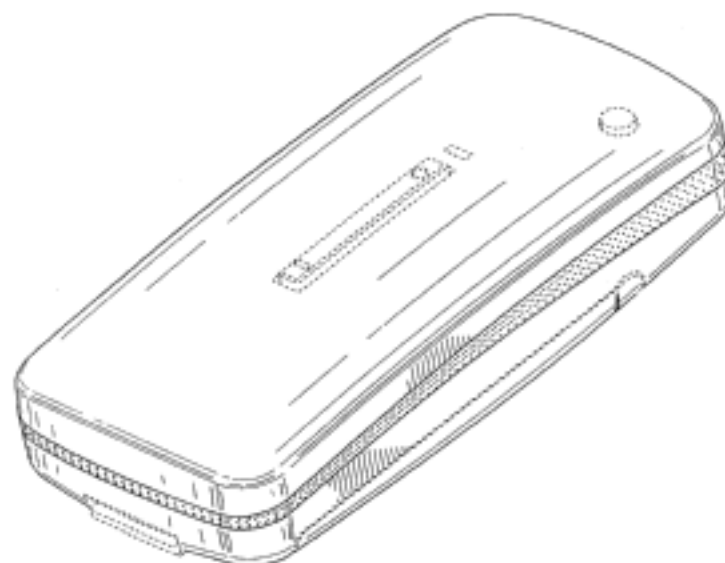
(72) Name(s) of Designer(s): **Eddie Ping Kuen Li and Sue-Anne Tean Leung**  
(45) Registration Date: **31 March 2011**

(30) Convention priority data:

(31) Number	(32) Date	(33) Country
<b>29/377586</b>	<b>22 Oct 2010</b>	<b>UNITED STATES OF AMERICA</b>

(56) Related Art Documents: **Not Applicable**

(57) Statement of Newness and Distinctiveness: **Newness and distinctiveness is claimed in the features of shape and/or configuration of a remote control as illustrated in continuous lines in the accompanying representations.**



(21) Design Number: **10871/2011**  
(22) Date of Filing Application: **04 March 2011**  
(24) Date from which industrial property rights may have effect: **04 March 2011**  
(54) Product in respect of which the design is registered: **Light bulb**  
(51) International Design Classification: **26-04**  
(74) Name(s) of Attorney(s): **SPRUSON & FERGUSON**  
(71) Name(s) and Address(s) of Applicant(s):

**Huizhou Light Engine Limited**  
**No 7 Building No 21 Jiang Bei Yun Shan East Road Huizhou City**  
**Guangdong China**

(72) Name(s) of Designer(s): **Eddie Ping Kuen Li and Sue-Anne Tean Leung**  
(45) Registration Date: **31 March 2011**

(30) Convention priority data:

(31) Number	(32) Date	(33) Country
<b>29/377719</b>	<b>25 Oct 2010</b>	<b>UNITED STATES OF AMERICA</b>

(56) Related Art Documents: **Not Applicable**

(57) Statement of Newness and Distinctiveness: **Newness and distinctiveness is claimed in the features of shape and/or configuration of a light bulb as illustrated in continuous lines in the accompanying representations.**



(21) Design Number: **10872/2011**  
(22) Date of Filing Application: **04 March 2011**  
(24) Date from which industrial property rights may have effect: **04 March 2011**  
(54) Product in respect of which the design is registered: **Garden stake**  
(51) International Design Classification: **08-080**  
(74) Name(s) of Attorney(s): **SPRUSON & FERGUSON**  
(71) Name(s) and Address(s) of Applicant(s):

**Huizhou Light Engine Limited**  
**No 7 Building No 21 Jiang Bei Yun Shan East Road Huizhou City**  
**Guangdong China**

(72) Name(s) of Designer(s): **Eddie Ping Kuen Li and Sue-Anne Tean Leung**  
(45) Registration Date: **31 March 2011**

(30) Convention priority data:

(31) Number	(32) Date	(33) Country
<b>29/377713</b>	<b>25 Oct 2010</b>	<b>UNITED STATES OF AMERICA</b>

(56) Related Art Documents: **Not Applicable**

(57) Statement of Newness and Distinctiveness: **Newness and distinctiveness is claimed in the features of shape and/or configuration of a garden stake as illustrated in continuous lines in the accompanying representations.**



(21) Design Number: **10873/2011**  
(22) Date of Filing Application: **04 March 2011**  
(24) Date from which industrial property rights may have effect: **04 March 2011**  
(54) Product in respect of which the design is registered: **T-connector**  
(51) International Design Classification: **14-02**  
(74) Name(s) of Attorney(s): **SPRUSON & FERGUSON**  
(71) Name(s) and Address(s) of Applicant(s):

**Huizhou Light Engine Limited**  
**No 7 Building No 21 Jiang Bei Yun Shan East Road Huizhou City**  
**Guangdong China**

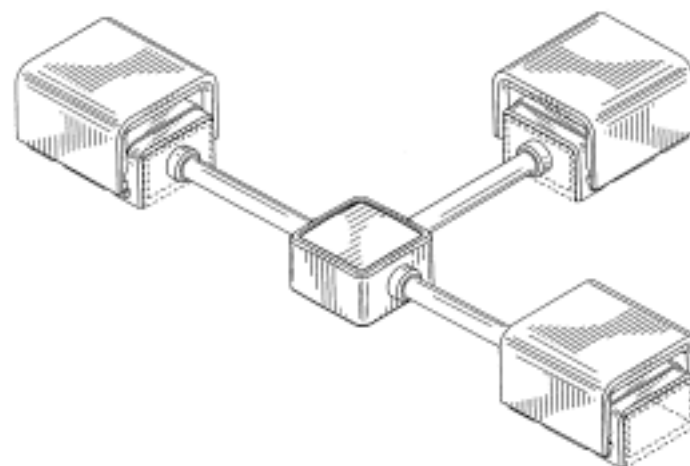
(72) Name(s) of Designer(s): **Eddie Ping Kuen Li and Sue-Anne Tean Leung**  
(45) Registration Date: **31 March 2011**

(30) Convention priority data:

(31) Number	(32) Date	(33) Country
<b>29,337598</b>	<b>22 Oct 2010</b>	<b>UNITED STATES OF AMERICA</b>

(56) Related Art Documents: **Not Applicable**

(57) Statement of Newness and Distinctiveness: **Newness and distinctiveness is claimed in the features of shape and/or configuration of a T-connector as illustrated in continuous lines in the accompanying representations.**



(21) Design Number: **10874/2011**  
(22) Date of Filing Application: **04 March 2011**  
(24) Date from which industrial property rights may have effect: **04 March 2011**  
(54) Product in respect of which the design is registered: **Motion sensor**  
(51) International Design Classification: **10-05**  
(74) Name(s) of Attorney(s): **SPRUSON & FERGUSON**  
(71) Name(s) and Address(s) of Applicant(s):

**Huizhou Light Engine Limited**  
**No 7 Building No 21 Jiang Bei Yun Shan East Road Huizhou City**  
**Guangdong China**

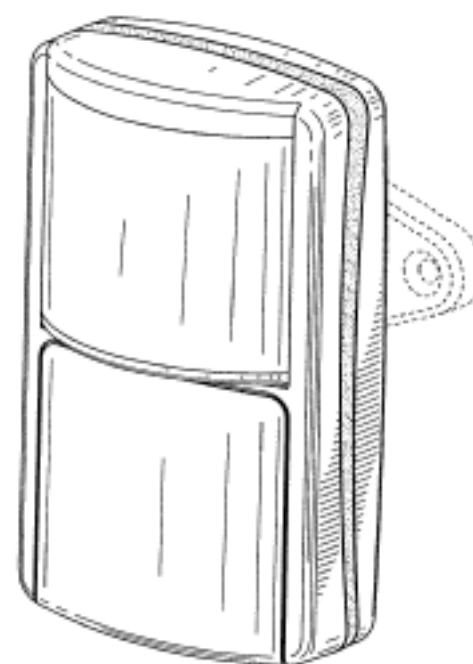
(72) Name(s) of Designer(s): **Eddie Ping Kuen Li and Sue-Anne Tean Leung**  
(45) Registration Date: **30 March 2011**

(30) Convention priority data:

(31) Number	(32) Date	(33) Country
<b>29/377724</b>	<b>25 Oct 2010</b>	<b>UNITED STATES OF AMERICA</b>

(56) Related Art Documents: **Not Applicable**

(57) Statement of Newness and Distinctiveness: **Newness and distinctiveness is claimed in the features of shape and/or configuration of a motion sensor as illustrated in continuous lines in the accompanying representations.**



(21) Design Number: **10875/2011**  
(22) Date of Filing Application: **04 March 2011**  
(24) Date from which industrial property rights may have effect: **04 March 2011**  
(54) Product in respect of which the design is registered: **Flood light**  
(51) International Design Classification: **26-03**  
(74) Name(s) of Attorney(s): **SPRUSON & FERGUSON**  
(71) Name(s) and Address(s) of Applicant(s):

**Huizhou Light Engine Limited**  
**No 7 Building No 21 Jiang Bei Yun Shan East Road Huizhou City**  
**Guangdong China**

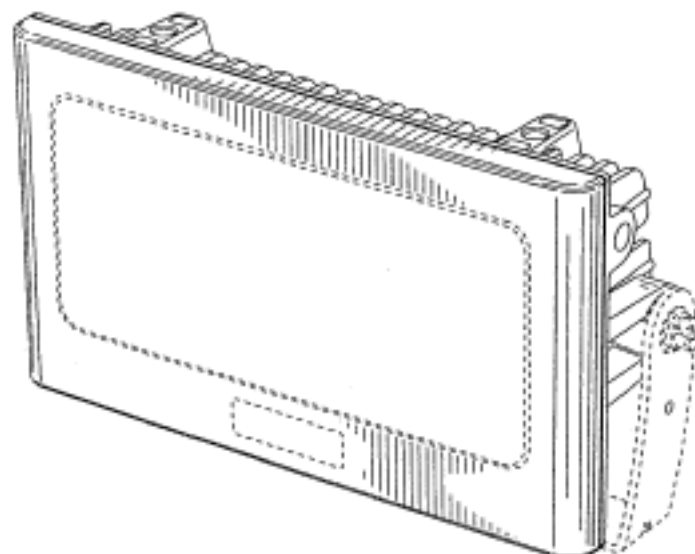
(72) Name(s) of Designer(s): **Eddie Ping Kuen Li and Sue-Anne Tean Leung**  
(45) Registration Date: **30 March 2011**

(30) Convention priority data:

(31) Number	(32) Date	(33) Country
<b>29/377727</b>	<b>25 Oct 2010</b>	<b>UNITED STATES OF AMERICA</b>

(56) Related Art Documents: **Not Applicable**

(57) Statement of Newness and Distinctiveness: **Newness and distinctiveness is claimed in the features of shape and/or configuration of a flood light as illustrated in continuous lines in the accompanying representations.**



(21) Design Number: **10876/2011**  
(22) Date of Filing Application: **04 March 2011**  
(24) Date from which industrial property rights may have effect: **04 March 2011**  
(54) Product in respect of which the design is registered: **Four-way power splitter**  
(51) International Design Classification: **14-02**  
(74) Name(s) of Attorney(s): **SPRUSON & FERGUSON**  
(71) Name(s) and Address(s) of Applicant(s):

**Huizhou Light Engine Limited**  
**No 7 Building No 21 Jiang Bei Yun Shan East Road Huizhou City**  
**Guangdong China**

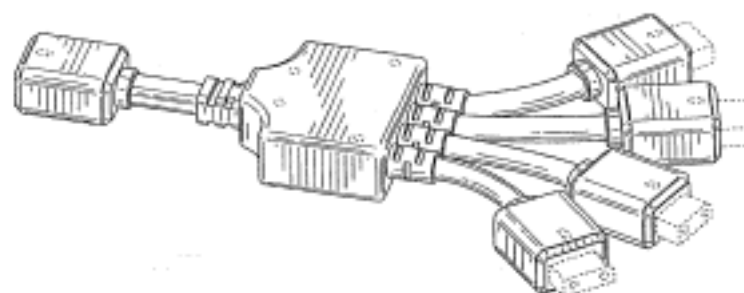
(72) Name(s) of Designer(s): **Eddie Ping Kuen Li and Sue-Anne Tean Leung**  
(45) Registration Date: **30 March 2011**

(30) Convention priority data:

(31) Number	(32) Date	(33) Country
<b>29/377729</b>	<b>25 Oct 2010</b>	<b>UNITED STATES OF AMERICA</b>

(56) Related Art Documents: **Not Applicable**

(57) Statement of Newness and Distinctiveness: **Newness and distinctiveness is claimed in the features of shape and/or configuration of a four-way power splitter as illustrated in continuous lines in the accompanying representations.**



(21) Design Number: **10877/2011**  
(22) Date of Filing Application: **04 March 2011**  
(24) Date from which industrial property rights may have effect: **04 March 2011**  
(54) Product in respect of which the design is registered: **Motor scooter**  
(51) International Design Classification: **12-11**  
(74) Name(s) of Attorney(s): **SPRUSON & FERGUSON**  
(71) Name(s) and Address(s) of Applicant(s):  
**Honda Motor Co., Ltd.**  
**1-1 Minami-Aoyama 2-Chome Minato-ku Tokyo Japan**  
(72) Name(s) of Designer(s): **Gianfelice Marasco and Genichi Kito**  
(45) Registration Date: **30 March 2011**  
(30) Convention priority data:  
(31) Number      (32) Date      (33) Country  
**2010-021632      07 Sep 2010      JAPAN**  
(56) Related Art Documents: **Not Applicable**  
(57) Statement of Newness and Distinctiveness: **Newness and distinctiveness is claimed in the features of shape and/or configuration of a motor scooter as illustrated in the accompanying representations.**



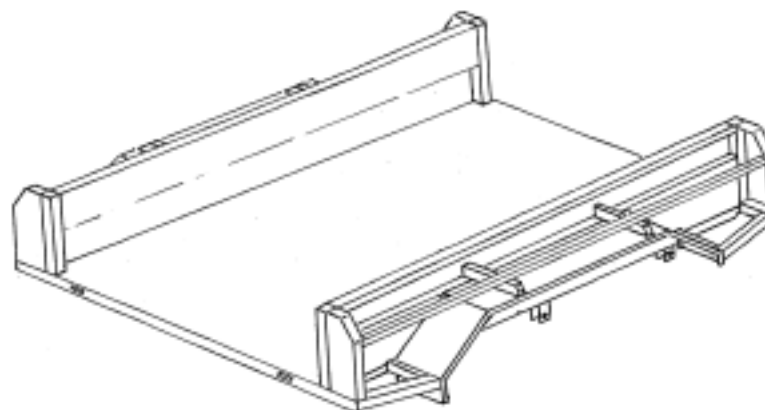
(21) Design Number: **10878/2011**  
(22) Date of Filing Application: **04 March 2011**  
(24) Date from which industrial property rights may have effect: **04 March 2011**  
(54) Product in respect of which the design is registered: **Motor scooter**  
(51) International Design Classification: **12-11**  
(74) Name(s) of Attorney(s): **SPRUSON & FERGUSON**  
(71) Name(s) and Address(s) of Applicant(s):  
**Honda Motor Co., Ltd.**  
**1-1 Minami-Aoyama 2-Chome Minato-ku Tokyo Japan**  
(72) Name(s) of Designer(s): **Gianfelice Marasco and Genichi Kito**  
(45) Registration Date: **30 March 2011**  
(30) Convention priority data:  
(31) Number      (32) Date      (33) Country  
**2010-021634      07 Sep 2010      JAPAN**  
(56) Related Art Documents: **Not Applicable**  
(57) Statement of Newness and Distinctiveness: **Newness and distinctiveness is claimed in the features of shape and/or configuration of the central garnish and left and right adjacent headlights (as indicated in silver colour) formed on the front cover of a motor scooter as illustrated in the accompanying representations.**



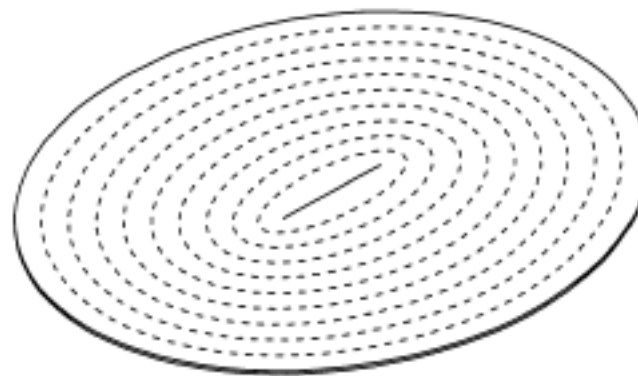
- (21) Design Number: **10879/2011**  
(22) Date of Filing Application: **04 March 2011**  
(24) Date from which industrial property rights may have effect: **04 March 2011**  
(54) Product in respect of which the design is registered: **A rear combination lamp case for a motor scooter**  
(51) International Design Classification: **12-11, 12-16E**  
(74) Name(s) of Attorney(s): **SPRUSON & FERGUSON**  
(71) Name(s) and Address(s) of Applicant(s):  
**Honda Motor Co., Ltd.**  
**1-1 Minami-Aoyama 2-Chome Minato-ku Tokyo Japan**  
(72) Name(s) of Designer(s): **Gianfelice Marasco and Genichi Kito**  
(45) Registration Date: **30 March 2011**  
(30) Convention priority data:  
(31) Number      (32) Date      (33) Country  
**2010-021635      07 Sep 2010      JAPAN**  
(56) Related Art Documents: **Not Applicable**  
(57) Statement of Newness and Distinctiveness: **Newness and distinctiveness is claimed in the features of shape and/or configuration of a rear combination lamp case for a motor scooter as illustrated in the accompanying representations.**



- (21) Design Number: **10880/2011**  
(22) Date of Filing Application: **07 March 2011**  
(24) Date from which industrial property rights may have effect: **07 March 2011**  
(54) Product in respect of which the design is registered: **Trailers**  
(51) International Design Classification: **12-10**  
(74) Name(s) of Attorney(s):  
(71) Name(s) and Address(s) of Applicant(s):  
**Reginald Leigh Faulkner**  
**2035 Albany Highway Maddington Western Australia 6109 Australia**  
**Edith Eweyi Faulkner**  
**2035 Albany Highway Maddington Western Australia 6109 Australia**  
(72) Name(s) of Designer(s): **Reginald Leigh Faulkner and Edith Eweyi Faulkner**  
(45) Registration Date: **30 March 2011**  
(56) Related Art Documents: **Not Applicable**  
(57) Statement of Newness and Distinctiveness: **The novelty claimed for the design resides in the shape and configuration of the trailer side panels and mudguard brackets and the style of attachment of the tie rails and mudguards.**

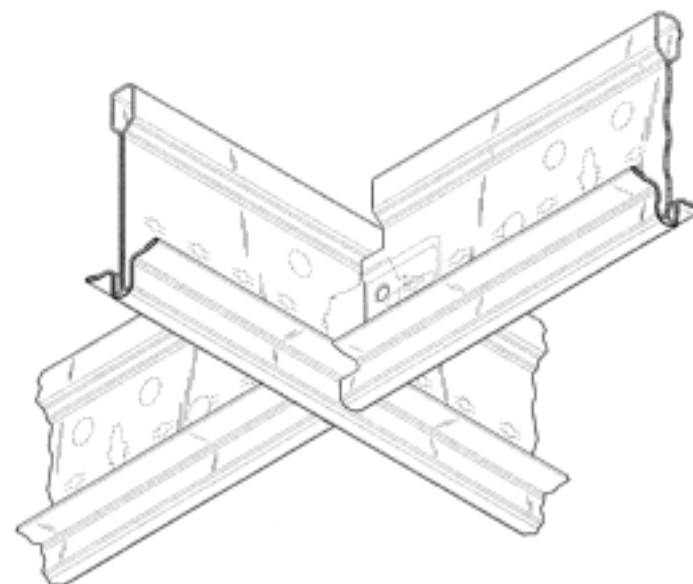


(21) Design Number: **15321/2010**  
(22) Date of Filing Application: **03 December 2010**  
(24) Date from which industrial property rights may have effect: **03 December 2010**  
(54) Product in respect of which the design is registered: **Organ protection layer**  
(51) International Design Classification: **24-99, 24-04**  
(74) Name(s) of Attorney(s): **Griffith Hack**  
(71) Name(s) and Address(s) of Applicant(s):  
**Smith & Nephew Inc**  
**1450 Brooks Road Memphis TN 38116 United States of America**  
(72) Name(s) of Designer(s): **James Lattimore and Michael Mosholder and Edward Hartwell and Michael Boggs**  
(45) Registration Date: **31 March 2011**  
(30) Convention priority data:  
(31) Number (32) Date (33) Country  
**29/363,038 03 Jun 2010 UNITED STATES OF AMERICA**



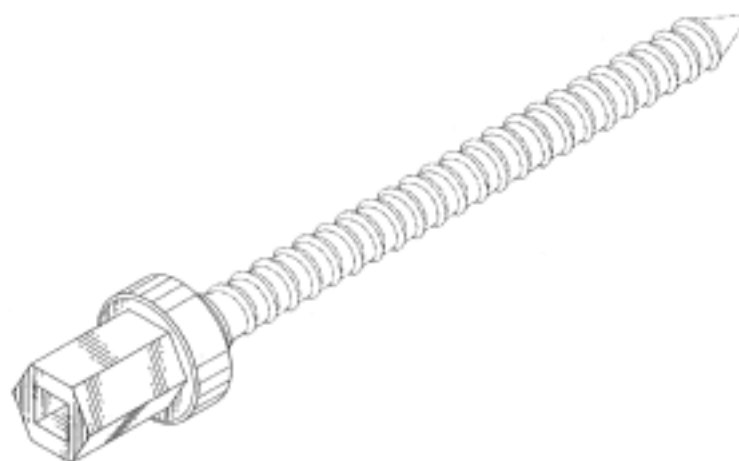
(56) Related Art Documents: **Not Applicable**  
(57) Statement of Newness and Distinctiveness: **The shape, configuration and pattern of openings in the organ protection layer, as illustrated by dashed lines in the representations, are new and distinctive. Broken lines in Figure 24 define the bounds of the detailed view illustrated therein, and do not form part of the present design.**

(21) Design Number: **10387/2011**  
(22) Date of Filing Application: **09 February 2011**  
(24) Date from which industrial property rights may have effect: **09 February 2011**  
(54) Product in respect of which the design is registered: **Suspended ceiling grid tee assembly**  
(51) International Design Classification: **25-02E**  
(74) Name(s) of Attorney(s): **Griffith Hack**  
(71) Name(s) and Address(s) of Applicant(s):  
**USG Interiors, Inc.**  
**550 West Adams Street Chicago IL 60661-3676 United States of America**  
(72) Name(s) of Designer(s): **Abraham M. Underkofler and James J. Lehane Jr. and John L. Hammond and Mark R. Paulsen and Peder J. Gulbrandsen**  
(45) Registration Date: **31 March 2011**  
(30) Convention priority data:  
(31) Number (32) Date (33) Country  
**29/367,707 12 Aug 2010 UNITED STATES OF AMERICA**

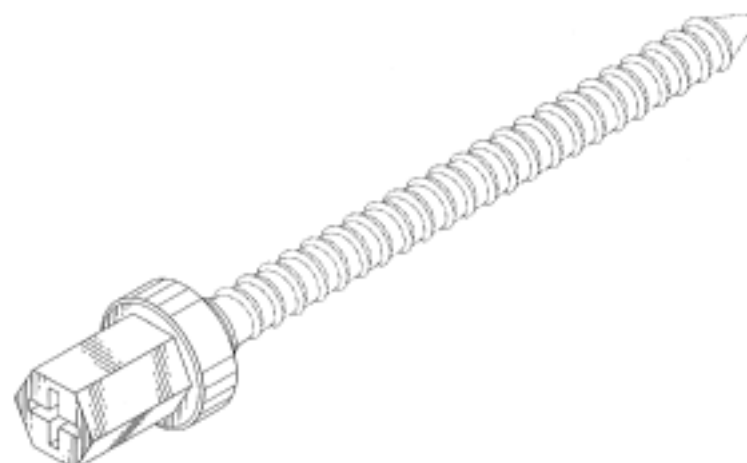


(56) Related Art Documents: **Not Applicable**  
(57) Statement of Newness and Distinctiveness: **The shape and configuration of those parts of the design shown by means of solid lines in the representations are new and distinctive. The main and cross tees of the suspended ceiling grid tee assembly may be of indefinite length.**

- (21) Design Number: **10393/2011**  
(22) Date of Filing Application: **10 February 2011**  
(24) Date from which industrial property rights may have effect: **10 February 2011**  
(54) Product in respect of which the design is registered: **Screw with elongate head**  
(51) International Design Classification: **08-08B**  
(74) Name(s) of Attorney(s): **Fisher Adams Kelly**  
(71) Name(s) and Address(s) of Applicant(s):  
**Removerite Incorporated**  
**1540 E. Avenue Q6 Palmdale 93550 California United States of America**  
(72) Name(s) of Designer(s): **Daniel Carrillo Sr and Hector Carrillo Jr**  
(45) Registration Date: **31 March 2011**  
(56) Related Art Documents: **Not Applicable**  
(57) Statement of Newness and Distinctiveness: **The newness and distinctiveness of the design resides in the shape and/or configuration of the screw with elongate head shown in the representations. When assessing the newness and distinctiveness of the design, the shaft area of the screw shown in broken lines is to be disregarded.**



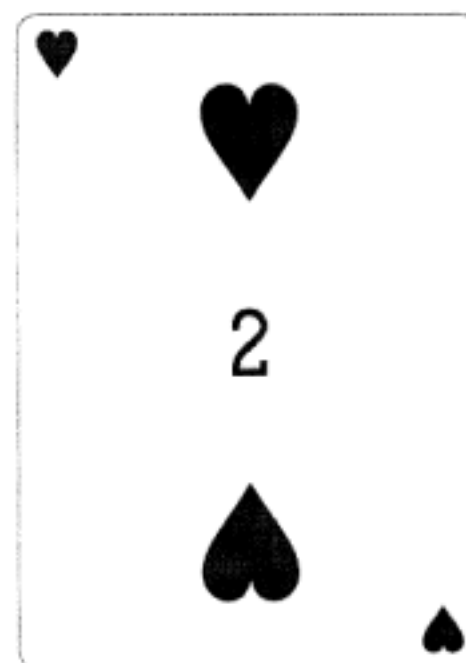
- (21) Design Number: **10394/2011**  
(22) Date of Filing Application: **10 February 2011**  
(24) Date from which industrial property rights may have effect: **10 February 2011**  
(54) Product in respect of which the design is registered: **Screw with elongate head**  
(51) International Design Classification: **08-08B**  
(74) Name(s) of Attorney(s): **Fisher Adams Kelly**  
(71) Name(s) and Address(s) of Applicant(s):  
**Removerite Incorporated**  
**1540 E. Avenue Q6 Palmdale 93550 California United States of America**  
(72) Name(s) of Designer(s): **Daniel Carrillo Sr and Hector Carrillo Jr**  
(45) Registration Date: **31 March 2011**  
(56) Related Art Documents: **Not Applicable**  
(57) Statement of Newness and Distinctiveness: **The newness and distinctiveness of the design resides in the shape and/or configuration of the screw with elongate head shown in the representations. When assessing the newness and distinctiveness of the design, the shaft area of the screw shown in broken lines is to be disregarded.**



- (21) Design Number: **10424/2011**  
(22) Date of Filing Application: **08 February 2011**  
(24) Date from which industrial property rights may have effect: **08 February 2011**  
(54) Product in respect of which the design is registered: **Socks with thick sheep wool lining - named Bed Uggs**  
(51) International Design Classification: **02-04C**  
(74) Name(s) of Attorney(s):  
(71) Name(s) and Address(s) of Applicant(s):  
**Katharine Hames**  
**12a Fitzwater Way Spearwood Western Australia 6163 Australia**  
**Darius Troy**  
**12a Fitzwater Way Spearwood Western Australia 6163 Australia**  
(72) Name(s) of Designer(s): **Katharine Marie Hames and Darius Julian Troy**  
(45) Registration Date: **31 March 2011**  
(56) Related Art Documents: **Not Applicable**  
(57) Statement of Newness and Distinctiveness: **Regular sock outer with unspun sheep wool lining. Lining is thick and of similar appearance to the lining of sheep skin boots. The thick sheep wool lining can be sewn anywhere inside the sock, e.g. the base only, or covering the entire inner. No other socks have a lining of this style and no footwear uses sheepwool without sheepskin in this way. The new and distinctive feature is the appearance of the inside of the socks. All photos are taken of the sock when inside out.**



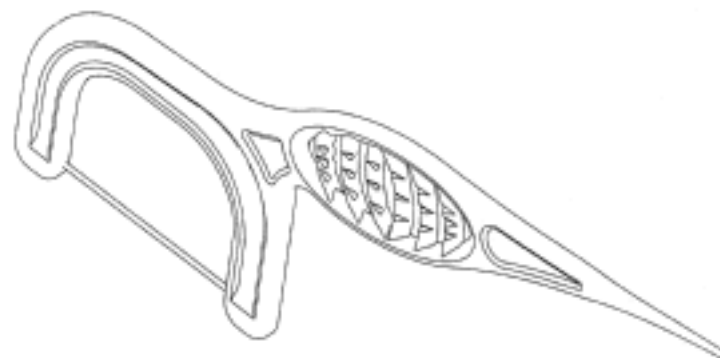
- (21) Design Number: **10434/2011**  
(22) Date of Filing Application: **14 February 2011**  
(24) Date from which industrial property rights may have effect: **14 February 2011**  
(54) Product in respect of which the design is registered: **Playing card**  
(51) International Design Classification: **21-01K**  
(74) Name(s) of Attorney(s): **WATERMARK PATENT AND TRADE MARKS ATTORNEYS**  
(71) Name(s) and Address(s) of Applicant(s):  
**Angel Playing Cards Co., Ltd.**  
**10-1 Kawarayamachi 2-chome Chuo-ku Osaka-Shi Osaka-fu Japan**  
(72) Name(s) of Designer(s): **Yashushi Shigeta**  
(45) Registration Date: **31 March 2011**  
(56) Related Art Documents: **Not Applicable**  
(57) Statement of Newness and Distinctiveness: **Newness and distinctiveness is claimed in the visual features provided by the alphabetical or numerical character at a position in the centre of the respective playing card.**



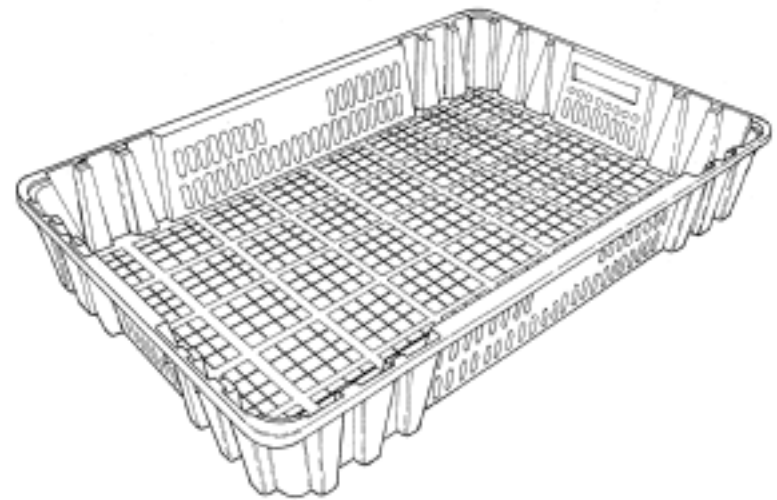
- (21) Design Number: **10438/2011**  
(22) Date of Filing Application: **14 February 2011**  
(24) Date from which industrial property rights may have effect: **14 February 2011**  
(54) Product in respect of which the design is registered: **Playing card**  
(51) International Design Classification: **21-01K**  
(74) Name(s) of Attorney(s): **WATERMARK PATENT AND TRADE MARKS ATTORNEYS**  
(71) Name(s) and Address(s) of Applicant(s):  
**Angel Playing Cards Co., Ltd.**  
**10-1 Kawarayamachi 2-chome Chuo-ku Osaka-Shi Osaka-fu Japan**  
(72) Name(s) of Designer(s): **Yashushi Shigeta**  
(45) Registration Date: **31 March 2011**  
(56) Related Art Documents: **Not Applicable**  
(57) Statement of Newness and Distinctiveness: **Newness and distinctiveness is claimed in the visual features provided by the alphabetical or numerical character at a position in the centre of the respective playing card.**



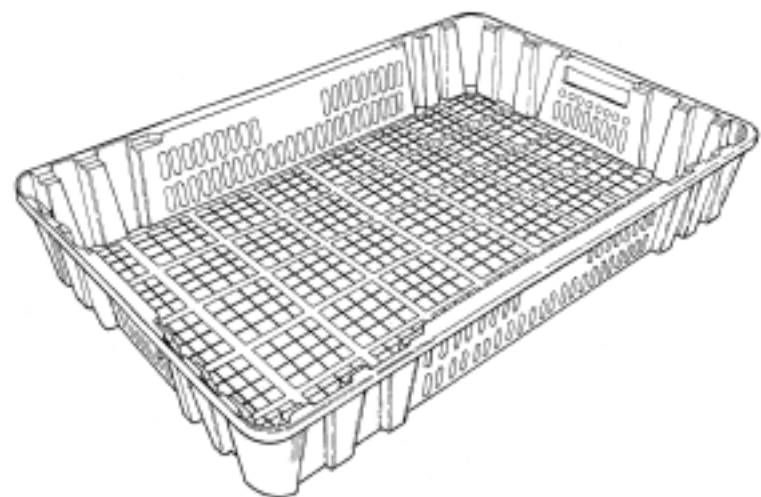
- (21) Design Number: **10439/2011**  
(22) Date of Filing Application: **11 February 2011**  
(24) Date from which industrial property rights may have effect: **11 February 2011**  
(54) Product in respect of which the design is registered: **A dental hygiene item**  
(51) International Design Classification: **24-04**  
(74) Name(s) of Attorney(s): **SPRUSON & FERGUSON**  
(71) Name(s) and Address(s) of Applicant(s):  
**Craig Mathew Erskine-Smith**  
**16/148 Old Pittwater Road Brookvale New South Wales 2065 Australia**  
(72) Name(s) of Designer(s): **Craig Mathew Erskine-Smith**  
(45) Registration Date: **31 March 2011**  
(56) Related Art Documents: **Not Applicable**  
(57) Statement of Newness and Distinctiveness: **Newness and distinctiveness is claimed in the features of shape and/or configuration of a dental hygiene item as illustrated in the accompanying representations.**



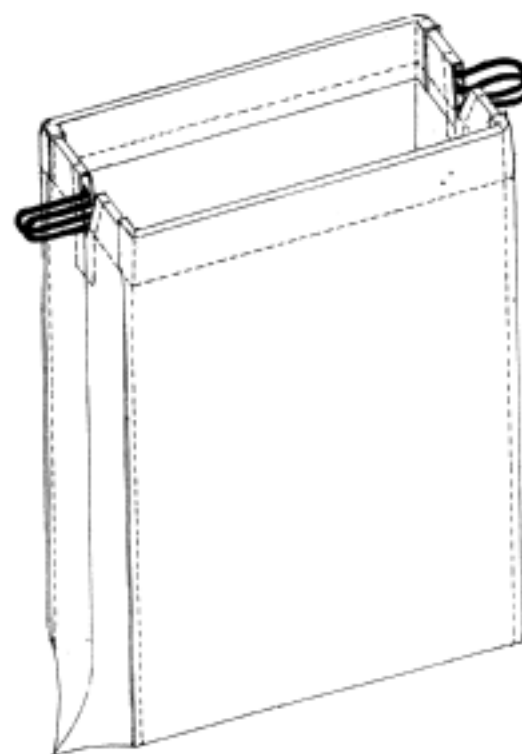
(21) Design Number: **10447/2011**  
(22) Date of Filing Application: **14 February 2011**  
(24) Date from which industrial property rights may have effect: **14 February 2011**  
(54) Product in respect of which the design is registered: **A crate**  
(51) International Design Classification: **09-04**  
(74) Name(s) of Attorney(s): **Chrysiliou IP**  
(71) Name(s) and Address(s) of Applicant(s):  
**Multisteps Pty Ltd**  
**Unit 1 & 2/4 Richmond Road Homebush West New South Wales 2140**  
**Australia**  
(72) Name(s) of Designer(s): **John Lam**  
(45) Registration Date: **31 March 2011**  
(56) Related Art Documents: **Not Applicable**  
(57) Statement of Newness and Distinctiveness: **Nil**



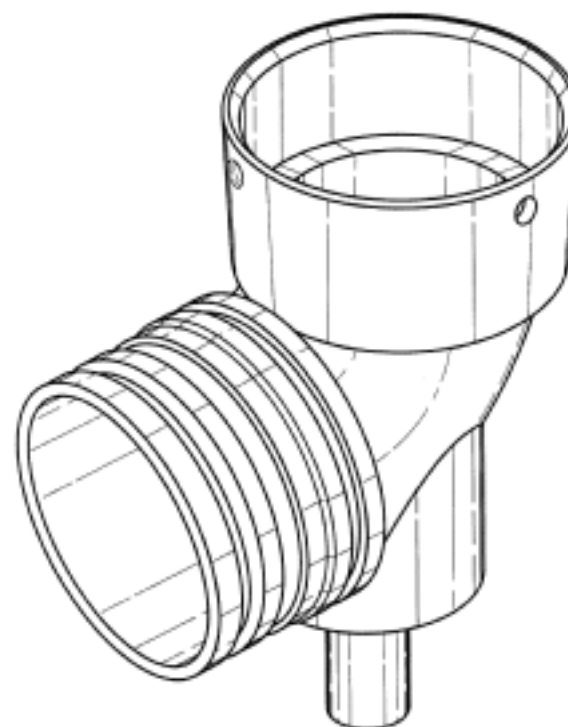
(21) Design Number: **10448/2011**  
(22) Date of Filing Application: **14 February 2011**  
(24) Date from which industrial property rights may have effect: **14 February 2011**  
(54) Product in respect of which the design is registered: **A crate**  
(51) International Design Classification: **09-04**  
(74) Name(s) of Attorney(s): **Chrysiliou IP**  
(71) Name(s) and Address(s) of Applicant(s):  
**Multisteps Pty Ltd**  
**Unit 1 & 2/4 Richmond Road Homebush West New South Wales 2140**  
**Australia**  
(72) Name(s) of Designer(s): **John Lam**  
(45) Registration Date: **31 March 2011**  
(56) Related Art Documents: **Not Applicable**  
(57) Statement of Newness and Distinctiveness: **Nil**



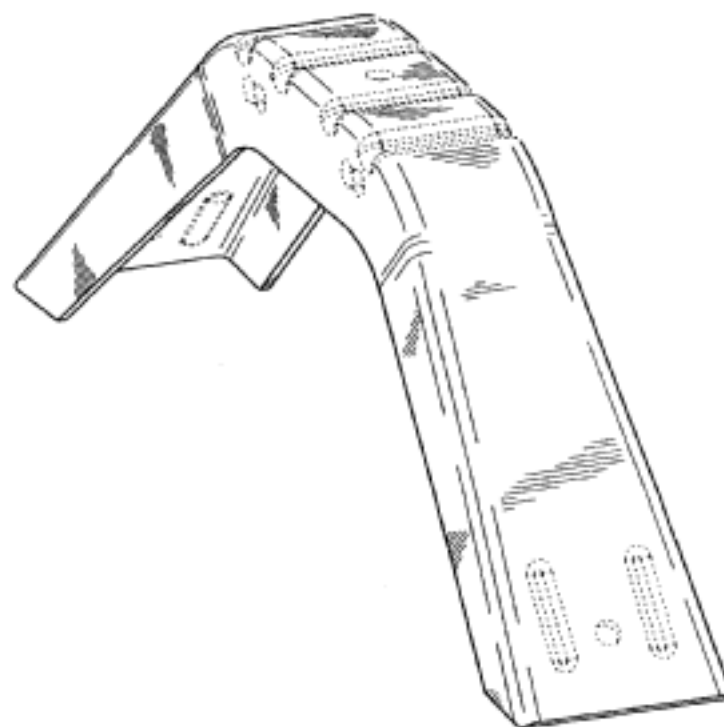
- (21) Design Number: **10455/2011**  
(22) Date of Filing Application: **14 February 2011**  
(24) Date from which industrial property rights may have effect: **14 February 2011**  
(54) Product in respect of which the design is registered: **Book bag**  
(51) International Design Classification: **03-01A**  
(74) Name(s) of Attorney(s):  
(71) Name(s) and Address(s) of Applicant(s):  
**Louise Cherilyn Edwards**  
**1/958 Burke Road Deepdene Victoria 3103 Australia**  
**Renata Cetinich**  
**1/958 Burke Road Deepdene Victoria 3103 Australia**  
(72) Name(s) of Designer(s): **Louise Edwards and Renata Cetinich**  
(45) Registration Date: **31 March 2011**  
(56) Related Art Documents: **Not Applicable**  
(57) Statement of Newness and Distinctiveness: **Bag has stitching which is prominently displayed on the front and back of the bag. Stitching provides support to bag and visually shows a small pleat.**



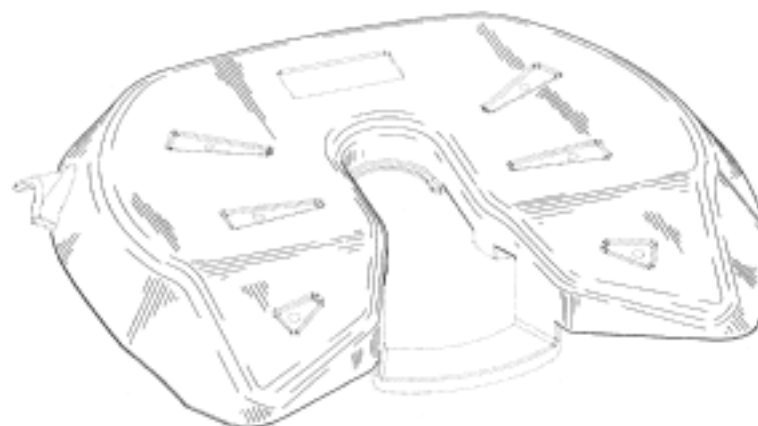
- (21) Design Number: **10579/2011**  
(22) Date of Filing Application: **21 February 2011**  
(24) Date from which industrial property rights may have effect: **21 February 2011**  
(54) Product in respect of which the design is registered: **Gas flue elbow having a condensation trap**  
(51) International Design Classification: **23-03B**  
(74) Name(s) of Attorney(s): **WATERMARK PATENT AND TRADE MARKS ATTORNEYS**  
(71) Name(s) and Address(s) of Applicant(s):  
**Gasflues Pty Ltd**  
**Factory 2 29 Hanrahan Street Thomastown Victoria 3074 Australia**  
(72) Name(s) of Designer(s): **Thomas Simon Kaitler**  
(45) Registration Date: **31 March 2011**  
(56) Related Art Documents: **Not Applicable**  
(57) Statement of Newness and Distinctiveness: **Nil**



(21) Design Number: **10197/2011**  
(22) Date of Filing Application: **27 January 2011**  
(24) Date from which industrial property rights may have effect: **27 January 2011**  
(54) Product in respect of which the design is registered: **A support member of a fifth wheel hitch**  
(51) International Design Classification: **12-16L**  
(74) Name(s) of Attorney(s): **PETER MAXWELL & ASSOCIATES**  
(71) Name(s) and Address(s) of Applicant(s):  
**Cequent Performance Products, Inc.**  
**4774 Anchor Court West Plymouth MI 48170 United States of America**  
(72) Name(s) of Designer(s): **Eric J. Stanifer and Richard W. McCoy**  
(45) Registration Date: **31 March 2011**  
(30) Convention priority data:  
(31) Number (32) Date (33) Country  
**29/366,490 26 Jul 2010 UNITED STATES OF AMERICA**  
(56) Related Art Documents: **Not Applicable**  
(57) Statement of Newness and Distinctiveness: **Newness and distinctiveness is claimed in the shape and/or configuration of a support member of a fifth wheel hitch as illustrated by the unbroken lines in the accompanying representation/s.**



(21) Design Number: **11290/2011**  
(22) Date of Filing Application: **27 January 2011**  
(24) Date from which industrial property rights may have effect: **27 January 2011**  
(54) Product in respect of which the design is registered: **A skid plate of a fifth wheel hitch**  
(51) International Design Classification: **12-16L**  
(74) Name(s) of Attorney(s): **PETER MAXWELL & ASSOCIATES**  
(71) Name(s) and Address(s) of Applicant(s):  
**Cequent Performance Products, Inc.**  
**4774 Anchor Court West Plymouth MI 48170 United States of America**  
(72) Name(s) of Designer(s): **Eric J. Stanifer and Richard W. McCoy**  
(45) Registration Date: **31 March 2011**  
(30) Convention priority data:  
(31) Number (32) Date (33) Country  
**29/366,490 26 Jul 2010 UNITED STATES OF AMERICA**  
(56) Related Art Documents: **Not Applicable**  
(57) Statement of Newness and Distinctiveness: **Newness and distinctiveness is claimed in the shape and/or configuration of a skid plate of a fifth wheel hitch as illustrated by the unbroken lines in the accompanying representation/s.**



- (21) Design Number: **10855/2011**  
(22) Date of Filing Application: **04 March 2011**  
(24) Date from which industrial property rights may have effect: **04 March 2011**  
(54) Product in respect of which the design is registered: **Front turn signal lamp for motor scooter**  
(51) International Design Classification: **26-06**  
(74) Name(s) of Attorney(s): **SPRUSON & FERGUSON**  
(71) Name(s) and Address(s) of Applicant(s):  
**Honda Motor Co., Ltd.**  
**1-1 Minamiaoyama 2-chome Minato-ku Tokyo Japan**  
(72) Name(s) of Designer(s): **Manabu Ichikawa**  
(45) Registration Date: **31 March 2011**  
(30) Convention priority data:  
(31) Number      (32) Date      (33) Country  
**2010-021673      07 Sep 2010      JAPAN**  
(56) Related Art Documents: **Not Applicable**  
(57) Statement of Newness and Distinctiveness: **Newness and distinctiveness is claimed in the features of shape and/or configuration of a front turn signal lamp for motor scooter as illustrated in the accompanying representations.**



- (21) Design Number: **10856/2011**  
(22) Date of Filing Application: **04 March 2011**  
(24) Date from which industrial property rights may have effect: **04 March 2011**  
(54) Product in respect of which the design is registered: **Motor scooter**  
(51) International Design Classification: **12-11**  
(74) Name(s) of Attorney(s): **SPRUSON & FERGUSON**  
(71) Name(s) and Address(s) of Applicant(s):  
**Honda Motor Co., Ltd.**  
**1-1 Minamiaoyama 2-chome Minato-ku Tokyo Japan**  
(72) Name(s) of Designer(s): **Hiroaki Tsukui and Masato Nagata**  
(45) Registration Date: **31 March 2011**  
(30) Convention priority data:  
(31) Number      (32) Date      (33) Country  
**2010-021671      07 Sep 2010      JAPAN**  
(56) Related Art Documents: **Not Applicable**  
(57) Statement of Newness and Distinctiveness: **Newness and distinctiveness is claimed in the features of shape and/or configuration of a motor scooter as illustrated in the accompanying representations.**



- (21) Design Number: **10857/2011**  
(22) Date of Filing Application: **04 March 2011**  
(24) Date from which industrial property rights may have effect: **04 March 2011**  
(54) Product in respect of which the design is registered: **Front side cowl for motorcycle**  
(51) International Design Classification: **12-11**  
(74) Name(s) of Attorney(s): **SPRUSON & FERGUSON**  
(71) Name(s) and Address(s) of Applicant(s):  
**Honda Motor Co., Ltd.**  
**1-1 Minamiaoyama 2-chome Minato-ku Tokyo Japan**  
(72) Name(s) of Designer(s): **Valerio Aiello and Eiji Toriyama**  
(45) Registration Date: **31 March 2011**  
(30) Convention priority data:  
(31) Number      (32) Date      (33) Country  
**2010-021664      07 Sep 2010      JAPAN**  
(56) Related Art Documents: **Not Applicable**  
(57) Statement of Newness and Distinctiveness: **Newness and distinctiveness is claimed in the features of shape and/or configuration of a front side cowl for motorcycle as illustrated in the accompanying representations.**



- (21) Design Number: **10858/2011**  
(22) Date of Filing Application: **04 March 2011**  
(24) Date from which industrial property rights may have effect: **04 March 2011**  
(54) Product in respect of which the design is registered: **Headlight for motorcycle**  
(51) International Design Classification: **26-06**  
(74) Name(s) of Attorney(s): **SPRUSON & FERGUSON**  
(71) Name(s) and Address(s) of Applicant(s):  
**Honda Motor Co., Ltd.**  
**1-1 Minamiaoyama 2-chome Minato-ku Tokyo Japan**  
(72) Name(s) of Designer(s): **Valerio Aiello and Hiroyuki Iwasaki**  
(45) Registration Date: **31 March 2011**  
(30) Convention priority data:  
(31) Number      (32) Date      (33) Country  
**2010-021665      07 Sep 2010      JAPAN**  
(56) Related Art Documents: **Not Applicable**  
(57) Statement of Newness and Distinctiveness: **Newness and distinctiveness is claimed in the features of shape and/or configuration of a headlight for motorcycle as illustrated in the accompanying representations.**



- (21) Design Number: **10859/2011**  
(22) Date of Filing Application: **04 March 2011**  
(24) Date from which industrial property rights may have effect: **04 March 2011**  
(54) Product in respect of which the design is registered: **Headlight for motor scooter**  
(51) International Design Classification: **26-06**  
(74) Name(s) of Attorney(s): **SPRUSON & FERGUSON**  
(71) Name(s) and Address(s) of Applicant(s):  
**Honda Motor Co., Ltd.**  
**1-1 Minamiaoyama 2-chome Minato-ku Tokyo Japan**  
(72) Name(s) of Designer(s): **Manabu Ichikawa and Atsushi Watanabe**  
(45) Registration Date: **31 March 2011**  
(30) Convention priority data:  
(31) Number      (32) Date      (33) Country  
**2010-021672      07 Sep 2010      JAPAN**  
(56) Related Art Documents: **Not Applicable**  
(57) Statement of Newness and Distinctiveness: **Newness and distinctiveness is claimed in the features of shape and/or configuration of a headlight for motor scooter as illustrated in the accompanying representations.**



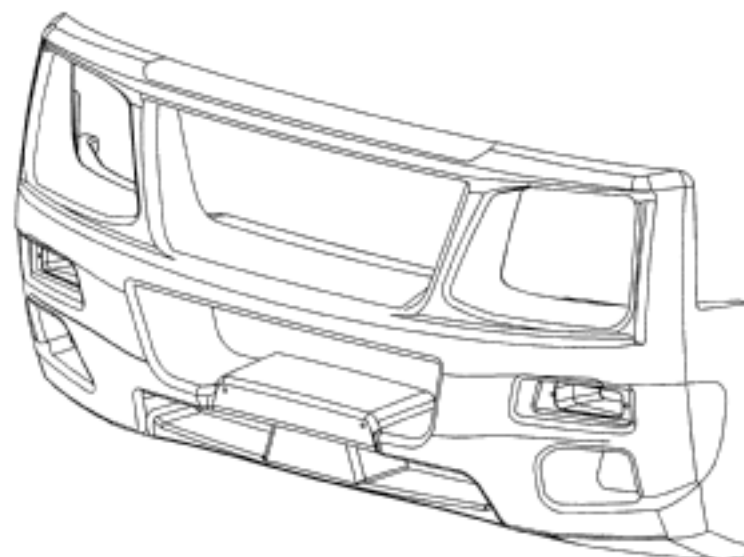
- (21) Design Number: **10860/2011**  
(22) Date of Filing Application: **04 March 2011**  
(24) Date from which industrial property rights may have effect: **04 March 2011**  
(54) Product in respect of which the design is registered: **Tail lamp case for motor scooter**  
(51) International Design Classification: **26-06**  
(74) Name(s) of Attorney(s): **SPRUSON & FERGUSON**  
(71) Name(s) and Address(s) of Applicant(s):  
**Honda Motor Co., Ltd.**  
**1-1 Minamiaoyama 2-chome Minato-ku Tokyo Japan**  
(72) Name(s) of Designer(s): **Kiyoshi Yanagita and Kenji Shimizu**  
(45) Registration Date: **31 March 2011**  
(30) Convention priority data:  
(31) Number      (32) Date      (33) Country  
**2010-021674      07 Sep 2010      JAPAN**  
(56) Related Art Documents: **Not Applicable**  
(57) Statement of Newness and Distinctiveness: **Newness and distinctiveness is claimed in the features of shape and/or configuration of a tail lamp case for motor scooter as illustrated in the accompanying representations.**



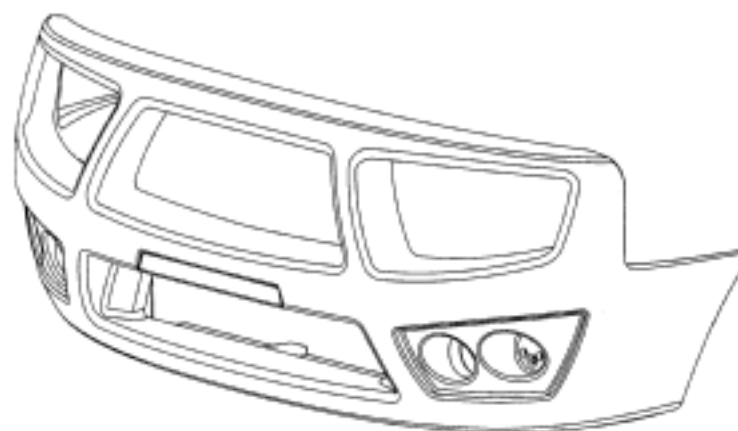
- (21) Design Number: **10861/2011**  
(22) Date of Filing Application: **04 March 2011**  
(24) Date from which industrial property rights may have effect: **04 March 2011**  
(54) Product in respect of which the design is registered: **Motorcycle**  
(51) International Design Classification: **12-11**  
(74) Name(s) of Attorney(s): **SPRUSON & FERGUSON**  
(71) Name(s) and Address(s) of Applicant(s):  
**Honda Motor Co., Ltd.**  
**1-1 Minamiaoyama 2-chome Minato-ku Tokyo Japan**  
(72) Name(s) of Designer(s): **Valerio Aiello and Antonio Arcadu and Eiji Toriyama**  
(45) Registration Date: **31 March 2011**  
(30) Convention priority data:  
(31) Number      (32) Date      (33) Country  
**2010-021663      07 Sep 2010      JAPAN**  
(56) Related Art Documents: **Not Applicable**  
(57) Statement of Newness and Distinctiveness: **Newness and distinctiveness is claimed in the features of shape and/or configuration of a motorcycle as illustrated in the accompanying representations.**



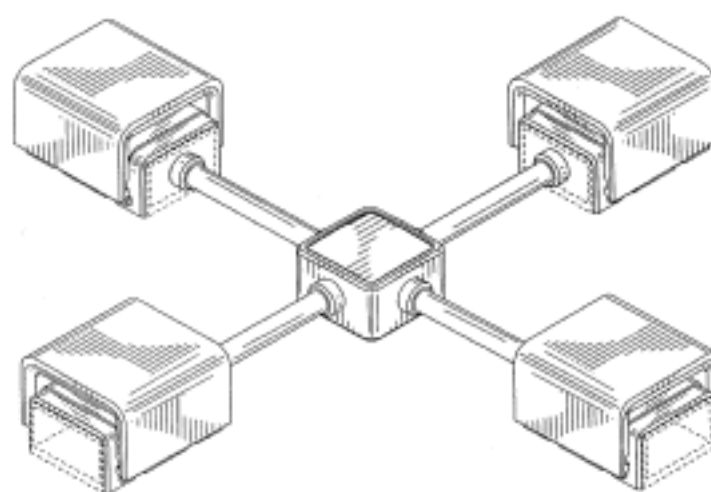
- (21) Design Number: **10863/2011**  
(22) Date of Filing Application: **04 March 2011**  
(24) Date from which industrial property rights may have effect: **04 March 2011**  
(54) Product in respect of which the design is registered: **Front bumper for a vehicle**  
(51) International Design Classification: **12-16C**  
(74) Name(s) of Attorney(s): **Madderns**  
(71) Name(s) and Address(s) of Applicant(s):  
**Team Poly Pty Ltd**  
**36 Waddikee Road Lonsdale South Australia 5160 Australia**  
(72) Name(s) of Designer(s): **Kieran Michael Jenkins**  
(45) Registration Date: **31 March 2011**  
(56) Related Art Documents: **Not Applicable**  
(57) Statement of Newness and Distinctiveness: **Newness and distinctiveness resides in the features of the shape and configuration of a front bumper for a vehicle as shown in the accompanying representations.**



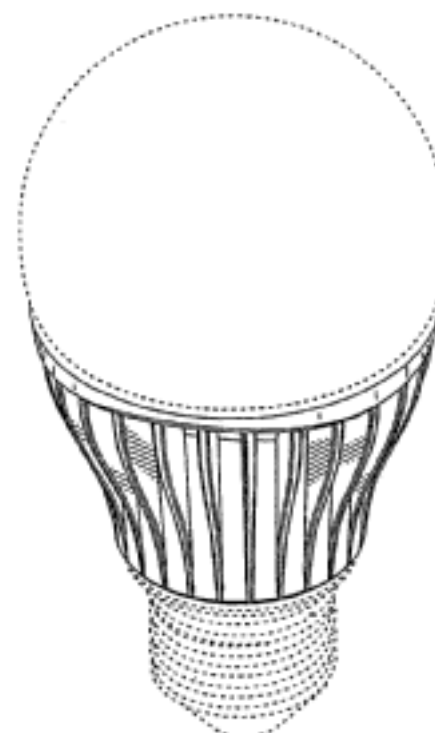
(21) Design Number: **10864/2011**  
(22) Date of Filing Application: **04 March 2011**  
(24) Date from which industrial property rights may have effect: **04 March 2011**  
(54) Product in respect of which the design is registered: **Front bumper for a vehicle**  
(51) International Design Classification: **12-16C**  
(74) Name(s) of Attorney(s): **Madderns**  
(71) Name(s) and Address(s) of Applicant(s):  
**Team Poly Pty Ltd**  
**36 Waddikee Road Lonsdale South Australia 5160 Australia**  
(72) Name(s) of Designer(s): **Zoran Zavadil**  
(45) Registration Date: **31 March 2011**  
(56) Related Art Documents: **Not Applicable**  
(57) Statement of Newness and Distinctiveness: **Newness and distinctiveness resides in the features of the shape and configuration of a front bumper for a vehicle as shown in the accompanying representations.**



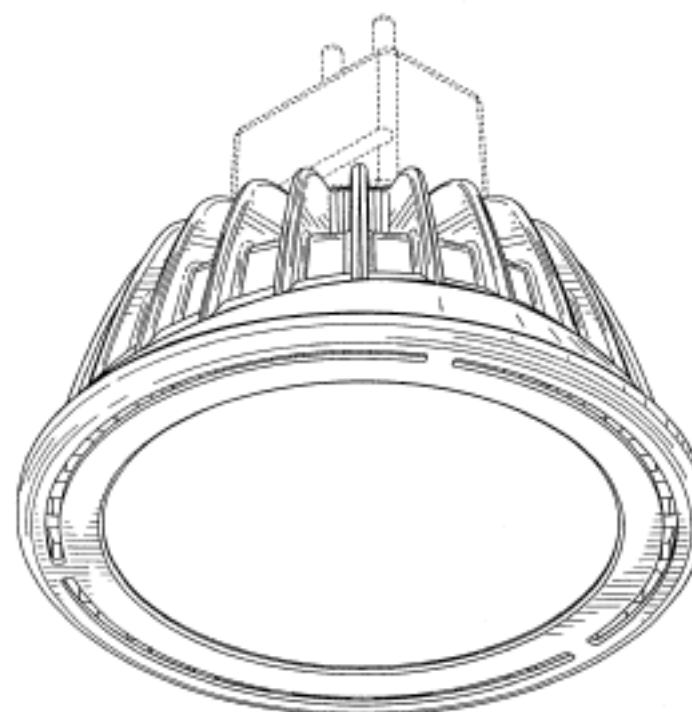
(21) Design Number: **10865/2011**  
(22) Date of Filing Application: **04 March 2011**  
(24) Date from which industrial property rights may have effect: **04 March 2011**  
(54) Product in respect of which the design is registered: **X-connector**  
(51) International Design Classification: **13-03B**  
(74) Name(s) of Attorney(s): **SPRUSON & FERGUSON**  
(71) Name(s) and Address(s) of Applicant(s):  
**Huizhou Light Engine Limited**  
**No. 7 Building No. 21 Jiang Bei Yun Shan East Road Huizhou City**  
**Guangdong China**  
(72) Name(s) of Designer(s): **Eddie Ping Kuen Li and Sue-Anne Tean Leung**  
(45) Registration Date: **31 March 2011**  
(30) Convention priority data:  
(31) Number (32) Date (33) Country  
**29/377585 22 Oct 2010 UNITED STATES OF AMERICA**  
(56) Related Art Documents: **Not Applicable**  
(57) Statement of Newness and Distinctiveness: **Newness and distinctiveness is claimed in the features of shape and/or configuration of an x-connector as illustrated in continuous lines in the accompanying representations.**



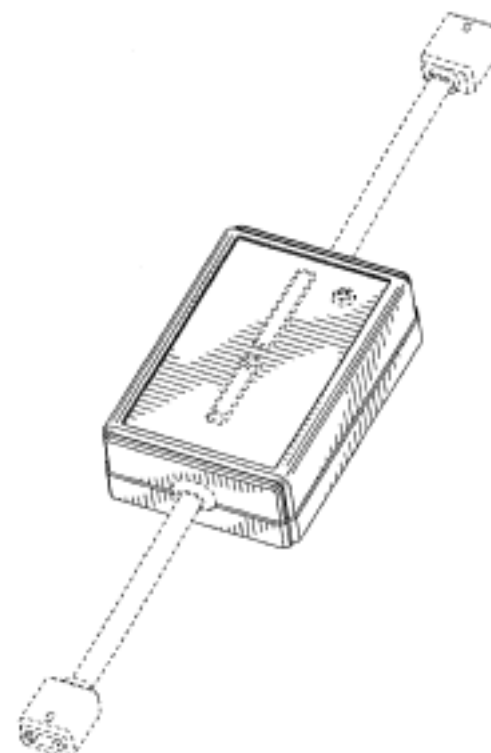
(21) Design Number: **10866/2011**  
(22) Date of Filing Application: **04 March 2011**  
(24) Date from which industrial property rights may have effect: **04 March 2011**  
(54) Product in respect of which the design is registered: **Light bulb**  
(51) International Design Classification: **26-04**  
(74) Name(s) of Attorney(s): **SPRUSON & FERGUSON**  
(71) Name(s) and Address(s) of Applicant(s):  
**Huizhou Light Engine Limited**  
**No. 7 Building No. 21 Jiang Bei Yun Shan East Road Huizhou City**  
**Guangdong China**  
(72) Name(s) of Designer(s): **Eddie Ping Kuen Li and Sue-Anne Tean Leung**  
(45) Registration Date: **31 March 2011**  
(30) Convention priority data:  
(31) Number (32) Date (33) Country  
**29/377581 22 Oct 2010 UNITED STATES OF AMERICA**  
(56) Related Art Documents: **Not Applicable**  
(57) Statement of Newness and Distinctiveness: **Newness and distinctiveness is claimed in the features of shape and/or configuration of a light bulb as illustrated in continuous lines in the accompanying representations.**



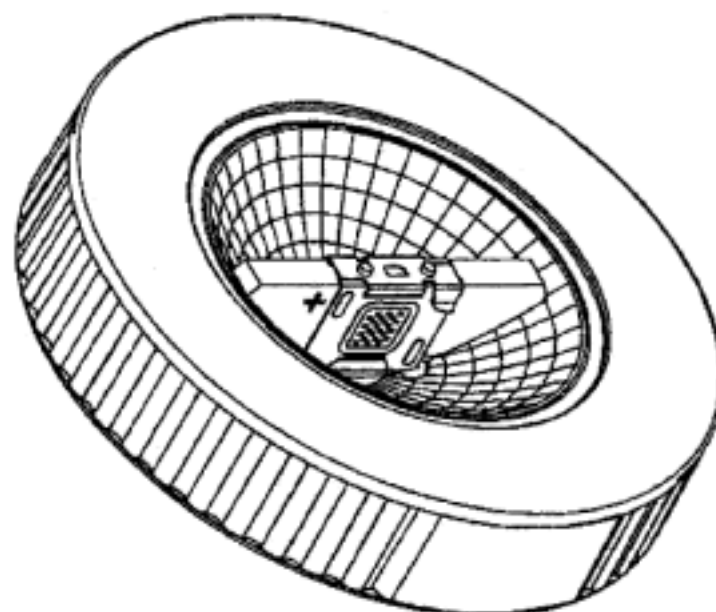
(21) Design Number: **10867/2011**  
(22) Date of Filing Application: **04 March 2011**  
(24) Date from which industrial property rights may have effect: **04 March 2011**  
(54) Product in respect of which the design is registered: **LED lighting apparatus**  
(51) International Design Classification: **26-05E**  
(74) Name(s) of Attorney(s): **SPRUSON & FERGUSON**  
(71) Name(s) and Address(s) of Applicant(s):  
**Huizhou Light Engine Limited**  
**No. 7 Building No. 21 Jiang Bei Yun Shan East Road Huizhou City**  
**Guangdong China**  
(72) Name(s) of Designer(s): **Eddie Ping Kuen Li and Sue-Anne Tean Leung**  
(45) Registration Date: **31 March 2011**  
(30) Convention priority data:  
(31) Number (32) Date (33) Country  
**29/377580 22 Oct 2010 UNITED STATES OF AMERICA**  
(56) Related Art Documents: **Not Applicable**  
(57) Statement of Newness and Distinctiveness: **Newness and distinctiveness is claimed in the features of shape and/or configuration of a LED lighting apparatus as illustrated in continuous lines in the accompanying representations.**



- (21) Design Number: **10868/2011**  
(22) Date of Filing Application: **04 March 2011**  
(24) Date from which industrial property rights may have effect: **04 March 2011**  
(54) Product in respect of which the design is registered: **Inline dimmer**  
(51) International Design Classification: **13-03D**  
(74) Name(s) of Attorney(s): **SPRUSON & FERGUSON**  
(71) Name(s) and Address(s) of Applicant(s):  
**Huizhou Light Engine Limited**  
**No. 7 Building No. 21 Jiang Bei Yun Shan East Road Huizhou City**  
**Guangdong China**  
(72) Name(s) of Designer(s): **Eddie Ping Kuen Li and Sue-Anne Tean Leung**  
(45) Registration Date: **31 March 2011**  
(30) Convention priority data:  
(31) Number (32) Date (33) Country  
**29/377593 22 Oct 2010 UNITED STATES OF AMERICA**  
(56) Related Art Documents: **Not Applicable**  
(57) Statement of Newness and Distinctiveness: **Newness and distinctiveness is claimed in the features of shape and/or configuration of an inline dimmer as illustrated in continuous lines in the accompanying representations.**



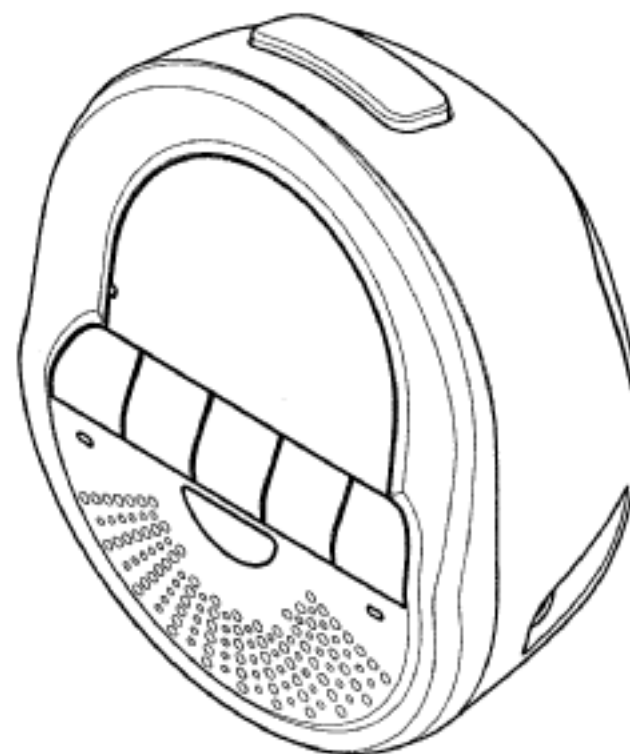
- (21) Design Number: **10895/2011**  
(22) Date of Filing Application: **25 February 2011**  
(24) Date from which industrial property rights may have effect: **25 February 2011**  
(54) Product in respect of which the design is registered: **Lamp**  
(51) International Design Classification: **26-04**  
(74) Name(s) of Attorney(s): **Wrays**  
(71) Name(s) and Address(s) of Applicant(s):  
**Mass Technology (H.K.) Limited**  
**31/F. Two Landmark East 100 How Ming Street Kwun Tong Kowloon**  
**Hong Kong**  
(72) Name(s) of Designer(s): **Onn Fah Foo**  
(45) Registration Date: **31 March 2011**  
(30) Convention priority data:  
(31) Number (32) Date (33) Country  
**1001558.6M002 30 Aug 2010 HONG KONG**  
(56) Related Art Documents: **Not Applicable**  
(57) Statement of Newness and Distinctiveness: **Newness and distinctiveness is claimed in the features of shape and/or configuration of the lamp depicted in the accompanying representations.**



- (21) Design Number: **10897/2011**  
(22) Date of Filing Application: **07 March 2011**  
(24) Date from which industrial property rights may have effect: **07 March 2011**  
(54) Product in respect of which the design is registered: **Parent unit for babyphone**  
(51) International Design Classification: **14-03A**  
(74) Name(s) of Attorney(s): **FB Rice**  
(71) Name(s) and Address(s) of Applicant(s):  
**Koninklijke Philips Electronics N.V.**  
**Groenewoudseweg 1 5621 BA Eindhoven The Netherlands**  
(72) Name(s) of Designer(s): **Bart Johannes Masee and Dennis Gabriel Vetu**  
(45) Registration Date: **31 March 2011**  
(30) Convention priority data:  
(31) Number (32) Date (33) Country  
**001753351-0001 10 Sep 2010 EUROPEAN COMMUNITY**  
(56) Related Art Documents: **Not Applicable**  
(57) Statement of Newness and Distinctiveness: **Newness and distinctiveness reside in the features of shape and configuration of the design as shown in the representations.**



- (21) Design Number: **10898/2011**  
(22) Date of Filing Application: **07 March 2011**  
(24) Date from which industrial property rights may have effect: **07 March 2011**  
(54) Product in respect of which the design is registered: **Baby unit for babyphone**  
(51) International Design Classification: **14-03A**  
(74) Name(s) of Attorney(s): **FB Rice**  
(71) Name(s) and Address(s) of Applicant(s):  
**Koninklijke Philips Electronics N.V.**  
**Groenewoudseweg 1 5621 BA Eindhoven The Netherlands**  
(72) Name(s) of Designer(s): **Bart Johannes Masee and Dennis Gabriel Vetu**  
(45) Registration Date: **31 March 2011**  
(30) Convention priority data:  
(31) Number (32) Date (33) Country  
**001753351-0002 10 Sep 2010 EUROPEAN COMMUNITY**  
(56) Related Art Documents: **Not Applicable**  
(57) Statement of Newness and Distinctiveness: **Newness and distinctiveness reside in the features of shape and configuration of the design as shown in the representations.**



(21) Design Number: **12629/2010**

(22) Date of Filing Application: **28 June 2010**

(24) Date from which industrial property rights may have effect: **28 June 2010**

(54) Product in respect of which the design is registered: **A wear component base**

(51) International Design Classification: **15-99**

(74) Name(s) of Attorney(s): **Halfords IP**

(71) Name(s) and Address(s) of Applicant(s):

**Cutting Edges Equipment Parts Pty Ltd**

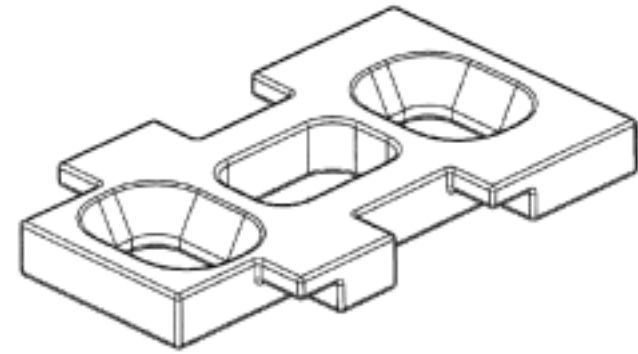
**25A Violet Street Revesby New South Wales 2212 Australia**

(72) Name(s) of Designer(s): **Trevor Hibbert and Mark Anisy and Paul Surrey**

(45) Registration Date: **31 March 2011**

(56) Related Art Documents: **Not Applicable**

(57) Statement of Newness and Distinctiveness: **Nil**



(21) Design Number: **12630/2010**

(22) Date of Filing Application: **28 June 2010**

(24) Date from which industrial property rights may have effect: **28 June 2010**

(54) Product in respect of which the design is registered: **A wear component**

(51) International Design Classification: **15-99**

(74) Name(s) of Attorney(s): **Halfords IP**

(71) Name(s) and Address(s) of Applicant(s):

**Cutting Edges Equipment Parts Pty Ltd**

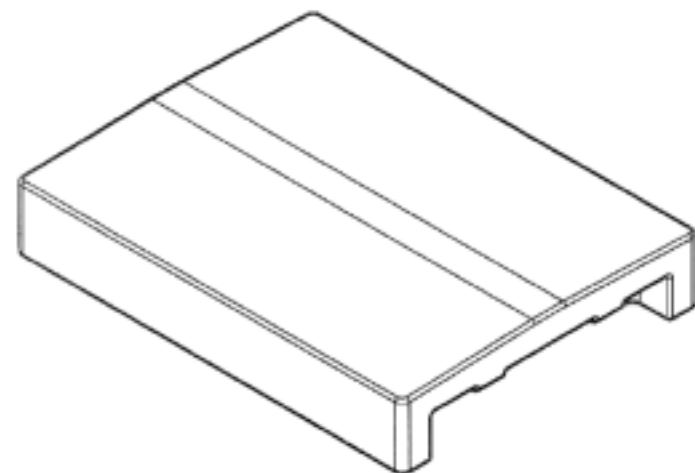
**25A Violet Street Revesby New South Wales 2212 Australia**

(72) Name(s) of Designer(s): **Trevor Hibbert and Mark Anisy and Paul Surrey**

(45) Registration Date: **31 March 2011**

(56) Related Art Documents: **Not Applicable**

(57) Statement of Newness and Distinctiveness: **Nil**

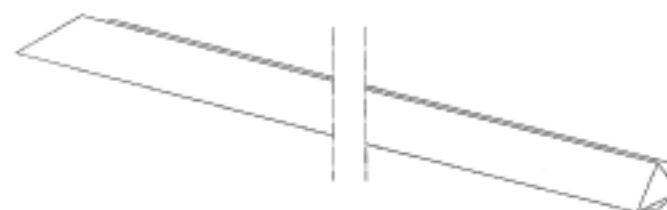


(21) Design Number: **10416/2011**  
(22) Date of Filing Application: **10 February 2011**  
(24) Date from which industrial property rights may have effect: **10 February 2011**  
(54) Product in respect of which the design is registered: **Charger**  
(51) International Design Classification: **13-02**  
(74) Name(s) of Attorney(s): **Halfords IP**  
(71) Name(s) and Address(s) of Applicant(s):  
**Eveready Battery Company, Inc.**  
**533 Maryville University Drive St Louis Missouri 63141 United States of America**



(72) Name(s) of Designer(s): **Jonathan A. Fitch and Ronald J. Kingston**  
(45) Registration Date: **31 March 2011**  
(30) Convention priority data:  
(31) Number (32) Date (33) Country  
**29/368020 17 Aug 2010 UNITED STATES OF AMERICA**  
(56) Related Art Documents: **Not Applicable**  
(57) Statement of Newness and Distinctiveness: **Newness and distinctiveness is claimed in those features of shape and or configuration of a Charger as depicted in the accompanying representations. The features shown in broken lines do not form part of the design.**

(21) Design Number: **10665/2011**  
(22) Date of Filing Application: **22 February 2011**  
(24) Date from which industrial property rights may have effect: **22 February 2011**  
(54) Product in respect of which the design is registered: **Trim for multiscreen display**  
(51) International Design Classification: **14-02**  
(74) Name(s) of Attorney(s): **Davies Collison Cave**  
(71) Name(s) and Address(s) of Applicant(s):  
**Sharp Kabushiki Kaisha**  
**22-22 Nagaike-cho Abeno-ku Osaka Japan**

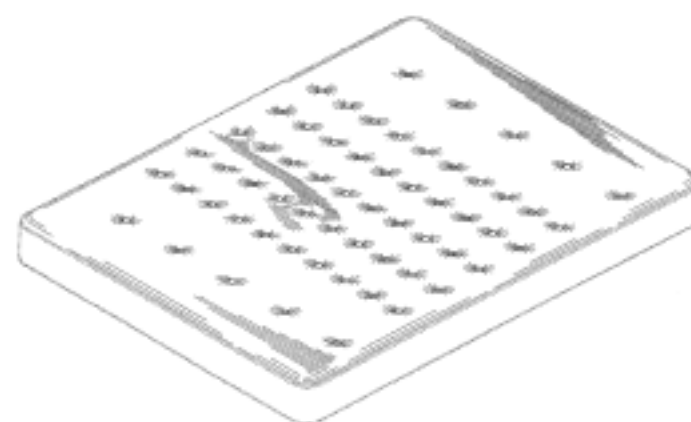


(72) Name(s) of Designer(s): **Taisuke Saeki**  
(45) Registration Date: **31 March 2011**  
(30) Convention priority data:  
(31) Number (32) Date (33) Country  
**2010-023576 01 Oct 2010 JAPAN**  
(56) Related Art Documents: **Not Applicable**  
(57) Statement of Newness and Distinctiveness: **Newness and distinctiveness is claimed in the visual features of shape and configuration of the trim, which is of indeterminate length, as illustrated in the accompanying representations.**

- (21) Design Number: **10838/2011**  
(22) Date of Filing Application: **03 March 2011**  
(24) Date from which industrial property rights may have effect: **03 March 2011**  
(54) Product in respect of which the design is registered: **Mattress**  
(51) International Design Classification: **06-09**  
(74) Name(s) of Attorney(s): **Callinans**  
(71) Name(s) and Address(s) of Applicant(s):  
**Sealy Technology LLC**  
**One Office Parkway Trinity North Carolina 27370 United States of America**  
(72) Name(s) of Designer(s): **Larry DeMoss and James A. Beamon and Herman F. Fisher and Joseph Truskolasky and David J. Pleiman and Dan Olsen and Randy Sizemore**  
(45) Registration Date: **31 March 2011**  
(30) Convention priority data:  
(31) Number (32) Date (33) Country  
**29/383,640 20 Jan 2011 UNITED STATES OF AMERICA**  
(56) Related Art Documents: **Not Applicable**  
(57) Statement of Newness and Distinctiveness: **Newness and distinctiveness are provided by the shape, pattern, ornamentation and/or configuration of the design shown in the representations. The features shown in broken lines in the representations are for illustrative purposes only and should not be considered when construing visual features of the design.**



- (21) Design Number: **10839/2011**  
(22) Date of Filing Application: **03 March 2011**  
(24) Date from which industrial property rights may have effect: **03 March 2011**  
(54) Product in respect of which the design is registered: **Mattress**  
(51) International Design Classification: **06-09**  
(74) Name(s) of Attorney(s): **Callinans**  
(71) Name(s) and Address(s) of Applicant(s):  
**Sealy Technology LLC**  
**One Office Parkway Trinity North Carolina 27370 United States of America**  
(72) Name(s) of Designer(s): **Larry DeMoss and James A. Beamon and Herman F. Fisher and Joseph Truskolasky and David J. Pleiman and Dan Olsen and Randy Sizemore**  
(45) Registration Date: **31 March 2011**  
(30) Convention priority data:  
(31) Number (32) Date (33) Country  
**29/381,305 17 Dec 2010 UNITED STATES OF AMERICA**  
(56) Related Art Documents: **Not Applicable**  
(57) Statement of Newness and Distinctiveness: **Newness and distinctiveness are provided by the shape, pattern, ornamentation and/or configuration of the design shown in the representations. The features shown in broken lines in the representations are for illustrative purposes only and should not be considered when construing visual features of the design.**



- (21) Design Number: **10890/2011**  
(22) Date of Filing Application: **04 March 2011**  
(24) Date from which industrial property rights may have effect: **04 March 2011**  
(54) Product in respect of which the design is registered: **Tablet computer grip mobility and productivity device case**  
(51) International Design Classification: **14-02**  
(74) Name(s) of Attorney(s):  
(71) Name(s) and Address(s) of Applicant(s):  
**Gregg Eichhorn**  
**5/20 Lamrock Avenue Bondi New South Wales 2026 Australia**  
(72) Name(s) of Designer(s): **Gregg Eichhorn**  
(45) Registration Date: **31 March 2011**  
(56) Related Art Documents: **Not Applicable**  
(57) Statement of Newness and Distinctiveness: **Universal rotating hub for affixing left or right handed ring grips to facilitate secure handling and rotation during mobile use.**



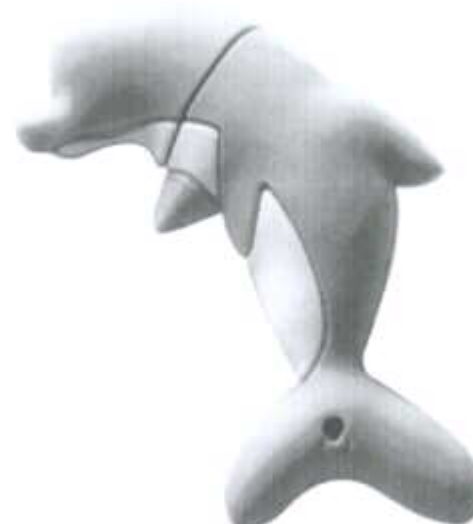
- (21) Design Number: **10893/2011**  
(22) Date of Filing Application: **04 March 2011**  
(24) Date from which industrial property rights may have effect: **04 March 2011**  
(54) Product in respect of which the design is registered: **Hand blender**  
(51) International Design Classification: **31-00**  
(74) Name(s) of Attorney(s): **PHILLIPS ORMONDE FITZPATRICK**  
(71) Name(s) and Address(s) of Applicant(s):  
**Braun GmbH**  
**Frankfurter Strasse 145 61476 Kronberg am Taunus Germany**  
(72) Name(s) of Designer(s): **Christine Bachmann and Oliver Grabes and Rory McGarry and Phong Duy Vu and Benjamin John Wilson and Sven Wuttig**  
(45) Registration Date: **31 March 2011**  
(30) Convention priority data:  
(31) Number      (32) Date      (33) Country  
**564180301      10 Sep 2010      WORLD INTELLECTUAL  
PROPERTY ORGANIZATION  
(WIPO)**  
(56) Related Art Documents: **Not Applicable**  
(57) Statement of Newness and Distinctiveness: **Those features of the hand blender depicted in the representations that are new and distinctive are the shape and/or configuration.**



(21) Design Number: **10894/2011**  
(22) Date of Filing Application: **04 March 2011**  
(24) Date from which industrial property rights may have effect: **04 March 2011**  
(54) Product in respect of which the design is registered: **Handpiece of a hand blender**  
(51) International Design Classification: **31-00**  
(74) Name(s) of Attorney(s): **PHILLIPS ORMONDE FITZPATRICK**  
(71) Name(s) and Address(s) of Applicant(s):  
**Braun GmbH**  
**Frankfurter Strasse 145 61476 Kronberg am Taunus Germany**  
(72) Name(s) of Designer(s): **Christine Bachmann and Oliver Grabes and Rory McGarry and Phong Duy Vu and Benjamin John Wilson and Sven Wuttig**  
(45) Registration Date: **31 March 2011**  
(30) Convention priority data:  
(31) Number      (32) Date      (33) Country  
**564180301      10 Sep 2010      WORLD INTELLECTUAL  
PROPERTY ORGANIZATION  
(WIPO)**  
(56) Related Art Documents: **Not Applicable**  
(57) Statement of Newness and Distinctiveness: **Those features of the handpiece of a hand blender depicted in the representations that are new and distinctive are the shape and/or configuration.**



(21) Design Number: **10819/2011**  
(22) Date of Filing Application: **03 March 2011**  
(24) Date from which industrial property rights may have effect: **03 March 2011**  
(54) Product in respect of which the design is registered: **USB flash memory drive**  
(51) International Design Classification: **14-02**  
(74) Name(s) of Attorney(s): **Fisher Adams Kelly**  
(71) Name(s) and Address(s) of Applicant(s):  
**Marco C. Hoarau**  
**140 Buchan Street Bungalow Cairns Queensland 4870 Australia**  
(72) Name(s) of Designer(s): **Marco C. Hoarau**  
(45) Registration Date: **06 April 2011**  
(56) Related Art Documents: **Not Applicable**  
(57) Statement of Newness and Distinctiveness: **The newness and distinctiveness of the design resides in the shape and/or configuration of the USB FLASH MEMORY DRIVE which resembles a dolphin, as shown in the representations.**



(21) Design Number: **10820/2011**  
(22) Date of Filing Application: **03 March 2011**  
(24) Date from which industrial property rights may have effect: **03 March 2011**  
(54) Product in respect of which the design is registered: **Dual arm can actuator**  
(51) International Design Classification: **23-01K, 09-07A**  
(74) Name(s) of Attorney(s): **Shelston IP**  
(71) Name(s) and Address(s) of Applicant(s):  
**Gebauer Company**  
**4444 East 153rd Street Cleveland Ohio 44128 United States of America**

(72) Name(s) of Designer(s): **Curtis P. Taylor and Jonathon Erbacher**

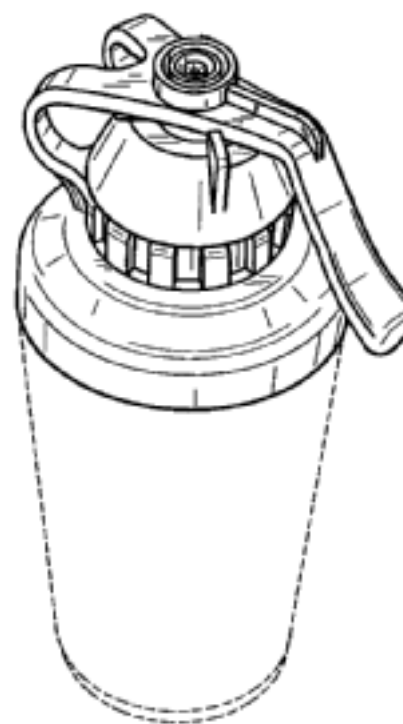
(45) Registration Date: **06 April 2011**

(30) Convention priority data:

(31) Number	(32) Date	(33) Country
<b>29/369988</b>	<b>16 Sep 2010</b>	<b>UNITED STATES OF AMERICA</b>

(56) Related Art Documents: **Not Applicable**

(57) Statement of Newness and Distinctiveness: **Newness and distinctiveness resides in the features of pattern and/or ornamentation of a dual arm can actuator as illustrated in the accompanying representations. The features shown in broken or discontinuous lines illustrate environmental matter and do not form part of the claimed design.**



(21) Design Number: **10841/2011**  
(22) Date of Filing Application: **04 March 2011**  
(24) Date from which industrial property rights may have effect: **04 March 2011**  
(54) Product in respect of which the design is registered: **Powered quadricycle**  
(51) International Design Classification: **12-11**  
(74) Name(s) of Attorney(s): **WATERMARK PATENT AND TRADE MARKS ATTORNEYS**  
(71) Name(s) and Address(s) of Applicant(s):  
**Piaggio & C. S.p.A.**  
**Viale Rinaldo Piaggio 25 56025 Pontedera Pisa Italy**

(72) Name(s) of Designer(s): **Marco Lambri and Marco De Gregorio**

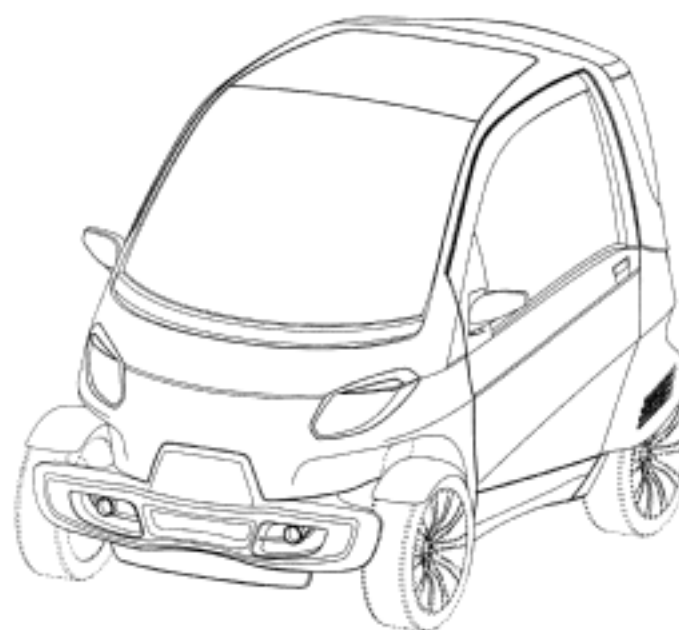
(45) Registration Date: **06 April 2011**

(30) Convention priority data:

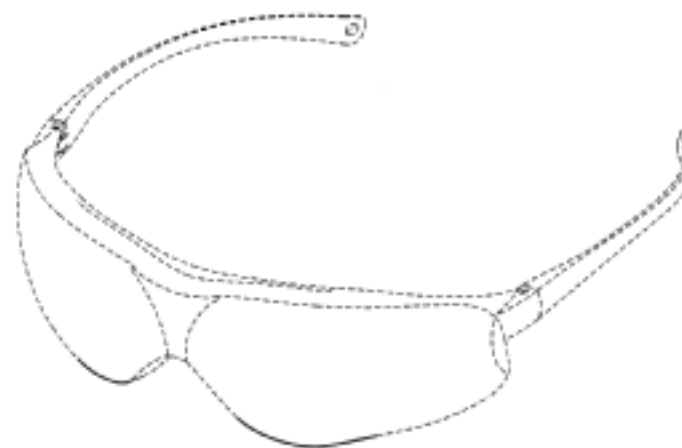
(31) Number	(32) Date	(33) Country
<b>001772039</b>	<b>22 Oct 2010</b>	<b>EUROPEAN COMMUNITY</b>

(56) Related Art Documents: **Not Applicable**

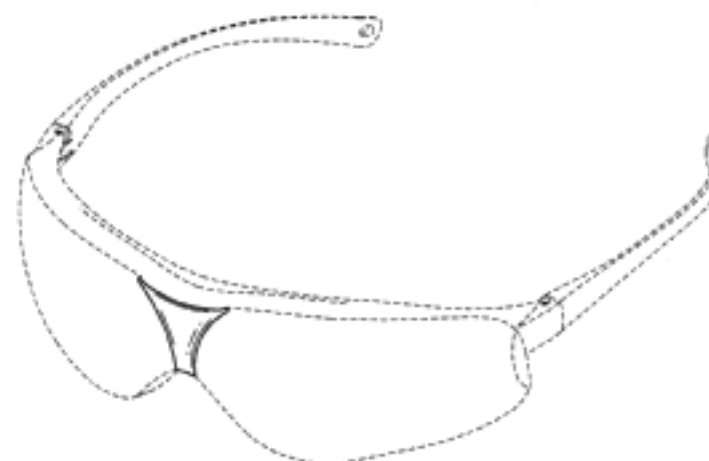
(57) Statement of Newness and Distinctiveness: **Newness and distinctiveness resides in the visual features of the powered quadricycle shown in the accompanying representations. Those features shown in broken lines do not form part of the design.**



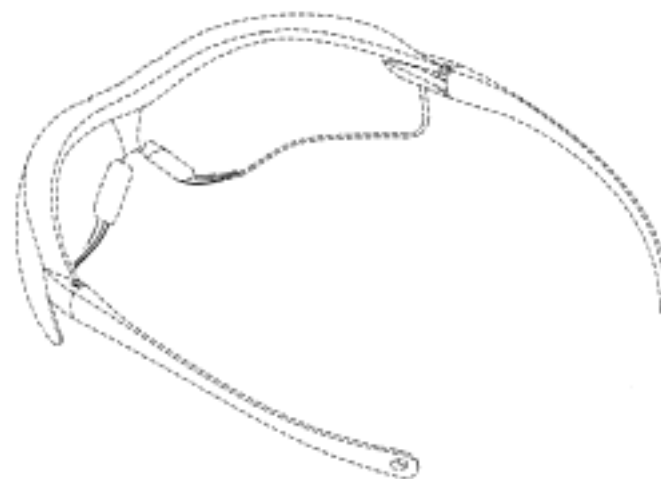
(21) Design Number: **10842/2011**  
(22) Date of Filing Application: **04 March 2011**  
(24) Date from which industrial property rights may have effect: **04 March 2011**  
(54) Product in respect of which the design is registered: **Eyewear**  
(51) International Design Classification: **16-06**  
(74) Name(s) of Attorney(s): **Freehills Patent & Trade Mark Attorneys**  
(71) Name(s) and Address(s) of Applicant(s):  
**3M Innovative Properties Company**  
**3M Center Saint Paul Minnesota 55133-3427 United States of America**  
(72) Name(s) of Designer(s): **Glen E. Stanley and Richard W. Canavan**  
(45) Registration Date: **06 April 2011**  
(30) Convention priority data:  
(31) Number      (32) Date      (33) Country  
**29/369602      10 Sep 2010      UNITED STATES OF AMERICA**  
(56) Related Art Documents: **Not Applicable**  
(57) Statement of Newness and Distinctiveness: **Newness and distinctiveness is claimed in the features of shape and/or configuration of eyewear including a lens feature as shown in solid outline in the accompanying drawings.**



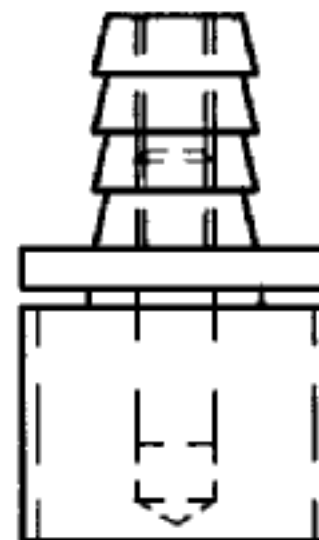
(21) Design Number: **10843/2011**  
(22) Date of Filing Application: **04 March 2011**  
(24) Date from which industrial property rights may have effect: **04 March 2011**  
(54) Product in respect of which the design is registered: **Eyewear**  
(51) International Design Classification: **16-06**  
(74) Name(s) of Attorney(s): **Freehills Patent & Trade Mark Attorneys**  
(71) Name(s) and Address(s) of Applicant(s):  
**3M Innovative Properties Company**  
**3M Center Saint Paul Minnesota 55133-3427 United States of America**  
(72) Name(s) of Designer(s): **Glen E. Stanley and Richard W. Canavan**  
(45) Registration Date: **06 April 2011**  
(30) Convention priority data:  
(31) Number      (32) Date      (33) Country  
**29/369603      10 Sep 2010      UNITED STATES OF AMERICA**  
(56) Related Art Documents: **Not Applicable**  
(57) Statement of Newness and Distinctiveness: **Newness and distinctiveness is claimed in the features of shape and/or configuration of eyewear including a keystone feature as shown in solid outline in the accompanying drawings.**



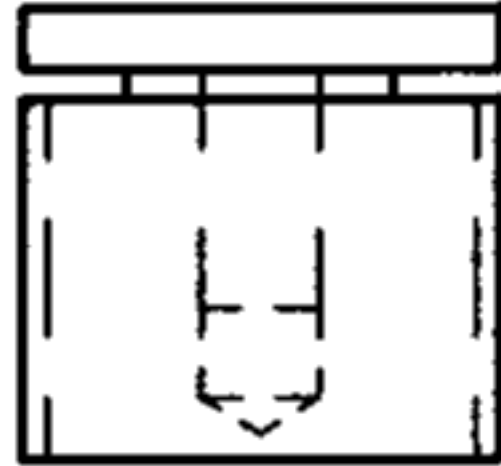
(21) Design Number: **10844/2011**  
(22) Date of Filing Application: **04 March 2011**  
(24) Date from which industrial property rights may have effect: **04 March 2011**  
(54) Product in respect of which the design is registered: **Eyewear**  
(51) International Design Classification: **16-06**  
(74) Name(s) of Attorney(s): **Freehills Patent & Trade Mark Attorneys**  
(71) Name(s) and Address(s) of Applicant(s):  
**3M Innovative Properties Company**  
**3M Center Saint Paul Minnesota 55133-3427 United States of America**  
(72) Name(s) of Designer(s): **Glen E. Stanley and Richard W. Canavan**  
(45) Registration Date: **06 April 2011**  
(30) Convention priority data:  
(31) Number (32) Date (33) Country  
**29/369607 10 Sep 2010 UNITED STATES OF AMERICA**  
(56) Related Art Documents: **Not Applicable**  
(57) Statement of Newness and Distinctiveness: **Newness and distinctiveness is claimed in the features of shape and/or configuration of eyewear including a transition feature as shown in solid outline in the accompanying drawings.**



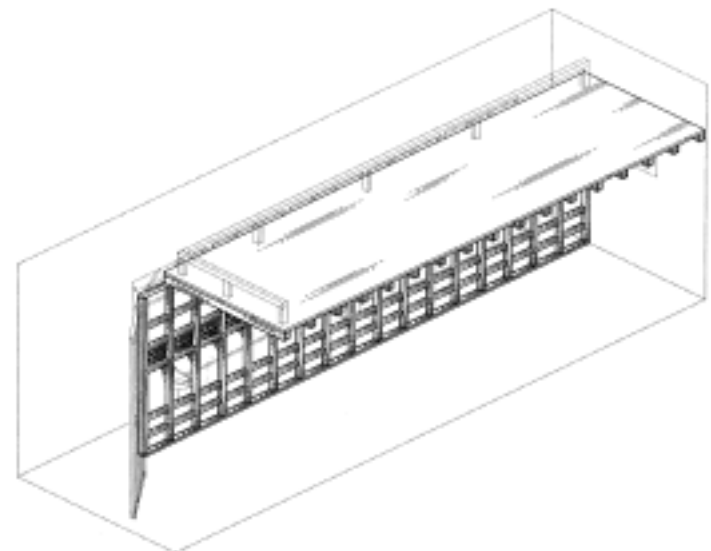
(21) Design Number: **10845/2011**  
(22) Date of Filing Application: **07 March 2011**  
(24) Date from which industrial property rights may have effect: **07 March 2011**  
(54) Product in respect of which the design is registered: **Hinge**  
(51) International Design Classification: **08-06**  
(74) Name(s) of Attorney(s): **WATERMARK PATENT AND TRADE MARKS ATTORNEYS**  
(71) Name(s) and Address(s) of Applicant(s):  
**Creative Components (Pty.) Ltd.**  
**3 Ravenscraig Road The Stockyard Unit 6 Woodstock Cape Town 7925 South Africa**  
(72) Name(s) of Designer(s): **Barry Ian Wiese**  
(45) Registration Date: **06 April 2011**  
(30) Convention priority data:  
(31) Number (32) Date (33) Country  
**001757691 21 Sep 2010 EUROPEAN COMMUNITY**  
(56) Related Art Documents: **Not Applicable**  
(57) Statement of Newness and Distinctiveness: **Nil**



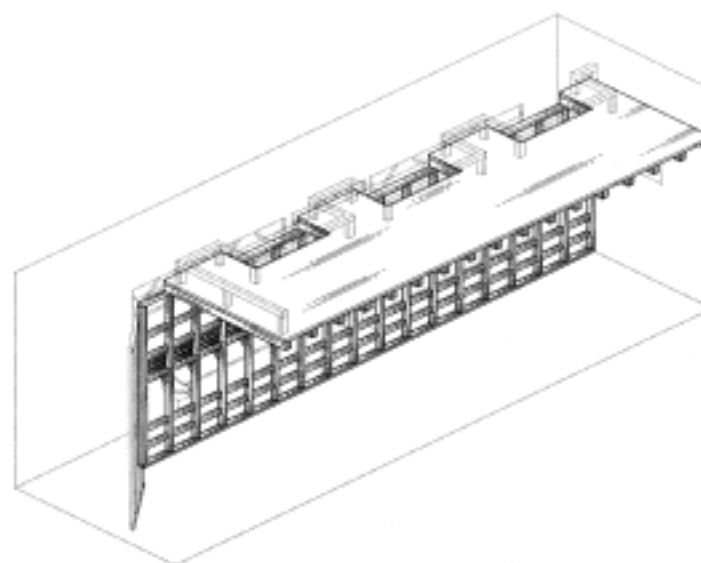
(21) Design Number: **10846/2011**  
(22) Date of Filing Application: **07 March 2011**  
(24) Date from which industrial property rights may have effect: **07 March 2011**  
(54) Product in respect of which the design is registered: **Hinge**  
(51) International Design Classification: **08-06**  
(74) Name(s) of Attorney(s): **WATERMARK PATENT AND TRADE MARKS ATTORNEYS**  
(71) Name(s) and Address(s) of Applicant(s):  
**Creative Components (Pty.) Ltd.**  
**3 Ravenscraig Road The Stockyard Unit 6 Woodstock Cape Town 7925 South Africa**  
(72) Name(s) of Designer(s): **Barry Ian Wiese**  
(45) Registration Date: **06 April 2011**  
(30) Convention priority data:  
(31) Number (32) Date (33) Country  
**001752742 09 Sep 2010 EUROPEAN COMMUNITY**  
(56) Related Art Documents: **Not Applicable**  
(57) Statement of Newness and Distinctiveness: **Nil**



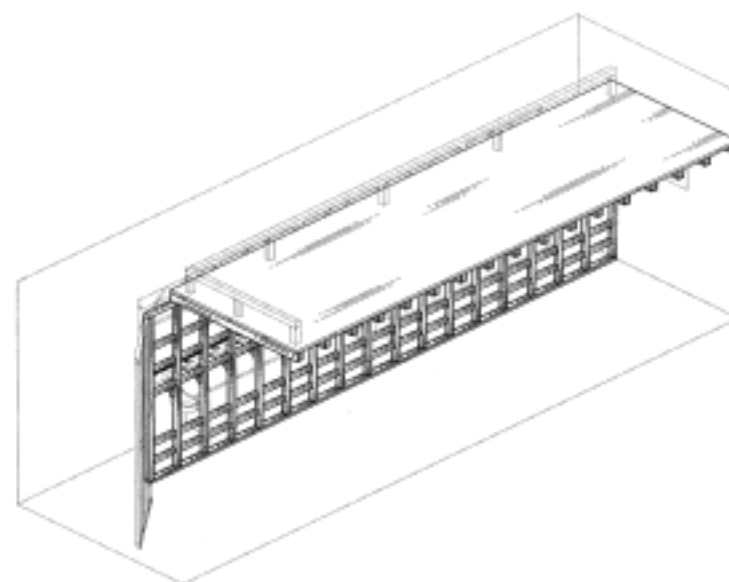
(21) Design Number: **10847/2011**  
(22) Date of Filing Application: **04 March 2011**  
(24) Date from which industrial property rights may have effect: **04 March 2011**  
(54) Product in respect of which the design is registered: **A feed partition**  
(51) International Design Classification: **30-03**  
(74) Name(s) of Attorney(s): **MIDDLETONS**  
(71) Name(s) and Address(s) of Applicant(s):  
**ST Reproductive Technologies LLC**  
**22575 State Highway 6 South Navasota Texas 77868 United States of America**  
(72) Name(s) of Designer(s): **Maurice Rosenstein and Juan Moreno**  
(45) Registration Date: **06 April 2011**  
(30) Convention priority data:  
(31) Number (32) Date (33) Country  
**29384300 28 Jan 2011 UNITED STATES OF AMERICA**  
(56) Related Art Documents: **Not Applicable**  
(57) Statement of Newness and Distinctiveness: **The shape and/or configuration of a Feed Partition for a Livestock Container as shown in the accompanying representations (excluding the features shown in the dotted lines).**



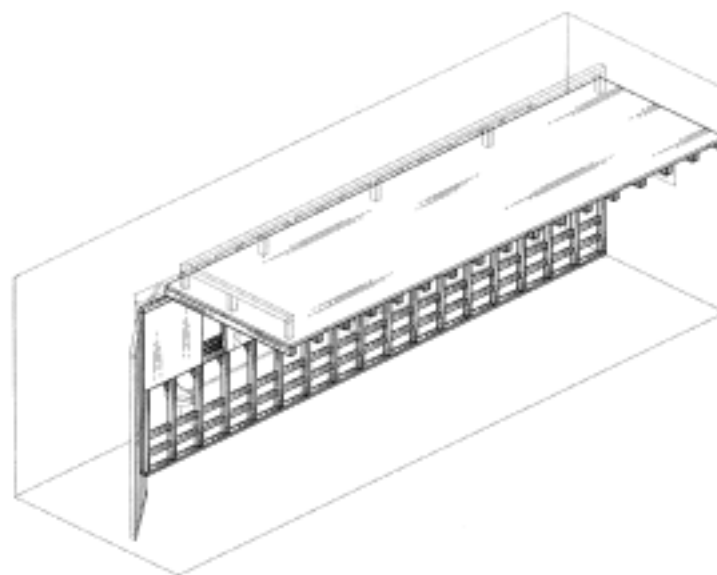
- (21) Design Number: **10848/2011**  
(22) Date of Filing Application: **04 March 2011**  
(24) Date from which industrial property rights may have effect: **04 March 2011**  
(54) Product in respect of which the design is registered: **A feed partition**  
(51) International Design Classification: **30-03**  
(74) Name(s) of Attorney(s): **MIDDLETONS**  
(71) Name(s) and Address(s) of Applicant(s):  
**ST Reproductive Technologies LLC**  
**22575 State Highway 6 South Navasota Texas 77868 United States of America**  
(72) Name(s) of Designer(s): **Maurice Rosenstein and Juan Moreno**  
(45) Registration Date: **06 April 2011**  
(30) Convention priority data:  
(31) Number      (32) Date      (33) Country  
**29384300      28 Jan 2011      UNITED STATES OF AMERICA**  
(56) Related Art Documents: **Not Applicable**  
(57) Statement of Newness and Distinctiveness: **The shape and/or configuration of a Feed Partition for a Livestock Container as shown in the accompanying representations (excluding the features shown in the dotted lines).**



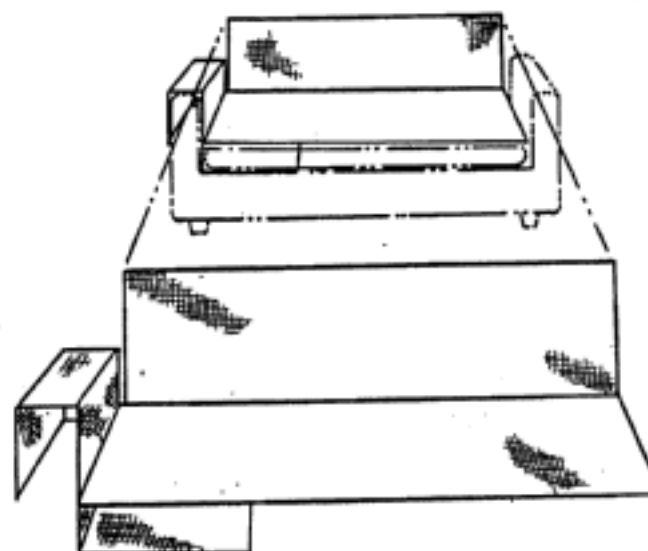
- (21) Design Number: **10849/2011**  
(22) Date of Filing Application: **04 March 2011**  
(24) Date from which industrial property rights may have effect: **04 March 2011**  
(54) Product in respect of which the design is registered: **A feed partition**  
(51) International Design Classification: **30-03**  
(74) Name(s) of Attorney(s): **MIDDLETONS**  
(71) Name(s) and Address(s) of Applicant(s):  
**ST Reproductive Technologies LLC**  
**22575 State Highway 6 South Navasota Texas 77868 United States of America**  
(72) Name(s) of Designer(s): **Maurice Rosenstein and Juan Moreno**  
(45) Registration Date: **06 April 2011**  
(30) Convention priority data:  
(31) Number      (32) Date      (33) Country  
**29384300      28 Jan 2011      UNITED STATES OF AMERICA**  
(56) Related Art Documents: **Not Applicable**  
(57) Statement of Newness and Distinctiveness: **The shape and/or configuration of a Feed Partition for a Livestock Container as shown in the accompanying representations (excluding the features shown in the dotted lines).**



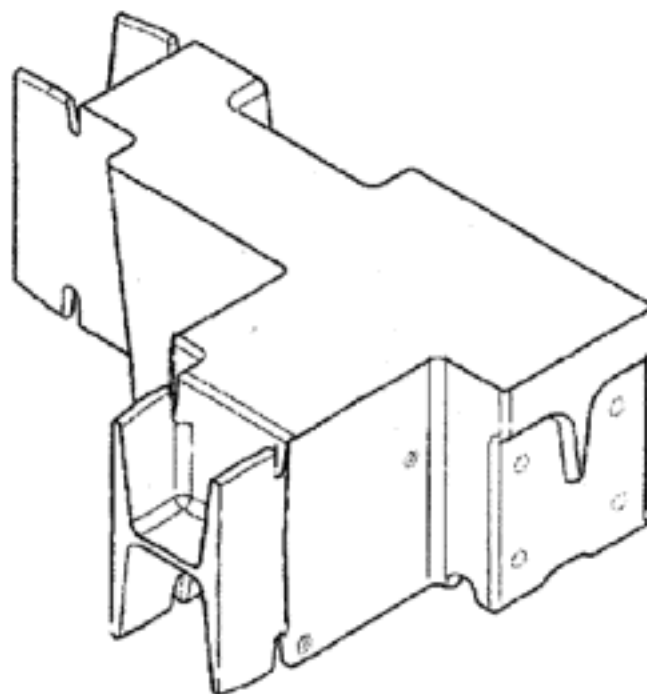
(21) Design Number: **10850/2011**  
(22) Date of Filing Application: **04 March 2011**  
(24) Date from which industrial property rights may have effect: **04 March 2011**  
(54) Product in respect of which the design is registered: **A feed partition**  
(51) International Design Classification: **30-03**  
(74) Name(s) of Attorney(s): **MIDDLETONS**  
(71) Name(s) and Address(s) of Applicant(s):  
**ST Reproductive Technologies LLC**  
**22575 State Highway 6 South Navasota Texas 77868 United States of America**  
(72) Name(s) of Designer(s): **Maurice Rosenstein and Juan Moreno**  
(45) Registration Date: **06 April 2011**  
(30) Convention priority data:  
(31) Number (32) Date (33) Country  
**29384300 28 Jan 2011 UNITED STATES OF AMERICA**  
(56) Related Art Documents: **Not Applicable**  
(57) Statement of Newness and Distinctiveness: **The shape and/or configuration of a Feed Partition for a Livestock Container as shown in the accompanying representations (excluding the features shown in the dotted lines).**



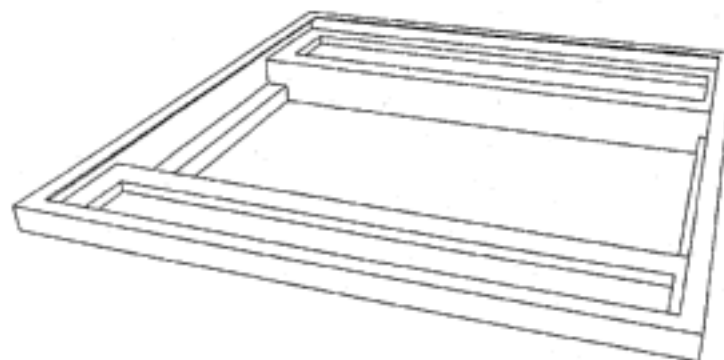
(21) Design Number: **10851/2011**  
(22) Date of Filing Application: **04 March 2011**  
(24) Date from which industrial property rights may have effect: **04 March 2011**  
(54) Product in respect of which the design is registered: **Slip cover**  
(51) International Design Classification: **06-06NES**  
(74) Name(s) of Attorney(s): **Banki Haddock Fiora**  
(71) Name(s) and Address(s) of Applicant(s):  
**Diane Kantzoglou**  
**2605 9th Street Long Island City New York 11102 United States of America**  
(72) Name(s) of Designer(s): **Diane Kantzoglou**  
(45) Registration Date: **06 April 2011**  
(30) Convention priority data:  
(31) Number (32) Date (33) Country  
**29/378388 03 Nov 2010 UNITED STATES OF AMERICA**  
(56) Related Art Documents: **Not Applicable**  
(57) Statement of Newness and Distinctiveness: **Nil**



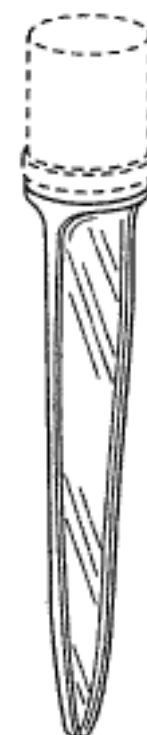
(21) Design Number: **10908/2011**  
(22) Date of Filing Application: **04 March 2011**  
(24) Date from which industrial property rights may have effect: **04 March 2011**  
(54) Product in respect of which the design is registered: **A connector**  
(51) International Design Classification: **06-04NES**  
(74) Name(s) of Attorney(s): **A J Park**  
(71) Name(s) and Address(s) of Applicant(s):  
**Lundia Shelving Limited**  
**71 Felton Matthew Avenue Glen Innes Auckland New Zealand**  
(72) Name(s) of Designer(s): **Craig Russell**  
(45) Registration Date: **31 March 2011**  
(30) Convention priority data:  
(31) Number (32) Date (33) Country  
**414010 06 Sep 2010 NEW ZEALAND**  
(56) Related Art Documents: **Not Applicable**  
(57) Statement of Newness and Distinctiveness: **Newness and distinctiveness resides in the features of shape and/or configuration of the spigot feature marked as 'A' in the accompanying representations.**



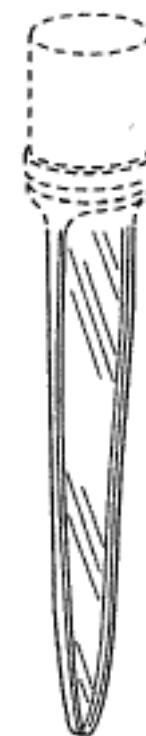
(21) Design Number: **10909/2011**  
(22) Date of Filing Application: **04 March 2011**  
(24) Date from which industrial property rights may have effect: **04 March 2011**  
(54) Product in respect of which the design is registered: **Pallet rack bund**  
(51) International Design Classification: **09-08**  
(74) Name(s) of Attorney(s): **LESICAR PERRIN**  
(71) Name(s) and Address(s) of Applicant(s):  
**Andrew Laurence Gooden**  
**12 Wireless Road East Mt Gambier South Australia 5290 Australia**  
(72) Name(s) of Designer(s): **Andrew Laurence Gooden**  
(45) Registration Date: **31 March 2011**  
(56) Related Art Documents: **Not Applicable**  
(57) Statement of Newness and Distinctiveness: **Newness and distinctiveness is claimed in the shape and configuration of the bund as depicted in the accompanying representations. Particular emphasis is placed on the recesses in the side panels.**



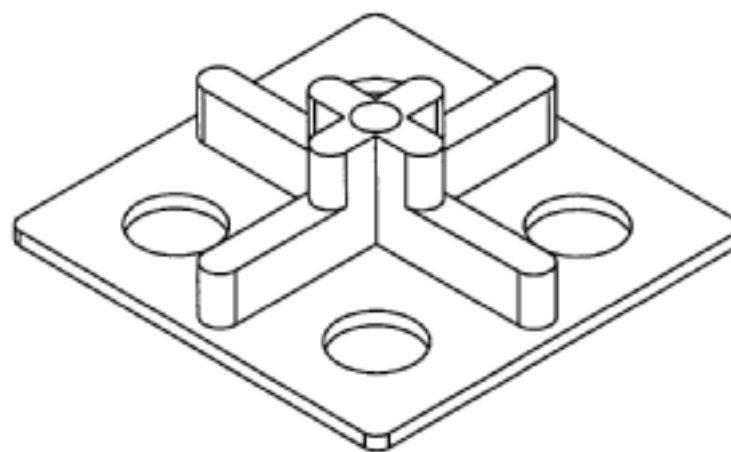
- (21) Design Number: **10910/2011**  
(22) Date of Filing Application: **07 March 2011**  
(24) Date from which industrial property rights may have effect: **07 March 2011**  
(54) Product in respect of which the design is registered: **Oral care applicator**  
(51) International Design Classification: **28-03NES**  
(74) Name(s) of Attorney(s): **PHILLIPS ORMONDE FITZPATRICK**  
(71) Name(s) and Address(s) of Applicant(s):  
**The Procter & Gamble Company**  
**One Procter & Gamble Plaza Cincinnati Ohio 45202 United States of America**  
(72) Name(s) of Designer(s): **Jayanth Rajaiah and Craig Martin Wilkinson and Adam Lucas Bilney**  
(45) Registration Date: **31 March 2011**  
(30) Convention priority data:  
(31) Number (32) Date (33) Country  
**29/369,298 07 Sep 2010 UNITED STATES OF AMERICA**  
(56) Related Art Documents: **Not Applicable**  
(57) Statement of Newness and Distinctiveness: **Those features of the oral care applicator depicted in the representations that are new and distinctive are the shape and/or configuration. The features shown in broken lines are not part of the design and are to be disregarded when considering the overall impression of the design.**



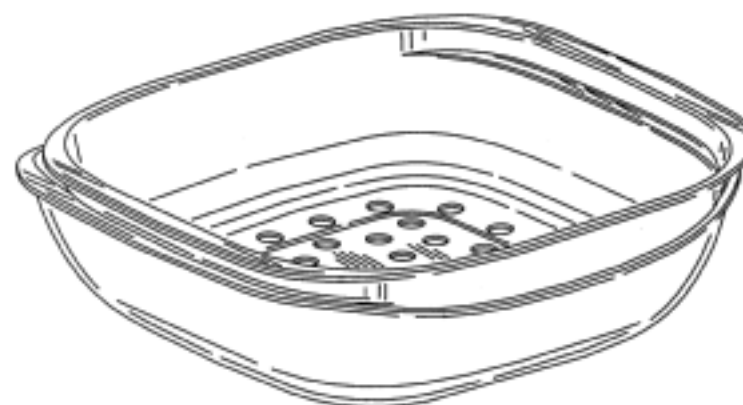
- (21) Design Number: **10911/2011**  
(22) Date of Filing Application: **07 March 2011**  
(24) Date from which industrial property rights may have effect: **07 March 2011**  
(54) Product in respect of which the design is registered: **Oral care applicator**  
(51) International Design Classification: **28-03NES**  
(74) Name(s) of Attorney(s): **PHILLIPS ORMONDE FITZPATRICK**  
(71) Name(s) and Address(s) of Applicant(s):  
**The Procter & Gamble Company**  
**One Procter & Gamble Plaza Cincinnati Ohio 45202 United States of America**  
(72) Name(s) of Designer(s): **Jayanth Rajaiah and Craig Martin Wilkinson and Adam Lucas Bilney**  
(45) Registration Date: **31 March 2011**  
(30) Convention priority data:  
(31) Number (32) Date (33) Country  
**29/369,298 07 Sep 2010 UNITED STATES OF AMERICA**  
(56) Related Art Documents: **Not Applicable**  
(57) Statement of Newness and Distinctiveness: **Those features of the oral care applicator depicted in the representations that are new and distinctive are the shape and/or configuration. The features shown in broken lines are not part of the design and are to be disregarded when considering the overall impression of the design.**



(21) Design Number: **10912/2011**  
(22) Date of Filing Application: **07 March 2011**  
(24) Date from which industrial property rights may have effect: **07 March 2011**  
(54) Product in respect of which the design is registered: **Tile spacer**  
(51) International Design Classification: **08-05K**  
(74) Name(s) of Attorney(s): **PHILLIPS ORMONDE FITZPATRICK**  
(71) Name(s) and Address(s) of Applicant(s):  
**Anthony Psaila**  
**77 Parer Road Airport West Victoria 3042 Australia**  
(72) Name(s) of Designer(s): **Anthony Psaila**  
(45) Registration Date: **31 March 2011**  
(56) Related Art Documents: **Not Applicable**  
(57) Statement of Newness and Distinctiveness: **Those features of the tile spacer depicted in the representations that are new and distinctive are the shape and/or configuration.**



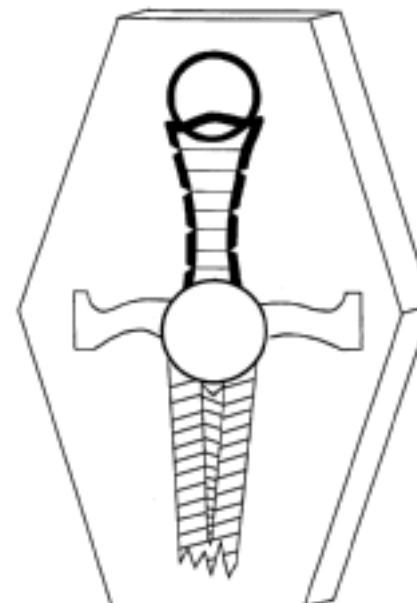
(21) Design Number: **10913/2011**  
(22) Date of Filing Application: **07 March 2011**  
(24) Date from which industrial property rights may have effect: **07 March 2011**  
(54) Product in respect of which the design is registered: **Food container with strainer basket**  
(51) International Design Classification: **07-04**  
(74) Name(s) of Attorney(s): **PHILLIPS ORMONDE FITZPATRICK**  
(71) Name(s) and Address(s) of Applicant(s):  
**Dart Industries Inc**  
**14901 S. Orange Blossom Trail Orlando Florida 32837 United States of America**  
(72) Name(s) of Designer(s): **Rui Yuan Chen and Jan-Hendrik de Groot**  
(45) Registration Date: **31 March 2011**  
(30) Convention priority data:  
(31) Number      (32) Date      (33) Country  
**29/370,948      24 Sep 2010      UNITED STATES OF AMERICA**  
(56) Related Art Documents: **Not Applicable**  
(57) Statement of Newness and Distinctiveness: **Those features of the food container with strainer basket depicted in the representations that are new and distinctive are the shape and/or configuration.**



- (21) Design Number: **10148/2011**  
(22) Date of Filing Application: **18 January 2011**  
(24) Date from which industrial property rights may have effect: **18 January 2011**  
(54) Product in respect of which the design is registered: **A badge**  
(51) International Design Classification: **11-03**  
(74) Name(s) of Attorney(s): **Cullens Patent and Trade Mark Attorneys**  
(71) Name(s) and Address(s) of Applicant(s):

**Merv Ferguson**  
**Belle Mia Unit 2 2105 Gold Coast Highway Miami Queensland 4220**  
**Australia**

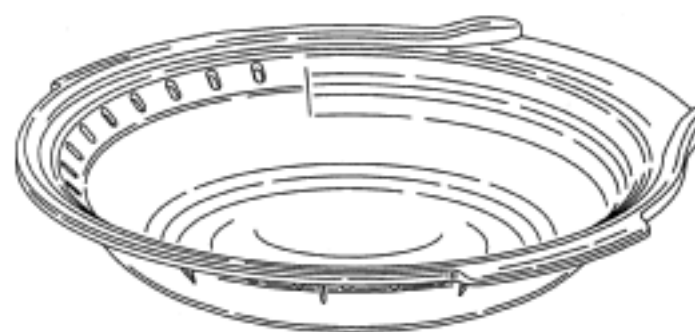
- (72) Name(s) of Designer(s): **Merv Ferguson**  
(45) Registration Date: **31 March 2011**  
(56) Related Art Documents: **Not Applicable**  
(57) Statement of Newness and Distinctiveness: **The newness and distinctiveness of the design resides in the features of shape, configuration, pattern and/or ornamentation shown in unbroken lines in the accompanying representations. The visual features of pattern and/or ornamentation represented by the cross hatched areas represent regions of different hue.**



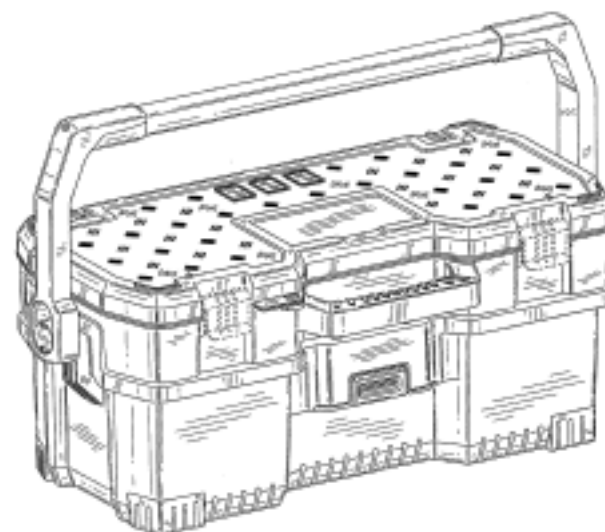
- (21) Design Number: **11137/2011**  
(22) Date of Filing Application: **16 March 2011**  
(24) Date from which industrial property rights may have effect: **16 March 2011**  
(54) Product in respect of which the design is registered: **Sauce tray for a microwave steamer**  
(51) International Design Classification: **07-02B**  
(74) Name(s) of Attorney(s): **PHILLIPS ORMONDE FITZPATRICK**  
(71) Name(s) and Address(s) of Applicant(s):

**Dart Industries Inc.**  
**14901 S. Orange Blossom Trail Orlando Florida 32837 United States of**  
**America**

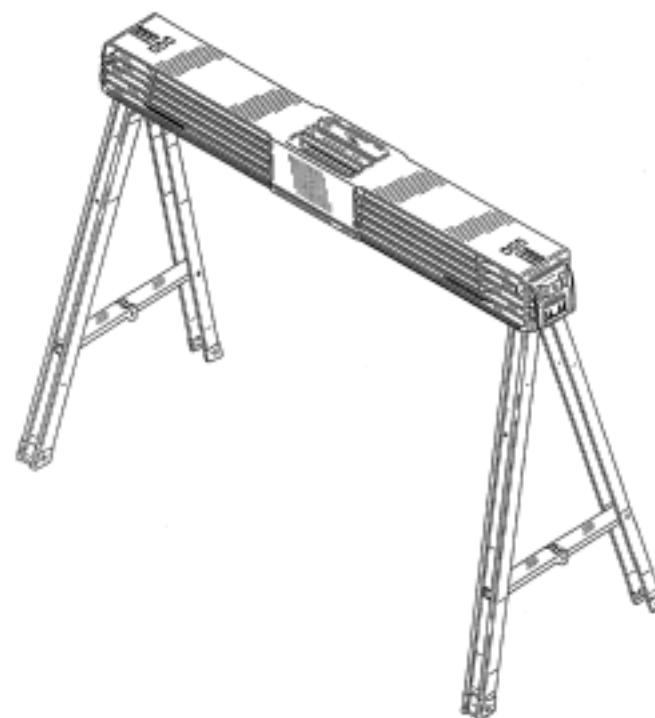
- (72) Name(s) of Designer(s): **Rui Yuan Chen and Jan-Hendrik De Groot**  
(45) Registration Date: **31 March 2011**  
(30) Convention priority data:  
(31) Number (32) Date (33) Country  
**29/372,036 06 Oct 2010 UNITED STATES OF AMERICA**  
(56) Related Art Documents: **Not Applicable**  
(57) Statement of Newness and Distinctiveness: **Those features of the sauce tray for a microwave steamer depicted in the representations that are new and distinctive are the shape and/or configuration.**



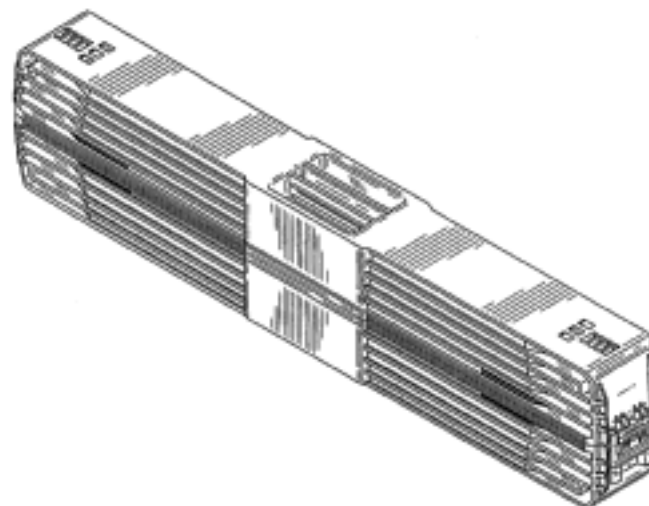
(21) Design Number: **10406/2011**  
(22) Date of Filing Application: **10 February 2011**  
(24) Date from which industrial property rights may have effect: **10 February 2011**  
(54) Product in respect of which the design is registered: **Container assembly**  
(51) International Design Classification: **03-01D**  
(74) Name(s) of Attorney(s): **Davies Collison Cave**  
(71) Name(s) and Address(s) of Applicant(s):  
**The Stanley Works Israel Ltd.**  
**19 Ha'melacha Street New Industrial Zone Rosh Ha'ayin 48091 Israel**  
(72) Name(s) of Designer(s): **Zvika Fraiman and Mark Bensman**  
(45) Registration Date: **31 March 2011**  
(30) Convention priority data:  
(31) Number      (32) Date      (33) Country  
**29/367776      12 Aug 2010      UNITED STATES OF AMERICA**  
(56) Related Art Documents: **Not Applicable**  
(57) Statement of Newness and Distinctiveness: **Newness and distinctiveness is claimed in the visual features shown in solid lines in the representations.**



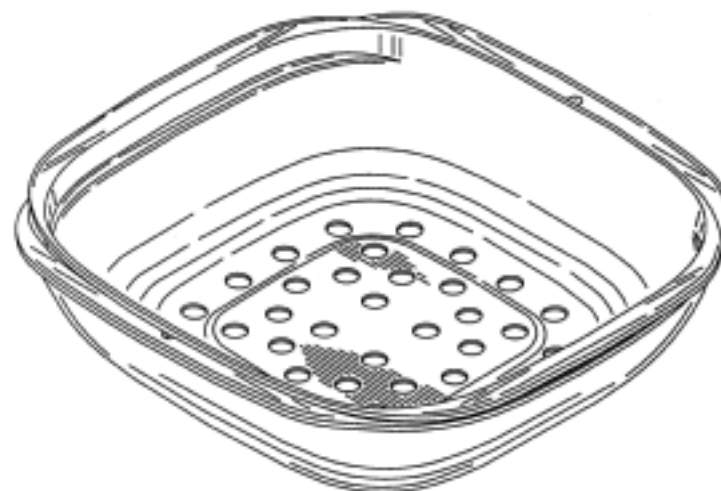
(21) Design Number: **10407/2011**  
(22) Date of Filing Application: **10 February 2011**  
(24) Date from which industrial property rights may have effect: **10 February 2011**  
(54) Product in respect of which the design is registered: **Sawhorse**  
(51) International Design Classification: **08-99**  
(74) Name(s) of Attorney(s): **Davies Collison Cave**  
(71) Name(s) and Address(s) of Applicant(s):  
**The Stanley Works Israel Ltd.**  
**19 Ha'melacha Street New Industrial Zone Rosh Ha'ayin 48091 Israel**  
(72) Name(s) of Designer(s): **Eitan Landau and Elad Hay Shitrit**  
(45) Registration Date: **31 March 2011**  
(30) Convention priority data:  
(31) Number      (32) Date      (33) Country  
**29/367782      12 Aug 2010      UNITED STATES OF AMERICA**  
(56) Related Art Documents: **Not Applicable**  
(57) Statement of Newness and Distinctiveness: **Nil**



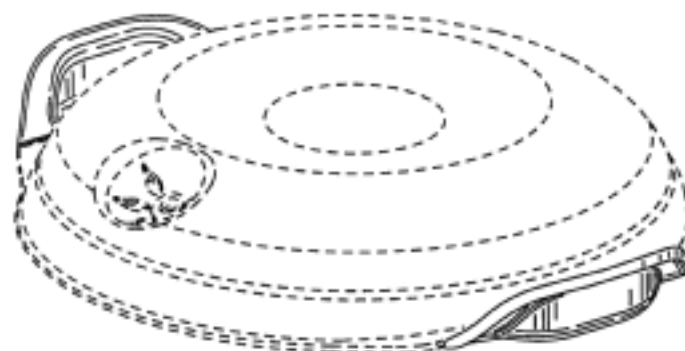
(21) Design Number: **10408/2011**  
(22) Date of Filing Application: **10 February 2011**  
(24) Date from which industrial property rights may have effect: **10 February 2011**  
(54) Product in respect of which the design is registered: **A sawhorse**  
(51) International Design Classification: **08-99**  
(74) Name(s) of Attorney(s): **Davies Collison Cave**  
(71) Name(s) and Address(s) of Applicant(s):  
**The Stanley Works Israel Ltd.**  
**19 Ha'melacha Street New Industrial Zone Rosh Ha'ayin 48091 Israel**  
(72) Name(s) of Designer(s): **Eitan Landau and Elad Hay Shitrit**  
(45) Registration Date: **31 March 2011**  
(30) Convention priority data:  
(31) Number (32) Date (33) Country  
**29/367780 12 Aug 2010 UNITED STATES OF AMERICA**  
(56) Related Art Documents: **Not Applicable**  
(57) Statement of Newness and Distinctiveness: **Nil**



(21) Design Number: **10914/2011**  
(22) Date of Filing Application: **07 March 2011**  
(24) Date from which industrial property rights may have effect: **07 March 2011**  
(54) Product in respect of which the design is registered: **Food container with strainer basket**  
(51) International Design Classification: **07-02NES**  
(74) Name(s) of Attorney(s): **PHILLIPS ORMONDE FITZPATRICK**  
(71) Name(s) and Address(s) of Applicant(s):  
**Dart Industries Inc**  
**14901 S. Orange Blossom Trail Orlando Florida 32837 United States of America**  
(72) Name(s) of Designer(s): **Rui Yuan Chen and Jan-Hendrik de Groot**  
(45) Registration Date: **31 March 2011**  
(30) Convention priority data:  
(31) Number (32) Date (33) Country  
**29/370,948 24 Sep 2010 UNITED STATES OF AMERICA**  
(56) Related Art Documents: **Not Applicable**  
(57) Statement of Newness and Distinctiveness: **Those features of the food container with strainer basket depicted in the representations that are new and distinctive are the shape and/or configuration.**



- (21) Design Number: **10915/2011**  
(22) Date of Filing Application: **07 March 2011**  
(24) Date from which industrial property rights may have effect: **07 March 2011**  
(54) Product in respect of which the design is registered: **Handle for a microwave container cover**  
(51) International Design Classification: **07-02R**  
(74) Name(s) of Attorney(s): **PHILLIPS ORMONDE FITZPATRICK**  
(71) Name(s) and Address(s) of Applicant(s):  
**Dart Industries Inc**  
**14901 S. Orange Blossom Trail Orlando Florida 32837 United States of America**  
(72) Name(s) of Designer(s): **Dimitri M.C.J. Backaert and Jan-Hendrik de Groote and Maartkin Demuyneck**  
(45) Registration Date: **31 March 2011**  
(30) Convention priority data:  
(31) Number (32) Date (33) Country  
**29/370,951 24 Sep 2010 UNITED STATES OF AMERICA**  
(56) Related Art Documents: **Not Applicable**  
(57) Statement of Newness and Distinctiveness: **Those features of the handle for a microwave container cover depicted in the representations that are new and distinctive are the shape and/or configuration. The features shown in broken line are not part of the design and are to be disregarded when considering the overall impression of the design.**



- (21) Design Number: **10916/2011**  
(22) Date of Filing Application: **07 March 2011**  
(24) Date from which industrial property rights may have effect: **07 March 2011**  
(54) Product in respect of which the design is registered: **Cover for a microwave container**  
(51) International Design Classification: **07-02NES**  
(74) Name(s) of Attorney(s): **PHILLIPS ORMONDE FITZPATRICK**  
(71) Name(s) and Address(s) of Applicant(s):  
**Dart Industries Inc**  
**14901 S. Orange Blossom Trail Orlando Florida 32837 United States of America**  
(72) Name(s) of Designer(s): **Dimitri M.C.J. Backaert and Jan-Hendrik de Groote and Maartkin Demuyneck**  
(45) Registration Date: **31 March 2011**  
(30) Convention priority data:  
(31) Number (32) Date (33) Country  
**29/370,952 24 Sep 2010 UNITED STATES OF AMERICA**  
(56) Related Art Documents: **Not Applicable**  
(57) Statement of Newness and Distinctiveness: **Those features of the cover for a microwave oven depicted in the representations that are new and distinctive are the shape and/or configuration.**



- (21) Design Number: **13291/2010**  
(22) Date of Filing Application: **03 August 2010**  
(24) Date from which industrial property rights may have effect: **03 August 2010**  
(54) Product in respect of which the design is registered: **Antennas**  
(51) International Design Classification: **14-03NES**  
(74) Name(s) of Attorney(s):  
(71) Name(s) and Address(s) of Applicant(s):

**Peter John Birrell**  
**Whoop Whoop Road Boompa Queensland 4621 Australia**

(72) Name(s) of Designer(s): **Peter John Birrell**

(45) Registration Date: **31 March 2011**

(56) Related Art Documents: **Not Applicable**

(57) Statement of Newness and Distinctiveness: **This new and distinctive phased array antenna is presented together with the additional new and distinctive feature of two alternately attached, bars or telescopes at the phaselink ends. These may be hinged and/or pivoting and so may present in any aspect from their attachment points. And so, it is such that this additional new and distinctive design feature presents as new and distinctive if applied to any phased array antenna.**



- (21) Design Number: **11327/2011**  
(22) Date of Filing Application: **03 August 2010**  
(24) Date from which industrial property rights may have effect: **03 August 2010**  
(54) Product in respect of which the design is registered: **Antennas**  
(51) International Design Classification: **14-03NES**  
(74) Name(s) of Attorney(s):  
(71) Name(s) and Address(s) of Applicant(s):

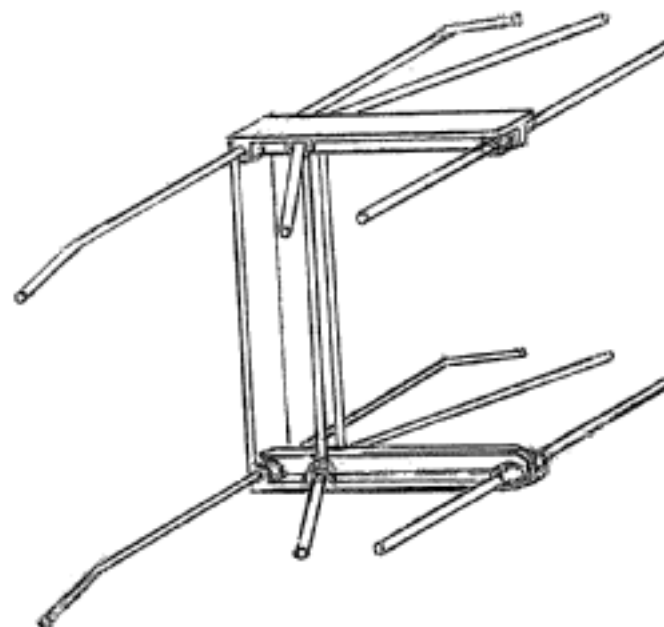
**Peter John Birrell**  
**Whoop Whoop Road Boompa Queensland 4621 Australia**

(72) Name(s) of Designer(s): **Peter John Birrell**

(45) Registration Date: **31 March 2011**

(56) Related Art Documents: **Not Applicable**

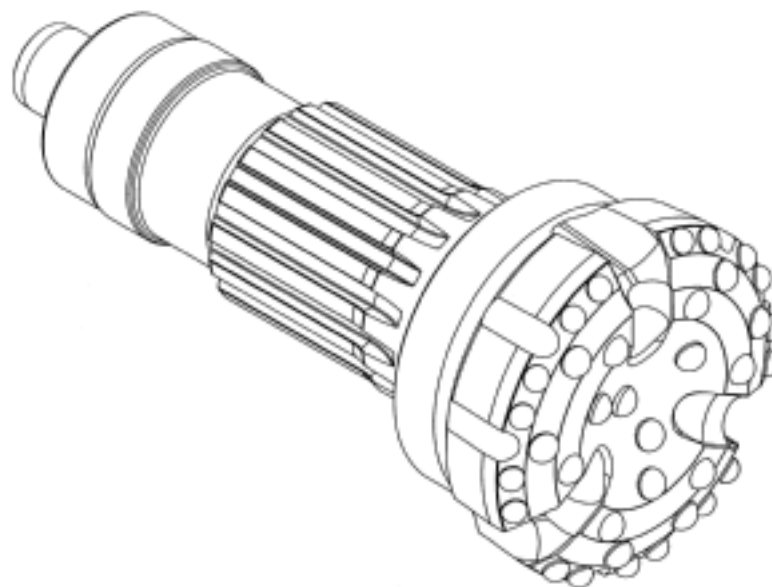
(57) Statement of Newness and Distinctiveness: **Nil**



- (21) Design Number: **10164/2011**  
(22) Date of Filing Application: **20 January 2011**  
(24) Date from which industrial property rights may have effect: **20 January 2011**  
(54) Product in respect of which the design is registered: **Triple wall 's' wave paper cup**  
(51) International Design Classification: **07-01C**  
(74) Name(s) of Attorney(s):  
(71) Name(s) and Address(s) of Applicant(s):  
**Realworld Investments Pty Ltd**  
**24 Wilkinson Gardens Winthrop Western Australia 6150 Australia**  
(72) Name(s) of Designer(s): **Bryan Tandianus**  
(45) Registration Date: **31 March 2011**  
(56) Related Art Documents: **Not Applicable**  
(57) Statement of Newness and Distinctiveness: **The triple wall S wave paper cup comprising a single wall paper cup with two outer layers: One mid layer and one corrugated outer layer. The outer corrugated layer is a new and distinctive corrugated insulated layer with a S wave design that goes down the cup. This corrugation traps the air between the layers of the cup, and thus greatly improves the grip. The shape and or configuration of the ribbing or outer surface of the cup excluding the lip and base is new and distinctive. The cup shape is for illustrative purpose only and not to be considered when construing visual features of the design.**



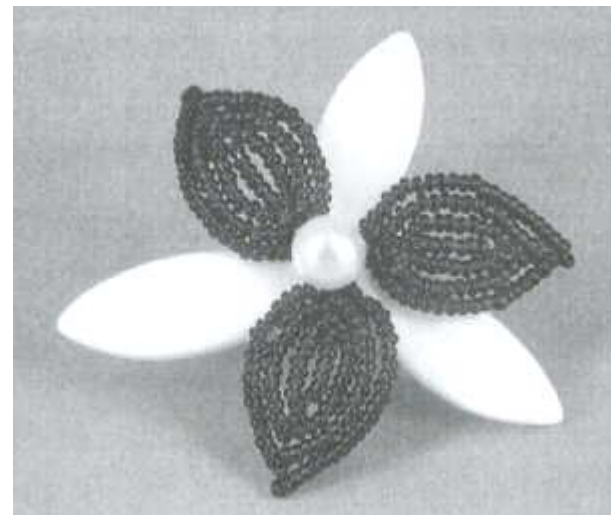
- (21) Design Number: **11167/2011**  
(22) Date of Filing Application: **18 March 2011**  
(24) Date from which industrial property rights may have effect: **18 March 2011**  
(54) Product in respect of which the design is registered: **A drill bit**  
(51) International Design Classification: **08-01**  
(74) Name(s) of Attorney(s): **WATERMARK PATENT AND TRADE MARKS ATTORNEYS**  
(71) Name(s) and Address(s) of Applicant(s):  
**Drilling Tools Australia Pty Ltd**  
**24-26 Gauge Circuit Canning Vale Western Australia 6155 Australia**  
(72) Name(s) of Designer(s): **Brian Sanfead**  
(45) Registration Date: **31 March 2011**  
(56) Related Art Documents: **Not Applicable**  
(57) Statement of Newness and Distinctiveness: **Nil**



- (21) Design Number: **10934/2011**  
(22) Date of Filing Application: **08 March 2011**  
(24) Date from which industrial property rights may have effect: **08 March 2011**  
(54) Product in respect of which the design is registered: **Bead flower having three bead petals and six bugle bead petals**  
(51) International Design Classification: **11-04**  
(74) Name(s) of Attorney(s):  
(71) Name(s) and Address(s) of Applicant(s):  
**Christine McCann**  
**46 Annandale Street Annandale New South Wales 2038 Australia**  
(72) Name(s) of Designer(s): **Christine McCann**  
(45) Registration Date: **01 April 2011**  
(56) Related Art Documents: **Not Applicable**  
(57) Statement of Newness and Distinctiveness: **The newness and distinctiveness of the bead flower resides in the configuration and/or shape as shown in the accompanying representations, irrespective of the presence or absence of the central component or the shape of the central component when present.**



- (21) Design Number: **10937/2011**  
(22) Date of Filing Application: **08 March 2011**  
(24) Date from which industrial property rights may have effect: **08 March 2011**  
(54) Product in respect of which the design is registered: **Bead flower having three bead petals and three seed bead petals**  
(51) International Design Classification: **11-04**  
(74) Name(s) of Attorney(s):  
(71) Name(s) and Address(s) of Applicant(s):  
**Christine McCann**  
**46 Annandale Street Annandale New South Wales 2038 Australia**  
(72) Name(s) of Designer(s): **Christine McCann**  
(45) Registration Date: **01 April 2011**  
(56) Related Art Documents: **Not Applicable**  
(57) Statement of Newness and Distinctiveness: **The newness and distinctiveness of the bead flower resides in the configuration and/or shape as shown in the accompanying representations, irrespective of the presence or absence of the central component or the shape of the central component when present.**



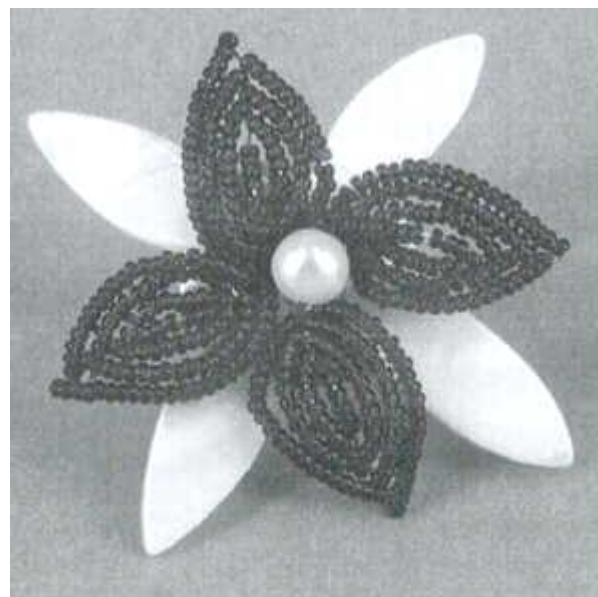
- (21) Design Number: **10938/2011**  
(22) Date of Filing Application: **08 March 2011**  
(24) Date from which industrial property rights may have effect: **08 March 2011**  
(54) Product in respect of which the design is registered: **Bead flower having three bead petals and six seed bead petals**  
(51) International Design Classification: **11-04**  
(74) Name(s) of Attorney(s):  
(71) Name(s) and Address(s) of Applicant(s):  
**Christine McCann**  
**46 Annandale Street Annandale New South Wales 2038 Australia**  
(72) Name(s) of Designer(s): **Christine McCann**  
(45) Registration Date: **01 April 2011**  
(56) Related Art Documents: **Not Applicable**  
(57) Statement of Newness and Distinctiveness: **The newness and distinctiveness of the bead flower resides in the configuration and/or shape as shown in the accompanying representations, irrespective of the presence or absence of the central component or the shape of the central component when present.**



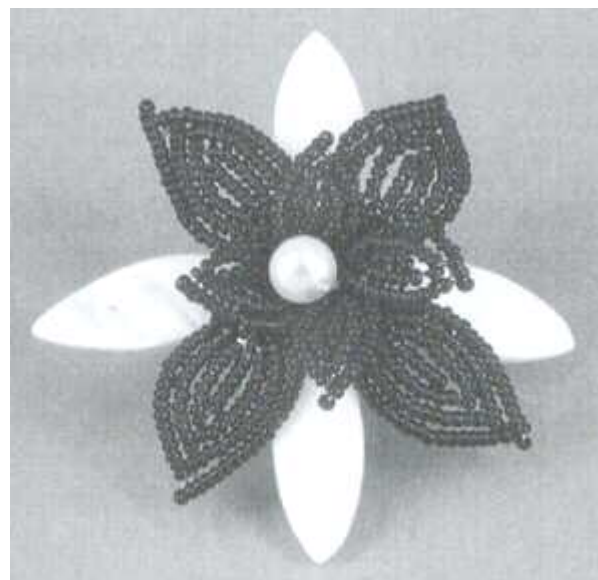
- (21) Design Number: **10942/2011**  
(22) Date of Filing Application: **08 March 2011**  
(24) Date from which industrial property rights may have effect: **08 March 2011**  
(54) Product in respect of which the design is registered: **Bead flower having five bead petals and ten seed bead petals**  
(51) International Design Classification: **11-04**  
(74) Name(s) of Attorney(s):  
(71) Name(s) and Address(s) of Applicant(s):  
**Christine McCann**  
**46 Annandale Street Annandale New South Wales 2038 Australia**  
(72) Name(s) of Designer(s): **Christine McCann**  
(45) Registration Date: **01 April 2011**  
(56) Related Art Documents: **Not Applicable**  
(57) Statement of Newness and Distinctiveness: **The newness and distinctiveness of the bead flower resides in the configuration and/or shape as shown in the accompanying representations, irrespective of the presence or absence of the central component or the shape of the central component when present.**



- (21) Design Number: **10945/2011**  
(22) Date of Filing Application: **08 March 2011**  
(24) Date from which industrial property rights may have effect: **08 March 2011**  
(54) Product in respect of which the design is registered: **Bead flower having four bead petals and four seed bead petals**  
(51) International Design Classification: **11-04**  
(74) Name(s) of Attorney(s):  
(71) Name(s) and Address(s) of Applicant(s):  
**Christine McCann**  
**46 Annandale Street Annandale New South Wales 2038 Australia**  
(72) Name(s) of Designer(s): **Christine McCann**  
(45) Registration Date: **01 April 2011**  
(56) Related Art Documents: **Not Applicable**  
(57) Statement of Newness and Distinctiveness: **The newness and distinctiveness of the bead flower resides in the configuration and/or shape as shown in the accompanying representations, irrespective of the presence or absence of the central component or the shape of the central component when present.**



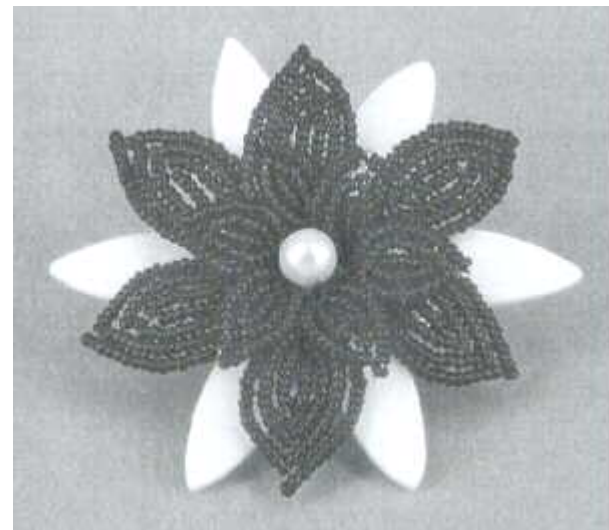
- (21) Design Number: **10946/2011**  
(22) Date of Filing Application: **08 March 2011**  
(24) Date from which industrial property rights may have effect: **08 March 2011**  
(54) Product in respect of which the design is registered: **Bead flower having four bead petals and eight seed bead petals**  
(51) International Design Classification: **11-04**  
(74) Name(s) of Attorney(s):  
(71) Name(s) and Address(s) of Applicant(s):  
**Christine McCann**  
**46 Annandale Street Annandale New South Wales 2038 Australia**  
(72) Name(s) of Designer(s): **Christine McCann**  
(45) Registration Date: **01 April 2011**  
(56) Related Art Documents: **Not Applicable**  
(57) Statement of Newness and Distinctiveness: **The newness and distinctiveness of the bead flower resides in the configuration and/or shape as shown in the accompanying representations, irrespective of the presence or absence of the central component or the shape of the central component when present.**



- (21) Design Number: **10947/2011**  
(22) Date of Filing Application: **08 March 2011**  
(24) Date from which industrial property rights may have effect: **08 March 2011**  
(54) Product in respect of which the design is registered: **Bead flower having six bead petals and six bugle bead petals**  
(51) International Design Classification: **11-04**  
(74) Name(s) of Attorney(s):  
(71) Name(s) and Address(s) of Applicant(s):  
**Christine McCann**  
**46 Annandale Street Annandale New South Wales 2038 Australia**  
(72) Name(s) of Designer(s): **Christine McCann**  
(45) Registration Date: **01 April 2011**  
(56) Related Art Documents: **Not Applicable**  
(57) Statement of Newness and Distinctiveness: **The newness and distinctiveness of the bead flower resides in the configuration and/or shape as shown in the accompanying representations, irrespective of the presence or absence of the central component or the shape of the central component when present.**



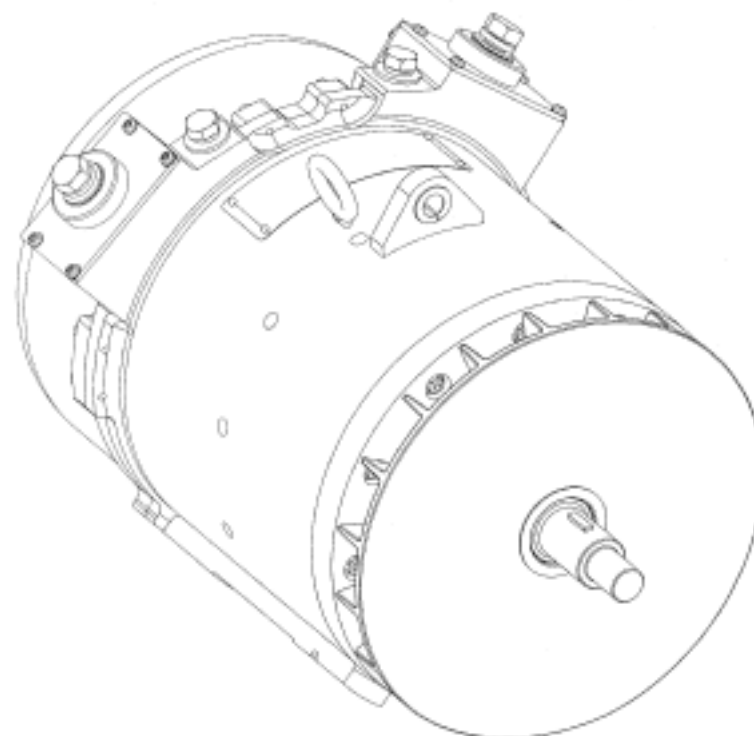
- (21) Design Number: **10922/2011**  
(22) Date of Filing Application: **08 March 2011**  
(24) Date from which industrial property rights may have effect: **08 March 2011**  
(54) Product in respect of which the design is registered: **Bead flower having six bead petals and twelve seed bead petals**  
(51) International Design Classification: **11-04**  
(74) Name(s) of Attorney(s):  
(71) Name(s) and Address(s) of Applicant(s):  
**Christine McCann**  
**46 Annandale Street Annandale New South Wales 2038 Australia**  
(72) Name(s) of Designer(s): **Christine McCann**  
(45) Registration Date: **04 April 2011**  
(56) Related Art Documents: **Not Applicable**  
(57) Statement of Newness and Distinctiveness: **The newness and distinctiveness of the bead flower resides in the configuration and/or shape as shown in the accompanying representations, irrespective of the presence or absence of the central component or the shape of the central component when present.**



- (21) Design Number: **10923/2011**  
(22) Date of Filing Application: **08 March 2011**  
(24) Date from which industrial property rights may have effect: **08 March 2011**  
(54) Product in respect of which the design is registered: **Bead flower having five bead petals and ten bugle bead petals**  
(51) International Design Classification: **11-04**  
(74) Name(s) of Attorney(s):  
(71) Name(s) and Address(s) of Applicant(s):  
**Christine McCann**  
**46 Annandale Street Annandale New South Wales 2038 Australia**  
(72) Name(s) of Designer(s): **Christine McCann**  
(45) Registration Date: **04 April 2011**  
(56) Related Art Documents: **Not Applicable**  
(57) Statement of Newness and Distinctiveness: **The newness and distinctiveness of the bead flower resides in the configuration and/or shape as shown in the accompanying representations, irrespective of the presence or absence of the central component or the shape of the central component when present.**



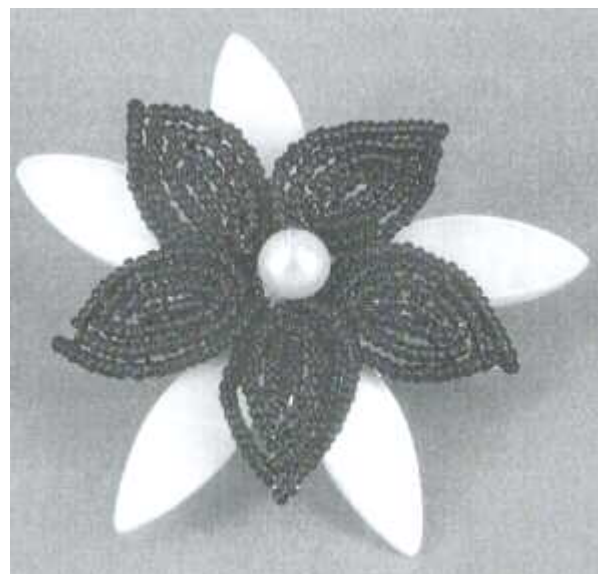
- (21) Design Number: **10924/2011**  
(22) Date of Filing Application: **08 March 2011**  
(24) Date from which industrial property rights may have effect: **08 March 2011**  
(54) Product in respect of which the design is registered: **Electric generator**  
(51) International Design Classification: **13-01**  
(74) Name(s) of Attorney(s): **SPRUSON & FERGUSON**  
(71) Name(s) and Address(s) of Applicant(s):  
**C.E. Niehoff & Co.**  
**2021 Lee Street Evanston Illinois 60202 United States of America**  
(72) Name(s) of Designer(s): **Nisvet Basic and Majid Naghshineh and Mahmood Porkermani**  
(45) Registration Date: **04 April 2011**  
(30) Convention priority data:  
(31) Number (32) Date (33) Country  
**29/370 827 09 Sep 2010 UNITED STATES OF AMERICA**  
(56) Related Art Documents: **Not Applicable**  
(57) Statement of Newness and Distinctiveness: **Newness and distinctiveness is claimed in the features of shape and/or configuration of an electric generator as illustrated in the accompanying representations.**



- (21) Design Number: **10925/2011**  
(22) Date of Filing Application: **08 March 2011**  
(24) Date from which industrial property rights may have effect: **08 March 2011**  
(54) Product in respect of which the design is registered: **Bead flower having six bead petals and twelve bugle bead petals**  
(51) International Design Classification: **11-04**  
(74) Name(s) of Attorney(s):  
(71) Name(s) and Address(s) of Applicant(s):  
**Christine McCann**  
**46 Annandale Street Annandale New South Wales 2038 Australia**  
(72) Name(s) of Designer(s): **Christine McCann**  
(45) Registration Date: **04 April 2011**  
(56) Related Art Documents: **Not Applicable**  
(57) Statement of Newness and Distinctiveness: **The newness and distinctiveness of the bead flower resides in the configuration and/or shape as shown in the accompanying representations, irrespective of the presence or absence of the central component or the shape of the central component when present.**



- (21) Design Number: **10926/2011**  
(22) Date of Filing Application: **08 March 2011**  
(24) Date from which industrial property rights may have effect: **08 March 2011**  
(54) Product in respect of which the design is registered: **Bead flower having five bead petals and five seed bead petals**  
(51) International Design Classification: **11-04**  
(74) Name(s) of Attorney(s):  
(71) Name(s) and Address(s) of Applicant(s):  
**Christine McCann**  
**46 Annandale Street Annandale New South Wales 2038 Australia**  
(72) Name(s) of Designer(s): **Christine McCann**  
(45) Registration Date: **04 April 2011**  
(56) Related Art Documents: **Not Applicable**  
(57) Statement of Newness and Distinctiveness: **The newness and distinctiveness of the bead flower resides in the configuration and/or shape as shown in the accompanying representations, irrespective of the presence or absence of the central component or the shape of the central component when present.**



(21) Design Number: **10928/2011**

(22) Date of Filing Application: **08 March 2011**

(24) Date from which industrial property rights may have effect: **08 March 2011**

(54) Product in respect of which the design is registered: **Incontinence pad**

(51) International Design Classification: **24-04**

(74) Name(s) of Attorney(s): **Shelston IP**

(71) Name(s) and Address(s) of Applicant(s):

**Dry Like Me Limited**

**Suite 1a Shire Business Park Wainwright Road Worcestershire WR4 9FA  
United Kingdom**

(72) Name(s) of Designer(s): **Judith Hough and Diane Titterton**

(45) Registration Date: **04 April 2011**

(30) Convention priority data:

(31) Number

(32) Date

(33) Country

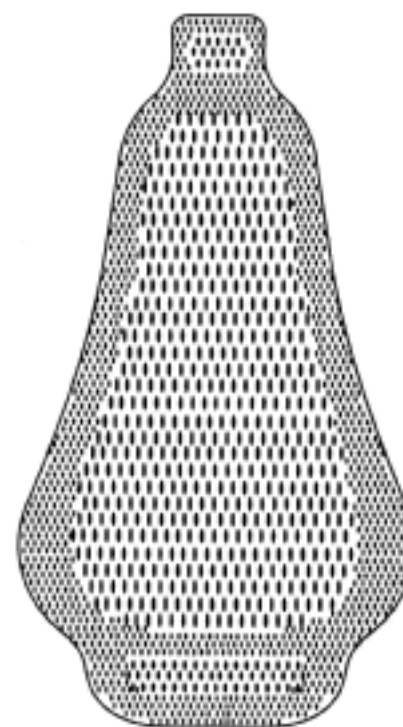
**001235410**

**11 Sep 2010**

**EUROPEAN COMMUNITY**

(56) Related Art Documents: **Not Applicable**

(57) Statement of Newness and Distinctiveness: **Newness and distinctiveness reside in the shape and configuration and/or pattern and ornamentation of the design for an incontinence pad as shown in the attached drawing.**



(21) Design Number: **10933/2011**

(22) Date of Filing Application: **08 March 2011**

(24) Date from which industrial property rights may have effect: **08 March 2011**

(54) Product in respect of which the design is registered: **Bead flower having five bead petals and five bugle bead petals**

(51) International Design Classification: **11-04**

(74) Name(s) of Attorney(s):

(71) Name(s) and Address(s) of Applicant(s):

**Christine McCann**

**46 Annandale Street Annandale New South Wales 2038 Australia**

(72) Name(s) of Designer(s): **Christine McCann**

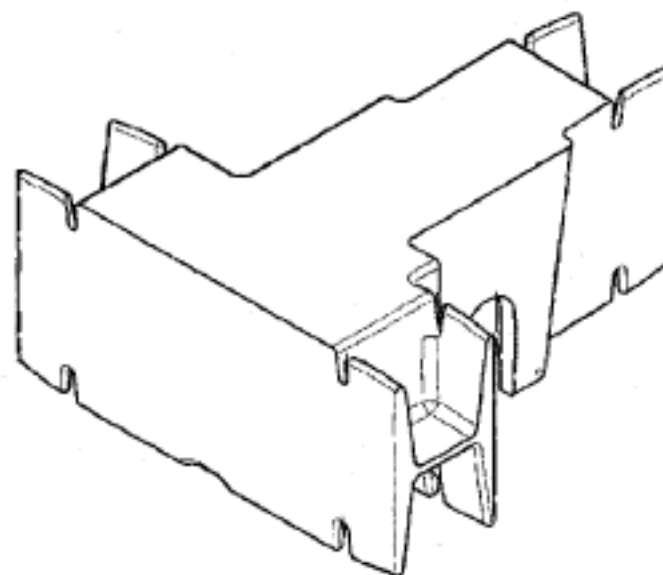
(45) Registration Date: **04 April 2011**

(56) Related Art Documents: **Not Applicable**

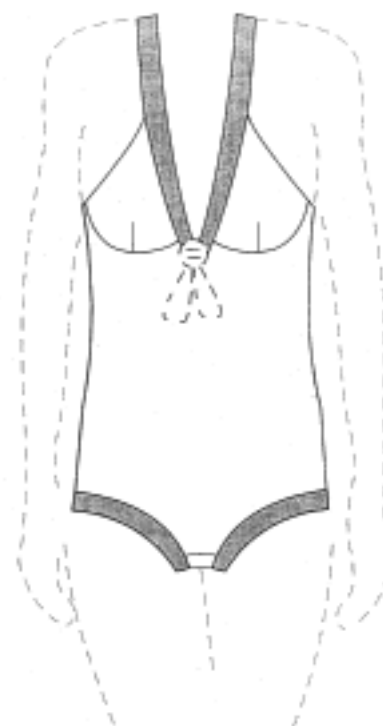
(57) Statement of Newness and Distinctiveness: **The newness and distinctiveness of the bead flower resides in the configuration and/or shape as shown in the accompanying representations, irrespective of the presence or absence of the central component or the shape of the central component when present.**



(21) Design Number: **10907/2011**  
(22) Date of Filing Application: **04 March 2011**  
(24) Date from which industrial property rights may have effect: **04 March 2011**  
(54) Product in respect of which the design is registered: **A connector**  
(51) International Design Classification: **06-04NES**  
(74) Name(s) of Attorney(s): **A J Park**  
(71) Name(s) and Address(s) of Applicant(s):  
**Lundia Shelving Limited**  
**71 Felton Matthew Avenue Glen Innes Auckland New Zealand**  
(72) Name(s) of Designer(s): **Craig Russell**  
(45) Registration Date: **07 April 2011**  
(30) Convention priority data:  
(31) Number (32) Date (33) Country  
**414010 06 Sep 2010 NEW ZEALAND**  
(56) Related Art Documents: **Not Applicable**  
(57) Statement of Newness and Distinctiveness: **Newness and distinctiveness resides in the features of shape and/or configuration of the spigot feature marked as 'A' in the accompanying representations.**



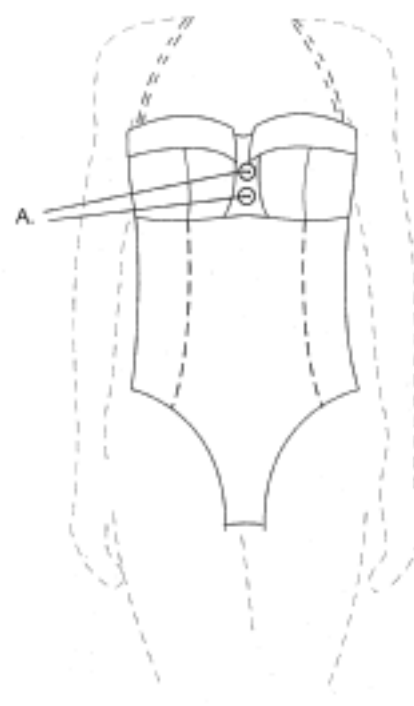
(21) Design Number: **10966/2011**  
(22) Date of Filing Application: **07 March 2011**  
(24) Date from which industrial property rights may have effect: **07 March 2011**  
(54) Product in respect of which the design is registered: **Swimwear garment**  
(51) International Design Classification: **02-02A**  
(74) Name(s) of Attorney(s): **Herbert Geer Lawyers**  
(71) Name(s) and Address(s) of Applicant(s):  
**JETS Swimwear Pty Limited**  
**8-18 Bowden Street Alexandria New South Wales 2015 Australia**  
(72) Name(s) of Designer(s): **Jessika Allen**  
(45) Registration Date: **07 April 2011**  
(56) Related Art Documents: **Not Applicable**  
(57) Statement of Newness and Distinctiveness: **Newness and distinctiveness is claimed in the shape, configuration, pattern and/or ornamentation of the swimwear garment as depicted in the accompanying representations. The outline of the wearer, the back straps shown in the rear view and the tie shown in the front view; each shown in broken lines, form no part of the design.**



- (21) Design Number: **10967/2011**  
(22) Date of Filing Application: **07 March 2011**  
(24) Date from which industrial property rights may have effect: **07 March 2011**  
(54) Product in respect of which the design is registered: **Swimwear garment**  
(51) International Design Classification: **02-02A**  
(74) Name(s) of Attorney(s): **Herbert Geer Lawyers**  
(71) Name(s) and Address(s) of Applicant(s):  
**JETS Swimwear Pty Limited**  
**8-18 Bowden Street Alexandria New South Wales 2015 Australia**  
(72) Name(s) of Designer(s): **Jessika Allen**  
(45) Registration Date: **07 April 2011**  
(56) Related Art Documents: **Not Applicable**  
(57) Statement of Newness and Distinctiveness: **Newness and distinctiveness is claimed in the shape and/or configuration of the swimwear garment as depicted in the accompanying representations. The outline of the wearer, the back straps shown in the rear view and the tie shown in the front view; each shown in broken lines, form no part of the design.**



- (21) Design Number: **10968/2011**  
(22) Date of Filing Application: **07 March 2011**  
(24) Date from which industrial property rights may have effect: **07 March 2011**  
(54) Product in respect of which the design is registered: **Swimwear garment**  
(51) International Design Classification: **02-02A**  
(74) Name(s) of Attorney(s): **Herbert Geer Lawyers**  
(71) Name(s) and Address(s) of Applicant(s):  
**JETS Swimwear Pty Limited**  
**8-18 Bowden Street Alexandria New South Wales 2015 Australia**  
(72) Name(s) of Designer(s): **Jessika Allen**  
(45) Registration Date: **07 April 2011**  
(56) Related Art Documents: **Not Applicable**  
(57) Statement of Newness and Distinctiveness: **Newness and distinctiveness is claimed in the shape and/or configuration of the swimwear garment as depicted in the accompanying representations. In considering the newness and distinctiveness of the design, the buttons shown in the front view, as indicated at "A", are to be disregarded. The outline of the wearer, the neck strap shown in the front view, the neck strap shown in the rear view, and the panels shown in the front view and rear view; each shown in broken lines, form no part of the design.**



(21) Design Number: **10969/2011**  
(22) Date of Filing Application: **07 March 2011**  
(24) Date from which industrial property rights may have effect: **07 March 2011**  
(54) Product in respect of which the design is registered: **Swimwear garment**  
(51) International Design Classification: **02-02A**  
(74) Name(s) of Attorney(s): **Herbert Geer Lawyers**  
(71) Name(s) and Address(s) of Applicant(s):

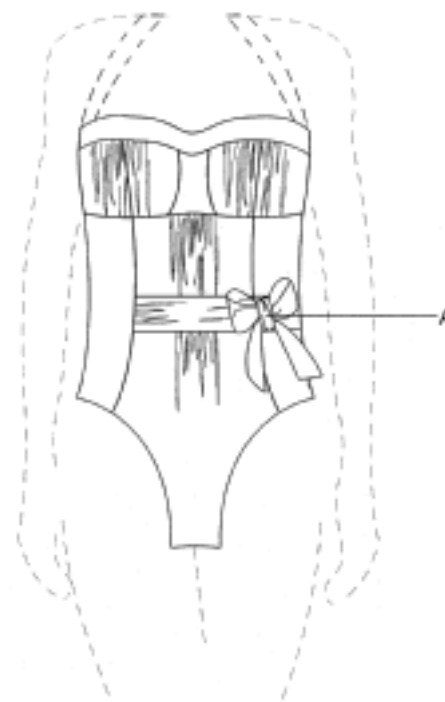
**JETS Swimwear Pty Limited**  
**8-18 Bowden Street Alexandria New South Wales 2015 Australia**

(72) Name(s) of Designer(s): **Jessika Allen**

(45) Registration Date: **07 April 2011**

(56) Related Art Documents: **Not Applicable**

(57) Statement of Newness and Distinctiveness: **Newness and distinctiveness is claimed in the shape and/or configuration of the swimwear garment as depicted in the accompanying representations. In considering the newness and distinctiveness of the design, the bow shown in the front view, as indicated at "A", is to be disregarded. The outline of the wearer, the neck strap shown in the front view and the neck strap shown in the rear view; each shown in broken lines, form no part of the design.**



(21) Design Number: **10970/2011**  
(22) Date of Filing Application: **07 March 2011**  
(24) Date from which industrial property rights may have effect: **07 March 2011**  
(54) Product in respect of which the design is registered: **Swimwear garment**  
(51) International Design Classification: **02-02A**  
(74) Name(s) of Attorney(s): **Herbert Geer Lawyers**  
(71) Name(s) and Address(s) of Applicant(s):

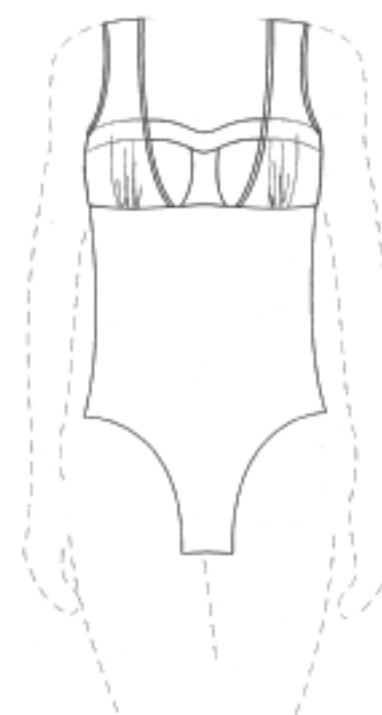
**JETS Swimwear Pty Limited**  
**8-18 Bowden Street Alexandria New South Wales 2015 Australia**

(72) Name(s) of Designer(s): **Jessika Allen**

(45) Registration Date: **07 April 2011**

(56) Related Art Documents: **Not Applicable**

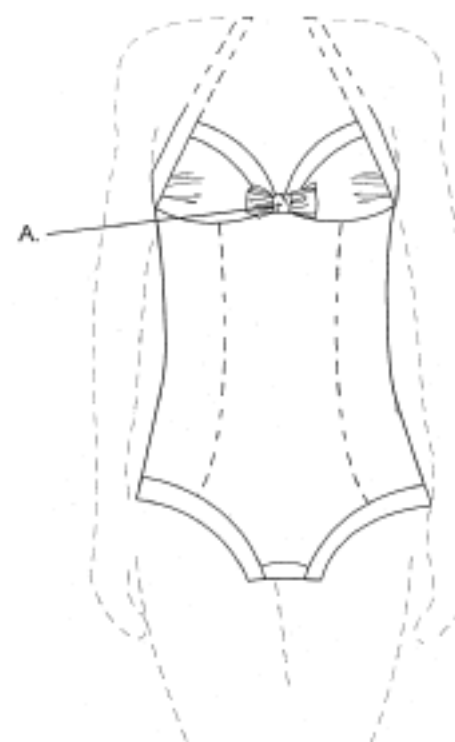
(57) Statement of Newness and Distinctiveness: **Newness and distinctiveness is claimed in the shape and/or configuration of the swimwear garment as depicted in the accompanying representations. The outline of the wearer, shown in broken lines, forms no part of the design.**



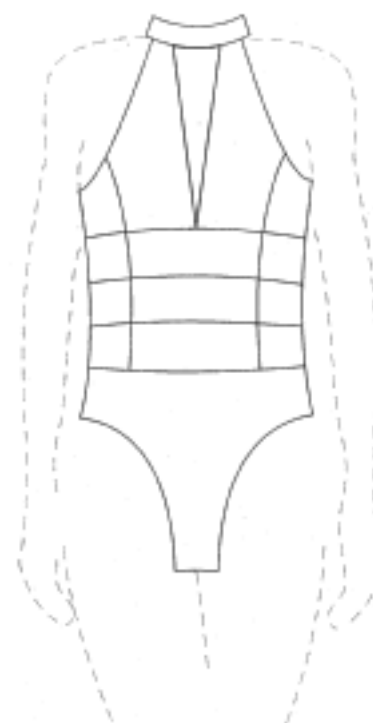
- (21) Design Number: **10971/2011**  
(22) Date of Filing Application: **07 March 2011**  
(24) Date from which industrial property rights may have effect: **07 March 2011**  
(54) Product in respect of which the design is registered: **Swimwear garment**  
(51) International Design Classification: **02-02A**  
(74) Name(s) of Attorney(s): **Herbert Geer Lawyers**  
(71) Name(s) and Address(s) of Applicant(s):  
**JETS Swimwear Pty Limited**  
**8-18 Bowden Street Alexandria New South Wales 2015 Australia**  
(72) Name(s) of Designer(s): **Jessika Allen**  
(45) Registration Date: **07 April 2011**  
(56) Related Art Documents: **Not Applicable**  
(57) Statement of Newness and Distinctiveness: **Newness and distinctiveness is claimed in the shape and/or configuration, pattern and/or ornamentation of the swimwear garment as depicted in the accompanying representations. In considering the newness and distinctiveness of the design the sew in tag and toggle shown in the back view as indicated at "A" are to be disregarded.**



- (21) Design Number: **10972/2011**  
(22) Date of Filing Application: **07 March 2011**  
(24) Date from which industrial property rights may have effect: **07 March 2011**  
(54) Product in respect of which the design is registered: **Swimwear garment**  
(51) International Design Classification: **02-02A**  
(74) Name(s) of Attorney(s): **Herbert Geer Lawyers**  
(71) Name(s) and Address(s) of Applicant(s):  
**JETS Swimwear Pty Limited**  
**8-18 Bowden Street Alexandria New South Wales 2015 Australia**  
(72) Name(s) of Designer(s): **Jessika Allen**  
(45) Registration Date: **07 April 2011**  
(56) Related Art Documents: **Not Applicable**  
(57) Statement of Newness and Distinctiveness: **Newness and distinctiveness is claimed in the shape and/or configuration of the swimwear garment as depicted in the accompanying representations. In considering the newness and the distinctiveness of the design, the bow shown in the front view, as indicated at "A", is to be disregarded. The outline of the wearer, the neck strap shown in the front view, the neck strap shown in the rear view, the panels shown in the front view and the panels shown in the rear view; each shown in broken lines, form no part of the design.**



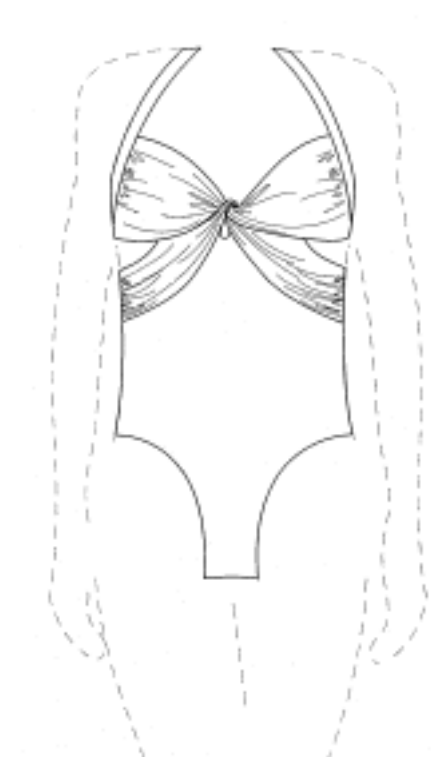
- (21) Design Number: **10973/2011**  
(22) Date of Filing Application: **07 March 2011**  
(24) Date from which industrial property rights may have effect: **07 March 2011**  
(54) Product in respect of which the design is registered: **Swimwear garment**  
(51) International Design Classification: **02-02A**  
(74) Name(s) of Attorney(s): **Herbert Geer Lawyers**  
(71) Name(s) and Address(s) of Applicant(s):  
**JETS Swimwear Pty Limited**  
**8-18 Bowden Street Alexandria New South Wales 2015 Australia**  
(72) Name(s) of Designer(s): **Jessika Allen**  
(45) Registration Date: **07 April 2011**  
(56) Related Art Documents: **Not Applicable**  
(57) Statement of Newness and Distinctiveness: **Newness and distinctiveness is claimed in the shape and/or configuration of the swimwear garment as depicted in the accompanying representations. The outline of the wearer, shown in broken lines, forms no part of the design.**



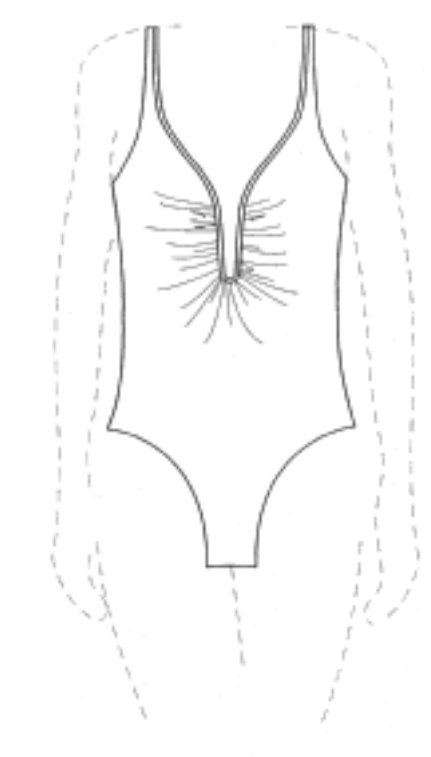
- (21) Design Number: **10974/2011**  
(22) Date of Filing Application: **07 March 2011**  
(24) Date from which industrial property rights may have effect: **07 March 2011**  
(54) Product in respect of which the design is registered: **Swimwear garment**  
(51) International Design Classification: **02-02A**  
(74) Name(s) of Attorney(s): **Herbert Geer Lawyers**  
(71) Name(s) and Address(s) of Applicant(s):  
**JETS Swimwear Pty Limited**  
**8-18 Bowden Street Alexandria New South Wales 2015 Australia**  
(72) Name(s) of Designer(s): **Jessika Allen**  
(45) Registration Date: **07 April 2011**  
(56) Related Art Documents: **Not Applicable**  
(57) Statement of Newness and Distinctiveness: **Newness and distinctiveness is claimed in the shape and/or configuration of the swimwear garment as depicted in the accompanying representations. The outline of the wearer, shown in broken lines, forms no part of the design.**



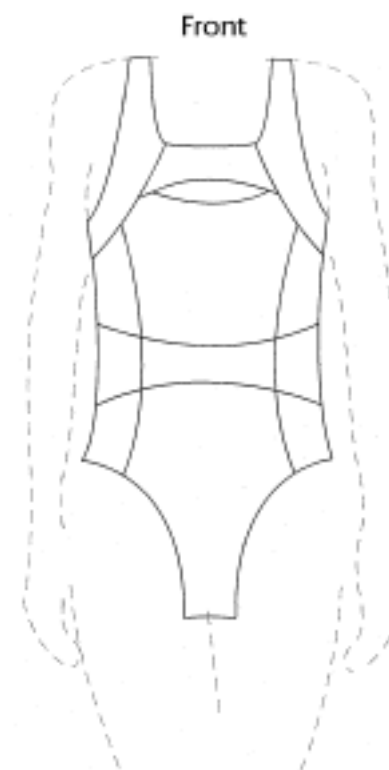
- (21) Design Number: **10975/2011**  
(22) Date of Filing Application: **07 March 2011**  
(24) Date from which industrial property rights may have effect: **07 March 2011**  
(54) Product in respect of which the design is registered: **Swimwear garment**  
(51) International Design Classification: **02-02A**  
(74) Name(s) of Attorney(s): **Herbert Geer Lawyers**  
(71) Name(s) and Address(s) of Applicant(s):  
**JETS Swimwear Pty Limited**  
**8-18 Bowden Street Alexandria New South Wales 2015 Australia**  
(72) Name(s) of Designer(s): **Jessika Allen**  
(45) Registration Date: **07 April 2011**  
(56) Related Art Documents: **Not Applicable**  
(57) Statement of Newness and Distinctiveness: **Newness and distinctiveness is claimed in the shape and/or configuration of the swimwear garment as depicted in the accompanying representations. In considering the newness and distinctiveness of the design, the two bows shown in the rear view, as indicated at "A", are to be disregarded. The outline of the wearer, shown in broken lines, forms no part of the design.**



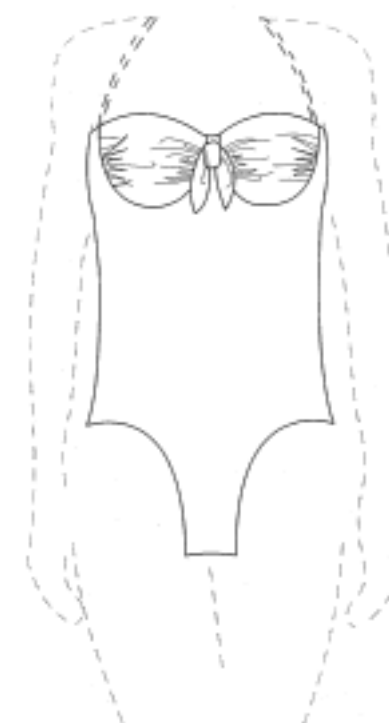
- (21) Design Number: **10976/2011**  
(22) Date of Filing Application: **07 March 2011**  
(24) Date from which industrial property rights may have effect: **07 March 2011**  
(54) Product in respect of which the design is registered: **Swimwear garment**  
(51) International Design Classification: **02-02A**  
(74) Name(s) of Attorney(s): **Herbert Geer Lawyers**  
(71) Name(s) and Address(s) of Applicant(s):  
**JETS Swimwear Pty Limited**  
**8-18 Bowden Street Alexandria New South Wales 2015 Australia**  
(72) Name(s) of Designer(s): **Jessika Allen**  
(45) Registration Date: **07 April 2011**  
(56) Related Art Documents: **Not Applicable**  
(57) Statement of Newness and Distinctiveness: **Newness and distinctiveness is claimed in the shape and/or configuration of the swimwear garment as depicted in the accompanying representations. The outline of the wearer, shown in broken lines, forms no part of the design.**



- (21) Design Number: **10977/2011**  
(22) Date of Filing Application: **07 March 2011**  
(24) Date from which industrial property rights may have effect: **07 March 2011**  
(54) Product in respect of which the design is registered: **Swimwear garment**  
(51) International Design Classification: **02-02A**  
(74) Name(s) of Attorney(s): **Herbert Geer Lawyers**  
(71) Name(s) and Address(s) of Applicant(s):  
**JETS Swimwear Pty Limited**  
**8-18 Bowden Street Alexandria New South Wales 2015 Australia**  
(72) Name(s) of Designer(s): **Jessika Allen**  
(45) Registration Date: **07 April 2011**  
(56) Related Art Documents: **Not Applicable**  
(57) Statement of Newness and Distinctiveness: **Newness and distinctiveness is claimed in the shape and/or configuration of the swimwear garment as depicted in the accompanying representations. The outline of the wearer, shown in broken lines, forms no part of the design.**



- (21) Design Number: **10978/2011**  
(22) Date of Filing Application: **07 March 2011**  
(24) Date from which industrial property rights may have effect: **07 March 2011**  
(54) Product in respect of which the design is registered: **Swimwear garment**  
(51) International Design Classification: **02-02A**  
(74) Name(s) of Attorney(s): **Herbert Geer Lawyers**  
(71) Name(s) and Address(s) of Applicant(s):  
**JETS Swimwear Pty Limited**  
**8-18 Bowden Street Alexandria New South Wales 2015 Australia**  
(72) Name(s) of Designer(s): **Jessika Allen**  
(45) Registration Date: **07 April 2011**  
(56) Related Art Documents: **Not Applicable**  
(57) Statement of Newness and Distinctiveness: **Newness and distinctiveness is claimed in the shape and/or configuration of the swimwear garment as depicted in the accompanying representations. The outline of the wearer, the neck strap shown in the front view and the neck strap shown in the rear view; each shown in broken lines, form no part of the design.**



(21) Design Number: **10979/2011**  
(22) Date of Filing Application: **07 March 2011**  
(24) Date from which industrial property rights may have effect: **07 March 2011**  
(54) Product in respect of which the design is registered: **Swimwear garment**  
(51) International Design Classification: **02-02A**  
(74) Name(s) of Attorney(s): **Herbert Geer Lawyers**  
(71) Name(s) and Address(s) of Applicant(s):

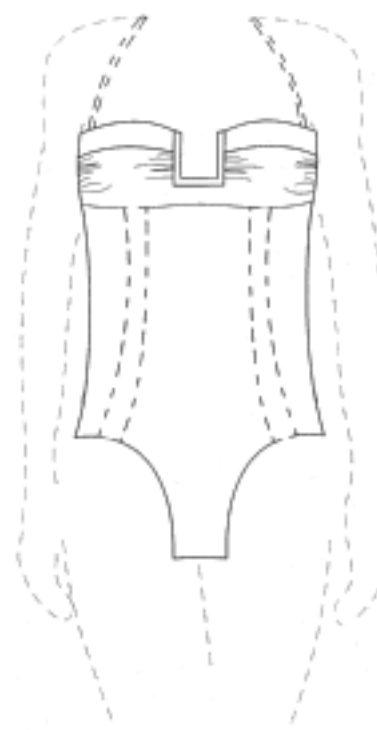
**JETS Swimwear Pty Limited**  
**8-18 Bowden Street Alexandria New South Wales 2015 Australia**

(72) Name(s) of Designer(s): **Jessika Allen**

(45) Registration Date: **07 April 2011**

(56) Related Art Documents: **Not Applicable**

(57) Statement of Newness and Distinctiveness: **Newness and distinctiveness is claimed in the shape and/or configuration of the swimwear garment as depicted in the accompanying representations. In considering the newness and distinctiveness of the design, the clasp shown in the rear view, as indicated at "A", is to be disregarded. The outline of the wearer, the neck strap shown in the front view, the neck strap shown in the back view and the panelling shown in the front view; each shown in broken lines, form no part of the design.**



(21) Design Number: **10980/2011**  
(22) Date of Filing Application: **07 March 2011**  
(24) Date from which industrial property rights may have effect: **07 March 2011**  
(54) Product in respect of which the design is registered: **Swimwear garment**  
(51) International Design Classification: **02-02A**  
(74) Name(s) of Attorney(s): **Herbert Geer Lawyers**  
(71) Name(s) and Address(s) of Applicant(s):

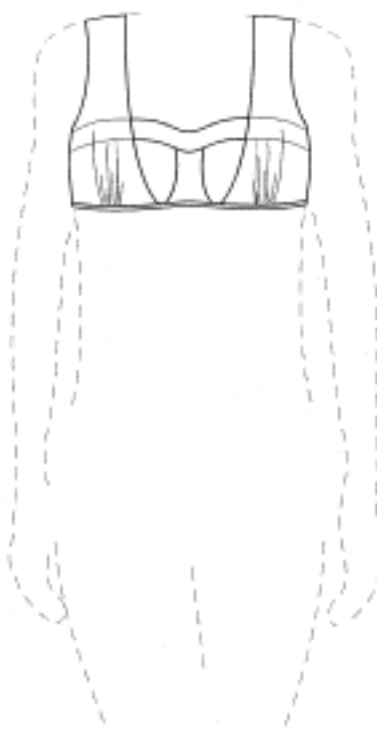
**JETS Swimwear Pty Limited**  
**8-18 Bowden Street Alexandria New South Wales 2015 Australia**

(72) Name(s) of Designer(s): **Jessika Allen**

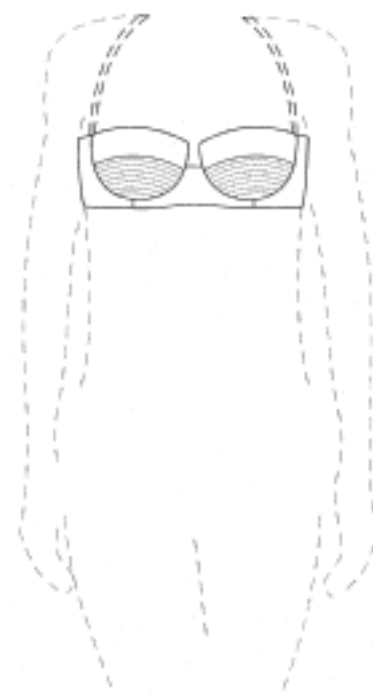
(45) Registration Date: **07 April 2011**

(56) Related Art Documents: **Not Applicable**

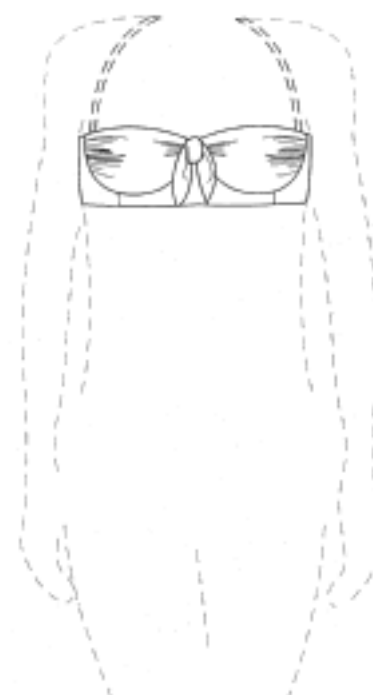
(57) Statement of Newness and Distinctiveness: **Newness and distinctiveness is claimed in the shape and/or configuration of the swimwear garment as depicted in the accompanying representations. In considering the newness and distinctiveness of the design, the clasp shown in the rear view, as indicated at "A", is to be disregarded. The outline wearer, the back straps shown in the rear view and the two angled panels, shown in the rear view; each shown in broken lines, form no part of the design.**



- (21) Design Number: **10981/2011**  
(22) Date of Filing Application: **07 March 2011**  
(24) Date from which industrial property rights may have effect: **07 March 2011**  
(54) Product in respect of which the design is registered: **Swimwear garment**  
(51) International Design Classification: **02-02A**  
(74) Name(s) of Attorney(s): **Herbert Geer Lawyers**  
(71) Name(s) and Address(s) of Applicant(s):  
**JETS Swimwear Pty Limited**  
**8-18 Bowden Street Alexandria New South Wales 2015 Australia**  
(72) Name(s) of Designer(s): **Jessika Allen**  
(45) Registration Date: **07 April 2011**  
(56) Related Art Documents: **Not Applicable**  
(57) Statement of Newness and Distinctiveness: **Newness and distinctiveness is claimed in the shape and configuration, of the swimwear garment as depicted in the accompanying representations and in the pattern and ornamentation of the underside of both bra-cups which is quilted stitching. In considering the newness and distinctiveness of the design, the clasp shown in the rear view, as indicated at "A", is to be disregarded. The outline of the wearer, the straps shown in the front view and the neck strap shown in the rear view; each shown in broken lines, form no part of the design.**



- (21) Design Number: **10982/2011**  
(22) Date of Filing Application: **07 March 2011**  
(24) Date from which industrial property rights may have effect: **07 March 2011**  
(54) Product in respect of which the design is registered: **Swimwear garment**  
(51) International Design Classification: **02-02A**  
(74) Name(s) of Attorney(s): **Herbert Geer Lawyers**  
(71) Name(s) and Address(s) of Applicant(s):  
**JETS Swimwear Pty Limited**  
**8-18 Bowden Street Alexandria New South Wales 2015 Australia**  
(72) Name(s) of Designer(s): **Jessika Allen**  
(45) Registration Date: **07 April 2011**  
(56) Related Art Documents: **Not Applicable**  
(57) Statement of Newness and Distinctiveness: **Newness and distinctiveness is claimed in the shape and configuration of the swimwear garment as depicted in the accompanying representations. In considering the newness and distinctiveness of the design, the clasp shown in the rear view, as indicated at "A", is to be disregarded. The outline of the wearer, the straps shown in the front view and the neck strap shown in the rear view; each shown in broken lines, form no part of the design.**



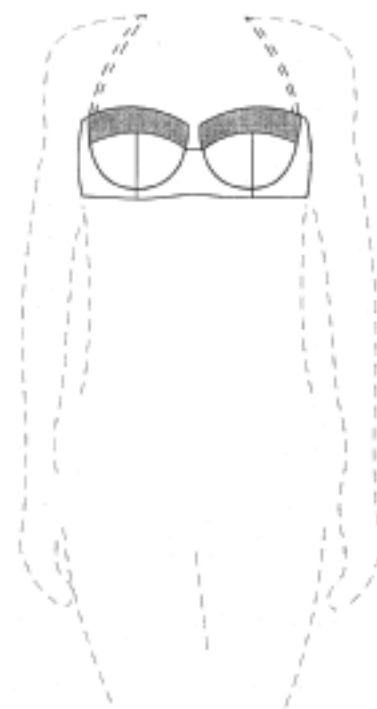
(21) Design Number: **10983/2011**  
(22) Date of Filing Application: **07 March 2011**  
(24) Date from which industrial property rights may have effect: **07 March 2011**  
(54) Product in respect of which the design is registered: **Swimwear garment**  
(51) International Design Classification: **02-02A**  
(74) Name(s) of Attorney(s): **Herbert Geer Lawyers**  
(71) Name(s) and Address(s) of Applicant(s):  
**JETS Swimwear Pty Limited**  
**8-18 Bowden Street Alexandria New South Wales 2015 Australia**

(72) Name(s) of Designer(s): **Jessika Allen**

(45) Registration Date: **07 April 2011**

(56) Related Art Documents: **Not Applicable**

(57) Statement of Newness and Distinctiveness: **Newness and distinctiveness is claimed in the shape, configuration, pattern and/or ornamentation of the swimwear garment as depicted in the accompanying representations. In considering the newness and distinctiveness of the design, the clasp shown in the rear view, as indicated at "A", is to be disregarded. The outline of the wearer, the straps shown in the front view and the neck strap shown in the rear view; each shown in broken lines, form no part of the design.**



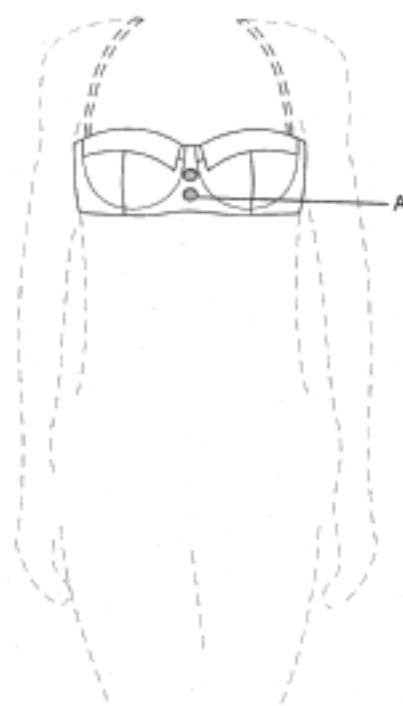
(21) Design Number: **10984/2011**  
(22) Date of Filing Application: **07 March 2011**  
(24) Date from which industrial property rights may have effect: **07 March 2011**  
(54) Product in respect of which the design is registered: **Swimwear garment**  
(51) International Design Classification: **02-02A**  
(74) Name(s) of Attorney(s): **Herbert Geer Lawyers**  
(71) Name(s) and Address(s) of Applicant(s):  
**JETS Swimwear Pty Limited**  
**8-18 Bowden Street Alexandria New South Wales 2015 Australia**

(72) Name(s) of Designer(s): **Jessika Allen**

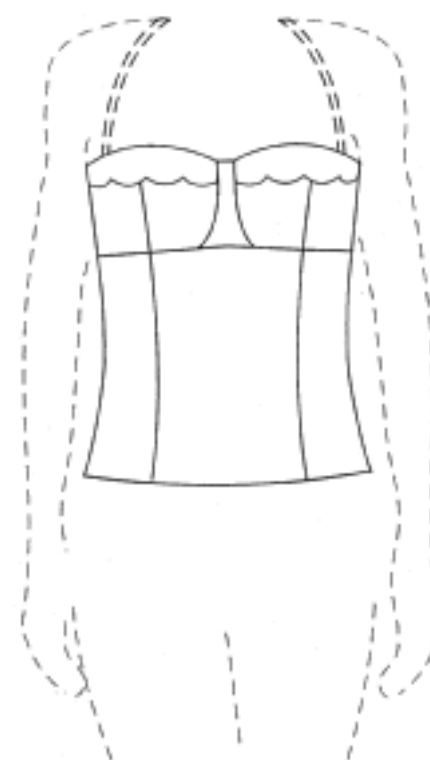
(45) Registration Date: **07 April 2011**

(56) Related Art Documents: **Not Applicable**

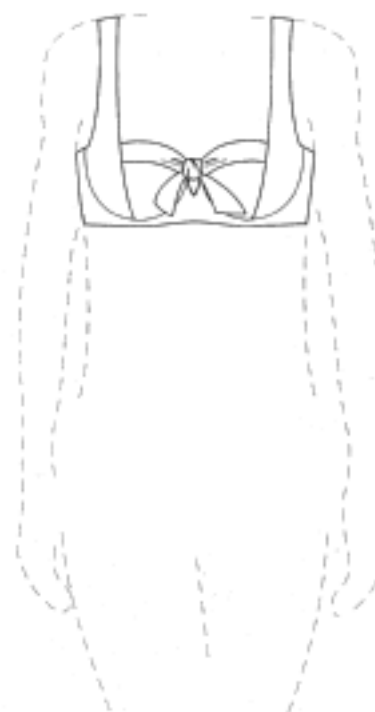
(57) Statement of Newness and Distinctiveness: **Newness and distinctiveness is claimed in the shape and/or configuration of the swimwear garment as depicted in the accompanying representations. In considering the newness and distinctiveness of the design, the two buttons shown in the front view, as indicated at "A", are to be disregarded. In considering the newness and distinctiveness of the design, the clasp shown in the rear view, as indicated at "A", is to be disregarded. The outline of the wearer, the straps shown in the front view and the back strap shown in the rear view; each shown in broken lines, form no part of the design.**



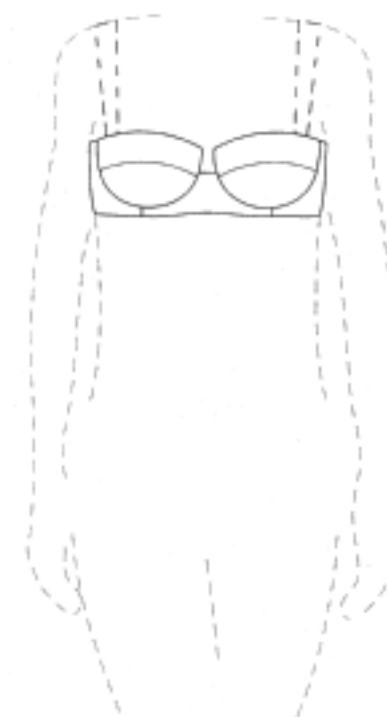
- (21) Design Number: **10985/2011**  
(22) Date of Filing Application: **07 March 2011**  
(24) Date from which industrial property rights may have effect: **07 March 2011**  
(54) Product in respect of which the design is registered: **Swimwear garment**  
(51) International Design Classification: **02-02A**  
(74) Name(s) of Attorney(s): **Herbert Geer Lawyers**  
(71) Name(s) and Address(s) of Applicant(s):  
**JETS Swimwear Pty Limited**  
**8-18 Bowden Street Alexandria New South Wales 2015 Australia**  
(72) Name(s) of Designer(s): **Jessika Allen**  
(45) Registration Date: **07 April 2011**  
(56) Related Art Documents: **Not Applicable**  
(57) Statement of Newness and Distinctiveness: **Newness and distinctiveness is claimed in the shape and/or configuration of the swimwear garment as depicted in the accompanying representations. The outline of the wearer, the straps shown in the front view, the back strap shown in the rear view and the panelling shown in the rear view; each shown in broken lines, form no part of the design.**



- (21) Design Number: **10986/2011**  
(22) Date of Filing Application: **07 March 2011**  
(24) Date from which industrial property rights may have effect: **07 March 2011**  
(54) Product in respect of which the design is registered: **Swimwear garment**  
(51) International Design Classification: **02-02A**  
(74) Name(s) of Attorney(s): **Herbert Geer Lawyers**  
(71) Name(s) and Address(s) of Applicant(s):  
**JETS Swimwear Pty Limited**  
**8-18 Bowden Street Alexandria New South Wales 2015 Australia**  
(72) Name(s) of Designer(s): **Jessika Allen**  
(45) Registration Date: **07 April 2011**  
(56) Related Art Documents: **Not Applicable**  
(57) Statement of Newness and Distinctiveness: **Newness and distinctiveness is claimed in the shape and/or configuration of the swimwear garment as depicted in the accompanying representations. In considering the newness and distinctiveness of the design, the clasp shown in the rear view, as indicated at "A", is to be disregarded. The outline of the wearer, the straps shown in the front view and the back straps shown in the rear view; each shown in broken lines, form no part of the design.**



(21) Design Number: **10987/2011**  
(22) Date of Filing Application: **07 March 2011**  
(24) Date from which industrial property rights may have effect: **07 March 2011**  
(54) Product in respect of which the design is registered: **Swimwear garment**  
(51) International Design Classification: **02-02A**  
(74) Name(s) of Attorney(s): **Herbert Geer Lawyers**  
(71) Name(s) and Address(s) of Applicant(s):  
**JETS Swimwear Pty Limited**  
**8-18 Bowden Street Alexandria New South Wales 2015 Australia**  
(72) Name(s) of Designer(s): **Jessika Allen**  
(45) Registration Date: **07 April 2011**  
(56) Related Art Documents: **Not Applicable**  
(57) Statement of Newness and Distinctiveness: **Newness and distinctiveness is claimed in the shape and/or configuration of the swimwear garment as depicted in the accompanying representations. In considering the newness and distinctiveness of the design, the clasp shown in the rear view, as indicated at "A", is to be disregarded. The outline of the wearer, the straps shown in the front view and the back straps shown in the rear view; each shown in broken lines, form no part of the design.**



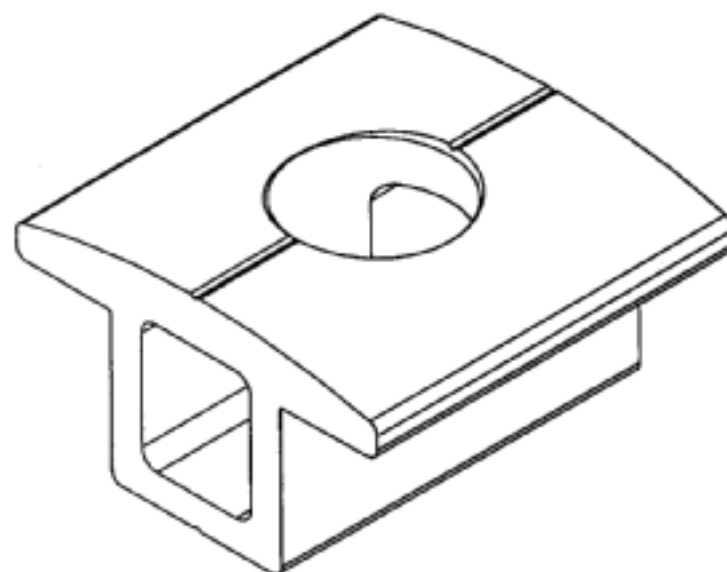
(21) Design Number: **10314/2011**  
(22) Date of Filing Application: **03 February 2011**  
(24) Date from which industrial property rights may have effect: **03 February 2011**  
(54) Product in respect of which the design is registered: **A hook**  
(51) International Design Classification: **08-08G**  
(74) Name(s) of Attorney(s): **Davies Collison Cave**  
(71) Name(s) and Address(s) of Applicant(s):  
**3M Innovative Properties Company**  
**3M Center Saint Paul Minnesota 55133-3427 United States of America**  
(72) Name(s) of Designer(s): **Jameel Rakad Qiblawi and Craig Donald Thompson and Sean Christopher McGreevy and Dagmara Siemieniec and Marcela Silvina Iglesias and Johannes Bayer**  
(45) Registration Date: **04 April 2011**  
(30) Convention priority data:  
(31) Number (32) Date (33) Country  
**29/367120 03 Aug 2010 UNITED STATES OF AMERICA**  
(56) Related Art Documents: **Not Applicable**  
(57) Statement of Newness and Distinctiveness: **Nil**



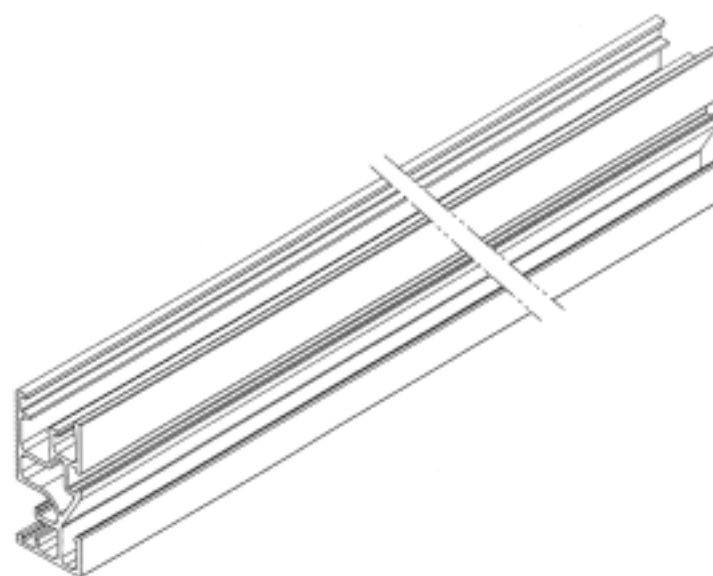
- (21) Design Number: **10381/2011**  
(22) Date of Filing Application: **10 February 2011**  
(24) Date from which industrial property rights may have effect: **10 February 2011**  
(54) Product in respect of which the design is registered: **Shampoo Bottle**  
(51) International Design Classification: **09-01D**  
(74) Name(s) of Attorney(s):  
(71) Name(s) and Address(s) of Applicant(s):  
**Colour Me Clean Pty Ltd.**  
**534/17-19 Memorial Avenue St Ives New South Wales 2075 Australia**  
(72) Name(s) of Designer(s): **Gary Loupos**  
(45) Registration Date: **04 April 2011**  
(56) Related Art Documents: **Not Applicable**  
(57) Statement of Newness and Distinctiveness: **Shaped as a crayon, the packaging is identical with exception for the colour of each top. Please see samples attached.**



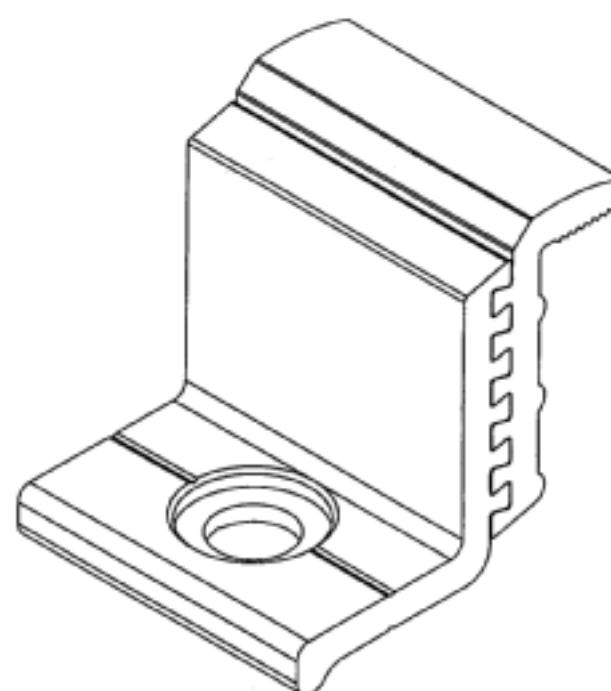
- (21) Design Number: **10948/2011**  
(22) Date of Filing Application: **08 March 2011**  
(24) Date from which industrial property rights may have effect: **08 March 2011**  
(54) Product in respect of which the design is registered: **Clamping element**  
(51) International Design Classification: **08-08D**  
(74) Name(s) of Attorney(s): **PHILLIPS ORMONDE FITZPATRICK**  
(71) Name(s) and Address(s) of Applicant(s):  
**Lock Solar Ltd**  
**Suite 2 3rd Floor No.10 Eve Street Belize City Belize**  
(72) Name(s) of Designer(s): **Lloyd Fenn**  
(45) Registration Date: **04 April 2011**  
(56) Related Art Documents: **Not Applicable**  
(57) Statement of Newness and Distinctiveness: **Those features of the clamping element depicted in the representations that are new and distinctive are the shape and/or configuration. The features shown in broken lines are not part of the design and are to be disregarded when considering the overall impression of the design.**



- (21) Design Number: **10949/2011**  
(22) Date of Filing Application: **08 March 2011**  
(24) Date from which industrial property rights may have effect: **08 March 2011**  
(54) Product in respect of which the design is registered: **Extruded profile for mounting frame**  
(51) International Design Classification: **25-01K**  
(74) Name(s) of Attorney(s): **PHILLIPS ORMONDE FITZPATRICK**  
(71) Name(s) and Address(s) of Applicant(s):  
**Lock Solar Ltd**  
**Suite 2 3rd Floor No.10 Eve Street Belize City Belize**  
(72) Name(s) of Designer(s): **Lloyd Fenn**  
(45) Registration Date: **04 April 2011**  
(56) Related Art Documents: **Not Applicable**  
(57) Statement of Newness and Distinctiveness: **Those features of the extruded profile for mounting frame depicted in the representations that are new and distinctive are the shape and/or configuration. The extruded profile for mounting frame may be of indefinite length.**



- (21) Design Number: **10950/2011**  
(22) Date of Filing Application: **08 March 2011**  
(24) Date from which industrial property rights may have effect: **08 March 2011**  
(54) Product in respect of which the design is registered: **Clamping elements**  
(51) International Design Classification: **08-08D**  
(74) Name(s) of Attorney(s): **PHILLIPS ORMONDE FITZPATRICK**  
(71) Name(s) and Address(s) of Applicant(s):  
**Lock Solar Ltd**  
**Suite 2 3rd Floor No.10 Eve Street Belize City Belize**  
(72) Name(s) of Designer(s): **Lloyd Fenn**  
(45) Registration Date: **04 April 2011**  
(56) Related Art Documents: **Not Applicable**  
(57) Statement of Newness and Distinctiveness: **Those features of the clamping elements depicted in the representations that are new and distinctive are the shape and/or configuration. The features shown in broken lines are not part of the design and are to be disregarded when considering the overall impression of the design.**



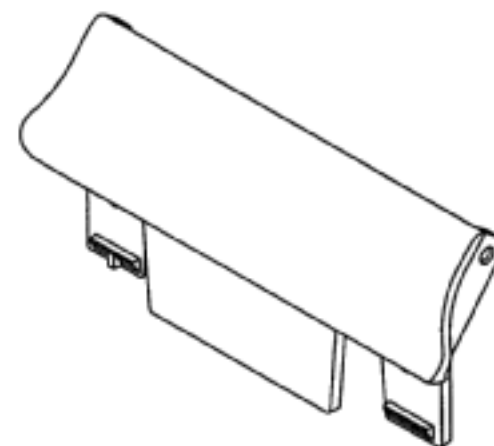
- (21) Design Number: **10952/2011**  
(22) Date of Filing Application: **08 March 2011**  
(24) Date from which industrial property rights may have effect: **08 March 2011**  
(54) Product in respect of which the design is registered: **Pipe hanger clamp**  
(51) International Design Classification: **08-08D**  
(74) Name(s) of Attorney(s): **Fisher Adams Kelly**  
(71) Name(s) and Address(s) of Applicant(s):  
**Sitka Developments Pty Ltd**  
**Level 24 10 Eagle Street Brisbane Queensland 4000 Australia**  
(72) Name(s) of Designer(s): **John Hammond and Neville King and Jonathan Haughton**  
(45) Registration Date: **04 April 2011**  
(56) Related Art Documents: **Not Applicable**  
(57) Statement of Newness and Distinctiveness: **The newness and distinctiveness of the design resides in the shape and/or configuration of the PIPE HANGER CLAMP shown in the representations.**



- (21) Design Number: **10409/2011**  
(22) Date of Filing Application: **10 February 2011**  
(24) Date from which industrial property rights may have effect: **10 February 2011**  
(54) Product in respect of which the design is registered: **Container assembly**  
(51) International Design Classification: **09-03NES**  
(74) Name(s) of Attorney(s): **Davies Collison Cave**  
(71) Name(s) and Address(s) of Applicant(s):  
**The Stanley Works Israel Ltd.**  
**19 Ha'Melacha Street New Industrial Zone Rosh Ha'ayin 48091 Israel**  
(72) Name(s) of Designer(s): **Zvika Fraiman and Mark Bensman**  
(45) Registration Date: **04 April 2011**  
(30) Convention priority data:  
(31) Number      (32) Date      (33) Country  
**29/367774      12 Aug 2010      UNITED STATES OF AMERICA**  
(56) Related Art Documents: **Not Applicable**  
(57) Statement of Newness and Distinctiveness: **Newness and distinctiveness is claimed in the visual features shown in solid lines in the representations.**



(21) Design Number: **10498/2011**  
(22) Date of Filing Application: **16 February 2011**  
(24) Date from which industrial property rights may have effect: **16 February 2011**  
(54) Product in respect of which the design is registered: **Improved tab**  
(51) International Design Classification: **19-99**  
(74) Name(s) of Attorney(s): **Cullens Patent and Trade Mark Attorneys**  
(71) Name(s) and Address(s) of Applicant(s):  
**Rida Corp Pty Ltd**  
**PO Box 124 Paddington Queensland 4064 Australia**  
(72) Name(s) of Designer(s): **Richard Frappell and Gordon Stuart**  
(45) Registration Date: **04 April 2011**  
(56) Related Art Documents: **Not Applicable**  
(57) Statement of Newness and Distinctiveness: **Nil**



(21) Design Number: **10956/2011**  
(22) Date of Filing Application: **08 March 2011**  
(24) Date from which industrial property rights may have effect: **08 March 2011**  
(54) Product in respect of which the design is registered: **Bead flower having three bead petals and three bugle bead petals**  
(51) International Design Classification: **11-04**  
(74) Name(s) of Attorney(s):  
(71) Name(s) and Address(s) of Applicant(s):  
**Christine McCann**  
**46 Annandale Street Annandale New South Wales 2038 Australia**  
(72) Name(s) of Designer(s): **Christine McCann**  
(45) Registration Date: **04 April 2011**  
(56) Related Art Documents: **Not Applicable**  
(57) Statement of Newness and Distinctiveness: **Newness and distinctiveness of the bead flower resides in the configuration and/or shape as shown in the accompanying representations, irrespective of the presence or absence of the central component or the shape of the central component when present.**



(21) Design Number: **10957/2011**  
(22) Date of Filing Application: **08 March 2011**  
(24) Date from which industrial property rights may have effect: **08 March 2011**  
(54) Product in respect of which the design is registered: **Chopper**  
(51) International Design Classification: **07-04**  
(74) Name(s) of Attorney(s): **MALLESONS STEPHEN JAQUES**  
(71) Name(s) and Address(s) of Applicant(s):

**Pi-Design AG**  
**Kantonsstrasse 100 6234 Triengen Switzerland**

(72) Name(s) of Designer(s): **Jorgen Bodum**

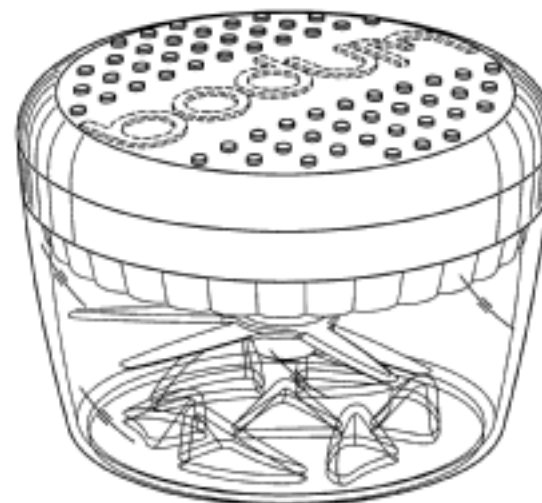
(45) Registration Date: **04 April 2011**

(30) Convention priority data:

(31) Number	(32) Date	(33) Country
<b>DM/074 418</b>	<b>10 Sep 2010</b>	<b>WORLD INTELLECTUAL PROPERTY ORGANIZATION (WIPO)</b>

(56) Related Art Documents: **Not Applicable**

(57) Statement of Newness and Distinctiveness: **Nil**



(21) Design Number: **10958/2011**  
(22) Date of Filing Application: **08 March 2011**  
(24) Date from which industrial property rights may have effect: **08 March 2011**  
(54) Product in respect of which the design is registered: **Bead flower having four bead petals and eight bugle bead petals**  
(51) International Design Classification: **11-04**  
(74) Name(s) of Attorney(s):  
(71) Name(s) and Address(s) of Applicant(s):

**Christine McCann**  
**46 Annandale Street Annandale New South Wales 2038 Australia**

(72) Name(s) of Designer(s): **Christine McCann**

(45) Registration Date: **04 April 2011**

(56) Related Art Documents: **Not Applicable**

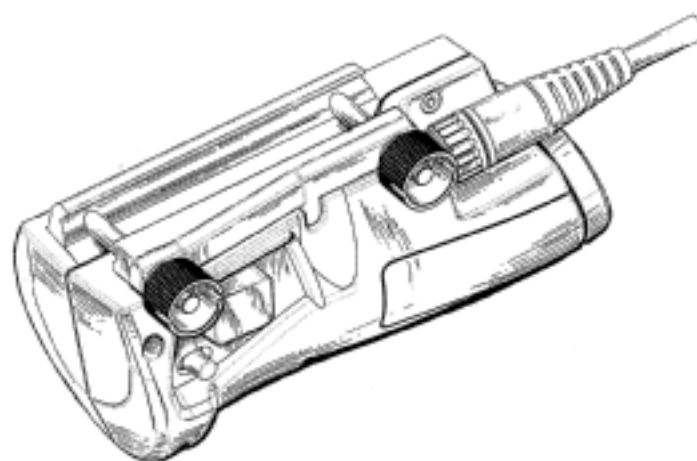
(57) Statement of Newness and Distinctiveness: **The newness and distinctiveness of the bead flower resides in the configuration and/or shape as shown in the accompanying representation, irrespective of the presence or absence of the central component or the shape of the central component when present.**



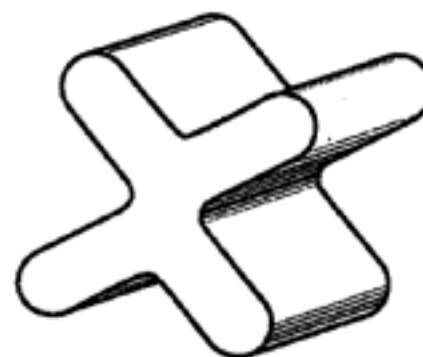
- (21) Design Number: **10959/2011**  
(22) Date of Filing Application: **08 March 2011**  
(24) Date from which industrial property rights may have effect: **08 March 2011**  
(54) Product in respect of which the design is registered: **Bead flower having four bead petals and four bugle bead petals**  
(51) International Design Classification: **11-04**  
(74) Name(s) of Attorney(s):  
(71) Name(s) and Address(s) of Applicant(s):  
**Christine McCann**  
**46 Annandale Street Annandale New South Wales 2038 Australia**  
(72) Name(s) of Designer(s): **Christine McCann**  
(45) Registration Date: **04 April 2011**  
(56) Related Art Documents: **Not Applicable**  
(57) Statement of Newness and Distinctiveness: **The newness and distinctiveness of the bead flower resides in the configuration and/or shape as shown in the accompanying representation, irrespective of the presence or absence of the central component or the shape of the central component when present.**



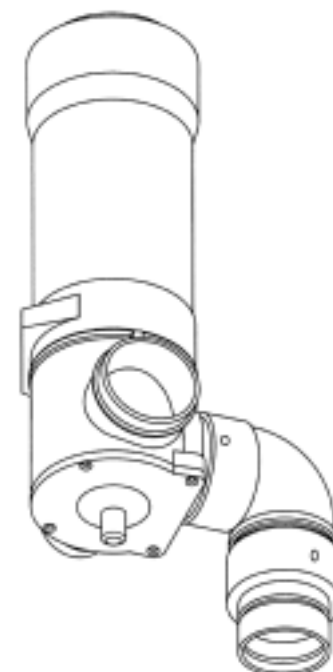
- (21) Design Number: **10963/2011**  
(22) Date of Filing Application: **09 March 2011**  
(24) Date from which industrial property rights may have effect: **09 March 2011**  
(54) Product in respect of which the design is registered: **Rifle mountable input and control device**  
(51) International Design Classification: **22-01**  
(74) Name(s) of Attorney(s): **SPRUSON & FERGUSON**  
(71) Name(s) and Address(s) of Applicant(s):  
**KordTech Pty Ltd**  
**Suite 1 Lvl 2 Endeavour House 2-10 Captain Cook Crescent Griffith**  
**Australian Capital Territory 2603 Australia**  
(72) Name(s) of Designer(s): **Danny Gasser and Adam Fransen and Robert Tiller and Claudia Bonifer and Michael Hoppe and Bruce Macdonald and Peter Moran and Will Boettcher and Geoffrey Woodman**  
(45) Registration Date: **04 April 2011**  
(56) Related Art Documents: **Not Applicable**  
(57) Statement of Newness and Distinctiveness: **Newness and distinctiveness is claimed in the features of shape and/or configuration of a rifle mountable input and control device as illustrated in the accompanying representations. Particular regard is to be had to the dual power / precision grip, large tactile buttons, recessed and angled connector, side battery compartment with cover, thumb rest, hand stop and lock out switch.**



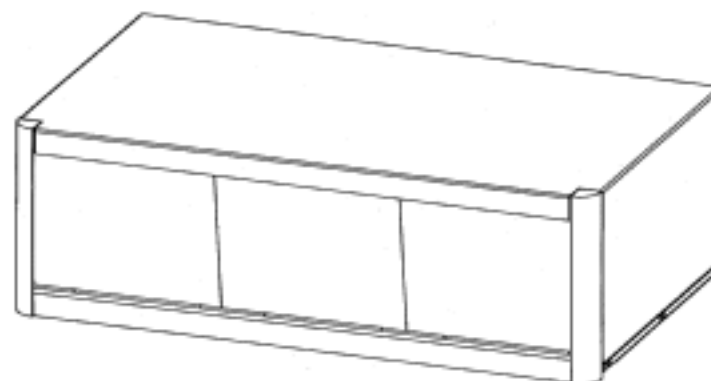
(21) Design Number: **10964/2011**  
(22) Date of Filing Application: **09 March 2011**  
(24) Date from which industrial property rights may have effect: **09 March 2011**  
(54) Product in respect of which the design is registered: **Pet food**  
(51) International Design Classification: **01-06**  
(74) Name(s) of Attorney(s): **Baker & McKenzie**  
(71) Name(s) and Address(s) of Applicant(s):  
**Mars, Incorporated**  
**6885 Elm Street McLean Virginia 22101 United States of America**  
(72) Name(s) of Designer(s): **Hector Ernesto Ortega Carrera and Jorge Manuel Cortines Alducin and Victor Hernandez Gonzalez**  
(45) Registration Date: **04 April 2011**  
(30) Convention priority data:  
(31) Number (32) Date (33) Country  
**MX/F/2010002643 05 Oct 2010 MEXICO**  
(56) Related Art Documents: **Not Applicable**  
(57) Statement of Newness and Distinctiveness: **The newness and distinctiveness of the design resides in the following features:a) the distance from the front of the shape to the back of the shape is of definite length as depicted in figure 1; and b) the arms of the design do not form a cross, but rather they meet off-centre giving the visual impression that they are four independent arms rather than two perpendicular arms forming an oblique cross as depicted in figure 2.**



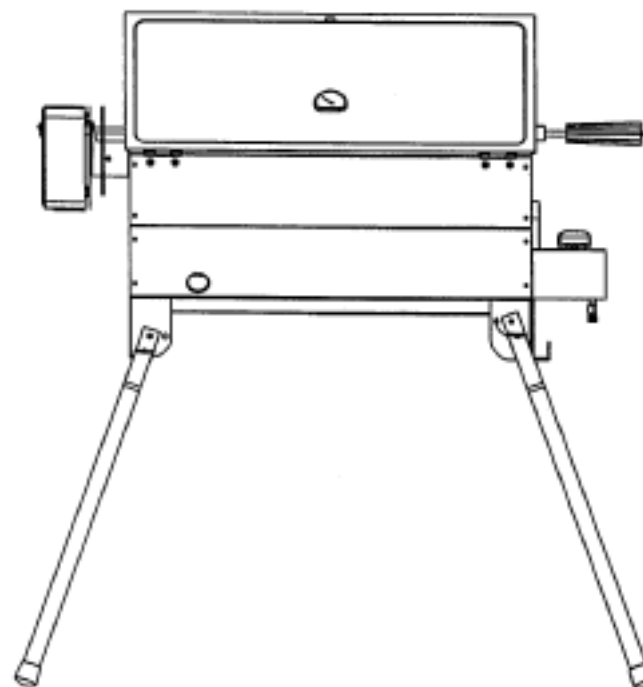
(21) Design Number: **10965/2011**  
(22) Date of Filing Application: **10 March 2011**  
(24) Date from which industrial property rights may have effect: **10 March 2011**  
(54) Product in respect of which the design is registered: **Gas heater connector**  
(51) International Design Classification: **23-01A**  
(74) Name(s) of Attorney(s): **WATERMARK PATENT AND TRADE MARKS ATTORNEYS**  
(71) Name(s) and Address(s) of Applicant(s):  
**Gasflues Pty Ltd**  
**Factory 2 29 Hanrahan Street Thomastown Victoria 3074 Australia**  
(72) Name(s) of Designer(s): **Thomas Simon Kaitler**  
(45) Registration Date: **04 April 2011**  
(56) Related Art Documents: **Not Applicable**  
(57) Statement of Newness and Distinctiveness: **Nil**



(21) Design Number: **10989/2011**  
(22) Date of Filing Application: **09 March 2011**  
(24) Date from which industrial property rights may have effect: **09 March 2011**  
(54) Product in respect of which the design is registered: **A digital display apparatus**  
(51) International Design Classification: **14-02, 14-99**  
(74) Name(s) of Attorney(s): **Pegasus IP**  
(71) Name(s) and Address(s) of Applicant(s):  
**VR Solutions Pty Ltd**  
**Unit 16/10-20 Depot Street Banyo Queensland 4014 Australia**  
(72) Name(s) of Designer(s): **Benjamin Masters and Brian Ellwood**  
(45) Registration Date: **05 April 2011**  
(56) Related Art Documents: **Not Applicable**  
(57) Statement of Newness and Distinctiveness: **Nil**



(21) Design Number: **10990/2011**  
(22) Date of Filing Application: **09 March 2011**  
(24) Date from which industrial property rights may have effect: **09 March 2011**  
(54) Product in respect of which the design is registered: **Cooking apparatus**  
(51) International Design Classification: **07-02E**  
(74) Name(s) of Attorney(s): **PHILLIPS ORMONDE FITZPATRICK**  
(71) Name(s) and Address(s) of Applicant(s):  
**Foshan Shunde Everteam Industrial Co., Ltd**  
**No. 27 East Rongqi Dadao Ronggui Shunde District Foshan City**  
**Guangdong Province China**  
(72) Name(s) of Designer(s): **Zhiqiang Liang**  
(45) Registration Date: **05 April 2011**  
(30) Convention priority data:  
(31) Number (32) Date (33) Country  
**201030512325.0 10 Sep 2010 CHINA**  
(56) Related Art Documents: **Not Applicable**  
(57) Statement of Newness and Distinctiveness: **Those features of the cooking apparatus depicted in the representations that are new and distinctive are the shape and/or configuration. The bottom view may or may not form part of the design.**



(21) Design Number: **10991/2011**  
(22) Date of Filing Application: **09 March 2011**  
(24) Date from which industrial property rights may have effect: **09 March 2011**  
(54) Product in respect of which the design is registered: **Cooking apparatus**  
(51) International Design Classification: **07-02E**  
(74) Name(s) of Attorney(s): **PHILLIPS ORMONDE FITZPATRICK**  
(71) Name(s) and Address(s) of Applicant(s):

**Foshan Shunde Everteam Industrial Co., Ltd**  
**No. 27 East Rongqi Dadao Ronggui Shunde District Foshan City**  
**Guangdong Province China**

(72) Name(s) of Designer(s): **Zhiqiang Liang**

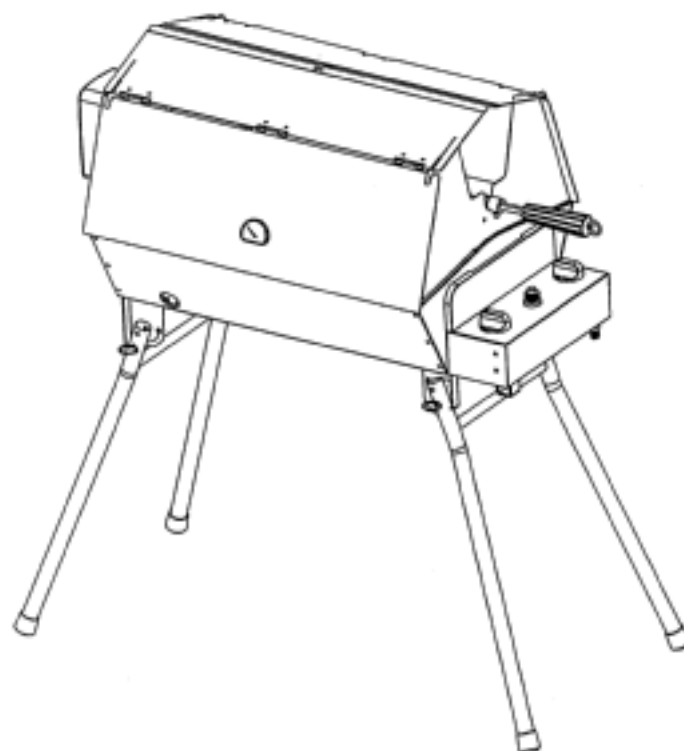
(45) Registration Date: **05 April 2011**

(30) Convention priority data:

(31) Number	(32) Date	(33) Country
<b>201030512352.8</b>	<b>10 Sep 2010</b>	<b>CHINA</b>

(56) Related Art Documents: **Not Applicable**

(57) Statement of Newness and Distinctiveness: **Those features of the cooking apparatus depicted in the representations that are new and distinctive are the shape and/or configuration. The bottom view may or may not form part of the design.**



(21) Design Number: **10992/2011**  
(22) Date of Filing Application: **09 March 2011**  
(24) Date from which industrial property rights may have effect: **09 March 2011**  
(54) Product in respect of which the design is registered: **Cooking apparatus**  
(51) International Design Classification: **07-02E**  
(74) Name(s) of Attorney(s): **PHILLIPS ORMONDE FITZPATRICK**  
(71) Name(s) and Address(s) of Applicant(s):

**Foshan Shunde Everteam Industrial Co., Ltd**  
**No. 27 East Rongqi Dadao Ronggui Shunde District Foshan City**  
**Guangdong Province China**

(72) Name(s) of Designer(s): **Zhiqiang Liang**

(45) Registration Date: **05 April 2011**

(30) Convention priority data:

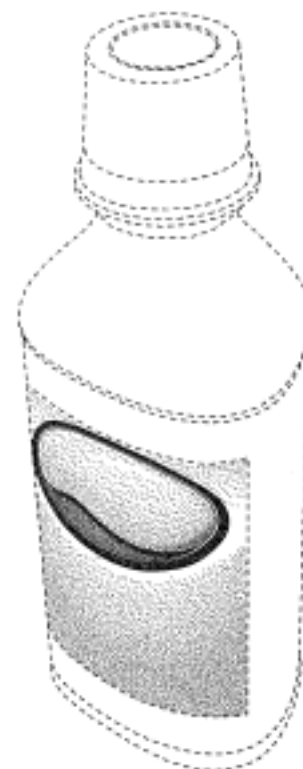
(31) Number	(32) Date	(33) Country
<b>201030512323.1</b>	<b>10 Sep 2010</b>	<b>CHINA</b>

(56) Related Art Documents: **Not Applicable**

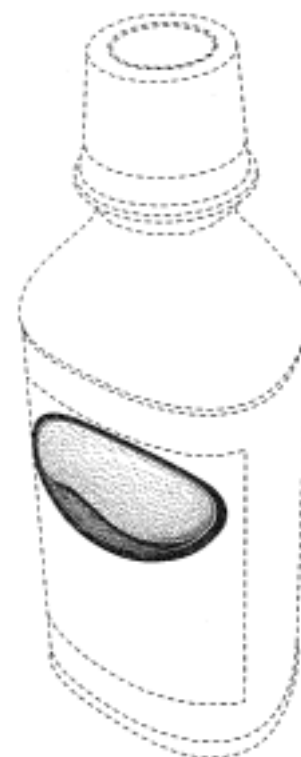
(57) Statement of Newness and Distinctiveness: **Those features of the cooking apparatus depicted in the representations that are new and distinctive are the shape and/or configuration. The colours of the cooking apparatus as shown in the representations do not form part of the design. The bottom view (Fig 3.6) and the shoulder strap of the cooking apparatus shown in Fig 3.8 may or may not form part of the design.**



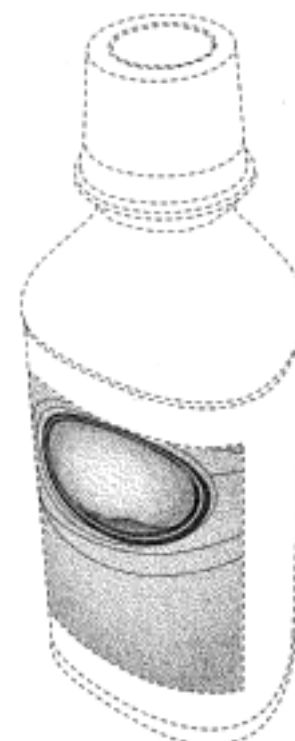
- (21) Design Number: **10993/2011**  
(22) Date of Filing Application: **09 March 2011**  
(24) Date from which industrial property rights may have effect: **09 March 2011**  
(54) Product in respect of which the design is registered: **Bottle with surface ornamentation**  
(51) International Design Classification: **09-01K**  
(74) Name(s) of Attorney(s): **PHILLIPS ORMONDE FITZPATRICK**  
(71) Name(s) and Address(s) of Applicant(s):  
**The Procter & Gamble Company**  
**One Procter & Gamble Plaza Cincinnati Ohio 45202 United States of America**  
(72) Name(s) of Designer(s): **Molly Ann Hablutzel and Jennifer Merchant and Jean Martin Campbell and Scott Cunningham**  
(45) Registration Date: **05 April 2011**  
(30) Convention priority data:  
(31) Number (32) Date (33) Country  
**29/369,715 13 Sep 2010 UNITED STATES OF AMERICA**  
(56) Related Art Documents: **Not Applicable**  
(57) Statement of Newness and Distinctiveness: **Those features of the bottle with surface ornamentation depicted in the representations that are new and distinctive are the pattern and/or ornamentation. The stippling shown in the representations indicates a colour, but not a particular colour. The features shown in broken lines are not part of the design and are to be disregarded when considering the overall impression of the design.**



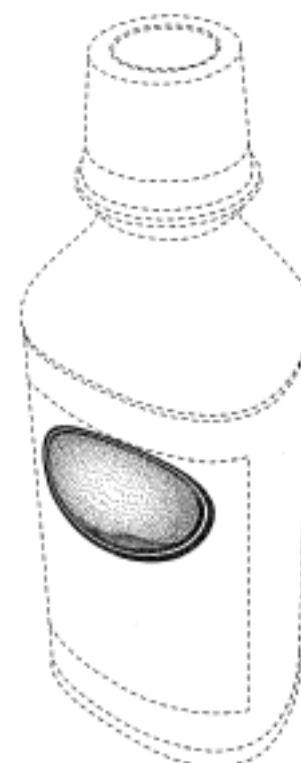
- (21) Design Number: **10994/2011**  
(22) Date of Filing Application: **09 March 2011**  
(24) Date from which industrial property rights may have effect: **09 March 2011**  
(54) Product in respect of which the design is registered: **Bottle with surface ornamentation**  
(51) International Design Classification: **09-01K**  
(74) Name(s) of Attorney(s): **PHILLIPS ORMONDE FITZPATRICK**  
(71) Name(s) and Address(s) of Applicant(s):  
**The Procter & Gamble Company**  
**One Procter & Gamble Plaza Cincinnati Ohio 45202 United States of America**  
(72) Name(s) of Designer(s): **Molly Ann Hablutzel and Jennifer Merchant and Jean Martin Campbell and Scott Cunningham**  
(45) Registration Date: **05 April 2011**  
(30) Convention priority data:  
(31) Number (32) Date (33) Country  
**29/369,715 13 Sep 2010 UNITED STATES OF AMERICA**  
(56) Related Art Documents: **Not Applicable**  
(57) Statement of Newness and Distinctiveness: **Those features of the bottle with surface ornamentation depicted in the representations that are new and distinctive are the pattern and/or ornamentation. The stippling shown in the representations indicates a colour, but not a particular colour. The features shown in broken lines are not part of the design and are to be disregarded when considering the overall impression of the design.**



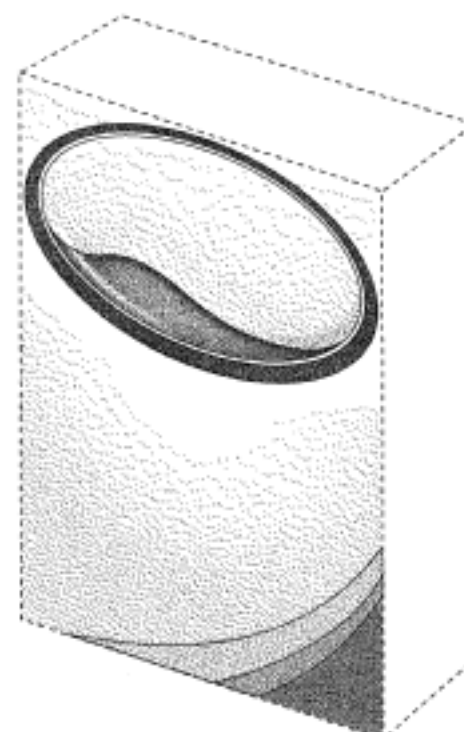
- (21) Design Number: **10995/2011**  
(22) Date of Filing Application: **09 March 2011**  
(24) Date from which industrial property rights may have effect: **09 March 2011**  
(54) Product in respect of which the design is registered: **Bottle with surface ornamentation**  
(51) International Design Classification: **09-01K**  
(74) Name(s) of Attorney(s): **PHILLIPS ORMONDE FITZPATRICK**  
(71) Name(s) and Address(s) of Applicant(s):  
**The Procter & Gamble Company**  
**One Procter & Gamble Plaza Cincinnati Ohio 45202 United States of America**  
(72) Name(s) of Designer(s): **Molly Ann Hablutzel and Jennifer Merchant and Jean Martin Campbell and Scott Cunningham**  
(45) Registration Date: **05 April 2011**  
(30) Convention priority data:  
(31) Number (32) Date (33) Country  
**29/369,715 13 Sep 2010 UNITED STATES OF AMERICA**  
(56) Related Art Documents: **Not Applicable**  
(57) Statement of Newness and Distinctiveness: **Those features of the bottle with surface ornamentation depicted in the representations that are new and distinctive are the pattern and/or ornamentation. The stippling shown in the representations indicates a colour, but not a particular colour. The features shown in broken lines are not part of the design and are to be disregarded when considering the overall impression of the design.**



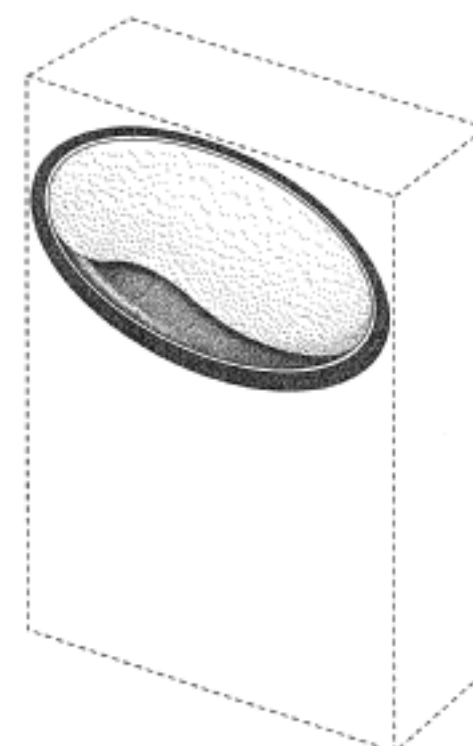
- (21) Design Number: **10996/2011**  
(22) Date of Filing Application: **09 March 2011**  
(24) Date from which industrial property rights may have effect: **09 March 2011**  
(54) Product in respect of which the design is registered: **Bottle with surface ornamentation**  
(51) International Design Classification: **09-01K**  
(74) Name(s) of Attorney(s): **PHILLIPS ORMONDE FITZPATRICK**  
(71) Name(s) and Address(s) of Applicant(s):  
**The Procter & Gamble Company**  
**One Procter & Gamble Plaza Cincinnati Ohio 45202 United States of America**  
(72) Name(s) of Designer(s): **Molly Ann Hablutzel and Jennifer Merchant and Jean Martin Campbell and Scott Cunningham**  
(45) Registration Date: **05 April 2011**  
(30) Convention priority data:  
(31) Number (32) Date (33) Country  
**29/369,715 13 Sep 2010 UNITED STATES OF AMERICA**  
(56) Related Art Documents: **Not Applicable**  
(57) Statement of Newness and Distinctiveness: **Those features of the bottle with surface ornamentation depicted in the representations that are new and distinctive are the pattern and/or ornamentation. The stippling shown in the representations indicates a colour, but not a particular colour. The features shown in broken lines are not part of the design and are to be disregarded when considering the overall impression of the design.**



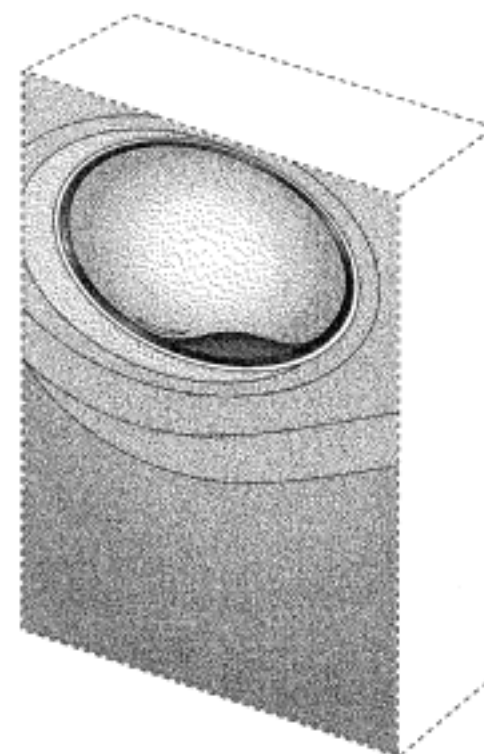
- (21) Design Number: **10997/2011**  
(22) Date of Filing Application: **09 March 2011**  
(24) Date from which industrial property rights may have effect: **09 March 2011**  
(54) Product in respect of which the design is registered: **Packaging container with surface ornamentation**  
(51) International Design Classification: **09-03M**  
(74) Name(s) of Attorney(s): **PHILLIPS ORMONDE FITZPATRICK**  
(71) Name(s) and Address(s) of Applicant(s):  
**The Procter & Gamble Company**  
**One Procter & Gamble Plaza Cincinnati Ohio 45202 United States of America**  
(72) Name(s) of Designer(s): **Molly Ann Hablutzel and Jennifer Merchant and Jean Martin Campbell and Scott Cunningham**  
(45) Registration Date: **05 April 2011**  
(30) Convention priority data:  
(31) Number (32) Date (33) Country  
**29/369,711 13 Sep 2010 UNITED STATES OF AMERICA**  
(56) Related Art Documents: **Not Applicable**  
(57) Statement of Newness and Distinctiveness: **Those features of the packaging container with surface ornamentation depicted in the representations that are new and distinctive are the pattern and/or ornamentation. The stippling shown in the representations indicates a colour, but not a particular colour. The features shown in broken lines are not part of the design and are to be disregarded when considering the overall impression of the design.**



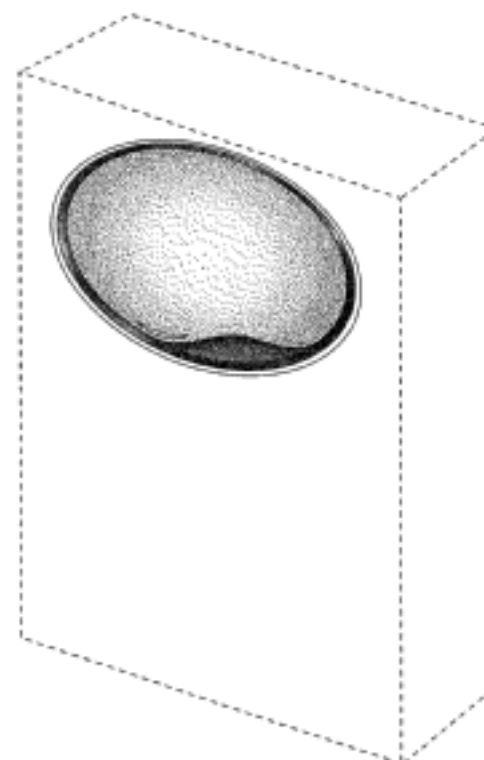
- (21) Design Number: **10998/2011**  
(22) Date of Filing Application: **09 March 2011**  
(24) Date from which industrial property rights may have effect: **09 March 2011**  
(54) Product in respect of which the design is registered: **Packaging container with surface ornamentation**  
(51) International Design Classification: **09-03M**  
(74) Name(s) of Attorney(s): **PHILLIPS ORMONDE FITZPATRICK**  
(71) Name(s) and Address(s) of Applicant(s):  
**The Procter & Gamble Company**  
**One Procter & Gamble Plaza Cincinnati Ohio 45202 United States of America**  
(72) Name(s) of Designer(s): **Molly Ann Hablutzel and Jennifer Merchant and Jean Martin Campbell and Scott Cunningham**  
(45) Registration Date: **05 April 2011**  
(30) Convention priority data:  
(31) Number (32) Date (33) Country  
**29/369,711 13 Oct 2010 UNITED STATES OF AMERICA**  
(56) Related Art Documents: **Not Applicable**  
(57) Statement of Newness and Distinctiveness: **Those features of the packaging container with surface ornamentation depicted in the representations that are new and distinctive are the pattern and/or ornamentation. The stippling shown in the representations indicates a colour, but not a particular colour. The features shown in broken lines are not part of the design and are to be disregarded when considering the overall impression of the design.**



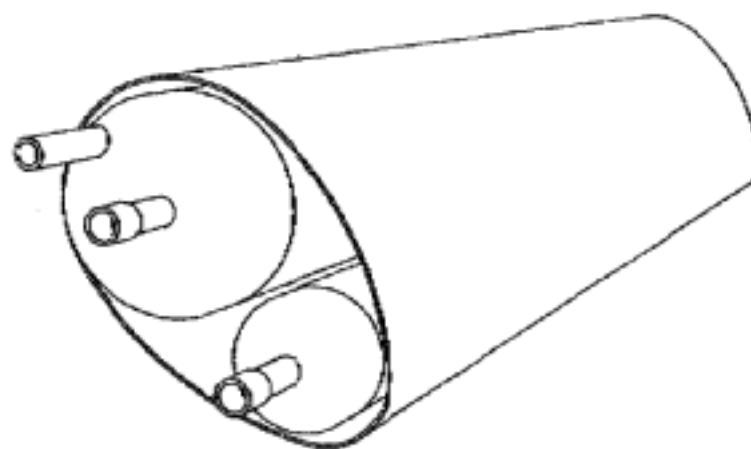
- (21) Design Number: **10999/2011**  
(22) Date of Filing Application: **09 March 2011**  
(24) Date from which industrial property rights may have effect: **09 March 2011**  
(54) Product in respect of which the design is registered: **Packaging container with surface ornamentation**  
(51) International Design Classification: **09-03M**  
(74) Name(s) of Attorney(s): **PHILLIPS ORMONDE FITZPATRICK**  
(71) Name(s) and Address(s) of Applicant(s):  
**The Procter & Gamble Company**  
**One Procter & Gamble Plaza Cincinnati Ohio 45202 United States of America**  
(72) Name(s) of Designer(s): **Molly Ann Hablutzel and Jennifer Merchant and Jean Martin Campbell and Scott Cunningham**  
(45) Registration Date: **05 April 2011**  
(30) Convention priority data:  
(31) Number (32) Date (33) Country  
**29/369,711 13 Sep 2010 UNITED STATES OF AMERICA**  
(56) Related Art Documents: **Not Applicable**  
(57) Statement of Newness and Distinctiveness: **Those features of the packaging container with surface ornamentation depicted in the representations that are new and distinctive are the pattern and/or ornamentation. The stippling shown in the representations indicates a colour, but not a particular colour. The features shown in broken lines are not part of the design and are to be disregarded when considering the overall impression of the design.**



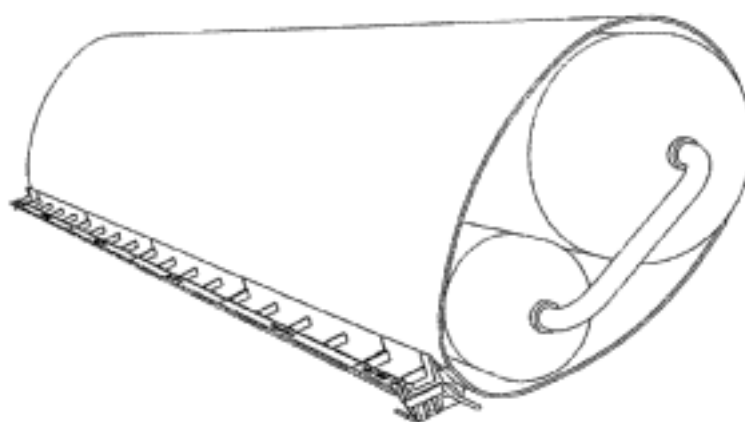
- (21) Design Number: **11000/2011**  
(22) Date of Filing Application: **09 March 2011**  
(24) Date from which industrial property rights may have effect: **09 March 2011**  
(54) Product in respect of which the design is registered: **Packaging container with surface ornamentation**  
(51) International Design Classification: **09-03M**  
(74) Name(s) of Attorney(s): **PHILLIPS ORMONDE FITZPATRICK**  
(71) Name(s) and Address(s) of Applicant(s):  
**The Procter & Gamble Company**  
**One Procter & Gamble Plaza Cincinnati Ohio 45202 United States of America**  
(72) Name(s) of Designer(s): **Molly Ann Hablutzel and Jennifer Merchant and Jean Martin Campbell and Scott Cunningham**  
(45) Registration Date: **05 April 2011**  
(30) Convention priority data:  
(31) Number (32) Date (33) Country  
**29/369,711 13 Sep 2010 UNITED STATES OF AMERICA**  
(56) Related Art Documents: **Not Applicable**  
(57) Statement of Newness and Distinctiveness: **Those features of the packaging container with surface ornamentation depicted in the representations that are new and distinctive are the pattern and/or ornamentation. The stippling shown in the representations indicates a colour, but not a particular colour. The features shown in broken lines are not part of the design and are to be disregarded when considering the overall impression of the design.**



- (21) Design Number: **13170/2010**  
(22) Date of Filing Application: **27 July 2010**  
(24) Date from which industrial property rights may have effect: **27 July 2010**  
(54) Product in respect of which the design is registered: **Heat store for solar water heater**  
(51) International Design Classification: **23-03D**  
(74) Name(s) of Attorney(s): **MILLS OAKLEY LAWYERS**  
(71) Name(s) and Address(s) of Applicant(s):  
**Heng Foo Chiam**  
**C/- 3 Montague Street Moonee Ponds Victoria 3039 Australia**  
**Nicholas James Gibbs**  
**C/- 3 Montague Street Moonee Ponds Victoria 3039 Australia**  
(72) Name(s) of Designer(s): **Heng Foo Chiam and Nicholas James Gibbs**  
(45) Registration Date: **05 April 2011**  
(56) Related Art Documents: **Not Applicable**  
(57) Statement of Newness and Distinctiveness: **The particular visual features of the design which the Applicant hereby identifies as new and distinctiveness are as follows: A heat store for solar water heater, as illustrated in the accompanying representations.**



- (21) Design Number: **10219/2011**  
(22) Date of Filing Application: **27 July 2010**  
(24) Date from which industrial property rights may have effect: **27 July 2010**  
(54) Product in respect of which the design is registered: **Combined heat store and connector for solar water heater**  
(51) International Design Classification: **23-03D**  
(74) Name(s) of Attorney(s): **MILLS OAKLEY LAWYERS**  
(71) Name(s) and Address(s) of Applicant(s):  
**Heng Foo Chiam**  
**C/- 3 Montague Street Moonee Ponds Victoria 3039 Australia**  
**Nicholas James Gibbs**  
**C/- 3 Montague Street Moonee Ponds Victoria 3039 Australia**  
(72) Name(s) of Designer(s): **Heng Foo Chiam and Nicholas James Gibbs**  
(45) Registration Date: **05 April 2011**  
(56) Related Art Documents: **Not Applicable**  
(57) Statement of Newness and Distinctiveness: **The particular visual features of the design which the Applicant hereby identifies as new and distinctive are as follows: A combined Heat Store and connector for solar water heater, as illustrated in the accompanying representations.**



- (21) Design Number: **11097/2011**  
(22) Date of Filing Application: **15 March 2011**  
(24) Date from which industrial property rights may have effect: **15 March 2011**  
(54) Product in respect of which the design is registered: **Design is applied to SIDI engine manifold**  
(51) International Design Classification: **15-01**  
(74) Name(s) of Attorney(s):  
(71) Name(s) and Address(s) of Applicant(s):  
**Mace Engineering Group Pty Ltd**  
**1A East Court Lalor Victoria 3075 Australia**  
(72) Name(s) of Designer(s): **Steven Angelovski**  
(45) Registration Date: **05 April 2011**  
(56) Related Art Documents: **Not Applicable**  
(57) Statement of Newness and Distinctiveness: **Uniqueness is claimed in the shape and form of the manifold insulator specified to SIDI engine.**



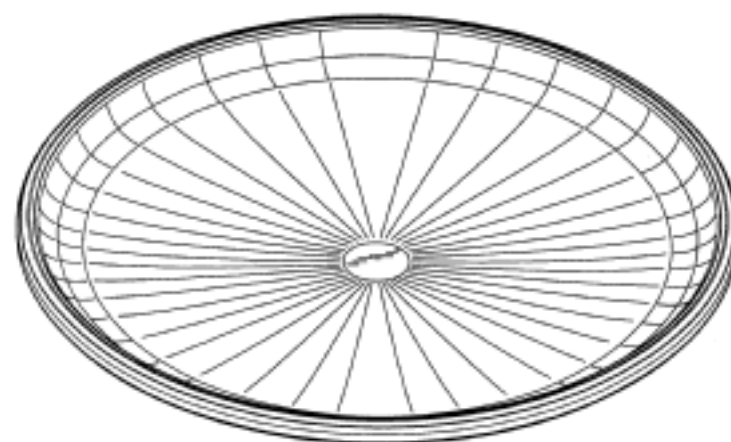
- (21) Design Number: **11430/2011**  
(22) Date of Filing Application: **15 March 2011**  
(24) Date from which industrial property rights may have effect: **15 March 2011**  
(54) Product in respect of which the design is registered: **Design is applied to SIDI engine manifold**  
(51) International Design Classification: **15-01**  
(74) Name(s) of Attorney(s):  
(71) Name(s) and Address(s) of Applicant(s):  
**Mace Engineering Group Pty Ltd**  
**1A East Court Lalor Victoria 3075 Australia**  
(72) Name(s) of Designer(s): **Steven Angelovski**  
(45) Registration Date: **05 April 2011**  
(56) Related Art Documents: **Not Applicable**  
(57) Statement of Newness and Distinctiveness: **Uniqueness is claimed in the shape and form of the manifold insulator specified to SIDI engine.**



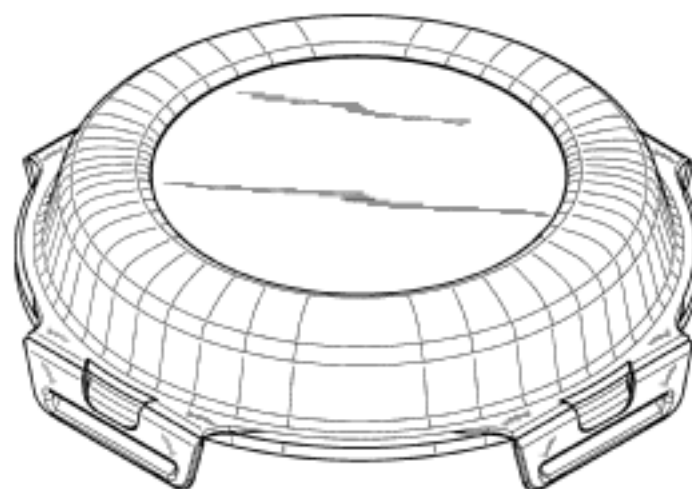
- (21) Design Number: **11431/2011**  
(22) Date of Filing Application: **15 March 2011**  
(24) Date from which industrial property rights may have effect: **15 March 2011**  
(54) Product in respect of which the design is registered: **Design is applied to SIDI engine manifold**  
(51) International Design Classification: **15-01**  
(74) Name(s) of Attorney(s):  
(71) Name(s) and Address(s) of Applicant(s):  
**Mace Engineering Group Pty Ltd**  
**1A East Court Lalor Victoria 3075 Australia**  
(72) Name(s) of Designer(s): **Steven Angelovski**  
(45) Registration Date: **05 April 2011**  
(56) Related Art Documents: **Not Applicable**  
(57) Statement of Newness and Distinctiveness: **Uniqueness is claimed in the shape and form of the manifold insulator specified to SIDI engine.**



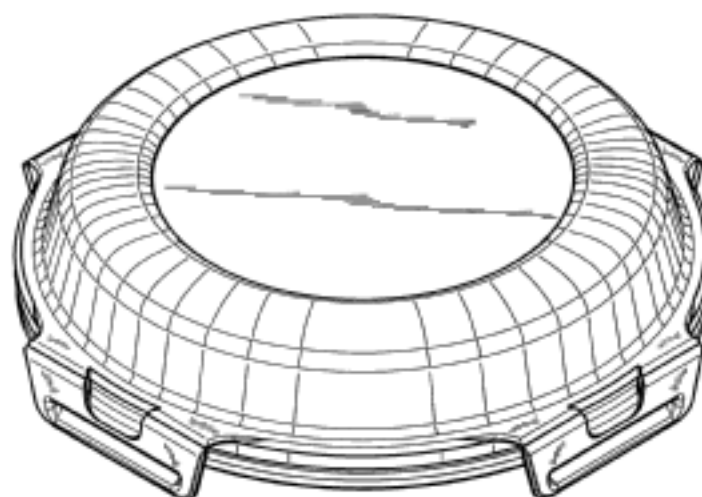
- (21) Design Number: **10215/2011**  
(22) Date of Filing Application: **27 January 2011**  
(24) Date from which industrial property rights may have effect: **27 January 2011**  
(54) Product in respect of which the design is registered: **A plate**  
(51) International Design Classification: **07-01NES**  
(74) Name(s) of Attorney(s): **Shelston IP**  
(71) Name(s) and Address(s) of Applicant(s):  
**Snapware Corporation**  
**3900 Hamner Avenue Mira Loma California 91752 United States of America**  
(72) Name(s) of Designer(s): **Justin Smyers**  
(45) Registration Date: **05 April 2011**  
(30) Convention priority data:  
(31) Number      (32) Date      (33) Country  
**29/366868      30 Jul 2010      UNITED STATES OF AMERICA**  
(56) Related Art Documents: **Not Applicable**  
(57) Statement of Newness and Distinctiveness: **Newness and distinctiveness resides in the features of shape and/or configuration of A PLATE as illustrated in the accompanying representations.**



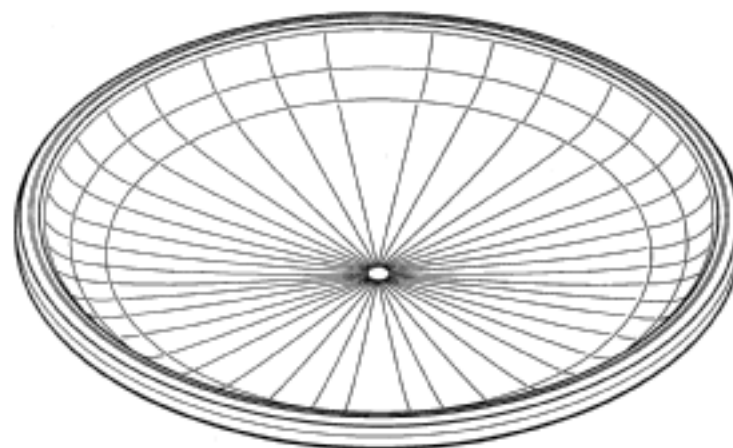
(21) Design Number: **11414/2011**  
(22) Date of Filing Application: **27 January 2011**  
(24) Date from which industrial property rights may have effect: **27 January 2011**  
(54) Product in respect of which the design is registered: **A lid**  
(51) International Design Classification: **07-01NES**  
(74) Name(s) of Attorney(s): **Shelston IP**  
(71) Name(s) and Address(s) of Applicant(s):  
**Snapware Corporation**  
**3900 Hamner Avenue Mira Loma California 91752 United States of America**  
(72) Name(s) of Designer(s): **Justin Smyers**  
(45) Registration Date: **05 April 2011**  
(30) Convention priority data:  
(31) Number (32) Date (33) Country  
**29/366868 30 Jul 2010 UNITED STATES OF AMERICA**  
(62) Divisional of: **335848**  
(56) Related Art Documents: **Not Applicable**  
(57) Statement of Newness and Distinctiveness: **Newness and distinctiveness reside in the features of shape and/or configuration of A LID as illustrated in solid lines in the accompanying representations.**



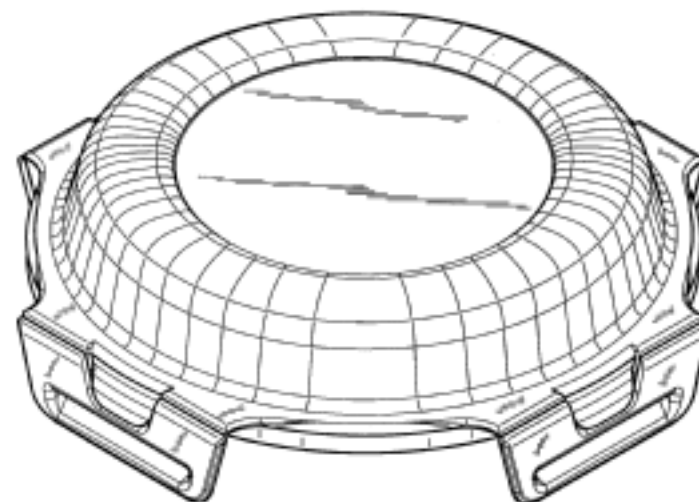
(21) Design Number: **11415/2011**  
(22) Date of Filing Application: **27 January 2011**  
(24) Date from which industrial property rights may have effect: **27 January 2011**  
(54) Product in respect of which the design is registered: **Plate-lid combination**  
(51) International Design Classification: **07-01NES**  
(74) Name(s) of Attorney(s): **Shelston IP**  
(71) Name(s) and Address(s) of Applicant(s):  
**Snapware Corporation**  
**3900 Hamner Avenue Mira Loma California 91752 United States of America**  
(72) Name(s) of Designer(s): **Justin Smyers**  
(45) Registration Date: **05 April 2011**  
(30) Convention priority data:  
(31) Number (32) Date (33) Country  
**29/366868 30 Jul 2010 UNITED STATES OF AMERICA**  
(62) Divisional of: **335848**  
(56) Related Art Documents: **Not Applicable**  
(57) Statement of Newness and Distinctiveness: **Newness and distinctiveness reside in the features of shape and/or configuration of a PLATE-LID COMBINATION as illustrated in the accompanying representations.**



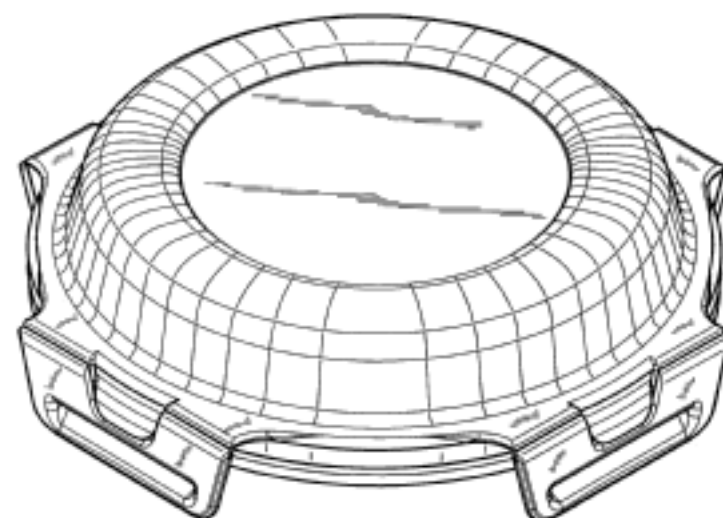
(21) Design Number: **11416/2011**  
(22) Date of Filing Application: **27 January 2011**  
(24) Date from which industrial property rights may have effect: **27 January 2011**  
(54) Product in respect of which the design is registered: **A plate**  
(51) International Design Classification: **07-01NES**  
(74) Name(s) of Attorney(s): **Shelston IP**  
(71) Name(s) and Address(s) of Applicant(s):  
**Snapware Corporation**  
**3900 Hamner Avenue Mira Loma California 91752 United States of America**  
(72) Name(s) of Designer(s): **Justin Smyers**  
(45) Registration Date: **05 April 2011**  
(30) Convention priority data:  
(31) Number (32) Date (33) Country  
**29/366868 30 Jul 2010 UNITED STATES OF AMERICA**  
(62) Divisional of: **335848**  
(56) Related Art Documents: **Not Applicable**  
(57) Statement of Newness and Distinctiveness: **Newness and distinctiveness reside in the features of shape and/or configuration of A PLATE as illustrated in the accompanying representations.**



(21) Design Number: **11417/2011**  
(22) Date of Filing Application: **27 January 2011**  
(24) Date from which industrial property rights may have effect: **27 January 2011**  
(54) Product in respect of which the design is registered: **A lid**  
(51) International Design Classification: **07-01NES**  
(74) Name(s) of Attorney(s): **Shelston IP**  
(71) Name(s) and Address(s) of Applicant(s):  
**Snapware Corporation**  
**3900 Hamner Avenue Mira Loma California 91752 United States of America**  
(72) Name(s) of Designer(s): **Justin Smyers**  
(45) Registration Date: **05 April 2011**  
(30) Convention priority data:  
(31) Number (32) Date (33) Country  
**29/366868 30 Jul 2010 UNITED STATES OF AMERICA**  
(62) Divisional of: **335848**  
(56) Related Art Documents: **Not Applicable**  
(57) Statement of Newness and Distinctiveness: **Newness and distinctiveness reside in the features of shape and/or configuration of A LID as illustrated in the accompanying representations.**



(21) Design Number: **11418/2011**  
(22) Date of Filing Application: **27 January 2011**  
(24) Date from which industrial property rights may have effect: **27 January 2011**  
(54) Product in respect of which the design is registered: **Plate-lid combination**  
(51) International Design Classification: **07-01NES**  
(74) Name(s) of Attorney(s): **Shelston IP**  
(71) Name(s) and Address(s) of Applicant(s):  
**Snapware Corporation**  
**3900 Hamner Avenue Mira Loma California 91752 United States of America**  
(72) Name(s) of Designer(s): **Justin Smyers**  
(45) Registration Date: **05 April 2011**  
(30) Convention priority data:  
(31) Number (32) Date (33) Country  
**29/366868 30 Jul 2010 UNITED STATES OF AMERICA**  
(62) Divisional of: **335848**  
(56) Related Art Documents: **Not Applicable**  
(57) Statement of Newness and Distinctiveness: **Newness and distinctiveness reside in the features of shape and/or configuration of a PLATE-LID COMBINATION as illustrated in the accompanying representations.**



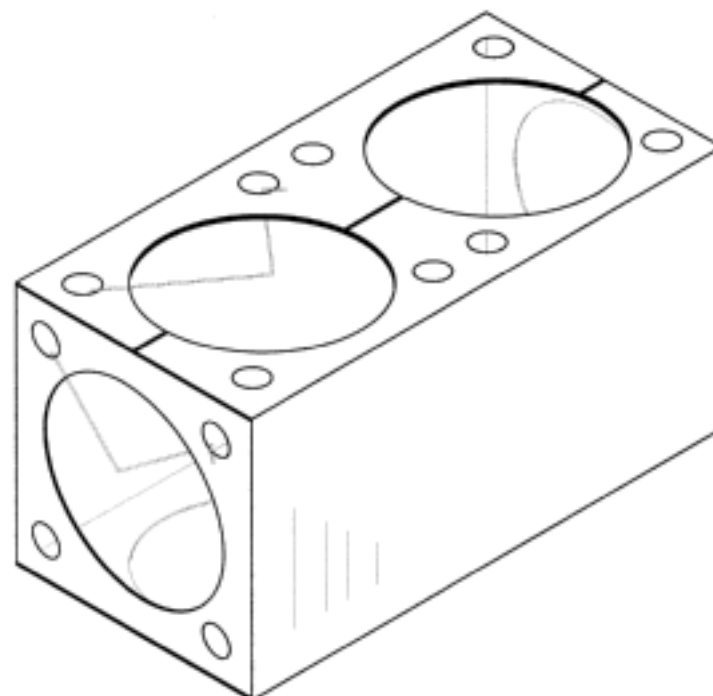
(21) Design Number: **10244/2011**  
(22) Date of Filing Application: **28 January 2011**  
(24) Date from which industrial property rights may have effect: **28 January 2011**  
(54) Product in respect of which the design is registered: **Container**  
(51) International Design Classification: **07-01C**  
(74) Name(s) of Attorney(s): **Davies Collison Cave**  
(71) Name(s) and Address(s) of Applicant(s):  
**Visy R & D Pty Ltd**  
**Level 11 2 Southbank Boulevard Southbank Victoria 3006 Australia**  
(72) Name(s) of Designer(s): **Alan Flude**  
(45) Registration Date: **05 April 2011**  
(56) Related Art Documents: **Not Applicable**  
(57) Statement of Newness and Distinctiveness: **The features of shape and configuration of the container shown in the accompanying representations are considered to be new and distinctive.**



- (21) Design Number: **10245/2011**  
(22) Date of Filing Application: **28 January 2011**  
(24) Date from which industrial property rights may have effect: **28 January 2011**  
(54) Product in respect of which the design is registered: **Container**  
(51) International Design Classification: **07-01F**  
(74) Name(s) of Attorney(s): **Davies Collison Cave**  
(71) Name(s) and Address(s) of Applicant(s):  
**Visy R & D Pty Ltd**  
**Level 11 2 Southbank Boulevard Southbank Victoria 3006 Australia**  
(72) Name(s) of Designer(s): **Alan Flude**  
(45) Registration Date: **05 April 2011**  
(56) Related Art Documents: **Not Applicable**  
(57) Statement of Newness and Distinctiveness: **The features of shape and configuration of the container shown in the accompanying representations are considered to be new and distinctive.**



- (21) Design Number: **10654/2011**  
(22) Date of Filing Application: **22 February 2011**  
(24) Date from which industrial property rights may have effect: **22 February 2011**  
(54) Product in respect of which the design is registered: **Cardboard formwork box**  
(51) International Design Classification: **25-01A**  
(74) Name(s) of Attorney(s):  
(71) Name(s) and Address(s) of Applicant(s):  
**Neil William Kirkness**  
**Box 2041 Marmion Western Australia 6020 Australia**  
(72) Name(s) of Designer(s): **Neil William Kirkness**  
(45) Registration Date: **05 April 2011**  
(56) Related Art Documents: **Not Applicable**  
(57) Statement of Newness and Distinctiveness: **Modular box formwork.**



(21) Design Number: **10943/2011**  
(22) Date of Filing Application: **08 March 2011**  
(24) Date from which industrial property rights may have effect: **08 March 2011**  
(54) Product in respect of which the design is registered: **Seal for head assembly**  
(51) International Design Classification: **08-01**  
(74) Name(s) of Attorney(s): **Cotters Patent & Trade Mark Attorneys**  
(71) Name(s) and Address(s) of Applicant(s):  
**Longyear TM, Inc.**  
**10808 South River Front Parkway Suite 600 South Jordan Utah 84095**  
**United States of America**

(72) Name(s) of Designer(s): **Christopher L. Drenth**

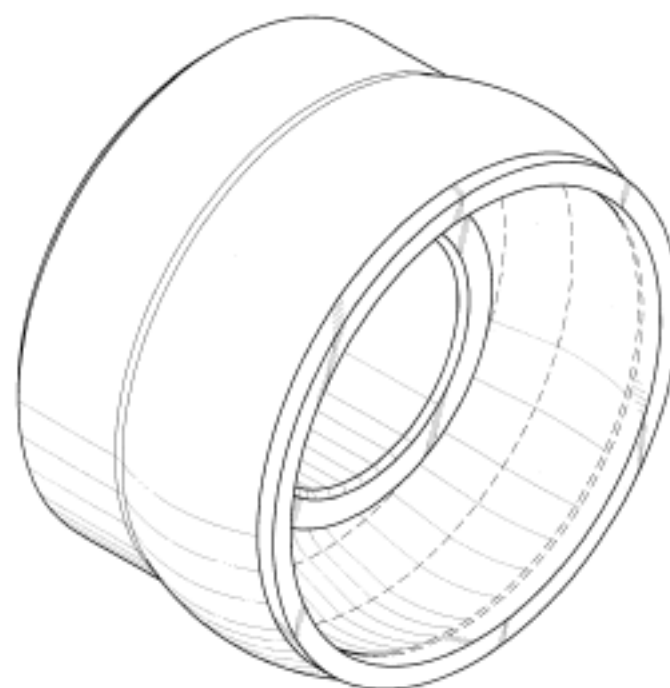
(45) Registration Date: **05 April 2011**

(30) Convention priority data:

(31) Number	(32) Date	(33) Country
<b>29/378,943</b>	<b>11 Nov 2010</b>	<b>UNITED STATES OF AMERICA</b>

(56) Related Art Documents: **Not Applicable**

(57) Statement of Newness and Distinctiveness: **Newness and distinctiveness is claimed in the features of shape and/or configuration of a seal for head assembly as illustrated in the accompanying representations, and when considering the scope of monopoly protection sought, particular regard is to be given to the features shown in continuous line.**



(21) Design Number: **10944/2011**  
(22) Date of Filing Application: **08 March 2011**  
(24) Date from which industrial property rights may have effect: **08 March 2011**  
(54) Product in respect of which the design is registered: **Seal for head assembly**  
(51) International Design Classification: **08-01**  
(74) Name(s) of Attorney(s): **Cotters Patent & Trade Mark Attorneys**  
(71) Name(s) and Address(s) of Applicant(s):  
**Longyear TM, Inc.**  
**10808 South River Front Parkway Suite 600 South Jordan Utah 84095**  
**United States of America**

(72) Name(s) of Designer(s): **Christopher L. Drenth**

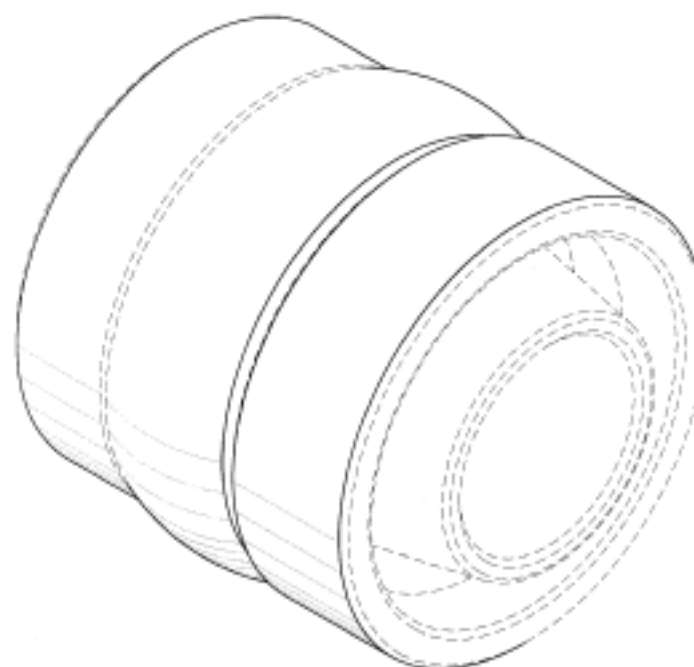
(45) Registration Date: **05 April 2011**

(30) Convention priority data:

(31) Number	(32) Date	(33) Country
<b>29/378,942</b>	<b>11 Nov 2010</b>	<b>UNITED STATES OF AMERICA</b>

(56) Related Art Documents: **Not Applicable**

(57) Statement of Newness and Distinctiveness: **Newness and distinctiveness is claimed in the features of shape and/or configuration of a seal for head assembly as illustrated in the accompanying representations, and when considering the scope of monopoly protection sought, particular regard is to be given to the features shown in continuous line.**



(21) Design Number: **11047/2011**  
(22) Date of Filing Application: **10 March 2011**  
(24) Date from which industrial property rights may have effect: **10 March 2011**  
(54) Product in respect of which the design is registered: **Mixer**  
(51) International Design Classification: **31-00**  
(74) Name(s) of Attorney(s): **FB Rice**  
(71) Name(s) and Address(s) of Applicant(s):  
**Robot Coupe SNC**  
**48 rue des Vignerons 94300 Vincennes France**  
(72) Name(s) of Designer(s): **Gilbert Verdun**  
(45) Registration Date: **05 April 2011**  
(30) Convention priority data:  
(31) Number (32) Date (33) Country  
**001756974 20 Sep 2010 EUROPEAN COMMUNITY**  
(56) Related Art Documents: **Not Applicable**  
(57) Statement of Newness and Distinctiveness: **Newness and distinctiveness reside in the features of the design as shown in the representations and in particular in the see through safety screen.**



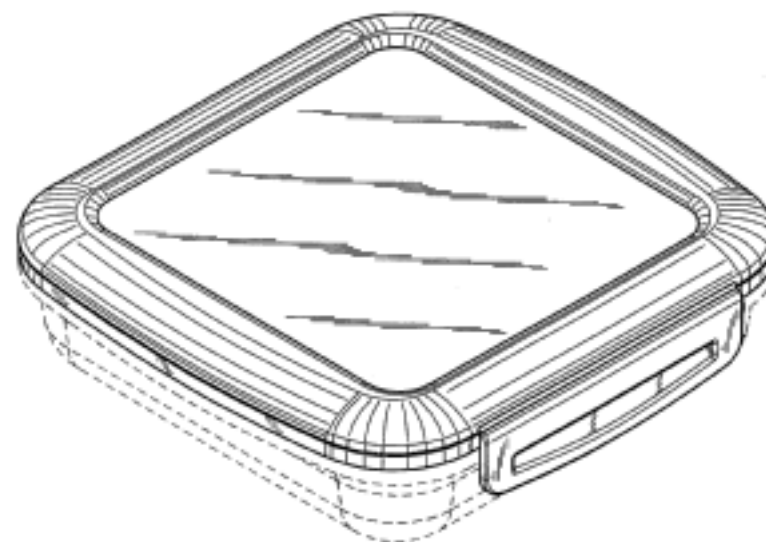
(21) Design Number: **11049/2011**  
(22) Date of Filing Application: **10 March 2011**  
(24) Date from which industrial property rights may have effect: **10 March 2011**  
(54) Product in respect of which the design is registered: **Trimming device**  
(51) International Design Classification: **28-03A**  
(74) Name(s) of Attorney(s): **PHILLIPS ORMONDE FITZPATRICK**  
(71) Name(s) and Address(s) of Applicant(s):  
**The Gillette Company**  
**Prudential Tower Building Boston Massachusetts 02199 United States of America**  
(72) Name(s) of Designer(s): **Kristopher William Schulz and Brian Patrick Watson and Bjoern Kling**  
(45) Registration Date: **05 April 2011**  
(30) Convention priority data:  
(31) Number (32) Date (33) Country  
**29/369,831 14 Sep 2010 UNITED STATES OF AMERICA**  
(56) Related Art Documents: **Not Applicable**  
(57) Statement of Newness and Distinctiveness: **Those features of the trimming device depicted in the representations that are new and distinctive are the shape and/or configuration.**



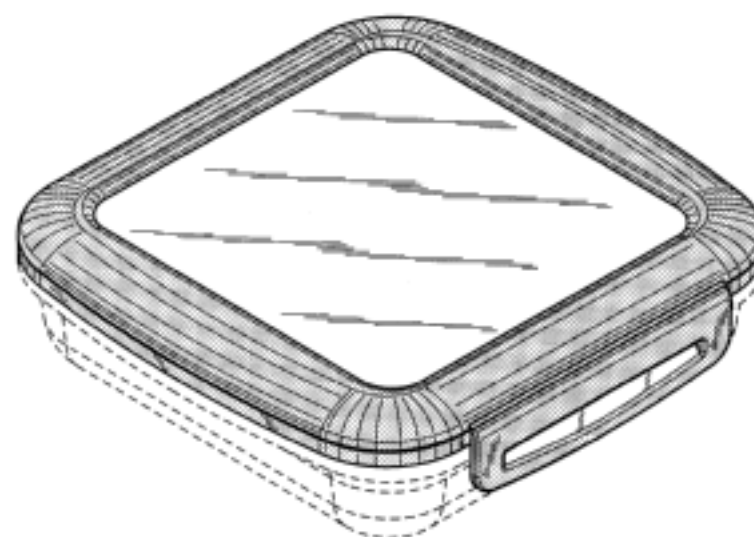
(21) Design Number: **11050/2011**  
(22) Date of Filing Application: **10 March 2011**  
(24) Date from which industrial property rights may have effect: **10 March 2011**  
(54) Product in respect of which the design is registered: **Trimming device with connecting member for razor attachment**  
(51) International Design Classification: **28-03A**  
(74) Name(s) of Attorney(s): **PHILLIPS ORMONDE FITZPATRICK**  
(71) Name(s) and Address(s) of Applicant(s):  
**The Gillette Company**  
**Prudential Tower Building Boston Massachusetts 02199 United States of America**  
(72) Name(s) of Designer(s): **Kristopher William Schulz and Brian Patrick Watson and Bjoern Kling**  
(45) Registration Date: **05 April 2011**  
(30) Convention priority data:  
(31) Number (32) Date (33) Country  
**29/369,832 14 Sep 2010 UNITED STATES OF AMERICA**  
(56) Related Art Documents: **Not Applicable**  
(57) Statement of Newness and Distinctiveness: **Those features of the trimming device with connecting member for razor attachment depicted in the representations that are new and distinctive are the shape and/or configuration.**



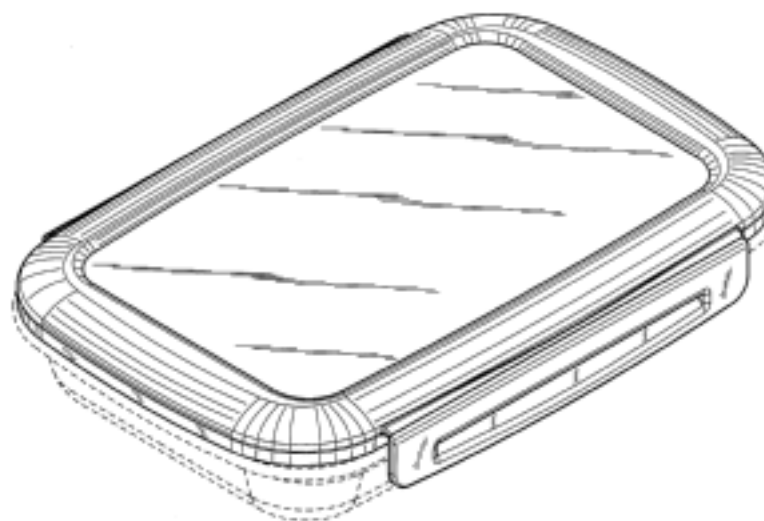
(21) Design Number: **10216/2011**  
(22) Date of Filing Application: **27 January 2011**  
(24) Date from which industrial property rights may have effect: **27 January 2011**  
(54) Product in respect of which the design is registered: **Lids for storage vessel**  
(51) International Design Classification: **07-01NES, 09-07NES**  
(74) Name(s) of Attorney(s): **Shelston IP**  
(71) Name(s) and Address(s) of Applicant(s):  
**Snapware Corporation**  
**3900 Hamner Avenue Mira Loma California 91752 United States of America**  
(72) Name(s) of Designer(s): **Justin Smyers**  
(45) Registration Date: **06 April 2011**  
(30) Convention priority data:  
(31) Number (32) Date (33) Country  
**29/366916 30 Jul 2010 UNITED STATES OF AMERICA**  
(56) Related Art Documents: **Not Applicable**  
(57) Statement of Newness and Distinctiveness: **Newness and distinctiveness resides in the features of shape and/or configuration of a lid for storage vessel as illustrated in the accompanying representations in solid lines.**



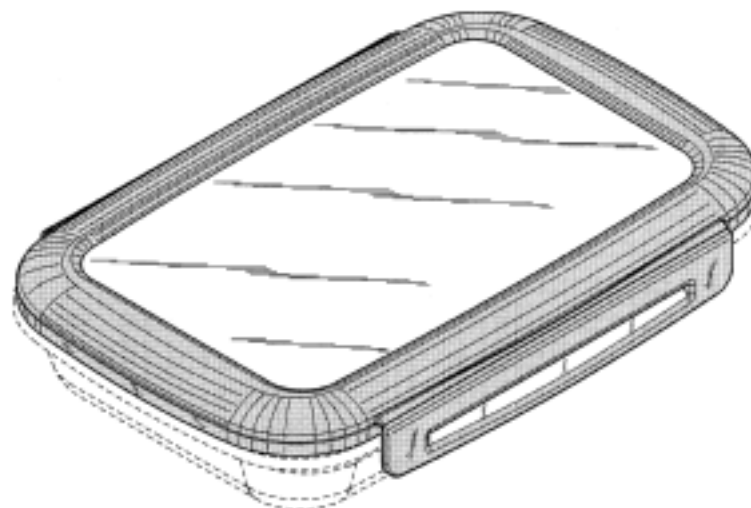
- (21) Design Number: **11409/2011**  
(22) Date of Filing Application: **27 January 2011**  
(24) Date from which industrial property rights may have effect: **27 January 2011**  
(54) Product in respect of which the design is registered: **Lid for storage vessel**  
(51) International Design Classification: **07-01NES, 09-07NES**  
(74) Name(s) of Attorney(s): **Shelston IP**  
(71) Name(s) and Address(s) of Applicant(s):  
**Snapware Corporation**  
**3900 Hamner Avenue Mira Loma California 91752 United States of America**  
(72) Name(s) of Designer(s): **Justin Smyers**  
(45) Registration Date: **06 April 2011**  
(62) Divisional of: **335862**  
(56) Related Art Documents: **Not Applicable**  
(57) Statement of Newness and Distinctiveness: **Newness and distinctiveness reside in the features of shape and/or configuration of a lid for storage vessel as illustrated in solid lines in the accompanying representations.**



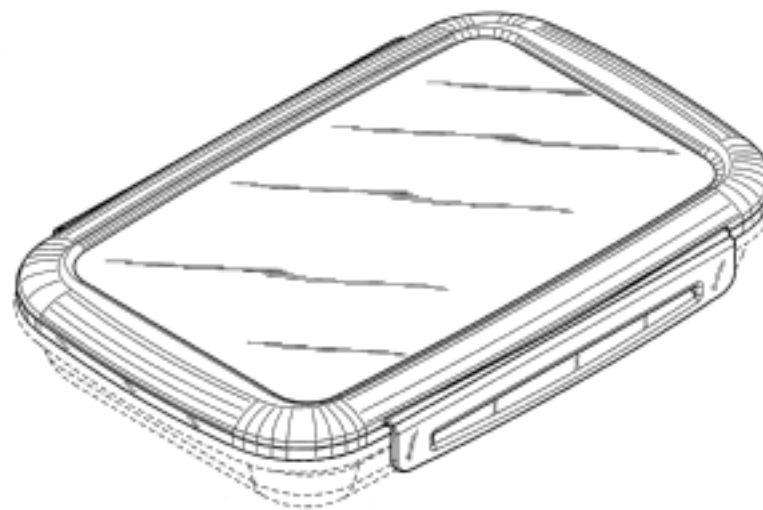
- (21) Design Number: **11410/2011**  
(22) Date of Filing Application: **27 January 2011**  
(24) Date from which industrial property rights may have effect: **27 January 2011**  
(54) Product in respect of which the design is registered: **Lid for storage vessel**  
(51) International Design Classification: **07-01NES, 09-07NES**  
(74) Name(s) of Attorney(s): **Shelston IP**  
(71) Name(s) and Address(s) of Applicant(s):  
**Snapware Corporation**  
**3900 Hamner Avenue Mira Loma California 91752 United States of America**  
(72) Name(s) of Designer(s): **Justin Smyers**  
(45) Registration Date: **06 April 2011**  
(62) Divisional of: **335862**  
(56) Related Art Documents: **Not Applicable**  
(57) Statement of Newness and Distinctiveness: **Newness and distinctiveness reside in the features of shape and/or configuration of a lid for storage vessel as illustrated in solid lines in the accompanying representations.**



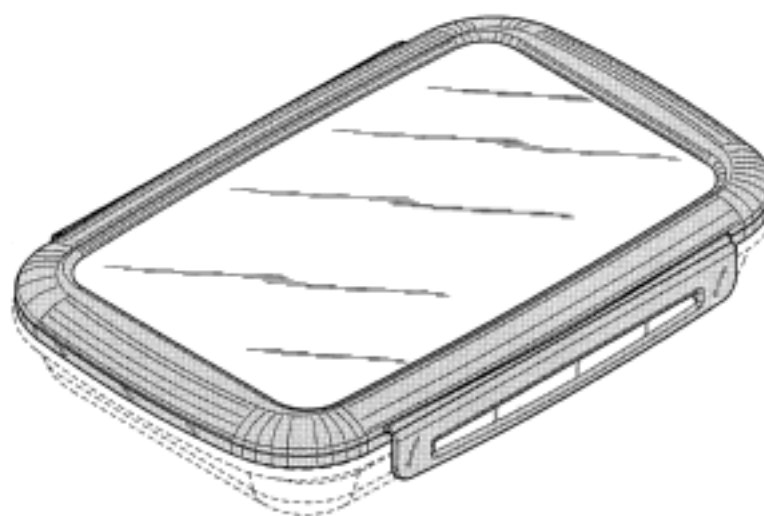
- (21) Design Number: **11411/2011**  
(22) Date of Filing Application: **27 January 2011**  
(24) Date from which industrial property rights may have effect: **27 January 2011**  
(54) Product in respect of which the design is registered: **Lid for storage vessel**  
(51) International Design Classification: **07-01NES, 09-07NES**  
(74) Name(s) of Attorney(s): **Shelston IP**  
(71) Name(s) and Address(s) of Applicant(s):  
**Snapware Corporation**  
**3900 Hamner Avenue Mira Loma California 91752 United States of America**  
(72) Name(s) of Designer(s): **Justin Smyers**  
(45) Registration Date: **06 April 2011**  
(62) Divisional of: **335862**  
(56) Related Art Documents: **Not Applicable**  
(57) Statement of Newness and Distinctiveness: **Newness and distinctiveness reside in the features of shape and/or configuration of a lid for storage vessel as illustrated in solid lines in the accompanying representations.**



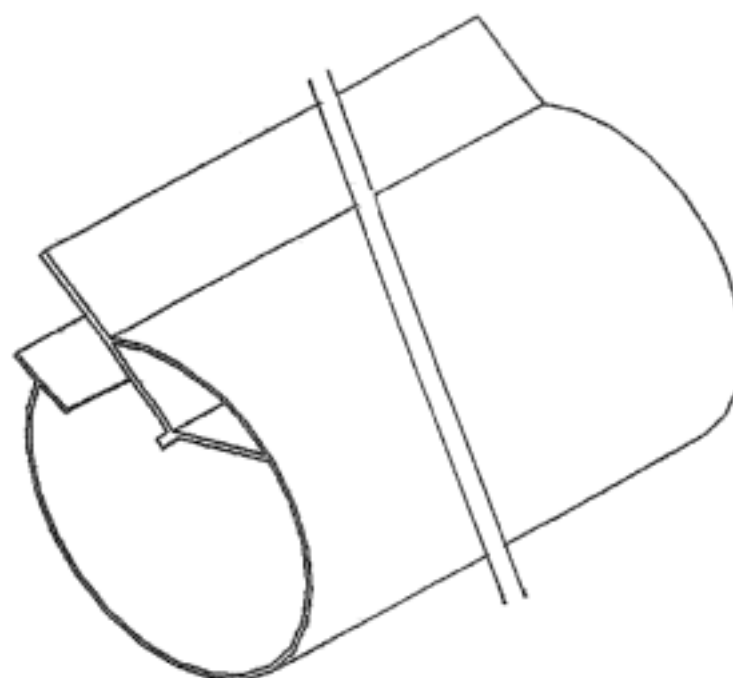
- (21) Design Number: **11412/2011**  
(22) Date of Filing Application: **27 January 2011**  
(24) Date from which industrial property rights may have effect: **27 January 2011**  
(54) Product in respect of which the design is registered: **Lid for storage vessel**  
(51) International Design Classification: **07-01NES, 09-07NES**  
(74) Name(s) of Attorney(s): **Shelston IP**  
(71) Name(s) and Address(s) of Applicant(s):  
**Snapware Corporation**  
**3900 Hamner Avenue Mira Loma California 91752 United States of America**  
(72) Name(s) of Designer(s): **Justin Smyers**  
(45) Registration Date: **06 April 2011**  
(62) Divisional of: **335862**  
(56) Related Art Documents: **Not Applicable**  
(57) Statement of Newness and Distinctiveness: **Newness and distinctiveness reside in the features of shape and/or configuration of a lid for storage vessel as illustrated in solid lines in the accompanying representations.**



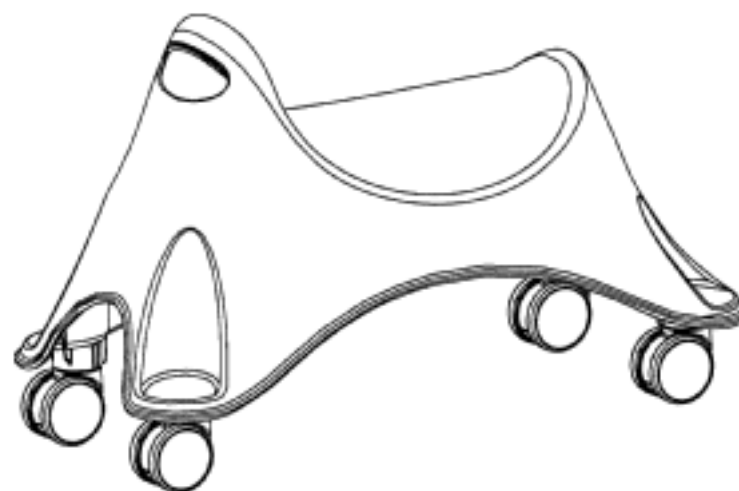
- (21) Design Number: **11413/2011**  
(22) Date of Filing Application: **27 January 2011**  
(24) Date from which industrial property rights may have effect: **27 January 2011**  
(54) Product in respect of which the design is registered: **Lid for storage vessel**  
(51) International Design Classification: **07-01NES, 09-07NES**  
(74) Name(s) of Attorney(s): **Shelston IP**  
(71) Name(s) and Address(s) of Applicant(s):  
**Snapware Corporation**  
**3900 Hamner Avenue Mira Loma California 91752 United States of America**  
(72) Name(s) of Designer(s): **Justin Smyers**  
(45) Registration Date: **06 April 2011**  
(62) Divisional of: **335862**  
(56) Related Art Documents: **Not Applicable**  
(57) Statement of Newness and Distinctiveness: **Newness and distinctiveness reside in the features of shape and/or configuration of a lid for storage vessel as illustrated in solid lines in the accompanying representations.**



- (21) Design Number: **11041/2011**  
(22) Date of Filing Application: **09 March 2011**  
(24) Date from which industrial property rights may have effect: **09 March 2011**  
(54) Product in respect of which the design is registered: **A gutter**  
(51) International Design Classification: **23-01L**  
(74) Name(s) of Attorney(s):  
(71) Name(s) and Address(s) of Applicant(s):  
**MacDonald Neame**  
**136 Morgans Road R D 3 Blenheim 7273 New Zealand**  
**Travis Grant Neame**  
**136 Morgans Road R D 3 Blenheim 7273 New Zealand**  
**Stephen Underwood**  
**Level 5 Panama House Panama Street Wellington 6011 New Zealand**  
(72) Name(s) of Designer(s): **MacDonald Neame and Travis Grant Neame**  
(45) Registration Date: **06 April 2011**  
(56) Related Art Documents: **Not Applicable**  
(57) Statement of Newness and Distinctiveness: **Newness and distinctiveness reside in the features of shape and/or configuration of the gutter of indeterminate length (as indicated by the split lines) as shown in the accompanying representations.**



(21) Design Number: **11042/2011**  
(22) Date of Filing Application: **10 March 2011**  
(24) Date from which industrial property rights may have effect: **10 March 2011**  
(54) Product in respect of which the design is registered: **Ride on toy**  
(51) International Design Classification: **21-01F**  
(74) Name(s) of Attorney(s): **Madderns**  
(71) Name(s) and Address(s) of Applicant(s):  
**Toymonster Intellectual Property Limited**  
**PO Box 957 Offshore Incorporations Centre Road Town Tortola British**  
**Virgin Islands**  
(72) Name(s) of Designer(s): **Ariel Badanjo**  
(45) Registration Date: **06 April 2011**  
(30) Convention priority data:  
(31) Number (32) Date (33) Country  
**50266 07 Nov 2010 ISRAEL**  
(56) Related Art Documents: **Not Applicable**  
(57) Statement of Newness and Distinctiveness: **Nil**



(21) Design Number: **11069/2011**  
(22) Date of Filing Application: **11 March 2011**  
(24) Date from which industrial property rights may have effect: **11 March 2011**  
(54) Product in respect of which the design is registered: **Chair**  
(51) International Design Classification: **06-01F**  
(74) Name(s) of Attorney(s): **PHILLIPS ORMONDE FITZPATRICK**  
(71) Name(s) and Address(s) of Applicant(s):  
**Dauphin Entwicklungs- u. Beteiligungs-GmbH**  
**Industriestrasse 11 91217 Hersbruck Germany**  
(72) Name(s) of Designer(s): **Rudiger Schaack and Roland Zund**  
(45) Registration Date: **06 April 2011**  
(30) Convention priority data:  
(31) Number (32) Date (33) Country  
**565 862 301 20 Sep 2010 WORLD INTELLECTUAL**  
**PROPERTY ORGANIZATION**  
**(WIPO)**  
(56) Related Art Documents: **Not Applicable**  
(57) Statement of Newness and Distinctiveness: **Those features of the chair**  
**depicted in the representations that are new and distinctive are the shape**  
**and/or configuration.**



(21) Design Number: **11070/2011**  
(22) Date of Filing Application: **11 March 2011**  
(24) Date from which industrial property rights may have effect: **11 March 2011**  
(54) Product in respect of which the design is registered: **Chair**  
(51) International Design Classification: **06-01F**  
(74) Name(s) of Attorney(s): **PHILLIPS ORMONDE FITZPATRICK**  
(71) Name(s) and Address(s) of Applicant(s):

**Dauphin Entwicklungs- u. Beteiligungs-GmbH**  
**Industriestrasse 11 91217 Hersbruck Germany**

(72) Name(s) of Designer(s): **Rudiger Schaack and Roland Zund**

(45) Registration Date: **06 April 2011**

(30) Convention priority data:

(31) Number	(32) Date	(33) Country
<b>565 862 301</b>	<b>20 Sep 2010</b>	<b>WORLD INTELLECTUAL PROPERTY ORGANIZATION (WIPO)</b>

(56) Related Art Documents: **Not Applicable**

(57) Statement of Newness and Distinctiveness: **Those features of the chair depicted in the representations that are new and distinctive are the shape and/or configuration.**



(21) Design Number: **10701/2011**  
(22) Date of Filing Application: **24 February 2011**  
(24) Date from which industrial property rights may have effect: **24 February 2011**  
(54) Product in respect of which the design is registered: **Cartridge filter element for water purifier**  
(51) International Design Classification: **23-01G**  
(74) Name(s) of Attorney(s): **Davies Collison Cave**  
(71) Name(s) and Address(s) of Applicant(s):

**Toray Industries Inc.**  
**1-1 Nihonbashi-Muromachi 2-chome Chuo-ku Tokyo 103-8666 Japan**

(72) Name(s) of Designer(s): **Nobuki Uematsu and Toshiyuki Miyajima and Masao Haida and Yasuo Miyake**

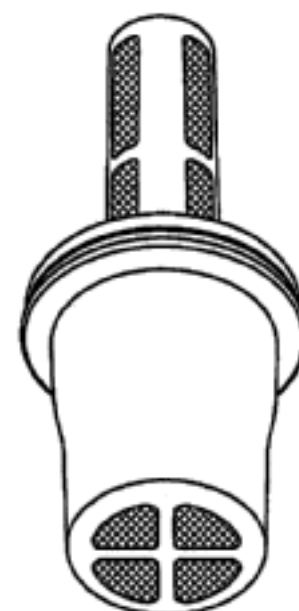
(45) Registration Date: **06 April 2011**

(30) Convention priority data:

(31) Number	(32) Date	(33) Country
<b>2010-021583</b>	<b>07 Sep 2010</b>	<b>JAPAN</b>

(56) Related Art Documents: **Not Applicable**

(57) Statement of Newness and Distinctiveness: **Nil**



(21) Design Number: **10736/2011**  
(22) Date of Filing Application: **28 February 2011**  
(24) Date from which industrial property rights may have effect: **28 February 2011**  
(54) Product in respect of which the design is registered: **Vapor ion plasma generator**  
(51) International Design Classification: **23-01G, 23-04**  
(74) Name(s) of Attorney(s): **SPRUSON & FERGUSON**  
(71) Name(s) and Address(s) of Applicant(s):

**Dennis E.J. Johnson**  
**8530 Windfall Way Blackforest-Colorado Springs Colorado 80908 United States of America**

(72) Name(s) of Designer(s): **Dennis E.J. Johnson**

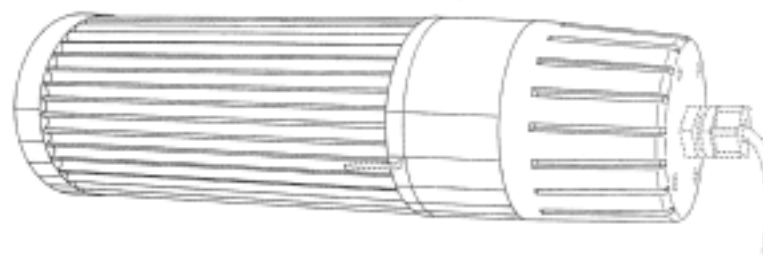
(45) Registration Date: **06 April 2011**

(30) Convention priority data:

(31) Number	(32) Date	(33) Country
<b>29/368937</b>	<b>31 Aug 2010</b>	<b>UNITED STATES OF AMERICA</b>

(56) Related Art Documents: **Not Applicable**

(57) Statement of Newness and Distinctiveness: **Newness and distinctiveness is claimed in the features of shape and/or configuration of a vapor ion plasma generator as illustrated in continuous lines in the accompanying representations.**



(21) Design Number: **10799/2011**  
(22) Date of Filing Application: **02 March 2011**  
(24) Date from which industrial property rights may have effect: **02 March 2011**  
(54) Product in respect of which the design is registered: **Flower stem cutter**  
(51) International Design Classification: **08-03**  
(74) Name(s) of Attorney(s): **Davies Collison Cave**  
(71) Name(s) and Address(s) of Applicant(s):

**Frank Mayer**  
**Maler-Ernst-Strasse 1 Bad Durkheim 67098 Germany**

(72) Name(s) of Designer(s): **Frank Mayer**

(45) Registration Date: **06 April 2011**

(30) Convention priority data:

(31) Number	(32) Date	(33) Country
<b>001751678-0001</b>	<b>07 Sep 2010</b>	<b>EUROPEAN COMMUNITY</b>

(56) Related Art Documents: **Not Applicable**

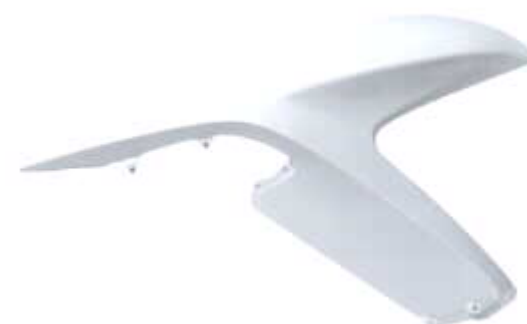
(57) Statement of Newness and Distinctiveness: **Nil**



- (21) Design Number: **10960/2011**  
(22) Date of Filing Application: **08 March 2011**  
(24) Date from which industrial property rights may have effect: **08 March 2011**  
(54) Product in respect of which the design is registered: **Bead flower having six bead petals and six seed bead petals**  
(51) International Design Classification: **11-04**  
(74) Name(s) of Attorney(s):  
(71) Name(s) and Address(s) of Applicant(s):  
**Christine McCann**  
**46 Annandale Street Annandale New South Wales 2038 Australia**  
(72) Name(s) of Designer(s): **Christine McCann**  
(45) Registration Date: **06 April 2011**  
(56) Related Art Documents: **Not Applicable**  
(57) Statement of Newness and Distinctiveness: **The newness and distinctiveness of the bead flower resides in the configuration and/or shape as shown in the accompanying representations, irrespective of the presence or absence of the central component or the shape of the central component when present.**



- (21) Design Number: **10961/2011**  
(22) Date of Filing Application: **08 March 2011**  
(24) Date from which industrial property rights may have effect: **08 March 2011**  
(54) Product in respect of which the design is registered: **Front side cowl for motorcycles**  
(51) International Design Classification: **12-16B**  
(74) Name(s) of Attorney(s): **Griffith Hack**  
(71) Name(s) and Address(s) of Applicant(s):  
**Honda Motor Co., Ltd**  
**1-1 Minami-Aoyama 2-chome Minato-ku Tokyo 107-8556 Japan**  
(72) Name(s) of Designer(s): **Akira Omae and Teofilo Plaza**  
(45) Registration Date: **06 April 2011**  
(30) Convention priority data:  
(31) Number      (32) Date      (33) Country  
**2010-021692      08 Sep 2010      JAPAN**  
(56) Related Art Documents: **Not Applicable**  
(57) Statement of Newness and Distinctiveness: **Shape and configuration of the design of the front side cowl as shown in the Figures is new and distinctive.**



(21) Design Number: **10962/2011**  
(22) Date of Filing Application: **08 March 2011**  
(24) Date from which industrial property rights may have effect: **08 March 2011**  
(54) Product in respect of which the design is registered: **Motorcycle**  
(51) International Design Classification: **12-11**  
(74) Name(s) of Attorney(s): **Griffith Hack**  
(71) Name(s) and Address(s) of Applicant(s):  
**Honda Motor Co., Ltd**  
**1-1 Minami-Aoyama 2-chome Minato-ku Tokyo 107-8556 Japan**  
(72) Name(s) of Designer(s): **Akira Omae and Teofilo Plaza**  
(45) Registration Date: **06 April 2011**  
(30) Convention priority data:  
(31) Number (32) Date (33) Country  
**2010-021691 08 Sep 2010 JAPAN**  
(56) Related Art Documents: **Not Applicable**  
(57) Statement of Newness and Distinctiveness: **Shape and configuration of the design of the motorcycle as shown in the Figures is new and distinctive.**



(21) Design Number: **11051/2011**  
(22) Date of Filing Application: **10 March 2011**  
(24) Date from which industrial property rights may have effect: **10 March 2011**  
(54) Product in respect of which the design is registered: **Air conditioner**  
(51) International Design Classification: **23-04**  
(74) Name(s) of Attorney(s): **SPRUSON & FERGUSON**  
(71) Name(s) and Address(s) of Applicant(s):  
**Fujitsu General Limited**  
**1116 Suenaga Takatsu-ku Kawasaki-shi Kanagawa Japan**  
(72) Name(s) of Designer(s): **Hiroshi Kobayashi**  
(45) Registration Date: **06 April 2011**  
(30) Convention priority data:  
(31) Number (32) Date (33) Country  
**D2010-022025 13 Sep 2010 JAPAN**  
(56) Related Art Documents: **Not Applicable**  
(57) Statement of Newness and Distinctiveness: **Newness and distinctiveness is claimed in the features of shape and/or configuration of an air conditioner as illustrated in the accompanying representations.**



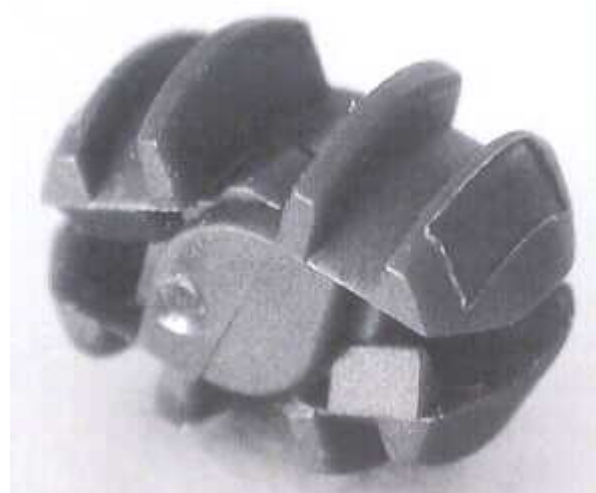
(21) Design Number: **11052/2011**  
(22) Date of Filing Application: **10 March 2011**  
(24) Date from which industrial property rights may have effect: **10 March 2011**  
(54) Product in respect of which the design is registered: **Drinking cup**  
(51) International Design Classification: **07-01C**  
(74) Name(s) of Attorney(s): **SPRUSON & FERGUSON**  
(71) Name(s) and Address(s) of Applicant(s):  
**MAM Babyartikel Gesellschaft m.b.H.**  
**Lorenz-Mandl-Gasse 50 1160 Wien Austria**  
(72) Name(s) of Designer(s): **Peter Rohrig and Matthias Peschke**  
(45) Registration Date: **06 April 2011**  
(30) Convention priority data:  
(31) Number (32) Date (33) Country  
**1760919-0001 28 Sep 2010 EUROPEAN COMMUNITY**  
(56) Related Art Documents: **Not Applicable**  
(57) Statement of Newness and Distinctiveness: **Newness and distinctiveness is claimed in the features of shape and/or configuration of a drinking cup as illustrated in the accompanying representations.**



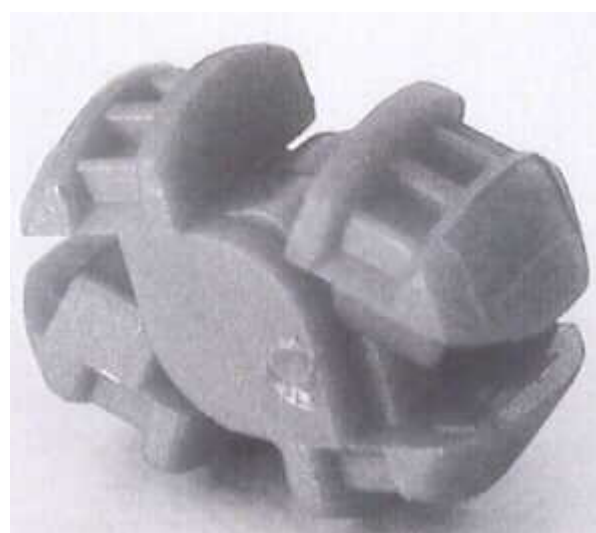
(21) Design Number: **11086/2011**  
(22) Date of Filing Application: **11 March 2011**  
(24) Date from which industrial property rights may have effect: **11 March 2011**  
(54) Product in respect of which the design is registered: **Piece for a game**  
(51) International Design Classification: **21-01L**  
(74) Name(s) of Attorney(s): **FB Rice**  
(71) Name(s) and Address(s) of Applicant(s):  
**Jean-Michel Meys**  
**131 route des Monts-de-Lavaux 1090 La Croix-sur-Lutry Switzerland**  
(72) Name(s) of Designer(s): **Jean-Michel Meys**  
(45) Registration Date: **06 April 2011**  
(30) Convention priority data:  
(31) Number (32) Date (33) Country  
**137415 16 Sep 2010 SWITZERLAND**  
(56) Related Art Documents: **Not Applicable**  
(57) Statement of Newness and Distinctiveness: **Newness and distinctiveness reside in the features of the design as shown in the representations.**



(21) Design Number: **11087/2011**  
(22) Date of Filing Application: **11 March 2011**  
(24) Date from which industrial property rights may have effect: **11 March 2011**  
(54) Product in respect of which the design is registered: **Piece for a game**  
(51) International Design Classification: **21-01L**  
(74) Name(s) of Attorney(s): **FB Rice**  
(71) Name(s) and Address(s) of Applicant(s):  
**Jean-Michel Meys**  
**131 route des Monts-de-Lavaux 1090 La Croix-sur-Lutry Switzerland**  
(72) Name(s) of Designer(s): **Jean-Michel Meys**  
(45) Registration Date: **06 April 2011**  
(30) Convention priority data:  
(31) Number (32) Date (33) Country  
**137415 16 Sep 2010 SWITZERLAND**  
(56) Related Art Documents: **Not Applicable**  
(57) Statement of Newness and Distinctiveness: **Newness and distinctiveness reside in the features of the design as shown in the representations.**



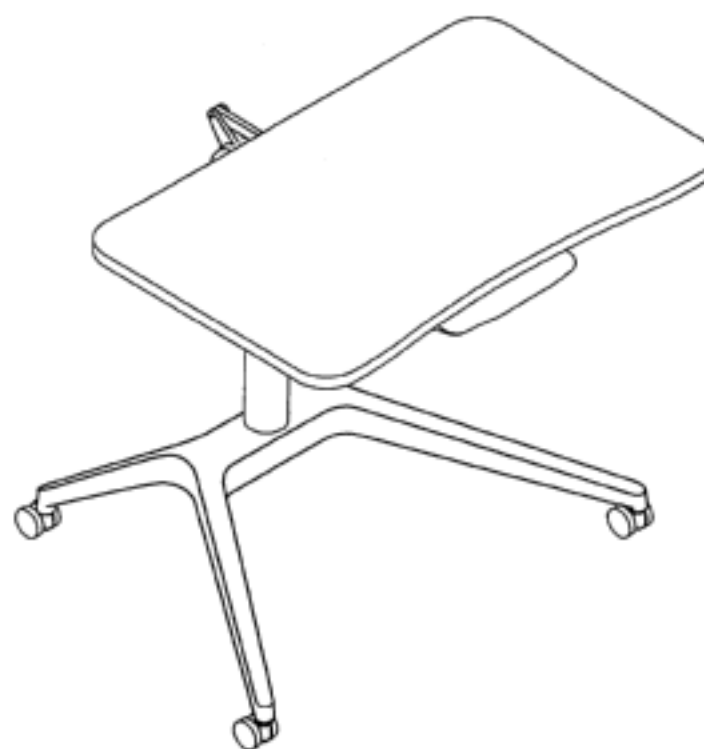
(21) Design Number: **11088/2011**  
(22) Date of Filing Application: **11 March 2011**  
(24) Date from which industrial property rights may have effect: **11 March 2011**  
(54) Product in respect of which the design is registered: **Piece for a game**  
(51) International Design Classification: **21-01L**  
(74) Name(s) of Attorney(s): **FB Rice**  
(71) Name(s) and Address(s) of Applicant(s):  
**Jean-Michel Meys**  
**131 route des Monts-de-Lavaux 1090 La Croix-sur-Lutry Switzerland**  
(72) Name(s) of Designer(s): **Jean-Michel Meys**  
(45) Registration Date: **06 April 2011**  
(30) Convention priority data:  
(31) Number (32) Date (33) Country  
**137415 16 Sep 2010 SWITZERLAND**  
(56) Related Art Documents: **Not Applicable**  
(57) Statement of Newness and Distinctiveness: **Newness and distinctiveness reside in the features of the design as shown in the representations.**



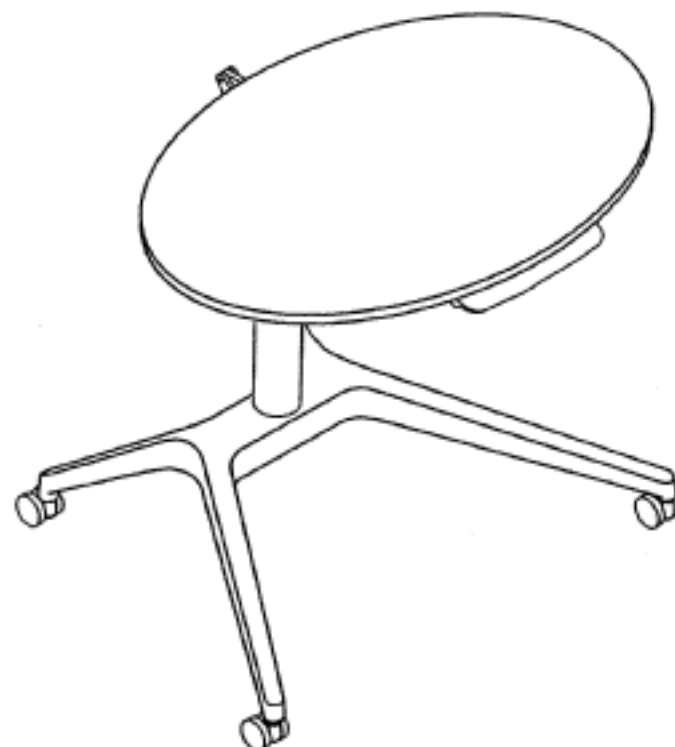
(21) Design Number: **11089/2011**  
(22) Date of Filing Application: **11 March 2011**  
(24) Date from which industrial property rights may have effect: **11 March 2011**  
(54) Product in respect of which the design is registered: **Table**  
(51) International Design Classification: **06-03C**  
(74) Name(s) of Attorney(s): **FB Rice**  
(71) Name(s) and Address(s) of Applicant(s):  
**Okamura Corporation**  
**7-18 Kitasaiwai 2-chome Nishi-ku Yokohama-shi Kanagawa 220-0004**  
**Japan**  
(72) Name(s) of Designer(s): **Takayuki Yamamoto**  
(45) Registration Date: **06 April 2011**  
(30) Convention priority data:  
(31) Number      (32) Date      (33) Country  
**2010-022071      13 Sep 2010      JAPAN**  
(56) Related Art Documents: **Not Applicable**  
(57) Statement of Newness and Distinctiveness: **Newness and distinctiveness**  
**reside in the features of the design as shown in the representations.**



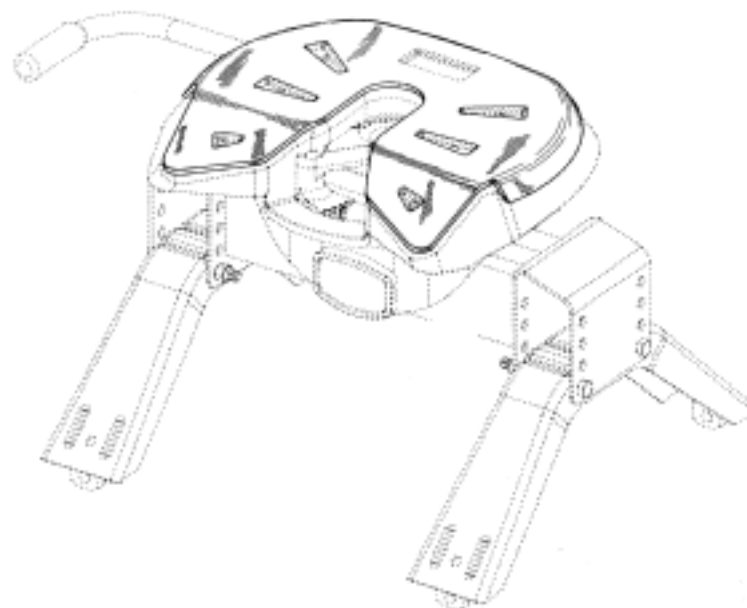
(21) Design Number: **11090/2011**  
(22) Date of Filing Application: **11 March 2011**  
(24) Date from which industrial property rights may have effect: **11 March 2011**  
(54) Product in respect of which the design is registered: **Table**  
(51) International Design Classification: **06-03C**  
(74) Name(s) of Attorney(s): **FB Rice**  
(71) Name(s) and Address(s) of Applicant(s):  
**Okamura Corporation**  
**7-18 Kitasaiwai 2-chome Nishi-ku Yokohama-shi Kanagawa 220-0004**  
**Japan**  
(72) Name(s) of Designer(s): **Takayuki Yamamoto**  
(45) Registration Date: **06 April 2011**  
(30) Convention priority data:  
(31) Number      (32) Date      (33) Country  
**2010-022072      13 Sep 2010      JAPAN**  
(56) Related Art Documents: **Not Applicable**  
(57) Statement of Newness and Distinctiveness: **Newness and distinctiveness**  
**reside in the features of the design as shown in the representations.**



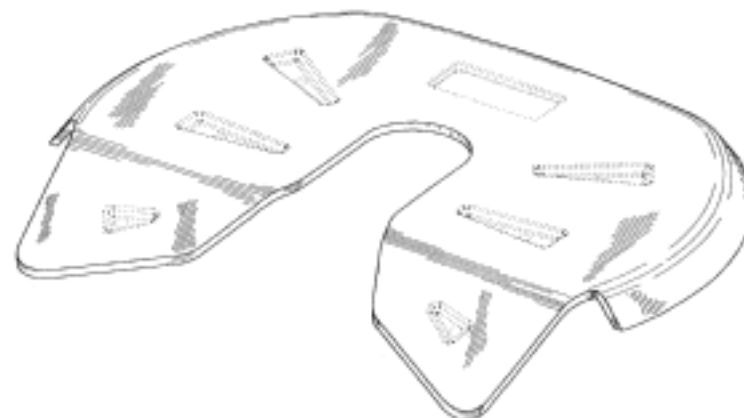
(21) Design Number: **11091/2011**  
(22) Date of Filing Application: **11 March 2011**  
(24) Date from which industrial property rights may have effect: **11 March 2011**  
(54) Product in respect of which the design is registered: **Table**  
(51) International Design Classification: **06-03C**  
(74) Name(s) of Attorney(s): **FB Rice**  
(71) Name(s) and Address(s) of Applicant(s):  
**Okamura Corporation**  
**7-18 Kitasaiwai 2-chome Nishi-ku Yokohama-shi Kanagawa 220-0004**  
**Japan**  
(72) Name(s) of Designer(s): **Takayuki Yamamoto**  
(45) Registration Date: **06 April 2011**  
(30) Convention priority data:  
(31) Number (32) Date (33) Country  
**2010-022073 13 Sep 2010 JAPAN**  
(56) Related Art Documents: **Not Applicable**  
(57) Statement of Newness and Distinctiveness: **Newness and distinctiveness reside in the features of the design as shown in the representations.**



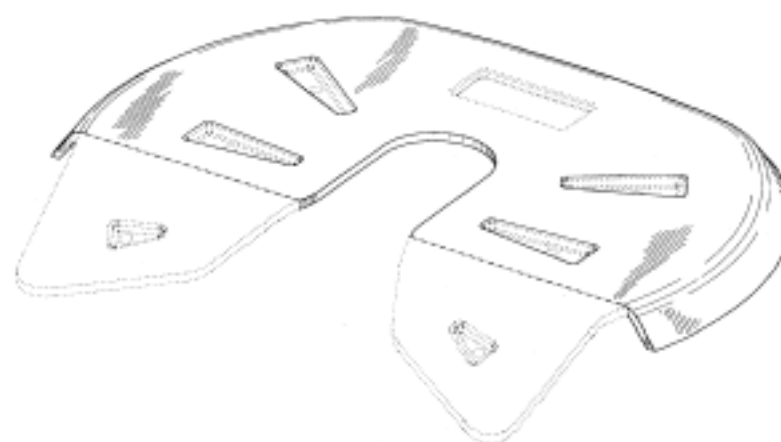
(21) Design Number: **10187/2011**  
(22) Date of Filing Application: **27 January 2011**  
(24) Date from which industrial property rights may have effect: **27 January 2011**  
(54) Product in respect of which the design is registered: **Fifth wheel hitch skid plate cover**  
(51) International Design Classification: **08-05E, 12-16L**  
(74) Name(s) of Attorney(s): **PETER MAXWELL & ASSOCIATES**  
(71) Name(s) and Address(s) of Applicant(s):  
**Cequent Performance Products, Inc.**  
**4774 Anchor Court West Plymouth MI 48170 United States of America**  
(72) Name(s) of Designer(s): **Eric J. Stanifer and Richard W. McCoy**  
(45) Registration Date: **06 April 2011**  
(30) Convention priority data:  
(31) Number (32) Date (33) Country  
**29/366,485 26 Jul 2010 UNITED STATES OF AMERICA**  
(56) Related Art Documents: **Not Applicable**  
(57) Statement of Newness and Distinctiveness: **Newness and distinctiveness is claimed in the shape and/or configuration of FIFTH WHEEL HITCH SKID PLATE COVER as illustrated by the unbroken lines in the accompanying representation/s.**



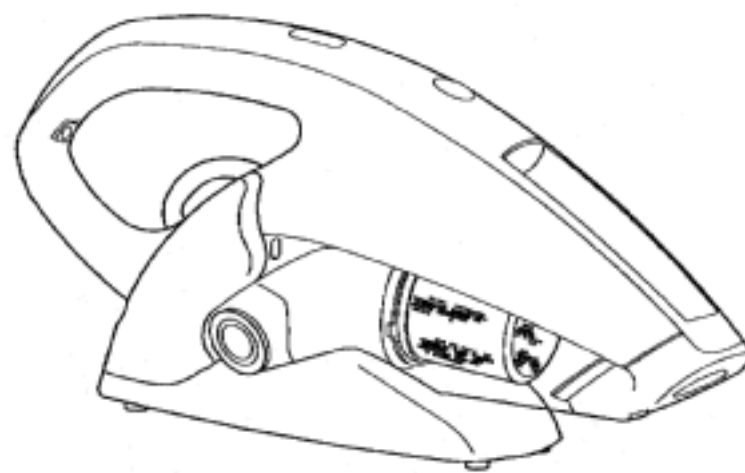
(21) Design Number: **11439/2011**  
(22) Date of Filing Application: **27 January 2011**  
(24) Date from which industrial property rights may have effect: **27 January 2011**  
(54) Product in respect of which the design is registered: **Fifth wheel hitch skid plate cover**  
(51) International Design Classification: **08-05E, 12-16L**  
(74) Name(s) of Attorney(s): **PETER MAXWELL & ASSOCIATES**  
(71) Name(s) and Address(s) of Applicant(s):  
**Cequent Performance Products, Inc.**  
**4774 Anchor Court West Plymouth MI 48170 United States of America**  
(72) Name(s) of Designer(s): **Eric J. Stanifer and Richard W. McCoy**  
(45) Registration Date: **06 April 2011**  
(30) Convention priority data:  
(31) Number (32) Date (33) Country  
**29/366,485 26 Jul 2010 UNITED STATES OF AMERICA**  
(56) Related Art Documents: **Not Applicable**  
(57) Statement of Newness and Distinctiveness: **Newness and distinctiveness is claimed in the shape and/or configuration of FIFTH WHEEL HITCH SKID PLATE COVER as illustrated by the unbroken lines in the accompanying representation/s.**



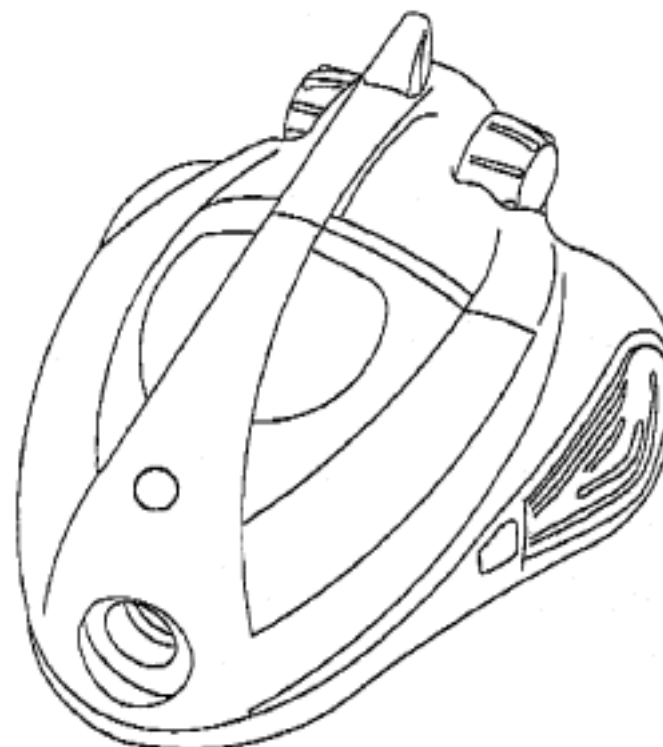
(21) Design Number: **11440/2011**  
(22) Date of Filing Application: **27 January 2011**  
(24) Date from which industrial property rights may have effect: **27 January 2011**  
(54) Product in respect of which the design is registered: **Fifth wheel hitch skid plate cover**  
(51) International Design Classification: **08-05E, 12-16L**  
(74) Name(s) of Attorney(s): **PETER MAXWELL & ASSOCIATES**  
(71) Name(s) and Address(s) of Applicant(s):  
**Cequent Performance Products, Inc.**  
**4774 Anchor Court West Plymouth MI 48170 United States of America**  
(72) Name(s) of Designer(s): **Eric J. Stanifer and Richard W. McCoy**  
(45) Registration Date: **06 April 2011**  
(30) Convention priority data:  
(31) Number (32) Date (33) Country  
**29/366,485 26 Jul 2010 UNITED STATES OF AMERICA**  
(56) Related Art Documents: **Not Applicable**  
(57) Statement of Newness and Distinctiveness: **Newness and distinctiveness is claimed in the shape and/or configuration of FIFTH WHEEL HITCH SKID PLATE COVER as illustrated by the unbroken lines in the accompanying representation/s.**



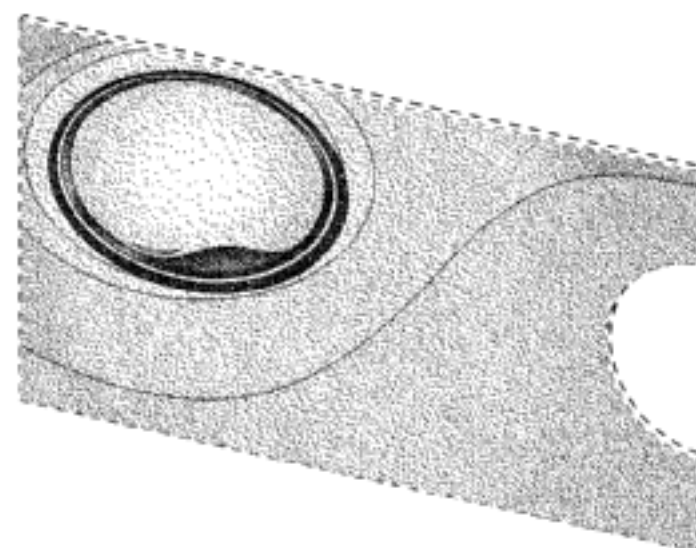
(21) Design Number: **10225/2011**  
(22) Date of Filing Application: **28 January 2011**  
(24) Date from which industrial property rights may have effect: **28 January 2011**  
(54) Product in respect of which the design is registered: **Vacuum cleaner**  
(51) International Design Classification: **15-05**  
(74) Name(s) of Attorney(s): **A Tatlock & Associates**  
(71) Name(s) and Address(s) of Applicant(s):  
**Hoover Limited**  
**Pentrebach Merthyr Tydfil Mid Glamorgan CF48 4TU United Kingdom**  
(72) Name(s) of Designer(s): **Alessandro Mela and Marco Nicora and Aila Wei**  
(45) Registration Date: **07 April 2011**  
(30) Convention priority data:  
(31) Number (32) Date (33) Country  
**001740754-0008 05 Aug 2010 EUROPEAN COMMUNITY**  
(56) Related Art Documents: **Not Applicable**  
(57) Statement of Newness and Distinctiveness: **Nil**



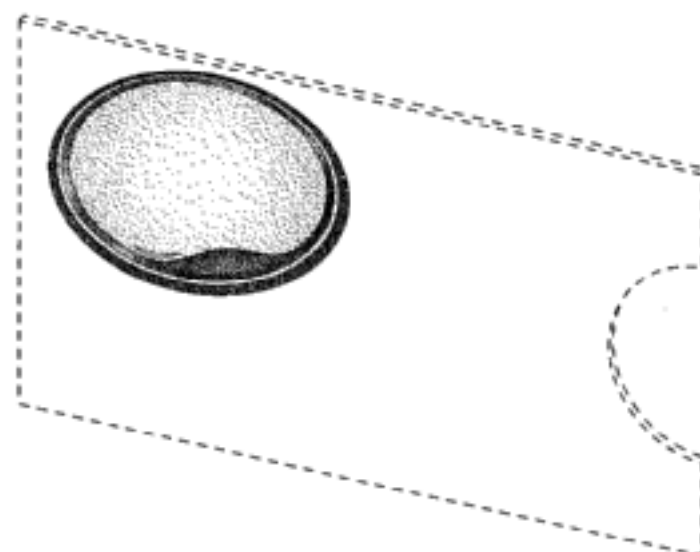
(21) Design Number: **10227/2011**  
(22) Date of Filing Application: **28 January 2011**  
(24) Date from which industrial property rights may have effect: **28 January 2011**  
(54) Product in respect of which the design is registered: **Vacuum cleaner**  
(51) International Design Classification: **15-05**  
(74) Name(s) of Attorney(s): **A Tatlock & Associates**  
(71) Name(s) and Address(s) of Applicant(s):  
**Hoover Limited**  
**Pentrebach Merthyr Tydfil Mid Glamorgan CF48 4TU United Kingdom**  
(72) Name(s) of Designer(s): **Andrew Wen and Kevin Kuo and Andrea Zardoni**  
(45) Registration Date: **07 April 2011**  
(30) Convention priority data:  
(31) Number (32) Date (33) Country  
**001740754-0004 05 Aug 2010 EUROPEAN COMMUNITY**  
(56) Related Art Documents: **Not Applicable**  
(57) Statement of Newness and Distinctiveness: **Nil**



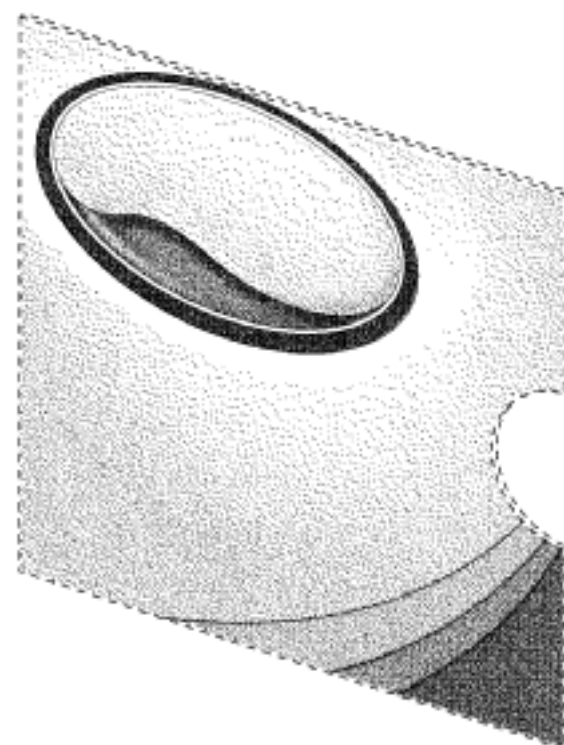
- (21) Design Number: **11061/2011**  
(22) Date of Filing Application: **11 March 2011**  
(24) Date from which industrial property rights may have effect: **11 March 2011**  
(54) Product in respect of which the design is registered: **Container with surface ornamentation**  
(51) International Design Classification: **09-05**  
(74) Name(s) of Attorney(s): **PHILLIPS ORMONDE FITZPATRICK**  
(71) Name(s) and Address(s) of Applicant(s):  
**The Procter & Gamble Company**  
**One Procter & Gamble Plaza Cincinnati Ohio 45202 United States of America**  
(72) Name(s) of Designer(s): **Molly Ann Hablutzel and Jennifer Merchant and Jean Martin Campbell and Scott Cunningham**  
(45) Registration Date: **07 April 2011**  
(30) Convention priority data:  
(31) Number (32) Date (33) Country  
**29/369,716 13 Sep 2010 UNITED STATES OF AMERICA**  
(56) Related Art Documents: **Not Applicable**  
(57) Statement of Newness and Distinctiveness: **Those features of the container with surface ornamentation depicted in the representations that are new and distinctive are the pattern and/or ornamentation. The stippling shown in the representations indicates colour, but not a particular colour. The features shown in broken lines are not part of the design and are to be disregarded when considering the overall impression of the design.**



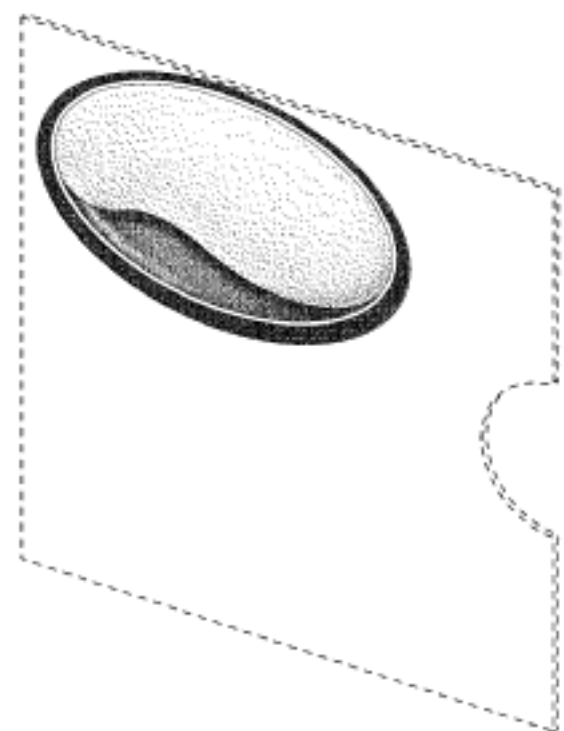
- (21) Design Number: **11062/2011**  
(22) Date of Filing Application: **11 March 2011**  
(24) Date from which industrial property rights may have effect: **11 March 2011**  
(54) Product in respect of which the design is registered: **Container with surface ornamentation**  
(51) International Design Classification: **09-05**  
(74) Name(s) of Attorney(s): **PHILLIPS ORMONDE FITZPATRICK**  
(71) Name(s) and Address(s) of Applicant(s):  
**The Procter & Gamble Company**  
**One Procter & Gamble Plaza Cincinnati Ohio 45202 United States of America**  
(72) Name(s) of Designer(s): **Molly Ann Hablutzel and Jennifer Merchant and Jean Martin Campbell and Scott Cunningham**  
(45) Registration Date: **07 April 2011**  
(30) Convention priority data:  
(31) Number (32) Date (33) Country  
**29/369,716 13 Sep 2010 UNITED STATES OF AMERICA**  
(56) Related Art Documents: **Not Applicable**  
(57) Statement of Newness and Distinctiveness: **Those features of the container with surface ornamentation depicted in the representations that are new and distinctive are the pattern and/or ornamentation. The stippling shown in the representations indicates a colour, but not a particular colour. The features shown in broken lines are not part of the design and are to be disregarded when considering the overall impression of the design.**



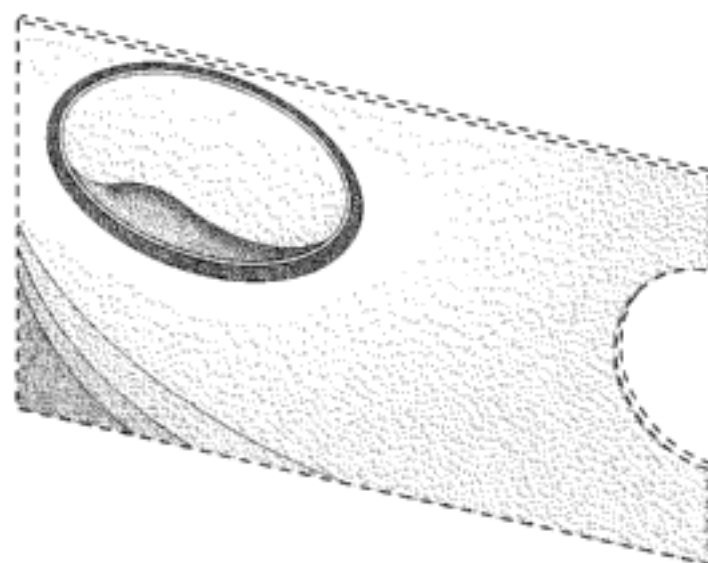
- (21) Design Number: **11063/2011**  
(22) Date of Filing Application: **11 March 2011**  
(24) Date from which industrial property rights may have effect: **11 March 2011**  
(54) Product in respect of which the design is registered: **Container with surface ornamentation**  
(51) International Design Classification: **09-05**  
(74) Name(s) of Attorney(s): **PHILLIPS ORMONDE FITZPATRICK**  
(71) Name(s) and Address(s) of Applicant(s):  
**The Procter & Gamble Company**  
**One Procter & Gamble Plaza Cincinnati Ohio 45202 United States of America**  
(72) Name(s) of Designer(s): **Molly Ann Hablutzel and Jennifer Merchant and Jean Martin Campbell and Scott Cunningham**  
(45) Registration Date: **07 April 2011**  
(30) Convention priority data:  
(31) Number (32) Date (33) Country  
**29/369,716 13 Sep 2010 UNITED STATES OF AMERICA**  
(56) Related Art Documents: **Not Applicable**  
(57) Statement of Newness and Distinctiveness: **Those features of the container with surface ornamentation depicted in the representations that are new and distinctive are the pattern and/or ornamentation. The stippling shown in the representations indicates a colour, but not a particular colour. The features shown in broken lines are not part of the design and are to be disregarded when considering the overall impression of the design.**



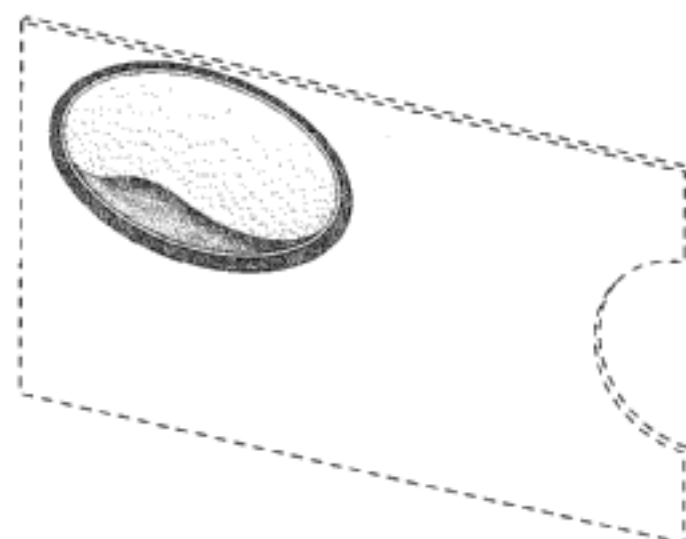
- (21) Design Number: **11064/2011**  
(22) Date of Filing Application: **11 March 2011**  
(24) Date from which industrial property rights may have effect: **11 March 2011**  
(54) Product in respect of which the design is registered: **Container with surface ornamentation**  
(51) International Design Classification: **09-05**  
(74) Name(s) of Attorney(s): **PHILLIPS ORMONDE FITZPATRICK**  
(71) Name(s) and Address(s) of Applicant(s):  
**The Procter & Gamble Company**  
**One Procter & Gamble Plaza Cincinnati Ohio 45202 United States of America**  
(72) Name(s) of Designer(s): **Molly Ann Hablutzel and Jennifer Merchant and Jean Martin Campbell and Scott Cunningham**  
(45) Registration Date: **07 April 2011**  
(30) Convention priority data:  
(31) Number (32) Date (33) Country  
**29/369,716 13 Sep 2010 UNITED STATES OF AMERICA**  
(56) Related Art Documents: **Not Applicable**  
(57) Statement of Newness and Distinctiveness: **Those features of the container with surface ornamentation depicted in the representations that are new and distinctive are the pattern and/or ornamentation. The stippling shown in the representations indicates a colour, but not a particular colour. The features shown in broken lines are not part of the design and are to be disregarded when considering the overall impression of the design.**



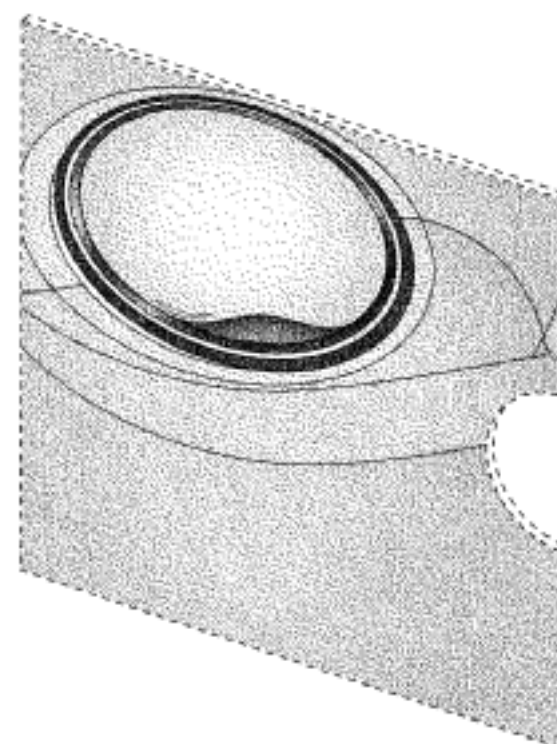
- (21) Design Number: **11065/2011**  
(22) Date of Filing Application: **11 March 2011**  
(24) Date from which industrial property rights may have effect: **11 March 2011**  
(54) Product in respect of which the design is registered: **Container with surface ornamentation**  
(51) International Design Classification: **09-05**  
(74) Name(s) of Attorney(s): **PHILLIPS ORMONDE FITZPATRICK**  
(71) Name(s) and Address(s) of Applicant(s):  
**The Procter & Gamble Company**  
**One Procter & Gamble Plaza Cincinnati Ohio 45202 United States of America**  
(72) Name(s) of Designer(s): **Molly Ann Hablutzel and Jennifer Merchant and Jean Martin Campbell and Scott Cunningham**  
(45) Registration Date: **07 April 2011**  
(30) Convention priority data:  
(31) Number (32) Date (33) Country  
**29/369,716 13 Sep 2010 UNITED STATES OF AMERICA**  
(56) Related Art Documents: **Not Applicable**  
(57) Statement of Newness and Distinctiveness: **Those features of the container with surface ornamentation depicted in the representations that are new and distinctive are the pattern and/or ornamentation. The stippling shown in the representations indicates a colour, but not a particular colour. The features shown in broken lines are not part of the design and are to be disregarded when considering the overall impression of the design.**



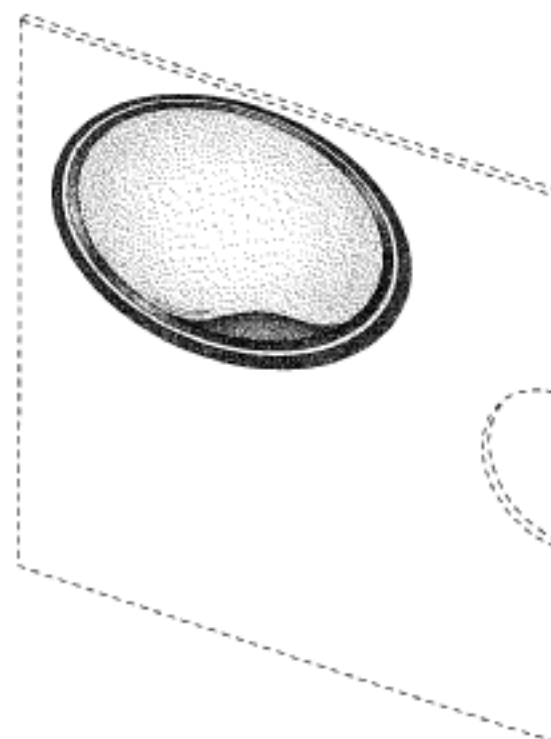
- (21) Design Number: **11066/2011**  
(22) Date of Filing Application: **11 March 2011**  
(24) Date from which industrial property rights may have effect: **11 March 2011**  
(54) Product in respect of which the design is registered: **Container with surface ornamentation**  
(51) International Design Classification: **09-05**  
(74) Name(s) of Attorney(s): **PHILLIPS ORMONDE FITZPATRICK**  
(71) Name(s) and Address(s) of Applicant(s):  
**The Procter & Gamble Company**  
**One Procter & Gamble Plaza Cincinnati Ohio 45202 United States of America**  
(72) Name(s) of Designer(s): **Molly Ann Hablutzel and Jennifer Merchant and Jean Martin Campbell and Scott Cunningham**  
(45) Registration Date: **07 April 2011**  
(30) Convention priority data:  
(31) Number (32) Date (33) Country  
**29/369,716 13 Sep 2010 UNITED STATES OF AMERICA**  
(56) Related Art Documents: **Not Applicable**  
(57) Statement of Newness and Distinctiveness: **Those features of the container with surface ornamentation depicted in the representations that are new and distinctive are the pattern and/or ornamentation. The stippling shown in the representations indicates a colour, but not a particular colour. The features shown in broken lines are not part of the design and are to be disregarded when considering the overall impression of the design.**



- (21) Design Number: **11067/2011**  
(22) Date of Filing Application: **11 March 2011**  
(24) Date from which industrial property rights may have effect: **11 March 2011**  
(54) Product in respect of which the design is registered: **Container with surface ornamentation**  
(51) International Design Classification: **09-05**  
(74) Name(s) of Attorney(s): **PHILLIPS ORMONDE FITZPATRICK**  
(71) Name(s) and Address(s) of Applicant(s):  
**The Procter & Gamble Company**  
**One Procter & Gamble Plaza Cincinnati Ohio 45202 United States of America**  
(72) Name(s) of Designer(s): **Molly Ann Hablutzel and Jennifer Merchant and Jean Martin Campbell and Scott Cunningham**  
(45) Registration Date: **07 April 2011**  
(30) Convention priority data:  
(31) Number (32) Date (33) Country  
**29/369,716 13 Sep 2010 UNITED STATES OF AMERICA**  
(56) Related Art Documents: **Not Applicable**  
(57) Statement of Newness and Distinctiveness: **Those features of the container with surface ornamentation depicted in the representations that are new and distinctive are the pattern and/or ornamentation. The stippling shown in the representations indicates a colour, but not a particular colour. The features shown in broken lines are not part of the design and are to be disregarded when considering the overall impression of the design.**



- (21) Design Number: **11068/2011**  
(22) Date of Filing Application: **11 March 2011**  
(24) Date from which industrial property rights may have effect: **11 March 2011**  
(54) Product in respect of which the design is registered: **Container with surface ornamentation**  
(51) International Design Classification: **09-05**  
(74) Name(s) of Attorney(s): **PHILLIPS ORMONDE FITZPATRICK**  
(71) Name(s) and Address(s) of Applicant(s):  
**The Procter & Gamble Company**  
**One Procter & Gamble Plaza Cincinnati Ohio 45202 United States of America**  
(72) Name(s) of Designer(s): **Molly Ann Hablutzel and Jennifer Merchant and Jean Martin Campbell and Scott Cunningham**  
(45) Registration Date: **07 April 2011**  
(30) Convention priority data:  
(31) Number (32) Date (33) Country  
**29/369,716 13 Sep 2010 UNITED STATES OF AMERICA**  
(56) Related Art Documents: **Not Applicable**  
(57) Statement of Newness and Distinctiveness: **Those features of the container with surface ornamentation depicted in the representations that are new and distinctive are the pattern and/or ornamentation. The stippling shown in the representations indicates a colour, but not a particular colour. The features shown in broken lines are not part of the design and are to be disregarded when considering the overall impression of the design.**



(21) Design Number: **11071/2011**  
(22) Date of Filing Application: **11 March 2011**  
(24) Date from which industrial property rights may have effect: **11 March 2011**  
(54) Product in respect of which the design is registered: **Hand guard**  
(51) International Design Classification: **24-04**  
(74) Name(s) of Attorney(s): **PHILLIPS ORMONDE FITZPATRICK**  
(71) Name(s) and Address(s) of Applicant(s):

**Mediplast AB**  
**Box 9505 S-200 39 Malmo Suecia Sweden**

(72) Name(s) of Designer(s): **Sonia Gustavsson**

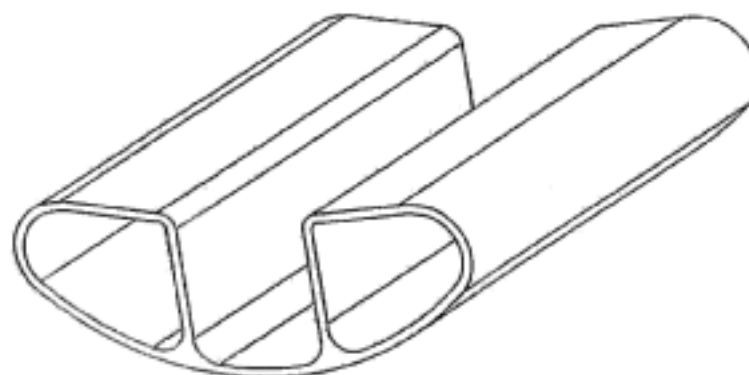
(45) Registration Date: **07 April 2011**

(30) Convention priority data:

(31) Number	(32) Date	(33) Country
<b>001249148-0001</b>	<b>10 Dec 2010</b>	<b>EUROPEAN COMMUNITY</b>

(56) Related Art Documents: **Not Applicable**

(57) Statement of Newness and Distinctiveness: **Those features of the hand guard depicted in the representations that are new and distinctive are the shape and/or configuration.**



(21) Design Number: **11072/2011**  
(22) Date of Filing Application: **11 March 2011**  
(24) Date from which industrial property rights may have effect: **11 March 2011**  
(54) Product in respect of which the design is registered: **Packaging container with surface ornamentation**  
(51) International Design Classification: **09-05**  
(74) Name(s) of Attorney(s): **PHILLIPS ORMONDE FITZPATRICK**  
(71) Name(s) and Address(s) of Applicant(s):

**The Procter & Gamble Company**  
**One Procter & Gamble Plaza Cincinnati Ohio 45202 United States of America**

(72) Name(s) of Designer(s): **Molly Ann Hablutzal and Jennifer Merchant and Jean Martin Campbell and Scott Cunningham**

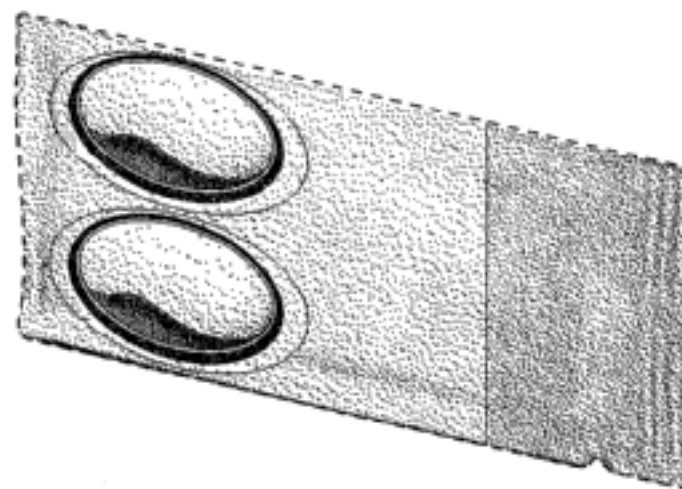
(45) Registration Date: **07 April 2011**

(30) Convention priority data:

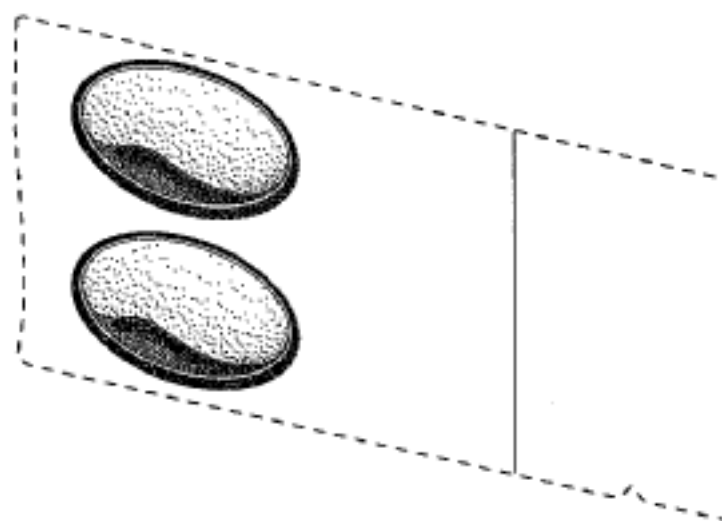
(31) Number	(32) Date	(33) Country
<b>29/369,717</b>	<b>13 Sep 2010</b>	<b>UNITED STATES OF AMERICA</b>

(56) Related Art Documents: **Not Applicable**

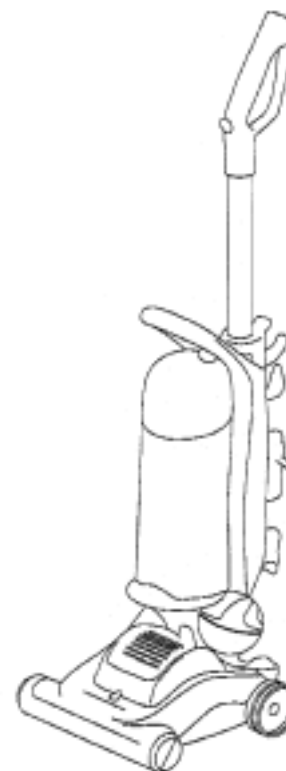
(57) Statement of Newness and Distinctiveness: **Those features of the packaging container with surface ornamentation depicted in the representations that are new and distinctive are the pattern and/or ornamentation. The stippling shown in the representations indicates a colour, but not a particular colour. The features shown in broken lines are not part of the design and are to be disregarded when considering the overall impression of the design.**



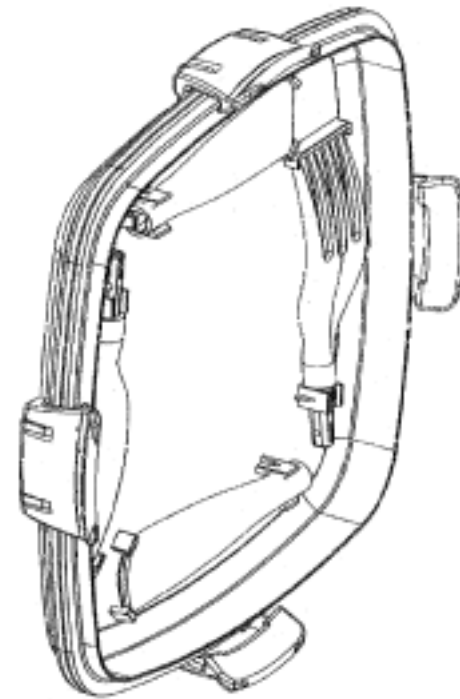
- (21) Design Number: **11073/2011**  
(22) Date of Filing Application: **11 March 2011**  
(24) Date from which industrial property rights may have effect: **11 March 2011**  
(54) Product in respect of which the design is registered: **Packaging container with surface ornamentation**  
(51) International Design Classification: **09-05**  
(74) Name(s) of Attorney(s): **PHILLIPS ORMONDE FITZPATRICK**  
(71) Name(s) and Address(s) of Applicant(s):  
**The Procter & Gamble Company**  
**One Procter & Gamble Plaza Cincinnati Ohio 45202 United States of America**  
(72) Name(s) of Designer(s): **Molly Ann Hablutzel and Jennifer Merchant and Jean Martin Campbell and Scott Cunningham**  
(45) Registration Date: **07 April 2011**  
(30) Convention priority data:  
(31) Number (32) Date (33) Country  
**29/369,717 13 Sep 2010 UNITED STATES OF AMERICA**  
(56) Related Art Documents: **Not Applicable**  
(57) Statement of Newness and Distinctiveness: **Those features of the packaging container with surface ornamentation depicted in the representations that are new and distinctive are the pattern and/or ornamentation. The stippling shown in the representations indicates a colour, but not a particular colour. The features shown in broken lines are not part of the design and are to be disregarded when considering the overall impression of the design.**



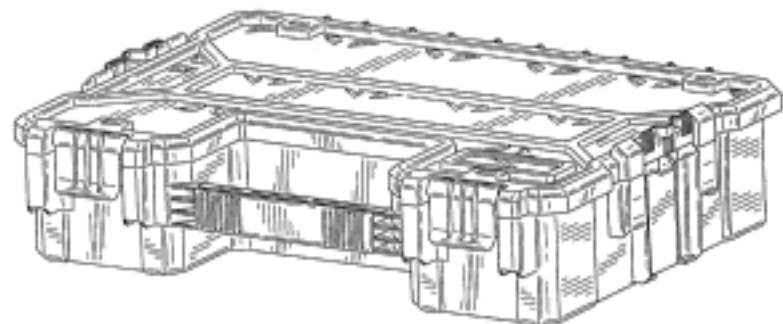
- (21) Design Number: **10228/2011**  
(22) Date of Filing Application: **28 January 2011**  
(24) Date from which industrial property rights may have effect: **28 January 2011**  
(54) Product in respect of which the design is registered: **Vacuum cleaner**  
(51) International Design Classification: **15-05**  
(74) Name(s) of Attorney(s): **A Tatlock & Associates**  
(71) Name(s) and Address(s) of Applicant(s):  
**Hoover Limited**  
**Pentrebach Merthyr Tydfil Mid Glamorgan CF48 4TU United Kingdom**  
(72) Name(s) of Designer(s): **Alexander A.D. Bassett and Steven Xue and Ivan Cagnoli and Marco Nicora and Klaus Florino**  
(45) Registration Date: **08 April 2011**  
(30) Convention priority data:  
(31) Number (32) Date (33) Country  
**001740754-0001 05 Aug 2010 EUROPEAN COMMUNITY**  
(56) Related Art Documents: **Not Applicable**  
(57) Statement of Newness and Distinctiveness: **Nil**



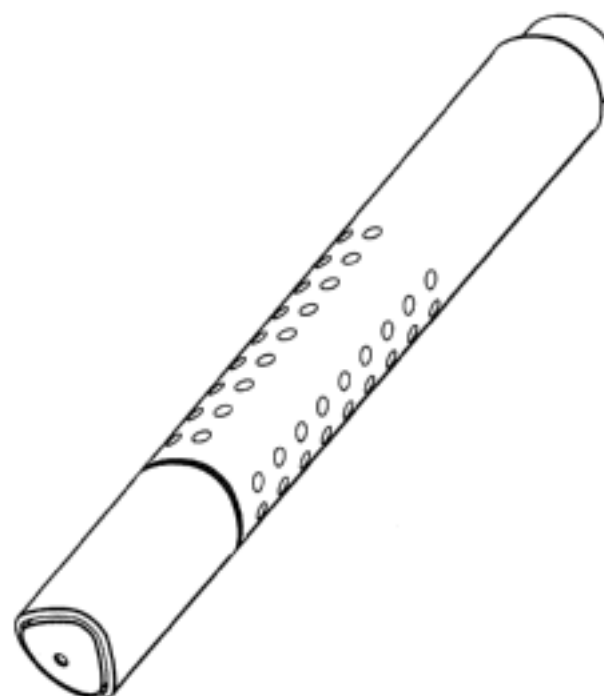
(21) Design Number: **10229/2011**  
(22) Date of Filing Application: **28 January 2011**  
(24) Date from which industrial property rights may have effect: **28 January 2011**  
(54) Product in respect of which the design is registered: **A lid assembly for a container**  
(51) International Design Classification: **09-07B**  
(74) Name(s) of Attorney(s): **A J Park**  
(71) Name(s) and Address(s) of Applicant(s):  
**Sistema Plastics Limited**  
**80 Hugo Johnson Drive Penrose Auckland New Zealand**  
(72) Name(s) of Designer(s): **Brendan Jon Lindsay and James Richard Manley**  
(45) Registration Date: **08 April 2011**  
(30) Convention priority data:  
(31) Number (32) Date (33) Country  
**413884 30 Jul 2010 NEW ZEALAND**  
(56) Related Art Documents: **Not Applicable**  
(57) Statement of Newness and Distinctiveness: **Application is for a design to be applied to a lid assembly. The novelty claimed for the design resides in the features of shape and/or configuration.**



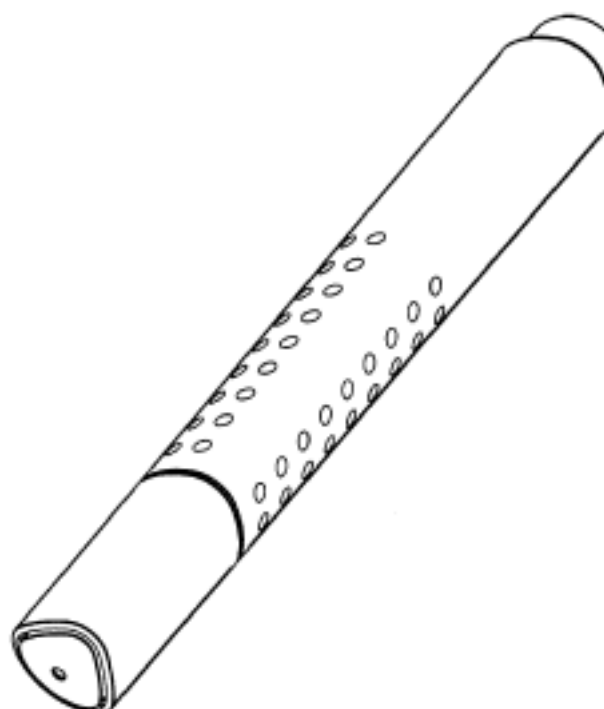
(21) Design Number: **10410/2011**  
(22) Date of Filing Application: **10 February 2011**  
(24) Date from which industrial property rights may have effect: **10 February 2011**  
(54) Product in respect of which the design is registered: **Organiser**  
(51) International Design Classification: **03-01D**  
(74) Name(s) of Attorney(s): **Davies Collison Cave**  
(71) Name(s) and Address(s) of Applicant(s):  
**The Stanley Works Israel Ltd.**  
**19 Ha'melacha Street New Industrial Zone Rosh Ha'ayin 48091 Israel**  
(72) Name(s) of Designer(s): **Zvika Fraiman and Gil Vilkomirski**  
(45) Registration Date: **08 April 2011**  
(30) Convention priority data:  
(31) Number (32) Date (33) Country  
**29/367779 12 Aug 2010 UNITED STATES OF AMERICA**  
(56) Related Art Documents: **Not Applicable**  
(57) Statement of Newness and Distinctiveness: **Nil**



(21) Design Number: **10496/2011**  
(22) Date of Filing Application: **16 February 2011**  
(24) Date from which industrial property rights may have effect: **16 February 2011**  
(54) Product in respect of which the design is registered: **Writing/drawing implement**  
(51) International Design Classification: **19-06**  
(74) Name(s) of Attorney(s): **Davies Collison Cave**  
(71) Name(s) and Address(s) of Applicant(s):  
**Faber-Castell Aktiengesellschaft**  
**Nurnbergerstrasse 2 D-90546 Stein Germany**  
(72) Name(s) of Designer(s): **Heinrich Stukenkemper**  
(45) Registration Date: **08 April 2011**  
(30) Convention priority data:  
(31) Number (32) Date (33) Country  
**DM/074945 04 Nov 2010 WORLD INTELLECTUAL**  
**PROPERTY ORGANIZATION**  
**(WIPO)**  
(56) Related Art Documents: **Not Applicable**  
(57) Statement of Newness and Distinctiveness: **Newness and distinctiveness is claimed in the visual features of shape, configuration, pattern and ornamentation of the Writing/Drawing Implement having convex dots thereon as shown in the accompanying representations.**



(21) Design Number: **10497/2011**  
(22) Date of Filing Application: **16 February 2011**  
(24) Date from which industrial property rights may have effect: **16 February 2011**  
(54) Product in respect of which the design is registered: **Writing/drawing implement**  
(51) International Design Classification: **19-06**  
(74) Name(s) of Attorney(s): **Davies Collison Cave**  
(71) Name(s) and Address(s) of Applicant(s):  
**Faber-Castell Aktiengesellschaft**  
**Nurnbergerstrasse 2 D-90546 Stein Germany**  
(72) Name(s) of Designer(s): **Heinrich Stukenkemper**  
(45) Registration Date: **08 April 2011**  
(30) Convention priority data:  
(31) Number (32) Date (33) Country  
**DM/074945 04 Nov 2010 WORLD INTELLECTUAL**  
**PROPERTY ORGANIZATION**  
**(WIPO)**  
(56) Related Art Documents: **Not Applicable**  
(57) Statement of Newness and Distinctiveness: **Newness and distinctiveness is claimed in the visual features of shape, configuration, pattern and ornamentation of the Writing/Drawing Implement having concave dots thereon as shown in the accompanying representations.**



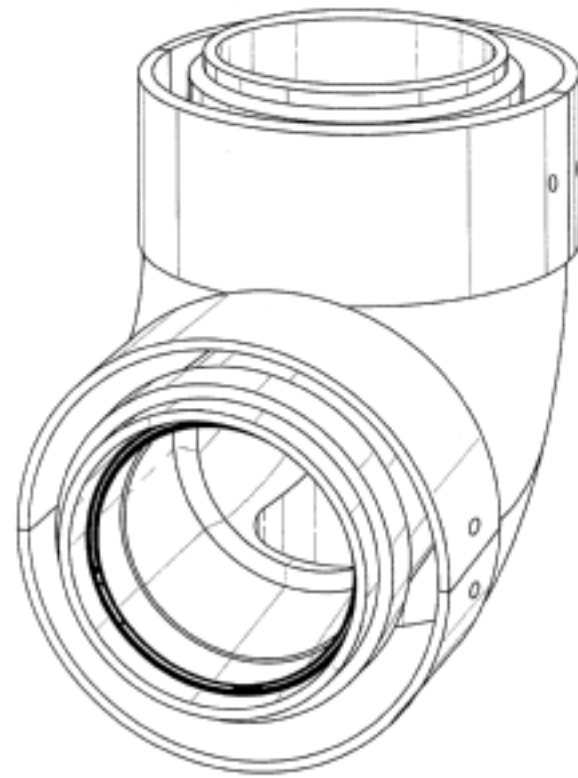
(21) Design Number: **10577/2011**  
(22) Date of Filing Application: **21 February 2011**  
(24) Date from which industrial property rights may have effect: **21 February 2011**  
(54) Product in respect of which the design is registered: **Wheel centre**  
(51) International Design Classification: **12-16A**  
(74) Name(s) of Attorney(s): **WATERMARK PATENT AND TRADE MARKS ATTORNEYS**  
(71) Name(s) and Address(s) of Applicant(s):  
**Michelin Recherche et Technique SA**  
**Route Louis Braille 10 et 12 CH-1763 Granges-Paccot Switzerland**  
**Societe De Technologie Michelin**  
**23 rue Breschet F-63000 Clermont-Ferrand Cedex France**  
(72) Name(s) of Designer(s): **Derick Lonell Harris and Benjamin E. Ebel**  
(45) Registration Date: **08 April 2011**  
(30) Convention priority data:  
(31) Number (32) Date (33) Country  
**29/368,915 31 Aug 2010 UNITED STATES OF AMERICA**  
(56) Related Art Documents: **Not Applicable**  
(57) Statement of Newness and Distinctiveness: **Newness and distinctiveness resides in the front side elevation view depicted in the drawings, the rear side elevation view does not form part of the design.**



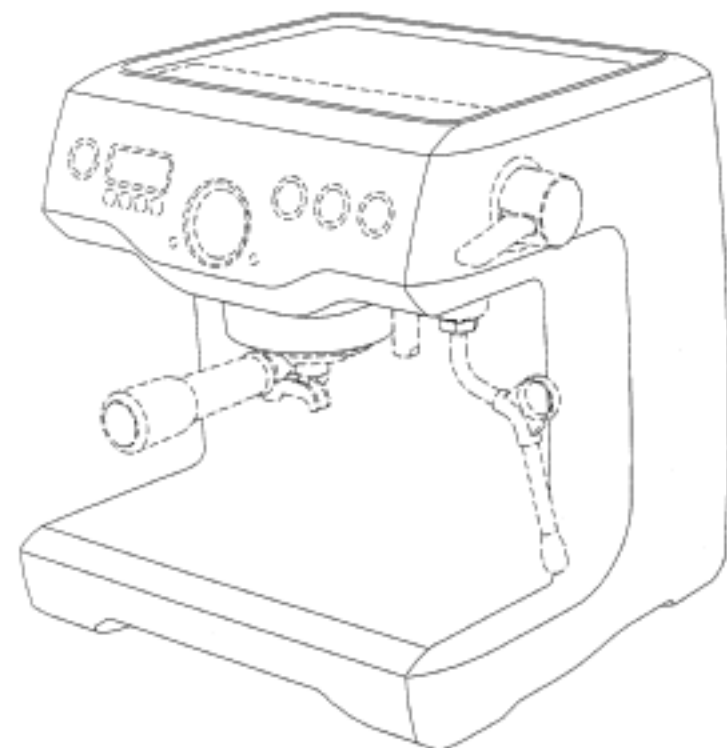
(21) Design Number: **10889/2011**  
(22) Date of Filing Application: **07 March 2011**  
(24) Date from which industrial property rights may have effect: **07 March 2011**  
(54) Product in respect of which the design is registered: **Collapsible 2 piece spade**  
(51) International Design Classification: **08-01**  
(74) Name(s) of Attorney(s):  
(71) Name(s) and Address(s) of Applicant(s):  
**4 x 4 Equip Pty Ltd**  
**5/15 Nicole Close Bayswater Victoria 3153 Australia**  
(72) Name(s) of Designer(s): **Ian Glyde and Ian David Hastie**  
(45) Registration Date: **08 April 2011**  
(56) Related Art Documents: **Not Applicable**  
(57) Statement of Newness and Distinctiveness: **Nil**



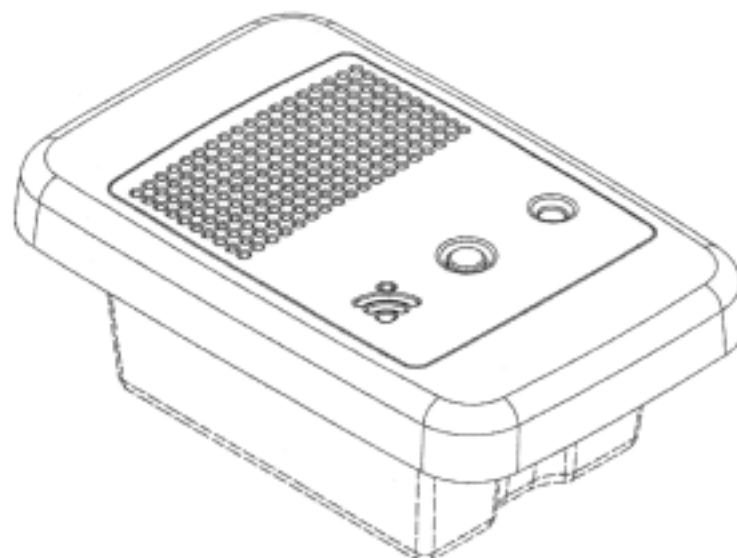
- (21) Design Number: **10578/2011**  
(22) Date of Filing Application: **21 February 2011**  
(24) Date from which industrial property rights may have effect: **21 February 2011**  
(54) Product in respect of which the design is registered: **Gas flue elbow assembly having a condensation trap**  
(51) International Design Classification: **23-03B**  
(74) Name(s) of Attorney(s): **WATERMARK PATENT AND TRADE MARKS ATTORNEYS**  
(71) Name(s) and Address(s) of Applicant(s):  
**Gasflues Pty Ltd**  
**Factory 2 29 Hanrahan Street Thomastown Victoria 3074 Australia**  
(72) Name(s) of Designer(s): **Thomas Simon Kaitler**  
(45) Registration Date: **07 April 2011**  
(56) Related Art Documents: **Not Applicable**  
(57) Statement of Newness and Distinctiveness: **Nil**



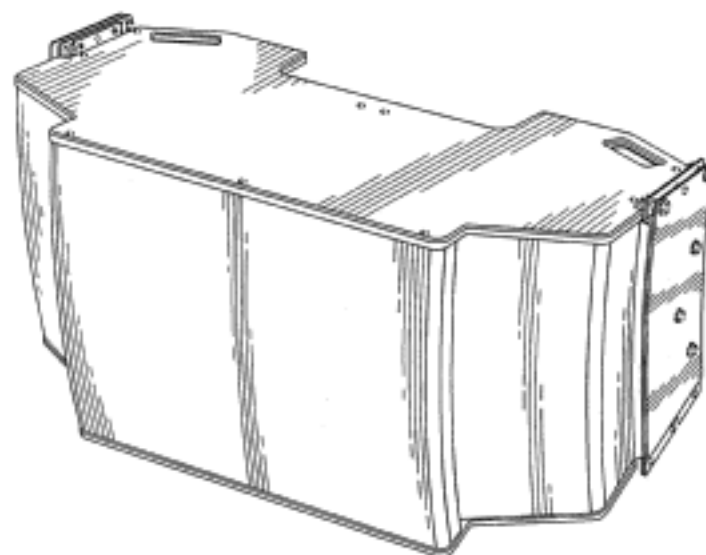
- (21) Design Number: **11287/2011**  
(22) Date of Filing Application: **24 March 2011**  
(24) Date from which industrial property rights may have effect: **24 March 2011**  
(54) Product in respect of which the design is registered: **Espresso machine**  
(51) International Design Classification: **07-02L**  
(74) Name(s) of Attorney(s): **Molins & Co**  
(71) Name(s) and Address(s) of Applicant(s):  
**Breville Pty Limited**  
**Building 2 Port Air Industrial Estate 1A Hale Street Botany New South Wales 2019 Australia**  
(72) Name(s) of Designer(s): **Robert Grassia**  
(45) Registration Date: **07 April 2011**  
(56) Related Art Documents: **Not Applicable**  
(57) Statement of Newness and Distinctiveness: **Newness is claimed in the features of shape and configuration of the espresso machine as shown in the accompanying representations. The lateral flaring of the forward portion of the base of the machine, as seen best in the top view, front and rear views, is considered new and distinct.**



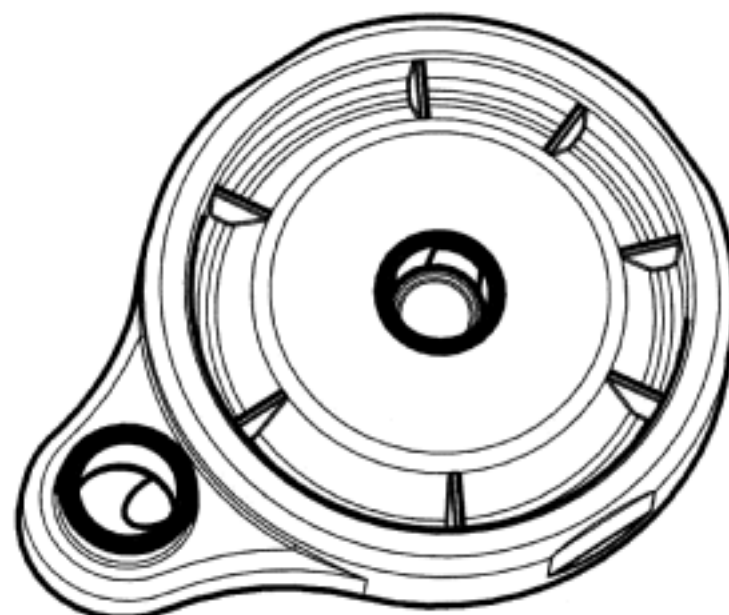
- (21) Design Number: **11111/2011**  
(22) Date of Filing Application: **15 March 2011**  
(24) Date from which industrial property rights may have effect: **15 March 2011**  
(54) Product in respect of which the design is registered: **Atmospheric safety monitoring device**  
(51) International Design Classification: **10-05**  
(74) Name(s) of Attorney(s): **PHILLIPS ORMONDE FITZPATRICK**  
(71) Name(s) and Address(s) of Applicant(s):  
**EVRSafe Technologies Pty Ltd**  
**59 North Terrace Hackney South Australia 5069 Australia**  
(72) Name(s) of Designer(s): **Shane Faulkhead**  
(45) Registration Date: **07 April 2011**  
(56) Related Art Documents: **Not Applicable**  
(57) Statement of Newness and Distinctiveness: **Those features of the atmospheric safety monitoring device depicted in the representations that are new and distinctive are the shape and/or configuration. The features shown in broken line are not part of the design and are to be disregarded when considering the overall impression of the design.**



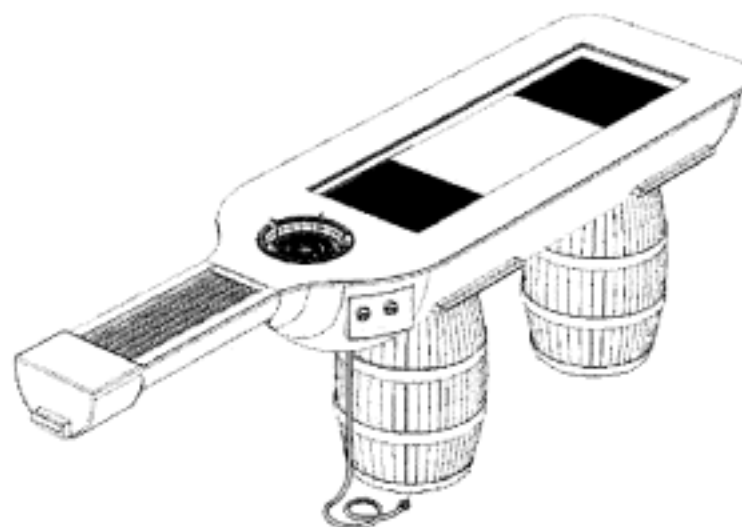
- (21) Design Number: **11115/2011**  
(22) Date of Filing Application: **15 March 2011**  
(24) Date from which industrial property rights may have effect: **15 March 2011**  
(54) Product in respect of which the design is registered: **Loudspeaker**  
(51) International Design Classification: **14-01**  
(74) Name(s) of Attorney(s): **PHILLIPS ORMONDE FITZPATRICK**  
(71) Name(s) and Address(s) of Applicant(s):  
**Bose Corporation**  
**The Mountain Framingham Massachusetts 01701-9168 United States of America**  
(72) Name(s) of Designer(s): **Robert A. Warden and Randy J. Kulchy and Peter C. Santoro and Willy Chung**  
(45) Registration Date: **07 April 2011**  
(30) Convention priority data:  
(31) Number      (32) Date      (33) Country  
**29/376,288      05 Oct 2010      UNITED STATES OF AMERICA**  
(56) Related Art Documents: **Not Applicable**  
(57) Statement of Newness and Distinctiveness: **Those features of the loudspeaker depicted in the representations that are new and distinctive are the shape and/or configuration. The features shown in broken line are not part of the design and are to be disregarded when considering the overall impression of the design.**



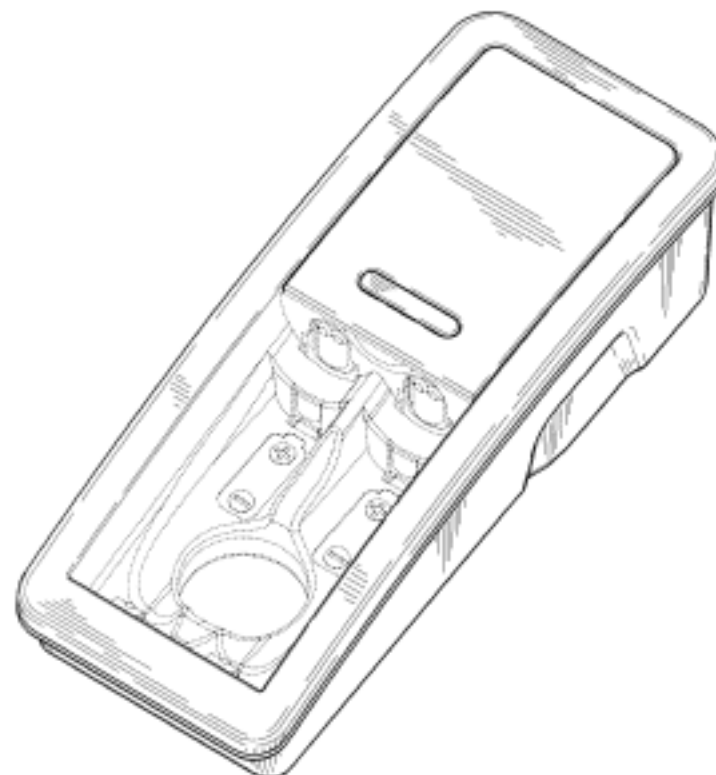
(21) Design Number: **11117/2011**  
(22) Date of Filing Application: **15 March 2011**  
(24) Date from which industrial property rights may have effect: **15 March 2011**  
(54) Product in respect of which the design is registered: **Water filter**  
(51) International Design Classification: **23-01G**  
(74) Name(s) of Attorney(s): **Banki Haddock Fiora**  
(71) Name(s) and Address(s) of Applicant(s):  
**Societe des Produits Nestle S.A.**  
**1800 Vevey Switzerland**  
(72) Name(s) of Designer(s): **Peter Muller**  
(45) Registration Date: **07 April 2011**  
(30) Convention priority data:  
(31) Number (32) Date (33) Country  
**137348 01 Nov 2010 SWITZERLAND**  
(56) Related Art Documents: **Not Applicable**  
(57) Statement of Newness and Distinctiveness: **Nil**



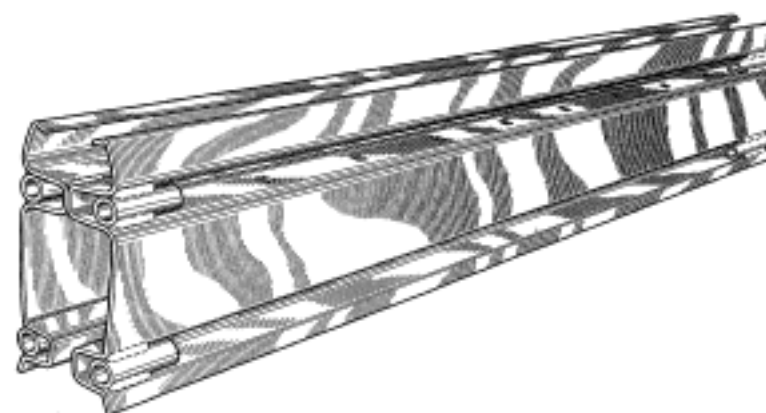
(21) Design Number: **11095/2011**  
(22) Date of Filing Application: **11 March 2011**  
(24) Date from which industrial property rights may have effect: **11 March 2011**  
(54) Product in respect of which the design is registered: **Barbeque**  
(51) International Design Classification: **07-02E**  
(74) Name(s) of Attorney(s):  
(71) Name(s) and Address(s) of Applicant(s):  
**Graeme John Ferguson**  
**2 Chamberlain Street O'Connor Western Australia 6163 Australia**  
(72) Name(s) of Designer(s): **Graeme John Ferguson**  
(45) Registration Date: **08 April 2011**  
(56) Related Art Documents: **Not Applicable**  
(57) Statement of Newness and Distinctiveness: **Nil**



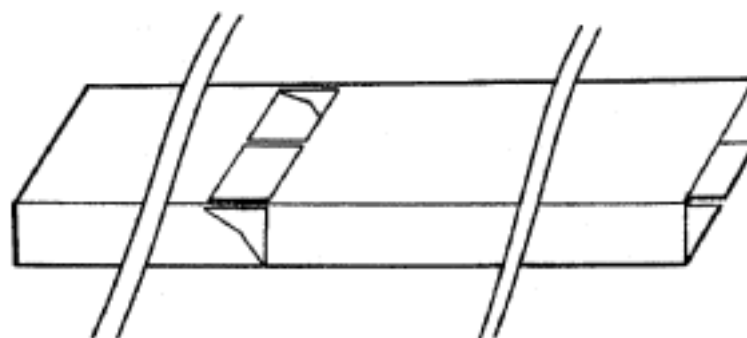
(21) Design Number: **11098/2011**  
(22) Date of Filing Application: **15 March 2011**  
(24) Date from which industrial property rights may have effect: **15 March 2011**  
(54) Product in respect of which the design is registered: **Charger**  
(51) International Design Classification: **13-02**  
(74) Name(s) of Attorney(s): **Halfords IP**  
(71) Name(s) and Address(s) of Applicant(s):  
**Eveready Battery Company, Inc.**  
**533 Maryville University Drive St Louis Missouri 63141 United States of America**  
(72) Name(s) of Designer(s): **Jonathan A. Fitch and Ronald J. Kingston**  
(45) Registration Date: **08 April 2011**  
(30) Convention priority data:  
(31) Number (32) Date (33) Country  
**29/376182 04 Oct 2010 UNITED STATES OF AMERICA**  
(56) Related Art Documents: **Not Applicable**  
(57) Statement of Newness and Distinctiveness: **Newness and distinctiveness is claimed in those features of shape and or configuration of a charger as depicted in the attached representations. The representations use contour lines and shading to assist in the illustration of features of shape and or configuration. Such contour lines and shading do not form part of the design.**



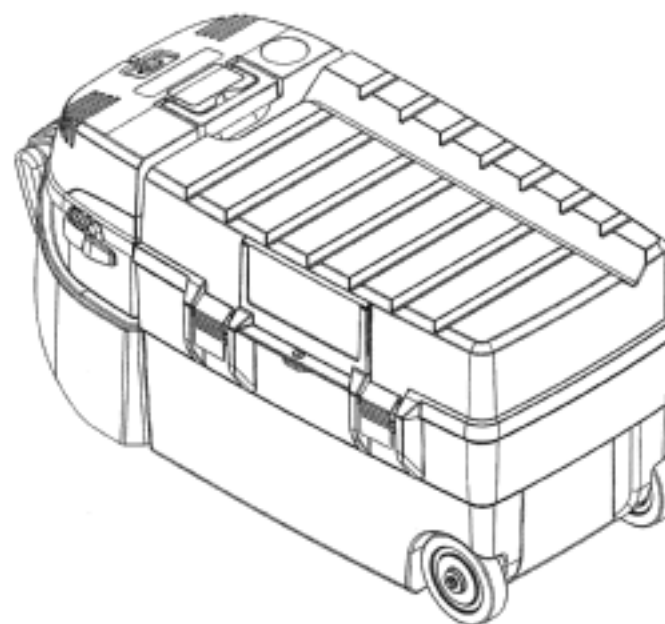
(21) Design Number: **11099/2011**  
(22) Date of Filing Application: **15 March 2011**  
(24) Date from which industrial property rights may have effect: **15 March 2011**  
(54) Product in respect of which the design is registered: **Rail**  
(51) International Design Classification: **12-05**  
(74) Name(s) of Attorney(s): **Callinans**  
(71) Name(s) and Address(s) of Applicant(s):  
**Demag Cranes & Components GmbH**  
**Ruhrstr. 28 58300 Wetter Germany**  
(72) Name(s) of Designer(s): **Gerd Spies and Stefan Fitzler**  
(45) Registration Date: **08 April 2011**  
(30) Convention priority data:  
(31) Number (32) Date (33) Country  
**001758343 22 Sep 2010 EUROPEAN COMMUNITY**  
(56) Related Art Documents: **Not Applicable**  
(57) Statement of Newness and Distinctiveness: **Newness and distinctiveness are provided by the shape and/or configuration of the design shown in the representations. The features shown in broken lines in the representations are for illustrative purposes only and should not be considered when construing visual features of the design.**



(21) Design Number: **11100/2011**  
(22) Date of Filing Application: **11 March 2011**  
(24) Date from which industrial property rights may have effect: **11 March 2011**  
(54) Product in respect of which the design is registered: **Blank for angled downpipes**  
(51) International Design Classification: **23-01A**  
(74) Name(s) of Attorney(s): **LESICAR PERRIN**  
(71) Name(s) and Address(s) of Applicant(s):  
**Fielders Australia Pty Ltd**  
**15 Railway Terrace Mile End South Australia 5031 Australia**  
(72) Name(s) of Designer(s): **Kevin Blaik**  
(45) Registration Date: **08 April 2011**  
(56) Related Art Documents: **Not Applicable**  
(57) Statement of Newness and Distinctiveness: **Newness and distinctiveness resides in the shape and/or configuration of the blank for angled downpipes as shown in the accompanying representations.**



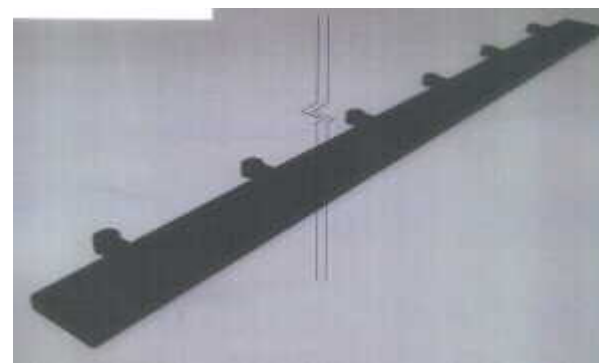
(21) Design Number: **10147/2011**  
(22) Date of Filing Application: **20 January 2011**  
(24) Date from which industrial property rights may have effect: **20 January 2011**  
(54) Product in respect of which the design is registered: **Combination toolbox and vacuum cleaner**  
(51) International Design Classification: **03-01D, 15-05**  
(74) Name(s) of Attorney(s): **Griffith Hack**  
(71) Name(s) and Address(s) of Applicant(s):  
**Shop Vac Corporation**  
**2323 Reach Road Williamsport PA 17701 United States of America**  
(72) Name(s) of Designer(s): **Robert Lent Crevling Jr. and Jason Gottschall and Craig A. Seasholtz and John Griffin**  
(45) Registration Date: **08 April 2011**  
(30) Convention priority data:  
(31) Number (32) Date (33) Country  
**29/380076 30 Nov 2010 UNITED STATES OF AMERICA**  
(56) Related Art Documents: **Not Applicable**  
(57) Statement of Newness and Distinctiveness: **Nil**



- (21) Design Number: **10192/2011**  
(22) Date of Filing Application: **27 January 2011**  
(24) Date from which industrial property rights may have effect: **27 January 2011**  
(54) Product in respect of which the design is registered: **Toothbrush head**  
(51) International Design Classification: **04-02**  
(74) Name(s) of Attorney(s): **PHILLIPS ORMONDE FITZPATRICK**  
(71) Name(s) and Address(s) of Applicant(s):  
**Braun GmbH**  
**Frankfurter Strasse 145 61476 Kronberg am Taunus Germany**  
(72) Name(s) of Designer(s): **Andreas Birk and Ellen Conrad and Tilman Winkler**  
(45) Registration Date: **08 April 2011**  
(30) Convention priority data:  
(31) Number (32) Date (33) Country  
**29/366,869 30 Jul 2010 UNITED STATES OF AMERICA**  
(56) Related Art Documents: **Not Applicable**  
(57) Statement of Newness and Distinctiveness: **Those features of the toothbrush head depicted in the representations that are new and distinctive are the shape and/or configuration and/or the pattern and/or ornamentation. The yellow fins shown on the periphery of the toothbrush head may or may not form part of the design.**



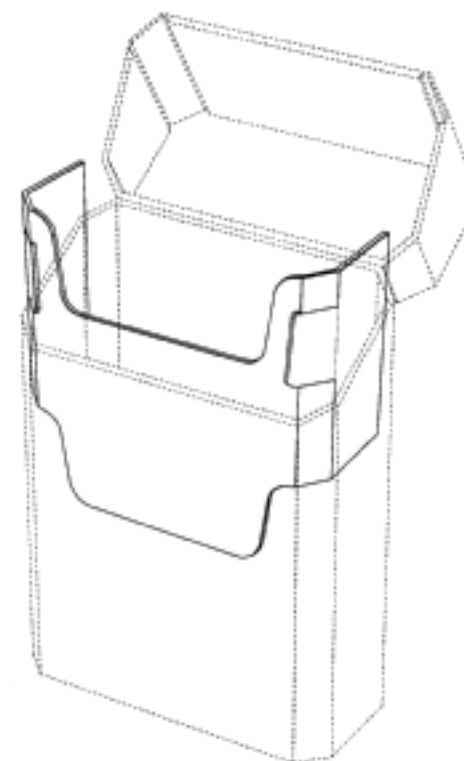
- (21) Design Number: **10238/2011**  
(22) Date of Filing Application: **31 January 2011**  
(24) Date from which industrial property rights may have effect: **31 January 2011**  
(54) Product in respect of which the design is registered: **Decking fixing component**  
(51) International Design Classification: **25-01NES**  
(74) Name(s) of Attorney(s): **Macpherson + Kelley**  
(71) Name(s) and Address(s) of Applicant(s):  
**Melbourne Timber Manufacturing Pty Ltd**  
**28-36 Jappady Street Mordialloc Victoria 3189 Australia**  
(72) Name(s) of Designer(s): **Brian Richardson**  
(45) Registration Date: **08 April 2011**  
(56) Related Art Documents: **Not Applicable**  
(57) Statement of Newness and Distinctiveness: **Monopoly is claimed in the features of shape and configuration of the decking component of infinite length as the accompanying representations.**



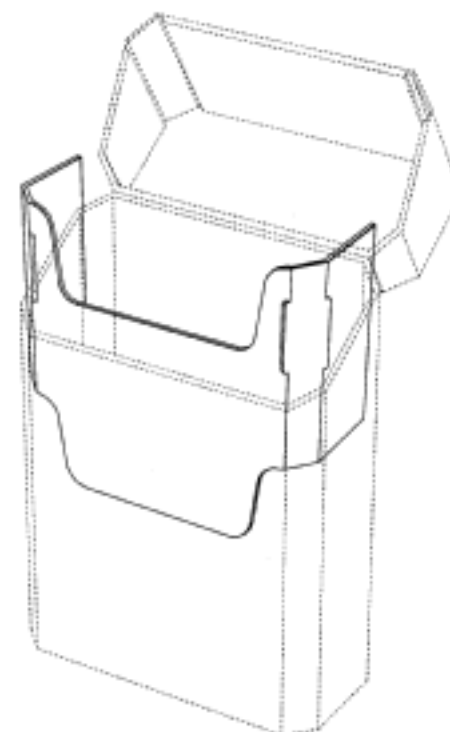
- (21) Design Number: **10243/2011**  
(22) Date of Filing Application: **28 January 2011**  
(24) Date from which industrial property rights may have effect: **28 January 2011**  
(54) Product in respect of which the design is registered: **Container**  
(51) International Design Classification: **07-01C**  
(74) Name(s) of Attorney(s): **Davies Collison Cave**  
(71) Name(s) and Address(s) of Applicant(s):  
**Visy R & D Pty Ltd**  
**Level 11 2 Southbank Boulevard Southbank Victoria 3006 Australia**  
(72) Name(s) of Designer(s): **Alan Flude**  
(45) Registration Date: **08 April 2011**  
(56) Related Art Documents: **Not Applicable**  
(57) Statement of Newness and Distinctiveness: **The features of shape and configuration of the container shown in the accompanying representations are considered to be new and distinctive.**



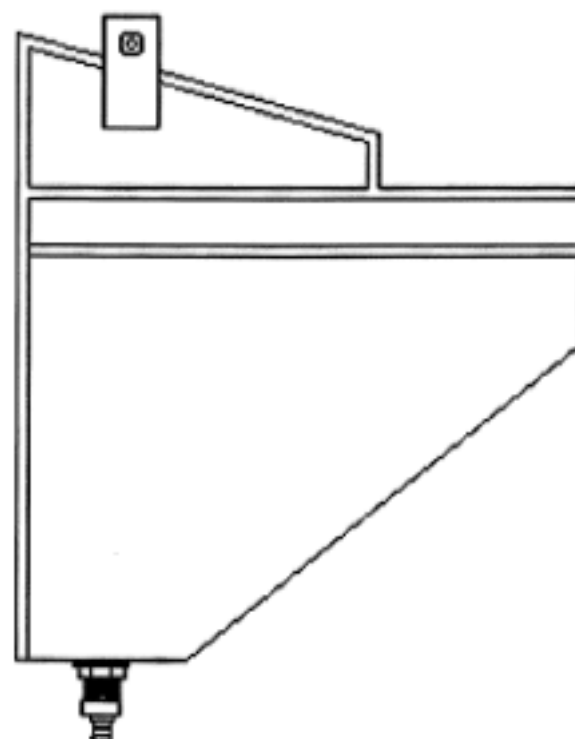
- (21) Design Number: **10378/2011**  
(22) Date of Filing Application: **09 February 2011**  
(24) Date from which industrial property rights may have effect: **09 February 2011**  
(54) Product in respect of which the design is registered: **Cigarette packaging component**  
(51) International Design Classification: **09-03A**  
(74) Name(s) of Attorney(s): **Shelston IP**  
(71) Name(s) and Address(s) of Applicant(s):  
**British American Tobacco (Investments) Limited**  
**Globe House 1 Water Street London WC2R 3LA United Kingdom**  
(72) Name(s) of Designer(s): **Gary Fallon**  
(45) Registration Date: **08 April 2011**  
(30) Convention priority data:  
(31) Number (32) Date (33) Country  
**DM/074 217 10 Aug 2010 WORLD INTELLECTUAL  
PROPERTY ORGANIZATION  
(WIPO)**  
(56) Related Art Documents: **Not Applicable**  
(57) Statement of Newness and Distinctiveness: **Newness and distinctiveness resides in the features of shape and configuration of a cigarette packaging component as illustrated in the accompanying representations. The features shown in broken lines do not form part of the design.**



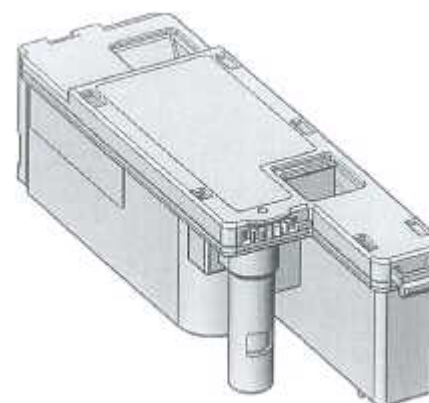
(21) Design Number: **10379/2011**  
(22) Date of Filing Application: **09 February 2011**  
(24) Date from which industrial property rights may have effect: **09 February 2011**  
(54) Product in respect of which the design is registered: **Cigarette packaging component**  
(51) International Design Classification: **09-03A**  
(74) Name(s) of Attorney(s): **Shelston IP**  
(71) Name(s) and Address(s) of Applicant(s):  
**British American Tobacco (Investments) Limited**  
**Globe House 1 Water Street London WC2R 3LA United Kingdom**  
(72) Name(s) of Designer(s): **Gary Fallon**  
(45) Registration Date: **08 April 2011**  
(30) Convention priority data:  
(31) Number (32) Date (33) Country  
**DM/074 217 10 Aug 2010 WORLD INTELLECTUAL**  
**PROPERTY ORGANIZATION**  
**(WIPO)**  
(56) Related Art Documents: **Not Applicable**  
(57) Statement of Newness and Distinctiveness: **Newness and distinctiveness resides in the features of shape and configuration of a cigarette packaging component as illustrated in the accompanying representations. The features shown in broken lines do not form part of the design.**



(21) Design Number: **10440/2011**  
(22) Date of Filing Application: **14 February 2011**  
(24) Date from which industrial property rights may have effect: **14 February 2011**  
(54) Product in respect of which the design is registered: **Hydrokleen water collection unit**  
(51) International Design Classification: **23-01F**  
(74) Name(s) of Attorney(s): **Trademark Works**  
(71) Name(s) and Address(s) of Applicant(s):  
**Hydrokleen International Pty Ltd**  
**c/- Trademark Works Level 29 Chifley Tower 2 Chifley Square Sydney**  
**New South Wales 2000 Australia**  
(72) Name(s) of Designer(s): **Dean Andrew Gebert and John David Sanders**  
(45) Registration Date: **08 April 2011**  
(56) Related Art Documents: **Not Applicable**  
(57) Statement of Newness and Distinctiveness: **Newness and distinctiveness is claimed in those features of shape and/or configuration of an air conditioning cleaning water collection bag as illustrated in the accompanying representations.**



(21) Design Number: **11119/2011**  
(22) Date of Filing Application: **15 March 2011**  
(24) Date from which industrial property rights may have effect: **15 March 2011**  
(54) Product in respect of which the design is registered: **Toner cartridge**  
(51) International Design Classification: **14-02**  
(74) Name(s) of Attorney(s): **Shelston IP**  
(71) Name(s) and Address(s) of Applicant(s):  
**Fuji Xerox Co., Ltd.**  
**7-3 Akasaka 9-chome Minato-ku Tokyo Japan**  
(72) Name(s) of Designer(s): **Kazuhiro Saito**  
(45) Registration Date: **08 April 2011**  
(30) Convention priority data:  
(31) Number (32) Date (33) Country  
**D2010-022190 15 Sep 2010 JAPAN**  
(56) Related Art Documents: **Not Applicable**  
(57) Statement of Newness and Distinctiveness: **Newness and Distinctiveness resides in the features of shape and/or configuration of the TONER CARTRIDGE shown in the accompanying representations.**



(21) Design Number: **11120/2011**  
(22) Date of Filing Application: **15 March 2011**  
(24) Date from which industrial property rights may have effect: **15 March 2011**  
(54) Product in respect of which the design is registered: **Toner cartridge**  
(51) International Design Classification: **14-02**  
(74) Name(s) of Attorney(s): **Shelston IP**  
(71) Name(s) and Address(s) of Applicant(s):  
**Fuji Xerox Co., Ltd.**  
**7-3 Akasaka 9-chome Minato-ku Tokyo Japan**  
(72) Name(s) of Designer(s): **Kazuhiro Saito**  
(45) Registration Date: **08 April 2011**  
(30) Convention priority data:  
(31) Number (32) Date (33) Country  
**2010-022191 15 Sep 2010 JAPAN**  
(56) Related Art Documents: **Not Applicable**  
(57) Statement of Newness and Distinctiveness: **Newness and distinctiveness resides in the features of shape and/or configuration of the toner cartridge indicated in grey scale in the accompanying representations. The features shown in green in the accompanying representations form no part of the design.**



(21) Design Number: **11121/2011**  
(22) Date of Filing Application: **15 March 2011**  
(24) Date from which industrial property rights may have effect: **15 March 2011**  
(54) Product in respect of which the design is registered: **Toner cartridge**  
(51) International Design Classification: **14-02**  
(74) Name(s) of Attorney(s): **Shelston IP**  
(71) Name(s) and Address(s) of Applicant(s):



**Fuji Xerox Co., Ltd.**  
**7-3 Akasaka 9-chome Minato-ku Tokyo Japan**

(72) Name(s) of Designer(s): **Kazuhiro Saito**

(45) Registration Date: **08 April 2011**

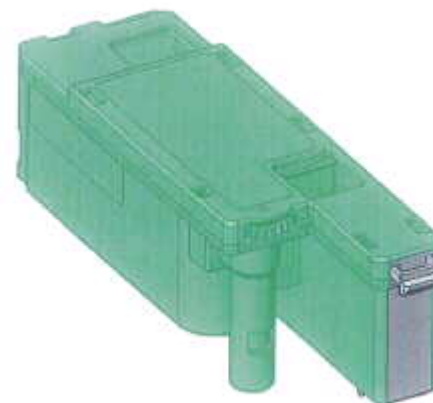
(30) Convention priority data:

(31) Number	(32) Date	(33) Country
<b>2010-022192</b>	<b>15 Sep 2010</b>	<b>JAPAN</b>

(56) Related Art Documents: **Not Applicable**

(57) Statement of Newness and Distinctiveness: **Newness and distinctiveness resides in the features of shape and/or configuration of the toner cartridge indicated in grey scale in the accompanying representations. The features shown in green in the accompanying representations form no part of the design.**

(21) Design Number: **11122/2011**  
(22) Date of Filing Application: **15 March 2011**  
(24) Date from which industrial property rights may have effect: **15 March 2011**  
(54) Product in respect of which the design is registered: **Toner cartridge**  
(51) International Design Classification: **14-02**  
(74) Name(s) of Attorney(s): **Shelston IP**  
(71) Name(s) and Address(s) of Applicant(s):



**Fuji Xerox Co., Ltd.**  
**7-3 Akasaka 9-chome Minato-ku Tokyo Japan**

(72) Name(s) of Designer(s): **Kazuhiro Saito**

(45) Registration Date: **08 April 2011**

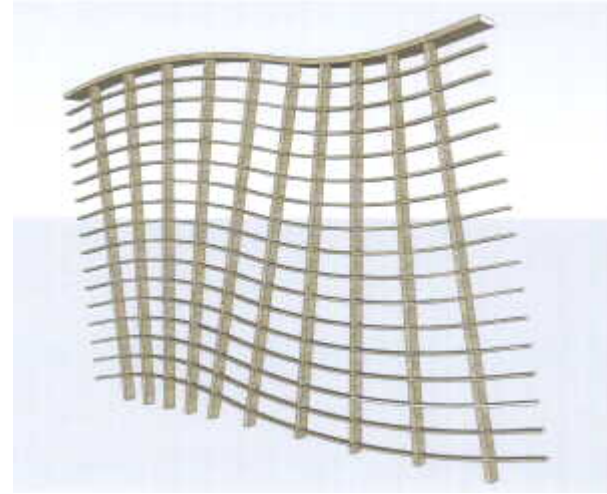
(30) Convention priority data:

(31) Number	(32) Date	(33) Country
<b>2010-022193</b>	<b>15 Sep 2010</b>	<b>JAPAN</b>

(56) Related Art Documents: **Not Applicable**

(57) Statement of Newness and Distinctiveness: **Newness and distinctiveness resides in the features of shape and/or configuration of the toner cartridge indicated in grey scale in the accompanying representations. The features shown in green in the accompanying representations form no part of the design.**

(21) Design Number: **10168/2011**  
(22) Date of Filing Application: **21 January 2011**  
(24) Date from which industrial property rights may have effect: **21 January 2011**  
(54) Product in respect of which the design is registered: **Fence panel**  
(51) International Design Classification: **25-02C**  
(74) Name(s) of Attorney(s):  
(71) Name(s) and Address(s) of Applicant(s):  
**Clive Whitworth**  
**153 The Avenue Ocean Grove Victoria 3226 Australia**  
(72) Name(s) of Designer(s): **Clive Whitworth**  
(45) Registration Date: **08 April 2011**  
(56) Related Art Documents: **Not Applicable**  
(57) Statement of Newness and Distinctiveness: **Nil**



(21) Design Number: **10268/2011**  
(22) Date of Filing Application: **31 January 2011**  
(24) Date from which industrial property rights may have effect: **31 January 2011**  
(54) Product in respect of which the design is registered: **A vacuum cleaner**  
(51) International Design Classification: **15-05**  
(74) Name(s) of Attorney(s): **Shelston IP**  
(71) Name(s) and Address(s) of Applicant(s):  
**Dyson Limited**  
**Tetbury Hill Malmesbury Wiltshire SN16 0RP United Kingdom**  
(72) Name(s) of Designer(s): **Timothy Nicholas Stickney and Peter David Gammack and James Dyson**  
(45) Registration Date: **08 April 2011**  
(30) Convention priority data:  
(31) Number (32) Date (33) Country  
**001231716-0001 27 Aug 2010 EUROPEAN COMMUNITY**  
(56) Related Art Documents: **Not Applicable**  
(57) Statement of Newness and Distinctiveness: **Newness and distinctiveness reside in those features of A VACUUM CLEANER illustrated in solid lines in the accompanying representations. The features shown in broken or discontinuous lines are for illustrative purposes only and do not form part of the design.**



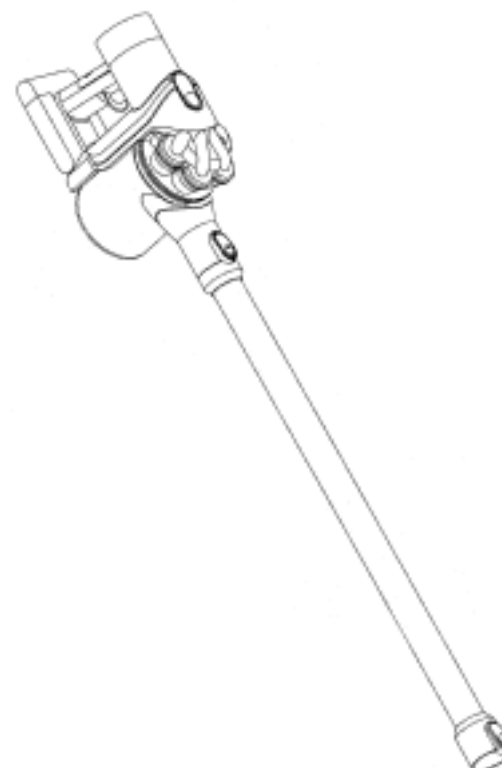
- (21) Design Number: **10270/2011**  
(22) Date of Filing Application: **31 January 2011**  
(24) Date from which industrial property rights may have effect: **31 January 2011**  
(54) Product in respect of which the design is registered: **A vacuum cleaner**  
(51) International Design Classification: **15-05**  
(74) Name(s) of Attorney(s): **Shelston IP**  
(71) Name(s) and Address(s) of Applicant(s):  
**Dyson Limited**  
**Tetbury Hill Malmesbury Wiltshire SN16 0RP United Kingdom**  
(72) Name(s) of Designer(s): **Timothy Nicholas Stickney and Peter David Gammack and James Dyson**  
(45) Registration Date: **08 April 2011**  
(30) Convention priority data:  
(31) Number (32) Date (33) Country  
**001231641-0001 27 Aug 2010 EUROPEAN COMMUNITY**  
(56) Related Art Documents: **Not Applicable**  
(57) Statement of Newness and Distinctiveness: **Newness and distinctiveness reside in the features of shape and/or configuration of A VACUUM CLEANER as illustrated in the accompanying representations.**



- (21) Design Number: **10271/2011**  
(22) Date of Filing Application: **31 January 2011**  
(24) Date from which industrial property rights may have effect: **31 January 2011**  
(54) Product in respect of which the design is registered: **A vacuum cleaner**  
(51) International Design Classification: **15-05**  
(74) Name(s) of Attorney(s): **Shelston IP**  
(71) Name(s) and Address(s) of Applicant(s):  
**Dyson Limited**  
**Tetbury Hill Malmesbury Wiltshire SN16 0RP United Kingdom**  
(72) Name(s) of Designer(s): **Timothy Nicholas Stickney and Peter David Gammack and James Dyson**  
(45) Registration Date: **08 April 2011**  
(30) Convention priority data:  
(31) Number (32) Date (33) Country  
**001231724-0001 27 Aug 2010 EUROPEAN COMMUNITY**  
(56) Related Art Documents: **Not Applicable**  
(57) Statement of Newness and Distinctiveness: **Newness and distinctiveness reside in the outer profile of a VACUUM CLEANER as illustrated in solid lines in the representations. The features shown in broken or discontinuous lines are for illustrative purposes only and do not form part of the design.**



(21) Design Number: **10272/2011**  
(22) Date of Filing Application: **31 January 2011**  
(24) Date from which industrial property rights may have effect: **31 January 2011**  
(54) Product in respect of which the design is registered: **A vacuum cleaner**  
(51) International Design Classification: **15-05**  
(74) Name(s) of Attorney(s): **Shelston IP**  
(71) Name(s) and Address(s) of Applicant(s):  
**Dyson Limited**  
**Tetbury Hill Malmesbury Wiltshire SN16 0RP United Kingdom**  
(72) Name(s) of Designer(s): **Timothy Nicholas Stickney and Peter David Gammack and James Dyson**  
(45) Registration Date: **08 April 2011**  
(30) Convention priority data:  
(31) Number (32) Date (33) Country  
**001231658-0001 27 Aug 2010 EUROPEAN COMMUNITY**  
(56) Related Art Documents: **Not Applicable**  
(57) Statement of Newness and Distinctiveness: **Newness and distinctiveness reside in the features of shape and/or configuration of A VACUUM CLEANER as illustrated in the accompanying representations.**



(21) Design Number: **10274/2011**  
(22) Date of Filing Application: **31 January 2011**  
(24) Date from which industrial property rights may have effect: **31 January 2011**  
(54) Product in respect of which the design is registered: **Sofa, lounge**  
(51) International Design Classification: **06-01G**  
(74) Name(s) of Attorney(s):  
(71) Name(s) and Address(s) of Applicant(s):  
**Alex Fitzpatrick**  
**9 Bourke Street Queens Park New South Wales 2022 Australia**  
(72) Name(s) of Designer(s): **Alexander Fitzpatrick**  
(45) Registration Date: **08 April 2011**  
(56) Related Art Documents: **Not Applicable**  
(57) Statement of Newness and Distinctiveness: **Cantilevered sculptural poly-form sofa with double legs.**



- (21) Design Number: **10275/2011**
- (22) Date of Filing Application: **01 February 2011**
- (24) Date from which industrial property rights may have effect: **01 February 2011**
- (54) Product in respect of which the design is registered: **T-Shirt**
- (51) International Design Classification: **02-02NES**
- (74) Name(s) of Attorney(s):
- (71) Name(s) and Address(s) of Applicant(s):  
**Jennifer Hamer for Canberra City Pipes and Drums  
1 Deeley Place Kambah ACT 2902 Australia**
- (72) Name(s) of Designer(s): **Jennifer Hamer**
- (45) Registration Date: **08 April 2011**
- (56) Related Art Documents: **Not Applicable**
- (57) Statement of Newness and Distinctiveness: **The design features a black t-shirt with white writing which reads: "THANK YOU. Remember them...25 April". The two phrases, the font and layout, and the unmistakable reference to ANZAC Day collectively comprises a unique and distinct design. It allows members of the public to honour our veterans via a powerful visual message.**

