



Australian Government

IP Australia

AUSTRALIAN OFFICIAL JOURNAL

OF

DESIGNS

Did you know a searchable version of this journal is now available online?

It's FREE and EASY to SEARCH.

Find it on our website (www.ipaustralia.gov.au)

by using the "Journals" link on the home page.

This Page Left Intentionally Blank

Contents

General Information & Notices

**Proceedings Under the Designs Act 1906 preserved as a result of the provisions of Chapter 12
Part 2 of the Designs Act 2003**

Extension of Period of Registration of Designs 1102
Names Registered - Alterations and Amendments 1102
Registrations Ceased 1102
Subsequent Owners Registered 1102

Proceedings Under the Designs Act 2003

Applications Lapsed 1113
Applications Lodged 1106
Applications Withdrawn 1113
Certificate of Examination 1115
Extension of Period of Registration of Design 1114
Extension of Time Granted Under Section 137 1114
Names Registered - Alterations and Amendments 1114
Publication and Registration Proceedings
Designs Registered 335911 to 336122. 1116
Registrations Ceased 1114
Subsequent Owners Registered 1114

This Page Left Intentionally Blank

For information on the following please see our website www.ipaustralia.gov.au or contact our Customer Service Network on 1300651010

[Editorial enquiries](#)

[Contact information](#)

[Freedom of Information ACT](#)

[Professional Standards Board](#)

[Sales](#)

[Requests for Information under Section 194 \(c\)](#)

[Country Codes](#)

[Trade Mark and Designs Hearing Sessions](#)

[INID \(Internationally agreed Numbers for the Identification of Data\)](#)

“INID” NUMBERS in use on Australian Design Documents

“INID” is an acronym for “Internationally agreed Numbers for the Identification of Data”.

(10) Data concerning the registration/renewal

- (11) Serial number of the registration and/or number of the design document
- (12) Plain language designation of the kind of published document
- (19) Identification, using the two-letter code according to WIPO Standard ST.3, of the authority publishing or registering the industrial design

(20) Data concerning the application

- (21) Serial number of the application
- (22) Date of filing of the application
- (24) Date from which the industrial design right has effect

(30) Data relating to priority under the Paris Convention

- (31) Serial number assigned to the priority application
- (32) Date of filing of the priority application
- (33) Two-letter code, according to WIPO Standard ST.3, identifying the authority with which the priority application was made

(40) Date(s) of making information available to the public

- (45) Date of publication of the registered industrial design by printing or similar process, or making it available to the public by any other means

(50) Miscellaneous Information

- (51) International Classification for Industrial Designs (class and subclass of the Locarno Classification)
- (54) Designation of article(s) or product(s) covered by the industrial design or title of the industrial design
- (55) Reproduction of the industrial design (e.g., drawing, photograph) and explanations relating to the reproduction
- (56) List of prior art documents, if separate from descriptive text
- (57) Description of characteristic features of the industrial design including indication of colours

(60) References to other legally related application(s) and registration(s)

- (62) Serial number(s) and, if available, filing date(s) of application(s), registration(s) or document(s) related by division
- (66) Serial number(s) of the application, or the registration, of the design(s) which is (are) a variant(s) of the present one

(70) Identification of parties concerned with the application or registration

- (71) Name(s) and address(es) of the applicant(s)
- (72) Name(s) of the creator(s) if known to be such
- (74) Name(s) and address(es) of the representative(s)

This Page Left Intentionally Blank

Official Notice**Changes to the Designs and Trade Mark Certificates of Registration**

IP Australia has implemented changes to the format of the Designs Certificate of Registration and Certificate of Examination to improve the quality of the products.

Format:

- Designs Office seal is now printed on the certificate(s) to replace the manually applied gold and white foil seal.
- Representations for the Certificate of Registration will be printed from those published in ADDS.
- The new method of production may result in some minor changes to the order in which required details are published.
- The Certificate of Registration and representations will no longer be clipped together, but will be enveloped individually along with the covering letter.

A notice appeared in the Trade Marks Journal of 13 November 2008 advising of changes made to the Trade Marks Certificates of Registration and information is provided below on further changes made since 10 November 2008.

- The reference to a 10 year registration period has been removed from the Trade Mark Certificate of Registration.

All of these changes will take effect from Monday 9 May 2011.

Queries: Contact: Gary Flint
Section: Trade Marks and Designs Administration
+61 2 6283 2023

Contact: IP Australia
Phone: 1300 651 010
Fax: +61 2 6283 7999
E-mail: assist@ipaustrialia.gov.au
Web: www.ipaustrialia.gov.au

Proceedings under the Designs Act 1906 preserved as a result of the provisions of Chapter 12 Part 2 of the Designs Act 2003.

This Page Left Intentionally Blank

Applications Lapsed

There were no Applications Lapsed under this section

Extension of Period of Registration of Designs

1st Period (Section 27A(8))

2nd Period (Section 27A(12))

3rd Period (Section 27A(13))

140671	140672	141729
141898	142002	142018
142044	142119	142137
142172	142188	142191
142192	142222	142241
142285	142340	142428
142446	142447	142561
142599	142663	143076
143809	144254	145485
145486	146374	146376
146377	146834	146868
153886		

Names Registered - Alterations and Amendments

(The name in parentheses is the new name of the proprietor)

142367	(Panasonic Corporation) Matsushita Electric Industrial Co. Ltd
142358	(Panasonic Corporation) Matsushita Electric Industrial Co. Ltd
143579	(Panasonic Corporation) Matsushita Electric Industrial Co. Ltd

Registrations Ceased

Note: Some of the following Registrations may have been previously advertised as ceased. In this instance, the previous advertisement still prevails.

124249	125433	125734
125735	125809	126658
126877	139172	140254
140255	140420	140545
140617	140618	140936
140937	140938	140939
140940	140941	140942
140943	140978	141296
141873	141984	143336
143337	143365	143366
143367	143368	143369
143370	143371	143372
143373	143374	143626
144061	152279	

Subsequent Owners Registered

(The name in parentheses is that of the subsequent owner)

137736	(Pfizer Ireland Pharmaceuticals) Pfizer Research and Development Company N.V./S.A.
133742	(Northrop Grumman Systems Corporation) Northrop Grumman Corporation
137776	(Northrop Grumman Systems Corporation) Northrop Grumman Corporation
140206	(Northrop Grumman Systems Corporation) Northrop Grumman Corporation

This Page Left Intentionally Blank

Proceedings under the Designs Act 2003.

This Page Left Intentionally Blank

Applications Lodged

Lodgement information is in the following order: **Applicant's Name**; International Classification, Name of Product, Lodgement Date and **Design Number**. If the applicant claims an earlier priority date under an International Convention, the Convention Country and the associated filing date are shown in parentheses before the Lodgement Date. Divisional information will also appear in parentheses before the Lodgement Date.

Actuant Corporation; 13-03D, Electrical cord end male, (US, 13 Oct 2010) 13 Apr 2011	11600/2011	Bandai Co., Ltd; 21-01NES, Cell phone-shaped toy, (JP, 26 Nov 2010) 13 Apr 2011	11604/2011
Actuant Corporation; 13-03D, Electrical cord end female, (US, 13 Oct 2010) 13 Apr 2011	11599/2011	Bandai Co., Ltd; 21-01H, Pistol-shaped toy, (JP, 26 Nov 2010) 13 Apr 2011	11605/2011
Aircraft Medical Limited; 24-02, Video laryngoscope blade, (GB, 13 Oct 2010) 12 Apr 2011	11601/2011	Bandai Co., Ltd; 21-01NES, Toy sword, (JP, 26 Nov 2010) 13 Apr 2011	11602/2011
Angas Industrial Pty Ltd; 25-02C, Mine roof mesh, 13 Apr 2011	11589/2011	Bannigan, Francis Robert; 07-02N, Multi purpose cooker consisting of a fifth burner, grill, frypan with glass lid and knob, 08 Apr 2011	11526/2011
Anzpac Services (Australia) Pty Limited; 07-01NES, A container with detachable cup, 11 Apr 2011	11554/2011	Beba Enterprises Pty Ltd; 02-02C, Women's clothing, 15 Apr 2011	11677/2011
Apex Brands, Inc.; 10-07, Tape measure housing, (US, 25 Oct 2010) 15 Apr 2011	11688/2011	Belkin International, Inc.; 06-01G, Tablet lounge, (US, 18 Oct 2010) 15 Apr 2011	11679/2011
Apple Inc.; 14-02, Electronic device, (US, 18 Oct 2010) 14 Apr 2011	11653/2011	Black & Decker, Inc.; 13-02, 15-05, Charger base for a vacuum cleaner, (EM, 03 Nov 2010) 13 Apr 2011	11583/2011
Apple Inc.; 14-99, Electronic device, (US, 18 Oct 2010) 14 Apr 2011	11654/2011	Black & Decker, Inc.; 15-05, Hand-held vacuum cleaner, (EM, 03 Nov 2010) 13 Apr 2011	11584/2011
Araki, Yasuhiro;Margis, Paul Anthony;Izaydar, Mehdi;Perlman, Marshal H.;Tomita, Kaname;Yamada, Taku;Lopez, Omar;Depner, Craig;Tong, Sheng; 06-01D, Passenger seat with integrated seatback display, (US, 01 Oct 2010) 31 Mar 2011	11691/2011	Black & Decker, Inc.; 04-03, Accessory brush for a vacuum cleaner, (EM, 03 Nov 2010) 13 Apr 2011	11585/2011
Arlec Australia Pty Ltd; 13-03D, A power outlet socket, 12 Apr 2011	11543/2011	Blet, Thierry;Le Teo, Catherine; 06-06G, Armrest for seat, (WO, 19 Oct 2010) 14 Apr 2011	11621/2011
Arrow Laser Australia Pty Ltd; 07-02E, Barbeque support, 14 Apr 2011	11645/2011	Blet, Thierry;Le Teo, Catherine; 06-01G, 06-04NES, Furniture set, (WO, 19 Oct 2010) 14 Apr 2011	11619/2011
Assa Abloy Australia Pty Limited; 14-03A, A keypad casing, 13 Apr 2011	11588/2011	Blet, Thierry;Le Teo, Catherine; 06-01G, Seat, (WO, 19 Oct 2010) 14 Apr 2011	11620/2011
Aus, Kristian; 26-05D, Lamp shade, 15 Apr 2011	11664/2011	Blet, Thierry;Le Teo, Catherine; 06-04NES, Library, (WO, 19 Oct 2010) 14 Apr 2011	11622/2011
Aus, Kristian; 26-05D, Lamp shade, 15 Apr 2011	11665/2011	Bluescape Investments Pty Limited; 11-03, A badge or pin, 06 Apr 2011	11500/2011
Aus, Kristian; 26-05D, Lamp shade, 15 Apr 2011	11666/2011	Braun GmbH; 04-02, Toothbrush handle, (WO, 25 Oct 2010) 13 Apr 2011	11624/2011
Aus, Kristian; 06-06A, Coat rack, 15 Apr 2011	11663/2011	Braun GmbH; 04-02, Toothbrush handle, (WO, 25 Oct 2010) 13 Apr 2011	11629/2011
Bandai Co., Ltd; 21-01B, Toy robot, (JP, 26 Nov 2010) 13 Apr 2011	11603/2011	Braun GmbH; 04-02, Part of a toothbrush handle, (WO, 25 Oct 2010) 13 Apr 2011	11623/2011
Bandai Co., Ltd; 21-01B, Toy doll, (JP, 17 Nov 2010) 13 Apr 2011	11606/2011		

Braun GmbH; 04-02, Toothbrush handle, (WO, 25 Oct 2010) 13 Apr 2011	11625/2011	Demag Cranes & Components GmbH; 12-99, Rail, (IN, 08 Nov 2010) 13 Apr 2011	11618/2011
Brennan, Katherine; 05-06NES, 11-02F, Decorative screen, 08 Apr 2011	11535/2011	Depner, Craig; Margis, Paul Anthony; Izaydar, Mehdi; Perlman, Marshal H.; Tomita, Kaname; Araki, Yasuhiro; Yamada, Taku; Lopez, Omar; Tong, Sheng; 06-01D, Passenger seat with integrated seatback display, (US, 01 Oct 2010) 31 Mar 2011	11691/2011
Briggs & Stratton Corporation; 15-01, Engine, (US, 20 Oct 2010) 13 Apr 2011	11594/2011	Drilling Tools Australia Pty Ltd; 08-01, Drill bit, 17 Mar 2011	11722/2011
Briggs & Stratton Corporation; 15-01, Engine, (US, 20 Oct 2010) 13 Apr 2011	11595/2011	Eaton Corporation; 21-02C, Golf grip, (US, 19 Oct 2010) 18 Apr 2011	11692/2011
British-American Tobacco (Holdings) Limited; 09-03A, Packaging with surface patterns, (EM, 15 Oct 2010) 13 Apr 2011	11615/2011	Elmich Pte Ltd; 25-01A, Grass paver, 11 Apr 2011	11542/2011
British-American Tobacco (Holdings) Limited; 09-03A, Packaging with surface patterns, (EM, 15 Oct 2010) 13 Apr 2011	11616/2011	Envisor Limited; 21-02D, Surf or paddle board, (EM, 21 Oct 2010) 18 Apr 2011	11707/2011
BJB Industries Pty Ltd; 08-08K, Tubular clip on extension, 18 Apr 2011	11668/2011	Erdman, Alan; 08-01, Crow bar, 12 Apr 2011	11552/2011
Calfarme Australia Pty Ltd; 09-05, A urinal deodoriser cartridge insert, 08 Apr 2011	11520/2011	Everstone International Pty Limited; 25-01F, Tesserae, 08 Apr 2011	11531/2011
Calfarme Australia Pty Ltd; 09-05, A urinal deodoriser cartridge insert, 08 Apr 2011	11521/2011	Everstone International Pty Limited; 25-01F, Tesserae, 08 Apr 2011	11529/2011
Calfarme Australia Pty Ltd; 09-05, A urinal deodoriser cartridge, 08 Apr 2011	11519/2011	Everstone International Pty Limited; 25-01F, Tesserae, 08 Apr 2011	11530/2011
Cheung, Ian Chung Kong; 01-04, Snack food product on spit of indefinite length, (HK, 13 Oct 2010) 12 Apr 2011	11572/2011	Everstone International Pty Limited; 25-01F, Tesserae, 08 Apr 2011	11528/2011
CLAAS KGaA mbH; 05-06NES, Bale wrapping material, (EM, 27 Dec 2010) 14 Apr 2011	11637/2011	Farrell, Christopher John; 99-00, A container for an appliance, 12 Apr 2011	11553/2011
D.A. Christie Pty Ltd; 07-02E, Barbeque hot plate assembly, 11 Apr 2011	11544/2011	Farrelly, Philip; 12-16NES, Quick attach weather shade for motorcycles - UV and weather protective cover with elastic and quick attach straps, 14 Apr 2011	11700/2011
Danchelle Holdings Pty Ltd; 23-01H, Mixer installation plate, 12 Apr 2011	11549/2011	Felton, Penelope Kate; Owen, Scott; Owen, Timothy; 08-06, 19-08, For plastic finger grips, vents, handles and backgrounds, 19 Apr 2011	11699/2011
Dauphin Entwicklungs- u. Beteiligungs-GmbH; 06-01F, Chair, (WO, 25 Oct 2010) 13 Apr 2011	11627/2011	First Building Inspectors Pty Ltd; 25-01D, Structural panel, 08 Apr 2011	11509/2011
Dauphin Entwicklungs- u. Beteiligungs-GmbH; 06-01F, Chair, (WO, 25 Oct 2010) 13 Apr 2011	11628/2011	First Building Inspectors Pty Ltd; 25-01D, Structural panel, 08 Apr 2011	11507/2011
Dauphin Entwicklungs- u. Beteiligungs-GmbH; 06-01F, Chair, (WO, 25 Oct 2010) 13 Apr 2011	11626/2011	Forever New Clothing Pty Ltd; 02-02C, Women's fashion clothing, 11 Apr 2011	11551/2011
		French, Cameron John; 02-02B, Inflatable vest, 15 Apr 2011	11662/2011
		Fujitsu General Limited; 23-04, Air conditioner, (JP, 22 Oct 2010) 14 Apr 2011	11670/2011

Fujitsu General Limited; 23-04, Air conditioner, (JP, 27 Jan 2011) 14 Apr 2011	11671/2011	Ishigaki Company Limited; 23-01G, Filter plate for a filter press, (JP, 26 Oct 2010) 07 Apr 2011	11513/2011
Fujitsu General Limited; 23-04, Air conditioner, (JP, 19 Oct 2010) 14 Apr 2011	11672/2011	Ishigaki Company Limited; 23-01G, Filter plate for a filter press, (JP, 26 Oct 2010) 07 Apr 2011	11514/2011
Fullview Plastics Pty Ltd; 09-01NES, Bottle, 13 Apr 2011	11587/2011	Ishigaki Company Limited; 23-01G, Filter plate for a filter press, (JP, 26 Oct 2010) 07 Apr 2011	11515/2011
General Electric Company; 26-03, Roadway lamps, (CN, 12 Oct 2010) 12 Apr 2011	11658/2011	Izaydar, Mehdi;Margis, Paul Anthony;Perlman, Marshal H.;Tomita, Kaname;Araki, Yasuhiro;Yamada, Taku;Lopez, Omar;Depner, Craig;Tong, Sheng; 06-01D, Passenger seat with integrated seatback display, (US, 01 Oct 2010) 31 Mar 2011	11691/2011
Gunnebo Industrier AB; 12-05, Master link for a lifting sling, (EM, 09 Nov 2010) 18 Apr 2011	11693/2011	Izumi Products Company; 08-03, Electric cable cutter, (JP, 13 Oct 2010) 13 Apr 2011	11596/2011
GM Global Technology Operations, LLC; 12-16C, Front bumper of car, (KR, 13 Jan 2011) 19 Apr 2011	11703/2011	Izumi Products Company; 08-03, Electric cable cutter, (JP, 13 Oct 2010) 13 Apr 2011	11597/2011
GM Global Technology Operations, LLC; 12-16E, Head lamp of car, (KR, 01 Nov 2010) 13 Apr 2011	11598/2011	Johnson, Johanna; 02-02C, A woman's garment comprising beaded parts, 15 Apr 2011	11673/2011
H.D. Hudson Manufacturing Company; 08-05A, Sprayer, (US, 02 Nov 2010) 07 Apr 2011	11536/2011	Jones, Ben; 99-00, Bulkhead, 07 Apr 2011	11510/2011
H.D. Hudson Manufacturing Company; 08-05A, Sprayer, (US, 02 Nov 2010) 07 Apr 2011	11537/2011	Just Premiums Pty Ltd; 07-06A, Holder for chip cups, 14 Apr 2011	11630/2011
Haws Corporation; 24-04, Faucet mounted eyewash unit, (US, 21 Oct 2010) 08 Apr 2011	11517/2011	Kabushiki Kaisha Toshiba; 14-02, Arithmetic operation control machine for computer, 11 Apr 2011	11548/2011
Hazzard Pty Ltd Trading as NCL Civil & Structural; 25-02A, Commercial entry structures - all structures that utilize a column, 19 Apr 2011	11697/2011	Karsten Manufacturing Corporation; 21-02C, Golf club head, (US, 10 Nov 2010) 18 Apr 2011	11708/2011
Hill, Kris; 28-03NES, Electric toothbrushes, 14 Apr 2011	11590/2011	Karsten Manufacturing Corporation; 21-01C, Golf club head, (US, 10 Jan 2011) 18 Apr 2011	11709/2011
Hollister Incorporated; 24-01, Valve with tactile position indication, (US, 22 Nov 2010) 07 Apr 2011	11516/2011	Kohler Co.; 23-02C, Plumbing fixture, (US, 25 Oct 2010) 12 Apr 2011	11574/2011
Honda Motor Co., Ltd.; 12-11, Motorcycle, (JP, 12 Oct 2010) 11 Apr 2011	11545/2011	Kohler Co.; 23-02C, Plumbing fixture, (US, 25 Oct 2010) 12 Apr 2011	11575/2011
Honda Motor Co., Ltd.; 12-11, 12-16B, Side cover for motorcycles, (JP, 12 Oct 2010) 11 Apr 2011	11546/2011	Kohler Co.; 23-02C, Plumbing fixture, (US, 25 Oct 2010) 12 Apr 2011	11576/2011
Honda Motor Co., Ltd.; 12-11, 12-16B, Side cover for motorcycles, (JP, 12 Oct 2010) 11 Apr 2011	11547/2011	Kohler Co.; 23-02C, Plumbing fixture, (US, 25 Oct 2010) 12 Apr 2011	11577/2011
Hypervibe Pty Ltd; 21-02F, Vibration training apparatus, 14 Apr 2011	11646/2011	Kohler Co.; 23-02C, Plumbing fixture, (US, 25 Oct 2010) 12 Apr 2011	11578/2011
International Magnetic Solutions; 15-04, Magnetic device for securing steel mesh used in mine roofing to the mining machine installing the mesh, 11 Apr 2011	11525/2011		

Kohler Co.; 23-02C, Plumbing fixture, (US, 25 Oct 2010) 12 Apr 2011	11579/2011	Le Teo, Catherine;Blet, Thierry; 06-01G, Seat, (WO, 19 Oct 2010) 14 Apr 2011	11620/2011
Kohler Co.; 23-02C, Plumbing fixture, (US, 25 Oct 2010) 12 Apr 2011	11580/2011	Le Teo, Catherine;Blet, Thierry; 06-04NES, Library, (WO, 19 Oct 2010) 14 Apr 2011	11622/2011
Koninklijke Philips Electronics N.V.; 07-02K, Tea maker, (EM, 20 Oct 2010) 19 Apr 2011	11723/2011	Le Teo, Catherine;Blet, Thierry; 06-06G, Armrest for seat, (WO, 19 Oct 2010) 14 Apr 2011	11621/2011
Koninklijke Philips Electronics N.V.; 07-02K, Kettle for tea maker, (EM, 20 Oct 2010) 19 Apr 2011	11724/2011	LensAR, Inc.;; 24-01, Laser system for treatment of the eye, (US, 15 Oct 2010) 15 Apr 2011	11689/2011
Koninklijke Philips Electronics N.V.; 07-01G, Filter for tea maker, (EM, 20 Oct 2010) 19 Apr 2011	11725/2011	LensAR, Inc.;; 24-01, Laser system for treatment of the eye, (US, 15 Oct 2010) 15 Apr 2011	11690/2011
Koninklijke Philips Electronics N.V.; 07-02L, Base unit for tea maker, (EM, 20 Oct 2010) 19 Apr 2011	11726/2011	Lighting Science Group Corporation; 26-04, Luminaire, (US, 04 May 2010) 03 Nov 2010	15815/2010
Kouw, Pauline; 26-01, Shell candle, 06 Apr 2011	11499/2011	Lighting Science Group Corporation; 26-04, Luminaire, (US, 04 May 2010) 03 Nov 2010	15816/2010
Kraft Foods Global Brands LLC.; 01-01, Baked foodstuff, (US, 18 Oct 2010) 14 Apr 2011	11634/2011	Lighting Science Group Corporation; 26-04, Luminaire, (US, 04 May 2010) 03 Nov 2010	15817/2010
Kraft Foods Global Brands LLC.; 01-01, Baked foodstuff, (US, 18 Oct 2010) 14 Apr 2011	11635/2011	Lili Diamonds; 11-01NES, Gemstone, 15 Apr 2011	11669/2011
Kraft Foods Global Brands LLC.; 01-01, Baked foodstuff, (US, 18 Oct 2010) 14 Apr 2011	11636/2011	Longyear TM, Inc.; 08-01, Core barrel sleeve with axial grooves, (US, 20 Jan 2011) 06 Apr 2011	11498/2011
Kwong, Au Wing; 02-03, Hat, 11 Apr 2011	11559/2011	Longyear TM, Inc.; 08-01, Core barrel head assembly with axial groove, (US, 14 Jan 2011) 06 Apr 2011	11493/2011
Laerdal Medical AS; 14-02, Electronic device, (WO, 12 Oct 2010) 11 Apr 2011	11556/2011	Longyear TM, Inc.; 08-01, Core barrel assembly with tapered design, (US, 19 Jan 2011) 06 Apr 2011	11494/2011
Laerdal Medical AS; 14-02, Electronic device, (WO, 12 Oct 2010) 11 Apr 2011	11557/2011	Longyear TM, Inc.; 08-01, Core barrel retracting case, (US, 02 Feb 2011) 06 Apr 2011	11495/2011
Laerdal Medical AS; 14-02, Electronic device, (WO, 12 Oct 2010) 11 Apr 2011	11558/2011	Longyear TM, Inc.; 08-01, Core barrel latch body, (US, 02 Feb 2011) 06 Apr 2011	11496/2011
Laerdal Medical AS; 24-01, Electronic device, (WO, 12 Oct 2010) 11 Apr 2011	11555/2011	Longyear TM, Inc.; 08-01, Core barrel latch body with axial grooves, (US, 19 Jan 2011) 06 Apr 2011	11497/2011
Lang-Lemckert, Christian James; 02-02B, Wetsuits, 13 Apr 2011	11582/2011	Longyear TM, Inc.; 08-01, Core barrel head assembly with tapered design, (US, 19 Jan 2011) 06 Apr 2011	11492/2011
Larkey, Ben; 17-99, Musical instruction - Song card using chord shapes, 14 Apr 2011	11617/2011	Lopez, Omar;Margis, Paul Anthony;Izaydar, Mehdi;Perlman, Marshal H.;Tomita, Kaname;Araki, Yasuhiro;Yamada, Taku;Depner, Craig;Tong, Sheng; 06-01D, Passenger seat with integrated seatback display, (US, 01 Oct 2010) 31 Mar 2011	11691/2011
Larkey, Ben; 17-99, Musical instruction - Guitar sticker using chord shapes with 4 cut-outs, 14 Apr 2011	11610/2011		
Le Teo, Catherine;Blet, Thierry; 06-01G, 06-04NES, Furniture set, (WO, 19 Oct 2010) 14 Apr 2011	11619/2011		

Lumitex Limited; 09-03M, Product packaging, 07 Apr 2011	11508/2011	Procter & Gamble Company, The; 09-03M, Packaging container with surface ornamentation, (US, 20 Oct 2010) 18 Apr 2011	11710/2011
Margis, Paul Anthony;Izaydar, Mehdi;Perlman, Marshal H.;Tomita, Kaname;Araki, Yasuhiro;Yamada, Taku;Lopez, Omar;Depner, Craig;Tong, Sheng; 06-01D, Passenger seat with integrated seatback display, (US, 01 Oct 2010) 31 Mar 2011	11691/2011	Procter & Gamble Company, The; 09-03M, Packaging container with surface ornamentation, (US, 20 Oct 2010) 18 Apr 2011	11711/2011
Miller International Ltd.; 15-04, Coupler, (EM, 22 Oct 2010) 15 Apr 2011	11661/2011	Procter & Gamble Company, The; 09-03M, Packaging container with surface ornamentation, (US, 20 Oct 2010) 18 Apr 2011	11712/2011
Miller International Ltd.; 15-04, Lifting eye on a coupler, (EM, 22 Oct 2010) 15 Apr 2011	11721/2011	Procter & Gamble Company, The; 09-03M, Packaging container with surface ornamentation, (US, 20 Oct 2010) 18 Apr 2011	11713/2011
Morris, Carolyn; 07-99NES, Chocolate dipper, 06 Apr 2011	11701/2011	Procter & Gamble Company, The; 09-03M, Packaging container with surface ornamentation, (US, 20 Oct 2010) 18 Apr 2011	11714/2011
O'Loughlin, John Joseph; 07-02N, Fry pan, 09 Apr 2011	11522/2011	Procter & Gamble Company, The; 09-03M, Packaging container with surface ornamentation, (US, 20 Oct 2010) 18 Apr 2011	11715/2011
O'Loughlin, John Joseph; 07-02N, Fry pan, 09 Apr 2011	11523/2011	POD Ware Pty Ltd; 21-02D, Leash connector, 14 Apr 2011	11644/2011
Owen, Scott;Owen, Timothy;Felton, Penelope Kate; 08-06, 19-08, For plastic finger grips, vents, handles and backgrounds, 19 Apr 2011	11699/2011	Quintom Project Pty Ltd; 09-05, Bottle, 19 Apr 2011	11694/2011
Owen, Timothy;Owen, Scott;Felton, Penelope Kate; 08-06, 19-08, For plastic finger grips, vents, handles and backgrounds, 19 Apr 2011	11699/2011	Quintom Project Pty Ltd; 09-05, Bottle, 19 Apr 2011	11695/2011
Parnham Group Pty Ltd; 06-09, Pillows and cushions, 13 Apr 2011	11581/2011	Quintom Project Pty Ltd; 09-05, Bottle, 19 Apr 2011	11696/2011
Perlman, Marshal H.;Margis, Paul Anthony;Izaydar, Mehdi;Tomita, Kaname;Araki, Yasuhiro;Yamada, Taku;Lopez, Omar;Depner, Craig;Tong, Sheng; 06-01D, Passenger seat with integrated seatback display, (US, 01 Oct 2010) 31 Mar 2011	11691/2011	Research in Motion Limited; 14-03E, Handheld electronic device, (US, 21 Oct 2010) 06 Apr 2011	11502/2011
Peterson, Andrew Kenneth; 11-01NES, Jewellery, 14 Apr 2011	11643/2011	Rug Cleaning King Pty Ltd; 03-01NES, A storage bag for rugs, 19 Apr 2011	11727/2011
Phoenix Industries Pty Ltd; 23-02B, Shower panel, 12 Apr 2011	11550/2011	Rug Cleaning King Pty Ltd; 03-01NES, A storage bag for rugs, 19 Apr 2011	11728/2011
Phoenix Industries Pty Ltd; 23-01H, Mixer tap, 07 Apr 2011	11511/2011	S.C. Johnson & Son, Inc.; 09-01K, A bottle, (US, 08 Oct 2010) 08 Apr 2011	11518/2011
Phoenix Industries Pty Ltd; 23-01H, Mixer tap and spout, 07 Apr 2011	11512/2011	Sabco Australia Pty Ltd; 07-05E, Part of a dustpan, 14 Apr 2011	11655/2011
Playinnovation Limited; 21-01H, Target wall for ball game, (EM, 05 Aug 2010) 03 Feb 2011	11705/2011	Sabco Australia Pty Ltd; 07-05E, Part of a dustpan, 14 Apr 2011	11656/2011
Playinnovation Limited; 21-01H, Target wall for ball game, (EM, 05 Aug 2010) 03 Feb 2011	11704/2011	Sabco Australia Pty Ltd; 07-05E, Dustpan, 14 Apr 2011	11657/2011
		Scania CV AB; 12-16B, Shieding net, (SE, 02 Nov 2010) 18 Apr 2011	11706/2011
		Scania CV AB; 12-16B, Front grille panel, (SE, 02 Nov 2010) 13 Apr 2011	11586/2011

Sellars, Robert; 28-03NES, Multi-directional movement device - massage unit, 06 Apr 2011	11501/2011	Stubbs, Bruce Grahame; 12-16NES, Hydraulic outboard motor steering kit, 19 Apr 2011	11702/2011
Shop Vac Corporation; 03-01D, 15-05, Combined toolbox and vacuum cleaner, (US, 30 Nov 2010) 12 Apr 2011	11573/2011	SAVERGLASS; 09-01H, Bottle, (EM, 15 Nov 2010) 14 Apr 2011	11640/2011
Smash Enterprises Pty Ltd; 07-07A, Ice brick, 12 Apr 2011	11569/2011	SAVERGLASS; 09-01H, Bottle, (EM, 19 Nov 2010) 14 Apr 2011	11641/2011
Smash Enterprises Pty Ltd; 03-01B, Bag, 15 Apr 2011	11678/2011	SAVERGLASS; 09-01H, Bottle, (EM, 19 Nov 2010) 14 Apr 2011	11642/2011
Smash Enterprises Pty Ltd; 03-01A, 09-03E, Bag with bottle holder, 12 Apr 2011	11570/2011	SCA Hygiene Products AB; 23-02A, Paper dispenser, (EM, 11 Oct 2010) 11 Apr 2011	11538/2011
Smash Enterprises Pty Ltd; 03-01A, bag, 12 Apr 2011	11571/2011	SCA Hygiene Products AB; 23-02A, Paper dispenser, (EM, 11 Oct 2010) 11 Apr 2011	11539/2011
Smith & Nephew Plc; 24-99, Packaging, (GB, 15 Oct 2010) 13 Apr 2011	11609/2011	SPD Swiss Precision Diagnostics GmbH; 10-05, Testing apparatus, (EM, 14 Oct 2010) 14 Apr 2011	11647/2011
Smith & Nephew Plc; 09-03F, Packaging, (GB, 15 Oct 2010) 13 Apr 2011	11608/2011	SPD Swiss Precision Diagnostics GmbH; 10-05, Testing apparatus, (EM, 14 Oct 2010) 14 Apr 2011	11650/2011
Smith & Nephew Plc; 09-03F, Packaging, (GB, 14 Oct 2010) 13 Apr 2011	11607/2011	SPD Swiss Precision Diagnostics GmbH; 10-05, Testing apparatus, (EM, 14 Oct 2010) 14 Apr 2011	11651/2011
Smith & Nephew Plc; 24-04, Medical dressing, (GB, 15 Oct 2010) 14 Apr 2011	11631/2011	SPD Swiss Precision Diagnostics GmbH; 10-05, Testing apparatus, (EM, 14 Oct 2010) 14 Apr 2011	11652/2011
Smith & Nephew Plc; 24-04, Medical dressing, (GB, 15 Oct 2010) 14 Apr 2011	11632/2011	SPD Swiss Precision Diagnostics GmbH; 10-05, Testing apparatus, (EM, 14 Oct 2010) 14 Apr 2011	11648/2011
Smith & Nephew Plc; 15-02, 24-02, Portable pump, (US, 14 Oct 2010) 14 Apr 2011	11633/2011	SPD Swiss Precision Diagnostics GmbH; 10-05, Testing apparatus, (EM, 14 Oct 2010) 14 Apr 2011	11649/2011
Spartan Sports Holdings Pty Ltd; 21-02A, High Bounce Ball, 18 Apr 2011	11719/2011	The Daylight Company (Holdings) Limited; 26-05B, Lamp, (EM, 22 Feb 2011) 12 Apr 2011	11540/2011
Spartan Sports Holdings Pty Ltd; 21-02A, High bounce ball, 18 Apr 2011	11720/2011	The Daylight Company (Holdings) Limited; 26-05B, Lamp, (EM, 22 Feb 2011) 12 Apr 2011	11541/2011
Star Industrial Products Pty Ltd; 25-04, A step member, 19 Apr 2011	11698/2011	The Gillette Company; 28-03A, Razor package, (US, 13 Aug 2010) 09 Feb 2011	11532/2011
Steen, Darren; 23-01NES, Floor drain, 11 Apr 2011	11560/2011	The Gillette Company; 28-03A, Razor package, (US, 13 Aug 2010) 09 Feb 2011	11533/2011
Steen, Darren; 23-01NES, Floor drain, 11 Apr 2011	11561/2011	The Gillette Company; 28-03A, Razor package, (US, 13 Aug 2010) 09 Feb 2011	11534/2011
Stratco (Australia) Pty Limited; 08-08NES, A lower part of a bracket for a solar panel, 12 Apr 2011	11659/2011		
Stratco (Australia) Pty Limited; 08-08NES, An upper part of a bracket for a solar panel, 12 Apr 2011	11660/2011		
Strauss Water Ltd.; 23-01G, Liquid filter, (IL, 14 Oct 2010) 14 Apr 2011	11639/2011		

The Procter & Gamble Company; 09-03M, Packaging container with surface ornamentation, (US, 18 Oct 2010) 15 Apr 2011	11674/2011	Toyota Jidosha Kabushiki Kaisha; 26-06, Rear combination lamp for an automobile, 15 Apr 2011	11685/2011
The Procter & Gamble Company; 09-03M, Packaging container with surface ornamentation, (US, 20 Oct 2010) 18 Apr 2011	11717/2011	Toyota Jidosha Kabushiki Kaisha; 12-16B, Front grille for an automobile, 15 Apr 2011	11686/2011
The Procter & Gamble Company; 09-03M, Packaging container with surface ornamentation, (US, 20 Oct 2010) 18 Apr 2011	11716/2011	Unilever PLC; 23-99, Battery, (EM, 29 Oct 2010) 12 Apr 2011	11562/2011
The Procter & Gamble Company; 09-03M, Packaging container with surface ornamentation, (US, 18 Oct 2010) 15 Apr 2011	11675/2011	Unilever PLC; 07-01G, Tea capsule, (EM, 29 Oct 2010) 12 Apr 2011	11563/2011
The Procter & Gamble Company; 09-03M, Packaging container with surface ornamentation, (US, 18 Oct 2010) 15 Apr 2011	11676/2011	Unilever PLC; 07-01G, Tea capsule, (EM, 29 Oct 2010) 12 Apr 2011	11564/2011
The Procter & Gamble Company; 09-03M, Packaging container with surface ornamentation, (US, 20 Oct 2010) 18 Apr 2011	11718/2011	Unilever PLC; 07-01G, Tea capsule, (EM, 29 Oct 2010) 12 Apr 2011	11565/2011
Thornton, John; 99-00, , 08 Apr 2011	11527/2011	Unilever PLC; 07-01G, Tea capsule, (EM, 29 Oct 2010) 12 Apr 2011	11566/2011
Tomita, Kaname;Margis, Paul Anthony;Izaydar, Mehdi;Perlman, Marshal H.;Araki, Yasuhiro;Yamada, Taku;Lopez, Omar;Depner, Craig;Tong, Sheng; 06-01D, Passenger seat with integrated seatback display, (US, 01 Oct 2010) 31 Mar 2011	11691/2011	Unilever PLC; 23-01G, Water purification, (EM, 29 Oct 2010) 12 Apr 2011	11567/2011
Tong, Sheng;Margis, Paul Anthony;Izaydar, Mehdi;Perlman, Marshal H.;Tomita, Kaname;Araki, Yasuhiro;Yamada, Taku;Lopez, Omar;Depner, Craig; 06-01D, Passenger seat with integrated seatback display, (US, 01 Oct 2010) 31 Mar 2011	11691/2011	Unilever PLC; 26-06, Headlight for heavy equipment, 13 Apr 2011	11568/2011
Toyota Jidosha Kabushiki Kaisha; 12-16C, Rear bumper for an automobile, 15 Apr 2011	11687/2011	Vision X Asia Co., Ltd.; 26-06, Headlight for heavy equipment, 13 Apr 2011	11613/2011
Toyota Jidosha Kabushiki Kaisha; 12-08, Automobile, 15 Apr 2011	11680/2011	Vision X Asia Co., Ltd.; 26-06, Headlight for heavy equipment, 13 Apr 2011	11611/2011
Toyota Jidosha Kabushiki Kaisha; 12-08, Automobile, 15 Apr 2011	11681/2011	Vision X Asia Co., Ltd.; 26-06, Headlight for heavy equipment, 13 Apr 2011	11614/2011
Toyota Jidosha Kabushiki Kaisha; 12-16C, Front bumper for an automobile, 15 Apr 2011	11682/2011	Vision X Asia Co., Ltd.; 26-06, Headlight for heavy equipment, 13 Apr 2011	11612/2011
Toyota Jidosha Kabushiki Kaisha; 12-16C, Front bumper for an automobile, 15 Apr 2011	11683/2011	Wallmark Australia Pty Ltd; 25-01K, Extrusion of indefinite length, 08 Apr 2011	11524/2011
Toyota Jidosha Kabushiki Kaisha; 26-06, Front combination lamp for an automobile, 15 Apr 2011	11684/2011	Yamada, Taku;Margis, Paul Anthony;Izaydar, Mehdi;Perlman, Marshal H.;Tomita, Kaname;Araki, Yasuhiro;Lopez, Omar;Depner, Craig;Tong, Sheng; 06-01D, Passenger seat with integrated seatback display, (US, 01 Oct 2010) 31 Mar 2011	11691/2011
		YMC International Pty Ltd; 26-06, Light, 14 Apr 2011	11593/2011
		YMC International Pty Ltd; 26-06, Light, 14 Apr 2011	11591/2011
		YMC International Pty Ltd; 26-06, Light, 14 Apr 2011	11592/2011

Zlata, Petar;
25-02NES, Access floor panel, 14 Apr 2011

11638/2011

Applications Withdrawn

15746 / 2010 (25-02NES)	15747 / 2010 (25-02NES)
11288 / 2011 (07-02L)	11667 / 2011 (06-07)

Applications Lapsed

14180 / 2010 (08-01)	14262 / 2010 (21-01F)
14337 / 2010 (09-09)	14338 / 2010 (06-04NES)
14339 / 2010 (14-99)	14350 / 2010 (25-01K)
10226 / 2011 (15-05)	10290 / 2011 (21-01B)

Extension of Period of Registration of Designs

305322	306245	306630
307605	307719	307720
307721	307765	307766
308340	308343	308450
308451	308452	308453
308478	308488	308504
308505	308532	308617
308648	308675	308689
308692	308774	308872
308873	308874	308875
308876	308877	308888
308890	308891	308918
308935	308937	308948
309020	309161	309176
309229	309230	309443
309531	309532	309533
309569	309573	309631
309643	309644	309646
309713	309714	309715
309753	309758	309793
309796	309799	309818
309843	309851	309887
309898	310026	310066
310067	310068	310123
310125	310144	310243
310274	310285	310463
310473	310715	310738
310742	310788	310800
310801	310802	310860
311208	311209	311241
311242	311243	311244
311287	311293	311437
311523	311524	311525
311526	311527	311528
311529	311591	312415
312417	313932	

Registrations Ceased

303502	303983	305322
305833	306015	306017
306018	306020	306169
306173	306218	306220
306221	306335	306701
306722	306916	306917
307166	307167	307446
308564	308565	309507

Extensions of time granted under Section 137

Applications lodged under section 137 for extension of time have been granted.

- 306245 **Craig Hiron**
- 15744/2010 **Docklands Science Park Pty Ltd**
- 15745/2010 **Docklands Science Park Pty Ltd**
- 15746/2010 **Docklands Science Park Pty Ltd**
- 15747/2010 **Docklands Science Park Pty Ltd**
- 10117/2011 **Rosie Davenport**

Subsequent Owners Registered

(The name in parentheses is that of the subsequent owner)

- 334722 (**D & J Inventions Pty Ltd**) David Ferdinands
- 333584 (**Mars Australia Pty Ltd**) Mars, Incorporated
- 333804 (**Mars Australia Pty Ltd**) Mars, Incorporated
- 334952 (**Mars Australia Pty Ltd**) Mars, Incorporated
- 333650 (**Mars Australia Pty Ltd**) Mars Incorporated
- 333651 (**Mars Australia Pty Ltd**) Mars Incorporated
- 333459 (**Mars Australia Pty Ltd**) Mars, Incorporated

Names Registered - Alterations and Amendments

(The name in parentheses is that of the subsequent applicant)

- 321393 (**Kaelus Pty Ltd**) Triasx Pty Ltd

Certificate(s) of Examination

Examination of the following Design Registration(s) has been completed. Infringement proceedings may now be commenced.

310525	07-99A	19/04/2011
316162	06-06E	21/04/2011
323764	23-04	18/04/2011
327810	06-06E	21/04/2011
327811	06-06E	21/04/2011
327812	06-06E	21/04/2011
327813	06-06E	21/04/2011
328778	23-04	18/04/2011
328779	23-04	18/04/2011
328780	23-04	18/04/2011
328781	23-04	18/04/2011
333375	15-99	19/04/2011
333997	02-03	11/04/2011
334256	24-04	18/04/2011
334368	21-02F	14/04/2011
334369	07-01D	19/04/2011
334475	23-02B	13/04/2011
334519	25-01C	20/04/2011
334654	12-15B	15/04/2011
334773	12-16B	19/04/2011
334789	24-04	18/04/2011
335086	07-01C	20/04/2011
335182	02-04NES	19/04/2011
335183	02-04NES	18/04/2011
335184	02-04NES	18/04/2011
335185	02-04NES	18/04/2011

Publication and Registration Proceedings

Designs Registered

This section provides a concordance between design number and registration number of Designs covered in this journal. It also shows the main class and registration date.

This section covers Registration numbers 335911 to 336122 .

The registration number shown below should be used in all future correspondence.

Design Number	Registration Number	International Classification Code (IDC)	Registration Date	Design Number	Registration Number	International Classification Code (IDC)	Registration Date
13055/2010	335992	25-01E	13/04/2011	11074/2011	335922	09-03F	12/04/2011
13729/2010	336100	20-03NES	20/04/2011	11075/2011	335923	09-03F	12/04/2011
14505/2010	336115	13-03D	21/04/2011	11078/2011	335924	14-02	12/04/2011
14506/2010	336116	13-03D	21/04/2011	11079/2011	335925	14-02	12/04/2011
14507/2010	336117	13-03D	21/04/2011	11083/2011	335928	21-01L	12/04/2011
14718/2010	335979	25-02E	13/04/2011	11084/2011	335929	21-01L	12/04/2011
14719/2010	335980	25-02E	13/04/2011	11085/2011	335930	21-01L	12/04/2011
15077/2010	335981	22-06	13/04/2011	11092/2011	335957	12-10	11/04/2011
15483/2010	336030	08-99	15/04/2011	11101/2011	335971	12-08	12/04/2011
15744/2010	336101	08-99	20/04/2011	11102/2011	335972	26-06	12/04/2011
15745/2010	336102	25-01E	20/04/2011	11103/2011	335973	12-08	12/04/2011
10067/2011	335956	14-04	11/04/2011	11105/2011	335974	15-05	12/04/2011
10117/2011	336103	02-02A	20/04/2011	11112/2011	335962	24-03	09/04/2011
10347/2011	336044	06-06NES	18/04/2011	11113/2011	335963	24-02	09/04/2011
10350/2011	336045	06-06NES	18/04/2011	11114/2011	335964	24-03	09/04/2011
10384/2011	336020	28-03A	14/04/2011	11124/2011	335965	13-03NES	11/04/2011
10422/2011	336024	08-08NES	15/04/2011	11130/2011	335961	12-05	11/04/2011
10423/2011	336025	08-08NES	15/04/2011	11133/2011	335983	03-01A	13/04/2011
10427/2011	336046	24-01	18/04/2011	11140/2011	335975	14-02	12/04/2011
10458/2011	335911	19-99	12/04/2011	11141/2011	335976	14-02	12/04/2011
10471/2011	336047	15-05	18/04/2011	11142/2011	335977	14-02	12/04/2011
10499/2011	336031	08-08NES	15/04/2011	11145/2011	335966	08-01	11/04/2011
10500/2011	336048	08-08NES	18/04/2011	11146/2011	335967	12-16L	11/04/2011
10548/2011	335993	08-08NES	13/04/2011	11147/2011	335968	12-08	11/04/2011
10581/2011	335912	07-01A	12/04/2011	11148/2011	335969	06-03C	11/04/2011
10582/2011	335913	15-03A	12/04/2011	11149/2011	335970	09-03F	11/04/2011
10583/2011	335914	15-03A	12/04/2011	11150/2011	335995	12-15B	13/04/2011
10584/2011	335915	26-03	12/04/2011	11151/2011	335996	12-15B	13/04/2011
10604/2011	335918	24-01	13/04/2011	11152/2011	335997	12-15B	13/04/2011
10605/2011	335919	24-01	13/04/2011	11153/2011	335998	12-15B	13/04/2011
10668/2011	335994	06-13B	13/04/2011	11154/2011	335999	09-03M	13/04/2011
10687/2011	335916	25-01K	12/04/2011	11158/2011	336050	07-01C	18/04/2011
10689/2011	335917	25-01K	12/04/2011	11159/2011	336051	07-01A	18/04/2011
10690/2011	336069	09-01NES	20/04/2011	11160/2011	336052	07-01A	18/04/2011
10691/2011	336070	09-01NES	20/04/2011	11161/2011	336000	07-01B	13/04/2011
10695/2011	336037	19-08	15/04/2011	11162/2011	336001	07-01D	13/04/2011
10711/2011	335920	11-01K	12/04/2011	11164/2011	336032	14-02	15/04/2011
10737/2011	336076	07-01F	20/04/2011	11165/2011	336003	15-05	13/04/2011
10771/2011	335921	21-01F	12/04/2011	11166/2011	336004	15-05	13/04/2011
10798/2011	335982	12-16NES	13/04/2011	11168/2011	336005	11-04	13/04/2011
10800/2011	336009	01-01	14/04/2011	11169/2011	336006	14-03NES	13/04/2011
10801/2011	336077	07-01F	20/04/2011	11176/2011	336007	09-01K	13/04/2011
10802/2011	336078	07-01F	20/04/2011	11177/2011	336008	09-03M	13/04/2011
10830/2011	336010	12-08	14/04/2011	11178/2011	336053	09-03M	18/04/2011
11003/2011	336049	23-01NES	18/04/2011	11179/2011	336054	09-03L	18/04/2011
11040/2011	336067	09-03NES	20/04/2011	11181/2011	336083	13-99	20/04/2011
11043/2011	335926	23-01A	12/04/2011	11187/2011	336055	12-16A	18/04/2011
11045/2011	336026	09-09	15/04/2011	11188/2011	336066	12-16A	18/04/2011
11046/2011	335927	23-01A	12/04/2011	11189/2011	336056	12-16A	18/04/2011
11048/2011	336073	14-03NES	19/04/2011	11190/2011	336071	25-02H	20/04/2011

Publication and Registration Proceedings - Designs Registered cont'd

Design Number	Registration Number	International Classification Code (IDC)	Registration Date	Design Number	Registration Number	International Classification Code (IDC)	Registration Date
11195/2011	335986	07-06D	13/04/2011	11295/2011	336088	14-03NES	20/04/2011
11196/2011	335987	12-06NES	13/04/2011	11296/2011	336089	07-02N	20/04/2011
11197/2011	335988	11-04	13/04/2011	11302/2011	336104	25-01F	20/04/2011
11198/2011	335989	11-04	13/04/2011	11303/2011	336105	06-03C	20/04/2011
11199/2011	335990	11-04	13/04/2011	11304/2011	336106	06-03C	20/04/2011
11200/2011	335991	11-01NES	13/04/2011	11305/2011	336107	25-02NES	20/04/2011
11204/2011	336013	04-02	14/04/2011	11306/2011	336108	26-06	20/04/2011
11205/2011	336014	04-02	14/04/2011	11307/2011	336109	26-99	20/04/2011
11206/2011	336015	12-16L	14/04/2011	11321/2011	336110	08-07	21/04/2011
11208/2011	336016	04-01	14/04/2011	11323/2011	336111	14-02	21/04/2011
11209/2011	336017	04-01	14/04/2011	11324/2011	336112	23-01H	21/04/2011
11221/2011	336033	07-07B	15/04/2011	11325/2011	336113	14-02	21/04/2011
11227/2011	336027	08-05NES	15/04/2011	11326/2011	336114	14-02	21/04/2011
11228/2011	336028	12-10	15/04/2011	11328/2011	336096	14-02	20/04/2011
11229/2011	336029	07-02H	15/04/2011	11332/2011	336079	09-05	20/04/2011
11234/2011	336011	25-02NES	14/04/2011	11352/2011	336122	07-02N	21/04/2011
11235/2011	336012	23-01E	14/04/2011	11353/2011	335959	02-02NES	11/04/2011
11240/2011	336018	23-04	14/04/2011	11358/2011	336097	24-02	20/04/2011
11241/2011	336019	23-04	14/04/2011	11359/2011	335984	15-04	13/04/2011
11242/2011	336034	12-15B	15/04/2011	11364/2011	335978	07-02P	13/04/2011
11243/2011	336035	12-16F	15/04/2011	11372/2011	336098	09-07B	20/04/2011
11247/2011	336038	14-03E	18/04/2011	11419/2011	336099	03-01A	20/04/2011
11248/2011	336039	06-01F	18/04/2011	11420/2011	336075	08-08NES	19/04/2011
11249/2011	336040	06-01F	18/04/2011	11438/2011	335985	12-10	13/04/2011
11250/2011	336041	06-01F	18/04/2011	11456/2011	336090	12-10	20/04/2011
11251/2011	336042	12-10	18/04/2011	11457/2011	336091	12-10	20/04/2011
11253/2011	336043	09-05	18/04/2011	11458/2011	336092	12-10	20/04/2011
11256/2011	336074	23-01G	19/04/2011	11460/2011	336093	06-03B	20/04/2011
11265/2011	336057	25-01D	18/04/2011	11461/2011	336094	06-03B	20/04/2011
11266/2011	336058	25-01D	18/04/2011	11462/2011	336095	06-03B	20/04/2011
11267/2011	336059	08-08A	18/04/2011	11463/2011	336080	06-03B	20/04/2011
11268/2011	336060	08-08B	18/04/2011	11464/2011	336081	06-03B	20/04/2011
11269/2011	336061	09-03M	18/04/2011	11465/2011	336082	06-03B	20/04/2011
11270/2011	336062	09-03M	18/04/2011	11471/2011	336002	25-02NES	13/04/2011
11271/2011	336063	09-01NES	18/04/2011	11473/2011	335960	14-04	11/04/2011
11272/2011	336064	09-03M	18/04/2011	11506/2011	335958	12-10	11/04/2011
11273/2011	336065	09-03M	18/04/2011	11532/2011	336021	28-03A	14/04/2011
11282/2011	336036	09-03E	15/04/2011	11533/2011	336022	28-03A	14/04/2011
11289/2011	336068	08-08D	20/04/2011	11534/2011	336023	28-03A	14/04/2011
11291/2011	336084	15-09	20/04/2011	11589/2011	336072	25-02C	20/04/2011
11292/2011	336085	15-09	20/04/2011				
11293/2011	336086	15-09	20/04/2011				
11294/2011	336087	14-03NES	20/04/2011				

Publication and Registration Proceedings

Class Listing of Designs Published or Registered

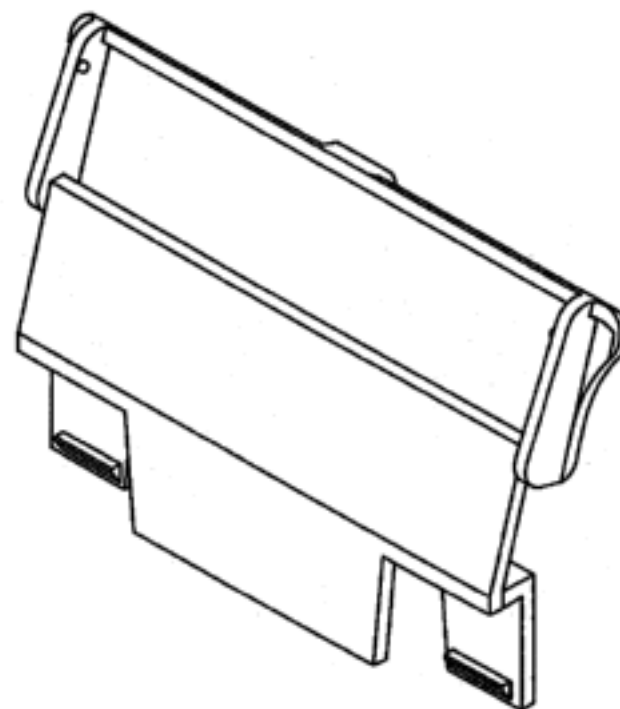
The following section shows an International Classification Code listing of the Registered or Published Designs covered in this supplement.

Classification	Registration Number	Design Number	Classification	Registration Number	Design Number
01-01	336009	10800/2011	08-08NES	336075	11420/2011
02-02A	336103	10117/2011	08-99	336030	15483/2010
02-02NES	335959	11353/2011	08-99	336101	15744/2010
03-01A	335983	11133/2011	09-01K	336007	11176/2011
03-01A	336099	11419/2011	09-01NES	336054	11179/2011
04-01	336016	11208/2011	09-01NES	336063	11271/2011
04-01	336017	11209/2011	09-01NES	336069	10690/2011
04-02	336013	11204/2011	09-01NES	336070	10691/2011
04-02	336014	11205/2011	09-03E	336036	11282/2011
06-01F	336039	11248/2011	09-03F	335922	11074/2011
06-01F	336040	11249/2011	09-03F	335923	11075/2011
06-01F	336041	11250/2011	09-03F	335970	11149/2011
06-03B	336080	11463/2011	09-03L	336054	11179/2011
06-03B	336081	11464/2011	09-03M	335999	11154/2011
06-03B	336082	11465/2011	09-03M	336008	11177/2011
06-03B	336093	11460/2011	09-03M	336053	11178/2011
06-03B	336094	11461/2011	09-03M	336061	11269/2011
06-03B	336095	11462/2011	09-03M	336062	11270/2011
06-03C	335969	11148/2011	09-03M	336064	11272/2011
06-03C	336105	11303/2011	09-03M	336065	11273/2011
06-03C	336106	11304/2011	09-03NES	335922	11074/2011
06-06NES	336044	10347/2011	09-03NES	335923	11075/2011
06-06NES	336045	10350/2011	09-03NES	336067	11040/2011
06-13B	335994	10668/2011	09-05	336043	11253/2011
06-13C	335959	11353/2011	09-05	336079	11332/2011
07-01A	335912	10581/2011	09-07B	336098	11372/2011
07-01A	336051	11159/2011	09-09	336026	11045/2011
07-01A	336052	11160/2011	11-01K	335920	10711/2011
07-01B	336000	11161/2011	11-01NES	335991	11200/2011
07-01C	336050	11158/2011	11-04	335988	11197/2011
07-01D	336001	11162/2011	11-04	335989	11198/2011
07-01F	336076	10737/2011	11-04	335990	11199/2011
07-01F	336077	10801/2011	11-04	336005	11168/2011
07-01F	336078	10802/2011	12-05	335961	11130/2011
07-02H	336029	11229/2011	12-05	335984	11359/2011
07-02N	336089	11296/2011	12-06NES	335987	11196/2011
07-02N	336122	11352/2011	12-08	335968	11147/2011
07-02NES	336089	11296/2011	12-08	335971	11101/2011
07-02P	335978	11364/2011	12-08	335973	11103/2011
07-06D	335986	11195/2011	12-08	336010	10830/2011
07-07B	336033	11221/2011	12-10	335957	11092/2011
07-99D	335986	11195/2011	12-10	335958	11506/2011
08-01	335966	11145/2011	12-10	335985	11438/2011
08-05NES	336027	11227/2011	12-10	336028	11228/2011
08-07	336110	11321/2011	12-10	336042	11251/2011
08-08A	336059	11267/2011	12-10	336090	11456/2011
08-08B	336060	11268/2011	12-10	336091	11457/2011
08-08D	336068	11289/2011	12-10	336092	11458/2011
08-08NES	335993	10548/2011	12-15B	335995	11150/2011
08-08NES	336024	10422/2011	12-15B	335996	11151/2011
08-08NES	336025	10423/2011	12-15B	335997	11152/2011
08-08NES	336031	10499/2011	12-15B	335998	11153/2011
08-08NES	336048	10500/2011	12-15B	336034	11242/2011

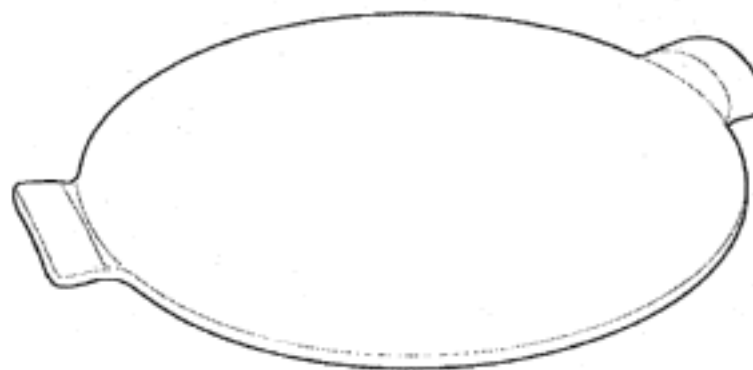
Registration Proceedings - Class Listing of Designs Published or Registered cont'd

Classification	Registration Number	Design Number	Classification	Registration Number	Design Number
12-16A	336055	11187/2011	21-01L	335930	11085/2011
12-16A	336056	11189/2011	22-06	335981	15077/2010
12-16A	336066	11188/2011	23-01A	335926	11043/2011
12-16F	336035	11243/2011	23-01A	335927	11046/2011
12-16L	335967	11146/2011	23-01E	336012	11235/2011
12-16L	336015	11206/2011	23-01G	336074	11256/2011
12-16NES	335982	10798/2011	23-01H	336112	11324/2011
13-03D	336115	14505/2010	23-01NES	336049	11003/2011
13-03D	336116	14506/2010	23-04	336018	11240/2011
13-03D	336117	14507/2010	23-04	336019	11241/2011
13-03NES	335965	11124/2011	24-01	335918	10604/2011
13-99	336083	11181/2011	24-01	335919	10605/2011
14-02	335924	11078/2011	24-01	336046	10427/2011
14-02	335925	11079/2011	24-02	335963	11113/2011
14-02	335975	11140/2011	24-02	336097	11358/2011
14-02	335976	11141/2011	24-03	335962	11112/2011
14-02	335977	11142/2011	24-03	335964	11114/2011
14-02	336032	11164/2011	25-01D	336057	11265/2011
14-02	336096	11328/2011	25-01D	336058	11266/2011
14-02	336111	11323/2011	25-01E	335992	13055/2010
14-02	336113	11325/2011	25-01E	336102	15745/2010
14-02	336114	11326/2011	25-01F	336104	11302/2011
14-03E	336038	11247/2011	25-01K	335916	10687/2011
14-03NES	336006	11169/2011	25-01K	335917	10689/2011
14-03NES	336073	11048/2011	25-02C	336072	11589/2011
14-03NES	336087	11294/2011	25-02E	335979	14718/2010
14-03NES	336088	11295/2011	25-02E	335980	14719/2010
14-04	335956	10067/2011	25-02H	336071	11190/2011
14-04	335960	11473/2011	25-02NES	336002	11471/2011
15-03A	335913	10582/2011	25-02NES	336011	11234/2011
15-03A	335914	10583/2011	25-02NES	336044	10347/2011
15-03NES	335913	10582/2011	25-02NES	336045	10350/2011
15-03NES	335914	10583/2011	25-02NES	336107	11305/2011
15-04	335984	11359/2011	26-03	335915	10584/2011
15-05	335974	11105/2011	26-06	335972	11102/2011
15-05	336003	11165/2011	26-06	336108	11306/2011
15-05	336004	11166/2011	26-99	336109	11307/2011
15-05	336047	10471/2011	28-03A	336020	10384/2011
15-09	336084	11291/2011	28-03A	336021	11532/2011
15-09	336085	11292/2011	28-03A	336022	11533/2011
15-09	336086	11293/2011	28-03A	336023	11534/2011
19-08	336037	10695/2011	29-02	336024	10422/2011
19-99	335911	10458/2011	29-02	336025	10423/2011
20-03NES	336100	13729/2010	29-99	336107	11305/2011
21-01F	335921	10771/2011			
21-01L	335928	11083/2011			
21-01L	335929	11084/2011			

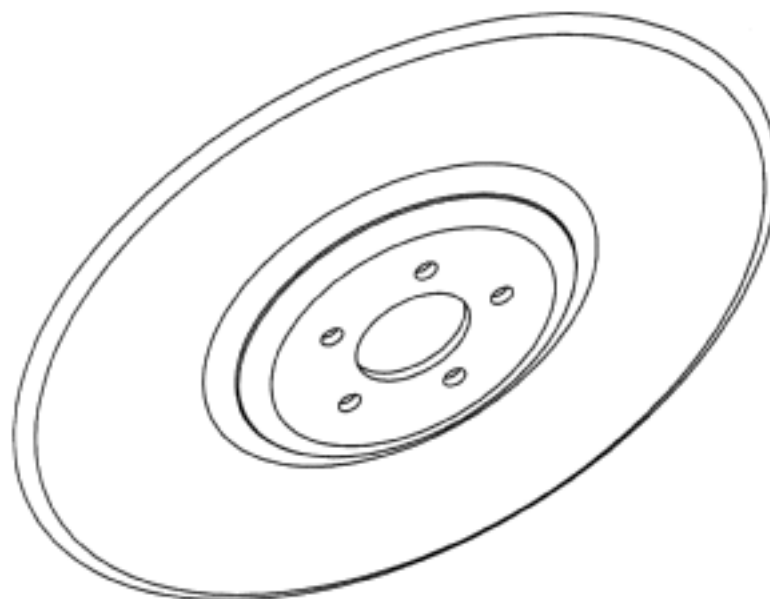
- (21) Design Number: **10458/2011**
(22) Date of Filing Application: **11 February 2011**
(24) Date from which industrial property rights may have effect: **11 February 2011**
(54) Product in respect of which the design is registered: **Tab**
(51) International Design Classification: **19-99**
(74) Name(s) of Attorney(s): **Cullens Patent and Trade Mark Attorneys**
(71) Name(s) and Address(s) of Applicant(s):
Rida Corp Pty Ltd
PO Box 124 Paddington Queensland 4064 Australia
(72) Name(s) of Designer(s): **Richard Frappell**
(45) Registration Date: **12 April 2011**
(56) Related Art Documents: **Not Applicable**
(57) Statement of Newness and Distinctiveness: **Nil**



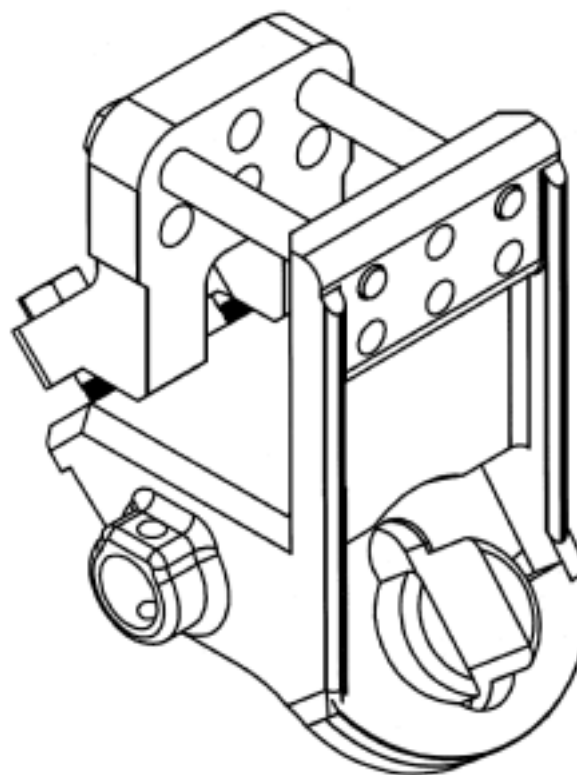
- (21) Design Number: **10581/2011**
(22) Date of Filing Application: **18 February 2011**
(24) Date from which industrial property rights may have effect: **18 February 2011**
(54) Product in respect of which the design is registered: **Pizza plate**
(51) International Design Classification: **07-01A**
(74) Name(s) of Attorney(s): **Smooenburg Pini Patent & Trade Mark Attorneys**
(71) Name(s) and Address(s) of Applicant(s):
Emile Henry
13 rue Georges de Vichy 71110 Marcigny France
(72) Name(s) of Designer(s): **Jacques Henry**
(45) Registration Date: **12 April 2011**
(30) Convention priority data:
(31) Number (32) Date (33) Country
001809195-0004 **21 Jan 2011** **EUROPEAN COMMUNITY**
(56) Related Art Documents: **Not Applicable**
(57) Statement of Newness and Distinctiveness: **In considering the newness or distinctiveness of the design, regard is to be given to the overall shape and/or configuration of the pizza plate as shown in the representations.**



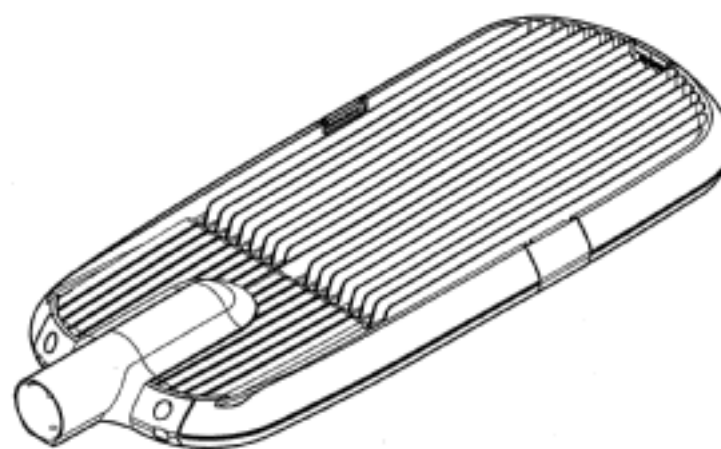
- (21) Design Number: **10582/2011**
(22) Date of Filing Application: **18 February 2011**
(24) Date from which industrial property rights may have effect: **18 February 2011**
(54) Product in respect of which the design is registered: **A coulter disc**
(51) International Design Classification: **15-03A, 15-03NES**
(74) Name(s) of Attorney(s): **Griffith Hack**
(71) Name(s) and Address(s) of Applicant(s):
RFM AG Pty Ltd
81 Wade Street Coolamon New South Wales 2701 Australia
(72) Name(s) of Designer(s): **Paul Ryan**
(45) Registration Date: **12 April 2011**
(56) Related Art Documents: **Not Applicable**
(57) Statement of Newness and Distinctiveness: **Broken lines used in the drawings are for reference purposes only, and from no part of the present design.**



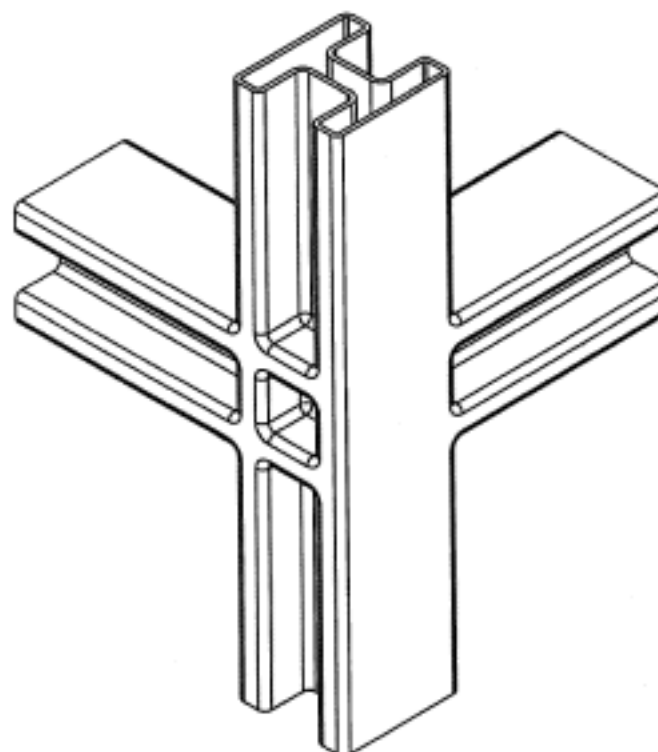
- (21) Design Number: **10583/2011**
(22) Date of Filing Application: **18 February 2011**
(24) Date from which industrial property rights may have effect: **18 February 2011**
(54) Product in respect of which the design is registered: **An assembly for use in mounting a tyne to a frame.**
(51) International Design Classification: **15-03A, 15-03NES**
(74) Name(s) of Attorney(s): **Griffith Hack**
(71) Name(s) and Address(s) of Applicant(s):
RFM AG Pty Ltd
81 Wade Street Coolamon New South Wales 2701 Australia
(72) Name(s) of Designer(s): **Paul Ryan**
(45) Registration Date: **12 April 2011**
(56) Related Art Documents: **Not Applicable**
(57) Statement of Newness and Distinctiveness: **The shape and configuration of the parts of the design other than the fasteners of the assembly are new and distinctive.**



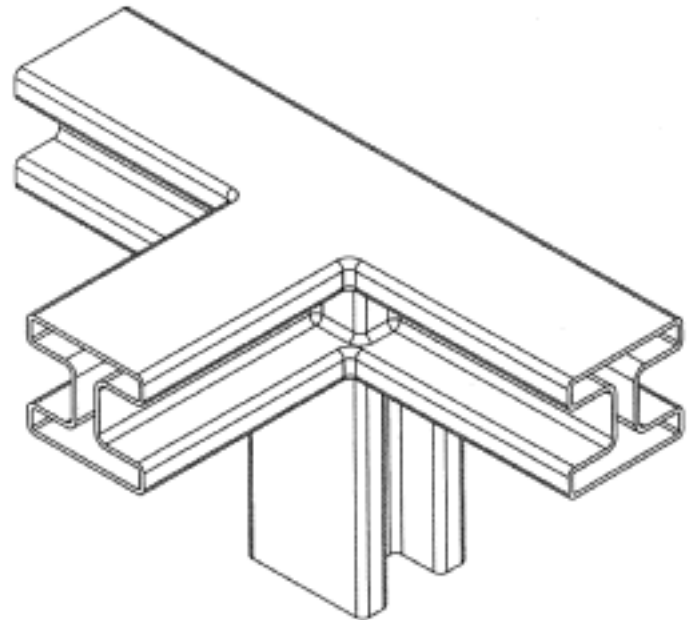
(21) Design Number: **10584/2011**
(22) Date of Filing Application: **18 February 2011**
(24) Date from which industrial property rights may have effect: **18 February 2011**
(54) Product in respect of which the design is registered: **Luminaire for road lighting**
(51) International Design Classification: **26-03**
(74) Name(s) of Attorney(s): **FB Rice**
(71) Name(s) and Address(s) of Applicant(s):
Koninklijke Philips Electronics N.V.
Groenwoudseweg 1 5621 BA Eindhoven The Netherlands
(72) Name(s) of Designer(s): **Dido Van Klinken and Tomas Luis Ortiz Ferrer**
(45) Registration Date: **12 April 2011**
(30) Convention priority data:
(31) Number (32) Date (33) Country
001747841-0001 27 Aug 2010 EUROPEAN PATENT OFFICE (EPO)
(56) Related Art Documents: **Not Applicable**
(57) Statement of Newness and Distinctiveness: **Newness and distinctiveness reside in the features of shape and configuration of the design as shown in the representations.**



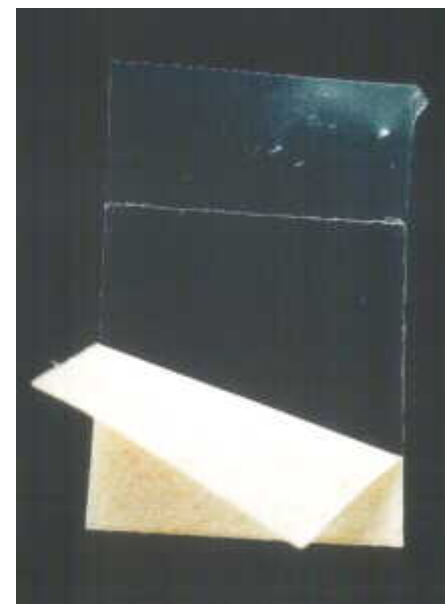
(21) Design Number: **10687/2011**
(22) Date of Filing Application: **23 February 2011**
(24) Date from which industrial property rights may have effect: **23 February 2011**
(54) Product in respect of which the design is registered: **An extrusion**
(51) International Design Classification: **25-01K**
(74) Name(s) of Attorney(s): **SPRUSON & FERGUSON**
(71) Name(s) and Address(s) of Applicant(s):
Trans-World Foods Pty Limited
4 Tathra Street West Gosford New South Wales 2250 Australia
(72) Name(s) of Designer(s): **Stanley Parker**
(45) Registration Date: **12 April 2011**
(56) Related Art Documents: **Not Applicable**
(57) Statement of Newness and Distinctiveness: **Newness and distinctiveness is claimed in the features of shape and/or configuration of an extrusion as illustrated in the accompanying representations.**



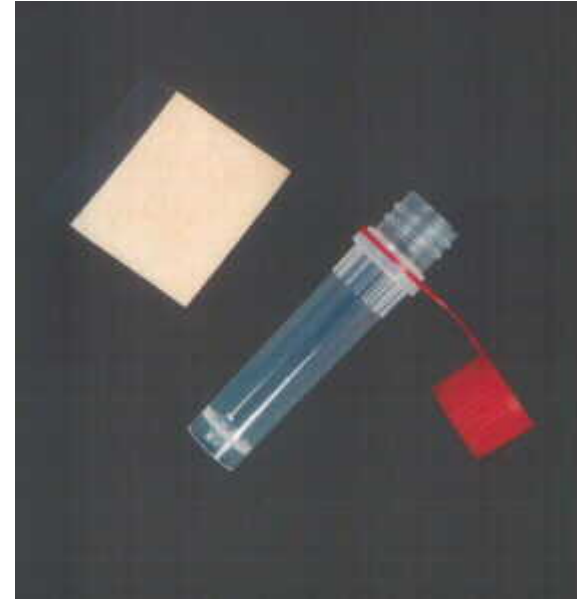
- (21) Design Number: **10689/2011**
(22) Date of Filing Application: **23 February 2011**
(24) Date from which industrial property rights may have effect: **23 February 2011**
(54) Product in respect of which the design is registered: **An extrusion**
(51) International Design Classification: **25-01K**
(74) Name(s) of Attorney(s): **SPRUSON & FERGUSON**
(71) Name(s) and Address(s) of Applicant(s):
Trans-World Foods Pty Limited
4 Tathra Street West Gosford New South Wales 2250 Australia
(72) Name(s) of Designer(s): **Stanley Parker**
(45) Registration Date: **12 April 2011**
(56) Related Art Documents: **Not Applicable**
(57) Statement of Newness and Distinctiveness: **Newness and distinctiveness is claimed in the features of shape and/or configuration of an extrusion as illustrated in the accompanying representations.**



- (21) Design Number: **10604/2011**
(22) Date of Filing Application: **21 February 2011**
(24) Date from which industrial property rights may have effect: **21 February 2011**
(54) Product in respect of which the design is registered: **Trace DNA tapelift**
(51) International Design Classification: **24-01**
(74) Name(s) of Attorney(s):
(71) Name(s) and Address(s) of Applicant(s):
Queensland Police Service
200 Roma Street Brisbane Queensland 4000 Australia
(72) Name(s) of Designer(s): **David Neville and Lyza-Jane McMenz and Patrick O'Reilly and Andrew Stanley**
(45) Registration Date: **13 April 2011**
(56) Related Art Documents: **Not Applicable**
(57) Statement of Newness and Distinctiveness: **It consists of a portion of flat flexible plastic backing that is partially covered with an adhesive layer. A margin of the plastic backing is left uncovered by the adhesive. The adhesive layer is covered with waxed paper which can be removed.**



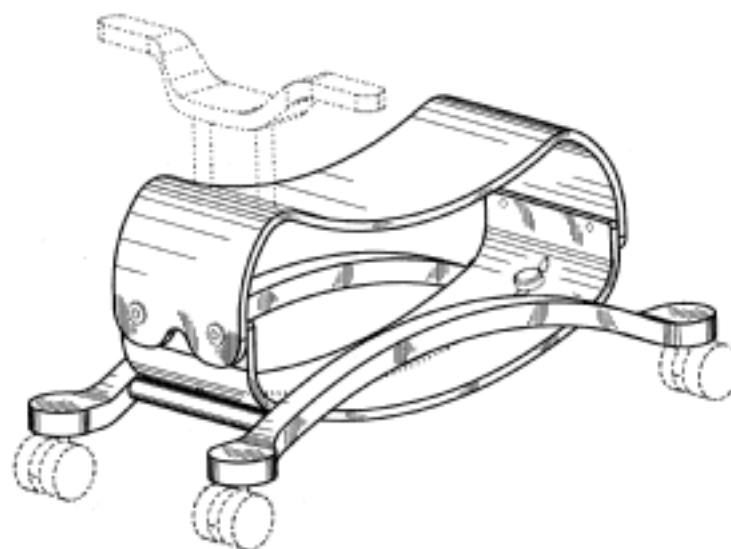
- (21) Design Number: **10605/2011**
(22) Date of Filing Application: **21 February 2011**
(24) Date from which industrial property rights may have effect: **21 February 2011**
(54) Product in respect of which the design is registered: **Trace DNA tapelift kit**
(51) International Design Classification: **24-01**
(74) Name(s) of Attorney(s):
(71) Name(s) and Address(s) of Applicant(s):
Queensland Police Service
200 Roma Street Brisbane Queensland 4000 Australia
(72) Name(s) of Designer(s): **David Neville and Lyza-Jane McMenz and Patrick O'Reilly and Andrew Stanley**
(45) Registration Date: **13 April 2011**
(56) Related Art Documents: **Not Applicable**
(57) Statement of Newness and Distinctiveness: **Kit contents: A portion of flexible plastic partially covered with an adhesive layer covered in removable wax paper and a tube.**



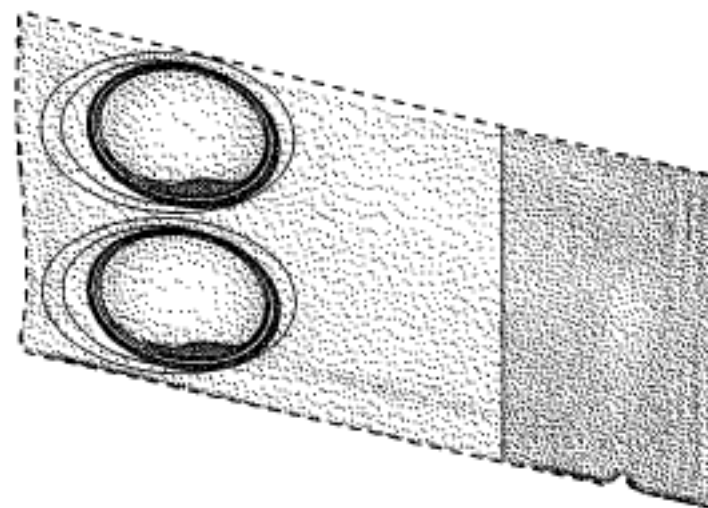
- (21) Design Number: **10711/2011**
(22) Date of Filing Application: **25 February 2011**
(24) Date from which industrial property rights may have effect: **25 February 2011**
(54) Product in respect of which the design is registered: **Koala necklace**
(51) International Design Classification: **11-01K**
(74) Name(s) of Attorney(s):
(71) Name(s) and Address(s) of Applicant(s):
Glowstix Australia Pty Ltd
Unit 7 4 Whitehead Court Glendenning New South Wales 2761 Australia
(72) Name(s) of Designer(s): **Norman Nassif**
(45) Registration Date: **12 April 2011**
(56) Related Art Documents: **Not Applicable**
(57) Statement of Newness and Distinctiveness: **Nil**



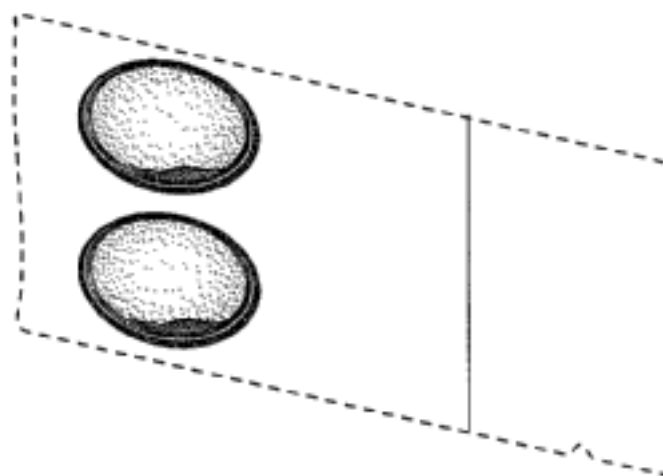
(21) Design Number: **10771/2011**
(22) Date of Filing Application: **25 February 2011**
(24) Date from which industrial property rights may have effect: **25 February 2011**
(54) Product in respect of which the design is registered: **Transformable ride-on and rocking toy**
(51) International Design Classification: **21-01F**
(74) Name(s) of Attorney(s):
(71) Name(s) and Address(s) of Applicant(s):
Richard David Barnaby Latham
77 Severn Street Wellington 6023 New Zealand
(72) Name(s) of Designer(s): **Richard David Barnaby Latham**
(45) Registration Date: **12 April 2011**
(30) Convention priority data:
(31) Number (32) Date (33) Country
29368657 26 Aug 2010 UNITED STATES OF AMERICA
(56) Related Art Documents: **Not Applicable**
(57) Statement of Newness and Distinctiveness: **Nil**



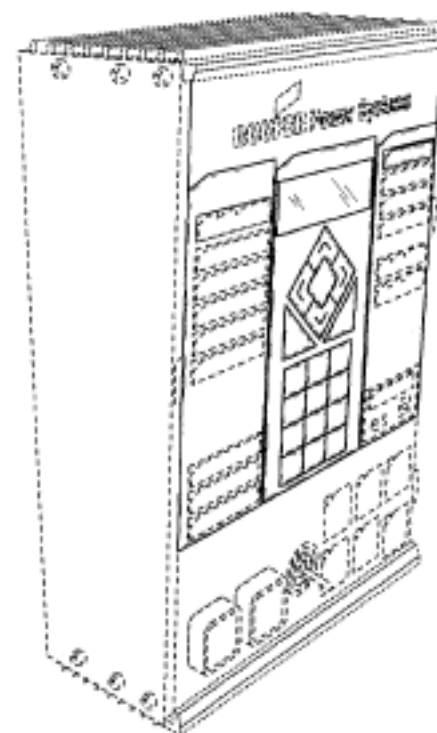
(21) Design Number: **11074/2011**
(22) Date of Filing Application: **11 March 2011**
(24) Date from which industrial property rights may have effect: **11 March 2011**
(54) Product in respect of which the design is registered: **Packaging container with surface ornamentation**
(51) International Design Classification: **09-03F, 09-03NES**
(74) Name(s) of Attorney(s): **PHILLIPS ORMONDE FITZPATRICK**
(71) Name(s) and Address(s) of Applicant(s):
The Proctor & Gamble Company
One Proctor & Gamble Plaza Cincinnati Ohio 45202 United States Of America
(72) Name(s) of Designer(s): **Molly Ann Hablutzel and Jennifer Merchant and Jean Martin Campbell and Scott Cunningham**
(45) Registration Date: **12 April 2011**
(30) Convention priority data:
(31) Number (32) Date (33) Country
29/369,717 13 Sep 2010 UNITED STATES OF AMERICA
(56) Related Art Documents: **Not Applicable**
(57) Statement of Newness and Distinctiveness: **Those features of the packaging container with surface ornamentation depicted in the representations that are new and distinctive are the pattern and/or ornamentation. The stippling shown in the representations indicates a colour, but not a particular colour. The features shown in broken lines are not part of the design and are to be disregarded when considering the overall impression of the design.**



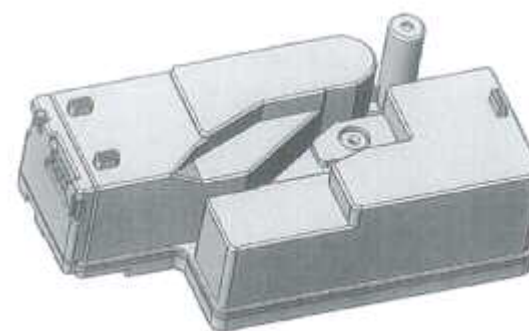
(21) Design Number: **11075/2011**
(22) Date of Filing Application: **11 March 2011**
(24) Date from which industrial property rights may have effect: **11 March 2011**
(54) Product in respect of which the design is registered: **Packaging container with surface ornamentation**
(51) International Design Classification: **09-03F, 09-03NES**
(74) Name(s) of Attorney(s): **PHILLIPS ORMONDE FITZPATRICK**
(71) Name(s) and Address(s) of Applicant(s):
The Proctor & Gamble Company
One Proctor & Gamble Plaza Cincinnati Ohio 45202 United States Of America
(72) Name(s) of Designer(s): **Molly Ann Hablutzel and Jennifer Merchant and Jean Martin Campbell and Scott Cunningham**
(45) Registration Date: **12 April 2011**
(30) Convention priority data:
(31) Number (32) Date (33) Country
29/369,717 13 Sep 2010 UNITED STATES OF AMERICA
(56) Related Art Documents: **Not Applicable**
(57) Statement of Newness and Distinctiveness: **Those features of the packaging container with surface ornamentation depicted in the representations that are new and distinctive are the pattern and/or ornamentation. The stippling shown in the representations indicates a colour, but not a particular colour. The features shown in broken lines are not part of the design and are to be disregarded when considering the overall impression of the design.**



(21) Design Number: **11078/2011**
(22) Date of Filing Application: **14 March 2011**
(24) Date from which industrial property rights may have effect: **14 March 2011**
(54) Product in respect of which the design is registered: **Control interface**
(51) International Design Classification: **14-02**
(74) Name(s) of Attorney(s): **SPRUSON & FERGUSON**
(71) Name(s) and Address(s) of Applicant(s):
Cooper Technologies Company
600 Travis Suite 5600 Houston Texas 77002 United States of America
(72) Name(s) of Designer(s): **Richard L. Hein and Thomas G. Dolnik and Douglas J. Carpiaux and Matthew T. Zabel**
(45) Registration Date: **12 April 2011**
(30) Convention priority data:
(31) Number (32) Date (33) Country
29/369802 13 Sep 2010 UNITED STATES OF AMERICA
(56) Related Art Documents: **Not Applicable**
(57) Statement of Newness and Distinctiveness: **Newness and distinctiveness is claimed in the features of shape and/or configuration of a control interface as illustrated in continuous lines in the accompanying representations.**



(21) Design Number: **11079/2011**
(22) Date of Filing Application: **14 March 2011**
(24) Date from which industrial property rights may have effect: **14 March 2011**
(54) Product in respect of which the design is registered: **Toner cartridge**
(51) International Design Classification: **14-02**
(74) Name(s) of Attorney(s): **Shelston IP**
(71) Name(s) and Address(s) of Applicant(s):



Fuji Xerox Co., Ltd.
7-3 Akasaka 9-chome Minato-ku Tokyo Japan

(72) Name(s) of Designer(s): **Kazuhiro Saito**

(45) Registration Date: **12 April 2011**

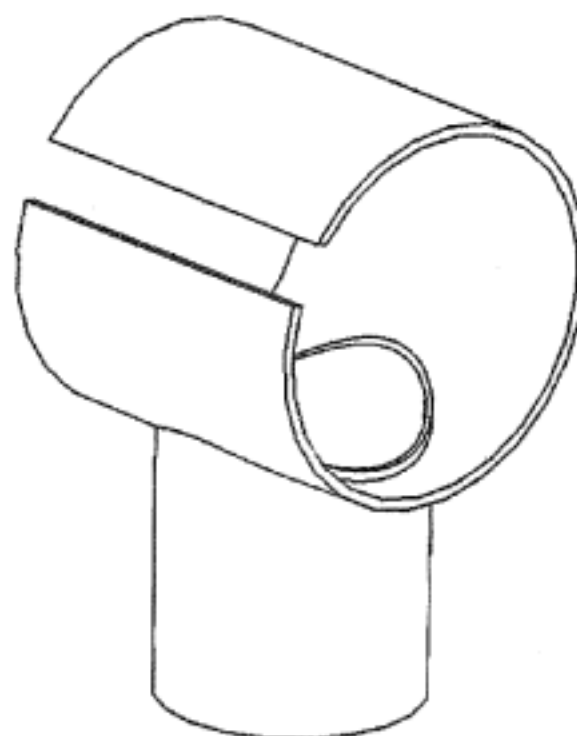
(30) Convention priority data:

(31) Number	(32) Date	(33) Country
D2010-022189	15 Sep 2010	JAPAN

(56) Related Art Documents: **Not Applicable**

(57) Statement of Newness and Distinctiveness: **Newness and distinctiveness resides in the features of shape and/or configuration of the toner cartridge shown in the accompanying representations.**

(21) Design Number: **11043/2011**
(22) Date of Filing Application: **09 March 2011**
(24) Date from which industrial property rights may have effect: **09 March 2011**
(54) Product in respect of which the design is registered: **A downpipe connector**
(51) International Design Classification: **23-01A**
(74) Name(s) of Attorney(s): **PIPERS Melbourne**
(71) Name(s) and Address(s) of Applicant(s):



MacDonald Neame
136 Morgans Road R D 3 Blenheim 7273 New Zealand

Travis Grant Neame
136 Morgans Road R D 3 Blenheim 7273 New Zealand

Stephen Underwood
Level 5 Panama House Panama Street Wellington 6011 New Zealand

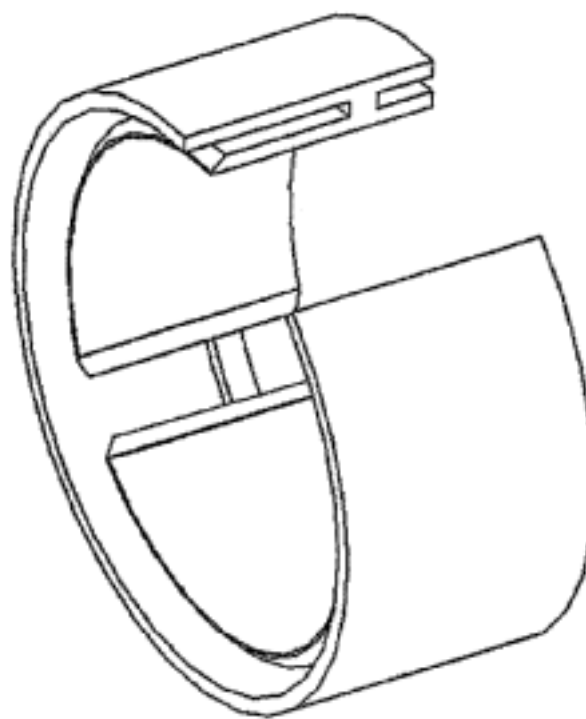
(72) Name(s) of Designer(s): **MacDonald Neame and Travis Grant Neame**

(45) Registration Date: **12 April 2011**

(56) Related Art Documents: **Not Applicable**

(57) Statement of Newness and Distinctiveness: **Newness and distinctiveness reside in the features of shape and/or configuration of the downpipe connector as shown in the accompanying representations.**

- (21) Design Number: **11046/2011**
(22) Date of Filing Application: **09 March 2011**
(24) Date from which industrial property rights may have effect: **09 March 2011**
(54) Product in respect of which the design is registered: **A joiner**
(51) International Design Classification: **23-01A**
(74) Name(s) of Attorney(s): **PIPERS Melbourne**
(71) Name(s) and Address(s) of Applicant(s):
MacDonald Neame
136 Morgans Road R D 3 Blenheim 7273 New Zealand
Travis Grant Neame
136 Morgans Road R D 3 Blenheim 7273 New Zealand
Stephen Underwood
Level 5 Panama House Panama Street Wellington 6011 New Zealand
(72) Name(s) of Designer(s): **MacDonald Neame and Travis Grant Neame**
(45) Registration Date: **12 April 2011**
(56) Related Art Documents: **Not Applicable**
(57) Statement of Newness and Distinctiveness: **Newness and distinctiveness reside in the features of shape and/or configuration of the joiner as shown in the accompanying representations.**



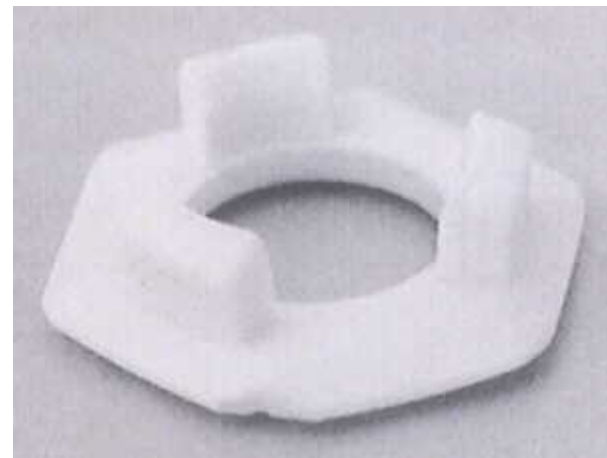
- (21) Design Number: **11083/2011**
(22) Date of Filing Application: **11 March 2011**
(24) Date from which industrial property rights may have effect: **11 March 2011**
(54) Product in respect of which the design is registered: **Pieces for a game**
(51) International Design Classification: **21-01L**
(74) Name(s) of Attorney(s): **FB Rice**
(71) Name(s) and Address(s) of Applicant(s):
Jean-Michel Meys
131 route des Monts-de-Lavaux 1090 La Croix-sur-Lutry Switzerland
(72) Name(s) of Designer(s): **Jean-Michel Meys**
(45) Registration Date: **12 April 2011**
(30) Convention priority data:
(31) Number (32) Date (33) Country
137415 16 Sep 2010 SWITZERLAND
(56) Related Art Documents: **Not Applicable**
(57) Statement of Newness and Distinctiveness: **Newness and distinctiveness reside in the features of the design as shown in the representations.**



(21) Design Number: **11084/2011**
(22) Date of Filing Application: **11 March 2011**
(24) Date from which industrial property rights may have effect: **11 March 2011**
(54) Product in respect of which the design is registered: **Piece for a game**
(51) International Design Classification: **21-01L**
(74) Name(s) of Attorney(s): **FB Rice**
(71) Name(s) and Address(s) of Applicant(s):
Jean-Michel Meys
131 route des Monts-de-Lavaux 1090 La Croix-sur-Lutry Switzerland
(72) Name(s) of Designer(s): **Jean-Michel Meys**
(45) Registration Date: **12 April 2011**
(30) Convention priority data:
(31) Number (32) Date (33) Country
137415 16 Sep 2010 SWITZERLAND
(56) Related Art Documents: **Not Applicable**
(57) Statement of Newness and Distinctiveness: **Newness and distinctiveness reside in the features of the design as shown in the representations.**



(21) Design Number: **11085/2011**
(22) Date of Filing Application: **11 March 2011**
(24) Date from which industrial property rights may have effect: **11 March 2011**
(54) Product in respect of which the design is registered: **Piece for a game**
(51) International Design Classification: **21-01L**
(74) Name(s) of Attorney(s): **FB Rice**
(71) Name(s) and Address(s) of Applicant(s):
Jean-Michel Meys
131 route des Monts-de-Lavaux 1090 La Croix-sur-Lutry Switzerland
(72) Name(s) of Designer(s): **Jean-Michel Meys**
(45) Registration Date: **12 April 2011**
(30) Convention priority data:
(31) Number (32) Date (33) Country
137415 16 Sep 2010 SWITZERLAND
(56) Related Art Documents: **Not Applicable**
(57) Statement of Newness and Distinctiveness: **Newness and distinctiveness reside in the features of the design as shown in the representations.**



(21) Design Number: **10067/2011**
(22) Date of Filing Application: **10 January 2011**
(24) Date from which industrial property rights may have effect: **10 January 2011**
(54) Product in respect of which the design is registered: **Display**
(51) International Design Classification: **14-04**
(74) Name(s) of Attorney(s): **Davies Collison Cave**
(71) Name(s) and Address(s) of Applicant(s):

SMA Solar Technology AG
Sonnenallee 1 Niestetal 34266 Germany

(72) Name(s) of Designer(s): **Michael Fuhrmann**

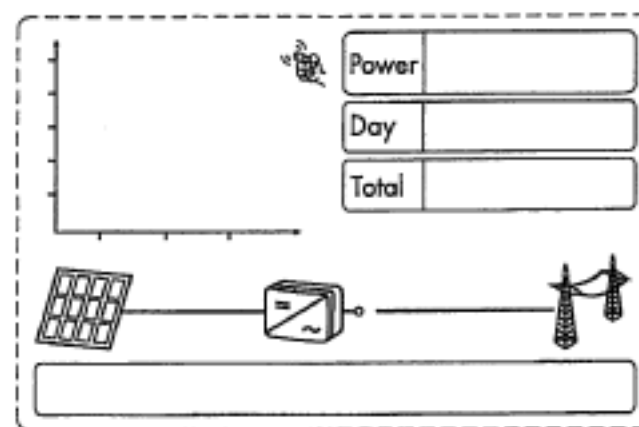
(45) Registration Date: **11 April 2011**

(30) Convention priority data:

(31) Number	(32) Date	(33) Country
001239941-0001	14 Oct 2010	EUROPEAN COMMUNITY

(56) Related Art Documents: **Not Applicable**

(57) Statement of Newness and Distinctiveness: **Newness and distinctiveness is claimed in the visual features shown in solid lines in the representations.**



(21) Design Number: **11092/2011**
(22) Date of Filing Application: **10 March 2011**
(24) Date from which industrial property rights may have effect: **10 March 2011**
(54) Product in respect of which the design is registered: **Trailer for a road vehicle**
(51) International Design Classification: **12-10**
(74) Name(s) of Attorney(s): **Adams Pluck**
(71) Name(s) and Address(s) of Applicant(s):

Peter Geoffrey Bennetto
41 Drummond Road West Beach 7441 South Africa

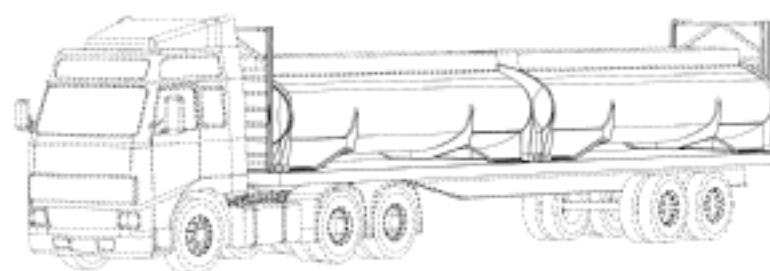
Jack Denys Van Heerden
966 Bloedhond Street Garsfontein Pretoria 0042 South Africa

(72) Name(s) of Designer(s): **Peter Geoffrey Bennetto and Jack Denys Van Heerden**

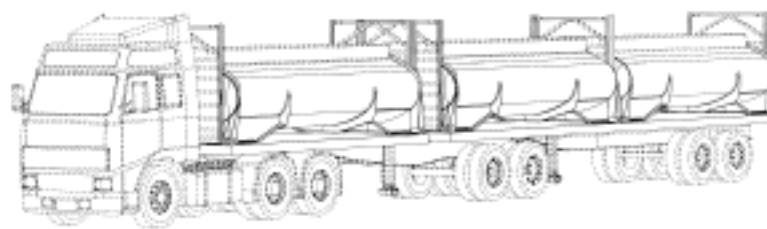
(45) Registration Date: **11 April 2011**

(56) Related Art Documents: **Not Applicable**

(57) Statement of Newness and Distinctiveness: **Newness and distinctiveness resides in the visual features, including shape and/or configuration, of a road vehicle trailer as shown in solid outline in the accompanying drawings. When determining whether the design is substantially similar in overall impression to another design, no regard is to be had to those features shown in dotted outline in the accompanying drawings, which features are provided for illustrative purposes only.**



- (21) Design Number: **11506/2011**
(22) Date of Filing Application: **10 March 2011**
(24) Date from which industrial property rights may have effect: **10 March 2011**
(54) Product in respect of which the design is registered: **Trailer for a road vehicle**
(51) International Design Classification: **12-10**
(74) Name(s) of Attorney(s): **Adams Pluck**
(71) Name(s) and Address(s) of Applicant(s):
Peter Geoffrey Bennetto
41 Drummond Road West Beach 7441 South Africa
Jack Denys Van Heerden
966 Bloedhond Street Garsfontein Pretoria 0042 South Africa
(72) Name(s) of Designer(s): **Peter Geoffrey Bennetto and Jack Denys Van Heerden**
(45) Registration Date: **11 April 2011**
(56) Related Art Documents: **Not Applicable**
(57) Statement of Newness and Distinctiveness: **Newness and distinctiveness resides in the visual features, including shape and/or configuration, of a road vehicle trailer as shown in solid outline in the accompanying drawings. When determining whether the design is substantially similar in overall impression to another design, no regard is to be had to those features shown in dotted outline in the accompanying drawings, which features are provided for illustrative purposes only.**

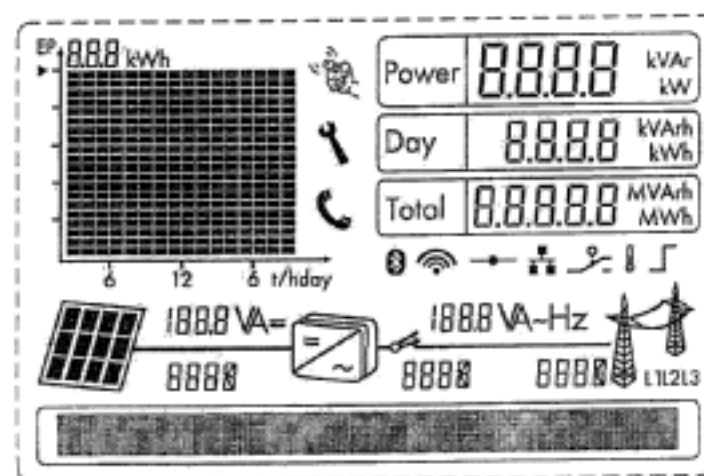


- (21) Design Number: **11353/2011**
(22) Date of Filing Application: **30 March 2011**
(24) Date from which industrial property rights may have effect: **30 March 2011**
(54) Product in respect of which the design is registered: **Baby bath wrap/towel**
(51) International Design Classification: **02-02NES, 06-13C**
(74) Name(s) of Attorney(s):
(71) Name(s) and Address(s) of Applicant(s):
Rhonda Goodwin
123 Macquarie Avenue Cessnock New South Wales 2325 Australia
(72) Name(s) of Designer(s): **Rhonda Goodwin**
(45) Registration Date: **11 April 2011**
(56) Related Art Documents: **Not Applicable**
(57) Statement of Newness and Distinctiveness: **My key point of newness and distinctiveness is that my design is a top, not an apron, and wraps around from the sides to dry the baby, unlike other designs which come up from the bottom.**

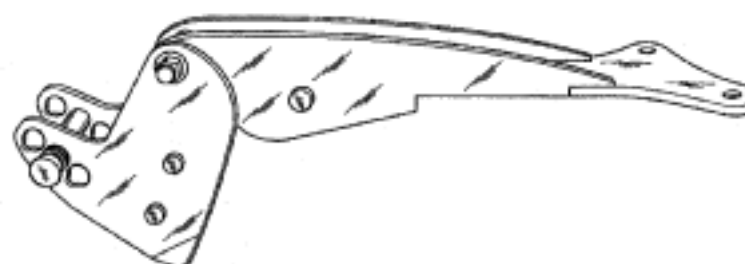


(21) Design Number: **11473/2011**
(22) Date of Filing Application: **10 January 2011**
(24) Date from which industrial property rights may have effect: **10 January 2011**
(54) Product in respect of which the design is registered: **Display**
(51) International Design Classification: **14-04**
(74) Name(s) of Attorney(s): **Davies Collison Cave**
(71) Name(s) and Address(s) of Applicant(s):
SMA Solar Technology AG
Sonnenallee 1 Niestetal 34266 Germany
(72) Name(s) of Designer(s): **Michael Fuhrmann**
(45) Registration Date: **11 April 2011**
(30) Convention priority data:
(31) Number (32) Date (33) Country
001239941-0001 14 Oct 2010 EUROPEAN COMMUNITY

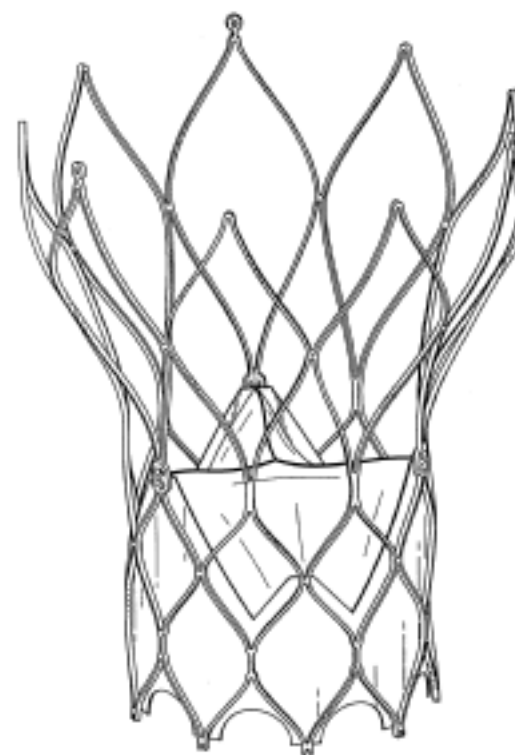
(62) Divisional of: **335956**
(56) Related Art Documents: **Not Applicable**
(57) Statement of Newness and Distinctiveness: **Newness and distinctiveness is claimed in the visual features shown in solid lines in the representations. The numerals shown in the activated state of the display are variables.**



(21) Design Number: **11130/2011**
(22) Date of Filing Application: **16 March 2011**
(24) Date from which industrial property rights may have effect: **16 March 2011**
(54) Product in respect of which the design is registered: **Anchor roller**
(51) International Design Classification: **12-05**
(74) Name(s) of Attorney(s): **LESICAR PERRIN**
(71) Name(s) and Address(s) of Applicant(s):
Harry Xydias
14 Birkalla Terrace Plympton South Australia 5038 Australia
(72) Name(s) of Designer(s): **Harry Xydias**
(45) Registration Date: **11 April 2011**
(56) Related Art Documents: **Not Applicable**
(57) Statement of Newness and Distinctiveness: **Nil**



- (21) Design Number: **11112/2011**
(22) Date of Filing Application: **15 March 2011**
(24) Date from which industrial property rights may have effect: **15 March 2011**
(54) Product in respect of which the design is registered: **Surgical stent assembly**
(51) International Design Classification: **24-03**
(74) Name(s) of Attorney(s): **PHILLIPS ORMONDE FITZPATRICK**
(71) Name(s) and Address(s) of Applicant(s):
St. Jude Medical, Inc.
One St. Jude Medical Drive St. Paul Minnesota 55117-9983 United States of America
(72) Name(s) of Designer(s): **Peter Nicholas Braido and Thomas Mark Benson and Yousef F. Alkhatib and Aaron J. Chalekian and Jacob John Daly and Peter J. Ness**
(45) Registration Date: **09 April 2011**
(30) Convention priority data:
(31) Number (32) Date (33) Country
29/375,257 20 Sep 2010 UNITED STATES OF AMERICA
(56) Related Art Documents: **Not Applicable**
(57) Statement of Newness and Distinctiveness: **Those features of the surgical stent assembly depicted in the representations that are new and distinctive are the shape and/or configuration.**



- (21) Design Number: **11113/2011**
(22) Date of Filing Application: **15 March 2011**
(24) Date from which industrial property rights may have effect: **15 March 2011**
(54) Product in respect of which the design is registered: **Surgical cuff**
(51) International Design Classification: **24-02**
(74) Name(s) of Attorney(s): **PHILLIPS ORMONDE FITZPATRICK**
(71) Name(s) and Address(s) of Applicant(s):
St. Jude Medical, Inc.
One St. Jude Medical Drive St. Paul Minnesota 55117-9983 United States of America
(72) Name(s) of Designer(s): **Peter J. Ness and Jacob John Daly and Peter Nicholas Braido**
(45) Registration Date: **09 April 2011**
(30) Convention priority data:
(31) Number (32) Date (33) Country
29/375,254 20 Sep 2010 UNITED STATES OF AMERICA
(56) Related Art Documents: **Not Applicable**
(57) Statement of Newness and Distinctiveness: **Those features of the surgical cuff depicted in the representations that are new and distinctive are the shape and/or configuration. The features shown in broken line are not part of the design and are to be disregarded when considering the overall impression of the design.**



(21) Design Number: **11114/2011**

(22) Date of Filing Application: **15 March 2011**

(24) Date from which industrial property rights may have effect: **15 March 2011**

(54) Product in respect of which the design is registered: **Surgical stent**

(51) International Design Classification: **24-03**

(74) Name(s) of Attorney(s): **PHILLIPS ORMONDE FITZPATRICK**

(71) Name(s) and Address(s) of Applicant(s):

St. Jude Medical, Inc.

One St. Jude Medical Drive St. Paul Minnesota 55117-9983 United States of America

(72) Name(s) of Designer(s): **Peter Nicholas Braido and Thomas Mark Benson and Aaron J. Chalekian and Yousef F. Alkhatib**

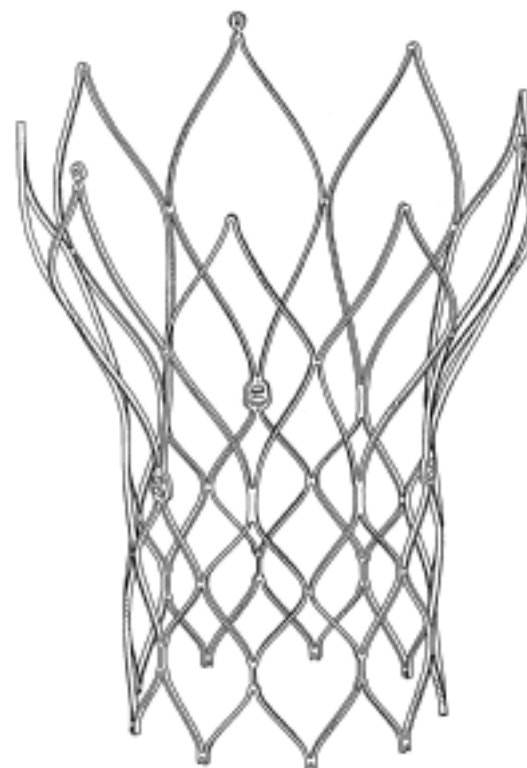
(45) Registration Date: **09 April 2011**

(30) Convention priority data:

(31) Number	(32) Date	(33) Country
29/375,253	20 Sep 2010	UNITED STATES OF AMERICA

(56) Related Art Documents: **Not Applicable**

(57) Statement of Newness and Distinctiveness: **Those features of the surgical stent depicted in the representations that are new and distinctive are the shape and/or configuration.**



(21) Design Number: **11124/2011**

(22) Date of Filing Application: **11 March 2011**

(24) Date from which industrial property rights may have effect: **11 March 2011**

(54) Product in respect of which the design is registered: **Battery charger A**

(51) International Design Classification: **13-03NES**

(74) Name(s) of Attorney(s): **WALLINGTON-DUMMER**

(71) Name(s) and Address(s) of Applicant(s):

Telwin Spa

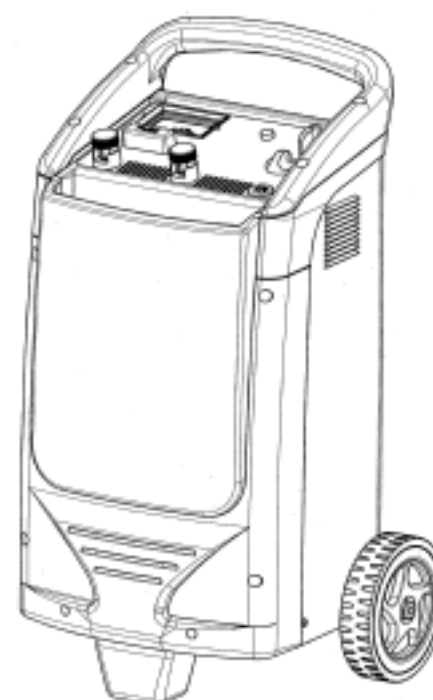
Via della Tecnica No. 3 Villaverla (VI) 36030 Italy

(72) Name(s) of Designer(s): **Antonio Spillere**

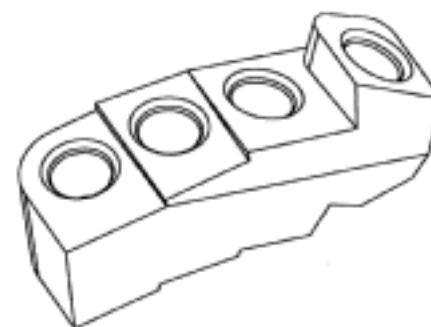
(45) Registration Date: **11 April 2011**

(56) Related Art Documents: **Not Applicable**

(57) Statement of Newness and Distinctiveness: **Nil**



- (21) Design Number: **11145/2011**
(22) Date of Filing Application: **17 March 2011**
(24) Date from which industrial property rights may have effect: **17 March 2011**
(54) Product in respect of which the design is registered: **Crown block for a drill bit**
(51) International Design Classification: **08-01**
(74) Name(s) of Attorney(s): **WATERMARK PATENT AND TRADE MARKS ATTORNEYS**
(71) Name(s) and Address(s) of Applicant(s):
Drilling Tools Australia Pty Ltd
24-26 Gauge Circuit Canning Vale Western Australia 6155 Australia
(72) Name(s) of Designer(s): **Brian Sanfead and Robert Walters**
(45) Registration Date: **11 April 2011**
(56) Related Art Documents: **Not Applicable**
(57) Statement of Newness and Distinctiveness: **Nil**



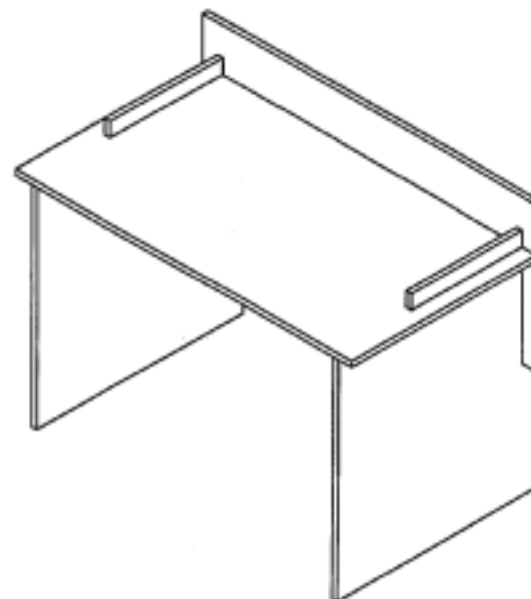
- (21) Design Number: **11146/2011**
(22) Date of Filing Application: **18 March 2011**
(24) Date from which industrial property rights may have effect: **18 March 2011**
(54) Product in respect of which the design is registered: **Jockey wheel swivel bracket heavy duty**
(51) International Design Classification: **12-16L**
(74) Name(s) of Attorney(s):
(71) Name(s) and Address(s) of Applicant(s):
Paramraj Singh Viridi
11 National Drive Hallam Victoria 3803 Australia
(72) Name(s) of Designer(s): **Paramraj Singh Viridi and Kamaldeep Kaur Viridi**
(45) Registration Date: **11 April 2011**
(56) Related Art Documents: **Not Applicable**
(57) Statement of Newness and Distinctiveness: **Distinctive configuration as illustrated incorporating a round flat plate held by nuts and bolts which enable heavy duty tilt prevention. The internal mechanism consists of a special plate to enable swivel operation. No monopoly is claimed in the shape of the nuts, bolts and base plate for mounting the swivel bracket.**



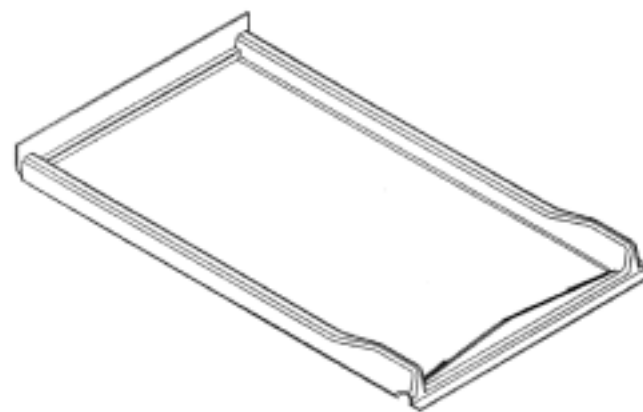
- (21) Design Number: **11147/2011**
(22) Date of Filing Application: **18 March 2011**
(24) Date from which industrial property rights may have effect: **18 March 2011**
(54) Product in respect of which the design is registered: **A mobile food cart/ kitchen comprising a coloured capsule mounted on a truck**
(51) International Design Classification: **12-08**
(74) Name(s) of Attorney(s):
(71) Name(s) and Address(s) of Applicant(s):
Tea-Cha Australia Pty.Ltd
105 Roseville Avenue Roseville New South Wales 2069 Australia
(72) Name(s) of Designer(s): **Ian Bersten**
(45) Registration Date: **11 April 2011**
(56) Related Art Documents: **Not Applicable**
(57) Statement of Newness and Distinctiveness: **The coloured kitchen has a large serving window for use by a person inside the kitchen and a lower opening that can be operated by a man standing on the ground. This combination has not been seen before. The kitchen unit is mounted on a truck and has a generator outside on back shelf. The curved shape is unique.**



- (21) Design Number: **11148/2011**
(22) Date of Filing Application: **17 March 2011**
(24) Date from which industrial property rights may have effect: **17 March 2011**
(54) Product in respect of which the design is registered: **Desk**
(51) International Design Classification: **06-03C**
(74) Name(s) of Attorney(s): **PHILLIPS ORMONDE FITZPATRICK**
(71) Name(s) and Address(s) of Applicant(s):
DIY Resolutions Pty Ltd
PO Box 338 Somerton Victoria 3062 Australia
(72) Name(s) of Designer(s): **Thomas William Bowers**
(45) Registration Date: **11 April 2011**
(56) Related Art Documents: **Not Applicable**
(57) Statement of Newness and Distinctiveness: **Those features of the desk depicted in the representations that are new and distinctive are the shape and/or configuration.**



(21) Design Number: **11149/2011**
(22) Date of Filing Application: **18 March 2011**
(24) Date from which industrial property rights may have effect: **18 March 2011**
(54) Product in respect of which the design is registered: **Especially designed hydroponics tray**
(51) International Design Classification: **09-03F**
(74) Name(s) of Attorney(s): **Trademark Central**
(71) Name(s) and Address(s) of Applicant(s):
Fodder Solutions (QLD) Pty Ltd
PO Box 7452 Toowoomba South Queensland 4350 Australia
(72) Name(s) of Designer(s): **Terry Colless and Flavio Raccanello**
(45) Registration Date: **11 April 2011**
(56) Related Art Documents: **Not Applicable**
(57) Statement of Newness and Distinctiveness: **Especially designed hydroponics tray with apertures for drainage and triangular shape front border for additional strength.**



(21) Design Number: **11101/2011**
(22) Date of Filing Application: **15 March 2011**
(24) Date from which industrial property rights may have effect: **15 March 2011**
(54) Product in respect of which the design is registered: **Automobile**
(51) International Design Classification: **12-08**
(74) Name(s) of Attorney(s): **SPRUSON & FERGUSON**
(71) Name(s) and Address(s) of Applicant(s):
Honda Motor Co., Ltd.
1-1 Minamiaoyama 2-chome Minato-ku Tokyo Japan
(72) Name(s) of Designer(s): **Tomoyuki Nemoto**
(45) Registration Date: **12 April 2011**
(30) Convention priority data:
(31) Number (32) Date (33) Country
2010-025164 21 Oct 2010 JAPAN
(56) Related Art Documents: **Not Applicable**
(57) Statement of Newness and Distinctiveness: **Newness and distinctiveness is claimed in the features of shape and/or configuration of a automobile as illustrated in the accompanying representations.**



- (21) Design Number: **11102/2011**
(22) Date of Filing Application: **15 March 2011**
(24) Date from which industrial property rights may have effect: **15 March 2011**
(54) Product in respect of which the design is registered: **Front combination lamp for automobile**
(51) International Design Classification: **26-06**
(74) Name(s) of Attorney(s): **SPRUSON & FERGUSON**
(71) Name(s) and Address(s) of Applicant(s):
Honda Motor Co., Ltd.
1-1 Minamiaoyama 2-chome Minato-ku Tokyo Japan
(72) Name(s) of Designer(s): **Toshiyuki Eda**
(45) Registration Date: **12 April 2011**
(30) Convention priority data:
(31) Number (32) Date (33) Country
2010-025165 21 Oct 2010 JAPAN
(56) Related Art Documents: **Not Applicable**
(57) Statement of Newness and Distinctiveness: **Newness and distinctiveness is claimed in the features of shape and/or configuration of a front combination lamp for automobile as illustrated in the accompanying representations.**



- (21) Design Number: **11103/2011**
(22) Date of Filing Application: **15 March 2011**
(24) Date from which industrial property rights may have effect: **15 March 2011**
(54) Product in respect of which the design is registered: **Automobile**
(51) International Design Classification: **12-08**
(74) Name(s) of Attorney(s): **SPRUSON & FERGUSON**
(71) Name(s) and Address(s) of Applicant(s):
Honda Motor Co., Ltd.
1-1 Minamiaoyama 2-chome Minato-ku Tokyo Japan
(72) Name(s) of Designer(s): **Akihiko Ohhashi and Keisuke Nakamura and Takeshi Aoki**
(45) Registration Date: **12 April 2011**
(30) Convention priority data:
(31) Number (32) Date (33) Country
2010-024666 15 Oct 2010 JAPAN
(56) Related Art Documents: **Not Applicable**
(57) Statement of Newness and Distinctiveness: **Newness and distinctiveness is claimed in the features of shape and/or configuration of an automobile as illustrated in the accompanying representations.**



(21) Design Number: **11105/2011**
(22) Date of Filing Application: **15 March 2011**
(24) Date from which industrial property rights may have effect: **15 March 2011**
(54) Product in respect of which the design is registered: **Vacuum cleaner body**
(51) International Design Classification: **15-05**
(74) Name(s) of Attorney(s): **Allens Arthur Robinson**
(71) Name(s) and Address(s) of Applicant(s):
LG Electronics Inc.
20 Yeouido-dong Yeongdeungpo-gu Seoul 150-721 Republic of Korea
(72) Name(s) of Designer(s): **Yong Gyun Ghim and Hyun Seon Shin**
(45) Registration Date: **12 April 2011**
(30) Convention priority data:
(31) Number (32) Date (33) Country
30-2010-0040844 15 Sep 2010 REPUBLIC OF KOREA
(56) Related Art Documents: **Not Applicable**
(57) Statement of Newness and Distinctiveness: **Newness and distinctiveness resides in the visual features of shape and/or configuration of a vacuum cleaner body as illustrated in the accompanying representations.**



(21) Design Number: **11140/2011**
(22) Date of Filing Application: **17 March 2011**
(24) Date from which industrial property rights may have effect: **17 March 2011**
(54) Product in respect of which the design is registered: **Cover**
(51) International Design Classification: **14-02**
(74) Name(s) of Attorney(s): **Freehills Patent & Trade Mark Attorneys**
(71) Name(s) and Address(s) of Applicant(s):
Apple Inc.
1 Infinite Loop Cupertino California 95014 United States of America
(72) Name(s) of Designer(s): **Jody Akana and Bartley K. Andre and Jeremy Bataillou and Daniel J. Coster and Daniele De Iulii and Evans Hankey and Julian Hoenig and Richard P. Howarth and Jonathan P. Ive and Duncan Robert Kerr and Shin Nishibori and Matthew Dean Rohrbach and Peter Russell-Clarke and Christopher J. Stringer and Eugene Antony Whang and Rico Zorkendorfer**
(45) Registration Date: **12 April 2011**
(30) Convention priority data:
(31) Number (32) Date (33) Country
29/375197 17 Sep 2010 UNITED STATES OF AMERICA
(56) Related Art Documents: **Not Applicable**
(57) Statement of Newness and Distinctiveness: **Newness and distinctiveness in the design resides in the features of shape and configuration of the cover shown in solid lines in the accompanying drawings. In the accompanying drawings the finer shade lines on the surface portions indicate contour and not surface decoration.**



- (21) Design Number: **11141/2011**
(22) Date of Filing Application: **17 March 2011**
(24) Date from which industrial property rights may have effect: **17 March 2011**
(54) Product in respect of which the design is registered: **Cover**
(51) International Design Classification: **14-02**
(74) Name(s) of Attorney(s): **Freehills Patent & Trade Mark Attorneys**
(71) Name(s) and Address(s) of Applicant(s):
Apple Inc.
1 Infinite Loop Cupertino California 95014 United States of America
(72) Name(s) of Designer(s): **Jody Akana and Bartley K. Andre and Jeremy Bataillou and Daniel J. Coster and Daniele De Iuliis and Evans Hankey and Julian Hoenig and Richard P. Howarth and Jonathan P. Ive and Duncan Robert Kerr and Shin Nishibori and Matthew Dean Rohrbach and Peter Russell-Clarke and Christopher J. Stringer and Eugene Antony Whang and Rico Zorkendorfer**
(45) Registration Date: **12 April 2011**
(30) Convention priority data:
(31) Number (32) Date (33) Country
29/375197 17 Sep 2010 UNITED STATES OF AMERICA
(56) Related Art Documents: **Not Applicable**
(57) Statement of Newness and Distinctiveness: **Newness and distinctiveness in the design resides in the features of shape and configuration of the cover shown in solid lines in the accompanying drawings. In the accompanying drawings the finer shade lines on the surface portions indicate contour and not surface decoration.**



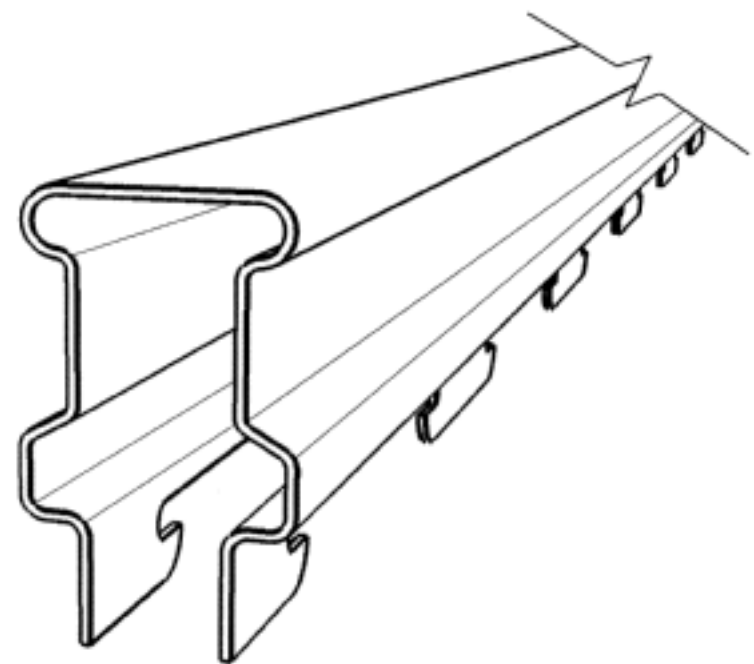
- (21) Design Number: **11142/2011**
(22) Date of Filing Application: **17 March 2011**
(24) Date from which industrial property rights may have effect: **17 March 2011**
(54) Product in respect of which the design is registered: **Cover**
(51) International Design Classification: **14-02**
(74) Name(s) of Attorney(s): **Freehills Patent & Trade Mark Attorneys**
(71) Name(s) and Address(s) of Applicant(s):
Apple Inc.
1 Infinite Loop Cupertino California 95014 United States of America
(72) Name(s) of Designer(s): **Jody Akana and Bartley K. Andre and Jeremy Bataillou and Daniel J. Coster and Daniele De Iuliis and Evans Hankey and Julian Hoenig and Richard P. Howarth and Jonathan P. Ive and Duncan Robert Kerr and Shin Nishibori and Matthew Dean Rohrbach and Peter Russell-Clarke and Christopher J. Stringer and Eugene Antony Whang and Rico Zorkendorfer**
(45) Registration Date: **12 April 2011**
(30) Convention priority data:
(31) Number (32) Date (33) Country
29/375197 17 Sep 2010 UNITED STATES OF AMERICA
(56) Related Art Documents: **Not Applicable**
(57) Statement of Newness and Distinctiveness: **Newness and distinctiveness in the design resides in the features of shape and configuration of the cover shown in solid lines in the accompanying drawings. In the accompanying drawings the finer shade lines on the surface portions indicate contour and not surface decoration.**



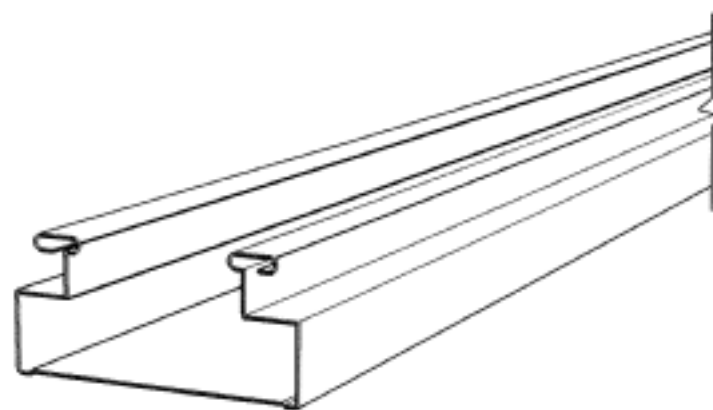
(21) Design Number: **11364/2011**
(22) Date of Filing Application: **31 March 2011**
(24) Date from which industrial property rights may have effect: **31 March 2011**
(54) Product in respect of which the design is registered: **A baking tin or mould in a triangular v shape**
(51) International Design Classification: **07-02P**
(74) Name(s) of Attorney(s):
(71) Name(s) and Address(s) of Applicant(s):
Draagroik Pty Ltd
50 Morley Street Coorparoo Queensland 4151 Australia
(72) Name(s) of Designer(s): **Danny Chung**
(45) Registration Date: **13 April 2011**
(56) Related Art Documents: **Not Applicable**
(57) Statement of Newness and Distinctiveness: **Nil**



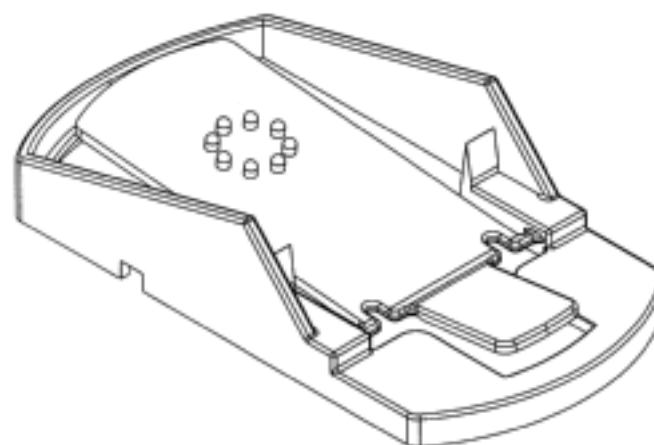
(21) Design Number: **14718/2010**
(22) Date of Filing Application: **28 October 2010**
(24) Date from which industrial property rights may have effect: **28 October 2010**
(54) Product in respect of which the design is registered: **Ceiling channel**
(51) International Design Classification: **25-02E**
(74) Name(s) of Attorney(s):
(71) Name(s) and Address(s) of Applicant(s):
Ozicorp Pty Ltd
PO Box 2316 Smithfield New South Wales 2164 Australia
(72) Name(s) of Designer(s): **Joshua Pillars and Benjamin Hitchon**
(45) Registration Date: **13 April 2011**
(56) Related Art Documents: **Not Applicable**
(57) Statement of Newness and Distinctiveness: **The connecting tabs at regular spacing along lower section of channel are new and distinctive.**



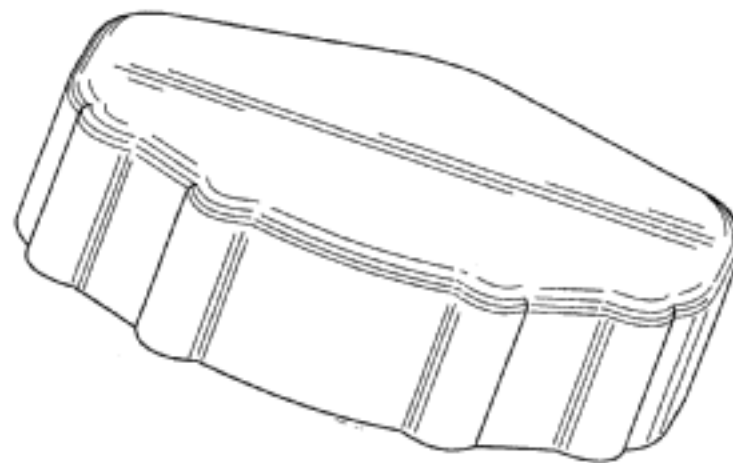
- (21) Design Number: **14719/2010**
(22) Date of Filing Application: **28 October 2010**
(24) Date from which industrial property rights may have effect: **28 October 2010**
(54) Product in respect of which the design is registered: **Ceiling battern**
(51) International Design Classification: **25-02E**
(74) Name(s) of Attorney(s):
(71) Name(s) and Address(s) of Applicant(s):
Ozicorp Pty Ltd
PO Box 2316 Smithfield New South Wales 2164 Australia
(72) Name(s) of Designer(s): **Joshua Pillars and Benjamin Hitchon**
(45) Registration Date: **13 April 2011**
(56) Related Art Documents: **Not Applicable**
(57) Statement of Newness and Distinctiveness: **The step out half way down the section is new and distinctive.**



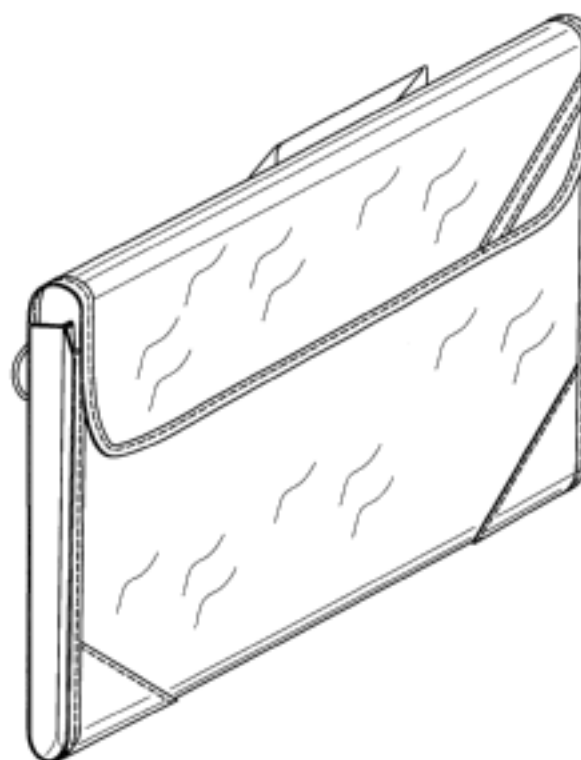
- (21) Design Number: **15077/2010**
(22) Date of Filing Application: **19 November 2010**
(24) Date from which industrial property rights may have effect: **19 November 2010**
(54) Product in respect of which the design is registered: **Mouse trap base**
(51) International Design Classification: **22-06**
(74) Name(s) of Attorney(s): **PHILLIPS ORMONDE FITZPATRICK**
(71) Name(s) and Address(s) of Applicant(s):
Round Point Peg Company Pty Ltd
Level 26 44 St Georges Terrace Perth Western Australia 6000 Australia
(72) Name(s) of Designer(s): **Peter Boyle**
(45) Registration Date: **13 April 2011**
(56) Related Art Documents: **Not Applicable**
(57) Statement of Newness and Distinctiveness: **Those features of the mouse trap base depicted in the representations that are new and distinctive are the shape and/or configuration. The feature shown in broken line is not part of the design and is to be disregarded when considering the overall impression of the design.**



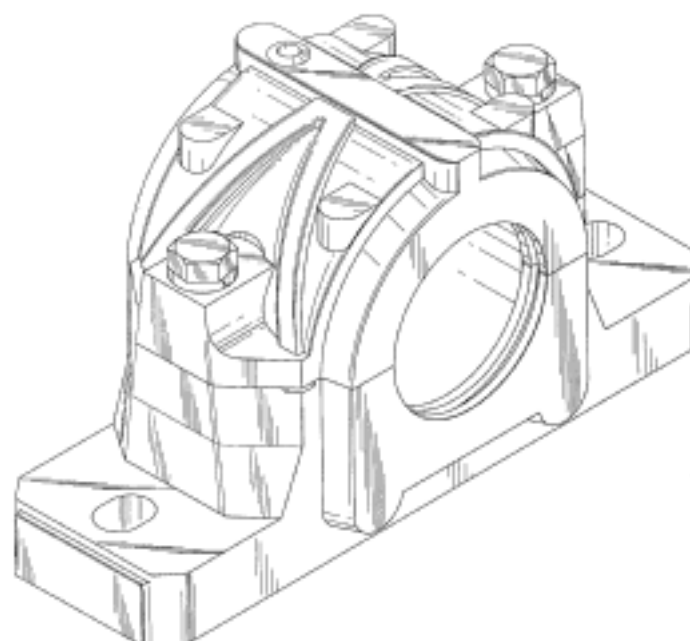
(21) Design Number: **10798/2011**
(22) Date of Filing Application: **02 March 2011**
(24) Date from which industrial property rights may have effect: **02 March 2011**
(54) Product in respect of which the design is registered: **Vent cap for fuel tank**
(51) International Design Classification: **12-16NES**
(74) Name(s) of Attorney(s): **Freehills Patent & Trade Mark Attorneys**
(71) Name(s) and Address(s) of Applicant(s):
Caterpillar Inc.
100 N.E. Adams Street Peoria Illinois 61629 United States of America
(72) Name(s) of Designer(s): **Isaiah I. Olateru and Mark T. Allott and Michael J. Ostertag**
(45) Registration Date: **13 April 2011**
(30) Convention priority data:
(31) Number (32) Date (33) Country
29/369448 08 Sep 2010 UNITED STATES OF AMERICA
(56) Related Art Documents: **Not Applicable**
(57) Statement of Newness and Distinctiveness: **Newness and distinctiveness of the design resides in the features of shape and configuration of the vent cap illustrated in the accompanying drawings.**



(21) Design Number: **11133/2011**
(22) Date of Filing Application: **16 March 2011**
(24) Date from which industrial property rights may have effect: **16 March 2011**
(54) Product in respect of which the design is registered: **Bag**
(51) International Design Classification: **03-01A**
(74) Name(s) of Attorney(s): **Shelston IP**
(71) Name(s) and Address(s) of Applicant(s):
Harlequin International Group Pty Ltd
109 The Cooperage 56 Bowman Street Pymont New South Wales 2009 Australia
(72) Name(s) of Designer(s): **Penelope Montague**
(45) Registration Date: **13 April 2011**
(56) Related Art Documents: **Not Applicable**
(57) Statement of Newness and Distinctiveness: **Nil**



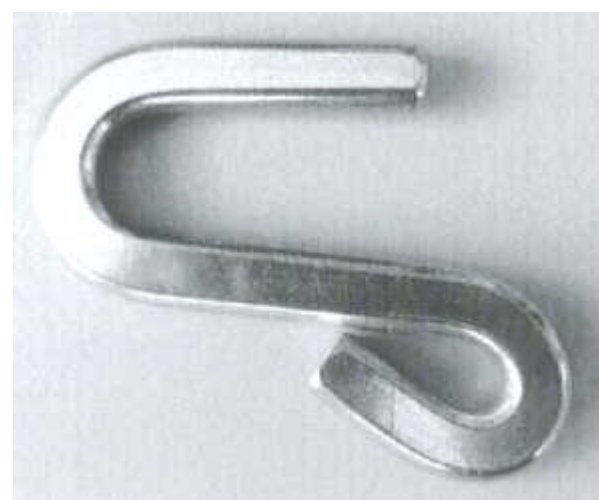
(21) Design Number: **11359/2011**
(22) Date of Filing Application: **29 March 2011**
(24) Date from which industrial property rights may have effect: **29 March 2011**
(54) Product in respect of which the design is registered: **Bearing seat**
(51) International Design Classification: **15-04, 12-05**
(74) Name(s) of Attorney(s): **Freehills Patent & Trade Mark Attorneys**
(71) Name(s) and Address(s) of Applicant(s):
Yuan Li Hang Industrial Co., Ltd.
No.35 Lane 188 Industrial Road Longjing District Taichung City Taiwan
(72) Name(s) of Designer(s): **Betty Kao**
(45) Registration Date: **13 April 2011**
(56) Related Art Documents: **Not Applicable**
(57) Statement of Newness and Distinctiveness: **Nil**



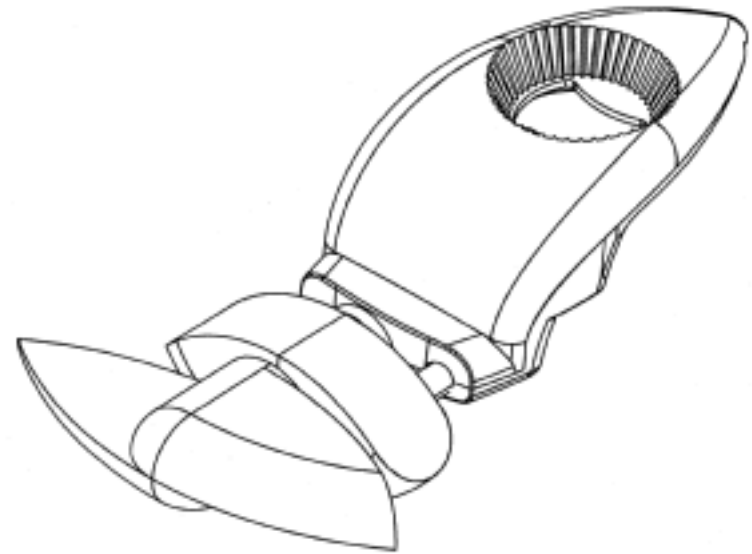
(21) Design Number: **11438/2011**
(22) Date of Filing Application: **04 April 2011**
(24) Date from which industrial property rights may have effect: **04 April 2011**
(54) Product in respect of which the design is registered: **S Hook**
(51) International Design Classification: **12-10**
(74) Name(s) of Attorney(s):
(71) Name(s) and Address(s) of Applicant(s):
Tenob Wholesale Marine Ltd
8/31 Princes Street PO Box 13731 Onehunga Auckland 1643 New Zealand
(72) Name(s) of Designer(s): **Stewart Sydney Mathiesen**
(45) Registration Date: **13 April 2011**
(30) Convention priority data:

(31) Number	(32) Date	(33) Country
414695	23 Mar 2011	NEW ZEALAND

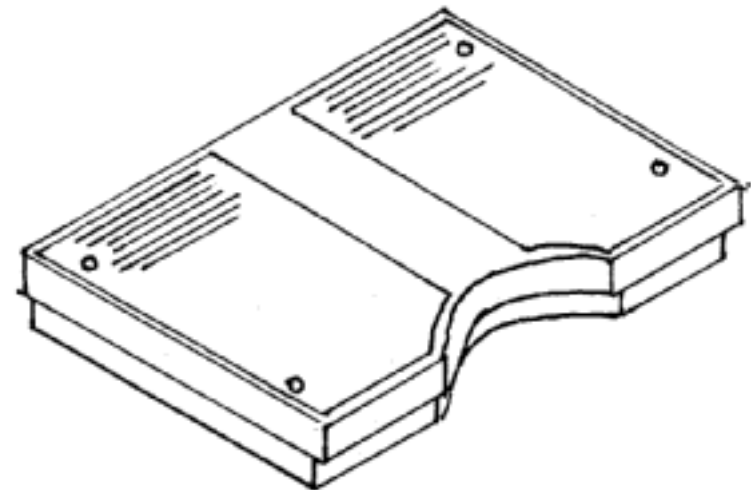
(56) Related Art Documents: **Not Applicable**
(57) Statement of Newness and Distinctiveness: **Monopoly is claimed in the shape and configuration of the S Hook.**



(21) Design Number: **11195/2011**
(22) Date of Filing Application: **21 March 2011**
(24) Date from which industrial property rights may have effect: **21 March 2011**
(54) Product in respect of which the design is registered: **Multifunctional opener for bottles and cans**
(51) International Design Classification: **07-06D, 07-99D**
(74) Name(s) of Attorney(s): **Griffith Hack**
(71) Name(s) and Address(s) of Applicant(s):
MOHA Moderne Haushaltwaren AG
7 rue des sablieres 1214 Vernier Switzerland
(72) Name(s) of Designer(s): **Ulrich Greiner**
(45) Registration Date: **13 April 2011**
(30) Convention priority data:
(31) Number (32) Date (33) Country
DM/074763 09 Nov 2010 WORLD INTELLECTUAL
PROPERTY ORGANIZATION
(WIPO)
(56) Related Art Documents: **Not Applicable**
(57) Statement of Newness and Distinctiveness: **Nil**



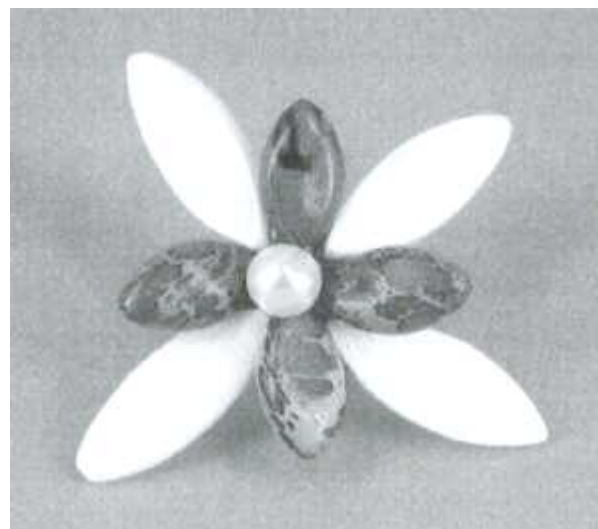
(21) Design Number: **11196/2011**
(22) Date of Filing Application: **22 March 2011**
(24) Date from which industrial property rights may have effect: **22 March 2011**
(54) Product in respect of which the design is registered: **Shock absorbing boat stand**
(51) International Design Classification: **12-06NES**
(74) Name(s) of Attorney(s):
(71) Name(s) and Address(s) of Applicant(s):
Robert John Lee
9 Rabaul Avenue Runaway Bay Queensland 4216 Australia
(72) Name(s) of Designer(s): **Robert John Lee**
(45) Registration Date: **13 April 2011**
(56) Related Art Documents: **Not Applicable**
(57) Statement of Newness and Distinctiveness: **Nil**



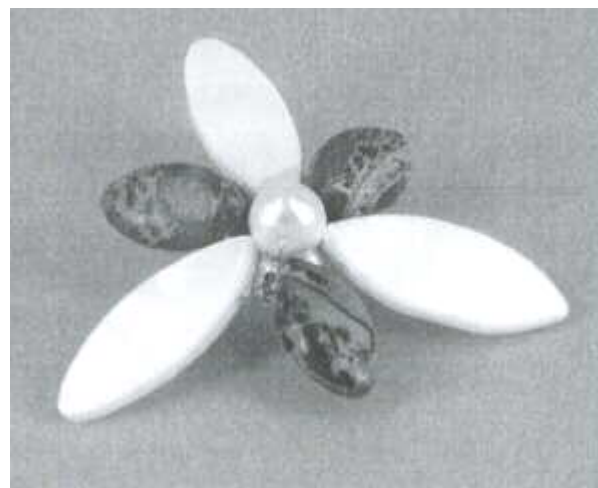
- (21) Design Number: **11197/2011**
(22) Date of Filing Application: **18 March 2011**
(24) Date from which industrial property rights may have effect: **18 March 2011**
(54) Product in respect of which the design is registered: **Bead flower having five large beads and five small beads**
(51) International Design Classification: **11-04**
(74) Name(s) of Attorney(s):
(71) Name(s) and Address(s) of Applicant(s):
Christine McCann
46 Annandale Street Annandale New South Wales 2038 Australia
John McCann
46 Annandale Street Annandale New South Wales 2038 Australia
(72) Name(s) of Designer(s): **Christine McCann and John McCann**
(45) Registration Date: **13 April 2011**
(56) Related Art Documents: **Not Applicable**
(57) Statement of Newness and Distinctiveness: **The newness and distinctiveness of the bead flower resides in the configuration and/or shape as shown in the accompanying representations, irrespective of the presence or absence of the central component or the shape of the central component when present or any pattern and/or ornamentation on the beads.**



- (21) Design Number: **11198/2011**
(22) Date of Filing Application: **18 March 2011**
(24) Date from which industrial property rights may have effect: **18 March 2011**
(54) Product in respect of which the design is registered: **Bead flower having four large beads and four small beads**
(51) International Design Classification: **11-04**
(74) Name(s) of Attorney(s):
(71) Name(s) and Address(s) of Applicant(s):
Christine McCann
46 Annandale Street Annandale New South Wales 2038 Australia
John McCann
46 Annandale Street Annandale New South Wales 2038 Australia
(72) Name(s) of Designer(s): **Christine McCann and John McCann**
(45) Registration Date: **13 April 2011**
(56) Related Art Documents: **Not Applicable**
(57) Statement of Newness and Distinctiveness: **The newness and distinctiveness of the bead flower resides in the configuration and/or shape as shown in the accompanying representations, irrespective of the presence or absence of the central component or the shape of the central component when present or any pattern and/or ornamentation on the beads.**



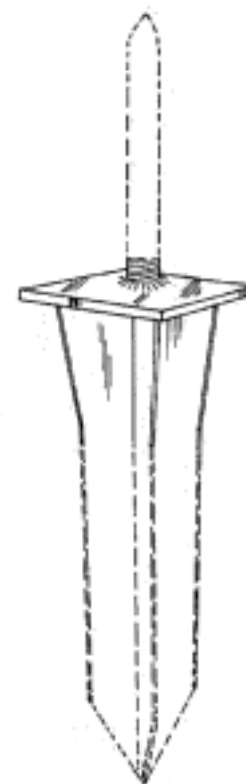
- (21) Design Number: **11199/2011**
(22) Date of Filing Application: **18 March 2011**
(24) Date from which industrial property rights may have effect: **18 March 2011**
(54) Product in respect of which the design is registered: **Bead flower having three large beads and three small beads**
(51) International Design Classification: **11-04**
(74) Name(s) of Attorney(s):
(71) Name(s) and Address(s) of Applicant(s):
Christine McCann
46 Annandale Street Annandale New South Wales 2038 Australia
John McCann
46 Annandale Street Annandale New South Wales 2038 Australia
(72) Name(s) of Designer(s): **Christine McCann and John McCann**
(45) Registration Date: **13 April 2011**
(56) Related Art Documents: **Not Applicable**
(57) Statement of Newness and Distinctiveness: **The newness and distinctiveness of the bead flower resides in the configuration and/or shape as shown in the accompanying representations, irrespective of the presence or absence of the central component or the shape of the central component when present or any pattern and/or ornamentation on the beads.**



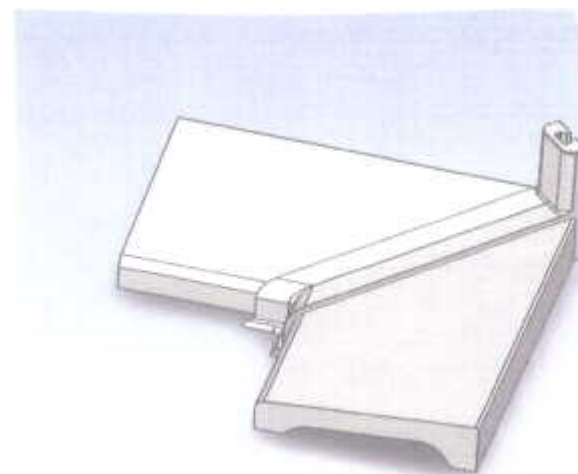
- (21) Design Number: **11200/2011**
(22) Date of Filing Application: **18 March 2011**
(24) Date from which industrial property rights may have effect: **18 March 2011**
(54) Product in respect of which the design is registered: **Beaded ribbon bow**
(51) International Design Classification: **11-01NES**
(74) Name(s) of Attorney(s):
(71) Name(s) and Address(s) of Applicant(s):
Christine McCann
46 Annandale Street Annandale New South Wales 2038 Australia
John McCann
46 Annandale Street Annandale New South Wales 2038 Australia
(72) Name(s) of Designer(s): **Christine McCann and John McCann**
(45) Registration Date: **13 April 2011**
(56) Related Art Documents: **Not Applicable**
(57) Statement of Newness and Distinctiveness: **The newness and distinctiveness of the beaded ribbon bow resides in the shape and/or configuration of the beaded ribbon bow.**



- (21) Design Number: **13055/2010**
(22) Date of Filing Application: **22 July 2010**
(24) Date from which industrial property rights may have effect: **22 July 2010**
(54) Product in respect of which the design is registered: **A post anchor**
(51) International Design Classification: **25-01E**
(74) Name(s) of Attorney(s): **Intellepro**
(71) Name(s) and Address(s) of Applicant(s):
Shefa Holdings Pty Ltd
55 Shamley Heath Road Kureelpa Queensland 4560 Australia
(72) Name(s) of Designer(s): **Bradley Mark Veivers**
(45) Registration Date: **13 April 2011**
(56) Related Art Documents: **Not Applicable**
(57) Statement of Newness and Distinctiveness: **Newness and distinctiveness resides in the shape and configuration of the section shown in solid line in the representations, when considering the scope of monopoly protection the portions shown in broken outline should be disregarded.**



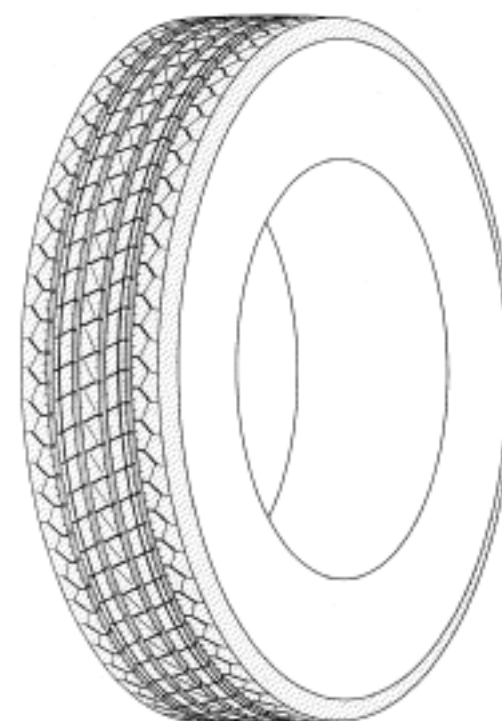
- (21) Design Number: **10548/2011**
(22) Date of Filing Application: **14 February 2011**
(24) Date from which industrial property rights may have effect: **14 February 2011**
(54) Product in respect of which the design is registered: **Corner stake**
(51) International Design Classification: **08-08NES**
(74) Name(s) of Attorney(s): **John L Davies & Co**
(71) Name(s) and Address(s) of Applicant(s):
Dias Aluminium Products Pty. Ltd.
201-205 Browns Road Noble Park Victoria 3174 Australia
(72) Name(s) of Designer(s): **Ian David Paterson**
(45) Registration Date: **13 April 2011**
(56) Related Art Documents: **Not Applicable**
(57) Statement of Newness and Distinctiveness: **Nil**



(21) Design Number: **10668/2011**
(22) Date of Filing Application: **21 February 2011**
(24) Date from which industrial property rights may have effect: **21 February 2011**
(54) Product in respect of which the design is registered: **A bed sheet**
(51) International Design Classification: **06-13B**
(74) Name(s) of Attorney(s):
(71) Name(s) and Address(s) of Applicant(s):
Mogambiree Pillay
81a Hastings Road Mairangi Bay Auckland 0630 New Zealand
(72) Name(s) of Designer(s): **Mogambiree Pillay**
(45) Registration Date: **13 April 2011**
(30) Convention priority data:
(31) Number (32) Date (33) Country
414431 21 Dec 2010 NEW ZEALAND
(56) Related Art Documents: **Not Applicable**
(57) Statement of Newness and Distinctiveness: **Nil**



(21) Design Number: **11150/2011**
(22) Date of Filing Application: **17 March 2011**
(24) Date from which industrial property rights may have effect: **17 March 2011**
(54) Product in respect of which the design is registered: **A tyre**
(51) International Design Classification: **12-15B**
(74) Name(s) of Attorney(s): **SPRUSON & FERGUSON**
(71) Name(s) and Address(s) of Applicant(s):
The Goodyear Tire & Rubber Company
1144 East Market Street Akron Ohio 44316-0001 United States of America
(72) Name(s) of Designer(s): **Bernard Robert Nicolas and Nizar Toumni**
(45) Registration Date: **13 April 2011**
(30) Convention priority data:
(31) Number (32) Date (33) Country
29/375950 30 Sep 2010 UNITED STATES OF AMERICA
(56) Related Art Documents: **Not Applicable**
(57) Statement of Newness and Distinctiveness: **Newness and distinctiveness is claimed in the features of shape and/or configuration of the tread of a tyre as illustrated in the accompanying representations, wherein the shape and/or configuration of the tread is repeated throughout the circumference of the tyre.**



(21) Design Number: **11151/2011**
(22) Date of Filing Application: **17 March 2011**
(24) Date from which industrial property rights may have effect: **17 March 2011**
(54) Product in respect of which the design is registered: **Tyre**
(51) International Design Classification: **12-15B**
(74) Name(s) of Attorney(s): **SPRUSON & FERGUSON**
(71) Name(s) and Address(s) of Applicant(s):

The Goodyear Tire & Rubber Company
1144 East Market Street Akron Ohio 44316-0001 United States of America

(72) Name(s) of Designer(s): **Jean-Julien Edouard Ghislain Krier**

(45) Registration Date: **13 April 2011**

(30) Convention priority data:

(31) Number	(32) Date	(33) Country
29/376071	01 Oct 2010	UNITED STATES OF AMERICA

(56) Related Art Documents: **Not Applicable**

(57) Statement of Newness and Distinctiveness: **Newness and distinctiveness is claimed in the features of shape and/or configuration of the tread of a tyre as illustrated in the accompanying representations, wherein the shape and/or configuration of the tread is repeated throughout the circumference of the tyre.**



(21) Design Number: **11152/2011**
(22) Date of Filing Application: **17 March 2011**
(24) Date from which industrial property rights may have effect: **17 March 2011**
(54) Product in respect of which the design is registered: **Tyre**
(51) International Design Classification: **12-15B**
(74) Name(s) of Attorney(s): **SPRUSON & FERGUSON**
(71) Name(s) and Address(s) of Applicant(s):

The Goodyear Tire & Rubber Company
1144 East Market Street Akron Ohio 44316-0001 United States of America

(72) Name(s) of Designer(s): **Bernard Robert Nicolas and Nizar Toumni**

(45) Registration Date: **13 April 2011**

(30) Convention priority data:

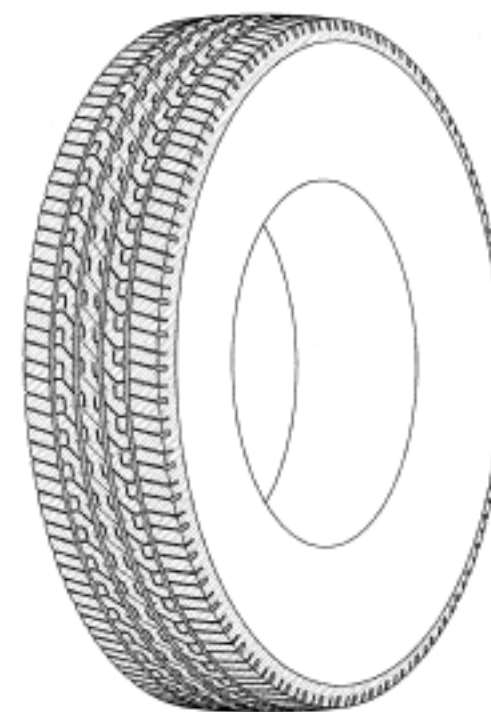
(31) Number	(32) Date	(33) Country
29/375949	30 Sep 2010	UNITED STATES OF AMERICA

(56) Related Art Documents: **Not Applicable**

(57) Statement of Newness and Distinctiveness: **Newness and distinctiveness is claimed in the features of shape and/or configuration of the tread of a tyre as illustrated in the accompanying representations, wherein the shape and/or configuration of the tread is repeated throughout the circumference of the tyre.**



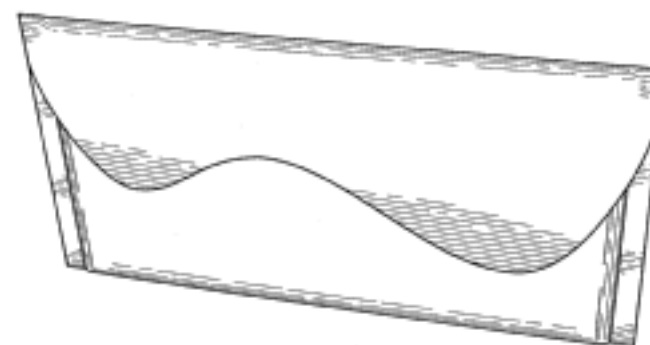
(21) Design Number: **11153/2011**
(22) Date of Filing Application: **17 March 2011**
(24) Date from which industrial property rights may have effect: **17 March 2011**
(54) Product in respect of which the design is registered: **Tyre**
(51) International Design Classification: **12-15B**
(74) Name(s) of Attorney(s): **SPRUSON & FERGUSON**
(71) Name(s) and Address(s) of Applicant(s):



The Goodyear Tire & Rubber Company
1144 East Market Street Akron Ohio 44316-0001 United States of America

(72) Name(s) of Designer(s): **Jean-Julien Edouard Ghislain Krier**
(45) Registration Date: **13 April 2011**
(30) Convention priority data:
(31) Number (32) Date (33) Country
29/376070 01 Oct 2010 UNITED STATES OF AMERICA
(56) Related Art Documents: **Not Applicable**
(57) Statement of Newness and Distinctiveness: **Newness and distinctiveness is claimed in the features of shape and/or configuration of the tread of a tyre as illustrated in the accompanying representations, wherein the shape and/or configuration of the tread is repeated throughout the circumference of the tyre.**

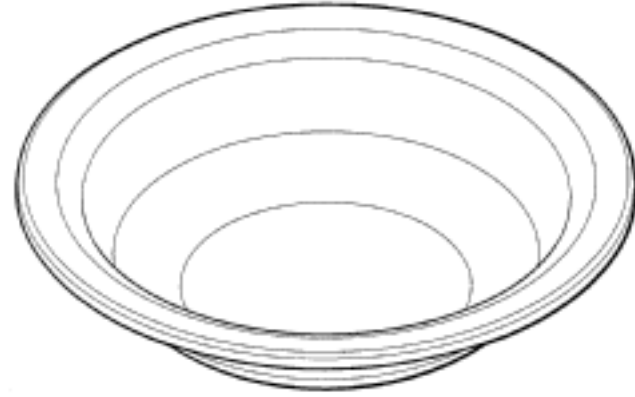
(21) Design Number: **11154/2011**
(22) Date of Filing Application: **17 March 2011**
(24) Date from which industrial property rights may have effect: **17 March 2011**
(54) Product in respect of which the design is registered: **Consumable product package**
(51) International Design Classification: **09-03M**
(74) Name(s) of Attorney(s): **SPRUSON & FERGUSON**
(71) Name(s) and Address(s) of Applicant(s):



Wm. Wrigley Jr. Company
410 North Michigan Avenue Chicago Illinois 60611 United States of America

(72) Name(s) of Designer(s): **William P. Belias and Adam J. Hunter**
(45) Registration Date: **13 April 2011**
(30) Convention priority data:
(31) Number (32) Date (33) Country
29/375174 17 Sep 2010 UNITED STATES OF AMERICA
(56) Related Art Documents: **Not Applicable**
(57) Statement of Newness and Distinctiveness: **Newness and distinctiveness is claimed in the features of shape and/or configuration of a consumable product package illustrated in continuous lines in the accompanying representations.**

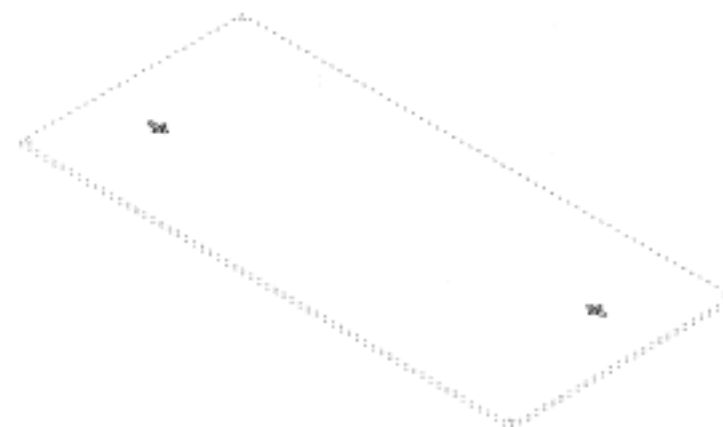
(21) Design Number: **11161/2011**
(22) Date of Filing Application: **18 March 2011**
(24) Date from which industrial property rights may have effect: **18 March 2011**
(54) Product in respect of which the design is registered: **Large bowl**
(51) International Design Classification: **07-01B**
(74) Name(s) of Attorney(s): **Callinans**
(71) Name(s) and Address(s) of Applicant(s):
The Decor Corporation Pty. Ltd.
1314 Ferntree Gully Road Scoresby Victoria 3179 Australia
(72) Name(s) of Designer(s): **Tony Wolfenden**
(45) Registration Date: **13 April 2011**
(56) Related Art Documents: **Not Applicable**
(57) Statement of Newness and Distinctiveness: **Nil**



(21) Design Number: **11162/2011**
(22) Date of Filing Application: **18 March 2011**
(24) Date from which industrial property rights may have effect: **18 March 2011**
(54) Product in respect of which the design is registered: **Mug**
(51) International Design Classification: **07-01D**
(74) Name(s) of Attorney(s): **Callinans**
(71) Name(s) and Address(s) of Applicant(s):
The Decor Corporation Pty. Ltd.
1314 Ferntree Gully Road Scoresby Victoria 3179 Australia
(72) Name(s) of Designer(s): **Tony Wolfenden**
(45) Registration Date: **13 April 2011**
(56) Related Art Documents: **Not Applicable**
(57) Statement of Newness and Distinctiveness: **Nil**



- (21) Design Number: **11471/2011**
(22) Date of Filing Application: **05 April 2011**
(24) Date from which industrial property rights may have effect: **05 April 2011**
(54) Product in respect of which the design is registered: **A road plate**
(51) International Design Classification: **25-02NES**
(74) Name(s) of Attorney(s):
(71) Name(s) and Address(s) of Applicant(s):
Kennovations Pty Limited
Unit 3/16 Herbert Street Artarmon New South Wales 2064 Australia
(72) Name(s) of Designer(s): **Rory Campbell Kennard and Michael Grantham White**
(45) Registration Date: **13 April 2011**
(56) Related Art Documents: **Not Applicable**
(57) Statement of Newness and Distinctiveness: **The newness and distinctiveness of the design resides in the features of shape and/or configuration shown in unbroken lines in the accompanying representations.**



- (21) Design Number: **11165/2011**
(22) Date of Filing Application: **18 March 2011**
(24) Date from which industrial property rights may have effect: **18 March 2011**
(54) Product in respect of which the design is registered: **Floor cleaning device**
(51) International Design Classification: **15-05**
(74) Name(s) of Attorney(s): **Griffith Hack**
(71) Name(s) and Address(s) of Applicant(s):
Thane International, Inc.
78-140 Calle Tampico La Quinta CA 92253 United States of America
(72) Name(s) of Designer(s): **Sladjana Tukulj**
(45) Registration Date: **13 April 2011**
(30) Convention priority data:
(31) Number (32) Date (33) Country
001791898-0001 10 Dec 2010 EUROPEAN COMMUNITY
(56) Related Art Documents: **Not Applicable**
(57) Statement of Newness and Distinctiveness: **Newness and distinctiveness resides in the visual features, including shape and configuration of a floor cleaning device as shown in the accompanying representations. When determining whether the design is substantially similar in overall impression to another design, no regard is to be had to the alpha numeric nomenclature as employed on the labelling as shown in the accompanying representations, which features are provided for illustrative purposes only.**



(21) Design Number: **11166/2011**
(22) Date of Filing Application: **18 March 2011**
(24) Date from which industrial property rights may have effect: **18 March 2011**
(54) Product in respect of which the design is registered: **Steam cleaning device**
(51) International Design Classification: **15-05**
(74) Name(s) of Attorney(s): **Griffith Hack**
(71) Name(s) and Address(s) of Applicant(s):
Thane International, Inc.
78-140 Calle Tampico La Quinta CA 92253 United States of America
(72) Name(s) of Designer(s): **Sladjana Tukulj**
(45) Registration Date: **13 April 2011**
(30) Convention priority data:
(31) Number (32) Date (33) Country
001791898-0003 10 Dec 2010 EUROPEAN COMMUNITY



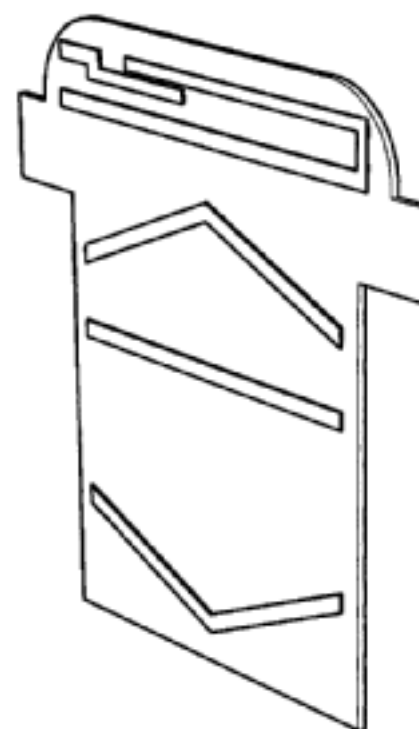
(56) Related Art Documents: **Not Applicable**
(57) Statement of Newness and Distinctiveness: **Newness and distinctiveness resides in the visual features, including shape and configuration of a steam cleaning device as shown in the accompanying representations. When determining whether the design is substantially similar in overall impression to another design, no regard is to be had to the alpha numeric nomenclature as employed on the labelling as shown in the accompanying representations, which features are provided for illustrative purposes only.**

(21) Design Number: **11168/2011**
(22) Date of Filing Application: **18 March 2011**
(24) Date from which industrial property rights may have effect: **18 March 2011**
(54) Product in respect of which the design is registered: **Bead flower having six large beads and six small beads**
(51) International Design Classification: **11-04**
(74) Name(s) of Attorney(s):
(71) Name(s) and Address(s) of Applicant(s):
Christine McCann
46 Annandale Street Annandale New South Wales 2038 Australia
John McCann
46 Annandale Street Annandale New South Wales 2038 Australia
(72) Name(s) of Designer(s): **Christine McCann and John McCann**
(45) Registration Date: **13 April 2011**
(56) Related Art Documents: **Not Applicable**



(57) Statement of Newness and Distinctiveness: **The newness and distinctiveness of the bead flower resides in the configuration and/or shape as shown in the accompanying representations, irrespective of the presence or absence of the central component or the shape of the central component when present or any pattern and/or ornamentation on the beads.**

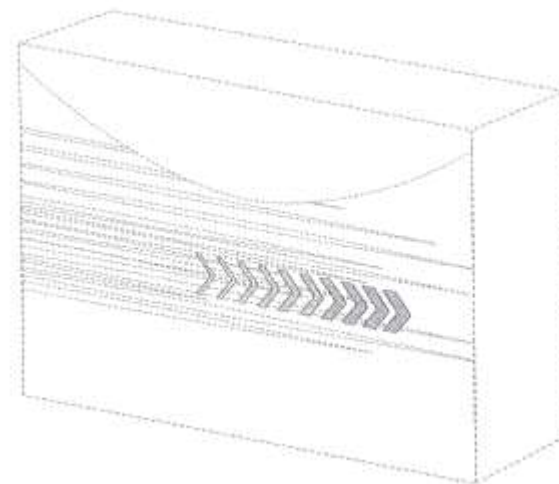
(21) Design Number: **11169/2011**
(22) Date of Filing Application: **21 March 2011**
(24) Date from which industrial property rights may have effect: **21 March 2011**
(54) Product in respect of which the design is registered: **A shield for radio waves**
(51) International Design Classification: **14-03NES**
(74) Name(s) of Attorney(s): **Griffith Hack**
(71) Name(s) and Address(s) of Applicant(s):
Panasales Clearance Centre Pty Ltd
14/1866 Princess Highway Clayton Victoria 3168 Australia
(72) Name(s) of Designer(s): **Xin Xiang**
(45) Registration Date: **13 April 2011**
(56) Related Art Documents: **Not Applicable**
(57) Statement of Newness and Distinctiveness: **Newness and distinctiveness relates to the pattern of elongate strips visible on the front and side views.**



(21) Design Number: **11176/2011**
(22) Date of Filing Application: **21 March 2011**
(24) Date from which industrial property rights may have effect: **21 March 2011**
(54) Product in respect of which the design is registered: **Packaging container with surface ornamentation**
(51) International Design Classification: **09-01K**
(74) Name(s) of Attorney(s): **PHILLIPS ORMONDE FITZPATRICK**
(71) Name(s) and Address(s) of Applicant(s):
The Procter & Gamble Company
One Procter & Gamble Plaza Cincinnati Ohio 45202 United States of America
(72) Name(s) of Designer(s): **Andrea Marie Subler**
(45) Registration Date: **13 April 2011**
(30) Convention priority data:
(31) Number (32) Date (33) Country
29/375,523 23 Sep 2010 UNITED STATES OF AMERICA
(56) Related Art Documents: **Not Applicable**
(57) Statement of Newness and Distinctiveness: **Those features of the packaging container with surface ornamentation depicted in the representations that are new and distinctive are the pattern and/or ornamentation. The features shown in broken line are not part of the design and are to be disregarded when considering the overall impression of the design.**



(21) Design Number: **11177/2011**
(22) Date of Filing Application: **21 March 2011**
(24) Date from which industrial property rights may have effect: **21 March 2011**
(54) Product in respect of which the design is registered: **Packaging container with surface ornamentation**
(51) International Design Classification: **09-03M**
(74) Name(s) of Attorney(s): **PHILLIPS ORMONDE FITZPATRICK**
(71) Name(s) and Address(s) of Applicant(s):
The Procter & Gamble Company
One Procter & Gamble Plaza Cincinnati Ohio 45202 United States of America



(72) Name(s) of Designer(s): **Andrea Marie Subler**
(45) Registration Date: **13 April 2011**
(30) Convention priority data:
(31) Number (32) Date (33) Country
29/375,523 23 Sep 2010 UNITED STATES OF AMERICA
(56) Related Art Documents: **Not Applicable**
(57) Statement of Newness and Distinctiveness: **Those features of the packaging container with surface ornamentation depicted in the representations that are new and distinctive are the pattern and/or ornamentation. The features shown in broken line are not part of the design and are to be disregarded when considering the overall impression of the design.**

(21) Design Number: **10800/2011**
(22) Date of Filing Application: **02 March 2011**
(24) Date from which industrial property rights may have effect: **02 March 2011**
(54) Product in respect of which the design is registered: **Lollipop**
(51) International Design Classification: **01-01**
(74) Name(s) of Attorney(s): **Davies Collison Cave**
(71) Name(s) and Address(s) of Applicant(s):
Perfetti Van Melle S.p.A.
Via XXV Aprile 7 Lainate Italy



(72) Name(s) of Designer(s): **Alessandro Bottini**
(45) Registration Date: **14 April 2011**
(30) Convention priority data:
(31) Number (32) Date (33) Country
MI2010O000164 06 Oct 2010 ITALY
(56) Related Art Documents: **Not Applicable**
(57) Statement of Newness and Distinctiveness: **Nil**

(21) Design Number: **10830/2011**
(22) Date of Filing Application: **03 March 2011**
(24) Date from which industrial property rights may have effect: **03 March 2011**
(54) Product in respect of which the design is registered: **Truck cab body**
(51) International Design Classification: **12-08**
(74) Name(s) of Attorney(s): **Davies Collison Cave**
(71) Name(s) and Address(s) of Applicant(s):
Hino Motors, Ltd
3-1-1 Hinodai Hino-shi Tokyo 191-8660 Japan
(72) Name(s) of Designer(s): **Yusuke Fukushima and Hideo Karikomi and Ken Iwasaki and Yuji Sekiguchi**
(45) Registration Date: **14 April 2011**
(30) Convention priority data:
(31) Number (32) Date (33) Country
D2010-025391 22 Oct 2010 JAPAN
(56) Related Art Documents: **Not Applicable**
(57) Statement of Newness and Distinctiveness: **Nil**



(21) Design Number: **11234/2011**
(22) Date of Filing Application: **22 March 2011**
(24) Date from which industrial property rights may have effect: **22 March 2011**
(54) Product in respect of which the design is registered: **Water jetting safety plate**
(51) International Design Classification: **25-02NES**
(74) Name(s) of Attorney(s):
(71) Name(s) and Address(s) of Applicant(s):
William Howard Miller
A5/15 Narabang Way Belrose New South Wales 2085 Australia
(72) Name(s) of Designer(s): **William H. Miller**
(45) Registration Date: **14 April 2011**
(56) Related Art Documents: **Not Applicable**
(57) Statement of Newness and Distinctiveness: **This plate covers the drain and prevents the hose from coming back out of the drain if it turns around in the pipe. The plate has holes in it allowing air to blow back preventing back pressure and a middle larger hose guide hole with soft edges to protect the hose where it enters the drain. The plate is heavy, durable and has a carrying handle.**



- (21) Design Number: **11235/2011**
(22) Date of Filing Application: **22 March 2011**
(24) Date from which industrial property rights may have effect: **22 March 2011**
(54) Product in respect of which the design is registered: **Water jetting nozzle**
(51) International Design Classification: **23-01E**
(74) Name(s) of Attorney(s):
(71) Name(s) and Address(s) of Applicant(s):
William Howard Miller
A5/15 Narabang Way Belrose New South Wales 2085 Australia
(72) Name(s) of Designer(s): **William H. Miller**
(45) Registration Date: **14 April 2011**
(56) Related Art Documents: **Not Applicable**
(57) Statement of Newness and Distinctiveness: **This nozzle has a section cut from either side so it can cut roots and debris from a drain pipe while being used with a high pressure water jetter. The sharp edges of the nozzle speeds up the process of unblocking a drain. There are also ribs with sharp edges on the side of the nozzle that also assist in the drain cleaning process.**



- (21) Design Number: **11204/2011**
(22) Date of Filing Application: **21 March 2011**
(24) Date from which industrial property rights may have effect: **21 March 2011**
(54) Product in respect of which the design is registered: **Oral care implement**
(51) International Design Classification: **04-02**
(74) Name(s) of Attorney(s): **FB Rice**
(71) Name(s) and Address(s) of Applicant(s):
Colgate-Palmolive Company
300 Park Avenue New York New York 10022 United States of America
(72) Name(s) of Designer(s): **Wen Jin Xi and Guang Sheng Guo and Kai Zhang**
(45) Registration Date: **14 April 2011**
(30) Convention priority data:
(31) Number (32) Date (33) Country
29/376142 10 Oct 2010 UNITED STATES OF AMERICA
(56) Related Art Documents: **Not Applicable**
(57) Statement of Newness and Distinctiveness: **Newness and distinctiveness reside in the features of the design as shown in the representations.**



(21) Design Number: **11205/2011**
(22) Date of Filing Application: **21 March 2011**
(24) Date from which industrial property rights may have effect: **21 March 2011**
(54) Product in respect of which the design is registered: **Oral care implement**
(51) International Design Classification: **04-02**
(74) Name(s) of Attorney(s): **FB Rice**
(71) Name(s) and Address(s) of Applicant(s):
Colgate-Palmolive Company
300 Park Avenue New York New York 10022 United States of America
(72) Name(s) of Designer(s): **Wen Jin Xi and Guang Sheng Guo and Kai Zhang**
(45) Registration Date: **14 April 2011**
(30) Convention priority data:
(31) Number (32) Date (33) Country
29/376147 01 Oct 2010 UNITED STATES OF AMERICA
(56) Related Art Documents: **Not Applicable**
(57) Statement of Newness and Distinctiveness: **Newness and distinctiveness reside in the features of the design as shown in the representations.**



(21) Design Number: **11206/2011**
(22) Date of Filing Application: **22 March 2011**
(24) Date from which industrial property rights may have effect: **22 March 2011**
(54) Product in respect of which the design is registered: **Jockey wheel swing up heavy duty**
(51) International Design Classification: **12-16L**
(74) Name(s) of Attorney(s):
(71) Name(s) and Address(s) of Applicant(s):
Paramraj Singh Viridi
11 National Drive Hallam Victoria 3803 Australia
(72) Name(s) of Designer(s): **Paramraj Singh Viridi and Kamaldeep Kaur Viridi**
(45) Registration Date: **14 April 2011**
(56) Related Art Documents: **Not Applicable**
(57) Statement of Newness and Distinctiveness: **Distinctive configuration as illustrated incorporating a round flat plate held by nuts & bolts which enable heavy duty tilt prevention. The internal mechanism consists of a special plate to enable swivel operation. No monopoly is claimed in the shape of the nuts, bolts, base plate for mounting the swivel bracket, wheel & top winding handle.**



(21) Design Number: **11208/2011**
(22) Date of Filing Application: **18 March 2011**
(24) Date from which industrial property rights may have effect: **18 March 2011**
(54) Product in respect of which the design is registered: **Part for a mop**
(51) International Design Classification: **04-01**
(74) Name(s) of Attorney(s): **Shelston IP**
(71) Name(s) and Address(s) of Applicant(s):

The Libman Company
220 North Sheldon Arcola Illinois 61910 United States of America

(72) Name(s) of Designer(s): **Enzo Berti and Roberto Pellacini**

(45) Registration Date: **14 April 2011**

(30) Convention priority data:

(31) Number	(32) Date	(33) Country
29/383180	13 Jan 2011	UNITED STATES OF AMERICA

(56) Related Art Documents: **Not Applicable**

(57) Statement of Newness and Distinctiveness: **Newness and distinctiveness reside in the shape and/or configuration of a part for a mop, as illustrated by solid lines in the accompanying representations. The uneven-length broken lines represent unclaimed boundaries of the design and the features shown in even-length broken lines are for illustrative purposes only and do not form part of the design.**



(21) Design Number: **11209/2011**
(22) Date of Filing Application: **18 March 2011**
(24) Date from which industrial property rights may have effect: **18 March 2011**
(54) Product in respect of which the design is registered: **Part for a mop**
(51) International Design Classification: **04-01**
(74) Name(s) of Attorney(s): **Shelston IP**
(71) Name(s) and Address(s) of Applicant(s):

The Libman Company
220 North Sheldon Arcola Illinois 61910 United States of America

(72) Name(s) of Designer(s): **Enzo Berti and Roberto Pellacini**

(45) Registration Date: **14 April 2011**

(30) Convention priority data:

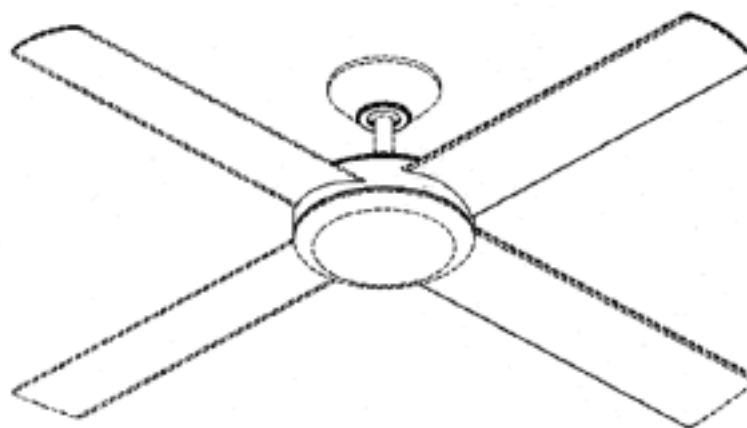
(31) Number	(32) Date	(33) Country
29/383182	13 Jan 2011	UNITED STATES OF AMERICA

(56) Related Art Documents: **Not Applicable**

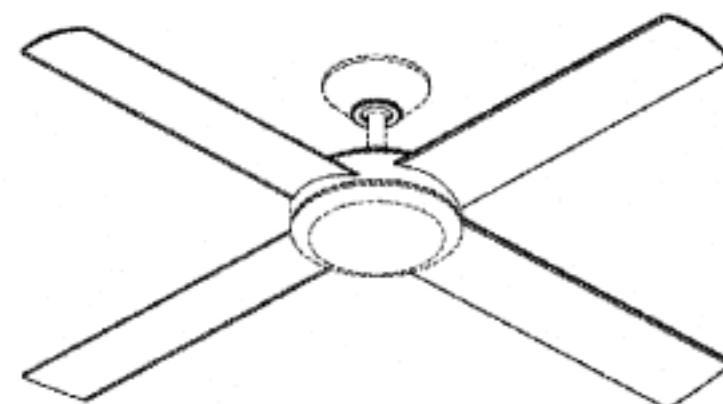
(57) Statement of Newness and Distinctiveness: **Newness and distinctiveness reside in the shape and/or configuration of a part for a mop, as illustrated by solid lines in the accompanying representations. The uneven-length broken lines represent unclaimed boundaries of the design and the features shown in even-length broken lines are for illustrative purposes only and do not form part of the design.**



- (21) Design Number: **11240/2011**
(22) Date of Filing Application: **22 March 2011**
(24) Date from which industrial property rights may have effect: **22 March 2011**
(54) Product in respect of which the design is registered: **Ceiling fan hub**
(51) International Design Classification: **23-04**
(74) Name(s) of Attorney(s):
(71) Name(s) and Address(s) of Applicant(s):
Hunter Pacific International Pty Ltd
Building 8 256 New Line Road Dural New South Wales 2158 Australia
(72) Name(s) of Designer(s): **Philip Allen and Scott Ibbotson and David Stocks**
(45) Registration Date: **14 April 2011**
(56) Related Art Documents: **Not Applicable**
(57) Statement of Newness and Distinctiveness: **Newness and distinctiveness is claimed in the shape and configuration of the central band of a ceiling fan hub as represented in solid lines in the attached drawings. In assessing newness and distinctiveness, no regard should be had of the features represented in broken lines, including the fan blades.**



- (21) Design Number: **11241/2011**
(22) Date of Filing Application: **22 March 2011**
(24) Date from which industrial property rights may have effect: **22 March 2011**
(54) Product in respect of which the design is registered: **Ceiling fan blade**
(51) International Design Classification: **23-04**
(74) Name(s) of Attorney(s):
(71) Name(s) and Address(s) of Applicant(s):
Hunter Pacific International Pty Ltd
Building 8 256 New Line Road Dural New South Wales 2158 Australia
(72) Name(s) of Designer(s): **Philip Allen and Scott Ibbotson and David Stocks**
(45) Registration Date: **14 April 2011**
(56) Related Art Documents: **Not Applicable**
(57) Statement of Newness and Distinctiveness: **Newness and distinctiveness is claimed in the shape and configuration of an individual ceiling fan blade as represented in solid lines in the attached drawings. In assessing newness and distinctiveness, no regard should be had of the shape and configuration of the ceiling fan hub in broken lines, nor of the number of fan blades depicted.**



(21) Design Number: **10384/2011**
(22) Date of Filing Application: **09 February 2011**
(24) Date from which industrial property rights may have effect: **09 February 2011**
(54) Product in respect of which the design is registered: **Razor package**
(51) International Design Classification: **28-03A**
(74) Name(s) of Attorney(s): **PHILLIPS ORMONDE FITZPATRICK**
(71) Name(s) and Address(s) of Applicant(s):

The Gillette Company
Prudential Tower Building Boston Massachusetts 02199 United States of America

(72) Name(s) of Designer(s): **Stanley Michael Marcinkowski**

(45) Registration Date: **14 April 2011**

(30) Convention priority data:

(31) Number	(32) Date	(33) Country
29/367,878	13 Aug 2010	UNITED STATES OF AMERICA

(56) Related Art Documents: **Not Applicable**

(57) Statement of Newness and Distinctiveness: **Those features of the razor package depicted in the representations that are new and distinctive are the shape and/or configuration. The features shown in broken lines are not part of the design and are to be disregarded when considering the overall impression of the design.**



(21) Design Number: **11532/2011**
(22) Date of Filing Application: **09 February 2011**
(24) Date from which industrial property rights may have effect: **09 February 2011**
(54) Product in respect of which the design is registered: **Razor package**
(51) International Design Classification: **28-03A**
(74) Name(s) of Attorney(s): **PHILLIPS ORMONDE FITZPATRICK**
(71) Name(s) and Address(s) of Applicant(s):

The Gillette Company
Prudential Tower Building Boston Massachusetts 02199 United States of America

(72) Name(s) of Designer(s): **Stanley Michael Marcinkowski**

(45) Registration Date: **14 April 2011**

(30) Convention priority data:

(31) Number	(32) Date	(33) Country
29/367,828	13 Aug 2010	UNITED STATES OF AMERICA

(56) Related Art Documents: **Not Applicable**

(57) Statement of Newness and Distinctiveness: **Those features of the razor package depicted in the representations that are new and distinctive are the shape and/or configuration. The features shown in broken lines are not part of the design and are to be disregarded when considering the overall impression of the design.**



(21) Design Number: **11533/2011**
(22) Date of Filing Application: **09 February 2011**
(24) Date from which industrial property rights may have effect: **09 February 2011**
(54) Product in respect of which the design is registered: **Razor package**
(51) International Design Classification: **28-03A**
(74) Name(s) of Attorney(s): **PHILLIPS ORMONDE FITZPATRICK**
(71) Name(s) and Address(s) of Applicant(s):

The Gillette Company
Prudential Tower Building Boston Massachusetts 02199 United States of America

(72) Name(s) of Designer(s): **Stanley Michael Marcinkowski**

(45) Registration Date: **14 April 2011**

(30) Convention priority data:

(31) Number	(32) Date	(33) Country
29/367,828	13 Aug 2010	UNITED STATES OF AMERICA

(56) Related Art Documents: **Not Applicable**

(57) Statement of Newness and Distinctiveness: **Those features of the razor package depicted in the representations that are new and distinctive are the shape and/or configuration. The features shown in broken lines are not part of the design and are to be disregarded when considering the overall impression of the design.**



(21) Design Number: **11534/2011**
(22) Date of Filing Application: **09 February 2011**
(24) Date from which industrial property rights may have effect: **09 February 2011**
(54) Product in respect of which the design is registered: **Razor package**
(51) International Design Classification: **28-03A**
(74) Name(s) of Attorney(s): **PHILLIPS ORMONDE FITZPATRICK**
(71) Name(s) and Address(s) of Applicant(s):

The Gillette Company
Prudential Tower Building Boston Massachusetts 02199 United States of America

(72) Name(s) of Designer(s): **Stanley Michael Marcinkowski**

(45) Registration Date: **14 April 2011**

(30) Convention priority data:

(31) Number	(32) Date	(33) Country
29/367,828	13 Aug 2010	UNITED STATES OF AMERICA

(56) Related Art Documents: **Not Applicable**

(57) Statement of Newness and Distinctiveness: **Those features of the razor package depicted in the representations that are new and distinctive are the shape and/or configuration. The features shown in broken lines are not part of the design and are to be disregarded when considering the overall impression of the design.**



(21) Design Number: **10422/2011**
(22) Date of Filing Application: **14 February 2011**
(24) Date from which industrial property rights may have effect: **14 February 2011**
(54) Product in respect of which the design is registered: **The Ballantyne TBar new model temporary roof anchor device**
(51) International Design Classification: **08-08NES, 29-02**
(74) Name(s) of Attorney(s):
(71) Name(s) and Address(s) of Applicant(s):
Gutter-Vac Pty Ltd
50 Mawarra Street Albion Queensland 4010 Australia
(72) Name(s) of Designer(s): **Warren Ballantyne**
(45) Registration Date: **15 April 2011**
(56) Related Art Documents: **Not Applicable**
(57) Statement of Newness and Distinctiveness: **Nil**



(21) Design Number: **10423/2011**
(22) Date of Filing Application: **14 February 2011**
(24) Date from which industrial property rights may have effect: **14 February 2011**
(54) Product in respect of which the design is registered: **The Ballantyne Super TBar temporary roof anchorage**
(51) International Design Classification: **08-08NES, 29-02**
(74) Name(s) of Attorney(s):
(71) Name(s) and Address(s) of Applicant(s):
Gutter-Vac Pty Ltd
50 Mawarra Street Albion Queensland 4010 Australia
(72) Name(s) of Designer(s): **Warren Ballantyne**
(45) Registration Date: **15 April 2011**
(56) Related Art Documents: **Not Applicable**
(57) Statement of Newness and Distinctiveness: **Nil**



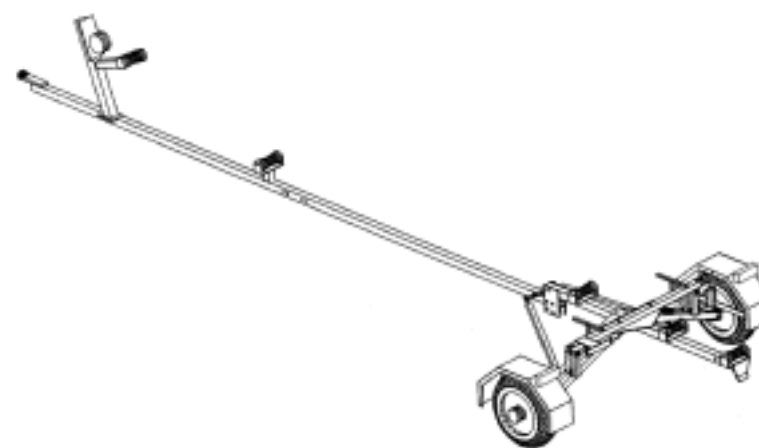
- (21) Design Number: **11045/2011**
(22) Date of Filing Application: **11 March 2011**
(24) Date from which industrial property rights may have effect: **11 March 2011**
(54) Product in respect of which the design is registered: **Recycling station, modular wheeled bin enclosure system**
(51) International Design Classification: **09-09**
(74) Name(s) of Attorney(s):
(71) Name(s) and Address(s) of Applicant(s):
Kiel Industries Pty Ltd
87-93 Tramway Road Morwell Victoria 3840 Australia
(72) Name(s) of Designer(s): **Colin Kiel**
(45) Registration Date: **15 April 2011**
(56) Related Art Documents: **Not Applicable**
(57) Statement of Newness and Distinctiveness: **Modular enclosure fully encapsulates standard wheeled bin containers promoting healthy and hygienic method of containment.**



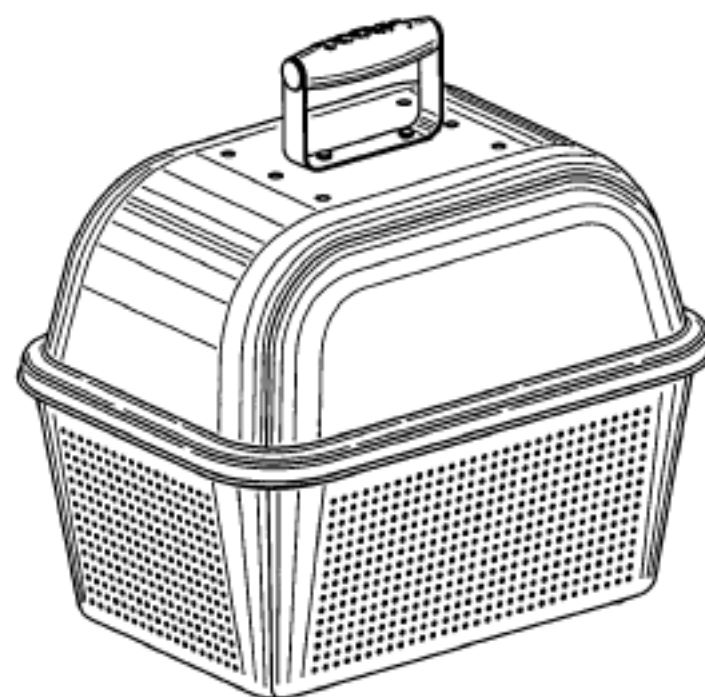
- (21) Design Number: **11227/2011**
(22) Date of Filing Application: **22 March 2011**
(24) Date from which industrial property rights may have effect: **22 March 2011**
(54) Product in respect of which the design is registered: **Christie Engineering post driver**
(51) International Design Classification: **08-05NES**
(74) Name(s) of Attorney(s):
(71) Name(s) and Address(s) of Applicant(s):
Christie Engineering Pty Ltd
123 Delaware Road Horsley Park New South Wales 2175 Australia
(72) Name(s) of Designer(s): **Les Christie and Peter Christie and Michael Christie**
(45) Registration Date: **15 April 2011**
(56) Related Art Documents: **Not Applicable**
(57) Statement of Newness and Distinctiveness: **Engine driven hand held picket post driver spring dampened handles.**



(21) Design Number: **11228/2011**
(22) Date of Filing Application: **23 March 2011**
(24) Date from which industrial property rights may have effect: **23 March 2011**
(54) Product in respect of which the design is registered: **Collapsible boat trailer**
(51) International Design Classification: **12-10**
(74) Name(s) of Attorney(s): **Trademark Central**
(71) Name(s) and Address(s) of Applicant(s):
PP & L Enterprises Pty Ltd
140 Clontarf Road Hamilton Hill Western Australia 3079 Australia
(72) Name(s) of Designer(s): **Paul H. Crane**
(45) Registration Date: **15 April 2011**
(56) Related Art Documents: **Not Applicable**
(57) Statement of Newness and Distinctiveness: **Collapsible trailer for transporting boats.**



(21) Design Number: **11229/2011**
(22) Date of Filing Application: **23 March 2011**
(24) Date from which industrial property rights may have effect: **23 March 2011**
(54) Product in respect of which the design is registered: **Grill**
(51) International Design Classification: **07-02H**
(74) Name(s) of Attorney(s): **MALLESONS STEPHEN JAQUES**
(71) Name(s) and Address(s) of Applicant(s):
Pi-Design AG
Kantonsstrasse 100 6234 Triengen Switzerland
(72) Name(s) of Designer(s): **Jorgen Bodum**
(45) Registration Date: **15 April 2011**
(30) Convention priority data:
(31) Number (32) Date (33) Country
**DM/074 508 01 Oct 2010 WORLD INTELLECTUAL
PROPERTY ORGANIZATION
(WIPO)**
(56) Related Art Documents: **Not Applicable**
(57) Statement of Newness and Distinctiveness: **Nil**

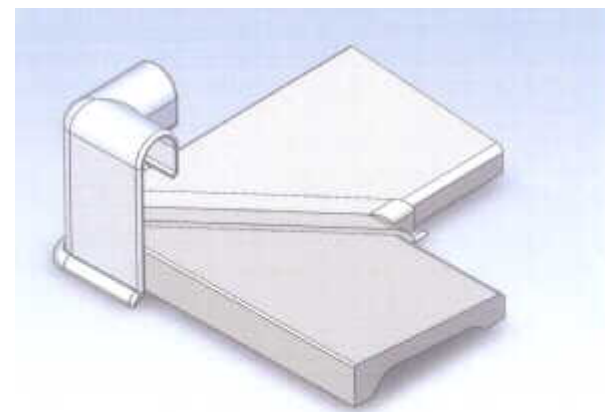


(21) Design Number: **15483/2010**
(22) Date of Filing Application: **10 December 2010**
(24) Date from which industrial property rights may have effect: **10 December 2010**
(54) Product in respect of which the design is registered: **Levering Tool**
(51) International Design Classification: **08-99**
(74) Name(s) of Attorney(s):
(71) Name(s) and Address(s) of Applicant(s):
Haylin Systems Pty Ltd
Unit 2 73 Prestige Parade Wangara Western Australia 6065 Australia
(72) Name(s) of Designer(s): **Edward Joseph Khoury and Darren Hayter and Mark Meehan**
(45) Registration Date: **15 April 2011**
(56) Related Art Documents: **Not Applicable**
(57) Statement of Newness and Distinctiveness: **Nil**



ISO TOP VIEW

(21) Design Number: **10499/2011**
(22) Date of Filing Application: **14 February 2011**
(24) Date from which industrial property rights may have effect: **14 February 2011**
(54) Product in respect of which the design is registered: **Corner stake with slide-on cover**
(51) International Design Classification: **08-08NES**
(74) Name(s) of Attorney(s): **John L Davies & Co**
(71) Name(s) and Address(s) of Applicant(s):
Dias Aluminium Products Pty.Ltd
201-205 Browns Road Noble Park Victoria 3174 Australia
(72) Name(s) of Designer(s): **Ian David Paterson**
(45) Registration Date: **15 April 2011**
(56) Related Art Documents: **Not Applicable**
(57) Statement of Newness and Distinctiveness: **Nil**



PERSPECTIVE - ASSEMBLED

(21) Design Number: **11164/2011**
(22) Date of Filing Application: **17 March 2011**
(24) Date from which industrial property rights may have effect: **17 March 2011**
(54) Product in respect of which the design is registered: **Cover with portable display device**
(51) International Design Classification: **14-02**
(74) Name(s) of Attorney(s): **Freehills Patent & Trade Mark Attorneys**
(71) Name(s) and Address(s) of Applicant(s):

Apple Inc.
1 Infinite Loop Cupertino California 95014 United States of America

(72) Name(s) of Designer(s): **Jody Akana and Bartley K Andre and Jeremy Bataillou and Daniel J. Coster and Daniele De Iuliis and Evans Hankey and Julian Hoenig and Richard P. Howarth and Jonathan P. Ive and Duncan Robert Kerr and Shin Nishibori and Matthew Dean Rohrbach and Peter Russell-Clarke and Christopher J. Stringer and Eugene Antony Whang and Rico Zorkendorfer**

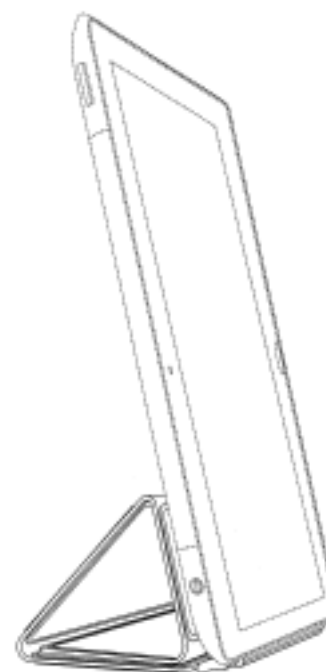
(45) Registration Date: **15 April 2011**

(30) Convention priority data:

(31) Number	(32) Date	(33) Country
29/375197	17 Sep 2010	UNITED STATES OF AMERICA

(56) Related Art Documents: **Not Applicable**

(57) Statement of Newness and Distinctiveness: **Newness and distinctiveness in the design resides in the features of shape and configuration of a cover as shown in solid lines in the accompanying drawings. In the accompanying drawings the finer shade lines on the surface portions indicate contour and not surface decoration.**



(21) Design Number: **11221/2011**
(22) Date of Filing Application: **18 March 2011**
(24) Date from which industrial property rights may have effect: **18 March 2011**
(54) Product in respect of which the design is registered: **Part for a mop**
(51) International Design Classification: **07-07B**
(74) Name(s) of Attorney(s): **Shelston IP**
(71) Name(s) and Address(s) of Applicant(s):

The Libman Company
220 North Sheldon Arcola Illinois 61910 United States of America

(72) Name(s) of Designer(s): **Roberto Pellacini and Enzo Berti**

(45) Registration Date: **15 April 2011**

(30) Convention priority data:

(31) Number	(32) Date	(33) Country
29/383177	13 Jan 2011	UNITED STATES OF AMERICA

(56) Related Art Documents: **Not Applicable**

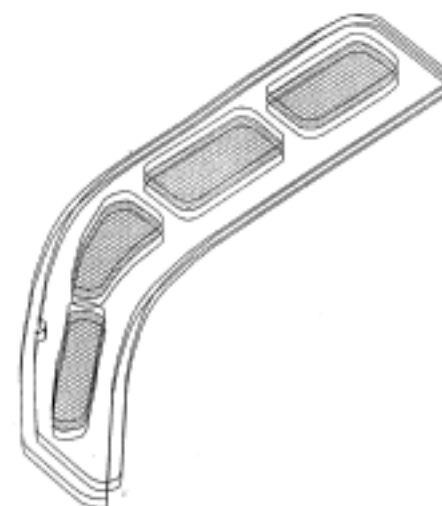
(57) Statement of Newness and Distinctiveness: **Newness and distinctiveness reside in the shape and/or configuration of a part for a mop, as illustrated by solid lines in the accompanying representations. The uneven-length broken lines represent unclaimed boundaries of the design and the features shown in even-length broken lines are for illustrative purposes only and do not form part of the design.**



(21) Design Number: **11242/2011**
(22) Date of Filing Application: **22 March 2011**
(24) Date from which industrial property rights may have effect: **22 March 2011**
(54) Product in respect of which the design is registered: **Tyre**
(51) International Design Classification: **12-15B**
(74) Name(s) of Attorney(s): **Griffith Hack**
(71) Name(s) and Address(s) of Applicant(s):
Continental Reifen Deutschland GmbH
Vahrenwalder Str. 9 30165 Hannover Germany
(72) Name(s) of Designer(s): **Matthew J Lamb**
(45) Registration Date: **15 April 2011**
(30) Convention priority data:
(31) Number (32) Date (33) Country
001815937 03 Feb 2011 EUROPEAN COMMUNITY
(56) Related Art Documents: **Not Applicable**
(57) Statement of Newness and Distinctiveness: **Newness and distinctiveness resides in the visual features, including shape, configuration and pattern, of a tread for a TYRE as shown in the accompanying representations.**



(21) Design Number: **11243/2011**
(22) Date of Filing Application: **22 March 2011**
(24) Date from which industrial property rights may have effect: **22 March 2011**
(54) Product in respect of which the design is registered: **Vehicle window attachment used to allow filtered air flow**
(51) International Design Classification: **12-16F**
(74) Name(s) of Attorney(s):
(71) Name(s) and Address(s) of Applicant(s):
Peter Foster
394 Hawthorne Road Bulimba Queensland 4171 Australia
(72) Name(s) of Designer(s): **Peter Foster**
(45) Registration Date: **15 April 2011**
(56) Related Art Documents: **Not Applicable**
(57) Statement of Newness and Distinctiveness: **Nil**



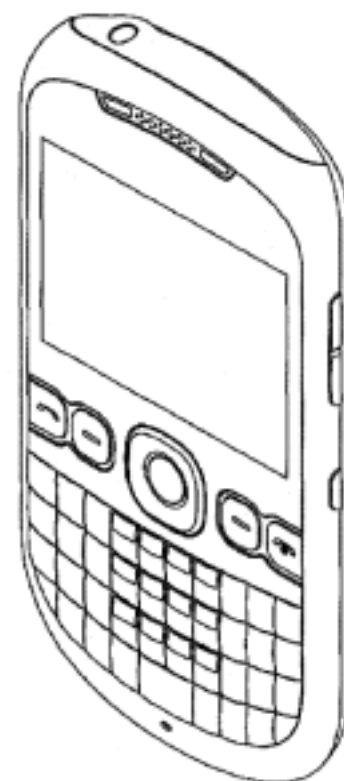
(21) Design Number: **11282/2011**
(22) Date of Filing Application: **24 March 2011**
(24) Date from which industrial property rights may have effect: **24 March 2011**
(54) Product in respect of which the design is registered: **Wine aerator travel case**
(51) International Design Classification: **09-03E**
(74) Name(s) of Attorney(s): **Davies Collison Cave**
(71) Name(s) and Address(s) of Applicant(s):
Area 55, Inc.
3232 Grey Hawk Ct Carlsbad CA 92010 United States of America
(72) Name(s) of Designer(s): **Rio Sabadicci**
(45) Registration Date: **15 April 2011**
(30) Convention priority data:
(31) Number (32) Date (33) Country
29/375646 24 Sep 2010 UNITED STATES OF AMERICA
(56) Related Art Documents: **Not Applicable**
(57) Statement of Newness and Distinctiveness: **Newness and distinctiveness is claimed in the visual features shown in solid lines in the representations.**



(21) Design Number: **10695/2011**
(22) Date of Filing Application: **24 February 2011**
(24) Date from which industrial property rights may have effect: **24 February 2011**
(54) Product in respect of which the design is registered: **Guitar instruction sticker**
(51) International Design Classification: **19-08**
(74) Name(s) of Attorney(s):
(71) Name(s) and Address(s) of Applicant(s):
Benedict James Larkey
10 Alfred Street Kew Victoria 3101 Australia
(72) Name(s) of Designer(s): **Benedict James Larkey**
(45) Registration Date: **15 April 2011**
(56) Related Art Documents: **Not Applicable**
(57) Statement of Newness and Distinctiveness: **1. Chords represented as shapes. 2. Static based sticker (non-adhesive).**



(21) Design Number: **11247/2011**
(22) Date of Filing Application: **23 March 2011**
(24) Date from which industrial property rights may have effect: **23 March 2011**
(54) Product in respect of which the design is registered: **Mobile phone**
(51) International Design Classification: **14-03E**
(74) Name(s) of Attorney(s): **Allens Arthur Robinson**
(71) Name(s) and Address(s) of Applicant(s):
LG Electronics Inc.
20 Yeouido-dong Yeongdeungpo-gu Seoul 150-721 Republic of Korea
(72) Name(s) of Designer(s): **Jin Su Kim**
(45) Registration Date: **18 April 2011**
(30) Convention priority data:
(31) Number (32) Date (33) Country
3020100044854 15 Oct 2010 REPUBLIC OF KOREA
(56) Related Art Documents: **Not Applicable**
(57) Statement of Newness and Distinctiveness: **Newness and distinctiveness resides in the visual features of shape and/or configuration of a mobile phone as illustrated in the accompanying representations.**



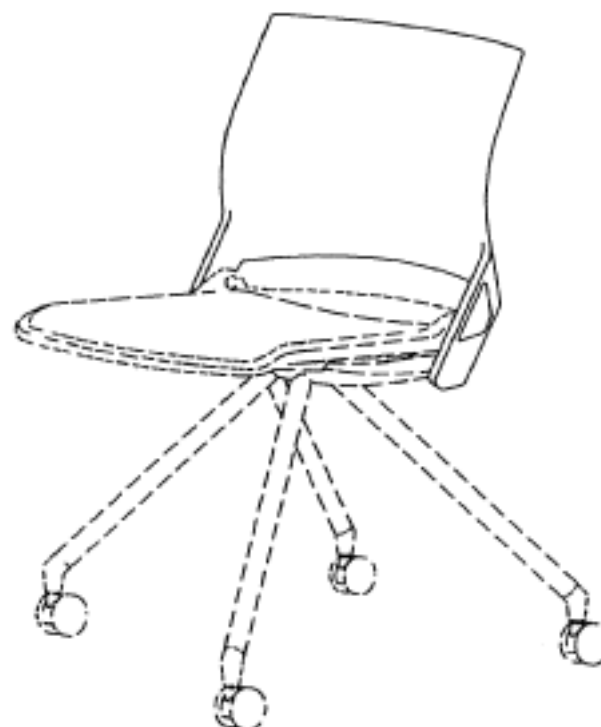
(21) Design Number: **11248/2011**
(22) Date of Filing Application: **23 March 2011**
(24) Date from which industrial property rights may have effect: **23 March 2011**
(54) Product in respect of which the design is registered: **Chair**
(51) International Design Classification: **06-01F**
(74) Name(s) of Attorney(s): **FB Rice**
(71) Name(s) and Address(s) of Applicant(s):
Okamura Corporation
7-18 Kitasaiwai 2-chome Nishi-ku Yokohama-shi Kanagawa 220-0004
Japan
(72) Name(s) of Designer(s): **Yoshihito Hori and Hiroshi Saotome**
(45) Registration Date: **18 April 2011**
(30) Convention priority data:
(31) Number (32) Date (33) Country
2010-022918 24 Sep 2010 JAPAN
(56) Related Art Documents: **Not Applicable**
(57) Statement of Newness and Distinctiveness: **Newness and distinctiveness reside in the features of the design as shown in the representations.**



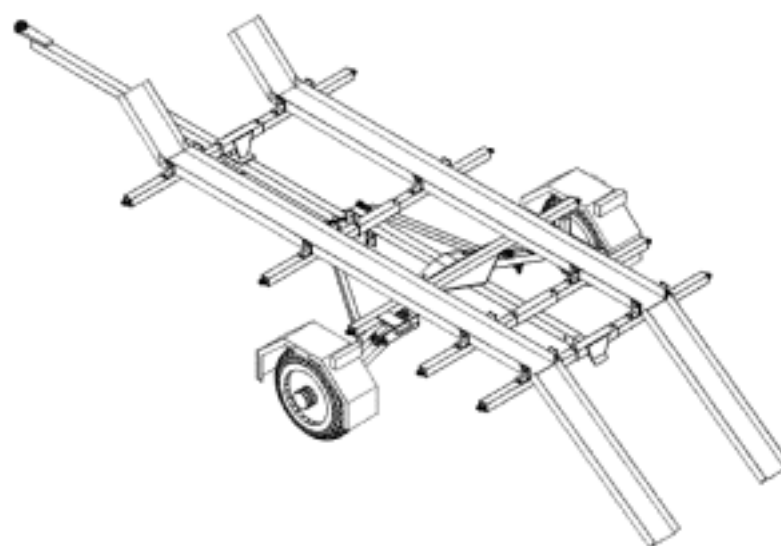
(21) Design Number: **11249/2011**
(22) Date of Filing Application: **23 March 2011**
(24) Date from which industrial property rights may have effect: **23 March 2011**
(54) Product in respect of which the design is registered: **Chair**
(51) International Design Classification: **06-01F**
(74) Name(s) of Attorney(s): **FB Rice**
(71) Name(s) and Address(s) of Applicant(s):
Okamura Corporation
7-18 Kitasaiwai 2-chome Nishi-ku Yokohama-shi Kanagawa 220-0004
Japan
(72) Name(s) of Designer(s): **Yoshihito Hori and Hiroshi Saotome**
(45) Registration Date: **18 April 2011**
(30) Convention priority data:
(31) Number (32) Date (33) Country
2010-022919 24 Sep 2010 JAPAN
(56) Related Art Documents: **Not Applicable**
(57) Statement of Newness and Distinctiveness: **Newness and distinctiveness**
reside in the features of the design as shown in the representations.



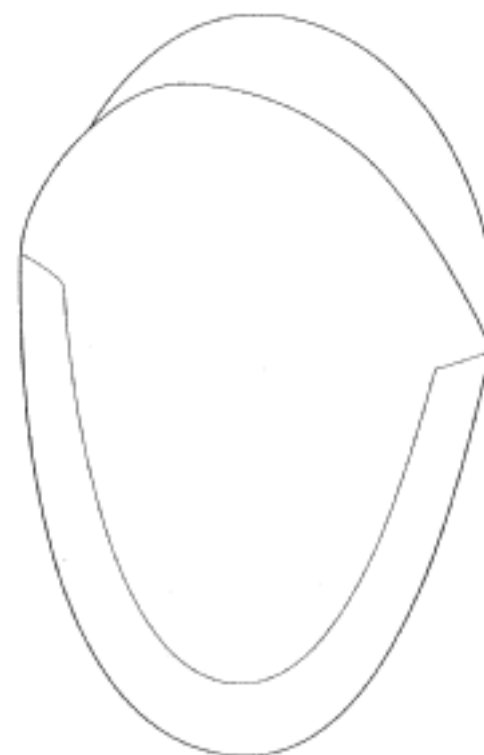
(21) Design Number: **11250/2011**
(22) Date of Filing Application: **23 March 2011**
(24) Date from which industrial property rights may have effect: **23 March 2011**
(54) Product in respect of which the design is registered: **Chair**
(51) International Design Classification: **06-01F**
(74) Name(s) of Attorney(s): **FB Rice**
(71) Name(s) and Address(s) of Applicant(s):
Okamura Corporation
7-18 Kitasaiwai 2-chome Nishi-ku Yokohama-shi Kanagawa 220-0004
Japan
(72) Name(s) of Designer(s): **Yoshihito Hori and Hiroshi Saotome**
(45) Registration Date: **18 April 2011**
(30) Convention priority data:
(31) Number (32) Date (33) Country
2010-022922 24 Sep 2010 JAPAN
(56) Related Art Documents: **Not Applicable**
(57) Statement of Newness and Distinctiveness: **Newness and distinctiveness**
reside in the features of the design shown in solid lines in the
representations excluding those features shown in broken lines.



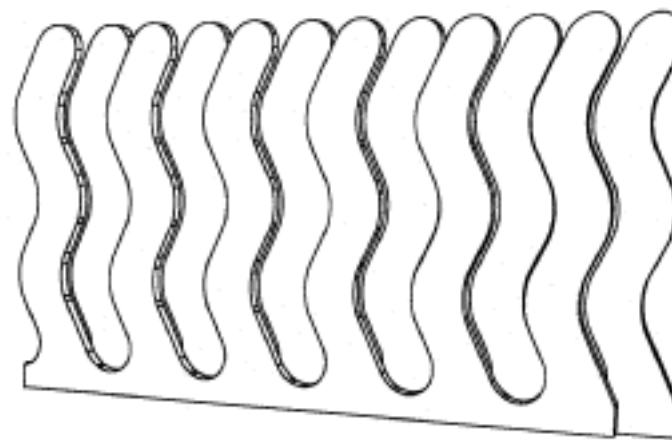
(21) Design Number: **11251/2011**
(22) Date of Filing Application: **24 March 2011**
(24) Date from which industrial property rights may have effect: **24 March 2011**
(54) Product in respect of which the design is registered: **Collapsible motorcycle trailer**
(51) International Design Classification: **12-10**
(74) Name(s) of Attorney(s): **Trademark Central**
(71) Name(s) and Address(s) of Applicant(s):
PP & L Enterprises Pty Ltd
140 Clontarf Road Hamilton Hill Western Australia 3079 Australia
(72) Name(s) of Designer(s): **Paul H. Crane**
(45) Registration Date: **18 April 2011**
(56) Related Art Documents: **Not Applicable**
(57) Statement of Newness and Distinctiveness: **Collapsible trailer for transporting two motorcycles.**



(21) Design Number: **11253/2011**
(22) Date of Filing Application: **23 March 2011**
(24) Date from which industrial property rights may have effect: **23 March 2011**
(54) Product in respect of which the design is registered: **Food container**
(51) International Design Classification: **09-05**
(74) Name(s) of Attorney(s): **PIZZEYS**
(71) Name(s) and Address(s) of Applicant(s):
Howard Marc Gold
30 Woodlands Road Bushey Herts WD23 2LR United Kingdom
(72) Name(s) of Designer(s): **Howard Marc Gold**
(45) Registration Date: **18 April 2011**
(56) Related Art Documents: **Not Applicable**
(57) Statement of Newness and Distinctiveness: **Nil**

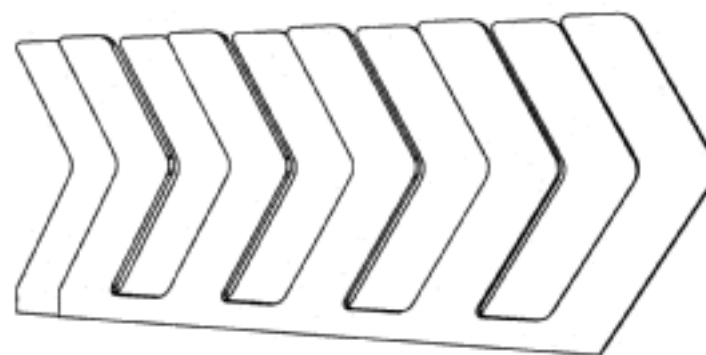


- (21) Design Number: **10347/2011**
(22) Date of Filing Application: **04 February 2011**
(24) Date from which industrial property rights may have effect: **04 February 2011**
(54) Product in respect of which the design is registered: **Office workstation partition**
(51) International Design Classification: **06-06NES, 25-02NES**
(74) Name(s) of Attorney(s):
(71) Name(s) and Address(s) of Applicant(s):
Tristan Kent Gratton
54 Swan Terrace Windsor Queensland 4030 Australia
(72) Name(s) of Designer(s): **Tristan Kent Gratton**
(45) Registration Date: **18 April 2011**
(56) Related Art Documents: **Not Applicable**
(57) Statement of Newness and Distinctiveness: **The partition design is made up of two identical components which provide privacy at a workstation or desk.**

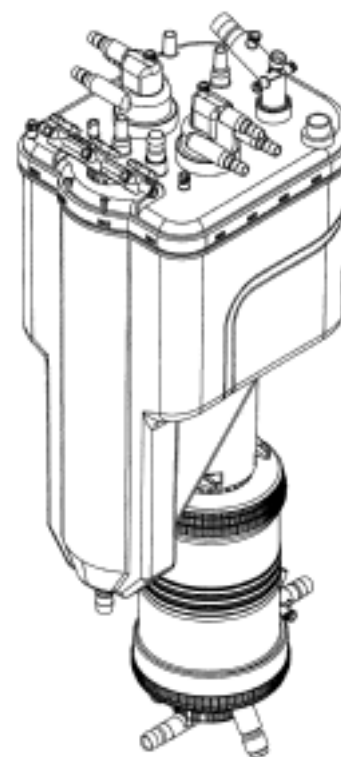


PERSPECTIVE VIEW

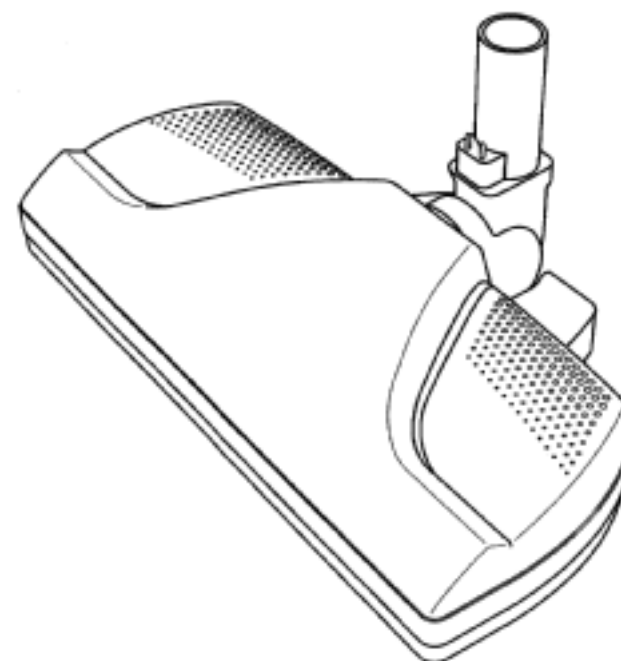
- (21) Design Number: **10350/2011**
(22) Date of Filing Application: **04 February 2011**
(24) Date from which industrial property rights may have effect: **04 February 2011**
(54) Product in respect of which the design is registered: **Office workstation partition**
(51) International Design Classification: **06-06NES, 25-02NES**
(74) Name(s) of Attorney(s):
(71) Name(s) and Address(s) of Applicant(s):
Tristan Kent Gratton
54 Swan Terrace Windsor Queensland 4030 Australia
(72) Name(s) of Designer(s): **Tristan Kent Gratton**
(45) Registration Date: **18 April 2011**
(56) Related Art Documents: **Not Applicable**
(57) Statement of Newness and Distinctiveness: **The partition design is made up of two identical components which provide privacy at a workstation or desk.**



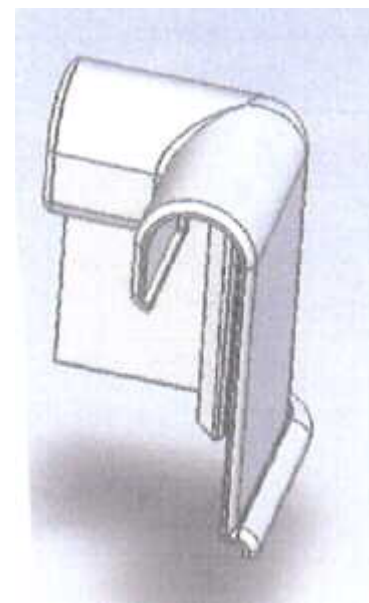
(21) Design Number: **10427/2011**
(22) Date of Filing Application: **11 February 2011**
(24) Date from which industrial property rights may have effect: **11 February 2011**
(54) Product in respect of which the design is registered: **Blood reservoir with oxygenator**
(51) International Design Classification: **24-01**
(74) Name(s) of Attorney(s): **Davies Collison Cave**
(71) Name(s) and Address(s) of Applicant(s):
Nipro Corporation
9-3 Honjonishi 3-chome Kita-ku Osaka-shi Osaka Japan
(72) Name(s) of Designer(s): **Susumu Kobayashi and Yukinori Ebara and Shin-ichi Kawamura and Takashi Arai and Kazuhisa Ishihara and Tomohiro Uchimura and Yuji Kuwahara and Shunsuke Kikumoto and Naoaki Yasumura**
(45) Registration Date: **18 April 2011**
(30) Convention priority data:
(31) Number (32) Date (33) Country
D2010-019870 17 Aug 2010 JAPAN
(56) Related Art Documents: **Not Applicable**
(57) Statement of Newness and Distinctiveness: **Nil**



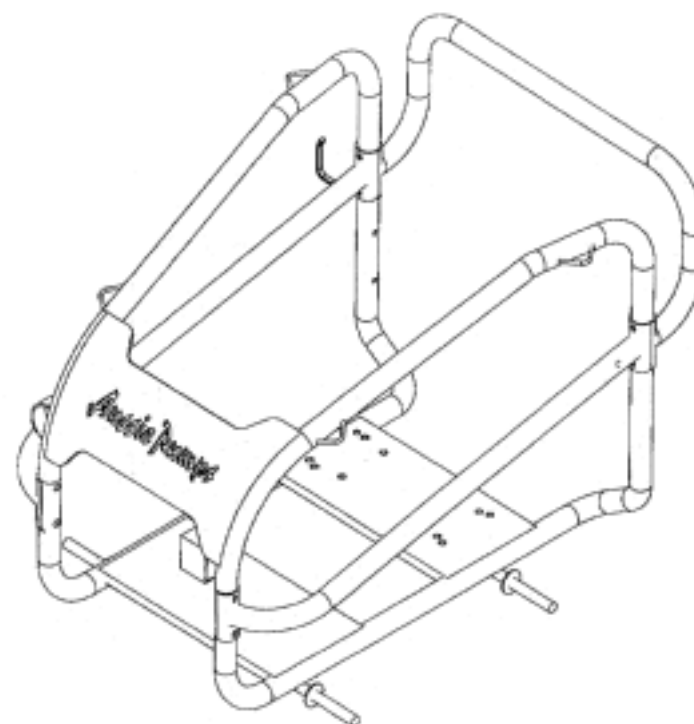
(21) Design Number: **10471/2011**
(22) Date of Filing Application: **14 February 2011**
(24) Date from which industrial property rights may have effect: **14 February 2011**
(54) Product in respect of which the design is registered: **Vacuum cleaner head**
(51) International Design Classification: **15-05**
(74) Name(s) of Attorney(s): **Griffith Hack**
(71) Name(s) and Address(s) of Applicant(s):
Kabushiki Kaisha Toshiba
1-1 Shibaura 1-chome Minato-ku Tokyo Japan
Toshiba Home Appliances Corporation
2-15 Sotokanda 2-chome Chiyoda-ku Tokyo Japan
(72) Name(s) of Designer(s): **Shuichi Miwa and Takashi Gumisawa**
(45) Registration Date: **18 April 2011**
(30) Convention priority data:
(31) Number (32) Date (33) Country
2010-020559 26 Aug 2010 JAPAN
(56) Related Art Documents: **Not Applicable**
(57) Statement of Newness and Distinctiveness: **Nil**



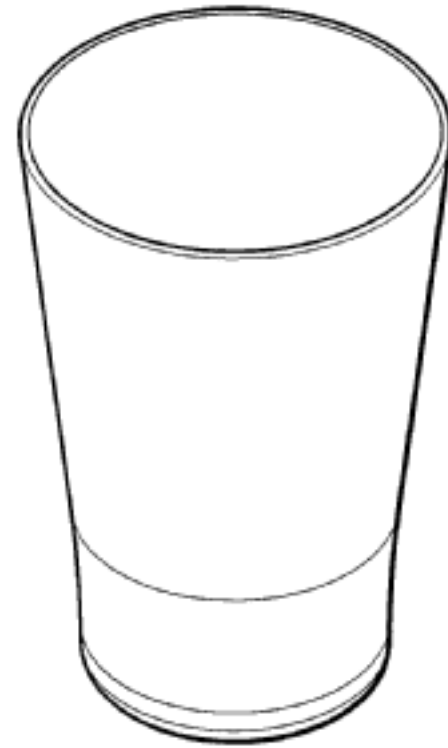
(21) Design Number: **10500/2011**
(22) Date of Filing Application: **14 February 2011**
(24) Date from which industrial property rights may have effect: **14 February 2011**
(54) Product in respect of which the design is registered: **Slide-on cover for corner stake**
(51) International Design Classification: **08-08NES**
(74) Name(s) of Attorney(s): **John L Davies & Co**
(71) Name(s) and Address(s) of Applicant(s):
Dias Aluminium Products Pty.Ltd
201-205 Browns Road Noble Park Victoria 3174 Australia
(72) Name(s) of Designer(s): **Ian David Paterson**
(45) Registration Date: **18 April 2011**
(56) Related Art Documents: **Not Applicable**
(57) Statement of Newness and Distinctiveness: **Nil**



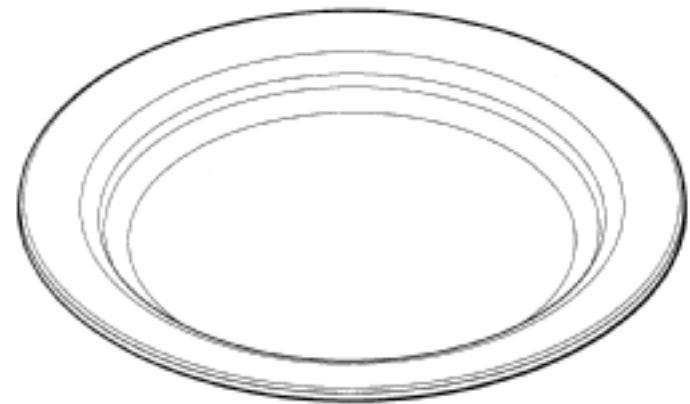
(21) Design Number: **11003/2011**
(22) Date of Filing Application: **09 March 2011**
(24) Date from which industrial property rights may have effect: **09 March 2011**
(54) Product in respect of which the design is registered: **A frame used on Aussie Pump pressure cleaner range**
(51) International Design Classification: **23-01NES**
(74) Name(s) of Attorney(s):
(71) Name(s) and Address(s) of Applicant(s):
Australian Pump Industries Pty Ltd
7 Gladstone Road Castle Hill New South Wales 2154 Australia
(72) Name(s) of Designer(s): **Phillip Wendell and Albert Mahoney and John Hales**
(45) Registration Date: **18 April 2011**
(56) Related Art Documents: **Not Applicable**
(57) Statement of Newness and Distinctiveness: **Tapered frame that allows stacking, with parallel axle rails and hose/handle extension to aid manoeuvrability, laser cut name plate.**



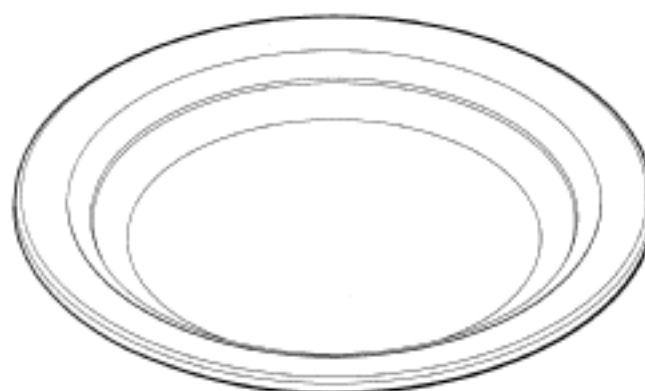
(21) Design Number: **11158/2011**
(22) Date of Filing Application: **18 March 2011**
(24) Date from which industrial property rights may have effect: **18 March 2011**
(54) Product in respect of which the design is registered: **Tumbler**
(51) International Design Classification: **07-01C**
(74) Name(s) of Attorney(s): **Callinans**
(71) Name(s) and Address(s) of Applicant(s):
The Decor Corporation Pty. Ltd.
1314 Ferntree Gully Road Scoresby Victoria 3179 Australia
(72) Name(s) of Designer(s): **Tony Wolfenden**
(45) Registration Date: **18 April 2011**
(56) Related Art Documents: **Not Applicable**
(57) Statement of Newness and Distinctiveness: **Nil**



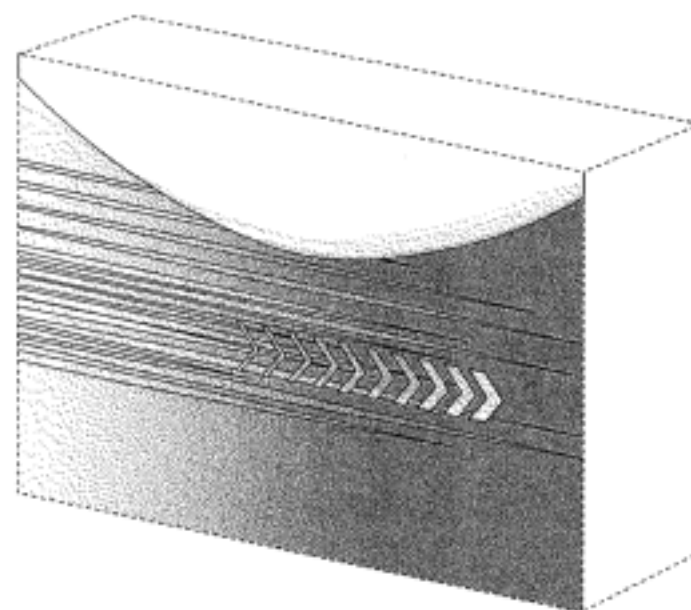
(21) Design Number: **11159/2011**
(22) Date of Filing Application: **18 March 2011**
(24) Date from which industrial property rights may have effect: **18 March 2011**
(54) Product in respect of which the design is registered: **Large plate**
(51) International Design Classification: **07-01A**
(74) Name(s) of Attorney(s): **Callinans**
(71) Name(s) and Address(s) of Applicant(s):
The Decor Corporation Pty. Ltd.
1314 Ferntree Gully Road Scoresby Victoria 3179 Australia
(72) Name(s) of Designer(s): **Tony Wolfenden**
(45) Registration Date: **18 April 2011**
(56) Related Art Documents: **Not Applicable**
(57) Statement of Newness and Distinctiveness: **Nil**



(21) Design Number: **11160/2011**
(22) Date of Filing Application: **18 March 2011**
(24) Date from which industrial property rights may have effect: **18 March 2011**
(54) Product in respect of which the design is registered: **Small plate**
(51) International Design Classification: **07-01A**
(74) Name(s) of Attorney(s): **Callinans**
(71) Name(s) and Address(s) of Applicant(s):
The Decor Corporation Pty. Ltd.
1314 Ferntree Gully Road Scoresby Victoria 3179 Australia
(72) Name(s) of Designer(s): **Tony Wolfenden**
(45) Registration Date: **18 April 2011**
(56) Related Art Documents: **Not Applicable**
(57) Statement of Newness and Distinctiveness: **Nil**



(21) Design Number: **11178/2011**
(22) Date of Filing Application: **21 March 2011**
(24) Date from which industrial property rights may have effect: **21 March 2011**
(54) Product in respect of which the design is registered: **Packaging container with surface ornamentation**
(51) International Design Classification: **09-03M**
(74) Name(s) of Attorney(s): **PHILLIPS ORMONDE FITZPATRICK**
(71) Name(s) and Address(s) of Applicant(s):
The Procter & Gamble Company
One Procter & Gamble Plaza Cincinnati Ohio 45202 United States of America
(72) Name(s) of Designer(s): **Andrea Marie Subler**
(45) Registration Date: **18 April 2011**
(30) Convention priority data:
(31) Number (32) Date (33) Country
29/375,523 23 Sep 2010 UNITED STATES OF AMERICA
(56) Related Art Documents: **Not Applicable**
(57) Statement of Newness and Distinctiveness: **Those features of the packaging container with surface ornamentation depicted in the representations that are new and distinctive are the pattern and/or ornamentation. The features shown in broken line are not part of the design and are to be disregarded when considering the overall impression of the design.**



(21) Design Number: **11179/2011**
(22) Date of Filing Application: **21 March 2011**
(24) Date from which industrial property rights may have effect: **21 March 2011**
(54) Product in respect of which the design is registered: **Packaging container with surface ornamentation**
(51) International Design Classification: **09-03L, 09-01NES**
(74) Name(s) of Attorney(s): **PHILLIPS ORMONDE FITZPATRICK**
(71) Name(s) and Address(s) of Applicant(s):
The Procter & Gamble Company
One Procter & Gamble Plaza Cincinnati Ohio 45202 United States of America
(72) Name(s) of Designer(s): **Andrea Marie Subler**
(45) Registration Date: **18 April 2011**
(30) Convention priority data:
(31) Number (32) Date (33) Country
29/375,523 23 Sep 2010 UNITED STATES OF AMERICA
(56) Related Art Documents: **Not Applicable**
(57) Statement of Newness and Distinctiveness: **Those features of the packaging container with surface ornamentation depicted in the representations that are new and distinctive are the pattern and/or ornamentation. The features shown in broken line are not part of the design and are to be disregarded when considering the overall impression of the design.**



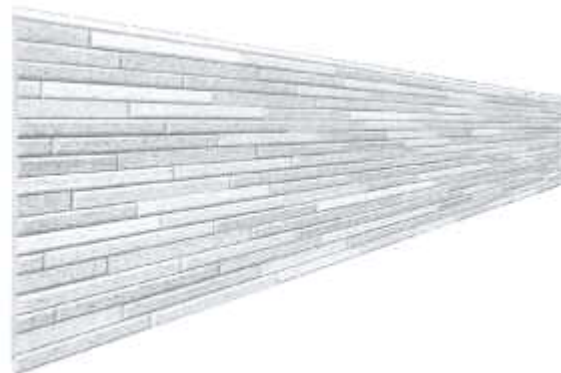
(21) Design Number: **11187/2011**
(22) Date of Filing Application: **21 March 2011**
(24) Date from which industrial property rights may have effect: **21 March 2011**
(54) Product in respect of which the design is registered: **Wheel for vehicle**
(51) International Design Classification: **12-16A**
(74) Name(s) of Attorney(s): **SPRUSON & FERGUSON**
(71) Name(s) and Address(s) of Applicant(s):
Daimler AG
Mercedesstrasse 137 70327 Stuttgart Germany
(72) Name(s) of Designer(s): **Kai Hilpert and Oliver Knittel**
(45) Registration Date: **18 April 2011**
(30) Convention priority data:
(31) Number (32) Date (33) Country
001762154-0002 01 Oct 2010 EUROPEAN COMMUNITY
(56) Related Art Documents: **Not Applicable**
(57) Statement of Newness and Distinctiveness: **Newness and distinctiveness is claimed in the features of shape and/or configuration of a wheel for vehicle as illustrated in the accompanying representations.**



(21) Design Number: **11189/2011**
(22) Date of Filing Application: **21 March 2011**
(24) Date from which industrial property rights may have effect: **21 March 2011**
(54) Product in respect of which the design is registered: **Wheel for vehicle**
(51) International Design Classification: **12-16A**
(74) Name(s) of Attorney(s): **SPRUSON & FERGUSON**
(71) Name(s) and Address(s) of Applicant(s):
Daimler AG
Mercedesstrasse 137 D-70327 Stuttgart Germany
(72) Name(s) of Designer(s): **Cengiz Dilber and Marian Hrabck**
(45) Registration Date: **18 April 2011**
(30) Convention priority data:
(31) Number (32) Date (33) Country
001762154-0004 01 Oct 2010 EUROPEAN COMMUNITY
(56) Related Art Documents: **Not Applicable**
(57) Statement of Newness and Distinctiveness: **Newness and distinctiveness is claimed in the features of shape and/or configuration of a wheel for vehicle as illustrated in the accompanying representations.**



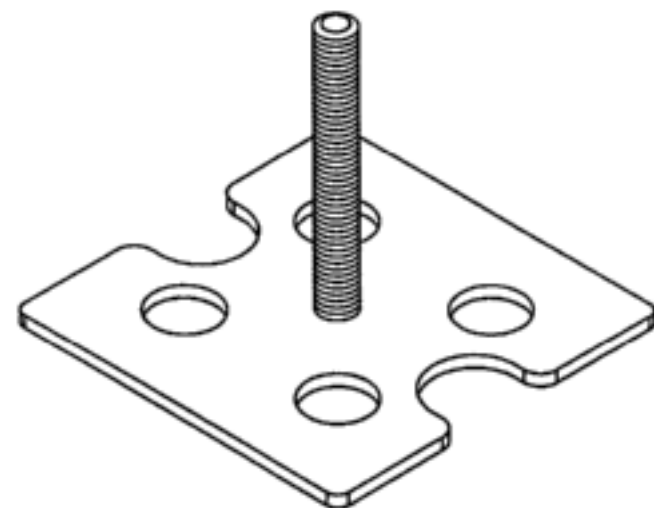
(21) Design Number: **11265/2011**
(22) Date of Filing Application: **23 March 2011**
(24) Date from which industrial property rights may have effect: **23 March 2011**
(54) Product in respect of which the design is registered: **Building board**
(51) International Design Classification: **25-01D**
(74) Name(s) of Attorney(s): **PIZZEYS**
(71) Name(s) and Address(s) of Applicant(s):
Nichiha Corporation
12 Shiodome-cho Minato-ku Nagoya-shi Aichi 455-8550 Japan
(72) Name(s) of Designer(s): **Kenji Abiko**
(45) Registration Date: **18 April 2011**
(56) Related Art Documents: **Not Applicable**
(57) Statement of Newness and Distinctiveness: **Nil**



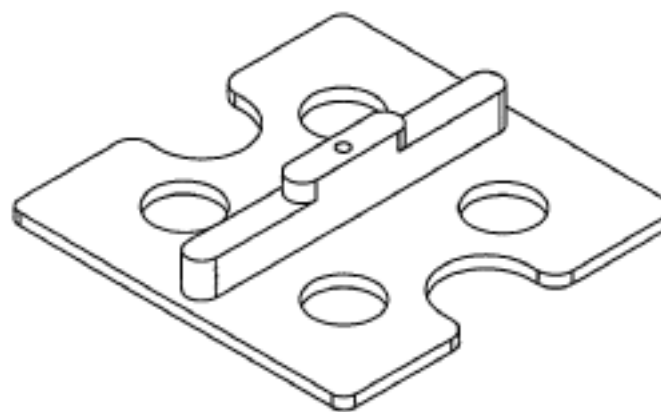
- (21) Design Number: **11266/2011**
(22) Date of Filing Application: **23 March 2011**
(24) Date from which industrial property rights may have effect: **23 March 2011**
(54) Product in respect of which the design is registered: **Building board**
(51) International Design Classification: **25-01D**
(74) Name(s) of Attorney(s): **PIZZEYS**
(71) Name(s) and Address(s) of Applicant(s):
Nichiha Corporation
12 Shiodome-cho Minato-ku Nagoya-shi Aichi 455-8550 Japan
(72) Name(s) of Designer(s): **Yoshiyuki Miura and Chie Ito**
(45) Registration Date: **18 April 2011**
(56) Related Art Documents: **Not Applicable**
(57) Statement of Newness and Distinctiveness: **Nil**



- (21) Design Number: **11267/2011**
(22) Date of Filing Application: **23 March 2011**
(24) Date from which industrial property rights may have effect: **23 March 2011**
(54) Product in respect of which the design is registered: **Tile clamp**
(51) International Design Classification: **08-08A**
(74) Name(s) of Attorney(s): **PHILLIPS ORMONDE FITZPATRICK**
(71) Name(s) and Address(s) of Applicant(s):
Anthony Psaila
77 Parer Road Airport West Victoria 3042 Australia
(72) Name(s) of Designer(s): **Anthony Psaila**
(45) Registration Date: **18 April 2011**
(56) Related Art Documents: **Not Applicable**
(57) Statement of Newness and Distinctiveness: **Those features of the tile clamp depicted in the representations that are new and distinctive are the shape and/or configuration.**



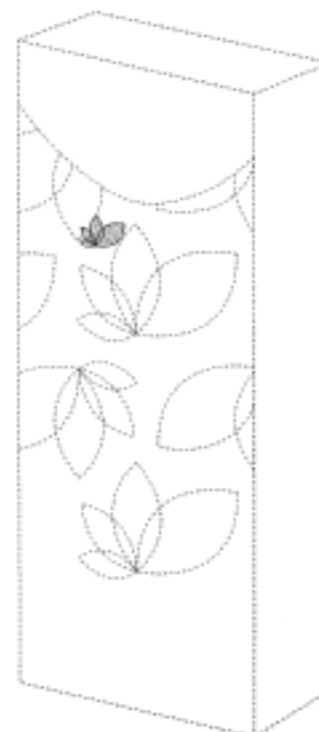
- (21) Design Number: **11268/2011**
(22) Date of Filing Application: **23 March 2011**
(24) Date from which industrial property rights may have effect: **23 March 2011**
(54) Product in respect of which the design is registered: **Tile spacer**
(51) International Design Classification: **08-08B**
(74) Name(s) of Attorney(s): **PHILLIPS ORMONDE FITZPATRICK**
(71) Name(s) and Address(s) of Applicant(s):
Anthony Psaila
77 Parer Road Airport West Victoria 3042 Australia
(72) Name(s) of Designer(s): **Anthony Psaila**
(45) Registration Date: **18 April 2011**
(56) Related Art Documents: **Not Applicable**
(57) Statement of Newness and Distinctiveness: **Those features of the tile spacer depicted in the representations that are new and distinctive are the shape and/or configuration.**



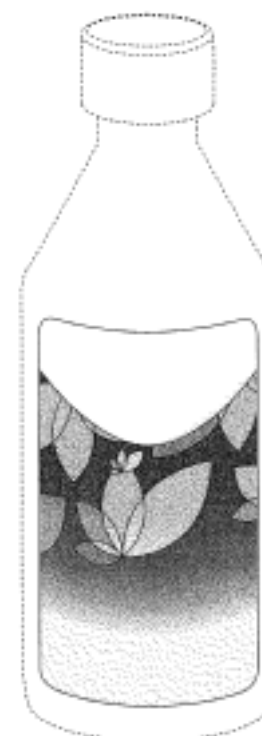
- (21) Design Number: **11269/2011**
(22) Date of Filing Application: **23 March 2011**
(24) Date from which industrial property rights may have effect: **23 March 2011**
(54) Product in respect of which the design is registered: **Packaging container with surface ornamentation**
(51) International Design Classification: **09-03M**
(74) Name(s) of Attorney(s): **PHILLIPS ORMONDE FITZPATRICK**
(71) Name(s) and Address(s) of Applicant(s):
The Procter & Gamble Company
One Procter & Gamble Plaza Cincinnati Ohio 45202 United States of America
(72) Name(s) of Designer(s): **Andrea Marie Subler**
(45) Registration Date: **18 April 2011**
(30) Convention priority data:
(31) Number (32) Date (33) Country
29/375,519 23 Sep 2010 UNITED STATES OF AMERICA
(56) Related Art Documents: **Not Applicable**
(57) Statement of Newness and Distinctiveness: **Those features of the packaging container with surface ornamentation depicted in the representations that are new and distinctive are the shape and/or configuration. The features shown in broken lines are not part of the design and are to be disregarded when considering the overall impression of the design.**



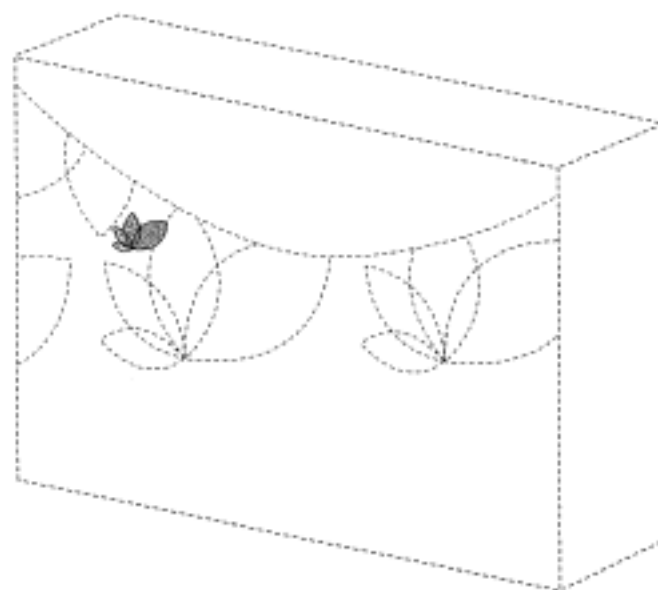
- (21) Design Number: **11270/2011**
(22) Date of Filing Application: **23 March 2011**
(24) Date from which industrial property rights may have effect: **23 March 2011**
(54) Product in respect of which the design is registered: **Packaging container with surface ornamentation**
(51) International Design Classification: **09-03M**
(74) Name(s) of Attorney(s): **PHILLIPS ORMONDE FITZPATRICK**
(71) Name(s) and Address(s) of Applicant(s):
The Procter & Gamble Company
One Procter & Gamble Plaza Cincinnati Ohio 45202 United States of America
(72) Name(s) of Designer(s): **Andrea Marie Subler**
(45) Registration Date: **18 April 2011**
(30) Convention priority data:
(31) Number (32) Date (33) Country
29/375,519 23 Sep 2010 UNITED STATES OF AMERICA
(56) Related Art Documents: **Not Applicable**
(57) Statement of Newness and Distinctiveness: **Those features of the packaging container with surface ornamentation depicted in the representations that are new and distinctive are the shape and/or configuration. The features shown in broken lines are not part of the design and are to be disregarded when considering the overall impression of the design.**



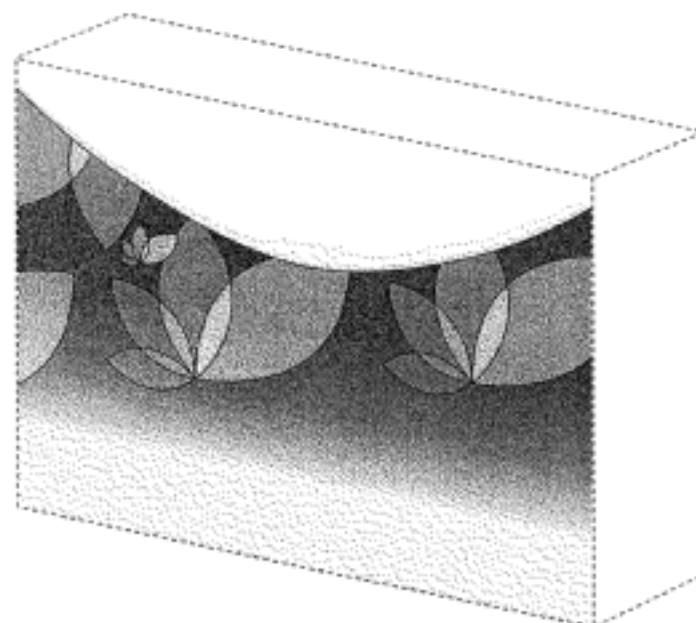
- (21) Design Number: **11271/2011**
(22) Date of Filing Application: **23 March 2011**
(24) Date from which industrial property rights may have effect: **23 March 2011**
(54) Product in respect of which the design is registered: **Packaging container with surface ornamentation**
(51) International Design Classification: **09-01NES**
(74) Name(s) of Attorney(s): **PHILLIPS ORMONDE FITZPATRICK**
(71) Name(s) and Address(s) of Applicant(s):
The Procter & Gamble Company
One Procter & Gamble Plaza Cincinnati Ohio 45202 United States of America
(72) Name(s) of Designer(s): **Andrea Marie Subler**
(45) Registration Date: **18 April 2011**
(30) Convention priority data:
(31) Number (32) Date (33) Country
29/375,519 23 Sep 2010 UNITED STATES OF AMERICA
(56) Related Art Documents: **Not Applicable**
(57) Statement of Newness and Distinctiveness: **Those features of the packaging container with surface ornamentation depicted in the representations that are new and distinctive are the shape and/or configuration. The features shown in broken lines are not part of the design and are to be disregarded when considering the overall impression of the design.**



- (21) Design Number: **11272/2011**
(22) Date of Filing Application: **23 March 2011**
(24) Date from which industrial property rights may have effect: **23 March 2011**
(54) Product in respect of which the design is registered: **Packaging container with surface ornamentation**
(51) International Design Classification: **09-03M**
(74) Name(s) of Attorney(s): **PHILLIPS ORMONDE FITZPATRICK**
(71) Name(s) and Address(s) of Applicant(s):
The Procter & Gamble Company
One Procter & Gamble Plaza Cincinnati Ohio 45202 United States of America
(72) Name(s) of Designer(s): **Andrea Marie Subler**
(45) Registration Date: **18 April 2011**
(30) Convention priority data:
(31) Number (32) Date (33) Country
29/375,519 23 Sep 2010 UNITED STATES OF AMERICA
(56) Related Art Documents: **Not Applicable**
(57) Statement of Newness and Distinctiveness: **Those features of the packaging container with surface ornamentation depicted in the representations that are new and distinctive are the shape and/or configuration. The features shown in broken lines are not part of the design and are to be disregarded when considering the overall impression of the design.**



- (21) Design Number: **11273/2011**
(22) Date of Filing Application: **23 March 2011**
(24) Date from which industrial property rights may have effect: **23 March 2011**
(54) Product in respect of which the design is registered: **Packaging container with surface ornamentation**
(51) International Design Classification: **09-03M**
(74) Name(s) of Attorney(s): **PHILLIPS ORMONDE FITZPATRICK**
(71) Name(s) and Address(s) of Applicant(s):
The Procter & Gamble Company
One Procter & Gamble Plaza Cincinnati Ohio 45202 United States of America
(72) Name(s) of Designer(s): **Andrea Marie Subler**
(45) Registration Date: **18 April 2011**
(30) Convention priority data:
(31) Number (32) Date (33) Country
29/375,519 23 Sep 2010 UNITED STATES OF AMERICA
(56) Related Art Documents: **Not Applicable**
(57) Statement of Newness and Distinctiveness: **Those features of the packaging container with surface ornamentation depicted in the representations that are new and distinctive are the shape and/or configuration. The features shown in broken lines are not part of the design and are to be disregarded when considering the overall impression of the design.**



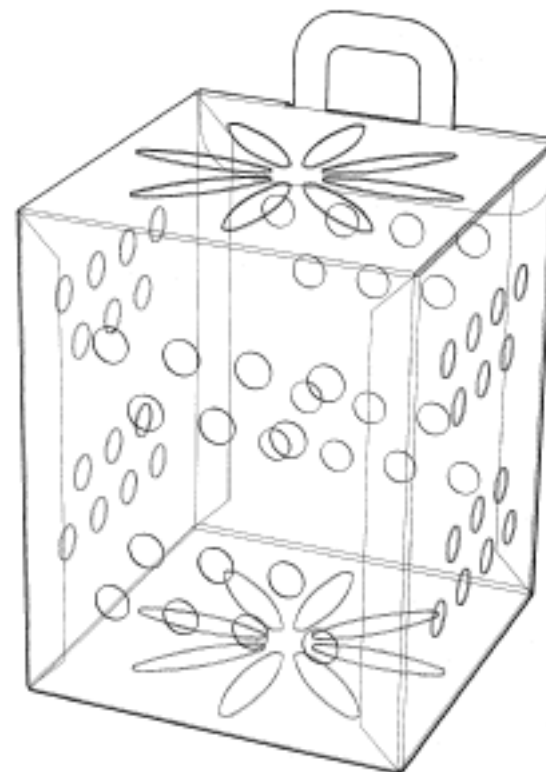
(19) AU

- (21) Design Number: **11188/2011**
(22) Date of Filing Application: **21 March 2011**
(24) Date from which industrial property rights may have effect: **21 March 2011**
(54) Product in respect of which the design is registered: **Wheel for vehicle**
(51) International Design Classification: **12-16A**
(74) Name(s) of Attorney(s): **SPRUSON & FERGUSON**
(71) Name(s) and Address(s) of Applicant(s):
Daimler AG
Mercedesstrasse 137 D-70327 Stuttgart Germany
(72) Name(s) of Designer(s): **Bernhard Hans and Kai Hilpert**
(45) Registration Date: **18 April 2011**
(30) Convention priority data:
(31) Number (32) Date (33) Country
001762154-0006 01 Oct 2010 EUROPEAN COMMUNITY
(56) Related Art Documents: **Not Applicable**
(57) Statement of Newness and Distinctiveness: **Newness and distinctiveness is claimed in the features of shape and/or configuration of a wheel for vehicle as illustrated in the accompanying representations.**

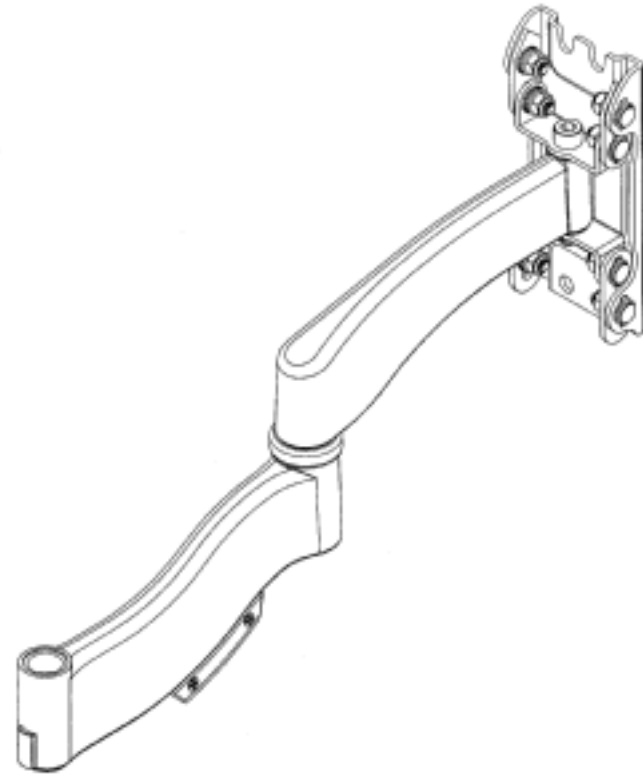


(19) AU

- (21) Design Number: **11040/2011**
(22) Date of Filing Application: **10 March 2011**
(24) Date from which industrial property rights may have effect: **10 March 2011**
(54) Product in respect of which the design is registered: **Packaging**
(51) International Design Classification: **09-03NES**
(74) Name(s) of Attorney(s): **FB Rice**
(71) Name(s) and Address(s) of Applicant(s):
Holman Fresh Pty Ltd
6/2 Sommerville Road Yarraville Victoria 3013 Australia
(72) Name(s) of Designer(s): **Gerome Raco**
(45) Registration Date: **20 April 2011**
(56) Related Art Documents: **Not Applicable**
(57) Statement of Newness and Distinctiveness: **Newness and distinctiveness reside in each feature of the design considered separately or in combination with any other feature or features.**



(21) Design Number: **11289/2011**
(22) Date of Filing Application: **25 March 2011**
(24) Date from which industrial property rights may have effect: **25 March 2011**
(54) Product in respect of which the design is registered: **Display wall mount**
(51) International Design Classification: **08-08D**
(74) Name(s) of Attorney(s):
(71) Name(s) and Address(s) of Applicant(s):
Ming-Hsien Huang
27F-3 No. 26 Lane 28 Long'an Road Xizhi District New Taipei City 22167
Taiwan
(72) Name(s) of Designer(s): **Ming-Hsien Huang**
(45) Registration Date: **20 April 2011**
(56) Related Art Documents: **Not Applicable**
(57) Statement of Newness and Distinctiveness: **Nil**



(21) Design Number: **10690/2011**
(22) Date of Filing Application: **22 February 2011**
(24) Date from which industrial property rights may have effect: **22 February 2011**
(54) Product in respect of which the design is registered: **Bottle**
(51) International Design Classification: **09-01NES**
(74) Name(s) of Attorney(s): **Blake Dawson**
(71) Name(s) and Address(s) of Applicant(s):
Coca-Cola Amatil (Aust) Pty Limited
Level 14 40 Mount Street North Sydney New South Wales 2060 Australia
(72) Name(s) of Designer(s): **Craig Walker**
(45) Registration Date: **20 April 2011**
(56) Related Art Documents: **Not Applicable**
(57) Statement of Newness and Distinctiveness: **Nil**



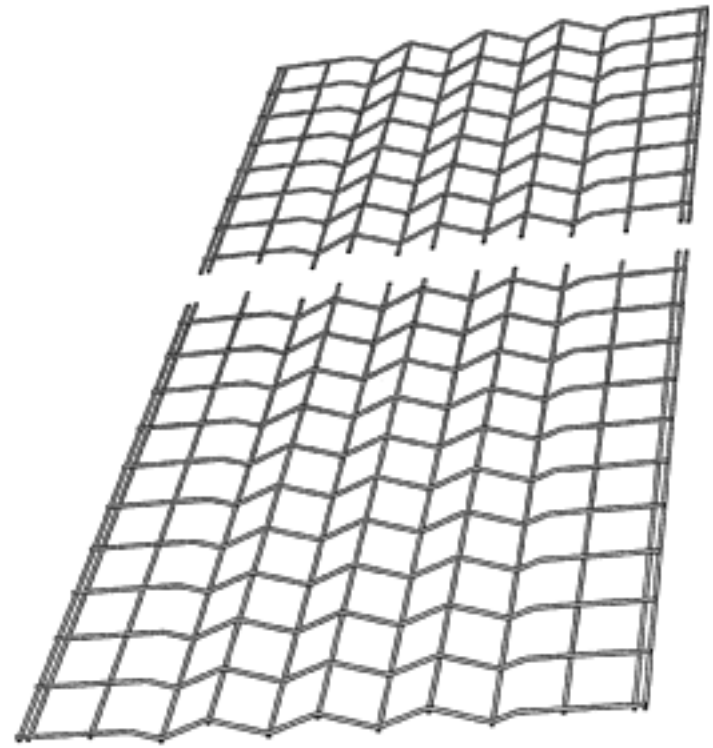
(21) Design Number: **10691/2011**
(22) Date of Filing Application: **22 February 2011**
(24) Date from which industrial property rights may have effect: **22 February 2011**
(54) Product in respect of which the design is registered: **Bottle**
(51) International Design Classification: **09-01NES**
(74) Name(s) of Attorney(s): **Blake Dawson**
(71) Name(s) and Address(s) of Applicant(s):
Coca-Cola Amatil (Aust) Pty Limited
Level 14 40 Mount Street North Sydney New South Wales 2060 Australia
(72) Name(s) of Designer(s): **Craig Walker**
(45) Registration Date: **20 April 2011**
(56) Related Art Documents: **Not Applicable**
(57) Statement of Newness and Distinctiveness: **Nil**



(21) Design Number: **11190/2011**
(22) Date of Filing Application: **22 March 2011**
(24) Date from which industrial property rights may have effect: **22 March 2011**
(54) Product in respect of which the design is registered: **Elbow guide bracket**
(51) International Design Classification: **25-02H**
(74) Name(s) of Attorney(s):
(71) Name(s) and Address(s) of Applicant(s):
Brightcape Sales Pty Ltd
Factory 3 20 Hutchinson Street Burleigh Heads Queensland 4220
Australia
(72) Name(s) of Designer(s): **Damien Widdy**
(45) Registration Date: **20 April 2011**
(56) Related Art Documents: **Not Applicable**
(57) Statement of Newness and Distinctiveness: **This shape and design combined with other compatible components provides a universal awning guide.**



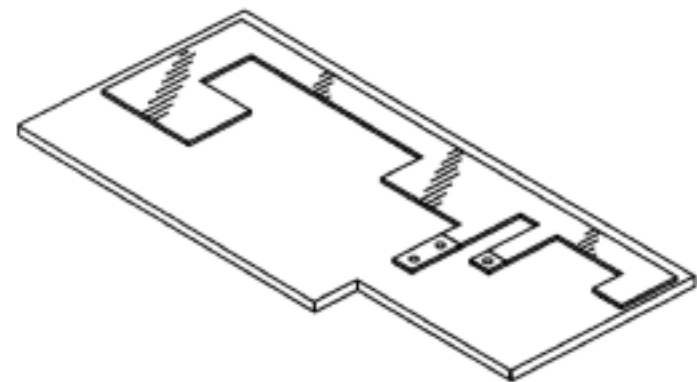
(21) Design Number: **11589/2011**
(22) Date of Filing Application: **13 April 2011**
(24) Date from which industrial property rights may have effect: **13 April 2011**
(54) Product in respect of which the design is registered: **Mine roof mesh**
(51) International Design Classification: **25-02C**
(74) Name(s) of Attorney(s): **WALLINGTON-DUMMER**
(71) Name(s) and Address(s) of Applicant(s):
Angas Industrial Pty Ltd
11 Angas Street Meadowbank New South Wales 2114 Australia
(72) Name(s) of Designer(s): **Alister Matthew Kennard**
(45) Registration Date: **20 April 2011**
(56) Related Art Documents: **Not Applicable**
(57) Statement of Newness and Distinctiveness: **Nil**



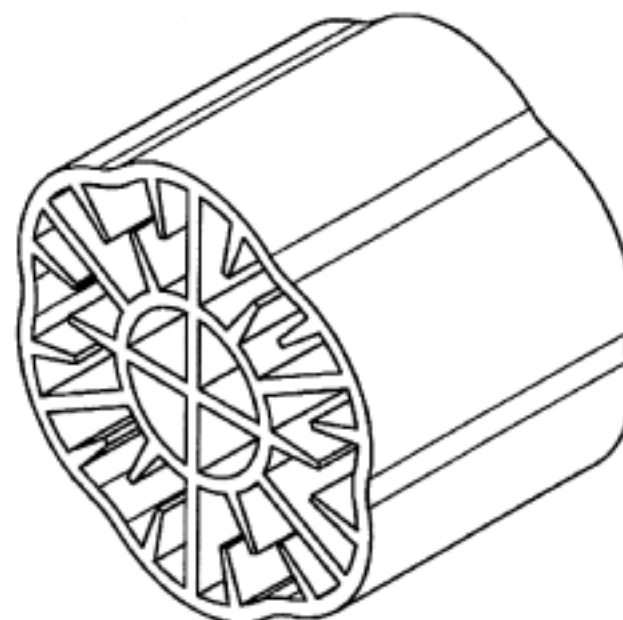
(21) Design Number: **11048/2011**
(22) Date of Filing Application: **09 March 2011**
(24) Date from which industrial property rights may have effect: **09 March 2011**
(54) Product in respect of which the design is registered: **Antenna**
(51) International Design Classification: **14-03NES**
(74) Name(s) of Attorney(s): **WATERMARK PATENT AND TRADE MARKS ATTORNEYS**
(71) Name(s) and Address(s) of Applicant(s):
World Products, LLC
19654 Eighth Street East Sonoma California 95476 United States of America
(72) Name(s) of Designer(s): **Bharadvaj R. Podduturi**
(45) Registration Date: **19 April 2011**
(30) Convention priority data:

(31) Number	(32) Date	(33) Country
29/369,653	10 Sep 2010	UNITED STATES OF AMERICA

(56) Related Art Documents: **Not Applicable**
(57) Statement of Newness and Distinctiveness: **Nil**



(21) Design Number: **11256/2011**
(22) Date of Filing Application: **23 March 2011**
(24) Date from which industrial property rights may have effect: **23 March 2011**
(54) Product in respect of which the design is registered: **Moving bed biofilm reactor media**
(51) International Design Classification: **23-01G**
(74) Name(s) of Attorney(s): **Shelston IP**
(71) Name(s) and Address(s) of Applicant(s):
Siemens Water Technologies Corp.
181 Thorn Hill Road Warrendale Pennsylvania 15086 United States of America
(72) Name(s) of Designer(s): **Todd Schwingle and Michael Casey Whittier and Colin McKean**
(45) Registration Date: **19 April 2011**
(30) Convention priority data:
(31) Number (32) Date (33) Country
29/375846 28 Sep 2010 UNITED STATES OF AMERICA
(56) Related Art Documents: **Not Applicable**
(57) Statement of Newness and Distinctiveness: **Newness and distinctiveness resides in the features of shape and/or configuration of the MOVING BED BIOFILM REACTOR MEDIA shown in the accompanying representations.**



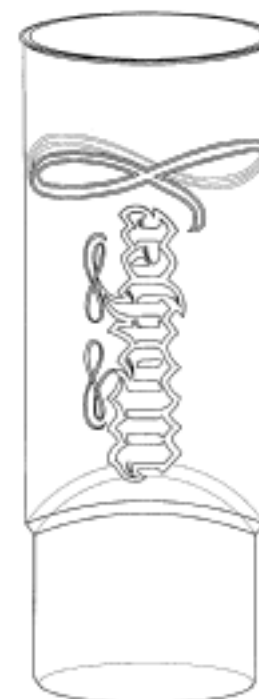
(21) Design Number: **11420/2011**
(22) Date of Filing Application: **01 April 2011**
(24) Date from which industrial property rights may have effect: **01 April 2011**
(54) Product in respect of which the design is registered: **Height safety anchor point**
(51) International Design Classification: **08-08NES**
(74) Name(s) of Attorney(s):
(71) Name(s) and Address(s) of Applicant(s):
Malcolm Buckland
58-64 Parkes Road Condobolin New South Wales 2877 Australia
(72) Name(s) of Designer(s): **Malcolm Buckland**
(45) Registration Date: **19 April 2011**
(56) Related Art Documents: **Not Applicable**
(57) Statement of Newness and Distinctiveness: **Nil**



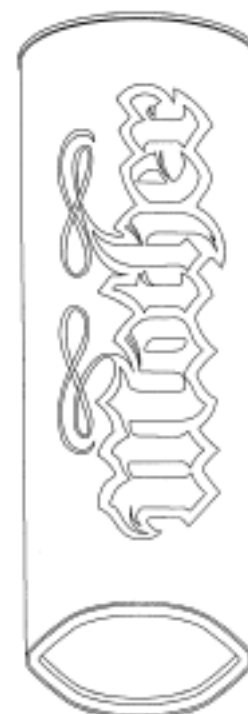
- (21) Design Number: **10737/2011**
(22) Date of Filing Application: **25 February 2011**
(24) Date from which industrial property rights may have effect: **25 February 2011**
(54) Product in respect of which the design is registered: **Container**
(51) International Design Classification: **07-01F**
(74) Name(s) of Attorney(s): **Davies Collison Cave**
(71) Name(s) and Address(s) of Applicant(s):
Visy R & D Pty Ltd
Level 11 2 Southbank Boulevard Southbank Victoria 3006 Australia
(72) Name(s) of Designer(s): **Alan Flude**
(45) Registration Date: **20 April 2011**
(56) Related Art Documents: **Not Applicable**
(57) Statement of Newness and Distinctiveness: **The features of shape and configuration of the transparent container shown in the accompanying representations are considered to be new and distinctive.**



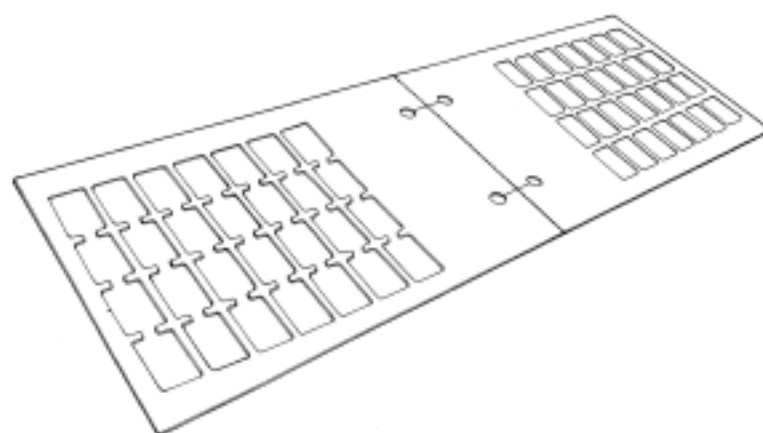
- (21) Design Number: **10801/2011**
(22) Date of Filing Application: **02 March 2011**
(24) Date from which industrial property rights may have effect: **02 March 2011**
(54) Product in respect of which the design is registered: **Container**
(51) International Design Classification: **07-01F**
(74) Name(s) of Attorney(s): **Davies Collison Cave**
(71) Name(s) and Address(s) of Applicant(s):
Visy R & D Pty Ltd
Level 11 2 Southbank Boulevard Southbank Victoria 3006 Australia
(72) Name(s) of Designer(s): **Alan Flude**
(45) Registration Date: **20 April 2011**
(56) Related Art Documents: **Not Applicable**
(57) Statement of Newness and Distinctiveness: **The features of shape and configuration of the transparent container shown in the accompanying representations are considered to be new and distinctive.**



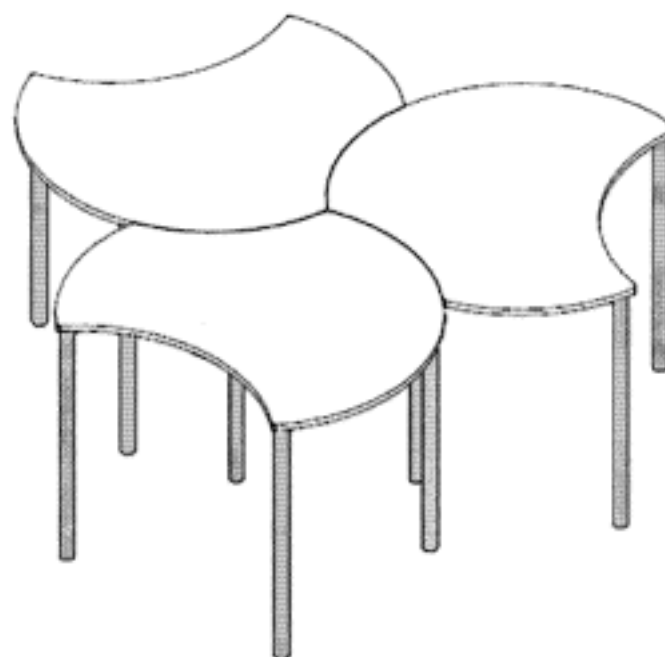
- (21) Design Number: **10802/2011**
(22) Date of Filing Application: **02 March 2011**
(24) Date from which industrial property rights may have effect: **02 March 2011**
(54) Product in respect of which the design is registered: **Container**
(51) International Design Classification: **07-01F**
(74) Name(s) of Attorney(s): **Davies Collison Cave**
(71) Name(s) and Address(s) of Applicant(s):
Visy R & D Pty Ltd
Level 11 2 Southbank Boulevard Southbank Victoria 3006 Australia
(72) Name(s) of Designer(s): **Alan Flude**
(45) Registration Date: **20 April 2011**
(56) Related Art Documents: **Not Applicable**
(57) Statement of Newness and Distinctiveness: **The features of shape and configuration of the container shown in the accompanying representations are considered to be new and distinctive.**



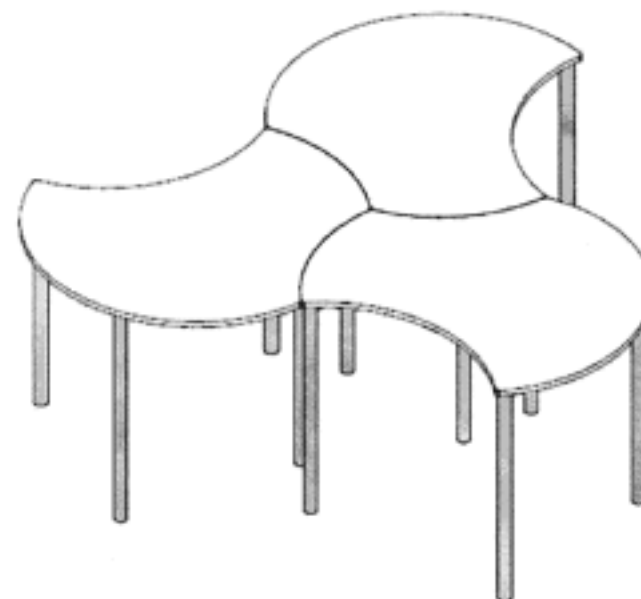
- (21) Design Number: **11332/2011**
(22) Date of Filing Application: **29 March 2011**
(24) Date from which industrial property rights may have effect: **29 March 2011**
(54) Product in respect of which the design is registered: **A stiffening card for a blister sheet**
(51) International Design Classification: **09-05**
(74) Name(s) of Attorney(s): **H J Rantzen**
(71) Name(s) and Address(s) of Applicant(s):
Manrex Pty. Ltd.
17-19 Moore Street Leichhardt New South Wales 2040 Australia
(72) Name(s) of Designer(s): **Gerard Stevens**
(45) Registration Date: **20 April 2011**
(56) Related Art Documents: **Not Applicable**
(57) Statement of Newness and Distinctiveness: **Nil**



- (21) Design Number: **11463/2011**
(22) Date of Filing Application: **06 April 2011**
(24) Date from which industrial property rights may have effect: **06 April 2011**
(54) Product in respect of which the design is registered: **Irregular table top combination**
(51) International Design Classification: **06-03B**
(74) Name(s) of Attorney(s): **Macpherson + Kelley**
(71) Name(s) and Address(s) of Applicant(s):
Woods Furniture Pty Ltd
564 Geelong Road Brooklyn Victoria 3012 Australia
(72) Name(s) of Designer(s): **James Setters**
(45) Registration Date: **20 April 2011**
(56) Related Art Documents: **Not Applicable**
(57) Statement of Newness and Distinctiveness: **Monopoly is claimed in the features of shape and/or configuration of the combination of table tops illustrated in the accompanying images. The shaded frame and table legs shown in the representations form no part of the design.**



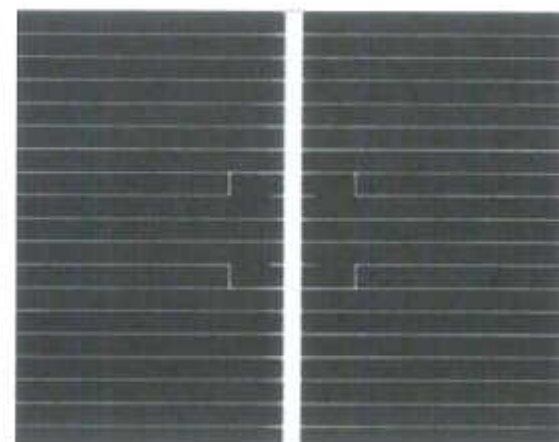
- (21) Design Number: **11464/2011**
(22) Date of Filing Application: **06 April 2011**
(24) Date from which industrial property rights may have effect: **06 April 2011**
(54) Product in respect of which the design is registered: **Irregular table top combination**
(51) International Design Classification: **06-03B**
(74) Name(s) of Attorney(s): **Macpherson + Kelley**
(71) Name(s) and Address(s) of Applicant(s):
Woods Furniture Pty Ltd
564 Geelong Road Brooklyn Victoria 3012 Australia
(72) Name(s) of Designer(s): **James Setters**
(45) Registration Date: **20 April 2011**
(56) Related Art Documents: **Not Applicable**
(57) Statement of Newness and Distinctiveness: **Monopoly is claimed in the features of shape and/or configuration of the combination of table tops illustrated in the accompanying images. The shaded frame and table legs shown in the representations form no part of the design.**



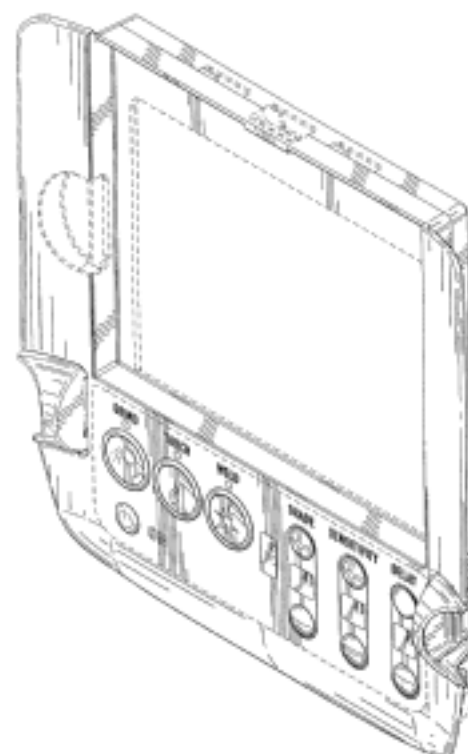
- (21) Design Number: **11465/2011**
(22) Date of Filing Application: **06 April 2011**
(24) Date from which industrial property rights may have effect: **06 April 2011**
(54) Product in respect of which the design is registered: **Curved table top combination**
(51) International Design Classification: **06-03B**
(74) Name(s) of Attorney(s): **Macpherson + Kelley**
(71) Name(s) and Address(s) of Applicant(s):
Woods Furniture Pty Ltd
564 Geelong Road Brooklyn Victoria 3012 Australia
(72) Name(s) of Designer(s): **James Setters**
(45) Registration Date: **20 April 2011**
(56) Related Art Documents: **Not Applicable**
(57) Statement of Newness and Distinctiveness: **Monopoly is claimed in the features of shape and/or configuration of the combination of table tops illustrated in the accompanying images. The shaded frame and table legs shown in the representations form no part of the design.**



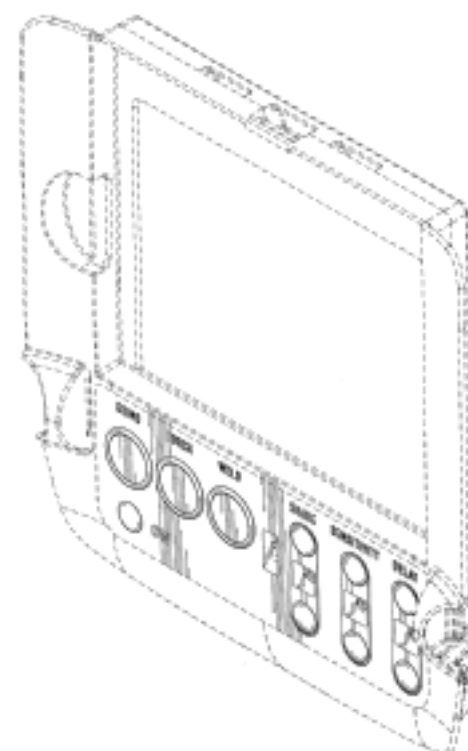
- (21) Design Number: **11181/2011**
(22) Date of Filing Application: **21 March 2011**
(24) Date from which industrial property rights may have effect: **21 March 2011**
(54) Product in respect of which the design is registered: **Solar cell**
(51) International Design Classification: **13-99**
(74) Name(s) of Attorney(s): **Halfords IP**
(71) Name(s) and Address(s) of Applicant(s):
Q-Cells SE
Sonnenallee 17-21 OT Thalheim 06766 Bitterfeld-Wolfen Germany
(72) Name(s) of Designer(s): **Bjorn Faulwetter-Quandt and Sven Wanka**
(45) Registration Date: **20 April 2011**
(56) Related Art Documents: **Not Applicable**
(57) Statement of Newness and Distinctiveness: **Newness and distinctiveness is claimed in the electrode pattern of the solar cell.**



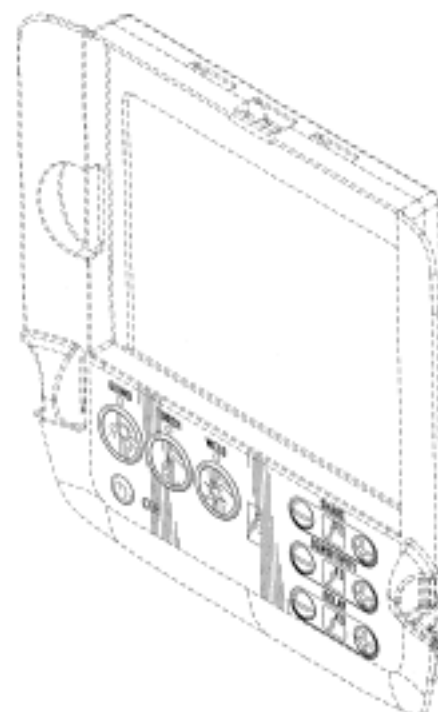
- (21) Design Number: **11291/2011**
(22) Date of Filing Application: **24 March 2011**
(24) Date from which industrial property rights may have effect: **24 March 2011**
(54) Product in respect of which the design is registered: **Welding auto-darkening filter assembly**
(51) International Design Classification: **15-09**
(74) Name(s) of Attorney(s): **Freehills Patent & Trade Mark Attorneys**
(71) Name(s) and Address(s) of Applicant(s):
Kimberly-Clark Worldwide, Inc.
2300 Winchester Road Neenah Wisconsin 54956 United States of America
(72) Name(s) of Designer(s): **Matrice Brown Jackson and Alice Susan Gordon and Kristy Jo Giebe and Russell J. Kroll and Mark A. Kruse and Benjamin D. Stephens and Robert J. Henshaw and Philip D. Palermo**
(45) Registration Date: **20 April 2011**
(30) Convention priority data:
(31) Number (32) Date (33) Country
29/377776 26 Oct 2010 UNITED STATES OF AMERICA
(56) Related Art Documents: **Not Applicable**
(57) Statement of Newness and Distinctiveness: **Newness and distinctiveness in the design resides in the features of the welding auto-darkening filter assembly that are shown in solid lines in the accompanying representations.**



- (21) Design Number: **11292/2011**
(22) Date of Filing Application: **24 March 2011**
(24) Date from which industrial property rights may have effect: **24 March 2011**
(54) Product in respect of which the design is registered: **Welding auto-darkening filter assembly**
(51) International Design Classification: **15-09**
(74) Name(s) of Attorney(s): **Freehills Patent & Trade Mark Attorneys**
(71) Name(s) and Address(s) of Applicant(s):
Kimberly-Clark Worldwide, Inc.
2300 Winchester Road Neenah Wisconsin 54956 United States of America
(72) Name(s) of Designer(s): **Matrice Brown Jackson and Alice Susan Gordon and Kristy Jo Giebe and Russell J. Kroll and Mark A. Kruse and Benjamin D. Stephens and Robert J. Henshaw and Philip D. Palermo**
(45) Registration Date: **20 April 2011**
(30) Convention priority data:
(31) Number (32) Date (33) Country
29/377783 26 Oct 2010 UNITED STATES OF AMERICA
(56) Related Art Documents: **Not Applicable**
(57) Statement of Newness and Distinctiveness: **Newness and distinctiveness in the design resides in the features on the front of the welding auto-darkening filter assembly that are shown in solid lines in the accompanying representations.**



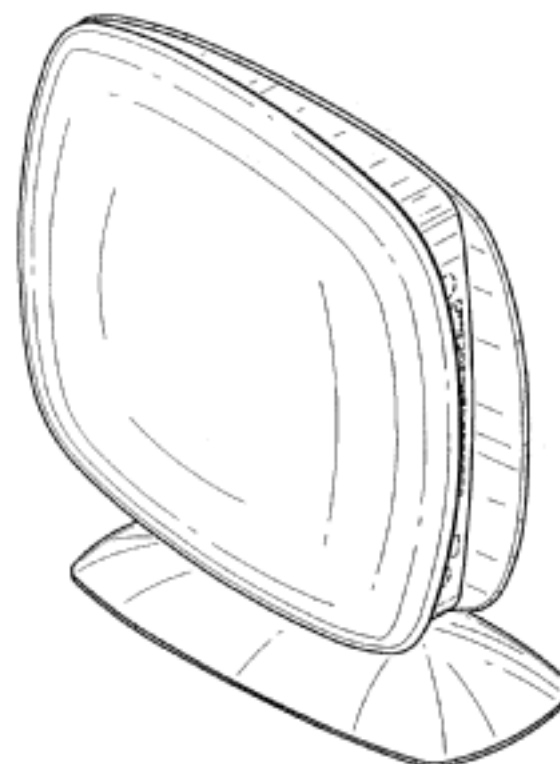
- (21) Design Number: **11293/2011**
(22) Date of Filing Application: **24 March 2011**
(24) Date from which industrial property rights may have effect: **24 March 2011**
(54) Product in respect of which the design is registered: **Welding auto-darkening filter assembly**
(51) International Design Classification: **15-09**
(74) Name(s) of Attorney(s): **Freehills Patent & Trade Mark Attorneys**
(71) Name(s) and Address(s) of Applicant(s):
Kimberly-Clark Worldwide, Inc.
2300 Winchester Road Neenah Wisconsin 54956 United States of America
(72) Name(s) of Designer(s): **Matrice Brown Jackson and Alice Susan Gordon and Kristy Jo Giebe and Russell J. Kroll and Mark A. Kruse and Benjamin D. Stephens and Robert J. Henshaw and Philip D. Palermo**
(45) Registration Date: **20 April 2011**
(30) Convention priority data:
(31) Number (32) Date (33) Country
29/377787 26 Oct 2010 UNITED STATES OF AMERICA
(56) Related Art Documents: **Not Applicable**
(57) Statement of Newness and Distinctiveness: **Newness and distinctiveness in the design resides in the features on the front of the welding auto-darkening filter assembly that are shown in solid lines in the accompanying representations.**



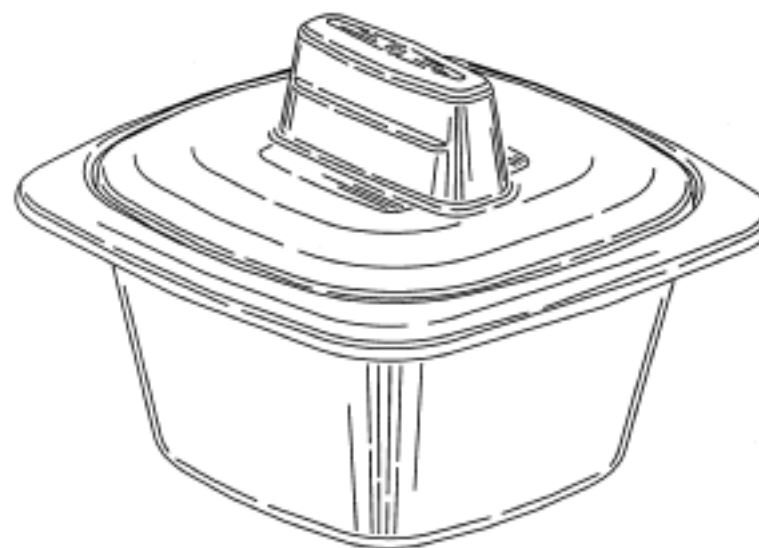
- (21) Design Number: **11294/2011**
(22) Date of Filing Application: **24 March 2011**
(24) Date from which industrial property rights may have effect: **24 March 2011**
(54) Product in respect of which the design is registered: **Receiver enclosure**
(51) International Design Classification: **14-03NES**
(74) Name(s) of Attorney(s): **SPRUSON & FERGUSON**
(71) Name(s) and Address(s) of Applicant(s):
Belkin International, Inc.
12045 East Waterfront Drive Playa Vista California 90094 United States of America
(72) Name(s) of Designer(s): **Yuji Ikeda and Avery Holleman and Abraham Camacho and Thorben Neu and Ernesto Victor Quinteros and Zachary Rapoport**
(45) Registration Date: **20 April 2011**
(30) Convention priority data:
(31) Number (32) Date (33) Country
29/375652 24 Sep 2010 UNITED STATES OF AMERICA
(56) Related Art Documents: **Not Applicable**
(57) Statement of Newness and Distinctiveness: **Newness and distinctiveness is claimed in the features of shape and/or configuration of a receiver enclosure as illustrated in continuous lines in the accompanying representations.**



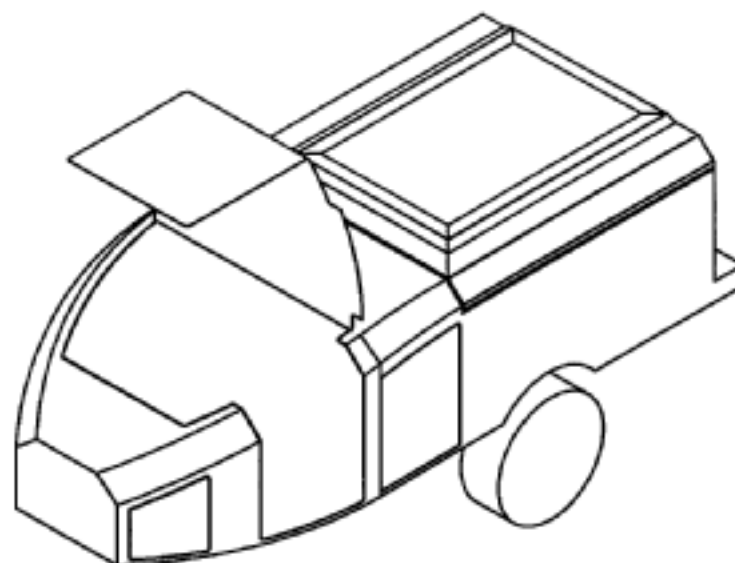
- (21) Design Number: **11295/2011**
(22) Date of Filing Application: **24 March 2011**
(24) Date from which industrial property rights may have effect: **24 March 2011**
(54) Product in respect of which the design is registered: **Router**
(51) International Design Classification: **14-03NES**
(74) Name(s) of Attorney(s): **SPRUSON & FERGUSON**
(71) Name(s) and Address(s) of Applicant(s):
Belkin International, Inc.
12045 East Waterfront Drive Playa Vista California 90094 United States of America
(72) Name(s) of Designer(s): **Yuji Ikeda and Avery Holleman and Abraham Camacho and Michael E. Wick and Ernesto Victor Quinteros and Oliver Duncan Seil and John F. Wadsworth and Thorben Neu**
(45) Registration Date: **20 April 2011**
(30) Convention priority data:
(31) Number (32) Date (33) Country
29/375650 24 Sep 2010 UNITED STATES OF AMERICA
(56) Related Art Documents: **Not Applicable**
(57) Statement of Newness and Distinctiveness: **Newness and distinctiveness is claimed in the features of shape and/or configuration of a router as illustrated in continuous lines in the accompanying representations.**



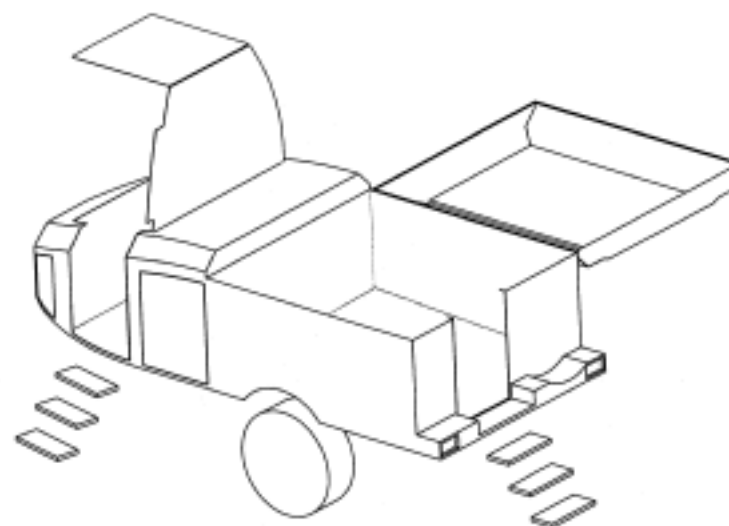
- (21) Design Number: **11296/2011**
(22) Date of Filing Application: **24 March 2011**
(24) Date from which industrial property rights may have effect: **24 March 2011**
(54) Product in respect of which the design is registered: **Covered baking container**
(51) International Design Classification: **07-02N, 07-02NES**
(74) Name(s) of Attorney(s): **PHILLIPS ORMONDE FITZPATRICK**
(71) Name(s) and Address(s) of Applicant(s):
Dart Industries Inc.
14901 S. Orange Blossom Trail Orlando Florida 32837 United States of America
(72) Name(s) of Designer(s): **Jan-Hendrik De Groote**
(45) Registration Date: **20 April 2011**
(30) Convention priority data:
(31) Number (32) Date (33) Country
29/372,100 15 Oct 2010 UNITED STATES OF AMERICA
(56) Related Art Documents: **Not Applicable**
(57) Statement of Newness and Distinctiveness: **Those features of the covered baking container depicted in the representations that are new and distinctive are the shape and/or configuration.**



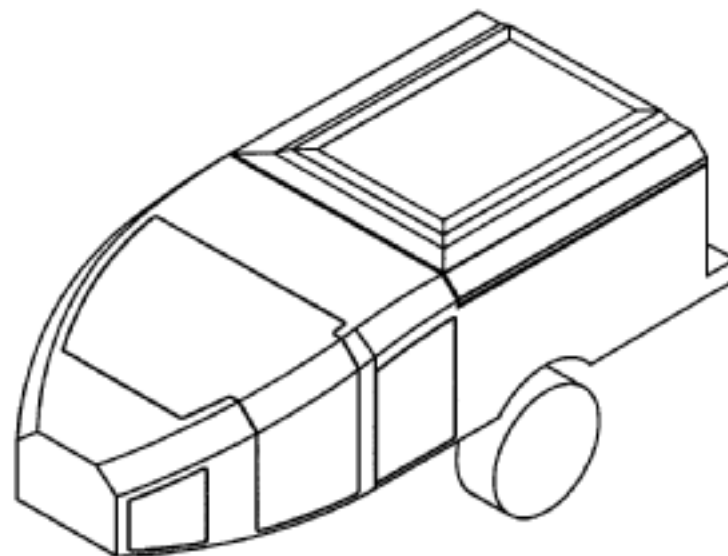
- (21) Design Number: **11456/2011**
(22) Date of Filing Application: **06 April 2011**
(24) Date from which industrial property rights may have effect: **06 April 2011**
(54) Product in respect of which the design is registered: **Camper trailer**
(51) International Design Classification: **12-10**
(74) Name(s) of Attorney(s):
(71) Name(s) and Address(s) of Applicant(s):
Kanyana Engineering Pty Ltd
20 Hampton Street Mandurah Western Australia 6210 Australia
(72) Name(s) of Designer(s): **Graham Lloyd Dawe**
(45) Registration Date: **20 April 2011**
(56) Related Art Documents: **Not Applicable**
(57) Statement of Newness and Distinctiveness: **Newness and distinctiveness resides in the features of shape, configuration, pattern and ornamentation of the closable/openable roof hatch to camper trailer front room (bathroom) shown in Figures 1A, 1B and 1C.**



- (21) Design Number: **11457/2011**
(22) Date of Filing Application: **06 April 2011**
(24) Date from which industrial property rights may have effect: **06 April 2011**
(54) Product in respect of which the design is registered: **Camper trailer**
(51) International Design Classification: **12-10**
(74) Name(s) of Attorney(s):
(71) Name(s) and Address(s) of Applicant(s):
Kanyana Engineering Pty Ltd
20 Hampton Street Mandurah Western Australia 6210 Australia
(72) Name(s) of Designer(s): **Graham Lloyd Dawe**
(45) Registration Date: **20 April 2011**
(56) Related Art Documents: **Not Applicable**
(57) Statement of Newness and Distinctiveness: **Newness and distinctiveness resides in the features of shape, configuration, pattern and ornamentation of the body of the camper trailer with two separate entry rooms on the one camper trailer chassis. Shown in Figure 2A.**



- (21) Design Number: **11458/2011**
- (22) Date of Filing Application: **06 April 2011**
- (24) Date from which industrial property rights may have effect: **06 April 2011**
- (54) Product in respect of which the design is registered: **Camper trailer**
- (51) International Design Classification: **12-10**
- (74) Name(s) of Attorney(s):
- (71) Name(s) and Address(s) of Applicant(s):
Kanyana Engineering Pty Ltd
20 Hampton Street Mandurah Western Australia 6210 Australia
- (72) Name(s) of Designer(s): **Graham Lloyd Dawe**
- (45) Registration Date: **20 April 2011**
- (56) Related Art Documents: **Not Applicable**
- (57) Statement of Newness and Distinctiveness: **Newness and distinctiveness resides in the features of shape, configuration, pattern of the beveled shape along to top side edges of the camper. This beveled edge runs the full distance from front to back shown in Figures 3A, 3B and 3C.**



- (21) Design Number: **11460/2011**
- (22) Date of Filing Application: **06 April 2011**
- (24) Date from which industrial property rights may have effect: **06 April 2011**
- (54) Product in respect of which the design is registered: **Curved table top**
- (51) International Design Classification: **06-03B**
- (74) Name(s) of Attorney(s): **Macpherson + Kelley**
- (71) Name(s) and Address(s) of Applicant(s):
Woods Furniture Pty Ltd
564 Geelong Road Brooklyn Victoria 3012 Australia
- (72) Name(s) of Designer(s): **James Setters**
- (45) Registration Date: **20 April 2011**
- (56) Related Art Documents: **Not Applicable**
- (57) Statement of Newness and Distinctiveness: **Monopoly is claimed in the features of shape and/or configuration of the table top illustrated in the accompanying images. The shaded frame and table legs shown in the representations form no part of the design.**



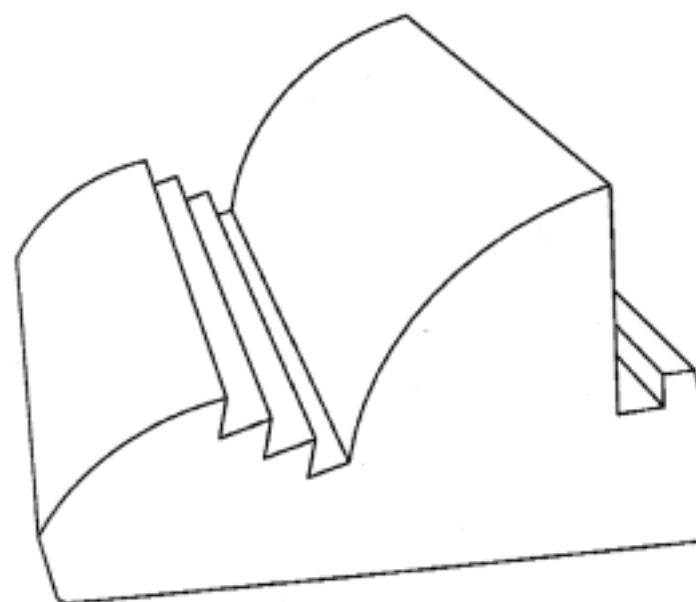
- (21) Design Number: **11461/2011**
(22) Date of Filing Application: **06 April 2011**
(24) Date from which industrial property rights may have effect: **06 April 2011**
(54) Product in respect of which the design is registered: **Irregular table top**
(51) International Design Classification: **06-03B**
(74) Name(s) of Attorney(s): **Macpherson + Kelley**
(71) Name(s) and Address(s) of Applicant(s):
Woods Furniture Pty Ltd
564 Geelong Road Brooklyn Victoria 3012 Australia
(72) Name(s) of Designer(s): **James Setters**
(45) Registration Date: **20 April 2011**
(56) Related Art Documents: **Not Applicable**
(57) Statement of Newness and Distinctiveness: **Monopoly is claimed in the features of shape and/or configuration of the table top illustrated in the accompanying images. The shaded frame and table legs shown in the representations form no part of the design.**



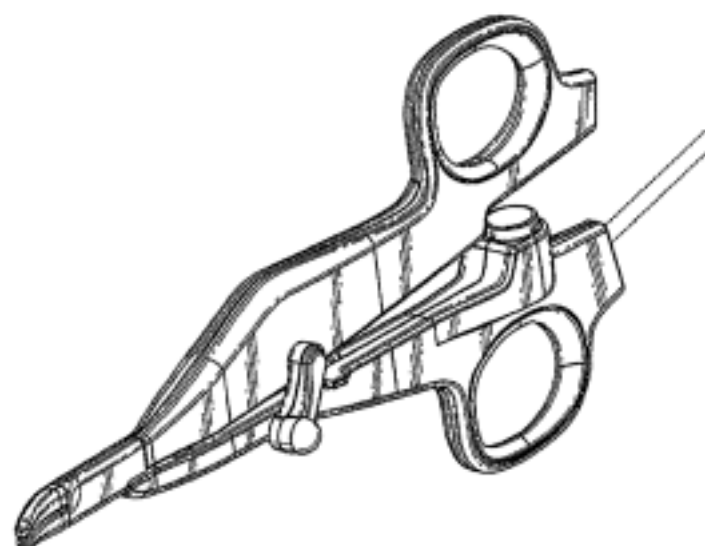
- (21) Design Number: **11462/2011**
(22) Date of Filing Application: **06 April 2011**
(24) Date from which industrial property rights may have effect: **06 April 2011**
(54) Product in respect of which the design is registered: **Curved table top combination**
(51) International Design Classification: **06-03B**
(74) Name(s) of Attorney(s): **Macpherson + Kelley**
(71) Name(s) and Address(s) of Applicant(s):
Woods Furniture Pty Ltd
564 Geelong Road Brooklyn Victoria 3012 Australia
(72) Name(s) of Designer(s): **James Setters**
(45) Registration Date: **20 April 2011**
(56) Related Art Documents: **Not Applicable**
(57) Statement of Newness and Distinctiveness: **Monopoly is claimed in the features of shape and/or configuration of the combination of table tops illustrated in the accompanying images. The shaded frame and table legs shown in the representations form no part of the design.**



(21) Design Number: **11328/2011**
(22) Date of Filing Application: **25 March 2011**
(24) Date from which industrial property rights may have effect: **25 March 2011**
(54) Product in respect of which the design is registered: **Computing accessory**
(51) International Design Classification: **14-02**
(74) Name(s) of Attorney(s):
(71) Name(s) and Address(s) of Applicant(s):
David Peter Bolliger
9/140 Hastings Parade North Bondi New South Wales 2026 Australia
(72) Name(s) of Designer(s): **David Peter Bolliger**
(45) Registration Date: **20 April 2011**
(56) Related Art Documents: **Not Applicable**
(57) Statement of Newness and Distinctiveness: **Newness and distinctiveness resides in the features of shape and configuration shown in the accompanying representations, irrespective of colour, surface ornamentation or penetrations.**



(21) Design Number: **11358/2011**
(22) Date of Filing Application: **29 March 2011**
(24) Date from which industrial property rights may have effect: **29 March 2011**
(54) Product in respect of which the design is registered: **Open vessel sealing forceps**
(51) International Design Classification: **24-02**
(74) Name(s) of Attorney(s): **SPRUSON & FERGUSON**
(71) Name(s) and Address(s) of Applicant(s):
Tyco Healthcare Group, LP
C/- Covidien Energy-based Devices 5920 Longbow Drive Boulder
Colorado 80301 United States of America
(72) Name(s) of Designer(s): **Tony Moua and Thomas Meiser and Ryan C. Artale and Luke Waaler and Robert M. Sharp and Mark J. Huseman and Jeffrey M. Roy and Roland Jeffrey Wyatt and Dylan R. Kingsley and Cynthia M. Perry and Andrew P. Roussell and Meghan Collins Long**
(45) Registration Date: **20 April 2011**
(30) Convention priority data:
(31) Number (32) Date (33) Country
29/376124 01 Oct 2010 UNITED STATES OF AMERICA
(56) Related Art Documents: **Not Applicable**
(57) Statement of Newness and Distinctiveness: **Newness and distinctiveness is claimed in the features of shape and/or configuration of an open vessel sealing forceps as illustrated in the accompanying representations.**



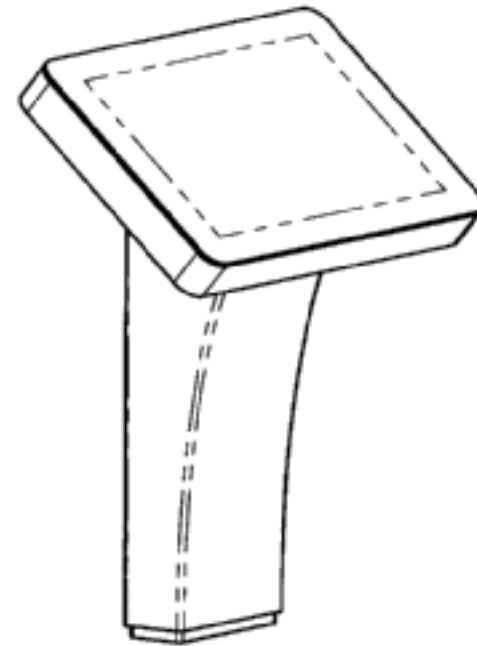
(21) Design Number: **11372/2011**
(22) Date of Filing Application: **30 March 2011**
(24) Date from which industrial property rights may have effect: **30 March 2011**
(54) Product in respect of which the design is registered: **Cap for a container**
(51) International Design Classification: **09-07B**
(74) Name(s) of Attorney(s): **FB Rice**
(71) Name(s) and Address(s) of Applicant(s):
Colgate-Palmolive Company
300 Park Avenue New York New York 10022 United States of America
(72) Name(s) of Designer(s): **Bruce Cummings and Jason Campbell**
(45) Registration Date: **20 April 2011**
(30) Convention priority data:
(31) Number (32) Date (33) Country
29/378219 01 Nov 2010 UNITED STATES OF AMERICA
(56) Related Art Documents: **Not Applicable**
(57) Statement of Newness and Distinctiveness: **Newness and distinctiveness reside in the features of the cap for a container shown in solid lines in the representations excluding those features shown in broken lines.**



(21) Design Number: **11419/2011**
(22) Date of Filing Application: **31 March 2011**
(24) Date from which industrial property rights may have effect: **31 March 2011**
(54) Product in respect of which the design is registered: **Combination carrying pack and blanket and pillow**
(51) International Design Classification: **03-01A**
(74) Name(s) of Attorney(s): **Shelston IP**
(71) Name(s) and Address(s) of Applicant(s):
David Bret Sternlight
22339 Hart Street Canoga Park California 91303 United States of America
Kyna Rose Sternlight
22339 Hart Street Canoga Park California 91303 United States of America
(72) Name(s) of Designer(s): **David Bret Sternlight and Kyna Rose Sternlight**
(45) Registration Date: **20 April 2011**
(30) Convention priority data:
(31) Number (32) Date (33) Country
29/379536 19 Nov 2010 UNITED STATES OF AMERICA
(56) Related Art Documents: **Not Applicable**
(57) Statement of Newness and Distinctiveness: **Newness and distinctiveness reside in the features of shape and/or configuration of a combination carrying pack and blanket and pillow as illustrated in solid lines in the accompanying representations. The elements shown in broken lines are for the purpose of illustrating the way the product may be used and do not form part of the design.**



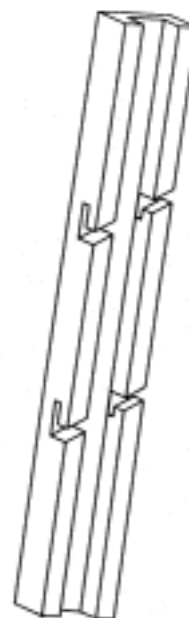
- (21) Design Number: **13729/2010**
(22) Date of Filing Application: **26 August 2010**
(24) Date from which industrial property rights may have effect: **26 August 2010**
(54) Product in respect of which the design is registered: **Electronic kiosk;
directory**
(51) International Design Classification: **20-03NES**
(74) Name(s) of Attorney(s):
(71) Name(s) and Address(s) of Applicant(s):
Abuzz Solutions Pty Ltd
267 Abercrombie Street Darlington New South Wales 2008 Australia
(72) Name(s) of Designer(s): **Alison Howard and Stephen Neil**
(45) Registration Date: **20 April 2011**
(56) Related Art Documents: **Not Applicable**
(57) Statement of Newness and Distinctiveness: **Nil**



- (21) Design Number: **15744/2010**
(22) Date of Filing Application: **24 December 2010**
(24) Date from which industrial property rights may have effect: **24 December 2010**
(54) Product in respect of which the design is registered: **General purpose post**
(51) International Design Classification: **08-99**
(74) Name(s) of Attorney(s):
(71) Name(s) and Address(s) of Applicant(s):
Docklands Science Park Pty Ltd
Level 2 11 Queens Road Melbourne Victoria 3004 Australia
(72) Name(s) of Designer(s): **John Taylor Martin**
(45) Registration Date: **20 April 2011**
(56) Related Art Documents: **Not Applicable**
(57) Statement of Newness and Distinctiveness: **Wire can be lifted as vines
grow. Wire located via angled slot to horizontal and wire secured in
horizontal position as shown. Square post.**



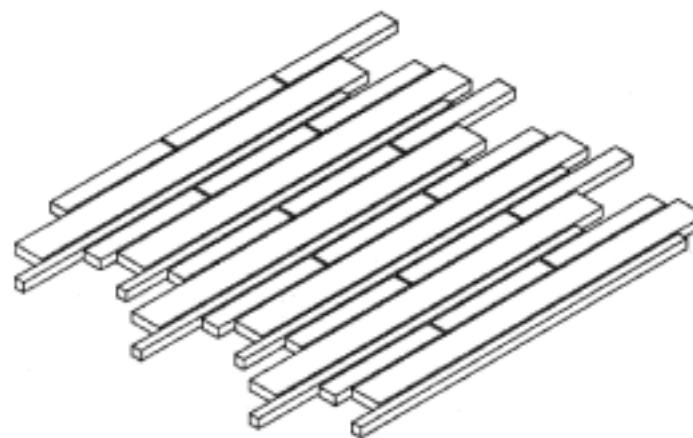
- (21) Design Number: **15745/2010**
(22) Date of Filing Application: **24 December 2010**
(24) Date from which industrial property rights may have effect: **24 December 2010**
(54) Product in respect of which the design is registered: **Oyster posts**
(51) International Design Classification: **25-01E**
(74) Name(s) of Attorney(s):
(71) Name(s) and Address(s) of Applicant(s):
Docklands Science Park Pty Ltd
Level 2 11 Queens Road Melbourne Victoria 3004 Australia
(72) Name(s) of Designer(s): **John Taylor Martin**
(45) Registration Date: **20 April 2011**
(56) Related Art Documents: **Not Applicable**
(57) Statement of Newness and Distinctiveness: **See attachment p.2 Geopolymer posts unaffected by seawater with angled slot into which to insert the line after which it remains secure in horizontal line.**



- (21) Design Number: **10117/2011**
(22) Date of Filing Application: **17 January 2011**
(24) Date from which industrial property rights may have effect: **17 January 2011**
(54) Product in respect of which the design is registered: **Interchangeable and reversible bikini**
(51) International Design Classification: **02-02A**
(74) Name(s) of Attorney(s):
(71) Name(s) and Address(s) of Applicant(s):
Rosie Davenport
50 Alexander Road Western Australia 6009 Australia
(72) Name(s) of Designer(s): **Rosie Davenport**
(45) Registration Date: **20 April 2011**
(56) Related Art Documents: **Not Applicable**
(57) Statement of Newness and Distinctiveness: **This design for a bikini is distinctive and new, particularly because the design is interchangeable as well as reversible. This means the bikini design has only one piece, which means it can be worn as a top or bottom. To make this one piece I have cut and sewed three pieces together. The first piece is hourglass shaped. The other two pieces are identical; sewn onto either of the larger ends of the hourglass shaped piece. Each of these pieces is long and thin, and uniformly the same length and width. They are utilised as the tie pieces of the bikini. When sewn together, this singular piece can be worn in conjunction with another one of these pieces to form a two piece bikini bathing suit. When worn as a bottom, the skinniest part of the hourglass shape is used to cover the crotch. The long strings are pulled tight and tied against the hip. When worn as a top, there are a few variations of how to wear the bikini. The most basic style is to have the skinniest part of the hourglass shape directly between the breasts. One tie can be pulled tight in a halter style from the top of the chest- over the shoulders and pulled tight and tied at the neck. The other tie is pulled from the base of the each breast to be tied at the back. For other styles that can be worn as a top, please refer to attached photos.**



- (21) Design Number: **11302/2011**
(22) Date of Filing Application: **25 March 2011**
(24) Date from which industrial property rights may have effect: **25 March 2011**
(54) Product in respect of which the design is registered: **Tesserae**
(51) International Design Classification: **25-01F**
(74) Name(s) of Attorney(s): **Allens Arthur Robinson**
(71) Name(s) and Address(s) of Applicant(s):
Everstone International Pty Limited
20 Princes Road East Auburn New South Wales 2144 Australia
(72) Name(s) of Designer(s): **John Zeng**
(45) Registration Date: **20 April 2011**
(56) Related Art Documents: **Not Applicable**
(57) Statement of Newness and Distinctiveness: **Newness and distinctiveness is claimed in the tesserae as shown in the attached representations. It is to be understood that a basic element of the tesserae is shown in the section marked "A", however, the tesserae can be repeated with other basic elements so that the tesserae is of indefinite length and/or width.**



- (21) Design Number: **11303/2011**
(22) Date of Filing Application: **25 March 2011**
(24) Date from which industrial property rights may have effect: **25 March 2011**
(54) Product in respect of which the design is registered: **Table**
(51) International Design Classification: **06-03C**
(74) Name(s) of Attorney(s): **FB Rice**
(71) Name(s) and Address(s) of Applicant(s):
Okamura Corporation
7-18 Kitasaiwai 2-chome Nishi-ku Yokohama-shi Kanagawa 220-0004
Japan
(72) Name(s) of Designer(s): **Kenji Nakamura**
(45) Registration Date: **20 April 2011**
(30) Convention priority data:
(31) Number (32) Date (33) Country
2010-023272 30 Sep 2010 JAPAN
(56) Related Art Documents: **Not Applicable**
(57) Statement of Newness and Distinctiveness: **Newness and distinctiveness reside in the features of shape and configuration of the design as shown in the representations.**



(21) Design Number: **11304/2011**

(22) Date of Filing Application: **25 March 2011**

(24) Date from which industrial property rights may have effect: **25 March 2011**

(54) Product in respect of which the design is registered: **Table**

(51) International Design Classification: **06-03C**

(74) Name(s) of Attorney(s): **FB Rice**

(71) Name(s) and Address(s) of Applicant(s):

Okamura Corporation

**7-18 Kitasaiwai 2-chome Nishi-ku Yokohama-shi Kanagawa 220-0004
Japan**

(72) Name(s) of Designer(s): **Kenji Nakamura**

(45) Registration Date: **20 April 2011**

(30) Convention priority data:

(31) Number	(32) Date	(33) Country
2010-023273	30 Sep 2010	JAPAN

(56) Related Art Documents: **Not Applicable**

(57) Statement of Newness and Distinctiveness: **Newness and distinctiveness reside in the features of shape and configuration of the design as shown in the representations.**



(21) Design Number: **11305/2011**

(22) Date of Filing Application: **25 March 2011**

(24) Date from which industrial property rights may have effect: **25 March 2011**

(54) Product in respect of which the design is registered: **Access cover**

(51) International Design Classification: **25-02NES, 29-99**

(74) Name(s) of Attorney(s): **Fisher Adams Kelly**

(71) Name(s) and Address(s) of Applicant(s):

McBerns Pty Ltd

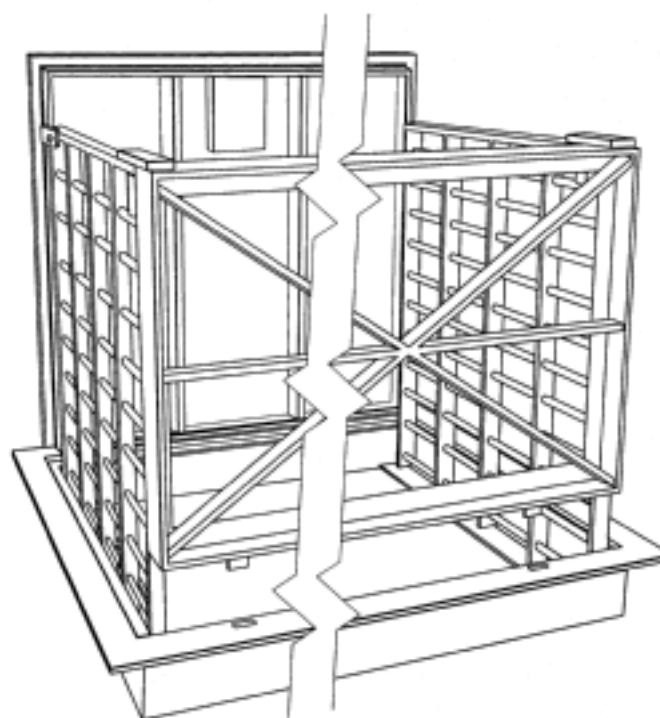
69 Running Creek Road Yandina Queensland 4561 Australia

(72) Name(s) of Designer(s): **David Alan Jobberns and Noel William Southern**

(45) Registration Date: **20 April 2011**

(56) Related Art Documents: **Not Applicable**

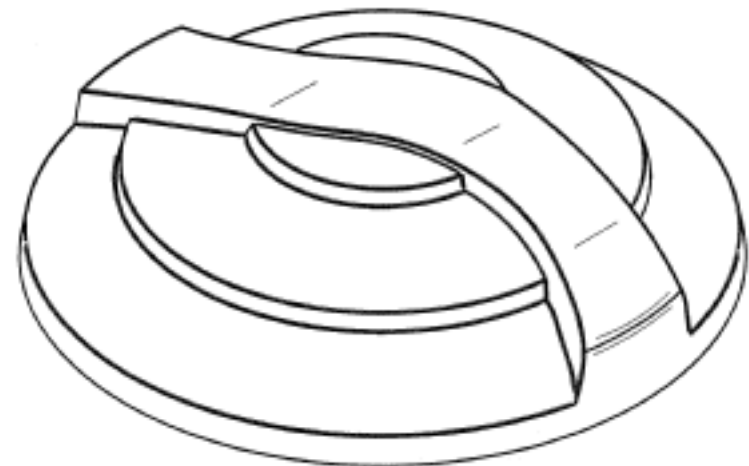
(57) Statement of Newness and Distinctiveness: **The newness and distinctiveness of the design resides in the shape and configuration of the ACCESS COVER, of indefinite length, shown in the representations.**



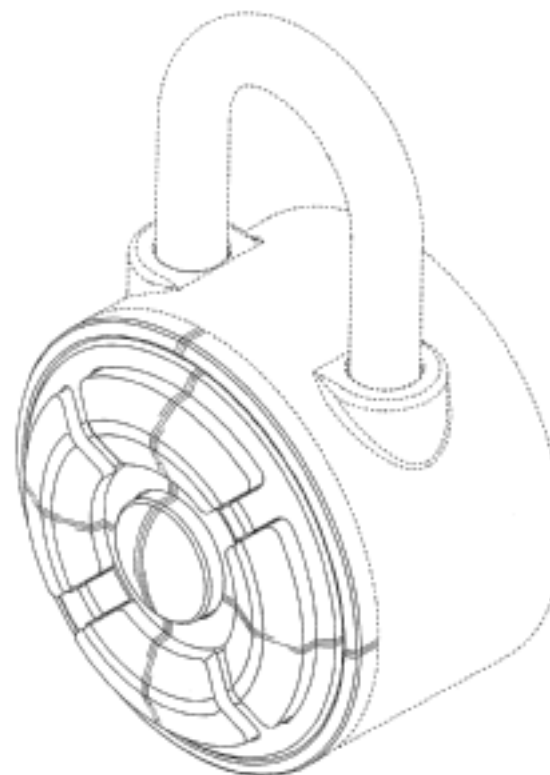
- (21) Design Number: **11306/2011**
(22) Date of Filing Application: **25 March 2011**
(24) Date from which industrial property rights may have effect: **25 March 2011**
(54) Product in respect of which the design is registered: **Front combination lamp for automobiles**
(51) International Design Classification: **26-06**
(74) Name(s) of Attorney(s): **Griffith Hack**
(71) Name(s) and Address(s) of Applicant(s):
Honda Motor Co., Ltd.
1-1 Minami-Aoyama 2-chome Minato-ku Tokyo 107-8556 Japan
(72) Name(s) of Designer(s): **Naoki Akita**
(45) Registration Date: **20 April 2011**
(30) Convention priority data:
(31) Number (32) Date (33) Country
2010-023754 04 Oct 2010 JAPAN
(56) Related Art Documents: **Not Applicable**
(57) Statement of Newness and Distinctiveness: **The shape and configuration of the front combination lamp as shown in the representations is new and distinctive.**



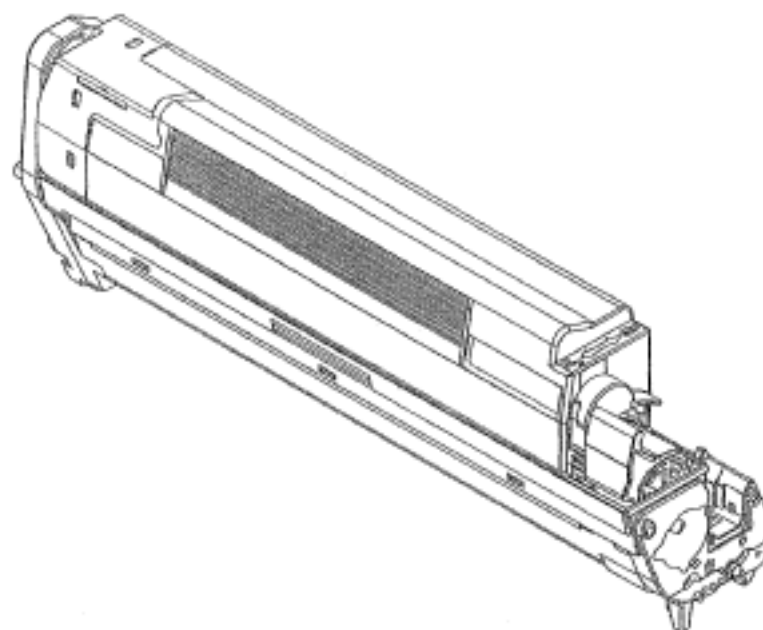
- (21) Design Number: **11307/2011**
(22) Date of Filing Application: **25 March 2011**
(24) Date from which industrial property rights may have effect: **25 March 2011**
(54) Product in respect of which the design is registered: **Glow dome**
(51) International Design Classification: **26-99**
(74) Name(s) of Attorney(s): **Griffith Hack**
(71) Name(s) and Address(s) of Applicant(s):
Australian Inhibitor Pty Ltd
6 Nicholas Drive Dandenong South Victoria 3175 Australia
(72) Name(s) of Designer(s): **Leslie John Amy**
(45) Registration Date: **20 April 2011**
(56) Related Art Documents: **Not Applicable**
(57) Statement of Newness and Distinctiveness: **Nil**



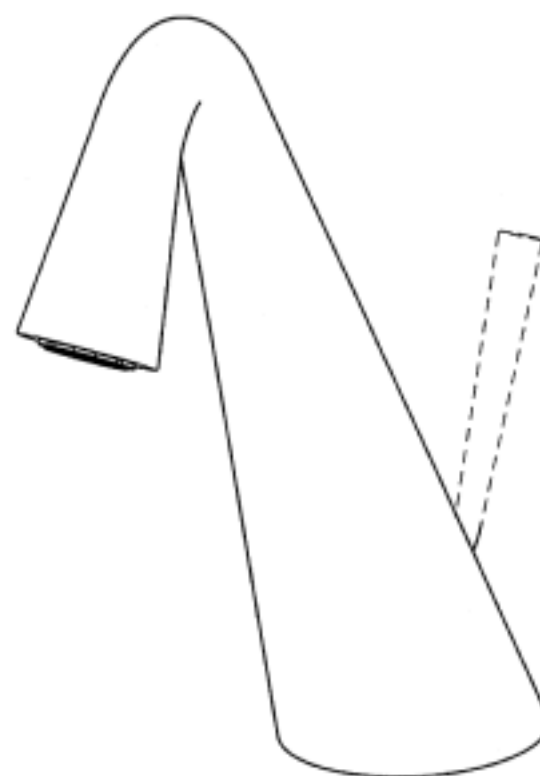
(21) Design Number: **11321/2011**
(22) Date of Filing Application: **28 March 2011**
(24) Date from which industrial property rights may have effect: **28 March 2011**
(54) Product in respect of which the design is registered: **Lock**
(51) International Design Classification: **08-07**
(74) Name(s) of Attorney(s): **Callinans**
(71) Name(s) and Address(s) of Applicant(s):
Master Lock Company LLC
137 W. Forest Hill Avenue Oak Creek Wisconsin 53154 United States of America
(72) Name(s) of Designer(s): **Lea Marie Plato and Dean A. Paulson**
(45) Registration Date: **21 April 2011**
(30) Convention priority data:
(31) Number (32) Date (33) Country
29/375,960 30 Sep 2010 UNITED STATES OF AMERICA
(56) Related Art Documents: **Not Applicable**
(57) Statement of Newness and Distinctiveness: **Newness and distinctiveness are provided by the shape and/or configuration of the design shown in the representations. The features shown in broken lines in the representations are for illustrative purposes only and should not be considered when construing visual features of the design.**



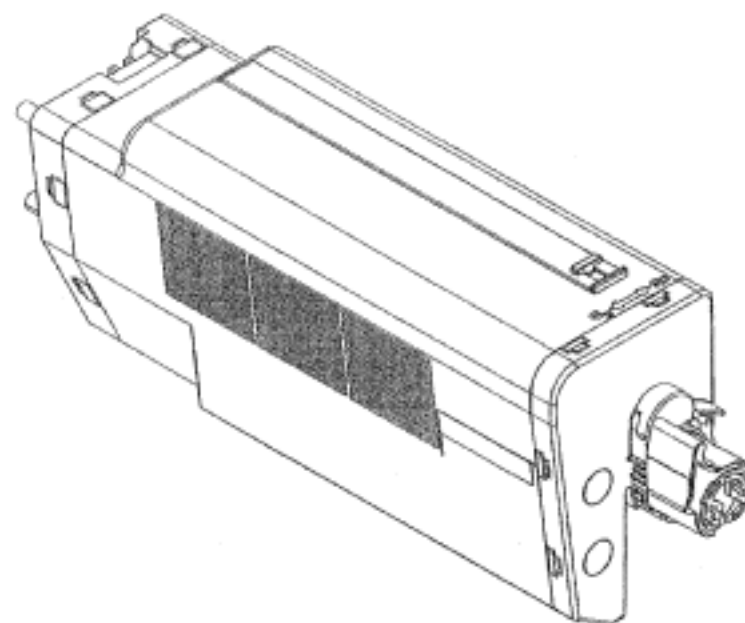
(21) Design Number: **11323/2011**
(22) Date of Filing Application: **25 March 2011**
(24) Date from which industrial property rights may have effect: **25 March 2011**
(54) Product in respect of which the design is registered: **Image drum cartridge**
(51) International Design Classification: **14-02**
(74) Name(s) of Attorney(s): **SPRUSON & FERGUSON**
(71) Name(s) and Address(s) of Applicant(s):
Oki Data Corporation
11-22 Shibaura 4-chome Minato-ku Tokyo Japan
(72) Name(s) of Designer(s): **Masashi Fujii**
(45) Registration Date: **21 April 2011**
(30) Convention priority data:
(31) Number (32) Date (33) Country
2010-23415 30 Sep 2010 JAPAN
(56) Related Art Documents: **Not Applicable**
(57) Statement of Newness and Distinctiveness: **Newness and distinctiveness is claimed in those features of shape and/or configuration of an image drum cartridge as illustrated in the accompanying representations.**



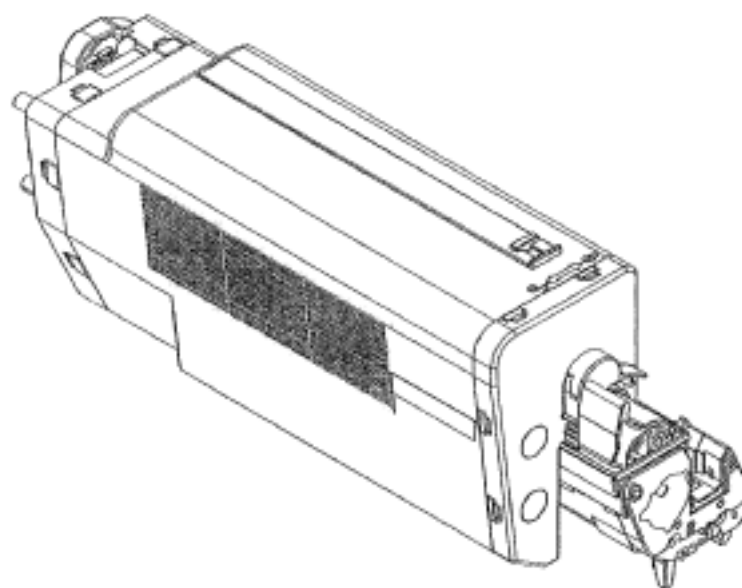
(21) Design Number: **11324/2011**
(22) Date of Filing Application: **25 March 2011**
(24) Date from which industrial property rights may have effect: **25 March 2011**
(54) Product in respect of which the design is registered: **Faucet**
(51) International Design Classification: **23-01H**
(74) Name(s) of Attorney(s): **SPRUSON & FERGUSON**
(71) Name(s) and Address(s) of Applicant(s):
Gessi S.P.A.
Parco Gessi Frazione Vintebbio 13037 Serravalle Sesia Vercelli Italy
(72) Name(s) of Designer(s): **Gian Luca Gessi**
(45) Registration Date: **21 April 2011**
(30) Convention priority data:
(31) Number (32) Date (33) Country
MI2010O000160 27 Sep 2010 ITALY
(56) Related Art Documents: **Not Applicable**
(57) Statement of Newness and Distinctiveness: **Newness and distinctiveness is claimed in those features of shape and/or configuration of a faucet illustrated in continuous lines in the accompanying representations.**



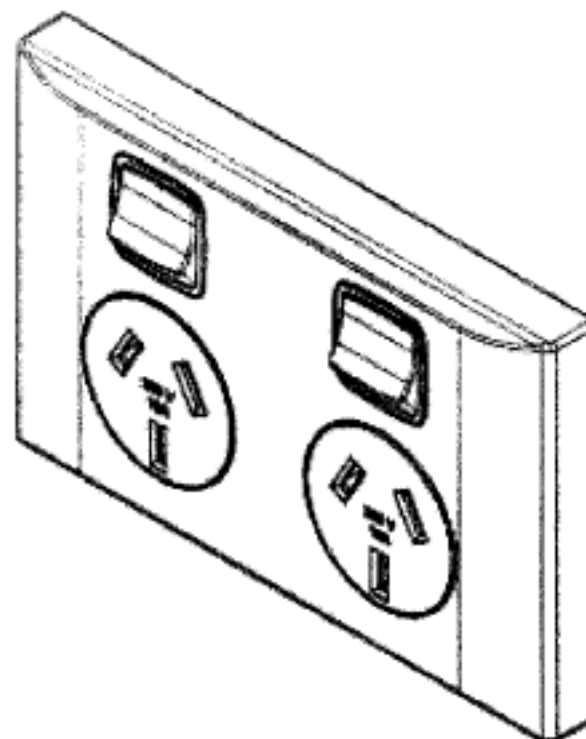
(21) Design Number: **11325/2011**
(22) Date of Filing Application: **25 March 2011**
(24) Date from which industrial property rights may have effect: **25 March 2011**
(54) Product in respect of which the design is registered: **Toner cartridge**
(51) International Design Classification: **14-02**
(74) Name(s) of Attorney(s): **SPRUSON & FERGUSON**
(71) Name(s) and Address(s) of Applicant(s):
Oki Data Corporation
11-22 Shibaura 4-chome Minato-ku Tokyo Japan
(72) Name(s) of Designer(s): **Tatsuhiko Shimomura**
(45) Registration Date: **21 April 2011**
(30) Convention priority data:
(31) Number (32) Date (33) Country
2010-23421 30 Sep 2010 JAPAN
(56) Related Art Documents: **Not Applicable**
(57) Statement of Newness and Distinctiveness: **Newness and distinctiveness is claimed in the features of shape and/or configuration of a toner cartridge as illustrated in the accompanying representations.**



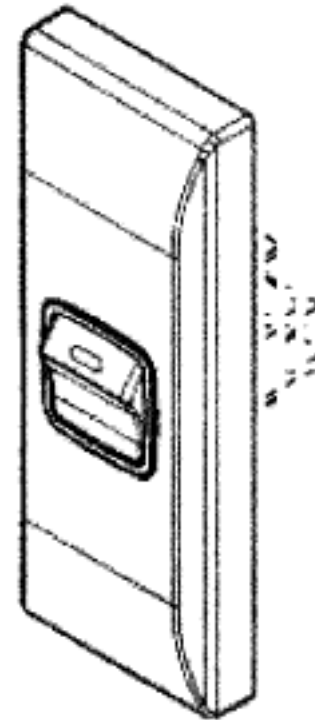
(21) Design Number: **11326/2011**
(22) Date of Filing Application: **25 March 2011**
(24) Date from which industrial property rights may have effect: **25 March 2011**
(54) Product in respect of which the design is registered: **Image drum cartridge**
(51) International Design Classification: **14-02**
(74) Name(s) of Attorney(s): **SPRUSON & FERGUSON**
(71) Name(s) and Address(s) of Applicant(s):
Oki Data Corporation
11-22 Shibaura 4-chome Minato-ku Tokyo Japan
(72) Name(s) of Designer(s): **Junichi Ushikubo**
(45) Registration Date: **21 April 2011**
(30) Convention priority data:
(31) Number (32) Date (33) Country
2010-23416 30 Sep 2010 JAPAN
(56) Related Art Documents: **Not Applicable**
(57) Statement of Newness and Distinctiveness: **Newness and distinctiveness is claimed in the features of shape and/or configuration of an image drum cartridge as illustrated in the accompanying representations.**



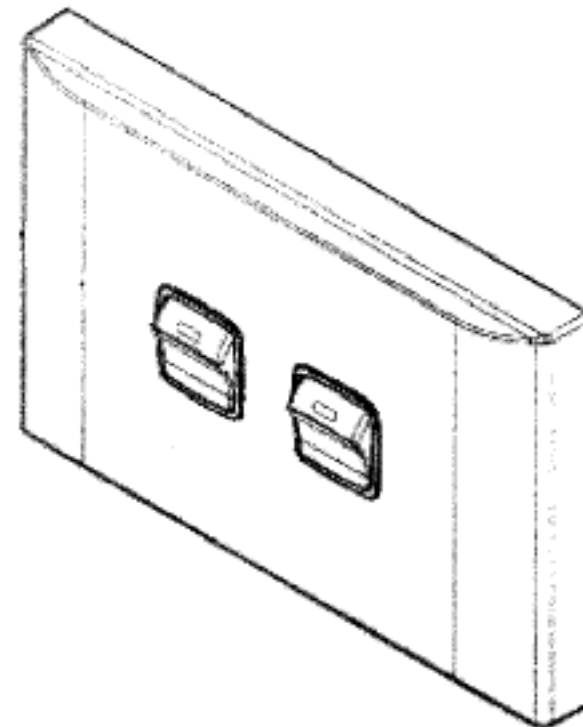
(21) Design Number: **14505/2010**
(22) Date of Filing Application: **19 October 2010**
(24) Date from which industrial property rights may have effect: **19 October 2010**
(54) Product in respect of which the design is registered: **Power point**
(51) International Design Classification: **13-03D**
(74) Name(s) of Attorney(s): **Halfords IP**
(71) Name(s) and Address(s) of Applicant(s):
Assembly Electronics Pty Ltd
24 Binney Road Kings Park New South Wales 2148 Australia
(72) Name(s) of Designer(s): **John Schmidli**
(45) Registration Date: **21 April 2011**
(56) Related Art Documents: **Not Applicable**
(57) Statement of Newness and Distinctiveness: **Newness and distinctiveness is claimed in those visual features depicted in unbroken lines.**



- (21) Design Number: **14506/2010**
(22) Date of Filing Application: **19 October 2010**
(24) Date from which industrial property rights may have effect: **19 October 2010**
(54) Product in respect of which the design is registered: **Electrical switch**
(51) International Design Classification: **13-03D**
(74) Name(s) of Attorney(s): **Halfords IP**
(71) Name(s) and Address(s) of Applicant(s):
Assembly Electronics Pty Ltd
24 Binney Road Kings Park New South Wales 2148 Australia
(72) Name(s) of Designer(s): **John Schmidli**
(45) Registration Date: **21 April 2011**
(56) Related Art Documents: **Not Applicable**
(57) Statement of Newness and Distinctiveness: **Newness and distinctiveness is claimed in those visual features depicted in unbroken lines.**



- (21) Design Number: **14507/2010**
(22) Date of Filing Application: **19 October 2010**
(24) Date from which industrial property rights may have effect: **19 October 2010**
(54) Product in respect of which the design is registered: **Dual electrical switch**
(51) International Design Classification: **13-03D**
(74) Name(s) of Attorney(s): **Halfords IP**
(71) Name(s) and Address(s) of Applicant(s):
Assembly Electronics Pty Ltd
24 Binney Road Kings Park New South Wales 2148 Australia
(72) Name(s) of Designer(s): **John Schmidli**
(45) Registration Date: **21 April 2011**
(56) Related Art Documents: **Not Applicable**
(57) Statement of Newness and Distinctiveness: **Newness and distinctiveness is claimed in those visual features depicted in unbroken lines.**



(21) Design Number: **11352/2011**

(22) Date of Filing Application: **28 March 2011**

(24) Date from which industrial property rights may have effect: **28 March 2011**

(54) Product in respect of which the design is registered: **Braising pot**

(51) International Design Classification: **07-02N**

(74) Name(s) of Attorney(s): **Smootenburg Pini Patent & Trade Mark Attorneys**

(71) Name(s) and Address(s) of Applicant(s):

Emile Henry

13 rue Georges de Vichy 71110 Marcigny France

(72) Name(s) of Designer(s): **Jacques Henry**

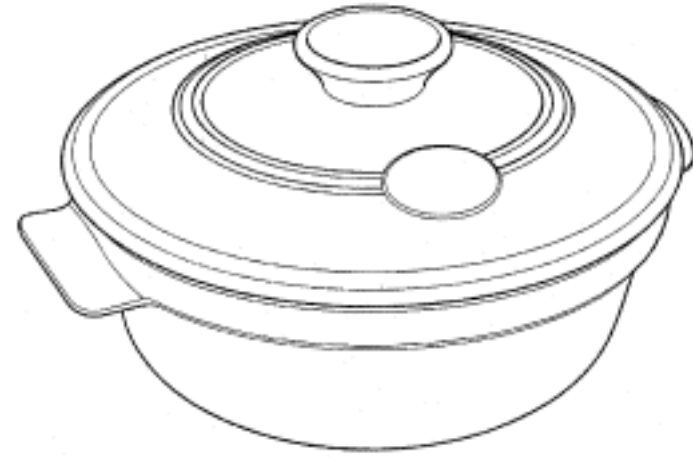
(45) Registration Date: **21 April 2011**

(30) Convention priority data:

(31) Number
DM/075 224

(32) Date
02 Feb 2011

(33) Country
**WORLD INTELLECTUAL
PROPERTY ORGANIZATION
(WIPO)**



(56) Related Art Documents: **Not Applicable**

(57) Statement of Newness and Distinctiveness: **In considering the newness or distinctiveness of the design, regard is to be given to the overall shape and/or configuration of the braising pot as shown in the representations.**