



Australian Government

IP Australia

AUSTRALIAN OFFICIAL JOURNAL

OF

DESIGNS

Did you know a searchable version of this journal is now available online?

It's FREE and EASY to SEARCH.

Find it on our website (www.ipaustralia.gov.au)

by using the "Journals" link on the home page.

This Page Left Intentionally Blank

Contents

General Information & Notices

**Proceedings Under the Designs Act 1906 preserved as a result of the provisions of Chapter 12
Part 2 of the Designs Act 2003**

Applications for Extension of Time	1214
Extension of Period of Registration of Designs	1214
Registrations Ceased	1214
Subsequent Owners Registered	1214

Proceedings Under the Designs Act 2003

Applications for Extension of Time Under Section 137	1228
Applications Lapsed	1226
Applications Lodged	1218
Applications Withdrawn	1226
Certificate of Examination	1229
Extension of Period of Registration of Design	1227
Extension of Time Granted Under Section 137	1228
Publication and Registration Proceedings	
Designs Registered 336118 to 336459.....	1230
Registrations Ceased	1227
Subsequent Owners Registered	1228

This Page Left Intentionally Blank

For information on the following please see our website www.ipaustralia.gov.au or contact our Customer Service Network on 1300651010

[Editorial enquiries](#)

[Contact information](#)

[Freedom of Information ACT](#)

[Professional Standards Board](#)

[Sales](#)

[Requests for Information under Section 194 \(c\)](#)

[Country Codes](#)

[Trade Mark and Designs Hearing Sessions](#)

[INID \(Internationally agreed Numbers for the Identification of Data\)](#)

“INID” NUMBERS in use on Australian Design Documents

“INID” is an acronym for “Internationally agreed Numbers for the Identification of Data”.

(10) Data concerning the registration/renewal

- (11) Serial number of the registration and/or number of the design document
- (12) Plain language designation of the kind of published document
- (19) Identification, using the two-letter code according to WIPO Standard ST.3, of the authority publishing or registering the industrial design

(20) Data concerning the application

- (21) Serial number of the application
- (22) Date of filing of the application
- (24) Date from which the industrial design right has effect

(30) Data relating to priority under the Paris Convention

- (31) Serial number assigned to the priority application
- (32) Date of filing of the priority application
- (33) Two-letter code, according to WIPO Standard ST.3, identifying the authority with which the priority application was made

(40) Date(s) of making information available to the public

- (45) Date of publication of the registered industrial design by printing or similar process, or making it available to the public by any other means

(50) Miscellaneous Information

- (51) International Classification for Industrial Designs (class and subclass of the Locarno Classification)
- (54) Designation of article(s) or product(s) covered by the industrial design or title of the industrial design
- (55) Reproduction of the industrial design (e.g., drawing, photograph) and explanations relating to the reproduction
- (56) List of prior art documents, if separate from descriptive text
- (57) Description of characteristic features of the industrial design including indication of colours

(60) References to other legally related application(s) and registration(s)

- (62) Serial number(s) and, if available, filing date(s) of application(s), registration(s) or document(s) related by division
- (66) Serial number(s) of the application, or the registration, of the design(s) which is (are) a variant(s) of the present one

(70) Identification of parties concerned with the application or registration

- (71) Name(s) and address(es) of the applicant(s)
- (72) Name(s) of the creator(s) if known to be such
- (74) Name(s) and address(es) of the representative(s)

This Page Left Intentionally Blank

Nil notices for this journal issue.

Proceedings under the Designs Act 1906 preserved as a result of the provisions of Chapter 12 Part 2 of the Designs Act 2003.

This Page Left Intentionally Blank

Applications Lapsed

There were no Applications Lapsed under this section

Extension of Period of Registration of Designs

1st Period (Section 27A(8))

2nd Period (Section 27A(12))

3rd Period (Section 27A(13))

140513	140831	141042
141146	141674	141953
142358	142388	142429
142485	142836	142957
142958	143027	143192
143579	143608	143749
144167	145609	146046
146047	146048	146049
146756	146849	146942
147007	147301	148509
148512	151757	151758
151759	151913	151915
152398	152667	152901
152902	152903	152904
152905		

Registrations Ceased

Note: Some of the following Registrations may have been previously advertised as ceased. In this instance, the previous advertisement still prevails.

123265	123621	123833
125177	125178	125179
125215	125217	125235
125277	125278	125320
125346	125352	125368
125381	125383	125385
125386	125404	125487
125513	125515	125581
125738	125739	125838
125839	125951	125952
125976	125977	126013
126033	126164	126372
126438	126594	126722
128160	128398	128808
128809	128844	129188
129189	129190	129191
129192	129193	129284
129285	129370	129381
129382	129605	129686
131109	132054	132315
138941	138942	138943
138944	138945	138946
138948	138953	138954

138955	138956	138957
138958	138959	138981
139133	139401	139403
139980	140241	140395
140396	140406	140421
140422	140482	140499
140501	140504	140516
140620	140695	140819
140899	140962	140979
140983	141085	141506
141648	141667	141669
141874	141875	141915
141935	141936	141937
141985	142077	142100
142206	142333	143070
143071	143186	144192
144291	144292	144458
144959	145222	146442
147843		

Applications for Extension of time

Applications for extension of time have been lodged. Objections must be lodged within 1 month from the date of this journal.

15608001965/2004 **Asia Pacific Trading Pty Ltd** Extension of time to extend a registration. Address for Service: Asia Pacific Trading Pty Ltd 2/10 Paramount Boulevard DERRIMUT VIC 3030

Subsequent Owners Registered

(The name in parentheses is that of the subsequent owner)

151253	(noBULL Accessories Pty Ltd)	Juan Dauwalder
153333	(Aspen Surgical Products, Inc.)	Becton, Dickinson and Company
153334	(Aspen Surgical Products, Inc.)	Becton, Dickinson and Company
156465	(Aspen Surgical Products, Inc.)	Becton, Dickinson and Company

This Page Left Intentionally Blank

Proceedings under the Designs Act 2003.

This Page Left Intentionally Blank

Applications Lodged

Lodgement information is in the following order: **Applicant's Name**; International Classification, Name of Product, Lodgement Date and **Design Number**. If the applicant claims an earlier priority date under an International Convention, the Convention Country and the associated filing date are shown in parentheses before the Lodgement Date. Divisional information will also appear in parentheses before the Lodgement Date.

medin Medical Innovations GmbH; 29-02, Respiration mask, (EM, 05 Nov 2010) 03 May 2011	11951/2011	Aluminium Industries of Australia Pty Ltd; 25-01K, Thermal break framing system, 20 Apr 2011	11740/2011
A-Mark Industries Pty Ltd, Trading as A-Mark Manufacturing; 08-08G, Bathroom accessories - robe hook, 20 Apr 2011	11729/2011	Aluminium Industries of Australia Pty Ltd; 25-01K, Thermal break framing system, 20 Apr 2011	11741/2011
A-Mark Industries Pty Ltd, Trading as A-Mark Manufacturing; 23-02A, Bathroom accessories - standard soap holder, 20 Apr 2011	11731/2011	Aluminium Industries of Australia Pty Ltd; 25-01K, Thermal break framing system, 20 Apr 2011	11742/2011
A-Mark Industries Pty Ltd, Trading as A-Mark Manufacturing; 23-02A, Bathroom accessories - shower shelf, 20 Apr 2011	11732/2011	Aluminium Industries of Australia Pty Ltd; 25-01K, Thermal break framing system, 20 Apr 2011	11743/2011
A-Mark Industries Pty Ltd, Trading as A-Mark Manufacturing; 23-02A, Bathroom accessories - paper holder, 20 Apr 2011	11733/2011	Aluminium Industries of Australia Pty Ltd; 25-01K, Thermal break framing system, 20 Apr 2011	11744/2011
A-Mark Industries Pty Ltd, Trading as A-Mark Manufacturing; 07-05D, Bathroom accessories - towel ring, 20 Apr 2011	11734/2011	Aluminium Industries of Australia Pty Ltd; 25-01K, Thermal break framing system, 20 Apr 2011	11745/2011
A-Mark Industries Pty Ltd, Trading as A-Mark Manufacturing; 08-08NES, 07-05D, Bathroom accessories - rail end, 20 Apr 2011	11735/2011	Aluminium Industries of Australia Pty Ltd; 25-01K, Thermal break framing system, 20 Apr 2011	11746/2011
A-Mark Industries Pty Ltd, Trading as A-Mark Manufacturing; 23-02A, Bathroom accessories - corner shelf, 20 Apr 2011	11736/2011	Aluminium Industries of Australia Pty Ltd; 25-01K, Thermal break framing system, 20 Apr 2011	11747/2011
A-Mark Industries Pty Ltd, Trading as A-Mark Manufacturing; 23-02A, Bathroom accessories - double shelf, 20 Apr 2011	11737/2011	Alver Pty Ltd; 23-03NES, Lighting, heating and venting unit, 05 May 2011	11996/2011
A-Mark Industries Pty Ltd, Trading as A-Mark Manufacturing; 23-02A, Bathroom accessories - footrest, 20 Apr 2011	11730/2011	Alver Pty Ltd; 23-03NES, Lightin heating and venting unit, 05 May 2011	11997/2011
Allergan, Inc.; 24-02, Injection device, (US, 08 Nov 2010) 06 May 2011	12002/2011	Alver Pty Ltd; 23-03NES, Lighting, heating and venting unit, 05 May 2011	11998/2011
Alto Packaging Limited; 09-03F, A tray, (NZ, 09 Nov 2010) 29 Apr 2011	11933/2011	Alvin International Pty Ltd; 21-02C, Golf ball dispenser, 19 Apr 2011	11770/2011
Alto Packaging Limited; 09-03F, A tray, (NZ, 09 Nov 2010) 29 Apr 2011	11917/2011	Alvin International Pty Ltd; 21-02C, Ball delivery apparatus, 04 May 2011	11964/2011
Aluminium Industries of Australia Pty Ltd; 25-02NES, 08-09, Thermal break framing system, 20 Apr 2011	11739/2011	Arlec Australia Pty Ltd; 13-03D, Power outlet socket, 21 Apr 2011	11781/2011
		Arlec Australia Pty Ltd; 13-03D, Power outlet, 21 Apr 2011	11782/2011
		Austral Lock Pty Ltd; 08-09, Sliding door furniture, 28 Apr 2011	11850/2011
		Austral Lock Pty Ltd; 08-09, Sliding door furniture, 28 Apr 2011	11849/2011

ADC Communications (Australia) Pty Limited; 12-99, Cable hauling assembly, 29 Apr 2011	11903/2011	British American Tobacco (Investments) Limited; 09-03A, Packaging, (WO, 28 Oct 2010) 27 Apr 2011	11808/2011
AL-KO International Pty Ltd; 08-06, Spring loaded hinge for collapsible handle, 21 Apr 2011	11874/2011	British American Tobacco (Investments) Limited; 09-03A, Packaging, (WO, 28 Oct 2010) 27 Apr 2011	11809/2011
AL-KO International Pty Ltd; 12-16L, Handle grip for trailer couplings, 05 May 2011	11982/2011	British-American Tobacco (Holdings) Limited; 27-01, Smoking article with surface pattern, (EM, 22 Oct 2010) 21 Apr 2011	11777/2011
Beba Enterprises Pty Ltd; 02-02C, Women's clothing, 05 May 2011	11993/2011	British-American Tobacco (Holdings) Limited; 19-01, Card or sheet with surface pattern, (EM, 22 Oct 2010) 21 Apr 2011	11778/2011
Best Publishing Ever International Limited; 19-01, 19-03, Calendar and card, (EM, 15 Nov 2010) 29 Apr 2011	11918/2011	British-American Tobacco (Holdings) Limited; 27-01, Smoking article with surface pattern, (EM, 22 Oct 2010) 21 Apr 2011	11779/2011
Beuerle, Stephen C.; 06-13B, Pillowcase for a convertible stuffed animal/pillow, (US, 01 Nov 2010) 29 Apr 2011	11902/2011	Broda Enterprises Inc.; 12-12, Modular chair, (US, 08 Dec 2010) 28 Apr 2011	11846/2011
Bicycle Victoria Incorporated; 08-10, Bicycle rack, 19 Apr 2011	11773/2011	Bukoven, Evrydika Jurate Semonta;Gutray-Bukoven, Eva Karja; 02-07A, Dresses with shoulder straps, 02 May 2011	11929/2011
Bicycle Victoria Incorporated; 08-10, Bicycle rack, 19 Apr 2011	11774/2011	Buzaki, Faruk; 21-02C, Golf green, 04 May 2011	11958/2011
Black & Decker Inc.; 08-99, A combination of two saw horses in a folded state, (US, 05 Nov 2010) 20 Apr 2011	11749/2011	Byrne, Emily; 07-03, Mash'n'spoon, 27 Apr 2011	11813/2011
Black & Decker Inc.; 08-99, A saw horse, (US, 05 Nov 2010) 20 Apr 2011	11750/2011	Cadbury UK Limited; 01-01, Chocolate confectionery, (EM, 09 Nov 2010) 06 May 2011	12020/2011
Bluedog Fences Australia Holdings Pty Ltd; 08-08B, A screw, 20 Apr 2011	11796/2011	Cadbury UK Limited; 01-01, Chocolate confectionery, (EM, 09 Nov 2010) 06 May 2011	12021/2011
Bluedog Fences Australia Holdings Pty Ltd; 08-08B, A screw, 20 Apr 2011	11791/2011	Cadbury UK Limited; 01-01, Chocolate confectionery, (EM, 09 Nov 2010) 06 May 2011	12022/2011
Bluedog Fences Australia Holdings Pty Ltd; 08-08B, A screw, 20 Apr 2011	11789/2011	Cadbury UK Limited; 01-01, Chocolate confectionery, (EM, 09 Nov 2010) 06 May 2011	12023/2011
Braun, Greg; 11-02B, Plant growing container (pot), 09 May 2011	12007/2011	Cadbury UK Limited; 01-01, Chocolate confectionery, (EM, 09 Nov 2010) 06 May 2011	12024/2011
Breville Pty Limited; 31-00, Blender jug, 06 May 2011	12000/2011	Cadbury UK Limited; 01-01, Chocolate confectionery, (EM, 02 Nov 2010) 29 Apr 2011	11908/2011
Breville Pty Limited; 31-00, Blender base, 06 May 2011	12010/2011	Campbell, Georgina; 08-08NES, Smiley is a decorative hanging device, 04 May 2011	11818/2011
Briggs, Gavin; 08-05F, Clamping device, 03 May 2011	11969/2011	Campbell, Georgina; 08-08NES, Baby is a decorative hanging device, 04 May 2011	11819/2011
British American Tobacco (Investments) Limited; 09-03A, Packaging, (WO, 28 Oct 2010) 27 Apr 2011	11810/2011		
British American Tobacco (Investments) Limited; 09-03A, Packaging, (WO, 28 Oct 2010) 27 Apr 2011	11807/2011		

Campbell, Georgina; 08-08NES, Tendril is a decorative hanging device, 04 May 2011	11820/2011	Colgate-Palmolive Company; 09-01A, Container, (US, 05 Nov 2010) 20 Apr 2011	11751/2011
Campbell, Georgina; 08-08NES, Prong is a decorative hanging device, 04 May 2011	11821/2011	Cook, Gavin;Cook, Belinda;Cook, Jonathan;Cook, Teresa; 08-10, Bicycle rack, 27 Apr 2011	11798/2011
Campbell, Georgina; 08-08NES, Hook 38 is a decorative hanging device, 04 May 2011	11822/2011	Cook, Belinda;Cook, Gavin;Cook, Jonathan;Cook, Teresa; 08-10, Bicycle rack, 27 Apr 2011	11798/2011
Campbell, Georgina; 08-08NES, Bar 80 is a decorative hanging device, 04 May 2011	11823/2011	Cook, Jonathan;Cook, Gavin;Cook, Belinda;Cook, Teresa; 08-10, Bicycle rack, 27 Apr 2011	11798/2011
Cawsey Menck Pty Ltd; 21-01M, Puzzle wooden cup/trophy 3 dimensional class 21.01M, 20 Apr 2011	11795/2011	Cook, Teresa;Cook, Gavin;Cook, Belinda;Cook, Jonathan; 08-10, Bicycle rack, 27 Apr 2011	11798/2011
Cerezo, Ray; 12-06NES, Scupper, 04 May 2011	11965/2011	Cree, Inc.; 26-04, Lighting fixture, (US, 27 Oct 2010) 27 Apr 2011	11806/2011
Chadwick, Brad Ronald; 25-01K, Construction element, 06 May 2011	12027/2011	Criterion Group Limited; 06-04NES, Entertainment unit, 06 May 2011	12011/2011
Chef'n Corporation; 07-04, Flip lid, (US, 04 Nov 2010) 02 May 2011	11932/2011	Criterion Group Limited; 06-04NES, Entertainment unit, 06 May 2011	11999/2011
Chef'n Corporation; 07-04, Food chopper, (US, 04 Nov 2010) 02 May 2011	11931/2011	Dart Industries Inc; 07-01NES, Covered container, (US, 03 Dec 2010) 02 May 2011	11927/2011
City Farms International Pty Ltd; 25-03, A portable and demountable greenhouse, 21 Apr 2011	11792/2011	Dart Industries Inc; 07-01NES, Covered container, (US, 03 Dec 2010) 02 May 2011	11928/2011
City Farms International Pty Ltd; 23-01NES, Hydroponic shelf system, 21 Apr 2011	11790/2011	Decor Corporation Pty. Ltd., The; 11-02B, Planter, 02 May 2011	11926/2011
City Farms International Pty Ltd; 25-02NES, Hydroponic roofing frame, 21 Apr 2011	11793/2011	Decor Corporation Pty. Ltd., The; 11-02C, Plate for planter, 02 May 2011	11925/2011
City Farms International Pty Ltd; 11-02B, A-frame hydroponic system, 21 Apr 2011	11794/2011	Decor Corporation Pty. Ltd., The; 11-02C, Plate for planter, 02 May 2011	11924/2011
Colgate-Palmolive Company; 09-01A, Container, (US, 05 Nov 2010) 28 Apr 2011	11839/2011	DVexperts International Pty Ltd; 12-16K, Protection device for vehicles, 21 Apr 2011	11783/2011
Colgate-Palmolive Company; 09-01A, Container, (US, 05 Nov 2010) 28 Apr 2011	11844/2011	Edsal Manufacturing Company, Inc.; 06-04NES, Shelving, 28 Apr 2011	11873/2011
Colgate-Palmolive Company; 09-01A, Container, (US, 05 Nov 2010) 28 Apr 2011	11840/2011	Everstone International Pty Limited; 25-01F, Tesserae, 29 Apr 2011	11896/2011
Colgate-Palmolive Company; 09-01A, Container, (US, 05 Nov 2010) 28 Apr 2011	11841/2011	Farquhar, Sophie; 06-13B, Pencil box doona cover, 15 Feb 2011	11912/2011
Colgate-Palmolive Company; 09-01A, Container, (US, 05 Nov 2010) 28 Apr 2011	11842/2011	Farquhar, Sophie; 06-13B, Chocolate bar doona cover, 15 Feb 2011	11913/2011
Colgate-Palmolive Company; 09-01A, Container, (US, 05 Nov 2010) 28 Apr 2011	11843/2011	Farquhar, Sophie; 06-13B, Sardine tin doona cover, 15 Feb 2011	11914/2011
		Fartash, Pejman; 03-01NES, Protective case for a security bag, 28 Apr 2011	11847/2011

Fartash, Pejman; 03-01NES, Protective case for a security bag, 28 Apr 2011	11848/2011	Fusionbrands Inc.; 07-02NES, Kitchen stirring utensil, 01 Mar 2011	11989/2011
First Building Inspectors Pty Ltd; 25-01D, Structural panel, 05 May 2011	11966/2011	Gainsborough Hardware Industries Limited; 08-09, An escutcheon, 06 May 2011	12014/2011
Fix-A-Tap Australia Pty Limited; 23-01H, A tap handle, 21 Apr 2011	11784/2011	Gainsborough Hardware Industries Limited; 08-09, An escutcheon, 06 May 2011	12015/2011
Fix-A-Tap Australia Pty Limited; 23-01H, A tap handle, 21 Apr 2011	11785/2011	Gainsborough Hardware Industries Limited; 08-09, An escutcheon, 06 May 2011	12016/2011
Fix-A-Tap Australia Pty Limited; 23-01H, A tap handle, 21 Apr 2011	11786/2011	Gainsborough Hardware Industries Limited; 08-09, An escutcheon, 06 May 2011	12017/2011
Fix-A-Tap Australia Pty Limited; 23-01H, A tap handle, 21 Apr 2011	11787/2011	Gainsborough Hardware Industries Limited; 08-09, An escutcheon, 06 May 2011	12018/2011
Flowerdale Farm Pty Ltd; 09-03F, Growth punnet, 06 May 2011	12025/2011	Gainsborough Hardware Industries Limited; 14-03NES, A remote control fob, 06 May 2011	12019/2011
Forever New Clothing Pty Ltd; 02-02C, Women's fashion clothing, 28 Apr 2011	11869/2011	Gainsborough Hardware Industries Limited; 14-03NES, A remote control fob, 06 May 2011	11943/2011
Foshan Shunde Everteam Industrial Co., Ltd; 23-03NES, Heating equipment, (CN, 24 Jan 2011) 27 Apr 2011	11824/2011	General Electric Company; 26-03, Roadway lamp, (CN, 12 Oct 2010) 12 Apr 2011	11944/2011
Foshan Shunde Everteam Industrial Co., Ltd; 23-03NES, Heating equipment, (CN, 24 Jan 2011) 27 Apr 2011	11825/2011	General Electric Company; 26-03, Roadway lamp, (CN, 12 Oct 2010) 12 Apr 2011	11945/2011
Foshan Shunde Everteam Industrial Co., Ltd; 23-03NES, Heating equipment, 27 Apr 2011	11826/2011	General Electric Company; 26-03, Roadway lamp, (CN, 12 Oct 2010) 12 Apr 2011	11886/2011
Foshan Shunde Everteam Industrial Co., Ltd; 23-03A, Heating equipment, 27 Apr 2011	11827/2011	Gillette Company, The; 28-03A, Portion of a shaving razor, (US, 01 Nov 2010) 29 Apr 2011	11887/2011
Fresenius Kabi Deutschland GmbH; 24-01, Medical pump, (EM, 01 Nov 2010) 29 Apr 2011	11901/2011	Gillette Company, The; 28-03A, Portion of a shaving razor, (US, 01 Nov 2010) 29 Apr 2011	11888/2011
Fuego North America LLC; 07-02D, Portable cooking grill, (US, 09 Nov 2010) 28 Apr 2011	11805/2011	Gillette Company, The; 28-03A, Portion of a shaving razor, (US, 01 Nov 2010) 29 Apr 2011	11977/2011
Fuji Xerox Co., Ltd.; 14-02, Toner cartridge, (JP, 22 Oct 2010) 19 Apr 2011	11738/2011	Glass Solution International Ltd; 09-01H, Bottle, 05 May 2011	11978/2011
Fuji Xerox Co., Ltd.; 14-02, Toner cartridge, (JP, 22 Oct 2010) 21 Apr 2011	11776/2011	Glass Solution International Ltd; 09-01H, Bottle, 05 May 2011	11979/2011
Fuji Xerox Co., Ltd.; 14-02, Toner cartridge, (JP, 22 Oct 2010) 21 Apr 2011	11780/2011	Glass Solution International Ltd; 09-01H, Bottle, 05 May 2011	11976/2011
Fuji Xerox Co., Ltd.; 14-02, Toner cartridge, (JP, 22 Oct 2010) 21 Apr 2011	11775/2011	Greenway Energy Pty Ltd; 25-01K, Extrusion, 06 May 2011	12003/2011
Fujitsu General Limited; 23-04, Outdoor unit for air conditioner, (JP, 04 Nov 2010) 02 May 2011	11921/2011	Greenway Energy Pty Ltd; 25-01K, Extrusion, 06 May 2011	12004/2011
		Greenway Energy Pty Ltd; 25-01K, Extrusion, 06 May 2011	12005/2011

Gregg, Catriona Anne; 06-01C, Bench, 29 Apr 2011	11910/2011	Karsten Manufacturing Corporation; 21-02C, Golf club head, (US, 10 Jan 2011) 03 May 2011	11949/2011
Gutray-Bukoven, Eva Karja;Bukoven, Evrydika Jurate Semonta; 02-07A, Dresses with shoulder straps, 02 May 2011	11929/2011	Karsten Manufacturing Corporation; 21-02C, Golf club head, (US, 10 Jan 2011) 03 May 2011	11950/2011
Heineken Supply Chain B.V.; 09-02C, 23-01NES, Beer keg with tap, (WO, 05 Nov 2010) 05 May 2011	11980/2011	Karsten Manufacturing Corporation; 21-02C, Golf club head, (US, 10 Jan 2011) 21 Apr 2011	11799/2011
Heineken Supply Chain B.V.; 09-02C, Beer keg, (WO, 05 Nov 2010) 05 May 2011	11981/2011	Keep abreast Ltd; 02-01A, Sports bras, 27 Apr 2011	11837/2011
Hi-Class Composites Pty Limited; 12-16B, A canopy for a utility motor vehicle, 28 Apr 2011	11804/2011	King Furniture (Australia) Pty Ltd; 06-01G, An article of furniture, 05 May 2011	11991/2011
Honda Motor Co., Ltd.; 12-11, A motorcycle, (US, 27 Oct 2010) 28 Apr 2011	11863/2011	King Furniture (Australia) Pty Ltd; 06-01G, An article of furniture, 05 May 2011	11992/2011
Honda Motor Co., Ltd.; 12-11, A fuel tank cover for a motorcycle, (JP, 01 Nov 2010) 29 Apr 2011	11906/2011	Koninklijke Philips Electronics N.V.; 26-05C, Luminaire, (EM, 04 Nov 2010) 03 May 2011	11952/2011
Honda Motor Co., Ltd.; 12-11, A motorcycle, (JP, 01 Nov 2010) 29 Apr 2011	11905/2011	Koninklijke Philips Electronics N.V.; 24-02, Connector for medical puppose, (EM, 11 Nov 2010) 04 May 2011	11875/2011
Honda Motor Co., Ltd.; 26-06, A rear combination lamp for a motorcycle, (US, 27 Oct 2010) 28 Apr 2011	11864/2011	Koninklijke Philips Electronics N.V.; 26-05C, Luminaire, (EM, 04 Nov 2010) 03 May 2011	11953/2011
Honda Motor Co., Ltd.; 12-11, A motorcycle, (JP, 01 Nov 2010) 29 Apr 2011	11907/2011	Laing-Peach, Roderick John; 25-02NES, A support rail, 28 Apr 2011	11845/2011
Hookturn Industries; 07-01C, Baby Cino is a silicone small coffee cup for use in cafes, gift shops and baby products shops, 05 May 2011	11968/2011	Larkey, Ben; 20-02NES, Display box - with hand, 27 Apr 2011	11797/2011
Irwin, Jo; 23-02F, Hand basin, 09 May 2011	12008/2011	Legrand Australia Pty Ltd; 13-03D, An electrical power outlet, (CN, 26 Oct 2010) 20 Apr 2011	11766/2011
Jackson, Margaret Ann; 06-09, Support cushion/pillow with or without handle Support cushion/pillow with or without pocket, 21 Apr 2011	11754/2011	Legrand Australia Pty Ltd; 13-03D, An electrical switch assembly, (CN, 26 Oct 2010) 20 Apr 2011	11762/2011
Joint Works Holdings Pty Ltd; 20-02NES, Retractable banner stand, 25 Feb 2011	11915/2011	Legrand Australia Pty Ltd; 13-03D, Switch activating dolly, (CN, 26 Oct 2010) 20 Apr 2011	11759/2011
Joint Works Holdings Pty Ltd; 20-02NES, Retractable banner stand These two designs are end plates they keep the ends of the, display stand covered and round tube locked in, 25 Feb 2011	11916/2011	Legrand Australia Pty Ltd; 13-03D, Switch actuator, (CN, 26 Oct 2010) 20 Apr 2011	11760/2011
Karsten Manufacturing Corporation; 21-02C, Golf club head, (US, 15 Dec 2010) 03 May 2011	11947/2011	Legrand Australia Pty Ltd; 13-03D, An electrical power outlet, (CN, 26 Oct 2010) 20 Apr 2011	11767/2011
Karsten Manufacturing Corporation; 21-02C, Golf club head, (US, 10 Jan 2011) 03 May 2011	11948/2011	Legrand Australia Pty Ltd; 13-03D, Switch activating dolly, (CN, 26 Oct 2010) 20 Apr 2011	11768/2011
		Legrand Australia Pty Ltd; 13-03D, An electrical power outlet, (CN, 26 Oct 2010) 20 Apr 2011	11763/2011
		Legrand Australia Pty Ltd; 13-03D, An electrical power outlet, (CN, 26 Oct 2010) 20 Apr 2011	11764/2011

Legrand Australia Pty Ltd; 13-03D, An electrical switch assembly, (CN, 26 Oct 2010) 20 Apr 2011	11761/2011	McNeil-PPC, Inc.; 04-02, Electric toothbrush and replaceable toothbrush head, (US, 22 Oct 2010) 20 Apr 2011	11954/2011
Legrand Australia Pty Ltd; 13-03D, A face plate, (CN, 26 Oct 2010) 20 Apr 2011	11765/2011	McPherson's Limited; 07-02P, Baking tray, 03 May 2011	11946/2011
Les Mills International Limited; 21-02F, Weight plates and hub, (NZ, 27 Aug 2010) 25 Feb 2011	11935/2011	Melro Distributors Pty Ltd; 02-02C, Ladies clothing, 03 May 2011	11959/2011
Les Mills International Limited; 21-02F, Weight plates and hub, (NZ, 27 Aug 2010) 25 Feb 2011	11936/2011	Metalicus Pty Ltd; 02-02C, Women's clothing, 29 Apr 2011	11904/2011
Les Mills International Limited; 21-02F, Weight plates and hub, (NZ, 27 Aug 2010) 25 Feb 2011	11937/2011	Metalicus Pty Ltd; 02-02C, Women's clothing, 27 Apr 2011	11811/2011
Les Mills International Limited; 21-02F, Weight plates and hub, (NZ, 27 Aug 2010) 25 Feb 2011	11934/2011	Michelin Recherche et Technique S.A.; Societe De Technologie Michelin; 12-15A, A tyre, (FR, 08 Nov 2010) 04 May 2011	11955/2011
Lubricon Hydrive Pty Ltd; 23-01F, A tank and stand assembly, 05 May 2011	11987/2011	Mrs Mac's Pty Ltd; 20-02E, A merchandising unit, 20 Apr 2011	11769/2011
Lubricon Hydrive Pty Ltd; 23-01F, Stand assembly for tanks, 05 May 2011	11988/2011	Navius, Maxie; 06-01E, Stool, 27 Apr 2011	11816/2011
Lucite International UK Limited; 05-05D, Sheets of artificial or natural material, (EM, 03 Feb 2011) 03 May 2011	11922/2011	Ningbo Lucky Snow Mechanical Equipment Manufacturing and Trading Co., Ltd.; 07-05E, Steam scrubber, (CN, 10 Nov 2010) 21 Apr 2011	11771/2011
Lushe Urban Greening; 09-03F, Vertical garden, 05 May 2011	11975/2011	Nissan Jidosha Kabushiki Kaisha; 12-16B, Radiator grill for automobile, (JP, 09 Nov 2010) 28 Apr 2011	11867/2011
LED Technologies Pty Ltd; 26-05A, Lighting assembly, 04 May 2011	11831/2011	Nissan Jidosha Kabushiki Kaisha; 12-08, Automobile, (JP, 08 Nov 2010) 28 Apr 2011	11865/2011
LED Technologies Pty Ltd; 26-05E, Connector, 04 May 2011	11984/2011	Nissan Jidosha Kabushiki Kaisha; 12-16C, Front bumper for automobile, (JP, 08 Nov 2010) 28 Apr 2011	11866/2011
LED Technologies Pty Ltd; 26-05E, Lighting assembly, 04 May 2011	11985/2011	P.S.L. Limited; 14-01, Headphone, (HK, 16 Dec 2010) 04 May 2011	11957/2011
LED Technologies Pty Ltd; 26-05C, Lighting assembly, 04 May 2011	11817/2011	Plastec Australia Pty Ltd; 23-01NES, Water trap for a floor drain assembly, 02 May 2011	11897/2011
LG Electronics Inc.; 14-03B, TV receiver, (KR, 29 Dec 2010) 02 May 2011	11930/2011	Plastec Australia Pty Ltd; 23-01NES, Housing for a water trap, 02 May 2011	11898/2011
LG Electronics Inc.; 14-03B, LCD television receiver, (KR, 23 Dec 2010) 21 Apr 2011	11788/2011	Plastec Australia Pty Ltd; 23-01NES, Downcomer for a water trap, 02 May 2011	11899/2011
Magpul Industries Corporation; 14-03A, An external case for a mobile telephone, (US, 10 Mar 2011) 27 Apr 2011	11838/2011	Plastec Australia Pty Ltd; 23-01NES, Water trap, 02 May 2011	11900/2011
MannKind Corporation; 09-05, Blister packaging, (US, 28 Sep 2010) 11 Mar 2011	11868/2011	Pragma Design Pty Ltd; 20-01, Sign, 05 May 2011	11967/2011
McCormick & Company, Incorporated; 09-05, Seasoning package, (US, 03 Dec 2010) 20 Apr 2011	11753/2011	Procter & Gamble Company, The; 09-01NES, Container, (US, 01 Nov 2010) 29 Apr 2011	11884/2011
McCormick & Company, Incorporated; 09-05, Seasoning package, (US, 03 Dec 2010) 20 Apr 2011	11752/2011		

Procter & Gamble Company, The; 09-01NES, Container, (US, 01 Nov 2010) 29 Apr 2011	11885/2011	Sao Paulo Alpargatas S.A.; 02-04NES, Footwear, (EM, 27 Apr 2011) 06 May 2011	12012/2011
Reckitt Benckiser LLC; 09-01NES, 23-02A, Dispenser, (EM, 26 Oct 2010) 20 Apr 2011	11756/2011	Sao Paulo Alpargatas S.A.; 02-04NES, Footwear, (EM, 27 Apr 2011) 06 May 2011	12013/2011
Reckitt Benckiser LLC; 09-01NES, 23-02A, Dispenser and refill, (EM, 26 Oct 2010) 20 Apr 2011	11757/2011	Seafolly Pty Ltd; 02-02A, Swimwear, 05 Nov 2010	11940/2011
Reckitt Benckiser LLC; 09-01NES, Refill, (EM, 26 Oct 2010) 20 Apr 2011	11758/2011	Seafolly Pty Ltd; 02-02A, Swimwear, 05 Nov 2010	11941/2011
Reckitt Benckiser N.V.; 07-05NES, Capsule containing washing products, (EM, 05 Nov 2010) 04 May 2011	11974/2011	Seafolly Pty Ltd; 02-02A, Swimwear, 05 Nov 2010	11942/2011
Rowbottom, John; 02-01NES, Novelty pyjamas, replicating Australian Rules football playing outfits with replica body coloured arms and legs, with replica socks. The whole replica body is printed onto the pyjamas. The pyjamas are full length 2 piece sets., 03 May 2011	11960/2011	Seafolly Pty Ltd; 02-02A, Swimwear, 05 Nov 2010	11938/2011
Royal Australian Mint; 03-01B, 09-05, Coin capsule, 02 May 2011	11893/2011	Seafolly Pty Ltd; 02-02A, Swimwear, 05 Nov 2010	11939/2011
Royal Australian Mint; 03-01B, 09-05, Coin capsule, 02 May 2011	11894/2011	Shuffle Master, Inc.; 06-03D, Gaming table for electronic roulette, (US, 04 Nov 2010) 21 Apr 2011	11812/2011
Rubbermaid Commercial Products, LLC; 23-02NES, Toilet bowl dispenser, (US, 05 Nov 2010) 04 May 2011	11971/2011	Sitland S.P.A.; 06-01F, Chair, (EM, 09 Dec 2010) 20 Apr 2011	11755/2011
Rubbermaid Commercial Products, LLC; 09-01A, Aerosol dispenser, (US, 05 Nov 2010) 04 May 2011	11972/2011	Smash Enterprises Pty Ltd; 03-01NES, 07-01NES, Banana container, 06 May 2011	12009/2011
Rubbermaid Commercial Products, LLC; 28-99, Air freshener, (US, 05 Nov 2010) 04 May 2011	11973/2011	Societe des Produits Nestle S.A.; 09-05, A capsule, (CH, 01 Nov 2010) 28 Apr 2011	11836/2011
Rubbermaid Commercial Products, LLC; 28-99, Air freshener, (US, 05 Nov 2010) 04 May 2011	11970/2011	Societe des Produits Nestle S.A.; 09-05, A capsule, (CH, 01 Nov 2010) 28 Apr 2011	11835/2011
S.C. Johnson & Son Inc.; 09-01A, Dispenser, (US, 09 Nov 2010) 04 May 2011	11834/2011	Societe des Produits Nestle S.A.; 09-01A, A dispenser, (CH, 01 Nov 2010) 28 Apr 2011	11803/2011
S.C. Johnson & Son, Inc.; 09-01A, Dispenser, (EC, 03 Nov 2010) 03 May 2011	11961/2011	Societe De Technologie Michelin; Michelin Recherche et Technique S.A.; 12-15A, A tyre, (FR, 08 Nov 2010) 04 May 2011	11955/2011
S.C. Johnson & Son, Inc.; 09-01A, Dispenser, (US, 05 Nov 2010) 04 May 2011	11833/2011	Sunbeam Products, Inc.; 15-99, Sealing machine, (US, 28 Oct 2010) 28 Apr 2011	11871/2011
S.C. Johnson & Son, Inc.; 09-01A, Dispenser, (EC, 03 Nov 2010) 03 May 2011	11962/2011	Sunbeam Products, Inc.; 15-99, Vacuum packaging appliance, (US, 08 Nov 2010) 28 Apr 2011	11872/2011
Sands Innovations Pty Ltd; 09-05, Container, 04 May 2011	11983/2011	Swags for Homeless Limited; 03-01NES, Bag, 20 Apr 2011	11876/2011
Sao Paulo Alpargatas S.A.; 02-04NES, Footwear, (BR, 09 Dec 2010) 04 May 2011	11963/2011	Swags for Homeless Limited; 06-13B, Bed, 20 Apr 2011	11877/2011
		Swags for Homeless Limited; 06-13B, Bed, 20 Apr 2011	11878/2011
		Swags for Homeless Limited; 03-01A, Bag, 20 Apr 2011	11879/2011
		Swags for Homeless Limited; 06-13B, Bed, 20 Apr 2011	11880/2011

SwitchEasy Limited; 03-01NES, Protective casing for portable handheld electronic device, (HK, 12 Nov 2010) 03 May 2011	11956/2011	Vibram S.P.A.; 02-04NES, Shoes, (EM, 25 Nov 2010) 29 Apr 2011	11889/2011
Tan, Patrick; 16-02, Cross shape digital photo viewer, (NZ, 25 Aug 2010) 21 Apr 2011	11800/2011	Vibram S.P.A.; 02-04NES, Shoes, (EM, 25 Nov 2010) 29 Apr 2011	11890/2011
The Gillette Company; 09-03M, Packaging container with surface ornamentation, (US, 28 Oct 2010) 27 Apr 2011	11828/2011	Vision X Asia Co., Ltd.; 26-06, Headlight for heavy equipment, (KR, 22 Nov 2010) 02 May 2011	11919/2011
The Gillette Company; 28-03A, Protective overcap for a shaving razor cartridge, (US, 19 Jan 2011) 05 May 2011	11994/2011	Vision X Asia Co., Ltd.; 26-06, Headlight for heavy equipment, 02 May 2011	11920/2011
The Gillette Company; 28-03A, Shaving razor handle, (US, 19 Jan 2011) 05 May 2011	11995/2011	Walker, Norman Edward; 17-99, Plectrum, 29 Apr 2011	11909/2011
The Gillette Company; 09-03M, Packaging container with surface ornamentation, (US, 28 Oct 2010) 27 Apr 2011	11829/2011	Wheel Pros, LLC; 12-16A, Wheel, (US, 18 Nov 2010) 18 Feb 2011	11801/2011
The Gillette Company; 09-03H, Packaging container with surface ornamentation, (US, 28 Oct 2010) 27 Apr 2011	11832/2011	Wilson, Carolyn; 01-01, Biscuits, 02 May 2011	11895/2011
The Gillette Company; 09-03NES, Packaging container with surface ornamentation, (US, 28 Oct 2010) 27 Apr 2011	11830/2011	Wm. Wrigley Jr. Company; 01-01, Confectionary, (US, 28 Oct 2010) 28 Apr 2011	11855/2011
The Gillette Company; 28-03NES, Packaging card for a personal care product, (US, 28 Oct 2010) 28 Apr 2011	11870/2011	Wm. Wrigley Jr. Company; 01-01, Confectionary, (US, 28 Oct 2010) 28 Apr 2011	11856/2011
The Procter & Gamble Company; 09-01NES, Container, (US, 01 Nov 2010) 29 Apr 2011	11882/2011	Wm. Wrigley Jr. Company; 01-01, Confectionary, (US, 29 Oct 2010) 28 Apr 2011	11857/2011
The Procter & Gamble Company; 09-01NES, Container, (US, 01 Nov 2010) 29 Apr 2011	11883/2011	Wm. Wrigley Jr. Company; 01-01, Confectionary, (US, 29 Oct 2010) 28 Apr 2011	11858/2011
The Quaker Oats Company; 09-07A, Closure, (US, 11 Mar 2011) 27 Apr 2011	11814/2011	Wm. Wrigley Jr. Company; 01-01, Confectionary, (US, 28 Oct 2010) 28 Apr 2011	11859/2011
The Quaker Oats Company; 09-07A, Closure, (US, 11 Mar 2011) 27 Apr 2011	11815/2011	Wm. Wrigley Jr. Company; 01-01, Confectionary, (US, 28 Oct 2010) 28 Apr 2011	11860/2011
Tong Lee Industrial Co., Ltd; 08-06, Handle of a hand tool, 02 May 2011	11923/2011	Wm. Wrigley Jr. Company; 01-01, Confectionary, (US, 28 Oct 2010) 28 Apr 2011	11861/2011
Tong Lung Metal Industry Co., Ltd.; 08-06, Door lever, (TW, 16 Feb 2011) 21 Apr 2011	11772/2011	Wm. Wrigley Jr. Company; 01-01, Confectionary, (US, 29 Oct 2010) 28 Apr 2011	11851/2011
UES (Int'l) Pty Ltd; 08-08NES, Mirror bracket wedge - for mounting bus mirror arm assembly, 29 Apr 2011	11881/2011	Wm. Wrigley Jr. Company; 01-01, Confectionary, (US, 28 Oct 2010) 28 Apr 2011	11852/2011
Vehicle Components Pty Ltd; 12-16NES, A vehicle suspension support arm, 29 Apr 2011	11911/2011	Wm. Wrigley Jr. Company; 01-01, Confectionary, (US, 28 Oct 2010) 28 Apr 2011	11853/2011
		Wm. Wrigley Jr. Company; 01-01, Confectionary, (US, 28 Oct 2010) 28 Apr 2011	11854/2011

Wm. Wrigley Jr. Company; 01-01, Confectionary, (US, 29 Oct 2010) 28 Apr 2011	11862/2011	Yeomans, Allan James; 99-00, Collector tube assembly, 06 May 2011	11990/2011
Wyeth LLC; 09-03L, Infant formula container, (US, 22 Dec 2010) 05 May 2011	11986/2011	3M Innovative Properties Company; 29-02, Hearing protector, (EM, 04 Nov 2010) 29 Apr 2011	11891/2011
X6D Limited; 16-06, 3D glasses, (US, 08 Nov 2010) 06 May 2011	12001/2011	3M Innovative Properties Company; 29-02, Hearing protector, (EM, 04 Nov 2010) 29 Apr 2011	11892/2011

Applications Withdrawn

11611 / 2011 (26-06)

Applications Lapsed

13054 / 2010 (25-01E)	13485 / 2010 (02-02C)
14557 / 2010 (02-02NES)	14640 / 2010 (02-02C)
14649 / 2010 (06-01E)	10435 / 2011 (21-01K)
10436 / 2011 (21-01K)	10547 / 2011 (11-05)
10653 / 2011 (11-05)	10657 / 2011 (04-02)
11004 / 2011 (02-02C)	11005 / 2011 (02-02C)
11006 / 2011 (02-02C)	11007 / 2011 (02-02C)
11008 / 2011 (02-02C)	11009 / 2011 (02-02C)
11010 / 2011 (02-02C)	11011 / 2011 (02-02C)
11012 / 2011 (02-02C)	11013 / 2011 (02-02C)
11014 / 2011 (02-02C)	11015 / 2011 (02-02C)
11016 / 2011 (02-02C)	11017 / 2011 (02-02C)
11018 / 2011 (02-02C)	11019 / 2011 (02-02C)
11020 / 2011 (02-02C)	11021 / 2011 (02-02C)
11022 / 2011 (02-02C)	11023 / 2011 (02-02C)
11024 / 2011 (02-02C)	11025 / 2011 (02-02C)
11026 / 2011 (02-02C)	11027 / 2011 (02-02C)
11028 / 2011 (02-02C)	

Extension of Period of Registration of Designs

307601	307602	307603
307767	307768	308566
308712	308753	308754
308775	308776	308797
308813	308814	308858
308859	308860	308912
308917	308920	308972
308973	308974	308975
309023	309028	309029
309050	309051	309059
309060	309061	309068
309069	309093	309094
309100	309101	309102
309107	309138	309178
309185	309186	309187
309207	309208	309209
309210	309211	309212
309214	309228	309397
309470	309471	309472
309473	309477	309519
309520	309521	309522
309523	309570	309574
309592	309593	309600
309632	309635	309642
309682	309693	309703
309704	309705	309706
309707	309708	309709
309710	309720	309722
309723	309726	309735
309754	309801	309802
309831	309849	309850
309883	309885	309886
309969	310057	310119
310120	310122	310124
310205	310231	310255
310256	310257	310343
310363	310364	310377
310387	310388	310501
310540	310632	311003
311218	311285	311286
311475	311476	311477
311478	312445	313444
313609		

Registrations Ceased

303984	304015	304523
304524	304544	304545
304547	306244	306316
306341	306365	306367

306379	306389	306390
306391	306392	306393
306394	306395	306414
306420	306421	306422
306423	306424	306445
306452	306457	306533
306534	306584	306585
306587	306588	306589
306590	306591	306595
306596	306636	306645
306646	306647	306650
306651	306652	306655
306663	306664	306665
306668	306670	306704
306705	306728	306729
306730	306733	306741
306746	306747	306757
306758	306759	306760
306761	306762	306763
306764	306770	306786
306797	306798	306803
306807	306809	306837
306874	306877	306879
306880	306889	306890
306891	306892	306893
306899	306919	306920
306921	306935	306936
306938	306941	306947
306953	306974	306975
306976	306977	306980
306981	306982	307008
307009	307010	307011
307012	307016	307024
307047	307048	307102
307103	307104	307105
307106	307107	307108
307109	307142	307143
307144	307145	307146
307147	307148	307149
307150	307151	307169
307170	307171	307188
307189	307190	307196
307197	307218	307250
307264	307322	307323
307327	307353	307354
307396	307400	307410
307411	307412	307414
307423	307424	307463
307505	307546	307576
307616	307636	307637
307705	307706	307778
307779	307780	307781
307783	307823	307824
307863	307864	307946

307987	308133	308164
308165	308267	308718
308761	309084	309508
310034	310035	310095
311438	312115	313106
314095	316778	317240

Applications for Extension of time under Section 137

Applications under section 137 for extension of time have been lodged. Objections must be lodged within 1 month from the date of this journal.

30367611566/2009 **EcoloBlue Inc** Address for Service: Fisher Adams Kelly GPO Box 1413 BRISBANE QLD 4001

Extensions of time granted under Section 137

Applications lodged under section 137 for extension of time have been granted.

15219/2010 **Shenzhen Kstar New Energy Company Limited**

10230/2011 **Optima Solutions UK Limited**

10231/2011 **Optima Solutions UK Limited**

10232/2011 **Optima Solutions UK Limited**

10233/2011 **Optima Solutions UK Limited**

Subsequent Owners Registered

(The name in parentheses is that of the subsequent owner)

320149 (**noBULL Accessories Pty Ltd**) Juan Dauwalder

320150 (**noBULL Accessories Pty Ltd**) Juan Dauwalder

309138 (**Icon Plastics Pty Ltd**) Anthony Michael Bradley

Certificate(s) of Examination

Examination of the following Design Registration(s) has been completed. Infringement proceedings may now be commenced.

305025	07-01C	29/04/2011
315113	14-01	02/05/2011
315114	14-01	02/05/2011
315115	14-01	02/05/2011
320582	29-02	28/04/2011
331068	26-04	29/04/2011
332857	19-06	29/04/2011
333407	14-03E	16/03/2011
333476	19-06	29/04/2011
333637	13-02	28/04/2011
334032	08-01	07/05/2011
334033	08-01	07/05/2011
334051	24-99	27/04/2011
334052	24-99	27/04/2011
334166	02-02NES	29/04/2011
334204	15-07	27/04/2011
334205	15-07	27/04/2011
334206	15-07	27/04/2011
334447	12-16B	27/04/2011
334513	09-01G	27/04/2011
334514	09-01G	27/04/2011
334798	25-01K	28/04/2011
334803	25-01K	30/04/2011
334804	25-01K	28/04/2011
335168	02-04NES	18/04/2011
335186	09-01K	29/04/2011
335187	09-01K	29/04/2011
335188	09-01K	29/04/2011

Publication and Registration Proceedings

Designs Registered

This section provides a concordance between design number and registration number of Designs covered in this journal. It also shows the main class and registration date.

This section covers Registration numbers 336118 to 336459 .

The registration number shown below should be used in all future correspondence.

Design Number	Registration Number	International Classification Code (IDC)	Registration Date	Design Number	Registration Number	International Classification Code (IDC)	Registration Date
13590/2010	336225	09-03M	02/05/2011	10508/2011	336247	02-02C	04/05/2011
14569/2010	336174	30-04	28/04/2011	10509/2011	336248	02-02C	04/05/2011
14675/2010	336425	12-16D	11/05/2011	10510/2011	336249	02-02C	04/05/2011
14676/2010	336426	12-16B	11/05/2011	10511/2011	336250	02-02C	04/05/2011
14763/2010	336370	02-02C	07/05/2011	10512/2011	336251	02-02C	04/05/2011
14834/2010	336185	21-03	29/04/2011	10513/2011	336252	02-02C	04/05/2011
14835/2010	336186	21-03	29/04/2011	10514/2011	336253	02-02C	04/05/2011
14836/2010	336187	21-03	29/04/2011	10515/2011	336254	02-02C	04/05/2011
14837/2010	336188	21-03	29/04/2011	10516/2011	336255	02-02C	04/05/2011
14841/2010	336427	08-08B	11/05/2011	10517/2011	336256	02-02C	04/05/2011
14842/2010	336428	08-08B	11/05/2011	10518/2011	336257	02-02C	04/05/2011
14906/2010	336429	13-03E	11/05/2011	10519/2011	336258	02-02C	04/05/2011
15219/2010	336175	13-02	28/04/2011	10520/2011	336259	02-02C	04/05/2011
15226/2010	336393	20-02E	10/05/2011	10521/2011	336260	02-02C	04/05/2011
15227/2010	336394	06-03C	10/05/2011	10522/2011	336261	02-02C	04/05/2011
15228/2010	336395	06-01F	10/05/2011	10523/2011	336262	02-02C	04/05/2011
15378/2010	336144	19-06	21/04/2011	10524/2011	336263	02-02C	04/05/2011
15628/2010	336176	12-15B	28/04/2011	10525/2011	336264	02-02C	04/05/2011
15686/2010	336430	12-16A	11/05/2011	10526/2011	336265	02-02C	04/05/2011
10118/2011	336359	26-05E	05/05/2011	10527/2011	336266	02-02C	04/05/2011
10230/2011	336189	20-03NES	29/04/2011	10528/2011	336267	02-02C	04/05/2011
10231/2011	336190	19-01	29/04/2011	10529/2011	336268	02-02C	04/05/2011
10232/2011	336191	19-01	29/04/2011	10530/2011	336269	02-02C	04/05/2011
10233/2011	336192	20-03NES	29/04/2011	10531/2011	336270	02-02C	04/05/2011
10257/2011	336244	02-02NES	04/05/2011	10532/2011	336271	02-02C	04/05/2011
10258/2011	336245	02-02C	04/05/2011	10533/2011	336272	02-02C	04/05/2011
10335/2011	336118	21-01H	27/04/2011	10534/2011	336273	02-02C	04/05/2011
10336/2011	336119	21-01H	27/04/2011	10535/2011	336274	02-02C	04/05/2011
10346/2011	336396	06-06NES	10/05/2011	10536/2011	336275	02-02C	04/05/2011
10348/2011	336397	06-06NES	10/05/2011	10542/2011	336360	01-01	05/05/2011
10349/2011	336398	06-06NES	10/05/2011	10550/2011	336276	02-02C	04/05/2011
10351/2011	336399	06-06NES	10/05/2011	10551/2011	336277	02-02C	04/05/2011
10376/2011	336145	19-06	21/04/2011	10552/2011	336278	02-02C	04/05/2011
10377/2011	336146	19-06	21/04/2011	10553/2011	336279	02-02C	04/05/2011
10385/2011	336123	07-02R	21/04/2011	10554/2011	336280	02-02C	04/05/2011
10411/2011	336177	03-01D	28/04/2011	10555/2011	336281	02-02C	04/05/2011
10425/2011	336124	10-03	21/04/2011	10556/2011	336282	02-02C	04/05/2011
10426/2011	336125	10-03	21/04/2011	10557/2011	336283	02-02C	04/05/2011
10428/2011	336126	24-01	21/04/2011	10558/2011	336284	02-02C	04/05/2011
10429/2011	336431	24-99	11/05/2011	10559/2011	336285	02-02C	04/05/2011
10430/2011	336178	09-01NES	28/04/2011	10560/2011	336286	02-02C	04/05/2011
10431/2011	336179	09-01NES	28/04/2011	10561/2011	336287	02-02C	04/05/2011
10432/2011	336180	09-01NES	28/04/2011	10562/2011	336288	02-02C	04/05/2011
10433/2011	336193	10-04	29/04/2011	10563/2011	336289	02-02C	04/05/2011
10437/2011	336181	07-01C	28/04/2011	10564/2011	336290	02-02C	04/05/2011
10451/2011	336194	12-16NES	29/04/2011	10565/2011	336291	02-02C	04/05/2011
10452/2011	336195	12-16NES	29/04/2011	10566/2011	336292	02-02NES	04/05/2011
10453/2011	336196	12-16NES	29/04/2011	10567/2011	336293	02-02C	04/05/2011
10454/2011	336197	12-16NES	29/04/2011	10568/2011	336294	02-02C	04/05/2011
10507/2011	336246	02-02C	04/05/2011	10569/2011	336295	02-02C	04/05/2011

Publication and Registration Proceedings - Designs Registered cont'd

Design Number	Registration Number	International Classification Code (IDC)	Registration Date	Design Number	Registration Number	International Classification Code (IDC)	Registration Date
10570/2011	336296	02-02C	04/05/2011	10827/2011	336135	18-03	21/04/2011
10571/2011	336297	02-02C	04/05/2011	10831/2011	336418	09-03E	11/05/2011
10572/2011	336298	02-02C	04/05/2011	10836/2011	336444	09-03E	11/05/2011
10601/2011	336432	12-16A	11/05/2011	10854/2011	336136	07-01NES	21/04/2011
10603/2011	336162	08-08NES	28/04/2011	10862/2011	336445	23-02F	11/05/2011
10606/2011	336299	02-02C	04/05/2011	10892/2011	336402	28-03NES	10/05/2011
10607/2011	336300	02-02C	04/05/2011	10896/2011	336440	06-04NES	11/05/2011
10608/2011	336301	02-02C	04/05/2011	10899/2011	336216	16-06	29/04/2011
10609/2011	336302	02-02C	04/05/2011	10900/2011	336446	07-99NES	11/05/2011
10610/2011	336303	02-02C	04/05/2011	10901/2011	336447	14-02	11/05/2011
10611/2011	336304	02-02C	04/05/2011	10904/2011	336137	14-99	21/04/2011
10612/2011	336305	02-02C	04/05/2011	10920/2011	336217	21-02F	29/04/2011
10613/2011	336306	02-02C	04/05/2011	10921/2011	336218	21-02F	29/04/2011
10614/2011	336307	02-02C	04/05/2011	10929/2011	336219	21-02F	29/04/2011
10615/2011	336308	02-02NES	04/05/2011	10931/2011	336220	21-02F	29/04/2011
10616/2011	336312	02-02C	04/05/2011	10939/2011	336382	21-02F	10/05/2011
10617/2011	336313	02-02C	04/05/2011	10940/2011	336383	21-02F	10/05/2011
10618/2011	336314	02-02NES	04/05/2011	10941/2011	336226	21-02F	02/05/2011
10619/2011	336315	02-02C	04/05/2011	10953/2011	336371	21-02F	07/05/2011
10620/2011	336316	02-02C	04/05/2011	11037/2011	336148	17-99	21/04/2011
10621/2011	336317	02-02C	04/05/2011	11038/2011	336362	09-03NES	05/05/2011
10622/2011	336318	02-02C	04/05/2011	11039/2011	336350	09-05	04/05/2011
10623/2011	336319	02-02C	04/05/2011	11053/2011	336441	21-01L	11/05/2011
10624/2011	336320	02-02C	04/05/2011	11054/2011	336442	21-01L	11/05/2011
10625/2011	336321	02-02C	04/05/2011	11093/2011	336352	02-02NES	05/05/2011
10626/2011	336322	02-02C	04/05/2011	11104/2011	336199	08-08NES	29/04/2011
10627/2011	336323	02-02C	04/05/2011	11118/2011	336354	18-02	05/05/2011
10628/2011	336309	02-02C	04/05/2011	11123/2011	336138	02-03	21/04/2011
10629/2011	336310	02-02C	04/05/2011	11125/2011	336403	30-02	10/05/2011
10630/2011	336311	02-02C	04/05/2011	11126/2011	336404	30-03	10/05/2011
10633/2011	336410	08-08NES	10/05/2011	11127/2011	336139	09-01K	21/04/2011
10656/2011	336198	04-02	29/04/2011	11128/2011	336140	09-01K	21/04/2011
10663/2011	336400	25-02NES	10/05/2011	11129/2011	336141	09-01K	21/04/2011
10664/2011	336361	16-06	05/05/2011	11136/2011	336230	14-02	03/05/2011
10666/2011	336341	16-06	03/05/2011	11143/2011	336324	02-04NES	03/05/2011
10674/2011	336213	08-08L	29/04/2011	11155/2011	336242	07-03	04/05/2011
10675/2011	336214	08-08L	29/04/2011	11156/2011	336152	09-05	21/04/2011
10677/2011	336379	23-04	10/05/2011	11157/2011	336153	09-01A	21/04/2011
10678/2011	336380	23-04	10/05/2011	11191/2011	336384	25-01K	10/05/2011
10688/2011	336127	09-03F	21/04/2011	11192/2011	336385	25-01K	10/05/2011
10696/2011	336215	03-01NES	29/04/2011	11193/2011	336386	25-01K	10/05/2011
10702/2011	336160	06-01F	27/04/2011	11194/2011	336387	25-01K	10/05/2011
10703/2011	336161	06-01F	27/04/2011	11207/2011	336411	11-05	10/05/2011
10712/2011	336435	21-02F	11/05/2011	11223/2011	336325	09-03NES	03/05/2011
10713/2011	336128	08-05E	21/04/2011	11224/2011	336326	07-01C	03/05/2011
10719/2011	336381	11-02B	10/05/2011	11225/2011	336327	07-01C	03/05/2011
10738/2011	336147	07-01C	21/04/2011	11226/2011	336328	12-11	03/05/2011
10765/2011	336401	07-04	10/05/2011	11252/2011	336448	02-03	11/05/2011
10789/2011	336443	07-04	11/05/2011	11255/2011	336353	23-01G	05/05/2011
10821/2011	336129	18-03	21/04/2011	11258/2011	336342	14-02	03/05/2011
10822/2011	336130	18-03	21/04/2011	11259/2011	336343	14-02	03/05/2011
10823/2011	336131	18-03	21/04/2011	11260/2011	336227	09-03F	02/05/2011
10824/2011	336132	18-03	21/04/2011	11261/2011	336200	09-03M	29/04/2011
10825/2011	336133	18-03	21/04/2011	11263/2011	336329	25-01D	03/05/2011
10826/2011	336134	18-03	21/04/2011	11264/2011	336330	25-01D	03/05/2011

Publication and Registration Proceedings - Designs Registered cont'd

Design Number	Registration Number	International Classification Code (IDC)	Registration Date	Design Number	Registration Number	International Classification Code (IDC)	Registration Date
11285/2011	336149	08-08NES	21/04/2011	11449/2011	336228	14-01	02/05/2011
11337/2011	336142	15-02	21/04/2011	11451/2011	336171	11-01C	28/04/2011
11339/2011	336331	14-01	03/05/2011	11452/2011	336241	25-01E	03/05/2011
11341/2011	336412	09-03M	10/05/2011	11453/2011	336364	25-01E	05/05/2011
11342/2011	336413	09-05	10/05/2011	11459/2011	336221	08-05P	29/04/2011
11343/2011	336414	09-05	10/05/2011	11469/2011	336355	05-05A	05/05/2011
11355/2011	336201	09-01D	29/04/2011	11470/2011	336229	15-05	02/05/2011
11356/2011	336163	22-06	28/04/2011	11472/2011	336373	23-01K	09/05/2011
11360/2011	336150	14-02	21/04/2011	11486/2011	336345	28-03NES	04/05/2011
11361/2011	336151	14-02	21/04/2011	11487/2011	336346	28-03NES	04/05/2011
11363/2011	336154	02-07A	27/04/2011	11488/2011	336347	08-08M	04/05/2011
11367/2011	336155	08-06	27/04/2011	11489/2011	336348	15-05	04/05/2011
11368/2011	336156	03-01NES	27/04/2011	11491/2011	336349	07-02B	04/05/2011
11369/2011	336157	26-03	27/04/2011	11492/2011	336334	08-01	03/05/2011
11370/2011	336158	09-07C	27/04/2011	11493/2011	336335	08-01	03/05/2011
11371/2011	336159	09-07C	27/04/2011	11494/2011	336336	08-01	03/05/2011
11383/2011	336143	08-01	21/04/2011	11495/2011	336337	08-01	03/05/2011
11384/2011	336202	26-06	29/04/2011	11496/2011	336338	08-01	03/05/2011
11385/2011	336203	26-06	29/04/2011	11497/2011	336339	08-01	03/05/2011
11386/2011	336204	12-16B	29/04/2011	11498/2011	336374	08-01	09/05/2011
11387/2011	336205	12-16B	29/04/2011	11500/2011	336375	11-03	09/05/2011
11388/2011	336206	12-16C	29/04/2011	11501/2011	336172	28-03NES	28/04/2011
11389/2011	336207	12-16C	29/04/2011	11502/2011	336376	14-03E	09/05/2011
11390/2011	336208	12-16B	29/04/2011	11503/2011	336365	11-01C	05/05/2011
11391/2011	336209	12-16B	29/04/2011	11504/2011	336366	11-01E	05/05/2011
11392/2011	336164	12-16B	28/04/2011	11505/2011	336367	11-01A	05/05/2011
11394/2011	336165	21-01L	28/04/2011	11507/2011	336451	25-01D	11/05/2011
11395/2011	336166	21-01L	28/04/2011	11509/2011	336340	25-01D	03/05/2011
11397/2011	336372	26-05C	07/05/2011	11511/2011	336356	23-01H	05/05/2011
11398/2011	336167	19-06	28/04/2011	11512/2011	336357	23-01H	05/05/2011
11399/2011	336168	23-01G	28/04/2011	11513/2011	336377	23-01G	09/05/2011
11400/2011	336169	23-01G	28/04/2011	11514/2011	336378	23-01G	09/05/2011
11401/2011	336170	23-01G	28/04/2011	11515/2011	336368	23-01G	05/05/2011
11402/2011	336210	23-01G	29/04/2011	11516/2011	336369	24-01	05/05/2011
11403/2011	336211	23-01G	29/04/2011	11517/2011	336452	24-04	11/05/2011
11404/2011	336212	23-01G	29/04/2011	11519/2011	336453	09-05	11/05/2011
11405/2011	336231	23-01G	03/05/2011	11520/2011	336454	09-05	11/05/2011
11406/2011	336232	23-01G	03/05/2011	11521/2011	336455	09-05	11/05/2011
11407/2011	336233	07-02K	03/05/2011	11525/2011	336344	15-04	03/05/2011
11408/2011	336234	31-00	03/05/2011	11528/2011	336405	25-01F	10/05/2011
11421/2011	336235	14-02	03/05/2011	11529/2011	336406	25-01F	10/05/2011
11424/2011	336236	25-02G	03/05/2011	11530/2011	336407	25-01F	10/05/2011
11425/2011	336449	13-02	11/05/2011	11531/2011	336408	25-01F	10/05/2011
11426/2011	336450	13-02	11/05/2011	11538/2011	336223	23-02A	29/04/2011
11427/2011	336182	09-07B	28/04/2011	11539/2011	336222	23-02A	29/04/2011
11428/2011	336183	09-07B	28/04/2011	11540/2011	336456	26-05B	11/05/2011
11429/2011	336184	09-07B	28/04/2011	11541/2011	336457	26-05B	11/05/2011
11433/2011	336237	09-03NES	03/05/2011	11542/2011	336458	25-01A	11/05/2011
11434/2011	336238	09-03M	03/05/2011	11545/2011	336419	12-11	11/05/2011
11435/2011	336239	23-01A	03/05/2011	11548/2011	336420	14-02	11/05/2011
11441/2011	336240	13-03E	03/05/2011	11552/2011	336409	08-01	10/05/2011
11442/2011	336363	21-02NES	05/05/2011	11559/2011	336173	02-03	28/04/2011
11445/2011	336243	26-06	04/05/2011	11569/2011	336421	07-07A	11/05/2011
11446/2011	336333	26-06	03/05/2011	11570/2011	336422	03-01A	11/05/2011
11447/2011	336332	25-02NES	03/05/2011	11571/2011	336423	03-01A	11/05/2011

Publication and Registration Proceedings - Designs Registered cont'd

Design Number	Registration Number	International Classification Code (IDC)	Registration Date	Design Number	Registration Number	International Classification Code (IDC)	Registration Date
11573/2011	336424	03-01D	11/05/2011	11802/2011	336434	12-16A	11/05/2011
11587/2011	336224	09-01NES	29/04/2011	11868/2011	336351	09-05	04/05/2011
11601/2011	336388	24-02	10/05/2011	11934/2011	336436	21-02F	11/05/2011
11653/2011	336415	14-02	10/05/2011	11935/2011	336437	21-02F	11/05/2011
11658/2011	336389	26-03	10/05/2011	11936/2011	336438	21-02F	11/05/2011
11673/2011	336358	02-02C	05/05/2011	11937/2011	336439	21-02F	11/05/2011
11699/2011	336459	19-08	11/05/2011	11943/2011	336390	26-03	10/05/2011
11704/2011	336121	21-01H	27/04/2011	11944/2011	336391	26-03	10/05/2011
11705/2011	336120	21-01H	27/04/2011	11945/2011	336392	26-03	10/05/2011
11708/2011	336416	21-02C	10/05/2011				
11709/2011	336417	21-01C	10/05/2011				
11801/2011	336433	12-16A	11/05/2011				

Publication and Registration Proceedings

Class Listing of Designs Published or Registered

The following section shows an International Classification Code listing of the Registered or Published Designs covered in this supplement.

Classification	Registration Number	Design Number	Classification	Registration Number	Design Number
01-01	336360	10542/2011	02-02C	336298	10572/2011
02-02C	336245	10258/2011	02-02C	336299	10606/2011
02-02C	336246	10507/2011	02-02C	336300	10607/2011
02-02C	336247	10508/2011	02-02C	336301	10608/2011
02-02C	336248	10509/2011	02-02C	336302	10609/2011
02-02C	336249	10510/2011	02-02C	336303	10610/2011
02-02C	336250	10511/2011	02-02C	336304	10611/2011
02-02C	336251	10512/2011	02-02C	336305	10612/2011
02-02C	336252	10513/2011	02-02C	336306	10613/2011
02-02C	336253	10514/2011	02-02C	336307	10614/2011
02-02C	336254	10515/2011	02-02C	336309	10628/2011
02-02C	336255	10516/2011	02-02C	336310	10629/2011
02-02C	336256	10517/2011	02-02C	336311	10630/2011
02-02C	336257	10518/2011	02-02C	336312	10616/2011
02-02C	336258	10519/2011	02-02C	336313	10617/2011
02-02C	336259	10520/2011	02-02C	336315	10619/2011
02-02C	336260	10521/2011	02-02C	336316	10620/2011
02-02C	336261	10522/2011	02-02C	336317	10621/2011
02-02C	336262	10523/2011	02-02C	336318	10622/2011
02-02C	336263	10524/2011	02-02C	336319	10623/2011
02-02C	336264	10525/2011	02-02C	336320	10624/2011
02-02C	336265	10526/2011	02-02C	336321	10625/2011
02-02C	336266	10527/2011	02-02C	336322	10626/2011
02-02C	336267	10528/2011	02-02C	336323	10627/2011
02-02C	336268	10529/2011	02-02C	336358	11673/2011
02-02C	336269	10530/2011	02-02C	336370	14763/2010
02-02C	336270	10531/2011	02-02NES	336244	10257/2011
02-02C	336271	10532/2011	02-02NES	336258	10519/2011
02-02C	336272	10533/2011	02-02NES	336292	10566/2011
02-02C	336273	10534/2011	02-02NES	336308	10615/2011
02-02C	336274	10535/2011	02-02NES	336314	10618/2011
02-02C	336275	10536/2011	02-02NES	336352	11093/2011
02-02C	336276	10550/2011	02-03	336138	11123/2011
02-02C	336277	10551/2011	02-03	336173	11559/2011
02-02C	336278	10552/2011	02-03	336448	11252/2011
02-02C	336279	10553/2011	02-04NES	336324	11143/2011
02-02C	336280	10554/2011	02-07A	336154	11363/2011
02-02C	336281	10555/2011	03-01A	336352	11093/2011
02-02C	336282	10556/2011	03-01A	336422	11570/2011
02-02C	336283	10557/2011	03-01A	336423	11571/2011
02-02C	336284	10558/2011	03-01B	336154	11363/2011
02-02C	336285	10559/2011	03-01D	336177	10411/2011
02-02C	336286	10560/2011	03-01D	336424	11573/2011
02-02C	336287	10561/2011	03-01NES	336156	11368/2011
02-02C	336288	10562/2011	03-01NES	336215	10696/2011
02-02C	336289	10563/2011	04-02	336198	10656/2011
02-02C	336290	10564/2011	05-05A	336355	11469/2011
02-02C	336291	10565/2011	06-01F	336160	10702/2011
02-02C	336293	10567/2011	06-01F	336161	10703/2011
02-02C	336294	10568/2011	06-01F	336395	15228/2010
02-02C	336295	10569/2011	06-01G	336160	10702/2011
02-02C	336296	10570/2011	06-01G	336161	10703/2011
02-02C	336297	10571/2011	06-03C	336394	15227/2010

Registration Proceedings - Class Listing of Designs Published or Registered cont'd

Classification	Registration Number	Design Number	Classification	Registration Number	Design Number
06-04NES	336440	10896/2011	09-03F	336127	10688/2011
06-06NES	336396	10346/2011	09-03F	336227	11260/2011
06-06NES	336397	10348/2011	09-03M	336200	11261/2011
06-06NES	336398	10349/2011	09-03M	336225	13590/2010
06-06NES	336399	10351/2011	09-03M	336238	11434/2011
06-13B	336215	10696/2011	09-03M	336412	11341/2011
07-01C	336136	10854/2011	09-03NES	336237	11433/2011
07-01C	336147	10738/2011	09-03NES	336325	11223/2011
07-01C	336181	10437/2011	09-03NES	336362	11038/2011
07-01C	336326	11224/2011	09-05	336152	11156/2011
07-01C	336327	11225/2011	09-05	336350	11039/2011
07-01NES	336136	10854/2011	09-05	336351	11868/2011
07-01NES	336443	10789/2011	09-05	336413	11342/2011
07-02B	336349	11491/2011	09-05	336414	11343/2011
07-02K	336233	11407/2011	09-05	336453	11519/2011
07-02NES	336401	10765/2011	09-05	336454	11520/2011
07-02R	336123	10385/2011	09-05	336455	11521/2011
07-03	336242	11155/2011	09-07B	336182	11427/2011
07-04	336401	10765/2011	09-07B	336183	11428/2011
07-04	336443	10789/2011	09-07B	336184	11429/2011
07-07A	336421	11569/2011	09-07C	336158	11370/2011
07-99NES	336446	10900/2011	09-07C	336159	11371/2011
08-01	336143	11383/2011	10-03	336124	10425/2011
08-01	336334	11492/2011	10-03	336125	10426/2011
08-01	336335	11493/2011	10-04	336193	10433/2011
08-01	336336	11494/2011	11-01A	336367	11505/2011
08-01	336337	11495/2011	11-01C	336171	11451/2011
08-01	336338	11496/2011	11-01C	336365	11503/2011
08-01	336339	11497/2011	11-01E	336366	11504/2011
08-01	336374	11498/2011	11-02B	336381	10719/2011
08-01	336409	11552/2011	11-03	336375	11500/2011
08-05E	336128	10713/2011	11-05	336411	11207/2011
08-05P	336221	11459/2011	12-03	336194	10451/2011
08-06	336155	11367/2011	12-03	336195	10452/2011
08-08B	336427	14841/2010	12-03	336196	10453/2011
08-08B	336428	14842/2010	12-03	336197	10454/2011
08-08L	336213	10674/2011	12-11	336328	11226/2011
08-08L	336214	10675/2011	12-11	336419	11545/2011
08-08M	336347	11488/2011	12-15B	336176	15628/2010
08-08NES	336149	11285/2011	12-16A	336430	15686/2010
08-08NES	336162	10603/2011	12-16A	336432	10601/2011
08-08NES	336199	11104/2011	12-16A	336433	11801/2011
08-08NES	336410	10633/2011	12-16A	336434	11802/2011
09-01A	336153	11157/2011	12-16B	336164	11392/2011
09-01C	336325	11223/2011	12-16B	336204	11386/2011
09-01D	336201	11355/2011	12-16B	336205	11387/2011
09-01K	336139	11127/2011	12-16B	336208	11390/2011
09-01K	336140	11128/2011	12-16B	336209	11391/2011
09-01K	336141	11129/2011	12-16B	336426	14676/2010
09-01NES	336178	10430/2011	12-16C	336206	11388/2011
09-01NES	336179	10431/2011	12-16C	336207	11389/2011
09-01NES	336180	10432/2011	12-16D	336425	14675/2010
09-01NES	336224	11587/2011	12-16NES	336194	10451/2011
09-03E	336418	10831/2011	12-16NES	336195	10452/2011
09-03E	336422	11570/2011	12-16NES	336196	10453/2011
09-03E	336444	10836/2011	12-16NES	336197	10454/2011

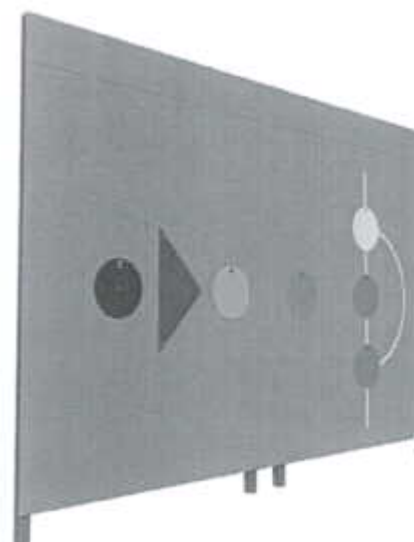
Registration Proceedings - Class Listing of Designs Published or Registered cont'd

Classification	Registration Number	Design Number	Classification	Registration Number	Design Number
13-02	336175	15219/2010	21-01L	336441	11053/2011
13-02	336449	11425/2011	21-01L	336442	11054/2011
13-02	336450	11426/2011	21-02C	336416	11708/2011
13-03E	336240	11441/2011	21-02F	336217	10920/2011
13-03E	336429	14906/2010	21-02F	336218	10921/2011
14-01	336228	11449/2011	21-02F	336219	10929/2011
14-01	336331	11339/2011	21-02F	336220	10931/2011
14-02	336137	10904/2011	21-02F	336226	10941/2011
14-02	336150	11360/2011	21-02F	336371	10953/2011
14-02	336151	11361/2011	21-02F	336382	10939/2011
14-02	336156	11368/2011	21-02F	336383	10940/2011
14-02	336230	11136/2011	21-02F	336435	10712/2011
14-02	336235	11421/2011	21-02F	336436	11934/2011
14-02	336342	11258/2011	21-02F	336437	11935/2011
14-02	336343	11259/2011	21-02F	336438	11936/2011
14-02	336415	11653/2011	21-02F	336439	11937/2011
14-02	336420	11548/2011	21-02NES	336363	11442/2011
14-02	336447	10901/2011	21-03	336185	14834/2010
14-03E	336376	11502/2011	21-03	336186	14835/2010
14-99	336137	10904/2011	21-03	336187	14836/2010
15-02	336142	11337/2011	21-03	336188	14837/2010
15-04	336344	11525/2011	22-05	336221	11459/2011
15-05	336229	11470/2011	22-06	336163	11356/2011
15-05	336348	11489/2011	23-01A	336239	11435/2011
15-05	336424	11573/2011	23-01G	336168	11399/2011
16-06	336216	10899/2011	23-01G	336169	11400/2011
16-06	336341	10666/2011	23-01G	336170	11401/2011
16-06	336361	10664/2011	23-01G	336210	11402/2011
17-99	336148	11037/2011	23-01G	336211	11403/2011
18-02	336354	11118/2011	23-01G	336212	11404/2011
18-03	336129	10821/2011	23-01G	336231	11405/2011
18-03	336130	10822/2011	23-01G	336232	11406/2011
18-03	336131	10823/2011	23-01G	336353	11255/2011
18-03	336132	10824/2011	23-01G	336368	11515/2011
18-03	336133	10825/2011	23-01G	336377	11513/2011
18-03	336134	10826/2011	23-01G	336378	11514/2011
18-03	336135	10827/2011	23-01H	336356	11511/2011
19-01	336190	10231/2011	23-01H	336357	11512/2011
19-01	336191	10232/2011	23-01K	336373	11472/2011
19-06	336144	15378/2010	23-02A	336222	11539/2011
19-06	336145	10376/2011	23-02A	336223	11538/2011
19-06	336146	10377/2011	23-02F	336445	10862/2011
19-06	336167	11398/2011	23-04	336379	10677/2011
19-08	336459	11699/2011	23-04	336380	10678/2011
20-02E	336393	15226/2010	24-01	336126	10428/2011
20-02NES	336149	11285/2011	24-01	336369	11516/2011
20-03C	336425	14675/2010	24-02	336388	11601/2011
20-03NES	336189	10230/2011	24-04	336452	11517/2011
20-03NES	336192	10233/2011	24-99	336431	10429/2011
21-01C	336417	11709/2011	25-01A	336458	11542/2011
21-01H	336118	10335/2011	25-01D	336329	11263/2011
21-01H	336119	10336/2011	25-01D	336330	11264/2011
21-01H	336120	11705/2011	25-01D	336340	11509/2011
21-01H	336121	11704/2011	25-01D	336451	11507/2011
21-01L	336165	11394/2011	25-01E	336241	11452/2011
21-01L	336166	11395/2011	25-01E	336364	11453/2011

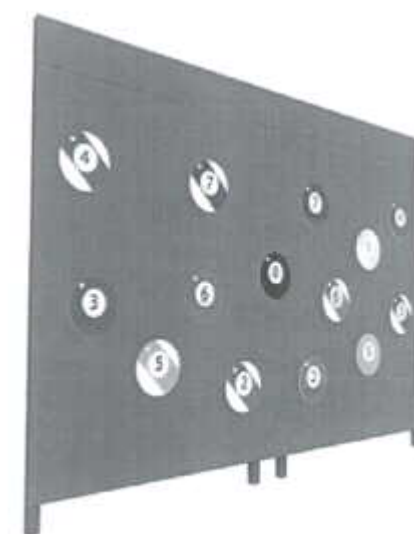
Registration Proceedings - Class Listing of Designs Published or Registered cont'd

Classification	Registration Number	Design Number	Classification	Registration Number	Design Number
25-01F	336405	11528/2011	26-06	336202	11384/2011
25-01F	336406	11529/2011	26-06	336203	11385/2011
25-01F	336407	11530/2011	26-06	336243	11445/2011
25-01F	336408	11531/2011	26-06	336333	11446/2011
25-01K	336384	11191/2011	28-03NES	336172	11501/2011
25-01K	336385	11192/2011	28-03NES	336345	11486/2011
25-01K	336386	11193/2011	28-03NES	336346	11487/2011
25-01K	336387	11194/2011	28-03NES	336347	11488/2011
25-02G	336236	11424/2011	28-03NES	336402	10892/2011
25-02NES	336332	11447/2011	28-03NES	336453	11519/2011
25-02NES	336400	10663/2011	28-03NES	336454	11520/2011
26-03	336157	11369/2011	28-03NES	336455	11521/2011
26-03	336389	11658/2011	30-02	336403	11125/2011
26-03	336390	11943/2011	30-03	336404	11126/2011
26-03	336391	11944/2011	30-04	336174	14569/2010
26-03	336392	11945/2011	31-00	336234	11408/2011
26-05B	336456	11540/2011	31-00	336242	11155/2011
26-05B	336457	11541/2011			
26-05C	336372	11397/2011			
26-05E	336359	10118/2011			

(21) Design Number: **10335/2011**
(22) Date of Filing Application: **03 February 2011**
(24) Date from which industrial property rights may have effect: **03 February 2011**
(54) Product in respect of which the design is registered: **Target wall for ball game**
(51) International Design Classification: **21-01H**
(74) Name(s) of Attorney(s): **Chrysiliou IP**
(71) Name(s) and Address(s) of Applicant(s):
Playinnovation Limited
26 Chase Road London NW10 6BB United Kingdom
(72) Name(s) of Designer(s): **Marco Boi**
(45) Registration Date: **27 April 2011**
(30) Convention priority data:
(31) Number (32) Date (33) Country
001740747-0002 05 Aug 2010 EUROPEAN COMMUNITY
(56) Related Art Documents: **Not Applicable**
(57) Statement of Newness and Distinctiveness: **No regard is to be given to the colour of the product.**



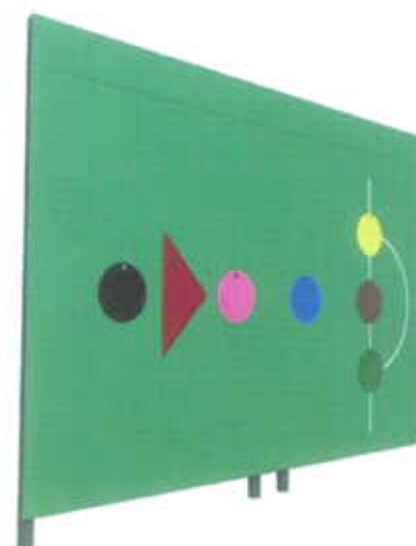
(21) Design Number: **10336/2011**
(22) Date of Filing Application: **03 February 2011**
(24) Date from which industrial property rights may have effect: **03 February 2011**
(54) Product in respect of which the design is registered: **Target wall for ball game**
(51) International Design Classification: **21-01H**
(74) Name(s) of Attorney(s): **Chrysiliou IP**
(71) Name(s) and Address(s) of Applicant(s):
Playinnovation Limited
26 Chase Road London NW10 6BB United Kingdom
(72) Name(s) of Designer(s): **Marco Boi**
(45) Registration Date: **27 April 2011**
(30) Convention priority data:
(31) Number (32) Date (33) Country
001740747-0007 05 Aug 2010 EUROPEAN COMMUNITY
(56) Related Art Documents: **Not Applicable**
(57) Statement of Newness and Distinctiveness: **No regard is to be given to the colour of the product.**



(21) Design Number: **11705/2011**
(22) Date of Filing Application: **03 February 2011**
(24) Date from which industrial property rights may have effect: **03 February 2011**
(54) Product in respect of which the design is registered: **Target wall for ball game**
(51) International Design Classification: **21-01H**
(74) Name(s) of Attorney(s): **Chrysiliou IP**
(71) Name(s) and Address(s) of Applicant(s):
Playinnovation Limited
26 Chase Road London NW10 6BB United Kingdom
(72) Name(s) of Designer(s): **Marco Boi**
(45) Registration Date: **27 April 2011**
(30) Convention priority data:
(31) Number (32) Date (33) Country
001740747-0007 05 Aug 2010 EUROPEAN COMMUNITY
(56) Related Art Documents: **Not Applicable**
(57) Statement of Newness and Distinctiveness: **No regard is to be given to the colour of the product.**



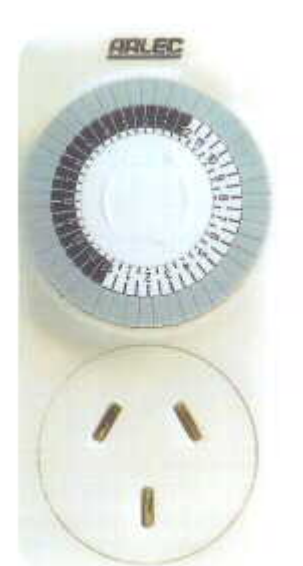
(21) Design Number: **11704/2011**
(22) Date of Filing Application: **03 February 2011**
(24) Date from which industrial property rights may have effect: **03 February 2011**
(54) Product in respect of which the design is registered: **Target wall for ball game**
(51) International Design Classification: **21-01H**
(74) Name(s) of Attorney(s): **Chrysiliou IP**
(71) Name(s) and Address(s) of Applicant(s):
Playinnovation Limited
26 Chase Road London NW10 6BB United Kingdom
(72) Name(s) of Designer(s): **Marco Boi**
(45) Registration Date: **27 April 2011**
(30) Convention priority data:
(31) Number (32) Date (33) Country
001740747-0002 05 Aug 2010 EUROPEAN COMMUNITY
(56) Related Art Documents: **Not Applicable**
(57) Statement of Newness and Distinctiveness: **No regard is to be given to the colour of the product.**



(21) Design Number: **10385/2011**
(22) Date of Filing Application: **09 February 2011**
(24) Date from which industrial property rights may have effect: **09 February 2011**
(54) Product in respect of which the design is registered: **A handle**
(51) International Design Classification: **07-02R**
(74) Name(s) of Attorney(s): **Davies Collison Cave**
(71) Name(s) and Address(s) of Applicant(s):
Chef'n Corporation
1520 4th Ave Suite 700 Seattle Washington 98101 United States of America
(72) Name(s) of Designer(s): **Jonah S. Griffith and Matthew Krus and David Hull and Joseph Gray and Adam A. Jossem and David A. Holcomb**
(45) Registration Date: **21 April 2011**
(30) Convention priority data:
(31) Number (32) Date (33) Country
29/368977 31 Aug 2010 UNITED STATES OF AMERICA
(56) Related Art Documents: **Not Applicable**
(57) Statement of Newness and Distinctiveness: **Newness and distinctiveness is claimed in the visual features shown in solid lines in the representations.**



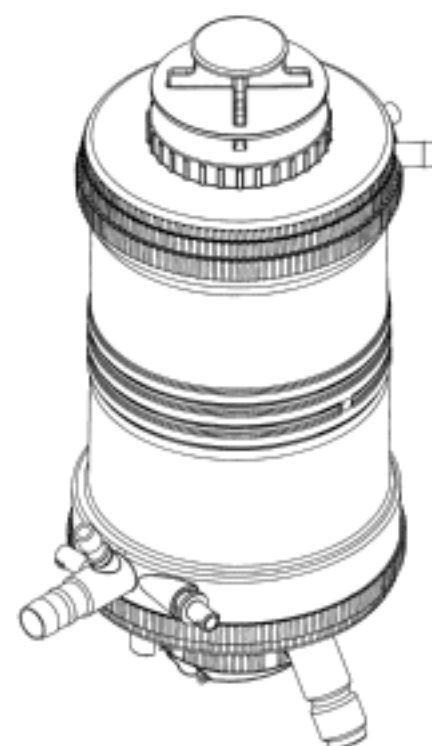
(21) Design Number: **10425/2011**
(22) Date of Filing Application: **11 February 2011**
(24) Date from which industrial property rights may have effect: **11 February 2011**
(54) Product in respect of which the design is registered: **A plug-in timer**
(51) International Design Classification: **10-03**
(74) Name(s) of Attorney(s): **Davies Collison Cave**
(71) Name(s) and Address(s) of Applicant(s):
Arlec Australia Pty Ltd
272-274 Maroondah Highway Chirnside Park Victoria 3116 Australia
(72) Name(s) of Designer(s): **Monvids Puika**
(45) Registration Date: **21 April 2011**
(56) Related Art Documents: **Not Applicable**
(57) Statement of Newness and Distinctiveness: **Newness and distinctiveness is claimed in the visual features shown in solid lines in the representations but not in the colours as shown.**



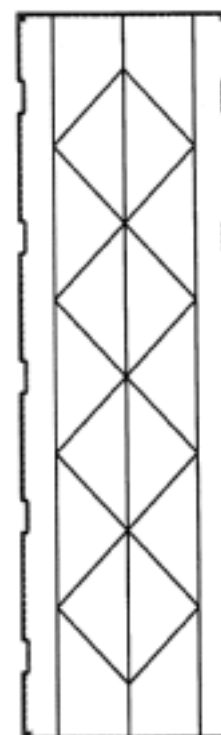
- (21) Design Number: **10426/2011**
(22) Date of Filing Application: **11 February 2011**
(24) Date from which industrial property rights may have effect: **11 February 2011**
(54) Product in respect of which the design is registered: **A plug-in timer**
(51) International Design Classification: **10-03**
(74) Name(s) of Attorney(s): **Davies Collison Cave**
(71) Name(s) and Address(s) of Applicant(s):
Arlec Australia Pty Ltd
272-274 Maroondah Highway Chirnside Park Victoria 3116 Australia
(72) Name(s) of Designer(s): **Monvids Puika**
(45) Registration Date: **21 April 2011**
(56) Related Art Documents: **Not Applicable**
(57) Statement of Newness and Distinctiveness: **Newness and distinctiveness is claimed in the visual features shown in solid lines in the representations but not in the colours as shown.**



- (21) Design Number: **10428/2011**
(22) Date of Filing Application: **11 February 2011**
(24) Date from which industrial property rights may have effect: **11 February 2011**
(54) Product in respect of which the design is registered: **Oxygenator**
(51) International Design Classification: **24-01**
(74) Name(s) of Attorney(s): **Davies Collison Cave**
(71) Name(s) and Address(s) of Applicant(s):
Nipro Corporation
9-3 Honjonishi 3-chome Kita-ku Osaka-shi Osaka Japan
(72) Name(s) of Designer(s): **Shin-ichi Kawamura and Kazuhisa Ishihara and Naoaki Yasumura**
(45) Registration Date: **21 April 2011**
(30) Convention priority data:
(31) Number (32) Date (33) Country
D2010-019869 17 Aug 2010 JAPAN
(56) Related Art Documents: **Not Applicable**
(57) Statement of Newness and Distinctiveness: **Nil**



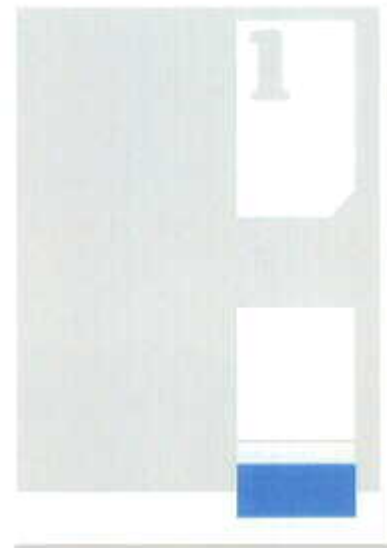
(21) Design Number: **10688/2011**
(22) Date of Filing Application: **23 February 2011**
(24) Date from which industrial property rights may have effect: **23 February 2011**
(54) Product in respect of which the design is registered: **A tray for growing seeds**
(51) International Design Classification: **09-03F**
(74) Name(s) of Attorney(s): **SPRUSON & FERGUSON**
(71) Name(s) and Address(s) of Applicant(s):
Trans-World Foods Pty Limited
4 Tathra Street West Gosford New South Wales 2250 Australia
(72) Name(s) of Designer(s): **Stanley Parker**
(45) Registration Date: **21 April 2011**
(56) Related Art Documents: **Not Applicable**
(57) Statement of Newness and Distinctiveness: **Newness and distinctiveness is claimed in those features of shape and/or configuration of a tray for growing seeds as illustrated in continuous lines in the accompanying representations.**



(21) Design Number: **10713/2011**
(22) Date of Filing Application: **25 February 2011**
(24) Date from which industrial property rights may have effect: **25 February 2011**
(54) Product in respect of which the design is registered: **Pump for inflating tyres (machines)**
(51) International Design Classification: **08-05E**
(74) Name(s) of Attorney(s): **Blake Dawson**
(71) Name(s) and Address(s) of Applicant(s):
Active Tools International (HK) Ltd.
25/F Top Glory Tower 262 Gloucester Road Causeway Bay Hong Kong
(72) Name(s) of Designer(s): **Peter Christian Boldsen**
(45) Registration Date: **21 April 2011**
(30) Convention priority data:
(31) Number (32) Date (33) Country
001748914-0001 31 Aug 2010 EUROPEAN COMMUNITY
(56) Related Art Documents: **Not Applicable**
(57) Statement of Newness and Distinctiveness: **Nil**



(21) Design Number: **10821/2011**
(22) Date of Filing Application: **03 March 2011**
(24) Date from which industrial property rights may have effect: **03 March 2011**
(54) Product in respect of which the design is registered: **Printing matrix**
(51) International Design Classification: **18-03**
(74) Name(s) of Attorney(s): **Freehills Patent & Trade Mark Attorneys**
(71) Name(s) and Address(s) of Applicant(s):
Allianz SE
Koniginstr.28 D-80802 Munchen Germany
(72) Name(s) of Designer(s): **Nils Leonard and Jimmy Blom and Richard Evans**
(45) Registration Date: **21 April 2011**
(30) Convention priority data:
(31) Number (32) Date (33) Country
001750613-0001 03 Sep 2010 EUROPEAN COMMUNITY
(56) Related Art Documents: **Not Applicable**
(57) Statement of Newness and Distinctiveness: **Nil**



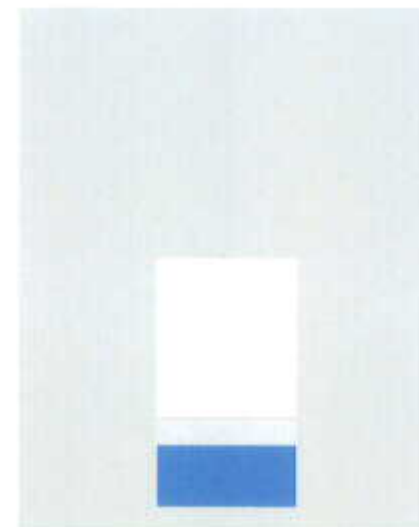
(21) Design Number: **10822/2011**
(22) Date of Filing Application: **03 March 2011**
(24) Date from which industrial property rights may have effect: **03 March 2011**
(54) Product in respect of which the design is registered: **Printing matrix**
(51) International Design Classification: **18-03**
(74) Name(s) of Attorney(s): **Freehills Patent & Trade Mark Attorneys**
(71) Name(s) and Address(s) of Applicant(s):
Allianz SE
Koniginstr.28 D-80802 Munchen Germany
(72) Name(s) of Designer(s): **Nils Leonard and Jimmy Blom and Richard Evans**
(45) Registration Date: **21 April 2011**
(30) Convention priority data:
(31) Number (32) Date (33) Country
001750613-0002 03 Sep 2010 EUROPEAN COMMUNITY
(56) Related Art Documents: **Not Applicable**
(57) Statement of Newness and Distinctiveness: **Nil**



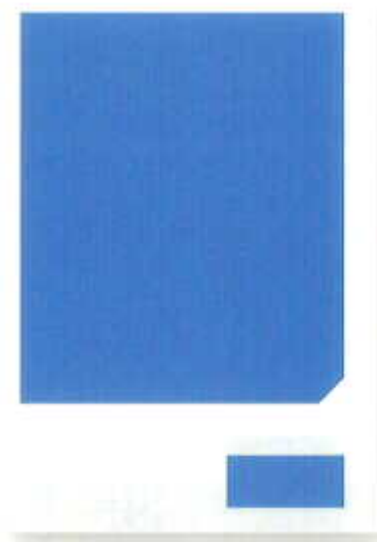
(21) Design Number: **10823/2011**
(22) Date of Filing Application: **03 March 2011**
(24) Date from which industrial property rights may have effect: **03 March 2011**
(54) Product in respect of which the design is registered: **Printing matrix**
(51) International Design Classification: **18-03**
(74) Name(s) of Attorney(s): **Freehills Patent & Trade Mark Attorneys**
(71) Name(s) and Address(s) of Applicant(s):
Allianz SE
Koniginstr.28 D-80802 Munchen Germany
(72) Name(s) of Designer(s): **Nils Leonard and Jimmy Blom and Richard Evans**
(45) Registration Date: **21 April 2011**
(30) Convention priority data:
(31) Number (32) Date (33) Country
001750613-0003 03 Sep 2010 EUROPEAN COMMUNITY
(56) Related Art Documents: **Not Applicable**
(57) Statement of Newness and Distinctiveness: **Nil**



(21) Design Number: **10824/2011**
(22) Date of Filing Application: **03 March 2011**
(24) Date from which industrial property rights may have effect: **03 March 2011**
(54) Product in respect of which the design is registered: **Printing matrix**
(51) International Design Classification: **18-03**
(74) Name(s) of Attorney(s): **Freehills Patent & Trade Mark Attorneys**
(71) Name(s) and Address(s) of Applicant(s):
Allianz SE
Koniginstr.28 D-80802 Munchen Germany
(72) Name(s) of Designer(s): **Nils Leonard and Jimmy Blom and Richard Evans**
(45) Registration Date: **21 April 2011**
(30) Convention priority data:
(31) Number (32) Date (33) Country
001750613-0004 03 Sep 2010 EUROPEAN COMMUNITY
(56) Related Art Documents: **Not Applicable**
(57) Statement of Newness and Distinctiveness: **Nil**



(21) Design Number: **10825/2011**
(22) Date of Filing Application: **03 March 2011**
(24) Date from which industrial property rights may have effect: **03 March 2011**
(54) Product in respect of which the design is registered: **Printing matrix**
(51) International Design Classification: **18-03**
(74) Name(s) of Attorney(s): **Freehills Patent & Trade Mark Attorneys**
(71) Name(s) and Address(s) of Applicant(s):
Allianz SE
Koniginstr.28 D-80802 Munchen Germany
(72) Name(s) of Designer(s): **Nils Leonard and Jimmy Blom and Richard Evans**
(45) Registration Date: **21 April 2011**
(30) Convention priority data:
(31) Number (32) Date (33) Country
001750613-0005 03 Sep 2010 EUROPEAN COMMUNITY
(56) Related Art Documents: **Not Applicable**
(57) Statement of Newness and Distinctiveness: **Nil**



(21) Design Number: **10826/2011**
(22) Date of Filing Application: **03 March 2011**
(24) Date from which industrial property rights may have effect: **03 March 2011**
(54) Product in respect of which the design is registered: **Printing matrix**
(51) International Design Classification: **18-03**
(74) Name(s) of Attorney(s): **Freehills Patent & Trade Mark Attorneys**
(71) Name(s) and Address(s) of Applicant(s):
Allianz SE
Koniginstr.28 D-80802 Munchen Germany
(72) Name(s) of Designer(s): **Nils Leonard and Jimmy Blom and Richard Evans**
(45) Registration Date: **21 April 2011**
(30) Convention priority data:
(31) Number (32) Date (33) Country
001750613-0006 03 Sep 2010 EUROPEAN COMMUNITY
(56) Related Art Documents: **Not Applicable**
(57) Statement of Newness and Distinctiveness: **Nil**



(21) Design Number: **10827/2011**
(22) Date of Filing Application: **03 March 2011**
(24) Date from which industrial property rights may have effect: **03 March 2011**
(54) Product in respect of which the design is registered: **Printing matrix**
(51) International Design Classification: **18-03**
(74) Name(s) of Attorney(s): **Freehills Patent & Trade Mark Attorneys**
(71) Name(s) and Address(s) of Applicant(s):
Allianz SE
Koniginstr.28 D-80802 Munchen Germany
(72) Name(s) of Designer(s): **Nils Leonard and Jimmy Blom and Richard Evans**
(45) Registration Date: **21 April 2011**
(30) Convention priority data:
(31) Number (32) Date (33) Country
001750613-0007 03 Sep 2010 EUROPEAN COMMUNITY
(56) Related Art Documents: **Not Applicable**
(57) Statement of Newness and Distinctiveness: **Nil**



(21) Design Number: **10854/2011**
(22) Date of Filing Application: **04 March 2011**
(24) Date from which industrial property rights may have effect: **04 March 2011**
(54) Product in respect of which the design is registered: **Container**
(51) International Design Classification: **07-01NES, 07-01C**
(74) Name(s) of Attorney(s): **Davies Collison Cave**
(71) Name(s) and Address(s) of Applicant(s):
Visy R & D Pty Ltd
Level 11 2 Southbank Boulevard Southbank Victoria 3006 Australia
(72) Name(s) of Designer(s): **Alan Flude**
(45) Registration Date: **21 April 2011**
(56) Related Art Documents: **Not Applicable**
(57) Statement of Newness and Distinctiveness: **The features of shape and configuration of the transparent container shown in the accompanying representations are considered to be new and distinctive.**



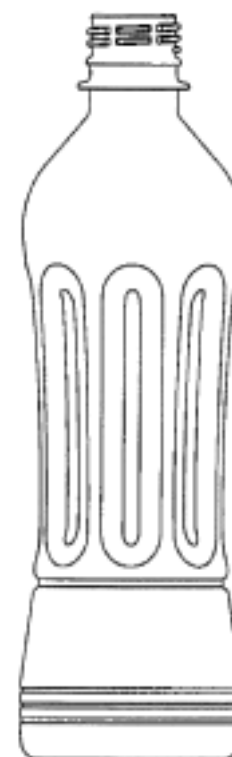
(21) Design Number: **10904/2011**
(22) Date of Filing Application: **07 March 2011**
(24) Date from which industrial property rights may have effect: **07 March 2011**
(54) Product in respect of which the design is registered: **Tablet computer stand**
(51) International Design Classification: **14-99, 14-02**
(74) Name(s) of Attorney(s):
(71) Name(s) and Address(s) of Applicant(s):
Morgan Beames
37 Lilley Street Hendra Queensland 4011 Australia
Matthew Buckley
37 Lilley Street Hendra Queensland 4011 Australia
Logan Hunt
37 Lilley Street Hendra Queensland 4011 Australia
(72) Name(s) of Designer(s): **Morgan Beames and Matthew Buckley and Logan Hunt**
(45) Registration Date: **21 April 2011**
(56) Related Art Documents: **Not Applicable**
(57) Statement of Newness and Distinctiveness: **Nil**



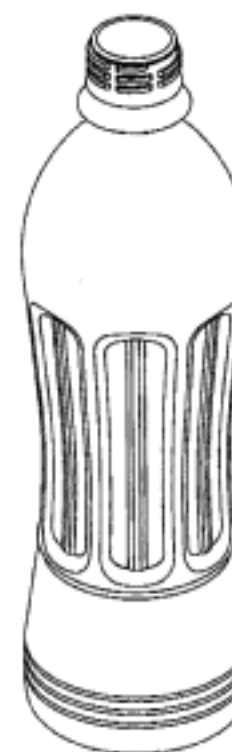
(21) Design Number: **11123/2011**
(22) Date of Filing Application: **15 March 2011**
(24) Date from which industrial property rights may have effect: **15 March 2011**
(54) Product in respect of which the design is registered: **Shark helmet**
(51) International Design Classification: **02-03**
(74) Name(s) of Attorney(s): **A J Park**
(71) Name(s) and Address(s) of Applicant(s):
C Preme Limited LLC
6915 Woodley Avenue Suite B Van Nuys California 91406 United States of America
(72) Name(s) of Designer(s): **Corey Ratner and Ryan Ratner and Conan Hayes**
(45) Registration Date: **21 April 2011**
(30) Convention priority data:
(31) Number (32) Date (33) Country
29/379,922 26 Nov 2010 UNITED STATES OF AMERICA
(56) Related Art Documents: **Not Applicable**
(57) Statement of Newness and Distinctiveness: **Newness and distinctiveness reside in the features of shape and/or configuration of the Shark Helmet, as shown in the representations. Newness and distinctiveness are not claimed in relation to the features shown in broken lines in the bottom plan view of the representations, which are shown for illustrative purposes only.**



- (21) Design Number: **11127/2011**
(22) Date of Filing Application: **15 March 2011**
(24) Date from which industrial property rights may have effect: **15 March 2011**
(54) Product in respect of which the design is registered: **Plastic bottle**
(51) International Design Classification: **09-01K**
(74) Name(s) of Attorney(s): **WATERMARK PATENT AND TRADE MARKS ATTORNEYS**
(71) Name(s) and Address(s) of Applicant(s):
Kirin Beverage Kabushiki Kaisha (also trading as Kirin Beverage Company, Limited)
1 Kanda Izumi-cho Chiyoda-ku Tokyo Japan
(72) Name(s) of Designer(s): **Kohei Yoshii**
(45) Registration Date: **21 April 2011**
(56) Related Art Documents: **Not Applicable**
(57) Statement of Newness and Distinctiveness: **Nil**



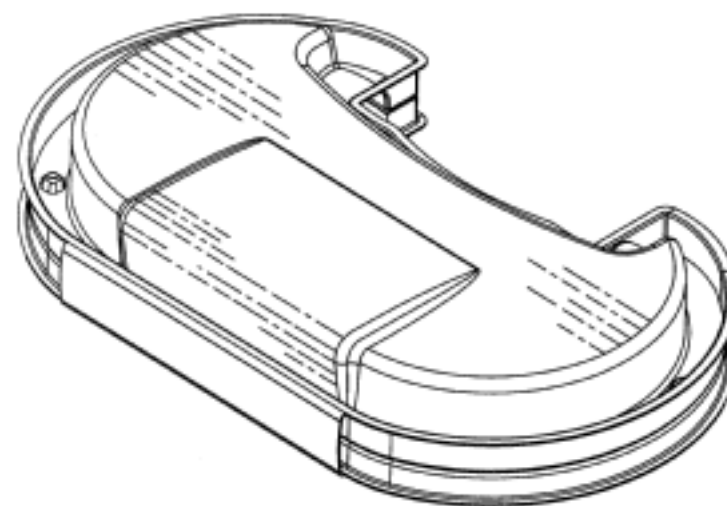
- (21) Design Number: **11128/2011**
(22) Date of Filing Application: **15 March 2011**
(24) Date from which industrial property rights may have effect: **15 March 2011**
(54) Product in respect of which the design is registered: **Plastic bottle**
(51) International Design Classification: **09-01K**
(74) Name(s) of Attorney(s): **WATERMARK PATENT AND TRADE MARKS ATTORNEYS**
(71) Name(s) and Address(s) of Applicant(s):
Kirin Beverage Kabushiki Kaisha (also trading as Kirin Beverage Company, Limited)
1 Kanda Izumi-cho Chiyoda-ku Tokyo Japan
(72) Name(s) of Designer(s): **Kohei Yoshii**
(45) Registration Date: **21 April 2011**
(56) Related Art Documents: **Not Applicable**
(57) Statement of Newness and Distinctiveness: **Nil**



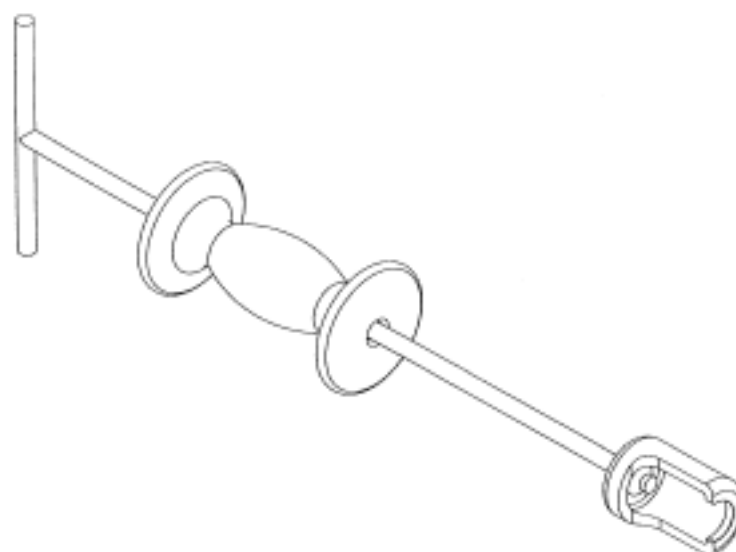
- (21) Design Number: **11129/2011**
(22) Date of Filing Application: **15 March 2011**
(24) Date from which industrial property rights may have effect: **15 March 2011**
(54) Product in respect of which the design is registered: **Bottle**
(51) International Design Classification: **09-01K**
(74) Name(s) of Attorney(s): **WATERMARK PATENT AND TRADE MARKS ATTORNEYS**
(71) Name(s) and Address(s) of Applicant(s):
Fullview Plastics Pty Ltd
Level 16 644 Chapel Street South Yarra Victoria 3141 Australia
(72) Name(s) of Designer(s): **Richard Crisp**
(45) Registration Date: **21 April 2011**
(56) Related Art Documents: **Not Applicable**
(57) Statement of Newness and Distinctiveness: **Nil**



- (21) Design Number: **11337/2011**
(22) Date of Filing Application: **29 March 2011**
(24) Date from which industrial property rights may have effect: **29 March 2011**
(54) Product in respect of which the design is registered: **Fuel line assembly packaging**
(51) International Design Classification: **15-02**
(74) Name(s) of Attorney(s): **A.P.T. Patent and Trade Mark Attorneys**
(71) Name(s) and Address(s) of Applicant(s):
I-Sin Peng
No 410 Sec 2 Henan Road Situn District Taichung City 407 Taiwan
(72) Name(s) of Designer(s): **I-Sin Peng**
(45) Registration Date: **21 April 2011**
(56) Related Art Documents: **Not Applicable**
(57) Statement of Newness and Distinctiveness: **Newness and distinctiveness resides in the shape and/or configuration of the fuel line assembly packaging as shown in the representations, in considering newness and distinctiveness no regards should be had of the features drawn in the representations in broken lines.**



- (21) Design Number: **11383/2011**
(22) Date of Filing Application: **30 March 2011**
(24) Date from which industrial property rights may have effect: **30 March 2011**
(54) Product in respect of which the design is registered: **Pick extractor for a drill bit**
(51) International Design Classification: **08-01**
(74) Name(s) of Attorney(s): **WATERMARK PATENT AND TRADE MARKS ATTORNEYS**
(71) Name(s) and Address(s) of Applicant(s):
Drilling Tools Australia Pty Ltd
24-26 Gauge Circuit Canning Vale Western Australia 6155 Australia
(72) Name(s) of Designer(s): **Brian Sanfead**
(45) Registration Date: **21 April 2011**
(56) Related Art Documents: **Not Applicable**
(57) Statement of Newness and Distinctiveness: **Nil**



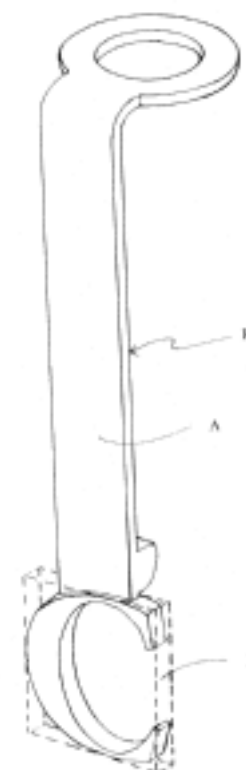
- (21) Design Number: **15378/2010**
(22) Date of Filing Application: **08 December 2010**
(24) Date from which industrial property rights may have effect: **08 December 2010**
(54) Product in respect of which the design is registered: **Alphabet pen clip**
(51) International Design Classification: **19-06**
(74) Name(s) of Attorney(s): **Chrysiliou IP**
(71) Name(s) and Address(s) of Applicant(s):
Ellen Charlesworth
5 Eucalypt Close Cowes Victoria 3922 Australia
(72) Name(s) of Designer(s): **Ellen Charlesworth**
(45) Registration Date: **21 April 2011**
(56) Related Art Documents: **Not Applicable**
(57) Statement of Newness and Distinctiveness: **Newness and distinctiveness is claimed in the features of shape and/or configuration of the alphabetic pen clip as illustrated in the accompanying representations. In considering the scope of the design registration, the features of shape and/or configuration of the boxed area labelled D are to be disregarded.**



- (21) Design Number: **10376/2011**
(22) Date of Filing Application: **08 December 2010**
(24) Date from which industrial property rights may have effect: **08 December 2010**
(54) Product in respect of which the design is registered: **Alphabet pen clip**
(51) International Design Classification: **19-06**
(74) Name(s) of Attorney(s): **Chrysiliou IP**
(71) Name(s) and Address(s) of Applicant(s):
Ellen Charlesworth
5 Eucalypt Close Cowes Victoria 3922 Australia
(72) Name(s) of Designer(s): **Ellen Charlesworth**
(45) Registration Date: **21 April 2011**
(56) Related Art Documents: **Not Applicable**
(57) Statement of Newness and Distinctiveness: **Newness and distinctiveness is claimed in the features of shape and/or configuration of the alphabetic pen clip as illustrated in the accompanying representations. In considering the scope of the design registration, the features of shape and/or configuration of the boxed area labelled D are to be disregarded.**



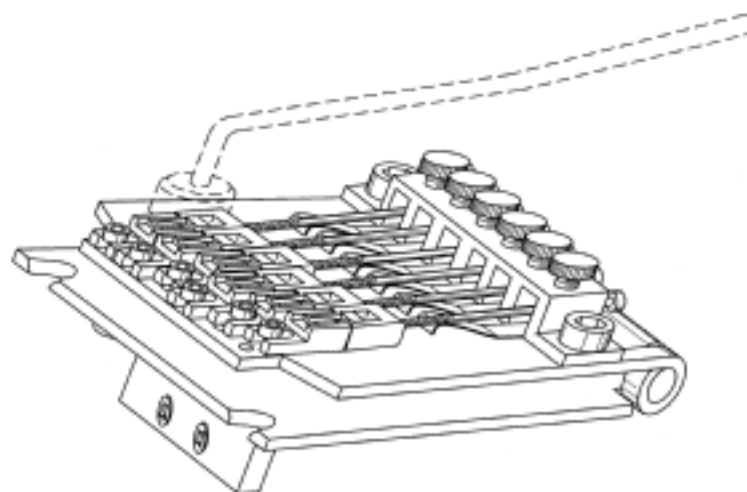
- (21) Design Number: **10377/2011**
(22) Date of Filing Application: **08 December 2010**
(24) Date from which industrial property rights may have effect: **08 December 2010**
(54) Product in respect of which the design is registered: **Alphabet pen clip**
(51) International Design Classification: **19-06**
(74) Name(s) of Attorney(s): **Chrysiliou IP**
(71) Name(s) and Address(s) of Applicant(s):
Ellen Charlesworth
5 Eucalypt Close Cowes Victoria 3922 Australia
(72) Name(s) of Designer(s): **Ellen Charlesworth**
(45) Registration Date: **21 April 2011**
(56) Related Art Documents: **Not Applicable**
(57) Statement of Newness and Distinctiveness: **Newness and distinctiveness is claimed in the features of shape and/or configuration of the alphabetic pen clip as illustrated in the accompanying representations. In considering the scope of the design registration, the features of shape and/or configuration of the boxed area labelled D are to be disregarded.**



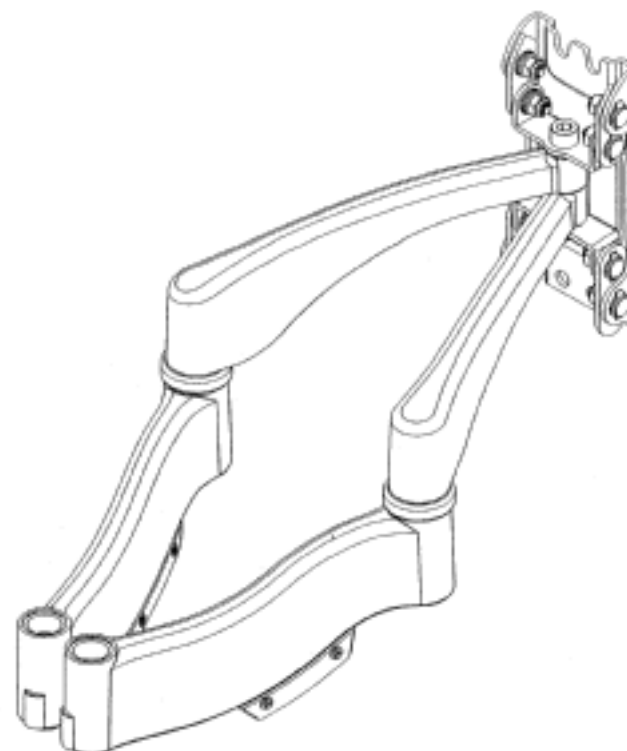
- (21) Design Number: **10738/2011**
(22) Date of Filing Application: **25 February 2011**
(24) Date from which industrial property rights may have effect: **25 February 2011**
(54) Product in respect of which the design is registered: **Container**
(51) International Design Classification: **07-01C**
(74) Name(s) of Attorney(s): **Davies Collison Cave**
(71) Name(s) and Address(s) of Applicant(s):
Visy R & D Pty Ltd
Level 11 2 Southbank Boulevard Southbank Victoria 3006 Australia
(72) Name(s) of Designer(s): **Alan Flude**
(45) Registration Date: **21 April 2011**
(56) Related Art Documents: **Not Applicable**
(57) Statement of Newness and Distinctiveness: **The features of shape and configuration of the transparent container shown in the accompanying representations are considered to be new and distinctive.**



- (21) Design Number: **11037/2011**
(22) Date of Filing Application: **08 March 2011**
(24) Date from which industrial property rights may have effect: **08 March 2011**
(54) Product in respect of which the design is registered: **Tremolo device**
(51) International Design Classification: **17-99**
(74) Name(s) of Attorney(s): **Molins & Co**
(71) Name(s) and Address(s) of Applicant(s):
Ian Lewis Cook
17 Wallumatta Road Caringbah New South Wales 2229 Australia
(72) Name(s) of Designer(s): **Ian Lewis Cook**
(45) Registration Date: **21 April 2011**
(56) Related Art Documents: **Not Applicable**
(57) Statement of Newness and Distinctiveness: **Newness is claimed in the features of shape and configuration of the tremolo device as shown in the accompanying representations, and in particular the sides edges of the top view inwardly tapering from front to back.**



- (21) Design Number: **11285/2011**
(22) Date of Filing Application: **25 March 2011**
(24) Date from which industrial property rights may have effect: **25 March 2011**
(54) Product in respect of which the design is registered: **Display wall mount**
(51) International Design Classification: **08-08NES, 20-02NES**
(74) Name(s) of Attorney(s):
(71) Name(s) and Address(s) of Applicant(s):
Ming-Hsien Huang
27F-3 No. 26 Lane 28 Long'an Road Xizhi District New Taipei City 22167
Taiwan
(72) Name(s) of Designer(s): **Ming-Hsien Huang**
(45) Registration Date: **21 April 2011**
(56) Related Art Documents: **Not Applicable**
(57) Statement of Newness and Distinctiveness: **Nil**



- (21) Design Number: **11360/2011**
(22) Date of Filing Application: **29 March 2011**
(24) Date from which industrial property rights may have effect: **29 March 2011**
(54) Product in respect of which the design is registered: **Electronic device**
(51) International Design Classification: **14-02**
(74) Name(s) of Attorney(s): **Freehills Patent & Trade Mark Attorneys**
(71) Name(s) and Address(s) of Applicant(s):
Apple Inc.
1 Infinite Loop Cupertino California 95014 United States of America
(72) Name(s) of Designer(s): **Jody Akana and Bartley K. Andre and Jeremy Bataillou and Daniel J. Coster and Daniele De Iulii and Evans Hankey and Richard P. Howarth and Jonathan P. Ive and Duncan Robert Kerr and Shin Nishibori and Matthew Dean Rohrbach and Peter Russell-Clarke and Christopher J. Stringer and Eugene Antony Whang and Rico Zorkendorfer**
(45) Registration Date: **21 April 2011**
(30) Convention priority data:
(31) Number (32) Date (33) Country
29/377271 19 Oct 2010 UNITED STATES OF AMERICA
(56) Related Art Documents: **Not Applicable**
(57) Statement of Newness and Distinctiveness: **Newness and distinctiveness of the design resides in the features of shape and configuration illustrated in the accompanying drawings in solid lines and fine contour lines.**



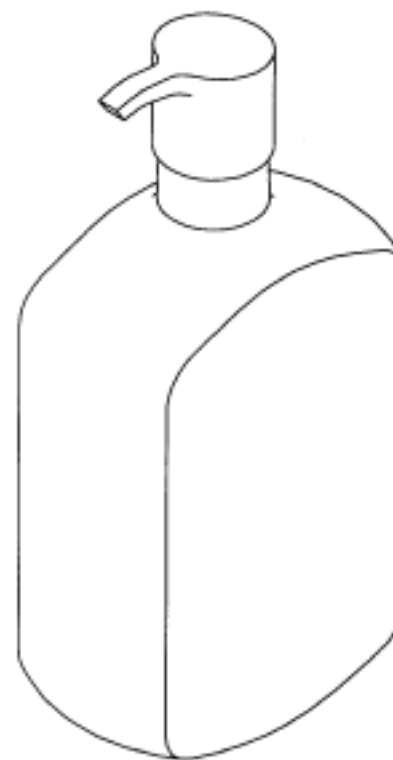
- (21) Design Number: **11361/2011**
(22) Date of Filing Application: **29 March 2011**
(24) Date from which industrial property rights may have effect: **29 March 2011**
(54) Product in respect of which the design is registered: **Electronic device**
(51) International Design Classification: **14-02**
(74) Name(s) of Attorney(s): **Freehills Patent & Trade Mark Attorneys**
(71) Name(s) and Address(s) of Applicant(s):
Apple Inc.
1 Infinite Loop Cupertino California 95014 United States of America
(72) Name(s) of Designer(s): **Jody Akana and Bartley K. Andre and Jeremy Bataillou and Daniel J. Coster and Daniele De Iulii and Evans Hankey and Richard P. Howarth and Jonathan P. Ive and Duncan Robert Kerr and Shin Nishibori and Matthew Dean Rohrbach and Peter Russell-Clarke and Christopher J. Stringer and Eugene Antony Whang and Rico Zorkendorfer**
(45) Registration Date: **21 April 2011**
(30) Convention priority data:
(31) Number (32) Date (33) Country
29/377272 19 Oct 2010 UNITED STATES OF AMERICA
(56) Related Art Documents: **Not Applicable**
(57) Statement of Newness and Distinctiveness: **Newness and distinctiveness of the design resides in the features of shape and configuration illustrated in the accompanying drawings in solid lines and fine contour lines.**



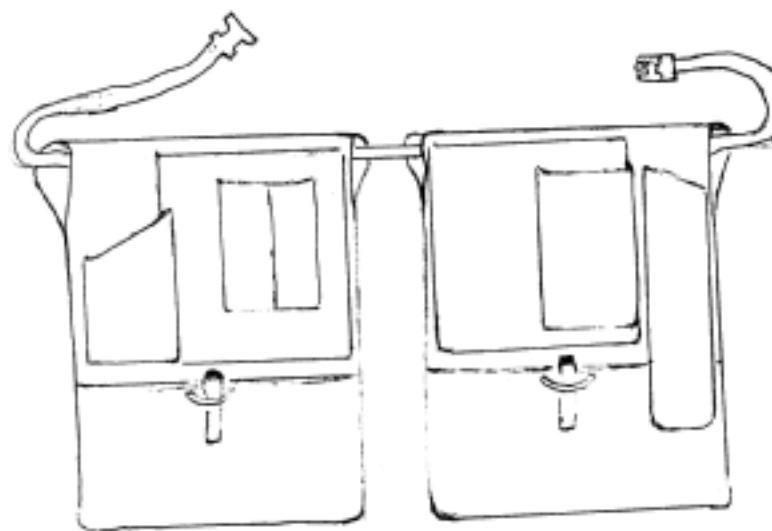
- (21) Design Number: **11156/2011**
(22) Date of Filing Application: **17 March 2011**
(24) Date from which industrial property rights may have effect: **17 March 2011**
(54) Product in respect of which the design is registered: **Plastic bottle with flip cap**
(51) International Design Classification: **09-05**
(74) Name(s) of Attorney(s):
(71) Name(s) and Address(s) of Applicant(s):
Factor 3 Pty Ltd
Level 3 255 Riley Street Surry Hills New South Wales 2010 Australia
(72) Name(s) of Designer(s): **Brenan Liston**
(45) Registration Date: **21 April 2011**
(56) Related Art Documents: **Not Applicable**
(57) Statement of Newness and Distinctiveness: **Nil**



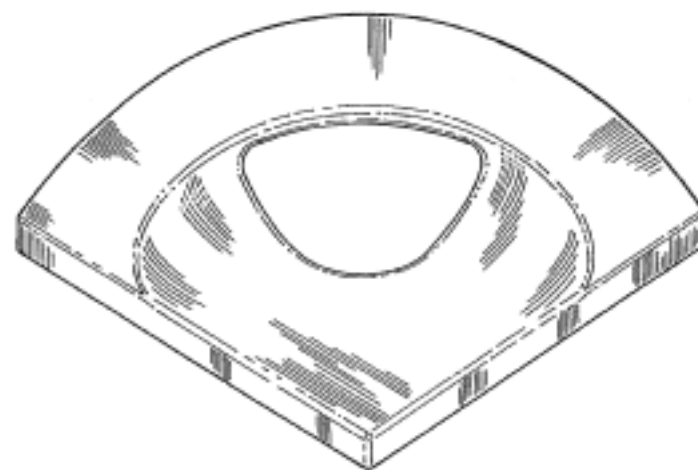
(21) Design Number: **11157/2011**
(22) Date of Filing Application: **17 March 2011**
(24) Date from which industrial property rights may have effect: **17 March 2011**
(54) Product in respect of which the design is registered: **Plastic bottle with lotion pump**
(51) International Design Classification: **09-01A**
(74) Name(s) of Attorney(s):
(71) Name(s) and Address(s) of Applicant(s):
Factor 3 Pty Ltd
Level 3 255 Riley Street Surry Hills New South Wales 2010 Australia
(72) Name(s) of Designer(s): **Brenan Liston**
(45) Registration Date: **21 April 2011**
(56) Related Art Documents: **Not Applicable**
(57) Statement of Newness and Distinctiveness: **Nil**



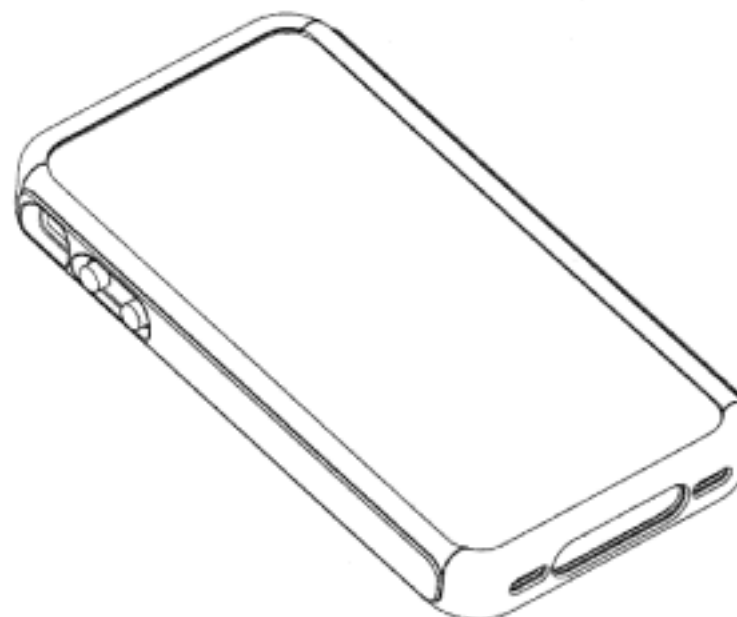
(21) Design Number: **11363/2011**
(22) Date of Filing Application: **31 March 2011**
(24) Date from which industrial property rights may have effect: **31 March 2011**
(54) Product in respect of which the design is registered: **Adventure belt**
(51) International Design Classification: **02-07A, 03-01B**
(74) Name(s) of Attorney(s):
(71) Name(s) and Address(s) of Applicant(s):
Karin S. Render
31 Rothwell Road Gosforth Newcastle-Tyne NE3 1TY United Kingdom
(72) Name(s) of Designer(s): **Karin S. Render**
(45) Registration Date: **27 April 2011**
(30) Convention priority data:
(31) Number (32) Date (33) Country
4017447 16 Oct 2010 UNITED KINGDOM
(56) Related Art Documents: **Not Applicable**
(57) Statement of Newness and Distinctiveness: **The two fabric squares are free to move along the belt.**



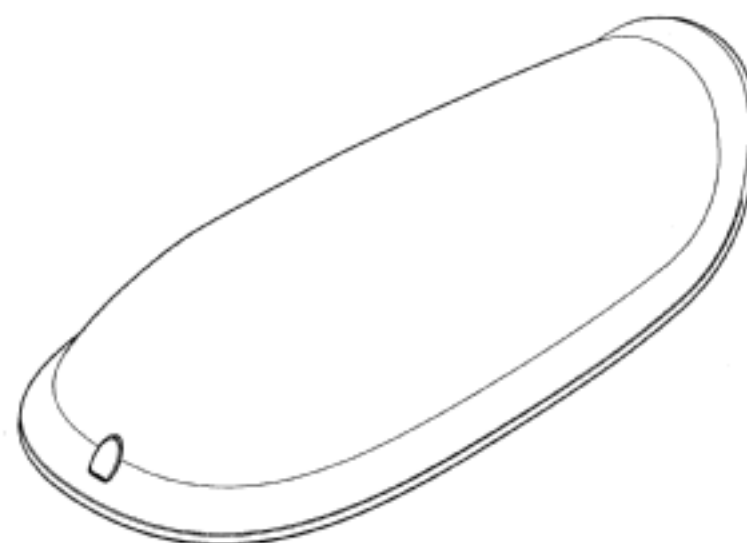
- (21) Design Number: **11367/2011**
(22) Date of Filing Application: **31 March 2011**
(24) Date from which industrial property rights may have effect: **31 March 2011**
(54) Product in respect of which the design is registered: **A handle for a screen**
(51) International Design Classification: **08-06**
(74) Name(s) of Attorney(s): **IP Gateway Patent & Trademark Attorneys**
(71) Name(s) and Address(s) of Applicant(s):
Freedom Screens of Australia Pty Ltd
Unit 3 20 Junction Road Burleigh Heads Queensland 4220 Australia
(72) Name(s) of Designer(s): **Anthony Gerard Roberts**
(45) Registration Date: **27 April 2011**
(56) Related Art Documents: **Not Applicable**
(57) Statement of Newness and Distinctiveness: **The newness and distinctiveness of the design resides in the visual features of shape and/or configuration of a handle for a screen as shown in the accompanying representations.**



- (21) Design Number: **11368/2011**
(22) Date of Filing Application: **30 March 2011**
(24) Date from which industrial property rights may have effect: **30 March 2011**
(54) Product in respect of which the design is registered: **Protective casing for portable handheld electronic device**
(51) International Design Classification: **03-01NES, 14-02**
(74) Name(s) of Attorney(s): **Griffith Hack**
(71) Name(s) and Address(s) of Applicant(s):
SwitchEasy Limited
Room 314 Sing Win Factory Building 15-17 Shing Yip Street Kwun Tong Kowloon Hong Kong
(72) Name(s) of Designer(s): **Chi Vun Steven Bau**
(45) Registration Date: **27 April 2011**
(30) Convention priority data:
(31) Number (32) Date (33) Country
1002043.4 05 Nov 2010 HONG KONG
(56) Related Art Documents: **Not Applicable**
(57) Statement of Newness and Distinctiveness: **The shape and configuration of the protective casing as shown by means of solid lines in the representations is new and distinct. The shape and configuration of the electronic device shown in Figure 6 by means of broken lines is included for illustrative purposes only and does not form part of the design of the protective casing.**



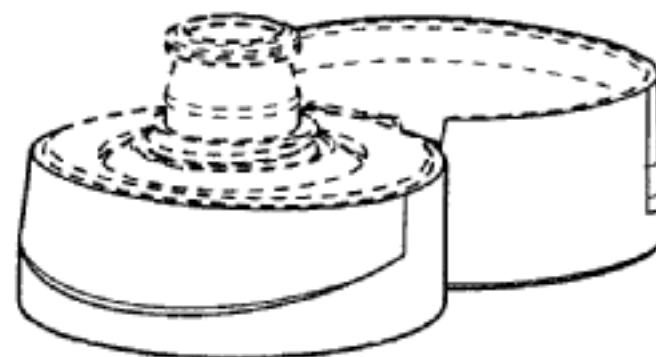
(21) Design Number: **11369/2011**
(22) Date of Filing Application: **30 March 2011**
(24) Date from which industrial property rights may have effect: **30 March 2011**
(54) Product in respect of which the design is registered: **Luminaire for road lighting**
(51) International Design Classification: **26-03**
(74) Name(s) of Attorney(s): **FB Rice**
(71) Name(s) and Address(s) of Applicant(s):
Koninklijke Philips Electronics N.V.
Groenewoudseweg 1 5621 BA Eindhoven The Netherlands
(72) Name(s) of Designer(s): **Ramon Janssen and George Watson**
(45) Registration Date: **27 April 2011**
(30) Convention priority data:
(31) Number (32) Date (33) Country
001764663-0001 06 Oct 2010 EUROPEAN COMMUNITY
(56) Related Art Documents: **Not Applicable**
(57) Statement of Newness and Distinctiveness: **Newness and distinctiveness reside in the features of shape and configuration of the design as shown in the representations.**



(21) Design Number: **11370/2011**
(22) Date of Filing Application: **30 March 2011**
(24) Date from which industrial property rights may have effect: **30 March 2011**
(54) Product in respect of which the design is registered: **Cap for a container**
(51) International Design Classification: **09-07C**
(74) Name(s) of Attorney(s): **FB Rice**
(71) Name(s) and Address(s) of Applicant(s):
Colgate-Palmolive Company
300 Park Avenue New York New York 10022 United States of America
(72) Name(s) of Designer(s): **Bruce Cummings and Jason Campbell**
(45) Registration Date: **27 April 2011**
(30) Convention priority data:
(31) Number (32) Date (33) Country
29/378213 01 Nov 2010 UNITED STATES OF AMERICA
(56) Related Art Documents: **Not Applicable**
(57) Statement of Newness and Distinctiveness: **Newness and distinctiveness reside in the features of the cap for a container shown in solid lines in the representations excluding those features shown in broken lines.**



(21) Design Number: **11371/2011**
(22) Date of Filing Application: **30 March 2011**
(24) Date from which industrial property rights may have effect: **30 March 2011**
(54) Product in respect of which the design is registered: **Cap for a container**
(51) International Design Classification: **09-07C**
(74) Name(s) of Attorney(s): **FB Rice**
(71) Name(s) and Address(s) of Applicant(s):
Colgate-Palmolive Company
300 Park Avenue New York New York 10022 United States of America
(72) Name(s) of Designer(s): **Bruce Cummings and Jason Campbell**
(45) Registration Date: **27 April 2011**
(30) Convention priority data:
(31) Number (32) Date (33) Country
29/378216 01 Nov 2010 UNITED STATES OF AMERICA
(56) Related Art Documents: **Not Applicable**
(57) Statement of Newness and Distinctiveness: **Newness and distinctiveness reside in the features of the cap for a container shown in solid lines in the representations excluding those features shown in broken lines.**



(21) Design Number: **10702/2011**
(22) Date of Filing Application: **24 February 2011**
(24) Date from which industrial property rights may have effect: **24 February 2011**
(54) Product in respect of which the design is registered: **Seat and settee**
(51) International Design Classification: **06-01F, 06-01G**
(74) Name(s) of Attorney(s): **Davies Collison Cave**
(71) Name(s) and Address(s) of Applicant(s):
Keter Plastic Ltd
2 Sapir Street Industrial Zone Herzelyia 46852 Israel
(72) Name(s) of Designer(s): **Yaniv Adir**
(45) Registration Date: **27 April 2011**
(30) Convention priority data:
(31) Number (32) Date (33) Country
50016 25 Aug 2010 ISRAEL
(56) Related Art Documents: **Not Applicable**
(57) Statement of Newness and Distinctiveness: **Newness and distinctiveness is claimed in the shape and/or configuration of a seat/settee substantially as shown in the accompanying representations, specifically in the combination of the sides, seat, backrest and armrests irrespective of the length of the backrest and seat sections. The design is not restricted to specific colours or any combination thereof.**



(21) Design Number: **10703/2011**
(22) Date of Filing Application: **24 February 2011**
(24) Date from which industrial property rights may have effect: **24 February 2011**
(54) Product in respect of which the design is registered: **Seat and settee**
(51) International Design Classification: **06-01F, 06-01G**
(74) Name(s) of Attorney(s): **Davies Collison Cave**
(71) Name(s) and Address(s) of Applicant(s):

Keter Plastic Ltd
2 Sapir Street Industrial Zone Herzelyia 46852 Israel

(72) Name(s) of Designer(s): **Yaniv Adir**

(45) Registration Date: **27 April 2011**

(30) Convention priority data:

(31) Number	(32) Date	(33) Country
50016	25 Aug 2010	ISRAEL

(56) Related Art Documents: **Not Applicable**

(57) Statement of Newness and Distinctiveness: **Newness and distinctiveness is claimed in the shape and/or configuration of a seat/settee substantially as shown in the accompanying representations, specifically in the combination of the sides, seat, backrest and armrests irrespective of the length of the backrest and seat sections. The design is not restricted to specific colours or any combination thereof.**



(21) Design Number: **10603/2011**
(22) Date of Filing Application: **11 February 2011**
(24) Date from which industrial property rights may have effect: **11 February 2011**
(54) Product in respect of which the design is registered: **Corner stake with slide-on cover**
(51) International Design Classification: **08-08NES**
(74) Name(s) of Attorney(s): **John L Davies & Co**
(71) Name(s) and Address(s) of Applicant(s):

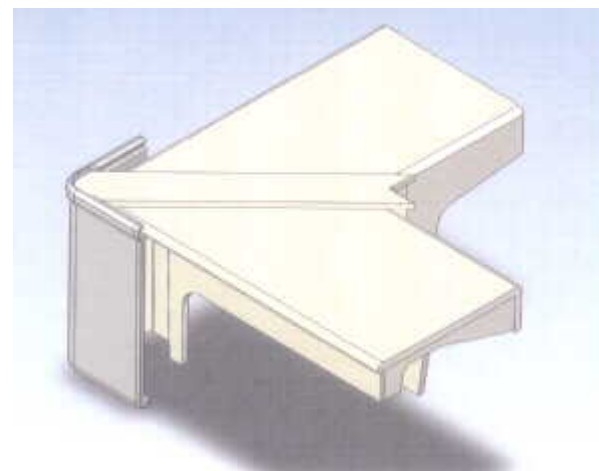
Dias Aluminium Products Pty. Ltd.
201-205 Browns Road Noble Park Victoria 3174 Australia

(72) Name(s) of Designer(s): **Ian David Paterson**

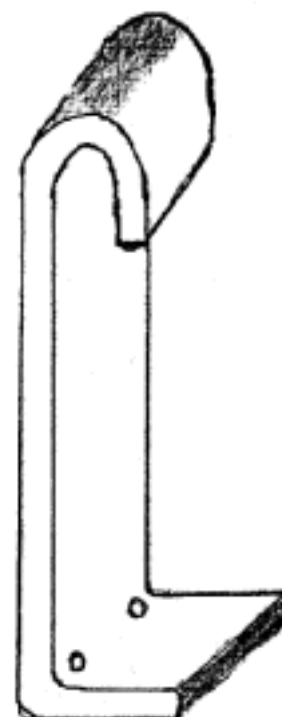
(45) Registration Date: **28 April 2011**

(56) Related Art Documents: **Not Applicable**

(57) Statement of Newness and Distinctiveness: **Nil**



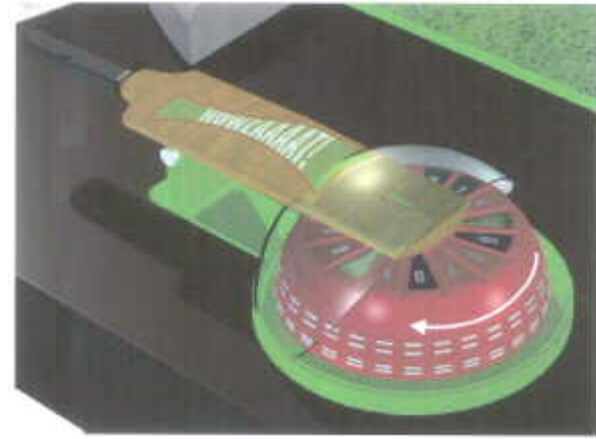
- (21) Design Number: **11356/2011**
(22) Date of Filing Application: **29 March 2011**
(24) Date from which industrial property rights may have effect: **29 March 2011**
(54) Product in respect of which the design is registered: **Toad traps**
(51) International Design Classification: **22-06**
(74) Name(s) of Attorney(s):
(71) Name(s) and Address(s) of Applicant(s):
Michael J. Conroy
31 Church Street Kippa-ring Queensland 4021 Australia
Sandra Joy Conroy
31 Church Street Kippa-ring Queensland 4021 Australia
(72) Name(s) of Designer(s): **Michael J. Conroy**
(45) Registration Date: **28 April 2011**
(56) Related Art Documents: **Not Applicable**
(57) Statement of Newness and Distinctiveness: **A long flat piece of material with a bend on one end and an angle section on the other in the direction of the bend in the bent section of the angle there is two holes.**



- (21) Design Number: **11392/2011**
(22) Date of Filing Application: **30 March 2011**
(24) Date from which industrial property rights may have effect: **30 March 2011**
(54) Product in respect of which the design is registered: **Side skirt for an automobile**
(51) International Design Classification: **12-16B**
(74) Name(s) of Attorney(s): **Colin Biggers & Paisley**
(71) Name(s) and Address(s) of Applicant(s):
Perusahaan Otomobil Nasional SDN. BHD
Centre of Excellence Complex KM 33.8 Westbound Shah Alam
Expressway 47600 Subang Jaya Selangor Darul Ehsan Malaysia
(72) Name(s) of Designer(s): **Shahril Afizal Bin Othman**
(45) Registration Date: **28 April 2011**
(30) Convention priority data:
(31) Number (32) Date (33) Country
10-01261-0101 04 Oct 2010 MALAYSIA
(56) Related Art Documents: **Not Applicable**
(57) Statement of Newness and Distinctiveness: **Newness and distinctiveness reside in the curved shape of the skirt as illustrated in the accompanying representations.**



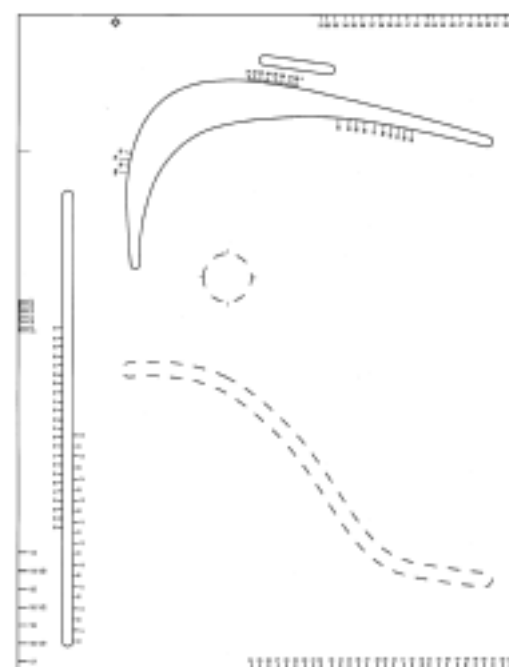
- (21) Design Number: **11394/2011**
(22) Date of Filing Application: **17 March 2011**
(24) Date from which industrial property rights may have effect: **17 March 2011**
(54) Product in respect of which the design is registered: **Spinner (ball) and bat scoring mechanism**
(51) International Design Classification: **21-01L**
(74) Name(s) of Attorney(s):
(71) Name(s) and Address(s) of Applicant(s):
Blue Ass Fly Pty Ltd
1 Turner Street Indooroopilly Queensland 4068 Australia
(72) Name(s) of Designer(s): **Peter Vozvoteka**
(45) Registration Date: **28 April 2011**
(62) Divisional of: **11134/2011**
(56) Related Art Documents: **Not Applicable**
(57) Statement of Newness and Distinctiveness: **The 'SPINNER (BALL)' has the visual elements of a typical cricket ball. For example, the distinctive red colour and the white stitching.**



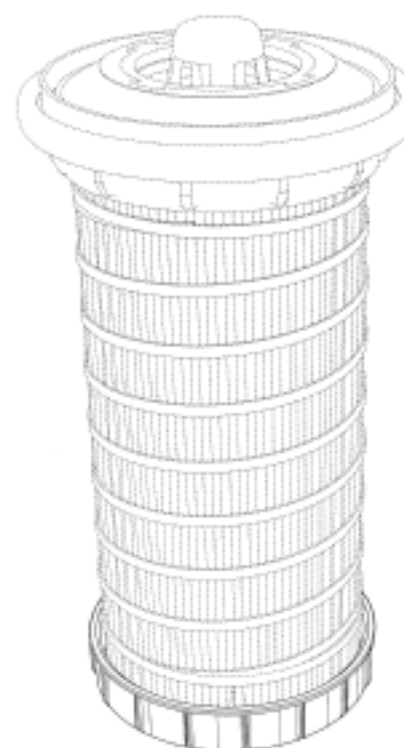
- (21) Design Number: **11395/2011**
(22) Date of Filing Application: **17 March 2011**
(24) Date from which industrial property rights may have effect: **17 March 2011**
(54) Product in respect of which the design is registered: **Scoreboard for game board**
(51) International Design Classification: **21-01L**
(74) Name(s) of Attorney(s):
(71) Name(s) and Address(s) of Applicant(s):
Blue Ass Fly Pty Ltd
1 Turner Street Indooroopilly Queensland 4068 Australia
(72) Name(s) of Designer(s): **Peter Vozvoteka**
(45) Registration Date: **28 April 2011**
(62) Divisional of: **11134/2011**
(56) Related Art Documents: **Not Applicable**
(57) Statement of Newness and Distinctiveness: **Nil**



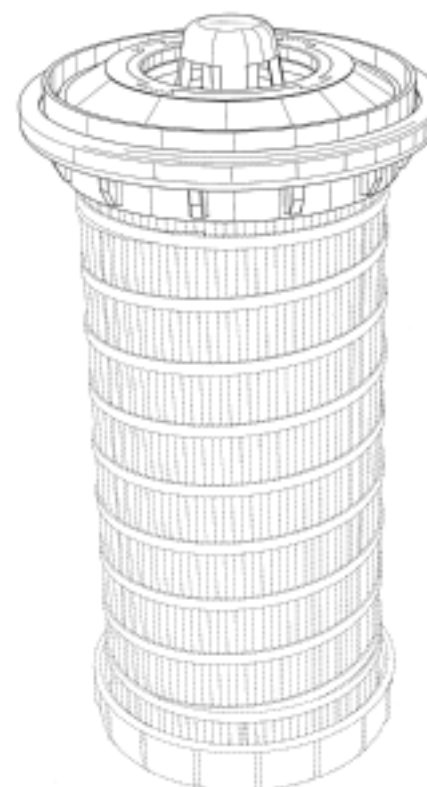
- (21) Design Number: **11398/2011**
(22) Date of Filing Application: **31 March 2011**
(24) Date from which industrial property rights may have effect: **31 March 2011**
(54) Product in respect of which the design is registered: **Pattern drafting ruler
metric/imperial**
(51) International Design Classification: **19-06**
(74) Name(s) of Attorney(s):
(71) Name(s) and Address(s) of Applicant(s):
Maria Opresnik
81 Orchard Circuit Shepparton Victoria 3630 Australia
(72) Name(s) of Designer(s): **Maria Opresnik**
(45) Registration Date: **28 April 2011**
(56) Related Art Documents: **Not Applicable**
(57) Statement of Newness and Distinctiveness: **Newness and distinctiveness
are claimed in the features of shape and configuration shown in solid
lines.**



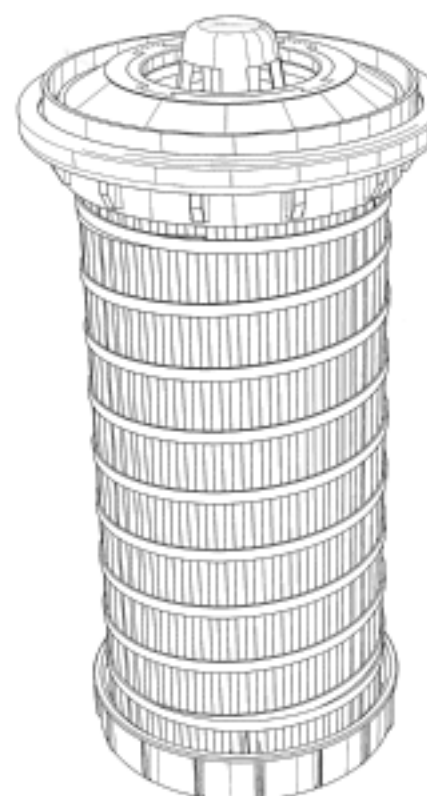
- (21) Design Number: **11399/2011**
(22) Date of Filing Application: **30 March 2011**
(24) Date from which industrial property rights may have effect: **30 March 2011**
(54) Product in respect of which the design is registered: **Fuel filter**
(51) International Design Classification: **23-01G**
(74) Name(s) of Attorney(s): **Freehills Patent & Trade Mark Attorneys**
(71) Name(s) and Address(s) of Applicant(s):
Caterpillar Inc.
100 N.E. Adams Street Peoria Illinois 61629 United States of America
Advanced Filtration Systems, Inc.
3206 Farber Drive Champaign Illinois 61822 United States of America
Donaldson Company, Inc.
**1400 West 94th Street Bloomington Minnesota 55431 United States of
America**
(72) Name(s) of Designer(s): **Christopher J. Salvador and Randall W.
Heibenthal and Dennis M. Deedrich and David B. Harder and John R.
Hacker and Richard J. Eisenmenger**
(45) Registration Date: **28 April 2011**
(30) Convention priority data:
(31) Number (32) Date (33) Country
29/376108 01 Oct 2010 UNITED STATES OF AMERICA
(56) Related Art Documents: **Not Applicable**
(57) Statement of Newness and Distinctiveness: **Newness and distinctiveness
of the design resides in the features of shape and configuration of a fuel
filter illustrated in solid lines in the accompanying drawings.**



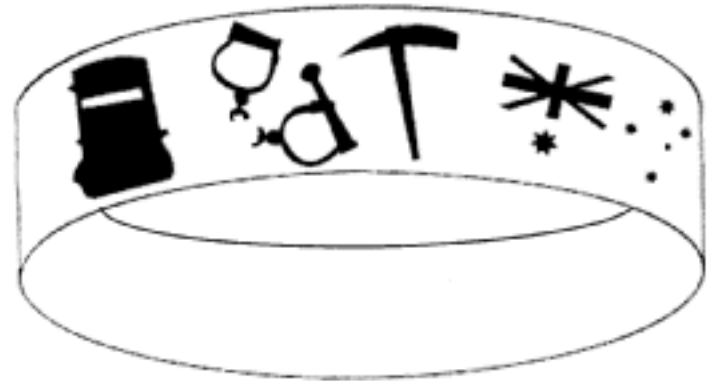
- (21) Design Number: **11400/2011**
(22) Date of Filing Application: **30 March 2011**
(24) Date from which industrial property rights may have effect: **30 March 2011**
(54) Product in respect of which the design is registered: **Fuel filter**
(51) International Design Classification: **23-01G**
(74) Name(s) of Attorney(s): **Freehills Patent & Trade Mark Attorneys**
(71) Name(s) and Address(s) of Applicant(s):
Caterpillar Inc.
100 N.E. Adams Street Peoria Illinois 61629 United States of America
Advanced Filtration Systems, Inc.
3206 Farber Drive Champaign Illinois 61822 United States of America
Donaldson Company, Inc.
1400 West 94th Street Bloomington Minnesota 55431 United States of America
(72) Name(s) of Designer(s): **Christopher J. Salvador and Randall W. Heibenthal and Dennis M. Deedrich and David B. Harder and John R. Hacker and Richard J. Eisenmenger**
(45) Registration Date: **28 April 2011**
(30) Convention priority data:
(31) Number (32) Date (33) Country
29/376108 01 Oct 2010 UNITED STATES OF AMERICA
(56) Related Art Documents: **Not Applicable**
(57) Statement of Newness and Distinctiveness: **Newness and distinctiveness of the design resides in the features of shape and configuration of a fuel filter illustrated in solid lines in the accompanying drawings.**



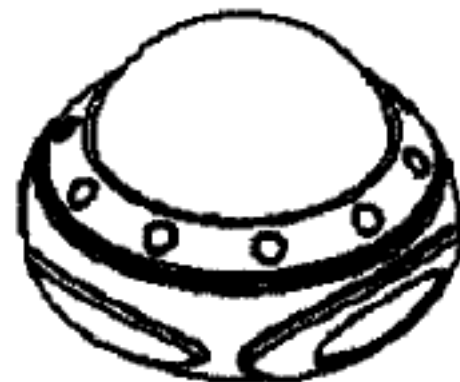
- (21) Design Number: **11401/2011**
(22) Date of Filing Application: **30 March 2011**
(24) Date from which industrial property rights may have effect: **30 March 2011**
(54) Product in respect of which the design is registered: **Fuel filter**
(51) International Design Classification: **23-01G**
(74) Name(s) of Attorney(s): **Freehills Patent & Trade Mark Attorneys**
(71) Name(s) and Address(s) of Applicant(s):
Caterpillar Inc.
100 N.E. Adams Street Peoria Illinois 61629 United States of America
Advanced Filtration Systems, Inc.
3206 Farber Drive Champaign Illinois 61822 United States of America
Donaldson Company, Inc.
1400 West 94th Street Bloomington Minnesota 55431 United States of America
(72) Name(s) of Designer(s): **Christopher J. Salvador and Randall W. Heibenthal and Dennis M. Deedrich and David B. Harder and John R. Hacker and Richard J. Eisenmenger**
(45) Registration Date: **28 April 2011**
(30) Convention priority data:
(31) Number (32) Date (33) Country
29/376108 01 Oct 2010 UNITED STATES OF AMERICA
(56) Related Art Documents: **Not Applicable**
(57) Statement of Newness and Distinctiveness: **Newness and distinctiveness of the design resides in the features of shape and configuration of a fuel filter illustrated in solid lines in the accompanying drawings.**



- (21) Design Number: **11451/2011**
(22) Date of Filing Application: **04 April 2011**
(24) Date from which industrial property rights may have effect: **04 April 2011**
(54) Product in respect of which the design is registered: **Jewellery item**
(51) International Design Classification: **11-01C**
(74) Name(s) of Attorney(s): **Janet Stead & Associates Patents and Trade Mark At**
(71) Name(s) and Address(s) of Applicant(s):
Dean Mac Siomoin
1/5 Stewart Street Scarborough Western Australia 6019 Australia
(72) Name(s) of Designer(s): **Dean Mac Siomoin**
(45) Registration Date: **28 April 2011**
(56) Related Art Documents: **Not Applicable**
(57) Statement of Newness and Distinctiveness: **Newness and distinctiveness is claimed in the pattern and/or ornamentation applied to a jewellery item as illustrated in the accompanying representations.**



- (21) Design Number: **11501/2011**
(22) Date of Filing Application: **06 April 2011**
(24) Date from which industrial property rights may have effect: **06 April 2011**
(54) Product in respect of which the design is registered: **Multi-directional movement device - massage unit**
(51) International Design Classification: **28-03NES**
(74) Name(s) of Attorney(s):
(71) Name(s) and Address(s) of Applicant(s):
Robert Sellars
5 Kelso Close Yamanto Queensland 4305 Australia
(72) Name(s) of Designer(s): **Robert Andrew Sellars**
(45) Registration Date: **28 April 2011**
(56) Related Art Documents: **Not Applicable**
(57) Statement of Newness and Distinctiveness: **Patented bearing race including various colour combinations. Patent and Design numbers to be stamped on apparatus. Varying sizes and Materials Used.**



(21) Design Number: **11559/2011**

(22) Date of Filing Application: **11 April 2011**

(24) Date from which industrial property rights may have effect: **11 April 2011**

(54) Product in respect of which the design is registered: **Hat**

(51) International Design Classification: **02-03**

(74) Name(s) of Attorney(s):

(71) Name(s) and Address(s) of Applicant(s):

Au Wing Kwong

Unit 3 68 Grey Street Bassendean Western Australia 6054 Australia

(72) Name(s) of Designer(s): **Au Wing Kwong**

(45) Registration Date: **28 April 2011**

(56) Related Art Documents: **Not Applicable**

(57) Statement of Newness and Distinctiveness: **Monopoly is claimed in the shape and configuration of a hat as shown in representations.**



(21) Design Number: **14569/2010**

(22) Date of Filing Application: **22 October 2010**

(24) Date from which industrial property rights may have effect: **22 October 2010**

(54) Product in respect of which the design is registered: **Stirrup**

(51) International Design Classification: **30-04**

(74) Name(s) of Attorney(s): **Houlihan2**

(71) Name(s) and Address(s) of Applicant(s):

David Stuckey Investments Pty Ltd

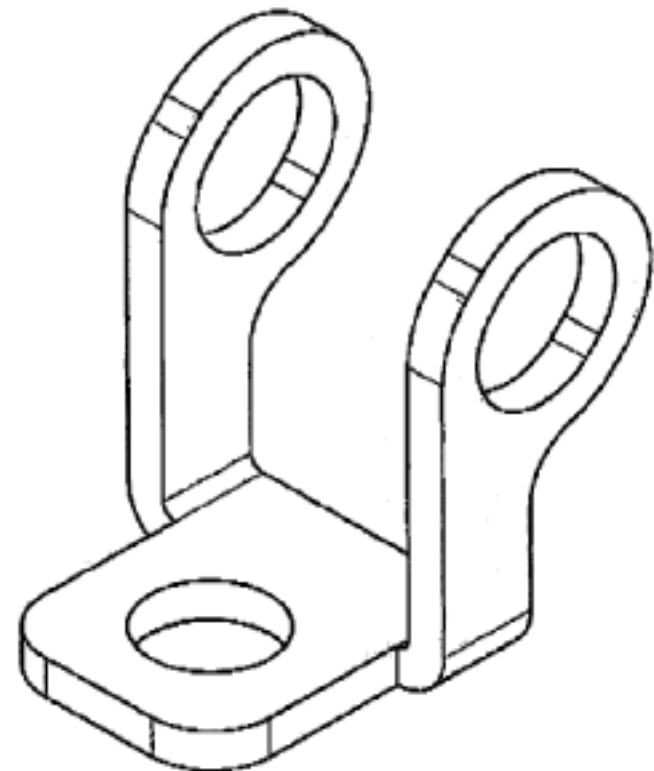
Pitcher Partners 6th Floor 161 Collins Street Melbourne Victoria 3000 Australia

(72) Name(s) of Designer(s): **David Martin Stuckey**

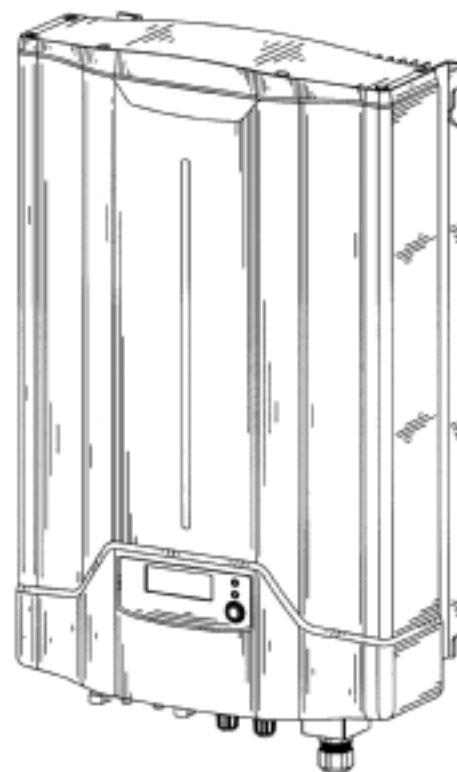
(45) Registration Date: **28 April 2011**

(56) Related Art Documents: **Not Applicable**

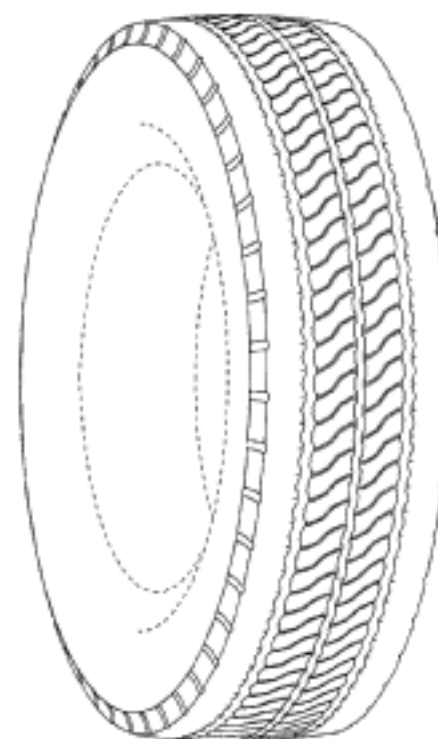
(57) Statement of Newness and Distinctiveness: **Nil**



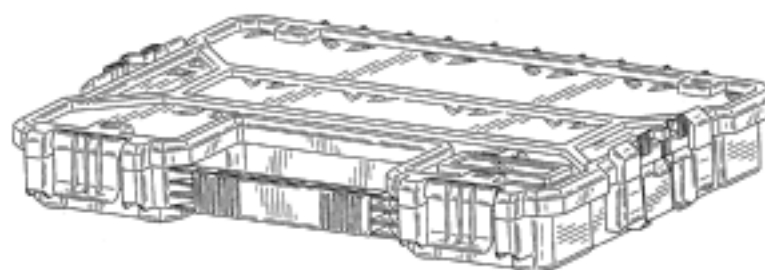
- (21) Design Number: **15219/2010**
(22) Date of Filing Application: **01 December 2010**
(24) Date from which industrial property rights may have effect: **01 December 2010**
(54) Product in respect of which the design is registered: **Solar inverter**
(51) International Design Classification: **13-02**
(74) Name(s) of Attorney(s): **Shelston IP**
(71) Name(s) and Address(s) of Applicant(s):
Shenzhen Kstar New Energy Company Limited
6/F 8th Building Kstar Factory Area Fumin Industrial Guanlan Baoan
Shenzhen Guangdong 518110 China
(72) Name(s) of Designer(s): **Yamin Liu**
(45) Registration Date: **28 April 2011**
(56) Related Art Documents: **Not Applicable**
(57) Statement of Newness and Distinctiveness: **The ornamental design for a "solar inverter" as shown and described. Fig. 1 is a front, top and right side perspective view of a solar inverter showing my new design; Fig. 2 is a front elevational view thereof; Fig. 3 is a rear elevational view thereof; Fig. 4 is a left side elevational view thereof; Fig. 5 is a right side elevational view thereof; Fig. 6 is a top plan view thereof; Fig. 7 is a bottom plan view thereof. We claim: The ornamental design for a "solar inverter" as shown and described.**



- (21) Design Number: **15628/2010**
(22) Date of Filing Application: **21 December 2010**
(24) Date from which industrial property rights may have effect: **21 December 2010**
(54) Product in respect of which the design is registered: **Automobile tyre**
(51) International Design Classification: **12-15B**
(74) Name(s) of Attorney(s): **Griffith Hack**
(71) Name(s) and Address(s) of Applicant(s):
Bridgestone Corporation
10-1 Kyobashi 1-Chome Chuo-Ku Tokyo 104-8340 Japan
(72) Name(s) of Designer(s): **Nagakazu Kuwahara**
(45) Registration Date: **28 April 2011**
(30) Convention priority data:
(31) Number (32) Date (33) Country
2010-015222 21 Jun 2010 JAPAN
(56) Related Art Documents: **Not Applicable**
(57) Statement of Newness and Distinctiveness: **The shape, configuration and pattern of the tread portion, as shown in solid lines in the representations, are new and distinctive.**



(21) Design Number: **10411/2011**
(22) Date of Filing Application: **10 February 2011**
(24) Date from which industrial property rights may have effect: **10 February 2011**
(54) Product in respect of which the design is registered: **Organiser**
(51) International Design Classification: **03-01D**
(74) Name(s) of Attorney(s): **Davies Collison Cave**
(71) Name(s) and Address(s) of Applicant(s):
The Stanley Works Israel Ltd.
19 Ha'melacha Street New Industrial Zone Rosh Ha'ayin 48091 Israel
(72) Name(s) of Designer(s): **Zvika Fraiman and Gil Vilkomirski**
(45) Registration Date: **28 April 2011**
(30) Convention priority data:
(31) Number (32) Date (33) Country
29/367779 12 Aug 2010 UNITED STATES OF AMERICA
(56) Related Art Documents: **Not Applicable**
(57) Statement of Newness and Distinctiveness: **Nil**



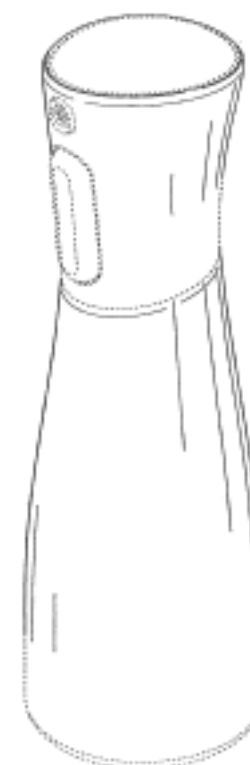
(21) Design Number: **10430/2011**
(22) Date of Filing Application: **11 February 2011**
(24) Date from which industrial property rights may have effect: **11 February 2011**
(54) Product in respect of which the design is registered: **Container and cap**
(51) International Design Classification: **09-01NES**
(74) Name(s) of Attorney(s): **SPRUSON & FERGUSON**
(71) Name(s) and Address(s) of Applicant(s):
S.C. Johnson & Son, Inc.
1525 Howe Street Racine Wisconsin 53403-2236 United States of America
(72) Name(s) of Designer(s): **Nancy L. Broen and Brook S. Kennedy and Hideaki Matsui and Matthew N. Thurin and Richard Whitehall**
(45) Registration Date: **28 April 2011**
(30) Convention priority data:
(31) Number (32) Date (33) Country
001229678 12 Aug 2010 EUROPEAN COMMUNITY
(56) Related Art Documents: **Not Applicable**
(57) Statement of Newness and Distinctiveness: **Newness and distinctiveness is claimed in those features of shape and/or configuration of a container and cap illustrated in continuous lines in the accompanying representations.**



(21) Design Number: **10431/2011**
(22) Date of Filing Application: **11 February 2011**
(24) Date from which industrial property rights may have effect: **11 February 2011**
(54) Product in respect of which the design is registered: **Container and cap**
(51) International Design Classification: **09-01NES**
(74) Name(s) of Attorney(s): **SPRUSON & FERGUSON**
(71) Name(s) and Address(s) of Applicant(s):
S.C. Johnson & Son, Inc.
1525 Howe Street Racine Wisconsin 53403-2236 United States of America
(72) Name(s) of Designer(s): **Nancy L. Broen and Brook S. Kennedy and Hideaki Matsui and Matthew N. Thurin and Richard Whitehall**
(45) Registration Date: **28 April 2011**
(30) Convention priority data:
(31) Number (32) Date (33) Country
001229678 12 Aug 2010 EUROPEAN COMMUNITY
(56) Related Art Documents: **Not Applicable**
(57) Statement of Newness and Distinctiveness: **Newness and distinctiveness is claimed in those features of shape and/or configuration of a container and cap illustrated in continuous lines in the accompanying representations.**



(21) Design Number: **10432/2011**
(22) Date of Filing Application: **11 February 2011**
(24) Date from which industrial property rights may have effect: **11 February 2011**
(54) Product in respect of which the design is registered: **Container and cap**
(51) International Design Classification: **09-01NES**
(74) Name(s) of Attorney(s): **SPRUSON & FERGUSON**
(71) Name(s) and Address(s) of Applicant(s):
S.C. Johnson & Son, Inc.
1525 Howe Street Racine Wisconsin 53403-2236 United States of America
(72) Name(s) of Designer(s): **Nancy L. Broen and Brook S. Kennedy and Hideaki Matsui and Matthew N. Thurin and Richard Whitehall**
(45) Registration Date: **28 April 2011**
(30) Convention priority data:
(31) Number (32) Date (33) Country
001229678 12 Aug 2010 EUROPEAN COMMUNITY
(56) Related Art Documents: **Not Applicable**
(57) Statement of Newness and Distinctiveness: **Newness and distinctiveness is claimed in those features of shape and/or configuration of a container and cap illustrated in continuous lines in the accompanying representations.**



(21) Design Number: **10437/2011**
(22) Date of Filing Application: **11 February 2011**
(24) Date from which industrial property rights may have effect: **11 February 2011**
(54) Product in respect of which the design is registered: **Beverage container**
(51) International Design Classification: **07-01C**
(74) Name(s) of Attorney(s): **Fraser Old & Sohn**
(71) Name(s) and Address(s) of Applicant(s):
TMA Australia Pty Limited
4-6 Straits Avenue South Granville New South Wales 2142 Australia
(72) Name(s) of Designer(s): **Carl Karam**
(45) Registration Date: **28 April 2011**
(56) Related Art Documents: **Not Applicable**
(57) Statement of Newness and Distinctiveness: **Newness and distinctiveness is claimed in respect of the pattern and/or ornamentation of the outside surface of the beverage container illustrated in the accompanying representations. In carrying out a consideration in accordance with Section 19 the pattern and/or ornamentation of the inside surface of the beverage container is not to be considered either new or distinctive and does not form part of the design.**



(21) Design Number: **11427/2011**
(22) Date of Filing Application: **31 March 2011**
(24) Date from which industrial property rights may have effect: **31 March 2011**
(54) Product in respect of which the design is registered: **Cap for a container**
(51) International Design Classification: **09-07B**
(74) Name(s) of Attorney(s): **FB Rice**
(71) Name(s) and Address(s) of Applicant(s):
Colgate-Palmolive Company
300 Park Avenue New York New York 10022 United States of America
(72) Name(s) of Designer(s): **Bruce Cummings and Jason Campbell**
(45) Registration Date: **28 April 2011**
(30) Convention priority data:
(31) Number (32) Date (33) Country
29/378221 01 Nov 2010 UNITED STATES OF AMERICA
(56) Related Art Documents: **Not Applicable**
(57) Statement of Newness and Distinctiveness: **Newness and distinctiveness reside in the features of the cap for a container shown in solid lines in the representations excluding those features shown in broken lines.**



(21) Design Number: **11428/2011**
(22) Date of Filing Application: **31 March 2011**
(24) Date from which industrial property rights may have effect: **31 March 2011**
(54) Product in respect of which the design is registered: **Cap for a container**
(51) International Design Classification: **09-07B**
(74) Name(s) of Attorney(s): **FB Rice**
(71) Name(s) and Address(s) of Applicant(s):
Colgate-Palmolive Company
300 Park Avenue New York New York 10022 United States of America
(72) Name(s) of Designer(s): **Bruce Cummings and Jason Campbell**
(45) Registration Date: **28 April 2011**
(30) Convention priority data:
(31) Number (32) Date (33) Country
29/378222 01 Nov 2010 UNITED STATES OF AMERICA
(56) Related Art Documents: **Not Applicable**
(57) Statement of Newness and Distinctiveness: **Newness and distinctiveness reside in the features of the cap for a container shown in the representations.**



(21) Design Number: **11429/2011**
(22) Date of Filing Application: **31 March 2011**
(24) Date from which industrial property rights may have effect: **31 March 2011**
(54) Product in respect of which the design is registered: **Cap for a container**
(51) International Design Classification: **09-07B**
(74) Name(s) of Attorney(s): **FB Rice**
(71) Name(s) and Address(s) of Applicant(s):
Colgate-Palmolive Company
300 Park Avenue New York New York 10022 United States of America
(72) Name(s) of Designer(s): **Bruce Cummings and Jason Campbell**
(45) Registration Date: **28 April 2011**
(30) Convention priority data:
(31) Number (32) Date (33) Country
29/378223 01 Nov 2010 UNITED STATES OF AMERICA
(56) Related Art Documents: **Not Applicable**
(57) Statement of Newness and Distinctiveness: **Newness and distinctiveness reside in the features of the cap for a container shown in the representations.**



(21) Design Number: **14834/2010**

(22) Date of Filing Application: **09 November 2010**

(24) Date from which industrial property rights may have effect: **09 November 2010**

(54) Product in respect of which the design is registered: **Children's monkey bars**

(51) International Design Classification: **21-03**

(74) Name(s) of Attorney(s):

(71) Name(s) and Address(s) of Applicant(s):

FMB Solutions Pty Ltd

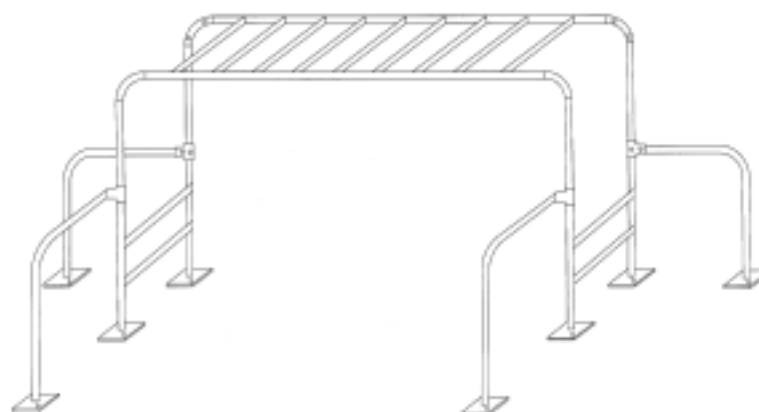
**79 Stevens Street White Gum Valley Perth Western Australia 6162
Australia**

(72) Name(s) of Designer(s): **Shane Roberts and Marc Roberts**

(45) Registration Date: **29 April 2011**

(56) Related Art Documents: **Not Applicable**

(57) Statement of Newness and Distinctiveness: **All four funky monkey designs are new and distinctive because of the following three visual features that are incorporated on all of our designs. 1. Twirly Whirly Bars-Featured on all of our designs, these bars allow our products to be 'stand-alone' (no need to concrete into the ground) and give our monkey bars stability. Without the twirly bars our monkey bars would tip over. 2. Base plates - Featured on all of our designs, the base plates allow our products to be 'stand-alone'. They are featured on the end of each leg and twirly whirly bar. The base plates have a hole which allows the structure to be anchored securely into the ground with the use of a steel peg. 3. Connections - Features on all of our designs are two types of connections that are used to connect and disconnect the monkey bar enabling it to be portable; I. Elbow connections II. Short tee connections These connections are clamped onto the pipe with the use of an allen key to tighten the two locking screws. These connections make our designs fully portable (pulled down and put up very easily) and there is no welding or bolting required like in other playground equipment. These three features put together give our children's monkey bars the strength and stability required for usage by school age kids. They do not have to be cemented permanently into the ground like other products, they are designed purposely to be stand-alone and they are fully portable, can be taken apart and moved around.**



(21) Design Number: **14835/2010**

(22) Date of Filing Application: **09 November 2010**

(24) Date from which industrial property rights may have effect: **09 November 2010**

(54) Product in respect of which the design is registered: **Children's Monkey Bars**

(51) International Design Classification: **21-03**

(74) Name(s) of Attorney(s):

(71) Name(s) and Address(s) of Applicant(s):

FMB Solutions Pty Ltd

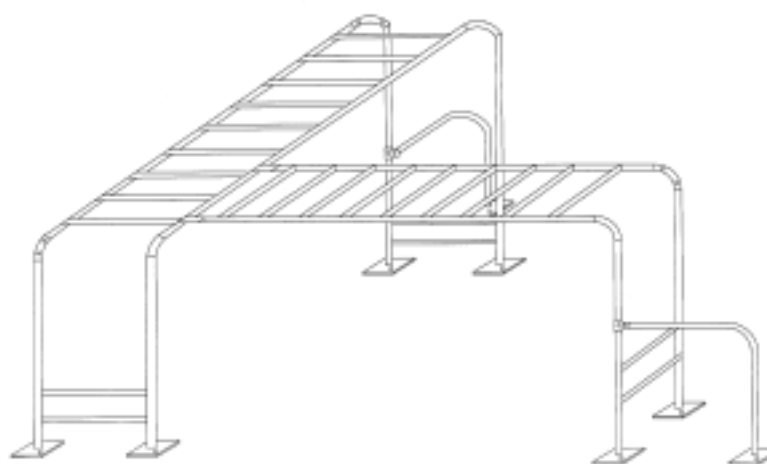
**79 Stevens Street White Gum Valley Perth Western Australia 6162
Australia**

(72) Name(s) of Designer(s): **Shane Roberts and Marc Roberts**

(45) Registration Date: **29 April 2011**

(56) Related Art Documents: **Not Applicable**

(57) Statement of Newness and Distinctiveness: **All four funky monkey designs are new and distinctive because of the following three visual features that are incorporated on all of our designs. 1. Twirly Whirly Bars- Featured on all of our designs, these bars allow our products to be 'stand-alone' (no need to concrete into the ground) and give our monkey bars stability. Without the twirly bars our monkey bars would tip over. 2. Base plates- Featured on all of our designs, the base plates allow our products to be 'stand-alone'. They are featured on the end of each leg and twirly whirly bar. The base plates have a hole which allows the structure to be anchored securely into the ground with the use of a steel peg. 3. Connections- Featured on all of our designs are two types of connections that are used to connect and disconnect the monkey bar enabling it to be portable; I. Elbow connection II. Short tee connections These connections are clamped onto the pipe with the use of an allen key to tighten the two locking screws. These connections make our designs fully portable (pulled down and put up very easily) and there is no welding or bolting required like in other playground equipment. These three features put together give our children's monkey bars the strength and stability required for usage by school age kids. They do not have to be cemented permanently into the ground like other products, they are disgned purposely to be stand-alone and they are fully portable, can be taken apart and moved around.**



(21) Design Number: **14836/2010**

(22) Date of Filing Application: **09 November 2010**

(24) Date from which industrial property rights may have effect: **09 November 2010**

(54) Product in respect of which the design is registered: **Children's Monkey Bars**

(51) International Design Classification: **21-03**

(74) Name(s) of Attorney(s):

(71) Name(s) and Address(s) of Applicant(s):

FMB Solutions Pty Ltd

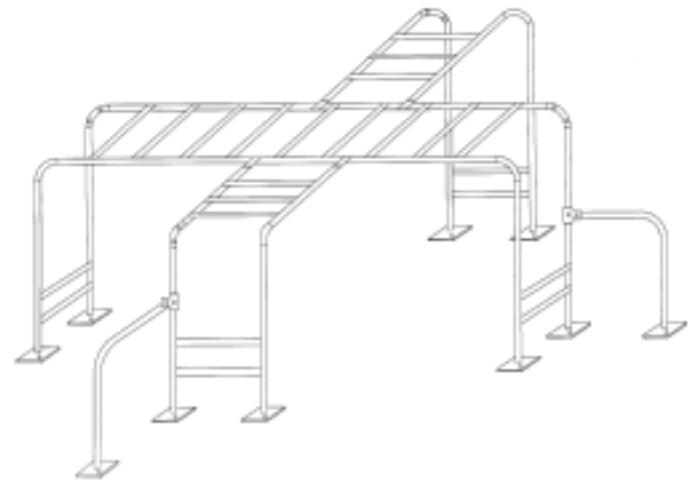
**79 Stevens Street White Gum Valley Perth Western Australia 6162
Australia**

(72) Name(s) of Designer(s): **Shane Roberts and Marc Roberts**

(45) Registration Date: **29 April 2011**

(56) Related Art Documents: **Not Applicable**

(57) Statement of Newness and Distinctiveness: **All four funky monkey designs are new and distinctive because of the following three visual features that are incorporated on all of our designs. 1. Twirly Whirly Bars- Featured on all of our designs, these bars allow our products to be 'stand-alone' (no need to concrete into the ground) and give our monkey bars stability. Without the twirly bars our monkey bars would tip over. 2. Base plates- Featured on all of our designs, the base plates allow our products to be 'stand-alone'. They are featured on the end of each leg and twirly whirly bar. The base plates have a hole which allows the structure to be anchored securely into the ground with the use of a steel peg. 3. Connections - Featured on all of our designs are two types of connections that are used to connect and disconnect the monkey bar enabling it to be portable; I. Elbow connections II. Short tee connections These connections are clamped onto the pipe with the use of an allen key to tighten the two locking screws. These connections make our designs fully portable (pulled down and put up very easily) and there is no welding or bolting required like in other playground equipment. These three features put together give our children's monkey bars the strength and stability required for usage by school age kids. They do not have to be cemented permanently into the ground like other products, they are designed purposely to be stand-alone and they are designed purposely to be stand-alone and they are fully portable, can be taken apart and moved around.**



(21) Design Number: **14837/2010**

(22) Date of Filing Application: **09 November 2010**

(24) Date from which industrial property rights may have effect: **09 November 2010**

(54) Product in respect of which the design is registered: **Children's Monkey Bars**

(51) International Design Classification: **21-03**

(74) Name(s) of Attorney(s):

(71) Name(s) and Address(s) of Applicant(s):

FMB Solutions Pty Ltd

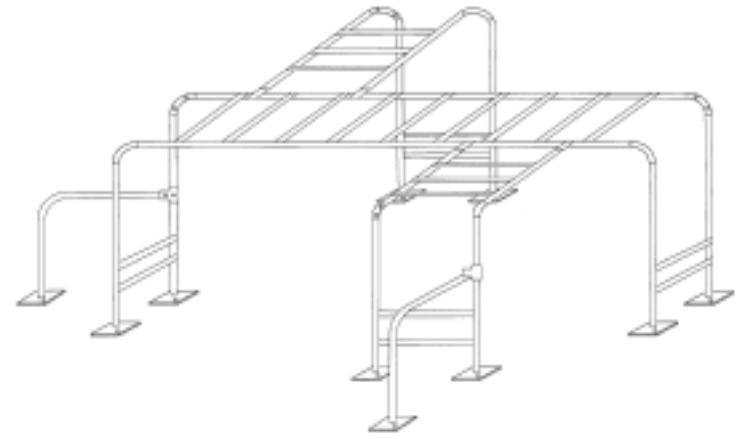
**79 Stevens Street White Gum Valley Perth Western Australia 6162
Australia**

(72) Name(s) of Designer(s): **Shane Roberts and Marc Roberts**

(45) Registration Date: **29 April 2011**

(56) Related Art Documents: **Not Applicable**

(57) Statement of Newness and Distinctiveness: **All four funky monkey designs are new and distinctive because of the following three visual features that are incorporated on all our designs. 1. Twirly Whirly Bars - Featured on all of our designs, these bars allow our product to be 'stand-alone' (no need to concrete into the ground) and give our monkey bars stability. Without the twirly bars our monkey bars would tip over. 2. Base plates - Featured on all of our designs, the base plates allow our products to be 'stand-alone'. They are featured on the end of each leg and twirly whirly bar. The base plates have a hole which allows the structure to be anchored securely into the ground with the use of a steel peg. 3. Connections - Featured on all of our designs are two types of connections that are used to connect and disconnect the monkey bar enabling it to be portable; I. Elbow connections II. Short tee connections These connections are clamped onto the pipe with the use of an allen key to tighten the two locking screws. These connections make our designs fully portable (pulled down and put up very easily) and there is no welding or bolting required like in other playground equipment. These three features put together give our children's monkey bars the strength and stability required for usage by school age kids. They do not have to be cemented permanently into the ground like other products, they are designed purposely to be stand-alone and they are fully portable, can be taken apart and moved around.**



(21) Design Number: **10230/2011**
(22) Date of Filing Application: **28 January 2011**
(24) Date from which industrial property rights may have effect: **28 January 2011**
(54) Product in respect of which the design is registered: **A sign**
(51) International Design Classification: **20-03NES**
(74) Name(s) of Attorney(s): **Freehills Patent & Trade Mark Attorneys**
(71) Name(s) and Address(s) of Applicant(s):
Optima Solutions UK Limited
Loch of Loirston Wellington Road Aberdeen AB 12 3LN United Kingdom
(72) Name(s) of Designer(s): **Brian Robertson and David Halliday**
(45) Registration Date: **29 April 2011**
(30) Convention priority data:
(31) Number (32) Date (33) Country
001768912-0001 15 Oct 2010 EUROPEAN COMMUNITY
(56) Related Art Documents: **Not Applicable**
(57) Statement of Newness and Distinctiveness: **Newness and distinctiveness resides in the features shown in solid lines/shading in the accompanying representations.**



(21) Design Number: **10231/2011**
(22) Date of Filing Application: **28 January 2011**
(24) Date from which industrial property rights may have effect: **28 January 2011**
(54) Product in respect of which the design is registered: **A paper product**
(51) International Design Classification: **19-01**
(74) Name(s) of Attorney(s): **Freehills Patent & Trade Mark Attorneys**
(71) Name(s) and Address(s) of Applicant(s):
Optima Solutions UK Limited
Loch of Loirston Wellington Road Aberdeen AB 12 3LN United Kingdom
(72) Name(s) of Designer(s): **Brian Robertson and David Halliday**
(45) Registration Date: **29 April 2011**
(30) Convention priority data:
(31) Number (32) Date (33) Country
001768912-0001 15 Oct 2010 EUROPEAN COMMUNITY
(56) Related Art Documents: **Not Applicable**
(57) Statement of Newness and Distinctiveness: **Newness and distinctiveness resides in the features shown in solid lines/shading in the accompanying representations**



(19) AU

(21) Design Number: **10232/2011**

(22) Date of Filing Application: **28 January 2011**

(24) Date from which industrial property rights may have effect: **28 January 2011**

(54) Product in respect of which the design is registered: **A paper product**

(51) International Design Classification: **19-01**

(74) Name(s) of Attorney(s): **Freehills Patent & Trade Mark Attorneys**

(71) Name(s) and Address(s) of Applicant(s):

Optima Solutions UK Limited

Loch of Loirston Wellington Road Aberdeen AB 12 3LN United Kingdom

(72) Name(s) of Designer(s): **Brian Robertson and David Halliday**

(45) Registration Date: **29 April 2011**

(30) Convention priority data:

(31) Number	(32) Date	(33) Country
001768912-0002	15 Oct 2010	EUROPEAN COMMUNITY

(56) Related Art Documents: **Not Applicable**

(57) Statement of Newness and Distinctiveness: **Newness and distinctiveness resides in the features shown in solid lines/shading in the accompanying representations**



(19) AU

(21) Design Number: **10233/2011**

(22) Date of Filing Application: **28 January 2011**

(24) Date from which industrial property rights may have effect: **28 January 2011**

(54) Product in respect of which the design is registered: **A sign**

(51) International Design Classification: **20-03NES**

(74) Name(s) of Attorney(s): **Freehills Patent & Trade Mark Attorneys**

(71) Name(s) and Address(s) of Applicant(s):

Optima Solutions UK Limited

Loch of Loirston Wellington Road Aberdeen AB 12 3LN United Kingdom

(72) Name(s) of Designer(s): **Brian Robertson and David Halliday**

(45) Registration Date: **29 April 2011**

(30) Convention priority data:

(31) Number	(32) Date	(33) Country
001768912-0002	15 Oct 2010	EUROPEAN COMMUNITY

(56) Related Art Documents: **Not Applicable**

(57) Statement of Newness and Distinctiveness: **Newness and distinctiveness resides in the features shown in solid lines/shading in the accompanying representations.**



- (21) Design Number: **10433/2011**
(22) Date of Filing Application: **11 February 2011**
(24) Date from which industrial property rights may have effect: **11 February 2011**
(54) Product in respect of which the design is registered: **Square**
(51) International Design Classification: **10-04**
(74) Name(s) of Attorney(s): **Davies Collison Cave**
(71) Name(s) and Address(s) of Applicant(s):

Hugo Neethling
No 675 Tuinplaas Street Faerie Glen Pretoria Gauteng Province Republic of South Africa

(72) Name(s) of Designer(s): **Hugo Neethling**

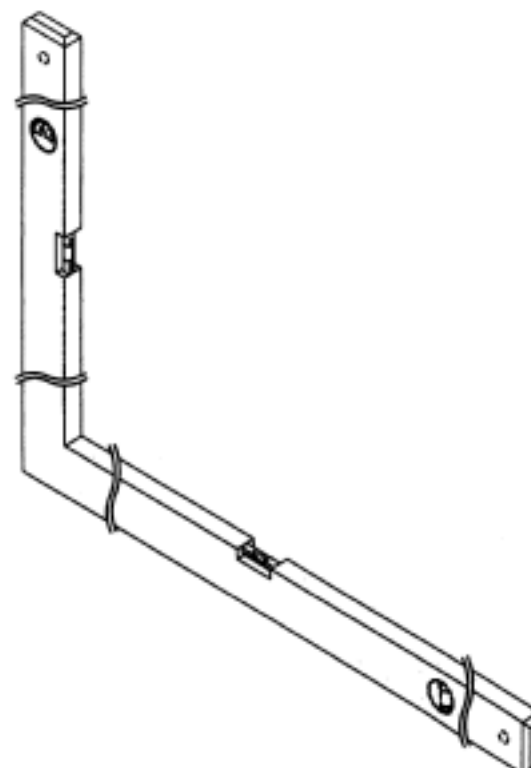
(45) Registration Date: **29 April 2011**

(30) Convention priority data:

(31) Number	(32) Date	(33) Country
F2010/01121	13 Aug 2010	SOUTH AFRICA

(56) Related Art Documents: **Not Applicable**

(57) Statement of Newness and Distinctiveness: **Newness and distinctiveness is claimed in the visual features of shape and configuration of the square illustrated in the accompanying representations, with the length:width ratio of a shorter arm the square exceeding 7:1 and the length:width ratio of the outer arm exceeding 8:1, the widths being those shown in Figures 2 and 3.**



- (21) Design Number: **10451/2011**
(22) Date of Filing Application: **14 February 2011**
(24) Date from which industrial property rights may have effect: **14 February 2011**
(54) Product in respect of which the design is registered: **A railcar combination buffer-coupler device**
(51) International Design Classification: **12-16NES, 12-03**
(74) Name(s) of Attorney(s): **Collison & Co**
(71) Name(s) and Address(s) of Applicant(s):

Leonie Havenga
24 Gaisford Street Potch Industrial Potchefstroom 2531 North West Province South Africa

Victor Lionel Havenga Snr
24 Gaisford Street Potch Industrial Potchefstroom 2531 North West Province South Africa

Victor Lionel Havenga Jr
24 Gaisford Street Potch Industrial Potchefstroom 2531 North West Province South Africa

(72) Name(s) of Designer(s): **Norman Roy Breedt and Victor Lionel Havenga and Arthur Coombes**

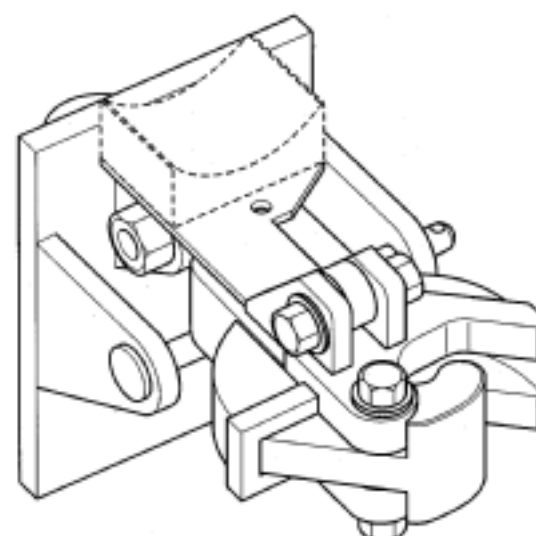
(45) Registration Date: **29 April 2011**

(30) Convention priority data:

(31) Number	(32) Date	(33) Country
A2010/01159	24 Aug 2010	SOUTH AFRICA

(56) Related Art Documents: **Not Applicable**

(57) Statement of Newness and Distinctiveness: **Newness and distinctiveness is claimed for the features of shape and/or configuration of a combination buffer-coupler device substantially as shown in the accompanying representations excluding the portions represented by the broken lines.**



(21) Design Number: **10452/2011**
 (22) Date of Filing Application: **14 February 2011**
 (24) Date from which industrial property rights may have effect: **14 February 2011**
 (54) Product in respect of which the design is registered: **A railcar coupler**
 (51) International Design Classification: **12-16NES, 12-03**
 (74) Name(s) of Attorney(s): **Collison & Co**
 (71) Name(s) and Address(s) of Applicant(s):

Leonie Havenga
24 Gaisford Street Potch Industrial Potchefstroom 2531 North West Province South Africa

Victor Lionel Havenga Snr
24 Gaisford Street Potch Industrial Potchefstroom 2531 North West Province South Africa

Victor Lionel Havenga Jr
24 Gaisford Street Potch Industrial Potchefstroom 2531 North West Province South Africa

(72) Name(s) of Designer(s): **Norman Roy Breedt and Victor Lionel Havenga and Arthur Coombes**

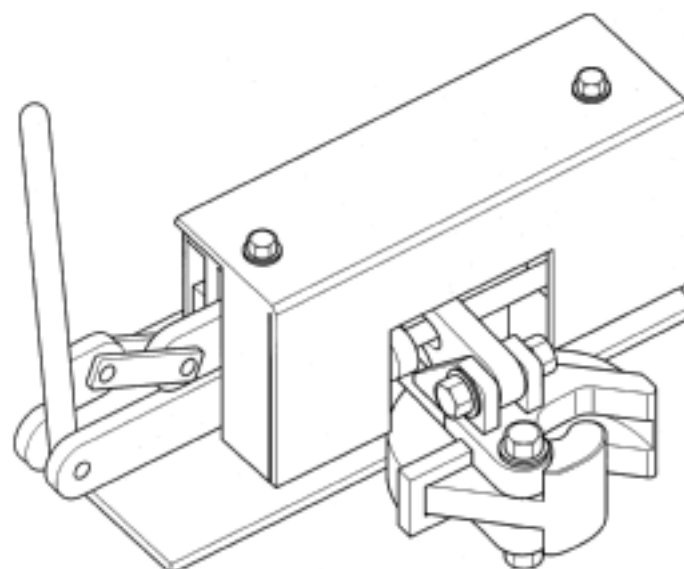
(45) Registration Date: **29 April 2011**

(30) Convention priority data:

(31) Number	(32) Date	(33) Country
A2010/01160	24 Aug 2010	SOUTH AFRICA

(56) Related Art Documents: **Not Applicable**

(57) Statement of Newness and Distinctiveness: **Newness and distinctiveness is claimed for the features of shape and/or configuration of a coupler substantially as shown in the accompanying representations.**



(21) Design Number: **10453/2011**
 (22) Date of Filing Application: **14 February 2011**
 (24) Date from which industrial property rights may have effect: **14 February 2011**
 (54) Product in respect of which the design is registered: **A railcar coupler adaptor**
 (51) International Design Classification: **12-16NES, 12-03**
 (74) Name(s) of Attorney(s): **Collison & Co**
 (71) Name(s) and Address(s) of Applicant(s):

Leonie Havenga
24 Gaisford Street Potch Industrial Potchefstroom 2531 North West Province South Africa

Victor Lionel Havenga Snr
24 Gaisford Street Potch Industrial Potchefstroom 2531 North West Province South Africa

Victor Lionel Havenga Jr
24 Gaisford Street Potch Industrial Potchefstroom 2531 North West Province South Africa

(72) Name(s) of Designer(s): **Norman Roy Breedt and Victor Lionel Havenga and Arthur Coombes**

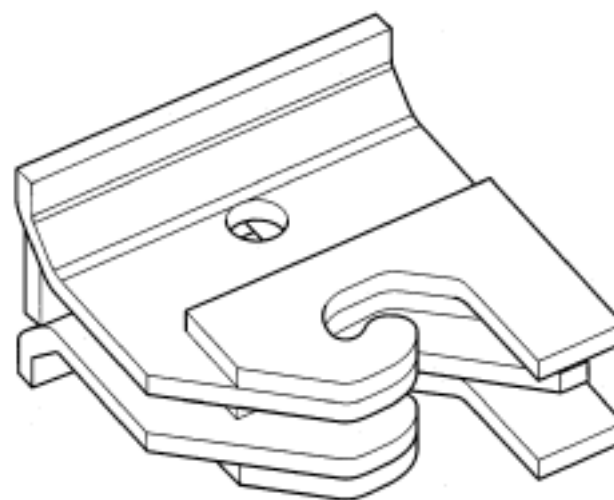
(45) Registration Date: **29 April 2011**

(30) Convention priority data:

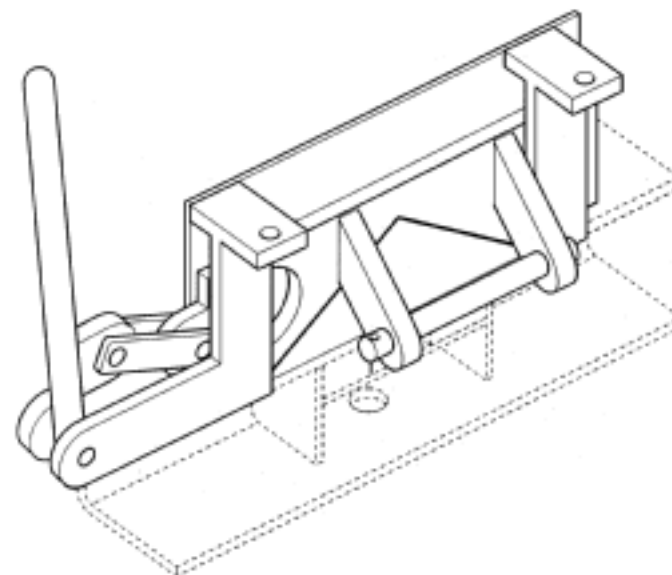
(31) Number	(32) Date	(33) Country
A2010/01250	09 Sep 2010	SOUTH AFRICA

(56) Related Art Documents: **Not Applicable**

(57) Statement of Newness and Distinctiveness: **Newness and distinctiveness is claimed for the features of shape and/or configuration of a coupling adaptor as shown in the accompanying representations.**

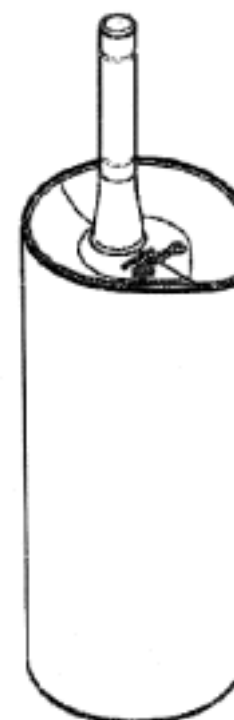


(21) Design Number: **10454/2011**
(22) Date of Filing Application: **14 February 2011**
(24) Date from which industrial property rights may have effect: **14 February 2011**
(54) Product in respect of which the design is registered: **A railcar release mechanism**
(51) International Design Classification: **12-16NES, 12-03**
(74) Name(s) of Attorney(s): **Collison & Co**
(71) Name(s) and Address(s) of Applicant(s):
Leonie Havenga
24 Gaisford Street Potch Industrial Potchefstroom 2531 North West Province South Africa
Victor Lionel Havenga Snr
24 Gaisford Street Potch Industrial Potchefstroom 2531 North West Province South Africa
Victor Lionel Havenga Jr
24 Gaisford Street Potch Industrial Potchefstroom 2531 North West Province South Africa
(72) Name(s) of Designer(s): **Norman Roy Breedt and Victor Lionel Havenga and Arthur Coombes**



(45) Registration Date: **29 April 2011**
(30) Convention priority data:
(31) Number (32) Date (33) Country
A2010/01162 24 Aug 2010 SOUTH AFRICA
(56) Related Art Documents: **Not Applicable**
(57) Statement of Newness and Distinctiveness: **Newness and distinctiveness is claimed for the features of shape and/or configuration of a release mechanism as shown in the accompanying representations excluding the portions represented by the broken lines.**

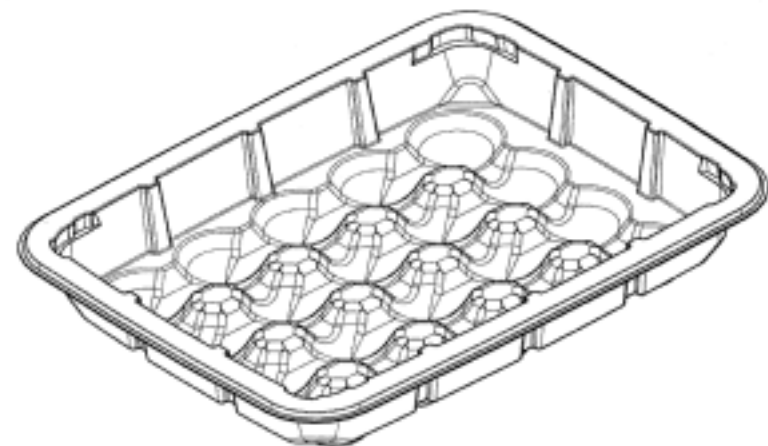
(21) Design Number: **10656/2011**
(22) Date of Filing Application: **22 February 2011**
(24) Date from which industrial property rights may have effect: **22 February 2011**
(54) Product in respect of which the design is registered: **Toilet brush with holder**
(51) International Design Classification: **04-02**
(74) Name(s) of Attorney(s): **Allens Arthur Robinson**
(71) Name(s) and Address(s) of Applicant(s):
ED Oates Pty Ltd
Maygar Boulevard Broadmeadows Victoria 3047 Australia
(72) Name(s) of Designer(s): **Paul Charlwood**
(45) Registration Date: **29 April 2011**
(56) Related Art Documents: **Not Applicable**
(57) Statement of Newness and Distinctiveness: **Newness and distinctiveness resides in the visual features of shape and/or configuration of a toilet brush with holder as illustrated in the accompanying representations. The shape and/or configuration of the toilet brush handle and the textual and graphical material appearing adjacent to the handle do not form part of the design and are to be disregarded when considering whether the design is identical or substantially similar in overall impression to another design. The straight line bisecting the top of the brush holder shown in the perspective ad plan view is illustrative of contour and does not depict surface ornamentation.**



- (21) Design Number: **11104/2011**
(22) Date of Filing Application: **09 March 2011**
(24) Date from which industrial property rights may have effect: **09 March 2011**
(54) Product in respect of which the design is registered: **Elongated-objects holder**
(51) International Design Classification: **08-08NES**
(74) Name(s) of Attorney(s):
(71) Name(s) and Address(s) of Applicant(s):
Paul Zemanek
516 Orlando Way Vancouver Washington 98664 United States of America
(72) Name(s) of Designer(s): **Paul Zemanek**
(45) Registration Date: **29 April 2011**
(56) Related Art Documents: **Not Applicable**
(57) Statement of Newness and Distinctiveness: **A single spring wire with a loop at one end and a coil at the other.**



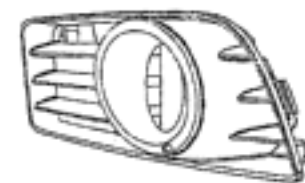
- (21) Design Number: **11261/2011**
(22) Date of Filing Application: **23 March 2011**
(24) Date from which industrial property rights may have effect: **23 March 2011**
(54) Product in respect of which the design is registered: **Tray**
(51) International Design Classification: **09-03M**
(74) Name(s) of Attorney(s): **Davies Collison Cave**
(71) Name(s) and Address(s) of Applicant(s):
Cryovac Australia Pty Ltd
90 Keilor Park Drive Tullamarine Victoria 3043 Australia
(72) Name(s) of Designer(s): **Leslie Lopez**
(45) Registration Date: **29 April 2011**
(56) Related Art Documents: **Not Applicable**
(57) Statement of Newness and Distinctiveness: **Nil**



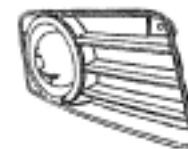
(21) Design Number: **11355/2011**
(22) Date of Filing Application: **29 March 2011**
(24) Date from which industrial property rights may have effect: **29 March 2011**
(54) Product in respect of which the design is registered: **Flask**
(51) International Design Classification: **09-01D**
(74) Name(s) of Attorney(s): **Callinans**
(71) Name(s) and Address(s) of Applicant(s):
Noms De Code
28/32 avenue Victor Hugo 75116 Paris France
(72) Name(s) of Designer(s): **Francesco Moretti**
(45) Registration Date: **29 April 2011**
(30) Convention priority data:
(31) Number (32) Date (33) Country
001765207-0001 07 Oct 2010 EUROPEAN COMMUNITY
(56) Related Art Documents: **Not Applicable**
(57) Statement of Newness and Distinctiveness: **Novelty and distinctiveness lies in the shape or configuration of the flask as shown in the representations.**



(21) Design Number: **11384/2011**
(22) Date of Filing Application: **30 March 2011**
(24) Date from which industrial property rights may have effect: **30 March 2011**
(54) Product in respect of which the design is registered: **Fog lamp for an automobile (left)**
(51) International Design Classification: **26-06**
(74) Name(s) of Attorney(s): **Colin Biggers & Paisley**
(71) Name(s) and Address(s) of Applicant(s):
Perusahaan Otomobil Nasional SDN. BHD
Centre of Excellence Complex KM 33.8 Westbound Shah Alam
Expressway 47600 Subang Jaya Selangor Darul Ehsan Malaysia
(72) Name(s) of Designer(s): **Shahril Afizal Bin Othman**
(45) Registration Date: **29 April 2011**
(30) Convention priority data:
(31) Number (32) Date (33) Country
10-01256-0101 04 Oct 2010 MALAYSIA
(56) Related Art Documents: **Not Applicable**
(57) Statement of Newness and Distinctiveness: **Newness and distinctiveness reside in the visual shape and placing of the various elements of the fog lamp as illustrated in the accompanying representations.**



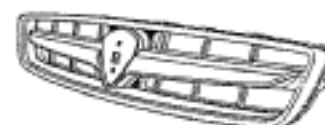
- (21) Design Number: **11385/2011**
(22) Date of Filing Application: **30 March 2011**
(24) Date from which industrial property rights may have effect: **30 March 2011**
(54) Product in respect of which the design is registered: **Fog lamp for an automobile (right)**
(51) International Design Classification: **26-06**
(74) Name(s) of Attorney(s): **Colin Biggers & Paisley**
(71) Name(s) and Address(s) of Applicant(s):
Perusahaan Otomobil Nasional SDN. BHD
Centre of Excellence Complex KM 33.8 Westbound Shah Alam
Expressway 47600 Subang Jaya Selangor Darul Ehsan Malaysia
(72) Name(s) of Designer(s): **Shahril Afizal Bin Othman**
(45) Registration Date: **29 April 2011**
(30) Convention priority data:
(31) Number (32) Date (33) Country
10-01257-0101 04 Oct 2010 MALAYSIA
(56) Related Art Documents: **Not Applicable**
(57) Statement of Newness and Distinctiveness: **Newness and distinctiveness reside in the visual shape and placing of the various elements of the fog lamp as illustrated in the accompanying representations.**



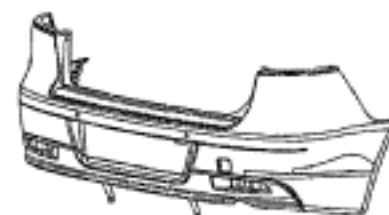
- (21) Design Number: **11386/2011**
(22) Date of Filing Application: **30 March 2011**
(24) Date from which industrial property rights may have effect: **30 March 2011**
(54) Product in respect of which the design is registered: **Lower grille for an automobile**
(51) International Design Classification: **12-16B**
(74) Name(s) of Attorney(s): **Colin Biggers & Paisley**
(71) Name(s) and Address(s) of Applicant(s):
Perusahaan Otomobil Nasional SDN. BHD
Centre of Excellence Complex KM 33.8 Westbound Shah Alam
Expressway 47600 Subang Jaya Selangor Darul Ehsan Malaysia
(72) Name(s) of Designer(s): **Shahril Afizal Bin Othman**
(45) Registration Date: **29 April 2011**
(30) Convention priority data:
(31) Number (32) Date (33) Country
10-01260-0101 04 Oct 2010 MALAYSIA
(56) Related Art Documents: **Not Applicable**
(57) Statement of Newness and Distinctiveness: **Newness and distinctiveness reside in the rounded shape and placing of the various elements of the grille as illustrated in the accompanying representations.**



- (21) Design Number: **11387/2011**
(22) Date of Filing Application: **30 March 2011**
(24) Date from which industrial property rights may have effect: **30 March 2011**
(54) Product in respect of which the design is registered: **Upper grille for an automobile**
(51) International Design Classification: **12-16B**
(74) Name(s) of Attorney(s): **Colin Biggers & Paisley**
(71) Name(s) and Address(s) of Applicant(s):
Perusahaan Otomobil Nasional SDN. BHD
Centre of Excellence Complex KM 33.8 Westbound Shah Alam
Expressway 47600 Subang Jaya Selangor Darul Ehsan Malaysia
(72) Name(s) of Designer(s): **Shahril Afizal Bin Othman**
(45) Registration Date: **29 April 2011**
(30) Convention priority data:
(31) Number (32) Date (33) Country
10-01259-0101 04 Oct 2010 MALAYSIA
(56) Related Art Documents: **Not Applicable**
(57) Statement of Newness and Distinctiveness: **Newness and distinctiveness reside in the rounded shape and placing of the various elements of the grille as illustrated in the accompanying representations.**



- (21) Design Number: **11388/2011**
(22) Date of Filing Application: **30 March 2011**
(24) Date from which industrial property rights may have effect: **30 March 2011**
(54) Product in respect of which the design is registered: **Rear bumper for an automobile**
(51) International Design Classification: **12-16C**
(74) Name(s) of Attorney(s): **Colin Biggers & Paisley**
(71) Name(s) and Address(s) of Applicant(s):
Perusahaan Otomobil Nasional SDN. BHD
Centre of Excellence Complex KM 33.8 Westbound Shah Alam
Expressway 47600 Subang Jaya Selangor Darul Ehsan Malaysia
(72) Name(s) of Designer(s): **Shahril Afizal Bin Othman**
(45) Registration Date: **29 April 2011**
(30) Convention priority data:
(31) Number (32) Date (33) Country
10-01263-0101 04 Oct 2010 MALAYSIA
(56) Related Art Documents: **Not Applicable**
(57) Statement of Newness and Distinctiveness: **Newness and distinctiveness reside in the curved shape of the bumper and the placement of the various elements of the bumper as illustrated in accompanying representations.**



(21) Design Number: **11389/2011**
(22) Date of Filing Application: **30 March 2011**
(24) Date from which industrial property rights may have effect: **30 March 2011**
(54) Product in respect of which the design is registered: **Front bumper for an automobile**
(51) International Design Classification: **12-16C**
(74) Name(s) of Attorney(s): **Colin Biggers & Paisley**
(71) Name(s) and Address(s) of Applicant(s):
Perusahaan Otomobil Nasional SDN. BHD
Centre of Excellence Complex KM 33.8 Westbound Shah Alam
Expressway 47600 Subang Jaya Selangor Darul Ehsan Malaysia
(72) Name(s) of Designer(s): **Shahril Afizal Bin Othman**
(45) Registration Date: **29 April 2011**
(30) Convention priority data:
(31) Number (32) Date (33) Country
10-01258-0101 04 Oct 2010 MALAYSIA
(56) Related Art Documents: **Not Applicable**
(57) Statement of Newness and Distinctiveness: **Newness and distinctiveness reside in the curved shape of the bumper and the placement of the various elements of the bumper as illustrated in the accompanying representations.**



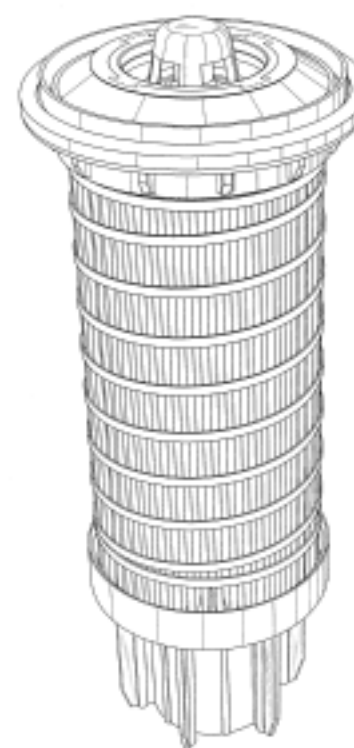
(21) Design Number: **11390/2011**
(22) Date of Filing Application: **30 March 2011**
(24) Date from which industrial property rights may have effect: **30 March 2011**
(54) Product in respect of which the design is registered: **Front skirt for an automobile**
(51) International Design Classification: **12-16B**
(74) Name(s) of Attorney(s): **Colin Biggers & Paisley**
(71) Name(s) and Address(s) of Applicant(s):
Perusahaan Otomobil Nasional SDN. BHD
Centre of Excellence Complex KM 33.8 Westbound Shah Alam
Expressway 47600 Subang Jaya Selangor Darul Ehsan Malaysia
(72) Name(s) of Designer(s): **Shahril Afizal Bin Othman**
(45) Registration Date: **29 April 2011**
(30) Convention priority data:
(31) Number (32) Date (33) Country
10-01255-0101 04 Oct 2010 MALAYSIA
(56) Related Art Documents: **Not Applicable**
(57) Statement of Newness and Distinctiveness: **Newness and distinctiveness reside in the curved shape of the skirt as illustrated in the accompanying representations.**



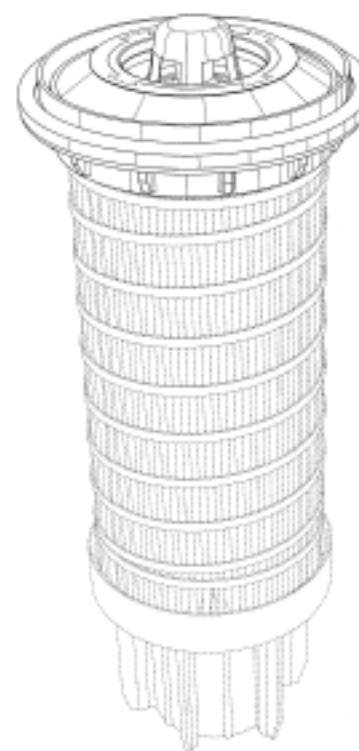
(21) Design Number: **11391/2011**
(22) Date of Filing Application: **30 March 2011**
(24) Date from which industrial property rights may have effect: **30 March 2011**
(54) Product in respect of which the design is registered: **Rear skirt for an automobile**
(51) International Design Classification: **12-16B**
(74) Name(s) of Attorney(s): **Colin Biggers & Paisley**
(71) Name(s) and Address(s) of Applicant(s):
Perusahaan Otomobil Nasional SDN. BHD
Centre of Excellence Complex KM 33.8 Westbound Shah Alam
Expressway 47600 Subang Jaya Selangor Darul Ehsan Malaysia
(72) Name(s) of Designer(s): **Shahril Afizal Bin Othman**
(45) Registration Date: **29 April 2011**
(30) Convention priority data:
(31) Number (32) Date (33) Country
10-01262-0101 04 Oct 2010 MALAYSIA
(56) Related Art Documents: **Not Applicable**
(57) Statement of Newness and Distinctiveness: **Newness and distinctiveness reside in the curved shape of the skirt as illustrated in the accompanying representations.**



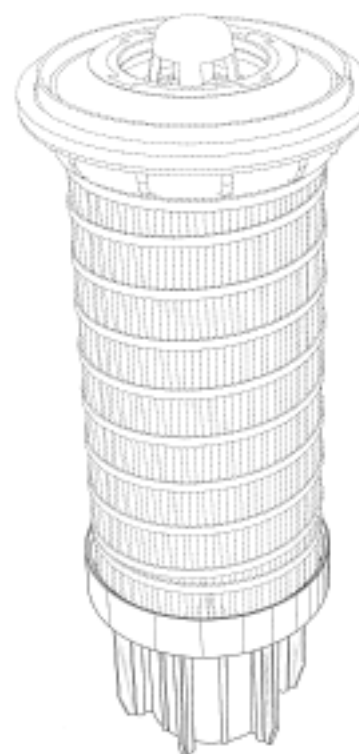
(21) Design Number: **11402/2011**
(22) Date of Filing Application: **30 March 2011**
(24) Date from which industrial property rights may have effect: **30 March 2011**
(54) Product in respect of which the design is registered: **Fuel filter**
(51) International Design Classification: **23-01G**
(74) Name(s) of Attorney(s): **Freehills Patent & Trade Mark Attorneys**
(71) Name(s) and Address(s) of Applicant(s):
Caterpillar Inc.
100 N.E. Adams Street Peoria Illinois 61629 United States of America
Advanced Filtration Systems, Inc.
3206 Farber Drive Champaign Illinois 61822 United States of America
Donaldson Company, Inc.
1400 West 94th Street Bloomington Minnesota 55431 United States of America
(72) Name(s) of Designer(s): **Christopher J. Salvador and Randall W. Heibenthal and Dennis M. Deedrich and David B. Harder and John R. Hacker and Richard J. Eisenmenger**
(45) Registration Date: **29 April 2011**
(30) Convention priority data:
(31) Number (32) Date (33) Country
29/376119 01 Oct 2010 UNITED STATES OF AMERICA
(56) Related Art Documents: **Not Applicable**
(57) Statement of Newness and Distinctiveness: **Newness and distinctiveness resides in the features of shape and configurations of a fuel filter illustrated in solid lines in the accompanying drawings.**



- (21) Design Number: **11403/2011**
(22) Date of Filing Application: **30 March 2011**
(24) Date from which industrial property rights may have effect: **30 March 2011**
(54) Product in respect of which the design is registered: **Fuel filter**
(51) International Design Classification: **23-01G**
(74) Name(s) of Attorney(s): **Freehills Patent & Trade Mark Attorneys**
(71) Name(s) and Address(s) of Applicant(s):
Caterpillar Inc.
100 N.E. Adams Street Peoria Illinois 61629 United States of America
Advanced Filtration Systems, Inc.
3206 Farber Drive Champaign Illinois 61822 United States of America
Donaldson Company, Inc.
1400 West 94th Street Bloomington Minnesota 55431 United States of America
(72) Name(s) of Designer(s): **Christopher J. Salvador and Randall W. Heibenthal and Dennis M. Deedrich and David B. Harder and John R. Hacker and Richard J. Eisenmenger**
(45) Registration Date: **29 April 2011**
(30) Convention priority data:
(31) Number (32) Date (33) Country
29/376119 01 Oct 2010 UNITED STATES OF AMERICA
(56) Related Art Documents: **Not Applicable**
(57) Statement of Newness and Distinctiveness: **Newness and distinctiveness resides in the features of shape and configuration of a fuel filter illustrated in solid lines in the accompanying drawings.**



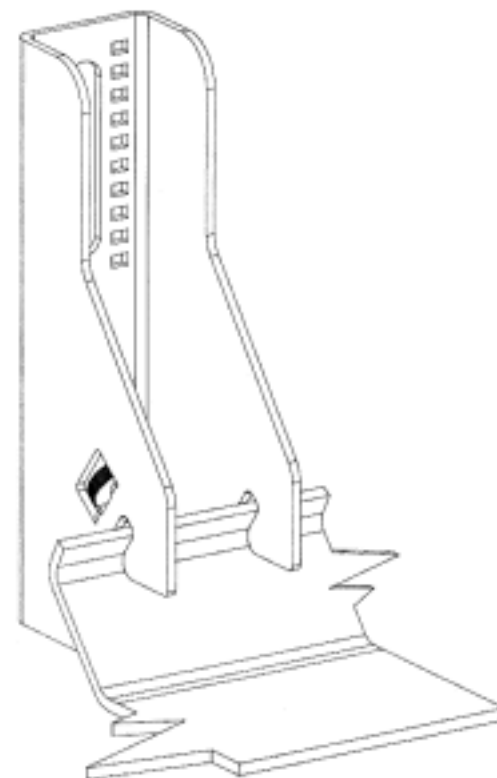
- (21) Design Number: **11404/2011**
(22) Date of Filing Application: **30 March 2011**
(24) Date from which industrial property rights may have effect: **30 March 2011**
(54) Product in respect of which the design is registered: **Fuel filter**
(51) International Design Classification: **23-01G**
(74) Name(s) of Attorney(s): **Freehills Patent & Trade Mark Attorneys**
(71) Name(s) and Address(s) of Applicant(s):
Caterpillar Inc.
100 N.E. Adams Street Peoria Illinois 61629 United States of America
Advanced Filtration Systems, Inc.
3206 Farber Drive Champaign Illinois 61822 United States of America
Donaldson Company, Inc.
1400 West 94th Street Bloomington Minnesota 55431 United States of America
(72) Name(s) of Designer(s): **Christopher J. Salvador and Randall W. Heibenthal and Dennis M. Deedrich and David B. Harder and John R. Hacker and Richard J. Eisenmenger**
(45) Registration Date: **29 April 2011**
(30) Convention priority data:
(31) Number (32) Date (33) Country
29/376119 01 Oct 2010 UNITED STATES OF AMERICA
(56) Related Art Documents: **Not Applicable**
(57) Statement of Newness and Distinctiveness: **Newness and distinctiveness resides in the features of shape and configuration of a fuel filter illustrated in solid lines in the accompanying drawings.**



(21) Design Number: **10674/2011**
(22) Date of Filing Application: **23 February 2011**
(24) Date from which industrial property rights may have effect: **23 February 2011**
(54) Product in respect of which the design is registered: **Adjustable load-bearing bracket arrangement**
(51) International Design Classification: **08-08L**
(74) Name(s) of Attorney(s): **Griffith Hack**
(71) Name(s) and Address(s) of Applicant(s):
ACS Stainless Steel Fixings Limited
1 Cross Green Approach Leeds LS9 0SG United Kingdom
(72) Name(s) of Designer(s): **David Anthony Flannery**
(45) Registration Date: **29 April 2011**
(56) Related Art Documents: **Not Applicable**
(57) Statement of Newness and Distinctiveness: **Nil**



(21) Design Number: **10675/2011**
(22) Date of Filing Application: **23 February 2011**
(24) Date from which industrial property rights may have effect: **23 February 2011**
(54) Product in respect of which the design is registered: **Adjustable load-bearing bracket arrangement**
(51) International Design Classification: **08-08L**
(74) Name(s) of Attorney(s): **Griffith Hack**
(71) Name(s) and Address(s) of Applicant(s):
ACS Stainless Steel Fixings Limited
1 Cross Green Approach Leeds LS9 0SG United Kingdom
(72) Name(s) of Designer(s): **David Anthony Flannery**
(45) Registration Date: **29 April 2011**
(56) Related Art Documents: **Not Applicable**
(57) Statement of Newness and Distinctiveness: **Nil**



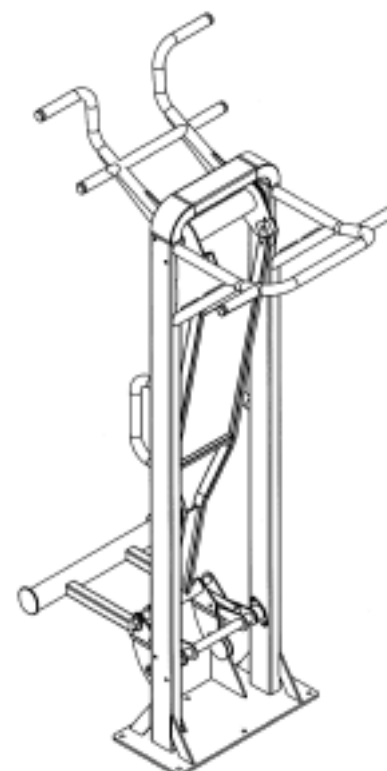
- (21) Design Number: **10696/2011**
(22) Date of Filing Application: **24 February 2011**
(24) Date from which industrial property rights may have effect: **24 February 2011**
(54) Product in respect of which the design is registered: **Baby/child quilt that converts into carry bag**
(51) International Design Classification: **03-01NES, 06-13B**
(74) Name(s) of Attorney(s):
(71) Name(s) and Address(s) of Applicant(s):
Allison Ezenwa
2/36 Walter Street St Albans Victoria 3021 Australia
(72) Name(s) of Designer(s): **Allison Ezenwa**
(45) Registration Date: **29 April 2011**
(56) Related Art Documents: **Not Applicable**
(57) Statement of Newness and Distinctiveness: **A carry bag that unfolds into a quilt with decorative fabric inside. An outer pocket of material is used for folding up the quilt, securing it into place within a small rectangle which can then be carried by a soft material handle strap.**



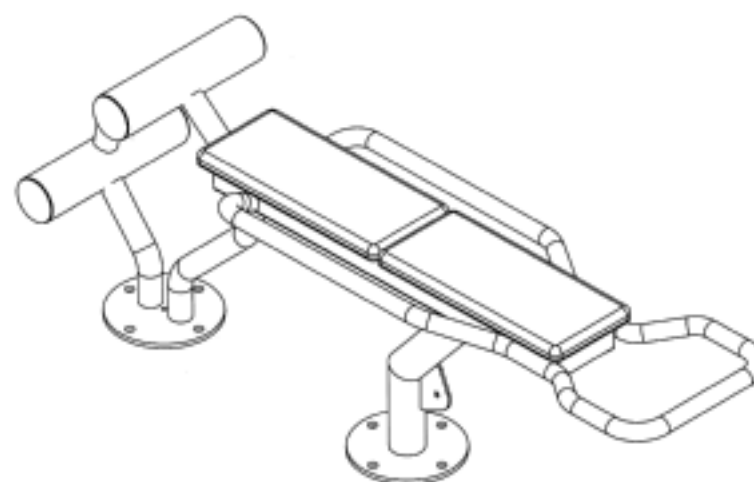
- (21) Design Number: **10899/2011**
(22) Date of Filing Application: **07 March 2011**
(24) Date from which industrial property rights may have effect: **07 March 2011**
(54) Product in respect of which the design is registered: **3D glasses**
(51) International Design Classification: **16-06**
(74) Name(s) of Attorney(s): **Davies Collison Cave**
(71) Name(s) and Address(s) of Applicant(s):
X6D Limited
199 Arch Makarios III Avenue Neocleous House 3030 Limassol Cyprus
(72) Name(s) of Designer(s): **Miha Klinar and Martin Sostaric and Andraz Sapec and Luka Stepan and Maria Costeira and Tjasa Vrhovnik and Jure Bezgovsek**
(45) Registration Date: **29 April 2011**
(30) Convention priority data:
(31) Number (32) Date (33) Country
29/369654 10 Sep 2010 UNITED STATES OF AMERICA
(56) Related Art Documents: **Not Applicable**
(57) Statement of Newness and Distinctiveness: **Newness and distinctiveness is claimed in the visual features of shape, configuration, pattern and/or ornamentation of the 3D glasses shown in the representations.**



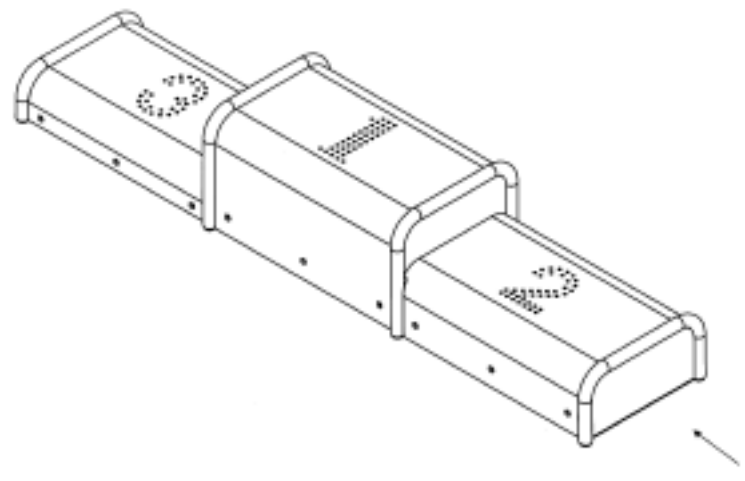
(21) Design Number: **10920/2011**
(22) Date of Filing Application: **08 March 2011**
(24) Date from which industrial property rights may have effect: **08 March 2011**
(54) Product in respect of which the design is registered: **Exercise apparatus**
(51) International Design Classification: **21-02F**
(74) Name(s) of Attorney(s): **Knightsbridge Patent Attorneys**
(71) Name(s) and Address(s) of Applicant(s):
The Great Outdoor Gym Company Ltd
74 Highfields Road Highfields Caldecote Cambridge CB23 7NX United Kingdom
(72) Name(s) of Designer(s): **Jolyon Goodman**
(45) Registration Date: **29 April 2011**
(56) Related Art Documents: **Not Applicable**
(57) Statement of Newness and Distinctiveness: **Newness and distinctiveness are claimed in the features of shape and configuration for an exercise apparatus, as depicted in the accompanying drawings.**



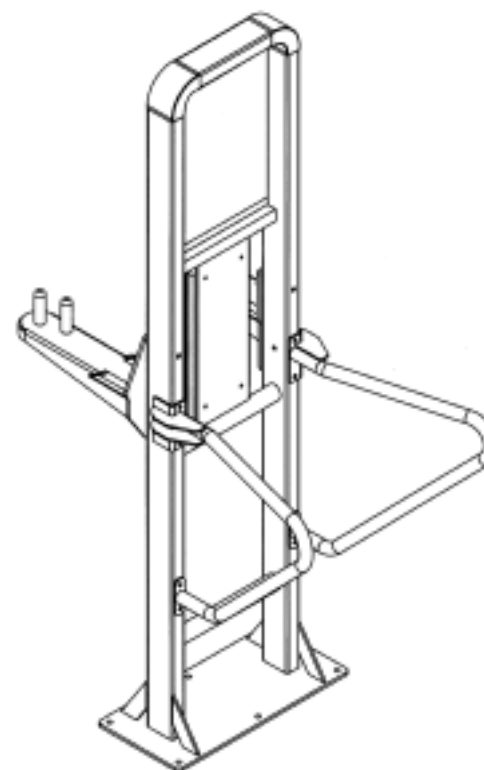
(21) Design Number: **10921/2011**
(22) Date of Filing Application: **08 March 2011**
(24) Date from which industrial property rights may have effect: **08 March 2011**
(54) Product in respect of which the design is registered: **Exercise apparatus**
(51) International Design Classification: **21-02F**
(74) Name(s) of Attorney(s): **Knightsbridge Patent Attorneys**
(71) Name(s) and Address(s) of Applicant(s):
The Great Outdoor Gym Company Ltd
74 Highfields Road Highfields Caldecote Cambridge CB23 7NX United Kingdom
(72) Name(s) of Designer(s): **Jolyon Goodman**
(45) Registration Date: **29 April 2011**
(56) Related Art Documents: **Not Applicable**
(57) Statement of Newness and Distinctiveness: **Newness and distinctiveness are claimed in the features of shape and configuration for an exercise apparatus, as depicted in the accompanying drawings.**



- (21) Design Number: **10929/2011**
(22) Date of Filing Application: **08 March 2011**
(24) Date from which industrial property rights may have effect: **08 March 2011**
(54) Product in respect of which the design is registered: **Three level exercise step**
(51) International Design Classification: **21-02F**
(74) Name(s) of Attorney(s): **Knightsbridge Patent Attorneys**
(71) Name(s) and Address(s) of Applicant(s):
The Great Outdoor Gym Company Ltd
74 Highfields Road Highfields Caldecote Cambridge CB23 7NX United Kingdom
(72) Name(s) of Designer(s): **Jolyon Goodman**
(45) Registration Date: **29 April 2011**
(56) Related Art Documents: **Not Applicable**
(57) Statement of Newness and Distinctiveness: **Newness and distinctiveness are claimed in the features of shape and configuration for a three level exercise step, as depicted in the accompanying drawings.**



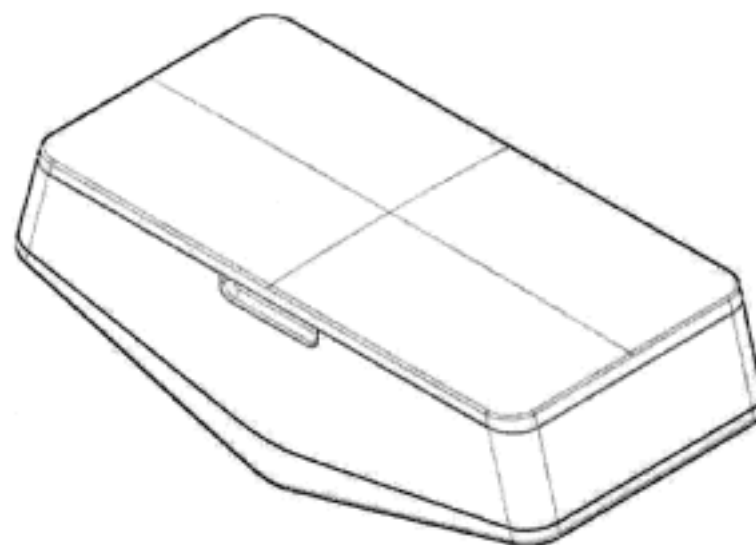
- (21) Design Number: **10931/2011**
(22) Date of Filing Application: **08 March 2011**
(24) Date from which industrial property rights may have effect: **08 March 2011**
(54) Product in respect of which the design is registered: **Exercise apparatus**
(51) International Design Classification: **21-02F**
(74) Name(s) of Attorney(s): **Knightsbridge Patent Attorneys**
(71) Name(s) and Address(s) of Applicant(s):
The Great Outdoor Gym Company Ltd
74 Highfields Road Highfields Caldecote Cambridge CB23 7NX United Kingdom
(72) Name(s) of Designer(s): **Jolyon Goodman**
(45) Registration Date: **29 April 2011**
(56) Related Art Documents: **Not Applicable**
(57) Statement of Newness and Distinctiveness: **Newness and distinctiveness are claimed in the features of shape and configuration for an exercise apparatus, as depicted in the accompanying drawings.**



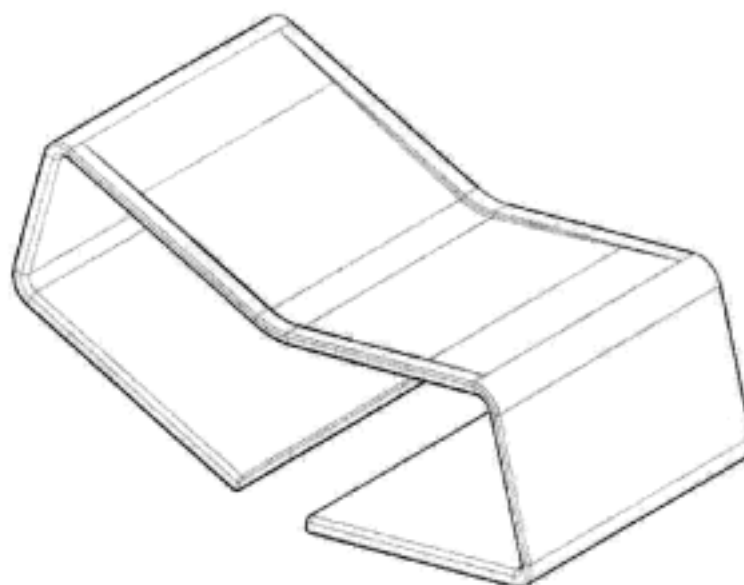
(21) Design Number: **11459/2011**
(22) Date of Filing Application: **04 April 2011**
(24) Date from which industrial property rights may have effect: **04 April 2011**
(54) Product in respect of which the design is registered: **Live crab holding pliers**
(51) International Design Classification: **08-05P, 22-05**
(74) Name(s) of Attorney(s):
(71) Name(s) and Address(s) of Applicant(s):
Shane Doevendans
9 Ruby Grove Gunn Northern Territory 0832 Australia
(72) Name(s) of Designer(s): **Shane Doevendans**
(45) Registration Date: **29 April 2011**
(56) Related Art Documents: **Not Applicable**
(57) Statement of Newness and Distinctiveness: **Nil**



(21) Design Number: **11539/2011**
(22) Date of Filing Application: **11 April 2011**
(24) Date from which industrial property rights may have effect: **11 April 2011**
(54) Product in respect of which the design is registered: **Paper dispenser**
(51) International Design Classification: **23-02A**
(74) Name(s) of Attorney(s): **WATERMARK PATENT AND TRADE MARKS ATTORNEYS**
(71) Name(s) and Address(s) of Applicant(s):
SCA Hygiene Products AB
S-405 03 Goteborg Sweden
(72) Name(s) of Designer(s): **Andrew Wong and Siniz Kim and Bertold Engler and Ralph Bremenkamp**
(45) Registration Date: **29 April 2011**
(30) Convention priority data:
(31) Number (32) Date (33) Country
001766056-0002 11 Oct 2010 EUROPEAN COMMUNITY
(56) Related Art Documents: **Not Applicable**
(57) Statement of Newness and Distinctiveness: **Nil**



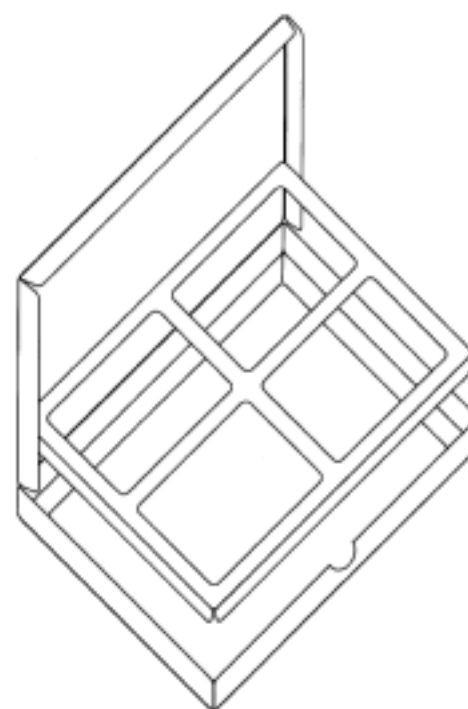
(21) Design Number: **11538/2011**
(22) Date of Filing Application: **11 April 2011**
(24) Date from which industrial property rights may have effect: **11 April 2011**
(54) Product in respect of which the design is registered: **Paper dispenser**
(51) International Design Classification: **23-02A**
(74) Name(s) of Attorney(s): **WATERMARK PATENT AND TRADE MARKS ATTORNEYS**
(71) Name(s) and Address(s) of Applicant(s):
SCA Hygiene Products AB
S-405 03 Goteborg Sweden
(72) Name(s) of Designer(s): **Andrew Wong and Siniz Kim and Bertold Engler**
(45) Registration Date: **29 April 2011**
(30) Convention priority data:
(31) Number (32) Date (33) Country
001766056-0001 11 Oct 2010 EUROPEAN COMMUNITY
(56) Related Art Documents: **Not Applicable**
(57) Statement of Newness and Distinctiveness: **Nil**



(21) Design Number: **11587/2011**
(22) Date of Filing Application: **13 April 2011**
(24) Date from which industrial property rights may have effect: **13 April 2011**
(54) Product in respect of which the design is registered: **Bottle**
(51) International Design Classification: **09-01NES**
(74) Name(s) of Attorney(s): **WATERMARK PATENT AND TRADE MARKS ATTORNEYS**
(71) Name(s) and Address(s) of Applicant(s):
Fullview Plastics Pty Ltd
Level 16 644 Chapel Street South Yarra Victoria 3141 Australia
(72) Name(s) of Designer(s): **Richard Crisp**
(45) Registration Date: **29 April 2011**
(56) Related Art Documents: **Not Applicable**
(57) Statement of Newness and Distinctiveness: **Newness and distinctiveness is claimed in the shape of the shaded area as shown in the representations.**



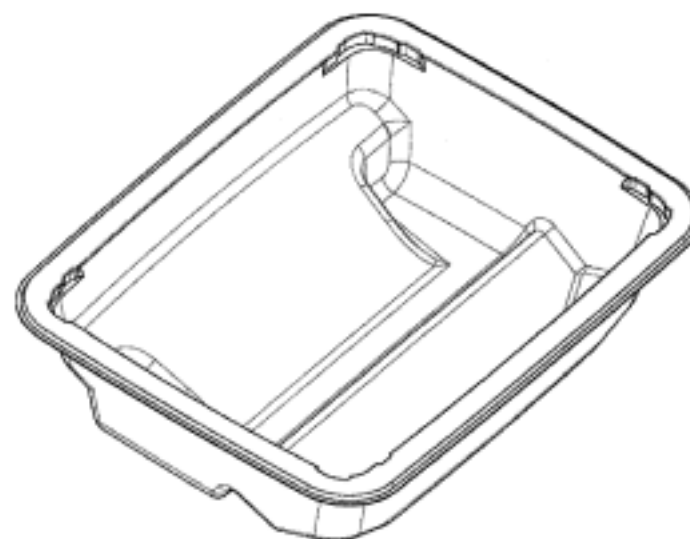
- (21) Design Number: **13590/2010**
(22) Date of Filing Application: **20 August 2010**
(24) Date from which industrial property rights may have effect: **20 August 2010**
(54) Product in respect of which the design is registered: **Postal delivery box**
(51) International Design Classification: **09-03M**
(74) Name(s) of Attorney(s):
(71) Name(s) and Address(s) of Applicant(s):
Harvest Box Pty Ltd
17 Russell Street Abbotsford Victoria 3067 Australia
(72) Name(s) of Designer(s): **William Cook and George Stooke and James Scott**
(45) Registration Date: **02 May 2011**
(56) Related Art Documents: **Not Applicable**
(57) Statement of Newness and Distinctiveness: **Postal delivery box with sleeve insert to securely house products of various types including food.**



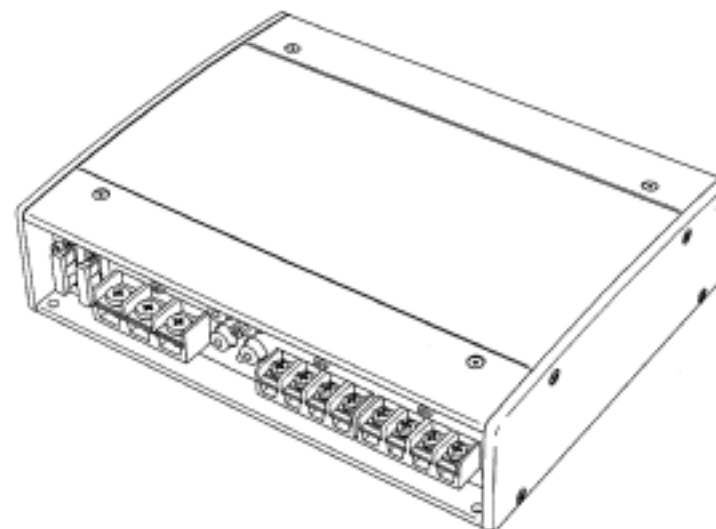
- (21) Design Number: **10941/2011**
(22) Date of Filing Application: **08 March 2011**
(24) Date from which industrial property rights may have effect: **08 March 2011**
(54) Product in respect of which the design is registered: **Exercise apparatus**
(51) International Design Classification: **21-02F**
(74) Name(s) of Attorney(s):
(71) Name(s) and Address(s) of Applicant(s):
The Great Outdoor Gym Company Ltd
74 Highfields Road Highfields Caldecote Cambridge CB23 7NX United Kingdom
(72) Name(s) of Designer(s): **Jolyon Goodman**
(45) Registration Date: **02 May 2011**
(56) Related Art Documents: **Not Applicable**
(57) Statement of Newness and Distinctiveness: **Newness and distinctiveness are claimed in the features of shape and configuration for an exercise apparatus, as depicted in the accompanying drawings.**



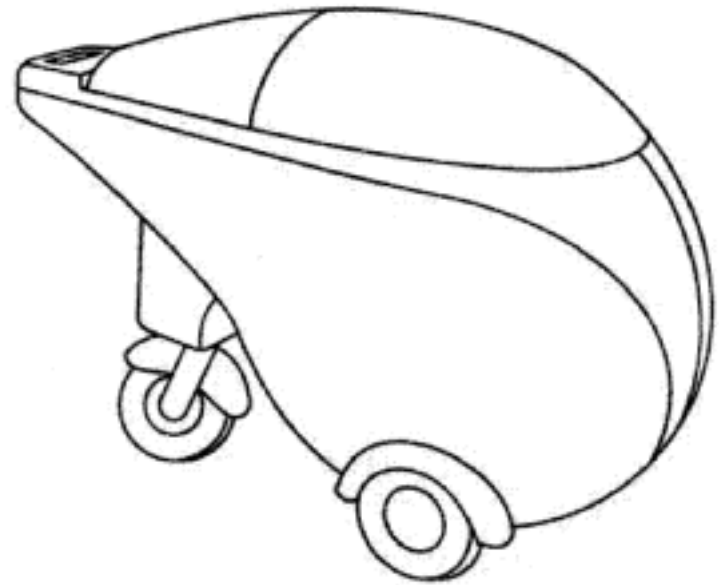
(21) Design Number: **11260/2011**
(22) Date of Filing Application: **23 March 2011**
(24) Date from which industrial property rights may have effect: **23 March 2011**
(54) Product in respect of which the design is registered: **Tray**
(51) International Design Classification: **09-03F**
(74) Name(s) of Attorney(s): **Davies Collison Cave**
(71) Name(s) and Address(s) of Applicant(s):
Cryovac Australia Pty Ltd
90 Keilor Park Drive Tullamarine Victoria 3043 Australia
(72) Name(s) of Designer(s): **Leslie Lopez**
(45) Registration Date: **02 May 2011**
(56) Related Art Documents: **Not Applicable**
(57) Statement of Newness and Distinctiveness: **Nil**



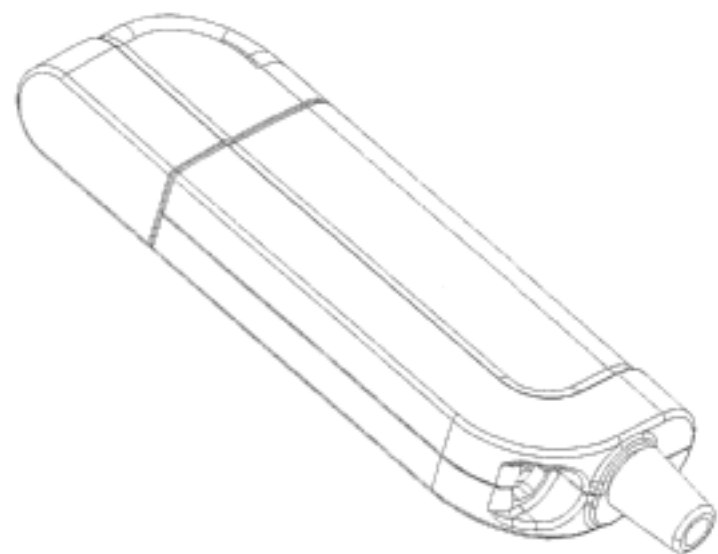
(21) Design Number: **11449/2011**
(22) Date of Filing Application: **04 April 2011**
(24) Date from which industrial property rights may have effect: **04 April 2011**
(54) Product in respect of which the design is registered: **In-vehicle and shipboard digital amplifier**
(51) International Design Classification: **14-01**
(74) Name(s) of Attorney(s): **PIZZEYS**
(71) Name(s) and Address(s) of Applicant(s):
Clarion Co., Ltd
7-2 Shintoshin Chuo-ku Saitama-shi Saitama 330-0081 Japan
(72) Name(s) of Designer(s): **Masayuki Miyawaki**
(45) Registration Date: **02 May 2011**
(30) Convention priority data:
(31) Number (32) Date (33) Country
2010-26104 29 Oct 2010 JAPAN
(56) Related Art Documents: **Not Applicable**
(57) Statement of Newness and Distinctiveness: **Nil**



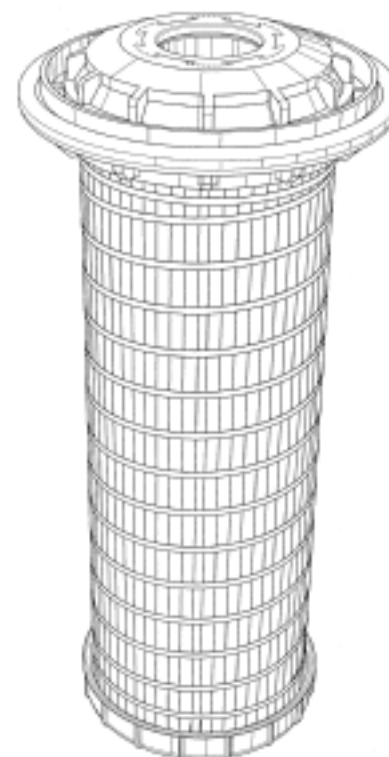
- (21) Design Number: **11470/2011**
(22) Date of Filing Application: **06 April 2011**
(24) Date from which industrial property rights may have effect: **06 April 2011**
(54) Product in respect of which the design is registered: **Portable washing cart**
(51) International Design Classification: **15-05**
(74) Name(s) of Attorney(s):
(71) Name(s) and Address(s) of Applicant(s):
Zonda Trade LLC
5647 110th Avenue North Royal Palm Beach 33411 FL United States of America
(72) Name(s) of Designer(s): **Alejandro Alperin**
(45) Registration Date: **02 May 2011**
(56) Related Art Documents: **Not Applicable**
(57) Statement of Newness and Distinctiveness: **Novelty resides in the ornamental design for a geowash cart as shown in the drawings.**



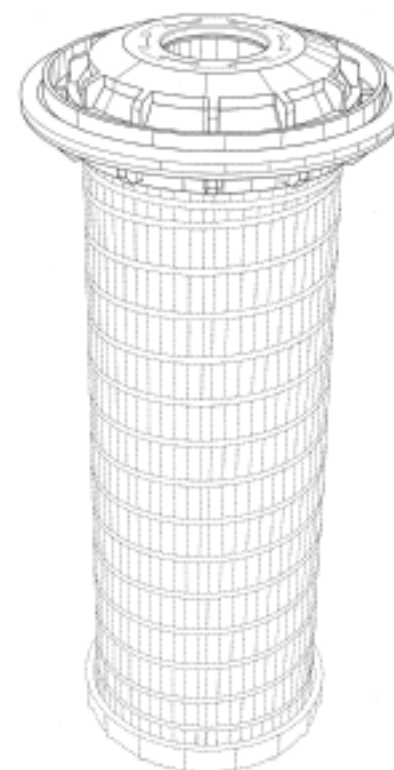
- (21) Design Number: **11136/2011**
(22) Date of Filing Application: **16 March 2011**
(24) Date from which industrial property rights may have effect: **16 March 2011**
(54) Product in respect of which the design is registered: **Connector for data transmission optic fiber**
(51) International Design Classification: **14-02**
(74) Name(s) of Attorney(s): **Davies Collison Cave**
(71) Name(s) and Address(s) of Applicant(s):
Zhejiang Rainbow Fish Communications Technology Co., Ltd.
No. 38 Longwu Hangzhou Industrial Park Zhuantang Hangzhou Zhejiang
310024 People's Republic of China
(72) Name(s) of Designer(s): **Chun Fan and Yi Lu and Shuya Gu and Donglou Lin and Junxing Cao**
(45) Registration Date: **03 May 2011**
(30) Convention priority data:
(31) Number (32) Date (33) Country
201030705978.0 31 Dec 2010 CHINA
(56) Related Art Documents: **Not Applicable**
(57) Statement of Newness and Distinctiveness: **Nil**



- (21) Design Number: **11405/2011**
(22) Date of Filing Application: **30 March 2011**
(24) Date from which industrial property rights may have effect: **30 March 2011**
(54) Product in respect of which the design is registered: **Filter**
(51) International Design Classification: **23-01G**
(74) Name(s) of Attorney(s): **Freehills Patent & Trade Mark Attorneys**
(71) Name(s) and Address(s) of Applicant(s):
Caterpillar Inc.
100 N.E. Adams Street Peoria Illinois 61629 United States of America
Advanced Filtration Systems, Inc.
3206 Farber Drive Champaign Illinois 61822 United States of America
Donaldson Company, Inc.
1400 West 94th Street Bloomington Minnesota 55431 United States of America
(72) Name(s) of Designer(s): **Christopher J. Salvador and Randall W. Heibenthal and Dennis M. Deedrich and David B. Harder and John R. Hacker and Richard J. Eisenmenger**
(45) Registration Date: **03 May 2011**
(30) Convention priority data:
(31) Number (32) Date (33) Country
29/376117 01 Oct 2010 UNITED STATES OF AMERICA
(56) Related Art Documents: **Not Applicable**
(57) Statement of Newness and Distinctiveness: **Newness and distinctiveness resides in the features of shape and configuration of a filter illustrated in solid lines in the accompanying drawings.**



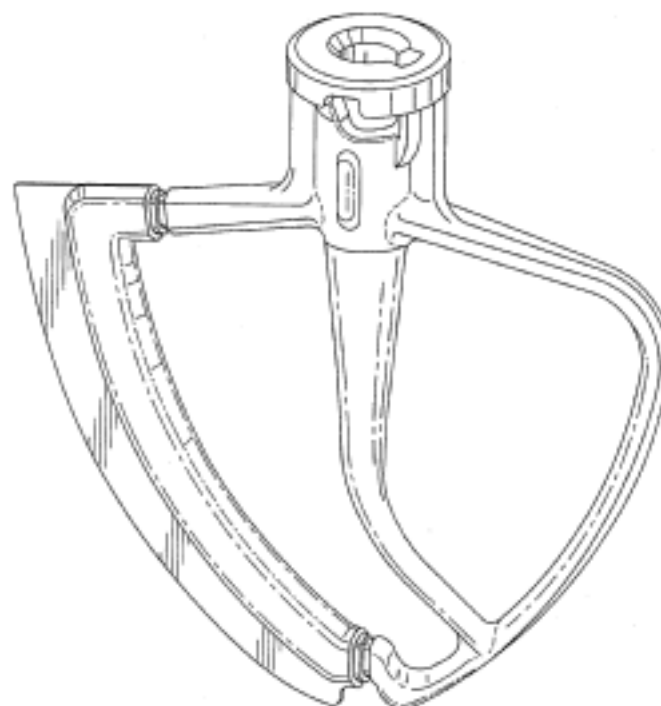
- (21) Design Number: **11406/2011**
(22) Date of Filing Application: **30 March 2011**
(24) Date from which industrial property rights may have effect: **30 March 2011**
(54) Product in respect of which the design is registered: **Filter**
(51) International Design Classification: **23-01G**
(74) Name(s) of Attorney(s): **Freehills Patent & Trade Mark Attorneys**
(71) Name(s) and Address(s) of Applicant(s):
Caterpillar Inc.
100 N.E. Adams Street Peoria Illinois 61629 United States of America
Advanced Filtration Systems, Inc.
3206 Farber Drive Champaign Illinois 61822 United States of America
Donaldson Company, Inc.
1400 West 94th Street Bloomington Minnesota 55431 United States of America
(72) Name(s) of Designer(s): **Christopher J. Salvador and Randall W. Heibenthal and Dennis M. Deedrich and David B. Harder and John R. Hacker and Richard J. Eisenmenger**
(45) Registration Date: **03 May 2011**
(30) Convention priority data:
(31) Number (32) Date (33) Country
29/376117 01 Oct 2010 UNITED STATES OF AMERICA
(56) Related Art Documents: **Not Applicable**
(57) Statement of Newness and Distinctiveness: **Newness and distinctiveness resides in the features of shape and configuration of a filter illustrated in solid lines in the accompanying drawings.**



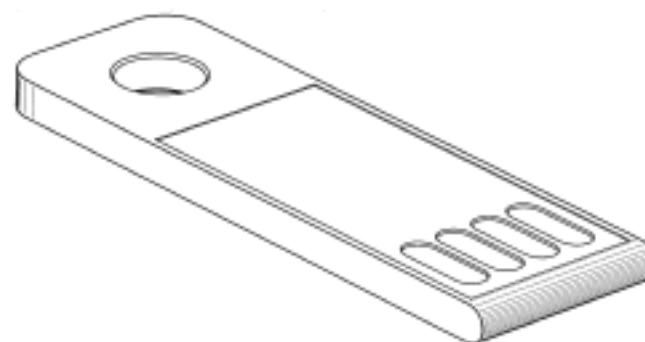
(21) Design Number: **11407/2011**
(22) Date of Filing Application: **30 March 2011**
(24) Date from which industrial property rights may have effect: **30 March 2011**
(54) Product in respect of which the design is registered: **Kettle**
(51) International Design Classification: **07-02K**
(74) Name(s) of Attorney(s): **PHILLIPS ORMONDE FITZPATRICK**
(71) Name(s) and Address(s) of Applicant(s):
Whirlpool Corporation
2000 N M-63 Benton Harbor Michigan 49022 United States of America
(72) Name(s) of Designer(s): **Arren J. McCormick and Ben C. Shao**
(45) Registration Date: **03 May 2011**
(30) Convention priority data:
(31) Number (32) Date (33) Country
29/378,640 08 Nov 2010 UNITED STATES OF AMERICA
(56) Related Art Documents: **Not Applicable**
(57) Statement of Newness and Distinctiveness: **Those features of the kettle depicted in the representations that are new and distinctive are the shape and/or configuration. The features shown in broken lines are not part of the design and are to be disregarded when considering the overall impression of the design.**



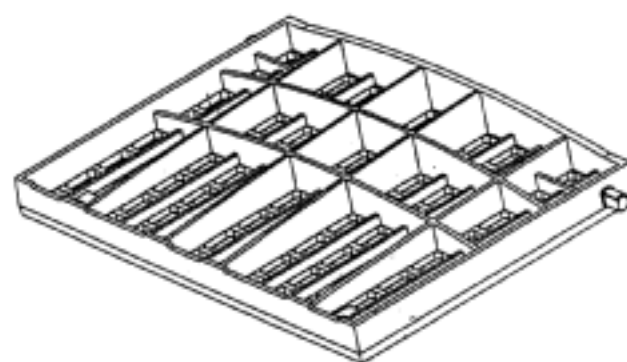
(21) Design Number: **11408/2011**
(22) Date of Filing Application: **30 March 2011**
(24) Date from which industrial property rights may have effect: **30 March 2011**
(54) Product in respect of which the design is registered: **Beater blade**
(51) International Design Classification: **31-00**
(74) Name(s) of Attorney(s): **PHILLIPS ORMONDE FITZPATRICK**
(71) Name(s) and Address(s) of Applicant(s):
Whirlpool Corporation
2000 N M-63 Benton Harbor Michigan 49022 United States of America
(72) Name(s) of Designer(s): **James Stacy Annis and Jeremy T. Wolters**
(45) Registration Date: **03 May 2011**
(30) Convention priority data:
(31) Number (32) Date (33) Country
29/376,285 05 Oct 2010 UNITED STATES OF AMERICA
(56) Related Art Documents: **Not Applicable**
(57) Statement of Newness and Distinctiveness: **Those features of the wiping beater depicted in the representations that are new and distinctive are the shape and/or configuration. The feature shown in broken line is not part of the design and is to be disregarded when considering the overall impression of the design.**



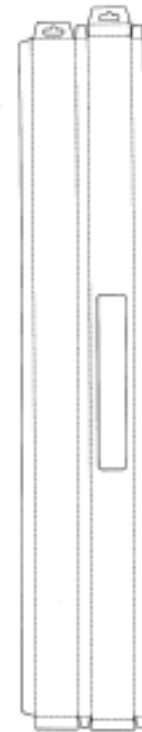
- (21) Design Number: **11421/2011**
(22) Date of Filing Application: **31 March 2011**
(24) Date from which industrial property rights may have effect: **31 March 2011**
(54) Product in respect of which the design is registered: **USB device**
(51) International Design Classification: **14-02**
(74) Name(s) of Attorney(s): **Freehills Patent & Trade Mark Attorneys**
(71) Name(s) and Address(s) of Applicant(s):
Apple Inc.
1 Infinite Loop Cupertino California 95014 United States of America
(72) Name(s) of Designer(s): **Jody Akana and Bartley K. Andre and Jeremy Bataillou and Daniel J. Coster and Daniele De Iuliis and Evans Hankey and Richard P. Howarth and Jonathan P. Ive and Duncan Robert Kerr and Shin Nishibori and Matthew Dean Rohrbach and Peter Russell-Clarke and Christopher J. Stringer and Eugene Antony Whang and Rico Zorkendorfer**
(45) Registration Date: **03 May 2011**
(30) Convention priority data:
(31) Number (32) Date (33) Country
29/377060 15 Oct 2010 UNITED STATES OF AMERICA
(56) Related Art Documents: **Not Applicable**
(57) Statement of Newness and Distinctiveness: **Newness and distinctiveness resides in the features of shape and/or configuration of a USB device as shown in outline and contour lines in the accompanying representations.**



- (21) Design Number: **11424/2011**
(22) Date of Filing Application: **01 April 2011**
(24) Date from which industrial property rights may have effect: **01 April 2011**
(54) Product in respect of which the design is registered: **Grate**
(51) International Design Classification: **25-02G**
(74) Name(s) of Attorney(s): **WATERMARK PATENT AND TRADE MARKS ATTORNEYS**
(71) Name(s) and Address(s) of Applicant(s):
Hynds Limited
25 Arwen Place East Tamaki Auckland 2013 New Zealand
(72) Name(s) of Designer(s): **Stephen MacGowan**
(45) Registration Date: **03 May 2011**
(56) Related Art Documents: **Not Applicable**
(57) Statement of Newness and Distinctiveness: **Newness and distinctiveness resides in the shape and configuration of the repeated top plan view pattern highlighted in the area marked X in the annexed drawings.**



- (21) Design Number: **11433/2011**
(22) Date of Filing Application: **04 April 2011**
(24) Date from which industrial property rights may have effect: **04 April 2011**
(54) Product in respect of which the design is registered: **Packaging carton with window**
(51) International Design Classification: **09-03NES**
(74) Name(s) of Attorney(s): **A.P.T. Patent and Trade Mark Attorneys**
(71) Name(s) and Address(s) of Applicant(s):
Raven Products Pty Ltd
22 Aldershot Road Lonsdale South Australia 5160 Australia
(72) Name(s) of Designer(s): **Michael Moulding**
(45) Registration Date: **03 May 2011**
(56) Related Art Documents: **Not Applicable**
(57) Statement of Newness and Distinctiveness: **Nil**



- (21) Design Number: **11434/2011**
(22) Date of Filing Application: **04 April 2011**
(24) Date from which industrial property rights may have effect: **04 April 2011**
(54) Product in respect of which the design is registered: **Packaging carton with window**
(51) International Design Classification: **09-03M**
(74) Name(s) of Attorney(s): **A.P.T. Patent and Trade Mark Attorneys**
(71) Name(s) and Address(s) of Applicant(s):
Raven Products Pty Ltd
22 Aldershot Road Lonsdale South Australia 5160 Australia
(72) Name(s) of Designer(s): **Michael Moulding**
(45) Registration Date: **03 May 2011**
(56) Related Art Documents: **Not Applicable**
(57) Statement of Newness and Distinctiveness: **Nil**



(21) Design Number: **11435/2011**
(22) Date of Filing Application: **04 April 2011**
(24) Date from which industrial property rights may have effect: **04 April 2011**
(54) Product in respect of which the design is registered: **A connector**
(51) International Design Classification: **23-01A**
(74) Name(s) of Attorney(s): **A J Park**
(71) Name(s) and Address(s) of Applicant(s):

CMI Limited
7A Carmont Place Mt Wellington Auckland New Zealand

(72) Name(s) of Designer(s): **Ross Desmond Mitchell**

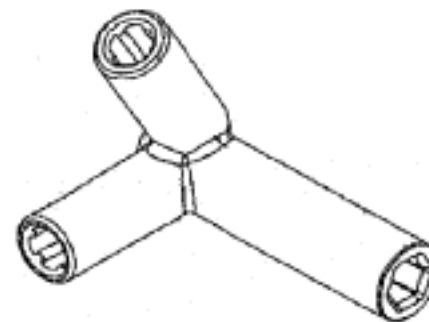
(45) Registration Date: **03 May 2011**

(30) Convention priority data:

(31) Number	(32) Date	(33) Country
414118	04 Oct 2010	NEW ZEALAND

(56) Related Art Documents: **Not Applicable**

(57) Statement of Newness and Distinctiveness: **Newness and distinctiveness resides in the features of shape and/or configuration of a connector as shown in the accompanying representations.**



(21) Design Number: **11441/2011**
(22) Date of Filing Application: **04 April 2011**
(24) Date from which industrial property rights may have effect: **04 April 2011**
(54) Product in respect of which the design is registered: **A connector**
(51) International Design Classification: **13-03E**
(74) Name(s) of Attorney(s): **A J Park**
(71) Name(s) and Address(s) of Applicant(s):

CMI Limited
7A Carmont Place Mt Wellington Auckland New Zealand

(72) Name(s) of Designer(s): **Ross Desmond Mitchell**

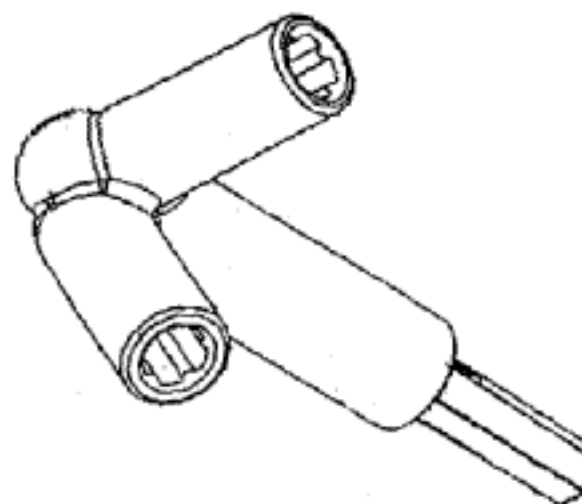
(45) Registration Date: **03 May 2011**

(30) Convention priority data:

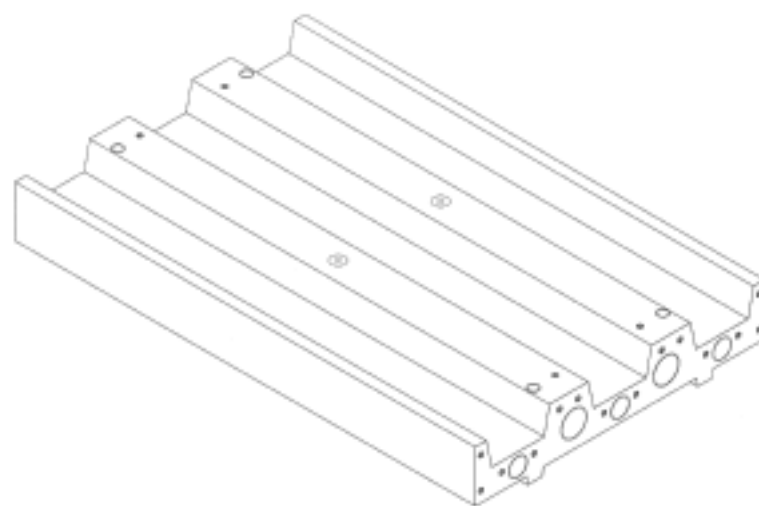
(31) Number	(32) Date	(33) Country
414118	04 Oct 2010	NEW ZEALAND

(56) Related Art Documents: **Not Applicable**

(57) Statement of Newness and Distinctiveness: **Newness and distinctiveness resides in the features of shape and/or configuration of a connector as shown in the accompanying representations.**



(21) Design Number: **11452/2011**
(22) Date of Filing Application: **04 April 2011**
(24) Date from which industrial property rights may have effect: **04 April 2011**
(54) Product in respect of which the design is registered: **Railway sleeper support block**
(51) International Design Classification: **25-01E**
(74) Name(s) of Attorney(s): **Wrays**
(71) Name(s) and Address(s) of Applicant(s):
Newstyle Nominees Pty Ltd
45 Bygum Lane Martin Western Australia 6110 Australia
(72) Name(s) of Designer(s): **Jim Hughes**
(45) Registration Date: **03 May 2011**
(56) Related Art Documents: **Not Applicable**
(57) Statement of Newness and Distinctiveness: **Newness and distinctiveness are claimed in respect of the features of shape and configuration of the railway sleeper support block as depicted in the accompanying representations.**



(21) Design Number: **11155/2011**
(22) Date of Filing Application: **18 March 2011**
(24) Date from which industrial property rights may have effect: **18 March 2011**
(54) Product in respect of which the design is registered: **Spoon**
(51) International Design Classification: **07-03, 31-00**
(74) Name(s) of Attorney(s): **Davies Collison Cave**
(71) Name(s) and Address(s) of Applicant(s):
Vita-Mix Corporation
8615 Usher Road Cleveland Ohio 44138 United States of America
(72) Name(s) of Designer(s): **Richard D. Boozer and Robert M. Ulanski**
(45) Registration Date: **04 May 2011**
(30) Convention priority data:
(31) Number (32) Date (33) Country
29/370953 24 Sep 2010 UNITED STATES OF AMERICA
(56) Related Art Documents: **Not Applicable**
(57) Statement of Newness and Distinctiveness: **Nil**



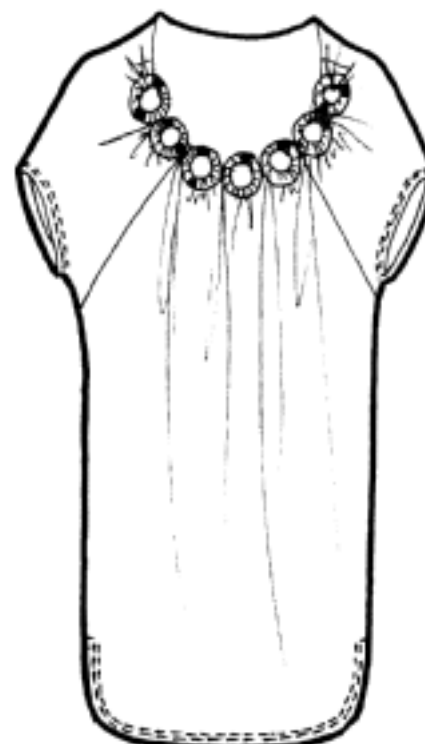
- (21) Design Number: **11445/2011**
(22) Date of Filing Application: **04 April 2011**
(24) Date from which industrial property rights may have effect: **04 April 2011**
(54) Product in respect of which the design is registered: **A turn signal lamp case for a motor scooter**
(51) International Design Classification: **26-06**
(74) Name(s) of Attorney(s): **SPRUSON & FERGUSON**
(71) Name(s) and Address(s) of Applicant(s):
Honda Motor Co., Ltd.
1-1 Minami-Aoyama 2-Chome Minato-ku Tokyo Japan
(72) Name(s) of Designer(s): **Dai Takakuwa and Fujio Nakamura**
(45) Registration Date: **04 May 2011**
(30) Convention priority data:
(31) Number (32) Date (33) Country
2010-023713 04 Oct 2010 JAPAN
(56) Related Art Documents: **Not Applicable**
(57) Statement of Newness and Distinctiveness: **Newness and distinctiveness is claimed in the features of shape and/or configuration of a turn signal lamp case for a motor scooter as illustrated in the accompanying representations.**



- (21) Design Number: **10257/2011**
(22) Date of Filing Application: **28 January 2011**
(24) Date from which industrial property rights may have effect: **28 January 2011**
(54) Product in respect of which the design is registered: **"Hostile" T shirt**
(51) International Design Classification: **02-02NES**
(74) Name(s) of Attorney(s):
(71) Name(s) and Address(s) of Applicant(s):
Discovery Clothing Company Pty Ltd
10/26-34 Dunning Avenue Rosebery New South Wales 2018 Australia
(72) Name(s) of Designer(s): **Charlie Brown**
(45) Registration Date: **04 May 2011**
(56) Related Art Documents: **Not Applicable**
(57) Statement of Newness and Distinctiveness: **Nil**



- (21) Design Number: **10258/2011**
(22) Date of Filing Application: **28 January 2011**
(24) Date from which industrial property rights may have effect: **28 January 2011**
(54) Product in respect of which the design is registered: **"Friendly" tunic**
(51) International Design Classification: **02-02C**
(74) Name(s) of Attorney(s):
(71) Name(s) and Address(s) of Applicant(s):
Discovery Clothing Company Pty Ltd
10/26-34 Dunning Avenue Rosebery New South Wales 2018 Australia
(72) Name(s) of Designer(s): **Charlie Brown**
(45) Registration Date: **04 May 2011**
(56) Related Art Documents: **Not Applicable**
(57) Statement of Newness and Distinctiveness: **Nil**



- (21) Design Number: **10507/2011**
(22) Date of Filing Application: **17 February 2011**
(24) Date from which industrial property rights may have effect: **17 February 2011**
(54) Product in respect of which the design is registered: **"CHEEKY" Empire line tunic**
(51) International Design Classification: **02-02C**
(74) Name(s) of Attorney(s):
(71) Name(s) and Address(s) of Applicant(s):
Discovery Clothing Company Pty Ltd
10/26-34 Dunning Avenue Rosebery New South Wales 2018 Australia
(72) Name(s) of Designer(s): **Charlie Brown**
(45) Registration Date: **04 May 2011**
(56) Related Art Documents: **Not Applicable**
(57) Statement of Newness and Distinctiveness: **Nil**



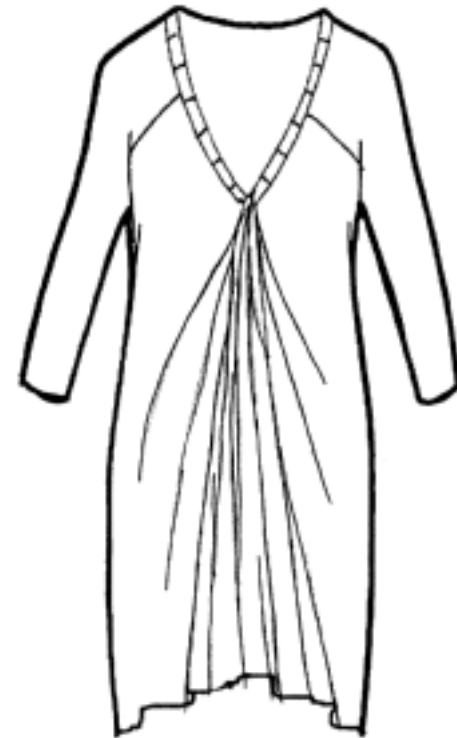
- (21) Design Number: **10508/2011**
(22) Date of Filing Application: **17 February 2011**
(24) Date from which industrial property rights may have effect: **17 February 2011**
(54) Product in respect of which the design is registered: **"LUST" Longline skirt**
(51) International Design Classification: **02-02C**
(74) Name(s) of Attorney(s):
(71) Name(s) and Address(s) of Applicant(s):
Discovery Clothing Company Pty Ltd
10/26-34 Dunning Avenue Rosebery New South Wales 2018 Australia
(72) Name(s) of Designer(s): **Charlie Brown**
(45) Registration Date: **04 May 2011**
(56) Related Art Documents: **Not Applicable**
(57) Statement of Newness and Distinctiveness: **Nil**



- (21) Design Number: **10509/2011**
(22) Date of Filing Application: **17 February 2011**
(24) Date from which industrial property rights may have effect: **17 February 2011**
(54) Product in respect of which the design is registered: **"CRUSH" Twist neck tunic**
(51) International Design Classification: **02-02C**
(74) Name(s) of Attorney(s):
(71) Name(s) and Address(s) of Applicant(s):
Discovery Clothing Company Pty Ltd
10/26-34 Dunning Avenue Rosebery New South Wales 2018 Australia
(72) Name(s) of Designer(s): **Charlie Brown**
(45) Registration Date: **04 May 2011**
(56) Related Art Documents: **Not Applicable**
(57) Statement of Newness and Distinctiveness: **Nil**



- (21) Design Number: **10510/2011**
(22) Date of Filing Application: **17 February 2011**
(24) Date from which industrial property rights may have effect: **17 February 2011**
(54) Product in respect of which the design is registered: **"IN CONTEXT" Twist front tunic**
(51) International Design Classification: **02-02C**
(74) Name(s) of Attorney(s):
(71) Name(s) and Address(s) of Applicant(s):
Discovery Clothing Company Pty Ltd
10/26-34 Dunning Avenue Rosebery New South Wales 2018 Australia
(72) Name(s) of Designer(s): **Charlie Brown**
(45) Registration Date: **04 May 2011**
(56) Related Art Documents: **Not Applicable**
(57) Statement of Newness and Distinctiveness: **Nil**



- (21) Design Number: **10511/2011**
(22) Date of Filing Application: **17 February 2011**
(24) Date from which industrial property rights may have effect: **17 February 2011**
(54) Product in respect of which the design is registered: **"BULLETPROOF" Turtleneck tunic**
(51) International Design Classification: **02-02C**
(74) Name(s) of Attorney(s):
(71) Name(s) and Address(s) of Applicant(s):
Discovery Clothing Company Pty Ltd
10/26-34 Dunning Avenue Rosebery New South Wales 2018 Australia
(72) Name(s) of Designer(s): **Charlie Brown**
(45) Registration Date: **04 May 2011**
(56) Related Art Documents: **Not Applicable**
(57) Statement of Newness and Distinctiveness: **Nil**



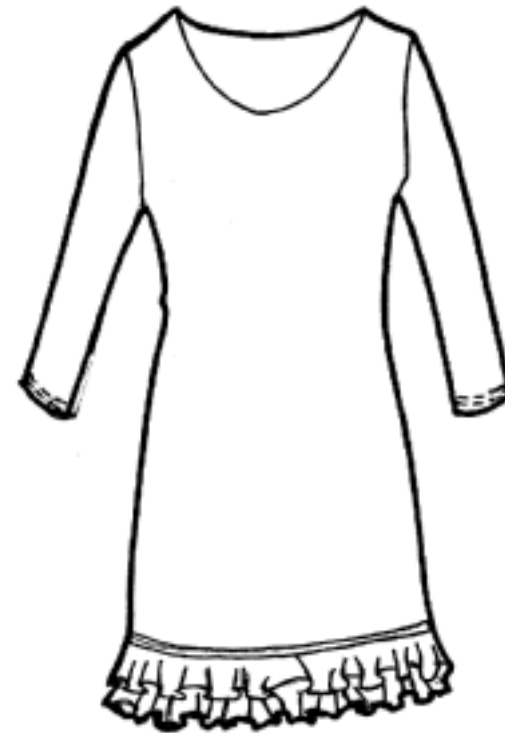
(21) Design Number: **10512/2011**
(22) Date of Filing Application: **17 February 2011**
(24) Date from which industrial property rights may have effect: **17 February 2011**
(54) Product in respect of which the design is registered: **"HAMILTON" Drape tunic**
(51) International Design Classification: **02-02C**
(74) Name(s) of Attorney(s):
(71) Name(s) and Address(s) of Applicant(s):
Discovery Clothing Company Pty Ltd
10/26-34 Dunning Avenue Rosebery New South Wales 2018 Australia
(72) Name(s) of Designer(s): **Charlie Brown**
(45) Registration Date: **04 May 2011**
(56) Related Art Documents: **Not Applicable**
(57) Statement of Newness and Distinctiveness: **Nil**



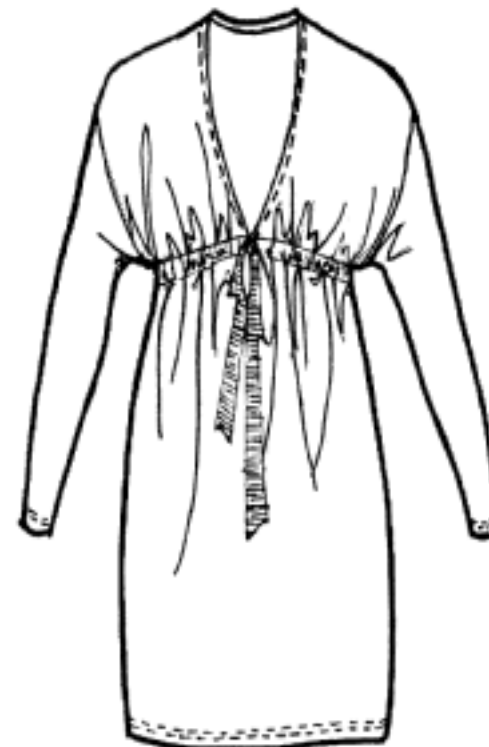
(21) Design Number: **10513/2011**
(22) Date of Filing Application: **17 February 2011**
(24) Date from which industrial property rights may have effect: **17 February 2011**
(54) Product in respect of which the design is registered: **"DANCEHALL" Wrap dress**
(51) International Design Classification: **02-02C**
(74) Name(s) of Attorney(s):
(71) Name(s) and Address(s) of Applicant(s):
Discovery Clothing Company Pty Ltd
10/26-34 Dunning Avenue Rosebery New South Wales 2018 Australia
(72) Name(s) of Designer(s): **Charlie Brown**
(45) Registration Date: **04 May 2011**
(56) Related Art Documents: **Not Applicable**
(57) Statement of Newness and Distinctiveness: **Nil**



(21) Design Number: **10514/2011**
(22) Date of Filing Application: **17 February 2011**
(24) Date from which industrial property rights may have effect: **17 February 2011**
(54) Product in respect of which the design is registered: **"CONTACT" Tunic**
(51) International Design Classification: **02-02C**
(74) Name(s) of Attorney(s):
(71) Name(s) and Address(s) of Applicant(s):
Discovery Clothing Company Pty Ltd
10/26-34 Dunning Avenue Rosebery New South Wales 2018 Australia
(72) Name(s) of Designer(s): **Charlie Brown**
(45) Registration Date: **04 May 2011**
(56) Related Art Documents: **Not Applicable**
(57) Statement of Newness and Distinctiveness: **Nil**



(21) Design Number: **10515/2011**
(22) Date of Filing Application: **17 February 2011**
(24) Date from which industrial property rights may have effect: **17 February 2011**
(54) Product in respect of which the design is registered: **"FALLING" Flamingo dress**
(51) International Design Classification: **02-02C**
(74) Name(s) of Attorney(s):
(71) Name(s) and Address(s) of Applicant(s):
Discovery Clothing Company Pty Ltd
10/26-34 Dunning Avenue Rosebery New South Wales 2018 Australia
(72) Name(s) of Designer(s): **Charlie Brown**
(45) Registration Date: **04 May 2011**
(56) Related Art Documents: **Not Applicable**
(57) Statement of Newness and Distinctiveness: **Nil**



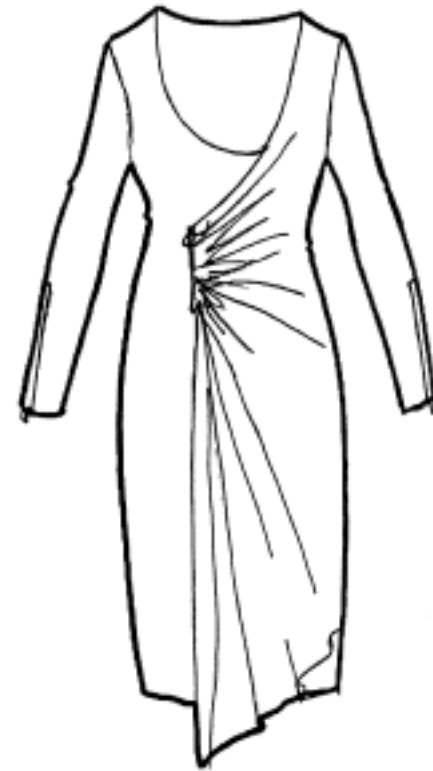
(21) Design Number: **10516/2011**
(22) Date of Filing Application: **17 February 2011**
(24) Date from which industrial property rights may have effect: **17 February 2011**
(54) Product in respect of which the design is registered: **"BONANZA" Ponte bodysuit**
(51) International Design Classification: **02-02C**
(74) Name(s) of Attorney(s):
(71) Name(s) and Address(s) of Applicant(s):
Discovery Clothing Company Pty Ltd
10/26-34 Dunning Avenue Rosebery New South Wales 2018 Australia
(72) Name(s) of Designer(s): **Charlie Brown**
(45) Registration Date: **04 May 2011**
(56) Related Art Documents: **Not Applicable**
(57) Statement of Newness and Distinctiveness: **Nil**



(21) Design Number: **10517/2011**
(22) Date of Filing Application: **17 February 2011**
(24) Date from which industrial property rights may have effect: **17 February 2011**
(54) Product in respect of which the design is registered: **"PRESTIGE" Panel dress**
(51) International Design Classification: **02-02C**
(74) Name(s) of Attorney(s):
(71) Name(s) and Address(s) of Applicant(s):
Discovery Clothing Company Pty Ltd
10/26-34 Dunning Avenue Rosebery New South Wales 2018 Australia
(72) Name(s) of Designer(s): **Charlie Brown**
(45) Registration Date: **04 May 2011**
(56) Related Art Documents: **Not Applicable**
(57) Statement of Newness and Distinctiveness: **Nil**



(21) Design Number: **10518/2011**
(22) Date of Filing Application: **17 February 2011**
(24) Date from which industrial property rights may have effect: **17 February 2011**
(54) Product in respect of which the design is registered: **"SMILE" Zip front dress**
(51) International Design Classification: **02-02C**
(74) Name(s) of Attorney(s):
(71) Name(s) and Address(s) of Applicant(s):
Discovery Clothing Company Pty Ltd
10/26-34 Dunning Avenue Rosebery New South Wales 2018 Australia
(72) Name(s) of Designer(s): **Charlie Brown**
(45) Registration Date: **04 May 2011**
(56) Related Art Documents: **Not Applicable**
(57) Statement of Newness and Distinctiveness: **Nil**



(21) Design Number: **10519/2011**
(22) Date of Filing Application: **17 February 2011**
(24) Date from which industrial property rights may have effect: **17 February 2011**
(54) Product in respect of which the design is registered: **"COMPANY" Tie front kaftan**
(51) International Design Classification: **02-02C, 02-02NES**
(74) Name(s) of Attorney(s):
(71) Name(s) and Address(s) of Applicant(s):
Discovery Clothing Company Pty Ltd
10/26-34 Dunning Avenue Rosebery New South Wales 2018 Australia
(72) Name(s) of Designer(s): **Charlie Brown**
(45) Registration Date: **04 May 2011**
(56) Related Art Documents: **Not Applicable**
(57) Statement of Newness and Distinctiveness: **Nil**



(21) Design Number: **10520/2011**
(22) Date of Filing Application: **17 February 2011**
(24) Date from which industrial property rights may have effect: **17 February 2011**
(54) Product in respect of which the design is registered: **"TRUTH" Asym neck dress**
(51) International Design Classification: **02-02C**
(74) Name(s) of Attorney(s):
(71) Name(s) and Address(s) of Applicant(s):
Discovery Clothing Company Pty Ltd
10/26-34 Dunning Avenue Rosebery New South Wales 2018 Australia
(72) Name(s) of Designer(s): **Charlie Brown**
(45) Registration Date: **04 May 2011**
(56) Related Art Documents: **Not Applicable**
(57) Statement of Newness and Distinctiveness: **Nil**



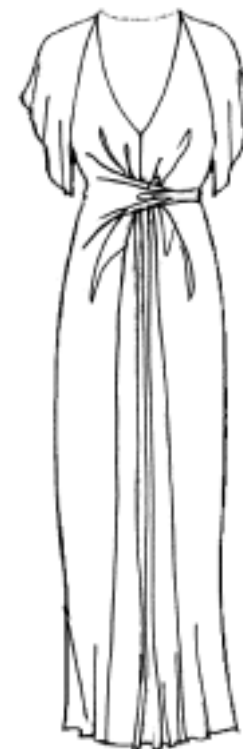
(21) Design Number: **10521/2011**
(22) Date of Filing Application: **17 February 2011**
(24) Date from which industrial property rights may have effect: **17 February 2011**
(54) Product in respect of which the design is registered: **"CONFESS" Halter neck dress**
(51) International Design Classification: **02-02C**
(74) Name(s) of Attorney(s):
(71) Name(s) and Address(s) of Applicant(s):
Discovery Clothing Company Pty Ltd
10/26-34 Dunning Avenue Rosebery New South Wales 2018 Australia
(72) Name(s) of Designer(s): **Charlie Brown**
(45) Registration Date: **04 May 2011**
(56) Related Art Documents: **Not Applicable**
(57) Statement of Newness and Distinctiveness: **Nil**



- (21) Design Number: **10522/2011**
(22) Date of Filing Application: **17 February 2011**
(24) Date from which industrial property rights may have effect: **17 February 2011**
(54) Product in respect of which the design is registered: **"LABRATORY" Halter neck jumpsuit**
(51) International Design Classification: **02-02C**
(74) Name(s) of Attorney(s):
(71) Name(s) and Address(s) of Applicant(s):
Discovery Clothing Company Pty Ltd
10/26-34 Dunning Avenue Rosebery New South Wales 2018 Australia
(72) Name(s) of Designer(s): **Charlie Brown**
(45) Registration Date: **04 May 2011**
(56) Related Art Documents: **Not Applicable**
(57) Statement of Newness and Distinctiveness: **Nil**



- (21) Design Number: **10523/2011**
(22) Date of Filing Application: **17 February 2011**
(24) Date from which industrial property rights may have effect: **17 February 2011**
(54) Product in respect of which the design is registered: **"CONFIDE" Flutter sleeve dress**
(51) International Design Classification: **02-02C**
(74) Name(s) of Attorney(s):
(71) Name(s) and Address(s) of Applicant(s):
Discovery Clothing Company Pty Ltd
10/26-34 Dunning Avenue Rosebery New South Wales 2018 Australia
(72) Name(s) of Designer(s): **Charlie Brown**
(45) Registration Date: **04 May 2011**
(56) Related Art Documents: **Not Applicable**
(57) Statement of Newness and Distinctiveness: **Nil**



(21) Design Number: **10524/2011**
(22) Date of Filing Application: **17 February 2011**
(24) Date from which industrial property rights may have effect: **17 February 2011**
(54) Product in respect of which the design is registered: **"DNA" Zip front tunic**
(51) International Design Classification: **02-02C**
(74) Name(s) of Attorney(s):
(71) Name(s) and Address(s) of Applicant(s):
Discovery Clothing Company Pty Ltd
10/26-34 Dunning Avenue Rosebery New South Wales 2018 Australia
(72) Name(s) of Designer(s): **Charlie Brown**
(45) Registration Date: **04 May 2011**
(56) Related Art Documents: **Not Applicable**
(57) Statement of Newness and Distinctiveness: **Nil**



(21) Design Number: **10525/2011**
(22) Date of Filing Application: **17 February 2011**
(24) Date from which industrial property rights may have effect: **17 February 2011**
(54) Product in respect of which the design is registered: **"ENEMY" Tuck front dress**
(51) International Design Classification: **02-02C**
(74) Name(s) of Attorney(s):
(71) Name(s) and Address(s) of Applicant(s):
Discovery Clothing Company Pty Ltd
10/26-34 Dunning Avenue Rosebery New South Wales 2018 Australia
(72) Name(s) of Designer(s): **Charlie Brown**
(45) Registration Date: **04 May 2011**
(56) Related Art Documents: **Not Applicable**
(57) Statement of Newness and Distinctiveness: **Nil**



(21) Design Number: **10526/2011**
(22) Date of Filing Application: **17 February 2011**
(24) Date from which industrial property rights may have effect: **17 February 2011**
(54) Product in respect of which the design is registered: **"FOOL" Panel dress**
(51) International Design Classification: **02-02C**
(74) Name(s) of Attorney(s):
(71) Name(s) and Address(s) of Applicant(s):
Discovery Clothing Company Pty Ltd
10/26-34 Dunning Avenue Rosebery New South Wales 2018 Australia
(72) Name(s) of Designer(s): **Charlie Brown**
(45) Registration Date: **04 May 2011**
(56) Related Art Documents: **Not Applicable**
(57) Statement of Newness and Distinctiveness: **Nil**



(21) Design Number: **10527/2011**
(22) Date of Filing Application: **17 February 2011**
(24) Date from which industrial property rights may have effect: **17 February 2011**
(54) Product in respect of which the design is registered: **"LEVEL" Drape dress**
(51) International Design Classification: **02-02C**
(74) Name(s) of Attorney(s):
(71) Name(s) and Address(s) of Applicant(s):
Discovery Clothing Company Pty Ltd
10/26-34 Dunning Avenue Rosebery New South Wales 2018 Australia
(72) Name(s) of Designer(s): **Charlie Brown**
(45) Registration Date: **04 May 2011**
(56) Related Art Documents: **Not Applicable**
(57) Statement of Newness and Distinctiveness: **Nil**



- (21) Design Number: **10528/2011**
(22) Date of Filing Application: **17 February 2011**
(24) Date from which industrial property rights may have effect: **17 February 2011**
(54) Product in respect of which the design is registered: **"FLY" Kimono sleeve tunic**
(51) International Design Classification: **02-02C**
(74) Name(s) of Attorney(s):
(71) Name(s) and Address(s) of Applicant(s):
Discovery Clothing Company Pty Ltd
10/26-34 Dunning Avenue Rosebery New South Wales 2018 Australia
(72) Name(s) of Designer(s): **Charlie Brown**
(45) Registration Date: **04 May 2011**
(56) Related Art Documents: **Not Applicable**
(57) Statement of Newness and Distinctiveness: **Nil**



- (21) Design Number: **10529/2011**
(22) Date of Filing Application: **17 February 2011**
(24) Date from which industrial property rights may have effect: **17 February 2011**
(54) Product in respect of which the design is registered: **"FREAKSHOW" Long halter dress**
(51) International Design Classification: **02-02C**
(74) Name(s) of Attorney(s):
(71) Name(s) and Address(s) of Applicant(s):
Discovery Clothing Company Pty Ltd
10/26-34 Dunning Avenue Rosebery New South Wales 2018 Australia
(72) Name(s) of Designer(s): **Charlie Brown**
(45) Registration Date: **04 May 2011**
(56) Related Art Documents: **Not Applicable**
(57) Statement of Newness and Distinctiveness: **Nil**



- (21) Design Number: **10530/2011**
(22) Date of Filing Application: **17 February 2011**
(24) Date from which industrial property rights may have effect: **17 February 2011**
(54) Product in respect of which the design is registered: **"FANATICAL" Strapless dress**
(51) International Design Classification: **02-02C**
(74) Name(s) of Attorney(s):
(71) Name(s) and Address(s) of Applicant(s):
Discovery Clothing Company Pty Ltd
10/26-34 Dunning Avenue Rosebery New South Wales 2018 Australia
(72) Name(s) of Designer(s): **Charlie Brown**
(45) Registration Date: **04 May 2011**
(56) Related Art Documents: **Not Applicable**
(57) Statement of Newness and Distinctiveness: **Nil**



- (21) Design Number: **10531/2011**
(22) Date of Filing Application: **17 February 2011**
(24) Date from which industrial property rights may have effect: **17 February 2011**
(54) Product in respect of which the design is registered: **"SIREN" Wrap dress**
(51) International Design Classification: **02-02C**
(74) Name(s) of Attorney(s):
(71) Name(s) and Address(s) of Applicant(s):
Discovery Clothing Company Pty Ltd
10/26-34 Dunning Avenue Rosebery New South Wales 2018 Australia
(72) Name(s) of Designer(s): **Charlie Brown**
(45) Registration Date: **04 May 2011**
(56) Related Art Documents: **Not Applicable**
(57) Statement of Newness and Distinctiveness: **Nil**



(21) Design Number: **10532/2011**

(22) Date of Filing Application: **17 February 2011**

(24) Date from which industrial property rights may have effect: **17 February 2011**

(54) Product in respect of which the design is registered: **"DIGITAL LOVE" Empire dress**

(51) International Design Classification: **02-02C**

(74) Name(s) of Attorney(s):

(71) Name(s) and Address(s) of Applicant(s):

Discovery Clothing Company Pty Ltd

10/26-34 Dunning Avenue Rosebery New South Wales 2018 Australia

(72) Name(s) of Designer(s): **Charlie Brown**

(45) Registration Date: **04 May 2011**

(56) Related Art Documents: **Not Applicable**

(57) Statement of Newness and Distinctiveness: **Nil**



(21) Design Number: **10533/2011**

(22) Date of Filing Application: **17 February 2011**

(24) Date from which industrial property rights may have effect: **17 February 2011**

(54) Product in respect of which the design is registered: **"RESTRAINT" Zip detail tunic**

(51) International Design Classification: **02-02C**

(74) Name(s) of Attorney(s):

(71) Name(s) and Address(s) of Applicant(s):

Discovery Clothing Company Pty Ltd

10/26-34 Dunning Avenue Rosebery New South Wales 2018 Australia

(72) Name(s) of Designer(s): **Charlie Brown**

(45) Registration Date: **04 May 2011**

(56) Related Art Documents: **Not Applicable**

(57) Statement of Newness and Distinctiveness: **Nil**



(21) Design Number: **10534/2011**
(22) Date of Filing Application: **17 February 2011**
(24) Date from which industrial property rights may have effect: **17 February 2011**
(54) Product in respect of which the design is registered: **"DECAY" 1 shoulder dress**
(51) International Design Classification: **02-02C**
(74) Name(s) of Attorney(s):
(71) Name(s) and Address(s) of Applicant(s):
Discovery Clothing Company Pty Ltd
10/26-34 Dunning Avenue Rosebery New South Wales 2018 Australia
(72) Name(s) of Designer(s): **Charlie Brown**
(45) Registration Date: **04 May 2011**
(56) Related Art Documents: **Not Applicable**
(57) Statement of Newness and Distinctiveness: **Nil**



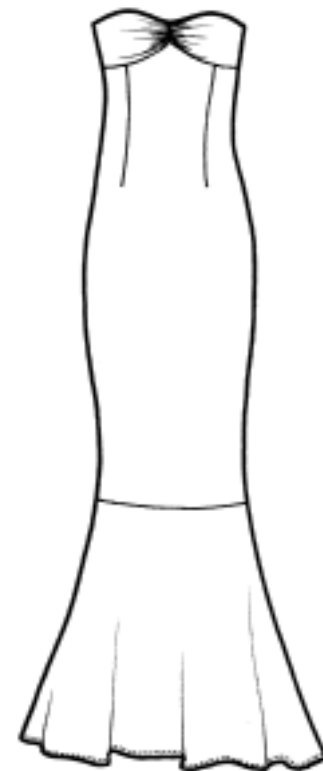
(21) Design Number: **10535/2011**
(22) Date of Filing Application: **17 February 2011**
(24) Date from which industrial property rights may have effect: **17 February 2011**
(54) Product in respect of which the design is registered: **"DRAMATIC" 1 shoulder dress**
(51) International Design Classification: **02-02C**
(74) Name(s) of Attorney(s):
(71) Name(s) and Address(s) of Applicant(s):
Discovery Clothing Company Pty Ltd
10/26-34 Dunning Avenue Rosebery New South Wales 2018 Australia
(72) Name(s) of Designer(s): **Charlie Brown**
(45) Registration Date: **04 May 2011**
(56) Related Art Documents: **Not Applicable**
(57) Statement of Newness and Distinctiveness: **Nil**



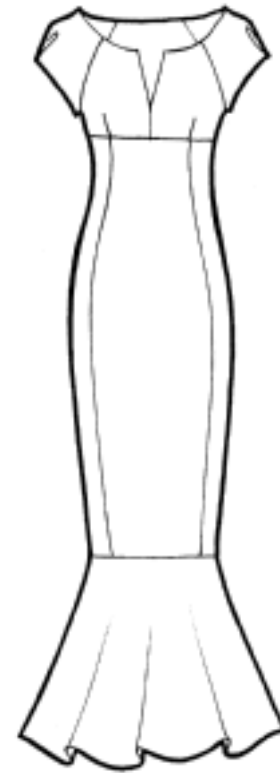
- (21) Design Number: **10536/2011**
(22) Date of Filing Application: **17 February 2011**
(24) Date from which industrial property rights may have effect: **17 February 2011**
(54) Product in respect of which the design is registered: **"PSYCHOTIC" Cut out dress**
(51) International Design Classification: **02-02C**
(74) Name(s) of Attorney(s):
(71) Name(s) and Address(s) of Applicant(s):
Discovery Clothing Company Pty Ltd
10/26-34 Dunning Avenue Rosebery New South Wales 2018 Australia
(72) Name(s) of Designer(s): **Charlie Brown**
(45) Registration Date: **04 May 2011**
(56) Related Art Documents: **Not Applicable**
(57) Statement of Newness and Distinctiveness: **Nil**



- (21) Design Number: **10550/2011**
(22) Date of Filing Application: **16 February 2011**
(24) Date from which industrial property rights may have effect: **16 February 2011**
(54) Product in respect of which the design is registered: **"Drama" strapless fishtail gown**
(51) International Design Classification: **02-02C**
(74) Name(s) of Attorney(s):
(71) Name(s) and Address(s) of Applicant(s):
Discovery Clothing Company Pty Ltd
10/26-34 Dunning Avenue Rosebery New South Wales 2018 Australia
(72) Name(s) of Designer(s): **Charlie Brown**
(45) Registration Date: **04 May 2011**
(56) Related Art Documents: **Not Applicable**
(57) Statement of Newness and Distinctiveness: **Nil**



- (21) Design Number: **10551/2011**
(22) Date of Filing Application: **16 February 2011**
(24) Date from which industrial property rights may have effect: **16 February 2011**
(54) Product in respect of which the design is registered: **"Dramatize" cap sleeve fishtail gown**
(51) International Design Classification: **02-02C**
(74) Name(s) of Attorney(s):
(71) Name(s) and Address(s) of Applicant(s):
Discovery Clothing Company Pty Ltd
10/26-34 Dunning Avenue Rosebery New South Wales 2018 Australia
(72) Name(s) of Designer(s): **Charlie Brown**
(45) Registration Date: **04 May 2011**
(56) Related Art Documents: **Not Applicable**
(57) Statement of Newness and Distinctiveness: **Nil**



- (21) Design Number: **10552/2011**
(22) Date of Filing Application: **16 February 2011**
(24) Date from which industrial property rights may have effect: **16 February 2011**
(54) Product in respect of which the design is registered: **"Sizzle" godet gown**
(51) International Design Classification: **02-02C**
(74) Name(s) of Attorney(s):
(71) Name(s) and Address(s) of Applicant(s):
Discovery Clothing Company Pty Ltd
10/26-34 Dunning Avenue Rosebery New South Wales 2018 Australia
(72) Name(s) of Designer(s): **Charlie Brown**
(45) Registration Date: **04 May 2011**
(56) Related Art Documents: **Not Applicable**
(57) Statement of Newness and Distinctiveness: **Nil**



(21) Design Number: **10553/2011**
(22) Date of Filing Application: **16 February 2011**
(24) Date from which industrial property rights may have effect: **16 February 2011**
(54) Product in respect of which the design is registered: **"Faith" strapless chiffon gown**
(51) International Design Classification: **02-02C**
(74) Name(s) of Attorney(s):
(71) Name(s) and Address(s) of Applicant(s):
Discovery Clothing Company Pty Ltd
10/26-34 Dunning Avenue Rosebery New South Wales 2018 Australia
(72) Name(s) of Designer(s): **Charlie Brown**
(45) Registration Date: **04 May 2011**
(56) Related Art Documents: **Not Applicable**
(57) Statement of Newness and Distinctiveness: **Nil**



(21) Design Number: **10554/2011**
(22) Date of Filing Application: **16 February 2011**
(24) Date from which industrial property rights may have effect: **16 February 2011**
(54) Product in respect of which the design is registered: **"Rejuvenate" cowl neck dress**
(51) International Design Classification: **02-02C**
(74) Name(s) of Attorney(s):
(71) Name(s) and Address(s) of Applicant(s):
Discovery Clothing Company Pty Ltd
10/26-34 Dunning Avenue Rosebery New South Wales 2018 Australia
(72) Name(s) of Designer(s): **Charlie Brown**
(45) Registration Date: **04 May 2011**
(56) Related Art Documents: **Not Applicable**
(57) Statement of Newness and Distinctiveness: **Nil**



(21) Design Number: **10555/2011**

(22) Date of Filing Application: **16 February 2011**

(24) Date from which industrial property rights may have effect: **16 February 2011**

(54) Product in respect of which the design is registered: **"Delicate" lace detail dress**

(51) International Design Classification: **02-02C**

(74) Name(s) of Attorney(s):

(71) Name(s) and Address(s) of Applicant(s):

Discovery Clothing Company Pty Ltd
10/26-34 Dunning Avenue Rosebery New South Wales 2018 Australia

(72) Name(s) of Designer(s): **Charlie Brown**

(45) Registration Date: **04 May 2011**

(56) Related Art Documents: **Not Applicable**

(57) Statement of Newness and Distinctiveness: **Nil**



(21) Design Number: **10556/2011**

(22) Date of Filing Application: **16 February 2011**

(24) Date from which industrial property rights may have effect: **16 February 2011**

(54) Product in respect of which the design is registered: **"Roman" drape 1 shoulder gown**

(51) International Design Classification: **02-02C**

(74) Name(s) of Attorney(s):

(71) Name(s) and Address(s) of Applicant(s):

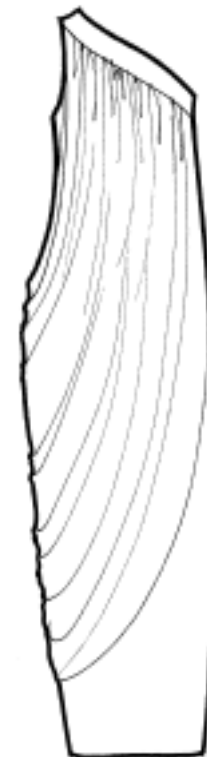
Discovery Clothing Company Pty Ltd
10/26-34 Dunning Avenue Rosebery New South Wales 2018 Australia

(72) Name(s) of Designer(s): **Charlie Brown**

(45) Registration Date: **04 May 2011**

(56) Related Art Documents: **Not Applicable**

(57) Statement of Newness and Distinctiveness: **Nil**



(21) Design Number: **10557/2011**

(22) Date of Filing Application: **16 February 2011**

(24) Date from which industrial property rights may have effect: **16 February 2011**

(54) Product in respect of which the design is registered: **"Established" tuck front gown**

(51) International Design Classification: **02-02C**

(74) Name(s) of Attorney(s):

(71) Name(s) and Address(s) of Applicant(s):

**Discovery Clothing Company Pty Ltd
10/26-34 Dunning Avenue Rosebery New South Wales 2018 Australia**

(72) Name(s) of Designer(s): **Charlie Brown**

(45) Registration Date: **04 May 2011**

(56) Related Art Documents: **Not Applicable**

(57) Statement of Newness and Distinctiveness: **Nil**



(21) Design Number: **10558/2011**

(22) Date of Filing Application: **16 February 2011**

(24) Date from which industrial property rights may have effect: **16 February 2011**

(54) Product in respect of which the design is registered: **"Opera" empire line gown**

(51) International Design Classification: **02-02C**

(74) Name(s) of Attorney(s):

(71) Name(s) and Address(s) of Applicant(s):

**Discovery Clothing Company Pty Ltd
10/26-34 Dunning Avenue Rosebery New South Wales 2018 Australia**

(72) Name(s) of Designer(s): **Charlie Brown**

(45) Registration Date: **04 May 2011**

(56) Related Art Documents: **Not Applicable**

(57) Statement of Newness and Distinctiveness: **Nil**



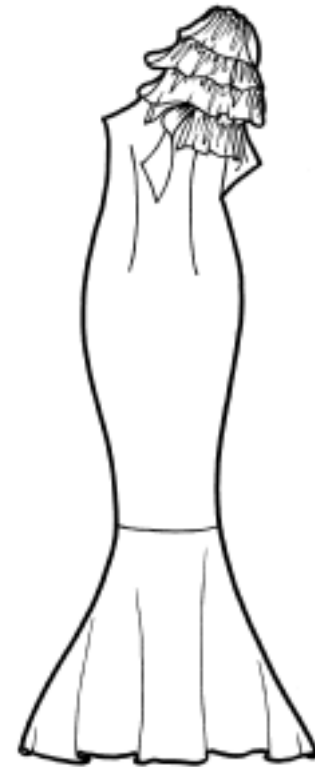
- (21) Design Number: **10559/2011**
(22) Date of Filing Application: **16 February 2011**
(24) Date from which industrial property rights may have effect: **16 February 2011**
(54) Product in respect of which the design is registered: **"Spotlight" 1 shoulder tuck gown**
(51) International Design Classification: **02-02C**
(74) Name(s) of Attorney(s):
(71) Name(s) and Address(s) of Applicant(s):
Discovery Clothing Company Pty Ltd
10/26-34 Dunning Avenue Rosebery New South Wales 2018 Australia
(72) Name(s) of Designer(s): **Charlie Brown**
(45) Registration Date: **04 May 2011**
(56) Related Art Documents: **Not Applicable**
(57) Statement of Newness and Distinctiveness: **Nil**



- (21) Design Number: **10560/2011**
(22) Date of Filing Application: **16 February 2011**
(24) Date from which industrial property rights may have effect: **16 February 2011**
(54) Product in respect of which the design is registered: **"Fascinate" Swarovski embellished 1 shoulder gown**
(51) International Design Classification: **02-02C**
(74) Name(s) of Attorney(s):
(71) Name(s) and Address(s) of Applicant(s):
Discovery Clothing Company Pty Ltd
10/26-34 Dunning Avenue Rosebery New South Wales 2018 Australia
(72) Name(s) of Designer(s): **Charlie Brown**
(45) Registration Date: **04 May 2011**
(56) Related Art Documents: **Not Applicable**
(57) Statement of Newness and Distinctiveness: **Nil**



- (21) Design Number: **10561/2011**
(22) Date of Filing Application: **16 February 2011**
(24) Date from which industrial property rights may have effect: **16 February 2011**
(54) Product in respect of which the design is registered: **"Drama Queen"
asymmetric gown**
(51) International Design Classification: **02-02C**
(74) Name(s) of Attorney(s):
(71) Name(s) and Address(s) of Applicant(s):
**Discovery Clothing Company Pty Ltd
10/26-34 Dunning Avenue Rosebery New South Wales 2018 Australia**
(72) Name(s) of Designer(s): **Charlie Brown**
(45) Registration Date: **04 May 2011**
(56) Related Art Documents: **Not Applicable**
(57) Statement of Newness and Distinctiveness: **Nil**



- (21) Design Number: **10562/2011**
(22) Date of Filing Application: **16 February 2011**
(24) Date from which industrial property rights may have effect: **16 February 2011**
(54) Product in respect of which the design is registered: **"Princess" wrap gown**
(51) International Design Classification: **02-02C**
(74) Name(s) of Attorney(s):
(71) Name(s) and Address(s) of Applicant(s):
**Discovery Clothing Company Pty Ltd
10/26-34 Dunning Avenue Rosebery New South Wales 2018 Australia**
(72) Name(s) of Designer(s): **Charlie Brown**
(45) Registration Date: **04 May 2011**
(56) Related Art Documents: **Not Applicable**
(57) Statement of Newness and Distinctiveness: **Nil**



(21) Design Number: **10563/2011**
(22) Date of Filing Application: **16 February 2011**
(24) Date from which industrial property rights may have effect: **16 February 2011**
(54) Product in respect of which the design is registered: **"Dancer" zipper detail dress**
(51) International Design Classification: **02-02C**
(74) Name(s) of Attorney(s):
(71) Name(s) and Address(s) of Applicant(s):
Discovery Clothing Company Pty Ltd
10/26-34 Dunning Avenue Rosebery New South Wales 2018 Australia
(72) Name(s) of Designer(s): **Charlie Brown**
(45) Registration Date: **04 May 2011**
(56) Related Art Documents: **Not Applicable**
(57) Statement of Newness and Distinctiveness: **Nil**



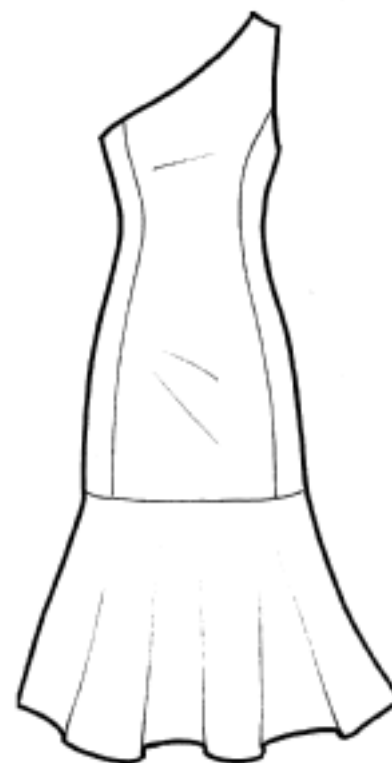
(21) Design Number: **10564/2011**
(22) Date of Filing Application: **16 February 2011**
(24) Date from which industrial property rights may have effect: **16 February 2011**
(54) Product in respect of which the design is registered: **"Belina" asymmetrical chiffon cocktail dress**
(51) International Design Classification: **02-02C**
(74) Name(s) of Attorney(s):
(71) Name(s) and Address(s) of Applicant(s):
Discovery Clothing Company Pty Ltd
10/26-34 Dunning Avenue Rosebery New South Wales 2018 Australia
(72) Name(s) of Designer(s): **Charlie Brown**
(45) Registration Date: **04 May 2011**
(56) Related Art Documents: **Not Applicable**
(57) Statement of Newness and Distinctiveness: **Nil**



- (21) Design Number: **10565/2011**
(22) Date of Filing Application: **16 February 2011**
(24) Date from which industrial property rights may have effect: **16 February 2011**
(54) Product in respect of which the design is registered: **"Poisonous" strapless jumpsuit**
(51) International Design Classification: **02-02C**
(74) Name(s) of Attorney(s):
(71) Name(s) and Address(s) of Applicant(s):
Discovery Clothing Company Pty Ltd
10/26-34 Dunning Avenue Rosebery New South Wales 2018 Australia
(72) Name(s) of Designer(s): **Charlie Brown**
(45) Registration Date: **04 May 2011**
(56) Related Art Documents: **Not Applicable**
(57) Statement of Newness and Distinctiveness: **Nil**



- (21) Design Number: **10566/2011**
(22) Date of Filing Application: **16 February 2011**
(24) Date from which industrial property rights may have effect: **16 February 2011**
(54) Product in respect of which the design is registered: **"Phantom" asymmetric cocktail gown**
(51) International Design Classification: **02-02NES**
(74) Name(s) of Attorney(s):
(71) Name(s) and Address(s) of Applicant(s):
Discovery Clothing Company Pty Ltd
10/26-34 Dunning Avenue Rosebery New South Wales 2018 Australia
(72) Name(s) of Designer(s): **Charlie Brown**
(45) Registration Date: **04 May 2011**
(56) Related Art Documents: **Not Applicable**
(57) Statement of Newness and Distinctiveness: **Nil**



- (21) Design Number: **10567/2011**
(22) Date of Filing Application: **16 February 2011**
(24) Date from which industrial property rights may have effect: **16 February 2011**
(54) Product in respect of which the design is registered: **"Showcase" cocktail dress**
(51) International Design Classification: **02-02C**
(74) Name(s) of Attorney(s):
(71) Name(s) and Address(s) of Applicant(s):
Discovery Clothing Company Pty Ltd
10/26-34 Dunning Avenue Rosebery New South Wales 2018 Australia
(72) Name(s) of Designer(s): **Charlie Brown**
(45) Registration Date: **04 May 2011**
(56) Related Art Documents: **Not Applicable**
(57) Statement of Newness and Distinctiveness: **Nil**



- (21) Design Number: **10568/2011**
(22) Date of Filing Application: **16 February 2011**
(24) Date from which industrial property rights may have effect: **16 February 2011**
(54) Product in respect of which the design is registered: **"Perfection" asymmetrical flutter sleeve chiffon gown**
(51) International Design Classification: **02-02C**
(74) Name(s) of Attorney(s):
(71) Name(s) and Address(s) of Applicant(s):
Discovery Clothing Company Pty Ltd
10/26-34 Dunning Avenue Rosebery New South Wales 2018 Australia
(72) Name(s) of Designer(s): **Charlie Brown**
(45) Registration Date: **04 May 2011**
(56) Related Art Documents: **Not Applicable**
(57) Statement of Newness and Distinctiveness: **Nil**



(21) Design Number: **10569/2011**
(22) Date of Filing Application: **16 February 2011**
(24) Date from which industrial property rights may have effect: **16 February 2011**
(54) Product in respect of which the design is registered: **"Madonna" lace bustier dress**
(51) International Design Classification: **02-02C**
(74) Name(s) of Attorney(s):
(71) Name(s) and Address(s) of Applicant(s):
Discovery Clothing Company Pty Ltd
10/26-34 Dunning Avenue Rosebery New South Wales 2018 Australia
(72) Name(s) of Designer(s): **Charlie Brown**
(45) Registration Date: **04 May 2011**
(56) Related Art Documents: **Not Applicable**
(57) Statement of Newness and Distinctiveness: **Nil**



(21) Design Number: **10570/2011**
(22) Date of Filing Application: **16 February 2011**
(24) Date from which industrial property rights may have effect: **16 February 2011**
(54) Product in respect of which the design is registered: **"Re-Emerge" chiffon detail bustier dress**
(51) International Design Classification: **02-02C**
(74) Name(s) of Attorney(s):
(71) Name(s) and Address(s) of Applicant(s):
Discovery Clothing Company Pty Ltd
10/26-34 Dunning Avenue Rosebery New South Wales 2018 Australia
(72) Name(s) of Designer(s): **Charlie Brown**
(45) Registration Date: **04 May 2011**
(56) Related Art Documents: **Not Applicable**
(57) Statement of Newness and Distinctiveness: **Nil**



- (21) Design Number: **10571/2011**
(22) Date of Filing Application: **16 February 2011**
(24) Date from which industrial property rights may have effect: **16 February 2011**
(54) Product in respect of which the design is registered: **"Striking" strapless gown**
(51) International Design Classification: **02-02C**
(74) Name(s) of Attorney(s):
(71) Name(s) and Address(s) of Applicant(s):
Discovery Clothing Company Pty Ltd
10/26-34 Dunning Avenue Rosebery New South Wales 2018 Australia
(72) Name(s) of Designer(s): **Charlie Brown**
(45) Registration Date: **04 May 2011**
(56) Related Art Documents: **Not Applicable**
(57) Statement of Newness and Distinctiveness: **Nil**



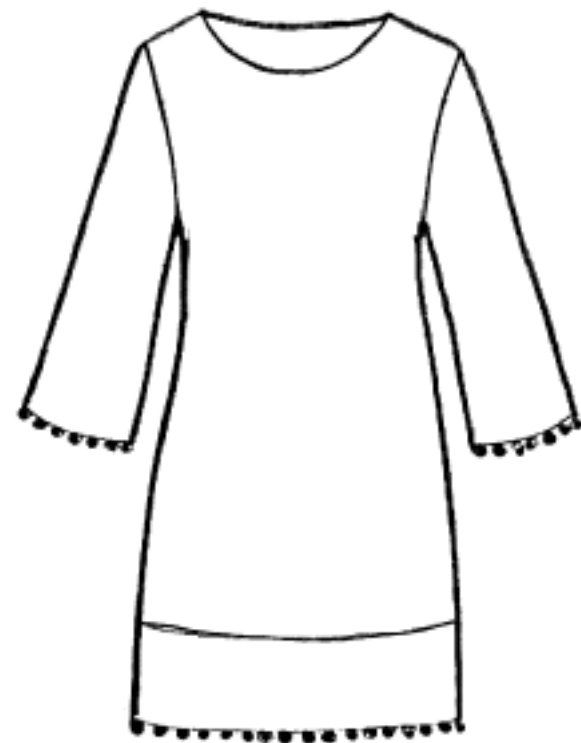
- (21) Design Number: **10572/2011**
(22) Date of Filing Application: **16 February 2011**
(24) Date from which industrial property rights may have effect: **16 February 2011**
(54) Product in respect of which the design is registered: **"Grand Finale" asymmetric ruched bodice gown**
(51) International Design Classification: **02-02C**
(74) Name(s) of Attorney(s):
(71) Name(s) and Address(s) of Applicant(s):
Discovery Clothing Company Pty Ltd
10/26-34 Dunning Avenue Rosebery New South Wales 2018 Australia
(72) Name(s) of Designer(s): **Charlie Brown**
(45) Registration Date: **04 May 2011**
(56) Related Art Documents: **Not Applicable**
(57) Statement of Newness and Distinctiveness: **Nil**



(21) Design Number: **10606/2011**
(22) Date of Filing Application: **17 February 2011**
(24) Date from which industrial property rights may have effect: **17 February 2011**
(54) Product in respect of which the design is registered: **"REFLECT" Faux wrap dress**
(51) International Design Classification: **02-02C**
(74) Name(s) of Attorney(s):
(71) Name(s) and Address(s) of Applicant(s):
Discovery Clothing Company Pty Ltd
10/26-34 Dunning Avenue Rosebery New South Wales 2018 Australia
(72) Name(s) of Designer(s): **Charlie Brown**
(45) Registration Date: **04 May 2011**
(56) Related Art Documents: **Not Applicable**
(57) Statement of Newness and Distinctiveness: **Nil**



(21) Design Number: **10607/2011**
(22) Date of Filing Application: **17 February 2011**
(24) Date from which industrial property rights may have effect: **17 February 2011**
(54) Product in respect of which the design is registered: **"TWILIGHT" Pom Pom detail tunic**
(51) International Design Classification: **02-02C**
(74) Name(s) of Attorney(s):
(71) Name(s) and Address(s) of Applicant(s):
Discovery Clothing Company Pty Ltd
10/26-34 Dunning Avenue Rosebery New South Wales 2018 Australia
(72) Name(s) of Designer(s): **Charlie Brown**
(45) Registration Date: **04 May 2011**
(56) Related Art Documents: **Not Applicable**
(57) Statement of Newness and Distinctiveness: **Nil**



(21) Design Number: **10608/2011**
(22) Date of Filing Application: **17 February 2011**
(24) Date from which industrial property rights may have effect: **17 February 2011**
(54) Product in respect of which the design is registered: **"ICONIC" Rouche detail dress**
(51) International Design Classification: **02-02C**
(74) Name(s) of Attorney(s):
(71) Name(s) and Address(s) of Applicant(s):
Discovery Clothing Company Pty Ltd
10/26-34 Dunning Avenue Rosebery New South Wales 2018 Australia
(72) Name(s) of Designer(s): **Charlie Brown**
(45) Registration Date: **04 May 2011**
(56) Related Art Documents: **Not Applicable**
(57) Statement of Newness and Distinctiveness: **Nil**



(21) Design Number: **10609/2011**
(22) Date of Filing Application: **17 February 2011**
(24) Date from which industrial property rights may have effect: **17 February 2011**
(54) Product in respect of which the design is registered: **"SATIN" Ruche sleeve tunic**
(51) International Design Classification: **02-02C**
(74) Name(s) of Attorney(s):
(71) Name(s) and Address(s) of Applicant(s):
Discovery Clothing Company Pty Ltd
10/26-34 Dunning Avenue Rosebery New South Wales 2018 Australia
(72) Name(s) of Designer(s): **Charlie Brown**
(45) Registration Date: **04 May 2011**
(56) Related Art Documents: **Not Applicable**
(57) Statement of Newness and Distinctiveness: **Nil**



- (21) Design Number: **10610/2011**
(22) Date of Filing Application: **17 February 2011**
(24) Date from which industrial property rights may have effect: **17 February 2011**
(54) Product in respect of which the design is registered: **"PROM" Cowl neck dress**
(51) International Design Classification: **02-02C**
(74) Name(s) of Attorney(s):
(71) Name(s) and Address(s) of Applicant(s):
Discovery Clothing Company Pty Ltd
10/26-34 Dunning Avenue Rosebery New South Wales 2018 Australia
(72) Name(s) of Designer(s): **Charlie Brown**
(45) Registration Date: **04 May 2011**
(56) Related Art Documents: **Not Applicable**
(57) Statement of Newness and Distinctiveness: **Nil**



- (21) Design Number: **10611/2011**
(22) Date of Filing Application: **17 February 2011**
(24) Date from which industrial property rights may have effect: **17 February 2011**
(54) Product in respect of which the design is registered: **"ARTIFICIAL" Tie front dress**
(51) International Design Classification: **02-02C**
(74) Name(s) of Attorney(s):
(71) Name(s) and Address(s) of Applicant(s):
Discovery Clothing Company Pty Ltd
10/26-34 Dunning Avenue Rosebery New South Wales 2018 Australia
(72) Name(s) of Designer(s): **Charlie Brown**
(45) Registration Date: **04 May 2011**
(56) Related Art Documents: **Not Applicable**
(57) Statement of Newness and Distinctiveness: **Nil**



- (21) Design Number: **10612/2011**
(22) Date of Filing Application: **17 February 2011**
(24) Date from which industrial property rights may have effect: **17 February 2011**
(54) Product in respect of which the design is registered: **"BE SEEN" Tie front tunic**
(51) International Design Classification: **02-02C**
(74) Name(s) of Attorney(s):
(71) Name(s) and Address(s) of Applicant(s):
Discovery Clothing Company Pty Ltd
10/26-34 Dunning Avenue Rosebery New South Wales 2018 Australia
(72) Name(s) of Designer(s): **Charlie Brown**
(45) Registration Date: **04 May 2011**
(56) Related Art Documents: **Not Applicable**
(57) Statement of Newness and Distinctiveness: **Nil**



- (21) Design Number: **10613/2011**
(22) Date of Filing Application: **17 February 2011**
(24) Date from which industrial property rights may have effect: **17 February 2011**
(54) Product in respect of which the design is registered: **"SERENITY" Ruche dress**
(51) International Design Classification: **02-02C**
(74) Name(s) of Attorney(s):
(71) Name(s) and Address(s) of Applicant(s):
Discovery Clothing Company Pty Ltd
10/26-34 Dunning Avenue Rosebery New South Wales 2018 Australia
(72) Name(s) of Designer(s): **Charlie Brown**
(45) Registration Date: **04 May 2011**
(56) Related Art Documents: **Not Applicable**
(57) Statement of Newness and Distinctiveness: **Nil**



(21) Design Number: **10614/2011**
(22) Date of Filing Application: **17 February 2011**
(24) Date from which industrial property rights may have effect: **17 February 2011**
(54) Product in respect of which the design is registered: **"HERITAGE" Empire dress**
(51) International Design Classification: **02-02C**
(74) Name(s) of Attorney(s):
(71) Name(s) and Address(s) of Applicant(s):
Discovery Clothing Company Pty Ltd
10/26-34 Dunning Avenue Rosebery New South Wales 2018 Australia
(72) Name(s) of Designer(s): **Charlie Brown**
(45) Registration Date: **04 May 2011**
(56) Related Art Documents: **Not Applicable**
(57) Statement of Newness and Distinctiveness: **Nil**



(21) Design Number: **10615/2011**
(22) Date of Filing Application: **17 February 2011**
(24) Date from which industrial property rights may have effect: **17 February 2011**
(54) Product in respect of which the design is registered: **"CHALK" Wrap top**
(51) International Design Classification: **02-02NES**
(74) Name(s) of Attorney(s):
(71) Name(s) and Address(s) of Applicant(s):
Discovery Clothing Company Pty Ltd
10/26-34 Dunning Avenue Rosebery New South Wales 2018 Australia
(72) Name(s) of Designer(s): **Charlie Brown**
(45) Registration Date: **04 May 2011**
(56) Related Art Documents: **Not Applicable**
(57) Statement of Newness and Distinctiveness: **Nil**



(21) Design Number: **10628/2011**
(22) Date of Filing Application: **17 February 2011**
(24) Date from which industrial property rights may have effect: **17 February 2011**
(54) Product in respect of which the design is registered: **"NOVELTY" Rouche front dress**
(51) International Design Classification: **02-02C**
(74) Name(s) of Attorney(s):
(71) Name(s) and Address(s) of Applicant(s):
Discovery Clothing Company Pty Ltd
10/26-34 Dunning Avenue Rosebery New South Wales 2018 Australia
(72) Name(s) of Designer(s): **Charlie Brown**
(45) Registration Date: **04 May 2011**
(56) Related Art Documents: **Not Applicable**
(57) Statement of Newness and Distinctiveness: **Nil**



(21) Design Number: **10629/2011**
(22) Date of Filing Application: **17 February 2011**
(24) Date from which industrial property rights may have effect: **17 February 2011**
(54) Product in respect of which the design is registered: **"LOOKING UP" Rouche front dress**
(51) International Design Classification: **02-02C**
(74) Name(s) of Attorney(s):
(71) Name(s) and Address(s) of Applicant(s):
Discovery Clothing Company Pty Ltd
10/26-34 Dunning Avenue Rosebery New South Wales 2018 Australia
(72) Name(s) of Designer(s): **Charlie Brown**
(45) Registration Date: **04 May 2011**
(56) Related Art Documents: **Not Applicable**
(57) Statement of Newness and Distinctiveness: **Nil**



- (21) Design Number: **10630/2011**
(22) Date of Filing Application: **17 February 2011**
(24) Date from which industrial property rights may have effect: **17 February 2011**
(54) Product in respect of which the design is registered: **"REALITY" drape tunic**
(51) International Design Classification: **02-02C**
(74) Name(s) of Attorney(s):
(71) Name(s) and Address(s) of Applicant(s):
Discovery Clothing Company Pty Ltd
10/26-34 Dunning Avenue Rosebery New South Wales 2018 Australia
(72) Name(s) of Designer(s): **Charlie Brown**
(45) Registration Date: **04 May 2011**
(56) Related Art Documents: **Not Applicable**
(57) Statement of Newness and Distinctiveness: **Nil**



- (21) Design Number: **10616/2011**
(22) Date of Filing Application: **17 February 2011**
(24) Date from which industrial property rights may have effect: **17 February 2011**
(54) Product in respect of which the design is registered: **"PUCCI" Panel detail tunic**
(51) International Design Classification: **02-02C**
(74) Name(s) of Attorney(s):
(71) Name(s) and Address(s) of Applicant(s):
Discovery Clothing Company Pty Ltd
10/26-34 Dunning Avenue Rosebery New South Wales 2018 Australia
(72) Name(s) of Designer(s): **Charlie Brown**
(45) Registration Date: **04 May 2011**
(56) Related Art Documents: **Not Applicable**
(57) Statement of Newness and Distinctiveness: **Nil**



(21) Design Number: **10617/2011**
(22) Date of Filing Application: **17 February 2011**
(24) Date from which industrial property rights may have effect: **17 February 2011**
(54) Product in respect of which the design is registered: **"COLLAPSE" Frill front dress**
(51) International Design Classification: **02-02C**
(74) Name(s) of Attorney(s):
(71) Name(s) and Address(s) of Applicant(s):
Discovery Clothing Company Pty Ltd
10/26-34 Dunning Avenue Rosebery New South Wales 2018 Australia
(72) Name(s) of Designer(s): **Charlie Brown**
(45) Registration Date: **04 May 2011**
(56) Related Art Documents: **Not Applicable**
(57) Statement of Newness and Distinctiveness: **Nil**



(21) Design Number: **10618/2011**
(22) Date of Filing Application: **17 February 2011**
(24) Date from which industrial property rights may have effect: **17 February 2011**
(54) Product in respect of which the design is registered: **"EASTERN" Kimino detail top**
(51) International Design Classification: **02-02NES**
(74) Name(s) of Attorney(s):
(71) Name(s) and Address(s) of Applicant(s):
Discovery Clothing Company Pty Ltd
10/26-34 Dunning Avenue Rosebery New South Wales 2018 Australia
(72) Name(s) of Designer(s): **Charlie Brown**
(45) Registration Date: **04 May 2011**
(56) Related Art Documents: **Not Applicable**
(57) Statement of Newness and Distinctiveness: **Nil**



(21) Design Number: **10619/2011**
(22) Date of Filing Application: **17 February 2011**
(24) Date from which industrial property rights may have effect: **17 February 2011**
(54) Product in respect of which the design is registered: **"UNDRESS" Wrap dress**
(51) International Design Classification: **02-02C**
(74) Name(s) of Attorney(s):
(71) Name(s) and Address(s) of Applicant(s):
Discovery Clothing Company Pty Ltd
10/26-34 Dunning Avenue Rosebery New South Wales 2018 Australia
(72) Name(s) of Designer(s): **Charlie Brown**
(45) Registration Date: **04 May 2011**
(56) Related Art Documents: **Not Applicable**
(57) Statement of Newness and Distinctiveness: **Nil**



(21) Design Number: **10620/2011**
(22) Date of Filing Application: **17 February 2011**
(24) Date from which industrial property rights may have effect: **17 February 2011**
(54) Product in respect of which the design is registered: **"EXPERIENCE" Empire dress**
(51) International Design Classification: **02-02C**
(74) Name(s) of Attorney(s):
(71) Name(s) and Address(s) of Applicant(s):
Discovery Clothing Company Pty Ltd
10/26-34 Dunning Avenue Rosebery New South Wales 2018 Australia
(72) Name(s) of Designer(s): **Charlie Brown**
(45) Registration Date: **04 May 2011**
(56) Related Art Documents: **Not Applicable**
(57) Statement of Newness and Distinctiveness: **Nil**



(21) Design Number: **10621/2011**
(22) Date of Filing Application: **17 February 2011**
(24) Date from which industrial property rights may have effect: **17 February 2011**
(54) Product in respect of which the design is registered: **"SENSUAL" Drape dress**
(51) International Design Classification: **02-02C**
(74) Name(s) of Attorney(s):
(71) Name(s) and Address(s) of Applicant(s):
Discovery Clothing Company Pty Ltd
10/26-34 Dunning Avenue Rosebery New South Wales 2018 Australia
(72) Name(s) of Designer(s): **Charlie Brown**
(45) Registration Date: **04 May 2011**
(56) Related Art Documents: **Not Applicable**
(57) Statement of Newness and Distinctiveness: **Nil**



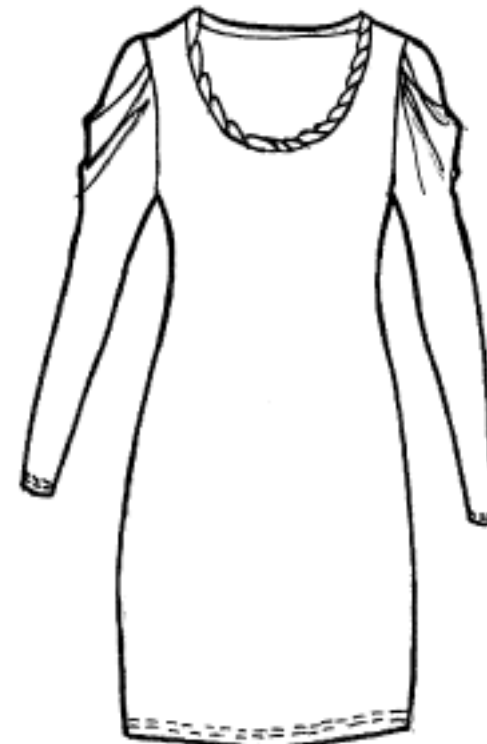
(21) Design Number: **10622/2011**
(22) Date of Filing Application: **17 February 2011**
(24) Date from which industrial property rights may have effect: **17 February 2011**
(54) Product in respect of which the design is registered: **"UNDRESS" Wrap dress**
(51) International Design Classification: **02-02C**
(74) Name(s) of Attorney(s):
(71) Name(s) and Address(s) of Applicant(s):
Discovery Clothing Company Pty Ltd
10/26-34 Dunning Avenue Rosebery New South Wales 2018 Australia
(72) Name(s) of Designer(s): **Charlie Brown**
(45) Registration Date: **04 May 2011**
(56) Related Art Documents: **Not Applicable**
(57) Statement of Newness and Distinctiveness: **Nil**



(21) Design Number: **10623/2011**
(22) Date of Filing Application: **17 February 2011**
(24) Date from which industrial property rights may have effect: **17 February 2011**
(54) Product in respect of which the design is registered: **"SOCIETY" 1 shoulder dress**
(51) International Design Classification: **02-02C**
(74) Name(s) of Attorney(s):
(71) Name(s) and Address(s) of Applicant(s):
Discovery Clothing Company Pty Ltd
10/26-34 Dunning Avenue Rosebery New South Wales 2018 Australia
(72) Name(s) of Designer(s): **Charlie Brown**
(45) Registration Date: **04 May 2011**
(56) Related Art Documents: **Not Applicable**
(57) Statement of Newness and Distinctiveness: **Nil**



(21) Design Number: **10624/2011**
(22) Date of Filing Application: **17 February 2011**
(24) Date from which industrial property rights may have effect: **17 February 2011**
(54) Product in respect of which the design is registered: **"EXODUS" Sleeve detail tunic**
(51) International Design Classification: **02-02C**
(74) Name(s) of Attorney(s):
(71) Name(s) and Address(s) of Applicant(s):
Discovery Clothing Company Pty Ltd
10/26-34 Dunning Avenue Rosebery New South Wales 2018 Australia
(72) Name(s) of Designer(s): **Charlie Brown**
(45) Registration Date: **04 May 2011**
(56) Related Art Documents: **Not Applicable**
(57) Statement of Newness and Distinctiveness: **Nil**



- (21) Design Number: **10625/2011**
(22) Date of Filing Application: **17 February 2011**
(24) Date from which industrial property rights may have effect: **17 February 2011**
(54) Product in respect of which the design is registered: **"FLUID" Wrap front dress**
(51) International Design Classification: **02-02C**
(74) Name(s) of Attorney(s):
(71) Name(s) and Address(s) of Applicant(s):
Discovery Clothing Company Pty Ltd
10/26-34 Dunning Avenue Rosebery New South Wales 2018 Australia
(72) Name(s) of Designer(s): **Charlie Brown**
(45) Registration Date: **04 May 2011**
(56) Related Art Documents: **Not Applicable**
(57) Statement of Newness and Distinctiveness: **Nil**



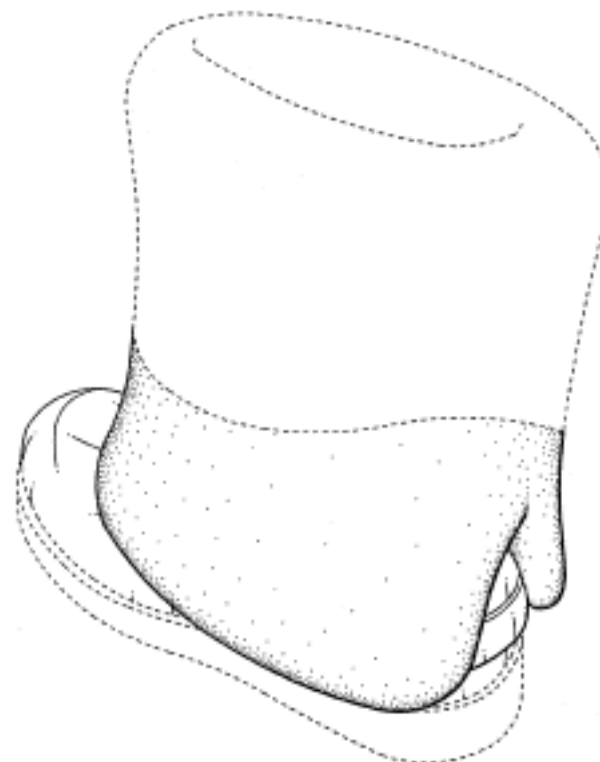
- (21) Design Number: **10626/2011**
(22) Date of Filing Application: **17 February 2011**
(24) Date from which industrial property rights may have effect: **17 February 2011**
(54) Product in respect of which the design is registered: **"HAMILTON" Drape tunic**
(51) International Design Classification: **02-02C**
(74) Name(s) of Attorney(s):
(71) Name(s) and Address(s) of Applicant(s):
Discovery Clothing Company Pty Ltd
10/26-34 Dunning Avenue Rosebery New South Wales 2018 Australia
(72) Name(s) of Designer(s): **Charlie Brown**
(45) Registration Date: **04 May 2011**
(56) Related Art Documents: **Not Applicable**
(57) Statement of Newness and Distinctiveness: **Nil**



(21) Design Number: **10627/2011**
(22) Date of Filing Application: **17 February 2011**
(24) Date from which industrial property rights may have effect: **17 February 2011**
(54) Product in respect of which the design is registered: **"STARLET" Rouche front dress**
(51) International Design Classification: **02-02C**
(74) Name(s) of Attorney(s):
(71) Name(s) and Address(s) of Applicant(s):
Discovery Clothing Company Pty Ltd
10/26-34 Dunning Avenue Rosebery New South Wales 2018 Australia
(72) Name(s) of Designer(s): **Charlie Brown**
(45) Registration Date: **04 May 2011**
(56) Related Art Documents: **Not Applicable**
(57) Statement of Newness and Distinctiveness: **Nil**



(21) Design Number: **11143/2011**
(22) Date of Filing Application: **17 March 2011**
(24) Date from which industrial property rights may have effect: **17 March 2011**
(54) Product in respect of which the design is registered: **Portion of a footwear upper**
(51) International Design Classification: **02-04NES**
(74) Name(s) of Attorney(s): **FB Rice**
(71) Name(s) and Address(s) of Applicant(s):
Deckers Outdoor Corporation
495-A South Fairview Avenue Goleta California 93117 United States of America
(72) Name(s) of Designer(s): **Leah Larson**
(45) Registration Date: **03 May 2011**
(30) Convention priority data:
(31) Number (32) Date (33) Country
29/383914 24 Jan 2011 UNITED STATES OF AMERICA
(56) Related Art Documents: **Not Applicable**
(57) Statement of Newness and Distinctiveness: **Newness and distinctiveness reside in the visual features of shape and configuration of the design shown in solid lines in the representations, in combination with the visual features of ornamentation derived from the use of a fur or faux fur. The features in broken lines should be disregarded.**



(21) Design Number: **11223/2011**
(22) Date of Filing Application: **22 March 2011**
(24) Date from which industrial property rights may have effect: **22 March 2011**
(54) Product in respect of which the design is registered: **Packaging for foodstuffs**
(51) International Design Classification: **09-03NES, 09-01C**
(74) Name(s) of Attorney(s): **PIZZEYS**
(71) Name(s) and Address(s) of Applicant(s):
Kruger GmbH & Co. KG
Senefelderstrasse 44 Bergisch Gladbach 51469 Germany
(72) Name(s) of Designer(s): **Willibert Kruger**
(45) Registration Date: **03 May 2011**
(30) Convention priority data:
(31) Number (32) Date (33) Country
DM/075 120 11 Jan 2011 WORLD INTELLECTUAL
PROPERTY ORGANIZATION
(WIPO)
(56) Related Art Documents: **Not Applicable**
(57) Statement of Newness and Distinctiveness: **Nil**



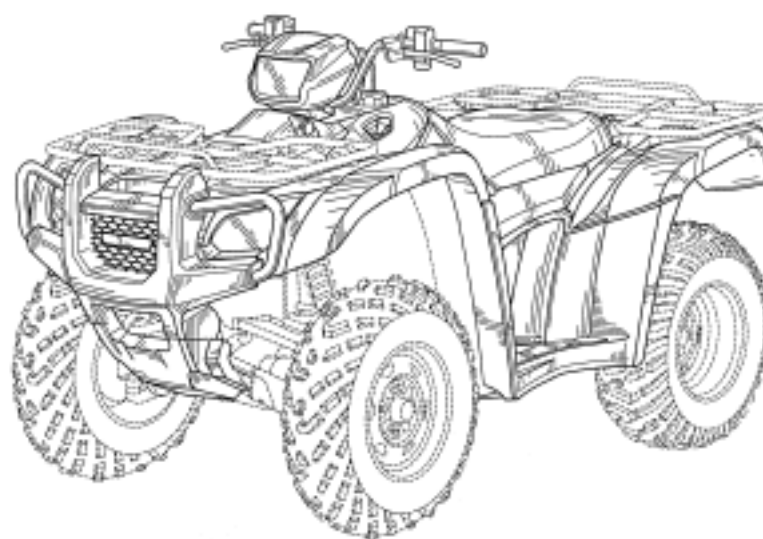
(21) Design Number: **11224/2011**
(22) Date of Filing Application: **22 March 2011**
(24) Date from which industrial property rights may have effect: **22 March 2011**
(54) Product in respect of which the design is registered: **Multi-chamber drinking vessel**
(51) International Design Classification: **07-01C**
(74) Name(s) of Attorney(s): **SPRUSON & FERGUSON**
(71) Name(s) and Address(s) of Applicant(s):
Florian Enghard
Wiesenstrasse 17 D-65842 Sulzbach Germany
(72) Name(s) of Designer(s): **Florian Enghard**
(45) Registration Date: **03 May 2011**
(30) Convention priority data:
(31) Number (32) Date (33) Country
40 2010005005.3 22 Sep 2010 GERMANY
(56) Related Art Documents: **Not Applicable**
(57) Statement of Newness and Distinctiveness: **Newness and distinctiveness is claimed in the features of shape and/or configuration of a multi-chamber drinking vessel as illustrated in the accompanying representations.**



(21) Design Number: **11225/2011**
(22) Date of Filing Application: **22 March 2011**
(24) Date from which industrial property rights may have effect: **22 March 2011**
(54) Product in respect of which the design is registered: **Drinking vessel**
(51) International Design Classification: **07-01C**
(74) Name(s) of Attorney(s): **SPRUSON & FERGUSON**
(71) Name(s) and Address(s) of Applicant(s):
Florian Enghard
Wiesenstrasse 17 D-65842 Sulzbach Germany
(72) Name(s) of Designer(s): **Florian Enghard**
(45) Registration Date: **03 May 2011**
(30) Convention priority data:
(31) Number (32) Date (33) Country
40 2010005004.5 22 Sep 2010 GERMANY
(56) Related Art Documents: **Not Applicable**
(57) Statement of Newness and Distinctiveness: **Newness and distinctiveness is claimed in the features of shape and/or configuration of a drinking vessel as illustrated in the accompanying representations.**



(21) Design Number: **11226/2011**
(22) Date of Filing Application: **22 March 2011**
(24) Date from which industrial property rights may have effect: **22 March 2011**
(54) Product in respect of which the design is registered: **Saddle type vehicle**
(51) International Design Classification: **12-11**
(74) Name(s) of Attorney(s): **SPRUSON & FERGUSON**
(71) Name(s) and Address(s) of Applicant(s):
Honda Motor Company, Ltd.
1-1 Minami-Aoyama 2 chome Minato-ku Tokyo Japan
(72) Name(s) of Designer(s): **Daisuke Nagao and Ramon Meneses and Jessica Vera and Eric Chin and Hiroyuki Miyazaki and Takeshi Tajima and Daisuke Soeno**
(45) Registration Date: **03 May 2011**
(30) Convention priority data:
(31) Number (32) Date (33) Country
29/376076 01 Oct 2010 UNITED STATES OF AMERICA
(56) Related Art Documents: **Not Applicable**
(57) Statement of Newness and Distinctiveness: **Newness and distinctiveness is claimed in the features of shape and/or configuration of a saddle type vehicle as illustrated in solid lines in the accompanying representations.**



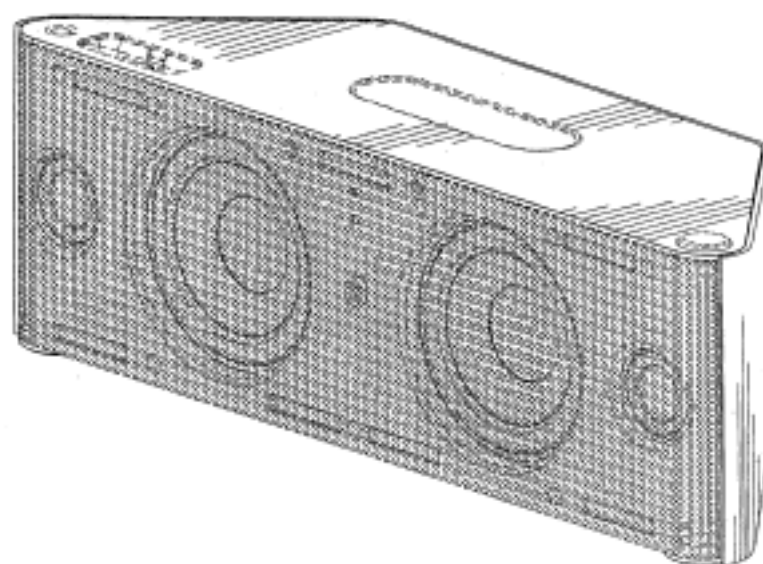
(21) Design Number: **11263/2011**
(22) Date of Filing Application: **23 March 2011**
(24) Date from which industrial property rights may have effect: **23 March 2011**
(54) Product in respect of which the design is registered: **Building board**
(51) International Design Classification: **25-01D**
(74) Name(s) of Attorney(s): **PIZZEYS**
(71) Name(s) and Address(s) of Applicant(s):
Nichiha Corporation
12 Shiodome-cho Minato-ku Nagoya-shi Aichi 455-8550 Japan
(72) Name(s) of Designer(s): **Tomonori Ota**
(45) Registration Date: **03 May 2011**
(56) Related Art Documents: **Not Applicable**
(57) Statement of Newness and Distinctiveness: **Nil**



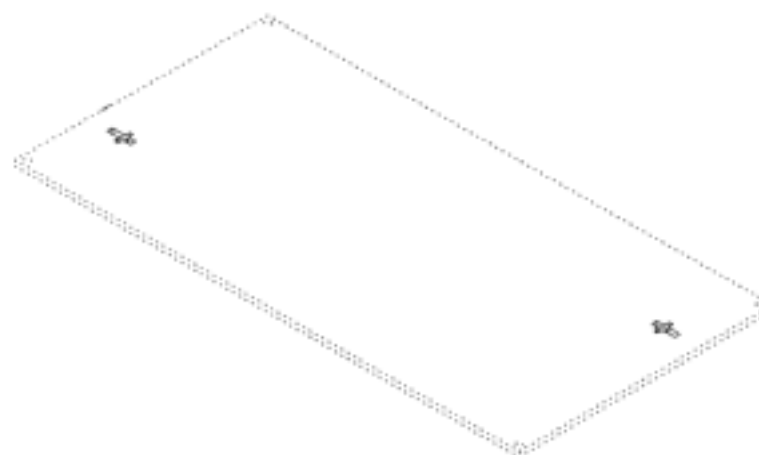
(21) Design Number: **11264/2011**
(22) Date of Filing Application: **23 March 2011**
(24) Date from which industrial property rights may have effect: **23 March 2011**
(54) Product in respect of which the design is registered: **Building board**
(51) International Design Classification: **25-01D**
(74) Name(s) of Attorney(s): **PIZZEYS**
(71) Name(s) and Address(s) of Applicant(s):
Nichiha Corporation
12 Shiodome-cho Minato-ku Nagoya-shi Aichi 455-8550 Japan
(72) Name(s) of Designer(s): **Masayoshi Yamada**
(45) Registration Date: **03 May 2011**
(56) Related Art Documents: **Not Applicable**
(57) Statement of Newness and Distinctiveness: **Nil**



- (21) Design Number: **11339/2011**
(22) Date of Filing Application: **28 March 2011**
(24) Date from which industrial property rights may have effect: **28 March 2011**
(54) Product in respect of which the design is registered: **Audio speaker system**
(51) International Design Classification: **14-01**
(74) Name(s) of Attorney(s): **SPRUSON & FERGUSON**
(71) Name(s) and Address(s) of Applicant(s):
Beats Electronics, LLC
2220 Colorado Avenue Santa Monica California 90404 United States of America
(72) Name(s) of Designer(s): **Robert Brunner and Kenny Sweet**
(45) Registration Date: **03 May 2011**
(30) Convention priority data:
(31) Number (32) Date (33) Country
29/375862 28 Sep 2010 UNITED STATES OF AMERICA
(56) Related Art Documents: **Not Applicable**
(57) Statement of Newness and Distinctiveness: **Newness and distinctiveness is claimed in the features of shape and/or configuration of an audio speaker system as illustrated in continuous lines in the accompanying representations.**



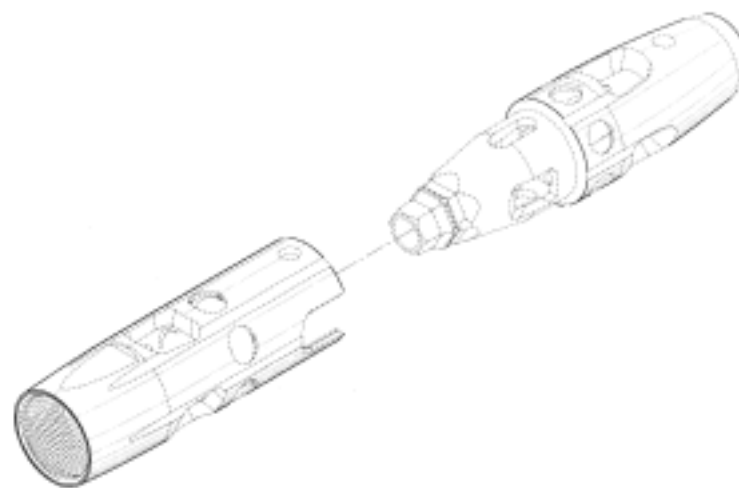
- (21) Design Number: **11447/2011**
(22) Date of Filing Application: **05 April 2011**
(24) Date from which industrial property rights may have effect: **05 April 2011**
(54) Product in respect of which the design is registered: **A road plate**
(51) International Design Classification: **25-02NES**
(74) Name(s) of Attorney(s):
(71) Name(s) and Address(s) of Applicant(s):
Kenovations Pty Limited
Unit 3/16 Herbert Street Artarmon New South Wales 2064 Australia
(72) Name(s) of Designer(s): **Rory Campbell Kennard and Michael Grantham White**
(45) Registration Date: **03 May 2011**
(56) Related Art Documents: **Not Applicable**
(57) Statement of Newness and Distinctiveness: **The newness and distinctiveness of the design resides in the features of shape and/or configuration shown in unbroken lines in the accompanying representations.**



- (21) Design Number: **11446/2011**
(22) Date of Filing Application: **04 April 2011**
(24) Date from which industrial property rights may have effect: **04 April 2011**
(54) Product in respect of which the design is registered: **A rear combination lamp for a motor scooter**
(51) International Design Classification: **26-06**
(74) Name(s) of Attorney(s): **SPRUSON & FERGUSON**
(71) Name(s) and Address(s) of Applicant(s):
Honda Motor Co., Ltd.
1-1 Minami-Aoyama 2-Chome Minato-ku Tokyo Japan
(72) Name(s) of Designer(s): **Takehiro Ishikawa and Fujio Nakamura**
(45) Registration Date: **03 May 2011**
(30) Convention priority data:
(31) Number (32) Date (33) Country
2010-023714 04 Oct 2010 JAPAN
(56) Related Art Documents: **Not Applicable**
(57) Statement of Newness and Distinctiveness: **Newness and distinctiveness is claimed in the features of shape and/or configuration of a rear combination lamp for a motor scooter as illustrated in the accompanying representations.**



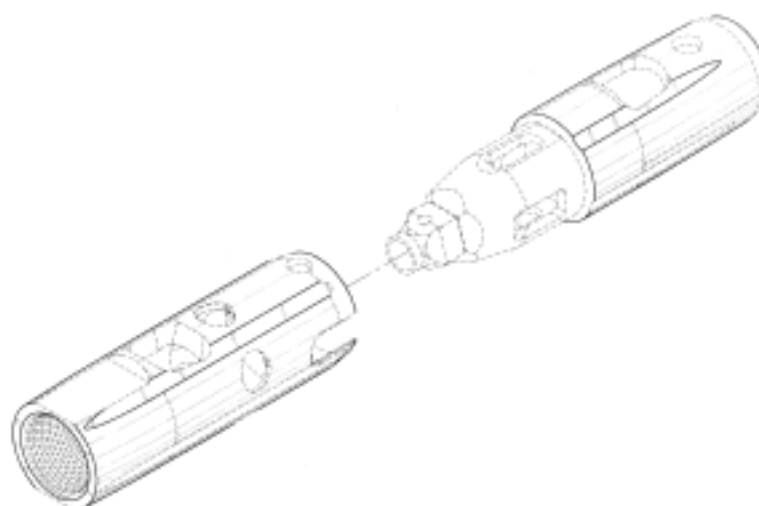
- (21) Design Number: **11492/2011**
(22) Date of Filing Application: **06 April 2011**
(24) Date from which industrial property rights may have effect: **06 April 2011**
(54) Product in respect of which the design is registered: **Core barrel head assembly with tapered design**
(51) International Design Classification: **08-01**
(74) Name(s) of Attorney(s): **Cotters Patent & Trade Mark Attorneys**
(71) Name(s) and Address(s) of Applicant(s):
Longyear TM, Inc.
10808 South River Front Parkway Suite 600 South Jordan Utah 84095
United States of America
(72) Name(s) of Designer(s): **Christopher L. Drenth**
(45) Registration Date: **03 May 2011**
(30) Convention priority data:
(31) Number (32) Date (33) Country
29/383,554 19 Jan 2011 UNITED STATES OF AMERICA
(56) Related Art Documents: **Not Applicable**
(57) Statement of Newness and Distinctiveness: **Newness and distinctiveness is claimed in the features of shape and/or configuration of a core barrel head assembly with tapered design as depicted in the accompanying drawings, and when considering the scope of monopoly protection sought, particular regard is to be given to the features shown in continuous line.**



(21) Design Number: **11493/2011**
(22) Date of Filing Application: **06 April 2011**
(24) Date from which industrial property rights may have effect: **06 April 2011**
(54) Product in respect of which the design is registered: **Core barrel head assembly with axial groove**
(51) International Design Classification: **08-01**
(74) Name(s) of Attorney(s): **Cotters Patent & Trade Mark Attorneys**
(71) Name(s) and Address(s) of Applicant(s):
Longyear TM, Inc.
10808 South River Front Parkway Suite 600 South Jordan Utah 84095
United States of America

(72) Name(s) of Designer(s): **Christopher L. Drenth**
(45) Registration Date: **03 May 2011**
(30) Convention priority data:
(31) Number (32) Date (33) Country
29/383,340 14 Jan 2011 UNITED STATES OF AMERICA

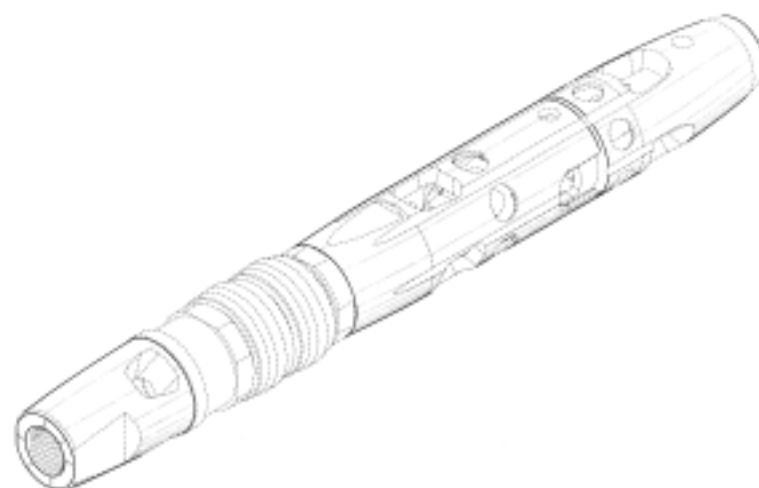
(56) Related Art Documents: **Not Applicable**
(57) Statement of Newness and Distinctiveness: **Newness and distinctiveness is claimed in the features of shape and/or configuration of a core barrel head assembly with axial groove as depicted in the accompanying drawings, and when considering the scope of monopoly protection sought, particular regard is to be given to the features shown in continuous line.**



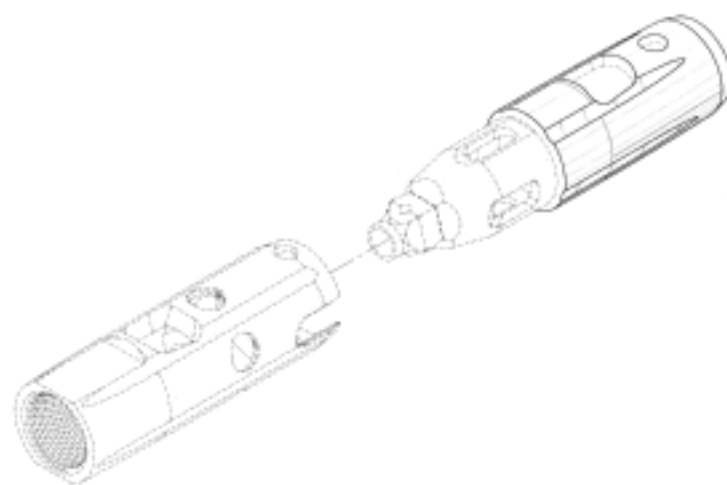
(21) Design Number: **11494/2011**
(22) Date of Filing Application: **06 April 2011**
(24) Date from which industrial property rights may have effect: **06 April 2011**
(54) Product in respect of which the design is registered: **Core barrel assembly with tapered design**
(51) International Design Classification: **08-01**
(74) Name(s) of Attorney(s): **Cotters Patent & Trade Mark Attorneys**
(71) Name(s) and Address(s) of Applicant(s):
Longyear TM, Inc.
10808 South River Front Parkway Suite 600 South Jordan Utah 84095
United States of America

(72) Name(s) of Designer(s): **Christopher L. Drenth**
(45) Registration Date: **03 May 2011**
(30) Convention priority data:
(31) Number (32) Date (33) Country
29/383,561 19 Jan 2011 UNITED STATES OF AMERICA

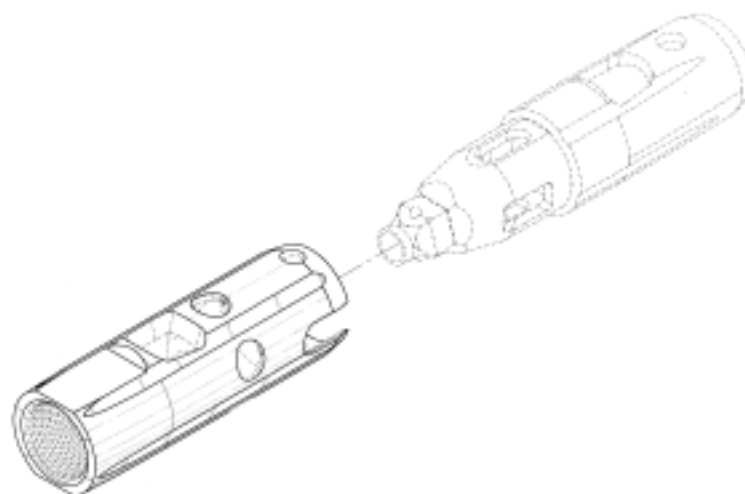
(56) Related Art Documents: **Not Applicable**
(57) Statement of Newness and Distinctiveness: **Newness and distinctiveness is claimed in the features of shape and/or configuration of a core barrel assembly with tapered design as depicted in the accompanying drawings, and when considering the scope of monopoly protection sought, particular regard is to be given to the features shown in continuous line.**



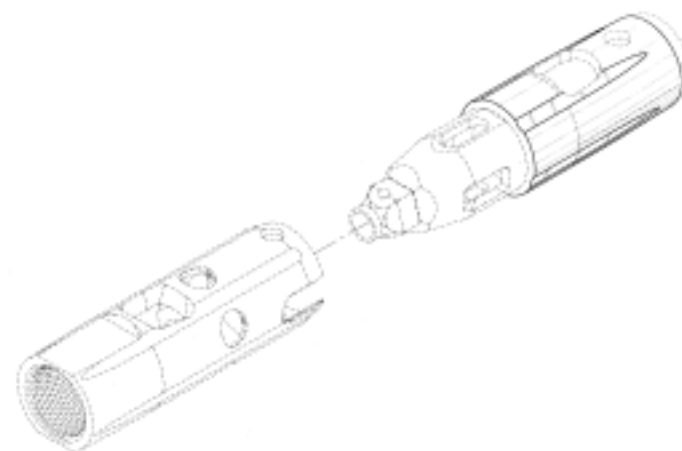
(21) Design Number: **11495/2011**
(22) Date of Filing Application: **06 April 2011**
(24) Date from which industrial property rights may have effect: **06 April 2011**
(54) Product in respect of which the design is registered: **Core barrel retracting case**
(51) International Design Classification: **08-01**
(74) Name(s) of Attorney(s): **Cotters Patent & Trade Mark Attorneys**
(71) Name(s) and Address(s) of Applicant(s):
Longyear TM, Inc.
10808 South River Front Parkway Suite 600 South Jordan Utah 84095
United States of America
(72) Name(s) of Designer(s): **Christopher L. Drenth**
(45) Registration Date: **03 May 2011**
(30) Convention priority data:
(31) Number (32) Date (33) Country
29/384,675 02 Feb 2011 UNITED STATES OF AMERICA
(56) Related Art Documents: **Not Applicable**
(57) Statement of Newness and Distinctiveness: **Newness and distinctiveness is claimed in the features of shape and/or configuration of a core barrel retracting case as depicted in the accompanying drawings, and when considering the scope of monopoly protection sought, particular regard is to be given to the features shown in continuous line.**



(21) Design Number: **11496/2011**
(22) Date of Filing Application: **06 April 2011**
(24) Date from which industrial property rights may have effect: **06 April 2011**
(54) Product in respect of which the design is registered: **Core barrel latch body**
(51) International Design Classification: **08-01**
(74) Name(s) of Attorney(s): **Cotters Patent & Trade Mark Attorneys**
(71) Name(s) and Address(s) of Applicant(s):
Longyear TM, Inc.
10808 South River Front Parkway Suite 600 South Jordan Utah 84095
United States of America
(72) Name(s) of Designer(s): **Christopher L. Drenth**
(45) Registration Date: **03 May 2011**
(30) Convention priority data:
(31) Number (32) Date (33) Country
29/384,681 02 Feb 2011 UNITED STATES OF AMERICA
(56) Related Art Documents: **Not Applicable**
(57) Statement of Newness and Distinctiveness: **Newness and distinctiveness is claimed in the features of shape and/or configuration of a core barrel latch body as depicted in the accompanying drawings, and when considering the scope of monopoly protection sought, particular regard is to be given to the features shown in continuous line.**

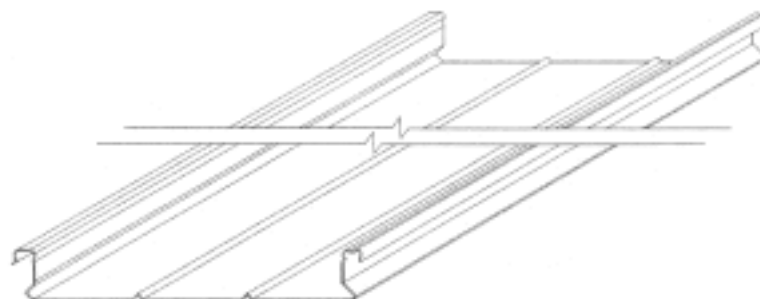


(21) Design Number: **11497/2011**
(22) Date of Filing Application: **06 April 2011**
(24) Date from which industrial property rights may have effect: **06 April 2011**
(54) Product in respect of which the design is registered: **Core barrel latch body with axial grooves**
(51) International Design Classification: **08-01**
(74) Name(s) of Attorney(s): **Cotters Patent & Trade Mark Attorneys**
(71) Name(s) and Address(s) of Applicant(s):
Longyear TM, Inc.
10808 South River Front Parkway Suite 600 South Jordan Utah 84095
United States of America



(72) Name(s) of Designer(s): **Christopher L. Drenth**
(45) Registration Date: **03 May 2011**
(30) Convention priority data:
(31) Number (32) Date (33) Country
29/383,572 19 Jan 2011 UNITED STATES OF AMERICA
(56) Related Art Documents: **Not Applicable**
(57) Statement of Newness and Distinctiveness: **Newness and distinctiveness is claimed in the features of shape and/or configuration of a core barrel latch body with axial grooves as depicted in the accompanying drawings, and when considering the scope of monopoly protection sought, particular regard is to be given to the features shown in continuous line.**

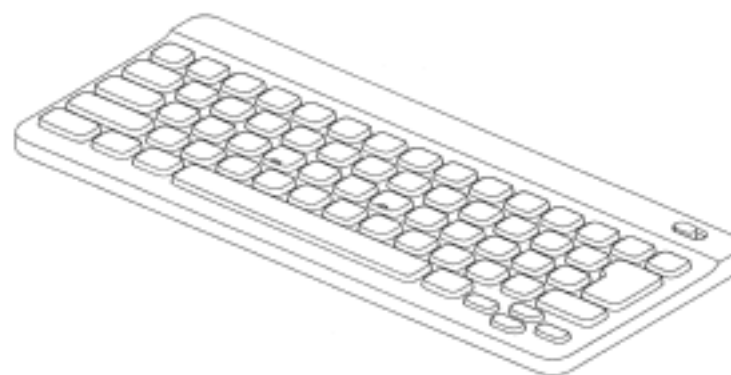
(21) Design Number: **11509/2011**
(22) Date of Filing Application: **08 April 2011**
(24) Date from which industrial property rights may have effect: **08 April 2011**
(54) Product in respect of which the design is registered: **Structural panel**
(51) International Design Classification: **25-01D**
(74) Name(s) of Attorney(s):
(71) Name(s) and Address(s) of Applicant(s):
First Building Inspectors Pty Ltd
29 Lancewood Court Robina Queensland 4226 Australia
(72) Name(s) of Designer(s): **Glenn Shefford**
(45) Registration Date: **03 May 2011**
(56) Related Art Documents: **Not Applicable**
(57) Statement of Newness and Distinctiveness: **Nil**



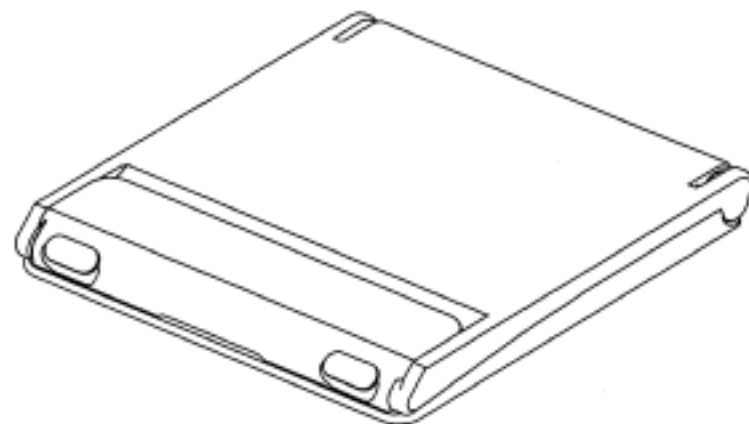
(21) Design Number: **10666/2011**
(22) Date of Filing Application: **22 February 2011**
(24) Date from which industrial property rights may have effect: **22 February 2011**
(54) Product in respect of which the design is registered: **3D glasses**
(51) International Design Classification: **16-06**
(74) Name(s) of Attorney(s): **Davies Collison Cave**
(71) Name(s) and Address(s) of Applicant(s):
Sharp Kabushiki Kaisha
22-22 Nagaïke-cho Abeno-ku Osaka Japan
(72) Name(s) of Designer(s): **Kuniharu Wakata and Yasuhiko Oda and Keiichiro Aou and Yoshito Fujii**
(45) Registration Date: **03 May 2011**
(30) Convention priority data:
(31) Number (32) Date (33) Country
2010-026297 02 Nov 2010 JAPAN
(56) Related Art Documents: **Not Applicable**
(57) Statement of Newness and Distinctiveness: **Nil**



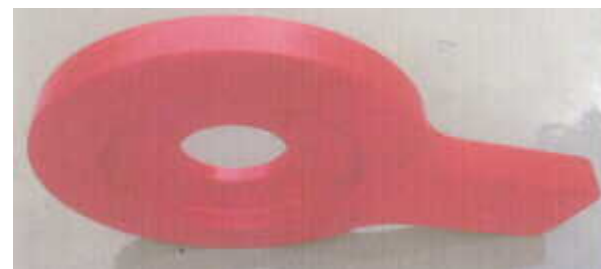
(21) Design Number: **11258/2011**
(22) Date of Filing Application: **23 March 2011**
(24) Date from which industrial property rights may have effect: **23 March 2011**
(54) Product in respect of which the design is registered: **A keyboard**
(51) International Design Classification: **14-02**
(74) Name(s) of Attorney(s): **Davies Collison Cave**
(71) Name(s) and Address(s) of Applicant(s):
Nintendo Co., Ltd.
11-1 Kamitoba Hokotate-cho Minami-ku Kyoto Japan
(72) Name(s) of Designer(s): **Kazuhiro Maruyama**
(45) Registration Date: **03 May 2011**
(30) Convention priority data:
(31) Number (32) Date (33) Country
2010-022890 24 Sep 2010 JAPAN
(56) Related Art Documents: **Not Applicable**
(57) Statement of Newness and Distinctiveness: **Nil**



- (21) Design Number: **11259/2011**
(22) Date of Filing Application: **23 March 2011**
(24) Date from which industrial property rights may have effect: **23 March 2011**
(54) Product in respect of which the design is registered: **Stand for a portable electronic computer**
(51) International Design Classification: **14-02**
(74) Name(s) of Attorney(s): **Davies Collison Cave**
(71) Name(s) and Address(s) of Applicant(s):
Nintendo Co., Ltd.
11-1 Kamitoba Hokotate-cho Minami-ku Kyoto Japan
(72) Name(s) of Designer(s): **Kazuhiro Maruyama and Masahiko Oota**
(45) Registration Date: **03 May 2011**
(30) Convention priority data:
(31) Number (32) Date (33) Country
2010-022891 24 Sep 2010 JAPAN
(56) Related Art Documents: **Not Applicable**
(57) Statement of Newness and Distinctiveness: **Newness and distinctiveness is claimed in the visual features shown in solid lines in the representations.**



- (21) Design Number: **11525/2011**
(22) Date of Filing Application: **11 April 2011**
(24) Date from which industrial property rights may have effect: **11 April 2011**
(54) Product in respect of which the design is registered: **Magnetic device for securing steel mesh used in mine roofing to the mining machine installing the mesh**
(51) International Design Classification: **15-04**
(74) Name(s) of Attorney(s):
(71) Name(s) and Address(s) of Applicant(s):
Victor Cassar
Unit 1 12 Jura Street Heatherbrae New South Wales 2324 Australia
(72) Name(s) of Designer(s): **Victor E. Cassar**
(45) Registration Date: **03 May 2011**
(56) Related Art Documents: **Not Applicable**
(57) Statement of Newness and Distinctiveness: **Solid round mesh magnet with tongue with a recessed base and round smooth corners to resist catching.**



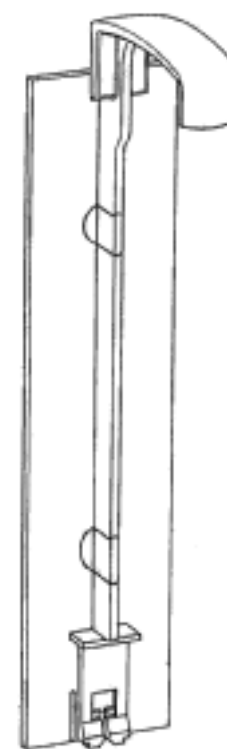
(21) Design Number: **11486/2011**
(22) Date of Filing Application: **06 April 2011**
(24) Date from which industrial property rights may have effect: **06 April 2011**
(54) Product in respect of which the design is registered: **Container**
(51) International Design Classification: **28-03NES**
(74) Name(s) of Attorney(s): **PHILLIPS ORMONDE FITZPATRICK**
(71) Name(s) and Address(s) of Applicant(s):
ADA Cosmetic GmbH
Rastatter Strasse 2 A 77694 Kehl Germany
(72) Name(s) of Designer(s): **Christoph Geiberger**
(45) Registration Date: **04 May 2011**
(30) Convention priority data:
(31) Number (32) Date (33) Country
001239016 11 Oct 2010 EUROPEAN COMMUNITY
(56) Related Art Documents: **Not Applicable**
(57) Statement of Newness and Distinctiveness: **Nil**



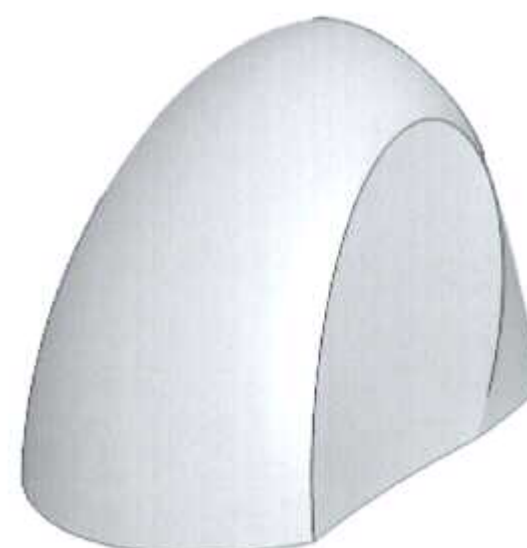
(21) Design Number: **11487/2011**
(22) Date of Filing Application: **06 April 2011**
(24) Date from which industrial property rights may have effect: **06 April 2011**
(54) Product in respect of which the design is registered: **Assembled container with wall holder**
(51) International Design Classification: **28-03NES**
(74) Name(s) of Attorney(s): **PHILLIPS ORMONDE FITZPATRICK**
(71) Name(s) and Address(s) of Applicant(s):
ADA Cosmetic GmbH
Rastatter Strasse 2 A 77694 Kehl Germany
(72) Name(s) of Designer(s): **Christoph Geiberger**
(45) Registration Date: **04 May 2011**
(30) Convention priority data:
(31) Number (32) Date (33) Country
001239016 11 Oct 2010 EUROPEAN COMMUNITY
(56) Related Art Documents: **Not Applicable**
(57) Statement of Newness and Distinctiveness: **Nil**



(21) Design Number: **11488/2011**
(22) Date of Filing Application: **06 April 2011**
(24) Date from which industrial property rights may have effect: **06 April 2011**
(54) Product in respect of which the design is registered: **Wall holder**
(51) International Design Classification: **08-08M, 28-03NES**
(74) Name(s) of Attorney(s): **PHILLIPS ORMONDE FITZPATRICK**
(71) Name(s) and Address(s) of Applicant(s):
ADA Cosmetic GmbH
Rastatter Strasse 2 A 77694 Kehl Germany
(72) Name(s) of Designer(s): **Christoph Geiberger**
(45) Registration Date: **04 May 2011**
(30) Convention priority data:
(31) Number (32) Date (33) Country
001239016 11 Oct 2010 EUROPEAN COMMUNITY
(56) Related Art Documents: **Not Applicable**
(57) Statement of Newness and Distinctiveness: **Nil**



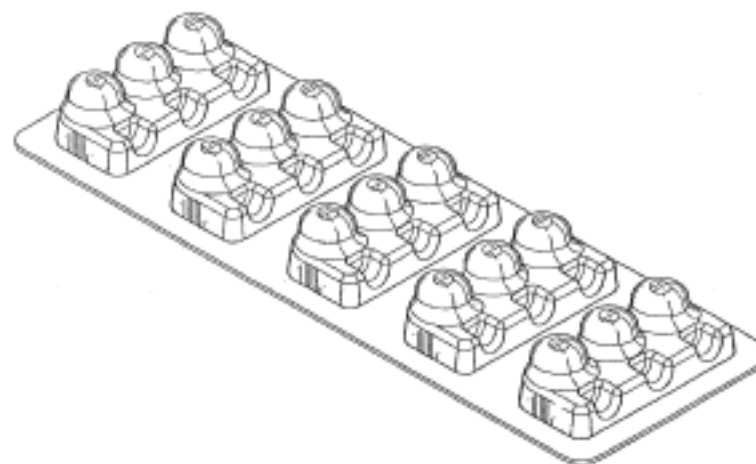
(21) Design Number: **11489/2011**
(22) Date of Filing Application: **06 April 2011**
(24) Date from which industrial property rights may have effect: **06 April 2011**
(54) Product in respect of which the design is registered: **Hand dryer**
(51) International Design Classification: **15-05**
(74) Name(s) of Attorney(s): **PHILLIPS ORMONDE FITZPATRICK**
(71) Name(s) and Address(s) of Applicant(s):
Stiebel Eltron GmbH & Co. KG.
Dr.-Stiebel-Strasse 37603 Holzminden Germany
(72) Name(s) of Designer(s): **Dirk Schumann**
(45) Registration Date: **04 May 2011**
(30) Convention priority data:
(31) Number (32) Date (33) Country
1243422-0003 04 Nov 2010 EUROPEAN COMMUNITY
(56) Related Art Documents: **Not Applicable**
(57) Statement of Newness and Distinctiveness: **Those features of the hand dryer depicted in the representations that are new and distinctive are the shape and/or configuration.**



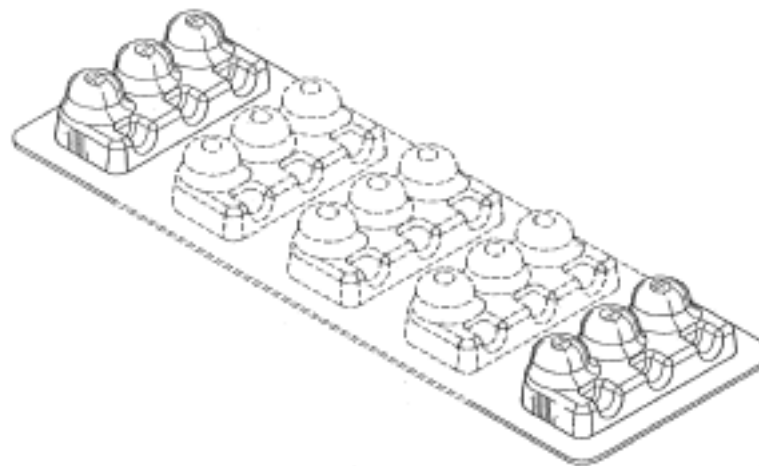
(21) Design Number: **11491/2011**
(22) Date of Filing Application: **06 April 2011**
(24) Date from which industrial property rights may have effect: **06 April 2011**
(54) Product in respect of which the design is registered: **Microwave oven**
(51) International Design Classification: **07-02B**
(74) Name(s) of Attorney(s): **FB Rice**
(71) Name(s) and Address(s) of Applicant(s):
LG Electronics Inc.
20 Yeouido-dong Yeongdeungpo-gu Seoul 150-721 Republic of Korea
(72) Name(s) of Designer(s): **Bo Hyun Nam and Jin Ju Kim and Hyoung Won Roh**
(45) Registration Date: **04 May 2011**
(30) Convention priority data:
(31) Number (32) Date (33) Country
30-2010-0043890 08 Oct 2010 REPUBLIC OF KOREA
(56) Related Art Documents: **Not Applicable**
(57) Statement of Newness and Distinctiveness: **Newness and distinctiveness reside in the features of the design as shown in the representations.**



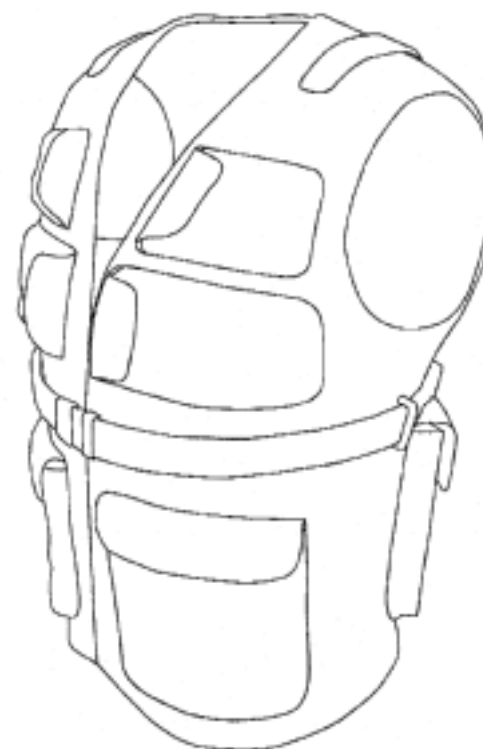
(21) Design Number: **11039/2011**
(22) Date of Filing Application: **11 March 2011**
(24) Date from which industrial property rights may have effect: **11 March 2011**
(54) Product in respect of which the design is registered: **Blister packaging**
(51) International Design Classification: **09-05**
(74) Name(s) of Attorney(s): **PIZZEYS**
(71) Name(s) and Address(s) of Applicant(s):
MannKind Corporation
28903 North Avenue Paine Valencia CA 91355 United States of America
(72) Name(s) of Designer(s): **Michael S. Bergey**
(45) Registration Date: **04 May 2011**
(30) Convention priority data:
(31) Number (32) Date (33) Country
29/375,859 28 Sep 2010 UNITED STATES OF AMERICA
(56) Related Art Documents: **Not Applicable**
(57) Statement of Newness and Distinctiveness: **Nil**



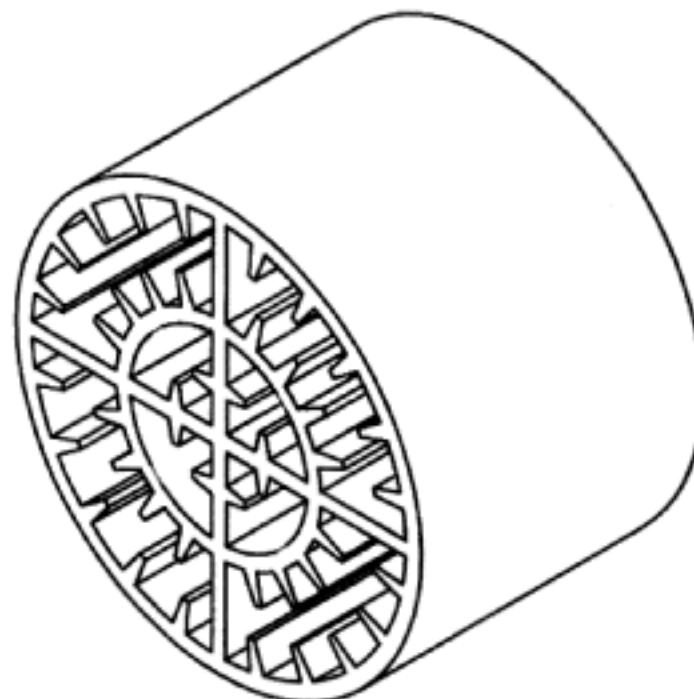
(21) Design Number: **11868/2011**
(22) Date of Filing Application: **11 March 2011**
(24) Date from which industrial property rights may have effect: **11 March 2011**
(54) Product in respect of which the design is registered: **Blister packaging**
(51) International Design Classification: **09-05**
(74) Name(s) of Attorney(s): **PIZZEYS**
(71) Name(s) and Address(s) of Applicant(s):
MannKind Corporation
28903 North Avenue Paine Valencia CA 91355 United States of America
(72) Name(s) of Designer(s): **Michael S. Bergey**
(45) Registration Date: **04 May 2011**
(30) Convention priority data:
(31) Number (32) Date (33) Country
29/375,859 28 Sep 2010 UNITED STATES OF AMERICA
(56) Related Art Documents: **Not Applicable**
(57) Statement of Newness and Distinctiveness: **Nil**



(21) Design Number: **11093/2011**
(22) Date of Filing Application: **15 March 2011**
(24) Date from which industrial property rights may have effect: **15 March 2011**
(54) Product in respect of which the design is registered: **A multi pocket vest/ jacket which can be transformed into a shoulder bag**
(51) International Design Classification: **02-02NES, 03-01A**
(74) Name(s) of Attorney(s):
(71) Name(s) and Address(s) of Applicant(s):
Katy Sau May Leung
72 Wardour Street London W1F 0TD United Kingdom
(72) Name(s) of Designer(s): **Katy Sau May Leung**
(45) Registration Date: **05 May 2011**
(30) Convention priority data:
(31) Number (32) Date (33) Country
001820713-0001 13 Feb 2011 SPAIN
(56) Related Art Documents: **Not Applicable**
(57) Statement of Newness and Distinctiveness: **I, Katy Sau May Leung hereby confirms that my design of a multi purpose vest/jacket can be transformed into a shoulder bag by folding the vest/jacket halfway, buckled at either end of the bottom part, and the strap at the waist could be lengthened, if desired, to use it as a shoulder strap.**



(21) Design Number: **11255/2011**
(22) Date of Filing Application: **23 March 2011**
(24) Date from which industrial property rights may have effect: **23 March 2011**
(54) Product in respect of which the design is registered: **Moving bed biofilm reactor media**
(51) International Design Classification: **23-01G**
(74) Name(s) of Attorney(s): **Shelston IP**
(71) Name(s) and Address(s) of Applicant(s):
Siemens Water Technologies Corp.
181 Thorn Hill Road Warrendale Pennsylvania 15086 United States of America
(72) Name(s) of Designer(s): **Todd Schwingle and Michael Casey Whittier and Colin McKean**
(45) Registration Date: **05 May 2011**
(30) Convention priority data:
(31) Number (32) Date (33) Country
29/375844 28 Sep 2010 UNITED STATES OF AMERICA
(56) Related Art Documents: **Not Applicable**
(57) Statement of Newness and Distinctiveness: **Newness and distinctiveness resides in the features of shape and/or configuration of the moving bed biofilm reactor media shown in the accompanying representations.**



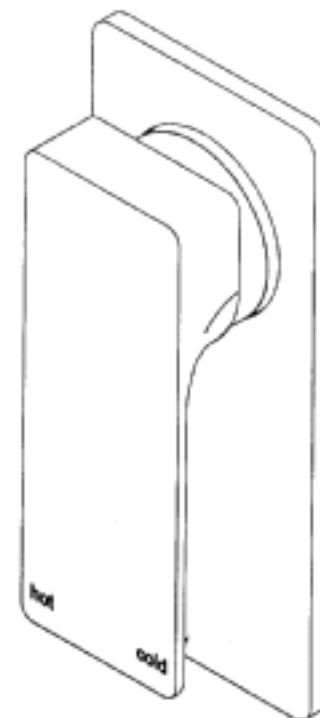
(21) Design Number: **11118/2011**
(22) Date of Filing Application: **15 March 2011**
(24) Date from which industrial property rights may have effect: **15 March 2011**
(54) Product in respect of which the design is registered: **Toner cartridge**
(51) International Design Classification: **18-02**
(74) Name(s) of Attorney(s): **Shelston IP**
(71) Name(s) and Address(s) of Applicant(s):
Fuji Xerox Co., Ltd.
7-3 Akasaka 9-chome Minato-ku Tokyo Japan
(72) Name(s) of Designer(s): **Kazuhiro Saito**
(45) Registration Date: **05 May 2011**
(30) Convention priority data:
(31) Number (32) Date (33) Country
2010-022194 15 Sep 2010 JAPAN
(56) Related Art Documents: **Not Applicable**
(57) Statement of Newness and Distinctiveness: **Newness and distinctiveness resides in the features of shape and/or configuration of the toner cartridge indicated in grey scale in the accompanying representations. The features shown in green in the accompanying representations form no part of the design.**



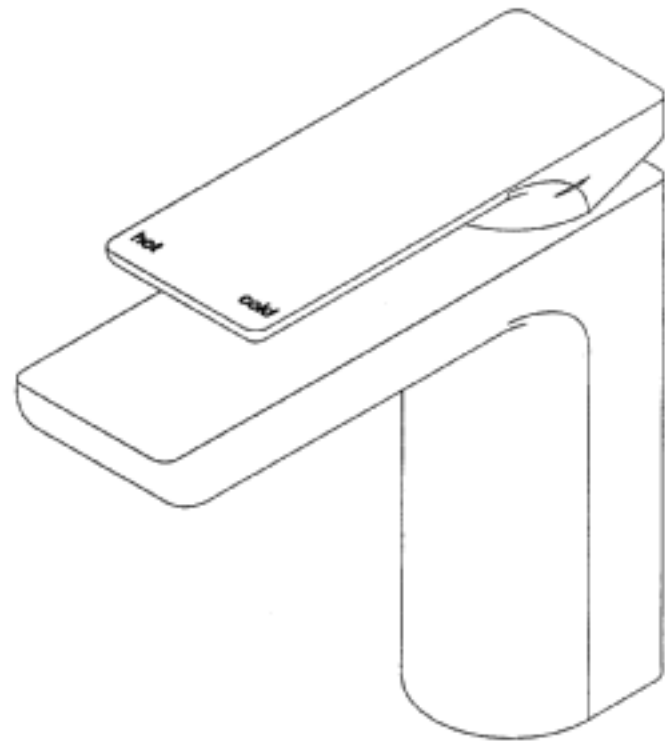
- (21) Design Number: **11469/2011**
(22) Date of Filing Application: **06 April 2011**
(24) Date from which industrial property rights may have effect: **06 April 2011**
(54) Product in respect of which the design is registered: **Re-usable fabric gift wrapping**
(51) International Design Classification: **05-05A**
(74) Name(s) of Attorney(s):
(71) Name(s) and Address(s) of Applicant(s):
Julie McCarthy
114 Mirrabooka Road Mallacoota Victoria 3165 Australia
(72) Name(s) of Designer(s): **Julie McCarthy**
(45) Registration Date: **05 May 2011**
(56) Related Art Documents: **Not Applicable**
(57) Statement of Newness and Distinctiveness: **The wrap is a fabric all-in-one gift wrap and/or book bag, which is washable and reusable. The ribbon is sewn into the bags structure to allow easy gift wrapping.**



- (21) Design Number: **11511/2011**
(22) Date of Filing Application: **07 April 2011**
(24) Date from which industrial property rights may have effect: **07 April 2011**
(54) Product in respect of which the design is registered: **Mixer tap**
(51) International Design Classification: **23-01H**
(74) Name(s) of Attorney(s): **Freehills Patent & Trade Mark Attorneys**
(71) Name(s) and Address(s) of Applicant(s):
Phoenix Industries Pty Ltd
20-22 Trade Place Vermont Victoria 3133 Australia
(72) Name(s) of Designer(s): **Ban Hsi Liu**
(45) Registration Date: **05 May 2011**
(56) Related Art Documents: **Not Applicable**
(57) Statement of Newness and Distinctiveness: **Nil**



(21) Design Number: **11512/2011**
(22) Date of Filing Application: **07 April 2011**
(24) Date from which industrial property rights may have effect: **07 April 2011**
(54) Product in respect of which the design is registered: **Mixer tap and spout**
(51) International Design Classification: **23-01H**
(74) Name(s) of Attorney(s): **Freehills Patent & Trade Mark Attorneys**
(71) Name(s) and Address(s) of Applicant(s):
Phoenix Industries Pty Ltd
20-22 Trade Place Vermont Victoria 3133 Australia
(72) Name(s) of Designer(s): **Ban Hsi Liu**
(45) Registration Date: **05 May 2011**
(56) Related Art Documents: **Not Applicable**
(57) Statement of Newness and Distinctiveness: **Nil**



(21) Design Number: **11673/2011**
(22) Date of Filing Application: **15 April 2011**
(24) Date from which industrial property rights may have effect: **15 April 2011**
(54) Product in respect of which the design is registered: **A woman's garment comprising beaded parts**
(51) International Design Classification: **02-02C**
(74) Name(s) of Attorney(s):
(71) Name(s) and Address(s) of Applicant(s):
Johanna Johnson
C/- Finn Roache Lawyers Level 5 22 Market Street Sydney New South Wales 2000 Australia
(72) Name(s) of Designer(s): **Johanna Johnson**
(45) Registration Date: **05 May 2011**
(56) Related Art Documents: **Not Applicable**
(57) Statement of Newness and Distinctiveness: **Nil**



(21) Design Number: **10118/2011**
(22) Date of Filing Application: **18 January 2011**
(24) Date from which industrial property rights may have effect: **18 January 2011**
(54) Product in respect of which the design is registered: **PCB for LED lighting**
(51) International Design Classification: **26-05E**
(74) Name(s) of Attorney(s):
(71) Name(s) and Address(s) of Applicant(s):

Cary Stallard
2 Chidley Place Rockingham Western Australia 6168 Australia

(72) Name(s) of Designer(s): **Cary Stallard**

(45) Registration Date: **05 May 2011**

(56) Related Art Documents: **Not Applicable**

(57) Statement of Newness and Distinctiveness: **The object of this design is to provide more surface area for the installation of led's achieving greater lumens by angling of the surfaces to provide more Led's in number, or a greater lighted area. The pcb will be made from suitable material and provide external surfaces as per the attached drawings in variable dimensions and angles to allow for the various sizes of led's to be installed. The overall width of the pcb will be such that it will fit into various led tubes, globes or any other purpose for which it may be used. Not limited to any electrical current input, nor shape or application. The length and width has infinite dimensions, as required for the purpose of the illumination area. It may also have multiple surface facets to provide for use in any direction up to and inclusive of octagonal.**



(21) Design Number: **10542/2011**
(22) Date of Filing Application: **17 February 2011**
(24) Date from which industrial property rights may have effect: **17 February 2011**
(54) Product in respect of which the design is registered: **Confectionery**
(51) International Design Classification: **01-01**
(74) Name(s) of Attorney(s): **PHILLIPS ORMONDE FITZPATRICK**
(71) Name(s) and Address(s) of Applicant(s):

Soremartec S.A.
Rue Joseph Netzer 5 B-6700 Arlon Belgium

(72) Name(s) of Designer(s): **Reka Enrico**

(45) Registration Date: **05 May 2011**

(30) Convention priority data:

(31) Number	(32) Date	(33) Country
DM/074132	23 Aug 2010	WORLD INTELLECTUAL PROPERTY ORGANIZATION (WIPO)

(56) Related Art Documents: **Not Applicable**

(57) Statement of Newness and Distinctiveness: **Nil**



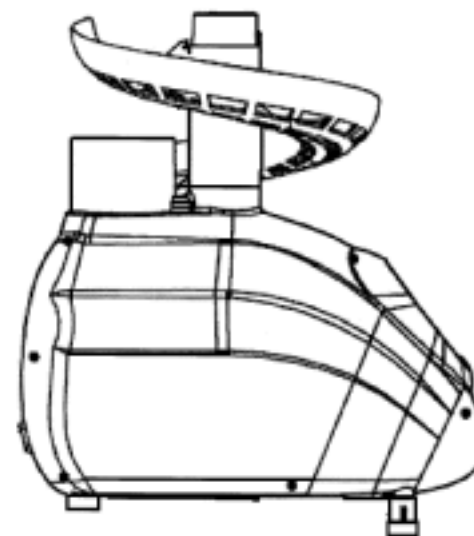
- (21) Design Number: **10664/2011**
(22) Date of Filing Application: **22 February 2011**
(24) Date from which industrial property rights may have effect: **22 February 2011**
(54) Product in respect of which the design is registered: **3D glasses**
(51) International Design Classification: **16-06**
(74) Name(s) of Attorney(s): **Davies Collison Cave**
(71) Name(s) and Address(s) of Applicant(s):
X6D Limited
199 Arch Makarios III Avenue Neocleous House 3030 Limassol Cyprus
(72) Name(s) of Designer(s): **Miha Klinar and Martin Sostaric and Andraz Sapec and Luka Stepan and Maria Costeira and Tjasa Vrhovnik and Jure Bezgovsek**
(45) Registration Date: **05 May 2011**
(30) Convention priority data:
(31) Number (32) Date (33) Country
29/368714 27 Aug 2010 UNITED STATES OF AMERICA
(56) Related Art Documents: **Not Applicable**
(57) Statement of Newness and Distinctiveness: **Newness and distinctiveness is claimed in the visual features of shape, configuration, pattern and/or ornamentation of the 3D Glasses shown in the representations.**



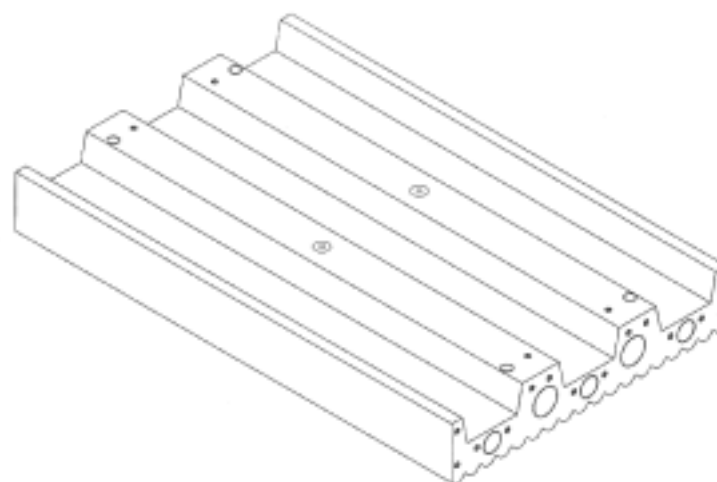
- (21) Design Number: **11038/2011**
(22) Date of Filing Application: **09 March 2011**
(24) Date from which industrial property rights may have effect: **09 March 2011**
(54) Product in respect of which the design is registered: **Beverage carrier with handles (designed for use with disposable paper cups)**
(51) International Design Classification: **09-03NES**
(74) Name(s) of Attorney(s):
(71) Name(s) and Address(s) of Applicant(s):
Elizabeth Johnson
317/12 Gregory Street Westcourt Queensland 4870 Australia
(72) Name(s) of Designer(s): **Elizabeth Johnson**
(45) Registration Date: **05 May 2011**
(56) Related Art Documents: **Not Applicable**
(57) Statement of Newness and Distinctiveness: **The design is unique in that the handles provide a safe and convenient method to carry hot or cold beverages in disposable paper cups with lids. Made of 80gsm Non Woven Polypropylene (NWPP/Eco Fabric) the beverage carrier is recyclable and light weight. The body shape of the carrier follows the lines of the disposable paper cup and is double-lined in NWPP, thus allowing heat or cold retention of the beverage. When ready to use the carrier, the handles easily open out allowing the beverages to be placed into the body of the carrier which remains taut due to the double-lining. When beverages are being carried, the handles of the carrier are placed as such to hold the disposable paper cup lid in place and the double-lining keeps the shape of the disposable paper cup intact. In addition to this, the carrier design removes the need for 'cup sleeves' and reduces the incidence of spillage. The design specifications are adjustable to fit disposable paper cups ranging in size from 8ozs to 20ozs.**



- (21) Design Number: **11442/2011**
(22) Date of Filing Application: **01 April 2011**
(24) Date from which industrial property rights may have effect: **01 April 2011**
(54) Product in respect of which the design is registered: **Ball launcher**
(51) International Design Classification: **21-02NES**
(74) Name(s) of Attorney(s): **Fisher Adams Kelly**
(71) Name(s) and Address(s) of Applicant(s):
Alvin International Pty Ltd
Suite 402 9-11 Claremont Street South Yarra 3141 Victoria Australia
(72) Name(s) of Designer(s): **Peter Yan**
(45) Registration Date: **05 May 2011**
(56) Related Art Documents: **Not Applicable**
(57) Statement of Newness and Distinctiveness: **Newness and distinctiveness resides in the shape and configuration of the ball launcher as shown in the accompanying representations.**



- (21) Design Number: **11453/2011**
(22) Date of Filing Application: **05 April 2011**
(24) Date from which industrial property rights may have effect: **05 April 2011**
(54) Product in respect of which the design is registered: **Railway sleeper support block**
(51) International Design Classification: **25-01E**
(74) Name(s) of Attorney(s): **Wrays**
(71) Name(s) and Address(s) of Applicant(s):
Newstyle Nominees Pty Ltd
45 Bygum Lane Martin Western Australia 6110 Australia
(72) Name(s) of Designer(s): **Jim Hughes**
(45) Registration Date: **05 May 2011**
(56) Related Art Documents: **Not Applicable**
(57) Statement of Newness and Distinctiveness: **Newness and distinctiveness are claimed in respect of the features of shape and configuration of the railway sleeper support block as depicted in the accompanying representations.**



(21) Design Number: **11503/2011**
(22) Date of Filing Application: **06 April 2011**
(24) Date from which industrial property rights may have effect: **06 April 2011**
(54) Product in respect of which the design is registered: **Bracelet**
(51) International Design Classification: **11-01C**
(74) Name(s) of Attorney(s): **SPRUSON & FERGUSON**
(71) Name(s) and Address(s) of Applicant(s):

Bulgari S.p.A.
Lungotevere Marzio 11 I-00186 Rome Italy

(72) Name(s) of Designer(s): **Paolo Bulgari**

(45) Registration Date: **05 May 2011**

(30) Convention priority data:

(31) Number	(32) Date	(33) Country
DM/074618	21 Oct 2010	EUROPEAN COMMUNITY

(56) Related Art Documents: **Not Applicable**

(57) Statement of Newness and Distinctiveness: **Newness and distinctiveness is claimed in the features of shape and/or configuration of a bracelet as illustrated in the accompanying representations.**



(21) Design Number: **11504/2011**
(22) Date of Filing Application: **06 April 2011**
(24) Date from which industrial property rights may have effect: **06 April 2011**
(54) Product in respect of which the design is registered: **Strap with pendant**
(51) International Design Classification: **11-01E**
(74) Name(s) of Attorney(s): **SPRUSON & FERGUSON**
(71) Name(s) and Address(s) of Applicant(s):

Bulgari S.p.A.
Lungotevere Marzio 11 I-00186 Rome Italy

(72) Name(s) of Designer(s): **Paolo Bulgari**

(45) Registration Date: **05 May 2011**

(30) Convention priority data:

(31) Number	(32) Date	(33) Country
DM/074596	08 Oct 2010	SWITZERLAND

(56) Related Art Documents: **Not Applicable**

(57) Statement of Newness and Distinctiveness: **Newness and distinctiveness is claimed in the features of shape and/or configuration of a strap with pendant as illustrated in the accompanying representations.**



(21) Design Number: **11505/2011**
(22) Date of Filing Application: **06 April 2011**
(24) Date from which industrial property rights may have effect: **06 April 2011**
(54) Product in respect of which the design is registered: **Ring**
(51) International Design Classification: **11-01A**
(74) Name(s) of Attorney(s): **SPRUSON & FERGUSON**
(71) Name(s) and Address(s) of Applicant(s):

Bulgari S.p.A.
Lungotevere Marzio 11 I-00186 Rome Italy

(72) Name(s) of Designer(s): **Paolo Bulgari**

(45) Registration Date: **05 May 2011**

(30) Convention priority data:

(31) Number	(32) Date	(33) Country
DM/074596	08 Oct 2010	SWITZERLAND

(56) Related Art Documents: **Not Applicable**

(57) Statement of Newness and Distinctiveness: **Newness and distinctiveness is claimed in the features of shape and/or configuration of a ring as illustrated in the accompanying representations.**



(21) Design Number: **11515/2011**
(22) Date of Filing Application: **07 April 2011**
(24) Date from which industrial property rights may have effect: **07 April 2011**
(54) Product in respect of which the design is registered: **Filter plate for a filter press**
(51) International Design Classification: **23-01G**
(74) Name(s) of Attorney(s): **SPRUSON & FERGUSON**
(71) Name(s) and Address(s) of Applicant(s):

Ishigaki Company Limited
1-1 Kyobashi 1-chome Chuo-ku Tokyo 104-0031 Japan

(72) Name(s) of Designer(s): **Nubuo Honda and Kazuhisa Otani and Yukitoshi Mitani**

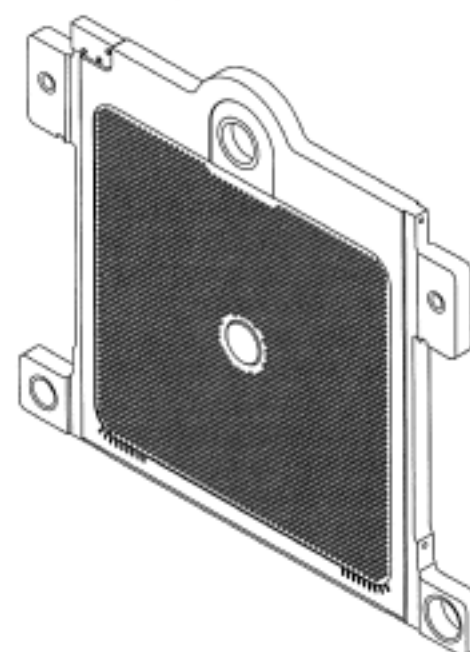
(45) Registration Date: **05 May 2011**

(30) Convention priority data:

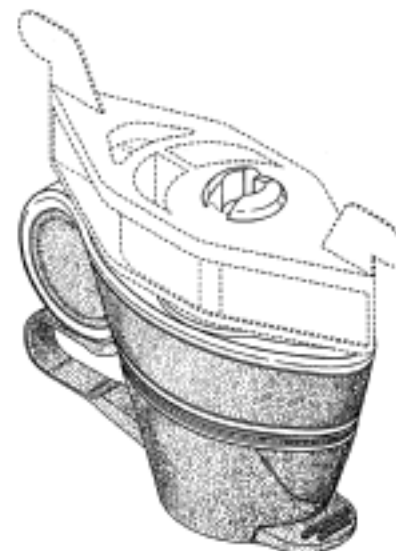
(31) Number	(32) Date	(33) Country
2010-025680	26 Oct 2010	JAPAN

(56) Related Art Documents: **Not Applicable**

(57) Statement of Newness and Distinctiveness: **Newness and distinctiveness is claimed in the features of shape and/or configuration of a filter plate for a filter press as illustrated in the accompanying representations.**



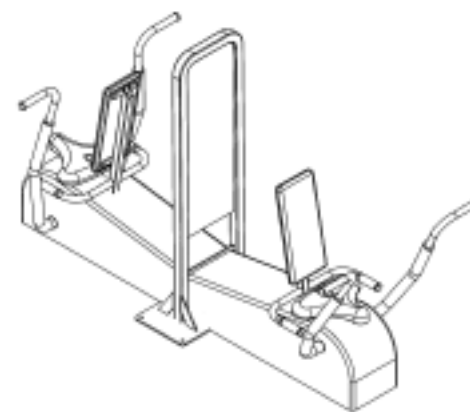
(21) Design Number: **11516/2011**
(22) Date of Filing Application: **07 April 2011**
(24) Date from which industrial property rights may have effect: **07 April 2011**
(54) Product in respect of which the design is registered: **Valve with tactile position indication**
(51) International Design Classification: **24-01**
(74) Name(s) of Attorney(s): **PHILLIPS ORMONDE FITZPATRICK**
(71) Name(s) and Address(s) of Applicant(s):
Hollister Incorporated
2000 Hollister Drive Libertyville Illinois 60048 United States of America
(72) Name(s) of Designer(s): **Daniel March and John F. Hannan and Terence King and Jakub Goczkowski**
(45) Registration Date: **05 May 2011**
(30) Convention priority data:
(31) Number (32) Date (33) Country
29/379,627 22 Nov 2010 UNITED STATES OF AMERICA
(56) Related Art Documents: **Not Applicable**
(57) Statement of Newness and Distinctiveness: **Those features of the valve with tactile position indication depicted in the representations that are new and distinctive are the shape and/or configuration. The features shown in broken line are not part of the design and are to be disregarded when considering the overall impression of the design.**



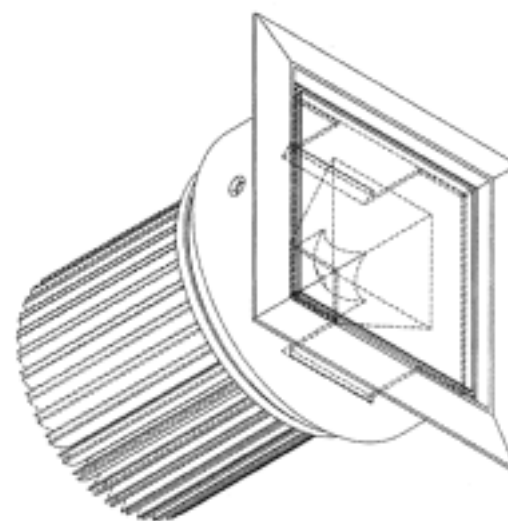
(21) Design Number: **14763/2010**
(22) Date of Filing Application: **04 November 2010**
(24) Date from which industrial property rights may have effect: **04 November 2010**
(54) Product in respect of which the design is registered: **Women's clothing**
(51) International Design Classification: **02-02C**
(74) Name(s) of Attorney(s): **MIDDLETONS**
(71) Name(s) and Address(s) of Applicant(s):
Beba Enterprises Pty Ltd
34 Garden Street South Yarra Victoria 3141 Australia
(72) Name(s) of Designer(s): **Arthur Soetedja**
(45) Registration Date: **07 May 2011**
(56) Related Art Documents: **Not Applicable**
(57) Statement of Newness and Distinctiveness: **Nil**



- (21) Design Number: **10953/2011**
(22) Date of Filing Application: **08 March 2011**
(24) Date from which industrial property rights may have effect: **08 March 2011**
(54) Product in respect of which the design is registered: **Exercise apparatus**
(51) International Design Classification: **21-02F**
(74) Name(s) of Attorney(s): **Knightsbridge Patent Attorneys**
(71) Name(s) and Address(s) of Applicant(s):
The Great Outdoor Gym Company Ltd
74 Highfields Road Highfields Caldecote Cambridge CB23 7NX United Kingdom
(72) Name(s) of Designer(s): **Jolyon Goodman**
(45) Registration Date: **07 May 2011**
(56) Related Art Documents: **Not Applicable**
(57) Statement of Newness and Distinctiveness: **Newness and distinctiveness are claimed in the features of shape and configuration for an exercise apparatus, as depicted in the accompanying drawings.**



- (21) Design Number: **11397/2011**
(22) Date of Filing Application: **30 March 2011**
(24) Date from which industrial property rights may have effect: **30 March 2011**
(54) Product in respect of which the design is registered: **Downlight**
(51) International Design Classification: **26-05C**
(74) Name(s) of Attorney(s): **Davies Collison Cave**
(71) Name(s) and Address(s) of Applicant(s):
Brightgreen Pty Ltd.
4/28 Down Street Collingwood Victoria 3066 Australia
(72) Name(s) of Designer(s): **David Mitchell O'Driscoll**
(45) Registration Date: **07 May 2011**
(56) Related Art Documents: **Not Applicable**
(57) Statement of Newness and Distinctiveness: **Newness and distinctiveness is claimed in the visual features shown in solid lines in the representations.**



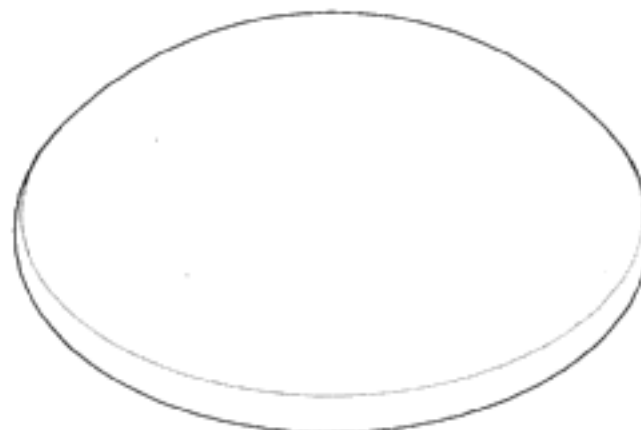
- (21) Design Number: **11472/2011**
(22) Date of Filing Application: **06 April 2011**
(24) Date from which industrial property rights may have effect: **06 April 2011**
(54) Product in respect of which the design is registered: **Headworks valve**
(51) International Design Classification: **23-01K**
(74) Name(s) of Attorney(s):
(71) Name(s) and Address(s) of Applicant(s):
Ramtaps Pty Ltd
556 Curtin Avenue East Eagle Farm Queensland 4009 Australia
(72) Name(s) of Designer(s): **Mark Davis and Michael Billett**
(45) Registration Date: **09 May 2011**
(56) Related Art Documents: **Not Applicable**
(57) Statement of Newness and Distinctiveness: **Monopoly is claimed in the features of the shape and/or configuration of the Ramseal as illustrated in the accompanying representations.**



- (21) Design Number: **11498/2011**
(22) Date of Filing Application: **06 April 2011**
(24) Date from which industrial property rights may have effect: **06 April 2011**
(54) Product in respect of which the design is registered: **Core barrel sleeve with axial grooves**
(51) International Design Classification: **08-01**
(74) Name(s) of Attorney(s): **Cotters Patent & Trade Mark Attorneys**
(71) Name(s) and Address(s) of Applicant(s):
Longyear TM, Inc.
10808 South River Front Parkway Suite 600 South Jordan Utah 84095
United States of America
(72) Name(s) of Designer(s): **Christopher L. Drenth**
(45) Registration Date: **09 May 2011**
(30) Convention priority data:
(31) Number (32) Date (33) Country
29/383,623 20 Jan 2011 UNITED STATES OF AMERICA
(56) Related Art Documents: **Not Applicable**
(57) Statement of Newness and Distinctiveness: **Newness and distinctiveness is claimed in the features of shape and/or configuration of a core barrel sleeve with axial grooves as depicted in the accompanying drawings, and when considering the scope of monopoly protection sought, particular regard is to be given to the features shown in continuous line.**



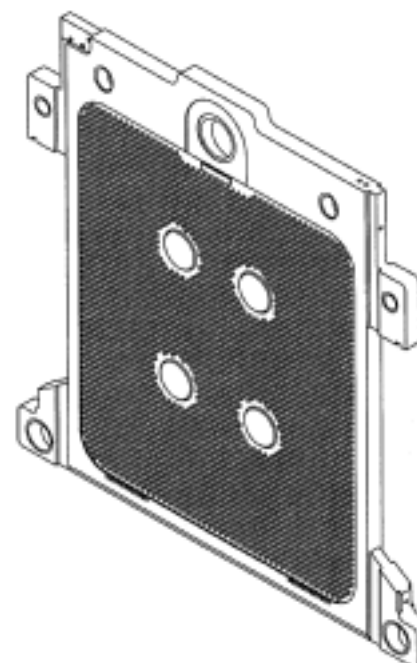
(21) Design Number: **11500/2011**
(22) Date of Filing Application: **06 April 2011**
(24) Date from which industrial property rights may have effect: **06 April 2011**
(54) Product in respect of which the design is registered: **A badge or pin**
(51) International Design Classification: **11-03**
(74) Name(s) of Attorney(s):
(71) Name(s) and Address(s) of Applicant(s):
Bluescape Investments Pty Limited
Suite 1 Level 2 66-70 Archer Street Chatswood New South Wales 2067
Australia
(72) Name(s) of Designer(s): **Kelly Walker and Grant Alan Walker**
(45) Registration Date: **09 May 2011**
(56) Related Art Documents: **Not Applicable**
(57) Statement of Newness and Distinctiveness: **The newness and distinctiveness of the design resides in the features of shape and/or configuration as shown in the accompanying representations.**



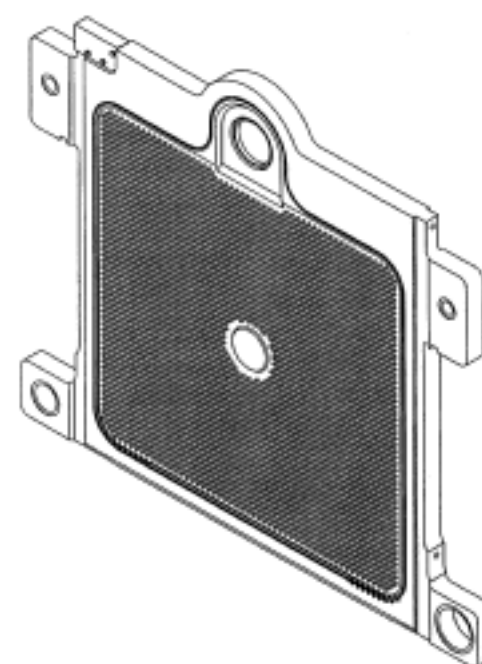
(21) Design Number: **11502/2011**
(22) Date of Filing Application: **06 April 2011**
(24) Date from which industrial property rights may have effect: **06 April 2011**
(54) Product in respect of which the design is registered: **Handheld electronic device**
(51) International Design Classification: **14-03E**
(74) Name(s) of Attorney(s): **SPRUSON & FERGUSON**
(71) Name(s) and Address(s) of Applicant(s):
Research in Motion Limited
295 Phillip Street Waterloo Ontario N2L 3W8 Canada
(72) Name(s) of Designer(s): **Joseph Michael Hofer and Todd Andrew Wood and Ingve Holmung and Norman Miner Ladouceur**
(45) Registration Date: **09 May 2011**
(30) Convention priority data:
(31) Number (32) Date (33) Country
29/377464 21 Oct 2010 UNITED STATES OF AMERICA
(56) Related Art Documents: **Not Applicable**
(57) Statement of Newness and Distinctiveness: **Newness and distinctiveness is claimed in the features of shape and/or configuration of a handheld electronic device as illustrated in the accompanying representations.**



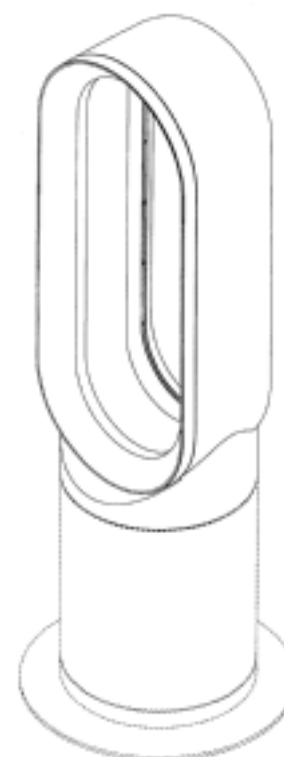
- (21) Design Number: **11513/2011**
(22) Date of Filing Application: **07 April 2011**
(24) Date from which industrial property rights may have effect: **07 April 2011**
(54) Product in respect of which the design is registered: **Filter plate for a filter press**
(51) International Design Classification: **23-01G**
(74) Name(s) of Attorney(s): **SPRUSON & FERGUSON**
(71) Name(s) and Address(s) of Applicant(s):
Ishigaki Company Limited
1-1 Kyobashi 1-chome Chuo-ku Tokyo 104-0031 Japan
(72) Name(s) of Designer(s): **Nobuo Honda and Yukitoshi Mitani and Kazuhisa Otani**
(45) Registration Date: **09 May 2011**
(30) Convention priority data:
(31) Number (32) Date (33) Country
2010-025680 26 Oct 2010 JAPAN
(56) Related Art Documents: **Not Applicable**
(57) Statement of Newness and Distinctiveness: **Newness and distinctiveness is claimed in the features of shape and/or configuration of a filter plate for a filter press as illustrated in the accompanying representations.**



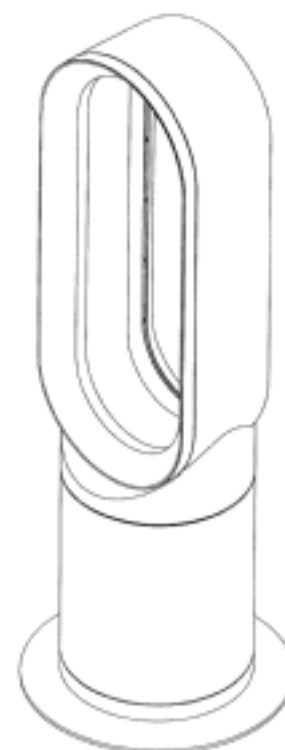
- (21) Design Number: **11514/2011**
(22) Date of Filing Application: **07 April 2011**
(24) Date from which industrial property rights may have effect: **07 April 2011**
(54) Product in respect of which the design is registered: **Filter plate for a filter press**
(51) International Design Classification: **23-01G**
(74) Name(s) of Attorney(s): **SPRUSON & FERGUSON**
(71) Name(s) and Address(s) of Applicant(s):
Ishigaki Company Limited
1-1 Kyobashi 1-chome Chuo-ku Tokyo 104-0031 Japan
(72) Name(s) of Designer(s): **Nobuo Honda and Yukitoshi Mitani and Kazuhisa Otani**
(45) Registration Date: **09 May 2011**
(30) Convention priority data:
(31) Number (32) Date (33) Country
2010-025680 26 Oct 2010 JAPAN
(56) Related Art Documents: **Not Applicable**
(57) Statement of Newness and Distinctiveness: **Newness and distinctiveness is claimed in the features of shape and/or configuration of a filter plate for a filter press as illustrated in the accompanying representations.**



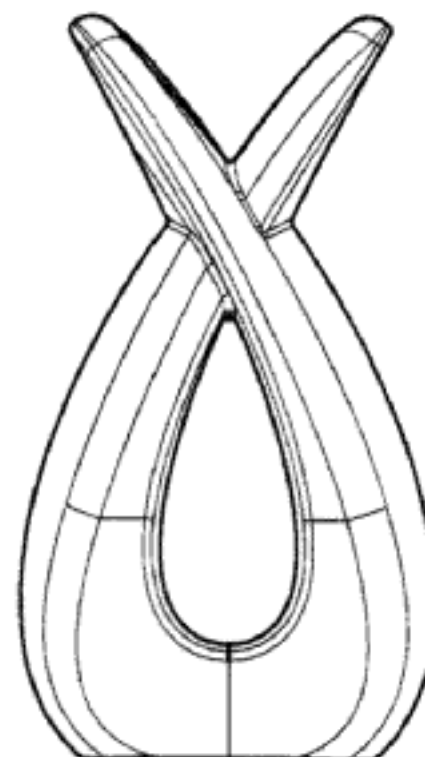
(21) Design Number: **10677/2011**
(22) Date of Filing Application: **23 February 2011**
(24) Date from which industrial property rights may have effect: **23 February 2011**
(54) Product in respect of which the design is registered: **Fan head or fan heater head**
(51) International Design Classification: **23-04**
(74) Name(s) of Attorney(s): **Shelston IP**
(71) Name(s) and Address(s) of Applicant(s):
Dyson Limited
Tetbury Hill Malmesbury Wiltshire SN16 0RP United Kingdom
(72) Name(s) of Designer(s): **John David Wallace and Chang Hin Choong**
(45) Registration Date: **10 May 2011**
(30) Convention priority data:
(31) Number (32) Date (33) Country
4016849 01 Sep 2010 UNITED KINGDOM
(56) Related Art Documents: **Not Applicable**
(57) Statement of Newness and Distinctiveness: **Newness and distinctiveness reside in the features of shape and/or configuration of a FAN HEAD OR FAN HEATER HEAD as illustrated in solid lines in the accompanying representations. The features illustrated in broken or discontinuous lines are shown for illustrative purposes only and do not form part of the design.**



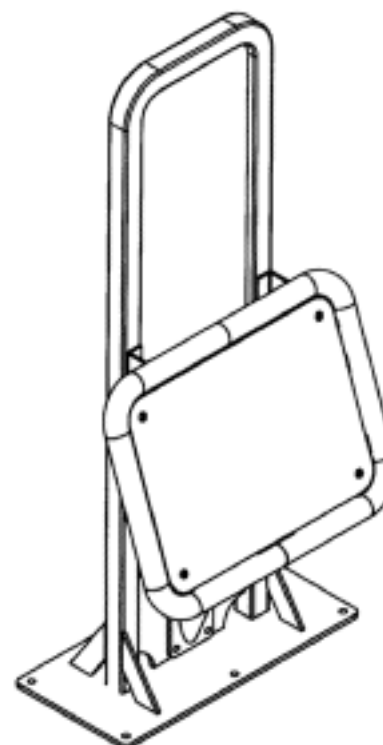
(21) Design Number: **10678/2011**
(22) Date of Filing Application: **23 February 2011**
(24) Date from which industrial property rights may have effect: **23 February 2011**
(54) Product in respect of which the design is registered: **Fan or fan heater**
(51) International Design Classification: **23-04**
(74) Name(s) of Attorney(s): **Shelston IP**
(71) Name(s) and Address(s) of Applicant(s):
Dyson Limited
Tetbury Hill Malmesbury Wiltshire SN16 0RP United Kingdom
(72) Name(s) of Designer(s): **John David Wallace and Chang Hin Choong and Peter David Gammack and James Dyson**
(45) Registration Date: **10 May 2011**
(30) Convention priority data:
(31) Number (32) Date (33) Country
4016850 01 Sep 2010 UNITED KINGDOM
(56) Related Art Documents: **Not Applicable**
(57) Statement of Newness and Distinctiveness: **Newness and distinctiveness reside in the features of shape and/or configuration of a FAN OR FAN HEATER as illustrated in the accompanying representations.**



- (21) Design Number: **10719/2011**
(22) Date of Filing Application: **25 February 2011**
(24) Date from which industrial property rights may have effect: **25 February 2011**
(54) Product in respect of which the design is registered: **Planter**
(51) International Design Classification: **11-02B**
(74) Name(s) of Attorney(s):
(71) Name(s) and Address(s) of Applicant(s):
Perrin Holdings (WA) Pty Ltd
274 Norwoods Road Esperance Western Australia 6450 Australia
(72) Name(s) of Designer(s): **Suzanne Maree Perrin**
(45) Registration Date: **10 May 2011**
(56) Related Art Documents: **Not Applicable**
(57) Statement of Newness and Distinctiveness: **Features of the planter in the representations that are new and distinctive are the shape and/or configuration.**



- (21) Design Number: **10939/2011**
(22) Date of Filing Application: **08 March 2011**
(24) Date from which industrial property rights may have effect: **08 March 2011**
(54) Product in respect of which the design is registered: **Leg exercising apparatus**
(51) International Design Classification: **21-02F**
(74) Name(s) of Attorney(s):
(71) Name(s) and Address(s) of Applicant(s):
The Great Outdoor Gym Company Ltd
74 Highfields Road Highfields Caldecote Cambridge CB23 7NX United Kingdom
(72) Name(s) of Designer(s): **Jolyon Goodman**
(45) Registration Date: **10 May 2011**
(56) Related Art Documents: **Not Applicable**
(57) Statement of Newness and Distinctiveness: **Newness and distinctiveness are claimed in the features of shape and configuration of a leg exercising apparatus, as depicted in the accompanying drawings.**



(21) Design Number: **10940/2011**

(22) Date of Filing Application: **08 March 2011**

(24) Date from which industrial property rights may have effect: **08 March 2011**

(54) Product in respect of which the design is registered: **Seat for a leg exercising apparatus**

(51) International Design Classification: **21-02F**

(74) Name(s) of Attorney(s):

(71) Name(s) and Address(s) of Applicant(s):

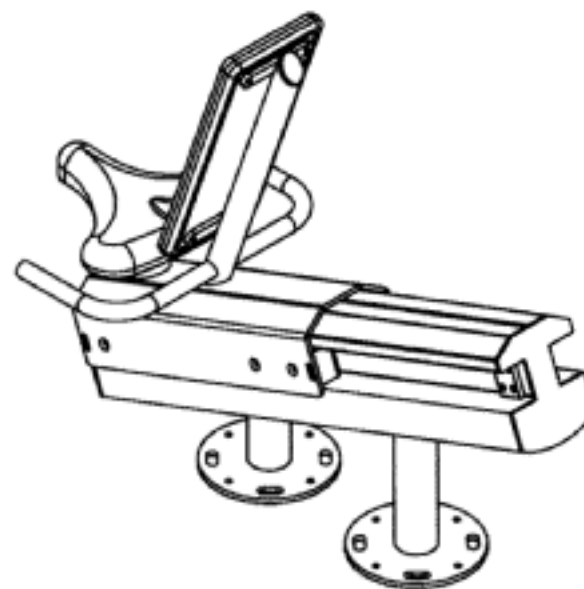
**The Great Outdoor Gym Company Ltd
74 Highfields Road Highfields Caldecote Cambridge CB23 7NX United Kingdom**

(72) Name(s) of Designer(s): **Jolyon Goodman**

(45) Registration Date: **10 May 2011**

(56) Related Art Documents: **Not Applicable**

(57) Statement of Newness and Distinctiveness: **Newness and distinctiveness are claimed in the features of shape and configuration of a seat for a leg exercising apparatus, as depicted in the accompanying drawings.**



(21) Design Number: **11191/2011**

(22) Date of Filing Application: **22 March 2011**

(24) Date from which industrial property rights may have effect: **22 March 2011**

(54) Product in respect of which the design is registered: **An extrusion**

(51) International Design Classification: **25-01K**

(74) Name(s) of Attorney(s):

(71) Name(s) and Address(s) of Applicant(s):

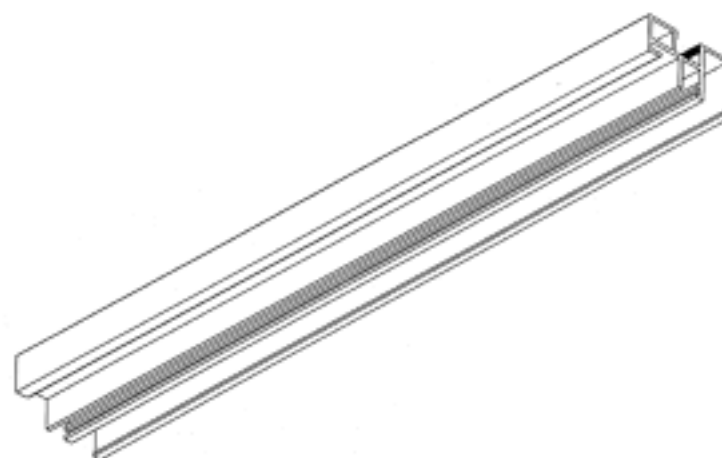
**Aluminium Industries of Australia Pty Ltd
Cnr Carson Ave & Cheltenham Rd Keysborough Victoria 3173 Australia**

(72) Name(s) of Designer(s): **Lee Brown**

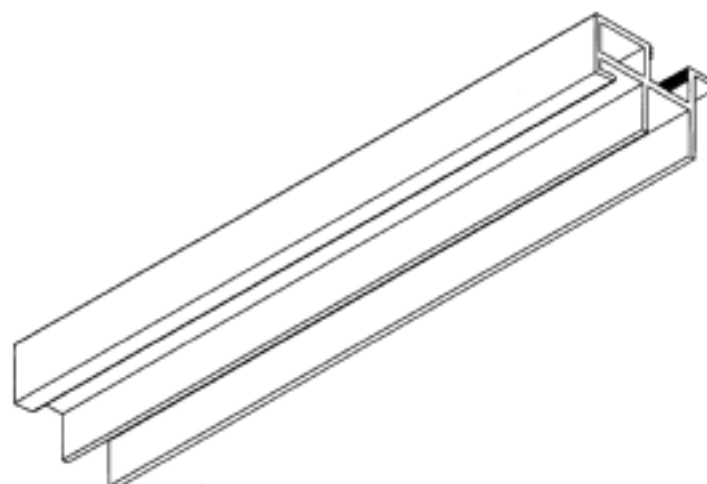
(45) Registration Date: **10 May 2011**

(56) Related Art Documents: **Not Applicable**

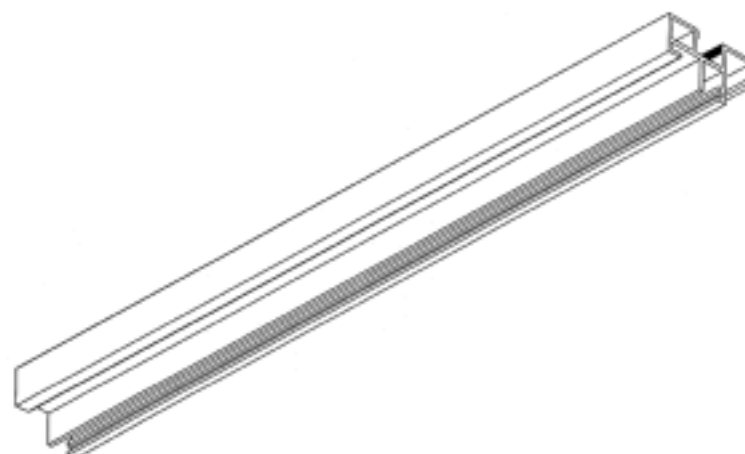
(57) Statement of Newness and Distinctiveness: **Monopoly is claimed in the shape and/or configuration of an extruded Wardrobe Section 1 as illustrated in the representations and which is of indefinite length.**



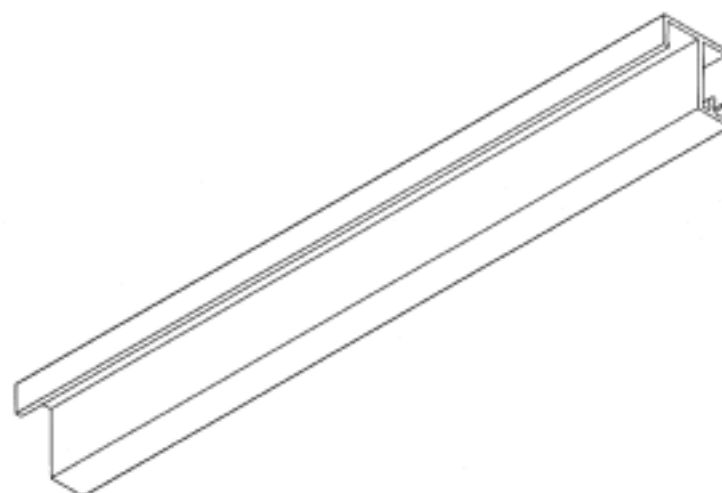
- (21) Design Number: **11192/2011**
(22) Date of Filing Application: **22 March 2011**
(24) Date from which industrial property rights may have effect: **22 March 2011**
(54) Product in respect of which the design is registered: **An extrusion**
(51) International Design Classification: **25-01K**
(74) Name(s) of Attorney(s):
(71) Name(s) and Address(s) of Applicant(s):
Aluminium Industries of Australia Pty Ltd
Cnr Carson Ave & Cheltenham Rd Keysborough Victoria 3173 Australia
(72) Name(s) of Designer(s): **Lee Brown**
(45) Registration Date: **10 May 2011**
(56) Related Art Documents: **Not Applicable**
(57) Statement of Newness and Distinctiveness: **Monopoly is claimed in the shape and/or configuration of an extruded Wardrobe Section 2 as illustrated in the representations and which is of indefinite length.**



- (21) Design Number: **11193/2011**
(22) Date of Filing Application: **22 March 2011**
(24) Date from which industrial property rights may have effect: **22 March 2011**
(54) Product in respect of which the design is registered: **An extrusion**
(51) International Design Classification: **25-01K**
(74) Name(s) of Attorney(s):
(71) Name(s) and Address(s) of Applicant(s):
Aluminium Industries of Australia Pty Ltd
Cnr Carson Ave & Cheltenham Rd Keysborough Victoria 3173 Australia
(72) Name(s) of Designer(s): **Lee Brown**
(45) Registration Date: **10 May 2011**
(56) Related Art Documents: **Not Applicable**
(57) Statement of Newness and Distinctiveness: **Monopoly is claimed in the shape and/or configuration of an extruded Wardrobe Section 3 as illustrated in the representations and which is of indefinite length.**



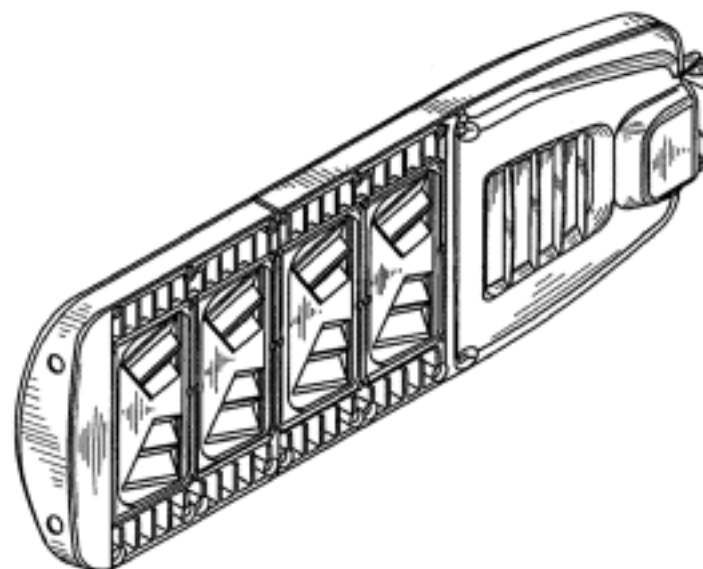
- (21) Design Number: **11194/2011**
(22) Date of Filing Application: **22 March 2011**
(24) Date from which industrial property rights may have effect: **22 March 2011**
(54) Product in respect of which the design is registered: **An extrusion**
(51) International Design Classification: **25-01K**
(74) Name(s) of Attorney(s):
(71) Name(s) and Address(s) of Applicant(s):
Aluminium Industries of Australia Pty Ltd
Cnr Carson Ave & Cheltenham Rd Keysborough Victoria 3173 Australia
(72) Name(s) of Designer(s): **Lee Brown**
(45) Registration Date: **10 May 2011**
(56) Related Art Documents: **Not Applicable**
(57) Statement of Newness and Distinctiveness: **Monopoly is claimed in the shape and/or configuration of an extruded Wardrobe Section 4 as illustrated in the representations and which is of indefinite length.**



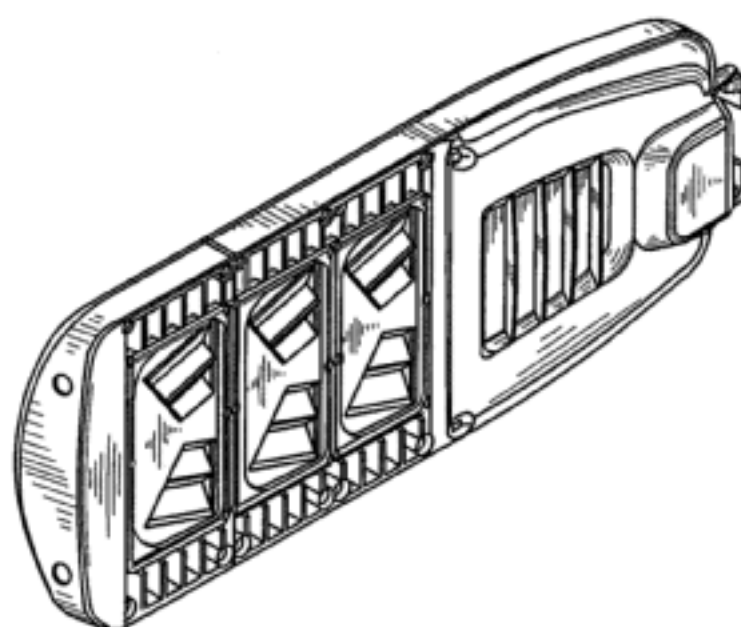
- (21) Design Number: **11601/2011**
(22) Date of Filing Application: **12 April 2011**
(24) Date from which industrial property rights may have effect: **12 April 2011**
(54) Product in respect of which the design is registered: **Video laryngoscope blade**
(51) International Design Classification: **24-02**
(74) Name(s) of Attorney(s): **Elliptic Legal & Patent Services**
(71) Name(s) and Address(s) of Applicant(s):
Aircraft Medical Limited
9-10 St. Andrew Square Edinburgh EH2 2AF United Kingdom
(72) Name(s) of Designer(s): **Matthew John Ross McGrath and Peter Douglas Colin Inglis**
(45) Registration Date: **10 May 2011**
(30) Convention priority data:
(31) Number (32) Date (33) Country
GB 4017408 13 Oct 2010 UNITED KINGDOM
(56) Related Art Documents: **Not Applicable**
(57) Statement of Newness and Distinctiveness: **Rights are claimed in the shape of the video laryngoscope blade as shown in the accompanying drawings with particular emphasis on the curved superior surface and curved inferior surface as well as the generally rectangular channel extending from the proximal end, the channel having an inferior internal surface with a greater curvature than the curvature of the inferior surface.**



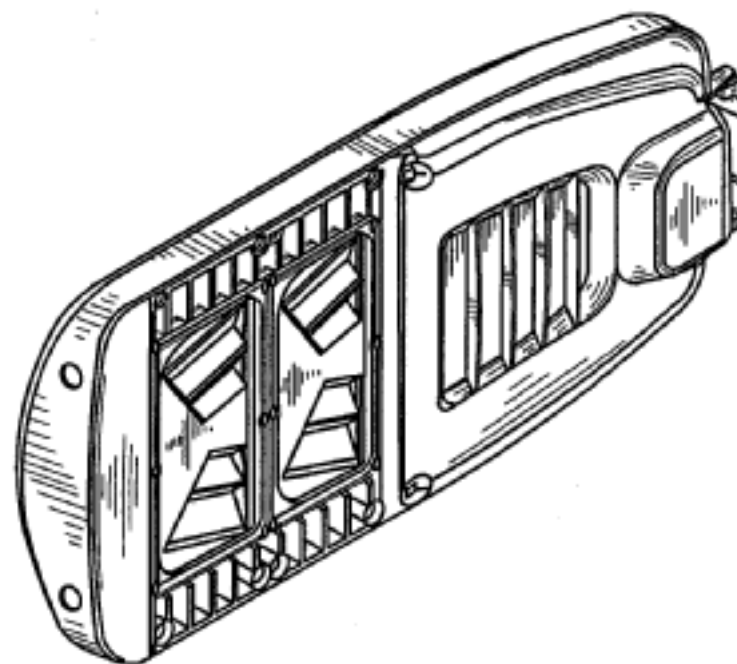
- (21) Design Number: **11658/2011**
(22) Date of Filing Application: **12 April 2011**
(24) Date from which industrial property rights may have effect: **12 April 2011**
(54) Product in respect of which the design is registered: **Roadway lamp**
(51) International Design Classification: **26-03**
(74) Name(s) of Attorney(s): **PHILLIPS ORMONDE FITZPATRICK**
(71) Name(s) and Address(s) of Applicant(s):
General Electric Company
1 River Road Schenectady New York 12345 United States of America
(72) Name(s) of Designer(s): **Jian Wang and Yong Zhao and Cuijuan Zhou**
(45) Registration Date: **10 May 2011**
(30) Convention priority data:
(31) Number (32) Date (33) Country
201030552772.9 12 Oct 2010 CHINA
(56) Related Art Documents: **Not Applicable**
(57) Statement of Newness and Distinctiveness: **Those features of the roadway lamp depicted in the representations that are new and distinctive are the shape and/or configuration.**



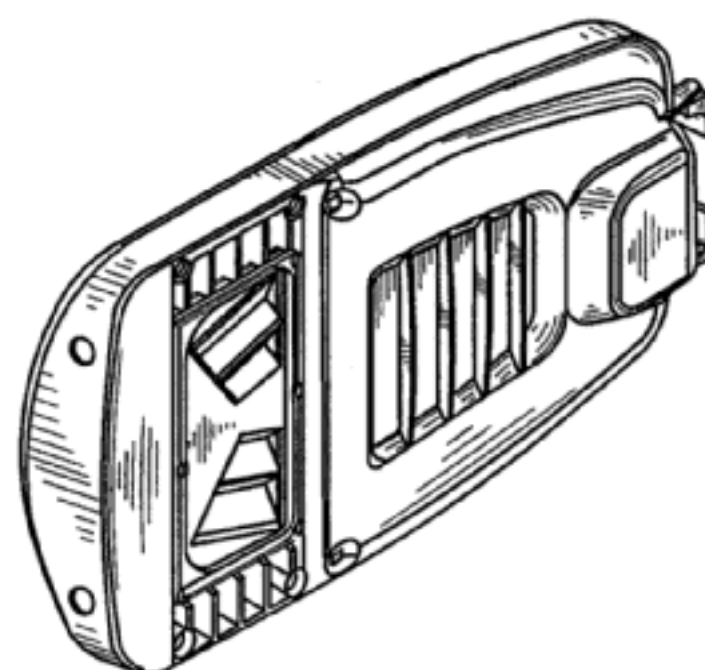
- (21) Design Number: **11943/2011**
(22) Date of Filing Application: **12 April 2011**
(24) Date from which industrial property rights may have effect: **12 April 2011**
(54) Product in respect of which the design is registered: **Roadway lamp**
(51) International Design Classification: **26-03**
(74) Name(s) of Attorney(s): **PHILLIPS ORMONDE FITZPATRICK**
(71) Name(s) and Address(s) of Applicant(s):
General Electric Company
1 River Road Schenectady New York 12345 United States of America
(72) Name(s) of Designer(s): **Jian Wang and Yong Zhao and Cuijuan Zhou**
(45) Registration Date: **10 May 2011**
(30) Convention priority data:
(31) Number (32) Date (33) Country
201030552772.9 12 Oct 2010 CHINA
(56) Related Art Documents: **Not Applicable**
(57) Statement of Newness and Distinctiveness: **Those features of the roadway lamp depicted in the representations that are new and distinctive are the shape and/or configuration.**



- (21) Design Number: **11944/2011**
(22) Date of Filing Application: **12 April 2011**
(24) Date from which industrial property rights may have effect: **12 April 2011**
(54) Product in respect of which the design is registered: **Roadway lamp**
(51) International Design Classification: **26-03**
(74) Name(s) of Attorney(s): **PHILLIPS ORMONDE FITZPATRICK**
(71) Name(s) and Address(s) of Applicant(s):
General Electric Company
1 River Road Schenectady New York 12345 United States of America
(72) Name(s) of Designer(s): **Jian Wang and Yong Zhao and Cuijuan Zhou**
(45) Registration Date: **10 May 2011**
(30) Convention priority data:
(31) Number (32) Date (33) Country
201030552772.9 12 Oct 2010 CHINA
(56) Related Art Documents: **Not Applicable**
(57) Statement of Newness and Distinctiveness: **Those features of the roadway lamp depicted in the representations that are new and distinctive are the shape and/or configuration.**



- (21) Design Number: **11945/2011**
(22) Date of Filing Application: **12 April 2011**
(24) Date from which industrial property rights may have effect: **12 April 2011**
(54) Product in respect of which the design is registered: **Roadway lamp**
(51) International Design Classification: **26-03**
(74) Name(s) of Attorney(s): **PHILLIPS ORMONDE FITZPATRICK**
(71) Name(s) and Address(s) of Applicant(s):
General Electric Company
1 River Road Schenectady New York 12345 United States of America
(72) Name(s) of Designer(s): **Jian Wang and Yong Zhao and Cuijuan Zhou**
(45) Registration Date: **10 May 2011**
(30) Convention priority data:
(31) Number (32) Date (33) Country
201030552772.9 12 Oct 2010 CHINA
(56) Related Art Documents: **Not Applicable**
(57) Statement of Newness and Distinctiveness: **Those features of the roadway lamp depicted in the representations that are new and distinctive are the shape and/or configuration.**



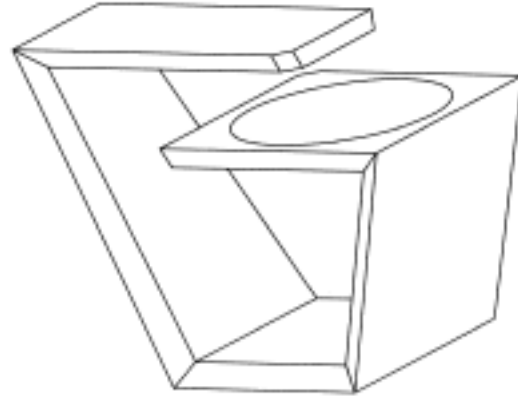
- (21) Design Number: **15226/2010**
(22) Date of Filing Application: **29 November 2010**
(24) Date from which industrial property rights may have effect: **29 November 2010**
(54) Product in respect of which the design is registered: **Display stand**
(51) International Design Classification: **20-02E**
(74) Name(s) of Attorney(s):
(71) Name(s) and Address(s) of Applicant(s):
CIE Ltd
77 Thirteenth Avenue Tauranga New Zealand 3112
(72) Name(s) of Designer(s): **Paul White and Marcus Warren**
(45) Registration Date: **10 May 2011**
(56) Related Art Documents: **Not Applicable**
(57) Statement of Newness and Distinctiveness: **The design is to be applied to a display stand and the novelty resides in the shape and configuration as shown in accompanying details.**



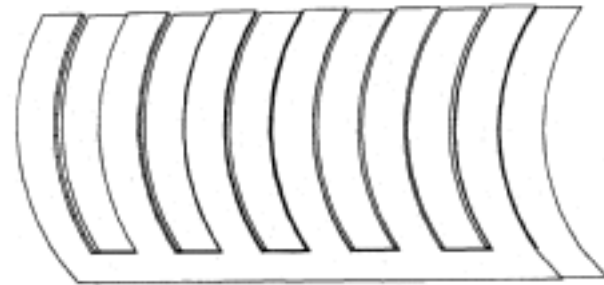
- (21) Design Number: **15227/2010**
(22) Date of Filing Application: **29 November 2010**
(24) Date from which industrial property rights may have effect: **29 November 2010**
(54) Product in respect of which the design is registered: **Mobile workstation**
(51) International Design Classification: **06-03C**
(74) Name(s) of Attorney(s):
(71) Name(s) and Address(s) of Applicant(s):
CIE Ltd
77 Thirteenth Avenue Tauranga New Zealand 3112
(72) Name(s) of Designer(s): **Paul White and Sarah Backler**
(45) Registration Date: **10 May 2011**
(56) Related Art Documents: **Not Applicable**
(57) Statement of Newness and Distinctiveness: **The design is to be applied to a mobile workstation and the novelty resides in the features of shape and configuration as shown in accompanying drawings.**



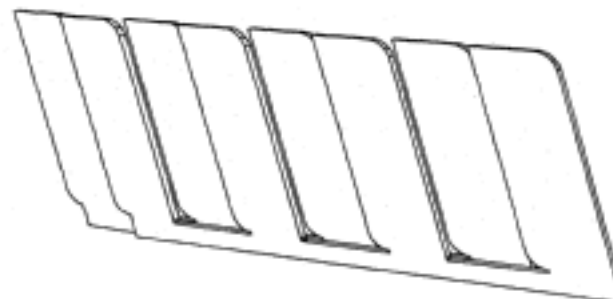
- (21) Design Number: **15228/2010**
(22) Date of Filing Application: **29 November 2010**
(24) Date from which industrial property rights may have effect: **29 November 2010**
(54) Product in respect of which the design is registered: **Laptop chair**
(51) International Design Classification: **06-01F**
(74) Name(s) of Attorney(s):
(71) Name(s) and Address(s) of Applicant(s):
CIE Ltd
77 Thirteenth Avenue Tauranga New Zealand 3112
(72) Name(s) of Designer(s): **Paul White and Sarah Backler**
(45) Registration Date: **10 May 2011**
(56) Related Art Documents: **Not Applicable**
(57) Statement of Newness and Distinctiveness: **The design is to be applied to a chair and the novelty resides in the features of shape and configuration as shown in accompanying drawings.**



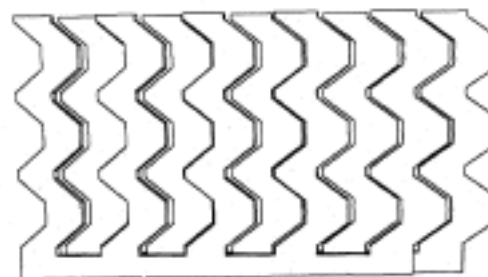
- (21) Design Number: **10346/2011**
(22) Date of Filing Application: **04 February 2011**
(24) Date from which industrial property rights may have effect: **04 February 2011**
(54) Product in respect of which the design is registered: **Office workstation partition**
(51) International Design Classification: **06-06NES**
(74) Name(s) of Attorney(s):
(71) Name(s) and Address(s) of Applicant(s):
Tristan Kent Gratton
54 Swan Terrace Windsor Queensland 4030 Australia
(72) Name(s) of Designer(s): **Tristan Kent Gratton**
(45) Registration Date: **10 May 2011**
(56) Related Art Documents: **Not Applicable**
(57) Statement of Newness and Distinctiveness: **The partition design is made up of two identical components which provide privacy at a workstation or desk.**



- (21) Design Number: **10348/2011**
(22) Date of Filing Application: **04 February 2011**
(24) Date from which industrial property rights may have effect: **04 February 2011**
(54) Product in respect of which the design is registered: **Office workstation partition**
(51) International Design Classification: **06-06NES**
(74) Name(s) of Attorney(s):
(71) Name(s) and Address(s) of Applicant(s):
Tristan Kent Gratton
54 Swan Terrace Windsor Queensland 4030 Australia
(72) Name(s) of Designer(s): **Tristan Kent Gratton**
(45) Registration Date: **10 May 2011**
(56) Related Art Documents: **Not Applicable**
(57) Statement of Newness and Distinctiveness: **The partition design is made up of two identical components which provide privacy at a workstation or desk.**



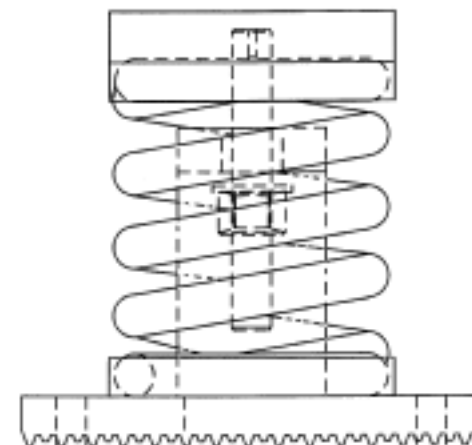
- (21) Design Number: **10349/2011**
(22) Date of Filing Application: **04 February 2011**
(24) Date from which industrial property rights may have effect: **04 February 2011**
(54) Product in respect of which the design is registered: **Office workstation partition**
(51) International Design Classification: **06-06NES**
(74) Name(s) of Attorney(s):
(71) Name(s) and Address(s) of Applicant(s):
Tristan Kent Gratton
54 Swan Terrace Windsor Queensland 4030 Australia
(72) Name(s) of Designer(s): **Tristan Kent Gratton**
(45) Registration Date: **10 May 2011**
(56) Related Art Documents: **Not Applicable**
(57) Statement of Newness and Distinctiveness: **The partition system is made up of two identical components which provide privacy at a workstation or desk.**



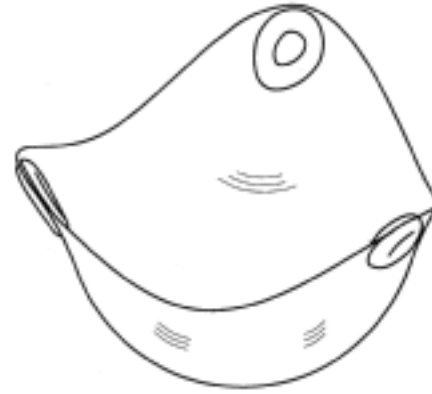
- (21) Design Number: **10351/2011**
(22) Date of Filing Application: **04 February 2011**
(24) Date from which industrial property rights may have effect: **04 February 2011**
(54) Product in respect of which the design is registered: **Office workstation partition**
(51) International Design Classification: **06-06NES**
(74) Name(s) of Attorney(s):
(71) Name(s) and Address(s) of Applicant(s):
Tristan Kent Gratton
54 Swan Terrace Windsor Queensland 4030 Australia
(72) Name(s) of Designer(s): **Tristan Kent Gratton**
(45) Registration Date: **10 May 2011**
(56) Related Art Documents: **Not Applicable**
(57) Statement of Newness and Distinctiveness: **The partition design is made up of two identical components which provide privacy at a workstation or desk.**



- (21) Design Number: **10663/2011**
(22) Date of Filing Application: **22 February 2011**
(24) Date from which industrial property rights may have effect: **22 February 2011**
(54) Product in respect of which the design is registered: **Vibration Isolator**
(51) International Design Classification: **25-02NES**
(74) Name(s) of Attorney(s): **Davies Collison Cave**
(71) Name(s) and Address(s) of Applicant(s):
Embelton Industries Pty Ltd
147-149 Bakers Road Coburg Victoria 3058 Australia
(72) Name(s) of Designer(s): **Michael Denis Plumb**
(45) Registration Date: **10 May 2011**
(56) Related Art Documents: **Not Applicable**
(57) Statement of Newness and Distinctiveness: **The features of shape and configuration of the vibration isolator shown in the accompanying representations are considered to be new and distinctive.**



- (21) Design Number: **10765/2011**
(22) Date of Filing Application: **28 February 2011**
(24) Date from which industrial property rights may have effect: **28 February 2011**
(54) Product in respect of which the design is registered: **Cooking utensil**
(51) International Design Classification: **07-04, 07-02NES**
(74) Name(s) of Attorney(s): **Davies Collison Cave**
(71) Name(s) and Address(s) of Applicant(s):
Fusionbrands Inc.
PO Box 100 Naples NY 14512 United States of America
(72) Name(s) of Designer(s): **Anna M. Stewart and Stephen Kraigh Stewart**
(45) Registration Date: **10 May 2011**
(56) Related Art Documents: **Not Applicable**
(57) Statement of Newness and Distinctiveness: **Newness and distinctiveness is claimed in the visual features shown in solid lines in the representations.**



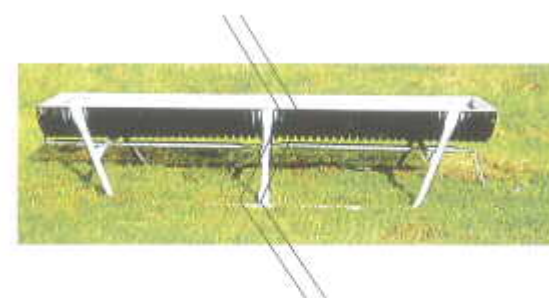
- (21) Design Number: **10892/2011**
(22) Date of Filing Application: **04 March 2011**
(24) Date from which industrial property rights may have effect: **04 March 2011**
(54) Product in respect of which the design is registered: **Spreading applicator**
(51) International Design Classification: **28-03NES**
(74) Name(s) of Attorney(s): **PHILLIPS ORMONDE FITZPATRICK**
(71) Name(s) and Address(s) of Applicant(s):
Acrux DDS Pty Ltd
103-113 Stanley Street West Melbourne Victoria 3003 Australia
(72) Name(s) of Designer(s): **Sasha Miu**
(45) Registration Date: **10 May 2011**
(56) Related Art Documents: **Not Applicable**
(57) Statement of Newness and Distinctiveness: **Those features of the spreading applicator depicted in the representations that are new and distinctive are the shape and/or configuration.**



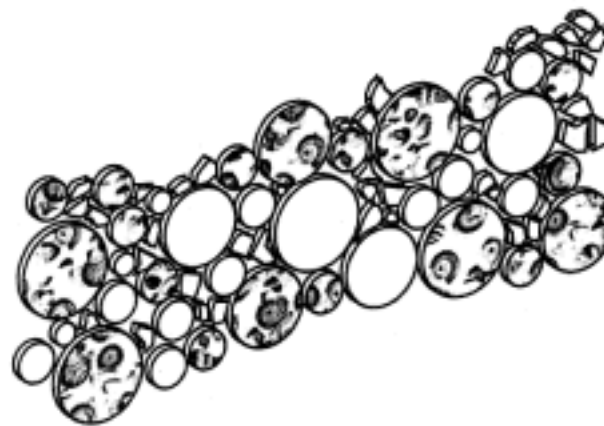
- (21) Design Number: **11125/2011**
(22) Date of Filing Application: **15 March 2011**
(24) Date from which industrial property rights may have effect: **15 March 2011**
(54) Product in respect of which the design is registered: **Terrarium/animal enclosure**
(51) International Design Classification: **30-02**
(74) Name(s) of Attorney(s):
(71) Name(s) and Address(s) of Applicant(s):
Michael Gary Smith
8/63 Bells Line of Road North Richmond New South Wales 2754
Australia
(72) Name(s) of Designer(s): **Michael Gary Smith**
(45) Registration Date: **10 May 2011**
(56) Related Art Documents: **Not Applicable**
(57) Statement of Newness and Distinctiveness: **The design consists of various angles and glass panels for greater visibility of captive animals. The enclosures have the ability to be stacked on one another, and the floor may be removed to allow positioning on top of a fish tank for aquatic species.**



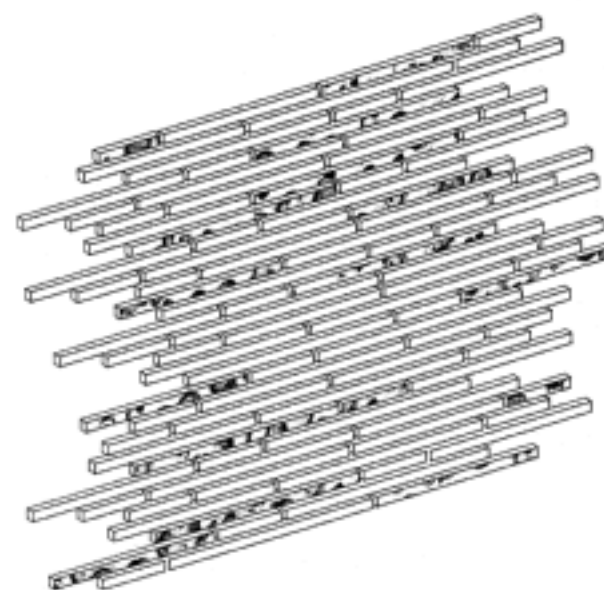
- (21) Design Number: **11126/2011**
(22) Date of Filing Application: **11 March 2011**
(24) Date from which industrial property rights may have effect: **11 March 2011**
(54) Product in respect of which the design is registered: **Animal feeder**
(51) International Design Classification: **30-03**
(74) Name(s) of Attorney(s): **Actuate IP**
(71) Name(s) and Address(s) of Applicant(s):
Geoffrey Johnson
1 Nesci Court Inverloch Victoria 3996 Australia
Christine Johnson
1 Nesci Court Inverloch Victoria 3996 Australia
(72) Name(s) of Designer(s): **Geoffrey Johnson**
(45) Registration Date: **10 May 2011**
(56) Related Art Documents: **Not Applicable**
(57) Statement of Newness and Distinctiveness: **Newness and distinctiveness are claimed in the shape and configuration of the indefinite length of the Animal Feeder as illustrated in two forms of the Animal Feeder in the accompanying representations. The indefinite length illustrates the variable body portion including the variable number of skid like legs. Newness and distinctiveness is further claimed in the shape and configuration of the variable body portion and the skid like legs but not in the number of central skid like legs. Colour is to be excluded from the design.**



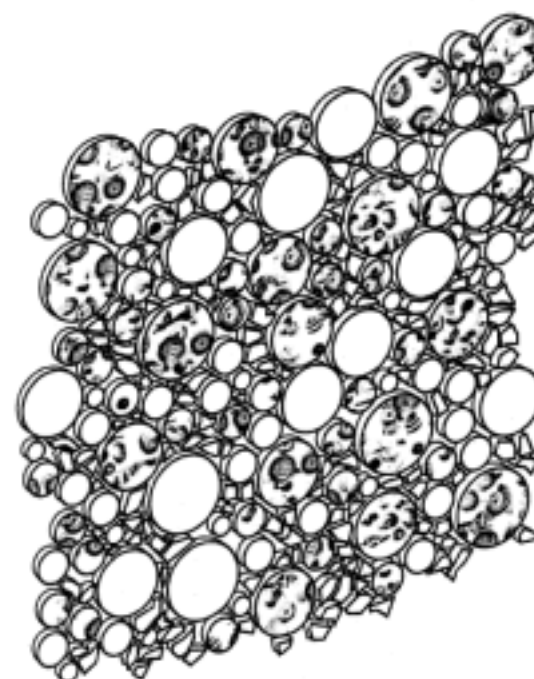
- (21) Design Number: **11528/2011**
(22) Date of Filing Application: **08 April 2011**
(24) Date from which industrial property rights may have effect: **08 April 2011**
(54) Product in respect of which the design is registered: **Tesserae**
(51) International Design Classification: **25-01F**
(74) Name(s) of Attorney(s): **Allens Arthur Robinson**
(71) Name(s) and Address(s) of Applicant(s):
Everstone International Pty Limited
20 Princes Road East Auburn New South Wales 2144 Australia
(72) Name(s) of Designer(s): **John Zeng**
(45) Registration Date: **10 May 2011**
(56) Related Art Documents: **Not Applicable**
(57) Statement of Newness and Distinctiveness: **Newness and distinctiveness is claimed in the tesserae as shown in the attached representations. It is to be understood that a basic element of the tesserae is shown, however, the tesserae can be repeated with other basic elements so that the tesserae is of indefinite length.**



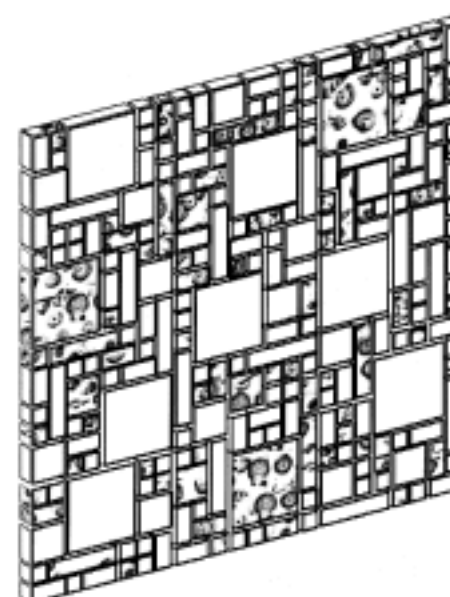
- (21) Design Number: **11529/2011**
(22) Date of Filing Application: **08 April 2011**
(24) Date from which industrial property rights may have effect: **08 April 2011**
(54) Product in respect of which the design is registered: **Tesserae**
(51) International Design Classification: **25-01F**
(74) Name(s) of Attorney(s): **Allens Arthur Robinson**
(71) Name(s) and Address(s) of Applicant(s):
Everstone International Pty Limited
20 Princes Road East Auburn New South Wales 2144 Australia
(72) Name(s) of Designer(s): **John Zeng**
(45) Registration Date: **10 May 2011**
(56) Related Art Documents: **Not Applicable**
(57) Statement of Newness and Distinctiveness: **Newness and distinctiveness is claimed in the tesserae as shown in the attached representations. It is to be understood that a basic element of the tesserae is shown, however, the tesserae can be repeated with other basic elements so that the tesserae is of indefinite length and/or width.**



- (21) Design Number: **11530/2011**
(22) Date of Filing Application: **08 April 2011**
(24) Date from which industrial property rights may have effect: **08 April 2011**
(54) Product in respect of which the design is registered: **Tesserae**
(51) International Design Classification: **25-01F**
(74) Name(s) of Attorney(s): **Allens Arthur Robinson**
(71) Name(s) and Address(s) of Applicant(s):
Everstone International Pty Limited
20 Princes Road East Auburn New South Wales 2144 Australia
(72) Name(s) of Designer(s): **John Zeng**
(45) Registration Date: **10 May 2011**
(56) Related Art Documents: **Not Applicable**
(57) Statement of Newness and Distinctiveness: **Newness and distinctiveness is claimed in the tesserae as shown in the attached representations. It is to be understood that a basic element of the tesserae is shown, however, the tesserae can be repeated with other basic elements so that the tesserae is of indefinite length and/or width.**



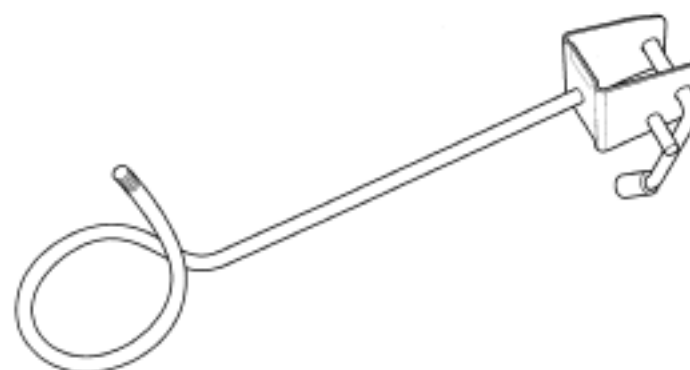
- (21) Design Number: **11531/2011**
(22) Date of Filing Application: **08 April 2011**
(24) Date from which industrial property rights may have effect: **08 April 2011**
(54) Product in respect of which the design is registered: **Tesserae**
(51) International Design Classification: **25-01F**
(74) Name(s) of Attorney(s): **Allens Arthur Robinson**
(71) Name(s) and Address(s) of Applicant(s):
Everstone International Pty Limited
20 Princes Road East Auburn New South Wales 2144 Australia
(72) Name(s) of Designer(s): **John Zeng**
(45) Registration Date: **10 May 2011**
(56) Related Art Documents: **Not Applicable**
(57) Statement of Newness and Distinctiveness: **Newness and distinctiveness is claimed in the tesserae as shown in the attached representations. It is to be understood that a basic element of the tesserae is shown, however, the tesserae can be repeated with other basic elements so that the tesserae is of indefinite length and/or width.**



(21) Design Number: **11552/2011**
(22) Date of Filing Application: **12 April 2011**
(24) Date from which industrial property rights may have effect: **12 April 2011**
(54) Product in respect of which the design is registered: **Crow bar**
(51) International Design Classification: **08-01**
(74) Name(s) of Attorney(s):
(71) Name(s) and Address(s) of Applicant(s):
Alan Erdman
98 Waratah Street Mona Vale New South Wales 2103 Australia
(72) Name(s) of Designer(s): **Alan Erdman**
(45) Registration Date: **10 May 2011**
(56) Related Art Documents: **Not Applicable**
(57) Statement of Newness and Distinctiveness: **Larger digging head inset within a more pronounced collar.**



(21) Design Number: **10633/2011**
(22) Date of Filing Application: **22 February 2011**
(24) Date from which industrial property rights may have effect: **22 February 2011**
(54) Product in respect of which the design is registered: **Plant support**
(51) International Design Classification: **08-08NES**
(74) Name(s) of Attorney(s):
(71) Name(s) and Address(s) of Applicant(s):
Henry Stubbings
44 Magdalene Terrace Pasadena South Australia 5042 Australia
(72) Name(s) of Designer(s): **Henry Stubbings**
(45) Registration Date: **10 May 2011**
(56) Related Art Documents: **Not Applicable**
(57) Statement of Newness and Distinctiveness: **The design of this product is to accomodate recycled plastic garden stakes to provide plant support with quick simple attachment in various requirements in relation to sizes shapes.**



(21) Design Number: **11207/2011**

(22) Date of Filing Application: **22 March 2011**

(24) Date from which industrial property rights may have effect: **22 March 2011**

(54) Product in respect of which the design is registered: **Flag**

(51) International Design Classification: **11-05**

(74) Name(s) of Attorney(s):

(71) Name(s) and Address(s) of Applicant(s):

Michael Iacuone

13 Doodson Court Eltham Victoria 3095 Australia

(72) Name(s) of Designer(s): **Michael Iacuone**

(45) Registration Date: **10 May 2011**

(56) Related Art Documents: **Not Applicable**

(57) Statement of Newness and Distinctiveness: **The Flag of Australia (The Unity Flag) The design of the flag is a stylized map expressed in breadth by horizontal bands from West to East. The extent of the land from North to South defined by climate zones and thereby inclusive of Tasmania and all Territorial Islands. It is a Statement of Arrival. The national colours of green and gold are employed to represent these zones where the tropical North is coloured green, the arid centre yellow/gold and the temperate South green. Aboriginal astronomy is represented by black line borders attached to the stars of the constellation known in the Northern hemisphere as the Southern Cross. To the First Australians, thousands of years before the common era, the same stars gave rise to many and varied stories and interpretations. Examples of these stories include Mululu and his four daughters joining him in the night sky; the eagle's claw landing on its nest; and a stingray being pursued by two sharks (The Pointers). The constellation is tilted to the angle of the Earth's rotational axis. Vexillology; Green - Tropical North; Yellow/Gold - Arid centre + mineral wealth, drought; Green - Temperate South; Red Line - The colour of the land, fire; Blue Line - Rivers and development and flood; Black Line - Attaches stories of the First Australians to the constellation; White Line - Attached to red and blue lines references the Union Jack; History and Identity; First Australia is present in the colours red, black and yellow. Foundation of modern Australia is present in colours red, white and blue. Resolution of historical events of settlement and conflict, Eureka, stolen generations, federation, white Australia policy and the desire for reconciliation are expressed in the unity of the flag, through the entwining of red, black and yellow with red, white and blue.**



(21) Design Number: **11341/2011**
(22) Date of Filing Application: **28 March 2011**
(24) Date from which industrial property rights may have effect: **28 March 2011**
(54) Product in respect of which the design is registered: **A pack for pharmaceutical products**
(51) International Design Classification: **09-03M**
(74) Name(s) of Attorney(s): **Davies Collison Cave**
(71) Name(s) and Address(s) of Applicant(s):
Novartis AG
Basel CH-4002 Switzerland
(72) Name(s) of Designer(s): **Rico Viray**
(45) Registration Date: **10 May 2011**
(30) Convention priority data:
(31) Number (32) Date (33) Country
DM/074 457 28 Sep 2010 WORLD INTELLECTUAL PROPERTY ORGANIZATION (WIPO)



(56) Related Art Documents: **Not Applicable**
(57) Statement of Newness and Distinctiveness: **Newness and distinctiveness is claimed in the features of pattern/ornamentation applied to the pack as shown in the magenta and dark orange colours in the representations.**

(21) Design Number: **11342/2011**
(22) Date of Filing Application: **28 March 2011**
(24) Date from which industrial property rights may have effect: **28 March 2011**
(54) Product in respect of which the design is registered: **A blister pack for pharmaceutical products**
(51) International Design Classification: **09-05**
(74) Name(s) of Attorney(s): **Davies Collison Cave**
(71) Name(s) and Address(s) of Applicant(s):
Novartis AG
Basel CH-4002 Switzerland
(72) Name(s) of Designer(s): **Rico Viray**
(45) Registration Date: **10 May 2011**
(30) Convention priority data:
(31) Number (32) Date (33) Country
DM/074 457 28 Sep 2010 WORLD INTELLECTUAL PROPERTY ORGANIZATION (WIPO)



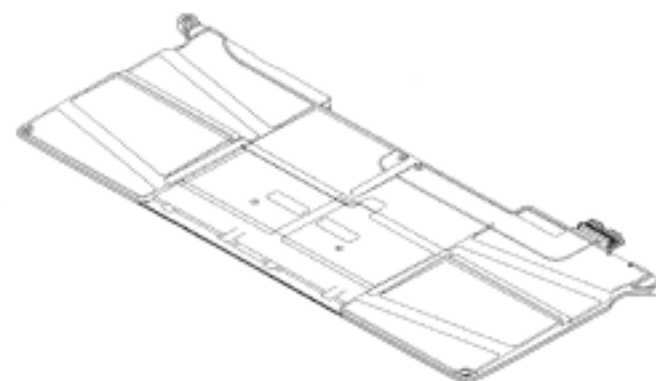
(56) Related Art Documents: **Not Applicable**
(57) Statement of Newness and Distinctiveness: **Newness and distinctiveness is claimed in the features of pattern/ornamentation applied to the pack as shown in the magenta colour in the representations.**

(21) Design Number: **11343/2011**
(22) Date of Filing Application: **28 March 2011**
(24) Date from which industrial property rights may have effect: **28 March 2011**
(54) Product in respect of which the design is registered: **A blister pack for pharmaceutical products**
(51) International Design Classification: **09-05**
(74) Name(s) of Attorney(s): **Davies Collison Cave**
(71) Name(s) and Address(s) of Applicant(s):
Novartis AG
Basel CH-4002 Switzerland
(72) Name(s) of Designer(s): **Rico Viray**
(45) Registration Date: **10 May 2011**
(30) Convention priority data:
(31) Number (32) Date (33) Country
**DM/074 457 28 Sep 2010 WORLD INTELLECTUAL
PROPERTY ORGANIZATION
(WIPO)**



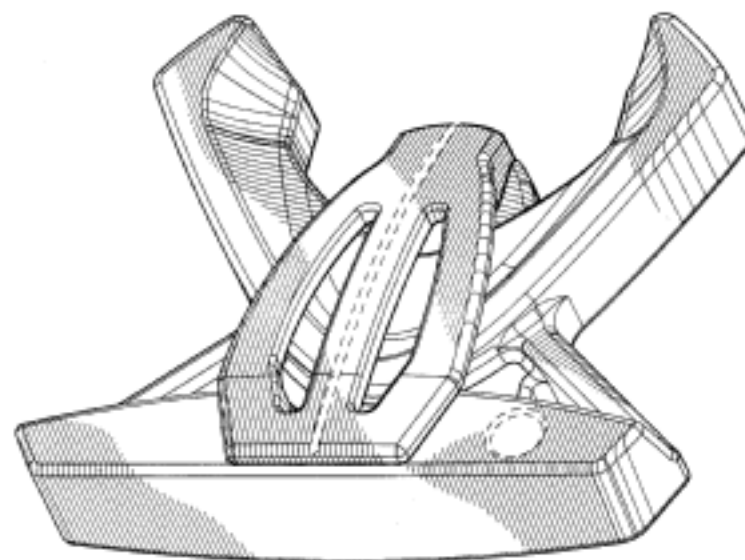
(56) Related Art Documents: **Not Applicable**
(57) Statement of Newness and Distinctiveness: **Newness and distinctiveness is claimed in the features of pattern/ornamentation applied to the pack as shown in the magenta colour in the representations.**

(21) Design Number: **11653/2011**
(22) Date of Filing Application: **14 April 2011**
(24) Date from which industrial property rights may have effect: **14 April 2011**
(54) Product in respect of which the design is registered: **Electronic device**
(51) International Design Classification: **14-02**
(74) Name(s) of Attorney(s): **Freehills Patent & Trade Mark Attorneys**
(71) Name(s) and Address(s) of Applicant(s):
Apple Inc.
1 Infinite Loop Cupertino California 95014 United States of America
(72) Name(s) of Designer(s): **Ron Alan Hopkinson and Chris Ligtenberg and R. Sean Murphy and John Raff and Bartley K. Andre and Robert L. Coish and Brett William Degner**
(45) Registration Date: **10 May 2011**
(30) Convention priority data:
(31) Number (32) Date (33) Country
29/377145 18 Oct 2010 UNITED STATES OF AMERICA

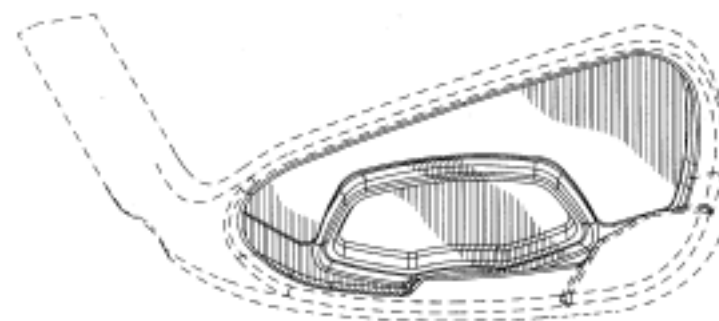


(56) Related Art Documents: **Not Applicable**
(57) Statement of Newness and Distinctiveness: **Newness and distinctiveness of the design resides in the shape and configuration of an electronic device illustrated in solid lines in the accompanying representations.**

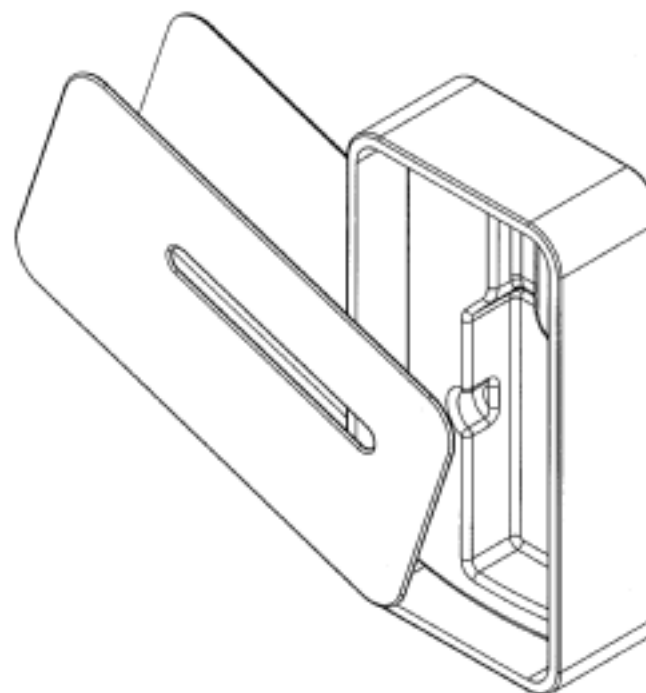
(21) Design Number: **11708/2011**
(22) Date of Filing Application: **18 April 2011**
(24) Date from which industrial property rights may have effect: **18 April 2011**
(54) Product in respect of which the design is registered: **Golf club head**
(51) International Design Classification: **21-02C**
(74) Name(s) of Attorney(s): **Davies Collison Cave**
(71) Name(s) and Address(s) of Applicant(s):
Karsten Manufacturing Corporation
2201 West Desert Cove Phoenix Arizona 85029 United States of America
(72) Name(s) of Designer(s): **Xiaojian Chen and Michael R. Nicolette and Bradley D. Schweigert**
(45) Registration Date: **10 May 2011**
(30) Convention priority data:
(31) Number (32) Date (33) Country
29/378880 10 Nov 2010 UNITED STATES OF AMERICA
(56) Related Art Documents: **Not Applicable**
(57) Statement of Newness and Distinctiveness: **Newness and distinctiveness is claimed in the visual features shown in solid lines in the representations. In considering the extent of the design rights, the broken lines shown in the representations are for illustrative purposes only and do not form part of the design.**



(21) Design Number: **11709/2011**
(22) Date of Filing Application: **18 April 2011**
(24) Date from which industrial property rights may have effect: **18 April 2011**
(54) Product in respect of which the design is registered: **Golf club head**
(51) International Design Classification: **21-01C**
(74) Name(s) of Attorney(s): **Davies Collison Cave**
(71) Name(s) and Address(s) of Applicant(s):
Karsten Manufacturing Corporation
2201 West Desert Cove Phoenix Arizona 85029 United States of America
(72) Name(s) of Designer(s): **Marty R. Jertson and Xiaojian Chen and Bradley D. Schweigert**
(45) Registration Date: **10 May 2011**
(30) Convention priority data:
(31) Number (32) Date (33) Country
29/382938 10 Jan 2011 UNITED STATES OF AMERICA
(56) Related Art Documents: **Not Applicable**
(57) Statement of Newness and Distinctiveness: **Newness and distinctiveness is claimed in the visual features shown in solid lines in the representations. In considering the extent of the design rights, the broken lines shown in the representations are for illustrative purposes only and do not form part of the design.**



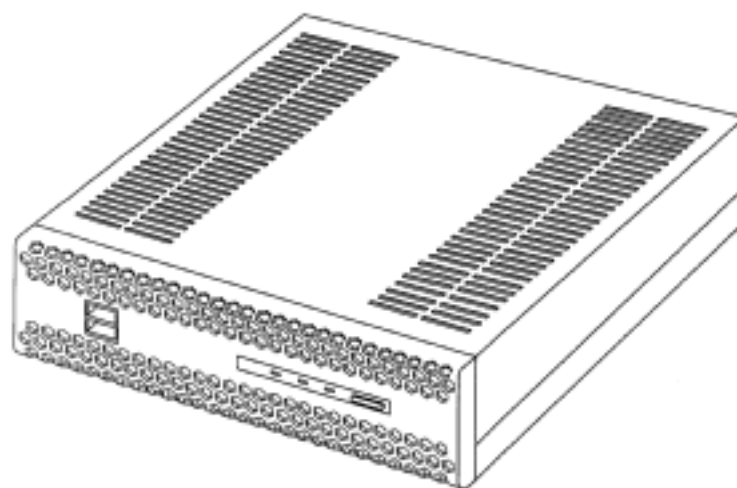
- (21) Design Number: **10831/2011**
(22) Date of Filing Application: **03 March 2011**
(24) Date from which industrial property rights may have effect: **03 March 2011**
(54) Product in respect of which the design is registered: **Packaging for a bottle**
(51) International Design Classification: **09-03E**
(74) Name(s) of Attorney(s): **Davies Collison Cave**
(71) Name(s) and Address(s) of Applicant(s):
Visy R & D Pty Ltd
Level 11 2 Southbank Boulevard Southbank Victoria 3006 Australia
(72) Name(s) of Designer(s): **Michael Salaun**
(45) Registration Date: **11 May 2011**
(56) Related Art Documents: **Not Applicable**
(57) Statement of Newness and Distinctiveness: **The features of shape and configuration of the packaging shown in the accompanying representations are considered to be new and distinctive.**



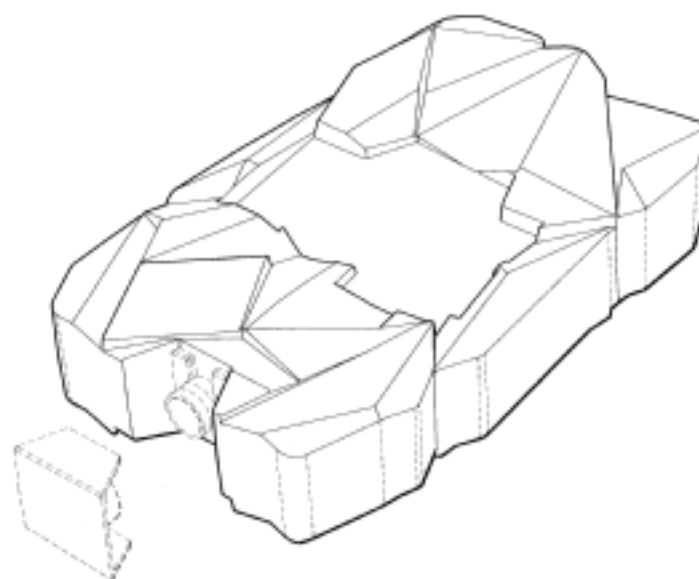
- (21) Design Number: **11545/2011**
(22) Date of Filing Application: **11 April 2011**
(24) Date from which industrial property rights may have effect: **11 April 2011**
(54) Product in respect of which the design is registered: **Motorcycle**
(51) International Design Classification: **12-11**
(74) Name(s) of Attorney(s): **Griffith Hack**
(71) Name(s) and Address(s) of Applicant(s):
Honda Motor Co., Ltd.
1-1 Minami-Aoyama 2-chome Minato-ku Tokyo 107-8556 Japan
(72) Name(s) of Designer(s): **Sanae Kato and Kenji Tako and Daisuke Soeno**
(45) Registration Date: **11 May 2011**
(30) Convention priority data:
(31) Number (32) Date (33) Country
2010-024381 12 Oct 2010 JAPAN
(56) Related Art Documents: **Not Applicable**
(57) Statement of Newness and Distinctiveness: **The shape and configuration of the MOTORCYCLE as shown in the accompanying representations is new and distinctive.**



- (21) Design Number: **11548/2011**
(22) Date of Filing Application: **11 April 2011**
(24) Date from which industrial property rights may have effect: **11 April 2011**
(54) Product in respect of which the design is registered: **Arithmetic operation control machine for computer**
(51) International Design Classification: **14-02**
(74) Name(s) of Attorney(s): **Griffith Hack**
(71) Name(s) and Address(s) of Applicant(s):
Kabushiki Kaisha Toshiba
1-1 Shibaura 1-chome Minato-ku Tokyo Japan
(72) Name(s) of Designer(s): **Toshio Takada**
(45) Registration Date: **11 May 2011**
(56) Related Art Documents: **Not Applicable**
(57) Statement of Newness and Distinctiveness: **Newness and distinctiveness resides in the visual features, including shape, configuration and ornamentation of an ARITHMETIC OPERATION CONTROL MACHINE FOR COMPUTER as shown in the accompanying representations.**



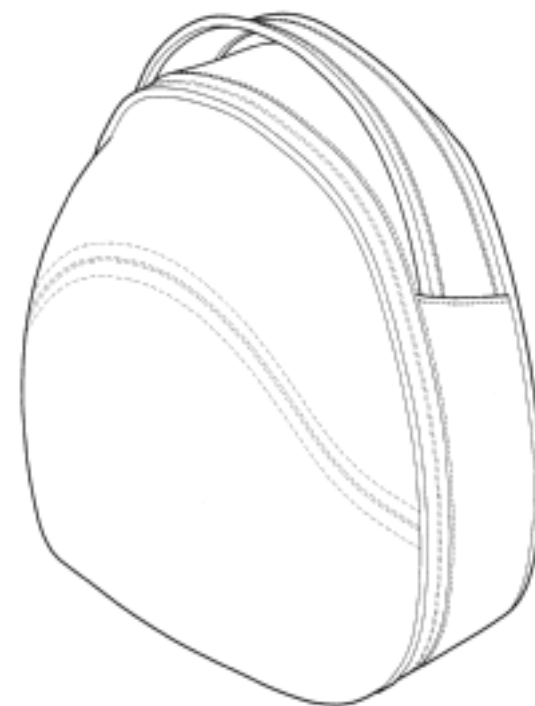
- (21) Design Number: **11569/2011**
(22) Date of Filing Application: **12 April 2011**
(24) Date from which industrial property rights may have effect: **12 April 2011**
(54) Product in respect of which the design is registered: **Ice brick**
(51) International Design Classification: **07-07A**
(74) Name(s) of Attorney(s): **EKM patent & trade marks**
(71) Name(s) and Address(s) of Applicant(s):
Smash Enterprises Pty Ltd
33 Redland Drive Mitcham Victoria 3132 Australia
(72) Name(s) of Designer(s): **Dale Harbinson**
(45) Registration Date: **11 May 2011**
(56) Related Art Documents: **Not Applicable**
(57) Statement of Newness and Distinctiveness: **Newness and distinctiveness resides in the features of shape and/or configuration of an ice brick as shown in solid lines in the accompanying representations.**



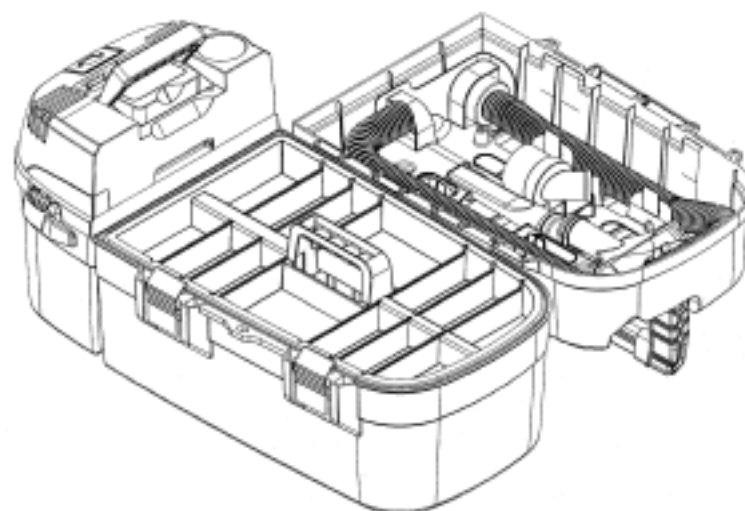
- (21) Design Number: **11570/2011**
(22) Date of Filing Application: **12 April 2011**
(24) Date from which industrial property rights may have effect: **12 April 2011**
(54) Product in respect of which the design is registered: **Bag with bottle holder**
(51) International Design Classification: **03-01A, 09-03E**
(74) Name(s) of Attorney(s): **EKM patent & trade marks**
(71) Name(s) and Address(s) of Applicant(s):
Smash Enterprises Pty Ltd
33 Redland Drive Mitcham Victoria 3132 Australia
(72) Name(s) of Designer(s): **Dale Harbinson**
(45) Registration Date: **11 May 2011**
(56) Related Art Documents: **Not Applicable**
(57) Statement of Newness and Distinctiveness: **Newness and distinctiveness resides in the features of shape and/or configuration of a bag with bottle holder as shown in solid lines in the accompanying representations.**



- (21) Design Number: **11571/2011**
(22) Date of Filing Application: **12 April 2011**
(24) Date from which industrial property rights may have effect: **12 April 2011**
(54) Product in respect of which the design is registered: **Bag**
(51) International Design Classification: **03-01A**
(74) Name(s) of Attorney(s): **EKM patent & trade marks**
(71) Name(s) and Address(s) of Applicant(s):
Smash Enterprises Pty Ltd
33 Redland Drive Mitcham Victoria 3132 Australia
(72) Name(s) of Designer(s): **Dale Harbinson**
(45) Registration Date: **11 May 2011**
(56) Related Art Documents: **Not Applicable**
(57) Statement of Newness and Distinctiveness: **Newness and distinctiveness resides in the features of shape and/or configuration of a bag as shown in solid lines in the accompanying representations.**

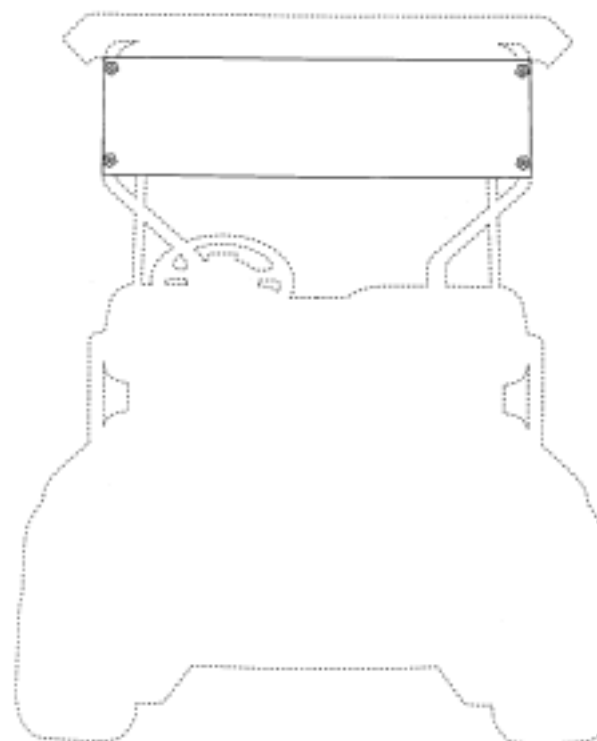


(21) Design Number: **11573/2011**
(22) Date of Filing Application: **12 April 2011**
(24) Date from which industrial property rights may have effect: **12 April 2011**
(54) Product in respect of which the design is registered: **Combined toolbox and vacuum cleaner**
(51) International Design Classification: **03-01D, 15-05**
(74) Name(s) of Attorney(s): **Griffith Hack**
(71) Name(s) and Address(s) of Applicant(s):
Shop Vac Corporation
2323 Reach Road Williamsport PA 17701 United States of America
(72) Name(s) of Designer(s): **Robert Lent Crevling Jr. and Jason Gottschall and Craig A. Seasholtz and John Griffin**
(45) Registration Date: **11 May 2011**
(30) Convention priority data:
(31) Number (32) Date (33) Country
29/380071 30 Nov 2010 UNITED STATES OF AMERICA

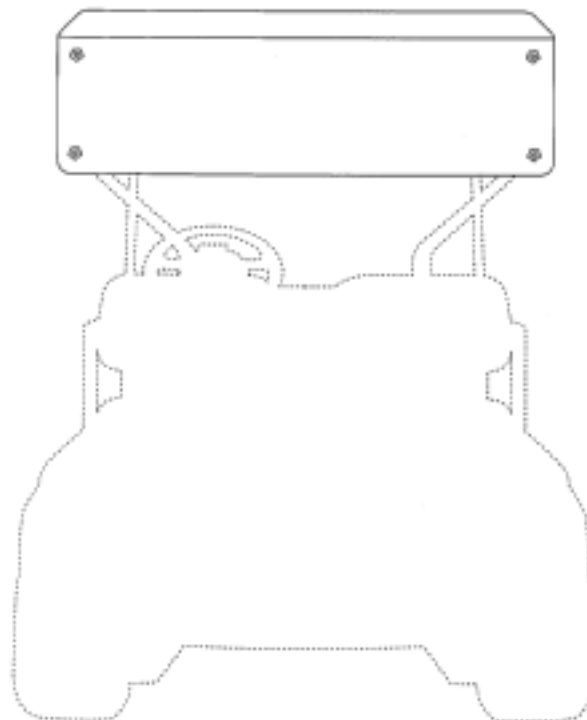


(56) Related Art Documents: **Not Applicable**
(57) Statement of Newness and Distinctiveness: **Newness and distinctiveness resides in the visual features, including shape, configuration and pattern, of a COMBINED TOOLBOX AND VACUUM CLEANER as shown in solid outline in the accompanying drawings, including especially the top part of the COMBINED TOOLBOX AND VACUUM CLEANER. When determining whether the design is substantially similar in overall impression to another design, no regard is to be had to the TRADE MARKS/NAMES shown in the accompanying drawings, which features form no part of the design.**

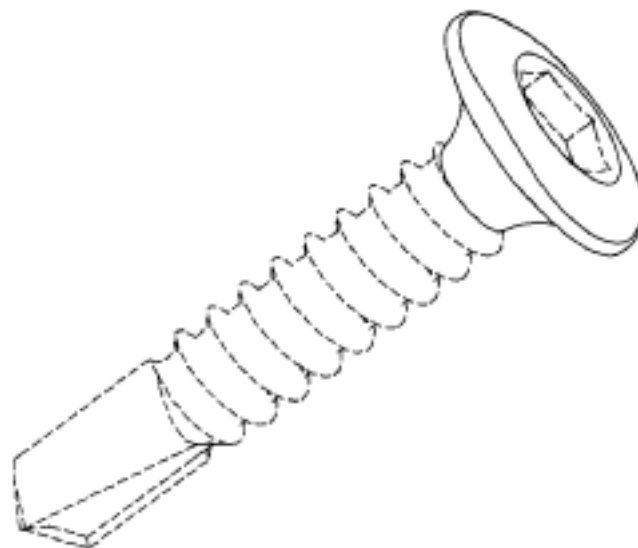
(21) Design Number: **14675/2010**
(22) Date of Filing Application: **28 October 2010**
(24) Date from which industrial property rights may have effect: **28 October 2010**
(54) Product in respect of which the design is registered: **A display panel assembly for a golf cart**
(51) International Design Classification: **12-16D, 20-03C**
(74) Name(s) of Attorney(s): **Shelston IP**
(71) Name(s) and Address(s) of Applicant(s):
Quentin Cloete
Nr 38, 22nd Street Menlo Park Pretoria South Africa
(72) Name(s) of Designer(s): **Quentin Cloete**
(45) Registration Date: **11 May 2011**
(56) Related Art Documents: **Not Applicable**
(57) Statement of Newness and Distinctiveness: **Newness and Distinctiveness resides in the features of shape and/or configuration of a display panel assembly for a golf cart shown in solid lines as illustrated in the accompanying representations. Features shown in broken outline are included for illustrative purposes only and do not form part of the design.**



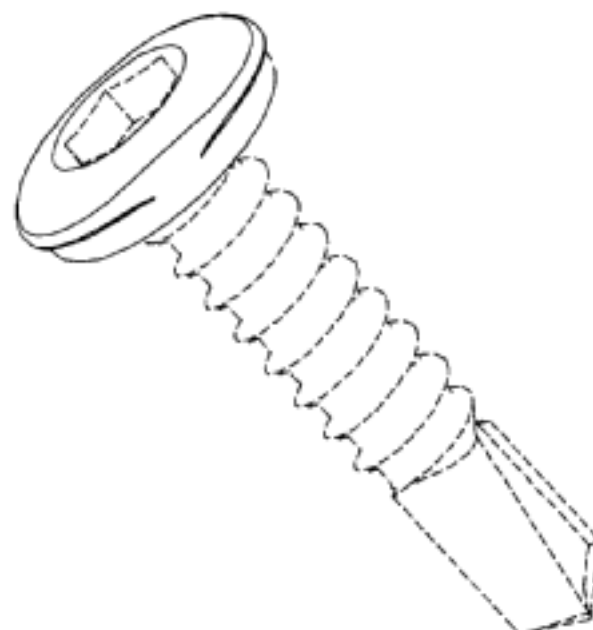
- (21) Design Number: **14676/2010**
(22) Date of Filing Application: **28 October 2010**
(24) Date from which industrial property rights may have effect: **28 October 2010**
(54) Product in respect of which the design is registered: **A roofing member for a golf cart**
(51) International Design Classification: **12-16B**
(74) Name(s) of Attorney(s): **Shelston IP**
(71) Name(s) and Address(s) of Applicant(s):
Quentin Cloete
Nr 38, 22nd Street Menlo Park Pretoria South Africa
(72) Name(s) of Designer(s): **Quentin Cloete**
(45) Registration Date: **11 May 2011**
(56) Related Art Documents: **Not Applicable**
(57) Statement of Newness and Distinctiveness: **Newness and Distinctiveness resides in the features of shape and/or configuration of a roofing member for a golf cart shown in solid lines as illustrated in the accompanying representations. Features shown in broken outline are included for illustrative purposes only and do not form part of the design.**



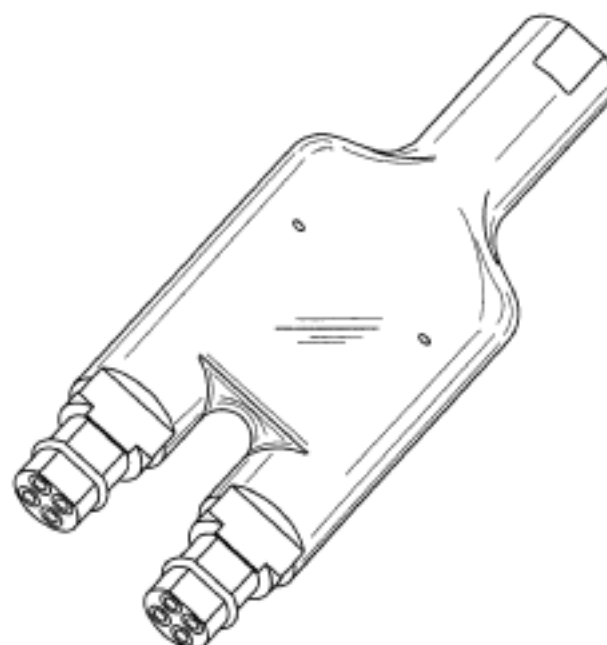
- (21) Design Number: **14841/2010**
(22) Date of Filing Application: **05 November 2010**
(24) Date from which industrial property rights may have effect: **05 November 2010**
(54) Product in respect of which the design is registered: **A screw**
(51) International Design Classification: **08-08B**
(74) Name(s) of Attorney(s):
(71) Name(s) and Address(s) of Applicant(s):
Bluedog Fences Australia Holdings Pty Ltd
Unit 3/119 Wicks Road North Ryde New South Wales 2113 Australia
(72) Name(s) of Designer(s): **James D.F. West**
(45) Registration Date: **11 May 2011**
(56) Related Art Documents: **Not Applicable**
(57) Statement of Newness and Distinctiveness: **Newness and distinctiveness is claimed in the shape and/or configuration of the screw head shown in the representations. The features shown in broken linework are not part of the design.**



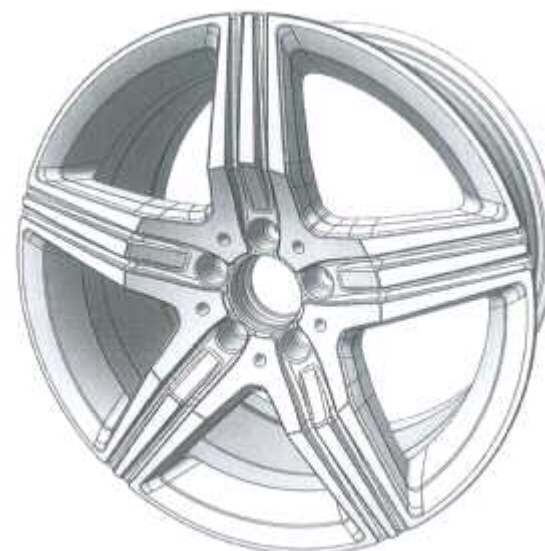
- (21) Design Number: **14842/2010**
(22) Date of Filing Application: **05 November 2010**
(24) Date from which industrial property rights may have effect: **05 November 2010**
(54) Product in respect of which the design is registered: **A screw**
(51) International Design Classification: **08-08B**
(74) Name(s) of Attorney(s):
(71) Name(s) and Address(s) of Applicant(s):
Bluedog Fences Australia Holdings Pty Ltd
Unit 3/119 Wicks Road North Ryde New South Wales 2113 Australia
(72) Name(s) of Designer(s): **James D.F. West**
(45) Registration Date: **11 May 2011**
(56) Related Art Documents: **Not Applicable**
(57) Statement of Newness and Distinctiveness: **Newness and distinctiveness is claimed in the shape and/or configuration of the screw head shown in the representations. The features shown in broken linework are not part of the design.**



- (21) Design Number: **14906/2010**
(22) Date of Filing Application: **11 November 2010**
(24) Date from which industrial property rights may have effect: **11 November 2010**
(54) Product in respect of which the design is registered: **Connector**
(51) International Design Classification: **13-03E**
(74) Name(s) of Attorney(s): **Griffith Hack**
(71) Name(s) and Address(s) of Applicant(s):
LED Technologies Pty Ltd
Factory 1 10 Brand Drive Thomastown Victoria 3074 Australia
(72) Name(s) of Designer(s): **Tony Ottobre**
(45) Registration Date: **11 May 2011**
(56) Related Art Documents: **Not Applicable**
(57) Statement of Newness and Distinctiveness: **Nil**



(21) Design Number: **15686/2010**
(22) Date of Filing Application: **22 December 2010**
(24) Date from which industrial property rights may have effect: **22 December 2010**
(54) Product in respect of which the design is registered: **Wheel for vehicle**
(51) International Design Classification: **12-16A**
(74) Name(s) of Attorney(s): **SPRUSON & FERGUSON**
(71) Name(s) and Address(s) of Applicant(s):
Daimler AG
Mercedesstrasse 137 D-70327 Stuttgart Germany
(72) Name(s) of Designer(s): **Markus Wachter and Bernhard Hans and Kai Hilpert**
(45) Registration Date: **11 May 2011**
(30) Convention priority data:
(31) Number (32) Date (33) Country
001749672-0001 02 Sep 2010 EUROPEAN COMMUNITY
(56) Related Art Documents: **Not Applicable**
(57) Statement of Newness and Distinctiveness: **Newness and distinctiveness is claimed in the features of shape and/or configuration of wheel for vehicle as illustrated in the accompanying representations.**



(21) Design Number: **10429/2011**
(22) Date of Filing Application: **11 February 2011**
(24) Date from which industrial property rights may have effect: **11 February 2011**
(54) Product in respect of which the design is registered: **Container and cap**
(51) International Design Classification: **24-99**
(74) Name(s) of Attorney(s): **SPRUSON & FERGUSON**
(71) Name(s) and Address(s) of Applicant(s):
S.C. Johnson & Son, Inc.
1525 Howe Street Racine Wisconsin 53403-2236 United States of America
(72) Name(s) of Designer(s): **Nancy L. Broen and Brook S. Kennedy and Hideaki Matsui and Matthew N. Thurin and Richard Whitehall**
(45) Registration Date: **11 May 2011**
(30) Convention priority data:
(31) Number (32) Date (33) Country
001229678 12 Aug 2010 EUROPEAN COMMUNITY
(56) Related Art Documents: **Not Applicable**
(57) Statement of Newness and Distinctiveness: **Newness and distinctiveness is claimed in the features of shape and/or configuration of a container and cap as illustrated in the accompanying representations.**



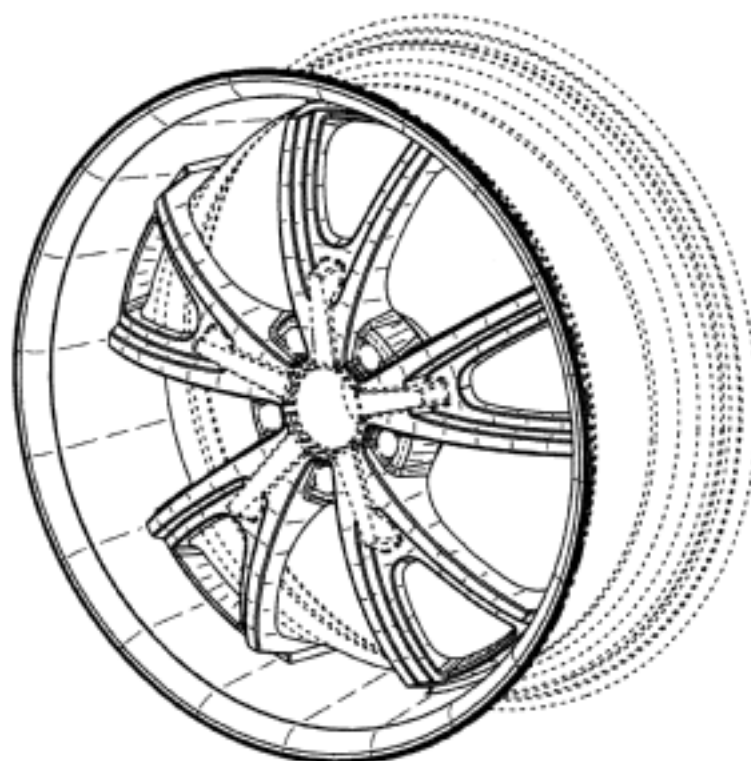
(21) Design Number: **10601/2011**
(22) Date of Filing Application: **18 February 2011**
(24) Date from which industrial property rights may have effect: **18 February 2011**
(54) Product in respect of which the design is registered: **Wheel**
(51) International Design Classification: **12-16A**
(74) Name(s) of Attorney(s): **Actuate IP**
(71) Name(s) and Address(s) of Applicant(s):
Wheel Pros, LLC
44 Union Boulevard Suite 620S Lakewood Colorado 80228 United States of America

(72) Name(s) of Designer(s): **Suny Chung**
(45) Registration Date: **11 May 2011**

(30) Convention priority data:
(31) Number (32) Date (33) Country
29/379.389 18 Nov 2010 UNITED STATES OF AMERICA

(56) Related Art Documents: **Not Applicable**

(57) Statement of Newness and Distinctiveness: **Newness and distinctiveness is claimed in the features of shape and/or configuration of the Wheel as illustrated in the accompanying representations. The broken lines in Figs. 1-12 represent environment and are for illustrative purposes only and do not constitute part of the claimed design.**



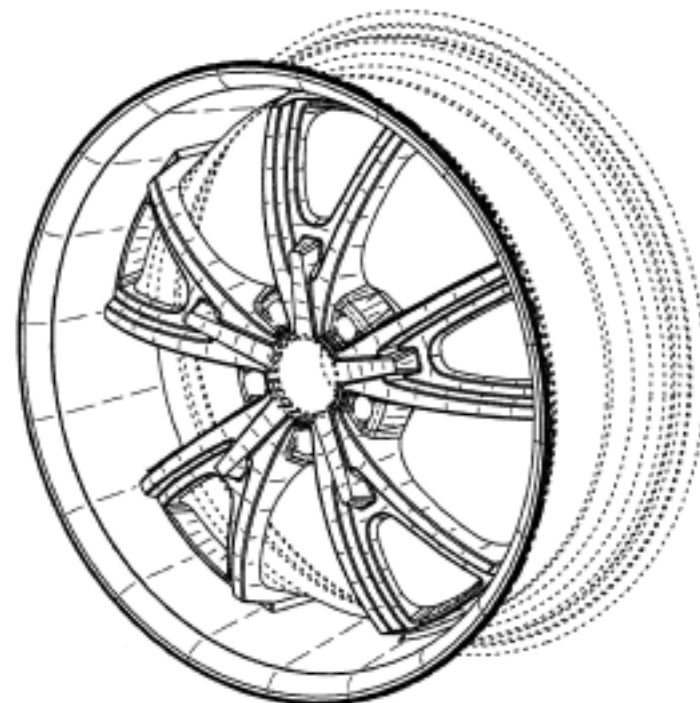
(21) Design Number: **11801/2011**
(22) Date of Filing Application: **18 February 2011**
(24) Date from which industrial property rights may have effect: **18 February 2011**
(54) Product in respect of which the design is registered: **Wheel**
(51) International Design Classification: **12-16A**
(74) Name(s) of Attorney(s): **Actuate IP**
(71) Name(s) and Address(s) of Applicant(s):
Wheel Pros, LLC
44 Union Boulevard Suite 620S Lakewood Colorado 80228 United States of America

(72) Name(s) of Designer(s): **Suny Chung**
(45) Registration Date: **11 May 2011**

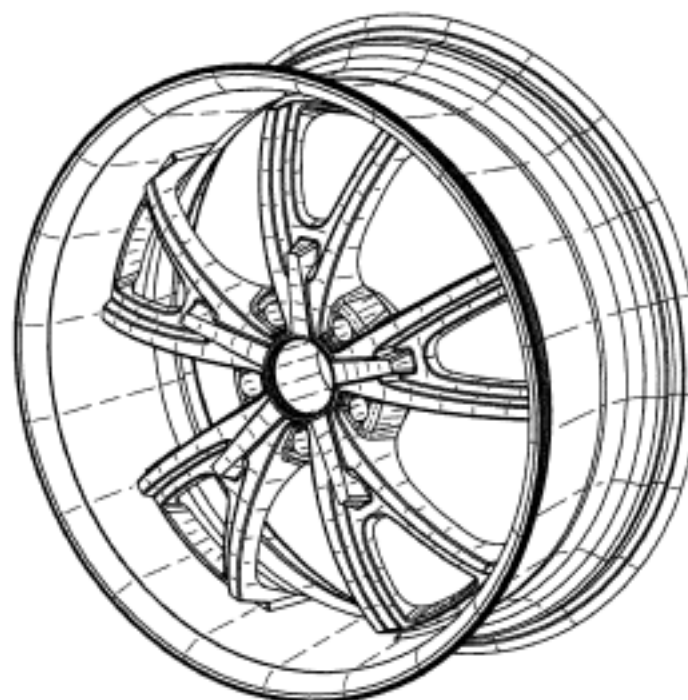
(30) Convention priority data:
(31) Number (32) Date (33) Country
29/379,389 18 Nov 2010 UNITED STATES OF AMERICA

(56) Related Art Documents: **Not Applicable**

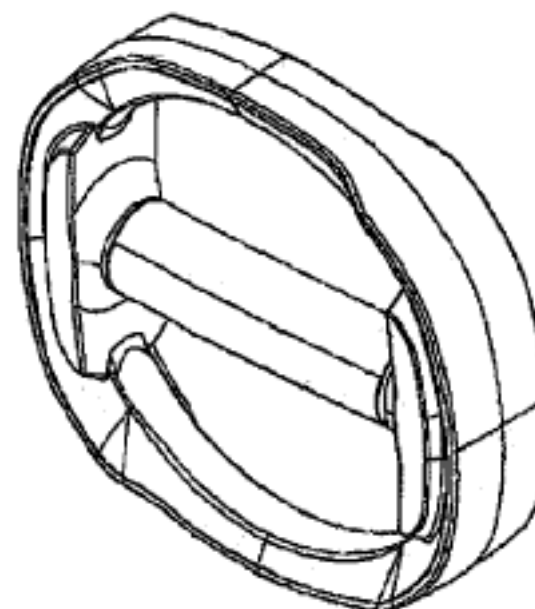
(57) Statement of Newness and Distinctiveness: **Newness and distinctiveness is claimed in the features of shape and/or configuration of the Wheel as illustrated in the accompanying representations. The broken lines in Figs. 1-12 represent environment and are for illustrative purposes only and do not constitute part of the claimed design.**



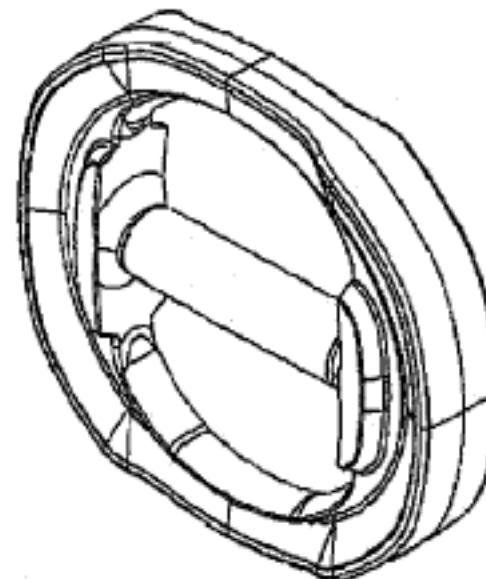
(21) Design Number: **11802/2011**
(22) Date of Filing Application: **18 February 2011**
(24) Date from which industrial property rights may have effect: **18 February 2011**
(54) Product in respect of which the design is registered: **Wheel**
(51) International Design Classification: **12-16A**
(74) Name(s) of Attorney(s): **Actuate IP**
(71) Name(s) and Address(s) of Applicant(s):
Wheel Pros, LLC
44 Union Boulevard Suite 620S Lakewood Colorado 80228 United States of America
(72) Name(s) of Designer(s): **Suny Chung**
(45) Registration Date: **11 May 2011**
(30) Convention priority data:
(31) Number (32) Date (33) Country
29/379,389 18 Nov 2010 UNITED STATES OF AMERICA
(56) Related Art Documents: **Not Applicable**
(57) Statement of Newness and Distinctiveness: **Newness and distinctiveness is claimed in the features of shape and/or configuration of the Wheel as illustrated in the accompanying representations. The broken lines in Figs. 1-12 represent environment and are for illustrative purposes only and do not constitute part of the claimed design.**



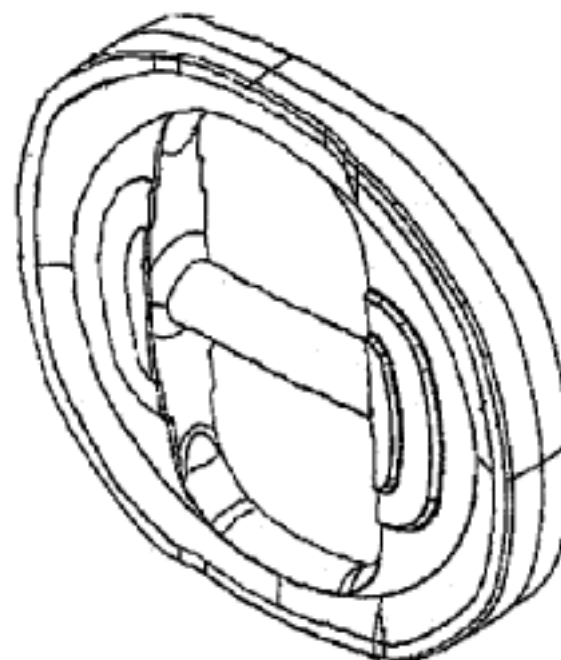
(21) Design Number: **10712/2011**
(22) Date of Filing Application: **25 February 2011**
(24) Date from which industrial property rights may have effect: **25 February 2011**
(54) Product in respect of which the design is registered: **Weight plates and hub**
(51) International Design Classification: **21-02F**
(74) Name(s) of Attorney(s): **A J Park**
(71) Name(s) and Address(s) of Applicant(s):
Les Mills International Limited
22 Centre Street Auckland 1010 New Zealand
(72) Name(s) of Designer(s): **David Neil Lovegrove and Darryl John Best and William Davies and Tyrone David Low**
(45) Registration Date: **11 May 2011**
(30) Convention priority data:
(31) Number (32) Date (33) Country
413971 27 Aug 2010 NEW ZEALAND
(56) Related Art Documents: **Not Applicable**
(57) Statement of Newness and Distinctiveness: **Nil**



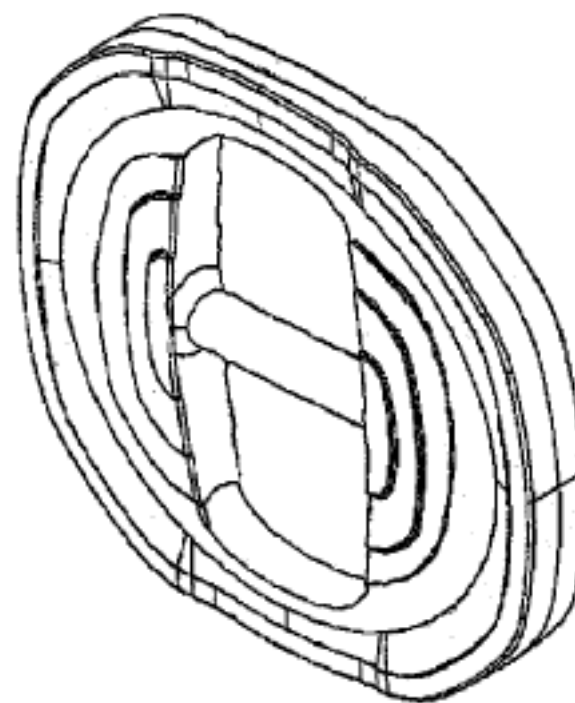
(21) Design Number: **11934/2011**
(22) Date of Filing Application: **25 February 2011**
(24) Date from which industrial property rights may have effect: **25 February 2011**
(54) Product in respect of which the design is registered: **Weight plates and hub**
(51) International Design Classification: **21-02F**
(74) Name(s) of Attorney(s): **A J Park**
(71) Name(s) and Address(s) of Applicant(s):
Les Mills International Limited
22 Centre Street Auckland 1010 New Zealand
(72) Name(s) of Designer(s): **David Neil Lovegrove and Darryl John Best and William Davies and Tyrone David Low**
(45) Registration Date: **11 May 2011**
(30) Convention priority data:
(31) Number (32) Date (33) Country
413971 27 Aug 2010 NEW ZEALAND
(56) Related Art Documents: **Not Applicable**
(57) Statement of Newness and Distinctiveness: **Nil**



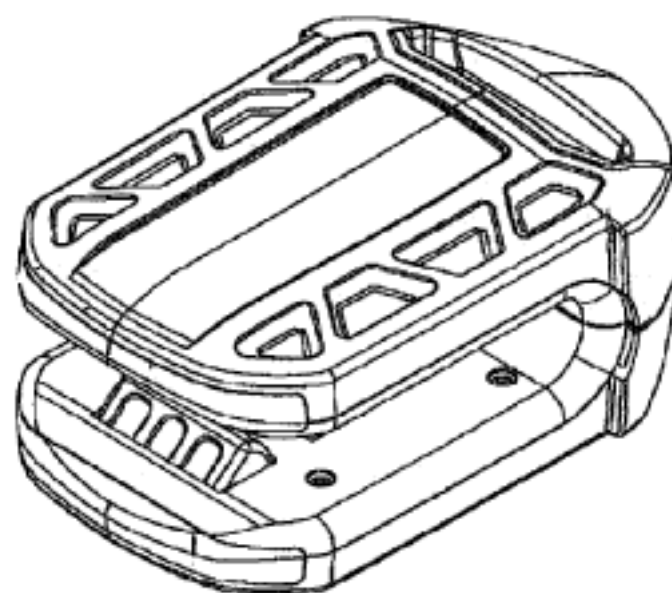
(21) Design Number: **11935/2011**
(22) Date of Filing Application: **25 February 2011**
(24) Date from which industrial property rights may have effect: **25 February 2011**
(54) Product in respect of which the design is registered: **Weight plates and hub**
(51) International Design Classification: **21-02F**
(74) Name(s) of Attorney(s): **A J Park**
(71) Name(s) and Address(s) of Applicant(s):
Les Mills International Limited
22 Centre Street Auckland 1010 New Zealand
(72) Name(s) of Designer(s): **David Neil Lovegrove and Darryl John Best and William Davies and Tyrone David Low**
(45) Registration Date: **11 May 2011**
(30) Convention priority data:
(31) Number (32) Date (33) Country
413971 27 Aug 2010 NEW ZEALAND
(56) Related Art Documents: **Not Applicable**
(57) Statement of Newness and Distinctiveness: **Nil**



(21) Design Number: **11936/2011**
(22) Date of Filing Application: **25 February 2011**
(24) Date from which industrial property rights may have effect: **25 February 2011**
(54) Product in respect of which the design is registered: **Weight plates and hub**
(51) International Design Classification: **21-02F**
(74) Name(s) of Attorney(s): **A J Park**
(71) Name(s) and Address(s) of Applicant(s):
Les Mills International Limited
22 Centre Street Auckland 1010 New Zealand
(72) Name(s) of Designer(s): **David Neil Lovegrove and Darryl John Best and William Davies and Tyrone David Low**
(45) Registration Date: **11 May 2011**
(30) Convention priority data:
(31) Number (32) Date (33) Country
413971 27 Aug 2010 NEW ZEALAND
(56) Related Art Documents: **Not Applicable**
(57) Statement of Newness and Distinctiveness: **Nil**



(21) Design Number: **11937/2011**
(22) Date of Filing Application: **25 February 2011**
(24) Date from which industrial property rights may have effect: **25 February 2011**
(54) Product in respect of which the design is registered: **Weight plates and hub**
(51) International Design Classification: **21-02F**
(74) Name(s) of Attorney(s): **A J Park**
(71) Name(s) and Address(s) of Applicant(s):
Les Mills International Limited
22 Centre Street Auckland 1010 New Zealand
(72) Name(s) of Designer(s): **David Neil Lovegrove and Darryl John Best and William Davies and Tyrone David Low**
(45) Registration Date: **11 May 2011**
(30) Convention priority data:
(31) Number (32) Date (33) Country
413971 27 Aug 2010 NEW ZEALAND
(56) Related Art Documents: **Not Applicable**
(57) Statement of Newness and Distinctiveness: **Nil**



(21) Design Number: **10896/2011**
(22) Date of Filing Application: **04 March 2011**
(24) Date from which industrial property rights may have effect: **04 March 2011**
(54) Product in respect of which the design is registered: **A connector**
(51) International Design Classification: **06-04NES**
(74) Name(s) of Attorney(s): **A J Park**
(71) Name(s) and Address(s) of Applicant(s):

Lundia Shelving Limited
71 Felton Matthew Avenue Glen Innes Auckland New Zealand

(72) Name(s) of Designer(s): **Craig Russell**

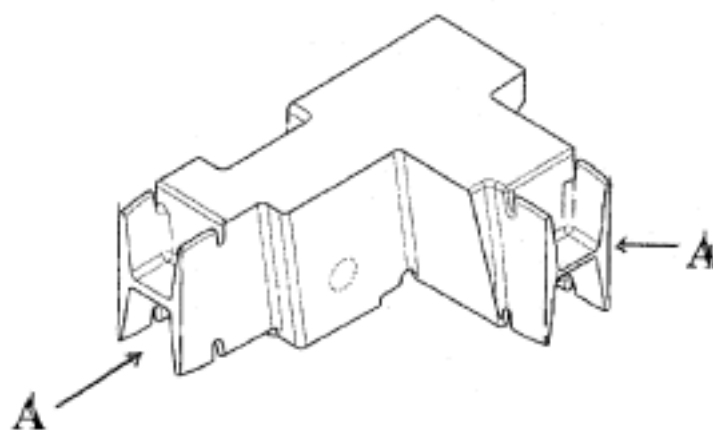
(45) Registration Date: **11 May 2011**

(30) Convention priority data:

(31) Number	(32) Date	(33) Country
414010	06 Sep 2010	NEW ZEALAND

(56) Related Art Documents: **Not Applicable**

(57) Statement of Newness and Distinctiveness: **Newness and distinctiveness resides in the features of shape and/or configuration of the spigot feature marked as 'A' in the accompanying representations.**



(21) Design Number: **11053/2011**
(22) Date of Filing Application: **10 March 2011**
(24) Date from which industrial property rights may have effect: **10 March 2011**
(54) Product in respect of which the design is registered: **Gameboard**
(51) International Design Classification: **21-01L**
(74) Name(s) of Attorney(s):
(71) Name(s) and Address(s) of Applicant(s):

Victoria Reading
130 Chirnside Street Kingsville Victoria 3012 Australia

(72) Name(s) of Designer(s): **Victoria Reading**

(45) Registration Date: **11 May 2011**

(56) Related Art Documents: **Not Applicable**

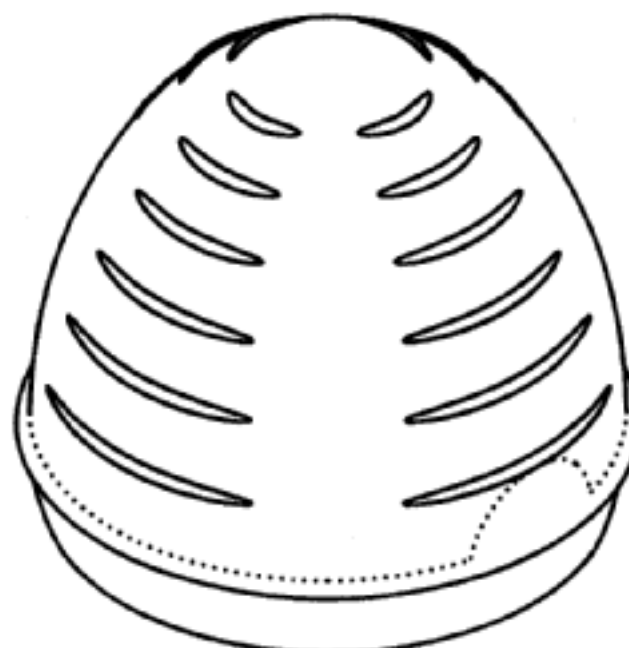
(57) Statement of Newness and Distinctiveness: **Nil**



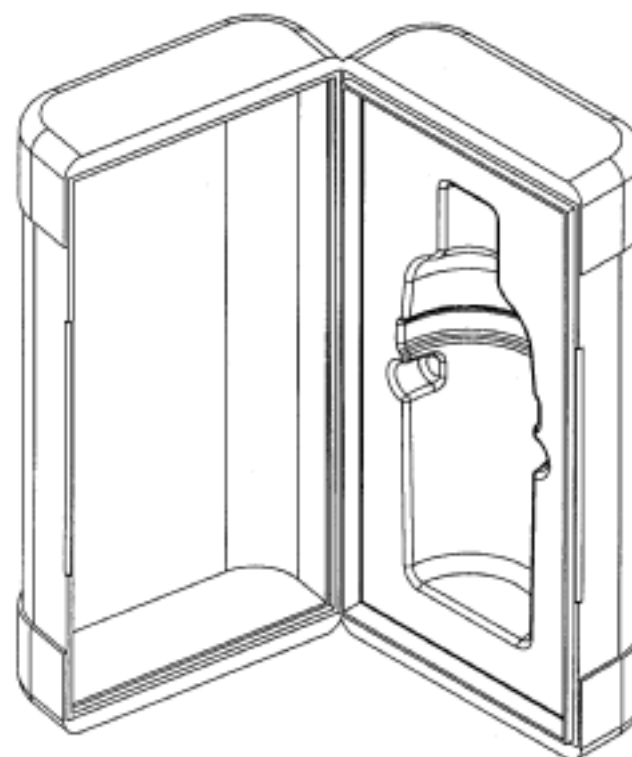
(21) Design Number: **11054/2011**
(22) Date of Filing Application: **10 March 2011**
(24) Date from which industrial property rights may have effect: **10 March 2011**
(54) Product in respect of which the design is registered: **Gameboard**
(51) International Design Classification: **21-01L**
(74) Name(s) of Attorney(s):
(71) Name(s) and Address(s) of Applicant(s):
Victoria Reading
130 Chirnside Street Kingsville Victoria 3012 Australia
(72) Name(s) of Designer(s): **Victoria Reading**
(45) Registration Date: **11 May 2011**
(56) Related Art Documents: **Not Applicable**
(57) Statement of Newness and Distinctiveness: **Nil**



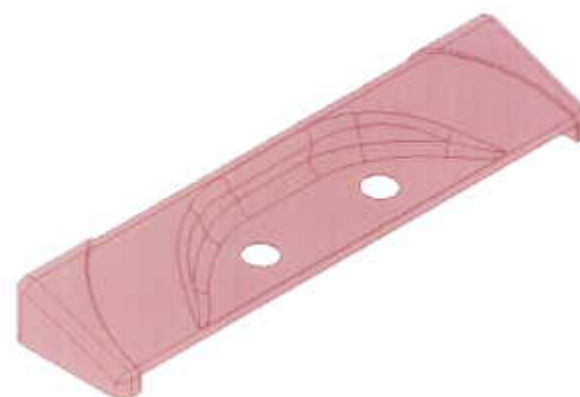
(21) Design Number: **10789/2011**
(22) Date of Filing Application: **02 March 2011**
(24) Date from which industrial property rights may have effect: **02 March 2011**
(54) Product in respect of which the design is registered: **Fruit preparation and storage utensil**
(51) International Design Classification: **07-04, 07-01NES**
(74) Name(s) of Attorney(s): **Davies Collison Cave**
(71) Name(s) and Address(s) of Applicant(s):
Fusionbrands Inc.
PO Box 100 Naples NY 14512 United States of America
(72) Name(s) of Designer(s): **Anna M. Stewart and Stephen Kraigh Stewart**
(45) Registration Date: **11 May 2011**
(56) Related Art Documents: **Not Applicable**
(57) Statement of Newness and Distinctiveness: **Newness and distinctiveness is claimed in the visual features shown in solid lines in the representations.**



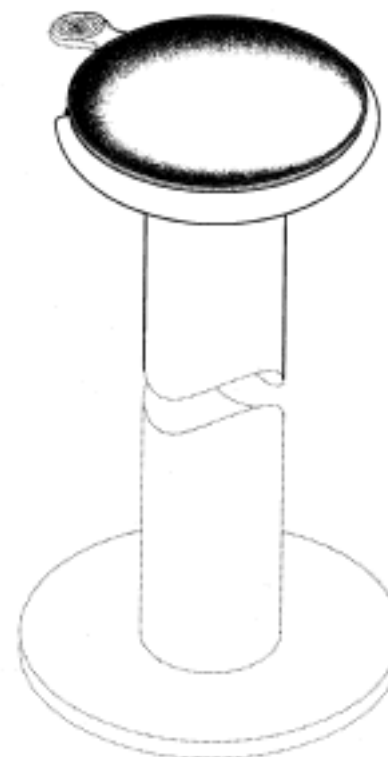
- (21) Design Number: **10836/2011**
(22) Date of Filing Application: **03 March 2011**
(24) Date from which industrial property rights may have effect: **03 March 2011**
(54) Product in respect of which the design is registered: **Packaging for a bottle**
(51) International Design Classification: **09-03E**
(74) Name(s) of Attorney(s): **Davies Collison Cave**
(71) Name(s) and Address(s) of Applicant(s):
Visy R & D Pty Ltd
Level 11 2 Southbank Boulevard Southbank Victoria 3006 Australia
(72) Name(s) of Designer(s): **Michael Salaun**
(45) Registration Date: **11 May 2011**
(56) Related Art Documents: **Not Applicable**
(57) Statement of Newness and Distinctiveness: **The features of shape and configuration of the packaging shown in the accompanying representations are considered to be new and distinctive.**



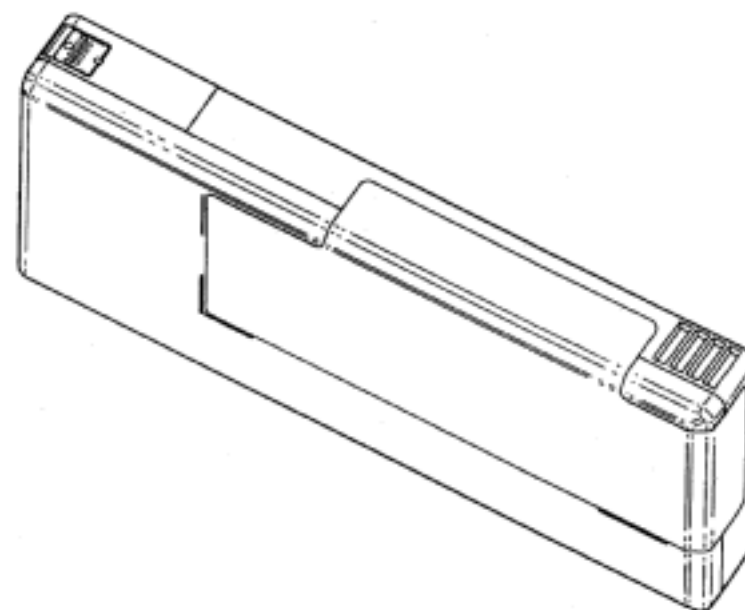
- (21) Design Number: **10862/2011**
(22) Date of Filing Application: **03 March 2011**
(24) Date from which industrial property rights may have effect: **03 March 2011**
(54) Product in respect of which the design is registered: **A tub console**
(51) International Design Classification: **23-02F**
(74) Name(s) of Attorney(s):
(71) Name(s) and Address(s) of Applicant(s):
Mercer Stainless Limited
7 Corban Avenue Henderson Auckland New Zealand
(72) Name(s) of Designer(s): **Gordon Spence Hynd and David Andrew Parr and Rodney John Routley and David Wallace Mayell**
(45) Registration Date: **11 May 2011**
(30) Convention priority data:
(31) Number (32) Date (33) Country
414417 16 Dec 2010 NEW ZEALAND
(56) Related Art Documents: **Not Applicable**
(57) Statement of Newness and Distinctiveness: **The design is to be applied to a tub console and the novelty resides in features of shape and/or configuration of the article, including end caps, all as shown in the red washed portions of the accompanying representations.**



- (21) Design Number: **10900/2011**
(22) Date of Filing Application: **07 March 2011**
(24) Date from which industrial property rights may have effect: **07 March 2011**
(54) Product in respect of which the design is registered: **Attachable pedestal**
(51) International Design Classification: **07-99NES**
(74) Name(s) of Attorney(s): **Davies Collison Cave**
(71) Name(s) and Address(s) of Applicant(s):
Fusionbrands Inc.
PO Box 100 Naples NY 14512 United States of America
(72) Name(s) of Designer(s): **Anna M. Stewart and Stephen Kraigh Stewart**
(45) Registration Date: **11 May 2011**
(56) Related Art Documents: **Not Applicable**
(57) Statement of Newness and Distinctiveness: **Newness and distinctiveness is claimed in the visual features shown in solid lines in the representations.**



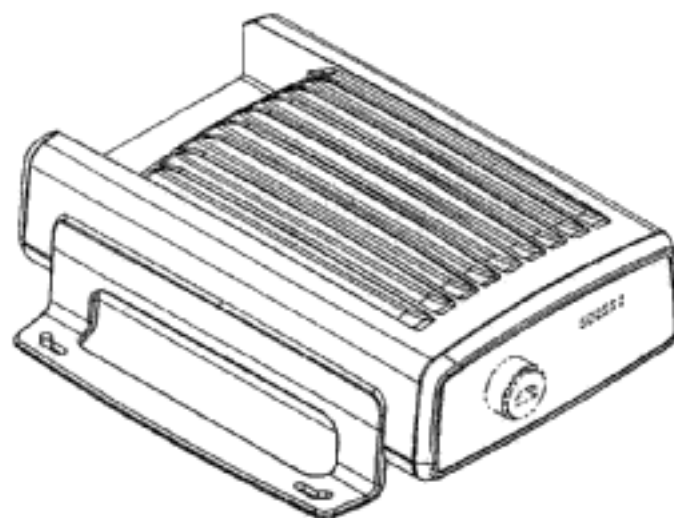
- (21) Design Number: **10901/2011**
(22) Date of Filing Application: **07 March 2011**
(24) Date from which industrial property rights may have effect: **07 March 2011**
(54) Product in respect of which the design is registered: **Ink cartridge**
(51) International Design Classification: **14-02**
(74) Name(s) of Attorney(s): **Davies Collison Cave**
(71) Name(s) and Address(s) of Applicant(s):
Seiko Epson Corporation
4-1 Nishishinjuku 2-chome Shinjuku-ku Tokyo 163-0811 Japan
(72) Name(s) of Designer(s): **Takeshi Iwamuro and Yuji Aoki**
(45) Registration Date: **11 May 2011**
(30) Convention priority data:
(31) Number (32) Date (33) Country
2010-021778 09 Sep 2010 JAPAN
(56) Related Art Documents: **Not Applicable**
(57) Statement of Newness and Distinctiveness: **Newness and distinctiveness is claimed in the visual features shown in solid lines in the representations.**



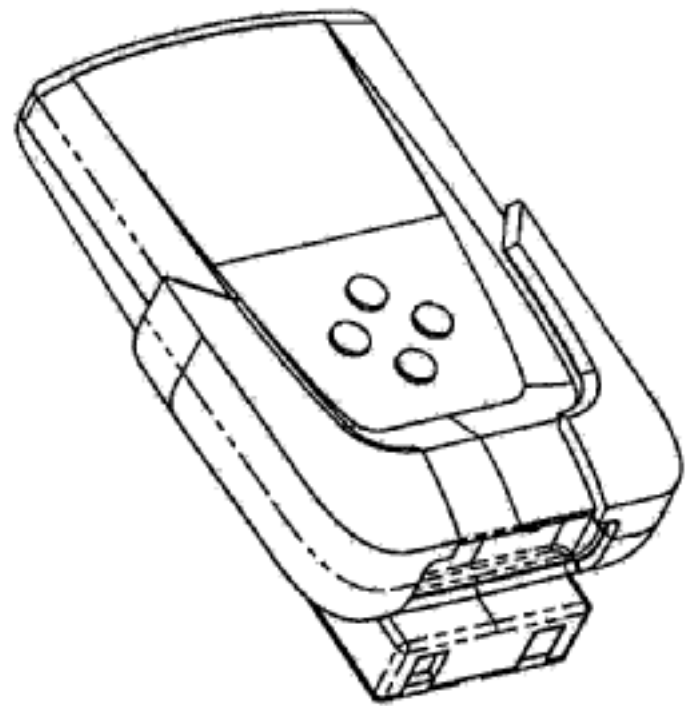
(21) Design Number: **11252/2011**
(22) Date of Filing Application: **23 March 2011**
(24) Date from which industrial property rights may have effect: **23 March 2011**
(54) Product in respect of which the design is registered: **Face shield holder with face shield**
(51) International Design Classification: **02-03**
(74) Name(s) of Attorney(s): **Freehills Patent & Trade Mark Attorneys**
(71) Name(s) and Address(s) of Applicant(s):
3M Innovative Properties Company
3M Center Saint Paul Minnesota 55133-3427 United States of America
(72) Name(s) of Designer(s): **Lars Carlborg and Henrik Nordin and Jan Folkesson**
(45) Registration Date: **11 May 2011**
(30) Convention priority data:
(31) Number (32) Date (33) Country
1237176 29 Sep 2010 EUROPEAN COMMUNITY
(56) Related Art Documents: **Not Applicable**
(57) Statement of Newness and Distinctiveness: **Newness and distinctiveness resides in the features of shape and/or configuration of a face shield holder as shown in solid outline in the accompanying representations.**



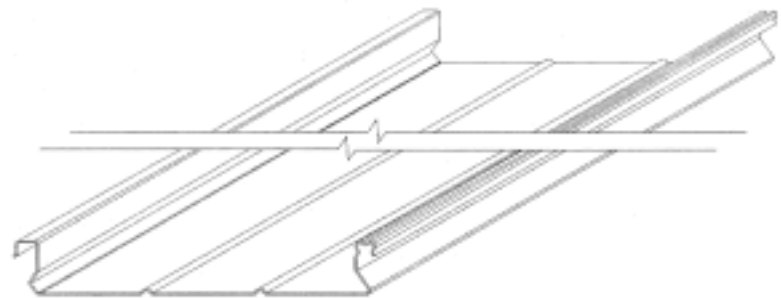
(21) Design Number: **11425/2011**
(22) Date of Filing Application: **31 March 2011**
(24) Date from which industrial property rights may have effect: **31 March 2011**
(54) Product in respect of which the design is registered: **Power supply**
(51) International Design Classification: **13-02**
(74) Name(s) of Attorney(s): **PHILLIPS ORMONDE FITZPATRICK**
(71) Name(s) and Address(s) of Applicant(s):
Redarc Technologies Pty Ltd
23 Brodie Road North Lonsdale South Australia 5160 Australia
(72) Name(s) of Designer(s): **Employees of Outerspace Design Group Pty Ltd**
(45) Registration Date: **11 May 2011**
(56) Related Art Documents: **Not Applicable**
(57) Statement of Newness and Distinctiveness: **Newness and distinctiveness is claimed in the shape and/or configuration of the power supply as shown in the accompanying drawings. Those features shown in broken line are not part of the design and are to be disregarded when considering the overall impression of the design.**



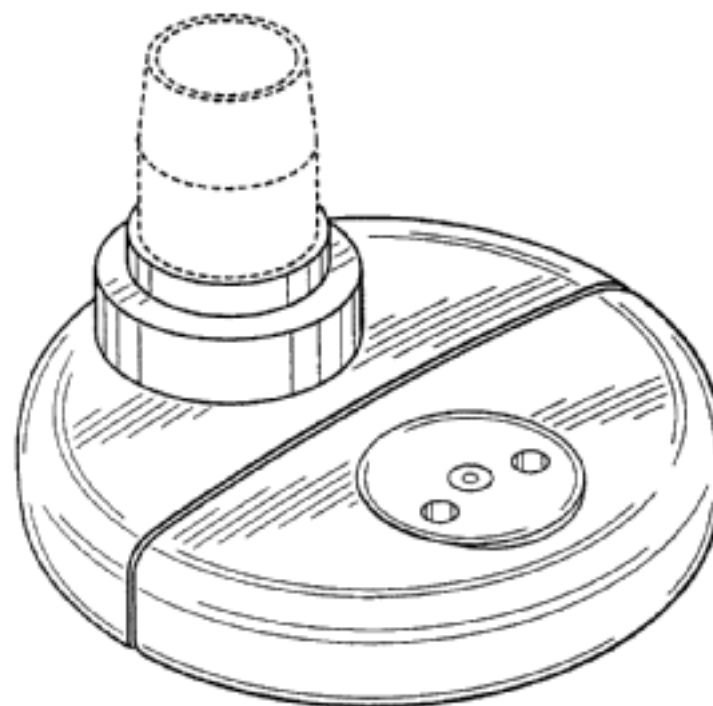
- (21) Design Number: **11426/2011**
(22) Date of Filing Application: **31 March 2011**
(24) Date from which industrial property rights may have effect: **31 March 2011**
(54) Product in respect of which the design is registered: **Power supply**
(51) International Design Classification: **13-02**
(74) Name(s) of Attorney(s): **PHILLIPS ORMONDE FITZPATRICK**
(71) Name(s) and Address(s) of Applicant(s):
Redarc Technologies Pty Ltd
23 Brodie Road North Lonsdale South Australia 5160 Australia
(72) Name(s) of Designer(s): **Employees of Outerspace Design Group Pty Ltd**
(45) Registration Date: **11 May 2011**
(56) Related Art Documents: **Not Applicable**
(57) Statement of Newness and Distinctiveness: **Newness and distinctiveness is claimed in the shape and/or configuration of the power supply as shown in the accompanying drawings.**



- (21) Design Number: **11507/2011**
(22) Date of Filing Application: **08 April 2011**
(24) Date from which industrial property rights may have effect: **08 April 2011**
(54) Product in respect of which the design is registered: **Structural panel**
(51) International Design Classification: **25-01D**
(74) Name(s) of Attorney(s):
(71) Name(s) and Address(s) of Applicant(s):
First Building Inspectors Pty Ltd
29 Lancewood Court Robina Queensland 4229 Australia
(72) Name(s) of Designer(s): **Glenn Shefford**
(45) Registration Date: **11 May 2011**
(56) Related Art Documents: **Not Applicable**
(57) Statement of Newness and Distinctiveness: **Nil**

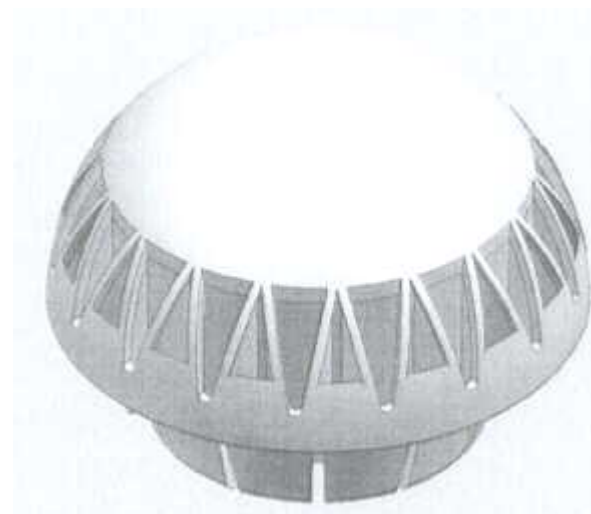


(21) Design Number: **11517/2011**
(22) Date of Filing Application: **08 April 2011**
(24) Date from which industrial property rights may have effect: **08 April 2011**
(54) Product in respect of which the design is registered: **Faucet mounted eyewash unit**
(51) International Design Classification: **24-04**
(74) Name(s) of Attorney(s): **Griffith Hack**
(71) Name(s) and Address(s) of Applicant(s):
Haws Corporation
1455 Kleppe Lane Sparks NV 89434 United States of America
(72) Name(s) of Designer(s): **Stephen L. Stanley and Ian T. Roberts and Zoltan Goncze**
(45) Registration Date: **11 May 2011**
(30) Convention priority data:
(31) Number (32) Date (33) Country
29/377469 21 Oct 2010 UNITED STATES OF AMERICA

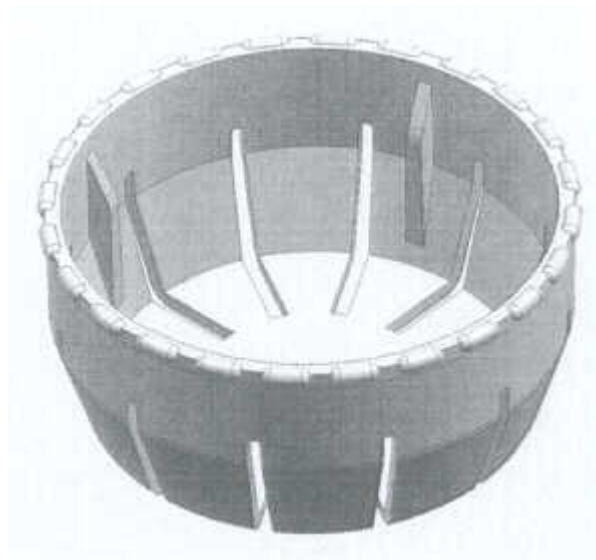


(56) Related Art Documents: **Not Applicable**
(57) Statement of Newness and Distinctiveness: **Newness and distinctiveness resides in the visual features, including shape and configuration, of a faucet mounted eyewash unit as shown in solid outline in the accompanying drawings. Figure 1 shows the unit in a faucet mode of use, and Figure 8 shows the same unit in an eyewash mode of use. When determining whether the design is substantially similar in overall impression to another design, no regard is to be had to those features shown in dotted outline in the accompanying drawings, which features are provided for illustrative purposes only.**

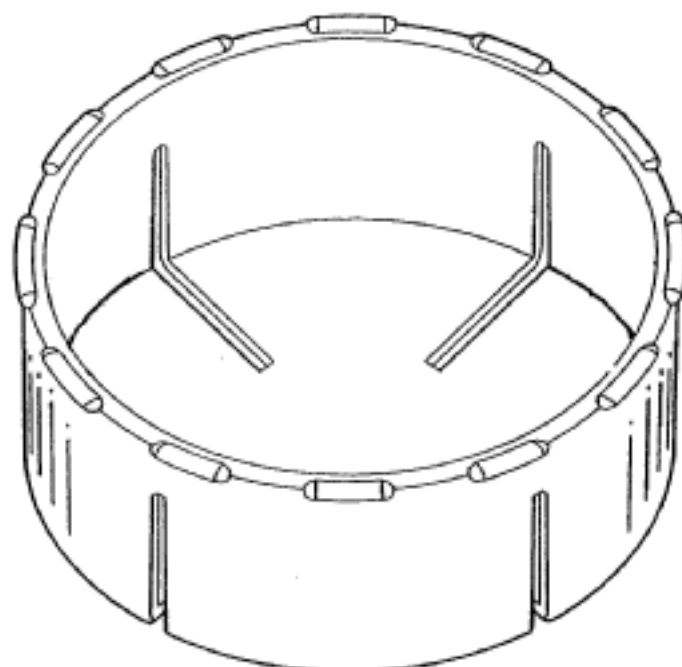
(21) Design Number: **11519/2011**
(22) Date of Filing Application: **08 April 2011**
(24) Date from which industrial property rights may have effect: **08 April 2011**
(54) Product in respect of which the design is registered: **A urinal deodoriser cartridge**
(51) International Design Classification: **09-05, 28-03NES**
(74) Name(s) of Attorney(s): **SPRUSON & FERGUSON**
(71) Name(s) and Address(s) of Applicant(s):
Calfarme Australia Pty Ltd
Unit 42 55 Norman Street Peakhurst New South Wales 2210 Australia
(72) Name(s) of Designer(s): **Boon Lye Paul Neo**
(45) Registration Date: **11 May 2011**
(56) Related Art Documents: **Not Applicable**
(57) Statement of Newness and Distinctiveness: **Newness and distinctiveness is claimed in the features of shape and/or configuration of a urinal deodoriser cartridge as illustrated in the accompanying representations.**



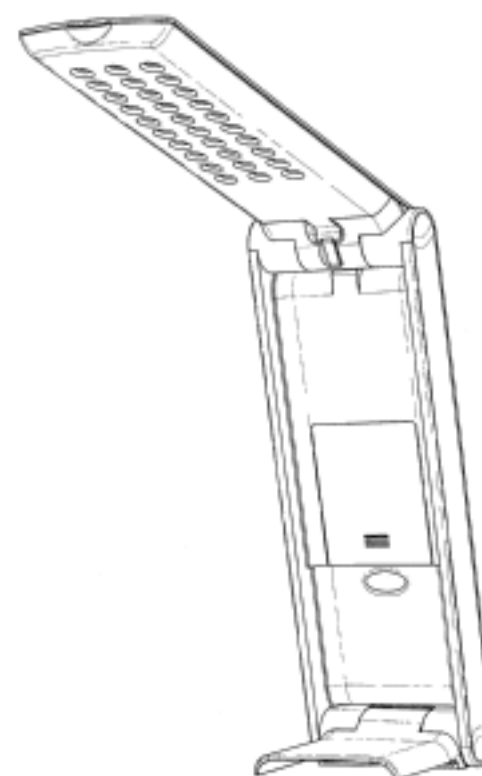
(21) Design Number: **11520/2011**
(22) Date of Filing Application: **08 April 2011**
(24) Date from which industrial property rights may have effect: **08 April 2011**
(54) Product in respect of which the design is registered: **A urinal deodoriser cartridge insert**
(51) International Design Classification: **09-05, 28-03NES**
(74) Name(s) of Attorney(s): **SPRUSON & FERGUSON**
(71) Name(s) and Address(s) of Applicant(s):
Calfarme Australia Pty Ltd
Unit 42 55 Norman Street Peakhurst New South Wales 2210 Australia
(72) Name(s) of Designer(s): **Boon Lye Paul Neo**
(45) Registration Date: **11 May 2011**
(56) Related Art Documents: **Not Applicable**
(57) Statement of Newness and Distinctiveness: **Newness and distinctiveness is claimed in the features of shape and/or configuration of a urinal deodoriser cartridge insert as illustrated in the accompanying representations.**



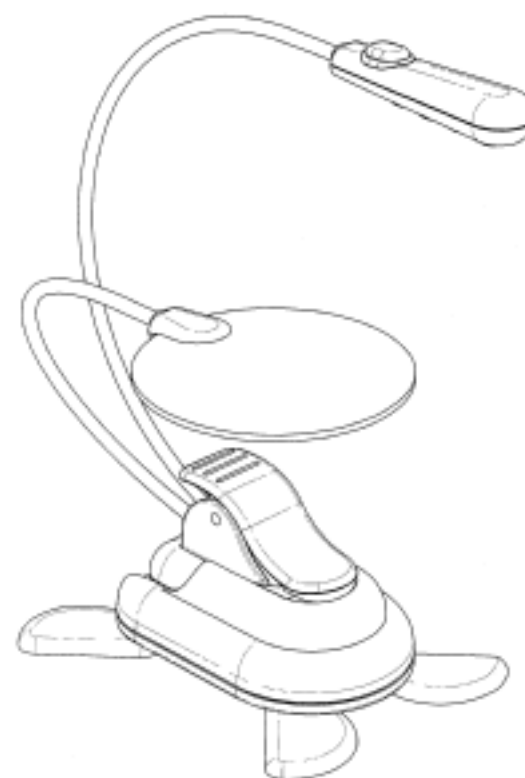
(21) Design Number: **11521/2011**
(22) Date of Filing Application: **08 April 2011**
(24) Date from which industrial property rights may have effect: **08 April 2011**
(54) Product in respect of which the design is registered: **A urinal deodoriser cartridge insert**
(51) International Design Classification: **09-05, 28-03NES**
(74) Name(s) of Attorney(s): **SPRUSON & FERGUSON**
(71) Name(s) and Address(s) of Applicant(s):
Calfarme Australia Pty Ltd
Unit 42 55 Norman Street Peakhurst New South Wales 2210 Australia
(72) Name(s) of Designer(s): **Boon Lye Paul Neo**
(45) Registration Date: **11 May 2011**
(56) Related Art Documents: **Not Applicable**
(57) Statement of Newness and Distinctiveness: **Newness and distinctiveness is claimed in the features of shape and/or configuration of a urinal deodoriser cartridge insert as illustrated in the accompanying representations.**



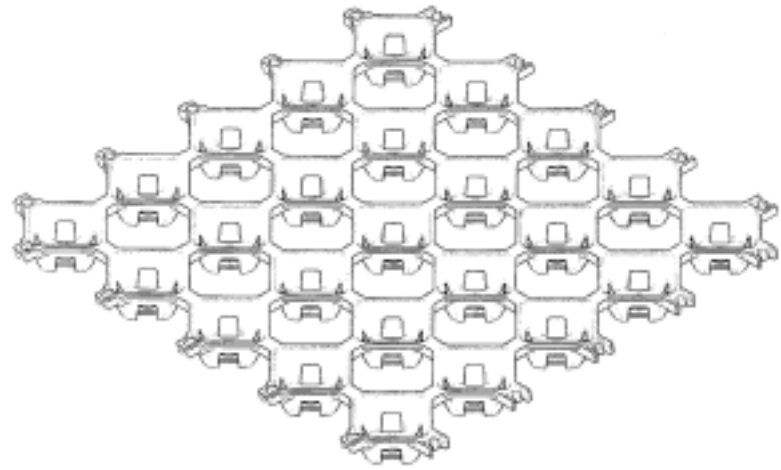
(21) Design Number: **11540/2011**
(22) Date of Filing Application: **12 April 2011**
(24) Date from which industrial property rights may have effect: **12 April 2011**
(54) Product in respect of which the design is registered: **Lamp**
(51) International Design Classification: **26-05B**
(74) Name(s) of Attorney(s): **PETER MAXWELL & ASSOCIATES**
(71) Name(s) and Address(s) of Applicant(s):
The Daylight Company (Holdings) Limited
89-91 Scrubs Lane London NW10 6QU United Kingdom
(72) Name(s) of Designer(s): **Fraser Hodgson**
(45) Registration Date: **11 May 2011**
(30) Convention priority data:
(31) Number (32) Date (33) Country
001824624-0001 22 Feb 2011 EUROPEAN COMMUNITY
(56) Related Art Documents: **Not Applicable**
(57) Statement of Newness and Distinctiveness: **Newness and distinctiveness is claimed in the shape and/or configuration of a lamp as illustrated by the unbroken lines in the accompanying representations.**



(21) Design Number: **11541/2011**
(22) Date of Filing Application: **12 April 2011**
(24) Date from which industrial property rights may have effect: **12 April 2011**
(54) Product in respect of which the design is registered: **Lamp**
(51) International Design Classification: **26-05B**
(74) Name(s) of Attorney(s): **PETER MAXWELL & ASSOCIATES**
(71) Name(s) and Address(s) of Applicant(s):
The Daylight Company (Holdings) Limited
89-91 Scrubs Lane London NW10 6QU United Kingdom
(72) Name(s) of Designer(s): **Fraser Hodgson**
(45) Registration Date: **11 May 2011**
(30) Convention priority data:
(31) Number (32) Date (33) Country
001824624-0002 22 Feb 2011 EUROPEAN COMMUNITY
(56) Related Art Documents: **Not Applicable**
(57) Statement of Newness and Distinctiveness: **Newness and distinctiveness is claimed in the shape and/or configuration of a lamp as illustrated by the unbroken lines in the accompanying representations.**



- (21) Design Number: **11542/2011**
(22) Date of Filing Application: **11 April 2011**
(24) Date from which industrial property rights may have effect: **11 April 2011**
(54) Product in respect of which the design is registered: **Grass paver**
(51) International Design Classification: **25-01A**
(74) Name(s) of Attorney(s): **FB Rice**
(71) Name(s) and Address(s) of Applicant(s):
Elmich Pte Ltd
15 Joan Road Singapore 298899 Singapore
(72) Name(s) of Designer(s): **Alan Sian Ghee Lee and Henry Greaves**
(45) Registration Date: **11 May 2011**
(56) Related Art Documents: **Not Applicable**
(57) Statement of Newness and Distinctiveness: **Newness and distinctiveness reside in the features of the design as shown in the representations.**



- (21) Design Number: **11699/2011**
(22) Date of Filing Application: **19 April 2011**
(24) Date from which industrial property rights may have effect: **19 April 2011**
(54) Product in respect of which the design is registered: **Cutting profile for handles and sliders**
(51) International Design Classification: **19-08**
(74) Name(s) of Attorney(s):
(71) Name(s) and Address(s) of Applicant(s):
Scott Owen
33 Ryder Street Wynnum North Queensland 4178 Australia
Timothy Owen
33 Ryder Street Wynnum North Queensland 4178 Australia
Penelope Kate Felton
33 Ryder Street Wynnum North Queensland 4178 Australia
(72) Name(s) of Designer(s): **Scott Owen and Tim Owen and Penelope Kate Felton**
(45) Registration Date: **11 May 2011**
(56) Related Art Documents: **Not Applicable**
(57) Statement of Newness and Distinctiveness: **Nil**

