



**Australian Government**

---

**IP Australia**

**AUSTRALIAN OFFICIAL JOURNAL**

**OF**

**DESIGNS**

Did you know a searchable version of this journal is now available online?

It's FREE and EASY to SEARCH.

Find it on our website ([www.ipaustralia.gov.au](http://www.ipaustralia.gov.au))

by using the "Journals" link on the home page.

This Page Left Intentionally Blank

**Contents**

**General Information & Notices**

**Proceedings Under the Designs Act 1906 preserved as a result of the provisions of Chapter 12  
Part 2 of the Designs Act 2003**

<b>Extension of Period of Registration of Designs .....</b>	<b>1412</b>
<b>Extensions of Time Granted .....</b>	<b>1412</b>
<b>Registrations Ceased .....</b>	<b>1412</b>
<b>Subsequent Owners Registered .....</b>	<b>1412</b>

**Proceedings Under the Designs Act 2003**

<b>Applications Lapsed .....</b>	<b>1421</b>
<b>Applications Lodged .....</b>	<b>1416</b>
<b>Certificate of Examination .....</b>	<b>1425</b>
<b>Extension of Period of Registration of Design .....</b>	<b>1423</b>
<b>Extension of Time Granted Under Section 137 .....</b>	<b>1423</b>
<b>Names Registered - Alterations and Amendments .....</b>	<b>1424</b>
<b>Publication and Registration Proceedings</b>	
<b>Designs Registered 336460 to 336681.....</b>	<b>1426</b>
<b>Registrations Ceased .....</b>	<b>1423</b>
<b>Subsequent Owners Registered .....</b>	<b>1423</b>

This Page Left Intentionally Blank

For information on the following please see our website [www.ipaustralia.gov.au](http://www.ipaustralia.gov.au) or contact our Customer Service Network on 1300651010

[Editorial enquiries](#)

[Contact information](#)

[Freedom of Information ACT](#)

[Professional Standards Board](#)

[Sales](#)

[Requests for Information under Section 194 \(c\)](#)

[Country Codes](#)

[Trade Mark and Designs Hearing Sessions](#)

[INID \(Internationally agreed Numbers for the Identification of Data\)](#)

## “INID” NUMBERS in use on Australian Design Documents

“INID” is an acronym for “Internationally agreed Numbers for the Identification of Data”.

### (10) Data concerning the registration/renewal

- (11) Serial number of the registration and/or number of the design document
- (12) Plain language designation of the kind of published document
- (19) Identification, using the two-letter code according to WIPO Standard ST.3, of the authority publishing or registering the industrial design

### (20) Data concerning the application

- (21) Serial number of the application
- (22) Date of filing of the application
- (24) Date from which the industrial design right has effect

### (30) Data relating to priority under the Paris Convention

- (31) Serial number assigned to the priority application
- (32) Date of filing of the priority application
- (33) Two-letter code, according to WIPO Standard ST.3, identifying the authority with which the priority application was made

### (40) Date(s) of making information available to the public

- (45) Date of publication of the registered industrial design by printing or similar process, or making it available to the public by any other means

### (50) Miscellaneous Information

- (51) International Classification for Industrial Designs (class and subclass of the Locarno Classification)
- (54) Designation of article(s) or product(s) covered by the industrial design or title of the industrial design
- (55) Reproduction of the industrial design (e.g., drawing, photograph) and explanations relating to the reproduction
- (56) List of prior art documents, if separate from descriptive text
- (57) Description of characteristic features of the industrial design including indication of colours

### (60) References to other legally related application(s) and registration(s)

- (62) Serial number(s) and, if available, filing date(s) of application(s), registration(s) or document(s) related by division
- (66) Serial number(s) of the application, or the registration, of the design(s) which is (are) a variant(s) of the present one

### (70) Identification of parties concerned with the application or registration

- (71) Name(s) and address(es) of the applicant(s)
- (72) Name(s) of the creator(s) if known to be such
- (74) Name(s) and address(es) of the representative(s)

This Page Left Intentionally Blank

Official Notice**Intellectual Property Legislation Amendment  
Regulations 2011 (No. 1)**

On 12 May 2011, the Federal Executive Council made the [\*Intellectual Property Legislation Amendment Regulations 2011 \(No. 1\)\*](#) ('the Regulations'). The Regulations have been registered in the Federal Register of Legislative Instruments and can be viewed on the ComLaw website ([www.comlaw.gov.au](http://www.comlaw.gov.au)).

With effect from **1 July 2011**, the Regulations amend the *Patents Regulations 1991*, the *Trade Marks Regulations 1995*, the *Designs Regulations 2004*, the *Plant Breeder's Rights Regulations 1994*, and the *Olympic Insignia Protection Regulations 1993* to:

- extend the range of senior Commonwealth employees who can declare days when the Patent Office, the Trade Marks Office, the Designs Office and the Plant Breeder's Rights (PBR) Office, and their respective sub-offices are taken not to be open for business
- clarify that an application to the Federal Court for a compulsory license of an invention is subject to the Federal Court Rules for service—rather than the provisions in the Patents Regulations
- more closely align the formality requirements for documents relating to patent applications—set out in Schedule 3 to the Patents Regulations—with those in Rule 11 of the Regulations under the Patent Cooperation Treaty (PCT Rules). This will require type-written patents documents to have **1½-line spacing**
- ensure that a person required to pay a fee for grant of leave to amend a complete specification, has *two* months to pay that fee following the notice of the grant of leave being published in the *Official Journal of Patents*
- update the English text of the PCT Rules set out in Schedule 2A to the Patents Regulations to reflect changes to the PCT Rules made in September 2010—commencing on 1 July 2011
- allow Australian postal addresses to be an addresses for service for all of the rights that IP Australia administers. For example, this will allow a post-office box address to be an address for service of patents documents
- correct some incorrect references in the Patents Regulations and the Trade Marks Regulations
- make detailed provision for addresses for service of documents on a range of persons engaging in proceedings under Part 17A of the Trade Marks Regulations. These proceedings relate to the extension of protection to international registrations designating Australia, or to the ceasing of the protection extended to protected international trade marks. The new provisions particularly addresses the case of a holder of an international registration who lacks an address for service in Australia.

- delete some unnecessary provisions in Part 17A of the Trade Marks Regulations—particularly paragraph 17A.25 (1) (b), which exceeds the requirements of the Madrid Protocol and Common Regulations.

Further details are set out in the [Explanatory Statement to the Regulations](#).

**Queries:** Terry Moore  
Director, Domestic Policy Section  
+61 2 6283 2632

**Contact:** IP Australia  
**Phone:** 1300 651 010  
**Fax:** +61 2 6283 7999  
**E-mail:** [assist@ipaustrialia.gov.au](mailto:assist@ipaustrialia.gov.au)  
**Web:** [www.ipaustrialia.gov.au](http://www.ipaustrialia.gov.au)

**Proceedings under the Designs Act 1906 preserved as a result of the provisions of Chapter 12 Part 2 of the Designs Act 2003.**

This Page Left Intentionally Blank

**Applications Lapsed**

There were no Applications Lapsed under this section

**Extension of Period of Registration of Designs**

**1st Period (Section 27A(8))**

**2nd Period (Section 27A(12))**

**3rd Period (Section 27A(13))**

141897	142269	142303
142326	142344	142356
142365	142366	142367
142387	142438	142539
142639	142758	143077
143297	143391	143580
143634	143847	143848
143888	144022	144964
145428	146014	146043
146044	147009	147411
148401	149392	151755
151756	152553	152906

**Subsequent Owners Registered**

(The name in parentheses is that of the subsequent owner)

145428	<b>( Apartment Storage Systems Pty Ltd )</b> William Keith James; Anthony Cunningham Maxwell; Rodney Francis James
142438	<b>( Apartment Storage Systems Pty Ltd )</b> William Keith James; Anthony Cunningham Maxwell; Rodney Francis James
131218	<b>( Brian John Measday; Mario Rene Niesingh )</b> Brian J. Measday; Neil Reynolds; Mario Rene Niesingh
142572	<b>( Unilever PLC )</b> Sara Lee Household and Body Care Nederland B.V.
142573	<b>( Unilever PLC )</b> Sara Lee Household and Body Care Nederland B.V.
142574	<b>( Unilever PLC )</b> Sara Lee Household and Body Care Nederland B.V.
149083	<b>( G-Star Raw C.V. )</b> G-Star International B.V.
149084	<b>( G-Star Raw C.V. )</b> G-Star International B.V.
151372	<b>( G-Star Raw C.V. )</b> G-Star International B.V.
143748	<b>( JB Attachments Limited )</b> J B Sales International Limited

**Registrations Ceased**

Note: Some of the following Registrations may have been previously advertised as ceased. In this instance, the previous advertisement still prevails.

123670	125415	125416
125452	125453	125455
125456	125471	125475
125522	125774	125931
126055	126683	126684
126685	126786	131808
136746	136747	139174
139404	140564	140565
140566	140567	140568
140629	140630	140631
140698	140785	140821
140861	140883	141632
141827	142056	143508
143509	143883	143884
144245		

**Extensions of time granted**

Applications lodged for extension of time have been granted.

142438 **Apartment Storage Systems Pty Ltd** An An Extension of time to extend a registration has been granted to 02/05/2011

145428 **Apartment Storage Systems Pty Ltd** An An Extension of time to extend a registration has been granted to 02/05/2011

This Page Left Intentionally Blank

**Proceedings under the Designs Act 2003.**

This Page Left Intentionally Blank

**Applications Lodged**

Lodgement information is in the following order: **Applicant's Name**; International Classification, Name of Product, Lodgement Date and **Design Number**. If the applicant claims an earlier priority date under an International Convention, the Convention Country and the associated filing date are shown in parentheses before the Lodgement Date. Divisional information will also appear in parentheses before the Lodgement Date.

<b>medin Medical Innovations GmbH;</b> 24-01, Respirator mask, (EM, 11 Nov 2010) 11 May 2011	<b>12088/2011</b>	<b>Bachmann Innovations Pty Limited;</b> 25-01D, Panel of indefinite width and height, 18 May 2011	<b>12245/2011</b>
<b>medin Medical Innovations GmbH;</b> 24-01, Respirator mask, (EM, 11 Nov 2010) 11 May 2011	<b>12089/2011</b>	<b>Ballarat Holdings Pty Ltd;</b> 13-03D, A backing plate and wiring housing unit, 10 May 2011	<b>12122/2011</b>
<b>Agius, Sarah;</b> 20-02NES, Jewellery boards, 10 May 2011	<b>12067/2011</b>	<b>Bellingham, Stanley Edward;</b> 21-99, r.concrete driver training skids pans, 16 May 2011	<b>12170/2011</b>
<b>Agius, Sarah;</b> 20-02NES, Earring, clip and badge hanger, 10 May 2011	<b>12068/2011</b>	<b>Bionx International Inc.;</b> 12-06A, A watercraft hull, (US, 29 Nov 2010) 18 May 2011	<b>12233/2011</b>
<b>Agius, Sarah;</b> 20-02NES, Earring and draw/s unit, 10 May 2011	<b>12069/2011</b>	<b>Bionx International Inc.;</b> 12-06A, A watercraft hull, (US, 29 Nov 2010) 18 May 2011	<b>12234/2011</b>
<b>Agius, Sarah;</b> 20-02NES, Earring boards, 10 May 2011	<b>12070/2011</b>	<b>Bionx International Inc.;</b> 12-06A, A watercraft hull, (US, 11 May 2011) 18 May 2011	<b>12232/2011</b>
<b>American Power Conversion Corporation;</b> 13-03NES, A concentrator, (US, 30 Dec 2010) 17 May 2011	<b>12200/2011</b>	<b>Bissell Homecare, Inc.;</b> 15-05, Vacuum cleaner assembly, (US, 16 Nov 2010) 11 May 2011	<b>12095/2011</b>
<b>Asahi Kasei Chemicals Corporation;</b> 23-01G, Hollow fiber membrane of indefinite length for a filter, (JP, 16 Nov 2010) 12 May 2011	<b>12094/2011</b>	<b>Bissell Homecare, Inc.;</b> 15-05, Vacuum cleaner foot, (US, 16 Nov 2010) 11 May 2011	<b>12096/2011</b>
<b>Au-Yeung, Chi Fat;</b> 21-01L, Roulette cloth, (GB, 13 Nov 2010) 12 May 2011	<b>12154/2011</b>	<b>Bobux International Limited;</b> 02-04NES, Infant footwear, 18 May 2011	<b>12244/2011</b>
<b>Aubery, Desmond;</b> 23-03H, Water heater, (ZA, 17 Nov 2010) 17 May 2011	<b>12213/2011</b>	<b>Bottles of Australia Pty Limited;</b> 09-07C, Bottle closure, 12 May 2011	<b>12168/2011</b>
<b>Australian Mobile Mining Equipment Systems and Accessories Pty. Limited;</b> 09-02A, A container, 16 May 2011	<b>12214/2011</b>	<b>Bridges Business Group Pty Ltd;</b> 30-04, Miniature rechargeable anti bark collar using spray-based correction technology, 04 May 2011	<b>12205/2011</b>
<b>Australian Mobile Mining Equipment Systems and Accessories Pty. Limited;</b> 09-03M, A container, 16 May 2011	<b>12220/2011</b>	<b>Bridges Business Group Pty Ltd;</b> 30-04, Battery powered anti bark collar using spray-based correction technology, 04 May 2011	<b>12206/2011</b>
<b>Australian Mobile Mining Equipment Systems and Accessories Pty. Limited;</b> 09-03K, A container, 16 May 2011	<b>12199/2011</b>	<b>Bridges Business Group Pty Ltd;</b> 30-04, Rechargeable anti bark collar using spray-based correction technology, 04 May 2011	<b>12207/2011</b>
<b>Australian Mobile Mining Equipment Systems and Accessories Pty. Limited;</b> 09-03M, A container, 16 May 2011	<b>12221/2011</b>	<b>Bridges Business Group Pty Ltd;</b> 30-04, Rechargeable remote-controlled training collar using spray-based correction technology, 04 May 2011	<b>12208/2011</b>
<b>Australian Mobile Mining Equipment Systems and Accessories Pty. Limited;</b> 09-07B, A container lid, 16 May 2011	<b>12222/2011</b>	<b>Briggs &amp; Stratton Corporation;</b> 13-01, Standby generator, 11 May 2011	<b>12123/2011</b>
<b>AFI (WA) Pty Ltd;</b> 06-06B, 06-06D, 06-06F, A bed frame, bed side table, tall boy and dresser, 12 May 2011	<b>12180/2011</b>	<b>Briggs &amp; Stratton Corporation;</b> 13-01, Standby generator, 11 May 2011	<b>12121/2011</b>
<b>AFI (WA) Pty Ltd;</b> 06-02, A bed frame, bedside table, tall boy and dresser, 12 May 2011	<b>12174/2011</b>	<b>Campbell, Susan Jane;</b> 30-99, Birthing harness, 13 May 2011	<b>12179/2011</b>

<b>Campbell and Scott Limited;</b> 03-01A, A backpack, (NZ, 15 Nov 2010) 13 May 2011	<b>12198/2011</b>	<b>DHBYDESIGN Pty Ltd;</b> 08-08C, Clip, 18 May 2011	<b>12204/2011</b>
<b>Cerebos (Australia) Limited;</b> 07-06C, A grinder, 16 May 2011	<b>12243/2011</b>	<b>DS-Design, Besloten Vennootschap met beperkte aansprakelijkheid;</b> 21-02F, Indoor training bike, (EM, 17 Dec 2010) 10 May 2011	<b>12060/2011</b>
<b>Chilewich Sultan LLC;</b> 05-05NES, Fabric, 12 May 2011	<b>12152/2011</b>	<b>Electric Lime Design Pty Ltd;</b> 06-99, 30-06, 30-99, Cat scratching furniture, 12 May 2011	<b>12073/2011</b>
<b>Chilewich Sultan LLC;</b> 05-05D, Fabric, 12 May 2011	<b>12153/2011</b>	<b>Ennor, Nathan;First Class Canvas;</b> 12-16B, Utility tonneau covers and utility canopies, 04 May 2011	<b>12058/2011</b>
<b>Chilewich Sultan LLC;</b> 05-05NES, Fabric, 12 May 2011	<b>12151/2011</b>	<b>Eveready Battery Company, Inc.;</b> 26-04, A lighting device, (US, 07 Dec 2010) 12 May 2011	<b>12124/2011</b>
<b>City Farms International Pty Ltd;</b> 25-03, A portable and demountable greenhouse frame, 12 May 2011	<b>12128/2011</b>	<b>ELC Management LLC;</b> 28-02, Lipstick case, (US, 22 Dec 2010) 17 May 2011	<b>12211/2011</b>
<b>Colgate-Palmolive Company;</b> 04-02, Oral care implement, (US, 03 Dec 2010) 13 May 2011	<b>12177/2011</b>	<b>Ferring B.V.;</b> 24-02, Swirling apparatus, 17 May 2011	<b>12201/2011</b>
<b>Container;</b> 09-01A, Plastic bottle with lotion pump, 06 May 2011	<b>12131/2011</b>	<b>First Class Canvas;Ennor, Nathan;</b> 12-16B, Utility tonneau covers and utility canopies, 04 May 2011	<b>12058/2011</b>
<b>Container;</b> 28-03NES, Plastic holder with pressed powder pan, 06 May 2011	<b>12127/2011</b>	<b>Flowerdale Farm Pty Ltd;</b> 09-03NES, A container, 06 May 2011	<b>12026/2011</b>
<b>Continental Reifen Deutschland GmbH;</b> 12-15B, Tyre, (EM, 14 Mar 2011) 09 May 2011	<b>12037/2011</b>	<b>Flowers, Linda;</b> 28-03C, Heatable hair clip, (US, 19 Nov 2010) 18 May 2011	<b>12215/2011</b>
<b>Daikin Industries Ltd.;</b> 23-04, Air conditioner, 17 May 2011	<b>12223/2011</b>	<b>Flowers, Linda;</b> 28-03NES, 23-03NES, Heating apparatus for heat retaining hair clip, (US, 19 Nov 2010) 18 May 2011	<b>12216/2011</b>
<b>Daikin Industries Ltd.;</b> 23-04, Air conditioner, 17 May 2011	<b>12224/2011</b>	<b>Gaming Partners International, Inc.;</b> 14-02, RFID chip tray, (US, 12 Nov 2010) 11 May 2011	<b>12111/2011</b>
<b>Daikin Industries Ltd.;</b> 23-04, Air conditioner, 17 May 2011	<b>12225/2011</b>	<b>Gaming Partners International, Inc.;</b> 14-02, Portable chip reader, (US, 12 Nov 2010) 11 May 2011	<b>12112/2011</b>
<b>Daikin Industries Ltd.;</b> 14-03NES, Controller for air conditioner, 17 May 2011	<b>12226/2011</b>	<b>Ganning, Gordon;</b> 21-01H, A translucent target for a laser beam, 13 May 2011	<b>12175/2011</b>
<b>Daikin Industries Ltd.;</b> 14-03NES, Controller for air conditioner, 17 May 2011	<b>12227/2011</b>	<b>Gerard Lighting Pty Ltd;</b> 14-02, Heatsink, 13 May 2011	<b>12161/2011</b>
<b>Daikin Industries Ltd.;</b> 14-03NES, Controller for air conditioner, 17 May 2011	<b>12228/2011</b>	<b>Gerard Lighting Pty Ltd;</b> 26-04, Light, 13 May 2011	<b>12162/2011</b>
<b>Dart Industries Inc.;</b> 31-00, Container, (US, 29 Dec 2010) 17 May 2011	<b>12209/2011</b>	<b>Gerard Lighting Pty Ltd;</b> 26-05D, Reflector, 13 May 2011	<b>12165/2011</b>
<b>Dart Industries Inc.;</b> 31-00, Container, (US, 29 Dec 2010) 17 May 2011	<b>12210/2011</b>	<b>Gerard Lighting Pty Ltd;</b> 26-05C, Light, 13 May 2011	<b>12166/2011</b>
<b>Dawson, John;Dawson, Barry;</b> 24-02, Scalpel guide, 05 May 2011	<b>12050/2011</b>	<b>Gerard Lighting Pty Ltd;</b> 26-05C, Light, 13 May 2011	<b>12164/2011</b>
<b>Dawson, Barry;Dawson, John;</b> 24-02, Scalpel guide, 05 May 2011	<b>12050/2011</b>	<b>Gerard Lighting Pty Ltd;</b> 26-05C, Light, 13 May 2011	<b>12167/2011</b>
<b>Dreadnought Motorcycles Pty Ltd;</b> 12-16NES, Motorcycle rear swingarm, 09 May 2011	<b>12150/2011</b>	<b>Gerard Lightning Pty Ltd;</b> 26-05C, Light, 13 May 2011	<b>12163/2011</b>

<b>Gillette Company, The;</b> 28-03A, Shaving razor, (US, 15 Nov 2010) 12 May 2011	<b>12138/2011</b>	<b>Honda Motor Co., Ltd.;</b> 26-06, A front combination lamp for an automobile, (JP, 15 Nov 2010) 11 May 2011	<b>12116/2011</b>
<b>Gillette Company, The;</b> 28-03A, Shaving razor, (US, 15 Nov 2010) 12 May 2011	<b>12139/2011</b>	<b>Honda Motor Co., Ltd.;</b> 26-06, A rear combination lamp for an automobile, (JP, 15 Nov 2010) 11 May 2011	<b>12118/2011</b>
<b>Gillette Company, The;</b> 28-03A, Shaving razor, (US, 15 Nov 2010) 12 May 2011	<b>12140/2011</b>	<b>Honda Motor Co., Ltd.;</b> 26-06, A rear combination lamp for an automobile, (JP, 15 Nov 2010) 11 May 2011	<b>12119/2011</b>
<b>Gillette Company, The;</b> 28-03A, Shaving razor, (US, 15 Nov 2010) 12 May 2011	<b>12141/2011</b>	<b>Huggett, David;</b> 02-05, Neckties for men or women, 11 May 2011	<b>12133/2011</b>
<b>Gillette Company, The;</b> 28-03A, Shaving razor, (US, 15 Nov 2010) 12 May 2011	<b>12142/2011</b>	<b>Invacare Corporation;</b> 12-12, Rear shroud for a wheelchair, (US, 10 Nov 2010) 09 May 2011	<b>12031/2011</b>
<b>Gillette Company, The;</b> 28-03A, Shaving razor, (US, 15 Nov 2010) 12 May 2011	<b>12143/2011</b>	<b>Invacare Corporation;</b> 12-16B, Fender, (US, 10 Nov 2010) 09 May 2011	<b>12034/2011</b>
<b>Gillette Company, The;</b> 28-03NES, Razor stand, (US, 17 Nov 2010) 10 May 2011	<b>12056/2011</b>	<b>Invacare Corporation;</b> 12-12, Shroud for a wheelchair, (US, 10 Nov 2010) 09 May 2011	<b>12029/2011</b>
<b>Gillette Company, The;</b> 28-03A, Razor handle, (US, 17 Nov 2010) 10 May 2011	<b>12055/2011</b>	<b>Iqonic Pty.Ltd.;</b> 30-04, A horse bit, 13 May 2011	<b>12178/2011</b>
<b>Gillette Company, The;</b> 04-02, Shaving brush, (US, 17 Nov 2010) 10 May 2011	<b>12053/2011</b>	<b>Jacobson, Ken;</b> 25-02NES, A safety guard, 17 May 2011	<b>12236/2011</b>
<b>Gillette Company, The;</b> 28-03A, Razor handle, (US, 17 Nov 2010) 10 May 2011	<b>12054/2011</b>	<b>Jane, S.A.;</b> 12-12, Baby stroller, (EM, 12 Jan 2011) 10 May 2011	<b>12066/2011</b>
<b>Greenham, Mark Edward;Mark Edward G Designs Pty Ltd;</b> 02-02B, Back pockets design for jeans, pants and shorts. Mens and womens fashion., 13 May 2011	<b>12148/2011</b>	<b>Jane, S.A.;</b> 12-12, Supports for carrycots for cars, (EM, 19 Jan 2011) 10 May 2011	<b>12061/2011</b>
<b>GHD Korea, Inc.;</b> 28-03B, Hair iron and hair oron protective cap, (KR, 17 Nov 2010) 16 May 2011	<b>12197/2011</b>	<b>Jane, S.A.;</b> 12-12, Chassis for infant carrycots, (EM, 19 Jan 2011) 10 May 2011	<b>12062/2011</b>
<b>Hammersmith Nominees Pty Ltd;</b> 30-04, Insert for a panel of an equestrian saddle, 11 May 2011	<b>12098/2011</b>	<b>Jane, S.A.;</b> 12-12, Baby capsule with upholstery and car seat support device, (EM, 19 Jan 2011) 10 May 2011	<b>12063/2011</b>
<b>Hammersmith Nominees Pty Ltd;</b> 30-04, Adjustable stirrup bar for an equestrian saddle, 11 May 2011	<b>12099/2011</b>	<b>Jane, S.A.;</b> 12-12, Baby capsule with upholstery, (EM, 19 Jan 2011) 10 May 2011	<b>12064/2011</b>
<b>Hammersmith Nominees Pty Ltd;</b> 30-04, Riser pad for an equestrian saddle, 11 May 2011	<b>12100/2011</b>	<b>Jane, S.A.;</b> 12-12, Baby capsule without upholstery, (EM, 19 Jan 2011) 10 May 2011	<b>12065/2011</b>
<b>Hardwick &amp; Cesko Pty Ltd;</b> 06-03B, Coffee table, dining table, side table, 13 May 2011	<b>12192/2011</b>	<b>JBM Tools;</b> 99-00, , 10 May 2011	<b>12146/2011</b>
<b>Harms, Allan;</b> 25-02NES, Telescopic cover, 09 May 2011	<b>12038/2011</b>	<b>JELD-WEN Australia Pty Ltd;</b> 25-02B, Wardrobe door, 16 May 2011	<b>12193/2011</b>
<b>Honda Motor Co., Ltd.;</b> 12-08, An automobile, (JP, 15 Nov 2010) 11 May 2011	<b>12114/2011</b>	<b>JELD-WEN Australia Pty Ltd;</b> 25-01K, Rail extrusion for a sliding door, 16 May 2011	<b>12194/2011</b>
		<b>JELD-WEN Australia Pty Ltd;</b> 25-02B, Wardrobe door, 16 May 2011	<b>12185/2011</b>
		<b>JELD-WEN Australia Pty Ltd;</b> 25-02B, Wardrobe door, 16 May 2011	<b>12186/2011</b>

<b>JELD-WEN Australia Pty Ltd;</b> 25-02B, Wardrobe door, 16 May 2011	<b>12187/2011</b>	<b>Pacific Composites Pty Ltd;</b> 25-01K, 08-09, Front capping strip for window frame, 17 May 2011	<b>12235/2011</b>
<b>JELD-WEN Australia Pty Ltd;</b> 25-01K, 08-09, Stile extrusion for a sliding door, 16 May 2011	<b>12188/2011</b>	<b>Pearce, Larry Robert;</b> 25-01F, Modular metal roofing tile, 03 May 2011	<b>12059/2011</b>
<b>Kabushiki Kaisha Toshiba;</b> 14-02, Recording medium, (JP, 07 Feb 2011) 18 May 2011	<b>12231/2011</b>	<b>Pearce, Larry Robert;</b> 25-01F, Modular metal roofing tile, 03 May 2011	<b>12132/2011</b>
<b>Lincoln Foodservice Products LLC;</b> 23-03F, An infrared burner, (US, 15 Nov 2010) 13 May 2011	<b>12125/2011</b>	<b>Pettiford, Glen Edwin;Wallace, Elizabeth Ann;</b> 02-07A, Quilting ruler, 16 May 2011	<b>12181/2011</b>
<b>Liqui-Box Corporation;</b> 09-07A, Dispensing connector collar with a double barb, (US, 12 Nov 2010) 10 May 2011	<b>12071/2011</b>	<b>Pettiford, Glen Edwin;Wallace, Elizabeth Ann;</b> 02-07A, Quilting ruler, 16 May 2011	<b>12182/2011</b>
<b>LIQUI-BOX CORPORATION;</b> 31-00, Dispensing connector collar with a double barb and slits, (US, 12 Nov 2010) 10 May 2011	<b>12046/2011</b>	<b>Pharmachemie Holdings B.V.;</b> 24-04, Inhaler, (EM, 18 Nov 2010) 13 May 2011	<b>12171/2011</b>
<b>LIQUI-BOX CORPORATION;</b> 23-01NES, 31-00, Dispensing connector collar with a single barb, (US, 12 Nov 2010) 10 May 2011	<b>12057/2011</b>	<b>Pharmachemie Holdings B.V.;</b> 24-04, Inhaler, (EM, 18 Nov 2010) 13 May 2011	<b>12172/2011</b>
<b>Mark Edward G Designs Pty Ltd;Greenham, Mark Edward;</b> 02-02B, Back pockets design for jeans, pants and shorts. Mens and womens fashion., 13 May 2011	<b>12148/2011</b>	<b>Procter &amp; Gamble Company, The;</b> 09-01A, Container with label, (US, 12 Nov 2010) 12 May 2011	<b>12135/2011</b>
<b>Michelin Recherche et Technique SA;Societe De Technologie Michelin;</b> 12-15A, A tyre, (US, 02 Dec 2010) 13 May 2011	<b>12126/2011</b>	<b>Propeller, Inc.;</b> 07-02P, Comestible maker, (US, 24 Nov 2010) 17 May 2011	<b>12202/2011</b>
<b>Morelli, Brett;</b> 09-03M, Brett's boat bin, 11 May 2011	<b>12093/2011</b>	<b>PP &amp; L Enterprises Pty Ltd;</b> 12-10, Collapsible box top utility trailer, 13 May 2011	<b>12117/2011</b>
<b>Murray, Andrew John;</b> 09-01K, Bottle, 13 May 2011	<b>12155/2011</b>	<b>PP &amp; L Enterprises Pty Ltd;</b> 12-10, Collapsible box top utility trailer, 13 May 2011	<b>12120/2011</b>
<b>Ng, Dian Ching;</b> 19-01, Book, notebook, note pad, writing pad, story book, magazine, 10 May 2011	<b>12049/2011</b>	<b>Rainey, Andrew as trustee for the Reinneadh Family Trust;</b> 19-06, Female drafting tool, 10 May 2011	<b>12044/2011</b>
<b>Nokia Corporation;</b> 14-03A, Handset, (US, 03 Mar 2011) 17 May 2011	<b>12218/2011</b>	<b>Rainey, Andrew as trustee for the Reinneadh Family Trust;</b> 19-06, Male drafting tool, 10 May 2011	<b>12045/2011</b>
<b>Nokia Corporation;</b> 14-03E, Handset, (US, 11 Apr 2011) 17 May 2011	<b>12219/2011</b>	<b>Reln Pty Ltd;</b> 23-01NES, Drainage pit, 13 May 2011	<b>12158/2011</b>
<b>Norco Attachments, Inc;</b> 15-04, Coupler, 18 May 2011	<b>12237/2011</b>	<b>Reln Pty Ltd;</b> 23-01E, Shallow drainage channel, 13 May 2011	<b>12157/2011</b>
<b>Nu-Poly Pty Ltd;</b> 30-03, Float cover, 01 Apr 2011	<b>12006/2011</b>	<b>Reln Pty Ltd;</b> 23-01E, Drainage channel, 13 May 2011	<b>12156/2011</b>
<b>O'Connell, KiaToa Mihaere;</b> 21-01F, Scooter, 17 May 2011	<b>12212/2011</b>	<b>ResMed Ltd;</b> 24-01, Cushion for respiratory mask, (US, 01 Dec 2010) 17 May 2011	<b>12217/2011</b>
<b>Orica Australia Pty Ltd;</b> 08-08L, Bracket, 12 May 2011	<b>12113/2011</b>	<b>Rieke Corporation;</b> 09-07NES, Closure for a container, (US, 17 Nov 2010) 16 May 2011	<b>12195/2011</b>
<b>Orica Australia Pty Ltd;</b> 08-08L, Bracket, 12 May 2011	<b>12115/2011</b>	<b>Rieke Corporation;</b> 07-01NES, Container lid with closure, (US, 17 Nov 2010) 16 May 2011	<b>12196/2011</b>

<b>Robert McBride Limited;</b> 28-99, Capsule containing dishwashing powder, (EM, 29 Mar 2011) 10 May 2011	<b>12042/2011</b>	<b>Sloan, Russell;</b> 14-02, 03-01NES, A protective casing for a portable electronic slate type device, 16 May 2011	<b>12173/2011</b>
<b>RIEGL Laser Measurement Systems GmbH;</b> 16-01, Camera, (EM, 03 Dec 2010) 13 May 2011	<b>12176/2011</b>	<b>Smith, Christopher John;Syrus, Andrew Kim;</b> 23-01D, Garden sprinkler unit, 13 May 2011	<b>12184/2011</b>
<b>S.C. Johnson &amp; Son, Inc.;</b> 09-01A, Toilet dispenser mounting device, (US, 09 Nov 2010) 09 May 2011	<b>12035/2011</b>	<b>Smith, Christopher John;Syrus, Andrew Kim;</b> 23-01D, Garden sprinkler unit, 13 May 2011	<b>12183/2011</b>
<b>S.C. Johnson &amp; Son, Inc.;</b> 09-07A, Container with retaining device, (US, 09 Nov 2010) 09 May 2011	<b>12032/2011</b>	<b>Societe des Produits Nestle S.A.;</b> 31-00, A dispenser, (CH, 15 Dec 2010) 13 May 2011	<b>12149/2011</b>
<b>S.C. Johnson &amp; Son, Inc.;</b> 07-99NES, Container holder with foot pedal, (US, 09 Nov 2010) 09 May 2011	<b>12033/2011</b>	<b>Societe des Produits Nestle S.A.;</b> 07-02L, A beverage machine part, (CH, 20 Dec 2010) 13 May 2011	<b>12136/2011</b>
<b>Saracen's Outdoor Pty Ltd;</b> 06-01NES, Metal hammock frame, 06 May 2011	<b>12134/2011</b>	<b>Societe des Produits Nestle S.A.;</b> 07-02L, A beverage machine part, (CH, 20 Dec 2010) 13 May 2011	<b>12137/2011</b>
<b>Scania CV AB;</b> 12-16NES, Middle protection plate for a vehicle cab, (SE, 15 Nov 2010) 11 May 2011	<b>12101/2011</b>	<b>Societe De Technologie Michelin;Michelin Recherche et Technique SA;</b> 12-15A, A tyre, (US, 02 Dec 2010) 13 May 2011	<b>12126/2011</b>
<b>Scania CV AB;</b> 12-16B, Corner cover for a vehicle cab, (SE, 15 Nov 2010) 11 May 2011	<b>12102/2011</b>	<b>Syrus, Andrew Kim;Smith, Christopher John;</b> 23-01D, Garden sprinkler unit, 13 May 2011	<b>12183/2011</b>
<b>Scania CV AB;</b> 12-16B, A tower for a vehicle cab, (SE, 15 Nov 2010) 11 May 2011	<b>12103/2011</b>	<b>Syrus, Andrew Kim;Smith, Christopher John;</b> 23-01D, Garden sprinkler unit, 13 May 2011	<b>12184/2011</b>
<b>Scania CV AB;</b> 12-16B, Corner cover for a vehicle cab, (SE, 15 Nov 2010) 11 May 2011	<b>12104/2011</b>	<b>SULO MGB Australia Pty Ltd;</b> 09-09, Bin stand, 17 May 2011	<b>12203/2011</b>
<b>Scania CV AB;</b> 12-16B, Rear protection plate for a vehicle cab, (SE, 15 Nov 2010) 11 May 2011	<b>12105/2011</b>	<b>T-Zone Pro (Australia) Pty Ltd;</b> 14-03NES, Button panel for a console, 09 May 2011	<b>12036/2011</b>
<b>Scania CV AB;</b> 12-16NES, Front step for a vehicle cab, (SE, 15 Nov 2010) 11 May 2011	<b>12106/2011</b>	<b>T-Zone Pro (Australia) Pty Ltd;</b> 21-02NES, Console, 09 May 2011	<b>12030/2011</b>
<b>Scania CV AB;</b> 12-16C, Bumper for a vehicle cab, (SE, 15 Nov 2010) 11 May 2011	<b>12107/2011</b>	<b>The Coleman Company, Inc.;</b> 25-02F, Disposable charcoal chimney, (US, 12 Nov 2010) 11 May 2011	<b>12097/2011</b>
<b>Scania CV AB;</b> 12-16NES, Step seal for a vehicle cab, (SE, 15 Nov 2010) 11 May 2011	<b>12108/2011</b>	<b>The Gillette Company;</b> 04-02, Shaving brush, (US, 17 Nov 2010) 10 May 2011	<b>12052/2011</b>
<b>Scania CV AB;</b> 12-16NES, Step seal for a vehicle cab, (SE, 15 Nov 2010) 11 May 2011	<b>12109/2011</b>	<b>The Gillette Company;</b> 28-03A, Shaving razor, (US, 15 Nov 2010) 12 May 2011	<b>12144/2011</b>
<b>Scania CV AB;</b> 12-16NES, Front hatch for a vehicle cab, (SE, 15 Nov 2010) 11 May 2011	<b>12110/2011</b>	<b>The Gillette Company;</b> 28-03A, Shaving razor, (US, 15 Nov 2010) 12 May 2011	<b>12145/2011</b>
<b>Severin Elektrogerate GmbH;</b> 07-02L, Coffee machine, (EM, 31 Jan 2011) 11 May 2011	<b>12090/2011</b>	<b>The Procter &amp; Gamble Company;</b> 09-01A, Container with label, (US, 12 Nov 2010) 11 May 2011	<b>12082/2011</b>
<b>Severin Elektrogerate GmbH;</b> 07-02L, Coffee machine, (EM, 31 Jan 2011) 11 May 2011	<b>12091/2011</b>	<b>The Procter &amp; Gamble Company;</b> 09-01A, Container with label, (US, 12 Nov 2010) 11 May 2011	<b>12083/2011</b>

<b>The Procter &amp; Gamble Company;</b> 09-01A, Container with label, (US, 12 Nov 2010) 11 May 2011	<b>12074/2011</b>	<b>Vehicle Development Corporation Pty Ltd;</b> 12-16NES, Mounting bracket, 12 May 2011	<b>12129/2011</b>
<b>The Procter &amp; Gamble Company;</b> 09-01A, Container with label, (US, 12 Nov 2010) 11 May 2011	<b>12075/2011</b>	<b>Vehicle Development Corporation Pty Ltd;</b> 12-16NES, Dashboard, 12 May 2011	<b>12130/2011</b>
<b>The Procter &amp; Gamble Company;</b> 19-08, Label, (US, 12 Nov 2010) 11 May 2011	<b>12076/2011</b>	<b>Vehicle Development Corporation Pty Ltd;</b> 08-08L, Mounting bracket, 13 May 2011	<b>12169/2011</b>
<b>The Procter &amp; Gamble Company;</b> 19-08, Label, (US, 12 Nov 2010) 11 May 2011	<b>12077/2011</b>	<b>Vehicle Development Corporation Pty Ltd;</b> 12-16N, HVAC body component, 10 May 2011	<b>12040/2011</b>
<b>The Procter &amp; Gamble Company;</b> 19-08, Label, (US, 12 Nov 2010) 11 May 2011	<b>12078/2011</b>	<b>Vehicle Development Corporation Pty Ltd;</b> 08-08L, Mounting bracket, 11 May 2011	<b>12041/2011</b>
<b>The Procter &amp; Gamble Company;</b> 19-08, Label, (US, 12 Nov 2010) 11 May 2011	<b>12079/2011</b>	<b>Vehicle Development Corporation Pty Ltd;</b> 12-16NES, Vehicle component, 10 May 2011	<b>12051/2011</b>
<b>The Procter &amp; Gamble Company;</b> 09-01A, Container with label, (US, 12 Nov 2010) 11 May 2011	<b>12080/2011</b>	<b>Vehicle Development Corporation Pty Ltd;</b> 12-16B, Vehicle panel, 10 May 2011	<b>12047/2011</b>
<b>The Procter &amp; Gamble Company;</b> 09-01A, Container with label, (US, 12 Nov 2010) 11 May 2011	<b>12081/2011</b>	<b>Visy R &amp; D Pty Ltd;</b> 20-02NES, Display device and blank therefor, 18 May 2011	<b>12048/2011</b>
<b>The Procter &amp; Gamble Company;</b> 09-01A, Container with label, (US, 12 Nov 2010) 11 May 2011	<b>12084/2011</b>	<b>Wallace, Elizabeth Ann;Pettiford, Glen Edwin;</b> 02-07A, Quilting ruler, 16 May 2011	<b>12230/2011</b>
<b>The Procter &amp; Gamble Company;</b> 09-01A, Container with label, (US, 12 Nov 2010) 11 May 2011	<b>12085/2011</b>	<b>Wallace, Elizabeth Ann;Pettiford, Glen Edwin;</b> 02-07A, Quilting ruler, 16 May 2011	<b>12182/2011</b>
<b>The Procter &amp; Gamble Company;</b> 09-01A, Container with label, (US, 12 Nov 2010) 11 May 2011	<b>12086/2011</b>	<b>Werden, Rita;</b> 03-01NES, A storage baf for bed linen, 12 May 2011	<b>12181/2011</b>
<b>The Procter &amp; Gamble Company;</b> 09-01A, Container with label, (US, 12 Nov 2010) 11 May 2011	<b>12087/2011</b>	<b>Whirlpool Corporation;</b> 31-00, Food chopper, (US, 25 Feb 2011) 13 May 2011	<b>12147/2011</b>
<b>Tubing &amp; Electrical Industries Pty Ltd;</b> 13-03D, Tubular seal for electrical housing, 28 Apr 2011	<b>12039/2011</b>	<b>Whirlpool Corporation;</b> 31-00, Food processor, (US, 25 Feb 2011) 13 May 2011	<b>12159/2011</b>
<b>Unique Product &amp; Design Co., Ltd.;</b> 12-02, Golf cart, 09 May 2011	<b>12072/2011</b>	<b>World Products, LLC;</b> 14-03NES, Antenna radome, (US, 15 Nov 2010) 09 May 2011	<b>12160/2011</b>
<b>USG Interiors, Inc.;</b> 25-02E, Seismic expansion sleeve for suspended ceilings, (US, 03 Dec 2010) 16 May 2011	<b>12189/2011</b>	<b>World Products, LLC;</b> 14-03NES, Antenna radome plate, (US, 15 Nov 2010) 11 May 2011	<b>12028/2011</b>
<b>USG Interiors, Inc.;</b> 25-02E, Intersection clip for suspended ceilings, (US, 03 Dec 2010) 16 May 2011	<b>12190/2011</b>	<b>WATT AND SEA;</b> 12-06NES, 13-01, Hydrogenerator, (EM, 19 Nov 2010) 16 May 2011	<b>12043/2011</b>
		<b>Zhejiang Rainbow Fish Communications Technology Co., Ltd.;</b> 09-03M, Packaging, (Divisional of 11036/2011) 09 Mar 2011	<b>12191/2011</b>
			<b>12229/2011</b>

---

**Applications Lapsed**

11120 / 2010 (10-04)

14769 / 2010 (23-02NES)	11121 / 2010 (07-01B)
10732 / 2011 (08-06)	10731 / 2011 (08-07)
10832 / 2011 (09-03E)	10818 / 2011 (11-05)
	11029 / 2011 (12-16NES)

**Extension of Period of Registration of Designs**

306709	306935	306936
306985	306986	306987
306988	306989	306990
306991	306992	306993
306994	306995	308253
308657	308662	308663
308664	308665	308666
308667	308668	308669
308670	308671	308672
308676	308687	308780
308781	308782	308783
308784	308785	308786
308787	308788	308789
308790	308791	308792
308793	308794	308851
308854	308855	308857
308900	308914	308915
308956	308980	308992
308993	308994	308995
308996	308997	308998
308999	309000	309096
309097	309104	309108
309109	309110	309111
309112	309113	309114
309115	309116	309117
309118	309121	309122
309123	309205	309213
309293	309296	309348
309484	309518	309571
309634	309639	309666
309667	309668	309669
309670	309701	309702
309724	309761	309762
309784	309842	309963
310018	310019	310023
310058	310059	310060
310061	310062	310080
310085	310086	310087
310106	310112	310126
310127	310140	310307
310308	310309	310345
310365	310562	310568
310570	310571	310572
310652	310653	310654
310655	310737	310858
311018	311047	311075
311133	311346	311469
311470	311513	311514
312304	312305	312306
313104	313108	313437
313487	314198	315119

**Registrations Ceased**

304525	304526	305587
305588	306787	306788
306789	306790	306811
307059	307060	307061
307062	307063	307064
307065	307066	307067
307068	307069	307070
307071	307072	307073
307074	307075	307076
307077	307078	307079
307080	307081	307098
307099	307100	307130
307486	307784	307810
307896	307970	307971
308163	331351	332277
332278	332279	332280

**Extensions of time granted under Section 137**

Applications lodged under section 137 for extension of time have been granted.

306935 **Andrea Mario Stodulka**

306936 **Andrea Mario Stodulka**

336602 **Hoover Limited**

10708/2011 **Joint Works Holdings Pty Ltd**

10709/2011 **Joint Works Holdings Pty Ltd**

10710/2011 **Joint Works Holdings Pty Ltd**

10809/2011 **Hubco Automotive Limited**

336579 **Patrick Tan**

11915/2011 **Joint Works Holdings Pty Ltd**

11916/2011 **Joint Works Holdings Pty Ltd**

**Subsequent Owners Registered**

(The name in parentheses is that of the subsequent owner)

309928	( <b>VIP Plastic Packaging Pty Ltd</b> )	Visy Industrial Packaging Holdings Pty Ltd
314466	( <b>VIP Plastic Packaging Pty Ltd</b> )	Visy Industrial Packaging Holdings Pty Ltd
327391	( <b>VIP Plastic Packaging Pty Ltd</b> )	PACT Group Pty Ltd
327392	( <b>VIP Plastic Packaging Pty Ltd</b> )	PACT Group Pty Ltd
322250	( <b>Lipegg Pty Ltd</b> )	P P & L Enterprises Pty Ltd;Trailers by Design Pty Ltd
333640	( <b>Jamie Co Pty Ltd</b> )	Jamie Hopgood
300857	( <b>Brian John Measday;Mario Rene Niesingh</b> )	Brian J. Measday;Neil Reynolds;Mario Rene Niesingh
330754	( <b>Street Surfing LLC</b> )	Jasun Weiner
335417	( <b>Gogglemate, Inc.</b> )	Karen R. Tobey
323788	( <b>Ecobuild Solutions Limited</b> )	Unreal Stone Pty Ltd

- 328600 ( **Koninklijke Philips Electronics N.V.** ) Saeco Strategic Services Limited
- 311460 ( **Koninklijke Philips Electronics N.V.** ) Saeco IPR Limited
- 311461 ( **Koninklijke Philips Electronics N.V.** ) Saeco IPR Limited
- 315101 ( **JB Attachments Limited** ) J B Sales International Limited
- 310383 ( **Fanaway Technology Hong Kong Ltd.** ) Retractive Pty Ltd
- 331465 ( **Exclusive Tyre Distributors Pty Ltd** ) Cooper Tire & Rubber Company
- 331466 ( **Exclusive Tyre Distributors Pty Ltd** ) Cooper Tire & Rubber Company
- 331467 ( **Exclusive Tyre Distributors Pty Ltd** ) Cooper Tire & Rubber Company
- 334277 ( **Exclusive Tyre Distributors Pty Ltd** ) Cooper Tire & Rubber Company
- 334291 ( **Exclusive Tyre Distributors Pty Ltd** ) Cooper Tire & Rubber Company
- 334292 ( **Exclusive Tyre Distributors Pty Ltd** ) Cooper Tire & Rubber Company
- 334293 ( **Exclusive Tyre Distributors Pty Ltd** ) Cooper Tire & Rubber Company
- 334294 ( **Exclusive Tyre Distributors Pty Ltd** ) Cooper Tire & Rubber Company
- 334883 ( **Exclusive Tyre Distributors Pty Ltd** ) Cooper Tire & Rubber Company
- 334884 ( **Exclusive Tyre Distributors Pty Ltd** ) Cooper Tire & Rubber Company
- 334885 ( **Exclusive Tyre Distributors Pty Ltd** ) Cooper Tire & Rubber Company
- 334886 ( **Exclusive Tyre Distributors Pty Ltd** ) Cooper Tire & Rubber Company
- 334892 ( **Exclusive Tyre Distributors Pty Ltd** ) Cooper Tire & Rubber Company

**Names Registered - Alterations and Amendments**

(The name in parentheses is that of the subsequent applicant)

- 306936 ( **Andrea Mario Stodulka** ) Decoin Pty Ltd
- 306935 ( **Andrea Mario Stodulka** ) Decoin Pty Ltd
- 305784 ( **WATERPOD AUSTRALIA PTY LTD** ) Dirk Neugebauer;Cathy Neugebauer;Robert Currey
- 310830 ( **ERCO GmbH** ) ERCO Leuchten GmbH
- 310829 ( **ERCO GmbH** ) ERCO Leuchten GmbH
- 321681 ( **ERCO GmbH** ) ERCO Leuchten GmbH
- 319478 ( **ERCO GmbH** ) ERCO Leuchten GmbH
- 319479 ( **ERCO GmbH** ) ERCO Leuchten GmbH
- 319744 ( **ERCO GmbH** ) ERCO Leuchten GmbH
- 319745 ( **ERCO GmbH** ) ERCO Leuchten GmbH
- 319473 ( **ERCO GmbH** ) ERCO Leuchten GmbH
- 319474 ( **ERCO GmbH** ) ERCO Leuchten GmbH
- 319475 ( **ERCO GmbH** ) ERCO Leuchten GmbH
- 319476 ( **ERCO GmbH** ) ERCO Leuchten GmbH
- 319743 ( **ERCO GmbH** ) ERCO Leuchten GmbH
- 319477 ( **ERCO GmbH** ) ERCO Leuchten GmbH
- 310383 ( **Retractive Pty Ltd** ) Fanaway Pty. Ltd.

**Certificate(s) of Examination**

Examination of the following Design Registration(s) has been completed. Infringement proceedings may now be commenced.

306602	06-01F	12/05/2011
306678	06-01F	12/05/2011
306679	06-01F	12/05/2011
306680	06-01F	12/05/2011
306681	06-06G	12/05/2011
306682	06-06G	12/05/2011
316684	09-03F	17/05/2011
327900	06-06NES	13/05/2011
327901	06-06NES	13/05/2011
328917	09-03F	17/05/2011
330379	25-01K	16/05/2011
330729	16-06	17/05/2011
333325	14-02	16/05/2011
334880	07-02L	13/05/2011
334927	13-03B	20/05/2011
335082	19-06	20/05/2011
335083	19-06	20/05/2011
335181	02-04B	12/05/2011

**Publication and Registration Proceedings**

**Designs Registered**

This section provides a concordance between design number and registration number of Designs covered in this journal. It also shows the main class and registration date.

This section covers Registration numbers 336460 to 336681 .

The registration number shown below should be used in all future correspondence.

<b>Design Number</b>	<b>Registration Number</b>	<b>International Classification Code (IDC)</b>	<b>Registration Date</b>	<b>Design Number</b>	<b>Registration Number</b>	<b>International Classification Code (IDC)</b>	<b>Registration Date</b>
13486/2010	336470	02-02NES	12/05/2011	11444/2011	336574	12-11	17/05/2011
14260/2010	336661	20-02NES	20/05/2011	11455/2011	336575	26-05C	17/05/2011
14343/2010	336563	23-01NES	17/05/2011	11478/2011	336549	06-01F	16/05/2011
14801/2010	336477	02-02A	12/05/2011	11479/2011	336550	06-01F	16/05/2011
14936/2010	336564	24-01	17/05/2011	11480/2011	336551	06-01F	16/05/2011
15749/2010	336613	12-08	19/05/2011	11536/2011	336611	08-05A	19/05/2011
10226/2011	336602	15-05	18/05/2011	11537/2011	336612	08-05A	19/05/2011
10443/2011	336497	06-13B	13/05/2011	11543/2011	336502	13-03D	13/05/2011
10444/2011	336498	06-13B	13/05/2011	11549/2011	336503	23-01H	13/05/2011
10445/2011	336499	06-13B	13/05/2011	11550/2011	336504	23-02B	13/05/2011
10446/2011	336500	06-13B	13/05/2011	11554/2011	336505	07-01NES	13/05/2011
10485/2011	336569	07-02M	17/05/2011	11555/2011	336626	24-01	20/05/2011
10506/2011	336662	08-08NES	20/05/2011	11556/2011	336664	14-02	20/05/2011
10549/2011	336663	08-08NES	20/05/2011	11557/2011	336665	14-02	20/05/2011
10573/2011	336531	26-03	13/05/2011	11558/2011	336666	14-02	20/05/2011
10574/2011	336532	26-03	13/05/2011	11560/2011	336670	23-01NES	20/05/2011
10697/2011	336557	05-05A	16/05/2011	11561/2011	336671	23-01NES	20/05/2011
10766/2011	336501	07-02NES	13/05/2011	11574/2011	336517	23-02C	13/05/2011
10767/2011	336570	07-04	17/05/2011	11575/2011	336518	23-02C	13/05/2011
10768/2011	336571	07-04	17/05/2011	11576/2011	336519	23-02C	13/05/2011
10770/2011	336572	09-99	17/05/2011	11577/2011	336520	23-02C	13/05/2011
10840/2011	336558	11-01NES	16/05/2011	11578/2011	336521	23-02C	13/05/2011
10891/2011	336544	31-00	16/05/2011	11579/2011	336522	23-02C	13/05/2011
10919/2011	336609	14-02	19/05/2011	11580/2011	336523	23-02C	13/05/2011
10935/2011	336580	12-16NES	18/05/2011	11581/2011	336506	06-09	13/05/2011
10936/2011	336581	12-16NES	18/05/2011	11582/2011	336552	02-02B	16/05/2011
10954/2011	336546	21-02F	16/05/2011	11588/2011	336486	14-03A	12/05/2011
10955/2011	336545	21-02F	16/05/2011	11591/2011	336487	26-06	12/05/2011
11030/2011	336471	02-02C	12/05/2011	11592/2011	336488	26-06	12/05/2011
11031/2011	336472	02-02C	12/05/2011	11593/2011	336489	26-06	12/05/2011
11032/2011	336473	02-02NES	12/05/2011	11594/2011	336573	15-01	17/05/2011
11033/2011	336474	02-02C	12/05/2011	11595/2011	336490	15-01	12/05/2011
11034/2011	336475	02-02NES	12/05/2011	11596/2011	336460	08-03	12/05/2011
11035/2011	336476	02-02NES	12/05/2011	11597/2011	336461	08-03	12/05/2011
11180/2011	336589	23-01H	18/05/2011	11598/2011	336462	12-16E	12/05/2011
11236/2011	336619	25-01C	20/05/2011	11602/2011	336463	21-01NES	12/05/2011
11237/2011	336620	25-01C	20/05/2011	11603/2011	336464	21-01B	12/05/2011
11244/2011	336547	03-01NES	16/05/2011	11604/2011	336465	21-01NES	12/05/2011
11246/2011	336548	03-01NES	16/05/2011	11605/2011	336466	21-01H	12/05/2011
11274/2011	336565	24-01	17/05/2011	11606/2011	336467	21-01B	12/05/2011
11275/2011	336566	24-01	17/05/2011	11607/2011	336468	09-03M	12/05/2011
11276/2011	336567	24-01	17/05/2011	11608/2011	336469	09-03M	12/05/2011
11277/2011	336568	24-01	17/05/2011	11609/2011	336553	24-99	16/05/2011
11283/2011	336624	23-02C	20/05/2011	11612/2011	336507	26-06	13/05/2011
11284/2011	336625	23-02C	20/05/2011	11613/2011	336508	26-06	13/05/2011
11286/2011	336483	20-02NES	12/05/2011	11614/2011	336509	26-06	13/05/2011
11322/2011	336533	23-01H	13/05/2011	11619/2011	336510	06-01G	13/05/2011
11333/2011	336582	24-04	18/05/2011	11620/2011	336511	06-01G	13/05/2011
11357/2011	336610	03-01NES	19/05/2011	11621/2011	336512	06-06G	13/05/2011
11422/2011	336484	30-03	12/05/2011	11630/2011	336534	07-06A	13/05/2011

Publication and Registration Proceedings - Designs Registered cont'd

Design Number	Registration Number	International Classification Code (IDC)	Registration Date	Design Number	Registration Number	International Classification Code (IDC)	Registration Date
11631/2011	336535	24-04	13/05/2011	11725/2011	336598	07-01G	18/05/2011
11632/2011	336536	24-04	13/05/2011	11726/2011	336599	07-02L	18/05/2011
11633/2011	336537	15-02	13/05/2011	11727/2011	336600	03-01NES	18/05/2011
11634/2011	336576	01-01	17/05/2011	11728/2011	336601	03-01NES	18/05/2011
11635/2011	336577	01-01	17/05/2011	11729/2011	336635	08-08G	20/05/2011
11636/2011	336578	01-01	17/05/2011	11730/2011	336636	23-02A	20/05/2011
11638/2011	336491	25-02NES	13/05/2011	11731/2011	336637	23-02A	20/05/2011
11640/2011	336492	09-01H	13/05/2011	11732/2011	336638	23-02A	20/05/2011
11641/2011	336493	09-01H	13/05/2011	11733/2011	336639	23-02A	20/05/2011
11642/2011	336494	09-01H	13/05/2011	11734/2011	336640	07-05D	20/05/2011
11643/2011	336495	11-01NES	13/05/2011	11735/2011	336641	08-08NES	20/05/2011
11645/2011	336614	07-02E	19/05/2011	11736/2011	336642	23-02A	20/05/2011
11646/2011	336524	21-02F	13/05/2011	11737/2011	336643	23-02A	20/05/2011
11647/2011	336525	10-05	13/05/2011	11738/2011	336631	14-02	20/05/2011
11648/2011	336526	10-05	13/05/2011	11739/2011	336632	25-02NES	20/05/2011
11649/2011	336527	10-05	13/05/2011	11751/2011	336678	09-01A	20/05/2011
11650/2011	336528	10-05	13/05/2011	11755/2011	336603	06-01F	19/05/2011
11651/2011	336529	10-05	13/05/2011	11756/2011	336604	09-01NES	19/05/2011
11652/2011	336530	10-05	13/05/2011	11757/2011	336605	09-01NES	19/05/2011
11661/2011	336559	15-04	16/05/2011	11758/2011	336606	09-01NES	19/05/2011
11662/2011	336560	02-02B	16/05/2011	11759/2011	336607	13-03D	19/05/2011
11663/2011	336538	06-06A	13/05/2011	11760/2011	336608	13-03D	19/05/2011
11664/2011	336539	26-05D	13/05/2011	11768/2011	336644	13-03D	20/05/2011
11665/2011	336540	26-05D	13/05/2011	11769/2011	336645	20-02E	20/05/2011
11666/2011	336541	26-05D	13/05/2011	11770/2011	336646	21-02C	20/05/2011
11669/2011	336561	11-01NES	16/05/2011	11771/2011	336647	07-05E	20/05/2011
11670/2011	336562	23-04	16/05/2011	11772/2011	336648	08-06	20/05/2011
11671/2011	336583	23-04	18/05/2011	11773/2011	336542	08-10	13/05/2011
11672/2011	336584	23-04	18/05/2011	11774/2011	336543	08-10	13/05/2011
11676/2011	336585	09-03M	18/05/2011	11775/2011	336681	14-02	20/05/2011
11678/2011	336615	03-01B	19/05/2011	11776/2011	336680	14-02	20/05/2011
11679/2011	336616	06-01G	19/05/2011	11780/2011	336679	14-02	20/05/2011
11688/2011	336554	10-07	16/05/2011	11788/2011	336623	14-03B	20/05/2011
11689/2011	336555	24-01	16/05/2011	11794/2011	336667	11-02B	20/05/2011
11690/2011	336556	24-01	16/05/2011	11800/2011	336579	16-02	17/05/2011
11692/2011	336590	21-02C	18/05/2011	11835/2011	336633	09-05	20/05/2011
11693/2011	336591	12-05	18/05/2011	11836/2011	336634	09-05	20/05/2011
11694/2011	336592	09-05	18/05/2011	11842/2011	336649	09-01A	20/05/2011
11695/2011	336593	09-05	18/05/2011	11844/2011	336650	09-01A	20/05/2011
11696/2011	336594	09-05	18/05/2011	11846/2011	336651	12-12	20/05/2011
11698/2011	336595	25-04	18/05/2011	11855/2011	336652	01-01	20/05/2011
11701/2011	336621	07-99NES	20/05/2011	11856/2011	336653	01-01	20/05/2011
11703/2011	336622	12-16C	20/05/2011	11857/2011	336654	01-01	20/05/2011
11710/2011	336672	09-03M	20/05/2011	11858/2011	336655	01-01	20/05/2011
11711/2011	336673	09-03M	20/05/2011	11859/2011	336656	01-01	20/05/2011
11712/2011	336674	09-03M	20/05/2011	11860/2011	336657	01-01	20/05/2011
11713/2011	336675	09-03M	20/05/2011	11861/2011	336658	01-01	20/05/2011
11714/2011	336676	09-03M	20/05/2011	11863/2011	336617	12-11	19/05/2011
11715/2011	336677	09-03M	20/05/2011	11864/2011	336618	26-06	19/05/2011
11716/2011	336627	09-03M	20/05/2011	11884/2011	336659	09-01NES	20/05/2011
11717/2011	336628	09-03M	20/05/2011	11885/2011	336660	09-01NES	20/05/2011
11718/2011	336629	09-03M	20/05/2011	11912/2011	336513	06-13B	13/05/2011
11721/2011	336630	15-04	20/05/2011	11913/2011	336514	06-13B	13/05/2011
11723/2011	336596	07-02K	18/05/2011	11914/2011	336515	06-13B	13/05/2011
11724/2011	336597	07-01G	18/05/2011	11938/2011	336478	02-02A	12/05/2011

Publication and Registration Proceedings - Designs Registered cont'd

Design Number	Registration Number	International Classification Code (IDC)	Registration Date	Design Number	Registration Number	International Classification Code (IDC)	Registration Date
11939/2011	336479	02-02A	12/05/2011	11999/2011	336587	06-04NES	18/05/2011
11940/2011	336480	02-02A	12/05/2011	12006/2011	336485	30-03	12/05/2011
11941/2011	336481	02-02A	12/05/2011	12007/2011	336668	11-02B	20/05/2011
11942/2011	336482	02-02A	12/05/2011	12011/2011	336588	06-04NES	18/05/2011
11967/2011	336586	20-01	18/05/2011	12168/2011	336669	09-07C	20/05/2011
11968/2011	336496	07-01C	13/05/2011				
11989/2011	336516	07-02NES	13/05/2011				

**Publication and Registration Proceedings**

**Class Listing of Designs Published or Registered**

The following section shows an International Classification Code listing of the Registered or Published Designs covered in this supplement.

<b>Classification</b>	<b>Registration Number</b>	<b>Design Number</b>	<b>Classification</b>	<b>Registration Number</b>	<b>Design Number</b>
01-01	336576	11634/2011	07-01B	336571	10768/2011
01-01	336577	11635/2011	07-01C	336496	11968/2011
01-01	336578	11636/2011	07-01G	336596	11723/2011
01-01	336652	11855/2011	07-01G	336597	11724/2011
01-01	336653	11856/2011	07-01G	336598	11725/2011
01-01	336654	11857/2011	07-01NES	336505	11554/2011
01-01	336655	11858/2011	07-02E	336614	11645/2011
01-01	336656	11859/2011	07-02K	336596	11723/2011
01-01	336657	11860/2011	07-02L	336599	11726/2011
01-01	336658	11861/2011	07-02M	336569	10485/2011
02-02A	336477	14801/2010	07-02NES	336501	10766/2011
02-02A	336478	11938/2011	07-02NES	336516	11989/2011
02-02A	336479	11939/2011	07-04	336570	10767/2011
02-02A	336480	11940/2011	07-04	336571	10768/2011
02-02A	336481	11941/2011	07-05D	336640	11734/2011
02-02A	336482	11942/2011	07-05D	336641	11735/2011
02-02B	336552	11582/2011	07-05E	336647	11771/2011
02-02B	336560	11662/2011	07-06A	336534	11630/2011
02-02C	336471	11030/2011	07-99NES	336621	11701/2011
02-02C	336472	11031/2011	08-03	336460	11596/2011
02-02C	336474	11033/2011	08-03	336461	11597/2011
02-02NES	336470	13486/2010	08-05A	336611	11536/2011
02-02NES	336473	11032/2011	08-05A	336612	11537/2011
02-02NES	336475	11034/2011	08-06	336648	11772/2011
02-02NES	336476	11035/2011	08-08G	336635	11729/2011
03-01B	336615	11678/2011	08-08NES	336641	11735/2011
03-01NES	336547	11244/2011	08-08NES	336662	10506/2011
03-01NES	336548	11246/2011	08-08NES	336663	10549/2011
03-01NES	336600	11727/2011	08-09	336632	11739/2011
03-01NES	336601	11728/2011	08-10	336542	11773/2011
03-01NES	336610	11357/2011	08-10	336543	11774/2011
05-05A	336557	10697/2011	09-01A	336649	11842/2011
06-01F	336549	11478/2011	09-01A	336650	11844/2011
06-01F	336550	11479/2011	09-01A	336678	11751/2011
06-01F	336551	11480/2011	09-01H	336492	11640/2011
06-01F	336603	11755/2011	09-01H	336493	11641/2011
06-01G	336510	11619/2011	09-01H	336494	11642/2011
06-01G	336511	11620/2011	09-01NES	336604	11756/2011
06-01G	336616	11679/2011	09-01NES	336605	11757/2011
06-01NES	336572	10770/2011	09-01NES	336606	11758/2011
06-04NES	336510	11619/2011	09-01NES	336659	11884/2011
06-04NES	336587	11999/2011	09-01NES	336660	11885/2011
06-04NES	336588	12011/2011	09-03M	336468	11607/2011
06-06A	336538	11663/2011	09-03M	336469	11608/2011
06-06G	336512	11621/2011	09-03M	336553	11609/2011
06-09	336506	11581/2011	09-03M	336585	11676/2011
06-13B	336497	10443/2011	09-03M	336627	11716/2011
06-13B	336498	10444/2011	09-03M	336628	11717/2011
06-13B	336499	10445/2011	09-03M	336629	11718/2011
06-13B	336500	10446/2011	09-03M	336672	11710/2011
06-13B	336513	11912/2011	09-03M	336673	11711/2011
06-13B	336514	11913/2011	09-03M	336674	11712/2011
06-13B	336515	11914/2011	09-03M	336675	11713/2011

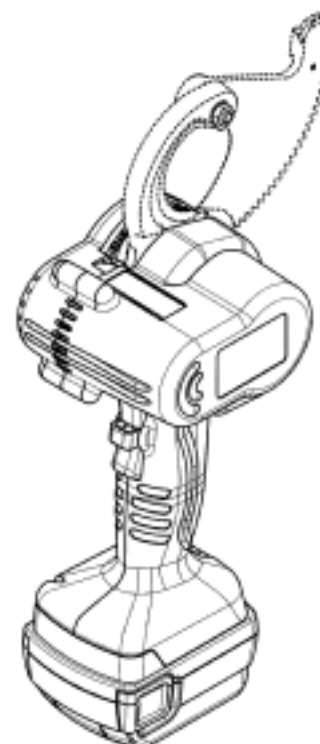
Registration Proceedings - Class Listing of Designs Published or Registered cont'd

Classification	Registration Number	Design Number	Classification	Registration Number	Design Number
09-03M	336676	11714/2011	20-02NES	336483	11286/2011
09-03M	336677	11715/2011	20-02NES	336661	14260/2010
09-03NES	336468	11607/2011	21-01B	336464	11603/2011
09-03NES	336469	11608/2011	21-01B	336467	11606/2011
09-03NES	336553	11609/2011	21-01H	336466	11605/2011
09-05	336592	11694/2011	21-01NES	336463	11602/2011
09-05	336593	11695/2011	21-01NES	336465	11604/2011
09-05	336594	11696/2011	21-02C	336590	11692/2011
09-05	336633	11835/2011	21-02C	336646	11770/2011
09-05	336634	11836/2011	21-02F	336524	11646/2011
09-07C	336669	12168/2011	21-02F	336545	10955/2011
09-99	336572	10770/2011	21-02F	336546	10954/2011
10-05	336525	11647/2011	23-01H	336503	11549/2011
10-05	336526	11648/2011	23-01H	336533	11322/2011
10-05	336527	11649/2011	23-01H	336589	11180/2011
10-05	336528	11650/2011	23-01NES	336563	14343/2010
10-05	336529	11651/2011	23-01NES	336670	11560/2011
10-05	336530	11652/2011	23-01NES	336671	11561/2011
10-07	336554	11688/2011	23-02A	336604	11756/2011
11-01NES	336495	11643/2011	23-02A	336605	11757/2011
11-01NES	336558	10840/2011	23-02A	336636	11730/2011
11-01NES	336561	11669/2011	23-02A	336637	11731/2011
11-02B	336667	11794/2011	23-02A	336638	11732/2011
11-02B	336668	12007/2011	23-02A	336639	11733/2011
12-05	336591	11693/2011	23-02A	336642	11736/2011
12-08	336613	15749/2010	23-02A	336643	11737/2011
12-11	336574	11444/2011	23-02B	336504	11550/2011
12-11	336617	11863/2011	23-02C	336517	11574/2011
12-12	336651	11846/2011	23-02C	336518	11575/2011
12-16C	336622	11703/2011	23-02C	336519	11576/2011
12-16E	336462	11598/2011	23-02C	336520	11577/2011
12-16NES	336580	10935/2011	23-02C	336521	11578/2011
12-16NES	336581	10936/2011	23-02C	336522	11579/2011
13-03D	336502	11543/2011	23-02C	336523	11580/2011
13-03D	336607	11759/2011	23-02C	336624	11283/2011
13-03D	336608	11760/2011	23-02C	336625	11284/2011
13-03D	336644	11768/2011	23-04	336562	11670/2011
14-02	336609	10919/2011	23-04	336583	11671/2011
14-02	336631	11738/2011	23-04	336584	11672/2011
14-02	336664	11556/2011	24-01	336555	11689/2011
14-02	336665	11557/2011	24-01	336556	11690/2011
14-02	336666	11558/2011	24-01	336564	14936/2010
14-02	336679	11780/2011	24-01	336565	11274/2011
14-02	336680	11776/2011	24-01	336566	11275/2011
14-02	336681	11775/2011	24-01	336567	11276/2011
14-03A	336486	11588/2011	24-01	336568	11277/2011
14-03B	336623	11788/2011	24-01	336626	11555/2011
15-01	336490	11595/2011	24-02	336537	11633/2011
15-01	336573	11594/2011	24-04	336535	11631/2011
15-02	336537	11633/2011	24-04	336536	11632/2011
15-04	336559	11661/2011	24-04	336582	11333/2011
15-04	336630	11721/2011	24-99	336468	11607/2011
15-05	336602	10226/2011	24-99	336469	11608/2011
16-02	336579	11800/2011	24-99	336553	11609/2011
20-01	336586	11967/2011	25-01C	336619	11236/2011
20-02E	336645	11769/2011	25-01C	336620	11237/2011

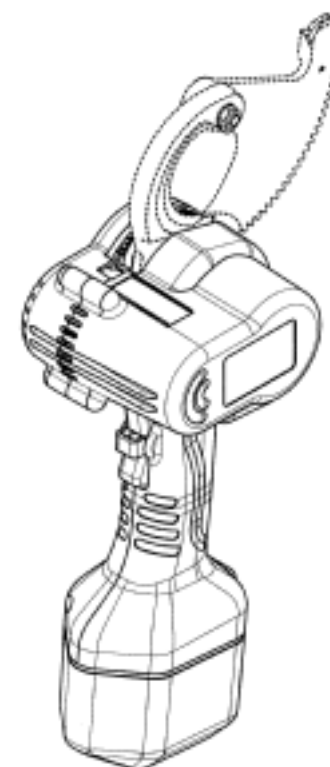
Registration Proceedings - Class Listing of Designs Published or Registered cont'd

Classification	Registration Number	Design Number	Classification	Registration Number	Design Number
25-02NES	336491	11638/2011	26-06	336489	11593/2011
25-02NES	336632	11739/2011	26-06	336507	11612/2011
25-04	336595	11698/2011	26-06	336508	11613/2011
26-03	336531	10573/2011	26-06	336509	11614/2011
26-03	336532	10574/2011	26-06	336618	11864/2011
26-05C	336575	11455/2011	30-03	336484	11422/2011
26-05D	336539	11664/2011	30-03	336485	12006/2011
26-05D	336540	11665/2011	31-00	336544	10891/2011
26-05D	336541	11666/2011			
26-06	336487	11591/2011			
26-06	336488	11592/2011			

- (21) Design Number: **11596/2011**  
(22) Date of Filing Application: **13 April 2011**  
(24) Date from which industrial property rights may have effect: **13 April 2011**  
(54) Product in respect of which the design is registered: **Electric cable cutter**  
(51) International Design Classification: **08-03**  
(74) Name(s) of Attorney(s): **SPRUSON & FERGUSON**  
(71) Name(s) and Address(s) of Applicant(s):  
**Izumi Products Company**  
**3039 Ooaza-Sasaga Matsumoto-shi Nagano 399-8721 Japan**  
(72) Name(s) of Designer(s): **Masashi Isobe and Masahiro Yokota and Masafumi Takeshima**  
(45) Registration Date: **12 May 2011**  
(30) Convention priority data:  
(31) Number (32) Date (33) Country  
**2010-024447 13 Oct 2010 JAPAN**  
(56) Related Art Documents: **Not Applicable**  
(57) Statement of Newness and Distinctiveness: **Newness and distinctiveness is claimed in those features of shape and/or configuration of an electric cable cutter illustrated in continuous lines in the accompanying representations.**



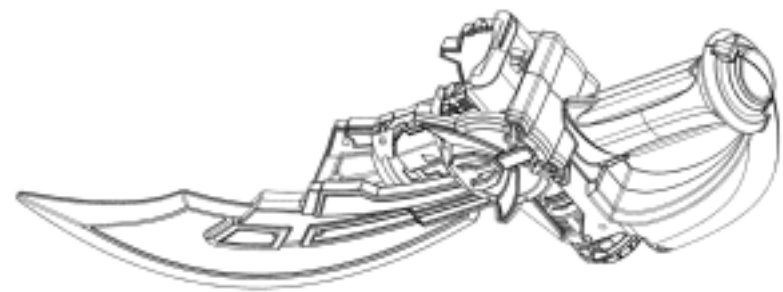
- (21) Design Number: **11597/2011**  
(22) Date of Filing Application: **13 April 2011**  
(24) Date from which industrial property rights may have effect: **13 April 2011**  
(54) Product in respect of which the design is registered: **Electric cable cutter**  
(51) International Design Classification: **08-03**  
(74) Name(s) of Attorney(s): **SPRUSON & FERGUSON**  
(71) Name(s) and Address(s) of Applicant(s):  
**Izumi Products Company**  
**3039 Ooaza-Sasaga Matsumoto-shi Nagano 399-8721 Japan**  
(72) Name(s) of Designer(s): **Masashi Isobe and Shinichi Miyamoto and Masafumi Takeshima**  
(45) Registration Date: **12 May 2011**  
(30) Convention priority data:  
(31) Number (32) Date (33) Country  
**2010-024448 13 Oct 2010 JAPAN**  
(56) Related Art Documents: **Not Applicable**  
(57) Statement of Newness and Distinctiveness: **Newness and distinctiveness is claimed in those features of shape and/or configuration of an electric cable cutter illustrated in continuous lines in the accompanying representations.**



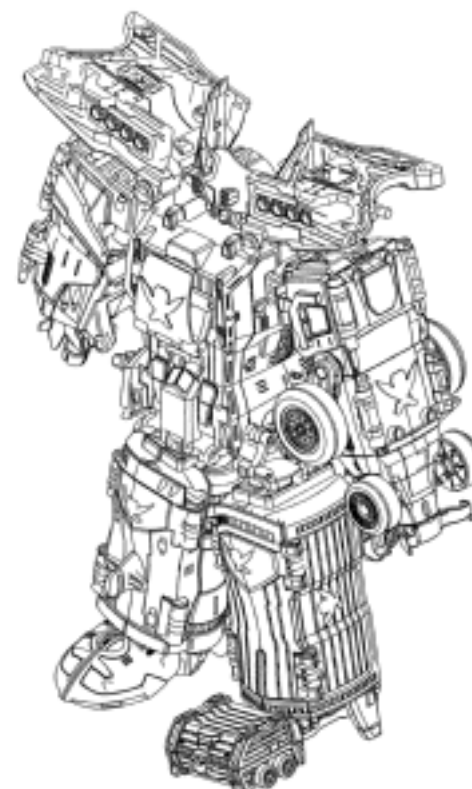
(21) Design Number: **11598/2011**  
(22) Date of Filing Application: **13 April 2011**  
(24) Date from which industrial property rights may have effect: **13 April 2011**  
(54) Product in respect of which the design is registered: **Head lamp of car**  
(51) International Design Classification: **12-16E**  
(74) Name(s) of Attorney(s): **Baxter IP**  
(71) Name(s) and Address(s) of Applicant(s):  
**GM Global Technology Operations, LLC**  
**300 Renaissance Center Detroit Michigan 48265-3000 United States of America**  
(72) Name(s) of Designer(s): **Do-hyeong Kim**  
(45) Registration Date: **12 May 2011**  
(30) Convention priority data:  
(31) Number (32) Date (33) Country  
**KR302010004732801 Nov 2010 REPUBLIC OF KOREA**  
(56) Related Art Documents: **Not Applicable**  
(57) Statement of Newness and Distinctiveness: **Nil**



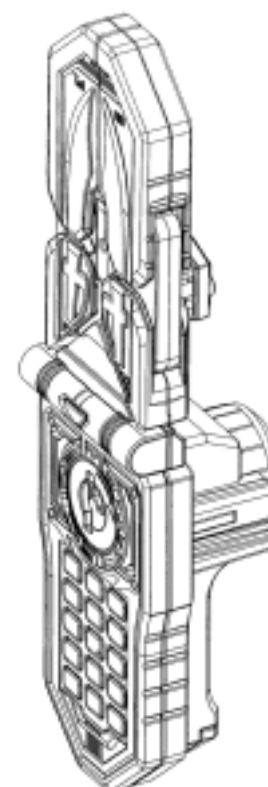
(21) Design Number: **11602/2011**  
(22) Date of Filing Application: **13 April 2011**  
(24) Date from which industrial property rights may have effect: **13 April 2011**  
(54) Product in respect of which the design is registered: **Toy sword**  
(51) International Design Classification: **21-01NES**  
(74) Name(s) of Attorney(s): **Blake Dawson**  
(71) Name(s) and Address(s) of Applicant(s):  
**Bandai Co., Ltd**  
**4-8 Komagata 1-chome Taito-ku Tokyo 111-8081 Japan**  
(72) Name(s) of Designer(s): **Noboru Hara and Takamichi Murayama and Reina Kukutsu and Takaaki Utsunomiya and Takashi Kunita**  
(45) Registration Date: **12 May 2011**  
(30) Convention priority data:  
(31) Number (32) Date (33) Country  
**2010-028320 26 Nov 2010 JAPAN**  
(56) Related Art Documents: **Not Applicable**  
(57) Statement of Newness and Distinctiveness: **Nil**



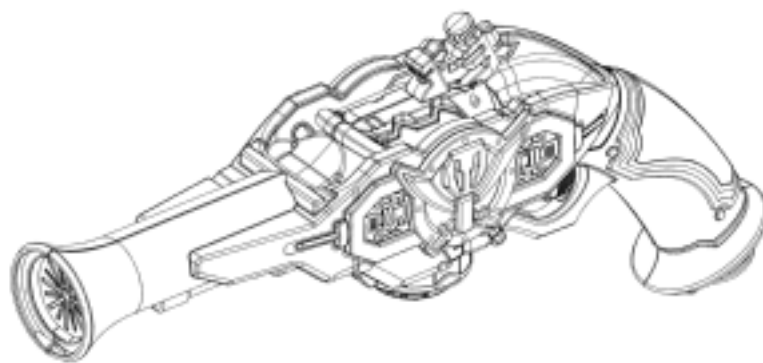
(21) Design Number: **11603/2011**  
(22) Date of Filing Application: **13 April 2011**  
(24) Date from which industrial property rights may have effect: **13 April 2011**  
(54) Product in respect of which the design is registered: **Toy robot**  
(51) International Design Classification: **21-01B**  
(74) Name(s) of Attorney(s): **Blake Dawson**  
(71) Name(s) and Address(s) of Applicant(s):  
**Bandai Co., Ltd**  
**4-8 Komagata 1-chome Taito-ku Tokyo 111-8081 Japan**  
(72) Name(s) of Designer(s): **Noboru Hara and Takamichi Murayama and Tomonori Nakai and Takaaki Utsunomiya and Sojiro Tanaka**  
(45) Registration Date: **12 May 2011**  
(30) Convention priority data:  
(31) Number (32) Date (33) Country  
**2010-028318 26 Nov 2010 JAPAN**  
(56) Related Art Documents: **Not Applicable**  
(57) Statement of Newness and Distinctiveness: **Nil**



(21) Design Number: **11604/2011**  
(22) Date of Filing Application: **13 April 2011**  
(24) Date from which industrial property rights may have effect: **13 April 2011**  
(54) Product in respect of which the design is registered: **Cell phone-shaped toy**  
(51) International Design Classification: **21-01NES**  
(74) Name(s) of Attorney(s): **Blake Dawson**  
(71) Name(s) and Address(s) of Applicant(s):  
**Bandai Co., Ltd**  
**4-8 Komagata 1-chome Taito-ku Tokyo 111-8081 Japan**  
(72) Name(s) of Designer(s): **Noboru Hara and Takamichi Murayama and Kengo Nakanishi and Takaaki Utsunomiya and Takashi Kunita**  
(45) Registration Date: **12 May 2011**  
(30) Convention priority data:  
(31) Number (32) Date (33) Country  
**2010-028322 26 Nov 2010 JAPAN**  
(56) Related Art Documents: **Not Applicable**  
(57) Statement of Newness and Distinctiveness: **Nil**



(21) Design Number: **11605/2011**  
(22) Date of Filing Application: **13 April 2011**  
(24) Date from which industrial property rights may have effect: **13 April 2011**  
(54) Product in respect of which the design is registered: **Pistol-shaped toy**  
(51) International Design Classification: **21-01H**  
(74) Name(s) of Attorney(s): **Blake Dawson**  
(71) Name(s) and Address(s) of Applicant(s):  
**Bandai Co., Ltd**  
**4-8 Komagata 1-chome Taito-ku Tokyo 111-8081 Japan**  
(72) Name(s) of Designer(s): **Noboru Hara and Takamichi Murayama and Reina Kukutsu and Takaaki Utsunomiya and Takashi Kunita**  
(45) Registration Date: **12 May 2011**  
(30) Convention priority data:  
(31) Number      (32) Date      (33) Country  
**2010-028321      26 Nov 2010      JAPAN**  
(56) Related Art Documents: **Not Applicable**  
(57) Statement of Newness and Distinctiveness: **Nil**



(21) Design Number: **11606/2011**  
(22) Date of Filing Application: **13 April 2011**  
(24) Date from which industrial property rights may have effect: **13 April 2011**  
(54) Product in respect of which the design is registered: **Toy doll**  
(51) International Design Classification: **21-01B**  
(74) Name(s) of Attorney(s): **Blake Dawson**  
(71) Name(s) and Address(s) of Applicant(s):  
**Bandai Co., Ltd**  
**4-8 Komagata 1-chome Taito-ku Tokyo 111-8081 Japan**  
(72) Name(s) of Designer(s): **Noboru Hara and Takamichi Murayama and Yumi Chihara and Takaaki Utsunomiya and Sojiro Tanaka**  
(45) Registration Date: **12 May 2011**  
(30) Convention priority data:  
(31) Number      (32) Date      (33) Country  
**2010-027650      17 Nov 2010      JAPAN**  
(56) Related Art Documents: **Not Applicable**  
(57) Statement of Newness and Distinctiveness: **Nil**



(21) Design Number: **11607/2011**  
(22) Date of Filing Application: **13 April 2011**  
(24) Date from which industrial property rights may have effect: **13 April 2011**  
(54) Product in respect of which the design is registered: **Packaging**  
(51) International Design Classification: **09-03M, 09-03NES, 24-99**  
(74) Name(s) of Attorney(s): **Griffith Hack**  
(71) Name(s) and Address(s) of Applicant(s):

**Smith & Nephew Plc**  
**15 Adam Street London WC2N 6LA United Kingdom**

(72) Name(s) of Designer(s): **Jonathan Frank Michael Fahy**

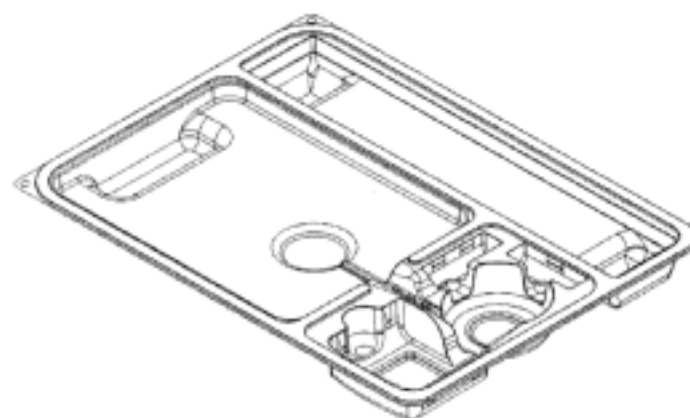
(45) Registration Date: **12 May 2011**

(30) Convention priority data:

(31) Number	(32) Date	(33) Country
<b>4017398</b>	<b>14 Oct 2010</b>	<b>UNITED KINGDOM</b>

(56) Related Art Documents: **Not Applicable**

(57) Statement of Newness and Distinctiveness: **The shape and configuration of the PACKAGING as shown in the accompanying representations is new and distinctive.**



(21) Design Number: **11608/2011**  
(22) Date of Filing Application: **13 April 2011**  
(24) Date from which industrial property rights may have effect: **13 April 2011**  
(54) Product in respect of which the design is registered: **Packaging**  
(51) International Design Classification: **09-03M, 09-03NES, 24-99**  
(74) Name(s) of Attorney(s): **Griffith Hack**  
(71) Name(s) and Address(s) of Applicant(s):

**Smith & Nephew Plc**  
**15 Adam Street London WC2N 6LA United Kingdom**

(72) Name(s) of Designer(s): **Jonathan Frank Michael Fahy**

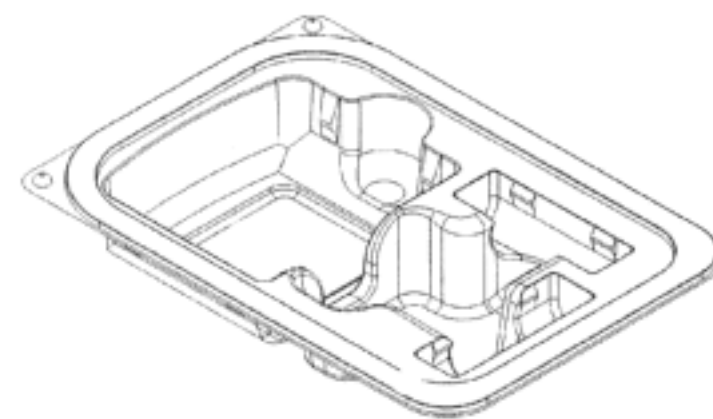
(45) Registration Date: **12 May 2011**

(30) Convention priority data:

(31) Number	(32) Date	(33) Country
<b>4017445</b>	<b>15 Oct 2010</b>	<b>UNITED KINGDOM</b>

(56) Related Art Documents: **Not Applicable**

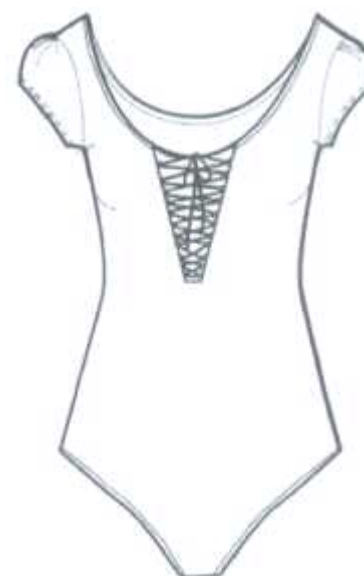
(57) Statement of Newness and Distinctiveness: **The shape and configuration of the PACKAGING shown in the accompanying representations is new and distinctive.**



- (21) Design Number: **13486/2010**  
(22) Date of Filing Application: **12 August 2010**  
(24) Date from which industrial property rights may have effect: **12 August 2010**  
(54) Product in respect of which the design is registered: **Women's fashion clothing**  
(51) International Design Classification: **02-02NES**  
(74) Name(s) of Attorney(s): **MILLS OAKLEY LAWYERS**  
(71) Name(s) and Address(s) of Applicant(s):  
**Forever New Clothing Pty Ltd**  
**Ground Floor 714-716 High Street Kew Victoria 3101 Australia**  
(72) Name(s) of Designer(s): **Simon Edwards**  
(45) Registration Date: **12 May 2011**  
(56) Related Art Documents: **Not Applicable**  
(57) Statement of Newness and Distinctiveness: **The particular visual features of the design which the Applicant hereby identifies as new and distinctive are as follows: shape and pattern (not limited to colour, although shown in colour to better identify the pattern).**



- (21) Design Number: **11030/2011**  
(22) Date of Filing Application: **12 August 2010**  
(24) Date from which industrial property rights may have effect: **12 August 2010**  
(54) Product in respect of which the design is registered: **Women's fashion clothing**  
(51) International Design Classification: **02-02C**  
(74) Name(s) of Attorney(s): **MILLS OAKLEY LAWYERS**  
(71) Name(s) and Address(s) of Applicant(s):  
**Forever New Clothing Pty Ltd**  
**Ground Floor 714-716 High Street Kew Victoria 3101 Australia**  
(72) Name(s) of Designer(s): **Simon Edwards**  
(45) Registration Date: **12 May 2011**  
(56) Related Art Documents: **Not Applicable**  
(57) Statement of Newness and Distinctiveness: **The particular visual features of the design which the Applicant hereby identifies as new and distinctive are as follows: "Women's Fashion Clothing", as illustrated in the accompanying representations.**



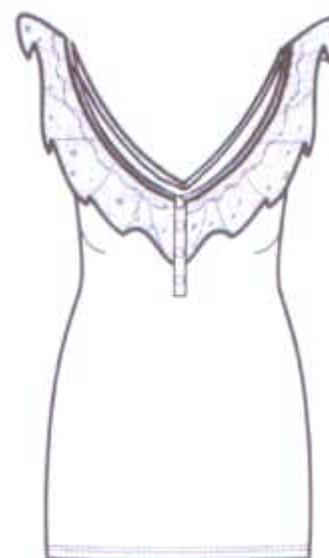
- (21) Design Number: **11031/2011**  
(22) Date of Filing Application: **12 August 2010**  
(24) Date from which industrial property rights may have effect: **12 August 2010**  
(54) Product in respect of which the design is registered: **Women's fashion clothing**  
(51) International Design Classification: **02-02C**  
(74) Name(s) of Attorney(s): **MILLS OAKLEY LAWYERS**  
(71) Name(s) and Address(s) of Applicant(s):  
**Forever New Clothing Pty Ltd**  
**Ground Floor 714-716 High Street Kew Victoria 3101 Australia**  
(72) Name(s) of Designer(s): **Simon Edwards**  
(45) Registration Date: **12 May 2011**  
(56) Related Art Documents: **Not Applicable**  
(57) Statement of Newness and Distinctiveness: **The particular visual features of the design which the Applicant hereby identifies as new and distinctive are as follows: "Women's Fashion Clothing", as illustrated in the accompanying representations.**



- (21) Design Number: **11032/2011**  
(22) Date of Filing Application: **12 August 2010**  
(24) Date from which industrial property rights may have effect: **12 August 2010**  
(54) Product in respect of which the design is registered: **Women's fashion clothing**  
(51) International Design Classification: **02-02NES**  
(74) Name(s) of Attorney(s): **MILLS OAKLEY LAWYERS**  
(71) Name(s) and Address(s) of Applicant(s):  
**Forever New Clothing Pty Ltd**  
**Ground Floor 714-716 High Street Kew Victoria 3101 Australia**  
(72) Name(s) of Designer(s): **Simon Edwards**  
(45) Registration Date: **12 May 2011**  
(56) Related Art Documents: **Not Applicable**  
(57) Statement of Newness and Distinctiveness: **The particular visual features of the design which the Applicant hereby identifies as new and distinctive are as follows: "Women's Fashion Clothing", as illustrated in the accompanying representations.**



- (21) Design Number: **11033/2011**  
(22) Date of Filing Application: **12 August 2010**  
(24) Date from which industrial property rights may have effect: **12 August 2010**  
(54) Product in respect of which the design is registered: **Women's fashion clothing**  
(51) International Design Classification: **02-02C**  
(74) Name(s) of Attorney(s): **MILLS OAKLEY LAWYERS**  
(71) Name(s) and Address(s) of Applicant(s):  
**Forever New Clothing Pty Ltd**  
**Ground Floor 714-716 High Street Kew Victoria 3101 Australia**  
(72) Name(s) of Designer(s): **Simon Edwards**  
(45) Registration Date: **12 May 2011**  
(56) Related Art Documents: **Not Applicable**  
(57) Statement of Newness and Distinctiveness: **The particular visual features of the design which the Applicant hereby identifies as new and distinctive are as follows: "Women's Fashion Clothing", as illustrated in the accompanying representations.**



- (21) Design Number: **11034/2011**  
(22) Date of Filing Application: **12 August 2010**  
(24) Date from which industrial property rights may have effect: **12 August 2010**  
(54) Product in respect of which the design is registered: **Women's fashion clothing**  
(51) International Design Classification: **02-02NES**  
(74) Name(s) of Attorney(s): **MILLS OAKLEY LAWYERS**  
(71) Name(s) and Address(s) of Applicant(s):  
**Forever New Clothing Pty Ltd**  
**Ground Floor 714-716 High Street Kew Victoria 3101 Australia**  
(72) Name(s) of Designer(s): **Simon Edwards**  
(45) Registration Date: **12 May 2011**  
(56) Related Art Documents: **Not Applicable**  
(57) Statement of Newness and Distinctiveness: **The particular visual features of the design which the Applicant hereby identifies as new and distinctive are as follows: "Women's Fashion Clothing", as illustrated in the accompanying representations.**



(21) Design Number: **11035/2011**  
(22) Date of Filing Application: **12 August 2010**  
(24) Date from which industrial property rights may have effect: **12 August 2010**  
(54) Product in respect of which the design is registered: **Women's fashion clothing**  
(51) International Design Classification: **02-02NES**  
(74) Name(s) of Attorney(s): **MILLS OAKLEY LAWYERS**  
(71) Name(s) and Address(s) of Applicant(s):  
**Forever New Clothing Pty Ltd**  
**Ground Floor 714-716 High Street Kew Victoria 3101 Australia**  
(72) Name(s) of Designer(s): **Simon Edwards**  
(45) Registration Date: **12 May 2011**  
(56) Related Art Documents: **Not Applicable**  
(57) Statement of Newness and Distinctiveness: **The particular visual features of the design which the Applicant hereby identifies as new and distinctive are as follows: "Women's Fashion Clothing", as illustrated in the accompanying representations.**



(21) Design Number: **14801/2010**  
(22) Date of Filing Application: **05 November 2010**  
(24) Date from which industrial property rights may have effect: **05 November 2010**  
(54) Product in respect of which the design is registered: **Swimwear**  
(51) International Design Classification: **02-02A**  
(74) Name(s) of Attorney(s): **MIDDLETONS**  
(71) Name(s) and Address(s) of Applicant(s):  
**Seafolly Pty Ltd**  
**247 King Street Mascot New South Wales 2020 Australia**  
(72) Name(s) of Designer(s): **Genelle Walkom**  
(45) Registration Date: **12 May 2011**  
(56) Related Art Documents: **Not Applicable**  
(57) Statement of Newness and Distinctiveness: **Nil**



(21) Design Number: **11938/2011**  
(22) Date of Filing Application: **05 November 2010**  
(24) Date from which industrial property rights may have effect: **05 November 2010**  
(54) Product in respect of which the design is registered: **Swimwear**  
(51) International Design Classification: **02-02A**  
(74) Name(s) of Attorney(s): **MIDDLETONS**  
(71) Name(s) and Address(s) of Applicant(s):  
**Seafolly Pty Ltd**  
**247 King Street Mascot New South Wales 2020 Australia**  
(72) Name(s) of Designer(s): **Genelle Walkom**  
(45) Registration Date: **12 May 2011**  
(56) Related Art Documents: **Not Applicable**  
(57) Statement of Newness and Distinctiveness: **Nil**



(21) Design Number: **11939/2011**  
(22) Date of Filing Application: **05 November 2010**  
(24) Date from which industrial property rights may have effect: **05 November 2010**  
(54) Product in respect of which the design is registered: **Swimwear**  
(51) International Design Classification: **02-02A**  
(74) Name(s) of Attorney(s): **MIDDLETONS**  
(71) Name(s) and Address(s) of Applicant(s):  
**Seafolly Pty Ltd**  
**247 King Street Mascot New South Wales 2020 Australia**  
(72) Name(s) of Designer(s): **Genelle Walkom**  
(45) Registration Date: **12 May 2011**  
(56) Related Art Documents: **Not Applicable**  
(57) Statement of Newness and Distinctiveness: **Nil**



(21) Design Number: **11940/2011**  
(22) Date of Filing Application: **05 November 2010**  
(24) Date from which industrial property rights may have effect: **05 November 2010**  
(54) Product in respect of which the design is registered: **Swimwear**  
(51) International Design Classification: **02-02A**  
(74) Name(s) of Attorney(s): **MIDDLETONS**  
(71) Name(s) and Address(s) of Applicant(s):  
**Seafolly Pty Ltd**  
**247 King Street Mascot New South Wales 2020 Australia**  
(72) Name(s) of Designer(s): **Genelle Walkom**  
(45) Registration Date: **12 May 2011**  
(56) Related Art Documents: **Not Applicable**  
(57) Statement of Newness and Distinctiveness: **Nil**



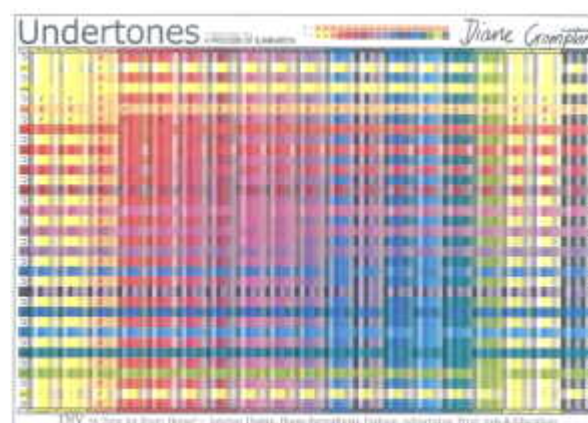
(21) Design Number: **11941/2011**  
(22) Date of Filing Application: **05 November 2010**  
(24) Date from which industrial property rights may have effect: **05 November 2010**  
(54) Product in respect of which the design is registered: **Swimwear**  
(51) International Design Classification: **02-02A**  
(74) Name(s) of Attorney(s): **MIDDLETONS**  
(71) Name(s) and Address(s) of Applicant(s):  
**Seafolly Pty Ltd**  
**247 King Street Mascot New South Wales 2020 Australia**  
(72) Name(s) of Designer(s): **Genelle Walkom**  
(45) Registration Date: **12 May 2011**  
(56) Related Art Documents: **Not Applicable**  
(57) Statement of Newness and Distinctiveness: **Nil**



(21) Design Number: **11942/2011**  
(22) Date of Filing Application: **05 November 2010**  
(24) Date from which industrial property rights may have effect: **05 November 2010**  
(54) Product in respect of which the design is registered: **Swimwear**  
(51) International Design Classification: **02-02A**  
(74) Name(s) of Attorney(s): **MIDDLETONS**  
(71) Name(s) and Address(s) of Applicant(s):  
**Seafolly Pty Ltd**  
**247 King Street Mascot New South Wales 2020 Australia**  
(72) Name(s) of Designer(s): **Genelle Walkom**  
(45) Registration Date: **12 May 2011**  
(56) Related Art Documents: **Not Applicable**  
(57) Statement of Newness and Distinctiveness: **Nil**



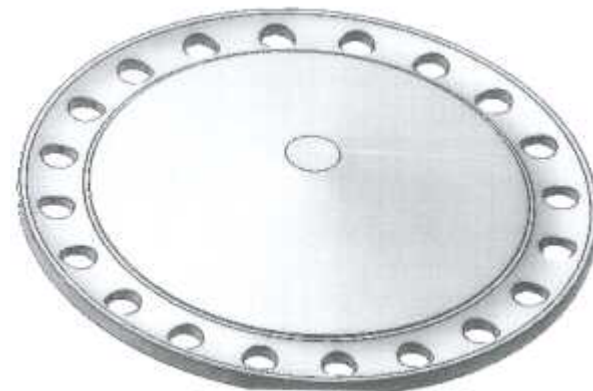
(21) Design Number: **11286/2011**  
(22) Date of Filing Application: **25 March 2011**  
(24) Date from which industrial property rights may have effect: **25 March 2011**  
(54) Product in respect of which the design is registered: **Colour chart**  
(51) International Design Classification: **20-02NES**  
(74) Name(s) of Attorney(s):  
(71) Name(s) and Address(s) of Applicant(s):  
**Diane Margaret Crompton**  
**12 Delta Mews Clive Hastings Hawkes Bay 4102 New Zealand**  
(72) Name(s) of Designer(s): **Diane Margaret Crompton**  
(45) Registration Date: **12 May 2011**  
(30) Convention priority data:  
(31) Number           (32) Date           (33) Country  
**414573               17 Feb 2011       NEW ZEALAND**  
(56) Related Art Documents: **Not Applicable**  
(57) Statement of Newness and Distinctiveness: **The newness and distinctive qualities reside in the features of shape and/or configuration, pattern and/or ornamentation of the "Colour Chart" as shown in the accompanying representations.**



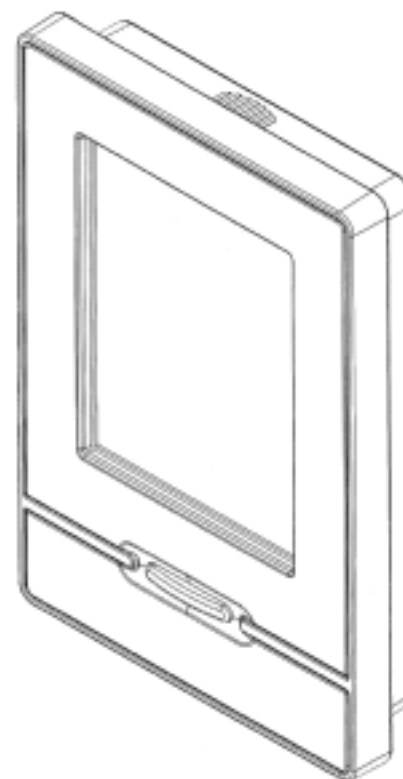
- 
- (21) Design Number: **11422/2011**  
(22) Date of Filing Application: **01 April 2011**  
(24) Date from which industrial property rights may have effect: **01 April 2011**  
(54) Product in respect of which the design is registered: **Storage feeder with float cover**  
(51) International Design Classification: **30-03**  
(74) Name(s) of Attorney(s):  
(71) Name(s) and Address(s) of Applicant(s):  
**Nu-Poly Pty Ltd**  
**873 Yaamba Road Rockhampton Queensland 4702 Australia**  
(72) Name(s) of Designer(s): **Stephen Trail and Wesley Boccalatte**  
(45) Registration Date: **12 May 2011**  
(56) Related Art Documents: **Not Applicable**  
(57) Statement of Newness and Distinctiveness: **Centre cover is removable from float ring.**



- 
- (21) Design Number: **12006/2011**  
(22) Date of Filing Application: **01 April 2011**  
(24) Date from which industrial property rights may have effect: **01 April 2011**  
(54) Product in respect of which the design is registered: **Float cover**  
(51) International Design Classification: **30-03**  
(74) Name(s) of Attorney(s):  
(71) Name(s) and Address(s) of Applicant(s):  
**Nu-Poly Pty Ltd**  
**873 Yaamba Road Rockhampton Queensland 4702 Australia**  
(72) Name(s) of Designer(s): **Stephen Trail and Wesley Boccalatte**  
(45) Registration Date: **12 May 2011**  
(56) Related Art Documents: **Not Applicable**  
(57) Statement of Newness and Distinctiveness: **Centre cover is removable from float ring.**



- (21) Design Number: **11588/2011**  
(22) Date of Filing Application: **13 April 2011**  
(24) Date from which industrial property rights may have effect: **13 April 2011**  
(54) Product in respect of which the design is registered: **A keypad casing**  
(51) International Design Classification: **14-03A**  
(74) Name(s) of Attorney(s): **Cullens Patent and Trade Mark Attorneys**  
(71) Name(s) and Address(s) of Applicant(s):  
**Assa Abloy Australia Pty Limited**  
**235 Huntingdale Road Oakleigh Victoria 3166 Australia**  
(72) Name(s) of Designer(s): **Craig Anthony Caspersz**  
(45) Registration Date: **12 May 2011**  
(56) Related Art Documents: **Not Applicable**  
(57) Statement of Newness and Distinctiveness: **The new and distinctive features of the keypad casing depicted in the representations are the shape and/or configuration. Features shown in broken lines in the representations are not part of the design and are to be disregarded when considering the overall impression of the design.**



- (21) Design Number: **11591/2011**  
(22) Date of Filing Application: **14 April 2011**  
(24) Date from which industrial property rights may have effect: **14 April 2011**  
(54) Product in respect of which the design is registered: **Light**  
(51) International Design Classification: **26-06**  
(74) Name(s) of Attorney(s):  
(71) Name(s) and Address(s) of Applicant(s):  
**YMC International Pty Ltd**  
**909 Metry Street Albury New South Wales 2640 Australia**  
(72) Name(s) of Designer(s): **Mark Young**  
(45) Registration Date: **12 May 2011**  
(56) Related Art Documents: **Not Applicable**  
(57) Statement of Newness and Distinctiveness: **Nil**



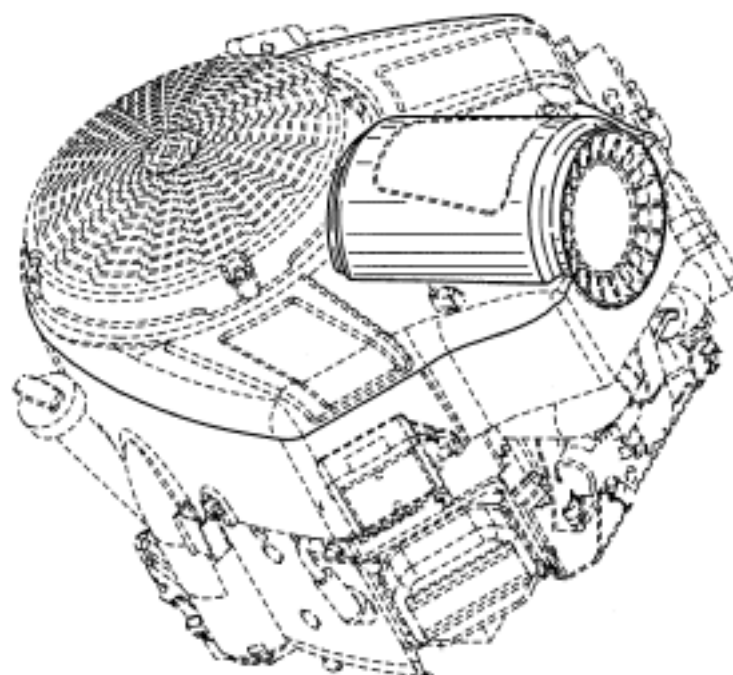
(21) Design Number: **11592/2011**  
(22) Date of Filing Application: **14 April 2011**  
(24) Date from which industrial property rights may have effect: **14 April 2011**  
(54) Product in respect of which the design is registered: **Light**  
(51) International Design Classification: **26-06**  
(74) Name(s) of Attorney(s):  
(71) Name(s) and Address(s) of Applicant(s):  
**YMC International Pty Ltd**  
**909 Metry Street Albury New South Wales 2640 Australia**  
(72) Name(s) of Designer(s): **Mark Young**  
(45) Registration Date: **12 May 2011**  
(56) Related Art Documents: **Not Applicable**  
(57) Statement of Newness and Distinctiveness: **Nil**



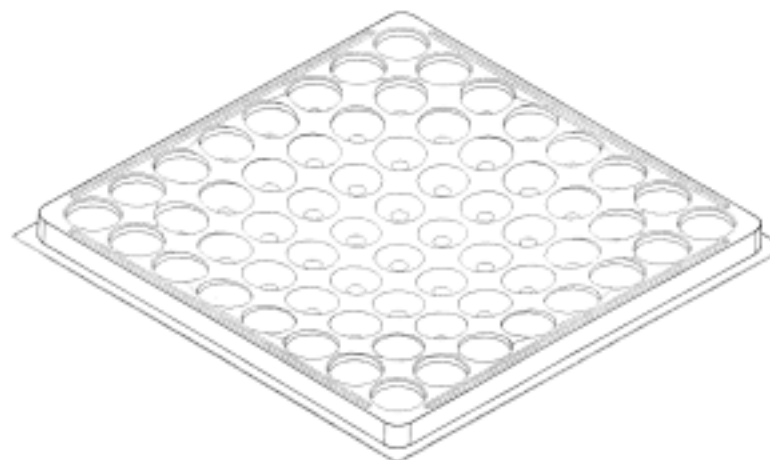
(21) Design Number: **11593/2011**  
(22) Date of Filing Application: **14 April 2011**  
(24) Date from which industrial property rights may have effect: **14 April 2011**  
(54) Product in respect of which the design is registered: **Light**  
(51) International Design Classification: **26-06**  
(74) Name(s) of Attorney(s):  
(71) Name(s) and Address(s) of Applicant(s):  
**YMC International Pty Ltd**  
**909 Metry Street Albury New South Wales 2640 Australia**  
(72) Name(s) of Designer(s): **Mark Young**  
(45) Registration Date: **12 May 2011**  
(56) Related Art Documents: **Not Applicable**  
(57) Statement of Newness and Distinctiveness: **Nil**



(21) Design Number: **11595/2011**  
(22) Date of Filing Application: **13 April 2011**  
(24) Date from which industrial property rights may have effect: **13 April 2011**  
(54) Product in respect of which the design is registered: **Engine**  
(51) International Design Classification: **15-01**  
(74) Name(s) of Attorney(s): **SPRUSON & FERGUSON**  
(71) Name(s) and Address(s) of Applicant(s):  
**Briggs & Stratton Corporation**  
**12301 W. Wirth Street Wauwatosa Wisconsin 53222 United States of America**  
(72) Name(s) of Designer(s): **Ryan A. Sullivan and Gary S. Johnson**  
(45) Registration Date: **12 May 2011**  
(30) Convention priority data:  
(31) Number (32) Date (33) Country  
**29/377377 20 Oct 2010 UNITED STATES OF AMERICA**  
(56) Related Art Documents: **Not Applicable**  
(57) Statement of Newness and Distinctiveness: **Newness and distinctiveness is claimed in the features of shape and/or configuration of an engine as illustrated in continuous lines in the accompanying representations.**



(21) Design Number: **11638/2011**  
(22) Date of Filing Application: **14 April 2011**  
(24) Date from which industrial property rights may have effect: **14 April 2011**  
(54) Product in respect of which the design is registered: **Access floor panel**  
(51) International Design Classification: **25-02NES**  
(74) Name(s) of Attorney(s): **PETER MAXWELL & ASSOCIATES**  
(71) Name(s) and Address(s) of Applicant(s):  
**Petar Zlatar**  
**32 Prime Drive Seven Hills New South Wales 2147 Australia**  
(72) Name(s) of Designer(s): **Petar Zlatar**  
(45) Registration Date: **13 May 2011**  
(56) Related Art Documents: **Not Applicable**  
(57) Statement of Newness and Distinctiveness: **Newness and distinctiveness is claimed in the shape and/or configuration of ACCESS FLOOR PANEL as illustrated by the unbroken lines in the accompanying representation/s.**



(21) Design Number: **11640/2011**  
(22) Date of Filing Application: **14 April 2011**  
(24) Date from which industrial property rights may have effect: **14 April 2011**  
(54) Product in respect of which the design is registered: **Bottle**  
(51) International Design Classification: **09-01H**  
(74) Name(s) of Attorney(s): **FB Rice**  
(71) Name(s) and Address(s) of Applicant(s):

**SAVERGLASS**  
**3 rue de la Gare 60960 Feuquieres France**

(72) Name(s) of Designer(s): **Richard Lauret**

(45) Registration Date: **13 May 2011**

(30) Convention priority data:

(31) Number	(32) Date	(33) Country
<b>001781345-0001</b>	<b>15 Nov 2010</b>	<b>EUROPEAN COMMUNITY</b>

(56) Related Art Documents: **Not Applicable**

(57) Statement of Newness and Distinctiveness: **Newness and distinctiveness reside in the features of the design as shown in the representations, in particular it has a cylindrical neck, quite flat shoulders, an oval section which is the same at the top and the bottom of the body; the superior third part of the body narrows to a smaller almost round section which expands slightly towards the base; and the bottle has a relatively thick glass base.**



(21) Design Number: **11641/2011**  
(22) Date of Filing Application: **14 April 2011**  
(24) Date from which industrial property rights may have effect: **14 April 2011**  
(54) Product in respect of which the design is registered: **Bottle**  
(51) International Design Classification: **09-01H**  
(74) Name(s) of Attorney(s): **FB Rice**  
(71) Name(s) and Address(s) of Applicant(s):

**SAVERGLASS**  
**3 rue de la Gare 60960 Feuquieres France**

(72) Name(s) of Designer(s): **Richard Lauret**

(45) Registration Date: **13 May 2011**

(30) Convention priority data:

(31) Number	(32) Date	(33) Country
<b>001783747-0001</b>	<b>19 Nov 2010</b>	<b>EUROPEAN COMMUNITY</b>

(56) Related Art Documents: **Not Applicable**

(57) Statement of Newness and Distinctiveness: **Newness and distinctiveness reside in the features of the design as shown in the representations, in particular it has a cylindrical neck directly linked to a conic shaped body which expands toward the base; and it has a cylindrical section and a slightly sloping punt.**



(21) Design Number: **11642/2011**  
(22) Date of Filing Application: **14 April 2011**  
(24) Date from which industrial property rights may have effect: **14 April 2011**  
(54) Product in respect of which the design is registered: **Bottle**  
(51) International Design Classification: **09-01H**  
(74) Name(s) of Attorney(s): **FB Rice**  
(71) Name(s) and Address(s) of Applicant(s):

**SAVERGLASS**  
**3 rue de la Gare 60960 Feuquieres France**

(72) Name(s) of Designer(s): **Richard Lauret**

(45) Registration Date: **13 May 2011**

(30) Convention priority data:

(31) Number	(32) Date	(33) Country
<b>001783739-0001</b>	<b>19 Nov 2010</b>	<b>EUROPEAN COMMUNITY</b>

(56) Related Art Documents: **Not Applicable**

(57) Statement of Newness and Distinctiveness: **Newness and distinctiveness reside in the features of the design as shown in the representations, in particular it has a cylindrical neck linked to rounded shoulders; with an oval body that has a flat front, slightly curved sides and a rounded rectangular section and a base having a small rounded punt present in the thickness thereof.**



(21) Design Number: **11643/2011**  
(22) Date of Filing Application: **14 April 2011**  
(24) Date from which industrial property rights may have effect: **14 April 2011**  
(54) Product in respect of which the design is registered: **Jewelery**  
(51) International Design Classification: **11-01NES**  
(74) Name(s) of Attorney(s):  
(71) Name(s) and Address(s) of Applicant(s):

**Andrew Kenneth Peterson**  
**61 Annandale Street Keperra Queensland 4054 Australia**

(72) Name(s) of Designer(s): **Andrew Peterson**

(45) Registration Date: **13 May 2011**

(56) Related Art Documents: **Not Applicable**

(57) Statement of Newness and Distinctiveness: **Piece of jewelery that combines the shapes of a heart and cross together also incorporating the symbol for infinity and a variation of a trinity knot.**



- (21) Design Number: **11968/2011**  
(22) Date of Filing Application: **05 May 2011**  
(24) Date from which industrial property rights may have effect: **05 May 2011**  
(54) Product in respect of which the design is registered: **Small coffee cup**  
(51) International Design Classification: **07-01C**  
(74) Name(s) of Attorney(s):  
(71) Name(s) and Address(s) of Applicant(s):  
**Hookturn Industries Pty Ltd**  
**14 Holbrook Crescent Brunswick West Victoria 3055 Australia**  
(72) Name(s) of Designer(s): **Renae Howard and Christine Feagins and Saskia Heath**  
(45) Registration Date: **13 May 2011**  
(56) Related Art Documents: **Not Applicable**  
(57) Statement of Newness and Distinctiveness: **This product distinctive feature is the material it is made from silicone and the colours it comes in.**



- (21) Design Number: **10443/2011**  
(22) Date of Filing Application: **15 February 2011**  
(24) Date from which industrial property rights may have effect: **15 February 2011**  
(54) Product in respect of which the design is registered: **Pencil box bed sheet**  
(51) International Design Classification: **06-13B**  
(74) Name(s) of Attorney(s):  
(71) Name(s) and Address(s) of Applicant(s):  
**Sophie Farquhar**  
**176 Main Arm Road Mullumbimby New South Wales 2482 Australia**  
(72) Name(s) of Designer(s): **Sophie Farquhar**  
(45) Registration Date: **13 May 2011**  
(56) Related Art Documents: **Not Applicable**  
(57) Statement of Newness and Distinctiveness: **This sheet makes the mattress look like the inside of a pencil box.**



- 
- (21) Design Number: **10444/2011**  
(22) Date of Filing Application: **15 February 2011**  
(24) Date from which industrial property rights may have effect: **15 February 2011**  
(54) Product in respect of which the design is registered: **Chocolate bar bed sheet for a single bed**  
(51) International Design Classification: **06-13B**  
(74) Name(s) of Attorney(s):  
(71) Name(s) and Address(s) of Applicant(s):  
**Sophie Farquhar**  
**176 Main Arm Road Mullumbimby New South Wales 2482 Australia**  
(72) Name(s) of Designer(s): **Sophie Farquhar**  
(45) Registration Date: **13 May 2011**  
(56) Related Art Documents: **Not Applicable**  
(57) Statement of Newness and Distinctiveness: **This sheet makes the mattress look like a chocolate bar.**



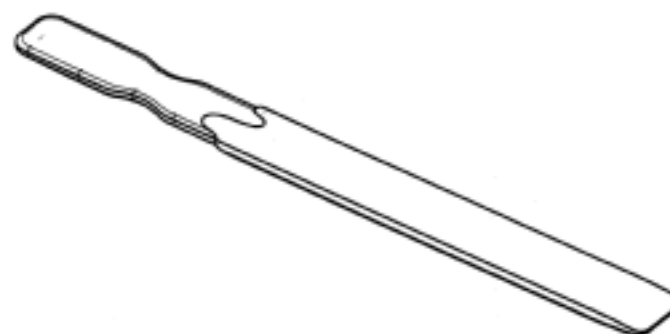
- 
- (21) Design Number: **10445/2011**  
(22) Date of Filing Application: **15 February 2011**  
(24) Date from which industrial property rights may have effect: **15 February 2011**  
(54) Product in respect of which the design is registered: **Garden bed doona cover**  
(51) International Design Classification: **06-13B**  
(74) Name(s) of Attorney(s):  
(71) Name(s) and Address(s) of Applicant(s):  
**Sophie Farquhar**  
**176 Main Arm Road Mullumbimby New South Wales 2482 Australia**  
(72) Name(s) of Designer(s): **Sophie Farquhar**  
(45) Registration Date: **13 May 2011**  
(56) Related Art Documents: **Not Applicable**  
(57) Statement of Newness and Distinctiveness: **This design creates the impression that the bed is a garden bed.**



- (21) Design Number: **10446/2011**  
(22) Date of Filing Application: **15 February 2011**  
(24) Date from which industrial property rights may have effect: **15 February 2011**  
(54) Product in respect of which the design is registered: **Sardine tin bed sheet**  
(51) International Design Classification: **06-13B**  
(74) Name(s) of Attorney(s):  
(71) Name(s) and Address(s) of Applicant(s):  
**Sophie Farquhar**  
**176 Main Arm Road Mullumbimby New South Wales 2482 Australia**  
(72) Name(s) of Designer(s): **Sophie Farquhar**  
(45) Registration Date: **13 May 2011**  
(56) Related Art Documents: **Not Applicable**  
(57) Statement of Newness and Distinctiveness: **This sheet makes the mattress look like an open sardine tin.**



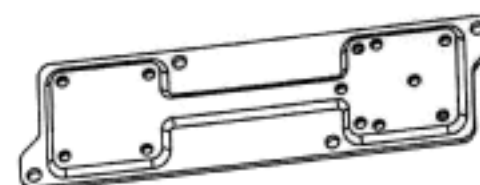
- (21) Design Number: **10766/2011**  
(22) Date of Filing Application: **01 March 2011**  
(24) Date from which industrial property rights may have effect: **01 March 2011**  
(54) Product in respect of which the design is registered: **Kitchen stirring utensil**  
(51) International Design Classification: **07-02NES**  
(74) Name(s) of Attorney(s): **Davies Collison Cave**  
(71) Name(s) and Address(s) of Applicant(s):  
**Fusionbrands Inc.**  
**PO Box 100 Naples NY 14512 United States of America**  
(72) Name(s) of Designer(s): **Anna M. Stewart and Stephen Kraigh Stewart**  
(45) Registration Date: **13 May 2011**  
(56) Related Art Documents: **Not Applicable**  
(57) Statement of Newness and Distinctiveness: **Newness and distinctiveness is claimed in the visual features shown in solid lines in the representations.**



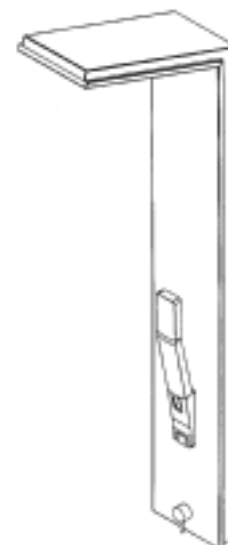
- (21) Design Number: **11543/2011**  
(22) Date of Filing Application: **12 April 2011**  
(24) Date from which industrial property rights may have effect: **12 April 2011**  
(54) Product in respect of which the design is registered: **A power outlet socket**  
(51) International Design Classification: **13-03D**  
(74) Name(s) of Attorney(s): **Davies Collison Cave**  
(71) Name(s) and Address(s) of Applicant(s):  
**Arlec Australia Pty Ltd**  
**272-274 Maroondah Highway Chirnside Park Victoria 3116 Australia**  
(72) Name(s) of Designer(s): **Monvids Puika**  
(45) Registration Date: **13 May 2011**  
(56) Related Art Documents: **Not Applicable**  
(57) Statement of Newness and Distinctiveness: **Newness and distinctiveness is claimed in the shape and configuration of the power outlet socket as viewed from the front and having particular regard to the configuration of the USB ports, but not including the shape and configuration of the rearwardly projecting box visible in the representation.**



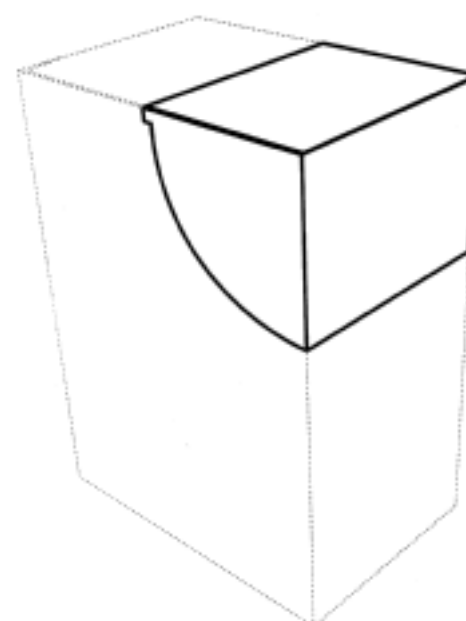
- (21) Design Number: **11549/2011**  
(22) Date of Filing Application: **12 April 2011**  
(24) Date from which industrial property rights may have effect: **12 April 2011**  
(54) Product in respect of which the design is registered: **Mixer installation plate**  
(51) International Design Classification: **23-01H**  
(74) Name(s) of Attorney(s): **Baker & McKenzie**  
(71) Name(s) and Address(s) of Applicant(s):  
**Danchelle Holdings Pty Ltd**  
**35 Berriman Drive Wangara Western Australia 6065 Australia**  
(72) Name(s) of Designer(s): **Anthony Leonard Alder**  
(45) Registration Date: **13 May 2011**  
(56) Related Art Documents: **Not Applicable**  
(57) Statement of Newness and Distinctiveness: **Nil**



- (21) Design Number: **11550/2011**  
(22) Date of Filing Application: **12 April 2011**  
(24) Date from which industrial property rights may have effect: **12 April 2011**  
(54) Product in respect of which the design is registered: **Shower panel**  
(51) International Design Classification: **23-02B**  
(74) Name(s) of Attorney(s): **Freehills Patent & Trade Mark Attorneys**  
(71) Name(s) and Address(s) of Applicant(s):  
**Phoenix Industries Pty Ltd**  
**20-22 Trade Place Vermont Victoria 3133 Australia**  
(72) Name(s) of Designer(s): **Andrew Cocks**  
(45) Registration Date: **13 May 2011**  
(56) Related Art Documents: **Not Applicable**  
(57) Statement of Newness and Distinctiveness: **Nil**



- (21) Design Number: **11554/2011**  
(22) Date of Filing Application: **11 April 2011**  
(24) Date from which industrial property rights may have effect: **11 April 2011**  
(54) Product in respect of which the design is registered: **A container with detachable cup**  
(51) International Design Classification: **07-01NES**  
(74) Name(s) of Attorney(s): **Davies Collison Cave**  
(71) Name(s) and Address(s) of Applicant(s):  
**Anzpac Services (Australia) Pty Limited**  
**32 Britton Street Smithfield New South Wales 2164 Australia**  
(72) Name(s) of Designer(s): **Glenn Brailey**  
(45) Registration Date: **13 May 2011**  
(56) Related Art Documents: **Not Applicable**  
(57) Statement of Newness and Distinctiveness: **Newness and distinctiveness is claimed in the visual features of the portion of the container and detachable cup as shown in solid lines in the representations. In considering the extent of the design rights, the broken lines shown in the representations are for illustrative purposes only and do not form part of the design.**



(21) Design Number: **11581/2011**

(22) Date of Filing Application: **13 April 2011**

(24) Date from which industrial property rights may have effect: **13 April 2011**

(54) Product in respect of which the design is registered: **Pillows and cushions**

(51) International Design Classification: **06-09**

(74) Name(s) of Attorney(s):

(71) Name(s) and Address(s) of Applicant(s):

**Parnham Group Pty Ltd**

**234 Centre Dandenong Road Cheltenham Victoria 3192 Australia**

(72) Name(s) of Designer(s): **Leon Parnham**

(45) Registration Date: **13 May 2011**

(56) Related Art Documents: **Not Applicable**

(57) Statement of Newness and Distinctiveness: **Monopoly is claimed in respect of the shape and/or configuration of a pillow as illustrated in the accompanying representations.**



(21) Design Number: **11612/2011**

(22) Date of Filing Application: **13 April 2011**

(24) Date from which industrial property rights may have effect: **13 April 2011**

(54) Product in respect of which the design is registered: **Headlight for heavy equipment**

(51) International Design Classification: **26-06**

(74) Name(s) of Attorney(s): **SPRUSON & FERGUSON**

(71) Name(s) and Address(s) of Applicant(s):

**Vision X Asia Co., Ltd.**

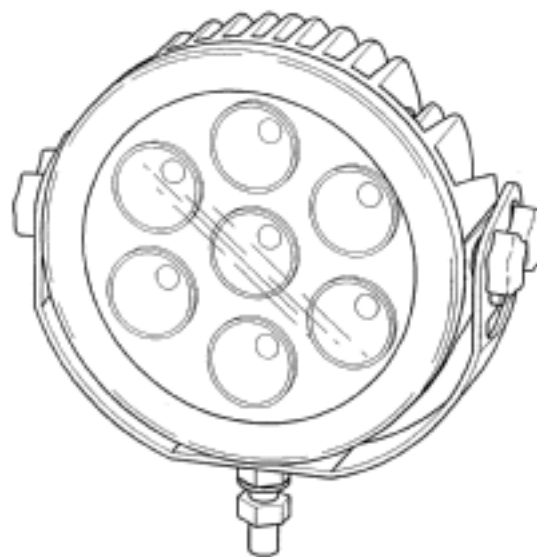
**175-16 Cheongcheon-dong Bupyeong-gu Incheon-si 403-030 Republic of Korea**

(72) Name(s) of Designer(s): **In-Hong Ko**

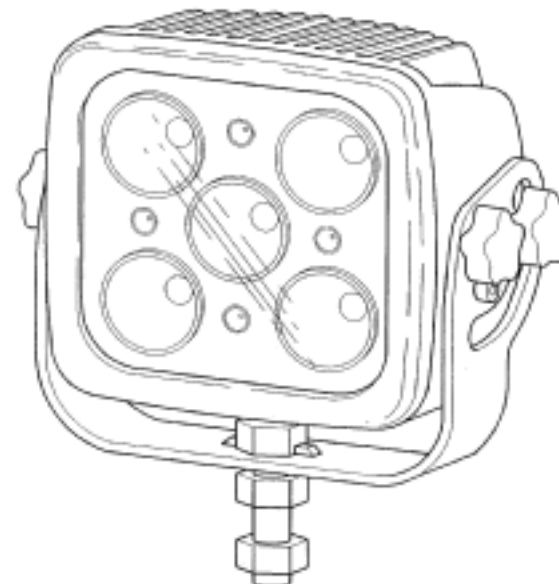
(45) Registration Date: **13 May 2011**

(56) Related Art Documents: **Not Applicable**

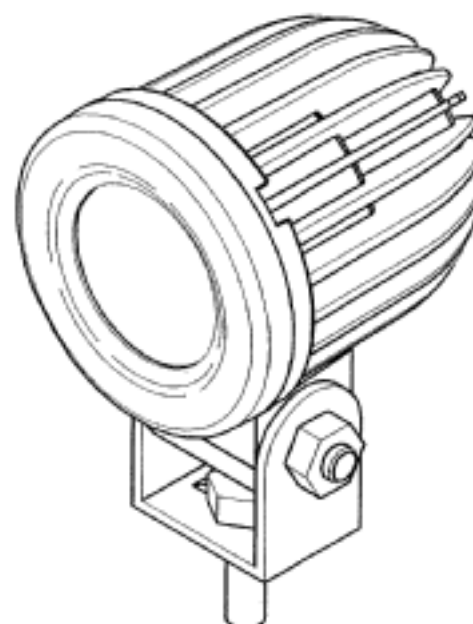
(57) Statement of Newness and Distinctiveness: **Newness and distinctiveness is claimed in the features of shape and/or configuration of a headlight for heavy equipment as illustrated in the accompanying representations.**



- (21) Design Number: **11613/2011**  
(22) Date of Filing Application: **13 April 2011**  
(24) Date from which industrial property rights may have effect: **13 April 2011**  
(54) Product in respect of which the design is registered: **Headlight for heavy equipment**  
(51) International Design Classification: **26-06**  
(74) Name(s) of Attorney(s): **SPRUSON & FERGUSON**  
(71) Name(s) and Address(s) of Applicant(s):  
**Vision X Asia Co., Ltd.**  
**175-16 Cheongcheon-dong Bupyeong-gu Incheon-si 403-030 Republic of Korea**  
(72) Name(s) of Designer(s): **In-Hong Ko**  
(45) Registration Date: **13 May 2011**  
(56) Related Art Documents: **Not Applicable**  
(57) Statement of Newness and Distinctiveness: **Newness and distinctiveness is claimed in the features of shape and/or configuration of a headlight for heavy equipment as illustrated in the accompanying representations.**



- (21) Design Number: **11614/2011**  
(22) Date of Filing Application: **13 April 2011**  
(24) Date from which industrial property rights may have effect: **13 April 2011**  
(54) Product in respect of which the design is registered: **Headlight for heavy equipment**  
(51) International Design Classification: **26-06**  
(74) Name(s) of Attorney(s): **SPRUSON & FERGUSON**  
(71) Name(s) and Address(s) of Applicant(s):  
**Vision X Asia Co., Ltd.**  
**175-16 Cheongcheon-dong Bupyeong-gu Incheon-si 403-030 Republic of Korea**  
(72) Name(s) of Designer(s): **In-Hong Ko**  
(45) Registration Date: **13 May 2011**  
(56) Related Art Documents: **Not Applicable**  
(57) Statement of Newness and Distinctiveness: **Newness and distinctiveness is claimed in the features of shape and/or configuration of a headlight for heavy equipment as illustrated in the accompanying representations.**



(21) Design Number: **11619/2011**  
(22) Date of Filing Application: **14 April 2011**  
(24) Date from which industrial property rights may have effect: **14 April 2011**  
(54) Product in respect of which the design is registered: **Furniture set**  
(51) International Design Classification: **06-01G, 06-04NES**  
(74) Name(s) of Attorney(s): **WATERMARK PATENT AND TRADE MARKS ATTORNEYS**  
(71) Name(s) and Address(s) of Applicant(s):  
**Thierry Blet**  
**18 rue des Sources 77630 Forges St Martin En Biere France**  
**Catherine Le Teo**  
**18 rue des Sources 77630 Forges St Martin En Biere France**  
(72) Name(s) of Designer(s): **Thierry Blet and Catherine Le Teo**  
(45) Registration Date: **13 May 2011**  
(30) Convention priority data:  
(31) Number (32) Date (33) Country  
**DM 0174523 19 Oct 2010 WORLD INTELLECTUAL PROPERTY ORGANIZATION (WIPO)**  
(56) Related Art Documents: **Not Applicable**  
(57) Statement of Newness and Distinctiveness: **Nil**



(21) Design Number: **11620/2011**  
(22) Date of Filing Application: **14 April 2011**  
(24) Date from which industrial property rights may have effect: **14 April 2011**  
(54) Product in respect of which the design is registered: **Seat**  
(51) International Design Classification: **06-01G**  
(74) Name(s) of Attorney(s): **WATERMARK PATENT AND TRADE MARKS ATTORNEYS**  
(71) Name(s) and Address(s) of Applicant(s):  
**Thierry Blet**  
**18 rue des Sources 77630 Forges St Martin En Biere France**  
**Catherine Le Teo**  
**18 rue des Sources 77630 Forges St Martin En Biere France**  
(72) Name(s) of Designer(s): **Thierry Blet and Catherine Le Teo**  
(45) Registration Date: **13 May 2011**  
(30) Convention priority data:  
(31) Number (32) Date (33) Country  
**DM 0174523 19 Oct 2010 WORLD INTELLECTUAL PROPERTY ORGANIZATION (WIPO)**  
(56) Related Art Documents: **Not Applicable**  
(57) Statement of Newness and Distinctiveness: **Nil**



(21) Design Number: **11621/2011**  
(22) Date of Filing Application: **14 April 2011**  
(24) Date from which industrial property rights may have effect: **14 April 2011**  
(54) Product in respect of which the design is registered: **Armrest for seat**  
(51) International Design Classification: **06-06G**  
(74) Name(s) of Attorney(s): **WATERMARK PATENT AND TRADE MARKS ATTORNEYS**  
(71) Name(s) and Address(s) of Applicant(s):  
**Thierry Blet**  
**18 rue des Sources 77630 Forges St Martin En Biere France**  
**Catherine Le Teo**  
**18 rue des Sources 77630 Forges St Martin En Biere France**  
(72) Name(s) of Designer(s): **Thierry Blet and Catherine Le Teo**  
(45) Registration Date: **13 May 2011**  
(30) Convention priority data:  
(31) Number (32) Date (33) Country  
**DM 0174523 19 Oct 2010 WORLD INTELLECTUAL PROPERTY ORGANIZATION (WIPO)**  
(56) Related Art Documents: **Not Applicable**  
(57) Statement of Newness and Distinctiveness: **Nil**



(21) Design Number: **11912/2011**  
(22) Date of Filing Application: **15 February 2011**  
(24) Date from which industrial property rights may have effect: **15 February 2011**  
(54) Product in respect of which the design is registered: **Pencil box doona cover**  
(51) International Design Classification: **06-13B**  
(74) Name(s) of Attorney(s):  
(71) Name(s) and Address(s) of Applicant(s):  
**Sophie Farquhar**  
**176 Main Arm Road Mullumbimby New South Wales 2482 Australia**  
(72) Name(s) of Designer(s): **Sophie Farquhar**  
(45) Registration Date: **13 May 2011**  
(56) Related Art Documents: **Not Applicable**  
(57) Statement of Newness and Distinctiveness: **This design makes the bed appear like a box of coloured pencils.**



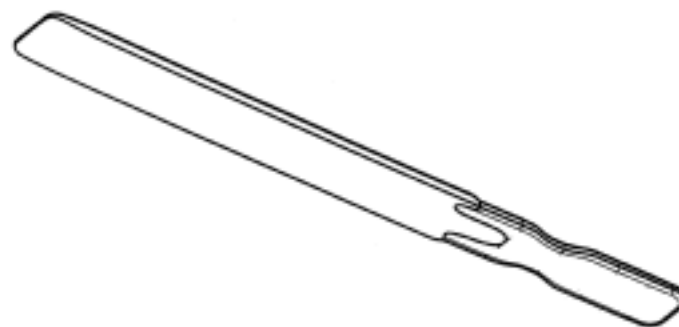
- (21) Design Number: **11913/2011**  
(22) Date of Filing Application: **15 February 2011**  
(24) Date from which industrial property rights may have effect: **15 February 2011**  
(54) Product in respect of which the design is registered: **Chocolate bar doona cover**  
(51) International Design Classification: **06-13B**  
(74) Name(s) of Attorney(s):  
(71) Name(s) and Address(s) of Applicant(s):  
**Sophie Farquhar**  
**176 Main Arm Road Mullumbimby New South Wales 2482 Australia**  
(72) Name(s) of Designer(s): **Sophie Farquhar**  
(45) Registration Date: **13 May 2011**  
(56) Related Art Documents: **Not Applicable**  
(57) Statement of Newness and Distinctiveness: **This design creates the impression that the bed is a chocolate bar.**



- (21) Design Number: **11914/2011**  
(22) Date of Filing Application: **15 February 2011**  
(24) Date from which industrial property rights may have effect: **15 February 2011**  
(54) Product in respect of which the design is registered: **Sardine tin doona cover**  
(51) International Design Classification: **06-13B**  
(74) Name(s) of Attorney(s):  
(71) Name(s) and Address(s) of Applicant(s):  
**Sophie Farquhar**  
**176 Main Arm Road Mullumbimby New South Wales 2482 Australia**  
(72) Name(s) of Designer(s): **Sophie Farquhar**  
(45) Registration Date: **13 May 2011**  
(56) Related Art Documents: **Not Applicable**  
(57) Statement of Newness and Distinctiveness: **This design creates the impression that the bed in a tin of sardines.**



- (21) Design Number: **11989/2011**  
(22) Date of Filing Application: **01 March 2011**  
(24) Date from which industrial property rights may have effect: **01 March 2011**  
(54) Product in respect of which the design is registered: **Kitchen stirring utensil**  
(51) International Design Classification: **07-02NES**  
(74) Name(s) of Attorney(s): **Davies Collison Cave**  
(71) Name(s) and Address(s) of Applicant(s):  
**Fusionbrands Inc.**  
**PO Box 100 Naples NY 14512 United States of America**  
(72) Name(s) of Designer(s): **Anna M. Stewart and Stephen Kraigh Stewart**  
(45) Registration Date: **13 May 2011**  
(56) Related Art Documents: **Not Applicable**  
(57) Statement of Newness and Distinctiveness: **Newness and distinctiveness is claimed in the visual features shown in solid lines in the representations.**



- (21) Design Number: **11574/2011**  
(22) Date of Filing Application: **12 April 2011**  
(24) Date from which industrial property rights may have effect: **12 April 2011**  
(54) Product in respect of which the design is registered: **Plumbing fixture**  
(51) International Design Classification: **23-02C**  
(74) Name(s) of Attorney(s): **Griffith Hack**  
(71) Name(s) and Address(s) of Applicant(s):  
**Kohler Co.**  
**444 Highland Drive Kohler WI 53044 United States of America**  
(72) Name(s) of Designer(s): **Roque M. Corpuz Jr. and Mary Reid**  
(45) Registration Date: **13 May 2011**  
(30) Convention priority data:  
(31) Number      (32) Date      (33) Country  
**29/377697      25 Oct 2010      UNITED STATES OF AMERICA**  
(56) Related Art Documents: **Not Applicable**  
(57) Statement of Newness and Distinctiveness: **Newness and distinctiveness resides in the visual features, including shape and configuration of a PLUMBING FIXTURE as shown in solid outline in the accompanying drawings. When determining whether the design is substantially similar in overall impression to another design, no regard is to be had to those features shown in broken line in the accompanying drawings, which features are provided for illustrative purposes only.**



(21) Design Number: **11575/2011**  
(22) Date of Filing Application: **12 April 2011**  
(24) Date from which industrial property rights may have effect: **12 April 2011**  
(54) Product in respect of which the design is registered: **Plumbing fixture**  
(51) International Design Classification: **23-02C**  
(74) Name(s) of Attorney(s): **Griffith Hack**  
(71) Name(s) and Address(s) of Applicant(s):

**Kohler Co.**  
**444 Highland Drive Kohler WI 53044 United States of America**

(72) Name(s) of Designer(s): **Roque M. Corpuz Jr. and Mary Reid**

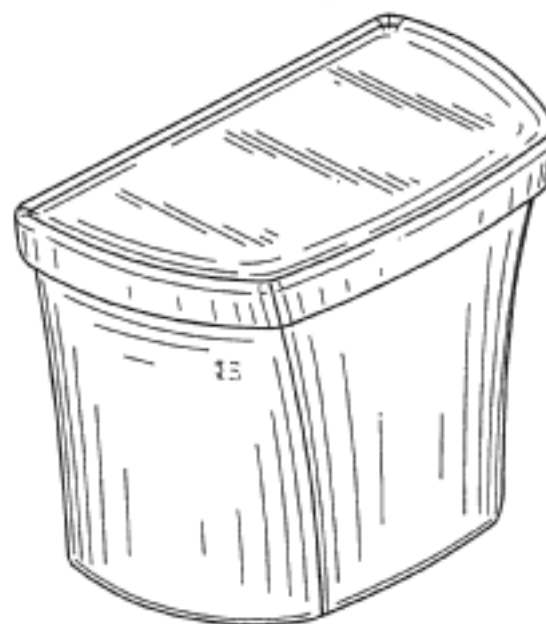
(45) Registration Date: **13 May 2011**

(30) Convention priority data:

(31) Number	(32) Date	(33) Country
<b>29/377697</b>	<b>25 Oct 2010</b>	<b>UNITED STATES OF AMERICA</b>

(56) Related Art Documents: **Not Applicable**

(57) Statement of Newness and Distinctiveness: **Newness and distinctiveness resides in the visual features, including shape and configuration of a PLUMBING FIXTURE as shown in solid outline in the accompanying drawings. When determining whether the design is substantially similar in overall impression to another design, no regard is to be had to those features shown in broken line in the accompanying drawings, which features are provided for illustrative purposes only.**



(21) Design Number: **11576/2011**  
(22) Date of Filing Application: **12 April 2011**  
(24) Date from which industrial property rights may have effect: **12 April 2011**  
(54) Product in respect of which the design is registered: **Plumbing fixture**  
(51) International Design Classification: **23-02C**  
(74) Name(s) of Attorney(s): **Griffith Hack**  
(71) Name(s) and Address(s) of Applicant(s):

**Kohler Co.**  
**444 Highland Drive Kohler WI 53044 United States of America**

(72) Name(s) of Designer(s): **Roque M. Corpuz Jr. and Mary Reid**

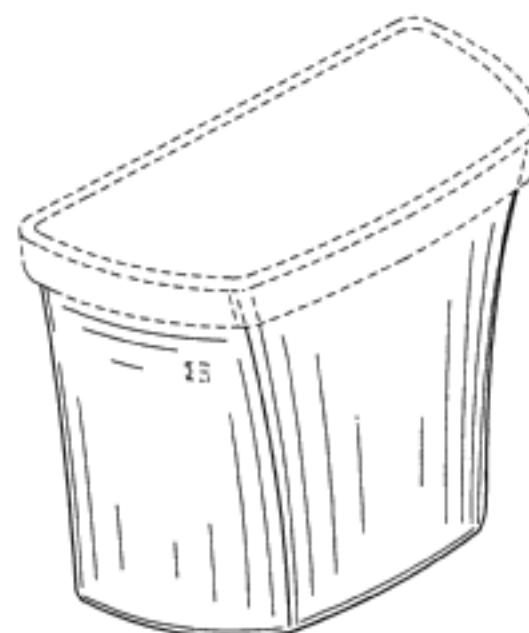
(45) Registration Date: **13 May 2011**

(30) Convention priority data:

(31) Number	(32) Date	(33) Country
<b>29/377697</b>	<b>25 Oct 2010</b>	<b>UNITED STATES OF AMERICA</b>

(56) Related Art Documents: **Not Applicable**

(57) Statement of Newness and Distinctiveness: **Newness and distinctiveness resides in the visual features, including shape and configuration of a PLUMBING FIXTURE as shown in solid outline in the accompanying drawings. When determining whether the design is substantially similar in overall impression to another design, no regard is to be had to those features shown in broken line in the accompanying drawings, which features are provided for illustrative purposes only.**



(21) Design Number: **11577/2011**  
(22) Date of Filing Application: **12 April 2011**  
(24) Date from which industrial property rights may have effect: **12 April 2011**  
(54) Product in respect of which the design is registered: **Plumbing fixture**  
(51) International Design Classification: **23-02C**  
(74) Name(s) of Attorney(s): **Griffith Hack**  
(71) Name(s) and Address(s) of Applicant(s):

**Kohler Co.**  
**444 Highland Drive Kohler WI 53044 United States of America**

(72) Name(s) of Designer(s): **Roque M. Corpuz Jr. and Mary Reid**

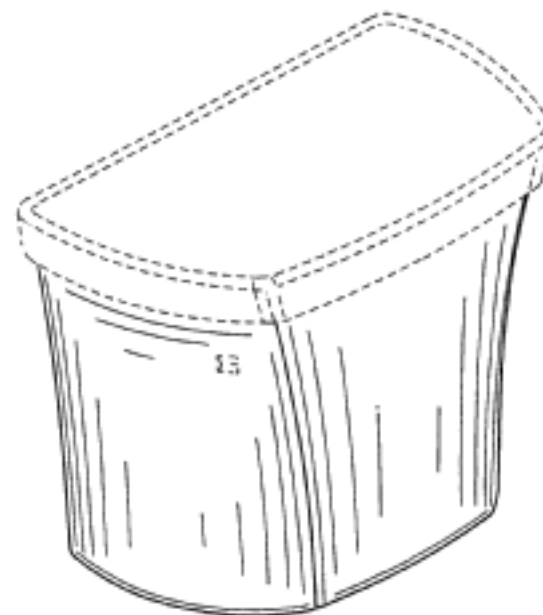
(45) Registration Date: **13 May 2011**

(30) Convention priority data:

(31) Number	(32) Date	(33) Country
<b>29/377697</b>	<b>25 Oct 2010</b>	<b>UNITED STATES OF AMERICA</b>

(56) Related Art Documents: **Not Applicable**

(57) Statement of Newness and Distinctiveness: **Newness and distinctiveness resides in the visual features, including shape and configuration of a PLUMBING FIXTURE as shown in solid outline in the accompanying drawings. When determining whether the design is substantially similar in overall impression to another design, no regard is to be had to those features shown in broken line in the accompanying drawings, which features are provided for illustrative purposes only.**



(21) Design Number: **11578/2011**  
(22) Date of Filing Application: **12 April 2011**  
(24) Date from which industrial property rights may have effect: **12 April 2011**  
(54) Product in respect of which the design is registered: **Plumbing fixture**  
(51) International Design Classification: **23-02C**  
(74) Name(s) of Attorney(s): **Griffith Hack**  
(71) Name(s) and Address(s) of Applicant(s):

**Kohler Co.**  
**444 Highland Drive Kohler WI 53044 United States of America**

(72) Name(s) of Designer(s): **Roque M. Corpuz Jr. and Mary Reid**

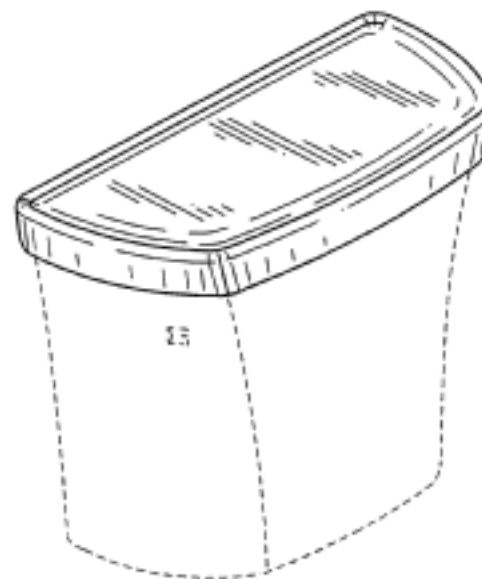
(45) Registration Date: **13 May 2011**

(30) Convention priority data:

(31) Number	(32) Date	(33) Country
<b>29/377697</b>	<b>25 Oct 2010</b>	<b>UNITED STATES OF AMERICA</b>

(56) Related Art Documents: **Not Applicable**

(57) Statement of Newness and Distinctiveness: **Newness and distinctiveness resides in the visual features, including shape and configuration of a PLUMBING FIXTURE as shown in solid outline in the accompanying drawings. When determining whether the design is substantially similar in overall impression to another design, no regard is to be had to those features shown in broken line in the accompanying drawings, which features are provided for illustrative purposes only.**



(21) Design Number: **11579/2011**  
(22) Date of Filing Application: **12 April 2011**  
(24) Date from which industrial property rights may have effect: **12 April 2011**  
(54) Product in respect of which the design is registered: **Plumbing fixture**  
(51) International Design Classification: **23-02C**  
(74) Name(s) of Attorney(s): **Griffith Hack**  
(71) Name(s) and Address(s) of Applicant(s):

**Kohler Co.**  
**444 Highland Drive Kohler WI 53044 United States of America**

(72) Name(s) of Designer(s): **Roque M. Corpuz Jr. and Mary Reid**

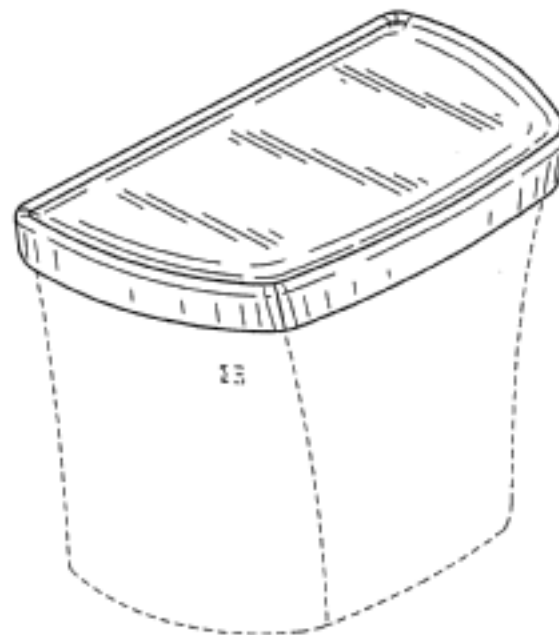
(45) Registration Date: **13 May 2011**

(30) Convention priority data:

(31) Number	(32) Date	(33) Country
<b>29/377697</b>	<b>25 Oct 2010</b>	<b>UNITED STATES OF AMERICA</b>

(56) Related Art Documents: **Not Applicable**

(57) Statement of Newness and Distinctiveness: **Newness and distinctiveness resides in the visual features, including shape and configuration of a PLUMBING FIXTURE as shown in solid outline in the accompanying drawings. When determining whether the design is substantially similar in overall impression to another design, no regard is to be had to those features shown in broken line in the accompanying drawings, which features are provided for illustrative purposes only.**



(21) Design Number: **11580/2011**  
(22) Date of Filing Application: **12 April 2011**  
(24) Date from which industrial property rights may have effect: **12 April 2011**  
(54) Product in respect of which the design is registered: **Plumbing fixture**  
(51) International Design Classification: **23-02C**  
(74) Name(s) of Attorney(s): **Griffith Hack**  
(71) Name(s) and Address(s) of Applicant(s):

**Kohler Co.**  
**444 Highland Drive Kohler WI 53044 United States of America**

(72) Name(s) of Designer(s): **Roque M. Corpuz Jr. and Mary Reid**

(45) Registration Date: **13 May 2011**

(30) Convention priority data:

(31) Number	(32) Date	(33) Country
<b>29/377697</b>	<b>25 Oct 2010</b>	<b>UNITED STATES OF AMERICA</b>

(56) Related Art Documents: **Not Applicable**

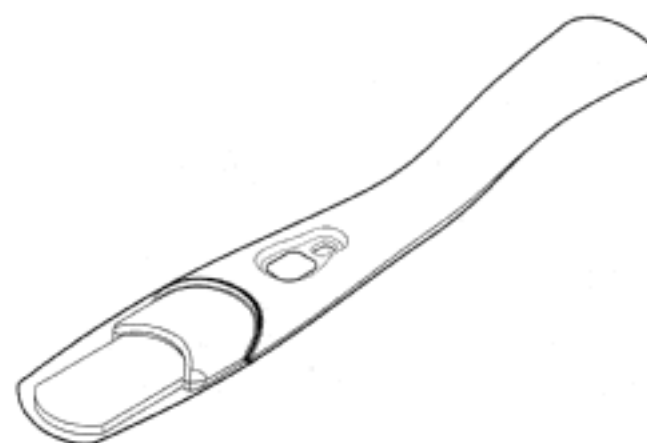
(57) Statement of Newness and Distinctiveness: **Newness and distinctiveness resides in the visual features, including shape and configuration of a PLUMBING FIXTURE as shown in solid outline in the accompanying drawings. When determining whether the design is substantially similar in overall impression to another design, no regard is to be had to those features shown in broken line in the accompanying drawings, which features are provided for illustrative purposes only.**



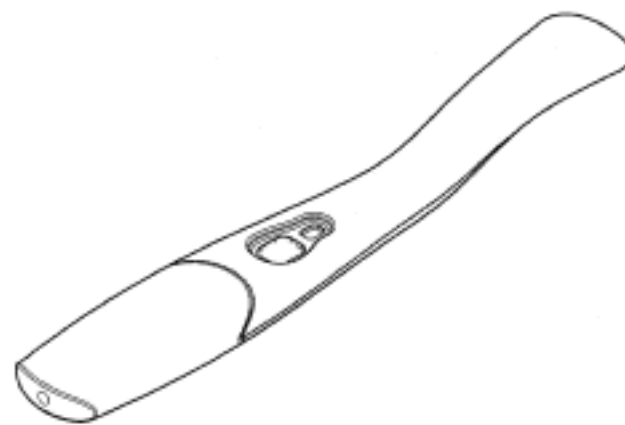
- (21) Design Number: **11646/2011**  
(22) Date of Filing Application: **14 April 2011**  
(24) Date from which industrial property rights may have effect: **14 April 2011**  
(54) Product in respect of which the design is registered: **Vibration training apparatus**  
(51) International Design Classification: **21-02F**  
(74) Name(s) of Attorney(s): **Fisher Adams Kelly**  
(71) Name(s) and Address(s) of Applicant(s):  
**Hypervibe Pty Ltd**  
**2/4 Commerce Court Noosaville Queensland 4566 Australia**  
(72) Name(s) of Designer(s): **Lee Blattmann and Giovanni Ciampa**  
(45) Registration Date: **13 May 2011**  
(56) Related Art Documents: **Not Applicable**  
(57) Statement of Newness and Distinctiveness: **The newness and distinctiveness of the design resides in the shape and/or configuration of the VIBRATION TRAINING APPARATUS shown in the representations.**



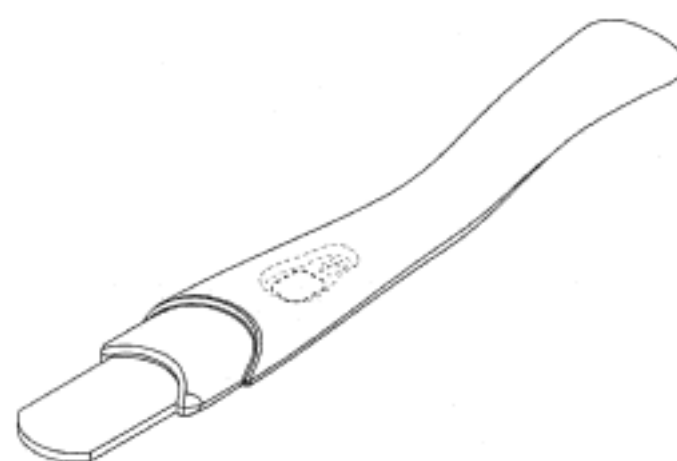
- (21) Design Number: **11647/2011**  
(22) Date of Filing Application: **14 April 2011**  
(24) Date from which industrial property rights may have effect: **14 April 2011**  
(54) Product in respect of which the design is registered: **Testing apparatus**  
(51) International Design Classification: **10-05**  
(74) Name(s) of Attorney(s): **EKM patent & trade marks**  
(71) Name(s) and Address(s) of Applicant(s):  
**SPD Swiss Precision Diagnostics GmbH**  
**Route de St Georges 47 CH-1213 Petit-Lancy Geneva Switzerland**  
(72) Name(s) of Designer(s): **Paul Laverack and Richard Luxton and James Gani**  
(45) Registration Date: **13 May 2011**  
(30) Convention priority data:  
(31) Number      (32) Date      (33) Country  
**001768425-0001    14 Oct 2010      EUROPEAN COMMUNITY**  
(56) Related Art Documents: **Not Applicable**  
(57) Statement of Newness and Distinctiveness: **Newness and distinctiveness resides in the features of shape and/or configuration of a testing apparatus as shown in the accompanying representations.**



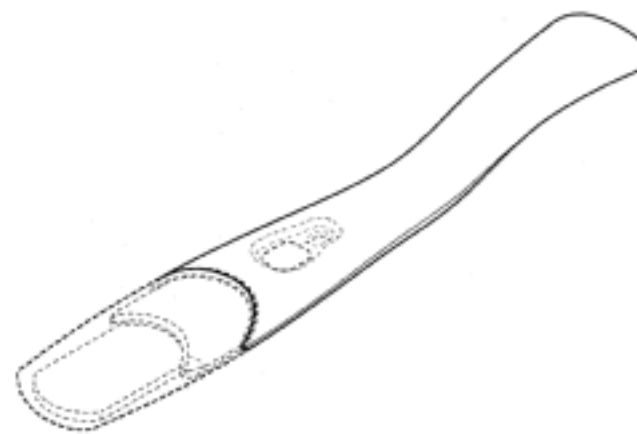
- (21) Design Number: **11648/2011**  
(22) Date of Filing Application: **14 April 2011**  
(24) Date from which industrial property rights may have effect: **14 April 2011**  
(54) Product in respect of which the design is registered: **Testing apparatus**  
(51) International Design Classification: **10-05**  
(74) Name(s) of Attorney(s): **EKM patent & trade marks**  
(71) Name(s) and Address(s) of Applicant(s):  
**SPD Swiss Precision Diagnostics GmbH**  
**Route de St Georges 47 CH-1213 Petit-Lancy Geneva Switzerland**  
(72) Name(s) of Designer(s): **Paul Laverack and Richard Luxton and James Gani**  
(45) Registration Date: **13 May 2011**  
(30) Convention priority data:  
(31) Number (32) Date (33) Country  
**001768425-0002 14 Oct 2010 EUROPEAN COMMUNITY**  
(56) Related Art Documents: **Not Applicable**  
(57) Statement of Newness and Distinctiveness: **Newness and distinctiveness resides in the features of shape and/or configuration of a testing apparatus as shown in the accompanying representations.**



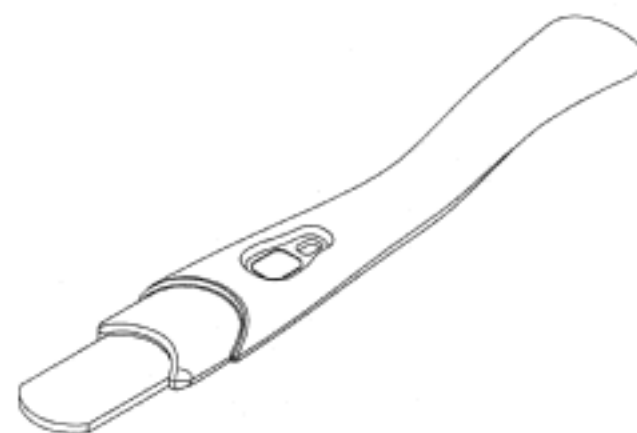
- (21) Design Number: **11649/2011**  
(22) Date of Filing Application: **14 April 2011**  
(24) Date from which industrial property rights may have effect: **14 April 2011**  
(54) Product in respect of which the design is registered: **Testing apparatus**  
(51) International Design Classification: **10-05**  
(74) Name(s) of Attorney(s): **EKM patent & trade marks**  
(71) Name(s) and Address(s) of Applicant(s):  
**SPD Swiss Precision Diagnostics GmbH**  
**Route de St Georges 47 CH-1213 Petit-Lancy Geneva Switzerland**  
(72) Name(s) of Designer(s): **Paul Laverack and Richard Luxton and James Gani**  
(45) Registration Date: **13 May 2011**  
(30) Convention priority data:  
(31) Number (32) Date (33) Country  
**001768425-0003 14 Oct 2010 EUROPEAN COMMUNITY**  
(56) Related Art Documents: **Not Applicable**  
(57) Statement of Newness and Distinctiveness: **Newness and distinctiveness resides in the features of shape and/or configuration of a testing apparatus as shown in the accompanying representations.**



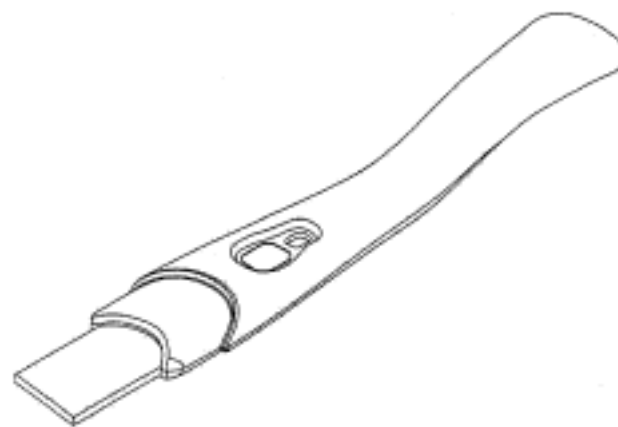
- (21) Design Number: **11650/2011**  
(22) Date of Filing Application: **14 April 2011**  
(24) Date from which industrial property rights may have effect: **14 April 2011**  
(54) Product in respect of which the design is registered: **Testing apparatus**  
(51) International Design Classification: **10-05**  
(74) Name(s) of Attorney(s): **EKM patent & trade marks**  
(71) Name(s) and Address(s) of Applicant(s):  
**SPD Swiss Precision Diagnostics GmbH**  
**Route de St Georges 47 CH-1213 Petit-Lancy Geneva Switzerland**  
(72) Name(s) of Designer(s): **Paul Laverack and Richard Luxton and James Gani**  
(45) Registration Date: **13 May 2011**  
(30) Convention priority data:  
(31) Number (32) Date (33) Country  
**001768425-0004 14 Oct 2010 EUROPEAN COMMUNITY**  
(56) Related Art Documents: **Not Applicable**  
(57) Statement of Newness and Distinctiveness: **Newness and distinctiveness resides in the features of shape and/or configuration of a testing apparatus as shown in the accompanying representations.**



- (21) Design Number: **11651/2011**  
(22) Date of Filing Application: **14 April 2011**  
(24) Date from which industrial property rights may have effect: **14 April 2011**  
(54) Product in respect of which the design is registered: **Testing apparatus**  
(51) International Design Classification: **10-05**  
(74) Name(s) of Attorney(s): **EKM patent & trade marks**  
(71) Name(s) and Address(s) of Applicant(s):  
**SPD Swiss Precision Diagnostics GmbH**  
**Route de St Georges 47 CH-1213 Petit-Lancy Geneva Switzerland**  
(72) Name(s) of Designer(s): **Paul Laverack and Richard Luxton and James Gani**  
(45) Registration Date: **13 May 2011**  
(30) Convention priority data:  
(31) Number (32) Date (33) Country  
**001768425-0005 14 Oct 2010 EUROPEAN COMMUNITY**  
(56) Related Art Documents: **Not Applicable**  
(57) Statement of Newness and Distinctiveness: **Newness and distinctiveness resides in the features of shape and/or configuration of a testing apparatus as shown in the accompanying representations.**



- (21) Design Number: **11652/2011**  
(22) Date of Filing Application: **14 April 2011**  
(24) Date from which industrial property rights may have effect: **14 April 2011**  
(54) Product in respect of which the design is registered: **Testing apparatus**  
(51) International Design Classification: **10-05**  
(74) Name(s) of Attorney(s): **EKM patent & trade marks**  
(71) Name(s) and Address(s) of Applicant(s):  
**SPD Swiss Precision Diagnostics GmbH**  
**Route de St Georges 47 CH-1213 Petit-Lancy Geneva Switzerland**  
(72) Name(s) of Designer(s): **Paul Laverack and Richard Luxton and James Gani**  
(45) Registration Date: **13 May 2011**  
(30) Convention priority data:  
(31) Number (32) Date (33) Country  
**001768425-0006 14 Oct 2010 EUROPEAN COMMUNITY**  
(56) Related Art Documents: **Not Applicable**  
(57) Statement of Newness and Distinctiveness: **Newness and distinctiveness resides in the features of shape and/or configuration of a testing apparatus as shown in the accompanying representations.**



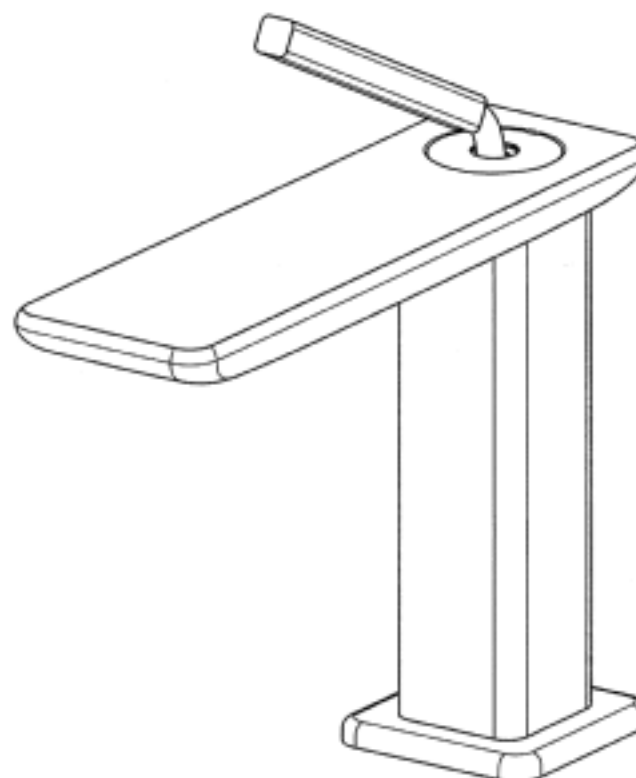
- (21) Design Number: **10573/2011**  
(22) Date of Filing Application: **18 February 2011**  
(24) Date from which industrial property rights may have effect: **18 February 2011**  
(54) Product in respect of which the design is registered: **Solar lighting unit**  
(51) International Design Classification: **26-03**  
(74) Name(s) of Attorney(s): **Allens Arthur Robinson**  
(71) Name(s) and Address(s) of Applicant(s):  
**Groupe Adeo S.A.**  
**Rue Chanzy F-59260 Lezennes France**  
(72) Name(s) of Designer(s): **Jeremy Sauvage**  
(45) Registration Date: **13 May 2011**  
(30) Convention priority data:  
(31) Number (32) Date (33) Country  
**001797507-0001 22 Dec 2010 EUROPEAN COMMUNITY**  
(56) Related Art Documents: **Not Applicable**  
(57) Statement of Newness and Distinctiveness: **Newness and distinctiveness is claimed in the features of shape and/or configuration of a solar lighting unit as illustrated in the accompanying representations.**



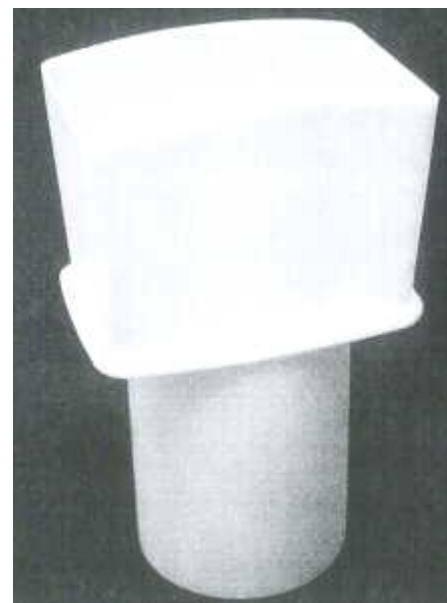
(21) Design Number: **10574/2011**  
(22) Date of Filing Application: **18 February 2011**  
(24) Date from which industrial property rights may have effect: **18 February 2011**  
(54) Product in respect of which the design is registered: **Solar lighting unit**  
(51) International Design Classification: **26-03**  
(74) Name(s) of Attorney(s): **Allens Arthur Robinson**  
(71) Name(s) and Address(s) of Applicant(s):  
**Groupe Adeo S.A.**  
**Rue Chanzy F-59260 Lezennes France**  
(72) Name(s) of Designer(s): **Jeremy Sauvage**  
(45) Registration Date: **13 May 2011**  
(30) Convention priority data:  
(31) Number (32) Date (33) Country  
**001797507-0002 22 Dec 2010 EUROPEAN COMMUNITY**  
(56) Related Art Documents: **Not Applicable**  
(57) Statement of Newness and Distinctiveness: **Newness and distinctiveness is claimed in the features of shape and/or configuration of a solar lighting unit as illustrated in the accompanying representations.**



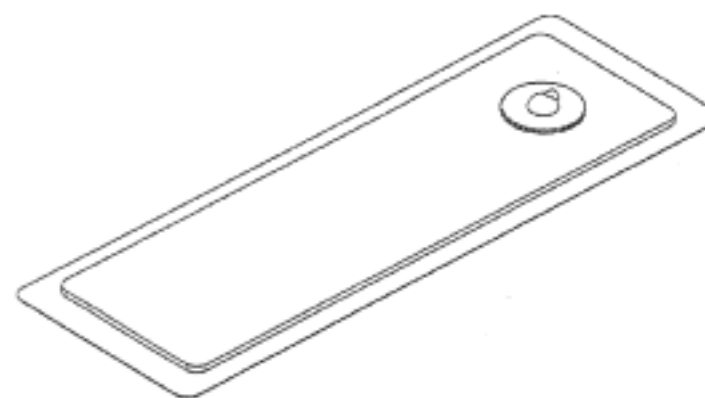
(21) Design Number: **11322/2011**  
(22) Date of Filing Application: **25 March 2011**  
(24) Date from which industrial property rights may have effect: **25 March 2011**  
(54) Product in respect of which the design is registered: **Faucet**  
(51) International Design Classification: **23-01H**  
(74) Name(s) of Attorney(s): **SPRUSON & FERGUSON**  
(71) Name(s) and Address(s) of Applicant(s):  
**Gessi S.P.A.**  
**Parco Gessi Frazione Vintebbio 13037 Serravalle Sesia Vercelli Italy**  
(72) Name(s) of Designer(s): **Gian Luca Gessi**  
(45) Registration Date: **13 May 2011**  
(30) Convention priority data:  
(31) Number (32) Date (33) Country  
**MI2010O000160 27 Sep 2010 ITALY**  
(56) Related Art Documents: **Not Applicable**  
(57) Statement of Newness and Distinctiveness: **Newness and distinctiveness is claimed in those features of shape and/or configuration of a faucet illustrated in continuous lines in the accompanying representations.**



(21) Design Number: **11630/2011**  
(22) Date of Filing Application: **14 April 2011**  
(24) Date from which industrial property rights may have effect: **14 April 2011**  
(54) Product in respect of which the design is registered: **Holder for chip cups**  
(51) International Design Classification: **07-06A**  
(74) Name(s) of Attorney(s): **Griffith Hack**  
(71) Name(s) and Address(s) of Applicant(s):  
**Just Premiums Pty Ltd**  
**Level 1 350 South Road Hampton East Victoria 3188 Australia**  
(72) Name(s) of Designer(s): **Scott Stewart**  
(45) Registration Date: **13 May 2011**  
(56) Related Art Documents: **Not Applicable**  
(57) Statement of Newness and Distinctiveness: **The shape and configuration of the holder for chip cups as shown in the accompanying representations is new and distinctive.**



(21) Design Number: **11631/2011**  
(22) Date of Filing Application: **14 April 2011**  
(24) Date from which industrial property rights may have effect: **14 April 2011**  
(54) Product in respect of which the design is registered: **Medical dressing**  
(51) International Design Classification: **24-04**  
(74) Name(s) of Attorney(s): **Griffith Hack**  
(71) Name(s) and Address(s) of Applicant(s):  
**Smith & Nephew Plc**  
**15 Adam Street London WC2N 6LA United Kingdom**  
(72) Name(s) of Designer(s): **Yannick Louis Peron**  
(45) Registration Date: **13 May 2011**  
(30) Convention priority data:  
(31) Number      (32) Date      (33) Country  
**4017441      15 Oct 2010      UNITED KINGDOM**  
(56) Related Art Documents: **Not Applicable**  
(57) Statement of Newness and Distinctiveness: **The shape and configuration of the medical dressing as shown in the accompanying representations is new and distinctive.**



(21) Design Number: **11632/2011**  
(22) Date of Filing Application: **14 April 2011**  
(24) Date from which industrial property rights may have effect: **14 April 2011**  
(54) Product in respect of which the design is registered: **Medical dressing**  
(51) International Design Classification: **24-04**  
(74) Name(s) of Attorney(s): **Griffith Hack**  
(71) Name(s) and Address(s) of Applicant(s):

**Smith & Nephew Plc**  
**15 Adam Street London WC2N 6LA United Kingdom**

(72) Name(s) of Designer(s): **Yannick Louis Peron**

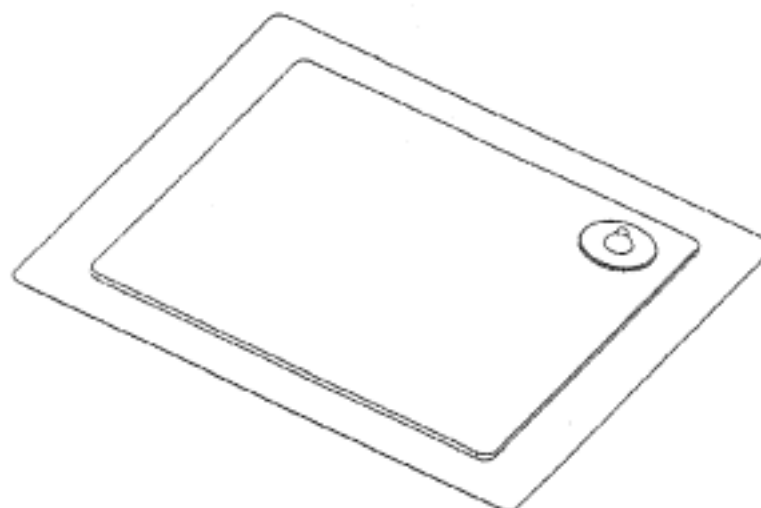
(45) Registration Date: **13 May 2011**

(30) Convention priority data:

(31) Number	(32) Date	(33) Country
<b>4017442</b>	<b>15 Oct 2010</b>	<b>UNITED KINGDOM</b>

(56) Related Art Documents: **Not Applicable**

(57) Statement of Newness and Distinctiveness: **The shape and configuration of the medical dressing as shown in the accompanying representations is new and distinctive.**



(21) Design Number: **11633/2011**  
(22) Date of Filing Application: **14 April 2011**  
(24) Date from which industrial property rights may have effect: **14 April 2011**  
(54) Product in respect of which the design is registered: **Portable pump**  
(51) International Design Classification: **15-02, 24-02**  
(74) Name(s) of Attorney(s): **Griffith Hack**  
(71) Name(s) and Address(s) of Applicant(s):

**Smith & Nephew Plc**  
**15 Adam Street London WC2N 6LA United Kingdom**

(72) Name(s) of Designer(s): **Andrew P. Mattson and Andrew P. Nelson**

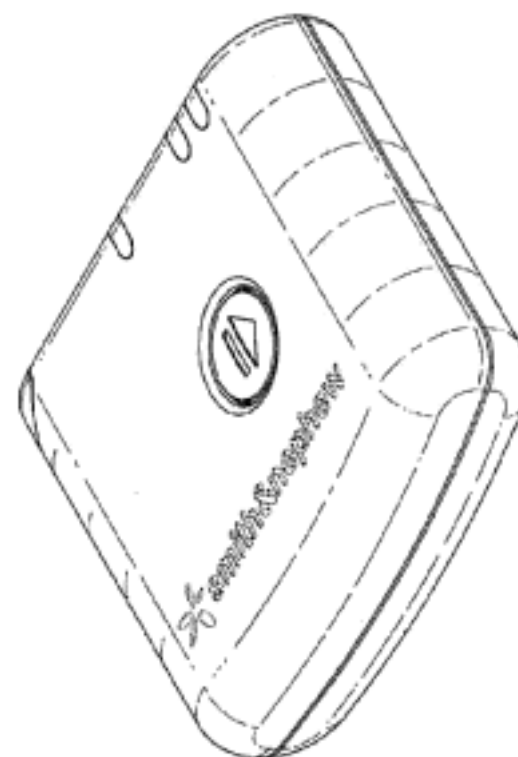
(45) Registration Date: **13 May 2011**

(30) Convention priority data:

(31) Number	(32) Date	(33) Country
<b>29/376,964</b>	<b>14 Oct 2010</b>	<b>UNITED STATES OF AMERICA</b>

(56) Related Art Documents: **Not Applicable**

(57) Statement of Newness and Distinctiveness: **Newness and distinctiveness resides in the visual features, including shape and configuration, of a portable pump as shown in Figures 1 to 8 of the accompanying representations. When determining whether the design is substantially similar in overall impression to another design, it should be noted that the text and symbols represented in broken lines as shown in Figures 1 and 3 do not form part of the design, and is provided for illustrative purposes only.**



(21) Design Number: **11663/2011**

(22) Date of Filing Application: **15 April 2011**

(24) Date from which industrial property rights may have effect: **15 April 2011**

(54) Product in respect of which the design is registered: **Coat rack**

(51) International Design Classification: **06-06A**

(74) Name(s) of Attorney(s):

(71) Name(s) and Address(s) of Applicant(s):

**Kristian Aus**

**17/43 Hereford Street Glebe New South Wales 2037 Australia**

(72) Name(s) of Designer(s): **Kristian Aus**

(45) Registration Date: **13 May 2011**

(56) Related Art Documents: **Not Applicable**

(57) Statement of Newness and Distinctiveness: **Newness and distinctiveness is claimed in those visual features as shown in the representations.**



(21) Design Number: **11664/2011**

(22) Date of Filing Application: **15 April 2011**

(24) Date from which industrial property rights may have effect: **15 April 2011**

(54) Product in respect of which the design is registered: **Lamp shade**

(51) International Design Classification: **26-05D**

(74) Name(s) of Attorney(s):

(71) Name(s) and Address(s) of Applicant(s):

**Kristian Aus**

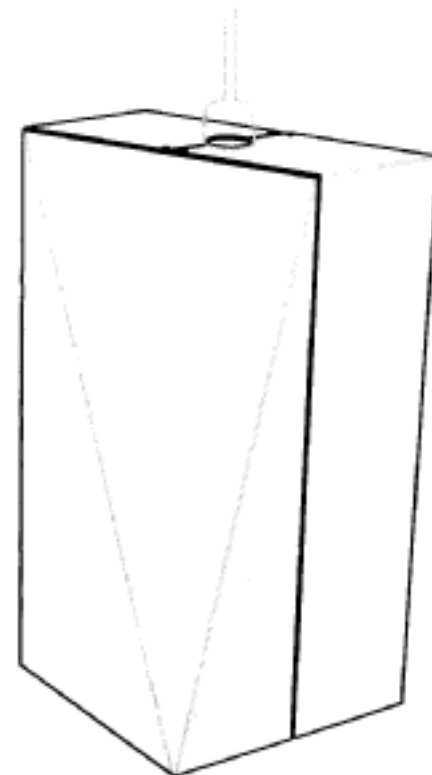
**17/43 Hereford Street Glebe New South Wales 2037 Australia**

(72) Name(s) of Designer(s): **Kristian Aus**

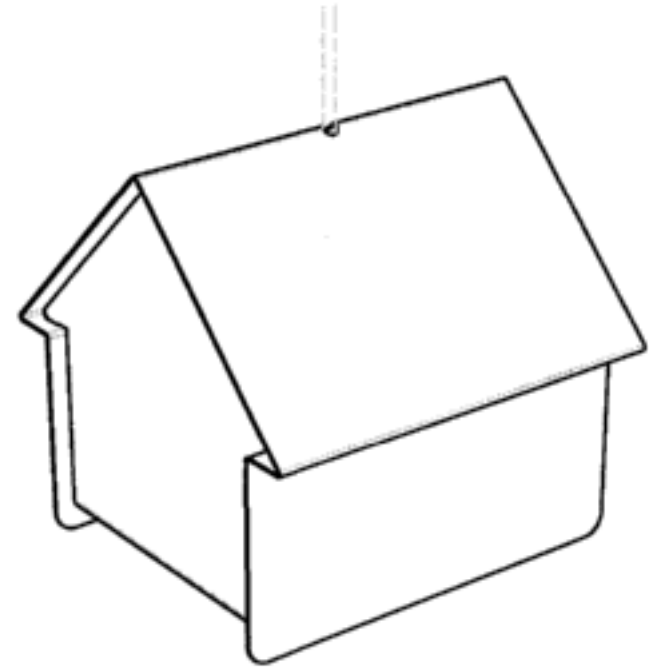
(45) Registration Date: **13 May 2011**

(56) Related Art Documents: **Not Applicable**

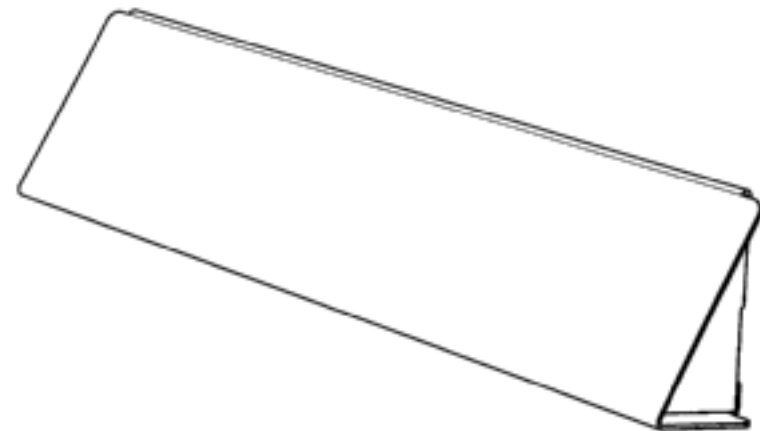
(57) Statement of Newness and Distinctiveness: **Newness and distinctiveness is claimed in those visual features as shown in the representations.**



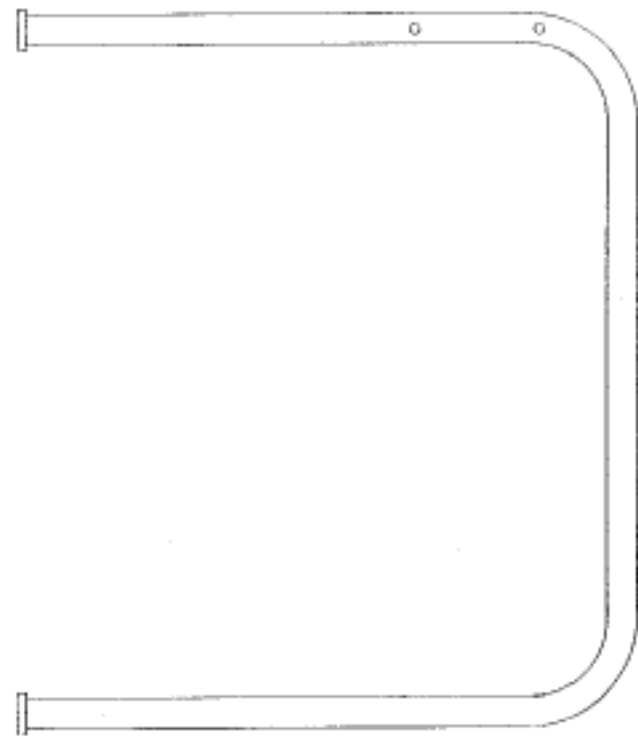
- (21) Design Number: **11665/2011**  
(22) Date of Filing Application: **15 April 2011**  
(24) Date from which industrial property rights may have effect: **15 April 2011**  
(54) Product in respect of which the design is registered: **Lamp shade**  
(51) International Design Classification: **26-05D**  
(74) Name(s) of Attorney(s):  
(71) Name(s) and Address(s) of Applicant(s):  
    **Kristian Aus**  
    **17/43 Hereford Street Glebe New South Wales 2037 Australia**  
(72) Name(s) of Designer(s): **Kristian Aus**  
(45) Registration Date: **13 May 2011**  
(56) Related Art Documents: **Not Applicable**  
(57) Statement of Newness and Distinctiveness: **Newness and distinctiveness is claimed in those visual features as shown in the representations.**



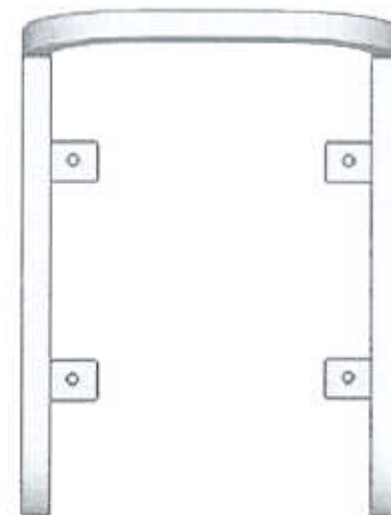
- (21) Design Number: **11666/2011**  
(22) Date of Filing Application: **15 April 2011**  
(24) Date from which industrial property rights may have effect: **15 April 2011**  
(54) Product in respect of which the design is registered: **Lamp shade**  
(51) International Design Classification: **26-05D**  
(74) Name(s) of Attorney(s):  
(71) Name(s) and Address(s) of Applicant(s):  
    **Kristian Aus**  
    **17/43 Hereford Street Glebe New South Wales 2037 Australia**  
(72) Name(s) of Designer(s): **Kristian Aus**  
(45) Registration Date: **13 May 2011**  
(56) Related Art Documents: **Not Applicable**  
(57) Statement of Newness and Distinctiveness: **Newness and distinctiveness is claimed in those visual features as shown in the representations.**



- (21) Design Number: **11773/2011**  
(22) Date of Filing Application: **19 April 2011**  
(24) Date from which industrial property rights may have effect: **19 April 2011**  
(54) Product in respect of which the design is registered: **Bicycle rack**  
(51) International Design Classification: **08-10**  
(74) Name(s) of Attorney(s):  
(71) Name(s) and Address(s) of Applicant(s):  
**Bicycle Victoria Incorporated**  
**Level 10 446 Collins Street Melbourne Victoria 3000 Australia**  
(72) Name(s) of Designer(s): **David Bailey**  
(45) Registration Date: **13 May 2011**  
(56) Related Art Documents: **Not Applicable**  
(57) Statement of Newness and Distinctiveness: **Angled bend with offset mounts. Specific spaced support prongs. Extended rail length.**



- (21) Design Number: **11774/2011**  
(22) Date of Filing Application: **19 April 2011**  
(24) Date from which industrial property rights may have effect: **19 April 2011**  
(54) Product in respect of which the design is registered: **Bicycle rack**  
(51) International Design Classification: **08-10**  
(74) Name(s) of Attorney(s):  
(71) Name(s) and Address(s) of Applicant(s):  
**Bicycle Victoria Incorporated**  
**Level 10 446 Collins Street Melbourne Victoria 3000 Australia**  
(72) Name(s) of Designer(s): **David Bailey**  
(45) Registration Date: **13 May 2011**  
(56) Related Art Documents: **Not Applicable**  
(57) Statement of Newness and Distinctiveness: **Four mounting tabs. Three closed loops. Crimped lip on front edge.**



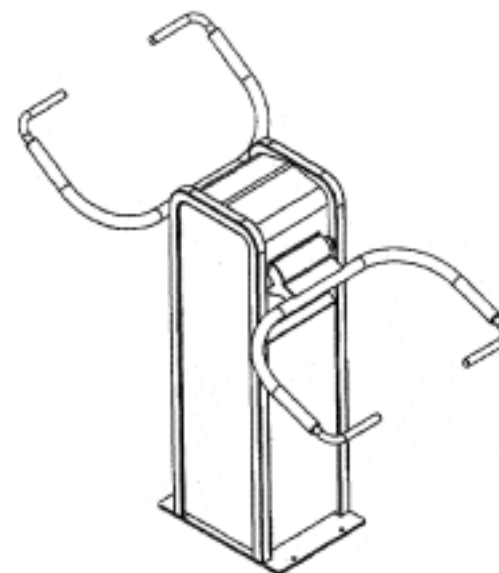
- (21) Design Number: **10891/2011**  
(22) Date of Filing Application: **04 March 2011**  
(24) Date from which industrial property rights may have effect: **04 March 2011**  
(54) Product in respect of which the design is registered: **Handpiece of a hand blender**  
(51) International Design Classification: **31-00**  
(74) Name(s) of Attorney(s): **PHILLIPS ORMONDE FITZPATRICK**  
(71) Name(s) and Address(s) of Applicant(s):  
**Braun GmbH**  
**Frankfurter Strasse 145 61476 Kronberg am Taunus Germany**  
(72) Name(s) of Designer(s): **Christine Bachmann and Oliver Grabes and Rory McGarry and Phong Duy Vu and Benjamin John Wilson and Sven Wuttig**  
(45) Registration Date: **16 May 2011**  
(30) Convention priority data:  
(31) Number      (32) Date      (33) Country  
**564180301      10 Sep 2010      WORLD INTELLECTUAL  
PROPERTY ORGANIZATION  
(WIPO)**  
(56) Related Art Documents: **Not Applicable**  
(57) Statement of Newness and Distinctiveness: **Those features of the handpiece of a hand blender depicted in the representations that are new and distinctive are the shape and/or configuration. Those features shown in broken lines are not part of the design and are to be disregarded when considering the overall impression of the design.**



- (21) Design Number: **10955/2011**  
(22) Date of Filing Application: **08 March 2011**  
(24) Date from which industrial property rights may have effect: **08 March 2011**  
(54) Product in respect of which the design is registered: **Seat for an exercise apparatus**  
(51) International Design Classification: **21-02F**  
(74) Name(s) of Attorney(s): **Knightsbridge Patent Attorneys**  
(71) Name(s) and Address(s) of Applicant(s):  
**The Great Outdoor Gym Company Ltd**  
**74 Highfields Road Highfields Caldecote Cambridge CB23 7NX United Kingdom**  
(72) Name(s) of Designer(s): **Jolyon Goodman**  
(45) Registration Date: **16 May 2011**  
(56) Related Art Documents: **Not Applicable**  
(57) Statement of Newness and Distinctiveness: **Newness and distinctiveness are claimed in the features of shape and configuration of a seat for an exercise apparatus, as depicted in the accompanying drawings.**



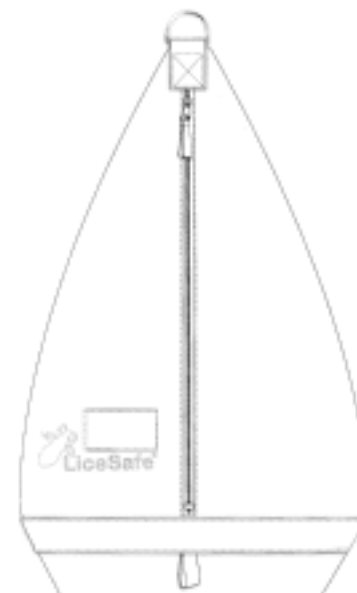
- (21) Design Number: **10954/2011**  
(22) Date of Filing Application: **08 March 2011**  
(24) Date from which industrial property rights may have effect: **08 March 2011**  
(54) Product in respect of which the design is registered: **Exercise apparatus**  
(51) International Design Classification: **21-02F**  
(74) Name(s) of Attorney(s): **Knightsbridge Patent Attorneys**  
(71) Name(s) and Address(s) of Applicant(s):  
**The Great Outdoor Gym Company Ltd**  
**74 Highfields Road Highfields Caldecote Cambridge CB23 7NX United Kingdom**  
(72) Name(s) of Designer(s): **Jolyon Goodman**  
(45) Registration Date: **16 May 2011**  
(56) Related Art Documents: **Not Applicable**  
(57) Statement of Newness and Distinctiveness: **Newness and distinctiveness are claimed in the features of shape and configuration for an exercise apparatus, as depicted in the accompanying drawings.**



- (21) Design Number: **11244/2011**  
(22) Date of Filing Application: **18 March 2011**  
(24) Date from which industrial property rights may have effect: **18 March 2011**  
(54) Product in respect of which the design is registered: **LiceBags (TM) Garment protection bag**  
(51) International Design Classification: **03-01NES**  
(74) Name(s) of Attorney(s):  
(71) Name(s) and Address(s) of Applicant(s):  
**Universal Trade Service B.V.**  
**Flevolaan 58A WEESP The Netherlands 1382 JZ**  
(72) Name(s) of Designer(s): **Fokke Kingma**  
(45) Registration Date: **16 May 2011**  
(56) Related Art Documents: **Not Applicable**  
(57) Statement of Newness and Distinctiveness: **Nil**



(21) Design Number: **11246/2011**  
(22) Date of Filing Application: **18 March 2011**  
(24) Date from which industrial property rights may have effect: **18 March 2011**  
(54) Product in respect of which the design is registered: **LiceSafe (TM) Garment protection bag**  
(51) International Design Classification: **03-01NES**  
(74) Name(s) of Attorney(s):  
(71) Name(s) and Address(s) of Applicant(s):  
**Universal Trade Service B.V.**  
**Flevolaan 58A WEESP The Netherlands 1382 JZ**  
(72) Name(s) of Designer(s): **Fokke Kingma**  
(45) Registration Date: **16 May 2011**  
(56) Related Art Documents: **Not Applicable**  
(57) Statement of Newness and Distinctiveness: **Nil**



(21) Design Number: **11478/2011**  
(22) Date of Filing Application: **05 April 2011**  
(24) Date from which industrial property rights may have effect: **05 April 2011**  
(54) Product in respect of which the design is registered: **Chair**  
(51) International Design Classification: **06-01F**  
(74) Name(s) of Attorney(s): **Davies Collison Cave**  
(71) Name(s) and Address(s) of Applicant(s):  
**Arper S.p.A.**  
**Via Lombardia 16 Monastier di Treviso Treviso I-31050 Italy**  
(72) Name(s) of Designer(s): **Alberto Lievore and Jannette Altherr and Manuel Molina**  
(45) Registration Date: **16 May 2011**  
(30) Convention priority data:  
(31) Number (32) Date (33) Country  
**DM/075 079 20 Oct 2010 WORLD INTELLECTUAL PROPERTY ORGANIZATION (WIPO)**  
(56) Related Art Documents: **Not Applicable**  
(57) Statement of Newness and Distinctiveness: **Nil**



(21) Design Number: **11479/2011**  
(22) Date of Filing Application: **05 April 2011**  
(24) Date from which industrial property rights may have effect: **05 April 2011**  
(54) Product in respect of which the design is registered: **Chair**  
(51) International Design Classification: **06-01F**  
(74) Name(s) of Attorney(s): **Davies Collison Cave**  
(71) Name(s) and Address(s) of Applicant(s):  
**Arper S.p.A.**  
**Via Lombardia 16 Monastier di Treviso Treviso I-31050 Italy**  
(72) Name(s) of Designer(s): **Alberto Lievore and Jannette Altherr and Manuel Molina**  
(45) Registration Date: **16 May 2011**  
(30) Convention priority data:  
(31) Number (32) Date (33) Country  
**DM/075 079 20 Oct 2010 WORLD INTELLECTUAL PROPERTY ORGANIZATION (WIPO)**  
(56) Related Art Documents: **Not Applicable**  
(57) Statement of Newness and Distinctiveness: **Nil**



(21) Design Number: **11480/2011**  
(22) Date of Filing Application: **05 April 2011**  
(24) Date from which industrial property rights may have effect: **05 April 2011**  
(54) Product in respect of which the design is registered: **Chair**  
(51) International Design Classification: **06-01F**  
(74) Name(s) of Attorney(s): **Davies Collison Cave**  
(71) Name(s) and Address(s) of Applicant(s):  
**Arper S.p.A.**  
**Via Lombardia 16 Monastier di Treviso Treviso I-31050 Italy**  
(72) Name(s) of Designer(s): **Alberto Lievore and Jannette Altherr and Manuel Molina**  
(45) Registration Date: **16 May 2011**  
(30) Convention priority data:  
(31) Number (32) Date (33) Country  
**DM/075 079 20 Oct 2010 WORLD INTELLECTUAL PROPERTY ORGANIZATION (WIPO)**  
(56) Related Art Documents: **Not Applicable**  
(57) Statement of Newness and Distinctiveness: **Nil**



(21) Design Number: **11582/2011**

(22) Date of Filing Application: **13 April 2011**

(24) Date from which industrial property rights may have effect: **13 April 2011**

(54) Product in respect of which the design is registered: **Wetsuits**

(51) International Design Classification: **02-02B**

(74) Name(s) of Attorney(s):

(71) Name(s) and Address(s) of Applicant(s):

**Christian James Lang-Lemckert**

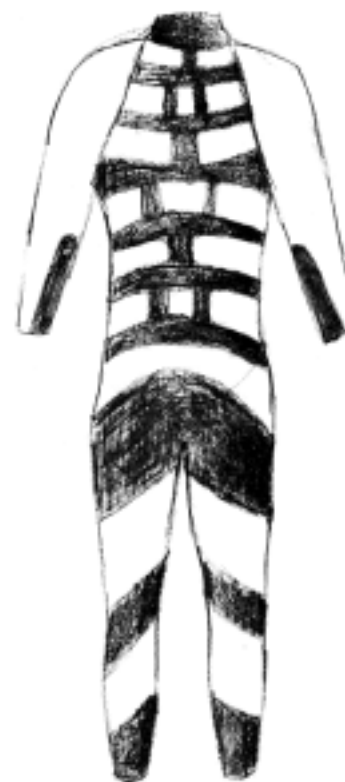
**59 Highvale Drive Helensvale Queensland 4212 Australia**

(72) Name(s) of Designer(s): **Christian James Lang-Lemckert**

(45) Registration Date: **16 May 2011**

(56) Related Art Documents: **Not Applicable**

(57) Statement of Newness and Distinctiveness: **The wetsuit pattern consists of black and white bands; six of the bands are divided, while the remaining three are unbroken. The bands are horizontally positioned and curved down, starting at the top of the wetsuit. The sleeves do not bear the same pattern, they are primarily white with the lower inside of the sleeve coloured with a black oval-like shape. The first band is solid black and covers the suit's collar; below this is a broken white band with a small portion (coloured black) missing from the middle (when viewed from the front), a solid black band (slightly thinner than the previous black band) follows, below this is another broken white band with two small portions coloured black from the left and right of the centre. Below is another black band, followed by a white band with a small portion coloured black in the centre; this is followed by another solid black band that curves outwards from both ends. Curving down is another broken white band with two portions coloured black, followed by another solid black band; curving down once again is another broken white band with a portion from the middle coloured black. This is followed by another solid black band, the final broken white band has two small portions coloured black curving down towards the thighs of the suit. Another solid black band follows the previous band, the first solid white band curves downward towards the wetsuit's thighs with the band being thickest at the edges. Following this is a large black band that reaches to the top of the wetsuit's knee area; covering the knee area is a solid white band on roughly a 45 degree angle, and below this is a thinner black band which is followed by another solid white band and another small black band. The wetsuit's pattern is identical on both sides of the apparel; that is, what is seen on the front is repeated on the back. The bands seen on the edge of the wetsuit continue onto the other side. Stitches are not noted onto the wetsuit; however this would make minimal difference to the design depiction.**



(21) Design Number: **11609/2011**  
(22) Date of Filing Application: **13 April 2011**  
(24) Date from which industrial property rights may have effect: **13 April 2011**  
(54) Product in respect of which the design is registered: **Packaging**  
(51) International Design Classification: **24-99, 09-03M, 09-03NES**  
(74) Name(s) of Attorney(s): **Griffith Hack**  
(71) Name(s) and Address(s) of Applicant(s):

**Smith & Nephew Plc**  
**15 Adam Street London WC2N 6LA United Kingdom**

(72) Name(s) of Designer(s): **Jonathan Frank Michael Fahy**

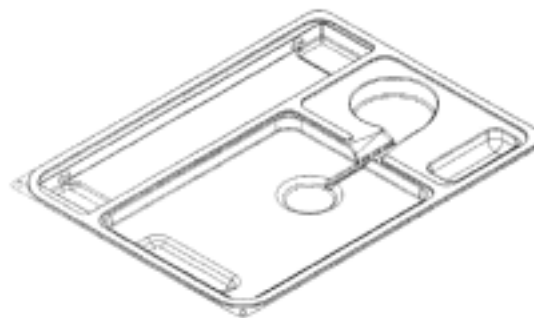
(45) Registration Date: **16 May 2011**

(30) Convention priority data:

(31) Number	(32) Date	(33) Country
<b>4017446</b>	<b>15 Oct 2010</b>	<b>UNITED KINGDOM</b>

(56) Related Art Documents: **Not Applicable**

(57) Statement of Newness and Distinctiveness: **The shape and configuration of the PACKAGING as shown in the accompanying representations is new and distinctive.**



(21) Design Number: **11688/2011**  
(22) Date of Filing Application: **15 April 2011**  
(24) Date from which industrial property rights may have effect: **15 April 2011**  
(54) Product in respect of which the design is registered: **Tape measure housing**  
(51) International Design Classification: **10-07**  
(74) Name(s) of Attorney(s): **SPRUSON & FERGUSON**  
(71) Name(s) and Address(s) of Applicant(s):

**Apex Brands, Inc.,**  
**14600 York Road Suite A Sparks Maryland 21152 United States of America**

(72) Name(s) of Designer(s): **Peter James Everett and Philip J. Nathan**

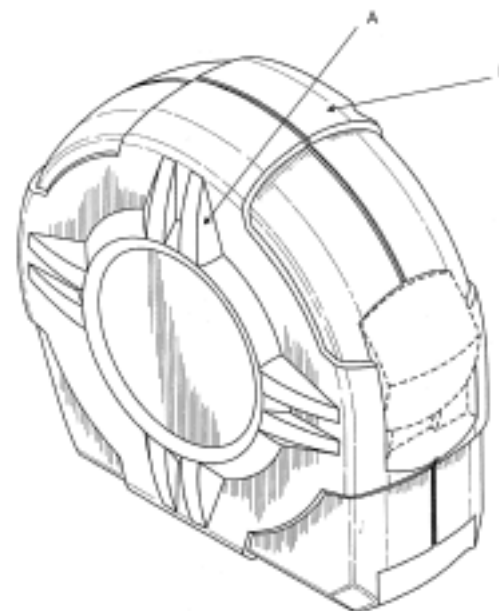
(45) Registration Date: **16 May 2011**

(30) Convention priority data:

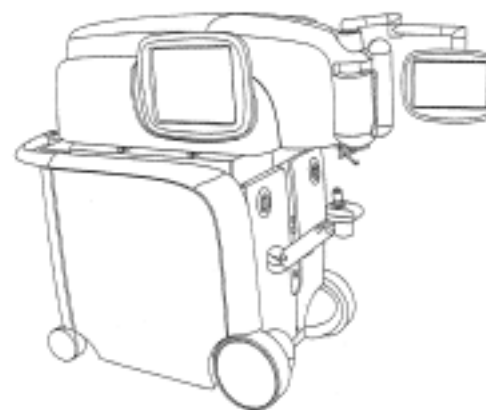
(31) Number	(32) Date	(33) Country
<b>29/377702</b>	<b>25 Oct 2010</b>	<b>UNITED STATES OF AMERICA</b>

(56) Related Art Documents: **Not Applicable**

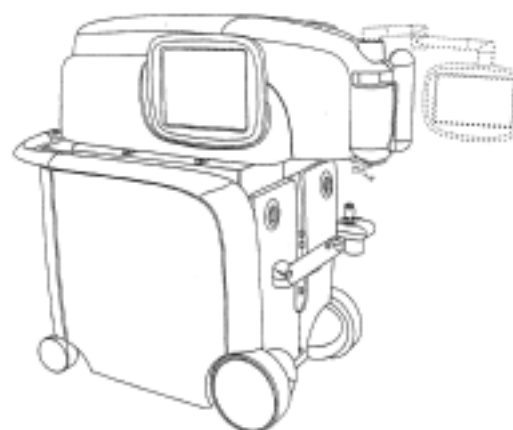
(57) Statement of Newness and Distinctiveness: **Newness and distinctiveness is claimed in the following features of a tape measure housing as illustrated in the accompanying representations: \* the four pairs of ribs on each of the side faces, one of which is marked A in the front perspective view, and \* the four bands extending between the right and left side faces, one of which is marked B in the front perspective view.**



- (21) Design Number: **11689/2011**  
(22) Date of Filing Application: **15 April 2011**  
(24) Date from which industrial property rights may have effect: **15 April 2011**  
(54) Product in respect of which the design is registered: **Laser system for treatment of the eye**  
(51) International Design Classification: **24-01**  
(74) Name(s) of Attorney(s): **SPRUSON & FERGUSON**  
(71) Name(s) and Address(s) of Applicant(s):  
**LensAR, Inc.,  
2800 Discovery Drive Suite 100 Orlando Florida 32826 United States of America**  
(72) Name(s) of Designer(s): **Steven E. Bott and Rudolph W. Frey and Gerrit N. Porter and Scott Howard Wakefield and William D. Chura**  
(45) Registration Date: **16 May 2011**  
(30) Convention priority data:  
(31) Number (32) Date (33) Country  
**29/377018 15 Oct 2010 UNITED STATES OF AMERICA**  
(56) Related Art Documents: **Not Applicable**  
(57) Statement of Newness and Distinctiveness: **Newness and distinctiveness is claimed in the features of shape and/or configuration of a laser system for treatment of the eye as illustrated in the accompanying representations.**



- (21) Design Number: **11690/2011**  
(22) Date of Filing Application: **15 April 2011**  
(24) Date from which industrial property rights may have effect: **15 April 2011**  
(54) Product in respect of which the design is registered: **Laser system for treatment of the eye**  
(51) International Design Classification: **24-01**  
(74) Name(s) of Attorney(s): **SPRUSON & FERGUSON**  
(71) Name(s) and Address(s) of Applicant(s):  
**LensAR, Inc.,  
2800 Discovery Drive Suite 100 Orlando Florida 32826 United States of America**  
(72) Name(s) of Designer(s): **Steven E. Bott and Rudolph W. Frey and Gerrit N. Porter and Scott Howard Wakefield and William D. Chura**  
(45) Registration Date: **16 May 2011**  
(30) Convention priority data:  
(31) Number (32) Date (33) Country  
**29/377054 15 Oct 2010 UNITED STATES OF AMERICA**  
(56) Related Art Documents: **Not Applicable**  
(57) Statement of Newness and Distinctiveness: **Newness and distinctiveness is claimed in the features of shape and/or configuration of a laser system for treatment of the eye as illustrated in continuous lines in the accompanying representations.**



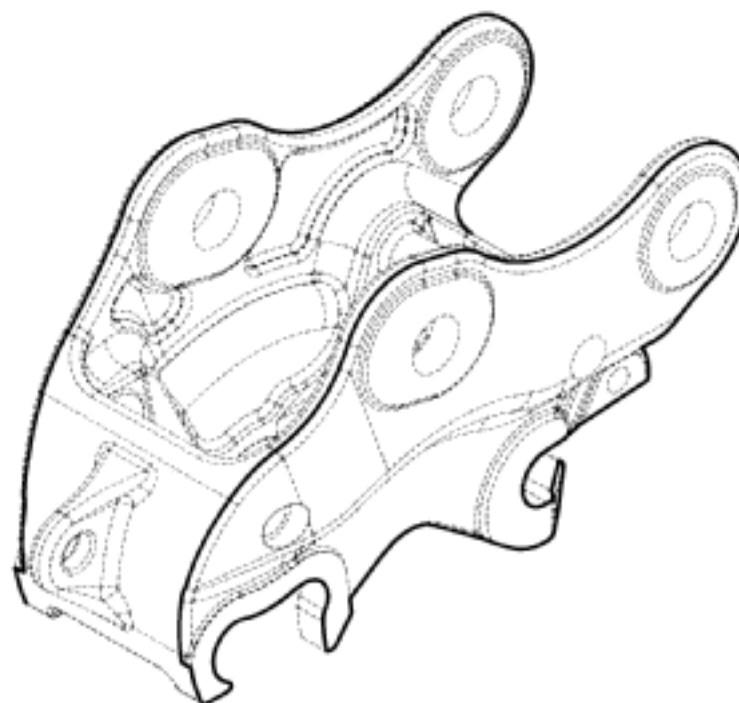
- (21) Design Number: **10697/2011**  
(22) Date of Filing Application: **23 February 2011**  
(24) Date from which industrial property rights may have effect: **23 February 2011**  
(54) Product in respect of which the design is registered: **Sheet material**  
(51) International Design Classification: **05-05A**  
(74) Name(s) of Attorney(s):  
(71) Name(s) and Address(s) of Applicant(s):  
**Discovery Clothing Company Pty Ltd**  
**10/26-34 Dunning Avenue Rosebery New South Wales 2018 Australia**  
(72) Name(s) of Designer(s): **Charlie Brown**  
(45) Registration Date: **16 May 2011**  
(56) Related Art Documents: **Not Applicable**  
(57) Statement of Newness and Distinctiveness: **Nil**



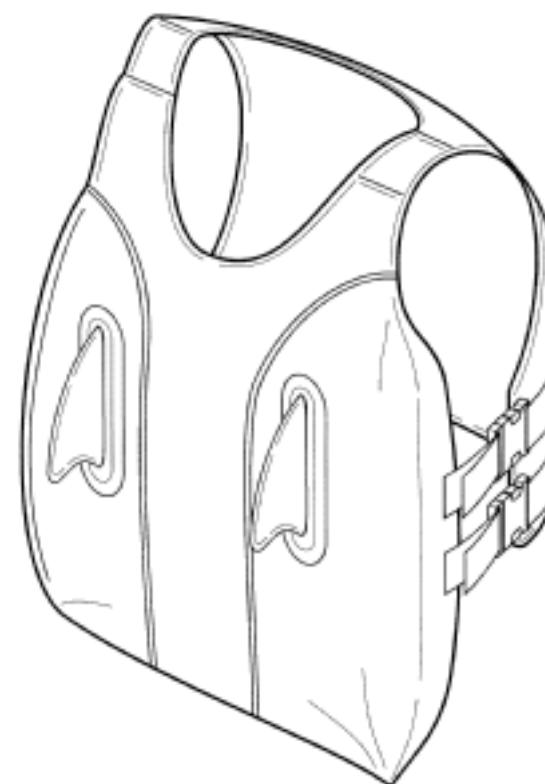
- (21) Design Number: **10840/2011**  
(22) Date of Filing Application: **28 February 2011**  
(24) Date from which industrial property rights may have effect: **28 February 2011**  
(54) Product in respect of which the design is registered: **It is a charm. The product consists of wire 1 x 6mm round bead and 3 x 4mm round beads and 2 x 10mm x 5mm drop**  
(51) International Design Classification: **11-01NES**  
(74) Name(s) of Attorney(s):  
(71) Name(s) and Address(s) of Applicant(s):  
**Amy Streeter**  
**43 Forty Road Secret Harbour Western Australia 6173 Australia**  
(72) Name(s) of Designer(s): **Amy Streeter**  
(45) Registration Date: **16 May 2011**  
(56) Related Art Documents: **Not Applicable**  
(57) Statement of Newness and Distinctiveness: **I have researched for over 2 years and have not found a beaded doodle. All currently available products in the same category are pre-moulded plastic therefore I identify my beaded doodle to be unique and distinctive. Also I have evidence pertaining to my doodle drops origin dating back to 2006.**



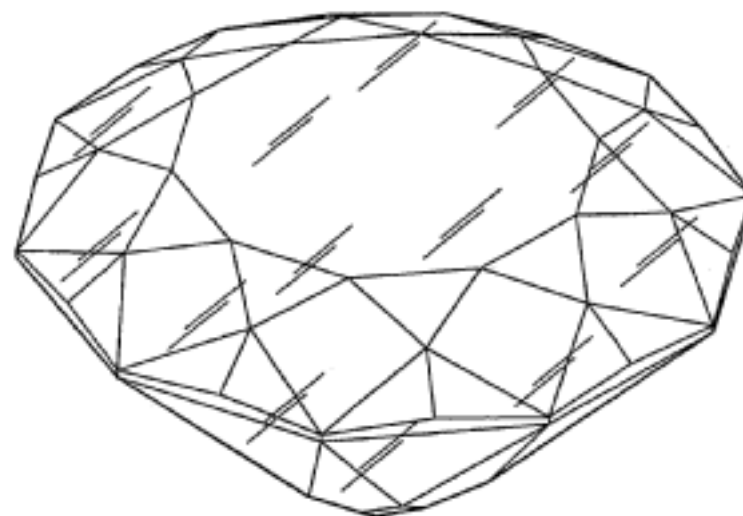
(21) Design Number: **11661/2011**  
(22) Date of Filing Application: **15 April 2011**  
(24) Date from which industrial property rights may have effect: **15 April 2011**  
(54) Product in respect of which the design is registered: **Coupler**  
(51) International Design Classification: **15-04**  
(74) Name(s) of Attorney(s): **Adams Pluck**  
(71) Name(s) and Address(s) of Applicant(s):  
**Miller International Ltd.**  
**10/8 International Commercial Centre Casemates Square Gibraltar**  
(72) Name(s) of Designer(s): **Gary Miller**  
(45) Registration Date: **16 May 2011**  
(30) Convention priority data:  
(31) Number (32) Date (33) Country  
**001241715-0002 22 Oct 2010 EUROPEAN COMMUNITY**  
(56) Related Art Documents: **Not Applicable**  
(57) Statement of Newness and Distinctiveness: **Monopoly is claimed in the features of shape and/or configuration of a coupler as illustrated in the accompanying representations; and in considering the scope of monopoly any features shown in phantom in the representations should be disregarded.**



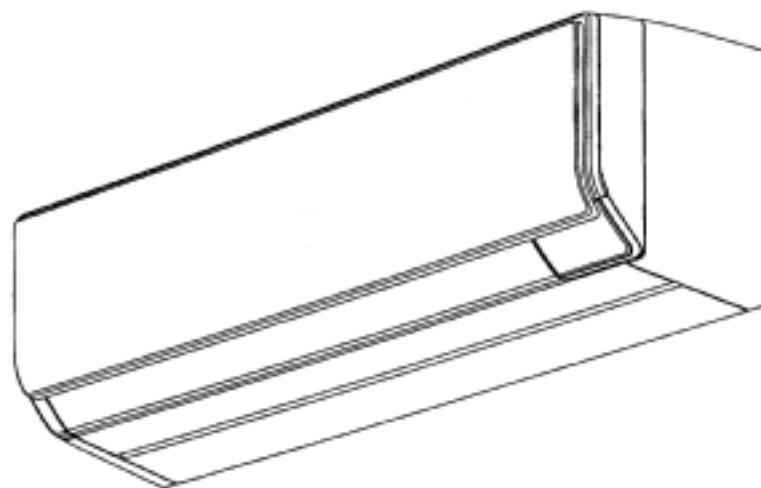
(21) Design Number: **11662/2011**  
(22) Date of Filing Application: **15 April 2011**  
(24) Date from which industrial property rights may have effect: **15 April 2011**  
(54) Product in respect of which the design is registered: **Inflatable vest**  
(51) International Design Classification: **02-02B**  
(74) Name(s) of Attorney(s):  
(71) Name(s) and Address(s) of Applicant(s):  
**Cameron John French**  
**RMB 215 Brungle Creek New South Wales 2722 Australia**  
(72) Name(s) of Designer(s): **Cameron John French**  
(45) Registration Date: **16 May 2011**  
(56) Related Art Documents: **Not Applicable**  
(57) Statement of Newness and Distinctiveness: **Nil**



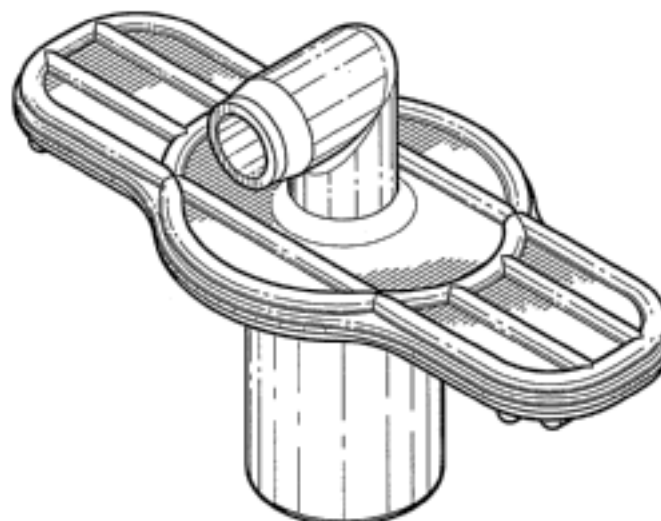
(21) Design Number: **11669/2011**  
(22) Date of Filing Application: **15 April 2011**  
(24) Date from which industrial property rights may have effect: **15 April 2011**  
(54) Product in respect of which the design is registered: **Gemstone**  
(51) International Design Classification: **11-01NES**  
(74) Name(s) of Attorney(s): **Wrays**  
(71) Name(s) and Address(s) of Applicant(s):  
**Lili Diamonds**  
**The Diamond Exchange Maccabi Building 1 Jabotinsky Street 52520**  
**Ramat Gan Israel**  
(72) Name(s) of Designer(s): **Jacob Siman-Tov and Itzhak Siman-Tov and**  
**Avraham Siman-Tov**  
(45) Registration Date: **16 May 2011**  
(56) Related Art Documents: **Not Applicable**  
(57) Statement of Newness and Distinctiveness: **Newness and distinctiveness**  
**is claimed in the shape and configuration of a gemstone as shown in the**  
**representations.**



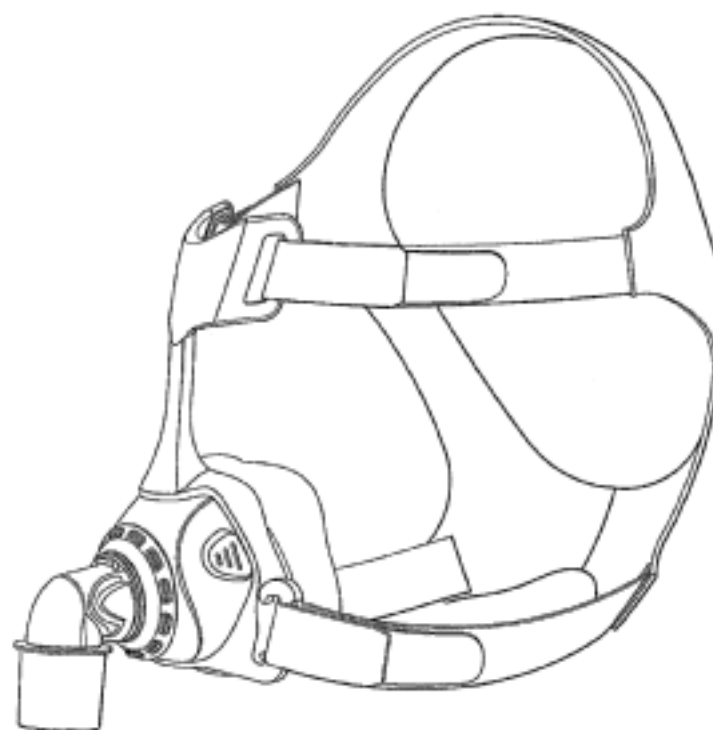
(21) Design Number: **11670/2011**  
(22) Date of Filing Application: **14 April 2011**  
(24) Date from which industrial property rights may have effect: **14 April 2011**  
(54) Product in respect of which the design is registered: **Air conditioner**  
(51) International Design Classification: **23-04**  
(74) Name(s) of Attorney(s): **SPRUSON & FERGUSON**  
(71) Name(s) and Address(s) of Applicant(s):  
**Fujitsu General Limited**  
**1116 Suenaga Takatsu-ku Kawasaki-shi Kanagawa 213-8502 Japan**  
(72) Name(s) of Designer(s): **Hajime Yamamoto**  
(45) Registration Date: **16 May 2011**  
(30) Convention priority data:  
(31) Number (32) Date (33) Country  
**D2010-025416 22 Oct 2010 JAPAN**  
(56) Related Art Documents: **Not Applicable**  
(57) Statement of Newness and Distinctiveness: **Newness and distinctiveness**  
**is claimed in the features of shape and/or configuration of an air**  
**conditioner as illustrated in continuous lines in the accompanying**  
**representations.**



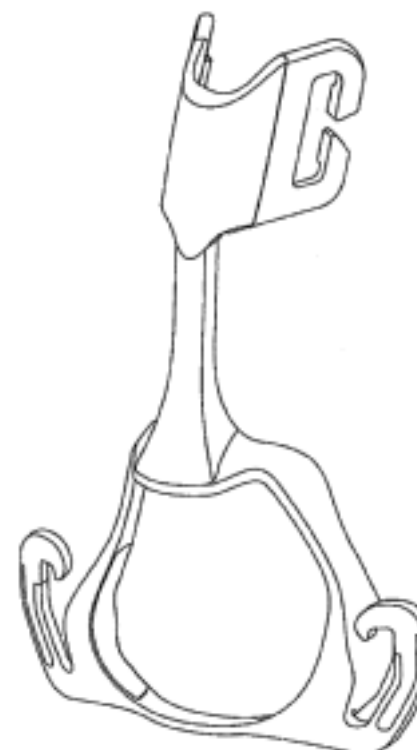
(21) Design Number: **14343/2010**  
(22) Date of Filing Application: **01 October 2010**  
(24) Date from which industrial property rights may have effect: **01 October 2010**  
(54) Product in respect of which the design is registered: **Nozzle for a fitment for dispensing liquids**  
(51) International Design Classification: **23-01NES**  
(74) Name(s) of Attorney(s): **Houlihan2**  
(71) Name(s) and Address(s) of Applicant(s):  
**LIQUI-BOX CORPORATION**  
**6950 Worthington-Galena Road PO Box 494, Worthington Ohio**  
**43085-0494 United States of America**  
(72) Name(s) of Designer(s): **James Johnson and Mike Young and Rick Woods**  
(45) Registration Date: **17 May 2011**  
(56) Related Art Documents: **Not Applicable**  
(57) Statement of Newness and Distinctiveness: **Nil**



(21) Design Number: **14936/2010**  
(22) Date of Filing Application: **15 November 2010**  
(24) Date from which industrial property rights may have effect: **15 November 2010**  
(54) Product in respect of which the design is registered: **Respiratory mask**  
(51) International Design Classification: **24-01**  
(74) Name(s) of Attorney(s): **Halfords IP**  
(71) Name(s) and Address(s) of Applicant(s):  
**ResMed Ltd**  
**1 Elizabeth Macarthur Drive Bella Vista New South Wales 2153 Australia**  
(72) Name(s) of Designer(s): **Brent James Dravitzki and Lemmy Nga and Robert Thomas Burnham and Angelene Marie Ozolins and Lachlan Richard Goldspink and Justin John Formica and Anthony Paul Barbara and Nigel Quarmby**  
(45) Registration Date: **17 May 2011**  
(30) Convention priority data:  
(31) Number (32) Date (33) Country  
**29/371008 10 Sep 2010 UNITED STATES OF AMERICA**  
(56) Related Art Documents: **Not Applicable**  
(57) Statement of Newness and Distinctiveness: **Nil**



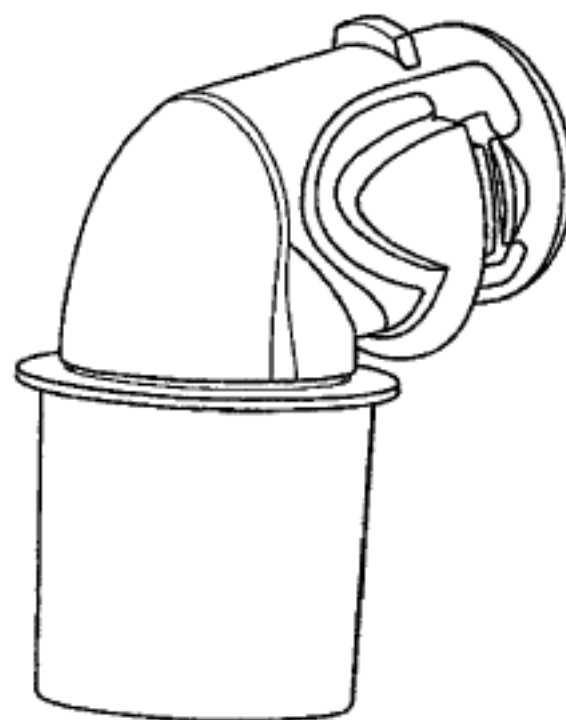
(21) Design Number: **11274/2011**  
(22) Date of Filing Application: **15 November 2010**  
(24) Date from which industrial property rights may have effect: **15 November 2010**  
(54) Product in respect of which the design is registered: **Frame for a respiratory mask**  
(51) International Design Classification: **24-01**  
(74) Name(s) of Attorney(s): **Halfords IP**  
(71) Name(s) and Address(s) of Applicant(s):  
**ResMed Ltd**  
**1 Elizabeth Macarthur Drive Bella Vista New South Wales 2153 Australia**  
(72) Name(s) of Designer(s): **Angelene Marie Ozolins and Lachlan Richard Goldspink and Brent James Dravitzki and Robert Thomas Burnham and Lemmy Nga**  
(45) Registration Date: **17 May 2011**  
(30) Convention priority data:  
(31) Number (32) Date (33) Country  
**29/371008 10 Sep 2010 UNITED STATES OF AMERICA**  
(56) Related Art Documents: **Not Applicable**  
(57) Statement of Newness and Distinctiveness: **Nil**



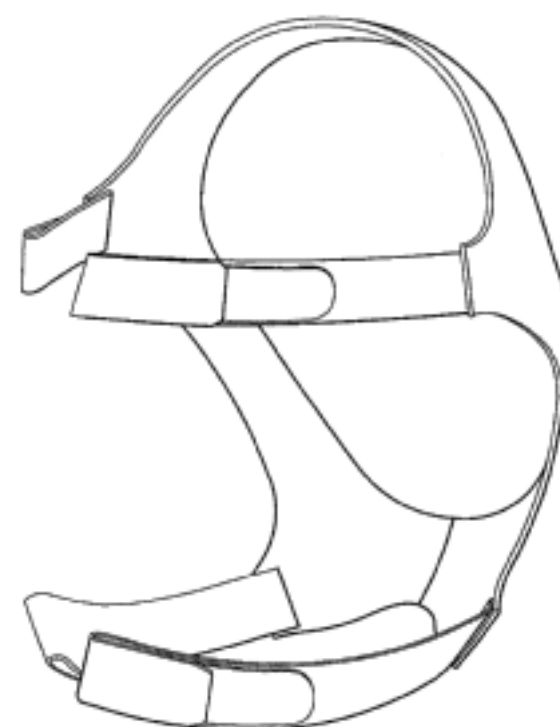
(21) Design Number: **11275/2011**  
(22) Date of Filing Application: **15 November 2010**  
(24) Date from which industrial property rights may have effect: **15 November 2010**  
(54) Product in respect of which the design is registered: **Cushion for a respiratory mask**  
(51) International Design Classification: **24-01**  
(74) Name(s) of Attorney(s): **Halfords IP**  
(71) Name(s) and Address(s) of Applicant(s):  
**ResMed Ltd**  
**1 Elizabeth Macarthur Drive Bella Vista New South Wales 2153 Australia**  
(72) Name(s) of Designer(s): **Lemmy Nga and Brent James Dravitzki and Robert Thomas Burnham**  
(45) Registration Date: **17 May 2011**  
(30) Convention priority data:  
(31) Number (32) Date (33) Country  
**29/371008 10 Sep 2010 UNITED STATES OF AMERICA**  
(56) Related Art Documents: **Not Applicable**  
(57) Statement of Newness and Distinctiveness: **Nil**



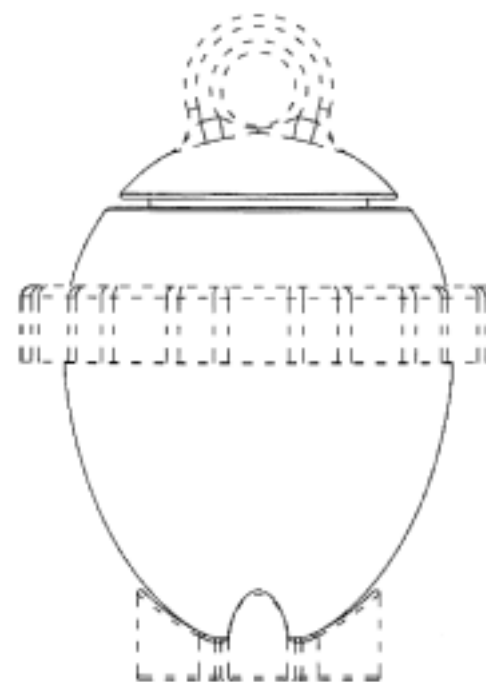
(21) Design Number: **11276/2011**  
(22) Date of Filing Application: **15 November 2010**  
(24) Date from which industrial property rights may have effect: **15 November 2010**  
(54) Product in respect of which the design is registered: **Elbow for a respiratory mask**  
(51) International Design Classification: **24-01**  
(74) Name(s) of Attorney(s): **Halfords IP**  
(71) Name(s) and Address(s) of Applicant(s):  
**ResMed Ltd**  
**1 Elizabeth Macarthur Drive Bella Vista New South Wales 2153 Australia**  
(72) Name(s) of Designer(s): **Brent James Dravitzki and Angelene Marie Ozolins and Lachlan Richard Goldspink and Robert Thomas Burnham and Lemmy Nga**  
(45) Registration Date: **17 May 2011**  
(30) Convention priority data:  
(31) Number (32) Date (33) Country  
**29/371008 10 Sep 2010 UNITED STATES OF AMERICA**  
(56) Related Art Documents: **Not Applicable**  
(57) Statement of Newness and Distinctiveness: **Nil**



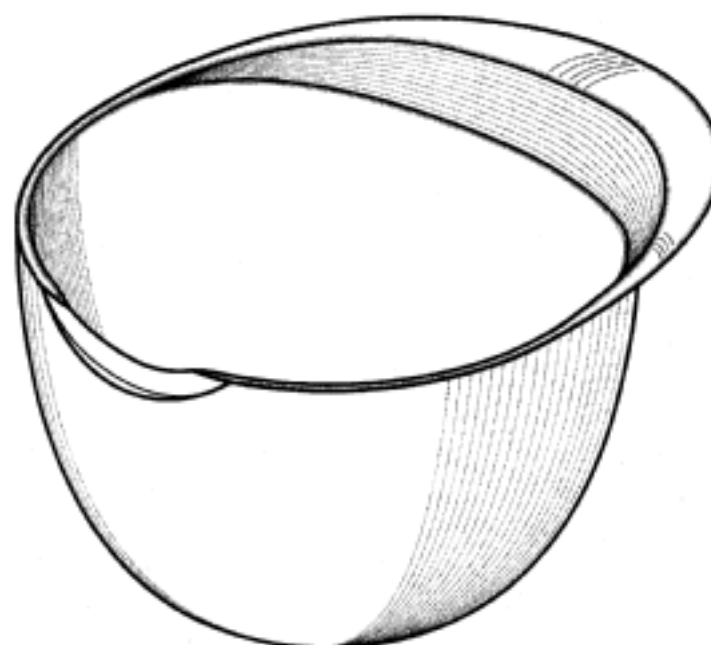
(21) Design Number: **11277/2011**  
(22) Date of Filing Application: **15 November 2010**  
(24) Date from which industrial property rights may have effect: **15 November 2010**  
(54) Product in respect of which the design is registered: **Headgear for a respiratory mask**  
(51) International Design Classification: **24-01**  
(74) Name(s) of Attorney(s): **Halfords IP**  
(71) Name(s) and Address(s) of Applicant(s):  
**ResMed Ltd**  
**1 Elizabeth Macarthur Drive Bella Vista New South Wales 2153 Australia**  
(72) Name(s) of Designer(s): **Justin John Formica and Anthony Paul Barbara**  
(45) Registration Date: **17 May 2011**  
(30) Convention priority data:  
(31) Number (32) Date (33) Country  
**29/371008 10 Sep 2010 UNITED STATES OF AMERICA**  
(56) Related Art Documents: **Not Applicable**  
(57) Statement of Newness and Distinctiveness: **Nil**



(21) Design Number: **10485/2011**  
(22) Date of Filing Application: **08 March 2011**  
(24) Date from which industrial property rights may have effect: **08 March 2011**  
(54) Product in respect of which the design is registered: **Food cooking device**  
(51) International Design Classification: **07-02M**  
(74) Name(s) of Attorney(s): **Griffith Hack**  
(71) Name(s) and Address(s) of Applicant(s):  
**Edison Nation, LLC**  
**520 Elliot Street Charlotte NC 28202 United States of America**  
(72) Name(s) of Designer(s): **Jeff Browning and Todd Stancombe and Elizabeth Ravreby Kaufman**  
(45) Registration Date: **17 May 2011**  
(30) Convention priority data:  
(31) Number (32) Date (33) Country  
**29/369535 09 Sep 2010 UNITED STATES OF AMERICA**  
(56) Related Art Documents: **Not Applicable**  
(57) Statement of Newness and Distinctiveness: **Newness and distinctiveness resides in the visual features, including shape of a FOOD COOKING DEVICE as shown in solid outline in Figures 1 and 2 in the accompanying drawings. When determining whether the design is substantially similar in overall impression to another design, no regard is to be had to those features shown in dotted outline in Figures 1 and 2 in the accompanying drawings, which features are provided for illustrative purposes only.**



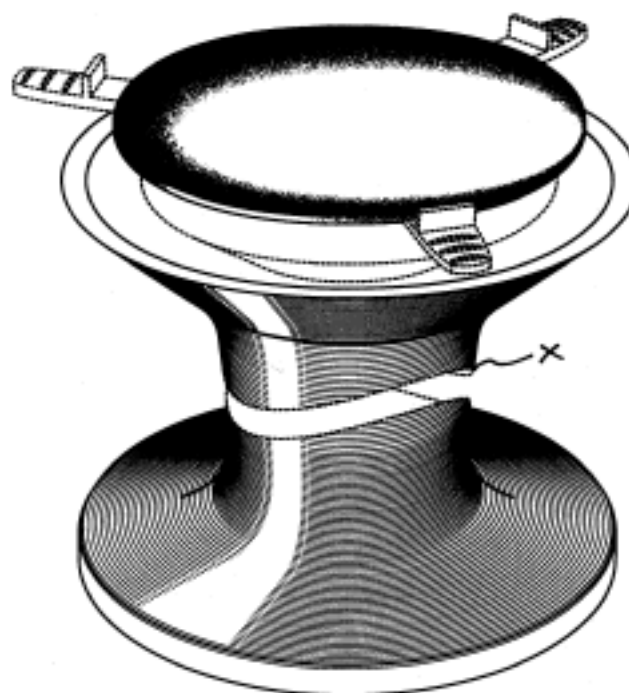
(21) Design Number: **10767/2011**  
(22) Date of Filing Application: **01 March 2011**  
(24) Date from which industrial property rights may have effect: **01 March 2011**  
(54) Product in respect of which the design is registered: **Pot with egg cracker**  
(51) International Design Classification: **07-04**  
(74) Name(s) of Attorney(s): **Davies Collison Cave**  
(71) Name(s) and Address(s) of Applicant(s):  
**Fusionbrands Inc.**  
**PO Box 100 Naples NY 14512 United States of America**  
(72) Name(s) of Designer(s): **Anna M. Stewart and Stephen Kraigh Stewart**  
(45) Registration Date: **17 May 2011**  
(56) Related Art Documents: **Not Applicable**  
(57) Statement of Newness and Distinctiveness: **Newness and distinctiveness is claimed in the visual features shown in solid lines in the representations.**



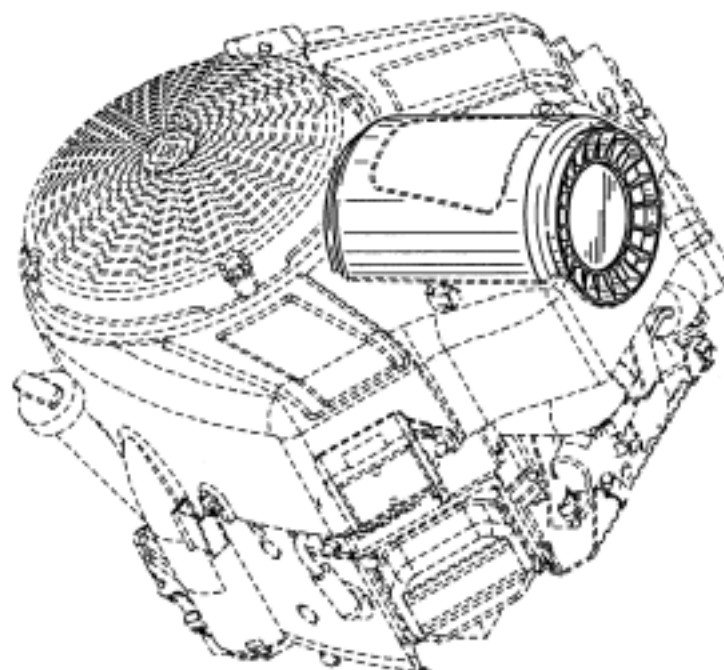
(21) Design Number: **10768/2011**  
(22) Date of Filing Application: **01 March 2011**  
(24) Date from which industrial property rights may have effect: **01 March 2011**  
(54) Product in respect of which the design is registered: **Egg cradle**  
(51) International Design Classification: **07-04, 07-01B**  
(74) Name(s) of Attorney(s): **Davies Collison Cave**  
(71) Name(s) and Address(s) of Applicant(s):  
**Fusionbrands Inc.**  
**PO Box 100 Naples NY 14512 United States of America**  
(72) Name(s) of Designer(s): **Anna M. Stewart and Stephen Kraigh Stewart**  
(45) Registration Date: **17 May 2011**  
(56) Related Art Documents: **Not Applicable**  
(57) Statement of Newness and Distinctiveness: **Nil**



(21) Design Number: **10770/2011**  
(22) Date of Filing Application: **01 March 2011**  
(24) Date from which industrial property rights may have effect: **01 March 2011**  
(54) Product in respect of which the design is registered: **Attachable pedestal**  
(51) International Design Classification: **09-99, 06-01NES**  
(74) Name(s) of Attorney(s): **Davies Collison Cave**  
(71) Name(s) and Address(s) of Applicant(s):  
**Fusionbrands Inc.**  
**PO Box 100 Naples NY 14512 United States of America**  
(72) Name(s) of Designer(s): **Anna M. Stewart and Stephen Kraigh Stewart**  
(45) Registration Date: **17 May 2011**  
(56) Related Art Documents: **Not Applicable**  
(57) Statement of Newness and Distinctiveness: **Newness and distinctiveness is claimed in the visual features shown in solid lines in the representations. The stem of the pedestal is of indefinite length.**



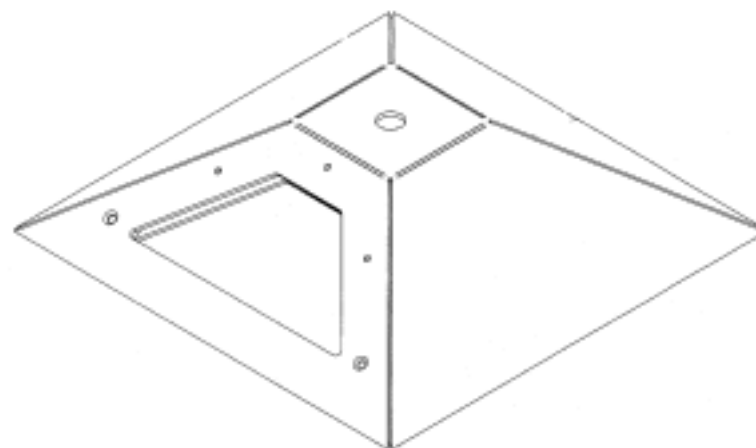
(21) Design Number: **11594/2011**  
(22) Date of Filing Application: **13 April 2011**  
(24) Date from which industrial property rights may have effect: **13 April 2011**  
(54) Product in respect of which the design is registered: **Engine**  
(51) International Design Classification: **15-01**  
(74) Name(s) of Attorney(s): **SPRUSON & FERGUSON**  
(71) Name(s) and Address(s) of Applicant(s):  
**Briggs & Stratton Corporation**  
**12301 W. Wirth Street Wauwatosa Wisconsin 53222 United States of America**  
(72) Name(s) of Designer(s): **Ryan A. Sullivan and Gary S. Johnson**  
(45) Registration Date: **17 May 2011**  
(30) Convention priority data:  
(31) Number (32) Date (33) Country  
**29/377377 20 Oct 2010 UNITED STATES OF AMERICA**  
(56) Related Art Documents: **Not Applicable**  
(57) Statement of Newness and Distinctiveness: **Newness and distinctiveness is claimed in the features of shape and/or configuration of an engine as illustrated in continuous lines in the accompanying representations.**



(21) Design Number: **11444/2011**  
(22) Date of Filing Application: **04 April 2011**  
(24) Date from which industrial property rights may have effect: **04 April 2011**  
(54) Product in respect of which the design is registered: **A motor scooter**  
(51) International Design Classification: **12-11**  
(74) Name(s) of Attorney(s): **SPRUSON & FERGUSON**  
(71) Name(s) and Address(s) of Applicant(s):  
**Honda Motor Co., Ltd.**  
**1-1 Minami-Aoyama 2-Chome Minato-ku Tokyo Japan**  
(72) Name(s) of Designer(s): **Bongkarn Sawatsutipan and Fujio Nakamura**  
(45) Registration Date: **17 May 2011**  
(30) Convention priority data:  
(31) Number (32) Date (33) Country  
**2010-023712 04 Oct 2010 JAPAN**  
(56) Related Art Documents: **Not Applicable**  
(57) Statement of Newness and Distinctiveness: **Newness and distinctiveness is claimed in the features of shape and/or configuration of a motor scooter as illustrated in the accompanying representations.**



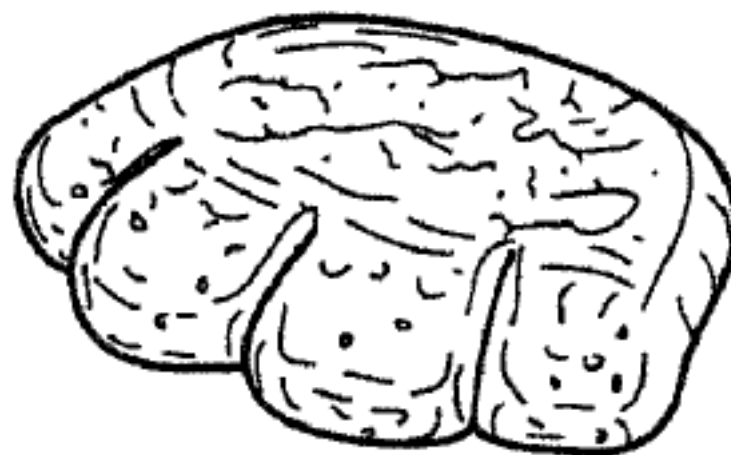
(21) Design Number: **11455/2011**  
(22) Date of Filing Application: **06 April 2011**  
(24) Date from which industrial property rights may have effect: **06 April 2011**  
(54) Product in respect of which the design is registered: **Light cover assembly**  
(51) International Design Classification: **26-05C**  
(74) Name(s) of Attorney(s):  
(71) Name(s) and Address(s) of Applicant(s):  
**Tech Engineering NSW Pty Ltd**  
**18 Technology Drive Appin New South Wales 2560 Australia**  
(72) Name(s) of Designer(s): **Chris Golding and Roger Golding and Andre Romero**  
(45) Registration Date: **17 May 2011**  
(56) Related Art Documents: **Not Applicable**  
(57) Statement of Newness and Distinctiveness: **Machined base; high impact window lens. Security fixing screws, light control switch penetration. Tamper proof.**



(21) Design Number: **11634/2011**  
(22) Date of Filing Application: **14 April 2011**  
(24) Date from which industrial property rights may have effect: **14 April 2011**  
(54) Product in respect of which the design is registered: **Baked foodstuff**  
(51) International Design Classification: **01-01**  
(74) Name(s) of Attorney(s): **Griffith Hack**  
(71) Name(s) and Address(s) of Applicant(s):  
**Kraft Foods Global Brands LLC.**  
**Three Lakes Drive Northfield IL 60093 United States of America**  
(72) Name(s) of Designer(s): **Richard Augusto Couttenye and Theodore Janulis**  
(45) Registration Date: **17 May 2011**  
(30) Convention priority data:  
(31) Number      (32) Date      (33) Country  
**29/377187      18 Oct 2010      UNITED STATES OF AMERICA**  
(56) Related Art Documents: **Not Applicable**  
(57) Statement of Newness and Distinctiveness: **Nil**



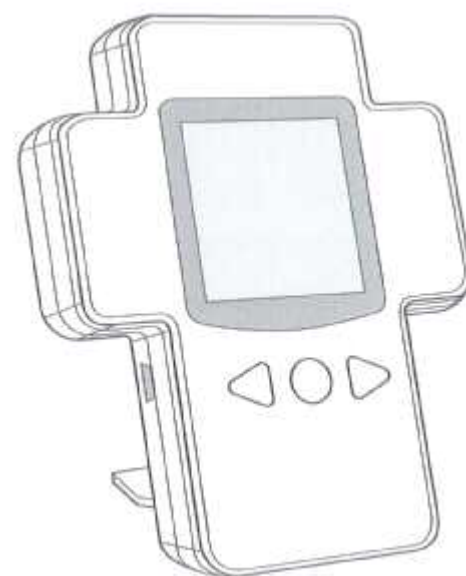
(21) Design Number: **11635/2011**  
(22) Date of Filing Application: **14 April 2011**  
(24) Date from which industrial property rights may have effect: **14 April 2011**  
(54) Product in respect of which the design is registered: **Baked foodstuff**  
(51) International Design Classification: **01-01**  
(74) Name(s) of Attorney(s): **Griffith Hack**  
(71) Name(s) and Address(s) of Applicant(s):  
**Kraft Foods Global Brands LLC.**  
**Three Lakes Drive Northfield IL 60093 United States of America**  
(72) Name(s) of Designer(s): **Richard Augusto Couttenye and Theodore Janulis**  
(45) Registration Date: **17 May 2011**  
(30) Convention priority data:  
(31) Number (32) Date (33) Country  
**29/377187 18 Oct 2010 UNITED STATES OF AMERICA**  
(56) Related Art Documents: **Not Applicable**  
(57) Statement of Newness and Distinctiveness: **Nil**



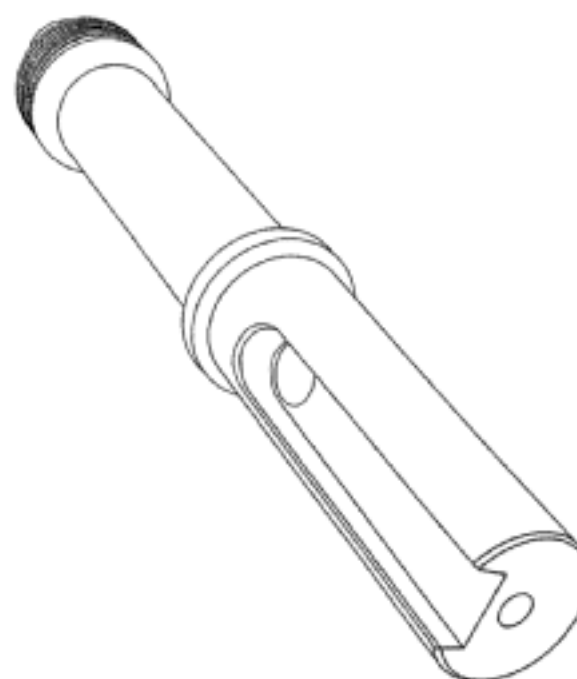
(21) Design Number: **11636/2011**  
(22) Date of Filing Application: **14 April 2011**  
(24) Date from which industrial property rights may have effect: **14 April 2011**  
(54) Product in respect of which the design is registered: **Baked foodstuff**  
(51) International Design Classification: **01-01**  
(74) Name(s) of Attorney(s): **Griffith Hack**  
(71) Name(s) and Address(s) of Applicant(s):  
**Kraft Foods Global Brands LLC.**  
**Three Lakes Drive Northfield IL 60093 United States of America**  
(72) Name(s) of Designer(s): **Richard Augusto Couttenye and Theodore Janulis**  
(45) Registration Date: **17 May 2011**  
(30) Convention priority data:  
(31) Number (32) Date (33) Country  
**29/377187 18 Oct 2010 UNITED STATES OF AMERICA**  
(56) Related Art Documents: **Not Applicable**  
(57) Statement of Newness and Distinctiveness: **Nil**



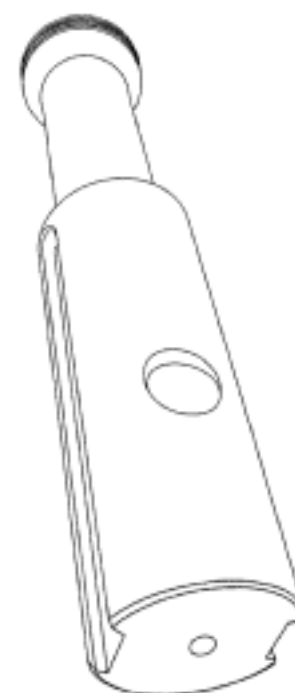
(21) Design Number: **11800/2011**  
(22) Date of Filing Application: **21 April 2011**  
(24) Date from which industrial property rights may have effect: **21 April 2011**  
(54) Product in respect of which the design is registered: **Cross shape digital photo viewer**  
(51) International Design Classification: **16-02**  
(74) Name(s) of Attorney(s):  
(71) Name(s) and Address(s) of Applicant(s):  
**Patrick Tan**  
**11 Olive Crescent Tawa Wellington 5028 New Zealand**  
(72) Name(s) of Designer(s): **Patrick Tan**  
(45) Registration Date: **17 May 2011**  
(30) Convention priority data:  
(31) Number (32) Date (33) Country  
**413965 25 Aug 2010 NEW ZEALAND**  
(56) Related Art Documents: **Not Applicable**  
(57) Statement of Newness and Distinctiveness: **The design is applied to a cross shape digital photo viewer. The novelty of the design resides in the features of shape and/or configuration as shown in the accompanying representations.**



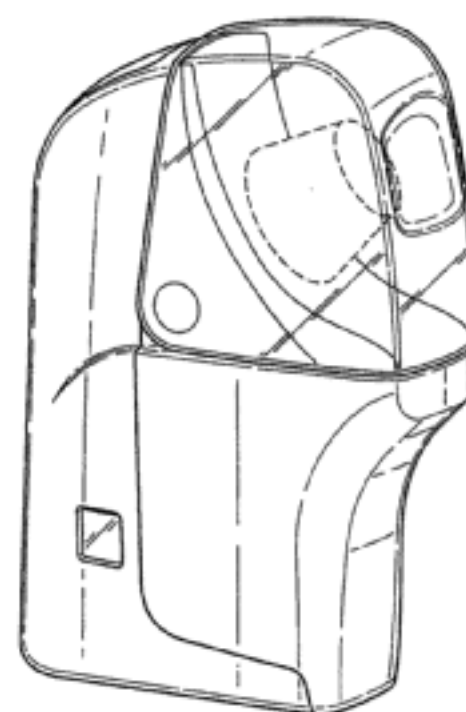
(21) Design Number: **10935/2011**  
(22) Date of Filing Application: **08 March 2011**  
(24) Date from which industrial property rights may have effect: **08 March 2011**  
(54) Product in respect of which the design is registered: **An axle**  
(51) International Design Classification: **12-16NES**  
(74) Name(s) of Attorney(s): **Halfords IP**  
(71) Name(s) and Address(s) of Applicant(s):  
**MarshN PWB Limited**  
**799 Old Coach Road RD 6 Te Puke 3186 New Zealand**  
(72) Name(s) of Designer(s): **Neville Allan Marsh**  
(45) Registration Date: **18 May 2011**  
(30) Convention priority data:  
(31) Number (32) Date (33) Country  
**414023 10 Sep 2010 NEW ZEALAND**  
(56) Related Art Documents: **Not Applicable**  
(57) Statement of Newness and Distinctiveness: **Nil**



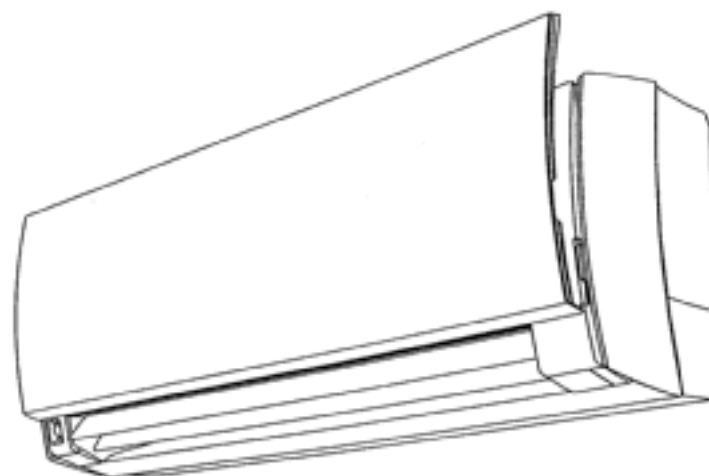
(21) Design Number: **10936/2011**  
(22) Date of Filing Application: **08 March 2011**  
(24) Date from which industrial property rights may have effect: **08 March 2011**  
(54) Product in respect of which the design is registered: **An axle**  
(51) International Design Classification: **12-16NES**  
(74) Name(s) of Attorney(s): **Halfords IP**  
(71) Name(s) and Address(s) of Applicant(s):  
**MarshN PWB Limited**  
**799 Old Coach Road RD 6 Te Puke 3186 New Zealand**  
(72) Name(s) of Designer(s): **Neville Allan Marsh**  
(45) Registration Date: **18 May 2011**  
(30) Convention priority data:  
(31) Number (32) Date (33) Country  
**414023 10 Sep 2010 NEW ZEALAND**  
(56) Related Art Documents: **Not Applicable**  
(57) Statement of Newness and Distinctiveness: **Nil**



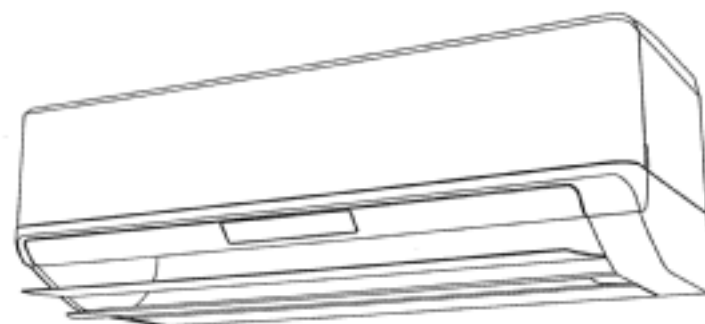
(21) Design Number: **11333/2011**  
(22) Date of Filing Application: **25 March 2011**  
(24) Date from which industrial property rights may have effect: **25 March 2011**  
(54) Product in respect of which the design is registered: **Inhaler**  
(51) International Design Classification: **24-04**  
(74) Name(s) of Attorney(s): **Davies Collison Cave**  
(71) Name(s) and Address(s) of Applicant(s):  
**Novartis AG**  
**Lichtstrasse 35 Basel 4056 Switzerland**  
(72) Name(s) of Designer(s): **John Palmer-Felgate and Steven Dudley and Shimi Barr**  
(45) Registration Date: **18 May 2011**  
(30) Convention priority data:  
(31) Number (32) Date (33) Country  
**1761586 29 Sep 2010 EUROPEAN COMMUNITY**  
(56) Related Art Documents: **Not Applicable**  
(57) Statement of Newness and Distinctiveness: **Newness and distinctiveness is claimed in the visual features shown in solid lines in the representations.**



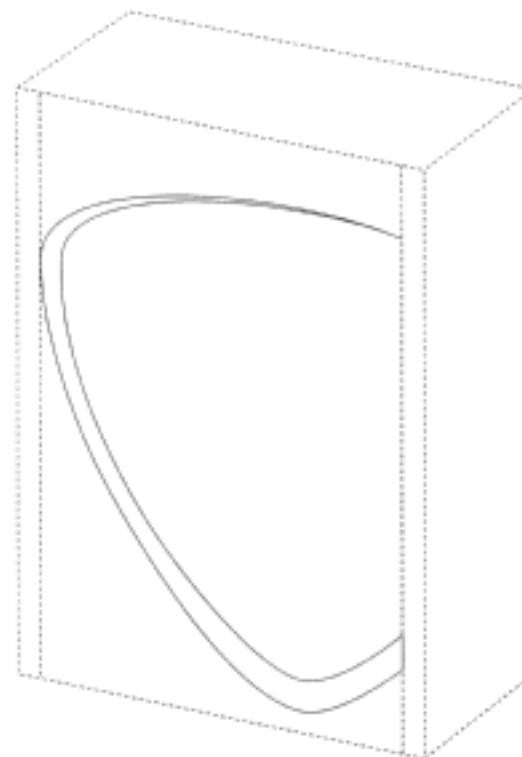
(21) Design Number: **11671/2011**  
(22) Date of Filing Application: **14 April 2011**  
(24) Date from which industrial property rights may have effect: **14 April 2011**  
(54) Product in respect of which the design is registered: **Air conditioner**  
(51) International Design Classification: **23-04**  
(74) Name(s) of Attorney(s): **SPRUSON & FERGUSON**  
(71) Name(s) and Address(s) of Applicant(s):  
**Fujitsu General Limited**  
**1116 Suenaga Takatsu-ku Kawasaki-shi Kanagawa 213-8502 Japan**  
(72) Name(s) of Designer(s): **Takayuki Kudo and Mitsuo Fujioka**  
(45) Registration Date: **18 May 2011**  
(30) Convention priority data:  
(31) Number (32) Date (33) Country  
**D2011-001655 27 Jan 2011 JAPAN**  
(56) Related Art Documents: **Not Applicable**  
(57) Statement of Newness and Distinctiveness: **Newness and distinctiveness is claimed in the features of shape and/or configuration of an air conditioner as illustrated in continuous lines in the accompanying representations.**



(21) Design Number: **11672/2011**  
(22) Date of Filing Application: **14 April 2011**  
(24) Date from which industrial property rights may have effect: **14 April 2011**  
(54) Product in respect of which the design is registered: **Air conditioner**  
(51) International Design Classification: **23-04**  
(74) Name(s) of Attorney(s): **SPRUSON & FERGUSON**  
(71) Name(s) and Address(s) of Applicant(s):  
**Fujitsu General Limited**  
**1116 Suenaga Takatsu-ku Kawasaki-shi Kanagawa 213-8502 Japan**  
(72) Name(s) of Designer(s): **Shintaro Ueno**  
(45) Registration Date: **18 May 2011**  
(30) Convention priority data:  
(31) Number (32) Date (33) Country  
**D2010-024976 19 Oct 2010 JAPAN**  
(56) Related Art Documents: **Not Applicable**  
(57) Statement of Newness and Distinctiveness: **Newness and distinctiveness is claimed in the features of shape and/or configuration of an air conditioner as illustrated in continuous lines in the accompanying representations.**



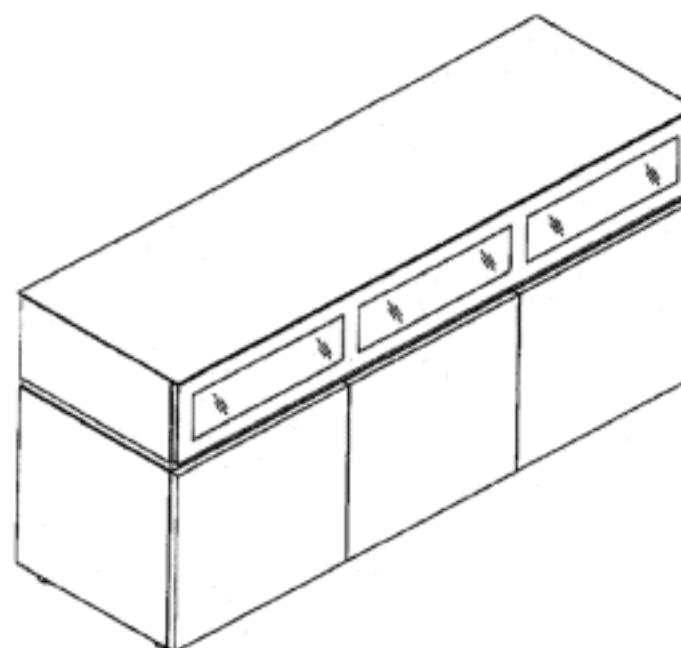
(21) Design Number: **11676/2011**  
(22) Date of Filing Application: **15 April 2011**  
(24) Date from which industrial property rights may have effect: **15 April 2011**  
(54) Product in respect of which the design is registered: **Packaging container with surface ornamentation**  
(51) International Design Classification: **09-03M**  
(74) Name(s) of Attorney(s): **PHILLIPS ORMONDE FITZPATRICK**  
(71) Name(s) and Address(s) of Applicant(s):  
**The Procter & Gamble Company**  
**One Procter & Gamble Plaza Cincinnati Ohio 45202 United States of America**  
(72) Name(s) of Designer(s): **Cesare Palmieri and Sarah Jayne Bell**  
(45) Registration Date: **18 May 2011**  
(30) Convention priority data:  
(31) Number (32) Date (33) Country  
**29/377,125 18 Oct 2010 UNITED STATES OF AMERICA**  
(56) Related Art Documents: **Not Applicable**  
(57) Statement of Newness and Distinctiveness: **Newness and distinctiveness resides in the ornamentation of the packaging container with surface ornamentation as shown in the accompanying representations. The features shown in broken lines are not part of the design and are to be disregarded when considering the overall impression of the design.**



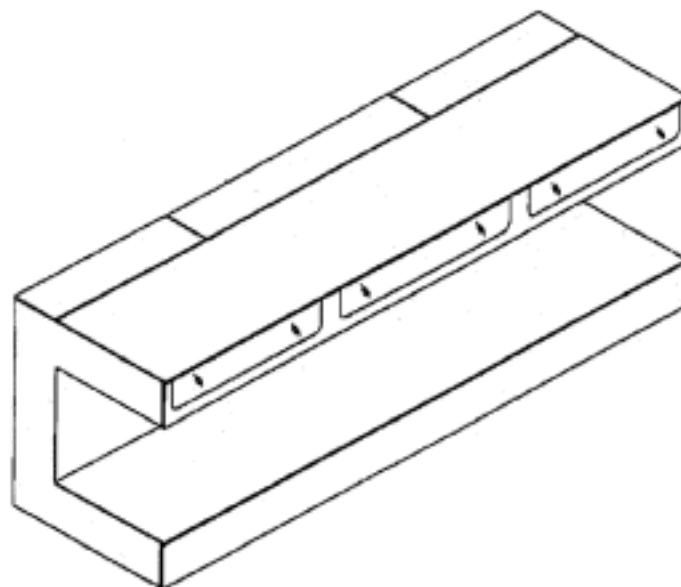
(21) Design Number: **11967/2011**  
(22) Date of Filing Application: **05 May 2011**  
(24) Date from which industrial property rights may have effect: **05 May 2011**  
(54) Product in respect of which the design is registered: **A surround for Automatic Teller Machine**  
(51) International Design Classification: **20-01**  
(74) Name(s) of Attorney(s):  
(71) Name(s) and Address(s) of Applicant(s):  
**Pragma Design Pty Ltd**  
**19/35 Dunlop Road Mulgrave Victoria 3170 Australia**  
(72) Name(s) of Designer(s): **Angelo Alateras**  
(45) Registration Date: **18 May 2011**  
(56) Related Art Documents: **Not Applicable**  
(57) Statement of Newness and Distinctiveness: **Newness and distinctiveness is claimed in the features of the shape and configuration of the surround.**



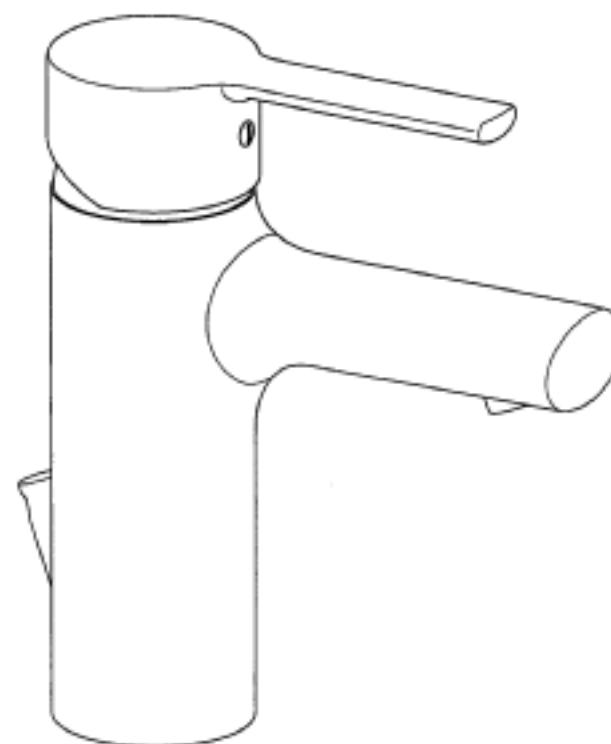
- (21) Design Number: **11999/2011**  
(22) Date of Filing Application: **06 May 2011**  
(24) Date from which industrial property rights may have effect: **06 May 2011**  
(54) Product in respect of which the design is registered: **Entertainment unit**  
(51) International Design Classification: **06-04NES**  
(74) Name(s) of Attorney(s):  
(71) Name(s) and Address(s) of Applicant(s):  
    **Criterion Group Limited**  
    **2 Secombe Place Moorebank Sydney New South Wales 2170 Australia**  
(72) Name(s) of Designer(s): **Paul Freestone**  
(45) Registration Date: **18 May 2011**  
(56) Related Art Documents: **Not Applicable**  
(57) Statement of Newness and Distinctiveness: **The novelty of the design resides in the features of shape and configuration of the Entertainment Unit as shown in the accompanying representations.**



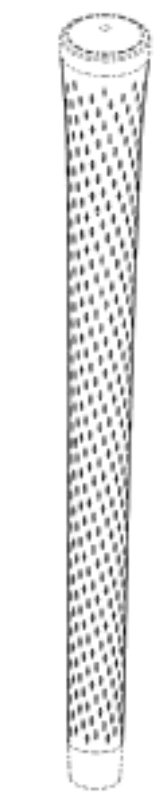
- (21) Design Number: **12011/2011**  
(22) Date of Filing Application: **06 May 2011**  
(24) Date from which industrial property rights may have effect: **06 May 2011**  
(54) Product in respect of which the design is registered: **Entertainment unit**  
(51) International Design Classification: **06-04NES**  
(74) Name(s) of Attorney(s):  
(71) Name(s) and Address(s) of Applicant(s):  
    **Criterion Group Limited**  
    **2 Secombe Place Moorebank Sydney New South Wales 2170 Australia**  
(72) Name(s) of Designer(s): **Paul Freestone**  
(45) Registration Date: **18 May 2011**  
(56) Related Art Documents: **Not Applicable**  
(57) Statement of Newness and Distinctiveness: **The novelty of the design resides in the features of shape and configuration of the Entertainment Unit as shown in the accompanying representations.**



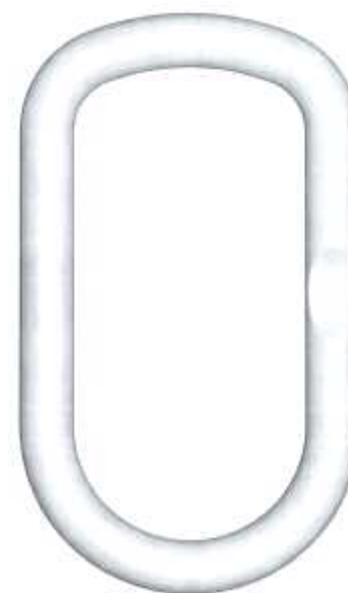
(21) Design Number: **11180/2011**  
(22) Date of Filing Application: **21 March 2011**  
(24) Date from which industrial property rights may have effect: **21 March 2011**  
(54) Product in respect of which the design is registered: **Mixing tap**  
(51) International Design Classification: **23-01H**  
(74) Name(s) of Attorney(s): **Davies Collison Cave**  
(71) Name(s) and Address(s) of Applicant(s):  
**Hansa Metallwerke AG**  
**Sigmaringer Str. 107 D-70567 Stuttgart Germany**  
(72) Name(s) of Designer(s): **Michael Zeisel and Michael Lammel**  
(45) Registration Date: **18 May 2011**  
(30) Convention priority data:  
(31) Number (32) Date (33) Country  
**001763434-001 05 Oct 2010 EUROPEAN COMMUNITY**  
(56) Related Art Documents: **Not Applicable**  
(57) Statement of Newness and Distinctiveness: **Nil**



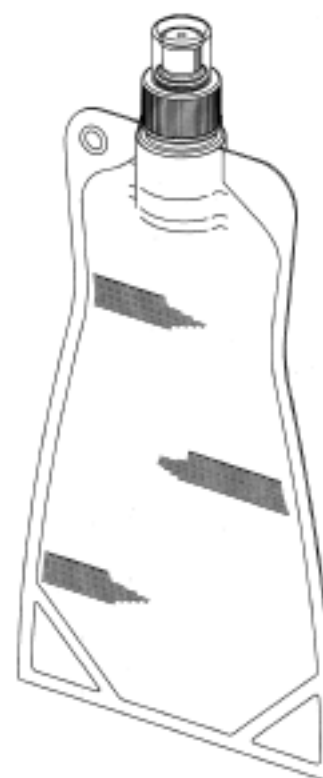
(21) Design Number: **11692/2011**  
(22) Date of Filing Application: **18 April 2011**  
(24) Date from which industrial property rights may have effect: **18 April 2011**  
(54) Product in respect of which the design is registered: **Golf grip**  
(51) International Design Classification: **21-02C**  
(74) Name(s) of Attorney(s): **FB Rice**  
(71) Name(s) and Address(s) of Applicant(s):  
**Eaton Corporation**  
**Eaton Center 1111 Superior Avenue Cleveland Ohio 44114-2584 United States of America**  
(72) Name(s) of Designer(s): **David Keith Gill and Donald Lawrence Murdock**  
(45) Registration Date: **18 May 2011**  
(30) Convention priority data:  
(31) Number (32) Date (33) Country  
**29/377230 19 Oct 2010 UNITED STATES OF AMERICA**  
(56) Related Art Documents: **Not Applicable**  
(57) Statement of Newness and Distinctiveness: **Newness and distinctiveness reside in the features of the design as shown in the representations.**



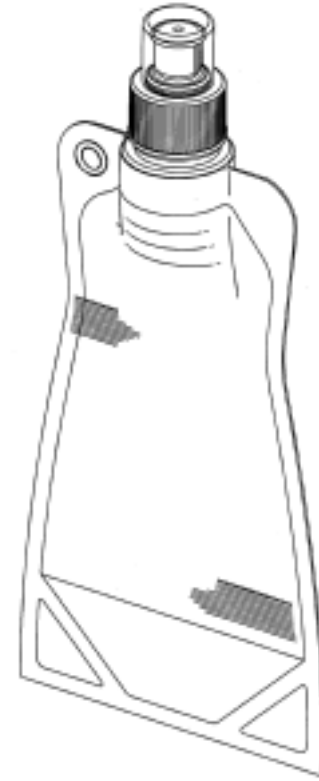
- (21) Design Number: **11693/2011**  
(22) Date of Filing Application: **18 April 2011**  
(24) Date from which industrial property rights may have effect: **18 April 2011**  
(54) Product in respect of which the design is registered: **Master link for a lifting sling**  
(51) International Design Classification: **12-05**  
(74) Name(s) of Attorney(s): **SPRUSON & FERGUSON**  
(71) Name(s) and Address(s) of Applicant(s):  
**Gunnebo Industrier AB**  
**SE-590 93 Gunnebo Sweden**  
(72) Name(s) of Designer(s): **Andreas Gustafsson**  
(45) Registration Date: **18 May 2011**  
(30) Convention priority data:  
(31) Number (32) Date (33) Country  
**001778853-0001 09 Nov 2010 EUROPEAN COMMUNITY**  
(56) Related Art Documents: **Not Applicable**  
(57) Statement of Newness and Distinctiveness: **Newness and distinctiveness is claimed in the following features of shape and/or configuration of a master link for a lifting sling as illustrated in the accompanying representations: a. the flattened arch form of the top section of the master link b. the semi torus form of the bottom section of the master link.**



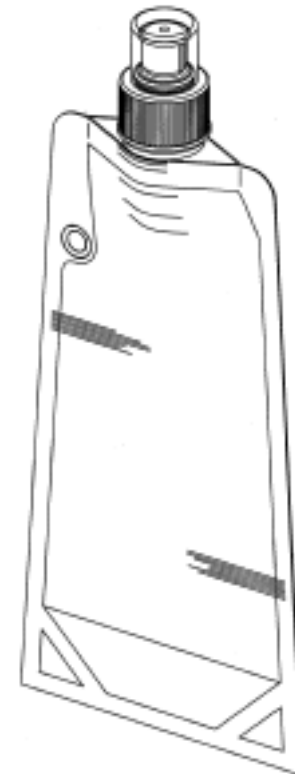
- (21) Design Number: **11694/2011**  
(22) Date of Filing Application: **19 April 2011**  
(24) Date from which industrial property rights may have effect: **19 April 2011**  
(54) Product in respect of which the design is registered: **Bottle**  
(51) International Design Classification: **09-05**  
(74) Name(s) of Attorney(s):  
(71) Name(s) and Address(s) of Applicant(s):  
**Quintom Project Pty Ltd**  
**26 Crown Street Woolloomooloo New South Wales 2011 Australia**  
(72) Name(s) of Designer(s): **Rocco Vincenzo Panetta**  
(45) Registration Date: **18 May 2011**  
(56) Related Art Documents: **Not Applicable**  
(57) Statement of Newness and Distinctiveness: **Nil**



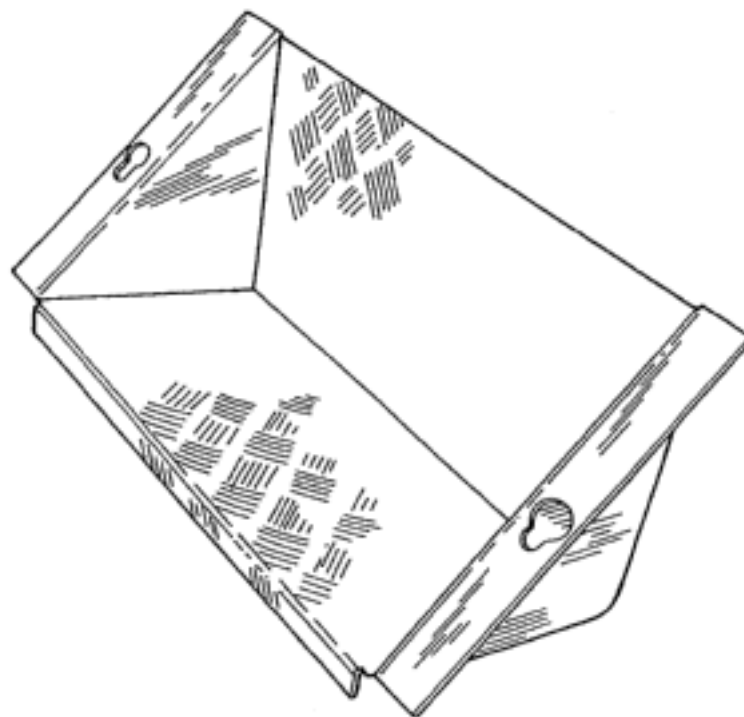
- (21) Design Number: **11695/2011**  
(22) Date of Filing Application: **19 April 2011**  
(24) Date from which industrial property rights may have effect: **19 April 2011**  
(54) Product in respect of which the design is registered: **Bottle**  
(51) International Design Classification: **09-05**  
(74) Name(s) of Attorney(s):  
(71) Name(s) and Address(s) of Applicant(s):  
    **Quintom Project Pty Ltd**  
    **26 Crown Street Woolloomooloo New South Wales 2011 Australia**  
(72) Name(s) of Designer(s): **Rocco Vincenzo Panetta**  
(45) Registration Date: **18 May 2011**  
(56) Related Art Documents: **Not Applicable**  
(57) Statement of Newness and Distinctiveness: **Nil**



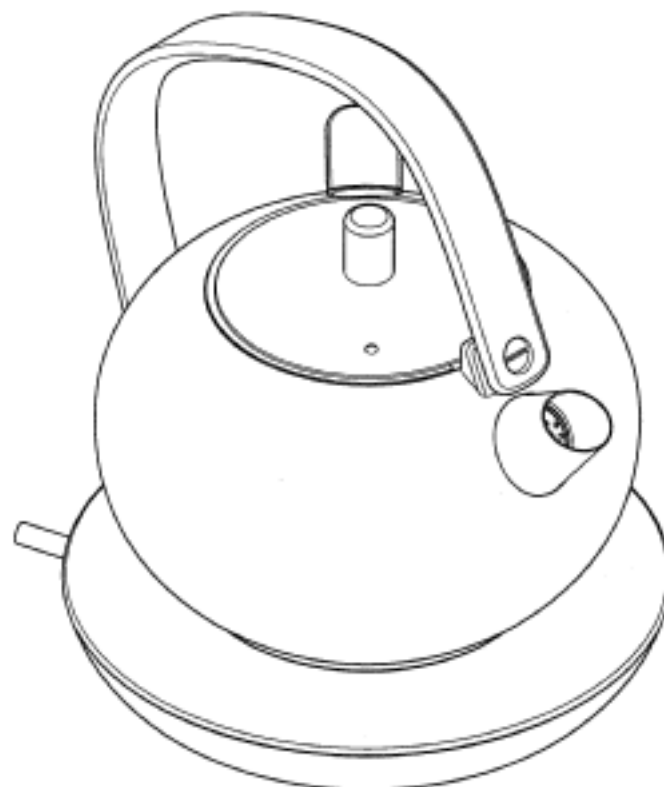
- (21) Design Number: **11696/2011**  
(22) Date of Filing Application: **19 April 2011**  
(24) Date from which industrial property rights may have effect: **19 April 2011**  
(54) Product in respect of which the design is registered: **Bottle**  
(51) International Design Classification: **09-05**  
(74) Name(s) of Attorney(s):  
(71) Name(s) and Address(s) of Applicant(s):  
    **Quintom Project Pty Ltd**  
    **26 Crown Street Woolloomooloo New South Wales 2011 Australia**  
(72) Name(s) of Designer(s): **Rocco Vincenzo Panetta**  
(45) Registration Date: **18 May 2011**  
(56) Related Art Documents: **Not Applicable**  
(57) Statement of Newness and Distinctiveness: **Nil**



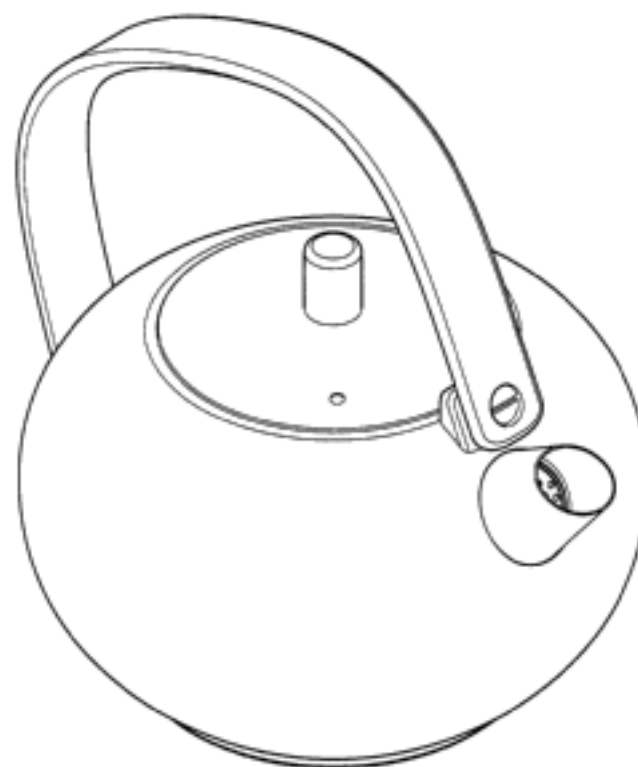
- (21) Design Number: **11698/2011**  
(22) Date of Filing Application: **19 April 2011**  
(24) Date from which industrial property rights may have effect: **19 April 2011**  
(54) Product in respect of which the design is registered: **A step member**  
(51) International Design Classification: **25-04**  
(74) Name(s) of Attorney(s): **IP Gateway Patent & Trademark Attorneys**  
(71) Name(s) and Address(s) of Applicant(s):  
**Star Industrial Products Pty Ltd**  
**230 Lytton Road Morningside Queensland 4170 Australia**  
(72) Name(s) of Designer(s): **Christopher James Smith**  
(45) Registration Date: **18 May 2011**  
(56) Related Art Documents: **Not Applicable**  
(57) Statement of Newness and Distinctiveness: **The newness and distinctiveness of the design resides in the visual features of shape and/or configuration of a step member as shown in the accompanying representations.**



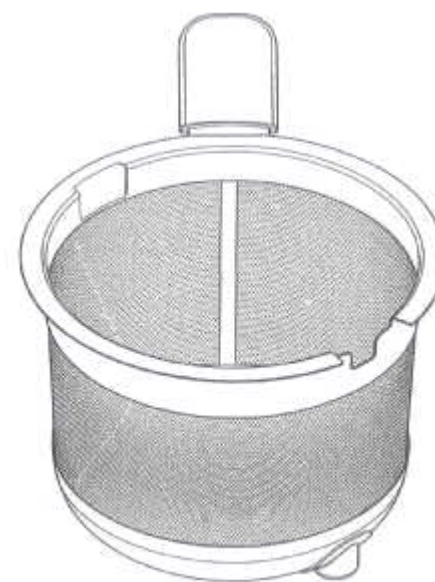
- (21) Design Number: **11723/2011**  
(22) Date of Filing Application: **19 April 2011**  
(24) Date from which industrial property rights may have effect: **19 April 2011**  
(54) Product in respect of which the design is registered: **Tea maker**  
(51) International Design Classification: **07-02K, 07-01G**  
(74) Name(s) of Attorney(s): **FB Rice**  
(71) Name(s) and Address(s) of Applicant(s):  
**Koninklijke Philips Electronics N.V.**  
**Groenewoudseweg 1 5621 BA Eindhoven The Netherlands**  
(72) Name(s) of Designer(s): **Nicole Louisa de Klein**  
(45) Registration Date: **18 May 2011**  
(30) Convention priority data:  
(31) Number      (32) Date      (33) Country  
**001771007-0001    20 Oct 2010      EUROPEAN COMMUNITY**  
(56) Related Art Documents: **Not Applicable**  
(57) Statement of Newness and Distinctiveness: **Newness and distinctiveness reside in the features of shape and configuration of the design as shown in the representations.**



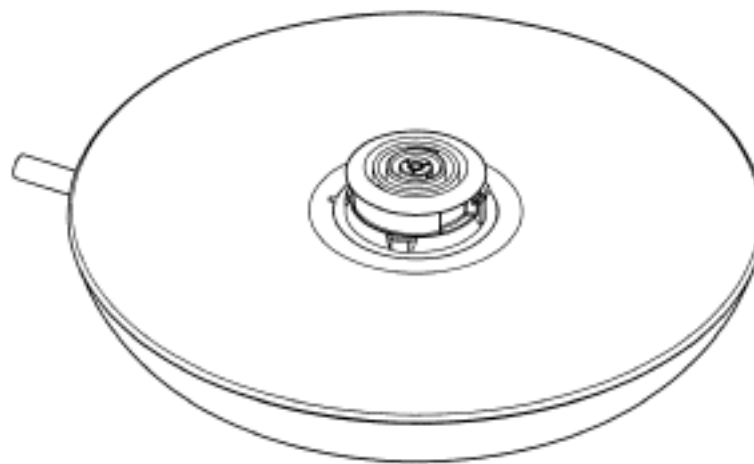
(21) Design Number: **11724/2011**  
(22) Date of Filing Application: **19 April 2011**  
(24) Date from which industrial property rights may have effect: **19 April 2011**  
(54) Product in respect of which the design is registered: **Kettle for tea maker**  
(51) International Design Classification: **07-01G**  
(74) Name(s) of Attorney(s): **FB Rice**  
(71) Name(s) and Address(s) of Applicant(s):  
**Koninklijke Philips Electronics N.V.**  
**Groenewoudseweg 1 5621 BA Eindhoven The Netherlands**  
(72) Name(s) of Designer(s): **Nicole Louisa de Klein**  
(45) Registration Date: **18 May 2011**  
(30) Convention priority data:  
(31) Number (32) Date (33) Country  
**001771007-0002 20 Oct 2010 EUROPEAN COMMUNITY**  
(56) Related Art Documents: **Not Applicable**  
(57) Statement of Newness and Distinctiveness: **Newness and distinctiveness reside in the features of shape and configuration of the design as shown in the representations.**



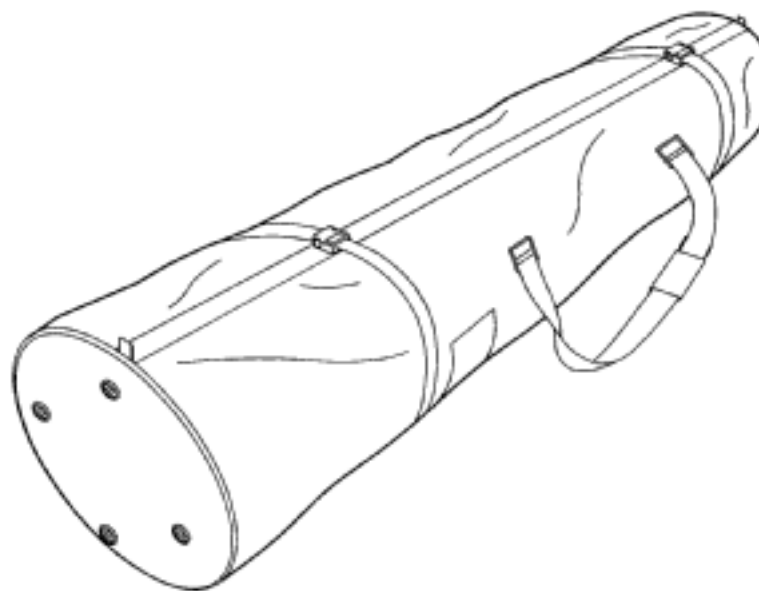
(21) Design Number: **11725/2011**  
(22) Date of Filing Application: **19 April 2011**  
(24) Date from which industrial property rights may have effect: **19 April 2011**  
(54) Product in respect of which the design is registered: **Filter for tea maker**  
(51) International Design Classification: **07-01G**  
(74) Name(s) of Attorney(s): **FB Rice**  
(71) Name(s) and Address(s) of Applicant(s):  
**Koninklijke Philips Electronics N.V.**  
**Groenewoudseweg 1 5621 BA Eindhoven The Netherlands**  
(72) Name(s) of Designer(s): **Nicole Louisa de Klein**  
(45) Registration Date: **18 May 2011**  
(30) Convention priority data:  
(31) Number (32) Date (33) Country  
**001771007-0003 20 Oct 2010 EUROPEAN COMMUNITY**  
(56) Related Art Documents: **Not Applicable**  
(57) Statement of Newness and Distinctiveness: **Newness and distinctiveness reside in the features of shape and configuration of the design as shown in the representations.**



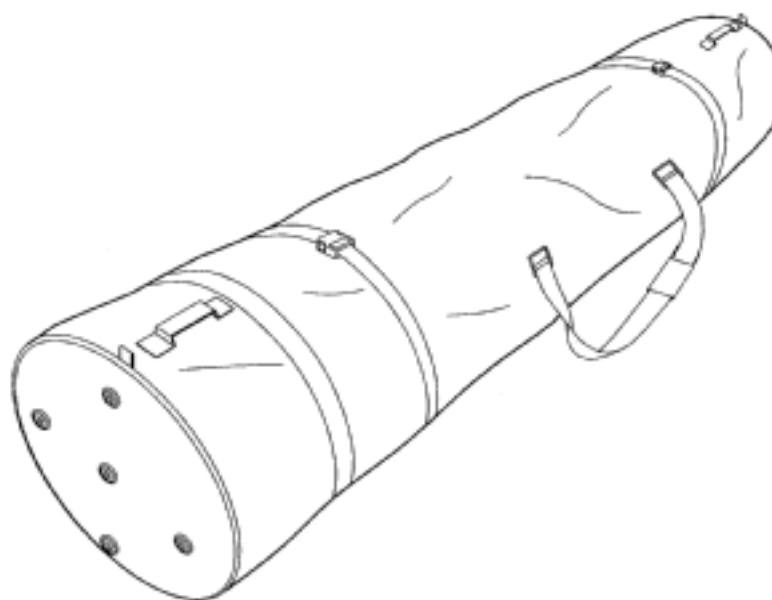
(21) Design Number: **11726/2011**  
(22) Date of Filing Application: **19 April 2011**  
(24) Date from which industrial property rights may have effect: **19 April 2011**  
(54) Product in respect of which the design is registered: **Base unit for tea maker**  
(51) International Design Classification: **07-02L**  
(74) Name(s) of Attorney(s): **FB Rice**  
(71) Name(s) and Address(s) of Applicant(s):  
**Koninklijke Philips Electronics N.V.**  
**Groenewoudseweg 1 5621 BA Eindhoven The Netherlands**  
(72) Name(s) of Designer(s): **Nicole Louisa de Klein**  
(45) Registration Date: **18 May 2011**  
(30) Convention priority data:  
(31) Number (32) Date (33) Country  
**001771007-0004 20 Oct 2010 EUROPEAN COMMUNITY**  
(56) Related Art Documents: **Not Applicable**  
(57) Statement of Newness and Distinctiveness: **Newness and distinctiveness reside in the features of shape and configuration of the design as shown in the representations.**



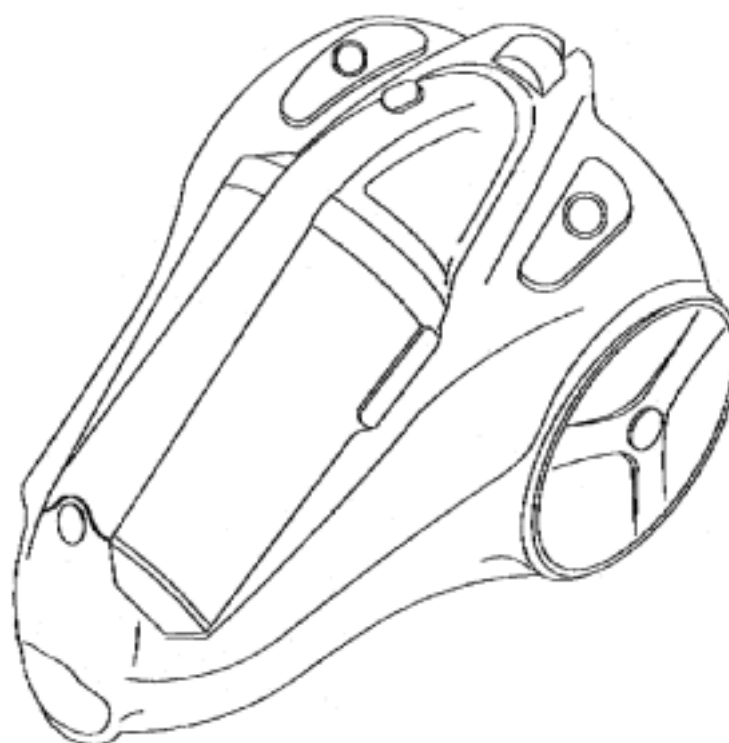
(21) Design Number: **11727/2011**  
(22) Date of Filing Application: **19 April 2011**  
(24) Date from which industrial property rights may have effect: **19 April 2011**  
(54) Product in respect of which the design is registered: **A storage bag for rugs**  
(51) International Design Classification: **03-01NES**  
(74) Name(s) of Attorney(s): **PETER MAXWELL & ASSOCIATES**  
(71) Name(s) and Address(s) of Applicant(s):  
**Rug Cleaning King Pty Ltd**  
**4 Miowera Avenue Blakehurst New South Wales 2221 Australia**  
(72) Name(s) of Designer(s): **Jamal Kourouche**  
(45) Registration Date: **18 May 2011**  
(56) Related Art Documents: **Not Applicable**  
(57) Statement of Newness and Distinctiveness: **Newness and distinctiveness is claimed in the shape and/or configuration of a storage bag for rugs as illustrated by the unbroken lines in the accompanying representations.**



- (21) Design Number: **11728/2011**  
(22) Date of Filing Application: **19 April 2011**  
(24) Date from which industrial property rights may have effect: **19 April 2011**  
(54) Product in respect of which the design is registered: **A storage bag for rugs**  
(51) International Design Classification: **03-01NES**  
(74) Name(s) of Attorney(s): **PETER MAXWELL & ASSOCIATES**  
(71) Name(s) and Address(s) of Applicant(s):  
**Rug Cleaning King Pty Ltd**  
**4 Miowera Avenue Blakehurst New South Wales 2221 Australia**  
(72) Name(s) of Designer(s): **Jamal Kourouche**  
(45) Registration Date: **18 May 2011**  
(56) Related Art Documents: **Not Applicable**  
(57) Statement of Newness and Distinctiveness: **Newness and distinctiveness is claimed in the shape and/or configuration of a storage bag for rugs as illustrated by the unbroken lines in the accompanying representations.**



- (21) Design Number: **10226/2011**  
(22) Date of Filing Application: **28 January 2011**  
(24) Date from which industrial property rights may have effect: **28 January 2011**  
(54) Product in respect of which the design is registered: **Vacuum cleaner**  
(51) International Design Classification: **15-05**  
(74) Name(s) of Attorney(s): **A Tatlock & Associates**  
(71) Name(s) and Address(s) of Applicant(s):  
**Hoover Limited**  
**Pentrebach Merthyr Tydfil Mid Glamorgan CF48 4TU United Kingdom**  
(72) Name(s) of Designer(s): **Andrew Grant and Tina Zheng and Klaus Florino**  
(45) Registration Date: **18 May 2011**  
(30) Convention priority data:  
(31) Number      (32) Date      (33) Country  
**001740754-0006    05 Aug 2010      EUROPEAN COMMUNITY**  
(56) Related Art Documents: **Not Applicable**  
(57) Statement of Newness and Distinctiveness: **Nil**



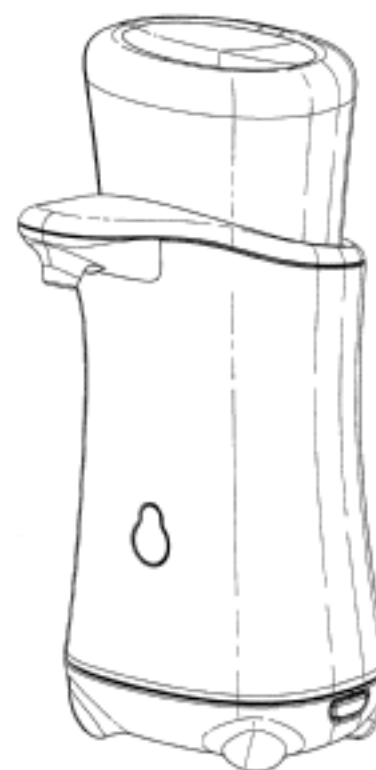
(21) Design Number: **11755/2011**  
(22) Date of Filing Application: **20 April 2011**  
(24) Date from which industrial property rights may have effect: **20 April 2011**  
(54) Product in respect of which the design is registered: **Chair**  
(51) International Design Classification: **06-01F**  
(74) Name(s) of Attorney(s): **Griffith Hack**  
(71) Name(s) and Address(s) of Applicant(s):  
**Sitland S.P.A.**  
**Via Ca' Silvestre 32 Nanto 36024 Italy**  
(72) Name(s) of Designer(s): **Fiorenzo Dorigo**  
(45) Registration Date: **19 May 2011**  
(30) Convention priority data:  
(31) Number (32) Date (33) Country  
**1791492-0001 09 Dec 2010 EUROPEAN COMMUNITY**  
(56) Related Art Documents: **Not Applicable**  
(57) Statement of Newness and Distinctiveness: **The shape and configuration of the chair shown in the accompanying representations is new and distinctive.**



(21) Design Number: **11756/2011**  
(22) Date of Filing Application: **20 April 2011**  
(24) Date from which industrial property rights may have effect: **20 April 2011**  
(54) Product in respect of which the design is registered: **Dispenser**  
(51) International Design Classification: **09-01NES, 23-02A**  
(74) Name(s) of Attorney(s): **Madderns**  
(71) Name(s) and Address(s) of Applicant(s):  
**Reckitt Benckiser LLC**  
**Morris Corporate Centre IV 399 Interpace Parkway Parsippany 07054**  
**New Jersey United States of America**  
(72) Name(s) of Designer(s): **Mark Fernandes and Peter Kay and Andrew Mitchell and Stephanie Anne Marije Verschoor**  
(45) Registration Date: **19 May 2011**  
(30) Convention priority data:  
(31) Number (32) Date (33) Country  
**001772898-0001 26 Oct 2010 EUROPEAN COMMUNITY**  
(56) Related Art Documents: **Not Applicable**  
(57) Statement of Newness and Distinctiveness: **Newness and distinctiveness resides in the shape and configuration of a dispenser as shown in the accompanying representations.**



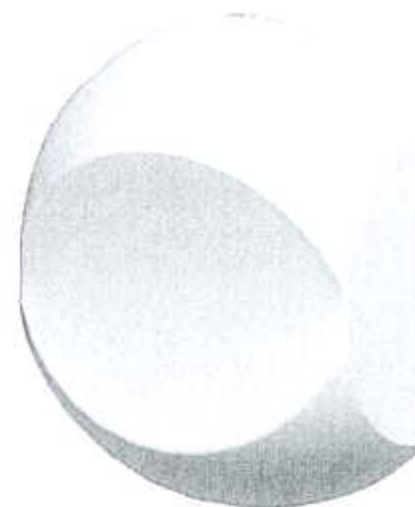
- (21) Design Number: **11757/2011**  
(22) Date of Filing Application: **20 April 2011**  
(24) Date from which industrial property rights may have effect: **20 April 2011**  
(54) Product in respect of which the design is registered: **Dispenser and refill**  
(51) International Design Classification: **09-01NES, 23-02A**  
(74) Name(s) of Attorney(s): **Madderns**  
(71) Name(s) and Address(s) of Applicant(s):  
**Reckitt Benckiser LLC**  
**Morris Corporate Centre IV 399 Interpace Parkway Parsippany 07054**  
**New Jersey United States of America**  
(72) Name(s) of Designer(s): **Mark Fernandes and Peter Kay and Andrew Mitchell and Stephanie Anne Marije Verschoor**  
(45) Registration Date: **19 May 2011**  
(30) Convention priority data:  
(31) Number (32) Date (33) Country  
**001772898-0002 26 Oct 2010 EUROPEAN COMMUNITY**  
(56) Related Art Documents: **Not Applicable**  
(57) Statement of Newness and Distinctiveness: **Newness and distinctiveness resides in the shape and configuration of a dispenser and refill as shown in the accompanying representations.**



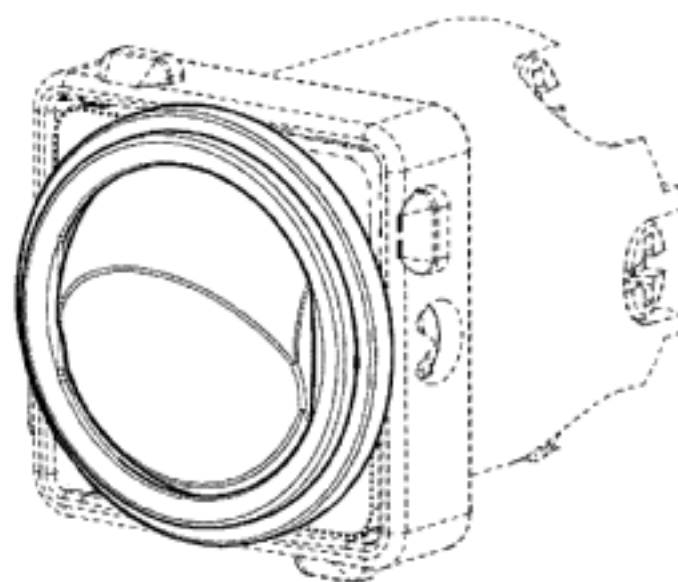
- (21) Design Number: **11758/2011**  
(22) Date of Filing Application: **20 April 2011**  
(24) Date from which industrial property rights may have effect: **20 April 2011**  
(54) Product in respect of which the design is registered: **Refill**  
(51) International Design Classification: **09-01NES**  
(74) Name(s) of Attorney(s): **Madderns**  
(71) Name(s) and Address(s) of Applicant(s):  
**Reckitt Benckiser LLC**  
**Morris Corporate Centre IV 399 Interpace Parkway Parsippany 07054**  
**New Jersey United States of America**  
(72) Name(s) of Designer(s): **Mark Fernandes and Peter Kay and Andrew Mitchell and Stephanie Anne Marije Verschoor**  
(45) Registration Date: **19 May 2011**  
(30) Convention priority data:  
(31) Number (32) Date (33) Country  
**001772898-0003 26 Oct 2010 EUROPEAN COMMUNITY**  
(56) Related Art Documents: **Not Applicable**  
(57) Statement of Newness and Distinctiveness: **Newness and distinctiveness resides in the shape and configuration of a refill as shown in the accompanying representations.**



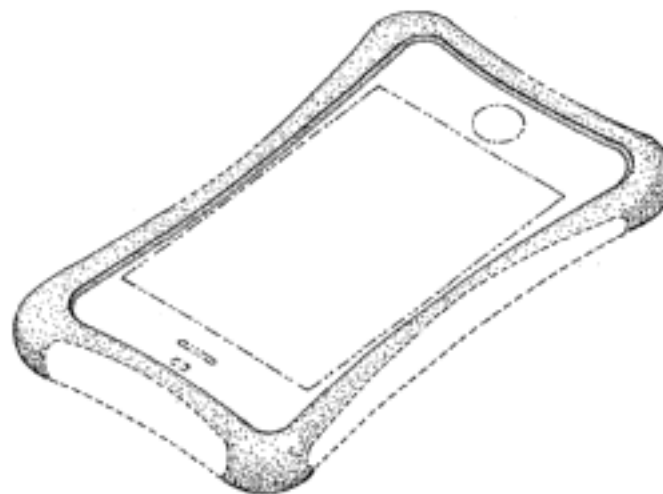
(21) Design Number: **11759/2011**  
(22) Date of Filing Application: **20 April 2011**  
(24) Date from which industrial property rights may have effect: **20 April 2011**  
(54) Product in respect of which the design is registered: **Switch activating dolly**  
(51) International Design Classification: **13-03D**  
(74) Name(s) of Attorney(s): **Griffith Hack**  
(71) Name(s) and Address(s) of Applicant(s):  
**Legrand Australia Pty Ltd**  
**Unit 99 79-99 St Hilliers Road Auburn New South Wales 2144 Australia**  
(72) Name(s) of Designer(s): **Dennis Galvin and Pradeep Anirudhan**  
(45) Registration Date: **19 May 2011**  
(30) Convention priority data:  
(31) Number (32) Date (33) Country  
**201030578906.4 26 Oct 2010 CHINA**  
(56) Related Art Documents: **Not Applicable**  
(57) Statement of Newness and Distinctiveness: **Newness and distinctiveness of the design resides in the visual features shown in solid outlines. When determining whether the design is substantially similar in overall impression to another design, no regard is to be had to those features shown in broken lines.**



(21) Design Number: **11760/2011**  
(22) Date of Filing Application: **20 April 2011**  
(24) Date from which industrial property rights may have effect: **20 April 2011**  
(54) Product in respect of which the design is registered: **Switch actuator**  
(51) International Design Classification: **13-03D**  
(74) Name(s) of Attorney(s): **Griffith Hack**  
(71) Name(s) and Address(s) of Applicant(s):  
**Legrand Australia Pty Ltd**  
**Unit 99 79-99 St Hilliers Road Auburn New South Wales 2144 Australia**  
(72) Name(s) of Designer(s): **Dennis Galvin and Pradeep Anirudhan**  
(45) Registration Date: **19 May 2011**  
(30) Convention priority data:  
(31) Number (32) Date (33) Country  
**201030578892.6 26 Oct 2010 CHINA**  
(56) Related Art Documents: **Not Applicable**  
(57) Statement of Newness and Distinctiveness: **Newness and distinctiveness of the design resides in the visual features shown in solid outlines. When determining whether the design is substantially similar in overall impression to another design, no regard is to be had to those features shown in broken lines.**



(21) Design Number: **10919/2011**  
(22) Date of Filing Application: **08 March 2011**  
(24) Date from which industrial property rights may have effect: **08 March 2011**  
(54) Product in respect of which the design is registered: **Protective cover**  
(51) International Design Classification: **14-02**  
(74) Name(s) of Attorney(s): **PIZZEYS**  
(71) Name(s) and Address(s) of Applicant(s):  
**Built NY, Inc.**  
**520 Broadway 2nd Floor New York NY 10012 United States of America**  
(72) Name(s) of Designer(s): **Aaron Lown and John Roscoe Swartz**  
(45) Registration Date: **19 May 2011**  
(30) Convention priority data:  
(31) Number (32) Date (33) Country  
**29/369,386 08 Sep 2010 UNITED STATES OF AMERICA**  
(56) Related Art Documents: **Not Applicable**  
(57) Statement of Newness and Distinctiveness: **Nil**



(21) Design Number: **11357/2011**  
(22) Date of Filing Application: **25 March 2011**  
(24) Date from which industrial property rights may have effect: **25 March 2011**  
(54) Product in respect of which the design is registered: **Straightening iron travel roll**  
(51) International Design Classification: **03-01NES**  
(74) Name(s) of Attorney(s):  
(71) Name(s) and Address(s) of Applicant(s):  
**Victoria Maude**  
**738/ 7 Crescent Street Waterloo New South Wales 2017 Australia**  
(72) Name(s) of Designer(s): **Victoria Maude**  
(45) Registration Date: **19 May 2011**  
(56) Related Art Documents: **Not Applicable**  
(57) Statement of Newness and Distinctiveness: **The Iron Roll has several features that make it unique. It has a sleeve to store the iron in while not in use. There is a cord compartment where the cord is kept to prevent damage while travelling. There is also a work area for the Iron to be rested on while it is not in use like a work mat.**



- (21) Design Number: **11536/2011**  
(22) Date of Filing Application: **07 April 2011**  
(24) Date from which industrial property rights may have effect: **07 April 2011**  
(54) Product in respect of which the design is registered: **Sprayer**  
(51) International Design Classification: **08-05A**  
(74) Name(s) of Attorney(s): **Griffith Hack**  
(71) Name(s) and Address(s) of Applicant(s):  
**H.D. Hudson Manufacturing Company**  
**500 N. Michigan Avenue Chicago IL 60611 United States of America**  
(72) Name(s) of Designer(s): **William A. Hudson and Wayne J. Beissel and Steve Downing**  
(45) Registration Date: **19 May 2011**  
(30) Convention priority data:  
(31) Number (32) Date (33) Country  
**29/378284 02 Nov 2010 UNITED STATES OF AMERICA**  
(56) Related Art Documents: **Not Applicable**  
(57) Statement of Newness and Distinctiveness: **Newness and distinctiveness resides in the visual features, including shape, and configuration, of a SPRAYER as shown in solid outline in the accompanying drawings. It should also be noted that Figure 9 shows a bottom part of the SPRAYER detached from a remainder of the SPRAYER for illustrative purposes only. When determining whether the design is substantially similar in overall impression to another design, no regard is to be had to those features shown in dotted outline in the accompanying drawings, which features are provided for illustrative purposes only.**



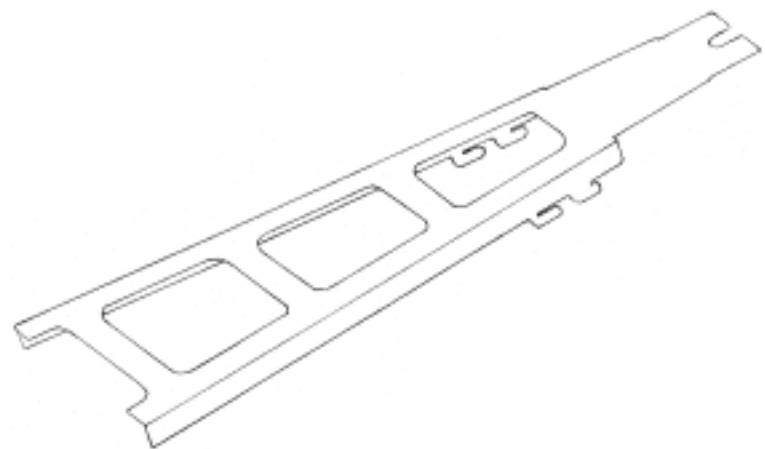
- (21) Design Number: **11537/2011**  
(22) Date of Filing Application: **07 April 2011**  
(24) Date from which industrial property rights may have effect: **07 April 2011**  
(54) Product in respect of which the design is registered: **Sprayer**  
(51) International Design Classification: **08-05A**  
(74) Name(s) of Attorney(s): **Griffith Hack**  
(71) Name(s) and Address(s) of Applicant(s):  
**H.D. Hudson Manufacturing Company**  
**500 N. Michigan Avenue Chicago IL 60611 United States of America**  
(72) Name(s) of Designer(s): **William A. Hudson and Wayne J. Beissel and Steve Downing**  
(45) Registration Date: **19 May 2011**  
(30) Convention priority data:  
(31) Number (32) Date (33) Country  
**29/378284 02 Nov 2010 UNITED STATES OF AMERICA**  
(56) Related Art Documents: **Not Applicable**  
(57) Statement of Newness and Distinctiveness: **Newness and distinctiveness resides in the visual features, including shape, and configuration, of a SPRAYER as shown in solid outline in the accompanying drawings. It should also be noted that Figure 9 shows a bottom part of the SPRAYER detached from a remainder of the SPRAYER for illustrative purposes only. When determining whether the design is substantially similar in overall impression to another design, no regard is to be had to those features shown in dotted outline in the accompanying drawings, which features are provided for illustrative purposes only.**



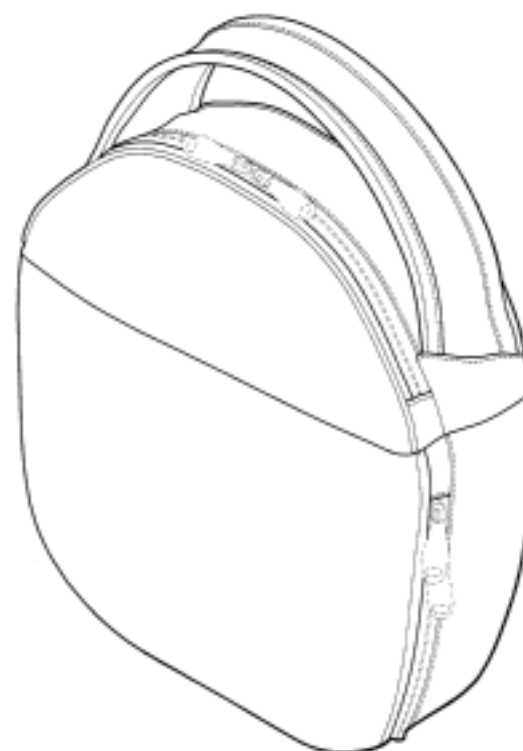
- (21) Design Number: **15749/2010**  
(22) Date of Filing Application: **24 December 2010**  
(24) Date from which industrial property rights may have effect: **24 December 2010**  
(54) Product in respect of which the design is registered: **Vehicle**  
(51) International Design Classification: **12-08**  
(74) Name(s) of Attorney(s): **Davies Collison Cave**  
(71) Name(s) and Address(s) of Applicant(s):  
**Orica International Pte Ltd**  
**78 Shenton Way #06-15 Tower 2 Singapore 079120**  
(72) Name(s) of Designer(s): **Christopher Townsend and Neil Davidson and Timothy Brown**  
(45) Registration Date: **19 May 2011**  
(56) Related Art Documents: **Not Applicable**  
(57) Statement of Newness and Distinctiveness: **Newness and distinctiveness is claimed in the features of shape and configuration of the vehicle air deflector and vehicle fairing labelled A, B, C, D and E, but not in the shaded portions of the vehicle, the letters or symbols.**



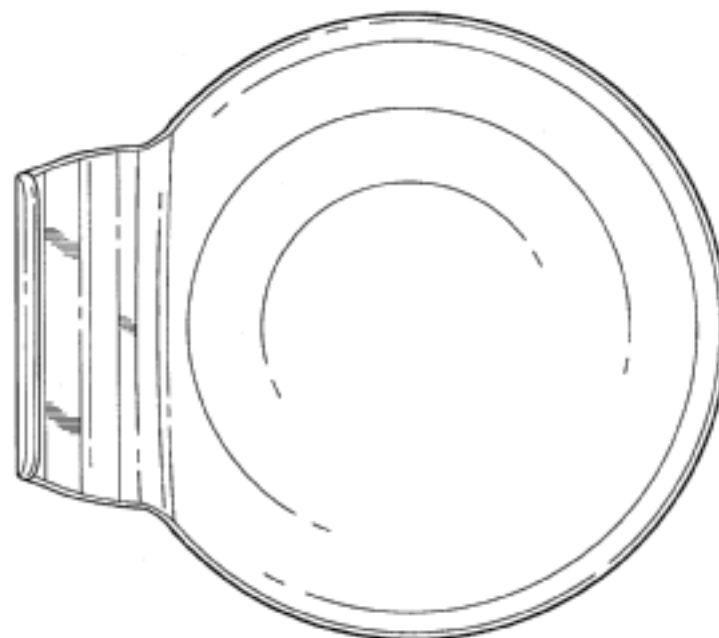
- (21) Design Number: **11645/2011**  
(22) Date of Filing Application: **14 April 2011**  
(24) Date from which industrial property rights may have effect: **14 April 2011**  
(54) Product in respect of which the design is registered: **Barbeque support**  
(51) International Design Classification: **07-02E**  
(74) Name(s) of Attorney(s): **Chrysiliou IP**  
(71) Name(s) and Address(s) of Applicant(s):  
**Arrow Laser Australia Pty Ltd**  
**24 Northgate Drive Thomastown Victoria 3074 Australia**  
(72) Name(s) of Designer(s): **David Calder**  
(45) Registration Date: **19 May 2011**  
(56) Related Art Documents: **Not Applicable**  
(57) Statement of Newness and Distinctiveness: **Visual features of the design which are new and distinctive are inter alia the features of shape and/or configuration of the Barbeque Support shown in the representations. In considering the scope of the design, the features of a barbecue tray and hood shown in broken lines and identified as "A" in the second perspective view are to be disregarded.**



- (21) Design Number: **11678/2011**  
(22) Date of Filing Application: **15 April 2011**  
(24) Date from which industrial property rights may have effect: **15 April 2011**  
(54) Product in respect of which the design is registered: **Bag**  
(51) International Design Classification: **03-01B**  
(74) Name(s) of Attorney(s): **EKM patent & trade marks**  
(71) Name(s) and Address(s) of Applicant(s):  
**Smash Enterprises Pty Ltd**  
**33 Redland Drive Mitcham Victoria 3132 Australia**  
(72) Name(s) of Designer(s): **Dale Harbinson**  
(45) Registration Date: **19 May 2011**  
(56) Related Art Documents: **Not Applicable**  
(57) Statement of Newness and Distinctiveness: **Newness and distinctiveness resides in the features of shape and/or configuration of a bag as shown in solid lines in the accompanying representations.**



- (21) Design Number: **11679/2011**  
(22) Date of Filing Application: **15 April 2011**  
(24) Date from which industrial property rights may have effect: **15 April 2011**  
(54) Product in respect of which the design is registered: **Tablet lounge**  
(51) International Design Classification: **06-01G**  
(74) Name(s) of Attorney(s): **SPRUSON & FERGUSON**  
(71) Name(s) and Address(s) of Applicant(s):  
**Belkin International, Inc.**  
**12045 East Waterfront Drive Playa Vista California 90094 United States of America**  
(72) Name(s) of Designer(s): **Kenneth Mori**  
(45) Registration Date: **19 May 2011**  
(30) Convention priority data:  
(31) Number      (32) Date      (33) Country  
**29/377188      18 Oct 2010      UNITED STATES OF AMERICA**  
(56) Related Art Documents: **Not Applicable**  
(57) Statement of Newness and Distinctiveness: **Newness and distinctiveness is claimed in the features of shape and/or configuration of a tablet lounge as illustrated in the accompanying representations.**



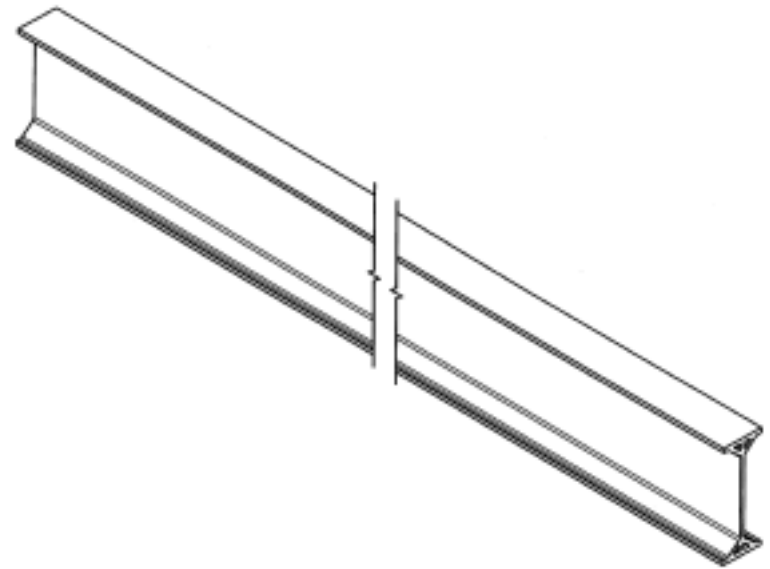
- (21) Design Number: **11863/2011**  
(22) Date of Filing Application: **28 April 2011**  
(24) Date from which industrial property rights may have effect: **28 April 2011**  
(54) Product in respect of which the design is registered: **A motorcycle**  
(51) International Design Classification: **12-11**  
(74) Name(s) of Attorney(s): **SPRUSON & FERGUSON**  
(71) Name(s) and Address(s) of Applicant(s):  
**Honda Motor Co., Ltd.**  
**1-1 Minami-Aoyama 2-chome Minato-ku Tokyo Japan**  
(72) Name(s) of Designer(s): **Asao Itaya and Mitsuyoshi Kohama and Akira Omae**  
(45) Registration Date: **19 May 2011**  
(30) Convention priority data:  
(31) Number (32) Date (33) Country  
**29/377915 27 Oct 2010 UNITED STATES OF AMERICA**  
(56) Related Art Documents: **Not Applicable**  
(57) Statement of Newness and Distinctiveness: **Newness and distinctiveness is claimed in those features of shape and/or configuration of a motorcycle illustrated in shades of grey in the accompanying representations.**



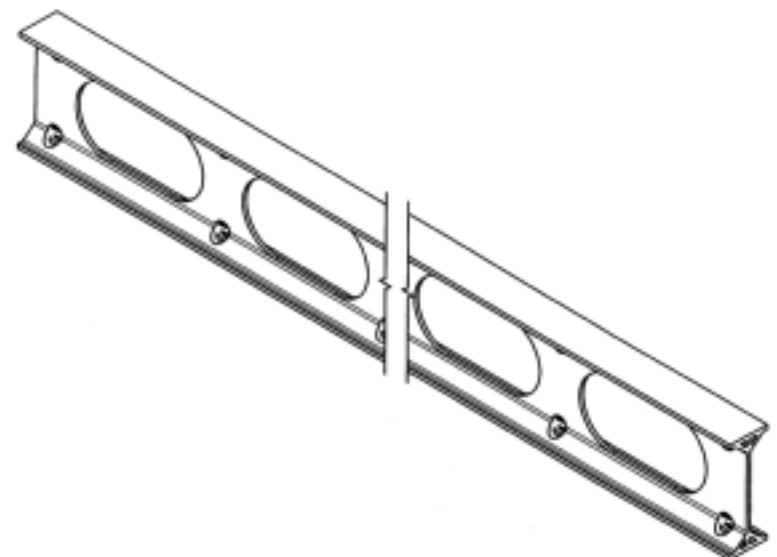
- (21) Design Number: **11864/2011**  
(22) Date of Filing Application: **28 April 2011**  
(24) Date from which industrial property rights may have effect: **28 April 2011**  
(54) Product in respect of which the design is registered: **A rear combination lamp for a motorcycle**  
(51) International Design Classification: **26-06**  
(74) Name(s) of Attorney(s): **SPRUSON & FERGUSON**  
(71) Name(s) and Address(s) of Applicant(s):  
**Honda Motor Co., Ltd.**  
**1-1 Minami-Aoyama 2-chome Minato-ku Tokyo Japan**  
(72) Name(s) of Designer(s): **Asao Itaya and Takaaki Kato and Akira Omae**  
(45) Registration Date: **19 May 2011**  
(30) Convention priority data:  
(31) Number (32) Date (33) Country  
**29/377888 27 Oct 2010 UNITED STATES OF AMERICA**  
(56) Related Art Documents: **Not Applicable**  
(57) Statement of Newness and Distinctiveness: **Newness and distinctiveness is claimed in the features of shape and/or configuration of a rear combination lamp for a motorcycle as illustrated in the accompanying representations.**



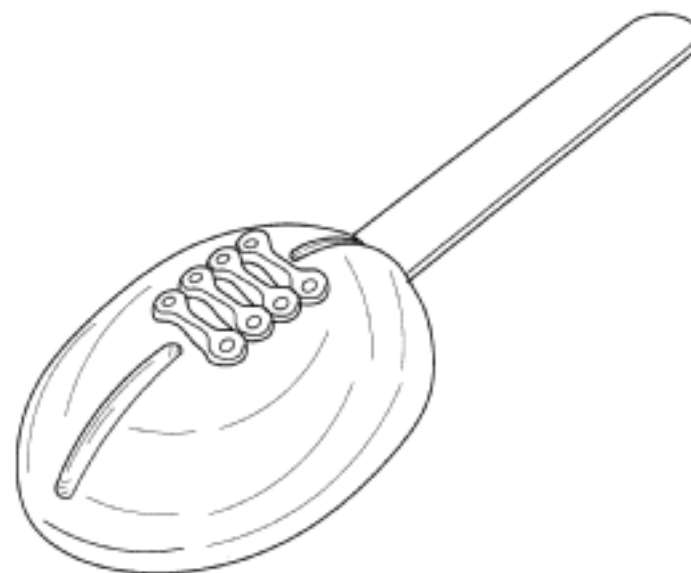
- (21) Design Number: **11236/2011**  
(22) Date of Filing Application: **22 March 2011**  
(24) Date from which industrial property rights may have effect: **22 March 2011**  
(54) Product in respect of which the design is registered: **Framework stud**  
(51) International Design Classification: **25-01C**  
(74) Name(s) of Attorney(s): **Golja Haines & Friend**  
(71) Name(s) and Address(s) of Applicant(s):  
**Starpartner Pty Ltd**  
**Suite 12 7 Kintail Road Applecross Western Australia 6104 Australia**  
(72) Name(s) of Designer(s): **Padraic Mellett and Andre Aerts and Les Smit and Paul Edwards**  
(45) Registration Date: **20 May 2011**  
(56) Related Art Documents: **Not Applicable**  
(57) Statement of Newness and Distinctiveness: **Nil**



- (21) Design Number: **11237/2011**  
(22) Date of Filing Application: **22 March 2011**  
(24) Date from which industrial property rights may have effect: **22 March 2011**  
(54) Product in respect of which the design is registered: **Framework stud**  
(51) International Design Classification: **25-01C**  
(74) Name(s) of Attorney(s): **Golja Haines & Friend**  
(71) Name(s) and Address(s) of Applicant(s):  
**Starpartner Pty Ltd**  
**Suite 12 7 Kintail Road Applecross Western Australia 6104 Australia**  
(72) Name(s) of Designer(s): **Padraic Mellett and Andre Aerts and Les Smit and Paul Edwards**  
(45) Registration Date: **20 May 2011**  
(56) Related Art Documents: **Not Applicable**  
(57) Statement of Newness and Distinctiveness: **Nil**



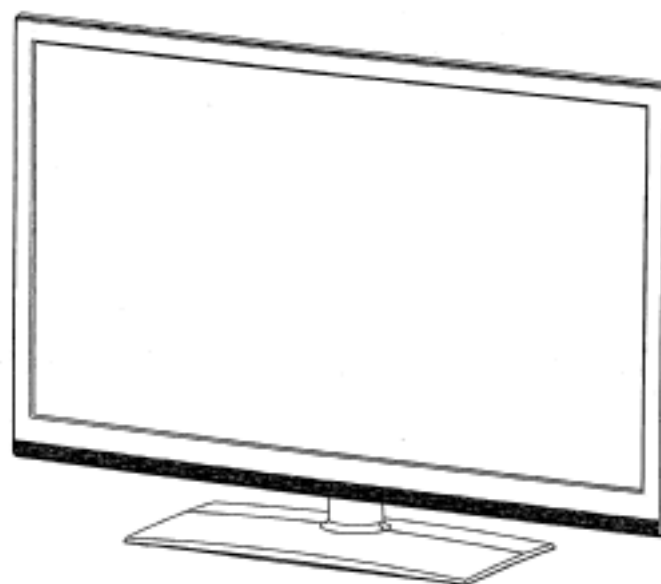
(21) Design Number: **11701/2011**  
(22) Date of Filing Application: **06 April 2011**  
(24) Date from which industrial property rights may have effect: **06 April 2011**  
(54) Product in respect of which the design is registered: **Chocolate dipper**  
(51) International Design Classification: **07-99NES**  
(74) Name(s) of Attorney(s): **EKM patent & trade marks**  
(71) Name(s) and Address(s) of Applicant(s):  
**Carolyn Morris**  
**6 Yarra Court Mentone Victoria 3194 Australia**  
(72) Name(s) of Designer(s): **Carolyn Morris**  
(45) Registration Date: **20 May 2011**  
(56) Related Art Documents: **Not Applicable**  
(57) Statement of Newness and Distinctiveness: **Nil**



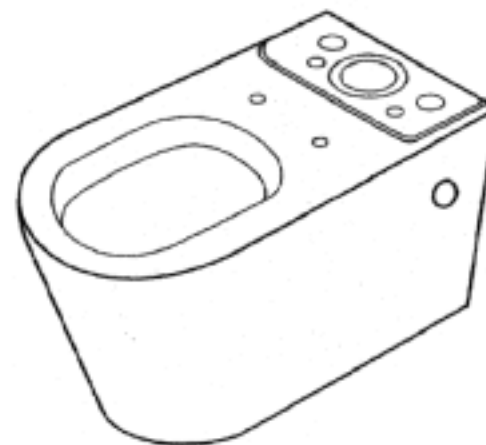
(21) Design Number: **11703/2011**  
(22) Date of Filing Application: **19 April 2011**  
(24) Date from which industrial property rights may have effect: **19 April 2011**  
(54) Product in respect of which the design is registered: **Front bumper of car**  
(51) International Design Classification: **12-16C**  
(74) Name(s) of Attorney(s): **Baxter IP**  
(71) Name(s) and Address(s) of Applicant(s):  
**GM Global Technology Operations, LLC**  
**300 Renaissance Center Detroit Michigan 48265-3000 United States of America**  
(72) Name(s) of Designer(s): **Shin-seung Yang**  
(45) Registration Date: **20 May 2011**  
(30) Convention priority data:  
(31) Number (32) Date (33) Country  
**KR302011000158813 Jan 2011 REPUBLIC OF KOREA**  
(56) Related Art Documents: **Not Applicable**  
(57) Statement of Newness and Distinctiveness: **Nil**



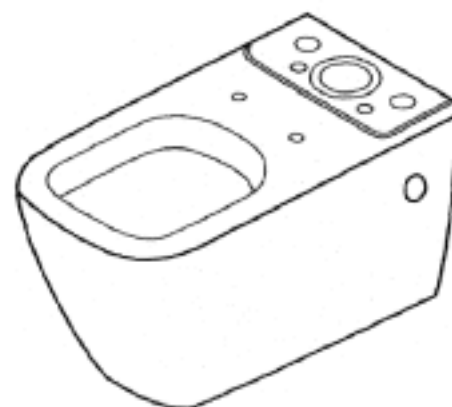
(21) Design Number: **11788/2011**  
(22) Date of Filing Application: **21 April 2011**  
(24) Date from which industrial property rights may have effect: **21 April 2011**  
(54) Product in respect of which the design is registered: **LCD television receiver**  
(51) International Design Classification: **14-03B**  
(74) Name(s) of Attorney(s): **FB Rice**  
(71) Name(s) and Address(s) of Applicant(s):  
**LG Electronics Inc.**  
**20 Yeouido-dong Yeongdeungpo-gu Seoul 150-721 Republic of Korea**  
(72) Name(s) of Designer(s): **Sang Ho Lee and Tae Uk Kim**  
(45) Registration Date: **20 May 2011**  
(30) Convention priority data:  
(31) Number (32) Date (33) Country  
**30-2010-0055640 23 Dec 2010 REPUBLIC OF KOREA**  
(56) Related Art Documents: **Not Applicable**  
(57) Statement of Newness and Distinctiveness: **Newness and distinctiveness reside in the pattern and ornamentation of the design as shown in the representations particularly in respect of a region adjacent to the lower edge of the front of the panel.**



(21) Design Number: **11283/2011**  
(22) Date of Filing Application: **24 March 2011**  
(24) Date from which industrial property rights may have effect: **24 March 2011**  
(54) Product in respect of which the design is registered: **Toilet pan**  
(51) International Design Classification: **23-02C**  
(74) Name(s) of Attorney(s):  
(71) Name(s) and Address(s) of Applicant(s):  
**Aussiroom KDK Homeware Pty Ltd**  
**Unit 1 68 Sunnyholt Road Blacktown New South Wales 2148 Australia**  
(72) Name(s) of Designer(s): **Sai Hui Tan**  
(45) Registration Date: **20 May 2011**  
(56) Related Art Documents: **Not Applicable**  
(57) Statement of Newness and Distinctiveness: **Nil**



(21) Design Number: **11284/2011**  
(22) Date of Filing Application: **24 March 2011**  
(24) Date from which industrial property rights may have effect: **24 March 2011**  
(54) Product in respect of which the design is registered: **Toilet pan**  
(51) International Design Classification: **23-02C**  
(74) Name(s) of Attorney(s):  
(71) Name(s) and Address(s) of Applicant(s):  
**Aussiroo KDK Homeware Pty Ltd**  
**Unit 1 68 Sunnyholt Road Blacktown New South Wales 2148 Australia**  
(72) Name(s) of Designer(s): **Sai Hui Tan**  
(45) Registration Date: **20 May 2011**  
(56) Related Art Documents: **Not Applicable**  
(57) Statement of Newness and Distinctiveness: **Nil**



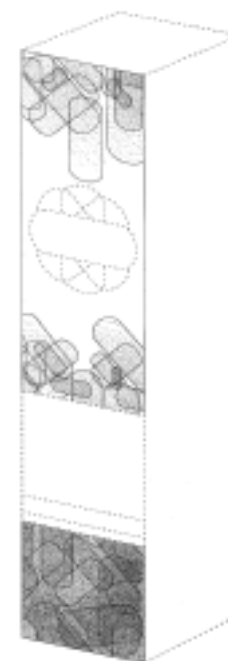
(21) Design Number: **11555/2011**  
(22) Date of Filing Application: **11 April 2011**  
(24) Date from which industrial property rights may have effect: **11 April 2011**  
(54) Product in respect of which the design is registered: **Electronic device**  
(51) International Design Classification: **24-01**  
(74) Name(s) of Attorney(s): **Davies Collison Cave**  
(71) Name(s) and Address(s) of Applicant(s):  
**Laerdal Medical AS**  
**Postboks 377 Stavanger 4002 Norway**  
(72) Name(s) of Designer(s): **Kjetil Lonne Nilsen**  
(45) Registration Date: **20 May 2011**  
(30) Convention priority data:



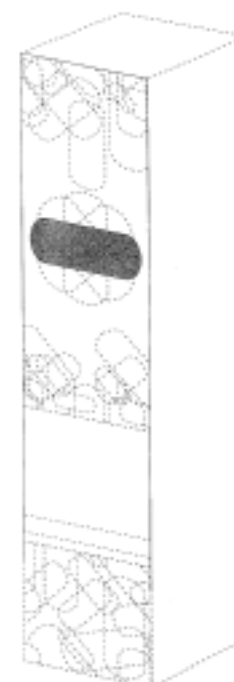
(31) Number	(32) Date	(33) Country
<b>572121001</b>	<b>12 Oct 2010</b>	<b>WORLD INTELLECTUAL PROPERTY ORGANIZATION (WIPO)</b>

(56) Related Art Documents: **Not Applicable**  
(57) Statement of Newness and Distinctiveness: **Newness and distinctiveness is claimed in the visual features of pattern and ornamentation of the display of the electronic device shown in the representations. In considering the newness and distinctiveness the features shown in broken lines should be disregarded.**

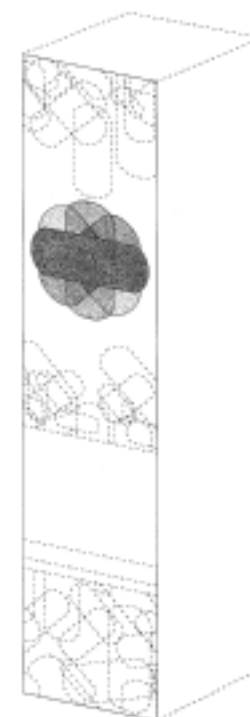
- (21) Design Number: **11716/2011**  
(22) Date of Filing Application: **18 April 2011**  
(24) Date from which industrial property rights may have effect: **18 April 2011**  
(54) Product in respect of which the design is registered: **Packaging container with surface ornamentation**  
(51) International Design Classification: **09-03M**  
(74) Name(s) of Attorney(s): **PHILLIPS ORMONDE FITZPATRICK**  
(71) Name(s) and Address(s) of Applicant(s):  
**The Procter & Gamble Company**  
**One Procter & Gamble Plaza Cincinnati Ohio 45202 United States of America**  
(72) Name(s) of Designer(s): **Molly Ann Hablutzel and Jean Martin Campbell and Frederick Mason Mariani**  
(45) Registration Date: **20 May 2011**  
(30) Convention priority data:  
(31) Number (32) Date (33) Country  
**29/377,294 20 Oct 2010 UNITED STATES OF AMERICA**  
(56) Related Art Documents: **Not Applicable**  
(57) Statement of Newness and Distinctiveness: **Those features of the packaging container with surface ornamentation depicted in the representations that are new and distinctive are the pattern and/or ornamentation. The stippling illustrates that the pattern and/or ornamentation may be in any colour or colours but not limited to a particular colour or colours. The features shown in broken lines are not part of the design and are to be disregarded when considering the overall impression of the design.**



- (21) Design Number: **11717/2011**  
(22) Date of Filing Application: **18 April 2011**  
(24) Date from which industrial property rights may have effect: **18 April 2011**  
(54) Product in respect of which the design is registered: **Packaging container with surface ornamentation**  
(51) International Design Classification: **09-03M**  
(74) Name(s) of Attorney(s): **PHILLIPS ORMONDE FITZPATRICK**  
(71) Name(s) and Address(s) of Applicant(s):  
**The Procter & Gamble Company**  
**One Procter & Gamble Plaza Cincinnati Ohio 45202 United States of America**  
(72) Name(s) of Designer(s): **Molly Ann Hablutzel and Jean Martin Campbell and Frederick Mason Mariani**  
(45) Registration Date: **20 May 2011**  
(30) Convention priority data:  
(31) Number (32) Date (33) Country  
**29/377,294 20 Oct 2010 UNITED STATES OF AMERICA**  
(56) Related Art Documents: **Not Applicable**  
(57) Statement of Newness and Distinctiveness: **Those features of the packaging container with surface ornamentation depicted in the representations that are new and distinctive are the pattern and/or ornamentation. The stippling illustrates that the pattern and/or ornamentation may be in any colour but not limited to a particular colour. The features shown in broken lines are not part of the design and are to be disregarded when considering the overall impression of the design.**

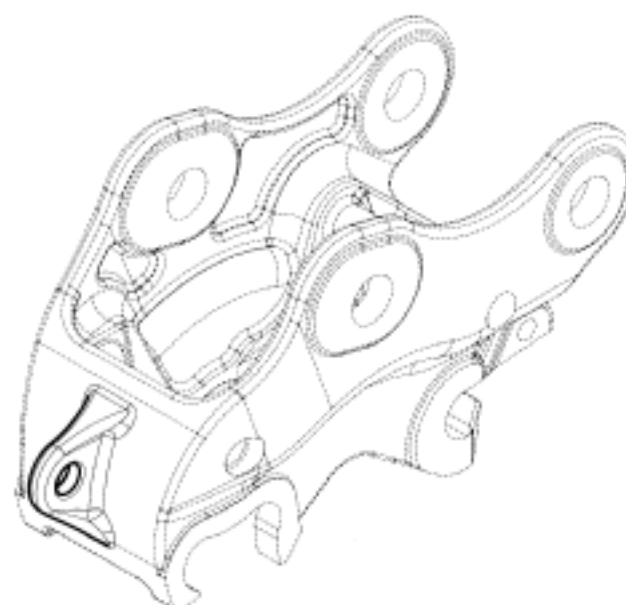


(21) Design Number: **11718/2011**  
(22) Date of Filing Application: **18 April 2011**  
(24) Date from which industrial property rights may have effect: **18 April 2011**  
(54) Product in respect of which the design is registered: **Packaging container with surface ornamentation**  
(51) International Design Classification: **09-03M**  
(74) Name(s) of Attorney(s): **PHILLIPS ORMONDE FITZPATRICK**  
(71) Name(s) and Address(s) of Applicant(s):  
**The Proctor & Gamble Company**  
**One Proctor & Gamble Plaza Cincinnati Ohio 45202 United States of America**  
(72) Name(s) of Designer(s): **Molly Ann Hablutzel and Jean Martin Campbell and Frederick Mason Mariani**  
(45) Registration Date: **20 May 2011**  
(30) Convention priority data:  
(31) Number (32) Date (33) Country  
**29/377,294 20 Oct 2010 UNITED STATES OF AMERICA**



(56) Related Art Documents: **Not Applicable**  
(57) Statement of Newness and Distinctiveness: **Those features of the packaging container with surface ornamentation depicted in the representations that are new and distinctive are the pattern and/or ornamentation. The stippling illustrates that the pattern and/or ornamentation may be in any colour or colours but not limited to a particular colour or colours. The features shown in broken lines are not part of the design and are to be disregarded when considering the overall impression of the design.**

(21) Design Number: **11721/2011**  
(22) Date of Filing Application: **15 April 2011**  
(24) Date from which industrial property rights may have effect: **15 April 2011**  
(54) Product in respect of which the design is registered: **Lifting eye on a coupler**  
(51) International Design Classification: **15-04**  
(74) Name(s) of Attorney(s): **Adams Pluck**  
(71) Name(s) and Address(s) of Applicant(s):  
**Miller International Ltd.**  
**10/8 International Commercial Centre Casemates Square Gibraltar**  
(72) Name(s) of Designer(s): **Gary Miller**  
(45) Registration Date: **20 May 2011**  
(30) Convention priority data:  
(31) Number (32) Date (33) Country  
**001241715-0004 22 Oct 2010 EUROPEAN COMMUNITY**



(56) Related Art Documents: **Not Applicable**  
(57) Statement of Newness and Distinctiveness: **Monopoly is claimed in the features of shape and/or configuration of a lifting eye on a coupler as illustrated in the accompanying representations; and in considering the scope of monopoly any features shown in phantom in the representations should be disregarded.**

- (21) Design Number: **11738/2011**  
(22) Date of Filing Application: **19 April 2011**  
(24) Date from which industrial property rights may have effect: **19 April 2011**  
(54) Product in respect of which the design is registered: **Toner cartridge**  
(51) International Design Classification: **14-02**  
(74) Name(s) of Attorney(s): **Shelston IP**  
(71) Name(s) and Address(s) of Applicant(s):

**Fuji Xerox Co., Ltd.**  
**7-3 Akasaka 9-chome Minato-ku Tokyo Japan**

- (72) Name(s) of Designer(s): **Yoshiaki Sakai and Kazuhiro Saito**

- (45) Registration Date: **20 May 2011**

- (30) Convention priority data:

(31) Number	(32) Date	(33) Country
<b>D2010-025456</b>	<b>22 Oct 2010</b>	<b>JAPAN</b>

- (56) Related Art Documents: **Not Applicable**

- (57) Statement of Newness and Distinctiveness: **Newness and distinctiveness reside in the features of shape and/or configuration of the TONER CARTRIDGE shown in the accompanying representations.**



- (21) Design Number: **11739/2011**  
(22) Date of Filing Application: **20 April 2011**  
(24) Date from which industrial property rights may have effect: **20 April 2011**  
(54) Product in respect of which the design is registered: **Thermal break framing system**  
(51) International Design Classification: **25-02NES, 08-09**  
(74) Name(s) of Attorney(s):  
(71) Name(s) and Address(s) of Applicant(s):

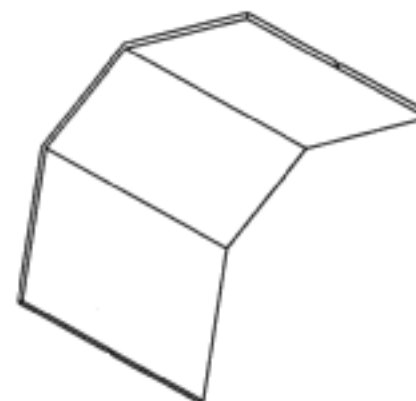
**Aluminium Industries of Australia Pty Ltd**  
**Cnr Carson Ave & Cheltenham Rd Keysborough Victoria 3173 Australia**

- (72) Name(s) of Designer(s): **Jim Gallagher and Tracey Coad**

- (45) Registration Date: **20 May 2011**

- (56) Related Art Documents: **Not Applicable**

- (57) Statement of Newness and Distinctiveness: **Monopoly is claimed in the shape and/or configuration of the injection moulded water deflector component 1 as illustrated in the representations.**



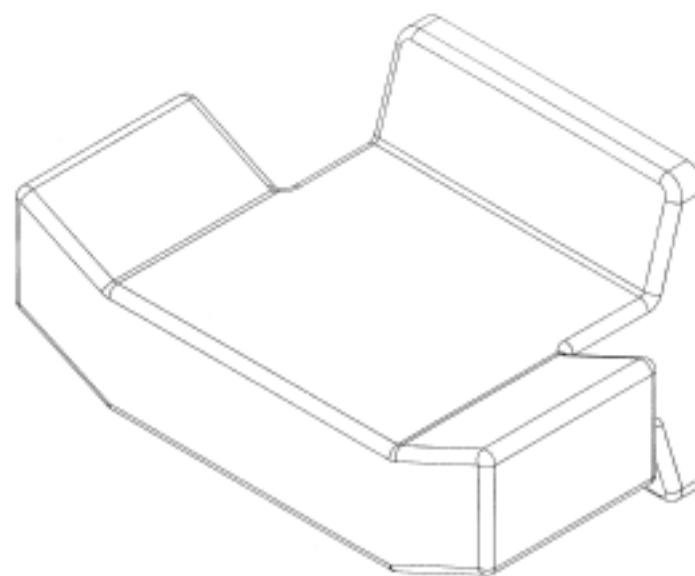
(21) Design Number: **11835/2011**  
(22) Date of Filing Application: **28 April 2011**  
(24) Date from which industrial property rights may have effect: **28 April 2011**  
(54) Product in respect of which the design is registered: **A capsule for a beverage machine**  
(51) International Design Classification: **09-05**  
(74) Name(s) of Attorney(s): **Banki Haddock Fiora**  
(71) Name(s) and Address(s) of Applicant(s):  
**Societe des Produits Nestle S.A.**  
**1800 Vevey Switzerland**  
(72) Name(s) of Designer(s): **Ines Magniet**  
(45) Registration Date: **20 May 2011**  
(30) Convention priority data:  
(31) Number (32) Date (33) Country  
**137356 01 Nov 2010 SWITZERLAND**  
(56) Related Art Documents: **Not Applicable**  
(57) Statement of Newness and Distinctiveness: **Nil**



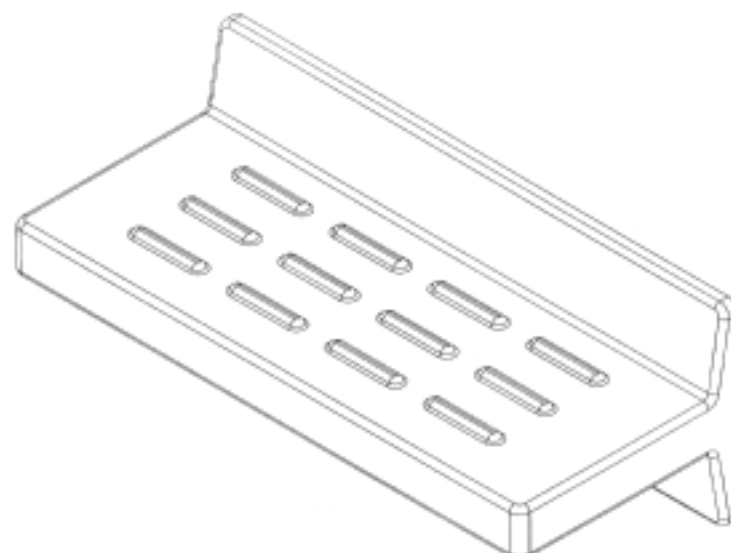
(21) Design Number: **11836/2011**  
(22) Date of Filing Application: **28 April 2011**  
(24) Date from which industrial property rights may have effect: **28 April 2011**  
(54) Product in respect of which the design is registered: **A capsule for a beverage machine**  
(51) International Design Classification: **09-05**  
(74) Name(s) of Attorney(s): **Banki Haddock Fiora**  
(71) Name(s) and Address(s) of Applicant(s):  
**Societe des Produits Nestle S.A.**  
**1800 Vevey Switzerland**  
(72) Name(s) of Designer(s): **Ines Magniet**  
(45) Registration Date: **20 May 2011**  
(30) Convention priority data:  
(31) Number (32) Date (33) Country  
**137356 01 Nov 2010 SWITZERLAND**  
(56) Related Art Documents: **Not Applicable**  
(57) Statement of Newness and Distinctiveness: **Nil**



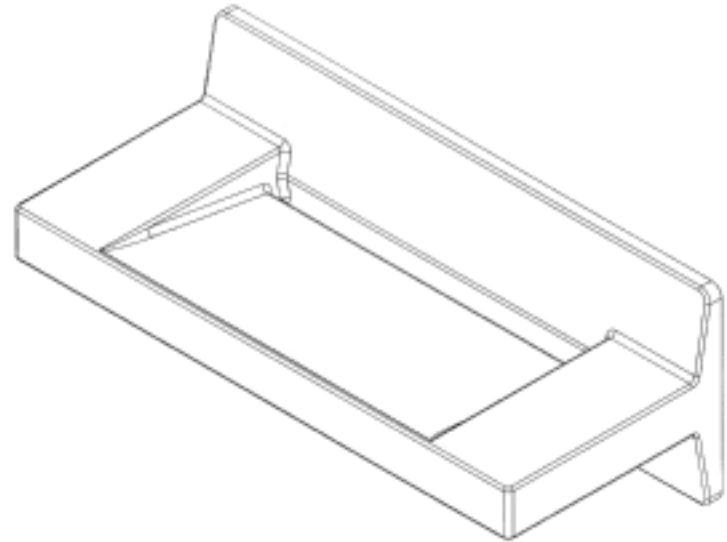
- (21) Design Number: **11729/2011**  
(22) Date of Filing Application: **20 April 2011**  
(24) Date from which industrial property rights may have effect: **20 April 2011**  
(54) Product in respect of which the design is registered: **Bathroom accessories  
- robe hook**  
(51) International Design Classification: **08-08G**  
(74) Name(s) of Attorney(s):  
(71) Name(s) and Address(s) of Applicant(s):  
**A-Mark Industries Pty Ltd Trading as A-Mark Manufacturing  
48 Skarratt Street Silverwater New South Wales 2128 Australia**  
(72) Name(s) of Designer(s): **Leonard Ross Proctor**  
(45) Registration Date: **20 May 2011**  
(56) Related Art Documents: **Not Applicable**  
(57) Statement of Newness and Distinctiveness: **Square and parallel design  
features**



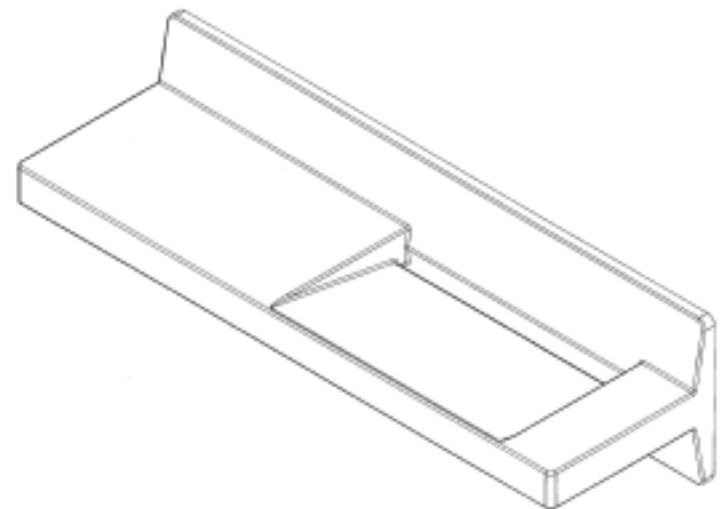
- (21) Design Number: **11730/2011**  
(22) Date of Filing Application: **20 April 2011**  
(24) Date from which industrial property rights may have effect: **20 April 2011**  
(54) Product in respect of which the design is registered: **Bathroom accessories  
- footrest**  
(51) International Design Classification: **23-02A**  
(74) Name(s) of Attorney(s):  
(71) Name(s) and Address(s) of Applicant(s):  
**A-Mark Industries Pty Ltd Trading as A-Mark Manufacturing  
48 Skarratt Street Silverwater New South Wales 2128 Australia**  
(72) Name(s) of Designer(s): **Leonard Ross Proctor**  
(45) Registration Date: **20 May 2011**  
(56) Related Art Documents: **Not Applicable**  
(57) Statement of Newness and Distinctiveness: **Square and parallel design  
features.**



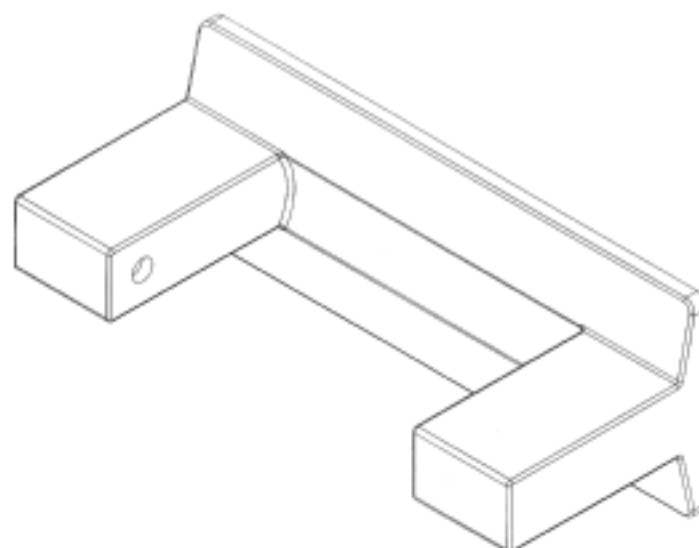
- (21) Design Number: **11731/2011**  
(22) Date of Filing Application: **20 April 2011**  
(24) Date from which industrial property rights may have effect: **20 April 2011**  
(54) Product in respect of which the design is registered: **Bathroom accessories  
- standard soap holder**  
(51) International Design Classification: **23-02A**  
(74) Name(s) of Attorney(s):  
(71) Name(s) and Address(s) of Applicant(s):  
**A-Mark Industries Pty Ltd Trading as A-Mark Manufacturing  
48 Skarratt Street Silverwater New South Wales 2128 Australia**  
(72) Name(s) of Designer(s): **Leonard Ross Proctor**  
(45) Registration Date: **20 May 2011**  
(56) Related Art Documents: **Not Applicable**  
(57) Statement of Newness and Distinctiveness: **Square and parallel design  
features**



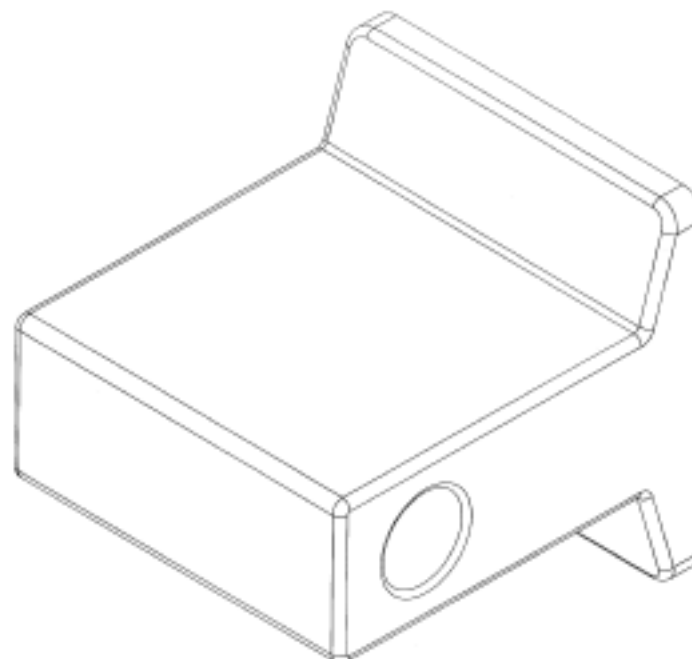
- (21) Design Number: **11732/2011**  
(22) Date of Filing Application: **20 April 2011**  
(24) Date from which industrial property rights may have effect: **20 April 2011**  
(54) Product in respect of which the design is registered: **Bathroom accessories  
- shower shelf**  
(51) International Design Classification: **23-02A**  
(74) Name(s) of Attorney(s):  
(71) Name(s) and Address(s) of Applicant(s):  
**A-Mark Industries Pty Ltd Trading as A-Mark Manufacturing  
48 Skarratt Street Silverwater New South Wales 2128 Australia**  
(72) Name(s) of Designer(s): **Leonard Ross Proctor**  
(45) Registration Date: **20 May 2011**  
(56) Related Art Documents: **Not Applicable**  
(57) Statement of Newness and Distinctiveness: **Square and parallel design  
features**



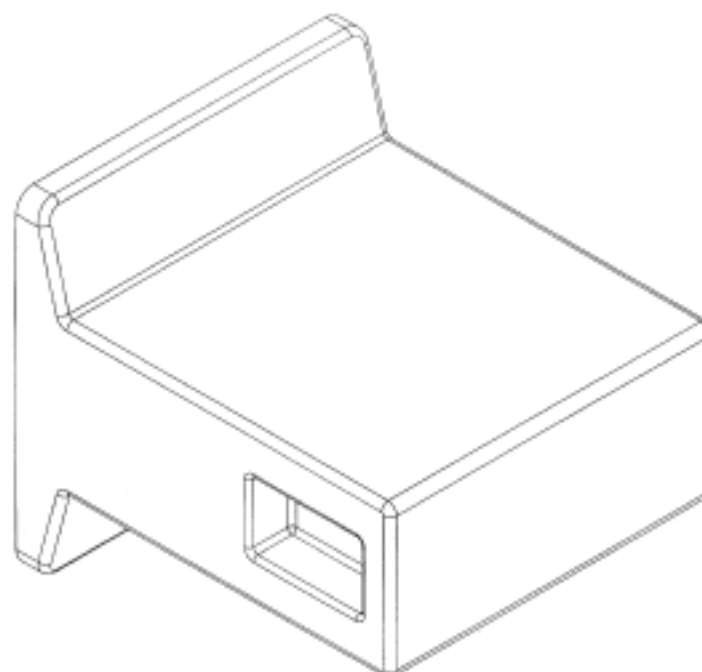
- (21) Design Number: **11733/2011**  
(22) Date of Filing Application: **20 April 2011**  
(24) Date from which industrial property rights may have effect: **20 April 2011**  
(54) Product in respect of which the design is registered: **Bathroom accessories  
- paper holder**  
(51) International Design Classification: **23-02A**  
(74) Name(s) of Attorney(s):  
(71) Name(s) and Address(s) of Applicant(s):  
**A-Mark Industries Pty Ltd Trading as A-Mark Manufacturing  
48 Skarratt Street Silverwater New South Wales 2128 Australia**  
(72) Name(s) of Designer(s): **Leonard Ross Proctor**  
(45) Registration Date: **20 May 2011**  
(56) Related Art Documents: **Not Applicable**  
(57) Statement of Newness and Distinctiveness: **Square and parallel design  
features.**



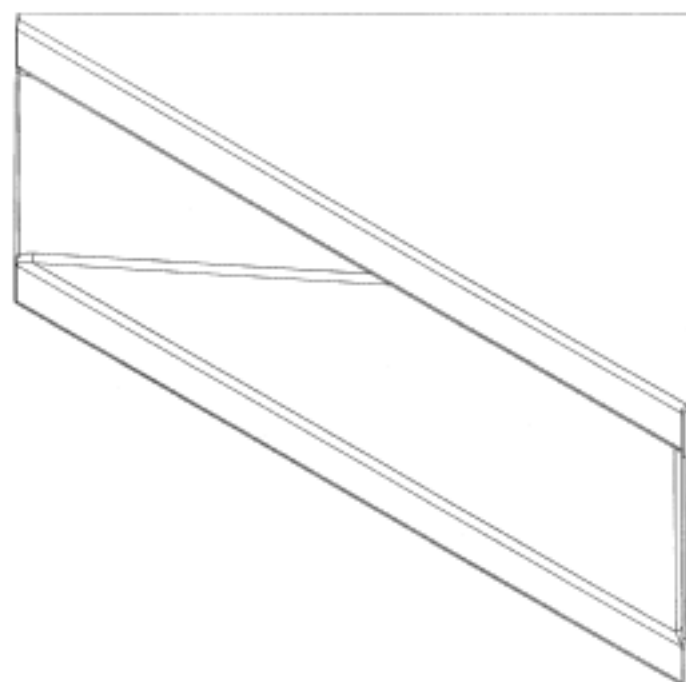
- (21) Design Number: **11734/2011**  
(22) Date of Filing Application: **20 April 2011**  
(24) Date from which industrial property rights may have effect: **20 April 2011**  
(54) Product in respect of which the design is registered: **Bathroom accessories  
- towel ring**  
(51) International Design Classification: **07-05D**  
(74) Name(s) of Attorney(s):  
(71) Name(s) and Address(s) of Applicant(s):  
**A-Mark Industries Pty Ltd Trading as A-Mark Manufacturing  
48 Skarratt Street Silverwater New South Wales 2128 Australia**  
(72) Name(s) of Designer(s): **Leonard Ross Proctor**  
(45) Registration Date: **20 May 2011**  
(56) Related Art Documents: **Not Applicable**  
(57) Statement of Newness and Distinctiveness: **Square and parallel design  
features.**



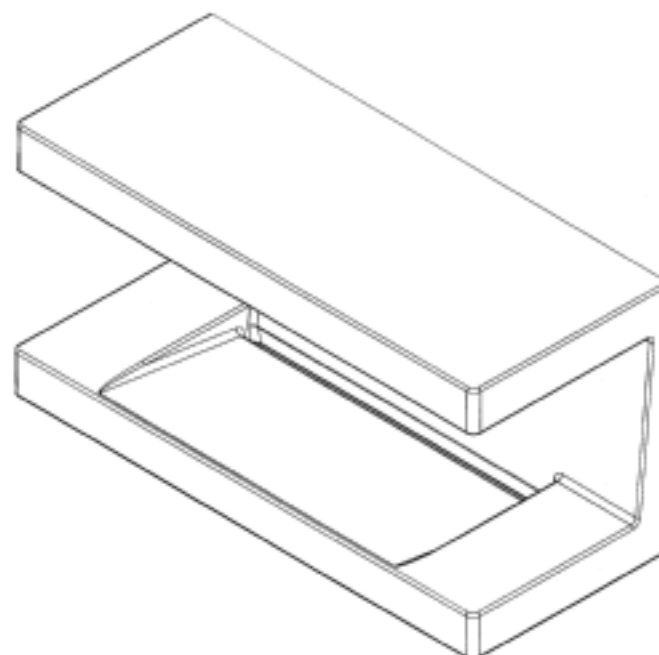
- (21) Design Number: **11735/2011**  
(22) Date of Filing Application: **20 April 2011**  
(24) Date from which industrial property rights may have effect: **20 April 2011**  
(54) Product in respect of which the design is registered: **Bathroom accessories  
- rail end**  
(51) International Design Classification: **08-08NES, 07-05D**  
(74) Name(s) of Attorney(s):  
(71) Name(s) and Address(s) of Applicant(s):  
**A-Mark Industries Pty Ltd Trading as A-Mark Manufacturing  
48 Skarratt Street Silverwater New South Wales 2128 Australia**  
(72) Name(s) of Designer(s): **Leonard Ross Proctor**  
(45) Registration Date: **20 May 2011**  
(56) Related Art Documents: **Not Applicable**  
(57) Statement of Newness and Distinctiveness: **Square and parallel design  
features**



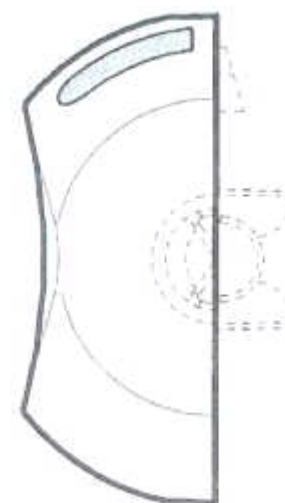
- (21) Design Number: **11736/2011**  
(22) Date of Filing Application: **20 April 2011**  
(24) Date from which industrial property rights may have effect: **20 April 2011**  
(54) Product in respect of which the design is registered: **Bathroom accessories  
- corner shelf**  
(51) International Design Classification: **23-02A**  
(74) Name(s) of Attorney(s):  
(71) Name(s) and Address(s) of Applicant(s):  
**A-Mark Industries Pty Ltd Trading as A-Mark Manufacturing  
48 Skarratt Street Silverwater New South Wales 2128 Australia**  
(72) Name(s) of Designer(s): **Leonard Ross Proctor**  
(45) Registration Date: **20 May 2011**  
(56) Related Art Documents: **Not Applicable**  
(57) Statement of Newness and Distinctiveness: **Square and parallel design  
features**



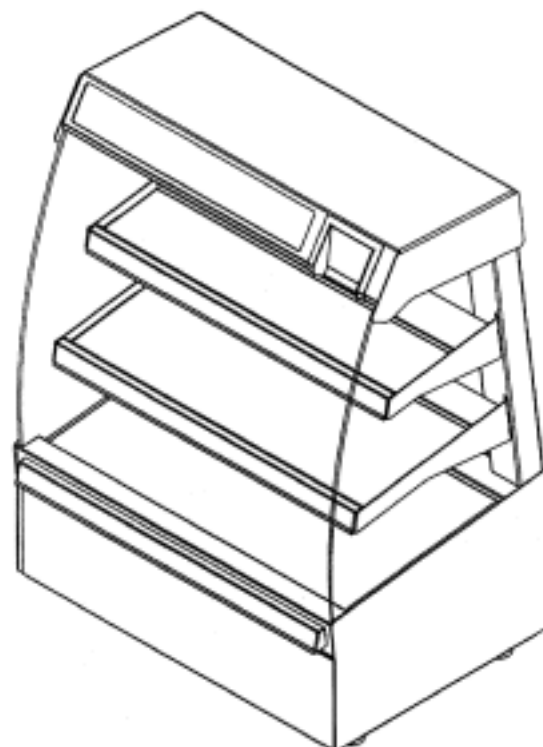
(21) Design Number: **11737/2011**  
(22) Date of Filing Application: **20 April 2011**  
(24) Date from which industrial property rights may have effect: **20 April 2011**  
(54) Product in respect of which the design is registered: **Bathroom accessories  
- double shelf**  
(51) International Design Classification: **23-02A**  
(74) Name(s) of Attorney(s):  
(71) Name(s) and Address(s) of Applicant(s):  
**A-Mark Industries Pty Ltd Trading as A-Mark Manufacturing  
48 Skarratt Street Silverwater New South Wales 2128 Australia**  
(72) Name(s) of Designer(s): **Leonard Ross Proctor**  
(45) Registration Date: **20 May 2011**  
(56) Related Art Documents: **Not Applicable**  
(57) Statement of Newness and Distinctiveness: **Square and parallel design  
features**



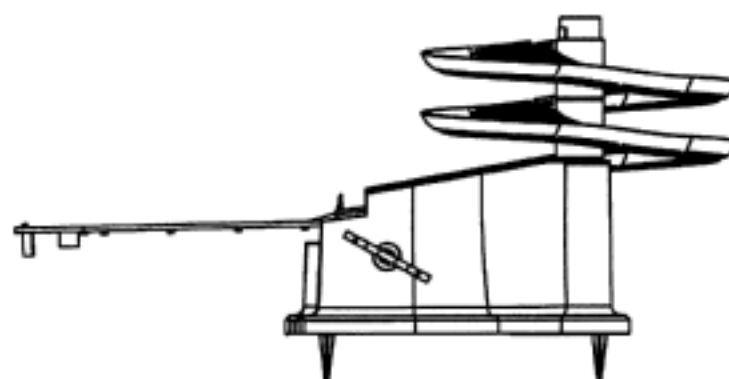
(21) Design Number: **11768/2011**  
(22) Date of Filing Application: **20 April 2011**  
(24) Date from which industrial property rights may have effect: **20 April 2011**  
(54) Product in respect of which the design is registered: **Switch activating dolly**  
(51) International Design Classification: **13-03D**  
(74) Name(s) of Attorney(s): **Griffith Hack**  
(71) Name(s) and Address(s) of Applicant(s):  
**Legrand Australia Pty Ltd  
Unit 99 79-99 St Hilliers Road Auburn New South Wales 2144 Australia**  
(72) Name(s) of Designer(s): **Dennis Galvin and Pradeep Anirudhan**  
(45) Registration Date: **20 May 2011**  
(30) Convention priority data:  
(31) Number (32) Date (33) Country  
**201030578783.4 26 Oct 2010 CHINA**  
(56) Related Art Documents: **Not Applicable**  
(57) Statement of Newness and Distinctiveness: **Newness and distinctiveness  
of the design resides in the visual features shown in solid outlines.  
When determining whether the design is substantially similar in overall  
impression to another design, no regard is to be had to those features  
shown in broken lines.**



- (21) Design Number: **11769/2011**  
(22) Date of Filing Application: **20 April 2011**  
(24) Date from which industrial property rights may have effect: **20 April 2011**  
(54) Product in respect of which the design is registered: **A merchandising unit**  
(51) International Design Classification: **20-02E**  
(74) Name(s) of Attorney(s): **Cullens Patent and Trade Mark Attorneys**  
(71) Name(s) and Address(s) of Applicant(s):  
**Mrs Mac's Pty Ltd**  
**5-9 Marchant Way Morley Western Australia 6062 Australia**  
(72) Name(s) of Designer(s): **Kevin John Wilson**  
(45) Registration Date: **20 May 2011**  
(56) Related Art Documents: **Not Applicable**  
(57) Statement of Newness and Distinctiveness: **In interpreting the scope of the monopoly claimed, the feet of the unit are to be disregarded.**



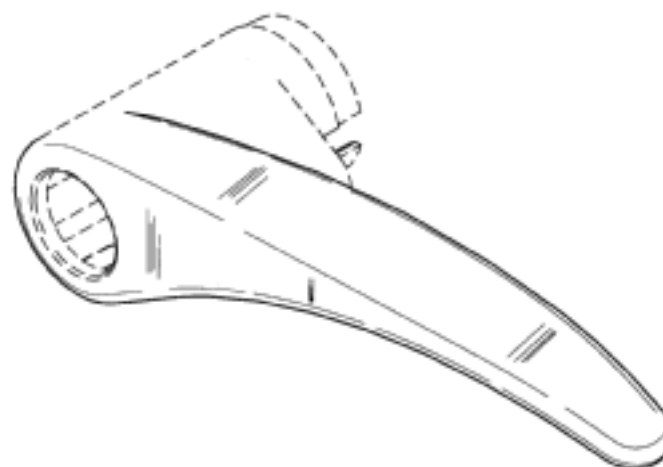
- (21) Design Number: **11770/2011**  
(22) Date of Filing Application: **19 April 2011**  
(24) Date from which industrial property rights may have effect: **19 April 2011**  
(54) Product in respect of which the design is registered: **Golf ball dispenser**  
(51) International Design Classification: **21-02C**  
(74) Name(s) of Attorney(s): **Fisher Adams Kelly**  
(71) Name(s) and Address(s) of Applicant(s):  
**Alvin International Pty Ltd**  
**Suite 402 9-11 Claremont Street South Yarra 3141 Victoria Australia**  
(72) Name(s) of Designer(s): **Peter Yan**  
(45) Registration Date: **20 May 2011**  
(56) Related Art Documents: **Not Applicable**  
(57) Statement of Newness and Distinctiveness: **Newness and distinctiveness resides in the shape and configuration of the golf ball dispenser as shown in the accompanying representations.**



(21) Design Number: **11771/2011**  
(22) Date of Filing Application: **21 April 2011**  
(24) Date from which industrial property rights may have effect: **21 April 2011**  
(54) Product in respect of which the design is registered: **Steam scrubber**  
(51) International Design Classification: **07-05E**  
(74) Name(s) of Attorney(s): **A.P.T. Patent and Trade Mark Attorneys**  
(71) Name(s) and Address(s) of Applicant(s):  
**Ningbo Lucky Snow Mechanical Equipment Manufacturing and Trading Co., Ltd.**  
**RenJiu Village Industrial Area WuXiang Town YinZhou District 315111**  
**Ningbo China**  
(72) Name(s) of Designer(s): **Qinjun Gao**  
(45) Registration Date: **20 May 2011**  
(30) Convention priority data:  
(31) Number (32) Date (33) Country  
**201030624544.8 10 Nov 2010 CHINA**  
(56) Related Art Documents: **Not Applicable**  
(57) Statement of Newness and Distinctiveness: **Nil**



(21) Design Number: **11772/2011**  
(22) Date of Filing Application: **21 April 2011**  
(24) Date from which industrial property rights may have effect: **21 April 2011**  
(54) Product in respect of which the design is registered: **Door lever**  
(51) International Design Classification: **08-06**  
(74) Name(s) of Attorney(s): **A.P.T. Patent and Trade Mark Attorneys**  
(71) Name(s) and Address(s) of Applicant(s):  
**Tong Lung Metal Industry Co., Ltd.**  
**No.62 Chung Hsiao 1st Street Ho-Hu Li Chiayi City Taiwan**  
(72) Name(s) of Designer(s): **Yu-Le Lin and Wei-Liang Chiang and Kun-Chen Lee and Ting-Cheng Chang**  
(45) Registration Date: **20 May 2011**  
(30) Convention priority data:  
(31) Number (32) Date (33) Country  
**100300672 16 Feb 2011 TAIWAN**  
(56) Related Art Documents: **Not Applicable**  
(57) Statement of Newness and Distinctiveness: **Newness and distinctiveness resides in the shape and/or configuration of the Door Lever as shown in the representations, in considering newness and distinctiveness no regards should be had of the features drawn in the representations in broken lines.**



(21) Design Number: **11842/2011**  
(22) Date of Filing Application: **28 April 2011**  
(24) Date from which industrial property rights may have effect: **28 April 2011**  
(54) Product in respect of which the design is registered: **Container**  
(51) International Design Classification: **09-01A**  
(74) Name(s) of Attorney(s): **FB Rice**  
(71) Name(s) and Address(s) of Applicant(s):  
**Colgate-Palmolive Company**  
**300 Park Avenue New York New York 10022 United States of America**  
(72) Name(s) of Designer(s): **Kiat-Cheong Toh and Simon Nicholas Dutton**  
(45) Registration Date: **20 May 2011**  
(30) Convention priority data:  
(31) Number (32) Date (33) Country  
**29/378562 05 Nov 2010 UNITED STATES OF AMERICA**  
(56) Related Art Documents: **Not Applicable**  
(57) Statement of Newness and Distinctiveness: **Newness and distinctiveness reside in the features of shape and ornamentation of the container shown in the representations. When determining whether the design is substantially similar in overall impression to another design, no regard is to be had to those features shown in the drawings with dotted outline, which features are provided for illustrative purposes only.**



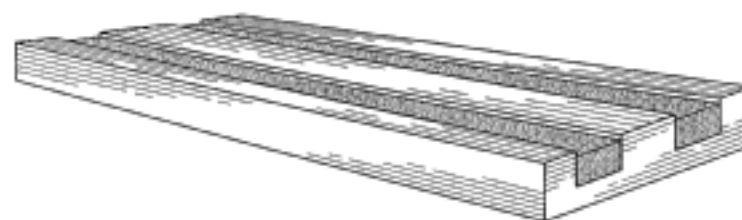
(21) Design Number: **11844/2011**  
(22) Date of Filing Application: **28 April 2011**  
(24) Date from which industrial property rights may have effect: **28 April 2011**  
(54) Product in respect of which the design is registered: **Container**  
(51) International Design Classification: **09-01A**  
(74) Name(s) of Attorney(s): **FB Rice**  
(71) Name(s) and Address(s) of Applicant(s):  
**Colgate-Palmolive Company**  
**300 Park Avenue New York New York 10022 United States of America**  
(72) Name(s) of Designer(s): **Kiat-Cheong Toh and Simon Nicholas Dutton**  
(45) Registration Date: **20 May 2011**  
(30) Convention priority data:  
(31) Number (32) Date (33) Country  
**29/378567 05 Nov 2010 UNITED STATES OF AMERICA**  
(56) Related Art Documents: **Not Applicable**  
(57) Statement of Newness and Distinctiveness: **Newness and distinctiveness reside in the features of shape and ornamentation of the container shown in the representations. When determining whether the design is substantially similar in overall impression to another design, no regard is to be had to those features shown in the drawings with dotted outline, which features are provided for illustrative purposes only.**



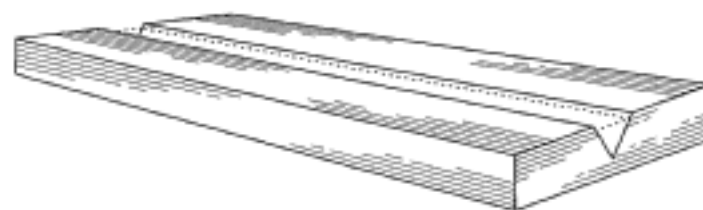
(21) Design Number: **11846/2011**  
(22) Date of Filing Application: **28 April 2011**  
(24) Date from which industrial property rights may have effect: **28 April 2011**  
(54) Product in respect of which the design is registered: **Modular chair**  
(51) International Design Classification: **12-12**  
(74) Name(s) of Attorney(s): **FB Rice**  
(71) Name(s) and Address(s) of Applicant(s):  
**Broda Enterprises, Inc.**  
**560 Bingemans Centre Drive Kitchener Ontario N2B 3X9 Canada**  
(72) Name(s) of Designer(s): **Travis Patrick Clarke and Takuro Nishiwaki and Dylan Horvath and Scott Bodaly**  
(45) Registration Date: **20 May 2011**  
(30) Convention priority data:  
(31) Number (32) Date (33) Country  
**29/380585 08 Dec 2010 UNITED STATES OF AMERICA**  
(56) Related Art Documents: **Not Applicable**  
(57) Statement of Newness and Distinctiveness: **Newness and distinctiveness reside in the features of the design as shown in the representations.**



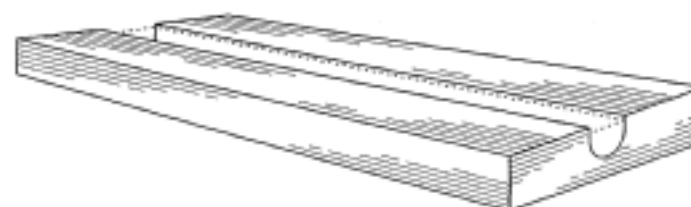
(21) Design Number: **11855/2011**  
(22) Date of Filing Application: **28 April 2011**  
(24) Date from which industrial property rights may have effect: **28 April 2011**  
(54) Product in respect of which the design is registered: **Confectionary**  
(51) International Design Classification: **01-01**  
(74) Name(s) of Attorney(s): **SPRUSON & FERGUSON**  
(71) Name(s) and Address(s) of Applicant(s):  
**Wm. Wrigley Jr. Company**  
**410 North Michigan Avenue Chicago Illinois 60611 United States of America**  
(72) Name(s) of Designer(s): **David Bruyey and Hugh Calvert and Martin Cervenka and Wendy Lau and Ronald L. Ream and Christopher Rowe and Dennis Rybolt and Henry Valdez**  
(45) Registration Date: **20 May 2011**  
(30) Convention priority data:  
(31) Number (32) Date (33) Country  
**29/378027 28 Oct 2010 UNITED STATES OF AMERICA**  
(56) Related Art Documents: **Not Applicable**  
(57) Statement of Newness and Distinctiveness: **Newness and distinctiveness is claimed in the features of shape and/or configuration of a confectionary as illustrated in the accompanying representations.**



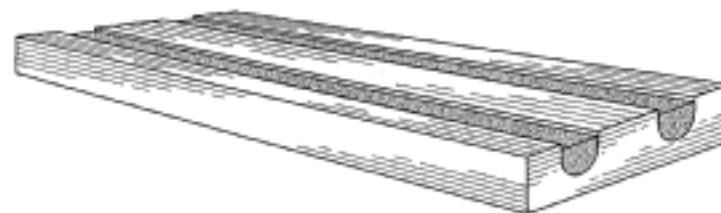
- (21) Design Number: **11856/2011**  
(22) Date of Filing Application: **28 April 2011**  
(24) Date from which industrial property rights may have effect: **28 April 2011**  
(54) Product in respect of which the design is registered: **Confectionary**  
(51) International Design Classification: **01-01**  
(74) Name(s) of Attorney(s): **SPRUSON & FERGUSON**  
(71) Name(s) and Address(s) of Applicant(s):  
**Wm. Wrigley Jr. Company**  
**410 North Michigan Avenue Chicago Illinois 60611 United States of America**  
(72) Name(s) of Designer(s): **David Bruyey and Hugh Calvert and Martin Cervenka and Wendy Lau and Ronald L. Ream and Christopher Rowe and Dennis Rybolt and Henry Valdez**  
(45) Registration Date: **20 May 2011**  
(30) Convention priority data:  
(31) Number (32) Date (33) Country  
**29/378015 28 Oct 2010 UNITED STATES OF AMERICA**  
(56) Related Art Documents: **Not Applicable**  
(57) Statement of Newness and Distinctiveness: **Newness and distinctiveness is claimed in those features of shape and/or configuration of a confectionary illustrated in continuous lines in the accompanying representations.**



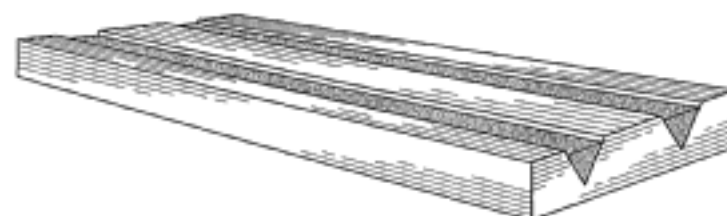
- (21) Design Number: **11857/2011**  
(22) Date of Filing Application: **28 April 2011**  
(24) Date from which industrial property rights may have effect: **28 April 2011**  
(54) Product in respect of which the design is registered: **Confectionary**  
(51) International Design Classification: **01-01**  
(74) Name(s) of Attorney(s): **SPRUSON & FERGUSON**  
(71) Name(s) and Address(s) of Applicant(s):  
**Wm. Wrigley Jr. Company**  
**410 North Michigan Avenue Chicago Illinois 60611 United States of America**  
(72) Name(s) of Designer(s): **David Bruyey and Hugh Calvert and Martin Cervenka and Wendy Lau and Ronald L. Ream and Christopher Rowe and Dennis Rybolt and Henry Valdez**  
(45) Registration Date: **20 May 2011**  
(30) Convention priority data:  
(31) Number (32) Date (33) Country  
**29/378115 29 Oct 2010 UNITED STATES OF AMERICA**  
(56) Related Art Documents: **Not Applicable**  
(57) Statement of Newness and Distinctiveness: **Newness and distinctiveness is claimed in those features of shape and/or configuration of a confectionary illustrated in continuous lines in the accompanying representations.**



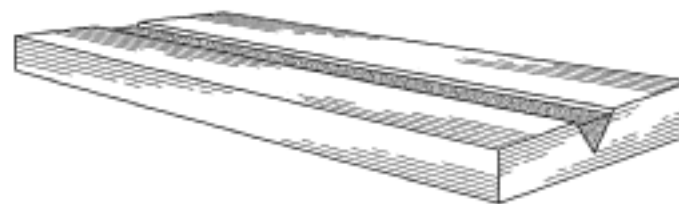
- (21) Design Number: **11858/2011**  
(22) Date of Filing Application: **28 April 2011**  
(24) Date from which industrial property rights may have effect: **28 April 2011**  
(54) Product in respect of which the design is registered: **Confectionary**  
(51) International Design Classification: **01-01**  
(74) Name(s) of Attorney(s): **SPRUSON & FERGUSON**  
(71) Name(s) and Address(s) of Applicant(s):  
**Wm. Wrigley Jr. Company**  
**410 North Michigan Avenue Chicago Illinois 60611 United States of America**  
(72) Name(s) of Designer(s): **David Bruyey and Hugh Calvert and Martin Cervenka and Wendy Lau and Ronald L. Ream and Christopher Rowe and Dennis Rybolt and Henry Valdez**  
(45) Registration Date: **20 May 2011**  
(30) Convention priority data:  
(31) Number (32) Date (33) Country  
**29/378111 29 Oct 2010 UNITED STATES OF AMERICA**  
(56) Related Art Documents: **Not Applicable**  
(57) Statement of Newness and Distinctiveness: **Newness and distinctiveness is claimed in the features of shape and/or configuration of a confectionary as illustrated in the accompanying representations.**



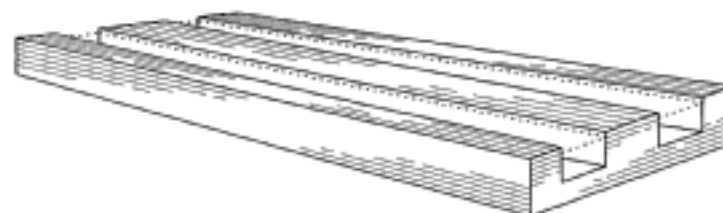
- (21) Design Number: **11859/2011**  
(22) Date of Filing Application: **28 April 2011**  
(24) Date from which industrial property rights may have effect: **28 April 2011**  
(54) Product in respect of which the design is registered: **Confectionary**  
(51) International Design Classification: **01-01**  
(74) Name(s) of Attorney(s): **SPRUSON & FERGUSON**  
(71) Name(s) and Address(s) of Applicant(s):  
**Wm. Wrigley Jr. Company**  
**410 North Michigan Avenue Chicago Illinois 60611 United States of America**  
(72) Name(s) of Designer(s): **David Bruyey and Hugh Calvert and Martin Cervenka and Wendy Lau and Ronald L. Ream and Christopher Rowe and Dennis Rybolt and Henry Valdez**  
(45) Registration Date: **20 May 2011**  
(30) Convention priority data:  
(31) Number (32) Date (33) Country  
**29/378012 28 Oct 2010 UNITED STATES OF AMERICA**  
(56) Related Art Documents: **Not Applicable**  
(57) Statement of Newness and Distinctiveness: **Newness and distinctiveness is claimed in the features of shape and/or configuration of a confectionary as illustrated in the accompanying representations.**



- (21) Design Number: **11860/2011**  
(22) Date of Filing Application: **28 April 2011**  
(24) Date from which industrial property rights may have effect: **28 April 2011**  
(54) Product in respect of which the design is registered: **Confectionary**  
(51) International Design Classification: **01-01**  
(74) Name(s) of Attorney(s): **SPRUSON & FERGUSON**  
(71) Name(s) and Address(s) of Applicant(s):  
**Wm. Wrigley Jr. Company**  
**410 North Michigan Avenue Chicago Illinois 60611 United States of America**  
(72) Name(s) of Designer(s): **David Bruyey and Hugh Calvert and Martin Cervenka and Wendy Lau and Ronald L. Ream and Christopher Rowe and Dennis Rybolt and Henry Valdez**  
(45) Registration Date: **20 May 2011**  
(30) Convention priority data:  
(31) Number (32) Date (33) Country  
**29/378023 28 Oct 2010 UNITED STATES OF AMERICA**  
(56) Related Art Documents: **Not Applicable**  
(57) Statement of Newness and Distinctiveness: **Newness and distinctiveness is claimed in the features of shape and/or configuration of a confectionary as illustrated in the accompanying representations.**



- (21) Design Number: **11861/2011**  
(22) Date of Filing Application: **28 April 2011**  
(24) Date from which industrial property rights may have effect: **28 April 2011**  
(54) Product in respect of which the design is registered: **Confectionary**  
(51) International Design Classification: **01-01**  
(74) Name(s) of Attorney(s): **SPRUSON & FERGUSON**  
(71) Name(s) and Address(s) of Applicant(s):  
**Wm. Wrigley Jr. Company**  
**410 North Michigan Avenue Chicago Illinois 60611 United States of America**  
(72) Name(s) of Designer(s): **David Bruyey and Hugh Calvert and Martin Cervenka and Wendy Lau and Ronald L. Ream and Christopher Rowe and Dennis Rybolt and Henry Valdez**  
(45) Registration Date: **20 May 2011**  
(30) Convention priority data:  
(31) Number (32) Date (33) Country  
**29/378026 28 Oct 2010 UNITED STATES OF AMERICA**  
(56) Related Art Documents: **Not Applicable**  
(57) Statement of Newness and Distinctiveness: **Newness and distinctiveness is claimed in those features of shape and/or configuration of a confectionary illustrated in continuous lines in the accompanying representations.**



(21) Design Number: **11884/2011**  
(22) Date of Filing Application: **29 April 2011**  
(24) Date from which industrial property rights may have effect: **29 April 2011**  
(54) Product in respect of which the design is registered: **Container**  
(51) International Design Classification: **09-01NES**  
(74) Name(s) of Attorney(s): **PHILLIPS ORMONDE FITZPATRICK**  
(71) Name(s) and Address(s) of Applicant(s):  
**The Procter & Gamble Company**  
**One Procter & Gamble Plaza Cincinnati Ohio 45202 United States of America**

(72) Name(s) of Designer(s): **Martin Jay Marotti and Juan Carlos Vinseiro**  
(45) Registration Date: **20 May 2011**

(30) Convention priority data:  
(31) Number      (32) Date      (33) Country  
**29/378,174      01 Nov 2010      UNITED STATES OF AMERICA**

(56) Related Art Documents: **Not Applicable**  
(57) Statement of Newness and Distinctiveness: **Newness and distinctiveness resides in the features of pattern and/or ornamentation of a container which may be transparent or translucent as shown in the accompanying representations. The stipple as illustrated in the representations represents a gradation of a colour from the lower portion of the container to the upper portion of the container. The features shown in broken line are not part of the design and are to be disregarded when considering the overall impression of the design.**



(21) Design Number: **11885/2011**  
(22) Date of Filing Application: **29 April 2011**  
(24) Date from which industrial property rights may have effect: **29 April 2011**  
(54) Product in respect of which the design is registered: **Container**  
(51) International Design Classification: **09-01NES**  
(74) Name(s) of Attorney(s): **PHILLIPS ORMONDE FITZPATRICK**  
(71) Name(s) and Address(s) of Applicant(s):  
**The Procter & Gamble Company**  
**One Procter & Gamble Plaza Cincinnati Ohio 45202 United States of America**

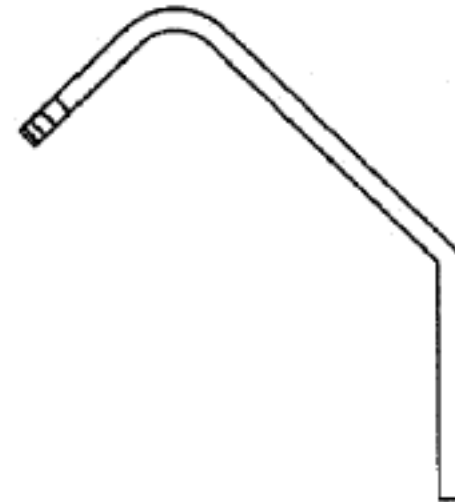
(72) Name(s) of Designer(s): **Martin Jay Marotti and Juan Carlos Vinseiro**  
(45) Registration Date: **20 May 2011**

(30) Convention priority data:  
(31) Number      (32) Date      (33) Country  
**29/378,174      01 Nov 2010      UNITED STATES OF AMERICA**

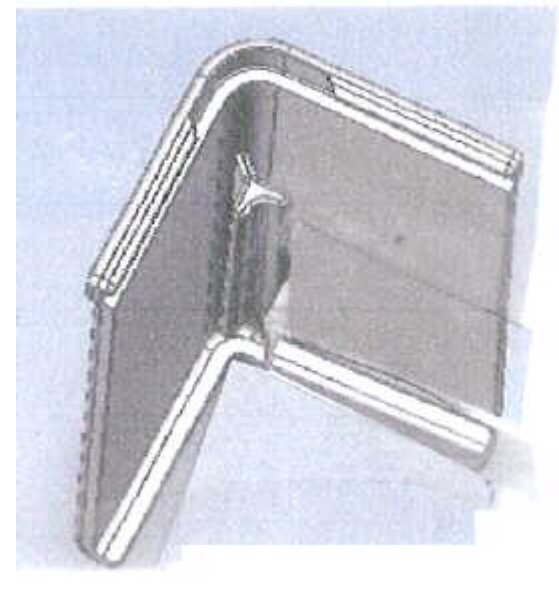
(56) Related Art Documents: **Not Applicable**  
(57) Statement of Newness and Distinctiveness: **Newness and distinctiveness resides in the features of pattern and/or ornamentation of a container which may be transparent or translucent as shown in the accompanying representations. The stipple as illustrated in the representations represents a gradation of a colour from the upper portion of the container to the lower portion of the container. The features shown in broken line are not part of the design and are to be disregarded when considering the overall impression of the design.**



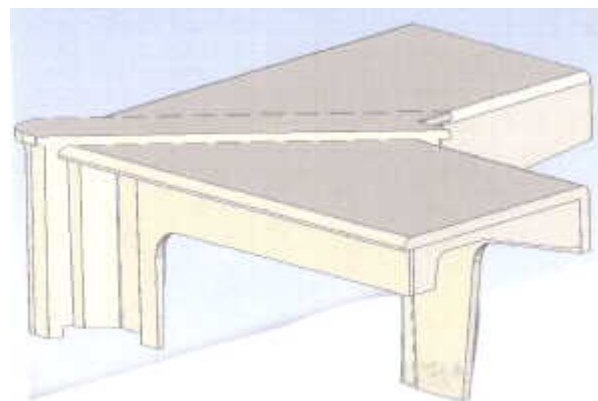
(21) Design Number: **14260/2010**  
(22) Date of Filing Application: **08 October 2010**  
(24) Date from which industrial property rights may have effect: **08 October 2010**  
(54) Product in respect of which the design is registered: **A point of sale display bracket**  
(51) International Design Classification: **20-02NES**  
(74) Name(s) of Attorney(s): **Acumen Intellectual Property**  
(71) Name(s) and Address(s) of Applicant(s):  
**Beverage Gun Holster Pty Ltd**  
**10/16 Aquatic Drive Frenchs Forest New South Wales 2086 Australia**  
(72) Name(s) of Designer(s): **Luke Mallam**  
(45) Registration Date: **20 May 2011**  
(56) Related Art Documents: **Not Applicable**  
(57) Statement of Newness and Distinctiveness: **Nil**



(21) Design Number: **10506/2011**  
(22) Date of Filing Application: **11 February 2011**  
(24) Date from which industrial property rights may have effect: **11 February 2011**  
(54) Product in respect of which the design is registered: **Slide-on cover for corner stake**  
(51) International Design Classification: **08-08NES**  
(74) Name(s) of Attorney(s): **John L Davies & Co**  
(71) Name(s) and Address(s) of Applicant(s):  
**Dias Aluminium Products Pty. Ltd.**  
**201-205 Browns Road Noble Park Victoria 3174 Australia**  
(72) Name(s) of Designer(s): **Ian David Paterson**  
(45) Registration Date: **20 May 2011**  
(56) Related Art Documents: **Not Applicable**  
(57) Statement of Newness and Distinctiveness: **Nil**



(21) Design Number: **10549/2011**  
(22) Date of Filing Application: **11 February 2011**  
(24) Date from which industrial property rights may have effect: **11 February 2011**  
(54) Product in respect of which the design is registered: **Corner stake**  
(51) International Design Classification: **08-08NES**  
(74) Name(s) of Attorney(s): **John L Davies & Co**  
(71) Name(s) and Address(s) of Applicant(s):  
**Dias Aluminium Products Pty. Ltd.**  
**201-205 Browns Road Noble Park Victoria 3174 Australia**  
(72) Name(s) of Designer(s): **Ian David Paterson**  
(45) Registration Date: **20 May 2011**  
(56) Related Art Documents: **Not Applicable**  
(57) Statement of Newness and Distinctiveness: **Nil**



(21) Design Number: **11556/2011**  
(22) Date of Filing Application: **11 April 2011**  
(24) Date from which industrial property rights may have effect: **11 April 2011**  
(54) Product in respect of which the design is registered: **Electronic device**  
(51) International Design Classification: **14-02**  
(74) Name(s) of Attorney(s): **Davies Collison Cave**  
(71) Name(s) and Address(s) of Applicant(s):  
**Laerdal Medical AS**  
**Postboks 377 Stavanger 4002 Norway**  
(72) Name(s) of Designer(s): **Kjetil Lonne Nilsen**  
(45) Registration Date: **20 May 2011**  
(30) Convention priority data:  
(31) Number      (32) Date      (33) Country  
**572121001      12 Oct 2010      WORLD INTELLECTUAL  
PROPERTY ORGANIZATION  
(WIPO)**



(56) Related Art Documents: **Not Applicable**  
(57) Statement of Newness and Distinctiveness: **Newness and distinctiveness is claimed in the visual features of pattern and ornamentation of the display of the electronic device shown in the representations. In considering the newness and distinctiveness the features shown in broken lines should be disregarded.**

(21) Design Number: **11557/2011**  
(22) Date of Filing Application: **11 April 2011**  
(24) Date from which industrial property rights may have effect: **11 April 2011**  
(54) Product in respect of which the design is registered: **Electronic device**  
(51) International Design Classification: **14-02**  
(74) Name(s) of Attorney(s): **Davies Collison Cave**  
(71) Name(s) and Address(s) of Applicant(s):



**Laerdal Medical AS**  
**Postboks 377 Stavanger 4002 Norway**

(72) Name(s) of Designer(s): **Kjetil Lonne Nilsen**

(45) Registration Date: **20 May 2011**

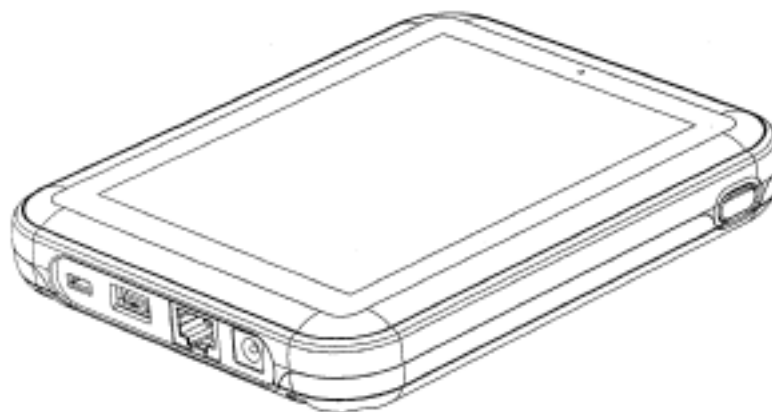
(30) Convention priority data:

(31) Number	(32) Date	(33) Country
<b>572121001</b>	<b>12 Oct 2010</b>	<b>WORLD INTELLECTUAL PROPERTY ORGANIZATION (WIPO)</b>

(56) Related Art Documents: **Not Applicable**

(57) Statement of Newness and Distinctiveness: **Newness and distinctiveness is claimed in the visual features of pattern and ornamentation of the display of the electronic device shown in the representations. In considering the newness and distinctiveness the features shown in broken lines should be disregarded.**

(21) Design Number: **11558/2011**  
(22) Date of Filing Application: **11 April 2011**  
(24) Date from which industrial property rights may have effect: **11 April 2011**  
(54) Product in respect of which the design is registered: **Electronic device**  
(51) International Design Classification: **14-02**  
(74) Name(s) of Attorney(s): **Davies Collison Cave**  
(71) Name(s) and Address(s) of Applicant(s):



**Laerdal Medical AS**  
**Postboks 377 Stavanger 4002 Norway**

(72) Name(s) of Designer(s): **Kjetil Lonne Nilsen**

(45) Registration Date: **20 May 2011**

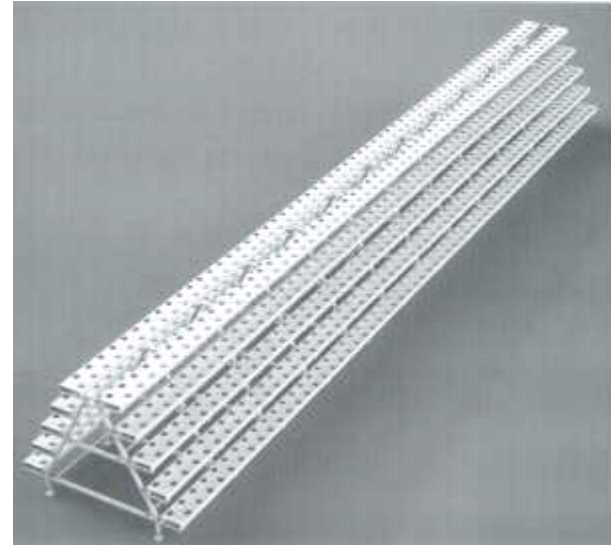
(30) Convention priority data:

(31) Number	(32) Date	(33) Country
<b>572121001</b>	<b>12 Oct 2010</b>	<b>WORLD INTELLECTUAL PROPERTY ORGANIZATION (WIPO)</b>

(56) Related Art Documents: **Not Applicable**

(57) Statement of Newness and Distinctiveness: **Nil**

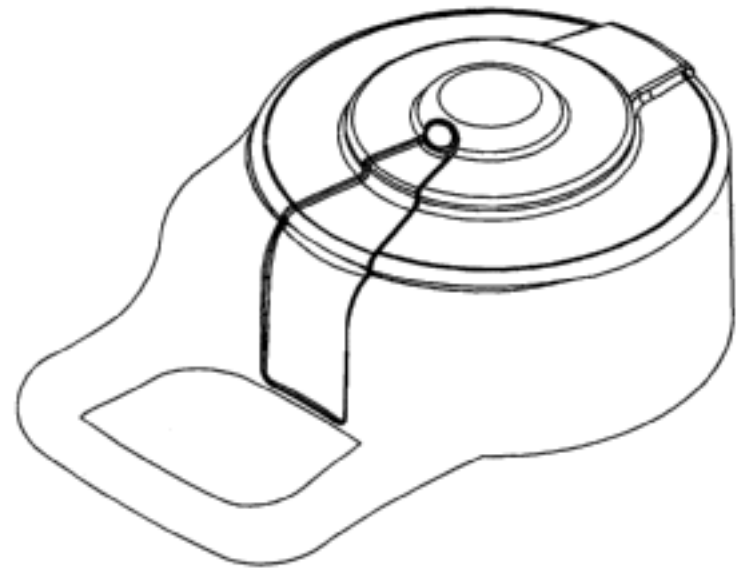
(21) Design Number: **11794/2011**  
(22) Date of Filing Application: **21 April 2011**  
(24) Date from which industrial property rights may have effect: **21 April 2011**  
(54) Product in respect of which the design is registered: **A-frame hydroponic system**  
(51) International Design Classification: **11-02B**  
(74) Name(s) of Attorney(s): **Pegasus IP**  
(71) Name(s) and Address(s) of Applicant(s):  
**City Farms International Pty Ltd**  
**Lot 1 Cudgen Road Cudgen New South Wales 2487 Australia**  
(72) Name(s) of Designer(s): **Joe Agius**  
(45) Registration Date: **20 May 2011**  
(56) Related Art Documents: **Not Applicable**  
(57) Statement of Newness and Distinctiveness: **Newness & distinctiveness resides in the features of shape and/or configuration of the product as shown in the reps, without limitation to the number and pattern of the holes shown in the reps.**



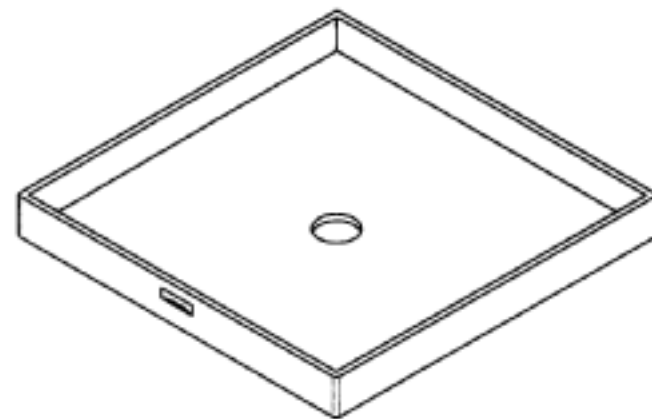
(21) Design Number: **12007/2011**  
(22) Date of Filing Application: **09 May 2011**  
(24) Date from which industrial property rights may have effect: **09 May 2011**  
(54) Product in respect of which the design is registered: **Plant growing container (pot)**  
(51) International Design Classification: **11-02B**  
(74) Name(s) of Attorney(s):  
(71) Name(s) and Address(s) of Applicant(s):  
**Greg Braun**  
**578 Pipers Creek Road Dondingalong New South Wales 2440 Australia**  
(72) Name(s) of Designer(s): **Greg Braun**  
(45) Registration Date: **20 May 2011**  
(56) Related Art Documents: **Not Applicable**  
(57) Statement of Newness and Distinctiveness: **Nil**



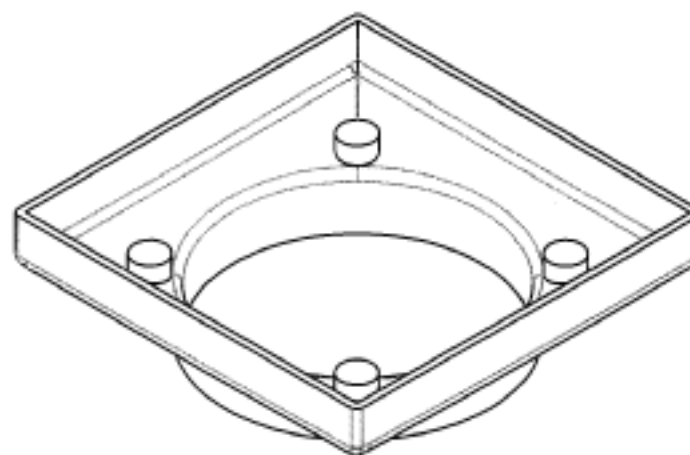
(21) Design Number: **12168/2011**  
(22) Date of Filing Application: **12 May 2011**  
(24) Date from which industrial property rights may have effect: **12 May 2011**  
(54) Product in respect of which the design is registered: **Bottle closure**  
(51) International Design Classification: **09-07C**  
(74) Name(s) of Attorney(s):  
(71) Name(s) and Address(s) of Applicant(s):  
**Bottles of Australia Pty Limited**  
**Units 1-5 6 Sleigh Place Hume ACT 2620 Australia**  
(72) Name(s) of Designer(s): **Rien Schuurhuis**  
(45) Registration Date: **20 May 2011**  
(56) Related Art Documents: **Not Applicable**  
(57) Statement of Newness and Distinctiveness: **Nil**



(21) Design Number: **11560/2011**  
(22) Date of Filing Application: **11 April 2011**  
(24) Date from which industrial property rights may have effect: **11 April 2011**  
(54) Product in respect of which the design is registered: **Floor drain**  
(51) International Design Classification: **23-01NES**  
(74) Name(s) of Attorney(s):  
(71) Name(s) and Address(s) of Applicant(s):  
**Darren Steen**  
**15 Walton Crescent Abbotsford New South Wales 2046 Australia**  
(72) Name(s) of Designer(s): **Darren Steen**  
(45) Registration Date: **20 May 2011**  
(56) Related Art Documents: **Not Applicable**  
(57) Statement of Newness and Distinctiveness: **Locking fixture and construction material brass studs.**



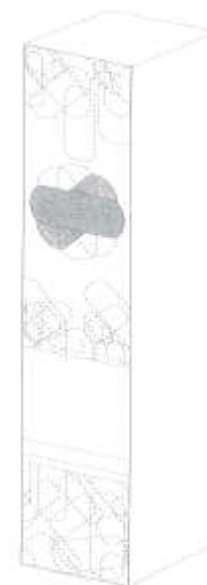
(21) Design Number: **11561/2011**  
(22) Date of Filing Application: **11 April 2011**  
(24) Date from which industrial property rights may have effect: **11 April 2011**  
(54) Product in respect of which the design is registered: **Floor drain**  
(51) International Design Classification: **23-01NES**  
(74) Name(s) of Attorney(s):  
(71) Name(s) and Address(s) of Applicant(s):  
**Darren Steen**  
**15 Walton Crescent Abbotsford New South Wales 2046 Australia**  
(72) Name(s) of Designer(s): **Darren Steen**  
(45) Registration Date: **20 May 2011**  
(56) Related Art Documents: **Not Applicable**  
(57) Statement of Newness and Distinctiveness: **Locking fixture and construction material brass studs.**



(21) Design Number: **11710/2011**  
(22) Date of Filing Application: **18 April 2011**  
(24) Date from which industrial property rights may have effect: **18 April 2011**  
(54) Product in respect of which the design is registered: **Packaging container with surface ornamentation**  
(51) International Design Classification: **09-03M**  
(74) Name(s) of Attorney(s): **PHILLIPS ORMONDE FITZPATRICK**  
(71) Name(s) and Address(s) of Applicant(s):  
**The Procter & Gamble Company**  
**One Procter & Gamble Plaza Cincinnati Ohio 45202 United States of America**  
(72) Name(s) of Designer(s): **Molly Ann Hablutzel and Jean Martin Campbell and Frederick Mason Mariani**  
(45) Registration Date: **20 May 2011**  
(30) Convention priority data:  
(31) Number (32) Date (33) Country  
**29/377,294 20 Oct 2010 UNITED STATES OF AMERICA**  
(56) Related Art Documents: **Not Applicable**  
(57) Statement of Newness and Distinctiveness: **Those features of the packaging container with surface ornamentation depicted in the representations that are new and distinctive are the pattern and/or ornamentation. The stippling illustrates that the pattern and/or ornamentation may be in any colour or colours but not limited to a particular colour or colours. The features shown in broken lines are not part of the design and are to be disregarded when considering the overall impression of the design.**



- (21) Design Number: **11711/2011**  
(22) Date of Filing Application: **18 April 2011**  
(24) Date from which industrial property rights may have effect: **18 April 2011**  
(54) Product in respect of which the design is registered: **Packaging container with surface ornamentation**  
(51) International Design Classification: **09-03M**  
(74) Name(s) of Attorney(s): **PHILLIPS ORMONDE FITZPATRICK**  
(71) Name(s) and Address(s) of Applicant(s):  
**The Procter & Gamble Company**  
**One Procter & Gamble Plaza Cincinnati Ohio 45202 United States of America**  
(72) Name(s) of Designer(s): **Molly Ann Hablutzel and Jean Martin Campbell and Frederick Mason Mariani**  
(45) Registration Date: **20 May 2011**  
(30) Convention priority data:  
(31) Number (32) Date (33) Country  
**29/377,294 20 Oct 2010 UNITED STATES OF AMERICA**  
(56) Related Art Documents: **Not Applicable**  
(57) Statement of Newness and Distinctiveness: **Those features of the packaging container with surface ornamentation depicted in the representations that are new and distinctive are the pattern and/or ornamentation. The stippling illustrates that the pattern and/or ornamentation may be in any colour or colours but not limited to a particular colour or colours. The features shown in broken lines are not part of the design and are to be disregarded when considering the overall impression of the design.**



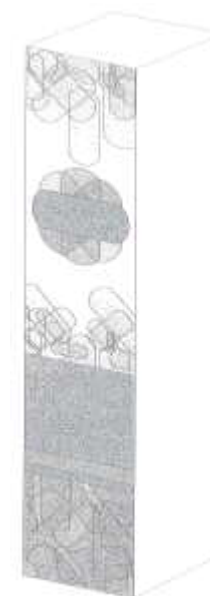
- (21) Design Number: **11712/2011**  
(22) Date of Filing Application: **18 April 2011**  
(24) Date from which industrial property rights may have effect: **18 April 2011**  
(54) Product in respect of which the design is registered: **Packaging container with surface ornamentation**  
(51) International Design Classification: **09-03M**  
(74) Name(s) of Attorney(s): **PHILLIPS ORMONDE FITZPATRICK**  
(71) Name(s) and Address(s) of Applicant(s):  
**The Procter & Gamble Company**  
**One Procter & Gamble Plaza Cincinnati Ohio 45202 United States of America**  
(72) Name(s) of Designer(s): **Molly Ann Hablutzel and Jean Martin Campbell and Frederick Mason Mariani**  
(45) Registration Date: **20 May 2011**  
(30) Convention priority data:  
(31) Number (32) Date (33) Country  
**29/377,294 20 Oct 2010 UNITED STATES OF AMERICA**  
(56) Related Art Documents: **Not Applicable**  
(57) Statement of Newness and Distinctiveness: **Those features of the packaging container with surface ornamentation depicted in the representations that are new and distinctive are the pattern and/or ornamentation. The stippling illustrates that the pattern and/or ornamentation may be in any colour or colours but not limited to a particular colour or colours. The features shown in broken lines are not part of the design and are to be disregarded when considering the overall impression of the design.**



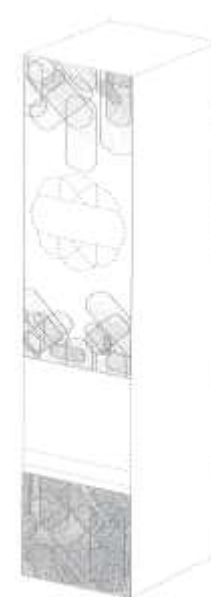
- (21) Design Number: **11713/2011**  
(22) Date of Filing Application: **18 April 2011**  
(24) Date from which industrial property rights may have effect: **18 April 2011**  
(54) Product in respect of which the design is registered: **Packaging container with surface ornamentation**  
(51) International Design Classification: **09-03M**  
(74) Name(s) of Attorney(s): **PHILLIPS ORMONDE FITZPATRICK**  
(71) Name(s) and Address(s) of Applicant(s):  
**The Procter & Gamble Company**  
**One Procter & Gamble Plaza Cincinnati Ohio 45202 United States of America**  
(72) Name(s) of Designer(s): **Molly Ann Hablutzel and Jean Martin Campbell and Frederick Mason Mariani**  
(45) Registration Date: **20 May 2011**  
(30) Convention priority data:  
(31) Number (32) Date (33) Country  
**29/377,294 20 Oct 2010 UNITED STATES OF AMERICA**  
(56) Related Art Documents: **Not Applicable**  
(57) Statement of Newness and Distinctiveness: **Those features of the packaging container with surface ornamentation depicted in the representations that are new and distinctive are the pattern and/or ornamentation. The stippling illustrates that the pattern and/or ornamentation may be in any colour or colours but not limited to a particular colour or colours. The features shown in broken lines are not part of the design and are to be disregarded when considering the overall impression of the design.**



- (21) Design Number: **11714/2011**  
(22) Date of Filing Application: **18 April 2011**  
(24) Date from which industrial property rights may have effect: **18 April 2011**  
(54) Product in respect of which the design is registered: **Packaging container with surface ornamentation**  
(51) International Design Classification: **09-03M**  
(74) Name(s) of Attorney(s): **PHILLIPS ORMONDE FITZPATRICK**  
(71) Name(s) and Address(s) of Applicant(s):  
**The Procter & Gamble Company**  
**One Procter & Gamble Plaza Cincinnati Ohio 45202 United States of America**  
(72) Name(s) of Designer(s): **Molly Ann Hablutzel and Jean Martin Campbell and Frederick Mason Mariani**  
(45) Registration Date: **20 May 2011**  
(30) Convention priority data:  
(31) Number (32) Date (33) Country  
**29/377,294 20 Oct 2010 UNITED STATES OF AMERICA**  
(56) Related Art Documents: **Not Applicable**  
(57) Statement of Newness and Distinctiveness: **Those features of the packaging container with surface ornamentation depicted in the representations that are new and distinctive are the pattern and/or ornamentation. The stippling illustrates that the pattern and/or ornamentation may be in any colour or colours but not limited to a particular colour or colours. The features shown in broken lines are not part of the design and are to be disregarded when considering the overall impression of the design.**



- (21) Design Number: **11715/2011**  
(22) Date of Filing Application: **18 April 2011**  
(24) Date from which industrial property rights may have effect: **18 April 2011**  
(54) Product in respect of which the design is registered: **Packaging container with surface ornamentation**  
(51) International Design Classification: **09-03M**  
(74) Name(s) of Attorney(s): **PHILLIPS ORMONDE FITZPATRICK**  
(71) Name(s) and Address(s) of Applicant(s):  
**The Procter & Gamble Company**  
**One Procter & Gamble Plaza Cincinnati Ohio 45202 United States of America**  
(72) Name(s) of Designer(s): **Molly Ann Hablutzel and Jean Martin Campbell and Frederick Mason Mariani**  
(45) Registration Date: **20 May 2011**  
(30) Convention priority data:  
(31) Number (32) Date (33) Country  
**29/377,294 20 Oct 2010 UNITED STATES OF AMERICA**  
(56) Related Art Documents: **Not Applicable**  
(57) Statement of Newness and Distinctiveness: **Those features of the packaging container with surface ornamentation depicted in the representations that are new and distinctive are the pattern and/or ornamentation. The stippling illustrates that the pattern and/or ornamentation may be in any colour or colours but not limited to a particular colour or colours. The features shown in broken lines are not part of the design and are to be disregarded when considering the overall impression of the design.**



- (21) Design Number: **11751/2011**  
(22) Date of Filing Application: **20 April 2011**  
(24) Date from which industrial property rights may have effect: **20 April 2011**  
(54) Product in respect of which the design is registered: **Container**  
(51) International Design Classification: **09-01A**  
(74) Name(s) of Attorney(s): **FB Rice**  
(71) Name(s) and Address(s) of Applicant(s):  
**Colgate-Palmolive Company**  
**300 Park Avenue New York New York 10022 United States of America**  
(72) Name(s) of Designer(s): **Kiat-Cheong Toh and Simon Nicholas Dutton**  
(45) Registration Date: **20 May 2011**  
(30) Convention priority data:  
(31) Number (32) Date (33) Country  
**29/378550 05 Nov 2010 UNITED STATES OF AMERICA**  
(56) Related Art Documents: **Not Applicable**  
(57) Statement of Newness and Distinctiveness: **Newness and distinctiveness reside in the features of shape and ornamentation of the container shown in the representations. When determining whether the design is substantially similar in overall impression to another design, no regard is to be had to those features shown in the drawings with dotted outline, which features are provided for illustrative purposes only.**



(21) Design Number: **11780/2011**  
(22) Date of Filing Application: **21 April 2011**  
(24) Date from which industrial property rights may have effect: **21 April 2011**  
(54) Product in respect of which the design is registered: **Toner cartridge**  
(51) International Design Classification: **14-02**  
(74) Name(s) of Attorney(s): **Shelston IP**  
(71) Name(s) and Address(s) of Applicant(s):

**Fuji Xerox Co., Ltd.**  
**7-3 Akasaka 9-chome Minato-ku Tokyo Japan**

(72) Name(s) of Designer(s): **Yoshiaki Sakai and Kazuhiro Saito**

(45) Registration Date: **20 May 2011**

(30) Convention priority data:

(31) Number	(32) Date	(33) Country
<b>D2010-025459</b>	<b>22 Oct 2010</b>	<b>JAPAN</b>

(56) Related Art Documents: **Not Applicable**

(57) Statement of Newness and Distinctiveness: **Newness and distinctiveness resides in the features of shape and/or configuration of the toner cartridge indicated in grey scale in the accompanying representations. The features shown in green in the accompanying representations form no part of the design.**



(21) Design Number: **11776/2011**  
(22) Date of Filing Application: **21 April 2011**  
(24) Date from which industrial property rights may have effect: **21 April 2011**  
(54) Product in respect of which the design is registered: **Toner cartridge**  
(51) International Design Classification: **14-02**  
(74) Name(s) of Attorney(s): **Shelston IP**  
(71) Name(s) and Address(s) of Applicant(s):

**Fuji Xerox Co., Ltd.**  
**7-3 Akasaka 9-chome Minato-ku Tokyo Japan**

(72) Name(s) of Designer(s): **Yoshiaki Sakai and Kazuhiro Saito**

(45) Registration Date: **20 May 2011**

(30) Convention priority data:

(31) Number	(32) Date	(33) Country
<b>D2010-025460</b>	<b>22 Oct 2010</b>	<b>JAPAN</b>

(56) Related Art Documents: **Not Applicable**

(57) Statement of Newness and Distinctiveness: **Newness and distinctiveness resides in the features of shape and/or configuration of the toner cartridge indicated in grey scale in the accompanying representations. The features shown in green in the accompanying representations form no part of the design.**



(21) Design Number: **11775/2011**

(22) Date of Filing Application: **21 April 2011**

(24) Date from which industrial property rights may have effect: **21 April 2011**

(54) Product in respect of which the design is registered: **Toner cartridge**

(51) International Design Classification: **14-02**

(74) Name(s) of Attorney(s): **Shelston IP**

(71) Name(s) and Address(s) of Applicant(s):

**Fuji Xerox Co., Ltd.**

**7-3 Akasaka 9-chome Minato-ku Tokyo Japan**

(72) Name(s) of Designer(s): **Yoshiaki Sakai**

(45) Registration Date: **20 May 2011**

(30) Convention priority data:

(31) Number	(32) Date	(33) Country
<b>D2010-025458</b>	<b>22 Oct 2010</b>	<b>JAPAN</b>

(56) Related Art Documents: **Not Applicable**

(57) Statement of Newness and Distinctiveness: **Newness and distinctiveness resides in the features of shape and/or configuration of the toner cartridge indicated in grey scale in the accompanying representations. The features shown in green in the accompanying representations form no part of the design.**

