



**Australian Government**

---

**IP Australia**

**AUSTRALIAN OFFICIAL JOURNAL**

**OF**

**DESIGNS**

Did you know a searchable version of this journal is now available online?

It's FREE and EASY to SEARCH.

Find it on our website ([www.ipaustralia.gov.au](http://www.ipaustralia.gov.au))

by using the "Journals" link on the home page.

This Page Left Intentionally Blank

**Contents**

**General Information & Notices**

**Proceedings Under the Designs Act 1906 preserved as a result of the provisions of Chapter 12  
Part 2 of the Designs Act 2003**

<b>Applications for Extension of Time .....</b>	<b>1546</b>
<b>Extension of Period of Registration of Designs .....</b>	<b>1546</b>
<b>Extensions of Time Granted .....</b>	<b>1546</b>
<b>Names Registered - Alterations and Amendments .....</b>	<b>1546</b>
<b>Registrations Ceased .....</b>	<b>1546</b>

**Proceedings Under the Designs Act 2003**

<b>Applications Assigned .....</b>	<b>1558</b>
<b>Applications Lapsed .....</b>	<b>1556</b>
<b>Applications Lodged .....</b>	<b>1550</b>
<b>Applications Withdrawn .....</b>	<b>1556</b>
<b>Certificate of Examination .....</b>	<b>1560</b>
<b>Extension of Period of Registration of Design .....</b>	<b>1558</b>
<b>Extension of Time Granted Under Section 137 .....</b>	<b>1558</b>
<b>Names Registered - Alterations and Amendments .....</b>	<b>1559</b>
<b>Publication and Registration Proceedings</b>	
<b>Designs Registered 336682 to 336957.....</b>	<b>1561</b>
<b>Registrations Ceased .....</b>	<b>1558</b>
<b>Subsequent Owners Registered .....</b>	<b>1559</b>

This Page Left Intentionally Blank

For information on the following please see our website [www.ipaustralia.gov.au](http://www.ipaustralia.gov.au) or contact our Customer Service Network on 1300651010

[Editorial enquiries](#)

[Contact information](#)

[Freedom of Information ACT](#)

[Professional Standards Board](#)

[Sales](#)

[Requests for Information under Section 194 \(c\)](#)

[Country Codes](#)

[Trade Mark and Designs Hearing Sessions](#)

[INID \(Internationally agreed Numbers for the Identification of Data\)](#)

## “INID” NUMBERS in use on Australian Design Documents

“INID” is an acronym for “Internationally agreed Numbers for the Identification of Data”.

### (10) Data concerning the registration/renewal

- (11) Serial number of the registration and/or number of the design document
- (12) Plain language designation of the kind of published document
- (19) Identification, using the two-letter code according to WIPO Standard ST.3, of the authority publishing or registering the industrial design

### (20) Data concerning the application

- (21) Serial number of the application
- (22) Date of filing of the application
- (24) Date from which the industrial design right has effect

### (30) Data relating to priority under the Paris Convention

- (31) Serial number assigned to the priority application
- (32) Date of filing of the priority application
- (33) Two-letter code, according to WIPO Standard ST.3, identifying the authority with which the priority application was made

### (40) Date(s) of making information available to the public

- (45) Date of publication of the registered industrial design by printing or similar process, or making it available to the public by any other means

### (50) Miscellaneous Information

- (51) International Classification for Industrial Designs (class and subclass of the Locarno Classification)
- (54) Designation of article(s) or product(s) covered by the industrial design or title of the industrial design
- (55) Reproduction of the industrial design (e.g., drawing, photograph) and explanations relating to the reproduction
- (56) List of prior art documents, if separate from descriptive text
- (57) Description of characteristic features of the industrial design including indication of colours

### (60) References to other legally related application(s) and registration(s)

- (62) Serial number(s) and, if available, filing date(s) of application(s), registration(s) or document(s) related by division
- (66) Serial number(s) of the application, or the registration, of the design(s) which is (are) a variant(s) of the present one

### (70) Identification of parties concerned with the application or registration

- (71) Name(s) and address(es) of the applicant(s)
- (72) Name(s) of the creator(s) if known to be such
- (74) Name(s) and address(es) of the representative(s)

This Page Left Intentionally Blank

**ABSTRACT OF REASONS FOR A DECISION OF A DELEGATE OF THE REGISTRAR  
OF DESIGNS**

**Design Registration** : 323351 : INDUSTRIAL SWITCH

**Registered Owner** : GWR Pty Ltd, trading as Uniquip Industries, and Yueqing Myow Electric Co Ltd

**Exam request by** : Clipsal Australia Pty Ltd

**Decision** : Section 63 request: Design not to be revoked on grounds of distinctiveness.

**Decision Issued** : 30 May 2011

---

**Design Application** : 12675/2008 : INDUSTRIAL SWITCH

**Applicant** : Somfy SAS

**Decision** : S 39 and reg 4: Design is a product, and classifiable, thus able to be registered.

**Decision Issued** : 31 May 2011

**Proceedings under the Designs Act 1906 preserved as a result of the provisions of Chapter 12 Part 2 of the Designs Act 2003.**



This Page Left Intentionally Blank

**Applications Lapsed**

There were no Applications Lapsed under this section

**Extension of Period of Registration of Designs**

Applications for extension of time have been lodged. Objections must be lodged within 1 month from the date of this journal.

**1st Period (Section 27A(8))**

137810 **Visy R. & D. Pty Ltd** Extension of time to extend a registration. Address for Service: Davies Collison Cave Level 15 1 Nicholson Street MELBOURNE VIC 3000

**2nd Period (Section 27A(12))**

156649                      158246

**Extensions of time granted**

Applications lodged for extension of time have been granted.

**3rd Period (Section 27A(13))**

156649 **Visy R & D Pty Ltd** An An Extension of time to extend a registration has been granted to 15/02/2011

141764	141971	141972
141990	141991	141992
141993	141994	142109
142110	142111	142122
142123	142124	142125
142385	142464	142467
142515	142601	142602
142838	142852	142853
142854	142855	142912
143153	143176	143177
143178	143517	143849
144967	145169	145170
145686	145687	145878
146052	146053	146172
146173	146174	146175
146176		

**Names Registered - Alterations and Amendments**

(The name in parentheses is the new name of the proprietor)

143748    **( S T COUPLERS LIMITED )** JB Attachments Limited

**Registrations Ceased**

Note: Some of the following Registrations may have been previously advertised as ceased. In this instance, the previous advertisement still prevails.

125523	125544	125545
125547	125582	125583
125584	125614	125616
125743	125873	126014
126015	126016	126321
126322	126346	126405
127545	127831	127996
128628	128910	129627
139407	139594	139595
140650	140667	140787
140823	140986	141043
141333	141483	141484
141554	141863	142058
142405	143426	143533
143722	144086	145055
145056	145744	154622

**Applications for Extension of time**

This Page Left Intentionally Blank

**Proceedings under the Designs Act 2003.**

This Page Left Intentionally Blank

**Applications Lodged**

Lodgement information is in the following order: **Applicant's Name**; International Classification, Name of Product, Lodgement Date and **Design Number**. If the applicant claims an earlier priority date under an International Convention, the Convention Country and the associated filing date are shown in parentheses before the Lodgement Date. Divisional information will also appear in parentheses before the Lodgement Date.

<b>eLation eBikes;</b> 13-01, Electrical bicycle and tricycle motor, 25 May 2011	<b>12439/2011</b>	<b>Breezway Australia Pty Ltd;</b> 08-08H, A bearing for a louvre window assembly, 31 May 2011	<b>12442/2011</b>
<b>eLation eBikes;</b> 08-08L, Electric bicycle and tricycle motor support bracket, 25 May 2011	<b>12349/2011</b>	<b>Brooker Holdings Pty Ltd;</b> 08-08B, Screw pile, 01 Jun 2011	<b>12472/2011</b>
<b>eLation eBikes;</b> 12-11, 4 Gear bicycle crank, 25 May 2011	<b>12355/2011</b>	<b>Buy Direct Warehouse Pty Ltd;</b> 06-03NES, Fold down table, 25 May 2011	<b>12362/2011</b>
<b>Allied Leisure Products Australia Pty Ltd;</b> 25-02C, Fencing arrangement, 17 May 2011	<b>12247/2011</b>	<b>BJB Industries Pty Ltd;</b> 25-02C, Prefabricated aluminium picket panel fencing, 23 May 2011	<b>12275/2011</b>
<b>Allied Leisure Products Australia Pty Ltd;</b> 25-02C, Fencing arrangement, 17 May 2011	<b>12248/2011</b>	<b>BJB Industries Pty Ltd;</b> 25-02C, Prefabricated aluminium picket panel fencing, 20 May 2011	<b>12256/2011</b>
<b>Allied Leisure Products Australia Pty Ltd;</b> 25-02C, Fencing arrangement, 17 May 2011	<b>12246/2011</b>	<b>Chouman, Rabea;</b> 08-05K, External angle for cement rendering, 26 May 2011	<b>12350/2011</b>
<b>Anchor Foods Pty Ltd;</b> 09-01C, Spice jar, 27 May 2011	<b>12408/2011</b>	<b>Cole, Christopher William Murray;</b> 25-03, Portable modular building - class 25-03 Rain gutter - class 25-02z, 01 Jun 2011	<b>12438/2011</b>
<b>Area 55, Inc.;</b> 07-01F, Carafe, (US, 22 Nov 2010) 19 May 2011	<b>12261/2011</b>	<b>Colgate-Palmolive Company;</b> 04-02, Oral care implement, (US, 20 Dec 2010) 31 May 2011	<b>12437/2011</b>
<b>Atama Furniture;</b> 06-03A, Table top, 26 May 2011	<b>12353/2011</b>	<b>Colgate-Palmolive Company;</b> 04-02, Oral care implement, (US, 16 Dec 2010) 18 May 2011	<b>12257/2011</b>
<b>Austral Clothes Hoists Pty Ltd;</b> 07-05D, Clothes line frame, 17 May 2011	<b>12260/2011</b>	<b>Colgate-Palmolive Company;</b> 04-02, Oral care implement, (US, 20 Dec 2010) 30 May 2011	<b>12393/2011</b>
<b>AL-KO INTERNATIONAL PTY LTD;</b> 08-06, Handle grip, 26 May 2011	<b>12366/2011</b>	<b>Colgate-Palmolive Company;</b> 04-02, Oral care implement, (US, 20 Dec 2010) 27 May 2011	<b>12371/2011</b>
<b>Barnes, Dean;</b> 08-01, 08-03, 08-08NES, An debris collecting attachment for drills and other cutting devices, (EM, 13 Dec 2010) 31 May 2011	<b>12436/2011</b>	<b>Colgate-Palmolive Company;</b> 04-02, Oral care implement, (US, 20 Dec 2010) 30 May 2011	<b>12391/2011</b>
<b>Barnes, Dean;</b> 08-01, An debris collecting attachment for drills and other cutting devices, (EM, 13 Dec 2010) 30 May 2011	<b>12475/2011</b>	<b>Colgate-Palmolive Company;</b> 04-02, Oral care implement, (US, 20 Dec 2010) 30 May 2011	<b>12392/2011</b>
<b>Be Bold Ltd;</b> 13-03D, Light switch cover decal, (NZ, 29 Oct 2010) 25 May 2011	<b>12374/2011</b>	<b>Colgate-Palmolive Company;</b> 04-02, Oral care implement, (US, 20 Dec 2010) 27 May 2011	<b>12372/2011</b>
<b>Beratung und Entwicklung GmbH;Wenatex DAS Schlafsystem Forschung;</b> 06-09, Cushion, cushion cover, (EM, 07 Feb 2011) 23 May 2011	<b>12294/2011</b>	<b>Colgate-Palmolive Company;</b> 04-02, Oral care implement, (US, 21 Dec 2010) 30 May 2011	<b>12390/2011</b>
<b>Breezway Australia Pty Ltd;</b> 08-08H, A louvre end clip, 31 May 2011	<b>12444/2011</b>	<b>Collins, Matthew Ray;Donoghue, Callum John;</b> 25-01E, Post protector shield, 18 May 2011	<b>12238/2011</b>
<b>Breezway Australia Pty Ltd;</b> 08-08H, Louvre end clip, 31 May 2011	<b>12445/2011</b>	<b>Commonwealth Bank of Australia;</b> 14-02, Electronic device, 24 May 2011	<b>12319/2011</b>
<b>Breezway Australia Pty Ltd;</b> 08-08H, A handle for a louvre window assembly, 31 May 2011	<b>12443/2011</b>		

<b>Commonwealth Bank of Australia;</b> 14-02, Electronic device, 24 May 2011	<b>12317/2011</b>	<b>Dart Industries Inc;</b> 07-03, 07-06NES, 03-01NES, Portable untensil holder, (US, 18 Jan 2011) 20 May 2011	<b>12276/2011</b>
<b>Commonwealth Bank of Australia;</b> 14-02, Electronic device, 24 May 2011	<b>12318/2011</b>	<b>Davidson, Geoffrey Noel;</b> 23-01H, Tapware, 20 May 2011	<b>12268/2011</b>
<b>Confoil Map-Pak Pty Ltd;</b> 09-03F, Tray, 01 Jun 2011	<b>12469/2011</b>	<b>Davidson, Geoffrey Noel;</b> 25-01H, Tapware, 20 May 2011	<b>12269/2011</b>
<b>Conomos, Nicholas;</b> 08-08L, Apparatus support bracket, 27 May 2011	<b>12377/2011</b>	<b>DaCosta, Michael;</b> 11-01NES, Pendant, 25 May 2011	<b>12339/2011</b>
<b>Criterion Group Limited;</b> 06-04NES, Entertainment unit, 20 May 2011	<b>12282/2011</b>	<b>Decor Corporation Pty. Ltd., The;</b> 07-04, Juicer core, 23 May 2011	<b>12295/2011</b>
<b>CAE Healthcare Inc.;</b> 24-01, Tension-pneumothorax-simulator cartridge for a patient simulating mannequin, (US, 30 Nov 2010) 30 May 2011	<b>12380/2011</b>	<b>Decor Corporation Pty. Ltd., The;</b> 07-04, Juicer container, 23 May 2011	<b>12296/2011</b>
<b>CAE Healthcare Inc.;</b> 24-01, Upper back wear pad for a patient simulating mannequin, (US, 30 Nov 2010) 30 May 2011	<b>12383/2011</b>	<b>Dezinal Pty Ltd;</b> 08-09, 25-01K, Top rolling door track to suit 45mm door, 27 May 2011	<b>12370/2011</b>
<b>CAE Healthcare Inc.;</b> 24-01, Tension-pneumothorax-simulator cartridge for a patient simulating mannequin, (US, 30 Nov 2010) 30 May 2011	<b>12381/2011</b>	<b>Dezinal Pty Ltd;</b> 08-09, 25-01K, Top rolling single door track, 27 May 2011	<b>12369/2011</b>
<b>CAE Healthcare Inc.;</b> 24-01, Back wear pad for a patient simulating mannequin, (US, 30 Nov 2010) 30 May 2011	<b>12382/2011</b>	<b>Discovery Clothing Company Pty Ltd;</b> 05-05NES, Sheet material, 17 May 2011	<b>12249/2011</b>
<b>CAE Healthcare Inc.;</b> 24-01, Removeable top of a tension- pneumothorax-simulator cartridge for a patient simulating mannequin, (US, 30 Nov 2010) 30 May 2011	<b>12378/2011</b>	<b>Donoghue, Callum John;Collins, Matthew Ray;</b> 25-01E, Post protector shield, 18 May 2011	<b>12238/2011</b>
<b>CAE Healthcare Inc.;</b> 24-01, Hear wear pad for a patient simulating mannequin, (US, 30 Nov 2010) 30 May 2011	<b>12385/2011</b>	<b>Dyson Limited;</b> 15-05, Part of a vacuum cleaner, (EM, 22 Dec 2010) 31 May 2011	<b>12459/2011</b>
<b>CAE Healthcare Inc.;</b> 24-01, Buttocks wear pad for a patient simulating mannequin, (US, 27 May 2011) 30 May 2011	<b>12386/2011</b>	<b>ELC Management LLC;</b> 28-03NES, Applicator, (US, 22 Dec 2010) 24 May 2011	<b>12309/2011</b>
<b>CAE Healthcare Inc.;</b> 24-01, Buttocks wear pad for a patient simulating mannequin, (US, 30 Nov 2010) 30 May 2011	<b>12384/2011</b>	<b>ELC Management LLC;</b> 28-03NES, Applicator tip, (US, 22 Dec 2010) 24 May 2011	<b>12310/2011</b>
<b>CAE Healthcare Inc.;</b> 24-01, Removeable top of a tension- pneumothorax-simulator cartridge for a patient simulating mannequin, (US, 30 Nov 2010) 30 May 2011	<b>12379/2011</b>	<b>ELC Management LLC;</b> 28-03NES, Applicator with cap, (US, 22 Dec 2010) 24 May 2011	<b>12307/2011</b>
<b>CALOR;</b> 07-05A, Steam iron, (EM, 25 Nov 2010) 19 May 2011	<b>12252/2011</b>	<b>ELC Management LLC;</b> 28-03NES, Applicator, (US, 22 Dec 2010) 24 May 2011	<b>12470/2011</b>
<b>CJ CheilJedang Corporation;</b> 09-02B, Packaging container for foodstuffs, 27 May 2011	<b>12409/2011</b>	<b>ELC Management LLC;</b> 28-03NES, Applicator, (US, 22 Dec 2010) 24 May 2011	<b>12471/2011</b>
<b>D &amp; K Home Security Pty Ltd;</b> 25-01K, Sliding door track, 01 Jun 2011	<b>12446/2011</b>	<b>ELC Management LLC;</b> 28-03NES, Applicator with cap, (US, 22 Dec 2010) 24 May 2011	<b>12308/2011</b>
		<b>ELC Management LLC;</b> 28-03NES, Applicator with cap, (US, 22 Dec 2010) 24 May 2011	<b>12305/2011</b>
		<b>Feletar, Michael;</b> 09-03F, Fruit protection cocoon, 20 May 2011	<b>12306/2011</b>
			<b>12263/2011</b>



<b>Ferdinands, David;</b> 22-05, Fishing rod holder, 23 May 2011	<b>12293/2011</b>	<b>JELD-WEN Australia Pty Ltd;</b> 23-02B, 08-09, Shower screen telescoping header rail, 23 May 2011	<b>12298/2011</b>
<b>Flexitank (Australia) Pty Ltd;</b> 12-06NES, Flexible dry dock, 20 May 2011	<b>12304/2011</b>	<b>JELD-WEN Australia Pty Ltd;</b> 23-02B, 08-09, Shower screen system, 23 May 2011	<b>12299/2011</b>
<b>Gamsee Industries (Victoria) Pty Ltd;</b> 07-07B, Container, 27 May 2011	<b>12368/2011</b>	<b>JELD-WEN Australia Pty Ltd;</b> 23-02B, 08-09, Shower screen header rail element, 23 May 2011	<b>12300/2011</b>
<b>Gamsee Industries (Victoria) Pty Ltd;</b> 09-03M, Container with lid, 27 May 2011	<b>12376/2011</b>	<b>JELD-WEN Australia Pty Ltd;</b> 23-02B, 08-09, Shower screen telescoping header rail, 23 May 2011	<b>12301/2011</b>
<b>Gladwin, Richard George;</b> 12-16A, A wheel cowl, 19 May 2011	<b>12242/2011</b>	<b>JELD-WEN Australia Pty Ltd;</b> 23-02B, 08-09, Shower screen header rail element, 23 May 2011	<b>12302/2011</b>
<b>Greaterlinx Pty Ltd;</b> 13-03E, TSWITCH-Battery master switch utilized for the purpose of vehicle & equipment isolation enabling the application to, comply with ADR regulations, 30 May 2011	<b>12410/2011</b>	<b>JETS Swimwear Pty Limited;</b> 02-02A, Swimwear, 27 May 2011	<b>12424/2011</b>
<b>Greenham, Mark Edward;Mark Edward G Designs Pty Ltd;</b> 02-02B, Back pockets of jeans, pants, shorts. Men's and women's apparel, 13 May 2011	<b>12312/2011</b>	<b>JETS Swimwear Pty Limited;</b> 02-02A, Swimwear, 27 May 2011	<b>12429/2011</b>
<b>GM Motorsport Pty Ltd;</b> 12-16N, Automotive exhaust system, 31 May 2011	<b>12400/2011</b>	<b>JETS Swimwear Pty Limited;</b> 02-02A, Swimwear, 27 May 2011	<b>12425/2011</b>
<b>Hammersmith Nominees Pty Ltd;</b> 30-04, A strap fitting for grith straps of equestrian saddles, 27 May 2011	<b>12364/2011</b>	<b>JETS Swimwear Pty Limited;</b> 02-02A, Swimwear, 27 May 2011	<b>12426/2011</b>
<b>Illinois Tool Works Inc.;</b> 08-01, A power tool, (EM, 21 Apr 2011) 30 May 2011	<b>12406/2011</b>	<b>JETS Swimwear Pty Limited;</b> 02-02A, Swimwear, 27 May 2011	<b>12420/2011</b>
<b>Illinois Tool Works Inc.;</b> 08-01, A power tool, (EM, 21 Apr 2011) 30 May 2011	<b>12404/2011</b>	<b>JETS Swimwear Pty Limited;</b> 02-02A, Swimwear, 27 May 2011	<b>12421/2011</b>
<b>Illinois Tool Works Inc.;</b> 13-03B, Clip for a data cable, 20 May 2011	<b>12270/2011</b>	<b>JETS Swimwear Pty Limited;</b> 02-02A, Swimwear, 27 May 2011	<b>12418/2011</b>
<b>Illinois Tool Works Inc.;</b> 08-01, A power tool, (EM, 21 Apr 2011) 30 May 2011	<b>12407/2011</b>	<b>JETS Swimwear Pty Limited;</b> 02-02A, Swimwear, 27 May 2011	<b>12417/2011</b>
<b>Illinois Tool Works Inc.;</b> 08-08NES, 23-01NES, Pipe clamp, (EM, 01 Dec 2010) 31 May 2011	<b>12456/2011</b>	<b>JETS Swimwear Pty Limited;</b> 02-02A, Swimwear, 27 May 2011	<b>12416/2011</b>
<b>Industrial Galvanizers Corporation Pty Ltd;</b> 25-02NES, A safety barrier component, 30 May 2011	<b>12389/2011</b>	<b>JETS Swimwear Pty Limited;</b> 02-02A, Swimwear, 27 May 2011	<b>12427/2011</b>
<b>Intermodal Solutions Pty Ltd;</b> 09-03K, Container, 31 May 2011	<b>12458/2011</b>	<b>JETS Swimwear Pty Limited;</b> 02-02A, Swimwear, 27 May 2011	<b>12428/2011</b>
<b>Irwin and Sheehan Pty Ltd;</b> 07-01NES, Lid, 25 May 2011	<b>12338/2011</b>	<b>JETS Swimwear Pty Limited;</b> 02-02A, Swimwear, 27 May 2011	<b>12422/2011</b>
<b>James Nathan Industries Pty Ltd;</b> 09-03K, Container cradle, 26 May 2011	<b>12341/2011</b>	<b>JETS Swimwear Pty Limited;</b> 02-02A, Swimwear, 27 May 2011	<b>12423/2011</b>
<b>Jensen, Douglas;</b> 07-07NES, Wastebasket/clothes hamper, 20 May 2011	<b>12281/2011</b>	<b>Kenwood Limited;</b> 07-02F, Toaster, (EM, 15 Dec 2010) 31 May 2011	<b>12435/2011</b>
		<b>Kenwood Limited;</b> 31-00, Blender, (EM, 17 Dec 2010) 31 May 2011	<b>12433/2011</b>
		<b>Kenwood Limited;</b> 07-02F, Toaster, (EM, 15 Dec 2010) 31 May 2011	<b>12434/2011</b>

<b>Kenwood Limited;</b> 07-02K, Electric kettle, (EM, 15 Dec 2010) 25 May 2011	<b>12329/2011</b>	<b>Koninklijke Philips Electronics N.V.;</b> 24-01, Elbow connector with sealing port for respiratory therapy, (EM, 02 Dec 2010) 01 Jun 2011	<b>12467/2011</b>
<b>Kenwood Limited;</b> 07-02K, Electric kettle, (EM, 15 Dec 2010) 25 May 2011	<b>12330/2011</b>	<b>Koninklijke Philips Electronics N.V.;</b> 24-01, Elbow connector with device attachment port and exhaust port for use with a nebulizer, (EM, 02 Dec 2010) 01 Jun 2011	<b>12464/2011</b>
<b>Kinetic Orthotics Pty Ltd;</b> 02-04A, An orthotic device, 01 Jun 2011	<b>12492/2011</b>	<b>Koninklijke Philips Electronics N.V.;</b> 24-01, Elbow connector and nebulizer, (EM, 02 Dec 2010) 01 Jun 2011	<b>12465/2011</b>
<b>Kinetic Orthotics Pty Ltd;</b> 02-04A, An orthotic device, 01 Jun 2011	<b>12481/2011</b>	<b>Koninklijke Philips Electronics N.V.;</b> 24-01, Elbow connector with device attachment port for use with a nebulizer, (EM, 02 Dec 2010) 01 Jun 2011	<b>12463/2011</b>
<b>Kinetic Orthotics Pty Ltd;</b> 02-04A, An orthotic device, 01 Jun 2011	<b>12482/2011</b>	<b>Leatherman Tool Group, Inc.;</b> 08-05P, Portion of a hand tool for tool access or the like, (US, 17 Dec 2010) 20 May 2011	<b>12266/2011</b>
<b>Kinetic Orthotics Pty Ltd;</b> 02-04A, An orthotic device, 01 Jun 2011	<b>12478/2011</b>	<b>Leatherman Tool Group, Inc.;</b> 08-05P, Folding hand tool, (US, 17 Dec 2010) 20 May 2011	<b>12267/2011</b>
<b>Kinetic Orthotics Pty Ltd;</b> 02-04A, An orthotic device, 01 Jun 2011	<b>12479/2011</b>	<b>Liberation Developments Pty Ltd;</b> 08-06, A locking handle for a structural support assembly, 25 May 2011	<b>12352/2011</b>
<b>Kinetic Orthotics Pty Ltd;</b> 02-04A, An orthotic device, 01 Jun 2011	<b>12476/2011</b>	<b>Liberation Developments Pty Ltd;</b> 08-08L, A structural support weight, 25 May 2011	<b>12340/2011</b>
<b>Kinetic Orthotics Pty Ltd;</b> 02-04A, An orthotic device, 01 Jun 2011	<b>12477/2011</b>	<b>Liberation Developments Pty Ltd;</b> 25-01C, A structural support, 25 May 2011	<b>12363/2011</b>
<b>Kinetic Orthotics Pty Ltd;</b> 02-04A, An orthotic device, 01 Jun 2011	<b>12486/2011</b>	<b>Lighting Science Group Corporation;</b> 26-05A, Luminaire, (US, 04 May 2010) (Divisional of 15817/2010) 03 Nov 2010	<b>12432/2011</b>
<b>Kinetic Orthotics Pty Ltd;</b> 02-04A, An orthotic device, 01 Jun 2011	<b>12487/2011</b>	<b>Lighting Science Group Corporation;</b> 26-05A, Luminaire, (US, 04 May 2010) (Divisional of 15815/2010) 03 Nov 2010	<b>12430/2011</b>
<b>Kinetic Orthotics Pty Ltd;</b> 02-04A, An orthotic device, 01 Jun 2011	<b>12484/2011</b>	<b>Lighting Science Group Corporation;</b> 26-05A, Luminaire, (US, 04 May 2010) (Divisional of 15816/2010) 03 Nov 2010	<b>12431/2011</b>
<b>Kinetic Orthotics Pty Ltd;</b> 02-04A, An orthotic device, 01 Jun 2011	<b>12485/2011</b>	<b>LG Electronics Inc.;</b> 14-01, Network media player, (KR, 08 Dec 2010) 30 May 2011	<b>12415/2011</b>
<b>Kinetic Orthotics Pty Ltd;</b> 02-04A, An orthotic device, 01 Jun 2011	<b>12483/2011</b>	<b>Mark Edward G Designs Pty Ltd;Greenham, Mark Edward;</b> 02-02B, Back pockets of jeans, pants, shorts. Men's and women's apparel, 13 May 2011	<b>12312/2011</b>
<b>Kinetic Orthotics Pty Ltd;</b> 02-04A, An orthotic device, 01 Jun 2011	<b>12493/2011</b>	<b>Mark Edward G Designs Pty Ltd;</b> 02-02B, Front coin pocket of jeans, pants, shorts. Men's and women's apparel, 25 May 2011	<b>12322/2011</b>
<b>Kinetic Orthotics Pty Ltd;</b> 02-04A, An orthotic device, 01 Jun 2011	<b>12488/2011</b>	<b>Mark Edward G Designs Pty Ltd;</b> 02-02B, Additional seam to front pockets of jeans, pants, shorts. Men's and women's apparel, 25 May 2011	<b>12323/2011</b>
<b>Kinetic Orthotics Pty Ltd;</b> 02-04A, An orthotic device, 01 Jun 2011	<b>12489/2011</b>	<b>Mary Kay Inc.;</b> 03-01D, Cosmetic container, (US, 30 Dec 2010) 25 May 2011	<b>12320/2011</b>
<b>Konecranes Plc;</b> 14-02, Joystick, (WO, 29 Apr 2011) 26 May 2011	<b>12354/2011</b>		
<b>Koninklijke Philips Electronics N.V.;</b> 24-01, Elbow connector with exhaust port and nebulizer, (EM, 02 Dec 2010) 01 Jun 2011	<b>12466/2011</b>		
<b>Koninklijke Philips Electronics N.V.;</b> 24-01, Nebulizer, (EM, 02 Dec 2010) 01 Jun 2011	<b>12468/2011</b>		

<b>Mary Kay Inc.;</b> 03-01D, Cosmetic case, (US, 30 Dec 2010) 25 May 2011	<b>12321/2011</b>	<b>Omega SA (Omega AG) (Omega Ltd.);</b> 10-02, Watch, (CH, 08 Mar 2011) 20 May 2011	<b>12264/2011</b>
<b>Mass Technology (H.K.) Limited;</b> 26-04, Lamp, 26 May 2011	<b>12356/2011</b>	<b>Omega SA (Omega AG) (Omega Ltd.);</b> 10-02, Watch, (CH, 08 Mar 2011) 20 May 2011	<b>12262/2011</b>
<b>McPherson's Limited;</b> 08-03, 03-01NES, Sheath for a knife, 26 May 2011	<b>12347/2011</b>	<b>Ostomax Enterprises Pty Ltd;</b> 12-16F, A static film which is applied to the inside of the car window to protect children from the sun and reduce, heat transfer through the window, 30 May 2011	<b>12440/2011</b>
<b>Milloy, James;</b> 25-01K, Pool fence post extrusion, 20 May 2011	<b>12278/2011</b>	<b>Oui Create Pty Ltd;</b> 02-02NES, A jacket, 25 May 2011	<b>12337/2011</b>
<b>Mills, Philip Bernard;</b> 12-16NES, Centralising driving aid for vehicles, 19 May 2011	<b>12241/2011</b>	<b>Owens-Brockway Glass Container Inc.;</b> 99-00, Container, (US, 23 Nov 2010) 24 May 2011	<b>12313/2011</b>
<b>MAM Babyartikel Gesellschaft m.b.H.;</b> 03-01NES, Box for pacifiers, (EM, 29 Nov 2010) 20 May 2011	<b>12272/2011</b>	<b>Oz Sonotek Pty Ltd;</b> 24-02, Surgical needle, 26 May 2011	<b>12360/2011</b>
<b>Neoperl GmbH;</b> 23-01H, Faucet, (EM, 22 Dec 2010) 23 May 2011	<b>12291/2011</b>	<b>Oz Sonotek Pty Ltd;</b> 24-02, Surgical needle, 26 May 2011	<b>12361/2011</b>
<b>Neoperl GmbH;</b> 23-01H, Faucet, (EM, 22 Dec 2010) 23 May 2011	<b>12285/2011</b>	<b>OFF CHOPPZ Pty Ltd;</b> 99-00, The design relates to the recent trademark attained, 17 May 2011	<b>12265/2011</b>
<b>Neoperl GmbH;</b> 23-01H, Faucet, (EM, 22 Dec 2010) 23 May 2011	<b>12286/2011</b>	<b>Pacific Market International, LLC;</b> 07-01NES, Food container, (US, 29 Nov 2010) 26 May 2011	<b>12348/2011</b>
<b>Neoperl GmbH;</b> 23-01H, Faucet, (EM, 22 Dec 2010) 23 May 2011	<b>12283/2011</b>	<b>Phillpott, Matthew;</b> 12-11, A pair of motorcycle handguards, 19 May 2011	<b>12239/2011</b>
<b>Neoperl GmbH;</b> 23-01H, Faucet, (EM, 22 Dec 2010) 23 May 2011	<b>12289/2011</b>	<b>Phillpott, Matthew;</b> 12-11, A pair of motorcycle handguards complete with metal bars, 19 May 2011	<b>12240/2011</b>
<b>Neoperl GmbH;</b> 23-01H, Faucet, (EM, 22 Dec 2010) 23 May 2011	<b>12290/2011</b>	<b>Proft, Ronald;Wulff, Robert;</b> 09-03A, Sleeve for a cigarette box, 31 May 2011	<b>12441/2011</b>
<b>Neoperl GmbH;</b> 23-01H, Faucet, (EM, 22 Dec 2010) 23 May 2011	<b>12287/2011</b>	<b>Rapala VMC Oyj;</b> 22-05, Fishing tackle, (EM, 18 May 2011) 20 May 2011	<b>12279/2011</b>
<b>Neoperl GmbH;</b> 23-01H, Faucet, (EM, 22 Dec 2010) 23 May 2011	<b>12288/2011</b>	<b>Rapala VMC Oyj;</b> 22-05, Fishing tackle, (EM, 18 May 2011) 20 May 2011	<b>12280/2011</b>
<b>Neoperl GmbH;</b> 23-01H, Faucet, (EM, 22 Dec 2010) 23 May 2011	<b>12284/2011</b>	<b>Reckitt &amp; Colman (Overseas) Limited;</b> 09-01A, Aerosol and cap, (EM, 21 Dec 2010) 19 May 2011	<b>12259/2011</b>
<b>Nichiha Corporation;</b> 25-02E, Metal fitting for furring strip, 20 May 2011	<b>12273/2011</b>	<b>Reckitt &amp; Colman (Overseas) Limited;</b> 09-07A, Aerosol cap, (EM, 21 Dec 2010) 19 May 2011	<b>12258/2011</b>
<b>Nichiha Corporation;</b> 25-02E, Metal fitting for furring strip, (JP, 24 Nov 2010) 20 May 2011	<b>12274/2011</b>	<b>Reln Pty Ltd;</b> 23-01L, Drainage channel, 26 May 2011	<b>12346/2011</b>
<b>Nippon Steel Corporation;</b> 08-08L, Solar panel mount, (JP, 30 Mar 2011) 30 May 2011	<b>12402/2011</b>	<b>Reln Pty Ltd;</b> 23-01NES, Drainage pit, 26 May 2011	<b>12345/2011</b>
<b>Nippon Steel Corporation;</b> 08-08L, Solar panel mount, (JP, 30 Mar 2011) 30 May 2011	<b>12403/2011</b>	<b>Robins, David C.;</b> 19-02, Coin tray, 26 May 2011	<b>12357/2011</b>
		<b>Robins, David C.;</b> 19-02, Coin tower, 26 May 2011	<b>12358/2011</b>

<b>RMD Industries Pty Ltd;</b> 08-07, Side pull latch, 18 May 2011	<b>12253/2011</b>	<b>Sony Computer Entertainment Inc.;</b> 14-02, Recording media, (JP, 03 Dec 2010) 24 May 2011	<b>12315/2011</b>
<b>S. C. Johnson &amp; Son, Inc.;</b> 09-01A, Sprayer for a fluid delivery device, (US, 26 Nov 2010) 26 May 2011	<b>12344/2011</b>	<b>Sony Computer Entertainment Inc.;</b> 14-02, Recording media, (JP, 03 Dec 2010) 24 May 2011	<b>12316/2011</b>
<b>S. C. Johnson &amp; Son, Inc.;</b> 09-01A, Retaining device for a container, (US, 26 Nov 2010) 26 May 2011	<b>12343/2011</b>	<b>Space Commander Pty Ltd;</b> 12-16NES, Steel constructed free standing secure bike storage unit for domestic/ residential use with powder-coated finish, 30 May 2011	<b>12373/2011</b>
<b>S. C. Johnson &amp; Son, Inc.;</b> 09-01A, Dispensing device, (US, 26 Nov 2010) 26 May 2011	<b>12342/2011</b>	<b>Stanley Works Israel Ltd., The;</b> 12-02, 09-03NES, Storage system, (US, 01 Apr 2011) 25 May 2011	<b>12336/2011</b>
<b>Sanofi-Aventis U.S. L.L.C.;</b> 03-01A, 24-99, Combination tote and medicine storage article, (US, 03 Dec 2010) 24 May 2011	<b>12297/2011</b>	<b>Stanley Works Israel Ltd., The;</b> 12-02, Storage system frame, (US, 01 Apr 2011) 25 May 2011	<b>12334/2011</b>
<b>Sewerage Management Services Pty Ltd;</b> 23-02NES, Twin maintenance shaft base, 24 May 2011	<b>12324/2011</b>	<b>Stanley Works Israel Ltd., The;</b> 12-02, Storage system frame, (US, 01 Apr 2011) 25 May 2011	<b>12335/2011</b>
<b>Sewerage Management Services Pty Ltd;</b> 23-01NES, Tri maintenance shaft base, 24 May 2011	<b>12325/2011</b>	<b>Sumitomo Rubber Industries, Ltd.;</b> 12-15B, Tyre for an automobile, (JP, 14 Feb 2011) 24 May 2011	<b>12314/2011</b>
<b>Sewerage Management Services Pty Ltd;</b> 23-01NES, Quad maintenance shaft base, 24 May 2011	<b>12326/2011</b>	<b>Suriyapornpun, Chaiya;</b> 08-05E, An apparatus for cleaning a vehicle's evaporator coil, (TH, 19 Nov 2010) 19 May 2011	<b>12250/2011</b>
<b>Sheldon and Hammond Pty Ltd;</b> 07-01F, A jug, 19 May 2011	<b>12251/2011</b>	<b>Tait, Eden Mackay;</b> 12-05, , 01 Jun 2011	<b>12473/2011</b>
<b>Sistema Plastics Limited;</b> 09-03NES, A lidded container, (NZ, 01 Dec 2010) 30 May 2011	<b>12413/2011</b>	<b>Teva Pharmaceutical Industries Ltd;</b> 24-04, Inhaler, (EM, 01 Dec 2010) 31 May 2011	<b>12449/2011</b>
<b>Sistema Plastics Limited;</b> 09-03NES, A lidded container, (NZ, 01 Dec 2010) 30 May 2011	<b>12411/2011</b>	<b>Teva Pharmaceutical Industries Ltd;</b> 24-04, Inhaler, (EM, 01 Dec 2010) 31 May 2011	<b>12447/2011</b>
<b>Sistema Plastics Limited;</b> 09-03NES, A lidded container, (NZ, 01 Dec 2010) 30 May 2011	<b>12387/2011</b>	<b>Teva Pharmaceutical Industries Ltd;</b> 24-04, Inhaler, (EM, 01 Dec 2010) 31 May 2011	<b>12448/2011</b>
<b>Sistema Plastics Limited;</b> 09-03NES, A lidded container, (NZ, 01 Dec 2010) 30 May 2011	<b>12388/2011</b>	<b>The Goodyear Tire &amp; Rubber Company;</b> 12-15B, Tyre for automobile, (JP, 02 Dec 2010) 20 May 2011	<b>12271/2011</b>
<b>Sistema Plastics Limited;</b> 09-03M, A lidded container, (NZ, 01 Dec 2010) 30 May 2011	<b>12405/2011</b>	<b>The Goodyear Tire &amp; Rubber Company;</b> 12-15A, Tyre for automobile, (JP, 03 Dec 2010) 25 May 2011	<b>12328/2011</b>
<b>Solar Tech Connect Pty Ltd;</b> 25-01K, Solar roof mounting end clamp, 26 May 2011	<b>12375/2011</b>	<b>The Stanley Works Israel Ltd.;</b> 09-03NES, Storage container, (US, 01 Apr 2011) 25 May 2011	<b>12333/2011</b>
<b>Solar Tech Connect Pty Ltd;</b> 25-01K, 08-08L, Solar roof mounting rail, 26 May 2011	<b>12412/2011</b>	<b>The Stanley Works Israel Ltd.;</b> 03-01D, Container, (US, 23 Dec 2010) 31 May 2011	<b>12455/2011</b>
<b>Solar Tech Connect Pty Ltd;</b> 25-01K, Solar roof mounting end clamp, 26 May 2011	<b>12367/2011</b>	<b>The Stanley Works Israel Ltd.;</b> 09-03NES, Storage container, (US, 01 Apr 2011) 25 May 2011	<b>12331/2011</b>
<b>Solar Tech Connect Pty Ltd;</b> 25-01K, Solar roof mounting connector, 26 May 2011	<b>12474/2011</b>	<b>The Stanley Works Israel Ltd.;</b> 09-03NES, Storage container, (US, 01 Apr 2011) 25 May 2011	<b>12332/2011</b>

<b>Toray Industries, Inc.;</b> 07-01F, 23-01G, Water pitcher with water purifier, (JP, 25 Nov 2010) 19 May 2011	<b>12254/2011</b>	<b>TEFAL;</b> 07-02N, Cooking utensil, (FR, 21 Dec 2010) 30 May 2011	<b>12396/2011</b>
<b>Traxon Technologies Ltd.;</b> 26-05B, Light, (EM, 23 Nov 2010) 23 May 2011	<b>12292/2011</b>	<b>Unilever PLC;</b> 09-01A, Part of spray dispenser, (EM, 14 Dec 2010) 31 May 2011	<b>12461/2011</b>
<b>Trench Safe Pty Ltd;</b> 13-03D, Power lead pin protector, 20 May 2011	<b>12255/2011</b>	<b>USG Interiors, Inc.;</b> 08-08B, Seismic expansion joint clip for suspended ceilings, (US, 01 Dec 2010) 30 May 2011	<b>12401/2011</b>
<b>Trijicon, Inc.;</b> 22-99, Gun sight, (US, 14 Dec 2010) 31 May 2011	<b>12453/2011</b>	<b>Vehicle Components Pty Ltd;</b> 12-16M, A handbrake assembly, 25 May 2011	<b>12351/2011</b>
<b>Trijicon, Inc.;</b> 22-99, Gun sight, (US, 14 Dec 2010) 31 May 2011	<b>12454/2011</b>	<b>Vincenzini, Michelle;</b> 02-02C, Jump suit, 27 May 2011	<b>12414/2011</b>
<b>Trijicon, Inc.;</b> 22-99, Gun sight, (US, 14 Dec 2010) 31 May 2011	<b>12451/2011</b>	<b>VnC Cocktails Limited;</b> 07-01F, Bottle with integrated cup, (NZ, 06 Dec 2010) 17 May 2011	<b>12277/2011</b>
<b>Trijicon, Inc.;</b> 22-99, Gun sight, (US, 14 Dec 2010) 31 May 2011	<b>12452/2011</b>	<b>Ward, Duncan;</b> 26-05D, Light fitting, 27 May 2011	<b>12365/2011</b>
<b>Trijicon, Inc.;</b> 22-01, Gun sight, (US, 14 Dec 2010) 31 May 2011	<b>12450/2011</b>	<b>Watson, Robert Baird;</b> 25-02E, Ceiling rail, 24 May 2011	<b>12311/2011</b>
<b>TEFAL;</b> 07-02N, Cooking utensil, (FR, 11 Jan 2011) 30 May 2011	<b>12394/2011</b>	<b>Wenatex DAS Schlafsystem Forschung;Beratung und Entwicklung GmbH;</b> 06-09, Cushion, cushion cover, (EM, 07 Feb 2011) 23 May 2011	<b>12294/2011</b>
<b>TEFAL;</b> 07-02N, Cooking utensil, (FR, 11 Jan 2011) 30 May 2011	<b>12397/2011</b>	<b>Western Resource Recovery Pty Ltd;</b> 25-02NES, Safety barrier, 20 May 2011	<b>12303/2011</b>
<b>TEFAL;</b> 07-02N, Cooking utensil, (FR, 21 Dec 2010) 30 May 2011	<b>12398/2011</b>	<b>Wilken, Mark Andrew;</b> 19-06, Technical drawing and general illustration, 01 Jun 2011	<b>12457/2011</b>
<b>TEFAL;</b> 07-02N, Cooking utensil, (FR, 21 Dec 2010) 30 May 2011	<b>12395/2011</b>	<b>Woods Furniture Pty Ltd;</b> 06-01E, Curved ottoman, 23 May 2011	<b>12327/2011</b>
<b>TEFAL;</b> 07-02N, Cooking utensil, (FR, 21 Dec 2010) 30 May 2011	<b>12399/2011</b>	<b>Wulff, Robert;Proft, Ronald;</b> 09-03A, Sleeve for a cigarette box, 31 May 2011	<b>12441/2011</b>
		<b>3M Innovative Properties Company;</b> 02-01B, Back brace, (US, 03 Dec 2010) 31 May 2011	<b>12460/2011</b>

### Applications Withdrawn

11245 / 2011 (21-01C)	11316 / 2011 (02-02C)
11870 / 2011 (28-03NES)	12082 / 2011 (09-01A)

### Applications Lapsed

14768 / 2010 (09-03M)

	10404 / 2011 (99-00)
10599 / 2011 (11-05)	11005 / 2011 (02-02C)
11009 / 2011 (02-02C)	11026 / 2011 (02-02C)
11060 / 2011 (06-01E)	11134 / 2011 (21-01L)
11170 / 2011 (03-01B)	11171 / 2011 (03-01B)
11172 / 2011 (03-01B)	11173 / 2011 (03-01B)
11174 / 2011 (03-01NES)	11175 / 2011 (03-01B)
11222 / 2011 (12-05)	12342 / 2011 (09-01A)
12343 / 2011 (09-01A)	12344 / 2011 (09-01A)

**Extension of Period of Registration of Designs**

305784	307491	307769
308380	308404	308489
308625	308633	308693
309081	309188	309189
309192	309193	309194
309288	309291	309294
309295	309298	309358
309430	309491	309492
309493	309538	309540
309625	309741	309785
309786	309787	309915
309931	309957	309958
309959	309960	310010
310011	310070	310071
310072	310325	310326
310338	310339	310340
310342	310349	310350
310374	310563	310564
310565	310566	310567
310569	310719	310790
310791	310878	310919
311419	311931	312958
313439		

**Registrations Ceased**

304734	306134	307031
307032	307056	307057
307116	307152	307153
307154	307155	307193
307194	307206	307207
307208	307212	307213
307216	307222	307229
307230	307233	307236
307237	307251	307252
307253	307254	307255
307271	307273	307274
307275	307328	307330
307373	307374	307375
307376	307377	307378
307379	307425	307426
307464	307506	307639
307755	307774	307811
308068	308069	308070
308272	308273	308274
308275	308763	308764
308765	309085	309087
309090	309146	309284
309948	313579	313580
331427		

**Extensions of time granted under Section 137**

Applications lodged under section 137 for extension of time have been granted.

- 305784 **WATERPOD AUSTRALIA PTY LTD**
- 336781 **Forever New Clothing Pty Ltd**
- 336774 **Johanna Johnson**
- 336817 **Skullcandy, Inc.**
- 336820 **WiZ Co.,Ltd**
- 336871 **ED Oates Pty Ltd**
- 336924 **Metlam Australia Pty. Limited**
- 336767 **Metlam Australia Pty. Limited**
- 336782 **Forever New Clothing Pty Ltd**
- 11005/2011 **Forever New Clothing Pty Ltd**
- 336783 **Forever New Clothing Pty Ltd**
- 336784 **Forever New Clothing Pty Ltd**
- 336785 **Forever New Clothing Pty Ltd**
- 11009/2011 **Forever New Clothing Pty Ltd**
- 336786 **Forever New Clothing Pty Ltd**
- 336787 **Forever New Clothing Pty Ltd**
- 336788 **Forever New Clothing Pty Ltd**
- 336789 **Forever New Clothing Pty Ltd**
- 336790 **Forever New Clothing Pty Ltd**
- 336791 **Forever New Clothing Pty Ltd**
- 336792 **Forever New Clothing Pty Ltd**
- 336793 **Forever New Clothing Pty Ltd**
- 336794 **Forever New Clothing Pty Ltd**
- 336795 **Forever New Clothing Pty Ltd**
- 336796 **Forever New Clothing Pty Ltd**
- 336797 **Forever New Clothing Pty Ltd**
- 336798 **Forever New Clothing Pty Ltd**
- 336799 **Forever New Clothing Pty Ltd**
- 336800 **Forever New Clothing Pty Ltd**
- 336801 **Forever New Clothing Pty Ltd**
- 11026/2011 **Forever New Clothing Pty Ltd**
- 336802 **Forever New Clothing Pty Ltd**
- 336803 **Forever New Clothing Pty Ltd**

**Applications Assigned**

(The name in parentheses is that of the subsequent applicant)

11139/2011 ( **Cushsole Pty Ltd** ) RapidVet Pty Ltd

**Subsequent Owners Registered**

(The name in parentheses is that of the subsequent owner)

- 324457 ( **Denim Brothers Group Pty Ltd** ) Twelve Blue Pty Ltd
- 335222 ( **Manitowoc Foodservice Companies, LLC** )  
Manitowoc FSG Operations, LLC
- 335223 ( **Manitowoc Foodservice Companies, LLC** )  
Manitowoc FSG Operations, LLC
- 330814 ( **Allan Block International, LLC** ) Allan Block Corporation
- 330815 ( **Allan Block International, LLC** ) Allan Block Corporation
- 330816 ( **Allan Block International, LLC** ) Allan Block Corporation
- 330817 ( **Allan Block International, LLC** ) Allan Block Corporation
- 330818 ( **Allan Block International, LLC** ) Allan Block Corporation
- 330819 ( **Allan Block International, LLC** ) Allan Block Corporation
- 330820 ( **Allan Block International, LLC** ) Allan Block Corporation
- 330821 ( **Allan Block International, LLC** ) Allan Block Corporation
- 330822 ( **Allan Block International, LLC** ) Allan Block Corporation
- 330823 ( **Allan Block International, LLC** ) Allan Block Corporation
- 326416 ( **Roadside Products Pty Ltd (ACN 133 084 634)** )  
Roadside Products Pty Ltd
- 304522 ( **Pilot Pen Australia Pty Ltd** ) Dalton Packaging Pty Ltd

**Names Registered - Alterations and Amendments**

(The name in parentheses is that of the subsequent applicant)

- 315101 ( **S T COUPLERS LIMITED** ) JB Attachments Limited
- 326864 ( **INTERIORCO VIC PTY LTD** ) Eveready Partitions Pty Ltd
- 330789 ( **INTERIORCO VIC PTY LTD** ) Eveready Partitions Pty Ltd



**Certificate(s) of Examination**

Examination of the following Design Registration(s) has been completed. Infringement proceedings may now be commenced.

317836	26-06	31/05/2011
326260	25-01K	31/05/2011
326261	25-01K	31/05/2011
326262	25-01K	31/05/2011
330535	15-01	27/05/2011
331306	08-08L	25/05/2011
331403	08-05P	23/05/2011
331459	25-01E	31/05/2011
334163	08-06	02/06/2011
334366	14-02	31/05/2011
334638	25-01K	25/05/2011
334890	08-05A	02/06/2011
334901	14-02	02/06/2011
334924	06-04B	25/05/2011
334926	14-02	31/05/2011
334978	14-02	03/06/2011
335022	07-06A	31/05/2011
335080	24-02	31/05/2011
335081	24-02	31/05/2011
335095	26-04	31/05/2011
335137	19-08	31/05/2011
335204	06-01D	02/06/2011
335210	02-04B	31/05/2011
335211	02-04B	31/05/2011
335212	02-04B	31/05/2011
335213	02-04B	31/05/2011
335239	14-02	31/05/2011
335249	14-02	31/05/2011
335268	14-02	31/05/2011
335286	14-02	31/05/2011
335328	02-04NES	31/05/2011
335349	17-99	26/05/2011
335404	04-02	27/05/2011
335405	04-02	27/05/2011
335406	04-02	27/05/2011
335407	04-02	27/05/2011
335408	04-02	27/05/2011
335409	04-02	27/05/2011
336098	09-07A	05/06/2011
336158	09-07A	05/06/2011

**Publication and Registration Proceedings**

**Designs Registered**

This section provides a concordance between design number and registration number of Designs covered in this journal. It also shows the main class and registration date.

This section covers Registration numbers 336682 to 336957 .

The registration number shown below should be used in all future correspondence.

<b>Design Number</b>	<b>Registration Number</b>	<b>International Classification Code (IDC)</b>	<b>Registration Date</b>	<b>Design Number</b>	<b>Registration Number</b>	<b>International Classification Code (IDC)</b>	<b>Registration Date</b>
13485/2010	336781	02-02C	27/05/2011	11027/2011	336802	02-02C	27/05/2011
14171/2010	336906	03-01B	02/06/2011	11028/2011	336803	02-02C	27/05/2011
14179/2010	336769	02-02NES	26/05/2011	11044/2011	336854	09-03F	30/05/2011
14203/2010	336773	02-02NES	26/05/2011	11055/2011	336855	09-03F	30/05/2011
14237/2010	336911	02-02NES	02/06/2011	11056/2011	336856	09-03F	30/05/2011
14557/2010	336774	02-02NES	26/05/2011	11057/2011	336857	09-03F	30/05/2011
14866/2010	336824	02-02B	27/05/2011	11058/2011	336858	09-03F	30/05/2011
15078/2010	336870	08-06	31/05/2011	11059/2011	336859	09-03F	30/05/2011
15110/2010	336718	31-00	25/05/2011	11076/2011	336730	07-07A	25/05/2011
15111/2010	336724	31-00	25/05/2011	11077/2011	336731	07-07A	25/05/2011
15126/2010	336697	08-06	24/05/2011	11107/2011	336732	09-05	25/05/2011
15127/2010	336698	08-06	24/05/2011	11108/2011	336733	09-05	25/05/2011
15815/2010	336916	26-05A	02/06/2011	11109/2011	336734	09-05	25/05/2011
15816/2010	336917	26-05A	02/06/2011	11110/2011	336735	09-05	25/05/2011
15817/2010	336918	26-05A	02/06/2011	11135/2011	336682	14-02	23/05/2011
10107/2011	336825	14-03A	27/05/2011	11144/2011	336827	08-01	27/05/2011
10356/2011	336817	14-01	27/05/2011	11201/2011	336688	09-02C	24/05/2011
10657/2011	336871	04-02	31/05/2011	11202/2011	336689	09-02C	24/05/2011
10708/2011	336919	20-02NES	02/06/2011	11203/2011	336690	09-02C	24/05/2011
10709/2011	336920	20-02NES	02/06/2011	11254/2011	336804	08-08NES	27/05/2011
10710/2011	336921	20-02NES	02/06/2011	11262/2011	336763	08-03	26/05/2011
10731/2011	336924	08-07	02/06/2011	11297/2011	336912	02-02C	02/06/2011
10732/2011	336767	08-06	26/05/2011	11298/2011	336770	02-02NES	26/05/2011
10769/2011	336727	24-99	25/05/2011	11299/2011	336913	02-02C	02/06/2011
10809/2011	336826	12-16NES	27/05/2011	11300/2011	336772	02-02C	26/05/2011
10852/2011	336821	23-02NES	27/05/2011	11301/2011	336860	06-03A	30/05/2011
10853/2011	336822	23-02NES	27/05/2011	11308/2011	336839	07-01NES	30/05/2011
10902/2011	336728	14-02	25/05/2011	11317/2011	336914	02-02C	02/06/2011
10903/2011	336729	14-02	25/05/2011	11318/2011	336915	02-02C	02/06/2011
10951/2011	336743	09-03NES	26/05/2011	11319/2011	336771	02-02C	26/05/2011
11004/2011	336782	02-02C	27/05/2011	11320/2011	336768	05-05A	26/05/2011
11006/2011	336783	02-02C	27/05/2011	11334/2011	336764	24-04	26/05/2011
11007/2011	336784	02-02C	27/05/2011	11335/2011	336765	24-04	26/05/2011
11008/2011	336785	02-02C	27/05/2011	11336/2011	336766	24-04	26/05/2011
11010/2011	336786	02-02C	27/05/2011	11344/2011	336707	15-05	24/05/2011
11011/2011	336787	02-02C	27/05/2011	11345/2011	336708	15-05	24/05/2011
11012/2011	336788	02-02C	27/05/2011	11346/2011	336709	15-05	24/05/2011
11013/2011	336789	02-02C	27/05/2011	11347/2011	336840	15-05	30/05/2011
11014/2011	336790	02-02C	27/05/2011	11348/2011	336842	15-05	30/05/2011
11015/2011	336791	02-02C	27/05/2011	11349/2011	336841	15-05	30/05/2011
11016/2011	336792	02-02C	27/05/2011	11350/2011	336843	15-05	30/05/2011
11017/2011	336793	02-02C	27/05/2011	11351/2011	336844	15-05	30/05/2011
11018/2011	336794	02-02C	27/05/2011	11373/2011	336933	09-03M	03/06/2011
11019/2011	336795	02-02C	27/05/2011	11374/2011	336934	09-03M	03/06/2011
11020/2011	336796	02-02C	27/05/2011	11375/2011	336935	09-03M	03/06/2011
11021/2011	336797	02-02C	27/05/2011	11376/2011	336936	09-03M	03/06/2011
11022/2011	336798	02-02C	27/05/2011	11377/2011	336937	09-03M	03/06/2011
11023/2011	336799	02-02C	27/05/2011	11396/2011	336947	26-04	03/06/2011
11024/2011	336800	02-02C	27/05/2011	11436/2011	336705	06-04NES	24/05/2011
11025/2011	336801	02-02C	27/05/2011	11437/2011	336719	06-04NES	25/05/2011

Publication and Registration Proceedings - Designs Registered cont'd

Design Number	Registration Number	International Classification Code (IDC)	Registration Date	Design Number	Registration Number	International Classification Code (IDC)	Registration Date
11443/2011	336845	11-02F	30/05/2011	11853/2011	336703	01-01	24/05/2011
11450/2011	336861	24-02	30/05/2011	11854/2011	336704	01-01	24/05/2011
11526/2011	336833	07-02N	30/05/2011	11862/2011	336710	01-01	24/05/2011
11562/2011	336925	23-99	02/06/2011	11865/2011	336711	12-08	24/05/2011
11563/2011	336872	07-01G	31/05/2011	11866/2011	336712	12-16C	24/05/2011
11564/2011	336873	07-01G	31/05/2011	11867/2011	336713	12-16B	24/05/2011
11565/2011	336874	07-01G	31/05/2011	11872/2011	336753	15-99	26/05/2011
11566/2011	336875	07-01G	31/05/2011	11874/2011	336754	12-16L	26/05/2011
11567/2011	336876	07-01G	31/05/2011	11875/2011	336755	24-02	26/05/2011
11568/2011	336867	23-01G	31/05/2011	11881/2011	336720	08-08NES	25/05/2011
11584/2011	336940	15-05	03/06/2011	11882/2011	336721	09-01NES	25/05/2011
11585/2011	336941	04-03	03/06/2011	11883/2011	336722	09-01NES	25/05/2011
11599/2011	336834	13-03D	30/05/2011	11886/2011	336756	28-03A	26/05/2011
11600/2011	336835	13-03D	30/05/2011	11887/2011	336757	28-03A	26/05/2011
11627/2011	336744	06-01F	26/05/2011	11888/2011	336758	28-03A	26/05/2011
11628/2011	336745	06-01F	26/05/2011	11889/2011	336759	02-04NES	26/05/2011
11654/2011	336886	14-99	31/05/2011	11890/2011	336760	02-04NES	26/05/2011
11674/2011	336836	09-03M	30/05/2011	11891/2011	336761	29-02	26/05/2011
11675/2011	336837	09-03M	30/05/2011	11892/2011	336762	29-02	26/05/2011
11722/2011	336828	08-01	27/05/2011	11895/2011	336805	01-01	27/05/2011
11740/2011	336877	25-01K	31/05/2011	11896/2011	336806	25-01F	27/05/2011
11741/2011	336878	25-01K	31/05/2011	11897/2011	336807	23-01NES	27/05/2011
11742/2011	336879	25-01K	31/05/2011	11898/2011	336808	23-01NES	27/05/2011
11743/2011	336880	25-01K	31/05/2011	11900/2011	336809	23-01NES	27/05/2011
11744/2011	336881	25-01K	31/05/2011	11908/2011	336725	01-01	25/05/2011
11745/2011	336882	25-01K	31/05/2011	11910/2011	336726	06-01C	25/05/2011
11746/2011	336883	25-01K	31/05/2011	11911/2011	336846	12-16NES	30/05/2011
11747/2011	336884	25-01K	31/05/2011	11915/2011	336922	20-02NES	02/06/2011
11748/2011	336885	25-01K	31/05/2011	11916/2011	336923	20-02NES	02/06/2011
11761/2011	336691	13-03D	24/05/2011	11922/2011	336736	05-05D	25/05/2011
11762/2011	336692	13-03D	24/05/2011	11923/2011	336775	08-06	26/05/2011
11763/2011	336693	13-03D	24/05/2011	11924/2011	336776	11-02C	26/05/2011
11764/2011	336694	13-03D	24/05/2011	11925/2011	336777	11-02C	26/05/2011
11765/2011	336695	13-03D	24/05/2011	11926/2011	336778	11-02B	26/05/2011
11766/2011	336696	13-03D	24/05/2011	11927/2011	336739	07-01NES	26/05/2011
11767/2011	336746	13-03D	26/05/2011	11928/2011	336740	07-01NES	26/05/2011
11783/2011	336683	12-16C	23/05/2011	11930/2011	336741	14-03B	26/05/2011
11798/2011	336747	08-10	26/05/2011	11933/2011	336742	09-03F	26/05/2011
11799/2011	336748	21-02C	26/05/2011	11946/2011	336818	07-02P	27/05/2011
11803/2011	336749	09-01A	26/05/2011	11947/2011	336819	21-02C	27/05/2011
11816/2011	336684	06-01E	23/05/2011	11948/2011	336829	21-02C	27/05/2011
11824/2011	336714	23-03NES	24/05/2011	11949/2011	336830	21-02C	27/05/2011
11825/2011	336715	23-03NES	24/05/2011	11951/2011	336831	24-02	27/05/2011
11826/2011	336716	23-03NES	24/05/2011	11952/2011	336832	26-05C	27/05/2011
11827/2011	336685	23-03A	23/05/2011	11953/2011	336810	26-05C	27/05/2011
11828/2011	336686	09-03M	23/05/2011	11955/2011	336811	12-15A	27/05/2011
11829/2011	336687	09-03M	23/05/2011	11956/2011	336812	03-01NES	27/05/2011
11830/2011	336750	09-03NES	26/05/2011	11957/2011	336717	14-01	24/05/2011
11832/2011	336752	09-03H	26/05/2011	11958/2011	336847	21-02C	30/05/2011
11840/2011	336751	09-01A	26/05/2011	11963/2011	336851	02-04NES	30/05/2011
11845/2011	336896	25-01C	01/06/2011	11964/2011	336852	21-02C	30/05/2011
11849/2011	336699	08-09	24/05/2011	11966/2011	336853	25-01D	30/05/2011
11850/2011	336700	08-09	24/05/2011	11970/2011	336838	28-99	30/05/2011
11851/2011	336701	01-01	24/05/2011	11971/2011	336862	23-02NES	30/05/2011
11852/2011	336702	01-01	24/05/2011	11972/2011	336863	09-01A	30/05/2011

Publication and Registration Proceedings - Designs Registered cont'd

Design Number	Registration Number	International Classification Code (IDC)	Registration Date	Design Number	Registration Number	International Classification Code (IDC)	Registration Date
11973/2011	336864	28-99	30/05/2011	12046/2011	336938	31-00	03/06/2011
11974/2011	336865	07-05NES	30/05/2011	12050/2011	336723	24-02	25/05/2011
11982/2011	336868	12-16L	31/05/2011	12052/2011	336939	04-02	03/06/2011
11986/2011	336869	09-03L	31/05/2011	12053/2011	336737	04-02	25/05/2011
11991/2011	336887	06-01G	31/05/2011	12054/2011	336951	28-03A	03/06/2011
11992/2011	336888	06-01G	31/05/2011	12055/2011	336952	28-03A	03/06/2011
11994/2011	336897	28-03A	01/06/2011	12056/2011	336953	28-03A	03/06/2011
11995/2011	336898	28-03A	01/06/2011	12057/2011	336954	23-01NES	03/06/2011
11996/2011	336848	23-03NES	30/05/2011	12058/2011	336955	12-16B	03/06/2011
11997/2011	336849	23-03NES	30/05/2011	12060/2011	336957	21-02F	03/06/2011
11998/2011	336850	23-03NES	30/05/2011	12063/2011	336893	12-12	01/06/2011
12003/2011	336889	25-01K	01/06/2011	12064/2011	336894	12-12	01/06/2011
12004/2011	336890	25-01K	01/06/2011	12065/2011	336895	12-12	01/06/2011
12005/2011	336891	25-01K	01/06/2011	12073/2011	336944	06-99	03/06/2011
12008/2011	336948	23-02F	03/06/2011	12133/2011	336738	02-05	25/05/2011
12009/2011	336949	03-01NES	03/06/2011	12163/2011	336866	26-05C	30/05/2011
12013/2011	336899	02-04NES	01/06/2011	12214/2011	336813	09-02A	27/05/2011
12014/2011	336900	08-09	01/06/2011	12215/2011	336779	28-03C	26/05/2011
12015/2011	336901	08-09	01/06/2011	12216/2011	336780	28-03NES	26/05/2011
12016/2011	336902	08-09	01/06/2011	12220/2011	336814	09-03M	27/05/2011
12017/2011	336903	08-09	01/06/2011	12221/2011	336815	09-03M	27/05/2011
12018/2011	336904	14-03NES	01/06/2011	12222/2011	336816	09-07B	27/05/2011
12019/2011	336905	14-03NES	01/06/2011	12231/2011	336706	14-02	24/05/2011
12025/2011	336892	09-03F	01/06/2011	12236/2011	336907	24-01	02/06/2011
12027/2011	336823	25-01K	27/05/2011	12255/2011	336908	13-03D	02/06/2011
12028/2011	336926	14-03NES	02/06/2011	12268/2011	336945	23-01H	03/06/2011
12029/2011	336927	12-12	02/06/2011	12269/2011	336946	25-01H	03/06/2011
12030/2011	336928	21-02NES	02/06/2011	12375/2011	336956	25-01K	03/06/2011
12031/2011	336909	12-12	02/06/2011	12430/2011	336930	26-05A	02/06/2011
12034/2011	336950	12-16B	03/06/2011	12431/2011	336931	26-05A	02/06/2011
12036/2011	336910	14-03NES	02/06/2011	12432/2011	336932	26-05A	02/06/2011
12037/2011	336929	12-15B	02/06/2011				
12042/2011	336942	28-99	03/06/2011				
12043/2011	336943	14-03NES	03/06/2011				

**Publication and Registration Proceedings**

**Class Listing of Designs Published or Registered**

The following section shows an International Classification Code listing of the Registered or Published Designs covered in this supplement.

<b>Classification</b>	<b>Registration Number</b>	<b>Design Number</b>	<b>Classification</b>	<b>Registration Number</b>	<b>Design Number</b>
01-01	336701	11851/2011	04-03	336941	11585/2011
01-01	336702	11852/2011	05-05A	336768	11320/2011
01-01	336703	11853/2011	05-05D	336736	11922/2011
01-01	336704	11854/2011	06-01C	336726	11910/2011
01-01	336710	11862/2011	06-01E	336684	11816/2011
01-01	336725	11908/2011	06-01E	336860	11301/2011
01-01	336805	11895/2011	06-01E	336888	11992/2011
02-02B	336824	14866/2010	06-01F	336744	11627/2011
02-02C	336771	11319/2011	06-01F	336745	11628/2011
02-02C	336772	11300/2011	06-01G	336887	11991/2011
02-02C	336781	13485/2010	06-01G	336888	11992/2011
02-02C	336782	11004/2011	06-03A	336860	11301/2011
02-02C	336783	11006/2011	06-04NES	336705	11436/2011
02-02C	336784	11007/2011	06-04NES	336719	11437/2011
02-02C	336785	11008/2011	06-06H	336860	11301/2011
02-02C	336786	11010/2011	06-99	336944	12073/2011
02-02C	336787	11011/2011	07-01B	336705	11436/2011
02-02C	336788	11012/2011	07-01G	336872	11563/2011
02-02C	336789	11013/2011	07-01G	336873	11564/2011
02-02C	336790	11014/2011	07-01G	336874	11565/2011
02-02C	336791	11015/2011	07-01G	336875	11566/2011
02-02C	336792	11016/2011	07-01G	336876	11567/2011
02-02C	336793	11017/2011	07-01NES	336739	11927/2011
02-02C	336794	11018/2011	07-01NES	336740	11928/2011
02-02C	336795	11019/2011	07-01NES	336839	11308/2011
02-02C	336796	11020/2011	07-01NES	336949	12009/2011
02-02C	336797	11021/2011	07-02N	336833	11526/2011
02-02C	336798	11022/2011	07-02P	336818	11946/2011
02-02C	336799	11023/2011	07-05NES	336865	11974/2011
02-02C	336800	11024/2011	07-07A	336730	11076/2011
02-02C	336801	11025/2011	07-07A	336731	11077/2011
02-02C	336802	11027/2011	08-01	336827	11144/2011
02-02C	336803	11028/2011	08-01	336828	11722/2011
02-02C	336912	11297/2011	08-03	336763	11262/2011
02-02C	336913	11299/2011	08-06	336697	15126/2010
02-02C	336914	11317/2011	08-06	336698	15127/2010
02-02C	336915	11318/2011	08-06	336767	10732/2011
02-02NES	336769	14179/2010	08-06	336775	11923/2011
02-02NES	336770	11298/2011	08-06	336870	15078/2010
02-02NES	336773	14203/2010	08-07	336924	10731/2011
02-02NES	336774	14557/2010	08-08NES	336720	11881/2011
02-02NES	336911	14237/2010	08-08NES	336804	11254/2011
02-04NES	336759	11889/2011	08-08NES	336920	10709/2011
02-04NES	336760	11890/2011	08-08NES	336921	10710/2011
02-04NES	336851	11963/2011	08-08NES	336922	11915/2011
02-04NES	336899	12013/2011	08-08NES	336923	11916/2011
02-05	336738	12133/2011	08-09	336699	11849/2011
03-01B	336906	14171/2010	08-09	336700	11850/2011
03-01NES	336812	11956/2011	08-09	336900	12014/2011
03-01NES	336949	12009/2011	08-09	336901	12015/2011
04-02	336737	12053/2011	08-09	336902	12016/2011
04-02	336871	10657/2011	08-09	336903	12017/2011
04-02	336939	12052/2011	08-10	336747	11798/2011

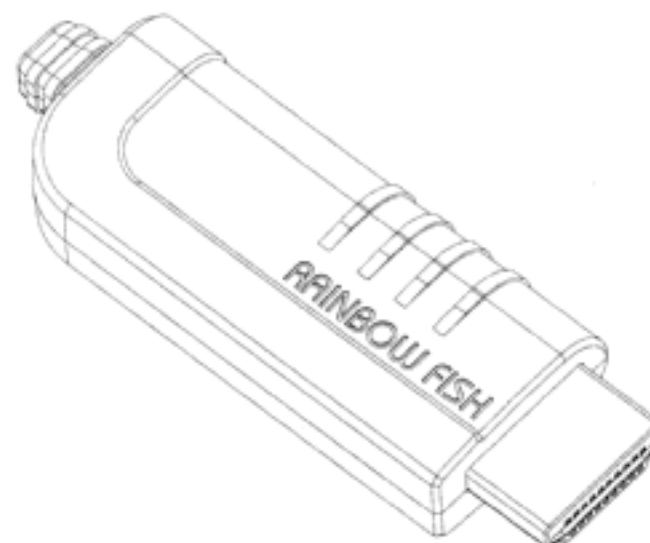
Registration Proceedings - Class Listing of Designs Published or Registered cont'd

Classification	Registration Number	Design Number	Classification	Registration Number	Design Number
09-01A	336749	11803/2011	12-16L	336868	11982/2011
09-01A	336751	11840/2011	12-16NES	336826	10809/2011
09-01A	336863	11972/2011	12-16NES	336846	11911/2011
09-01NES	336721	11882/2011	13-03D	336691	11761/2011
09-01NES	336722	11883/2011	13-03D	336692	11762/2011
09-01NES	336925	11562/2011	13-03D	336693	11763/2011
09-02A	336813	12214/2011	13-03D	336694	11764/2011
09-02C	336688	11201/2011	13-03D	336695	11765/2011
09-02C	336689	11202/2011	13-03D	336696	11766/2011
09-02C	336690	11203/2011	13-03D	336746	11767/2011
09-03F	336742	11933/2011	13-03D	336834	11599/2011
09-03F	336854	11044/2011	13-03D	336835	11600/2011
09-03F	336855	11055/2011	13-03D	336908	12255/2011
09-03F	336856	11056/2011	14-01	336717	11957/2011
09-03F	336857	11057/2011	14-01	336817	10356/2011
09-03F	336858	11058/2011	14-02	336682	11135/2011
09-03F	336859	11059/2011	14-02	336706	12231/2011
09-03F	336892	12025/2011	14-02	336728	10902/2011
09-03H	336752	11832/2011	14-02	336729	10903/2011
09-03L	336869	11986/2011	14-03A	336825	10107/2011
09-03M	336686	11828/2011	14-03B	336741	11930/2011
09-03M	336687	11829/2011	14-03NES	336904	12018/2011
09-03M	336814	12220/2011	14-03NES	336905	12019/2011
09-03M	336815	12221/2011	14-03NES	336910	12036/2011
09-03M	336836	11674/2011	14-03NES	336926	12028/2011
09-03M	336837	11675/2011	14-03NES	336943	12043/2011
09-03M	336933	11373/2011	14-99	336886	11654/2011
09-03M	336934	11374/2011	15-03B	336763	11262/2011
09-03M	336935	11375/2011	15-05	336707	11344/2011
09-03M	336936	11376/2011	15-05	336708	11345/2011
09-03M	336937	11377/2011	15-05	336709	11346/2011
09-03NES	336743	10951/2011	15-05	336840	11347/2011
09-03NES	336750	11830/2011	15-05	336841	11349/2011
09-05	336732	11107/2011	15-05	336842	11348/2011
09-05	336733	11108/2011	15-05	336843	11350/2011
09-05	336734	11109/2011	15-05	336844	11351/2011
09-05	336735	11110/2011	15-05	336940	11584/2011
09-07B	336816	12222/2011	15-05	336941	11585/2011
11-02B	336778	11926/2011	15-99	336753	11872/2011
11-02C	336776	11924/2011	19-02	336705	11436/2011
11-02C	336777	11925/2011	20-02NES	336919	10708/2011
11-02F	336845	11443/2011	20-02NES	336920	10709/2011
12-08	336711	11865/2011	20-02NES	336921	10710/2011
12-12	336893	12063/2011	20-02NES	336922	11915/2011
12-12	336894	12064/2011	20-02NES	336923	11916/2011
12-12	336895	12065/2011	21-02C	336748	11799/2011
12-12	336909	12031/2011	21-02C	336819	11947/2011
12-12	336927	12029/2011	21-02C	336829	11948/2011
12-15A	336811	11955/2011	21-02C	336830	11949/2011
12-15B	336929	12037/2011	21-02C	336847	11958/2011
12-16B	336713	11867/2011	21-02C	336852	11964/2011
12-16B	336950	12034/2011	21-02F	336957	12060/2011
12-16B	336955	12058/2011	21-02NES	336928	12030/2011
12-16C	336683	11783/2011	23-01G	336867	11568/2011
12-16C	336712	11866/2011	23-01H	336945	12268/2011
12-16L	336754	11874/2011	23-01NES	336807	11897/2011

Registration Proceedings - Class Listing of Designs Published or Registered cont'd

Classification	Registration Number	Design Number	Classification	Registration Number	Design Number
23-01NES	336808	11898/2011	25-02H	336877	11740/2011
23-01NES	336809	11900/2011	25-02H	336878	11741/2011
23-01NES	336954	12057/2011	25-02H	336879	11742/2011
23-02F	336948	12008/2011	25-02H	336880	11743/2011
23-02NES	336821	10852/2011	25-02H	336881	11744/2011
23-02NES	336822	10853/2011	25-02H	336882	11745/2011
23-02NES	336862	11971/2011	25-02H	336883	11746/2011
23-03A	336685	11827/2011	25-02H	336884	11747/2011
23-03NES	336714	11824/2011	25-02H	336885	11748/2011
23-03NES	336715	11825/2011	26-04	336947	11396/2011
23-03NES	336716	11826/2011	26-05A	336916	15815/2010
23-03NES	336780	12216/2011	26-05A	336917	15816/2010
23-03NES	336848	11996/2011	26-05A	336918	15817/2010
23-03NES	336849	11997/2011	26-05A	336930	12430/2011
23-03NES	336850	11998/2011	26-05A	336931	12431/2011
23-99	336925	11562/2011	26-05A	336932	12432/2011
24-01	336907	12236/2011	26-05C	336810	11953/2011
24-02	336723	12050/2011	26-05C	336832	11952/2011
24-02	336755	11875/2011	26-05C	336866	12163/2011
24-02	336831	11951/2011	28-03A	336756	11886/2011
24-02	336861	11450/2011	28-03A	336757	11887/2011
24-04	336764	11334/2011	28-03A	336758	11888/2011
24-04	336765	11335/2011	28-03A	336897	11994/2011
24-04	336766	11336/2011	28-03A	336898	11995/2011
24-99	336727	10769/2011	28-03A	336951	12054/2011
25-01C	336896	11845/2011	28-03A	336952	12055/2011
25-01D	336853	11966/2011	28-03A	336953	12056/2011
25-01F	336806	11896/2011	28-03C	336779	12215/2011
25-01H	336946	12269/2011	28-03NES	336780	12216/2011
25-01K	336823	12027/2011	28-99	336838	11970/2011
25-01K	336877	11740/2011	28-99	336864	11973/2011
25-01K	336878	11741/2011	28-99	336942	12042/2011
25-01K	336879	11742/2011	29-02	336761	11891/2011
25-01K	336880	11743/2011	29-02	336762	11892/2011
25-01K	336881	11744/2011	30-06	336944	12073/2011
25-01K	336882	11745/2011	30-99	336944	12073/2011
25-01K	336883	11746/2011	31-00	336718	15110/2010
25-01K	336884	11747/2011	31-00	336724	15111/2010
25-01K	336885	11748/2011	31-00	336938	12046/2011
25-01K	336889	12003/2011	31-00	336954	12057/2011
25-01K	336890	12004/2011			
25-01K	336891	12005/2011			
25-01K	336956	12375/2011			

- (21) Design Number: **11135/2011**  
(22) Date of Filing Application: **16 March 2011**  
(24) Date from which industrial property rights may have effect: **16 March 2011**  
(54) Product in respect of which the design is registered: **Connector for data transmission optic fiber**  
(51) International Design Classification: **14-02**  
(74) Name(s) of Attorney(s): **Davies Collison Cave**  
(71) Name(s) and Address(s) of Applicant(s):  
**Zhejiang Rainbow Fish Communications Technology Co., Ltd**  
**No. 38 Longwu Hangzhou Industrial Park Zhuantang Hangzhou Zhejiang**  
**310024 People's Republic of China**  
(72) Name(s) of Designer(s): **Chun Fan and Yi Lu and Shuya Gu and Donglou Lin and Junxing Cao**  
(45) Registration Date: **23 May 2011**  
(30) Convention priority data:  
(31) Number (32) Date (33) Country  
**201030705968.7 31 Dec 2010 CHINA**  
(56) Related Art Documents: **Not Applicable**  
(57) Statement of Newness and Distinctiveness: **Nil**



- (21) Design Number: **11783/2011**  
(22) Date of Filing Application: **21 April 2011**  
(24) Date from which industrial property rights may have effect: **21 April 2011**  
(54) Product in respect of which the design is registered: **Protection device for vehicles**  
(51) International Design Classification: **12-16C**  
(74) Name(s) of Attorney(s): **Davies Collison Cave**  
(71) Name(s) and Address(s) of Applicant(s):  
**DVexperts International Pty Ltd**  
**377 St Georges Road Fitzroy North Victoria 3068 Australia**  
(72) Name(s) of Designer(s): **Shane Andrew Richardson**  
(45) Registration Date: **23 May 2011**  
(56) Related Art Documents: **Not Applicable**  
(57) Statement of Newness and Distinctiveness: **The features of the design that are new and distinctive are the features of shape or configuration of a protection device as illustrated in the accompanying representations. In determining the newness and distinctiveness of the design, the shape or configuration of the reinforcing elements in the underneath perspective view of the representations shall be disregarded.**

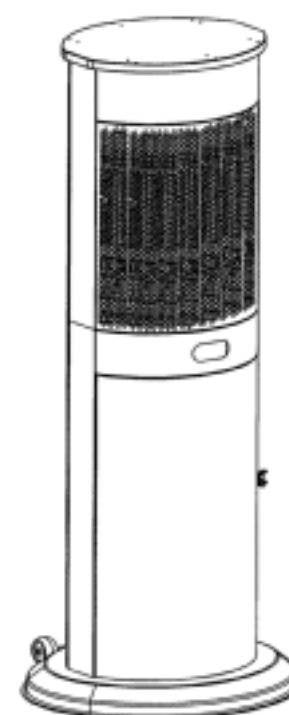




(21) Design Number: **11816/2011**  
(22) Date of Filing Application: **27 April 2011**  
(24) Date from which industrial property rights may have effect: **27 April 2011**  
(54) Product in respect of which the design is registered: **Stool**  
(51) International Design Classification: **06-01E**  
(74) Name(s) of Attorney(s):  
(71) Name(s) and Address(s) of Applicant(s):  
**Maxie Navius**  
**1/17 Magdala Street Ascot Queensland 4007 Australia**  
(72) Name(s) of Designer(s): **Maxie Navius**  
(45) Registration Date: **23 May 2011**  
(56) Related Art Documents: **Not Applicable**  
(57) Statement of Newness and Distinctiveness: **Nil**



(21) Design Number: **11827/2011**  
(22) Date of Filing Application: **27 April 2011**  
(24) Date from which industrial property rights may have effect: **27 April 2011**  
(54) Product in respect of which the design is registered: **Heating equipment**  
(51) International Design Classification: **23-03A**  
(74) Name(s) of Attorney(s): **PHILLIPS ORMONDE FITZPATRICK**  
(71) Name(s) and Address(s) of Applicant(s):  
**Foshan Shunde Everteam Industrial Co., Ltd**  
**No.27 East Rongqi Dadao Ronggui Shunde District Foshan City**  
**Guangdong Province Peoples Republic of China**  
(72) Name(s) of Designer(s): **Zhiqiang Liang**  
(45) Registration Date: **23 May 2011**  
(56) Related Art Documents: **Not Applicable**  
(57) Statement of Newness and Distinctiveness: **Newness and distinctiveness is claimed in the features of shape and/or configuration of a heating equipment as illustrated in the accompanying representations.**



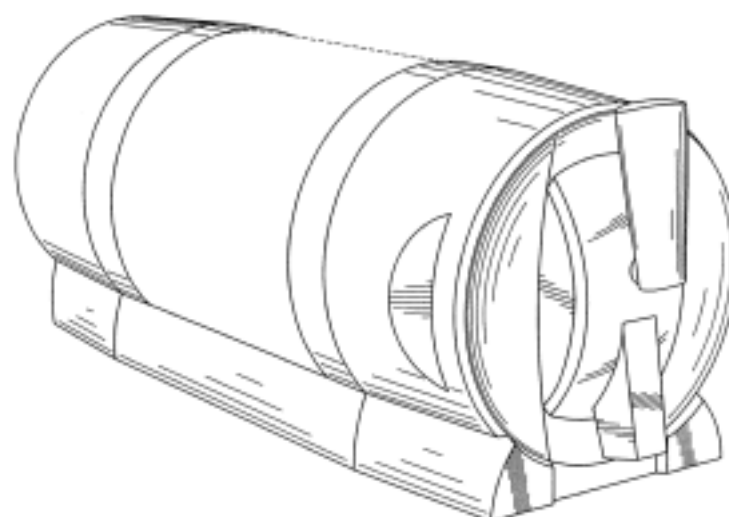
- (21) Design Number: **11828/2011**  
(22) Date of Filing Application: **27 April 2011**  
(24) Date from which industrial property rights may have effect: **27 April 2011**  
(54) Product in respect of which the design is registered: **Packaging container with surface ornamentation**  
(51) International Design Classification: **09-03M**  
(74) Name(s) of Attorney(s): **PHILLIPS ORMONDE FITZPATRICK**  
(71) Name(s) and Address(s) of Applicant(s):  
**The Gillette Company**  
**One Gillette Park Boston Massachusetts 02127 United States of America**  
(72) Name(s) of Designer(s): **James Joseph Anderson and Carl Andrew Gerhards and Andrew A. Markle**  
(45) Registration Date: **23 May 2011**  
(30) Convention priority data:  
(31) Number (32) Date (33) Country  
**29/377,945 28 Oct 2010 UNITED STATES OF AMERICA**  
(56) Related Art Documents: **Not Applicable**  
(57) Statement of Newness and Distinctiveness: **Those features of the packaging container with surface ornamentation depicted in the representations that are new and distinctive are the pattern and/or ornamentation. The features shown in broken line are not part of the design and are to be disregarded when considering the overall impression of the design.**



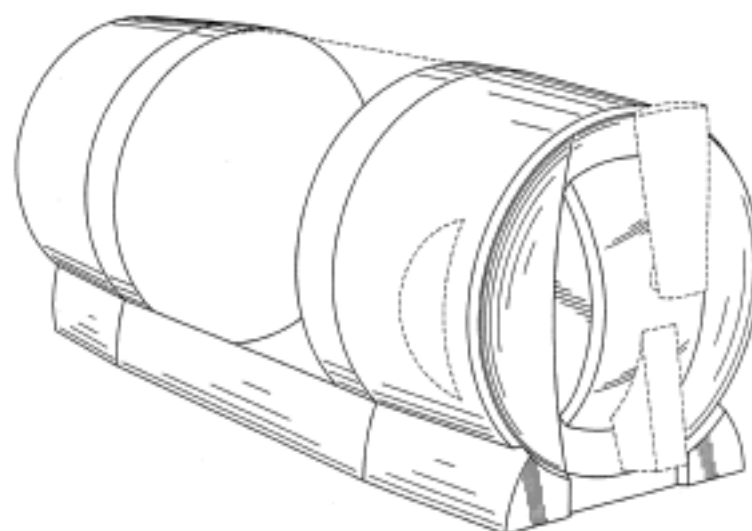
- (21) Design Number: **11829/2011**  
(22) Date of Filing Application: **27 April 2011**  
(24) Date from which industrial property rights may have effect: **27 April 2011**  
(54) Product in respect of which the design is registered: **Packaging container with surface ornamentation**  
(51) International Design Classification: **09-03M**  
(74) Name(s) of Attorney(s): **PHILLIPS ORMONDE FITZPATRICK**  
(71) Name(s) and Address(s) of Applicant(s):  
**The Gillette Company**  
**One Gillette Park Boston Massachusetts 02127 United States of America**  
(72) Name(s) of Designer(s): **James Joseph Anderson and Carl Andrew Gerhards and Andrew A. Markle**  
(45) Registration Date: **23 May 2011**  
(30) Convention priority data:  
(31) Number (32) Date (33) Country  
**29/377,945 28 Oct 2010 UNITED STATES OF AMERICA**  
(56) Related Art Documents: **Not Applicable**  
(57) Statement of Newness and Distinctiveness: **Those features of the packaging container with surface ornamentation depicted in the representations that are new and distinctive are the pattern and/or ornamentation. The features shown in broken line are not part of the design and are to be disregarded when considering the overall impression of the design.**



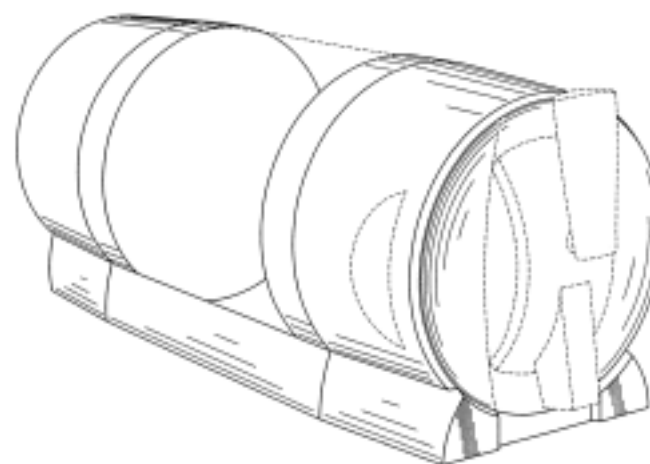
- (21) Design Number: **11201/2011**  
(22) Date of Filing Application: **21 March 2011**  
(24) Date from which industrial property rights may have effect: **21 March 2011**  
(54) Product in respect of which the design is registered: **Personal beverage dispenser**  
(51) International Design Classification: **09-02C**  
(74) Name(s) of Attorney(s): **FB Rice**  
(71) Name(s) and Address(s) of Applicant(s):  
**Anheuser-Busch, Inc.**  
**One Busch Place St. Louis Missouri 63118 United States of America**  
(72) Name(s) of Designer(s): **David Kusch and Jeffrey D. Pierson and Bryce Rutter and Jonathan Sundy and Michael Zavarella**  
(45) Registration Date: **24 May 2011**  
(30) Convention priority data:  
(31) Number (32) Date (33) Country  
**29/375354 21 Sep 2010 UNITED STATES OF AMERICA**  
(56) Related Art Documents: **Not Applicable**  
(57) Statement of Newness and Distinctiveness: **Newness and distinctiveness reside in the features of the design shown in solid lines in the representations excluding those features shown in broken lines.**



- (21) Design Number: **11202/2011**  
(22) Date of Filing Application: **21 March 2011**  
(24) Date from which industrial property rights may have effect: **21 March 2011**  
(54) Product in respect of which the design is registered: **Personal beverage dispenser**  
(51) International Design Classification: **09-02C**  
(74) Name(s) of Attorney(s): **FB Rice**  
(71) Name(s) and Address(s) of Applicant(s):  
**Anheuser-Busch, Inc.**  
**One Busch Place St. Louis Missouri 63118 United States of America**  
(72) Name(s) of Designer(s): **David Kusch and Jeffrey D. Pierson and Bryce Rutter and Jonathan Sundy and Michael Zavarella**  
(45) Registration Date: **24 May 2011**  
(30) Convention priority data:  
(31) Number (32) Date (33) Country  
**29/375357 21 Sep 2010 UNITED STATES OF AMERICA**  
(56) Related Art Documents: **Not Applicable**  
(57) Statement of Newness and Distinctiveness: **Newness and distinctiveness reside in the features of shape and configuration of the design shown in solid lines in the representations excluding those features shown in broken lines.**



(21) Design Number: **11203/2011**  
(22) Date of Filing Application: **21 March 2011**  
(24) Date from which industrial property rights may have effect: **21 March 2011**  
(54) Product in respect of which the design is registered: **Personal beverage dispenser**  
(51) International Design Classification: **09-02C**  
(74) Name(s) of Attorney(s): **FB Rice**  
(71) Name(s) and Address(s) of Applicant(s):  
**Anheuser-Busch, Inc.**  
**One Busch Place St. Louis Missouri 63118 United States of America**  
(72) Name(s) of Designer(s): **David Kusch and Jeffrey D. Pierson and Bryce Rutter and Jonathan Sundy and Michael Zavarella**  
(45) Registration Date: **24 May 2011**  
(30) Convention priority data:  
(31) Number (32) Date (33) Country  
**29/375359 21 Sep 2010 UNITED STATES OF AMERICA**  
(56) Related Art Documents: **Not Applicable**  
(57) Statement of Newness and Distinctiveness: **Newness and distinctiveness reside in the features of shape and configuration of the design shown in solid lines in the representations excluding those features shown in broken lines.**



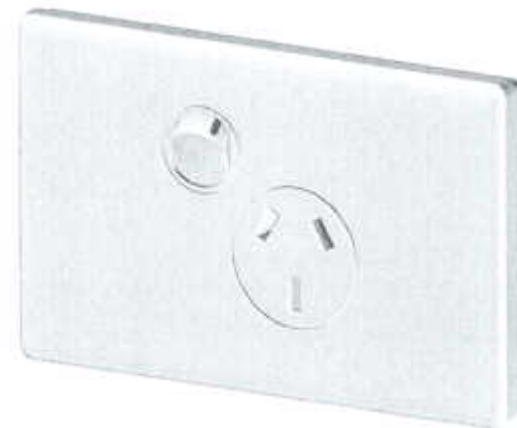
(21) Design Number: **11761/2011**  
(22) Date of Filing Application: **20 April 2011**  
(24) Date from which industrial property rights may have effect: **20 April 2011**  
(54) Product in respect of which the design is registered: **An electrical switch assembly**  
(51) International Design Classification: **13-03D**  
(74) Name(s) of Attorney(s): **Griffith Hack**  
(71) Name(s) and Address(s) of Applicant(s):  
**Legrand Australia Pty Ltd**  
**Unit 99 79-99 St Hilliers Road Auburn New South Wales 2144 Australia**  
(72) Name(s) of Designer(s): **Dennis Galvin and Pradeep Anirudhan**  
(45) Registration Date: **24 May 2011**  
(30) Convention priority data:  
(31) Number (32) Date (33) Country  
**201030578871.4 26 Oct 2010 CHINA**  
(56) Related Art Documents: **Not Applicable**  
(57) Statement of Newness and Distinctiveness: **Nil**



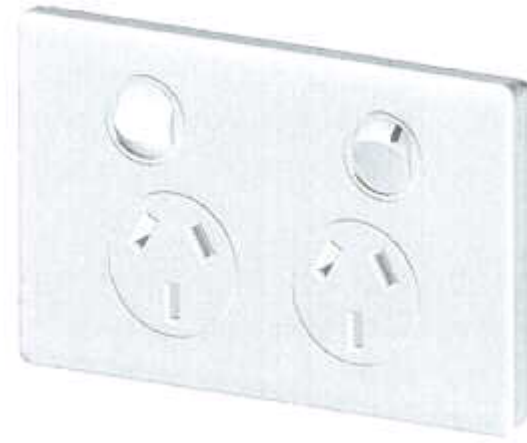
(21) Design Number: **11762/2011**  
(22) Date of Filing Application: **20 April 2011**  
(24) Date from which industrial property rights may have effect: **20 April 2011**  
(54) Product in respect of which the design is registered: **An electrical switch assembly**  
(51) International Design Classification: **13-03D**  
(74) Name(s) of Attorney(s): **Griffith Hack**  
(71) Name(s) and Address(s) of Applicant(s):  
**Legrand Australia Pty Ltd**  
**Unit 99 79-99 St Hilliers Road Auburn New South Wales 2144 Australia**  
(72) Name(s) of Designer(s): **Dennis Galvin and Pradeep Anirudhan**  
(45) Registration Date: **24 May 2011**  
(30) Convention priority data:  
(31) Number (32) Date (33) Country  
**201030578858.9 26 Oct 2010 CHINA**  
(56) Related Art Documents: **Not Applicable**  
(57) Statement of Newness and Distinctiveness: **Nil**



(21) Design Number: **11763/2011**  
(22) Date of Filing Application: **20 April 2011**  
(24) Date from which industrial property rights may have effect: **20 April 2011**  
(54) Product in respect of which the design is registered: **An electrical power outlet**  
(51) International Design Classification: **13-03D**  
(74) Name(s) of Attorney(s): **Griffith Hack**  
(71) Name(s) and Address(s) of Applicant(s):  
**Legrand Australia Pty Ltd**  
**Unit 99 79-99 St Hilliers Road Auburn New South Wales 2144 Australia**  
(72) Name(s) of Designer(s): **Dennis Galvin and Pradeep Anirudhan**  
(45) Registration Date: **24 May 2011**  
(30) Convention priority data:  
(31) Number (32) Date (33) Country  
**201030578947.3 26 Oct 2010 CHINA**  
(56) Related Art Documents: **Not Applicable**  
(57) Statement of Newness and Distinctiveness: **Nil**



(21) Design Number: **11764/2011**  
(22) Date of Filing Application: **20 April 2011**  
(24) Date from which industrial property rights may have effect: **20 April 2011**  
(54) Product in respect of which the design is registered: **An electrical power outlet**  
(51) International Design Classification: **13-03D**  
(74) Name(s) of Attorney(s): **Griffith Hack**  
(71) Name(s) and Address(s) of Applicant(s):  
**Legrand Australia Pty Ltd**  
**Unit 99 79-99 St Hilliers Road Auburn New South Wales 2144 Australia**  
(72) Name(s) of Designer(s): **Dennis Galvin and Pradeep Anirudhan**  
(45) Registration Date: **24 May 2011**  
(30) Convention priority data:  
(31) Number (32) Date (33) Country  
**201030578991.4 26 Oct 2010 CHINA**  
(56) Related Art Documents: **Not Applicable**  
(57) Statement of Newness and Distinctiveness: **Nil**

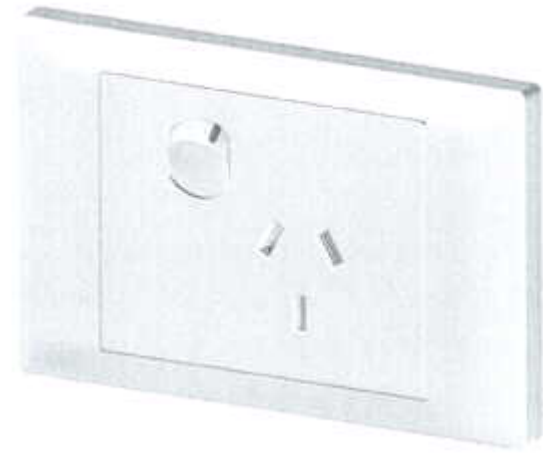


(21) Design Number: **11765/2011**  
(22) Date of Filing Application: **20 April 2011**  
(24) Date from which industrial property rights may have effect: **20 April 2011**  
(54) Product in respect of which the design is registered: **A face plate**  
(51) International Design Classification: **13-03D**  
(74) Name(s) of Attorney(s): **Griffith Hack**  
(71) Name(s) and Address(s) of Applicant(s):  
**Legrand Australia Pty Ltd**  
**Unit 99 79-99 St Hilliers Road Auburn New South Wales 2144 Australia**  
(72) Name(s) of Designer(s): **Dennis Galvin and Pradeep Anirudhan**  
(45) Registration Date: **24 May 2011**  
(30) Convention priority data:  
(31) Number (32) Date (33) Country  
**201030578929.5 26 Oct 2010 CHINA**  
(56) Related Art Documents: **Not Applicable**  
(57) Statement of Newness and Distinctiveness: **Nil**

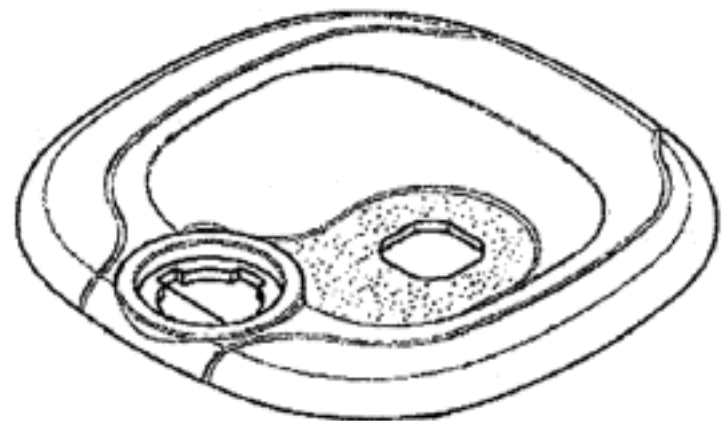




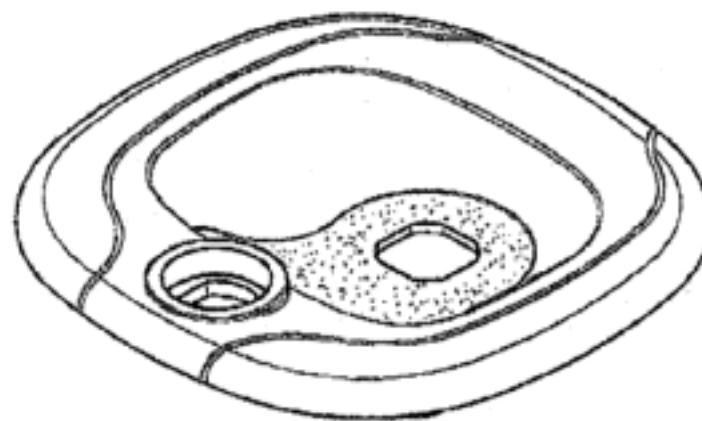
(21) Design Number: **11766/2011**  
(22) Date of Filing Application: **20 April 2011**  
(24) Date from which industrial property rights may have effect: **20 April 2011**  
(54) Product in respect of which the design is registered: **An electrical power outlet**  
(51) International Design Classification: **13-03D**  
(74) Name(s) of Attorney(s): **Griffith Hack**  
(71) Name(s) and Address(s) of Applicant(s):  
**Legrand Australia Pty Ltd**  
**Unit 99 79-99 St Hilliers Road Auburn New South Wales 2144 Australia**  
(72) Name(s) of Designer(s): **Dennis Galvin and Pradeep Anirudhan**  
(45) Registration Date: **24 May 2011**  
(30) Convention priority data:  
(31) Number (32) Date (33) Country  
**201030578909.8 26 Oct 2010 CHINA**  
(56) Related Art Documents: **Not Applicable**  
(57) Statement of Newness and Distinctiveness: **Nil**



(21) Design Number: **15126/2010**  
(22) Date of Filing Application: **19 November 2010**  
(24) Date from which industrial property rights may have effect: **19 November 2010**  
(54) Product in respect of which the design is registered: **Dish for a handle**  
(51) International Design Classification: **08-06**  
(74) Name(s) of Attorney(s): **Houlihan2**  
(71) Name(s) and Address(s) of Applicant(s):  
**David Stuckey Investments Pty Ltd**  
**Pitcher Partners 6th Floor 161 Collins Street Melbourne Victoria 3000 Australia**  
(72) Name(s) of Designer(s): **David Martin Stuckey and Marc Fraser**  
(45) Registration Date: **24 May 2011**  
(56) Related Art Documents: **Not Applicable**  
(57) Statement of Newness and Distinctiveness: **The design is to be applied to a DISH. The novelty of the design resides in the features of shape, configuration, pattern and/or ornamentation of the DISH as shown in the accompanying representations. The base of the DISH has a textured surface.**



- (21) Design Number: **15127/2010**  
(22) Date of Filing Application: **19 November 2010**  
(24) Date from which industrial property rights may have effect: **19 November 2010**  
(54) Product in respect of which the design is registered: **Dish for a handle**  
(51) International Design Classification: **08-06**  
(74) Name(s) of Attorney(s): **Houlihan2**  
(71) Name(s) and Address(s) of Applicant(s):  
**David Stuckey Investments Pty Ltd**  
**Pitcher Partners 6th Floor 161 Collins Street Melbourne Victoria 3000**  
**Australia**  
(72) Name(s) of Designer(s): **David Martin Stuckey and Marc Fraser**  
(45) Registration Date: **24 May 2011**  
(56) Related Art Documents: **Not Applicable**  
(57) Statement of Newness and Distinctiveness: **The design is to be applied to a DISH. The novelty of the design resides in the features of shape, configuration, pattern and/or ornamentation of the DISH as shown in the accompanying representations. The base of the DISH has a textured surface.**



- (21) Design Number: **11849/2011**  
(22) Date of Filing Application: **28 April 2011**  
(24) Date from which industrial property rights may have effect: **28 April 2011**  
(54) Product in respect of which the design is registered: **Sliding door furniture**  
(51) International Design Classification: **08-09**  
(74) Name(s) of Attorney(s): **SPRUSON & FERGUSON**  
(71) Name(s) and Address(s) of Applicant(s):  
**Austral Lock Pty Ltd**  
**31-33 Alfred Street Blackburn Victoria 3130 Australia**  
(72) Name(s) of Designer(s): **David Greenbury**  
(45) Registration Date: **24 May 2011**  
(56) Related Art Documents: **Not Applicable**  
(57) Statement of Newness and Distinctiveness: **Newness and distinctiveness is claimed in the features of shape and/or configuration of a sliding door furniture as illustrated in solid lines in the accompanying representations.**

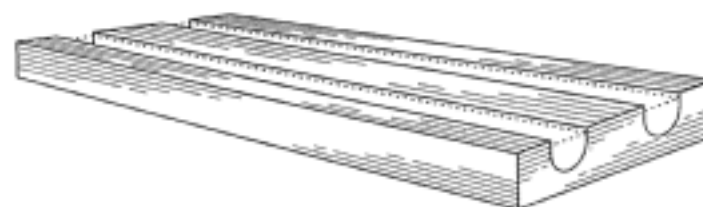




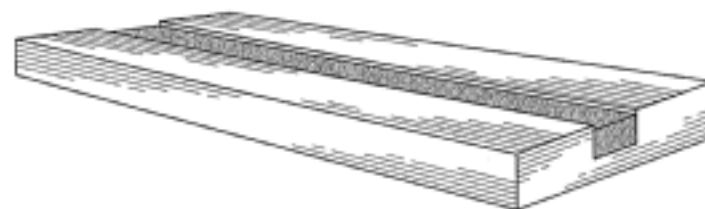
- (21) Design Number: **11850/2011**  
(22) Date of Filing Application: **28 April 2011**  
(24) Date from which industrial property rights may have effect: **28 April 2011**  
(54) Product in respect of which the design is registered: **Sliding door furniture**  
(51) International Design Classification: **08-09**  
(74) Name(s) of Attorney(s): **SPRUSON & FERGUSON**  
(71) Name(s) and Address(s) of Applicant(s):  
**Austral Lock Pty Ltd**  
**31-33 Alfred Street Blackburn Victoria 3130 Australia**  
(72) Name(s) of Designer(s): **David Greenbury**  
(45) Registration Date: **24 May 2011**  
(56) Related Art Documents: **Not Applicable**  
(57) Statement of Newness and Distinctiveness: **Newness and distinctiveness is claimed in the features of shape and/or configuration of a sliding door furniture as illustrated in solid lines in the accompanying representations.**



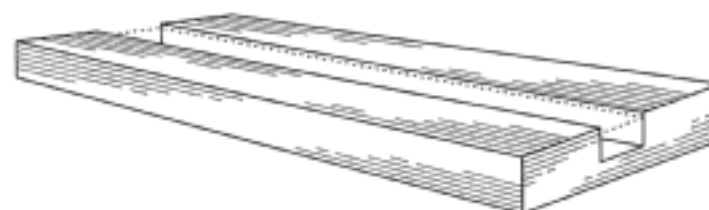
- (21) Design Number: **11851/2011**  
(22) Date of Filing Application: **28 April 2011**  
(24) Date from which industrial property rights may have effect: **28 April 2011**  
(54) Product in respect of which the design is registered: **Confectionary**  
(51) International Design Classification: **01-01**  
(74) Name(s) of Attorney(s): **SPRUSON & FERGUSON**  
(71) Name(s) and Address(s) of Applicant(s):  
**Wm. Wrigley Jr. Company**  
**410 North Michigan Avenue Chicago Illinois 60611 United States of America**  
(72) Name(s) of Designer(s): **David Bruyey and Hugh Calvert and Martin Cervenka and Wendy Lau and Ronald L. Ream and Christopher Rowe and Dennis Rybolt and Henry Valdez**  
(45) Registration Date: **24 May 2011**  
(30) Convention priority data:  
(31) Number      (32) Date      (33) Country  
**29/378108      29 Oct 2010      UNITED STATES OF AMERICA**  
(56) Related Art Documents: **Not Applicable**  
(57) Statement of Newness and Distinctiveness: **Newness and distinctiveness is claimed in those features of shape and/or configuration of a confectionary illustrated in continuous lines in the accompanying representations.**



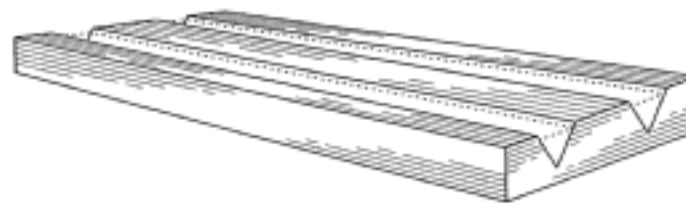
- (21) Design Number: **11852/2011**  
(22) Date of Filing Application: **28 April 2011**  
(24) Date from which industrial property rights may have effect: **28 April 2011**  
(54) Product in respect of which the design is registered: **Confectionary**  
(51) International Design Classification: **01-01**  
(74) Name(s) of Attorney(s): **SPRUSON & FERGUSON**  
(71) Name(s) and Address(s) of Applicant(s):  
**Wm. Wrigley Jr. Company**  
**410 North Michigan Avenue Chicago Illinois 60611 United States of America**  
(72) Name(s) of Designer(s): **David Bruyea and Hugh Calvert and Martin Cervenka and Wendy Lau and Ronald L. Ream and Christopher Rowe and Dennis Rybolt and Henry Valdez**  
(45) Registration Date: **24 May 2011**  
(30) Convention priority data:  
(31) Number (32) Date (33) Country  
**29/378030 28 Oct 2010 UNITED STATES OF AMERICA**  
(56) Related Art Documents: **Not Applicable**  
(57) Statement of Newness and Distinctiveness: **Newness and distinctiveness is claimed in the features of shape and/or configuration of a confectionary as illustrated in the accompanying representations.**



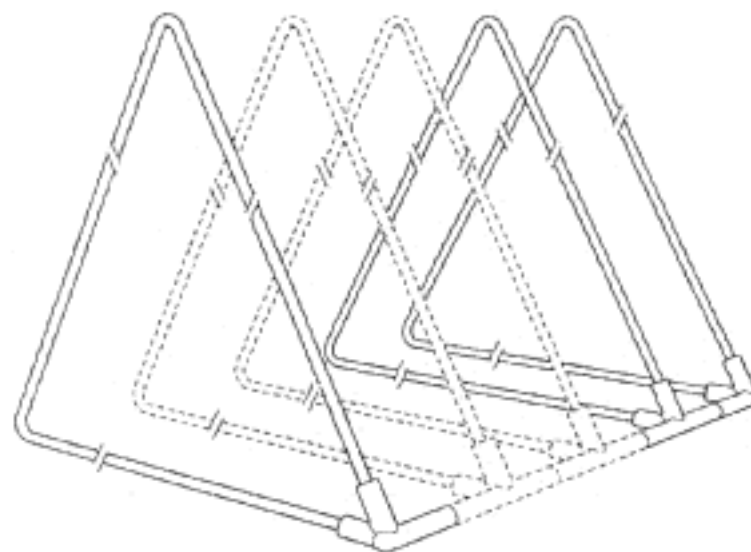
- (21) Design Number: **11853/2011**  
(22) Date of Filing Application: **28 April 2011**  
(24) Date from which industrial property rights may have effect: **28 April 2011**  
(54) Product in respect of which the design is registered: **Confectionary**  
(51) International Design Classification: **01-01**  
(74) Name(s) of Attorney(s): **SPRUSON & FERGUSON**  
(71) Name(s) and Address(s) of Applicant(s):  
**Wm. Wrigley Jr. Company**  
**410 North Michigan Avenue Chicago Illinois 60611 United States of America**  
(72) Name(s) of Designer(s): **David Bruyea and Hugh Calvert and Martin Cervenka and Wendy Lau and Ronald L. Ream and Christopher Rowe and Dennis Rybolt and Henry Valdez**  
(45) Registration Date: **24 May 2011**  
(30) Convention priority data:  
(31) Number (32) Date (33) Country  
**29/378029 28 Oct 2010 UNITED STATES OF AMERICA**  
(56) Related Art Documents: **Not Applicable**  
(57) Statement of Newness and Distinctiveness: **Newness and distinctiveness is claimed in those features of shape and/or configuration of a confectionary illustrated in continuous lines in the accompanying representations.**



- (21) Design Number: **11854/2011**  
(22) Date of Filing Application: **28 April 2011**  
(24) Date from which industrial property rights may have effect: **28 April 2011**  
(54) Product in respect of which the design is registered: **Confectionary**  
(51) International Design Classification: **01-01**  
(74) Name(s) of Attorney(s): **SPRUSON & FERGUSON**  
(71) Name(s) and Address(s) of Applicant(s):  
**Wm. Wrigley Jr. Company**  
**410 North Michigan Avenue Chicago Illinois 60611 United States of America**  
(72) Name(s) of Designer(s): **David Bruyey and Hugh Calvert and Martin Cervenka and Wendy Lau and Ronald L. Ream and Christopher Rowe and Dennis Rybolt and Henry Valdez**  
(45) Registration Date: **24 May 2011**  
(30) Convention priority data:  
(31) Number (32) Date (33) Country  
**29/378007 28 Oct 2010 UNITED STATES OF AMERICA**  
(56) Related Art Documents: **Not Applicable**  
(57) Statement of Newness and Distinctiveness: **Newness and distinctiveness is claimed in those features of shape and/or configuration of a confectionary illustrated in continuous lines in the accompanying representations.**



- (21) Design Number: **11436/2011**  
(22) Date of Filing Application: **04 April 2011**  
(24) Date from which industrial property rights may have effect: **04 April 2011**  
(54) Product in respect of which the design is registered: **A divider assembly**  
(51) International Design Classification: **06-04NES, 07-01B, 19-02**  
(74) Name(s) of Attorney(s): **A J Park**  
(71) Name(s) and Address(s) of Applicant(s):  
**CMI Limited**  
**7A Carmont Place Mt Wellington Auckland New Zealand**  
(72) Name(s) of Designer(s): **Ross Desmond Mitchell**  
(45) Registration Date: **24 May 2011**  
(30) Convention priority data:  
(31) Number (32) Date (33) Country  
**414117 04 Oct 2010 NEW ZEALAND**  
(56) Related Art Documents: **Not Applicable**  
(57) Statement of Newness and Distinctiveness: **Newness and distinctiveness resides in the features of shape and/or configuration of a divider assembly in the accompanying representations showing plural wire members held by a spine or spine assembly. No newness or distinctiveness is claimed for the number of members of, or in, the spine and the number of wire members engaging with the spine.**



(21) Design Number: **12231/2011**  
(22) Date of Filing Application: **18 May 2011**  
(24) Date from which industrial property rights may have effect: **18 May 2011**  
(54) Product in respect of which the design is registered: **Recording medium**  
(51) International Design Classification: **14-02**  
(74) Name(s) of Attorney(s): **Griffith Hack**  
(71) Name(s) and Address(s) of Applicant(s):

**Kabushiki Kaisha Toshiba**  
**1-1 Shibaura 1-chome Minato-ku Tokyo Japan**

(72) Name(s) of Designer(s): **Yasushi Fukuoka and Masaaki Kurata**

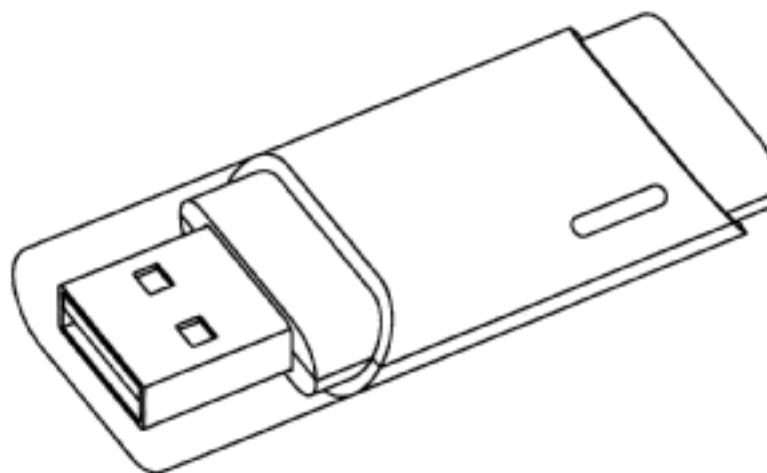
(45) Registration Date: **24 May 2011**

(30) Convention priority data:

(31) Number	(32) Date	(33) Country
<b>2011-002523</b>	<b>07 Feb 2011</b>	<b>JAPAN</b>

(56) Related Art Documents: **Not Applicable**

(57) Statement of Newness and Distinctiveness: **Newness and distinctiveness resides in the visual features, including shape, configuration and ornamentation, of a recording medium as shown in the accompanying drawings. It should be understood that the cap shown in the "perspective view", "front view", "rear view", "top view" and "bottom view" is transparent.**



(21) Design Number: **11344/2011**  
(22) Date of Filing Application: **28 March 2011**  
(24) Date from which industrial property rights may have effect: **28 March 2011**  
(54) Product in respect of which the design is registered: **Part of a vacuum cleaner**  
(51) International Design Classification: **15-05**  
(74) Name(s) of Attorney(s): **Shelston IP**  
(71) Name(s) and Address(s) of Applicant(s):

**Dyson Limited**  
**Tetbury Hill Malmesbury Wiltshire SN16 0RP United Kingdom**

(72) Name(s) of Designer(s): **James Dyson and Peter David Gammack**

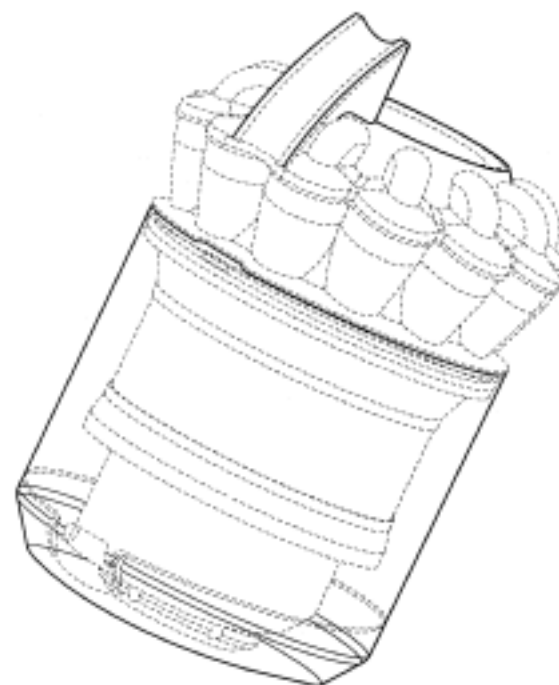
(45) Registration Date: **24 May 2011**

(30) Convention priority data:

(31) Number	(32) Date	(33) Country
<b>001237127-0009</b>	<b>29 Sep 2010</b>	<b>EUROPEAN COMMUNITY</b>

(56) Related Art Documents: **Not Applicable**

(57) Statement of Newness and Distinctiveness: **Newness and distinctiveness reside in the features of shape and/or configuration of those portions of a PART OF A VACUUM CLEANER shown in solid lines in the accompanying representations. The portions shown in broken lines are for illustrative purposes only and do not form part of the design.**



(21) Design Number: **11345/2011**  
(22) Date of Filing Application: **28 March 2011**  
(24) Date from which industrial property rights may have effect: **28 March 2011**  
(54) Product in respect of which the design is registered: **Part of a vacuum cleaner**  
(51) International Design Classification: **15-05**  
(74) Name(s) of Attorney(s): **Shelston IP**  
(71) Name(s) and Address(s) of Applicant(s):

**Dyson Limited**  
**Tetbury Hill Malmesbury Wiltshire SN16 0RP United Kingdom**

(72) Name(s) of Designer(s): **James Dyson and Peter David Gammack**

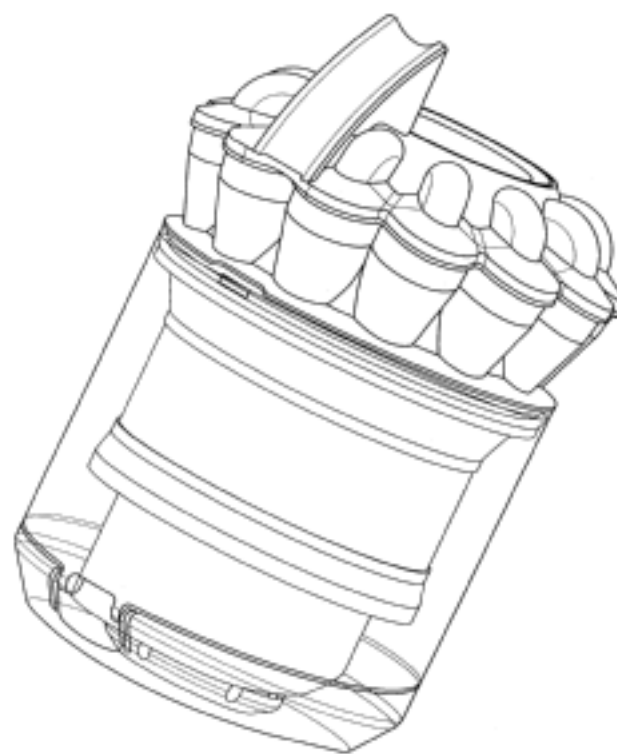
(45) Registration Date: **24 May 2011**

(30) Convention priority data:

(31) Number	(32) Date	(33) Country
<b>001237127-0008</b>	<b>29 Sep 2010</b>	<b>EUROPEAN COMMUNITY</b>

(56) Related Art Documents: **Not Applicable**

(57) Statement of Newness and Distinctiveness: **Newness and distinctiveness reside in the shape and/or configuration of a PART OF A VACUUM CLEANER as illustrated in the accompanying representations.**



(21) Design Number: **11346/2011**  
(22) Date of Filing Application: **28 March 2011**  
(24) Date from which industrial property rights may have effect: **28 March 2011**  
(54) Product in respect of which the design is registered: **A vacuum cleaner**  
(51) International Design Classification: **15-05**  
(74) Name(s) of Attorney(s): **Shelston IP**  
(71) Name(s) and Address(s) of Applicant(s):

**Dyson Limited**  
**Tetbury Hill Malmesbury Wiltshire SN16 0RP United Kingdom**

(72) Name(s) of Designer(s): **James Dyson and Peter David Gammack and Emma Jane Heatley-Adams and Robert Mark Brett Coulton**

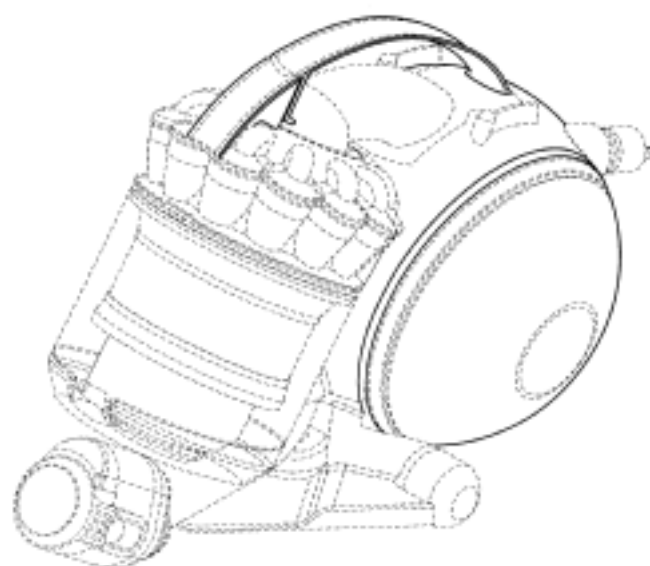
(45) Registration Date: **24 May 2011**

(30) Convention priority data:

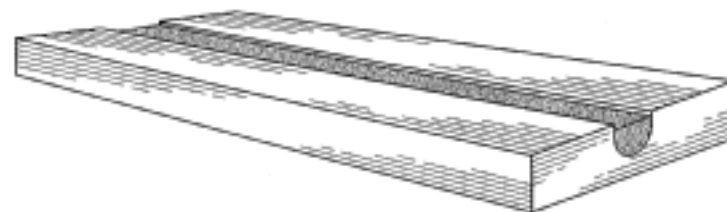
(31) Number	(32) Date	(33) Country
<b>001237127-0005</b>	<b>29 Sep 2010</b>	<b>EUROPEAN COMMUNITY</b>

(56) Related Art Documents: **Not Applicable**

(57) Statement of Newness and Distinctiveness: **Newness and distinctiveness reside in the features of shape and/or configuration of the part of A VACUUM CLEANER shown in solid lines in the accompanying representations. The features shown in broken or discontinuous lines are shown for illustrative purposes only and do not form part of the design.**



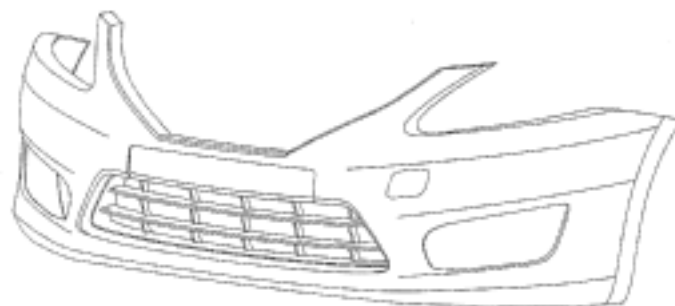
- (21) Design Number: **11862/2011**  
(22) Date of Filing Application: **28 April 2011**  
(24) Date from which industrial property rights may have effect: **28 April 2011**  
(54) Product in respect of which the design is registered: **Confectionary**  
(51) International Design Classification: **01-01**  
(74) Name(s) of Attorney(s): **SPRUSON & FERGUSON**  
(71) Name(s) and Address(s) of Applicant(s):  
**Wm. Wrigley Jr. Company**  
**410 North Michigan Avenue Chicago Illinois 60611 United States of America**  
(72) Name(s) of Designer(s): **David Bruyey and Hugh Calvert and Martin Cervenka and Wendy Lau and Ronald L. Ream and Christopher Rowe and Dennis Rybolt and Henry Valdez**  
(45) Registration Date: **24 May 2011**  
(30) Convention priority data:  
(31) Number (32) Date (33) Country  
**29/378117 29 Oct 2010 UNITED STATES OF AMERICA**  
(56) Related Art Documents: **Not Applicable**  
(57) Statement of Newness and Distinctiveness: **Newness and distinctiveness is claimed in the features of shape and/or configuration of a confectionary as illustrated in the accompanying representations.**



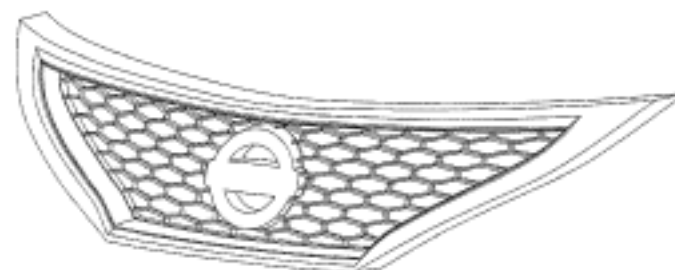
- (21) Design Number: **11865/2011**  
(22) Date of Filing Application: **28 April 2011**  
(24) Date from which industrial property rights may have effect: **28 April 2011**  
(54) Product in respect of which the design is registered: **Automobile**  
(51) International Design Classification: **12-08**  
(74) Name(s) of Attorney(s): **Griffith Hack**  
(71) Name(s) and Address(s) of Applicant(s):  
**Nissan Jidosha Kabushiki Kaisha**  
**No. 2 Takaracho Kanagawa-ku Yokohama-shi Kanagawa Japan**  
(72) Name(s) of Designer(s): **Masato Taguchi**  
(45) Registration Date: **24 May 2011**  
(30) Convention priority data:  
(31) Number (32) Date (33) Country  
**D2010-026735 08 Nov 2010 JAPAN**  
(56) Related Art Documents: **Not Applicable**  
(57) Statement of Newness and Distinctiveness: **Newness and distinctiveness resides in the shape and configuration of the Automobile as shown in the representations.**



(21) Design Number: **11866/2011**  
(22) Date of Filing Application: **28 April 2011**  
(24) Date from which industrial property rights may have effect: **28 April 2011**  
(54) Product in respect of which the design is registered: **Front bumper for automobile**  
(51) International Design Classification: **12-16C**  
(74) Name(s) of Attorney(s): **Griffith Hack**  
(71) Name(s) and Address(s) of Applicant(s):  
**Nissan Jidosha Kabushiki Kaisha**  
**No. 2 Takaracho Kanagawa-ku Yokohama-shi Kanagawa Japan**  
(72) Name(s) of Designer(s): **Masato Taguchi**  
(45) Registration Date: **24 May 2011**  
(30) Convention priority data:  
(31) Number (32) Date (33) Country  
**D2010-026736 08 Nov 2010 JAPAN**  
(56) Related Art Documents: **Not Applicable**  
(57) Statement of Newness and Distinctiveness: **Newness and distinctiveness resides in the shape and configuration of the front bumper for an automobile as shown in the representations.**



(21) Design Number: **11867/2011**  
(22) Date of Filing Application: **28 April 2011**  
(24) Date from which industrial property rights may have effect: **28 April 2011**  
(54) Product in respect of which the design is registered: **Radiator grill for automobile**  
(51) International Design Classification: **12-16B**  
(74) Name(s) of Attorney(s): **Griffith Hack**  
(71) Name(s) and Address(s) of Applicant(s):  
**Nissan Jidosha Kabushiki Kaisha**  
**No. 2 Takaracho Kanagawa-ku Yokohama-shi Kanagawa Japan**  
(72) Name(s) of Designer(s): **Atsuko Tada**  
(45) Registration Date: **24 May 2011**  
(30) Convention priority data:  
(31) Number (32) Date (33) Country  
**D2010-026851 09 Nov 2010 JAPAN**  
(56) Related Art Documents: **Not Applicable**  
(57) Statement of Newness and Distinctiveness: **Newness and distinctiveness resides in the shape and configuration of the radiator grill for an automobile as shown in the representations.**



- (21) Design Number: **11824/2011**  
(22) Date of Filing Application: **27 April 2011**  
(24) Date from which industrial property rights may have effect: **27 April 2011**  
(54) Product in respect of which the design is registered: **Heating equipment**  
(51) International Design Classification: **23-03NES**  
(74) Name(s) of Attorney(s): **PHILLIPS ORMONDE FITZPATRICK**  
(71) Name(s) and Address(s) of Applicant(s):  
**Foshan Shunde Everteam Industrial Co., Ltd**  
**No.27 East Rongqi Dadao Ronggui Shunde District Foshan City**  
**Guangdong Province Peoples Republic of China**  
(72) Name(s) of Designer(s): **Zhiqiang Liang**  
(45) Registration Date: **24 May 2011**  
(30) Convention priority data:  
(31) Number (32) Date (33) Country  
**201130012619.1 24 Jan 2011 CHINA**  
(56) Related Art Documents: **Not Applicable**  
(57) Statement of Newness and Distinctiveness: **Newness and distinctiveness is claimed in the features of shape and/or configuration of a heating equipment as illustrated in the accompanying representations.**

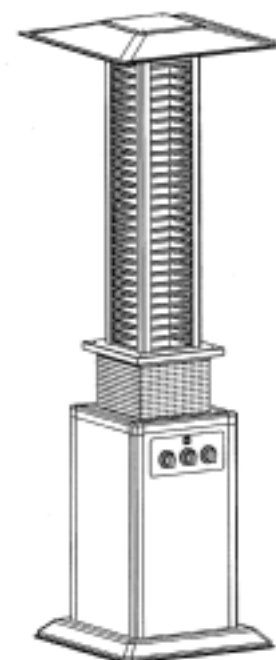


- (21) Design Number: **11825/2011**  
(22) Date of Filing Application: **27 April 2011**  
(24) Date from which industrial property rights may have effect: **27 April 2011**  
(54) Product in respect of which the design is registered: **Heating equipment**  
(51) International Design Classification: **23-03NES**  
(74) Name(s) of Attorney(s): **PHILLIPS ORMONDE FITZPATRICK**  
(71) Name(s) and Address(s) of Applicant(s):  
**Foshan Shunde Everteam Industrial Co., Ltd**  
**No.27 East Rongqi Dadao Ronggui Shunde District Foshan City**  
**Guangdong Province Peoples Republic of China**  
(72) Name(s) of Designer(s): **Zhiqiang Liang**  
(45) Registration Date: **24 May 2011**  
(30) Convention priority data:  
(31) Number (32) Date (33) Country  
**201130012595.X 24 Jan 2011 CHINA**  
(56) Related Art Documents: **Not Applicable**  
(57) Statement of Newness and Distinctiveness: **Newness and distinctiveness is claimed in the features of shape and/or configuration of a heating equipment as illustrated in the accompanying representations.**





(21) Design Number: **11826/2011**  
(22) Date of Filing Application: **27 April 2011**  
(24) Date from which industrial property rights may have effect: **27 April 2011**  
(54) Product in respect of which the design is registered: **Heating equipment**  
(51) International Design Classification: **23-03NES**  
(74) Name(s) of Attorney(s): **PHILLIPS ORMONDE FITZPATRICK**  
(71) Name(s) and Address(s) of Applicant(s):  
**Foshan Shunde Everteam Industrial Co., Ltd**  
**No.27 East Rongqi Dadao Ronggui Shunde District Foshan City**  
**Guangdong Province Peoples Republic of China**  
(72) Name(s) of Designer(s): **Zhiqiang Liang**  
(45) Registration Date: **24 May 2011**  
(56) Related Art Documents: **Not Applicable**  
(57) Statement of Newness and Distinctiveness: **Newness and distinctiveness is claimed in the features of shape and/or configuration of a heating equipment as illustrated in the accompanying representations.**



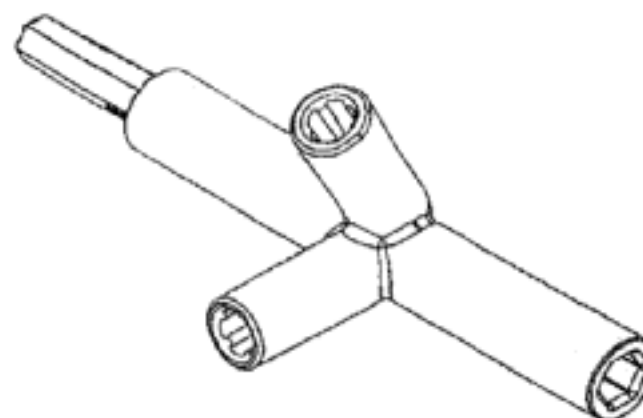
(21) Design Number: **11957/2011**  
(22) Date of Filing Application: **04 May 2011**  
(24) Date from which industrial property rights may have effect: **04 May 2011**  
(54) Product in respect of which the design is registered: **Headphone**  
(51) International Design Classification: **14-01**  
(74) Name(s) of Attorney(s):  
(71) Name(s) and Address(s) of Applicant(s):  
**P.S.L. Limited**  
**8th Floor Cheung Lung Industrial Building 10 Cheung Yee Street**  
**Cheung Sha Wan Kowloon Hong Kong**  
(72) Name(s) of Designer(s): **Chun Fai Leung**  
(45) Registration Date: **24 May 2011**  
(30) Convention priority data:  
(31) Number      (32) Date      (33) Country  
**1002390.9      16 Dec 2010      HONG KONG**  
(56) Related Art Documents: **Not Applicable**  
(57) Statement of Newness and Distinctiveness: **Nil**



(21) Design Number: **15110/2010**  
(22) Date of Filing Application: **22 November 2010**  
(24) Date from which industrial property rights may have effect: **22 November 2010**  
(54) Product in respect of which the design is registered: **Mixer**  
(51) International Design Classification: **31-00**  
(74) Name(s) of Attorney(s): **Freehills Patent & Trade Mark Attorneys**  
(71) Name(s) and Address(s) of Applicant(s):  
**Sunbeam Corporation Limited**  
**Units 5 & 6 13 Lord Street Botany New South Wales 2019 Australia**  
(72) Name(s) of Designer(s): **Mark Whitcombe**  
(45) Registration Date: **25 May 2011**  
(56) Related Art Documents: **Not Applicable**  
(57) Statement of Newness and Distinctiveness: **Newness and distinctiveness is claimed in the features of shape and/or configuration of a mixer as shown in solid outline in the accompanying representations.**



(21) Design Number: **11437/2011**  
(22) Date of Filing Application: **04 April 2011**  
(24) Date from which industrial property rights may have effect: **04 April 2011**  
(54) Product in respect of which the design is registered: **A connector**  
(51) International Design Classification: **06-04NES**  
(74) Name(s) of Attorney(s): **A J Park**  
(71) Name(s) and Address(s) of Applicant(s):  
**CMI Limited**  
**7A Carmont Place Mt Wellington Auckland New Zealand**  
(72) Name(s) of Designer(s): **Ross Desmond Mitchell**  
(45) Registration Date: **25 May 2011**  
(30) Convention priority data:  
(31) Number      (32) Date      (33) Country  
**414118      04 Oct 2010      NEW ZEALAND**  
(56) Related Art Documents: **Not Applicable**  
(57) Statement of Newness and Distinctiveness: **Newness and distinctiveness resides in the features of shape and/or configuration of a connector as shown in the accompanying representations.**



- (21) Design Number: **11881/2011**  
(22) Date of Filing Application: **29 April 2011**  
(24) Date from which industrial property rights may have effect: **29 April 2011**  
(54) Product in respect of which the design is registered: **Mirror bracket wedge - for mounting bus mirror arm assembly**  
(51) International Design Classification: **08-08NES**  
(74) Name(s) of Attorney(s):  
(71) Name(s) and Address(s) of Applicant(s):  
**UES (Int'l) Pty Ltd**  
**Suite 108 Versatile Building 29-31 Lexington Drive Bella Vista New South Wales 2153 Australia**  
(72) Name(s) of Designer(s): **Brandon Clark**  
(45) Registration Date: **25 May 2011**  
(56) Related Art Documents: **Not Applicable**  
(57) Statement of Newness and Distinctiveness: **By housing the mounted plug on the vertical face of the mounting wedge, it protects the electrical connections from the elements while hiding the cables to create a cleaner appearance.**



- (21) Design Number: **11882/2011**  
(22) Date of Filing Application: **29 April 2011**  
(24) Date from which industrial property rights may have effect: **29 April 2011**  
(54) Product in respect of which the design is registered: **Container**  
(51) International Design Classification: **09-01NES**  
(74) Name(s) of Attorney(s): **PHILLIPS ORMONDE FITZPATRICK**  
(71) Name(s) and Address(s) of Applicant(s):  
**The Procter & Gamble Company**  
**One Procter & Gamble Plaza Cincinnati Ohio 45202 United States of America**  
(72) Name(s) of Designer(s): **Martin Jay Marotti and Juan Carlos Vinseiro**  
(45) Registration Date: **25 May 2011**  
(30) Convention priority data:  
(31) Number      (32) Date      (33) Country  
**29/378,174      01 Nov 2010      UNITED STATES OF AMERICA**  
(56) Related Art Documents: **Not Applicable**  
(57) Statement of Newness and Distinctiveness: **Newness and distinctiveness resides in the features of pattern and/or ornamentation of a container which may be transparent or translucent as shown in the accompanying representations. The stipple as illustrated in the representations represents a gradation of a colour from the lower portion of the container to the upper portion of the container. The features shown in broken line are not part of the design and are to be disregarded when considering the overall impression of the design.**



(21) Design Number: **11883/2011**  
(22) Date of Filing Application: **29 April 2011**  
(24) Date from which industrial property rights may have effect: **29 April 2011**  
(54) Product in respect of which the design is registered: **Container**  
(51) International Design Classification: **09-01NES**  
(74) Name(s) of Attorney(s): **PHILLIPS ORMONDE FITZPATRICK**  
(71) Name(s) and Address(s) of Applicant(s):  
**The Procter & Gamble Company**  
**One Procter & Gamble Plaza Cincinnati Ohio 45202 United States of America**

(72) Name(s) of Designer(s): **Martin Jay Marotti and Juan Carlos Vinseiro**  
(45) Registration Date: **25 May 2011**

(30) Convention priority data:  
(31) Number (32) Date (33) Country  
**29/378,174 01 Nov 2010 UNITED STATES OF AMERICA**

(56) Related Art Documents: **Not Applicable**

(57) Statement of Newness and Distinctiveness: **Newness and distinctiveness resides in the features of pattern and/or ornamentation of a container which may be transparent or translucent as shown in the accompanying representations. The stipple as illustrated in the representations represents a gradation of a colour from the upper portion of the container to the lower portion of the container. The features shown in broken line are not part of the design and are to be disregarded when considering the overall impression of the design.**



(21) Design Number: **12050/2011**  
(22) Date of Filing Application: **05 May 2011**  
(24) Date from which industrial property rights may have effect: **05 May 2011**  
(54) Product in respect of which the design is registered: **Scalpel guide**  
(51) International Design Classification: **24-02**  
(74) Name(s) of Attorney(s):  
(71) Name(s) and Address(s) of Applicant(s):

**Barry Dawson**  
**23 Bates Street Malvern East Victoria 3145 Australia**

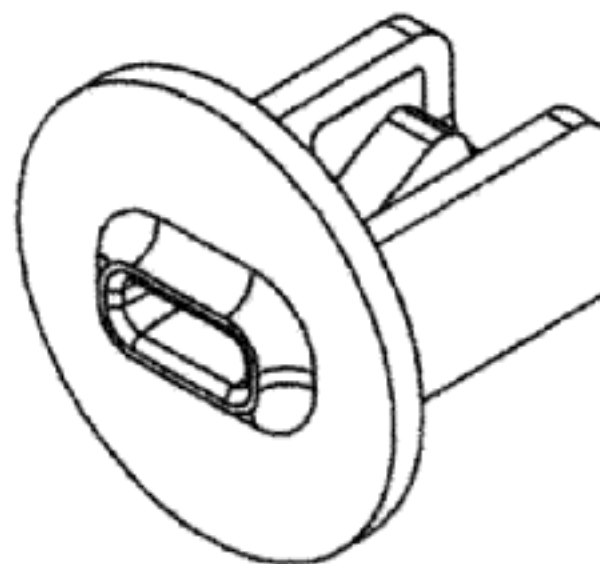
**John Dawson**  
**23 Bates Street Malvern East Victoria 3145 Australia**

(72) Name(s) of Designer(s): **Barry Dawson and John Dawson**

(45) Registration Date: **25 May 2011**

(56) Related Art Documents: **Not Applicable**

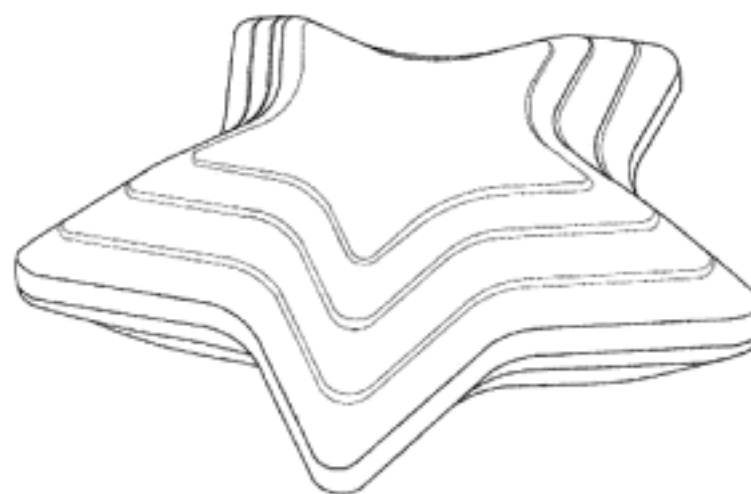
(57) Statement of Newness and Distinctiveness: **This device is of compact unitary construction with no moving parts that can be modified to suit many types of scalpel blades.**



(21) Design Number: **15111/2010**  
(22) Date of Filing Application: **22 November 2010**  
(24) Date from which industrial property rights may have effect: **22 November 2010**  
(54) Product in respect of which the design is registered: **Mixer**  
(51) International Design Classification: **31-00**  
(74) Name(s) of Attorney(s): **Freehills Patent & Trade Mark Attorneys**  
(71) Name(s) and Address(s) of Applicant(s):  
**Sunbeam Corporation Limited**  
**Units 5 & 6 13 Lord Street Botany New South Wales 2019 Australia**  
(72) Name(s) of Designer(s): **Andrew John Grigor**  
(45) Registration Date: **25 May 2011**  
(56) Related Art Documents: **Not Applicable**  
(57) Statement of Newness and Distinctiveness: **Newness and distinctiveness is claimed in the features of shape and/or configuration of a mixer as shown in the accompanying representations.**



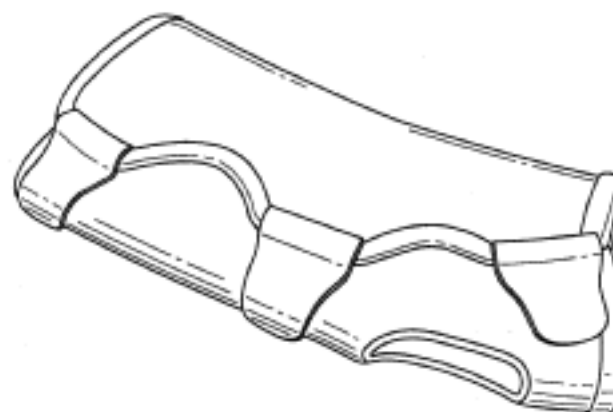
(21) Design Number: **11908/2011**  
(22) Date of Filing Application: **29 April 2011**  
(24) Date from which industrial property rights may have effect: **29 April 2011**  
(54) Product in respect of which the design is registered: **Chocolate confectionery**  
(51) International Design Classification: **01-01**  
(74) Name(s) of Attorney(s): **Griffith Hack**  
(71) Name(s) and Address(s) of Applicant(s):  
**Cadbury UK Limited**  
**PO Box 12 Bournville Lane Bournville Birmingham B30 2LU United Kingdom**  
(72) Name(s) of Designer(s): **Hannah Woodward and Adam Harris and Tanya Sulewski**  
(45) Registration Date: **25 May 2011**  
(30) Convention priority data:  
(31) Number (32) Date (33) Country  
**001776055-0001 02 Nov 2010 EUROPEAN COMMUNITY**  
(56) Related Art Documents: **Not Applicable**  
(57) Statement of Newness and Distinctiveness: **Nil**



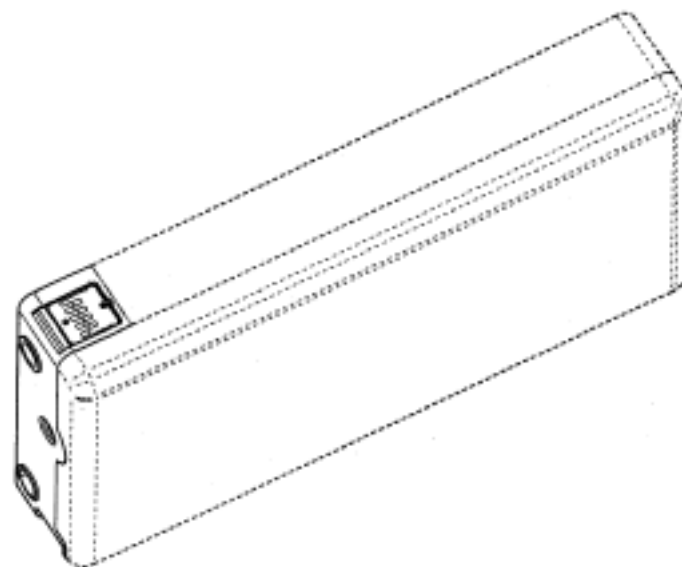
(21) Design Number: **11910/2011**  
(22) Date of Filing Application: **29 April 2011**  
(24) Date from which industrial property rights may have effect: **29 April 2011**  
(54) Product in respect of which the design is registered: **Bench**  
(51) International Design Classification: **06-01C**  
(74) Name(s) of Attorney(s): **Wrays**  
(71) Name(s) and Address(s) of Applicant(s):  
**Catriona Anne Gregg**  
**68 Holland Street East Fremantle Western Australia 6160 Australia**  
(72) Name(s) of Designer(s): **Catriona Anne Gregg**  
(45) Registration Date: **25 May 2011**  
(56) Related Art Documents: **Not Applicable**  
(57) Statement of Newness and Distinctiveness: **Newness and distinctiveness is claimed in the design of a bench of indefinite length as depicted in the accompanying representations.**



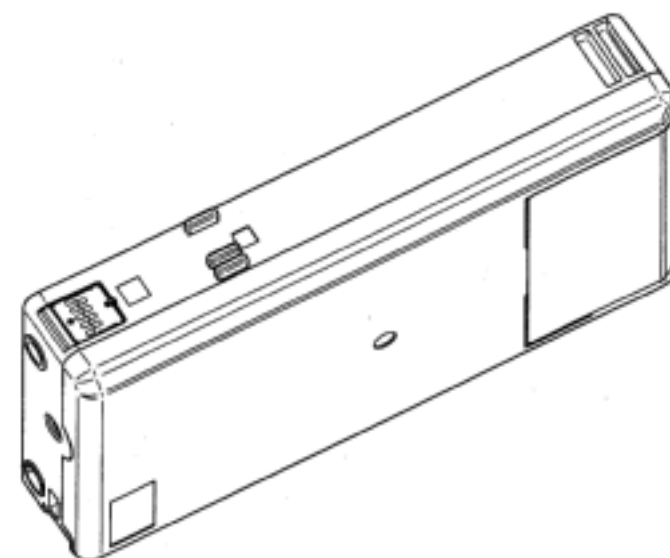
(21) Design Number: **10769/2011**  
(22) Date of Filing Application: **01 March 2011**  
(24) Date from which industrial property rights may have effect: **01 March 2011**  
(54) Product in respect of which the design is registered: **Wrist brace**  
(51) International Design Classification: **24-99**  
(74) Name(s) of Attorney(s): **Davies Collison Cave**  
(71) Name(s) and Address(s) of Applicant(s):  
**3M Innovative Properties Company**  
**3M Center Saint Paul Minnesota 55133-3427 United States of America**  
(72) Name(s) of Designer(s): **Sherry Ann Hinds**  
(45) Registration Date: **25 May 2011**  
(30) Convention priority data:  
(31) Number      (32) Date      (33) Country  
**29/369510      09 Sep 2010      UNITED STATES OF AMERICA**  
(56) Related Art Documents: **Not Applicable**  
(57) Statement of Newness and Distinctiveness: **Nil**



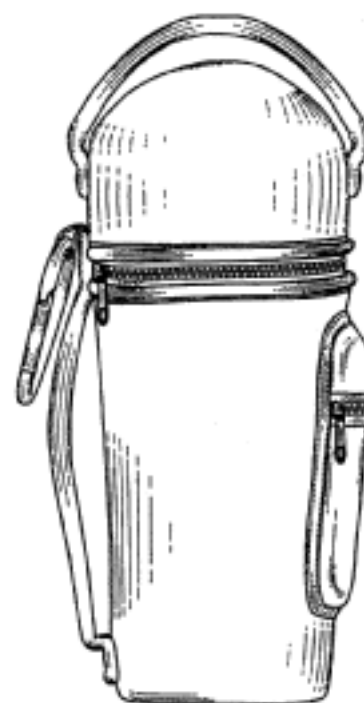
(21) Design Number: **10902/2011**  
(22) Date of Filing Application: **07 March 2011**  
(24) Date from which industrial property rights may have effect: **07 March 2011**  
(54) Product in respect of which the design is registered: **Ink cartridge**  
(51) International Design Classification: **14-02**  
(74) Name(s) of Attorney(s): **Davies Collison Cave**  
(71) Name(s) and Address(s) of Applicant(s):  
**Seiko Epson Corporation**  
**4-1 Nishishinjuku 2-chome Shinjuku-ku Tokyo 163-0811 Japan**  
(72) Name(s) of Designer(s): **Shun Oya and Yoshihiro Koizumi**  
(45) Registration Date: **25 May 2011**  
(30) Convention priority data:  
(31) Number      (32) Date      (33) Country  
**2011-000459      12 Jan 2011      JAPAN**  
(56) Related Art Documents: **Not Applicable**  
(57) Statement of Newness and Distinctiveness: **Newness and distinctiveness is claimed in the visual features of shape and configuration as shown in solid lines in the representations.**



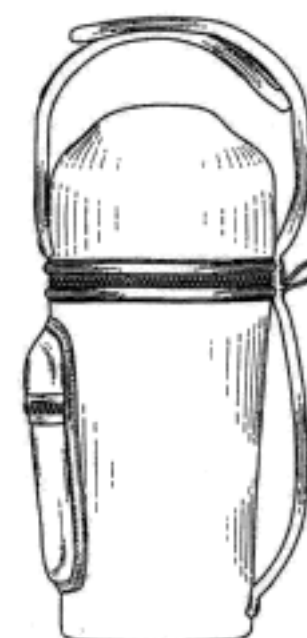
(21) Design Number: **10903/2011**  
(22) Date of Filing Application: **07 March 2011**  
(24) Date from which industrial property rights may have effect: **07 March 2011**  
(54) Product in respect of which the design is registered: **Ink cartridge**  
(51) International Design Classification: **14-02**  
(74) Name(s) of Attorney(s): **Davies Collison Cave**  
(71) Name(s) and Address(s) of Applicant(s):  
**Seiko Epson Corporation**  
**4-1 Nishishinjuku 2-chome Shinjuku-ku Tokyo 163-0811 Japan**  
(72) Name(s) of Designer(s): **Shun Oya and Yoshihiro Koizumi**  
(45) Registration Date: **25 May 2011**  
(30) Convention priority data:  
(31) Number      (32) Date      (33) Country  
**2011-000458      12 Jan 2011      JAPAN**  
(56) Related Art Documents: **Not Applicable**  
(57) Statement of Newness and Distinctiveness: **Newness and distinctiveness is claimed in the visual features of shape and configuration as shown in the representations.**



- (21) Design Number: **11076/2011**  
(22) Date of Filing Application: **14 March 2011**  
(24) Date from which industrial property rights may have effect: **14 March 2011**  
(54) Product in respect of which the design is registered: **Insulating cover for beverage containers**  
(51) International Design Classification: **07-07A**  
(74) Name(s) of Attorney(s): **SPRUSON & FERGUSON**  
(71) Name(s) and Address(s) of Applicant(s):  
**Florian Enghard**  
**Wiesenstrasse 17 D-65843 Sulzbach Germany**  
(72) Name(s) of Designer(s): **Florian Enghard**  
(45) Registration Date: **25 May 2011**  
(30) Convention priority data:  
(31) Number (32) Date (33) Country  
**40 2010004817.2 13 Sep 2010 GERMANY**  
(56) Related Art Documents: **Not Applicable**  
(57) Statement of Newness and Distinctiveness: **Newness and distinctiveness is claimed in the features of shape and/or configuration of an insulating cover for beverage containers as illustrated in the accompanying representations.**



- (21) Design Number: **11077/2011**  
(22) Date of Filing Application: **14 March 2011**  
(24) Date from which industrial property rights may have effect: **14 March 2011**  
(54) Product in respect of which the design is registered: **Insulating cover for beverage containers**  
(51) International Design Classification: **07-07A**  
(74) Name(s) of Attorney(s): **SPRUSON & FERGUSON**  
(71) Name(s) and Address(s) of Applicant(s):  
**Florian Enghard**  
**Wiesenstrasse 17 D-65843 Sulzbach Germany**  
(72) Name(s) of Designer(s): **Florian Enghard**  
(45) Registration Date: **25 May 2011**  
(30) Convention priority data:  
(31) Number (32) Date (33) Country  
**40 2010004817.2 13 Sep 2010 GERMANY**  
(56) Related Art Documents: **Not Applicable**  
(57) Statement of Newness and Distinctiveness: **Newness and distinctiveness is claimed in the features of shape and/or configuration of an insulating cover for beverage containers as illustrated in the accompanying representations.**





- (21) Design Number: **11107/2011**  
(22) Date of Filing Application: **16 March 2011**  
(24) Date from which industrial property rights may have effect: **16 March 2011**  
(54) Product in respect of which the design is registered: **Packaging for food**  
(51) International Design Classification: **09-05**  
(74) Name(s) of Attorney(s): **PATENT ATTORNEY SERVICES**  
(71) Name(s) and Address(s) of Applicant(s):

**CONG TY CO PHAN KY NGHE THUC PHAM VIET NAM (VIFON)**  
**913 Truong Chinh Street Tay Thanh Ward Tan Phu Distribut Ho Chi Minh**  
**City Vietnam**

- (72) Name(s) of Designer(s): **Ben Van Nguyen**  
(45) Registration Date: **25 May 2011**  
(56) Related Art Documents: **Not Applicable**  
(57) Statement of Newness and Distinctiveness: **Visual features of the design which are new and distinctive are the features of pattern and ornamentation of packaging for food as illustrated in the representations.**



- (21) Design Number: **11108/2011**  
(22) Date of Filing Application: **16 March 2011**  
(24) Date from which industrial property rights may have effect: **16 March 2011**  
(54) Product in respect of which the design is registered: **Packaging for food**  
(51) International Design Classification: **09-05**  
(74) Name(s) of Attorney(s): **PATENT ATTORNEY SERVICES**  
(71) Name(s) and Address(s) of Applicant(s):

**CONG TY CO PHAN KY NGHE THUC PHAM VIET NAM (VIFON)**  
**913 Truong Chinh Street Tay Thanh Ward Tan Phu Distribut Ho Chi Minh**  
**City Vietnam**

- (72) Name(s) of Designer(s): **Ben Van Nguyen**  
(45) Registration Date: **25 May 2011**  
(56) Related Art Documents: **Not Applicable**  
(57) Statement of Newness and Distinctiveness: **Visual features of the design which are new and distinctive are the features of pattern and ornamentation of packaging for food as illustrated in the representations.**



(21) Design Number: **11109/2011**

(22) Date of Filing Application: **16 March 2011**

(24) Date from which industrial property rights may have effect: **16 March 2011**

(54) Product in respect of which the design is registered: **Packaging for food**

(51) International Design Classification: **09-05**

(74) Name(s) of Attorney(s): **PATENT ATTORNEY SERVICES**

(71) Name(s) and Address(s) of Applicant(s):

**CONG TY CO PHAN KY NGHE THUC PHAM VIET NAM (VIFON)**  
**913 Truong Chinh Street Tay Thanh Ward Tan Phu Distribut Ho Chi Minh**  
**City Vietnam**

(72) Name(s) of Designer(s): **Ben Van Nguyen**

(45) Registration Date: **25 May 2011**

(56) Related Art Documents: **Not Applicable**

(57) Statement of Newness and Distinctiveness: **Visual features of the design which are new and distinctive are the features of pattern and ornamentation of packaging for food as illustrated in the representations.**



(21) Design Number: **11110/2011**

(22) Date of Filing Application: **16 March 2011**

(24) Date from which industrial property rights may have effect: **16 March 2011**

(54) Product in respect of which the design is registered: **Packaging for food**

(51) International Design Classification: **09-05**

(74) Name(s) of Attorney(s): **PATENT ATTORNEY SERVICES**

(71) Name(s) and Address(s) of Applicant(s):

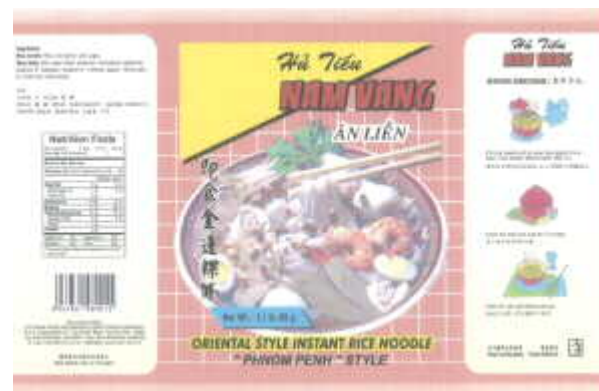
**CONG TY CO PHAN KY NGHE THUC PHAM VIET NAM (VIFON)**  
**913 Truong Chinh Street Tay Thanh Ward Tan Phu Distribut Ho Chi Minh**  
**City Vietnam**

(72) Name(s) of Designer(s): **Ben Van Nguyen**

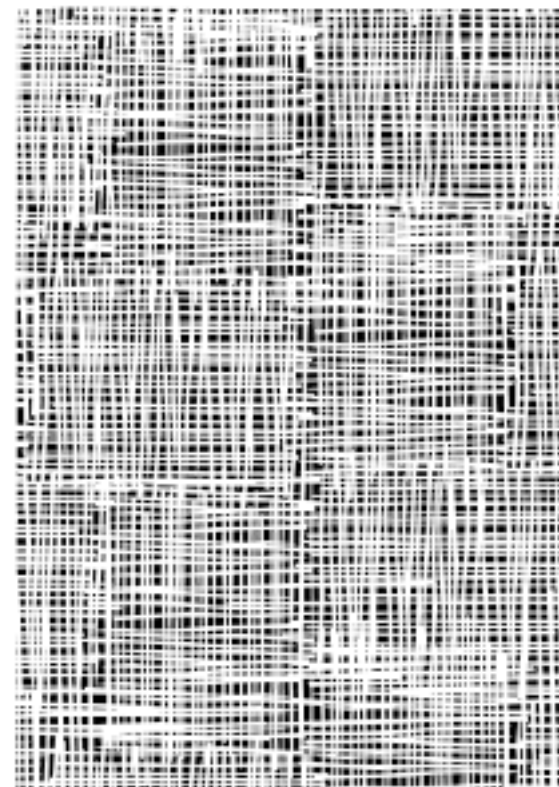
(45) Registration Date: **25 May 2011**

(56) Related Art Documents: **Not Applicable**

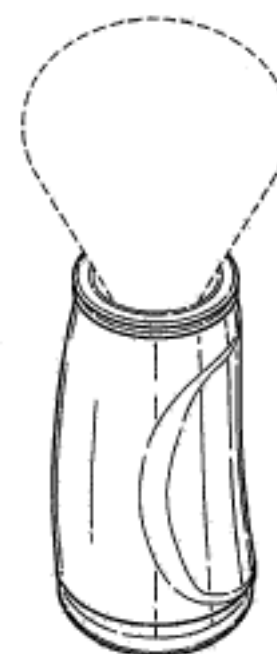
(57) Statement of Newness and Distinctiveness: **Visual features of the design which are new and distinctive are the features of pattern and ornamentation of packaging for food as illustrated in the representations.**



- (21) Design Number: **11922/2011**  
(22) Date of Filing Application: **03 May 2011**  
(24) Date from which industrial property rights may have effect: **03 May 2011**  
(54) Product in respect of which the design is registered: **Sheets of artificial and natural material**  
(51) International Design Classification: **05-05D**  
(74) Name(s) of Attorney(s): **WATERMARK PATENT AND TRADE MARKS ATTORNEYS**  
(71) Name(s) and Address(s) of Applicant(s):  
**Lucite International UK Limited**  
**Wilton Centre Wilton Redcar TS10 4RF United Kingdom**  
(72) Name(s) of Designer(s): **Rebecca Stoner**  
(45) Registration Date: **25 May 2011**  
(30) Convention priority data:  
(31) Number (32) Date (33) Country  
**001815598-0008 03 Feb 2011 EUROPEAN COMMUNITY**  
(56) Related Art Documents: **Not Applicable**  
(57) Statement of Newness and Distinctiveness: **The newness and distinctiveness of the design resides in features of pattern and ornamentation as shown in the accompanying representation applied to sheets of artificial or natural material.**



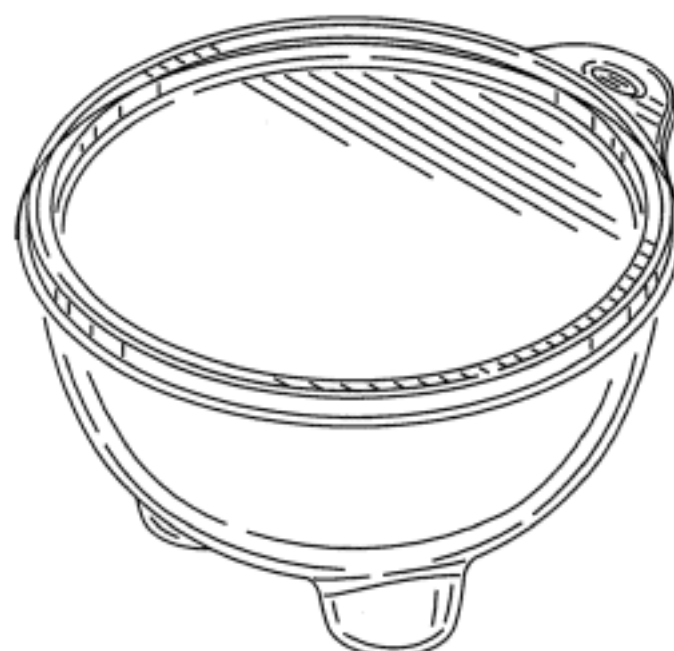
- (21) Design Number: **12053/2011**  
(22) Date of Filing Application: **10 May 2011**  
(24) Date from which industrial property rights may have effect: **10 May 2011**  
(54) Product in respect of which the design is registered: **Shaving brush**  
(51) International Design Classification: **04-02**  
(74) Name(s) of Attorney(s): **PHILLIPS ORMONDE FITZPATRICK**  
(71) Name(s) and Address(s) of Applicant(s):  
**The Gillette Company**  
**One Gillette Park Boston Massachusetts 02127 United States of America**  
(72) Name(s) of Designer(s): **Rolando Antonio Cavazos Jimenez and Steven Michael Schennum and Thomas Michael McKeon**  
(45) Registration Date: **25 May 2011**  
(30) Convention priority data:  
(31) Number (32) Date (33) Country  
**29/379,271 17 Nov 2010 UNITED STATES OF AMERICA**  
(56) Related Art Documents: **Not Applicable**  
(57) Statement of Newness and Distinctiveness: **Those features of the shaving brush depicted in the representations that are new and distinctive are the shape, configuration and ornamentation. The features shown in broken line are not part of the design and are to be disregarded when considering the overall impression of the design.**



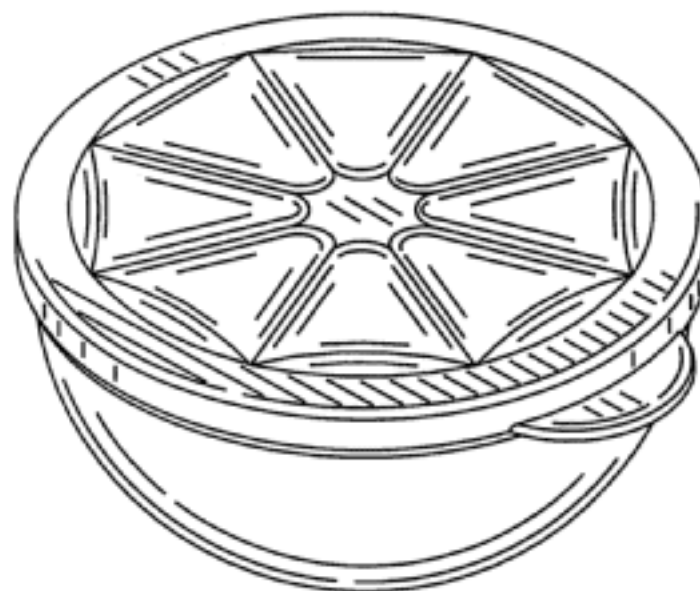
- (21) Design Number: **12133/2011**  
(22) Date of Filing Application: **11 May 2011**  
(24) Date from which industrial property rights may have effect: **11 May 2011**  
(54) Product in respect of which the design is registered: **Neckties for men or women**  
(51) International Design Classification: **02-05**  
(74) Name(s) of Attorney(s):  
(71) Name(s) and Address(s) of Applicant(s):  
**David Huggett**  
**76 Sawrey Circuit Tamborine Queensland 4270 Australia**  
(72) Name(s) of Designer(s): **David Huggett**  
(45) Registration Date: **25 May 2011**  
(56) Related Art Documents: **Not Applicable**  
(57) Statement of Newness and Distinctiveness: **The Y-Tie. The Y-Tie is a novel new design for neckties. The Y-Tie is a reversible tie, having a different colour or pattern on each side. As the photo-sheet attached shows, the tie illustrated is white on one side and poka-dot on the other side. This feature means that the tie can be worn in six different ways: Pic 1 & 1a. White side up, unfolded. Pic 2 & 2a. White side up, tie tail folded back inside the neck loop. Pic 3 & 3a. White side up, tie tail folded forward through the neck loop. Pic 4 & 4a. Polka dot side up, unfolded. Pic 5 & 5a. Polka dot side up, tie tail folded back inside the neck loop. Pic 6 & 6a. Polka dot side up, tie tail folded forward through the neck loop. While a tie pin is not necessary, it is recommended to hold the folds in place.**



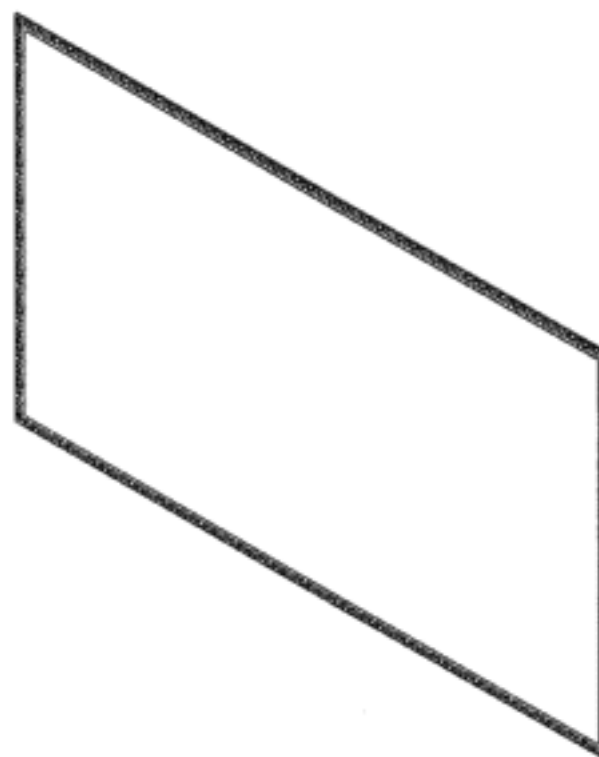
- (21) Design Number: **11927/2011**  
(22) Date of Filing Application: **02 May 2011**  
(24) Date from which industrial property rights may have effect: **02 May 2011**  
(54) Product in respect of which the design is registered: **Covered container**  
(51) International Design Classification: **07-01NES**  
(74) Name(s) of Attorney(s): **PHILLIPS ORMONDE FITZPATRICK**  
(71) Name(s) and Address(s) of Applicant(s):  
**Dart Industries Inc**  
**14901 S. Orange Blossom Trail Orlando Florida 32837 United States of America**  
(72) Name(s) of Designer(s): **Famia E. Ablo**  
(45) Registration Date: **26 May 2011**  
(30) Convention priority data:  
(31) Number      (32) Date      (33) Country  
**29/372,524      03 Dec 2010      UNITED STATES OF AMERICA**  
(56) Related Art Documents: **Not Applicable**  
(57) Statement of Newness and Distinctiveness: **Those features of the covered container depicted in the representations that are new and distinctive are the shape and/or configuration.**



(21) Design Number: **11928/2011**  
(22) Date of Filing Application: **02 May 2011**  
(24) Date from which industrial property rights may have effect: **02 May 2011**  
(54) Product in respect of which the design is registered: **Covered container**  
(51) International Design Classification: **07-01NES**  
(74) Name(s) of Attorney(s): **PHILLIPS ORMONDE FITZPATRICK**  
(71) Name(s) and Address(s) of Applicant(s):  
**Dart Industries Inc**  
**14901 S. Orange Blossom Trail Orlando Florida 32837 United States of America**  
(72) Name(s) of Designer(s): **Famia E. Ablo**  
(45) Registration Date: **26 May 2011**  
(30) Convention priority data:  
(31) Number (32) Date (33) Country  
**29/372,526 03 Dec 2010 UNITED STATES OF AMERICA**  
(56) Related Art Documents: **Not Applicable**  
(57) Statement of Newness and Distinctiveness: **Those features of the covered container depicted in the representations that are new and distinctive are the shape and/or configuration.**



(21) Design Number: **11930/2011**  
(22) Date of Filing Application: **02 May 2011**  
(24) Date from which industrial property rights may have effect: **02 May 2011**  
(54) Product in respect of which the design is registered: **TV receiver**  
(51) International Design Classification: **14-03B**  
(74) Name(s) of Attorney(s): **Freehills Patent & Trade Mark Attorneys**  
(71) Name(s) and Address(s) of Applicant(s):  
**LG Electronics Inc.**  
**20 Yeouido-dong Yeongdeungpo-gu Seoul 150-721 Republic of Korea**  
(72) Name(s) of Designer(s): **Yooseok Kim and Woosuk Park and Hyeyoung Hong**  
(45) Registration Date: **26 May 2011**  
(30) Convention priority data:  
(31) Number (32) Date (33) Country  
**30-2010-0056492 29 Dec 2010 REPUBLIC OF KOREA**  
(56) Related Art Documents: **Not Applicable**  
(57) Statement of Newness and Distinctiveness: **Nil**





- (21) Design Number: **11933/2011**  
(22) Date of Filing Application: **29 April 2011**  
(24) Date from which industrial property rights may have effect: **29 April 2011**  
(54) Product in respect of which the design is registered: **A tray**  
(51) International Design Classification: **09-03F**  
(74) Name(s) of Attorney(s): **A J Park**  
(71) Name(s) and Address(s) of Applicant(s):

**Alto Packaging Limited**  
**Level 6 57 Symonds Street Grafton Auckland New Zealand**

- (72) Name(s) of Designer(s): **Steven Long and Christopher James Cowan**

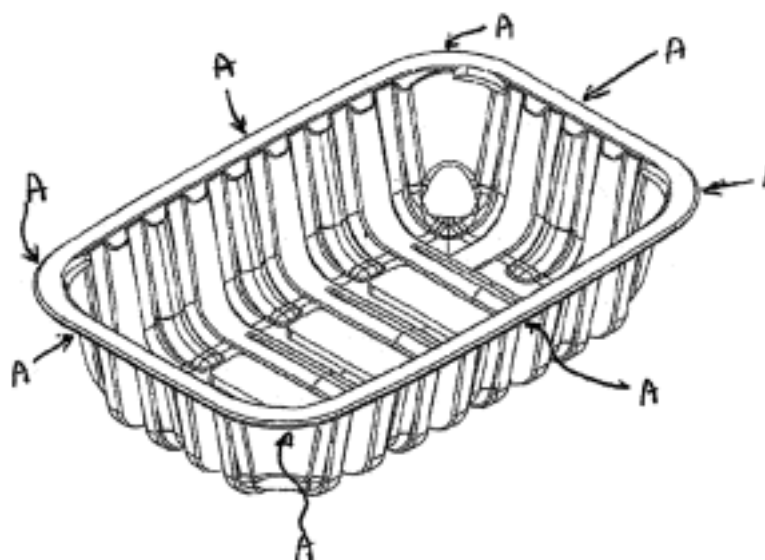
(45) Registration Date: **26 May 2011**

- (30) Convention priority data:

(31) Number	(32) Date	(33) Country
<b>414249</b>	<b>09 Nov 2010</b>	<b>NEW ZEALAND</b>

- (56) Related Art Documents: **Not Applicable**

- (57) Statement of Newness and Distinctiveness: **Novelty resides in the shape and/or configuration of its peripheral region 'A' of the rim having a trimmed, but otherwise as moulded, inwardly directed return. No novelty is claimed in respect of the profiling of the tray walls or base below its rim.**



- (21) Design Number: **10951/2011**  
(22) Date of Filing Application: **03 March 2011**  
(24) Date from which industrial property rights may have effect: **03 March 2011**  
(54) Product in respect of which the design is registered: **Packaging for a bottle**  
(51) International Design Classification: **09-03NES**  
(74) Name(s) of Attorney(s): **Davies Collison Cave**  
(71) Name(s) and Address(s) of Applicant(s):

**Visy R & D Pty Ltd**  
**Level 11 2 Southbank Boulevard Southbank Victoria 3006 Australia**

- (72) Name(s) of Designer(s): **Geoffrey Charles Naismith**

(45) Registration Date: **26 May 2011**

- (56) Related Art Documents: **Not Applicable**

- (57) Statement of Newness and Distinctiveness: **The features of shape and configuration of the packaging shown in the accompanying representations are considered to be new and distinctive.**



(21) Design Number: **11627/2011**  
(22) Date of Filing Application: **13 April 2011**  
(24) Date from which industrial property rights may have effect: **13 April 2011**  
(54) Product in respect of which the design is registered: **Chair**  
(51) International Design Classification: **06-01F**  
(74) Name(s) of Attorney(s): **PHILLIPS ORMONDE FITZPATRICK**  
(71) Name(s) and Address(s) of Applicant(s):

**Dauphin Entwicklungs- u. Beteiligungs-GmbH**  
**Industriestrasse 11 91217 Hersbruck Germany**

(72) Name(s) of Designer(s): **Daniel Figueroa**

(45) Registration Date: **26 May 2011**

(30) Convention priority data:

(31) Number	(32) Date	(33) Country
<b>570 419 401</b>	<b>25 Oct 2010</b>	<b>WORLD INTELLECTUAL PROPERTY ORGANIZATION (WIPO)</b>

(56) Related Art Documents: **Not Applicable**

(57) Statement of Newness and Distinctiveness: **Newness and distinctiveness resides in the shape and/or configuration of the chair as depicted in the accompanying representations. The fabric patterns do not form part of the design.**



(21) Design Number: **11628/2011**  
(22) Date of Filing Application: **13 April 2011**  
(24) Date from which industrial property rights may have effect: **13 April 2011**  
(54) Product in respect of which the design is registered: **Chair**  
(51) International Design Classification: **06-01F**  
(74) Name(s) of Attorney(s): **PHILLIPS ORMONDE FITZPATRICK**  
(71) Name(s) and Address(s) of Applicant(s):

**Dauphin Entwicklungs- u. Beteiligungs-GmbH**  
**Industriestrasse 11 91217 Hersbruck Germany**

(72) Name(s) of Designer(s): **Daniel Figueroa**

(45) Registration Date: **26 May 2011**

(30) Convention priority data:

(31) Number	(32) Date	(33) Country
<b>570 419 401</b>	<b>25 Oct 2010</b>	<b>WORLD INTELLECTUAL PROPERTY ORGANIZATION (WIPO)</b>

(56) Related Art Documents: **Not Applicable**

(57) Statement of Newness and Distinctiveness: **Newness and distinctiveness resides in the shape and/or configuration of the chair as depicted in the accompanying representations. The fabric patterns do not form part of the design.**



(21) Design Number: **11767/2011**  
(22) Date of Filing Application: **20 April 2011**  
(24) Date from which industrial property rights may have effect: **20 April 2011**  
(54) Product in respect of which the design is registered: **An electrical power outlet**  
(51) International Design Classification: **13-03D**  
(74) Name(s) of Attorney(s): **Griffith Hack**  
(71) Name(s) and Address(s) of Applicant(s):  
**Legrand Australia Pty Ltd**  
**Unit 99 79-99 St Hilliers Road Auburn New South Wales 2144 Australia**  
(72) Name(s) of Designer(s): **Dennis Galvin and Pradeep Anirudhan**  
(45) Registration Date: **26 May 2011**  
(30) Convention priority data:  
(31) Number (32) Date (33) Country  
**201030578785.3 26 Oct 2010 CHINA**  
(56) Related Art Documents: **Not Applicable**  
(57) Statement of Newness and Distinctiveness: **Nil visual features shown in solid outlines.**

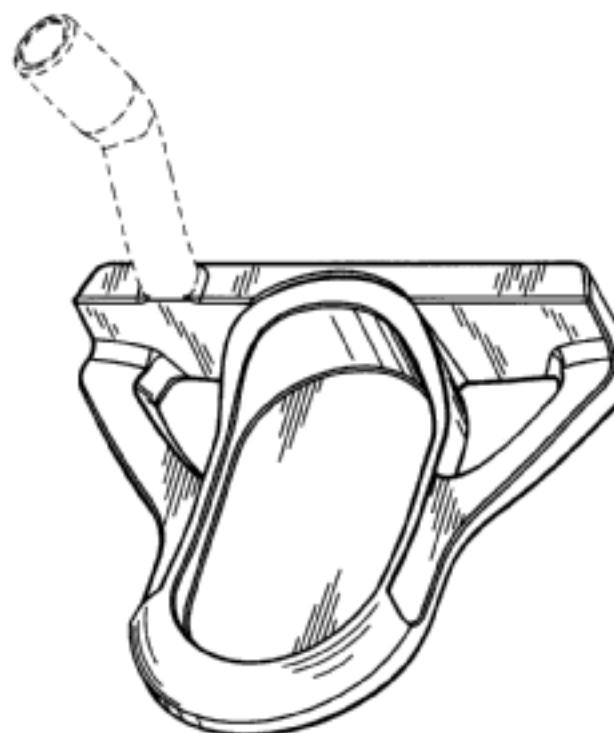


(21) Design Number: **11798/2011**  
(22) Date of Filing Application: **27 April 2011**  
(24) Date from which industrial property rights may have effect: **27 April 2011**  
(54) Product in respect of which the design is registered: **Bicycle rack**  
(51) International Design Classification: **08-10**  
(74) Name(s) of Attorney(s):  
(71) Name(s) and Address(s) of Applicant(s):  
**Gavin Cook**  
**26 Wildfire Road Maddington Western Australia 6109 Australia**  
**Belinda Cook**  
**26 Wildfire Road Maddington Western Australia 6109 Australia**  
**Jonathan Cook**  
**26 Wildfire Road Maddington Western Australia 6109 Australia**  
**Teresa Cook**  
**26 Wildfire Road Maddington Western Australia 6109 Australia**  
(72) Name(s) of Designer(s): **Gavin Cook**  
(45) Registration Date: **26 May 2011**  
(56) Related Art Documents: **Not Applicable**  
(57) Statement of Newness and Distinctiveness: **Nil**





(21) Design Number: **11799/2011**  
(22) Date of Filing Application: **21 April 2011**  
(24) Date from which industrial property rights may have effect: **21 April 2011**  
(54) Product in respect of which the design is registered: **Golf club head**  
(51) International Design Classification: **21-02C**  
(74) Name(s) of Attorney(s): **Davies Collison Cave**  
(71) Name(s) and Address(s) of Applicant(s):  
**Karsten Manufacturing Corporation**  
**2201 West Desert Cove Phoenix Arizona 85029 United States of America**  
(72) Name(s) of Designer(s): **Anthony D. Serrano and Xiaojian Chen**  
(45) Registration Date: **26 May 2011**  
(30) Convention priority data:  
(31) Number (32) Date (33) Country  
**29/382977 10 Jan 2011 UNITED STATES OF AMERICA**  
(56) Related Art Documents: **Not Applicable**  
(57) Statement of Newness and Distinctiveness: **Newness and distinctiveness is claimed in the visual features shown in solid lines in the representations. In considering the extent of the design rights, the broken lines shown in the representations are for illustrative purposes only and do not form part of the design.**



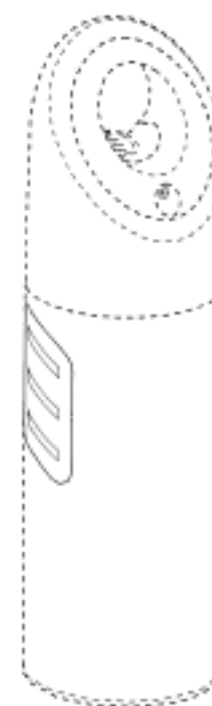
(21) Design Number: **11803/2011**  
(22) Date of Filing Application: **28 April 2011**  
(24) Date from which industrial property rights may have effect: **28 April 2011**  
(54) Product in respect of which the design is registered: **A dispenser**  
(51) International Design Classification: **09-01A**  
(74) Name(s) of Attorney(s): **Banki Haddock Fiora**  
(71) Name(s) and Address(s) of Applicant(s):  
**Societe des Produits Nestle S.A.**  
**1800 Vevey Switzerland**  
(72) Name(s) of Designer(s): **Pierre Struzka**  
(45) Registration Date: **26 May 2011**  
(30) Convention priority data:  
(31) Number (32) Date (33) Country  
**137346 01 Nov 2010 SWITZERLAND**  
(56) Related Art Documents: **Not Applicable**  
(57) Statement of Newness and Distinctiveness: **Nil**



- (21) Design Number: **11830/2011**  
(22) Date of Filing Application: **27 April 2011**  
(24) Date from which industrial property rights may have effect: **27 April 2011**  
(54) Product in respect of which the design is registered: **Packaging container with surface ornamentation**  
(51) International Design Classification: **09-03NES**  
(74) Name(s) of Attorney(s): **PHILLIPS ORMONDE FITZPATRICK**  
(71) Name(s) and Address(s) of Applicant(s):  
**The Gillette Company**  
**One Gillette Park Boston Massachusetts 02127 United States of America**  
(72) Name(s) of Designer(s): **James Joseph Anderson and Carl Andrew Gerhards and Andrew A. Markle**  
(45) Registration Date: **26 May 2011**  
(30) Convention priority data:  
(31) Number (32) Date (33) Country  
**29/377,945 28 Oct 2010 UNITED STATES OF AMERICA**  
(56) Related Art Documents: **Not Applicable**  
(57) Statement of Newness and Distinctiveness: **Those features of the packaging container with surface ornamentation depicted in the representations that are new and distinctive are the pattern and/or ornamentation. The features shown in broken line are not part of the design and are to be disregarded when considering the overall impression of the design.**



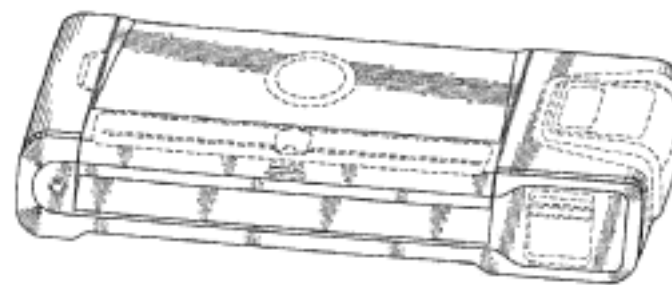
- (21) Design Number: **11840/2011**  
(22) Date of Filing Application: **28 April 2011**  
(24) Date from which industrial property rights may have effect: **28 April 2011**  
(54) Product in respect of which the design is registered: **Container**  
(51) International Design Classification: **09-01A**  
(74) Name(s) of Attorney(s): **FB Rice**  
(71) Name(s) and Address(s) of Applicant(s):  
**Colgate-Palmolive Company**  
**300 Park Avenue New York New York 10022 United States of America**  
(72) Name(s) of Designer(s): **Kiat-Cheong Toh and Simon Nicholas Dutton**  
(45) Registration Date: **26 May 2011**  
(30) Convention priority data:  
(31) Number (32) Date (33) Country  
**29/378559 05 Nov 2010 UNITED STATES OF AMERICA**  
(56) Related Art Documents: **Not Applicable**  
(57) Statement of Newness and Distinctiveness: **Newness and distinctiveness reside in the features of shape and ornamentation of the container shown in the representations. When determining whether the design is substantially similar in overall impression to another design, no regard is to be had to those features shown in the drawings with dotted outline, which features are provided for illustrative purposes only.**



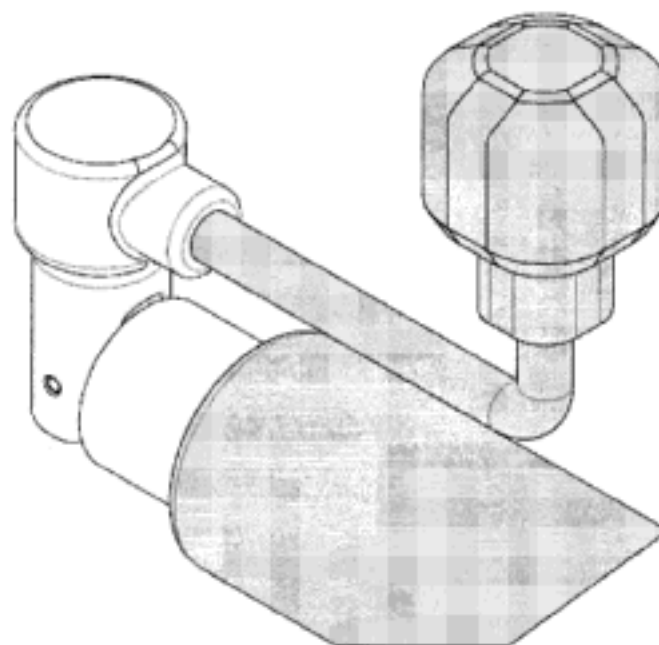
- (21) Design Number: **11832/2011**  
(22) Date of Filing Application: **27 April 2011**  
(24) Date from which industrial property rights may have effect: **27 April 2011**  
(54) Product in respect of which the design is registered: **Packaging container with surface ornamentation**  
(51) International Design Classification: **09-03H**  
(74) Name(s) of Attorney(s): **PHILLIPS ORMONDE FITZPATRICK**  
(71) Name(s) and Address(s) of Applicant(s):  
**The Gillette Company**  
**One Gillette Park Boston Massachusetts 02127 United States of America**  
(72) Name(s) of Designer(s): **James Joseph Anderson and Carl Andrew Gerhards and Andrew A. Markle**  
(45) Registration Date: **26 May 2011**  
(30) Convention priority data:  
(31) Number (32) Date (33) Country  
**29/377,946 28 Oct 2010 UNITED STATES OF AMERICA**  
(56) Related Art Documents: **Not Applicable**  
(57) Statement of Newness and Distinctiveness: **Those features of the packaging container with surface ornamentation depicted in the representations that are new and distinctive are the pattern and/or ornamentation. The features shown in broken line are not part of the design and are to be disregarded when considering the overall impression of the design.**



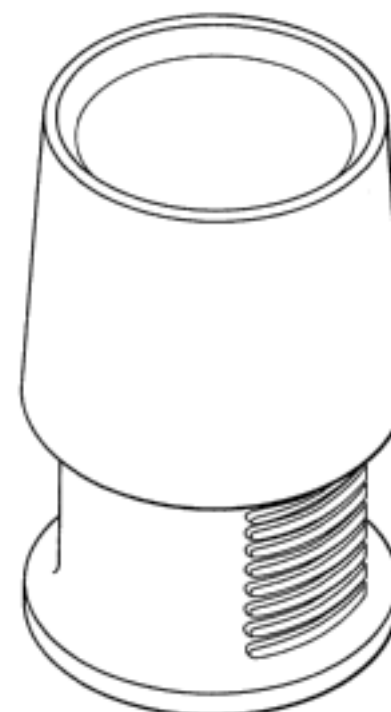
- (21) Design Number: **11872/2011**  
(22) Date of Filing Application: **28 April 2011**  
(24) Date from which industrial property rights may have effect: **28 April 2011**  
(54) Product in respect of which the design is registered: **Vacuum packaging appliance**  
(51) International Design Classification: **15-99**  
(74) Name(s) of Attorney(s): **Griffith Hack**  
(71) Name(s) and Address(s) of Applicant(s):  
**Sunbeam Products, Inc.**  
**2381 Executive Center Drive Boca Raton FL 33431 United States of America**  
(72) Name(s) of Designer(s): **Adam Day and Travis Lintner and James Sener and Chris Mageman and Scott Smith**  
(45) Registration Date: **26 May 2011**  
(30) Convention priority data:  
(31) Number (32) Date (33) Country  
**29/378,706 08 Nov 2010 UNITED STATES OF AMERICA**  
(56) Related Art Documents: **Not Applicable**  
(57) Statement of Newness and Distinctiveness: **The shape and configuration of those parts of the design shown by means of solid lines in the representations is new and distinctive.**



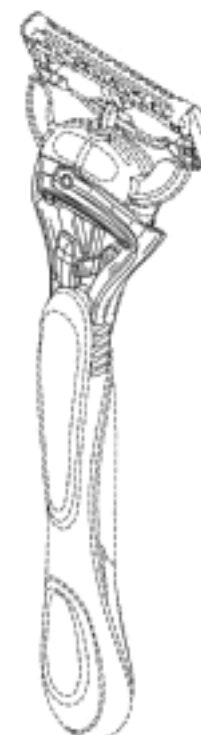
- (21) Design Number: **11874/2011**  
(22) Date of Filing Application: **21 April 2011**  
(24) Date from which industrial property rights may have effect: **21 April 2011**  
(54) Product in respect of which the design is registered: **Spring loaded hinge for collapsible handle**  
(51) International Design Classification: **12-16L**  
(74) Name(s) of Attorney(s): **Macpherson + Kelley**  
(71) Name(s) and Address(s) of Applicant(s):  
**AL-KO International Pty Ltd**  
**67-91 Nathan Road Dandenong South Victoria 3175 Australia**  
(72) Name(s) of Designer(s): **Slobodan Cabarkapa**  
(45) Registration Date: **26 May 2011**  
(56) Related Art Documents: **Not Applicable**  
(57) Statement of Newness and Distinctiveness: **Monopoly is claimed in the features of shape and/or configuration of the spring loaded hinge illustrated in the accompanying representations. The shaded features of the representations form no part of the design.**



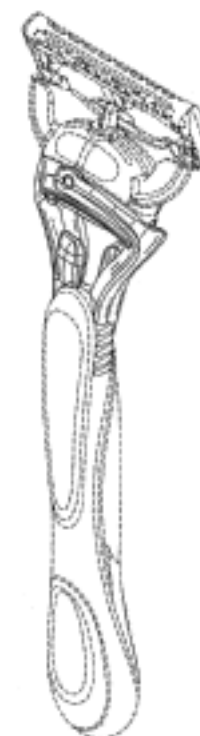
- (21) Design Number: **11875/2011**  
(22) Date of Filing Application: **04 May 2011**  
(24) Date from which industrial property rights may have effect: **04 May 2011**  
(54) Product in respect of which the design is registered: **Connector for medical purpose**  
(51) International Design Classification: **24-02**  
(74) Name(s) of Attorney(s): **FB Rice**  
(71) Name(s) and Address(s) of Applicant(s):  
**Koninklijke Philips Electronics N.V.**  
**Groenewoudseweg 1 5621 BA Eindhoven The Netherlands**  
(72) Name(s) of Designer(s): **Matthew Paul Eury**  
(45) Registration Date: **26 May 2011**  
(30) Convention priority data:  
(31) Number (32) Date (33) Country  
**001780297-0001 11 Nov 2010 EUROPEAN COMMUNITY**  
(56) Related Art Documents: **Not Applicable**  
(57) Statement of Newness and Distinctiveness: **Newness and distinctiveness reside in the features of shape and configuration of the design as shown in the representations.**



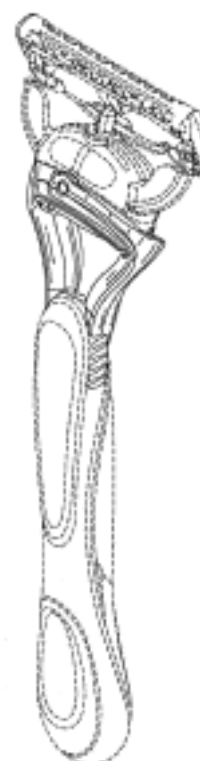
(21) Design Number: **11886/2011**  
(22) Date of Filing Application: **29 April 2011**  
(24) Date from which industrial property rights may have effect: **29 April 2011**  
(54) Product in respect of which the design is registered: **Portion of a shaving razor**  
(51) International Design Classification: **28-03A**  
(74) Name(s) of Attorney(s): **PHILLIPS ORMONDE FITZPATRICK**  
(71) Name(s) and Address(s) of Applicant(s):  
**The Gillette Company**  
**One Gillette Park Boston Massachusetts 02127 United States of America**  
(72) Name(s) of Designer(s): **Brian Patrick Watson and Matthew Frank Murgida and Patrick Francis McNally**  
(45) Registration Date: **26 May 2011**  
(30) Convention priority data:  
(31) Number (32) Date (33) Country  
**29/378,192 01 Nov 2010 UNITED STATES OF AMERICA**  
(56) Related Art Documents: **Not Applicable**  
(57) Statement of Newness and Distinctiveness: **Those features of the shaving razor depicted in the representations that are new and distinctive are the shape and/or configuration of the portion of the shaving razor shown in continuous lines. The features shown in broken lines are not part of the design and are to be disregarded when considering the overall impression of the design.**



(21) Design Number: **11887/2011**  
(22) Date of Filing Application: **29 April 2011**  
(24) Date from which industrial property rights may have effect: **29 April 2011**  
(54) Product in respect of which the design is registered: **Portion of a shaving razor**  
(51) International Design Classification: **28-03A**  
(74) Name(s) of Attorney(s): **PHILLIPS ORMONDE FITZPATRICK**  
(71) Name(s) and Address(s) of Applicant(s):  
**The Gillette Company**  
**One Gillette Park Boston Massachusetts 02127 United States of America**  
(72) Name(s) of Designer(s): **Brian Patrick Watson and Matthew Frank Murgida and Patrick Francis McNally**  
(45) Registration Date: **26 May 2011**  
(30) Convention priority data:  
(31) Number (32) Date (33) Country  
**29/378,192 01 Nov 2010 UNITED STATES OF AMERICA**  
(56) Related Art Documents: **Not Applicable**  
(57) Statement of Newness and Distinctiveness: **Those features of the shaving razor depicted in the representations that are new and distinctive are the shape and/or configuration of the portion of the shaving razor shown in continuous lines. The features shown in broken lines are not part of the design and are to be disregarded when considering the overall impression of the design.**



(21) Design Number: **11888/2011**  
(22) Date of Filing Application: **29 April 2011**  
(24) Date from which industrial property rights may have effect: **29 April 2011**  
(54) Product in respect of which the design is registered: **Portion of a shaving razor**  
(51) International Design Classification: **28-03A**  
(74) Name(s) of Attorney(s): **PHILLIPS ORMONDE FITZPATRICK**  
(71) Name(s) and Address(s) of Applicant(s):  
**The Gillette Company**  
**One Gillette Park Boston Massachusetts 02127 United States of America**  
(72) Name(s) of Designer(s): **Brian Patrick Watson and Matthew Frank Murgida and Patrick Francis McNally**  
(45) Registration Date: **26 May 2011**  
(30) Convention priority data:  
(31) Number (32) Date (33) Country  
**29/378,192 01 Nov 2010 UNITED STATES OF AMERICA**  
(56) Related Art Documents: **Not Applicable**  
(57) Statement of Newness and Distinctiveness: **Those features of the shaving razor depicted in the representations that are new and distinctive are the shape and/or configuration of the portion of the shaving razor shown in continuous lines. The features shown in broken lines are not part of the design and are to be disregarded when considering the overall impression of the design.**



(21) Design Number: **11889/2011**  
(22) Date of Filing Application: **29 April 2011**  
(24) Date from which industrial property rights may have effect: **29 April 2011**  
(54) Product in respect of which the design is registered: **Shoes**  
(51) International Design Classification: **02-04NES**  
(74) Name(s) of Attorney(s): **FB Rice**  
(71) Name(s) and Address(s) of Applicant(s):  
**Vibram S.P.A.**  
**Via Cristoforo Colombo 5 I-21041 Albizzate (Varese) Italy**  
(72) Name(s) of Designer(s): **Marco Bramani and Simona Monemari**  
(45) Registration Date: **26 May 2011**  
(30) Convention priority data:  
(31) Number (32) Date (33) Country  
**1785981 25 Nov 2010 EUROPEAN COMMUNITY**  
(56) Related Art Documents: **Not Applicable**  
(57) Statement of Newness and Distinctiveness: **Newness and distinctiveness reside in the visual features of the design shown in the representations.**



(21) Design Number: **11890/2011**  
(22) Date of Filing Application: **29 April 2011**  
(24) Date from which industrial property rights may have effect: **29 April 2011**  
(54) Product in respect of which the design is registered: **Shoes**  
(51) International Design Classification: **02-04NES**  
(74) Name(s) of Attorney(s): **FB Rice**  
(71) Name(s) and Address(s) of Applicant(s):

**Vibram S.P.A.**  
**Via Cristoforo Colombo 5 I-21041 Albizzate (Varese) Italy**

(72) Name(s) of Designer(s): **Marco Bramani and Matteo Conchieri**

(45) Registration Date: **26 May 2011**

(30) Convention priority data:

(31) Number	(32) Date	(33) Country
<b>1785981</b>	<b>25 Nov 2010</b>	<b>EUROPEAN COMMUNITY</b>

(56) Related Art Documents: **Not Applicable**

(57) Statement of Newness and Distinctiveness: **Newness and distinctiveness reside in the features of the design shown in solid lines in the representations.**



(21) Design Number: **11891/2011**  
(22) Date of Filing Application: **29 April 2011**  
(24) Date from which industrial property rights may have effect: **29 April 2011**  
(54) Product in respect of which the design is registered: **Hearing protector**  
(51) International Design Classification: **29-02**  
(74) Name(s) of Attorney(s): **Freehills Patent & Trade Mark Attorneys**  
(71) Name(s) and Address(s) of Applicant(s):

**3M Innovative Properties Company**  
**3M Center Saint Paul Minnesota 55133-3427 United States of America**

(72) Name(s) of Designer(s): **Lars G. E. Carlborg and Johan P.A Rapp and Staffan Johansson and Martin L.E. Birath and August H. P. Michael and Oskar E. Juhlin**

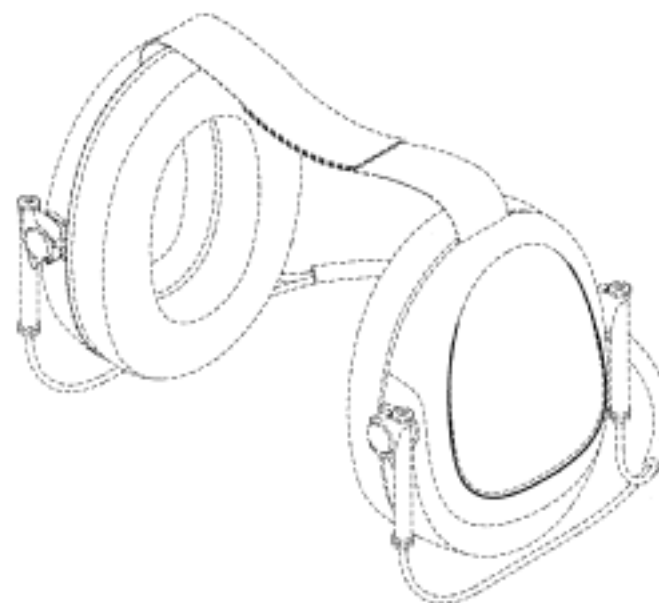
(45) Registration Date: **26 May 2011**

(30) Convention priority data:

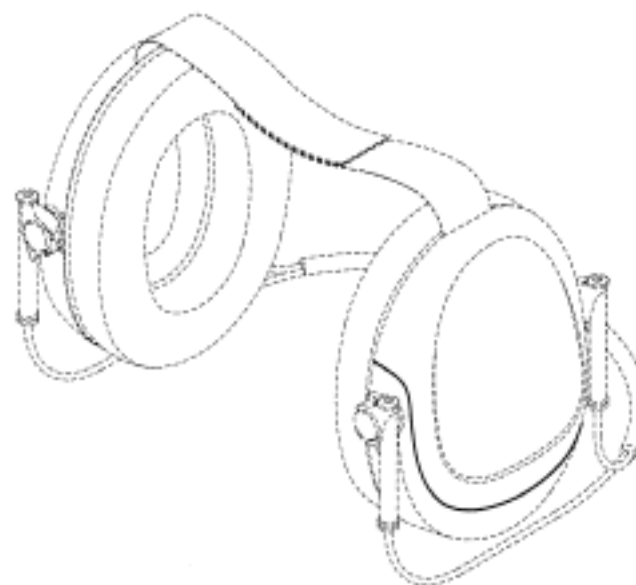
(31) Number	(32) Date	(33) Country
<b>1243398</b>	<b>04 Nov 2010</b>	<b>EUROPEAN COMMUNITY</b>

(56) Related Art Documents: **Not Applicable**

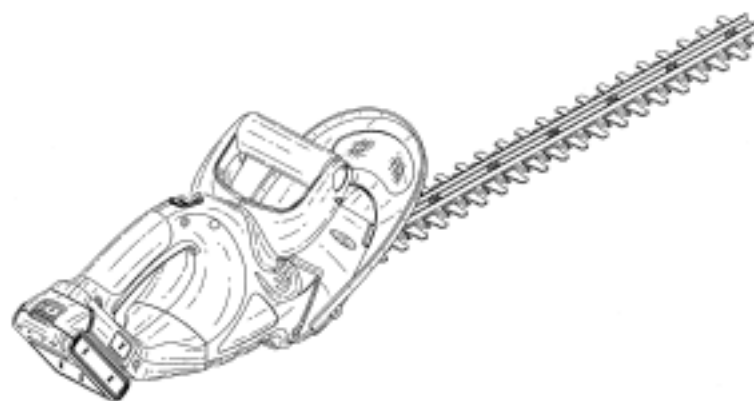
(57) Statement of Newness and Distinctiveness: **Newness and distinctiveness resides in the features of shape and/or configuration of a hearing protector as shown in solid outline in the accompanying representations.**



(21) Design Number: **11892/2011**  
(22) Date of Filing Application: **29 April 2011**  
(24) Date from which industrial property rights may have effect: **29 April 2011**  
(54) Product in respect of which the design is registered: **Hearing protector**  
(51) International Design Classification: **29-02**  
(74) Name(s) of Attorney(s): **Freehills Patent & Trade Mark Attorneys**  
(71) Name(s) and Address(s) of Applicant(s):  
**3M Innovative Properties Company**  
**3M Center Saint Paul Minnesota 55133-3427 United States of America**  
(72) Name(s) of Designer(s): **Lars G.E. Carlborg and Johan P.A. Rapp and Staffan Johansson and Martin L.E. Birath and August H.P. Michael and Oskar E. Juhlin**  
(45) Registration Date: **26 May 2011**  
(30) Convention priority data:  
(31) Number (32) Date (33) Country  
**1243380 04 Nov 2010 EUROPEAN COMMUNITY**  
(56) Related Art Documents: **Not Applicable**  
(57) Statement of Newness and Distinctiveness: **Newness and distinctiveness resides in the features of shape and/or configuration of a hearing protector as shown in solid outline in the accompanying representations.**



(21) Design Number: **11262/2011**  
(22) Date of Filing Application: **23 March 2011**  
(24) Date from which industrial property rights may have effect: **23 March 2011**  
(54) Product in respect of which the design is registered: **Hedge trimmer**  
(51) International Design Classification: **08-03, 15-03B**  
(74) Name(s) of Attorney(s): **Davies Collison Cave**  
(71) Name(s) and Address(s) of Applicant(s):  
**Black & Decker Inc**  
**1207 Drummond Plaza Newark Delaware 19711 United States of America**  
(72) Name(s) of Designer(s): **Mark Stratford**  
(45) Registration Date: **26 May 2011**  
(30) Convention priority data:  
(31) Number (32) Date (33) Country  
**001238331 07 Oct 2010 EUROPEAN COMMUNITY**  
(56) Related Art Documents: **Not Applicable**  
(57) Statement of Newness and Distinctiveness: **Nil**

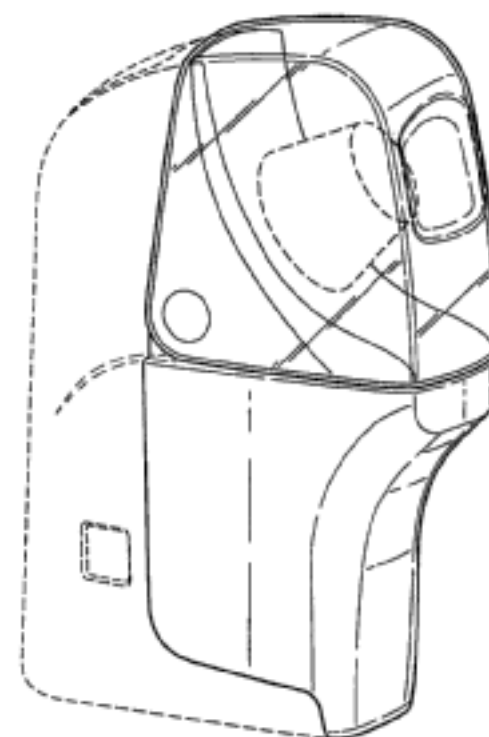




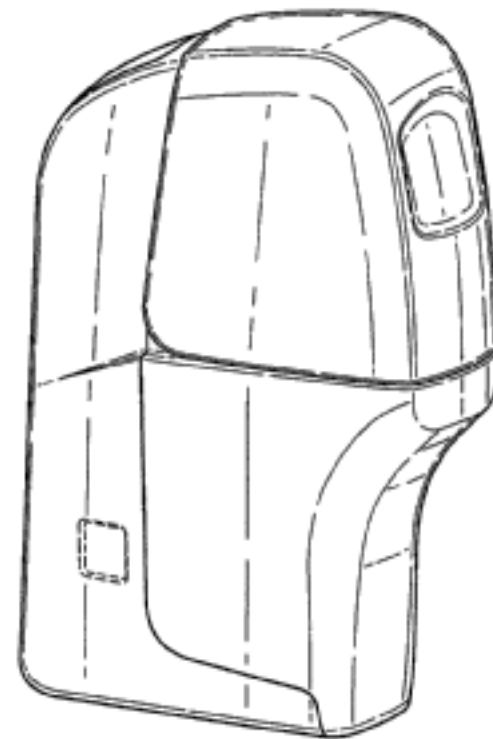
(21) Design Number: **11334/2011**  
(22) Date of Filing Application: **25 March 2011**  
(24) Date from which industrial property rights may have effect: **25 March 2011**  
(54) Product in respect of which the design is registered: **Inhaler**  
(51) International Design Classification: **24-04**  
(74) Name(s) of Attorney(s): **Davies Collison Cave**  
(71) Name(s) and Address(s) of Applicant(s):  
**Novartis AG**  
**Lichtstrasse 35 Basel 4056 Switzerland**  
(72) Name(s) of Designer(s): **John Palmer-Felgate and Steven Dudley and Shimi Barr**  
(45) Registration Date: **26 May 2011**  
(30) Convention priority data:  
(31) Number (32) Date (33) Country  
**1761586 29 Sep 2010 EUROPEAN COMMUNITY**  
(56) Related Art Documents: **Not Applicable**  
(57) Statement of Newness and Distinctiveness: **Newness and distinctiveness is claimed in the visual features shown in solid lines in the representations.**



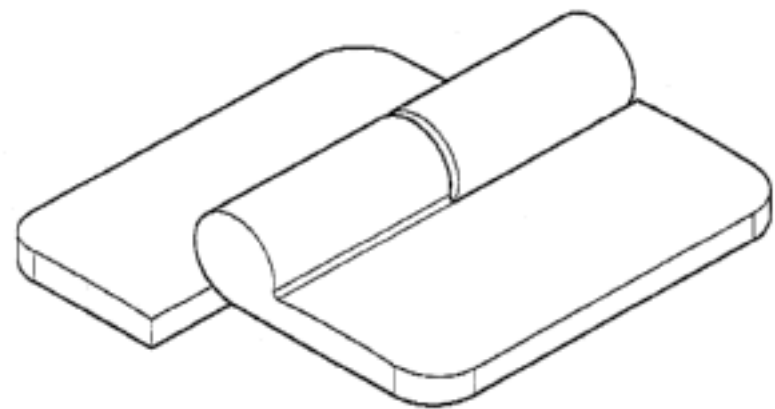
(21) Design Number: **11335/2011**  
(22) Date of Filing Application: **25 March 2011**  
(24) Date from which industrial property rights may have effect: **25 March 2011**  
(54) Product in respect of which the design is registered: **Inhaler**  
(51) International Design Classification: **24-04**  
(74) Name(s) of Attorney(s): **Davies Collison Cave**  
(71) Name(s) and Address(s) of Applicant(s):  
**Novartis AG**  
**Lichtstrasse 35 Basel 4056 Switzerland**  
(72) Name(s) of Designer(s): **John Palmer-Felgate and Steven Dudley and Shimi Barr**  
(45) Registration Date: **26 May 2011**  
(30) Convention priority data:  
(31) Number (32) Date (33) Country  
**1761586 29 Sep 2010 EUROPEAN COMMUNITY**  
(56) Related Art Documents: **Not Applicable**  
(57) Statement of Newness and Distinctiveness: **Newness and distinctiveness is claimed in the visual features shown in solid lines in the representations.**



(21) Design Number: **11336/2011**  
(22) Date of Filing Application: **25 March 2011**  
(24) Date from which industrial property rights may have effect: **25 March 2011**  
(54) Product in respect of which the design is registered: **Inhaler**  
(51) International Design Classification: **24-04**  
(74) Name(s) of Attorney(s): **Davies Collison Cave**  
(71) Name(s) and Address(s) of Applicant(s):  
**Novartis AG**  
**Lichtstrasse 35 Basel 4056 Switzerland**  
(72) Name(s) of Designer(s): **John Palmer-Felgate and Steven Dudley and Shimi Barr**  
(45) Registration Date: **26 May 2011**  
(30) Convention priority data:  
(31) Number (32) Date (33) Country  
**1761586 29 Sep 2010 EUROPEAN COMMUNITY**  
(56) Related Art Documents: **Not Applicable**  
(57) Statement of Newness and Distinctiveness: **Newness and distinctiveness is claimed in the visual features shown in solid lines in the representations.**



(21) Design Number: **10732/2011**  
(22) Date of Filing Application: **25 February 2011**  
(24) Date from which industrial property rights may have effect: **25 February 2011**  
(54) Product in respect of which the design is registered: **Offset hinge**  
(51) International Design Classification: **08-06**  
(74) Name(s) of Attorney(s): **A Tatlock & Associates**  
(71) Name(s) and Address(s) of Applicant(s):  
**Metlam Australia Pty. Limited**  
**17 Parkers Road New Gisborne Victoria 3438 Australia**  
(72) Name(s) of Designer(s): **Brian Bishop**  
(45) Registration Date: **26 May 2011**  
(56) Related Art Documents: **Not Applicable**  
(57) Statement of Newness and Distinctiveness: **Offset nature of hinge.**



- (21) Design Number: **11320/2011**  
(22) Date of Filing Application: **24 September 2010**  
(24) Date from which industrial property rights may have effect: **24 September 2010**  
(54) Product in respect of which the design is registered: **Fabric**  
(51) International Design Classification: **05-05A**  
(74) Name(s) of Attorney(s): **MILLS OAKLEY LAWYERS**  
(71) Name(s) and Address(s) of Applicant(s):  
**Forever New Clothing Pty Ltd**  
**Ground Floor 714-716 High Street Kew Victoria 3101 Australia**  
(72) Name(s) of Designer(s): **Simon Edwards and Claire O'Neil**  
(45) Registration Date: **26 May 2011**  
(56) Related Art Documents: **Not Applicable**  
(57) Statement of Newness and Distinctiveness: **The particular visual features of the design which the Applicant hereby identifies as new and distinctive are as follows: "pattern as applied to material", as illustrated in the accompanying representations.**



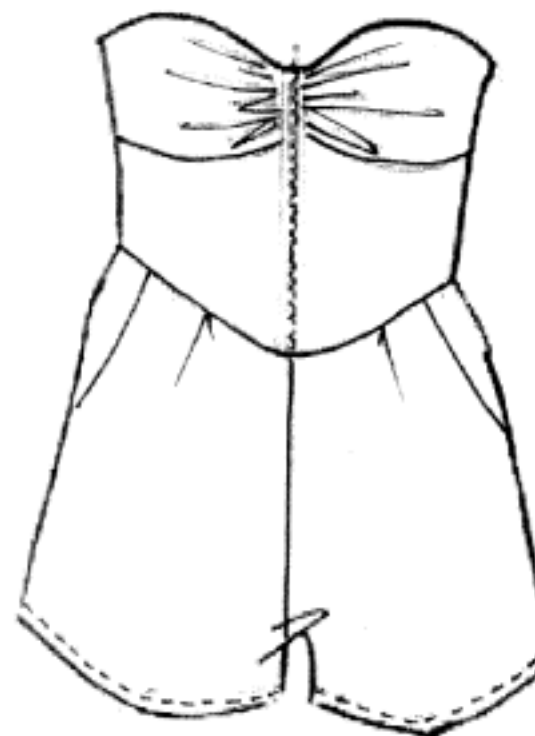
- (21) Design Number: **14179/2010**  
(22) Date of Filing Application: **24 September 2010**  
(24) Date from which industrial property rights may have effect: **24 September 2010**  
(54) Product in respect of which the design is registered: **Women's fashion clothing**  
(51) International Design Classification: **02-02NES**  
(74) Name(s) of Attorney(s): **MILLS OAKLEY LAWYERS**  
(71) Name(s) and Address(s) of Applicant(s):  
**Forever New Clothing Pty Ltd**  
**Ground Floor 714-716 High Street Kew Victoria 3101 Australia**  
(72) Name(s) of Designer(s): **Susan Abbott and Dulcie Flynn**  
(45) Registration Date: **26 May 2011**  
(56) Related Art Documents: **Not Applicable**  
(57) Statement of Newness and Distinctiveness: **The particular visual features of the design which the Applicant hereby identifies as new and distinctive are as follows: "Women's Fashion Clothing", as illustrated in the accompanying representations.**



- (21) Design Number: **11298/2011**  
(22) Date of Filing Application: **24 September 2010**  
(24) Date from which industrial property rights may have effect: **24 September 2010**  
(54) Product in respect of which the design is registered: **Women's fashion clothing**  
(51) International Design Classification: **02-02NES**  
(74) Name(s) of Attorney(s): **MILLS OAKLEY LAWYERS**  
(71) Name(s) and Address(s) of Applicant(s):  
**Forever New Clothing Pty Ltd**  
**Ground Floor 714-716 High Street Kew Victoria 3101 Australia**  
(72) Name(s) of Designer(s): **Susan Abbott and Dulcie Flynn**  
(45) Registration Date: **26 May 2011**  
(56) Related Art Documents: **Not Applicable**  
(57) Statement of Newness and Distinctiveness: **The particular visual features of the design which the Applicant hereby identifies as new and distinctive are as follows: "Women's Fashion Clothing", as illustrated in the accompanying representations.**



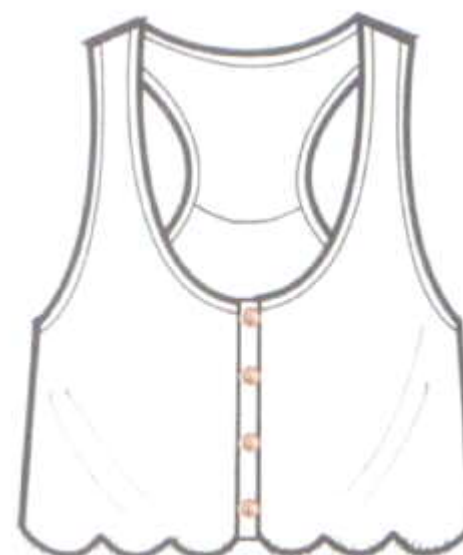
- (21) Design Number: **11319/2011**  
(22) Date of Filing Application: **24 September 2010**  
(24) Date from which industrial property rights may have effect: **24 September 2010**  
(54) Product in respect of which the design is registered: **Women's fashion clothing**  
(51) International Design Classification: **02-02C**  
(74) Name(s) of Attorney(s): **MILLS OAKLEY LAWYERS**  
(71) Name(s) and Address(s) of Applicant(s):  
**Forever New Clothing Pty Ltd**  
**Ground Floor 714-716 High Street Kew Victoria 3101 Australia**  
(72) Name(s) of Designer(s): **Simon Edwards and Claire O'Neil**  
(45) Registration Date: **26 May 2011**  
(56) Related Art Documents: **Not Applicable**  
(57) Statement of Newness and Distinctiveness: **The particular visual features of the design which the Applicant hereby identifies as new and distinctive are as follows: "Women's Fashion Clothing", as illustrated in the accompanying representations.**



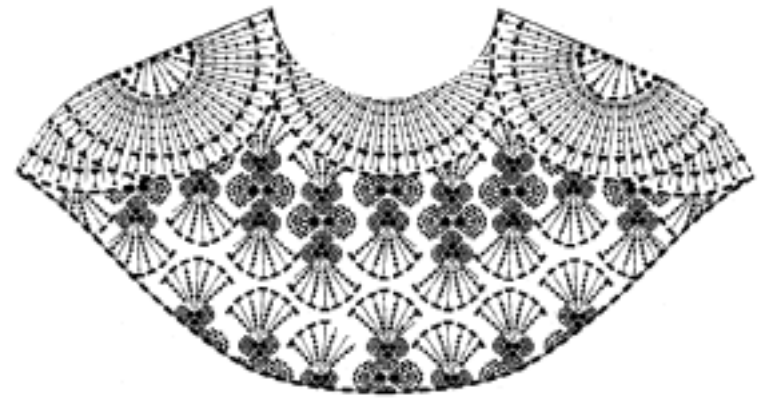
- (21) Design Number: **11300/2011**  
(22) Date of Filing Application: **24 September 2010**  
(24) Date from which industrial property rights may have effect: **24 September 2010**  
(54) Product in respect of which the design is registered: **Women's fashion clothing**  
(51) International Design Classification: **02-02C**  
(74) Name(s) of Attorney(s): **MILLS OAKLEY LAWYERS**  
(71) Name(s) and Address(s) of Applicant(s):  
**Forever New Clothing Pty Ltd**  
**Ground Floor 714-716 High Street Kew Victoria 3101 Australia**  
(72) Name(s) of Designer(s): **Simon Edwards and Claire O'Neil**  
(45) Registration Date: **26 May 2011**  
(56) Related Art Documents: **Not Applicable**  
(57) Statement of Newness and Distinctiveness: **The particular visual features of the design which the Applicant hereby identifies as new and distinctive are as follows: "Women's Fashion Clothing", as illustrated in the accompanying representations.**



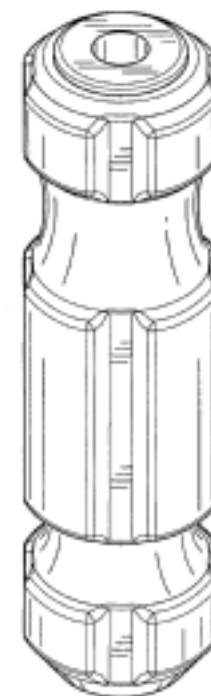
- (21) Design Number: **14203/2010**  
(22) Date of Filing Application: **24 September 2010**  
(24) Date from which industrial property rights may have effect: **24 September 2010**  
(54) Product in respect of which the design is registered: **Women's fashion clothing**  
(51) International Design Classification: **02-02NES**  
(74) Name(s) of Attorney(s): **MILLS OAKLEY LAWYERS**  
(71) Name(s) and Address(s) of Applicant(s):  
**Forever New Clothing Pty Ltd**  
**Ground Floor 714-716 High Street Kew Victoria 3101 Australia**  
(72) Name(s) of Designer(s): **Simon Edwards and Claire O'Neil**  
(45) Registration Date: **26 May 2011**  
(56) Related Art Documents: **Not Applicable**  
(57) Statement of Newness and Distinctiveness: **The particular visual features of the design which the Applicant hereby identifies as new and distinctive are as follows: "Women's Fashion Clothing", as illustrated in the accompanying representations.**



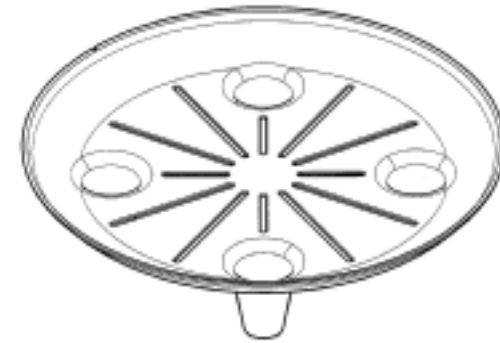
(21) Design Number: **14557/2010**  
(22) Date of Filing Application: **20 October 2010**  
(24) Date from which industrial property rights may have effect: **20 October 2010**  
(54) Product in respect of which the design is registered: **A woman's garment, comprising a beaded cape**  
(51) International Design Classification: **02-02NES**  
(74) Name(s) of Attorney(s):  
(71) Name(s) and Address(s) of Applicant(s):  
**Johanna Johnson**  
**89 Glenmore Road Paddington New South Wales 2021 Australia**  
(72) Name(s) of Designer(s): **Johanna Johnson**  
(45) Registration Date: **26 May 2011**  
(56) Related Art Documents: **Not Applicable**  
(57) Statement of Newness and Distinctiveness: **Nil**



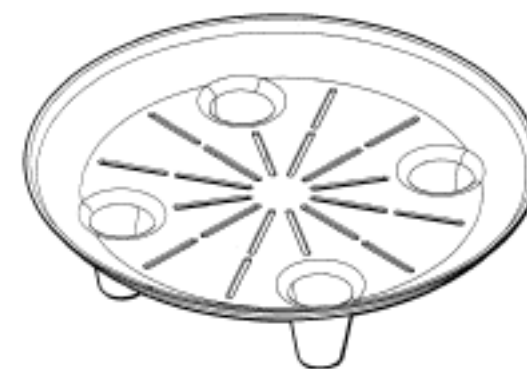
(21) Design Number: **11923/2011**  
(22) Date of Filing Application: **02 May 2011**  
(24) Date from which industrial property rights may have effect: **02 May 2011**  
(54) Product in respect of which the design is registered: **Handle of a hand tool**  
(51) International Design Classification: **08-06**  
(74) Name(s) of Attorney(s): **Freehills Patent & Trade Mark Attorneys**  
(71) Name(s) and Address(s) of Applicant(s):  
**Tong Lee Industrial Co., Ltd**  
**No.15 Lane 160 Cheng Pei 1st Road Yung Kang Dist. Tainan City Taiwan**  
(72) Name(s) of Designer(s): **Simon Kao**  
(45) Registration Date: **26 May 2011**  
(56) Related Art Documents: **Not Applicable**  
(57) Statement of Newness and Distinctiveness: **Nil**



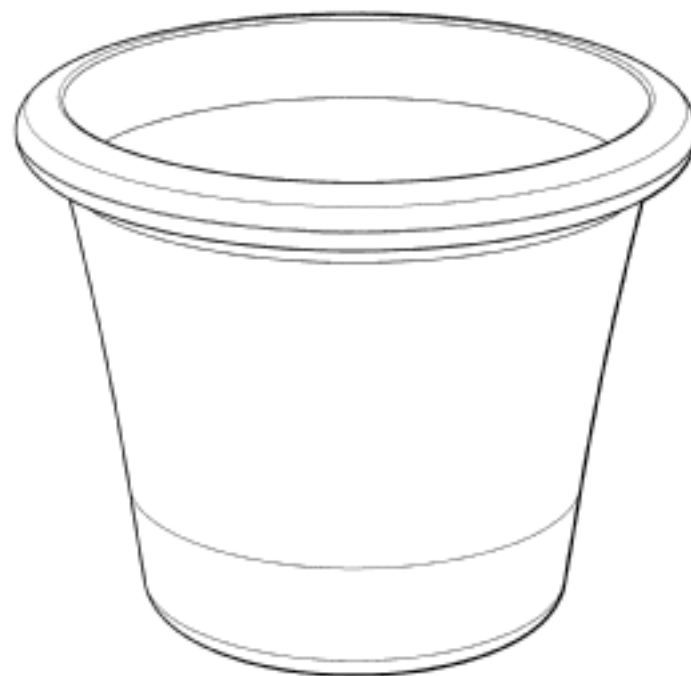
(21) Design Number: **11924/2011**  
(22) Date of Filing Application: **02 May 2011**  
(24) Date from which industrial property rights may have effect: **02 May 2011**  
(54) Product in respect of which the design is registered: **Plate for planter**  
(51) International Design Classification: **11-02C**  
(74) Name(s) of Attorney(s): **Callinans**  
(71) Name(s) and Address(s) of Applicant(s):  
**The Decor Corporation Pty. Ltd.**  
**1314 Ferntree Gully Road Scoresby Victoria 3179 Australia**  
(72) Name(s) of Designer(s): **Arthur Richard Carlson**  
(45) Registration Date: **26 May 2011**  
(56) Related Art Documents: **Not Applicable**  
(57) Statement of Newness and Distinctiveness: **Nil**



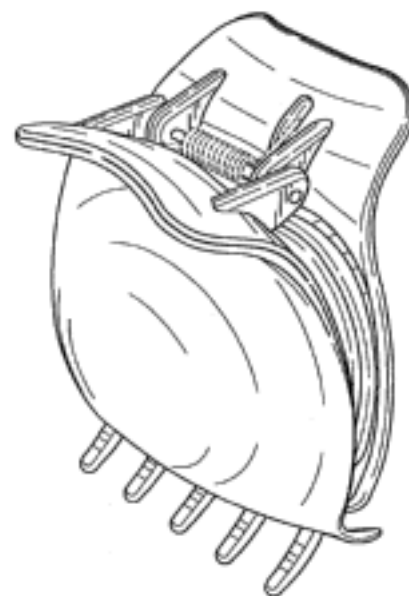
(21) Design Number: **11925/2011**  
(22) Date of Filing Application: **02 May 2011**  
(24) Date from which industrial property rights may have effect: **02 May 2011**  
(54) Product in respect of which the design is registered: **Plate for planter**  
(51) International Design Classification: **11-02C**  
(74) Name(s) of Attorney(s): **Callinans**  
(71) Name(s) and Address(s) of Applicant(s):  
**The Decor Corporation Pty. Ltd.**  
**1314 Ferntree Gully Road Scoresby Victoria 3179 Australia**  
(72) Name(s) of Designer(s): **Arthur Richard Carlson**  
(45) Registration Date: **26 May 2011**  
(56) Related Art Documents: **Not Applicable**  
(57) Statement of Newness and Distinctiveness: **Nil**



(21) Design Number: **11926/2011**  
(22) Date of Filing Application: **02 May 2011**  
(24) Date from which industrial property rights may have effect: **02 May 2011**  
(54) Product in respect of which the design is registered: **Planter**  
(51) International Design Classification: **11-02B**  
(74) Name(s) of Attorney(s): **Callinans**  
(71) Name(s) and Address(s) of Applicant(s):  
**The Decor Corporation Pty. Ltd.**  
**1314 Ferntree Gully Road Scoresby Victoria 3179 Australia**  
(72) Name(s) of Designer(s): **Arthur Richard Carlson**  
(45) Registration Date: **26 May 2011**  
(56) Related Art Documents: **Not Applicable**  
(57) Statement of Newness and Distinctiveness: **Nil**

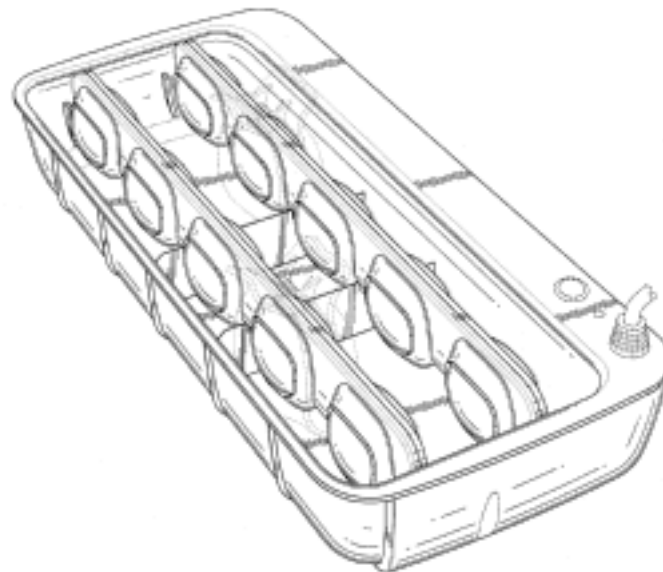


(21) Design Number: **12215/2011**  
(22) Date of Filing Application: **18 May 2011**  
(24) Date from which industrial property rights may have effect: **18 May 2011**  
(54) Product in respect of which the design is registered: **Heatable hair clip**  
(51) International Design Classification: **28-03C**  
(74) Name(s) of Attorney(s): **PIZZEYS**  
(71) Name(s) and Address(s) of Applicant(s):  
**Linda Flowers**  
**8112 West 4th Street Los Angeles CA 90048 United States of America**  
(72) Name(s) of Designer(s): **Dave Richmond and Howard Richmond and Henry K. Yu and Matthew W. Tivnon and Jefferson H. McCrory and Linda Flowers**  
(45) Registration Date: **26 May 2011**  
(30) Convention priority data:  
(31) Number (32) Date (33) Country  
**29/379,540 19 Nov 2010 UNITED STATES OF AMERICA**  
(56) Related Art Documents: **Not Applicable**  
(57) Statement of Newness and Distinctiveness: **Nil**

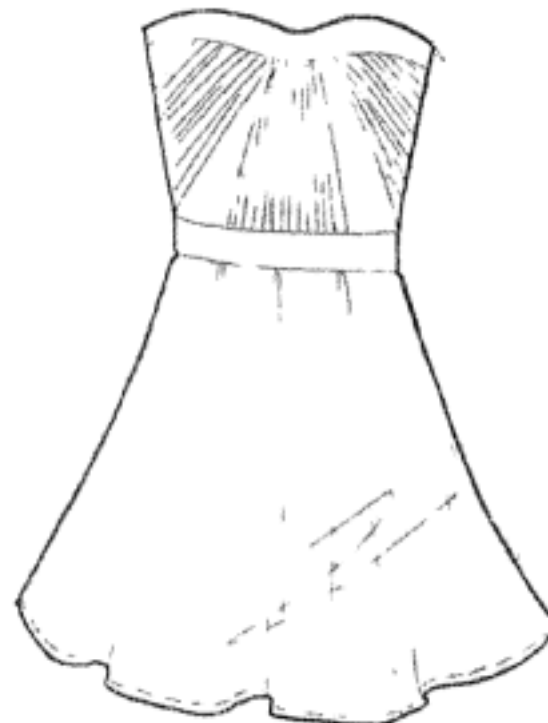




(21) Design Number: **12216/2011**  
(22) Date of Filing Application: **18 May 2011**  
(24) Date from which industrial property rights may have effect: **18 May 2011**  
(54) Product in respect of which the design is registered: **Heating apparatus for heat retaining hair clip**  
(51) International Design Classification: **28-03NES, 23-03NES**  
(74) Name(s) of Attorney(s): **PIZZEYS**  
(71) Name(s) and Address(s) of Applicant(s):  
**Linda Flowers**  
**8112 West 4th Street Los Angeles CA 90048 United States of America**  
(72) Name(s) of Designer(s): **Dave Richmond and Howard Richmond and Henry K. Yu and Matthew W. Tivnon and Jefferson H. McCrory**  
(45) Registration Date: **26 May 2011**  
(30) Convention priority data:  
(31) Number (32) Date (33) Country  
**29/379,497 19 Nov 2010 UNITED STATES OF AMERICA**  
(56) Related Art Documents: **Not Applicable**  
(57) Statement of Newness and Distinctiveness: **Nil**



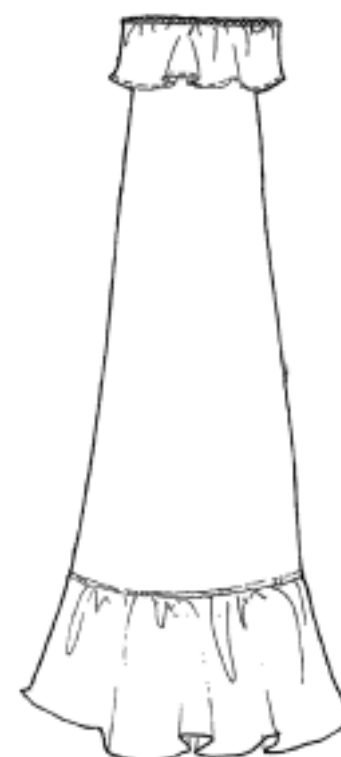
(21) Design Number: **13485/2010**  
(22) Date of Filing Application: **12 August 2010**  
(24) Date from which industrial property rights may have effect: **12 August 2010**  
(54) Product in respect of which the design is registered: **Women's fashion clothing**  
(51) International Design Classification: **02-02C**  
(74) Name(s) of Attorney(s): **MILLS OAKLEY LAWYERS**  
(71) Name(s) and Address(s) of Applicant(s):  
**Forever New Clothing Pty Ltd**  
**Ground Floor 714-716 High Street Kew Victoria 3101 Australia**  
(72) Name(s) of Designer(s): **Tristan Melle**  
(45) Registration Date: **27 May 2011**  
(56) Related Art Documents: **Not Applicable**  
(57) Statement of Newness and Distinctiveness: **The particular visual features of the design which the Applicant hereby identifies as new and distinctive are as follows: "Women's Fashion Clothing", as illustrated in the accompanying representations.**



- (21) Design Number: **11004/2011**  
(22) Date of Filing Application: **12 August 2010**  
(24) Date from which industrial property rights may have effect: **12 August 2010**  
(54) Product in respect of which the design is registered: **Women's fashion clothing**  
(51) International Design Classification: **02-02C**  
(74) Name(s) of Attorney(s): **MILLS OAKLEY LAWYERS**  
(71) Name(s) and Address(s) of Applicant(s):  
**Forever New Clothing Pty Ltd**  
**Ground Floor 714-716 High Street Kew Victoria 3101 Australia**  
(72) Name(s) of Designer(s): **Tristan Melle**  
(45) Registration Date: **27 May 2011**  
(56) Related Art Documents: **Not Applicable**  
(57) Statement of Newness and Distinctiveness: **The particular visual features of the design which the Applicant hereby identifies as new and distinctive are as follows: "Women's Fashion Clothing", as illustrated in the accompanying representations.**



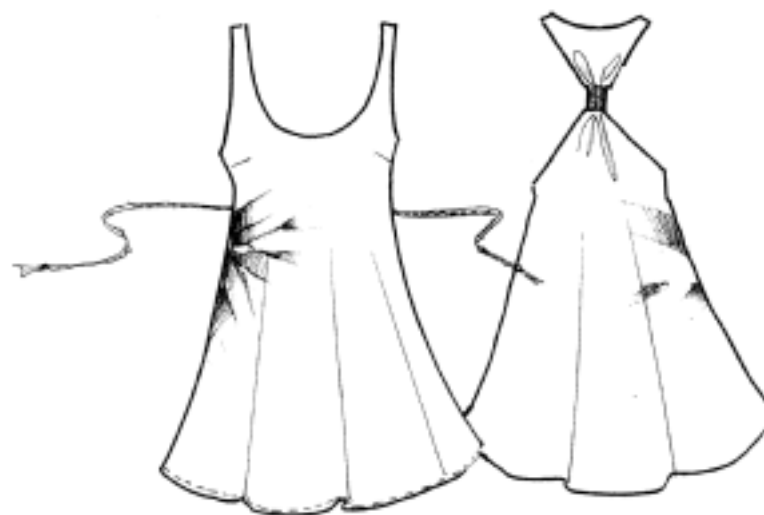
- (21) Design Number: **11006/2011**  
(22) Date of Filing Application: **12 August 2010**  
(24) Date from which industrial property rights may have effect: **12 August 2010**  
(54) Product in respect of which the design is registered: **Women's fashion clothing**  
(51) International Design Classification: **02-02C**  
(74) Name(s) of Attorney(s): **MILLS OAKLEY LAWYERS**  
(71) Name(s) and Address(s) of Applicant(s):  
**Forever New Clothing Pty Ltd**  
**Ground Floor 714-716 High Street Kew Victoria 3101 Australia**  
(72) Name(s) of Designer(s): **Tristan Melle**  
(45) Registration Date: **27 May 2011**  
(56) Related Art Documents: **Not Applicable**  
(57) Statement of Newness and Distinctiveness: **The particular visual features of the design which the Applicant hereby identifies as new and distinctive are as follows: "Women's Fashion Clothing", as illustrated in the accompanying representations.**



- (21) Design Number: **11007/2011**  
(22) Date of Filing Application: **12 August 2010**  
(24) Date from which industrial property rights may have effect: **12 August 2010**  
(54) Product in respect of which the design is registered: **Women's fashion clothing**  
(51) International Design Classification: **02-02C**  
(74) Name(s) of Attorney(s): **MILLS OAKLEY LAWYERS**  
(71) Name(s) and Address(s) of Applicant(s):  
**Forever New Clothing Pty Ltd**  
**Ground Floor 714-716 High Street Kew Victoria 3101 Australia**  
(72) Name(s) of Designer(s): **Tristan Melle**  
(45) Registration Date: **27 May 2011**  
(56) Related Art Documents: **Not Applicable**  
(57) Statement of Newness and Distinctiveness: **The particular visual features of the design which the Applicant hereby identifies as new and distinctive are as follows: "Women's Fashion Clothing", as illustrated in the accompanying representations.**



- (21) Design Number: **11008/2011**  
(22) Date of Filing Application: **12 August 2010**  
(24) Date from which industrial property rights may have effect: **12 August 2010**  
(54) Product in respect of which the design is registered: **Women's fashion clothing**  
(51) International Design Classification: **02-02C**  
(74) Name(s) of Attorney(s): **MILLS OAKLEY LAWYERS**  
(71) Name(s) and Address(s) of Applicant(s):  
**Forever New Clothing Pty Ltd**  
**Ground Floor 714-716 High Street Kew Victoria 3101 Australia**  
(72) Name(s) of Designer(s): **Tristan Melle**  
(45) Registration Date: **27 May 2011**  
(56) Related Art Documents: **Not Applicable**  
(57) Statement of Newness and Distinctiveness: **The particular visual features of the design which the Applicant hereby identifies as new and distinctive are as follows: "Women's Fashion Clothing", as illustrated in the accompanying representations.**



- (21) Design Number: **11010/2011**  
(22) Date of Filing Application: **12 August 2010**  
(24) Date from which industrial property rights may have effect: **12 August 2010**  
(54) Product in respect of which the design is registered: **Women's fashion clothing**  
(51) International Design Classification: **02-02C**  
(74) Name(s) of Attorney(s): **MILLS OAKLEY LAWYERS**  
(71) Name(s) and Address(s) of Applicant(s):  
**Forever New Clothing Pty Ltd**  
**Ground Floor 714-716 High Street Kew Victoria 3101 Australia**  
(72) Name(s) of Designer(s): **Tristan Melle**  
(45) Registration Date: **27 May 2011**  
(56) Related Art Documents: **Not Applicable**  
(57) Statement of Newness and Distinctiveness: **The particular visual features of the design which the Applicant hereby identifies as new and distinctive are as follows: "Women's Fashion Clothing", as illustrated in the accompanying representations, particularly the pattern.**



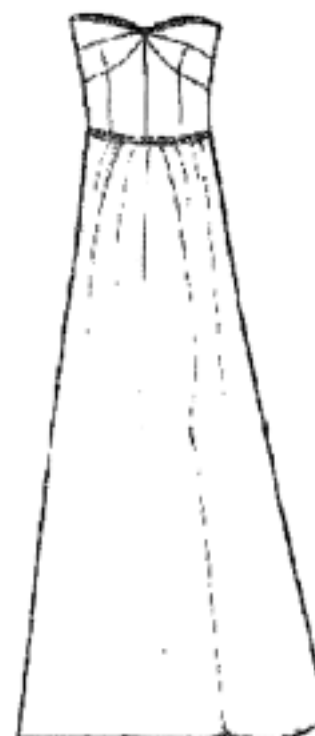
- (21) Design Number: **11011/2011**  
(22) Date of Filing Application: **12 August 2010**  
(24) Date from which industrial property rights may have effect: **12 August 2010**  
(54) Product in respect of which the design is registered: **Women's fashion clothing**  
(51) International Design Classification: **02-02C**  
(74) Name(s) of Attorney(s): **MILLS OAKLEY LAWYERS**  
(71) Name(s) and Address(s) of Applicant(s):  
**Forever New Clothing Pty Ltd**  
**Ground Floor 714-716 High Street Kew Victoria 3101 Australia**  
(72) Name(s) of Designer(s): **Tristan Melle**  
(45) Registration Date: **27 May 2011**  
(56) Related Art Documents: **Not Applicable**  
(57) Statement of Newness and Distinctiveness: **The particular visual features of the design which the Applicant hereby identifies as new and distinctive are as follows: "Women's Fashion Clothing", as illustrated in the accompanying representations.**



- (21) Design Number: **11012/2011**  
(22) Date of Filing Application: **12 August 2010**  
(24) Date from which industrial property rights may have effect: **12 August 2010**  
(54) Product in respect of which the design is registered: **Women's fashion clothing**  
(51) International Design Classification: **02-02C**  
(74) Name(s) of Attorney(s): **MILLS OAKLEY LAWYERS**  
(71) Name(s) and Address(s) of Applicant(s):  
**Forever New Clothing Pty Ltd**  
**Ground Floor 714-716 High Street Kew Victoria 3101 Australia**  
(72) Name(s) of Designer(s): **Tristan Melle**  
(45) Registration Date: **27 May 2011**  
(56) Related Art Documents: **Not Applicable**  
(57) Statement of Newness and Distinctiveness: **The particular visual features of the design which the Applicant hereby identifies as new and distinctive are as follows: "Women's Fashion Clothing", as illustrated in the accompanying representations.**



- (21) Design Number: **11013/2011**  
(22) Date of Filing Application: **12 August 2010**  
(24) Date from which industrial property rights may have effect: **12 August 2010**  
(54) Product in respect of which the design is registered: **Women's fashion clothing**  
(51) International Design Classification: **02-02C**  
(74) Name(s) of Attorney(s): **MILLS OAKLEY LAWYERS**  
(71) Name(s) and Address(s) of Applicant(s):  
**Forever New Clothing Pty Ltd**  
**Ground Floor 714-716 High Street Kew Victoria 3101 Australia**  
(72) Name(s) of Designer(s): **Tristan Melle**  
(45) Registration Date: **27 May 2011**  
(56) Related Art Documents: **Not Applicable**  
(57) Statement of Newness and Distinctiveness: **The particular visual features of the design which the Applicant hereby identifies as new and distinctive are as follows: "Women's Fashion Clothing", as illustrated in the accompanying representations.**



- (21) Design Number: **11014/2011**  
(22) Date of Filing Application: **12 August 2010**  
(24) Date from which industrial property rights may have effect: **12 August 2010**  
(54) Product in respect of which the design is registered: **Women's fashion clothing**  
(51) International Design Classification: **02-02C**  
(74) Name(s) of Attorney(s): **MILLS OAKLEY LAWYERS**  
(71) Name(s) and Address(s) of Applicant(s):  
**Forever New Clothing Pty Ltd**  
**Ground Floor 714-716 High Street Kew Victoria 3101 Australia**  
(72) Name(s) of Designer(s): **Tristan Melle**  
(45) Registration Date: **27 May 2011**  
(56) Related Art Documents: **Not Applicable**  
(57) Statement of Newness and Distinctiveness: **The particular visual features of the design which the Applicant hereby identifies as new and distinctive are as follows: "Women's Fashion Clothing", as illustrated in the accompanying representations.**



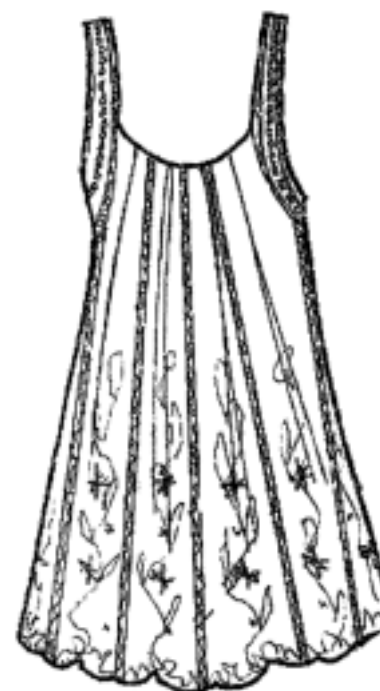
- (21) Design Number: **11015/2011**  
(22) Date of Filing Application: **12 August 2010**  
(24) Date from which industrial property rights may have effect: **12 August 2010**  
(54) Product in respect of which the design is registered: **Women's fashion clothing**  
(51) International Design Classification: **02-02C**  
(74) Name(s) of Attorney(s): **MILLS OAKLEY LAWYERS**  
(71) Name(s) and Address(s) of Applicant(s):  
**Forever New Clothing Pty Ltd**  
**Ground Floor 714-716 High Street Kew Victoria 3101 Australia**  
(72) Name(s) of Designer(s): **Tristan Melle**  
(45) Registration Date: **27 May 2011**  
(56) Related Art Documents: **Not Applicable**  
(57) Statement of Newness and Distinctiveness: **The particular visual features of the design which the Applicant hereby identifies as new and distinctive are as follows: pattern of "Women's Fashion Clothing", as illustrated in the accompanying representations (not limited to colour although shown in colour to better identify the pattern).**



- (21) Design Number: **11016/2011**  
(22) Date of Filing Application: **12 August 2010**  
(24) Date from which industrial property rights may have effect: **12 August 2010**  
(54) Product in respect of which the design is registered: **Women's fashion clothing**  
(51) International Design Classification: **02-02C**  
(74) Name(s) of Attorney(s): **MILLS OAKLEY LAWYERS**  
(71) Name(s) and Address(s) of Applicant(s):  
**Forever New Clothing Pty Ltd**  
**Ground Floor 714-716 High Street Kew Victoria 3101 Australia**  
(72) Name(s) of Designer(s): **Tristan Melle**  
(45) Registration Date: **27 May 2011**  
(56) Related Art Documents: **Not Applicable**  
(57) Statement of Newness and Distinctiveness: **The particular visual features of the design which the Applicant hereby identifies as new and distinctive are as follows: shape and pattern of Women's Fashion Clothing, as illustrated in the accompanying representations (not limited to colour although shown in colour to better identify the pattern).**



- (21) Design Number: **11017/2011**  
(22) Date of Filing Application: **12 August 2010**  
(24) Date from which industrial property rights may have effect: **12 August 2010**  
(54) Product in respect of which the design is registered: **Women's fashion clothing**  
(51) International Design Classification: **02-02C**  
(74) Name(s) of Attorney(s): **MILLS OAKLEY LAWYERS**  
(71) Name(s) and Address(s) of Applicant(s):  
**Forever New Clothing Pty Ltd**  
**Ground Floor 714-716 High Street Kew Victoria 3101 Australia**  
(72) Name(s) of Designer(s): **Tristan Melle**  
(45) Registration Date: **27 May 2011**  
(56) Related Art Documents: **Not Applicable**  
(57) Statement of Newness and Distinctiveness: **The particular visual features of the design which the Applicant hereby identifies as new and distinctive are as follows: "Women's Fashion Clothing", as illustrated in the accompanying representations.**



- (21) Design Number: **11018/2011**  
(22) Date of Filing Application: **12 August 2010**  
(24) Date from which industrial property rights may have effect: **12 August 2010**  
(54) Product in respect of which the design is registered: **Women's fashion clothing**  
(51) International Design Classification: **02-02C**  
(74) Name(s) of Attorney(s): **MILLS OAKLEY LAWYERS**  
(71) Name(s) and Address(s) of Applicant(s):  
**Forever New Clothing Pty Ltd**  
**Ground Floor 714-716 High Street Kew Victoria 3101 Australia**  
(72) Name(s) of Designer(s): **Tristan Melle**  
(45) Registration Date: **27 May 2011**  
(56) Related Art Documents: **Not Applicable**  
(57) Statement of Newness and Distinctiveness: **The particular visual features of the design which the Applicant hereby identifies as new and distinctive are as follows: "Women's Fashion Clothing", as illustrated in the accompanying representations.**



- (21) Design Number: **11019/2011**  
(22) Date of Filing Application: **12 August 2010**  
(24) Date from which industrial property rights may have effect: **12 August 2010**  
(54) Product in respect of which the design is registered: **Women's fashion clothing**  
(51) International Design Classification: **02-02C**  
(74) Name(s) of Attorney(s): **MILLS OAKLEY LAWYERS**  
(71) Name(s) and Address(s) of Applicant(s):  
**Forever New Clothing Pty Ltd**  
**Ground Floor 714-716 High Street Kew Victoria 3101 Australia**  
(72) Name(s) of Designer(s): **Tristan Melle**  
(45) Registration Date: **27 May 2011**  
(56) Related Art Documents: **Not Applicable**  
(57) Statement of Newness and Distinctiveness: **The particular visual features of the design which the Applicant hereby identifies as new and distinctive are as follows: "Women's Fashion Clothing", as illustrated in the accompanying representations.**





(21) Design Number: **11020/2011**  
(22) Date of Filing Application: **12 August 2010**  
(24) Date from which industrial property rights may have effect: **12 August 2010**  
(54) Product in respect of which the design is registered: **Women's fashion clothing**  
(51) International Design Classification: **02-02C**  
(74) Name(s) of Attorney(s): **MILLS OAKLEY LAWYERS**  
(71) Name(s) and Address(s) of Applicant(s):  
**Forever New Clothing Pty Ltd**  
**Ground Floor 714-716 High Street Kew Victoria 3101 Australia**  
(72) Name(s) of Designer(s): **Tristan Melle**  
(45) Registration Date: **27 May 2011**  
(56) Related Art Documents: **Not Applicable**  
(57) Statement of Newness and Distinctiveness: **The particular visual features of the design which the Applicant hereby identifies as new and distinctive are as follows: "Women's Fashion Clothing", as illustrated in the accompanying representations.**



(21) Design Number: **11021/2011**  
(22) Date of Filing Application: **12 August 2010**  
(24) Date from which industrial property rights may have effect: **12 August 2010**  
(54) Product in respect of which the design is registered: **Women's fashion clothing**  
(51) International Design Classification: **02-02C**  
(74) Name(s) of Attorney(s): **MILLS OAKLEY LAWYERS**  
(71) Name(s) and Address(s) of Applicant(s):  
**Forever New Clothing Pty Ltd**  
**Ground Floor 714-716 High Street Kew Victoria 3101 Australia**  
(72) Name(s) of Designer(s): **Tristan Melle**  
(45) Registration Date: **27 May 2011**  
(56) Related Art Documents: **Not Applicable**  
(57) Statement of Newness and Distinctiveness: **The particular visual features of the design which the Applicant hereby identifies as new and distinctive are as follows: "Women's Fashion Clothing", as illustrated in the accompanying representations.**



- (21) Design Number: **11022/2011**  
(22) Date of Filing Application: **12 August 2010**  
(24) Date from which industrial property rights may have effect: **12 August 2010**  
(54) Product in respect of which the design is registered: **Women's fashion clothing**  
(51) International Design Classification: **02-02C**  
(74) Name(s) of Attorney(s): **MILLS OAKLEY LAWYERS**  
(71) Name(s) and Address(s) of Applicant(s):  
**Forever New Clothing Pty Ltd**  
**Ground Floor 714-716 High Street Kew Victoria 3101 Australia**  
(72) Name(s) of Designer(s): **Tristan Melle**  
(45) Registration Date: **27 May 2011**  
(56) Related Art Documents: **Not Applicable**  
(57) Statement of Newness and Distinctiveness: **The particular visual features of the design which the Applicant hereby identifies as new and distinctive are as follows: "Women's Fashion Clothing", as illustrated in the accompanying representations.**



- (21) Design Number: **11023/2011**  
(22) Date of Filing Application: **12 August 2010**  
(24) Date from which industrial property rights may have effect: **12 August 2010**  
(54) Product in respect of which the design is registered: **Women's fashion clothing**  
(51) International Design Classification: **02-02C**  
(74) Name(s) of Attorney(s): **MILLS OAKLEY LAWYERS**  
(71) Name(s) and Address(s) of Applicant(s):  
**Forever New Clothing Pty Ltd**  
**Ground Floor 714-716 High Street Kew Victoria 3101 Australia**  
(72) Name(s) of Designer(s): **Tristan Melle**  
(45) Registration Date: **27 May 2011**  
(56) Related Art Documents: **Not Applicable**  
(57) Statement of Newness and Distinctiveness: **The particular visual features of the design which the Applicant hereby identifies as new and distinctive are as follows: "Women's Fashion Clothing", as illustrated in the accompanying representations.**



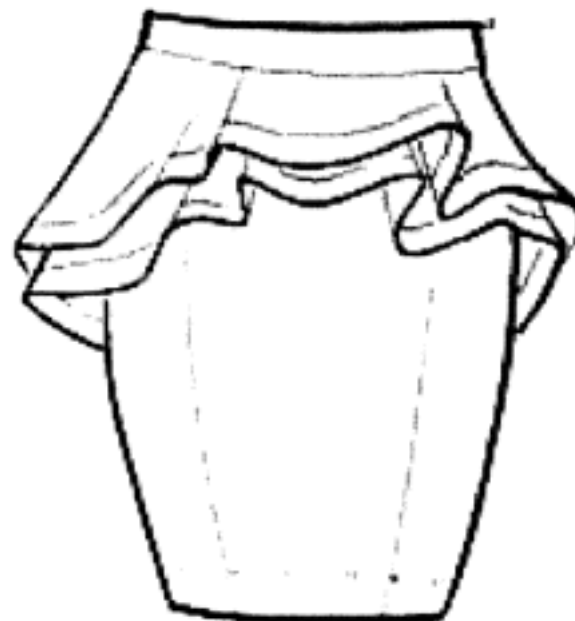
- (21) Design Number: **11024/2011**  
(22) Date of Filing Application: **12 August 2010**  
(24) Date from which industrial property rights may have effect: **12 August 2010**  
(54) Product in respect of which the design is registered: **Women's fashion clothing**  
(51) International Design Classification: **02-02C**  
(74) Name(s) of Attorney(s): **MILLS OAKLEY LAWYERS**  
(71) Name(s) and Address(s) of Applicant(s):  
**Forever New Clothing Pty Ltd**  
**Ground Floor 714-716 High Street Kew Victoria 3101 Australia**  
(72) Name(s) of Designer(s): **Tristan Melle**  
(45) Registration Date: **27 May 2011**  
(56) Related Art Documents: **Not Applicable**  
(57) Statement of Newness and Distinctiveness: **The particular visual features of the design which the Applicant hereby identifies as new and distinctive are as follows: "Women's Fashion Clothing", as illustrated in the accompanying representations.**



- (21) Design Number: **11025/2011**  
(22) Date of Filing Application: **12 August 2010**  
(24) Date from which industrial property rights may have effect: **12 August 2010**  
(54) Product in respect of which the design is registered: **Women's fashion clothing**  
(51) International Design Classification: **02-02C**  
(74) Name(s) of Attorney(s): **MILLS OAKLEY LAWYERS**  
(71) Name(s) and Address(s) of Applicant(s):  
**Forever New Clothing Pty Ltd**  
**Ground Floor 714-716 High Street Kew Victoria 3101 Australia**  
(72) Name(s) of Designer(s): **Tristan Melle**  
(45) Registration Date: **27 May 2011**  
(56) Related Art Documents: **Not Applicable**  
(57) Statement of Newness and Distinctiveness: **The particular visual features of the design which the Applicant hereby identifies as new and distinctive are as follows: "Women's Fashion Clothing", as illustrated in the accompanying representations.**



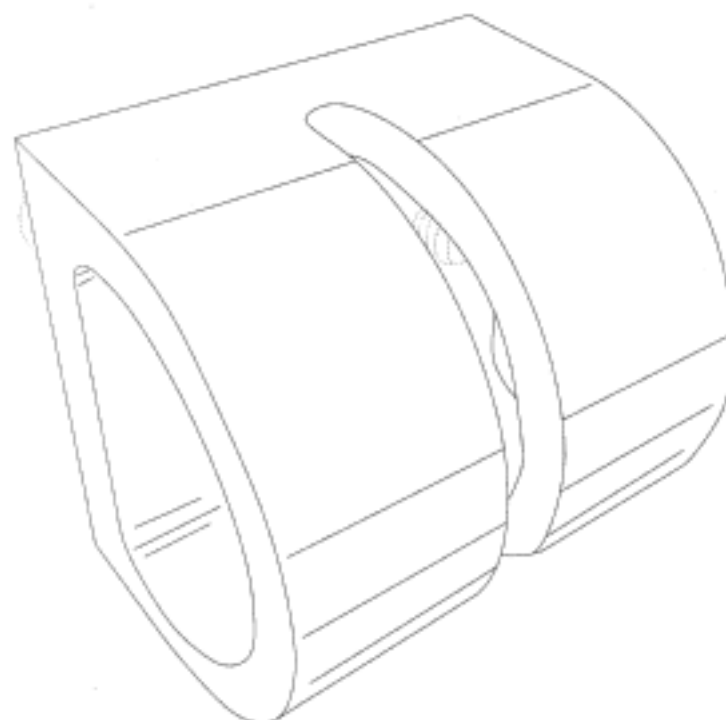
- (21) Design Number: **11027/2011**  
(22) Date of Filing Application: **12 August 2010**  
(24) Date from which industrial property rights may have effect: **12 August 2010**  
(54) Product in respect of which the design is registered: **Women's fashion clothing**  
(51) International Design Classification: **02-02C**  
(74) Name(s) of Attorney(s): **MILLS OAKLEY LAWYERS**  
(71) Name(s) and Address(s) of Applicant(s):  
**Forever New Clothing Pty Ltd**  
**Ground Floor 714-716 High Street Kew Victoria 3101 Australia**  
(72) Name(s) of Designer(s): **Claire O'Neill**  
(45) Registration Date: **27 May 2011**  
(56) Related Art Documents: **Not Applicable**  
(57) Statement of Newness and Distinctiveness: **The particular visual features of the design which the Applicant hereby identifies as new and distinctive are as follows: "Women's Fashion Clothing", as illustrated in the accompanying representations.**



- (21) Design Number: **11028/2011**  
(22) Date of Filing Application: **12 August 2010**  
(24) Date from which industrial property rights may have effect: **12 August 2010**  
(54) Product in respect of which the design is registered: **Women's fashion clothing**  
(51) International Design Classification: **02-02C**  
(74) Name(s) of Attorney(s): **MILLS OAKLEY LAWYERS**  
(71) Name(s) and Address(s) of Applicant(s):  
**Forever New Clothing Pty Ltd**  
**Ground Floor 714-716 High Street Kew Victoria 3101 Australia**  
(72) Name(s) of Designer(s): **Dulcie Flynn**  
(45) Registration Date: **27 May 2011**  
(56) Related Art Documents: **Not Applicable**  
(57) Statement of Newness and Distinctiveness: **The particular visual features of the design which the Applicant hereby identifies as new and distinctive are as follows: "Women's Fashion Clothing", as illustrated in the accompanying representations.**



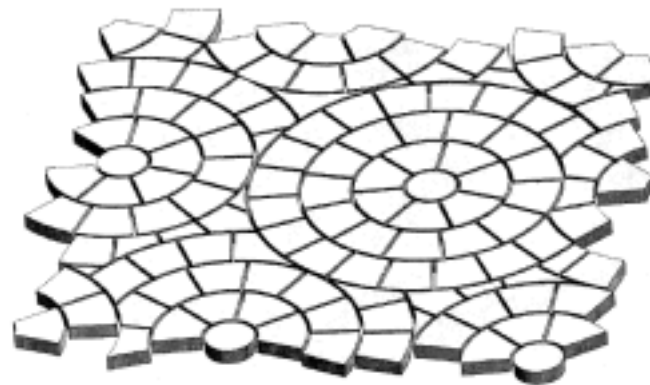
- (21) Design Number: **11254/2011**  
(22) Date of Filing Application: **23 March 2011**  
(24) Date from which industrial property rights may have effect: **23 March 2011**  
(54) Product in respect of which the design is registered: **Anchor for a chain**  
(51) International Design Classification: **08-08NES**  
(74) Name(s) of Attorney(s): **Davies Collison Cave**  
(71) Name(s) and Address(s) of Applicant(s):  
**Daryl John Petts**  
**4 Adelaide Street Rooty Hill New South Wales 2766 Australia**  
(72) Name(s) of Designer(s): **Daryl John Petts**  
(45) Registration Date: **27 May 2011**  
(56) Related Art Documents: **Not Applicable**  
(57) Statement of Newness and Distinctiveness: **Newness and distinctiveness is claimed in the shape and/or configuration of the anchor as depicted in the accompanying representations. In considering the extent of monopoly protection, bolts, washers, and the chain as exemplified by those shown in broken outline are to be disregarded.**



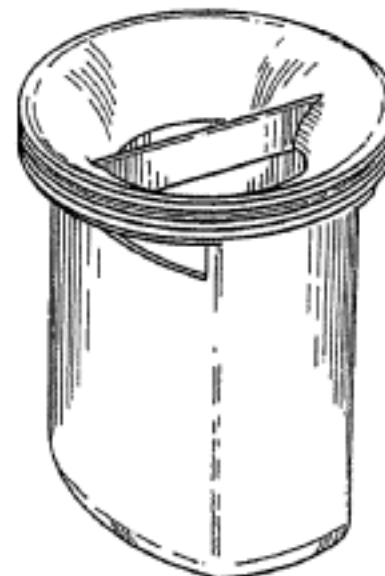
- (21) Design Number: **11895/2011**  
(22) Date of Filing Application: **02 May 2011**  
(24) Date from which industrial property rights may have effect: **02 May 2011**  
(54) Product in respect of which the design is registered: **Biscuits**  
(51) International Design Classification: **01-01**  
(74) Name(s) of Attorney(s):  
(71) Name(s) and Address(s) of Applicant(s):  
**Carolyn Wilson**  
**PO Box 909 Buderim Queensland 4556 Australia**  
(72) Name(s) of Designer(s): **Carolyn Wilson**  
(45) Registration Date: **27 May 2011**  
(56) Related Art Documents: **Not Applicable**  
(57) Statement of Newness and Distinctiveness: **Nil**



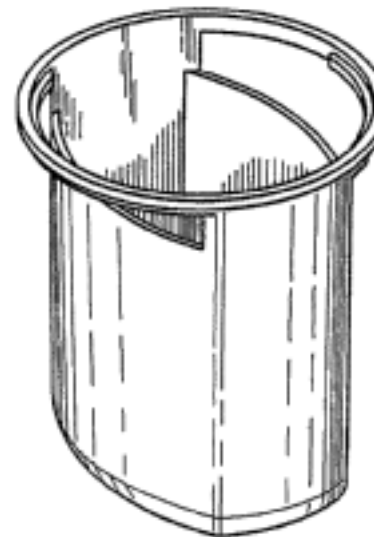
- (21) Design Number: **11896/2011**  
(22) Date of Filing Application: **29 April 2011**  
(24) Date from which industrial property rights may have effect: **29 April 2011**  
(54) Product in respect of which the design is registered: **Tesserae**  
(51) International Design Classification: **25-01F**  
(74) Name(s) of Attorney(s): **Allens Arthur Robinson**  
(71) Name(s) and Address(s) of Applicant(s):  
**Everstone International Pty Limited**  
**20 Princes Road East Auburn New South Wales 2144 Australia**  
(72) Name(s) of Designer(s): **John Zeng**  
(45) Registration Date: **27 May 2011**  
(56) Related Art Documents: **Not Applicable**  
(57) Statement of Newness and Distinctiveness: **Newness and distinctiveness is claimed in the features of shape and configuration of the tesserae as shown in the attached representations. It is to be understood that the basic element of tesserae is shown, however the tesserae can be repeated with other basic elements so that the tesserae is of indefinite length and/or width.**



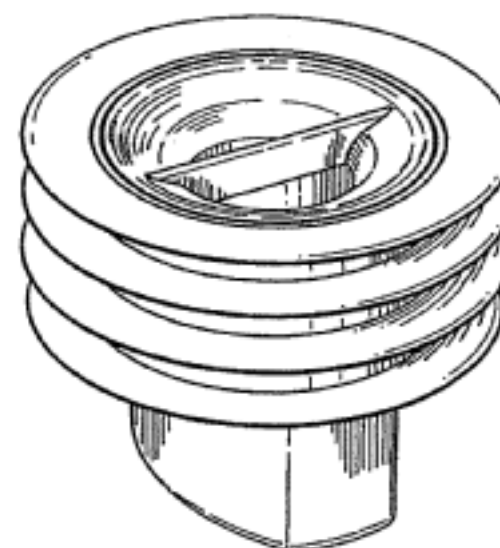
- (21) Design Number: **11897/2011**  
(22) Date of Filing Application: **02 May 2011**  
(24) Date from which industrial property rights may have effect: **02 May 2011**  
(54) Product in respect of which the design is registered: **Water trap for a floor drain assembly**  
(51) International Design Classification: **23-01NES**  
(74) Name(s) of Attorney(s): **IP Gateway Patent & Trademark Attorneys**  
(71) Name(s) and Address(s) of Applicant(s):  
**Plastec Australia Pty Ltd**  
**2 Enterprise Street Caloundra Queensland 4551 Australia**  
(72) Name(s) of Designer(s): **Brian Eley**  
(45) Registration Date: **27 May 2011**  
(56) Related Art Documents: **Not Applicable**  
(57) Statement of Newness and Distinctiveness: **The newness and distinctiveness of the design resides in the visual features of shape and/or configuration of a water trap for a floor drain assembly as shown in the accompanying representations.**



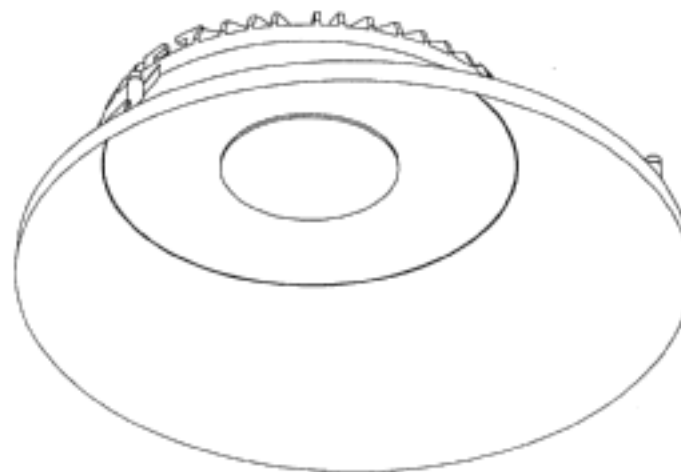
- (21) Design Number: **11898/2011**  
(22) Date of Filing Application: **02 May 2011**  
(24) Date from which industrial property rights may have effect: **02 May 2011**  
(54) Product in respect of which the design is registered: **Housing for a water trap**  
(51) International Design Classification: **23-01NES**  
(74) Name(s) of Attorney(s): **IP Gateway Patent & Trademark Attorneys**  
(71) Name(s) and Address(s) of Applicant(s):  
**Plastec Australia Pty Ltd**  
**2 Enterprise Street Caloundra Queensland 4551 Australia**  
(72) Name(s) of Designer(s): **Brian Eley**  
(45) Registration Date: **27 May 2011**  
(56) Related Art Documents: **Not Applicable**  
(57) Statement of Newness and Distinctiveness: **The newness and distinctiveness of the design resides in the visual features of shape and/or configuration of a housing for a water trap as shown in the accompanying representations.**



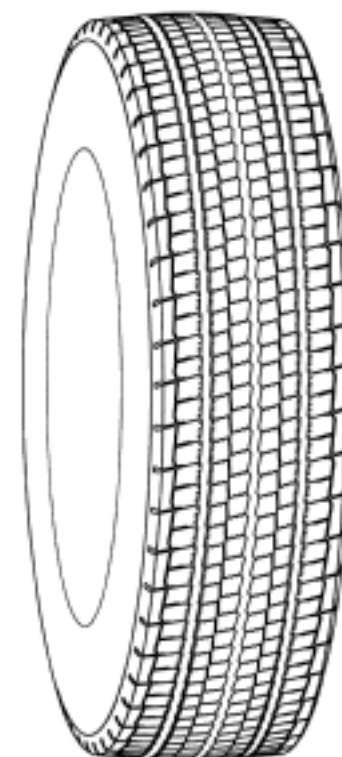
- (21) Design Number: **11900/2011**  
(22) Date of Filing Application: **02 May 2011**  
(24) Date from which industrial property rights may have effect: **02 May 2011**  
(54) Product in respect of which the design is registered: **Water trap**  
(51) International Design Classification: **23-01NES**  
(74) Name(s) of Attorney(s): **IP Gateway Patent & Trademark Attorneys**  
(71) Name(s) and Address(s) of Applicant(s):  
**Plastec Australia Pty Ltd**  
**2 Enterprise Street Caloundra Queensland 4551 Australia**  
(72) Name(s) of Designer(s): **Brian Eley**  
(45) Registration Date: **27 May 2011**  
(56) Related Art Documents: **Not Applicable**  
(57) Statement of Newness and Distinctiveness: **The newness and distinctiveness of the design resides in the visual features of shape and/or configuration of a water trap as shown in the accompanying representations.**



(21) Design Number: **11953/2011**  
(22) Date of Filing Application: **03 May 2011**  
(24) Date from which industrial property rights may have effect: **03 May 2011**  
(54) Product in respect of which the design is registered: **Luminaire**  
(51) International Design Classification: **26-05C**  
(74) Name(s) of Attorney(s): **FB Rice**  
(71) Name(s) and Address(s) of Applicant(s):  
**Koninklijke Philips Electronics N.V.**  
**Groenewoudseweg 1 5621 BA Eindhoven The Netherlands**  
(72) Name(s) of Designer(s): **Bram Couvreur and Bjorn Devos**  
(45) Registration Date: **27 May 2011**  
(30) Convention priority data:  
(31) Number (32) Date (33) Country  
**001777319-0003 04 Nov 2010 EUROPEAN COMMUNITY**  
(56) Related Art Documents: **Not Applicable**  
(57) Statement of Newness and Distinctiveness: **Newness and distinctiveness reside in the features of shape and configuration of the design as shown in the representations.**

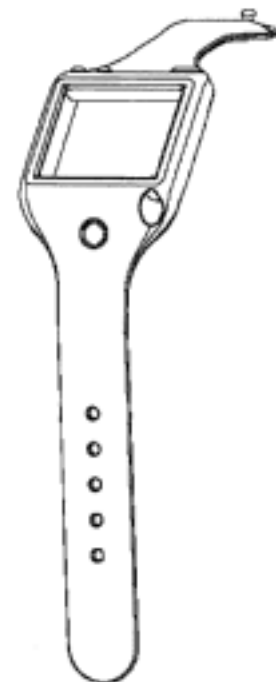


(21) Design Number: **11955/2011**  
(22) Date of Filing Application: **04 May 2011**  
(24) Date from which industrial property rights may have effect: **04 May 2011**  
(54) Product in respect of which the design is registered: **A tyre**  
(51) International Design Classification: **12-15A**  
(74) Name(s) of Attorney(s): **WATERMARK PATENT AND TRADE MARKS ATTORNEYS**  
(71) Name(s) and Address(s) of Applicant(s):  
**Societe De Technologie Michelin**  
**23 rue Breschet F-63000 Clermont-Ferrand Cedex France**  
**Michelin Recherche et Technique S.A.**  
**Route Louis Braille 10 et 12 CH-1763 Granges-Paccot Switzerland**  
(72) Name(s) of Designer(s): **Mathieu Vandaele and Gaetan Guibard**  
(45) Registration Date: **27 May 2011**  
(30) Convention priority data:  
(31) Number (32) Date (33) Country  
**10/5680 08 Nov 2010 FRANCE**  
(56) Related Art Documents: **Not Applicable**  
(57) Statement of Newness and Distinctiveness: **Newness and distinctiveness resides in the shape and configuration applied to the tread pattern region of the tyre shown in the annexed representations, the remainder of the tyre not forming part of the design.**

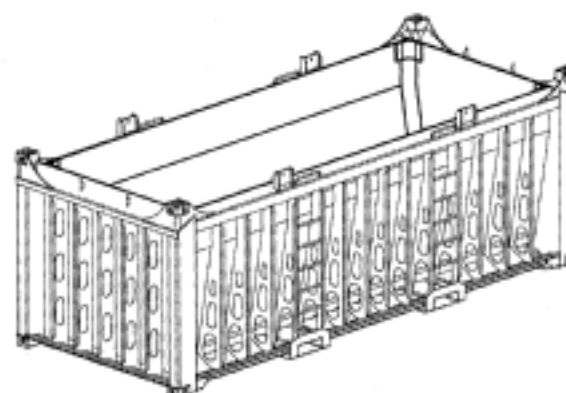




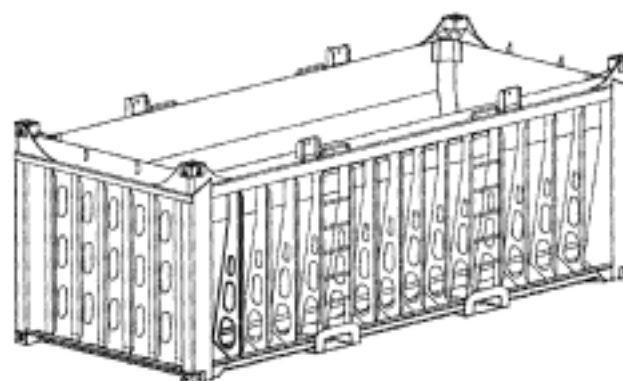
- (21) Design Number: **11956/2011**  
(22) Date of Filing Application: **03 May 2011**  
(24) Date from which industrial property rights may have effect: **03 May 2011**  
(54) Product in respect of which the design is registered: **Protective casing for portable handheld electronic device**  
(51) International Design Classification: **03-01NES**  
(74) Name(s) of Attorney(s): **Griffith Hack**  
(71) Name(s) and Address(s) of Applicant(s):  
**SwitchEasy Limited**  
**Room 314 Sing Win Factory Building 15-17 Shing Yip Street Kwun Tong**  
**Kowloon Hong Kong**  
(72) Name(s) of Designer(s): **Chi Vun Steven Bau**  
(45) Registration Date: **27 May 2011**  
(30) Convention priority data:  
(31) Number (32) Date (33) Country  
**1002097.8 12 Nov 2010 HONG KONG**  
(56) Related Art Documents: **Not Applicable**  
(57) Statement of Newness and Distinctiveness: **The shape, configuration and ornamentation of the PROTECTIVE CASING FOR PORTABLE ELECTRONIC DEVICE as shown in the accompanying representations is new and distinctive.**



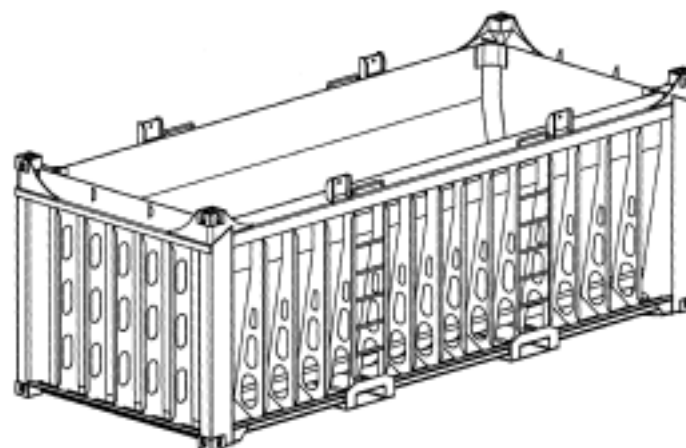
- (21) Design Number: **12214/2011**  
(22) Date of Filing Application: **16 May 2011**  
(24) Date from which industrial property rights may have effect: **16 May 2011**  
(54) Product in respect of which the design is registered: **A container**  
(51) International Design Classification: **09-02A**  
(74) Name(s) of Attorney(s): **Australian Patent and TradeMark Services**  
(71) Name(s) and Address(s) of Applicant(s):  
**Australian Mobile Mining Equipment Systems and Accessories Pty. Limited**  
**5 Sammut Street Smithfield New South Wales 2164 Australia**  
(72) Name(s) of Designer(s): **Murray Robert Bridle**  
(45) Registration Date: **27 May 2011**  
(56) Related Art Documents: **Not Applicable**  
(57) Statement of Newness and Distinctiveness: **Newness and distinctiveness is claimed in the shape and/or configuration of a liner for a container as illustrated in the accompanying representations. The features shown in broken lines are to be disregarded.**



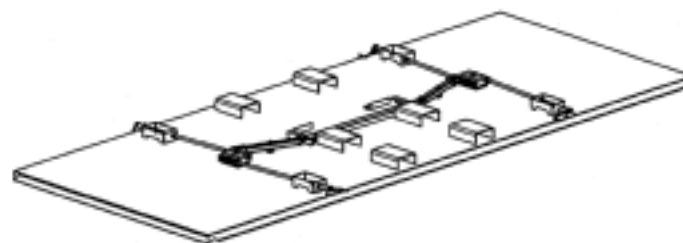
- (21) Design Number: **12220/2011**  
(22) Date of Filing Application: **16 May 2011**  
(24) Date from which industrial property rights may have effect: **16 May 2011**  
(54) Product in respect of which the design is registered: **A container**  
(51) International Design Classification: **09-03M**  
(74) Name(s) of Attorney(s): **Australian Patent and TradeMark Services**  
(71) Name(s) and Address(s) of Applicant(s):  
**Australian Mobile Mining Equipment Systems and Accessories Pty. Limited**  
**5 Sammut Street Smithfield New South Wales 2164 Australia**  
(72) Name(s) of Designer(s): **Murray Robert Bridle**  
(45) Registration Date: **27 May 2011**  
(56) Related Art Documents: **Not Applicable**  
(57) Statement of Newness and Distinctiveness: **Newness and distinctiveness is claimed in the shape and/or configuration of a support rib for a container as illustrated in the accompanying representations. The features shown in broken lines are to be disregarded.**



- (21) Design Number: **12221/2011**  
(22) Date of Filing Application: **16 May 2011**  
(24) Date from which industrial property rights may have effect: **16 May 2011**  
(54) Product in respect of which the design is registered: **A container**  
(51) International Design Classification: **09-03M**  
(74) Name(s) of Attorney(s): **Australian Patent and TradeMark Services**  
(71) Name(s) and Address(s) of Applicant(s):  
**Australian Mobile Mining Equipment Systems and Accessories Pty. Limited**  
**5 Sammut Street Smithfield New South Wales 2164 Australia**  
(72) Name(s) of Designer(s): **Murray Robert Bridle**  
(45) Registration Date: **27 May 2011**  
(56) Related Art Documents: **Not Applicable**  
(57) Statement of Newness and Distinctiveness: **Newness and distinctiveness is claimed in the shape and/or configuration of a container as illustrated in the accompanying representations.**



(21) Design Number: **12222/2011**  
(22) Date of Filing Application: **16 May 2011**  
(24) Date from which industrial property rights may have effect: **16 May 2011**  
(54) Product in respect of which the design is registered: **A container lid**  
(51) International Design Classification: **09-07B**  
(74) Name(s) of Attorney(s): **Australian Patent and TradeMark Services**  
(71) Name(s) and Address(s) of Applicant(s):  
**Australian Mobile Mining Equipment Systems and Accessories Pty. Limited**  
**5 Sammut Street Smithfield New South Wales 2164 Australia**  
(72) Name(s) of Designer(s): **Murray Robert Bridle**  
(45) Registration Date: **27 May 2011**  
(56) Related Art Documents: **Not Applicable**  
(57) Statement of Newness and Distinctiveness: **Newness and distinctiveness is claimed in the shape and/or configuration of a container lid as illustrated in the accompanying representations.**



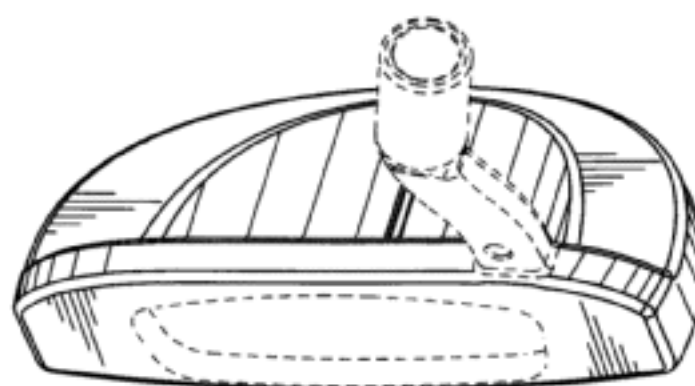
(21) Design Number: **10356/2011**  
(22) Date of Filing Application: **07 February 2011**  
(24) Date from which industrial property rights may have effect: **07 February 2011**  
(54) Product in respect of which the design is registered: **Headphone band**  
(51) International Design Classification: **14-01**  
(74) Name(s) of Attorney(s): **PHILLIPS ORMONDE FITZPATRICK**  
(71) Name(s) and Address(s) of Applicant(s):  
**Skullcandy, Inc.**  
**1441 W. Ute Boulevard Suite 250 Park City Utah 84098 United States of America**  
(72) Name(s) of Designer(s): **Richard P. Alden**  
(45) Registration Date: **27 May 2011**  
(30) Convention priority data:  
(31) Number      (32) Date      (33) Country  
**29/366,268      22 Jul 2010      UNITED STATES OF AMERICA**  
(56) Related Art Documents: **Not Applicable**  
(57) Statement of Newness and Distinctiveness: **Those features of the headphone band depicted in the representations that are new and distinctive are the shape and/or configuration. The features shown in broken lines are not part of the design and are to be disregarded when considering the overall impression of the design.**



- (21) Design Number: **11946/2011**  
(22) Date of Filing Application: **03 May 2011**  
(24) Date from which industrial property rights may have effect: **03 May 2011**  
(54) Product in respect of which the design is registered: **Baking tray**  
(51) International Design Classification: **07-02P**  
(74) Name(s) of Attorney(s): **PHILLIPS ORMONDE FITZPATRICK**  
(71) Name(s) and Address(s) of Applicant(s):  
**McPherson's Limited**  
**5 Dunlop Road Mulgrave Victoria 3170 Australia**  
(72) Name(s) of Designer(s): **Karen Smith**  
(45) Registration Date: **27 May 2011**  
(56) Related Art Documents: **Not Applicable**  
(57) Statement of Newness and Distinctiveness: **Those features of the baking tray depicted in the representations that are new and distinctive are the shape and/or configuration.**



- (21) Design Number: **11947/2011**  
(22) Date of Filing Application: **03 May 2011**  
(24) Date from which industrial property rights may have effect: **03 May 2011**  
(54) Product in respect of which the design is registered: **Golf club head**  
(51) International Design Classification: **21-02C**  
(74) Name(s) of Attorney(s): **Davies Collison Cave**  
(71) Name(s) and Address(s) of Applicant(s):  
**Karsten Manufacturing Corporation**  
**2201 West Desert Cove Phoenix Arizona 85029 United States of America**  
(72) Name(s) of Designer(s): **Anthony D. Serrano and Xiaojian Chen**  
(45) Registration Date: **27 May 2011**  
(30) Convention priority data:  
(31) Number      (32) Date      (33) Country  
**29/381139      15 Dec 2010      UNITED STATES OF AMERICA**  
(56) Related Art Documents: **Not Applicable**  
(57) Statement of Newness and Distinctiveness: **Newness and distinctiveness is claimed in the visual features shown in solid lines in the representations. In considering the extent of the design rights, the broken lines shown in the representations are for illustrative purposes only and do not form part of the design.**



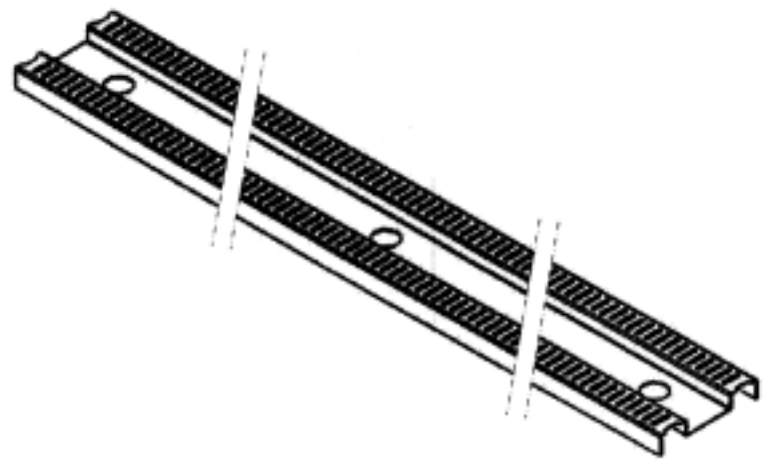
(21) Design Number: **10852/2011**  
(22) Date of Filing Application: **07 March 2011**  
(24) Date from which industrial property rights may have effect: **07 March 2011**  
(54) Product in respect of which the design is registered: **80 x 50 mm Bermuda shower base waste**  
(51) International Design Classification: **23-02NES**  
(74) Name(s) of Attorney(s):  
(71) Name(s) and Address(s) of Applicant(s):  
**Art Plastics Pty Ltd**  
**14 White Street Bayswater Western Australia 6053 Australia**  
(72) Name(s) of Designer(s): **Scott Johnstone**  
(45) Registration Date: **27 May 2011**  
(56) Related Art Documents: **Not Applicable**  
(57) Statement of Newness and Distinctiveness: **Nil**



(21) Design Number: **10853/2011**  
(22) Date of Filing Application: **07 March 2011**  
(24) Date from which industrial property rights may have effect: **07 March 2011**  
(54) Product in respect of which the design is registered: **80 x 50mm Bermuda shower base waste (insert only)**  
(51) International Design Classification: **23-02NES**  
(74) Name(s) of Attorney(s):  
(71) Name(s) and Address(s) of Applicant(s):  
**Art Plastics Pty Ltd**  
**14 White Street Bayswater Western Australia 6053 Australia**  
(72) Name(s) of Designer(s): **Scott Johnstone**  
(45) Registration Date: **27 May 2011**  
(56) Related Art Documents: **Not Applicable**  
(57) Statement of Newness and Distinctiveness: **Nil**



- (21) Design Number: **12027/2011**  
(22) Date of Filing Application: **06 May 2011**  
(24) Date from which industrial property rights may have effect: **06 May 2011**  
(54) Product in respect of which the design is registered: **Trench grate insert for use in construction**  
(51) International Design Classification: **25-01K**  
(74) Name(s) of Attorney(s): **Davies Collison Cave**  
(71) Name(s) and Address(s) of Applicant(s):  
**Brad Ronald Chadwick**  
**27 Adele Crescent Bahrs Scrub Queensland 4207 Australia**  
(72) Name(s) of Designer(s): **Brad Ronald Chadwick**  
(45) Registration Date: **27 May 2011**  
(56) Related Art Documents: **Not Applicable**  
(57) Statement of Newness and Distinctiveness: **The design relates to the overall appearance and particular visual features of a product, being a construction element in the form of a trench grate insert, having the pattern, shape, configuration or ornamentation as shown in the accompanying representations. The element is shaped and dimensioned for fitment into a floor construction to act as a collector of fluid to be drained, the element further defining a receptacle for receiving components such as tiles. A length of the element may vary, as indicated.**

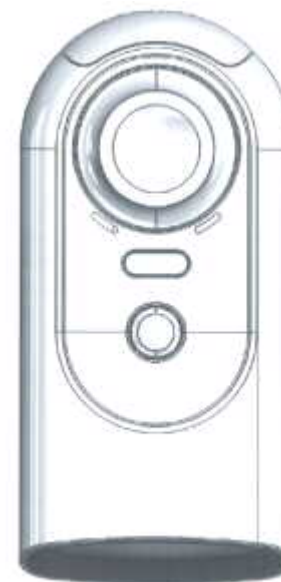


- (21) Design Number: **14866/2010**  
(22) Date of Filing Application: **05 November 2010**  
(24) Date from which industrial property rights may have effect: **05 November 2010**  
(54) Product in respect of which the design is registered: **Love fairies wings for children and adults**  
(51) International Design Classification: **02-02B**  
(74) Name(s) of Attorney(s):  
(71) Name(s) and Address(s) of Applicant(s):  
**Kerry-Anne Gaia**  
**134 Valentine Street Ivanhoe Victoria 3079 Australia**  
(72) Name(s) of Designer(s): **Kerry-Anne Gaia**  
(45) Registration Date: **27 May 2011**  
(56) Related Art Documents: **Not Applicable**  
(57) Statement of Newness and Distinctiveness: **Love fairies wings are new and distinctive, hearts are the main feature with registered trade mark for branding.**





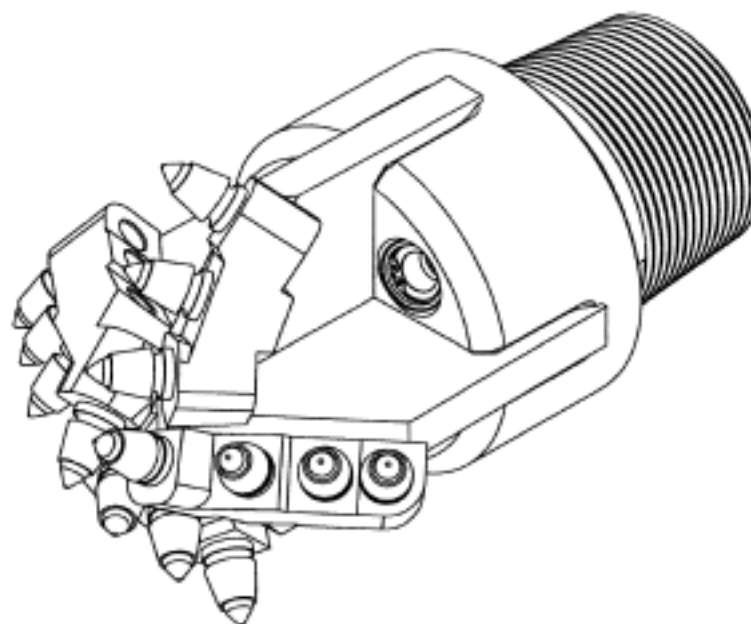
(21) Design Number: **10107/2011**  
(22) Date of Filing Application: **13 January 2011**  
(24) Date from which industrial property rights may have effect: **13 January 2011**  
(54) Product in respect of which the design is registered: **Bluetooth hands free car kit**  
(51) International Design Classification: **14-03A**  
(74) Name(s) of Attorney(s):  
(71) Name(s) and Address(s) of Applicant(s):  
**Xavier Marchant**  
**Route de Foix 11500 Nebias France 11500**  
(72) Name(s) of Designer(s): **Xavier Marchant**  
(45) Registration Date: **27 May 2011**  
(56) Related Art Documents: **Not Applicable**  
(57) Statement of Newness and Distinctiveness: **The grid of the speaker is at the bottom, on the squared side. On the forefront of the product, under the microphone we can see a big rotative button. Under this big button, we can see two keys: pick up call/hang up and on/off. At the back of the product there are two magnets.**



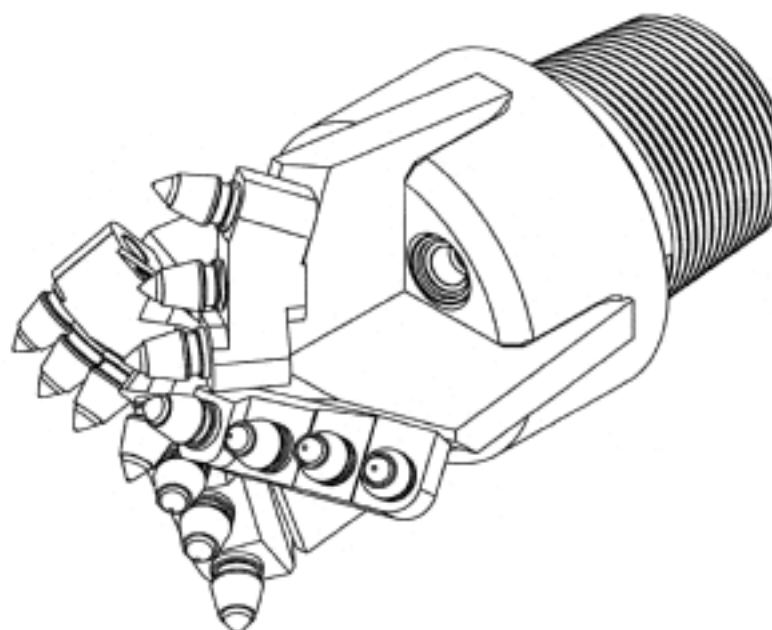
(21) Design Number: **10809/2011**  
(22) Date of Filing Application: **02 March 2011**  
(24) Date from which industrial property rights may have effect: **02 March 2011**  
(54) Product in respect of which the design is registered: **Vehicle cross bar**  
(51) International Design Classification: **12-16NES**  
(74) Name(s) of Attorney(s): **Griffith Hack**  
(71) Name(s) and Address(s) of Applicant(s):  
**Hubco Automotive Limited**  
**C/- DLA Phillips Fox 209 Queen Street Auckland 9154 New Zealand**  
(72) Name(s) of Designer(s): **Peter Douglas Hubbard and David Charles Grove**  
(45) Registration Date: **27 May 2011**  
(30) Convention priority data:  
(31) Number      (32) Date      (33) Country  
**413995      02 Sep 2010      NEW ZEALAND**  
(56) Related Art Documents: **Not Applicable**  
(57) Statement of Newness and Distinctiveness: **The cross bar of the product of the design is of variable length.**



- (21) Design Number: **11144/2011**  
(22) Date of Filing Application: **17 March 2011**  
(24) Date from which industrial property rights may have effect: **17 March 2011**  
(54) Product in respect of which the design is registered: **Drill Bit**  
(51) International Design Classification: **08-01**  
(74) Name(s) of Attorney(s): **WATERMARK PATENT AND TRADE MARKS ATTORNEYS**  
(71) Name(s) and Address(s) of Applicant(s):  
**Drilling Tools Australia Pty Ltd**  
**24-26 Gauge Circuit Canning Vale Western Australia 6155 Australia**  
(72) Name(s) of Designer(s): **Brian Sanfead and Robert Walters**  
(45) Registration Date: **27 May 2011**  
(56) Related Art Documents: **Not Applicable**  
(57) Statement of Newness and Distinctiveness: **Nil**

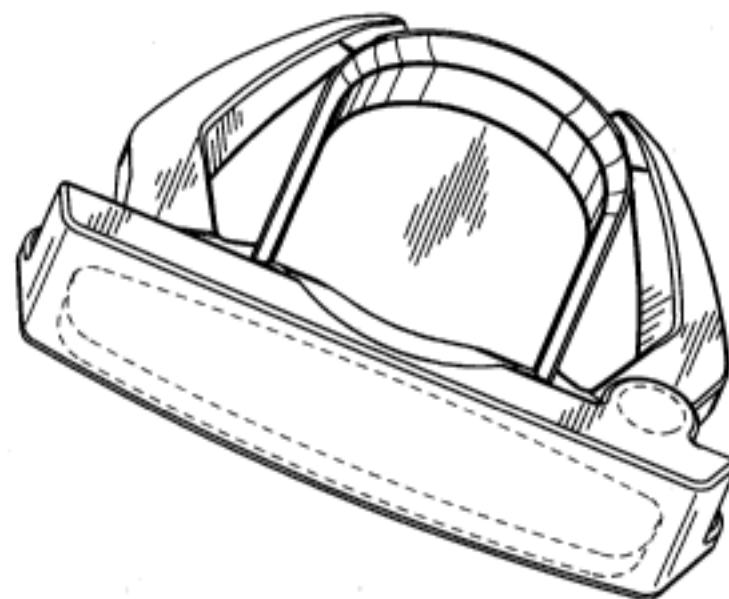


- (21) Design Number: **11722/2011**  
(22) Date of Filing Application: **17 March 2011**  
(24) Date from which industrial property rights may have effect: **17 March 2011**  
(54) Product in respect of which the design is registered: **Drill bit**  
(51) International Design Classification: **08-01**  
(74) Name(s) of Attorney(s): **WATERMARK PATENT AND TRADE MARKS ATTORNEYS**  
(71) Name(s) and Address(s) of Applicant(s):  
**Drilling Tools Australia Pty Ltd**  
**24-26 Gauge Circuit Canning Vale Western Australia 6155 Australia**  
(72) Name(s) of Designer(s): **Brian Sanfead and Robert Walters**  
(45) Registration Date: **27 May 2011**  
(56) Related Art Documents: **Not Applicable**  
(57) Statement of Newness and Distinctiveness: **Nil**

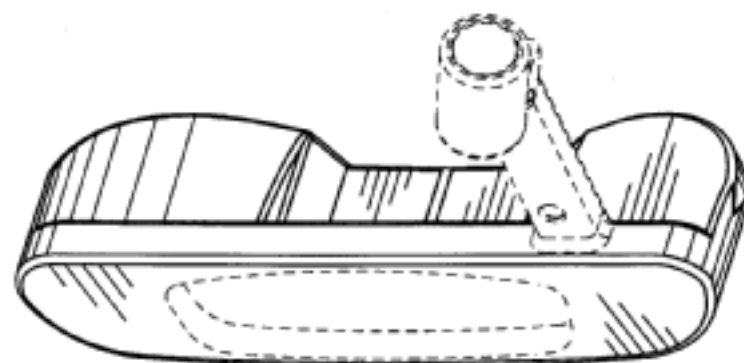




(21) Design Number: **11948/2011**  
(22) Date of Filing Application: **03 May 2011**  
(24) Date from which industrial property rights may have effect: **03 May 2011**  
(54) Product in respect of which the design is registered: **Golf club head**  
(51) International Design Classification: **21-02C**  
(74) Name(s) of Attorney(s): **Davies Collison Cave**  
(71) Name(s) and Address(s) of Applicant(s):  
**Karsten Manufacturing Corporation**  
**2201 West Desert Cove Phoenix Arizona 85029 United States of America**  
(72) Name(s) of Designer(s): **Anthony D. Serrano and Xiaojian Chen**  
(45) Registration Date: **27 May 2011**  
(30) Convention priority data:  
(31) Number (32) Date (33) Country  
**29/382978 10 Jan 2011 UNITED STATES OF AMERICA**  
(56) Related Art Documents: **Not Applicable**  
(57) Statement of Newness and Distinctiveness: **Newness and distinctiveness is claimed in the visual features shown in solid lines in the representations. In considering the extent of the design rights, the broken lines shown in the representations are for illustrative purposes only and do not form part of the design.**



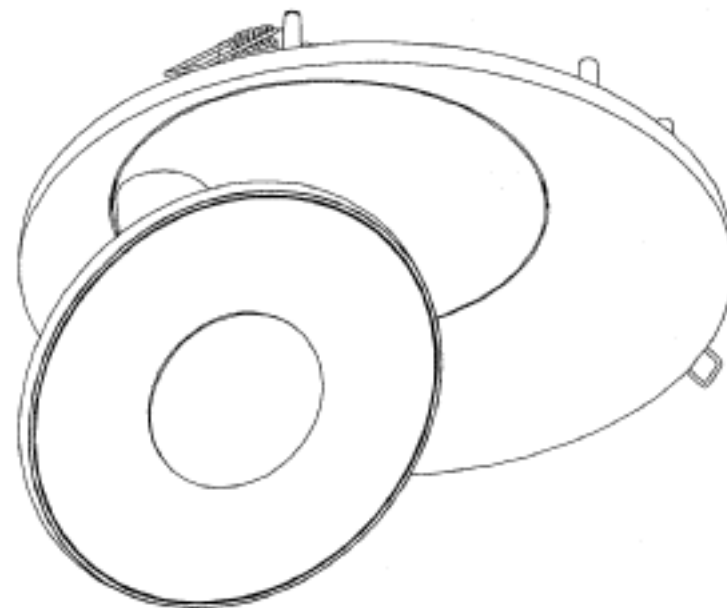
(21) Design Number: **11949/2011**  
(22) Date of Filing Application: **03 May 2011**  
(24) Date from which industrial property rights may have effect: **03 May 2011**  
(54) Product in respect of which the design is registered: **Golf club head**  
(51) International Design Classification: **21-02C**  
(74) Name(s) of Attorney(s): **Davies Collison Cave**  
(71) Name(s) and Address(s) of Applicant(s):  
**Karsten Manufacturing Corporation**  
**2201 West Desert Cove Phoenix Arizona 85029 United States of America**  
(72) Name(s) of Designer(s): **Anthony D. Serrano and Xiaojian Chen**  
(45) Registration Date: **27 May 2011**  
(30) Convention priority data:  
(31) Number (32) Date (33) Country  
**29/382981 10 Jan 2011 UNITED STATES OF AMERICA**  
(56) Related Art Documents: **Not Applicable**  
(57) Statement of Newness and Distinctiveness: **Newness and distinctiveness is claimed in the visual features shown in solid lines in the representations. In considering the extent of the design rights, the broken lines shown in the representations are for illustrative purposes only and do not form part of the design.**



(21) Design Number: **11951/2011**  
(22) Date of Filing Application: **03 May 2011**  
(24) Date from which industrial property rights may have effect: **03 May 2011**  
(54) Product in respect of which the design is registered: **Respiration mask**  
(51) International Design Classification: **24-02**  
(74) Name(s) of Attorney(s): **Freehills Patent & Trade Mark Attorneys**  
(71) Name(s) and Address(s) of Applicant(s):  
**medin Medical Innovations GmbH**  
**Lindberghstrasse 1 82178 Puchheim Germany**  
(72) Name(s) of Designer(s): **Angelika Koschany**  
(45) Registration Date: **27 May 2011**  
(30) Convention priority data:  
(31) Number (32) Date (33) Country  
**001243489 05 Nov 2010 EUROPEAN COMMUNITY**  
(56) Related Art Documents: **Not Applicable**  
(57) Statement of Newness and Distinctiveness: **Nil**



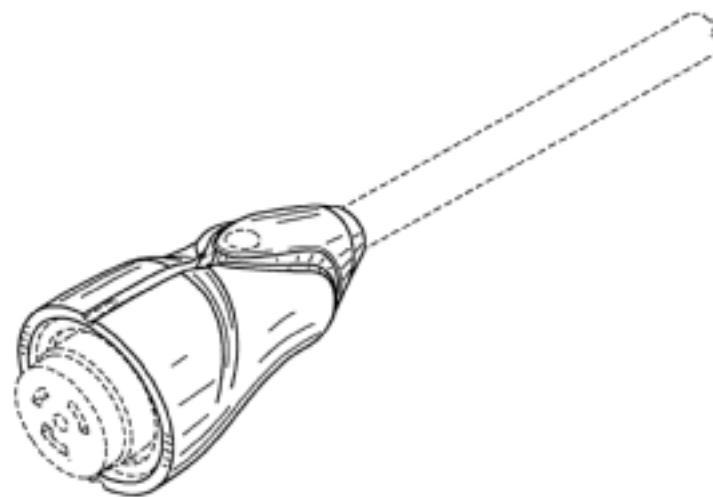
(21) Design Number: **11952/2011**  
(22) Date of Filing Application: **03 May 2011**  
(24) Date from which industrial property rights may have effect: **03 May 2011**  
(54) Product in respect of which the design is registered: **Luminaire**  
(51) International Design Classification: **26-05C**  
(74) Name(s) of Attorney(s): **FB Rice**  
(71) Name(s) and Address(s) of Applicant(s):  
**Koninklijke Philips Electronics N.V.**  
**Groenewoudseweg 1 5621 BA Eindhoven The Netherlands**  
(72) Name(s) of Designer(s): **Bram Couvreur and Bjorn Devos**  
(45) Registration Date: **27 May 2011**  
(30) Convention priority data:  
(31) Number (32) Date (33) Country  
**001777319-0004 04 Nov 2010 EUROPEAN COMMUNITY**  
(56) Related Art Documents: **Not Applicable**  
(57) Statement of Newness and Distinctiveness: **Newness and distinctiveness reside in the features of shape and configuration of the design as shown in the representations.**



(21) Design Number: **11526/2011**  
(22) Date of Filing Application: **08 April 2011**  
(24) Date from which industrial property rights may have effect: **08 April 2011**  
(54) Product in respect of which the design is registered: **Multi purpose cooking appliance**  
(51) International Design Classification: **07-02N**  
(74) Name(s) of Attorney(s):  
(71) Name(s) and Address(s) of Applicant(s):  
**Francis Robert Bannigan**  
**44-60 Fenton Street Huntingdale Victoria 3166 Australia**  
(72) Name(s) of Designer(s): **Francis Robert Bannigan**  
(45) Registration Date: **30 May 2011**  
(56) Related Art Documents: **Not Applicable**  
(57) Statement of Newness and Distinctiveness: **A compact multi purpose electrical appliance - with the ability to use the product as a fifth burner, grill or stewing pan.**



(21) Design Number: **11599/2011**  
(22) Date of Filing Application: **13 April 2011**  
(24) Date from which industrial property rights may have effect: **13 April 2011**  
(54) Product in respect of which the design is registered: **Electrical cord end female**  
(51) International Design Classification: **13-03D**  
(74) Name(s) of Attorney(s): **PIPERS Melbourne**  
(71) Name(s) and Address(s) of Applicant(s):  
**Actuant Corporation**  
**N86 W12500 Westbrook Crossing Menomonee Falls Wisconsin 53051**  
**United States of America**  
(72) Name(s) of Designer(s): **Christopher L. Peterson and David J. Prince and Scott A. Olson and Patrick J. Radle and David L. Wiesemann and Anthony W. Gilbert and Timothy J. Kent**  
(45) Registration Date: **30 May 2011**  
(30) Convention priority data:  
(31) Number      (32) Date      (33) Country  
**29/376,876      13 Oct 2010      UNITED STATES OF AMERICA**  
(56) Related Art Documents: **Not Applicable**  
(57) Statement of Newness and Distinctiveness: **The newness and distinctiveness resides in the features of shape and configuration of the Electrical Cord End as shown in the accompanying representations. No monopoly is claimed for the shape and configuration of the portions of the articles that are represented with broken lines.**



(21) Design Number: **11600/2011**  
(22) Date of Filing Application: **13 April 2011**  
(24) Date from which industrial property rights may have effect: **13 April 2011**  
(54) Product in respect of which the design is registered: **Electrical cord end male**  
(51) International Design Classification: **13-03D**  
(74) Name(s) of Attorney(s): **PIPERS Melbourne**  
(71) Name(s) and Address(s) of Applicant(s):

**Actuant Corporation**  
**N86 W12500 Westbrook Crossing Menomonee Falls Wisconsin 53051**  
**United States of America**

(72) Name(s) of Designer(s): **Christopher L. Peterson and David J. Prince and Scott A. Olson and Patrick J. Radle and David L. Wiesemann and Anthony W. Gilbert and Timothy J. Kent**

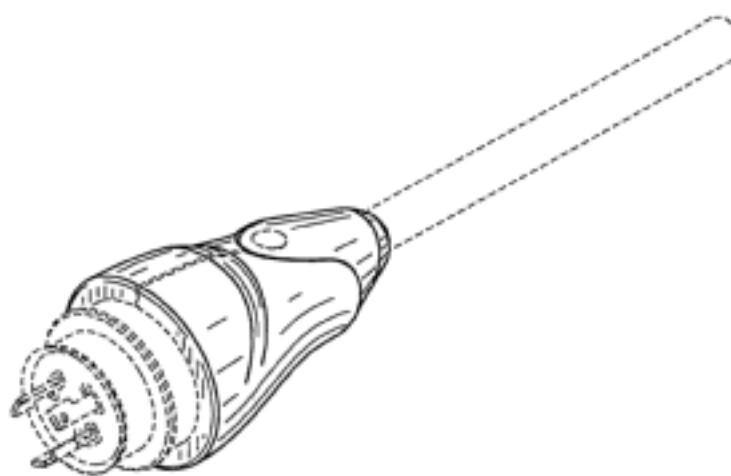
(45) Registration Date: **30 May 2011**

(30) Convention priority data:

(31) Number	(32) Date	(33) Country
<b>29/376,876</b>	<b>13 Oct 2010</b>	<b>UNITED STATES OF AMERICA</b>

(56) Related Art Documents: **Not Applicable**

(57) Statement of Newness and Distinctiveness: **The newness and distinctiveness resides in the features of shape and configuration of the Electrical Cord End as shown in the accompanying representations. No monopoly is claimed for the shape and configuration of the portions of the articles that are represented with broken lines.**



(21) Design Number: **11674/2011**  
(22) Date of Filing Application: **15 April 2011**  
(24) Date from which industrial property rights may have effect: **15 April 2011**  
(54) Product in respect of which the design is registered: **Packaging container with surface ornamentation**  
(51) International Design Classification: **09-03M**  
(74) Name(s) of Attorney(s): **PHILLIPS ORMONDE FITZPATRICK**  
(71) Name(s) and Address(s) of Applicant(s):

**The Procter & Gamble Company**  
**One Procter & Gamble Plaza Cincinnati Ohio 45202 United States of America**

(72) Name(s) of Designer(s): **Cesare Palmieri and Sarah Jayne Bell**

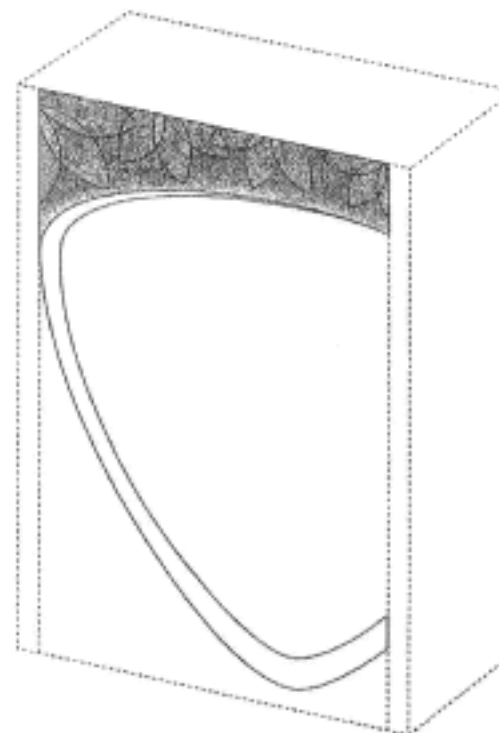
(45) Registration Date: **30 May 2011**

(30) Convention priority data:

(31) Number	(32) Date	(33) Country
<b>29/377,125</b>	<b>18 Oct 2010</b>	<b>UNITED STATES OF AMERICA</b>

(56) Related Art Documents: **Not Applicable**

(57) Statement of Newness and Distinctiveness: **Those features of the packaging container with surface ornamentation depicted in the representations that are new and distinctive are the pattern and/or ornamentation. The stippling illustrates that the pattern and/or ornamentation may be in any colour or colours but not limited to a particular colour or colours. The features shown in broken lines are not part of the design and are to be disregarded when considering the overall impression of the design.**



(21) Design Number: **11675/2011**  
(22) Date of Filing Application: **15 April 2011**  
(24) Date from which industrial property rights may have effect: **15 April 2011**  
(54) Product in respect of which the design is registered: **Packaging container with surface ornamentation**  
(51) International Design Classification: **09-03M**  
(74) Name(s) of Attorney(s): **PHILLIPS ORMONDE FITZPATRICK**  
(71) Name(s) and Address(s) of Applicant(s):  
**The Procter & Gamble Company**  
**One Procter & Gamble Plaza Cincinnati Ohio 45202 United States of America**

(72) Name(s) of Designer(s): **Cesare Palmieri and Sarah Jayne Bell**

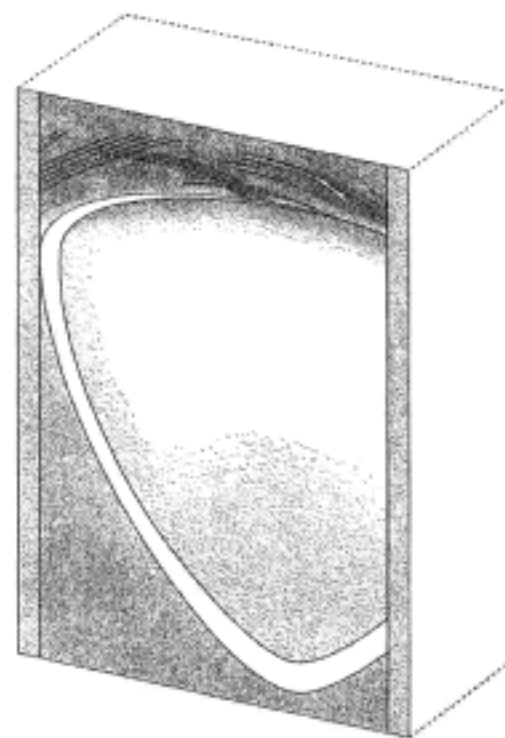
(45) Registration Date: **30 May 2011**

(30) Convention priority data:

(31) Number	(32) Date	(33) Country
<b>29/377,125</b>	<b>18 Oct 2010</b>	<b>UNITED STATES OF AMERICA</b>

(56) Related Art Documents: **Not Applicable**

(57) Statement of Newness and Distinctiveness: **Those features of the packaging container with surface ornamentation depicted in the representations that are new and distinctive are the pattern and/or ornamentation. The stippling illustrates that the pattern and/or ornamentation may be in any colour or colours but not limited to a particular colour or colours. The features shown in broken lines are not part of the design and are to be disregarded when considering the overall impression of the design.**



(21) Design Number: **11970/2011**  
(22) Date of Filing Application: **04 May 2011**  
(24) Date from which industrial property rights may have effect: **04 May 2011**  
(54) Product in respect of which the design is registered: **Air freshener**  
(51) International Design Classification: **28-99**  
(74) Name(s) of Attorney(s): **Cullens Patent and Trade Mark Attorneys**  
(71) Name(s) and Address(s) of Applicant(s):  
**Rubbermaid Commercial Products, LLC**  
**3124 Valley Avenue Winchester 22601 VA United States of America**

(72) Name(s) of Designer(s): **Sylvia Boshuizen and Donald C. Presnell**

(45) Registration Date: **30 May 2011**

(30) Convention priority data:

(31) Number	(32) Date	(33) Country
<b>29/378552</b>	<b>05 Nov 2010</b>	<b>UNITED STATES OF AMERICA</b>

(56) Related Art Documents: **Not Applicable**

(57) Statement of Newness and Distinctiveness: **Nil**



(21) Design Number: **11308/2011**

(22) Date of Filing Application: **25 March 2011**

(24) Date from which industrial property rights may have effect: **25 March 2011**

(54) Product in respect of which the design is registered: **Food container**

(51) International Design Classification: **07-01NES**

(74) Name(s) of Attorney(s): **Griffith Hack**

(71) Name(s) and Address(s) of Applicant(s):

**Pacific Market International, LLC**  
**2401 Elliott Avenue Fourth Floor Seattle WA 98121 United States of America**

(72) Name(s) of Designer(s): **Tyler Sean Gilbert**

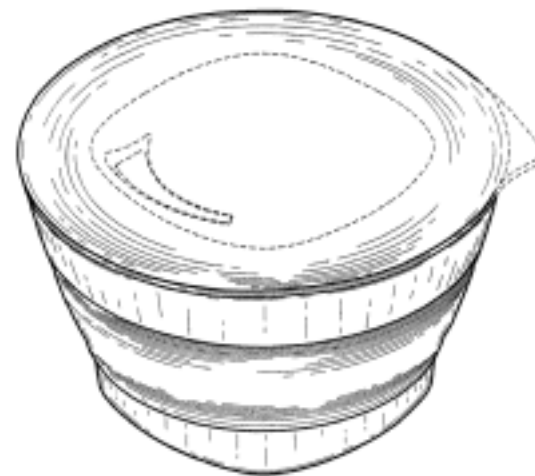
(45) Registration Date: **30 May 2011**

(30) Convention priority data:

(31) Number	(32) Date	(33) Country
<b>29/376,080</b>	<b>01 Oct 2010</b>	<b>UNITED STATES OF AMERICA</b>

(56) Related Art Documents: **Not Applicable**

(57) Statement of Newness and Distinctiveness: **The shape and configuration of those parts of the design shown by means of solid lines in the representations are new and distinctive.**



(21) Design Number: **11347/2011**

(22) Date of Filing Application: **28 March 2011**

(24) Date from which industrial property rights may have effect: **28 March 2011**

(54) Product in respect of which the design is registered: **A vacuum cleaner**

(51) International Design Classification: **15-05**

(74) Name(s) of Attorney(s): **Shelston IP**

(71) Name(s) and Address(s) of Applicant(s):

**Dyson Limited**  
**Tetbury Hill Malmesbury Wiltshire SN16 0RP United Kingdom**

(72) Name(s) of Designer(s): **James Dyson and Peter David Gammack and Emma Jane Heatley-Adams and Robert Mark Brett Coulton**

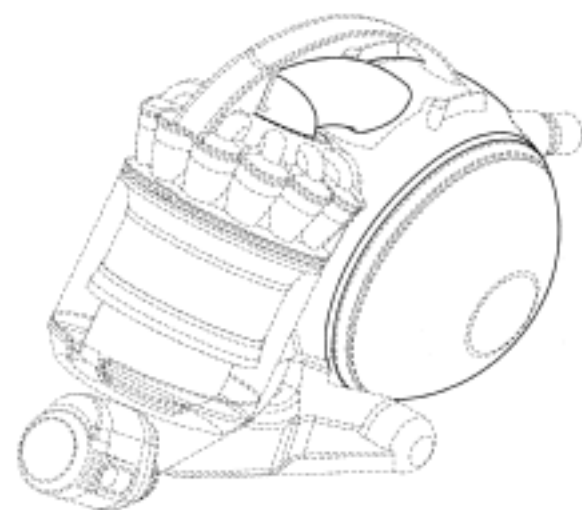
(45) Registration Date: **30 May 2011**

(30) Convention priority data:

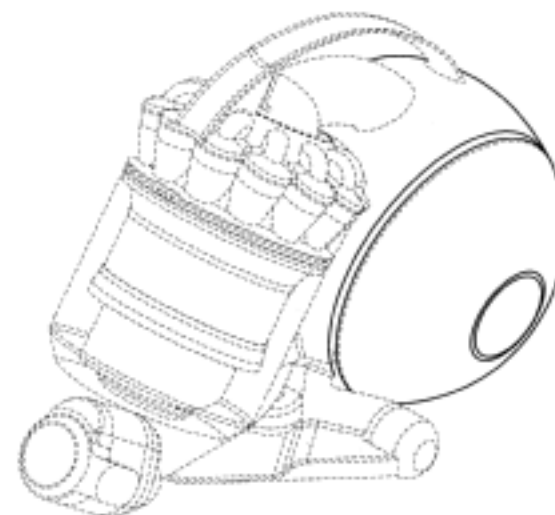
(31) Number	(32) Date	(33) Country
<b>001237127-0006</b>	<b>29 Sep 2010</b>	<b>EUROPEAN COMMUNITY</b>

(56) Related Art Documents: **Not Applicable**

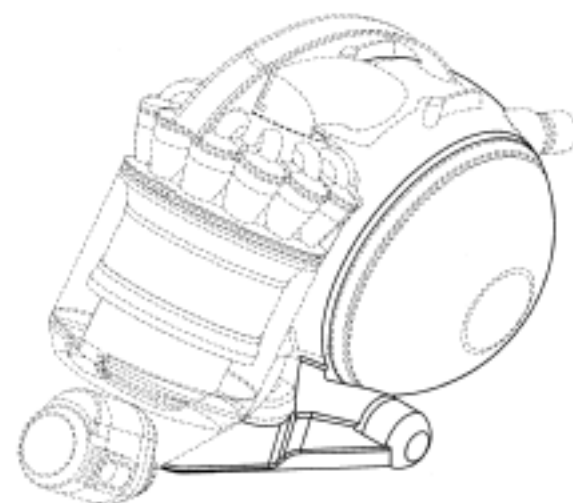
(57) Statement of Newness and Distinctiveness: **Newness and distinctiveness reside in the features of shape and/or configuration of the part of A VACUUM CLEANER shown in solid lines in the accompanying representations. The features shown in broken or discontinuous lines are shown for illustrative purposes only and do not form part of the design.**



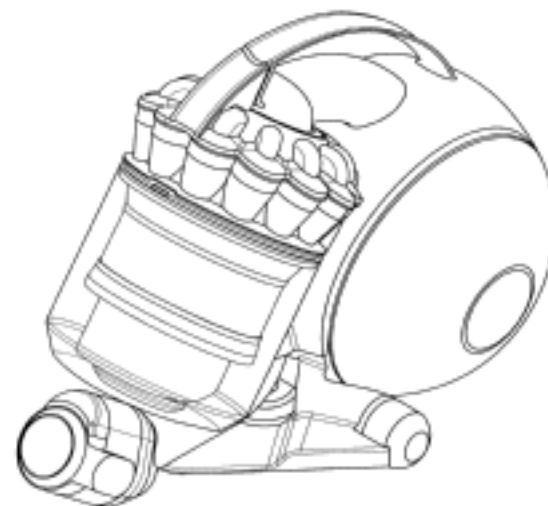
- (21) Design Number: **11349/2011**  
(22) Date of Filing Application: **28 March 2011**  
(24) Date from which industrial property rights may have effect: **28 March 2011**  
(54) Product in respect of which the design is registered: **A vacuum cleaner**  
(51) International Design Classification: **15-05**  
(74) Name(s) of Attorney(s): **Shelston IP**  
(71) Name(s) and Address(s) of Applicant(s):  
**Dyson Limited**  
**Tetbury Hill Malmesbury Wiltshire SN16 0RP United Kingdom**  
(72) Name(s) of Designer(s): **James Dyson and Peter David Gammack and Emma Jane Heatley-Adams and Robert Mark Brett Coulton**  
(45) Registration Date: **30 May 2011**  
(30) Convention priority data:  
(31) Number (32) Date (33) Country  
**001237127-0002 29 Sep 2010 EUROPEAN COMMUNITY**  
(56) Related Art Documents: **Not Applicable**  
(57) Statement of Newness and Distinctiveness: **Newness and distinctiveness reside in the features of shape and/or configuration of the part of A VACUUM CLEANER shown in solid lines in the accompanying representations. The features shown in broken or discontinuous lines are shown for illustrative purposes only and do not form part of the design.**



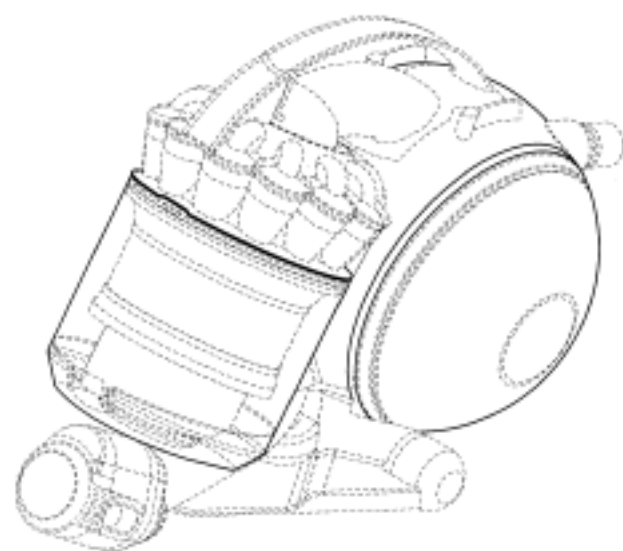
- (21) Design Number: **11348/2011**  
(22) Date of Filing Application: **28 March 2011**  
(24) Date from which industrial property rights may have effect: **28 March 2011**  
(54) Product in respect of which the design is registered: **A vacuum cleaner**  
(51) International Design Classification: **15-05**  
(74) Name(s) of Attorney(s): **Shelston IP**  
(71) Name(s) and Address(s) of Applicant(s):  
**Dyson Limited**  
**Tetbury Hill Malmesbury Wiltshire SN16 0RP United Kingdom**  
(72) Name(s) of Designer(s): **James Dyson and Peter David Gammack and Emma Jane Heatley-Adams and Robert Mark Brett Coulton and Stuart Lloyd Genn**  
(45) Registration Date: **30 May 2011**  
(30) Convention priority data:  
(31) Number (32) Date (33) Country  
**001237127-0007 29 Sep 2010 EUROPEAN COMMUNITY**  
(56) Related Art Documents: **Not Applicable**  
(57) Statement of Newness and Distinctiveness: **Newness and distinctiveness reside in the features of shape and/or configuration of the part of A VACUUM CLEANER shown in solid lines in the accompanying representations. The features shown in broken or discontinuous lines are shown for illustrative purposes only and do not form part of the design.**



- (21) Design Number: **11350/2011**  
(22) Date of Filing Application: **28 March 2011**  
(24) Date from which industrial property rights may have effect: **28 March 2011**  
(54) Product in respect of which the design is registered: **A vacuum cleaner**  
(51) International Design Classification: **15-05**  
(74) Name(s) of Attorney(s): **Shelston IP**  
(71) Name(s) and Address(s) of Applicant(s):  
**Dyson Limited**  
**Tetbury Hill Malmesbury Wiltshire SN16 0RP United Kingdom**  
(72) Name(s) of Designer(s): **James Dyson and Peter David Gammack and Emma Jane Heatley-Adams and Robert Mark Brett Coulton and Stuart Lloyd Genn**  
(45) Registration Date: **30 May 2011**  
(30) Convention priority data:  
(31) Number (32) Date (33) Country  
**001237127-0001 29 Sep 2010 EUROPEAN COMMUNITY**  
(56) Related Art Documents: **Not Applicable**  
(57) Statement of Newness and Distinctiveness: **Newness and distinctiveness reside in the shape and/or configuration of A VACUUM CLEANER as illustrated in the accompanying representations.**

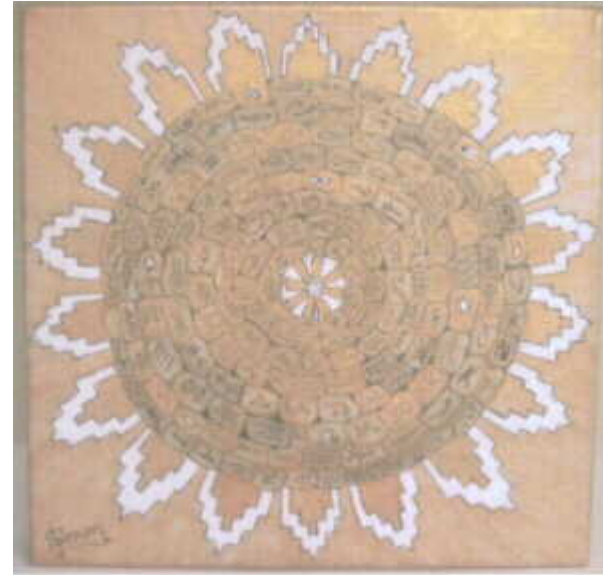


- (21) Design Number: **11351/2011**  
(22) Date of Filing Application: **28 March 2011**  
(24) Date from which industrial property rights may have effect: **28 March 2011**  
(54) Product in respect of which the design is registered: **A vacuum cleaner**  
(51) International Design Classification: **15-05**  
(74) Name(s) of Attorney(s): **Shelston IP**  
(71) Name(s) and Address(s) of Applicant(s):  
**Dyson Limited**  
**Tetbury Hill Malmesbury Wiltshire SN16 0RP United Kingdom**  
(72) Name(s) of Designer(s): **James Dyson and Peter David Gammack and Emma Jane Heatley-Adams and Robert Mark Brett Coulton**  
(45) Registration Date: **30 May 2011**  
(30) Convention priority data:  
(31) Number (32) Date (33) Country  
**001237127-0004 29 Sep 2010 EUROPEAN COMMUNITY**  
(56) Related Art Documents: **Not Applicable**  
(57) Statement of Newness and Distinctiveness: **Newness and distinctiveness reside in the features of shape and/or configuration of the part of A VACUUM CLEANER shown in solid lines in the accompanying representations. The features shown in broken or discontinuous lines are shown for illustrative purposes only and do not form part of the design.**

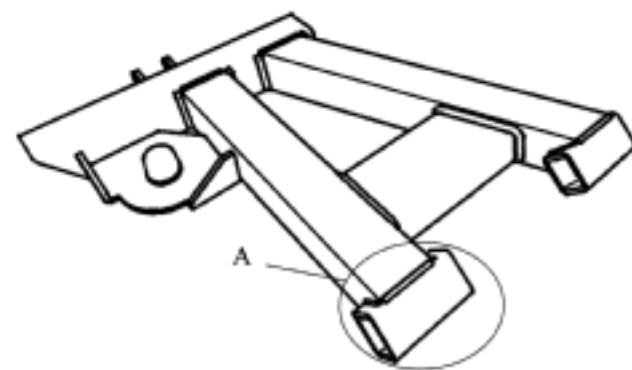




- (21) Design Number: **11443/2011**  
(22) Date of Filing Application: **01 April 2011**  
(24) Date from which industrial property rights may have effect: **01 April 2011**  
(54) Product in respect of which the design is registered: **Hand painted art on canvas with internal LED backlighting**  
(51) International Design Classification: **11-02F**  
(74) Name(s) of Attorney(s):  
(71) Name(s) and Address(s) of Applicant(s):  
**Simon Leslie Cheshire**  
**275 Tallebudgera Creek Road Tallebudgera Valley Queensland 4228**  
**Australia**  
(72) Name(s) of Designer(s): **Simon Leslie Cheshire**  
(45) Registration Date: **30 May 2011**  
(56) Related Art Documents: **Not Applicable**  
(57) Statement of Newness and Distinctiveness: **Backlighting achieves a 3 dimensional effect to art. It also adds as a day/night visual piece with broad and safe application (battery driven).**



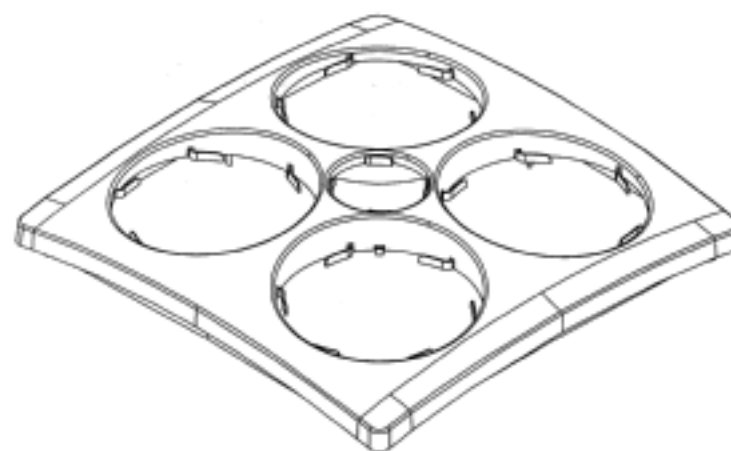
- (21) Design Number: **11911/2011**  
(22) Date of Filing Application: **29 April 2011**  
(24) Date from which industrial property rights may have effect: **29 April 2011**  
(54) Product in respect of which the design is registered: **A vehicle suspension support arm**  
(51) International Design Classification: **12-16NES**  
(74) Name(s) of Attorney(s):  
(71) Name(s) and Address(s) of Applicant(s):  
**Vehicle Components Pty Ltd**  
**352B Bilsen Road Geebung Queensland 4034 Australia**  
(72) Name(s) of Designer(s): **Arthur Goddard**  
(45) Registration Date: **30 May 2011**  
(56) Related Art Documents: **Not Applicable**  
(57) Statement of Newness and Distinctiveness: **The shape and configuration of a vehicle suspension support arm as shown in the representations without regard to the opposed mounting lugs on the upper side but with particular regard to the portion indicated as Portion A.**



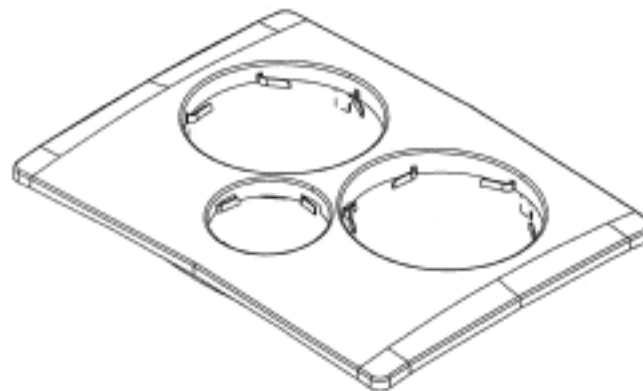
- (21) Design Number: **11958/2011**  
(22) Date of Filing Application: **04 May 2011**  
(24) Date from which industrial property rights may have effect: **04 May 2011**  
(54) Product in respect of which the design is registered: **Golf green**  
(51) International Design Classification: **21-02C**  
(74) Name(s) of Attorney(s):  
(71) Name(s) and Address(s) of Applicant(s):  
**Faruk Buzaki**  
**153 Kings Road Glass House Mountains Queensland 4518 Australia**  
(72) Name(s) of Designer(s): **Faruk Buzaki**  
(45) Registration Date: **30 May 2011**  
(56) Related Art Documents: **Not Applicable**  
(57) Statement of Newness and Distinctiveness: **Newness and distinctiveness resides in the visual features of the shape and/or configuration of the golf green as illustrated in the accompanying representations, including but not limited to the aluminium round tube edging.**



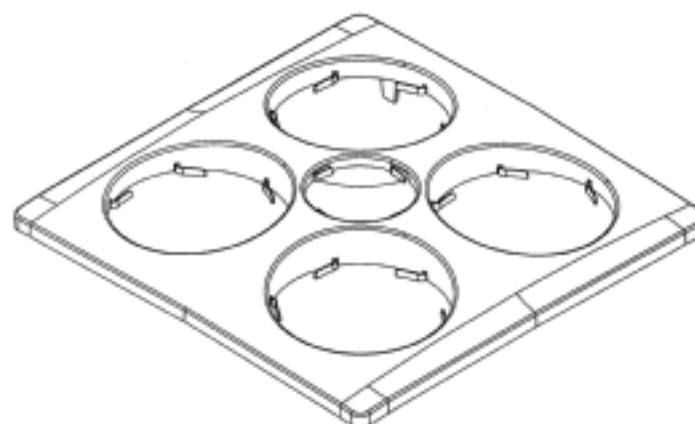
- (21) Design Number: **11996/2011**  
(22) Date of Filing Application: **05 May 2011**  
(24) Date from which industrial property rights may have effect: **05 May 2011**  
(54) Product in respect of which the design is registered: **Lighting, heating and venting unit**  
(51) International Design Classification: **23-03NES**  
(74) Name(s) of Attorney(s): **PHILLIPS ORMONDE FITZPATRICK**  
(71) Name(s) and Address(s) of Applicant(s):  
**Alver Pty Ltd**  
**Wood Street East Geelong Victoria 3219 Australia**  
(72) Name(s) of Designer(s): **Paul Iversen and Troy Nyssen and Lisa Edlund-Tjernberg**  
(45) Registration Date: **30 May 2011**  
(56) Related Art Documents: **Not Applicable**  
(57) Statement of Newness and Distinctiveness: **Those features of the lighting, heating and venting unit depicted in the representations that are new and distinctive are the shape and/or configuration. The features shown in broken line are not part of the design and are to be disregarded when considering the overall impression of the design.**



- (21) Design Number: **11997/2011**  
(22) Date of Filing Application: **05 May 2011**  
(24) Date from which industrial property rights may have effect: **05 May 2011**  
(54) Product in respect of which the design is registered: **Lighting heating and venting unit**  
(51) International Design Classification: **23-03NES**  
(74) Name(s) of Attorney(s): **PHILLIPS ORMONDE FITZPATRICK**  
(71) Name(s) and Address(s) of Applicant(s):  
**Alver Pty Ltd**  
**Wood Street East Geelong Victoria 3219 Australia**  
(72) Name(s) of Designer(s): **Paul Iversen and Troy Nyssen and Lisa Edlund-Tjernberg**  
(45) Registration Date: **30 May 2011**  
(56) Related Art Documents: **Not Applicable**  
(57) Statement of Newness and Distinctiveness: **Those features of the lighting, heating and venting unit depicted in the representations that are new and distinctive are the shape and/or configuration. The features shown in broken line are not part of the design and are to be disregarded when considering the overall impression of the design.**



- (21) Design Number: **11998/2011**  
(22) Date of Filing Application: **05 May 2011**  
(24) Date from which industrial property rights may have effect: **05 May 2011**  
(54) Product in respect of which the design is registered: **Lighting, heating and venting unit**  
(51) International Design Classification: **23-03NES**  
(74) Name(s) of Attorney(s): **PHILLIPS ORMONDE FITZPATRICK**  
(71) Name(s) and Address(s) of Applicant(s):  
**Alver Pty Ltd**  
**Wood Street East Geelong Victoria 3219 Australia**  
(72) Name(s) of Designer(s): **Paul Iversen and Troy Nyssen and Lisa Edlund-Tjernberg**  
(45) Registration Date: **30 May 2011**  
(56) Related Art Documents: **Not Applicable**  
(57) Statement of Newness and Distinctiveness: **Those features of the lighting, heating and venting unit depicted in the representations that are new and distinctive are the shape and/or configuration. The features shown in broken line are not part of the design and are to be disregarded when considering the overall impression of the design.**



(21) Design Number: **11963/2011**  
(22) Date of Filing Application: **04 May 2011**  
(24) Date from which industrial property rights may have effect: **04 May 2011**  
(54) Product in respect of which the design is registered: **Footwear**  
(51) International Design Classification: **02-04NES**  
(74) Name(s) of Attorney(s): **Freehills Patent & Trade Mark Attorneys**  
(71) Name(s) and Address(s) of Applicant(s):

**Sao Paulo Alpargatas S.A.**  
**Rua Funchal 160 Vila Olimpia CEP Sao Paulo 04551-903 Brazil**

(72) Name(s) of Designer(s): **Patrick Kampff**

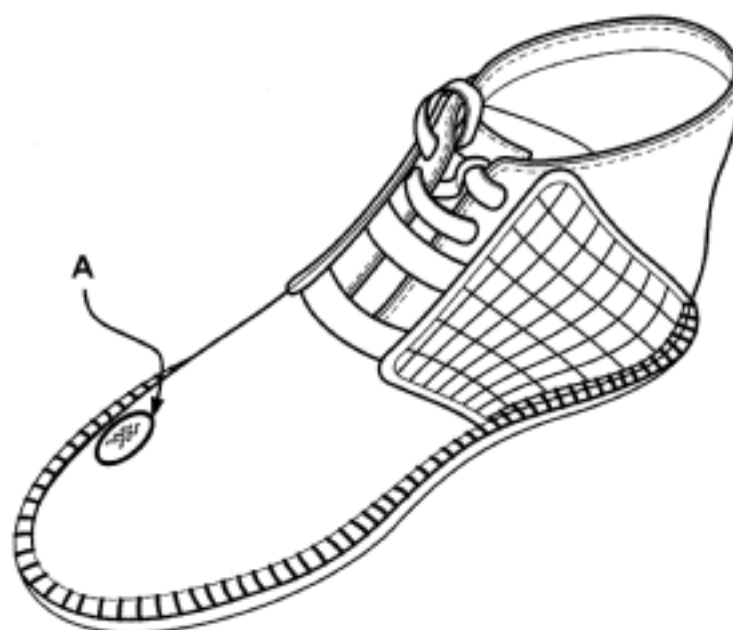
(45) Registration Date: **30 May 2011**

(30) Convention priority data:

(31) Number	(32) Date	(33) Country
<b>DI7005125-9</b>	<b>09 Dec 2010</b>	<b>BRAZIL</b>

(56) Related Art Documents: **Not Applicable**

(57) Statement of Newness and Distinctiveness: **Newness and distinctiveness resides in the features of the footwear as shown in the accompanying representations. Attention is drawn to the indicia marked "A" in Figure 8.**



(21) Design Number: **11964/2011**  
(22) Date of Filing Application: **04 May 2011**  
(24) Date from which industrial property rights may have effect: **04 May 2011**  
(54) Product in respect of which the design is registered: **Ball delivery apparatus**  
(51) International Design Classification: **21-02C**  
(74) Name(s) of Attorney(s): **Fisher Adams Kelly**  
(71) Name(s) and Address(s) of Applicant(s):

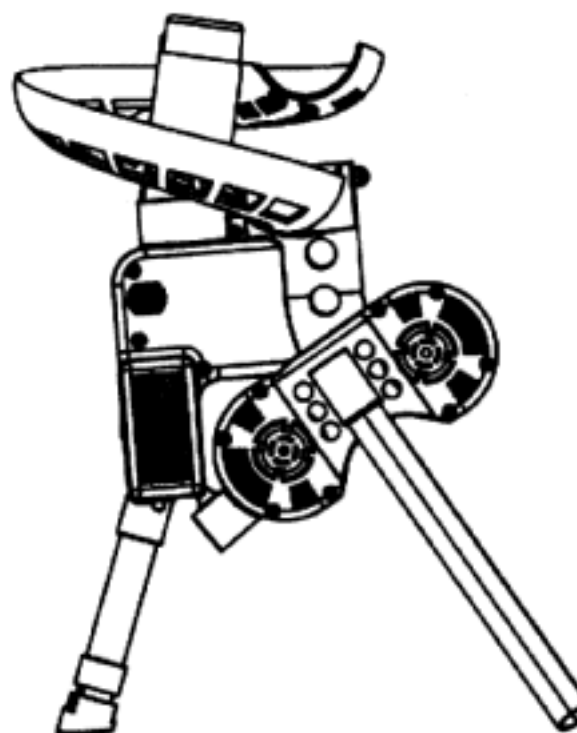
**Alvin International Pty Ltd**  
**Suite 402 9-11 Claremont Street South Yarra 3141 Victoria Australia**

(72) Name(s) of Designer(s): **Peter Yan**

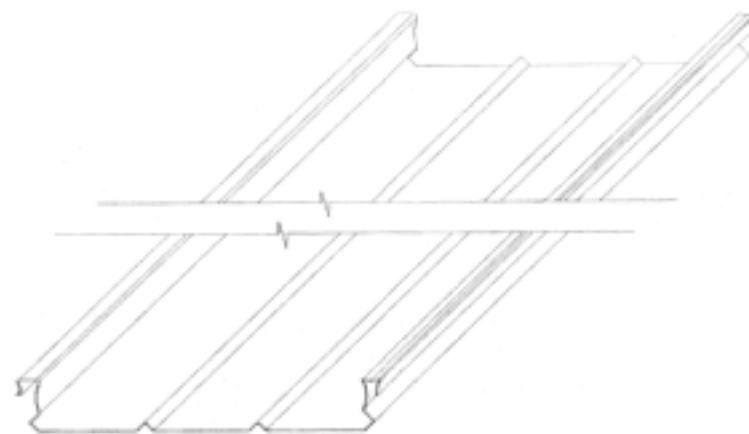
(45) Registration Date: **30 May 2011**

(56) Related Art Documents: **Not Applicable**

(57) Statement of Newness and Distinctiveness: **Newness and distinctiveness resides in the shape and configuration of the ball delivery apparatus as shown in the accompanying representations.**



- (21) Design Number: **11966/2011**  
(22) Date of Filing Application: **05 May 2011**  
(24) Date from which industrial property rights may have effect: **05 May 2011**  
(54) Product in respect of which the design is registered: **Structural panel**  
(51) International Design Classification: **25-01D**  
(74) Name(s) of Attorney(s):  
(71) Name(s) and Address(s) of Applicant(s):  
**First Building Inspectors Pty Ltd**  
**29 Lancewood Court Robina Queensland 4226 Australia**  
(72) Name(s) of Designer(s): **Glenn Shefford**  
(45) Registration Date: **30 May 2011**  
(56) Related Art Documents: **Not Applicable**  
(57) Statement of Newness and Distinctiveness: **Nil**



- (21) Design Number: **11044/2011**  
(22) Date of Filing Application: **10 March 2011**  
(24) Date from which industrial property rights may have effect: **10 March 2011**  
(54) Product in respect of which the design is registered: **Packaging for food**  
(51) International Design Classification: **09-03F**  
(74) Name(s) of Attorney(s):  
(71) Name(s) and Address(s) of Applicant(s):  
**Pacific Worldwide Pty Ltd**  
**1366 Heatherton Road Dandenong Victoria 3175 Australia**  
(72) Name(s) of Designer(s): **Hiroshi Kikuchi**  
(45) Registration Date: **30 May 2011**  
(56) Related Art Documents: **Not Applicable**  
(57) Statement of Newness and Distinctiveness: **The Chan's yum cha at home packaging is characterized by a crisp image of plated food on a white background with a black strip through the centre of the fascia. Each product is distinguished by a colour strip underneath the black strip. An image of the product and the logo appear on a black background on all sides of the packaging.**





- (21) Design Number: **11055/2011**  
(22) Date of Filing Application: **10 March 2011**  
(24) Date from which industrial property rights may have effect: **10 March 2011**  
(54) Product in respect of which the design is registered: **Packaging for food**  
(51) International Design Classification: **09-03F**  
(74) Name(s) of Attorney(s):  
(71) Name(s) and Address(s) of Applicant(s):  
**Pacific Worldwide Pty Ltd**  
**1366 Heatherton Road Dandenong Victoria 3175 Australia**  
(72) Name(s) of Designer(s): **Hiroshi Kikuchi**  
(45) Registration Date: **30 May 2011**  
(56) Related Art Documents: **Not Applicable**  
(57) Statement of Newness and Distinctiveness: **The Chan's yum cha at home packaging is characterized by a crisp image of plated food on a white background with a black strip through the centre of the fascia. Each product is distinguished by a colour strip underneath the black strip. An image of the product and the logo appear on a black background on all sides of the packaging.**



- (21) Design Number: **11056/2011**  
(22) Date of Filing Application: **10 March 2011**  
(24) Date from which industrial property rights may have effect: **10 March 2011**  
(54) Product in respect of which the design is registered: **Packaging for food**  
(51) International Design Classification: **09-03F**  
(74) Name(s) of Attorney(s):  
(71) Name(s) and Address(s) of Applicant(s):  
**Pacific Worldwide Pty Ltd**  
**1366 Heatherton Road Dandenong Victoria 3175 Australia**  
(72) Name(s) of Designer(s): **Hiroshi Kikuchi**  
(45) Registration Date: **30 May 2011**  
(56) Related Art Documents: **Not Applicable**  
(57) Statement of Newness and Distinctiveness: **The Chan's yum cha at home packaging is characterized by a crisp image of plated food on a white background with a black strip through the centre of the fascia. Each product is distinguished by a colour strip underneath the black strip. An image of the product and the logo appear on a black background on all sides of the packaging.**



- (21) Design Number: **11057/2011**  
(22) Date of Filing Application: **10 March 2011**  
(24) Date from which industrial property rights may have effect: **10 March 2011**  
(54) Product in respect of which the design is registered: **Packaging for food**  
(51) International Design Classification: **09-03F**  
(74) Name(s) of Attorney(s):  
(71) Name(s) and Address(s) of Applicant(s):  
**Pacific Worldwide Pty Ltd**  
**1366 Heatherton Road Dandenong Victoria 3175 Australia**  
(72) Name(s) of Designer(s): **Hiroshi Kikuchi**  
(45) Registration Date: **30 May 2011**  
(56) Related Art Documents: **Not Applicable**  
(57) Statement of Newness and Distinctiveness: **The Chan's yum cha at home packaging is characterized by a crisp image of plated food on a white background with a black strip through the centre of the fascia. Each product is distinguished by a colour strip underneath the black strip. An image of the product and the logo appear on a black background on all sides of the packaging.**



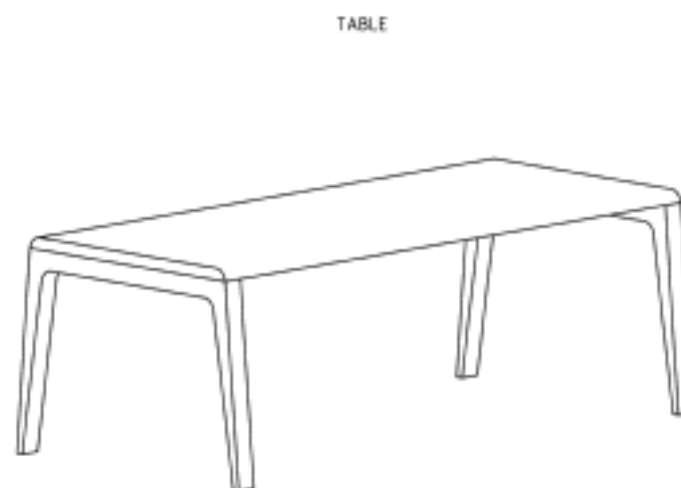
- (21) Design Number: **11058/2011**  
(22) Date of Filing Application: **10 March 2011**  
(24) Date from which industrial property rights may have effect: **10 March 2011**  
(54) Product in respect of which the design is registered: **Packaging for food**  
(51) International Design Classification: **09-03F**  
(74) Name(s) of Attorney(s):  
(71) Name(s) and Address(s) of Applicant(s):  
**Pacific Worldwide Pty Ltd**  
**1366 Heatherton Road Dandenong Victoria 3175 Australia**  
(72) Name(s) of Designer(s): **Hiroshi Kikuchi**  
(45) Registration Date: **30 May 2011**  
(56) Related Art Documents: **Not Applicable**  
(57) Statement of Newness and Distinctiveness: **The Chan's yum cha at home packaging is characterized by a crisp image of plated food on a white background with a black strip through the centre of the fascia. Each product is distinguished by a colour strip underneath the black strip. An image of the product and the logo appear on a black background on all sides of the packaging.**



- (21) Design Number: **11059/2011**  
(22) Date of Filing Application: **10 March 2011**  
(24) Date from which industrial property rights may have effect: **10 March 2011**  
(54) Product in respect of which the design is registered: **Packaging for food**  
(51) International Design Classification: **09-03F**  
(74) Name(s) of Attorney(s):  
(71) Name(s) and Address(s) of Applicant(s):  
**Pacific Worldwide Pty Ltd**  
**1366 Heatherton Road Dandenong Victoria 3175 Australia**  
(72) Name(s) of Designer(s): **Hiroshi Kikuchi**  
(45) Registration Date: **30 May 2011**  
(56) Related Art Documents: **Not Applicable**  
(57) Statement of Newness and Distinctiveness: **The Chan's yum cha at home packaging is characterized by a crisp image of plated food on a white background with a black strip through the centre of the fascia. Each product is distinguished by a colour strip underneath the black strip. An image of the product and the logo appear on a black background on all sides of the packaging**



- (21) Design Number: **11301/2011**  
(22) Date of Filing Application: **28 March 2011**  
(24) Date from which industrial property rights may have effect: **28 March 2011**  
(54) Product in respect of which the design is registered: **Table, bench, stool**  
(51) International Design Classification: **06-03A, 06-06H, 06-01E**  
(74) Name(s) of Attorney(s):  
(71) Name(s) and Address(s) of Applicant(s):  
**Keith Melbourne**  
**12/95 Victoria Street Fitzroy Victoria 3065 Australia**  
(72) Name(s) of Designer(s): **Keith Melbourne**  
(45) Registration Date: **30 May 2011**  
(56) Related Art Documents: **Not Applicable**  
(57) Statement of Newness and Distinctiveness: **Nil**





(21) Design Number: **11450/2011**  
(22) Date of Filing Application: **04 April 2011**  
(24) Date from which industrial property rights may have effect: **04 April 2011**  
(54) Product in respect of which the design is registered: **Pipette for aural care**  
(51) International Design Classification: **24-02**  
(74) Name(s) of Attorney(s): **Collison & Co**  
(71) Name(s) and Address(s) of Applicant(s):  
**VIRBAC**  
**13eme Rue LID BP 27 06511 Carros Cedex France**  
(72) Name(s) of Designer(s): **Michel Robin**  
(45) Registration Date: **30 May 2011**  
(56) Related Art Documents: **Not Applicable**  
(57) Statement of Newness and Distinctiveness: **Nil**



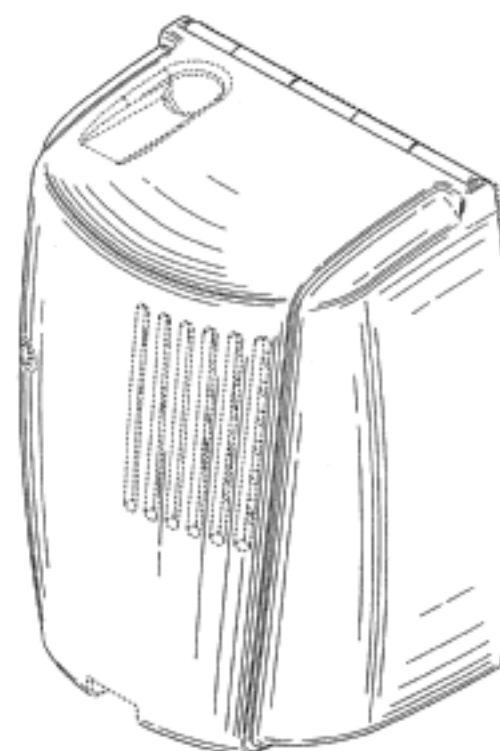
(21) Design Number: **11971/2011**  
(22) Date of Filing Application: **04 May 2011**  
(24) Date from which industrial property rights may have effect: **04 May 2011**  
(54) Product in respect of which the design is registered: **Toilet bowl dispenser**  
(51) International Design Classification: **23-02NES**  
(74) Name(s) of Attorney(s): **Cullens Patent and Trade Mark Attorneys**  
(71) Name(s) and Address(s) of Applicant(s):  
**Rubbermaid Commercial Products, LLC**  
**3124 Valley Avenue Winchester 22601 VA United States of America**  
(72) Name(s) of Designer(s): **Sylvia Boshuizen and Donald C. Presnell**  
(45) Registration Date: **30 May 2011**  
(30) Convention priority data:  
(31) Number      (32) Date      (33) Country  
**29/378553      05 Nov 2010      UNITED STATES OF AMERICA**  
(56) Related Art Documents: **Not Applicable**  
(57) Statement of Newness and Distinctiveness: **Nil**



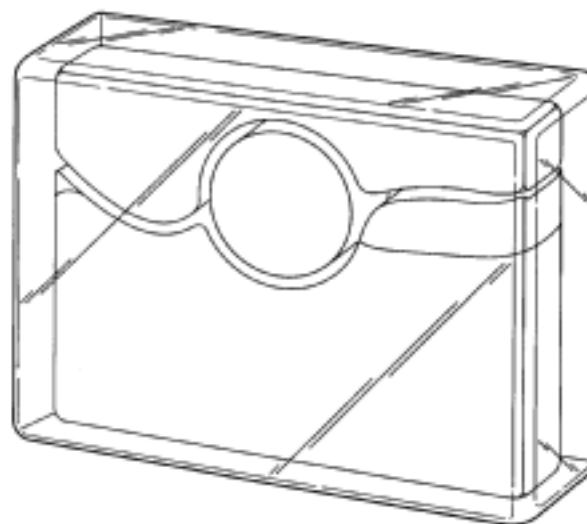
(21) Design Number: **11972/2011**  
(22) Date of Filing Application: **04 May 2011**  
(24) Date from which industrial property rights may have effect: **04 May 2011**  
(54) Product in respect of which the design is registered: **Aerosol dispenser**  
(51) International Design Classification: **09-01A**  
(74) Name(s) of Attorney(s): **Cullens Patent and Trade Mark Attorneys**  
(71) Name(s) and Address(s) of Applicant(s):  
**Rubbermaid Commercial Products, LLC**  
**3124 Valley Avenue Winchester 22601 VA United States of America**  
(72) Name(s) of Designer(s): **Sylvia Boshuizen and Donald C. Presnell**  
(45) Registration Date: **30 May 2011**  
(30) Convention priority data:  
(31) Number (32) Date (33) Country  
**29/378554 05 Nov 2010 UNITED STATES OF AMERICA**  
(56) Related Art Documents: **Not Applicable**  
(57) Statement of Newness and Distinctiveness: **Nil**



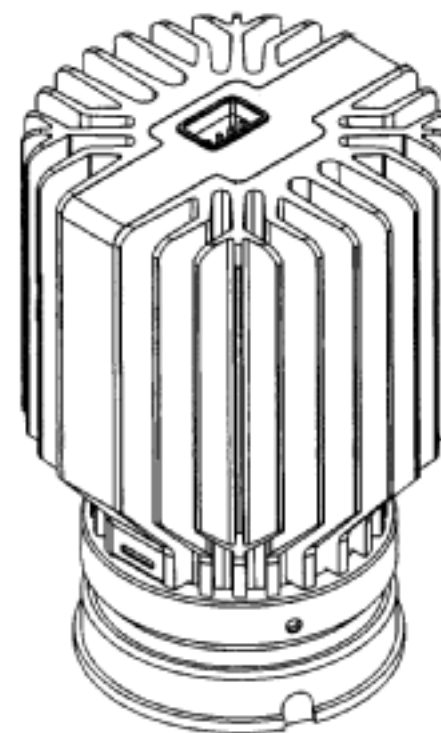
(21) Design Number: **11973/2011**  
(22) Date of Filing Application: **04 May 2011**  
(24) Date from which industrial property rights may have effect: **04 May 2011**  
(54) Product in respect of which the design is registered: **Air freshener**  
(51) International Design Classification: **28-99**  
(74) Name(s) of Attorney(s): **Cullens Patent and Trade Mark Attorneys**  
(71) Name(s) and Address(s) of Applicant(s):  
**Rubbermaid Commercial Products, LLC**  
**3124 Valley Avenue Winchester 22601 VA United States of America**  
(72) Name(s) of Designer(s): **Sylvia Boshuizen and Donald C. Presnell**  
(45) Registration Date: **30 May 2011**  
(30) Convention priority data:  
(31) Number (32) Date (33) Country  
**29/378555 05 Nov 2010 UNITED STATES OF AMERICA**  
(56) Related Art Documents: **Not Applicable**  
(57) Statement of Newness and Distinctiveness: **Nil**



(21) Design Number: **11974/2011**  
(22) Date of Filing Application: **04 May 2011**  
(24) Date from which industrial property rights may have effect: **04 May 2011**  
(54) Product in respect of which the design is registered: **Capsule containing washing products**  
(51) International Design Classification: **07-05NES**  
(74) Name(s) of Attorney(s): **Shelston IP**  
(71) Name(s) and Address(s) of Applicant(s):  
**Reckitt Benckiser N.V.**  
**Siriusdreef 14 2132 W Hoofddorp The Netherlands**  
(72) Name(s) of Designer(s): **Mauro Davanzo and Emanuele Rossetto and Thomas Enkel**  
(45) Registration Date: **30 May 2011**  
(30) Convention priority data:  
(31) Number (32) Date (33) Country  
**001777657-0001 05 Nov 2010 EUROPEAN COMMUNITY**  
(56) Related Art Documents: **Not Applicable**  
(57) Statement of Newness and Distinctiveness: **Nil**



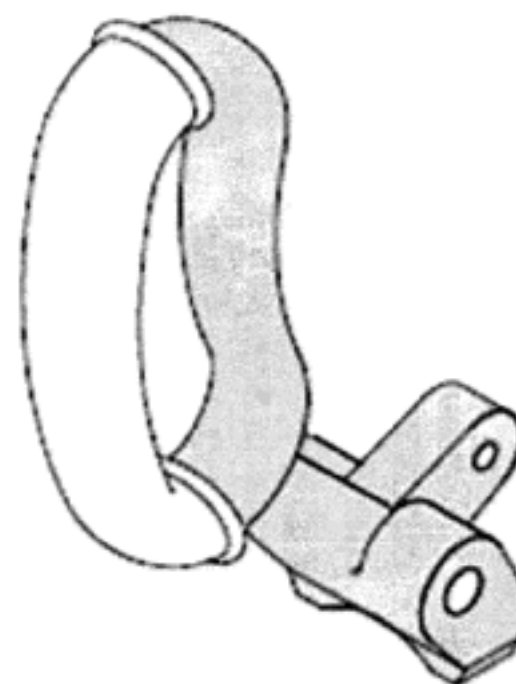
(21) Design Number: **12163/2011**  
(22) Date of Filing Application: **13 May 2011**  
(24) Date from which industrial property rights may have effect: **13 May 2011**  
(54) Product in respect of which the design is registered: **Light**  
(51) International Design Classification: **26-05C**  
(74) Name(s) of Attorney(s): **Madderns**  
(71) Name(s) and Address(s) of Applicant(s):  
**Gerard Lighting Pty Ltd**  
**101 Port Wakefield Road Cavan South Australia 5094 Australia**  
(72) Name(s) of Designer(s): **Anthony Damien Kearney and Jason Andrew Gerard**  
(45) Registration Date: **30 May 2011**  
(56) Related Art Documents: **Not Applicable**  
(57) Statement of Newness and Distinctiveness: **Newness and distinctiveness resides in the shape and/or configuration of a light as shown in the accompanying representations.**



- (21) Design Number: **11568/2011**  
(22) Date of Filing Application: **12 April 2011**  
(24) Date from which industrial property rights may have effect: **12 April 2011**  
(54) Product in respect of which the design is registered: **Water purification**  
(51) International Design Classification: **23-01G**  
(74) Name(s) of Attorney(s): **Davies Collison Cave**  
(71) Name(s) and Address(s) of Applicant(s):  
**Unilever PLC**  
**Unilever House 100 Victoria Embankment London EC4Y 0DY United Kingdom**  
(72) Name(s) of Designer(s): **Jiadeep Chatterjee and Shyamsunder Balakrishna Karekar**  
(45) Registration Date: **31 May 2011**  
(30) Convention priority data:  
(31) Number (32) Date (33) Country  
**001774761-0001 29 Oct 2010 EUROPEAN COMMUNITY**  
(56) Related Art Documents: **Not Applicable**  
(57) Statement of Newness and Distinctiveness: **Newness and distinctiveness is claimed in the visual features shown in solid lines in the representations.**



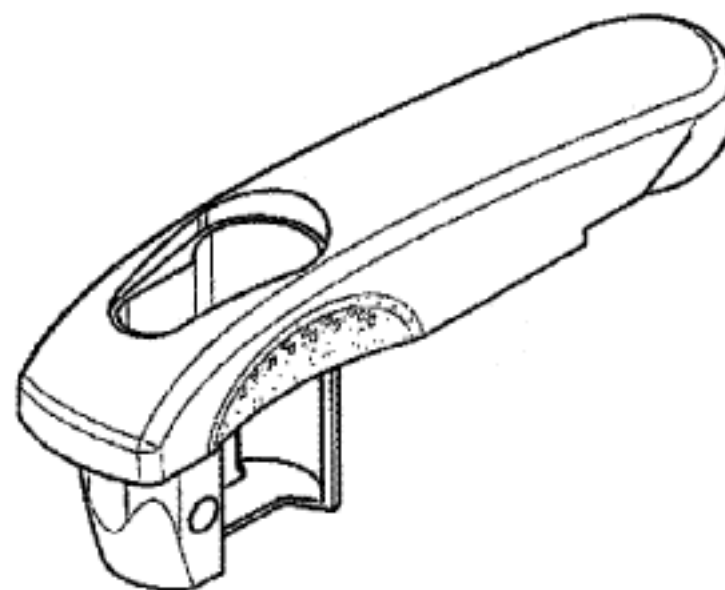
- (21) Design Number: **11982/2011**  
(22) Date of Filing Application: **05 May 2011**  
(24) Date from which industrial property rights may have effect: **05 May 2011**  
(54) Product in respect of which the design is registered: **Handle grip for trailer couplings**  
(51) International Design Classification: **12-16L**  
(74) Name(s) of Attorney(s): **Macpherson + Kelley**  
(71) Name(s) and Address(s) of Applicant(s):  
**AL-KO International Pty Ltd**  
**67-91 Nathan Road Dandenong South Victoria 3175 Australia**  
(72) Name(s) of Designer(s): **Slobodan Cabarkapa**  
(45) Registration Date: **31 May 2011**  
(56) Related Art Documents: **Not Applicable**  
(57) Statement of Newness and Distinctiveness: **Monopoly is claimed in the features of shape and configuration of the Handle Grip illustrated in the accompanying representations. The shaded features of the representations form no part of the design.**



(21) Design Number: **11986/2011**  
(22) Date of Filing Application: **05 May 2011**  
(24) Date from which industrial property rights may have effect: **05 May 2011**  
(54) Product in respect of which the design is registered: **Infant formula container**  
(51) International Design Classification: **09-03L**  
(74) Name(s) of Attorney(s): **Allens Arthur Robinson**  
(71) Name(s) and Address(s) of Applicant(s):  
**Wyeth LLC**  
**Five Giralda Farms Madison New Jersey 07940 United States of America**  
(72) Name(s) of Designer(s): **Peter Booth and Corinne Elstow and Zena J. Irani**  
(45) Registration Date: **31 May 2011**  
(30) Convention priority data:  
(31) Number (32) Date (33) Country  
**29/381725 22 Dec 2010 UNITED STATES OF AMERICA**  
(56) Related Art Documents: **Not Applicable**  
(57) Statement of Newness and Distinctiveness: **Newness and distinctiveness is claimed in the shape and configuration of the infant formula container as shown in the attached representations.**



(21) Design Number: **15078/2010**  
(22) Date of Filing Application: **19 November 2010**  
(24) Date from which industrial property rights may have effect: **19 November 2010**  
(54) Product in respect of which the design is registered: **Handle**  
(51) International Design Classification: **08-06**  
(74) Name(s) of Attorney(s): **Houlihan2**  
(71) Name(s) and Address(s) of Applicant(s):  
**David Stuckey Investments Pty Ltd**  
**Pitcher Partners 6th Floor 161 Collins Street Melbourne Victoria 3000**  
**Australia**  
(72) Name(s) of Designer(s): **David Martin Stuckey and Marc Fraser**  
(45) Registration Date: **31 May 2011**  
(56) Related Art Documents: **Not Applicable**  
(57) Statement of Newness and Distinctiveness: **Nil**



- (21) Design Number: **10657/2011**  
(22) Date of Filing Application: **22 February 2011**  
(24) Date from which industrial property rights may have effect: **22 February 2011**  
(54) Product in respect of which the design is registered: **Toilet brush**  
(51) International Design Classification: **04-02**  
(74) Name(s) of Attorney(s): **Allens Arthur Robinson**  
(71) Name(s) and Address(s) of Applicant(s):

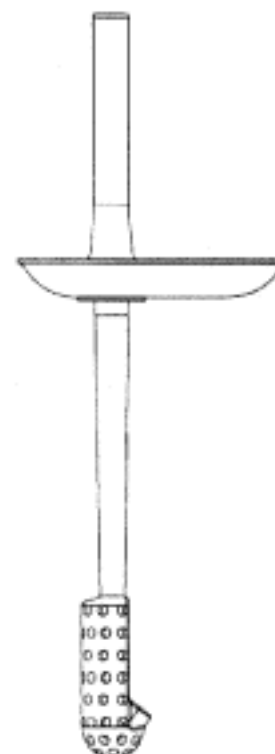
**ED Oates Pty Ltd**  
**Maygar Boulevard Broadmeadows Victoria 3047 Australia**

(72) Name(s) of Designer(s): **Paul Charlwood**

(45) Registration Date: **31 May 2011**

(56) Related Art Documents: **Not Applicable**

(57) Statement of Newness and Distinctiveness: **Newness and distinctiveness resides in the visual features of shape and/or configuration of a toilet brush as illustrated in the accompanying representations. The words 'Oates cleans best' and the flower device do not form part of the design and are to be disregarded when considering whether the design is identical or substantially similar in overall impression to another design. The straight line bisecting the flange and the teardrop shape surrounding the handle are illustrative of contour and do not depict surface ornamentation.**



- (21) Design Number: **11563/2011**  
(22) Date of Filing Application: **12 April 2011**  
(24) Date from which industrial property rights may have effect: **12 April 2011**  
(54) Product in respect of which the design is registered: **Tea capsule**  
(51) International Design Classification: **07-01G**  
(74) Name(s) of Attorney(s): **Davies Collison Cave**  
(71) Name(s) and Address(s) of Applicant(s):

**Unilever PLC**  
**Unilever House 100 Victoria Embankment London EC4Y 0DY United Kingdom**

(72) Name(s) of Designer(s): **Raffaele Zandona**

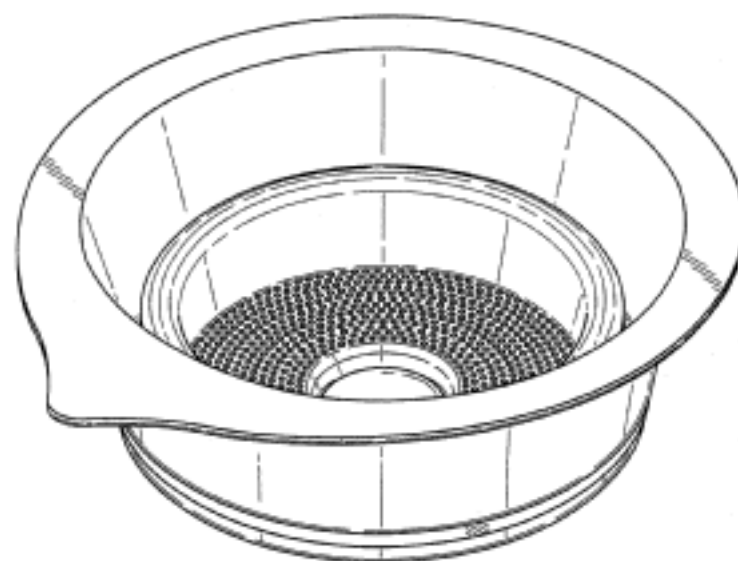
(45) Registration Date: **31 May 2011**

(30) Convention priority data:

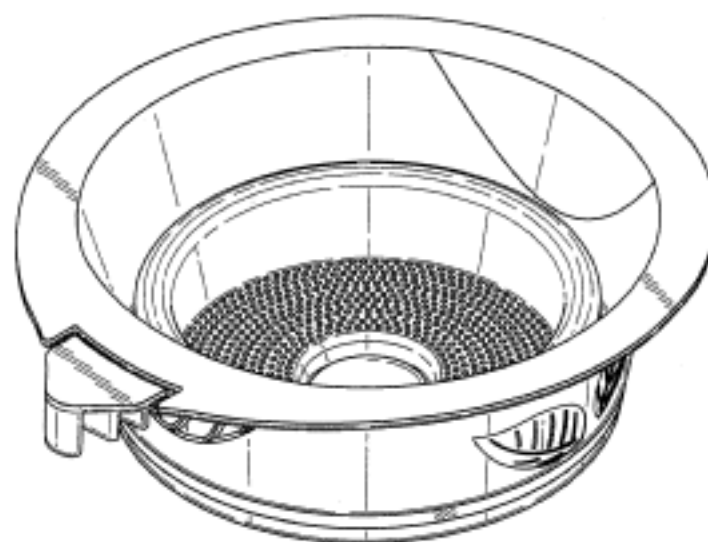
(31) Number	(32) Date	(33) Country
<b>001775081-0001</b>	<b>29 Oct 2010</b>	<b>EUROPEAN COMMUNITY</b>

(56) Related Art Documents: **Not Applicable**

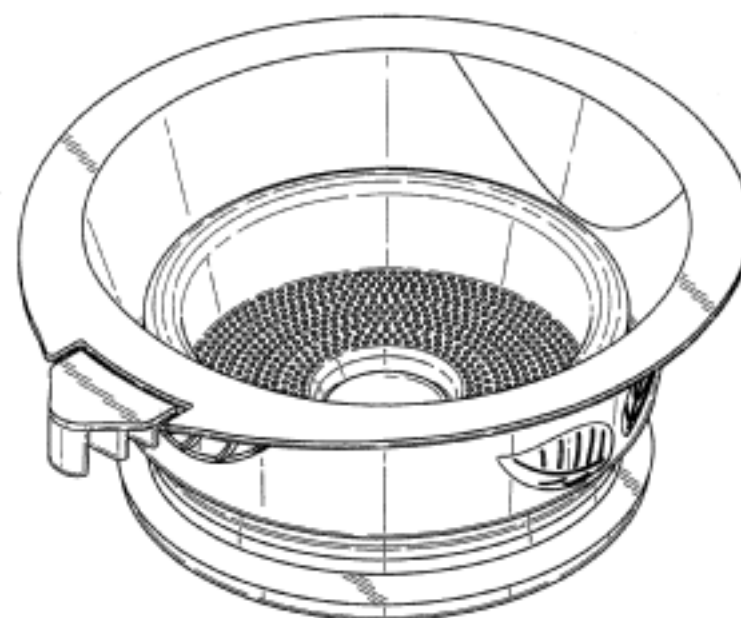
(57) Statement of Newness and Distinctiveness: **Newness and distinctiveness is claimed in the visual features shown in solid lines in the representations.**



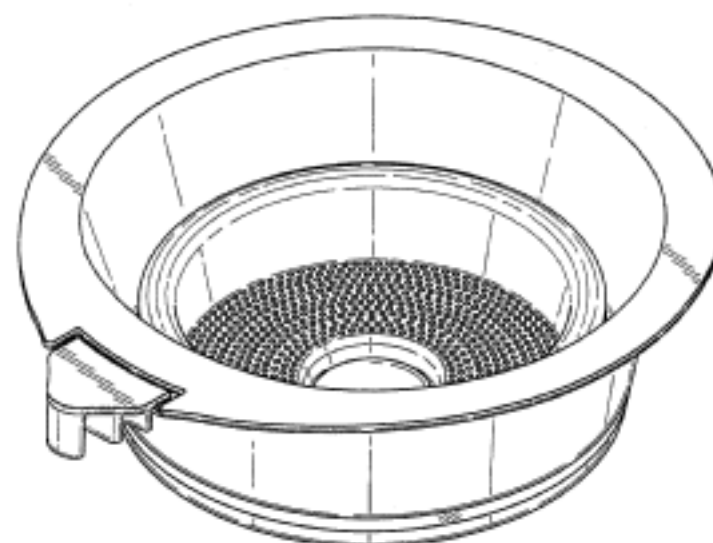
(21) Design Number: **11564/2011**  
(22) Date of Filing Application: **12 April 2011**  
(24) Date from which industrial property rights may have effect: **12 April 2011**  
(54) Product in respect of which the design is registered: **Tea capsule**  
(51) International Design Classification: **07-01G**  
(74) Name(s) of Attorney(s): **Davies Collison Cave**  
(71) Name(s) and Address(s) of Applicant(s):  
**Unilever PLC**  
**Unilever House 100 Victoria Embankment London EC4Y 0DY United Kingdom**  
(72) Name(s) of Designer(s): **Raffaele Zandona**  
(45) Registration Date: **31 May 2011**  
(30) Convention priority data:  
(31) Number (32) Date (33) Country  
**001775081-0002 29 Oct 2010 EUROPEAN COMMUNITY**  
(56) Related Art Documents: **Not Applicable**  
(57) Statement of Newness and Distinctiveness: **Newness and distinctiveness is claimed in the visual features shown in solid lines in the representations.**



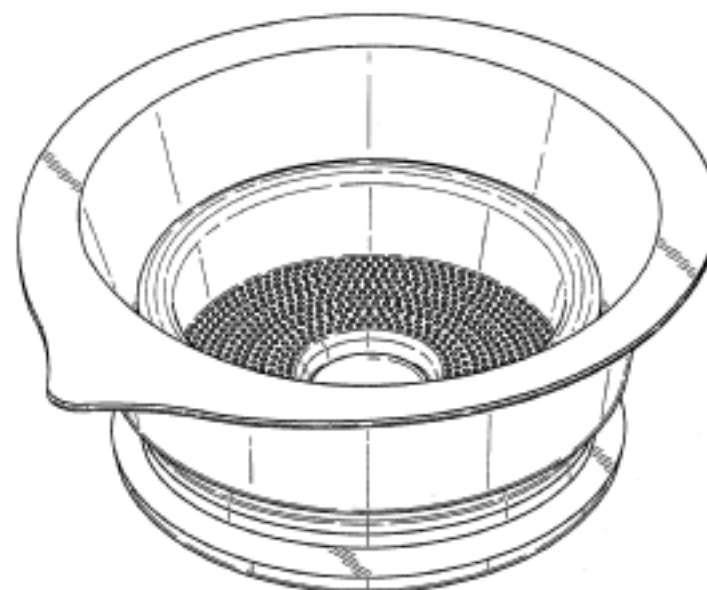
(21) Design Number: **11565/2011**  
(22) Date of Filing Application: **12 April 2011**  
(24) Date from which industrial property rights may have effect: **12 April 2011**  
(54) Product in respect of which the design is registered: **Tea capsule**  
(51) International Design Classification: **07-01G**  
(74) Name(s) of Attorney(s): **Davies Collison Cave**  
(71) Name(s) and Address(s) of Applicant(s):  
**Unilever PLC**  
**Unilever House 100 Victoria Embankment London EC4Y 0DY United Kingdom**  
(72) Name(s) of Designer(s): **Raffaele Zandona**  
(45) Registration Date: **31 May 2011**  
(30) Convention priority data:  
(31) Number (32) Date (33) Country  
**001775081-0003 29 Oct 2010 EUROPEAN COMMUNITY**  
(56) Related Art Documents: **Not Applicable**  
(57) Statement of Newness and Distinctiveness: **Newness and distinctiveness is claimed in the visual features shown in solid lines in the representations.**



(21) Design Number: **11566/2011**  
(22) Date of Filing Application: **12 April 2011**  
(24) Date from which industrial property rights may have effect: **12 April 2011**  
(54) Product in respect of which the design is registered: **Tea capsule**  
(51) International Design Classification: **07-01G**  
(74) Name(s) of Attorney(s): **Davies Collison Cave**  
(71) Name(s) and Address(s) of Applicant(s):  
**Unilever PLC**  
**Unilever House 100 Victoria Embankment London EC4Y 0DY United Kingdom**  
(72) Name(s) of Designer(s): **Raffaele Zandona**  
(45) Registration Date: **31 May 2011**  
(30) Convention priority data:  
(31) Number (32) Date (33) Country  
**001775081-0004 29 Oct 2010 EUROPEAN COMMUNITY**  
(56) Related Art Documents: **Not Applicable**  
(57) Statement of Newness and Distinctiveness: **Newness and distinctiveness is claimed in the visual features shown in solid lines in the representations.**

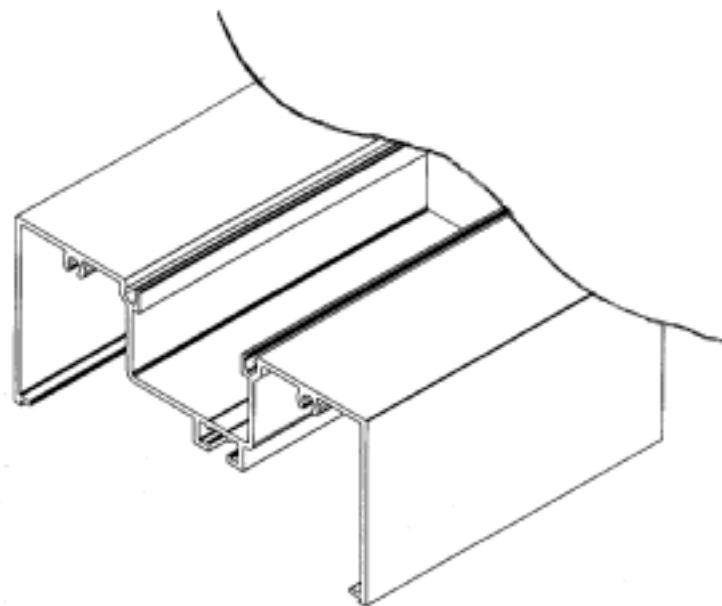


(21) Design Number: **11567/2011**  
(22) Date of Filing Application: **12 April 2011**  
(24) Date from which industrial property rights may have effect: **12 April 2011**  
(54) Product in respect of which the design is registered: **Tea capsule**  
(51) International Design Classification: **07-01G**  
(74) Name(s) of Attorney(s): **Davies Collison Cave**  
(71) Name(s) and Address(s) of Applicant(s):  
**Unilever PLC**  
**Unilever House 100 Victoria Embankment London EC4Y 0DY United Kingdom**  
(72) Name(s) of Designer(s): **Raffaele Zandona**  
(45) Registration Date: **31 May 2011**  
(30) Convention priority data:  
(31) Number (32) Date (33) Country  
**001775081-0005 29 Oct 2010 EUROPEAN COMMUNITY**  
(56) Related Art Documents: **Not Applicable**  
(57) Statement of Newness and Distinctiveness: **Newness and distinctiveness is claimed in the visual features shown in solid lines in the representations.**

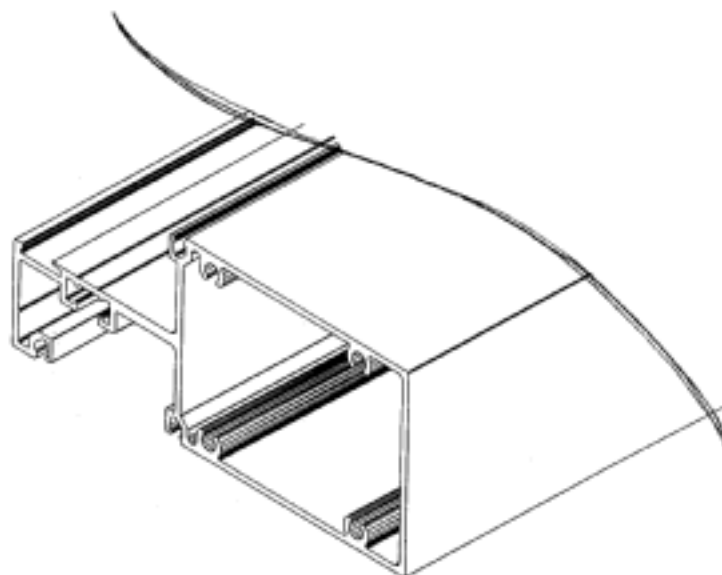




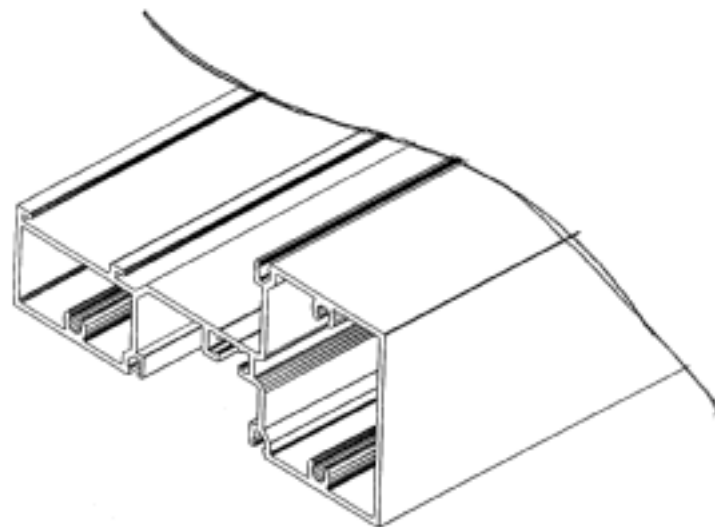
- (21) Design Number: **11740/2011**  
(22) Date of Filing Application: **20 April 2011**  
(24) Date from which industrial property rights may have effect: **20 April 2011**  
(54) Product in respect of which the design is registered: **Thermal break window extrusion 1**  
(51) International Design Classification: **25-01K, 25-02H**  
(74) Name(s) of Attorney(s):  
(71) Name(s) and Address(s) of Applicant(s):  
**Aluminium Industries of Australia Pty Ltd**  
**Cnr Carson Avenue & Cheltenham Road Keysborough Victoria 3173**  
**Australia**  
(72) Name(s) of Designer(s): **Jim Gallagher and Tracey Coad**  
(45) Registration Date: **31 May 2011**  
(56) Related Art Documents: **Not Applicable**  
(57) Statement of Newness and Distinctiveness: **Monopoly is claimed in the shape and/or configuration of an extruded thermal break extrusion 1 as illustrated in the representations and which is of indefinite length. Monopoly is also claimed in the shape and/or configuration of the thermal break feature.**



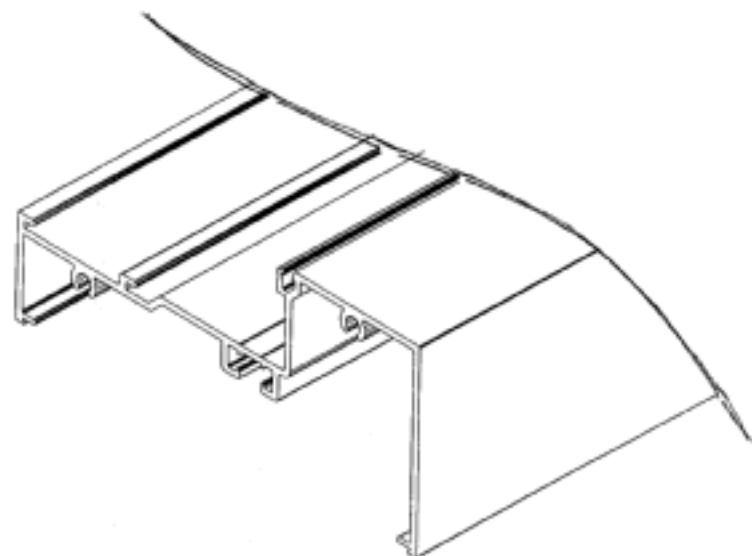
- (21) Design Number: **11741/2011**  
(22) Date of Filing Application: **20 April 2011**  
(24) Date from which industrial property rights may have effect: **20 April 2011**  
(54) Product in respect of which the design is registered: **Thermal break window extrusion 2**  
(51) International Design Classification: **25-01K, 25-02H**  
(74) Name(s) of Attorney(s):  
(71) Name(s) and Address(s) of Applicant(s):  
**Aluminium Industries of Australia Pty Ltd**  
**Cnr Carson Avenue & Cheltenham Road Keysborough Victoria 3173**  
**Australia**  
(72) Name(s) of Designer(s): **Jim Gallagher and Tracey Coad**  
(45) Registration Date: **31 May 2011**  
(56) Related Art Documents: **Not Applicable**  
(57) Statement of Newness and Distinctiveness: **Monopoly is claimed in the shape and/or configuration of an extruded thermal break extrusion 2 as illustrated in the representations and which is of indefinite length. Monopoly is also claimed in the shape and/or configuration of the thermal break feature.**



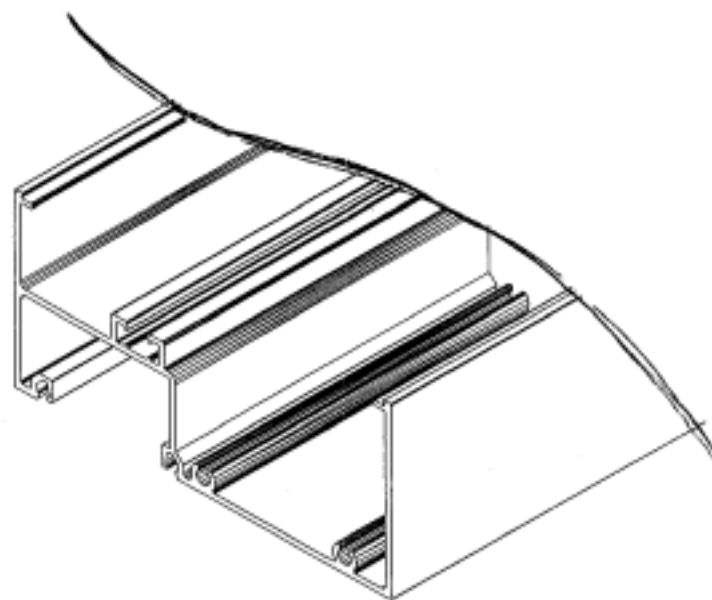
- (21) Design Number: **11742/2011**  
(22) Date of Filing Application: **20 April 2011**  
(24) Date from which industrial property rights may have effect: **20 April 2011**  
(54) Product in respect of which the design is registered: **Thermal break window extrusion 3**  
(51) International Design Classification: **25-01K, 25-02H**  
(74) Name(s) of Attorney(s):  
(71) Name(s) and Address(s) of Applicant(s):  
**Aluminium Industries of Australia Pty Ltd**  
**Cnr Carson Avenue & Cheltenham Road Keysborough Victoria 3173**  
**Australia**  
(72) Name(s) of Designer(s): **Jim Gallagher and Tracey Coad**  
(45) Registration Date: **31 May 2011**  
(56) Related Art Documents: **Not Applicable**  
(57) Statement of Newness and Distinctiveness: **Monopoly is claimed in the shape and/or configuration of an extruded thermal break extrusion 3 as illustrated in the representations and which is of indefinite length. Monopoly is also claimed in the shape and/or configuration of the thermal break feature.**



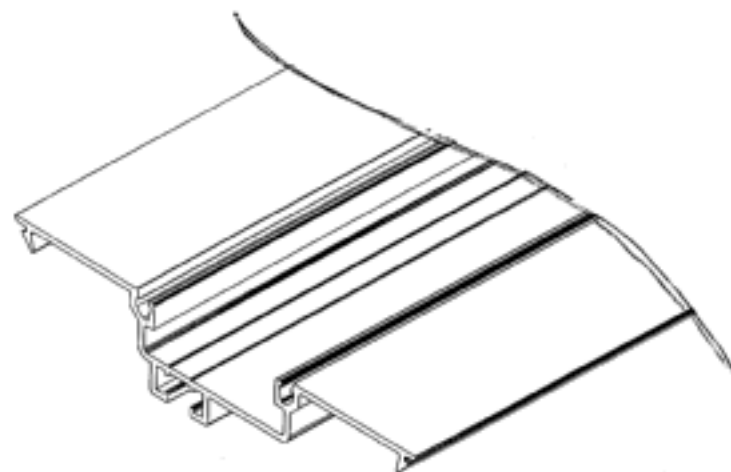
- (21) Design Number: **11743/2011**  
(22) Date of Filing Application: **20 April 2011**  
(24) Date from which industrial property rights may have effect: **20 April 2011**  
(54) Product in respect of which the design is registered: **Thermal break window extrusion 4**  
(51) International Design Classification: **25-01K, 25-02H**  
(74) Name(s) of Attorney(s):  
(71) Name(s) and Address(s) of Applicant(s):  
**Aluminium Industries of Australia Pty Ltd**  
**Cnr Carson Avenue & Cheltenham Road Keysborough Victoria 3173**  
**Australia**  
(72) Name(s) of Designer(s): **Jim Gallagher and Tracey Coad**  
(45) Registration Date: **31 May 2011**  
(56) Related Art Documents: **Not Applicable**  
(57) Statement of Newness and Distinctiveness: **Monopoly is claimed in the shape and/or configuration of an extruded thermal break extrusion 4 as illustrated in the representations and which is of indefinite length. Monopoly is also claimed in the shape and/or configuration of the thermal break feature.**



- (21) Design Number: **11744/2011**  
(22) Date of Filing Application: **20 April 2011**  
(24) Date from which industrial property rights may have effect: **20 April 2011**  
(54) Product in respect of which the design is registered: **Thermal break window extrusion 5**  
(51) International Design Classification: **25-01K, 25-02H**  
(74) Name(s) of Attorney(s):  
(71) Name(s) and Address(s) of Applicant(s):  
**Aluminium Industries of Australia Pty Ltd**  
**Cnr Carson Avenue & Cheltenham Road Keysborough Victoria 3173**  
**Australia**  
(72) Name(s) of Designer(s): **Jim Gallagher and Tracey Coad**  
(45) Registration Date: **31 May 2011**  
(56) Related Art Documents: **Not Applicable**  
(57) Statement of Newness and Distinctiveness: **Monopoly is claimed in the shape and/or configuration of an extruded thermal break extrusion 5 as illustrated in the representations and which is of indefinite length. Monopoly is also claimed in the shape and/or configuration of the thermal break feature.**



- (21) Design Number: **11745/2011**  
(22) Date of Filing Application: **20 April 2011**  
(24) Date from which industrial property rights may have effect: **20 April 2011**  
(54) Product in respect of which the design is registered: **Thermal break window extrusion 6**  
(51) International Design Classification: **25-01K, 25-02H**  
(74) Name(s) of Attorney(s):  
(71) Name(s) and Address(s) of Applicant(s):  
**Aluminium Industries of Australia Pty Ltd**  
**Cnr Carson Avenue & Cheltenham Road Keysborough Victoria 3173**  
**Australia**  
(72) Name(s) of Designer(s): **Jim Gallagher and Tracey Coad**  
(45) Registration Date: **31 May 2011**  
(56) Related Art Documents: **Not Applicable**  
(57) Statement of Newness and Distinctiveness: **Monopoly is claimed in the shape and/or configuration of an extruded thermal break extrusion 6 as illustrated in the representations and which is of indefinite length. Monopoly is also claimed in the shape and/or configuration of the thermal break feature.**



(21) Design Number: **11746/2011**

(22) Date of Filing Application: **20 April 2011**

(24) Date from which industrial property rights may have effect: **20 April 2011**

(54) Product in respect of which the design is registered: **Thermal break window extrusion 7**

(51) International Design Classification: **25-01K, 25-02H**

(74) Name(s) of Attorney(s):

(71) Name(s) and Address(s) of Applicant(s):

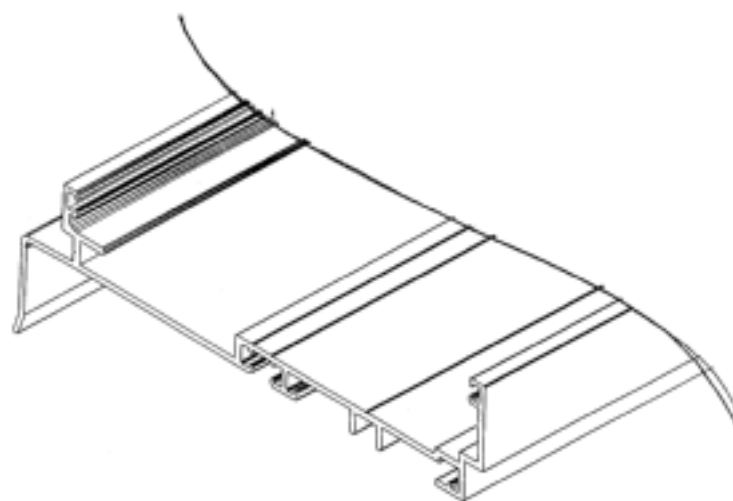
**Aluminium Industries of Australia Pty Ltd  
Cnr Carson Avenue & Cheltenham Road Keysborough Victoria 3173  
Australia**

(72) Name(s) of Designer(s): **Jim Gallagher and Tracey Coad**

(45) Registration Date: **31 May 2011**

(56) Related Art Documents: **Not Applicable**

(57) Statement of Newness and Distinctiveness: **Monopoly is claimed in the shape and/or configuration of an extruded thermal break extrusion 7 as illustrated in the representations and which is of indefinite length. Monopoly is also claimed in the shape and/or configuration of the thermal break feature.**



(21) Design Number: **11747/2011**

(22) Date of Filing Application: **20 April 2011**

(24) Date from which industrial property rights may have effect: **20 April 2011**

(54) Product in respect of which the design is registered: **Thermal break window extrusion 8**

(51) International Design Classification: **25-01K, 25-02H**

(74) Name(s) of Attorney(s):

(71) Name(s) and Address(s) of Applicant(s):

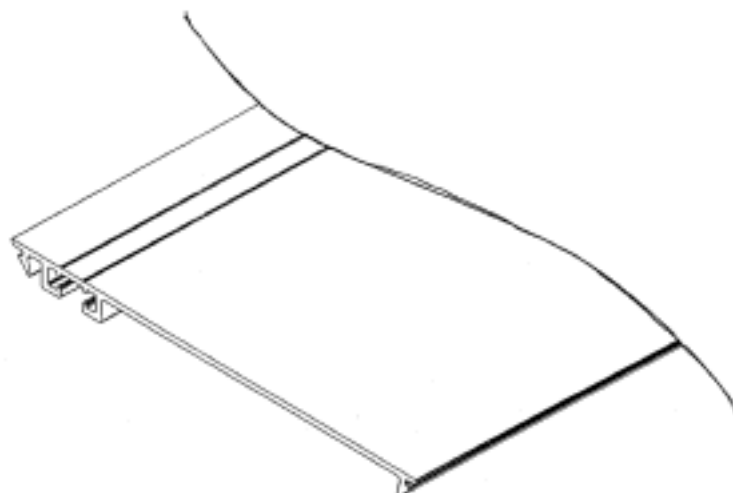
**Aluminium Industries of Australia Pty Ltd  
Cnr Carson Avenue & Cheltenham Road Keysborough Victoria 3173  
Australia**

(72) Name(s) of Designer(s): **Jim Gallagher and Tracey Coad**

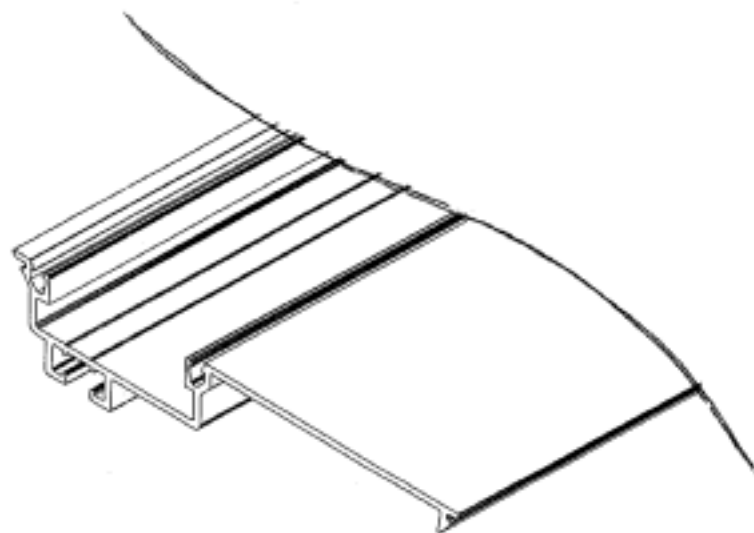
(45) Registration Date: **31 May 2011**

(56) Related Art Documents: **Not Applicable**

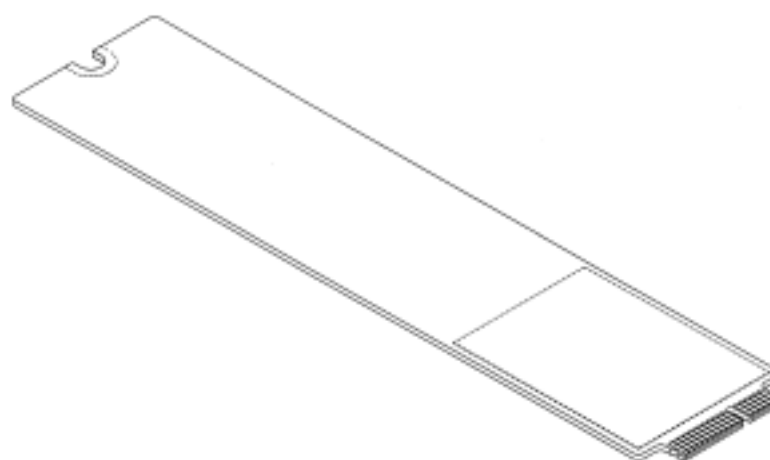
(57) Statement of Newness and Distinctiveness: **Monopoly is claimed in the shape and/or configuration of an extruded thermal break extrusion 8 as illustrated in the representations and which is of indefinite length. Monopoly is also claimed in the shape and/or configuration of the thermal break feature.**



- (21) Design Number: **11748/2011**  
(22) Date of Filing Application: **20 April 2011**  
(24) Date from which industrial property rights may have effect: **20 April 2011**  
(54) Product in respect of which the design is registered: **Thermal break window extrusion 9**  
(51) International Design Classification: **25-01K, 25-02H**  
(74) Name(s) of Attorney(s):  
(71) Name(s) and Address(s) of Applicant(s):  
**Aluminium Industries of Australia Pty Ltd**  
**Cnr Carson Avenue & Cheltenham Road Keysborough Victoria 3173**  
**Australia**  
(72) Name(s) of Designer(s): **Jim Gallagher and Tracey Coad**  
(45) Registration Date: **31 May 2011**  
(56) Related Art Documents: **Not Applicable**  
(57) Statement of Newness and Distinctiveness: **Monopoly is claimed in the shape and/or configuration of an extruded thermal break extrusion 9 as illustrated in the representations and which is of indefinite length. Monopoly is also claimed in the shape and/or configuration of the thermal break feature.**



- (21) Design Number: **11654/2011**  
(22) Date of Filing Application: **14 April 2011**  
(24) Date from which industrial property rights may have effect: **14 April 2011**  
(54) Product in respect of which the design is registered: **Electronic device**  
(51) International Design Classification: **14-99**  
(74) Name(s) of Attorney(s): **Freehills Patent & Trade Mark Attorneys**  
(71) Name(s) and Address(s) of Applicant(s):  
**Apple Inc.**  
**1 Infinite Loop Cupertino California 95014 United States of America**  
(72) Name(s) of Designer(s): **Brett William Degner and Ron Alan Hopkinson and Eugene Kim and Chris Lightenberg and John Raff and David Yeh and Bartley K. Andre and John M. Brock and Matthew Phillip Casebolt**  
(45) Registration Date: **31 May 2011**  
(30) Convention priority data:  
(31) Number      (32) Date      (33) Country  
**29/377130      18 Oct 2010      UNITED STATES OF AMERICA**  
(56) Related Art Documents: **Not Applicable**  
(57) Statement of Newness and Distinctiveness: **Newness and distinctiveness of the design resides in the shape and configuration of an electronic device illustrated in solid lines in the accompanying representations.**



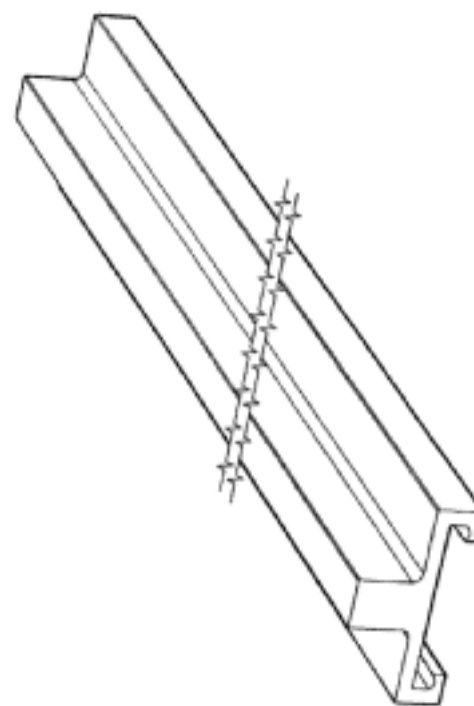
- (21) Design Number: **11991/2011**  
(22) Date of Filing Application: **05 May 2011**  
(24) Date from which industrial property rights may have effect: **05 May 2011**  
(54) Product in respect of which the design is registered: **An article of furniture**  
(51) International Design Classification: **06-01G**  
(74) Name(s) of Attorney(s): **FB Rice**  
(71) Name(s) and Address(s) of Applicant(s):  
**King Furniture (Australia) Pty Ltd**  
**123 Turrella Street Turrella New South Wales 2205 Australia**  
(72) Name(s) of Designer(s): **David Russell King and Ryan Lawson**  
(45) Registration Date: **31 May 2011**  
(56) Related Art Documents: **Not Applicable**  
(57) Statement of Newness and Distinctiveness: **Newness and distinctiveness reside in the features of the design as shown in the representations, the type and colour of the covering material, the pattern on the covering material and the appearance, number and positioning of the feet being disclaimed.**



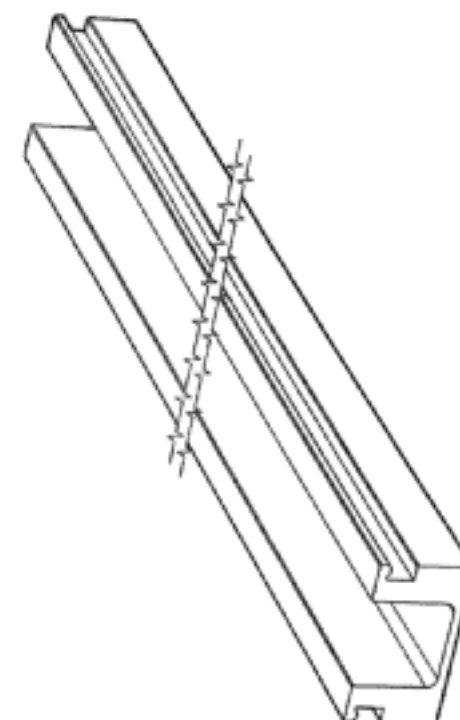
- (21) Design Number: **11992/2011**  
(22) Date of Filing Application: **05 May 2011**  
(24) Date from which industrial property rights may have effect: **05 May 2011**  
(54) Product in respect of which the design is registered: **An article of furniture**  
(51) International Design Classification: **06-01G, 06-01E**  
(74) Name(s) of Attorney(s): **FB Rice**  
(71) Name(s) and Address(s) of Applicant(s):  
**King Furniture (Australia) Pty Ltd**  
**123 Turrella Street Turrella New South Wales 2205 Australia**  
(72) Name(s) of Designer(s): **David Russell King and Ryan Lawson**  
(45) Registration Date: **31 May 2011**  
(56) Related Art Documents: **Not Applicable**  
(57) Statement of Newness and Distinctiveness: **Newness and distinctiveness reside in the features of the design as shown in the representations, the type and colour of the covering material, the pattern on the covering material and the appearance, number and positioning of the feet being disclaimed.**



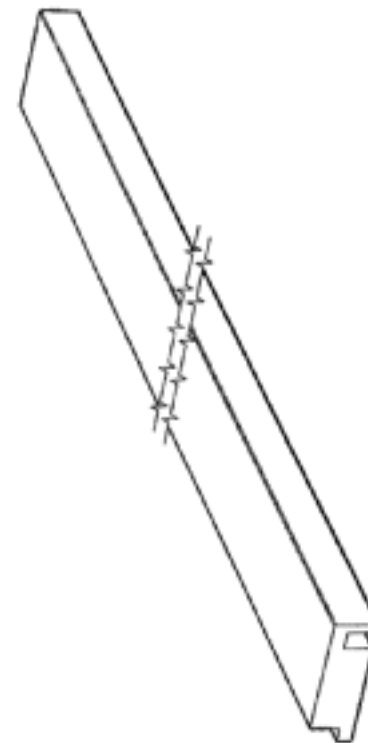
- (21) Design Number: **12003/2011**  
(22) Date of Filing Application: **06 May 2011**  
(24) Date from which industrial property rights may have effect: **06 May 2011**  
(54) Product in respect of which the design is registered: **Extrusion**  
(51) International Design Classification: **25-01K**  
(74) Name(s) of Attorney(s): **Callinans**  
(71) Name(s) and Address(s) of Applicant(s):  
**Greenway Energy Pty Ltd**  
**63 Broughton Road Surrey Hills Victoria 3127 Australia**  
(72) Name(s) of Designer(s): **Luke Simon Robert Wexler**  
(45) Registration Date: **01 June 2011**  
(56) Related Art Documents: **Not Applicable**  
(57) Statement of Newness and Distinctiveness: **Newness and distinctiveness resides in the features of the shape and configuration of an extrusion as shown in the accompanying representations which is of indefinite length.**



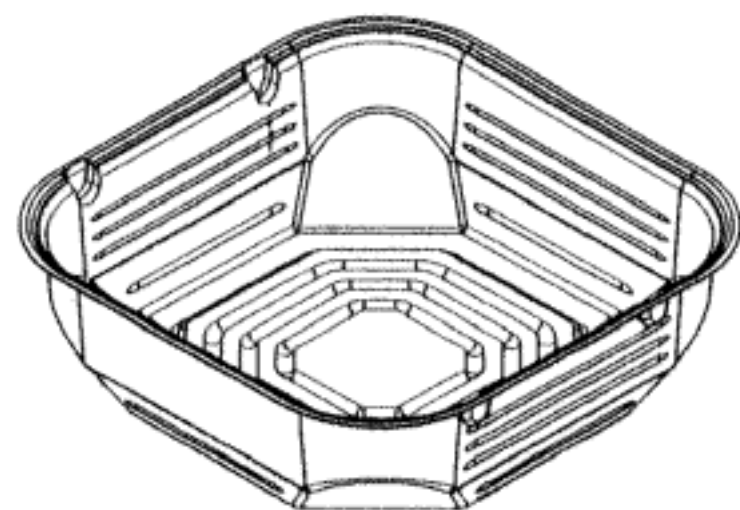
- (21) Design Number: **12004/2011**  
(22) Date of Filing Application: **06 May 2011**  
(24) Date from which industrial property rights may have effect: **06 May 2011**  
(54) Product in respect of which the design is registered: **Extrusion**  
(51) International Design Classification: **25-01K**  
(74) Name(s) of Attorney(s): **Callinans**  
(71) Name(s) and Address(s) of Applicant(s):  
**Greenway Energy Pty Ltd**  
**63 Broughton Road Surrey Hills Victoria 3127 Australia**  
(72) Name(s) of Designer(s): **Luke Simon Robert Wexler**  
(45) Registration Date: **01 June 2011**  
(56) Related Art Documents: **Not Applicable**  
(57) Statement of Newness and Distinctiveness: **Newness and distinctiveness resides in the features of the shape and configuration of an extrusion as shown in the accompanying representations which is of indefinite length.**



- (21) Design Number: **12005/2011**  
(22) Date of Filing Application: **06 May 2011**  
(24) Date from which industrial property rights may have effect: **06 May 2011**  
(54) Product in respect of which the design is registered: **Extrusion**  
(51) International Design Classification: **25-01K**  
(74) Name(s) of Attorney(s): **Callinans**  
(71) Name(s) and Address(s) of Applicant(s):  
**Greenway Energy Pty Ltd**  
**63 Broughton Road Surrey Hills Victoria 3127 Australia**  
(72) Name(s) of Designer(s): **Luke Simon Robert Wexler**  
(45) Registration Date: **01 June 2011**  
(56) Related Art Documents: **Not Applicable**  
(57) Statement of Newness and Distinctiveness: **Newness and distinctiveness resides in the features of the shape and configuration of an extrusion as shown in the accompanying representations which is of indefinite length.**



- (21) Design Number: **12025/2011**  
(22) Date of Filing Application: **06 May 2011**  
(24) Date from which industrial property rights may have effect: **06 May 2011**  
(54) Product in respect of which the design is registered: **Growth punnet**  
(51) International Design Classification: **09-03F**  
(74) Name(s) of Attorney(s): **MIDDLETONS**  
(71) Name(s) and Address(s) of Applicant(s):  
**Flowerdale Farm Pty Ltd**  
**1224 Break O'Day Road Glenburn Victoria 3717 Australia**  
(72) Name(s) of Designer(s): **James Rattray**  
(45) Registration Date: **01 June 2011**  
(56) Related Art Documents: **Not Applicable**  
(57) Statement of Newness and Distinctiveness: **Nil**





(21) Design Number: **12063/2011**  
(22) Date of Filing Application: **10 May 2011**  
(24) Date from which industrial property rights may have effect: **10 May 2011**  
(54) Product in respect of which the design is registered: **Baby capsule with upholstery and car seat support device**  
(51) International Design Classification: **12-12**  
(74) Name(s) of Attorney(s): **Callinans**  
(71) Name(s) and Address(s) of Applicant(s):  
**Jane, S.A.**  
**Mercaders 34-Pol. Ind. Riera de Caldes 08184 Palau De Plegamans**  
**Barcelona Spain**  
(72) Name(s) of Designer(s): **Manuel Jane Santamaria**  
(45) Registration Date: **01 June 2011**  
(30) Convention priority data:  
(31) Number (32) Date (33) Country  
**001807322 19 Jan 2011 EUROPEAN COMMUNITY**  
(56) Related Art Documents: **Not Applicable**  
(57) Statement of Newness and Distinctiveness: **Nil**



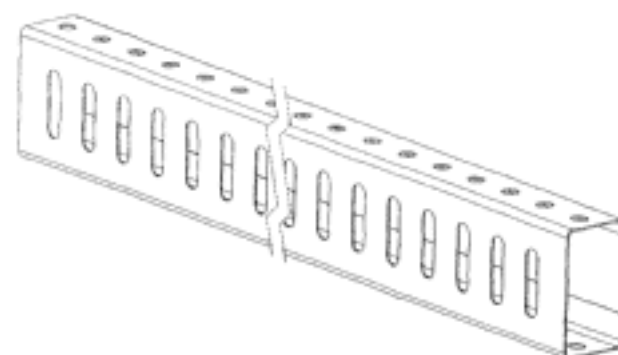
(21) Design Number: **12064/2011**  
(22) Date of Filing Application: **10 May 2011**  
(24) Date from which industrial property rights may have effect: **10 May 2011**  
(54) Product in respect of which the design is registered: **Baby capsule with upholstery**  
(51) International Design Classification: **12-12**  
(74) Name(s) of Attorney(s): **Callinans**  
(71) Name(s) and Address(s) of Applicant(s):  
**Jane, S.A.**  
**Mercaders 34-Pol. Ind. Riera de Caldes 08184 Palau De Plegamans**  
**Barcelona Spain**  
(72) Name(s) of Designer(s): **Manuel Jane Santamaria**  
(45) Registration Date: **01 June 2011**  
(30) Convention priority data:  
(31) Number (32) Date (33) Country  
**001807322 19 Jan 2011 EUROPEAN COMMUNITY**  
(56) Related Art Documents: **Not Applicable**  
(57) Statement of Newness and Distinctiveness: **Nil**



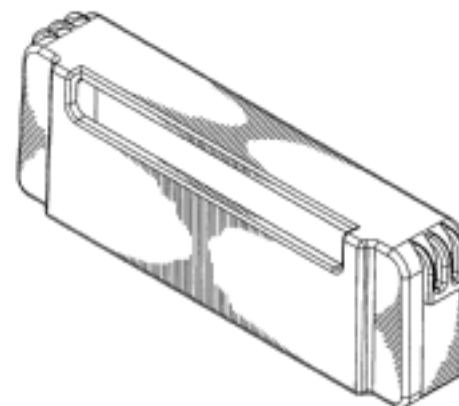
(21) Design Number: **12065/2011**  
(22) Date of Filing Application: **10 May 2011**  
(24) Date from which industrial property rights may have effect: **10 May 2011**  
(54) Product in respect of which the design is registered: **Baby capsule without upholstery**  
(51) International Design Classification: **12-12**  
(74) Name(s) of Attorney(s): **Callinans**  
(71) Name(s) and Address(s) of Applicant(s):  
**Jane, S.A.**  
**Mercaders 34-Pol. Ind. Riera de Caldes 08184 Palau De Plegamans**  
**Barcelona Spain**  
(72) Name(s) of Designer(s): **Manuel Jane Santamaria**  
(45) Registration Date: **01 June 2011**  
(30) Convention priority data:  
(31) Number      (32) Date      (33) Country  
**001807322      19 Jan 2011      EUROPEAN COMMUNITY**  
(56) Related Art Documents: **Not Applicable**  
(57) Statement of Newness and Distinctiveness: **Nil**



(21) Design Number: **11845/2011**  
(22) Date of Filing Application: **28 April 2011**  
(24) Date from which industrial property rights may have effect: **28 April 2011**  
(54) Product in respect of which the design is registered: **A support rail**  
(51) International Design Classification: **25-01C**  
(74) Name(s) of Attorney(s): **FB Rice**  
(71) Name(s) and Address(s) of Applicant(s):  
**Roderick John Laing-Peach**  
**C/-Unit 26 56 O'Riordan Street Alexandria New South Wales 2015**  
**Australia**  
(72) Name(s) of Designer(s): **Roderick John Laing-Peach and Paul Skvorc**  
(45) Registration Date: **01 June 2011**  
(56) Related Art Documents: **Not Applicable**  
(57) Statement of Newness and Distinctiveness: **Newness and distinctiveness reside in the features of a support rail of indefinite length.**



(21) Design Number: **11994/2011**  
(22) Date of Filing Application: **05 May 2011**  
(24) Date from which industrial property rights may have effect: **05 May 2011**  
(54) Product in respect of which the design is registered: **Protective overcap for a shaving razor cartridge**  
(51) International Design Classification: **28-03A**  
(74) Name(s) of Attorney(s): **PHILLIPS ORMONDE FITZPATRICK**  
(71) Name(s) and Address(s) of Applicant(s):  
**The Gillette Company**  
**One Gillette Park Boston Massachusetts 02127 United States of America**  
(72) Name(s) of Designer(s): **Matthew Corey Cataudella and Andrew Anthony Szczepanowski and Kiyosh Yokote**  
(45) Registration Date: **01 June 2011**  
(30) Convention priority data:  
(31) Number (32) Date (33) Country  
**29/383,529 19 Jan 2011 UNITED STATES OF AMERICA**  
(56) Related Art Documents: **Not Applicable**  
(57) Statement of Newness and Distinctiveness: **Those features of the protective overcap for a shaving razor cartridge depicted in the representations that are new and distinctive are the shape and/or configuration.**



(21) Design Number: **11995/2011**  
(22) Date of Filing Application: **05 May 2011**  
(24) Date from which industrial property rights may have effect: **05 May 2011**  
(54) Product in respect of which the design is registered: **Shaving razor handle**  
(51) International Design Classification: **28-03A**  
(74) Name(s) of Attorney(s): **PHILLIPS ORMONDE FITZPATRICK**  
(71) Name(s) and Address(s) of Applicant(s):  
**The Gillette Company**  
**One Gillette Park Boston Massachusetts 02127 United States of America**  
(72) Name(s) of Designer(s): **Matthew Corey Cataudella and Andrew Anthony Szczepanowski and Kiyosh Yokote**  
(45) Registration Date: **01 June 2011**  
(30) Convention priority data:  
(31) Number (32) Date (33) Country  
**29/383,528 19 Jan 2011 UNITED STATES OF AMERICA**  
(56) Related Art Documents: **Not Applicable**  
(57) Statement of Newness and Distinctiveness: **Those features of the shaving razor handle depicted in the representations that are new and distinctive are the shape and/or configuration. The features shown in broken lines are not part of the design and are to be disregarded when considering the overall impression of the design.**



(21) Design Number: **12013/2011**  
(22) Date of Filing Application: **06 May 2011**  
(24) Date from which industrial property rights may have effect: **06 May 2011**  
(54) Product in respect of which the design is registered: **Footwear**  
(51) International Design Classification: **02-04NES**  
(74) Name(s) of Attorney(s): **Freehills Patent & Trade Mark Attorneys**  
(71) Name(s) and Address(s) of Applicant(s):

**Sao Paulo Alpargatas S.A.**  
**Rua Funchal 160 Vila Olimpia CEP Sao Paulo 04551-903 Brazil**

(72) Name(s) of Designer(s): **Julio Panariello**

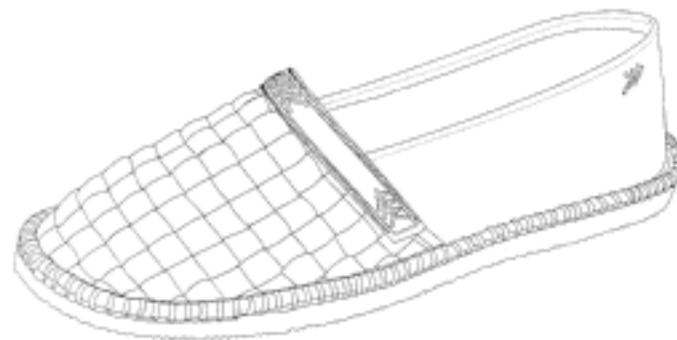
(45) Registration Date: **01 June 2011**

(30) Convention priority data:

(31) Number	(32) Date	(33) Country
<b>001855875</b>	<b>27 Apr 2011</b>	<b>EUROPEAN COMMUNITY</b>

(56) Related Art Documents: **Not Applicable**

(57) Statement of Newness and Distinctiveness: **Newness and distinctiveness resides in the features of the footwear as shown in the accompanying representations. Attention is drawn to the indicia marked "A" in Figure 8.**



(21) Design Number: **12014/2011**  
(22) Date of Filing Application: **06 May 2011**  
(24) Date from which industrial property rights may have effect: **06 May 2011**  
(54) Product in respect of which the design is registered: **An escutcheon**  
(51) International Design Classification: **08-09**  
(74) Name(s) of Attorney(s): **SPRUSON & FERGUSON**  
(71) Name(s) and Address(s) of Applicant(s):

**Gainsborough Hardware Industries Limited**  
**31-33 Alfred Street Blackburn Victoria 3130 Australia**

(72) Name(s) of Designer(s): **Stuart Clark and Lisa Edlund-Tjernberg and Fred Blochlinger and David Pritchard and Andrew Perkins**

(45) Registration Date: **01 June 2011**

(56) Related Art Documents: **Not Applicable**

(57) Statement of Newness and Distinctiveness: **Newness and distinctiveness is claimed in the features of shape and/or configuration of an escutcheon as illustrated in solid lines in the accompanying representations.**



- (21) Design Number: **12015/2011**
- (22) Date of Filing Application: **06 May 2011**
- (24) Date from which industrial property rights may have effect: **06 May 2011**
- (54) Product in respect of which the design is registered: **An escutcheon**
- (51) International Design Classification: **08-09**
- (74) Name(s) of Attorney(s): **SPRUSON & FERGUSON**
- (71) Name(s) and Address(s) of Applicant(s):  
**Gainsborough Hardware Industries Limited**  
**31-33 Alfred Street Blackburn Victoria 3130 Australia**
- (72) Name(s) of Designer(s): **Stuart Clark and Lisa Edlund-Tjernberg and Fred Blochlinger and David Pritchard and Andrew Perkins**
- (45) Registration Date: **01 June 2011**
- (56) Related Art Documents: **Not Applicable**
- (57) Statement of Newness and Distinctiveness: **Newness and distinctiveness is claimed in the features of shape and/or configuration of an escutcheon as illustrated in solid lines in the accompanying representations.**



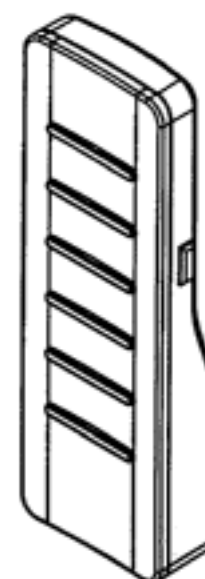
- (21) Design Number: **12016/2011**
- (22) Date of Filing Application: **06 May 2011**
- (24) Date from which industrial property rights may have effect: **06 May 2011**
- (54) Product in respect of which the design is registered: **An escutcheon**
- (51) International Design Classification: **08-09**
- (74) Name(s) of Attorney(s): **SPRUSON & FERGUSON**
- (71) Name(s) and Address(s) of Applicant(s):  
**Gainsborough Hardware Industries Limited**  
**31-33 Alfred Street Blackburn Victoria 3130 Australia**
- (72) Name(s) of Designer(s): **Stuart Clark and Lisa Edlund-Tjernberg and Fred Blochlinger and David Pritchard and Andrew Perkins**
- (45) Registration Date: **01 June 2011**
- (56) Related Art Documents: **Not Applicable**
- (57) Statement of Newness and Distinctiveness: **Newness and distinctiveness is claimed in the features of shape and/or configuration of an escutcheon as illustrated in solid lines in the accompanying representations.**



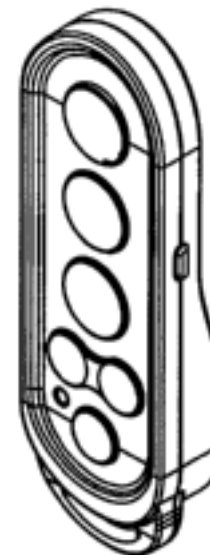
- (21) Design Number: **12017/2011**  
(22) Date of Filing Application: **06 May 2011**  
(24) Date from which industrial property rights may have effect: **06 May 2011**  
(54) Product in respect of which the design is registered: **An escutcheon**  
(51) International Design Classification: **08-09**  
(74) Name(s) of Attorney(s): **SPRUSON & FERGUSON**  
(71) Name(s) and Address(s) of Applicant(s):  
**Gainsborough Hardware Industries Limited**  
**31-33 Alfred Street Blackburn Victoria 3130 Australia**  
(72) Name(s) of Designer(s): **Stuart Clark and Lisa Edlund-Tjernberg and Fred Blochlinger and David Pritchard and Andrew Perkins**  
(45) Registration Date: **01 June 2011**  
(56) Related Art Documents: **Not Applicable**  
(57) Statement of Newness and Distinctiveness: **Newness and distinctiveness is claimed in the features of shape and/or configuration of an escutcheon as illustrated in solid lines in the accompanying representations.**



- (21) Design Number: **12018/2011**  
(22) Date of Filing Application: **06 May 2011**  
(24) Date from which industrial property rights may have effect: **06 May 2011**  
(54) Product in respect of which the design is registered: **A remote control fob**  
(51) International Design Classification: **14-03NES**  
(74) Name(s) of Attorney(s): **SPRUSON & FERGUSON**  
(71) Name(s) and Address(s) of Applicant(s):  
**Gainsborough Hardware Industries Limited**  
**31-33 Alfred Street Blackburn Victoria 3130 Australia**  
(72) Name(s) of Designer(s): **Stuart Clark and Harris Lambrou and Troy Nyssen and Lisa Edlund-Tjernberg and Fred Blochlinger**  
(45) Registration Date: **01 June 2011**  
(56) Related Art Documents: **Not Applicable**  
(57) Statement of Newness and Distinctiveness: **Newness and distinctiveness is claimed in the features of shape and/or configuration of a remote control fob as illustrated in the accompanying representations.**



- (21) Design Number: **12019/2011**  
(22) Date of Filing Application: **06 May 2011**  
(24) Date from which industrial property rights may have effect: **06 May 2011**  
(54) Product in respect of which the design is registered: **A remote control fob**  
(51) International Design Classification: **14-03NES**  
(74) Name(s) of Attorney(s): **SPRUSON & FERGUSON**  
(71) Name(s) and Address(s) of Applicant(s):  
**Gainsborough Hardware Industries Limited**  
**31-33 Alfred Street Blackburn Victoria 3130 Australia**  
(72) Name(s) of Designer(s): **Stuart Clark and Harris Lambrou and Troy Nyssen**  
**and Lisa Edlund-Tjernberg and Fred Blochlinger**  
(45) Registration Date: **01 June 2011**  
(56) Related Art Documents: **Not Applicable**  
(57) Statement of Newness and Distinctiveness: **Newness and distinctiveness is claimed in the features of shape and/or configuration of a remote control fob as illustrated in the accompanying representations.**

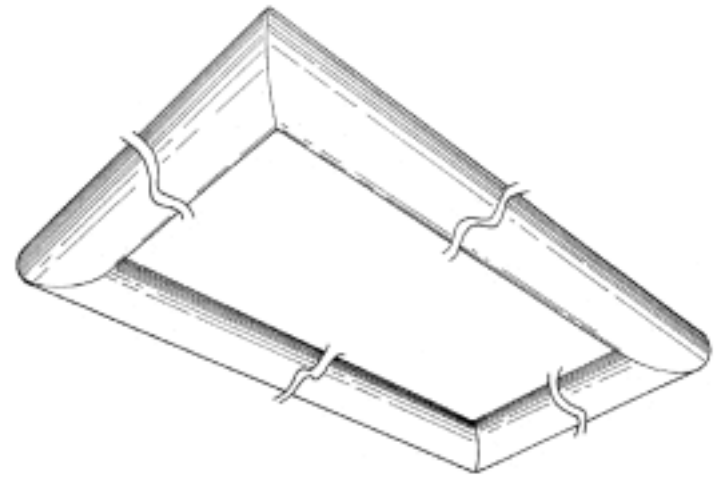


- (21) Design Number: **14171/2010**  
(22) Date of Filing Application: **24 September 2010**  
(24) Date from which industrial property rights may have effect: **24 September 2010**  
(54) Product in respect of which the design is registered: **Handbag**  
(51) International Design Classification: **03-01B**  
(74) Name(s) of Attorney(s): **MILLS OAKLEY LAWYERS**  
(71) Name(s) and Address(s) of Applicant(s):  
**Forever New Clothing Pty Ltd**  
**Ground Floor 714-716 High Street Kew Victoria 3101 Australia**  
(72) Name(s) of Designer(s): **Elizabeth Maplestone**  
(45) Registration Date: **02 June 2011**  
(56) Related Art Documents: **Not Applicable**  
(57) Statement of Newness and Distinctiveness: **The particular visual features of the design which the Applicant hereby identifies as new and distinctive are as follows: "A Handbag", as illustrated in the accompanying representations.**





(21) Design Number: **12236/2011**  
(22) Date of Filing Application: **17 May 2011**  
(24) Date from which industrial property rights may have effect: **17 May 2011**  
(54) Product in respect of which the design is registered: **A safety guard**  
(51) International Design Classification: **24-01**  
(74) Name(s) of Attorney(s): **Varsity IP**  
(71) Name(s) and Address(s) of Applicant(s):  
**Ken Jacobson**  
**18 Creek Way Currumbin Valley Queensland 4223 Australia**  
(72) Name(s) of Designer(s): **Ken Jacobson**  
(45) Registration Date: **02 June 2011**  
(56) Related Art Documents: **Not Applicable**  
(57) Statement of Newness and Distinctiveness: **Nil**

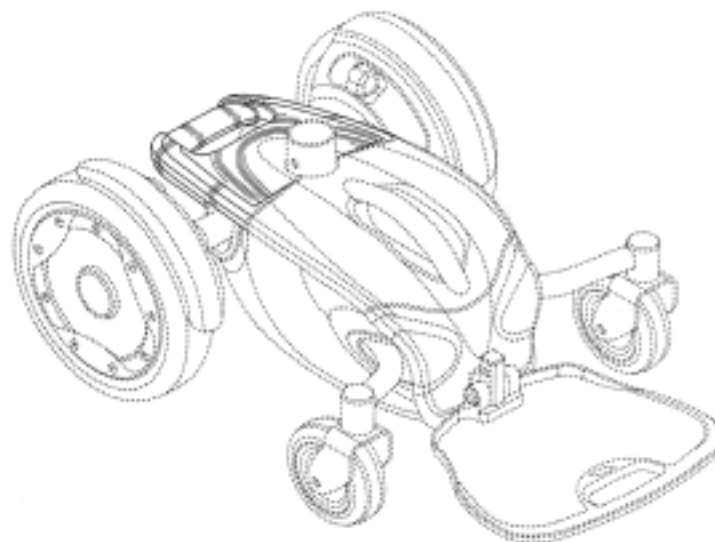


(21) Design Number: **12255/2011**  
(22) Date of Filing Application: **20 May 2011**  
(24) Date from which industrial property rights may have effect: **20 May 2011**  
(54) Product in respect of which the design is registered: **Power lead pin protector**  
(51) International Design Classification: **13-03D**  
(74) Name(s) of Attorney(s):  
(71) Name(s) and Address(s) of Applicant(s):  
**Trench Safe Pty Ltd**  
**19 Cedar Creek Road Cedar Creek Queensland 4207 Australia**  
(72) Name(s) of Designer(s): **Dion Cardon-Smith**  
(45) Registration Date: **02 June 2011**  
(56) Related Art Documents: **Not Applicable**  
(57) Statement of Newness and Distinctiveness: **Thumb Pads for grip and ease of insertion on plug. Hole for attaching to electrical Cords or for Hang-Sell in stores. Handle for ease of removal from plug.**

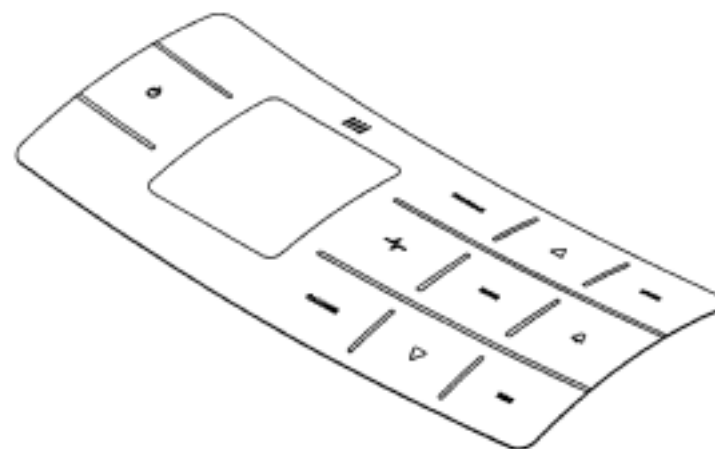




- (21) Design Number: **12031/2011**  
(22) Date of Filing Application: **09 May 2011**  
(24) Date from which industrial property rights may have effect: **09 May 2011**  
(54) Product in respect of which the design is registered: **Rear shroud for a wheelchair**  
(51) International Design Classification: **12-12**  
(74) Name(s) of Attorney(s): **FB Rice**  
(71) Name(s) and Address(s) of Applicant(s):  
**Invacare Corporation**  
**One Invacare Way Elyria Ohio 44036 United States of America**  
(72) Name(s) of Designer(s): **Joseph Spalding and Daniel James Yee and Damon Jurkiewicz and Traian Mohan**  
(45) Registration Date: **02 June 2011**  
(30) Convention priority data:  
(31) Number (32) Date (33) Country  
**29/378841 10 Nov 2010 UNITED STATES OF AMERICA**  
(56) Related Art Documents: **Not Applicable**  
(57) Statement of Newness and Distinctiveness: **Newness and distinctiveness reside in the features of the design shown in solid lines in the representations excluding those features shown in broken lines.**



- (21) Design Number: **12036/2011**  
(22) Date of Filing Application: **09 May 2011**  
(24) Date from which industrial property rights may have effect: **09 May 2011**  
(54) Product in respect of which the design is registered: **Button panel for a console**  
(51) International Design Classification: **14-03NES**  
(74) Name(s) of Attorney(s): **SPRUSON & FERGUSON**  
(71) Name(s) and Address(s) of Applicant(s):  
**T-Zone Pro (Australia) Pty Ltd**  
**76 Zillmere Road Boondall Queensland 4034 Australia**  
(72) Name(s) of Designer(s): **David Gray**  
(45) Registration Date: **02 June 2011**  
(56) Related Art Documents: **Not Applicable**  
(57) Statement of Newness and Distinctiveness: **Newness and distinctiveness is claimed in the features of pattern and/or ornamentation of a button panel for a console as illustrated in the accompanying representations.**



- (21) Design Number: **14237/2010**  
(22) Date of Filing Application: **24 September 2010**  
(24) Date from which industrial property rights may have effect: **24 September 2010**  
(54) Product in respect of which the design is registered: **Women's fashion clothing**  
(51) International Design Classification: **02-02NES**  
(74) Name(s) of Attorney(s): **MILLS OAKLEY LAWYERS**  
(71) Name(s) and Address(s) of Applicant(s):  
**Forever New Clothing Pty Ltd**  
**Ground Floor 714-716 High Street Kew Victoria 3101 Australia**  
(72) Name(s) of Designer(s): **Tristan Melle and Dulcie Flynn**  
(45) Registration Date: **02 June 2011**  
(56) Related Art Documents: **Not Applicable**  
(57) Statement of Newness and Distinctiveness: **The particular visual features of the design which the Applicant hereby identifies as new and distinctive are as follows: "Women's Fashion Clothing", as illustrated in the accompanying representations.**



- (21) Design Number: **11297/2011**  
(22) Date of Filing Application: **24 September 2010**  
(24) Date from which industrial property rights may have effect: **24 September 2010**  
(54) Product in respect of which the design is registered: **Women's fashion clothing**  
(51) International Design Classification: **02-02C**  
(74) Name(s) of Attorney(s): **MILLS OAKLEY LAWYERS**  
(71) Name(s) and Address(s) of Applicant(s):  
**Forever New Clothing Pty Ltd**  
**Ground Floor 714-716 High Street Kew Victoria 3101 Australia**  
(72) Name(s) of Designer(s): **Tristan Melle and Dulcie Flynn**  
(45) Registration Date: **02 June 2011**  
(56) Related Art Documents: **Not Applicable**  
(57) Statement of Newness and Distinctiveness: **The particular visual features of the design which the Applicant hereby identifies as new and distinctive are as follows: "Women's Fashion Clothing", as illustrated in the accompanying representations.**



- (21) Design Number: **11299/2011**  
(22) Date of Filing Application: **24 September 2010**  
(24) Date from which industrial property rights may have effect: **24 September 2010**  
(54) Product in respect of which the design is registered: **Women's fashion clothing**  
(51) International Design Classification: **02-02C**  
(74) Name(s) of Attorney(s): **MILLS OAKLEY LAWYERS**  
(71) Name(s) and Address(s) of Applicant(s):  
**Forever New Clothing Pty Ltd**  
**Ground Floor 714-716 High Street Kew Victoria 3101 Australia**  
(72) Name(s) of Designer(s): **Tristan Melle and Dulcie Flynn**  
(45) Registration Date: **02 June 2011**  
(56) Related Art Documents: **Not Applicable**  
(57) Statement of Newness and Distinctiveness: **The particular visual features of the design which the Applicant hereby identifies as new and distinctive are as follows: "Women's Fashion Clothing", as illustrated in the accompanying representations.**



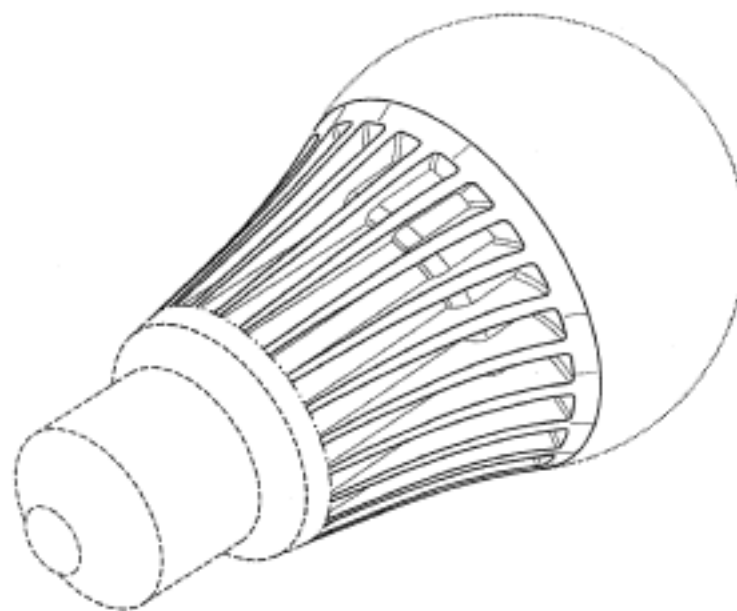
- (21) Design Number: **11317/2011**  
(22) Date of Filing Application: **24 September 2010**  
(24) Date from which industrial property rights may have effect: **24 September 2010**  
(54) Product in respect of which the design is registered: **Women's fashion clothing**  
(51) International Design Classification: **02-02C**  
(74) Name(s) of Attorney(s): **MILLS OAKLEY LAWYERS**  
(71) Name(s) and Address(s) of Applicant(s):  
**Forever New Clothing Pty Ltd**  
**Ground Floor 714-716 High Street Kew Victoria 3101 Australia**  
(72) Name(s) of Designer(s): **Tristan Melle and Dulcie Flynn**  
(45) Registration Date: **02 June 2011**  
(56) Related Art Documents: **Not Applicable**  
(57) Statement of Newness and Distinctiveness: **The particular visual features of the design which the Applicant hereby identifies as new and distinctive are as follows: "Women's Fashion Clothing", as illustrated in the accompanying representations.**



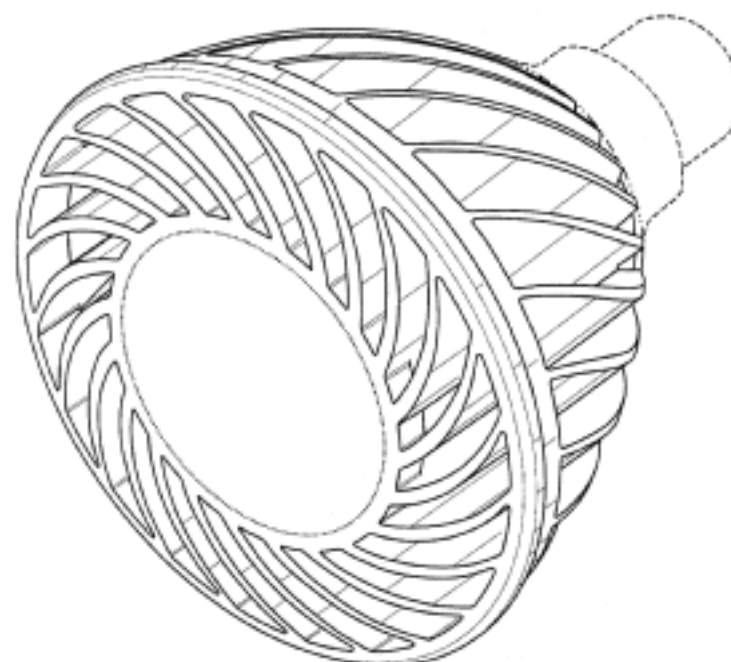
(21) Design Number: **11318/2011**  
(22) Date of Filing Application: **24 September 2010**  
(24) Date from which industrial property rights may have effect: **24 September 2010**  
(54) Product in respect of which the design is registered: **Women's fashion clothing**  
(51) International Design Classification: **02-02C**  
(74) Name(s) of Attorney(s): **MILLS OAKLEY LAWYERS**  
(71) Name(s) and Address(s) of Applicant(s):  
**Forever New Clothing Pty Ltd**  
**Ground Floor 714-716 High Street Kew Victoria 3101 Australia**  
(72) Name(s) of Designer(s): **Tristan Melle and Dulcie Flynn**  
(45) Registration Date: **02 June 2011**  
(56) Related Art Documents: **Not Applicable**  
(57) Statement of Newness and Distinctiveness: **The particular visual features of the design which the Applicant hereby identifies as new and distinctive are as follows: "Women's Fashion Clothing", as illustrated in the accompanying representations.**



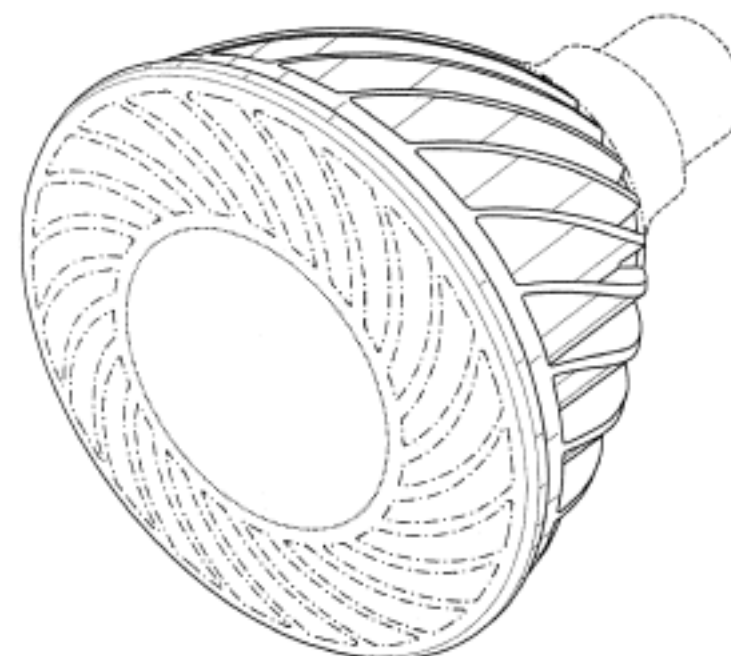
(21) Design Number: **15815/2010**  
(22) Date of Filing Application: **03 November 2010**  
(24) Date from which industrial property rights may have effect: **03 November 2010**  
(54) Product in respect of which the design is registered: **Luminaire**  
(51) International Design Classification: **26-05A**  
(74) Name(s) of Attorney(s): **Cullens Patent and Trade Mark Attorneys**  
(71) Name(s) and Address(s) of Applicant(s):  
**Lighting Science Group Corporation**  
**1227 South Patrick Drive Building 2A Satellite Beach 32937 FL United States of America**  
(72) Name(s) of Designer(s): **David Henderson and Fredric S. Maxik and Mark Penley Boomgaarden and Addy S. Widjaj and Emilio Flores and Shane Sullivan and Wei Sun**  
(45) Registration Date: **02 June 2011**  
(30) Convention priority data:  
(31) Number (32) Date (33) Country  
**29/360985 04 May 2010 UNITED STATES OF AMERICA**  
(56) Related Art Documents: **Not Applicable**  
(57) Statement of Newness and Distinctiveness: **Newness and distinctiveness reside in the visual features of shape and configuration of a luminaire as shown in the representations. The electrical base and optic shown with dashed or dotted lines do not form part of the design. A lower edge of the luminaire shown with dash-dot-dot lines is an edge of indefinite length.**



- (21) Design Number: **15816/2010**  
(22) Date of Filing Application: **03 November 2010**  
(24) Date from which industrial property rights may have effect: **03 November 2010**  
(54) Product in respect of which the design is registered: **Luminaire**  
(51) International Design Classification: **26-05A**  
(74) Name(s) of Attorney(s): **Cullens Patent and Trade Mark Attorneys**  
(71) Name(s) and Address(s) of Applicant(s):  
**Lighting Science Group Corporation**  
**1227 South Patrick Drive Building 2A Satellite Beach 32937 FL United States of America**  
(72) Name(s) of Designer(s): **David Henderson and Fredric S. Maxik and Mark Penley Boomgaarden and Addy S. Widjaj and Emilio Flores and Shane Sullivan and Wei Sun**  
(45) Registration Date: **02 June 2011**  
(30) Convention priority data:  
(31) Number (32) Date (33) Country  
**29/360985 04 May 2010 UNITED STATES OF AMERICA**  
(56) Related Art Documents: **Not Applicable**  
(57) Statement of Newness and Distinctiveness: **Newness and distinctiveness reside in the visual features of shape and configuration of a luminaire as shown in the representations. The electrical base and optic shown with dashed or dotted lines do not form part of the design. A lower edge of the luminaire shown with dash-dot-dot lines is an edge of indefinite length.**



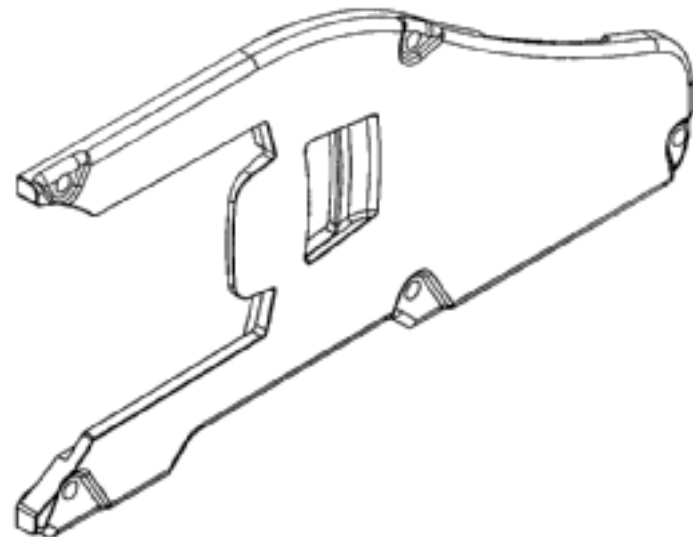
- (21) Design Number: **15817/2010**  
(22) Date of Filing Application: **03 November 2010**  
(24) Date from which industrial property rights may have effect: **03 November 2010**  
(54) Product in respect of which the design is registered: **Luminaire**  
(51) International Design Classification: **26-05A**  
(74) Name(s) of Attorney(s): **Cullens Patent and Trade Mark Attorneys**  
(71) Name(s) and Address(s) of Applicant(s):  
**Lighting Science Group Corporation**  
**1227 South Patrick Drive Building 2A Satellite Beach 32937 FL United States of America**  
(72) Name(s) of Designer(s): **David Henderson and Fredric S. Maxik and Mark Penley Boomgaarden and Addy S. Widjaj and Emilio Flores and Shane Sullivan and Wei Sun**  
(45) Registration Date: **02 June 2011**  
(30) Convention priority data:  
(31) Number (32) Date (33) Country  
**29/360985 04 May 2010 UNITED STATES OF AMERICA**  
(56) Related Art Documents: **Not Applicable**  
(57) Statement of Newness and Distinctiveness: **Newness and distinctiveness reside in the visual features of shape and configuration of a luminaire as shown in the representations. The electrical base and optic shown with dashed or dotted lines do not form part of the design. A lower edge of the luminaire shown with dash-dot-dot lines is an edge of indefinite length. When considering newness and distinctiveness, little or no weight is to be given to the openings in a top surface of the luminaire represented as dash-dot-dash lines.**



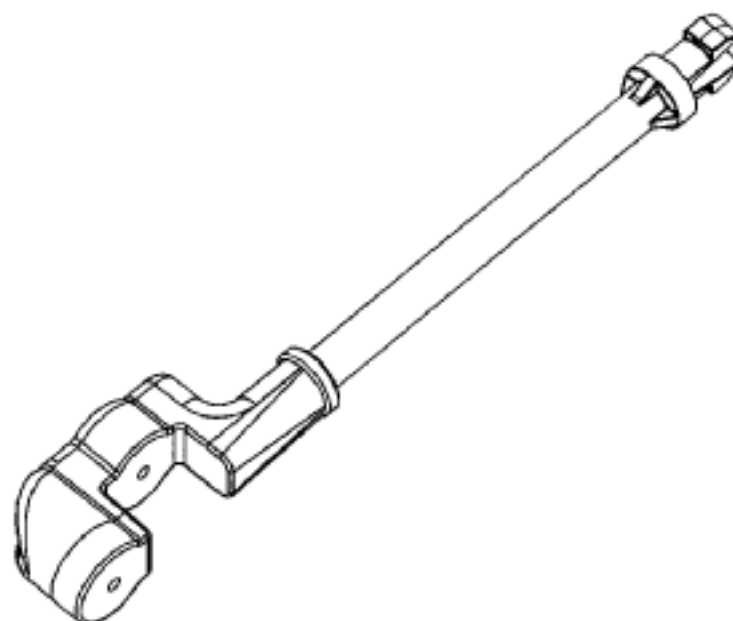
- (21) Design Number: **10708/2011**  
(22) Date of Filing Application: **25 February 2011**  
(24) Date from which industrial property rights may have effect: **25 February 2011**  
(54) Product in respect of which the design is registered: **Retractable banner stand**  
(51) International Design Classification: **20-02NES**  
(74) Name(s) of Attorney(s):  
(71) Name(s) and Address(s) of Applicant(s):  
**Joint Works Holdings Pty Ltd**  
**9 Salisbury Square Seaforth New South Wales 2092 Australia**  
(72) Name(s) of Designer(s): **John Previtera and Michael Thorogood**  
(45) Registration Date: **02 June 2011**  
(56) Related Art Documents: **Not Applicable**  
(57) Statement of Newness and Distinctiveness: **This shape together with the special end plate (Design Ref - DAS SWAP 1L A+B) allows a round tube containing a retractable graphic to be changed. ie. Inserted and removed.**



- (21) Design Number: **10709/2011**  
(22) Date of Filing Application: **25 February 2011**  
(24) Date from which industrial property rights may have effect: **25 February 2011**  
(54) Product in respect of which the design is registered: **Two piece end cap**  
(51) International Design Classification: **20-02NES, 08-08NES**  
(74) Name(s) of Attorney(s):  
(71) Name(s) and Address(s) of Applicant(s):  
**Joint Works Holdings Pty Ltd**  
**9 Salisbury Square Seaforth New South Wales 2092 Australia**  
(72) Name(s) of Designer(s): **Michael Thorogood**  
(45) Registration Date: **02 June 2011**  
(56) Related Art Documents: **Not Applicable**  
(57) Statement of Newness and Distinctiveness: **The main design feature in DSA SWAP 1L A and B is the push clip that locks the sliding cover plate in position. This allows easy opening and closing for exchanging the tube containing a graphic banner.**



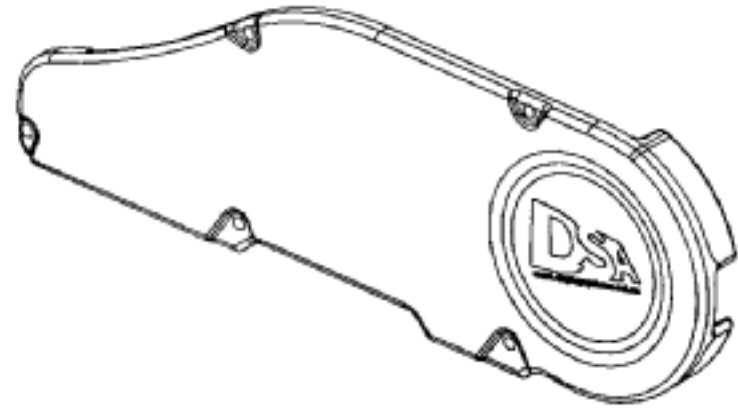
- (21) Design Number: **10710/2011**  
(22) Date of Filing Application: **25 February 2011**  
(24) Date from which industrial property rights may have effect: **25 February 2011**  
(54) Product in respect of which the design is registered: **This hook is designed to house round magnets. When clipped in the "WEBLOC GT" pop display it**  
(51) International Design Classification: **20-02NES, 08-08NES**  
(74) Name(s) of Attorney(s):  
(71) Name(s) and Address(s) of Applicant(s):  
**Joint Works Holdings Pty Ltd**  
**9 Salisbury Square Seaforth New South Wales 2092 Australia**  
(72) Name(s) of Designer(s): **John Previtera and Hugh Worthington**  
(45) Registration Date: **02 June 2011**  
(56) Related Art Documents: **Not Applicable**  
(57) Statement of Newness and Distinctiveness: **Two of these hooks are used in each location of the frame. The magnets lock together and the shape acts as a hook therefore offering a double locking action.**



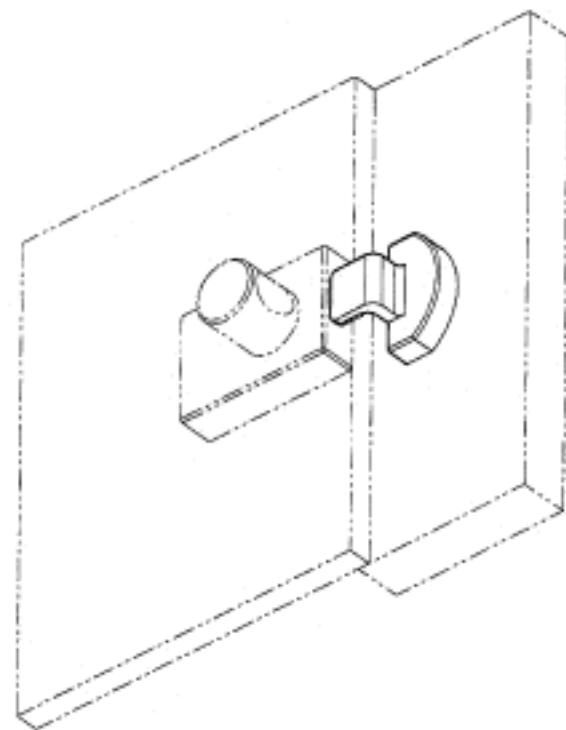
- (21) Design Number: **11915/2011**  
(22) Date of Filing Application: **25 February 2011**  
(24) Date from which industrial property rights may have effect: **25 February 2011**  
(54) Product in respect of which the design is registered: **Two piece end cap**  
(51) International Design Classification: **20-02NES, 08-08NES**  
(74) Name(s) of Attorney(s):  
(71) Name(s) and Address(s) of Applicant(s):  
**Joint Works Holdings Pty Ltd**  
**9 Salisbury Square Seaforth New South Wales 2092 Australia**  
(72) Name(s) of Designer(s): **Michael Thorogood and John Previtera**  
(45) Registration Date: **02 June 2011**  
(56) Related Art Documents: **Not Applicable**  
(57) Statement of Newness and Distinctiveness: **This shape together with the special end plate (design ref-DSA SWAP 1L A+B) allows a round tube containing a retractable graphic to be changed. i.e. inserted and removed.**



- (21) Design Number: **11916/2011**  
(22) Date of Filing Application: **25 February 2011**  
(24) Date from which industrial property rights may have effect: **25 February 2011**  
(54) Product in respect of which the design is registered: **One piece end cap**  
(51) International Design Classification: **20-02NES, 08-08NES**  
(74) Name(s) of Attorney(s):  
(71) Name(s) and Address(s) of Applicant(s):  
**Joint Works Holdings Pty Ltd**  
**9 Salisbury Square Seaforth New South Wales 2092 Australia**  
(72) Name(s) of Designer(s): **Michael Thorogood**  
(45) Registration Date: **02 June 2011**  
(56) Related Art Documents: **Not Applicable**  
(57) Statement of Newness and Distinctiveness: **The main design feature in DSA SWAP 1L A & B is the push clip that locks the sliding cover plate in position. This allows easy opening and closing for exchanging the tube containing a graphic banner.**

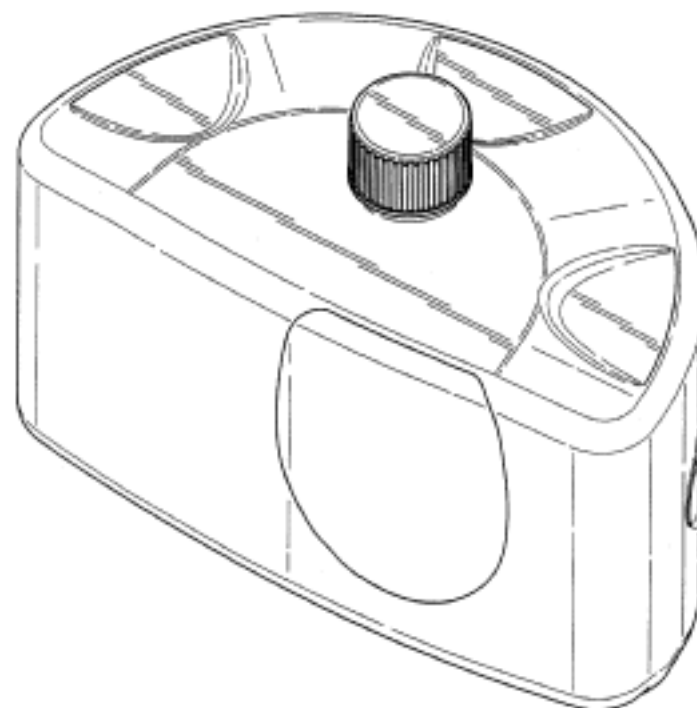


- (21) Design Number: **10731/2011**  
(22) Date of Filing Application: **25 February 2011**  
(24) Date from which industrial property rights may have effect: **25 February 2011**  
(54) Product in respect of which the design is registered: **Hasp**  
(51) International Design Classification: **08-07**  
(74) Name(s) of Attorney(s): **A Tatlock & Associates**  
(71) Name(s) and Address(s) of Applicant(s):  
**Metlam Australia Pty. Limited**  
**17 Parkers Road New Gisborne Victoria 3438 Australia**  
(72) Name(s) of Designer(s): **Brian Bishop**  
(45) Registration Date: **02 June 2011**  
(56) Related Art Documents: **Not Applicable**  
(57) Statement of Newness and Distinctiveness: **Offset nature of hasp.**

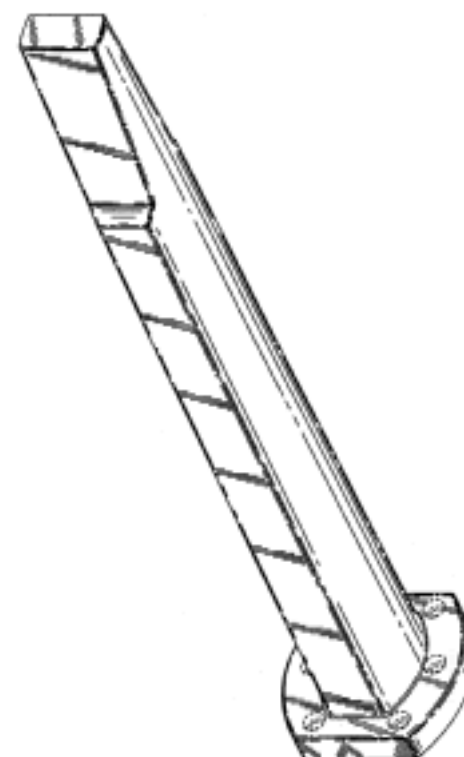




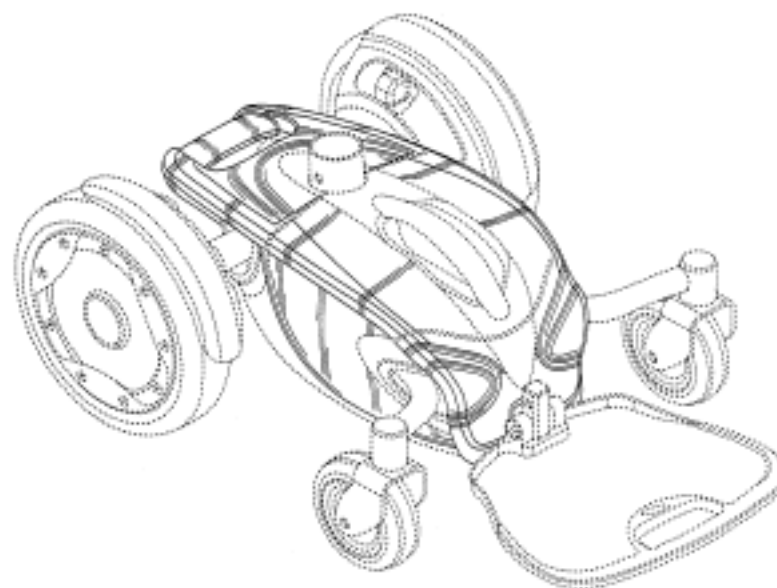
(21) Design Number: **11562/2011**  
(22) Date of Filing Application: **12 April 2011**  
(24) Date from which industrial property rights may have effect: **12 April 2011**  
(54) Product in respect of which the design is registered: **Container**  
(51) International Design Classification: **23-99, 09-01NES**  
(74) Name(s) of Attorney(s): **Davies Collison Cave**  
(71) Name(s) and Address(s) of Applicant(s):  
**Unilever PLC**  
**Unilever House 100 Victoria Embankment London EC4Y 0DY United Kingdom**  
(72) Name(s) of Designer(s): **Jiadeep Chatterjee and Shyamsunder Balakrishna Karekar**  
(45) Registration Date: **02 June 2011**  
(30) Convention priority data:  
(31) Number (32) Date (33) Country  
**001774795-0001 29 Oct 2010 EUROPEAN COMMUNITY**  
(56) Related Art Documents: **Not Applicable**  
(57) Statement of Newness and Distinctiveness: **Newness and distinctiveness is claimed in the visual features shown in solid lines in the representations.**



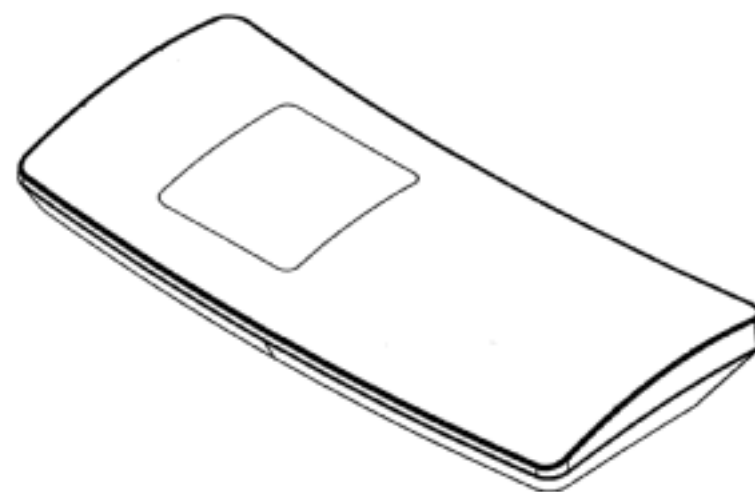
(21) Design Number: **12028/2011**  
(22) Date of Filing Application: **09 May 2011**  
(24) Date from which industrial property rights may have effect: **09 May 2011**  
(54) Product in respect of which the design is registered: **Antenna radome**  
(51) International Design Classification: **14-03NES**  
(74) Name(s) of Attorney(s): **WATERMARK PATENT AND TRADE MARKS ATTORNEYS**  
(71) Name(s) and Address(s) of Applicant(s):  
**World Products, LLC**  
**19654 Eighth Street East Sonoma California 95476 United States of America**  
(72) Name(s) of Designer(s): **Bharadvaj R. Podduturi**  
(45) Registration Date: **02 June 2011**  
(30) Convention priority data:  
(31) Number (32) Date (33) Country  
**29/379,134 15 Nov 2010 UNITED STATES OF AMERICA**  
(56) Related Art Documents: **Not Applicable**  
(57) Statement of Newness and Distinctiveness: **Nil**



(21) Design Number: **12029/2011**  
(22) Date of Filing Application: **09 May 2011**  
(24) Date from which industrial property rights may have effect: **09 May 2011**  
(54) Product in respect of which the design is registered: **Shroud for a wheelchair**  
(51) International Design Classification: **12-12**  
(74) Name(s) of Attorney(s): **FB Rice**  
(71) Name(s) and Address(s) of Applicant(s):  
**Invacare Corporation**  
**One Invacare Way Elyria Ohio 44036 United States of America**  
(72) Name(s) of Designer(s): **Joseph Spalding and Daniel James Yee and Damon Jurkiewicz and Traian Mohan**  
(45) Registration Date: **02 June 2011**  
(30) Convention priority data:  
(31) Number (32) Date (33) Country  
**29/378841 10 Nov 2010 UNITED STATES OF AMERICA**  
(56) Related Art Documents: **Not Applicable**  
(57) Statement of Newness and Distinctiveness: **Newness and distinctiveness reside in the features of the design shown in solid lines in the representations excluding those features shown in broken lines.**



(21) Design Number: **12030/2011**  
(22) Date of Filing Application: **09 May 2011**  
(24) Date from which industrial property rights may have effect: **09 May 2011**  
(54) Product in respect of which the design is registered: **Console**  
(51) International Design Classification: **21-02NES**  
(74) Name(s) of Attorney(s): **SPRUSON & FERGUSON**  
(71) Name(s) and Address(s) of Applicant(s):  
**T-Zone Pro (Australia) Pty Ltd**  
**76 Zillmere Road Boondall Queensland 4034 Australia**  
(72) Name(s) of Designer(s): **David Gray**  
(45) Registration Date: **02 June 2011**  
(56) Related Art Documents: **Not Applicable**  
(57) Statement of Newness and Distinctiveness: **Newness and distinctiveness is claimed in the features of shape and/or configuration of a console as illustrated in the accompanying representations.**



(21) Design Number: **12037/2011**  
(22) Date of Filing Application: **09 May 2011**  
(24) Date from which industrial property rights may have effect: **09 May 2011**  
(54) Product in respect of which the design is registered: **Tyre**  
(51) International Design Classification: **12-15B**  
(74) Name(s) of Attorney(s): **Griffith Hack**  
(71) Name(s) and Address(s) of Applicant(s):

**Continental Reifen Deutschland GmbH**  
**Vahrenwalder Str. 9 30165 Hannover Germany**

(72) Name(s) of Designer(s): **Ulrich Behr**

(45) Registration Date: **02 June 2011**

(30) Convention priority data:

(31) Number	(32) Date	(33) Country
<b>001834813</b>	<b>14 Mar 2011</b>	<b>EUROPEAN COMMUNITY</b>

(56) Related Art Documents: **Not Applicable**

(57) Statement of Newness and Distinctiveness: **Newness and distinctiveness resides in the visual features, including shape, configuration and pattern, of a tread for a TYRE as shown in the accompanying representations.**



(21) Design Number: **12430/2011**  
(22) Date of Filing Application: **03 November 2010**  
(24) Date from which industrial property rights may have effect: **03 November 2010**  
(54) Product in respect of which the design is registered: **Luminaire**  
(51) International Design Classification: **26-05A**  
(74) Name(s) of Attorney(s): **Cullens Patent and Trade Mark Attorneys**  
(71) Name(s) and Address(s) of Applicant(s):

**Lighting Science Group Corporation**  
**1227 South Patrick Drive Building 2A Satellite Beach 32937 FL United States of America**

(72) Name(s) of Designer(s): **David Henderson and Fredric S. Maxik and Mark Penley Boomgaarden and Addy S. Widjaj and Emilio Flores and Shane Sullivan and Wei Sun**

(45) Registration Date: **02 June 2011**

(30) Convention priority data:

(31) Number	(32) Date	(33) Country
<b>29/360985</b>	<b>04 May 2010</b>	<b>UNITED STATES OF AMERICA</b>

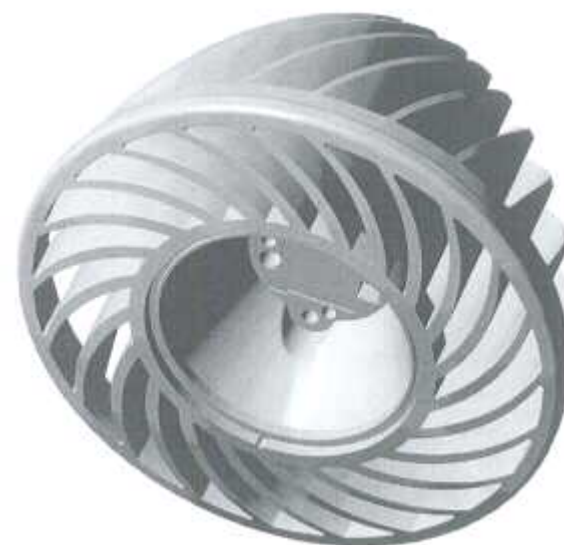
(62) Divisional of: **336916**

(56) Related Art Documents: **Not Applicable**

(57) Statement of Newness and Distinctiveness: **Newness and distinctiveness reside in the visual features of shape and configuration of a luminaire as shown in the representations. A lower edge of the luminaire shown with dash-dot-dot lines is an edge of indefinite length. When considering the newness and distinctiveness, little or no weight is to be given to the internal region of the luminaire including the central, circular region bearing indicia.**



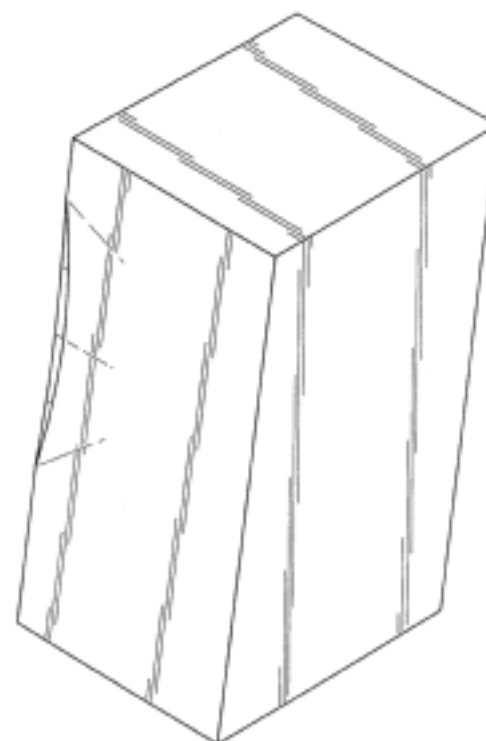
- (21) Design Number: **12431/2011**  
(22) Date of Filing Application: **03 November 2010**  
(24) Date from which industrial property rights may have effect: **03 November 2010**  
(54) Product in respect of which the design is registered: **Luminaire**  
(51) International Design Classification: **26-05A**  
(74) Name(s) of Attorney(s): **Cullens Patent and Trade Mark Attorneys**  
(71) Name(s) and Address(s) of Applicant(s):  
**Lighting Science Group Corporation**  
**1227 South Patrick Drive Building 2A Satellite Beach 32937 FL United States of America**  
(72) Name(s) of Designer(s): **David Henderson and Fredric S. Maxik and Mark Penley Boomgaarden and Addy S. Widjaj and Emilio Flores and Shane Sullivan and Wei Sun**  
(45) Registration Date: **02 June 2011**  
(30) Convention priority data:  
(31) Number (32) Date (33) Country  
**29/360985 04 May 2010 UNITED STATES OF AMERICA**  
(62) Divisional of: **336917**  
(56) Related Art Documents: **Not Applicable**  
(57) Statement of Newness and Distinctiveness: **Newness and distinctiveness reside in the visual features of shape and configuration of a luminaire as shown in the representations. A lower edge of the luminaire shown with dash-dot-dot lines is an edge of indefinite length. When considering newness and distinctiveness, little or no weight is to be given to the internal region of the luminaire including the central circular region.**



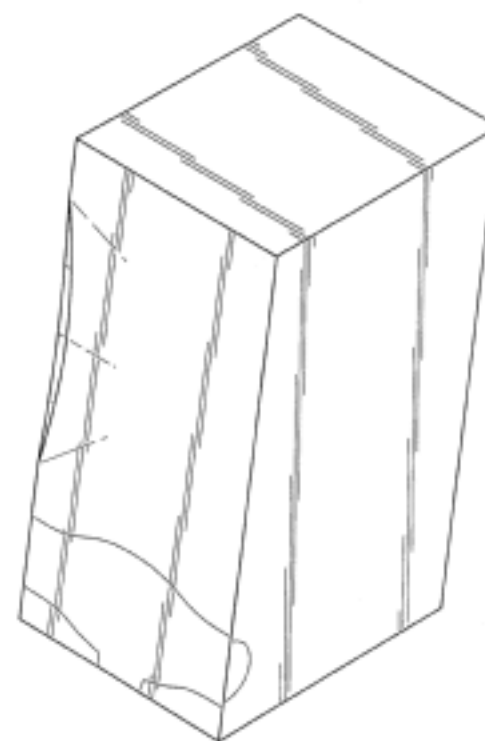
- (21) Design Number: **12432/2011**  
(22) Date of Filing Application: **03 November 2010**  
(24) Date from which industrial property rights may have effect: **03 November 2010**  
(54) Product in respect of which the design is registered: **Luminaire**  
(51) International Design Classification: **26-05A**  
(74) Name(s) of Attorney(s): **Cullens Patent and Trade Mark Attorneys**  
(71) Name(s) and Address(s) of Applicant(s):  
**Lighting Science Group Corporation**  
**1227 South Patrick Drive Building 2A Satellite Beach 32937 FL United States of America**  
(72) Name(s) of Designer(s): **David Henderson and Fredric S. Maxik and Mark Penley Boomgaarden and Addy S. Widjaj and Emilio Flores and Shane Sullivan and Wei Sun**  
(45) Registration Date: **02 June 2011**  
(30) Convention priority data:  
(31) Number (32) Date (33) Country  
**29/360985 04 May 2010 UNITED STATES OF AMERICA**  
(62) Divisional of: **336918**  
(56) Related Art Documents: **Not Applicable**  
(57) Statement of Newness and Distinctiveness: **Newness and distinctiveness reside in the visual features of shape and configuration of a luminaire as shown in the representations. A lower edge of the luminaire shown with dash-dot-dot lines is an edge of indefinite length. When considering newness and distinctiveness, little or no weight is to be given to the internal region of the luminaire, including the central circular region, nor openings in a top surface of the luminaire.**



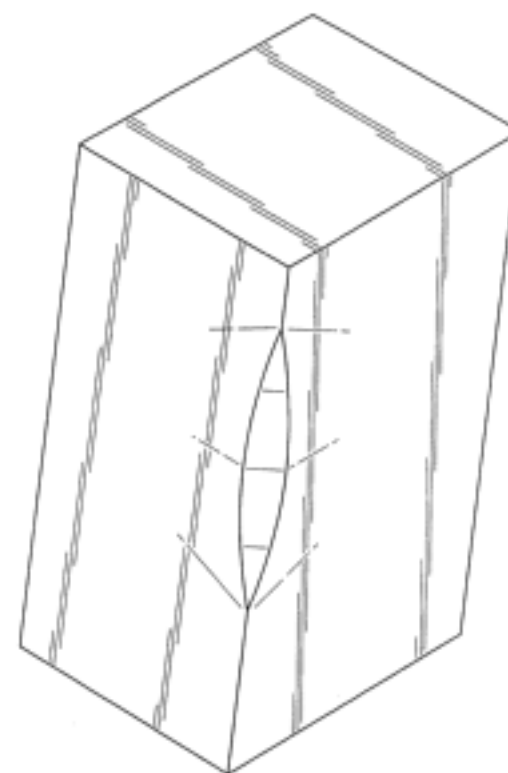
- (21) Design Number: **11373/2011**  
(22) Date of Filing Application: **30 March 2011**  
(24) Date from which industrial property rights may have effect: **30 March 2011**  
(54) Product in respect of which the design is registered: **Packaging box**  
(51) International Design Classification: **09-03M**  
(74) Name(s) of Attorney(s): **Davies Collison Cave**  
(71) Name(s) and Address(s) of Applicant(s):  
**Unilever PLC**  
**Unilever House 100 Victoria Embankment London EC4Y 0DY United Kingdom**  
(72) Name(s) of Designer(s): **Prabhash Kumar Lal and Franciscus Johannes Baeten and Gert Geens**  
(45) Registration Date: **03 June 2011**  
(30) Convention priority data:  
(31) Number (32) Date (33) Country  
**001768565-0001 15 Oct 2010 EUROPEAN COMMUNITY**  
(56) Related Art Documents: **Not Applicable**  
(57) Statement of Newness and Distinctiveness: **Newness and Distinctiveness is claimed in the visual features shown in solid lines in the representations.**



- (21) Design Number: **11374/2011**  
(22) Date of Filing Application: **30 March 2011**  
(24) Date from which industrial property rights may have effect: **30 March 2011**  
(54) Product in respect of which the design is registered: **Packaging box**  
(51) International Design Classification: **09-03M**  
(74) Name(s) of Attorney(s): **Davies Collison Cave**  
(71) Name(s) and Address(s) of Applicant(s):  
**Unilever PLC**  
**Unilever House 100 Victoria Embankment London EC4Y 0DY United Kingdom**  
(72) Name(s) of Designer(s): **Prabhash Kumar Lal and Franciscus Johannes Baeten and Gert Geens**  
(45) Registration Date: **03 June 2011**  
(30) Convention priority data:  
(31) Number (32) Date (33) Country  
**001768565-0002 15 Oct 2010 EUROPEAN COMMUNITY**  
(56) Related Art Documents: **Not Applicable**  
(57) Statement of Newness and Distinctiveness: **Newness and Distinctiveness is claimed in the visual features shown in solid lines in the representations.**



(21) Design Number: **11375/2011**  
(22) Date of Filing Application: **30 March 2011**  
(24) Date from which industrial property rights may have effect: **30 March 2011**  
(54) Product in respect of which the design is registered: **Packaging box**  
(51) International Design Classification: **09-03M**  
(74) Name(s) of Attorney(s): **Davies Collison Cave**  
(71) Name(s) and Address(s) of Applicant(s):  
**Unilever PLC**  
**Unilever House 100 Victoria Embankment London EC4Y 0DY United Kingdom**  
(72) Name(s) of Designer(s): **Prabhash Kumar Lal and Franciscus Johannes Baeten and Gert Geens**  
(45) Registration Date: **03 June 2011**  
(30) Convention priority data:  
(31) Number (32) Date (33) Country  
**001768565-0004 15 Oct 2010 EUROPEAN COMMUNITY**  
(56) Related Art Documents: **Not Applicable**  
(57) Statement of Newness and Distinctiveness: **Newness and Distinctiveness is claimed in the visual features shown in solid lines in the representations.**

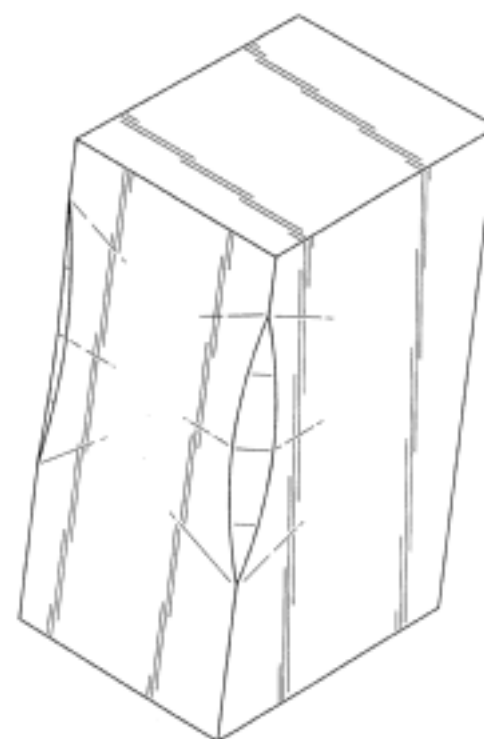


(21) Design Number: **11376/2011**  
(22) Date of Filing Application: **30 March 2011**  
(24) Date from which industrial property rights may have effect: **30 March 2011**  
(54) Product in respect of which the design is registered: **Packaging box**  
(51) International Design Classification: **09-03M**  
(74) Name(s) of Attorney(s): **Davies Collison Cave**  
(71) Name(s) and Address(s) of Applicant(s):  
**Unilever PLC**  
**Unilever House 100 Victoria Embankment London EC4Y 0DY United Kingdom**  
(72) Name(s) of Designer(s): **Prabhash Kumar Lal and Franciscus Johannes Baeten and Gert Geens**  
(45) Registration Date: **03 June 2011**  
(30) Convention priority data:  
(31) Number (32) Date (33) Country  
**001768565-0003 15 Oct 2010 EUROPEAN COMMUNITY**  
(56) Related Art Documents: **Not Applicable**  
(57) Statement of Newness and Distinctiveness: **Newness and Distinctiveness is claimed in the visual features shown in the representations with reference to the colour variation.**

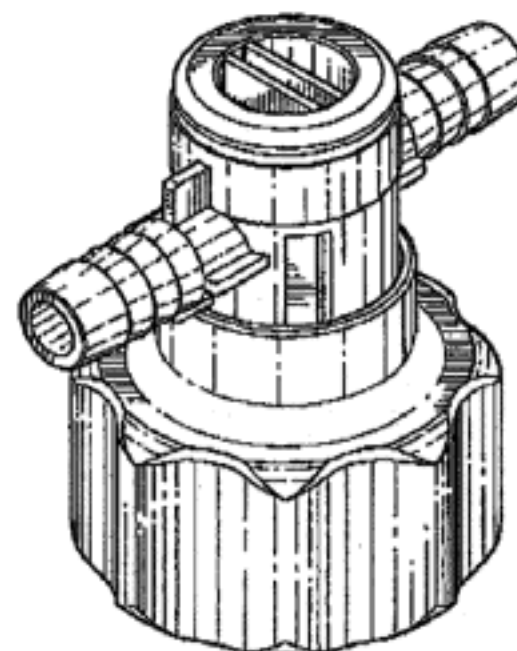




(21) Design Number: **11377/2011**  
(22) Date of Filing Application: **30 March 2011**  
(24) Date from which industrial property rights may have effect: **30 March 2011**  
(54) Product in respect of which the design is registered: **Packaging box**  
(51) International Design Classification: **09-03M**  
(74) Name(s) of Attorney(s): **Davies Collison Cave**  
(71) Name(s) and Address(s) of Applicant(s):  
**Unilever PLC**  
**Unilever House 100 Victoria Embankment London EC4Y 0DY United Kingdom**  
(72) Name(s) of Designer(s): **Prabhash Kumar Lal and Franciscus Johannes Baeten and Gert Geens**  
(45) Registration Date: **03 June 2011**  
(30) Convention priority data:  
(31) Number (32) Date (33) Country  
**001768565-0005 15 Oct 2010 EUROPEAN COMMUNITY**  
(56) Related Art Documents: **Not Applicable**  
(57) Statement of Newness and Distinctiveness: **Newness and Distinctiveness is claimed in the visual features shown in solid lines in the representations.**



(21) Design Number: **12046/2011**  
(22) Date of Filing Application: **10 May 2011**  
(24) Date from which industrial property rights may have effect: **10 May 2011**  
(54) Product in respect of which the design is registered: **Dispensing connector collar with a double barb and slits**  
(51) International Design Classification: **31-00**  
(74) Name(s) of Attorney(s): **Houlihan2**  
(71) Name(s) and Address(s) of Applicant(s):  
**LIQUI-BOX CORPORATION**  
**6950 Worthington-Galena Road PO Box 494 Worthington Ohio 43085-0494 United States of America**  
(72) Name(s) of Designer(s): **James Johnson**  
(45) Registration Date: **03 June 2011**  
(30) Convention priority data:  
(31) Number (32) Date (33) Country  
**29/379,024 12 Nov 2010 UNITED STATES OF AMERICA**  
(56) Related Art Documents: **Not Applicable**  
(57) Statement of Newness and Distinctiveness: **Nil**



(21) Design Number: **12052/2011**  
(22) Date of Filing Application: **10 May 2011**  
(24) Date from which industrial property rights may have effect: **10 May 2011**  
(54) Product in respect of which the design is registered: **Shaving brush**  
(51) International Design Classification: **04-02**  
(74) Name(s) of Attorney(s): **PHILLIPS ORMONDE FITZPATRICK**  
(71) Name(s) and Address(s) of Applicant(s):

**The Gillette Company**  
**One Gillette Park Boston Massachusetts 02127 United States of America**

(72) Name(s) of Designer(s): **Rolando Antonio Cavazos Jimenez and Steven Michael Schennum and Thomas Michael McKeon**

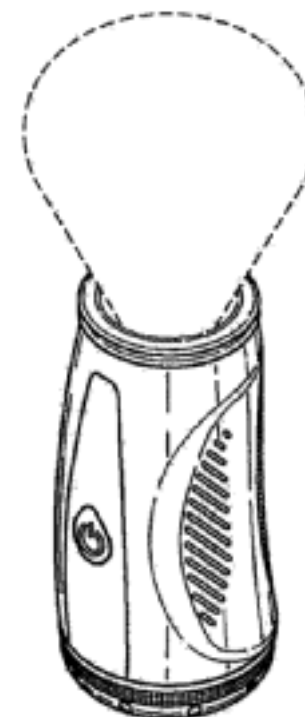
(45) Registration Date: **03 June 2011**

(30) Convention priority data:

(31) Number	(32) Date	(33) Country
<b>29/379,271</b>	<b>17 Nov 2010</b>	<b>UNITED STATES OF AMERICA</b>

(56) Related Art Documents: **Not Applicable**

(57) Statement of Newness and Distinctiveness: **Those features of the shaving brush depicted in the representations that are new and distinctive are the shape, configuration, pattern and ornamentation. The features shown in broken line are not part of the design and are to be disregarded when considering the overall impression of the design.**



(21) Design Number: **11584/2011**  
(22) Date of Filing Application: **13 April 2011**  
(24) Date from which industrial property rights may have effect: **13 April 2011**  
(54) Product in respect of which the design is registered: **Hand-held vacuum cleaner**  
(51) International Design Classification: **15-05**  
(74) Name(s) of Attorney(s): **Davies Collison Cave**  
(71) Name(s) and Address(s) of Applicant(s):

**Black & Decker Inc**  
**1207 Drummond Plaza Newark Delaware 19711 United States of America**

(72) Name(s) of Designer(s): **Graeme Crawley**

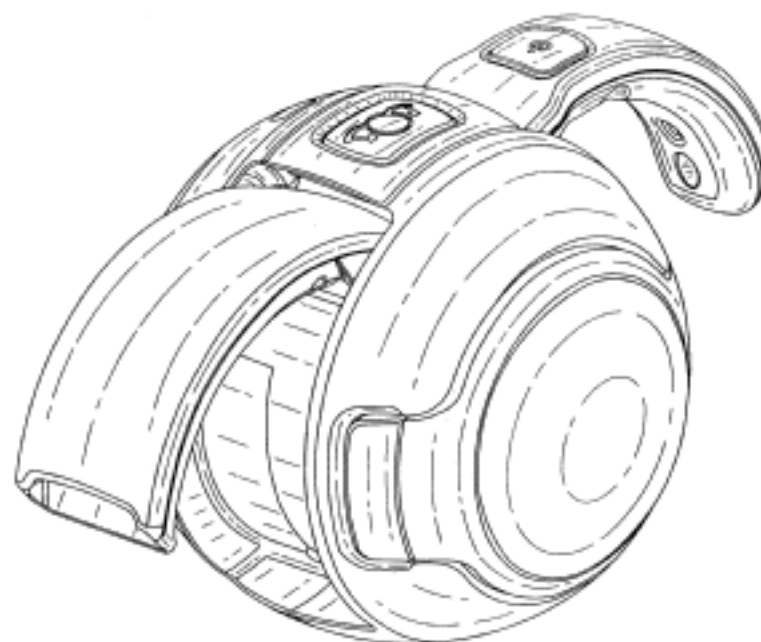
(45) Registration Date: **03 June 2011**

(30) Convention priority data:

(31) Number	(32) Date	(33) Country
<b>001242978</b>	<b>03 Nov 2010</b>	<b>EUROPEAN COMMUNITY</b>

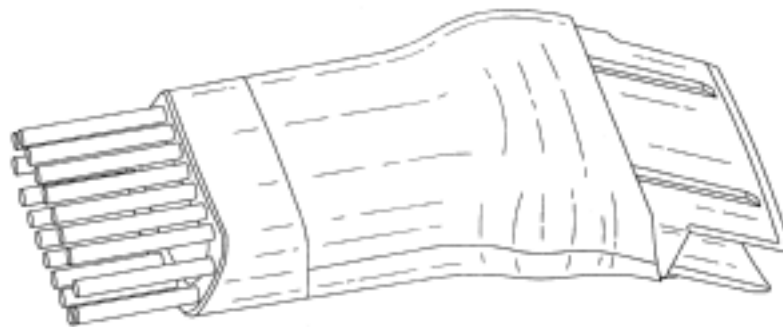
(56) Related Art Documents: **Not Applicable**

(57) Statement of Newness and Distinctiveness: **Nil**

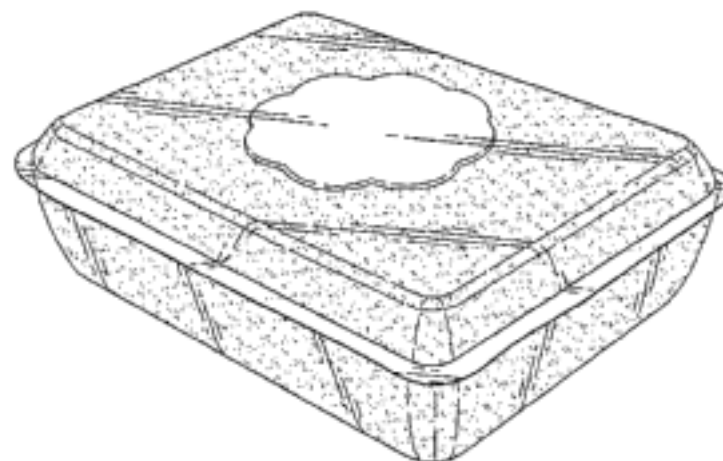




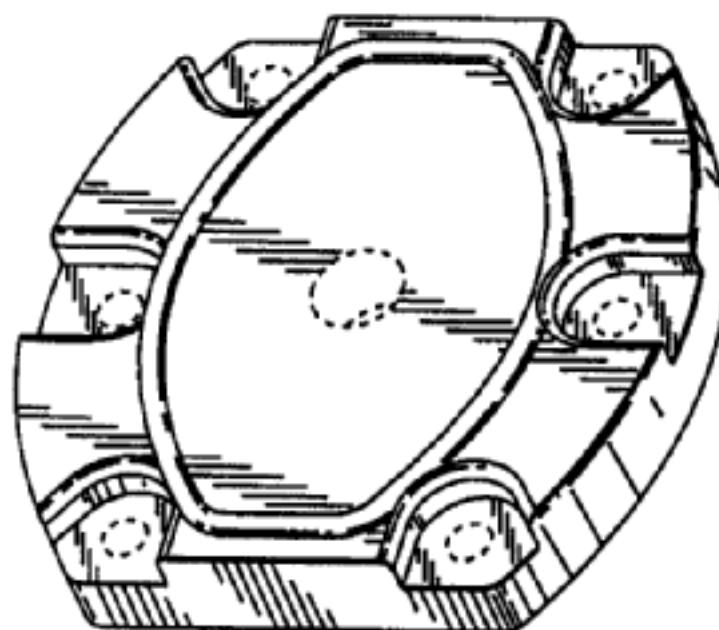
(21) Design Number: **11585/2011**  
(22) Date of Filing Application: **13 April 2011**  
(24) Date from which industrial property rights may have effect: **13 April 2011**  
(54) Product in respect of which the design is registered: **Accessory brush for a vacuum cleaner**  
(51) International Design Classification: **04-03, 15-05**  
(74) Name(s) of Attorney(s): **Davies Collison Cave**  
(71) Name(s) and Address(s) of Applicant(s):  
**Black & Decker Inc**  
**1207 Drummond Plaza Newark Delaware 19711 United States of America**  
(72) Name(s) of Designer(s): **Graeme Crawley**  
(45) Registration Date: **03 June 2011**  
(30) Convention priority data:  
(31) Number (32) Date (33) Country  
**001242952 03 Nov 2010 EUROPEAN COMMUNITY**  
(56) Related Art Documents: **Not Applicable**  
(57) Statement of Newness and Distinctiveness: **Nil**



(21) Design Number: **12042/2011**  
(22) Date of Filing Application: **10 May 2011**  
(24) Date from which industrial property rights may have effect: **10 May 2011**  
(54) Product in respect of which the design is registered: **Capsule containing dishwashing powder**  
(51) International Design Classification: **28-99**  
(74) Name(s) of Attorney(s): **Freehills Patent & Trade Mark Attorneys**  
(71) Name(s) and Address(s) of Applicant(s):  
**Robert McBride Limited**  
**Middleton Way Middletown Manchester M24 4DP United Kingdom**  
(72) Name(s) of Designer(s): **James Gordon**  
(45) Registration Date: **03 June 2011**  
(30) Convention priority data:  
(31) Number (32) Date (33) Country  
**001842725-0001 29 Mar 2011 EUROPEAN COMMUNITY**  
(56) Related Art Documents: **Not Applicable**  
(57) Statement of Newness and Distinctiveness: **Newness and distinctiveness resides in the features of shape and/or configuration of the core of a capsule containing dishwashing powder as indicated by reference "A" in Figure 6.**



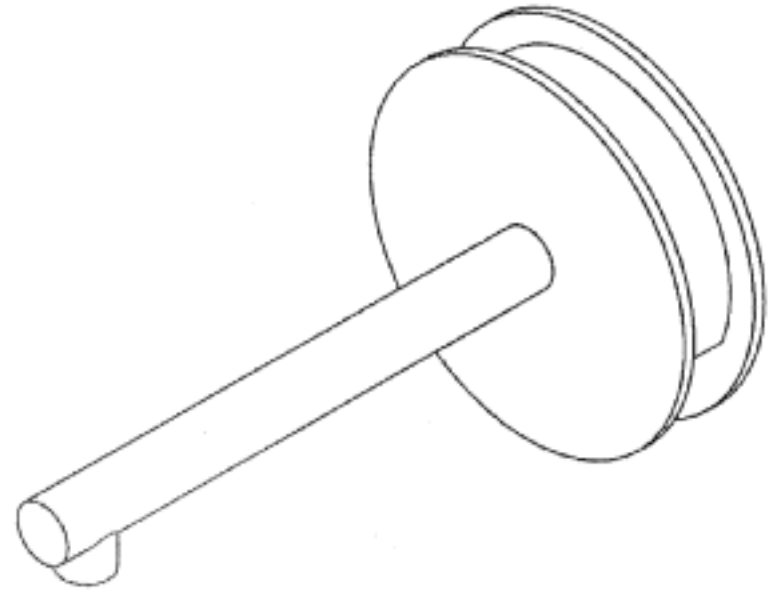
(21) Design Number: **12043/2011**  
(22) Date of Filing Application: **11 May 2011**  
(24) Date from which industrial property rights may have effect: **11 May 2011**  
(54) Product in respect of which the design is registered: **Antenna radome plate**  
(51) International Design Classification: **14-03NES**  
(74) Name(s) of Attorney(s): **WATERMARK PATENT AND TRADE MARKS ATTORNEYS**  
(71) Name(s) and Address(s) of Applicant(s):  
**World Products, LLC**  
**19654 Eighth Street East Sonoma California 95476 United States of America**  
(72) Name(s) of Designer(s): **Bharadvaj R. Podduturi**  
(45) Registration Date: **03 June 2011**  
(30) Convention priority data:  
(31) Number (32) Date (33) Country  
**29/379,135 15 Nov 2010 UNITED STATES OF AMERICA**  
(56) Related Art Documents: **Not Applicable**  
(57) Statement of Newness and Distinctiveness: **Newness and distinctiveness resides in the shape and configuration of an antenna radome plate. The portions of the design shown in broken lines should be disregarded and forms no part of the design.**



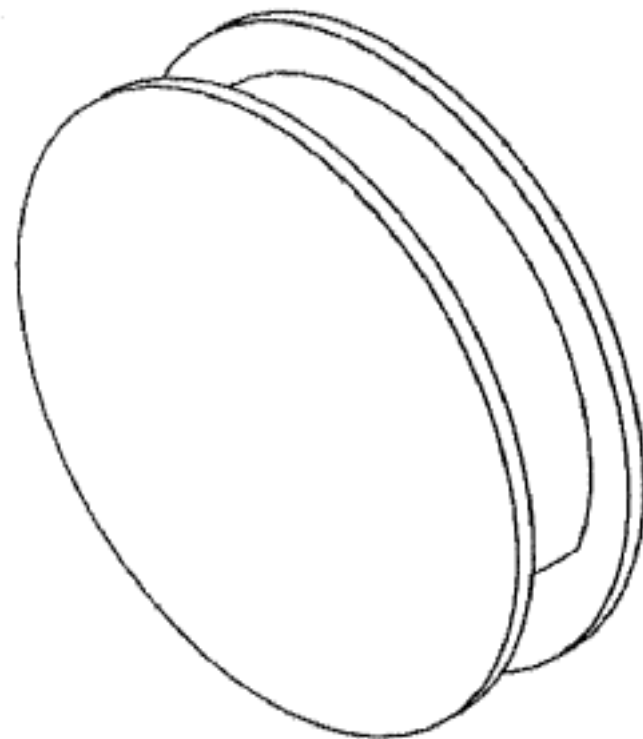
(21) Design Number: **12073/2011**  
(22) Date of Filing Application: **12 May 2011**  
(24) Date from which industrial property rights may have effect: **12 May 2011**  
(54) Product in respect of which the design is registered: **Cat scratching furniture**  
(51) International Design Classification: **06-99, 30-06, 30-99**  
(74) Name(s) of Attorney(s):  
(71) Name(s) and Address(s) of Applicant(s):  
**Electric Lime Design Pty Ltd**  
**46 Highbury Grove Prahran East Victoria 3181 Australia**  
(72) Name(s) of Designer(s): **Andrew Dallan-Jones**  
(45) Registration Date: **03 June 2011**  
(56) Related Art Documents: **Not Applicable**  
(57) Statement of Newness and Distinctiveness: **The A-frame shape is particular to the design. It allows the product to be used in three different orientations. Standing up, upsidedown and sideways. The furniture can be used as a cat scratcher, cat bed and play equipment.**



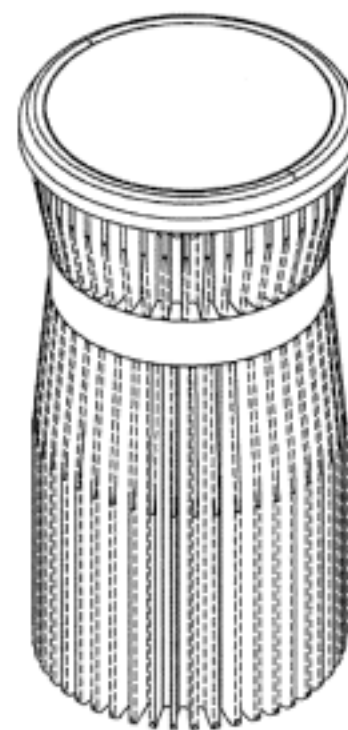
- (21) Design Number: **12268/2011**  
(22) Date of Filing Application: **20 May 2011**  
(24) Date from which industrial property rights may have effect: **20 May 2011**  
(54) Product in respect of which the design is registered: **Tapware**  
(51) International Design Classification: **23-01H**  
(74) Name(s) of Attorney(s):  
(71) Name(s) and Address(s) of Applicant(s):  
**Geoffrey Noel Davidson**  
**80 Mowbray Road Willoughby New South Wales 2068 Australia**  
(72) Name(s) of Designer(s): **Geoffrey Noel Davidson**  
(45) Registration Date: **03 June 2011**  
(56) Related Art Documents: **Not Applicable**  
(57) Statement of Newness and Distinctiveness: **The new and distinctive features are circular shape with spout mounted in the centre and the handles concealed behind the circular face plate.**



- (21) Design Number: **12269/2011**  
(22) Date of Filing Application: **20 May 2011**  
(24) Date from which industrial property rights may have effect: **20 May 2011**  
(54) Product in respect of which the design is registered: **Tapware**  
(51) International Design Classification: **25-01H**  
(74) Name(s) of Attorney(s):  
(71) Name(s) and Address(s) of Applicant(s):  
**Geoffrey Noel Davidson**  
**80 Mowbray Road Willoughby New South Wales 2068 Australia**  
(72) Name(s) of Designer(s): **Geoffrey Noel Davidson**  
(45) Registration Date: **03 June 2011**  
(56) Related Art Documents: **Not Applicable**  
(57) Statement of Newness and Distinctiveness: **The new and distinctive features are the circular shape with the handles concealed behind the circular face plate.**



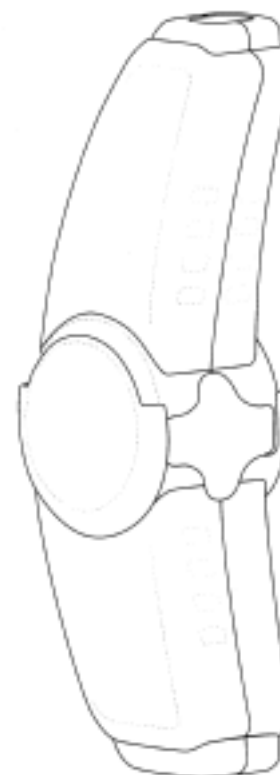
- (21) Design Number: **11396/2011**  
(22) Date of Filing Application: **30 March 2011**  
(24) Date from which industrial property rights may have effect: **30 March 2011**  
(54) Product in respect of which the design is registered: **Downlight**  
(51) International Design Classification: **26-04**  
(74) Name(s) of Attorney(s): **Davies Collison Cave**  
(71) Name(s) and Address(s) of Applicant(s):  
**Brightgreen Pty Ltd**  
**4/28 Down Street Collingwood Victoria 3066 Australia**  
(72) Name(s) of Designer(s): **David Mitchell O'Driscoll**  
(45) Registration Date: **03 June 2011**  
(56) Related Art Documents: **Not Applicable**  
(57) Statement of Newness and Distinctiveness: **Newness and distinctiveness is claimed in the visual features shown in solid lines in the representations.**



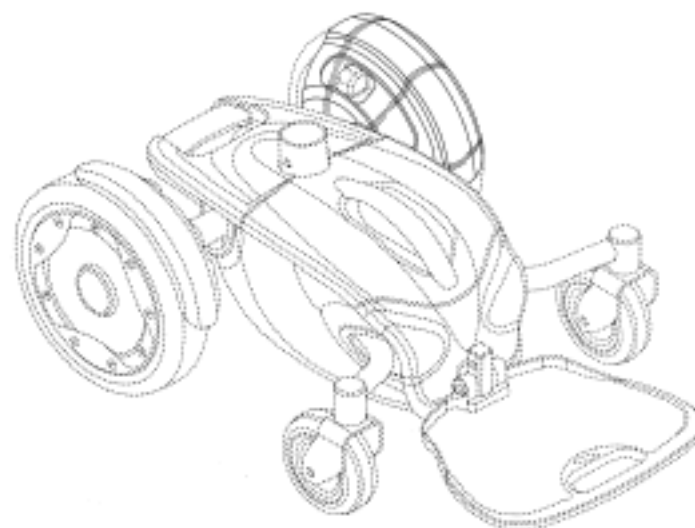
- (21) Design Number: **12008/2011**  
(22) Date of Filing Application: **09 May 2011**  
(24) Date from which industrial property rights may have effect: **09 May 2011**  
(54) Product in respect of which the design is registered: **Hand basin**  
(51) International Design Classification: **23-02F**  
(74) Name(s) of Attorney(s):  
(71) Name(s) and Address(s) of Applicant(s):  
**Jo Irwin**  
**11 Humphreys Avenue Casula New South Wales 2170 Australia**  
(72) Name(s) of Designer(s): **Jo Irwin**  
(45) Registration Date: **03 June 2011**  
(56) Related Art Documents: **Not Applicable**  
(57) Statement of Newness and Distinctiveness: **Elegance and Fineness of edge detail as well as shape and medium.**



- (21) Design Number: **12009/2011**  
(22) Date of Filing Application: **06 May 2011**  
(24) Date from which industrial property rights may have effect: **06 May 2011**  
(54) Product in respect of which the design is registered: **Banana container**  
(51) International Design Classification: **03-01NES, 07-01NES**  
(74) Name(s) of Attorney(s): **EKM patent & trade marks**  
(71) Name(s) and Address(s) of Applicant(s):  
**Smash Enterprises Pty Ltd**  
**33 Redland Drive Mitcham Victoria 3132 Australia**  
(72) Name(s) of Designer(s): **Dale Harbinson**  
(45) Registration Date: **03 June 2011**  
(56) Related Art Documents: **Not Applicable**  
(57) Statement of Newness and Distinctiveness: **Newness and distinctiveness resides in the features of shape and/or configuration of a banana container as shown in solid lines in the accompanying representations.**



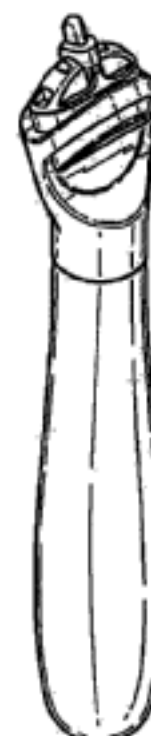
- (21) Design Number: **12034/2011**  
(22) Date of Filing Application: **09 May 2011**  
(24) Date from which industrial property rights may have effect: **09 May 2011**  
(54) Product in respect of which the design is registered: **Fender**  
(51) International Design Classification: **12-16B**  
(74) Name(s) of Attorney(s): **FB Rice**  
(71) Name(s) and Address(s) of Applicant(s):  
**Invacare Corporation**  
**One Invacare Way Elyria Ohio 44036 United States of America**  
(72) Name(s) of Designer(s): **Joseph Spalding and Daniel James Yee and Damon Jurkiewicz and Traian Mohan**  
(45) Registration Date: **03 June 2011**  
(30) Convention priority data:  
(31) Number      (32) Date      (33) Country  
**29/378841      10 Nov 2010      UNITED STATES OF AMERICA**  
(56) Related Art Documents: **Not Applicable**  
(57) Statement of Newness and Distinctiveness: **Newness and distinctiveness reside in the features of the design shown in solid lines in the representations excluding those features shown in broken lines.**



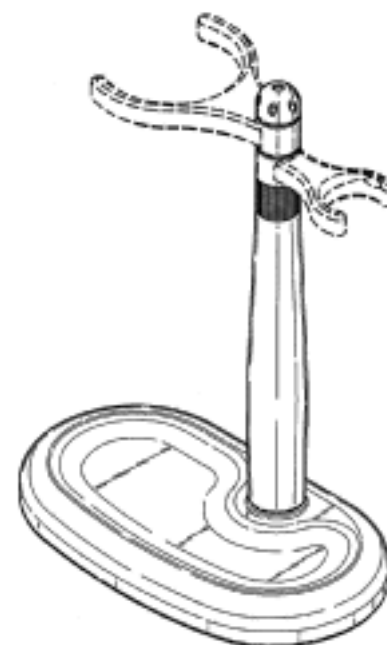
(21) Design Number: **12054/2011**  
 (22) Date of Filing Application: **10 May 2011**  
 (24) Date from which industrial property rights may have effect: **10 May 2011**  
 (54) Product in respect of which the design is registered: **Razor handle**  
 (51) International Design Classification: **28-03A**  
 (74) Name(s) of Attorney(s): **PHILLIPS ORMONDE FITZPATRICK**  
 (71) Name(s) and Address(s) of Applicant(s):  
**The Gillette Company**  
**One Gillette Park Boston Massachusetts 02127 United States of America**  
 (72) Name(s) of Designer(s): **Rolando Antonio Cavazos Jimenez and Steven Michael Schennum and Jeremy Aaron Abel**  
 (45) Registration Date: **03 June 2011**  
 (30) Convention priority data:  
 (31) Number      (32) Date      (33) Country  
**29/379,273      17 Nov 2010      UNITED STATES OF AMERICA**  
 (56) Related Art Documents: **Not Applicable**  
 (57) Statement of Newness and Distinctiveness: **Those features of the razor handle depicted in the representations that are new and distinctive are the shape and/or configuration.**



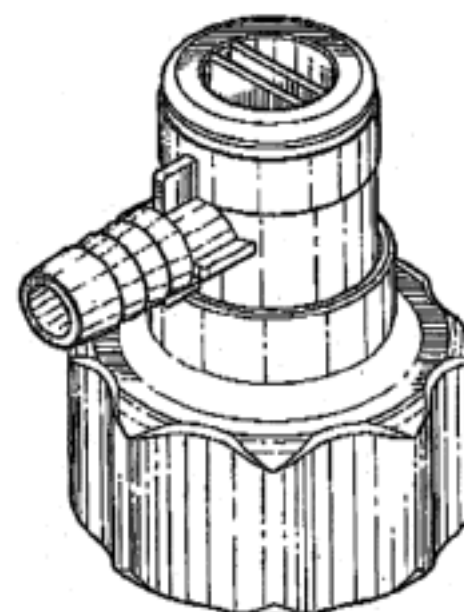
(21) Design Number: **12055/2011**  
 (22) Date of Filing Application: **10 May 2011**  
 (24) Date from which industrial property rights may have effect: **10 May 2011**  
 (54) Product in respect of which the design is registered: **Razor handle**  
 (51) International Design Classification: **28-03A**  
 (74) Name(s) of Attorney(s): **PHILLIPS ORMONDE FITZPATRICK**  
 (71) Name(s) and Address(s) of Applicant(s):  
**The Gillette Company**  
**One Gillette Park Boston Massachusetts 02127 United States of America**  
 (72) Name(s) of Designer(s): **Rolando Antonio Cavazos Jimenez and Steven Michael Schennum and Jeremy Aaron Abel**  
 (45) Registration Date: **03 June 2011**  
 (30) Convention priority data:  
 (31) Number      (32) Date      (33) Country  
**29/379,273      17 Nov 2010      UNITED STATES OF AMERICA**  
 (56) Related Art Documents: **Not Applicable**  
 (57) Statement of Newness and Distinctiveness: **Those features of the razor handle depicted in the representations that are new and distinctive are the shape and/or configuration.**



(21) Design Number: **12056/2011**  
(22) Date of Filing Application: **10 May 2011**  
(24) Date from which industrial property rights may have effect: **10 May 2011**  
(54) Product in respect of which the design is registered: **Razor stand**  
(51) International Design Classification: **28-03A**  
(74) Name(s) of Attorney(s): **PHILLIPS ORMONDE FITZPATRICK**  
(71) Name(s) and Address(s) of Applicant(s):  
**The Gillette Company**  
**One Gillette Park Boston Massachusetts 02127 United States of America**  
(72) Name(s) of Designer(s): **Rolando Antonio Cavazos Jimenez and Steven Michael Schennum and Mark Edward Miller**  
(45) Registration Date: **03 June 2011**  
(30) Convention priority data:  
(31) Number (32) Date (33) Country  
**29/379,272 17 Nov 2010 UNITED STATES OF AMERICA**  
(56) Related Art Documents: **Not Applicable**  
(57) Statement of Newness and Distinctiveness: **Those features of the razor stand depicted in the representations that are new and distinctive are the shape and/or configuration. The features shown in broken line are not part of the design and are to be disregarded when considering the overall impression of the design.**



(21) Design Number: **12057/2011**  
(22) Date of Filing Application: **10 May 2011**  
(24) Date from which industrial property rights may have effect: **10 May 2011**  
(54) Product in respect of which the design is registered: **Dispensing connector collar with a single barb**  
(51) International Design Classification: **23-01NES, 31-00**  
(74) Name(s) of Attorney(s): **Houlihan2**  
(71) Name(s) and Address(s) of Applicant(s):  
**LIQUI-BOX CORPORATION**  
**6950 Worthington-Galena Road PO Box 494 Worthington Ohio**  
**43085-0494 United States of America**  
(72) Name(s) of Designer(s): **James Johnson**  
(45) Registration Date: **03 June 2011**  
(30) Convention priority data:  
(31) Number (32) Date (33) Country  
**29/379,021 12 Nov 2010 UNITED STATES OF AMERICA**  
(56) Related Art Documents: **Not Applicable**  
(57) Statement of Newness and Distinctiveness: **Nil**



- (21) Design Number: **12058/2011**  
(22) Date of Filing Application: **04 May 2011**  
(24) Date from which industrial property rights may have effect: **04 May 2011**  
(54) Product in respect of which the design is registered: **Utility tray cover**  
(51) International Design Classification: **12-16B**  
(74) Name(s) of Attorney(s):  
(71) Name(s) and Address(s) of Applicant(s):

**Nathan Ennor**  
**43 Glenvale Road Toowoomba Queensland 4350 Australia**

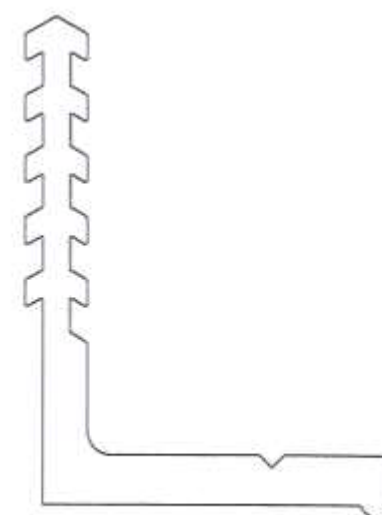
- (72) Name(s) of Designer(s): **Nathan Anthony Ennor**  
(45) Registration Date: **03 June 2011**  
(56) Related Art Documents: **Not Applicable**  
(57) Statement of Newness and Distinctiveness: **This is an aluminium extrusion that is attached to the top of a ute tray for a tonneau cover or side for a canopy. A high density polyethylene (hope) channel is sewn on the cover to attach to this extrusion.**



- (21) Design Number: **12375/2011**  
(22) Date of Filing Application: **26 May 2011**  
(24) Date from which industrial property rights may have effect: **26 May 2011**  
(54) Product in respect of which the design is registered: **Solar roof mounting end clamp**  
(51) International Design Classification: **25-01K**  
(74) Name(s) of Attorney(s): **MORCOM PERNAT**  
(71) Name(s) and Address(s) of Applicant(s):

**Solar Tech Connect Pty Ltd**  
**5/22 Eastern Service Road Stapylton Queensland 4207 Australia**

- (72) Name(s) of Designer(s): **John Henley-Smith**  
(45) Registration Date: **03 June 2011**  
(56) Related Art Documents: **Not Applicable**  
(57) Statement of Newness and Distinctiveness: **The newness of the design resides in the shape and configuration of a section having a constant cross section shape and an indefinite length as shown in the representations.**





(19) AU

(21) Design Number: **12060/2011**

(22) Date of Filing Application: **10 May 2011**

(24) Date from which industrial property rights may have effect: **10 May 2011**

(54) Product in respect of which the design is registered: **Indoor training bike**

(51) International Design Classification: **21-02F**

(74) Name(s) of Attorney(s): **Cotters Patent & Trade Mark Attorneys**

(71) Name(s) and Address(s) of Applicant(s):

**DS-Design, Besloten Vennootschap met beperkte aansprakelijkheid  
Wareslagestraat 82 Waasmunster 9250 Belgium**

(72) Name(s) of Designer(s): **Steven Decommer**

(45) Registration Date: **03 June 2011**

(30) Convention priority data:

(31) Number	(32) Date	(33) Country
<b>001795188</b>	<b>17 Dec 2010</b>	<b>EUROPEAN COMMUNITY</b>

(56) Related Art Documents: **Not Applicable**

(57) Statement of Newness and Distinctiveness: **Newness and distinctiveness is claimed in the features of shape and/or configuration of a indoor training bike as depicted in the accompanying drawings.**

