



Australian Government

IP Australia

AUSTRALIAN OFFICIAL JOURNAL

OF

DESIGNS

Did you know a searchable version of this journal is now available online?

It's FREE and EASY to SEARCH.

Find it on our website (www.ipaustralia.gov.au)

by using the "Journals" link on the home page.

This Page Left Intentionally Blank

Contents

General Information & Notices

**Proceedings Under the Designs Act 1906 preserved as a result of the provisions of Chapter 12
Part 2 of the Designs Act 2003**

Applications for Extension of Time	1706
Extension of Period of Registration of Designs	1706
Registrations Ceased	1706
Subsequent Owners Registered	1706

Proceedings Under the Designs Act 2003

Applications Lapsed	1716
Applications Lodged	1710
Applications Withdrawn	1716
Certificate of Examination	1720
Discharge of Mortgages	1717
Extension of Period of Registration of Design	1717
Extension of Time Granted Under Section 137	1717
Names Registered - Alterations and Amendments	1719
Publication and Registration Proceedings	
Designs Registered 336958 to 337224.....	1721
Registrations Ceased	1717
Subsequent Owners Registered	1718

This Page Left Intentionally Blank

For information on the following please see our website www.ipaustralia.gov.au or contact our Customer Service Network on 1300651010

[Editorial enquiries](#)

[Contact information](#)

[Freedom of Information ACT](#)

[Professional Standards Board](#)

[Sales](#)

[Requests for Information under Section 194 \(c\)](#)

[Country Codes](#)

[Trade Mark and Designs Hearing Sessions](#)

[INID \(Internationally agreed Numbers for the Identification of Data\)](#)

“INID” NUMBERS in use on Australian Design Documents

“INID” is an acronym for “Internationally agreed Numbers for the Identification of Data”.

(10) Data concerning the registration/renewal

- (11) Serial number of the registration and/or number of the design document
- (12) Plain language designation of the kind of published document
- (19) Identification, using the two-letter code according to WIPO Standard ST.3, of the authority publishing or registering the industrial design

(20) Data concerning the application

- (21) Serial number of the application
- (22) Date of filing of the application
- (24) Date from which the industrial design right has effect

(30) Data relating to priority under the Paris Convention

- (31) Serial number assigned to the priority application
- (32) Date of filing of the priority application
- (33) Two-letter code, according to WIPO Standard ST.3, identifying the authority with which the priority application was made

(40) Date(s) of making information available to the public

- (45) Date of publication of the registered industrial design by printing or similar process, or making it available to the public by any other means

(50) Miscellaneous Information

- (51) International Classification for Industrial Designs (class and subclass of the Locarno Classification)
- (54) Designation of article(s) or product(s) covered by the industrial design or title of the industrial design
- (55) Reproduction of the industrial design (e.g., drawing, photograph) and explanations relating to the reproduction
- (56) List of prior art documents, if separate from descriptive text
- (57) Description of characteristic features of the industrial design including indication of colours

(60) References to other legally related application(s) and registration(s)

- (62) Serial number(s) and, if available, filing date(s) of application(s), registration(s) or document(s) related by division
- (66) Serial number(s) of the application, or the registration, of the design(s) which is (are) a variant(s) of the present one

(70) Identification of parties concerned with the application or registration

- (71) Name(s) and address(es) of the applicant(s)
- (72) Name(s) of the creator(s) if known to be such
- (74) Name(s) and address(es) of the representative(s)

This Page Left Intentionally Blank

Nil notices for this journal issue.

Proceedings under the Designs Act 1906 preserved as a result of the provisions of Chapter 12 Part 2 of the Designs Act 2003.

This Page Left Intentionally Blank

Applications Lapsed

There were no Applications Lapsed under this section

Extension of Period of Registration of Designs

1st Period (Section 27A(8))

2nd Period (Section 27A(12))

3rd Period (Section 27A(13))

141235	142519	142618
142619	142647	143029
143128	143230	143290
143291	143472	143475
143487	143515	143516
143581	143635	143851
143897	143898	144226
144308	144309	144516
145068	145678	145679
145680	145681	145814
145815	145988	146013
146045	146379	146497
147133	147271	151202
151663	151664	151665
151666	151667	151668
151669	151670	151671
151672	151673	151674
151675	151676	151859
151860		

140769	140774	140775
140776	140777	140778
140779	140799	140800
140810	140825	140909
140964	140965	140966
141045	141066	141067
141068	141069	141070
141071	141072	141073
141088	141090	141100
141101	141102	141103
141104	141105	141106
141107	141108	141268
141271	141398	141582
141735	141736	142037
142677	142678	142679
142680	142681	142682
142683	142684	142700
142701	142702	142703
142704	142752	142753
142754	143048	143049
143078	144293	144294
144295	144297	144757
144798	144799	147697
156804	158323	

Applications for Extension of time

Applications for extension of time have been lodged. Objections must be lodged within 1 month from the date of this journal.

139490 **Robert Anthony Bowyer** Extension of time to extend a registration. Address for Service: ROB BOWYER LOT 4 BOONAH RATHDOWNEY ROAD BOONAH QLD 4310

141227 **Robert Anthony Bowyer** Extension of time to extend a registration. Address for Service: ROBERT BOWYER LOT 4 BOONAH RATHDOWNEY ROAD BOONAH QLD 4310

Registrations Ceased

Note: Some of the following Registrations may have been previously advertised as ceased. In this instance, the previous advertisement still prevails.

124175	124191	124450
125254	125257	125260
125632	125655	125659
125671	125744	125746
125747	125749	125776
125817	125842	126036
126037	126038	126039
126040	126112	126132
126203	126204	126241
126774	126802	126823
127213	127269	127379
127832	127863	127972
128023	128059	128060
128883	129508	129544
129555	129556	129824
129901	130060	130380
130761	130762	133437
139448	140325	140702
140711	140753	140764

Subsequent Owners Registered

(The name in parentheses is that of the subsequent owner)

157201 (**Unilever PLC**) Saramar L.L.C.

This Page Left Intentionally Blank

Proceedings under the Designs Act 2003.

This Page Left Intentionally Blank

Applications Lodged

Lodgement information is in the following order: **Applicant's Name**; International Classification, Name of Product, Lodgement Date and **Design Number**. If the applicant claims an earlier priority date under an International Convention, the Convention Country and the associated filing date are shown in parentheses before the Lodgement Date. Divisional information will also appear in parentheses before the Lodgement Date.

Actervis, GmbH; 23-03A, Heating apparatus, (EM, 20 Dec 2010) 09 Jun 2011	12599/2011	Braidwood, Nicole;Foskett, Deb; 08-07, Insulin pump therapy for those with diabetes. Aptly called 'my pump key' this product enables users to change battery, 14 Jun 2011	12633/2011
Actervis, GmbH; 23-03A, Heating apparatus, (EM, 20 Dec 2010) 09 Jun 2011	12602/2011	Briggs & Stratton Corporation; 23-04, Air filter, (US, 03 Dec 2010) 02 Jun 2011	12514/2011
Actervis, GmbH; 23-03A, Heating apparatus, (EM, 20 Dec 2010) 09 Jun 2011	12600/2011	Briggs & Stratton Corporation; 15-01, 15-03B, 23-04, Air filter, (US, 03 Dec 2010) 02 Jun 2011	12494/2011
Actervis, GmbH; 23-03A, Heating apparatus, (EM, 20 Dec 2010) 09 Jun 2011	12601/2011	Broplenty Pty Ltd; 09-07C, Diamond shoe stopper - wine stopper, 31 May 2011	12496/2011
Alfa Wassermann; 24-02, Valve handle, (US, 03 Dec 2010) 03 Jun 2011	12521/2011	Cadbury UK Limited; 01-01, Chocolate confectionery, (EM, 14 Dec 2010) 14 Jun 2011	12625/2011
Alfa Wassermann; 24-02, Valve manifold, (US, 03 Dec 2010) 03 Jun 2011	12523/2011	Cadbury UK Limited; 01-01, Chocolate confectionery, (EM, 14 Dec 2010) 14 Jun 2011	12624/2011
Alfa Wassermann; 24-02, Valve manifold, (US, 03 Dec 2010) 03 Jun 2011	12522/2011	Campion, Graham Arthur; 03-03, 06-06A, A stand, (NZ, 13 Dec 2010) 14 Jun 2011	12629/2011
Alliance Sealing Pty Ltd; 23-01A, Pot line rod gland, 03 Jun 2011	12564/2011	Capewell, John; 21-02C, A golf tee, that is constructed to resemble a rifle cartridge, 02 Jun 2011	12513/2011
Aparan Holdings Pty Ltd; 19-04, Cover for a paper swatch, 02 Jun 2011	12359/2011	Capewell, John; 21-02A, A golf ball, with a design overplaced to make the golf ball resemble a hollow point bullet at front and primer at rear, 02 Jun 2011	12511/2011
Astra Tech AB; 24-02, Insertion aid for catheters, (EM, 15 Dec 2010) 03 Jun 2011	12520/2011	Capewell, John; 21-02A, A golf ball, with a design overplaced to make the golf ball resemble a bullet at front and primer at rear, 02 Jun 2011	12512/2011
Beba Enterprises Pty Ltd; 02-02C, Women's clothing, 08 Dec 2010	12569/2011	Captain Hook Pty Ltd; 99-00, A hook, 09 Jun 2011	12584/2011
Beba Enterprises Pty Ltd; 02-02C, Women's clothing, 08 Dec 2010	12570/2011	Caroma Industries Limited; 23-02F, A basin, 15 Jun 2011	12679/2011
Beba Enterprises Pty Ltd; 02-02C, 02-02NES, Women's clothing, 06 Jun 2011	12556/2011	Caroma Industries Limited; 23-02F, A basin, 15 Jun 2011	12680/2011
Bekine Pty Ltd; 99-00, This design is an implementation of Australian patent 2009100296, 01 Jun 2011	12510/2011	Caroma Industries Limited; 23-02F, A basin, 15 Jun 2011	12681/2011
Bonds Industries Pty Ltd; 02-01B, Underwear, 09 Jun 2011	12588/2011	Castpoints Pty Ltd; 15-99, Ripper point, 15 Jun 2011	12670/2011
Braidwood, Nicole;Foskett, Deb; 08-07, Insuline pump therapy for those with diabetes. Aptly called 'my pump key' this product enables users to change battery, 14 Jun 2011	12634/2011	Chadwick, Colin; 13-03D, Mobile phone, iPod or MP3 player or any hand held battery powered product and laptop computers, 19 May 2011	12536/2011

Charlesworth, Ellen; 09-07NES, Pot pourri lid with map, 10 Jun 2011	12604/2011	CSI Cells Co., Ltd; 23-03D, Portion of a face of a solar cell, (CN, 02 Apr 2011) 06 Jun 2011	12534/2011
Charlesworth, Ellen; 09-07NES, Pot pourri lid with animals, 10 Jun 2011	12663/2011	Dart Industries Inc; 09-01NES, Bottle, (US, 10 Jan 2011) 10 Jun 2011	12621/2011
Church & Dwight Co., Inc.; 28-03NES, Roll-on wax applicator, (FR, 16 Dec 2010) 08 Jun 2011	12579/2011	Dart Industries Inc; 09-01NES, Bottle with cap, (US, 10 Jan 2011) 10 Jun 2011	12622/2011
Climate Technologies Pty Ltd; 23-04, An end for attachment to a fan, 10 Jun 2011	12611/2011	Dauphin Entwicklungs- u. Beteiligungs-GmbH; 06-01NES, Seating furniture, (WO, 10 Dec 2010) 07 Jun 2011	12561/2011
Climate Technologies Pty Ltd; 23-04, A fan, 10 Jun 2011	12612/2011	Dellamarta, Stevie; 02-04C, Garment, 06 Jun 2011	12540/2011
Colgate-Palmolive Company; 04-02, Oral care implement, (US, 21 Dec 2010) 06 Jun 2011	12544/2011	Dennis, Ian;Dennis, Dianne L.; 31-00, Transfer of separated walnut kernels from the rotary drum separator to a solids air separator, 17 May 2011	12526/2011
Colgate-Palmolive Company; 04-02, Oral care implement, (US, 20 Dec 2010) 15 Jun 2011	12674/2011	Dennis, Dianne L.;Dennis, Ian; 31-00, Transfer of separated walnut kernels from the rotary drum separator to a solids air separator, 17 May 2011	12526/2011
Colgate-Palmolive Company; 04-02, Oral care implement, (US, 20 Dec 2010) 15 Jun 2011	12675/2011	Dennis, Ian;Dennis, Dianne L.; 31-00, Induction by air venturi of cracked walnut meat and shell into a rotary separator, 17 May 2011	12524/2011
Colgate-Palmolive Company; 04-02, Oral care implement, (US, 21 Dec 2010) 06 Jun 2011	12547/2011	Dennis, Dianne L.;Dennis, Ian; 31-00, Separation of walnut kernels (meat) from the induced mix of meat and shell from cracked product, 17 May 2011	12525/2011
Colgate-Palmolive Company; 04-02, Oral care implement, (US, 21 Dec 2010) 06 Jun 2011	12475/2011	Dennis, Ian;Dennis, Dianne L.; 31-00, Separation of walnut kernels (meat) from the induced mix of meat and shell from cracked product, 17 May 2011	12525/2011
Colgate-Palmolive Company; 04-02, Oral care implement, (US, 21 Dec 2010) 06 Jun 2011	12545/2011	Dennis, Dianne L.;Dennis, Ian; 31-00, Induction by air venturi of cracked walnut meat and shell into a rotary separator, 17 May 2011	12524/2011
Colgate-Palmolive Company; 04-02, Oral care implement, (US, 21 Dec 2010) 06 Jun 2011	12546/2011	Edsal Manufacturing Company, Inc.; 06-04NES, Shelving beam, 03 Jun 2011	12529/2011
Conroy, S.J.;Conroy, M.J.; 99-00, Twisted upright, 09 Jun 2011	12566/2011	Edsal Manufacturing Company, Inc.; 06-04NES, Shelving beam, 03 Jun 2011	12530/2011
Conroy, M.J.;Conroy, S.J.; 99-00, Twisted upright, 09 Jun 2011	12566/2011	El Cantillo, S.A; 09-01NES, Bottle, (EM, 21 Dec 2010) 15 Jun 2011	12661/2011
Craig, Alistair Hugh;Inventionz IP Limited; 08-07, Dead bolt and latch locating jig, (NZ, 06 Sep 2010) 08 Jun 2011	12577/2011	Enghard, Florian; 07-04, Hand operated cake mixer, (DE, 09 Dec 2010) 08 Jun 2011	12578/2011
Crown Packaging Technology, Inc.; 09-03L, Vented beverage can end, (US, 15 Feb 2011) 01 Jun 2011	12500/2011	F-Aguamash LLC;Sergeevich, Velichko Vladimir; 23-01NES, Desalination unit, (RU, 13 Dec 2010) 14 Jun 2011	12637/2011
Crown Packaging Technology, Inc.; 09-07B, Vented beverage can end, (US, 15 Feb 2011) 01 Jun 2011	12498/2011	Fifty-Fourth Rischell Pty Ltd; 02-02C, 02-02NES, Men's clothing, 03 Jun 2011	12528/2011
Crown Packaging Technology, Inc.; 09-03L, Vented beverage can end, (US, 15 Feb 2011) 01 Jun 2011	12501/2011		
Crytec Enterprises Pty Ltd; 03-01NES, 09-03C, Gift case for jewelry, 02 Jun 2011	12509/2011		

Fitness Brands 2, LLC; 21-02F, Modified abdominal exercise device, (US, 01 Dec 2010) 01 Jun 2011	12504/2011	Forever New Clothing Pty Ltd; 02-02NES, Women's fashion clothing, 13 Dec 2010	12658/2011
Foot Steps Orthotics Pty Limited; 02-04A, Orthotic insert, (TW, 31 Dec 2010) 10 Jun 2011	12619/2011	Forever New Clothing Pty Ltd; 02-02NES, Women's fashion clothing, 13 Dec 2010	12659/2011
Foot Steps Orthotics Pty Limited; 02-04A, Orthotic insert, (TW, 31 Dec 2010) 10 Jun 2011	12620/2011	Forever New Clothing Pty Ltd; 02-02NES, Women's fashion clothing, 13 Dec 2010	12648/2011
Foot Steps Orthotics Pty Limited; 02-04A, Orthotic insert, (TW, 31 Dec 2010) 10 Jun 2011	12618/2011	Forever New Clothing Pty Ltd; 02-02C, Women's fashion clothing, 13 Dec 2010	12652/2011
Foot Steps Orthotics Pty Limited; 02-04A, Orthotic insert, (TW, 31 Dec 2010) 10 Jun 2011	12616/2011	Forever New Clothing Pty Ltd; 02-02NES, Women's fashion clothing, 13 Dec 2010	12653/2011
Forever New Clothing Pty Ltd; 02-02C, Women's fashion clothing, 10 Jun 2011	12615/2011	Forever New Clothing Pty Ltd; 02-02C, Women's fashion clothing, 13 Dec 2010	12649/2011
Forever New Clothing Pty Ltd; 02-02C, Women's fashion clothing, 13 Dec 2010	12644/2011	Forever New Clothing Pty Ltd; 02-02NES, Women's fashion clothing, 13 Dec 2010	12643/2011
Forever New Clothing Pty Ltd; 02-02NES, Women's fashion clothing, 13 Dec 2010	12656/2011	Forever New Clothing Pty Ltd; 02-02C, Women's fashion clothing, 13 Dec 2010	12641/2011
Forever New Clothing Pty Ltd; 02-02NES, Women's fashion clothing, 13 Dec 2010	12657/2011	Foskett, Deb;Braidwood, Nicole; 08-07, Insulin pump therapy for those with dibetes. Aptly called 'my pump key' this product enables users to change battery, 14 Jun 2011	12633/2011
Forever New Clothing Pty Ltd; 02-02NES, Women's fashion clothing, 13 Dec 2010	12654/2011	Foskett, Deb;Braidwood, Nicole; 08-07, Insuline pump therapy for those with diabetes. Aptly called 'my pump key' this product enables users to change battery, 14 Jun 2011	12634/2011
Forever New Clothing Pty Ltd; 02-02NES, Women's fashion clothing, 13 Dec 2010	12655/2011	Gerard Lighting Pty Ltd; 26-05D, Square downlight, 10 Jun 2011	12630/2011
Forever New Clothing Pty Ltd; 02-02NES, Women's fashion clothing, 13 Dec 2010	12650/2011	Gerard Lighting Pty Ltd; 26-05D, Round downlight, 10 Jun 2011	12631/2011
Forever New Clothing Pty Ltd; 02-02NES, Women's fashion clothing, 13 Dec 2010	12660/2011	Gerard Lighting Pty Ltd; 13-03C, Electronics enclosure, 09 Jun 2011	12582/2011
Forever New Clothing Pty Ltd; 02-02C, Women's fashion clothing, 13 Dec 2010	12651/2011	Gerard Lighting Pty Ltd; 26-05A, Round light diffuser, 09 Jun 2011	12595/2011
Forever New Clothing Pty Ltd; 02-02NES, Women's fashion clothing, 13 Dec 2010	12646/2011	Gerard Lighting Pty Ltd; 10-05, PIR sensor, 09 Jun 2011	12597/2011
Forever New Clothing Pty Ltd; 02-02C, Women's fashion clothing, 13 Dec 2010	12647/2011	Gerard Lighting Pty Ltd; 26-05D, Square light diffuser, 09 Jun 2011	12596/2011
Forever New Clothing Pty Ltd; 02-02NES, Women's fashion clothing, 13 Dec 2010	12645/2011	Glass Pools Pty Ltd; 25-03, Swimming pool, 06 Jun 2011	12539/2011
Forever New Clothing Pty Ltd; 02-02C, Women's fashion clothing, 13 Dec 2010	12642/2011	GlaxoSmithKline Consumer Healthcare GmbH & Co. KG; 04-02, Toothbrush, (GB, 13 Dec 2010) 10 Jun 2011	12607/2011
		Glidestore Freetrack Pty Ltd; 09-03K, 09-08, Pallet bin, 09 Jun 2011	12581/2011

Grealy, Stephen M.; 06-09, Travel pillow, inflatable pillow, lumbar support pillow, foot rest, 10 Jun 2011	12598/2011	Kainotomies Verde-Kyvika Logika Paignidia A.E.B.E - Verdes Innovations SA; 21-01M, Logic toy, (EM, 01 Dec 2010) (Divisional of 11138/2011) 17 Mar 2011	12531/2011
Groot, Dan; 15-01, Carburettor cover, 06 Jun 2011	12541/2011	Karsten Manufacturing Corporation; 21-02C, Golf club head, (US, 07 Jan 2011) 15 Jun 2011	12672/2011
Groyears Investments Pty Ltd, Trading as Grocorp; 06-02, Baby cot/bed, 06 Jun 2011	12559/2011	Karsten Manufacturing Corporation; 21-02C, Golf club head, (US, 18 Jan 2011) 15 Jun 2011	12673/2011
Groyears Investments Pty Ltd, Trading as Grocorp; 06-04F, Baby changer chest, 06 Jun 2011	12563/2011	Kimberly-Clark, Inc.; 24-02, A lumen, (US, 30 Dec 2010) 06 Jun 2011	12552/2011
Gu, Jun; 06-03C, Workbench, 15 Jun 2011	12682/2011	Kimberly-Clark, Inc.; 08-06, 24-02, Ergonomic handle for medical device, (US, 30 Dec 2010) 06 Jun 2011	12551/2011
Guangdong Jetfast Portable Lighting Co., Ltd.; 13-02, Battery with five electrodes, (CN, 27 Jan 2011) 03 Jun 2011	12517/2011	Konecranes Plc; 12-05, Cabin, (WO, 19 May 2011) 15 Jun 2011	12662/2011
GHD Korea, Inc.; 28-03B, Hair iron, (KR, 17 Dec 2010) 15 Jun 2011	12671/2011	Koninklijke Philips Electronics N.V.;Sara Lee/DE N.V.; 07-02L, Coffee maker, (EM, 15 Dec 2010) 15 Jun 2011	12676/2011
GM Global Technology Operations LLC; 12-16A, Vehicle wheel, 03 Jun 2011	12527/2011	Laboratorios Liconsa, S.A.; 24-04, Inhaler, (EM, 06 Dec 2010) 03 Jun 2011	12535/2011
Haigh Australia Pty Ltd; 12-16NES, 25-01K, PVC extrusion for use in motor vehicles, boats caravans and camping, 08 Jun 2011	12586/2011	Laser Band, LLC; 11-01C, Business form with self-laminating wristband and labels, (US, 17 Feb 2011) 15 Jun 2011	12635/2011
Hancock, Darras L.J.; 25-02NES, Safety guard, 01 Apr 2011	12462/2011	Leather Craft (Aust) Pty Ltd; 03-01B, Bags, handbags, wallets, purses, 01 Jun 2011	12495/2011
Hatzis Holdings Pty Ltd; 02-02C, Ladies garments, 30 May 2011	12543/2011	Loggo IP Pty Ltd, (in its capacity as Trustee for Thornton IP Trust); 25-01C, Structural member, 06 Jun 2011	12537/2011
Hegan, Bruce; 11-01C, Identification bracelet, 10 Jun 2011	12603/2011	Lovell, Damon; 11-01C, Silicon friend wristband, 03 Jun 2011	12533/2011
Hitchman, Vincent; 12-06NES, Kayak boarding frame, 14 Jun 2011	12614/2011	Mars, Incorporated; 01-01, Chocolate/confectionary, (EM, 21 Jan 2011) 06 Jun 2011	12549/2011
Hornery, Paul R.;Rotherham, David; 25-01A, Construction blocks, 09 Jun 2011	12580/2011	Max-Gear Europe Limited; 19-08, Security sticker, (GB, 13 Dec 2010) 14 Jun 2011	12623/2011
International Laser Class Association; 21-02D, Radial sail, (US, 09 Dec 2010) 08 Jun 2011	12565/2011	McCormick & Company, Incorporated; 09-05, Seasoning package, (US, 03 Dec 2010) 20 Apr 2011	12499/2011
Inventionz IP Limited;Craig, Alistair Hugh; 08-07, Dead bolt and latch locating jig, (NZ, 06 Sep 2010) 08 Jun 2011	12577/2011	McCormick & Company, Incorporated; 09-05, Seasoning package, (US, 03 Dec 2010) 20 Apr 2011	12497/2011
Jones, Andrew;Saggau, John Jay;Molinari, Dave; 12-16NES, Vehicle cover, (US, 09 Dec 2010) 07 Jun 2011	12560/2011	Mead, Hannah; 11-02F, 25-01F, Feature tiles of timber pieces attached to a fabric backing, 08 Jun 2011	12585/2011
Kabushiki Kaisha Toshiba, also Trading as Toshiba Corporation;Toshiba Home Appliances Corporation; 15-05, A washing machine with a clothing dryer, (JP, 22 Feb 2011) 08 Jun 2011	12576/2011		

Melling, Warren;Spartalis, Theo; 26-04, 26-05C, 26-05E, SR-DLR-30w rectangle sop lighter - downlight, 03 Jun 2011	12557/2011	S.C. Johnson & Son, Inc.; 23-02NES, Wand for drain clog removal, (US, 09 Dec 2010) 09 Jun 2011	12593/2011
Michelin Recherche et Technique S.A.;Societe De Technologie Michelin; 12-15A, A tyre, (FR, 14 Dec 2010) 06 Jun 2011	12516/2011	S.C. Johnson & Son, Inc.; 23-02NES, Wand for drain clog removal, (US, 09 Dec 2010) 09 Jun 2011	12594/2011
Michelin Recherche et Technique S.A.;Societe De Technologie Michelin; 12-15A, A tyre, (FR, 14 Dec 2010) 06 Jun 2011	12515/2011	S.C. Johnson & Son, Inc.; 23-02NES, Wand for drain clog removal, (US, 09 Dec 2010) 09 Jun 2011	12589/2011
Michelin Recherche et Technique SA;Societe De Technologie Michelin; 12-15B, A tyre, (US, 30 Dec 2010) 16 Jun 2011	12664/2011	S.C. Johnson & Son, Inc.; 09-01A, Bottle, (US, 06 Dec 2010) 06 Jun 2011	12554/2011
Molinari, Dave;Saggau, John Jay;Jones, Andrew; 12-16NES, Vehicle cover, (US, 09 Dec 2010) 07 Jun 2011	12560/2011	S.C. Johnson & Son, Inc.; 09-01A, Bottle, (US, 06 Dec 2010) 06 Jun 2011	12553/2011
Otsuka Pharmaceutical Co., Ltd; 28-01, Tablet, (JP, 15 Dec 2010) 15 Jun 2011	12668/2011	S.C. Johnson & Son, Inc.; 09-01K, Bottle, (US, 08 Dec 2010) 07 Jun 2011	12562/2011
Otsuka Pharmaceutical Co., Ltd; 28-01, Tablet, (JP, 15 Dec 2010) 15 Jun 2011	12669/2011	Saggau, John Jay;Jones, Andrew;Molinari, Dave; 12-16NES, Vehicle cover, (US, 09 Dec 2010) 07 Jun 2011	12560/2011
Otsuka Pharmaceutical Co., Ltd; 28-01, Tablet, (JP, 15 Dec 2010) 15 Jun 2011	12667/2011	Sandvik Intellectual Property AB; 99-00, Inner cylinder, 02 Jun 2011	12505/2011
Pacific Market International, LLC; 07-01NES, Food container, (US, 10 Jan 2011) 10 Jun 2011	12613/2011	Sandvik Intellectual Property AB; 03-01NES, Sample tube, 02 Jun 2011	12502/2011
Pittsburgh Plastics Manufacturing, Inc.; 06-09, Cushion insert, (US, 09 Dec 2010) 09 Jun 2011	12590/2011	Sandvik Intellectual Property AB; 99-00, Casing, 02 Jun 2011	12506/2011
Pittsburgh Plastics Manufacturing, Inc.; 06-09, Cushion insert, (US, 09 Dec 2010) 09 Jun 2011	12592/2011	Sandvik Intellectual Property AB; 99-00, Piston, 02 Jun 2011	12507/2011
Radio Systems Corporation; 30-03, Pet consumables container, (US, 15 Dec 2010) 15 Jun 2011	12665/2011	Sandvik Intellectual Property AB; 15-04, Bearing bush, 02 Jun 2011	12503/2011
Richens, Mark Trading as The Flowering Potter; 11-02B, Planter box, 04 Feb 2011	12542/2011	Sandvik Intellectual Property AB; 99-00, Piston, 02 Jun 2011	12508/2011
Robert Welch Designs Limited; 07-06C, Salt and pepper, spice mill, (EM, 19 Apr 2011) 30 May 2011	12638/2011	Sara Lee/DE N.V.;Koninklijke Philips Electronics N.V.; 07-02L, Coffee maker, (EM, 15 Dec 2010) 15 Jun 2011	12676/2011
Robert Welch Designs Limited; 07-06C, Salt and pepper, spice mill, (EM, 19 Apr 2011) 30 May 2011	12640/2011	Sergeevich, Velichko Vladimir;F- Aguamash LLC; 23-01NES, Desalination unit, (RU, 13 Dec 2010) 14 Jun 2011	12637/2011
Robert Welch Designs Limited; 07-06C, Salt and pepper, spice mill, (EM, 19 Apr 2011) 30 May 2011	12639/2011	Sitka Developments Pty Ltd; 08-08D, Pipe hanger clamp, 06 Jun 2011	12548/2011
Rotherham, David;Hornery, Paul R.; 25-01A, Construction blocks, 09 Jun 2011	12580/2011	Societe des Produits Nestle S.A.; 09-01D, A container, (CH, 22 Dec 2010) 15 Jun 2011	12636/2011
		Societe des Produits Nestle S.A.; 09-03M, A package, (CH, 20 Dec 2010) 15 Jun 2011	12627/2011

Societe des Produits Nestle S.A.; 07-02L, A capsule holder, (CH, 20 Dec 2010) 15 Jun 2011	12628/2011	Techtronic Power Tools Technology Limited; 08-03, Accessory blade for a power tool, (US, 14 Dec 2010) 10 Jun 2011	12606/2011
Societe des Produits Nestle S.A.; 09-03M, A package, (CH, 20 Dec 2010) 15 Jun 2011	12632/2011	Tento Distribution Pty Ltd; 02-04NES, Envoy Australia summer shoe, 15 Jun 2011	12626/2011
Societe des Produits Nestle S.A.; 07-01D, A saucer, (CH, 15 Dec 2010) 09 Jun 2011	12573/2011	The Banner Lady Pty Ltd; 20-03NES, 25-01K, Extruded member, 09 Jun 2011	12587/2011
Societe des Produits Nestle S.A.; 07-01D, A cup, (CH, 15 Dec 2010) 09 Jun 2011	12567/2011	The Goodyear Tire & Rubber Company; 12-15B, Tyre, (US, 20 Dec 2010) 06 Jun 2011	12550/2011
Societe des Produits Nestle S.A.; 07-01D, A cup, (CH, 15 Dec 2010) 09 Jun 2011	12572/2011	The South African Nuclear Energy Corporation Limited; 13-99, 23-03NES, Sample cell, (ZA, 10 Dec 2010) 06 Jun 2011	12538/2011
Societe des Produits Nestle S.A.; 07-01D, A saucer, (CH, 15 Dec 2010) 09 Jun 2011	12568/2011	Toshiba Home Appliances Corporation;Kabushiki Kaisha Toshiba, also Trading as Toshiba Corporation; 15-05, A washing machine with a clothing dryer, (JP, 22 Feb 2011) 08 Jun 2011	12576/2011
Societe De Technologie Michelin;Michelin Recherche et Technique S.A.; 12-15A, A tyre, (FR, 14 Dec 2010) 06 Jun 2011	12516/2011	Traxon Technologies Ltd.; 26-02, Light, (EM, 06 Dec 2010) 06 Jun 2011	12555/2011
Societe De Technologie Michelin;Michelin Recherche et Technique SA; 12-15B, A tyre, (US, 30 Dec 2010) 16 Jun 2011	12664/2011	Turtle Corporation; 20-01, Super turtle shell (vending machine with LCD digital television screen), 06 Jun 2011	12571/2011
Societe De Technologie Michelin;Michelin Recherche et Technique S.A.; 12-15A, A tyre, (FR, 14 Dec 2010) 06 Jun 2011	12515/2011	Unilever PLC; 09-01A, Spray dispenser refill, (EM, 14 Dec 2010) 08 Jun 2011	12575/2011
Spaceleft Pty Ltd; 26-05D, Touch pendant light, 16 Jun 2011	12678/2011	Unilever PLC; 09-01A, Spray dispenser, (EM, 14 Dec 2010) 08 Jun 2011	12574/2011
Spaceleft Pty Ltd; 06-06E, The leg detail appears in the following products: half full table, half full bench, half full stool, 16 Jun 2011	12677/2011	Unilever PLC; 09-01NES, Refill bottle, (EM, 17 Dec 2010) 03 Jun 2011	12519/2011
Spartalis, Theo;Melling, Warren; 26-04, 26-05C, 26-05E, SR-DLR-30w rectangle sop lighter - downlight, 03 Jun 2011	12557/2011	Unilever PLC; 09-01K, Refill bottle, (EM, 17 Dec 2010) 03 Jun 2011	12518/2011
Stone, Warren Leonard; 09-09, Lid for a front-lift bin, 03 Jun 2011	12532/2011	Veenendaal, Marc Philipp; 14-99, 12-16NES, Car seat sling for a tablet PC, 07 Jun 2011	12558/2011
Strauss Water Ltd.; 23-01G, Liquid filter, (IL, 14 Oct 2010) (Divisional of 11639/2011) 14 Apr 2011	12583/2011	Visy R & D Pty Ltd; 09-03M, Carton lid and blank therefor, 15 Jun 2011	12666/2011
Suzhou Eagle Electric Vehicle Manufacturing Co., Ltd.; 12-99, Frame for an electric vehicle, (CN, 31 Jan 2011) 10 Jun 2011	12617/2011	Wm. Wrigley Jr. Company; 20-02D, Dispenser, (US, 14 Dec 2010) 10 Jun 2011	12608/2011
Techtronic Power Tools Technology Limited; 08-03, Accessory blade for a power tool, (US, 14 Dec 2010) 10 Jun 2011	12605/2011	Wm. Wrigley Jr. Company; 20-02D, Dispenser, (US, 14 Dec 2010) 10 Jun 2011	12609/2011
		Yoogo Projections Inc; 03-01B, Key holder, (US, 10 Dec 2010) 10 Jun 2011	12610/2011

Applications Withdrawn

12127 / 2011 (28-03NES)

Applications Lapsed

15157 / 2010 (08-07)

15354 / 2010 (99-00)

11454 / 2011 (12-06NES)

15251 / 2010 (11-02B)

11366 / 2011 (03-01B)

Extension of Period of Registration of Designs

307770	308131	308381
308382	308383	308384
308385	308386	308626
309062	309063	309076
309077	309078	309079
309080	309124	309301
309302	309351	309352
309357	309393	309394
309395	309396	309475
309483	309485	309495
309496	309497	309498
309553	309583	309637
309638	309700	309740
309789	309800	309824
309970	310028	310029
310047	310048	310049
310050	310065	310089
310090	310103	310104
310105	310107	310132
310148	310149	310233
310235	310242	310290
310291	310366	310394
310432	310497	310498
310550	310693	310694
310727	310835	310859
310902	310950	311060
311094	311095	311114
311132	311134	311135
311136	311137	311161
311162	311163	311314
311315	311439	311709
311741	311965	312414
312418	312425	312426
312491	312870	312871
312872	312873	313150
315522	315716	315717
317234		

Registrations Ceased

304872	305610	305679
305789	305790	306222
307303	307304	307305
307306	307307	307308
307309	307310	307311
307312	307314	307339
307342	307344	307346
307347	307349	307352
307355	307356	307357
307358	307359	307360

307361	307362	307370
307371	307380	307381
307382	307383	307405
307406	307407	307408
307409	307419	307420
307432	307433	307434
307435	307436	307437
307452	307471	307489
307508	307509	307510
307513	307514	307515
307518	307527	307544
307548	307568	307722
308029	308031	308093
308094	308205	308276
308277	308278	308279
308287	308288	308290
308291	308292	308293
308367	308368	308369
308370	308371	308372
308373	308374	308428
308429	308430	308431
308432	308433	308434
308435	308436	308437
308438	308439	308440
308441	308469	308548
308549	308550	308551
308552	308608	308609
308610	308611	308612
308678	308679	308766
308767	308768	309305
309365	309366	309367
309368	309870	309949
309950	311091	311592
311735	311736	311752

Extensions of time granted under Section 137

Applications lodged under section 137 for extension of time have been granted.

14769/2010 **Frederick Inglese**

337195 **Tech Engineering NSW Pty Ltd**

11863/2011 **Honda Motor Co., Ltd.**

11864/2011 **Honda Motor Co., Ltd.**

337205 **S. C. Johnson & Son, Inc.**

337206 **S. C. Johnson & Son, Inc.**

337207 **S. C. Johnson & Son, Inc.**

Discharge of Mortgages

312568 The mortgage to **Fraser Patison OLD** has been discharged.

312568 The mortgage to **Ulysius International Trading Pty Limited** has been discharged.

312567 The mortgage to **Fraser Patison OLD** has been discharged.

312567 The mortgage to **Ulysius International Trading Pty Limited** has been discharged.

313441 The mortgage to **Fraser Patison OLD** has been discharged.

313441 The mortgage to **Ulysius International Trading Pty Limited** has been discharged.

312566 The mortgage to **Fraser Patison OLD** has been discharged.

312566 The mortgage to **Ulysius International Trading Pty Limited** has been discharged.

309315 The mortgage to **Fraser Patison OLD** has been discharged.

309315 The mortgage to **Ulysius International Trading Pty Limited** has been discharged.

309334 The mortgage to **Fraser Patison OLD** has been discharged.

309334 The mortgage to **Ulysius International Trading Pty Limited** has been discharged.

309314 The mortgage to **Fraser Patison OLD** has been discharged.

309314 The mortgage to **Ulysius International Trading Pty Limited** has been discharged.

309333 The mortgage to **Fraser Patison OLD** has been discharged.

309333 The mortgage to **Ulysius International Trading Pty Limited** has been discharged.

309313 The mortgage to **Fraser Patison OLD** has been discharged.

309313 The mortgage to **Ulysius International Trading Pty Limited** has been discharged.

309332 The mortgage to **Fraser Patison OLD** has been discharged.

309332 The mortgage to **Ulysius International Trading Pty Limited** has been discharged.

309336 The mortgage to **Fraser Patison OLD** has been discharged.

309336 The mortgage to **Ulysius International Trading Pty Limited** has been discharged.

309282 The mortgage to **Fraser Patison OLD** has been discharged.

309282 The mortgage to **Ulysius International Trading Pty Limited** has been discharged.

309335 The mortgage to **Fraser Patison OLD** has been discharged.

309335 The mortgage to **Ulysius International Trading Pty Limited** has been discharged.

309922 The mortgage to **Fraser Patison OLD** has been discharged.

309922 The mortgage to **Ulysius International Trading Pty Limited** has been discharged.

309923 The mortgage to **Fraser Patison OLD** has been discharged.

309923 The mortgage to **Ulysius International Trading Pty Limited** has been discharged.

309615 The mortgage to **Fraser Patison OLD** has been discharged.

309615 The mortgage to **Ulysius International Trading Pty Limited** has been discharged.

309616 The mortgage to **Fraser Patison OLD** has been discharged.

309616 The mortgage to **Ulysius International Trading Pty Limited** has been discharged.

309826 The mortgage to **Fraser Patison OLD** has been discharged.

309826 The mortgage to **Ulysius International Trading Pty Limited** has been discharged.

315371 The mortgage to **Fraser Patison OLD** has been discharged.

315371 The mortgage to **Ulysius International Trading Pty Limited** has been discharged.

313026 The mortgage to **Fraser Patison OLD** has been discharged.

313026 The mortgage to **Ulysius International Trading Pty Limited** has been discharged.

313789 The mortgage to **Fraser Patison OLD** has been discharged.

313789 The mortgage to **Ulysius International Trading Pty Limited** has been discharged.

313827 The mortgage to **Fraser Patison OLD** has been discharged.

313827 The mortgage to **Ulysius International Trading Pty Limited** has been discharged.

315372 The mortgage to **Fraser Patison OLD** has been discharged.

315372 The mortgage to **Ulysius International Trading Pty Limited** has been discharged.

314140 The mortgage to **Fraser Patison OLD** has been discharged.

314140 The mortgage to **Ulysius International Trading Pty Limited** has been discharged.

313440 The mortgage to **Fraser Patison OLD** has been discharged.

313440 The mortgage to **Ulysius International Trading Pty Limited** has been discharged.

Subsequent Owners Registered

(The name in parentheses is that of the subsequent owner)

332600 (**Alto Manufacturing Pty Ltd**) Garden City Planters Pty Ltd

324686 (**Gwon-Hown Chou**) Caimon Enterprise Co., Ltd.

329204 (**Unilever PLC**) Samamar, LLC

305410 (**Unilever PLC**) Samamar, LLC

319887 (**Cheetah Medical Holdings, Inc.**) Cheetah Medical Ltd.

319887 (**Cheetah Medical, Inc.**) Cheetah Medical Holdings, Inc.

332258 (**Ecotron Systems Inc.**) Magna Marque International Inc.

- | | | | |
|--------|---|--------|---|
| 312568 | (TMA Group of Companies Limited) Carl-Louis Pty Ltd | 309336 | (TMA Capital Australia Pty Ltd) TMA Group of Companies Limited |
| 312568 | (TMA Capital Australia Pty Ltd) TMA Group of Companies Limited | 309282 | (TMA Capital Australia Pty Ltd) TMA Group of Companies Limited |
| 312567 | (TMA Group of Companies Limited) Carl-Louis Pty Ltd | 309335 | (TMA Capital Australia Pty Ltd) TMA Group of Companies Limited |
| 313441 | (TMA Group of Companies Limited) Carl-Louis Pty Ltd | 309922 | (TMA Capital Australia Pty Ltd) TMA Group of Companies Limited |
| 312566 | (TMA Group of Companies Limited) Carl-Louis Pty Ltd | 309923 | (TMA Capital Australia Pty Ltd) TMA Group of Companies Limited |
| 309315 | (TMA Group of Companies Limited) Carl-Louis Pty Ltd | 309615 | (TMA Capital Australia Pty Ltd) TMA Group of Companies Limited |
| 309334 | (TMA Group of Companies Limited) Carl-Louis Pty Ltd | 309616 | (TMA Capital Australia Pty Ltd) TMA Group of Companies Limited |
| 309314 | (TMA Group of Companies Limited) Carl-Louis Pty Ltd | 309826 | (TMA Capital Australia Pty Ltd) TMA Group of Companies Limited |
| 309333 | (TMA Group of Companies Limited) Carl-Louis Pty Ltd | 315371 | (TMA Capital Australia Pty Ltd) TMA Group of Companies Limited |
| 309313 | (TMA Group of Companies Limited) Carl-Louis Pty Ltd | 313026 | (TMA Capital Australia Pty Ltd) TMA Group of Companies Limited |
| 309332 | (TMA Group of Companies Limited) Carl-Louis Pty Ltd | 313789 | (TMA Capital Australia Pty Ltd) TMA Group of Companies Limited |
| 309336 | (TMA Group of Companies Limited) Carl-Louis Pty Ltd | 313827 | (TMA Capital Australia Pty Ltd) TMA Group of Companies Limited |
| 309282 | (TMA Group of Companies Limited) Carl-Louis Pty Ltd | 315372 | (TMA Capital Australia Pty Ltd) TMA Group of Companies Limited |
| 309335 | (TMA Group of Companies Limited) Carl-Louis Pty Ltd | 314140 | (TMA Group of Companies Limited) Carl-Louis Pty Ltd |
| 309922 | (TMA Group of Companies Limited) Carl-Louis Pty Ltd | 313440 | (TMA Group of Companies Limited) Carl-Louis Pty Ltd |
| 309923 | (TMA Group of Companies Limited) Carl-Louis Pty Ltd | 314140 | (TMA Capital Australia Pty Ltd) TMA Group of Companies Limited |
| 309615 | (TMA Group of Companies Limited) Carl-Louis Pty Ltd | 313440 | (TMA Capital Australia Pty Ltd) TMA Group of Companies Limited |
| 309616 | (TMA Group of Companies Limited) Carl-Louis Pty Ltd | 329873 | (Gains Treats Limited) Gains Europe, Ltd |
| 309826 | (TMA Group of Companies Limited) Carl-Louis Pty Ltd | | |
| 315371 | (TMA Group of Companies Limited) Carl-Louis Pty Ltd | | |
| 313026 | (TMA Group of Companies Limited) Carl-Louis Pty Ltd | | |
| 315372 | (TMA Group of Companies Limited) Carl-Louis Pty Ltd | | |
| 313789 | (TMA Group of Companies Limited) Carl-Louis Pty Ltd | | |
| 313827 | (TMA Group of Companies Limited) Carl-Louis Pty Ltd | | |
| 312567 | (TMA Capital Australia Pty Ltd) TMA Group of Companies Limited | | |
| 313441 | (TMA Capital Australia Pty Ltd) TMA Group of Companies Limited | | |
| 312566 | (TMA Capital Australia Pty Ltd) TMA Group of Companies Limited | | |
| 309315 | (TMA Capital Australia Pty Ltd) TMA Group of Companies Limited | | |
| 309334 | (TMA Capital Australia Pty Ltd) TMA Group of Companies Limited | | |
| 309314 | (TMA Capital Australia Pty Ltd) TMA Group of Companies Limited | | |
| 309333 | (TMA Capital Australia Pty Ltd) TMA Group of Companies Limited | | |
| 309313 | (TMA Capital Australia Pty Ltd) TMA Group of Companies Limited | | |
| 309332 | (TMA Capital Australia Pty Ltd) TMA Group of Companies Limited | | |

Names Registered - Alterations and Amendments

(The name in parentheses is that of the subsequent applicant)

- | | |
|--------|--|
| 314716 | (AEL Mining Services Limited) African Explosives Limited |
| 315533 | (Silver Cross (IP) Limited) Silver Cross Holdings Limited |
| 315532 | (Silver Cross (IP) Limited) Silver Cross Holdings Limited |
| 316045 | (Silver Cross (IP) Limited) Silver Cross Holdings Limited |

Certificate(s) of Examination

Examination of the following Design Registration(s) has been completed. Infringement proceedings may now be commenced.

320231	23-02A	15/06/2011
320232	23-02A	15/06/2011
322199	26-05D	15/06/2011
329116	12-05	15/06/2011
329962	21-02A	16/06/2011
329963	21-02A	16/06/2011
331234	07-07A	08/06/2011
331312	09-01B	10/06/2011
331313	23-01G	06/06/2011
331466	12-15C	15/06/2011
331866	08-01	06/06/2011
332639	09-03D	14/06/2011
333276	12-08	17/06/2011
333277	12-08	09/06/2011
333352	24-99	06/06/2011
333586	08-03	12/06/2011
333601	14-02	19/06/2011
333640	21-02NES	09/06/2011
333744	14-02	19/06/2011
334088	08-03	15/06/2011
334092	08-03	12/06/2011
334277	12-15B	15/06/2011
334291	12-15A	15/06/2011
334292	12-15A	15/06/2011
334293	12-15A	15/06/2011
334294	12-15B	15/06/2011
334349	14-02	08/06/2011
334796	06-06NES	14/06/2011
334797	08-08L	14/06/2011
334801	06-06NES	14/06/2011
334805	06-06NES	10/06/2011
334806	25-02C	14/06/2011
334883	12-15B	15/06/2011
334905	12-10	07/06/2011
335079	21-01NES	14/06/2011
335170	24-04	15/06/2011
335256	08-05P	15/06/2011
335303	14-01	19/06/2011
335329	25-02E	05/06/2011
335478	12-11	19/06/2011
335516	28-03A	12/06/2011
335710	25-02E	05/06/2011
335719	03-01A	16/06/2011
335817	09-01D	15/06/2011
335932	14-01	12/06/2011
335998	12-15B	15/06/2011

Publication and Registration Proceedings

Designs Registered

This section provides a concordance between design number and registration number of Designs covered in this journal. It also shows the main class and registration date.

This section covers Registration numbers 336958 to 337224 .

The registration number shown below should be used in all future correspondence.

Design Number	Registration Number	International Classification Code (IDC)	Registration Date	Design Number	Registration Number	International Classification Code (IDC)	Registration Date
14249/2010	337153	12-08	15/06/2011	11618/2011	337169	12-05	16/06/2011
14317/2010	337128	02-02C	15/06/2011	11623/2011	337023	04-02	08/06/2011
14846/2010	337107	15-05	10/06/2011	11624/2011	337024	04-02	08/06/2011
14847/2010	337108	15-05	10/06/2011	11625/2011	337025	04-02	08/06/2011
15413/2010	337125	02-02NES	14/06/2011	11626/2011	337026	06-01F	08/06/2011
15594/2010	337167	06-04B	16/06/2011	11629/2011	337027	04-02	08/06/2011
10065/2011	337168	06-03C	16/06/2011	11639/2011	337157	23-01G	16/06/2011
10404/2011	337195	26-05NES	17/06/2011	11659/2011	337049	08-08NES	08/06/2011
10684/2011	337021	10-05	08/06/2011	11660/2011	337050	08-08NES	08/06/2011
10781/2011	336987	08-07	06/06/2011	11697/2011	337204	25-02A	17/06/2011
10782/2011	336988	08-07	06/06/2011	11706/2011	337163	12-16B	16/06/2011
10783/2011	336989	08-07	06/06/2011	11707/2011	337164	21-02D	16/06/2011
10784/2011	336990	08-07	06/06/2011	11749/2011	337220	08-99	17/06/2011
10788/2011	336991	08-07	06/06/2011	11750/2011	337221	08-99	17/06/2011
10790/2011	337045	08-07	08/06/2011	11752/2011	337013	09-05	07/06/2011
10794/2011	337046	08-07	08/06/2011	11753/2011	337011	09-05	07/06/2011
10795/2011	337047	08-07	08/06/2011	11781/2011	337165	13-03D	16/06/2011
10796/2011	337048	08-07	08/06/2011	11782/2011	337166	13-03D	16/06/2011
10805/2011	337016	08-06	08/06/2011	11805/2011	337143	07-02D	15/06/2011
10833/2011	337137	09-03E	15/06/2011	11818/2011	337028	08-08NES	08/06/2011
10834/2011	337138	09-03E	15/06/2011	11819/2011	337029	08-08NES	08/06/2011
10835/2011	337139	09-03E	15/06/2011	11820/2011	337030	08-08NES	08/06/2011
11036/2011	336982	09-03NES	06/06/2011	11821/2011	337031	08-08NES	08/06/2011
11138/2011	337014	21-01M	07/06/2011	11822/2011	337032	08-08NES	08/06/2011
11139/2011	337117	02-04A	14/06/2011	11823/2011	337033	08-08NES	08/06/2011
11163/2011	336983	04-01	06/06/2011	11893/2011	336984	03-01B	06/06/2011
11280/2011	337022	21-02C	08/06/2011	11894/2011	336985	03-01B	06/06/2011
11338/2011	337101	24-01	10/06/2011	11899/2011	337144	23-01NES	15/06/2011
11378/2011	337129	02-02C	15/06/2011	11909/2011	337015	17-99	07/06/2011
11379/2011	337130	02-02NES	15/06/2011	11918/2011	337145	19-01	15/06/2011
11380/2011	337131	02-02NES	15/06/2011	11919/2011	337146	26-06	15/06/2011
11381/2011	337132	02-02C	15/06/2011	11920/2011	337147	26-06	15/06/2011
11382/2011	337133	02-02NES	15/06/2011	11921/2011	337148	23-04	15/06/2011
11432/2011	337079	25-02NES	09/06/2011	11932/2011	337199	09-07A	17/06/2011
11466/2011	337017	30-02	08/06/2011	11987/2011	337200	23-01F	17/06/2011
11467/2011	337018	30-02	08/06/2011	12010/2011	337122	31-00	14/06/2011
11468/2011	337019	30-02	08/06/2011	12020/2011	337170	01-01	16/06/2011
11474/2011	337068	24-02	09/06/2011	12021/2011	337171	01-01	16/06/2011
11475/2011	337140	06-01G	15/06/2011	12022/2011	337172	01-01	16/06/2011
11476/2011	337141	06-01E	15/06/2011	12023/2011	337173	01-01	16/06/2011
11477/2011	337142	06-01F	15/06/2011	12024/2011	337174	01-01	16/06/2011
11482/2011	337201	19-06	17/06/2011	12026/2011	337118	09-03NES	14/06/2011
11483/2011	337202	19-06	17/06/2011	12038/2011	337109	23-01B	10/06/2011
11518/2011	337154	09-01K	15/06/2011	12049/2011	337158	19-01	16/06/2011
11522/2011	337203	07-02N	17/06/2011	12061/2011	337034	12-12	08/06/2011
11523/2011	337196	07-02N	17/06/2011	12062/2011	337035	12-12	08/06/2011
11546/2011	337197	12-11	17/06/2011	12066/2011	337036	12-12	08/06/2011
11547/2011	337198	12-11	17/06/2011	12071/2011	336986	09-07A	06/06/2011
11583/2011	337102	13-02	10/06/2011	12074/2011	336967	09-01A	06/06/2011
11586/2011	337103	12-16B	10/06/2011	12075/2011	336968	09-01A	06/06/2011

Publication and Registration Proceedings - Designs Registered cont'd

Design Number	Registration Number	International Classification Code (IDC)	Registration Date	Design Number	Registration Number	International Classification Code (IDC)	Registration Date
12076/2011	336969	19-08	06/06/2011	12164/2011	337069	26-05C	09/06/2011
12077/2011	336970	19-08	06/06/2011	12165/2011	337070	26-05D	09/06/2011
12078/2011	336971	19-08	06/06/2011	12166/2011	337071	26-05C	09/06/2011
12079/2011	336972	19-08	06/06/2011	12167/2011	337072	26-05C	09/06/2011
12080/2011	336973	09-01A	06/06/2011	12171/2011	337041	24-04	08/06/2011
12081/2011	336974	09-01A	06/06/2011	12172/2011	337042	24-04	08/06/2011
12083/2011	336958	09-01A	06/06/2011	12175/2011	337149	21-01H	15/06/2011
12084/2011	336959	09-01A	06/06/2011	12176/2011	337043	16-01	08/06/2011
12085/2011	336960	09-01A	06/06/2011	12177/2011	337044	04-02	08/06/2011
12086/2011	336961	09-01A	06/06/2011	12181/2011	337092	02-07A	10/06/2011
12087/2011	336962	09-01A	06/06/2011	12182/2011	337093	02-07A	10/06/2011
12088/2011	336963	24-01	06/06/2011	12183/2011	337094	23-01D	10/06/2011
12089/2011	336964	24-01	06/06/2011	12184/2011	337095	23-01D	10/06/2011
12090/2011	336965	07-02L	06/06/2011	12185/2011	337081	25-02B	09/06/2011
12091/2011	336966	07-02L	06/06/2011	12186/2011	337082	25-02B	09/06/2011
12093/2011	337110	09-09	10/06/2011	12187/2011	337083	25-02B	09/06/2011
12094/2011	336978	23-01G	06/06/2011	12188/2011	337065	25-01K	09/06/2011
12095/2011	336979	15-05	06/06/2011	12189/2011	337066	25-02E	09/06/2011
12096/2011	336980	15-05	06/06/2011	12190/2011	337067	25-02E	09/06/2011
12097/2011	336981	25-02F	06/06/2011	12193/2011	337073	25-02B	09/06/2011
12111/2011	336992	14-02	07/06/2011	12194/2011	337074	25-01K	09/06/2011
12112/2011	336993	14-02	07/06/2011	12195/2011	337075	09-07NES	09/06/2011
12114/2011	336994	12-08	07/06/2011	12196/2011	337076	07-01NES	09/06/2011
12116/2011	336995	26-06	07/06/2011	12198/2011	337096	03-01A	10/06/2011
12117/2011	336996	12-10	07/06/2011	12199/2011	337104	09-03K	10/06/2011
12118/2011	336997	26-06	07/06/2011	12200/2011	337105	13-03NES	10/06/2011
12119/2011	336998	26-06	07/06/2011	12201/2011	337106	24-01	10/06/2011
12120/2011	336999	12-10	07/06/2011	12202/2011	337086	07-02P	10/06/2011
12124/2011	337037	26-04	08/06/2011	12209/2011	337087	31-00	10/06/2011
12125/2011	337038	23-03F	08/06/2011	12210/2011	337088	31-00	10/06/2011
12126/2011	337039	12-15A	08/06/2011	12211/2011	337089	28-02	10/06/2011
12128/2011	337040	25-03	08/06/2011	12213/2011	337114	23-03H	10/06/2011
12134/2011	337183	06-01NES	16/06/2011	12218/2011	337115	14-03A	10/06/2011
12135/2011	337000	09-01A	07/06/2011	12219/2011	337116	14-03E	10/06/2011
12136/2011	337001	07-02L	07/06/2011	12223/2011	337111	23-04	10/06/2011
12137/2011	337002	07-02L	07/06/2011	12224/2011	337112	23-04	10/06/2011
12138/2011	337003	28-03A	07/06/2011	12225/2011	337113	23-04	10/06/2011
12139/2011	337004	28-03A	07/06/2011	12226/2011	337097	14-03NES	10/06/2011
12140/2011	337005	28-03A	07/06/2011	12227/2011	337098	14-03NES	10/06/2011
12141/2011	337006	28-03A	07/06/2011	12228/2011	337099	14-03NES	10/06/2011
12142/2011	337007	28-03A	07/06/2011	12229/2011	337119	09-03M	14/06/2011
12143/2011	337008	28-03A	07/06/2011	12230/2011	337120	20-02NES	14/06/2011
12144/2011	337051	28-03A	08/06/2011	12232/2011	337121	12-06A	14/06/2011
12145/2011	337052	28-03A	08/06/2011	12234/2011	337090	12-06A	10/06/2011
12148/2011	337053	02-02B	08/06/2011	12235/2011	337091	25-01K	10/06/2011
12149/2011	337177	07-02L	16/06/2011	12239/2011	337123	12-11	14/06/2011
12151/2011	337054	05-05NES	08/06/2011	12240/2011	337124	12-11	14/06/2011
12152/2011	337055	05-05NES	08/06/2011	12242/2011	337178	12-16A	16/06/2011
12153/2011	337056	05-05D	08/06/2011	12243/2011	337179	07-06C	16/06/2011
12154/2011	337057	21-01L	08/06/2011	12244/2011	337180	02-04NES	16/06/2011
12155/2011	337059	09-01K	08/06/2011	12250/2011	337155	08-05E	15/06/2011
12159/2011	337060	31-00	08/06/2011	12251/2011	337134	07-01F	15/06/2011
12160/2011	337061	31-00	08/06/2011	12252/2011	337135	07-05A	15/06/2011
12161/2011	337062	14-02	08/06/2011	12253/2011	337136	08-07	15/06/2011
12162/2011	337063	26-04	08/06/2011	12256/2011	337184	25-02C	16/06/2011

Publication and Registration Proceedings - Designs Registered cont'd

Design Number	Registration Number	International Classification Code (IDC)	Registration Date	Design Number	Registration Number	International Classification Code (IDC)	Registration Date
12257/2011	337185	04-02	16/06/2011	12296/2011	337223	07-04	17/06/2011
12258/2011	337186	09-07A	16/06/2011	12297/2011	337224	03-01A	17/06/2011
12259/2011	337187	09-01A	16/06/2011	12298/2011	337190	23-02B	17/06/2011
12261/2011	337150	07-01F	15/06/2011	12300/2011	337191	23-02B	17/06/2011
12262/2011	337151	10-02	15/06/2011	12301/2011	337192	23-02B	17/06/2011
12264/2011	337152	10-02	15/06/2011	12302/2011	337193	23-02B	17/06/2011
12266/2011	337181	08-05P	16/06/2011	12304/2011	337194	12-06NES	17/06/2011
12267/2011	337182	08-05P	16/06/2011	12305/2011	337156	28-03NES	15/06/2011
12271/2011	337175	12-15B	16/06/2011	12308/2011	336975	28-03NES	06/06/2011
12272/2011	337176	03-01NES	16/06/2011	12312/2011	337058	02-02B	08/06/2011
12273/2011	337159	25-02E	16/06/2011	12329/2011	337084	07-02K	09/06/2011
12274/2011	337160	25-02E	16/06/2011	12330/2011	337085	07-02K	09/06/2011
12275/2011	337161	25-02C	16/06/2011	12342/2011	337205	09-01A	17/06/2011
12276/2011	337162	07-03	16/06/2011	12343/2011	337206	09-01A	17/06/2011
12277/2011	337020	07-01F	08/06/2011	12344/2011	337207	09-01A	17/06/2011
12278/2011	337077	25-01K	09/06/2011	12351/2011	337078	12-16M	09/06/2011
12281/2011	337188	07-07NES	16/06/2011	12365/2011	337064	26-05D	08/06/2011
12282/2011	337208	06-04NES	17/06/2011	12408/2011	337009	09-01C	07/06/2011
12283/2011	337209	23-01H	17/06/2011	12462/2011	337080	25-02NES	09/06/2011
12284/2011	337210	23-01H	17/06/2011	12470/2011	336976	28-03NES	06/06/2011
12285/2011	337211	23-01H	17/06/2011	12471/2011	336977	28-03NES	06/06/2011
12286/2011	337212	23-01H	17/06/2011	12497/2011	337010	09-05	07/06/2011
12287/2011	337213	23-01H	17/06/2011	12499/2011	337012	09-05	07/06/2011
12288/2011	337214	23-01H	17/06/2011	12531/2011	337100	21-01M	10/06/2011
12289/2011	337215	23-01H	17/06/2011	12555/2011	337189	26-02	16/06/2011
12290/2011	337216	23-01H	17/06/2011	12569/2011	337126	02-02C	14/06/2011
12291/2011	337217	23-01H	17/06/2011	12570/2011	337127	02-02C	14/06/2011
12292/2011	337218	26-05B	17/06/2011				
12293/2011	337219	22-05	17/06/2011				
12295/2011	337222	07-04	17/06/2011				

Publication and Registration Proceedings

Class Listing of Designs Published or Registered

The following section shows an International Classification Code listing of the Registered or Published Designs covered in this supplement.

Classification	Registration Number	Design Number	Classification	Registration Number	Design Number
01-01	337170	12020/2011	07-02L	336966	12091/2011
01-01	337171	12021/2011	07-02L	337001	12136/2011
01-01	337172	12022/2011	07-02L	337002	12137/2011
01-01	337173	12023/2011	07-02L	337177	12149/2011
01-01	337174	12024/2011	07-02N	337196	11523/2011
02-02B	337053	12148/2011	07-02N	337203	11522/2011
02-02B	337058	12312/2011	07-02P	337086	12202/2011
02-02C	337126	12569/2011	07-03	337162	12276/2011
02-02C	337127	12570/2011	07-04	337222	12295/2011
02-02C	337128	14317/2010	07-04	337223	12296/2011
02-02C	337129	11378/2011	07-05A	337135	12252/2011
02-02C	337132	11381/2011	07-06C	337179	12243/2011
02-02NES	337125	15413/2010	07-06NES	337162	12276/2011
02-02NES	337130	11379/2011	07-07NES	337188	12281/2011
02-02NES	337131	11380/2011	08-05E	337155	12250/2011
02-02NES	337133	11382/2011	08-05P	337181	12266/2011
02-04A	337117	11139/2011	08-05P	337182	12267/2011
02-04NES	337180	12244/2011	08-06	337016	10805/2011
02-07A	337092	12181/2011	08-07	336987	10781/2011
02-07A	337093	12182/2011	08-07	336988	10782/2011
03-01A	337096	12198/2011	08-07	336989	10783/2011
03-01A	337224	12297/2011	08-07	336990	10784/2011
03-01B	336984	11893/2011	08-07	336991	10788/2011
03-01B	336985	11894/2011	08-07	337045	10790/2011
03-01NES	337162	12276/2011	08-07	337046	10794/2011
03-01NES	337176	12272/2011	08-07	337047	10795/2011
04-01	336983	11163/2011	08-07	337048	10796/2011
04-02	337023	11623/2011	08-07	337136	12253/2011
04-02	337024	11624/2011	08-08NES	337028	11818/2011
04-02	337025	11625/2011	08-08NES	337029	11819/2011
04-02	337027	11629/2011	08-08NES	337030	11820/2011
04-02	337044	12177/2011	08-08NES	337031	11821/2011
04-02	337185	12257/2011	08-08NES	337032	11822/2011
05-05D	337056	12153/2011	08-08NES	337033	11823/2011
05-05NES	337054	12151/2011	08-08NES	337049	11659/2011
05-05NES	337055	12152/2011	08-08NES	337050	11660/2011
06-01E	337141	11476/2011	08-09	337065	12188/2011
06-01F	337026	11626/2011	08-09	337091	12235/2011
06-01F	337142	11477/2011	08-09	337190	12298/2011
06-01G	337140	11475/2011	08-09	337191	12300/2011
06-01NES	337183	12134/2011	08-09	337192	12301/2011
06-03C	337167	15594/2010	08-09	337193	12302/2011
06-03C	337168	10065/2011	08-99	337220	11749/2011
06-04B	337167	15594/2010	08-99	337221	11750/2011
06-04NES	337208	12282/2011	09-01A	336958	12083/2011
07-01F	337020	12277/2011	09-01A	336959	12084/2011
07-01F	337134	12251/2011	09-01A	336960	12085/2011
07-01F	337150	12261/2011	09-01A	336961	12086/2011
07-01NES	337076	12196/2011	09-01A	336962	12087/2011
07-02D	337143	11805/2011	09-01A	336967	12074/2011
07-02K	337084	12329/2011	09-01A	336968	12075/2011
07-02K	337085	12330/2011	09-01A	336973	12080/2011
07-02L	336965	12090/2011	09-01A	336974	12081/2011

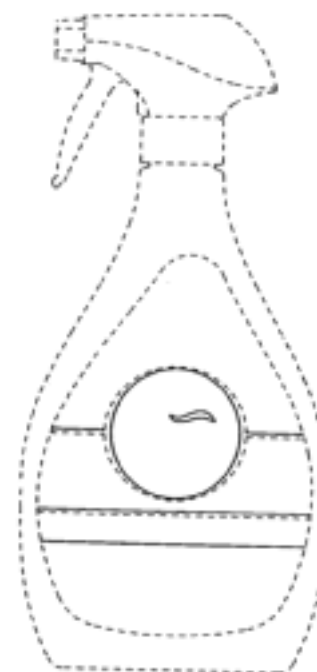
Registration Proceedings - Class Listing of Designs Published or Registered cont'd

Classification	Registration Number	Design Number	Classification	Registration Number	Design Number
09-01A	337000	12135/2011	13-03NES	337105	12200/2011
09-01A	337187	12259/2011	14-02	336992	12111/2011
09-01A	337205	12342/2011	14-02	336993	12112/2011
09-01A	337206	12343/2011	14-02	337062	12161/2011
09-01A	337207	12344/2011	14-03A	337115	12218/2011
09-01C	337009	12408/2011	14-03E	337116	12219/2011
09-01K	337059	12155/2011	14-03NES	337097	12226/2011
09-01K	337154	11518/2011	14-03NES	337098	12227/2011
09-03E	337137	10833/2011	14-03NES	337099	12228/2011
09-03E	337138	10834/2011	15-05	336979	12095/2011
09-03E	337139	10835/2011	15-05	336980	12096/2011
09-03K	337104	12199/2011	15-05	337102	11583/2011
09-03M	337119	12229/2011	15-05	337107	14846/2010
09-03NES	336982	11036/2011	15-05	337108	14847/2010
09-03NES	337118	12026/2011	16-01	337043	12176/2011
09-05	336984	11893/2011	17-99	337015	11909/2011
09-05	336985	11894/2011	19-01	337145	11918/2011
09-05	337010	12497/2011	19-01	337158	12049/2011
09-05	337011	11753/2011	19-03	337145	11918/2011
09-05	337012	12499/2011	19-06	337201	11482/2011
09-05	337013	11752/2011	19-06	337202	11483/2011
09-07A	336986	12071/2011	19-08	336969	12076/2011
09-07A	337186	12258/2011	19-08	336970	12077/2011
09-07A	337199	11932/2011	19-08	336971	12078/2011
09-07A	337206	12343/2011	19-08	336972	12079/2011
09-07NES	337075	12195/2011	20-02NES	337120	12230/2011
09-09	337110	12093/2011	21-01H	337149	12175/2011
10-02	337151	12262/2011	21-01L	337057	12154/2011
10-02	337152	12264/2011	21-01M	337014	11138/2011
10-05	337021	10684/2011	21-01M	337100	12531/2011
12-05	337169	11618/2011	21-02C	337022	11280/2011
12-06A	337090	12234/2011	21-02D	337164	11707/2011
12-06A	337121	12232/2011	21-03	336992	12111/2011
12-06NES	337194	12304/2011	21-03	336993	12112/2011
12-08	336994	12114/2011	22-05	337219	12293/2011
12-08	337153	14249/2010	23-01B	337109	12038/2011
12-10	336996	12117/2011	23-01D	337094	12183/2011
12-10	336999	12120/2011	23-01D	337095	12184/2011
12-11	337123	12239/2011	23-01F	337200	11987/2011
12-11	337124	12240/2011	23-01G	336978	12094/2011
12-11	337197	11546/2011	23-01G	337019	11468/2011
12-11	337198	11547/2011	23-01G	337157	11639/2011
12-12	337034	12061/2011	23-01H	337209	12283/2011
12-12	337035	12062/2011	23-01H	337210	12284/2011
12-12	337036	12066/2011	23-01H	337211	12285/2011
12-15A	337039	12126/2011	23-01H	337212	12286/2011
12-15B	337175	12271/2011	23-01H	337213	12287/2011
12-16A	337178	12242/2011	23-01H	337214	12288/2011
12-16B	337103	11586/2011	23-01H	337215	12289/2011
12-16B	337163	11706/2011	23-01H	337216	12290/2011
12-16B	337197	11546/2011	23-01H	337217	12291/2011
12-16B	337198	11547/2011	23-01NES	337144	11899/2011
12-16M	337078	12351/2011	23-02B	337190	12298/2011
13-02	337102	11583/2011	23-02B	337191	12300/2011
13-03D	337165	11781/2011	23-02B	337192	12301/2011
13-03D	337166	11782/2011	23-02B	337193	12302/2011

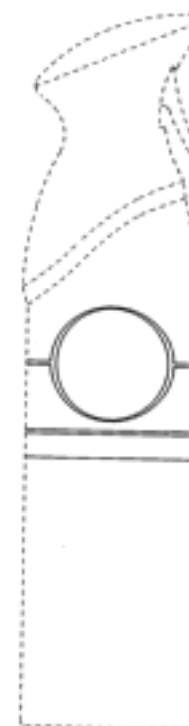
Registration Proceedings - Class Listing of Designs Published or Registered cont'd

Classification	Registration Number	Design Number	Classification	Registration Number	Design Number
23-03F	337038	12125/2011	26-05C	337063	12162/2011
23-03H	337114	12213/2011	26-05C	337069	12164/2011
23-04	337111	12223/2011	26-05C	337071	12166/2011
23-04	337112	12224/2011	26-05C	337072	12167/2011
23-04	337113	12225/2011	26-05D	337064	12365/2011
23-04	337148	11921/2011	26-05D	337070	12165/2011
24-01	336963	12088/2011	26-05E	337218	12292/2011
24-01	336964	12089/2011	26-05NES	337195	10404/2011
24-01	337101	11338/2011	26-06	336995	12116/2011
24-01	337106	12201/2011	26-06	336997	12118/2011
24-02	337068	11474/2011	26-06	336998	12119/2011
24-04	337041	12171/2011	26-06	337146	11919/2011
24-04	337042	12172/2011	26-06	337147	11920/2011
24-99	337224	12297/2011	28-02	337089	12211/2011
25-01K	337065	12188/2011	28-03A	337003	12138/2011
25-01K	337074	12194/2011	28-03A	337004	12139/2011
25-01K	337077	12278/2011	28-03A	337005	12140/2011
25-01K	337091	12235/2011	28-03A	337006	12141/2011
25-02A	337204	11697/2011	28-03A	337007	12142/2011
25-02B	337073	12193/2011	28-03A	337008	12143/2011
25-02B	337081	12185/2011	28-03A	337051	12144/2011
25-02B	337082	12186/2011	28-03A	337052	12145/2011
25-02B	337083	12187/2011	28-03NES	336975	12308/2011
25-02C	337161	12275/2011	28-03NES	336976	12470/2011
25-02C	337184	12256/2011	28-03NES	336977	12471/2011
25-02E	337066	12189/2011	28-03NES	337156	12305/2011
25-02E	337067	12190/2011	30-02	337017	11466/2011
25-02E	337159	12273/2011	30-02	337018	11467/2011
25-02E	337160	12274/2011	30-02	337019	11468/2011
25-02F	336981	12097/2011	31-00	337060	12159/2011
25-02NES	337079	11432/2011	31-00	337061	12160/2011
25-02NES	337080	12462/2011	31-00	337087	12209/2011
25-03	337040	12128/2011	31-00	337088	12210/2011
26-02	337189	12555/2011	31-00	337122	12010/2011
26-04	337037	12124/2011			
26-04	337063	12162/2011			
26-05B	337218	12292/2011			

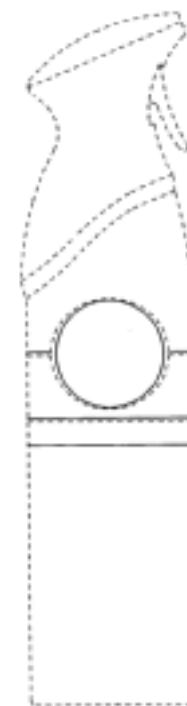
- (21) Design Number: **12083/2011**
(22) Date of Filing Application: **11 May 2011**
(24) Date from which industrial property rights may have effect: **11 May 2011**
(54) Product in respect of which the design is registered: **Container with label**
(51) International Design Classification: **09-01A**
(74) Name(s) of Attorney(s): **PHILLIPS ORMONDE FITZPATRICK**
(71) Name(s) and Address(s) of Applicant(s):
The Procter & Gamble Company
One Procter & Gamble Plaza Cincinnati Ohio 45202 United States of America
(72) Name(s) of Designer(s): **Amanda Kay Birdwell and Amelia Lynn Bose and Christine Ann Kron and Kara Marie Cain and Valerie Michelle Aurilio and Lia Braaten Hager**
(45) Registration Date: **06 June 2011**
(30) Convention priority data:
(31) Number (32) Date (33) Country
29/378,970 12 Nov 2010 UNITED STATES OF AMERICA
(56) Related Art Documents: **Not Applicable**
(57) Statement of Newness and Distinctiveness: **Those features of the container with label depicted in the representations that are new and distinctive are the pattern and/or ornamentation of the label. The features shown in broken lines are not part of the design and are to be disregarded when considering the overall impression of the design.**



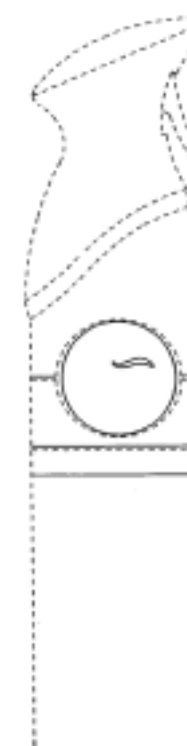
- (21) Design Number: **12084/2011**
(22) Date of Filing Application: **11 May 2011**
(24) Date from which industrial property rights may have effect: **11 May 2011**
(54) Product in respect of which the design is registered: **Container with label**
(51) International Design Classification: **09-01A**
(74) Name(s) of Attorney(s): **PHILLIPS ORMONDE FITZPATRICK**
(71) Name(s) and Address(s) of Applicant(s):
The Procter & Gamble Company
One Procter & Gamble Plaza Cincinnati Ohio 45202 United States of America
(72) Name(s) of Designer(s): **Amanda Kay Birdwell and Amelia Lynn Bose and Christine Ann Kron and Kara Marie Cain and Valerie Michelle Aurilio and Lia Braaten Hager**
(45) Registration Date: **06 June 2011**
(30) Convention priority data:
(31) Number (32) Date (33) Country
29/378,970 12 Nov 2010 UNITED STATES OF AMERICA
(56) Related Art Documents: **Not Applicable**
(57) Statement of Newness and Distinctiveness: **Those features of the container with label depicted in the representations that are new and distinctive are the pattern and/or ornamentation of the label. The features shown in broken lines are not part of the design and are to be disregarded when considering the overall impression of the design.**



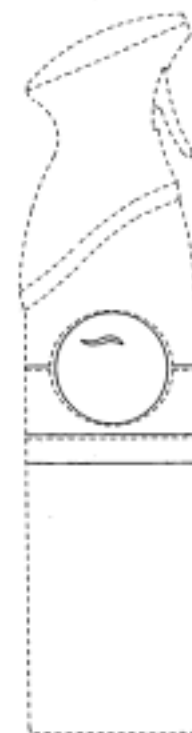
- (21) Design Number: **12085/2011**
(22) Date of Filing Application: **11 May 2011**
(24) Date from which industrial property rights may have effect: **11 May 2011**
(54) Product in respect of which the design is registered: **Container with label**
(51) International Design Classification: **09-01A**
(74) Name(s) of Attorney(s): **PHILLIPS ORMONDE FITZPATRICK**
(71) Name(s) and Address(s) of Applicant(s):
The Procter & Gamble Company
One Procter & Gamble Plaza Cincinnati Ohio 45202 United States of America
(72) Name(s) of Designer(s): **Amanda Kay Birdwell and Amelia Lynn Bose and Christine Ann Kron and Kara Marie Cain and Valerie Michelle Aurilio and Lia Braaten Hager**
(45) Registration Date: **06 June 2011**
(30) Convention priority data:
(31) Number (32) Date (33) Country
29/378,970 12 Nov 2010 UNITED STATES OF AMERICA
(56) Related Art Documents: **Not Applicable**
(57) Statement of Newness and Distinctiveness: **Those features of the container with label depicted in the representations that are new and distinctive are the pattern and/or ornamentation of the label. The features shown in broken lines are not part of the design and are to be disregarded when considering the overall impression of the design.**



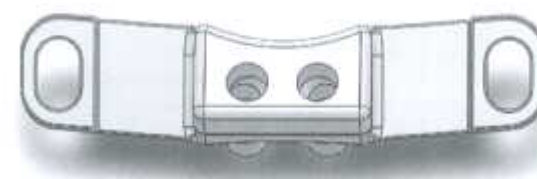
- (21) Design Number: **12086/2011**
(22) Date of Filing Application: **11 May 2011**
(24) Date from which industrial property rights may have effect: **11 May 2011**
(54) Product in respect of which the design is registered: **Container with label**
(51) International Design Classification: **09-01A**
(74) Name(s) of Attorney(s): **PHILLIPS ORMONDE FITZPATRICK**
(71) Name(s) and Address(s) of Applicant(s):
The Procter & Gamble Company
One Procter & Gamble Plaza Cincinnati Ohio 45202 United States of America
(72) Name(s) of Designer(s): **Amanda Kay Birdwell and Amelia Lynn Bose and Christine Ann Kron and Kara Marie Cain and Valerie Michelle Aurilio and Lia Braaten Hager**
(45) Registration Date: **06 June 2011**
(30) Convention priority data:
(31) Number (32) Date (33) Country
29/378,970 12 Nov 2010 UNITED STATES OF AMERICA
(56) Related Art Documents: **Not Applicable**
(57) Statement of Newness and Distinctiveness: **Those features of the container with label depicted in the representations that are new and distinctive are the pattern and/or ornamentation of the label. The features shown in broken lines are not part of the design and are to be disregarded when considering the overall impression of the design.**



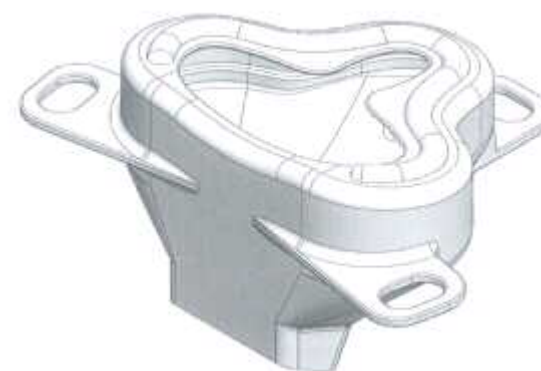
- (21) Design Number: **12087/2011**
(22) Date of Filing Application: **11 May 2011**
(24) Date from which industrial property rights may have effect: **11 May 2011**
(54) Product in respect of which the design is registered: **Container with label**
(51) International Design Classification: **09-01A**
(74) Name(s) of Attorney(s): **PHILLIPS ORMONDE FITZPATRICK**
(71) Name(s) and Address(s) of Applicant(s):
The Procter & Gamble Company
One Procter & Gamble Plaza Cincinnati Ohio 45202 United States of America
(72) Name(s) of Designer(s): **Amanda Kay Birdwell and Amelia Lynn Bose and Christine Ann Kron and Kara Marie Cain and Valerie Michelle Aurilio and Lia Braaten Hager**
(45) Registration Date: **06 June 2011**
(30) Convention priority data:
(31) Number (32) Date (33) Country
29/378,970 12 Nov 2010 UNITED STATES OF AMERICA
(56) Related Art Documents: **Not Applicable**
(57) Statement of Newness and Distinctiveness: **Those features of the container with label depicted in the representations that are new and distinctive are the pattern and/or ornamentation of the label. The features shown in broken lines are not part of the design and are to be disregarded when considering the overall impression of the design.**



- (21) Design Number: **12088/2011**
(22) Date of Filing Application: **11 May 2011**
(24) Date from which industrial property rights may have effect: **11 May 2011**
(54) Product in respect of which the design is registered: **Respirator mask**
(51) International Design Classification: **24-01**
(74) Name(s) of Attorney(s): **Freehills Patent & Trade Mark Attorneys**
(71) Name(s) and Address(s) of Applicant(s):
medin Medical Innovations GmbH
Lindberghstrasse 1 82178 Puchheim Germany
(72) Name(s) of Designer(s): **Angelika Koschany**
(45) Registration Date: **06 June 2011**
(30) Convention priority data:
(31) Number (32) Date (33) Country
001244321-001 11 Nov 2010 EUROPEAN COMMUNITY
(56) Related Art Documents: **Not Applicable**
(57) Statement of Newness and Distinctiveness: **Newness and distinctiveness resides in the features of shape and/or configuration of the central portion of the respirator mask body as shown in the accompanying representations and indicated by reference "A" in Figure 6.**



(21) Design Number: **12089/2011**
(22) Date of Filing Application: **11 May 2011**
(24) Date from which industrial property rights may have effect: **11 May 2011**
(54) Product in respect of which the design is registered: **Respirator mask**
(51) International Design Classification: **24-01**
(74) Name(s) of Attorney(s): **Freehills Patent & Trade Mark Attorneys**
(71) Name(s) and Address(s) of Applicant(s):
medin Medical Innovations GmbH
Lindberghstrasse 1 82178 Puchheim Germany
(72) Name(s) of Designer(s): **Angelika Koschany**
(45) Registration Date: **06 June 2011**
(30) Convention priority data:
(31) Number (32) Date (33) Country
001244396-0001 11 Nov 2010 EUROPEAN COMMUNITY
(56) Related Art Documents: **Not Applicable**
(57) Statement of Newness and Distinctiveness: **Newness and distinctiveness resides in the features of shape and/or configuration of a respirator mask body as shown in the accompanying representations.**



(21) Design Number: **12090/2011**
(22) Date of Filing Application: **11 May 2011**
(24) Date from which industrial property rights may have effect: **11 May 2011**
(54) Product in respect of which the design is registered: **Coffee machine**
(51) International Design Classification: **07-02L**
(74) Name(s) of Attorney(s): **Collison & Co**
(71) Name(s) and Address(s) of Applicant(s):
Severin Elektrogerate GmbH
Rohre 27 59846 Sundem Germany
(72) Name(s) of Designer(s): **Christoph Feder**
(45) Registration Date: **06 June 2011**
(30) Convention priority data:
(31) Number (32) Date (33) Country
001 813 429 31 Jan 2011 EUROPEAN COMMUNITY
(56) Related Art Documents: **Not Applicable**
(57) Statement of Newness and Distinctiveness: **Nil**



(21) Design Number: **12091/2011**
(22) Date of Filing Application: **11 May 2011**
(24) Date from which industrial property rights may have effect: **11 May 2011**
(54) Product in respect of which the design is registered: **Coffee machine**
(51) International Design Classification: **07-02L**
(74) Name(s) of Attorney(s): **Collison & Co**
(71) Name(s) and Address(s) of Applicant(s):
Severin Elektrogerate GmbH
Rohre 27 59846 Sundem Germany
(72) Name(s) of Designer(s): **Christoph Feder**
(45) Registration Date: **06 June 2011**
(30) Convention priority data:
(31) Number (32) Date (33) Country
001 813 429 31 Jan 2011 EUROPEAN COMMUNITY
(56) Related Art Documents: **Not Applicable**
(57) Statement of Newness and Distinctiveness: **Nil**



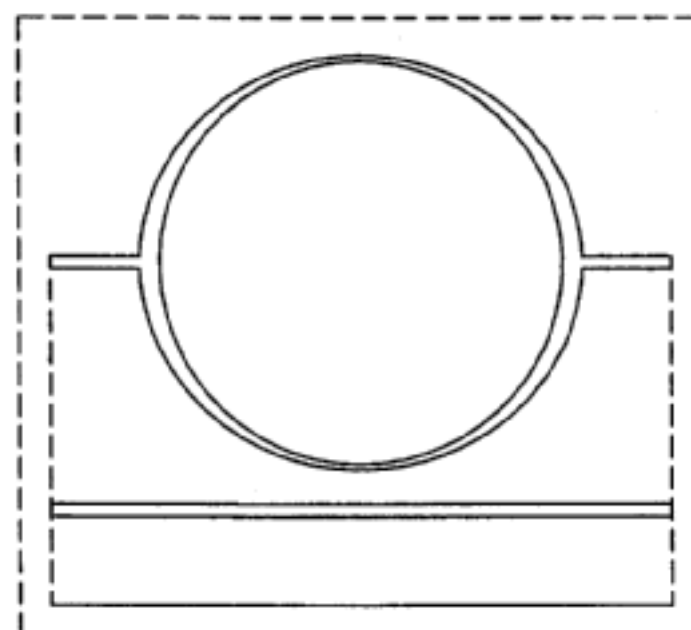
(21) Design Number: **12074/2011**
(22) Date of Filing Application: **11 May 2011**
(24) Date from which industrial property rights may have effect: **11 May 2011**
(54) Product in respect of which the design is registered: **Container with label**
(51) International Design Classification: **09-01A**
(74) Name(s) of Attorney(s): **PHILLIPS ORMONDE FITZPATRICK**
(71) Name(s) and Address(s) of Applicant(s):
The Procter & Gamble Company
One Procter & Gamble Plaza Cincinnati Ohio 45202 United States of America
(72) Name(s) of Designer(s): **Amanda Kay Birdwell and Christine Ann Kron and Valerie Michelle Aurilio and Amelia Lynn Bose and Kara Marie Cain and Lia Braaten Hager**
(45) Registration Date: **06 June 2011**
(30) Convention priority data:
(31) Number (32) Date (33) Country
29/378,970 12 Nov 2010 UNITED STATES OF AMERICA
(56) Related Art Documents: **Not Applicable**
(57) Statement of Newness and Distinctiveness: **Those features of the container with label depicted in the representations that are new and distinctive are the shape and/or configuration and pattern and/or ornamentation. The features shown in broken line are not part of the design and are to be disregarded when considering the overall impression of the design.**



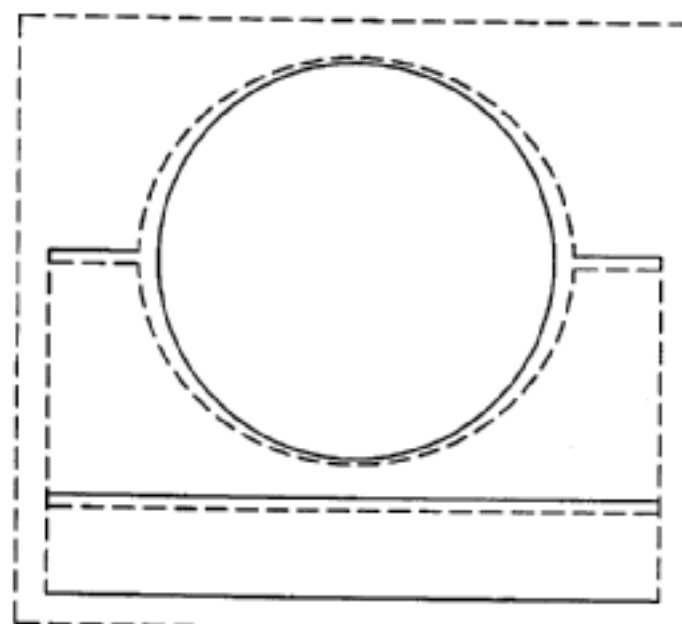
- (21) Design Number: **12075/2011**
(22) Date of Filing Application: **11 May 2011**
(24) Date from which industrial property rights may have effect: **11 May 2011**
(54) Product in respect of which the design is registered: **Container with label**
(51) International Design Classification: **09-01A**
(74) Name(s) of Attorney(s): **PHILLIPS ORMONDE FITZPATRICK**
(71) Name(s) and Address(s) of Applicant(s):
The Procter & Gamble Company
One Procter & Gamble Plaza Cincinnati Ohio 45202 United States of America
(72) Name(s) of Designer(s): **Amanda Kay Birdwell and Christine Ann Kron and Valerie Michelle Aurilio and Amelia Lynn Bose and Kara Marie Cain and Lia Braaten Hager**
(45) Registration Date: **06 June 2011**
(30) Convention priority data:
(31) Number (32) Date (33) Country
29/387,970 12 Nov 2010 UNITED STATES OF AMERICA
(56) Related Art Documents: **Not Applicable**
(57) Statement of Newness and Distinctiveness: **Those features of the container with label depicted in the representations that are new and distinctive are the shape and/or configuration and pattern and/or ornamentation. The features shown in broken line are not part of the design and are to be disregarded when considering the overall impression of the design.**



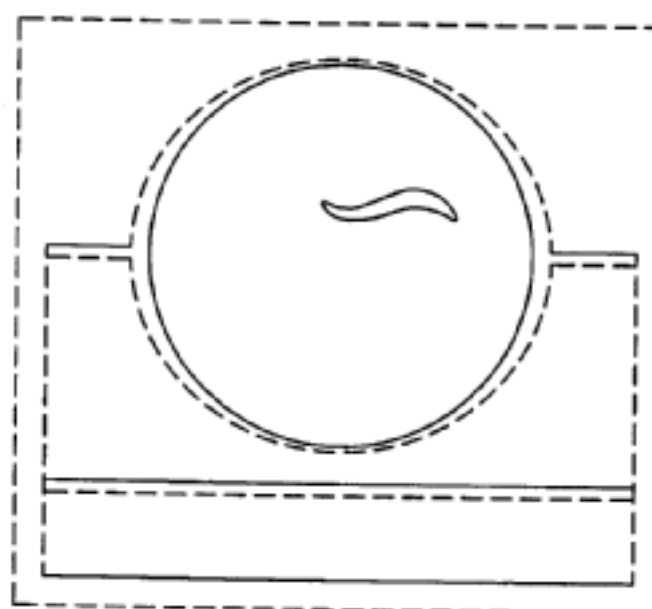
- (21) Design Number: **12076/2011**
(22) Date of Filing Application: **11 May 2011**
(24) Date from which industrial property rights may have effect: **11 May 2011**
(54) Product in respect of which the design is registered: **Label**
(51) International Design Classification: **19-08**
(74) Name(s) of Attorney(s): **PHILLIPS ORMONDE FITZPATRICK**
(71) Name(s) and Address(s) of Applicant(s):
The Procter & Gamble Company
One Procter & Gamble Plaza Cincinnati Ohio 45202 United States of America
(72) Name(s) of Designer(s): **Amanda Kay Birdwell and Christine Ann Kron and Valerie Michelle Aurilio and Amelia Lynn Bose and Kara Marie Cain and Lia Braaten Hager**
(45) Registration Date: **06 June 2011**
(30) Convention priority data:
(31) Number (32) Date (33) Country
29/378,970 12 Nov 2010 UNITED STATES OF AMERICA
(56) Related Art Documents: **Not Applicable**
(57) Statement of Newness and Distinctiveness: **Those features of the label depicted in the representations that are new and distinctive are the pattern and/or ornamentation. The features shown in broken line are not part of the design and are to be disregarded when considering the overall impression of the design.**



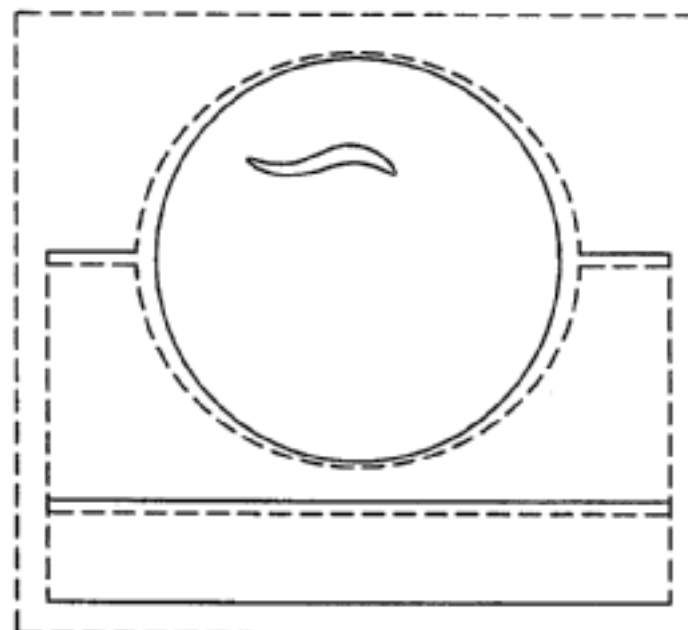
- (21) Design Number: **12077/2011**
(22) Date of Filing Application: **11 May 2011**
(24) Date from which industrial property rights may have effect: **11 May 2011**
(54) Product in respect of which the design is registered: **Label**
(51) International Design Classification: **19-08**
(74) Name(s) of Attorney(s): **PHILLIPS ORMONDE FITZPATRICK**
(71) Name(s) and Address(s) of Applicant(s):
The Procter & Gamble Company
One Procter & Gamble Plaza Cincinnati Ohio 45202 United States of America
(72) Name(s) of Designer(s): **Amanda Kay Birdwell and Christine Ann Kron and Valerie Michelle Aurilio and Amelia Lynn Bose and Kara Marie Cain and Lia Braaten Hager**
(45) Registration Date: **06 June 2011**
(30) Convention priority data:
(31) Number (32) Date (33) Country
29/378,970 12 Nov 2010 UNITED STATES OF AMERICA
(56) Related Art Documents: **Not Applicable**
(57) Statement of Newness and Distinctiveness: **Those features of the label depicted in the representations that are new and distinctive are the pattern and/or ornamentation. The features shown in broken line are not part of the design and are to be disregarded when considering the overall impression of the design.**



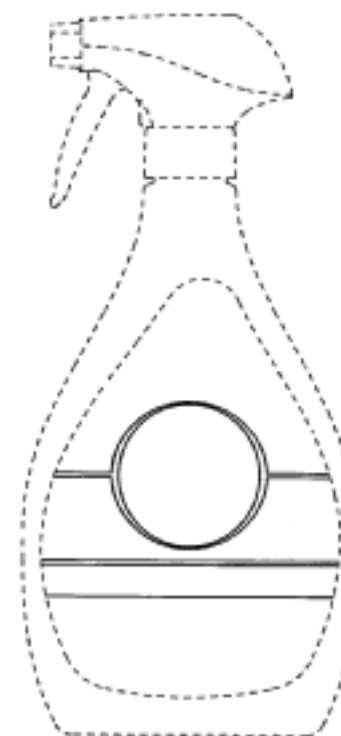
- (21) Design Number: **12078/2011**
(22) Date of Filing Application: **11 May 2011**
(24) Date from which industrial property rights may have effect: **11 May 2011**
(54) Product in respect of which the design is registered: **Label**
(51) International Design Classification: **19-08**
(74) Name(s) of Attorney(s): **PHILLIPS ORMONDE FITZPATRICK**
(71) Name(s) and Address(s) of Applicant(s):
The Procter & Gamble Company
One Procter & Gamble Plaza Cincinnati Ohio 45202 United States of America
(72) Name(s) of Designer(s): **Amanda Kay Birdwell and Christine Ann Kron and Valerie Michelle Aurilio and Amelia Lynn Bose and Kara Marie Cain and Lia Braaten Hager**
(45) Registration Date: **06 June 2011**
(30) Convention priority data:
(31) Number (32) Date (33) Country
29/378,970 12 Nov 2010 UNITED STATES OF AMERICA
(56) Related Art Documents: **Not Applicable**
(57) Statement of Newness and Distinctiveness: **Those features of the label depicted in the representations that are new and distinctive are the pattern and/or ornamentation. The features shown in broken line are not part of the design and are to be disregarded when considering the overall impression of the design.**



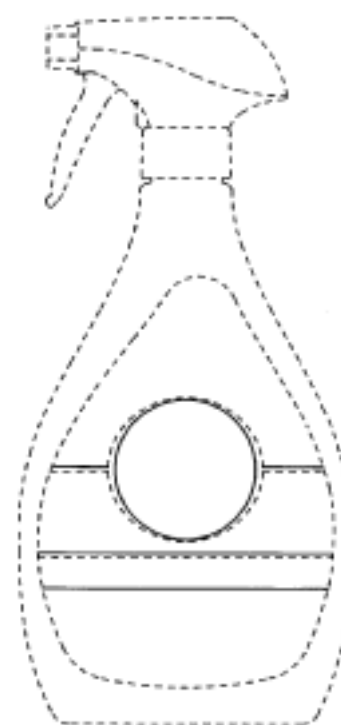
- (21) Design Number: **12079/2011**
(22) Date of Filing Application: **11 May 2011**
(24) Date from which industrial property rights may have effect: **11 May 2011**
(54) Product in respect of which the design is registered: **Label**
(51) International Design Classification: **19-08**
(74) Name(s) of Attorney(s): **PHILLIPS ORMONDE FITZPATRICK**
(71) Name(s) and Address(s) of Applicant(s):
The Procter & Gamble Company
One Procter & Gamble Plaza Cincinnati Ohio 45202 United States of America
(72) Name(s) of Designer(s): **Amanda Kay Birdwell and Christine Ann Kron and Valerie Michelle Aurilio and Amelia Lynn Bose and Kara Marie Cain and Lia Braaten Hager**
(45) Registration Date: **06 June 2011**
(30) Convention priority data:
(31) Number (32) Date (33) Country
29/378,970 12 Nov 2010 UNITED STATES OF AMERICA
(56) Related Art Documents: **Not Applicable**
(57) Statement of Newness and Distinctiveness: **Those features of the label depicted in the representations that are new and distinctive are the pattern and/or ornamentation. The features shown in broken line are not part of the design and are to be disregarded when considering the overall impression of the design.**



- (21) Design Number: **12080/2011**
(22) Date of Filing Application: **11 May 2011**
(24) Date from which industrial property rights may have effect: **11 May 2011**
(54) Product in respect of which the design is registered: **Container with label**
(51) International Design Classification: **09-01A**
(74) Name(s) of Attorney(s): **PHILLIPS ORMONDE FITZPATRICK**
(71) Name(s) and Address(s) of Applicant(s):
The Procter & Gamble Company
One Procter & Gamble Plaza Cincinnati Ohio 45202 United States of America
(72) Name(s) of Designer(s): **Amanda Kay Birdwell and Christine Ann Kron and Valerie Michelle Aurilio and Amelia Lynn Bose and Kara Marie Cain and Lia Braaten Hager**
(45) Registration Date: **06 June 2011**
(30) Convention priority data:
(31) Number (32) Date (33) Country
29/378,970 12 Nov 2010 UNITED STATES OF AMERICA
(56) Related Art Documents: **Not Applicable**
(57) Statement of Newness and Distinctiveness: **Those features of the container with label depicted in the representations that are new and distinctive are the pattern and/or ornamentation of the label. The features shown in broken lines are not part of the design and are to be disregarded when considering the overall impression of the design.**



- (21) Design Number: **12081/2011**
(22) Date of Filing Application: **11 May 2011**
(24) Date from which industrial property rights may have effect: **11 May 2011**
(54) Product in respect of which the design is registered: **Container with label**
(51) International Design Classification: **09-01A**
(74) Name(s) of Attorney(s): **PHILLIPS ORMONDE FITZPATRICK**
(71) Name(s) and Address(s) of Applicant(s):
The Procter & Gamble Company
One Procter & Gamble Plaza Cincinnati Ohio 45202 United States of America
(72) Name(s) of Designer(s): **Amanda Kay Birdwell and Christine Ann Kron and Valerie Michelle Aurilio and Amelia Lynn Bose and Kara Marie Cain and Lia Braaten Hager**
(45) Registration Date: **06 June 2011**
(30) Convention priority data:
(31) Number (32) Date (33) Country
29/378,970 12 Nov 2010 UNITED STATES OF AMERICA
(56) Related Art Documents: **Not Applicable**
(57) Statement of Newness and Distinctiveness: **Those features of the container with label depicted in the representations that are new and distinctive are the pattern and/or ornamentation of the label. The features shown in broken lines are not part of the design and are to be disregarded when considering the overall impression of the design.**



- (21) Design Number: **12308/2011**
(22) Date of Filing Application: **24 May 2011**
(24) Date from which industrial property rights may have effect: **24 May 2011**
(54) Product in respect of which the design is registered: **Applicator**
(51) International Design Classification: **28-03NES**
(74) Name(s) of Attorney(s): **PHILLIPS ORMONDE FITZPATRICK**
(71) Name(s) and Address(s) of Applicant(s):
ELC Management LLC
767 Fifth Avenue New York New York 10153 United States of America
(72) Name(s) of Designer(s): **Kimberly Jean McCoy**
(45) Registration Date: **06 June 2011**
(30) Convention priority data:
(31) Number (32) Date (33) Country
29/381,789 22 Dec 2010 UNITED STATES OF AMERICA
(56) Related Art Documents: **Not Applicable**
(57) Statement of Newness and Distinctiveness: **Those features of the applicator depicted in the representations that are new and distinctive are the shape and/or configuration.**



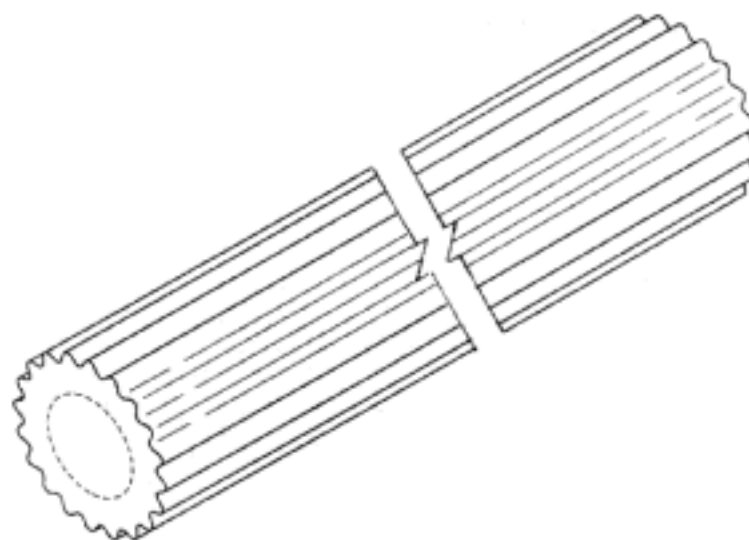
(21) Design Number: **12470/2011**
(22) Date of Filing Application: **24 May 2011**
(24) Date from which industrial property rights may have effect: **24 May 2011**
(54) Product in respect of which the design is registered: **Applicator**
(51) International Design Classification: **28-03NES**
(74) Name(s) of Attorney(s): **PHILLIPS ORMONDE FITZPATRICK**
(71) Name(s) and Address(s) of Applicant(s):
ELC Management LLC
767 Fifth Avenue New York New York 10153 United States of America
(72) Name(s) of Designer(s): **Kimberly Jean McCoy**
(45) Registration Date: **06 June 2011**
(30) Convention priority data:
(31) Number (32) Date (33) Country
29/381,789 22 Dec 2010 UNITED STATES OF AMERICA
(56) Related Art Documents: **Not Applicable**
(57) Statement of Newness and Distinctiveness: **Those features of the applicator depicted in the representations that are new and distinctive are the shape and/or configuration.**



(21) Design Number: **12471/2011**
(22) Date of Filing Application: **24 May 2011**
(24) Date from which industrial property rights may have effect: **24 May 2011**
(54) Product in respect of which the design is registered: **Applicator**
(51) International Design Classification: **28-03NES**
(74) Name(s) of Attorney(s): **PHILLIPS ORMONDE FITZPATRICK**
(71) Name(s) and Address(s) of Applicant(s):
ELC Management LLC
767 Fifth Avenue New York New York 10153 United States of America
(72) Name(s) of Designer(s): **Kimberly Jean McCoy**
(45) Registration Date: **06 June 2011**
(30) Convention priority data:
(31) Number (32) Date (33) Country
29/381,789 22 Dec 2010 UNITED STATES OF AMERICA
(56) Related Art Documents: **Not Applicable**
(57) Statement of Newness and Distinctiveness: **Those features of the applicator depicted in the representations that are new and distinctive are the shape and/or configuration.**



- (21) Design Number: **12094/2011**
(22) Date of Filing Application: **12 May 2011**
(24) Date from which industrial property rights may have effect: **12 May 2011**
(54) Product in respect of which the design is registered: **Hollow fiber membrane of indefinite length for a filter**
(51) International Design Classification: **23-01G**
(74) Name(s) of Attorney(s): **WATERMARK PATENT AND TRADE MARKS ATTORNEYS**
(71) Name(s) and Address(s) of Applicant(s):
Asahi Kasei Chemicals Corporation
1-105 Kanda Jinbocho Chiyoda-ku Tokyo 101-8101 Japan
(72) Name(s) of Designer(s): **Hirokazu Fujimura and Masatoshi Hashino**
(45) Registration Date: **06 June 2011**
(30) Convention priority data:
(31) Number (32) Date (33) Country
D2010-027514 16 Nov 2010 JAPAN
(56) Related Art Documents: **Not Applicable**
(57) Statement of Newness and Distinctiveness: **Newness and distinctiveness resides in the features of shape and/or configuration of the outer irregular surface of the hollow fiber membrane of indefinite length for a filter, shown by unbroken lines in the representations. The longitudinal lines represent curved surfaces, with the curves shown in the right and left side views. Newness and distinctiveness is not claimed in the features shown by broken lines.**



- (21) Design Number: **12095/2011**
(22) Date of Filing Application: **11 May 2011**
(24) Date from which industrial property rights may have effect: **11 May 2011**
(54) Product in respect of which the design is registered: **Vacuum cleaner assembly**
(51) International Design Classification: **15-05**
(74) Name(s) of Attorney(s): **Griffith Hack**
(71) Name(s) and Address(s) of Applicant(s):
Bissell Homecare, Inc.
2345 Walker Avenue N.W. Grand Rapids Michigan 49544 United States of America
(72) Name(s) of Designer(s): **Eric Young Park and Michael Keith Lemmon and David Randall Knaub and Pierre Harper and Mattias Segerholt and Felix Ballerstedt and Douglas J. Medema**
(45) Registration Date: **06 June 2011**
(30) Convention priority data:
(31) Number (32) Date (33) Country
29/379,221 16 Nov 2010 UNITED STATES OF AMERICA
(56) Related Art Documents: **Not Applicable**
(57) Statement of Newness and Distinctiveness: **Newness and distinctiveness resides in the visual features, including shape and configuration of a vacuum cleaner assembly as shown by those parts of the design illustrated by solid lines in the accompanying representations.**



(21) Design Number: **12096/2011**

(22) Date of Filing Application: **11 May 2011**

(24) Date from which industrial property rights may have effect: **11 May 2011**

(54) Product in respect of which the design is registered: **Vacuum cleaner foot**

(51) International Design Classification: **15-05**

(74) Name(s) of Attorney(s): **Griffith Hack**

(71) Name(s) and Address(s) of Applicant(s):

Bissell Homecare, Inc.
2345 Walker Avenue N.W. Grand Rapids Michigan 49544 United States of America

(72) Name(s) of Designer(s): **Eric Young Park and Michael Keith Lemmon and David Randall Knaub and Pierre Harper and Mattias Segerholt and Felix Ballerstedt and Douglas J. Medema**

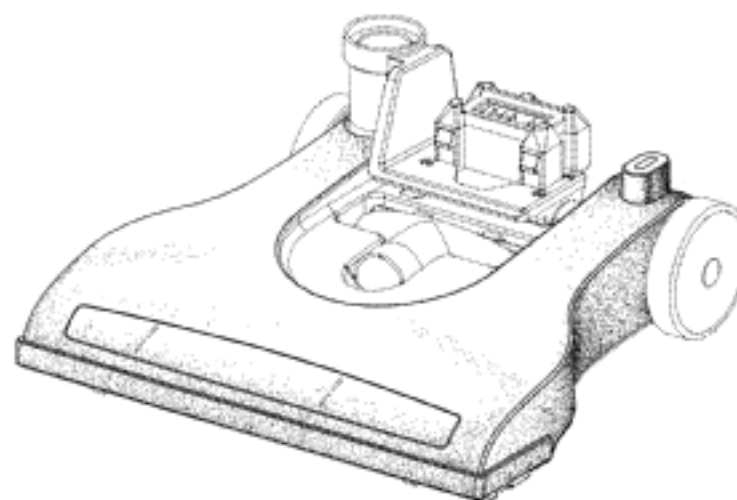
(45) Registration Date: **06 June 2011**

(30) Convention priority data:

(31) Number	(32) Date	(33) Country
29/379,224	16 Nov 2010	UNITED STATES OF AMERICA

(56) Related Art Documents: **Not Applicable**

(57) Statement of Newness and Distinctiveness: **Newness and distinctiveness resides in the visual features, including shape and configuration of a vacuum cleaner foot as shown by those parts of the design illustrated by solid lines in the accompanying representations.**



(21) Design Number: **12097/2011**

(22) Date of Filing Application: **11 May 2011**

(24) Date from which industrial property rights may have effect: **11 May 2011**

(54) Product in respect of which the design is registered: **Disposable charcoal chimney**

(51) International Design Classification: **25-02F**

(74) Name(s) of Attorney(s): **Griffith Hack**

(71) Name(s) and Address(s) of Applicant(s):

The Coleman Company, Inc.
3600 North Hydraulic Wichita KS 67219 United States of America

(72) Name(s) of Designer(s): **Mitchell L. Wilgus and Ricky J. Glazier and Charles R. Voge II**

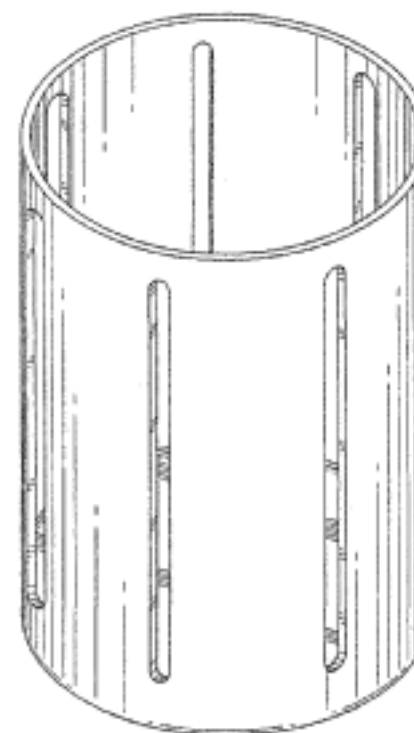
(45) Registration Date: **06 June 2011**

(30) Convention priority data:

(31) Number	(32) Date	(33) Country
29/379042	12 Nov 2010	UNITED STATES OF AMERICA

(56) Related Art Documents: **Not Applicable**

(57) Statement of Newness and Distinctiveness: **Newness and distinctiveness resides in the visual features, including shape, configuration and ornamentation of a disposable charcoal chimney as shown in the solid outline in the accompanying drawings. The contouring lines shown on the surfaces of the design are provided to illustrate the shape of the surfaces and are not themselves an aspect of the design.**



(21) Design Number: **11036/2011**

(22) Date of Filing Application: **09 March 2011**

(24) Date from which industrial property rights may have effect: **09 March 2011**

(54) Product in respect of which the design is registered: **Packaging**

(51) International Design Classification: **09-03NES**

(74) Name(s) of Attorney(s): **Davies Collison Cave**

(71) Name(s) and Address(s) of Applicant(s):

**Zhejiang Rainbow Fish Communications Technology Co., Ltd
No. 38 Longwu Hangzhou Industrial Park Zhuantang Hangzhou Zhejiang
310024 People's Republic of China**

(72) Name(s) of Designer(s): **Chun Fan and Yi Lu and Shuya Gu**

(45) Registration Date: **06 June 2011**

(30) Convention priority data:

(31) Number	(32) Date	(33) Country
201030705972.3	31 Dec 2010	CHINA

(56) Related Art Documents: **Not Applicable**

(57) Statement of Newness and Distinctiveness: **The pattern or ornamentation of the design are new and distinctive. When comparing this design with any other design to determine the designs are substantially similar in overall impression colour/shade in the representations is to be disregarded.**



(21) Design Number: **11163/2011**

(22) Date of Filing Application: **18 March 2011**

(24) Date from which industrial property rights may have effect: **18 March 2011**

(54) Product in respect of which the design is registered: **Toilet tidy**

(51) International Design Classification: **04-01**

(74) Name(s) of Attorney(s): **Allens Arthur Robinson**

(71) Name(s) and Address(s) of Applicant(s):

**ED Oates Pty Ltd
Maygar Boulevard Broadmeadows Victoria 3047 Australia**

(72) Name(s) of Designer(s): **Jonathan Ben-Tovim and Paul Charlwood**

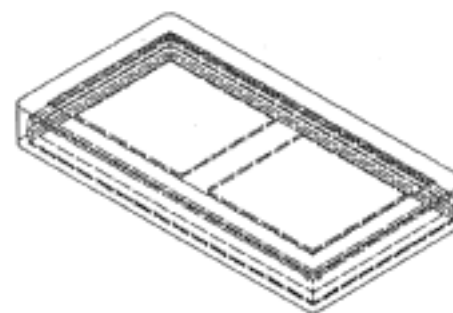
(45) Registration Date: **06 June 2011**

(56) Related Art Documents: **Not Applicable**

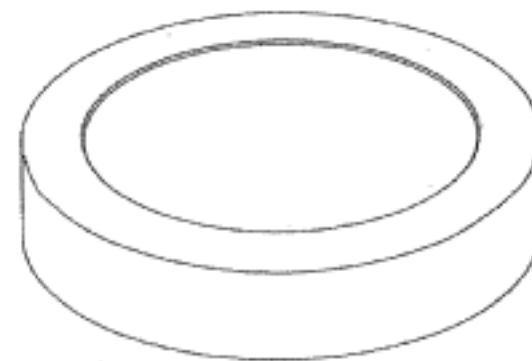
(57) Statement of Newness and Distinctiveness: **Newness and distinctiveness resides in the visual features of shape and/or configuration of a toilet tidy as illustrated in solid lines in the accompanying representations.**



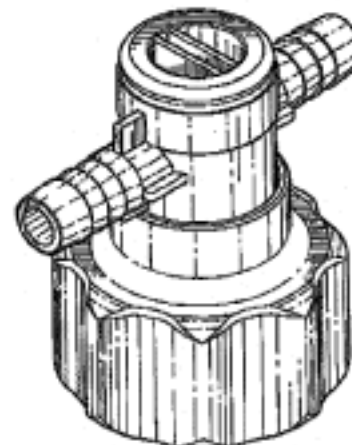
- (21) Design Number: **11893/2011**
(22) Date of Filing Application: **02 May 2011**
(24) Date from which industrial property rights may have effect: **02 May 2011**
(54) Product in respect of which the design is registered: **Coin capsule**
(51) International Design Classification: **03-01B, 09-05**
(74) Name(s) of Attorney(s): **PIZZEYS**
(71) Name(s) and Address(s) of Applicant(s):
Royal Australian Mint
Denison Street Deakin 2600 Australian Capital Territory Australia
(72) Name(s) of Designer(s): **Dominique Appay and Bogdan Kolodziejczyk and Chris Trinh and Kiran Naik**
(45) Registration Date: **06 June 2011**
(56) Related Art Documents: **Not Applicable**
(57) Statement of Newness and Distinctiveness: **Newness and distinctiveness resides in the shape and configuration of the elements of the coin capsule that allow the lid to inter-connect with the base and the elements of the coin capsule that allow the lid to seal against the base. A detailed view of shape and configuration of these elements is best provided with reference to Fig.6.**



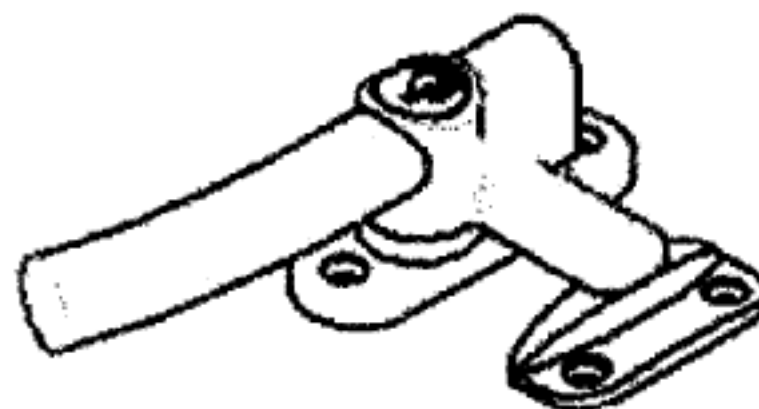
- (21) Design Number: **11894/2011**
(22) Date of Filing Application: **02 May 2011**
(24) Date from which industrial property rights may have effect: **02 May 2011**
(54) Product in respect of which the design is registered: **Coin capsule**
(51) International Design Classification: **03-01B, 09-05**
(74) Name(s) of Attorney(s): **PIZZEYS**
(71) Name(s) and Address(s) of Applicant(s):
Royal Australian Mint
Denison Street Deakin 2600 Australian Capital Territory Australia
(72) Name(s) of Designer(s): **Ken Macken and Bogdan Kolodziejczyk and Chris Trinh and Kiran Naik and Dominique Appay**
(45) Registration Date: **06 June 2011**
(56) Related Art Documents: **Not Applicable**
(57) Statement of Newness and Distinctiveness: **Newness and distinctiveness resides in the shape and configuration of the elements of the coin capsule that allow the lid to inter-connect with the base and the elements of the coin capsule that allow the lid to seal against the base. A detailed view of shape and configuration of these elements is best provided with reference to Fig.6.**



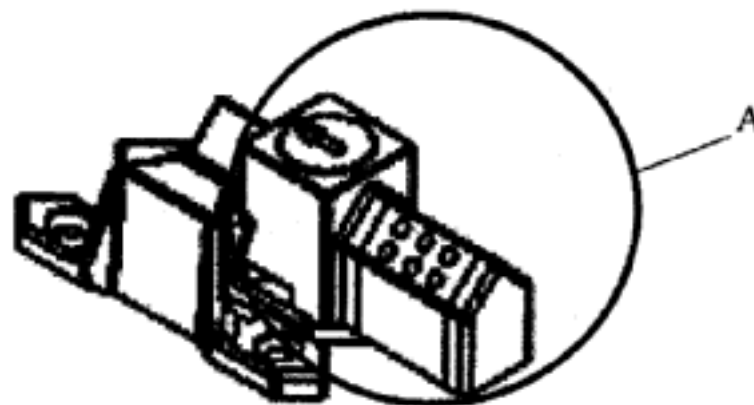
(21) Design Number: **12071/2011**
(22) Date of Filing Application: **10 May 2011**
(24) Date from which industrial property rights may have effect: **10 May 2011**
(54) Product in respect of which the design is registered: **Dispensing connector collar with a double barb**
(51) International Design Classification: **09-07A**
(74) Name(s) of Attorney(s): **Houlihan2**
(71) Name(s) and Address(s) of Applicant(s):
Liqui-Box Corporation
6950 Worthington-Galena Road PO Box 494 Worthington Ohio
43085-0494 United States of America
(72) Name(s) of Designer(s): **James Johnson**
(45) Registration Date: **06 June 2011**
(30) Convention priority data:
(31) Number (32) Date (33) Country
29/379,023 12 Nov 2010 UNITED STATES OF AMERICA
(56) Related Art Documents: **Not Applicable**
(57) Statement of Newness and Distinctiveness: **Nil**



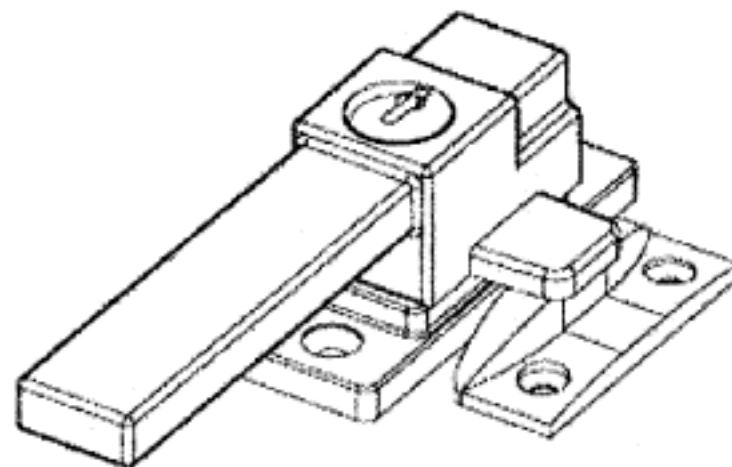
(21) Design Number: **10781/2011**
(22) Date of Filing Application: **01 March 2011**
(24) Date from which industrial property rights may have effect: **01 March 2011**
(54) Product in respect of which the design is registered: **Closing mechanism**
(51) International Design Classification: **08-07**
(74) Name(s) of Attorney(s): **Smooenburg Pini Patent & Trade Mark Attorneys**
(71) Name(s) and Address(s) of Applicant(s):
Jacou Industry Zhongshan Limited
No. 8 Zhennan Road Dongsheng Town Zhongshan Guangdong Province
China
(72) Name(s) of Designer(s): **John David Saunders and Craig Andrew Jackson**
(45) Registration Date: **06 June 2011**
(56) Related Art Documents: **Not Applicable**
(57) Statement of Newness and Distinctiveness: **Newness and distinctiveness is claimed in features of shape and/or configuration of a closing mechanism as illustrated in the accompanying representations. In considering which features are new and distinctive, particular regard is to be had to Section A as marked on the accompanying drawings.**



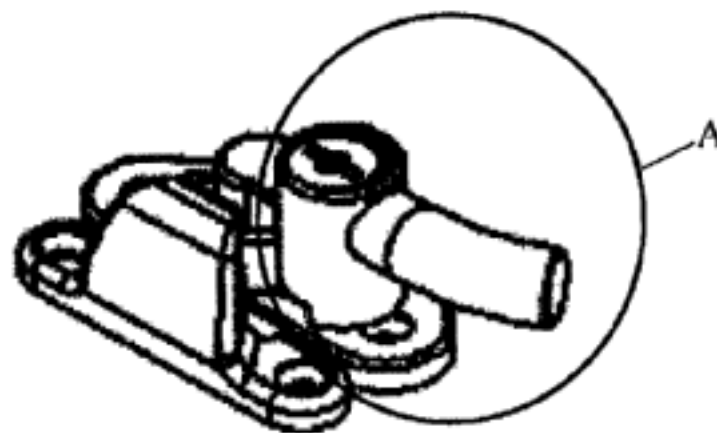
- (21) Design Number: **10782/2011**
(22) Date of Filing Application: **01 March 2011**
(24) Date from which industrial property rights may have effect: **01 March 2011**
(54) Product in respect of which the design is registered: **Closing mechanism**
(51) International Design Classification: **08-07**
(74) Name(s) of Attorney(s): **Smootenburg Pini Patent & Trade Mark Attorneys**
(71) Name(s) and Address(s) of Applicant(s):
Jacou Industry Zhongshan Limited
No. 8 Zhennan Road Dongsheng Town Zhongshan Guangdong Province
China
(72) Name(s) of Designer(s): **John David Saunders and Craig Andrew Jackson**
(45) Registration Date: **06 June 2011**
(56) Related Art Documents: **Not Applicable**
(57) Statement of Newness and Distinctiveness: **Newness and distinctiveness is claimed in features of shape and/or configuration of a closing mechanism as illustrated in the accompanying representations. In considering which features are new and distinctive, particular regard is to be had to Section A as marked on the accompanying drawings.**



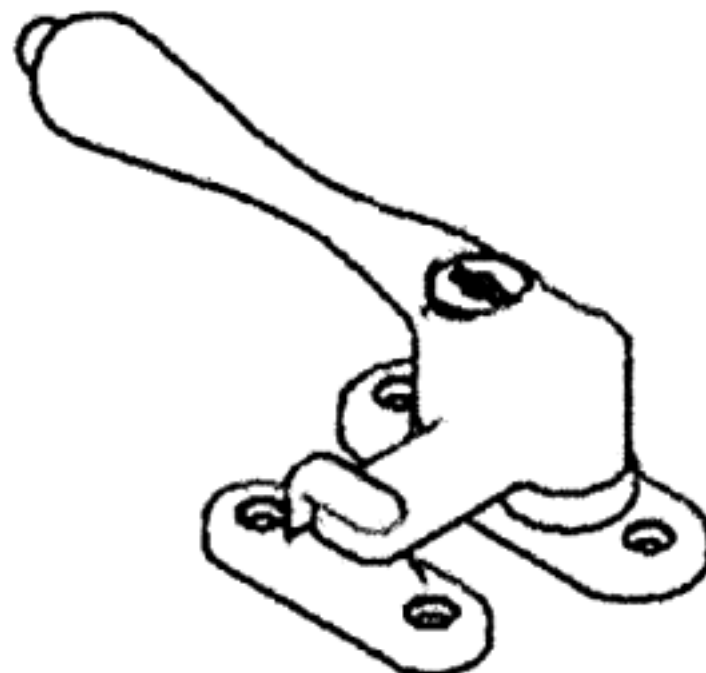
- (21) Design Number: **10783/2011**
(22) Date of Filing Application: **01 March 2011**
(24) Date from which industrial property rights may have effect: **01 March 2011**
(54) Product in respect of which the design is registered: **Closing mechanism**
(51) International Design Classification: **08-07**
(74) Name(s) of Attorney(s): **Smootenburg Pini Patent & Trade Mark Attorneys**
(71) Name(s) and Address(s) of Applicant(s):
Jacou Industry Zhongshan Limited
No. 8 Zhennan Road Dongsheng Town Zhongshan Guangdong Province
China
(72) Name(s) of Designer(s): **John David Saunders and Craig Andrew Jackson**
(45) Registration Date: **06 June 2011**
(56) Related Art Documents: **Not Applicable**
(57) Statement of Newness and Distinctiveness: **Newness and distinctiveness is claimed in features of shape and/or configuration of a closing mechanism as illustrated in the accompanying representations. In considering which features are new and distinctive, particular regard is to be had to Section A as marked on the accompanying drawings.**



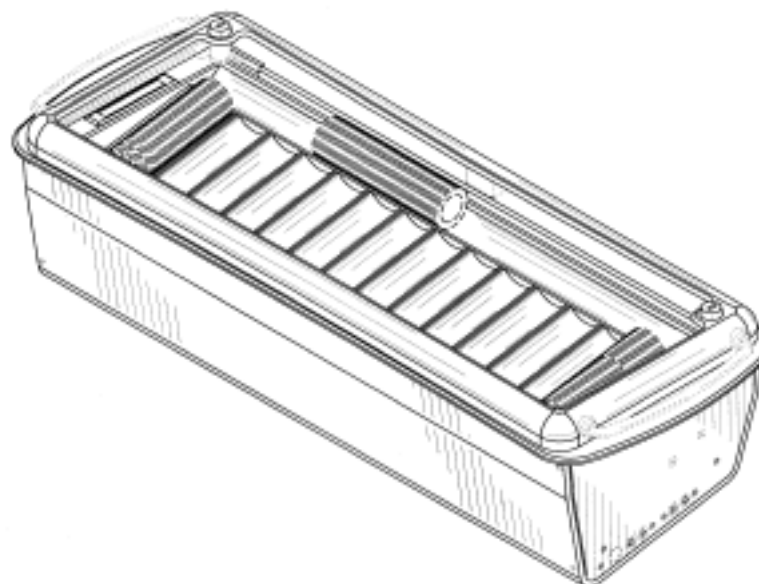
- (21) Design Number: **10784/2011**
(22) Date of Filing Application: **01 March 2011**
(24) Date from which industrial property rights may have effect: **01 March 2011**
(54) Product in respect of which the design is registered: **Closing mechanism**
(51) International Design Classification: **08-07**
(74) Name(s) of Attorney(s): **Smootenburg Pini Patent & Trade Mark Attorneys**
(71) Name(s) and Address(s) of Applicant(s):
Jacou Industry Zhongshan Limited
No. 8 Zhennan Road Dongsheng Town Zhongshan Guangdong Province China
(72) Name(s) of Designer(s): **John David Saunders and Craig Andrew Jackson**
(45) Registration Date: **06 June 2011**
(56) Related Art Documents: **Not Applicable**
(57) Statement of Newness and Distinctiveness: **Newness and distinctiveness is claimed in features of shape and/or configuration of a closing mechanism as illustrated in the accompanying representations. In considering which features are new and distinctive, particular regard is to be had to Section A as marked on the accompanying drawings.**



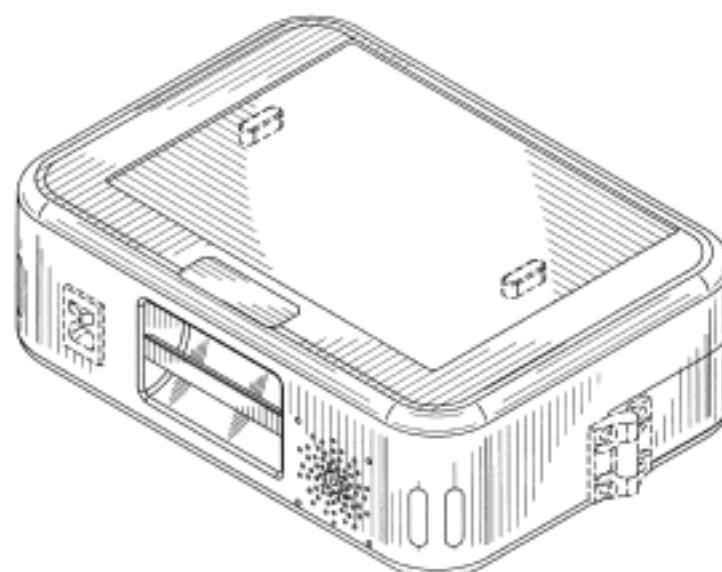
- (21) Design Number: **10788/2011**
(22) Date of Filing Application: **01 March 2011**
(24) Date from which industrial property rights may have effect: **01 March 2011**
(54) Product in respect of which the design is registered: **Closing mechanism**
(51) International Design Classification: **08-07**
(74) Name(s) of Attorney(s): **Smootenburg Pini Patent & Trade Mark Attorneys**
(71) Name(s) and Address(s) of Applicant(s):
Jacou Industry Zhongshan Limited
No. 8 Zhennan Road Dongsheng Town Zhongshan Guangdong Province China
(72) Name(s) of Designer(s): **John David Saunders and Craig Andrew Jackson**
(45) Registration Date: **06 June 2011**
(56) Related Art Documents: **Not Applicable**
(57) Statement of Newness and Distinctiveness: **Newness and distinctiveness is claimed in features of shape and/or configuration of a closing mechanism as illustrated in the accompanying representations. In considering which features are new and distinctive, particular regard is to be had to Section A as marked on the accompanying drawings.**



(21) Design Number: **12111/2011**
(22) Date of Filing Application: **11 May 2011**
(24) Date from which industrial property rights may have effect: **11 May 2011**
(54) Product in respect of which the design is registered: **RFID chip tray**
(51) International Design Classification: **14-02, 21-03**
(74) Name(s) of Attorney(s): **Davies Collison Cave**
(71) Name(s) and Address(s) of Applicant(s):
Gaming Partners International, Inc.
1700 South Industrial Road Las Vegas Nevada 89102 United States of America
(72) Name(s) of Designer(s): **Emanuel Gelinotte and Francisco Javier Moreno and Gregory Gronau and Justin Woodard**
(45) Registration Date: **07 June 2011**
(30) Convention priority data:
(31) Number (32) Date (33) Country
29/379052 12 Nov 2010 UNITED STATES OF AMERICA
(56) Related Art Documents: **Not Applicable**
(57) Statement of Newness and Distinctiveness: **Newness and distinctiveness is claimed in the visual features shown in solid lines in the representations. In considering the extent of the design rights, the broken lines shown in the representations are for illustrative purposes only and do not form part of the design.**



(21) Design Number: **12112/2011**
(22) Date of Filing Application: **11 May 2011**
(24) Date from which industrial property rights may have effect: **11 May 2011**
(54) Product in respect of which the design is registered: **Portable chip reader**
(51) International Design Classification: **14-02, 21-03**
(74) Name(s) of Attorney(s): **Davies Collison Cave**
(71) Name(s) and Address(s) of Applicant(s):
Gaming Partners International, Inc.
1700 South Industrial Road Las Vegas Nevada 89102 United States of America
(72) Name(s) of Designer(s): **Emanuel Gelinotte and Francisco Javier Moreno and Gregory Gronau and Justin Woodard**
(45) Registration Date: **07 June 2011**
(30) Convention priority data:
(31) Number (32) Date (33) Country
29/379045 12 Nov 2010 UNITED STATES OF AMERICA
(56) Related Art Documents: **Not Applicable**
(57) Statement of Newness and Distinctiveness: **Newness and distinctiveness is claimed in the visual features shown in solid lines in the representations. In considering the extent of the design rights, the broken lines shown in the representations are for illustrative purposes only and do not form part of the design.**



(21) Design Number: **12114/2011**
(22) Date of Filing Application: **11 May 2011**
(24) Date from which industrial property rights may have effect: **11 May 2011**
(54) Product in respect of which the design is registered: **An automobile**
(51) International Design Classification: **12-08**
(74) Name(s) of Attorney(s): **SPRUSON & FERGUSON**
(71) Name(s) and Address(s) of Applicant(s):



Honda Motor Co., Ltd.

1-1 Minami-Aoyama 2-Chome Minato-ku Tokyo Japan

(72) Name(s) of Designer(s): **Atsushi Murakawa and Katsunori Ogawa**
(45) Registration Date: **07 June 2011**

(30) Convention priority data:

(31) Number	(32) Date	(33) Country
2010-027398	15 Nov 2010	JAPAN

(56) Related Art Documents: **Not Applicable**

(57) Statement of Newness and Distinctiveness: **Newness and distinctiveness is claimed in the features of shape and/or configuration of an automobile as illustrated in the accompanying representations.**

(21) Design Number: **12116/2011**
(22) Date of Filing Application: **11 May 2011**
(24) Date from which industrial property rights may have effect: **11 May 2011**
(54) Product in respect of which the design is registered: **A front combination lamp for an automobile**
(51) International Design Classification: **26-06**
(74) Name(s) of Attorney(s): **SPRUSON & FERGUSON**
(71) Name(s) and Address(s) of Applicant(s):



Honda Motor Co., Ltd.

1-1 Minami-Aoyama 2-Chome Minato-ku Tokyo Japan

(72) Name(s) of Designer(s): **Junnosuke Sato**

(45) Registration Date: **07 June 2011**

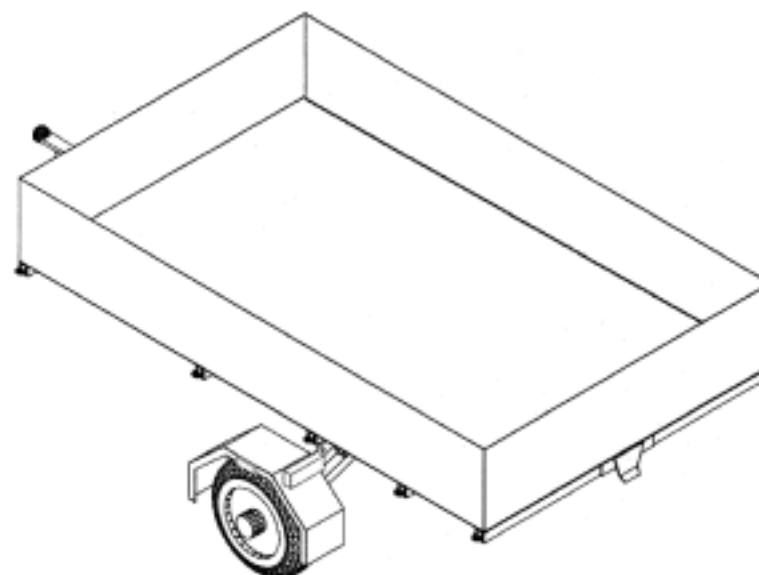
(30) Convention priority data:

(31) Number	(32) Date	(33) Country
2010-027400	15 Nov 2010	JAPAN

(56) Related Art Documents: **Not Applicable**

(57) Statement of Newness and Distinctiveness: **Newness and distinctiveness is claimed in the features of shape and/or configuration of a front combination lamp for an automobile as illustrated in the accompanying representations.**

- (21) Design Number: **12117/2011**
(22) Date of Filing Application: **13 May 2011**
(24) Date from which industrial property rights may have effect: **13 May 2011**
(54) Product in respect of which the design is registered: **Collapsible box top utility trailer**
(51) International Design Classification: **12-10**
(74) Name(s) of Attorney(s): **Trademark Central**
(71) Name(s) and Address(s) of Applicant(s):
PP & L Enterprises Pty Ltd
140 Clontarf Road Hamilton Hill Western Australia 6163 Australia
(72) Name(s) of Designer(s): **Paul Crane**
(45) Registration Date: **07 June 2011**
(56) Related Art Documents: **Not Applicable**
(57) Statement of Newness and Distinctiveness: **Collapsible trailer with removable box top utility carriage area.**



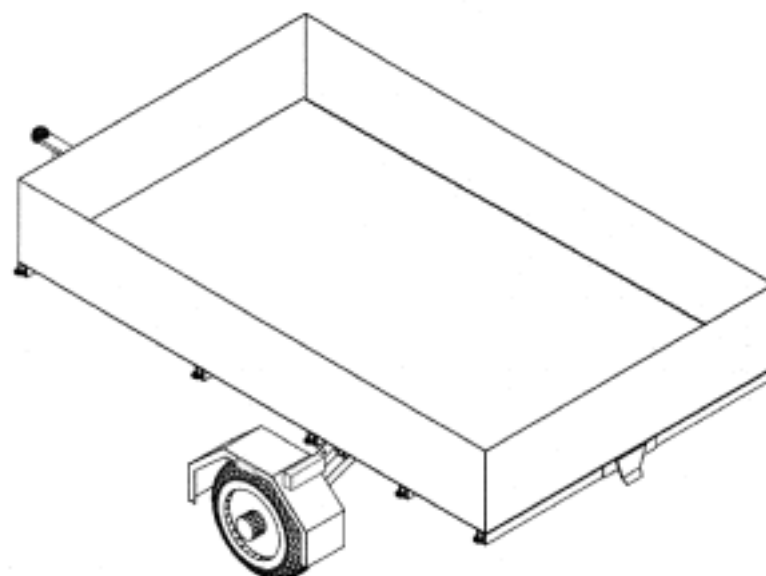
- (21) Design Number: **12118/2011**
(22) Date of Filing Application: **11 May 2011**
(24) Date from which industrial property rights may have effect: **11 May 2011**
(54) Product in respect of which the design is registered: **A rear combination lamp for an automobile**
(51) International Design Classification: **26-06**
(74) Name(s) of Attorney(s): **SPRUSON & FERGUSON**
(71) Name(s) and Address(s) of Applicant(s):
Honda Motor Co., Ltd.
1-1 Minami-Aoyama 2-Chome Minato-ku Tokyo Japan
(72) Name(s) of Designer(s): **Shingo Yagihashi**
(45) Registration Date: **07 June 2011**
(30) Convention priority data:
(31) Number (32) Date (33) Country
2010-027401 15 Nov 2010 JAPAN
(56) Related Art Documents: **Not Applicable**
(57) Statement of Newness and Distinctiveness: **Newness and distinctiveness is claimed in the features of shape and/or configuration of a rear combination lamp for an automobile as illustrated in the accompanying representations.**



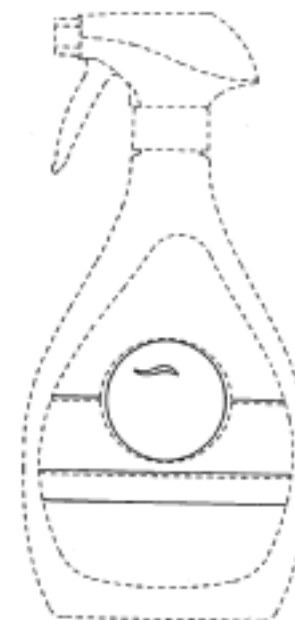
- (21) Design Number: **12119/2011**
(22) Date of Filing Application: **11 May 2011**
(24) Date from which industrial property rights may have effect: **11 May 2011**
(54) Product in respect of which the design is registered: **A rear combination lamp for an automobile**
(51) International Design Classification: **26-06**
(74) Name(s) of Attorney(s): **SPRUSON & FERGUSON**
(71) Name(s) and Address(s) of Applicant(s):
Honda Motor Co., Ltd.
1-1 Minami-Aoyama 2-Chome Minato-ku Tokyo Japan
(72) Name(s) of Designer(s): **Junnosuke Sato**
(45) Registration Date: **07 June 2011**
(30) Convention priority data:
(31) Number (32) Date (33) Country
2010-027402 15 Nov 2010 JAPAN
(56) Related Art Documents: **Not Applicable**
(57) Statement of Newness and Distinctiveness: **Newness and distinctiveness is claimed in the features of shape and/or configuration of a rear combination lamp for an automobile as illustrated in the accompanying representations.**



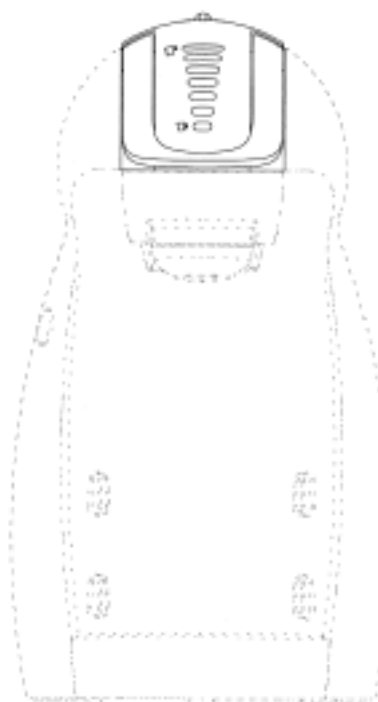
- (21) Design Number: **12120/2011**
(22) Date of Filing Application: **13 May 2011**
(24) Date from which industrial property rights may have effect: **13 May 2011**
(54) Product in respect of which the design is registered: **Collapsible box top utility trailer**
(51) International Design Classification: **12-10**
(74) Name(s) of Attorney(s): **Trademark Central**
(71) Name(s) and Address(s) of Applicant(s):
PP & L Enterprises Pty Ltd
140 Clontarf Road Hamilton Hill Western Australia 6163 Australia
(72) Name(s) of Designer(s): **Paul Crane**
(45) Registration Date: **07 June 2011**
(56) Related Art Documents: **Not Applicable**
(57) Statement of Newness and Distinctiveness: **Collapsible trailer with removable box top utility carriage area.**



- (21) Design Number: **12135/2011**
(22) Date of Filing Application: **12 May 2011**
(24) Date from which industrial property rights may have effect: **12 May 2011**
(54) Product in respect of which the design is registered: **Container with label**
(51) International Design Classification: **09-01A**
(74) Name(s) of Attorney(s): **PHILLIPS ORMONDE FITZPATRICK**
(71) Name(s) and Address(s) of Applicant(s):
The Procter & Gamble Company
One Procter & Gamble Plaza Cincinnati Ohio 45202 United States of America
(72) Name(s) of Designer(s): **Amanda Kay Birdwell and Christine Ann Kron and Valerie Michelle Aurilio and Amelia Lynn Bose and Kara Marie Cain and Lia Braaten Hager**
(45) Registration Date: **07 June 2011**
(30) Convention priority data:
(31) Number (32) Date (33) Country
29/378,970 12 Nov 2010 UNITED STATES OF AMERICA
(56) Related Art Documents: **Not Applicable**
(57) Statement of Newness and Distinctiveness: **Those features of the container with label depicted in the representations that are new and distinctive are the pattern and/or ornamentation of the label. The features shown in broken lines are not part of the design and are to be disregarded when considering the overall impression of the design.**

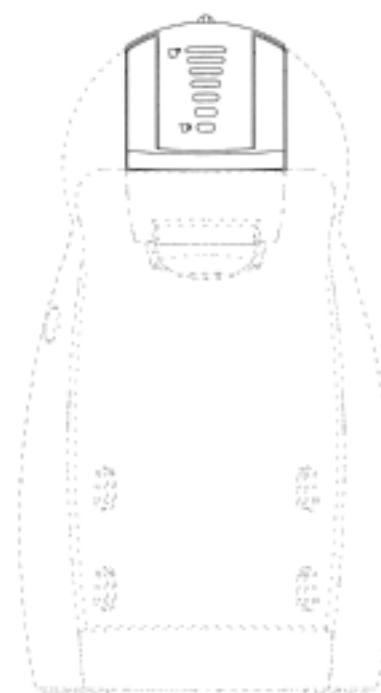


- (21) Design Number: **12136/2011**
(22) Date of Filing Application: **13 May 2011**
(24) Date from which industrial property rights may have effect: **13 May 2011**
(54) Product in respect of which the design is registered: **A beverage machine part**
(51) International Design Classification: **07-02L**
(74) Name(s) of Attorney(s): **Banki Haddock Fiora**
(71) Name(s) and Address(s) of Applicant(s):
Societe des Produits Nestle S.A.
1800 Vevey Switzerland
(72) Name(s) of Designer(s): **Damien Regamey and Remy Jacquet**
(45) Registration Date: **07 June 2011**
(30) Convention priority data:
(31) Number (32) Date (33) Country
137518 20 Dec 2010 SWITZERLAND
(56) Related Art Documents: **Not Applicable**
(57) Statement of Newness and Distinctiveness: **The visual features of the beverage machine part depicted in the representations that are new and distinctive are the shape and/or configuration. The features shown in broken lines are not part of the design and should be disregarded when considering the overall impression of the design.**



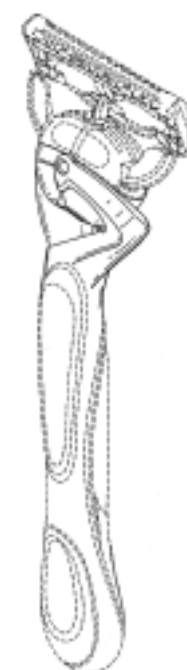
(21) Design Number: **12137/2011**
(22) Date of Filing Application: **13 May 2011**
(24) Date from which industrial property rights may have effect: **13 May 2011**
(54) Product in respect of which the design is registered: **A beverage machine part**
(51) International Design Classification: **07-02L**
(74) Name(s) of Attorney(s): **Banki Haddock Fiora**
(71) Name(s) and Address(s) of Applicant(s):
Societe des Produits Nestle S.A.
1800 Vevey Switzerland
(72) Name(s) of Designer(s): **Damien Regamey and Remy Jacquet**
(45) Registration Date: **07 June 2011**
(30) Convention priority data:
(31) Number (32) Date (33) Country
137518 20 Dec 2010 SWITZERLAND

(56) Related Art Documents: **Not Applicable**
(57) Statement of Newness and Distinctiveness: **The visual features of the beverage machine part depicted in the representations that are new and distinctive are the shape and/or configuration. The features shown in broken lines are not part of the design and should be disregarded when considering the overall impression of the design.**



(21) Design Number: **12138/2011**
(22) Date of Filing Application: **12 May 2011**
(24) Date from which industrial property rights may have effect: **12 May 2011**
(54) Product in respect of which the design is registered: **Shaving razor**
(51) International Design Classification: **28-03A**
(74) Name(s) of Attorney(s): **PHILLIPS ORMONDE FITZPATRICK**
(71) Name(s) and Address(s) of Applicant(s):
The Gillette Company
One Gillette Park Boston Massachusetts 02127 United States of America
(72) Name(s) of Designer(s): **Brian Patrick Watson and Christopher Ramm**
(45) Registration Date: **07 June 2011**
(30) Convention priority data:
(31) Number (32) Date (33) Country
29/379,091 15 Nov 2010 UNITED STATES OF AMERICA

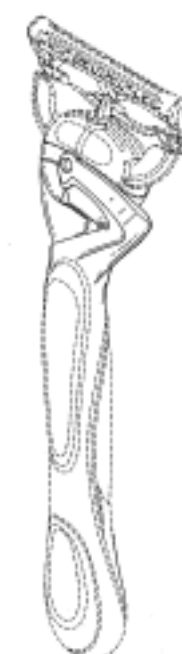
(56) Related Art Documents: **Not Applicable**
(57) Statement of Newness and Distinctiveness: **Those features of the shaving razor depicted in the representations that are new and distinctive are the shape and/or configuration of the portion of the shaving razor shown in continuous lines. The features shown in broken lines are not part of the design and are to be disregarded when considering the overall impression of the design.**



(21) Design Number: **12139/2011**
(22) Date of Filing Application: **12 May 2011**
(24) Date from which industrial property rights may have effect: **12 May 2011**
(54) Product in respect of which the design is registered: **Shaving razor**
(51) International Design Classification: **28-03A**
(74) Name(s) of Attorney(s): **PHILLIPS ORMONDE FITZPATRICK**
(71) Name(s) and Address(s) of Applicant(s):
The Gillette Company
One Gillette Park Boston Massachusetts 02127 United States of America
(72) Name(s) of Designer(s): **Brian Patrick Watson and Christopher Ramm**
(45) Registration Date: **07 June 2011**
(30) Convention priority data:
(31) Number (32) Date (33) Country
29/379,091 15 Nov 2010 UNITED STATES OF AMERICA
(56) Related Art Documents: **Not Applicable**
(57) Statement of Newness and Distinctiveness: **Those features of the shaving razor depicted in the representations that are new and distinctive are the shape and/or configuration of the portion of the shaving razor shown in continuous lines. The features shown in broken lines are not part of the design and are to be disregarded when considering the overall impression of the design.**



(21) Design Number: **12140/2011**
(22) Date of Filing Application: **12 May 2011**
(24) Date from which industrial property rights may have effect: **12 May 2011**
(54) Product in respect of which the design is registered: **Shaving razor**
(51) International Design Classification: **28-03A**
(74) Name(s) of Attorney(s): **PHILLIPS ORMONDE FITZPATRICK**
(71) Name(s) and Address(s) of Applicant(s):
The Gillette Company
One Gillette Park Boston Massachusetts 02127 United States of America
(72) Name(s) of Designer(s): **Brian Patrick Watson and Christopher Ramm**
(45) Registration Date: **07 June 2011**
(30) Convention priority data:
(31) Number (32) Date (33) Country
29/379,091 15 Nov 2010 UNITED STATES OF AMERICA
(56) Related Art Documents: **Not Applicable**
(57) Statement of Newness and Distinctiveness: **Those features of the shaving razor depicted in the representations that are new and distinctive are the shape and/or configuration of the portion of the shaving razor shown in continuous lines. The features shown in broken lines are not part of the design and are to be disregarded when considering the overall impression of the design.**



(21) Design Number: **12141/2011**
(22) Date of Filing Application: **12 May 2011**
(24) Date from which industrial property rights may have effect: **12 May 2011**
(54) Product in respect of which the design is registered: **Shaving razor**
(51) International Design Classification: **28-03A**
(74) Name(s) of Attorney(s): **PHILLIPS ORMONDE FITZPATRICK**
(71) Name(s) and Address(s) of Applicant(s):
The Gillette Company
One Gillette Park Boston Massachusetts 02127 United States of America
(72) Name(s) of Designer(s): **Brian Patrick Watson and Christopher Ramm**
(45) Registration Date: **07 June 2011**
(30) Convention priority data:
(31) Number (32) Date (33) Country
29/379,091 15 Nov 2010 UNITED STATES OF AMERICA
(56) Related Art Documents: **Not Applicable**
(57) Statement of Newness and Distinctiveness: **Those features of the shaving razor depicted in the representations that are new and distinctive are the shape and/or configuration of the portion of the shaving razor shown in continuous lines. The features shown in broken lines are not part of the design and are to be disregarded when considering the overall impression of the design.**



(21) Design Number: **12142/2011**
(22) Date of Filing Application: **12 May 2011**
(24) Date from which industrial property rights may have effect: **12 May 2011**
(54) Product in respect of which the design is registered: **Shaving razor**
(51) International Design Classification: **28-03A**
(74) Name(s) of Attorney(s): **PHILLIPS ORMONDE FITZPATRICK**
(71) Name(s) and Address(s) of Applicant(s):
The Gillette Company
One Gillette Park Boston Massachusetts 02127 United States of America
(72) Name(s) of Designer(s): **Brian Patrick Watson**
(45) Registration Date: **07 June 2011**
(30) Convention priority data:
(31) Number (32) Date (33) Country
29/379,097 15 Nov 2010 UNITED STATES OF AMERICA
(56) Related Art Documents: **Not Applicable**
(57) Statement of Newness and Distinctiveness: **Those features of the shaving razor depicted in the representations that are new and distinctive are the shape and/or configuration of the portion of the shaving razor shown in continuous lines. The features shown in broken lines are not part of the design and are to be disregarded when considering the overall impression of the design.**



(21) Design Number: **12143/2011**
(22) Date of Filing Application: **12 May 2011**
(24) Date from which industrial property rights may have effect: **12 May 2011**
(54) Product in respect of which the design is registered: **Shaving razor**
(51) International Design Classification: **28-03A**
(74) Name(s) of Attorney(s): **PHILLIPS ORMONDE FITZPATRICK**
(71) Name(s) and Address(s) of Applicant(s):

The Gillette Company
One Gillette Park Boston Massachusetts 02127 United States of America

(72) Name(s) of Designer(s): **Brian Patrick Watson**

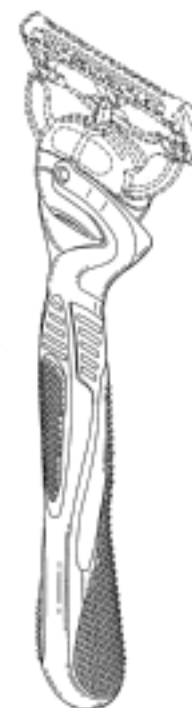
(45) Registration Date: **07 June 2011**

(30) Convention priority data:

(31) Number	(32) Date	(33) Country
29/379,097	15 Nov 2010	UNITED STATES OF AMERICA

(56) Related Art Documents: **Not Applicable**

(57) Statement of Newness and Distinctiveness: **Those features of the shaving razor depicted in the representations that are new and distinctive are the shape and/or configuration of the portion of the shaving razor shown in continuous lines. The features shown in broken lines are not part of the design and are to be disregarded when considering the overall impression of the design.**



(21) Design Number: **12408/2011**
(22) Date of Filing Application: **27 May 2011**
(24) Date from which industrial property rights may have effect: **27 May 2011**
(54) Product in respect of which the design is registered: **Spice jar**
(51) International Design Classification: **09-01C**
(74) Name(s) of Attorney(s): **TELLER & ASSOCIATES**
(71) Name(s) and Address(s) of Applicant(s):

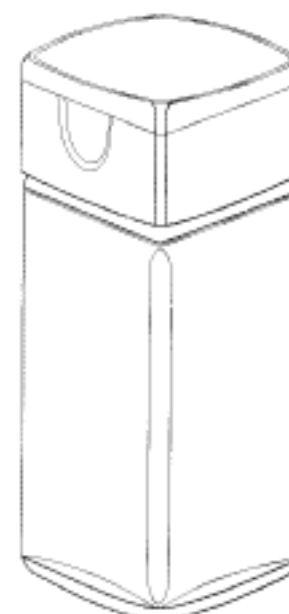
Anchor Foods Pty Ltd
148 Carrington Street Fremantle Western Australia 6163 Australia

(72) Name(s) of Designer(s): **Steve Boros**

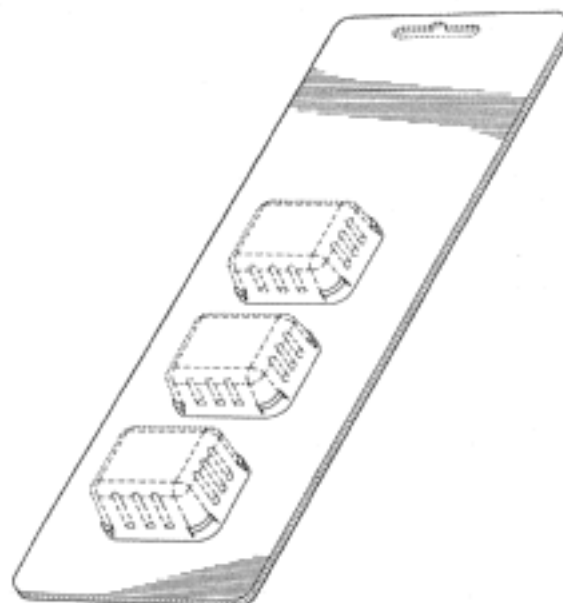
(45) Registration Date: **07 June 2011**

(56) Related Art Documents: **Not Applicable**

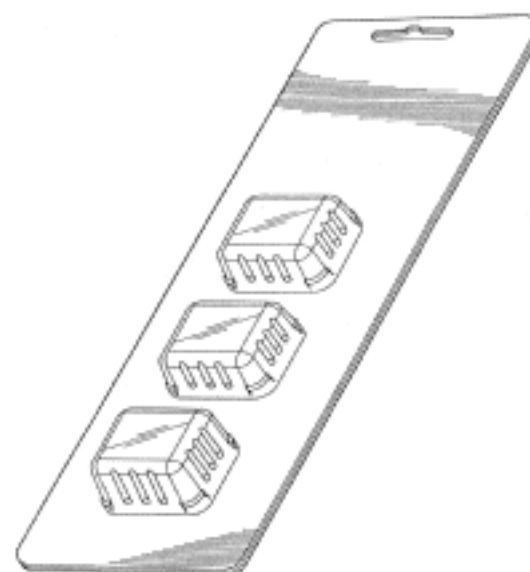
(57) Statement of Newness and Distinctiveness: **Nil**



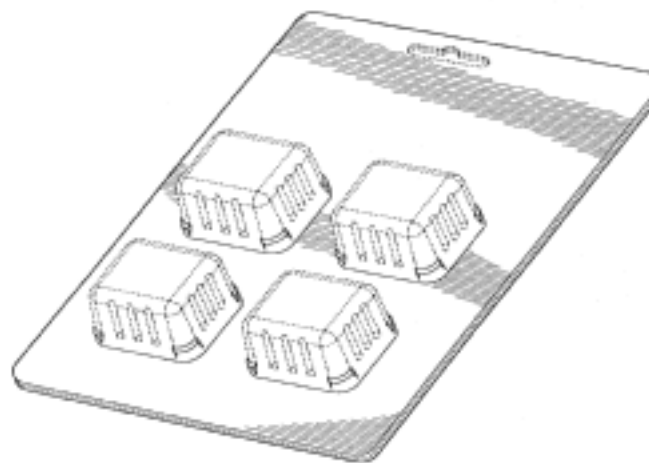
(21) Design Number: **12497/2011**
(22) Date of Filing Application: **20 April 2011**
(24) Date from which industrial property rights may have effect: **20 April 2011**
(54) Product in respect of which the design is registered: **Seasoning package**
(51) International Design Classification: **09-05**
(74) Name(s) of Attorney(s): **PIZZEYS**
(71) Name(s) and Address(s) of Applicant(s):
McCormick & Company, Incorporated
18 Loveton Circle Sparks MD 21152 United States of America
(72) Name(s) of Designer(s): **Deborah Stuiber and Mark Jenkins**
(45) Registration Date: **07 June 2011**
(30) Convention priority data:
(31) Number (32) Date (33) Country
29/380,396 03 Dec 2010 UNITED STATES OF AMERICA
(56) Related Art Documents: **Not Applicable**
(57) Statement of Newness and Distinctiveness: **Nil**



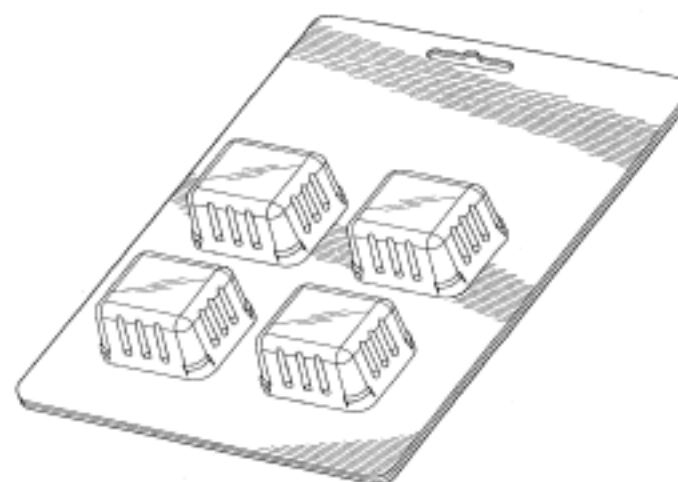
(21) Design Number: **11753/2011**
(22) Date of Filing Application: **20 April 2011**
(24) Date from which industrial property rights may have effect: **20 April 2011**
(54) Product in respect of which the design is registered: **Seasoning package**
(51) International Design Classification: **09-05**
(74) Name(s) of Attorney(s): **PIZZEYS**
(71) Name(s) and Address(s) of Applicant(s):
McCormick & Company, Incorporated
18 Loveton Circle Sparks MD 21152 United States of America
(72) Name(s) of Designer(s): **Deborah Stuiber and Mark Jenkins**
(45) Registration Date: **07 June 2011**
(30) Convention priority data:
(31) Number (32) Date (33) Country
29/380,396 03 Dec 2010 UNITED STATES OF AMERICA
(56) Related Art Documents: **Not Applicable**
(57) Statement of Newness and Distinctiveness: **The newness and distinctiveness of the design resides in the features of pattern and/or ornamentation OR shape and/or configuration shown in unbroken lines in the accompanying representations.**



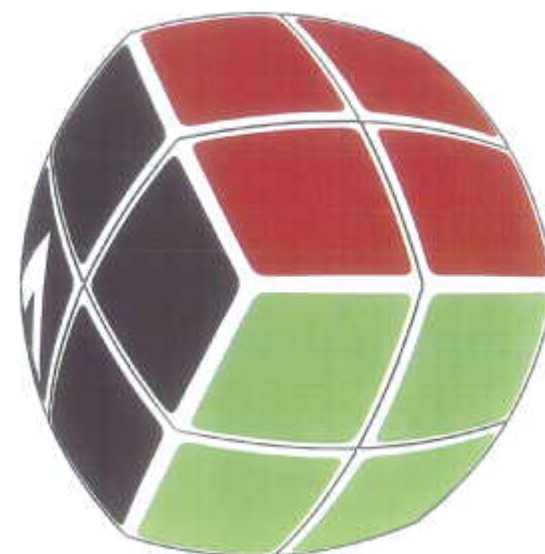
(21) Design Number: **12499/2011**
(22) Date of Filing Application: **20 April 2011**
(24) Date from which industrial property rights may have effect: **20 April 2011**
(54) Product in respect of which the design is registered: **Seasoning package**
(51) International Design Classification: **09-05**
(74) Name(s) of Attorney(s): **PIZZEYS**
(71) Name(s) and Address(s) of Applicant(s):
McCormick & Company, Incorporated
18 Loveton Circle Sparks MD 21152 United States of America
(72) Name(s) of Designer(s): **Deborah Stuiber and Mark Jenkins**
(45) Registration Date: **07 June 2011**
(30) Convention priority data:
(31) Number (32) Date (33) Country
29/380,403 03 Dec 2010 UNITED STATES OF AMERICA
(56) Related Art Documents: **Not Applicable**
(57) Statement of Newness and Distinctiveness: **Nil**



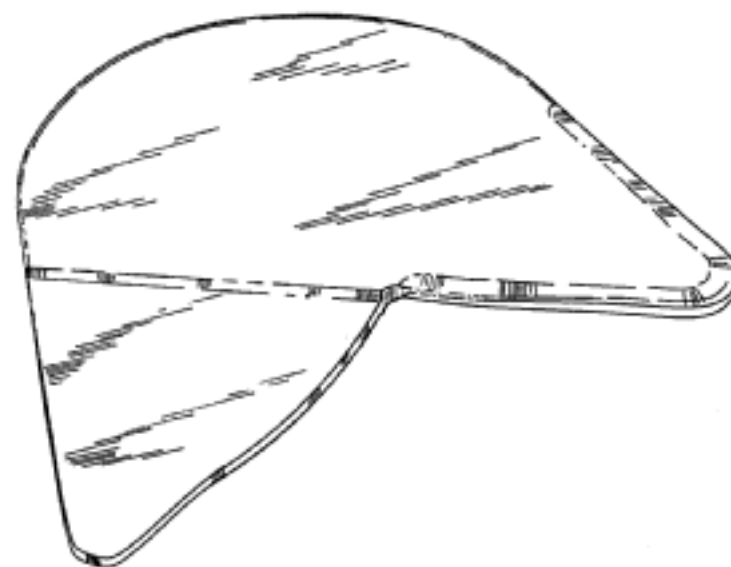
(21) Design Number: **11752/2011**
(22) Date of Filing Application: **20 April 2011**
(24) Date from which industrial property rights may have effect: **20 April 2011**
(54) Product in respect of which the design is registered: **Seasoning package**
(51) International Design Classification: **09-05**
(74) Name(s) of Attorney(s): **PIZZEYS**
(71) Name(s) and Address(s) of Applicant(s):
McCormick & Company, Incorporated
18 Loveton Circle Sparks MD 21152 United States of America
(72) Name(s) of Designer(s): **Deborah Stuiber and Mark Jenkins**
(45) Registration Date: **07 June 2011**
(30) Convention priority data:
(31) Number (32) Date (33) Country
29/380,403 03 Dec 2010 UNITED STATES OF AMERICA
(56) Related Art Documents: **Not Applicable**
(57) Statement of Newness and Distinctiveness: **The newness and distinctiveness of the design resides in the features of pattern and/or ornamentation OR shape and/or configuration shown in unbroken lines in the accompanying representations.**



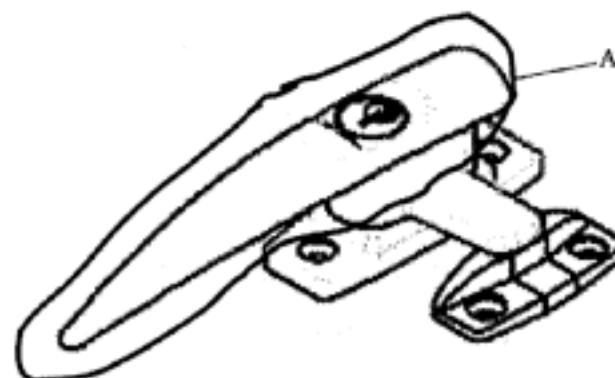
(21) Design Number: **11138/2011**
(22) Date of Filing Application: **17 March 2011**
(24) Date from which industrial property rights may have effect: **17 March 2011**
(54) Product in respect of which the design is registered: **Logic toy**
(51) International Design Classification: **21-01M**
(74) Name(s) of Attorney(s): **Davies Collison Cave**
(71) Name(s) and Address(s) of Applicant(s):
Kainotomies Verde-Kyvika Logika Paignidia A.E.B.E - Verdes Innovations SA
Chiliomodi Korinthias 20008 Greece
(72) Name(s) of Designer(s): **Panagiotis Verdes**
(45) Registration Date: **07 June 2011**
(30) Convention priority data:
(31) Number (32) Date (33) Country
001787938-002 01 Dec 2010 EUROPEAN COMMUNITY
(56) Related Art Documents: **Not Applicable**
(57) Statement of Newness and Distinctiveness: **Nil**



(21) Design Number: **11909/2011**
(22) Date of Filing Application: **29 April 2011**
(24) Date from which industrial property rights may have effect: **29 April 2011**
(54) Product in respect of which the design is registered: **Plectrum**
(51) International Design Classification: **17-99**
(74) Name(s) of Attorney(s):
(71) Name(s) and Address(s) of Applicant(s):
Norman Edward Walker
C/- Hope Island Marina PO Box 906 Sanctuary Cove Queensland 4212
Australia
(72) Name(s) of Designer(s): **Norman Edward Walker**
(45) Registration Date: **07 June 2011**
(56) Related Art Documents: **Not Applicable**
(57) Statement of Newness and Distinctiveness: **Newness and distinctiveness is claimed in the features of shape and/or configuration of the plectrum as illustrated in the accompanying representations. The plectrum designed by me, I believe is unique and distinctive and nothing similar seems to exist.**



- (21) Design Number: **10805/2011**
(22) Date of Filing Application: **01 March 2011**
(24) Date from which industrial property rights may have effect: **01 March 2011**
(54) Product in respect of which the design is registered: **Closing mechanism**
(51) International Design Classification: **08-06**
(74) Name(s) of Attorney(s): **Smootenburg Pini Patent & Trade Mark Attorneys**
(71) Name(s) and Address(s) of Applicant(s):
Jacou Industry Zhongshan Limited
No 8 Zhennan Road Dongsheng Town Zhongshan Guangdong Province
China
(72) Name(s) of Designer(s): **John David Saunders and Craig Andrew Jackson**
(45) Registration Date: **08 June 2011**
(56) Related Art Documents: **Not Applicable**
(57) Statement of Newness and Distinctiveness: **Newness and distinctiveness is claimed in features of shape and/or configuration of a Closing Mechanism as illustrated in the accompanying representations. In considering which features are new and distinctive, particular regard is to be had to Section A as marked on the accompanying drawings.**



PERSPECTIVE VIEW

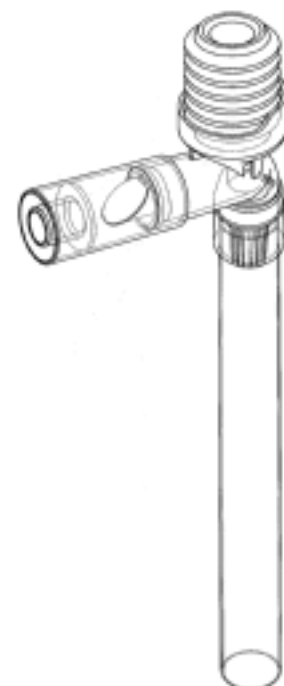
- (21) Design Number: **11466/2011**
(22) Date of Filing Application: **05 April 2011**
(24) Date from which industrial property rights may have effect: **05 April 2011**
(54) Product in respect of which the design is registered: **Floating island for an aquarium**
(51) International Design Classification: **30-02**
(74) Name(s) of Attorney(s): **Griffith Hack**
(71) Name(s) and Address(s) of Applicant(s):
Suisaku Kabushiki Kaisha
9-6 Taito 1-chome Taito-ku Tokyo Japan
(72) Name(s) of Designer(s): **Soichi Ogawa**
(45) Registration Date: **08 June 2011**
(30) Convention priority data:
(31) Number (32) Date (33) Country
2010-024169 08 Oct 2010 JAPAN
(56) Related Art Documents: **Not Applicable**
(57) Statement of Newness and Distinctiveness: **The shape and configuration of a FLOATING ISLAND FOR AN AQUARIUM as shown in Figures 1 to 10 of the accompanying representations is new and distinctive. Figure 11 has been included for illustrative purposes only, and those parts of Figure 11 shown in dashed lines do not form part of the design.**



(21) Design Number: **11467/2011**
(22) Date of Filing Application: **05 April 2011**
(24) Date from which industrial property rights may have effect: **05 April 2011**
(54) Product in respect of which the design is registered: **Floating island for an aquarium**
(51) International Design Classification: **30-02**
(74) Name(s) of Attorney(s): **Griffith Hack**
(71) Name(s) and Address(s) of Applicant(s):
Suisaku Kabushiki Kaisha
9-6 Taito 1-chome Taito-ku Tokyo Japan
(72) Name(s) of Designer(s): **Soichi Ogawa**
(45) Registration Date: **08 June 2011**
(30) Convention priority data:
(31) Number (32) Date (33) Country
2010-024063 07 Oct 2010 JAPAN
(56) Related Art Documents: **Not Applicable**
(57) Statement of Newness and Distinctiveness: **The shape and configuration of a FLOATING ISLAND FOR AN AQUARIUM as shown in Figures 1 to 10 of the accompanying representations is new and distinctive. Figure 11 has been included for illustrative purposes only and those parts of Figure 11 shown in dashed lines do not form part of the design.**



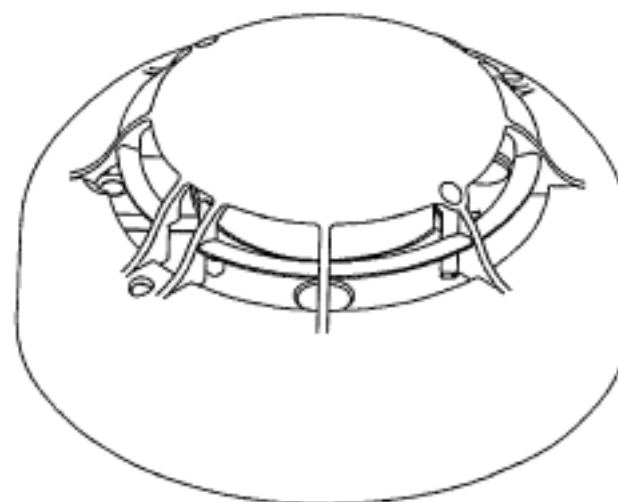
(21) Design Number: **11468/2011**
(22) Date of Filing Application: **05 April 2011**
(24) Date from which industrial property rights may have effect: **05 April 2011**
(54) Product in respect of which the design is registered: **Siphon-type water changing apparatus for an aquarium**
(51) International Design Classification: **30-02, 23-01G**
(74) Name(s) of Attorney(s): **Griffith Hack**
(71) Name(s) and Address(s) of Applicant(s):
Suisaku Kabushiki Kaisha
9-6 Taito 1-chome Taito-ku Tokyo Japan
(72) Name(s) of Designer(s): **Soichi Ogawa**
(45) Registration Date: **08 June 2011**
(30) Convention priority data:
(31) Number (32) Date (33) Country
2010-023866 05 Oct 2010 JAPAN
(56) Related Art Documents: **Not Applicable**
(57) Statement of Newness and Distinctiveness: **Newness and distinctiveness resides in the visual features, including shape and configuration of a SIPHON-TYPE WATER CHANGING APPARATUS FOR AN AQUARIUM as shown in Figures 1 to 8, and Figure 10 of the accompanying representations. The additional diagonal lines shown in Figure 10 identify parts of the SIPHON-TYPE WATER CHANGING APPARATUS that may be transparent/translucent. Figure 9 has been included for illustrative purposes only, and those parts shown in dashed lines do not form part of the design.**



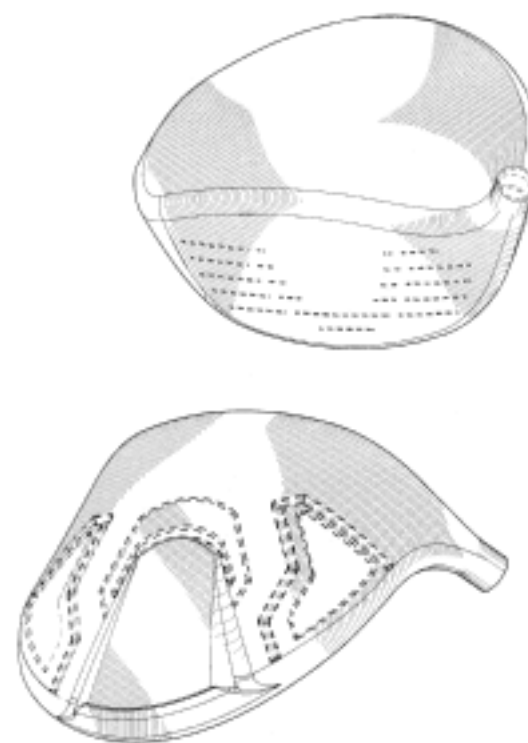
(21) Design Number: **12277/2011**
(22) Date of Filing Application: **17 May 2011**
(24) Date from which industrial property rights may have effect: **17 May 2011**
(54) Product in respect of which the design is registered: **Bottle with integrated cup**
(51) International Design Classification: **07-01F**
(74) Name(s) of Attorney(s): **KENSINGTON SWAN**
(71) Name(s) and Address(s) of Applicant(s):
VnC Cocktails Limited
89 Grafton Road Grafton Auckland 1010 New Zealand
(72) Name(s) of Designer(s): **Bruce Keatley**
(45) Registration Date: **08 June 2011**
(30) Convention priority data:
(31) Number (32) Date (33) Country
414369 06 Dec 2010 NEW ZEALAND
(56) Related Art Documents: **Not Applicable**
(57) Statement of Newness and Distinctiveness: **The design is to be applied to a bottle with integrated cup and the novelty resides in the features of shape and configuration as shown in the accompanying representations.**



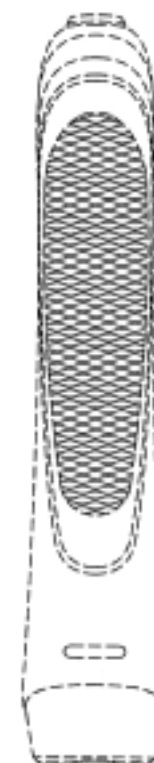
(21) Design Number: **10684/2011**
(22) Date of Filing Application: **23 February 2011**
(24) Date from which industrial property rights may have effect: **23 February 2011**
(54) Product in respect of which the design is registered: **Heat and smoke detector**
(51) International Design Classification: **10-05**
(74) Name(s) of Attorney(s): **Griffith Hack**
(71) Name(s) and Address(s) of Applicant(s):
HOCHIKI Corporation
10-43 Kamiosaki 2-chome Shinagawa-ku Tokyo Japan
(72) Name(s) of Designer(s): **Koichiro Kawaguchi and Hidetaka Irumano and Manabu Matsumoto and Masashi Arikawa**
(45) Registration Date: **08 June 2011**
(30) Convention priority data:
(31) Number (32) Date (33) Country
2010-23799 05 Oct 2010 JAPAN
(56) Related Art Documents: **Not Applicable**
(57) Statement of Newness and Distinctiveness: **Nil**



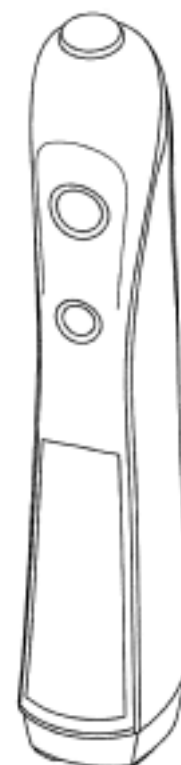
(21) Design Number: **11280/2011**
(22) Date of Filing Application: **24 March 2011**
(24) Date from which industrial property rights may have effect: **24 March 2011**
(54) Product in respect of which the design is registered: **Golf club head**
(51) International Design Classification: **21-02C**
(74) Name(s) of Attorney(s): **Davies Collison Cave**
(71) Name(s) and Address(s) of Applicant(s):
Karsten Manufacturing Corporation
2201 West Desert Cove Phoenix Arizona 85029 United States of America
(72) Name(s) of Designer(s): **Bradley D. Schweigert and Xiaojian Chen and Michael R. Nicolette**
(45) Registration Date: **08 June 2011**
(30) Convention priority data:
(31) Number (32) Date (33) Country
29/382826 07 Jan 2011 UNITED STATES OF AMERICA
(56) Related Art Documents: **Not Applicable**
(57) Statement of Newness and Distinctiveness: **Newness and distinctiveness is claimed in the visual features shown in solid lines in the representations. In considering the extent of the design rights, the broken lines shown in the representations are for illustrative purposes only and do not form part of the design.**



(21) Design Number: **11623/2011**
(22) Date of Filing Application: **13 April 2011**
(24) Date from which industrial property rights may have effect: **13 April 2011**
(54) Product in respect of which the design is registered: **A toothbrush handle**
(51) International Design Classification: **04-02**
(74) Name(s) of Attorney(s): **PHILLIPS ORMONDE FITZPATRICK**
(71) Name(s) and Address(s) of Applicant(s):
Braun GmbH
Frankfurter Strasse 145 61476 Kronberg am Taunus Germany
(72) Name(s) of Designer(s): **Wolfgang Stegmann and Phong Duy Vu and Alexander Thaleheim-Martin**
(45) Registration Date: **08 June 2011**
(30) Convention priority data:
(31) Number (32) Date (33) Country
570420001 25 Oct 2010 WORLD INTELLECTUAL PROPERTY ORGANIZATION (WIPO)
(56) Related Art Documents: **Not Applicable**
(57) Statement of Newness and Distinctiveness: **Newness and distinctiveness resides in the pattern and/or ornamentation of the part of the toothbrush handle shown in solid line as shown in the accompanying representations. The features shown in broken line are not part of the design and should be disregarded when considering the overall impression of the design.**



(21) Design Number: **11624/2011**
(22) Date of Filing Application: **13 April 2011**
(24) Date from which industrial property rights may have effect: **13 April 2011**
(54) Product in respect of which the design is registered: **Toothbrush handle**
(51) International Design Classification: **04-02**
(74) Name(s) of Attorney(s): **PHILLIPS ORMONDE FITZPATRICK**
(71) Name(s) and Address(s) of Applicant(s):
Braun GmbH
Frankfurter Strasse 145 61476 Kronberg am Taunus Germany
(72) Name(s) of Designer(s): **Wolfgang Stegmann and Phong Duy Vu and Alexander Thaleheim-Martin**
(45) Registration Date: **08 June 2011**
(30) Convention priority data:
(31) Number (32) Date (33) Country
**570420001 25 Oct 2010 WORLD INTELLECTUAL
PROPERTY ORGANIZATION
(WIPO)**
(56) Related Art Documents: **Not Applicable**
(57) Statement of Newness and Distinctiveness: **Those features of the toothbrush handle depicted in the representations that are new and distinctive are the shape and/or configuration.**



(21) Design Number: **11625/2011**
(22) Date of Filing Application: **13 April 2011**
(24) Date from which industrial property rights may have effect: **13 April 2011**
(54) Product in respect of which the design is registered: **Toothbrush handle**
(51) International Design Classification: **04-02**
(74) Name(s) of Attorney(s): **PHILLIPS ORMONDE FITZPATRICK**
(71) Name(s) and Address(s) of Applicant(s):
Braun GmbH
Frankfurter Strasse 145 61476 Kronberg am Taunus Germany
(72) Name(s) of Designer(s): **Wolfgang Stegmann and Phong Duy Vu and Alexander Thaleheim-Martin**
(45) Registration Date: **08 June 2011**
(30) Convention priority data:
(31) Number (32) Date (33) Country
**570420001 25 Oct 2010 WORLD INTELLECTUAL
PROPERTY ORGANIZATION
(WIPO)**
(56) Related Art Documents: **Not Applicable**
(57) Statement of Newness and Distinctiveness: **Those features of the toothbrush handle depicted in the representations that are new and distinctive are the shape and/or configuration.**



(21) Design Number: **11626/2011**
(22) Date of Filing Application: **13 April 2011**
(24) Date from which industrial property rights may have effect: **13 April 2011**
(54) Product in respect of which the design is registered: **Chair**
(51) International Design Classification: **06-01F**
(74) Name(s) of Attorney(s): **PHILLIPS ORMONDE FITZPATRICK**
(71) Name(s) and Address(s) of Applicant(s):

Dauphin Entwicklungs- u. Beteiligungs-GmbH
Industriestrasse 11 91217 Hersbruck Germany

(72) Name(s) of Designer(s): **Roland Zund**

(45) Registration Date: **08 June 2011**

(30) Convention priority data:

(31) Number	(32) Date	(33) Country
570 419 401	25 Oct 2010	WORLD INTELLECTUAL PROPERTY ORGANIZATION (WIPO)

(56) Related Art Documents: **Not Applicable**

(57) Statement of Newness and Distinctiveness: **Newness and distinctiveness resides in the shape and/or configuration of the chair as depicted in the accompany representations. The fabric patterns do not form part of the design.**



(21) Design Number: **11629/2011**
(22) Date of Filing Application: **13 April 2011**
(24) Date from which industrial property rights may have effect: **13 April 2011**
(54) Product in respect of which the design is registered: **Toothbrush handle**
(51) International Design Classification: **04-02**
(74) Name(s) of Attorney(s): **PHILLIPS ORMONDE FITZPATRICK**
(71) Name(s) and Address(s) of Applicant(s):

Braun GmbH
Frankfurter Strasse 145 61476 Kronberg am Taunus Germany

(72) Name(s) of Designer(s): **Wolfgang Stegmann and Phong Duy Vu and Alexander Thaleheim-Martin**

(45) Registration Date: **08 June 2011**

(30) Convention priority data:

(31) Number	(32) Date	(33) Country
570420001	25 Oct 2010	WORLD INTELLECTUAL PROPERTY ORGANIZATION (WIPO)

(56) Related Art Documents: **Not Applicable**

(57) Statement of Newness and Distinctiveness: **Nil**



- (21) Design Number: **11818/2011**
(22) Date of Filing Application: **04 May 2011**
(24) Date from which industrial property rights may have effect: **04 May 2011**
(54) Product in respect of which the design is registered: **Multipurpose hanging device**
(51) International Design Classification: **08-08NES**
(74) Name(s) of Attorney(s):
(71) Name(s) and Address(s) of Applicant(s):
Georgina Campbell
458A High Street Prahran Victoria 3181 Australia
(72) Name(s) of Designer(s): **Georgina Campbell**
(45) Registration Date: **08 June 2011**
(56) Related Art Documents: **Not Applicable**
(57) Statement of Newness and Distinctiveness: **Logo end inserts into 5mm hole.**



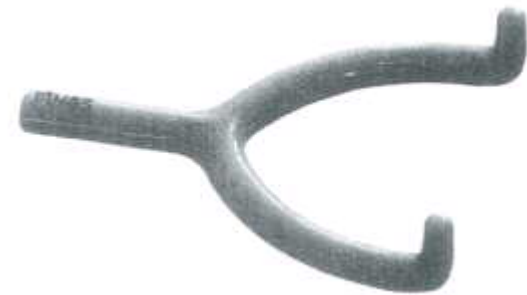
- (21) Design Number: **11819/2011**
(22) Date of Filing Application: **04 May 2011**
(24) Date from which industrial property rights may have effect: **04 May 2011**
(54) Product in respect of which the design is registered: **Multipurpose hanging device**
(51) International Design Classification: **08-08NES**
(74) Name(s) of Attorney(s):
(71) Name(s) and Address(s) of Applicant(s):
Georgina Campbell
458A High Street Prahran Victoria 3181 Australia
(72) Name(s) of Designer(s): **Georgina Campbell**
(45) Registration Date: **08 June 2011**
(56) Related Art Documents: **Not Applicable**
(57) Statement of Newness and Distinctiveness: **Logo end inserts into 5mm hole.**



- (21) Design Number: **11820/2011**
(22) Date of Filing Application: **04 May 2011**
(24) Date from which industrial property rights may have effect: **04 May 2011**
(54) Product in respect of which the design is registered: **Multipurpose hanging device**
(51) International Design Classification: **08-08NES**
(74) Name(s) of Attorney(s):
(71) Name(s) and Address(s) of Applicant(s):
Georgina Campbell
458A High Street Prahran Victoria 3181 Australia
(72) Name(s) of Designer(s): **Georgina Campbell**
(45) Registration Date: **08 June 2011**
(56) Related Art Documents: **Not Applicable**
(57) Statement of Newness and Distinctiveness: **Logo end inserts into 5mm hole.**



- (21) Design Number: **11821/2011**
(22) Date of Filing Application: **04 May 2011**
(24) Date from which industrial property rights may have effect: **04 May 2011**
(54) Product in respect of which the design is registered: **Multipurpose hanging device**
(51) International Design Classification: **08-08NES**
(74) Name(s) of Attorney(s):
(71) Name(s) and Address(s) of Applicant(s):
Georgina Campbell
458A High Street Prahran Victoria 3181 Australia
(72) Name(s) of Designer(s): **Georgina Campbell**
(45) Registration Date: **08 June 2011**
(56) Related Art Documents: **Not Applicable**
(57) Statement of Newness and Distinctiveness: **Logo end inserts into 5mm hole.**



(21) Design Number: **11822/2011**
(22) Date of Filing Application: **04 May 2011**
(24) Date from which industrial property rights may have effect: **04 May 2011**
(54) Product in respect of which the design is registered: **Multipurpose hanging device**
(51) International Design Classification: **08-08NES**
(74) Name(s) of Attorney(s):
(71) Name(s) and Address(s) of Applicant(s):
Georgina Campbell
458A High Street Prahran Victoria 3181 Australia
(72) Name(s) of Designer(s): **Georgina Campbell**
(45) Registration Date: **08 June 2011**
(56) Related Art Documents: **Not Applicable**
(57) Statement of Newness and Distinctiveness: **Logo end inserts into 5mm hole.**



(21) Design Number: **11823/2011**
(22) Date of Filing Application: **04 May 2011**
(24) Date from which industrial property rights may have effect: **04 May 2011**
(54) Product in respect of which the design is registered: **Multipurpose hanging device**
(51) International Design Classification: **08-08NES**
(74) Name(s) of Attorney(s):
(71) Name(s) and Address(s) of Applicant(s):
Georgina Campbell
458A High Street Prahran Victoria 3181 Australia
(72) Name(s) of Designer(s): **Georgina Campbell**
(45) Registration Date: **08 June 2011**
(56) Related Art Documents: **Not Applicable**
(57) Statement of Newness and Distinctiveness: **Logo end inserts into 5mm hole.**



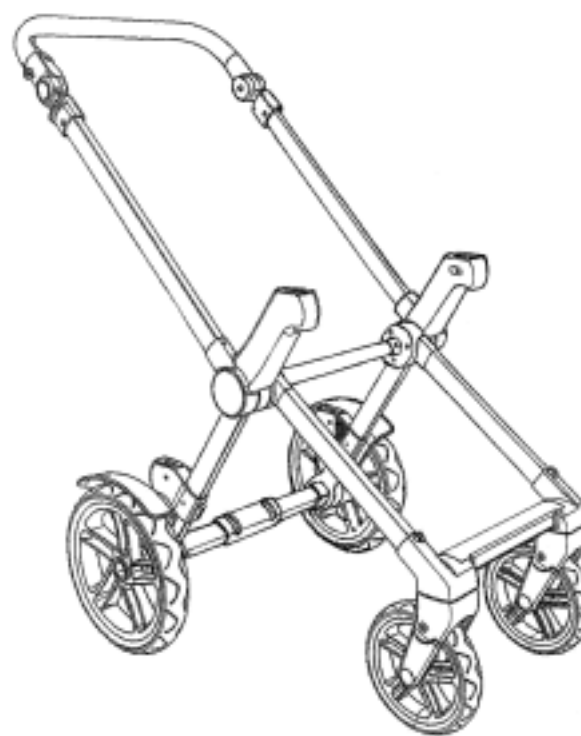
(21) Design Number: **12061/2011**
(22) Date of Filing Application: **10 May 2011**
(24) Date from which industrial property rights may have effect: **10 May 2011**
(54) Product in respect of which the design is registered: **Supports for carrycots for cars**
(51) International Design Classification: **12-12**
(74) Name(s) of Attorney(s): **Callinans**
(71) Name(s) and Address(s) of Applicant(s):
Jane, S.A.
Mercaders 34-Pol. Ind. Riera de Caldes 08184 Palau De Plegamans
Barcelona Spain
(72) Name(s) of Designer(s): **Manuel Jane Santamaria**
(45) Registration Date: **08 June 2011**
(30) Convention priority data:
(31) Number (32) Date (33) Country
001807330 19 Jan 2011 EUROPEAN COMMUNITY
(56) Related Art Documents: **Not Applicable**
(57) Statement of Newness and Distinctiveness: **Nil**



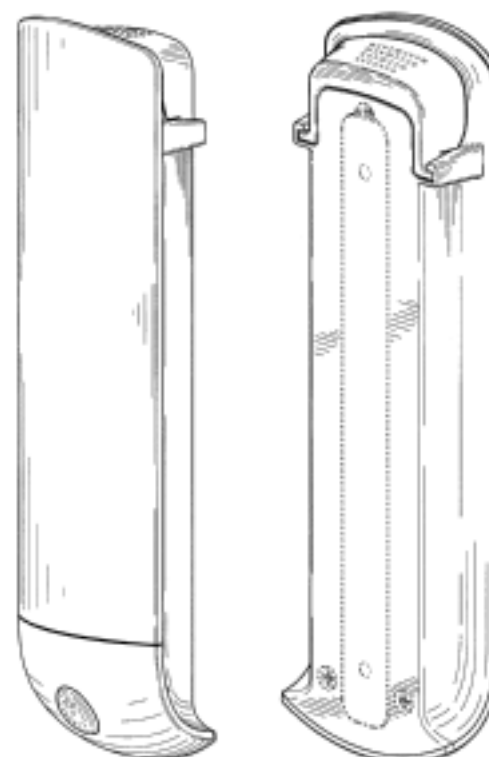
(21) Design Number: **12062/2011**
(22) Date of Filing Application: **10 May 2011**
(24) Date from which industrial property rights may have effect: **10 May 2011**
(54) Product in respect of which the design is registered: **Chassis for infant carrycots**
(51) International Design Classification: **12-12**
(74) Name(s) of Attorney(s): **Callinans**
(71) Name(s) and Address(s) of Applicant(s):
Jane, S.A.
Mercaders 34-Pol. Ind. Riera de Caldes 08184 Palau De Plegamans
Barcelona Spain
(72) Name(s) of Designer(s): **Manuel Jane Santamaria**
(45) Registration Date: **08 June 2011**
(30) Convention priority data:
(31) Number (32) Date (33) Country
001807850 19 Jan 2011 EUROPEAN COMMUNITY
(56) Related Art Documents: **Not Applicable**
(57) Statement of Newness and Distinctiveness: **Nil**



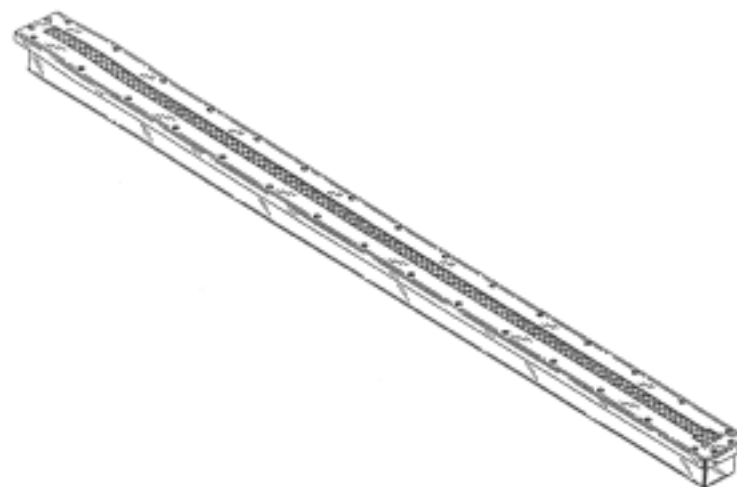
(21) Design Number: **12066/2011**
(22) Date of Filing Application: **10 May 2011**
(24) Date from which industrial property rights may have effect: **10 May 2011**
(54) Product in respect of which the design is registered: **Baby stroller**
(51) International Design Classification: **12-12**
(74) Name(s) of Attorney(s): **Callinans**
(71) Name(s) and Address(s) of Applicant(s):
Jane, S.A.
Mercaders 34-Pol. Ind. Riera de Caldes 08184 Palau De Plegamans
Barcelona Spain
(72) Name(s) of Designer(s): **Manuel Jane Santamaria**
(45) Registration Date: **08 June 2011**
(30) Convention priority data:
(31) Number (32) Date (33) Country
001803701 12 Jan 2011 EUROPEAN COMMUNITY
(56) Related Art Documents: **Not Applicable**
(57) Statement of Newness and Distinctiveness: **Nil**



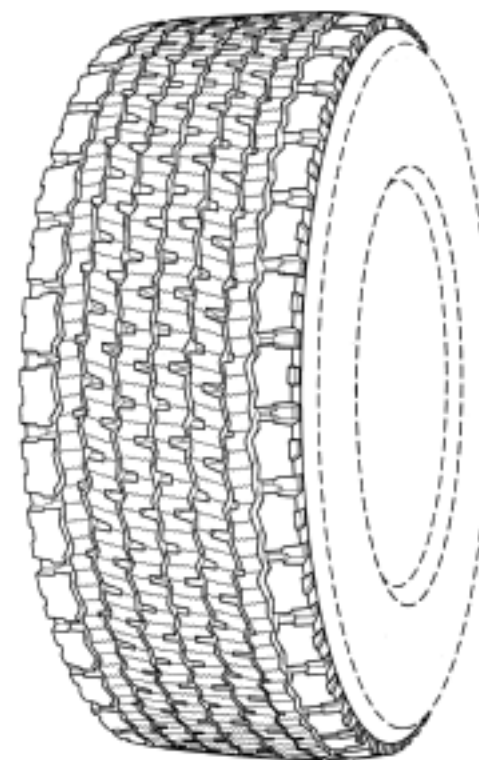
(21) Design Number: **12124/2011**
(22) Date of Filing Application: **12 May 2011**
(24) Date from which industrial property rights may have effect: **12 May 2011**
(54) Product in respect of which the design is registered: **A lighting device**
(51) International Design Classification: **26-04**
(74) Name(s) of Attorney(s): **Halfords IP**
(71) Name(s) and Address(s) of Applicant(s):
Eveready Battery Company, Inc.
533 Maryville University Drive St Louis Missouri 63141 United States of
America
(72) Name(s) of Designer(s): **Brian M. Kaule**
(45) Registration Date: **08 June 2011**
(30) Convention priority data:
(31) Number (32) Date (33) Country
29/380511 07 Dec 2010 UNITED STATES OF AMERICA
(56) Related Art Documents: **Not Applicable**
(57) Statement of Newness and Distinctiveness: **Newness and distinctiveness is claimed in those features of shape and or configuration of a lighting device as depicted in the representations. Features shown in broken linework does not form part of the design. The representations use contour lines, shading and broken lines to assist in the illustration of features of shape and or configuration. Such contour lines, shading and broken lines do not form part of the design.**



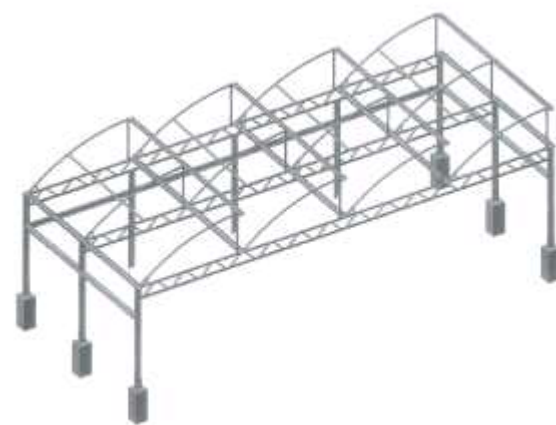
(21) Design Number: **12125/2011**
(22) Date of Filing Application: **13 May 2011**
(24) Date from which industrial property rights may have effect: **13 May 2011**
(54) Product in respect of which the design is registered: **An infrared burner**
(51) International Design Classification: **23-03F**
(74) Name(s) of Attorney(s): **IP Gateway Patent & Trademark Attorneys**
(71) Name(s) and Address(s) of Applicant(s):
Lincoln Foodservice Products LLC
1111 North Hadley Road Fort Wayne Indiana 46804 United States of America
(72) Name(s) of Designer(s): **Douglas S. Jones**
(45) Registration Date: **08 June 2011**
(30) Convention priority data:
(31) Number (32) Date (33) Country
29/379,156 15 Nov 2010 UNITED STATES OF AMERICA
(56) Related Art Documents: **Not Applicable**
(57) Statement of Newness and Distinctiveness: **The newness and distinctiveness of the design resides in the visual features of shape and/or configuration of an infrared burner as shown in the accompanying representations.**



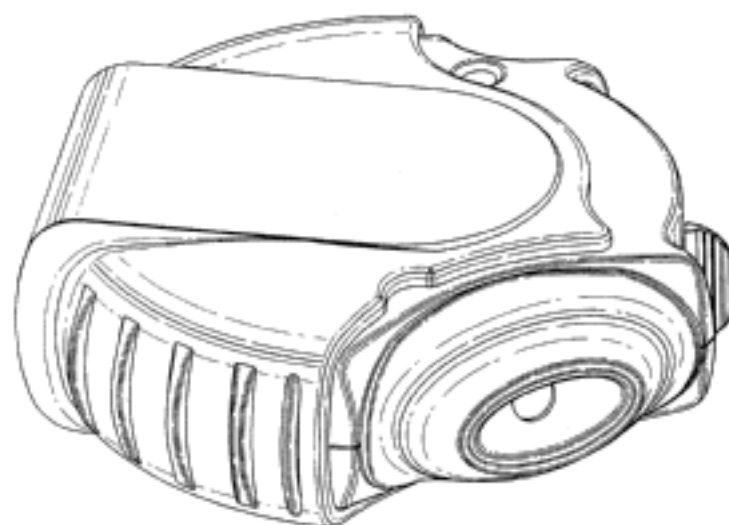
(21) Design Number: **12126/2011**
(22) Date of Filing Application: **13 May 2011**
(24) Date from which industrial property rights may have effect: **13 May 2011**
(54) Product in respect of which the design is registered: **A tyre**
(51) International Design Classification: **12-15A**
(74) Name(s) of Attorney(s): **WATERMARK PATENT AND TRADE MARKS ATTORNEYS**
(71) Name(s) and Address(s) of Applicant(s):
Michelin Recherche et Technique SA
Route Louis Braille 10 et 12 CH-1763 Granges-Paccot Switzerland
Societe De Technologie Michelin
23 rue Breschet F-63000 Clermont-Ferrand Cedex France
(72) Name(s) of Designer(s): **Matthew Barrett and Scott Norville**
(45) Registration Date: **08 June 2011**
(30) Convention priority data:
(31) Number (32) Date (33) Country
29/380,240 02 Dec 2010 UNITED STATES OF AMERICA
(56) Related Art Documents: **Not Applicable**
(57) Statement of Newness and Distinctiveness: **Newness and distinctiveness applies to the shape and pattern of the tread region of the tyre as shown in the drawings, the remainder of the tyre not forming part of the design.**



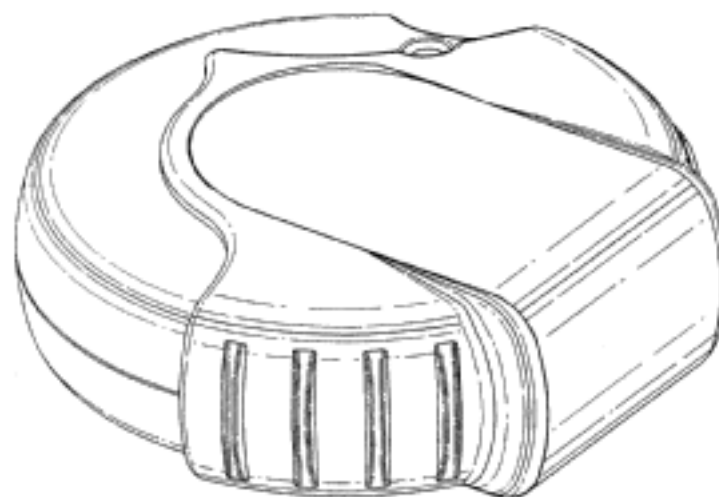
(21) Design Number: **12128/2011**
(22) Date of Filing Application: **12 May 2011**
(24) Date from which industrial property rights may have effect: **12 May 2011**
(54) Product in respect of which the design is registered: **A portable and demountable greenhouse frame**
(51) International Design Classification: **25-03**
(74) Name(s) of Attorney(s): **Pegasus IP**
(71) Name(s) and Address(s) of Applicant(s):
City Farms International Pty Ltd
Lot 1 Cudgen Road Cudgen New South Wales 2487 Australia
(72) Name(s) of Designer(s): **Joe Agius**
(45) Registration Date: **08 June 2011**
(56) Related Art Documents: **Not Applicable**
(57) Statement of Newness and Distinctiveness: **Newness and distinctiveness resides in the features of shape and/or configuration of the portable and demountable frame shown in the reps.**



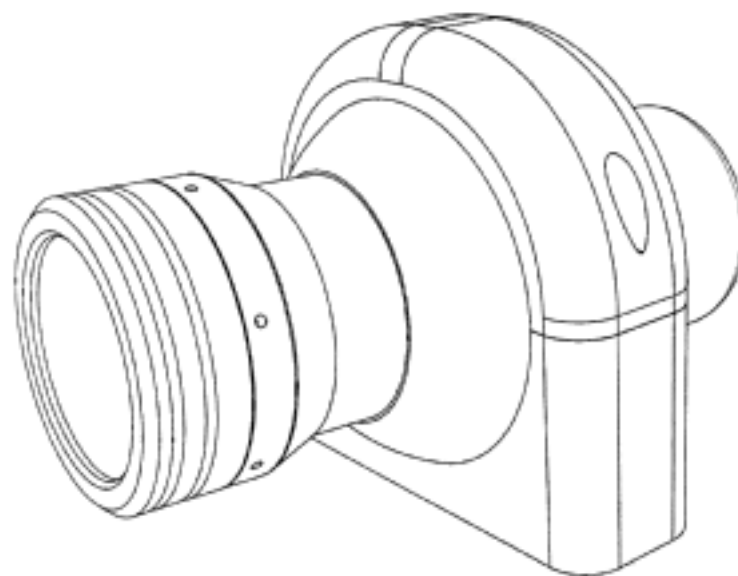
(21) Design Number: **12171/2011**
(22) Date of Filing Application: **13 May 2011**
(24) Date from which industrial property rights may have effect: **13 May 2011**
(54) Product in respect of which the design is registered: **Inhaler**
(51) International Design Classification: **24-04**
(74) Name(s) of Attorney(s): **Griffith Hack**
(71) Name(s) and Address(s) of Applicant(s):
Pharmachemie Holdings B.V.
Swensweg 5 GA Haarlem NL-2031 Netherlands
(72) Name(s) of Designer(s): **Krijn Franciscus Marie Zuyderhout**
(45) Registration Date: **08 June 2011**
(30) Convention priority data:
(31) Number (32) Date (33) Country
001245492-0001 18 Nov 2010 EUROPEAN COMMUNITY
(56) Related Art Documents: **Not Applicable**
(57) Statement of Newness and Distinctiveness: **Nil**



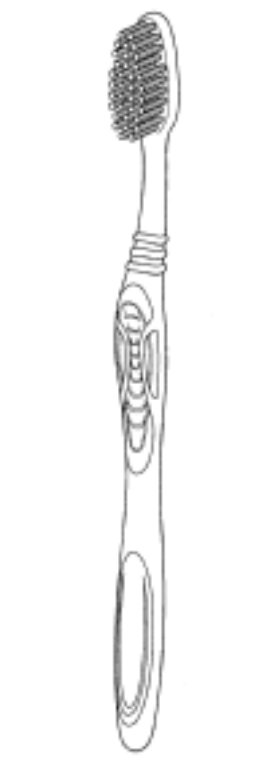
(21) Design Number: **12172/2011**
(22) Date of Filing Application: **13 May 2011**
(24) Date from which industrial property rights may have effect: **13 May 2011**
(54) Product in respect of which the design is registered: **Inhaler**
(51) International Design Classification: **24-04**
(74) Name(s) of Attorney(s): **Griffith Hack**
(71) Name(s) and Address(s) of Applicant(s):
Pharmachemie Holdings B.V.
Swensweg 5 NL-2031 GA Haarlem The Netherlands
(72) Name(s) of Designer(s): **Krijn Franciscus Marie Zuyderhout**
(45) Registration Date: **08 June 2011**
(30) Convention priority data:
(31) Number (32) Date (33) Country
001245476-0001 18 Nov 2010 EUROPEAN COMMUNITY
(56) Related Art Documents: **Not Applicable**
(57) Statement of Newness and Distinctiveness: **Nil**



(21) Design Number: **12176/2011**
(22) Date of Filing Application: **13 May 2011**
(24) Date from which industrial property rights may have effect: **13 May 2011**
(54) Product in respect of which the design is registered: **Camera**
(51) International Design Classification: **16-01**
(74) Name(s) of Attorney(s): **FB Rice**
(71) Name(s) and Address(s) of Applicant(s):
RIEGL Laser Measurement Systems GmbH
Riedenburgstr. 48 3580 Horn Austria
(72) Name(s) of Designer(s): **Johannes Riegl and Gerald Zach**
(45) Registration Date: **08 June 2011**
(30) Convention priority data:
(31) Number (32) Date (33) Country
001788977-0001 03 Dec 2010 EUROPEAN COMMUNITY
(56) Related Art Documents: **Not Applicable**
(57) Statement of Newness and Distinctiveness: **Newness and distinctiveness reside in the features of shape and configuration of the design as shown in the representations.**



(21) Design Number: **12177/2011**
(22) Date of Filing Application: **13 May 2011**
(24) Date from which industrial property rights may have effect: **13 May 2011**
(54) Product in respect of which the design is registered: **Oral care implement**
(51) International Design Classification: **04-02**
(74) Name(s) of Attorney(s): **FB Rice**
(71) Name(s) and Address(s) of Applicant(s):
Colgate-Palmolive Company
300 Park Avenue New York New York 10022 United States of America
(72) Name(s) of Designer(s): **Wen Jin Xi and Kai Zhang and Guang Sheng Guo**
(45) Registration Date: **08 June 2011**
(30) Convention priority data:
(31) Number (32) Date (33) Country
29/380378 03 Dec 2010 UNITED STATES OF AMERICA
(56) Related Art Documents: **Not Applicable**
(57) Statement of Newness and Distinctiveness: **Newness and distinctiveness reside in the features of the oral care implement as shown in the representations.**



(21) Design Number: **10790/2011**
(22) Date of Filing Application: **01 March 2011**
(24) Date from which industrial property rights may have effect: **01 March 2011**
(54) Product in respect of which the design is registered: **Closing mechanism**
(51) International Design Classification: **08-07**
(74) Name(s) of Attorney(s): **Smootenburg Pini Patent & Trade Mark Attorneys**
(71) Name(s) and Address(s) of Applicant(s):
Jacou Industry Zhongshan Limited
No 8 Zhennan Road Dongsheng Town Zhongshan Guangdong Province China
(72) Name(s) of Designer(s): **John David Saunders and Craig Andrew Jackson**
(45) Registration Date: **08 June 2011**
(56) Related Art Documents: **Not Applicable**
(57) Statement of Newness and Distinctiveness: **Newness and distinctiveness is claimed in features of shape and/or configuration of a Closing Mechanism as illustrated in the accompanying representations. In considering which features are new and distinctive, particular regard is to be had to Section A as marked on the accompanying drawings.**



(21) Design Number: **10794/2011**

(22) Date of Filing Application: **01 March 2011**

(24) Date from which industrial property rights may have effect: **01 March 2011**

(54) Product in respect of which the design is registered: **Closing mechanism**

(51) International Design Classification: **08-07**

(74) Name(s) of Attorney(s): **Smootenburg Pini Patent & Trade Mark Attorneys**

(71) Name(s) and Address(s) of Applicant(s):

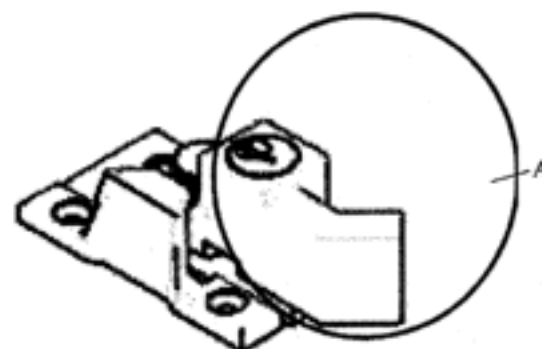
Jacou Industry Zhongshan Limited
No 8 Zhennan Road Dongsheng Town Zhongshan Guangdong Province
China

(72) Name(s) of Designer(s): **John David Saunders and Craig Andrew Jackson**

(45) Registration Date: **08 June 2011**

(56) Related Art Documents: **Not Applicable**

(57) Statement of Newness and Distinctiveness: **Newness and distinctiveness is claimed in features of shape and/or configuration of a Closing Mechanism as illustrated in the accompanying representations. In considering which features are new and distinctive, particular regard is to be had to Section A as marked on the accompanying drawings.**



(21) Design Number: **10795/2011**

(22) Date of Filing Application: **01 March 2011**

(24) Date from which industrial property rights may have effect: **01 March 2011**

(54) Product in respect of which the design is registered: **Closing mechanism**

(51) International Design Classification: **08-07**

(74) Name(s) of Attorney(s): **Smootenburg Pini Patent & Trade Mark Attorneys**

(71) Name(s) and Address(s) of Applicant(s):

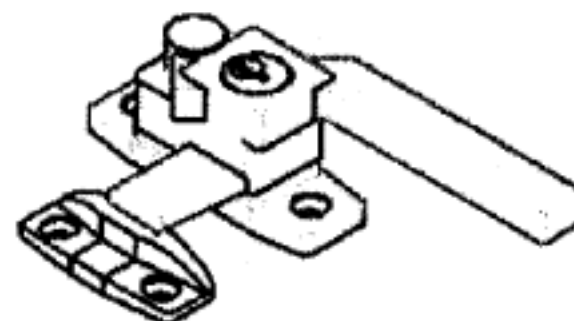
Jacou Industry Zhongshan Limited
No 8 Zhennan Road Dongsheng Town Zhongshan Guangdong Province
China

(72) Name(s) of Designer(s): **John David Saunders and Craig Andrew Jackson**

(45) Registration Date: **08 June 2011**

(56) Related Art Documents: **Not Applicable**

(57) Statement of Newness and Distinctiveness: **Newness and distinctiveness is claimed in features of shape and/or configuration of a Closing Mechanism as illustrated in the accompanying representations. In considering which features are new and distinctive, particular regard is to be had to Section A as marked on the accompanying drawings.**



(21) Design Number: **10796/2011**

(22) Date of Filing Application: **01 March 2011**

(24) Date from which industrial property rights may have effect: **01 March 2011**

(54) Product in respect of which the design is registered: **Closing mechanism**

(51) International Design Classification: **08-07**

(74) Name(s) of Attorney(s): **Smootenburg Pini Patent & Trade Mark Attorneys**

(71) Name(s) and Address(s) of Applicant(s):

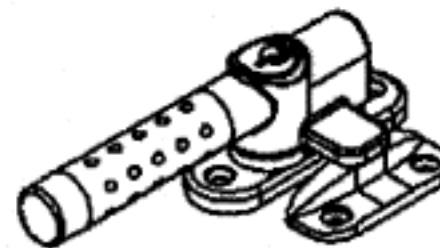
Jacou Industry Zhongshan Limited
No 8 Zhennan Road Dongsheng Town Zhongshan Guangdong Province
China

(72) Name(s) of Designer(s): **John David Saunders and Craig Andrew Jackson**

(45) Registration Date: **08 June 2011**

(56) Related Art Documents: **Not Applicable**

(57) Statement of Newness and Distinctiveness: **Newness and distinctiveness is claimed in features of shape and/or configuration of a Closing Mechanism as illustrated in the accompanying representations. In considering which features are new and distinctive, particular regard is to be had to Section A as marked on the accompanying drawings.**



(21) Design Number: **11659/2011**

(22) Date of Filing Application: **12 April 2011**

(24) Date from which industrial property rights may have effect: **12 April 2011**

(54) Product in respect of which the design is registered: **A lower part of a bracket for a solar panel**

(51) International Design Classification: **08-08NES**

(74) Name(s) of Attorney(s): **PHILLIPS ORMONDE FITZPATRICK**

(71) Name(s) and Address(s) of Applicant(s):

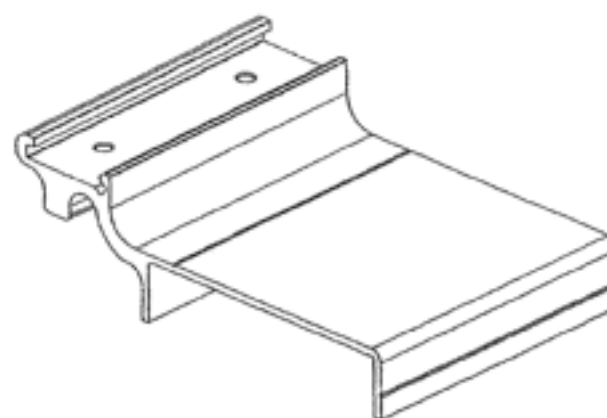
Stratco (Australia) Pty Limited
125 Cavan Road Gepps Cross South Australia 5094 Australia

(72) Name(s) of Designer(s): **Michael Robert Farr**

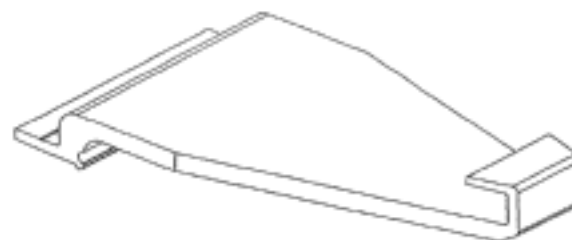
(45) Registration Date: **08 June 2011**

(56) Related Art Documents: **Not Applicable**

(57) Statement of Newness and Distinctiveness: **Newness and distinctiveness is claimed in the visual features of the part of the design shown in the Area "A" marked on the representations.**



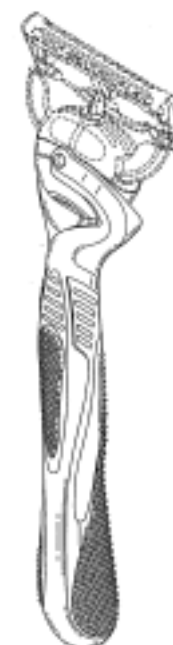
- (21) Design Number: **11660/2011**
(22) Date of Filing Application: **12 April 2011**
(24) Date from which industrial property rights may have effect: **12 April 2011**
(54) Product in respect of which the design is registered: **An upper part of a bracket for a solar panel**
(51) International Design Classification: **08-08NES**
(74) Name(s) of Attorney(s): **PHILLIPS ORMONDE FITZPATRICK**
(71) Name(s) and Address(s) of Applicant(s):
Stratco (Australia) Pty Limited
125 Cavan Road Gepps Cross South Australia 5094 Australia
(72) Name(s) of Designer(s): **Michael Robert Farr**
(45) Registration Date: **08 June 2011**
(56) Related Art Documents: **Not Applicable**
(57) Statement of Newness and Distinctiveness: **Newness and distinctiveness is claimed in the visual features of the part of the design shown in the Area "A" marked on the representations.**



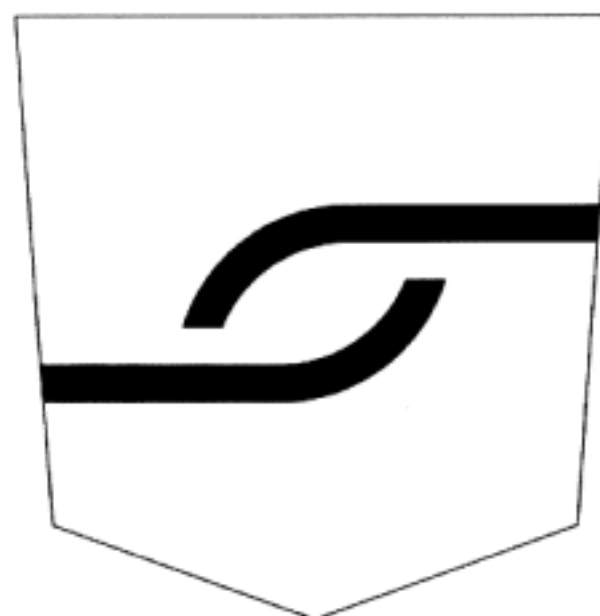
- (21) Design Number: **12144/2011**
(22) Date of Filing Application: **12 May 2011**
(24) Date from which industrial property rights may have effect: **12 May 2011**
(54) Product in respect of which the design is registered: **Shaving razor**
(51) International Design Classification: **28-03A**
(74) Name(s) of Attorney(s): **PHILLIPS ORMONDE FITZPATRICK**
(71) Name(s) and Address(s) of Applicant(s):
The Gillette Company
One Gillette Park Boston Massachusetts 02127 United States of America
(72) Name(s) of Designer(s): **Brian Patrick Watson**
(45) Registration Date: **08 June 2011**
(30) Convention priority data:
(31) Number (32) Date (33) Country
29/379,097 15 Nov 2010 UNITED STATES OF AMERICA
(56) Related Art Documents: **Not Applicable**
(57) Statement of Newness and Distinctiveness: **Those features of the shaving razor depicted in the representations that are new and distinctive are the shape and/or configuration of the portion of the shaving razor shown in continuous lines. The features shown in broken lines are not part of the design and are to be disregarded when considering the overall impression of the design.**



(21) Design Number: **12145/2011**
(22) Date of Filing Application: **12 May 2011**
(24) Date from which industrial property rights may have effect: **12 May 2011**
(54) Product in respect of which the design is registered: **Shaving razor**
(51) International Design Classification: **28-03A**
(74) Name(s) of Attorney(s): **PHILLIPS ORMONDE FITZPATRICK**
(71) Name(s) and Address(s) of Applicant(s):
The Gillette Company
One Gillette Park Boston Massachusetts 02127 United States of America
(72) Name(s) of Designer(s): **Brian Patrick Watson**
(45) Registration Date: **08 June 2011**
(30) Convention priority data:
(31) Number (32) Date (33) Country
29/379,097 15 Nov 2010 UNITED STATES OF AMERICA
(56) Related Art Documents: **Not Applicable**
(57) Statement of Newness and Distinctiveness: **Those features of the shaving razor depicted in the representations that are new and distinctive are the shape and/or configuration of the portion of the shaving razor shown in continuous lines. The features shown in broken lines are not part of the design and are to be disregarded when considering the overall impression of the design.**



(21) Design Number: **12148/2011**
(22) Date of Filing Application: **13 May 2011**
(24) Date from which industrial property rights may have effect: **13 May 2011**
(54) Product in respect of which the design is registered: **Back pockets design for jeans, pants and shorts. Mens and womens fashion.**
(51) International Design Classification: **02-02B**
(74) Name(s) of Attorney(s):
(71) Name(s) and Address(s) of Applicant(s):
Mark Edward G Designs Pty Ltd
26 Clotilde Street Mount Lawley Western Australia 6050 Australia
(72) Name(s) of Designer(s): **Mark Edward Greenham**
(45) Registration Date: **08 June 2011**
(56) Related Art Documents: **Not Applicable**
(57) Statement of Newness and Distinctiveness: **I feel the back pockets design is new and distinctive as no other jeans brand has a design like it.**



- (21) Design Number: **12151/2011**
(22) Date of Filing Application: **12 May 2011**
(24) Date from which industrial property rights may have effect: **12 May 2011**
(54) Product in respect of which the design is registered: **Fabric**
(51) International Design Classification: **05-05NES**
(74) Name(s) of Attorney(s): **SPRUSON & FERGUSON**
(71) Name(s) and Address(s) of Applicant(s):
Chilewich Sultan LLC
44 East 32nd Street New York New York 10016 United States of America
(72) Name(s) of Designer(s): **Sandra Chilewich**
(45) Registration Date: **08 June 2011**
(56) Related Art Documents: **Not Applicable**
(57) Statement of Newness and Distinctiveness: **Newness and distinctiveness is claimed in the features of pattern and/or ornamentation of a fabric as shown in the accompanying representations, in particular the woven construction of the yarns to create the effect of a mesh or grid.**



- (21) Design Number: **12152/2011**
(22) Date of Filing Application: **12 May 2011**
(24) Date from which industrial property rights may have effect: **12 May 2011**
(54) Product in respect of which the design is registered: **Fabric**
(51) International Design Classification: **05-05NES**
(74) Name(s) of Attorney(s): **SPRUSON & FERGUSON**
(71) Name(s) and Address(s) of Applicant(s):
Chilewich Sultan LLC
44 East 32nd Street New York New York 10016 United States of America
(72) Name(s) of Designer(s): **Sandra Chilewich**
(45) Registration Date: **08 June 2011**
(56) Related Art Documents: **Not Applicable**
(57) Statement of Newness and Distinctiveness: **Newness and distinctiveness is claimed in the features of pattern and/or ornamentation of a fabric as shown in the accompanying representations, in particular the mottled appearance of the fabric.**



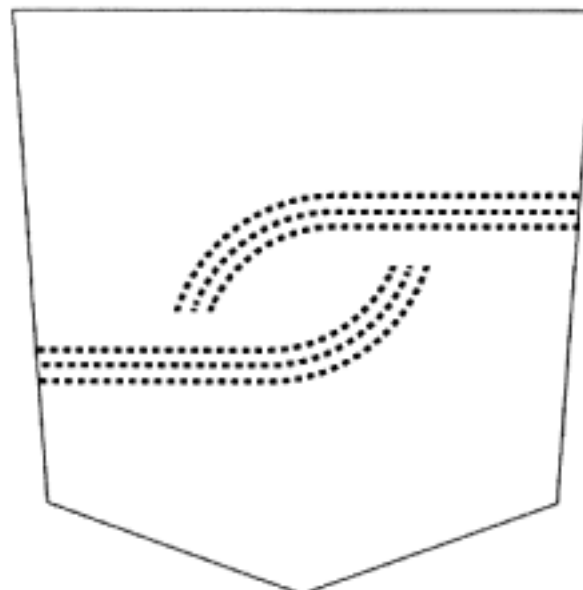
(21) Design Number: **12153/2011**
(22) Date of Filing Application: **12 May 2011**
(24) Date from which industrial property rights may have effect: **12 May 2011**
(54) Product in respect of which the design is registered: **Fabric**
(51) International Design Classification: **05-05D**
(74) Name(s) of Attorney(s): **SPRUSON & FERGUSON**
(71) Name(s) and Address(s) of Applicant(s):
Chilewich Sultan LLC
44 East 32nd Street New York New York 10016 United States of America
(72) Name(s) of Designer(s): **Sandra Chilewich**
(45) Registration Date: **08 June 2011**
(56) Related Art Documents: **Not Applicable**
(57) Statement of Newness and Distinctiveness: **Newness and distinctiveness is claimed in the features of pattern and/or ornamentation of a fabric as shown in the accompanying representations, in particular the open sections appearing as stripes of threads.**



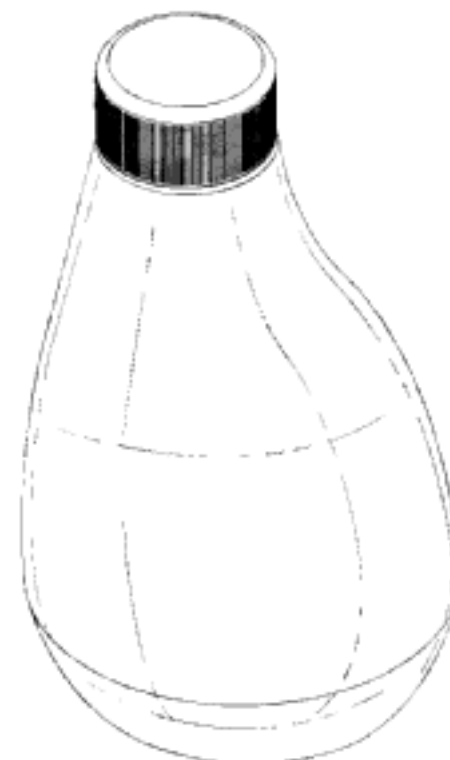
(21) Design Number: **12154/2011**
(22) Date of Filing Application: **12 May 2011**
(24) Date from which industrial property rights may have effect: **12 May 2011**
(54) Product in respect of which the design is registered: **Roulette cloth**
(51) International Design Classification: **21-01L**
(74) Name(s) of Attorney(s): **SPRUSON & FERGUSON**
(71) Name(s) and Address(s) of Applicant(s):
Chi Fat Au-Yeung
33 Parker Street Edgbaston Birmingham B16 9AG United Kingdom
(72) Name(s) of Designer(s): **Chi Fat Au-Yeung**
(45) Registration Date: **08 June 2011**
(30) Convention priority data:
(31) Number (32) Date (33) Country
GB4017781 13 Nov 2010 UNITED KINGDOM
(56) Related Art Documents: **Not Applicable**
(57) Statement of Newness and Distinctiveness: **Newness and distinctiveness is claimed in the features of pattern and/or ornamentation of a roulette cloth as illustrated in the accompanying representations.**



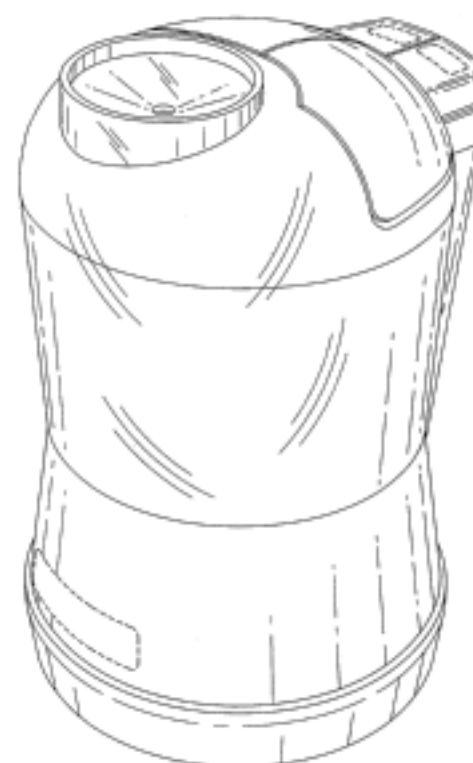
- (21) Design Number: **12312/2011**
(22) Date of Filing Application: **13 May 2011**
(24) Date from which industrial property rights may have effect: **13 May 2011**
(54) Product in respect of which the design is registered: **Back pockets of jeans, pants, shorts. Men's and women's apparel**
(51) International Design Classification: **02-02B**
(74) Name(s) of Attorney(s):
(71) Name(s) and Address(s) of Applicant(s):
Mark Edward G Designs Pty Ltd
26 Clotilde Street Mount Lawley Western Australia 6050 Australia
(72) Name(s) of Designer(s): **Mark Edward Greenham**
(45) Registration Date: **08 June 2011**
(56) Related Art Documents: **Not Applicable**
(57) Statement of Newness and Distinctiveness: **I feel the design of the back pockets is new and distinctive as no other product has pockets with a design like it.**



- (21) Design Number: **12155/2011**
(22) Date of Filing Application: **13 May 2011**
(24) Date from which industrial property rights may have effect: **13 May 2011**
(54) Product in respect of which the design is registered: **Bottle**
(51) International Design Classification: **09-01K**
(74) Name(s) of Attorney(s): **EKM patent & trade marks**
(71) Name(s) and Address(s) of Applicant(s):
Andrew John Murray
26A Mernda Avenue Carnegie Victoria 3163 Australia
(72) Name(s) of Designer(s): **Andrew John Murray**
(45) Registration Date: **08 June 2011**
(56) Related Art Documents: **Not Applicable**
(57) Statement of Newness and Distinctiveness: **Newness and distinctiveness resides in the features of shape and/or configuration of a bottle as shown in the accompanying representations. The cap of the bottle forms no part of the design and is shown for illustrative purposes only.**



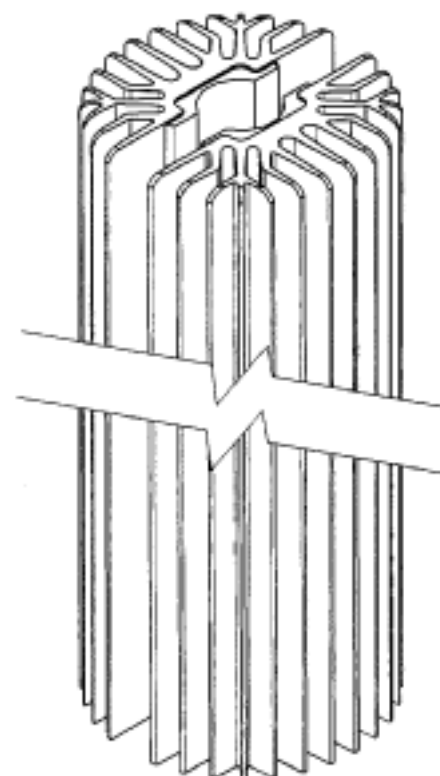
(21) Design Number: **12159/2011**
(22) Date of Filing Application: **13 May 2011**
(24) Date from which industrial property rights may have effect: **13 May 2011**
(54) Product in respect of which the design is registered: **Food chopper**
(51) International Design Classification: **31-00**
(74) Name(s) of Attorney(s): **PHILLIPS ORMONDE FITZPATRICK**
(71) Name(s) and Address(s) of Applicant(s):
Whirlpool Corporation
2000 N M-63 Benton Harbor Michigan 49022 United States of America
(72) Name(s) of Designer(s): **Matthew C. Czach**
(45) Registration Date: **08 June 2011**
(30) Convention priority data:
(31) Number (32) Date (33) Country
29/386,174 25 Feb 2011 UNITED STATES OF AMERICA
(56) Related Art Documents: **Not Applicable**
(57) Statement of Newness and Distinctiveness: **Those features of the food chopper depicted in the the representations that are new and distinctive are the shape and/or configuration. The features shown in broken line are not part of the design and are to be disregarded when considering the overall impression of the design.**



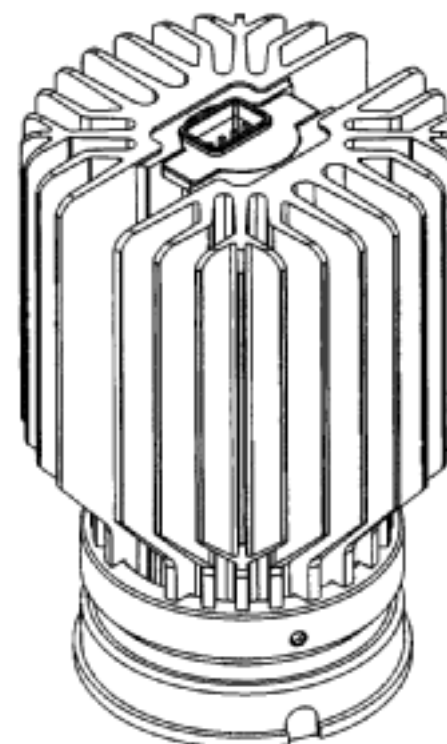
(21) Design Number: **12160/2011**
(22) Date of Filing Application: **13 May 2011**
(24) Date from which industrial property rights may have effect: **13 May 2011**
(54) Product in respect of which the design is registered: **Food processor**
(51) International Design Classification: **31-00**
(74) Name(s) of Attorney(s): **PHILLIPS ORMONDE FITZPATRICK**
(71) Name(s) and Address(s) of Applicant(s):
Whirlpool Corporation
2000 N M-63 Benton Harbor Michigan 49022 United States of America
(72) Name(s) of Designer(s): **Matthew C. Czach and Leif A. Norland**
(45) Registration Date: **08 June 2011**
(30) Convention priority data:
(31) Number (32) Date (33) Country
29/386,182 25 Feb 2011 UNITED STATES OF AMERICA
(56) Related Art Documents: **Not Applicable**
(57) Statement of Newness and Distinctiveness: **Those features of the food processor depicted in the the representations that are new and distinctive are the shape and/or configuration. The features shown in broken lines are not part of the design and are to be disregarded when considering the overall impression of the design.**



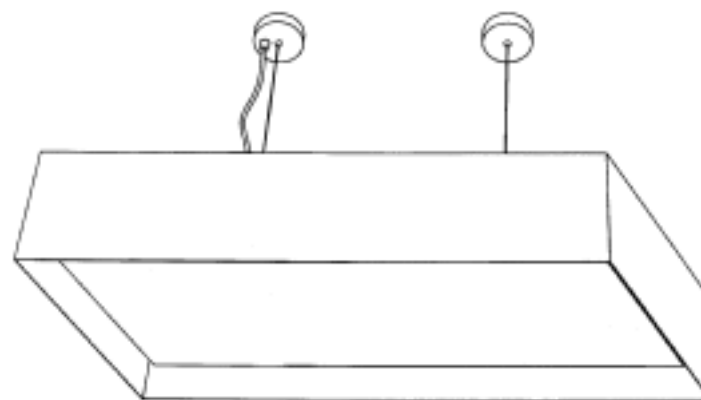
- (21) Design Number: **12161/2011**
(22) Date of Filing Application: **13 May 2011**
(24) Date from which industrial property rights may have effect: **13 May 2011**
(54) Product in respect of which the design is registered: **Heatsink**
(51) International Design Classification: **14-02**
(74) Name(s) of Attorney(s): **Madderns**
(71) Name(s) and Address(s) of Applicant(s):
Gerard Lighting Pty Ltd
101 Port Wakefield Road Cavan South Australia 5094 Australia
(72) Name(s) of Designer(s): **Anthony Damien Kearney and Jason Andrew Gerard**
(45) Registration Date: **08 June 2011**
(56) Related Art Documents: **Not Applicable**
(57) Statement of Newness and Distinctiveness: **Newness and distinctiveness resides in the shape and/or configuration of a heatsink of indefinite length as depicted in the accompanying representations.**



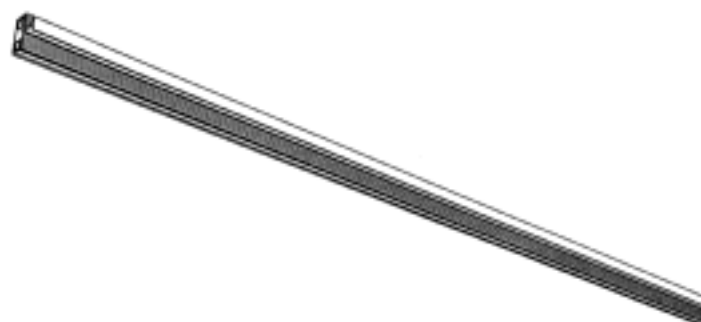
- (21) Design Number: **12162/2011**
(22) Date of Filing Application: **13 May 2011**
(24) Date from which industrial property rights may have effect: **13 May 2011**
(54) Product in respect of which the design is registered: **Light**
(51) International Design Classification: **26-04, 26-05C**
(74) Name(s) of Attorney(s): **Madderns**
(71) Name(s) and Address(s) of Applicant(s):
Gerard Lighting Pty Ltd
101 Port Wakefield Road Cavan South Australia 5094 Australia
(72) Name(s) of Designer(s): **Anthony Damien Kearney and Jason Andrew Gerard**
(45) Registration Date: **08 June 2011**
(56) Related Art Documents: **Not Applicable**
(57) Statement of Newness and Distinctiveness: **Newness and distinctiveness resides in the shape and/or configuration of a light as shown in the accompanying representations.**



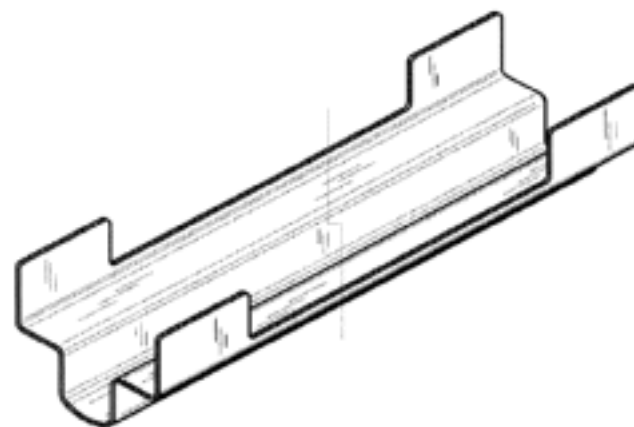
- (21) Design Number: **12365/2011**
(22) Date of Filing Application: **27 May 2011**
(24) Date from which industrial property rights may have effect: **27 May 2011**
(54) Product in respect of which the design is registered: **Light fitting**
(51) International Design Classification: **26-05D**
(74) Name(s) of Attorney(s):
(71) Name(s) and Address(s) of Applicant(s):
Duncan Ward
96 Hudsons Road Spotswood Victoria 3015 Australia
(72) Name(s) of Designer(s): **Duncan Ward**
(45) Registration Date: **08 June 2011**
(56) Related Art Documents: **Not Applicable**
(57) Statement of Newness and Distinctiveness: **The new features of the design are the shape and how the design can be configured in groups of the same or similar fittings.**



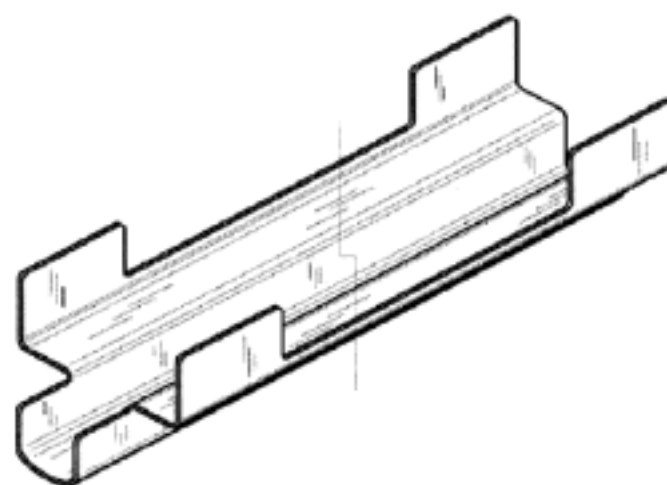
- (21) Design Number: **12188/2011**
(22) Date of Filing Application: **16 May 2011**
(24) Date from which industrial property rights may have effect: **16 May 2011**
(54) Product in respect of which the design is registered: **Stile extrusion for a sliding door**
(51) International Design Classification: **25-01K, 08-09**
(74) Name(s) of Attorney(s): **SPRUSON & FERGUSON**
(71) Name(s) and Address(s) of Applicant(s):
JELD-WEN Australia Pty Ltd
Truganini Cottage 38-46 South Street Rydalmere New South Wales 2116 Australia
(72) Name(s) of Designer(s): **Nigel Lapping and David Andrew Hills**
(45) Registration Date: **09 June 2011**
(56) Related Art Documents: **Not Applicable**
(57) Statement of Newness and Distinctiveness: **Newness and distinctiveness is claimed in the features of shape and/or configuration of the cross-section of a stile extrusion for a sliding door as illustrated in the accompanying representations.**



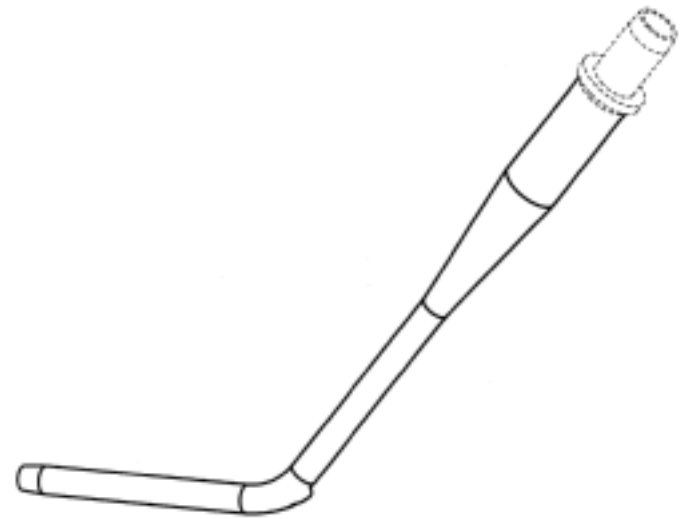
- (21) Design Number: **12189/2011**
(22) Date of Filing Application: **16 May 2011**
(24) Date from which industrial property rights may have effect: **16 May 2011**
(54) Product in respect of which the design is registered: **Seismic expansion sleeve for suspended ceilings**
(51) International Design Classification: **25-02E**
(74) Name(s) of Attorney(s): **Griffith Hack**
(71) Name(s) and Address(s) of Applicant(s):
USG Interiors, Inc.
550 West Adams Street Chicago Illinois 60661-3676 United States of America
(72) Name(s) of Designer(s): **Abraham Monroe Underkofler and Mark Robert Paulsen and Peder John Gulbrandsen and James Joseph Lehane**
(45) Registration Date: **09 June 2011**
(30) Convention priority data:
(31) Number (32) Date (33) Country
29/380,398 03 Dec 2010 UNITED STATES OF AMERICA
(56) Related Art Documents: **Not Applicable**
(57) Statement of Newness and Distinctiveness: **Newness and distinctiveness resides in the visual features, including shape and configuration of a SEISMIC EXPANSION SLEEVE as shown in the accompanying representations. The SEISMIC EXPANSION SLEEVE may be of any length.**



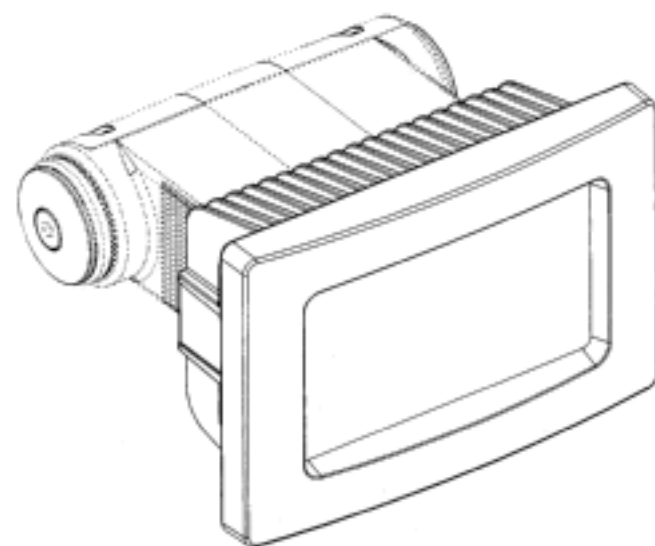
- (21) Design Number: **12190/2011**
(22) Date of Filing Application: **16 May 2011**
(24) Date from which industrial property rights may have effect: **16 May 2011**
(54) Product in respect of which the design is registered: **Intersection clip for suspended ceilings**
(51) International Design Classification: **25-02E**
(74) Name(s) of Attorney(s): **Griffith Hack**
(71) Name(s) and Address(s) of Applicant(s):
USG Interiors, Inc.
550 West Adams Street Chicago IL 60661-3676 United States of America
(72) Name(s) of Designer(s): **Abraham Monroe Underkofler and Mark Robert Paulsen and Peder John Gulbrandsen and James Joseph Lehane**
(45) Registration Date: **09 June 2011**
(30) Convention priority data:
(31) Number (32) Date (33) Country
29/380,400 03 Dec 2010 UNITED STATES OF AMERICA
(56) Related Art Documents: **Not Applicable**
(57) Statement of Newness and Distinctiveness: **Newness and distinctiveness resides in the visual features, including shape and configuration of an INTERSECTION CLIP as shown in the accompanying representations. The INTERSECTION CLIP may be of any length.**



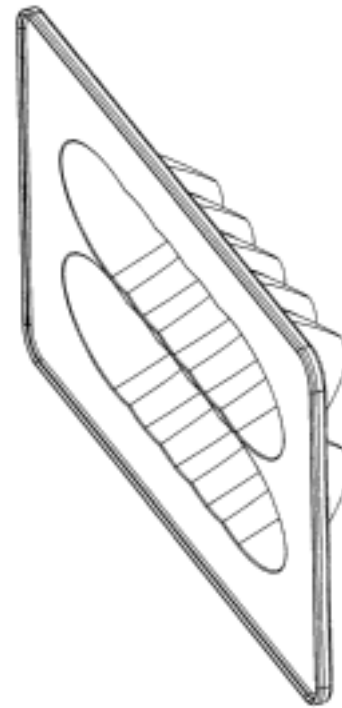
- (21) Design Number: **11474/2011**
(22) Date of Filing Application: **05 April 2011**
(24) Date from which industrial property rights may have effect: **05 April 2011**
(54) Product in respect of which the design is registered: **Bi-directional perfusion cannula**
(51) International Design Classification: **24-02**
(74) Name(s) of Attorney(s): **Davies Collison Cave**
(71) Name(s) and Address(s) of Applicant(s):
MTMM Pty Ltd
310 Glenferrie Road Malvern Victoria 3144 Australia
(72) Name(s) of Designer(s): **Randall Aron Moshinsky**
(45) Registration Date: **09 June 2011**
(56) Related Art Documents: **Not Applicable**
(57) Statement of Newness and Distinctiveness: **Newness and distinctiveness is claimed in the shape and/or configuration of the visual features of the cannula shown in solid lines in the drawings.**



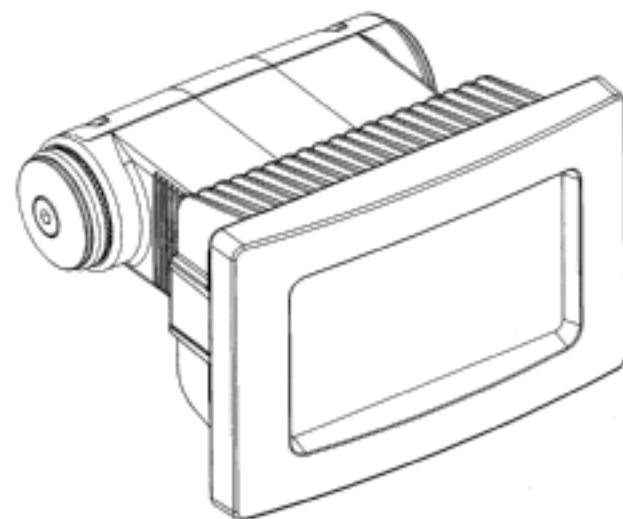
- (21) Design Number: **12164/2011**
(22) Date of Filing Application: **13 May 2011**
(24) Date from which industrial property rights may have effect: **13 May 2011**
(54) Product in respect of which the design is registered: **Light**
(51) International Design Classification: **26-05C**
(74) Name(s) of Attorney(s): **Madderns**
(71) Name(s) and Address(s) of Applicant(s):
Gerard Lighting Pty Ltd
101 Port Wakefield Road Cavan South Australia 5094 Australia
(72) Name(s) of Designer(s): **Maxwell Dickison and Jason Andrew Gerard**
(45) Registration Date: **09 June 2011**
(56) Related Art Documents: **Not Applicable**
(57) Statement of Newness and Distinctiveness: **Newness and distinctiveness is claimed in the shape and/or configuration of a light as depicted in solid lines in the accompanying representations. In determining the scope of protection, no regard will be had to the features depicted in dotted lines.**



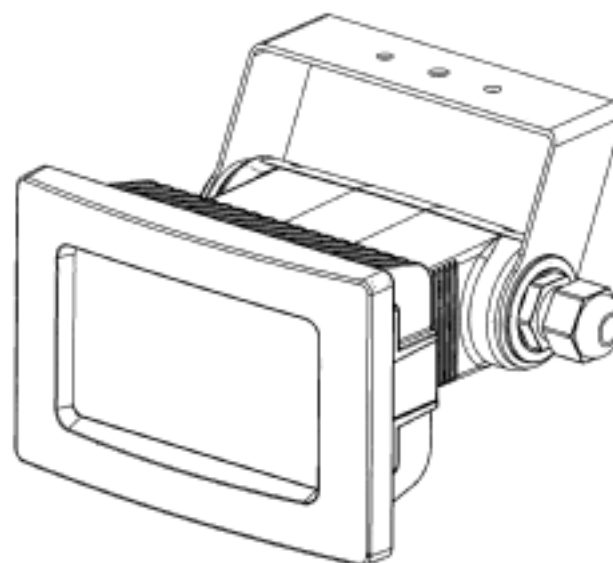
- (21) Design Number: **12165/2011**
(22) Date of Filing Application: **13 May 2011**
(24) Date from which industrial property rights may have effect: **13 May 2011**
(54) Product in respect of which the design is registered: **Reflector**
(51) International Design Classification: **26-05D**
(74) Name(s) of Attorney(s): **Madderns**
(71) Name(s) and Address(s) of Applicant(s):
Gerard Lighting Pty Ltd
101 Port Wakefield Road Cavan South Australia 5094 Australia
(72) Name(s) of Designer(s): **Bryan Negrone and Jason Andrew Gerard**
(45) Registration Date: **09 June 2011**
(56) Related Art Documents: **Not Applicable**
(57) Statement of Newness and Distinctiveness: **Newness and distinctiveness resides in the shape and/or configuration of a reflector as depicted in the accompanying representations.**



- (21) Design Number: **12166/2011**
(22) Date of Filing Application: **13 May 2011**
(24) Date from which industrial property rights may have effect: **13 May 2011**
(54) Product in respect of which the design is registered: **Light**
(51) International Design Classification: **26-05C**
(74) Name(s) of Attorney(s): **Madderns**
(71) Name(s) and Address(s) of Applicant(s):
Gerard Lighting Pty Ltd
101 Port Wakefield Road Cavan South Australia 5094 Australia
(72) Name(s) of Designer(s): **Maxwell Dickison and Jason Andrew Gerard**
(45) Registration Date: **09 June 2011**
(56) Related Art Documents: **Not Applicable**
(57) Statement of Newness and Distinctiveness: **Newness and distinctiveness is claimed in the shape and/or configuration of a light as depicted in the accompanying representations.**



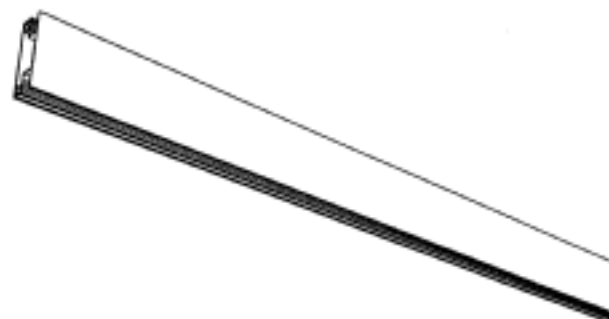
- (21) Design Number: **12167/2011**
(22) Date of Filing Application: **13 May 2011**
(24) Date from which industrial property rights may have effect: **13 May 2011**
(54) Product in respect of which the design is registered: **Light**
(51) International Design Classification: **26-05C**
(74) Name(s) of Attorney(s): **Madderns**
(71) Name(s) and Address(s) of Applicant(s):
Gerard Lighting Pty Ltd
101 Port Wakefield Road Cavan South Australia 5094 Australia
(72) Name(s) of Designer(s): **Maxwell Dickison and Jason Andrew Gerard**
(45) Registration Date: **09 June 2011**
(56) Related Art Documents: **Not Applicable**
(57) Statement of Newness and Distinctiveness: **Newness and distinctiveness resides in the shape and/or configuration of a light as shown in the accompanying representations.**



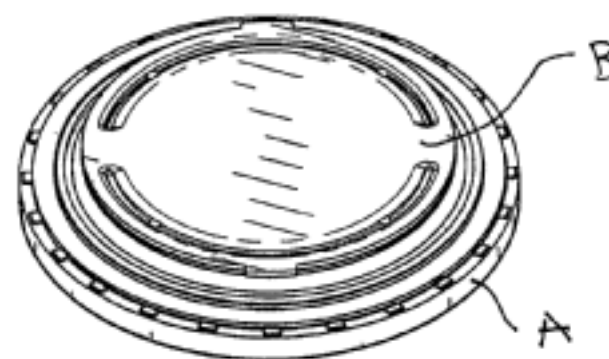
- (21) Design Number: **12193/2011**
(22) Date of Filing Application: **16 May 2011**
(24) Date from which industrial property rights may have effect: **16 May 2011**
(54) Product in respect of which the design is registered: **Wardrobe door**
(51) International Design Classification: **25-02B**
(74) Name(s) of Attorney(s): **SPRUSON & FERGUSON**
(71) Name(s) and Address(s) of Applicant(s):
JELD-WEN Australia Pty Ltd
Truganini Cottage 38-46 South Street Rydalmere New South Wales 2116 Australia
(72) Name(s) of Designer(s): **Nigel Lapping and David Andrew Hills**
(45) Registration Date: **09 June 2011**
(56) Related Art Documents: **Not Applicable**
(57) Statement of Newness and Distinctiveness: **Newness and distinctiveness is claimed in the features of configuration of the border elements (stiles, upper and lower rails), mid rails and upper, central and lower panels of a wardrobe door as illustrated in the accompanying representations.**



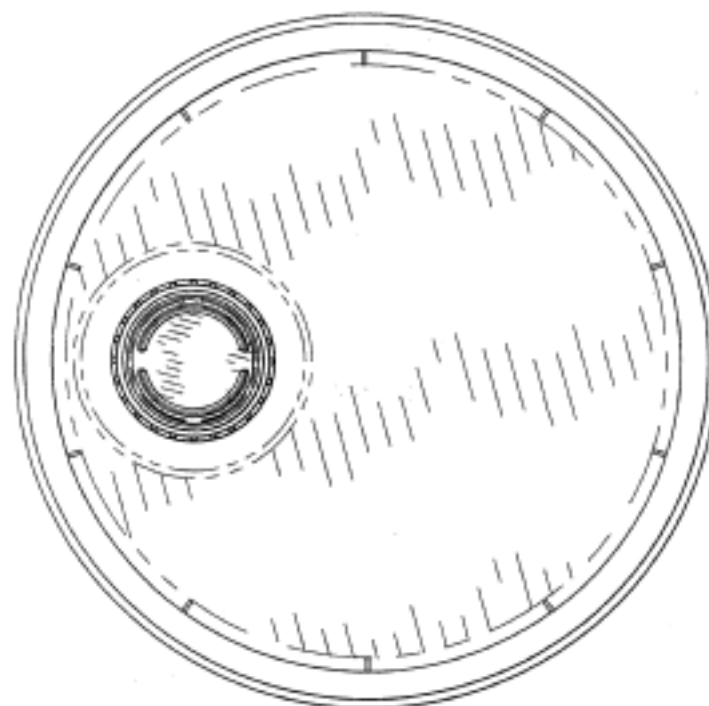
- (21) Design Number: **12194/2011**
(22) Date of Filing Application: **16 May 2011**
(24) Date from which industrial property rights may have effect: **16 May 2011**
(54) Product in respect of which the design is registered: **Rail extrusion for a sliding door**
(51) International Design Classification: **25-01K**
(74) Name(s) of Attorney(s): **SPRUSON & FERGUSON**
(71) Name(s) and Address(s) of Applicant(s):
JELD-WEN Australia Pty Ltd
Truganini Cottage 38-46 South Street Rydalmere New South Wales 2116
Australia
(72) Name(s) of Designer(s): **Nigel Lapping and David Andrew Hills**
(45) Registration Date: **09 June 2011**
(56) Related Art Documents: **Not Applicable**
(57) Statement of Newness and Distinctiveness: **Newness and distinctiveness is claimed in the features of shape and/or configuration of the cross-section of a rail extrusion for a sliding door as illustrated in the accompanying representations.**



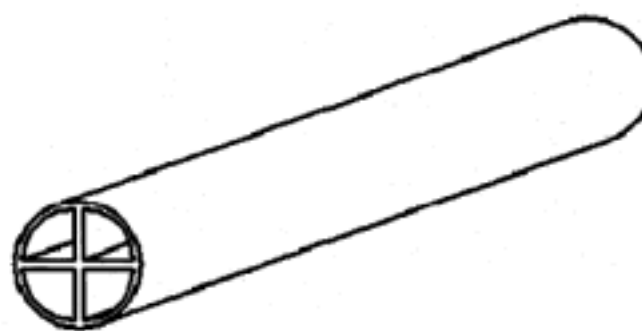
- (21) Design Number: **12195/2011**
(22) Date of Filing Application: **16 May 2011**
(24) Date from which industrial property rights may have effect: **16 May 2011**
(54) Product in respect of which the design is registered: **Closure for a container**
(51) International Design Classification: **09-07NES**
(74) Name(s) of Attorney(s): **SPRUSON & FERGUSON**
(71) Name(s) and Address(s) of Applicant(s):
Rieke Corporation
500 West Seventh Street Auburn Indiana 46706-2095 United States of
America
(72) Name(s) of Designer(s): **Gary M. Baughman**
(45) Registration Date: **09 June 2011**
(30) Convention priority data:
(31) Number (32) Date (33) Country
29/379255 17 Nov 2010 UNITED STATES OF AMERICA
(56) Related Art Documents: **Not Applicable**
(57) Statement of Newness and Distinctiveness: **Newness and distinctiveness is claimed in the features of shape and/or configuration of the following parts of a closure for a container as illustrated and labelled in the accompanying representations: outer ring labelled "A", flat cap surface labelled "B", and venting ears labelled "C".**



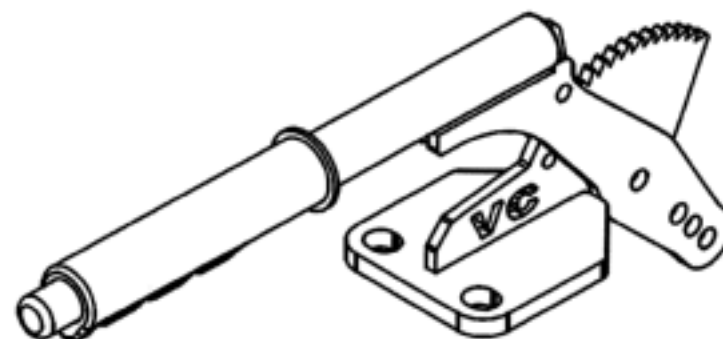
(21) Design Number: **12196/2011**
(22) Date of Filing Application: **16 May 2011**
(24) Date from which industrial property rights may have effect: **16 May 2011**
(54) Product in respect of which the design is registered: **Container lid with closure**
(51) International Design Classification: **07-01NES**
(74) Name(s) of Attorney(s): **SPRUSON & FERGUSON**
(71) Name(s) and Address(s) of Applicant(s):
Rieke Corporation
500 West Seventh Street Auburn Indiana 46706-2095 United States of America
(72) Name(s) of Designer(s): **Gary M. Baughman**
(45) Registration Date: **09 June 2011**
(30) Convention priority data:
(31) Number (32) Date (33) Country
29/379255 17 Nov 2010 UNITED STATES OF AMERICA
(56) Related Art Documents: **Not Applicable**
(57) Statement of Newness and Distinctiveness: **Newness and distinctiveness is claimed in the features of shape and/or configuration of a container lid with closure as illustrated in the accompanying representations.**



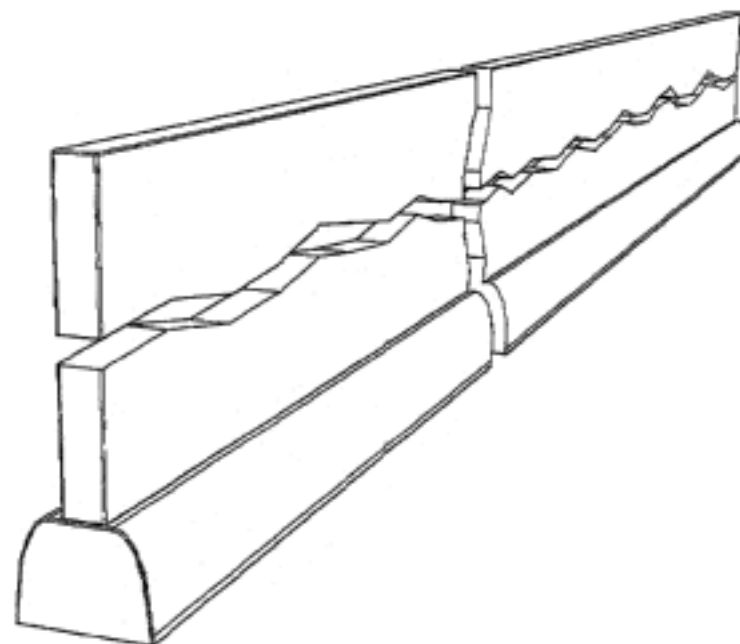
(21) Design Number: **12278/2011**
(22) Date of Filing Application: **20 May 2011**
(24) Date from which industrial property rights may have effect: **20 May 2011**
(54) Product in respect of which the design is registered: **Pool fence post extrusion**
(51) International Design Classification: **25-01K**
(74) Name(s) of Attorney(s): **Pegasus IP**
(71) Name(s) and Address(s) of Applicant(s):
James Milloy
117-119 Glade Drive Gaven Queensland 4211 Australia
(72) Name(s) of Designer(s): **James Milloy**
(45) Registration Date: **09 June 2011**
(56) Related Art Documents: **Not Applicable**
(57) Statement of Newness and Distinctiveness: **Nil**



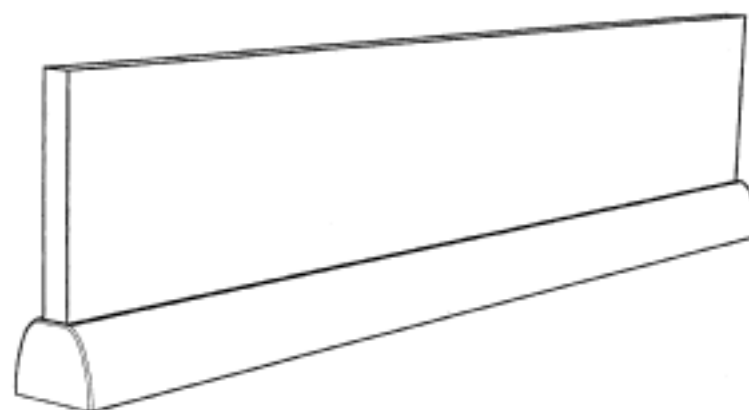
- (21) Design Number: **12351/2011**
(22) Date of Filing Application: **25 May 2011**
(24) Date from which industrial property rights may have effect: **25 May 2011**
(54) Product in respect of which the design is registered: **A handbrake assembly**
(51) International Design Classification: **12-16M**
(74) Name(s) of Attorney(s):
(71) Name(s) and Address(s) of Applicant(s):
Vehicle Components Pty Ltd
352B Bilsen Road Geebung Queensland 4034 Australia
(72) Name(s) of Designer(s): **Cornelius Deon van Deventer**
(45) Registration Date: **09 June 2011**
(56) Related Art Documents: **Not Applicable**
(57) Statement of Newness and Distinctiveness: **The shape and configuration of a hand brake assembly as shown in the representations without regard to the initials "V C" formed therethrough.**



- (21) Design Number: **11432/2011**
(22) Date of Filing Application: **01 April 2011**
(24) Date from which industrial property rights may have effect: **01 April 2011**
(54) Product in respect of which the design is registered: **Safety guard**
(51) International Design Classification: **25-02NES**
(74) Name(s) of Attorney(s): **WALLINGTON-DUMMER**
(71) Name(s) and Address(s) of Applicant(s):
Darras L.J. Hancock
"Willbara" MS 366 Grandchester Queensland 4340 Australia
(72) Name(s) of Designer(s): **Darras L.J. Hancock**
(45) Registration Date: **09 June 2011**
(56) Related Art Documents: **Not Applicable**
(57) Statement of Newness and Distinctiveness: **Newness and distinctiveness resides in a safety guard of constant cross section and of indefinite height and length as illustrated in the representations.**



- (21) Design Number: **12462/2011**
(22) Date of Filing Application: **01 April 2011**
(24) Date from which industrial property rights may have effect: **01 April 2011**
(54) Product in respect of which the design is registered: **Safety guard**
(51) International Design Classification: **25-02NES**
(74) Name(s) of Attorney(s): **WALLINGTON-DUMMER**
(71) Name(s) and Address(s) of Applicant(s):
Darras L.J. Hancock
"Willbara" MS 366 Grandchester Queensland 4340 Australia
(72) Name(s) of Designer(s): **Darras L.J. Hancock**
(45) Registration Date: **09 June 2011**
(56) Related Art Documents: **Not Applicable**
(57) Statement of Newness and Distinctiveness: **Newness and distinctiveness resides in a safety guard for a bench as illustrated of indeterminate length and constant cross-section.**



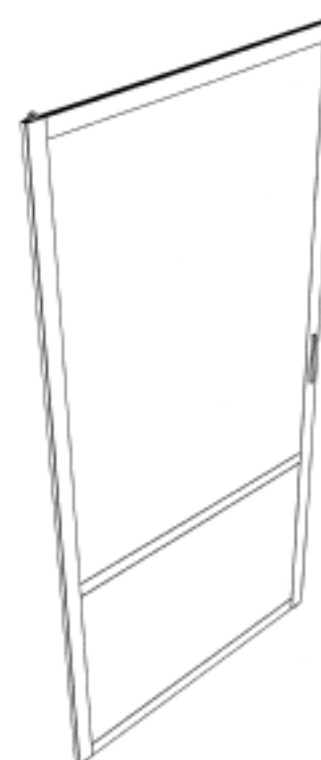
- (21) Design Number: **12185/2011**
(22) Date of Filing Application: **16 May 2011**
(24) Date from which industrial property rights may have effect: **16 May 2011**
(54) Product in respect of which the design is registered: **Wardrobe door**
(51) International Design Classification: **25-02B**
(74) Name(s) of Attorney(s): **SPRUSON & FERGUSON**
(71) Name(s) and Address(s) of Applicant(s):
JELD-WEN Australia Pty Ltd
Truganini Cottage 38-46 South Street Rydalmere New South Wales 2116
Australia
(72) Name(s) of Designer(s): **Nigel Lapping and David Andrew Hills**
(45) Registration Date: **09 June 2011**
(56) Related Art Documents: **Not Applicable**
(57) Statement of Newness and Distinctiveness: **Newness and distinctiveness is claimed in the features of the relative proportions of the border (rail and stile) elements of a wardrobe door, compared to the height of the door, as illustrated in the accompanying representations.**



- (21) Design Number: **12186/2011**
(22) Date of Filing Application: **16 May 2011**
(24) Date from which industrial property rights may have effect: **16 May 2011**
(54) Product in respect of which the design is registered: **Wardrobe door**
(51) International Design Classification: **25-02B**
(74) Name(s) of Attorney(s): **SPRUSON & FERGUSON**
(71) Name(s) and Address(s) of Applicant(s):
JELD-WEN Australia Pty Ltd
Truganini Cottage 38-46 South Street Rydalmere New South Wales 2116
Australia
(72) Name(s) of Designer(s): **Nigel Lapping and David Andrew Hills**
(45) Registration Date: **09 June 2011**
(56) Related Art Documents: **Not Applicable**
(57) Statement of Newness and Distinctiveness: **Newness and distinctiveness is claimed in the features of configuration of the border elements (stiles, upper and lower rails), mid rail and upper and lower panels of a wardrobe door as illustrated in the accompanying representations.**



- (21) Design Number: **12187/2011**
(22) Date of Filing Application: **16 May 2011**
(24) Date from which industrial property rights may have effect: **16 May 2011**
(54) Product in respect of which the design is registered: **Wardrobe door**
(51) International Design Classification: **25-02B**
(74) Name(s) of Attorney(s): **SPRUSON & FERGUSON**
(71) Name(s) and Address(s) of Applicant(s):
JELD-WEN Australia Pty Ltd
Truganini Cottage 38-46 South Street Rydalmere New South Wales 2116
Australia
(72) Name(s) of Designer(s): **Nigel Lapping and David Andrew Hills**
(45) Registration Date: **09 June 2011**
(56) Related Art Documents: **Not Applicable**
(57) Statement of Newness and Distinctiveness: **Newness and distinctiveness is claimed in the features of configuration of the border elements (stiles, upper and lower rails), mid rail and upper and lower panels of a wardrobe door as illustrated in the accompanying representations.**



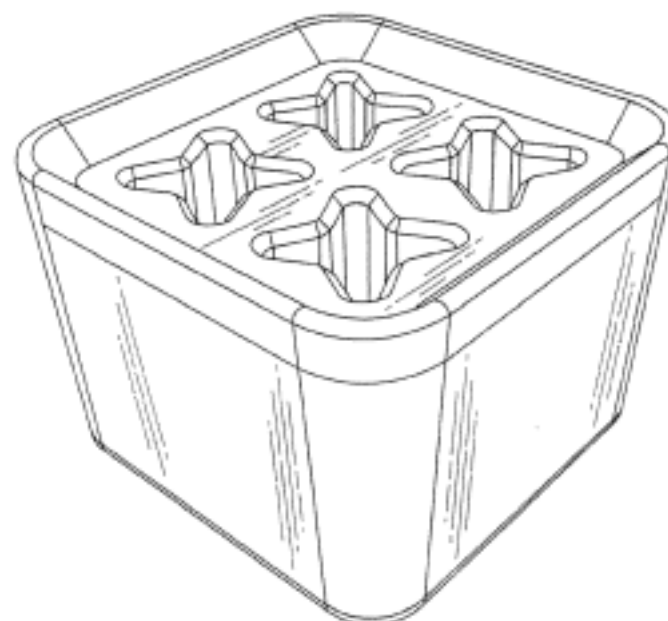
(21) Design Number: **12329/2011**
(22) Date of Filing Application: **25 May 2011**
(24) Date from which industrial property rights may have effect: **25 May 2011**
(54) Product in respect of which the design is registered: **Electric kettle**
(51) International Design Classification: **07-02K**
(74) Name(s) of Attorney(s): **Callinans**
(71) Name(s) and Address(s) of Applicant(s):
Kenwood Limited
New Lane Havant Hampshire PO9 2NH United Kingdom
(72) Name(s) of Designer(s): **Darren Mullen**
(45) Registration Date: **09 June 2011**
(30) Convention priority data:
(31) Number (32) Date (33) Country
001793829-0001 15 Dec 2010 EUROPEAN COMMUNITY
(56) Related Art Documents: **Not Applicable**
(57) Statement of Newness and Distinctiveness: **Nil**



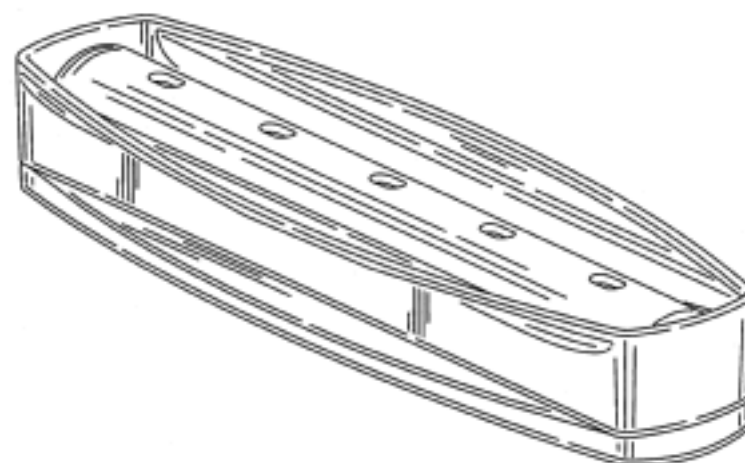
(21) Design Number: **12330/2011**
(22) Date of Filing Application: **25 May 2011**
(24) Date from which industrial property rights may have effect: **25 May 2011**
(54) Product in respect of which the design is registered: **Electric kettle**
(51) International Design Classification: **07-02K**
(74) Name(s) of Attorney(s): **Callinans**
(71) Name(s) and Address(s) of Applicant(s):
Kenwood Limited
New Lane Havant Hampshire PO9 2NH United Kingdom
(72) Name(s) of Designer(s): **Darren Mullen**
(45) Registration Date: **09 June 2011**
(30) Convention priority data:
(31) Number (32) Date (33) Country
001793829-0002 15 Dec 2010 EUROPEAN COMMUNITY
(56) Related Art Documents: **Not Applicable**
(57) Statement of Newness and Distinctiveness: **Nil**



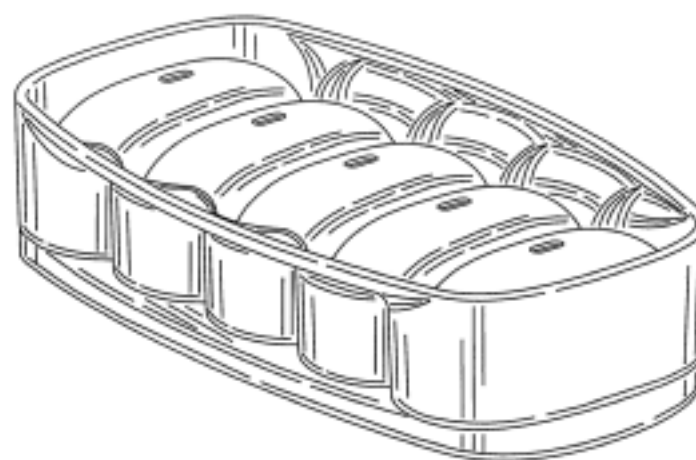
- (21) Design Number: **12202/2011**
(22) Date of Filing Application: **17 May 2011**
(24) Date from which industrial property rights may have effect: **17 May 2011**
(54) Product in respect of which the design is registered: **Comestible maker**
(51) International Design Classification: **07-02P**
(74) Name(s) of Attorney(s): **FB Rice**
(71) Name(s) and Address(s) of Applicant(s):
Propeller, Inc.
720 Monroe Street Suite C405 Hoboken New Jersey 07030 United States of America
(72) Name(s) of Designer(s): **Kenneth D. Zorovich and Yos Kumthampinij and John C. Earle**
(45) Registration Date: **10 June 2011**
(30) Convention priority data:
(31) Number (32) Date (33) Country
29/379784 24 Nov 2010 UNITED STATES OF AMERICA
(56) Related Art Documents: **Not Applicable**
(57) Statement of Newness and Distinctiveness: **Newness and distinctiveness reside in the features of shape and configuration of the design as shown in the representations.**



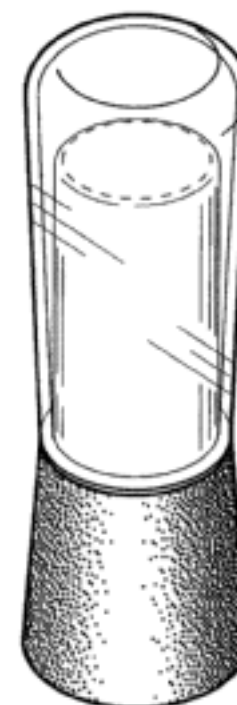
- (21) Design Number: **12209/2011**
(22) Date of Filing Application: **17 May 2011**
(24) Date from which industrial property rights may have effect: **17 May 2011**
(54) Product in respect of which the design is registered: **Container**
(51) International Design Classification: **31-00**
(74) Name(s) of Attorney(s): **PHILLIPS ORMONDE FITZPATRICK**
(71) Name(s) and Address(s) of Applicant(s):
Dart Industries Inc
14901 S. Orange Blossom Trail Orlando Florida 32837 United States of America
(72) Name(s) of Designer(s): **Simone Pallotto**
(45) Registration Date: **10 June 2011**
(30) Convention priority data:
(31) Number (32) Date (33) Country
29/372,696 29 Dec 2010 UNITED STATES OF AMERICA
(56) Related Art Documents: **Not Applicable**
(57) Statement of Newness and Distinctiveness: **Those features of the container depicted in the representations that are new and distinctive are the shape and/or configuration.**



(21) Design Number: **12210/2011**
(22) Date of Filing Application: **17 May 2011**
(24) Date from which industrial property rights may have effect: **17 May 2011**
(54) Product in respect of which the design is registered: **Container**
(51) International Design Classification: **31-00**
(74) Name(s) of Attorney(s): **PHILLIPS ORMONDE FITZPATRICK**
(71) Name(s) and Address(s) of Applicant(s):
Dart Industries Inc
14901 S. Orange Blossom Trail Orlando Florida 32837 United States of America
(72) Name(s) of Designer(s): **Simone Pallotto**
(45) Registration Date: **10 June 2011**
(30) Convention priority data:
(31) Number (32) Date (33) Country
29/372,697 29 Dec 2010 UNITED STATES OF AMERICA
(56) Related Art Documents: **Not Applicable**
(57) Statement of Newness and Distinctiveness: **Those features of the container depicted in the representations that are new and distinctive are the shape and/or configuration.**



(21) Design Number: **12211/2011**
(22) Date of Filing Application: **17 May 2011**
(24) Date from which industrial property rights may have effect: **17 May 2011**
(54) Product in respect of which the design is registered: **Lipstick case**
(51) International Design Classification: **28-02**
(74) Name(s) of Attorney(s): **PHILLIPS ORMONDE FITZPATRICK**
(71) Name(s) and Address(s) of Applicant(s):
ELC Management LLC
767 Fifth Avenue New York New York 10153 United States of America
(72) Name(s) of Designer(s): **Harry S. Allen and Michael F. Boylan**
(45) Registration Date: **10 June 2011**
(30) Convention priority data:
(31) Number (32) Date (33) Country
29/381,757 22 Dec 2010 UNITED STATES OF AMERICA
(56) Related Art Documents: **Not Applicable**
(57) Statement of Newness and Distinctiveness: **Those features of the lipstick case depicted in the representations that are new and distinctive are the shape and/or configuration. The features shown in broken lines are not part of the design and are to be disregarded when considering the overall impression of the design.**



(21) Design Number: **12234/2011**
(22) Date of Filing Application: **18 May 2011**
(24) Date from which industrial property rights may have effect: **18 May 2011**
(54) Product in respect of which the design is registered: **A watercraft hull**
(51) International Design Classification: **12-06A**
(74) Name(s) of Attorney(s): **Griffith Hack**
(71) Name(s) and Address(s) of Applicant(s):

Bionx International Inc.
455 Magna Drive Aurora ON L4G 7A9 Canada

(72) Name(s) of Designer(s): **Matthew James Finbow**

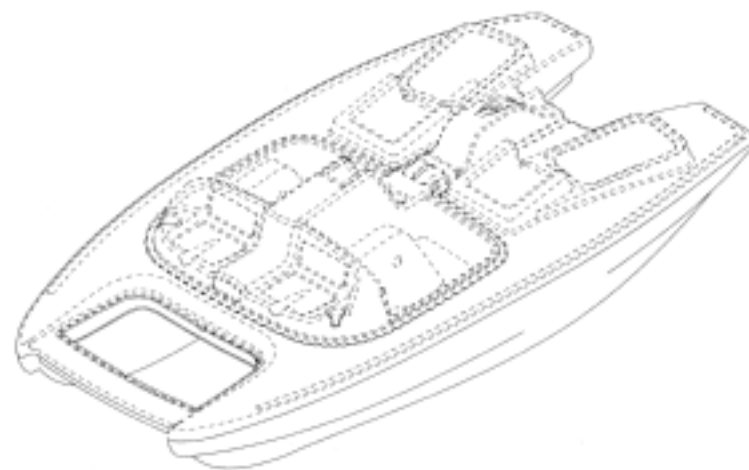
(45) Registration Date: **10 June 2011**

(30) Convention priority data:

(31) Number	(32) Date	(33) Country
29/379,983	29 Nov 2010	UNITED STATES OF AMERICA

(56) Related Art Documents: **Not Applicable**

(57) Statement of Newness and Distinctiveness: **The shape and configuration of those parts of the design shown by means of solid lines in the representations are new and distinctive.**



(21) Design Number: **12235/2011**
(22) Date of Filing Application: **17 May 2011**
(24) Date from which industrial property rights may have effect: **17 May 2011**
(54) Product in respect of which the design is registered: **Front capping strip for window frame**
(51) International Design Classification: **25-01K, 08-09**
(74) Name(s) of Attorney(s): **MORCOM PERNAT**
(71) Name(s) and Address(s) of Applicant(s):

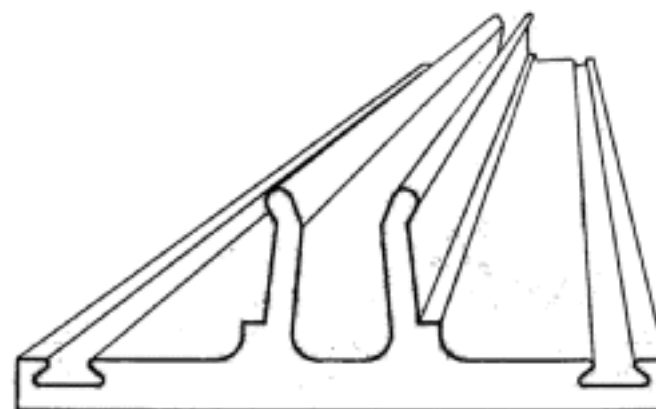
Pacific Composites Pty Ltd
991 Mountain Highway Boronia Victoria 3155 Australia

(72) Name(s) of Designer(s): **Francesco Rosselli**

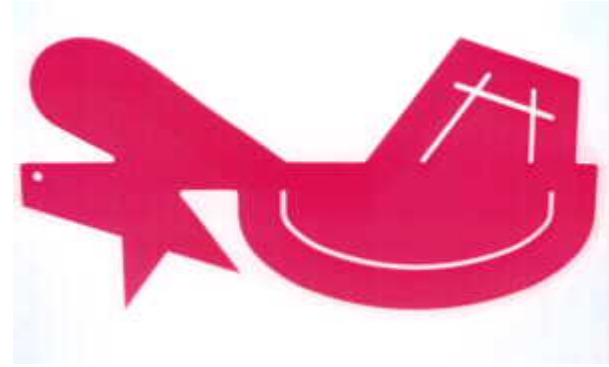
(45) Registration Date: **10 June 2011**

(56) Related Art Documents: **Not Applicable**

(57) Statement of Newness and Distinctiveness: **The newness of the design resides in the shape and configuration of a section having a constant cross section shape and an indefinite length as shown in the representations. Of particular relevance are the thickness of the flat-faced base portion and the step rising from it onto the curved arms.**



- (21) Design Number: **12181/2011**
(22) Date of Filing Application: **16 May 2011**
(24) Date from which industrial property rights may have effect: **16 May 2011**
(54) Product in respect of which the design is registered: **Quilting ruler**
(51) International Design Classification: **02-07A**
(74) Name(s) of Attorney(s):
(71) Name(s) and Address(s) of Applicant(s):
Glen Edwin Pettiford
382 Glenrock Parade Tascott New South Wales 2250 Australia
Elizabeth Ann Wallace
382 Glenrock Parade Tascott New South Wales 2250 Australia
(72) Name(s) of Designer(s): **Glen Edwin Pettiford and Elizabeth Ann Wallace**
(45) Registration Date: **10 June 2011**
(56) Related Art Documents: **Not Applicable**
(57) Statement of Newness and Distinctiveness: **Includes multiple cutting options for hearts, ovals, pentagons and five pointed stars.**



- (21) Design Number: **12182/2011**
(22) Date of Filing Application: **16 May 2011**
(24) Date from which industrial property rights may have effect: **16 May 2011**
(54) Product in respect of which the design is registered: **Quilting ruler**
(51) International Design Classification: **02-07A**
(74) Name(s) of Attorney(s):
(71) Name(s) and Address(s) of Applicant(s):
Glen Edwin Pettiford
382 Glenrock Parade Tascott New South Wales 2250 Australia
Elizabeth Ann Wallace
382 Glenrock Parade Tascott New South Wales 2250 Australia
(72) Name(s) of Designer(s): **Glen Edwin Pettiford and Elizabeth Ann Wallace**
(45) Registration Date: **10 June 2011**
(56) Related Art Documents: **Not Applicable**
(57) Statement of Newness and Distinctiveness: **Includes multiple cutting options for hearts and ovals.**



(21) Design Number: **12183/2011**

(22) Date of Filing Application: **13 May 2011**

(24) Date from which industrial property rights may have effect: **13 May 2011**

(54) Product in respect of which the design is registered: **Garden sprinkler unit**

(51) International Design Classification: **23-01D**

(74) Name(s) of Attorney(s):

(71) Name(s) and Address(s) of Applicant(s):

Andrew Kim Syrus

PO Box 63 Glen Osmond 5064 South Australia Australia

Christopher John Smith

PO Box 63 Glen Osmond 5064 South Australia Australia

(72) Name(s) of Designer(s): **Andrew Kim Syrus and Christopher John Smith**

(45) Registration Date: **10 June 2011**

(56) Related Art Documents: **Not Applicable**

(57) Statement of Newness and Distinctiveness: **Yellow base with 2 wheels and a wobbler sprinkler head.**



(21) Design Number: **12184/2011**

(22) Date of Filing Application: **13 May 2011**

(24) Date from which industrial property rights may have effect: **13 May 2011**

(54) Product in respect of which the design is registered: **Garden sprinkler unit**

(51) International Design Classification: **23-01D**

(74) Name(s) of Attorney(s):

(71) Name(s) and Address(s) of Applicant(s):

Andrew Kim Syrus

PO Box 63 Glen Osmond 5064 South Australia Australia

Christopher John Smith

PO Box 63 Glen Osmond 5064 South Australia Australia

(72) Name(s) of Designer(s): **Andrew Kim Syrus and Christopher John Smith**

(45) Registration Date: **10 June 2011**

(56) Related Art Documents: **Not Applicable**

(57) Statement of Newness and Distinctiveness: **Yellow base with 2 wheels and an adjustable sprinkler head.**



- (21) Design Number: **12198/2011**
(22) Date of Filing Application: **13 May 2011**
(24) Date from which industrial property rights may have effect: **13 May 2011**
(54) Product in respect of which the design is registered: **A backpack**
(51) International Design Classification: **03-01A**
(74) Name(s) of Attorney(s): **James & Wells Intellectual Property**
(71) Name(s) and Address(s) of Applicant(s):
Campbell and Scott Limited
4 Herlot Row Dunedin Central Dunedin 9016 New Zealand
(72) Name(s) of Designer(s): **Timothy Kent Armstrong and Campbell Allen Booth and Gary Alan Gibson and Patrick David Maguire**
(45) Registration Date: **10 June 2011**
(30) Convention priority data:
(31) Number (32) Date (33) Country
414286 15 Nov 2010 NEW ZEALAND
(56) Related Art Documents: **Not Applicable**
(57) Statement of Newness and Distinctiveness: **This design is to be applied to A BACKPACK and the novelty resides in the features of shape and configuration of the article, all as shown in the accompanying representations.**



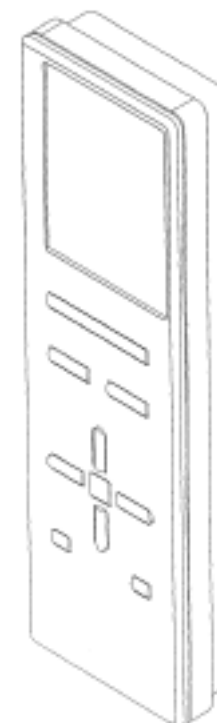
- (21) Design Number: **12226/2011**
(22) Date of Filing Application: **17 May 2011**
(24) Date from which industrial property rights may have effect: **17 May 2011**
(54) Product in respect of which the design is registered: **Controller for air conditioner**
(51) International Design Classification: **14-03NES**
(74) Name(s) of Attorney(s): **Freehills Patent & Trade Mark Attorneys**
(71) Name(s) and Address(s) of Applicant(s):
Daikin Industries Ltd.
Umeda Center Building 4-12 Nakazaki-Nishi 2-chome Kita-ku Osaka-shi Osaka-fu Japan
(72) Name(s) of Designer(s): **Hiroko Kashimoto**
(45) Registration Date: **10 June 2011**
(56) Related Art Documents: **Not Applicable**
(57) Statement of Newness and Distinctiveness: **Newness and distinctiveness resides in the shape and configuration of the control buttons of the controller for air conditioners, that are visible in the front view of the accompanying drawings.**



- (21) Design Number: **12227/2011**
(22) Date of Filing Application: **17 May 2011**
(24) Date from which industrial property rights may have effect: **17 May 2011**
(54) Product in respect of which the design is registered: **Controller for air conditioner**
(51) International Design Classification: **14-03NES**
(74) Name(s) of Attorney(s): **Freehills Patent & Trade Mark Attorneys**
(71) Name(s) and Address(s) of Applicant(s):
Daikin Industries Ltd.
Umeda Center Building 4-12 Nakazaki-Nishi 2-chome Kita-ku Osaka-shi
Osaka-fu Japan
(72) Name(s) of Designer(s): **Hiroko Kashimoto**
(45) Registration Date: **10 June 2011**
(56) Related Art Documents: **Not Applicable**
(57) Statement of Newness and Distinctiveness: **Newness and distinctiveness resides in the shape and configuration of the control buttons of the controller for air conditioners, that are visible in the front view of the accompanying drawings.**



- (21) Design Number: **12228/2011**
(22) Date of Filing Application: **17 May 2011**
(24) Date from which industrial property rights may have effect: **17 May 2011**
(54) Product in respect of which the design is registered: **Controller for air conditioner**
(51) International Design Classification: **14-03NES**
(74) Name(s) of Attorney(s): **Freehills Patent & Trade Mark Attorneys**
(71) Name(s) and Address(s) of Applicant(s):
Daikin Industries Ltd.
Umeda Center Building 4-12 Nakazaki-Nishi 2-chome Kita-ku Osaka-shi
Osaka-fu Japan
(72) Name(s) of Designer(s): **Hiroko Kashimoto**
(45) Registration Date: **10 June 2011**
(56) Related Art Documents: **Not Applicable**
(57) Statement of Newness and Distinctiveness: **Newness and distinctiveness resides in the shape and configuration of the control buttons of the controller for air conditioners, that are visible in the front view of the accompanying drawings.**



(21) Design Number: **12531/2011**

(22) Date of Filing Application: **17 March 2011**

(24) Date from which industrial property rights may have effect: **17 March 2011**

(54) Product in respect of which the design is registered: **Logic toy**

(51) International Design Classification: **21-01M**

(74) Name(s) of Attorney(s): **Davies Collison Cave**

(71) Name(s) and Address(s) of Applicant(s):

**Kainotomies Verde-Kyvika Logika Paignidia A.E.B.E - Verdes Innovations SA
Chiliomodi Korinthias 20008 Greece**

(72) Name(s) of Designer(s): **Panagiotis Verdes**

(45) Registration Date: **10 June 2011**

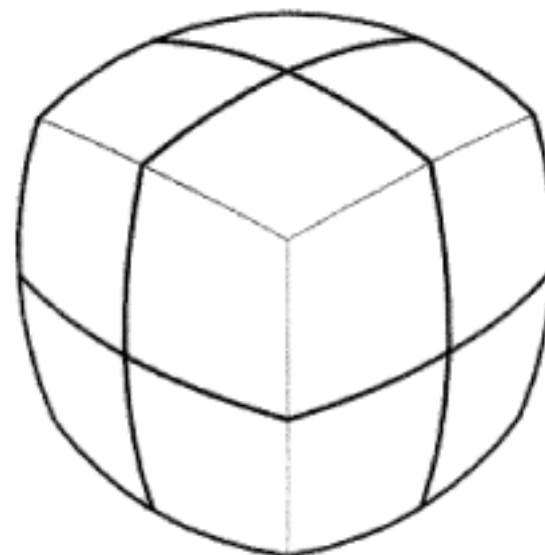
(30) Convention priority data:

(31) Number	(32) Date	(33) Country
001787938-003	01 Dec 2010	EUROPEAN COMMUNITY

(62) Divisional of: **337014**

(56) Related Art Documents: **Not Applicable**

(57) Statement of Newness and Distinctiveness: **Nil**



(21) Design Number: **11338/2011**

(22) Date of Filing Application: **28 March 2011**

(24) Date from which industrial property rights may have effect: **28 March 2011**

(54) Product in respect of which the design is registered: **Fluid delivery cassette**

(51) International Design Classification: **24-01**

(74) Name(s) of Attorney(s): **Fisher Adams Kelly**

(71) Name(s) and Address(s) of Applicant(s):

**Zevex, Inc.
4314 Zevex Park Lane Salt Lake City 84123 Utah United States of
America**

(72) Name(s) of Designer(s): **Kent Beck**

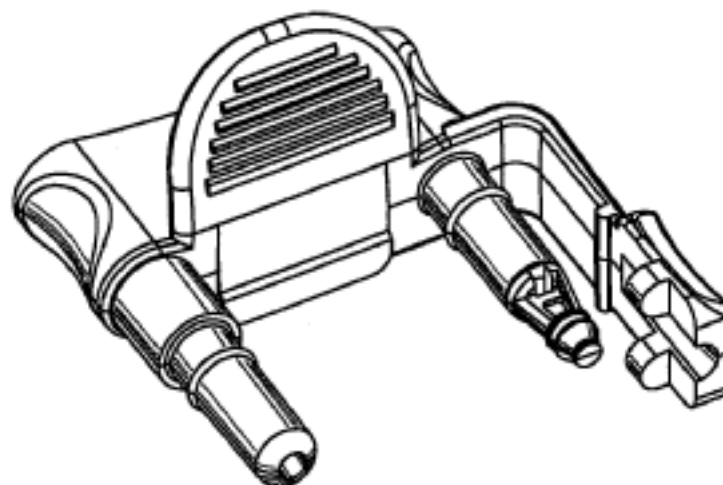
(45) Registration Date: **10 June 2011**

(30) Convention priority data:

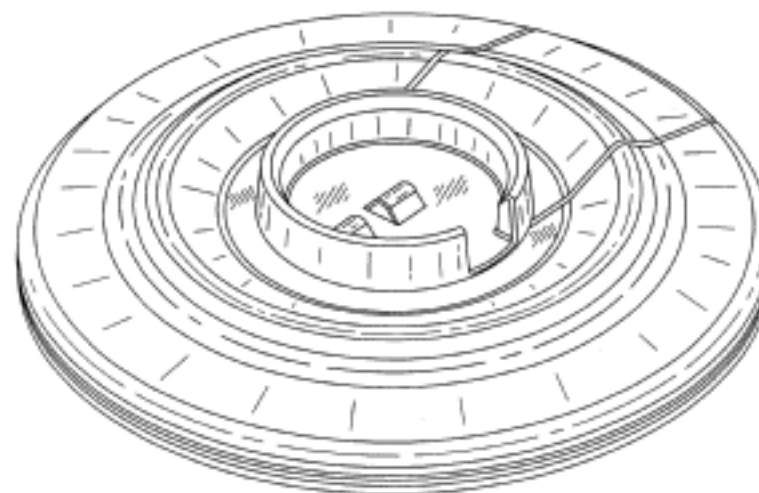
(31) Number	(32) Date	(33) Country
29/376,123	01 Oct 2010	UNITED STATES OF AMERICA

(56) Related Art Documents: **Not Applicable**

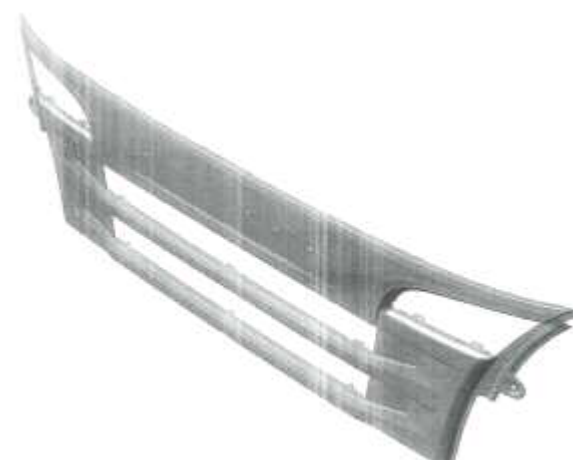
(57) Statement of Newness and Distinctiveness: **The newness and distinctiveness of the design resides in the shape and/or configuration of the fluid delivery cassette shown in the representations.**



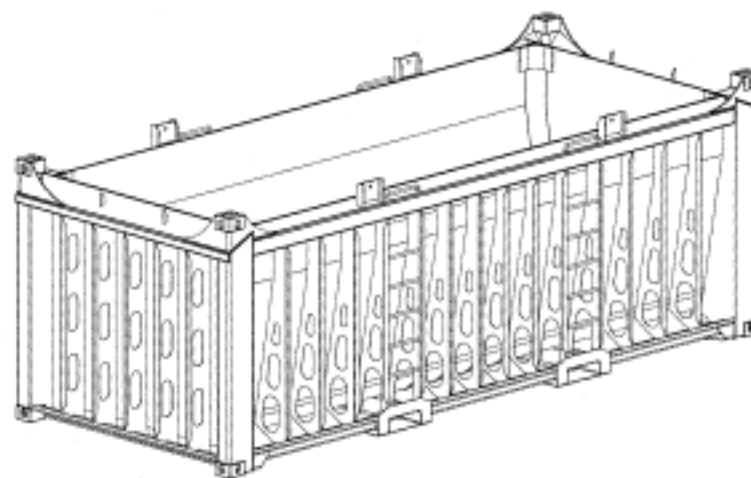
(21) Design Number: **11583/2011**
(22) Date of Filing Application: **13 April 2011**
(24) Date from which industrial property rights may have effect: **13 April 2011**
(54) Product in respect of which the design is registered: **Charger base for a vacuum cleaner**
(51) International Design Classification: **13-02, 15-05**
(74) Name(s) of Attorney(s): **Davies Collison Cave**
(71) Name(s) and Address(s) of Applicant(s):
Black & Decker, Inc.
1207 Drummond Plaza Newark Delaware 19711 United States of America
(72) Name(s) of Designer(s): **Graeme Crawley**
(45) Registration Date: **10 June 2011**
(30) Convention priority data:
(31) Number (32) Date (33) Country
001242994 03 Nov 2010 EUROPEAN COMMUNITY
(56) Related Art Documents: **Not Applicable**
(57) Statement of Newness and Distinctiveness: **Nil**



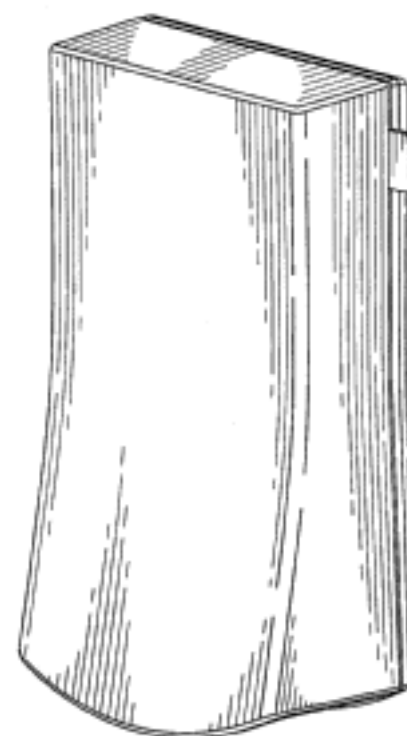
(21) Design Number: **11586/2011**
(22) Date of Filing Application: **13 April 2011**
(24) Date from which industrial property rights may have effect: **13 April 2011**
(54) Product in respect of which the design is registered: **Front grille panel**
(51) International Design Classification: **12-16B**
(74) Name(s) of Attorney(s): **Davies Collison Cave**
(71) Name(s) and Address(s) of Applicant(s):
Scania CV AB
Sodertalje SE-151 87 Sweden
(72) Name(s) of Designer(s): **Kjell Fagerstrom and Xavier Carreras-Castro and Kristofer Hansen and Mikael Larsson and Klaus Schmidt**
(45) Registration Date: **10 June 2011**
(30) Convention priority data:
(31) Number (32) Date (33) Country
2010/0496 02 Nov 2010 SWEDEN
(56) Related Art Documents: **Not Applicable**
(57) Statement of Newness and Distinctiveness: **Nil**



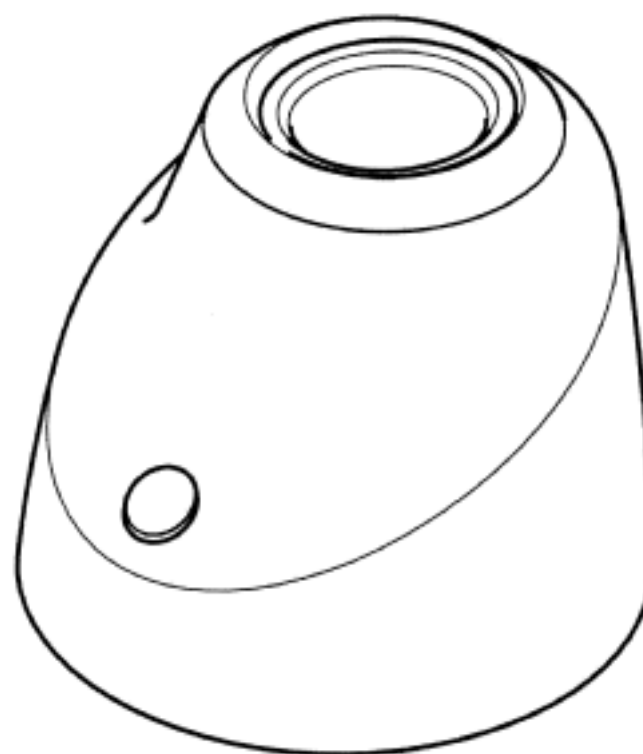
(21) Design Number: **12199/2011**
(22) Date of Filing Application: **16 May 2011**
(24) Date from which industrial property rights may have effect: **16 May 2011**
(54) Product in respect of which the design is registered: **A container**
(51) International Design Classification: **09-03K**
(74) Name(s) of Attorney(s): **Australian Patent and TradeMark Services**
(71) Name(s) and Address(s) of Applicant(s):
Australian Mobile Mining Equipment Systems and Accessories Pty. Limited
5 Sammut Street Smithfield New South Wales 2164 Australia
(72) Name(s) of Designer(s): **Murray Robert Bridle**
(45) Registration Date: **10 June 2011**
(56) Related Art Documents: **Not Applicable**
(57) Statement of Newness and Distinctiveness: **Newness and distinctiveness is claimed in the shape and/or configuration of the top rail of a container as illustrated in the accompanying representations. The features shown in broken lines are to be disregarded.**



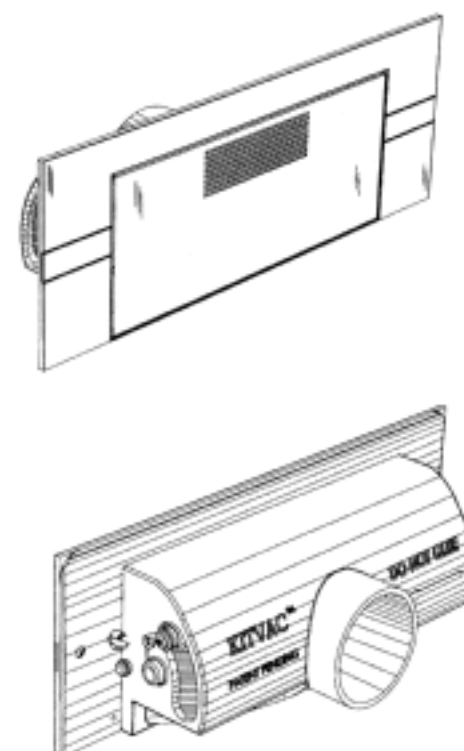
(21) Design Number: **12200/2011**
(22) Date of Filing Application: **17 May 2011**
(24) Date from which industrial property rights may have effect: **17 May 2011**
(54) Product in respect of which the design is registered: **A concentrator**
(51) International Design Classification: **13-03NES**
(74) Name(s) of Attorney(s): **Cullens Patent and Trade Mark Attorneys**
(71) Name(s) and Address(s) of Applicant(s):
American Power Conversion Corporation
132 Fairgrounds Road West Kingston 02892 RI United States of America
(72) Name(s) of Designer(s): **Arthur J. Blake Jr and Philippe Canton**
(45) Registration Date: **10 June 2011**
(30) Convention priority data:
(31) Number (32) Date (33) Country
29/382263 30 Dec 2010 UNITED STATES OF AMERICA
(56) Related Art Documents: **Not Applicable**
(57) Statement of Newness and Distinctiveness: **Nil**



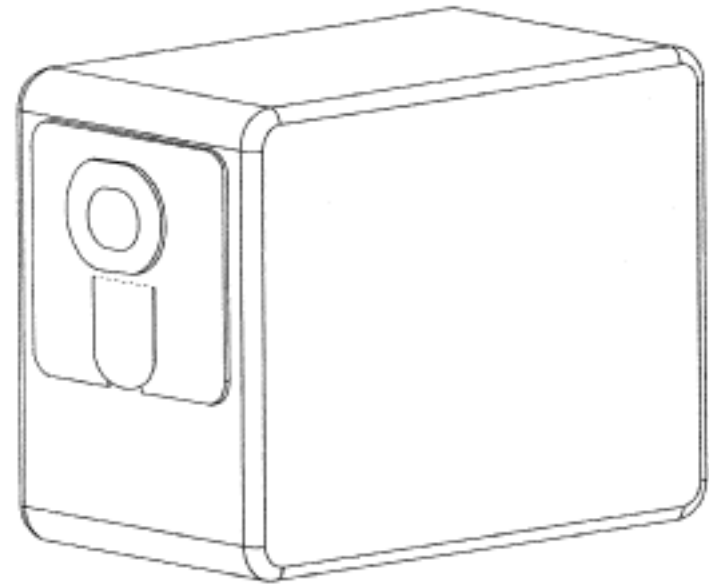
- (21) Design Number: **12201/2011**
(22) Date of Filing Application: **17 May 2011**
(24) Date from which industrial property rights may have effect: **17 May 2011**
(54) Product in respect of which the design is registered: **Swirling apparatus**
(51) International Design Classification: **24-01**
(74) Name(s) of Attorney(s): **Shelston IP**
(71) Name(s) and Address(s) of Applicant(s):
Ferring B.V.
Polaris Avenue 144 2132 JX Hoofddorp The Netherlands
(72) Name(s) of Designer(s): **Cezary Pluska and Frank Stephan**
(45) Registration Date: **10 June 2011**
(56) Related Art Documents: **Not Applicable**
(57) Statement of Newness and Distinctiveness: **Newness and distinctiveness reside in the features of shape and/or configuration of a swirling apparatus as illustrated in the accompanying representations.**



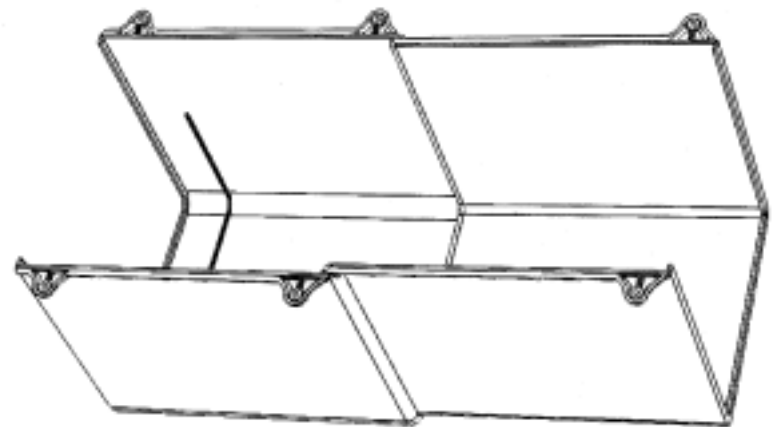
- (21) Design Number: **14846/2010**
(22) Date of Filing Application: **10 November 2010**
(24) Date from which industrial property rights may have effect: **10 November 2010**
(54) Product in respect of which the design is registered: **Vacuum dustpan inlet**
(51) International Design Classification: **15-05**
(74) Name(s) of Attorney(s): **Jogias**
(71) Name(s) and Address(s) of Applicant(s):
KitVac International Pty Ltd
PO Box 202 Redcliffe Queensland 4020 Australia
(72) Name(s) of Designer(s): **Scott Andrew Cleary**
(45) Registration Date: **10 June 2011**
(56) Related Art Documents: **Not Applicable**
(57) Statement of Newness and Distinctiveness: **Nil**



- (21) Design Number: **14847/2010**
(22) Date of Filing Application: **10 November 2010**
(24) Date from which industrial property rights may have effect: **10 November 2010**
(54) Product in respect of which the design is registered: **Dual inlet vacuum collection bag**
(51) International Design Classification: **15-05**
(74) Name(s) of Attorney(s): **Jogias**
(71) Name(s) and Address(s) of Applicant(s):
KitVac International Pty Ltd
PO Box 202 Redcliffe Queensland 4020 Australia
(72) Name(s) of Designer(s): **Scott Andrew Cleary**
(45) Registration Date: **10 June 2011**
(56) Related Art Documents: **Not Applicable**
(57) Statement of Newness and Distinctiveness: **Nil**



- (21) Design Number: **12038/2011**
(22) Date of Filing Application: **09 May 2011**
(24) Date from which industrial property rights may have effect: **09 May 2011**
(54) Product in respect of which the design is registered: **Telescopic cover for piping and conduit**
(51) International Design Classification: **23-01B**
(74) Name(s) of Attorney(s): **Fisher Adams Kelly**
(71) Name(s) and Address(s) of Applicant(s):
Allan Harms
2/4 Moya Crescent Noble Park Victoria 3174 Australia
(72) Name(s) of Designer(s): **Allan Harms**
(45) Registration Date: **10 June 2011**
(56) Related Art Documents: **Not Applicable**
(57) Statement of Newness and Distinctiveness: **The newness and distinctiveness of the design resides in the shape and/or configuration of the TELESCOPIC COVER shown in the representations.**



(21) Design Number: **12093/2011**

(22) Date of Filing Application: **11 May 2011**

(24) Date from which industrial property rights may have effect: **11 May 2011**

(54) Product in respect of which the design is registered: **Litter bin for boat**

(51) International Design Classification: **09-09**

(74) Name(s) of Attorney(s):

(71) Name(s) and Address(s) of Applicant(s):

Brett Morelli

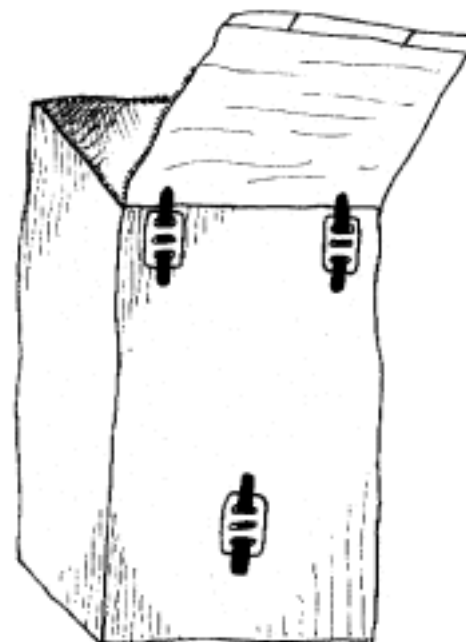
45 Turramurra Avenue Turramurra New South Wales 2074 Australia

(72) Name(s) of Designer(s): **Brett C. Morelli**

(45) Registration Date: **10 June 2011**

(56) Related Art Documents: **Not Applicable**

(57) Statement of Newness and Distinctiveness: **This design is unique as it attaches the bin via straps to the boat's safety rails or lifeline and hangs externally out of the way of crew or passengers. It's removable, stores flat and can be manufactured in a variety of colour schemes from a variety of fabrics and recycled materials such as sail material. Diagrams and more details are attached.**



(21) Design Number: **12223/2011**

(22) Date of Filing Application: **17 May 2011**

(24) Date from which industrial property rights may have effect: **17 May 2011**

(54) Product in respect of which the design is registered: **Air conditioner**

(51) International Design Classification: **23-04**

(74) Name(s) of Attorney(s): **Freehills Patent & Trade Mark Attorneys**

(71) Name(s) and Address(s) of Applicant(s):

Daikin Industries Ltd.

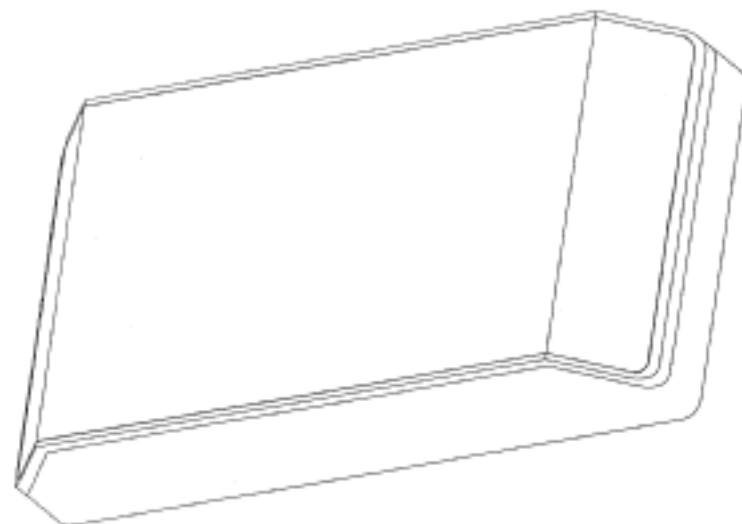
**Umeda Center Building 4-12 Nakazaki-Nishi 2-chome Kita-ku Osaka-shi
Osaka-fu Japan**

(72) Name(s) of Designer(s): **Masahiko Chouji**

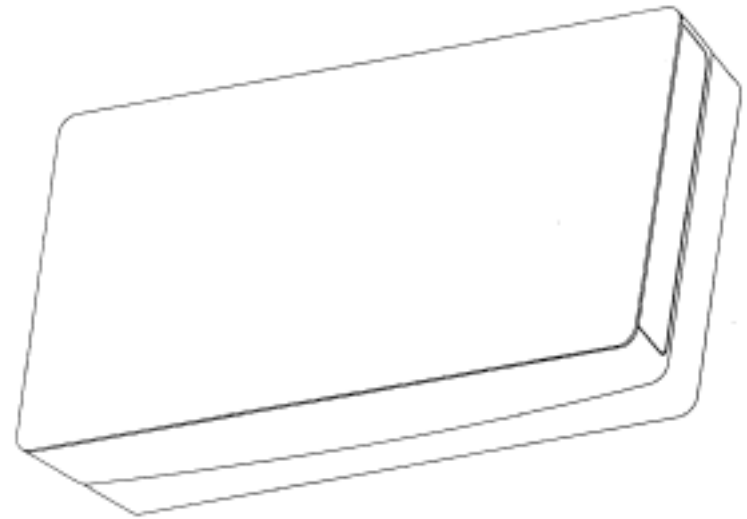
(45) Registration Date: **10 June 2011**

(56) Related Art Documents: **Not Applicable**

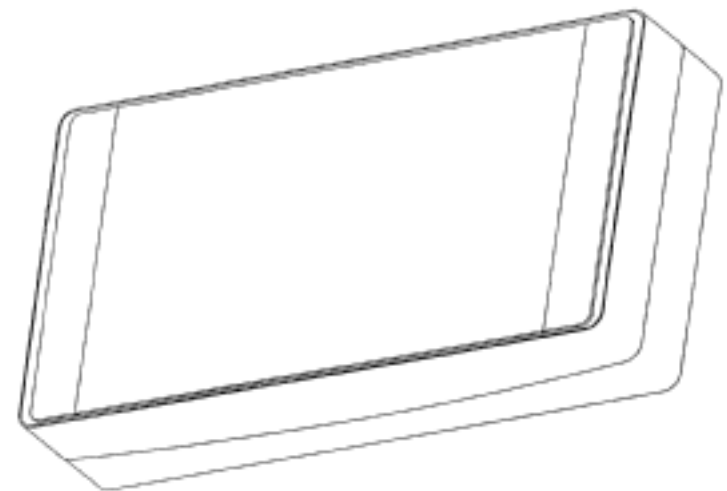
(57) Statement of Newness and Distinctiveness: **Nil**



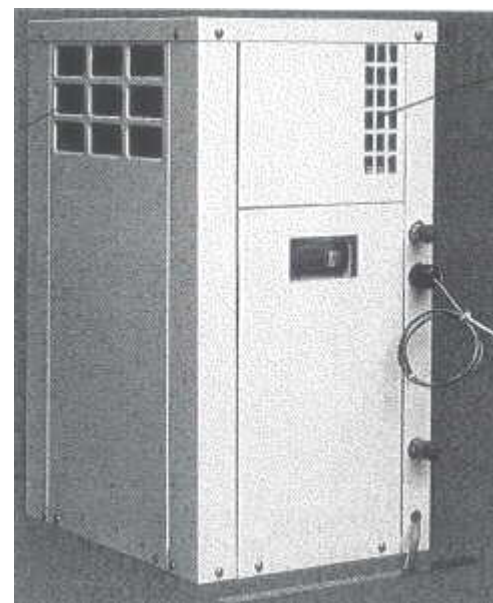
(21) Design Number: **12224/2011**
(22) Date of Filing Application: **17 May 2011**
(24) Date from which industrial property rights may have effect: **17 May 2011**
(54) Product in respect of which the design is registered: **Air conditioner**
(51) International Design Classification: **23-04**
(74) Name(s) of Attorney(s): **Freehills Patent & Trade Mark Attorneys**
(71) Name(s) and Address(s) of Applicant(s):
Daikin Industries Ltd.
Umeda Center Building 4-12 Nakazaki-Nishi 2-chome Kita-ku Osaka-shi
Osaka-fu Japan
(72) Name(s) of Designer(s): **Masahiko Chouji**
(45) Registration Date: **10 June 2011**
(56) Related Art Documents: **Not Applicable**
(57) Statement of Newness and Distinctiveness: **Nil**



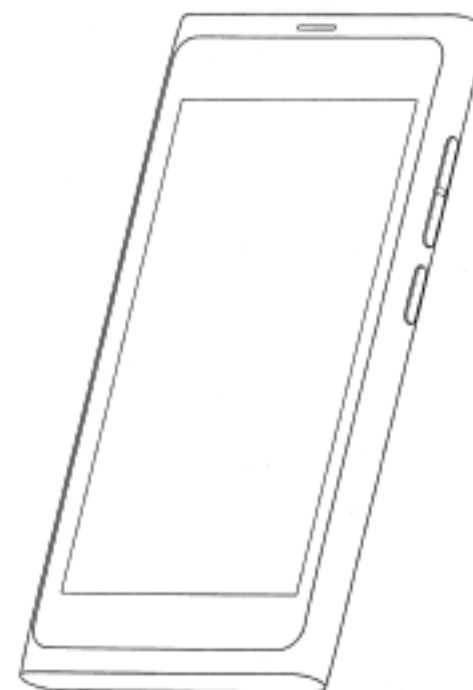
(21) Design Number: **12225/2011**
(22) Date of Filing Application: **17 May 2011**
(24) Date from which industrial property rights may have effect: **17 May 2011**
(54) Product in respect of which the design is registered: **Air conditioner**
(51) International Design Classification: **23-04**
(74) Name(s) of Attorney(s): **Freehills Patent & Trade Mark Attorneys**
(71) Name(s) and Address(s) of Applicant(s):
Daikin Industries Ltd.
Umeda Center Building 4-12 Nakazaki-Nishi 2-chome Kita-ku Osaka-shi
Osaka-fu Japan
(72) Name(s) of Designer(s): **Masahiko Chouji**
(45) Registration Date: **10 June 2011**
(56) Related Art Documents: **Not Applicable**
(57) Statement of Newness and Distinctiveness: **Nil**



(21) Design Number: **12213/2011**
(22) Date of Filing Application: **17 May 2011**
(24) Date from which industrial property rights may have effect: **17 May 2011**
(54) Product in respect of which the design is registered: **Water heater**
(51) International Design Classification: **23-03H**
(74) Name(s) of Attorney(s): **Allens Arthur Robinson**
(71) Name(s) and Address(s) of Applicant(s):
Desmond Aubery
72 Rushbrook Road South Mosley Park Pinetown 3610 Kwa Zulu Natal
South Africa
(72) Name(s) of Designer(s): **Desmond Aubery**
(45) Registration Date: **10 June 2011**
(30) Convention priority data:
(31) Number (32) Date (33) Country
A2010/01541 17 Nov 2010 SOUTH AFRICA
(56) Related Art Documents: **Not Applicable**
(57) Statement of Newness and Distinctiveness: **Newness and distinctiveness resides in the visual features of shape and/or configuration of a water heater as illustrated in the accompanying representations.**



(21) Design Number: **12218/2011**
(22) Date of Filing Application: **17 May 2011**
(24) Date from which industrial property rights may have effect: **17 May 2011**
(54) Product in respect of which the design is registered: **Handset**
(51) International Design Classification: **14-03A**
(74) Name(s) of Attorney(s): **SPRUSON & FERGUSON**
(71) Name(s) and Address(s) of Applicant(s):
Nokia Corporation
Keilalahdentie 4 FIN-02150 Espoo Finland
(72) Name(s) of Designer(s): **Anton Fahlgren and Casper Asmussen**
(45) Registration Date: **10 June 2011**
(30) Convention priority data:
(31) Number (32) Date (33) Country
29/386702 03 Mar 2011 UNITED STATES OF AMERICA
(56) Related Art Documents: **Not Applicable**
(57) Statement of Newness and Distinctiveness: **Newness and distinctiveness is claimed in the features of shape and/or configuration of a handset as illustrated in the accompanying representations.**



(21) Design Number: **12219/2011**
(22) Date of Filing Application: **17 May 2011**
(24) Date from which industrial property rights may have effect: **17 May 2011**
(54) Product in respect of which the design is registered: **Handset**
(51) International Design Classification: **14-03E**
(74) Name(s) of Attorney(s): **SPRUSON & FERGUSON**
(71) Name(s) and Address(s) of Applicant(s):

Nokia Corporation
Keilalahdentie 4 FIN-02150 Espoo Finland

(72) Name(s) of Designer(s): **Anton Fahlgren and Casper Asmussen**

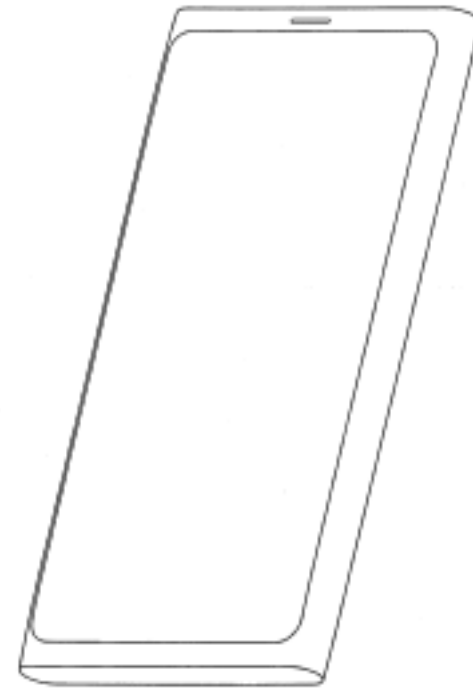
(45) Registration Date: **10 June 2011**

(30) Convention priority data:

(31) Number	(32) Date	(33) Country
29/389388	11 Apr 2011	UNITED STATES OF AMERICA

(56) Related Art Documents: **Not Applicable**

(57) Statement of Newness and Distinctiveness: **Newness and distinctiveness is claimed in the features of shape and/or configuration of a handset as illustrated in the accompanying representations.**



(21) Design Number: **11139/2011**
(22) Date of Filing Application: **17 March 2011**
(24) Date from which industrial property rights may have effect: **17 March 2011**
(54) Product in respect of which the design is registered: **Insole**
(51) International Design Classification: **02-04A**
(74) Name(s) of Attorney(s): **Davies Collison Cave**
(71) Name(s) and Address(s) of Applicant(s):

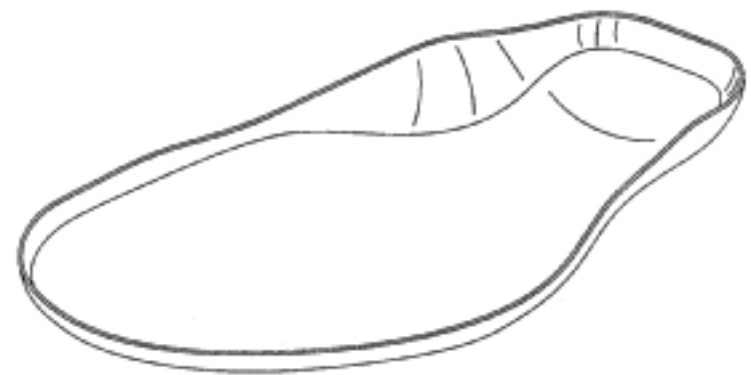
Cushsole Pty Ltd
Level 1 64 Portman Street Oakleigh Victoria 3166 Australia

(72) Name(s) of Designer(s): **Paul Smart**

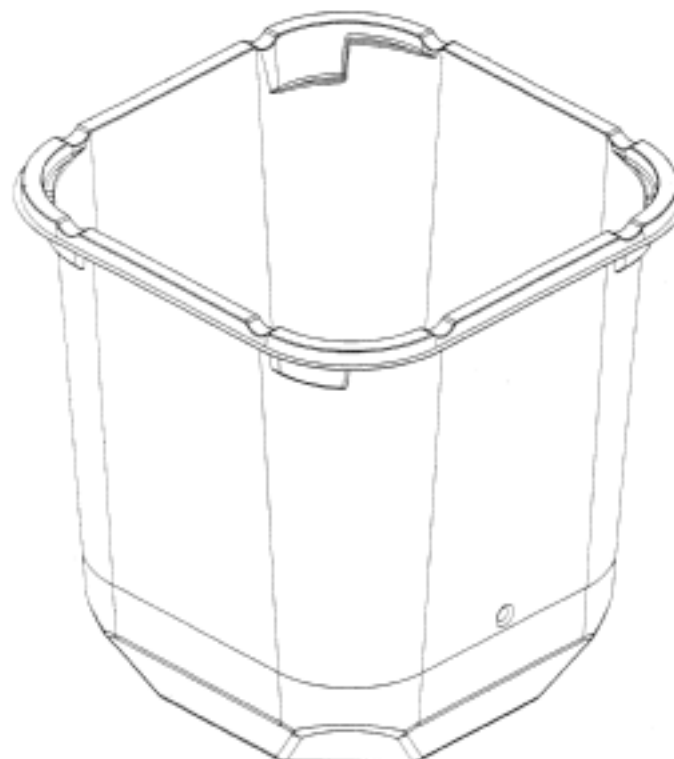
(45) Registration Date: **14 June 2011**

(56) Related Art Documents: **Not Applicable**

(57) Statement of Newness and Distinctiveness: **The features of shape and configuration of the insole shown in the accompanying representations are considered to be new and distinctive.**



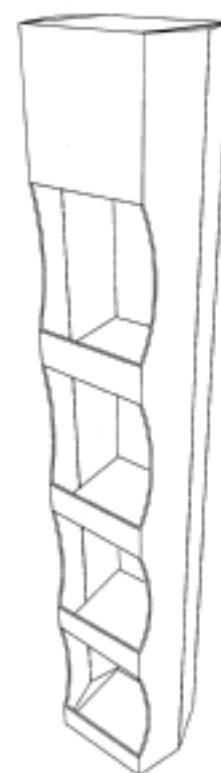
- (21) Design Number: **12026/2011**
(22) Date of Filing Application: **06 May 2011**
(24) Date from which industrial property rights may have effect: **06 May 2011**
(54) Product in respect of which the design is registered: **A container**
(51) International Design Classification: **09-03NES**
(74) Name(s) of Attorney(s): **MIDDLETONS**
(71) Name(s) and Address(s) of Applicant(s):
Flowerdale Farm Pty Ltd
1224 Break O'Day Road Glenburn Victoria 3717 Australia
(72) Name(s) of Designer(s): **James Rattray**
(45) Registration Date: **14 June 2011**
(56) Related Art Documents: **Not Applicable**
(57) Statement of Newness and Distinctiveness: **Nil**



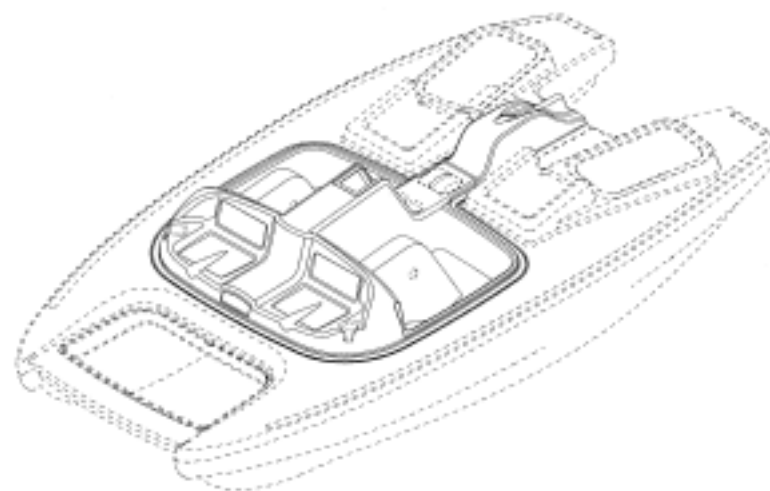
- (21) Design Number: **12229/2011**
(22) Date of Filing Application: **09 March 2011**
(24) Date from which industrial property rights may have effect: **09 March 2011**
(54) Product in respect of which the design is registered: **Packaging**
(51) International Design Classification: **09-03M**
(74) Name(s) of Attorney(s): **Davies Collison Cave**
(71) Name(s) and Address(s) of Applicant(s):
Zhejiang Rainbow Fish Communications Technology Co., Ltd.
No. 38 Longwu Hangzhou Industrial Park Zhuantang Hangzhou Zhejiang
310024 China
(72) Name(s) of Designer(s): **Chun Fan and Yi Lu and Shuya Gu**
(45) Registration Date: **14 June 2011**
(62) Divisional of: **336982**
(56) Related Art Documents: **Not Applicable**
(57) Statement of Newness and Distinctiveness: **The pattern or ornamentation of the design are new and distinctive. When comparing this design with any other design to determine the designs are substantially similar in overall impression colour/shade in the representations is to be disregarded.**



(21) Design Number: **12230/2011**
(22) Date of Filing Application: **18 May 2011**
(24) Date from which industrial property rights may have effect: **18 May 2011**
(54) Product in respect of which the design is registered: **Display device and blank therefor**
(51) International Design Classification: **20-02NES**
(74) Name(s) of Attorney(s): **Davies Collison Cave**
(71) Name(s) and Address(s) of Applicant(s):
Visy R & D Pty Ltd
Level 11 2 Southbank Boulevard Southbank Victoria 3006 Australia
(72) Name(s) of Designer(s): **Daniel Kelly**
(45) Registration Date: **14 June 2011**
(56) Related Art Documents: **Not Applicable**
(57) Statement of Newness and Distinctiveness: **The features of the design that are new and distinctive are the features of scope or configuration of the display device and blank therefore as illustrated in the accompanying representations.**



(21) Design Number: **12232/2011**
(22) Date of Filing Application: **18 May 2011**
(24) Date from which industrial property rights may have effect: **18 May 2011**
(54) Product in respect of which the design is registered: **A watercraft hull**
(51) International Design Classification: **12-06A**
(74) Name(s) of Attorney(s): **Griffith Hack**
(71) Name(s) and Address(s) of Applicant(s):
Bionx International Inc.
455 Magna Drive Aurora ON L4G 7A9 Canada
(72) Name(s) of Designer(s): **Matthew James Finbow**
(45) Registration Date: **14 June 2011**
(30) Convention priority data:
(31) Number (32) Date (33) Country
29/379,990 11 May 2011 UNITED STATES OF AMERICA
(56) Related Art Documents: **Not Applicable**
(57) Statement of Newness and Distinctiveness: **The shape and configuration of those parts of the design shown by means of solid lines in the representations are new and distinctive.**



(21) Design Number: **12010/2011**

(22) Date of Filing Application: **06 May 2011**

(24) Date from which industrial property rights may have effect: **06 May 2011**

(54) Product in respect of which the design is registered: **Blender base**

(51) International Design Classification: **31-00**

(74) Name(s) of Attorney(s): **Molins & Co**

(71) Name(s) and Address(s) of Applicant(s):

Breville Pty Limited

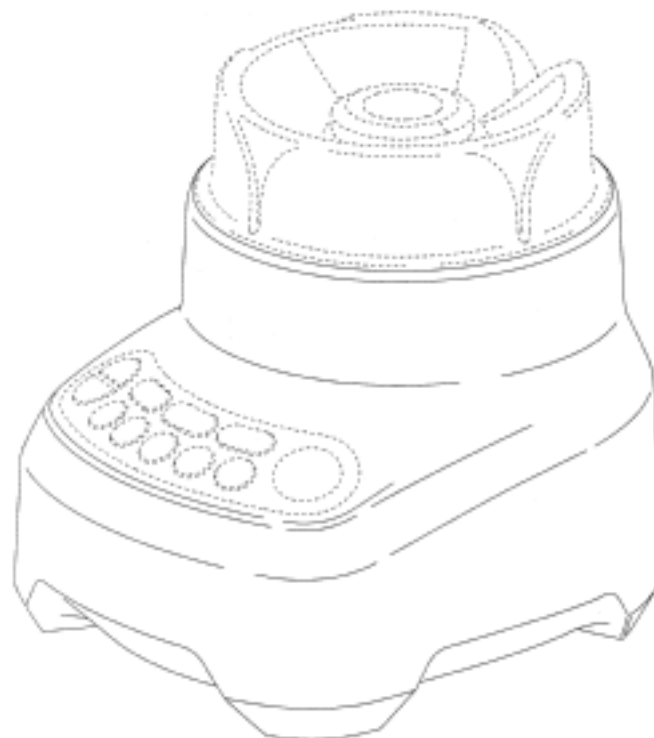
**Building 2 Port Air Industrial Estate 1A Hale Street Botany New South
Wales 2019 Australia**

(72) Name(s) of Designer(s): **Greg Upston and Richard Hoare**

(45) Registration Date: **14 June 2011**

(56) Related Art Documents: **Not Applicable**

(57) Statement of Newness and Distinctiveness: **Newness is claimed in the features of shape and configuration of the blender base as shown in the accompanying representations. The features shown in dashed lines form no part of the design.**



(21) Design Number: **12239/2011**

(22) Date of Filing Application: **19 May 2011**

(24) Date from which industrial property rights may have effect: **19 May 2011**

(54) Product in respect of which the design is registered: **A pair of motorcycle handguards**

(51) International Design Classification: **12-11**

(74) Name(s) of Attorney(s):

(71) Name(s) and Address(s) of Applicant(s):

Matthew Phillipott

Unit 3/7 Luso Drive Unanderra New South Wales 2526 Australia

(72) Name(s) of Designer(s): **Matthew Phillipott**

(45) Registration Date: **14 June 2011**

(56) Related Art Documents: **Not Applicable**

(57) Statement of Newness and Distinctiveness: **Monopoly is claimed in the features of shape and configuration of a pair of handguards as shown in the accompanying representations.**



- (21) Design Number: **12240/2011**
(22) Date of Filing Application: **19 May 2011**
(24) Date from which industrial property rights may have effect: **19 May 2011**
(54) Product in respect of which the design is registered: **A pair of motorcycle handguards complete with metal bars**
(51) International Design Classification: **12-11**
(74) Name(s) of Attorney(s):
(71) Name(s) and Address(s) of Applicant(s):
Matthew Phillipott
Unit 3/7 Luso Drive Unanderra New South Wales 2526 Australia
(72) Name(s) of Designer(s): **Matthew Phillipott**
(45) Registration Date: **14 June 2011**
(56) Related Art Documents: **Not Applicable**
(57) Statement of Newness and Distinctiveness: **Monopoly is claimed in the features of shape and configuration of a pair of handguards including metal bars as shown in the accompanying representations.**



- (21) Design Number: **15413/2010**
(22) Date of Filing Application: **08 December 2010**
(24) Date from which industrial property rights may have effect: **08 December 2010**
(54) Product in respect of which the design is registered: **Women's clothing**
(51) International Design Classification: **02-02NES**
(74) Name(s) of Attorney(s): **MIDDLETONS**
(71) Name(s) and Address(s) of Applicant(s):
Beba Enterprises Pty Ltd
34 Garden Street South Yarra Victoria 3141 Australia
(72) Name(s) of Designer(s): **Arthur Soetedja**
(45) Registration Date: **14 June 2011**
(56) Related Art Documents: **Not Applicable**
(57) Statement of Newness and Distinctiveness: **Nil**



(21) Design Number: **12569/2011**
(22) Date of Filing Application: **08 December 2010**
(24) Date from which industrial property rights may have effect: **08 December 2010**
(54) Product in respect of which the design is registered: **Women's clothing**
(51) International Design Classification: **02-02C**
(74) Name(s) of Attorney(s): **MIDDLETONS**
(71) Name(s) and Address(s) of Applicant(s):
Beba Enterprises Pty Ltd
34 Garden Street South Yarra Victoria 3141 Australia
(72) Name(s) of Designer(s): **Arthur Soetedja**
(45) Registration Date: **14 June 2011**
(56) Related Art Documents: **Not Applicable**
(57) Statement of Newness and Distinctiveness: **Nil**



(21) Design Number: **12570/2011**
(22) Date of Filing Application: **08 December 2010**
(24) Date from which industrial property rights may have effect: **08 December 2010**
(54) Product in respect of which the design is registered: **Women's clothing**
(51) International Design Classification: **02-02C**
(74) Name(s) of Attorney(s): **MIDDLETONS**
(71) Name(s) and Address(s) of Applicant(s):
Beba Enterprises Pty Ltd
34 Garden Street South Yarra Victoria 3141 Australia
(72) Name(s) of Designer(s): **Arthur Soetedja**
(45) Registration Date: **14 June 2011**
(56) Related Art Documents: **Not Applicable**
(57) Statement of Newness and Distinctiveness: **Nil**



(21) Design Number: **14317/2010**
(22) Date of Filing Application: **30 September 2010**
(24) Date from which industrial property rights may have effect: **30 September 2010**
(54) Product in respect of which the design is registered: **Dress**
(51) International Design Classification: **02-02C**
(74) Name(s) of Attorney(s): **MIDDLETONS**
(71) Name(s) and Address(s) of Applicant(s):
Beba Enterprises Pty Ltd
34 Garden Street South Yarra Victoria 3141 Australia
(72) Name(s) of Designer(s): **Arthur Soetedja**
(45) Registration Date: **15 June 2011**
(56) Related Art Documents: **Not Applicable**
(57) Statement of Newness and Distinctiveness: **Nil**



(21) Design Number: **11378/2011**
(22) Date of Filing Application: **30 September 2010**
(24) Date from which industrial property rights may have effect: **30 September 2010**
(54) Product in respect of which the design is registered: **Dress**
(51) International Design Classification: **02-02C**
(74) Name(s) of Attorney(s): **MIDDLETONS**
(71) Name(s) and Address(s) of Applicant(s):
Beba Enterprises Pty Ltd
34 Garden Street South Yarra Victoria 3141 Australia
(72) Name(s) of Designer(s): **Arthur Soetedja**
(45) Registration Date: **15 June 2011**
(56) Related Art Documents: **Not Applicable**
(57) Statement of Newness and Distinctiveness: **Nil**



(21) Design Number: **11379/2011**
(22) Date of Filing Application: **30 September 2010**
(24) Date from which industrial property rights may have effect: **30 September 2010**
(54) Product in respect of which the design is registered: **Jacket**
(51) International Design Classification: **02-02NES**
(74) Name(s) of Attorney(s): **MIDDLETONS**
(71) Name(s) and Address(s) of Applicant(s):
Beba Enterprises Pty Ltd
34 Garden Street South Yarra Victoria 3141 Australia
(72) Name(s) of Designer(s): **Arthur Soetedja**
(45) Registration Date: **15 June 2011**
(56) Related Art Documents: **Not Applicable**
(57) Statement of Newness and Distinctiveness: **Nil**



(21) Design Number: **11380/2011**
(22) Date of Filing Application: **30 September 2010**
(24) Date from which industrial property rights may have effect: **30 September 2010**
(54) Product in respect of which the design is registered: **Shirt**
(51) International Design Classification: **02-02NES**
(74) Name(s) of Attorney(s): **MIDDLETONS**
(71) Name(s) and Address(s) of Applicant(s):
Beba Enterprises Pty Ltd
34 Garden Street South Yarra Victoria 3141 Australia
(72) Name(s) of Designer(s): **Arthur Soetedja**
(45) Registration Date: **15 June 2011**
(56) Related Art Documents: **Not Applicable**
(57) Statement of Newness and Distinctiveness: **Nil**



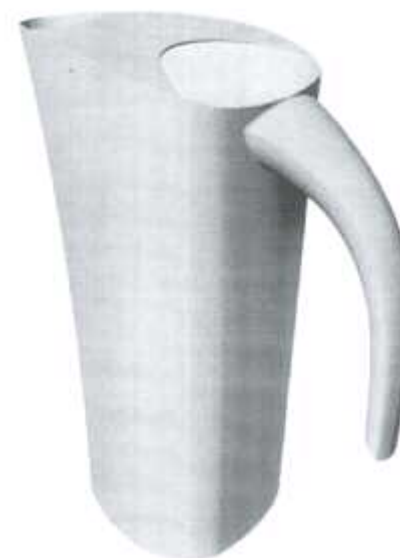
(21) Design Number: **11381/2011**
(22) Date of Filing Application: **30 September 2010**
(24) Date from which industrial property rights may have effect: **30 September 2010**
(54) Product in respect of which the design is registered: **Dress**
(51) International Design Classification: **02-02C**
(74) Name(s) of Attorney(s): **MIDDLETONS**
(71) Name(s) and Address(s) of Applicant(s):
Beba Enterprises Pty Ltd
34 Garden Street South Yarra Victoria 3141 Australia
(72) Name(s) of Designer(s): **Arthur Soetedja**
(45) Registration Date: **15 June 2011**
(56) Related Art Documents: **Not Applicable**
(57) Statement of Newness and Distinctiveness: **Nil**



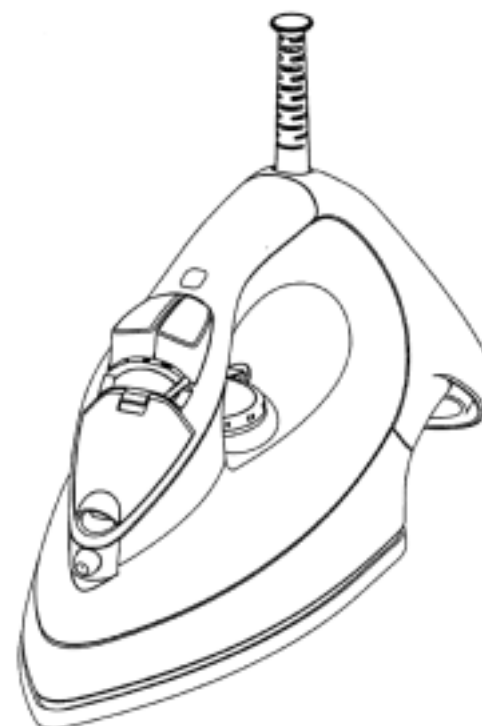
(21) Design Number: **11382/2011**
(22) Date of Filing Application: **30 September 2010**
(24) Date from which industrial property rights may have effect: **30 September 2010**
(54) Product in respect of which the design is registered: **Top**
(51) International Design Classification: **02-02NES**
(74) Name(s) of Attorney(s): **MIDDLETONS**
(71) Name(s) and Address(s) of Applicant(s):
Beba Enterprises Pty Ltd
34 Garden Street South Yarra Victoria 3141 Australia
(72) Name(s) of Designer(s): **Arthur Soetedja**
(45) Registration Date: **15 June 2011**
(56) Related Art Documents: **Not Applicable**
(57) Statement of Newness and Distinctiveness: **Nil**



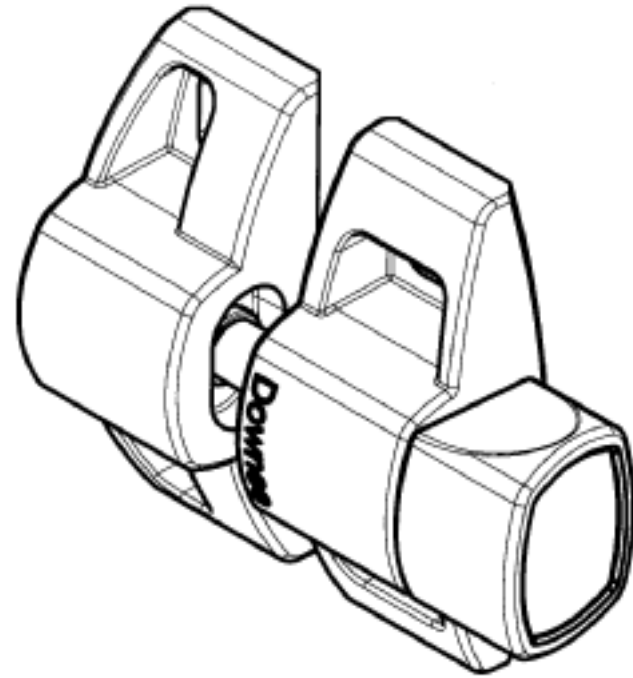
(21) Design Number: **12251/2011**
(22) Date of Filing Application: **19 May 2011**
(24) Date from which industrial property rights may have effect: **19 May 2011**
(54) Product in respect of which the design is registered: **A jug**
(51) International Design Classification: **07-01F**
(74) Name(s) of Attorney(s): **SPRUSON & FERGUSON**
(71) Name(s) and Address(s) of Applicant(s):
Sheldon and Hammond Pty Ltd
24 Salisbury Road Asquith New South Wales 2077 Australia
(72) Name(s) of Designer(s): **Zhang Yu Sheng**
(45) Registration Date: **15 June 2011**
(56) Related Art Documents: **Not Applicable**
(57) Statement of Newness and Distinctiveness: **Newness and distinctiveness is claimed in the features of shape and/or configuration of a body and a handle of a jug as illustrated in the accompanying representations.**



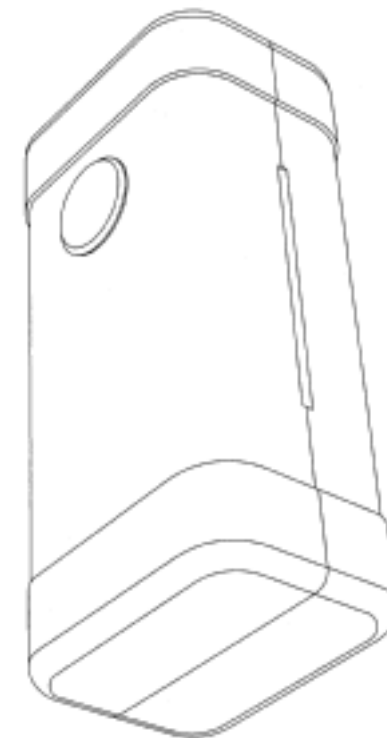
(21) Design Number: **12252/2011**
(22) Date of Filing Application: **19 May 2011**
(24) Date from which industrial property rights may have effect: **19 May 2011**
(54) Product in respect of which the design is registered: **Steam iron**
(51) International Design Classification: **07-05A**
(74) Name(s) of Attorney(s): **SPRUSON & FERGUSON**
(71) Name(s) and Address(s) of Applicant(s):
CALOR
Place Ambroise Courtois 69008 Lyon France
(72) Name(s) of Designer(s): **Dick Powell**
(45) Registration Date: **15 June 2011**
(30) Convention priority data:
(31) Number (32) Date (33) Country
001246847-0001 25 Nov 2010 EUROPEAN COMMUNITY
(56) Related Art Documents: **Not Applicable**
(57) Statement of Newness and Distinctiveness: **Newness and distinctiveness is claimed in the features of shape and/or configuration of a steam iron as illustrated in the accompanying representations.**



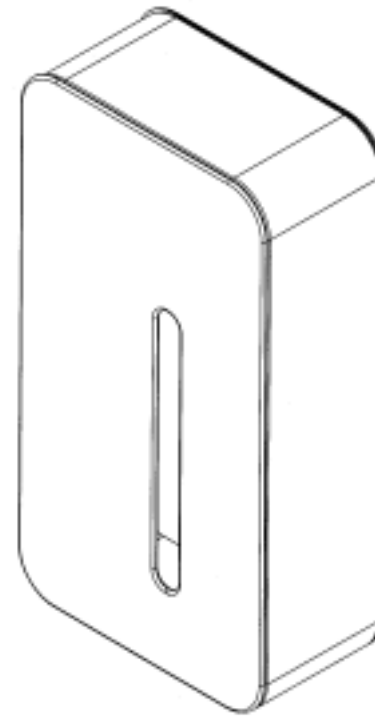
- (21) Design Number: **12253/2011**
(22) Date of Filing Application: **18 May 2011**
(24) Date from which industrial property rights may have effect: **18 May 2011**
(54) Product in respect of which the design is registered: **Side pull latch**
(51) International Design Classification: **08-07**
(74) Name(s) of Attorney(s):
(71) Name(s) and Address(s) of Applicant(s):
RMD Industries Pty Ltd
6-10 Market Road Sunshine Victoria 3020 Australia
(72) Name(s) of Designer(s): **Joseph I. M. van der Plas**
(45) Registration Date: **15 June 2011**
(56) Related Art Documents: **Not Applicable**
(57) Statement of Newness and Distinctiveness: **Curved shape of the latch's legs, which incorporates strengthening ribs, clearance space for the protruding heads of fasteners and prevents a foot from getting a toe hold on this product.**



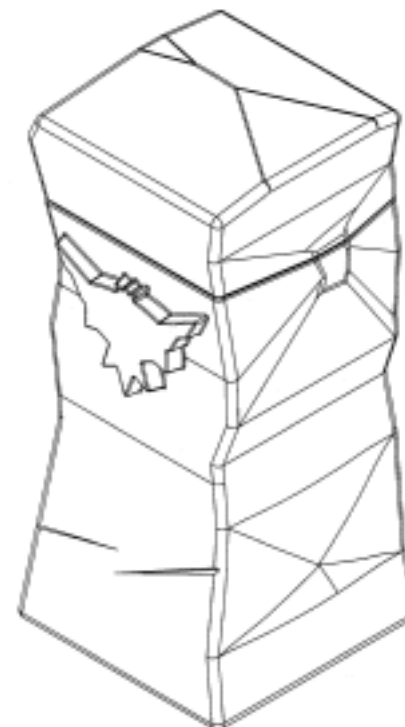
- (21) Design Number: **10833/2011**
(22) Date of Filing Application: **03 March 2011**
(24) Date from which industrial property rights may have effect: **03 March 2011**
(54) Product in respect of which the design is registered: **Packaging for a bottle**
(51) International Design Classification: **09-03E**
(74) Name(s) of Attorney(s): **Davies Collison Cave**
(71) Name(s) and Address(s) of Applicant(s):
Visy R & D Pty Ltd
Level 11 2 Southbank Boulevard Southbank Victoria 3006 Australia
(72) Name(s) of Designer(s): **Michael Salaun**
(45) Registration Date: **15 June 2011**
(56) Related Art Documents: **Not Applicable**
(57) Statement of Newness and Distinctiveness: **The features of shape and configuration of the packaging shown in the accompanying representations are considered to be new and distinctive.**



- (21) Design Number: **10834/2011**
(22) Date of Filing Application: **03 March 2011**
(24) Date from which industrial property rights may have effect: **03 March 2011**
(54) Product in respect of which the design is registered: **Packaging for a bottle**
(51) International Design Classification: **09-03E**
(74) Name(s) of Attorney(s): **Davies Collison Cave**
(71) Name(s) and Address(s) of Applicant(s):
Visy R & D Pty Ltd
Level 11 2 Southbank Boulevard Southbank Victoria 3006 Australia
(72) Name(s) of Designer(s): **Michael Salaun**
(45) Registration Date: **15 June 2011**
(56) Related Art Documents: **Not Applicable**
(57) Statement of Newness and Distinctiveness: **The features of shape and configuration of the packaging shown in the accompanying representations are considered to be new and distinctive.**



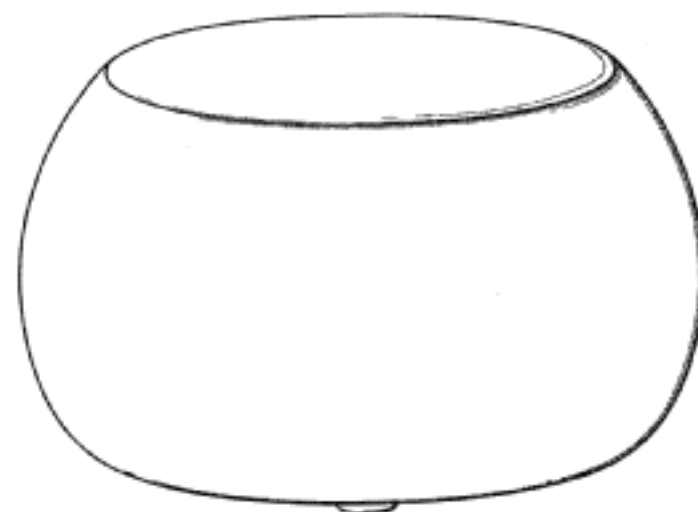
- (21) Design Number: **10835/2011**
(22) Date of Filing Application: **03 March 2011**
(24) Date from which industrial property rights may have effect: **03 March 2011**
(54) Product in respect of which the design is registered: **Packaging for a bottle**
(51) International Design Classification: **09-03E**
(74) Name(s) of Attorney(s): **Davies Collison Cave**
(71) Name(s) and Address(s) of Applicant(s):
Visy R & D Pty Ltd
Level 11 2 Southbank Boulevard Southbank Victoria 3006 Australia
(72) Name(s) of Designer(s): **Geoffrey Charles Naismith**
(45) Registration Date: **15 June 2011**
(56) Related Art Documents: **Not Applicable**
(57) Statement of Newness and Distinctiveness: **The features of shape and configuration of the packaging shown in the accompanying representations are considered to be new and distinctive.**



(21) Design Number: **11475/2011**
(22) Date of Filing Application: **05 April 2011**
(24) Date from which industrial property rights may have effect: **05 April 2011**
(54) Product in respect of which the design is registered: **Sofa**
(51) International Design Classification: **06-01G**
(74) Name(s) of Attorney(s): **Davies Collison Cave**
(71) Name(s) and Address(s) of Applicant(s):
Arper S.p.A.
Via Lombardia 16 Monastier di Treviso Treviso I-31050 Italy
(72) Name(s) of Designer(s): **Alberto Lievore and Jannette Altherr and Manuel Molina**
(45) Registration Date: **15 June 2011**
(30) Convention priority data:
(31) Number (32) Date (33) Country
DM/075 079 20 Oct 2010 WORLD INTELLECTUAL PROPERTY ORGANIZATION (WIPO)
(56) Related Art Documents: **Not Applicable**
(57) Statement of Newness and Distinctiveness: **Nil**



(21) Design Number: **11476/2011**
(22) Date of Filing Application: **05 April 2011**
(24) Date from which industrial property rights may have effect: **05 April 2011**
(54) Product in respect of which the design is registered: **Pouf**
(51) International Design Classification: **06-01E**
(74) Name(s) of Attorney(s): **Davies Collison Cave**
(71) Name(s) and Address(s) of Applicant(s):
Arper S.p.A.
Via Lombardia 16 Monastier di Treviso Treviso I-31050 Italy
(72) Name(s) of Designer(s): **Alberto Lievore and Jannette Altherr and Manuel Molina**
(45) Registration Date: **15 June 2011**
(30) Convention priority data:
(31) Number (32) Date (33) Country
DM/075 079 20 Oct 2010 WORLD INTELLECTUAL PROPERTY ORGANIZATION (WIPO)
(56) Related Art Documents: **Not Applicable**
(57) Statement of Newness and Distinctiveness: **Nil**



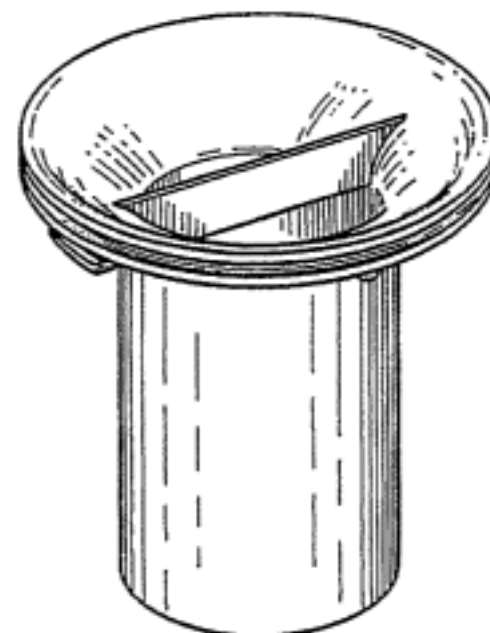
(21) Design Number: **11477/2011**
(22) Date of Filing Application: **05 April 2011**
(24) Date from which industrial property rights may have effect: **05 April 2011**
(54) Product in respect of which the design is registered: **Chair**
(51) International Design Classification: **06-01F**
(74) Name(s) of Attorney(s): **Davies Collison Cave**
(71) Name(s) and Address(s) of Applicant(s):
Arper S.p.A.
Via Lombardia 16 Monastier di Treviso Treviso I-31050 Italy
(72) Name(s) of Designer(s): **Alberto Lievore and Jannette Altherr and Manuel Molina**
(45) Registration Date: **15 June 2011**
(30) Convention priority data:
(31) Number (32) Date (33) Country
DM/075 079 20 Oct 2010 WORLD INTELLECTUAL PROPERTY ORGANIZATION (WIPO)
(56) Related Art Documents: **Not Applicable**
(57) Statement of Newness and Distinctiveness: **Nil**



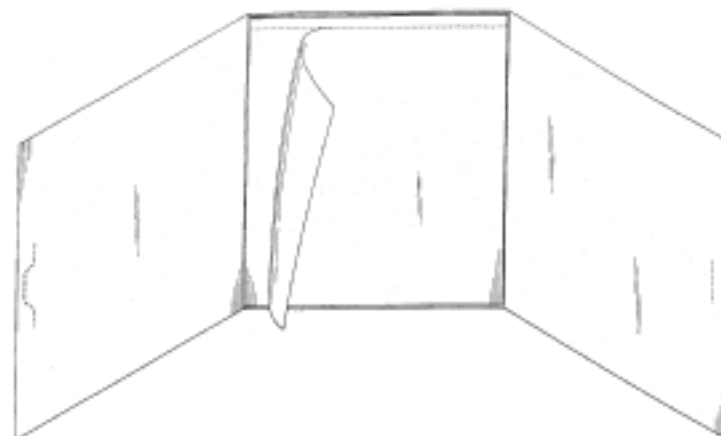
(21) Design Number: **11805/2011**
(22) Date of Filing Application: **28 April 2011**
(24) Date from which industrial property rights may have effect: **28 April 2011**
(54) Product in respect of which the design is registered: **Portable cooking grill**
(51) International Design Classification: **07-02D**
(74) Name(s) of Attorney(s): **PIZZEYS**
(71) Name(s) and Address(s) of Applicant(s):
Fuego North America LLC
Roundhouse One 1500 Sansome Street Suite 100 San Francisco CA 94111 United States of America
(72) Name(s) of Designer(s): **Alex Siow**
(45) Registration Date: **15 June 2011**
(30) Convention priority data:
(31) Number (32) Date (33) Country
29/378,790 09 Nov 2010 UNITED STATES OF AMERICA
(56) Related Art Documents: **Not Applicable**
(57) Statement of Newness and Distinctiveness: **Nil**



(21) Design Number: **11899/2011**
(22) Date of Filing Application: **02 May 2011**
(24) Date from which industrial property rights may have effect: **02 May 2011**
(54) Product in respect of which the design is registered: **Downcomer for a water trap**
(51) International Design Classification: **23-01NES**
(74) Name(s) of Attorney(s): **IP Gateway Patent & Trademark Attorneys**
(71) Name(s) and Address(s) of Applicant(s):
Plastec Australia Pty Ltd
2 Enterprise Street Caloundra Queensland 4551 Australia
(72) Name(s) of Designer(s): **Brian Eley**
(45) Registration Date: **15 June 2011**
(56) Related Art Documents: **Not Applicable**
(57) Statement of Newness and Distinctiveness: **The newness and distinctiveness of the design resides in the visual features of shape and/or configuration of a downcomer for a water trap as shown in the accompanying representations.**



(21) Design Number: **11918/2011**
(22) Date of Filing Application: **29 April 2011**
(24) Date from which industrial property rights may have effect: **29 April 2011**
(54) Product in respect of which the design is registered: **Calendar and card**
(51) International Design Classification: **19-01, 19-03**
(74) Name(s) of Attorney(s): **Chrysiliou IP**
(71) Name(s) and Address(s) of Applicant(s):
Best Publishing Ever International Limited
15 Duncan Terrace London N1 8BZ United Kingdom
(72) Name(s) of Designer(s): **Nicholas Kenney**
(45) Registration Date: **15 June 2011**
(30) Convention priority data:
(31) Number (32) Date (33) Country
001781485-0001 15 Nov 2010 EUROPEAN COMMUNITY
(56) Related Art Documents: **Not Applicable**
(57) Statement of Newness and Distinctiveness: **Nil**



(21) Design Number: **11919/2011**

(22) Date of Filing Application: **02 May 2011**

(24) Date from which industrial property rights may have effect: **02 May 2011**

(54) Product in respect of which the design is registered: **Headlight for heavy equipment**

(51) International Design Classification: **26-06**

(74) Name(s) of Attorney(s): **SPRUSON & FERGUSON**

(71) Name(s) and Address(s) of Applicant(s):

Vision X Asia Co., Ltd.

175-16 Cheongcheon-dong Bupyeong-gu Incheon-si 403-030 Republic of Korea

(72) Name(s) of Designer(s): **In-Hong Ko**

(45) Registration Date: **15 June 2011**

(30) Convention priority data:

(31) Number

(32) Date

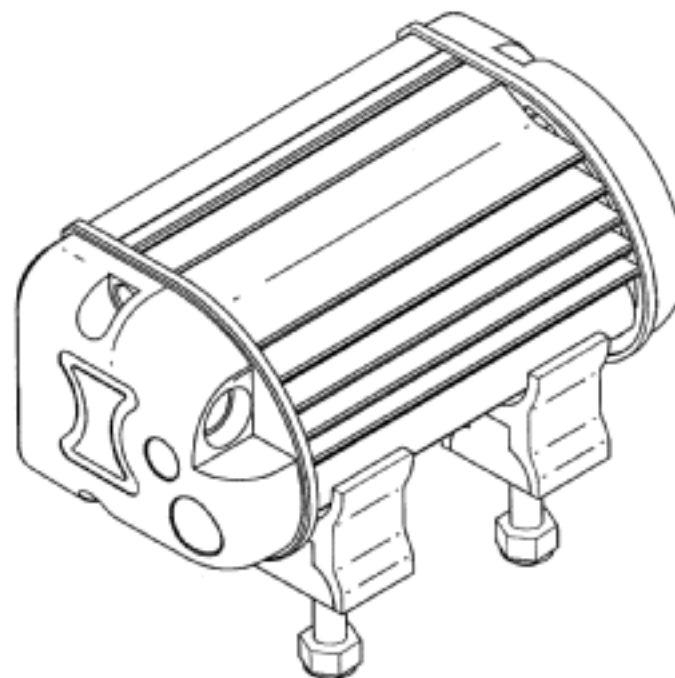
(33) Country

30-2010-0050267 22 Nov 2010

REPUBLIC OF KOREA

(56) Related Art Documents: **Not Applicable**

(57) Statement of Newness and Distinctiveness: **Newness and distinctiveness is claimed in the features of shape and/or configuration of a headlight for heavy equipment as illustrated in continuous lines in the accompanying representations.**



(21) Design Number: **11920/2011**

(22) Date of Filing Application: **02 May 2011**

(24) Date from which industrial property rights may have effect: **02 May 2011**

(54) Product in respect of which the design is registered: **Headlight for heavy equipment**

(51) International Design Classification: **26-06**

(74) Name(s) of Attorney(s): **SPRUSON & FERGUSON**

(71) Name(s) and Address(s) of Applicant(s):

Vision X Asia Co., Ltd.

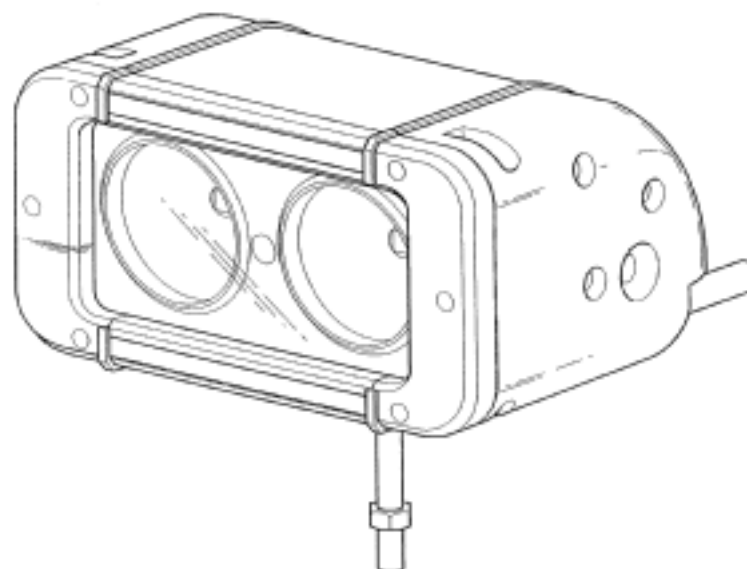
175-16 Cheongcheon-dong Bupyeong-gu Incheon-si 403-030 Republic of Korea

(72) Name(s) of Designer(s): **In-Hong Ko**

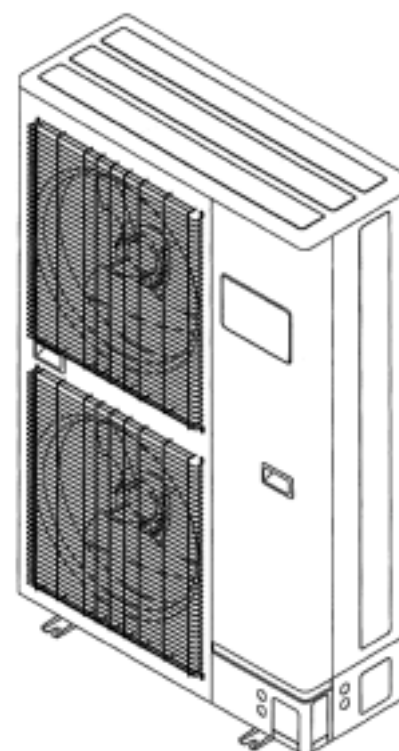
(45) Registration Date: **15 June 2011**

(56) Related Art Documents: **Not Applicable**

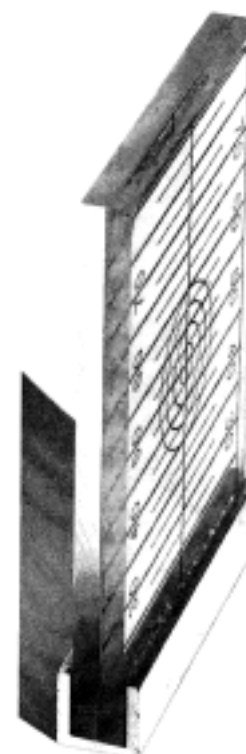
(57) Statement of Newness and Distinctiveness: **Newness and distinctiveness is claimed in the features of shape and/or configuration of a headlight for heavy equipment as illustrated in continuous lines in the accompanying representations.**



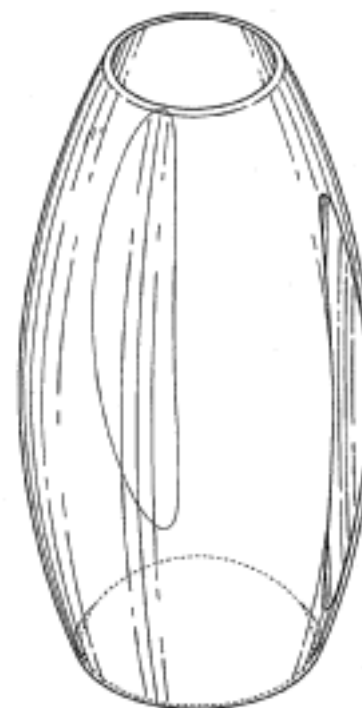
- (21) Design Number: **11921/2011**
(22) Date of Filing Application: **02 May 2011**
(24) Date from which industrial property rights may have effect: **02 May 2011**
(54) Product in respect of which the design is registered: **Outdoor unit for air conditioner**
(51) International Design Classification: **23-04**
(74) Name(s) of Attorney(s): **SPRUSON & FERGUSON**
(71) Name(s) and Address(s) of Applicant(s):
Fujitsu General Limited
1116 Suenaga Takatsu-ku Kawasaki-shi Kanagawa 213-8502 Japan
(72) Name(s) of Designer(s): **Hiroshi Kobayashi**
(45) Registration Date: **15 June 2011**
(30) Convention priority data:
(31) Number (32) Date (33) Country
D2010-026549 04 Nov 2010 JAPAN
(56) Related Art Documents: **Not Applicable**
(57) Statement of Newness and Distinctiveness: **Newness and distinctiveness is claimed in the features of shape and/or configuration of an outdoor unit for air conditioner as illustrated in the accompanying representations.**



- (21) Design Number: **12175/2011**
(22) Date of Filing Application: **13 May 2011**
(24) Date from which industrial property rights may have effect: **13 May 2011**
(54) Product in respect of which the design is registered: **A translucent target for a laser beam**
(51) International Design Classification: **21-01H**
(74) Name(s) of Attorney(s):
(71) Name(s) and Address(s) of Applicant(s):
Gordon Ganning
901 Cavendish Road Mount Gravatt East Queensland 4122 Australia
(72) Name(s) of Designer(s): **Gordon Ganning**
(45) Registration Date: **15 June 2011**
(56) Related Art Documents: **Not Applicable**
(57) Statement of Newness and Distinctiveness: **The shape and configuration of a translucent target for a laser beam as shown in the representations without regard to the mounting channel along the lower side of the target.**



(21) Design Number: **12261/2011**
(22) Date of Filing Application: **19 May 2011**
(24) Date from which industrial property rights may have effect: **19 May 2011**
(54) Product in respect of which the design is registered: **Carafe**
(51) International Design Classification: **07-01F**
(74) Name(s) of Attorney(s): **Cullens Patent and Trade Mark Attorneys**
(71) Name(s) and Address(s) of Applicant(s):
Area 55, Inc.
3232 Grey Hawk Ct Carlsbad 92010 CA United States of America
(72) Name(s) of Designer(s): **Rio Sabadicci**
(45) Registration Date: **15 June 2011**
(30) Convention priority data:
(31) Number (32) Date (33) Country
29/379649 22 Nov 2010 UNITED STATES OF AMERICA
(56) Related Art Documents: **Not Applicable**
(57) Statement of Newness and Distinctiveness: **Newness and distinctiveness is not claimed in the features depicted by broken lines in the illustrations.**



(21) Design Number: **12262/2011**
(22) Date of Filing Application: **20 May 2011**
(24) Date from which industrial property rights may have effect: **20 May 2011**
(54) Product in respect of which the design is registered: **Watch**
(51) International Design Classification: **10-02**
(74) Name(s) of Attorney(s): **WATERMARK PATENT AND TRADE MARKS ATTORNEYS**
(71) Name(s) and Address(s) of Applicant(s):
Omega SA (Omega AG) (Omega Ltd.)
Jakob-Stampfli-Strasse 96 CH-2502 Biel/Bienne Switzerland
(72) Name(s) of Designer(s): **Jean-Claude Monachon**
(45) Registration Date: **15 June 2011**
(30) Convention priority data:
(31) Number (32) Date (33) Country
DM/075 499 08 Mar 2011 SWITZERLAND
(56) Related Art Documents: **Not Applicable**
(57) Statement of Newness and Distinctiveness: **Nil**



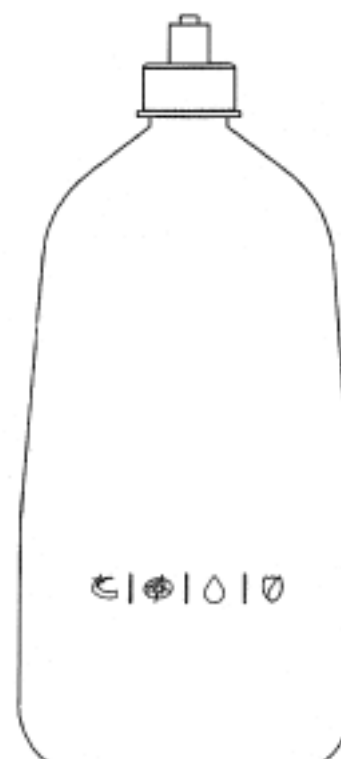
(21) Design Number: **12264/2011**
(22) Date of Filing Application: **20 May 2011**
(24) Date from which industrial property rights may have effect: **20 May 2011**
(54) Product in respect of which the design is registered: **Watch**
(51) International Design Classification: **10-02**
(74) Name(s) of Attorney(s): **WATERMARK PATENT AND TRADE MARKS ATTORNEYS**
(71) Name(s) and Address(s) of Applicant(s):
Omega SA (Omega AG) (Omega Ltd.)
Jakob-Stampfli-Strasse 96 CH-2502 Biel/Bienne Switzerland
(72) Name(s) of Designer(s): **Jean-Claude Monachon**
(45) Registration Date: **15 June 2011**
(30) Convention priority data:
(31) Number (32) Date (33) Country
DM/075 500 08 Mar 2011 SWITZERLAND
(56) Related Art Documents: **Not Applicable**
(57) Statement of Newness and Distinctiveness: **Nil**



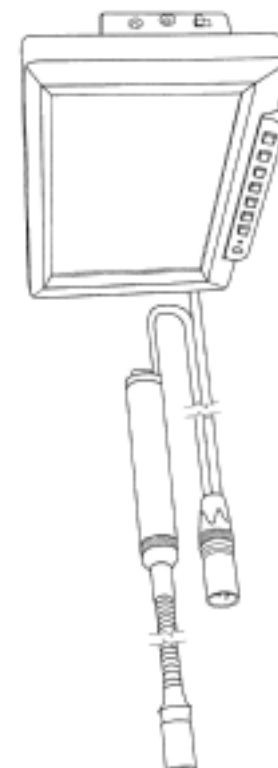
(21) Design Number: **14249/2010**
(22) Date of Filing Application: **11 October 2010**
(24) Date from which industrial property rights may have effect: **11 October 2010**
(54) Product in respect of which the design is registered: **Automobile**
(51) International Design Classification: **12-08**
(74) Name(s) of Attorney(s): **SPRUSON & FERGUSON**
(71) Name(s) and Address(s) of Applicant(s):
Toyota Jidosha Kabushiki Kaisha
1 Toyota-cho Toyota-shi Aichi-Ken 471-8571 Japan
(72) Name(s) of Designer(s): **Jinichi Sato and Akira Yamaguchi**
(45) Registration Date: **15 June 2011**
(56) Related Art Documents: **Not Applicable**
(57) Statement of Newness and Distinctiveness: **Newness and distinctiveness is claimed in the features of shape and/or configuration of an automobile as illustrated in the accompanying representations.**



(21) Design Number: **11518/2011**
(22) Date of Filing Application: **08 April 2011**
(24) Date from which industrial property rights may have effect: **08 April 2011**
(54) Product in respect of which the design is registered: **A bottle**
(51) International Design Classification: **09-01K**
(74) Name(s) of Attorney(s): **SPRUSON & FERGUSON**
(71) Name(s) and Address(s) of Applicant(s):
S.C. Johnson & Son, Inc.
1525 Howe Street Racine Wisconsin 53403-2236 United States of America
(72) Name(s) of Designer(s): **Michael McCuskey and Jacob Parris and Jarom Wren and Garson Lee Yap**
(45) Registration Date: **15 June 2011**
(30) Convention priority data:
(31) Number (32) Date (33) Country
29/376638 08 Oct 2010 UNITED STATES OF AMERICA
(56) Related Art Documents: **Not Applicable**
(57) Statement of Newness and Distinctiveness: **Newness and distinctiveness is claimed in the features of pattern and/or ornamentation of indicia as illustrated in the front elevation in the accompanying representations.**



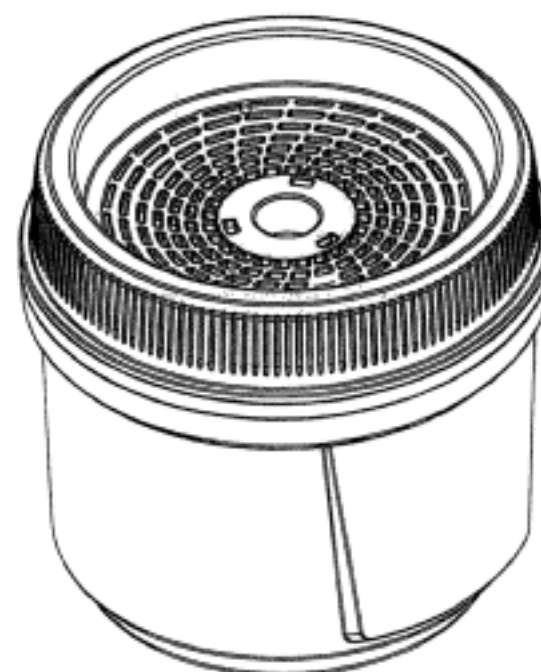
(21) Design Number: **12250/2011**
(22) Date of Filing Application: **19 May 2011**
(24) Date from which industrial property rights may have effect: **19 May 2011**
(54) Product in respect of which the design is registered: **An apparatus for cleaning a vehicle's evaporator coil**
(51) International Design Classification: **08-05E**
(74) Name(s) of Attorney(s): **SPRUSON & FERGUSON**
(71) Name(s) and Address(s) of Applicant(s):
Chaiya Suriyapornpun
210/4 Soi Latphrao 71 Wangthonglang Wangthonglang Bangkok 10310 Thailand
(72) Name(s) of Designer(s): **Chaiya Suriyapornpun**
(45) Registration Date: **15 June 2011**
(30) Convention priority data:
(31) Number (32) Date (33) Country
1002003291 19 Nov 2010 THAILAND
(56) Related Art Documents: **Not Applicable**
(57) Statement of Newness and Distinctiveness: **Newness and distinctiveness is claimed in the features of shape and/or configuration of an apparatus for cleaning a vehicle's evaporator coil as illustrated in the accompanying representations, apart from the length of the cables depicted with break lines.**



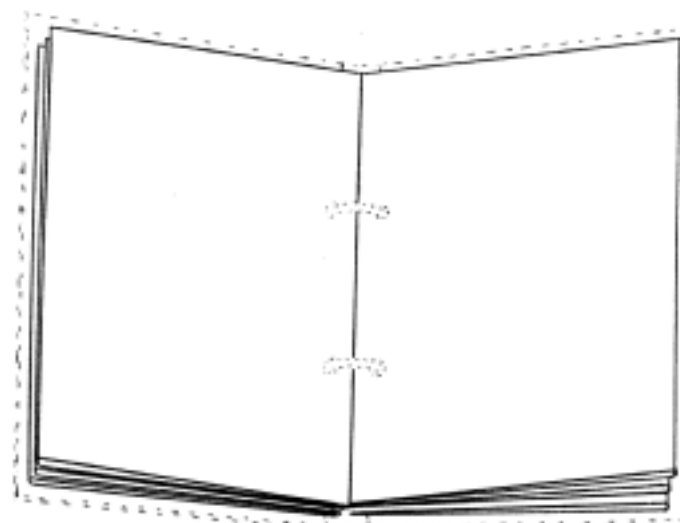
(21) Design Number: **12305/2011**
(22) Date of Filing Application: **24 May 2011**
(24) Date from which industrial property rights may have effect: **24 May 2011**
(54) Product in respect of which the design is registered: **Applicator with cap**
(51) International Design Classification: **28-03NES**
(74) Name(s) of Attorney(s): **PHILLIPS ORMONDE FITZPATRICK**
(71) Name(s) and Address(s) of Applicant(s):
ELC Management LLC
767 Fifth Avenue New York New York 10153 United States of America
(72) Name(s) of Designer(s): **Kimberly Jean McCoy**
(45) Registration Date: **15 June 2011**
(30) Convention priority data:
(31) Number (32) Date (33) Country
29/381,792 22 Dec 2010 UNITED STATES OF AMERICA
(56) Related Art Documents: **Not Applicable**
(57) Statement of Newness and Distinctiveness: **Those features of the applicator with cap depicted in the representations that are new and distinctive are the shape and/or configuration.**



(21) Design Number: **11639/2011**
(22) Date of Filing Application: **14 April 2011**
(24) Date from which industrial property rights may have effect: **14 April 2011**
(54) Product in respect of which the design is registered: **Liquid filter**
(51) International Design Classification: **23-01G**
(74) Name(s) of Attorney(s): **Davies Collison Cave**
(71) Name(s) and Address(s) of Applicant(s):
Strauss Water Ltd.
49 Hasivim Street Petach Tikva 49517 Israel
(72) Name(s) of Designer(s): **Haim Wilder and Eyal Krystal and Omri Bar-On and Shlomi Hillel**
(45) Registration Date: **16 June 2011**
(30) Convention priority data:
(31) Number (32) Date (33) Country
50166 14 Oct 2010 ISRAEL
(56) Related Art Documents: **Not Applicable**
(57) Statement of Newness and Distinctiveness: **Nil**



- (21) Design Number: **12049/2011**
(22) Date of Filing Application: **10 May 2011**
(24) Date from which industrial property rights may have effect: **10 May 2011**
(54) Product in respect of which the design is registered: **Paper writing and filing stationery**
(51) International Design Classification: **19-01**
(74) Name(s) of Attorney(s):
(71) Name(s) and Address(s) of Applicant(s):
Dian Ching Ng
Unit 1 120 Arden Street North Melbourne Victoria 3051 Australia
(72) Name(s) of Designer(s): **Dian Ching Ng**
(45) Registration Date: **16 June 2011**
(56) Related Art Documents: **Not Applicable**
(57) Statement of Newness and Distinctiveness: **Pocket pages, unlike conventional pages in a notepad, consist of pockets within each page with an opening at the top. This allows users to store sheets or smaller bits of paper, while being able to write on the page itself. This is also distinct from conventional display folders because they are transparent and cannot be easily written on with pencil or ball-point/ink pens. The creation of this new design originated from the folding-in-half for reuse of paper which has already been used on one side and thrown out. This new design allows new creative ways of using paper pages, and is particularly useful for study, revision and bookkeeping. Influencing the stationery market with environmentally friendly products with minimal processing costs is one of the major rationales for this design to be patented for industrial utilisation.**



- (21) Design Number: **12273/2011**
(22) Date of Filing Application: **20 May 2011**
(24) Date from which industrial property rights may have effect: **20 May 2011**
(54) Product in respect of which the design is registered: **Metal fitting for furring strip**
(51) International Design Classification: **25-02E**
(74) Name(s) of Attorney(s): **PIZZEYS**
(71) Name(s) and Address(s) of Applicant(s):
Nichiha Corporation
12 Shiodome-cho Minato-ku Nagoya-shi Aichi 455-8550 Japan
(72) Name(s) of Designer(s): **Masaya Minamikawa**
(45) Registration Date: **16 June 2011**
(56) Related Art Documents: **Not Applicable**
(57) Statement of Newness and Distinctiveness: **Nil**



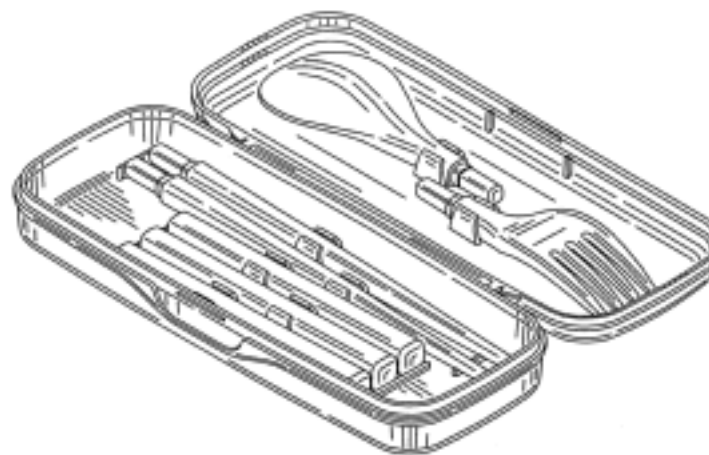
(21) Design Number: **12274/2011**
(22) Date of Filing Application: **20 May 2011**
(24) Date from which industrial property rights may have effect: **20 May 2011**
(54) Product in respect of which the design is registered: **Metal fitting for furring strip**
(51) International Design Classification: **25-02E**
(74) Name(s) of Attorney(s): **PIZZEYS**
(71) Name(s) and Address(s) of Applicant(s):
Nichiha Corporation
12 Shiodome-cho Minato-ku Nagoya-shi Aichi 455-8550 Japan
(72) Name(s) of Designer(s): **Masaya Minamikawa**
(45) Registration Date: **16 June 2011**
(30) Convention priority data:
(31) Number (32) Date (33) Country
2010-027999 24 Nov 2010 JAPAN
(56) Related Art Documents: **Not Applicable**
(57) Statement of Newness and Distinctiveness: **Nil**



(21) Design Number: **12275/2011**
(22) Date of Filing Application: **23 May 2011**
(24) Date from which industrial property rights may have effect: **23 May 2011**
(54) Product in respect of which the design is registered: **Prefabricated aluminium picket panel fencing**
(51) International Design Classification: **25-02C**
(74) Name(s) of Attorney(s):
(71) Name(s) and Address(s) of Applicant(s):
BJB Industries Pty Ltd
315 Pacific Highway Heatherbrae New South Wales 2324 Australia
(72) Name(s) of Designer(s): **Jeff Chilton**
(45) Registration Date: **16 June 2011**
(56) Related Art Documents: **Not Applicable**
(57) Statement of Newness and Distinctiveness: **Decorative gate pattern unique to our company.**



(21) Design Number: **12276/2011**
(22) Date of Filing Application: **20 May 2011**
(24) Date from which industrial property rights may have effect: **20 May 2011**
(54) Product in respect of which the design is registered: **Portable utensil holder**
(51) International Design Classification: **07-03, 07-06NES, 03-01NES**
(74) Name(s) of Attorney(s): **PHILLIPS ORMONDE FITZPATRICK**
(71) Name(s) and Address(s) of Applicant(s):
Dart Industries Inc
14901 S. Orange Blossom Trail Orlando Florida 32837 United States of America



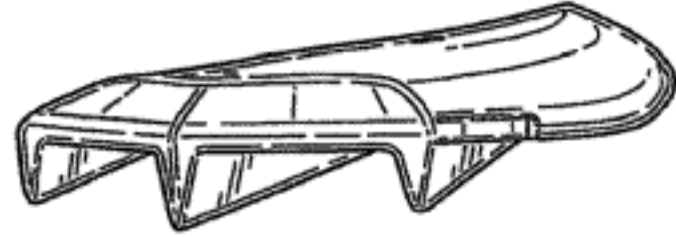
(72) Name(s) of Designer(s): **Anthony M. De Leo**
(45) Registration Date: **16 June 2011**
(30) Convention priority data:
(31) Number (32) Date (33) Country
29/372,825 18 Jan 2011 UNITED STATES OF AMERICA
(56) Related Art Documents: **Not Applicable**
(57) Statement of Newness and Distinctiveness: **Those features of the portable utensil holder depicted in the representations that are new and distinctive are the shape and/or configuration.**

(21) Design Number: **11706/2011**
(22) Date of Filing Application: **18 April 2011**
(24) Date from which industrial property rights may have effect: **18 April 2011**
(54) Product in respect of which the design is registered: **Shielding net**
(51) International Design Classification: **12-16B**
(74) Name(s) of Attorney(s): **Davies Collison Cave**
(71) Name(s) and Address(s) of Applicant(s):
Scania CV AB
Sodertalje SE-151 87 Sweden
(72) Name(s) of Designer(s): **Kjell Fagerstrom and Xavier Carreras-Castro and Kristofer Hansen and Mikael Larsson and Klaus Schmidt**

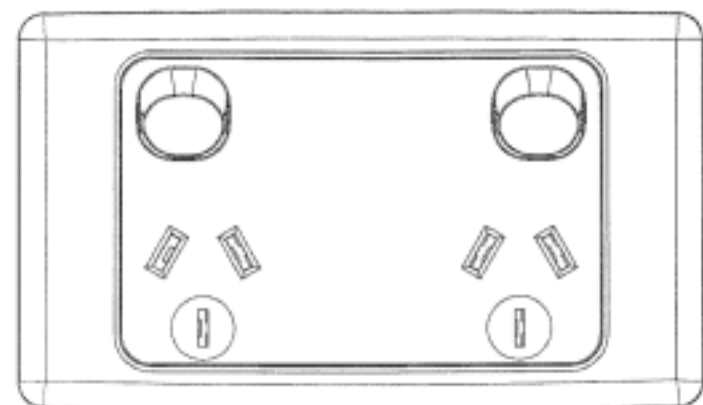


(45) Registration Date: **16 June 2011**
(30) Convention priority data:
(31) Number (32) Date (33) Country
2010/0495 02 Nov 2010 SWEDEN
(56) Related Art Documents: **Not Applicable**
(57) Statement of Newness and Distinctiveness: **Nil**

(21) Design Number: **11707/2011**
(22) Date of Filing Application: **18 April 2011**
(24) Date from which industrial property rights may have effect: **18 April 2011**
(54) Product in respect of which the design is registered: **Surf or paddle board**
(51) International Design Classification: **21-02D**
(74) Name(s) of Attorney(s): **Davies Collison Cave**
(71) Name(s) and Address(s) of Applicant(s):
Envisor Limited
53 Slipper Road Emsworth Hampshire PO10 8BS United Kingdom
(72) Name(s) of Designer(s): **Michael William Titley and Peter Bladd-Symms**
(45) Registration Date: **16 June 2011**
(30) Convention priority data:
(31) Number (32) Date (33) Country
001241624-0003 21 Oct 2010 EUROPEAN COMMUNITY
(56) Related Art Documents: **Not Applicable**
(57) Statement of Newness and Distinctiveness: **Nil**



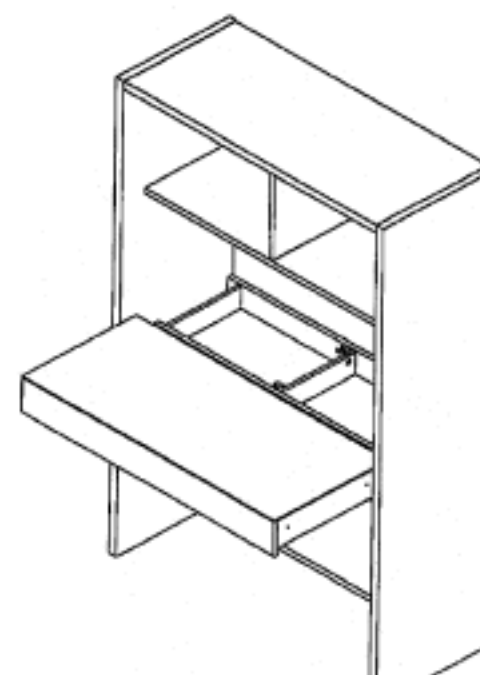
(21) Design Number: **11781/2011**
(22) Date of Filing Application: **21 April 2011**
(24) Date from which industrial property rights may have effect: **21 April 2011**
(54) Product in respect of which the design is registered: **Power outlet**
(51) International Design Classification: **13-03D**
(74) Name(s) of Attorney(s): **Davies Collison Cave**
(71) Name(s) and Address(s) of Applicant(s):
Arlec Australia Pty Ltd
272-274 Maroondah Highway Chirnside Park Victoria 3116 Australia
(72) Name(s) of Designer(s): **Monvids Puika and John Montagnat**
(45) Registration Date: **16 June 2011**
(56) Related Art Documents: **Not Applicable**
(57) Statement of Newness and Distinctiveness: **Newness and distinctiveness is claimed in the configuration of the two sockets to provide an enlarged spacing between the sockets.**



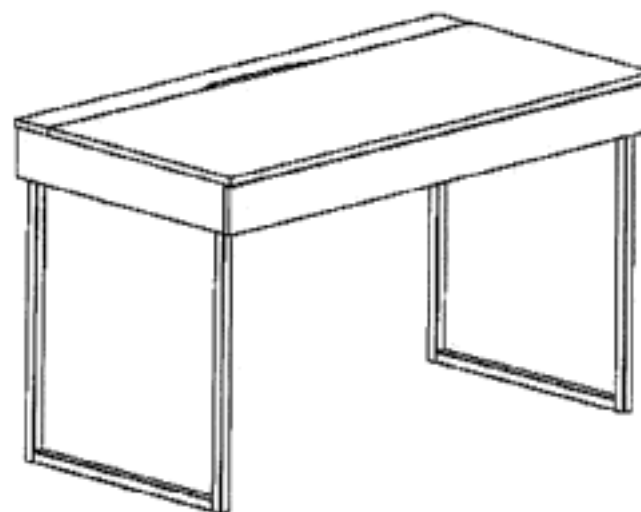
- (21) Design Number: **11782/2011**
(22) Date of Filing Application: **21 April 2011**
(24) Date from which industrial property rights may have effect: **21 April 2011**
(54) Product in respect of which the design is registered: **Power outlet**
(51) International Design Classification: **13-03D**
(74) Name(s) of Attorney(s): **Davies Collison Cave**
(71) Name(s) and Address(s) of Applicant(s):
Arlec Australia Pty Ltd
272-274 Maroondah Highway Chirnside Park Victoria 3116 Australia
(72) Name(s) of Designer(s): **Monvids Puika and John Montagnat**
(45) Registration Date: **16 June 2011**
(56) Related Art Documents: **Not Applicable**
(57) Statement of Newness and Distinctiveness: **Newness and distinctiveness is claimed in the features of shape and/or configuration of the night light marked "A" incorporated in the front face of the outlet as shown in the representations.**



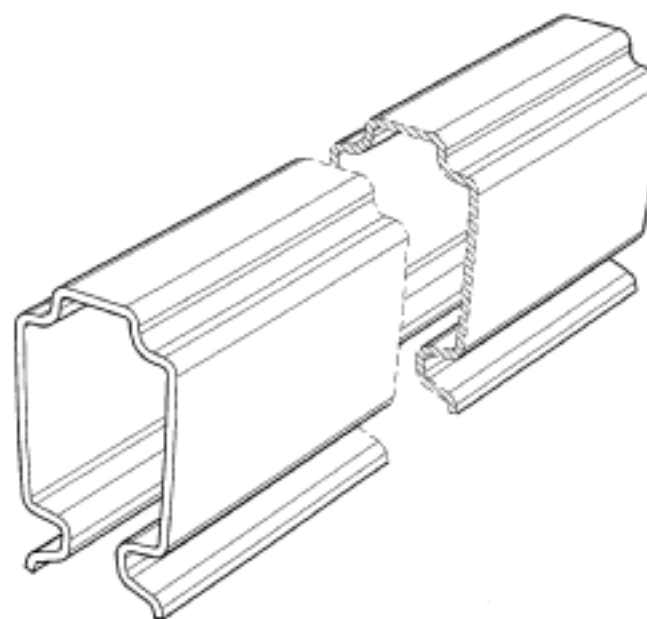
- (21) Design Number: **15594/2010**
(22) Date of Filing Application: **20 December 2010**
(24) Date from which industrial property rights may have effect: **20 December 2010**
(54) Product in respect of which the design is registered: **Storage unit desk**
(51) International Design Classification: **06-04B, 06-03C**
(74) Name(s) of Attorney(s):
(71) Name(s) and Address(s) of Applicant(s):
Criterion Group Limited
2 Secombe Place Moorebank Sydney New South Wales 2170 Australia
(72) Name(s) of Designer(s): **Paul Freestone**
(45) Registration Date: **16 June 2011**
(56) Related Art Documents: **Not Applicable**
(57) Statement of Newness and Distinctiveness: **The novelty of the design resides in the features of shape and configuration of the storage unit desk as shown in the accompanying representations.**



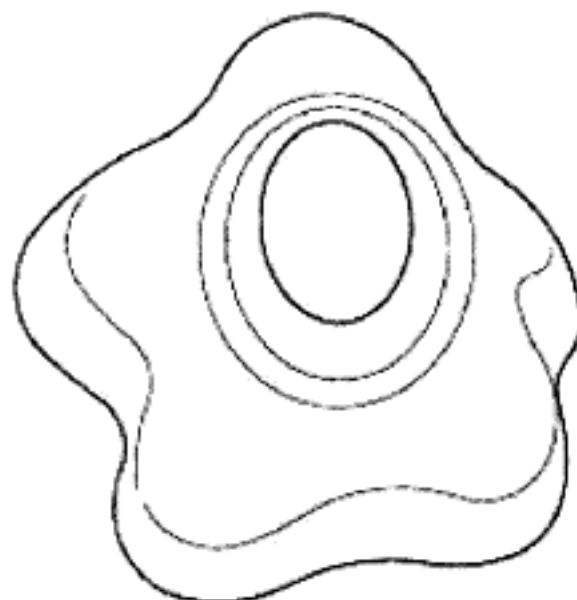
(21) Design Number: **10065/2011**
(22) Date of Filing Application: **10 January 2011**
(24) Date from which industrial property rights may have effect: **10 January 2011**
(54) Product in respect of which the design is registered: **A desk**
(51) International Design Classification: **06-03C**
(74) Name(s) of Attorney(s):
(71) Name(s) and Address(s) of Applicant(s):
Criterion Group Limited
2 Secombe Place Moorebank Sydney New South Wales 2170 Australia
(72) Name(s) of Designer(s): **Paul Freestone**
(45) Registration Date: **16 June 2011**
(30) Convention priority data:
(31) Number (32) Date (33) Country
414370 06 Dec 2010 NEW ZEALAND
(56) Related Art Documents: **Not Applicable**
(57) Statement of Newness and Distinctiveness: **The novelty of the design resides in the features of shape and configuration of a desk as shown in the accompanying representations.**



(21) Design Number: **11618/2011**
(22) Date of Filing Application: **13 April 2011**
(24) Date from which industrial property rights may have effect: **13 April 2011**
(54) Product in respect of which the design is registered: **Running rail for trolleys**
(51) International Design Classification: **12-05**
(74) Name(s) of Attorney(s): **Callinans**
(71) Name(s) and Address(s) of Applicant(s):
Demag Cranes & Components GmbH
Ruhrstr. 28 58300 Wetter Germany
(72) Name(s) of Designer(s): **Shrikant Bhosale and Mahesh Uttekar and Deepti Khadke and Deepak Desai and Akhoy Seal and Stefan Steinberg and Sven Muller**
(45) Registration Date: **16 June 2011**
(30) Convention priority data:
(31) Number (32) Date (33) Country
232523 08 Nov 2010 INDIA
(56) Related Art Documents: **Not Applicable**
(57) Statement of Newness and Distinctiveness: **Newness and distinctiveness resides in the features of the shape and configuration of a rail as shown in the accompanying representations which is of indefinite length.**



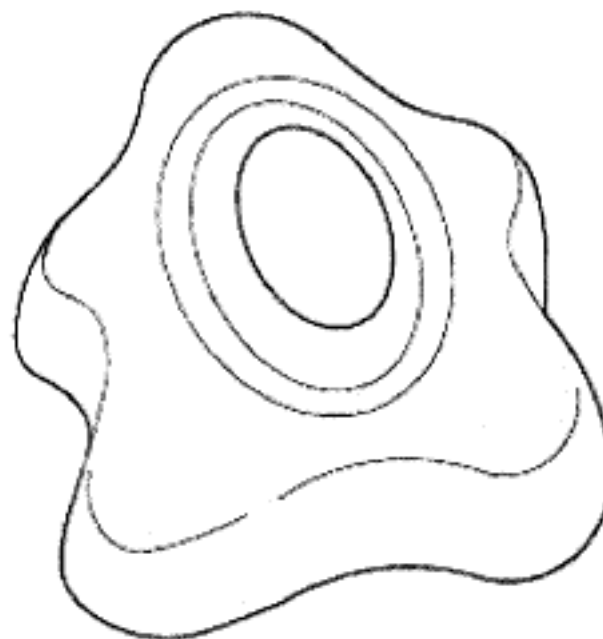
(21) Design Number: **12020/2011**
(22) Date of Filing Application: **06 May 2011**
(24) Date from which industrial property rights may have effect: **06 May 2011**
(54) Product in respect of which the design is registered: **Chocolate confectionery**
(51) International Design Classification: **01-01**
(74) Name(s) of Attorney(s): **Griffith Hack**
(71) Name(s) and Address(s) of Applicant(s):
Cadbury UK Limited
PO Box 12 Bournville Lane Bournville Birmingham West Midlands B30
2LU United Kingdom
(72) Name(s) of Designer(s): **Nicola Heaton**
(45) Registration Date: **16 June 2011**
(30) Convention priority data:
(31) Number (32) Date (33) Country
001779133 09 Nov 2010 EUROPEAN COMMUNITY
(56) Related Art Documents: **Not Applicable**
(57) Statement of Newness and Distinctiveness: **Nil**



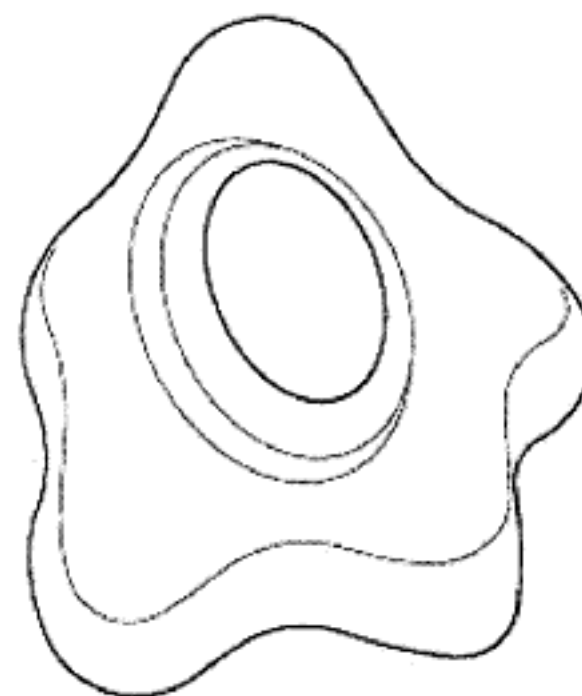
(21) Design Number: **12021/2011**
(22) Date of Filing Application: **06 May 2011**
(24) Date from which industrial property rights may have effect: **06 May 2011**
(54) Product in respect of which the design is registered: **Chocolate confectionery**
(51) International Design Classification: **01-01**
(74) Name(s) of Attorney(s): **Griffith Hack**
(71) Name(s) and Address(s) of Applicant(s):
Cadbury UK Limited
PO Box 12 Bournville Lane Bournville Birmingham West Midlands B30
2LU United Kingdom
(72) Name(s) of Designer(s): **Nicola Heaton**
(45) Registration Date: **16 June 2011**
(30) Convention priority data:
(31) Number (32) Date (33) Country
001779133 09 Nov 2010 EUROPEAN COMMUNITY
(56) Related Art Documents: **Not Applicable**
(57) Statement of Newness and Distinctiveness: **Nil**



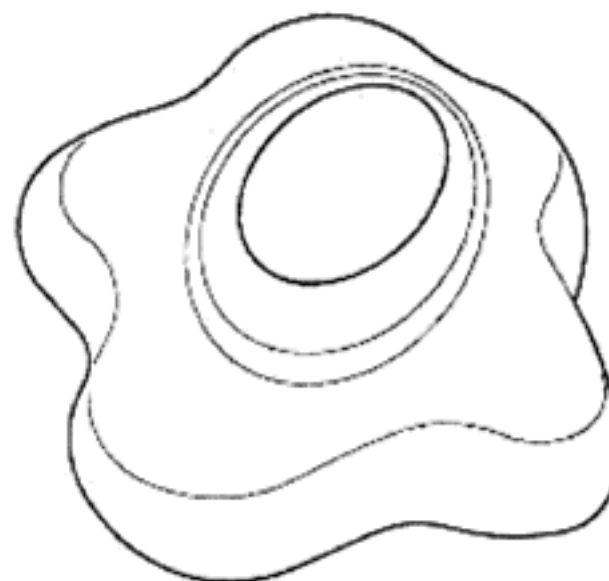
(21) Design Number: **12022/2011**
(22) Date of Filing Application: **06 May 2011**
(24) Date from which industrial property rights may have effect: **06 May 2011**
(54) Product in respect of which the design is registered: **Chocolate confectionery**
(51) International Design Classification: **01-01**
(74) Name(s) of Attorney(s): **Griffith Hack**
(71) Name(s) and Address(s) of Applicant(s):
Cadbury UK Limited
PO Box 12 Bournville Lane Bournville Birmingham West Midlands B30
2LU United Kingdom
(72) Name(s) of Designer(s): **Nicola Heaton**
(45) Registration Date: **16 June 2011**
(30) Convention priority data:
(31) Number (32) Date (33) Country
001779133 09 Nov 2010 EUROPEAN COMMUNITY
(56) Related Art Documents: **Not Applicable**
(57) Statement of Newness and Distinctiveness: **Nil**



(21) Design Number: **12023/2011**
(22) Date of Filing Application: **06 May 2011**
(24) Date from which industrial property rights may have effect: **06 May 2011**
(54) Product in respect of which the design is registered: **Chocolate confectionery**
(51) International Design Classification: **01-01**
(74) Name(s) of Attorney(s): **Griffith Hack**
(71) Name(s) and Address(s) of Applicant(s):
Cadbury UK Limited
PO Box 12 Bournville Lane Bournville Birmingham West Midlands B30
2LU United Kingdom
(72) Name(s) of Designer(s): **Nicola Heaton**
(45) Registration Date: **16 June 2011**
(30) Convention priority data:
(31) Number (32) Date (33) Country
001779133 09 Nov 2010 EUROPEAN COMMUNITY
(56) Related Art Documents: **Not Applicable**
(57) Statement of Newness and Distinctiveness: **Nil**



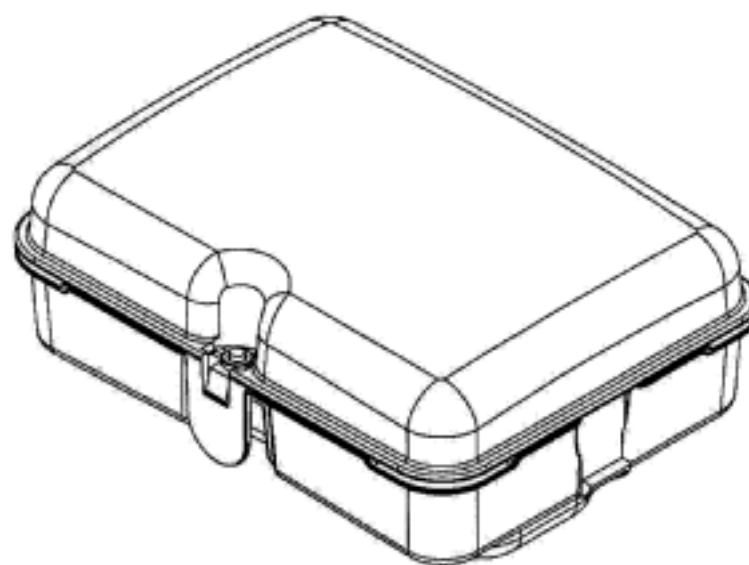
(21) Design Number: **12024/2011**
(22) Date of Filing Application: **06 May 2011**
(24) Date from which industrial property rights may have effect: **06 May 2011**
(54) Product in respect of which the design is registered: **Chocolate confectionery**
(51) International Design Classification: **01-01**
(74) Name(s) of Attorney(s): **Griffith Hack**
(71) Name(s) and Address(s) of Applicant(s):
Cadbury UK Limited
PO Box 12 Bournville Lane Bournville Birmingham West Midlands B30
2LU United Kingdom
(72) Name(s) of Designer(s): **Nicola Heaton**
(45) Registration Date: **16 June 2011**
(30) Convention priority data:
(31) Number (32) Date (33) Country
001779133 09 Nov 2010 EUROPEAN COMMUNITY
(56) Related Art Documents: **Not Applicable**
(57) Statement of Newness and Distinctiveness: **Nil**



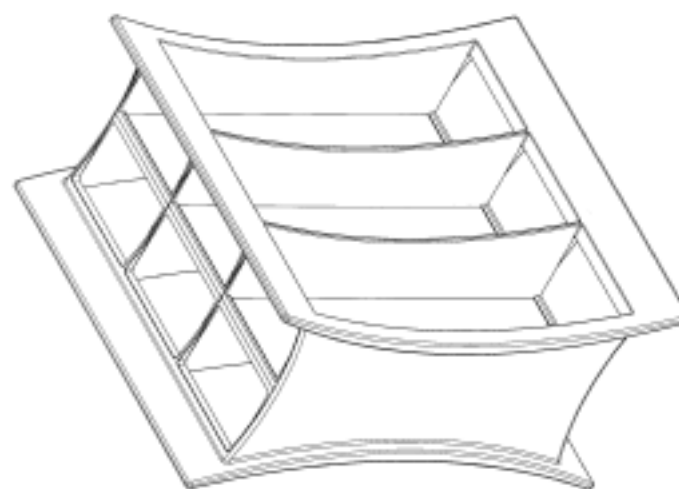
(21) Design Number: **12271/2011**
(22) Date of Filing Application: **20 May 2011**
(24) Date from which industrial property rights may have effect: **20 May 2011**
(54) Product in respect of which the design is registered: **Tyre for automobile**
(51) International Design Classification: **12-15B**
(74) Name(s) of Attorney(s): **SPRUSON & FERGUSON**
(71) Name(s) and Address(s) of Applicant(s):
The Goodyear Tire & Rubber Company
1144 East Market Street Akron Ohio 44316-0001 United States of
America
(72) Name(s) of Designer(s): **Takehiko Murata**
(45) Registration Date: **16 June 2011**
(30) Convention priority data:
(31) Number (32) Date (33) Country
2010-028782 02 Dec 2010 JAPAN
(56) Related Art Documents: **Not Applicable**
(57) Statement of Newness and Distinctiveness: **Newness and distinctiveness is claimed in the features of shape and/or configuration of the tread of a tyre as illustrated in the accompanying representations, wherein the shape and/or configuration of the tread is repeated throughout the circumference of the tyre.**



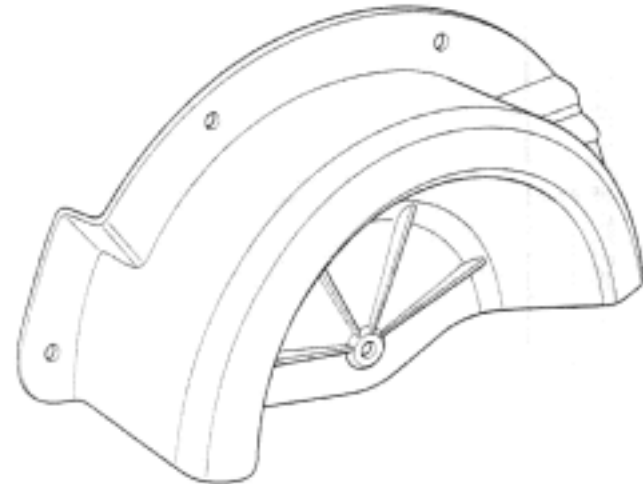
(21) Design Number: **12272/2011**
(22) Date of Filing Application: **20 May 2011**
(24) Date from which industrial property rights may have effect: **20 May 2011**
(54) Product in respect of which the design is registered: **Box for pacifiers**
(51) International Design Classification: **03-01NES**
(74) Name(s) of Attorney(s): **SPRUSON & FERGUSON**
(71) Name(s) and Address(s) of Applicant(s):
MAM Babyartikel Gesellschaft m.b.H.
Lorenz-Mandl-Gasse 50 1160 Wien Austria
(72) Name(s) of Designer(s): **Peter Rohrig and Christoph Pauschitz**
(45) Registration Date: **16 June 2011**
(30) Convention priority data:
(31) Number (32) Date (33) Country
1786690-0001 29 Nov 2010 EUROPEAN COMMUNITY
(56) Related Art Documents: **Not Applicable**
(57) Statement of Newness and Distinctiveness: **Newness and distinctiveness is claimed in the features of shape and/or configuration of a box for pacifiers as illustrated in the accompanying representations.**



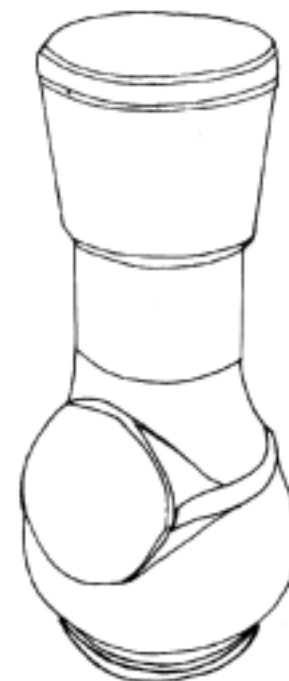
(21) Design Number: **12149/2011**
(22) Date of Filing Application: **13 May 2011**
(24) Date from which industrial property rights may have effect: **13 May 2011**
(54) Product in respect of which the design is registered: **A dispenser for beverage machine capsules**
(51) International Design Classification: **07-02L**
(74) Name(s) of Attorney(s): **Banki Haddock Fiora**
(71) Name(s) and Address(s) of Applicant(s):
Societe des Produits Nestle S.A.
1800 Vevey Switzerland
(72) Name(s) of Designer(s): **Frank Rousselin**
(45) Registration Date: **16 June 2011**
(30) Convention priority data:
(31) Number (32) Date (33) Country
137485 15 Dec 2010 SWITZERLAND
(56) Related Art Documents: **Not Applicable**
(57) Statement of Newness and Distinctiveness: **Nil**



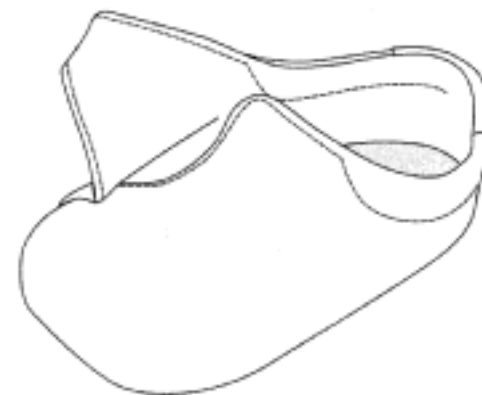
- (21) Design Number: **12242/2011**
(22) Date of Filing Application: **19 May 2011**
(24) Date from which industrial property rights may have effect: **19 May 2011**
(54) Product in respect of which the design is registered: **A wheel cowl**
(51) International Design Classification: **12-16A**
(74) Name(s) of Attorney(s): **A.P.T. Patent and Trade Mark Attorneys**
(71) Name(s) and Address(s) of Applicant(s):
Richard George Gladwin
437 Elgin Street Blairgowrie 2194 Randburg South Africa
(72) Name(s) of Designer(s): **Richard George Gladwin**
(45) Registration Date: **16 June 2011**
(56) Related Art Documents: **Not Applicable**
(57) Statement of Newness and Distinctiveness: **Nil**



- (21) Design Number: **12243/2011**
(22) Date of Filing Application: **16 May 2011**
(24) Date from which industrial property rights may have effect: **16 May 2011**
(54) Product in respect of which the design is registered: **A grinder**
(51) International Design Classification: **07-06C**
(74) Name(s) of Attorney(s): **HODGKINSON McINNES PATENTS**
(71) Name(s) and Address(s) of Applicant(s):
Cerebos (Australia) Limited
2 Costello Place Seven Hills New South Wales 2147 Australia
(72) Name(s) of Designer(s): **David Francis and Stan Odesse**
(45) Registration Date: **16 June 2011**
(56) Related Art Documents: **Not Applicable**
(57) Statement of Newness and Distinctiveness: **Newness and distinctiveness is claimed in the features of shape and/or configuration of a grinder as illustrated in the accompanying representations.**



(21) Design Number: **12244/2011**
(22) Date of Filing Application: **18 May 2011**
(24) Date from which industrial property rights may have effect: **18 May 2011**
(54) Product in respect of which the design is registered: **Infant footwear**
(51) International Design Classification: **02-04NES**
(74) Name(s) of Attorney(s): **Griffith Hack**
(71) Name(s) and Address(s) of Applicant(s):
Bobux International Limited
Unit 7 35 Allens Road East Tamaki Auckland New Zealand
(72) Name(s) of Designer(s): **Guy Hohmann**
(45) Registration Date: **16 June 2011**
(56) Related Art Documents: **Not Applicable**
(57) Statement of Newness and Distinctiveness: **Nil**



(21) Design Number: **12266/2011**
(22) Date of Filing Application: **20 May 2011**
(24) Date from which industrial property rights may have effect: **20 May 2011**
(54) Product in respect of which the design is registered: **Portion of a hand tool for tool access or the like**
(51) International Design Classification: **08-05P**
(74) Name(s) of Attorney(s): **PIZZEYS**
(71) Name(s) and Address(s) of Applicant(s):
Leatherman Tool Group, Inc.
12106 NE Ainsworth Circle Portland OR 97220 United States of America
(72) Name(s) of Designer(s): **Blair Scott Barnes and Benjamin C. Rivera**
(45) Registration Date: **16 June 2011**
(30) Convention priority data:
(31) Number (32) Date (33) Country
29/381,289 17 Dec 2010 UNITED STATES OF AMERICA
(56) Related Art Documents: **Not Applicable**
(57) Statement of Newness and Distinctiveness: **Nil**



(21) Design Number: **12267/2011**
(22) Date of Filing Application: **20 May 2011**
(24) Date from which industrial property rights may have effect: **20 May 2011**
(54) Product in respect of which the design is registered: **Folding hand tool**
(51) International Design Classification: **08-05P**
(74) Name(s) of Attorney(s): **PIZZEYS**
(71) Name(s) and Address(s) of Applicant(s):
Leatherman Tool Group, Inc.
12106 NE Ainsworth Circle Portland OR 97220 United States of America
(72) Name(s) of Designer(s): **Blair Scott Barnes and Benjamin C. Rivera**
(45) Registration Date: **16 June 2011**
(30) Convention priority data:
(31) Number (32) Date (33) Country
29/381,286 17 Dec 2010 UNITED STATES OF AMERICA
(56) Related Art Documents: **Not Applicable**
(57) Statement of Newness and Distinctiveness: **Nil**



(21) Design Number: **12134/2011**
(22) Date of Filing Application: **06 May 2011**
(24) Date from which industrial property rights may have effect: **06 May 2011**
(54) Product in respect of which the design is registered: **Metal hammock frame**
(51) International Design Classification: **06-01NES**
(74) Name(s) of Attorney(s):
(71) Name(s) and Address(s) of Applicant(s):
Saracen's Outdoor Pty Ltd
4/2 Berne Street St Peters New South Wales 2044 Australia
(72) Name(s) of Designer(s): **Jeff Liu**
(45) Registration Date: **16 June 2011**
(56) Related Art Documents: **Not Applicable**
(57) Statement of Newness and Distinctiveness: **(a) The style and size of the frame include a wide base for better stability. (b) The ability to adjust the hook up or down to meet the requirements of several different sized hammocks. (c) The 'U' shape top bar allow a better and more even distribution of hammock cords.**



(21) Design Number: **12256/2011**
(22) Date of Filing Application: **20 May 2011**
(24) Date from which industrial property rights may have effect: **20 May 2011**
(54) Product in respect of which the design is registered: **Prefabricated aluminium picket panel fencing**
(51) International Design Classification: **25-02C**
(74) Name(s) of Attorney(s):
(71) Name(s) and Address(s) of Applicant(s):
BJB Industries Pty Ltd
315 Pacific Highway Heatherbrae New South Wales 2324 Australia
(72) Name(s) of Designer(s): **Jeff Chilton**
(45) Registration Date: **16 June 2011**
(56) Related Art Documents: **Not Applicable**
(57) Statement of Newness and Distinctiveness: **Unique spearhead design, shape and spacing of pickets gives the aluminium fencing the look of timber fencing.**



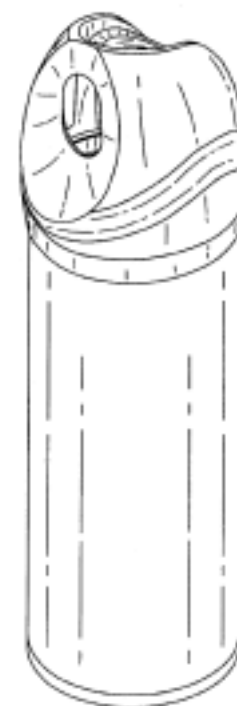
(21) Design Number: **12257/2011**
(22) Date of Filing Application: **18 May 2011**
(24) Date from which industrial property rights may have effect: **18 May 2011**
(54) Product in respect of which the design is registered: **Oral care implement**
(51) International Design Classification: **04-02**
(74) Name(s) of Attorney(s): **FB Rice**
(71) Name(s) and Address(s) of Applicant(s):
Colgate-Palmolive Company
300 Park Avenue New York New York 10022 United States of America
(72) Name(s) of Designer(s): **Wen Jin Xi and Yan Mei Ji and Kai Zhang**
(45) Registration Date: **16 June 2011**
(30) Convention priority data:
(31) Number (32) Date (33) Country
29/381173 16 Dec 2010 UNITED STATES OF AMERICA
(56) Related Art Documents: **Not Applicable**
(57) Statement of Newness and Distinctiveness: **Newness and distinctiveness reside in the features of the oral care implement as shown in the representations.**



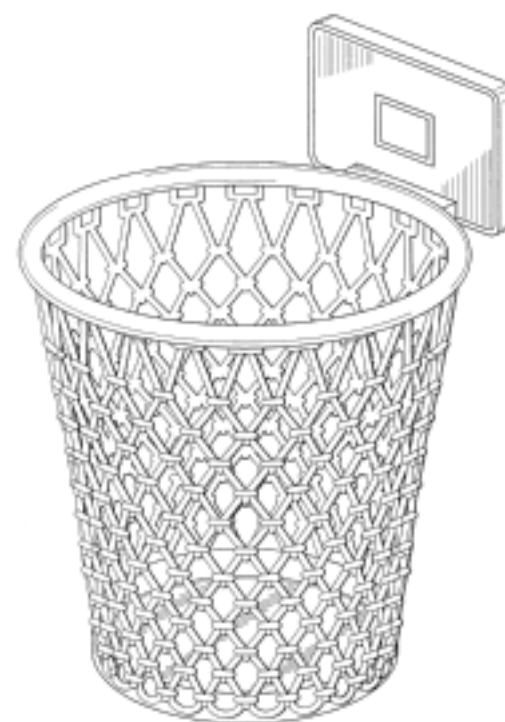
(21) Design Number: **12258/2011**
(22) Date of Filing Application: **19 May 2011**
(24) Date from which industrial property rights may have effect: **19 May 2011**
(54) Product in respect of which the design is registered: **Aerosol cap**
(51) International Design Classification: **09-07A**
(74) Name(s) of Attorney(s): **Shelston IP**
(71) Name(s) and Address(s) of Applicant(s):
Reckitt & Colman (Overseas) Limited
103-105 Bath Road Slough Berkshire SL1 3UH United Kingdom
(72) Name(s) of Designer(s): **Mark Gidlow**
(45) Registration Date: **16 June 2011**
(30) Convention priority data:
(31) Number (32) Date (33) Country
001796491-0001 21 Dec 2010 EUROPEAN COMMUNITY
(56) Related Art Documents: **Not Applicable**
(57) Statement of Newness and Distinctiveness: **Nil**



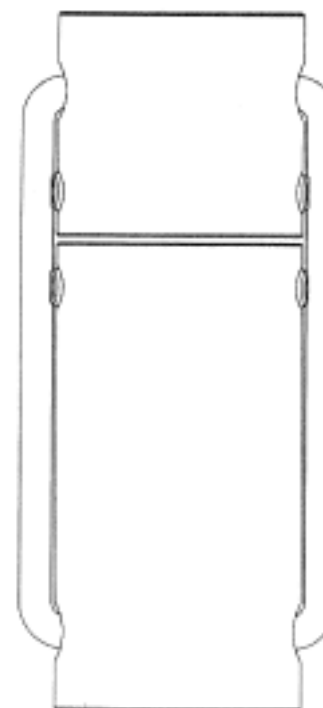
(21) Design Number: **12259/2011**
(22) Date of Filing Application: **19 May 2011**
(24) Date from which industrial property rights may have effect: **19 May 2011**
(54) Product in respect of which the design is registered: **Aerosol and cap**
(51) International Design Classification: **09-01A**
(74) Name(s) of Attorney(s): **Shelston IP**
(71) Name(s) and Address(s) of Applicant(s):
Reckitt & Colman (Overseas) Limited
103-105 Bath Road Slough Berkshire SL1 3UH United Kingdom
(72) Name(s) of Designer(s): **Mark Gidlow**
(45) Registration Date: **16 June 2011**
(30) Convention priority data:
(31) Number (32) Date (33) Country
001796533-0001 21 Dec 2010 EUROPEAN COMMUNITY
(56) Related Art Documents: **Not Applicable**
(57) Statement of Newness and Distinctiveness: **Nil**



(21) Design Number: **12281/2011**
(22) Date of Filing Application: **20 May 2011**
(24) Date from which industrial property rights may have effect: **20 May 2011**
(54) Product in respect of which the design is registered: **Wastebasket/clothes hamper**
(51) International Design Classification: **07-07NES**
(74) Name(s) of Attorney(s): **Griffith Hack**
(71) Name(s) and Address(s) of Applicant(s):
Douglas Jensen
4068 Meadow Lark Drive Calabasas CA 91302 United States of America
(72) Name(s) of Designer(s): **Douglas Jensen**
(45) Registration Date: **16 June 2011**
(56) Related Art Documents: **Not Applicable**
(57) Statement of Newness and Distinctiveness: **Newness and distinctiveness resides in the visual features including shape, configuration and pattern of a wastebasket/clothes hamper, as shown in solid outline in the accompanying drawings.**



(21) Design Number: **12555/2011**
(22) Date of Filing Application: **06 June 2011**
(24) Date from which industrial property rights may have effect: **06 June 2011**
(54) Product in respect of which the design is registered: **Light**
(51) International Design Classification: **26-02**
(74) Name(s) of Attorney(s): **Golja Haines & Friend**
(71) Name(s) and Address(s) of Applicant(s):
Traxon Technologies Ltd.
208 Wireless Centre 3 Science Park East Avenue Hong Kong Science Park Shatin Hong Kong Hong Kong
(72) Name(s) of Designer(s): **Lorenzo Scazziga**
(45) Registration Date: **16 June 2011**
(30) Convention priority data:
(31) Number (32) Date (33) Country
001789777 06 Dec 2010 EUROPEAN COMMUNITY
(56) Related Art Documents: **Not Applicable**
(57) Statement of Newness and Distinctiveness: **Newness and distinctiveness resides in the visual features of shape and/or configuration of the light, having a base and a light emitting component which are rotatably connected to a pair of rods, illustrated in the representations.**



(21) Design Number: **12298/2011**

(22) Date of Filing Application: **23 May 2011**

(24) Date from which industrial property rights may have effect: **23 May 2011**

(54) Product in respect of which the design is registered: **Shower screen telescoping header rail**

(51) International Design Classification: **23-02B, 08-09**

(74) Name(s) of Attorney(s): **SPRUSON & FERGUSON**

(71) Name(s) and Address(s) of Applicant(s):

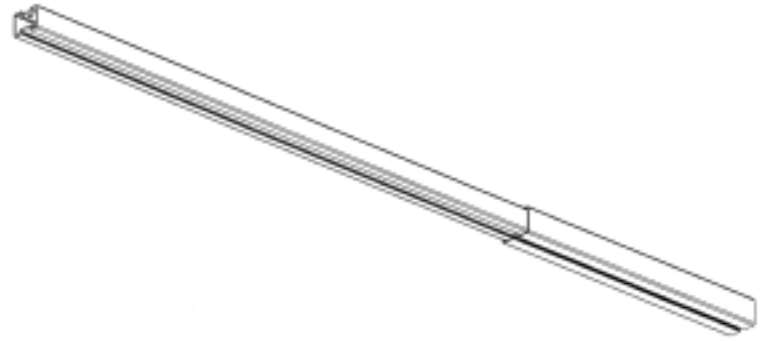
JELD-WEN Australia Pty Ltd
Truganini Cottage 38-46 South Street Rydalmere New South Wales 2116
Australia

(72) Name(s) of Designer(s): **Nigel Lapping and David Andrew Hills**

(45) Registration Date: **17 June 2011**

(56) Related Art Documents: **Not Applicable**

(57) Statement of Newness and Distinctiveness: **Newness and distinctiveness is claimed in the features of shape and/or configuration of a shower screen telescoping header rail as illustrated in the accompanying representations, apart from the length of the elements forming the rail.**



(21) Design Number: **12300/2011**

(22) Date of Filing Application: **23 May 2011**

(24) Date from which industrial property rights may have effect: **23 May 2011**

(54) Product in respect of which the design is registered: **Shower screen header rail element**

(51) International Design Classification: **23-02B, 08-09**

(74) Name(s) of Attorney(s): **SPRUSON & FERGUSON**

(71) Name(s) and Address(s) of Applicant(s):

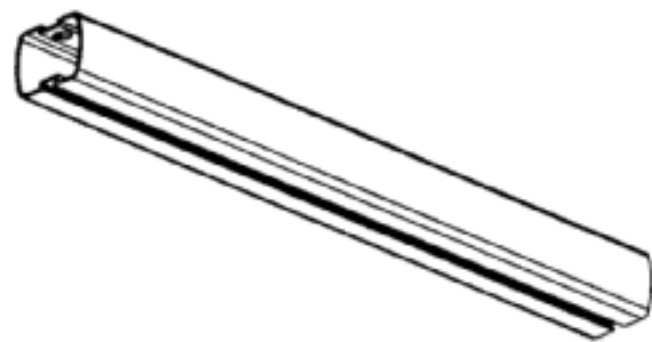
JELD-WEN Australia Pty Ltd
Truganini Cottage 38-46 South Street Rydalmere New South Wales 2116
Australia

(72) Name(s) of Designer(s): **Nigel Lapping and David Andrew Hills**

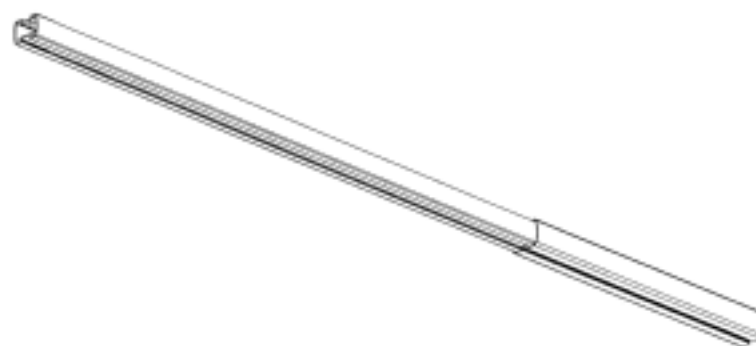
(45) Registration Date: **17 June 2011**

(56) Related Art Documents: **Not Applicable**

(57) Statement of Newness and Distinctiveness: **Newness and distinctiveness is claimed in the features of shape and/or configuration of the cross-section of a shower screen header rail element as illustrated in the accompanying representations.**



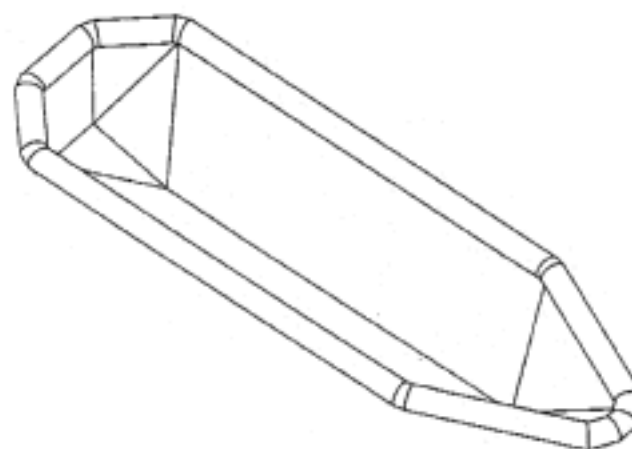
- (21) Design Number: **12301/2011**
(22) Date of Filing Application: **23 May 2011**
(24) Date from which industrial property rights may have effect: **23 May 2011**
(54) Product in respect of which the design is registered: **Shower screen telescoping header rail**
(51) International Design Classification: **23-02B, 08-09**
(74) Name(s) of Attorney(s): **SPRUSON & FERGUSON**
(71) Name(s) and Address(s) of Applicant(s):
JELD-WEN Australia Pty Ltd
Truganini Cottage 38-46 South Street Rydalmere New South Wales 2116
Australia
(72) Name(s) of Designer(s): **Nigel Lapping and David Andrew Hills**
(45) Registration Date: **17 June 2011**
(56) Related Art Documents: **Not Applicable**
(57) Statement of Newness and Distinctiveness: **Newness and distinctiveness is claimed in the features of shape and/or configuration of a shower screen telescoping header rail as illustrated in the accompanying representations, apart from the length of the elements forming the rail.**



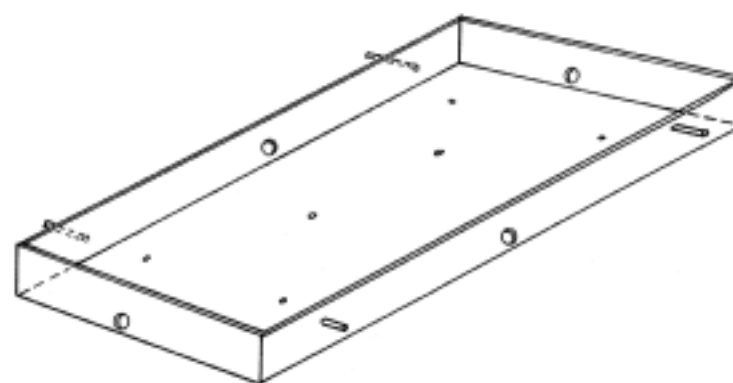
- (21) Design Number: **12302/2011**
(22) Date of Filing Application: **23 May 2011**
(24) Date from which industrial property rights may have effect: **23 May 2011**
(54) Product in respect of which the design is registered: **Shower screen header rail element**
(51) International Design Classification: **23-02B, 08-09**
(74) Name(s) of Attorney(s): **SPRUSON & FERGUSON**
(71) Name(s) and Address(s) of Applicant(s):
JELD-WEN Australia Pty Ltd
Truganini Cottage 38-46 South Street Rydalmere New South Wales 2116
Australia
(72) Name(s) of Designer(s): **Nigel Lapping and David Andrew Hills**
(45) Registration Date: **17 June 2011**
(56) Related Art Documents: **Not Applicable**
(57) Statement of Newness and Distinctiveness: **Newness and distinctiveness is claimed in the features of shape and/or configuration of the cross-section of a shower screen header rail element as illustrated in the accompanying representations.**



- (21) Design Number: **12304/2011**
(22) Date of Filing Application: **20 May 2011**
(24) Date from which industrial property rights may have effect: **20 May 2011**
(54) Product in respect of which the design is registered: **Flexible dry dock**
(51) International Design Classification: **12-06NES**
(74) Name(s) of Attorney(s):
(71) Name(s) and Address(s) of Applicant(s):
Flexitank (Australia) Pty Ltd
11 Awun Court Springvale Victoria 3171 Australia
(72) Name(s) of Designer(s): **Gavin Hodgins**
(45) Registration Date: **17 June 2011**
(56) Related Art Documents: **Not Applicable**
(57) Statement of Newness and Distinctiveness: **The hexagonal rear section and truncated nose area had been designed to accomodate the manufacturing process and the top profile has been developed to best suit the largest range of boats possible.**



- (21) Design Number: **10404/2011**
(22) Date of Filing Application: **10 February 2011**
(24) Date from which industrial property rights may have effect: **10 February 2011**
(54) Product in respect of which the design is registered: **Light fitting container**
(51) International Design Classification: **26-05NES**
(74) Name(s) of Attorney(s):
(71) Name(s) and Address(s) of Applicant(s):
Tech Engineering NSW Pty Ltd
18 Technology Drive Appin New South Wales 2560 Australia
(72) Name(s) of Designer(s): **Roger Golding and Chris Golding and Andres Romero**
(45) Registration Date: **17 June 2011**
(56) Related Art Documents: **Not Applicable**
(57) Statement of Newness and Distinctiveness: **Reinforce bars welded, electrical access holes in all faces. Tapped fluro light connection holes. Galvanised or primed.**



(21) Design Number: **11523/2011**
(22) Date of Filing Application: **09 April 2011**
(24) Date from which industrial property rights may have effect: **09 April 2011**
(54) Product in respect of which the design is registered: **Fry pan**
(51) International Design Classification: **07-02N**
(74) Name(s) of Attorney(s):
(71) Name(s) and Address(s) of Applicant(s):

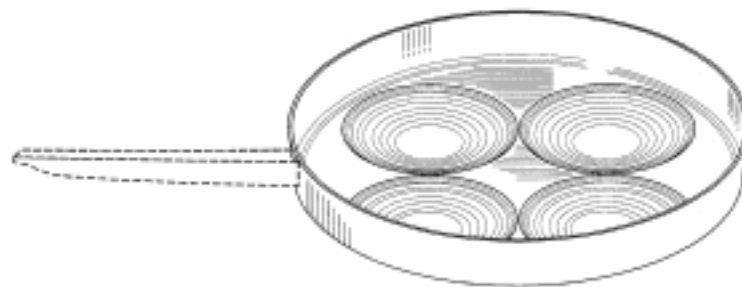
John Joseph O'Loughlin
537 Moss Vale Road Burradoo New South Wales 2576 Australia

(72) Name(s) of Designer(s): **John Joseph O'Loughlin**

(45) Registration Date: **17 June 2011**

(56) Related Art Documents: **Not Applicable**

(57) Statement of Newness and Distinctiveness: **The shape and configuration of the main body of the fry pan are new and distinctive. The handle is shown in broken outline for illustrative purposes and should not be considered when construing visual features of the design.**



(21) Design Number: **11546/2011**
(22) Date of Filing Application: **11 April 2011**
(24) Date from which industrial property rights may have effect: **11 April 2011**
(54) Product in respect of which the design is registered: **Side cover for motorcycles**
(51) International Design Classification: **12-11, 12-16B**
(74) Name(s) of Attorney(s): **Griffith Hack**
(71) Name(s) and Address(s) of Applicant(s):

Honda Motor Co., Ltd.
1-1 Minami-Aoyama 2-chome Minato-ku Tokyo 107-8556 Japan

(72) Name(s) of Designer(s): **Mitsuyoshi Kohama and Daisuke Soeno**

(45) Registration Date: **17 June 2011**

(30) Convention priority data:

(31) Number	(32) Date	(33) Country
2010-024351	12 Oct 2010	JAPAN

(56) Related Art Documents: **Not Applicable**

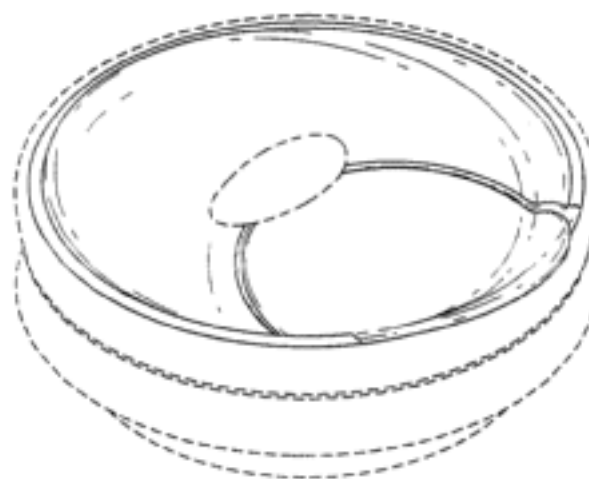
(57) Statement of Newness and Distinctiveness: **The shape and configuration of the SIDE COVER FOR MOTORCYCLES as shown in the accompanying representations is new and distinctive. Figure 11 illustrates the product in use on a motorcycle in which the design of the SIDE COVER FOR MOTORCYCLES has been shown in bold relative to other parts of the motorcycle.**



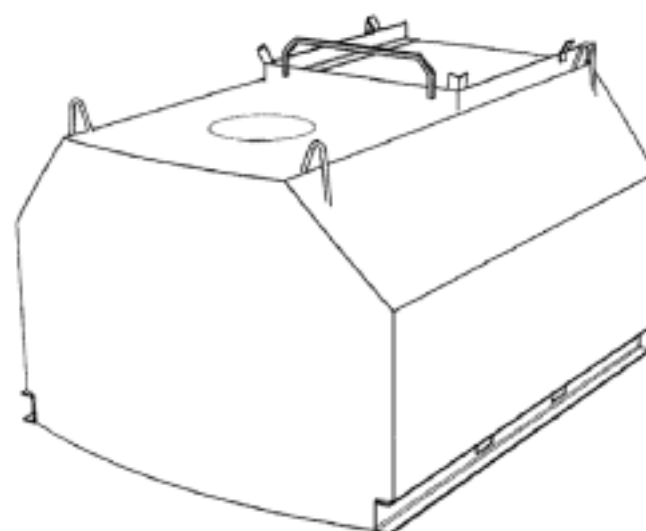
(21) Design Number: **11547/2011**
(22) Date of Filing Application: **11 April 2011**
(24) Date from which industrial property rights may have effect: **11 April 2011**
(54) Product in respect of which the design is registered: **Side cover for motorcycles**
(51) International Design Classification: **12-11, 12-16B**
(74) Name(s) of Attorney(s): **Griffith Hack**
(71) Name(s) and Address(s) of Applicant(s):
Honda Motor Co., Ltd.
1-1 Minami-Aoyama 2-chome Minato-ku Tokyo 107-8556 Japan
(72) Name(s) of Designer(s): **Sanae Kato and Daisuke Soeno**
(45) Registration Date: **17 June 2011**
(30) Convention priority data:
(31) Number (32) Date (33) Country
2010-024350 12 Oct 2010 JAPAN
(56) Related Art Documents: **Not Applicable**
(57) Statement of Newness and Distinctiveness: **The shape and configuration of the SIDE COVER FOR MOTORCYCLES as shown in the accompanying representations is new and distinctive. Figure 11 illustrates the product in use on a motorcycle in which the design of the SIDE COVER FOR MOTORCYCLES has been shown in bold relative to other parts of the motorcycle.**



(21) Design Number: **11932/2011**
(22) Date of Filing Application: **02 May 2011**
(24) Date from which industrial property rights may have effect: **02 May 2011**
(54) Product in respect of which the design is registered: **Flip lid**
(51) International Design Classification: **09-07A**
(74) Name(s) of Attorney(s): **Davies Collison Cave**
(71) Name(s) and Address(s) of Applicant(s):
Chef'n Corporation
1525 4th Avenue Suite 700 Seattle Washington 98101 United States of America
(72) Name(s) of Designer(s): **Theresa H. Lee**
(45) Registration Date: **17 June 2011**
(30) Convention priority data:
(31) Number (32) Date (33) Country
29/378492 04 Nov 2010 UNITED STATES OF AMERICA
(56) Related Art Documents: **Not Applicable**
(57) Statement of Newness and Distinctiveness: **Newness and distinctiveness is claimed in the visual features shown in solid lines in the representations.**



- (21) Design Number: **11987/2011**
(22) Date of Filing Application: **05 May 2011**
(24) Date from which industrial property rights may have effect: **05 May 2011**
(54) Product in respect of which the design is registered: **A tank and stand assembly**
(51) International Design Classification: **23-01F**
(74) Name(s) of Attorney(s): **Griffith Hack**
(71) Name(s) and Address(s) of Applicant(s):
Lubricon Hydrive Pty Ltd
28 Horne Street Hoppers Crossing Victoria 3029 Australia
(72) Name(s) of Designer(s): **Anthony Cook and Stephen Cook and Andre Buchner and Ross Buchner**
(45) Registration Date: **17 June 2011**
(56) Related Art Documents: **Not Applicable**
(57) Statement of Newness and Distinctiveness: **Newness and distinctiveness resides in the visual features, including shape and configuration, of A TANK AND STAND ASSEMBLY as shown in Figures 1 to 8 of the accompanying representations. Figure 9 has been included for illustration purposes only and does not form part of the design.**



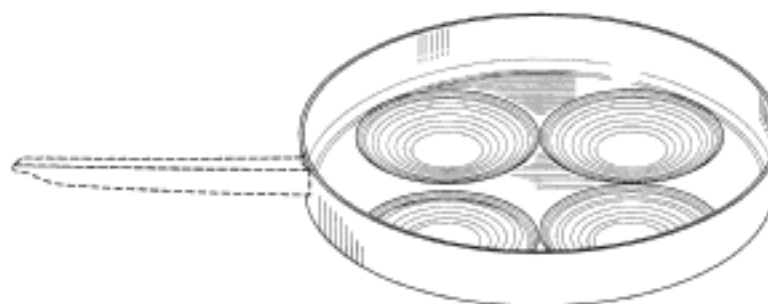
- (21) Design Number: **11482/2011**
(22) Date of Filing Application: **05 April 2011**
(24) Date from which industrial property rights may have effect: **05 April 2011**
(54) Product in respect of which the design is registered: **Writing instrument**
(51) International Design Classification: **19-06**
(74) Name(s) of Attorney(s): **Freehills Patent & Trade Mark Attorneys**
(71) Name(s) and Address(s) of Applicant(s):
Shinhan Art International Inc.
452-28 Sangjisuk-Li Gyoha-Eup. Paju Keungki-Do Republic of Korea
(72) Name(s) of Designer(s): **Seong Keun Han**
(45) Registration Date: **17 June 2011**
(30) Convention priority data:
(31) Number (32) Date (33) Country
29/376327 05 Oct 2010 UNITED STATES OF AMERICA
(56) Related Art Documents: **Not Applicable**
(57) Statement of Newness and Distinctiveness: **The newness and distinctiveness of the design resides in the shape and configuration of the writing instrument, as illustrated in the representations. In deciding whether the design is substantially similar in overall impression to another design, no regard is to be given to those features of the design shown in phantom in the representations.**



(21) Design Number: **11483/2011**
(22) Date of Filing Application: **05 April 2011**
(24) Date from which industrial property rights may have effect: **05 April 2011**
(54) Product in respect of which the design is registered: **Writing instrument**
(51) International Design Classification: **19-06**
(74) Name(s) of Attorney(s): **Freehills Patent & Trade Mark Attorneys**
(71) Name(s) and Address(s) of Applicant(s):
Shinhan Art International Inc.
452-28 Sangjisuk-Li Gyoha-Eup. Paju Keungki-Do Republic of Korea
(72) Name(s) of Designer(s): **Seong Keun Han**
(45) Registration Date: **17 June 2011**
(30) Convention priority data:
(31) Number (32) Date (33) Country
29/376327 05 Oct 2010 UNITED STATES OF AMERICA
(56) Related Art Documents: **Not Applicable**
(57) Statement of Newness and Distinctiveness: **The newness and distinctiveness of the design resides in the shape and configuration of the writing instrument, as illustrated in the representations. In deciding whether the design is substantially similar in overall impression to another design, no regard is to be given to those features of the design shown in phantom in the representations.**



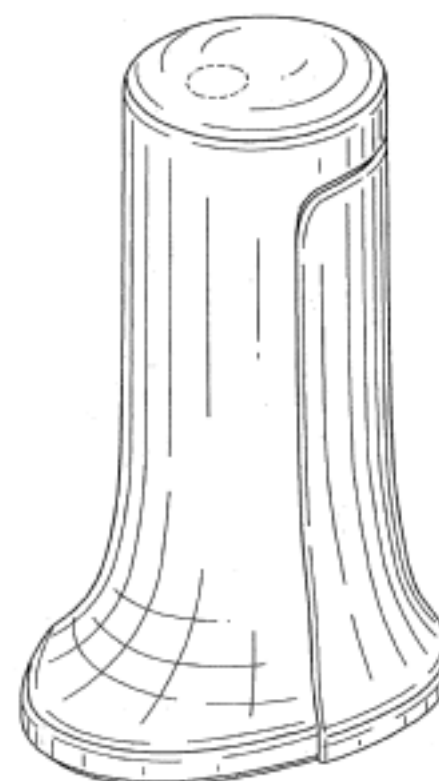
(21) Design Number: **11522/2011**
(22) Date of Filing Application: **09 April 2011**
(24) Date from which industrial property rights may have effect: **09 April 2011**
(54) Product in respect of which the design is registered: **Fry pan**
(51) International Design Classification: **07-02N**
(74) Name(s) of Attorney(s):
(71) Name(s) and Address(s) of Applicant(s):
John Joseph O'Loughlin
537 Moss Vale Road Burradoo New South Wales 2576 Australia
(72) Name(s) of Designer(s): **John Joseph O'Loughlin**
(45) Registration Date: **17 June 2011**
(56) Related Art Documents: **Not Applicable**
(57) Statement of Newness and Distinctiveness: **The shape and configuration of the main body of the fry pan are new and distinctive. The handle is shown in broken outline for illustrative purposes and should not be considered when construing visual features of the design.**



(21) Design Number: **11697/2011**
(22) Date of Filing Application: **19 April 2011**
(24) Date from which industrial property rights may have effect: **19 April 2011**
(54) Product in respect of which the design is registered: **Column key with pile cage**
(51) International Design Classification: **25-02A**
(74) Name(s) of Attorney(s):
(71) Name(s) and Address(s) of Applicant(s):
Hazzard Pty Ltd Trading as NCL Civil & Structural
60 Gillam Drive Kelmscott Western Australia 6111 Australia
(72) Name(s) of Designer(s): **Christopher John Hazzard**
(45) Registration Date: **17 June 2011**
(56) Related Art Documents: **Not Applicable**
(57) Statement of Newness and Distinctiveness: **Column key; column key plate; development ring.**



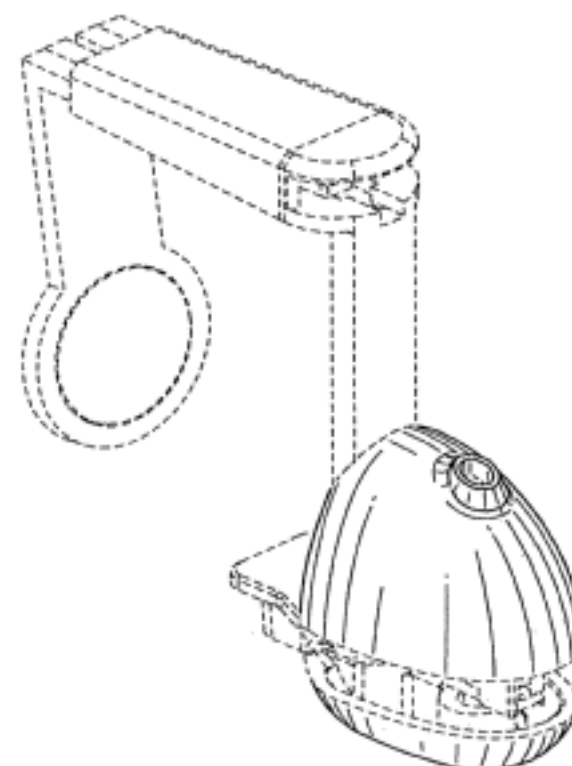
(21) Design Number: **12342/2011**
(22) Date of Filing Application: **26 May 2011**
(24) Date from which industrial property rights may have effect: **26 May 2011**
(54) Product in respect of which the design is registered: **Dispensing device**
(51) International Design Classification: **09-01A**
(74) Name(s) of Attorney(s): **SPRUSON & FERGUSON**
(71) Name(s) and Address(s) of Applicant(s):
S. C. Johnson & Son, Inc.
1525 Howe Street Racine Wisconsin 53403-2236 United States of America
(72) Name(s) of Designer(s): **Matthew Abbondanzio and Ronald J. Schmidt and Kristian Buschmann**
(45) Registration Date: **17 June 2011**
(30) Convention priority data:
(31) Number (32) Date (33) Country
29/379919 26 Nov 2010 UNITED STATES OF AMERICA
(56) Related Art Documents: **Not Applicable**
(57) Statement of Newness and Distinctiveness: **Newness and distinctiveness is claimed in those features of shape and/or configuration of a dispensing device as illustrated in continuous lines the accompanying representations.**



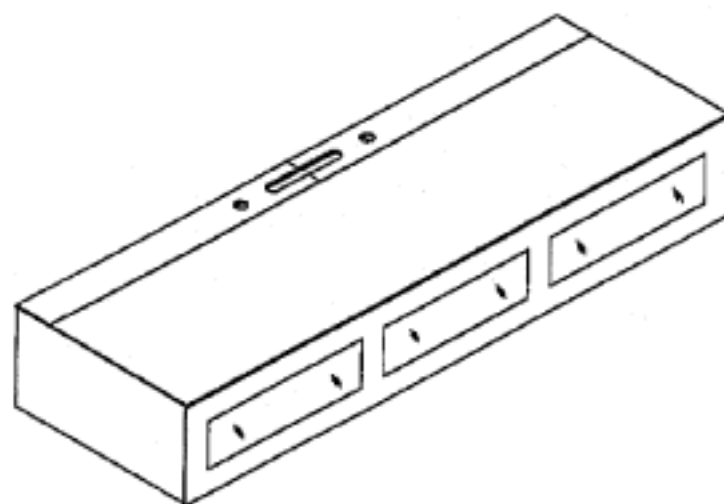
(21) Design Number: **12343/2011**
(22) Date of Filing Application: **26 May 2011**
(24) Date from which industrial property rights may have effect: **26 May 2011**
(54) Product in respect of which the design is registered: **Retaining device for a container**
(51) International Design Classification: **09-01A, 09-07A**
(74) Name(s) of Attorney(s): **SPRUSON & FERGUSON**
(71) Name(s) and Address(s) of Applicant(s):
S. C. Johnson & Son, Inc.
1525 Howe Street Racine Wisconsin 53403-2236 United States of America
(72) Name(s) of Designer(s): **Matthew Abbondanzio and Ronald J. Schmidt and Steven V. Bisbikis and Paresh Shroff and Brian Retzke**
(45) Registration Date: **17 June 2011**
(30) Convention priority data:
(31) Number (32) Date (33) Country
29/379918 26 Nov 2010 UNITED STATES OF AMERICA
(56) Related Art Documents: **Not Applicable**
(57) Statement of Newness and Distinctiveness: **Newness and distinctiveness is claimed in those features of shape and/or configuration of a retaining device for a container as illustrated in continuous lines the accompanying representations.**



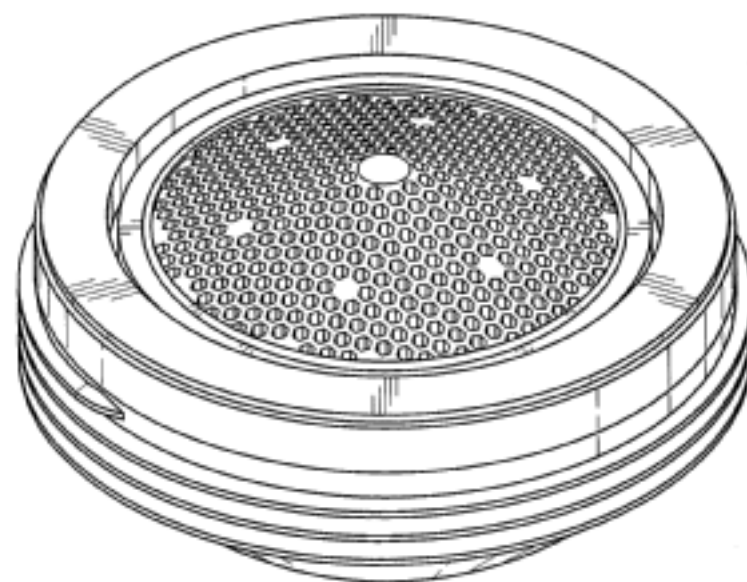
(21) Design Number: **12344/2011**
(22) Date of Filing Application: **26 May 2011**
(24) Date from which industrial property rights may have effect: **26 May 2011**
(54) Product in respect of which the design is registered: **Sprayer for a fluid delivery device**
(51) International Design Classification: **09-01A**
(74) Name(s) of Attorney(s): **SPRUSON & FERGUSON**
(71) Name(s) and Address(s) of Applicant(s):
S. C. Johnson & Son, Inc.
1525 Howe Street Racine Wisconsin 53403-2236 United States of America
(72) Name(s) of Designer(s): **Matthew Abbondanzio and Jason R. Gebhardt and Kristian Buschmann**
(45) Registration Date: **17 June 2011**
(30) Convention priority data:
(31) Number (32) Date (33) Country
29/379917 26 Nov 2010 UNITED STATES OF AMERICA
(56) Related Art Documents: **Not Applicable**
(57) Statement of Newness and Distinctiveness: **Newness and distinctiveness is claimed in those features of shape and/or configuration of a sprayer for a fluid delivery device as illustrated in continuous lines the accompanying representations.**



- (21) Design Number: **12282/2011**
(22) Date of Filing Application: **20 May 2011**
(24) Date from which industrial property rights may have effect: **20 May 2011**
(54) Product in respect of which the design is registered: **Entertainment unit**
(51) International Design Classification: **06-04NES**
(74) Name(s) of Attorney(s):
(71) Name(s) and Address(s) of Applicant(s):
Criterion Group Limited
2 Secombe Place Moorebank New South Wales 2170 Australia
(72) Name(s) of Designer(s): **Carl Kemp**
(45) Registration Date: **17 June 2011**
(56) Related Art Documents: **Not Applicable**
(57) Statement of Newness and Distinctiveness: **The novelty of the design resides in the features of shape and configuration as shown in the accompanying representations.**



- (21) Design Number: **12283/2011**
(22) Date of Filing Application: **23 May 2011**
(24) Date from which industrial property rights may have effect: **23 May 2011**
(54) Product in respect of which the design is registered: **Faucet**
(51) International Design Classification: **23-01H**
(74) Name(s) of Attorney(s): **PHILLIPS ORMONDE FITZPATRICK**
(71) Name(s) and Address(s) of Applicant(s):
Neoperl GmbH
Klosterrunsstrasse 11 79379 Mullheim Germany
(72) Name(s) of Designer(s): **Gerhard Blum**
(45) Registration Date: **17 June 2011**
(30) Convention priority data:
(31) Number (32) Date (33) Country
001251946-0015 22 Dec 2010 EUROPEAN COMMUNITY
(56) Related Art Documents: **Not Applicable**
(57) Statement of Newness and Distinctiveness: **Those features of the faucet depicted in the representations that are new and distinctive are the shape and/or configuration.**



(21) Design Number: **12284/2011**
(22) Date of Filing Application: **23 May 2011**
(24) Date from which industrial property rights may have effect: **23 May 2011**
(54) Product in respect of which the design is registered: **Faucet**
(51) International Design Classification: **23-01H**
(74) Name(s) of Attorney(s): **PHILLIPS ORMONDE FITZPATRICK**
(71) Name(s) and Address(s) of Applicant(s):

Neoperl GmbH
Klosterrunsstrasse 11 79379 Mullheim Germany

(72) Name(s) of Designer(s): **Gerhard Blum**

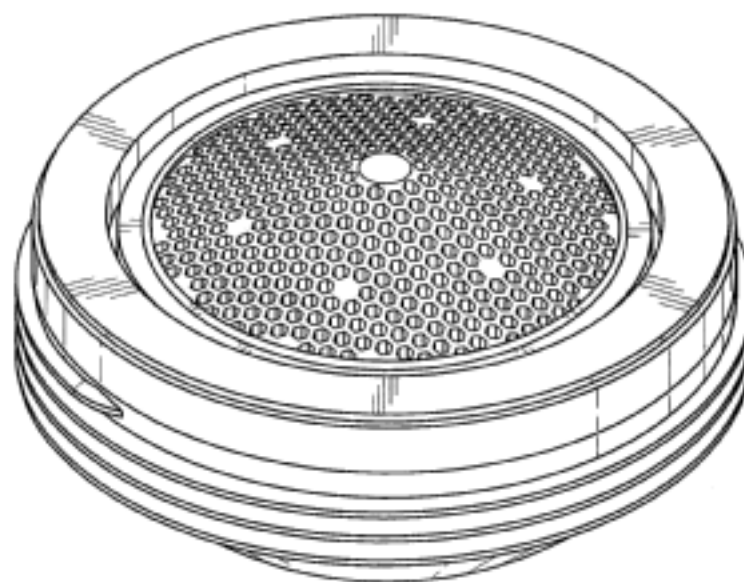
(45) Registration Date: **17 June 2011**

(30) Convention priority data:

(31) Number	(32) Date	(33) Country
001251946-0016	22 Dec 2010	EUROPEAN COMMUNITY

(56) Related Art Documents: **Not Applicable**

(57) Statement of Newness and Distinctiveness: **Those features of the faucet depicted in the representations that are new and distinctive are the shape and/or configuration.**



(21) Design Number: **12285/2011**
(22) Date of Filing Application: **23 May 2011**
(24) Date from which industrial property rights may have effect: **23 May 2011**
(54) Product in respect of which the design is registered: **Faucet**
(51) International Design Classification: **23-01H**
(74) Name(s) of Attorney(s): **PHILLIPS ORMONDE FITZPATRICK**
(71) Name(s) and Address(s) of Applicant(s):

Neoperl GmbH
Klosterrunsstrasse 11 79379 Mullheim Germany

(72) Name(s) of Designer(s): **Gerhard Blum**

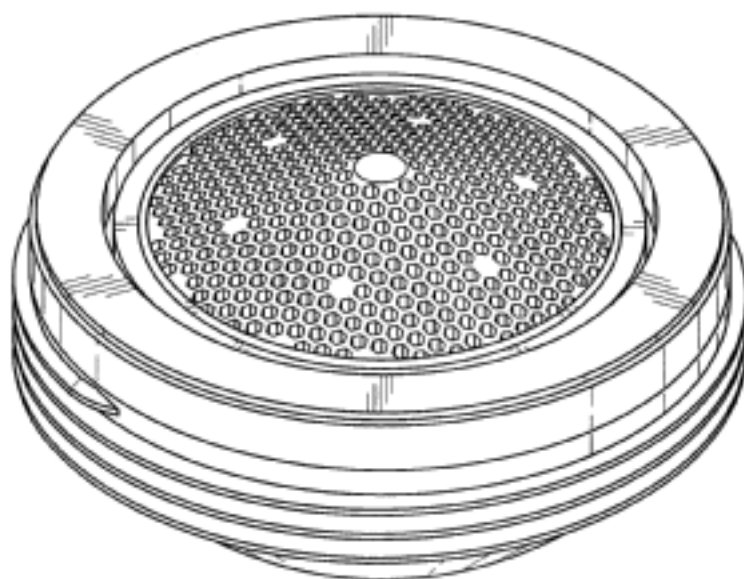
(45) Registration Date: **17 June 2011**

(30) Convention priority data:

(31) Number	(32) Date	(33) Country
001251946-0019	22 Dec 2010	EUROPEAN COMMUNITY

(56) Related Art Documents: **Not Applicable**

(57) Statement of Newness and Distinctiveness: **Those features of the faucet depicted in the representations that are new and distinctive are the shape and/or configuration.**



(21) Design Number: **12286/2011**
(22) Date of Filing Application: **23 May 2011**
(24) Date from which industrial property rights may have effect: **23 May 2011**
(54) Product in respect of which the design is registered: **Faucet**
(51) International Design Classification: **23-01H**
(74) Name(s) of Attorney(s): **PHILLIPS ORMONDE FITZPATRICK**
(71) Name(s) and Address(s) of Applicant(s):

Neoperl GmbH
Klosterrunsstrasse 11 79379 Mullheim Germany

(72) Name(s) of Designer(s): **Gerhard Blum**

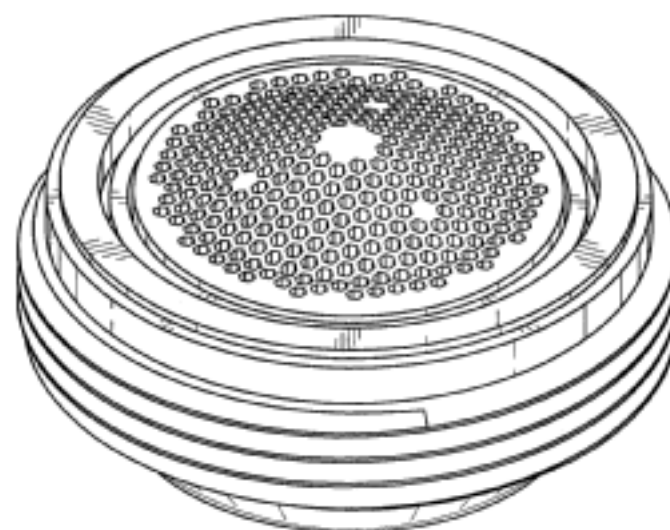
(45) Registration Date: **17 June 2011**

(30) Convention priority data:

(31) Number	(32) Date	(33) Country
001251946-0030	22 Dec 2010	EUROPEAN COMMUNITY

(56) Related Art Documents: **Not Applicable**

(57) Statement of Newness and Distinctiveness: **Those features of the faucet depicted in the representations that are new and distinctive are the shape and/or configuration.**



(21) Design Number: **12287/2011**
(22) Date of Filing Application: **23 May 2011**
(24) Date from which industrial property rights may have effect: **23 May 2011**
(54) Product in respect of which the design is registered: **Faucet**
(51) International Design Classification: **23-01H**
(74) Name(s) of Attorney(s): **PHILLIPS ORMONDE FITZPATRICK**
(71) Name(s) and Address(s) of Applicant(s):

Neoperl GmbH
Klosterrunsstrasse 11 79379 Mullheim Germany

(72) Name(s) of Designer(s): **Gerhard Blum**

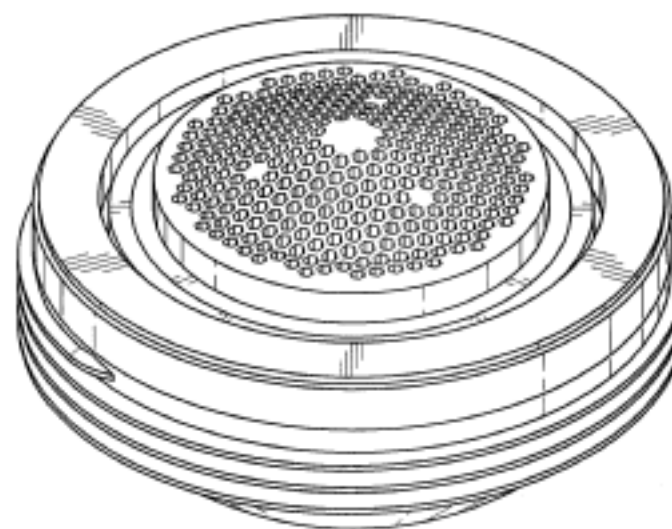
(45) Registration Date: **17 June 2011**

(30) Convention priority data:

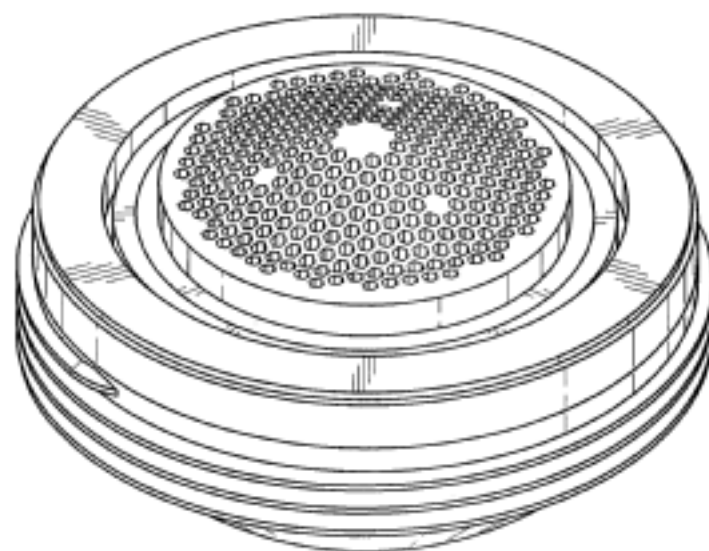
(31) Number	(32) Date	(33) Country
001251946-0056	22 Dec 2010	EUROPEAN COMMUNITY

(56) Related Art Documents: **Not Applicable**

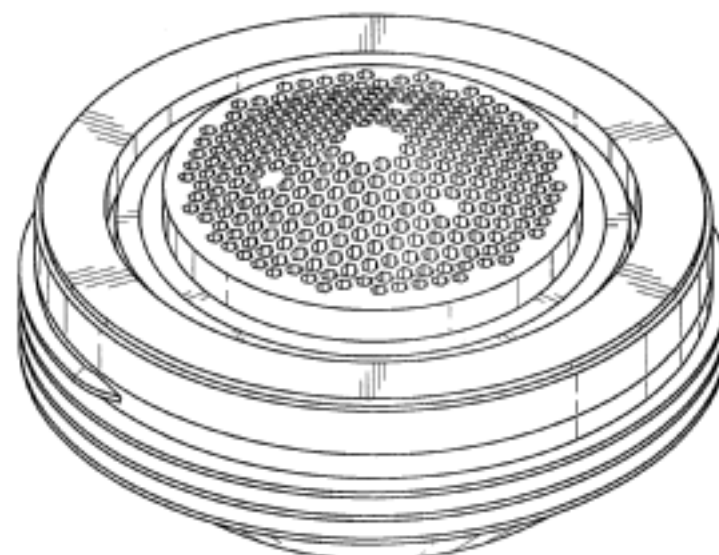
(57) Statement of Newness and Distinctiveness: **Those features of the faucet depicted in the representations that are new and distinctive are the shape and/or configuration.**



- (21) Design Number: **12288/2011**
(22) Date of Filing Application: **23 May 2011**
(24) Date from which industrial property rights may have effect: **23 May 2011**
(54) Product in respect of which the design is registered: **Faucet**
(51) International Design Classification: **23-01H**
(74) Name(s) of Attorney(s): **PHILLIPS ORMONDE FITZPATRICK**
(71) Name(s) and Address(s) of Applicant(s):
Neoperl GmbH
Klosterrunsstrasse 11 79379 Mullheim Germany
(72) Name(s) of Designer(s): **Gerhard Blum**
(45) Registration Date: **17 June 2011**
(30) Convention priority data:
(31) Number (32) Date (33) Country
001251946-0057 22 Dec 2010 EUROPEAN COMMUNITY
(56) Related Art Documents: **Not Applicable**
(57) Statement of Newness and Distinctiveness: **Those features of the faucet depicted in the representations that are new and distinctive are the shape and/or configuration.**



- (21) Design Number: **12289/2011**
(22) Date of Filing Application: **23 May 2011**
(24) Date from which industrial property rights may have effect: **23 May 2011**
(54) Product in respect of which the design is registered: **Faucet**
(51) International Design Classification: **23-01H**
(74) Name(s) of Attorney(s): **PHILLIPS ORMONDE FITZPATRICK**
(71) Name(s) and Address(s) of Applicant(s):
Neoperl GmbH
Klosterrunsstrasse 11 79379 Mullheim Germany
(72) Name(s) of Designer(s): **Gerhard Blum**
(45) Registration Date: **17 June 2011**
(30) Convention priority data:
(31) Number (32) Date (33) Country
001251946-0058 22 Dec 2010 EUROPEAN COMMUNITY
(56) Related Art Documents: **Not Applicable**
(57) Statement of Newness and Distinctiveness: **Those features of the faucet depicted in the representations that are new and distinctive are the shape and/or configuration.**



(21) Design Number: **12290/2011**
(22) Date of Filing Application: **23 May 2011**
(24) Date from which industrial property rights may have effect: **23 May 2011**
(54) Product in respect of which the design is registered: **Faucet**
(51) International Design Classification: **23-01H**
(74) Name(s) of Attorney(s): **PHILLIPS ORMONDE FITZPATRICK**
(71) Name(s) and Address(s) of Applicant(s):

Neoperl GmbH
Klosterrunsstrasse 11 79379 Mullheim Germany

(72) Name(s) of Designer(s): **Gerhard Blum**

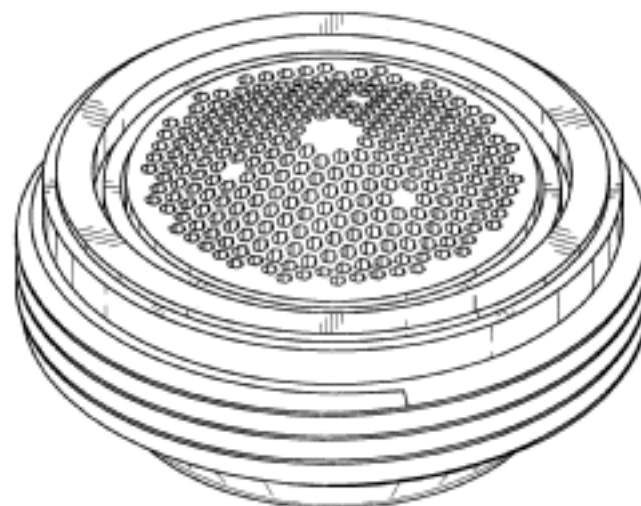
(45) Registration Date: **17 June 2011**

(30) Convention priority data:

(31) Number	(32) Date	(33) Country
001251946-0078	22 Dec 2010	EUROPEAN COMMUNITY

(56) Related Art Documents: **Not Applicable**

(57) Statement of Newness and Distinctiveness: **Those features of the faucet depicted in the representations that are new and distinctive are the shape and/or configuration.**



(21) Design Number: **12291/2011**
(22) Date of Filing Application: **23 May 2011**
(24) Date from which industrial property rights may have effect: **23 May 2011**
(54) Product in respect of which the design is registered: **Faucet**
(51) International Design Classification: **23-01H**
(74) Name(s) of Attorney(s): **PHILLIPS ORMONDE FITZPATRICK**
(71) Name(s) and Address(s) of Applicant(s):

Neoperl GmbH
Klosterrunsstrasse 11 79379 Mullheim Germany

(72) Name(s) of Designer(s): **Gerhard Blum**

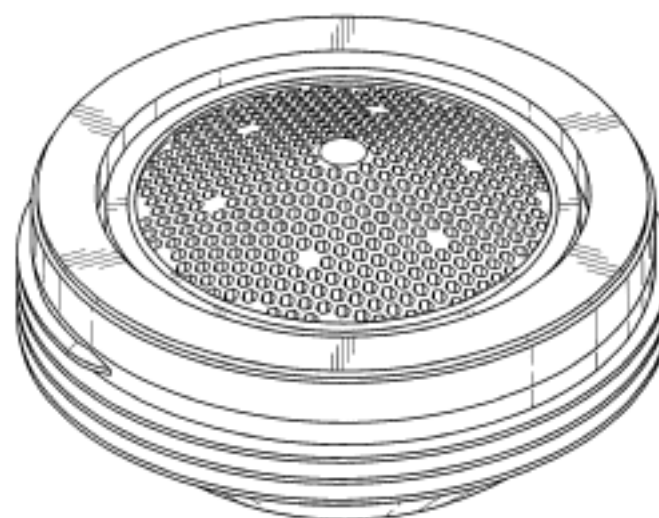
(45) Registration Date: **17 June 2011**

(30) Convention priority data:

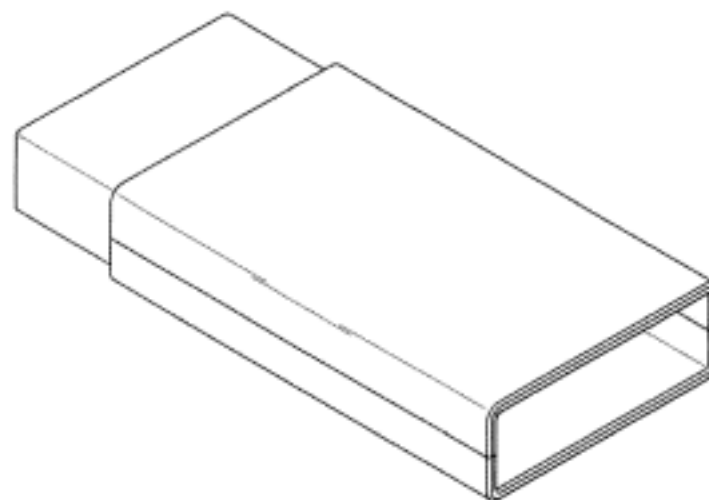
(31) Number	(32) Date	(33) Country
001251946-0103	22 Dec 2010	EUROPEAN COMMUNITY

(56) Related Art Documents: **Not Applicable**

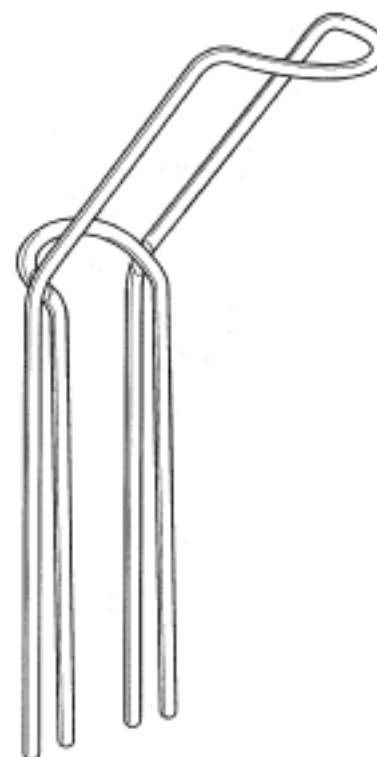
(57) Statement of Newness and Distinctiveness: **Those features of the faucet depicted in the representations that are new and distinctive are the shape and/or configuration.**



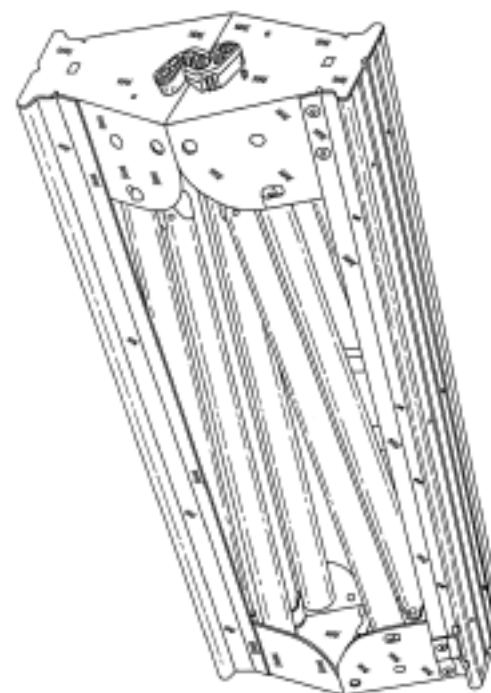
(21) Design Number: **12292/2011**
(22) Date of Filing Application: **23 May 2011**
(24) Date from which industrial property rights may have effect: **23 May 2011**
(54) Product in respect of which the design is registered: **Light**
(51) International Design Classification: **26-05B, 26-05E**
(74) Name(s) of Attorney(s): **Golja Haines & Friend**
(71) Name(s) and Address(s) of Applicant(s):
Traxon Technologies Ltd.
208 Wireless Centre 3 Science Park East Avenue Hong Kong Science
Park Shatin Hong Kong Hong Kong
(72) Name(s) of Designer(s): **Lorenzo Scazziga**
(45) Registration Date: **17 June 2011**
(30) Convention priority data:
(31) Number (32) Date (33) Country
001784885 23 Nov 2010 EUROPEAN COMMUNITY
(56) Related Art Documents: **Not Applicable**
(57) Statement of Newness and Distinctiveness: **Newness and distinctiveness resides in the visual features of shape and/or configuration of the light, having an extendable and retractable light emitting component, illustrated in the representations.**



(21) Design Number: **12293/2011**
(22) Date of Filing Application: **23 May 2011**
(24) Date from which industrial property rights may have effect: **23 May 2011**
(54) Product in respect of which the design is registered: **Fishing rod holder**
(51) International Design Classification: **22-05**
(74) Name(s) of Attorney(s): **Collison & Co**
(71) Name(s) and Address(s) of Applicant(s):
David Ferdinands
65 Jacaranda Drive Craigmore South Australia 5114 Australia
(72) Name(s) of Designer(s): **David Ferdinands**
(45) Registration Date: **17 June 2011**
(56) Related Art Documents: **Not Applicable**
(57) Statement of Newness and Distinctiveness: **Nil**



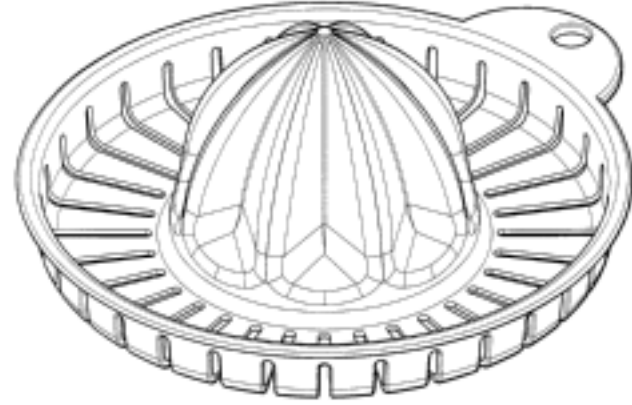
(21) Design Number: **11749/2011**
(22) Date of Filing Application: **20 April 2011**
(24) Date from which industrial property rights may have effect: **20 April 2011**
(54) Product in respect of which the design is registered: **A combination of two saw horses in a folded state**
(51) International Design Classification: **08-99**
(74) Name(s) of Attorney(s): **Davies Collison Cave**
(71) Name(s) and Address(s) of Applicant(s):
Black & Decker Inc
1207 Drummond Plaza Newark Delaware 19711 United States of America
(72) Name(s) of Designer(s): **Jason F. Busschaert and James A. Downing and Torrey R. Lambert**
(45) Registration Date: **17 June 2011**
(30) Convention priority data:
(31) Number (32) Date (33) Country
29/378544 05 Nov 2010 UNITED STATES OF AMERICA
(56) Related Art Documents: **Not Applicable**
(57) Statement of Newness and Distinctiveness: **Nil**



(21) Design Number: **11750/2011**
(22) Date of Filing Application: **20 April 2011**
(24) Date from which industrial property rights may have effect: **20 April 2011**
(54) Product in respect of which the design is registered: **A saw horse**
(51) International Design Classification: **08-99**
(74) Name(s) of Attorney(s): **Davies Collison Cave**
(71) Name(s) and Address(s) of Applicant(s):
Black & Decker Inc
1207 Drummond Plaza Newark Delaware 19711 United States of America
(72) Name(s) of Designer(s): **Jason F. Busschaert and James A. Downing and Torrey R. Lambert**
(45) Registration Date: **17 June 2011**
(30) Convention priority data:
(31) Number (32) Date (33) Country
29/378546 05 Nov 2010 UNITED STATES OF AMERICA
(56) Related Art Documents: **Not Applicable**
(57) Statement of Newness and Distinctiveness: **Nil**



- (21) Design Number: **12295/2011**
(22) Date of Filing Application: **23 May 2011**
(24) Date from which industrial property rights may have effect: **23 May 2011**
(54) Product in respect of which the design is registered: **Juicer core**
(51) International Design Classification: **07-04**
(74) Name(s) of Attorney(s): **Callinans**
(71) Name(s) and Address(s) of Applicant(s):
The Decor Corporation Pty. Ltd.
1314 Ferntree Gully Road Scoresby Victoria 3179 Australia
(72) Name(s) of Designer(s): **Anthony Henry Wolfenden**
(45) Registration Date: **17 June 2011**
(56) Related Art Documents: **Not Applicable**
(57) Statement of Newness and Distinctiveness: **Nil**



- (21) Design Number: **12296/2011**
(22) Date of Filing Application: **23 May 2011**
(24) Date from which industrial property rights may have effect: **23 May 2011**
(54) Product in respect of which the design is registered: **Juicer container**
(51) International Design Classification: **07-04**
(74) Name(s) of Attorney(s): **Callinans**
(71) Name(s) and Address(s) of Applicant(s):
The Decor Corporation Pty. Ltd.
1314 Ferntree Gully Road Scoresby Victoria 3179 Australia
(72) Name(s) of Designer(s): **Anthony Henry Wolfenden**
(45) Registration Date: **17 June 2011**
(56) Related Art Documents: **Not Applicable**
(57) Statement of Newness and Distinctiveness: **Nil**



(19) AU

(21) Design Number: **12297/2011**

(22) Date of Filing Application: **24 May 2011**

(24) Date from which industrial property rights may have effect: **24 May 2011**

(54) Product in respect of which the design is registered: **Combination tote and medicine storage article**

(51) International Design Classification: **03-01A, 24-99**

(74) Name(s) of Attorney(s): **WATERMARK PATENT AND TRADE MARKS ATTORNEYS**

(71) Name(s) and Address(s) of Applicant(s):

Sanofi-Aventis U.S. L.L.C.

55 Corporate Drive Bridgewater NJ 08807 United States of America

(72) Name(s) of Designer(s): **Linda Szych**

(45) Registration Date: **17 June 2011**

(30) Convention priority data:

(31) Number

(32) Date

(33) Country

29/380,373

03 Dec 2010

UNITED STATES OF AMERICA

(56) Related Art Documents: **Not Applicable**

(57) Statement of Newness and Distinctiveness: **Nil**

