



**Australian Government**

---

**IP Australia**

**AUSTRALIAN OFFICIAL JOURNAL**

**OF**

**DESIGNS**

Did you know a searchable version of this journal is now available online?

It's FREE and EASY to SEARCH.

Find it on our website ([www.ipaustralia.gov.au](http://www.ipaustralia.gov.au))

by using the "Journals" link on the home page.

This Page Left Intentionally Blank

## Contents

### General Information & Notices

#### Proceedings Under the Designs Act 1906 preserved as a result of the provisions of Chapter 12 Part 2 of the Designs Act 2003

Extension of Period of Registration of Designs .....	1862
Extensions of Time Granted .....	1862
Names Registered - Alterations and Amendments .....	1862
Registrations Ceased .....	1862
Subsequent Owners Registered .....	1862

#### Proceedings Under the Designs Act 2003

Applications Lapsed .....	1873
Applications Lodged .....	1866
Applications Withdrawn .....	1873
Certificate of Examination .....	1876
Discharge of Mortgages .....	1875
Extension of Period of Registration of Design .....	1874
Extension of Time Granted Under Section 137 .....	1875
Names Registered - Alterations and Amendments .....	1875
Publication and Registration Proceedings	
Designs Registered 337225 to 337480.....	1877
Registrations Ceased .....	1874
Subsequent Owners Registered .....	1875

This Page Left Intentionally Blank

For information on the following please see our website [www.ipaustralia.gov.au](http://www.ipaustralia.gov.au) or contact our Customer Service Network on 1300651010

[Editorial enquiries](#)

[Contact information](#)

[Freedom of Information ACT](#)

[Professional Standards Board](#)

[Sales](#)

[Requests for Information under Section 194 \(c\)](#)

[Country Codes](#)

[Trade Mark and Designs Hearing Sessions](#)

[INID \(Internationally agreed Numbers for the Identification of Data\)](#)

## “INID” NUMBERS in use on Australian Design Documents

“INID” is an acronym for “Internationally agreed Numbers for the Identification of Data”.

### (10) Data concerning the registration/renewal

- (11) Serial number of the registration and/or number of the design document
- (12) Plain language designation of the kind of published document
- (19) Identification, using the two-letter code according to WIPO Standard ST.3, of the authority publishing or registering the industrial design

### (20) Data concerning the application

- (21) Serial number of the application
- (22) Date of filing of the application
- (24) Date from which the industrial design right has effect

### (30) Data relating to priority under the Paris Convention

- (31) Serial number assigned to the priority application
- (32) Date of filing of the priority application
- (33) Two-letter code, according to WIPO Standard ST.3, identifying the authority with which the priority application was made

### (40) Date(s) of making information available to the public

- (45) Date of publication of the registered industrial design by printing or similar process, or making it available to the public by any other means

### (50) Miscellaneous Information

- (51) International Classification for Industrial Designs (class and subclass of the Locarno Classification)
- (54) Designation of article(s) or product(s) covered by the industrial design or title of the industrial design
- (55) Reproduction of the industrial design (e.g., drawing, photograph) and explanations relating to the reproduction
- (56) List of prior art documents, if separate from descriptive text
- (57) Description of characteristic features of the industrial design including indication of colours

### (60) References to other legally related application(s) and registration(s)

- (62) Serial number(s) and, if available, filing date(s) of application(s), registration(s) or document(s) related by division
- (66) Serial number(s) of the application, or the registration, of the design(s) which is (are) a variant(s) of the present one

### (70) Identification of parties concerned with the application or registration

- (71) Name(s) and address(es) of the applicant(s)
- (72) Name(s) of the creator(s) if known to be such
- (74) Name(s) and address(es) of the representative(s)

This Page Left Intentionally Blank

**Nil notices for this journal issue.**

**Proceedings under the Designs Act 1906 preserved as a result of the provisions of Chapter 12 Part 2 of the Designs Act 2003.**



This Page Left Intentionally Blank

**Applications Lapsed**

There were no Applications Lapsed under this section

**Extension of Period of Registration of Designs**

**1st Period (Section 27A(8))**

**2nd Period (Section 27A(12))**

156080                      156229

**3rd Period (Section 27A(13))**

142543	142795	142812
142858	142870	142871
143235	143246	143247
143264	143313	143751
143787	143889	144023
144095	144153	144315
144316	144468	144850
145071	145519	145556
145610	145966	146054
146275	146381	146382
146871	146872	146924
147085	147532	

**Registrations Ceased**

Note: Some of the following Registrations may have been previously advertised as ceased. In this instance, the previous advertisement still prevails.

124393	125786	125789
125791	125792	125819
125902	125933	125934
125936	125953	126057
126064	126108	126176
126206	126207	126209
126210	126242	126375
126406	126407	126408
126409	126410	127727
128237	128238	128239
128240	128241	128242
128444	128833	128878
129063	129247	129545
129546	129774	129844
130460	131683	134583
139622	140347	140681
140682	140849	140867
141009	141029	141077
141094	141095	141096
141111	141112	141113
141152	141157	141236
141237	141238	141239
141301	141401	141450
141509	141633	141649
141650	141651	142280

142729	142766	143068
143428	143553	143561
143723	143767	144064
144727	144800	145347
153637	153638	153658

**Extensions of time granted**

Applications lodged for extension of time have been granted.

156229 **Barokes Pty Ltd** An An Extension of time to extend a registration has been granted to 11/04/2011

156080 **Asia Pacific Trading Pty Ltd** An An Extension of time to extend a registration has been granted to 26/03/2011

**Subsequent Owners Registered**

(The name in parentheses is that of the subsequent owner)

154375            ( **Forma-Tech Pty Ltd** ) Danny W. Hills  
 135172            ( **Sandie Holdings Pty Ltd** ) Michael Henry Choake

**Names Registered - Alterations and Amendments**

(The name in parentheses is the new name of the proprietor)

155377            ( **New Zealand Comfort Group Limited** ) Sleepyhead Manufacturing Company Limited  
 154701            ( **New Zealand Comfort Group Limited** ) Sleepyhead Manufacturing Company Limited  
 154637            ( **New Zealand Comfort Group Limited** ) Sleepyhead Manufacturing Company Limited  
 154659            ( **New Zealand Comfort Group Limited** ) Sleepyhead Manufacturing Company Limited  
 154660            ( **New Zealand Comfort Group Limited** ) Sleepyhead Manufacturing Company Limited  
 154700            ( **New Zealand Comfort Group Limited** ) Sleepyhead Manufacturing Company Limited  
 154699            ( **New Zealand Comfort Group Limited** ) Sleepyhead Manufacturing Company Limited  
 154698            ( **New Zealand Comfort Group Limited** ) Sleepyhead Manufacturing Company Limited  
 154697            ( **New Zealand Comfort Group Limited** ) Sleepyhead Manufacturing Company Limited  
 154696            ( **New Zealand Comfort Group Limited** ) Sleepyhead Manufacturing Company Limited  
 154636            ( **New Zealand Comfort Group Limited** ) Sleepyhead Manufacturing Company Limited  
 139242            ( **New Zealand Comfort Group Limited** ) Sleepyhead Manufacturing Company Limited  
 138839            ( **New Zealand Comfort Group Limited** ) Sleepyhead Manufacturing Company Limited

This Page Left Intentionally Blank

**Proceedings under the Designs Act 2003.**

This Page Left Intentionally Blank

**Applications Lodged**

Lodgement information is in the following order: **Applicant's Name**; International Classification, Name of Product, Lodgement Date and **Design Number**. If the applicant claims an earlier priority date under an International Convention, the Convention Country and the associated filing date are shown in parentheses before the Lodgement Date. Divisional information will also appear in parentheses before the Lodgement Date.

<b>Aaxis Pty Ltd;</b> 24-01, Medical procedure tray, 29 Jun 2011	<b>12926/2011</b>	<b>Baby Bullet, LLC;</b> 07-02NES, Kitchen food processor container, (US, 20 Dec 2010) 20 Jun 2011	<b>12782/2011</b>
<b>Agius, Sarah;</b> 20-02NES, Earring board, 10 May 2011	<b>12722/2011</b>	<b>BabyBjorn AB;</b> 03-99, Baby carrier, (EM, 25 Jan 2011) 23 Jun 2011	<b>12846/2011</b>
<b>Agius, Sarah;</b> 20-02NES, Earring and draws unit, 10 May 2011	<b>12720/2011</b>	<b>Ballet Makers, Inc.;</b> 02-04NES, Dance footwear, (US, 10 Jan 2011) 17 Jun 2011	<b>12716/2011</b>
<b>Agius, Sarah;</b> 20-02NES, Earring board, 10 May 2011	<b>12721/2011</b>	<b>Beuerle, Stephen C.;</b> 06-13B, Pillowcase for a convertible stuffed animal/pillow, (Divisional of 11902/2011) 29 Apr 2011	<b>12937/2011</b>
<b>Agius, Sarah;</b> 20-02NES, Jewellery board, 10 May 2011	<b>12719/2011</b>	<b>Beuerle, Stephen C.;</b> 06-13B, Pillowcase for a convertible stuffed animal/pillow, (Divisional of 11902/2011) 29 Apr 2011	<b>12941/2011</b>
<b>Ainsworth Game Technology Limited;</b> 21-03, Gaming machine, 29 Jun 2011	<b>12902/2011</b>	<b>Beuerle, Stephen C.;</b> 06-13B, Pillowcase for a convertible stuffed animal/pillow, (Divisional of 11902/2011) 29 Apr 2011	<b>12936/2011</b>
<b>Ainsworth Game Technology Limited;</b> 21-03, Gaming machine, 29 Jun 2011	<b>12903/2011</b>	<b>Beuerle, Stephen C.;</b> 06-13B, Pillowcase for a convertible stuffed animal/pillow, (Divisional of 11902/2011) 29 Apr 2011	<b>12891/2011</b>
<b>Ainsworth Game Technology Limited;</b> 21-03, Gaming machine, 29 Jun 2011	<b>12901/2011</b>	<b>Biba Pty Ltd;</b> 09-03E, Carrier, 28 Jun 2011	<b>12891/2011</b>
<b>Alexander, Jennifer Mary Neeves Trading as Curagul Stud; Alexander, Ian Ramage Trading as Curagul Stud;</b> 15-03B, 08-03, The champ junior 2 light weight brushcutter replacement head, 27 Jun 2011	<b>12867/2011</b>	<b>Black &amp; Decker Inc;</b> 15-03B, Lawnmower, (EM, 04 Jan 2011) 21 Jun 2011	<b>12793/2011</b>
<b>Alexander, Ian Ramage Trading as Curagul Stud; Alexander, Jennifer Mary Neeves Trading as Curagul Stud;</b> 15-03B, 08-03, The champ junior 2 light weight brushcutter replacement head, 27 Jun 2011	<b>12867/2011</b>	<b>Black &amp; Decker Inc;</b> 15-03B, Lawn mower, (EM, 04 Jan 2011) 22 Jun 2011	<b>12830/2011</b>
<b>Alliance Sealing Pty Ltd;</b> 23-01A, Split seal for gear boxes, 16 Jun 2011	<b>12706/2011</b>	<b>Bomi Furniture Pty Ltd;</b> 06-02, Bed, 17 Jun 2011	<b>12687/2011</b>
<b>Amiad Filtration Systems Ltd.;</b> 23-01NES, Fluid distribution equipment, (EM, 16 Dec 2010) 16 Jun 2011	<b>12684/2011</b>	<b>Brainscope Company, Inc.;</b> 24-01, Flexible headset for sensing brain electrical activity, (US, 06 Jan 2011) 22 Jun 2011	<b>12810/2011</b>
<b>Arbortech Industries Limited;</b> 08-03, Allsaw, 27 Jun 2011	<b>12855/2011</b>	<b>Brand Developers Ltd;</b> 08-08B, Tool adapter, 16 Jun 2011	<b>12705/2011</b>
<b>Arbortech Industries Limited;</b> 08-03, Allsaw, 27 Jun 2011	<b>12865/2011</b>	<b>Brand Developers Ltd;</b> 08-08B, Tool adapter, 16 Jun 2011	<b>12700/2011</b>
<b>Arbortech Industries Limited;</b> 08-03, Allsaw, 27 Jun 2011	<b>12866/2011</b>	<b>Brand Developers Ltd;</b> 08-08B, Tool adapter of indefinite height, 16 Jun 2011	<b>12699/2011</b>
<b>Art Plastics;</b> 23-02NES, Bermuda channel floor grate, 23 Jun 2011	<b>12815/2011</b>	<b>Brearley, Anthony;</b> 02-06, Glove for use in fitting wet suit, 17 Jun 2011	<b>12724/2011</b>
<b>ASSA ABLOY Australia Pty Limited;</b> 08-07, Pin tumbler, 16 Jun 2011	<b>12713/2011</b>	<b>Brennan, Katherine;</b> 06-01E, Stool, 23 Jun 2011	<b>12844/2011</b>
<b>Baby Bullet, LLC;</b> 07-01NES, Food storage cup, (US, 20 Dec 2010) 20 Jun 2011	<b>12781/2011</b>	<b>Brewer, Jo;</b> 23-02B, Free standing bath, 24 Jun 2011	<b>12843/2011</b>

<b>Calfarme Australia Pty Ltd;</b> 09-09, Automated lid assembly for a bin, 28 Jun 2011	<b>12881/2011</b>	<b>Diener, Rudy;Milner, Wayne;Rose, Danny Earle;</b> 08-08K, Fence or railing connector, 23 Jun 2011	<b>12847/2011</b>
<b>Caterpillar Inc.;</b> 12-16B, Front portion of an off highway truck, (US, 22 Dec 2010) 22 Jun 2011	<b>12805/2011</b>	<b>Ecolab USA Inc.;</b> 07-05E, Scrubbing pad, (US, 22 Dec 2010) 21 Jun 2011	<b>12791/2011</b>
<b>Chongqing Sokon Industry Group Stock Co., Ltd.;</b> 12-08, Automobile, (CN, 17 Feb 2011) 29 Jun 2011	<b>12923/2011</b>	<b>Ekornes ASA;</b> 06-01F, Chair, (NO, 11 Mar 2011) 21 Jun 2011	<b>12800/2011</b>
<b>Colgate-Palmolive Company;</b> 04-02, Oral care implement, (US, 20 Dec 2010) 17 Jun 2011	<b>12725/2011</b>	<b>Emerson Electric Co.;</b> 23-01A, 09-09, Swivel lug for food waste disposer, (US, 28 Jan 2011) 22 Jun 2011	<b>12808/2011</b>
<b>Colgate-Palmolive Company;</b> 04-02, Oral care implement, (US, 20 Dec 2010) 16 Jun 2011	<b>12691/2011</b>	<b>Emerson Electric Co.;</b> 09-09, 07-99NES, Grind ring for food waste disposer, (US, 28 Jan 2011) 22 Jun 2011	<b>12809/2011</b>
<b>Colgate-Palmolive Company;</b> 04-02, Oral care implement, (US, 20 Dec 2010) 16 Jun 2011	<b>12693/2011</b>	<b>Eskander, Lisa;Hatzikourtis, Samantha;</b> 07-01NES, , 24 Jun 2011	<b>12877/2011</b>
<b>Colgate-Palmolive Company;</b> 04-02, Oral care implement, (US, 20 Dec 2010) 16 Jun 2011	<b>12692/2011</b>	<b>Eveready Battery Company, Inc.;</b> 13-02, 13-03NES, Power device, (US, 17 Feb 2011) 17 Jun 2011	<b>12745/2011</b>
<b>Cormack Packaging Pty Ltd;</b> 09-01NES, Bottle neck, 16 Jun 2011	<b>12694/2011</b>	<b>Eveready Battery Company, Inc.;</b> 13-03D, Lighting device, (US, 06 Jan 2011) 17 Jun 2011	<b>12742/2011</b>
<b>Crabtree, Mydwan B.;</b> 07-06NES, Walnut opener, 23 Jun 2011	<b>12806/2011</b>	<b>Eveready Battery Company, Inc.;</b> 13-03D, Lighting device, (US, 06 Jan 2011) 17 Jun 2011	<b>12743/2011</b>
<b>Cree, Inc.;</b> 26-04, 26-05A, 26-05C, Lighting fixture, (US, 27 Oct 2010) 27 Apr 2011	<b>12879/2011</b>	<b>Eveready Battery Company, Inc.;</b> 26-05D, Lighting device, (US, 17 Feb 2011) 17 Jun 2011	<b>12738/2011</b>
<b>Cree, Inc.;</b> 26-04, 26-05A, 26-05C, Lighting fixture, (US, 27 Oct 2010) 27 Apr 2011	<b>12880/2011</b>	<b>Eveready Battery Company, Inc.;</b> 13-02, 13-03NES, Power device, (US, 17 Feb 2011) 17 Jun 2011	<b>12739/2011</b>
<b>Cree, Inc.;</b> 26-04, 26-05A, 26-05C, Lighting fixture, (US, 27 Oct 2010) 27 Apr 2011	<b>12878/2011</b>	<b>Eveready Battery Company, Inc.;</b> 26-02, Lighting device, (US, 17 Feb 2011) 17 Jun 2011	<b>12746/2011</b>
<b>Crescent Healthcare Pty Ltd;</b> 06-04A, 12-12, 23-02C, 06-06G, Toileting commode seat with seat attachment means (excluding frame), 17 Jun 2011	<b>12723/2011</b>	<b>Eveready Battery Company, Inc.;</b> 13-02, 13-03NES, Power and lighting device, (US, 17 Feb 2011) 17 Jun 2011	<b>12740/2011</b>
<b>D C Ross Limited;</b> 08-99, A tensioning device, (NZ, 21 Dec 2010) 17 Jun 2011	<b>12718/2011</b>	<b>Eveready Battery Company, Inc.;</b> 13-03D, Lighting device, (US, 06 Jan 2011) 17 Jun 2011	<b>12744/2011</b>
<b>Delta Panels Pty Ltd;</b> 25-01G, Roofing panel, 01 Jul 2011	<b>12931/2011</b>	<b>Eveready Battery Company, Inc.;</b> 13-03D, Lighting device, (US, 24 Jan 2011) 17 Jun 2011	<b>12741/2011</b>
<b>Delta Panels Pty Ltd;</b> 25-01G, Roofing panel, 01 Jul 2011	<b>12934/2011</b>	<b>Everstone International Pty Limited;</b> 25-01F, A tesserae, 22 Jun 2011	<b>12813/2011</b>
<b>Delta Panels Pty Ltd;</b> 25-01G, Roofing panel, 01 Jul 2011	<b>12932/2011</b>	<b>Everstone International Pty Limited;</b> 25-01F, A tesserae, 22 Jun 2011	<b>12814/2011</b>
<b>Delta Panels Pty Ltd;</b> 25-01G, Roofing panel, 01 Jul 2011	<b>12933/2011</b>	<b>Exlites Pty Ltd;</b> 13-03NES, Single axle solar lighting tower, 24 Jun 2011	<b>12842/2011</b>
<b>Despotellis, Neil;</b> 25-01B, Footing plate, 28 Jun 2011	<b>12884/2011</b>	<b>Ferrari S.p.A.;</b> 12-08, 21-01C, Car and toy-car, (EM, 20 Jan 2011) 28 Jun 2011	<b>12892/2011</b>
<b>Despotellis, Neil;</b> 25-01B, Footing plate, 28 Jun 2011	<b>12883/2011</b>		



<b>Fifty-Fourth Rischell Pty Ltd;</b> 02-02NES, A sweater, 17 Dec 2010	<b>12734/2011</b>	<b>Giga Solar Pty Ltd;</b> 13-03B, Cable suspension clip, 18 Jun 2011	<b>12753/2011</b>
<b>Fifty-Fourth Rischell Pty Ltd;</b> 02-02NES, A hooded sweater, 17 Dec 2010	<b>12736/2011</b>	<b>Giga Solar Pty Ltd;</b> 13-03B, Cable suspension clip, 18 Jun 2011	<b>12751/2011</b>
<b>Fifty-Fourth Rischell Pty Ltd;</b> 02-02NES, A T-shirt, 17 Dec 2010	<b>12737/2011</b>	<b>Gorton, Michael;</b> 08-05K, Tile spacer, 23 Jun 2011	<b>12850/2011</b>
<b>Fifty-Fourth Rischell Pty Ltd;</b> 02-02NES, A polo shirt, 17 Dec 2010	<b>12735/2011</b>	<b>GM Global Technology Operations LLC;</b> 12-16A, Vehicle wheel, 29 Jun 2011	<b>12919/2011</b>
<b>Fifty-Fourth Rischell Pty Ltd;</b> 02-02NES, A shirt, 17 Dec 2010	<b>12732/2011</b>	<b>Hardy, Chris;</b> 06-01E, Stool, 17 Jun 2011	<b>12689/2011</b>
<b>Fifty-Fourth Rischell Pty Ltd;</b> 02-02NES, A shirt, 17 Dec 2010	<b>12733/2011</b>	<b>Hatzikourtis, Samantha;Eskander, Lisa;</b> 07-01NES, , 24 Jun 2011	<b>12877/2011</b>
<b>Fifty-Fourth Rischell Pty Ltd;</b> 02-02C, A pair of pants, 17 Dec 2010	<b>12730/2011</b>	<b>Hillstone Architectural Lighting;</b> 26-05E, LED downlight, 17 Jun 2011	<b>12788/2011</b>
<b>Fifty-Fourth Rischell Pty Ltd;</b> 02-02NES, A shirt, 17 Dec 2010	<b>12731/2011</b>	<b>Hillstone Architectural Lighting;</b> 26-05E, LED downlight, 17 Jun 2011	<b>12790/2011</b>
<b>Fifty-Fourth Rischell Pty Ltd;</b> 02-02NES, A jacket, 17 Dec 2010	<b>12728/2011</b>	<b>Honda Motor Co., Ltd.;</b> 12-16E, Frame for vehicle lighting element, (JP, 28 Dec 2010) 27 Jun 2011	<b>12868/2011</b>
<b>Fifty-Fourth Rischell Pty Ltd;</b> 02-02NES, A jacket, 17 Dec 2010	<b>12729/2011</b>	<b>Honeywell (China) Co., Ltd.;</b> 23-01F, Water tank of/for a solar water heater, (CN, 16 Dec 2010) 16 Jun 2011	<b>12683/2011</b>
<b>Fifty-Fourth Rischell Pty Ltd;</b> 02-02NES, A coat, 17 Dec 2010	<b>12726/2011</b>	<b>Hoover Limited;</b> 15-05, Vacuum cleaner, (EM, 20 Dec 2010) 20 Jun 2011	<b>12780/2011</b>
<b>Fifty-Fourth Rischell Pty Ltd;</b> 02-02NES, A coat, 17 Dec 2010	<b>12727/2011</b>	<b>Hutzler Manufacturing Co., Inc.;</b> 07-02L, Tea infuser, (US, 18 Apr 2011) 28 Jun 2011	<b>12886/2011</b>
<b>Fisher, Leonard;</b> 19-07, 21-01M, Educational puzzle peg board, 01 Jul 2011	<b>12927/2011</b>	<b>Hutzler Manufacturing Co., Inc.;</b> 07-02NES, Bowl including base, container and strainer, (US, 02 Mar 2011) 29 Jun 2011	<b>12896/2011</b>
<b>FITT S.p.A.;</b> 23-01NES, 23-01C, A hose, (EM, 20 Dec 2010) 20 Jun 2011	<b>12786/2011</b>	<b>International Truck Intellectual Property Company, LLC;</b> 12-16B, Cowl panel of a truck vehicle, (US, 07 Feb 2011) 29 Jun 2011	<b>12882/2011</b>
<b>FITT S.p.A.;</b> 23-01C, A hose, 22 Jun 2011	<b>12827/2011</b>	<b>Irwin and Sheehan Pty Ltd;</b> 07-01NES, Lid, 25 May 2011	<b>12828/2011</b>
<b>Geberit International AG;</b> 23-02C, 13-03D, Control panel for toilet flush tank, (WO, 11 Jan 2011) 24 Jun 2011	<b>12861/2011</b>	<b>Ivanov, Ivan R.;</b> 03-01A, Training bag, (US, 15 Apr 2011) 22 Jun 2011	<b>12803/2011</b>
<b>Geberit International AG;</b> 23-02C, 13-03D, Control panel for toilet flush tank, (WO, 11 Jan 2011) 24 Jun 2011	<b>12862/2011</b>	<b>Ivanov, Vladimir;</b> 11-04, Holey tree, 01 Jul 2011	<b>12930/2011</b>
<b>Geberit International AG;</b> 23-02C, Control panel for toilet flush tank, (WO, 11 Jan 2011) 24 Jun 2011	<b>12863/2011</b>	<b>Jr De Exact Industrial Co., Ltd.;</b> 08-03, Die set blade with a waveform cutting edge, (TW, 19 Apr 2011) 22 Jun 2011	<b>12848/2011</b>
<b>Geberit International AG;</b> 23-02C, 13-03D, Control panel for toilet flush tank, (WO, 11 Jan 2011) 24 Jun 2011	<b>12860/2011</b>	<b>Julius Blum GmbH;</b> 06-06D, Part of furniture drawers, (EM, 27 Dec 2010) 21 Jun 2011	<b>12804/2011</b>
<b>Gemini Industries Pty Ltd;</b> 23-02C, Toilet pan and cistern, 24 Jun 2011	<b>12857/2011</b>	<b>Karsten Manufacturing Corporation;</b> 21-02C, Golf club head, (US, 10 Feb 2011) 29 Jun 2011	<b>12917/2011</b>
<b>General Cable Technologies Corporation;</b> 13-03E, Electrical connector, (US, 30 Dec 2010) 20 Jun 2011	<b>12747/2011</b>	<b>Karsten Manufacturing Corporation;</b> 21-02C, Golf club head, (US, 15 Mar 2011) 29 Jun 2011	<b>12918/2011</b>
<b>Gibson, Cherine;</b> 03-99, Project box, 29 Jun 2011	<b>12925/2011</b>		
<b>Giga Solar Pty Ltd;</b> 13-03B, Cable suspension clip, 18 Jun 2011	<b>12752/2011</b>		

<b>Ketola, Hannu;</b> 99-00, , 16 Jun 2011	<b>12754/2011</b>	<b>Knowles, Simon Vince;</b> 02-02NES, Jersey, 24 Jun 2011	<b>12851/2011</b>
<b>King Furniture (Australia) Pty Ltd;</b> 06-01G, Sofa, 20 Jun 2011	<b>12765/2011</b>	<b>Koninklijke Philips Electronics N.V.;</b> 14-01, Headphone, (EM, 22 Dec 2010) 21 Jun 2011	<b>12802/2011</b>
<b>King Furniture (Australia) Pty Ltd;</b> 06-01G, Sofa, 20 Jun 2011	<b>12763/2011</b>	<b>Koninklijke Philips Electronics N.V.;</b> 14-01, Speaker, (EM, 04 Jan 2011) 27 Jun 2011	<b>12872/2011</b>
<b>King Furniture (Australia) Pty Ltd;</b> 06-01G, Armchair, 20 Jun 2011	<b>12757/2011</b>	<b>Koninklijke Philips Electronics N.V.;</b> 14-01, Speaker, (EM, 04 Jan 2011) 27 Jun 2011	<b>12874/2011</b>
<b>King Furniture (Australia) Pty Ltd;</b> 06-01G, Armchair, 20 Jun 2011	<b>12758/2011</b>	<b>Koninklijke Philips Electronics N.V.;</b> 14-01, Speaker, (EM, 04 Jan 2011) 27 Jun 2011	<b>12876/2011</b>
<b>King Furniture (Australia) Pty Ltd;</b> 06-01G, Chair, 20 Jun 2011	<b>12755/2011</b>	<b>Koninklijke Philips Electronics N.V.;</b> 14-01, Speaker, (EM, 04 Jan 2011) 27 Jun 2011	<b>12875/2011</b>
<b>King Furniture (Australia) Pty Ltd;</b> 06-01G, Armchair, 20 Jun 2011	<b>12759/2011</b>	<b>Koninklijke Philips Electronics N.V.;</b> 14-01, Speaker, (EM, 04 Jan 2011) 27 Jun 2011	<b>12871/2011</b>
<b>King Furniture (Australia) Pty Ltd;</b> 06-01G, Sofa, 20 Jun 2011	<b>12761/2011</b>	<b>Koninklijke Philips Electronics N.V.;</b> 14-01, Speaker, (EM, 04 Jan 2011) 27 Jun 2011	<b>12873/2011</b>
<b>King Furniture (Australia) Pty Ltd;</b> 06-01G, Sofa, 20 Jun 2011	<b>12762/2011</b>	<b>Koninklijke Philips Electronics N.V.;</b> 14-01, Headphone, (EM, 22 Dec 2010) 21 Jun 2011	<b>12801/2011</b>
<b>King Furniture (Australia) Pty Ltd;</b> 06-01G, Sofa, 20 Jun 2011	<b>12760/2011</b>	<b>Laerdal Medical AS;</b> 24-01, Compact suction unit, (NO, 03 Feb 2011) 17 Jun 2011	<b>12717/2011</b>
<b>King Furniture (Australia) Pty Ltd;</b> 06-01G, Armchair, 20 Jun 2011	<b>12756/2011</b>	<b>Laird, Jeffrey Kenneth;</b> 12-10, Lightweight luggage trailer, 28 Jun 2011	<b>12870/2011</b>
<b>King Furniture (Australia) Pty Ltd;</b> 06-01G, Sofa, 20 Jun 2011	<b>12776/2011</b>	<b>Lego A/S;</b> 21-01E, Building blocks for toy building sets, (WO, 25 Jan 2011) 21 Jun 2011	<b>12798/2011</b>
<b>King Furniture (Australia) Pty Ltd;</b> 06-01G, Sofa, 20 Jun 2011	<b>12777/2011</b>	<b>Lego A/S;</b> 21-01E, Building blocks for toy building sets, (WO, 25 Jan 2011) 21 Jun 2011	<b>12796/2011</b>
<b>King Furniture (Australia) Pty Ltd;</b> 06-01G, Sofa, 20 Jun 2011	<b>12778/2011</b>	<b>Lego A/S;</b> 21-01E, Building blocks for toy building sets, (WO, 25 Jan 2011) 21 Jun 2011	<b>12797/2011</b>
<b>King Furniture (Australia) Pty Ltd;</b> 06-01G, Sofa, 20 Jun 2011	<b>12779/2011</b>	<b>Lixil Corporation;</b> 23-01H, Faucet, (CN, 28 Apr 2011) 23 Jun 2011	<b>12853/2011</b>
<b>King Furniture (Australia) Pty Ltd;</b> 06-01G, Sofa, 20 Jun 2011	<b>12775/2011</b>	<b>Lixil Corporation;</b> 23-01H, Faucet, (CN, 28 Apr 2011) 23 Jun 2011	<b>12852/2011</b>
<b>King Furniture (Australia) Pty Ltd;</b> 06-01G, Sofa, 20 Jun 2011	<b>12769/2011</b>	<b>Lombardo, Jeff;</b> 08-08NES, Picture hanging aid, 22 Jun 2011	<b>12811/2011</b>
<b>King Furniture (Australia) Pty Ltd;</b> 06-01G, Sofa, 20 Jun 2011	<b>12771/2011</b>	<b>LG Electronics Inc.;</b> 14-03E, Mobile phone, (KR, 11 Jan 2011) 16 Jun 2011	<b>12690/2011</b>
<b>King Furniture (Australia) Pty Ltd;</b> 06-01G, Sofa, 20 Jun 2011	<b>12772/2011</b>	<b>LG Electronics, Inc.;</b> 14-03E, Cellular phone, (KR, 13 Jan 2011) 23 Jun 2011	<b>12841/2011</b>
<b>King Furniture (Australia) Pty Ltd;</b> 06-01G, Sofa, 20 Jun 2011	<b>12770/2011</b>		
<b>King Furniture (Australia) Pty Ltd;</b> 06-01G, Sofa, 20 Jun 2011	<b>12767/2011</b>		
<b>King Furniture (Australia) Pty Ltd;</b> 06-01G, Sofa, 20 Jun 2011	<b>12773/2011</b>		
<b>King Furniture (Australia) Pty Ltd;</b> 06-01G, Sofa, 20 Jun 2011	<b>12774/2011</b>		
<b>King Furniture (Australia) Pty Ltd;</b> 06-01G, Sofa, 20 Jun 2011	<b>12768/2011</b>		
<b>King Furniture (Australia) Pty Ltd;</b> 06-01G, Sofa, 20 Jun 2011	<b>12766/2011</b>		
<b>King Furniture (Australia) Pty Ltd;</b> 06-01G, Sofa, 20 Jun 2011	<b>12764/2011</b>		

<b>Mansweto, Kim Maree;</b> 06-13B, Cot sheet assembly, 22 Jun 2011	<b>12829/2011</b>	<b>Oreica Pty Ltd as Trading for W Lim Family Trust;</b> 25-02B, In-fill panel door/window (product functions as both door, window and or partition), 21 Jun 2011	<b>12819/2011</b>
<b>Mayo Hardware Pty Ltd;</b> 07-02N, 07-02C, Pizza stone stacker, 17 Jun 2011	<b>12698/2011</b>	<b>Oreica Pty Ltd as Trading for W Lim Family Trust;</b> 25-02B, In-fill panel door/window (product functions as both door, window and or partition), 21 Jun 2011	<b>12823/2011</b>
<b>Mayo Hardware Pty Ltd;</b> 07-02N, 07-02C, Pizza stacker, 17 Jun 2011	<b>12697/2011</b>	<b>Oreica Pty Ltd as Trading for W Lim Family Trust;</b> 25-02B, In-fill panel door/window (product functions as both door, window and or partition), 21 Jun 2011	<b>12825/2011</b>
<b>McCann, Christine;McCann, John;</b> 11-04, Beaded flower, 22 Jun 2011	<b>12807/2011</b>	<b>Oreica Pty Ltd as Trading for W Lim Family Trust;</b> 25-02B, In-fill panel door/window (product functions as both door, window and or partition), 21 Jun 2011	<b>12826/2011</b>
<b>McCann, John;McCann, Christine;</b> 11-04, Beaded flower, 22 Jun 2011	<b>12807/2011</b>	<b>Oreica Pty Ltd as Trading for W Lim Family Trust;</b> 25-02B, In-fill panel door/window (product functions as both door, window and or partition), 21 Jun 2011	<b>12824/2011</b>
<b>McCann, Christine;McCann, John;</b> 11-04, Beaded perfume flower in a pot, 22 Jun 2011	<b>12812/2011</b>	<b>Oreica Pty Ltd as Trading for W Lim Family Trust;</b> 25-02B, In-fill panel door/window (product functions as both door, window and or partition), 21 Jun 2011	<b>12821/2011</b>
<b>McCann, John;McCann, Christine;</b> 11-04, Beaded perfume flower in a pot, 22 Jun 2011	<b>12812/2011</b>	<b>Oreica Pty Ltd as Trading for W Lim Family Trust;</b> 25-02B, In-fill panel door/window (product functions as both door, window and or partition), 21 Jun 2011	<b>12822/2011</b>
<b>McGain, Theresa;</b> 19-04, , 17 Jun 2011	<b>12686/2011</b>	<b>Oreica Pty Ltd as Trading for W Lim Family Trust;</b> 25-02B, In-fill panel door/window (product functions as both door, window and or partition), 21 Jun 2011	<b>12820/2011</b>
<b>Milner, Wayne;Diener, Rudy;Rose, Danny Earle;</b> 08-08K, Fence or railing connector, 23 Jun 2011	<b>12847/2011</b>	<b>Oreica Pty Ltd as Trading for W Lim Family Trust;</b> 25-02B, In-fill panel door/window (product functions as both door, window and or partition), 21 Jun 2011	<b>12831/2011</b>
<b>Mitsubishi Electric Corporation;</b> 15-07, Refrigerator, (JP, 20 Jan 2011) 16 Jun 2011	<b>12702/2011</b>	<b>Oreica Pty Ltd as Trading for W Lim Family Trust;</b> 25-02B, In-fill panel door/window (product functions as both door, window and or partition), 21 Jun 2011	<b>12832/2011</b>
<b>Mitsubishi Electric Corporation;</b> 15-07, Refrigerator, (JP, 20 Jan 2011) 16 Jun 2011	<b>12703/2011</b>	<b>Owens-Brockway Glass Container Inc.;</b> 09-01H, Bottle, (US, 27 Jan 2011) 23 Jun 2011	<b>12833/2011</b>
<b>Mitsubishi Electric Corporation;</b> 15-07, Refrigerator, (JP, 20 Jan 2011) 16 Jun 2011	<b>12701/2011</b>	<b>Owens-Brockway Glass Container Inc.;</b> 09-01H, Bottle, (US, 27 Jan 2011) 23 Jun 2011	<b>12835/2011</b>
<b>Mort Bay Traders Pty Ltd;</b> 14-02, USB and holder, 29 Jun 2011	<b>12922/2011</b>	<b>Owens-Brockway Glass Container Inc.;</b> 09-01H, Bottle, (US, 27 Jan 2011) 23 Jun 2011	<b>12836/2011</b>
<b>Mort Bay Traders Pty Ltd;</b> 13-03D, Remote control GPO adaptor, 29 Jun 2011	<b>12921/2011</b>	<b>Owens-Brockway Glass Container Inc.;</b> 09-01H, Bottle, (US, 27 Jan 2011) 23 Jun 2011	<b>12834/2011</b>
<b>Mort Bay Traders Pty Ltd;</b> 13-03C, 10-04, 25-02NES, Power meter box, 29 Jun 2011	<b>12920/2011</b>		
<b>Mothercare UK Ltd;</b> 12-12, 21-01F, A baby walker and activity station, (EM, 21 Jun 2011) 28 Jun 2011	<b>12887/2011</b>		
<b>Neoperl GmbH;</b> 23-01G, Flow regulator, (EM, 23 Feb 2011) 20 Jun 2011	<b>12784/2011</b>		
<b>Nomacorrc LLC;</b> 10-04, Analytical instrument, (EM, 27 Dec 2010) 27 Jun 2011	<b>12869/2011</b>		
<b>Oakley, Inc.;</b> 16-06, Eyeglasses, (US, 18 Jan 2011) 24 Jun 2011	<b>12858/2011</b>		
<b>Oakley, Inc.;</b> 16-06, Goggles, (US, 18 Jan 2011) 24 Jun 2011	<b>12859/2011</b>		

<b>Owens-Brockway Glass Container Inc.;</b> 09-01NES, Bottle, (US, 27 Jan 2011) 23 Jun 2011	<b>12839/2011</b>	<b>Raven Products Pty Ltd;</b> 25-01K, Door threshold plate extrusion, 01 Jul 2011	<b>12943/2011</b>
<b>Owens-Brockway Glass Container Inc.;</b> 09-01H, Bottle, (US, 27 Jan 2011) 23 Jun 2011	<b>12837/2011</b>	<b>Raven Products Pty Ltd;</b> 25-01K, Door threshold locating block extrusion, 01 Jul 2011	<b>12945/2011</b>
<b>Owens-Brockway Glass Container Inc.;</b> 09-01H, Bottle, (US, 27 Jan 2011) 23 Jun 2011	<b>12838/2011</b>	<b>Raven Products Pty Ltd;</b> 25-01K, Door bottom seal extrusion, 01 Jul 2011	<b>12946/2011</b>
<b>Oyj, Marimekko;</b> 99-00, Loistava, (EM, 28 Dec 2010) 24 Jun 2011	<b>12864/2011</b>	<b>Raven Products Pty Ltd;</b> 25-01K, Door frame seal extrusion, 01 Jul 2011	<b>12944/2011</b>
<b>Pacific Market International, LLC;</b> 07-01NES, Food container, (US, 29 Nov 2010) (Divisional of 12348/2011) 26 May 2011	<b>12818/2011</b>	<b>Rehau AG + Co;</b> 23-01A, 23-01C, Hose or pipe fitting, (EM, 02 Mar 2011) 30 Jun 2011	<b>12940/2011</b>
<b>Pacific Market International, LLC;</b> 07-01NES, Food container, (US, 29 Nov 2010) (Divisional of 12348/2011) 26 May 2011	<b>12817/2011</b>	<b>Rehau AG + Co;</b> 23-01A, 23-01C, Hose or pipe fitting, (EM, 02 Mar 2011) 30 Jun 2011	<b>12938/2011</b>
<b>Papoutsidis, Kyriacos (Jack);</b> 10-01, Clock, 27 Jun 2011	<b>12856/2011</b>	<b>Rehau AG + Co;</b> 23-01A, 23-01C, Hose or pipe fitting, (EM, 02 Mar 2011) 30 Jun 2011	<b>12939/2011</b>
<b>Peddie, Julie Doris;</b> 11-05, 29-02, High visual safety flag, 15 Jun 2011	<b>12704/2011</b>	<b>Robinson, Neil;</b> 25-01NES, Decking template, 20 Jun 2011	<b>12787/2011</b>
<b>Phoenix Industries Pty Ltd;</b> 23-01H, Mixer tap, 28 Jun 2011	<b>12889/2011</b>	<b>Rose, Danny Earle;Diener, Rudy;Milner, Wayne;</b> 08-08K, Fence or railing connector, 23 Jun 2011	<b>12847/2011</b>
<b>Phoenix Industries Pty Ltd;</b> 23-01H, Mixer tap and spout, 28 Jun 2011	<b>12890/2011</b>	<b>Scanpan A/S;</b> 07-04, A cutting boards and holder assembly, 30 Jun 2011	<b>12935/2011</b>
<b>Primus Australia Pty Ltd;</b> 12-10, Camper trailer, 28 Jun 2011	<b>12885/2011</b>	<b>Simmons, Stephen L.;</b> 12-05, Retail Unloader, 15 Jun 2011	<b>12708/2011</b>
<b>Primus Australia Pty Ltd;</b> 07-07B, Collapsible bucket, 30 Jun 2011	<b>12929/2011</b>	<b>Sitland S.P.A.;</b> 06-06G, Seat, armrest and backrest for a chair, 29 Jun 2011	<b>12897/2011</b>
<b>ProFibrix B.V.;</b> 24-02, Medical instrument, (EM, 23 Dec 2010) 22 Jun 2011	<b>12840/2011</b>	<b>Sony Computer Entertainment Inc.;</b> 21-01N, Portable information terminal, (JP, 26 Jan 2011) 29 Jun 2011	<b>12910/2011</b>
<b>PH Plus Pty Ltd;</b> 26-05B, Desk lamp, (US, 19 Apr 2011) 01 Jul 2011	<b>12928/2011</b>	<b>Sony Computer Entertainment Inc.;</b> 21-01N, Portable information terminal, (JP, 25 Jan 2011) 29 Jun 2011	<b>12916/2011</b>
<b>PUC Pty Ltd;</b> 02-02B, Ponchos, 17 Jun 2011	<b>12714/2011</b>	<b>Sony Computer Entertainment Inc.;</b> 21-01N, Portable information terminal, (JP, 25 Jan 2011) 29 Jun 2011	<b>12914/2011</b>
<b>Raven Products Pty Ltd;</b> 25-01K, Drop door seal housing extrusion, 01 Jul 2011	<b>12942/2011</b>	<b>Sony Computer Entertainment Inc.;</b> 21-01N, Portable information terminal, (JP, 25 Jan 2011) 29 Jun 2011	<b>12915/2011</b>
<b>Raven Products Pty Ltd;</b> 25-01K, Door threshold seal extrusion, 01 Jul 2011	<b>12949/2011</b>	<b>Sony Computer Entertainment Inc.;</b> 14-02, Recording media, (JP, 25 Jan 2011) 29 Jun 2011	<b>12907/2011</b>
<b>Raven Products Pty Ltd;</b> 25-01K, Drop door seal housing extrusion, 01 Jul 2011	<b>12947/2011</b>	<b>Sony Computer Entertainment Inc.;</b> 21-01N, Portable information terminal, (JP, 26 Jan 2011) 29 Jun 2011	<b>12911/2011</b>
<b>Raven Products Pty Ltd;</b> 25-01K, Drop door seal member extrusion, 01 Jul 2011	<b>12948/2011</b>	<b>Sony Computer Entertainment Inc.;</b> 21-01N, Portable information terminal, (JP, 26 Jan 2011) 29 Jun 2011	<b>12905/2011</b>

<b>Sony Computer Entertainment Inc.;</b> 21-01N, Portable information terminal, (JP, 25 Jan 2011) 29 Jun 2011	<b>12908/2011</b>	<b>SEB;</b> 07-02N, Electric pressure cooker, (FR, 15 Feb 2011) 23 Jun 2011	<b>12849/2011</b>
<b>Sony Computer Entertainment Inc.;</b> 21-01N, Portable information terminal, (JP, 25 Jan 2011) 29 Jun 2011	<b>12912/2011</b>	<b>Taggle Systems Pty. Ltd.;</b> 08-08D, 10-04, Housing and clamp for automatic meter reading (AMR) device for V100 type water meters, 21 Jun 2011	<b>12792/2011</b>
<b>Sony Computer Entertainment Inc.;</b> 21-01N, Cradle, (JP, 09 Feb 2011) 29 Jun 2011	<b>12906/2011</b>	<b>Telesteps AB;</b> 25-04, Ladder, (EM, 29 Dec 2010) 29 Jun 2011	<b>12900/2011</b>
<b>Sony Computer Entertainment Inc.;</b> 21-01N, Portable information terminal, (JP, 26 Jan 2011) 29 Jun 2011	<b>12904/2011</b>	<b>Telesteps AB;</b> 25-04, Ladder, (EM, 29 Dec 2010) 29 Jun 2011	<b>12899/2011</b>
<b>Sony Computer Entertainment Inc.;</b> 21-01N, Portable information terminal, (JP, 25 Jan 2011) 29 Jun 2011	<b>12913/2011</b>	<b>Telesteps AB;</b> 25-04, Ladder components, (EM, 29 Dec 2010) 29 Jun 2011	<b>12898/2011</b>
<b>Sony Computer Entertainment Inc.;</b> 21-01N, Portable information terminal, (JP, 26 Jan 2011) 29 Jun 2011	<b>12909/2011</b>	<b>The Feeder Leader Company Limited;</b> 15-03B, A deployable/undeployable roller assembly, (NZ, 20 Dec 2010) 17 Jun 2011	<b>12715/2011</b>
<b>Spirits International B.V.;</b> 09-01H, A bottle, (CH, 28 Dec 2010) 28 Jun 2011	<b>12893/2011</b>	<b>The Gillette Company;</b> 28-03A, Razor cartridge, (US, 20 Dec 2010) 20 Jun 2011	<b>12785/2011</b>
<b>Stubbs, Bruce Grahame;</b> 12-16NES, Steering bars for hydrolic system for B.R.P outboard motor (Evinrude), 17 Jun 2011	<b>12709/2011</b>	<b>The Gillette Company;</b> 28-03A, 09-03NES, Shaving razor handle and cartridge dispenser, (US, 20 Dec 2010) 20 Jun 2011	<b>12783/2011</b>
<b>Stubbs, Bruce Grahame;</b> 12-16NES, Steering bars for mercury outboard motor, high performance cable pullie type, 17 Jun 2011	<b>12711/2011</b>	<b>The Goodyear Tire &amp; Rubber Company;</b> 12-15A, Tyre for automobile, (JP, 30 Dec 2010) 16 Jun 2011	<b>12707/2011</b>
<b>Stubbs, Bruce Grahame;</b> 12-16NES, Steering "D"ee to connect pullies and bars to cable on outboard high performance steering. See sheet A & B, 17 Jun 2011	<b>12712/2011</b>	<b>The Stanley Works Israel Ltd.;</b> 03-01D, Rigid tool bag, (US, 31 Jan 2011) 21 Jun 2011	<b>12794/2011</b>
<b>Stubbs, Bruce Grahame;</b> 12-16NES, Steering bars for B.R.P. (Erinrude) outboard motors, high performance cable pullie type, 17 Jun 2011	<b>12710/2011</b>	<b>The Stanley Works Israel Ltd.;</b> 03-01D, Tool container, (US, 25 Jan 2011) 21 Jun 2011	<b>12795/2011</b>
<b>Suki Shufu LLP;</b> 21-02NES, Sports mat, (EM, 21 Dec 2010) 21 Jun 2011	<b>12799/2011</b>	<b>Thermos L.L.C.;</b> 07-01NES, A lid for a drink container, (US, 06 May 2011) 23 Jun 2011	<b>12845/2011</b>
<b>Sulzer Metco (US) Inc.;</b> 13-03NES, Electrode, (US, 30 Dec 2010) 20 Jun 2011	<b>12748/2011</b>	<b>Transport Seating Technology Pty Ltd.;</b> 06-01D, Vehicle seat component, 23 Jun 2011	<b>12816/2011</b>
<b>Sulzer Metco (US) Inc.;</b> 13-03NES, 13-03A, Electrode insulator, (US, 30 Dec 2010) 20 Jun 2011	<b>12750/2011</b>	<b>Turnbull, Gregory Paul;</b> 03-01A, 03-01NES, Roll up all weather travel bag with seperate compartments and detachable toiletry bags, 17 Jun 2011	<b>12789/2011</b>
<b>Sulzer Metco (US) Inc.;</b> 13-03NES, Neutrode stack, (US, 30 Dec 2010) 20 Jun 2011	<b>12749/2011</b>	<b>Unilever PLC;</b> 09-05, A pouch, (EM, 17 Jan 2011) 28 Jun 2011	<b>12888/2011</b>
<b>Suzhou Eagle Electric Vehicle Manufacturing Co. Ltd.;</b> 12-11, Electric vehicle, (CN, 03 Mar 2011) 16 Jun 2011	<b>12688/2011</b>	<b>Visy R &amp; D Pty Ltd.;</b> 09-03H, Temporary bulkhead, 16 Jun 2011	<b>12685/2011</b>
		<b>WIM Industries Pty Ltd.;</b> 99-00, Separator, 29 Jun 2011	<b>12924/2011</b>
		<b>X6D Limited;</b> 16-06, 3D glasses, (US, 17 Dec 2010) 16 Jun 2011	<b>12695/2011</b>

<b>Zike, LLC;</b> 12-11, 21-01F, Frame, (US, 15 Apr 2011) 29 Jun 2011	<b>12894/2011</b>	<b>3M Innovative Properties Company;</b> 08-08G, Pivotal wire hook, (US, 21 Dec 2010) 16 Jun 2011	<b>12696/2011</b>
<b>Zike, LLC;</b> 12-11, 21-01F, Frame, (US, 15 Apr 2011) 29 Jun 2011	<b>12895/2011</b>	<b>3M Innovative Properties Company;</b> 02-04C, 24-04, Ankle brace, (US, 30 Dec 2010) 24 Jun 2011	<b>12854/2011</b>

---

**Applications Withdrawn**

12364 / 2011 (30-04)

---

**Applications Lapsed**

15688 / 2010 (02-02C)	10655 / 2011 (09-03NES)
11499 / 2011 (26-01)	11508 / 2011 (09-03M)
11527 / 2011 (99-00)	11610 / 2011 (17-99)
11617 / 2011 (17-99)	11668 / 2011 (08-08K)

**Extension of Period of Registration of Designs**

303676	308627	308628	305612	305613	305614
308629	308632	308991	305680	305791	306469
309053	309054	309055	306843	307058	307101
309098	309202	309216	307177	307276	307392
309217	309218	309221	307422	307438	307439
309222	309223	309224	307442	307472	307473
309241	309265	309266	307474	307478	307479
309275	309276	309311	307482	307494	307497
309312	309317	309359	307499	307500	307501
309360	309361	309362	307520	307522	307523
309399	309400	309402	307553	307554	307555
309422	309423	309425	307556	307557	307571
309444	309486	309487	307572	307573	307574
309503	309504	309505	307572	307573	307574
309544	309545	309554	307585	307587	307588
309690	309742	309766	307589	307591	307606
309769	309770	309771	307610	307617	307618
309788	309827	309828	307619	307620	307621
309829	309906	309907	307622	307623	307624
309908	309910	309927	307625	307628	307641
309928	309947	309971	307643	307644	307645
310012	310073	310074	307646	307713	307715
310091	310093	310094	307723	307728	307733
310111	310114	310129	307734	307735	307814
310130	310131	310152	307815	307827	307828
310180	310186	310191	307829	307830	307834
310192	310193	310194	307835	307854	307988
310195	310196	310204	307989	307990	308032
310219	310237	310248	308072	308097	308098
310261	310272	310298	308100	308101	308102
310299	310315	310367	308103	308105	308106
310368	310445	310476	308166	308167	308168
310477	310478	310488	308169	308170	308184
310490	310491	310535	308247	308375	308376
310536	310631	310633	309043	309341	309342
310634	310710	310774	309547	309628	309834
310793	310820	310821	309835	309871	309895
310824	310825	310833	310006	310036	310037
310842	311078	311079	310038	310039	310040
311122	311152	311347	310041	310096	310161
311427	311429	311430	310241	310417	310852
311454	311491	311731	311278	311279	311583
311988	312142	312145	311584	311585	311586
312162	312211	312450	311587	312324	312325
312451	312452	312453	312326	312327	312328
312454	312606	312618	312329	312330	312331
313212	315088	316054	312332	312333	312334
			312335	312336	312337
			312338	312339	312340
			312341	312342	312343
			312344	312345	312346
			312347	312348	312349
			312350	312351	312352
			312353	312354	312355
			312356	312357	312358

**Registrations Ceased**

312656	313177	313582	323147	( <b>New Zealand Comfort Group Limited</b> ) Sleepyhead Manufacturing Company Limited
313583	313584	316815	323149	( <b>New Zealand Comfort Group Limited</b> ) Sleepyhead Manufacturing Company Limited
316866	316867	317174	312117	( <b>New Zealand Comfort Group Limited</b> ) Sleepyhead Manufacturing Company Limited
327978	327979			

### Extensions of time granted under Section 137

Applications lodged under section 137 for extension of time have been granted.

303676 **Darren William Lenthall**

337455 **EcoloBlue Inc**

333223 **GM Global Technology Operations LLC**

333224 **GM Global Technology Operations LLC**

### Discharge of Mortgages

309281 The mortgage to **Fraser Patison OLD** has been discharged.

309281 The mortgage to **Ulysius International Trading Pty Limited** has been discharged.

### Subsequent Owners Registered

(The name in parentheses is that of the subsequent owner)

309281 ( **TMA Group of Companies Limited** ) Carl-Louis Pty Ltd  
 309281 ( **TMA Capital Australia Pty Ltd** ) TMA Group of Companies Limited  
 303349 ( **Shandong Linglong Tire Co., Ltd** ) Shandong Linglong Rubber Co, Ltd

### Names Registered - Alterations and Amendments

(The name in parentheses is that of the subsequent applicant)

311913 ( **New Zealand Comfort Group Limited** ) Sleepyhead Manufacturing Company Limited  
 311912 ( **New Zealand Comfort Group Limited** ) Sleepyhead Manufacturing Company Limited  
 311911 ( **New Zealand Comfort Group Limited** ) Sleepyhead Manufacturing Company Limited  
 307231 ( **New Zealand Comfort Group Limited** ) Sleepyhead Manufacturing Company Limited  
 312050 ( **New Zealand Comfort Group Limited** ) Sleepyhead Manufacturing Company Limited  
 311998 ( **New Zealand Comfort Group Limited** ) Sleepyhead Manufacturing Company Limited  
 311997 ( **New Zealand Comfort Group Limited** ) Sleepyhead Manufacturing Company Limited  
 311914 ( **New Zealand Comfort Group Limited** ) Sleepyhead Manufacturing Company Limited  
 323144 ( **New Zealand Comfort Group Limited** ) Sleepyhead Manufacturing Company Limited  
 323145 ( **New Zealand Comfort Group Limited** ) Sleepyhead Manufacturing Company Limited  
 323146 ( **New Zealand Comfort Group Limited** ) Sleepyhead Manufacturing Company Limited



**Certificate(s) of Examination**

Examination of the following Design Registration(s) has been completed. Infringement proceedings may now be commenced.

306428	08-09	23/06/2011	335698	14-03NES	28/06/2011
306700	12-16G	30/06/2011	335699	26-04	23/06/2011
306881	12-16G	30/06/2011	335700	08-08O	23/06/2011
311947	12-05	29/06/2011	335701	13-03B	28/06/2011
311948	12-05	29/06/2011	335704	14-02	20/06/2011
319407	13-03D	26/06/2011	335732	13-03B	28/06/2011
319408	13-03D	26/06/2011	335733	26-04	29/06/2011
319409	13-03D	26/06/2011	335734	26-04	29/06/2011
319410	13-03D	26/06/2011	335735	13-03D	23/06/2011
326889	25-01K	22/06/2011	335905	19-06	29/06/2011
328919	08-08NES	01/07/2011	335906	19-06	29/06/2011
329009	25-04	29/06/2011	335950	15-05	26/06/2011
329769	07-01NES	23/06/2011	335951	15-05	26/06/2011
330175	22-03	27/06/2011	335952	15-05	26/06/2011
331060	03-01B	27/06/2011	335953	15-05	26/06/2011
331465	12-15A	28/06/2011	335975	14-02	23/06/2011
331467	12-15A	28/06/2011	335976	14-02	23/06/2011
331565	09-03F	24/06/2011	335977	14-02	23/06/2011
331748	08-08G	30/06/2011	335995	12-15B	23/06/2011
332195	11-01NES	26/06/2011	335996	12-15B	23/06/2011
332282	16-06	28/06/2011	335997	12-15B	23/06/2011
333285	26-03	26/06/2011	336006	14-03NES	26/06/2011
333320	26-03	26/06/2011	336013	04-02	01/07/2011
333600	18-02	27/06/2011	336014	04-02	01/07/2011
334523	14-02	22/06/2011	336057	25-01D	24/06/2011
334537	21-01N	28/06/2011	336058	25-01D	24/06/2011
334731	02-02C	04/07/2011	336074	23-01G	26/06/2011
334884	12-15B	27/06/2011	336182	09-07A	29/06/2011
334885	12-15C	27/06/2011	336183	09-07A	29/06/2011
334892	12-15A	28/06/2011	336184	09-07A	29/06/2011
334907	02-06	20/06/2011	336328	12-11	26/06/2011
334908	02-06	20/06/2011	336329	25-01D	24/06/2011
335028	07-99NES	21/06/2011	336330	25-01D	24/06/2011
335046	02-03	27/06/2011	336350	09-05	26/06/2011
335170	24-04	23/06/2011	336351	09-05	26/06/2011
335171	24-04	23/06/2011	336353	23-01G	26/06/2011
335172	04-02	27/06/2011	336362	03-01NES	27/06/2011
335176	12-16C	30/06/2011	336458	25-01A	24/06/2011
335180	04-02	27/06/2011	336590	21-02C	30/06/2011
335195	12-16B	30/06/2011	336609	14-02	04/07/2011
335223	15-07	23/06/2011	336610	03-01NES	24/06/2011
335325	28-03A	30/06/2011	336707	15-05	27/06/2011
335365	15-05	26/06/2011	336708	15-05	27/06/2011
335372	07-01F	22/06/2011	336709	15-05	27/06/2011
335373	07-01F	22/06/2011	336723	24-02	24/06/2011
335374	09-07C	22/06/2011	336779	28-03C	23/06/2011
335448	06-01G	21/06/2011	336788	02-02C	26/06/2011
335466	12-05	23/06/2011	336840	15-05	27/06/2011
335548	14-03E	26/06/2011	336841	15-05	27/06/2011
335549	14-03E	26/06/2011	336842	15-05	27/06/2011
335573	25-01C	26/06/2011	336843	15-05	27/06/2011
335574	25-01C	26/06/2011	336844	15-05	27/06/2011
335635	08-06	23/06/2011	336893	12-12	30/06/2011
335636	07-02L	19/06/2011	336894	12-12	30/06/2011
335637	07-02L	20/06/2011	336895	12-12	30/06/2011
335638	07-02L	19/06/2011	336895	12-12	30/06/2011
335664	21-02F	23/06/2011	336984	03-01B	28/06/2011
335670	13-03D	22/06/2011	336985	03-01B	28/06/2011
335671	19-06	28/06/2011	337143	07-02D	30/06/2011
			337159	08-08NES	30/06/2011
			337160	08-08NES	30/06/2011
			337181	08-05P	30/06/2011
			337182	08-05P	29/06/2011

**Publication and Registration Proceedings**

**Designs Registered**

This section provides a concordance between design number and registration number of Designs covered in this journal. It also shows the main class and registration date.

This section covers Registration numbers 337225 to 337480 .

The registration number shown below should be used in all future correspondence.

<b>Design Number</b>	<b>Registration Number</b>	<b>International Classification Code (IDC)</b>	<b>Registration Date</b>	<b>Design Number</b>	<b>Registration Number</b>	<b>International Classification Code (IDC)</b>	<b>Registration Date</b>
11566/2009	337455	23-01G	01/07/2011	11791/2011	337374	08-08B	28/06/2011
14769/2010	337416	23-02NES	29/06/2011	11796/2011	337375	08-08B	28/06/2011
15503/2010	337276	07-02L	23/06/2011	11797/2011	337418	20-02NES	29/06/2011
15564/2010	337248	02-02NES	22/06/2011	11806/2011	337458	26-04	01/07/2011
15670/2010	337377	12-16B	28/06/2011	11817/2011	337419	26-05E	29/06/2011
15671/2010	337378	12-16E	28/06/2011	11831/2011	337420	26-06	29/06/2011
15672/2010	337379	12-16E	28/06/2011	11838/2011	337295	14-03A	24/06/2011
15673/2010	337380	12-16B	28/06/2011	11839/2011	337456	09-01A	01/07/2011
15674/2010	337381	12-16B	28/06/2011	11902/2011	337475	06-13B	05/07/2011
15675/2010	337382	12-16B	28/06/2011	11903/2011	337321	12-99	24/06/2011
15676/2010	337383	12-16B	28/06/2011	11907/2011	337476	12-11	05/07/2011
15677/2010	337384	12-16B	28/06/2011	11960/2011	337457	02-01NES	01/07/2011
15678/2010	337385	12-16B	28/06/2011	11965/2011	337405	12-06NES	29/06/2011
15679/2010	337386	12-16E	28/06/2011	11980/2011	337271	09-02C	23/06/2011
10313/2011	337280	11-02B	23/06/2011	11981/2011	337272	09-02C	23/06/2011
10721/2011	337448	25-02G	01/07/2011	11985/2011	337302	26-05E	24/06/2011
10791/2011	337289	08-07	24/06/2011	11988/2011	337296	23-01F	24/06/2011
10792/2011	337417	08-07	29/06/2011	12000/2011	337450	31-00	01/07/2011
10806/2011	337387	08-06	29/06/2011	12012/2011	337268	02-04NES	22/06/2011
10807/2011	337290	08-07	24/06/2011	12098/2011	337273	30-04	23/06/2011
10808/2011	337291	08-07	24/06/2011	12099/2011	337274	30-04	23/06/2011
11278/2011	337422	08-07	29/06/2011	12100/2011	337275	30-04	23/06/2011
11309/2011	337281	01-01	23/06/2011	12101/2011	337316	12-16NES	24/06/2011
11310/2011	337282	01-01	23/06/2011	12102/2011	337243	12-16B	21/06/2011
11311/2011	337283	01-01	23/06/2011	12103/2011	337261	12-16B	22/06/2011
11312/2011	337284	01-01	23/06/2011	12104/2011	337262	12-16B	22/06/2011
11313/2011	337285	01-01	23/06/2011	12105/2011	337244	12-16B	21/06/2011
11314/2011	337286	01-01	23/06/2011	12106/2011	337363	12-16NES	28/06/2011
11315/2011	337287	01-01	23/06/2011	12107/2011	337245	12-16C	21/06/2011
11340/2011	337236	09-03M	21/06/2011	12108/2011	337364	12-16NES	28/06/2011
11524/2011	337231	25-01K	21/06/2011	12109/2011	337365	12-16NES	28/06/2011
11535/2011	337443	05-06NES	30/06/2011	12110/2011	337246	12-16NES	21/06/2011
11572/2011	337327	01-01	27/06/2011	12191/2011	337233	12-06NES	21/06/2011
11615/2011	337314	09-03A	24/06/2011	12192/2011	337409	06-03B	29/06/2011
11616/2011	337315	09-03A	24/06/2011	12197/2011	337421	28-03B	29/06/2011
11622/2011	337435	06-04NES	30/06/2011	12205/2011	337436	30-04	30/06/2011
11637/2011	337301	05-06NES	24/06/2011	12206/2011	337437	30-04	30/06/2011
11655/2011	337292	07-05E	24/06/2011	12207/2011	337438	30-04	30/06/2011
11656/2011	337293	07-05E	24/06/2011	12208/2011	337439	30-04	30/06/2011
11657/2011	337294	07-05E	24/06/2011	12238/2011	337269	25-01E	22/06/2011
11702/2011	337232	12-16NES	21/06/2011	12245/2011	337297	06-04NES	24/06/2011
11754/2011	337267	06-09	22/06/2011	12249/2011	337263	05-05NES	22/06/2011
11777/2011	337402	27-01	29/06/2011	12254/2011	337388	07-01F	29/06/2011
11778/2011	337403	19-01	29/06/2011	12260/2011	337410	07-05D	29/06/2011
11779/2011	337404	27-01	29/06/2011	12270/2011	337406	13-03B	29/06/2011
11784/2011	337449	23-01H	01/07/2011	12299/2011	337360	23-02B	28/06/2011
11785/2011	337328	23-01H	27/06/2011	12306/2011	337225	28-03NES	20/06/2011
11786/2011	337329	23-01H	27/06/2011	12307/2011	337226	28-03NES	20/06/2011
11787/2011	337330	23-01H	27/06/2011	12309/2011	337227	28-03NES	20/06/2011
11789/2011	337373	08-08B	28/06/2011	12310/2011	337228	28-03NES	20/06/2011

Publication and Registration Proceedings - Designs Registered cont'd

Design Number	Registration Number	International Classification Code (IDC)	Registration Date	Design Number	Registration Number	International Classification Code (IDC)	Registration Date
12311/2011	337229	25-02E	20/06/2011	12435/2011	337340	07-02F	27/06/2011
12315/2011	337234	14-02	21/06/2011	12437/2011	337341	04-02	27/06/2011
12316/2011	337235	14-02	21/06/2011	12440/2011	337432	12-16F	30/06/2011
12321/2011	337237	03-01D	21/06/2011	12441/2011	337334	09-03A	27/06/2011
12324/2011	337238	23-02NES	21/06/2011	12442/2011	337335	08-08H	27/06/2011
12325/2011	337239	23-01NES	21/06/2011	12443/2011	337336	08-08H	27/06/2011
12326/2011	337240	23-01NES	21/06/2011	12444/2011	337337	08-08H	27/06/2011
12327/2011	337298	06-01E	24/06/2011	12445/2011	337355	08-08H	27/06/2011
12328/2011	337247	12-15A	21/06/2011	12446/2011	337356	25-01K	27/06/2011
12337/2011	337241	02-02NES	21/06/2011	12447/2011	337357	24-04	27/06/2011
12338/2011	337354	07-01NES	27/06/2011	12448/2011	337358	24-04	27/06/2011
12339/2011	337242	11-01NES	21/06/2011	12449/2011	337359	24-04	27/06/2011
12340/2011	337469	08-08L	04/07/2011	12457/2011	337471	19-06	04/07/2011
12341/2011	337264	09-03K	22/06/2011	12459/2011	337424	15-05	29/06/2011
12347/2011	337265	08-03	22/06/2011	12463/2011	337367	24-01	28/06/2011
12348/2011	337331	07-01NES	27/06/2011	12464/2011	337368	24-01	28/06/2011
12352/2011	337462	08-06	01/07/2011	12465/2011	337369	24-01	28/06/2011
12354/2011	337270	14-02	22/06/2011	12466/2011	337370	24-01	28/06/2011
12359/2011	337317	19-04	24/06/2011	12467/2011	337371	24-01	28/06/2011
12362/2011	337299	06-03NES	24/06/2011	12468/2011	337372	24-01	28/06/2011
12363/2011	337470	25-01C	04/07/2011	12469/2011	337361	09-03F	28/06/2011
12366/2011	337277	08-06	23/06/2011	12472/2011	337362	08-08B	28/06/2011
12369/2011	337303	08-09	24/06/2011	12475/2011	337425	04-02	29/06/2011
12370/2011	337318	08-09	24/06/2011	12483/2011	337395	02-04A	29/06/2011
12371/2011	337319	04-02	24/06/2011	12484/2011	337396	02-04A	29/06/2011
12372/2011	337320	04-02	24/06/2011	12485/2011	337397	02-04A	29/06/2011
12377/2011	337300	08-08L	24/06/2011	12486/2011	337398	02-04A	29/06/2011
12378/2011	337342	24-01	27/06/2011	12487/2011	337399	02-04A	29/06/2011
12379/2011	337343	24-01	27/06/2011	12488/2011	337400	02-04A	29/06/2011
12380/2011	337344	24-01	27/06/2011	12489/2011	337401	02-04A	29/06/2011
12381/2011	337345	24-01	27/06/2011	12490/2011	337426	02-04A	29/06/2011
12382/2011	337346	24-01	27/06/2011	12491/2011	337427	02-04A	29/06/2011
12383/2011	337347	24-01	27/06/2011	12492/2011	337428	02-04A	29/06/2011
12384/2011	337348	24-01	27/06/2011	12493/2011	337429	02-04A	29/06/2011
12385/2011	337349	24-01	27/06/2011	12494/2011	337430	15-01	29/06/2011
12386/2011	337350	24-01	27/06/2011	12495/2011	337266	03-01B	22/06/2011
12388/2011	337351	09-03NES	27/06/2011	12498/2011	337407	09-07B	29/06/2011
12390/2011	337304	04-02	24/06/2011	12500/2011	337389	09-03L	29/06/2011
12391/2011	337305	04-02	24/06/2011	12501/2011	337390	09-03L	29/06/2011
12392/2011	337306	04-02	24/06/2011	12502/2011	337391	03-01NES	29/06/2011
12393/2011	337307	04-02	24/06/2011	12503/2011	337392	15-04	29/06/2011
12394/2011	337308	07-02N	24/06/2011	12504/2011	337393	21-02F	29/06/2011
12395/2011	337309	07-02N	24/06/2011	12505/2011	337411	15-99	29/06/2011
12396/2011	337310	07-02N	24/06/2011	12506/2011	337412	15-99	29/06/2011
12397/2011	337311	07-02N	24/06/2011	12507/2011	337413	15-99	29/06/2011
12398/2011	337312	07-02N	24/06/2011	12508/2011	337414	15-99	29/06/2011
12399/2011	337313	07-02N	24/06/2011	12509/2011	337230	03-01NES	20/06/2011
12400/2011	337322	12-16N	24/06/2011	12514/2011	337431	23-04	29/06/2011
12401/2011	337323	08-08B	24/06/2011	12515/2011	337440	12-15A	30/06/2011
12402/2011	337324	08-08L	24/06/2011	12516/2011	337441	12-15A	30/06/2011
12403/2011	337325	08-08L	24/06/2011	12517/2011	337442	13-02	30/06/2011
12409/2011	337326	09-02B	24/06/2011	12520/2011	337434	24-02	30/06/2011
12414/2011	337423	02-02C	29/06/2011	12521/2011	337433	24-02	30/06/2011
12433/2011	337338	31-00	27/06/2011	12529/2011	337444	06-04NES	30/06/2011
12434/2011	337339	07-02F	27/06/2011	12530/2011	337445	06-04NES	30/06/2011

Publication and Registration Proceedings - Designs Registered cont'd

Design Number	Registration Number	International Classification Code (IDC)	Registration Date	Design Number	Registration Number	International Classification Code (IDC)	Registration Date
12541/2011	337451	15-01	01/07/2011	12726/2011	337249	02-02NES	22/06/2011
12542/2011	337288	11-02B	23/06/2011	12727/2011	337250	02-02NES	22/06/2011
12544/2011	337452	04-02	01/07/2011	12728/2011	337251	02-02NES	22/06/2011
12545/2011	337453	04-02	01/07/2011	12729/2011	337252	02-02NES	22/06/2011
12546/2011	337454	04-02	01/07/2011	12730/2011	337253	02-02C	22/06/2011
12547/2011	337463	04-02	01/07/2011	12731/2011	337254	02-02NES	22/06/2011
12548/2011	337464	08-08D	01/07/2011	12732/2011	337255	02-02NES	22/06/2011
12549/2011	337465	01-01	01/07/2011	12733/2011	337256	02-02NES	22/06/2011
12550/2011	337466	12-15B	01/07/2011	12734/2011	337257	02-02NES	22/06/2011
12551/2011	337467	08-06	01/07/2011	12735/2011	337258	02-02NES	22/06/2011
12552/2011	337468	24-02	01/07/2011	12736/2011	337259	02-02NES	22/06/2011
12558/2011	337472	14-99	04/07/2011	12737/2011	337260	02-02NES	22/06/2011
12560/2011	337473	12-16NES	04/07/2011	12780/2011	337366	15-05	28/06/2011
12561/2011	337474	06-01NES	04/07/2011	12817/2011	337332	07-01NES	27/06/2011
12566/2011	337376	22-06	28/06/2011	12818/2011	337333	07-01NES	27/06/2011
12579/2011	337480	28-03NES	05/07/2011	12828/2011	337353	07-01NES	27/06/2011
12584/2011	337352	12-05	27/06/2011	12878/2011	337459	26-04	01/07/2011
12598/2011	337408	06-09	29/06/2011	12879/2011	337460	26-04	01/07/2011
12600/2011	337278	23-03A	23/06/2011	12880/2011	337461	26-04	01/07/2011
12601/2011	337279	23-03A	23/06/2011	12936/2011	337477	06-13B	05/07/2011
12614/2011	337394	12-06NES	29/06/2011	12937/2011	337478	06-13B	05/07/2011
12637/2011	337415	23-01NES	29/06/2011	12941/2011	337479	06-13B	05/07/2011
12694/2011	337446	09-01NES	30/06/2011				
12699/2011	337447	08-08B	30/06/2011				

**Publication and Registration Proceedings**

**Class Listing of Designs Published or Registered**

The following section shows an International Classification Code listing of the Registered or Published Designs covered in this supplement.

<b>Classification</b>	<b>Registration Number</b>	<b>Design Number</b>	<b>Classification</b>	<b>Registration Number</b>	<b>Design Number</b>
01-01	337281	11309/2011	04-02	337463	12547/2011
01-01	337282	11310/2011	05-05NES	337263	12249/2011
01-01	337283	11311/2011	05-06NES	337301	11637/2011
01-01	337284	11312/2011	05-06NES	337443	11535/2011
01-01	337285	11313/2011	06-01E	337298	12327/2011
01-01	337286	11314/2011	06-01NES	337474	12561/2011
01-01	337287	11315/2011	06-03B	337409	12192/2011
01-01	337327	11572/2011	06-03NES	337299	12362/2011
01-01	337465	12549/2011	06-04NES	337297	12245/2011
02-01NES	337457	11960/2011	06-04NES	337435	11622/2011
02-02C	337253	12730/2011	06-04NES	337444	12529/2011
02-02C	337423	12414/2011	06-04NES	337445	12530/2011
02-02NES	337241	12337/2011	06-09	337267	11754/2011
02-02NES	337248	15564/2010	06-09	337408	12598/2011
02-02NES	337249	12726/2011	06-13B	337475	11902/2011
02-02NES	337250	12727/2011	06-13B	337477	12936/2011
02-02NES	337251	12728/2011	06-13B	337478	12937/2011
02-02NES	337252	12729/2011	06-13B	337479	12941/2011
02-02NES	337254	12731/2011	07-01F	337388	12254/2011
02-02NES	337255	12732/2011	07-01NES	337331	12348/2011
02-02NES	337256	12733/2011	07-01NES	337332	12817/2011
02-02NES	337257	12734/2011	07-01NES	337333	12818/2011
02-02NES	337258	12735/2011	07-01NES	337353	12828/2011
02-02NES	337259	12736/2011	07-01NES	337354	12338/2011
02-02NES	337260	12737/2011	07-02F	337339	12434/2011
02-04A	337395	12483/2011	07-02F	337340	12435/2011
02-04A	337396	12484/2011	07-02L	337276	15503/2010
02-04A	337397	12485/2011	07-02N	337308	12394/2011
02-04A	337398	12486/2011	07-02N	337309	12395/2011
02-04A	337399	12487/2011	07-02N	337310	12396/2011
02-04A	337400	12488/2011	07-02N	337311	12397/2011
02-04A	337401	12489/2011	07-02N	337312	12398/2011
02-04A	337426	12490/2011	07-02N	337313	12399/2011
02-04A	337427	12491/2011	07-05D	337410	12260/2011
02-04A	337428	12492/2011	07-05E	337292	11655/2011
02-04A	337429	12493/2011	07-05E	337293	11656/2011
02-04NES	337268	12012/2011	07-05E	337294	11657/2011
03-01B	337266	12495/2011	08-01	337411	12505/2011
03-01D	337237	12321/2011	08-01	337412	12506/2011
03-01NES	337230	12509/2011	08-01	337413	12507/2011
03-01NES	337265	12347/2011	08-01	337414	12508/2011
03-01NES	337391	12502/2011	08-03	337265	12347/2011
04-02	337304	12390/2011	08-06	337277	12366/2011
04-02	337305	12391/2011	08-06	337387	10806/2011
04-02	337306	12392/2011	08-06	337462	12352/2011
04-02	337307	12393/2011	08-06	337467	12551/2011
04-02	337319	12371/2011	08-07	337289	10791/2011
04-02	337320	12372/2011	08-07	337290	10807/2011
04-02	337341	12437/2011	08-07	337291	10808/2011
04-02	337425	12475/2011	08-07	337417	10792/2011
04-02	337452	12544/2011	08-07	337422	11278/2011
04-02	337453	12545/2011	08-08B	337323	12401/2011
04-02	337454	12546/2011	08-08B	337362	12472/2011

Registration Proceedings - Class Listing of Designs Published or Registered cont'd

Classification	Registration Number	Design Number	Classification	Registration Number	Design Number
08-08B	337373	11789/2011	12-16B	337385	15678/2010
08-08B	337374	11791/2011	12-16C	337245	12107/2011
08-08B	337375	11796/2011	12-16E	337378	15671/2010
08-08B	337447	12699/2011	12-16E	337379	15672/2010
08-08D	337464	12548/2011	12-16E	337386	15679/2010
08-08H	337335	12442/2011	12-16F	337432	12440/2011
08-08H	337336	12443/2011	12-16N	337322	12400/2011
08-08H	337337	12444/2011	12-16NES	337232	11702/2011
08-08H	337355	12445/2011	12-16NES	337246	12110/2011
08-08L	337300	12377/2011	12-16NES	337316	12101/2011
08-08L	337324	12402/2011	12-16NES	337363	12106/2011
08-08L	337325	12403/2011	12-16NES	337364	12108/2011
08-08L	337469	12340/2011	12-16NES	337365	12109/2011
08-09	337303	12369/2011	12-16NES	337472	12558/2011
08-09	337318	12370/2011	12-16NES	337473	12560/2011
08-09	337360	12299/2011	12-99	337321	11903/2011
09-01A	337456	11839/2011	13-01	337233	12191/2011
09-01NES	337446	12694/2011	13-02	337442	12517/2011
09-02B	337326	12409/2011	13-03B	337406	12270/2011
09-02C	337271	11980/2011	14-02	337234	12315/2011
09-02C	337272	11981/2011	14-02	337235	12316/2011
09-03A	337314	11615/2011	14-02	337270	12354/2011
09-03A	337315	11616/2011	14-03A	337295	11838/2011
09-03A	337334	12441/2011	14-99	337472	12558/2011
09-03C	337230	12509/2011	15-01	337430	12494/2011
09-03F	337361	12469/2011	15-01	337451	12541/2011
09-03K	337264	12341/2011	15-03B	337430	12494/2011
09-03L	337389	12500/2011	15-04	337392	12503/2011
09-03L	337390	12501/2011	15-05	337366	12780/2011
09-03M	337236	11340/2011	15-05	337424	12459/2011
09-03NES	337351	12388/2011	15-99	337411	12505/2011
09-07B	337407	12498/2011	15-99	337412	12506/2011
11-01NES	337242	12339/2011	15-99	337413	12507/2011
11-02B	337280	10313/2011	15-99	337414	12508/2011
11-02B	337288	12542/2011	19-01	337403	11778/2011
11-02F	337443	11535/2011	19-04	337317	12359/2011
12-05	337352	12584/2011	19-06	337471	12457/2011
12-06NES	337233	12191/2011	20-02NES	337418	11797/2011
12-06NES	337352	12584/2011	21-02F	337393	12504/2011
12-06NES	337394	12614/2011	22-05	337416	14769/2010
12-06NES	337405	11965/2011	22-06	337376	12566/2011
12-11	337476	11907/2011	23-01F	337296	11988/2011
12-15A	337247	12328/2011	23-01G	337388	12254/2011
12-15A	337440	12515/2011	23-01G	337455	11566/2009
12-15A	337441	12516/2011	23-01H	337328	11785/2011
12-15B	337466	12550/2011	23-01H	337329	11786/2011
12-16B	337243	12102/2011	23-01H	337330	11787/2011
12-16B	337244	12105/2011	23-01H	337449	11784/2011
12-16B	337261	12103/2011	23-01NES	337239	12325/2011
12-16B	337262	12104/2011	23-01NES	337240	12326/2011
12-16B	337377	15670/2010	23-01NES	337271	11980/2011
12-16B	337380	15673/2010	23-01NES	337415	12637/2011
12-16B	337381	15674/2010	23-02B	337360	12299/2011
12-16B	337382	15675/2010	23-02NES	337238	12324/2011
12-16B	337383	15676/2010	23-02NES	337416	14769/2010
12-16B	337384	15677/2010	23-03A	337278	12600/2011

Registration Proceedings - Class Listing of Designs Published or Registered cont'd

Classification	Registration Number	Design Number	Classification	Registration Number	Design Number
23-03A	337279	12601/2011	26-04	337459	12878/2011
23-04	337430	12494/2011	26-04	337460	12879/2011
23-04	337431	12514/2011	26-04	337461	12880/2011
24-01	337342	12378/2011	26-05A	337458	11806/2011
24-01	337343	12379/2011	26-05A	337459	12878/2011
24-01	337344	12380/2011	26-05A	337460	12879/2011
24-01	337345	12381/2011	26-05A	337461	12880/2011
24-01	337346	12382/2011	26-05C	337458	11806/2011
24-01	337347	12383/2011	26-05C	337459	12878/2011
24-01	337348	12384/2011	26-05C	337460	12879/2011
24-01	337349	12385/2011	26-05C	337461	12880/2011
24-01	337350	12386/2011	26-05E	337302	11985/2011
24-01	337367	12463/2011	26-05E	337419	11817/2011
24-01	337368	12464/2011	26-06	337420	11831/2011
24-01	337369	12465/2011	27-01	337402	11777/2011
24-01	337370	12466/2011	27-01	337404	11779/2011
24-01	337371	12467/2011	28-03B	337421	12197/2011
24-01	337372	12468/2011	28-03NES	337225	12306/2011
24-02	337433	12521/2011	28-03NES	337226	12307/2011
24-02	337434	12520/2011	28-03NES	337227	12309/2011
24-02	337467	12551/2011	28-03NES	337228	12310/2011
24-02	337468	12552/2011	28-03NES	337480	12579/2011
24-04	337357	12447/2011	28-99	337236	11340/2011
24-04	337358	12448/2011	30-04	337273	12098/2011
24-04	337359	12449/2011	30-04	337274	12099/2011
25-01C	337470	12363/2011	30-04	337275	12100/2011
25-01E	337269	12238/2011	30-04	337436	12205/2011
25-01K	337231	11524/2011	30-04	337437	12206/2011
25-01K	337303	12369/2011	30-04	337438	12207/2011
25-01K	337318	12370/2011	30-04	337439	12208/2011
25-01K	337356	12446/2011	31-00	337338	12433/2011
25-02E	337229	12311/2011	31-00	337450	12000/2011
25-02G	337448	10721/2011			
26-04	337458	11806/2011			

(21) Design Number: **12306/2011**  
(22) Date of Filing Application: **24 May 2011**  
(24) Date from which industrial property rights may have effect: **24 May 2011**  
(54) Product in respect of which the design is registered: **Applicator with cap**  
(51) International Design Classification: **28-03NES**  
(74) Name(s) of Attorney(s): **PHILLIPS ORMONDE FITZPATRICK**  
(71) Name(s) and Address(s) of Applicant(s):  
**ELC Management LLC**  
**767 Fifth Avenue New York New York 10153 United States of America**  
(72) Name(s) of Designer(s): **Kimberly Jean McCoy**  
(45) Registration Date: **20 June 2011**  
(30) Convention priority data:  
(31) Number (32) Date (33) Country  
**29/381,791 22 Dec 2010 UNITED STATES OF AMERICA**  
(56) Related Art Documents: **Not Applicable**  
(57) Statement of Newness and Distinctiveness: **Those features of the applicator with cap depicted in the representations that are new and distinctive are the shape and/or configuration.**



(21) Design Number: **12307/2011**  
(22) Date of Filing Application: **24 May 2011**  
(24) Date from which industrial property rights may have effect: **24 May 2011**  
(54) Product in respect of which the design is registered: **Applicator with cap**  
(51) International Design Classification: **28-03NES**  
(74) Name(s) of Attorney(s): **PHILLIPS ORMONDE FITZPATRICK**  
(71) Name(s) and Address(s) of Applicant(s):  
**ELC Management LLC**  
**767 Fifth Avenue New York New York 10153 United States of America**  
(72) Name(s) of Designer(s): **Kimberly Jean McCoy**  
(45) Registration Date: **20 June 2011**  
(30) Convention priority data:  
(31) Number (32) Date (33) Country  
**29/381,790 22 Dec 2010 UNITED STATES OF AMERICA**  
(56) Related Art Documents: **Not Applicable**  
(57) Statement of Newness and Distinctiveness: **Those features of the applicator with cap depicted in the representations that are new and distinctive are the shape and/or configuration.**





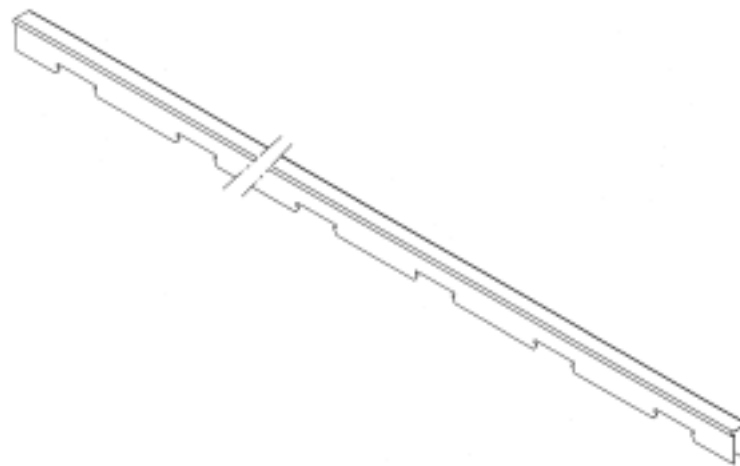
(21) Design Number: **12309/2011**  
(22) Date of Filing Application: **24 May 2011**  
(24) Date from which industrial property rights may have effect: **24 May 2011**  
(54) Product in respect of which the design is registered: **Applicator**  
(51) International Design Classification: **28-03NES**  
(74) Name(s) of Attorney(s): **PHILLIPS ORMONDE FITZPATRICK**  
(71) Name(s) and Address(s) of Applicant(s):  
**ELC Management LLC**  
**767 Fifth Avenue New York New York 10153 United States of America**  
(72) Name(s) of Designer(s): **Kimberly Jean McCoy**  
(45) Registration Date: **20 June 2011**  
(30) Convention priority data:  
(31) Number (32) Date (33) Country  
**29/381,788 22 Dec 2010 UNITED STATES OF AMERICA**  
(56) Related Art Documents: **Not Applicable**  
(57) Statement of Newness and Distinctiveness: **Those features of the applicator depicted in the representations that are new and distinctive are the shape and/or configuration. The features shown in broken lines are not part of the design and are to be disregarded when considering the overall impression of the design.**



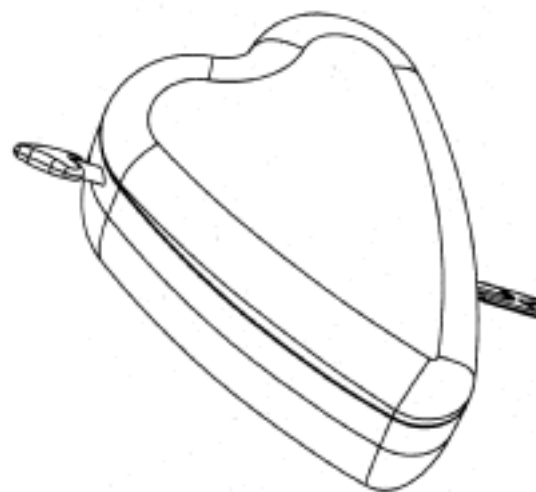
(21) Design Number: **12310/2011**  
(22) Date of Filing Application: **24 May 2011**  
(24) Date from which industrial property rights may have effect: **24 May 2011**  
(54) Product in respect of which the design is registered: **Applicator tip**  
(51) International Design Classification: **28-03NES**  
(74) Name(s) of Attorney(s): **PHILLIPS ORMONDE FITZPATRICK**  
(71) Name(s) and Address(s) of Applicant(s):  
**ELC Management LLC**  
**767 Fifth Avenue New York New York 10153 United States of America**  
(72) Name(s) of Designer(s): **Kimberly Jean McCoy**  
(45) Registration Date: **20 June 2011**  
(30) Convention priority data:  
(31) Number (32) Date (33) Country  
**29/381,785 22 Dec 2010 UNITED STATES OF AMERICA**  
(56) Related Art Documents: **Not Applicable**  
(57) Statement of Newness and Distinctiveness: **Those features of the applicator tip depicted in the representations that are new and distinctive are the shape and/or configuration. The features shown in broken lines are not part of the design and are to be disregarded when considering the overall impression of the design.**



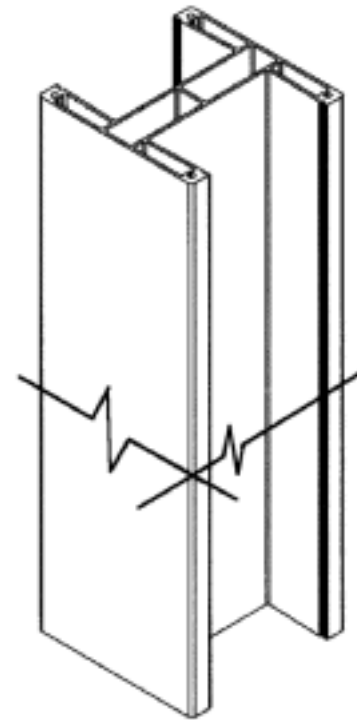
- (21) Design Number: **12311/2011**  
(22) Date of Filing Application: **24 May 2011**  
(24) Date from which industrial property rights may have effect: **24 May 2011**  
(54) Product in respect of which the design is registered: **Ceiling rail**  
(51) International Design Classification: **25-02E**  
(74) Name(s) of Attorney(s): **PHILLIPS ORMONDE FITZPATRICK**  
(71) Name(s) and Address(s) of Applicant(s):  
**Robert Baird Watson**  
**41 Burton Road Upper Beaconsfield Victoria 3808 Australia**  
(72) Name(s) of Designer(s): **Robert Baird Watson**  
(45) Registration Date: **20 June 2011**  
(56) Related Art Documents: **Not Applicable**  
(57) Statement of Newness and Distinctiveness: **Those features of the ceiling rail depicted in the representations that are new and distinctive are the shape and/or configuration. The ceiling rail may be of indefinite length.**



- (21) Design Number: **12509/2011**  
(22) Date of Filing Application: **02 June 2011**  
(24) Date from which industrial property rights may have effect: **02 June 2011**  
(54) Product in respect of which the design is registered: **Gift case for jewelry**  
(51) International Design Classification: **03-01NES, 09-03C**  
(74) Name(s) of Attorney(s):  
(71) Name(s) and Address(s) of Applicant(s):  
**Crytec Enterprises Pty Ltd**  
**7 Gilmore Street Kingsley Western Australia 6026 Australia**  
(72) Name(s) of Designer(s): **David Cryer**  
(45) Registration Date: **20 June 2011**  
(56) Related Art Documents: **Not Applicable**  
(57) Statement of Newness and Distinctiveness: **Lid of jewelry case slides open and with a twist motion of the arrow piercing the case the jewelry is exposed.**



- (21) Design Number: **11524/2011**  
(22) Date of Filing Application: **08 April 2011**  
(24) Date from which industrial property rights may have effect: **08 April 2011**  
(54) Product in respect of which the design is registered: **Extrusion of indefinite length**  
(51) International Design Classification: **25-01K**  
(74) Name(s) of Attorney(s):  
(71) Name(s) and Address(s) of Applicant(s):  
**Wallmark Australia Pty Ltd**  
**54-56 Industrial Avenue Maryborough Queensland 4650 Australia**  
(72) Name(s) of Designer(s): **Lester Rowland**  
(45) Registration Date: **21 June 2011**  
(56) Related Art Documents: **Not Applicable**  
(57) Statement of Newness and Distinctiveness: **Nil**



- (21) Design Number: **11702/2011**  
(22) Date of Filing Application: **19 April 2011**  
(24) Date from which industrial property rights may have effect: **19 April 2011**  
(54) Product in respect of which the design is registered: **Hydrolic outboard motor steering kit**  
(51) International Design Classification: **12-16NES**  
(74) Name(s) of Attorney(s):  
(71) Name(s) and Address(s) of Applicant(s):  
**Bruce Grahame Stubbs**  
**202 Prince Charles Parade Kurnell New South Wales 2231 Australia**  
(72) Name(s) of Designer(s): **Bruce Stubbs**  
(45) Registration Date: **21 June 2011**  
(56) Related Art Documents: **Not Applicable**  
(57) Statement of Newness and Distinctiveness: **Duel front attaching steering kit geometry and method of attachment unique (outperforming others) high performance application.**



(21) Design Number: **12191/2011**  
(22) Date of Filing Application: **16 May 2011**  
(24) Date from which industrial property rights may have effect: **16 May 2011**  
(54) Product in respect of which the design is registered: **Hydrogenerator**  
(51) International Design Classification: **12-06NES, 13-01**  
(74) Name(s) of Attorney(s): **Griffith Hack**  
(71) Name(s) and Address(s) of Applicant(s):

**WATT AND SEA**  
**4 Rue Marc Segin La Rochelle F-17000 France**

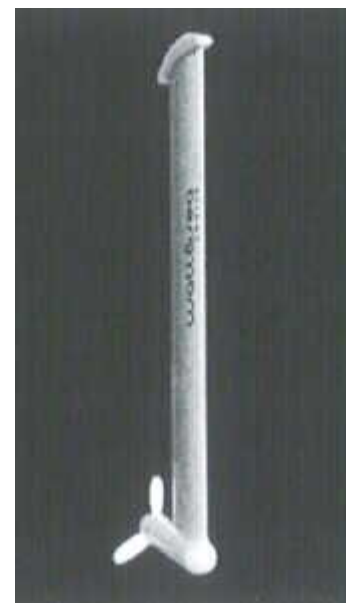
(72) Name(s) of Designer(s): **Yannick Bestaven and Matthieu Michou**  
(45) Registration Date: **21 June 2011**

(30) Convention priority data:

(31) Number	(32) Date	(33) Country
<b>001783523-0001</b>	<b>19 Nov 2010</b>	<b>EUROPEAN COMMUNITY</b>

(56) Related Art Documents: **Not Applicable**

(57) Statement of Newness and Distinctiveness: **Newness and distinctiveness resides in the visual features, including shape and configuration of a HYDROGENERATOR as shown in the accompanying representations. Figures 1 and 2 include symbols and letters which are to be disregarded and do not form part of the design.**



(21) Design Number: **12315/2011**  
(22) Date of Filing Application: **24 May 2011**  
(24) Date from which industrial property rights may have effect: **24 May 2011**  
(54) Product in respect of which the design is registered: **Recording media**  
(51) International Design Classification: **14-02**  
(74) Name(s) of Attorney(s): **Shelston IP**  
(71) Name(s) and Address(s) of Applicant(s):

**Sony Computer Entertainment Inc.**  
**1-7-1 Konan Minato-ku Tokyo Japan**

(72) Name(s) of Designer(s): **Yoshitaka Aoki and Takashi Sogabe and Shinjiro Komatani**

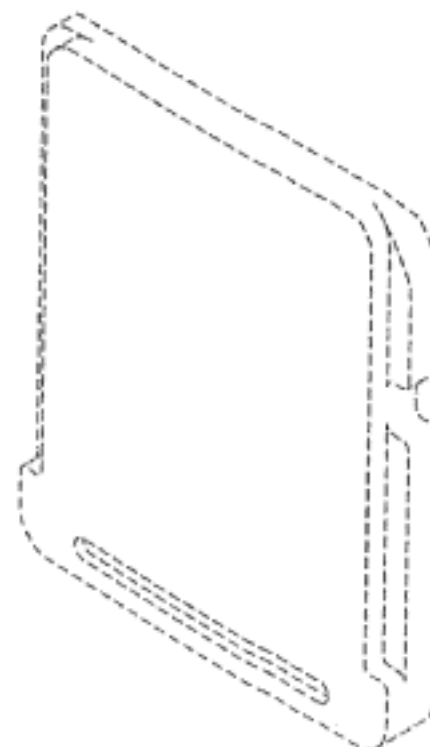
(45) Registration Date: **21 June 2011**

(30) Convention priority data:

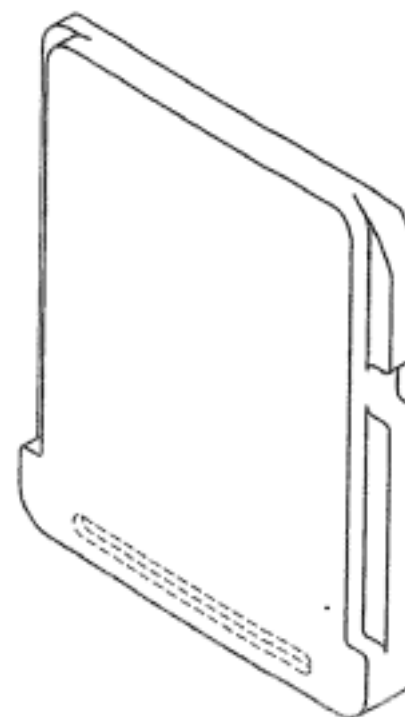
(31) Number	(32) Date	(33) Country
<b>2010-28895</b>	<b>03 Dec 2010</b>	<b>JAPAN</b>

(56) Related Art Documents: **Not Applicable**

(57) Statement of Newness and Distinctiveness: **Newness and distinctiveness reside in the shape and/or configuration of recording media as illustrated by solid lines in the accompanying representations. The features shown in broken or discontinuous lines are for illustrative purposes only and do not form part of the design.**



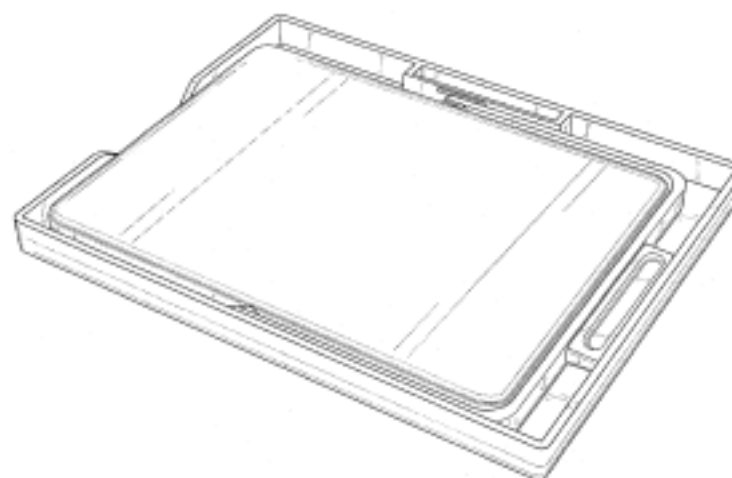
(21) Design Number: **12316/2011**  
(22) Date of Filing Application: **24 May 2011**  
(24) Date from which industrial property rights may have effect: **24 May 2011**  
(54) Product in respect of which the design is registered: **Recording media**  
(51) International Design Classification: **14-02**  
(74) Name(s) of Attorney(s): **Shelston IP**  
(71) Name(s) and Address(s) of Applicant(s):  
**Sony Computer Entertainment Inc.**  
**1-7-1 Konan Minato-ku Tokyo Japan**  
(72) Name(s) of Designer(s): **Yoshitaka Aoki and Takashi Sogabe and Shinjiro Komatani**  
(45) Registration Date: **21 June 2011**  
(30) Convention priority data:  
(31) Number (32) Date (33) Country  
**2010-28894 03 Dec 2010 JAPAN**  
(56) Related Art Documents: **Not Applicable**  
(57) Statement of Newness and Distinctiveness: **Newness and distinctiveness reside in the shape and/or configuration of recording media as illustrated by solid lines in the accompanying representations. The features shown in broken or discontinuous lines are for illustrative purposes only and do not form part of the design.**



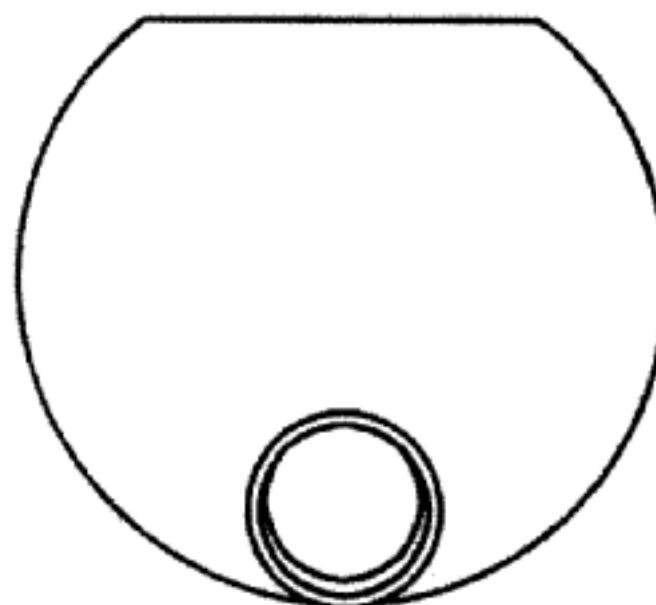
(21) Design Number: **11340/2011**  
(22) Date of Filing Application: **28 March 2011**  
(24) Date from which industrial property rights may have effect: **28 March 2011**  
(54) Product in respect of which the design is registered: **A pack for pharmaceuticals products**  
(51) International Design Classification: **09-03M, 28-99**  
(74) Name(s) of Attorney(s): **Davies Collison Cave**  
(71) Name(s) and Address(s) of Applicant(s):  
**Novartis AG**  
**Basel CH-4002 Switzerland**  
(72) Name(s) of Designer(s): **Rico Viray**  
(45) Registration Date: **21 June 2011**  
(30) Convention priority data:  
(31) Number (32) Date (33) Country  
**DM/074 457 28 Sep 2010 WORLD INTELLECTUAL PROPERTY ORGANIZATION (WIPO)**  
(56) Related Art Documents: **Not Applicable**  
(57) Statement of Newness and Distinctiveness: **Newness and distinctiveness is claimed in the features of pattern/ornamentation applied to the pack as shown in the magenta and dark orange colours in the representations.**



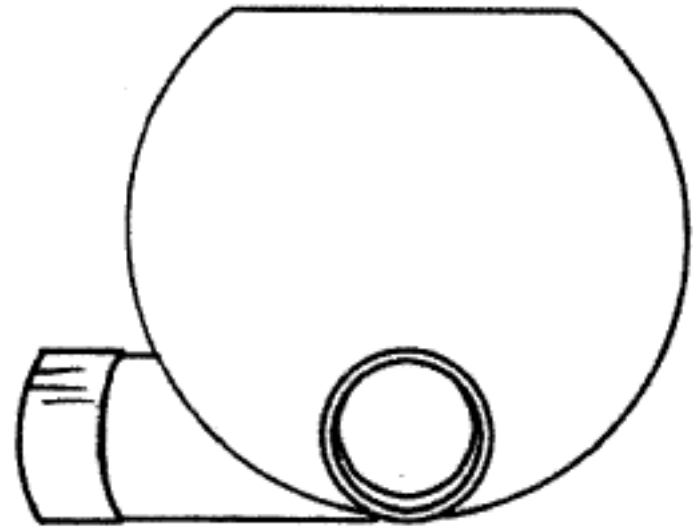
(21) Design Number: **12321/2011**  
(22) Date of Filing Application: **25 May 2011**  
(24) Date from which industrial property rights may have effect: **25 May 2011**  
(54) Product in respect of which the design is registered: **Cosmetic case**  
(51) International Design Classification: **03-01D**  
(74) Name(s) of Attorney(s): **PIZZEYS**  
(71) Name(s) and Address(s) of Applicant(s):  
**Mary Kay Inc.**  
**16251 N. Dallas Parkway PO Box 799045 Dallas TX 75379-9045 United States of America**  
(72) Name(s) of Designer(s): **Jenny DeMarco**  
(45) Registration Date: **21 June 2011**  
(30) Convention priority data:  
(31) Number (32) Date (33) Country  
**29/382,261 30 Dec 2010 UNITED STATES OF AMERICA**  
(56) Related Art Documents: **Not Applicable**  
(57) Statement of Newness and Distinctiveness: **The newness and distinctiveness of the design resides in the features of pattern and/or ornamentation or shape and/or configuration shown in unbroken lines in the accompanying representations (if required, see Convention document).**



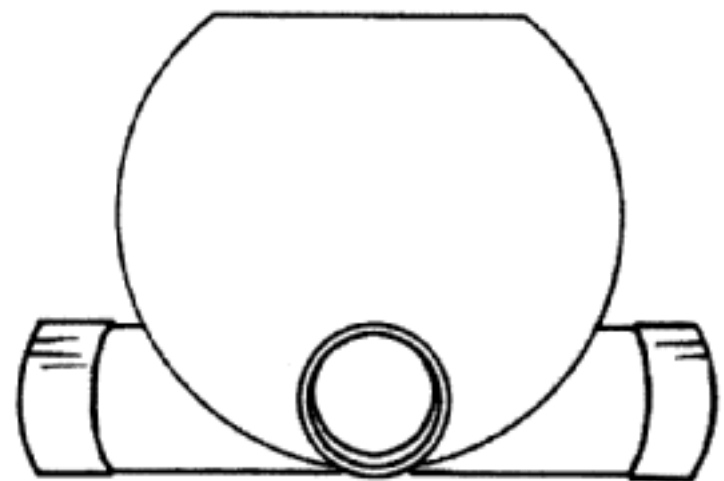
(21) Design Number: **12324/2011**  
(22) Date of Filing Application: **24 May 2011**  
(24) Date from which industrial property rights may have effect: **24 May 2011**  
(54) Product in respect of which the design is registered: **Twin maintenance shaft base**  
(51) International Design Classification: **23-02NES**  
(74) Name(s) of Attorney(s): **Lord & Company**  
(71) Name(s) and Address(s) of Applicant(s):  
**Sewerage Management Services Pty Ltd**  
**PO Box 2401 Malaga Western Australia 6944 Australia**  
(72) Name(s) of Designer(s): **Brendan Chappell**  
(45) Registration Date: **21 June 2011**  
(56) Related Art Documents: **Not Applicable**  
(57) Statement of Newness and Distinctiveness: **The particular visual features of the design which are new and distinctive are shape or configuration.**



- (21) Design Number: **12325/2011**  
(22) Date of Filing Application: **24 May 2011**  
(24) Date from which industrial property rights may have effect: **24 May 2011**  
(54) Product in respect of which the design is registered: **Tri maintenance shaft base**  
(51) International Design Classification: **23-01NES**  
(74) Name(s) of Attorney(s): **Lord & Company**  
(71) Name(s) and Address(s) of Applicant(s):  
**Sewerage Management Services Pty Ltd**  
**PO Box 2401 Malaga Western Australia 6944 Australia**  
(72) Name(s) of Designer(s): **Brendan Chappell**  
(45) Registration Date: **21 June 2011**  
(56) Related Art Documents: **Not Applicable**  
(57) Statement of Newness and Distinctiveness: **The particular visual features of the design which are new and distinctive are shape or configuration.**



- (21) Design Number: **12326/2011**  
(22) Date of Filing Application: **24 May 2011**  
(24) Date from which industrial property rights may have effect: **24 May 2011**  
(54) Product in respect of which the design is registered: **Quad maintenance shaft base**  
(51) International Design Classification: **23-01NES**  
(74) Name(s) of Attorney(s): **Lord & Company**  
(71) Name(s) and Address(s) of Applicant(s):  
**Sewerage Management Services Pty Ltd**  
**PO Box 2401 Malaga Western Australia 6944 Australia**  
(72) Name(s) of Designer(s): **Brendan Chappell**  
(45) Registration Date: **21 June 2011**  
(56) Related Art Documents: **Not Applicable**  
(57) Statement of Newness and Distinctiveness: **The particular visual features of the design which are new and distinctive are shape or configuration.**



- (21) Design Number: **12337/2011**  
(22) Date of Filing Application: **25 May 2011**  
(24) Date from which industrial property rights may have effect: **25 May 2011**  
(54) Product in respect of which the design is registered: **A jacket**  
(51) International Design Classification: **02-02NES**  
(74) Name(s) of Attorney(s): **Fisher Adams Kelly**  
(71) Name(s) and Address(s) of Applicant(s):  
**Oui Create Pty Ltd**  
**c/o Poolrite Research Pty Ltd PO Box 520 Mt Gravatt 4122 Queensland**  
**Australia**  
(72) Name(s) of Designer(s): **Ross Palmer**  
(45) Registration Date: **21 June 2011**  
(56) Related Art Documents: **Not Applicable**  
(57) Statement of Newness and Distinctiveness: **The newness and distinctiveness of the design resides in the shape and/or configuration of the jacket shown in the representations.**

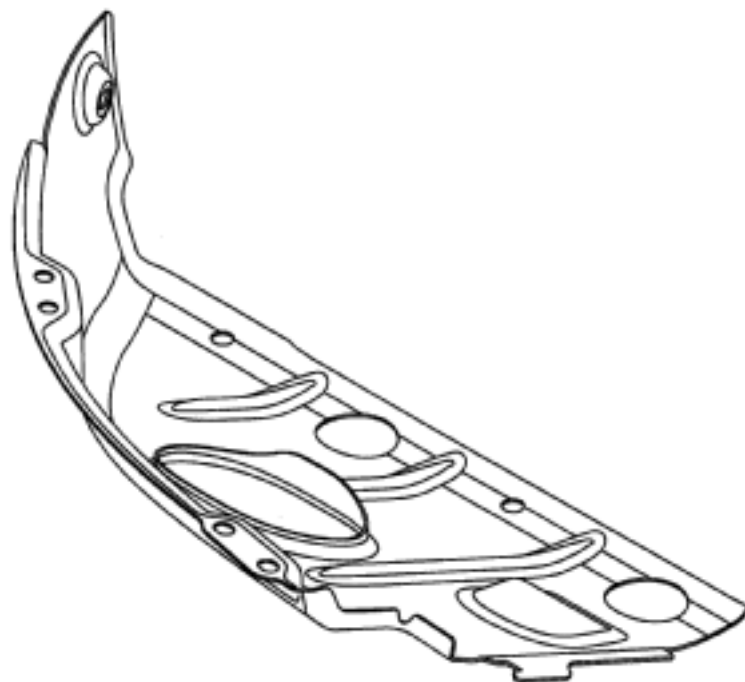


- (21) Design Number: **12339/2011**  
(22) Date of Filing Application: **25 May 2011**  
(24) Date from which industrial property rights may have effect: **25 May 2011**  
(54) Product in respect of which the design is registered: **Pendant**  
(51) International Design Classification: **11-01NES**  
(74) Name(s) of Attorney(s): **FB Rice**  
(71) Name(s) and Address(s) of Applicant(s):  
**Michael DaCosta**  
**1901 Avenue Road Toronto Ontario M5M 3Z9 Canada**  
(72) Name(s) of Designer(s): **Michael DaCosta**  
(45) Registration Date: **21 June 2011**  
(56) Related Art Documents: **Not Applicable**  
(57) Statement of Newness and Distinctiveness: **Newness and distinctiveness reside in the features of the design as shown in the representations.**

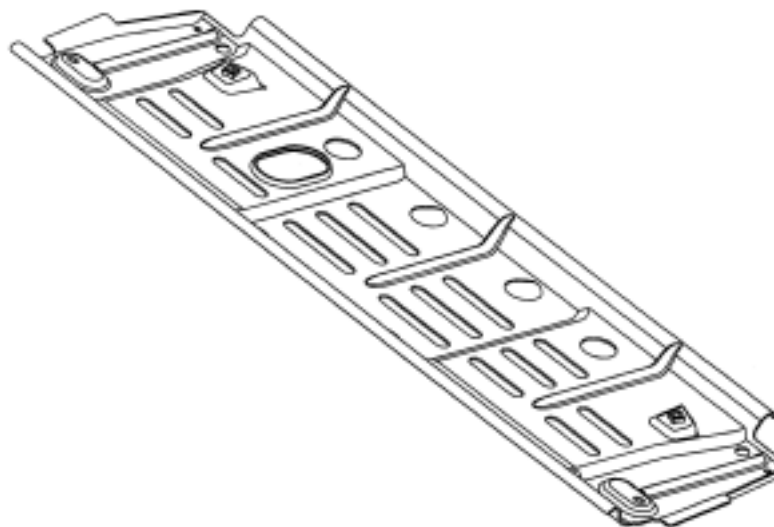




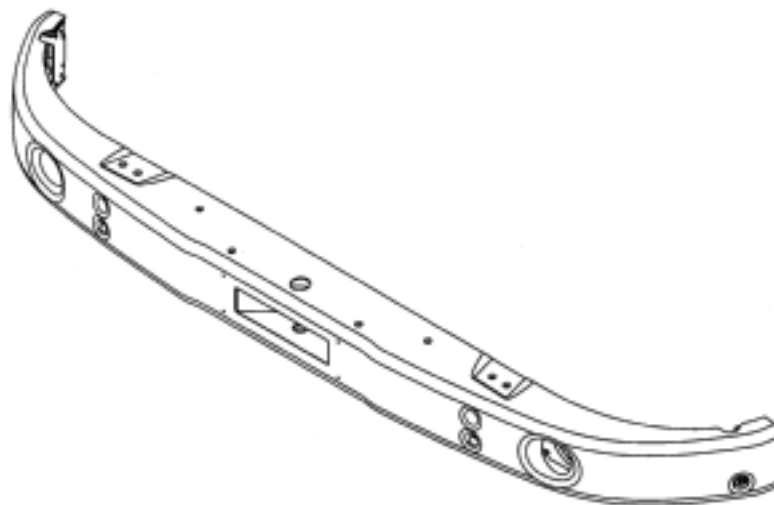
(21) Design Number: **12102/2011**  
(22) Date of Filing Application: **11 May 2011**  
(24) Date from which industrial property rights may have effect: **11 May 2011**  
(54) Product in respect of which the design is registered: **Corner cover for a vehicle cab**  
(51) International Design Classification: **12-16B**  
(74) Name(s) of Attorney(s): **Davies Collison Cave**  
(71) Name(s) and Address(s) of Applicant(s):  
**Scania CV AB**  
**SE-151 87 Sodertalje Sweden**  
(72) Name(s) of Designer(s): **Pehr Soderberg and Kristofer Hansen and Christian Henriksen and Xavier Carreras-Castro**  
(45) Registration Date: **21 June 2011**  
(30) Convention priority data:  
(31) Number (32) Date (33) Country  
**2010/0517 15 Nov 2010 SWEDEN**  
(56) Related Art Documents: **Not Applicable**  
(57) Statement of Newness and Distinctiveness: **Nil**



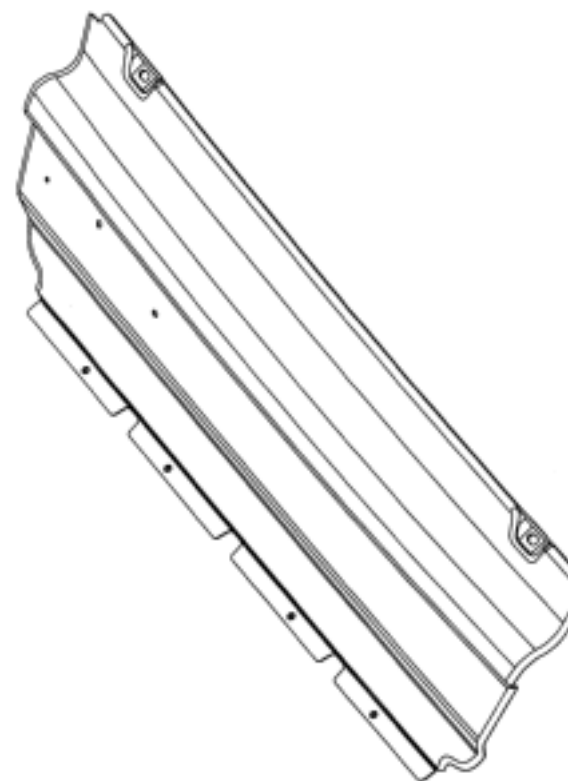
(21) Design Number: **12105/2011**  
(22) Date of Filing Application: **11 May 2011**  
(24) Date from which industrial property rights may have effect: **11 May 2011**  
(54) Product in respect of which the design is registered: **Rear protection plate for a vehicle cab**  
(51) International Design Classification: **12-16B**  
(74) Name(s) of Attorney(s): **Davies Collison Cave**  
(71) Name(s) and Address(s) of Applicant(s):  
**Scania CV AB**  
**SE-151 87 Sodertalje Sweden**  
(72) Name(s) of Designer(s): **Pehr Soderberg and Kristofer Hansen and Christian Henriksen and Xavier Carreras-Castro**  
(45) Registration Date: **21 June 2011**  
(30) Convention priority data:  
(31) Number (32) Date (33) Country  
**2010/0517 15 Nov 2010 SWEDEN**  
(56) Related Art Documents: **Not Applicable**  
(57) Statement of Newness and Distinctiveness: **Nil**



(21) Design Number: **12107/2011**  
(22) Date of Filing Application: **11 May 2011**  
(24) Date from which industrial property rights may have effect: **11 May 2011**  
(54) Product in respect of which the design is registered: **Bumper for a vehicle cab**  
(51) International Design Classification: **12-16C**  
(74) Name(s) of Attorney(s): **Davies Collison Cave**  
(71) Name(s) and Address(s) of Applicant(s):  
**Scania CV AB**  
**SE-151 87 Sodertalje Sweden**  
(72) Name(s) of Designer(s): **Pehr Soderberg and Kristofer Hansen and Christian Henriksen and Xavier Carreras-Castro**  
(45) Registration Date: **21 June 2011**  
(30) Convention priority data:  
(31) Number (32) Date (33) Country  
**2010/0522 15 Nov 2010 SWEDEN**  
(56) Related Art Documents: **Not Applicable**  
(57) Statement of Newness and Distinctiveness: **Nil**



(21) Design Number: **12110/2011**  
(22) Date of Filing Application: **11 May 2011**  
(24) Date from which industrial property rights may have effect: **11 May 2011**  
(54) Product in respect of which the design is registered: **Front hatch for a vehicle cab**  
(51) International Design Classification: **12-16NES**  
(74) Name(s) of Attorney(s): **Davies Collison Cave**  
(71) Name(s) and Address(s) of Applicant(s):  
**Scania CV AB**  
**SE-151 87 Sodertalje Sweden**  
(72) Name(s) of Designer(s): **Pehr Soderberg and Kristofer Hansen and Christian Henriksen and Xavier Carreras-Castro**  
(45) Registration Date: **21 June 2011**  
(30) Convention priority data:  
(31) Number (32) Date (33) Country  
**2010/0518 15 Nov 2010 SWEDEN**  
(56) Related Art Documents: **Not Applicable**  
(57) Statement of Newness and Distinctiveness: **Nil**



(21) Design Number: **12328/2011**  
(22) Date of Filing Application: **25 May 2011**  
(24) Date from which industrial property rights may have effect: **25 May 2011**  
(54) Product in respect of which the design is registered: **Tyre for automobile**  
(51) International Design Classification: **12-15A**  
(74) Name(s) of Attorney(s): **SPRUSON & FERGUSON**  
(71) Name(s) and Address(s) of Applicant(s):

**The Goodyear Tire & Rubber Company**  
**1144 East Market Street Akron Ohio 44316-0001 United States of America**

(72) Name(s) of Designer(s): **Satoshi Iwasaki**

(45) Registration Date: **21 June 2011**

(30) Convention priority data:

(31) Number	(32) Date	(33) Country
<b>2010-028910</b>	<b>03 Dec 2010</b>	<b>JAPAN</b>

(56) Related Art Documents: **Not Applicable**

(57) Statement of Newness and Distinctiveness: **Newness and distinctiveness is claimed in the features of shape and/or configuration of the tread of a tyre as illustrated in the accompanying representations, wherein the shape and/or configuration of the tread is repeated throughout the circumference of the tyre.**



(21) Design Number: **15564/2010**  
(22) Date of Filing Application: **17 December 2010**  
(24) Date from which industrial property rights may have effect: **17 December 2010**  
(54) Product in respect of which the design is registered: **A coat**  
(51) International Design Classification: **02-02NES**  
(74) Name(s) of Attorney(s): **MIDDLETONS**  
(71) Name(s) and Address(s) of Applicant(s):

**Fifty-Fourth Rischell Pty Ltd**  
**29-31 Simmons Street South Yarra Victoria 3141 Australia**

(72) Name(s) of Designer(s): **Ty Henschke**

(45) Registration Date: **22 June 2011**

(56) Related Art Documents: **Not Applicable**

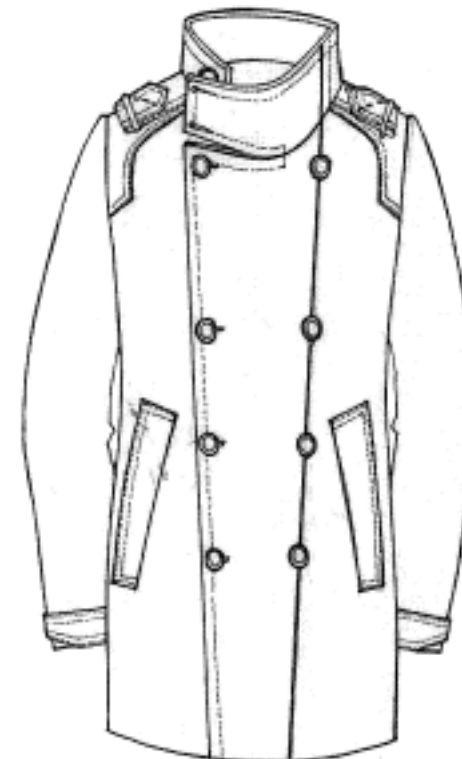
(57) Statement of Newness and Distinctiveness: **Nil**



- (21) Design Number: **12726/2011**  
(22) Date of Filing Application: **17 December 2010**  
(24) Date from which industrial property rights may have effect: **17 December 2010**  
(54) Product in respect of which the design is registered: **A coat**  
(51) International Design Classification: **02-02NES**  
(74) Name(s) of Attorney(s): **MIDDLETONS**  
(71) Name(s) and Address(s) of Applicant(s):  
**Fifty-Fourth Rischell Pty Ltd**  
**29-31 Simmons Street South Yarra Victoria 3141 Australia**  
(72) Name(s) of Designer(s): **Ty Henschke**  
(45) Registration Date: **22 June 2011**  
(56) Related Art Documents: **Not Applicable**  
(57) Statement of Newness and Distinctiveness: **Nil**



- (21) Design Number: **12727/2011**  
(22) Date of Filing Application: **17 December 2010**  
(24) Date from which industrial property rights may have effect: **17 December 2010**  
(54) Product in respect of which the design is registered: **A coat**  
(51) International Design Classification: **02-02NES**  
(74) Name(s) of Attorney(s): **MIDDLETONS**  
(71) Name(s) and Address(s) of Applicant(s):  
**Fifty-Fourth Rischell Pty Ltd**  
**29-31 Simmons Street South Yarra Victoria 3141 Australia**  
(72) Name(s) of Designer(s): **Ty Henschke**  
(45) Registration Date: **22 June 2011**  
(56) Related Art Documents: **Not Applicable**  
(57) Statement of Newness and Distinctiveness: **Nil**



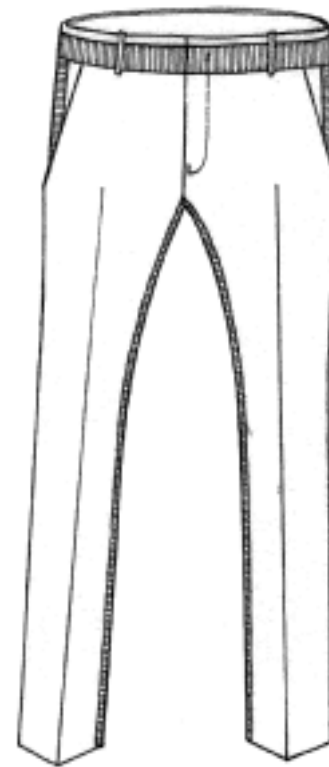
(21) Design Number: **12728/2011**  
(22) Date of Filing Application: **17 December 2010**  
(24) Date from which industrial property rights may have effect: **17 December 2010**  
(54) Product in respect of which the design is registered: **A jacket**  
(51) International Design Classification: **02-02NES**  
(74) Name(s) of Attorney(s): **MIDDLETONS**  
(71) Name(s) and Address(s) of Applicant(s):  
**Fifty-Fourth Rischell Pty Ltd**  
**29-31 Simmons Street South Yarra Victoria 3141 Australia**  
(72) Name(s) of Designer(s): **Ty Henschke**  
(45) Registration Date: **22 June 2011**  
(56) Related Art Documents: **Not Applicable**  
(57) Statement of Newness and Distinctiveness: **Nil**



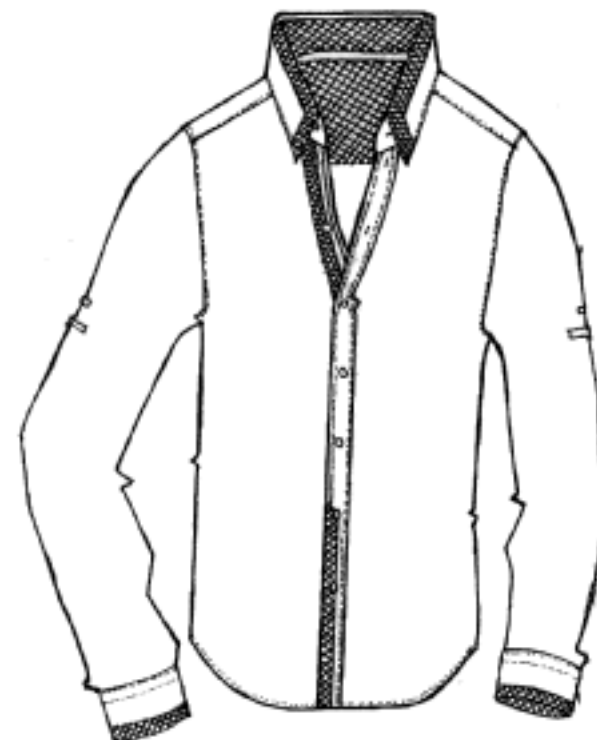
(21) Design Number: **12729/2011**  
(22) Date of Filing Application: **17 December 2010**  
(24) Date from which industrial property rights may have effect: **17 December 2010**  
(54) Product in respect of which the design is registered: **A jacket**  
(51) International Design Classification: **02-02NES**  
(74) Name(s) of Attorney(s): **MIDDLETONS**  
(71) Name(s) and Address(s) of Applicant(s):  
**Fifty-Fourth Rischell Pty Ltd**  
**29-31 Simmons Street South Yarra Victoria 3141 Australia**  
(72) Name(s) of Designer(s): **Ty Henschke**  
(45) Registration Date: **22 June 2011**  
(56) Related Art Documents: **Not Applicable**  
(57) Statement of Newness and Distinctiveness: **Nil**



(21) Design Number: **12730/2011**  
(22) Date of Filing Application: **17 December 2010**  
(24) Date from which industrial property rights may have effect: **17 December 2010**  
(54) Product in respect of which the design is registered: **A pair of pants**  
(51) International Design Classification: **02-02C**  
(74) Name(s) of Attorney(s): **MIDDLETONS**  
(71) Name(s) and Address(s) of Applicant(s):  
**Fifty-Fourth Rischell Pty Ltd**  
**29-31 Simmons Street South Yarra Victoria 3141 Australia**  
(72) Name(s) of Designer(s): **Ty Henschke**  
(45) Registration Date: **22 June 2011**  
(56) Related Art Documents: **Not Applicable**  
(57) Statement of Newness and Distinctiveness: **Nil**



(21) Design Number: **12731/2011**  
(22) Date of Filing Application: **17 December 2010**  
(24) Date from which industrial property rights may have effect: **17 December 2010**  
(54) Product in respect of which the design is registered: **A shirt**  
(51) International Design Classification: **02-02NES**  
(74) Name(s) of Attorney(s): **MIDDLETONS**  
(71) Name(s) and Address(s) of Applicant(s):  
**Fifty-Fourth Rischell Pty Ltd**  
**29-31 Simmons Street South Yarra Victoria 3141 Australia**  
(72) Name(s) of Designer(s): **Ty Henschke**  
(45) Registration Date: **22 June 2011**  
(56) Related Art Documents: **Not Applicable**  
(57) Statement of Newness and Distinctiveness: **Nil**



(21) Design Number: **12732/2011**  
(22) Date of Filing Application: **17 December 2010**  
(24) Date from which industrial property rights may have effect: **17 December 2010**  
(54) Product in respect of which the design is registered: **A shirt**  
(51) International Design Classification: **02-02NES**  
(74) Name(s) of Attorney(s): **MIDDLETONS**  
(71) Name(s) and Address(s) of Applicant(s):  
**Fifty-Fourth Rischell Pty Ltd**  
**29-31 Simmons Street South Yarra Victoria 3141 Australia**  
(72) Name(s) of Designer(s): **Ty Henschke**  
(45) Registration Date: **22 June 2011**  
(56) Related Art Documents: **Not Applicable**  
(57) Statement of Newness and Distinctiveness: **Nil**



(21) Design Number: **12733/2011**  
(22) Date of Filing Application: **17 December 2010**  
(24) Date from which industrial property rights may have effect: **17 December 2010**  
(54) Product in respect of which the design is registered: **A shirt**  
(51) International Design Classification: **02-02NES**  
(74) Name(s) of Attorney(s): **MIDDLETONS**  
(71) Name(s) and Address(s) of Applicant(s):  
**Fifty-Fourth Rischell Pty Ltd**  
**29-31 Simmons Street South Yarra Victoria 3141 Australia**  
(72) Name(s) of Designer(s): **Ty Henschke**  
(45) Registration Date: **22 June 2011**  
(56) Related Art Documents: **Not Applicable**  
(57) Statement of Newness and Distinctiveness: **Nil**



(21) Design Number: **12734/2011**  
(22) Date of Filing Application: **17 December 2010**  
(24) Date from which industrial property rights may have effect: **17 December 2010**  
(54) Product in respect of which the design is registered: **A sweater**  
(51) International Design Classification: **02-02NES**  
(74) Name(s) of Attorney(s): **MIDDLETONS**  
(71) Name(s) and Address(s) of Applicant(s):  
**Fifty-Fourth Rischell Pty Ltd**  
**29-31 Simmons Street South Yarra Victoria 3141 Australia**  
(72) Name(s) of Designer(s): **Ty Henschke**  
(45) Registration Date: **22 June 2011**  
(56) Related Art Documents: **Not Applicable**  
(57) Statement of Newness and Distinctiveness: **Nil**



(21) Design Number: **12735/2011**  
(22) Date of Filing Application: **17 December 2010**  
(24) Date from which industrial property rights may have effect: **17 December 2010**  
(54) Product in respect of which the design is registered: **A polo shirt**  
(51) International Design Classification: **02-02NES**  
(74) Name(s) of Attorney(s): **MIDDLETONS**  
(71) Name(s) and Address(s) of Applicant(s):  
**Fifty-Fourth Rischell Pty Ltd**  
**29-31 Simmons Street South Yarra Victoria 3141 Australia**  
(72) Name(s) of Designer(s): **Ty Henschke**  
(45) Registration Date: **22 June 2011**  
(56) Related Art Documents: **Not Applicable**  
(57) Statement of Newness and Distinctiveness: **Nil**





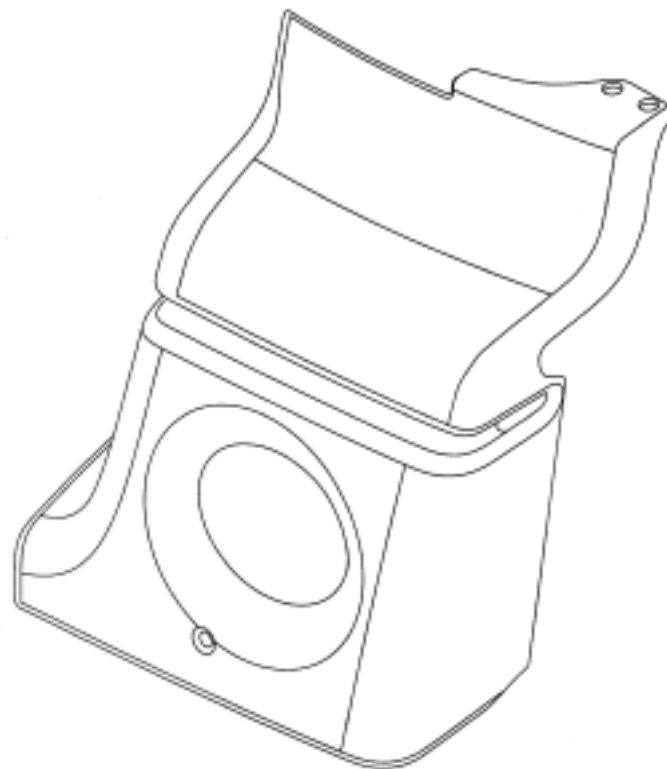
(21) Design Number: **12736/2011**  
(22) Date of Filing Application: **17 December 2010**  
(24) Date from which industrial property rights may have effect: **17 December 2010**  
(54) Product in respect of which the design is registered: **A hooded sweater**  
(51) International Design Classification: **02-02NES**  
(74) Name(s) of Attorney(s): **MIDDLETONS**  
(71) Name(s) and Address(s) of Applicant(s):  
**Fifty-Fourth Rischell Pty Ltd**  
**29-31 Simmons Street South Yarra Victoria 3141 Australia**  
(72) Name(s) of Designer(s): **Ty Henschke**  
(45) Registration Date: **22 June 2011**  
(56) Related Art Documents: **Not Applicable**  
(57) Statement of Newness and Distinctiveness: **Nil**



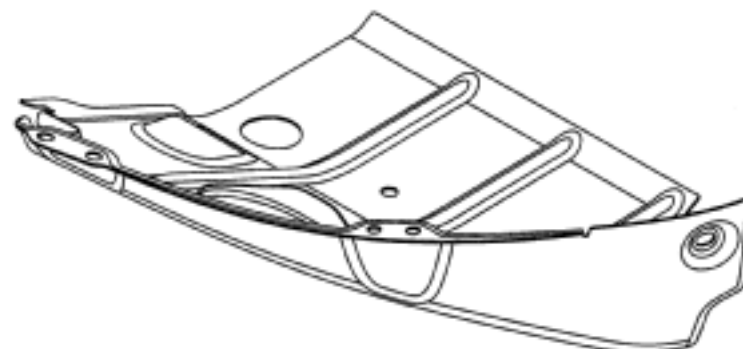
(21) Design Number: **12737/2011**  
(22) Date of Filing Application: **17 December 2010**  
(24) Date from which industrial property rights may have effect: **17 December 2010**  
(54) Product in respect of which the design is registered: **A T-shirt**  
(51) International Design Classification: **02-02NES**  
(74) Name(s) of Attorney(s): **MIDDLETONS**  
(71) Name(s) and Address(s) of Applicant(s):  
**Fifty-Fourth Rischell Pty Ltd**  
**29-31 Simmons Street South Yarra Victoria 3141 Australia**  
(72) Name(s) of Designer(s): **Ty Henschke**  
(45) Registration Date: **22 June 2011**  
(56) Related Art Documents: **Not Applicable**  
(57) Statement of Newness and Distinctiveness: **Nil**



(21) Design Number: **12103/2011**  
(22) Date of Filing Application: **11 May 2011**  
(24) Date from which industrial property rights may have effect: **11 May 2011**  
(54) Product in respect of which the design is registered: **A tower for a vehicle cab**  
(51) International Design Classification: **12-16B**  
(74) Name(s) of Attorney(s): **Davies Collison Cave**  
(71) Name(s) and Address(s) of Applicant(s):  
**Scania CV AB**  
**SE-151 87 Sodertalje Sweden**  
(72) Name(s) of Designer(s): **Pehr Soderberg and Kristofer Hansen and Christian Henriksen and Xavier Carreras-Castro**  
(45) Registration Date: **22 June 2011**  
(30) Convention priority data:  
(31) Number (32) Date (33) Country  
**2010/0519 15 Nov 2010 SWEDEN**  
(56) Related Art Documents: **Not Applicable**  
(57) Statement of Newness and Distinctiveness: **Nil**



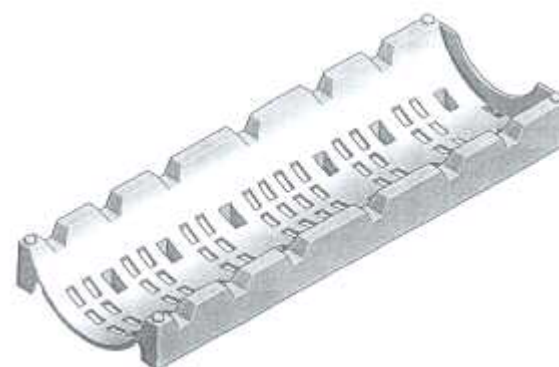
(21) Design Number: **12104/2011**  
(22) Date of Filing Application: **11 May 2011**  
(24) Date from which industrial property rights may have effect: **11 May 2011**  
(54) Product in respect of which the design is registered: **Corner cover for a vehicle cab**  
(51) International Design Classification: **12-16B**  
(74) Name(s) of Attorney(s): **Davies Collison Cave**  
(71) Name(s) and Address(s) of Applicant(s):  
**Scania CV AB**  
**SE-151 87 Sodertalje Sweden**  
(72) Name(s) of Designer(s): **Pehr Soderberg and Kristofer Hansen and Christian Henriksen and Xavier Carreras-Castro**  
(45) Registration Date: **22 June 2011**  
(30) Convention priority data:  
(31) Number (32) Date (33) Country  
**2010/0517 15 Nov 2010 SWEDEN**  
(56) Related Art Documents: **Not Applicable**  
(57) Statement of Newness and Distinctiveness: **Nil**



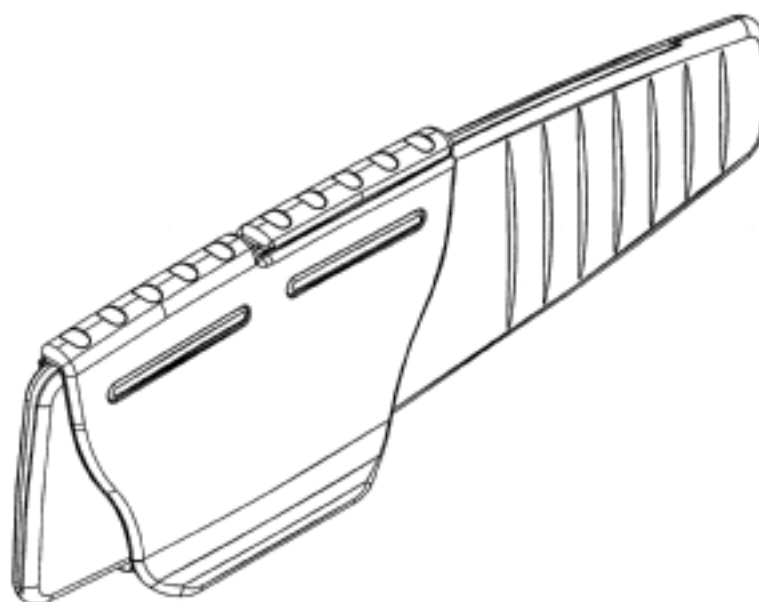
(21) Design Number: **12249/2011**  
(22) Date of Filing Application: **17 May 2011**  
(24) Date from which industrial property rights may have effect: **17 May 2011**  
(54) Product in respect of which the design is registered: **Sheet material**  
(51) International Design Classification: **05-05NES**  
(74) Name(s) of Attorney(s):  
(71) Name(s) and Address(s) of Applicant(s):  
**Discovery Clothing Company Pty Ltd**  
**10/26-34 Dunning Avenue Rosebery New South Wales 2018 Australia**  
(72) Name(s) of Designer(s): **Danny Avidan**  
(45) Registration Date: **22 June 2011**  
(56) Related Art Documents: **Not Applicable**  
(57) Statement of Newness and Distinctiveness: **Nil**



(21) Design Number: **12341/2011**  
(22) Date of Filing Application: **26 May 2011**  
(24) Date from which industrial property rights may have effect: **26 May 2011**  
(54) Product in respect of which the design is registered: **Container cradle**  
(51) International Design Classification: **09-03K**  
(74) Name(s) of Attorney(s): **SPRUSON & FERGUSON**  
(71) Name(s) and Address(s) of Applicant(s):  
**James Nathan Industries Pty Ltd**  
**18 Garner Place Ingleburn New South Wales 2565 Australia**  
(72) Name(s) of Designer(s): **Jeffery Steven Bassett and Joe Camilleri**  
(45) Registration Date: **22 June 2011**  
(56) Related Art Documents: **Not Applicable**  
(57) Statement of Newness and Distinctiveness: **Newness and distinctiveness is claimed in the features of shape and/or configuration of a container cradle as illustrated in the accompanying representations.**



- (21) Design Number: **12347/2011**  
(22) Date of Filing Application: **26 May 2011**  
(24) Date from which industrial property rights may have effect: **26 May 2011**  
(54) Product in respect of which the design is registered: **Sheath for a knife**  
(51) International Design Classification: **08-03, 03-01NES**  
(74) Name(s) of Attorney(s): **PHILLIPS ORMONDE FITZPATRICK**  
(71) Name(s) and Address(s) of Applicant(s):  
**McPherson's Limited**  
**5 Dunlop Road Mulgrave Victoria 3170 Australia**  
(72) Name(s) of Designer(s): **Clive Solari**  
(45) Registration Date: **22 June 2011**  
(56) Related Art Documents: **Not Applicable**  
(57) Statement of Newness and Distinctiveness: **Those features of the sheath for a knife depicted in the representations that are new and distinctive are the shape and/or configuration.**



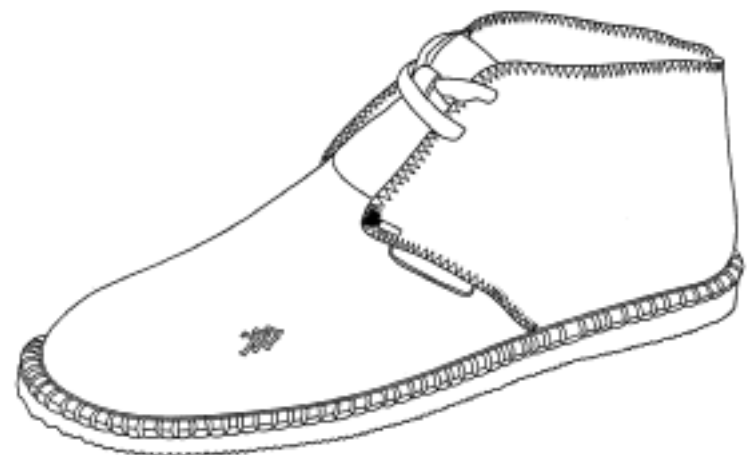
- (21) Design Number: **12495/2011**  
(22) Date of Filing Application: **01 June 2011**  
(24) Date from which industrial property rights may have effect: **01 June 2011**  
(54) Product in respect of which the design is registered: **Handbag**  
(51) International Design Classification: **03-01B**  
(74) Name(s) of Attorney(s):  
(71) Name(s) and Address(s) of Applicant(s):  
**Leather Craft (Aust) Pty Ltd**  
**Warehouse No. 13 42-44 Garden Boulevard Dingley Village Victoria 3172**  
**Australia**  
(72) Name(s) of Designer(s): **Caroline Zaman**  
(45) Registration Date: **22 June 2011**  
(56) Related Art Documents: **Not Applicable**  
(57) Statement of Newness and Distinctiveness: **The ornamentation on the bag illustrated in the representations is new and distinctive. When considering whether this design is substantially similar in overall impression to another design, features of shape and/or configuration are to be disregarded.**



- (21) Design Number: **11754/2011**  
(22) Date of Filing Application: **21 April 2011**  
(24) Date from which industrial property rights may have effect: **21 April 2011**  
(54) Product in respect of which the design is registered: **Support cushion with pocket and handle**  
(51) International Design Classification: **06-09**  
(74) Name(s) of Attorney(s):  
(71) Name(s) and Address(s) of Applicant(s):  
**Margaret Ann Jackson**  
**10 Coinda Close Quinns Rocks Western Australia 6030 Australia**  
(72) Name(s) of Designer(s): **Margaret Ann Jackson**  
(45) Registration Date: **22 June 2011**  
(56) Related Art Documents: **Not Applicable**  
(57) Statement of Newness and Distinctiveness: **On the lap in upright position, supports electronic devices and games at comfort height for neck. On its side on a bench/table etc. It supports devices at height that alleviates neck strain. Filling and unique shape hold devices firmly, angles keyboards for comfort, dimensions mean device fans are not covered reducing over heating. Lightweight.**



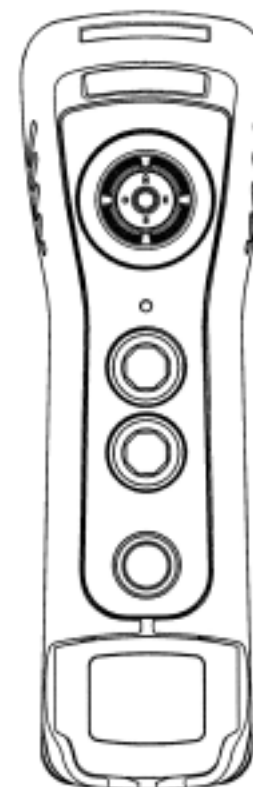
- (21) Design Number: **12012/2011**  
(22) Date of Filing Application: **06 May 2011**  
(24) Date from which industrial property rights may have effect: **06 May 2011**  
(54) Product in respect of which the design is registered: **Footwear**  
(51) International Design Classification: **02-04NES**  
(74) Name(s) of Attorney(s): **Freehills Patent & Trade Mark Attorneys**  
(71) Name(s) and Address(s) of Applicant(s):  
**Sao Paulo Alpargatas S.A.**  
**Rua Funchal 160 Vila Olimpia CEP Sao Paulo 04551-903 Brazil**  
(72) Name(s) of Designer(s): **Patrick Kampff**  
(45) Registration Date: **22 June 2011**  
(30) Convention priority data:  
(31) Number      (32) Date      (33) Country  
**001855842      27 Apr 2011      EUROPEAN COMMUNITY**  
(56) Related Art Documents: **Not Applicable**  
(57) Statement of Newness and Distinctiveness: **Newness and distinctiveness resides in the features of the footwear as shown in the accompanying representations. Attention is drawn to the indicia marked "A" in Figure 8.**



(21) Design Number: **12238/2011**  
(22) Date of Filing Application: **18 May 2011**  
(24) Date from which industrial property rights may have effect: **18 May 2011**  
(54) Product in respect of which the design is registered: **Post protector shield**  
(51) International Design Classification: **25-01E**  
(74) Name(s) of Attorney(s): **WATERMARK PATENT AND TRADE MARKS ATTORNEYS**  
(71) Name(s) and Address(s) of Applicant(s):  
**Callum John Donoghue**  
**135 O'Deas Road Strathewen Victoria 3099 Australia**  
**Matthew Ray Collins**  
**35 Hakea Street Watsonia North Victoria 3087 Australia**  
(72) Name(s) of Designer(s): **Callum John Donoghue and Matthew Ray Collins**  
(45) Registration Date: **22 June 2011**  
(56) Related Art Documents: **Not Applicable**  
(57) Statement of Newness and Distinctiveness: **Nil**



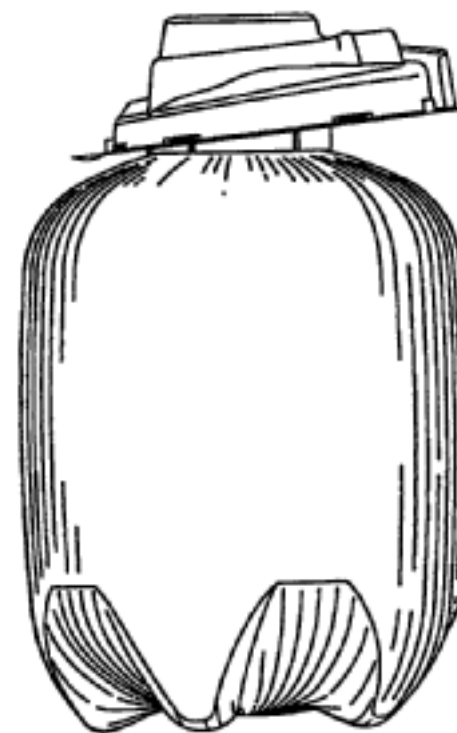
(21) Design Number: **12354/2011**  
(22) Date of Filing Application: **26 May 2011**  
(24) Date from which industrial property rights may have effect: **26 May 2011**  
(54) Product in respect of which the design is registered: **Joystick**  
(51) International Design Classification: **14-02**  
(74) Name(s) of Attorney(s): **Blake Dawson**  
(71) Name(s) and Address(s) of Applicant(s):  
**Konecranes Plc**  
**Koneenkatu 8 05830 Hyvinkaa Finland**  
(72) Name(s) of Designer(s): **Kimmo Rantala and Jaakko Haggren and Johannes Tarkiainen**  
(45) Registration Date: **22 June 2011**  
(30) Convention priority data:  
(31) Number      (32) Date      (33) Country  
**602229201      29 Apr 2011      WORLD INTELLECTUAL  
PROPERTY ORGANIZATION  
(WIPO)**  
(56) Related Art Documents: **Not Applicable**  
(57) Statement of Newness and Distinctiveness: **Nil**



- (21) Design Number: **11980/2011**  
(22) Date of Filing Application: **05 May 2011**  
(24) Date from which industrial property rights may have effect: **05 May 2011**  
(54) Product in respect of which the design is registered: **Beer keg with tap**  
(51) International Design Classification: **09-02C, 23-01NES**  
(74) Name(s) of Attorney(s): **Davies Collison Cave**  
(71) Name(s) and Address(s) of Applicant(s):  
**Heineken Supply Chain B.V.**  
**Burgemeester Smeetsweg 1 2382 PH Zoeterwoude The Netherlands**  
(72) Name(s) of Designer(s): **Jorrit Roos and Jan-Willem Bouwknecht and Herman van der Vegt**  
(45) Registration Date: **23 June 2011**  
(30) Convention priority data:  
(31) Number (32) Date (33) Country  
**DM/074823 05 Nov 2010 WORLD INTELLECTUAL PROPERTY ORGANIZATION (WIPO)**  
(56) Related Art Documents: **Not Applicable**  
(57) Statement of Newness and Distinctiveness: **Newness and distinctiveness is claimed in the shape and configuration as shown in the representations.**



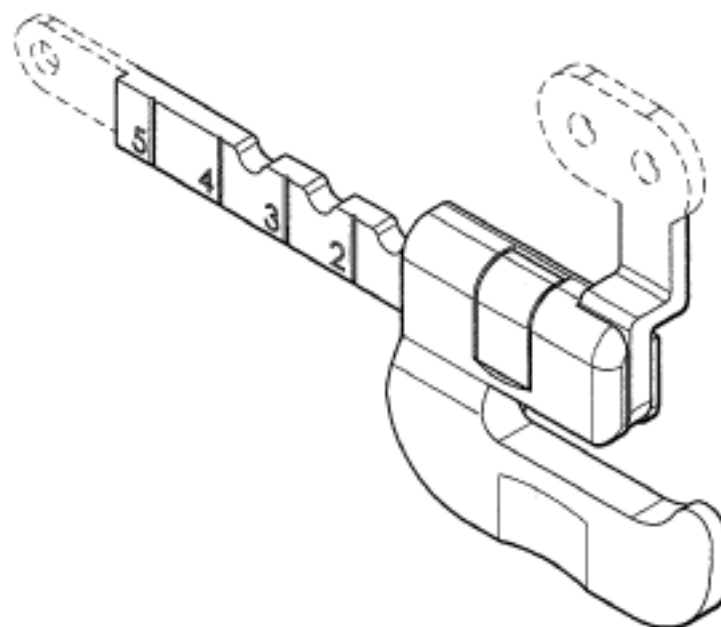
- (21) Design Number: **11981/2011**  
(22) Date of Filing Application: **05 May 2011**  
(24) Date from which industrial property rights may have effect: **05 May 2011**  
(54) Product in respect of which the design is registered: **Beer keg**  
(51) International Design Classification: **09-02C**  
(74) Name(s) of Attorney(s): **Davies Collison Cave**  
(71) Name(s) and Address(s) of Applicant(s):  
**Heineken Supply Chain B.V.**  
**Burgemeester Smeetsweg 1 2382 PH Zoeterwoude The Netherlands**  
(72) Name(s) of Designer(s): **Jorrit Roos and Jan-Willem Bouwknecht and Herman van der Vegt**  
(45) Registration Date: **23 June 2011**  
(30) Convention priority data:  
(31) Number (32) Date (33) Country  
**DM/074823 05 Nov 2010 WORLD INTELLECTUAL PROPERTY ORGANIZATION (WIPO)**  
(56) Related Art Documents: **Not Applicable**  
(57) Statement of Newness and Distinctiveness: **Newness and distinctiveness is claimed in the shape and configuration as shown in the representations.**



- (21) Design Number: **12098/2011**  
(22) Date of Filing Application: **11 May 2011**  
(24) Date from which industrial property rights may have effect: **11 May 2011**  
(54) Product in respect of which the design is registered: **Insert for a panel of an equestrian saddle**  
(51) International Design Classification: **30-04**  
(74) Name(s) of Attorney(s): **Davies Collison Cave**  
(71) Name(s) and Address(s) of Applicant(s):  
**Hammersmith Nominees Pty Ltd**  
**PO Box 153 Northbridge Western Australia 6865 Australia**  
(72) Name(s) of Designer(s): **Kenneth John Bates**  
(45) Registration Date: **23 June 2011**  
(56) Related Art Documents: **Not Applicable**  
(57) Statement of Newness and Distinctiveness: **Newness and distinctiveness is claimed in the shape of the insert shown in the representations.**



- (21) Design Number: **12099/2011**  
(22) Date of Filing Application: **11 May 2011**  
(24) Date from which industrial property rights may have effect: **11 May 2011**  
(54) Product in respect of which the design is registered: **Adjustable stirrup bar for an equestrian saddle**  
(51) International Design Classification: **30-04**  
(74) Name(s) of Attorney(s): **Davies Collison Cave**  
(71) Name(s) and Address(s) of Applicant(s):  
**Hammersmith Nominees Pty Ltd**  
**PO Box 153 Northbridge Western Australia 6865 Australia**  
(72) Name(s) of Designer(s): **Kenneth John Bates**  
(45) Registration Date: **23 June 2011**  
(56) Related Art Documents: **Not Applicable**  
(57) Statement of Newness and Distinctiveness: **Newness and distinctiveness is claimed in the features of shape and configuration of the features of the stirrup bar shown in solid lines in the representations.**

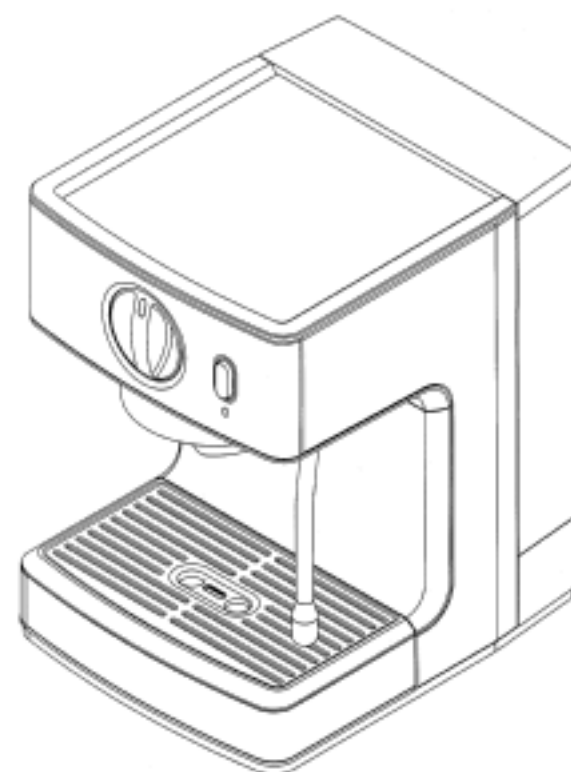




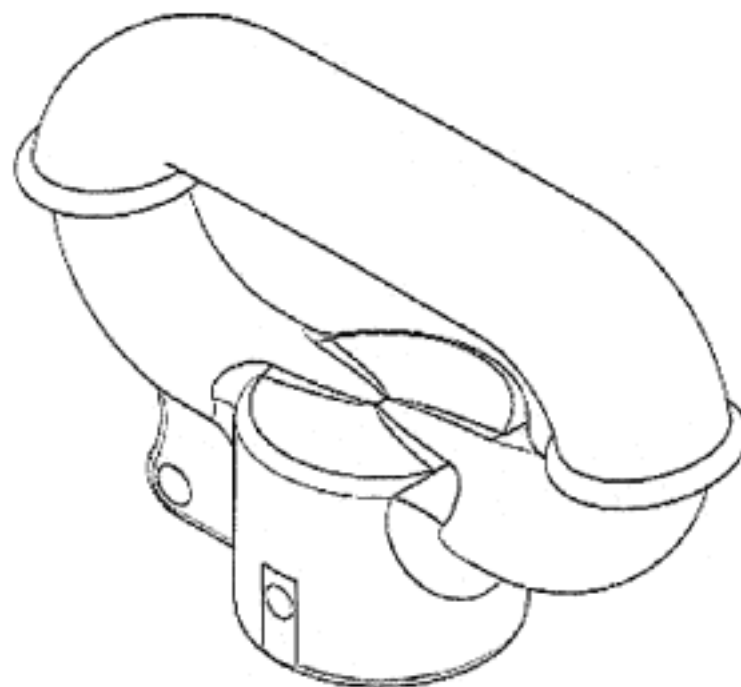
- (21) Design Number: **12100/2011**  
(22) Date of Filing Application: **11 May 2011**  
(24) Date from which industrial property rights may have effect: **11 May 2011**  
(54) Product in respect of which the design is registered: **Riser pad for an equestrian saddle**  
(51) International Design Classification: **30-04**  
(74) Name(s) of Attorney(s): **Davies Collison Cave**  
(71) Name(s) and Address(s) of Applicant(s):  
**Hammersmith Nominees Pty Ltd**  
**PO Box 153 Northbridge Western Australia 6865 Australia**  
(72) Name(s) of Designer(s): **Kenneth John Bates**  
(45) Registration Date: **23 June 2011**  
(56) Related Art Documents: **Not Applicable**  
(57) Statement of Newness and Distinctiveness: **Newness and distinctiveness is claimed in the features of shape and configuration of the forward portion of the riser pad marked "A" as shown in solid lines in the representations.**



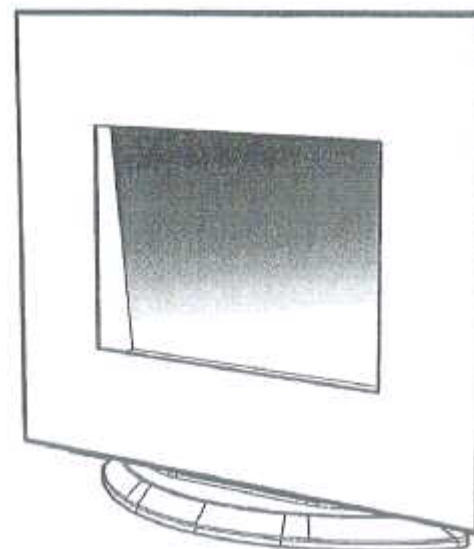
- (21) Design Number: **15503/2010**  
(22) Date of Filing Application: **15 December 2010**  
(24) Date from which industrial property rights may have effect: **15 December 2010**  
(54) Product in respect of which the design is registered: **Espresso machine**  
(51) International Design Classification: **07-02L**  
(74) Name(s) of Attorney(s): **Freehills Patent & Trade Mark Attorneys**  
(71) Name(s) and Address(s) of Applicant(s):  
**Sunbeam Corporation Limited**  
**Units 5 & 6 13 Lord Street Botany New South Wales 2019 Australia**  
(72) Name(s) of Designer(s): **Scott Nash**  
(45) Registration Date: **23 June 2011**  
(56) Related Art Documents: **Not Applicable**  
(57) Statement of Newness and Distinctiveness: **Newness and distinctiveness is claimed in the features of shape and/or configuration of an espresso machine as shown in the accompanying representations.**



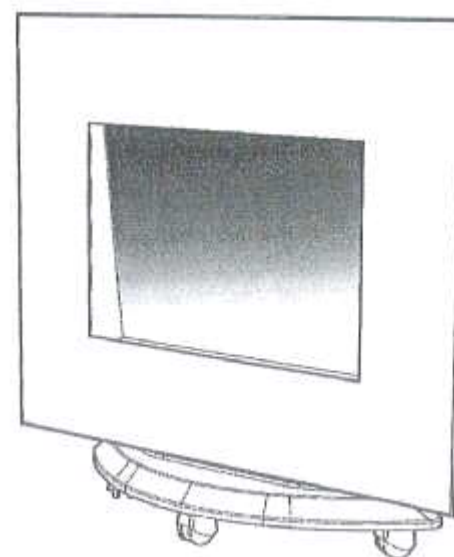
(21) Design Number: **12366/2011**  
(22) Date of Filing Application: **26 May 2011**  
(24) Date from which industrial property rights may have effect: **26 May 2011**  
(54) Product in respect of which the design is registered: **Handle grip**  
(51) International Design Classification: **08-06**  
(74) Name(s) of Attorney(s): **Macpherson + Kelley**  
(71) Name(s) and Address(s) of Applicant(s):  
**AL-KO INTERNATIONAL PTY LTD**  
**67-91 Nathan Road Dandenong South Victoria 3175 Australia**  
(72) Name(s) of Designer(s): **Slobodan Cabarkapa and Robert Funder**  
(45) Registration Date: **23 June 2011**  
(56) Related Art Documents: **Not Applicable**  
(57) Statement of Newness and Distinctiveness: **Monopoly is claimed in the features of shape and configuration of a handle grip as illustrated in the accompanying representations. The unshaded features of the representations form no part of the design.**



(21) Design Number: **12600/2011**  
(22) Date of Filing Application: **09 June 2011**  
(24) Date from which industrial property rights may have effect: **09 June 2011**  
(54) Product in respect of which the design is registered: **Heating apparatus**  
(51) International Design Classification: **23-03A**  
(74) Name(s) of Attorney(s): **PHILLIPS ORMONDE FITZPATRICK**  
(71) Name(s) and Address(s) of Applicant(s):  
**Actervis, GmbH**  
**c/o Prv Provides Treuhandgesellschaft Lindenhof Dorfstr. 38 CH-6341**  
**Baar (Zug) Switzerland**  
(72) Name(s) of Designer(s): **Juan Ramon Torres Martin**  
(45) Registration Date: **23 June 2011**  
(30) Convention priority data:  
(31) Number (32) Date (33) Country  
**0001251110-0002 20 Dec 2010 EUROPEAN COMMUNITY**  
(56) Related Art Documents: **Not Applicable**  
(57) Statement of Newness and Distinctiveness: **Those features of the heating apparatus depicted in the representations that are new and distinctive are the shape and/or configuration.**



- (21) Design Number: **12601/2011**  
(22) Date of Filing Application: **09 June 2011**  
(24) Date from which industrial property rights may have effect: **09 June 2011**  
(54) Product in respect of which the design is registered: **Heating apparatus**  
(51) International Design Classification: **23-03A**  
(74) Name(s) of Attorney(s): **PHILLIPS ORMONDE FITZPATRICK**  
(71) Name(s) and Address(s) of Applicant(s):  
**Actervis, GmbH**  
**c/o Prv Provides Treuhandgesellschaft Lindenhof Dorfstr. 38 CH-6341**  
**Baar (Zug) Switzerland**  
(72) Name(s) of Designer(s): **Juan Ramon Torres Martin**  
(45) Registration Date: **23 June 2011**  
(30) Convention priority data:  
(31) Number (32) Date (33) Country  
**0001251110-0003 20 Dec 2010 EUROPEAN COMMUNITY**  
(56) Related Art Documents: **Not Applicable**  
(57) Statement of Newness and Distinctiveness: **Those features of the heating apparatus depicted in the representations that are new and distinctive are the shape and/or configuration.**



- (21) Design Number: **10313/2011**  
(22) Date of Filing Application: **04 February 2011**  
(24) Date from which industrial property rights may have effect: **04 February 2011**  
(54) Product in respect of which the design is registered: **Planter box**  
(51) International Design Classification: **11-02B**  
(74) Name(s) of Attorney(s):  
(71) Name(s) and Address(s) of Applicant(s):  
**Mark Richens**  
**2/129 High Street Queanbeyan New South Wales 2620 Australia**  
(72) Name(s) of Designer(s): **Kevin Richens and Mark Richens**  
(45) Registration Date: **23 June 2011**  
(56) Related Art Documents: **Not Applicable**  
(57) Statement of Newness and Distinctiveness: **Planter box that is built with ceramic tiles on both faces of box.**



(21) Design Number: **11309/2011**  
(22) Date of Filing Application: **28 March 2011**  
(24) Date from which industrial property rights may have effect: **28 March 2011**  
(54) Product in respect of which the design is registered: **Cafe lolli**  
(51) International Design Classification: **01-01**  
(74) Name(s) of Attorney(s):  
(71) Name(s) and Address(s) of Applicant(s):  
**Carolyn Wilson**  
**PO Box 909 Buderim Queensland 4556 Australia**  
(72) Name(s) of Designer(s): **Carolyn Wilson**  
(45) Registration Date: **23 June 2011**  
(56) Related Art Documents: **Not Applicable**  
(57) Statement of Newness and Distinctiveness: **Nil**



(21) Design Number: **11310/2011**  
(22) Date of Filing Application: **28 March 2011**  
(24) Date from which industrial property rights may have effect: **28 March 2011**  
(54) Product in respect of which the design is registered: **Cafe lolli**  
(51) International Design Classification: **01-01**  
(74) Name(s) of Attorney(s):  
(71) Name(s) and Address(s) of Applicant(s):  
**Carolyn Wilson**  
**PO Box 909 Buderim Queensland 4556 Australia**  
(72) Name(s) of Designer(s): **Carolyn Wilson**  
(45) Registration Date: **23 June 2011**  
(56) Related Art Documents: **Not Applicable**  
(57) Statement of Newness and Distinctiveness: **Nil**



(21) Design Number: **11311/2011**  
(22) Date of Filing Application: **28 March 2011**  
(24) Date from which industrial property rights may have effect: **28 March 2011**  
(54) Product in respect of which the design is registered: **Cafe lolli**  
(51) International Design Classification: **01-01**  
(74) Name(s) of Attorney(s):  
(71) Name(s) and Address(s) of Applicant(s):  
**Carolyn Wilson**  
**PO Box 909 Buderim Queensland 4556 Australia**  
(72) Name(s) of Designer(s): **Carolyn Wilson**  
(45) Registration Date: **23 June 2011**  
(56) Related Art Documents: **Not Applicable**  
(57) Statement of Newness and Distinctiveness: **Nil**



(21) Design Number: **11312/2011**  
(22) Date of Filing Application: **28 March 2011**  
(24) Date from which industrial property rights may have effect: **28 March 2011**  
(54) Product in respect of which the design is registered: **Cafe lolli**  
(51) International Design Classification: **01-01**  
(74) Name(s) of Attorney(s):  
(71) Name(s) and Address(s) of Applicant(s):  
**Carolyn Wilson**  
**PO Box 909 Buderim Queensland 4556 Australia**  
(72) Name(s) of Designer(s): **Carolyn Wilson**  
(45) Registration Date: **23 June 2011**  
(56) Related Art Documents: **Not Applicable**  
(57) Statement of Newness and Distinctiveness: **Nil**



(21) Design Number: **11313/2011**  
(22) Date of Filing Application: **28 March 2011**  
(24) Date from which industrial property rights may have effect: **28 March 2011**  
(54) Product in respect of which the design is registered: **Cafe lolli**  
(51) International Design Classification: **01-01**  
(74) Name(s) of Attorney(s):  
(71) Name(s) and Address(s) of Applicant(s):  
**Carolyn Wilson**  
**PO Box 909 Buderim Queensland 4556 Australia**  
(72) Name(s) of Designer(s): **Carolyn Wilson**  
(45) Registration Date: **23 June 2011**  
(56) Related Art Documents: **Not Applicable**  
(57) Statement of Newness and Distinctiveness: **Nil**



(21) Design Number: **11314/2011**  
(22) Date of Filing Application: **28 March 2011**  
(24) Date from which industrial property rights may have effect: **28 March 2011**  
(54) Product in respect of which the design is registered: **Cafe lolli**  
(51) International Design Classification: **01-01**  
(74) Name(s) of Attorney(s):  
(71) Name(s) and Address(s) of Applicant(s):  
**Carolyn Wilson**  
**PO Box 909 Buderim Queensland 4556 Australia**  
(72) Name(s) of Designer(s): **Carolyn Wilson**  
(45) Registration Date: **23 June 2011**  
(56) Related Art Documents: **Not Applicable**  
(57) Statement of Newness and Distinctiveness: **Nil**



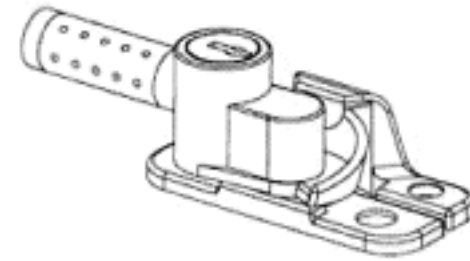
- (21) Design Number: **11315/2011**  
(22) Date of Filing Application: **28 March 2011**  
(24) Date from which industrial property rights may have effect: **28 March 2011**  
(54) Product in respect of which the design is registered: **Cafe lolli**  
(51) International Design Classification: **01-01**  
(74) Name(s) of Attorney(s):  
(71) Name(s) and Address(s) of Applicant(s):  
**Carolyn Wilson**  
**PO Box 909 Buderim Queensland 4556 Australia**  
(72) Name(s) of Designer(s): **Carolyn Wilson**  
(45) Registration Date: **23 June 2011**  
(56) Related Art Documents: **Not Applicable**  
(57) Statement of Newness and Distinctiveness: **Nil**



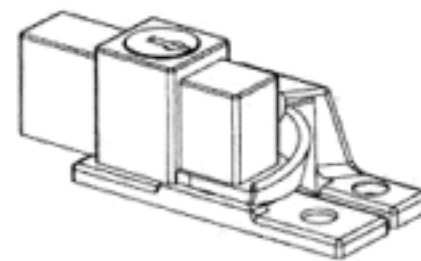
- (21) Design Number: **12542/2011**  
(22) Date of Filing Application: **04 February 2011**  
(24) Date from which industrial property rights may have effect: **04 February 2011**  
(54) Product in respect of which the design is registered: **Planter box**  
(51) International Design Classification: **11-02B**  
(74) Name(s) of Attorney(s):  
(71) Name(s) and Address(s) of Applicant(s):  
**Mark Richens**  
**2/129 High Street Queanbeyan New South Wales 2620 Australia**  
(72) Name(s) of Designer(s): **Kevin Francis Richens and Mark Eric Richens**  
(45) Registration Date: **23 June 2011**  
(56) Related Art Documents: **Not Applicable**  
(57) Statement of Newness and Distinctiveness: **Planter box has the capability to have a decorative feature inserted on one or more faces of the box, eg Tiles, Lead lighting, wood carvings. The representative picture of the tiled box is for illustrative purposes only, the tiles colours, textures and patterns on the side of the planter box are NOT representative of the design.**



- (21) Design Number: **10791/2011**  
(22) Date of Filing Application: **01 March 2011**  
(24) Date from which industrial property rights may have effect: **01 March 2011**  
(54) Product in respect of which the design is registered: **Closing mechanism**  
(51) International Design Classification: **08-07**  
(74) Name(s) of Attorney(s): **Smooenburg Pini Patent & Trade Mark Attorneys**  
(71) Name(s) and Address(s) of Applicant(s):  
**Jacou Industry Zhongshan Limited**  
**No 8 Zhennan Road Dongsheng Town Zhongshan Guangdong Province**  
**China**  
(72) Name(s) of Designer(s): **John David Saunders and Craig Andrew Jackson**  
(45) Registration Date: **24 June 2011**  
(56) Related Art Documents: **Not Applicable**  
(57) Statement of Newness and Distinctiveness: **Newness and distinctiveness is claimed in features of shape and/or configuration of a Closing Mechanism as illustrated in the accompanying representations. In considering which features are new and distinctive, particular regard is to be had to Section A as marked on the accompanying drawings.**

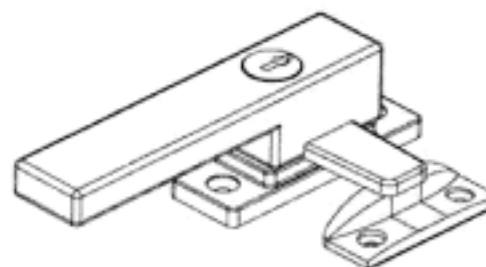


- (21) Design Number: **10807/2011**  
(22) Date of Filing Application: **01 March 2011**  
(24) Date from which industrial property rights may have effect: **01 March 2011**  
(54) Product in respect of which the design is registered: **Closing mechanism**  
(51) International Design Classification: **08-07**  
(74) Name(s) of Attorney(s): **Smooenburg Pini Patent & Trade Mark Attorneys**  
(71) Name(s) and Address(s) of Applicant(s):  
**Jacou Industry Zhongshan Limited**  
**No 8 Zhennan Road Dongsheng Town Zhongshan Guangdong Province**  
**China**  
(72) Name(s) of Designer(s): **John David Saunders and Craig Andrew Jackson**  
(45) Registration Date: **24 June 2011**  
(56) Related Art Documents: **Not Applicable**  
(57) Statement of Newness and Distinctiveness: **Newness and distinctiveness is claimed in features of shape and/or configuration of a Closing Mechanism as illustrated in the accompanying representations. In considering which features are new and distinctive, particular regard is to be had to Section A as marked on the accompanying drawings.**

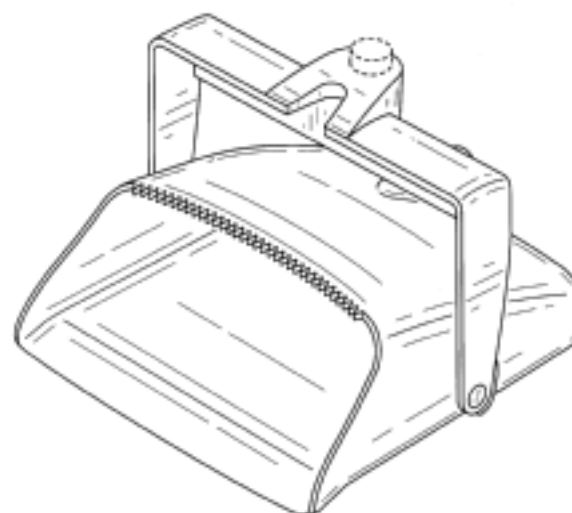




- (21) Design Number: **10808/2011**  
(22) Date of Filing Application: **01 March 2011**  
(24) Date from which industrial property rights may have effect: **01 March 2011**  
(54) Product in respect of which the design is registered: **Closing mechanism**  
(51) International Design Classification: **08-07**  
(74) Name(s) of Attorney(s): **Smootenburg Pini Patent & Trade Mark Attorneys**  
(71) Name(s) and Address(s) of Applicant(s):  
**Jacou Industry Zhongshan Limited**  
**No 8 Zhennan Road Dongsheng Town Zhongshan Guangdong Province**  
**China**  
(72) Name(s) of Designer(s): **John David Saunders and Craig Andrew Jackson**  
(45) Registration Date: **24 June 2011**  
(56) Related Art Documents: **Not Applicable**  
(57) Statement of Newness and Distinctiveness: **Newness and distinctiveness is claimed in features of shape and/or configuration of a Closing Mechanism as illustrated in the accompanying representations. In considering which features are new and distinctive, particular regard is to be had to Section A as marked on the accompanying drawings.**



- (21) Design Number: **11655/2011**  
(22) Date of Filing Application: **14 April 2011**  
(24) Date from which industrial property rights may have effect: **14 April 2011**  
(54) Product in respect of which the design is registered: **Part of a dustpan**  
(51) International Design Classification: **07-05E**  
(74) Name(s) of Attorney(s): **Shelston IP**  
(71) Name(s) and Address(s) of Applicant(s):  
**Sabco Australia Pty Ltd**  
**9-13 Link Way Laverton North Victoria 3026 Australia**  
(72) Name(s) of Designer(s): **Kenneth Raymond Joiner**  
(45) Registration Date: **24 June 2011**  
(56) Related Art Documents: **Not Applicable**  
(57) Statement of Newness and Distinctiveness: **Newness and distinctiveness reside in the shape and/or configuration of the serrations on the top part of the opening of the container in a part of a dustpan and/or the size of the container, as illustrated by solid lines in the accompanying representations. The broken lines are for illustrative purposes only and do not form part of the design.**



- (21) Design Number: **11656/2011**  
(22) Date of Filing Application: **14 April 2011**  
(24) Date from which industrial property rights may have effect: **14 April 2011**  
(54) Product in respect of which the design is registered: **Part of a dustpan**  
(51) International Design Classification: **07-05E**  
(74) Name(s) of Attorney(s): **Shelston IP**  
(71) Name(s) and Address(s) of Applicant(s):

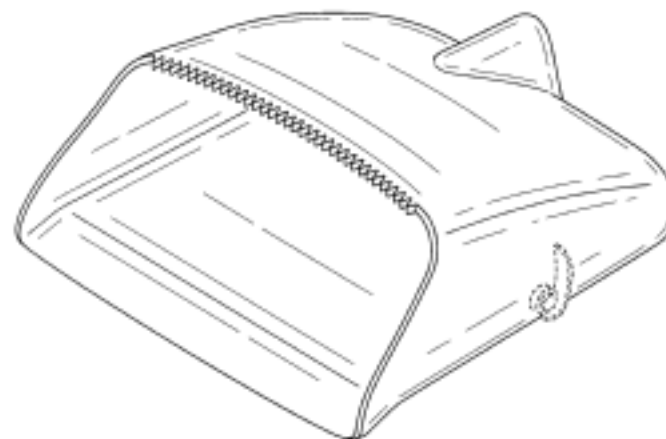
**Sabco Australia Pty Ltd**  
**9-13 Link Way Laverton North Victoria 3026 Australia**

- (72) Name(s) of Designer(s): **Kenneth Raymond Joiner**

(45) Registration Date: **24 June 2011**

(56) Related Art Documents: **Not Applicable**

- (57) Statement of Newness and Distinctiveness: **Newness and distinctiveness reside in the shape and/or configuration of the serrations on the top part of the opening of the container in a part of a dustpan and/or the size of the container, as illustrated by solid lines in the accompanying representations. The broken lines are for illustrative purposes only and do not form part of the design.**



- (21) Design Number: **11657/2011**  
(22) Date of Filing Application: **14 April 2011**  
(24) Date from which industrial property rights may have effect: **14 April 2011**  
(54) Product in respect of which the design is registered: **Dustpan**  
(51) International Design Classification: **07-05E**  
(74) Name(s) of Attorney(s): **Shelston IP**  
(71) Name(s) and Address(s) of Applicant(s):

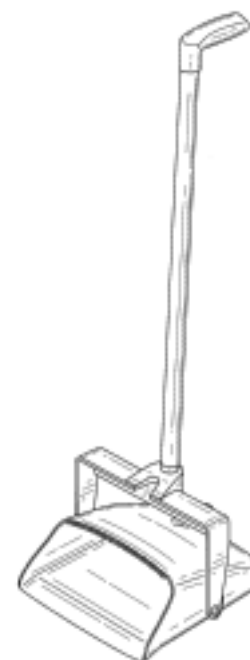
**Sabco Australia Pty Ltd**  
**9-13 Link Way Laverton North Victoria 3026 Australia**

- (72) Name(s) of Designer(s): **Kenneth Raymond Joiner**

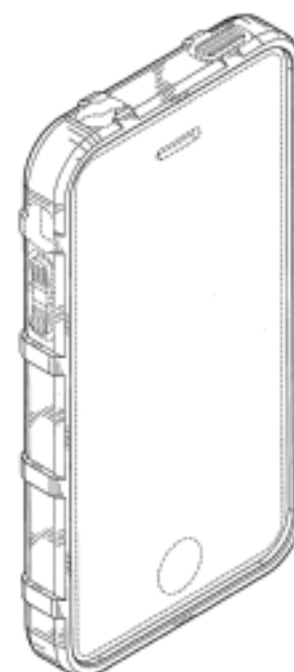
(45) Registration Date: **24 June 2011**

(56) Related Art Documents: **Not Applicable**

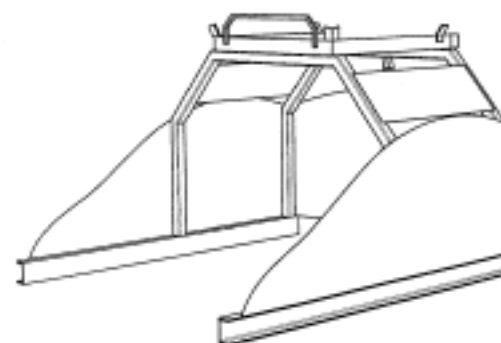
- (57) Statement of Newness and Distinctiveness: **Newness and distinctiveness reside in the shape and/or configuration of the serrations on the top part of the opening of the container of a dustpan, the size of the container, the 90 degree angle of the dustpan handle or any combination thereof, as illustrated by solid lines in the accompanying representations. The broken lines are for illustrative purposes only and do not form part of the design.**



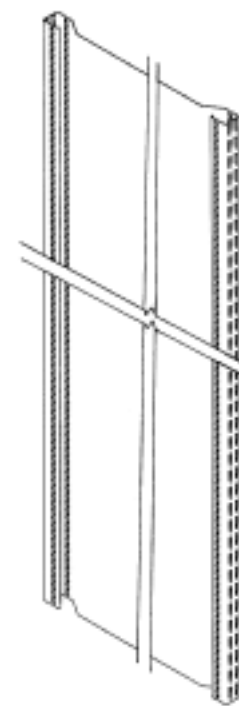
- (21) Design Number: **11838/2011**  
(22) Date of Filing Application: **27 April 2011**  
(24) Date from which industrial property rights may have effect: **27 April 2011**  
(54) Product in respect of which the design is registered: **An external case for a mobile telephone**  
(51) International Design Classification: **14-03A**  
(74) Name(s) of Attorney(s): **Davies Collison Cave**  
(71) Name(s) and Address(s) of Applicant(s):  
**Magpul Industries Corporation**  
**PO Box 17697 Boulder Colorado 80308 United States of America**  
(72) Name(s) of Designer(s): **Michael T. Mayberry and Eric Christopher Burt**  
(45) Registration Date: **24 June 2011**  
(30) Convention priority data:  
(31) Number      (32) Date      (33) Country  
**29/387264      10 Mar 2011      UNITED STATES OF AMERICA**  
(56) Related Art Documents: **Not Applicable**  
(57) Statement of Newness and Distinctiveness: **Newness and distinctiveness is claimed in the visual features shown in solid lines in the representations.**



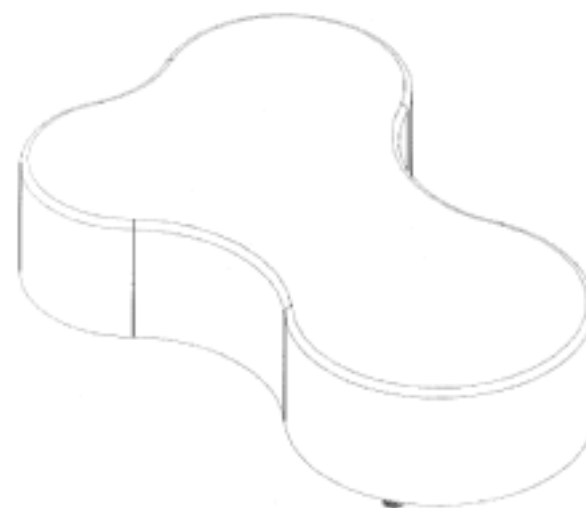
- (21) Design Number: **11988/2011**  
(22) Date of Filing Application: **05 May 2011**  
(24) Date from which industrial property rights may have effect: **05 May 2011**  
(54) Product in respect of which the design is registered: **Stand assembly for tanks**  
(51) International Design Classification: **23-01F**  
(74) Name(s) of Attorney(s): **Griffith Hack**  
(71) Name(s) and Address(s) of Applicant(s):  
**Lubricon Hydrive Pty Ltd**  
**28 Horne Street Hoppers Crossing Victoria 3029 Australia**  
(72) Name(s) of Designer(s): **Anthony Cook and Stephen Cook and Andre Buchner and Ross Buchner**  
(45) Registration Date: **24 June 2011**  
(56) Related Art Documents: **Not Applicable**  
(57) Statement of Newness and Distinctiveness: **Newness and distinctiveness resides in the visual features, including shape and configuration of a STAND ASSEMBLY FOR TANKS as shown in Figures 1 to 8 of the accompanying representations. Figure 9 has been included for illustration purposes only, and does not form part of the design.**



- (21) Design Number: **12245/2011**  
(22) Date of Filing Application: **18 May 2011**  
(24) Date from which industrial property rights may have effect: **18 May 2011**  
(54) Product in respect of which the design is registered: **Panel of indefinite width and height for furniture, storage and/or racking**  
(51) International Design Classification: **06-04NES**  
(74) Name(s) of Attorney(s): **Adams Pluck**  
(71) Name(s) and Address(s) of Applicant(s):  
**Bachmann Innovations Pty Limited**  
**193-195 Power Street Glendenning New South Wales 2761 Australia**  
(72) Name(s) of Designer(s): **Walter Bachmann**  
(45) Registration Date: **24 June 2011**  
(56) Related Art Documents: **Not Applicable**  
(57) Statement of Newness and Distinctiveness: **Monopoly is claimed in the features of shape and/or configuration of a panel of indefinite width and height as illustrated in the accompanying representations.**



- (21) Design Number: **12327/2011**  
(22) Date of Filing Application: **23 May 2011**  
(24) Date from which industrial property rights may have effect: **23 May 2011**  
(54) Product in respect of which the design is registered: **Curved ottoman**  
(51) International Design Classification: **06-01E**  
(74) Name(s) of Attorney(s): **Macpherson + Kelley**  
(71) Name(s) and Address(s) of Applicant(s):  
**Woods Furniture Pty Ltd**  
**564 Geelong Road Brooklyn Victoria 3012 Australia**  
(72) Name(s) of Designer(s): **James Setters**  
(45) Registration Date: **24 June 2011**  
(56) Related Art Documents: **Not Applicable**  
(57) Statement of Newness and Distinctiveness: **Monopoly is claimed in the features of shape and/or configuration of the ottoman illustrated in the accompanying images. The shaded features of the representations form no part of the design.**



(21) Design Number: **12362/2011**

(22) Date of Filing Application: **25 May 2011**

(24) Date from which industrial property rights may have effect: **25 May 2011**

(54) Product in respect of which the design is registered: **Fold down table**

(51) International Design Classification: **06-03NES**

(74) Name(s) of Attorney(s): **Macpherson + Kelley**

(71) Name(s) and Address(s) of Applicant(s):

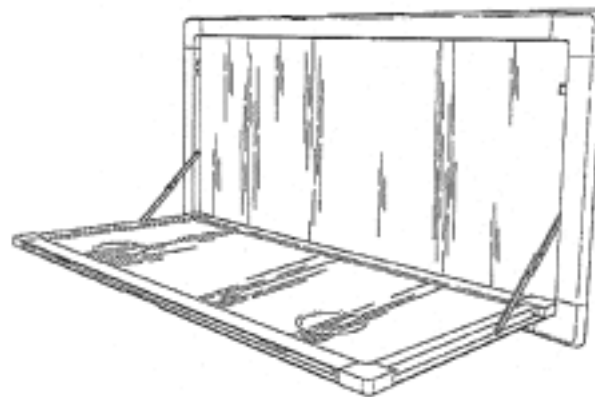
**Buy Direct Warehouse Pty Ltd  
Factory 2/5 Salvator Drive Campbellfield Victoria 3061 Australia**

(72) Name(s) of Designer(s): **Anthony Manfre**

(45) Registration Date: **24 June 2011**

(56) Related Art Documents: **Not Applicable**

(57) Statement of Newness and Distinctiveness: **Monopoly is claimed in the features of shape and/or configuration of the fold down table as shown in the enclosed representations.**



(21) Design Number: **12377/2011**

(22) Date of Filing Application: **27 May 2011**

(24) Date from which industrial property rights may have effect: **27 May 2011**

(54) Product in respect of which the design is registered: **Apparatus support bracket**

(51) International Design Classification: **08-08L**

(74) Name(s) of Attorney(s): **Fisher Adams Kelly**

(71) Name(s) and Address(s) of Applicant(s):

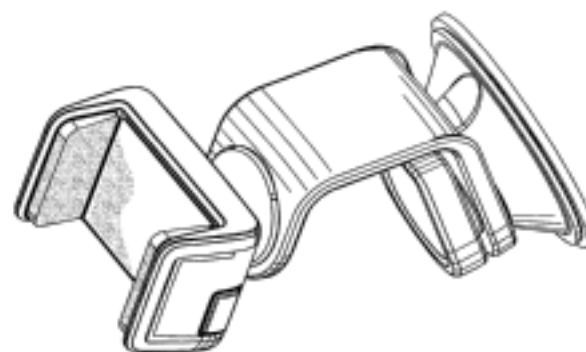
**Nicholas Conomos  
3 Glencoe Close Ferny Grove Brisbane Queensland 4055 Australia**

(72) Name(s) of Designer(s): **Nicholas Conomos and Neil Davidson and Sara Pontoppidan and Robert Shepherd and Campbell Smyth**

(45) Registration Date: **24 June 2011**

(56) Related Art Documents: **Not Applicable**

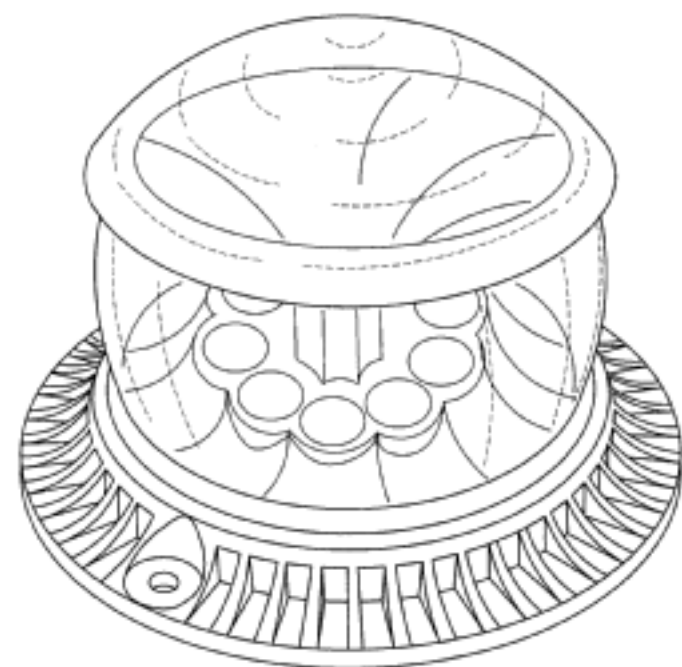
(57) Statement of Newness and Distinctiveness: **The newness and distinctiveness of the design resides in the shape and/or configuration of the APPARATUS SUPPORT BRACKET shown in the representations.**



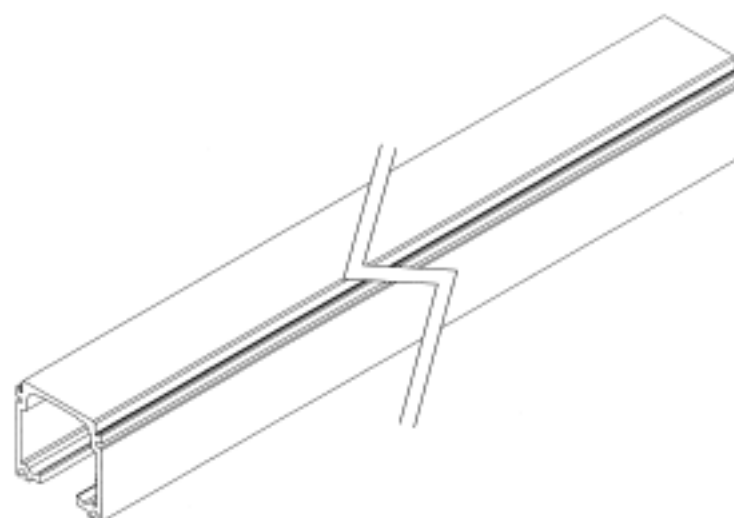
(21) Design Number: **11637/2011**  
(22) Date of Filing Application: **14 April 2011**  
(24) Date from which industrial property rights may have effect: **14 April 2011**  
(54) Product in respect of which the design is registered: **Bale wrapping material**  
(51) International Design Classification: **05-06NES**  
(74) Name(s) of Attorney(s): **Davies Collison Cave**  
(71) Name(s) and Address(s) of Applicant(s):  
**CLAAS KGaA mbH**  
**Munsterstr. 33 Harsewinkel 33428 Germany**  
(72) Name(s) of Designer(s): **Gabriel Gaulhiac**  
(45) Registration Date: **24 June 2011**  
(30) Convention priority data:  
(31) Number (32) Date (33) Country  
**001252290 27 Dec 2010 EUROPEAN COMMUNITY**  
(56) Related Art Documents: **Not Applicable**  
(57) Statement of Newness and Distinctiveness: **Newness and distinctiveness is claimed in the visual features of the pattern applied to the bale wrapping material shown in the representations.**



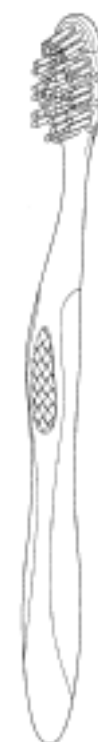
(21) Design Number: **11985/2011**  
(22) Date of Filing Application: **04 May 2011**  
(24) Date from which industrial property rights may have effect: **04 May 2011**  
(54) Product in respect of which the design is registered: **Lighting assembly**  
(51) International Design Classification: **26-05E**  
(74) Name(s) of Attorney(s): **Griffith Hack**  
(71) Name(s) and Address(s) of Applicant(s):  
**LED Technologies Pty Ltd**  
**Factory 1 10 Brand Drive Thomastown Victoria 3074 Australia**  
(72) Name(s) of Designer(s): **Tony Ottobre**  
(45) Registration Date: **24 June 2011**  
(56) Related Art Documents: **Not Applicable**  
(57) Statement of Newness and Distinctiveness: **Nil**



- (21) Design Number: **12369/2011**  
(22) Date of Filing Application: **27 May 2011**  
(24) Date from which industrial property rights may have effect: **27 May 2011**  
(54) Product in respect of which the design is registered: **Top rolling single door track**  
(51) International Design Classification: **08-09, 25-01K**  
(74) Name(s) of Attorney(s):  
(71) Name(s) and Address(s) of Applicant(s):  
**Dezinal Pty Ltd**  
**C/- GCY Accountants Suites 1 & 2 Level 1 67 Lytton Road East Brisbane**  
**Queensland 4169 Australia**  
(72) Name(s) of Designer(s): **Ronald Maxwell**  
(45) Registration Date: **24 June 2011**  
(56) Related Art Documents: **Not Applicable**  
(57) Statement of Newness and Distinctiveness: **CDA14 top roller track has locating points to accommodate pelmet CDA45 on both sides, locating a pelmet on either side of CDA14 is unique to this particular roller track system.**



- (21) Design Number: **12390/2011**  
(22) Date of Filing Application: **30 May 2011**  
(24) Date from which industrial property rights may have effect: **30 May 2011**  
(54) Product in respect of which the design is registered: **Oral care implement**  
(51) International Design Classification: **04-02**  
(74) Name(s) of Attorney(s): **FB Rice**  
(71) Name(s) and Address(s) of Applicant(s):  
**Colgate-Palmolive Company**  
**300 Park Avenue New York New York 10022 United States of America**  
(72) Name(s) of Designer(s): **Wen Jin Xi and Yu Liu**  
(45) Registration Date: **24 June 2011**  
(30) Convention priority data:  
(31) Number      (32) Date      (33) Country  
**29/381604      21 Dec 2010      UNITED STATES OF AMERICA**  
(56) Related Art Documents: **Not Applicable**  
(57) Statement of Newness and Distinctiveness: **Newness and distinctiveness reside in the features of shape and configuration of the oral care implement shown in the drawings.**



(21) Design Number: **12391/2011**  
(22) Date of Filing Application: **30 May 2011**  
(24) Date from which industrial property rights may have effect: **30 May 2011**  
(54) Product in respect of which the design is registered: **Oral care implement**  
(51) International Design Classification: **04-02**  
(74) Name(s) of Attorney(s): **FB Rice**  
(71) Name(s) and Address(s) of Applicant(s):  
**Colgate-Palmolive Company**  
**300 Park Avenue New York New York 10022 United States of America**  
(72) Name(s) of Designer(s): **John Jacob Gatzemeyer and Joseph Edward Fattori**  
(45) Registration Date: **24 June 2011**  
(30) Convention priority data:  
(31) Number (32) Date (33) Country  
**29/381526 20 Dec 2010 UNITED STATES OF AMERICA**  
(56) Related Art Documents: **Not Applicable**  
(57) Statement of Newness and Distinctiveness: **Newness and distinctiveness resides in the features of shape and configuration of the oral care implement shown in the drawings. When determining whether the design is substantially similar in overall impression to another design, no regard is to be had to those features shown in the drawings with dotted outline, which features are provided for illustrative purposes only.**



(21) Design Number: **12392/2011**  
(22) Date of Filing Application: **30 May 2011**  
(24) Date from which industrial property rights may have effect: **30 May 2011**  
(54) Product in respect of which the design is registered: **Oral care implement**  
(51) International Design Classification: **04-02**  
(74) Name(s) of Attorney(s): **FB Rice**  
(71) Name(s) and Address(s) of Applicant(s):  
**Colgate-Palmolive Company**  
**300 Park Avenue New York New York 10022 United States of America**  
(72) Name(s) of Designer(s): **David Lee and Brenda Zuck**  
(45) Registration Date: **24 June 2011**  
(30) Convention priority data:  
(31) Number (32) Date (33) Country  
**29/381524 20 Dec 2010 UNITED STATES OF AMERICA**  
(56) Related Art Documents: **Not Applicable**  
(57) Statement of Newness and Distinctiveness: **Newness and distinctiveness resides in the features of shape and configuration of the oral care implement shown in the drawings. When determining whether the design is substantially similar in overall impression to another design, no regard is to be had to those features shown in the drawings with dotted outline, which features are provided for illustrative purposes only.**

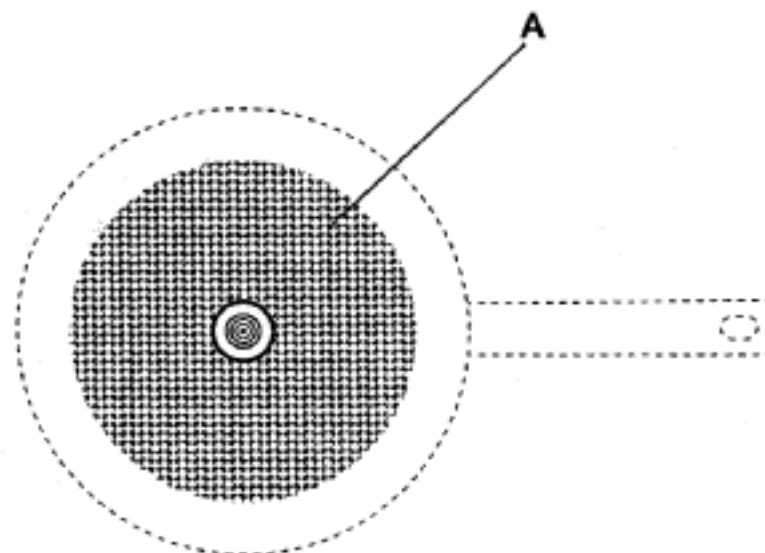




(21) Design Number: **12393/2011**  
(22) Date of Filing Application: **30 May 2011**  
(24) Date from which industrial property rights may have effect: **30 May 2011**  
(54) Product in respect of which the design is registered: **Oral care implement**  
(51) International Design Classification: **04-02**  
(74) Name(s) of Attorney(s): **FB Rice**  
(71) Name(s) and Address(s) of Applicant(s):  
**Colgate-Palmolive Company**  
**300 Park Avenue New York New York 10022 United States of America**  
(72) Name(s) of Designer(s): **David Lee and Brenda Zuck**  
(45) Registration Date: **24 June 2011**  
(30) Convention priority data:  
(31) Number (32) Date (33) Country  
**29/381523 20 Dec 2010 UNITED STATES OF AMERICA**  
(56) Related Art Documents: **Not Applicable**  
(57) Statement of Newness and Distinctiveness: **Newness and distinctiveness resides in the features of shape and configuration of the oral care implement shown in the drawings. When determining whether the design is substantially similar in overall impression to another design, no regard is to be had to those features shown in the drawings with dotted outline, which features are provided for illustrative purposes only.**



(21) Design Number: **12394/2011**  
(22) Date of Filing Application: **30 May 2011**  
(24) Date from which industrial property rights may have effect: **30 May 2011**  
(54) Product in respect of which the design is registered: **Cooking utensil**  
(51) International Design Classification: **07-02N**  
(74) Name(s) of Attorney(s): **SPRUSON & FERGUSON**  
(71) Name(s) and Address(s) of Applicant(s):  
**TEFAL**  
**Zone Industrielle des Granges 74150 Rumilly France**  
(72) Name(s) of Designer(s): **Jackie Moulin**  
(45) Registration Date: **24 June 2011**  
(30) Convention priority data:  
(31) Number (32) Date (33) Country  
**11 0111 11 Jan 2011 FRANCE**  
(56) Related Art Documents: **Not Applicable**  
(57) Statement of Newness and Distinctiveness: **Newness and distinctiveness is claimed in those features of shape and/or configuration of a base of a cooking utensil illustrated in continuous lines in the accompanying representations.**



(21) Design Number: **12395/2011**  
(22) Date of Filing Application: **30 May 2011**  
(24) Date from which industrial property rights may have effect: **30 May 2011**  
(54) Product in respect of which the design is registered: **Cooking utensil**  
(51) International Design Classification: **07-02N**  
(74) Name(s) of Attorney(s): **SPRUSON & FERGUSON**  
(71) Name(s) and Address(s) of Applicant(s):

**TEFAL**  
**Zone Industrielle des Granges 74150 Rumilly France**

(72) Name(s) of Designer(s): **Jackie Moulin**

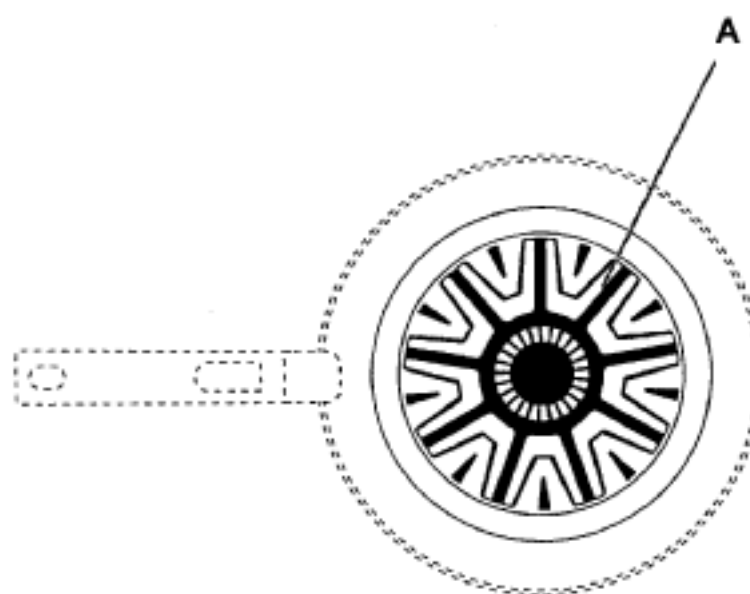
(45) Registration Date: **24 June 2011**

(30) Convention priority data:

(31) Number	(32) Date	(33) Country
<b>10 6384</b>	<b>21 Dec 2010</b>	<b>FRANCE</b>

(56) Related Art Documents: **Not Applicable**

(57) Statement of Newness and Distinctiveness: **Newness and distinctiveness is claimed in those features of shape and/or configuration of a base of a cooking utensil illustrated in continuous lines in the accompanying representations.**



(21) Design Number: **12396/2011**  
(22) Date of Filing Application: **30 May 2011**  
(24) Date from which industrial property rights may have effect: **30 May 2011**  
(54) Product in respect of which the design is registered: **Cooking utensil**  
(51) International Design Classification: **07-02N**  
(74) Name(s) of Attorney(s): **SPRUSON & FERGUSON**  
(71) Name(s) and Address(s) of Applicant(s):

**TEFAL**  
**Zone Industrielle des Granges 74150 Rumilly France**

(72) Name(s) of Designer(s): **Jackie Moulin**

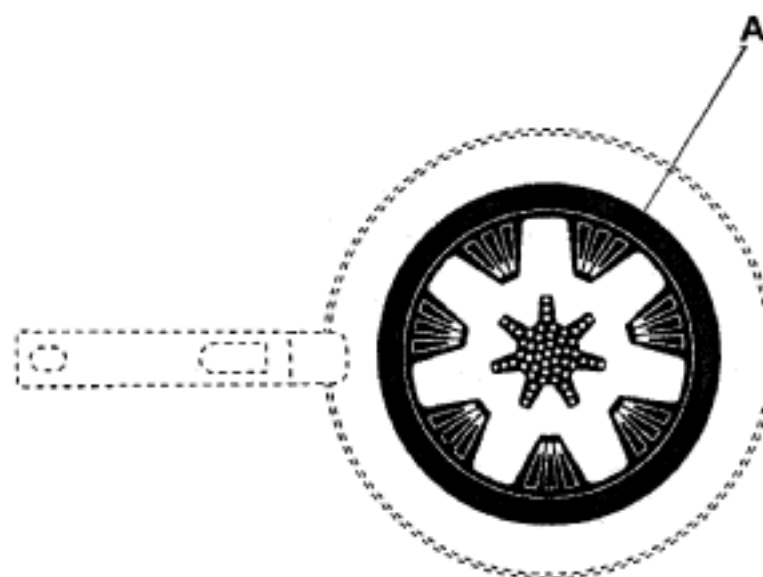
(45) Registration Date: **24 June 2011**

(30) Convention priority data:

(31) Number	(32) Date	(33) Country
<b>10 6384</b>	<b>21 Dec 2010</b>	<b>FRANCE</b>

(56) Related Art Documents: **Not Applicable**

(57) Statement of Newness and Distinctiveness: **Newness and distinctiveness is claimed in those features of shape and/or configuration of a base of a cooking utensil illustrated in continuous lines in the accompanying representations.**



(21) Design Number: **12397/2011**  
(22) Date of Filing Application: **30 May 2011**  
(24) Date from which industrial property rights may have effect: **30 May 2011**  
(54) Product in respect of which the design is registered: **Cooking utensil**  
(51) International Design Classification: **07-02N**  
(74) Name(s) of Attorney(s): **SPRUSON & FERGUSON**  
(71) Name(s) and Address(s) of Applicant(s):

**TEFAL**  
**Zone Industrielle des Granges 74150 Rumilly France**

(72) Name(s) of Designer(s): **Jackie Moulin**

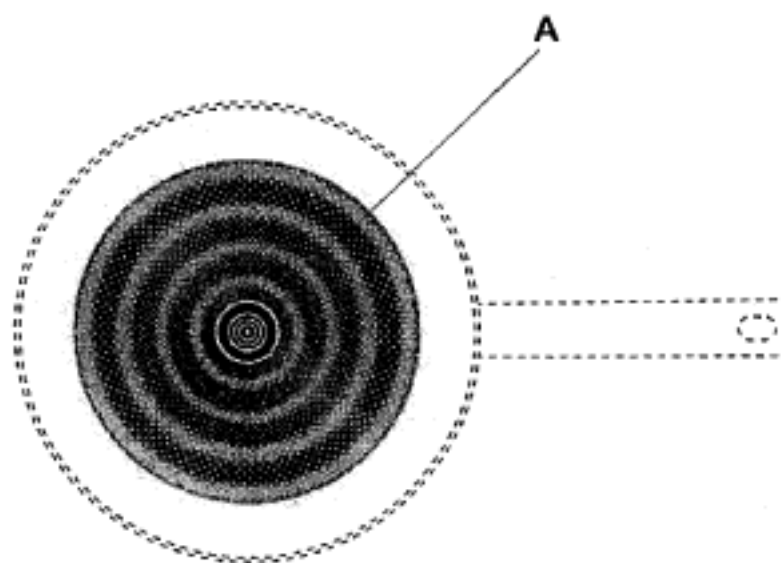
(45) Registration Date: **24 June 2011**

(30) Convention priority data:

(31) Number	(32) Date	(33) Country
<b>11 0111</b>	<b>11 Jan 2011</b>	<b>FRANCE</b>

(56) Related Art Documents: **Not Applicable**

(57) Statement of Newness and Distinctiveness: **Newness and distinctiveness is claimed in those features of shape and/or configuration of a base of a cooking utensil illustrated in continuous lines in the accompanying representations.**



(21) Design Number: **12398/2011**  
(22) Date of Filing Application: **30 May 2011**  
(24) Date from which industrial property rights may have effect: **30 May 2011**  
(54) Product in respect of which the design is registered: **Cooking utensil**  
(51) International Design Classification: **07-02N**  
(74) Name(s) of Attorney(s): **SPRUSON & FERGUSON**  
(71) Name(s) and Address(s) of Applicant(s):

**TEFAL**  
**Zone Industrielle des Granges 74150 Rumilly France**

(72) Name(s) of Designer(s): **Jackie Moulin**

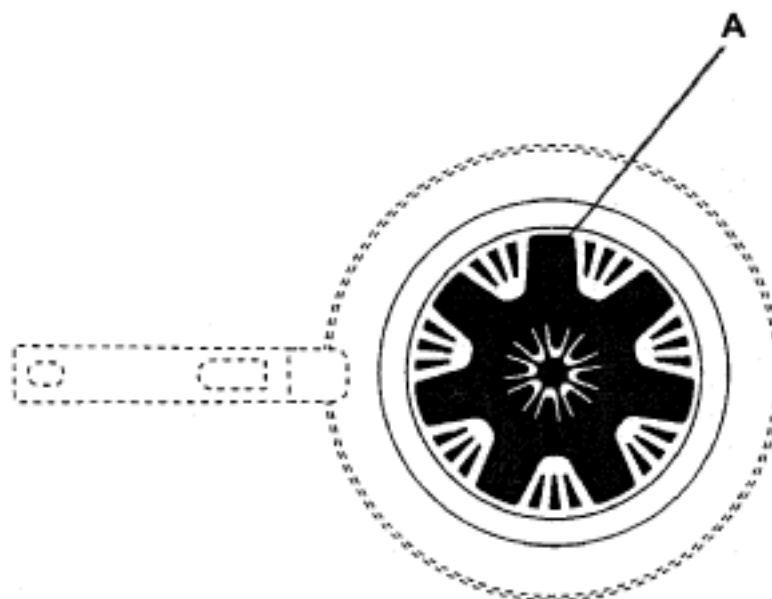
(45) Registration Date: **24 June 2011**

(30) Convention priority data:

(31) Number	(32) Date	(33) Country
<b>10 6384</b>	<b>21 Dec 2010</b>	<b>FRANCE</b>

(56) Related Art Documents: **Not Applicable**

(57) Statement of Newness and Distinctiveness: **Newness and distinctiveness is claimed in those features of shape and/or configuration of a base of a cooking utensil illustrated in continuous lines in the accompanying representations.**



(21) Design Number: **12399/2011**  
(22) Date of Filing Application: **30 May 2011**  
(24) Date from which industrial property rights may have effect: **30 May 2011**  
(54) Product in respect of which the design is registered: **Cooking utensil**  
(51) International Design Classification: **07-02N**  
(74) Name(s) of Attorney(s): **SPRUSON & FERGUSON**  
(71) Name(s) and Address(s) of Applicant(s):

**TEFAL**  
**Zone Industrielle des Granges 74150 Rumilly France**

(72) Name(s) of Designer(s): **Jackie Moulin**

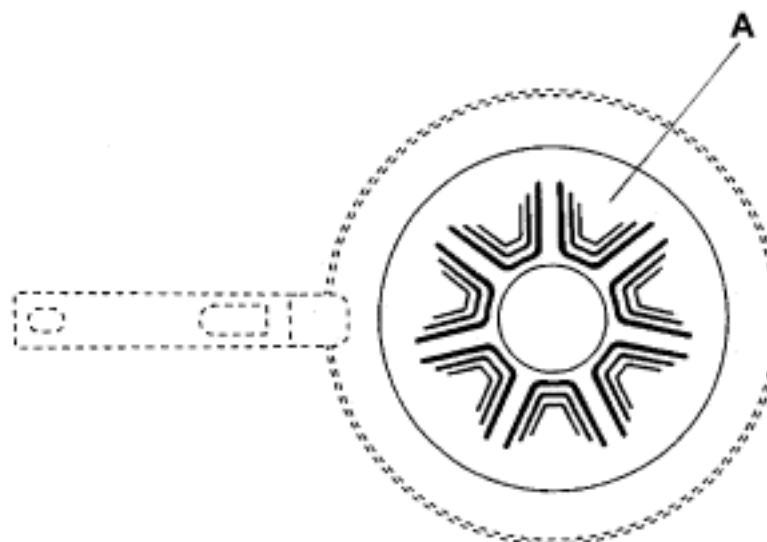
(45) Registration Date: **24 June 2011**

(30) Convention priority data:

(31) Number	(32) Date	(33) Country
<b>10 6384</b>	<b>21 Dec 2010</b>	<b>FRANCE</b>

(56) Related Art Documents: **Not Applicable**

(57) Statement of Newness and Distinctiveness: **Newness and distinctiveness is claimed in those features of shape and/or configuration of a base of a cooking utensil illustrated in continuous lines in the accompanying representations.**



(21) Design Number: **11615/2011**  
(22) Date of Filing Application: **13 April 2011**  
(24) Date from which industrial property rights may have effect: **13 April 2011**  
(54) Product in respect of which the design is registered: **Packaging with surface patterns**  
(51) International Design Classification: **09-03A**  
(74) Name(s) of Attorney(s): **Shelston IP**  
(71) Name(s) and Address(s) of Applicant(s):

**British-American Tobacco (Holdings) Limited**  
**Globe House 4 Temple Place London WC2R 2PG United Kingdom**

(72) Name(s) of Designer(s): **Henrietta Villiers**

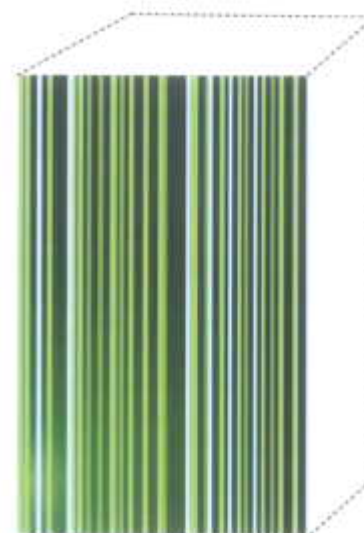
(45) Registration Date: **24 June 2011**

(30) Convention priority data:

(31) Number	(32) Date	(33) Country
<b>001768946</b>	<b>15 Oct 2010</b>	<b>EUROPEAN COMMUNITY</b>

(56) Related Art Documents: **Not Applicable**

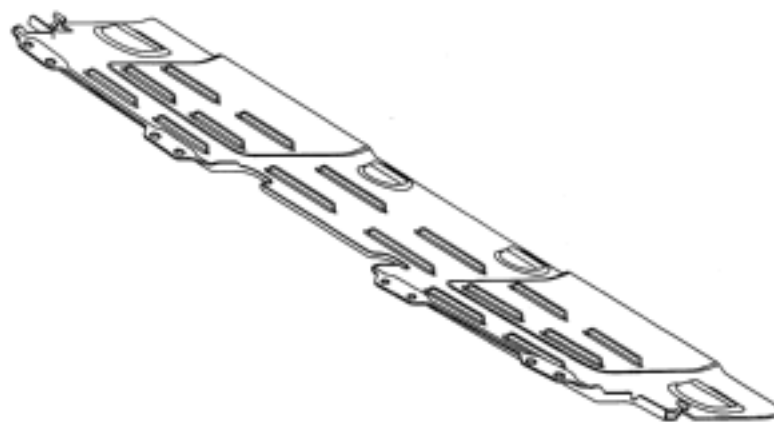
(57) Statement of Newness and Distinctiveness: **Newness and distinctiveness resides in the features of surface pattern as applied to a package as illustrated in the accompanying representations.**



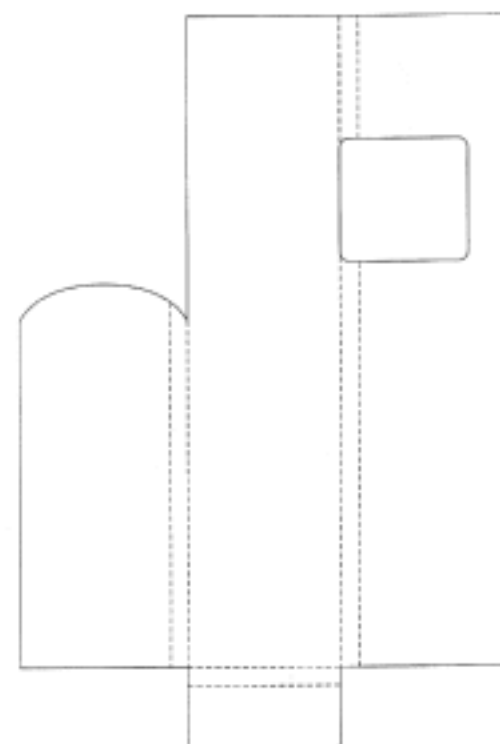
(21) Design Number: **11616/2011**  
(22) Date of Filing Application: **13 April 2011**  
(24) Date from which industrial property rights may have effect: **13 April 2011**  
(54) Product in respect of which the design is registered: **Packaging with surface patterns**  
(51) International Design Classification: **09-03A**  
(74) Name(s) of Attorney(s): **Shelston IP**  
(71) Name(s) and Address(s) of Applicant(s):  
**British-American Tobacco (Holdings) Limited**  
**Globe House 4 Temple Place London WC2R 2PG United Kingdom**  
(72) Name(s) of Designer(s): **Henrietta Villiers**  
(45) Registration Date: **24 June 2011**  
(30) Convention priority data:  
(31) Number (32) Date (33) Country  
**001768946 15 Oct 2010 EUROPEAN COMMUNITY**  
(56) Related Art Documents: **Not Applicable**  
(57) Statement of Newness and Distinctiveness: **Newness and distinctiveness resides in the features of surface pattern as applied to a package as illustrated in the accompanying representations.**



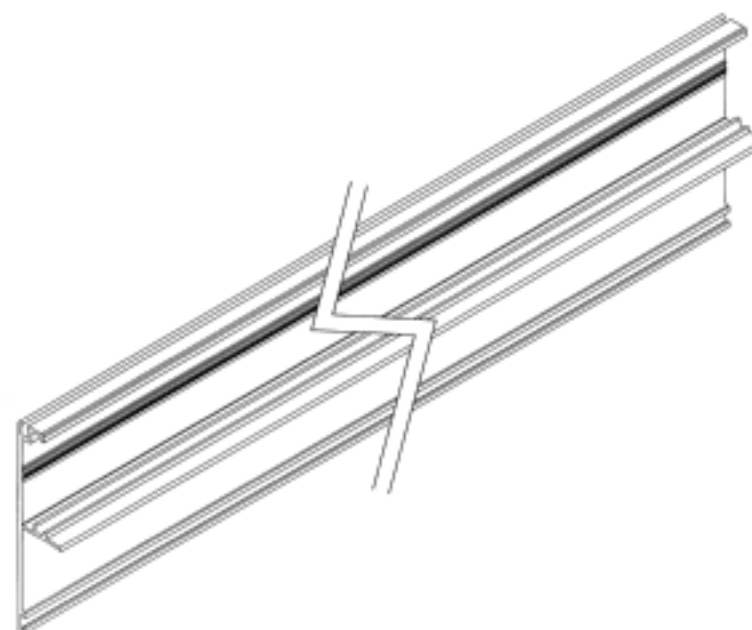
(21) Design Number: **12101/2011**  
(22) Date of Filing Application: **11 May 2011**  
(24) Date from which industrial property rights may have effect: **11 May 2011**  
(54) Product in respect of which the design is registered: **Middle protection plate for a vehicle cab**  
(51) International Design Classification: **12-16NES**  
(74) Name(s) of Attorney(s): **Davies Collison Cave**  
(71) Name(s) and Address(s) of Applicant(s):  
**Scania CV AB**  
**SE-151 87 Sodertalje Sweden**  
(72) Name(s) of Designer(s): **Pehr Soderberg and Kristofer Hansen and Christian Henriksen and Xavier Carreras-Castro**  
(45) Registration Date: **24 June 2011**  
(30) Convention priority data:  
(31) Number (32) Date (33) Country  
**2010/0517 15 Nov 2010 SWEDEN**  
(56) Related Art Documents: **Not Applicable**  
(57) Statement of Newness and Distinctiveness: **Nil**



- (21) Design Number: **12359/2011**  
(22) Date of Filing Application: **02 June 2011**  
(24) Date from which industrial property rights may have effect: **02 June 2011**  
(54) Product in respect of which the design is registered: **Cover for a paper swatch**  
(51) International Design Classification: **19-04**  
(74) Name(s) of Attorney(s): **Cotters Patent & Trade Mark Attorneys**  
(71) Name(s) and Address(s) of Applicant(s):  
**Aparan Holdings Pty Ltd**  
**28-32 Exceller Avenue Bankstown New South Wales 2200 Australia**  
(72) Name(s) of Designer(s): **Herbert Eibach**  
(45) Registration Date: **24 June 2011**  
(56) Related Art Documents: **Not Applicable**  
(57) Statement of Newness and Distinctiveness: **Newness and distinctiveness is claimed in the features of shape and/or configuration of a cover for a paper swatch as depicted in the accompanying drawings, wherein the broken lines indicate fold lines.**



- (21) Design Number: **12370/2011**  
(22) Date of Filing Application: **27 May 2011**  
(24) Date from which industrial property rights may have effect: **27 May 2011**  
(54) Product in respect of which the design is registered: **Top rolling door track to suit 45mm door**  
(51) International Design Classification: **08-09, 25-01K**  
(74) Name(s) of Attorney(s):  
(71) Name(s) and Address(s) of Applicant(s):  
**Dezinal Pty Ltd**  
**C/- GCY Accountants Suites 1 & 2 Level 1-67 Lytton Road East Brisbane Queensland 4169 Australia**  
(72) Name(s) of Designer(s): **Ronald Maxwell**  
(45) Registration Date: **24 June 2011**  
(56) Related Art Documents: **Not Applicable**  
(57) Statement of Newness and Distinctiveness: **CDA45 top roller track pelmet has locating legs that attach to CDA14 top roller track, it has a seal provision on both ends of the section to accommodate different seals for various applications.**



(21) Design Number: **12371/2011**  
(22) Date of Filing Application: **27 May 2011**  
(24) Date from which industrial property rights may have effect: **27 May 2011**  
(54) Product in respect of which the design is registered: **Oral care implement**  
(51) International Design Classification: **04-02**  
(74) Name(s) of Attorney(s): **FB Rice**  
(71) Name(s) and Address(s) of Applicant(s):  
**Colgate-Palmolive Company**  
**300 Park Avenue New York New York 10022 United States of America**  
(72) Name(s) of Designer(s): **David Lee and Brenda Zuck**  
(45) Registration Date: **24 June 2011**  
(30) Convention priority data:  
(31) Number (32) Date (33) Country  
**29/381521 20 Dec 2010 UNITED STATES OF AMERICA**  
(56) Related Art Documents: **Not Applicable**  
(57) Statement of Newness and Distinctiveness: **Newness and distinctiveness reside in the features of the oral care implement as shown in the representations.**



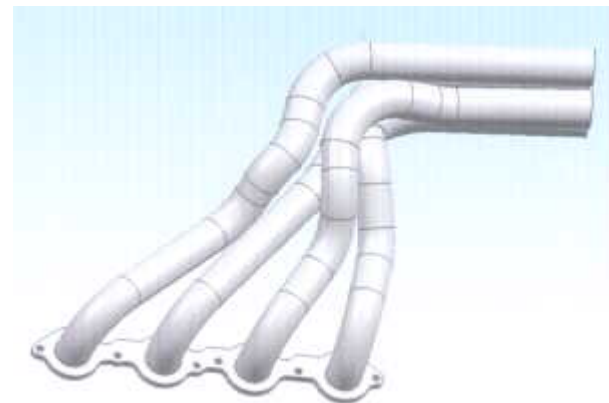
(21) Design Number: **12372/2011**  
(22) Date of Filing Application: **27 May 2011**  
(24) Date from which industrial property rights may have effect: **27 May 2011**  
(54) Product in respect of which the design is registered: **Oral care implement**  
(51) International Design Classification: **04-02**  
(74) Name(s) of Attorney(s): **FB Rice**  
(71) Name(s) and Address(s) of Applicant(s):  
**Colgate-Palmolive Company**  
**300 Park Avenue New York New York 10022 United States of America**  
(72) Name(s) of Designer(s): **David Lee and Brenda Zuck**  
(45) Registration Date: **24 June 2011**  
(30) Convention priority data:  
(31) Number (32) Date (33) Country  
**29/381522 20 Dec 2010 UNITED STATES OF AMERICA**  
(56) Related Art Documents: **Not Applicable**  
(57) Statement of Newness and Distinctiveness: **Newness and distinctiveness reside in the features of the oral care implement as shown in the representations excluding those features shown in broken lines. When determining whether the design is substantially similar in overall impression to another design, no regard is to be had to those features shown in the drawings with dotted outline, which features are provided for illustrative purposes only.**



- (21) Design Number: **11903/2011**  
(22) Date of Filing Application: **29 April 2011**  
(24) Date from which industrial property rights may have effect: **29 April 2011**  
(54) Product in respect of which the design is registered: **Cable hauling assembly**  
(51) International Design Classification: **12-99**  
(74) Name(s) of Attorney(s): **Davies Collison Cave**  
(71) Name(s) and Address(s) of Applicant(s):  
**ADC Communications (Australia) Pty Limited**  
**2 Hereford Street Berkeley Vale New South Wales 2261 Australia**  
(72) Name(s) of Designer(s): **Brent David Allwood and Bryce Lindsay Nicholls**  
**and Brett Hoe Slater**  
(45) Registration Date: **24 June 2011**  
(56) Related Art Documents: **Not Applicable**  
(57) Statement of Newness and Distinctiveness: **The features of shape and configuration of the cable hauling assembly shown in the accompanying representations are considered to be new and distinctive.**

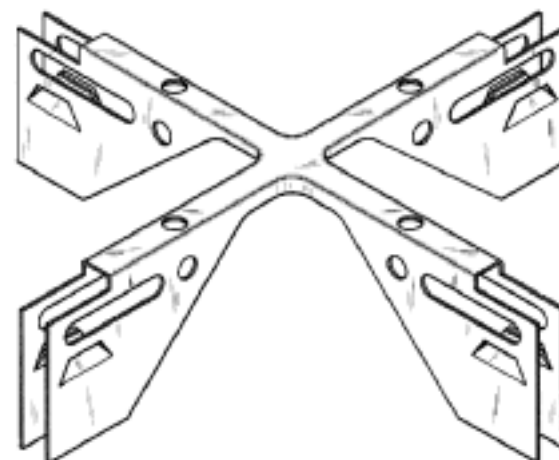


- (21) Design Number: **12400/2011**  
(22) Date of Filing Application: **31 May 2011**  
(24) Date from which industrial property rights may have effect: **31 May 2011**  
(54) Product in respect of which the design is registered: **Automotive exhaust system**  
(51) International Design Classification: **12-16N**  
(74) Name(s) of Attorney(s):  
(71) Name(s) and Address(s) of Applicant(s):  
**GM Motorsport Pty Ltd**  
**23 Reserve Road Melton Victoria 3337 Australia**  
(72) Name(s) of Designer(s): **Alphonsus Mullan**  
(45) Registration Date: **24 June 2011**  
(56) Related Art Documents: **Not Applicable**  
(57) Statement of Newness and Distinctiveness: **Equal length primaries, all 30 inches. Longest primaries available. Rapid fire firing order, circular firing order mapped from engine camshaft.**

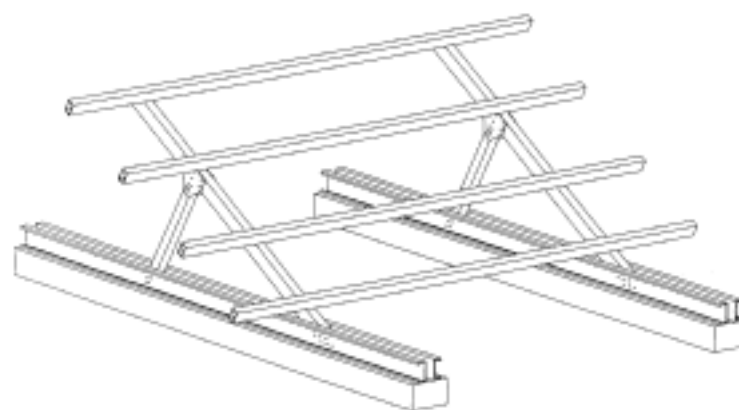




- (21) Design Number: **12401/2011**  
(22) Date of Filing Application: **30 May 2011**  
(24) Date from which industrial property rights may have effect: **30 May 2011**  
(54) Product in respect of which the design is registered: **Seismic expansion joint clip for suspended ceilings**  
(51) International Design Classification: **08-08B**  
(74) Name(s) of Attorney(s): **Griffith Hack**  
(71) Name(s) and Address(s) of Applicant(s):  
**USG Interiors, Inc.**  
**550 West Adams Street Chicago IL 60661-3676 United States of America**  
(72) Name(s) of Designer(s): **Lee Mathew Tedesco and James Joseph Lehane and Abraham Monroe Underkofler and Peder John Gulbrandsen and Mark Robert Paulsen**  
(45) Registration Date: **24 June 2011**  
(30) Convention priority data:  
(31) Number (32) Date (33) Country  
**29/380,151 01 Dec 2010 UNITED STATES OF AMERICA**  
(56) Related Art Documents: **Not Applicable**  
(57) Statement of Newness and Distinctiveness: **Newness and distinctiveness resides in the visual features, including shape and configuration of a SEISMIC EXPANSION JOINT CLIP FOR SUSPENDED CEILINGS as shown in the accompanying Figures.**



- (21) Design Number: **12402/2011**  
(22) Date of Filing Application: **30 May 2011**  
(24) Date from which industrial property rights may have effect: **30 May 2011**  
(54) Product in respect of which the design is registered: **Solar panel mount**  
(51) International Design Classification: **08-08L**  
(74) Name(s) of Attorney(s): **Griffith Hack**  
(71) Name(s) and Address(s) of Applicant(s):  
**Nippon Steel Corporation**  
**6-1 Marunouchi 2-chome Chiyoda-ku Tokyo 100-8071 Japan**  
(72) Name(s) of Designer(s): **Ryoichi Kanno and Yoshimichi Kawai**  
(45) Registration Date: **24 June 2011**  
(30) Convention priority data:  
(31) Number (32) Date (33) Country  
**2011-007312 30 Mar 2011 JAPAN**  
(56) Related Art Documents: **Not Applicable**  
(57) Statement of Newness and Distinctiveness: **Newness and distinctiveness resides in the visual features, including shape and configuration of a SOLAR PANEL MOUNT as shown in Figures 1 to 12. The components shown in dashed lines in figures 11 and 12 do not form part of the design and have been included for illustrative purposes only.**



(21) Design Number: **12403/2011**  
(22) Date of Filing Application: **30 May 2011**  
(24) Date from which industrial property rights may have effect: **30 May 2011**  
(54) Product in respect of which the design is registered: **Solar panel mount**  
(51) International Design Classification: **08-08L**  
(74) Name(s) of Attorney(s): **Griffith Hack**  
(71) Name(s) and Address(s) of Applicant(s):

**Nippon Steel Corporation**  
**6-1 Marunouchi 2-chome Chiyoda-ku Tokyo 100-8071 Japan**

(72) Name(s) of Designer(s): **Ryoichi Kanno and Yoshimichi Kawai**

(45) Registration Date: **24 June 2011**

(30) Convention priority data:

(31) Number	(32) Date	(33) Country
<b>2011-007313</b>	<b>30 Mar 2011</b>	<b>JAPAN</b>

(56) Related Art Documents: **Not Applicable**

(57) Statement of Newness and Distinctiveness: **Newness and distinctiveness resides in the visual features, including shape and configuration of a SOLAR PANEL MOUNT as shown in Figures 1 to 12. The components shown in dashed lines in figures 11 and 12 do not form part of the design and have been included for illustrative purposes only.**



(21) Design Number: **12409/2011**  
(22) Date of Filing Application: **27 May 2011**  
(24) Date from which industrial property rights may have effect: **27 May 2011**  
(54) Product in respect of which the design is registered: **Packaging container for foodstuffs**  
(51) International Design Classification: **09-02B**  
(74) Name(s) of Attorney(s): **Corrs Chambers Westgarth**  
(71) Name(s) and Address(s) of Applicant(s):

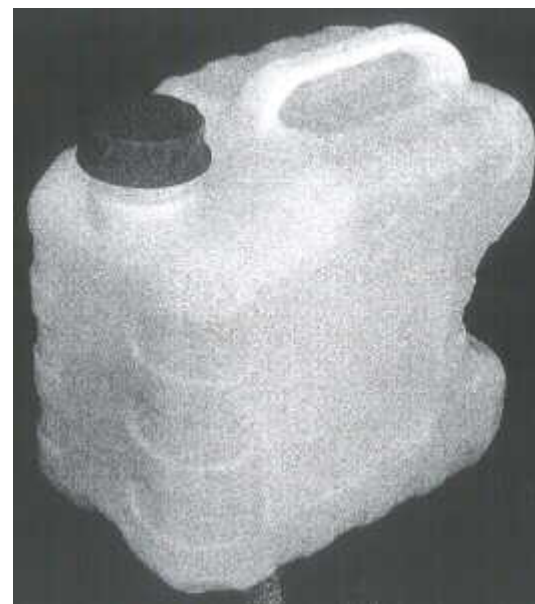
**CJ CheilJedang Corporation**  
**292 Ssangnim-dong Jung-gu Seoul Republic of Korea**

(72) Name(s) of Designer(s): **Sun-ho Choi and Min-seok Choi and Han-joo Kim**

(45) Registration Date: **24 June 2011**

(56) Related Art Documents: **Not Applicable**

(57) Statement of Newness and Distinctiveness: **Nil**



(21) Design Number: **11572/2011**

(22) Date of Filing Application: **12 April 2011**

(24) Date from which industrial property rights may have effect: **12 April 2011**

(54) Product in respect of which the design is registered: **Snack food on a spit**

(51) International Design Classification: **01-01**

(74) Name(s) of Attorney(s): **Griffith Hack**

(71) Name(s) and Address(s) of Applicant(s):

**Ian Chun Kong Cheung**  
**Unit 6 6th Floor Kai Fuk Industrial Centre 1 Wang Tung Street Kowloon**  
**Bay Kowloon Hong Kong**

(72) Name(s) of Designer(s): **Ian Chun Kong Cheung**

(45) Registration Date: **27 June 2011**

(30) Convention priority data:

(31) Number	(32) Date	(33) Country
<b>1001876.0M001</b>	<b>13 Oct 2010</b>	<b>HONG KONG</b>

(56) Related Art Documents: **Not Applicable**

(57) Statement of Newness and Distinctiveness: **Newness and distinctiveness resides in the visual features, including shape, configuration, pattern and ornamentation, of a SNACK FOOD ON A SPIT as shown in solid outline in the accompanying drawings. When determining whether the design is substantially similar in overall impression to another design, it should be noted that the features shown in dotted outline in the accompanying drawings are provided for illustrative purposes only and that the design should not be specifically limited to such features.**



(21) Design Number: **11785/2011**

(22) Date of Filing Application: **21 April 2011**

(24) Date from which industrial property rights may have effect: **21 April 2011**

(54) Product in respect of which the design is registered: **A tap handle**

(51) International Design Classification: **23-01H**

(74) Name(s) of Attorney(s): **PETER MAXWELL & ASSOCIATES**

(71) Name(s) and Address(s) of Applicant(s):

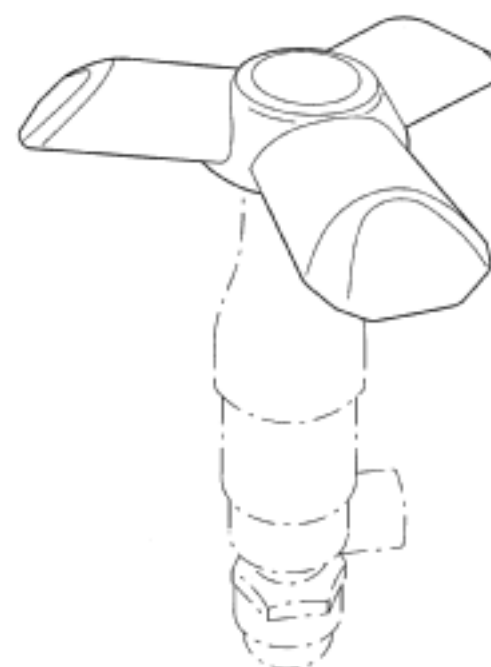
**Fix-A-Tap Australia Pty Limited**  
**Units 1, 2 and 4 41 Leighton Place Asquith New South Wales 2077**  
**Australia**

(72) Name(s) of Designer(s): **Andrew Joseph Robertson and Daniel Gadd**

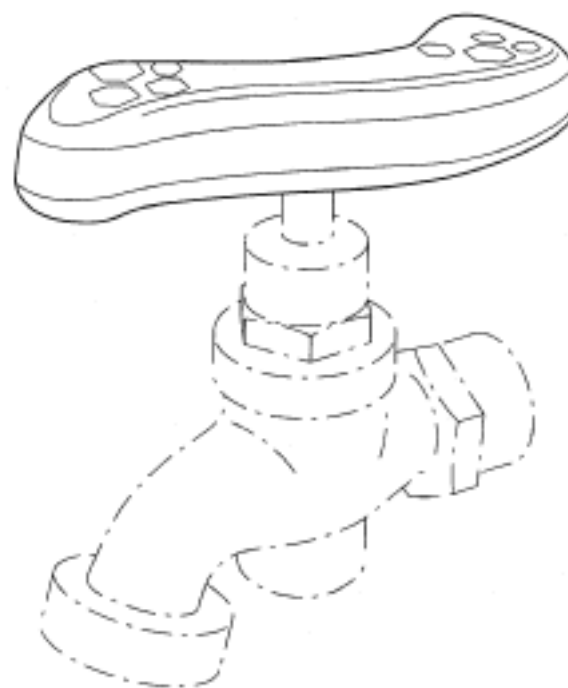
(45) Registration Date: **27 June 2011**

(56) Related Art Documents: **Not Applicable**

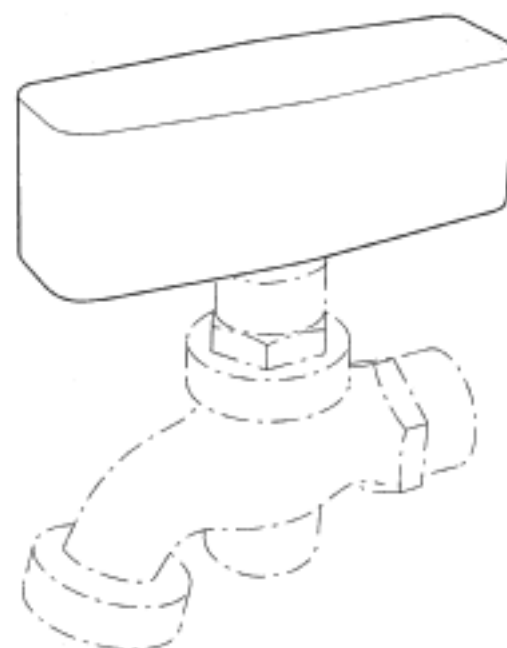
(57) Statement of Newness and Distinctiveness: **Newness and distinctiveness is claimed in the shape and/or configuration of A TAP HANDLE as illustrated by the unbroken lines in the accompanying representations.**



- (21) Design Number: **11786/2011**  
(22) Date of Filing Application: **21 April 2011**  
(24) Date from which industrial property rights may have effect: **21 April 2011**  
(54) Product in respect of which the design is registered: **A tap handle**  
(51) International Design Classification: **23-01H**  
(74) Name(s) of Attorney(s): **PETER MAXWELL & ASSOCIATES**  
(71) Name(s) and Address(s) of Applicant(s):  
**Fix-A-Tap Australia Pty Limited**  
**Units 1, 2 and 4 41 Leighton Place Asquith New South Wales 2077**  
**Australia**  
(72) Name(s) of Designer(s): **Andrew Joseph Robertson and Daniel Gadd**  
(45) Registration Date: **27 June 2011**  
(56) Related Art Documents: **Not Applicable**  
(57) Statement of Newness and Distinctiveness: **Newness and distinctiveness is claimed in the shape and/or configuration of A TAP HANDLE as illustrated by the unbroken lines in the accompanying representations.**



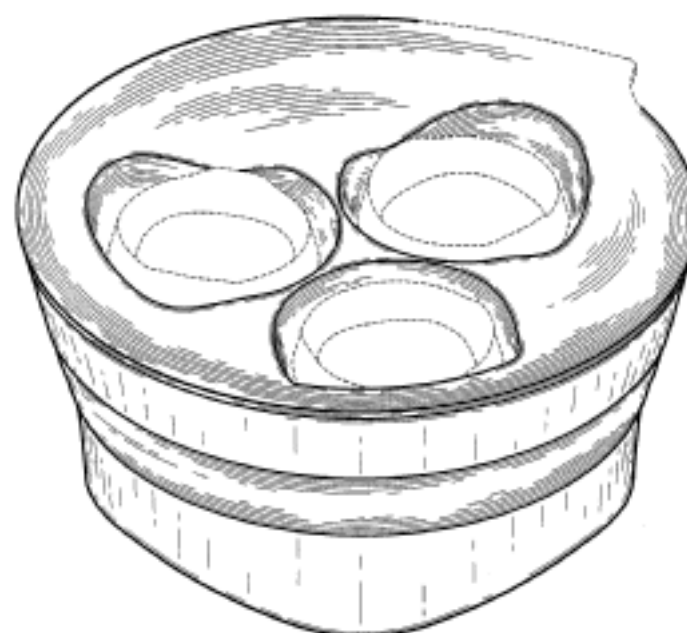
- (21) Design Number: **11787/2011**  
(22) Date of Filing Application: **21 April 2011**  
(24) Date from which industrial property rights may have effect: **21 April 2011**  
(54) Product in respect of which the design is registered: **A tap handle**  
(51) International Design Classification: **23-01H**  
(74) Name(s) of Attorney(s): **PETER MAXWELL & ASSOCIATES**  
(71) Name(s) and Address(s) of Applicant(s):  
**Fix-A-Tap Australia Pty Limited**  
**Units 1, 2 and 4 41 Leighton Place Asquith New South Wales 2077**  
**Australia**  
(72) Name(s) of Designer(s): **Andrew Joseph Robertson and Daniel Gadd**  
(45) Registration Date: **27 June 2011**  
(56) Related Art Documents: **Not Applicable**  
(57) Statement of Newness and Distinctiveness: **Newness and distinctiveness is claimed in the shape and/or configuration of A TAP HANDLE as illustrated by the unbroken lines in the accompanying representations.**



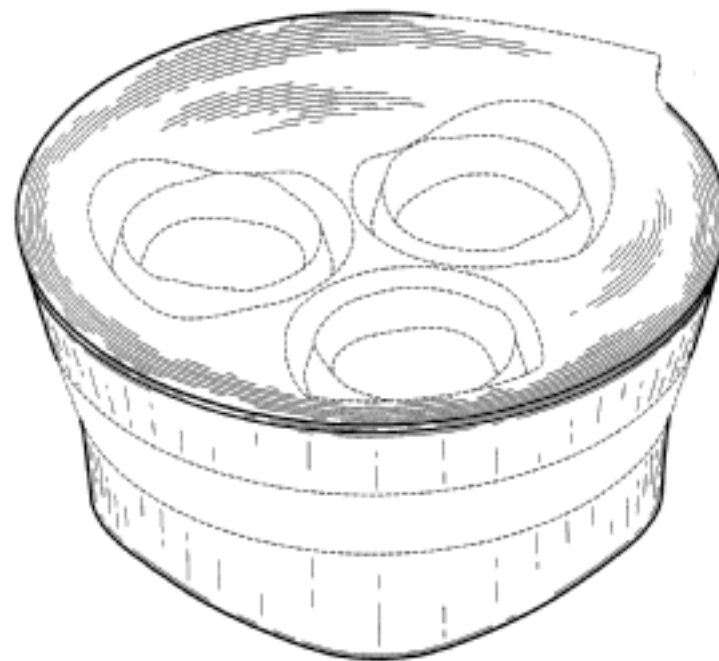
(21) Design Number: **12348/2011**  
(22) Date of Filing Application: **26 May 2011**  
(24) Date from which industrial property rights may have effect: **26 May 2011**  
(54) Product in respect of which the design is registered: **Food container**  
(51) International Design Classification: **07-01NES**  
(74) Name(s) of Attorney(s): **Griffith Hack**  
(71) Name(s) and Address(s) of Applicant(s):  
**Pacific Market International, LLC**  
**2401 Elliott Avenue Fourth Floor Seattle WA 98121 United States of America**  
(72) Name(s) of Designer(s): **Tyler Sean Gilbert**  
(45) Registration Date: **27 June 2011**  
(30) Convention priority data:  
(31) Number (32) Date (33) Country  
**29/380,004 29 Nov 2010 UNITED STATES OF AMERICA**  
(56) Related Art Documents: **Not Applicable**  
(57) Statement of Newness and Distinctiveness: **The shape and configuration of those parts of the design shown by means of solid lines in the representations are new and distinctive.**



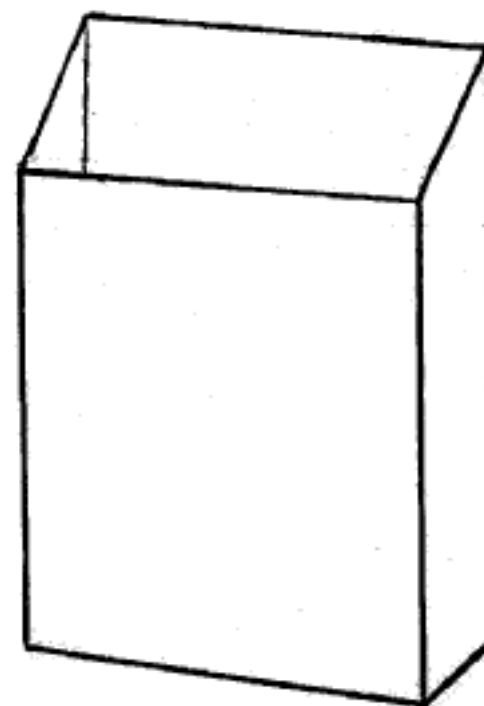
(21) Design Number: **12817/2011**  
(22) Date of Filing Application: **26 May 2011**  
(24) Date from which industrial property rights may have effect: **26 May 2011**  
(54) Product in respect of which the design is registered: **Food container**  
(51) International Design Classification: **07-01NES**  
(74) Name(s) of Attorney(s): **Griffith Hack**  
(71) Name(s) and Address(s) of Applicant(s):  
**Pacific Market International, LLC**  
**2401 Elliott Avenue Fourth Floor Seattle WA 98121 United States of America**  
(72) Name(s) of Designer(s): **Tyler Sean Gilbert**  
(45) Registration Date: **27 June 2011**  
(30) Convention priority data:  
(31) Number (32) Date (33) Country  
**29/380,004 29 Nov 2010 UNITED STATES OF AMERICA**  
(62) Divisional of: **337331**  
(56) Related Art Documents: **Not Applicable**  
(57) Statement of Newness and Distinctiveness: **The shape and configuration of those parts of the design shown by means of solid lines in the representations are new and distinctive.**



(21) Design Number: **12818/2011**  
(22) Date of Filing Application: **26 May 2011**  
(24) Date from which industrial property rights may have effect: **26 May 2011**  
(54) Product in respect of which the design is registered: **Food container**  
(51) International Design Classification: **07-01NES**  
(74) Name(s) of Attorney(s): **Griffith Hack**  
(71) Name(s) and Address(s) of Applicant(s):  
**Pacific Market International, LLC**  
**2401 Elliott Avenue Fourth Floor Seattle WA 98121 United States of America**  
(72) Name(s) of Designer(s): **Tyler Sean Gilbert**  
(45) Registration Date: **27 June 2011**  
(30) Convention priority data:  
(31) Number (32) Date (33) Country  
**29/380,004 29 Nov 2010 UNITED STATES OF AMERICA**  
(62) Divisional of: **337331**  
(56) Related Art Documents: **Not Applicable**  
(57) Statement of Newness and Distinctiveness: **The shape and configuration of those parts of the design shown by means of solid lines in the representations are new and distinctive.**



(21) Design Number: **12441/2011**  
(22) Date of Filing Application: **31 May 2011**  
(24) Date from which industrial property rights may have effect: **31 May 2011**  
(54) Product in respect of which the design is registered: **Sleeve for a cigarette box**  
(51) International Design Classification: **09-03A**  
(74) Name(s) of Attorney(s):  
(71) Name(s) and Address(s) of Applicant(s):  
**Robert Wulff**  
**6 Brighton Street Balgowlah New South Wales 2093 Australia**  
**Ronald Proft**  
**6 Merle Street Epping New South Wales 2121 Australia**  
(72) Name(s) of Designer(s): **Robert Wulff and Ronald Proft**  
(45) Registration Date: **27 June 2011**  
(56) Related Art Documents: **Not Applicable**  
(57) Statement of Newness and Distinctiveness: **Newness and distinctiveness resides in the visual features, including shape and configuration, of a sleeve for a cigarette box.**



(21) Design Number: **12442/2011**  
(22) Date of Filing Application: **31 May 2011**  
(24) Date from which industrial property rights may have effect: **31 May 2011**  
(54) Product in respect of which the design is registered: **A bearing for a louvre window assembly**  
(51) International Design Classification: **08-08H**  
(74) Name(s) of Attorney(s): **Cullens Patent and Trade Mark Attorneys**  
(71) Name(s) and Address(s) of Applicant(s):  
**Breezway Australia Pty Ltd**  
**35 Cambridge Street Coorparoo Queensland 4151 Australia**  
(72) Name(s) of Designer(s): **Steven Harrison**  
(45) Registration Date: **27 June 2011**  
(56) Related Art Documents: **Not Applicable**  
(57) Statement of Newness and Distinctiveness: **Nil**



(21) Design Number: **12443/2011**  
(22) Date of Filing Application: **31 May 2011**  
(24) Date from which industrial property rights may have effect: **31 May 2011**  
(54) Product in respect of which the design is registered: **A handle for a louvre window assembly**  
(51) International Design Classification: **08-08H**  
(74) Name(s) of Attorney(s): **Cullens Patent and Trade Mark Attorneys**  
(71) Name(s) and Address(s) of Applicant(s):  
**Breezway Australia Pty Ltd**  
**35 Cambridge Street Coorparoo Queensland 4151 Australia**  
(72) Name(s) of Designer(s): **Steven Harrison**  
(45) Registration Date: **27 June 2011**  
(56) Related Art Documents: **Not Applicable**  
(57) Statement of Newness and Distinctiveness: **In interpreting the scope of the protection, any features relating to trademarks or other information or writing on the article is to be disregarded.**



(21) Design Number: **12444/2011**  
(22) Date of Filing Application: **31 May 2011**  
(24) Date from which industrial property rights may have effect: **31 May 2011**  
(54) Product in respect of which the design is registered: **A louvre end clip**  
(51) International Design Classification: **08-08H**  
(74) Name(s) of Attorney(s): **Cullens Patent and Trade Mark Attorneys**  
(71) Name(s) and Address(s) of Applicant(s):  
**Breezway Australia Pty Ltd**  
**35 Cambridge Street Coorparoo Queensland 4151 Australia**  
(72) Name(s) of Designer(s): **Steven Harrison**  
(45) Registration Date: **27 June 2011**  
(56) Related Art Documents: **Not Applicable**  
(57) Statement of Newness and Distinctiveness: **In interpreting the scope of the protection, any features relating to trademarks or other information or writing on the article is to be disregarded.**



(21) Design Number: **12433/2011**  
(22) Date of Filing Application: **31 May 2011**  
(24) Date from which industrial property rights may have effect: **31 May 2011**  
(54) Product in respect of which the design is registered: **Blender**  
(51) International Design Classification: **31-00**  
(74) Name(s) of Attorney(s): **Callinans**  
(71) Name(s) and Address(s) of Applicant(s):  
**Kenwood Limited**  
**New Lane Havant Hampshire PO9 2NH United Kingdom**  
(72) Name(s) of Designer(s): **Robin Ferraby**  
(45) Registration Date: **27 June 2011**  
(30) Convention priority data:  
(31) Number (32) Date (33) Country  
**001795063-0001 17 Dec 2010 EUROPEAN COMMUNITY**  
(56) Related Art Documents: **Not Applicable**  
(57) Statement of Newness and Distinctiveness: **Nil**





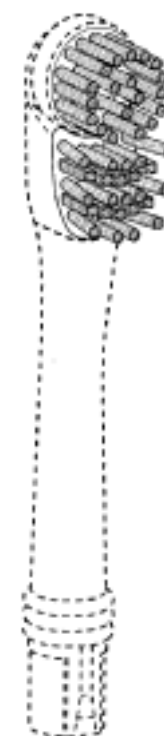
(21) Design Number: **12434/2011**  
(22) Date of Filing Application: **31 May 2011**  
(24) Date from which industrial property rights may have effect: **31 May 2011**  
(54) Product in respect of which the design is registered: **Toaster**  
(51) International Design Classification: **07-02F**  
(74) Name(s) of Attorney(s): **Callinans**  
(71) Name(s) and Address(s) of Applicant(s):  
**Kenwood Limited**  
**New Lane Havant Hampshire PO9 2NH United Kingdom**  
(72) Name(s) of Designer(s): **Darren Mullen**  
(45) Registration Date: **27 June 2011**  
(30) Convention priority data:  
(31) Number (32) Date (33) Country  
**001793985-0002 15 Dec 2010 EUROPEAN COMMUNITY**  
(56) Related Art Documents: **Not Applicable**  
(57) Statement of Newness and Distinctiveness: **Nil**



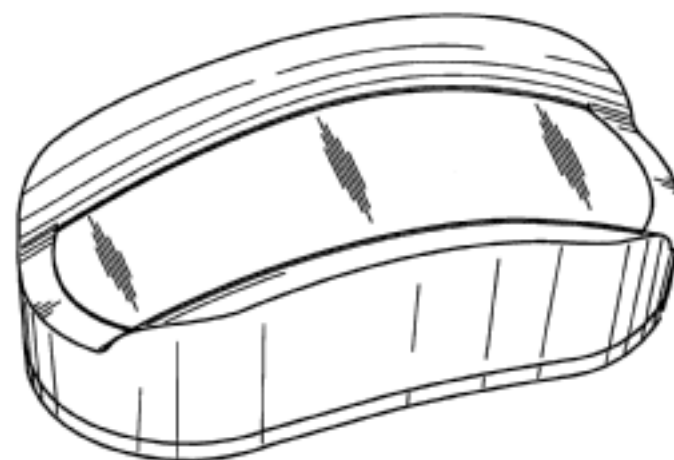
(21) Design Number: **12435/2011**  
(22) Date of Filing Application: **31 May 2011**  
(24) Date from which industrial property rights may have effect: **31 May 2011**  
(54) Product in respect of which the design is registered: **Toaster**  
(51) International Design Classification: **07-02F**  
(74) Name(s) of Attorney(s): **Callinans**  
(71) Name(s) and Address(s) of Applicant(s):  
**Kenwood Limited**  
**New Lane Havant Hampshire PO9 2NH United Kingdom**  
(72) Name(s) of Designer(s): **Darren Mullen**  
(45) Registration Date: **27 June 2011**  
(30) Convention priority data:  
(31) Number (32) Date (33) Country  
**001793985-0001 15 Dec 2010 EUROPEAN COMMUNITY**  
(56) Related Art Documents: **Not Applicable**  
(57) Statement of Newness and Distinctiveness: **Nil**



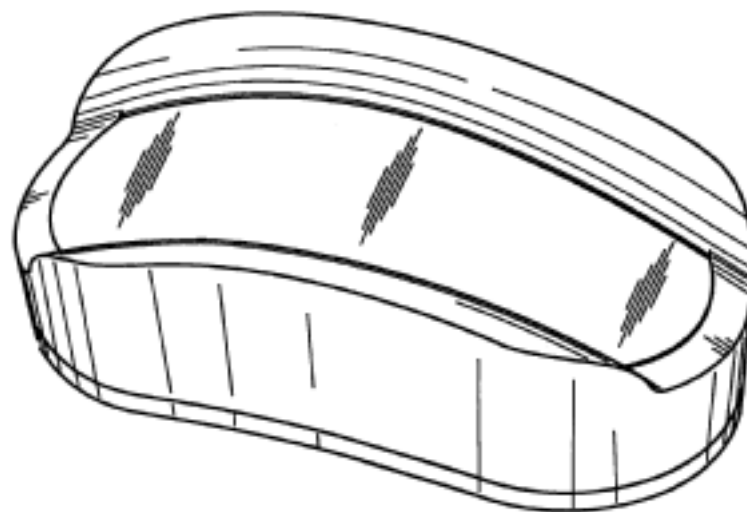
(21) Design Number: **12437/2011**  
(22) Date of Filing Application: **31 May 2011**  
(24) Date from which industrial property rights may have effect: **31 May 2011**  
(54) Product in respect of which the design is registered: **Oral care implement**  
(51) International Design Classification: **04-02**  
(74) Name(s) of Attorney(s): **FB Rice**  
(71) Name(s) and Address(s) of Applicant(s):  
**Colgate-Palmolive Company**  
**300 Park Avenue New York New York 10022 United States of America**  
(72) Name(s) of Designer(s): **John Jacob Gatzemeyer and Joseph Edward Fattori**  
(45) Registration Date: **27 June 2011**  
(30) Convention priority data:  
(31) Number (32) Date (33) Country  
**29/381529 20 Dec 2010 UNITED STATES OF AMERICA**  
(56) Related Art Documents: **Not Applicable**  
(57) Statement of Newness and Distinctiveness: **Newness and distinctiveness reside in the features of shape and configuration of the oral care implement shown in the drawings. When determining whether the design is substantially similar in overall impression to another design, no regard is to be had to those features shown in the drawings with dotted outline, which features are provided for illustrative purposes only.**



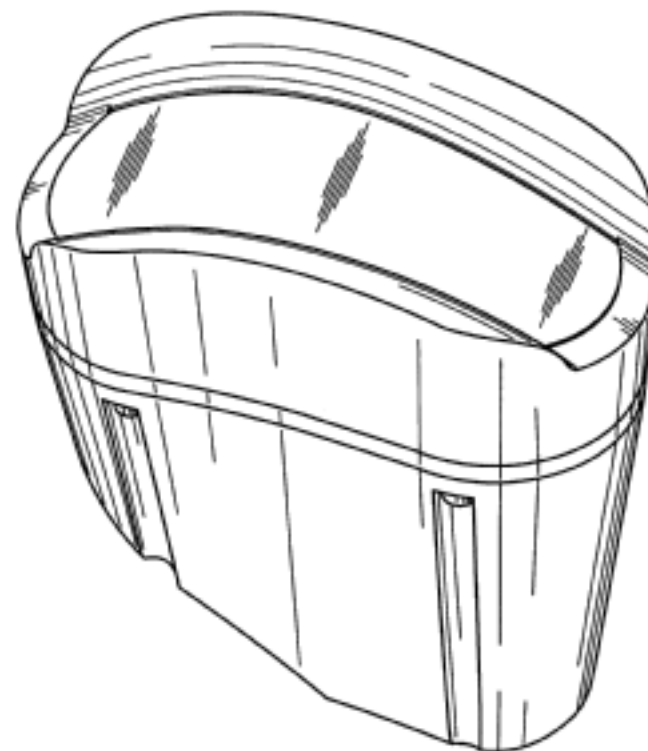
(21) Design Number: **12378/2011**  
(22) Date of Filing Application: **30 May 2011**  
(24) Date from which industrial property rights may have effect: **30 May 2011**  
(54) Product in respect of which the design is registered: **Removeable top of a tension-pneumothorax-simulator cartridge for a patient simulating mannequin**  
(51) International Design Classification: **24-01**  
(74) Name(s) of Attorney(s): **Shelston IP**  
(71) Name(s) and Address(s) of Applicant(s):  
**CAE Healthcare Inc.**  
**3200 Guenette Saint-Laurent Quebec H4S 2G5 Canada**  
(72) Name(s) of Designer(s): **Yanick Fradette and Eric Charbonneau**  
(45) Registration Date: **27 June 2011**  
(30) Convention priority data:  
(31) Number (32) Date (33) Country  
**29/380074 30 Nov 2010 UNITED STATES OF AMERICA**  
(56) Related Art Documents: **Not Applicable**  
(57) Statement of Newness and Distinctiveness: **Nil**



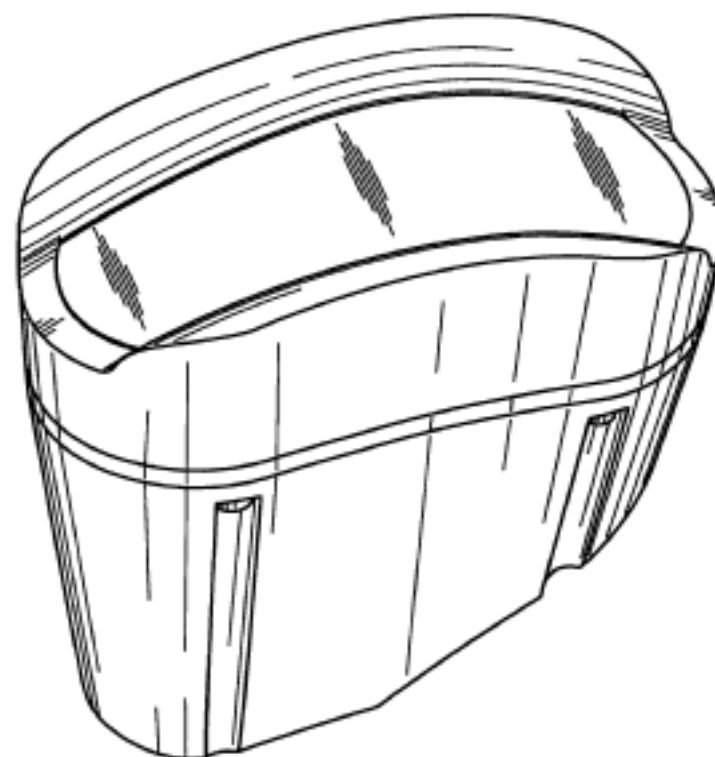
(21) Design Number: **12379/2011**  
(22) Date of Filing Application: **30 May 2011**  
(24) Date from which industrial property rights may have effect: **30 May 2011**  
(54) Product in respect of which the design is registered: **Removeable top of a tension-pneumothorax-simulator cartridge for a patient simulating mannequin**  
(51) International Design Classification: **24-01**  
(74) Name(s) of Attorney(s): **Shelston IP**  
(71) Name(s) and Address(s) of Applicant(s):  
**CAE Healthcare Inc.**  
**3200 Guenette Saint-Laurent Quebec H4S 2G5 Canada**  
(72) Name(s) of Designer(s): **Yanick Fradette and Eric Charbonneau**  
(45) Registration Date: **27 June 2011**  
(30) Convention priority data:  
(31) Number      (32) Date      (33) Country  
**29/380074      30 Nov 2010      UNITED STATES OF AMERICA**  
(56) Related Art Documents: **Not Applicable**  
(57) Statement of Newness and Distinctiveness: **Nil**



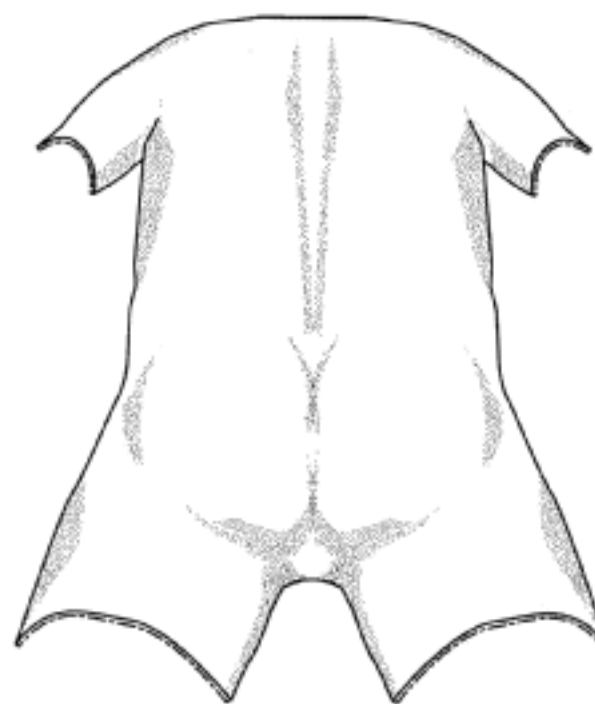
(21) Design Number: **12380/2011**  
(22) Date of Filing Application: **30 May 2011**  
(24) Date from which industrial property rights may have effect: **30 May 2011**  
(54) Product in respect of which the design is registered: **Tension-pneumothorax-simulator cartridge for a patient simulating mannequin**  
(51) International Design Classification: **24-01**  
(74) Name(s) of Attorney(s): **Shelston IP**  
(71) Name(s) and Address(s) of Applicant(s):  
**CAE Healthcare Inc.**  
**3200 Guenette Saint-Laurent Quebec H4S 2G5 Canada**  
(72) Name(s) of Designer(s): **Yanick Fradette and Eric Charbonneau**  
(45) Registration Date: **27 June 2011**  
(30) Convention priority data:  
(31) Number      (32) Date      (33) Country  
**29/380074      30 Nov 2010      UNITED STATES OF AMERICA**  
(56) Related Art Documents: **Not Applicable**  
(57) Statement of Newness and Distinctiveness: **Nil**



(21) Design Number: **12381/2011**  
(22) Date of Filing Application: **30 May 2011**  
(24) Date from which industrial property rights may have effect: **30 May 2011**  
(54) Product in respect of which the design is registered: **Tension-pneumothorax-simulator cartridge for a patient simulating mannequin**  
(51) International Design Classification: **24-01**  
(74) Name(s) of Attorney(s): **Shelston IP**  
(71) Name(s) and Address(s) of Applicant(s):  
**CAE Healthcare Inc.**  
**3200 Guenette Saint-Laurent Quebec H4S 2G5 Canada**  
(72) Name(s) of Designer(s): **Yanick Fradette and Eric Charbonneau**  
(45) Registration Date: **27 June 2011**  
(30) Convention priority data:  
(31) Number (32) Date (33) Country  
**29/380074 30 Nov 2010 UNITED STATES OF AMERICA**  
(56) Related Art Documents: **Not Applicable**  
(57) Statement of Newness and Distinctiveness: **Nil**

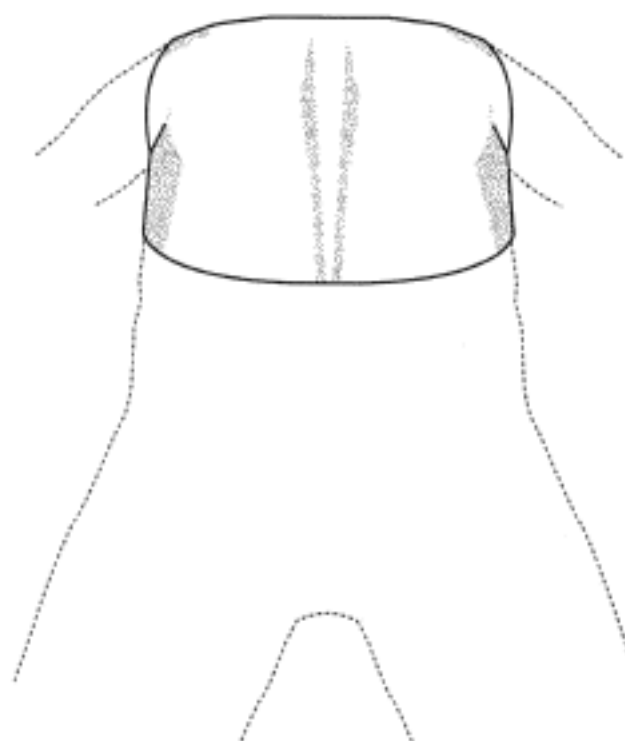


(21) Design Number: **12382/2011**  
(22) Date of Filing Application: **30 May 2011**  
(24) Date from which industrial property rights may have effect: **30 May 2011**  
(54) Product in respect of which the design is registered: **Back wear pad for a patient simulating mannequin**  
(51) International Design Classification: **24-01**  
(74) Name(s) of Attorney(s): **Shelston IP**  
(71) Name(s) and Address(s) of Applicant(s):  
**CAE Healthcare Inc.**  
**3200 Guenette Saint-Laurent Quebec H4S 2G5 Canada**  
(72) Name(s) of Designer(s): **Yanick Fradette and Eric Charbonneau**  
(45) Registration Date: **27 June 2011**  
(30) Convention priority data:  
(31) Number (32) Date (33) Country  
**29/380132 30 Nov 2010 UNITED STATES OF AMERICA**  
(56) Related Art Documents: **Not Applicable**  
(57) Statement of Newness and Distinctiveness: **Newness and distinctiveness reside in the shape and/or configuration of a back wear pad for a patient simulating mannequin as illustrated by solid lines in the accompanying representations.**



(21) Design Number: **12383/2011**  
(22) Date of Filing Application: **30 May 2011**  
(24) Date from which industrial property rights may have effect: **30 May 2011**  
(54) Product in respect of which the design is registered: **Upper back wear pad for a patient simulating mannequin**  
(51) International Design Classification: **24-01**  
(74) Name(s) of Attorney(s): **Shelston IP**  
(71) Name(s) and Address(s) of Applicant(s):  
**CAE Healthcare Inc.**  
**3200 Guenette Saint-Laurent Quebec H4S 2G5 Canada**  
(72) Name(s) of Designer(s): **Yanick Fradette and Eric Charbonneau**  
(45) Registration Date: **27 June 2011**  
(30) Convention priority data:  
(31) Number (32) Date (33) Country  
**29/380132 30 Nov 2010 UNITED STATES OF AMERICA**

(56) Related Art Documents: **Not Applicable**  
(57) Statement of Newness and Distinctiveness: **Newness and distinctiveness reside in the shape and/or configuration of an upper back wear pad for a patient simulating mannequin as illustrated by solid lines in the accompanying representations. The features shown in broken or discontinuous lines are for illustrative purposes only and do not form part of the design.**



(21) Design Number: **12384/2011**  
(22) Date of Filing Application: **30 May 2011**  
(24) Date from which industrial property rights may have effect: **30 May 2011**  
(54) Product in respect of which the design is registered: **Buttocks wear pad for a patient simulating mannequin**  
(51) International Design Classification: **24-01**  
(74) Name(s) of Attorney(s): **Shelston IP**  
(71) Name(s) and Address(s) of Applicant(s):  
**CAE Healthcare Inc.**  
**3200 Guenette Saint-Laurent Quebec H4S 2G5 Canada**  
(72) Name(s) of Designer(s): **Yanick Fradette and Eric Charbonneau**  
(45) Registration Date: **27 June 2011**  
(30) Convention priority data:  
(31) Number (32) Date (33) Country  
**29/380132 30 Nov 2010 UNITED STATES OF AMERICA**

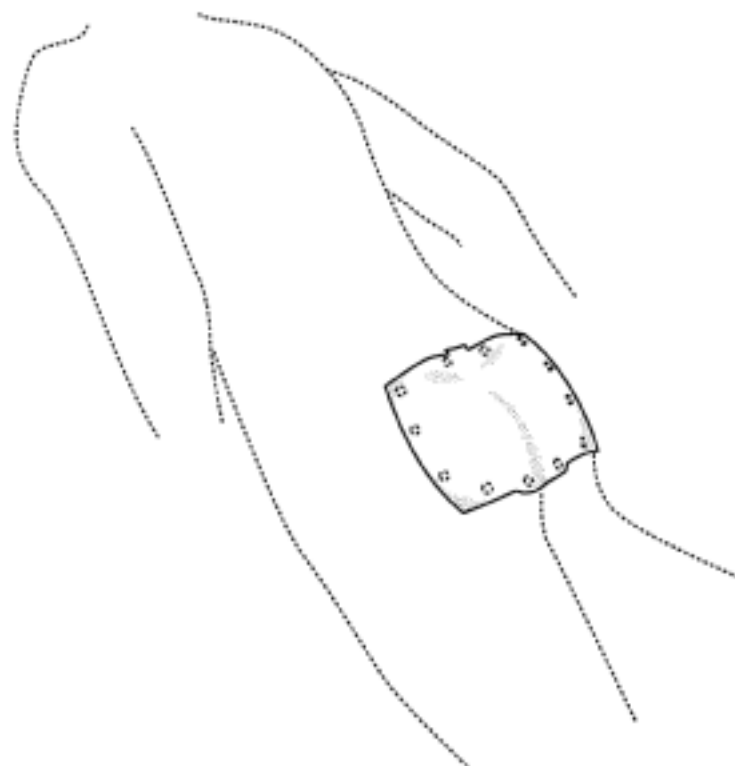
(56) Related Art Documents: **Not Applicable**  
(57) Statement of Newness and Distinctiveness: **Newness and distinctiveness reside in the shape and/or configuration of a buttocks wear pad for a patient simulating mannequin as illustrated by solid lines in the accompanying representations. The features shown in broken or discontinuous lines are for illustrative purposes only and do not form part of the design.**



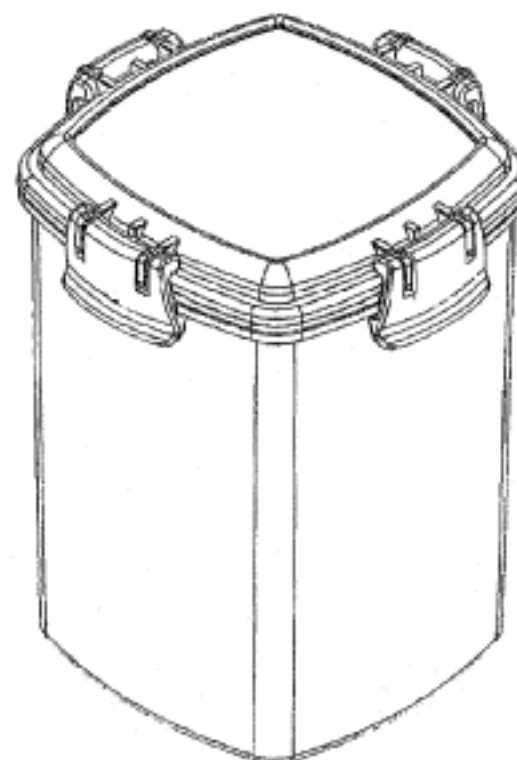
(21) Design Number: **12385/2011**  
(22) Date of Filing Application: **30 May 2011**  
(24) Date from which industrial property rights may have effect: **30 May 2011**  
(54) Product in respect of which the design is registered: **Hear wear pad for a patient simulating mannequin**  
(51) International Design Classification: **24-01**  
(74) Name(s) of Attorney(s): **Shelston IP**  
(71) Name(s) and Address(s) of Applicant(s):  
**CAE Healthcare Inc.**  
**3200 Guenette Saint-Laurent Quebec H4S 2G5 Canada**  
(72) Name(s) of Designer(s): **Yanick Fradette and Eric Charbonneau**  
(45) Registration Date: **27 June 2011**  
(30) Convention priority data:  
(31) Number      (32) Date      (33) Country  
**29/380132      30 Nov 2010      UNITED STATES OF AMERICA**  
(56) Related Art Documents: **Not Applicable**  
(57) Statement of Newness and Distinctiveness: **Newness and distinctiveness reside in the shape and/or configuration of a head wear pad for a patient simulating mannequin as illustrated by solid lines in the accompanying representations. The features shown in broken or discontinuous lines are for illustrative purposes only and do not form part of the design.**



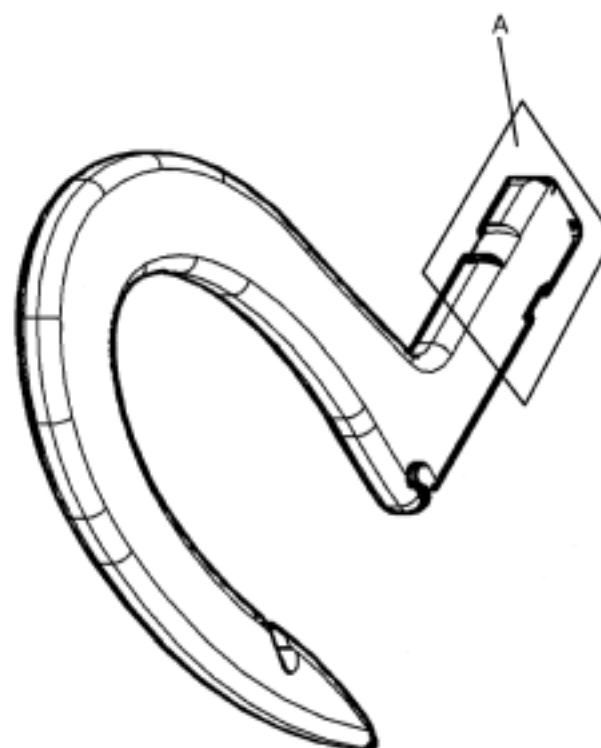
(21) Design Number: **12386/2011**  
(22) Date of Filing Application: **30 May 2011**  
(24) Date from which industrial property rights may have effect: **30 May 2011**  
(54) Product in respect of which the design is registered: **Buttocks wear pad for a patient simulating mannequin**  
(51) International Design Classification: **24-01**  
(74) Name(s) of Attorney(s): **Shelston IP**  
(71) Name(s) and Address(s) of Applicant(s):  
**CAE Healthcare Inc.**  
**3200 Guenette Saint-Laurent Quebec H4S 2G5 Canada**  
(72) Name(s) of Designer(s): **Yanick Fradette and Eric Charbonneau**  
(45) Registration Date: **27 June 2011**  
(30) Convention priority data:  
(31) Number      (32) Date      (33) Country  
**29/392918      27 May 2011      UNITED STATES OF AMERICA**  
(56) Related Art Documents: **Not Applicable**  
(57) Statement of Newness and Distinctiveness: **Newness and distinctiveness reside in the shape and/or configuration of a buttocks wear pad for a patient simulating mannequin as illustrated by solid lines in the accompanying representations. The features shown in broken or discontinuous lines are for illustrative purposes only and do not form part of the design.**



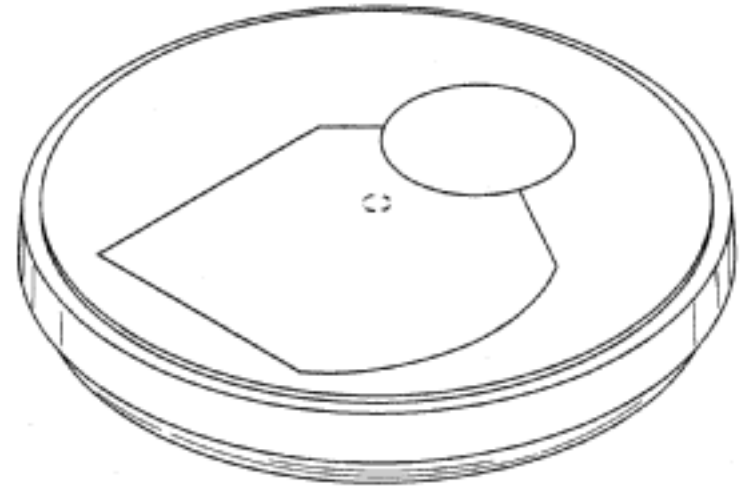
(21) Design Number: **12388/2011**  
(22) Date of Filing Application: **30 May 2011**  
(24) Date from which industrial property rights may have effect: **30 May 2011**  
(54) Product in respect of which the design is registered: **A lidded container**  
(51) International Design Classification: **09-03NES**  
(74) Name(s) of Attorney(s): **A J Park**  
(71) Name(s) and Address(s) of Applicant(s):  
**Sistema Plastics Limited**  
**80 Hugo Johnson Drive Penrose Auckland New Zealand**  
(72) Name(s) of Designer(s): **Brendan Jon Lindsay and James Richard Manley**  
(45) Registration Date: **27 June 2011**  
(30) Convention priority data:  
(31) Number (32) Date (33) Country  
**414351 01 Dec 2010 NEW ZEALAND**  
(56) Related Art Documents: **Not Applicable**  
(57) Statement of Newness and Distinctiveness: **Application is for a design to be applied to a lidded container. The novelty claimed for the design resides in the features of shape and/or configuration of the lid assembly as shown from in plan in the representations. No novelty is claimed for the shape and/or configuration of the four latches shown, nor their actual mounts, nor in the depth of the container shown.**



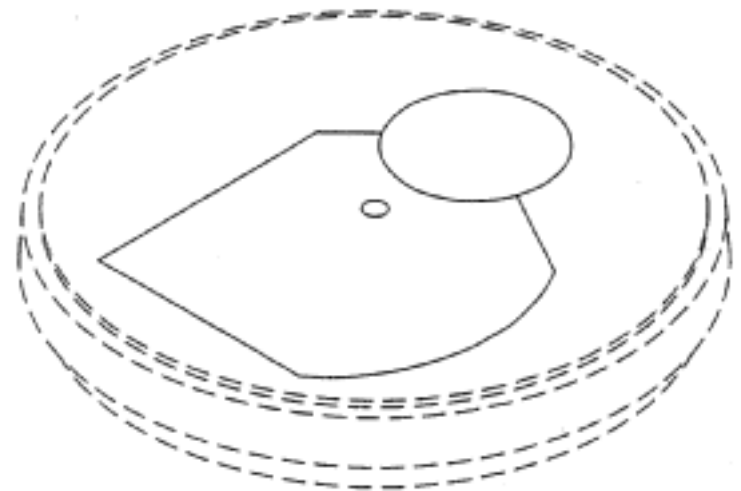
(21) Design Number: **12584/2011**  
(22) Date of Filing Application: **09 June 2011**  
(24) Date from which industrial property rights may have effect: **09 June 2011**  
(54) Product in respect of which the design is registered: **A hook**  
(51) International Design Classification: **12-05, 12-06NES**  
(74) Name(s) of Attorney(s): **Cullens Patent and Trade Mark Attorneys**  
(71) Name(s) and Address(s) of Applicant(s):  
**Captain Hook Pty Ltd**  
**16 Wendell Street Norman Park Queensland 4170 Australia**  
(72) Name(s) of Designer(s): **Arthur Charles Nommensen and Murray Bragg**  
(45) Registration Date: **27 June 2011**  
(56) Related Art Documents: **Not Applicable**  
(57) Statement of Newness and Distinctiveness: **When interpreting the scope of monopoly claimed; portions of the design of the hook illustrated in box A are disclaimed; and novelty resides in the shape and configuration of the design of the hook. The perspective view additionally shows the contour lines.**



(21) Design Number: **12828/2011**  
(22) Date of Filing Application: **25 May 2011**  
(24) Date from which industrial property rights may have effect: **25 May 2011**  
(54) Product in respect of which the design is registered: **Lid**  
(51) International Design Classification: **07-01NES**  
(74) Name(s) of Attorney(s): **Davies Collison Cave**  
(71) Name(s) and Address(s) of Applicant(s):  
**Irwin and Sheehan Pty Ltd**  
**Cnr Joynton & O'Dea Avenue Waterloo New South Wales 2017 Australia**  
(72) Name(s) of Designer(s): **John Irwin**  
(45) Registration Date: **27 June 2011**  
(56) Related Art Documents: **Not Applicable**  
(57) Statement of Newness and Distinctiveness: **Nil**



(21) Design Number: **12338/2011**  
(22) Date of Filing Application: **25 May 2011**  
(24) Date from which industrial property rights may have effect: **25 May 2011**  
(54) Product in respect of which the design is registered: **Lid**  
(51) International Design Classification: **07-01NES**  
(74) Name(s) of Attorney(s): **Davies Collison Cave**  
(71) Name(s) and Address(s) of Applicant(s):  
**Irwin and Sheehan Pty Ltd**  
**Cnr Joynton & O'Dea Avenue Waterloo New South Wales 2017 Australia**  
(72) Name(s) of Designer(s): **John Irwin**  
(45) Registration Date: **27 June 2011**  
(56) Related Art Documents: **Not Applicable**  
(57) Statement of Newness and Distinctiveness: **Nil**

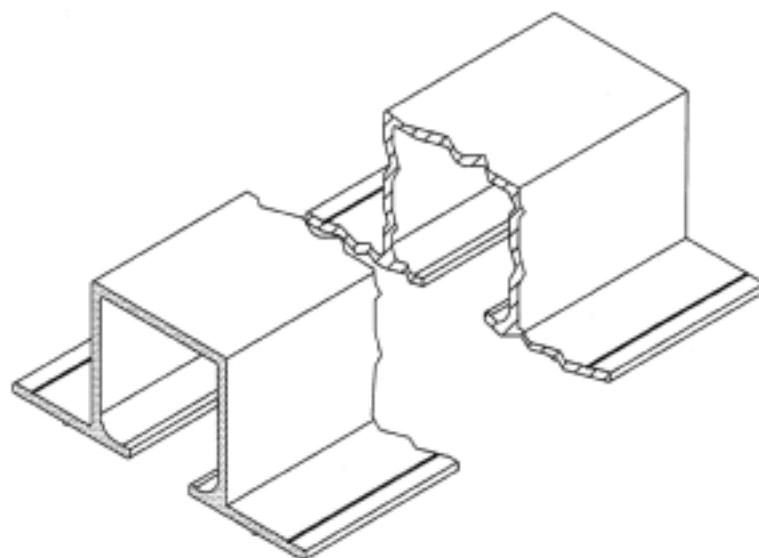




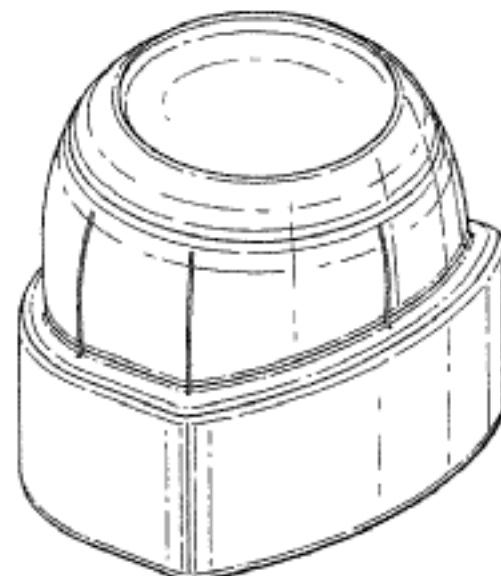
- (21) Design Number: **12445/2011**  
(22) Date of Filing Application: **31 May 2011**  
(24) Date from which industrial property rights may have effect: **31 May 2011**  
(54) Product in respect of which the design is registered: **Louvre end clip**  
(51) International Design Classification: **08-08H**  
(74) Name(s) of Attorney(s): **Cullens Patent and Trade Mark Attorneys**  
(71) Name(s) and Address(s) of Applicant(s):  
**Breezway Australia Pty Ltd**  
**35 Cambridge Street Coorparoo Queensland 4151 Australia**  
(72) Name(s) of Designer(s): **Steven Harrison**  
(45) Registration Date: **27 June 2011**  
(56) Related Art Documents: **Not Applicable**  
(57) Statement of Newness and Distinctiveness: **In interpreting the scope of the protection, any features relating to trademarks or other information or writing on the article is to be disregarded.**



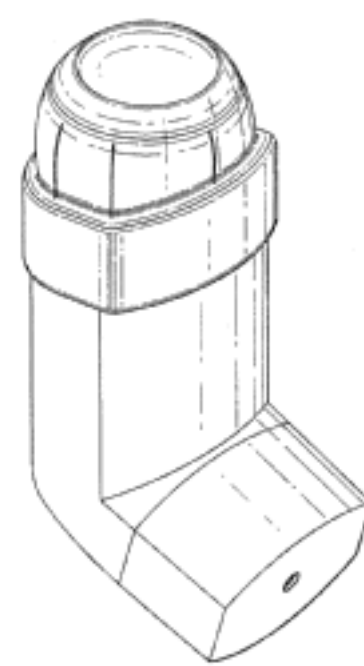
- (21) Design Number: **12446/2011**  
(22) Date of Filing Application: **01 June 2011**  
(24) Date from which industrial property rights may have effect: **01 June 2011**  
(54) Product in respect of which the design is registered: **Sliding door track**  
(51) International Design Classification: **25-01K**  
(74) Name(s) of Attorney(s):  
(71) Name(s) and Address(s) of Applicant(s):  
**D & K Home Security Pty Ltd**  
**Fact 4 8 Jesmond Road Croydon Victoria 3136 Australia**  
(72) Name(s) of Designer(s): **David Mackintosh**  
(45) Registration Date: **27 June 2011**  
(56) Related Art Documents: **Not Applicable**  
(57) Statement of Newness and Distinctiveness: **Monopoly is claimed for the features, shape and configuration of the extruded sliding door track, the special features of the design that allows the sliding door track to be mounted directly to the sliding door pocket.**



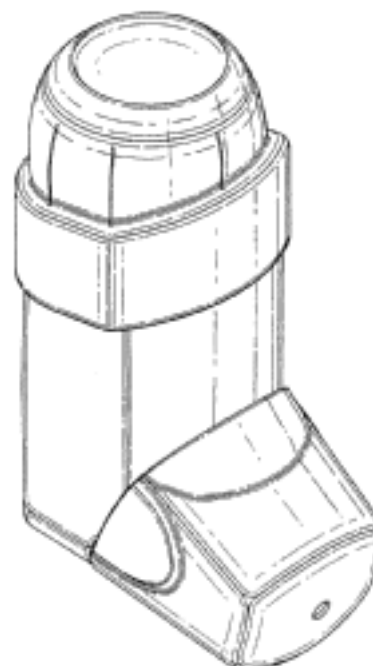
(21) Design Number: **12447/2011**  
(22) Date of Filing Application: **31 May 2011**  
(24) Date from which industrial property rights may have effect: **31 May 2011**  
(54) Product in respect of which the design is registered: **Inhaler**  
(51) International Design Classification: **24-04**  
(74) Name(s) of Attorney(s): **Griffith Hack**  
(71) Name(s) and Address(s) of Applicant(s):  
**Teva Pharmaceutical Industries Ltd**  
**5 Basel Street Petach Tikva 49131 Israel**  
(72) Name(s) of Designer(s): **Krijn Franciscus Marie Zuyderhout**  
(45) Registration Date: **27 June 2011**  
(30) Convention priority data:  
(31) Number (32) Date (33) Country  
**001247654-0001 01 Dec 2010 EUROPEAN COMMUNITY**  
(56) Related Art Documents: **Not Applicable**  
(57) Statement of Newness and Distinctiveness: **Nil**



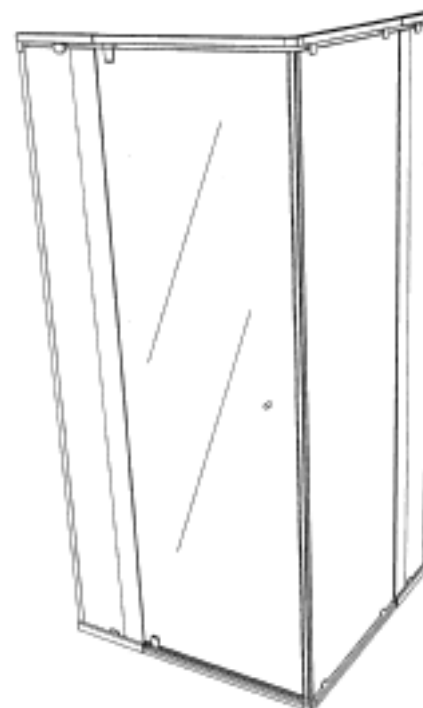
(21) Design Number: **12448/2011**  
(22) Date of Filing Application: **31 May 2011**  
(24) Date from which industrial property rights may have effect: **31 May 2011**  
(54) Product in respect of which the design is registered: **Inhaler**  
(51) International Design Classification: **24-04**  
(74) Name(s) of Attorney(s): **Griffith Hack**  
(71) Name(s) and Address(s) of Applicant(s):  
**Teva Pharmaceutical Industries Ltd**  
**5 Basel Street Petach Tikva 49131 Israel**  
(72) Name(s) of Designer(s): **Krijn Franciscus Marie Zuyderhout**  
(45) Registration Date: **27 June 2011**  
(30) Convention priority data:  
(31) Number (32) Date (33) Country  
**001247654-0001 01 Dec 2010 EUROPEAN COMMUNITY**  
(56) Related Art Documents: **Not Applicable**  
(57) Statement of Newness and Distinctiveness: **Nil**



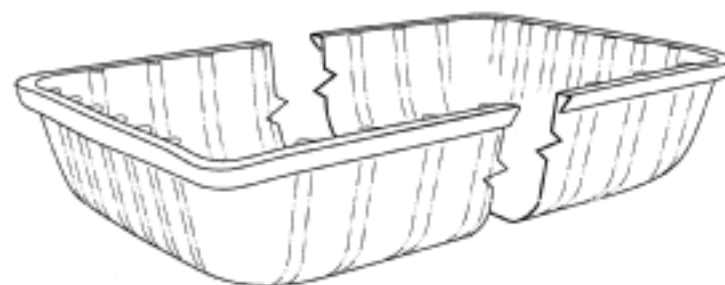
(21) Design Number: **12449/2011**  
(22) Date of Filing Application: **31 May 2011**  
(24) Date from which industrial property rights may have effect: **31 May 2011**  
(54) Product in respect of which the design is registered: **Inhaler**  
(51) International Design Classification: **24-04**  
(74) Name(s) of Attorney(s): **Griffith Hack**  
(71) Name(s) and Address(s) of Applicant(s):  
**Teva Pharmaceutical Industries Ltd**  
**5 Basel Street Petach Tikva 49131 Israel**  
(72) Name(s) of Designer(s): **Krijn Franciscus Marie Zuyderhout**  
(45) Registration Date: **27 June 2011**  
(30) Convention priority data:  
(31) Number (32) Date (33) Country  
**001247654-0001 01 Dec 2010 EUROPEAN COMMUNITY**  
(56) Related Art Documents: **Not Applicable**  
(57) Statement of Newness and Distinctiveness: **Nil**



(21) Design Number: **12299/2011**  
(22) Date of Filing Application: **23 May 2011**  
(24) Date from which industrial property rights may have effect: **23 May 2011**  
(54) Product in respect of which the design is registered: **Shower screen system**  
(51) International Design Classification: **23-02B, 08-09**  
(74) Name(s) of Attorney(s): **SPRUSON & FERGUSON**  
(71) Name(s) and Address(s) of Applicant(s):  
**JELD-WEN Australia Pty Ltd**  
**Truganini Cottage 38-46 South Street Rydalmere New South Wales 2116**  
**Australia**  
(72) Name(s) of Designer(s): **Nigel Lapping and David Andrew Hills**  
(45) Registration Date: **28 June 2011**  
(56) Related Art Documents: **Not Applicable**  
(57) Statement of Newness and Distinctiveness: **Newness and distinctiveness is claimed in the features of shape and/or configuration of a shower screen system as illustrated in the accompanying representations, particularly the configuration of the telescoping header rails and sills, and overlapping panels and clamps mounting the panels to the rails and sills.**



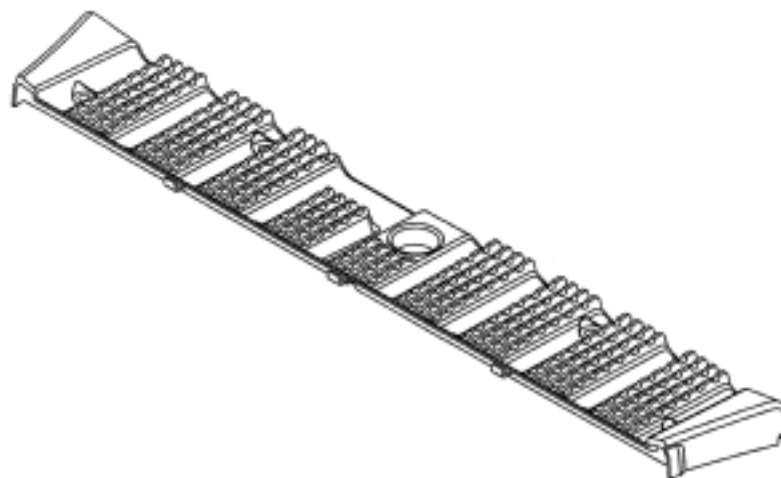
- (21) Design Number: **12469/2011**  
(22) Date of Filing Application: **01 June 2011**  
(24) Date from which industrial property rights may have effect: **01 June 2011**  
(54) Product in respect of which the design is registered: **Tray**  
(51) International Design Classification: **09-03F**  
(74) Name(s) of Attorney(s): **Fisher Adams Kelly**  
(71) Name(s) and Address(s) of Applicant(s):  
**Confoil Map-Pak Pty Ltd**  
**Head Office 491 Mountain Highway Bayswater Victoria 3153 Australia**  
(72) Name(s) of Designer(s): **Allan Mussared**  
(45) Registration Date: **28 June 2011**  
(56) Related Art Documents: **Not Applicable**  
(57) Statement of Newness and Distinctiveness: **The newness and distinctiveness of the design resides in the shape and/or configuration of the TRAY including the pressed edge shown in the representations.**



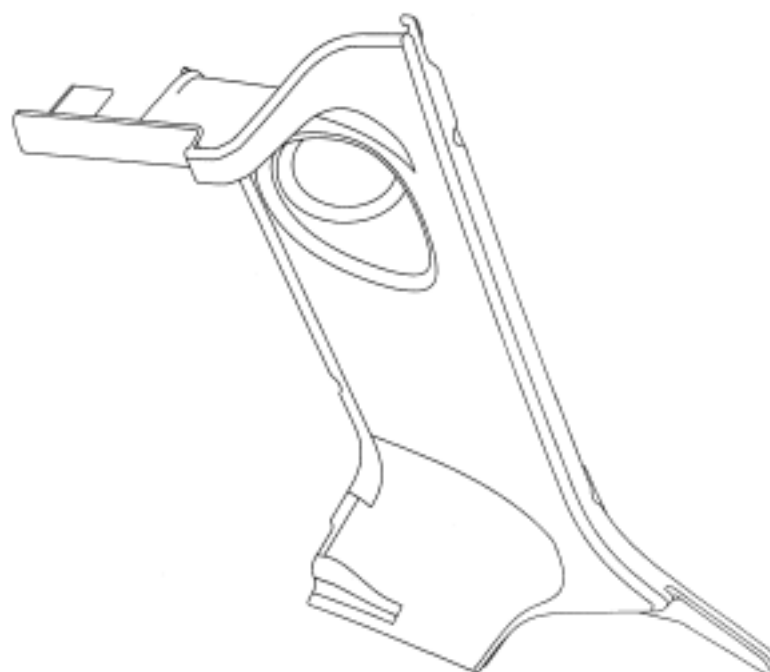
- (21) Design Number: **12472/2011**  
(22) Date of Filing Application: **01 June 2011**  
(24) Date from which industrial property rights may have effect: **01 June 2011**  
(54) Product in respect of which the design is registered: **Screw pile**  
(51) International Design Classification: **08-08B**  
(74) Name(s) of Attorney(s): **Shelston IP**  
(71) Name(s) and Address(s) of Applicant(s):  
**Brooker Holdings Pty Ltd**  
**188 Silverwater Road Silverwater New South Wales 2128 Australia**  
(72) Name(s) of Designer(s): **Henry Hatze**  
(45) Registration Date: **28 June 2011**  
(56) Related Art Documents: **Not Applicable**  
(57) Statement of Newness and Distinctiveness: **Newness and distinctiveness resides in the shape and configuration of the tapered ground penetrating pile toe as shown in the accompanying illustrations. The length of the pile shaft can vary as can the shape and location of the helical screw formation and the connecting end remote the pile toe.**



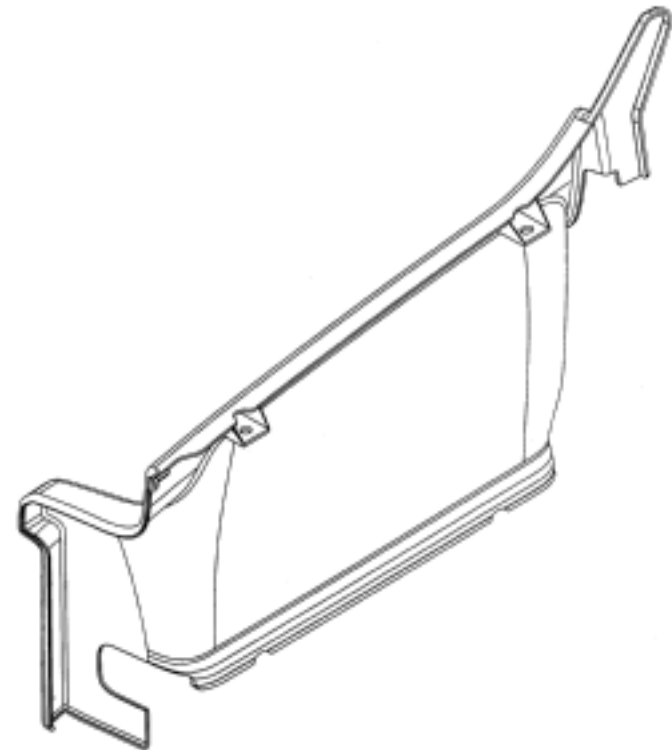
(21) Design Number: **12106/2011**  
(22) Date of Filing Application: **11 May 2011**  
(24) Date from which industrial property rights may have effect: **11 May 2011**  
(54) Product in respect of which the design is registered: **Front step for a vehicle cab**  
(51) International Design Classification: **12-16NES**  
(74) Name(s) of Attorney(s): **Davies Collison Cave**  
(71) Name(s) and Address(s) of Applicant(s):  
**Scania CV AB**  
**SE-151 87 Sodertalje Sweden**  
(72) Name(s) of Designer(s): **Pehr Soderberg and Kristofer Hansen and Christian Henriksen and Xavier Carreras-Castro**  
(45) Registration Date: **28 June 2011**  
(30) Convention priority data:  
(31) Number (32) Date (33) Country  
**2010/0521 15 Nov 2010 SWEDEN**  
(56) Related Art Documents: **Not Applicable**  
(57) Statement of Newness and Distinctiveness: **Nil**



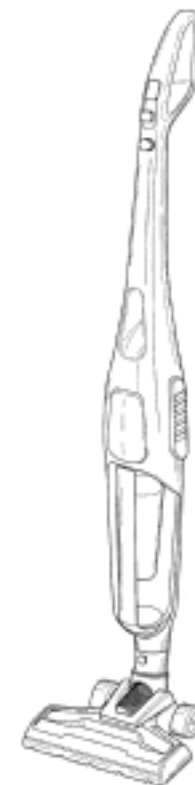
(21) Design Number: **12108/2011**  
(22) Date of Filing Application: **11 May 2011**  
(24) Date from which industrial property rights may have effect: **11 May 2011**  
(54) Product in respect of which the design is registered: **Step seal for a vehicle cab**  
(51) International Design Classification: **12-16NES**  
(74) Name(s) of Attorney(s): **Davies Collison Cave**  
(71) Name(s) and Address(s) of Applicant(s):  
**Scania CV AB**  
**SE-151 87 Sodertalje Sweden**  
(72) Name(s) of Designer(s): **Pehr Soderberg and Kristofer Hansen and Christian Henriksen and Xavier Carreras-Castro**  
(45) Registration Date: **28 June 2011**  
(30) Convention priority data:  
(31) Number (32) Date (33) Country  
**2010/0520 15 Nov 2010 SWEDEN**  
(56) Related Art Documents: **Not Applicable**  
(57) Statement of Newness and Distinctiveness: **Nil**



(21) Design Number: **12109/2011**  
(22) Date of Filing Application: **11 May 2011**  
(24) Date from which industrial property rights may have effect: **11 May 2011**  
(54) Product in respect of which the design is registered: **Step seal for a vehicle cab**  
(51) International Design Classification: **12-16NES**  
(74) Name(s) of Attorney(s): **Davies Collison Cave**  
(71) Name(s) and Address(s) of Applicant(s):  
**Scania CV AB**  
**SE-151 87 Sodertalje Sweden**  
(72) Name(s) of Designer(s): **Pehr Soderberg and Kristofer Hansen and Christian Henriksen and Xavier Carreras-Castro**  
(45) Registration Date: **28 June 2011**  
(30) Convention priority data:  
(31) Number (32) Date (33) Country  
**2010/0520 15 Nov 2010 SWEDEN**  
(56) Related Art Documents: **Not Applicable**  
(57) Statement of Newness and Distinctiveness: **Nil**



(21) Design Number: **12780/2011**  
(22) Date of Filing Application: **20 June 2011**  
(24) Date from which industrial property rights may have effect: **20 June 2011**  
(54) Product in respect of which the design is registered: **Vacuum cleaner**  
(51) International Design Classification: **15-05**  
(74) Name(s) of Attorney(s):  
(71) Name(s) and Address(s) of Applicant(s):  
**Hoover Limited**  
**Pentrebach Road Pentrebach Merthyr Tydfil CF48 4TU United Kingdom**  
(72) Name(s) of Designer(s): **Marco Nicora and Manuel Tavano and Ben Hu and Ying Tsao Tan**  
(45) Registration Date: **28 June 2011**  
(30) Convention priority data:  
(31) Number (32) Date (33) Country  
**001795840 20 Dec 2010 EUROPEAN COMMUNITY**  
(56) Related Art Documents: **Not Applicable**  
(57) Statement of Newness and Distinctiveness: **Nil**



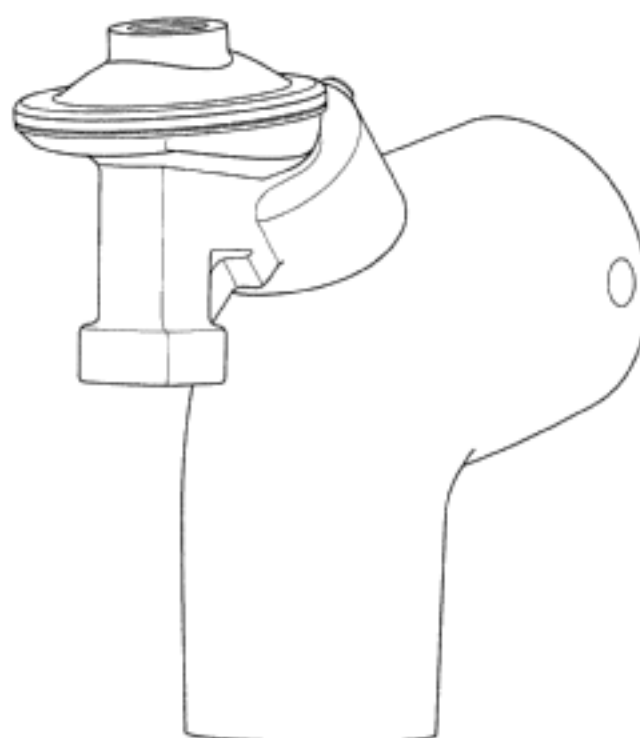
(21) Design Number: **12463/2011**  
(22) Date of Filing Application: **01 June 2011**  
(24) Date from which industrial property rights may have effect: **01 June 2011**  
(54) Product in respect of which the design is registered: **Elbow connector with device attachment port for use with a nebulizer**  
(51) International Design Classification: **24-01**  
(74) Name(s) of Attorney(s): **FB Rice**  
(71) Name(s) and Address(s) of Applicant(s):  
**Koninklijke Philips Electronics N.V.**  
**Groenewoudseweg 1 5621 BA Eindhoven The Netherlands**  
(72) Name(s) of Designer(s): **Trevor Fahy and Kieran Hyland**  
(45) Registration Date: **28 June 2011**  
(30) Convention priority data:  
(31) Number (32) Date (33) Country  
**001788779-0001 02 Dec 2010 EUROPEAN COMMUNITY**  
(56) Related Art Documents: **Not Applicable**  
(57) Statement of Newness and Distinctiveness: **Newness and distinctiveness reside in the features of shape and configuration of the design as shown in the representations.**



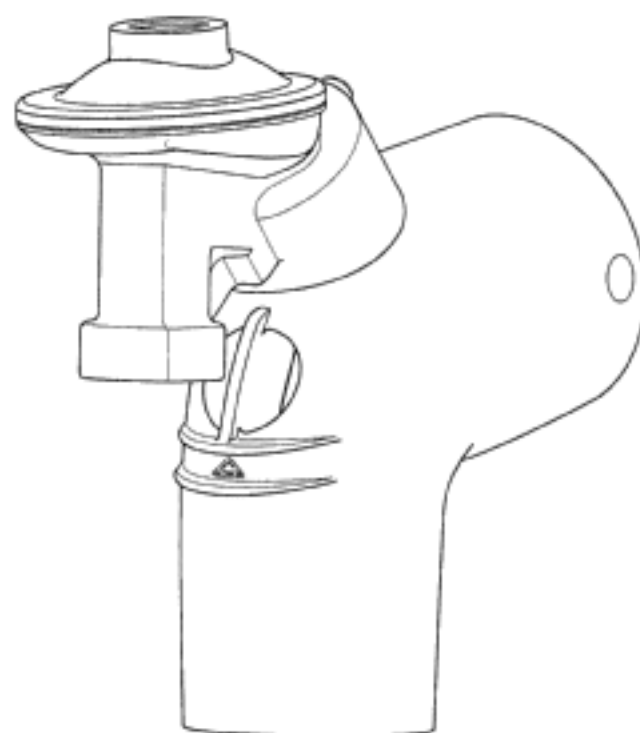
(21) Design Number: **12464/2011**  
(22) Date of Filing Application: **01 June 2011**  
(24) Date from which industrial property rights may have effect: **01 June 2011**  
(54) Product in respect of which the design is registered: **Elbow connector with device attachment port and exhaust port for use with a nebulizer**  
(51) International Design Classification: **24-01**  
(74) Name(s) of Attorney(s): **FB Rice**  
(71) Name(s) and Address(s) of Applicant(s):  
**Koninklijke Philips Electronics N.V.**  
**Groenewoudseweg 1 5621 BA Eindhoven The Netherlands**  
(72) Name(s) of Designer(s): **Trevor Fahy and Kieran Hyland**  
(45) Registration Date: **28 June 2011**  
(30) Convention priority data:  
(31) Number (32) Date (33) Country  
**001788779-0002 02 Dec 2010 EUROPEAN COMMUNITY**  
(56) Related Art Documents: **Not Applicable**  
(57) Statement of Newness and Distinctiveness: **Newness and distinctiveness reside in the features of shape and configuration of the design as shown in the representations.**



(21) Design Number: **12465/2011**  
(22) Date of Filing Application: **01 June 2011**  
(24) Date from which industrial property rights may have effect: **01 June 2011**  
(54) Product in respect of which the design is registered: **Elbow connector and nebulizer**  
(51) International Design Classification: **24-01**  
(74) Name(s) of Attorney(s): **FB Rice**  
(71) Name(s) and Address(s) of Applicant(s):  
**Koninklijke Philips Electronics N.V.**  
**Groenewoudseweg 1 5621 BA Eindhoven The Netherlands**  
(72) Name(s) of Designer(s): **Trevor Fahy and Kieran Hyland**  
(45) Registration Date: **28 June 2011**  
(30) Convention priority data:  
(31) Number (32) Date (33) Country  
**001788779-0003 02 Dec 2010 EUROPEAN COMMUNITY**  
(56) Related Art Documents: **Not Applicable**  
(57) Statement of Newness and Distinctiveness: **Newness and distinctiveness reside in the features of shape and configuration of the design as shown in the representations.**

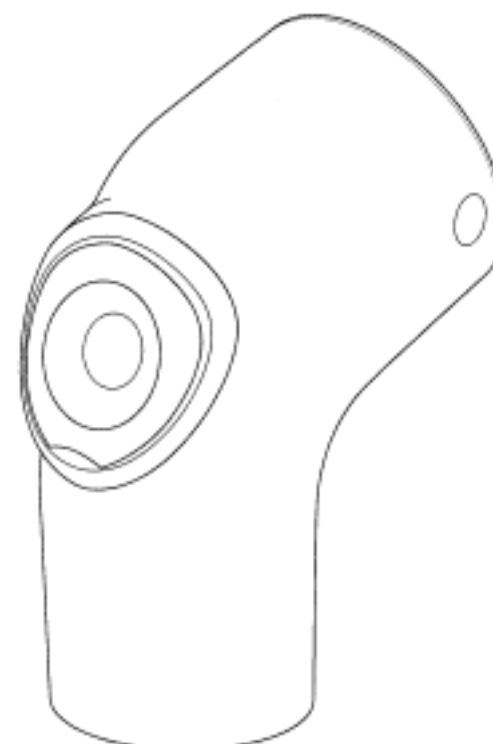


(21) Design Number: **12466/2011**  
(22) Date of Filing Application: **01 June 2011**  
(24) Date from which industrial property rights may have effect: **01 June 2011**  
(54) Product in respect of which the design is registered: **Elbow connector with exhaust port and nebulizer**  
(51) International Design Classification: **24-01**  
(74) Name(s) of Attorney(s): **FB Rice**  
(71) Name(s) and Address(s) of Applicant(s):  
**Koninklijke Philips Electronics N.V.**  
**Groenewoudseweg 1 5621 BA Eindhoven The Netherlands**  
(72) Name(s) of Designer(s): **Trevor Fahy and Kieran Hyland**  
(45) Registration Date: **28 June 2011**  
(30) Convention priority data:  
(31) Number (32) Date (33) Country  
**001788779-0004 02 Dec 2010 EUROPEAN COMMUNITY**  
(56) Related Art Documents: **Not Applicable**  
(57) Statement of Newness and Distinctiveness: **Newness and distinctiveness reside in the features of shape and configuration of the design as shown in the representations.**

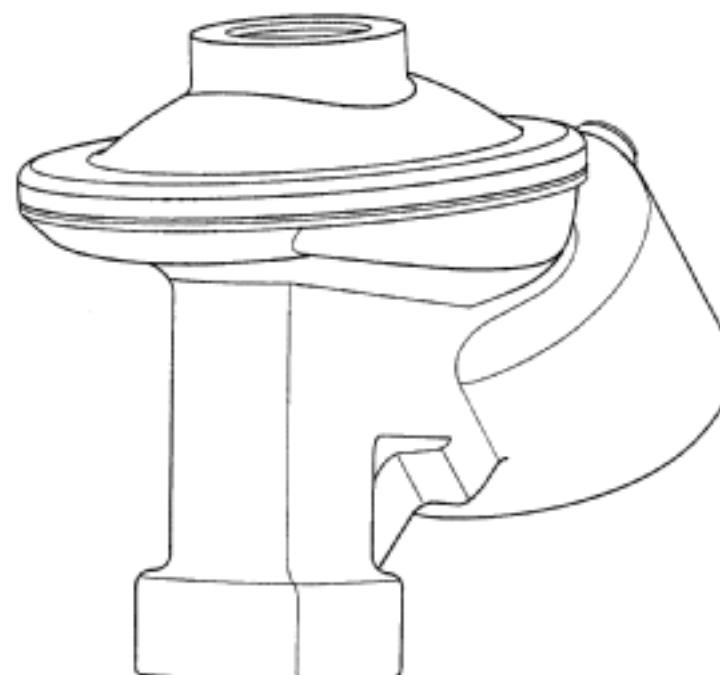




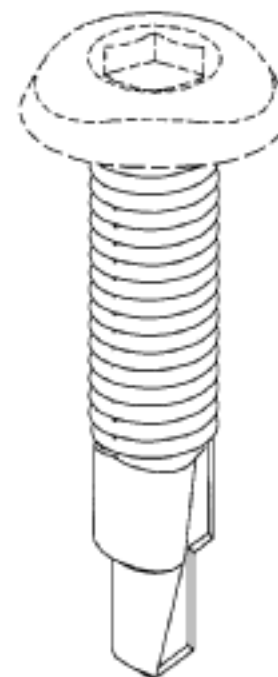
(21) Design Number: **12467/2011**  
(22) Date of Filing Application: **01 June 2011**  
(24) Date from which industrial property rights may have effect: **01 June 2011**  
(54) Product in respect of which the design is registered: **Elbow connector with sealing port for respiratory therapy**  
(51) International Design Classification: **24-01**  
(74) Name(s) of Attorney(s): **FB Rice**  
(71) Name(s) and Address(s) of Applicant(s):  
**Koninklijke Philips Electronics N.V.**  
**Groenewoudseweg 1 5621 BA Eindhoven The Netherlands**  
(72) Name(s) of Designer(s): **Kevin Shick and Christopher McCracken and Jonathan Todd**  
(45) Registration Date: **28 June 2011**  
(30) Convention priority data:  
(31) Number (32) Date (33) Country  
**001788779-0005 02 Dec 2010 EUROPEAN COMMUNITY**  
(56) Related Art Documents: **Not Applicable**  
(57) Statement of Newness and Distinctiveness: **Newness and distinctiveness reside in the features of shape and configuration of the design as shown in the representations.**



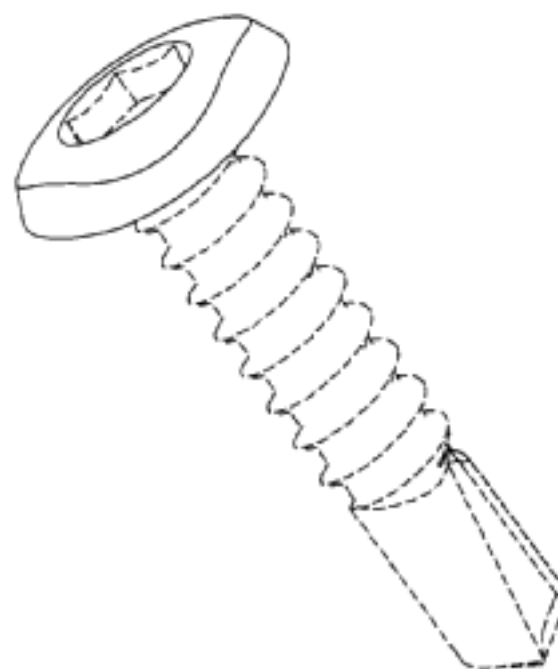
(21) Design Number: **12468/2011**  
(22) Date of Filing Application: **01 June 2011**  
(24) Date from which industrial property rights may have effect: **01 June 2011**  
(54) Product in respect of which the design is registered: **Nebulizer**  
(51) International Design Classification: **24-01**  
(74) Name(s) of Attorney(s): **FB Rice**  
(71) Name(s) and Address(s) of Applicant(s):  
**Koninklijke Philips Electronics N.V.**  
**Groenewoudseweg 1 5621 BA Eindhoven The Netherlands**  
(72) Name(s) of Designer(s): **Trevor Fahy and Kieran Hyland**  
(45) Registration Date: **28 June 2011**  
(30) Convention priority data:  
(31) Number (32) Date (33) Country  
**001788779-0006 02 Dec 2010 EUROPEAN COMMUNITY**  
(56) Related Art Documents: **Not Applicable**  
(57) Statement of Newness and Distinctiveness: **Newness and distinctiveness reside in the features of shape and configuration of the design as shown in the representations.**



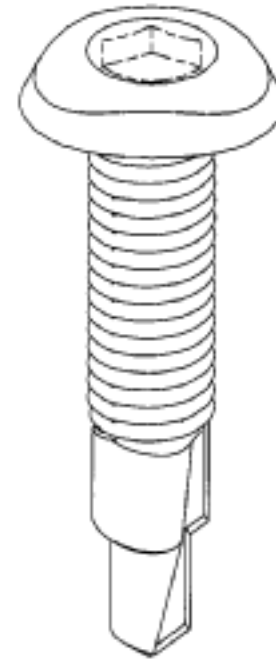
- (21) Design Number: **11789/2011**  
(22) Date of Filing Application: **20 April 2011**  
(24) Date from which industrial property rights may have effect: **20 April 2011**  
(54) Product in respect of which the design is registered: **A screw**  
(51) International Design Classification: **08-08B**  
(74) Name(s) of Attorney(s):  
(71) Name(s) and Address(s) of Applicant(s):  
**Bluedog Fences Australia Holdings Pty Ltd**  
**Unit 3/119 Wicks Road North Ryde New South Wales 2113 Australia**  
(72) Name(s) of Designer(s): **James D.F. West**  
(45) Registration Date: **28 June 2011**  
(56) Related Art Documents: **Not Applicable**  
(57) Statement of Newness and Distinctiveness: **Newness and distinctiveness is claimed in the shape and/or configuration of the screw shank and tip as shown in the representations. Features shown in broken linework do not form part of the design.**



- (21) Design Number: **11791/2011**  
(22) Date of Filing Application: **20 April 2011**  
(24) Date from which industrial property rights may have effect: **20 April 2011**  
(54) Product in respect of which the design is registered: **A screw**  
(51) International Design Classification: **08-08B**  
(74) Name(s) of Attorney(s):  
(71) Name(s) and Address(s) of Applicant(s):  
**Bluedog Fences Australia Holdings Pty Ltd**  
**Unit 3/119 Wicks Road North Ryde New South Wales 2113 Australia**  
(72) Name(s) of Designer(s): **James D.F. West**  
(45) Registration Date: **28 June 2011**  
(56) Related Art Documents: **Not Applicable**  
(57) Statement of Newness and Distinctiveness: **Newness and distinctiveness is claimed in the shape and/or configuration of the screw head shown in the representations. Features shown in broken linework do not form part of the design.**



- (21) Design Number: **11796/2011**  
(22) Date of Filing Application: **20 April 2011**  
(24) Date from which industrial property rights may have effect: **20 April 2011**  
(54) Product in respect of which the design is registered: **A screw**  
(51) International Design Classification: **08-08B**  
(74) Name(s) of Attorney(s):  
(71) Name(s) and Address(s) of Applicant(s):  
**Bluedog Fences Australia Holdings Pty Ltd**  
**Unit 3/119 Wicks Road North Ryde New South Wales 2113 Australia**  
(72) Name(s) of Designer(s): **James D.F. West**  
(45) Registration Date: **28 June 2011**  
(56) Related Art Documents: **Not Applicable**  
(57) Statement of Newness and Distinctiveness: **Newness and distinctiveness is claimed in the shape and/or configuration of the screw as shown in the representations. Features shown in broken linework do not form part of the design.**



- (21) Design Number: **12566/2011**  
(22) Date of Filing Application: **09 June 2011**  
(24) Date from which industrial property rights may have effect: **09 June 2011**  
(54) Product in respect of which the design is registered: **A twisted upright for a toad trap**  
(51) International Design Classification: **22-06**  
(74) Name(s) of Attorney(s):  
(71) Name(s) and Address(s) of Applicant(s):  
**Michael Jon Conroy**  
**31 Church Street Kippa Ring Queensland 4019 Australia**  
**Sandra Joy Conroy**  
**31 Church Street Kippa-ring Queensland 4021 Australia**  
(72) Name(s) of Designer(s): **Michael Jon Conroy and Sandra Joy Conroy**  
(45) Registration Date: **28 June 2011**  
(56) Related Art Documents: **Not Applicable**  
(57) Statement of Newness and Distinctiveness: **A piece of flat material with the ends bent in the same direction of the bend and twisted shaft.**



(21) Design Number: **15670/2010**  
(22) Date of Filing Application: **22 December 2010**  
(24) Date from which industrial property rights may have effect: **22 December 2010**  
(54) Product in respect of which the design is registered: **Vehicle radiator grille lower**  
(51) International Design Classification: **12-16B**  
(74) Name(s) of Attorney(s): **MIDDLETONS**  
(71) Name(s) and Address(s) of Applicant(s):  
**GM Global Technology Operations LLC**  
**300 Renaissance Centre Detroit Michigan United States of America**  
(72) Name(s) of Designer(s): **Martin Love**  
(45) Registration Date: **28 June 2011**  
(56) Related Art Documents: **Not Applicable**  
(57) Statement of Newness and Distinctiveness: **Nil**



(21) Design Number: **15671/2010**  
(22) Date of Filing Application: **22 December 2010**  
(24) Date from which industrial property rights may have effect: **22 December 2010**  
(54) Product in respect of which the design is registered: **Vehicle front fog lamp cover r/l**  
(51) International Design Classification: **12-16E**  
(74) Name(s) of Attorney(s): **MIDDLETONS**  
(71) Name(s) and Address(s) of Applicant(s):  
**GM Global Technology Operations LLC**  
**300 Renaissance Centre Detroit Michigan United States of America**  
(72) Name(s) of Designer(s): **Martin Love**  
(45) Registration Date: **28 June 2011**  
(56) Related Art Documents: **Not Applicable**  
(57) Statement of Newness and Distinctiveness: **Nil**



(21) Design Number: **15672/2010**  
(22) Date of Filing Application: **22 December 2010**  
(24) Date from which industrial property rights may have effect: **22 December 2010**  
(54) Product in respect of which the design is registered: **Vehicle front fog lamp bezel r/l**  
(51) International Design Classification: **12-16E**  
(74) Name(s) of Attorney(s): **MIDDLETONS**  
(71) Name(s) and Address(s) of Applicant(s):  
**GM Global Technology Operations LLC**  
**300 Renaissance Centre Detroit Michigan United States of America**  
(72) Name(s) of Designer(s): **Martin Love**  
(45) Registration Date: **28 June 2011**  
(56) Related Art Documents: **Not Applicable**  
(57) Statement of Newness and Distinctiveness: **Nil**



(21) Design Number: **15673/2010**  
(22) Date of Filing Application: **22 December 2010**  
(24) Date from which industrial property rights may have effect: **22 December 2010**  
(54) Product in respect of which the design is registered: **Vehicle radiator grille outer**  
(51) International Design Classification: **12-16B**  
(74) Name(s) of Attorney(s): **MIDDLETONS**  
(71) Name(s) and Address(s) of Applicant(s):  
**GM Global Technology Operations LLC**  
**300 Renaissance Centre Detroit Michigan United States of America**  
(72) Name(s) of Designer(s): **Martin Love**  
(45) Registration Date: **28 June 2011**  
(56) Related Art Documents: **Not Applicable**  
(57) Statement of Newness and Distinctiveness: **Nil**



(21) Design Number: **15674/2010**  
(22) Date of Filing Application: **22 December 2010**  
(24) Date from which industrial property rights may have effect: **22 December 2010**  
(54) Product in respect of which the design is registered: **Vehicle bumper fascia**  
(51) International Design Classification: **12-16B**  
(74) Name(s) of Attorney(s): **MIDDLETONS**  
(71) Name(s) and Address(s) of Applicant(s):  
**GM Global Technology Operations LLC**  
**300 Renaissance Centre Detroit Michigan United States of America**  
(72) Name(s) of Designer(s): **Martin Love**  
(45) Registration Date: **28 June 2011**  
(56) Related Art Documents: **Not Applicable**  
(57) Statement of Newness and Distinctiveness: **Nil**



(21) Design Number: **15675/2010**  
(22) Date of Filing Application: **22 December 2010**  
(24) Date from which industrial property rights may have effect: **22 December 2010**  
(54) Product in respect of which the design is registered: **Vehicle bumper fascia**  
(51) International Design Classification: **12-16B**  
(74) Name(s) of Attorney(s): **MIDDLETONS**  
(71) Name(s) and Address(s) of Applicant(s):  
**GM Global Technology Operations LLC**  
**300 Renaissance Centre Detroit Michigan United States of America**  
(72) Name(s) of Designer(s): **Martin Love**  
(45) Registration Date: **28 June 2011**  
(56) Related Art Documents: **Not Applicable**  
(57) Statement of Newness and Distinctiveness: **Nil**



- 
- (21) Design Number: **15676/2010**  
(22) Date of Filing Application: **22 December 2010**  
(24) Date from which industrial property rights may have effect: **22 December 2010**  
(54) Product in respect of which the design is registered: **Vehicle radiator grille centre**  
(51) International Design Classification: **12-16B**  
(74) Name(s) of Attorney(s): **MIDDLETONS**  
(71) Name(s) and Address(s) of Applicant(s):  
**GM Global Technology Operations LLC**  
**300 Renaissance Centre Detroit Michigan United States of America**  
(72) Name(s) of Designer(s): **Martin Love**  
(45) Registration Date: **28 June 2011**  
(56) Related Art Documents: **Not Applicable**  
(57) Statement of Newness and Distinctiveness: **Nil**



- 
- (21) Design Number: **15677/2010**  
(22) Date of Filing Application: **22 December 2010**  
(24) Date from which industrial property rights may have effect: **22 December 2010**  
(54) Product in respect of which the design is registered: **Vehicle bumper fascia moulding**  
(51) International Design Classification: **12-16B**  
(74) Name(s) of Attorney(s): **MIDDLETONS**  
(71) Name(s) and Address(s) of Applicant(s):  
**GM Global Technology Operations LLC**  
**300 Renaissance Centre Detroit Michigan United States of America**  
(72) Name(s) of Designer(s): **Martin Love**  
(45) Registration Date: **28 June 2011**  
(56) Related Art Documents: **Not Applicable**  
(57) Statement of Newness and Distinctiveness: **Nil**



(21) Design Number: **15678/2010**  
(22) Date of Filing Application: **22 December 2010**  
(24) Date from which industrial property rights may have effect: **22 December 2010**  
(54) Product in respect of which the design is registered: **Vehicle grille radiator**  
(51) International Design Classification: **12-16B**  
(74) Name(s) of Attorney(s): **MIDDLETONS**  
(71) Name(s) and Address(s) of Applicant(s):  
**GM Global Technology Operations LLC**  
**300 Renaissance Centre Detroit Michigan United States of America**  
(72) Name(s) of Designer(s): **Martin Love**  
(45) Registration Date: **28 June 2011**  
(56) Related Art Documents: **Not Applicable**  
(57) Statement of Newness and Distinctiveness: **Nil**

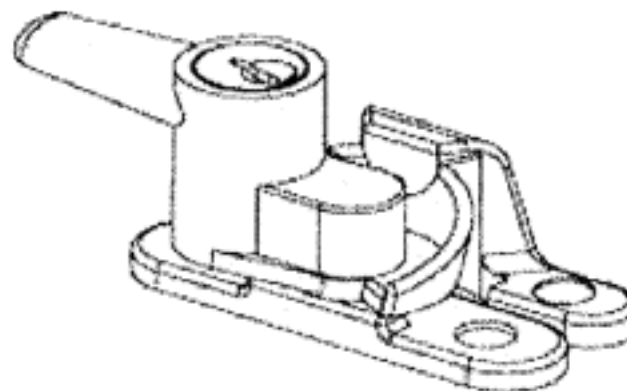


(21) Design Number: **15679/2010**  
(22) Date of Filing Application: **22 December 2010**  
(24) Date from which industrial property rights may have effect: **22 December 2010**  
(54) Product in respect of which the design is registered: **Vehicle headlamp outer lens**  
(51) International Design Classification: **12-16E**  
(74) Name(s) of Attorney(s): **MIDDLETONS**  
(71) Name(s) and Address(s) of Applicant(s):  
**GM Global Technology Operations LLC**  
**300 Renaissance Centre Detroit Michigan United States of America**  
(72) Name(s) of Designer(s): **Martin Love**  
(45) Registration Date: **28 June 2011**  
(56) Related Art Documents: **Not Applicable**  
(57) Statement of Newness and Distinctiveness: **Nil**

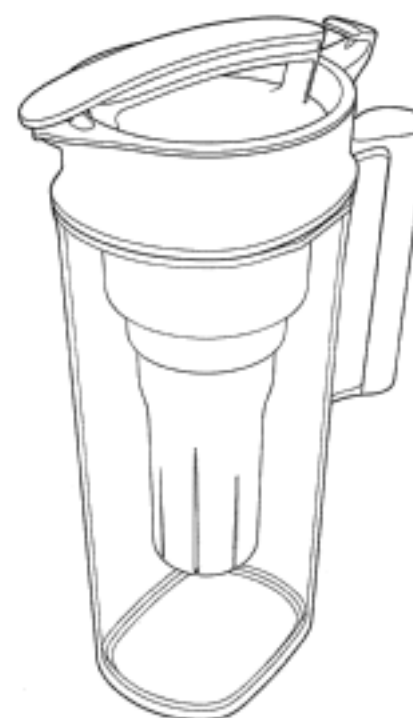




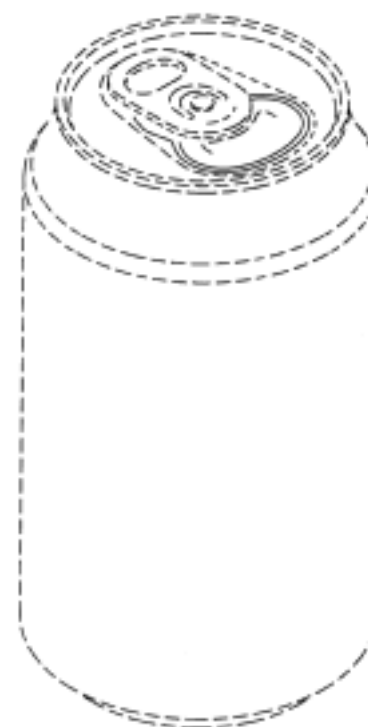
- (21) Design Number: **10806/2011**  
(22) Date of Filing Application: **01 March 2011**  
(24) Date from which industrial property rights may have effect: **01 March 2011**  
(54) Product in respect of which the design is registered: **Closing mechanism**  
(51) International Design Classification: **08-06**  
(74) Name(s) of Attorney(s): **Smootenburg Pini Patent & Trade Mark Attorneys**  
(71) Name(s) and Address(s) of Applicant(s):  
**Jacou Industry Zhongshan Limited**  
**No 8 Zhennan Road Dongsheng Town Zhongshan Guangdong Province**  
**China**  
(72) Name(s) of Designer(s): **John David Saunders and Craig Andrew Jackson**  
(45) Registration Date: **29 June 2011**  
(56) Related Art Documents: **Not Applicable**  
(57) Statement of Newness and Distinctiveness: **Newness and distinctiveness is claimed in features of shape and/or configuration of a Closing Mechanism as illustrated in the accompanying representations. In considering which features are new and distinctive, particular regard is to be had to Section A as marked on the accompanying drawings.**



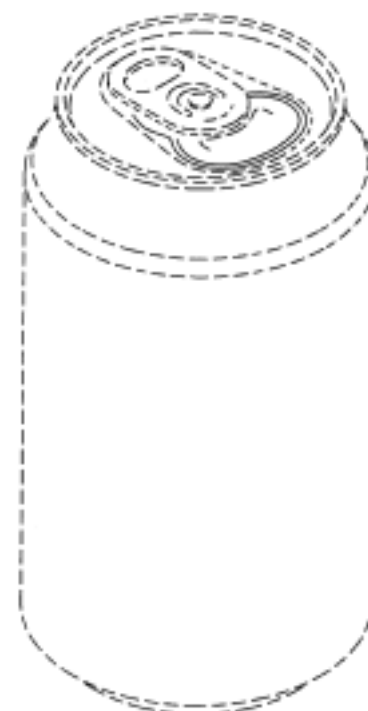
- (21) Design Number: **12254/2011**  
(22) Date of Filing Application: **19 May 2011**  
(24) Date from which industrial property rights may have effect: **19 May 2011**  
(54) Product in respect of which the design is registered: **Water pitcher with water purifier**  
(51) International Design Classification: **07-01F, 23-01G**  
(74) Name(s) of Attorney(s): **Davies Collison Cave**  
(71) Name(s) and Address(s) of Applicant(s):  
**Toray Industries, Inc.**  
**1-1 Nihonbashi-Muromachi 2-chome Chuo-ku Tokyo 103-8666 Japan**  
(72) Name(s) of Designer(s): **Keisuke Aoyagi and Hiroshi Iue and Takanori Nishida and Mikiko Ikeda**  
(45) Registration Date: **29 June 2011**  
(30) Convention priority data:  
(31) Number      (32) Date      (33) Country  
**2010/028111      25 Nov 2010      JAPAN**  
(56) Related Art Documents: **Not Applicable**  
(57) Statement of Newness and Distinctiveness: **Nil**



- (21) Design Number: **12500/2011**  
(22) Date of Filing Application: **01 June 2011**  
(24) Date from which industrial property rights may have effect: **01 June 2011**  
(54) Product in respect of which the design is registered: **Vented beverage can end**  
(51) International Design Classification: **09-03L**  
(74) Name(s) of Attorney(s): **PETER MAXWELL & ASSOCIATES**  
(71) Name(s) and Address(s) of Applicant(s):  
**Crown Packaging Technology, Inc.**  
**11535 South Central Avenue Alsip Illinois 60803-2599 United States of America**  
(72) Name(s) of Designer(s): **Emily Nesling and Ezekiel Johnson and Brendan Keane and Jan Dvorak**  
(45) Registration Date: **29 June 2011**  
(30) Convention priority data:  
(31) Number (32) Date (33) Country  
**29/385,515 15 Feb 2011 UNITED STATES OF AMERICA**  
(56) Related Art Documents: **Not Applicable**  
(57) Statement of Newness and Distinctiveness: **Newness and distinctiveness is claimed in the shape and/or configuration of VENTED BEVERAGE CAN END as illustrated by the unbroken lines in the accompanying representation/s.**



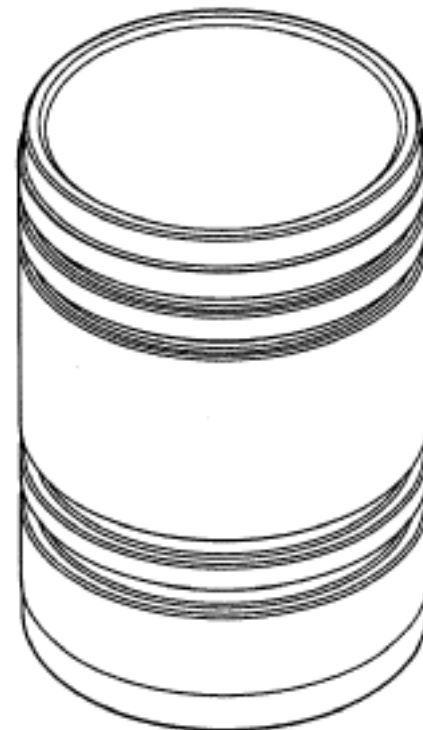
- (21) Design Number: **12501/2011**  
(22) Date of Filing Application: **01 June 2011**  
(24) Date from which industrial property rights may have effect: **01 June 2011**  
(54) Product in respect of which the design is registered: **Vented beverage can end**  
(51) International Design Classification: **09-03L**  
(74) Name(s) of Attorney(s): **PETER MAXWELL & ASSOCIATES**  
(71) Name(s) and Address(s) of Applicant(s):  
**Crown Packaging Technology, Inc.**  
**11535 South Central Avenue Alsip Illinois 60803-2599 United States of America**  
(72) Name(s) of Designer(s): **Emily Nesling and Ezekiel Johnson and Jan Dvorak and Brendan Keane**  
(45) Registration Date: **29 June 2011**  
(30) Convention priority data:  
(31) Number (32) Date (33) Country  
**29/385,519 15 Feb 2011 UNITED STATES OF AMERICA**  
(56) Related Art Documents: **Not Applicable**  
(57) Statement of Newness and Distinctiveness: **Newness and distinctiveness is claimed in the shape and/or configuration of VENTED BEVERAGE CAN END as illustrated by the unbroken lines in the accompanying representations.**



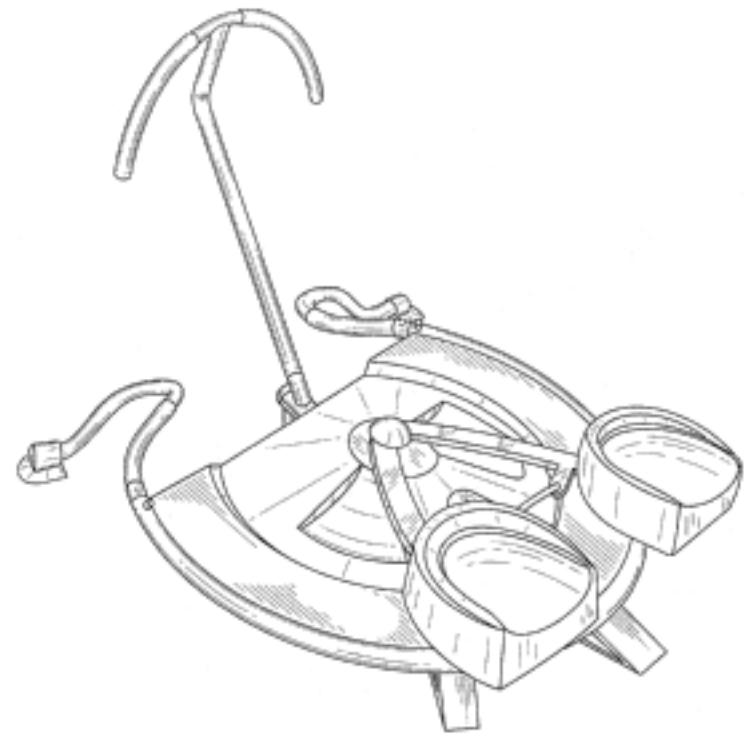
(21) Design Number: **12502/2011**  
(22) Date of Filing Application: **02 June 2011**  
(24) Date from which industrial property rights may have effect: **02 June 2011**  
(54) Product in respect of which the design is registered: **Sample tube**  
(51) International Design Classification: **03-01NES**  
(74) Name(s) of Attorney(s): **Madderns**  
(71) Name(s) and Address(s) of Applicant(s):  
**Sandvik Intellectual Property AB**  
**SE-811 81 Sandviken Sweden**  
(72) Name(s) of Designer(s): **Philipp Beierer and Ossi Kahra**  
(45) Registration Date: **29 June 2011**  
(56) Related Art Documents: **Not Applicable**  
(57) Statement of Newness and Distinctiveness: **Nil**



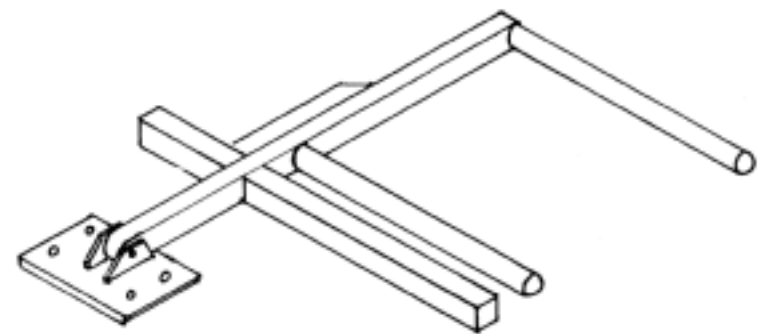
(21) Design Number: **12503/2011**  
(22) Date of Filing Application: **02 June 2011**  
(24) Date from which industrial property rights may have effect: **02 June 2011**  
(54) Product in respect of which the design is registered: **Bearing bush**  
(51) International Design Classification: **15-04**  
(74) Name(s) of Attorney(s): **Madderns**  
(71) Name(s) and Address(s) of Applicant(s):  
**Sandvik Intellectual Property AB**  
**SE-811 81 Sandviken Sweden**  
(72) Name(s) of Designer(s): **Philipp Beierer and Ossi Kahra**  
(45) Registration Date: **29 June 2011**  
(56) Related Art Documents: **Not Applicable**  
(57) Statement of Newness and Distinctiveness: **Nil**



(21) Design Number: **12504/2011**  
(22) Date of Filing Application: **01 June 2011**  
(24) Date from which industrial property rights may have effect: **01 June 2011**  
(54) Product in respect of which the design is registered: **Modified abdominal exercise device**  
(51) International Design Classification: **21-02F**  
(74) Name(s) of Attorney(s): **PIZZEYS**  
(71) Name(s) and Address(s) of Applicant(s):  
**Fitness Brands 2, LLC**  
**3400 Ranch Road 620 South Suite 12101 Austin TX 78738 United States of America**  
(72) Name(s) of Designer(s): **Michael Casey and David Brodess**  
(45) Registration Date: **29 June 2011**  
(30) Convention priority data:  
(31) Number (32) Date (33) Country  
**29/380,225 01 Dec 2010 UNITED STATES OF AMERICA**  
(56) Related Art Documents: **Not Applicable**  
(57) Statement of Newness and Distinctiveness: **Nil**



(21) Design Number: **12614/2011**  
(22) Date of Filing Application: **14 June 2011**  
(24) Date from which industrial property rights may have effect: **14 June 2011**  
(54) Product in respect of which the design is registered: **Kayak boarding frame**  
(51) International Design Classification: **12-06NES**  
(74) Name(s) of Attorney(s):  
(71) Name(s) and Address(s) of Applicant(s):  
**Vincent Hitchman**  
**9 Nevis Court Parrearra Queensland 4575 Australia**  
(72) Name(s) of Designer(s): **Vincent Hitchman**  
(45) Registration Date: **29 June 2011**  
(56) Related Art Documents: **Not Applicable**  
(57) Statement of Newness and Distinctiveness: **Nil**



(21) Design Number: **12483/2011**  
(22) Date of Filing Application: **01 June 2011**  
(24) Date from which industrial property rights may have effect: **01 June 2011**  
(54) Product in respect of which the design is registered: **An orthotic device**  
(51) International Design Classification: **02-04A**  
(74) Name(s) of Attorney(s): **Mallesons Stephen Jaques**  
(71) Name(s) and Address(s) of Applicant(s):

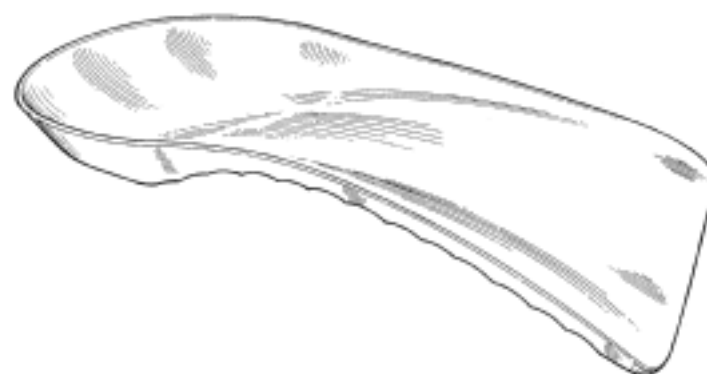
**Kinetic Orthotics Pty Ltd**  
**14 Cessna Street Mudjumba Queensland 4564 Australia**

(72) Name(s) of Designer(s): **Drago Garma and Dan Franklin Everson**

(45) Registration Date: **29 June 2011**

(56) Related Art Documents: **Not Applicable**

(57) Statement of Newness and Distinctiveness: **The following visual features of the design are new and distinctive: the shape and configuration of an orthotic device as shown in solid lines in the accompanying drawings. In considering the newness and distinctiveness of the design, no regard is to be had to the visual features depicted by the broken lines.**



(21) Design Number: **12484/2011**  
(22) Date of Filing Application: **01 June 2011**  
(24) Date from which industrial property rights may have effect: **01 June 2011**  
(54) Product in respect of which the design is registered: **An orthotic device**  
(51) International Design Classification: **02-04A**  
(74) Name(s) of Attorney(s): **Mallesons Stephen Jaques**  
(71) Name(s) and Address(s) of Applicant(s):

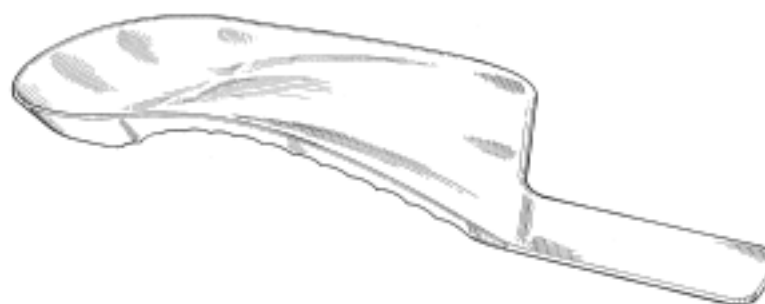
**Kinetic Orthotics Pty Ltd**  
**14 Cessna Street Mudjumba Queensland 4564 Australia**

(72) Name(s) of Designer(s): **Drago Garma and Dan Franklin Everson**

(45) Registration Date: **29 June 2011**

(56) Related Art Documents: **Not Applicable**

(57) Statement of Newness and Distinctiveness: **The following visual features of the design are new and distinctive: the shape and configuration of an orthotic device as shown in solid lines in the accompanying drawings. In considering the newness and distinctiveness of the design, no regard is to be had to the visual features depicted by the broken lines.**



- (21) Design Number: **12485/2011**  
(22) Date of Filing Application: **01 June 2011**  
(24) Date from which industrial property rights may have effect: **01 June 2011**  
(54) Product in respect of which the design is registered: **An orthotic device**  
(51) International Design Classification: **02-04A**  
(74) Name(s) of Attorney(s): **Mallesons Stephen Jaques**  
(71) Name(s) and Address(s) of Applicant(s):

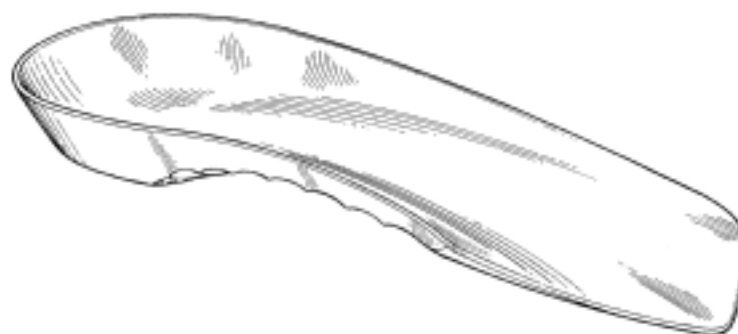
**Kinetic Orthotics Pty Ltd**  
**14 Cessna Street Mudjumba Queensland 4564 Australia**

- (72) Name(s) of Designer(s): **Drago Garma and Dan Franklin Everson**

(45) Registration Date: **29 June 2011**

(56) Related Art Documents: **Not Applicable**

(57) Statement of Newness and Distinctiveness: **The following visual features of the design are new and distinctive: The shape and configuration of an orthotic device as shown in solid lines in the accompanying drawings. In considering the newness and distinctiveness of the design, no regard is to be had to the visual features depicted by the broken lines.**



- (21) Design Number: **12486/2011**  
(22) Date of Filing Application: **01 June 2011**  
(24) Date from which industrial property rights may have effect: **01 June 2011**  
(54) Product in respect of which the design is registered: **An orthotic device**  
(51) International Design Classification: **02-04A**  
(74) Name(s) of Attorney(s): **Mallesons Stephen Jaques**  
(71) Name(s) and Address(s) of Applicant(s):

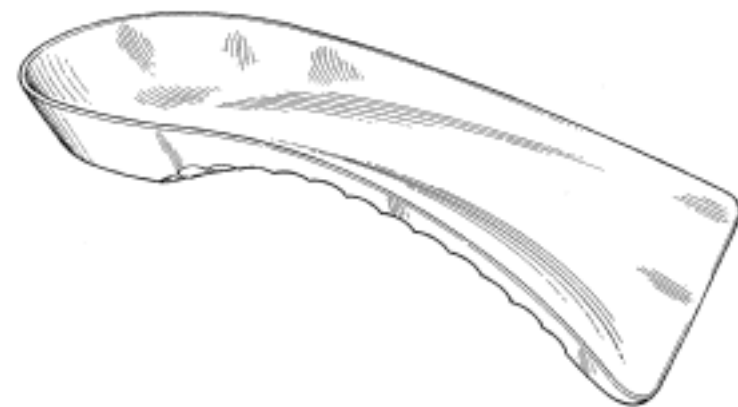
**Kinetic Orthotics Pty Ltd**  
**14 Cessna Street Mudjumba Queensland 4564 Australia**

- (72) Name(s) of Designer(s): **Drago Garma and Dan Franklin Everson**

(45) Registration Date: **29 June 2011**

(56) Related Art Documents: **Not Applicable**

(57) Statement of Newness and Distinctiveness: **The following visual features of the design are new and distinctive: the shape and configuration of an orthotic device as shown in solid lines in the accompanying drawings. In considering the newness and distinctiveness of the design, no regard is to be had to the visual features depicted by the broken lines.**



- (21) Design Number: **12487/2011**  
(22) Date of Filing Application: **01 June 2011**  
(24) Date from which industrial property rights may have effect: **01 June 2011**  
(54) Product in respect of which the design is registered: **An orthotic device**  
(51) International Design Classification: **02-04A**  
(74) Name(s) of Attorney(s): **Mallesons Stephen Jaques**  
(71) Name(s) and Address(s) of Applicant(s):

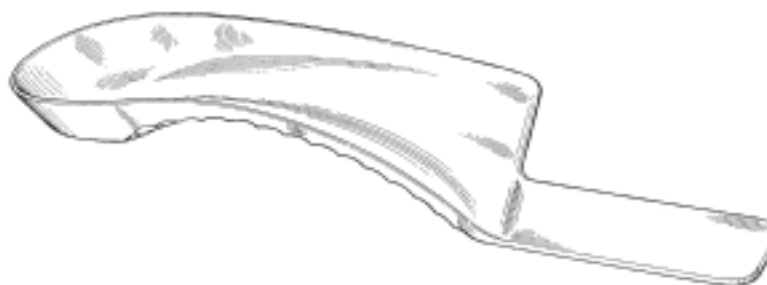
**Kinetic Orthotics Pty Ltd**  
**14 Cessna Street Mudjumba Queensland 4564 Australia**

- (72) Name(s) of Designer(s): **Drago Garma and Dan Franklin Everson**

(45) Registration Date: **29 June 2011**

(56) Related Art Documents: **Not Applicable**

(57) Statement of Newness and Distinctiveness: **The following visual features of the design are new and distinctive: The shape and configuration of an orthotic device as shown in solid lines in the accompanying drawings. In considering the newness and distinctiveness of the design, no regard is to be had to the visual features depicted by the broken lines.**



- (21) Design Number: **12488/2011**  
(22) Date of Filing Application: **01 June 2011**  
(24) Date from which industrial property rights may have effect: **01 June 2011**  
(54) Product in respect of which the design is registered: **An orthotic device**  
(51) International Design Classification: **02-04A**  
(74) Name(s) of Attorney(s): **Mallesons Stephen Jaques**  
(71) Name(s) and Address(s) of Applicant(s):

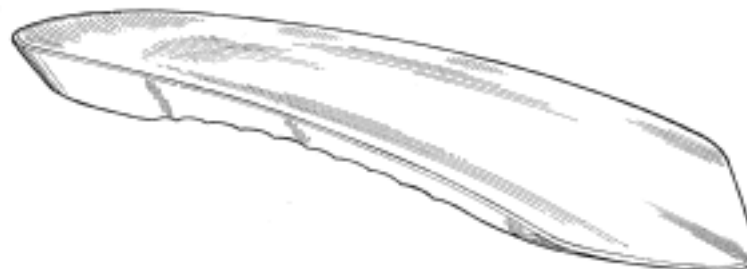
**Kinetic Orthotics Pty Ltd**  
**14 Cessna Street Mudjumba Queensland 4564 Australia**

- (72) Name(s) of Designer(s): **Drago Garma and Dan Franklin Everson**

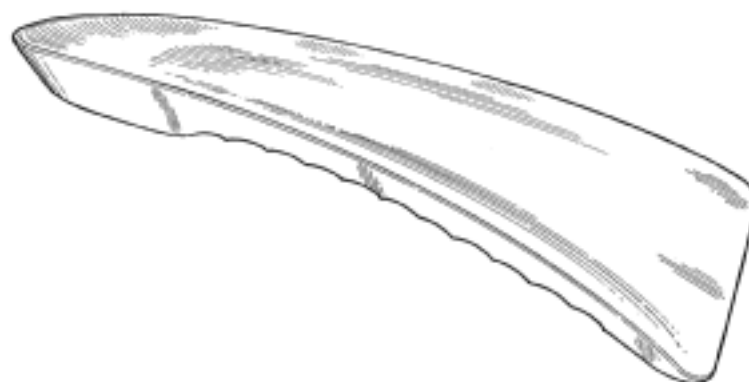
(45) Registration Date: **29 June 2011**

(56) Related Art Documents: **Not Applicable**

(57) Statement of Newness and Distinctiveness: **The following visual features of the design are new and distinctive: The shape and configuration of an orthotic device as shown in solid lines in the accompanying drawings. In considering the newness and distinctiveness of the design, no regard is to be had to the visual features depicted by the broken lines.**



(21) Design Number: **12489/2011**  
(22) Date of Filing Application: **01 June 2011**  
(24) Date from which industrial property rights may have effect: **01 June 2011**  
(54) Product in respect of which the design is registered: **An orthotic device**  
(51) International Design Classification: **02-04A**  
(74) Name(s) of Attorney(s): **Mallesons Stephen Jaques**  
(71) Name(s) and Address(s) of Applicant(s):  
**Kinetic Orthotics Pty Ltd**  
**14 Cessna Street Mudjumba Queensland 4564 Australia**  
(72) Name(s) of Designer(s): **Drago Garma and Dan Franklin Everson**  
(45) Registration Date: **29 June 2011**  
(56) Related Art Documents: **Not Applicable**  
(57) Statement of Newness and Distinctiveness: **The following visual features of the design are new and distinctive: The shape and configuration of an orthotic device as shown in solid lines in the accompanying drawings. In considering the newness and distinctiveness of the design, no regard is to be had to the visual features depicted by the broken lines.**



(21) Design Number: **11777/2011**  
(22) Date of Filing Application: **21 April 2011**  
(24) Date from which industrial property rights may have effect: **21 April 2011**  
(54) Product in respect of which the design is registered: **Smoking article with surface pattern**  
(51) International Design Classification: **27-01**  
(74) Name(s) of Attorney(s): **Shelston IP**  
(71) Name(s) and Address(s) of Applicant(s):  
**British-American Tobacco (Holdings) Limited**  
**Globe House 4 Temple Place London WC2R 2PG United Kingdom**  
(72) Name(s) of Designer(s): **Henrietta Villiers**  
(45) Registration Date: **29 June 2011**  
(30) Convention priority data:  
(31) Number      (32) Date      (33) Country  
**001772120      22 Oct 2010      EUROPEAN COMMUNITY**  
(56) Related Art Documents: **Not Applicable**  
(57) Statement of Newness and Distinctiveness: **Newness and distinctiveness resides in the features of surface pattern as applied to a smoking article as shown in the accompanying representation.**





(21) Design Number: **11778/2011**  
(22) Date of Filing Application: **21 April 2011**  
(24) Date from which industrial property rights may have effect: **21 April 2011**  
(54) Product in respect of which the design is registered: **Card or sheet with surface pattern**  
(51) International Design Classification: **19-01**  
(74) Name(s) of Attorney(s): **Shelston IP**  
(71) Name(s) and Address(s) of Applicant(s):  
**British-American Tobacco (Holdings) Limited**  
**Globe House 4 Temple Place London WC2R 2PG United Kingdom**  
(72) Name(s) of Designer(s): **Henrietta Villiers**  
(45) Registration Date: **29 June 2011**  
(30) Convention priority data:  
(31) Number (32) Date (33) Country  
**001772120 22 Oct 2010 EUROPEAN COMMUNITY**  
(56) Related Art Documents: **Not Applicable**  
(57) Statement of Newness and Distinctiveness: **Newness and distinctiveness resides in the features of surface pattern as shown in solid line as applied to a card or sheet as shown in the accompanying representation. The broken lines denote an exemplary border of the card or sheet and do not form part of the design.**



(21) Design Number: **11779/2011**  
(22) Date of Filing Application: **21 April 2011**  
(24) Date from which industrial property rights may have effect: **21 April 2011**  
(54) Product in respect of which the design is registered: **Smoking article with surface pattern**  
(51) International Design Classification: **27-01**  
(74) Name(s) of Attorney(s): **Shelston IP**  
(71) Name(s) and Address(s) of Applicant(s):  
**British-American Tobacco (Holdings) Limited**  
**Globe House 4 Temple Place London WC2R 2PG United Kingdom**  
(72) Name(s) of Designer(s): **Fai Leung**  
(45) Registration Date: **29 June 2011**  
(30) Convention priority data:  
(31) Number (32) Date (33) Country  
**001772120 22 Oct 2010 EUROPEAN COMMUNITY**  
(56) Related Art Documents: **Not Applicable**  
(57) Statement of Newness and Distinctiveness: **Newness and distinctiveness resides in the features of surface pattern as applied to a smoking article as shown in the accompanying representation.**



- (21) Design Number: **11965/2011**  
(22) Date of Filing Application: **04 May 2011**  
(24) Date from which industrial property rights may have effect: **04 May 2011**  
(54) Product in respect of which the design is registered: **Scupper**  
(51) International Design Classification: **12-06NES**  
(74) Name(s) of Attorney(s): **Ahearn Fox**  
(71) Name(s) and Address(s) of Applicant(s):

**Ray Cerezo**  
**22 Tranquil Court Cardwell Queensland 4849 Australia**

(72) Name(s) of Designer(s): **Ray Cerezo**

(45) Registration Date: **29 June 2011**

(56) Related Art Documents: **Not Applicable**

(57) Statement of Newness and Distinctiveness: **Newness and distinctiveness reside in the features of shape and configuration of the scupper as shown in the accompanying photographs and drawings wherein: Fig. 1 is a perspective view of the scupper from the outside and one end; Fig. 2 is a perspective view of the scupper from the outside and the other end; Fig. 3 is a perspective view of the scupper from the inside of the top; Fig. 4 is a perspective view of the scupper from the inside and the bottom; Fig. 5 is a perspective drawing of the scupper from the inside at one end; and Fig. 6 is an orthographic drawing of the scupper.**



- (21) Design Number: **12270/2011**  
(22) Date of Filing Application: **20 May 2011**  
(24) Date from which industrial property rights may have effect: **20 May 2011**  
(54) Product in respect of which the design is registered: **Clip for a data cable**  
(51) International Design Classification: **13-03B**  
(74) Name(s) of Attorney(s): **Davies Collison Cave**  
(71) Name(s) and Address(s) of Applicant(s):

**Illinois Tool Works Inc.**  
**3600 West Lake Avenue Glenview Illinois 60026 United States of America**

(72) Name(s) of Designer(s): **Brendan Hans Andersen**

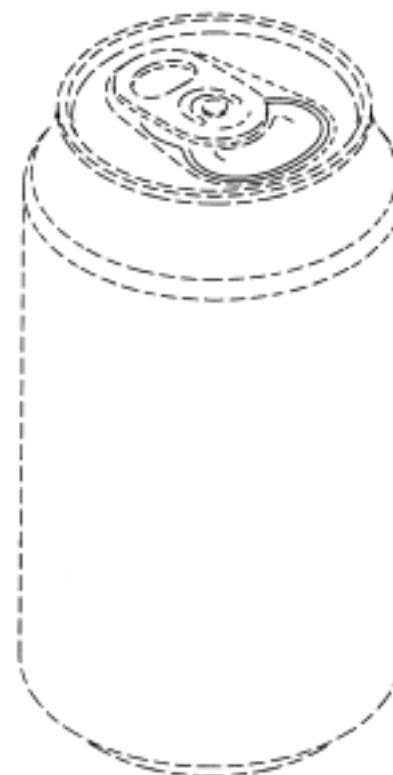
(45) Registration Date: **29 June 2011**

(56) Related Art Documents: **Not Applicable**

(57) Statement of Newness and Distinctiveness: **Nil**



- (21) Design Number: **12498/2011**  
(22) Date of Filing Application: **01 June 2011**  
(24) Date from which industrial property rights may have effect: **01 June 2011**  
(54) Product in respect of which the design is registered: **Vented beverage can end**  
(51) International Design Classification: **09-07B**  
(74) Name(s) of Attorney(s): **PETER MAXWELL & ASSOCIATES**  
(71) Name(s) and Address(s) of Applicant(s):  
**Crown Packaging Technology, Inc.**  
**11535 South Central Avenue Alsip Illinois 60803-2599 United States of America**  
(72) Name(s) of Designer(s): **Emily Nesling and Ezekiel Johnson and Brendan Keane and Jan Dvorak**  
(45) Registration Date: **29 June 2011**  
(30) Convention priority data:  
(31) Number (32) Date (33) Country  
**29/385,513 15 Feb 2011 UNITED STATES OF AMERICA**  
(56) Related Art Documents: **Not Applicable**  
(57) Statement of Newness and Distinctiveness: **Newness and distinctiveness is claimed in the shape and/or configuration of vented beverage can end as illustrated by the unbroken lines in the accompanying representations.**



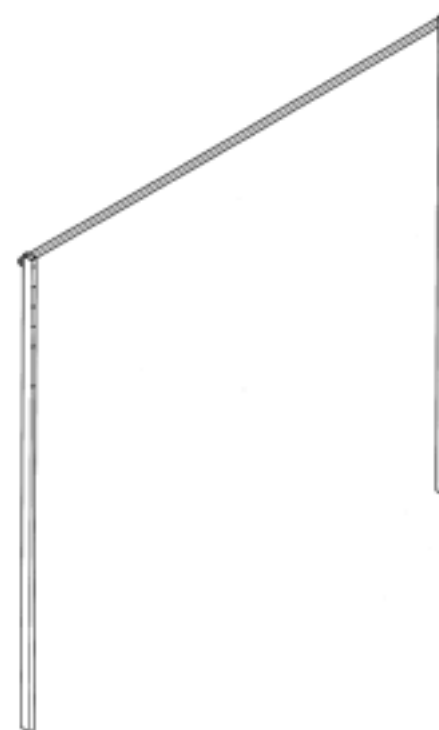
- (21) Design Number: **12598/2011**  
(22) Date of Filing Application: **10 June 2011**  
(24) Date from which industrial property rights may have effect: **10 June 2011**  
(54) Product in respect of which the design is registered: **Inflatable pillow**  
(51) International Design Classification: **06-09**  
(74) Name(s) of Attorney(s):  
(71) Name(s) and Address(s) of Applicant(s):  
**Stephen M. Grealy**  
**19A Grundy Terrace Christies Beach South Australia 5165 Australia**  
(72) Name(s) of Designer(s): **Stephen Matthew Grealy**  
(45) Registration Date: **29 June 2011**  
(56) Related Art Documents: **Not Applicable**  
(57) Statement of Newness and Distinctiveness: **The newness and distinctiveness of the design is claimed in the features of shapes and/or configuration possible from the joined but individually inflatable cells, as shown in the accompanying representations.**



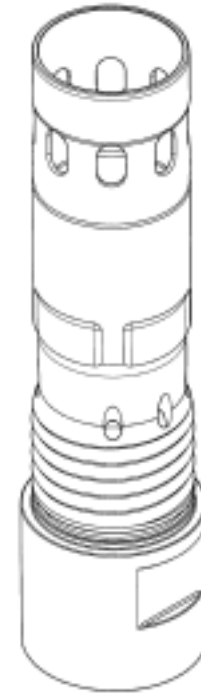
- (21) Design Number: **12192/2011**  
(22) Date of Filing Application: **13 May 2011**  
(24) Date from which industrial property rights may have effect: **13 May 2011**  
(54) Product in respect of which the design is registered: **Table**  
(51) International Design Classification: **06-03B**  
(74) Name(s) of Attorney(s):  
(71) Name(s) and Address(s) of Applicant(s):  
**Hardwick & Cesko Pty Ltd**  
**210 Young Street Annandale New South Wales 2038 Australia**  
(72) Name(s) of Designer(s): **David Hardwick**  
(45) Registration Date: **29 June 2011**  
(56) Related Art Documents: **Not Applicable**  
(57) Statement of Newness and Distinctiveness: **Patterned table-top with pattern cut into top material. Base stem with 2 x conical cylinders placed end to end.**



- (21) Design Number: **12260/2011**  
(22) Date of Filing Application: **17 May 2011**  
(24) Date from which industrial property rights may have effect: **17 May 2011**  
(54) Product in respect of which the design is registered: **Clothes line frame**  
(51) International Design Classification: **07-05D**  
(74) Name(s) of Attorney(s): **WATERMARK PATENT AND TRADE MARKS ATTORNEYS**  
(71) Name(s) and Address(s) of Applicant(s):  
**Austral Clothes Hoists Pty Ltd**  
**222-224 Hammond Road Dandenong Victoria 3175 Australia**  
(72) Name(s) of Designer(s): **Wally Genesin**  
(45) Registration Date: **29 June 2011**  
(56) Related Art Documents: **Not Applicable**  
(57) Statement of Newness and Distinctiveness: **Nil**



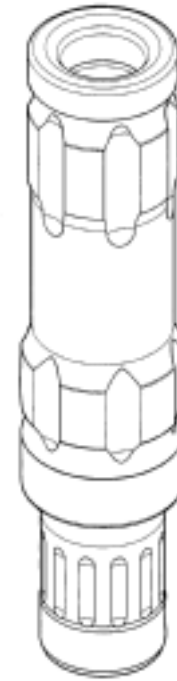
(21) Design Number: **12505/2011**  
(22) Date of Filing Application: **02 June 2011**  
(24) Date from which industrial property rights may have effect: **02 June 2011**  
(54) Product in respect of which the design is registered: **Inner cylinder**  
(51) International Design Classification: **15-99, 08-01**  
(74) Name(s) of Attorney(s): **Madderns**  
(71) Name(s) and Address(s) of Applicant(s):  
**Sandvik Intellectual Property AB**  
**SE-811 81 Sandviken Sweden**  
(72) Name(s) of Designer(s): **Philipp Beierer and Ossi Kahra**  
(45) Registration Date: **29 June 2011**  
(56) Related Art Documents: **Not Applicable**  
(57) Statement of Newness and Distinctiveness: **Nil**



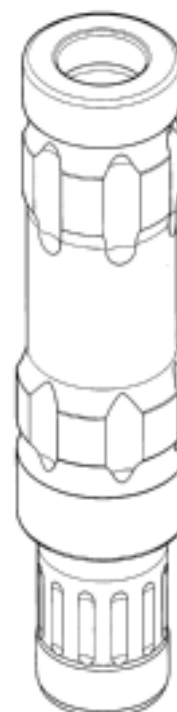
(21) Design Number: **12506/2011**  
(22) Date of Filing Application: **02 June 2011**  
(24) Date from which industrial property rights may have effect: **02 June 2011**  
(54) Product in respect of which the design is registered: **Casing**  
(51) International Design Classification: **15-99, 08-01**  
(74) Name(s) of Attorney(s): **Madderns**  
(71) Name(s) and Address(s) of Applicant(s):  
**Sandvik Intellectual Property AB**  
**SE-811 81 Sandviken Sweden**  
(72) Name(s) of Designer(s): **Philipp Beierer and Ossi Kahra**  
(45) Registration Date: **29 June 2011**  
(56) Related Art Documents: **Not Applicable**  
(57) Statement of Newness and Distinctiveness: **Nil**



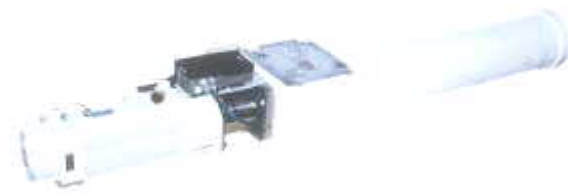
(21) Design Number: **12507/2011**  
(22) Date of Filing Application: **02 June 2011**  
(24) Date from which industrial property rights may have effect: **02 June 2011**  
(54) Product in respect of which the design is registered: **Piston**  
(51) International Design Classification: **15-99, 08-01**  
(74) Name(s) of Attorney(s): **Madderns**  
(71) Name(s) and Address(s) of Applicant(s):  
**Sandvik Intellectual Property AB**  
**SE-811 81 Sandviken Sweden**  
(72) Name(s) of Designer(s): **Philipp Beierer and Ossi Kahra**  
(45) Registration Date: **29 June 2011**  
(56) Related Art Documents: **Not Applicable**  
(57) Statement of Newness and Distinctiveness: **Nil**



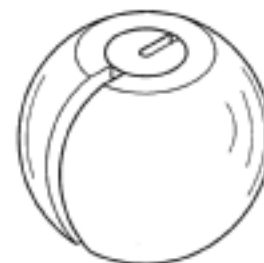
(21) Design Number: **12508/2011**  
(22) Date of Filing Application: **02 June 2011**  
(24) Date from which industrial property rights may have effect: **02 June 2011**  
(54) Product in respect of which the design is registered: **Piston**  
(51) International Design Classification: **15-99, 08-01**  
(74) Name(s) of Attorney(s): **Madderns**  
(71) Name(s) and Address(s) of Applicant(s):  
**Sandvik Intellectual Property AB**  
**SE-811 81 Sandviken Sweden**  
(72) Name(s) of Designer(s): **Philipp Beierer and Ossi Kahra**  
(45) Registration Date: **29 June 2011**  
(56) Related Art Documents: **Not Applicable**  
(57) Statement of Newness and Distinctiveness: **Nil**



- (21) Design Number: **12637/2011**  
(22) Date of Filing Application: **14 June 2011**  
(24) Date from which industrial property rights may have effect: **14 June 2011**  
(54) Product in respect of which the design is registered: **Desalination unit**  
(51) International Design Classification: **23-01NES**  
(74) Name(s) of Attorney(s): **FB Rice**  
(71) Name(s) and Address(s) of Applicant(s):  
**Velichko Vladimir Sergeevich**  
**107 building 6 house 7 Mnevnik str. Moscow 123308-RU Russian Federation**  
**F-Aquamash LLC**  
**House 42 B Vilnius str. Volgograd 400006-RU Russian Federation**  
(72) Name(s) of Designer(s): **Fomin Vladimir Fedorovich**  
(45) Registration Date: **29 June 2011**  
(30) Convention priority data:  
(31) Number      (32) Date      (33) Country  
**2010503610      13 Dec 2010      RUSSIAN FEDERATION**  
(56) Related Art Documents: **Not Applicable**  
(57) Statement of Newness and Distinctiveness: **Newness and distinctiveness reside in the features of the shape and configuration of the design as shown in the representations.**



- (21) Design Number: **14769/2010**  
(22) Date of Filing Application: **04 November 2010**  
(24) Date from which industrial property rights may have effect: **04 November 2010**  
(54) Product in respect of which the design is registered: **Split float**  
(51) International Design Classification: **23-02NES, 22-05**  
(74) Name(s) of Attorney(s): **MORCOM PERNAT**  
(71) Name(s) and Address(s) of Applicant(s):  
**Frederick Inglese**  
**Unit 4 83-87 Maroondah Highway Healesville Victoria 3777 Australia**  
(72) Name(s) of Designer(s): **Frederick Inglese**  
(45) Registration Date: **29 June 2011**  
(56) Related Art Documents: **Not Applicable**  
(57) Statement of Newness and Distinctiveness: **A split float having a body component and a pin component such that, when assembled, the pin component does not protrude from the body component.**



(21) Design Number: **10792/2011**

(22) Date of Filing Application: **01 March 2011**

(24) Date from which industrial property rights may have effect: **01 March 2011**

(54) Product in respect of which the design is registered: **Closing mechanism**

(51) International Design Classification: **08-07**

(74) Name(s) of Attorney(s): **Smootenburg Pini Patent & Trade Mark Attorneys**

(71) Name(s) and Address(s) of Applicant(s):

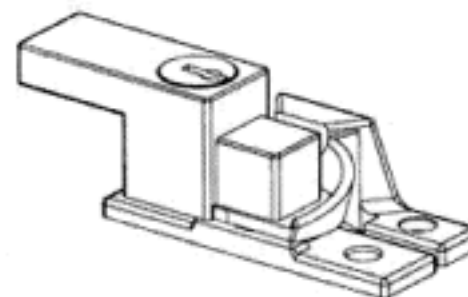
**Jacou Industry Zhongshan Limited**  
**No 8 Zhennan Road Dongsheng Town Zhongshan Guangdong Province**  
**China**

(72) Name(s) of Designer(s): **John David Saunders and Craig Andrew Jackson**

(45) Registration Date: **29 June 2011**

(56) Related Art Documents: **Not Applicable**

(57) Statement of Newness and Distinctiveness: **Newness and distinctiveness is claimed in features of shape and/or configuration of a Closing Mechanism as illustrated in the accompanying representations. In considering which features are new and distinctive, particular regard is to be had to Section A as marked on the accompanying drawings.**



(21) Design Number: **11797/2011**

(22) Date of Filing Application: **27 April 2011**

(24) Date from which industrial property rights may have effect: **27 April 2011**

(54) Product in respect of which the design is registered: **Display box - with hand**

(51) International Design Classification: **20-02NES**

(74) Name(s) of Attorney(s):

(71) Name(s) and Address(s) of Applicant(s):

**Ben Larkey**  
**10 Alfred Street Kew Victoria 3101 Australia**

(72) Name(s) of Designer(s): **Ben Larkey**

(45) Registration Date: **29 June 2011**

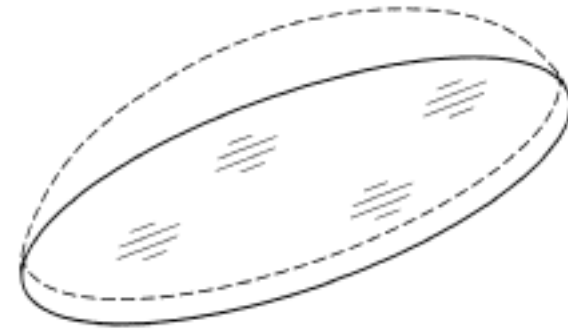
(56) Related Art Documents: **Not Applicable**

(57) Statement of Newness and Distinctiveness: **1. The lid of box opens to create a hand shape 2. Hand shape is sealed til perforated to make the extended hand.**

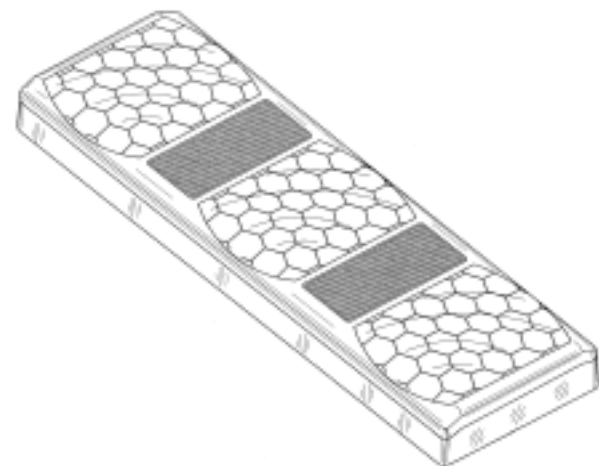




(21) Design Number: **11817/2011**  
(22) Date of Filing Application: **04 May 2011**  
(24) Date from which industrial property rights may have effect: **04 May 2011**  
(54) Product in respect of which the design is registered: **Lighting assembly**  
(51) International Design Classification: **26-05E**  
(74) Name(s) of Attorney(s): **Griffith Hack**  
(71) Name(s) and Address(s) of Applicant(s):  
**LED Technologies Pty Ltd**  
**Factory 1 10 Brand Drive Thomastown Victoria 3074 Australia**  
(72) Name(s) of Designer(s): **Tony Ottobre**  
(45) Registration Date: **29 June 2011**  
(56) Related Art Documents: **Not Applicable**  
(57) Statement of Newness and Distinctiveness: **Nil**



(21) Design Number: **11831/2011**  
(22) Date of Filing Application: **04 May 2011**  
(24) Date from which industrial property rights may have effect: **04 May 2011**  
(54) Product in respect of which the design is registered: **Lighting assembly**  
(51) International Design Classification: **26-06**  
(74) Name(s) of Attorney(s): **Griffith Hack**  
(71) Name(s) and Address(s) of Applicant(s):  
**LED Technologies Pty Ltd**  
**Factory 1 10 Brand Drive Thomastown Victoria 3074 Australia**  
(72) Name(s) of Designer(s): **Tony Ottobre**  
(45) Registration Date: **29 June 2011**  
(56) Related Art Documents: **Not Applicable**  
(57) Statement of Newness and Distinctiveness: **Nil**



(21) Design Number: **12197/2011**  
(22) Date of Filing Application: **16 May 2011**  
(24) Date from which industrial property rights may have effect: **16 May 2011**  
(54) Product in respect of which the design is registered: **Hair iron and hair iron protective cap**  
(51) International Design Classification: **28-03B**  
(74) Name(s) of Attorney(s): **Davies Collison Cave**  
(71) Name(s) and Address(s) of Applicant(s):  
**GHD Korea, Inc.**  
**110-2 Sangok-ri Seonggeo-eup Cheonan-si Chungcheongnam-do**  
**330-833 Republic of Korea (South)**  
(72) Name(s) of Designer(s): **Hae Jin Kim**  
(45) Registration Date: **29 June 2011**  
(30) Convention priority data:  
(31) Number (32) Date (33) Country  
**30-2010-0049542 17 Nov 2010 REPUBLIC OF KOREA**  
(56) Related Art Documents: **Not Applicable**  
(57) Statement of Newness and Distinctiveness: **Nil**



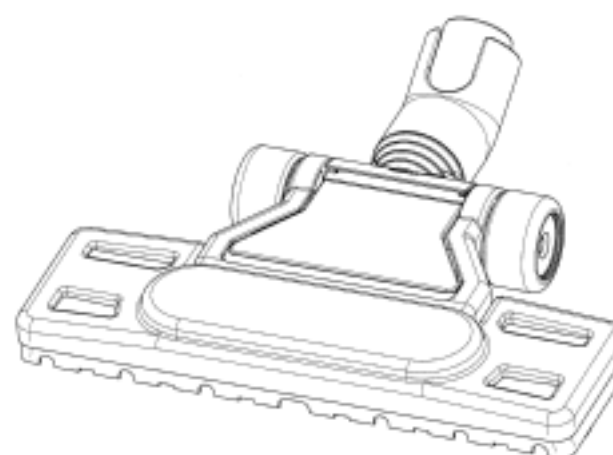
(21) Design Number: **11278/2011**  
(22) Date of Filing Application: **22 March 2011**  
(24) Date from which industrial property rights may have effect: **22 March 2011**  
(54) Product in respect of which the design is registered: **Stand-alone wireless swipe lock for use with anti-ligature lever furniture**  
(51) International Design Classification: **08-07**  
(74) Name(s) of Attorney(s):  
(71) Name(s) and Address(s) of Applicant(s):  
**Woodpend Pty Ltd**  
**61 Goodwood Road Wayville South Australia 5034 Australia**  
(72) Name(s) of Designer(s): **Garry Dalton and Graham Rawlings**  
(45) Registration Date: **29 June 2011**  
(56) Related Art Documents: **Not Applicable**  
(57) Statement of Newness and Distinctiveness: **Anti-ligature lever with cone shroud - key override - concealed battery pack.**



(21) Design Number: **12414/2011**  
(22) Date of Filing Application: **27 May 2011**  
(24) Date from which industrial property rights may have effect: **27 May 2011**  
(54) Product in respect of which the design is registered: **Jump suit**  
(51) International Design Classification: **02-02C**  
(74) Name(s) of Attorney(s):  
(71) Name(s) and Address(s) of Applicant(s):  
**Michelle Vincenzini**  
**PO Box 56 Waverley New South Wales 2024 Australia**  
(72) Name(s) of Designer(s): **Michelle Vincenzini**  
(45) Registration Date: **29 June 2011**  
(56) Related Art Documents: **Not Applicable**  
(57) Statement of Newness and Distinctiveness: **Nil**



(21) Design Number: **12459/2011**  
(22) Date of Filing Application: **31 May 2011**  
(24) Date from which industrial property rights may have effect: **31 May 2011**  
(54) Product in respect of which the design is registered: **Part of a vacuum cleaner**  
(51) International Design Classification: **15-05**  
(74) Name(s) of Attorney(s): **Shelston IP**  
(71) Name(s) and Address(s) of Applicant(s):  
**Dyson Limited**  
**Tetbury Hill Malmesbury Wiltshire SN16 0RP United Kingdom**  
(72) Name(s) of Designer(s): **James Dyson and Peter David Gammack and Alistair William Skuse and Stephen Robert Dimbylow**  
(45) Registration Date: **29 June 2011**  
(30) Convention priority data:  
(31) Number (32) Date (33) Country  
**001251383-0001 22 Dec 2010 EUROPEAN COMMUNITY**  
(56) Related Art Documents: **Not Applicable**  
(57) Statement of Newness and Distinctiveness: **Newness and distinctiveness reside in the features of shape and/or configuration of a part of a vacuum cleaner as illustrated in the accompanying representations.**



(21) Design Number: **12475/2011**  
(22) Date of Filing Application: **06 June 2011**  
(24) Date from which industrial property rights may have effect: **06 June 2011**  
(54) Product in respect of which the design is registered: **Oral care implement**  
(51) International Design Classification: **04-02**  
(74) Name(s) of Attorney(s): **FB Rice**  
(71) Name(s) and Address(s) of Applicant(s):  
**Colgate-Palmolive Company**  
**300 Park Avenue New York New York 10022 United States of America**  
(72) Name(s) of Designer(s): **Wen Jin Xi and Yu Liu and Jian Rong Zhou**  
(45) Registration Date: **29 June 2011**  
(30) Convention priority data:  
(31) Number (32) Date (33) Country  
**29/381603 21 Dec 2010 UNITED STATES OF AMERICA**  
(56) Related Art Documents: **Not Applicable**  
(57) Statement of Newness and Distinctiveness: **Newness and distinctiveness reside in the features of shape and configuration of the oral care implement shown in the drawings. When determining whether the design is substantially similar in overall impression to another design, no regard is to be had to those features shown in the drawings with dotted outline, which features are provided for illustrative purposes only.**



(21) Design Number: **12490/2011**  
(22) Date of Filing Application: **01 June 2011**  
(24) Date from which industrial property rights may have effect: **01 June 2011**  
(54) Product in respect of which the design is registered: **An orthotic device**  
(51) International Design Classification: **02-04A**  
(74) Name(s) of Attorney(s): **Mallesons Stephen Jaques**  
(71) Name(s) and Address(s) of Applicant(s):  
**Kinetic Orthotics Pty Ltd**  
**14 Cessna Street Mudjumba Queensland 4564 Australia**  
(72) Name(s) of Designer(s): **Drago Garma and Dan Franklin Everson**  
(45) Registration Date: **29 June 2011**  
(56) Related Art Documents: **Not Applicable**  
(57) Statement of Newness and Distinctiveness: **The following visual features of the design are new and distinctive: The shape and configuration of an orthotic device as shown in solid lines in the accompanying drawings. In considering the newness and distinctiveness of the design, no regard is to be had to the visual features depicted by the broken lines.**



- (21) Design Number: **12491/2011**  
(22) Date of Filing Application: **01 June 2011**  
(24) Date from which industrial property rights may have effect: **01 June 2011**  
(54) Product in respect of which the design is registered: **An orthotic device**  
(51) International Design Classification: **02-04A**  
(74) Name(s) of Attorney(s): **Mallesons Stephen Jaques**  
(71) Name(s) and Address(s) of Applicant(s):

**Kinetic Orthotics Pty Ltd**  
**14 Cessna Street Mudjumba Queensland 4564 Australia**

- (72) Name(s) of Designer(s): **Drago Garma and Dan Franklin Everson**

(45) Registration Date: **29 June 2011**

(56) Related Art Documents: **Not Applicable**

(57) Statement of Newness and Distinctiveness: **The following visual features of the design are new and distinctive: The shape and configuration of an orthotic device as shown in solid lines in the accompanying drawings. In considering the newness and distinctiveness of the design, no regard is to be had to the visual features depicted by the broken lines.**



- (21) Design Number: **12492/2011**  
(22) Date of Filing Application: **01 June 2011**  
(24) Date from which industrial property rights may have effect: **01 June 2011**  
(54) Product in respect of which the design is registered: **An orthotic device**  
(51) International Design Classification: **02-04A**  
(74) Name(s) of Attorney(s): **Mallesons Stephen Jaques**  
(71) Name(s) and Address(s) of Applicant(s):

**Kinetic Orthotics Pty Ltd**  
**14 Cessna Street Mudjumba Queensland 4564 Australia**

- (72) Name(s) of Designer(s): **Drago Garma and Dan Franklin Everson**

(45) Registration Date: **29 June 2011**

(56) Related Art Documents: **Not Applicable**

(57) Statement of Newness and Distinctiveness: **The following visual features of the design are new and distinctive: The shape and configuration of an orthotic device as shown in solid lines in the accompanying drawings. In considering the newness and distinctiveness of the design, no regard is to be had to the visual features depicted by the broken lines.**



(21) Design Number: **12493/2011**  
(22) Date of Filing Application: **01 June 2011**  
(24) Date from which industrial property rights may have effect: **01 June 2011**  
(54) Product in respect of which the design is registered: **An orthotic device**  
(51) International Design Classification: **02-04A**  
(74) Name(s) of Attorney(s): **Mallesons Stephen Jaques**  
(71) Name(s) and Address(s) of Applicant(s):

**Kinetic Orthotics Pty Ltd**  
**14 Cessna Street Mudjumba Queensland 4564 Australia**

(72) Name(s) of Designer(s): **Drago Garma and Dan Franklin Everson**

(45) Registration Date: **29 June 2011**

(56) Related Art Documents: **Not Applicable**

(57) Statement of Newness and Distinctiveness: **The following visual features of the design are new and distinctive: The shape and configuration of an orthotic device as shown in solid lines in the accompanying drawings. In considering the newness and distinctiveness of the design, no regard is to be had to the visual features depicted by the broken lines.**



(21) Design Number: **12494/2011**  
(22) Date of Filing Application: **02 June 2011**  
(24) Date from which industrial property rights may have effect: **02 June 2011**  
(54) Product in respect of which the design is registered: **Air filter**  
(51) International Design Classification: **15-01, 15-03B, 23-04**  
(74) Name(s) of Attorney(s): **SPRUSON & FERGUSON**  
(71) Name(s) and Address(s) of Applicant(s):

**Briggs & Stratton Corporation**  
**12301 West Wirth Street Wauwatosa Wisconsin 53222 United States of America**

(72) Name(s) of Designer(s): **Christopher J. Drew**

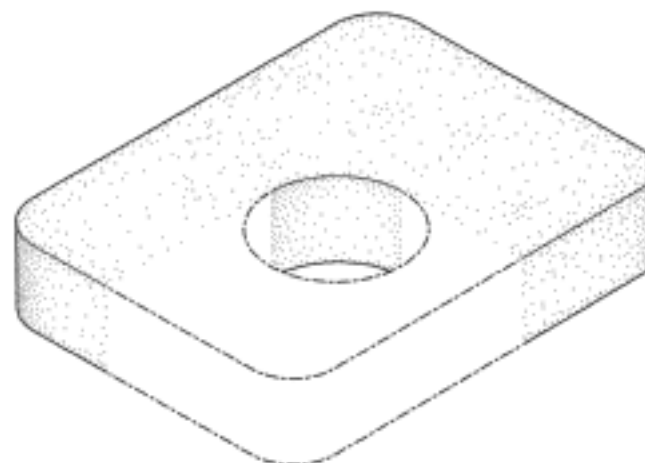
(45) Registration Date: **29 June 2011**

(30) Convention priority data:

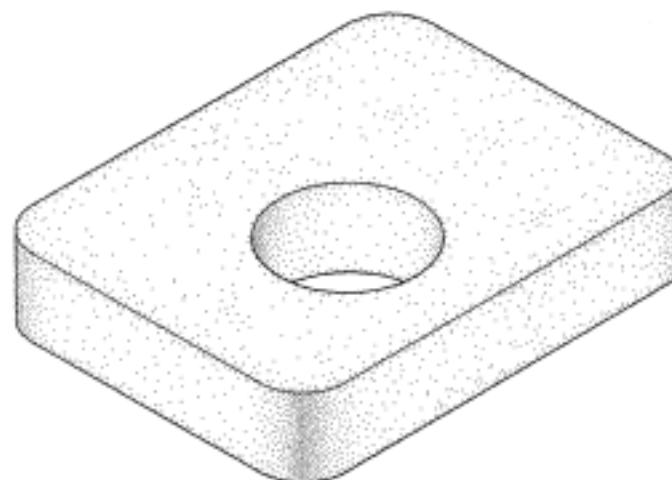
(31) Number	(32) Date	(33) Country
<b>29/380423</b>	<b>03 Dec 2010</b>	<b>UNITED STATES OF AMERICA</b>

(56) Related Art Documents: **Not Applicable**

(57) Statement of Newness and Distinctiveness: **Newness and distinctiveness is claimed in those features of shape and/or configuration of an air filter illustrated in continuous lines in the accompanying representations.**



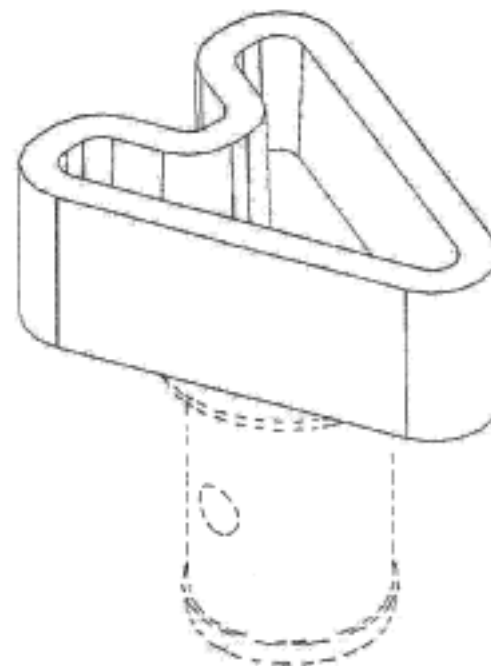
(21) Design Number: **12514/2011**  
(22) Date of Filing Application: **02 June 2011**  
(24) Date from which industrial property rights may have effect: **02 June 2011**  
(54) Product in respect of which the design is registered: **Air filter**  
(51) International Design Classification: **23-04**  
(74) Name(s) of Attorney(s): **SPRUSON & FERGUSON**  
(71) Name(s) and Address(s) of Applicant(s):  
**Briggs & Stratton Corporation**  
**12301 West Wirth Street Wauwatosa Wisconsin 53222 United States of America**  
(72) Name(s) of Designer(s): **Christopher J. Drew**  
(45) Registration Date: **29 June 2011**  
(30) Convention priority data:  
(31) Number (32) Date (33) Country  
**29/380423 03 Dec 2010 UNITED STATES OF AMERICA**  
(56) Related Art Documents: **Not Applicable**  
(57) Statement of Newness and Distinctiveness: **Newness and distinctiveness is claimed in the features of shape and/or configuration of an air filter as illustrated in the accompanying representations.**



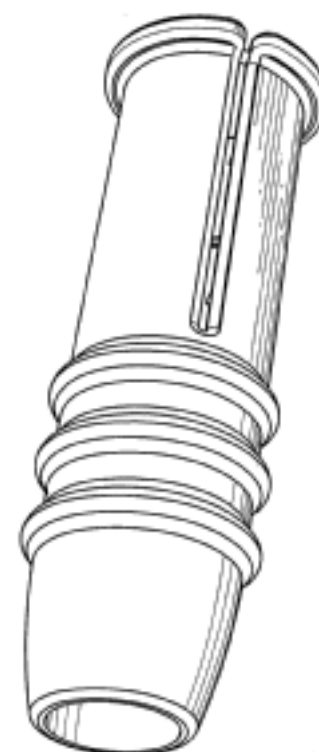
(21) Design Number: **12440/2011**  
(22) Date of Filing Application: **30 May 2011**  
(24) Date from which industrial property rights may have effect: **30 May 2011**  
(54) Product in respect of which the design is registered: **Vehicle window shade**  
(51) International Design Classification: **12-16F**  
(74) Name(s) of Attorney(s):  
(71) Name(s) and Address(s) of Applicant(s):  
**Ostomax Enterprises Pty Ltd**  
**34 Adamson Road Brentwood Western Australia 6153 Australia**  
(72) Name(s) of Designer(s): **Rachel Cordina and Lia Tonich**  
(45) Registration Date: **30 June 2011**  
(56) Related Art Documents: **Not Applicable**  
(57) Statement of Newness and Distinctiveness: **The static film is an existing product, however the application and functionality of the toddler tint film is unique.**



- (21) Design Number: **12521/2011**  
(22) Date of Filing Application: **03 June 2011**  
(24) Date from which industrial property rights may have effect: **03 June 2011**  
(54) Product in respect of which the design is registered: **Valve handle**  
(51) International Design Classification: **24-02**  
(74) Name(s) of Attorney(s): **SPRUSON & FERGUSON**  
(71) Name(s) and Address(s) of Applicant(s):  
**Alfa Wassermann**  
**4 Henderson Drive West Caldwell New Jersey 07006 United States of America**  
(72) Name(s) of Designer(s): **Kurt Spiegel**  
(45) Registration Date: **30 June 2011**  
(30) Convention priority data:  
(31) Number (32) Date (33) Country  
**29/380362 03 Dec 2010 UNITED STATES OF AMERICA**  
(56) Related Art Documents: **Not Applicable**  
(57) Statement of Newness and Distinctiveness: **Newness and distinctiveness is claimed in the features of shape and/or configuration of a valve handle as illustrated in the accompanying representations.**



- (21) Design Number: **12520/2011**  
(22) Date of Filing Application: **03 June 2011**  
(24) Date from which industrial property rights may have effect: **03 June 2011**  
(54) Product in respect of which the design is registered: **Insertion aid for catheters**  
(51) International Design Classification: **24-02**  
(74) Name(s) of Attorney(s): **PHILLIPS ORMONDE FITZPATRICK**  
(71) Name(s) and Address(s) of Applicant(s):  
**Astra Tech AB**  
**Aminogaten 1 431 21 Molndal Sweden**  
(72) Name(s) of Designer(s): **Evelina Gustavsson**  
(45) Registration Date: **30 June 2011**  
(30) Convention priority data:  
(31) Number (32) Date (33) Country  
**001250054-0001 15 Dec 2010 EUROPEAN COMMUNITY**  
(56) Related Art Documents: **Not Applicable**  
(57) Statement of Newness and Distinctiveness: **Those features of the insertion aid for catheters depicted in the representations that are new and distinctive are the shape and/or configuration. The features shown in broken lines are not part of the design and are to be disregarded when considering the overall impression of the design.**





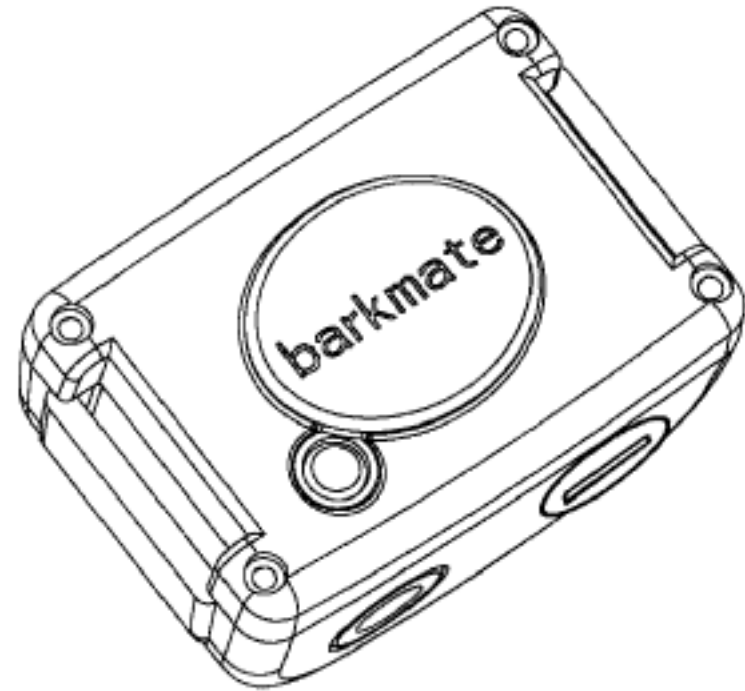
- (21) Design Number: **11622/2011**  
(22) Date of Filing Application: **14 April 2011**  
(24) Date from which industrial property rights may have effect: **14 April 2011**  
(54) Product in respect of which the design is registered: **Bookcase**  
(51) International Design Classification: **06-04NES**  
(74) Name(s) of Attorney(s): **WATERMARK PATENT AND TRADE MARKS ATTORNEYS**  
(71) Name(s) and Address(s) of Applicant(s):  
**Thierry Blet**  
**18 rue des Sources 77630 Forges St Martin En Biere France**  
**Catherine Le Teo**  
**18 rue des Sources 77630 Forges St Martin En Biere France**  
(72) Name(s) of Designer(s): **Thierry Blet and Catherine Le Teo**  
(45) Registration Date: **30 June 2011**  
(30) Convention priority data:  
(31) Number (32) Date (33) Country  
**DM 0174523 19 Oct 2010 SWITZERLAND**  
(56) Related Art Documents: **Not Applicable**  
(57) Statement of Newness and Distinctiveness: **Nil**



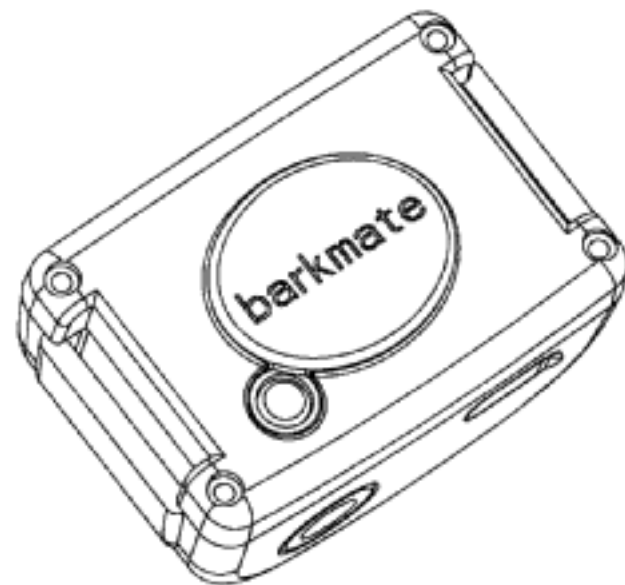
- (21) Design Number: **12205/2011**  
(22) Date of Filing Application: **04 May 2011**  
(24) Date from which industrial property rights may have effect: **04 May 2011**  
(54) Product in respect of which the design is registered: **Miniature rechargeable anti bark collar using spray-based correction technology**  
(51) International Design Classification: **30-04**  
(74) Name(s) of Attorney(s):  
(71) Name(s) and Address(s) of Applicant(s):  
**Bridges Business Group Pty Ltd**  
**PO Box 5790 Brendale Queensland 4500 Australia**  
(72) Name(s) of Designer(s): **Matthew Bridges**  
(45) Registration Date: **30 June 2011**  
(56) Related Art Documents: **Not Applicable**  
(57) Statement of Newness and Distinctiveness: **Nil**



- (21) Design Number: **12206/2011**  
(22) Date of Filing Application: **04 May 2011**  
(24) Date from which industrial property rights may have effect: **04 May 2011**  
(54) Product in respect of which the design is registered: **Battery powered anti bark collar using spray-based correction technology**  
(51) International Design Classification: **30-04**  
(74) Name(s) of Attorney(s):  
(71) Name(s) and Address(s) of Applicant(s):  
**Bridges Business Group Pty Ltd**  
**PO Box 5790 Brendale Queensland 4500 Australia**  
(72) Name(s) of Designer(s): **Matthew Bridges**  
(45) Registration Date: **30 June 2011**  
(56) Related Art Documents: **Not Applicable**  
(57) Statement of Newness and Distinctiveness: **Nil**



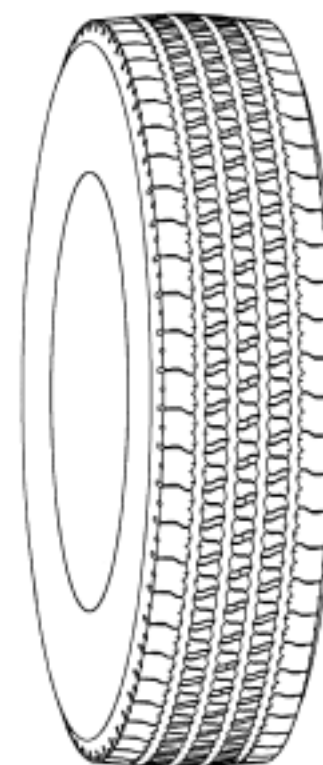
- (21) Design Number: **12207/2011**  
(22) Date of Filing Application: **04 May 2011**  
(24) Date from which industrial property rights may have effect: **04 May 2011**  
(54) Product in respect of which the design is registered: **Rechargeable anti bark collar using spray-based correction technology**  
(51) International Design Classification: **30-04**  
(74) Name(s) of Attorney(s):  
(71) Name(s) and Address(s) of Applicant(s):  
**Bridges Business Group Pty Ltd**  
**PO Box 5790 Brendale Queensland 4500 Australia**  
(72) Name(s) of Designer(s): **Matthew Bridges**  
(45) Registration Date: **30 June 2011**  
(56) Related Art Documents: **Not Applicable**  
(57) Statement of Newness and Distinctiveness: **Nil**



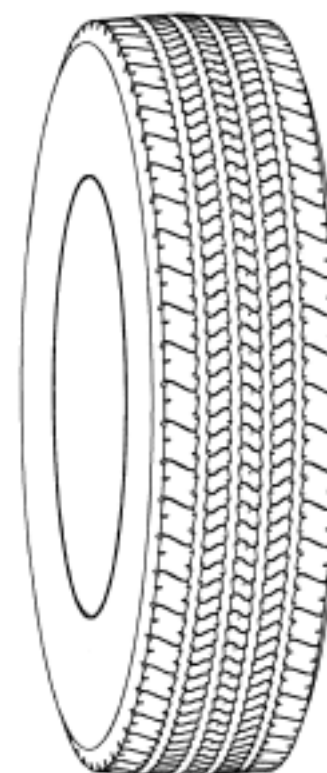
- (21) Design Number: **12208/2011**  
(22) Date of Filing Application: **04 May 2011**  
(24) Date from which industrial property rights may have effect: **04 May 2011**  
(54) Product in respect of which the design is registered: **Rechargeable remote-controlled training collar using spray-based correction technology**  
(51) International Design Classification: **30-04**  
(74) Name(s) of Attorney(s):  
(71) Name(s) and Address(s) of Applicant(s):  
**Bridges Business Group Pty Ltd**  
**PO Box 5790 Brendale Queensland 4500 Australia**  
(72) Name(s) of Designer(s): **Matthew Bridges**  
(45) Registration Date: **30 June 2011**  
(56) Related Art Documents: **Not Applicable**  
(57) Statement of Newness and Distinctiveness: **Nil**



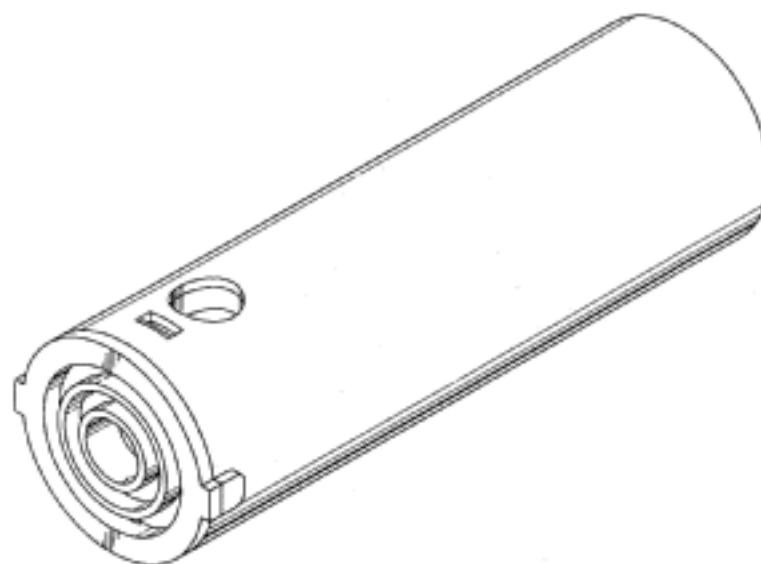
- (21) Design Number: **12515/2011**  
(22) Date of Filing Application: **06 June 2011**  
(24) Date from which industrial property rights may have effect: **06 June 2011**  
(54) Product in respect of which the design is registered: **A tyre**  
(51) International Design Classification: **12-15A**  
(74) Name(s) of Attorney(s): **WATERMARK PATENT AND TRADE MARKS ATTORNEYS**  
(71) Name(s) and Address(s) of Applicant(s):  
**Societe De Technologie Michelin**  
**23 rue Breschet F-63000 Clermont-Ferrand Cedex France**  
**Michelin Recherche et Technique S.A.**  
**Route Louis Braille 10 et 12 CH-1763 Granges-Paccot Switzerland**  
(72) Name(s) of Designer(s): **Patrick Corsi and Jonathan Lejeune**  
(45) Registration Date: **30 June 2011**  
(30) Convention priority data:  
(31) Number      (32) Date      (33) Country  
**10/6292      14 Dec 2010      FRANCE**  
(56) Related Art Documents: **Not Applicable**  
(57) Statement of Newness and Distinctiveness: **Newness and distinctiveness resides in the shape and pattern applied to the tread region of the tyre, the remainder of the tyre forming no part of the design.**



- (21) Design Number: **12516/2011**  
(22) Date of Filing Application: **06 June 2011**  
(24) Date from which industrial property rights may have effect: **06 June 2011**  
(54) Product in respect of which the design is registered: **A tyre**  
(51) International Design Classification: **12-15A**  
(74) Name(s) of Attorney(s): **WATERMARK PATENT AND TRADE MARKS ATTORNEYS**  
(71) Name(s) and Address(s) of Applicant(s):  
**Societe De Technologie Michelin**  
**23 rue Breschet F-63000 Clermont-Ferrand Cedex France**  
**Michelin Recherche et Technique S.A.**  
**Route Louis Braille 10 et 12 CH-1763 Granges-Paccot Switzerland**  
(72) Name(s) of Designer(s): **Patrick Corsi and Jonathan Lejeune**  
(45) Registration Date: **30 June 2011**  
(30) Convention priority data:  
(31) Number (32) Date (33) Country  
**10/6291 14 Dec 2010 FRANCE**  
(56) Related Art Documents: **Not Applicable**  
(57) Statement of Newness and Distinctiveness: **Newness and distinctiveness resides in the shape and pattern applied to the tread region of the tyre, the remainder of the tyre forming no part of the design.**



- (21) Design Number: **12517/2011**  
(22) Date of Filing Application: **03 June 2011**  
(24) Date from which industrial property rights may have effect: **03 June 2011**  
(54) Product in respect of which the design is registered: **Battery with five electrodes**  
(51) International Design Classification: **13-02**  
(74) Name(s) of Attorney(s): **Collison & Co**  
(71) Name(s) and Address(s) of Applicant(s):  
**Guangdong Jefast Portable Lighting Co., Ltd.**  
**No. 18 Nantou Dadao East Nantou Zhongshan Guangdong China**  
(72) Name(s) of Designer(s): **Yun-Zhao Liu**  
(45) Registration Date: **30 June 2011**  
(30) Convention priority data:  
(31) Number (32) Date (33) Country  
**201130015960.2 27 Jan 2011 CHINA**  
(56) Related Art Documents: **Not Applicable**  
(57) Statement of Newness and Distinctiveness: **Nil**



(21) Design Number: **11535/2011**  
(22) Date of Filing Application: **08 April 2011**  
(24) Date from which industrial property rights may have effect: **08 April 2011**  
(54) Product in respect of which the design is registered: **Decorative screen**  
(51) International Design Classification: **05-06NES, 11-02F**  
(74) Name(s) of Attorney(s): **Choy Lawyers**  
(71) Name(s) and Address(s) of Applicant(s):  
**Katherine Brennan**  
**526 Malvern Road Prahran Victoria 3181 Australia**  
(72) Name(s) of Designer(s): **Katherine Brennan**  
(45) Registration Date: **30 June 2011**  
(56) Related Art Documents: **Not Applicable**  
(57) Statement of Newness and Distinctiveness: **Nil**



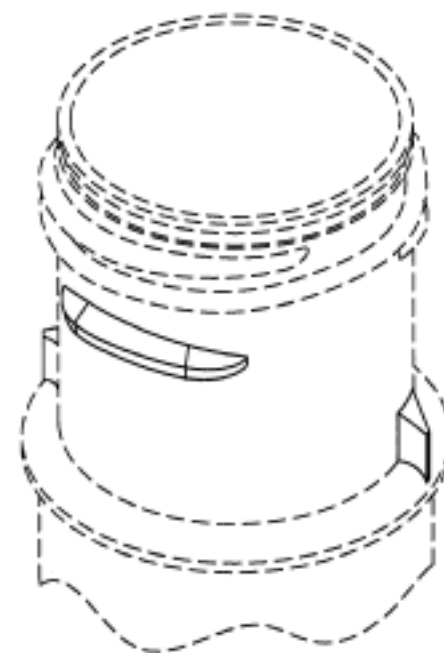
(21) Design Number: **12529/2011**  
(22) Date of Filing Application: **03 June 2011**  
(24) Date from which industrial property rights may have effect: **03 June 2011**  
(54) Product in respect of which the design is registered: **Shelving beam**  
(51) International Design Classification: **06-04NES**  
(74) Name(s) of Attorney(s): **Griffith Hack**  
(71) Name(s) and Address(s) of Applicant(s):  
**Edsal Manufacturing Company, Inc.**  
**4400 South Packers Avenue Chicago IL 60609 3314 United States of America**  
(72) Name(s) of Designer(s): **Bruce Saltzberg and David Wojotowicz and Jeffery L. Lamber and Thomas J. St. Germain and Anthony J. Toyner and Mitchell E. Bianchin**  
(45) Registration Date: **30 June 2011**  
(56) Related Art Documents: **Not Applicable**  
(57) Statement of Newness and Distinctiveness: **Nil**



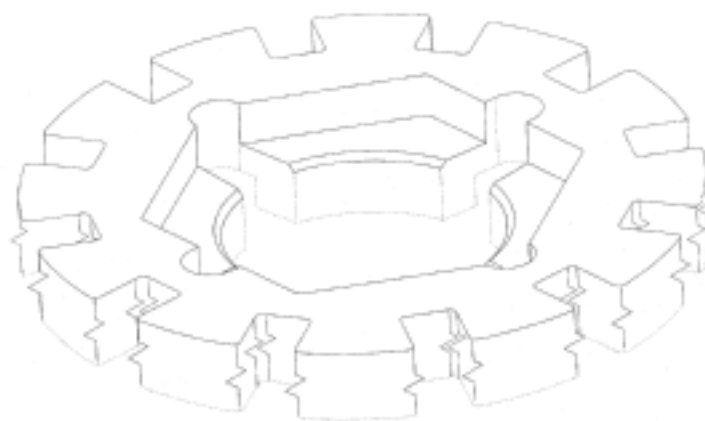
- (21) Design Number: **12530/2011**  
(22) Date of Filing Application: **03 June 2011**  
(24) Date from which industrial property rights may have effect: **03 June 2011**  
(54) Product in respect of which the design is registered: **Shelving beam**  
(51) International Design Classification: **06-04NES**  
(74) Name(s) of Attorney(s): **Griffith Hack**  
(71) Name(s) and Address(s) of Applicant(s):  
**Edsal Manufacturing Company, Inc.**  
**4400 South Packers Avenue Chicago IL 60609 3314 United States of America**  
(72) Name(s) of Designer(s): **Bruce Saltzberg and David Wojotowicz and Jeffery L. Lamber and Thomas J. St. Germain and Anthony J. Toyner and Mitchell E. Bianchin**  
(45) Registration Date: **30 June 2011**  
(56) Related Art Documents: **Not Applicable**  
(57) Statement of Newness and Distinctiveness: **Nil**



- (21) Design Number: **12694/2011**  
(22) Date of Filing Application: **16 June 2011**  
(24) Date from which industrial property rights may have effect: **16 June 2011**  
(54) Product in respect of which the design is registered: **Bottle neck**  
(51) International Design Classification: **09-01NES**  
(74) Name(s) of Attorney(s): **Davies Collison Cave**  
(71) Name(s) and Address(s) of Applicant(s):  
**Cormack Packaging Pty Ltd**  
**26 Harley Crescent Condell Park New South Wales 2200 Australia**  
(72) Name(s) of Designer(s): **Wan San Teoh and Mathew Cormack**  
(45) Registration Date: **30 June 2011**  
(56) Related Art Documents: **Not Applicable**  
(57) Statement of Newness and Distinctiveness: **Nil**



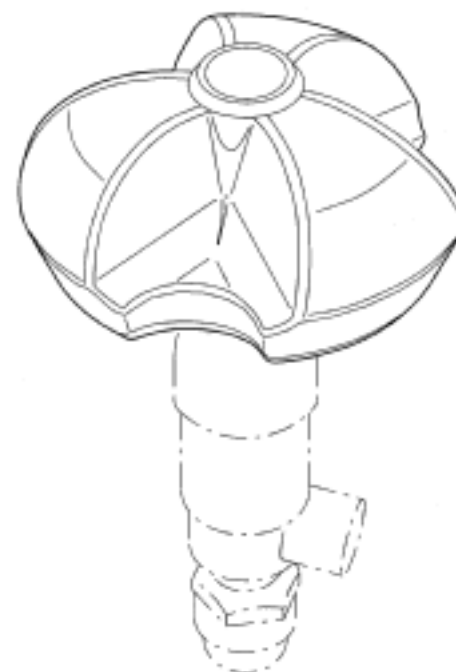
- (21) Design Number: **12699/2011**  
(22) Date of Filing Application: **16 June 2011**  
(24) Date from which industrial property rights may have effect: **16 June 2011**  
(54) Product in respect of which the design is registered: **Tool adapter of indefinite height**  
(51) International Design Classification: **08-08B**  
(74) Name(s) of Attorney(s): **Griffith Hack**  
(71) Name(s) and Address(s) of Applicant(s):  
**Brand Developers Ltd**  
**519-521 Lake Road Takapuna Auckland 0622 New Zealand**  
(72) Name(s) of Designer(s): **Jason Lee Cooper**  
(45) Registration Date: **30 June 2011**  
(56) Related Art Documents: **Not Applicable**  
(57) Statement of Newness and Distinctiveness: **Newness and distinctiveness resides in the visual features, including shape and/or configuration of the product as shown in solid outline in the accompanying drawings. When determining whether the design is substantially similar in overall impression to another design, no regard is to be had to the features shown in dashed, dotted and/or phantom lines. In addition, it should be understood that the tool adapter is of indefinite height.**



- (21) Design Number: **10721/2011**  
(22) Date of Filing Application: **25 February 2011**  
(24) Date from which industrial property rights may have effect: **25 February 2011**  
(54) Product in respect of which the design is registered: **Anti-slip formations for floor grates**  
(51) International Design Classification: **25-02G**  
(74) Name(s) of Attorney(s): **Fisher Adams Kelly**  
(71) Name(s) and Address(s) of Applicant(s):  
**Havestock Pty Ltd**  
**452 Newman Road Geebung Queensland 4034 Australia**  
(72) Name(s) of Designer(s): **Simon Arthur Bottomley**  
(45) Registration Date: **01 July 2011**  
(56) Related Art Documents: **Not Applicable**  
(57) Statement of Newness and Distinctiveness: **The newness and distinctiveness of the design resides in the shape and configuration of the ANTI-SLIP FORMATIONS FOR FLOOR GRATES shown in the representations.**



- (21) Design Number: **11784/2011**  
(22) Date of Filing Application: **21 April 2011**  
(24) Date from which industrial property rights may have effect: **21 April 2011**  
(54) Product in respect of which the design is registered: **A tap handle**  
(51) International Design Classification: **23-01H**  
(74) Name(s) of Attorney(s): **PETER MAXWELL & ASSOCIATES**  
(71) Name(s) and Address(s) of Applicant(s):  
**Fix-A-Tap Australia Pty Limited**  
**Units 1, 2 and 4 41 Leighton Place Asquith New South Wales 2077**  
**Australia**  
(72) Name(s) of Designer(s): **Andrew Joseph Robertson and Daniel Gadd**  
(45) Registration Date: **01 July 2011**  
(56) Related Art Documents: **Not Applicable**  
(57) Statement of Newness and Distinctiveness: **Newness and distinctiveness is claimed in the shape and/or configuration of A TAP HANDLE as illustrated by the unbroken lines in the accompanying representations.**



- (21) Design Number: **12000/2011**  
(22) Date of Filing Application: **06 May 2011**  
(24) Date from which industrial property rights may have effect: **06 May 2011**  
(54) Product in respect of which the design is registered: **Blender jug**  
(51) International Design Classification: **31-00**  
(74) Name(s) of Attorney(s): **Molins & Co**  
(71) Name(s) and Address(s) of Applicant(s):  
**Breville Pty Limited**  
**Building 2 Port Air Industrial Estate 1A Hale Street Botany New South**  
**Wales 2019 Australia**  
(72) Name(s) of Designer(s): **Greg Upston and Richard Hoare**  
(45) Registration Date: **01 July 2011**  
(56) Related Art Documents: **Not Applicable**  
(57) Statement of Newness and Distinctiveness: **Newness is claimed in the features of shape and configuration of the blender jug as shown in the accompanying representations. The underside of the jug as illustrated in the bottom view is not part of the design. The blending blade coupling assemble of the jug as seen in the top view, is not part of the design.**

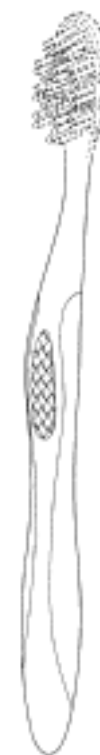




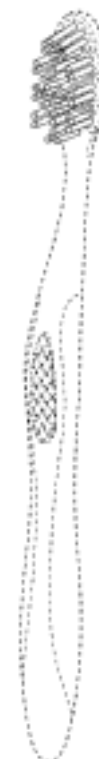
- (21) Design Number: **12541/2011**  
(22) Date of Filing Application: **06 June 2011**  
(24) Date from which industrial property rights may have effect: **06 June 2011**  
(54) Product in respect of which the design is registered: **Carburettor cover**  
(51) International Design Classification: **15-01**  
(74) Name(s) of Attorney(s): **Collison & Co**  
(71) Name(s) and Address(s) of Applicant(s):  
**Dan Groot**  
**96 Yorktown Road Elizabeth Park South Australia 5113 Australia**  
(72) Name(s) of Designer(s): **Dan Groot**  
(45) Registration Date: **01 July 2011**  
(56) Related Art Documents: **Not Applicable**  
(57) Statement of Newness and Distinctiveness: **Newness and distinctiveness resides in the shape and configuration of the carburettor head cover as shown in the accompanying representations.**



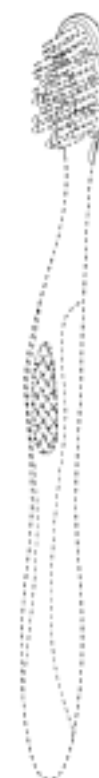
- (21) Design Number: **12544/2011**  
(22) Date of Filing Application: **06 June 2011**  
(24) Date from which industrial property rights may have effect: **06 June 2011**  
(54) Product in respect of which the design is registered: **Oral care implement**  
(51) International Design Classification: **04-02**  
(74) Name(s) of Attorney(s): **FB Rice**  
(71) Name(s) and Address(s) of Applicant(s):  
**Colgate-Palmolive Company**  
**300 Park Avenue New York New York 10022 United States of America**  
(72) Name(s) of Designer(s): **Wen Jin Xi and Yu Liu and Jian Rong Zhou**  
(45) Registration Date: **01 July 2011**  
(30) Convention priority data:  
(31) Number      (32) Date      (33) Country  
**29/381601      21 Dec 2010      UNITED STATES OF AMERICA**  
(56) Related Art Documents: **Not Applicable**  
(57) Statement of Newness and Distinctiveness: **Newness and distinctiveness reside in the features of shape and configuration of the oral care implement shown in the drawings. When determining whether the design is substantially similar in overall impression to another design, no regard is to be had to those features shown in the drawings with dotted outline, which features are provided for illustrative purposes only.**



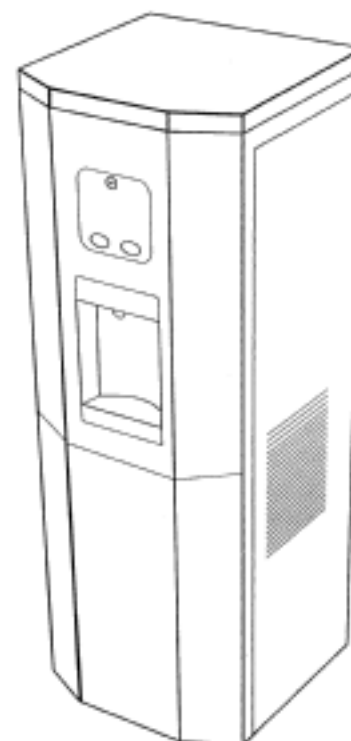
(21) Design Number: **12545/2011**  
(22) Date of Filing Application: **06 June 2011**  
(24) Date from which industrial property rights may have effect: **06 June 2011**  
(54) Product in respect of which the design is registered: **Oral care implement**  
(51) International Design Classification: **04-02**  
(74) Name(s) of Attorney(s): **FB Rice**  
(71) Name(s) and Address(s) of Applicant(s):  
**Colgate-Palmolive Company**  
**300 Park Avenue New York New York 10022 United States of America**  
(72) Name(s) of Designer(s): **Wen Jin Xi and Yu Liu and Jian Rong Zhou**  
(45) Registration Date: **01 July 2011**  
(30) Convention priority data:  
(31) Number (32) Date (33) Country  
**29/381603 21 Dec 2010 UNITED STATES OF AMERICA**  
(56) Related Art Documents: **Not Applicable**  
(57) Statement of Newness and Distinctiveness: **Newness and distinctiveness reside in the features of shape and configuration of the oral care implement shown in the drawings. When determining whether the design is substantially similar in overall impression to another design, no regard is to be had to those features shown in the drawings with dotted outline, which features are provided for illustrative purposes only.**



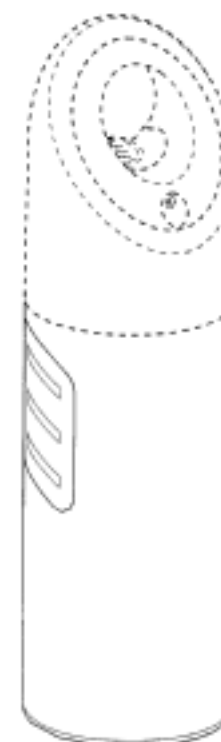
(21) Design Number: **12546/2011**  
(22) Date of Filing Application: **06 June 2011**  
(24) Date from which industrial property rights may have effect: **06 June 2011**  
(54) Product in respect of which the design is registered: **Oral care implement**  
(51) International Design Classification: **04-02**  
(74) Name(s) of Attorney(s): **FB Rice**  
(71) Name(s) and Address(s) of Applicant(s):  
**Colgate-Palmolive Company**  
**300 Park Avenue New York New York 10022 United States of America**  
(72) Name(s) of Designer(s): **Wen Jin Xi and Yu Liu and Jian Rong Zhou**  
(45) Registration Date: **01 July 2011**  
(30) Convention priority data:  
(31) Number (32) Date (33) Country  
**29/381603 21 Dec 2010 UNITED STATES OF AMERICA**  
(56) Related Art Documents: **Not Applicable**  
(57) Statement of Newness and Distinctiveness: **Newness and distinctiveness reside in the features of shape and configuration of the oral care implement shown in the drawings. When determining whether the design is substantially similar in overall impression to another design, no regard is to be had to those features shown in the drawings with dotted outline, which features are provided for illustrative purposes only.**



(21) Design Number: **11566/2009**  
(22) Date of Filing Application: **01 May 2009**  
(24) Date from which industrial property rights may have effect: **01 May 2009**  
(54) Product in respect of which the design is registered: **Water purifier**  
(51) International Design Classification: **23-01G**  
(74) Name(s) of Attorney(s): **Fisher Adams Kelly**  
(71) Name(s) and Address(s) of Applicant(s):  
**EcoloBlue Inc**  
**3109 Grand Avenue #423 Miami Florida 33133 United States of America**  
(72) Name(s) of Designer(s): **Wayne Ferreira and Henri-James Tieleman**  
(45) Registration Date: **01 July 2011**  
(30) Convention priority data:  
(31) Number (32) Date (33) Country  
**29/327,235 03 Nov 2008 UNITED STATES OF AMERICA**  
(56) Related Art Documents: **Not Applicable**  
(57) Statement of Newness and Distinctiveness: **Nil**



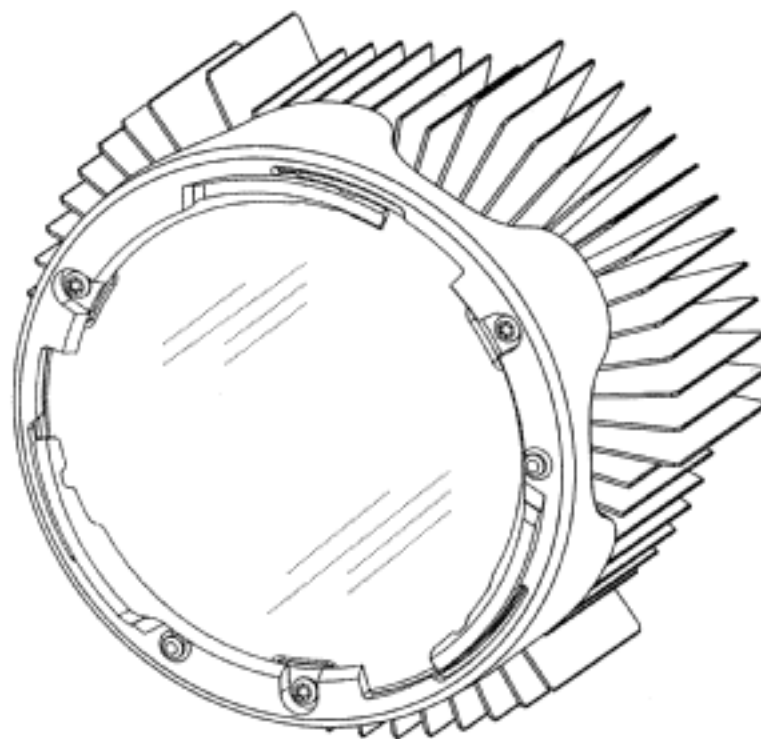
(21) Design Number: **11839/2011**  
(22) Date of Filing Application: **28 April 2011**  
(24) Date from which industrial property rights may have effect: **28 April 2011**  
(54) Product in respect of which the design is registered: **Container**  
(51) International Design Classification: **09-01A**  
(74) Name(s) of Attorney(s): **FB Rice**  
(71) Name(s) and Address(s) of Applicant(s):  
**Colgate-Palmolive Company**  
**300 Park Avenue New York New York 10022 United States of America**  
(72) Name(s) of Designer(s): **Kiat-Cheong Toh and Simon Nicholas Dutton**  
(45) Registration Date: **01 July 2011**  
(30) Convention priority data:  
(31) Number (32) Date (33) Country  
**29/378556 05 Nov 2010 UNITED STATES OF AMERICA**  
(56) Related Art Documents: **Not Applicable**  
(57) Statement of Newness and Distinctiveness: **Newness and distinctiveness reside in the features of shape and ornamentation of the container shown in the representations. When determining whether the design is substantially similar in overall impression to another design, no regard is to be had to those features shown in the drawings with dotted outline, which features are provided for illustrative purposes only.**



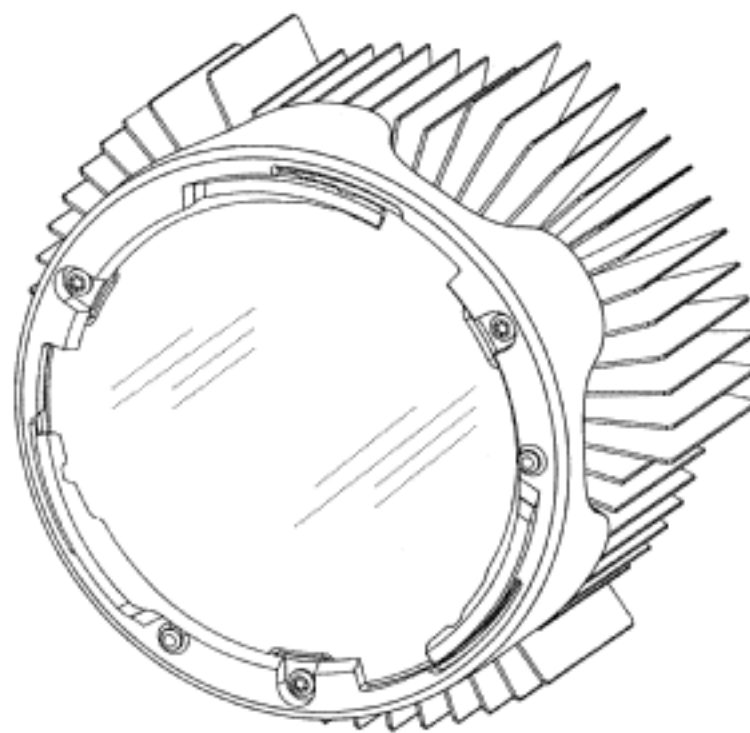
- (21) Design Number: **11960/2011**  
(22) Date of Filing Application: **03 May 2011**  
(24) Date from which industrial property rights may have effect: **03 May 2011**  
(54) Product in respect of which the design is registered: **Novelty pyjamas, replicating Australian Rules football playing outfits with replica body coloured arms and legs**  
(51) International Design Classification: **02-01NES**  
(74) Name(s) of Attorney(s):  
(71) Name(s) and Address(s) of Applicant(s):  
**John Rowbottom**  
**11 Jacques Road Granton Tasmania 7030 Australia**  
(72) Name(s) of Designer(s): **John Rowbottom**  
(45) Registration Date: **01 July 2011**  
(56) Related Art Documents: **Not Applicable**  
(57) Statement of Newness and Distinctiveness: **The visual feature of the pyjamas is distinctive because it is an exact replica of the playing outfit of the Australian Rules footballer's with realistic arms and legs printed onto the pyjamas.**



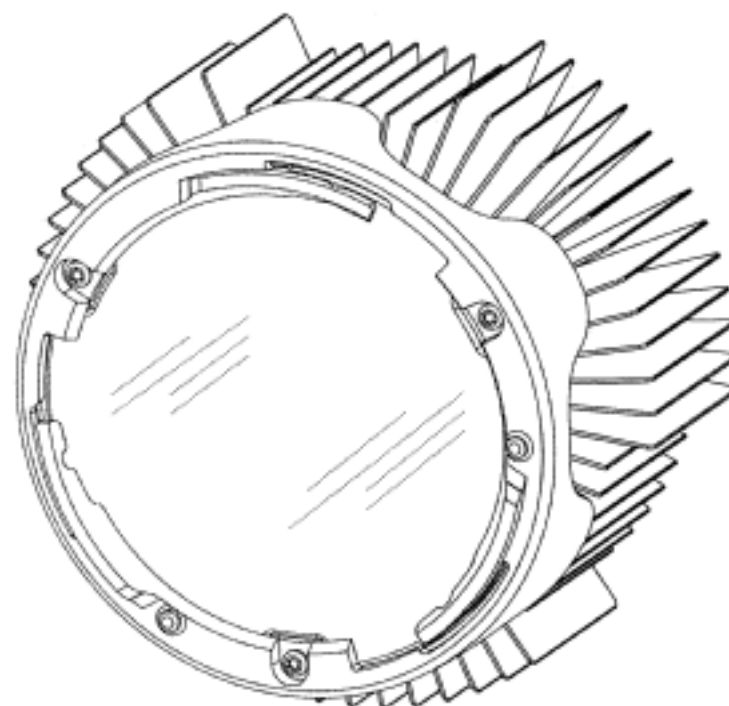
- (21) Design Number: **11806/2011**  
(22) Date of Filing Application: **27 April 2011**  
(24) Date from which industrial property rights may have effect: **27 April 2011**  
(54) Product in respect of which the design is registered: **Lighting fixture**  
(51) International Design Classification: **26-04, 26-05A, 26-05C**  
(74) Name(s) of Attorney(s): **SPRUSON & FERGUSON**  
(71) Name(s) and Address(s) of Applicant(s):  
**Cree, Inc.**  
**4600 Silicon Drive Durham North Carolina United States of America**  
(72) Name(s) of Designer(s): **Peter E. Lopez and Aparna Sproelich and Jason Taylor**  
(45) Registration Date: **01 July 2011**  
(30) Convention priority data:  
(31) Number (32) Date (33) Country  
**29/377926 27 Oct 2010 UNITED STATES OF AMERICA**  
(56) Related Art Documents: **Not Applicable**  
(57) Statement of Newness and Distinctiveness: **Newness and distinctiveness is claimed in the features of shape and/or configuration of the retention ring with undulating (sinusoidal) sidewall and heatsink with alternating sections of longer and shorter fins of a lighting fixture as illustrated in continuous lines in the accompanying representations.**



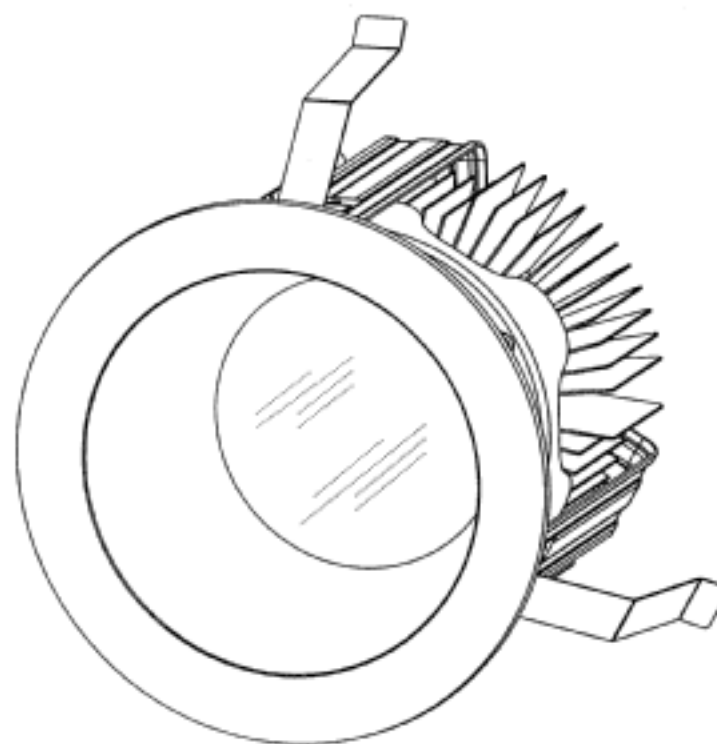
- (21) Design Number: **12878/2011**  
(22) Date of Filing Application: **27 April 2011**  
(24) Date from which industrial property rights may have effect: **27 April 2011**  
(54) Product in respect of which the design is registered: **Lighting fixture**  
(51) International Design Classification: **26-04, 26-05A, 26-05C**  
(74) Name(s) of Attorney(s): **SPRUSON & FERGUSON**  
(71) Name(s) and Address(s) of Applicant(s):  
**Cree, Inc.**  
**4600 Silicon Drive Durham North Carolina United States of America**  
(72) Name(s) of Designer(s): **Peter E. Lopez and Aparna Sproelich and Jason Taylor**  
(45) Registration Date: **01 July 2011**  
(30) Convention priority data:  
(31) Number (32) Date (33) Country  
**29/377926 27 Oct 2010 UNITED STATES OF AMERICA**  
(56) Related Art Documents: **Not Applicable**  
(57) Statement of Newness and Distinctiveness: **Newness and distinctiveness is claimed in the features of shape and/or configuration of the retention ring with undulating (sinusoidal) sidewall and heatsink with alternating sections of longer and shorter fins of a lighting fixture as illustrated in continuous lines in the accompanying representations.**



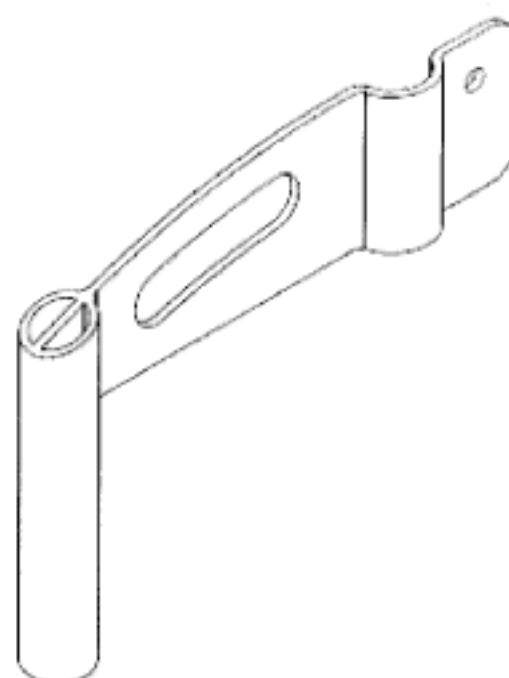
- (21) Design Number: **12879/2011**  
(22) Date of Filing Application: **27 April 2011**  
(24) Date from which industrial property rights may have effect: **27 April 2011**  
(54) Product in respect of which the design is registered: **Lighting fixture**  
(51) International Design Classification: **26-04, 26-05A, 26-05C**  
(74) Name(s) of Attorney(s): **SPRUSON & FERGUSON**  
(71) Name(s) and Address(s) of Applicant(s):  
**Cree, Inc.**  
**4600 Silicon Drive Durham North Carolina United States of America**  
(72) Name(s) of Designer(s): **Peter E. Lopez and Aparna Sproelich and Jason Taylor**  
(45) Registration Date: **01 July 2011**  
(30) Convention priority data:  
(31) Number (32) Date (33) Country  
**29/377926 27 Oct 2010 UNITED STATES OF AMERICA**  
(56) Related Art Documents: **Not Applicable**  
(57) Statement of Newness and Distinctiveness: **Newness and distinctiveness is claimed in the features of shape and/or configuration of the retention ring with undulating (sinusoidal) sidewall and heatsink with alternating sections of longer and shorter fins of a lighting fixture as illustrated in continuous lines in the accompanying representations.**



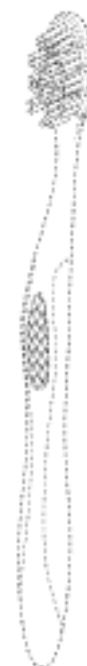
- (21) Design Number: **12880/2011**  
(22) Date of Filing Application: **27 April 2011**  
(24) Date from which industrial property rights may have effect: **27 April 2011**  
(54) Product in respect of which the design is registered: **Lighting fixture**  
(51) International Design Classification: **26-04, 26-05A, 26-05C**  
(74) Name(s) of Attorney(s): **SPRUSON & FERGUSON**  
(71) Name(s) and Address(s) of Applicant(s):  
**Cree, Inc.**  
**4600 Silicon Drive Durham North Carolina United States of America**  
(72) Name(s) of Designer(s): **Peter E. Lopez and Aparna Sproelich and Jason Taylor**  
(45) Registration Date: **01 July 2011**  
(30) Convention priority data:  
(31) Number (32) Date (33) Country  
**29/377926 27 Oct 2010 UNITED STATES OF AMERICA**  
(56) Related Art Documents: **Not Applicable**  
(57) Statement of Newness and Distinctiveness: **Newness and distinctiveness is claimed in the features of shape and/or configuration of the retention ring with undulating (sinusoidal) sidewall and heatsink with alternating sections of longer and shorter fins of a lighting fixture as illustrated in continuous lines in the accompanying representations.**



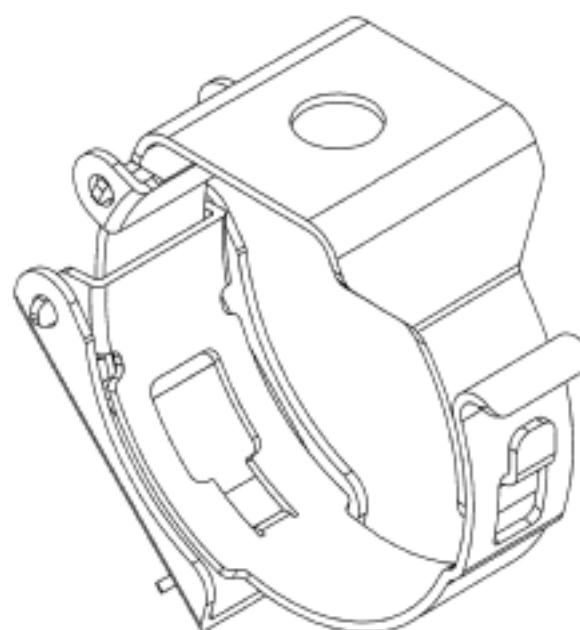
- (21) Design Number: **12352/2011**  
(22) Date of Filing Application: **25 May 2011**  
(24) Date from which industrial property rights may have effect: **25 May 2011**  
(54) Product in respect of which the design is registered: **A locking handle for a structural support assembly**  
(51) International Design Classification: **08-06**  
(74) Name(s) of Attorney(s):  
(71) Name(s) and Address(s) of Applicant(s):  
**Liberation Developments Pty Ltd**  
**Level 1 172 Evans Road Salisbury Queensland 4107 Australia**  
(72) Name(s) of Designer(s): **Gregory James Bloom**  
(45) Registration Date: **01 July 2011**  
(56) Related Art Documents: **Not Applicable**  
(57) Statement of Newness and Distinctiveness: **Nil**



- (21) Design Number: **12547/2011**  
(22) Date of Filing Application: **06 June 2011**  
(24) Date from which industrial property rights may have effect: **06 June 2011**  
(54) Product in respect of which the design is registered: **Oral care implement**  
(51) International Design Classification: **04-02**  
(74) Name(s) of Attorney(s): **FB Rice**  
(71) Name(s) and Address(s) of Applicant(s):  
**Colgate-Palmolive Company**  
**300 Park Avenue New York New York 10022 United States of America**  
(72) Name(s) of Designer(s): **Wen Jin Xi and Yu Liu and Jian Rong Zhou**  
(45) Registration Date: **01 July 2011**  
(30) Convention priority data:  
(31) Number (32) Date (33) Country  
**29/381601 21 Dec 2010 UNITED STATES OF AMERICA**  
(56) Related Art Documents: **Not Applicable**  
(57) Statement of Newness and Distinctiveness: **Newness and distinctiveness reside in the features of shape and configuration of the oral care implement shown in the drawings. When determining whether the design is substantially similar in overall impression to another design, no regard is to be had to those features shown in the drawings with dotted outline, which features are provided for illustrative purposes only.**



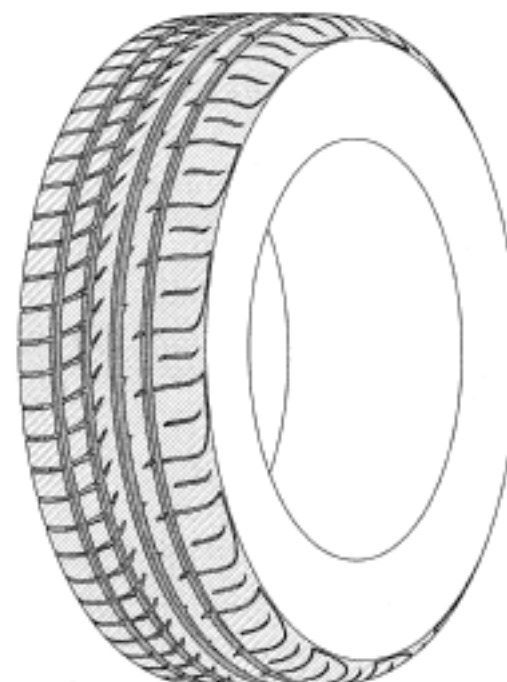
- (21) Design Number: **12548/2011**  
(22) Date of Filing Application: **06 June 2011**  
(24) Date from which industrial property rights may have effect: **06 June 2011**  
(54) Product in respect of which the design is registered: **Pipe hanger clamp**  
(51) International Design Classification: **08-08D**  
(74) Name(s) of Attorney(s): **Fisher Adams Kelly**  
(71) Name(s) and Address(s) of Applicant(s):  
**Sitka Developments Pty Ltd**  
**Level 24 10 Eagle Street Brisbane Queensland 4000 Australia**  
(72) Name(s) of Designer(s): **John Hammond and Owen Bawden and Neil Davidson**  
(45) Registration Date: **01 July 2011**  
(56) Related Art Documents: **Not Applicable**  
(57) Statement of Newness and Distinctiveness: **The newness and distinctiveness of the design resides in the shape and/or configuration of the pipe hanger clamp shown in the representations.**



(21) Design Number: **12549/2011**  
(22) Date of Filing Application: **06 June 2011**  
(24) Date from which industrial property rights may have effect: **06 June 2011**  
(54) Product in respect of which the design is registered: **Chocolate/confectionary**  
(51) International Design Classification: **01-01**  
(74) Name(s) of Attorney(s): **Baker & McKenzie**  
(71) Name(s) and Address(s) of Applicant(s):  
**Mars, Incorporated**  
**6885 Elm Street McLean Virginia 22101 United States of America**  
(72) Name(s) of Designer(s): **Bruce Hannant and Chris Weston and Crystal Liew On and Seb Gwyther**  
(45) Registration Date: **01 July 2011**  
(30) Convention priority data:  
(31) Number (32) Date (33) Country  
**1256028-0001 21 Jan 2011 EUROPEAN COMMUNITY**  
(56) Related Art Documents: **Not Applicable**  
(57) Statement of Newness and Distinctiveness: **Nil**

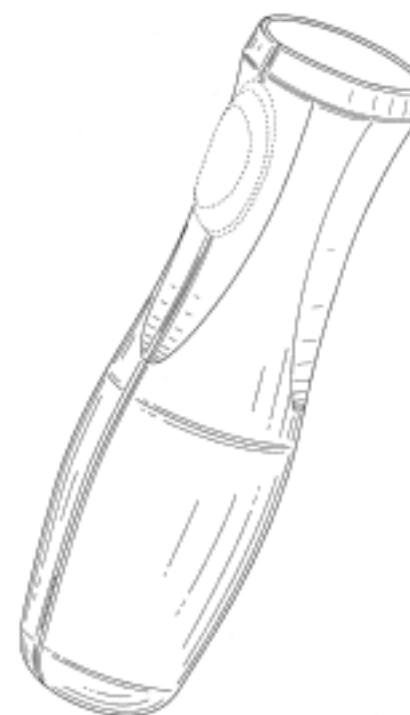


(21) Design Number: **12550/2011**  
(22) Date of Filing Application: **06 June 2011**  
(24) Date from which industrial property rights may have effect: **06 June 2011**  
(54) Product in respect of which the design is registered: **Tyre**  
(51) International Design Classification: **12-15B**  
(74) Name(s) of Attorney(s): **SPRUSON & FERGUSON**  
(71) Name(s) and Address(s) of Applicant(s):  
**The Goodyear Tire & Rubber Company**  
**1144 East Market Street Akron Ohio 44316-0001 United States of America**  
(72) Name(s) of Designer(s): **Sebastien Willy Fontaine and Maurice Graas and Jean-Francois Vandeclee and Michel Jean Yves Windeshausen and Pascal Patrick Steiner and Thierry Botman and Stephane Jose Geelen and Percy Anthony Lemaire and Michel Pierre Charles Robert**  
(45) Registration Date: **01 July 2011**  
(30) Convention priority data:  
(31) Number (32) Date (33) Country  
**29/381411 20 Dec 2010 UNITED STATES OF AMERICA**  
(56) Related Art Documents: **Not Applicable**  
(57) Statement of Newness and Distinctiveness: **Newness and distinctiveness is claimed in the features of shape and/or configuration of the tread of a tyre as illustrated in the accompanying representations, wherein the shape and/or configuration of the tread is repeated throughout the circumference of the tyre.**





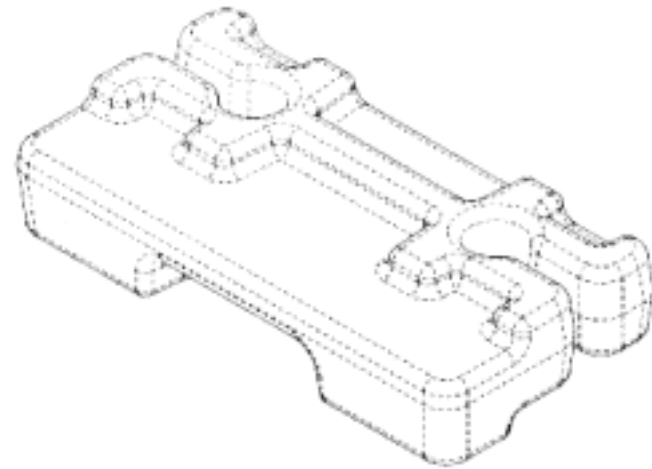
(21) Design Number: **12551/2011**  
(22) Date of Filing Application: **06 June 2011**  
(24) Date from which industrial property rights may have effect: **06 June 2011**  
(54) Product in respect of which the design is registered: **Ergonomic handle for medical device**  
(51) International Design Classification: **08-06, 24-02**  
(74) Name(s) of Attorney(s): **SPRUSON & FERGUSON**  
(71) Name(s) and Address(s) of Applicant(s):  
**Kimberly-Clark, Inc.**  
**50 Burnhamthorpe Road West Suite 1402 Mississauga Ontario L5B 3Y5**  
**Canada**  
(72) Name(s) of Designer(s): **Caitlyn Paget and Neil Godara**  
(45) Registration Date: **01 July 2011**  
(30) Convention priority data:  
(31) Number (32) Date (33) Country  
**29/382251 30 Dec 2010 UNITED STATES OF AMERICA**  
(56) Related Art Documents: **Not Applicable**  
(57) Statement of Newness and Distinctiveness: **Newness and distinctiveness is claimed in those features of shape and/or configuration of an ergonomic handle for medical device illustrated in continuous lines in the accompanying representations.**



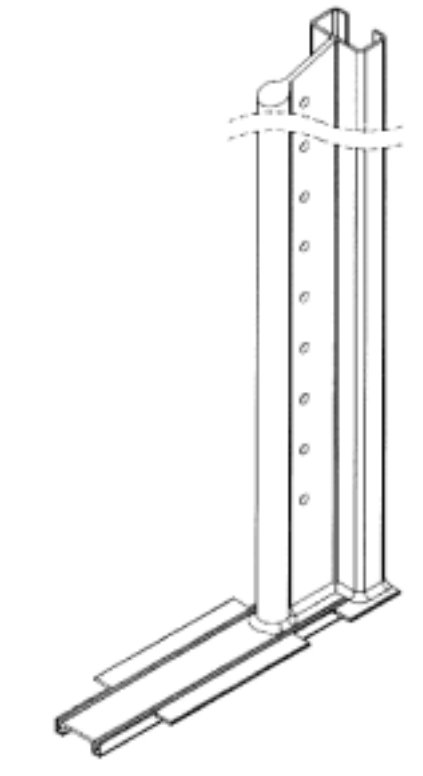
(21) Design Number: **12552/2011**  
(22) Date of Filing Application: **06 June 2011**  
(24) Date from which industrial property rights may have effect: **06 June 2011**  
(54) Product in respect of which the design is registered: **A lumen**  
(51) International Design Classification: **24-02**  
(74) Name(s) of Attorney(s): **SPRUSON & FERGUSON**  
(71) Name(s) and Address(s) of Applicant(s):  
**Kimberly-Clark, Inc.**  
**50 Burnhamthorpe Road West Suite 1402 Mississauga Ontario L5B 3Y5**  
**Canada**  
(72) Name(s) of Designer(s): **Caitlyn Paget and Padina Pezeshki and Natasha Lee Shee and Neil Godara**  
(45) Registration Date: **01 July 2011**  
(30) Convention priority data:  
(31) Number (32) Date (33) Country  
**29/382254 30 Dec 2010 UNITED STATES OF AMERICA**  
(56) Related Art Documents: **Not Applicable**  
(57) Statement of Newness and Distinctiveness: **Newness and distinctiveness is claimed in the features of shape and/or configuration of the blunt tip and grit-blasted distal end texture of a lumen as illustrated in continuous lines in the accompanying representations.**



(21) Design Number: **12340/2011**  
(22) Date of Filing Application: **25 May 2011**  
(24) Date from which industrial property rights may have effect: **25 May 2011**  
(54) Product in respect of which the design is registered: **A structural support weight**  
(51) International Design Classification: **08-08L**  
(74) Name(s) of Attorney(s):  
(71) Name(s) and Address(s) of Applicant(s):  
**Liberation Developments Pty Ltd**  
**Level 1 172 Evans Road Salisbury Queensland 4107 Australia**  
(72) Name(s) of Designer(s): **Gregory James Bloom**  
(45) Registration Date: **04 July 2011**  
(56) Related Art Documents: **Not Applicable**  
(57) Statement of Newness and Distinctiveness: **Nil**



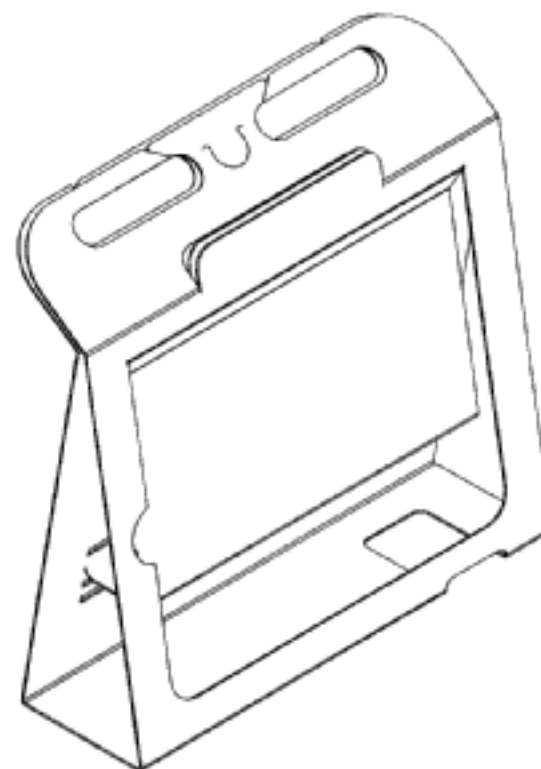
(21) Design Number: **12363/2011**  
(22) Date of Filing Application: **25 May 2011**  
(24) Date from which industrial property rights may have effect: **25 May 2011**  
(54) Product in respect of which the design is registered: **A structural support**  
(51) International Design Classification: **25-01C**  
(74) Name(s) of Attorney(s):  
(71) Name(s) and Address(s) of Applicant(s):  
**Liberation Developments Pty Ltd**  
**Level 1 172 Evans Road Salisbury Queensland 4107 Australia**  
(72) Name(s) of Designer(s): **Gregory James Bloom**  
(45) Registration Date: **04 July 2011**  
(56) Related Art Documents: **Not Applicable**  
(57) Statement of Newness and Distinctiveness: **Nil**



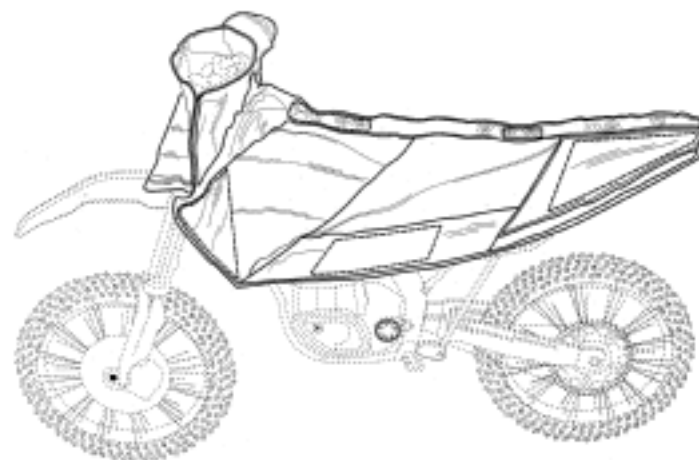
- (21) Design Number: **12457/2011**  
(22) Date of Filing Application: **01 June 2011**  
(24) Date from which industrial property rights may have effect: **01 June 2011**  
(54) Product in respect of which the design is registered: **Snail curve design template**  
(51) International Design Classification: **19-06**  
(74) Name(s) of Attorney(s):  
(71) Name(s) and Address(s) of Applicant(s):  
**Mark Andrew Wilken**  
**33 Acheron Avenue Mount Eliza Victoria 3930 Australia**  
(72) Name(s) of Designer(s): **Mark Andrew Wilken**  
(45) Registration Date: **04 July 2011**  
(56) Related Art Documents: **Not Applicable**  
(57) Statement of Newness and Distinctiveness: **This injection moulded product has a series of openings for drawing including isometric ellipses, circles, arrowheads, and a snail curve. The outer edge of the template includes a ruling edge, and a large curve. Printed surface graphic references include both the isometric and third angle projection symbols.**



- (21) Design Number: **12558/2011**  
(22) Date of Filing Application: **07 June 2011**  
(24) Date from which industrial property rights may have effect: **07 June 2011**  
(54) Product in respect of which the design is registered: **Car seat sling for a tablet PC**  
(51) International Design Classification: **14-99, 12-16NES**  
(74) Name(s) of Attorney(s): **Pappas IP**  
(71) Name(s) and Address(s) of Applicant(s):  
**Marc Philipp Veenendaal**  
**6/47 Wyanabah Road Cronulla New South Wales 2230 Australia**  
(72) Name(s) of Designer(s): **Marc Philipp Veenendaal**  
(45) Registration Date: **04 July 2011**  
(56) Related Art Documents: **Not Applicable**  
(57) Statement of Newness and Distinctiveness: **Newness and distinctiveness is claimed in the shape and/or configuration of a car seat sling for a tablet PC as illustrated in the representations.**



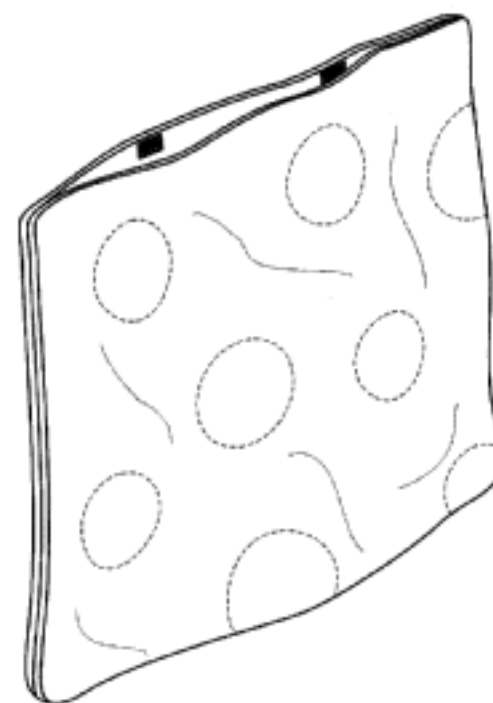
(21) Design Number: **12560/2011**  
(22) Date of Filing Application: **07 June 2011**  
(24) Date from which industrial property rights may have effect: **07 June 2011**  
(54) Product in respect of which the design is registered: **Vehicle cover**  
(51) International Design Classification: **12-16NES**  
(74) Name(s) of Attorney(s): **Collison & Co**  
(71) Name(s) and Address(s) of Applicant(s):  
**John Jay Saggau**  
**48 North Rodeo Gulch Soquel CA 95073 United States of America**  
**Andrew Jones**  
**120 Belvedere Terrace Santa Cruz CA 95062 United States of America**  
**Dave Molinari**  
**8421 Lomond Drive Huntington Beach CA 92649 United States of America**  
(72) Name(s) of Designer(s): **John Jay Saggau and Andrew Jones and Dave Molinari**  
(45) Registration Date: **04 July 2011**  
(30) Convention priority data:  
(31) Number (32) Date (33) Country  
**29/380,718 09 Dec 2010 UNITED STATES OF AMERICA**  
(56) Related Art Documents: **Not Applicable**  
(57) Statement of Newness and Distinctiveness: **Newness and distinctiveness resides in the shape and configuration of the vehicle cover as shown in the accompanying representations, excluding the dashed lines.**



(21) Design Number: **12561/2011**  
(22) Date of Filing Application: **07 June 2011**  
(24) Date from which industrial property rights may have effect: **07 June 2011**  
(54) Product in respect of which the design is registered: **Seating furniture**  
(51) International Design Classification: **06-01NES**  
(74) Name(s) of Attorney(s): **PHILLIPS ORMONDE FITZPATRICK**  
(71) Name(s) and Address(s) of Applicant(s):  
**Dauphin Entwicklungs- u. Beteiligungs-GmbH**  
**Industriestrasse 11 91217 Hersbruck Germany**  
(72) Name(s) of Designer(s): **Manfred Wolff-Plottegg**  
(45) Registration Date: **04 July 2011**  
(30) Convention priority data:  
(31) Number (32) Date (33) Country  
**577 961 501 10 Dec 2010 WORLD INTELLECTUAL PROPERTY ORGANIZATION (WIPO)**  
(56) Related Art Documents: **Not Applicable**  
(57) Statement of Newness and Distinctiveness: **Nil**



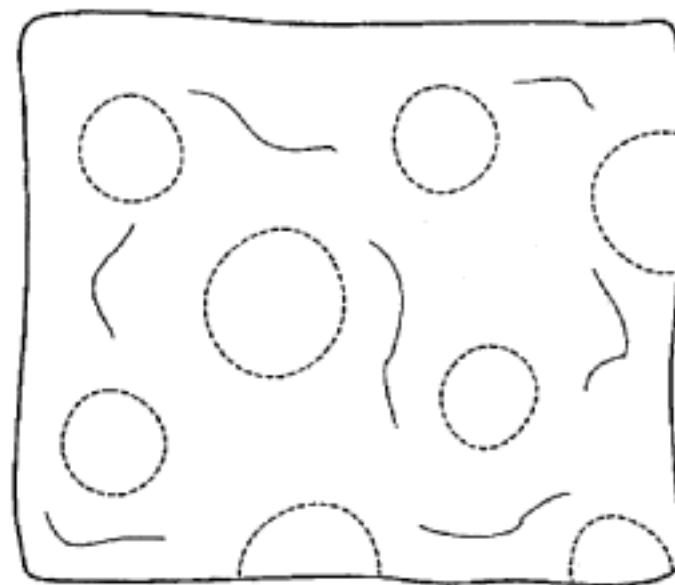
(21) Design Number: **11902/2011**  
(22) Date of Filing Application: **29 April 2011**  
(24) Date from which industrial property rights may have effect: **29 April 2011**  
(54) Product in respect of which the design is registered: **Pillowcase for a convertible stuffed animal/pillow**  
(51) International Design Classification: **06-13B**  
(74) Name(s) of Attorney(s): **Shelston IP**  
(71) Name(s) and Address(s) of Applicant(s):  
**Stephen C. Beuerle**  
**c/o Procopio Cory Hargreaves & Savitch LLP 530 B Street Suite 2100**  
**San Diego California 92101 United States of America**  
(72) Name(s) of Designer(s): **Stephen C. Beuerle**  
(45) Registration Date: **05 July 2011**  
(30) Convention priority data:  
(31) Number (32) Date (33) Country  
**29/378230 01 Nov 2010 UNITED STATES OF AMERICA**  
(56) Related Art Documents: **Not Applicable**  
(57) Statement of Newness and Distinctiveness: **Newness and distinctiveness resides in the features of shape and/or configuration of the pillowcase shown in the accompanying representations. The features of the pillowcase shown in broken lines are for illustrative purposes only and form no part of the design.**



(21) Design Number: **11907/2011**  
(22) Date of Filing Application: **29 April 2011**  
(24) Date from which industrial property rights may have effect: **29 April 2011**  
(54) Product in respect of which the design is registered: **A motorcycle**  
(51) International Design Classification: **12-11**  
(74) Name(s) of Attorney(s): **SPRUSON & FERGUSON**  
(71) Name(s) and Address(s) of Applicant(s):  
**Honda Motor Co., Ltd.**  
**1-1 Minami-Aoyama 2-Chome Minato-ku Tokyo Japan**  
(72) Name(s) of Designer(s): **Taishi Inoue and Shinji Nagano and Atsushi Watanabe**  
(45) Registration Date: **05 July 2011**  
(30) Convention priority data:  
(31) Number (32) Date (33) Country  
**2010-026239 01 Nov 2010 JAPAN**  
(56) Related Art Documents: **Not Applicable**  
(57) Statement of Newness and Distinctiveness: **Newness and distinctiveness is claimed in those feature of shape and/or configuration of a motorcycle illustrated in shades of grey in the accompanying representations.**



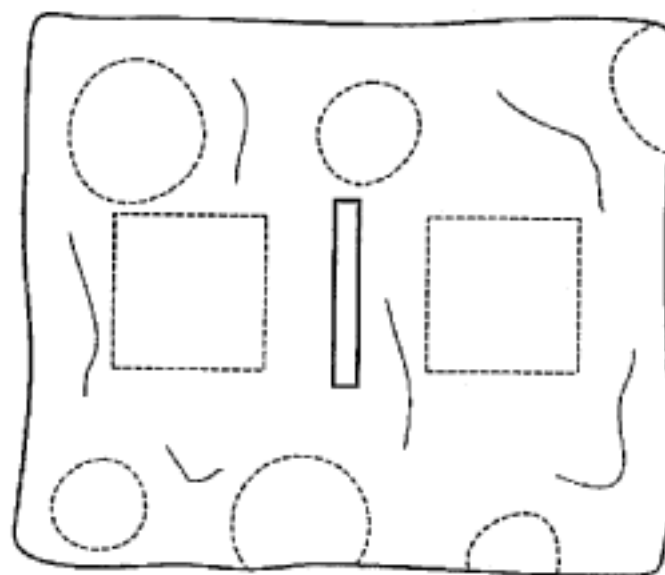
- (21) Design Number: **12936/2011**  
(22) Date of Filing Application: **29 April 2011**  
(24) Date from which industrial property rights may have effect: **29 April 2011**  
(54) Product in respect of which the design is registered: **Pillowcase for a convertible stuffed animal/pillow**  
(51) International Design Classification: **06-13B**  
(74) Name(s) of Attorney(s): **Shelston IP**  
(71) Name(s) and Address(s) of Applicant(s):  
**Stephen C. Beuerle**  
**c/o Procopio Cory Hargreaves & Savitch LLP 530 B Street Suite 2100**  
**San Diego California 92101 United States of America**  
(72) Name(s) of Designer(s): **Stephen C. Beuerle**  
(45) Registration Date: **05 July 2011**  
(62) Divisional of: **337475**  
(56) Related Art Documents: **Not Applicable**  
(57) Statement of Newness and Distinctiveness: **Newness and distinctiveness resides in the features of shape and/or configuration of the pillowcase shown in the accompanying representations. The features of the pillowcase shown in broken lines are for illustrative purposes only and form no part of the design.**



- (21) Design Number: **12937/2011**  
(22) Date of Filing Application: **29 April 2011**  
(24) Date from which industrial property rights may have effect: **29 April 2011**  
(54) Product in respect of which the design is registered: **Pillowcase for a convertible stuffed animal/pillow**  
(51) International Design Classification: **06-13B**  
(74) Name(s) of Attorney(s): **Shelston IP**  
(71) Name(s) and Address(s) of Applicant(s):  
**Stephen C. Beuerle**  
**c/o Procopio Cory Hargreaves & Savitch LLP 530 B Street Suite 2100**  
**San Diego California 92101 United States of America**  
(72) Name(s) of Designer(s): **Stephen C. Beuerle**  
(45) Registration Date: **05 July 2011**  
(62) Divisional of: **337475**  
(56) Related Art Documents: **Not Applicable**  
(57) Statement of Newness and Distinctiveness: **Newness and distinctiveness resides in the features of shape and/or configuration of the pillowcase shown in the accompanying representations. The features of the pillowcase shown in broken lines are for illustrative purposes only and form no part of the design.**



- (21) Design Number: **12941/2011**  
(22) Date of Filing Application: **29 April 2011**  
(24) Date from which industrial property rights may have effect: **29 April 2011**  
(54) Product in respect of which the design is registered: **Pillowcase for a convertible stuffed animal/pillow**  
(51) International Design Classification: **06-13B**  
(74) Name(s) of Attorney(s): **Shelston IP**  
(71) Name(s) and Address(s) of Applicant(s):  
**Stephen C. Beuerle**  
**c/o Procopio Cory Hargreaves & Savitch LLP 530 B Street Suite 2100**  
**San Diego California 92101 United States of America**  
(72) Name(s) of Designer(s): **Stephen C. Beuerle**  
(45) Registration Date: **05 July 2011**  
(62) Divisional of: **337475**  
(56) Related Art Documents: **Not Applicable**  
(57) Statement of Newness and Distinctiveness: **Newness and distinctiveness resides in the features of shape and/or configuration of the pillowcase shown in the accompanying representations. The features of the pillowcase shown in broken lines are for illustrative purposes only and form no part of the design except for the features of shape and/or configuration of the pockets shown in broken lines which do not form part of the design.**



- (21) Design Number: **12579/2011**  
(22) Date of Filing Application: **08 June 2011**  
(24) Date from which industrial property rights may have effect: **08 June 2011**  
(54) Product in respect of which the design is registered: **Roll-on wax applicator**  
(51) International Design Classification: **28-03NES**  
(74) Name(s) of Attorney(s): **SPRUSON & FERGUSON**  
(71) Name(s) and Address(s) of Applicant(s):  
**Church & Dwight Co., Inc.**  
**469 North Harrison Street Princeton New Jersey 08543-5297 United States of America**  
(72) Name(s) of Designer(s): **Virginie Fera and Gilles Coupard**  
(45) Registration Date: **05 July 2011**  
(30) Convention priority data:  
(31) Number (32) Date (33) Country  
**106309 16 Dec 2010 FRANCE**  
(56) Related Art Documents: **Not Applicable**  
(57) Statement of Newness and Distinctiveness: **Newness and distinctiveness is claimed in the features of shape and/or configuration of the cap of a roll-on wax applicator as illustrated in the accompanying representations.**

