



**Australian Government**

---

**IP Australia**

**AUSTRALIAN OFFICIAL JOURNAL**

**OF**

**DESIGNS**

Did you know a searchable version of this journal is now available online?

It's FREE and EASY to SEARCH.

Find it on our website ([www.ipaustralia.gov.au](http://www.ipaustralia.gov.au))

by using the "Journals" link on the home page.

This Page Left Intentionally Blank

**Contents**

**General Information & Notices**

**Proceedings Under the Designs Act 1906 preserved as a result of the provisions of Chapter 12  
Part 2 of the Designs Act 2003**

<b>Extension of Period of Registration of Designs .....</b>	<b>2012</b>
<b>Names Registered - Alterations and Amendments .....</b>	<b>2012</b>
<b>Registrations Ceased .....</b>	<b>2012</b>
<b>Subsequent Owners Registered .....</b>	<b>2012</b>

**Proceedings Under the Designs Act 2003**

<b>Applications Lapsed .....</b>	<b>2020</b>
<b>Applications Lodged .....</b>	<b>2016</b>
<b>Applications Withdrawn .....</b>	<b>2020</b>
<b>Certificate of Examination .....</b>	<b>2022</b>
<b>Extension of Period of Registration of Design .....</b>	<b>2021</b>
<b>Extension of Time Granted Under Section 137 .....</b>	<b>2021</b>
<b>Publication and Registration Proceedings</b>	
<b>Designs Registered 337481 to 337698.....</b>	<b>2023</b>
<b>Subsequent Owners Registered .....</b>	<b>2021</b>

This Page Left Intentionally Blank

For information on the following please see our website [www.ipaustralia.gov.au](http://www.ipaustralia.gov.au) or contact our Customer Service Network on 1300651010

[Editorial enquiries](#)

[Contact information](#)

[Freedom of Information ACT](#)

[Professional Standards Board](#)

[Sales](#)

[Requests for Information under Section 194 \(c\)](#)

[Country Codes](#)

[Trade Mark and Designs Hearing Sessions](#)

[INID \(Internationally agreed Numbers for the Identification of Data\)](#)

## “INID” NUMBERS in use on Australian Design Documents

“INID” is an acronym for “Internationally agreed Numbers for the Identification of Data”.

### (10) Data concerning the registration/renewal

- (11) Serial number of the registration and/or number of the design document
- (12) Plain language designation of the kind of published document
- (19) Identification, using the two-letter code according to WIPO Standard ST.3, of the authority publishing or registering the industrial design

### (20) Data concerning the application

- (21) Serial number of the application
- (22) Date of filing of the application
- (24) Date from which the industrial design right has effect

### (30) Data relating to priority under the Paris Convention

- (31) Serial number assigned to the priority application
- (32) Date of filing of the priority application
- (33) Two-letter code, according to WIPO Standard ST.3, identifying the authority with which the priority application was made

### (40) Date(s) of making information available to the public

- (45) Date of publication of the registered industrial design by printing or similar process, or making it available to the public by any other means

### (50) Miscellaneous Information

- (51) International Classification for Industrial Designs (class and subclass of the Locarno Classification)
- (54) Designation of article(s) or product(s) covered by the industrial design or title of the industrial design
- (55) Reproduction of the industrial design (e.g., drawing, photograph) and explanations relating to the reproduction
- (56) List of prior art documents, if separate from descriptive text
- (57) Description of characteristic features of the industrial design including indication of colours

### (60) References to other legally related application(s) and registration(s)

- (62) Serial number(s) and, if available, filing date(s) of application(s), registration(s) or document(s) related by division
- (66) Serial number(s) of the application, or the registration, of the design(s) which is (are) a variant(s) of the present one

### (70) Identification of parties concerned with the application or registration

- (71) Name(s) and address(es) of the applicant(s)
- (72) Name(s) of the creator(s) if known to be such
- (74) Name(s) and address(es) of the representative(s)

This Page Left Intentionally Blank

**Nil notices for this journal issue.**

**Proceedings under the Designs Act 1906 preserved as a result of the provisions of Chapter 12 Part 2 of the Designs Act 2003.**



This Page Left Intentionally Blank

**Applications Lapsed**

There were no Applications Lapsed under this section

**Extension of Period of Registration of Designs**

**1st Period (Section 27A(8))**

**2nd Period (Section 27A(12))**

**3rd Period (Section 27A(13))**

142740	143057	143117
143193	143258	143265
143277	143359	143511
143512	143753	143755
143775	143807	143808
143852	143853	143899
144150	144163	144426
144427	144428	144556
144557	144753	144975
145597	146178	146236
146321	148007	

**Subsequent Owners Registered**

148795	( LIXIL Corporation ) INAX CORPORATION
148796	( LIXIL Corporation ) INAX CORPORATION
148801	( LIXIL Corporation ) INAX CORPORATION

**Names Registered - Alterations and Amendments**

(The name in parentheses is the new name of the proprietor)

146178	( Matthew Legh ) Karen Legh
--------	-----------------------------

**Registrations Ceased**

Note: Some of the following Registrations may have been previously advertised as ceased. In this instance, the previous advertisement still prevails.

125198	125954	125958
126020	126115	126134
126522	128697	129272
129291	140134	141215
142015	142078	142473
142474	142475	142786
144465		

**Subsequent Owners Registered**

(The name in parentheses is that of the subsequent owner)

143513	( LIXIL Corporation ) INAX CORPORATION
143523	( LIXIL Corporation ) INAX CORPORATION
143524	( LIXIL Corporation ) INAX CORPORATION
143525	( LIXIL Corporation ) INAX CORPORATION
143526	( LIXIL Corporation ) INAX CORPORATION
143619	( LIXIL Corporation ) INAX CORPORATION
144522	( LIXIL Corporation ) INAX CORPORATION
144759	( LIXIL Corporation ) INAX CORPORATION
144760	( LIXIL Corporation ) INAX CORPORATION
145178	( LIXIL Corporation ) INAX CORPORATION
145179	( LIXIL Corporation ) INAX CORPORATION
145294	( LIXIL Corporation ) INAX CORPORATION
148070	( LIXIL Corporation ) INAX CORPORATION
148115	( LIXIL Corporation ) INAX CORPORATION

This Page Left Intentionally Blank

**Proceedings under the Designs Act 2003.**

This Page Left Intentionally Blank

**Applications Lodged**

Lodgement information is in the following order: **Applicant's Name**; International Classification, Name of Product, Lodgement Date and **Design Number**. If the applicant claims an earlier priority date under an International Convention, the Convention Country and the associated filing date are shown in parentheses before the Lodgement Date. Divisional information will also appear in parentheses before the Lodgement Date.

<b>A-Mark Manufacturing;</b> 25-01NES, Finishing trim used in tiling installations, 12 Jul 2011	<b>13071/2011</b>	<b>Beats Electronics, LLC;</b> 14-01, Audio listening system, (US, 03 Jan 2011) 01 Jul 2011	<b>12951/2011</b>
<b>Airlaw Pty Limited;</b> 09-07A, 09-05, A dispenser or valve and a package, 08 Jul 2011	<b>13060/2011</b>	<b>Beats Electronics, LLC;</b> 14-01, Audio listening system, (US, 03 Jan 2011) 01 Jul 2011	<b>12952/2011</b>
<b>Alive Girl Pty Ltd;</b> 02-02C, 02-02NES, Apparel, 07 Jul 2011	<b>13053/2011</b>	<b>Beba Enterprises Pty Ltd;</b> 02-02NES, Cardigan, 11 Jan 2011	<b>13065/2011</b>
<b>Alo Aktiebolag;</b> 12-09, Front loader for tractor, (EM, 10 Jan 2011) 07 Jul 2011	<b>13052/2011</b>	<b>Beba Enterprises Pty Ltd;</b> 02-02C, Women's clothing, 08 Jul 2011	<b>13083/2011</b>
<b>Apple Inc.;</b> 14-02, Portable display device, (US, 07 Jan 2011) 07 Jul 2011	<b>13044/2011</b>	<b>Beltrame, Carlo;</b> 12-13, 12-10, Design concept is in reference to refuse collection/transportation by truck or tractor but not, exclusive as the application options can extend to a multitude of related road transport variations where freight, is processed before being shipped, 08 Jul 2011	<b>13045/2011</b>
<b>Apple Inc.;</b> 14-01, Portable display device, (US, 07 Jan 2011) 07 Jul 2011	<b>13042/2011</b>	<b>Bonds Industries Pty Ltd;</b> 02-02C, Baby garment, 01 Jul 2011	<b>12953/2011</b>
<b>Apple Inc.;</b> 14-01, Portable display device, (US, 07 Jan 2011) 07 Jul 2011	<b>13043/2011</b>	<b>Breville Pty Limited;</b> 07-02N, Deep fryer, 08 Jul 2011	<b>13039/2011</b>
<b>Aquaponicals Pty Ltd;</b> 30-02, A square aquaponics fish tank, 01 Jul 2011	<b>12973/2011</b>	<b>Brightgreen Pty Ltd;</b> 26-05E, LED light fitting, 01 Jul 2011	<b>12968/2011</b>
<b>Aquaponicals Pty Ltd;</b> 30-02, A round aquaponics fish tank, 01 Jul 2011	<b>12974/2011</b>	<b>Buchan, Shane Mark;</b> 25-01K, Extrusion, 05 Jul 2011	<b>12996/2011</b>
<b>Aquaponicals Pty Ltd;</b> 30-02, A rectangular aquaponics fish tank, 01 Jul 2011	<b>12972/2011</b>	<b>Chef'n Corporation;</b> 07-04, Food chopper, (Divisional of 11931/2011) 02 May 2011	<b>13000/2011</b>
<b>Aquarius Rubber (Aust.) Pty. Ltd.;</b> 25-01G, Flashing device, 13 Jul 2011	<b>13115/2011</b>	<b>Clarke, Sebastian;Clarke, Celina;</b> 26-05D, Candy rectangular light, 01 Jul 2011	<b>12977/2011</b>
<b>Arlec Australia Pty. Ltd.;</b> 13-03B, Electrical contact, 01 Jul 2011	<b>12969/2011</b>	<b>Clarke, Celina;Clarke, Sebastian;</b> 26-05D, Candy rectangular light, 01 Jul 2011	<b>12977/2011</b>
<b>Arlec Australia Pty. Ltd.;</b> 13-03NES, Electrical contact, 04 Jul 2011	<b>12991/2011</b>	<b>Clarke, Sebastian;Clarke, Celina;</b> 26-05D, Candy circular light, 01 Jul 2011	<b>12976/2011</b>
<b>Astra Tech AB;</b> 09-05, 24-02, Catheter package, (EM, 14 Jan 2011) 01 Jul 2011	<b>12954/2011</b>	<b>Clarke, Celina;Clarke, Sebastian;</b> 26-05D, Candy circular light, 01 Jul 2011	<b>12976/2011</b>
<b>AHI Roofing Limited;</b> 25-01F, A tile, 08 Jul 2011	<b>13040/2011</b>	<b>Colgate-Palmolive Company;</b> 09-01A, Container, (US, 05 Nov 2010) 28 Apr 2011	<b>13069/2011</b>
<b>Baroda Manufacturing Pty Ltd;</b> 09-02C, Single orifice drum, 07 Jul 2011	<b>13047/2011</b>	<b>Colgate-Palmolive Company;</b> 09-01A, Container, (US, 05 Nov 2010) 28 Apr 2011	<b>13086/2011</b>
<b>Baroda Manufacturing Pty Ltd;</b> 09-02C, Double orifice drum, 07 Jul 2011	<b>13050/2011</b>	<b>Columbia Insurance Company;</b> 10-04, Measuring spoon, (US, 20 Jan 2011) 08 Jul 2011	<b>13057/2011</b>
<b>Barui, Kiron;</b> 11-01A, Jewellery, 08 Jul 2011	<b>13041/2011</b>	<b>Corbell, Michael;Corbell, Kymmie;</b> 08-07, Deflecting closure means, 07 Jul 2011	<b>13054/2011</b>
<b>Beans Hair LLC;</b> 04-02, Hair brush, (US, 11 Jan 2011) 08 Jul 2011	<b>13067/2011</b>		

<b>Corbell, Kymmie;Corbell, Michael;</b> 08-07, Deflecting closure means, 07 Jul 2011	<b>13054/2011</b>	<b>Glow Europe B.V.;</b> 21-01NES, Toy, (EM, 05 Jan 2011) 05 Jul 2011	<b>13017/2011</b>
<b>Cree, Inc.;</b> 26-05A, Troffer-style lighting fixture, (US, 09 Mar 2011) 13 Jul 2011	<b>13110/2011</b>	<b>Glow Europe B.V.;</b> 21-01NES, Toy, (EM, 05 Jan 2011) 05 Jul 2011	<b>13018/2011</b>
<b>Cree, Inc.;</b> 26-05A, Troffer-style lighting fixture, (US, 09 Mar 2011) 13 Jul 2011	<b>13111/2011</b>	<b>Glow Europe B.V.;</b> 21-01NES, Toy, (EM, 28 Jan 2011) 05 Jul 2011	<b>13009/2011</b>
<b>Cree, Inc.;</b> 26-05A, Troffer-style lighting fixture, (US, 09 Mar 2011) 13 Jul 2011	<b>13109/2011</b>	<b>Glow Europe B.V.;</b> 21-01NES, Toy, (EM, 28 Jan 2011) 05 Jul 2011	<b>13012/2011</b>
<b>Daimler AG;</b> 12-16A, Wheel for vehicle, 04 Jul 2011	<b>12988/2011</b>	<b>Glow Europe B.V.;</b> 21-01NES, Toy, (EM, 05 Jan 2011) 05 Jul 2011	<b>13015/2011</b>
<b>Daimler AG;</b> 12-16A, Wheel for vehicle, 04 Jul 2011	<b>12989/2011</b>	<b>Glow Europe B.V.;</b> 21-01NES, Toy, (EM, 28 Jan 2011) 05 Jul 2011	<b>13013/2011</b>
<b>Daimler AG;</b> 12-16A, Wheel for vehicle, 04 Jul 2011	<b>12990/2011</b>	<b>Gojo Industries, Inc.;</b> 23-02NES, Dispenser housing, (US, 14 Jan 2011) 12 Jul 2011	<b>13094/2011</b>
<b>Didier, Ross;</b> 06-01F, Chair with four splayed legs, 11 Jul 2011	<b>13075/2011</b>	<b>Goodman, Alan Philip;Goodman, Callum Sean;</b> 23-01A, A sealing ring, 04 Jul 2011	<b>12982/2011</b>
<b>Didier, Ross;</b> 06-01E, Stool with four splayed legs, 11 Jul 2011	<b>13076/2011</b>	<b>Goodman, Alan Philip;Goodman, Callum Sean;</b> 23-01A, A sealing ring, 04 Jul 2011	<b>12981/2011</b>
<b>Didier, Ross;</b> 06-04F, Cabinet on four splayed legs, 11 Jul 2011	<b>13074/2011</b>	<b>Goodman, Callum Sean;Goodman, Alan Philip;</b> 23-01A, A sealing ring, 04 Jul 2011	<b>12982/2011</b>
<b>Didier, Ross;</b> 06-03A, Table with four splayed legs, 11 Jul 2011	<b>13077/2011</b>	<b>Goodman, Callum Sean;Goodman, Alan Philip;</b> 23-01A, A sealing ring, 04 Jul 2011	<b>12981/2011</b>
<b>Eaton Corporation;</b> 21-02C, Golf grip, (US, 14 Jan 2011) 13 Jul 2011	<b>13112/2011</b>	<b>Goodman, Alan Philip;Goodman, Callum Sean;</b> 12-16A, Armoured boot for a mechanical joint for a vehicle - made from steel or similar material, 04 Jul 2011	<b>12984/2011</b>
<b>Edible Blooms Pty Ltd;</b> 01-01, Confectionery flower design, 07 Jul 2011	<b>13024/2011</b>	<b>Goodman, Callum Sean;Goodman, Alan Philip;</b> 12-16A, Armoured boot for a mechanical joint for a vehicle - made from steel or similar material, 04 Jul 2011	<b>12984/2011</b>
<b>Esling, David Allen;</b> 09-01A, A bottle for dispensing fluid, 04 Jul 2011	<b>12983/2011</b>	<b>Green, Andrew David;</b> 07-02A, Oven, 04 Jul 2011	<b>12978/2011</b>
<b>Forever New Clothing Pty Ltd;</b> 02-02NES, Women's fashion clothing, 06 Jul 2011	<b>13035/2011</b>	<b>Hamilton, Christine;Hamilton, Brian;</b> 12-06NES, A canopy, (EM, 17 Jan 2011) 06 Jul 2011	<b>13023/2011</b>
<b>Georgiou, Eftihia;</b> 07-05NES, Washing bag, 13 Jul 2011	<b>13056/2011</b>	<b>Hamilton, Brian;Hamilton, Christine;</b> 12-06NES, A canopy, (EM, 17 Jan 2011) 06 Jul 2011	<b>13023/2011</b>
<b>Glow Europe B.V.;</b> 21-01NES, Toy, (EM, 28 Jan 2011) 05 Jul 2011	<b>13011/2011</b>	<b>Hangzhou China Arts Industrial Corp., Ltd;</b> 26-05NES, Solar table lamp, 07 Jul 2011	<b>13051/2011</b>
<b>Glow Europe B.V.;</b> 21-01NES, Toy, (EM, 05 Jan 2011) 05 Jul 2011	<b>13016/2011</b>	<b>Hills, Craig;</b> 04-02, Electric toothbrush head, 04 Jul 2011	<b>12992/2011</b>
<b>Glow Europe B.V.;</b> 21-01NES, Toy, (EM, 05 Jan 2011) 05 Jul 2011	<b>13014/2011</b>		
<b>Glow Europe B.V.;</b> 21-01NES, Toy, (EM, 28 Jan 2011) 05 Jul 2011	<b>13010/2011</b>		



<b>Hills Holdings Limited;</b> 07-05A, An ironing board, 13 Jul 2011	<b>13106/2011</b>	<b>Kabushiki Kaisha Pilot Corporation, (also trading as Pilot Corporation);</b> 19-06, Ballpoint pen, (JP, 14 Jan 2011) 08 Jul 2011	<b>13058/2011</b>
<b>Hills Holdings Limited;</b> 07-05A, An ironing board, 13 Jul 2011	<b>13101/2011</b>	<b>Karsten Manufacturing Corporation;</b> 14-02, Portable electronic device holder, (US, 11 May 2011) 04 Jul 2011	<b>12987/2011</b>
<b>Hills Holdings Limited;</b> 07-05A, A jug for an ironing board, 13 Jul 2011	<b>13102/2011</b>	<b>Kenovations Pty Limited;</b> 12-02, A jackhammer trolley, 12 Jul 2011	<b>13099/2011</b>
<b>Hills Holdings Limited;</b> 07-05A, An ironing board, 13 Jul 2011	<b>13104/2011</b>	<b>Keter Plastic Ltd;</b> 21-01F, Rocking chair, (IL, 03 Jan 2011) 01 Jul 2011	<b>12967/2011</b>
<b>Hills Holdings Limited;</b> 07-05A, An ironing board, 13 Jul 2011	<b>13105/2011</b>	<b>Kolevris, Spiros;</b> 09-01G, 09-01NES, Hair product bottle in the shape of a diamond, 11 Jul 2011	<b>13059/2011</b>
<b>Hills Holdings Limited;</b> 07-05A, A counterweight for an iron chord, 13 Jul 2011	<b>13103/2011</b>	<b>Koninklijke Philips Electronics N.V.;</b> 24-01, Nasal pillows for a nasal mask assembly, (EM, 07 Jan 2011) 01 Jul 2011	<b>12962/2011</b>
<b>Hollingworth, Stuart;</b> 08-07, 08-08NES, Dome hook saddle, 12 Jul 2011	<b>13092/2011</b>	<b>Koninklijke Philips Electronics N.V.;</b> 14-01, Speaker, (EM, 06 Jan 2011) 01 Jul 2011	<b>12957/2011</b>
<b>Hollingworth, Stuart;</b> 08-08NES, Shock chord loop body, 12 Jul 2011	<b>13093/2011</b>	<b>Koninklijke Philips Electronics N.V.;</b> 24-01, Elbow connector for a nasal mask assembly, (EM, 07 Jan 2011) 01 Jul 2011	<b>12961/2011</b>
<b>Honda Motor Co., Ltd.;</b> 12-08, Automobile, (JP, 14 Jan 2011) 11 Jul 2011	<b>13070/2011</b>	<b>Koninklijke Philips Electronics N.V.;</b> 09-03NES, Packaging, (EM, 04 Jan 2011) 01 Jul 2011	<b>12960/2011</b>
<b>Innovative Office Products, Inc.;</b> 08-08NES, 14-02, A pole arm, (US, 04 Jan 2011) 01 Jul 2011	<b>12965/2011</b>	<b>Koninklijke Philips Electronics N.V.;</b> 24-01, Support frame for a nasal mask assembly, (EM, 07 Jan 2011) 01 Jul 2011	<b>12963/2011</b>
<b>International Truck Intellectual Property Company, LLC;</b> 12-16C, Bumper member for a truck vehicle, (US, 25 Feb 2011) 04 Jul 2011	<b>12975/2011</b>	<b>Koninklijke Philips Electronics N.V.;</b> 09-03NES, Packaging, (EM, 04 Jan 2011) 01 Jul 2011	<b>12959/2011</b>
<b>Jadro Enterprises Pty Ltd;</b> 09-01NES, Oval bottle, 06 Jul 2011	<b>13019/2011</b>	<b>Koninklijke Philips Electronics N.V.;</b> 09-03NES, Packaging, (EM, 04 Jan 2011) 01 Jul 2011	<b>12958/2011</b>
<b>John Investnet Pty Ltd;</b> 25-01K, Extrusion, 05 Jul 2011	<b>13006/2011</b>	<b>Koninklijke Philips Electronics N.V.;</b> 24-01, Nasal mask assembly, (EM, 07 Jan 2011) 01 Jul 2011	<b>12964/2011</b>
<b>John Investnet Pty Ltd;</b> 08-08L, Joining plate/splice, 05 Jul 2011	<b>13008/2011</b>	<b>Koninklijke Philips Electronics N.V.;</b> 14-01, Speaker, (EM, 06 Jan 2011) 01 Jul 2011	<b>12956/2011</b>
<b>John Investnet Pty Ltd;</b> 08-08D, G clamp, 05 Jul 2011	<b>13007/2011</b>	<b>Liang, Yu-Tai;</b> 13-03E, Network connector, 13 Jul 2011	<b>13084/2011</b>
<b>JETS Swimwear Pty Ltd;</b> 02-02A, Swimwear garment, 07 Jul 2011	<b>13029/2011</b>	<b>Maude, Victoria;</b> 03-01B, Passport holder, 04 Jul 2011	<b>13001/2011</b>
<b>JETS Swimwear Pty Ltd;</b> 02-02A, Swimwear garment, 07 Jul 2011	<b>13033/2011</b>	<b>McDonnell, Joe;</b> 08-08L, Pot plant bracket - clip, 08 Jul 2011	<b>13073/2011</b>
<b>JETS Swimwear Pty Ltd;</b> 02-02A, Swimwear garment, 07 Jul 2011	<b>13031/2011</b>	<b>Michelin Recherche et Technique S.A.;Societe De Technologie Michelin;</b> 12-15B, A tyre, (FR, 19 Jan 2011) 06 Jul 2011	<b>12995/2011</b>
<b>JETS Swimwear Pty Ltd;</b> 02-02A, Swimwear garment, 07 Jul 2011	<b>13032/2011</b>	<b>Minespec Fabrication Services Pty Ltd;</b> 25-02B, Man-doors for ventilation management, particularly in underground mines, 12 Jul 2011	<b>13088/2011</b>
<b>JETS Swimwear Pty Ltd;</b> 02-02A, Swimwear garment, 07 Jul 2011	<b>13030/2011</b>		
<b>JETS Swimwear Pty Ltd;</b> 02-02A, Swimwear garment, 07 Jul 2011	<b>13027/2011</b>		
<b>JETS Swimwear Pty Ltd;</b> 02-02A, Swimwear garment, 07 Jul 2011	<b>13028/2011</b>		

<b>Nalitchaev, Boris Vladimirovitch;Nalitchaev, Iliia Borisovitch;</b> 99-00, Lighting installation, 08 Jul 2011	<b>13068/2011</b>	<b>Quinsey, Wilfred John;Quinsey, Harvey Charles;</b> 25-02C, The products that this design relates is a Timber Dowel Handrail system with stainless steel accessories including, bends and end caps., 07 Jul 2011	<b>13055/2011</b>
<b>Nalitchaev, Iliia Borisovitch;Nalitchaev, Boris Vladimirovitch;</b> 99-00, Lighting installation, 08 Jul 2011	<b>13068/2011</b>	<b>Quinsey, Harvey Charles;Quinsey, Wilfred John;</b> 25-02C, The products that this design relates is a Timber Dowel Handrail system with stainless steel accessories including, bends and end caps., 07 Jul 2011	<b>13055/2011</b>
<b>Nexans;</b> 09-03M, Cardboard box, (EM, 14 Jan 2011) 12 Jul 2011	<b>13098/2011</b>	<b>Quintec Industries Pty Ltd;</b> 13-03B, Lead guide, 04 Jul 2011	<b>12979/2011</b>
<b>Nippon Steel Corporation;</b> 25-01NES, Steel sheet pile, (JP, 11 Jan 2011) 06 Jul 2011	<b>13037/2011</b>	<b>Raimondi S.p.a.;</b> 08-05P, Pliers, (EM, 30 Mar 2011) 05 Jul 2011	<b>12998/2011</b>
<b>Nippon Steel Corporation;</b> 25-01NES, Steel sheet pile, (JP, 11 Jan 2011) 06 Jul 2011	<b>13036/2011</b>	<b>Raimondi S.p.a.;</b> 08-05P, Pliers, (EM, 30 Mar 2011) 05 Jul 2011	<b>12997/2011</b>
<b>Nordischer Maschinenbau Rud. Baader GMBH + CO. KG;</b> 15-99, Fish processing machine, (WO, 19 Jan 2011) 06 Jul 2011	<b>13002/2011</b>	<b>Ramsay, Leonard;</b> 06-01F, Wine barrel chair, 06 Jul 2011	<b>12994/2011</b>
<b>Nordischer Maschinenbau Rud. Baader GMBH + CO. KG;</b> 15-99, Fish processing machine, (WO, 19 Jan 2011) 06 Jul 2011	<b>13004/2011</b>	<b>S. C. Johnson &amp; Son, Inc.;</b> 07-05E, Fabric sweeper, (US, 05 Jan 2011) 05 Jul 2011	<b>12999/2011</b>
<b>Nordischer Maschinenbau Rud. Baader GMBH + CO. KG;</b> 15-99, Fish processing machine, (WO, 19 Jan 2011) 06 Jul 2011	<b>13005/2011</b>	<b>S.C. Johnson &amp; Son, Inc.;</b> 09-05, Dispensing tube, (US, 11 Jan 2011) 11 Jul 2011	<b>13079/2011</b>
<b>Nordischer Maschinenbau Rud. Baader GMBH + CO. KG;</b> 15-99, Fish processing machine, (WO, 19 Jan 2011) 06 Jul 2011	<b>13003/2011</b>	<b>S.C. Johnson &amp; Son, Inc.;</b> 09-05, Dispensing tube, (US, 11 Jan 2011) 11 Jul 2011	<b>13080/2011</b>
<b>Norton, Mathew;</b> 08-05N, The combination - swirly turbo pattern type abrasive diamond segment cup wheel, and PCD, polycrystalline diamond, bit, cup wheel design, 05 Jul 2011	<b>12980/2011</b>	<b>S.C. Johnson &amp; Son, Inc.;</b> 09-07A, Cap for a dispensing tube, (US, 11 Jan 2011) 11 Jul 2011	<b>13078/2011</b>
<b>Phillpott, Matthew;</b> 08-05F, Clamp connecting part, 14 Jul 2011	<b>13107/2011</b>	<b>S.C. Johnson &amp; Son, Inc.;</b> 09-05, Dispensing tube with cap, (US, 11 Jan 2011) 11 Jul 2011	<b>13081/2011</b>
<b>Phillpott, Matthew;</b> 08-05F, Clamp connecting part, 14 Jul 2011	<b>13108/2011</b>	<b>Scalas, Simon Andrew;</b> 21-03, Mobile, party hire skate and bike parks, 04 Jul 2011	<b>12950/2011</b>
<b>Phoenix Industries Pty Ltd;</b> 23-01H, Mixer tap and spout, 12 Jul 2011	<b>13085/2011</b>	<b>Scholle Corporation;</b> 09-07A, Cap assembly for self-sealing bag, (US, 13 Jan 2011) 13 Jul 2011	<b>13114/2011</b>
<b>Pi-Design AG;</b> 31-00, Electric mixer, (WO, 14 Jan 2011) 04 Jul 2011	<b>12955/2011</b>	<b>Scody Pty Ltd;</b> 02-02C, A dress, 05 Jul 2011	<b>13066/2011</b>
<b>Plastic Solutions Australia Pty Ltd;</b> 08-06, Stackability handles, 11 Jul 2011	<b>13072/2011</b>	<b>Scody Pty Ltd;</b> 02-02C, A dress, 05 Jul 2011	<b>12993/2011</b>
<b>Polyworld Pty Ltd;</b> 09-03K, 12-05, A light weight fork lift container, 06 Jul 2011	<b>13026/2011</b>	<b>Seafolly Pty Ltd;</b> 02-02A, Swimwear, 12 Jul 2011	<b>13091/2011</b>
<b>Powersource Investments Pty Ltd;</b> 23-03G, Pie warmer, 06 Jul 2011	<b>13034/2011</b>	<b>Sempio Foods Company;</b> 09-01NES, Bottle, (KP, 11 Apr 2011) 07 Jul 2011	<b>13038/2011</b>
<b>Pure Crystall Ltd;</b> 09-01H, Bottle, (US, 04 Jan 2011) 01 Jul 2011	<b>12971/2011</b>	<b>Shenzhen Sunkin Technology Co., Ltd.;</b> 14-02, Adaptor with double USB interface, (EM, 14 Jan 2011) 12 Jul 2011	<b>13090/2011</b>

<b>Societe des Produits Nestle S.A.;</b> 07-01D, A cup, (CH, 01 Feb 2011) 14 Jul 2011	<b>13100/2011</b>	<b>TL Engineering (Aust) Pty Ltd;</b> 12-16C, Padding, 06 Jul 2011	<b>13022/2011</b>
<b>Societe De Technologie Michelin; Michelin Recherche et Technique S.A.;</b> 12-15B, A tyre, (FR, 19 Jan 2011) 06 Jul 2011	<b>12995/2011</b>	<b>Unilever PLC;</b> 09-01K, Bottle, (EM, 28 Jan 2011) 07 Jul 2011	<b>13046/2011</b>
<b>Sumitomo Rubber Industries, Ltd.;</b> 12-15A, Vehicle tyre, (JP, 02 Jun 2011) 08 Jul 2011	<b>13062/2011</b>	<b>Unilever PLC;</b> 09-01A, Bottle with pump, (EM, 28 Jan 2011) 07 Jul 2011	<b>13048/2011</b>
<b>Suzuki Motor Corporation;</b> 12-08, Automobile, (JP, 07 Feb 2011) 12 Jul 2011	<b>13089/2011</b>	<b>Unilever PLC;</b> 09-01K, Bottle, (EM, 28 Jan 2011) 07 Jul 2011	<b>13049/2011</b>
<b>SGA Engineering Pty Ltd;</b> 08-08B, Anchor bolt system, 13 Jul 2011	<b>13113/2011</b>	<b>Viking BBQ's Australia Pty Ltd;</b> 07-02E, A motorised do it yourself charcoal chicken spit BBQ, 11 Jul 2011	<b>13082/2011</b>
<b>SMCP ApS;</b> 08-05NES, Hand tool, 12 Jul 2011	<b>13096/2011</b>	<b>Wilson, Ian Geoffrey;</b> 08-05NES, Seal cleaner, 11 Jul 2011	<b>13064/2011</b>
<b>SMCP ApS;</b> 08-05NES, Hand tool, 12 Jul 2011	<b>13095/2011</b>	<b>Wilson, Craig;</b> 02-02B, High visibility work wear (shirt or jacket), 07 Jul 2011	<b>13021/2011</b>
<b>SMCP ApS;</b> 08-08NES, 23-01NES, Clamp for pipes, (EM, 01 Mar 2011) 12 Jul 2011	<b>13097/2011</b>	<b>Wilson, Ian Geoffrey;</b> 08-05NES, Mud scraper, 11 Jul 2011	<b>13063/2011</b>
<b>The Coca-Cola Company;</b> 09-01NES, Bottle, 04 Jul 2011	<b>12986/2011</b>	<b>Wilson Timbers Pty Ltd;</b> 08-08A, Deck joiner, 12 Jul 2011	<b>13087/2011</b>
<b>The Gillette Company;</b> 28-03A, Razor hanger, (US, 06 Jan 2011) 06 Jul 2011	<b>13025/2011</b>	<b>X6D Limited;</b> 14-01, Improved emitter for viewing 3D with shutter glasses, (US, 05 Jan 2011) 01 Jul 2011	<b>12970/2011</b>
<b>Thorn, Brigitte;</b> 02-02C, Motherhood T, 04 Jul 2011	<b>12966/2011</b>	<b>Z-Wise LTD;</b> 06-13NES, Waterproof cover for the car seat, 03 Jul 2011	<b>12985/2011</b>
<b>Triple AAA Promotions, trading as Due Date;</b> 02-02C, Maternity/labor gown, 11 Jul 2011	<b>13061/2011</b>	<b>3SHAPE A/S;</b> 14-02, Hand-held scanner, (WO, 06 Jan 2011) 06 Jul 2011	<b>13020/2011</b>

---

### Applications Withdrawn

13053 / 2011 (02-02C)

---

### Applications Lapsed

11837 / 2011 (02-01A)

**Extension of Period of Registration of Designs**

308916	309274	309308
309309	309336	309339
309421	309452	309464
309556	309621	309651
309662	309687	309689
309695	309696	309767
309830	309926	310031
310052	310053	310054
310151	310153	310162
310182	310201	310202
310213	310216	310217
310232	310252	310270
310271	310320	310372
310373	310385	310390
310409	310410	310427
310428	310429	310430
310522	310523	310531
310532	310533	310534
310548	310549	310635
310636	310637	310638
310703	310752	310817
310862	310914	310959
311119	311348	311349
311350	311351	311440
311495	311722	311982
312047	312114	312198
312199	312200	312201
312241	312242	312243
312267	312364	312420
312566	312567	312568
312766	313319	313418
313440	313441	313574
314140	314151	316055
316056	316057	316058
316059	316060	

334327	( Coast RV Pty Ltd ) Hardware By Design Pty Ltd
334372	( Coast RV Pty Ltd ) Hardware By Design Pty Ltd
334435	( Coast RV Pty Ltd ) Hardware By Design Pty Ltd
334436	( Coast RV Pty Ltd ) Hardware By Design Pty Ltd
334437	( Coast RV Pty Ltd ) Hardware By Design Pty Ltd
306690	( Coast RV Pty Ltd ) David Fealy
316739	( Coast RV Pty Ltd ) David Fealy
316176	( Coast RV Pty Ltd ) David Fealy
327532	( Coast RV Pty Ltd ) David Fealy

**Extensions of time granted under Section 137**

Applications lodged under section 137 for extension of time have been granted.

337546 **Mode Solutions Pty Ltd**

337515 **Mass Technology (H.K.) Limited**

**Subsequent Owners Registered**

(The name in parentheses is that of the subsequent owner)

306643	( Coast RV Pty Ltd ) David Fealy
306960	( Coast RV Pty Ltd ) David Fealy
306961	( Coast RV Pty Ltd ) David Fealy
309408	( Otto Bock HealthCare GmbH ) Otto Bock HealthCare IP GmbH & Co. KG

**Certificate(s) of Examination**

Examination of the following Design Registration(s) has been completed. Infringement proceedings may now be commenced.

323351	13-03E	06/07/2011
331310	07-01F	04/07/2011
331311	23-01G	05/07/2011
332393	16-06	13/07/2011
333754	16-06	14/07/2011
333755	16-06	14/07/2011
333756	16-06	14/07/2011
333757	16-06	14/07/2011
333758	16-06	07/07/2011
333759	16-06	07/07/2011
334258	14-03NES	06/07/2011
334886	12-15C	11/07/2011
335474	12-16NES	08/07/2011
335585	09-03M	13/07/2011
335586	09-03M	13/07/2011
335677	14-03NES	07/07/2011
335688	12-15C	11/07/2011
335697	13-03D	15/07/2011
336032	14-02	08/07/2011
336087	14-03NES	06/07/2011
336088	14-03NES	06/07/2011
336090	12-10	06/07/2011
336091	12-10	06/07/2011
336092	12-10	06/07/2011
336216	16-06	14/07/2011
336361	16-06	14/07/2011
336483	20-02NES	15/07/2011
337035	12-12	14/07/2011
337036	12-12	14/07/2011

**Publication and Registration Proceedings**

**Designs Registered**

This section provides a concordance between design number and registration number of Designs covered in this journal. It also shows the main class and registration date.

This section covers Registration numbers 337481 to 337698 .

The registration number shown below should be used in all future correspondence.

<b>Design Number</b>	<b>Registration Number</b>	<b>International Classification Code (IDC)</b>	<b>Registration Date</b>	<b>Design Number</b>	<b>Registration Number</b>	<b>International Classification Code (IDC)</b>	<b>Registration Date</b>
15251/2010	337546	11-02B	08/07/2011	12476/2011	337557	02-04A	11/07/2011
15587/2010	337531	19-06	08/07/2011	12477/2011	337558	02-04A	11/07/2011
15613/2010	337571	07-02L	12/07/2011	12478/2011	337559	02-04A	11/07/2011
10078/2011	337631	02-02C	13/07/2011	12479/2011	337560	02-04A	11/07/2011
10595/2011	337513	09-01G	07/07/2011	12480/2011	337561	02-04A	11/07/2011
11106/2011	337514	09-07B	07/07/2011	12481/2011	337562	02-04A	11/07/2011
11238/2011	337532	08-05NES	08/07/2011	12482/2011	337563	02-04A	11/07/2011
11239/2011	337533	08-05NES	08/07/2011	12534/2011	337548	23-03D	08/07/2011
11448/2011	337550	07-01B	11/07/2011	12535/2011	337496	24-04	06/07/2011
11790/2011	337572	23-01NES	12/07/2011	12559/2011	337507	06-02	07/07/2011
11792/2011	337573	25-03	12/07/2011	12563/2011	337542	06-04F	08/07/2011
11793/2011	337574	25-02NES	12/07/2011	12567/2011	337497	07-01D	06/07/2011
11807/2011	337534	09-03A	08/07/2011	12568/2011	337498	07-01D	06/07/2011
11808/2011	337535	09-03A	08/07/2011	12572/2011	337483	07-01D	06/07/2011
11809/2011	337536	09-03A	08/07/2011	12573/2011	337484	07-01D	06/07/2011
11810/2011	337537	09-03A	08/07/2011	12576/2011	337499	15-05	06/07/2011
11841/2011	337661	09-01A	14/07/2011	12581/2011	337486	09-03K	06/07/2011
11871/2011	337575	15-99	12/07/2011	12582/2011	337487	13-03C	06/07/2011
11905/2011	337538	12-11	08/07/2011	12583/2011	337488	23-01G	06/07/2011
11906/2011	337539	12-11	08/07/2011	12586/2011	337489	12-16NES	06/07/2011
11929/2011	337506	02-07A	07/07/2011	12587/2011	337490	20-03NES	06/07/2011
11931/2011	337551	07-04	11/07/2011	12588/2011	337500	02-01B	06/07/2011
11950/2011	337492	21-02C	06/07/2011	12590/2011	337501	06-09	06/07/2011
11961/2011	337608	09-01NES	13/07/2011	12592/2011	337502	06-09	06/07/2011
11962/2011	337611	09-01NES	13/07/2011	12595/2011	337503	26-05A	06/07/2011
11983/2011	337632	09-05	14/07/2011	12596/2011	337504	26-05D	06/07/2011
11984/2011	337564	13-03C	12/07/2011	12597/2011	337505	10-05	06/07/2011
12001/2011	337602	16-06	12/07/2011	12605/2011	337516	08-03	07/07/2011
12002/2011	337603	24-02	12/07/2011	12606/2011	337517	08-03	07/07/2011
12032/2011	337633	09-07A	14/07/2011	12608/2011	337518	20-02D	07/07/2011
12033/2011	337540	07-99NES	08/07/2011	12609/2011	337519	20-02D	07/07/2011
12035/2011	337493	09-01A	06/07/2011	12610/2011	337509	03-01B	07/07/2011
12044/2011	337586	19-06	12/07/2011	12611/2011	337510	23-04	07/07/2011
12045/2011	337587	19-06	12/07/2011	12612/2011	337511	23-04	07/07/2011
12067/2011	337676	20-02NES	15/07/2011	12616/2011	337512	02-04A	07/07/2011
12068/2011	337677	20-02NES	15/07/2011	12617/2011	337520	12-99	07/07/2011
12069/2011	337678	20-02NES	15/07/2011	12618/2011	337521	02-04A	07/07/2011
12070/2011	337679	20-02NES	15/07/2011	12619/2011	337522	02-04A	07/07/2011
12146/2011	337541	20-02NES	08/07/2011	12620/2011	337523	02-04A	07/07/2011
12180/2011	337491	06-06B	06/07/2011	12621/2011	337524	09-01NES	07/07/2011
12241/2011	337651	19-08	14/07/2011	12622/2011	337525	09-01NES	07/07/2011
12320/2011	337576	03-01D	12/07/2011	12627/2011	337549	09-03M	08/07/2011
12356/2011	337515	26-04	07/07/2011	12628/2011	337526	07-02L	08/07/2011
12367/2011	337481	25-01K	06/07/2011	12629/2011	337527	03-03	08/07/2011
12405/2011	337577	09-03M	12/07/2011	12630/2011	337528	26-05D	08/07/2011
12412/2011	337494	25-01K	06/07/2011	12631/2011	337529	26-05D	08/07/2011
12436/2011	337547	08-01	08/07/2011	12632/2011	337530	09-03M	08/07/2011
12460/2011	337495	02-01B	06/07/2011	12635/2011	337652	11-01C	14/07/2011
12473/2011	337604	12-05	12/07/2011	12636/2011	337578	09-01D	12/07/2011
12474/2011	337482	25-01K	06/07/2011	12638/2011	337579	07-06C	12/07/2011

Publication and Registration Proceedings - Designs Registered cont'd

Design Number	Registration Number	International Classification Code (IDC)	Registration Date	Design Number	Registration Number	International Classification Code (IDC)	Registration Date
12639/2011	337580	07-06C	12/07/2011	12747/2011	337607	13-03E	13/07/2011
12640/2011	337581	07-06C	12/07/2011	12748/2011	337620	13-03NES	13/07/2011
12661/2011	337552	09-01NES	11/07/2011	12750/2011	337621	13-03NES	13/07/2011
12662/2011	337485	12-05	06/07/2011	12751/2011	337622	13-03B	13/07/2011
12663/2011	337553	09-07NES	11/07/2011	12752/2011	337623	13-03B	13/07/2011
12664/2011	337554	12-15B	11/07/2011	12753/2011	337624	13-03B	13/07/2011
12667/2011	337555	28-01	11/07/2011	12755/2011	337684	06-01G	15/07/2011
12668/2011	337556	28-01	11/07/2011	12756/2011	337685	06-01G	15/07/2011
12669/2011	337596	28-01	12/07/2011	12757/2011	337686	06-01G	15/07/2011
12670/2011	337597	15-99	12/07/2011	12758/2011	337687	06-01G	15/07/2011
12672/2011	337598	21-02C	12/07/2011	12759/2011	337688	06-01G	15/07/2011
12673/2011	337599	21-02C	12/07/2011	12760/2011	337689	06-01G	15/07/2011
12674/2011	337600	04-02	12/07/2011	12761/2011	337690	06-01G	15/07/2011
12675/2011	337601	04-02	12/07/2011	12762/2011	337691	06-01G	15/07/2011
12679/2011	337582	23-02F	12/07/2011	12763/2011	337692	06-01G	15/07/2011
12680/2011	337583	23-02F	12/07/2011	12764/2011	337634	06-01G	14/07/2011
12681/2011	337584	23-02F	12/07/2011	12765/2011	337635	06-01G	14/07/2011
12682/2011	337585	06-03C	12/07/2011	12766/2011	337636	06-01G	14/07/2011
12685/2011	337588	09-03H	12/07/2011	12767/2011	337637	06-01G	14/07/2011
12687/2011	337589	06-02	12/07/2011	12768/2011	337638	06-01G	14/07/2011
12688/2011	337590	12-11	12/07/2011	12769/2011	337639	06-01G	14/07/2011
12690/2011	337591	14-03E	12/07/2011	12770/2011	337640	06-01G	14/07/2011
12691/2011	337592	04-02	12/07/2011	12771/2011	337641	06-01G	14/07/2011
12692/2011	337593	04-02	12/07/2011	12772/2011	337642	06-01G	14/07/2011
12693/2011	337594	04-02	12/07/2011	12773/2011	337643	06-01G	14/07/2011
12697/2011	337612	07-02N	13/07/2011	12774/2011	337644	06-01G	14/07/2011
12698/2011	337613	07-02N	13/07/2011	12775/2011	337645	06-01G	14/07/2011
12700/2011	337614	08-08B	13/07/2011	12776/2011	337646	06-01G	14/07/2011
12701/2011	337615	15-07	13/07/2011	12777/2011	337647	06-01G	14/07/2011
12702/2011	337616	15-07	13/07/2011	12778/2011	337648	06-01G	14/07/2011
12703/2011	337617	15-07	13/07/2011	12779/2011	337649	06-01G	14/07/2011
12707/2011	337565	12-15A	12/07/2011	12781/2011	337650	07-01NES	14/07/2011
12709/2011	337566	12-16NES	12/07/2011	12782/2011	337663	07-02NES	14/07/2011
12710/2011	337567	12-16NES	12/07/2011	12783/2011	337664	28-03A	14/07/2011
12711/2011	337568	12-16NES	12/07/2011	12784/2011	337665	23-01G	14/07/2011
12712/2011	337569	12-16NES	12/07/2011	12785/2011	337666	28-03A	14/07/2011
12713/2011	337570	08-07	12/07/2011	12786/2011	337667	23-01NES	14/07/2011
12715/2011	337625	15-03B	13/07/2011	12787/2011	337668	25-01NES	14/07/2011
12716/2011	337626	02-04NES	13/07/2011	12788/2011	337618	26-05E	13/07/2011
12717/2011	337628	24-01	13/07/2011	12790/2011	337619	26-05E	13/07/2011
12718/2011	337627	08-99	13/07/2011	12791/2011	337694	07-05E	15/07/2011
12719/2011	337680	20-02NES	15/07/2011	12792/2011	337695	08-08D	15/07/2011
12720/2011	337681	20-02NES	15/07/2011	12799/2011	337543	21-02NES	08/07/2011
12721/2011	337682	20-02NES	15/07/2011	12803/2011	337696	03-01A	15/07/2011
12722/2011	337683	20-02NES	15/07/2011	12804/2011	337697	06-06D	15/07/2011
12725/2011	337653	04-02	14/07/2011	12812/2011	337669	11-04	15/07/2011
12738/2011	337654	26-05D	14/07/2011	12813/2011	337670	25-01F	15/07/2011
12739/2011	337655	13-02	14/07/2011	12814/2011	337671	25-01F	15/07/2011
12740/2011	337656	13-02	14/07/2011	12816/2011	337672	06-01D	15/07/2011
12741/2011	337657	13-03D	14/07/2011	12837/2011	337673	09-01H	15/07/2011
12742/2011	337658	13-03D	14/07/2011	12838/2011	337674	09-01H	15/07/2011
12743/2011	337659	13-03D	14/07/2011	12839/2011	337675	09-01NES	15/07/2011
12744/2011	337660	13-03D	14/07/2011	12840/2011	337508	24-02	07/07/2011
12745/2011	337605	13-02	13/07/2011	12852/2011	337544	23-01H	08/07/2011
12746/2011	337606	26-02	13/07/2011	12853/2011	337545	23-01H	08/07/2011

Publication and Registration Proceedings - Designs Registered cont'd

Design Number	Registration Number	International Classification Code (IDC)	Registration Date	Design Number	Registration Number	International Classification Code (IDC)	Registration Date
12864/2011	337698	26-01	15/07/2011	13023/2011	337629	12-06NES	13/07/2011
12885/2011	337693	12-10	15/07/2011	13065/2011	337630	02-02NES	13/07/2011
12953/2011	337595	02-02C	12/07/2011	13069/2011	337662	09-01A	14/07/2011
12976/2011	337609	26-05D	13/07/2011				
12977/2011	337610	26-05D	13/07/2011				



**Publication and Registration Proceedings**

**Class Listing of Designs Published or Registered**

The following section shows an International Classification Code listing of the Registered or Published Designs covered in this supplement.

<b>Classification</b>	<b>Registration Number</b>	<b>Design Number</b>	<b>Classification</b>	<b>Registration Number</b>	<b>Design Number</b>
02-01B	337495	12460/2011	06-01G	337692	12763/2011
02-01B	337500	12588/2011	06-02	337507	12559/2011
02-02C	337595	12953/2011	06-02	337589	12687/2011
02-02C	337631	10078/2011	06-03C	337585	12682/2011
02-02NES	337630	13065/2011	06-04F	337542	12563/2011
02-04A	337512	12616/2011	06-06A	337527	12629/2011
02-04A	337521	12618/2011	06-06B	337491	12180/2011
02-04A	337522	12619/2011	06-06D	337491	12180/2011
02-04A	337523	12620/2011	06-06D	337697	12804/2011
02-04A	337557	12476/2011	06-06F	337491	12180/2011
02-04A	337558	12477/2011	06-09	337501	12590/2011
02-04A	337559	12478/2011	06-09	337502	12592/2011
02-04A	337560	12479/2011	07-01B	337550	11448/2011
02-04A	337561	12480/2011	07-01C	337550	11448/2011
02-04A	337562	12481/2011	07-01D	337483	12572/2011
02-04A	337563	12482/2011	07-01D	337484	12573/2011
02-04NES	337626	12716/2011	07-01D	337497	12567/2011
02-07A	337506	11929/2011	07-01D	337498	12568/2011
03-01A	337696	12803/2011	07-01D	337550	11448/2011
03-01B	337509	12610/2011	07-01NES	337650	12781/2011
03-01D	337576	12320/2011	07-02C	337612	12697/2011
03-03	337527	12629/2011	07-02C	337613	12698/2011
04-02	337592	12691/2011	07-02L	337526	12628/2011
04-02	337593	12692/2011	07-02L	337571	15613/2010
04-02	337594	12693/2011	07-02N	337612	12697/2011
04-02	337600	12674/2011	07-02N	337613	12698/2011
04-02	337601	12675/2011	07-02NES	337663	12782/2011
04-02	337653	12725/2011	07-04	337551	11931/2011
06-01D	337672	12816/2011	07-05E	337694	12791/2011
06-01G	337634	12764/2011	07-06C	337579	12638/2011
06-01G	337635	12765/2011	07-06C	337580	12639/2011
06-01G	337636	12766/2011	07-06C	337581	12640/2011
06-01G	337637	12767/2011	07-99NES	337540	12033/2011
06-01G	337638	12768/2011	08-01	337547	12436/2011
06-01G	337639	12769/2011	08-03	337516	12605/2011
06-01G	337640	12770/2011	08-03	337517	12606/2011
06-01G	337641	12771/2011	08-03	337547	12436/2011
06-01G	337642	12772/2011	08-05E	337604	12473/2011
06-01G	337643	12773/2011	08-05NES	337532	11238/2011
06-01G	337644	12774/2011	08-05NES	337533	11239/2011
06-01G	337645	12775/2011	08-07	337570	12713/2011
06-01G	337646	12776/2011	08-08B	337614	12700/2011
06-01G	337647	12777/2011	08-08D	337695	12792/2011
06-01G	337648	12778/2011	08-08L	337494	12412/2011
06-01G	337649	12779/2011	08-08NES	337547	12436/2011
06-01G	337684	12755/2011	08-99	337627	12718/2011
06-01G	337685	12756/2011	09-01A	337493	12035/2011
06-01G	337686	12757/2011	09-01A	337661	11841/2011
06-01G	337687	12758/2011	09-01A	337662	13069/2011
06-01G	337688	12759/2011	09-01D	337578	12636/2011
06-01G	337689	12760/2011	09-01G	337513	10595/2011
06-01G	337690	12761/2011	09-01H	337673	12837/2011
06-01G	337691	12762/2011	09-01H	337674	12838/2011

Registration Proceedings - Class Listing of Designs Published or Registered cont'd

Classification	Registration Number	Design Number	Classification	Registration Number	Design Number
09-01NES	337524	12621/2011	13-03E	337607	12747/2011
09-01NES	337525	12622/2011	13-03NES	337605	12745/2011
09-01NES	337552	12661/2011	13-03NES	337620	12748/2011
09-01NES	337608	11961/2011	13-03NES	337621	12750/2011
09-01NES	337611	11962/2011	13-03NES	337655	12739/2011
09-01NES	337675	12839/2011	13-03NES	337656	12740/2011
09-03A	337534	11807/2011	14-03E	337591	12690/2011
09-03A	337535	11808/2011	15-03B	337625	12715/2011
09-03A	337536	11809/2011	15-05	337499	12576/2011
09-03A	337537	11810/2011	15-07	337615	12701/2011
09-03H	337588	12685/2011	15-07	337616	12702/2011
09-03K	337486	12581/2011	15-07	337617	12703/2011
09-03M	337530	12632/2011	15-99	337575	11871/2011
09-03M	337549	12627/2011	15-99	337597	12670/2011
09-03M	337577	12405/2011	16-06	337602	12001/2011
09-03NES	337664	12783/2011	19-06	337531	15587/2010
09-05	337632	11983/2011	19-06	337586	12044/2011
09-07A	337633	12032/2011	19-06	337587	12045/2011
09-07B	337514	11106/2011	19-08	337651	12241/2011
09-07NES	337553	12663/2011	20-02D	337518	12608/2011
09-08	337486	12581/2011	20-02D	337519	12609/2011
10-04	337695	12792/2011	20-02NES	337541	12146/2011
10-05	337505	12597/2011	20-02NES	337676	12067/2011
11-01C	337652	12635/2011	20-02NES	337677	12068/2011
11-02B	337546	15251/2010	20-02NES	337678	12069/2011
11-04	337669	12812/2011	20-02NES	337679	12070/2011
12-05	337485	12662/2011	20-02NES	337680	12719/2011
12-05	337604	12473/2011	20-02NES	337681	12720/2011
12-06NES	337566	12709/2011	20-02NES	337682	12721/2011
12-06NES	337567	12710/2011	20-02NES	337683	12722/2011
12-06NES	337629	13023/2011	20-03NES	337490	12587/2011
12-10	337693	12885/2011	20-03NES	337541	12146/2011
12-11	337538	11905/2011	21-02C	337492	11950/2011
12-11	337539	11906/2011	21-02C	337598	12672/2011
12-11	337590	12688/2011	21-02C	337599	12673/2011
12-15A	337565	12707/2011	21-02NES	337543	12799/2011
12-15B	337554	12664/2011	23-01C	337667	12786/2011
12-16NES	337489	12586/2011	23-01G	337488	12583/2011
12-16NES	337566	12709/2011	23-01G	337665	12784/2011
12-16NES	337567	12710/2011	23-01H	337544	12852/2011
12-16NES	337568	12711/2011	23-01H	337545	12853/2011
12-16NES	337569	12712/2011	23-01NES	337572	11790/2011
12-99	337520	12617/2011	23-01NES	337667	12786/2011
13-02	337605	12745/2011	23-02F	337582	12679/2011
13-02	337655	12739/2011	23-02F	337583	12680/2011
13-02	337656	12740/2011	23-02F	337584	12681/2011
13-03A	337621	12750/2011	23-03D	337548	12534/2011
13-03B	337622	12751/2011	23-04	337510	12611/2011
13-03B	337623	12752/2011	23-04	337511	12612/2011
13-03B	337624	12753/2011	24-01	337628	12717/2011
13-03C	337487	12582/2011	24-02	337508	12840/2011
13-03C	337564	11984/2011	24-02	337603	12002/2011
13-03D	337657	12741/2011	24-04	337496	12535/2011
13-03D	337658	12742/2011	25-01F	337670	12813/2011
13-03D	337659	12743/2011	25-01F	337671	12814/2011
13-03D	337660	12744/2011	25-01K	337481	12367/2011

Registration Proceedings - Class Listing of Designs Published or Registered cont'd

Classification	Registration Number	Design Number	Classification	Registration Number	Design Number
25-01K	337482	12474/2011	26-05D	337529	12631/2011
25-01K	337489	12586/2011	26-05D	337609	12976/2011
25-01K	337490	12587/2011	26-05D	337610	12977/2011
25-01K	337494	12412/2011	26-05D	337654	12738/2011
25-01NES	337668	12787/2011	26-05E	337618	12788/2011
25-02NES	337574	11793/2011	26-05E	337619	12790/2011
25-03	337573	11792/2011	28-01	337555	12667/2011
26-01	337698	12864/2011	28-01	337556	12668/2011
26-02	337606	12746/2011	28-01	337596	12669/2011
26-04	337515	12356/2011	28-03A	337664	12783/2011
26-05A	337503	12595/2011	28-03A	337666	12785/2011
26-05D	337504	12596/2011			
26-05D	337528	12630/2011			

- (21) Design Number: **12367/2011**  
(22) Date of Filing Application: **26 May 2011**  
(24) Date from which industrial property rights may have effect: **26 May 2011**  
(54) Product in respect of which the design is registered: **Solar roof mounting end clamp**  
(51) International Design Classification: **25-01K**  
(74) Name(s) of Attorney(s): **MORCOM PERNAT**  
(71) Name(s) and Address(s) of Applicant(s):  
**Solar Tech Connect Pty Ltd**  
**5/22 Eastern Service Road Stapylton Queensland 4207 Australia**  
(72) Name(s) of Designer(s): **John Henley-Smith**  
(45) Registration Date: **06 July 2011**  
(56) Related Art Documents: **Not Applicable**  
(57) Statement of Newness and Distinctiveness: **The newness of the design resides in the shape and configuration of a section having a constant cross section shape and an indefinite length as shown in the representations.**



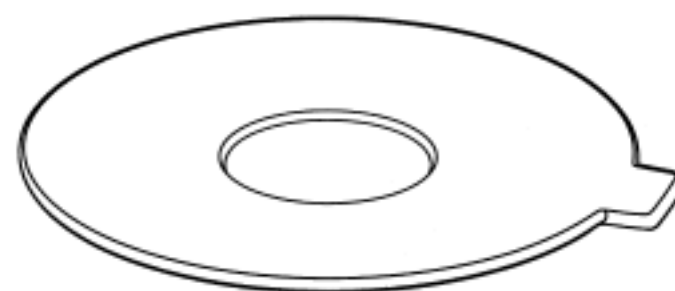
- (21) Design Number: **12474/2011**  
(22) Date of Filing Application: **26 May 2011**  
(24) Date from which industrial property rights may have effect: **26 May 2011**  
(54) Product in respect of which the design is registered: **Solar roof mounting connector**  
(51) International Design Classification: **25-01K**  
(74) Name(s) of Attorney(s): **MORCOM PERNAT**  
(71) Name(s) and Address(s) of Applicant(s):  
**Solar Tech Connect Pty Ltd**  
**5/22 Eastern Service Road Stapylton Queensland 4207 Australia**  
(72) Name(s) of Designer(s): **John Henley-Smith**  
(45) Registration Date: **06 July 2011**  
(56) Related Art Documents: **Not Applicable**  
(57) Statement of Newness and Distinctiveness: **The newness of the design resides in the shape and configuration of a section having a constant cross section shape and an indefinite length as shown in the representations.**



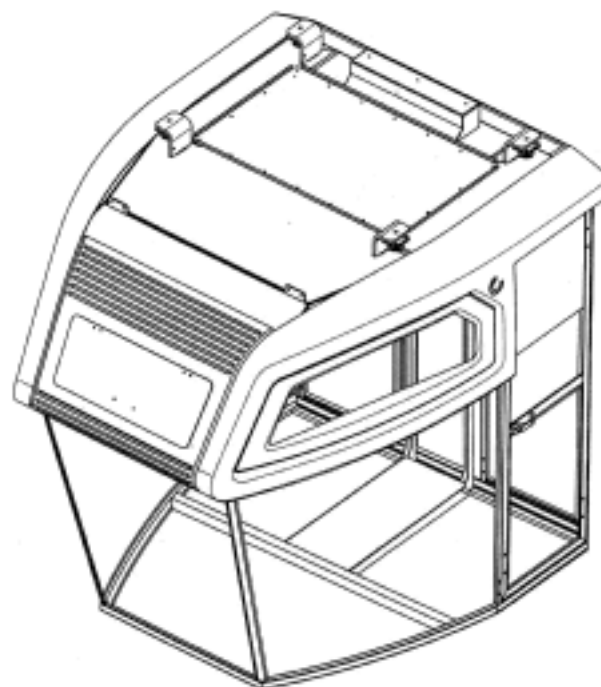
(21) Design Number: **12572/2011**  
(22) Date of Filing Application: **09 June 2011**  
(24) Date from which industrial property rights may have effect: **09 June 2011**  
(54) Product in respect of which the design is registered: **A cup**  
(51) International Design Classification: **07-01D**  
(74) Name(s) of Attorney(s): **Banki Haddock Fiora**  
(71) Name(s) and Address(s) of Applicant(s):  
**Societe des Produits Nestle S.A.**  
**1800 Vevey Switzerland**  
(72) Name(s) of Designer(s): **Beatrice Mariotti**  
(45) Registration Date: **06 July 2011**  
(30) Convention priority data:  
(31) Number (32) Date (33) Country  
**137478 15 Dec 2010 SWITZERLAND**  
(56) Related Art Documents: **Not Applicable**  
(57) Statement of Newness and Distinctiveness: **Nil**



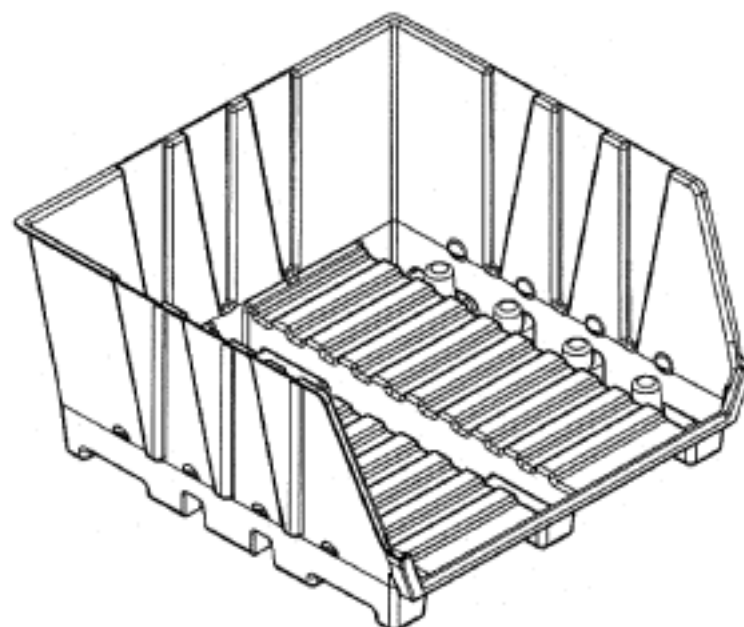
(21) Design Number: **12573/2011**  
(22) Date of Filing Application: **09 June 2011**  
(24) Date from which industrial property rights may have effect: **09 June 2011**  
(54) Product in respect of which the design is registered: **A saucer**  
(51) International Design Classification: **07-01D**  
(74) Name(s) of Attorney(s): **Banki Haddock Fiora**  
(71) Name(s) and Address(s) of Applicant(s):  
**Societe des Produits Nestle S.A.**  
**1800 Vevey Switzerland**  
(72) Name(s) of Designer(s): **Beatrice Mariotti**  
(45) Registration Date: **06 July 2011**  
(30) Convention priority data:  
(31) Number (32) Date (33) Country  
**137478 15 Dec 2010 SWITZERLAND**  
(56) Related Art Documents: **Not Applicable**  
(57) Statement of Newness and Distinctiveness: **Nil**



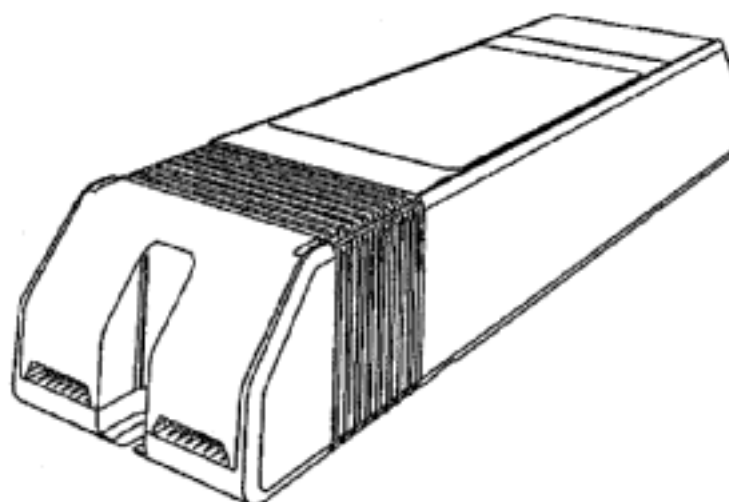
(21) Design Number: **12662/2011**  
(22) Date of Filing Application: **15 June 2011**  
(24) Date from which industrial property rights may have effect: **15 June 2011**  
(54) Product in respect of which the design is registered: **Cabin**  
(51) International Design Classification: **12-05**  
(74) Name(s) of Attorney(s): **Blake Dawson**  
(71) Name(s) and Address(s) of Applicant(s):  
**Konecranes Plc**  
**Koneenkatu 8 05830 Hyvinkaa Finland**  
(72) Name(s) of Designer(s): **Sami Olavi Koponen and Johannes Antton Tarkiainen**  
(45) Registration Date: **06 July 2011**  
(30) Convention priority data:  
(31) Number      (32) Date      (33) Country  
**604467901**      **19 May 2011**      **WORLD INTELLECTUAL  
PROPERTY ORGANIZATION  
(WIPO)**  
(56) Related Art Documents: **Not Applicable**  
(57) Statement of Newness and Distinctiveness: **Nil**



(21) Design Number: **12581/2011**  
(22) Date of Filing Application: **09 June 2011**  
(24) Date from which industrial property rights may have effect: **09 June 2011**  
(54) Product in respect of which the design is registered: **Pallet bin**  
(51) International Design Classification: **09-03K, 09-08**  
(74) Name(s) of Attorney(s): **LESICAR PERRIN**  
(71) Name(s) and Address(s) of Applicant(s):  
**Glidestore Freetrack Pty Ltd**  
**48 Fullarton Road Norwood South Australia 5067 Australia**  
(72) Name(s) of Designer(s): **Brian Parker and Andrew Stevens**  
(45) Registration Date: **06 July 2011**  
(56) Related Art Documents: **Not Applicable**  
(57) Statement of Newness and Distinctiveness: **Newness and distinctiveness resides in the shape and configuration of the pallet bin as shown in the drawings. Attention is drawn towards the four inward protrusions emanating from either side wall and the extending lip along the front edge and the front bottom sections of the side walls.**



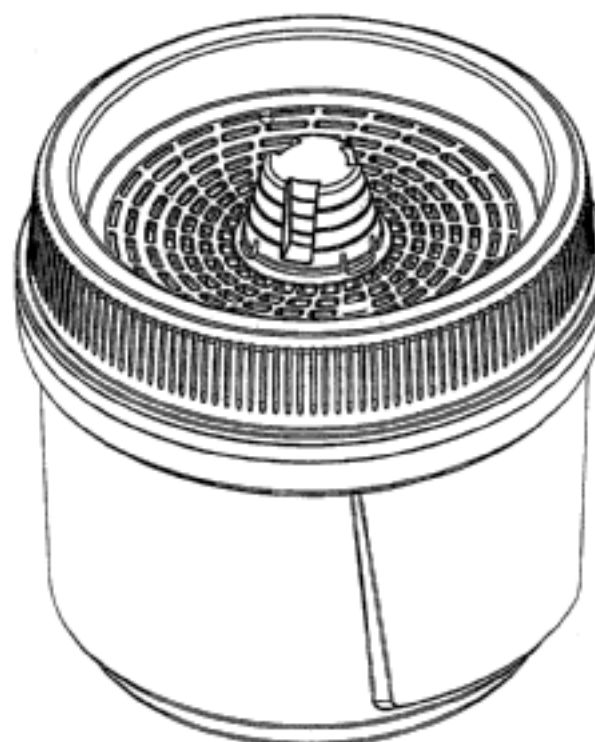
- (21) Design Number: **12582/2011**  
(22) Date of Filing Application: **09 June 2011**  
(24) Date from which industrial property rights may have effect: **09 June 2011**  
(54) Product in respect of which the design is registered: **Electronics enclosure**  
(51) International Design Classification: **13-03C**  
(74) Name(s) of Attorney(s): **LESICAR PERRIN**  
(71) Name(s) and Address(s) of Applicant(s):  
**Gerard Lighting Pty Ltd**  
**101 Port Wakefield Road Cavan South Australia 5094 Australia**  
(72) Name(s) of Designer(s): **Bryan Negrone and Jason Gerard**  
(45) Registration Date: **06 July 2011**  
(56) Related Art Documents: **Not Applicable**  
(57) Statement of Newness and Distinctiveness: **Newness and distinctiveness resides in the shape and configuration of the enclosure as shown in the drawings. Attention is drawn to the ribbing located towards one end of the enclosure.**



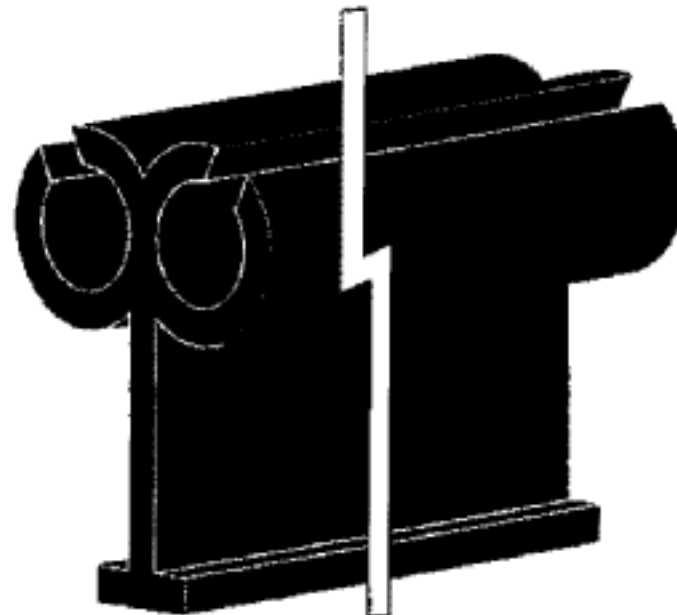
- (21) Design Number: **12583/2011**  
(22) Date of Filing Application: **14 April 2011**  
(24) Date from which industrial property rights may have effect: **14 April 2011**  
(54) Product in respect of which the design is registered: **Liquid filter**  
(51) International Design Classification: **23-01G**  
(74) Name(s) of Attorney(s): **Davies Collison Cave**  
(71) Name(s) and Address(s) of Applicant(s):  
**Strauss Water Ltd.**  
**49 Hasivim Street Petach 49517 Israel**  
(72) Name(s) of Designer(s): **Haim Wilder and Eyal Krystal and Omri Bar-On and Shlomi Hillel**  
(45) Registration Date: **06 July 2011**  
(30) Convention priority data:  

(31) Number	(32) Date	(33) Country
<b>50166</b>	<b>14 Oct 2010</b>	<b>ISRAEL</b>

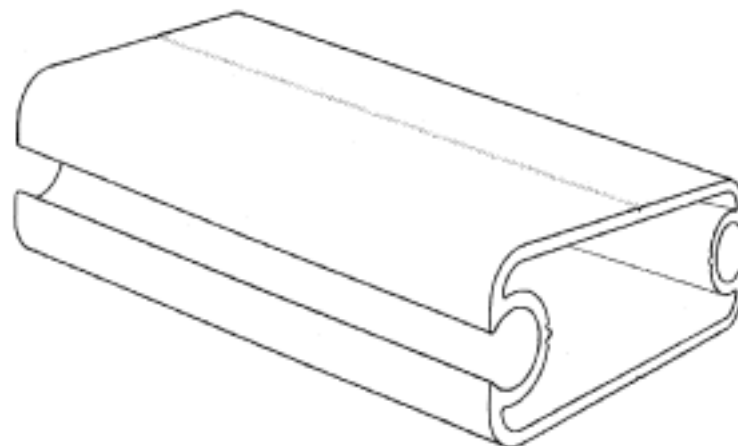
  
(62) Divisional of: **337157**  
(56) Related Art Documents: **Not Applicable**  
(57) Statement of Newness and Distinctiveness: **Nil**



- (21) Design Number: **12586/2011**  
(22) Date of Filing Application: **08 June 2011**  
(24) Date from which industrial property rights may have effect: **08 June 2011**  
(54) Product in respect of which the design is registered: **PVC extrusion for use in motor vehicles, boats caravans and camping**  
(51) International Design Classification: **12-16NES, 25-01K**  
(74) Name(s) of Attorney(s):  
(71) Name(s) and Address(s) of Applicant(s):  
**Haigh Australia Pty Ltd**  
**64 Argyle Parade Darra Queensland 4076 Australia**  
(72) Name(s) of Designer(s): **Les Somers**  
(45) Registration Date: **06 July 2011**  
(56) Related Art Documents: **Not Applicable**  
(57) Statement of Newness and Distinctiveness: **Monopoly is claimed in the features of shape and/or configuration of an extrusion of of constant cross-section and of indefinite length as shown in the representations accompanying the application.**

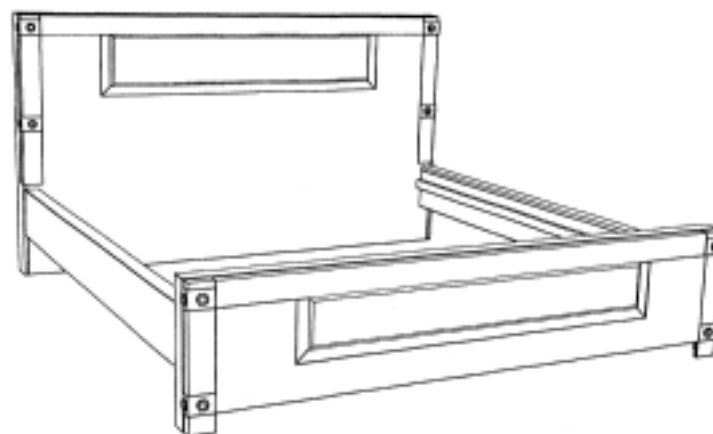


- (21) Design Number: **12587/2011**  
(22) Date of Filing Application: **09 June 2011**  
(24) Date from which industrial property rights may have effect: **09 June 2011**  
(54) Product in respect of which the design is registered: **Extruded member**  
(51) International Design Classification: **20-03NES, 25-01K**  
(74) Name(s) of Attorney(s): **EKM patent & trade marks**  
(71) Name(s) and Address(s) of Applicant(s):  
**The Banner Lady Pty Ltd**  
**Unit 2 21 Howleys Road Notting Hill Victoria 3168 Australia**  
(72) Name(s) of Designer(s): **Brenton John Gill**  
(45) Registration Date: **06 July 2011**  
(56) Related Art Documents: **Not Applicable**  
(57) Statement of Newness and Distinctiveness: **Newness and distinctiveness resides in the features of shape and/or configuration of an extruded member of indefinite length.**

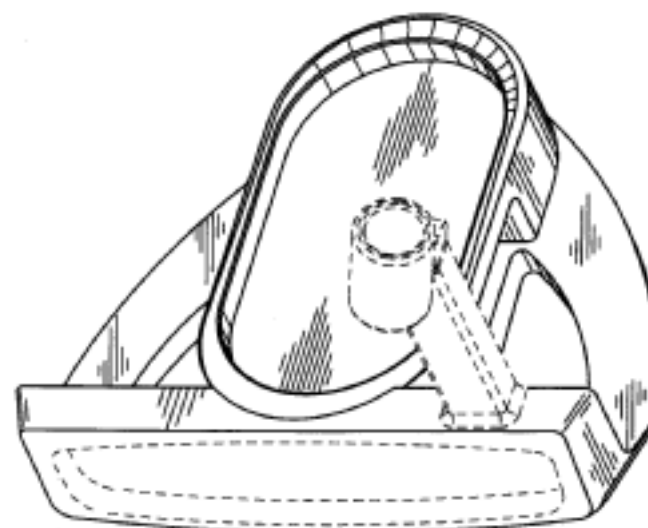




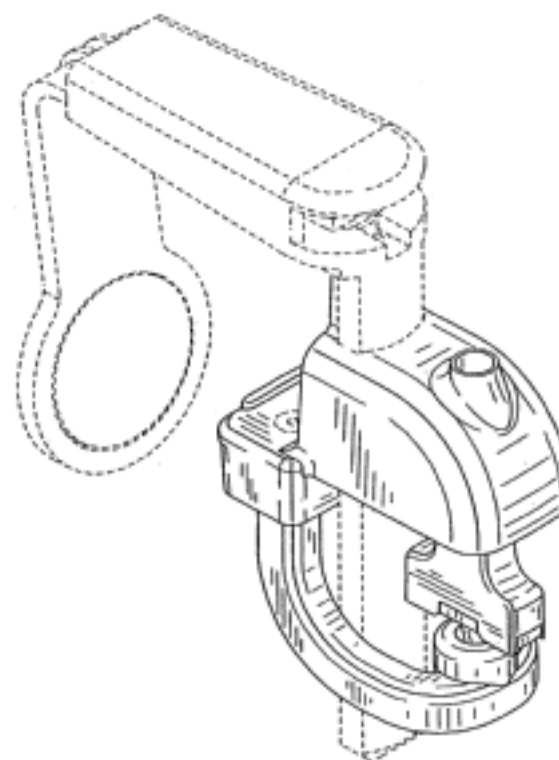
- (21) Design Number: **12180/2011**  
(22) Date of Filing Application: **12 May 2011**  
(24) Date from which industrial property rights may have effect: **12 May 2011**  
(54) Product in respect of which the design is registered: **A bed frame, bed side table, tall boy and dresser**  
(51) International Design Classification: **06-06B, 06-06D, 06-06F**  
(74) Name(s) of Attorney(s):  
(71) Name(s) and Address(s) of Applicant(s):  
**AFI (WA) Pty Ltd**  
**211 Camboon Road Malaga Western Australia 6090 Australia**  
(72) Name(s) of Designer(s): **Bruno Tassone and Chin Hoo Low**  
(45) Registration Date: **06 July 2011**  
(56) Related Art Documents: **Not Applicable**  
(57) Statement of Newness and Distinctiveness: **Novelty is claimed in the pattern and ornamentation of the bedroom suite as shown in the accompanying representations.**



- (21) Design Number: **11950/2011**  
(22) Date of Filing Application: **03 May 2011**  
(24) Date from which industrial property rights may have effect: **03 May 2011**  
(54) Product in respect of which the design is registered: **Golf club head**  
(51) International Design Classification: **21-02C**  
(74) Name(s) of Attorney(s): **Davies Collison Cave**  
(71) Name(s) and Address(s) of Applicant(s):  
**Karsten Manufacturing Corporation**  
**2201 West Desert Cove Phoenix Arizona 85029 United States of America**  
(72) Name(s) of Designer(s): **Anthony D. Serrano and Xiaojian Chen**  
(45) Registration Date: **06 July 2011**  
(30) Convention priority data:  
(31) Number      (32) Date      (33) Country  
**29/382980      10 Jan 2011      UNITED STATES OF AMERICA**  
(56) Related Art Documents: **Not Applicable**  
(57) Statement of Newness and Distinctiveness: **Newness and distinctiveness is claimed in the visual features shown in solid lines in the representations. In considering the extent of the design rights, the broken lines shown in the representations are for illustrative purposes only and do not form part of the design.**



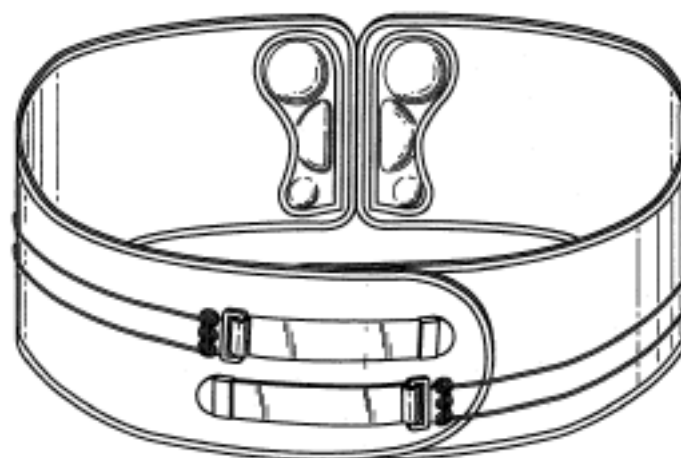
(21) Design Number: **12035/2011**  
(22) Date of Filing Application: **09 May 2011**  
(24) Date from which industrial property rights may have effect: **09 May 2011**  
(54) Product in respect of which the design is registered: **Toilet dispenser mounting device**  
(51) International Design Classification: **09-01A**  
(74) Name(s) of Attorney(s): **SPRUSON & FERGUSON**  
(71) Name(s) and Address(s) of Applicant(s):  
**S.C. Johnson & Son, Inc.**  
**1525 Howe Street Racine Wisconsin 53403-2236 United States of America**  
(72) Name(s) of Designer(s): **Jesse Richard and Jason R. Gebhardt and Kristian Buschmann and Steven V. Bisbikis**  
(45) Registration Date: **06 July 2011**  
(30) Convention priority data:  
(31) Number (32) Date (33) Country  
**29/378780 09 Nov 2010 UNITED STATES OF AMERICA**  
(56) Related Art Documents: **Not Applicable**  
(57) Statement of Newness and Distinctiveness: **Newness and distinctiveness is claimed in those features of shape and/or configuration of a toilet dispenser mounting device illustrated in continuous lines in the accompanying representations.**



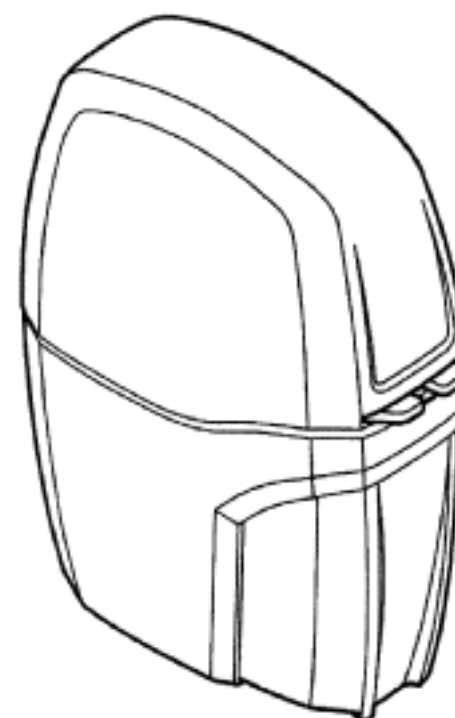
(21) Design Number: **12412/2011**  
(22) Date of Filing Application: **26 May 2011**  
(24) Date from which industrial property rights may have effect: **26 May 2011**  
(54) Product in respect of which the design is registered: **Solar roof mounting rail**  
(51) International Design Classification: **25-01K, 08-08L**  
(74) Name(s) of Attorney(s): **MORCOM PERNAT**  
(71) Name(s) and Address(s) of Applicant(s):  
**Solar Tech Connect Pty Ltd**  
**5/22 Eastern Service Road Stapylton Queensland 4207 Australia**  
(72) Name(s) of Designer(s): **John Henley-Smith**  
(45) Registration Date: **06 July 2011**  
(56) Related Art Documents: **Not Applicable**  
(57) Statement of Newness and Distinctiveness: **The newness of the design resides in the shape and configuration of a section having a constant cross section shape and an indefinite length as shown in the representations.**



(21) Design Number: **12460/2011**  
(22) Date of Filing Application: **31 May 2011**  
(24) Date from which industrial property rights may have effect: **31 May 2011**  
(54) Product in respect of which the design is registered: **Back brace**  
(51) International Design Classification: **02-01B**  
(74) Name(s) of Attorney(s): **Davies Collison Cave**  
(71) Name(s) and Address(s) of Applicant(s):  
**3M Innovative Properties Company**  
**3M Center Saint Paul Minnesota 55133-3427 United States of America**  
(72) Name(s) of Designer(s): **Edward L. Weaver II**  
(45) Registration Date: **06 July 2011**  
(30) Convention priority data:  
(31) Number (32) Date (33) Country  
**29/380402 03 Dec 2010 UNITED STATES OF AMERICA**  
(56) Related Art Documents: **Not Applicable**  
(57) Statement of Newness and Distinctiveness: **Nil**



(21) Design Number: **12535/2011**  
(22) Date of Filing Application: **03 June 2011**  
(24) Date from which industrial property rights may have effect: **03 June 2011**  
(54) Product in respect of which the design is registered: **Inhaler**  
(51) International Design Classification: **24-04**  
(74) Name(s) of Attorney(s): **WATERMARK PATENT AND TRADE MARKS ATTORNEYS**  
(71) Name(s) and Address(s) of Applicant(s):  
**Laboratorios Liconsa, S.A.**  
**C/Quintanapalla 2 4th Floor E-28050 Madrid Spain**  
(72) Name(s) of Designer(s): **Laura Andrade and Jose Ramon Ruiz and Celestino Ronchi and Maria Maeso and Alessandro Castelluci and Gonzalo Hernandez and Thomas Collings and Christopher Althorpe and Philip Walsh**  
(45) Registration Date: **06 July 2011**  
(30) Convention priority data:  
(31) Number (32) Date (33) Country  
**001249296 06 Dec 2010 EUROPEAN COMMUNITY**  
(56) Related Art Documents: **Not Applicable**  
(57) Statement of Newness and Distinctiveness: **Nil**



(21) Design Number: **12567/2011**  
(22) Date of Filing Application: **09 June 2011**  
(24) Date from which industrial property rights may have effect: **09 June 2011**  
(54) Product in respect of which the design is registered: **A cup**  
(51) International Design Classification: **07-01D**  
(74) Name(s) of Attorney(s): **Banki Haddock Fiora**  
(71) Name(s) and Address(s) of Applicant(s):  
**Societe des Produits Nestle S.A.**  
**1800 Vevey Switzerland**  
(72) Name(s) of Designer(s): **Beatrice Mariotti**  
(45) Registration Date: **06 July 2011**  
(30) Convention priority data:  
(31) Number (32) Date (33) Country  
**137478 15 Dec 2010 SWITZERLAND**  
(56) Related Art Documents: **Not Applicable**  
(57) Statement of Newness and Distinctiveness: **Nil**



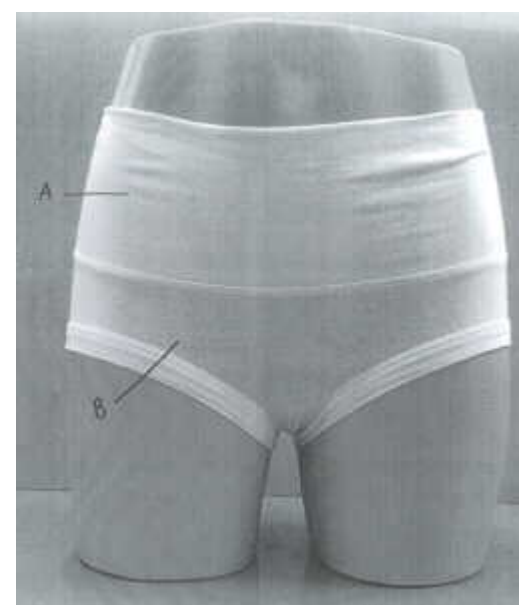
(21) Design Number: **12568/2011**  
(22) Date of Filing Application: **09 June 2011**  
(24) Date from which industrial property rights may have effect: **09 June 2011**  
(54) Product in respect of which the design is registered: **A saucer**  
(51) International Design Classification: **07-01D**  
(74) Name(s) of Attorney(s): **Banki Haddock Fiora**  
(71) Name(s) and Address(s) of Applicant(s):  
**Societe des Produits Nestle S.A.**  
**1800 Vevey Switzerland**  
(72) Name(s) of Designer(s): **Beatrice Mariotti**  
(45) Registration Date: **06 July 2011**  
(30) Convention priority data:  
(31) Number (32) Date (33) Country  
**137478 15 Dec 2010 SWITZERLAND**  
(56) Related Art Documents: **Not Applicable**  
(57) Statement of Newness and Distinctiveness: **Nil**



- (21) Design Number: **12576/2011**  
(22) Date of Filing Application: **08 June 2011**  
(24) Date from which industrial property rights may have effect: **08 June 2011**  
(54) Product in respect of which the design is registered: **A washing machine with a clothing dryer**  
(51) International Design Classification: **15-05**  
(74) Name(s) of Attorney(s): **HODGKINSON McINNES PATENTS**  
(71) Name(s) and Address(s) of Applicant(s):  
**Kabushiki Kaisha Toshiba also Trading as Toshiba Corporation**  
**1-1 Shibaura 1-chome Minato-ku Tokyo Japan**  
**Toshiba Home Appliances Corporation**  
**2-15 Sotokanda 2-chome Chiyoda-ku Tokyo Japan**  
(72) Name(s) of Designer(s): **Toshiyuki Yamanouchi and Keita Matsumoto**  
(45) Registration Date: **06 July 2011**  
(30) Convention priority data:  
(31) Number      (32) Date      (33) Country  
**2011-003686      22 Feb 2011      JAPAN**  
(56) Related Art Documents: **Not Applicable**  
(57) Statement of Newness and Distinctiveness: **Newness and distinctiveness is claimed in the features of shape and/or configuration of a washing machine with a clothing dryer as illustrated in the accompanying representations.**



- (21) Design Number: **12588/2011**  
(22) Date of Filing Application: **09 June 2011**  
(24) Date from which industrial property rights may have effect: **09 June 2011**  
(54) Product in respect of which the design is registered: **Underwear**  
(51) International Design Classification: **02-01B**  
(74) Name(s) of Attorney(s): **Freehills Patent & Trade Mark Attorneys**  
(71) Name(s) and Address(s) of Applicant(s):  
**Bonds Industries Pty Ltd**  
**Level 3 290 Burwood Road Hawthorn Victoria 3122 Australia**  
(72) Name(s) of Designer(s): **Jane Newman and Renee Stuart**  
(45) Registration Date: **06 July 2011**  
(56) Related Art Documents: **Not Applicable**  
(57) Statement of Newness and Distinctiveness: **Newness and distinctiveness is claimed in the features of shape and/or configuration of the upper portion labelled A of the underwear as shown in the accompanying representations. The shape and/or configuration of the lower portion of the underwear labelled B does not form part of the design and is to be disregarded when considering the overall impression of the design.**



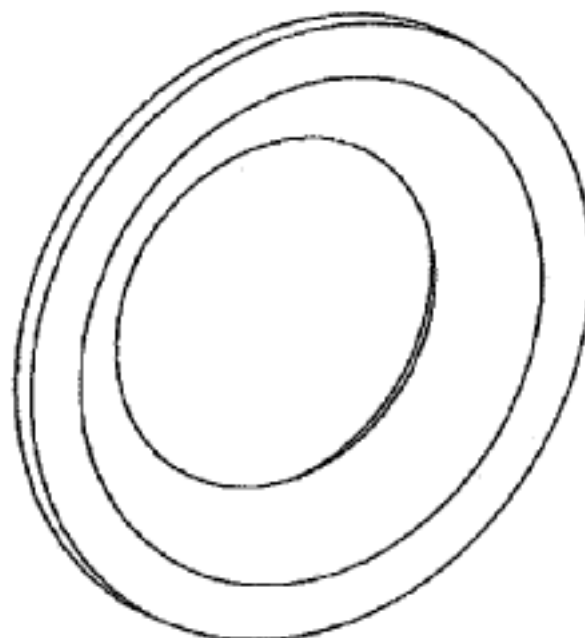
(21) Design Number: **12590/2011**  
(22) Date of Filing Application: **09 June 2011**  
(24) Date from which industrial property rights may have effect: **09 June 2011**  
(54) Product in respect of which the design is registered: **Cushion insert**  
(51) International Design Classification: **06-09**  
(74) Name(s) of Attorney(s): **Wrays**  
(71) Name(s) and Address(s) of Applicant(s):  
**Pittsburgh Plastics Manufacturing, Inc.**  
**140 Kriess Road Butler Pennsylvania 16001 United States of America**  
(72) Name(s) of Designer(s): **Andre K. Allen and Ian M. Cummings**  
(45) Registration Date: **06 July 2011**  
(30) Convention priority data:  
(31) Number (32) Date (33) Country  
**29/380,662 09 Dec 2010 UNITED STATES OF AMERICA**  
(56) Related Art Documents: **Not Applicable**  
(57) Statement of Newness and Distinctiveness: **Newness and distinctiveness is claimed in the features of shape and/or configuration of the cushion insert depicted in the accompanying representations.**



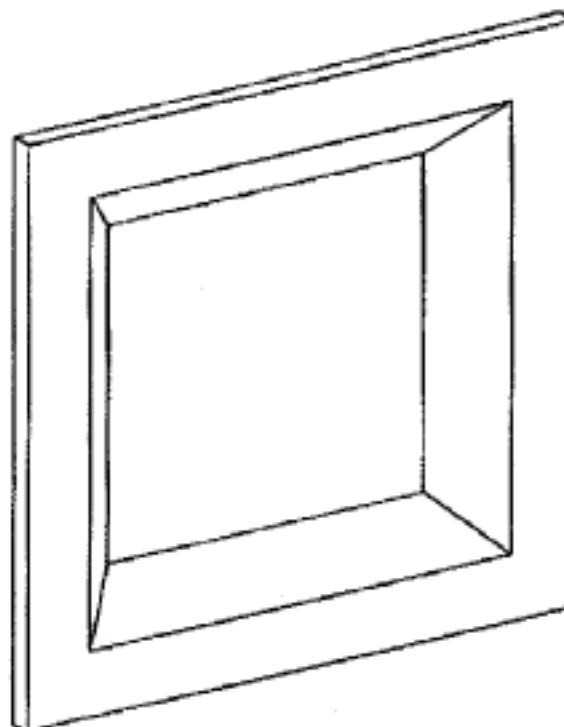
(21) Design Number: **12592/2011**  
(22) Date of Filing Application: **09 June 2011**  
(24) Date from which industrial property rights may have effect: **09 June 2011**  
(54) Product in respect of which the design is registered: **Cushion insert**  
(51) International Design Classification: **06-09**  
(74) Name(s) of Attorney(s): **Wrays**  
(71) Name(s) and Address(s) of Applicant(s):  
**Pittsburgh Plastics Manufacturing, Inc.**  
**140 Kriess Road Butler Pennsylvania 16001 United States of America**  
(72) Name(s) of Designer(s): **Andre K. Allen and Ian M. Cummings**  
(45) Registration Date: **06 July 2011**  
(30) Convention priority data:  
(31) Number (32) Date (33) Country  
**29/380,662 09 Dec 2010 UNITED STATES OF AMERICA**  
(56) Related Art Documents: **Not Applicable**  
(57) Statement of Newness and Distinctiveness: **Newness and distinctiveness is claimed in the features of shape and/or configuration of the cushion insert depicted in the accompanying representations.**



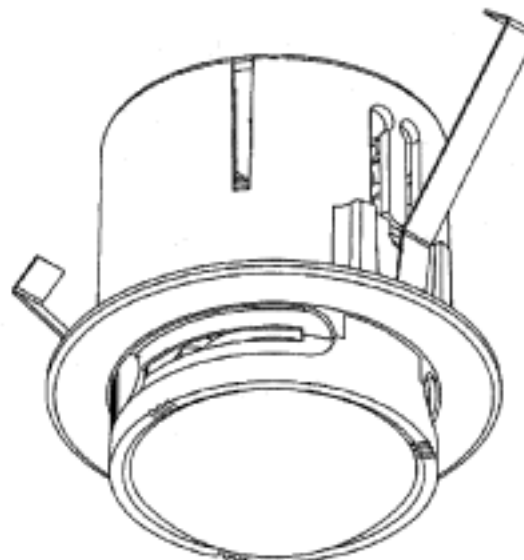
- (21) Design Number: **12595/2011**  
(22) Date of Filing Application: **09 June 2011**  
(24) Date from which industrial property rights may have effect: **09 June 2011**  
(54) Product in respect of which the design is registered: **Round light diffuser**  
(51) International Design Classification: **26-05A**  
(74) Name(s) of Attorney(s): **LESICAR PERRIN**  
(71) Name(s) and Address(s) of Applicant(s):  
**Gerard Lighting Pty Ltd**  
**101 Port Wakefield Road Cavan South Australia 5094 Australia**  
(72) Name(s) of Designer(s): **Bryan Negrone and Richard Patterson**  
(45) Registration Date: **06 July 2011**  
(56) Related Art Documents: **Not Applicable**  
(57) Statement of Newness and Distinctiveness: **Newness and distinctiveness resides in the shape and configuration of the diffuser as shown in the drawings.**



- (21) Design Number: **12596/2011**  
(22) Date of Filing Application: **09 June 2011**  
(24) Date from which industrial property rights may have effect: **09 June 2011**  
(54) Product in respect of which the design is registered: **Square light diffuser**  
(51) International Design Classification: **26-05D**  
(74) Name(s) of Attorney(s): **LESICAR PERRIN**  
(71) Name(s) and Address(s) of Applicant(s):  
**Gerard Lighting Pty Ltd**  
**101 Port Wakefield Road Cavan South Australia 5094 Australia**  
(72) Name(s) of Designer(s): **Bryan Negrone and Richard Patterson**  
(45) Registration Date: **06 July 2011**  
(56) Related Art Documents: **Not Applicable**  
(57) Statement of Newness and Distinctiveness: **Newness and distinctiveness resides in the shape and configuration of the diffuser as shown in the drawings.**



- (21) Design Number: **12597/2011**  
(22) Date of Filing Application: **09 June 2011**  
(24) Date from which industrial property rights may have effect: **09 June 2011**  
(54) Product in respect of which the design is registered: **PIR sensor**  
(51) International Design Classification: **10-05**  
(74) Name(s) of Attorney(s): **LESICAR PERRIN**  
(71) Name(s) and Address(s) of Applicant(s):  
**Gerard Lighting Pty Ltd**  
**101 Port Wakefield Road Cavan South Australia 5094 Australia**  
(72) Name(s) of Designer(s): **Bryan Negrone and Jason Gerard**  
(45) Registration Date: **06 July 2011**  
(56) Related Art Documents: **Not Applicable**  
(57) Statement of Newness and Distinctiveness: **Newness and distinctiveness resides in the shape and configuration of the PIR sensor as shown in the drawings. Attention is drawn towards the control actuators on the retractable portion of the PIR sensor.**



- (21) Design Number: **11929/2011**  
(22) Date of Filing Application: **02 May 2011**  
(24) Date from which industrial property rights may have effect: **02 May 2011**  
(54) Product in respect of which the design is registered: **Bra strap secure**  
(51) International Design Classification: **02-07A**  
(74) Name(s) of Attorney(s):  
(71) Name(s) and Address(s) of Applicant(s):  
**Eva Karja Gutray-Bukoven**  
**28 Orana Place Riverside Tasmania 7250 Australia**  
**Evrydika Jurate Semonta Bukoven**  
**1 Ebica Court Riverside Tasmania 7250 Australia**  
(72) Name(s) of Designer(s): **Eva Karja Gutray-Bukoven**  
(45) Registration Date: **07 July 2011**  
(56) Related Art Documents: **Not Applicable**  
(57) Statement of Newness and Distinctiveness: **The strap secure features a discreet strap equipped with a press stud for inconspicuous alignment of bra and dress straps.**

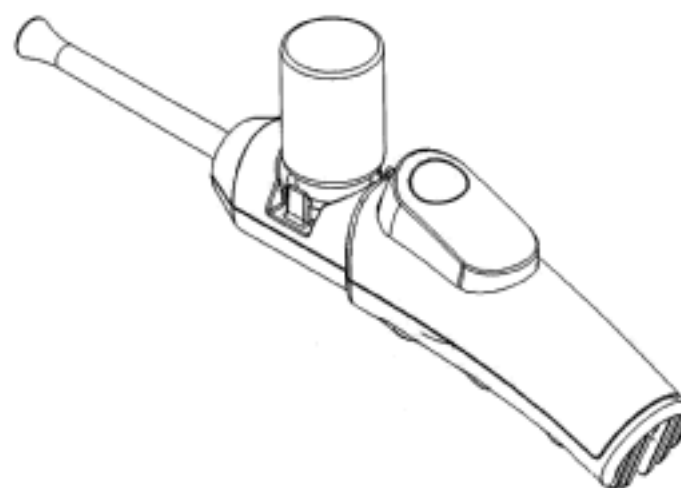




- (21) Design Number: **12559/2011**  
(22) Date of Filing Application: **06 June 2011**  
(24) Date from which industrial property rights may have effect: **06 June 2011**  
(54) Product in respect of which the design is registered: **Baby cot/bed**  
(51) International Design Classification: **06-02**  
(74) Name(s) of Attorney(s):  
(71) Name(s) and Address(s) of Applicant(s):  
**Groyears Investments Pty Ltd Trading as Grocorp**  
**10 Martini Parade Lithgow New South Wales 2790 Australia**  
(72) Name(s) of Designer(s): **Stephen Joyce**  
(45) Registration Date: **07 July 2011**  
(56) Related Art Documents: **Not Applicable**  
(57) Statement of Newness and Distinctiveness: **The design of the cot ends are new and distinctive in the style and shape, particularly the curved centre panel.**



- (21) Design Number: **12840/2011**  
(22) Date of Filing Application: **22 June 2011**  
(24) Date from which industrial property rights may have effect: **22 June 2011**  
(54) Product in respect of which the design is registered: **Medical instrument**  
(51) International Design Classification: **24-02**  
(74) Name(s) of Attorney(s): **Ahearn Fox**  
(71) Name(s) and Address(s) of Applicant(s):  
**ProFibrix B.V.**  
**Zernikedreef 9 2333 CK Leiden Netherlands**  
(72) Name(s) of Designer(s): **Paul Greenhalgh**  
(45) Registration Date: **07 July 2011**  
(30) Convention priority data:  
(31) Number      (32) Date      (33) Country  
**001798257      23 Dec 2010      EUROPEAN COMMUNITY**  
(56) Related Art Documents: **Not Applicable**  
(57) Statement of Newness and Distinctiveness: **Newness and distinctiveness resides in the features of shape and configuration of a medical instrument as shown in the accompanying drawings.**



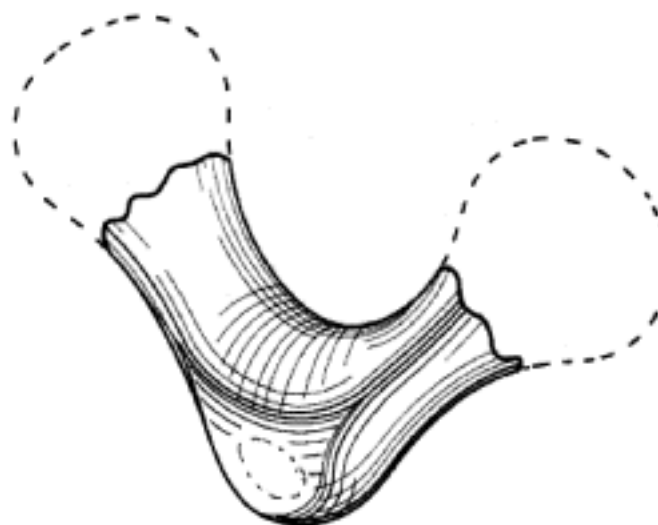
(21) Design Number: **12610/2011**  
(22) Date of Filing Application: **10 June 2011**  
(24) Date from which industrial property rights may have effect: **10 June 2011**  
(54) Product in respect of which the design is registered: **Key holder**  
(51) International Design Classification: **03-01B**  
(74) Name(s) of Attorney(s): **Allens Arthur Robinson**  
(71) Name(s) and Address(s) of Applicant(s):  
**Yoogo Projections Inc**  
**201-4916 Lionel Groulx Saint-Augustin-de-Desmaures Quebec G3A 1Z5**  
**Canada**

(72) Name(s) of Designer(s): **Georges-Andre Bernatchez**  
(45) Registration Date: **07 July 2011**

(30) Convention priority data:  
(31) Number (32) Date (33) Country  
**29/380,724 10 Dec 2010 UNITED STATES OF AMERICA**

(56) Related Art Documents: **Not Applicable**

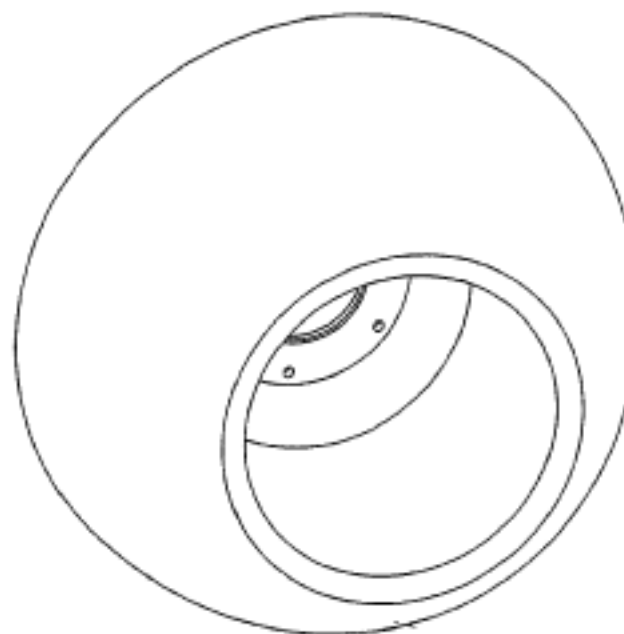
(57) Statement of Newness and Distinctiveness: **Newness and distinctiveness resides in the visual features of shape and/or configuration of a key holder as illustrated in solid lines in the accompanying representations. The parts of the product illustrated in broken lines may take any shape and/or configuration.**



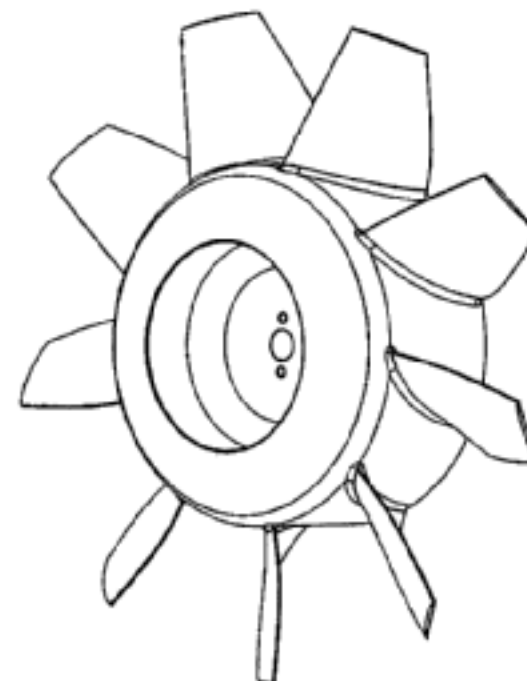
(21) Design Number: **12611/2011**  
(22) Date of Filing Application: **10 June 2011**  
(24) Date from which industrial property rights may have effect: **10 June 2011**  
(54) Product in respect of which the design is registered: **An end for attachment to a fan**  
(51) International Design Classification: **23-04**  
(74) Name(s) of Attorney(s): **PHILLIPS ORMONDE FITZPATRICK**  
(71) Name(s) and Address(s) of Applicant(s):  
**Climate Technologies Pty Ltd**  
**26 Nylex Avenue Salisbury South Australia 5108 Australia**

(72) Name(s) of Designer(s): **Allan Wallace and Shaun Milde**  
(45) Registration Date: **07 July 2011**

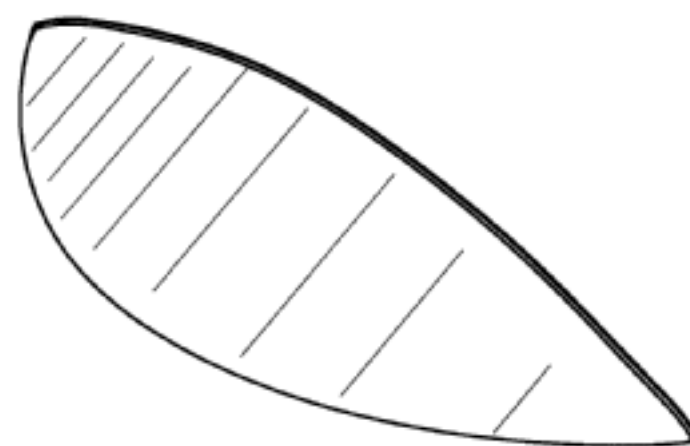
(56) Related Art Documents: **Not Applicable**  
(57) Statement of Newness and Distinctiveness: **Nil**



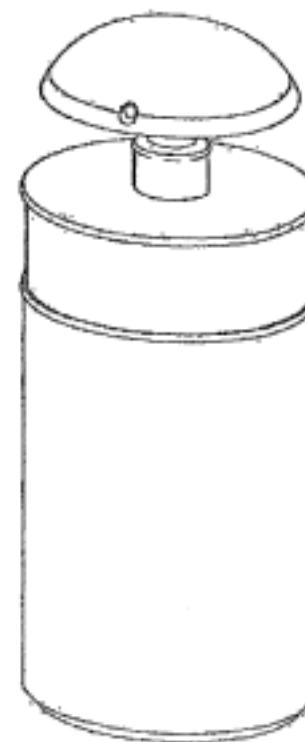
(21) Design Number: **12612/2011**  
(22) Date of Filing Application: **10 June 2011**  
(24) Date from which industrial property rights may have effect: **10 June 2011**  
(54) Product in respect of which the design is registered: **A fan**  
(51) International Design Classification: **23-04**  
(74) Name(s) of Attorney(s): **PHILLIPS ORMONDE FITZPATRICK**  
(71) Name(s) and Address(s) of Applicant(s):  
**Climate Technologies Pty Ltd**  
**26 Nylex Avenue Salisbury South Australia 5108 Australia**  
(72) Name(s) of Designer(s): **Allan Wallace and Shaun Milde**  
(45) Registration Date: **07 July 2011**  
(56) Related Art Documents: **Not Applicable**  
(57) Statement of Newness and Distinctiveness: **Nil**



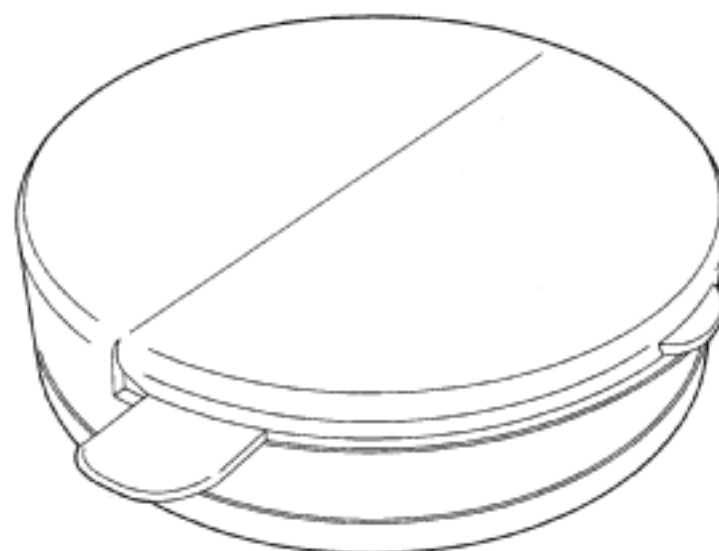
(21) Design Number: **12616/2011**  
(22) Date of Filing Application: **10 June 2011**  
(24) Date from which industrial property rights may have effect: **10 June 2011**  
(54) Product in respect of which the design is registered: **Orthotic insert**  
(51) International Design Classification: **02-04A**  
(74) Name(s) of Attorney(s): **Shelston IP**  
(71) Name(s) and Address(s) of Applicant(s):  
**Foot Steps Orthotics Pty Limited**  
**C/- Shedden & Green Chartered Accountants Level 3 19/21 Central Road**  
**Miranda New South Wales 2228 Australia**  
(72) Name(s) of Designer(s): **Rodney Kielt and Abdul Najjarine**  
(45) Registration Date: **07 July 2011**  
(30) Convention priority data:  
(31) Number      (32) Date      (33) Country  
**099306818      31 Dec 2010      TAIWAN**  
(56) Related Art Documents: **Not Applicable**  
(57) Statement of Newness and Distinctiveness: **Newness and distinctiveness reside in the shape and/or configuration of the orthotic insert, as illustrated by solid lines in the accompanying representations. The discontinuous lines are for illustrative purposes only and do not form part of the design.**



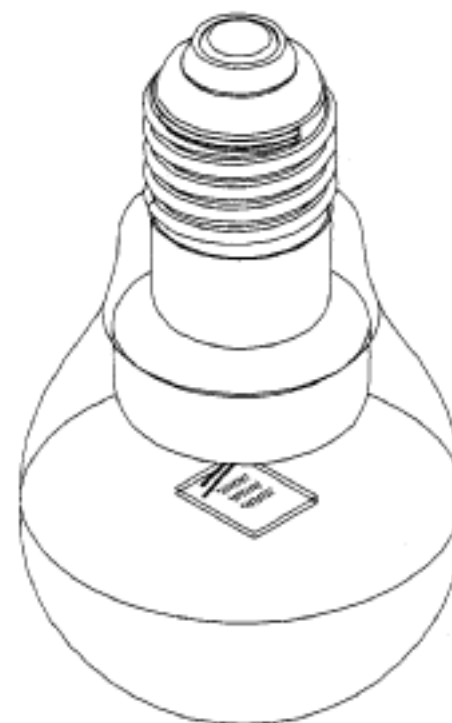
(21) Design Number: **10595/2011**  
(22) Date of Filing Application: **17 March 2011**  
(24) Date from which industrial property rights may have effect: **17 March 2011**  
(54) Product in respect of which the design is registered: **Perfume bottle**  
(51) International Design Classification: **09-01G**  
(74) Name(s) of Attorney(s): **Freehills Patent & Trade Mark Attorneys**  
(71) Name(s) and Address(s) of Applicant(s):  
**Fragrance and Skincare S.L.**  
**Travesera de Gracia 9 E-08021 Barcelona Spain**  
(72) Name(s) of Designer(s): **Fabien Baron**  
(45) Registration Date: **07 July 2011**  
(30) Convention priority data:  
(31) Number (32) Date (33) Country  
**001821356-0001 15 Feb 2011 EUROPEAN COMMUNITY**  
(56) Related Art Documents: **Not Applicable**  
(57) Statement of Newness and Distinctiveness: **Nil**



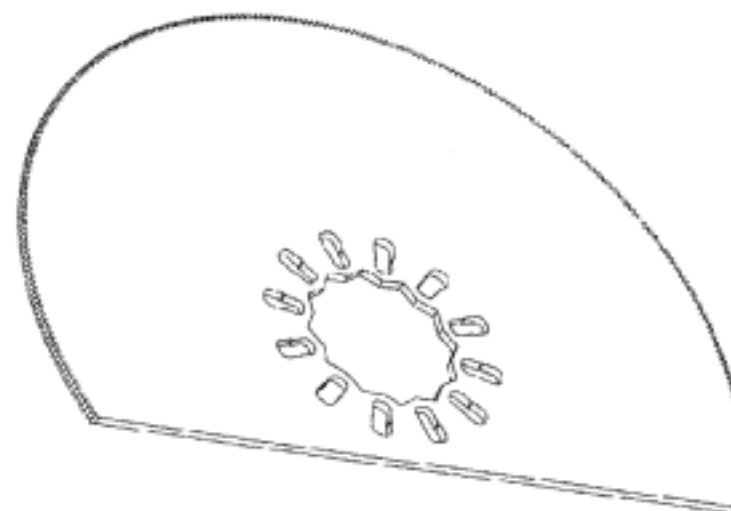
(21) Design Number: **11106/2011**  
(22) Date of Filing Application: **22 March 2011**  
(24) Date from which industrial property rights may have effect: **22 March 2011**  
(54) Product in respect of which the design is registered: **A flip top lid assembly**  
(51) International Design Classification: **09-07B**  
(74) Name(s) of Attorney(s): **PETER MAXWELL & ASSOCIATES**  
(71) Name(s) and Address(s) of Applicant(s):  
**Maccsim Fastenings Pty Ltd**  
**10 Wonderland Drive Eastern Creek New South Wales 2766 Australia**  
(72) Name(s) of Designer(s): **Fraser Mackay-Sim**  
(45) Registration Date: **07 July 2011**  
(56) Related Art Documents: **Not Applicable**  
(57) Statement of Newness and Distinctiveness: **Newness and distinctiveness is claimed in the shape and/or configuration of a flip top lid assembly as illustrated by the unbroken lines in the accompanying representation/s.**



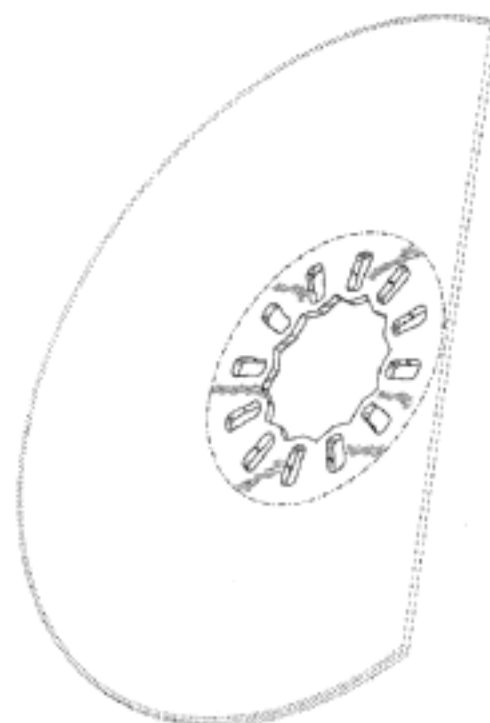
(21) Design Number: **12356/2011**  
(22) Date of Filing Application: **26 May 2011**  
(24) Date from which industrial property rights may have effect: **26 May 2011**  
(54) Product in respect of which the design is registered: **Lamp**  
(51) International Design Classification: **26-04**  
(74) Name(s) of Attorney(s): **Wrays**  
(71) Name(s) and Address(s) of Applicant(s):  
**Mass Technology (H.K.) Limited**  
**31/F. Two Landmark East 100 How Ming Street Kwun Tong Kowloon**  
**Hong Kong**  
(72) Name(s) of Designer(s): **Onn Fah Foo**  
(45) Registration Date: **07 July 2011**  
(30) Convention priority data:  
(31) Number (32) Date (33) Country  
**1002207.3 25 Nov 2010 HONG KONG**  
(56) Related Art Documents: **Not Applicable**  
(57) Statement of Newness and Distinctiveness: **Newness and distinctiveness is claimed in the features of shape and/or configuration of the lamp depicted in the accompanying representations.**



(21) Design Number: **12605/2011**  
(22) Date of Filing Application: **10 June 2011**  
(24) Date from which industrial property rights may have effect: **10 June 2011**  
(54) Product in respect of which the design is registered: **Accessory blade for a power tool**  
(51) International Design Classification: **08-03**  
(74) Name(s) of Attorney(s): **Griffith Hack**  
(71) Name(s) and Address(s) of Applicant(s):  
**Techronic Power Tools Technology Limited**  
**Trident Chambers PO Box 146 Road Town Tortola Virgin Islands**  
**(British)**  
(72) Name(s) of Designer(s): **Richard Davidian and James Keith**  
(45) Registration Date: **07 July 2011**  
(30) Convention priority data:  
(31) Number (32) Date (33) Country  
**29/380,972 14 Dec 2010 UNITED STATES OF AMERICA**  
(56) Related Art Documents: **Not Applicable**  
(57) Statement of Newness and Distinctiveness: **Newness and distinctiveness resides in the visual features, including shape and configuration, of the accessory blade for a power tool as shown in the accompanying Figures.**

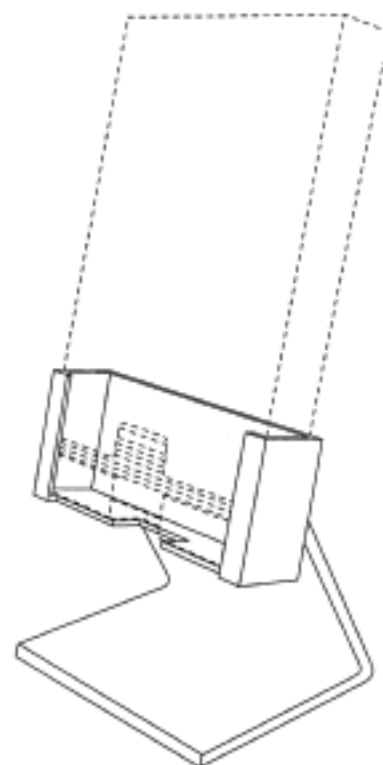


(21) Design Number: **12606/2011**  
(22) Date of Filing Application: **10 June 2011**  
(24) Date from which industrial property rights may have effect: **10 June 2011**  
(54) Product in respect of which the design is registered: **Accessory blade for a power tool**  
(51) International Design Classification: **08-03**  
(74) Name(s) of Attorney(s): **Griffith Hack**  
(71) Name(s) and Address(s) of Applicant(s):  
**Techtronic Power Tools Technology Limited**  
**Trident Chambers PO Box 146 Road Town Tortola Virgin Islands**  
**(British)**  
(72) Name(s) of Designer(s): **Richard Davidian and James Keith**  
(45) Registration Date: **07 July 2011**  
(30) Convention priority data:  
(31) Number (32) Date (33) Country  
**29/380,972 14 Dec 2010 UNITED STATES OF AMERICA**



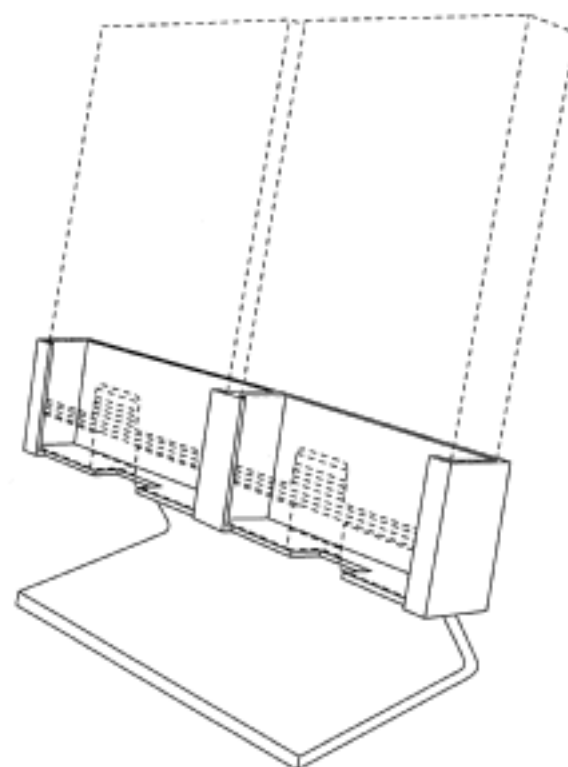
(56) Related Art Documents: **Not Applicable**  
(57) Statement of Newness and Distinctiveness: **Newness and distinctiveness resides in the visual features, including shape and configuration, of the accessory blade for a power tool as shown in the accompanying Figures. Those parts of the accessory blade for a power tool shown in dashed lines do not form part of the design and have been included for illustrative purposes only.**

(21) Design Number: **12608/2011**  
(22) Date of Filing Application: **10 June 2011**  
(24) Date from which industrial property rights may have effect: **10 June 2011**  
(54) Product in respect of which the design is registered: **Dispenser**  
(51) International Design Classification: **20-02D**  
(74) Name(s) of Attorney(s): **SPRUSON & FERGUSON**  
(71) Name(s) and Address(s) of Applicant(s):  
**Wm. Wrigley Jr. Company**  
**410 North Michigan Avenue Chicago Illinois 60611 United States of America**  
(72) Name(s) of Designer(s): **Neema Pourian**  
(45) Registration Date: **07 July 2011**  
(30) Convention priority data:  
(31) Number (32) Date (33) Country  
**29/380948 14 Dec 2010 UNITED STATES OF AMERICA**

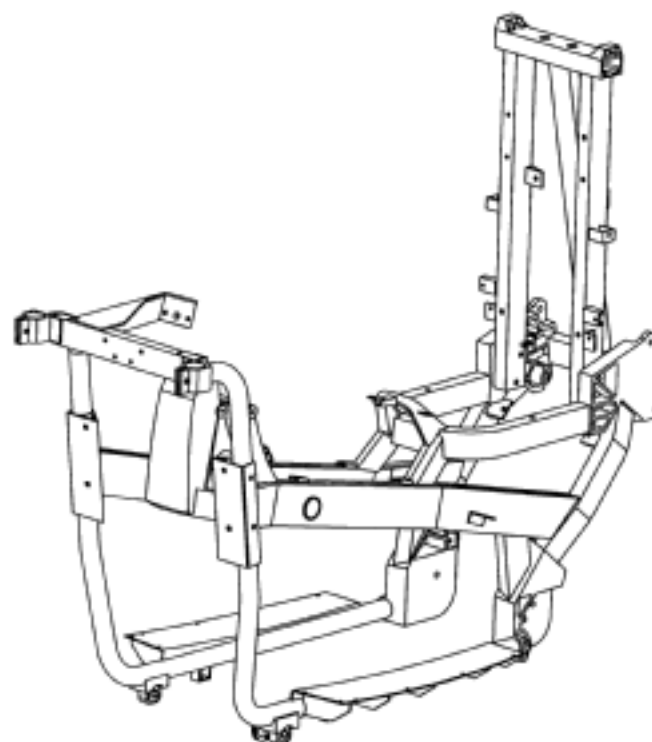


(56) Related Art Documents: **Not Applicable**  
(57) Statement of Newness and Distinctiveness: **Newness and distinctiveness is claimed in those features of shape and/or configuration of a dispenser illustrated in continuous lines in the accompanying representations.**

- (21) Design Number: **12609/2011**  
(22) Date of Filing Application: **10 June 2011**  
(24) Date from which industrial property rights may have effect: **10 June 2011**  
(54) Product in respect of which the design is registered: **Dispenser**  
(51) International Design Classification: **20-02D**  
(74) Name(s) of Attorney(s): **SPRUSON & FERGUSON**  
(71) Name(s) and Address(s) of Applicant(s):  
**Wm. Wrigley Jr. Company**  
**410 North Michigan Avenue Chicago Illinois 60611 United States of America**  
(72) Name(s) of Designer(s): **Neema Pourian**  
(45) Registration Date: **07 July 2011**  
(30) Convention priority data:  
(31) Number (32) Date (33) Country  
**29/380952 14 Dec 2010 UNITED STATES OF AMERICA**  
(56) Related Art Documents: **Not Applicable**  
(57) Statement of Newness and Distinctiveness: **Newness and distinctiveness is claimed in those features of shape and/or configuration of a dispenser illustrated in continuous lines in the accompanying representations.**



- (21) Design Number: **12617/2011**  
(22) Date of Filing Application: **10 June 2011**  
(24) Date from which industrial property rights may have effect: **10 June 2011**  
(54) Product in respect of which the design is registered: **Frame for an electric vehicle**  
(51) International Design Classification: **12-99**  
(74) Name(s) of Attorney(s): **Shelston IP**  
(71) Name(s) and Address(s) of Applicant(s):  
**Suzhou Eagle Electric Vehicle Manufacturing Co., Ltd.**  
**No. 699 TongYuan Road Suzhou Industrial Park Suzhou City China**  
(72) Name(s) of Designer(s): **Xue-qing Zhang and Xue Li**  
(45) Registration Date: **07 July 2011**  
(30) Convention priority data:  
(31) Number (32) Date (33) Country  
**201130019399.5 31 Jan 2011 CHINA**  
(56) Related Art Documents: **Not Applicable**  
(57) Statement of Newness and Distinctiveness: **Newness and distinctiveness resides in the shape and/or configuration of the frame for an electric vehicle, as shown by solid lines in the accompanying representations.**



(21) Design Number: **12618/2011**  
(22) Date of Filing Application: **10 June 2011**  
(24) Date from which industrial property rights may have effect: **10 June 2011**  
(54) Product in respect of which the design is registered: **Orthotic insert**  
(51) International Design Classification: **02-04A**  
(74) Name(s) of Attorney(s): **Shelston IP**  
(71) Name(s) and Address(s) of Applicant(s):  
**Foot Steps Orthotics Pty Limited**  
**C/- Shedden & Green Chartered Accountants Level 3 19/21 Central Road**  
**Miranda New South Wales 2228 Australia**

(72) Name(s) of Designer(s): **Rodney Kielt and Abdul Najjarine**

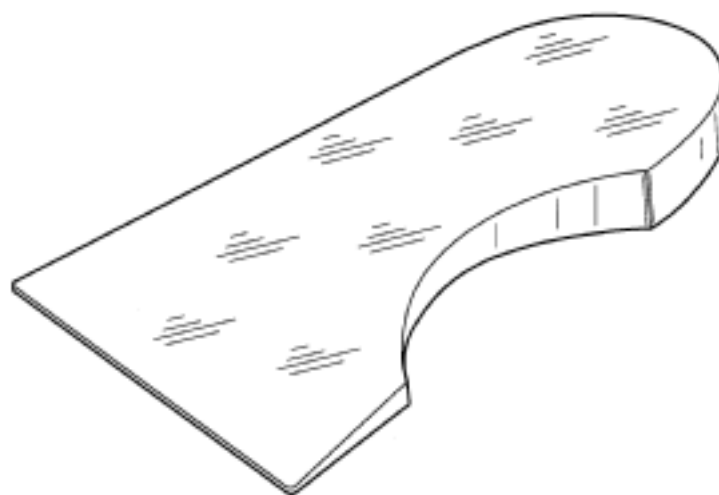
(45) Registration Date: **07 July 2011**

(30) Convention priority data:

(31) Number	(32) Date	(33) Country
<b>099306815</b>	<b>31 Dec 2010</b>	<b>TAIWAN</b>

(56) Related Art Documents: **Not Applicable**

(57) Statement of Newness and Distinctiveness: **Newness and distinctiveness reside in the shape and/or configuration of the orthotic insert, as illustrated by solid lines in the accompanying representations. The discontinuous lines are for illustrative purposes only and do not form part of the design.**



(21) Design Number: **12619/2011**  
(22) Date of Filing Application: **10 June 2011**  
(24) Date from which industrial property rights may have effect: **10 June 2011**  
(54) Product in respect of which the design is registered: **Orthotic insert**  
(51) International Design Classification: **02-04A**  
(74) Name(s) of Attorney(s): **Shelston IP**  
(71) Name(s) and Address(s) of Applicant(s):  
**Foot Steps Orthotics Pty Limited**  
**C/- Shedden & Green Chartered Accountants Level 3 19/21 Central Road**  
**Miranda New South Wales 2228 Australia**

(72) Name(s) of Designer(s): **Rodney Kielt and Abdul Najjarine**

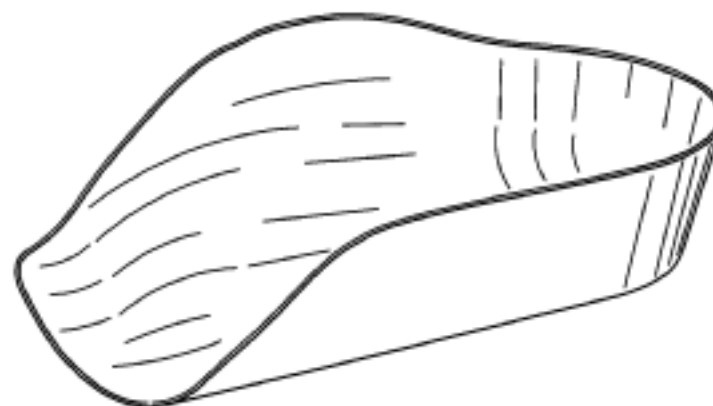
(45) Registration Date: **07 July 2011**

(30) Convention priority data:

(31) Number	(32) Date	(33) Country
<b>099306816</b>	<b>31 Dec 2010</b>	<b>TAIWAN</b>

(56) Related Art Documents: **Not Applicable**

(57) Statement of Newness and Distinctiveness: **Newness and distinctiveness reside in the shape and/or configuration of the orthotic insert, as illustrated by solid lines in the accompanying representations. The discontinuous lines are for illustrative purposes only and do not form part of the design.**





(21) Design Number: **12620/2011**

(22) Date of Filing Application: **10 June 2011**

(24) Date from which industrial property rights may have effect: **10 June 2011**

(54) Product in respect of which the design is registered: **Orthotic insert**

(51) International Design Classification: **02-04A**

(74) Name(s) of Attorney(s): **Shelston IP**

(71) Name(s) and Address(s) of Applicant(s):

**Foot Steps Orthotics Pty Limited**

**C/- Shedden & Green Chartered Accountants Level 3 19/21 Central Road  
Miranda New South Wales 2228 Australia**

(72) Name(s) of Designer(s): **Rodney Kielt and Abdul Najjarine**

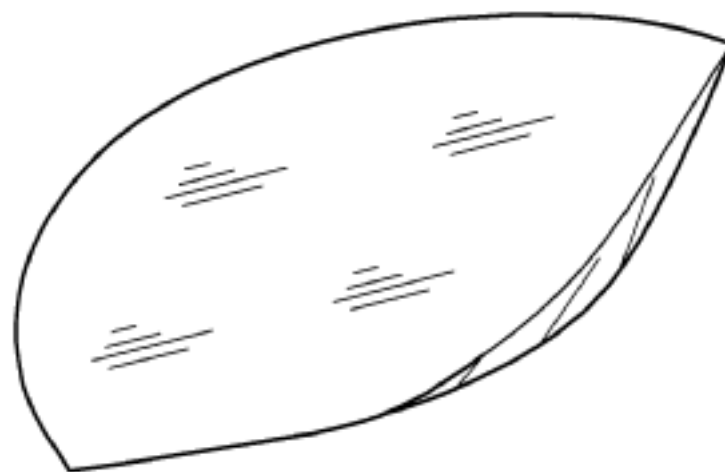
(45) Registration Date: **07 July 2011**

(30) Convention priority data:

(31) Number	(32) Date	(33) Country
<b>099306817</b>	<b>31 Dec 2010</b>	<b>TAIWAN</b>

(56) Related Art Documents: **Not Applicable**

(57) Statement of Newness and Distinctiveness: **Newness and distinctiveness reside in the shape and/or configuration of the orthotic insert, as illustrated by solid lines in the accompanying representations. The discontinuous lines are for illustrative purposes only and do not form part of the design.**



(21) Design Number: **12621/2011**

(22) Date of Filing Application: **10 June 2011**

(24) Date from which industrial property rights may have effect: **10 June 2011**

(54) Product in respect of which the design is registered: **Bottle**

(51) International Design Classification: **09-01NES**

(74) Name(s) of Attorney(s): **PHILLIPS ORMONDE FITZPATRICK**

(71) Name(s) and Address(s) of Applicant(s):

**Dart Industries Inc**

**14901 S. Orange Blossom Trail Orlando Florida 32837 United States of  
America**

(72) Name(s) of Designer(s): **Rui Yuan Chen**

(45) Registration Date: **07 July 2011**

(30) Convention priority data:

(31) Number	(32) Date	(33) Country
<b>29/372,772</b>	<b>10 Jan 2011</b>	<b>UNITED STATES OF AMERICA</b>

(56) Related Art Documents: **Not Applicable**

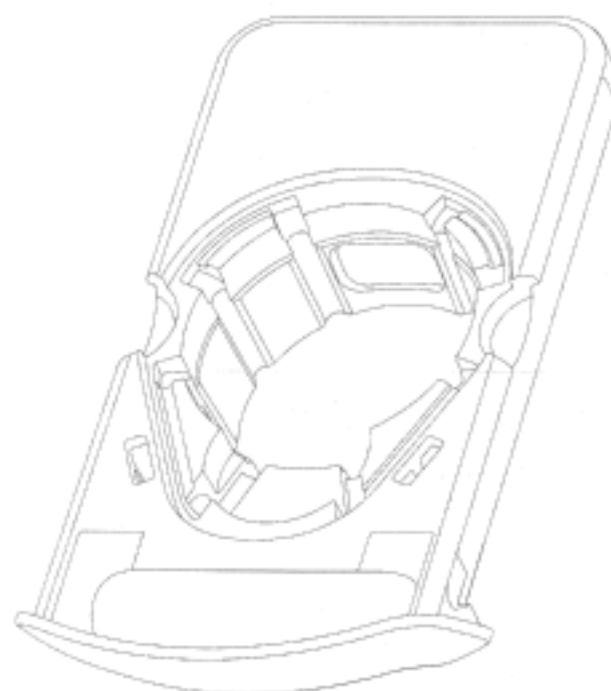
(57) Statement of Newness and Distinctiveness: **Those features of the bottle depicted in the representations that are new and distinctive are the shape and/or configuration.**



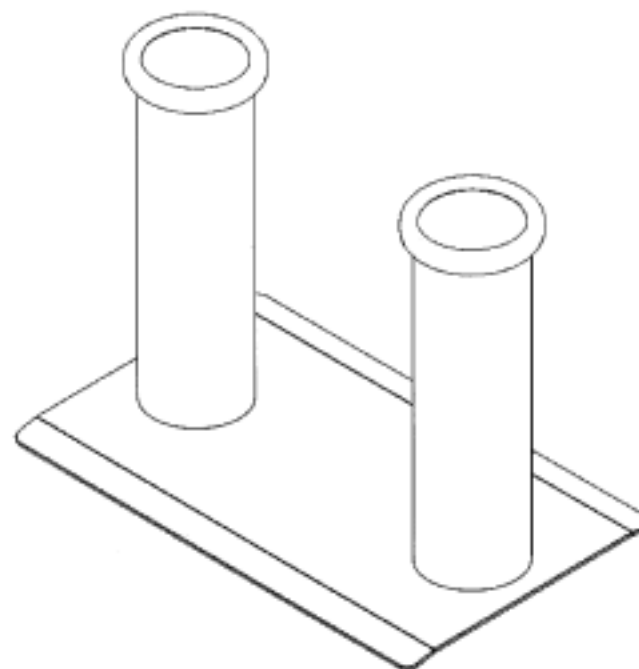
(21) Design Number: **12622/2011**  
(22) Date of Filing Application: **10 June 2011**  
(24) Date from which industrial property rights may have effect: **10 June 2011**  
(54) Product in respect of which the design is registered: **Bottle with cap**  
(51) International Design Classification: **09-01NES**  
(74) Name(s) of Attorney(s): **PHILLIPS ORMONDE FITZPATRICK**  
(71) Name(s) and Address(s) of Applicant(s):  
**Dart Industries Inc**  
**14901 S. Orange Blossom Trail Orlando Florida 32837 United States of America**  
(72) Name(s) of Designer(s): **Rui Yuan Chen**  
(45) Registration Date: **07 July 2011**  
(30) Convention priority data:  
(31) Number (32) Date (33) Country  
**29/372,771 10 Jan 2011 UNITED STATES OF AMERICA**  
(56) Related Art Documents: **Not Applicable**  
(57) Statement of Newness and Distinctiveness: **Those features of the bottle with cap depicted in the representations that are new and distinctive are the shape and/or configuration.**



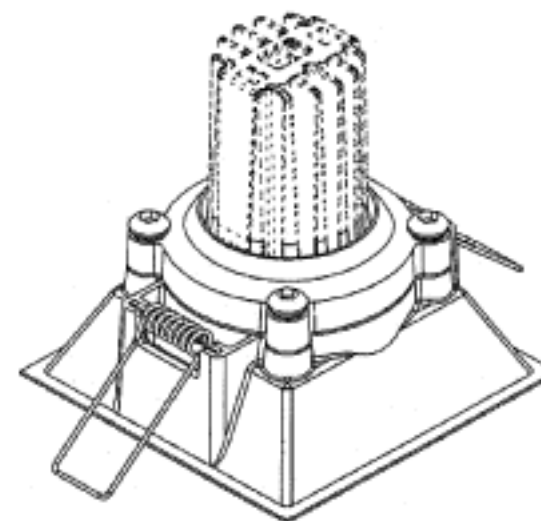
(21) Design Number: **12628/2011**  
(22) Date of Filing Application: **15 June 2011**  
(24) Date from which industrial property rights may have effect: **15 June 2011**  
(54) Product in respect of which the design is registered: **A capsule holder**  
(51) International Design Classification: **07-02L**  
(74) Name(s) of Attorney(s): **Banki Haddock Fiora**  
(71) Name(s) and Address(s) of Applicant(s):  
**Societe des Produits Nestle S.A.**  
**1800 Vevey Switzerland**  
(72) Name(s) of Designer(s): **Pierre Struzka**  
(45) Registration Date: **08 July 2011**  
(30) Convention priority data:  
(31) Number (32) Date (33) Country  
**137519 20 Dec 2010 SWITZERLAND**  
(56) Related Art Documents: **Not Applicable**  
(57) Statement of Newness and Distinctiveness: **Nil**



(21) Design Number: **12629/2011**  
(22) Date of Filing Application: **14 June 2011**  
(24) Date from which industrial property rights may have effect: **14 June 2011**  
(54) Product in respect of which the design is registered: **A stand**  
(51) International Design Classification: **03-03, 06-06A**  
(74) Name(s) of Attorney(s): **Halfords IP**  
(71) Name(s) and Address(s) of Applicant(s):  
**Graham Arthur Campion**  
**38 Northbridge Drive RD 1 Hamilton New Zealand**  
(72) Name(s) of Designer(s): **Graham Arthur Campion**  
(45) Registration Date: **08 July 2011**  
(30) Convention priority data:  
(31) Number (32) Date (33) Country  
**414401 13 Dec 2010 NEW ZEALAND**  
(56) Related Art Documents: **Not Applicable**  
(57) Statement of Newness and Distinctiveness: **Nil**



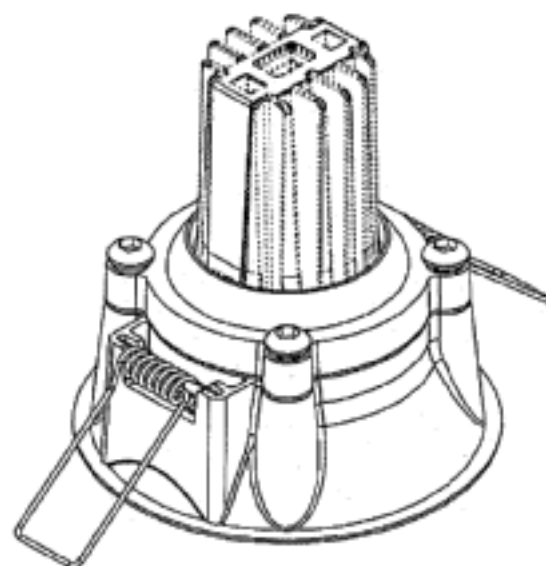
(21) Design Number: **12630/2011**  
(22) Date of Filing Application: **10 June 2011**  
(24) Date from which industrial property rights may have effect: **10 June 2011**  
(54) Product in respect of which the design is registered: **Square downlight**  
(51) International Design Classification: **26-05D**  
(74) Name(s) of Attorney(s): **LESICAR PERRIN**  
(71) Name(s) and Address(s) of Applicant(s):  
**Gerard Lighting Pty Ltd**  
**101 Port Wakefield Road Cavan South Australia 5094 Australia**  
(72) Name(s) of Designer(s): **Bryan Negrone and Richard Patterson**  
(45) Registration Date: **08 July 2011**  
(56) Related Art Documents: **Not Applicable**  
(57) Statement of Newness and Distinctiveness: **Newness and distinctiveness resides in the shape and configuration of the downlight as shown in full lines in the drawings. The drawings include in dashed lines a lamp used in conjunction with the downlight which does not form part of the design.**



- (21) Design Number: **12631/2011**  
(22) Date of Filing Application: **10 June 2011**  
(24) Date from which industrial property rights may have effect: **10 June 2011**  
(54) Product in respect of which the design is registered: **Round downlight**  
(51) International Design Classification: **26-05D**  
(74) Name(s) of Attorney(s): **LESICAR PERRIN**  
(71) Name(s) and Address(s) of Applicant(s):

**Gerard Lighting Pty Ltd**  
**101 Port Wakefield Road Cavan South Australia 5094 Australia**

- (72) Name(s) of Designer(s): **Bryan Negrone and Richard Patterson**  
(45) Registration Date: **08 July 2011**  
(56) Related Art Documents: **Not Applicable**  
(57) Statement of Newness and Distinctiveness: **Newness and distinctiveness resides in the shape and configuration of the downlight as shown in full lines in the drawings. The drawings include in dashed lines a lamp used in conjunction with the downlight which does not form part of the design.**



- (21) Design Number: **12632/2011**  
(22) Date of Filing Application: **15 June 2011**  
(24) Date from which industrial property rights may have effect: **15 June 2011**  
(54) Product in respect of which the design is registered: **A package**  
(51) International Design Classification: **09-03M**  
(74) Name(s) of Attorney(s): **Banki Haddock Fiora**  
(71) Name(s) and Address(s) of Applicant(s):

**Societe des Produits Nestle S.A.**  
**1800 Vevey Switzerland**

- (72) Name(s) of Designer(s): **Beatrice Mariotti**  
(45) Registration Date: **08 July 2011**  
(30) Convention priority data:
- |               |                    |                    |
|---------------|--------------------|--------------------|
| (31) Number   | (32) Date          | (33) Country       |
| <b>137525</b> | <b>20 Dec 2010</b> | <b>SWITZERLAND</b> |

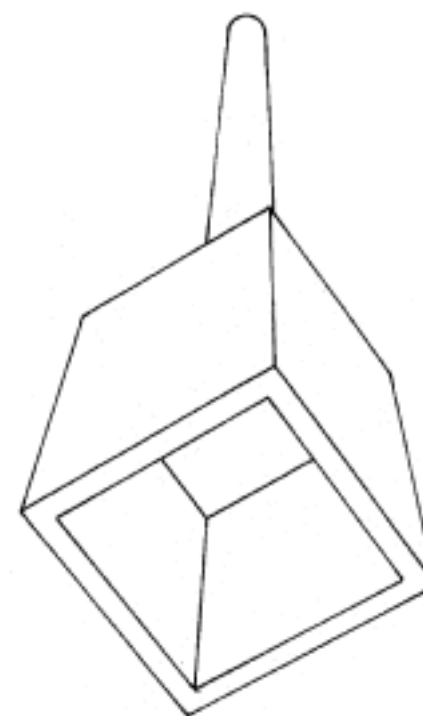
- (56) Related Art Documents: **Not Applicable**  
(57) Statement of Newness and Distinctiveness: **The visual features of the package depicted in the representation that are new and distinctive are the pattern and/or ornamentation. The features shown in broken outline are not part of the design and should be disregarded when considering the overall impression of the design. The pattern and/or ornamentation can be in colour, but is not restricted to a particular colour or colours. The shape and configuration of the package shown in broken outline and the position and relative size of the features of pattern and ornamentation in relation to the package are illustrative only and do not form part of the design.**



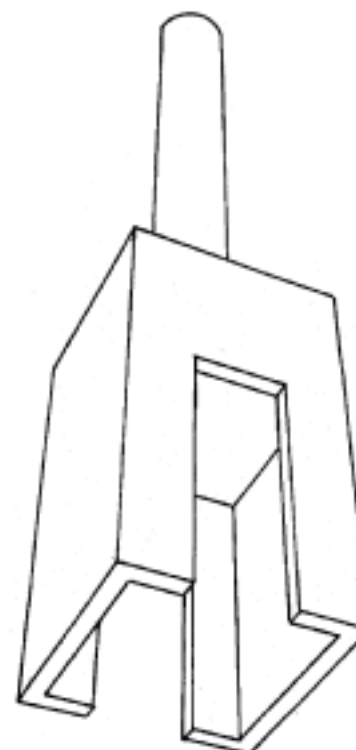
(21) Design Number: **15587/2010**  
(22) Date of Filing Application: **17 December 2010**  
(24) Date from which industrial property rights may have effect: **17 December 2010**  
(54) Product in respect of which the design is registered: **Mathematics stencil**  
(51) International Design Classification: **19-06**  
(74) Name(s) of Attorney(s): **Griffith Hack**  
(71) Name(s) and Address(s) of Applicant(s):  
**Geoff Phillips**  
**8 Wattle Tree Avenue Wonga Park Victoria 3115 Australia**  
(72) Name(s) of Designer(s): **Geoff Phillips**  
(45) Registration Date: **08 July 2011**  
(56) Related Art Documents: **Not Applicable**  
(57) Statement of Newness and Distinctiveness: **Nil**



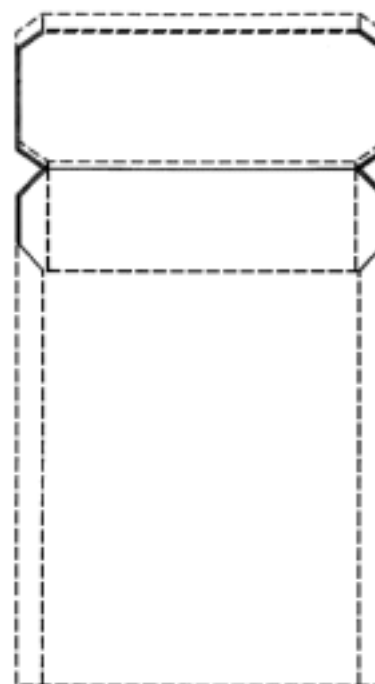
(21) Design Number: **11238/2011**  
(22) Date of Filing Application: **22 March 2011**  
(24) Date from which industrial property rights may have effect: **22 March 2011**  
(54) Product in respect of which the design is registered: **A peg driver**  
(51) International Design Classification: **08-05NES**  
(74) Name(s) of Attorney(s): **MORCOM PERNAT**  
(71) Name(s) and Address(s) of Applicant(s):  
**Michael John Milligan**  
**Rapid 1786 Port Underwood Road Malborough Sounds New Zealand**  
(72) Name(s) of Designer(s): **Michael John Milligan**  
(45) Registration Date: **08 July 2011**  
(30) Convention priority data:  
(31) Number      (32) Date      (33) Country  
**414065      21 Sep 2010      NEW ZEALAND**  
(56) Related Art Documents: **Not Applicable**  
(57) Statement of Newness and Distinctiveness: **The newness of the design resides in the shape and configuration as shown in the representations. The dashed lines do not form part of the design.**



(21) Design Number: **11239/2011**  
(22) Date of Filing Application: **22 March 2011**  
(24) Date from which industrial property rights may have effect: **22 March 2011**  
(54) Product in respect of which the design is registered: **An open side peg driver**  
(51) International Design Classification: **08-05NES**  
(74) Name(s) of Attorney(s): **MORCOM PERNAT**  
(71) Name(s) and Address(s) of Applicant(s):  
**Michael John Milligan**  
**Rapid 1786 Port Underwood Road Marlborough Sounds New Zealand**  
(72) Name(s) of Designer(s): **Michael John Milligan**  
(45) Registration Date: **08 July 2011**  
(30) Convention priority data:  
(31) Number (32) Date (33) Country  
**414066 21 Sep 2010 NEW ZEALAND**  
(56) Related Art Documents: **Not Applicable**  
(57) Statement of Newness and Distinctiveness: **The newness of the design resides in the shape and configuration as shown in the representations. The dashed lines do not form part of the design.**



(21) Design Number: **11807/2011**  
(22) Date of Filing Application: **27 April 2011**  
(24) Date from which industrial property rights may have effect: **27 April 2011**  
(54) Product in respect of which the design is registered: **Packaging**  
(51) International Design Classification: **09-03A**  
(74) Name(s) of Attorney(s): **Shelston IP**  
(71) Name(s) and Address(s) of Applicant(s):  
**British American Tobacco (Investments) Limited**  
**Globe House 1 Water Street London WC2R 3LA United Kingdom**  
(72) Name(s) of Designer(s): **Steve Holford**  
(45) Registration Date: **08 July 2011**  
(30) Convention priority data:  
(31) Number (32) Date (33) Country  
**DM/074 692 28 Oct 2010 WORLD INTELLECTUAL PROPERTY ORGANIZATION (WIPO)**  
(56) Related Art Documents: **Not Applicable**  
(57) Statement of Newness and Distinctiveness: **Newness and distinctiveness resides in the features of the packaging design shown in solid lines in the accompanying representations.**



(21) Design Number: **11808/2011**

(22) Date of Filing Application: **27 April 2011**

(24) Date from which industrial property rights may have effect: **27 April 2011**

(54) Product in respect of which the design is registered: **Packaging**

(51) International Design Classification: **09-03A**

(74) Name(s) of Attorney(s): **Shelston IP**

(71) Name(s) and Address(s) of Applicant(s):

**British American Tobacco (Investments) Limited  
Globe House 1 Water Street London WC2R 3LA United Kingdom**

(72) Name(s) of Designer(s): **Steve Holford**

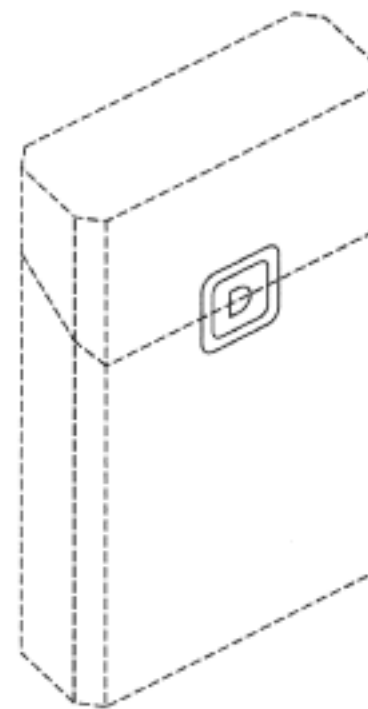
(45) Registration Date: **08 July 2011**

(30) Convention priority data:

(31) Number	(32) Date	(33) Country
<b>DM/074 692</b>	<b>28 Oct 2010</b>	<b>WORLD INTELLECTUAL PROPERTY ORGANIZATION (WIPO)</b>

(56) Related Art Documents: **Not Applicable**

(57) Statement of Newness and Distinctiveness: **Newness and distinctiveness resides in the features of the packaging design shown in solid lines in the accompanying representations.**



(21) Design Number: **11809/2011**

(22) Date of Filing Application: **27 April 2011**

(24) Date from which industrial property rights may have effect: **27 April 2011**

(54) Product in respect of which the design is registered: **Packaging**

(51) International Design Classification: **09-03A**

(74) Name(s) of Attorney(s): **Shelston IP**

(71) Name(s) and Address(s) of Applicant(s):

**British American Tobacco (Investments) Limited  
Globe House 1 Water Street London WC2R 3LA United Kingdom**

(72) Name(s) of Designer(s): **Steve Holford**

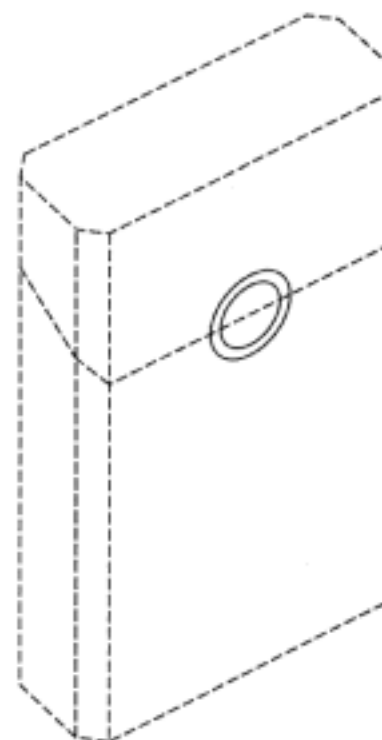
(45) Registration Date: **08 July 2011**

(30) Convention priority data:

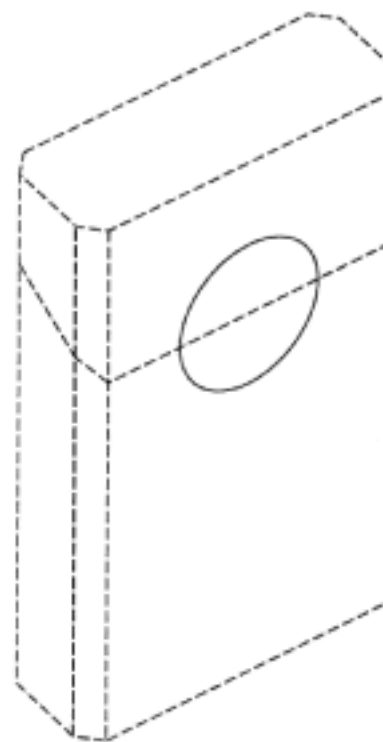
(31) Number	(32) Date	(33) Country
<b>DM/074 692</b>	<b>28 Oct 2010</b>	<b>WORLD INTELLECTUAL PROPERTY ORGANIZATION (WIPO)</b>

(56) Related Art Documents: **Not Applicable**

(57) Statement of Newness and Distinctiveness: **Newness and distinctiveness resides in the features of the packaging design shown in solid lines in the accompanying representations.**



(21) Design Number: **11810/2011**  
(22) Date of Filing Application: **27 April 2011**  
(24) Date from which industrial property rights may have effect: **27 April 2011**  
(54) Product in respect of which the design is registered: **Packaging**  
(51) International Design Classification: **09-03A**  
(74) Name(s) of Attorney(s): **Shelston IP**  
(71) Name(s) and Address(s) of Applicant(s):  
**British American Tobacco (Investments) Limited**  
**Globe House 1 Water Street London WC2R 3LA United Kingdom**  
(72) Name(s) of Designer(s): **Steve Holford**  
(45) Registration Date: **08 July 2011**  
(30) Convention priority data:  
(31) Number (32) Date (33) Country  
**DM/074 692 28 Oct 2010 WORLD INTELLECTUAL**  
**PROPERTY ORGANIZATION**  
**(WIPO)**  
(56) Related Art Documents: **Not Applicable**  
(57) Statement of Newness and Distinctiveness: **Newness and distinctiveness**  
**resides in the features of the packaging design shown in solid lines in**  
**the accompanying representations.**



(21) Design Number: **11905/2011**  
(22) Date of Filing Application: **29 April 2011**  
(24) Date from which industrial property rights may have effect: **29 April 2011**  
(54) Product in respect of which the design is registered: **A motorcycle**  
(51) International Design Classification: **12-11**  
(74) Name(s) of Attorney(s): **SPRUSON & FERGUSON**  
(71) Name(s) and Address(s) of Applicant(s):  
**Honda Motor Co., Ltd.**  
**1-1 Minami-Aoyama 2-chome Minato-ku Tokyo Japan**  
(72) Name(s) of Designer(s): **Kenji Tako and Daisuke Takahashi**  
(45) Registration Date: **08 July 2011**  
(30) Convention priority data:  
(31) Number (32) Date (33) Country  
**2010-026238 01 Nov 2010 JAPAN**  
(56) Related Art Documents: **Not Applicable**  
(57) Statement of Newness and Distinctiveness: **Newness and distinctiveness**  
**is claimed in the features of shape and/or configuration of a motorcycle**  
**as illustrated in the accompanying representations.**

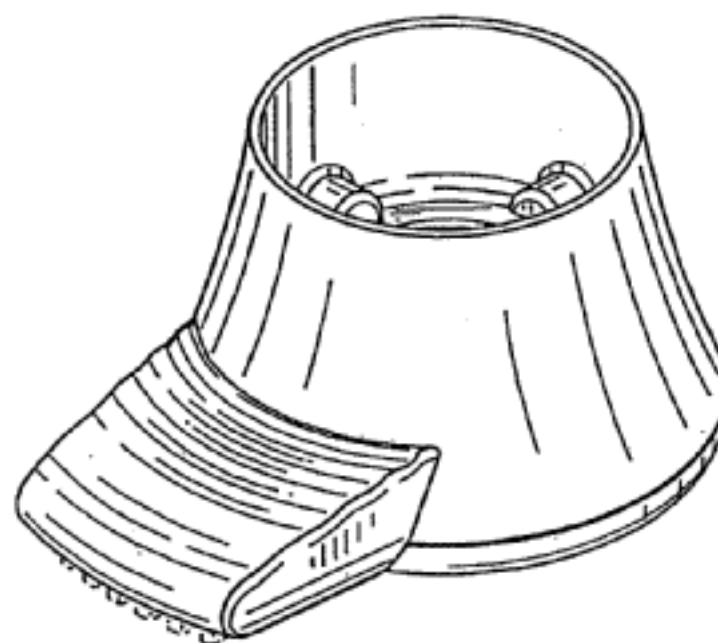




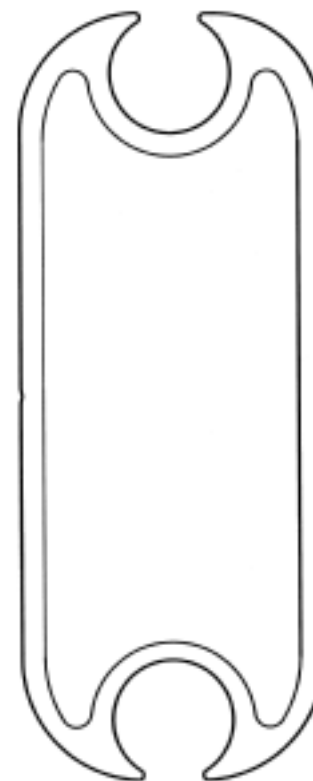
(21) Design Number: **11906/2011**  
(22) Date of Filing Application: **29 April 2011**  
(24) Date from which industrial property rights may have effect: **29 April 2011**  
(54) Product in respect of which the design is registered: **A fuel tank cover for a motorcycle**  
(51) International Design Classification: **12-11**  
(74) Name(s) of Attorney(s): **SPRUSON & FERGUSON**  
(71) Name(s) and Address(s) of Applicant(s):  
**Honda Motor Co., Ltd.**  
**1-1 Minami-Aoyama 2-chome Minato-ku Tokyo Japan**  
(72) Name(s) of Designer(s): **Kenji Tako and Daisuke Takahashi**  
(45) Registration Date: **08 July 2011**  
(30) Convention priority data:  
(31) Number      (32) Date      (33) Country  
**2010-026236      01 Nov 2010      JAPAN**  
(56) Related Art Documents: **Not Applicable**  
(57) Statement of Newness and Distinctiveness: **Newness and distinctiveness is claimed in the features of shape and/or configuration of a fuel tank cover for a motorcycle as illustrated in the accompanying representations.**



(21) Design Number: **12033/2011**  
(22) Date of Filing Application: **09 May 2011**  
(24) Date from which industrial property rights may have effect: **09 May 2011**  
(54) Product in respect of which the design is registered: **Container holder with foot pedal**  
(51) International Design Classification: **07-99NES**  
(74) Name(s) of Attorney(s): **SPRUSON & FERGUSON**  
(71) Name(s) and Address(s) of Applicant(s):  
**S.C. Johnson & Son, Inc.**  
**1525 Howe Street Racine Wisconsin 53403-2236 United States of America**  
(72) Name(s) of Designer(s): **James R. Crapser and Thomas A. Helf and Evan A. Sparks**  
(45) Registration Date: **08 July 2011**  
(30) Convention priority data:  
(31) Number      (32) Date      (33) Country  
**29/378778      09 Nov 2010      UNITED STATES OF AMERICA**  
(56) Related Art Documents: **Not Applicable**  
(57) Statement of Newness and Distinctiveness: **Newness and distinctiveness is claimed in those features of shape and/or configuration of container holder with foot pedal illustrated in continuous lines in the accompanying representations.**



- (21) Design Number: **12146/2011**  
(22) Date of Filing Application: **10 May 2011**  
(24) Date from which industrial property rights may have effect: **10 May 2011**  
(54) Product in respect of which the design is registered: **Sign rail for fabric display stand or quick stand**  
(51) International Design Classification: **20-02NES, 20-03NES**  
(74) Name(s) of Attorney(s):  
(71) Name(s) and Address(s) of Applicant(s):  
**John Kokkinos**  
**1/7 Macquarie Drive Thomastown Victoria 3074 Australia**  
(72) Name(s) of Designer(s): **John Kokkinos**  
(45) Registration Date: **08 July 2011**  
(56) Related Art Documents: **Not Applicable**  
(57) Statement of Newness and Distinctiveness: **The holes of the rail are located in the centre of the rail and the corners are rounded to avoid the fabric taching.**



- (21) Design Number: **12563/2011**  
(22) Date of Filing Application: **06 June 2011**  
(24) Date from which industrial property rights may have effect: **06 June 2011**  
(54) Product in respect of which the design is registered: **Baby changer chest**  
(51) International Design Classification: **06-04F**  
(74) Name(s) of Attorney(s):  
(71) Name(s) and Address(s) of Applicant(s):  
**Groyears Investments Pty Ltd Trading as Grocorp**  
**10 Martini Parade Lithgow New South Wales 2790 Australia**  
(72) Name(s) of Designer(s): **Stephen Joyce**  
(45) Registration Date: **08 July 2011**  
(56) Related Art Documents: **Not Applicable**  
(57) Statement of Newness and Distinctiveness: **The over all design of the changer chest is new and distinctive in the style shape and configuration, particularly the curved side panels and the flip top changer table assembly.**



(21) Design Number: **12799/2011**  
(22) Date of Filing Application: **21 June 2011**  
(24) Date from which industrial property rights may have effect: **21 June 2011**  
(54) Product in respect of which the design is registered: **Sports mat**  
(51) International Design Classification: **21-02NES**  
(74) Name(s) of Attorney(s): **Shelston IP**  
(71) Name(s) and Address(s) of Applicant(s):

**Suki Shufu LLP**  
**19 Dacre Street London SW1H 0DH United Kingdom**

(72) Name(s) of Designer(s): **Caroline White**

(45) Registration Date: **08 July 2011**

(30) Convention priority data:

(31) Number	(32) Date	(33) Country
<b>1251201</b>	<b>21 Dec 2010</b>	<b>EUROPEAN COMMUNITY</b>

(56) Related Art Documents: **Not Applicable**

(57) Statement of Newness and Distinctiveness: **Newness and Distinctiveness reside in: - the shape and configuration of the grid pattern of non-slip nubs on the underside of the mat; - the pattern and ornamentation of the markings on the top side of the mat; and - the shape and configuration of the corner pocket feature.**



(21) Design Number: **12852/2011**  
(22) Date of Filing Application: **23 June 2011**  
(24) Date from which industrial property rights may have effect: **23 June 2011**  
(54) Product in respect of which the design is registered: **Faucet**  
(51) International Design Classification: **23-01H**  
(74) Name(s) of Attorney(s): **Freehills Patent & Trade Mark Attorneys**  
(71) Name(s) and Address(s) of Applicant(s):

**LIXIL Corporation**  
**2-1-1 Ojima Koto-ku Tokyo 136-8535 Japan**

(72) Name(s) of Designer(s): **Khumtong Jansuwan**

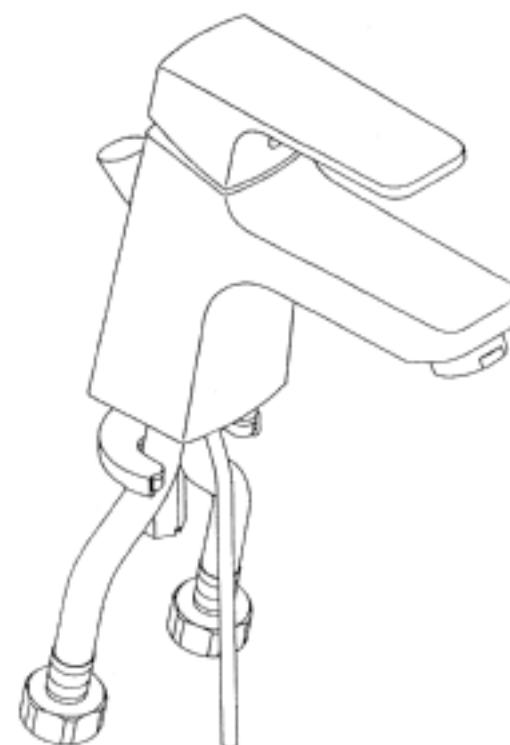
(45) Registration Date: **08 July 2011**

(30) Convention priority data:

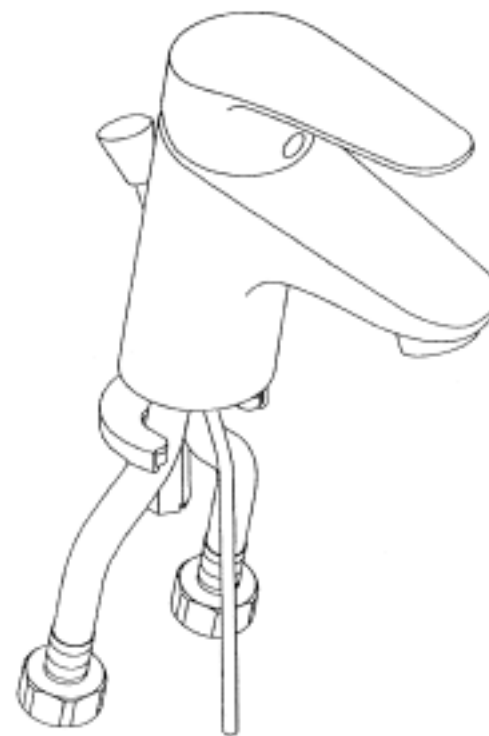
(31) Number	(32) Date	(33) Country
<b>201130106093.3</b>	<b>28 Apr 2011</b>	<b>CHINA</b>

(56) Related Art Documents: **Not Applicable**

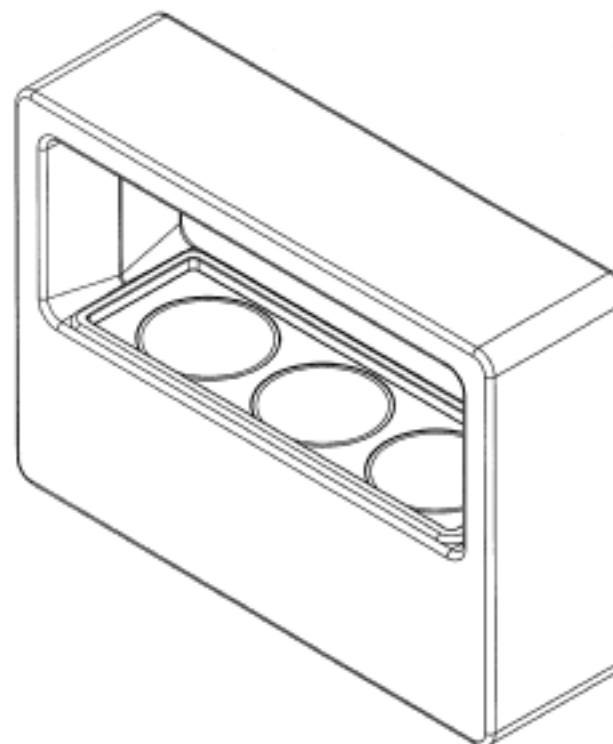
(57) Statement of Newness and Distinctiveness: **Nil**



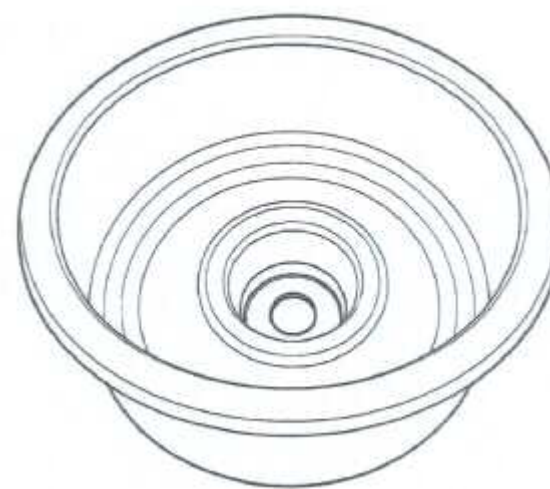
(21) Design Number: **12853/2011**  
(22) Date of Filing Application: **23 June 2011**  
(24) Date from which industrial property rights may have effect: **23 June 2011**  
(54) Product in respect of which the design is registered: **Faucet**  
(51) International Design Classification: **23-01H**  
(74) Name(s) of Attorney(s): **Freehills Patent & Trade Mark Attorneys**  
(71) Name(s) and Address(s) of Applicant(s):  
**LIXIL Corporation**  
**2-1-1 Ojima Koto-ku Tokyo 136-8535 Japan**  
(72) Name(s) of Designer(s): **Khumtong Jansuwan**  
(45) Registration Date: **08 July 2011**  
(30) Convention priority data:  
(31) Number (32) Date (33) Country  
**201130106075.5 28 Apr 2011 CHINA**  
(56) Related Art Documents: **Not Applicable**  
(57) Statement of Newness and Distinctiveness: **Nil**



(21) Design Number: **15251/2010**  
(22) Date of Filing Application: **02 December 2010**  
(24) Date from which industrial property rights may have effect: **02 December 2010**  
(54) Product in respect of which the design is registered: **Planter**  
(51) International Design Classification: **11-02B**  
(74) Name(s) of Attorney(s): **PHILLIPS ORMONDE FITZPATRICK**  
(71) Name(s) and Address(s) of Applicant(s):  
**Mode Solutions Pty Ltd**  
**79 Williams Road Swan Hill Victoria 3585 Australia**  
(72) Name(s) of Designer(s): **David Mark Steele and Garth Perryman**  
(45) Registration Date: **08 July 2011**  
(56) Related Art Documents: **Not Applicable**  
(57) Statement of Newness and Distinctiveness: **Those features of the planter depicted in the representations that are new and distinctive are the shape and/or configuration.**



(21) Design Number: **12436/2011**  
(22) Date of Filing Application: **30 May 2011**  
(24) Date from which industrial property rights may have effect: **30 May 2011**  
(54) Product in respect of which the design is registered: **An debris collecting attachment for drills and other cutting devices**  
(51) International Design Classification: **08-01, 08-03, 08-08NES**  
(74) Name(s) of Attorney(s):  
(71) Name(s) and Address(s) of Applicant(s):  
**Dean Barnes**  
**17 Corner Farm Close Tadworth Surrey KT20 5SJ United Kingdom**  
(72) Name(s) of Designer(s): **Dean Barnes**  
(45) Registration Date: **08 July 2011**  
(30) Convention priority data:  
(31) Number (32) Date (33) Country  
**001792847-0001 13 Dec 2010 EUROPEAN COMMUNITY**  
(56) Related Art Documents: **Not Applicable**  
(57) Statement of Newness and Distinctiveness: **Nil**



(21) Design Number: **12534/2011**  
(22) Date of Filing Application: **06 June 2011**  
(24) Date from which industrial property rights may have effect: **06 June 2011**  
(54) Product in respect of which the design is registered: **Face of a solar cell**  
(51) International Design Classification: **23-03D**  
(74) Name(s) of Attorney(s): **PIZZEYS**  
(71) Name(s) and Address(s) of Applicant(s):  
**CSI Cells Co., Ltd**  
**No. 199 Lushan Road SND Suzhou City Jiangsu China**  
**CSI Solar Power (China) Inc.**  
**No. 199 Lushan Road SND Suzhou City Jiangsu China**  
(72) Name(s) of Designer(s): **Lingjun Zhang and Weixu Long and Feng Zhang and Xusheng Wang**  
(45) Registration Date: **08 July 2011**  
(30) Convention priority data:  
(31) Number (32) Date (33) Country  
**201130065596.0 02 Apr 2011 CHINA**  
(56) Related Art Documents: **Not Applicable**  
(57) Statement of Newness and Distinctiveness: **Nil**

1/3

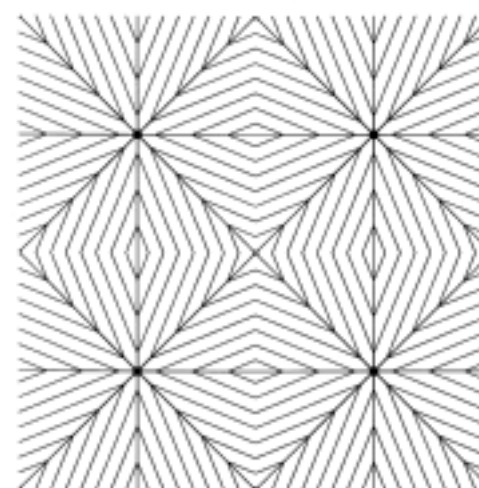


Figure 1

(21) Design Number: **12627/2011**  
(22) Date of Filing Application: **15 June 2011**  
(24) Date from which industrial property rights may have effect: **15 June 2011**  
(54) Product in respect of which the design is registered: **A package**  
(51) International Design Classification: **09-03M**  
(74) Name(s) of Attorney(s): **Banki Haddock Fiora**  
(71) Name(s) and Address(s) of Applicant(s):  
**Societe des Produits Nestle S.A.**  
**1800 Vevey Switzerland**  
(72) Name(s) of Designer(s): **Beatrice Mariotti**  
(45) Registration Date: **08 July 2011**  
(30) Convention priority data:  
(31) Number (32) Date (33) Country  
**137525 20 Dec 2010 SWITZERLAND**



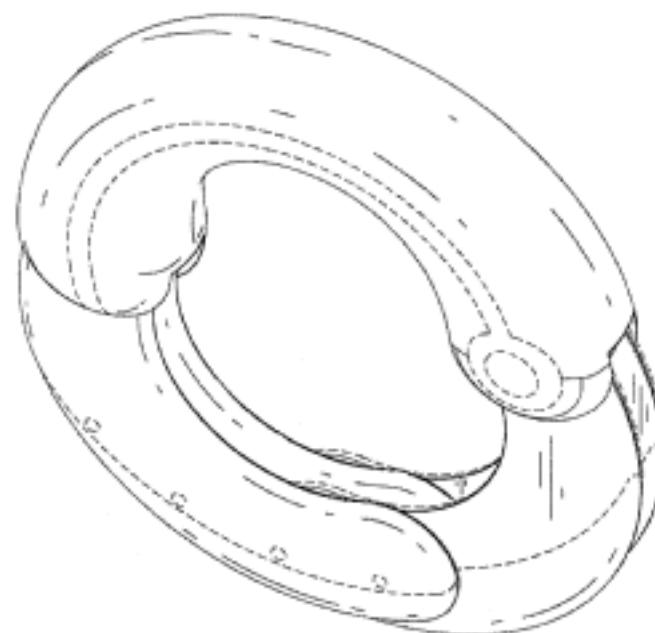
(56) Related Art Documents: **Not Applicable**  
(57) Statement of Newness and Distinctiveness: **The visual features of the package depicted in the representation that are new and distinctive are the pattern and/or ornamentation. The features shown in broken outline are not part of the design and should be disregarded when considering the overall impression of the design. The pattern and/or ornamentation can be in colour, but is not restricted to a particular colour or colours. The shape and configuration of the package shown in broken outline and the position and relative size of the features of pattern and ornamentation in relation to the package are illustrative only and do not form part of the design.**

(21) Design Number: **11448/2011**  
(22) Date of Filing Application: **05 April 2011**  
(24) Date from which industrial property rights may have effect: **05 April 2011**  
(54) Product in respect of which the design is registered: **Graduated bowl, mug, cup, glass**  
(51) International Design Classification: **07-01B, 07-01C, 07-01D**  
(74) Name(s) of Attorney(s): **IP LINK**  
(71) Name(s) and Address(s) of Applicant(s):  
**Great Ideas In Nutrition Pty Ltd**  
**Suite F116A Level 1 72-80 Marine Parade Coolangatta Queensland 4225**  
**Australia**

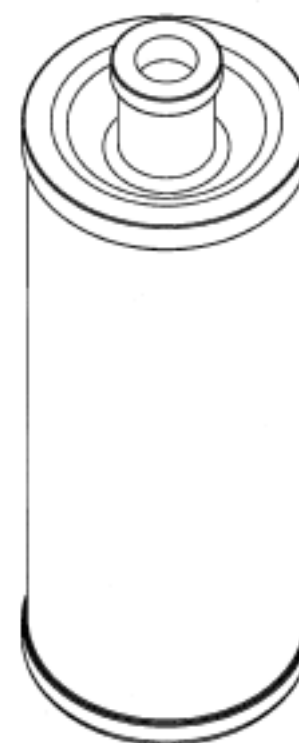


(72) Name(s) of Designer(s): **Simone Young**  
(45) Registration Date: **11 July 2011**  
(56) Related Art Documents: **Not Applicable**  
(57) Statement of Newness and Distinctiveness: **The common design resides in the features of pattern and ornamentation applied to the inner surface of the products as illustrated in the accompanying representations. No monopoly is claimed in the shape of the bowl, mug, cup or glass. The specific measures in the photographs and features shown in broken lines are to be disregarded.**

(21) Design Number: **11931/2011**  
(22) Date of Filing Application: **02 May 2011**  
(24) Date from which industrial property rights may have effect: **02 May 2011**  
(54) Product in respect of which the design is registered: **Food chopper**  
(51) International Design Classification: **07-04**  
(74) Name(s) of Attorney(s): **Davies Collison Cave**  
(71) Name(s) and Address(s) of Applicant(s):  
**Chef'n Corporation**  
**1525 4th Avenue Suite 700 Seattle Washington 98101 United States of America**  
(72) Name(s) of Designer(s): **David A. Holcomb and Theresa H. Lee**  
(45) Registration Date: **11 July 2011**  
(30) Convention priority data:  
(31) Number (32) Date (33) Country  
**29/378491 04 Nov 2010 UNITED STATES OF AMERICA**  
(56) Related Art Documents: **Not Applicable**  
(57) Statement of Newness and Distinctiveness: **Newness and distinctiveness is claimed in the visual features shown in solid lines in the representations.**



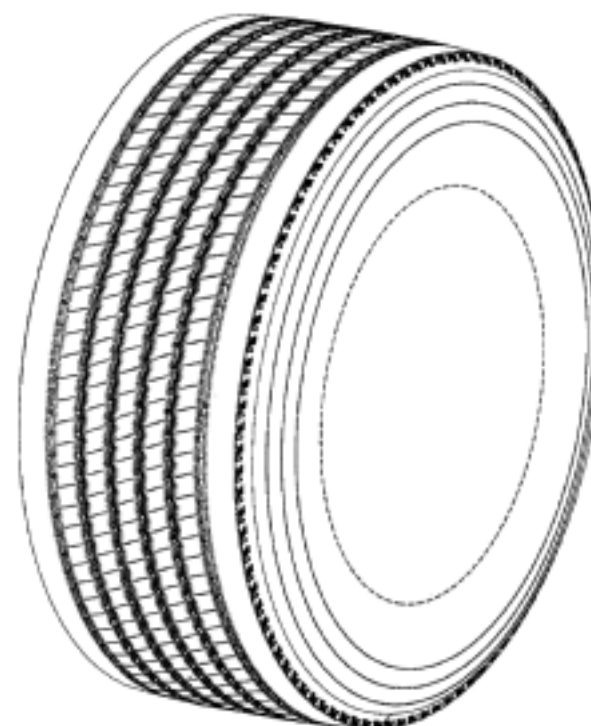
(21) Design Number: **12661/2011**  
(22) Date of Filing Application: **15 June 2011**  
(24) Date from which industrial property rights may have effect: **15 June 2011**  
(54) Product in respect of which the design is registered: **Bottle**  
(51) International Design Classification: **09-01NES**  
(74) Name(s) of Attorney(s): **Callinans**  
(71) Name(s) and Address(s) of Applicant(s):  
**El Cantillo, S.A**  
**C/Nueva 11 26330 Briones (La Rioja) Spain**  
(72) Name(s) of Designer(s): **Nicolas Penafiel Saez**  
(45) Registration Date: **11 July 2011**  
(30) Convention priority data:  
(31) Number (32) Date (33) Country  
**001796350-0001 21 Dec 2010 EUROPEAN COMMUNITY**  
(56) Related Art Documents: **Not Applicable**  
(57) Statement of Newness and Distinctiveness: **Nil**



- (21) Design Number: **12663/2011**  
(22) Date of Filing Application: **10 June 2011**  
(24) Date from which industrial property rights may have effect: **10 June 2011**  
(54) Product in respect of which the design is registered: **Pot pourri lid with animals**  
(51) International Design Classification: **09-07NES**  
(74) Name(s) of Attorney(s): **Chrysiliou IP**  
(71) Name(s) and Address(s) of Applicant(s):  
**Ellen Charlesworth**  
**5 Eucalypt Close Cowes Victoria 3922 Australia**  
(72) Name(s) of Designer(s): **Ellen Charlesworth**  
(45) Registration Date: **11 July 2011**  
(56) Related Art Documents: **Not Applicable**  
(57) Statement of Newness and Distinctiveness: **Newness and distinctiveness is claimed in the features of shape and/or configuration of the pot pourri lid with animals as illustrated in the accompanying representations.**



- (21) Design Number: **12664/2011**  
(22) Date of Filing Application: **16 June 2011**  
(24) Date from which industrial property rights may have effect: **16 June 2011**  
(54) Product in respect of which the design is registered: **A tyre**  
(51) International Design Classification: **12-15B**  
(74) Name(s) of Attorney(s): **WATERMARK PATENT AND TRADE MARKS ATTORNEYS**  
(71) Name(s) and Address(s) of Applicant(s):  
**Michelin Recherche et Technique SA**  
**Route Louis Braille 10 et 12 CH-1763 Granges-Paccot Switzerland**  
**Societe De Technologie Michelin**  
**23 rue Breschet F-63000 Clermont-Ferrand Cedex France**  
(72) Name(s) of Designer(s): **Ralston Moore and Paul Mayni and Daniel McEachern Hicks and Bill Hudek**  
(45) Registration Date: **11 July 2011**  
(30) Convention priority data:  
(31) Number (32) Date (33) Country  
**29/382,233 30 Dec 2010 UNITED STATES OF AMERICA**  
(56) Related Art Documents: **Not Applicable**  
(57) Statement of Newness and Distinctiveness: **Newness and distinctiveness resides in the shape, pattern and configuration of the tread region of the tyre, the remainder of the tyre indicated by dashed outline not forming part of the design.**





(21) Design Number: **12667/2011**  
(22) Date of Filing Application: **15 June 2011**  
(24) Date from which industrial property rights may have effect: **15 June 2011**  
(54) Product in respect of which the design is registered: **Tablet**  
(51) International Design Classification: **28-01**  
(74) Name(s) of Attorney(s): **Griffith Hack**  
(71) Name(s) and Address(s) of Applicant(s):  
**Otsuka Pharmaceutical Co., Ltd**  
**2-9 Kanda-Tsukasamachi Chiyoda-ku Tokyo 101-8535 Japan**  
(72) Name(s) of Designer(s): **Takanori Inoue**  
(45) Registration Date: **11 July 2011**  
(30) Convention priority data:  
(31) Number      (32) Date      (33) Country  
**2010-029924      15 Dec 2010      JAPAN**  
(56) Related Art Documents: **Not Applicable**  
(57) Statement of Newness and Distinctiveness: **Newness and distinctiveness resides in the shape and configuration of a TABLET as shown in the accompanying representations.**



(21) Design Number: **12668/2011**  
(22) Date of Filing Application: **15 June 2011**  
(24) Date from which industrial property rights may have effect: **15 June 2011**  
(54) Product in respect of which the design is registered: **Tablet**  
(51) International Design Classification: **28-01**  
(74) Name(s) of Attorney(s): **Griffith Hack**  
(71) Name(s) and Address(s) of Applicant(s):  
**Otsuka Pharmaceutical Co., Ltd**  
**2-9 Kanda-Tsukasamachi Chiyoda-ku Tokyo 101-8535 Japan**  
(72) Name(s) of Designer(s): **Takanori Inoue**  
(45) Registration Date: **11 July 2011**  
(30) Convention priority data:  
(31) Number      (32) Date      (33) Country  
**2010-029925      15 Dec 2010      JAPAN**  
(56) Related Art Documents: **Not Applicable**  
(57) Statement of Newness and Distinctiveness: **Newness and distinctiveness resides in the shape and configuration of a TABLET as shown in the accompanying representations.**



- (21) Design Number: **12476/2011**  
(22) Date of Filing Application: **01 June 2011**  
(24) Date from which industrial property rights may have effect: **01 June 2011**  
(54) Product in respect of which the design is registered: **An orthotic device**  
(51) International Design Classification: **02-04A**  
(74) Name(s) of Attorney(s): **Mallesons Stephen Jaques**  
(71) Name(s) and Address(s) of Applicant(s):

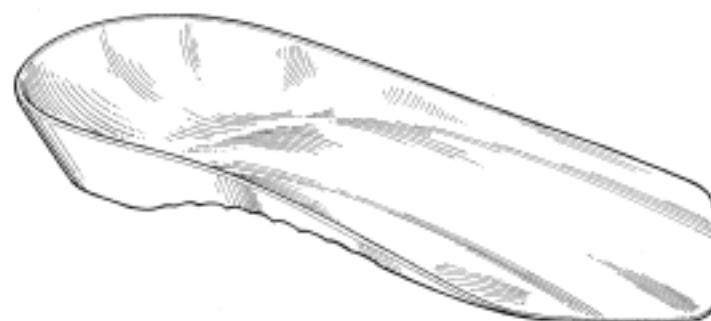
**Kinetic Orthotics Pty Ltd**  
**14 Cessna Street Mudjumba Queensland 4564 Australia**

- (72) Name(s) of Designer(s): **Drago Garma and Dan Franklin Everson**

(45) Registration Date: **11 July 2011**

(56) Related Art Documents: **Not Applicable**

- (57) Statement of Newness and Distinctiveness: **The following visual features of the design are new and distinctive: the shape and configuration of An orthotic device as shown in solid lines in the accompanying drawings. In considering the newness and distinctiveness of the design, no regard is to be had to the visual features depicted by the broken lines.**



- (21) Design Number: **12477/2011**  
(22) Date of Filing Application: **01 June 2011**  
(24) Date from which industrial property rights may have effect: **01 June 2011**  
(54) Product in respect of which the design is registered: **An orthotic device**  
(51) International Design Classification: **02-04A**  
(74) Name(s) of Attorney(s): **Mallesons Stephen Jaques**  
(71) Name(s) and Address(s) of Applicant(s):

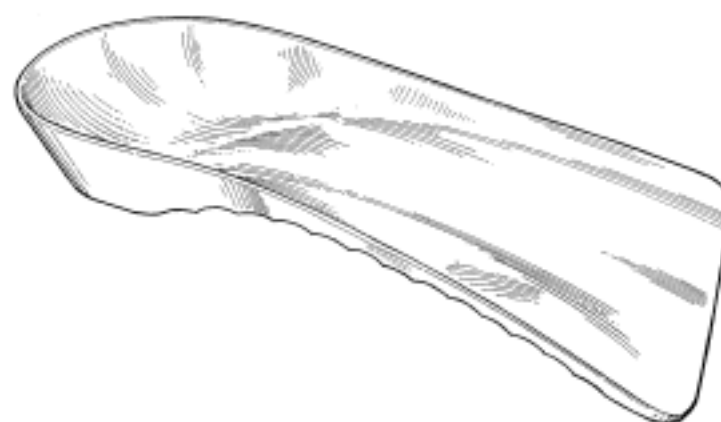
**Kinetic Orthotics Pty Ltd**  
**14 Cessna Street Mudjumba Queensland 4564 Australia**

- (72) Name(s) of Designer(s): **Drago Garma and Dan Franklin Everson**

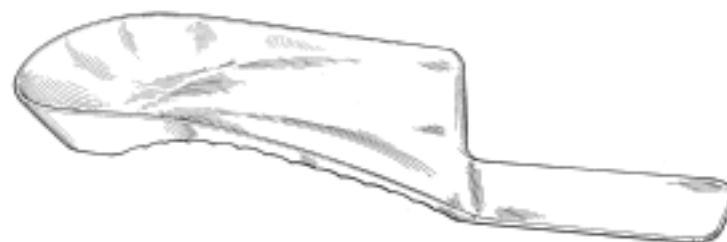
(45) Registration Date: **11 July 2011**

(56) Related Art Documents: **Not Applicable**

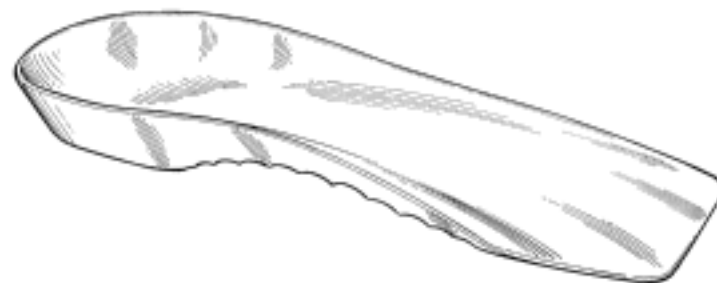
- (57) Statement of Newness and Distinctiveness: **The following visual features of the design are new and distinctive: the shape and configuration of An orthotic device as shown in solid lines in the accompanying drawings. In considering the newness and distinctiveness of the design, no regard is to be had to the visual features depicted by the broken lines.**



- (21) Design Number: **12478/2011**  
(22) Date of Filing Application: **01 June 2011**  
(24) Date from which industrial property rights may have effect: **01 June 2011**  
(54) Product in respect of which the design is registered: **An orthotic device**  
(51) International Design Classification: **02-04A**  
(74) Name(s) of Attorney(s): **Mallesons Stephen Jaques**  
(71) Name(s) and Address(s) of Applicant(s):  
**Kinetic Orthotics Pty Ltd**  
**14 Cessna Street Mudjumba Queensland 4564 Australia**  
(72) Name(s) of Designer(s): **Drago Garma and Dan Franklin Everson**  
(45) Registration Date: **11 July 2011**  
(56) Related Art Documents: **Not Applicable**  
(57) Statement of Newness and Distinctiveness: **The following visual features of the design are new and distinctive: the shape and configuration of An orthotic device as shown in solid lines in the accompanying drawings. In considering the newness and distinctiveness of the design, no regard is to be had to the visual features depicted by the broken lines.**



- (21) Design Number: **12479/2011**  
(22) Date of Filing Application: **01 June 2011**  
(24) Date from which industrial property rights may have effect: **01 June 2011**  
(54) Product in respect of which the design is registered: **An orthotic device**  
(51) International Design Classification: **02-04A**  
(74) Name(s) of Attorney(s): **Mallesons Stephen Jaques**  
(71) Name(s) and Address(s) of Applicant(s):  
**Kinetic Orthotics Pty Ltd**  
**14 Cessna Street Mudjumba Queensland 4564 Australia**  
(72) Name(s) of Designer(s): **Drago Garma and Dan Franklin Everson**  
(45) Registration Date: **11 July 2011**  
(56) Related Art Documents: **Not Applicable**  
(57) Statement of Newness and Distinctiveness: **The following visual features of the design are new and distinctive: the shape and configuration of An orthotic device as shown in solid lines in the accompanying drawings. In considering the newness and distinctiveness of the design, no regard is to be had to the visual features depicted by the broken lines.**



- (21) Design Number: **12480/2011**  
(22) Date of Filing Application: **01 June 2011**  
(24) Date from which industrial property rights may have effect: **01 June 2011**  
(54) Product in respect of which the design is registered: **An orthotic device**  
(51) International Design Classification: **02-04A**  
(74) Name(s) of Attorney(s): **Mallesons Stephen Jaques**  
(71) Name(s) and Address(s) of Applicant(s):

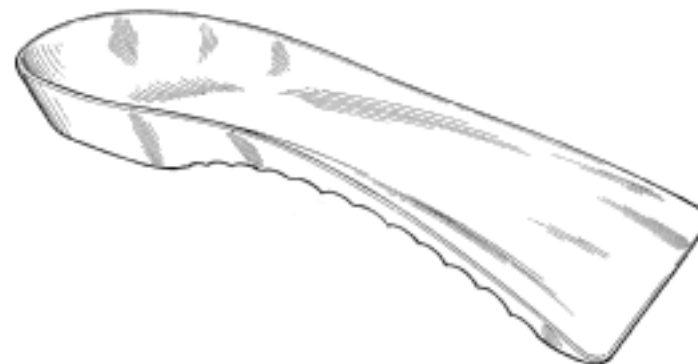
**Kinetic Orthotics Pty Ltd**  
**14 Cessna Street Mudjumba Queensland 4564 Australia**

- (72) Name(s) of Designer(s): **Drago Garma and Dan Franklin Everson**

(45) Registration Date: **11 July 2011**

(56) Related Art Documents: **Not Applicable**

- (57) Statement of Newness and Distinctiveness: **The following visual features of the design are new and distinctive: the shape and configuration of An orthotic device as shown in solid lines in the accompanying drawings. In considering the newness and distinctiveness of the design, no regard is to be had to the visual features depicted by the broken lines.**



- (21) Design Number: **12481/2011**  
(22) Date of Filing Application: **01 June 2011**  
(24) Date from which industrial property rights may have effect: **01 June 2011**  
(54) Product in respect of which the design is registered: **An orthotic device**  
(51) International Design Classification: **02-04A**  
(74) Name(s) of Attorney(s): **Mallesons Stephen Jaques**  
(71) Name(s) and Address(s) of Applicant(s):

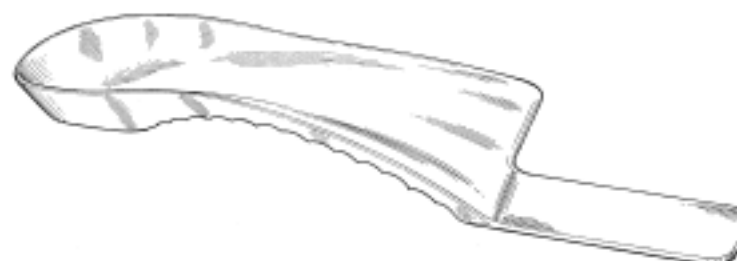
**Kinetic Orthotics Pty Ltd**  
**14 Cessna Street Mudjumba Queensland 4564 Australia**

- (72) Name(s) of Designer(s): **Drago Garma and Dan Franklin Everson**

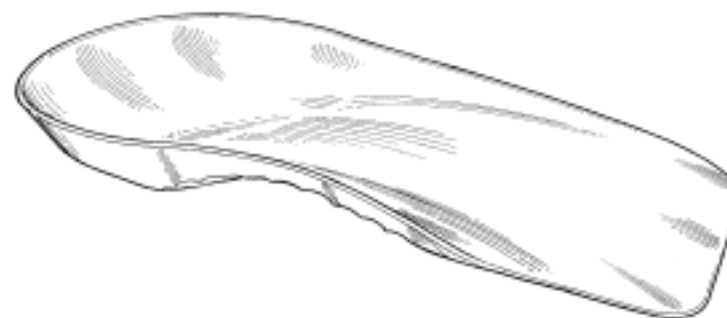
(45) Registration Date: **11 July 2011**

(56) Related Art Documents: **Not Applicable**

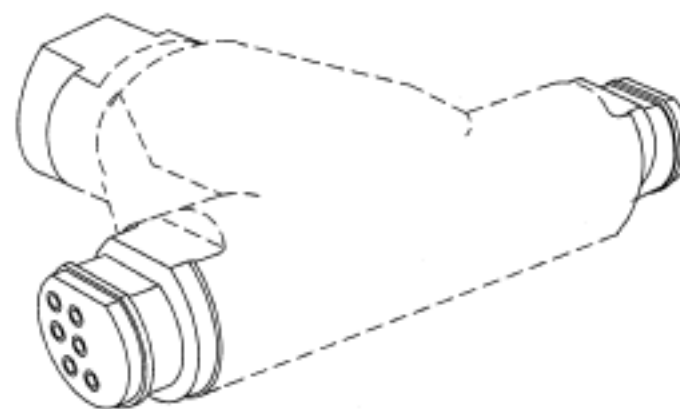
- (57) Statement of Newness and Distinctiveness: **The following visual features of the design are new and distinctive: the shape and configuration of An orthotic device as shown in solid lines in the accompanying drawings. In considering the newness and distinctiveness of the design, no regard is to be had to the visual features depicted by the broken lines.**



- (21) Design Number: **12482/2011**  
(22) Date of Filing Application: **01 June 2011**  
(24) Date from which industrial property rights may have effect: **01 June 2011**  
(54) Product in respect of which the design is registered: **An orthotic device**  
(51) International Design Classification: **02-04A**  
(74) Name(s) of Attorney(s): **Mallesons Stephen Jaques**  
(71) Name(s) and Address(s) of Applicant(s):  
**Kinetic Orthotics Pty Ltd**  
**14 Cessna Street Mudjumba Queensland 4564 Australia**  
(72) Name(s) of Designer(s): **Drago Garma and Dan Franklin Everson**  
(45) Registration Date: **11 July 2011**  
(56) Related Art Documents: **Not Applicable**  
(57) Statement of Newness and Distinctiveness: **The following visual features of the design are new and distinctive: the shape and configuration of An orthotic device as shown in solid lines in the accompanying drawings. In considering the newness and distinctiveness of the design, no regard is to be had to the visual features depicted by the broken lines.**



- (21) Design Number: **11984/2011**  
(22) Date of Filing Application: **04 May 2011**  
(24) Date from which industrial property rights may have effect: **04 May 2011**  
(54) Product in respect of which the design is registered: **Connector**  
(51) International Design Classification: **13-03C**  
(74) Name(s) of Attorney(s): **Griffith Hack**  
(71) Name(s) and Address(s) of Applicant(s):  
**LED Technologies Pty Ltd**  
**Factory 1 10 Brand Drive Thomastown Victoria 3074 Australia**  
(72) Name(s) of Designer(s): **Tony Ottobre**  
(45) Registration Date: **12 July 2011**  
(56) Related Art Documents: **Not Applicable**  
(57) Statement of Newness and Distinctiveness: **Nil**



(21) Design Number: **12707/2011**  
(22) Date of Filing Application: **16 June 2011**  
(24) Date from which industrial property rights may have effect: **16 June 2011**  
(54) Product in respect of which the design is registered: **Tyre for automobile**  
(51) International Design Classification: **12-15A**  
(74) Name(s) of Attorney(s): **SPRUSON & FERGUSON**  
(71) Name(s) and Address(s) of Applicant(s):

**The Goodyear Tire & Rubber Company**  
**1144 East Market Street Akron Ohio 44316-0001 United States of America**

(72) Name(s) of Designer(s): **Satoshi Iwasaki**

(45) Registration Date: **12 July 2011**

(30) Convention priority data:

(31) Number	(32) Date	(33) Country
<b>2010-028909</b>	<b>30 Dec 2010</b>	<b>JAPAN</b>

(56) Related Art Documents: **Not Applicable**

(57) Statement of Newness and Distinctiveness: **Newness and distinctiveness is claimed in the features of shape and/or configuration of the tread of a tyre as illustrated in the accompanying representations, wherein the shape and/or configuration of the tread is repeated throughout the circumference of the tyre.**



(21) Design Number: **12709/2011**  
(22) Date of Filing Application: **17 June 2011**  
(24) Date from which industrial property rights may have effect: **17 June 2011**  
(54) Product in respect of which the design is registered: **Steering bars for hydrolic system for B.R.P outboard motor (Evinrude)**  
(51) International Design Classification: **12-16NES, 12-06NES**  
(74) Name(s) of Attorney(s):  
(71) Name(s) and Address(s) of Applicant(s):

**Bruce Grahame Stubbs**  
**202 Prince Charles Parade Kurnell New South Wales 2231 Australia**

(72) Name(s) of Designer(s): **Bruce Grahame Stubbs**

(45) Registration Date: **12 July 2011**

(56) Related Art Documents: **Not Applicable**

(57) Statement of Newness and Distinctiveness: **"As" 11702/11. But for BRP motor**



(21) Design Number: **12710/2011**

(22) Date of Filing Application: **17 June 2011**

(24) Date from which industrial property rights may have effect: **17 June 2011**

(54) Product in respect of which the design is registered: **Steering bars for B.R.P. (Erinrude) outboard motors, high performance cable pullie type**

(51) International Design Classification: **12-16NES, 12-06NES**

(74) Name(s) of Attorney(s):

(71) Name(s) and Address(s) of Applicant(s):

**Bruce Grahame Stubbs**

**202 Prince Charles Parade Kurnell New South Wales 2231 Australia**

(72) Name(s) of Designer(s): **Bruce Stubbs**

(45) Registration Date: **12 July 2011**

(56) Related Art Documents: **Not Applicable**

(57) Statement of Newness and Distinctiveness: **The look and shape of all components is new.**



(21) Design Number: **12711/2011**

(22) Date of Filing Application: **17 June 2011**

(24) Date from which industrial property rights may have effect: **17 June 2011**

(54) Product in respect of which the design is registered: **Steering bars for mercury outboard motor, high performance cable pullie type**

(51) International Design Classification: **12-16NES**

(74) Name(s) of Attorney(s):

(71) Name(s) and Address(s) of Applicant(s):

**Bruce Grahame Stubbs**

**202 Prince Charles Parade Kurnell New South Wales 2231 Australia**

(72) Name(s) of Designer(s): **Bruce Stubbs**

(45) Registration Date: **12 July 2011**

(56) Related Art Documents: **Not Applicable**

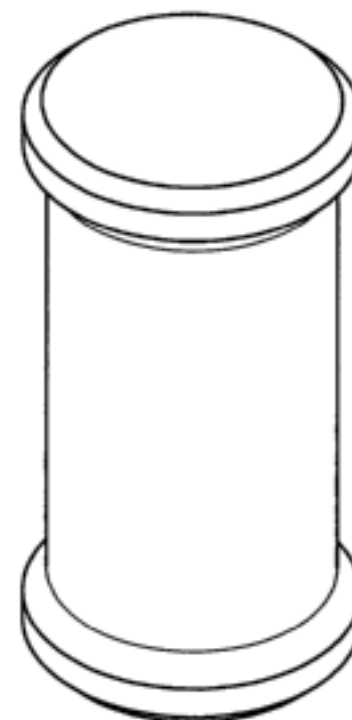
(57) Statement of Newness and Distinctiveness: **The look and shape of all components is new.**



- (21) Design Number: **12712/2011**  
(22) Date of Filing Application: **17 June 2011**  
(24) Date from which industrial property rights may have effect: **17 June 2011**  
(54) Product in respect of which the design is registered: **Steering "D"ee to connect pulleys and bars to cable on outboard high performance steering. See sheet A & B**  
(51) International Design Classification: **12-16NES**  
(74) Name(s) of Attorney(s):  
(71) Name(s) and Address(s) of Applicant(s):  
**Bruce Grahame Stubbs**  
**202 Prince Charles Parade Kurnell New South Wales 2231 Australia**  
(72) Name(s) of Designer(s): **Bruce Stubbs**  
(45) Registration Date: **12 July 2011**  
(56) Related Art Documents: **Not Applicable**  
(57) Statement of Newness and Distinctiveness: **The function is not new but the look material shape and construction is new.**

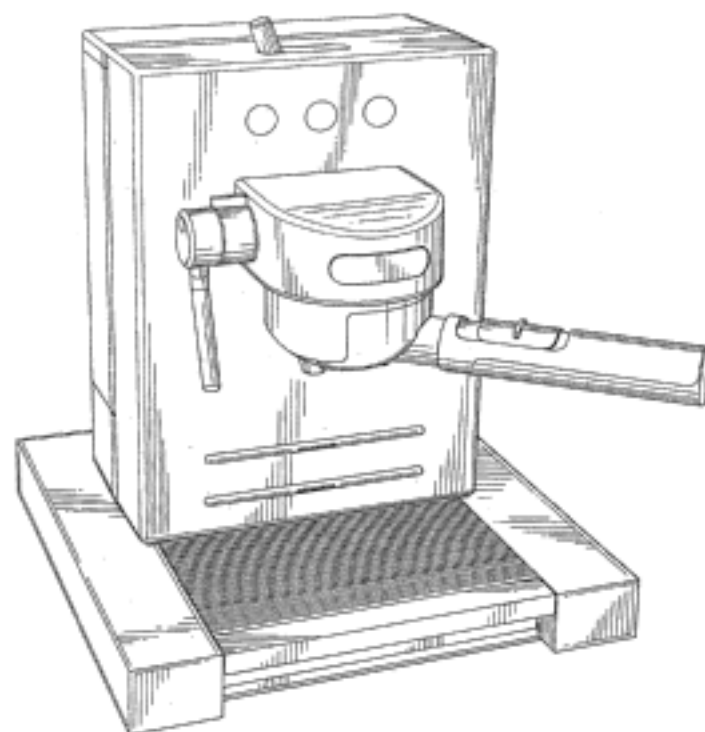


- (21) Design Number: **12713/2011**  
(22) Date of Filing Application: **16 June 2011**  
(24) Date from which industrial property rights may have effect: **16 June 2011**  
(54) Product in respect of which the design is registered: **Pin tumbler**  
(51) International Design Classification: **08-07**  
(74) Name(s) of Attorney(s): **PHILLIPS ORMONDE FITZPATRICK**  
(71) Name(s) and Address(s) of Applicant(s):  
**ASSA ABLOY Australia Pty Limited**  
**235 Huntingdale Road Oakleigh Victoria 3166 Australia**  
(72) Name(s) of Designer(s): **Brian Blight**  
(45) Registration Date: **12 July 2011**  
(56) Related Art Documents: **Not Applicable**  
(57) Statement of Newness and Distinctiveness: **Those features of the pin tumbler depicted in the representations that are new and distinctive are the shape and/or configuration.**

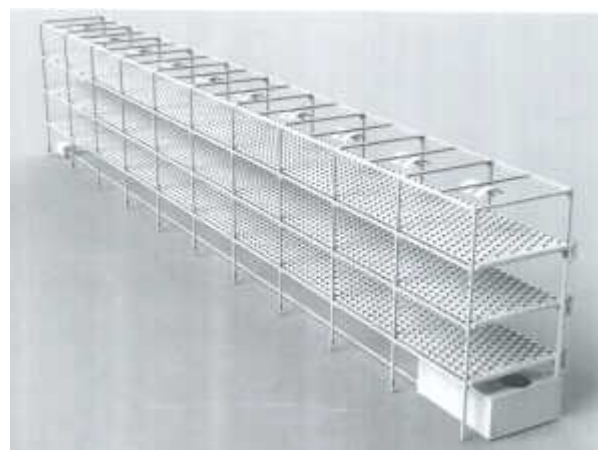




- (21) Design Number: **15613/2010**  
(22) Date of Filing Application: **21 December 2010**  
(24) Date from which industrial property rights may have effect: **21 December 2010**  
(54) Product in respect of which the design is registered: **Coffee machine**  
(51) International Design Classification: **07-02L**  
(74) Name(s) of Attorney(s): **PATENT ATTORNEY SERVICES**  
(71) Name(s) and Address(s) of Applicant(s):  
**Wik Far East Ltd.**  
**Unit B 23 F Manulife Tower 169 Electric Road North Point Hong Kong**  
(72) Name(s) of Designer(s): **Dirk Hagen Zimmermann**  
(45) Registration Date: **12 July 2011**  
(56) Related Art Documents: **Not Applicable**  
(57) Statement of Newness and Distinctiveness: **Visual features of the design which are new and distinctive are the features of shape and configuration of a COFFEE MACHINE as illustrated in the representations.**



- (21) Design Number: **11790/2011**  
(22) Date of Filing Application: **21 April 2011**  
(24) Date from which industrial property rights may have effect: **21 April 2011**  
(54) Product in respect of which the design is registered: **Hydroponic shelf system**  
(51) International Design Classification: **23-01NES**  
(74) Name(s) of Attorney(s): **Pegasus IP**  
(71) Name(s) and Address(s) of Applicant(s):  
**City Farms International Pty Ltd**  
**Lot 1 Cudgen Road Cudgen New South Wales 2487 Australia**  
(72) Name(s) of Designer(s): **Joe Agius**  
(45) Registration Date: **12 July 2011**  
(56) Related Art Documents: **Not Applicable**  
(57) Statement of Newness and Distinctiveness: **Newness & distinctiveness resides in the features of shape and/or configuration of the product as shown in the reps, without limitation to the number and pattern of the holes shown in the reps and/or number of shelves.**



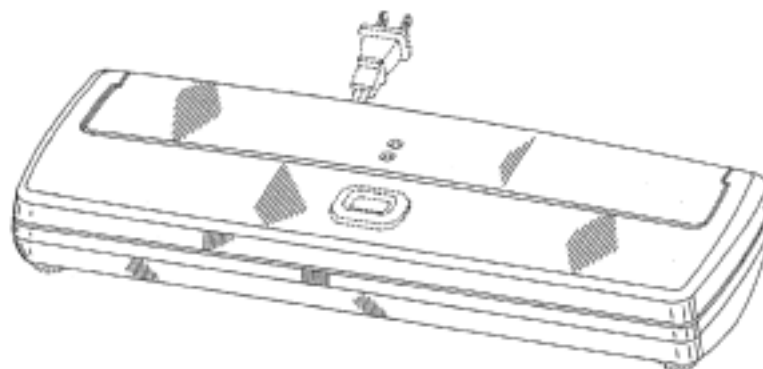
- (21) Design Number: **11792/2011**  
(22) Date of Filing Application: **21 April 2011**  
(24) Date from which industrial property rights may have effect: **21 April 2011**  
(54) Product in respect of which the design is registered: **A portable and demountable greenhouse**  
(51) International Design Classification: **25-03**  
(74) Name(s) of Attorney(s): **Pegasus IP**  
(71) Name(s) and Address(s) of Applicant(s):  
**City Farms International Pty Ltd**  
**Lot 1 Cudgen Road Cudgen New South Wales 2487 Australia**  
(72) Name(s) of Designer(s): **Joe Agius**  
(45) Registration Date: **12 July 2011**  
(56) Related Art Documents: **Not Applicable**  
(57) Statement of Newness and Distinctiveness: **Newness & distinctiveness resides in the features of shape and/or configuration of the portable and demountable building shown in the reps.**



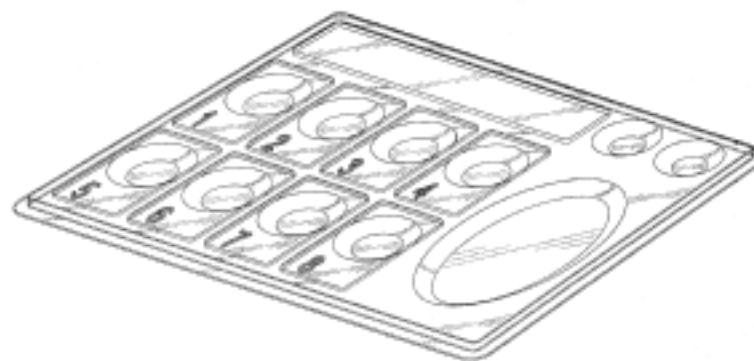
- (21) Design Number: **11793/2011**  
(22) Date of Filing Application: **21 April 2011**  
(24) Date from which industrial property rights may have effect: **21 April 2011**  
(54) Product in respect of which the design is registered: **Hydroponic roofing frame**  
(51) International Design Classification: **25-02NES**  
(74) Name(s) of Attorney(s): **Pegasus IP**  
(71) Name(s) and Address(s) of Applicant(s):  
**City Farms International Pty Ltd**  
**Lot 1 Cudgen Road Cudgen New South Wales 2487 Australia**  
(72) Name(s) of Designer(s): **Joe Agius**  
(45) Registration Date: **12 July 2011**  
(56) Related Art Documents: **Not Applicable**  
(57) Statement of Newness and Distinctiveness: **Newness & distinctiveness resides in the features of shape and/or configuration of the roofing frame as shown in the reps.**



(21) Design Number: **11871/2011**  
(22) Date of Filing Application: **28 April 2011**  
(24) Date from which industrial property rights may have effect: **28 April 2011**  
(54) Product in respect of which the design is registered: **Sealing machine**  
(51) International Design Classification: **15-99**  
(74) Name(s) of Attorney(s): **Griffith Hack**  
(71) Name(s) and Address(s) of Applicant(s):  
**Sunbeam Products, Inc.**  
**2381 Executive Center Drive Boca Raton FL 33431 United States of America**  
(72) Name(s) of Designer(s): **Scott Beatty and Jeff Smith**  
(45) Registration Date: **12 July 2011**  
(30) Convention priority data:  
(31) Number (32) Date (33) Country  
**29/377,972 28 Oct 2010 UNITED STATES OF AMERICA**  
(56) Related Art Documents: **Not Applicable**  
(57) Statement of Newness and Distinctiveness: **The shape and configuration of those parts of the design shown by means of solid lines in the representations is new and distinctive.**



(21) Design Number: **12320/2011**  
(22) Date of Filing Application: **25 May 2011**  
(24) Date from which industrial property rights may have effect: **25 May 2011**  
(54) Product in respect of which the design is registered: **Cosmetic container**  
(51) International Design Classification: **03-01D**  
(74) Name(s) of Attorney(s): **PIZZEYS**  
(71) Name(s) and Address(s) of Applicant(s):  
**Mary Kay Inc.**  
**16251 N. Dallas Parkway PO Box 799045 Dallas TX 75379-9045 United States of America**  
(72) Name(s) of Designer(s): **Jenny DeMarco**  
(45) Registration Date: **12 July 2011**  
(30) Convention priority data:  
(31) Number (32) Date (33) Country  
**29/382,264 30 Dec 2010 UNITED STATES OF AMERICA**  
(56) Related Art Documents: **Not Applicable**  
(57) Statement of Newness and Distinctiveness: **The newness and distinctiveness of the design resides in the features of pattern and/or ornamentation or shape and/or configuration shown in unbroken lines in the accompanying representations (if required, see Convention document).**



(21) Design Number: **12405/2011**

(22) Date of Filing Application: **30 May 2011**

(24) Date from which industrial property rights may have effect: **30 May 2011**

(54) Product in respect of which the design is registered: **A lidded container**

(51) International Design Classification: **09-03M**

(74) Name(s) of Attorney(s): **A J Park**

(71) Name(s) and Address(s) of Applicant(s):

**Sistema Plastics Limited**

**80 Hugo Johnson Drive Penrose Auckland New Zealand**

(72) Name(s) of Designer(s): **Brendan Jon Lindsay and James Richard Manley**

(45) Registration Date: **12 July 2011**

(30) Convention priority data:

(31) Number

(32) Date

(33) Country

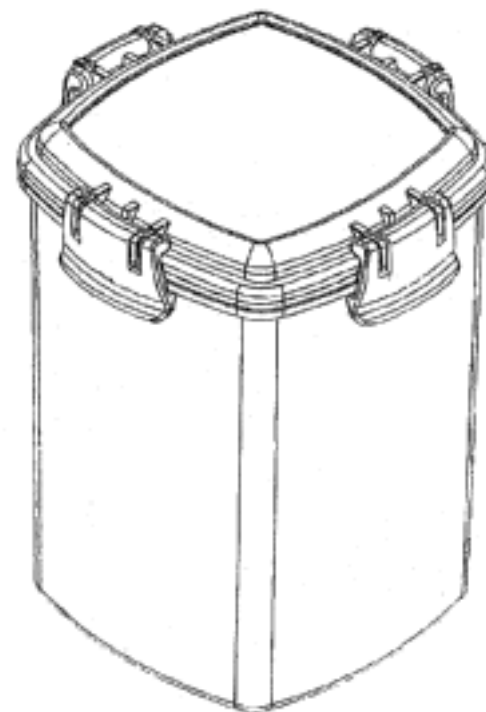
**414351**

**01 Dec 2010**

**NEW ZEALAND**

(56) Related Art Documents: **Not Applicable**

(57) Statement of Newness and Distinctiveness: **The novelty claimed for the design resides in the features of shape and/or configuration of the lid assembly from above as shown in the representations. No novelty is claimed in respect of the shape and/or configuration of the container.**



(21) Design Number: **12636/2011**

(22) Date of Filing Application: **15 June 2011**

(24) Date from which industrial property rights may have effect: **15 June 2011**

(54) Product in respect of which the design is registered: **A container**

(51) International Design Classification: **09-01D**

(74) Name(s) of Attorney(s): **Banki Haddock Fiora**

(71) Name(s) and Address(s) of Applicant(s):

**Societe des Produits Nestle S.A.**

**1800 Vevey Switzerland**

(72) Name(s) of Designer(s): **Michel Bourguignon and Maxime Dupressoir**

(45) Registration Date: **12 July 2011**

(30) Convention priority data:

(31) Number

(32) Date

(33) Country

**137524**

**22 Dec 2010**

**SWITZERLAND**

(56) Related Art Documents: **Not Applicable**

(57) Statement of Newness and Distinctiveness: **Nil**



(21) Design Number: **12638/2011**  
(22) Date of Filing Application: **30 May 2011**  
(24) Date from which industrial property rights may have effect: **30 May 2011**  
(54) Product in respect of which the design is registered: **Salt and pepper, spice mill**  
(51) International Design Classification: **07-06C**  
(74) Name(s) of Attorney(s):  
(71) Name(s) and Address(s) of Applicant(s):  
**Robert Welch Designs Limited**  
**Lower High Street Chipping Campden Gloucestershire GL55 6DY**  
**England**  
(72) Name(s) of Designer(s): **Iain Paul de Bretton Gordon**  
(45) Registration Date: **12 July 2011**  
(30) Convention priority data:  
(31) Number (32) Date (33) Country  
**001271969-0001 19 Apr 2011 EUROPEAN COMMUNITY**  
(56) Related Art Documents: **Not Applicable**  
(57) Statement of Newness and Distinctiveness: **A new design of mill for salt, pepper, herb and spices.**



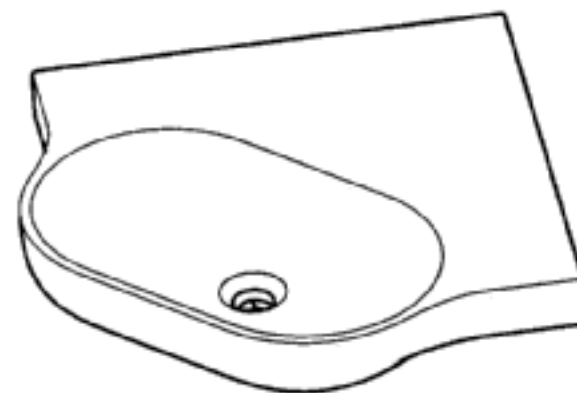
(21) Design Number: **12639/2011**  
(22) Date of Filing Application: **30 May 2011**  
(24) Date from which industrial property rights may have effect: **30 May 2011**  
(54) Product in respect of which the design is registered: **Salt and pepper, spice mill**  
(51) International Design Classification: **07-06C**  
(74) Name(s) of Attorney(s):  
(71) Name(s) and Address(s) of Applicant(s):  
**Robert Welch Designs Limited**  
**Lower High Street Chipping Campden Gloucestershire GL55 6DY**  
**England**  
(72) Name(s) of Designer(s): **Iain Paul de Bretton Gordon**  
(45) Registration Date: **12 July 2011**  
(30) Convention priority data:  
(31) Number (32) Date (33) Country  
**001271969-0002 19 Apr 2011 EUROPEAN COMMUNITY**  
(56) Related Art Documents: **Not Applicable**  
(57) Statement of Newness and Distinctiveness: **A new design of mill for salt, pepper, herb and spices.**



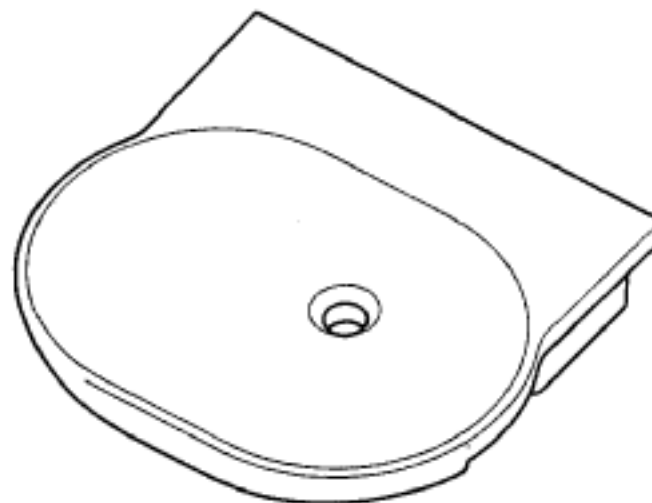
(21) Design Number: **12640/2011**  
(22) Date of Filing Application: **30 May 2011**  
(24) Date from which industrial property rights may have effect: **30 May 2011**  
(54) Product in respect of which the design is registered: **Salt and pepper, spice mill**  
(51) International Design Classification: **07-06C**  
(74) Name(s) of Attorney(s):  
(71) Name(s) and Address(s) of Applicant(s):  
**Robert Welch Designs Limited**  
**Lower High Street Chipping Campden Gloucestershire GL55 6DY**  
**England**  
(72) Name(s) of Designer(s): **Iain Paul de Bretton Gordon**  
(45) Registration Date: **12 July 2011**  
(30) Convention priority data:  
(31) Number (32) Date (33) Country  
**001271969-0003 19 Apr 2011 EUROPEAN COMMUNITY**  
(56) Related Art Documents: **Not Applicable**  
(57) Statement of Newness and Distinctiveness: **A new design of mill for salt, pepper, herb and spices.**



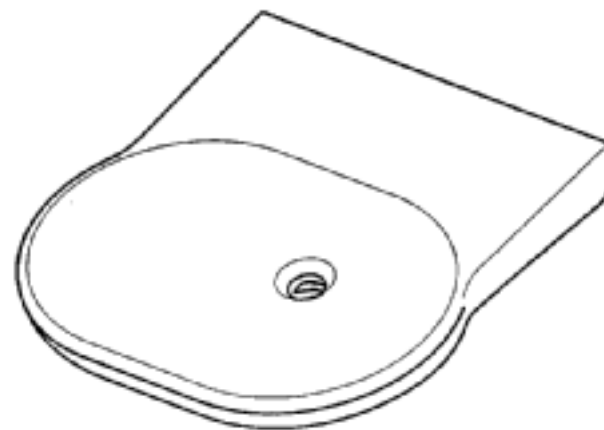
(21) Design Number: **12679/2011**  
(22) Date of Filing Application: **15 June 2011**  
(24) Date from which industrial property rights may have effect: **15 June 2011**  
(54) Product in respect of which the design is registered: **A basin**  
(51) International Design Classification: **23-02F**  
(74) Name(s) of Attorney(s): **SPRUSON & FERGUSON**  
(71) Name(s) and Address(s) of Applicant(s):  
**Caroma Industries Limited**  
**10 Market Street Brisbane Queensland 4000 Australia**  
(72) Name(s) of Designer(s): **Stephen John Cummings and Johann Karunaratne**  
(45) Registration Date: **12 July 2011**  
(56) Related Art Documents: **Not Applicable**  
(57) Statement of Newness and Distinctiveness: **Newness and distinctiveness is claimed in the features of shape and/or configuration of a basin as illustrated in the accompanying representations.**



- (21) Design Number: **12680/2011**  
(22) Date of Filing Application: **15 June 2011**  
(24) Date from which industrial property rights may have effect: **15 June 2011**  
(54) Product in respect of which the design is registered: **A basin**  
(51) International Design Classification: **23-02F**  
(74) Name(s) of Attorney(s): **SPRUSON & FERGUSON**  
(71) Name(s) and Address(s) of Applicant(s):  
**Caroma Industries Limited**  
**10 Market Street Brisbane Queensland 4000 Australia**  
(72) Name(s) of Designer(s): **Stephen John Cummings and Johann Karunaratne**  
(45) Registration Date: **12 July 2011**  
(56) Related Art Documents: **Not Applicable**  
(57) Statement of Newness and Distinctiveness: **Newness and distinctiveness is claimed in the features of shape and/or configuration of a basin as illustrated in the accompanying representations.**



- (21) Design Number: **12681/2011**  
(22) Date of Filing Application: **15 June 2011**  
(24) Date from which industrial property rights may have effect: **15 June 2011**  
(54) Product in respect of which the design is registered: **A basin**  
(51) International Design Classification: **23-02F**  
(74) Name(s) of Attorney(s): **SPRUSON & FERGUSON**  
(71) Name(s) and Address(s) of Applicant(s):  
**Caroma Industries Limited**  
**10 Market Street Brisbane Queensland 4000 Australia**  
(72) Name(s) of Designer(s): **Stephen John Cummings and Johann Karunaratne**  
(45) Registration Date: **12 July 2011**  
(56) Related Art Documents: **Not Applicable**  
(57) Statement of Newness and Distinctiveness: **Newness and distinctiveness is claimed in the features of shape and/or configuration of a basin as illustrated in the accompanying representations.**



- (21) Design Number: **12682/2011**  
(22) Date of Filing Application: **15 June 2011**  
(24) Date from which industrial property rights may have effect: **15 June 2011**  
(54) Product in respect of which the design is registered: **Workbench**  
(51) International Design Classification: **06-03C**  
(74) Name(s) of Attorney(s): **SPRUSON & FERGUSON**  
(71) Name(s) and Address(s) of Applicant(s):



**Jun Gu**  
**No. 776 Jiufeng Street Binhong westroad Jinhua City Zhejiang Province**  
**China**

- (72) Name(s) of Designer(s): **Jun Gu**  
(45) Registration Date: **12 July 2011**  
(56) Related Art Documents: **Not Applicable**  
(57) Statement of Newness and Distinctiveness: **Newness and distinctiveness is claimed in the features of shape and/or configuration of the platform, the legs, the handles, the tool troughs, the through-holes extending through the platform, the electrical outlets located on a side of the platform, and the network mesh on the underside of the platform of a workbench as illustrated in the accompanying representations.**

- (21) Design Number: **12044/2011**  
(22) Date of Filing Application: **10 May 2011**  
(24) Date from which industrial property rights may have effect: **10 May 2011**  
(54) Product in respect of which the design is registered: **Female drafting tool**  
(51) International Design Classification: **19-06**  
(74) Name(s) of Attorney(s): **SPRUSON & FERGUSON**  
(71) Name(s) and Address(s) of Applicant(s):



**Andrew Rainey**  
**329 Lower Plateau Road Bilgola New South Wales 2107 Australia**

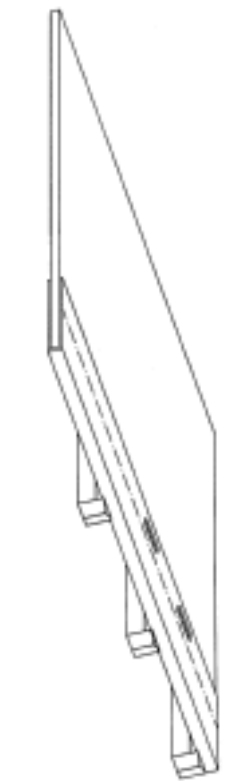
- (72) Name(s) of Designer(s): **Prue Rainey**  
(45) Registration Date: **12 July 2011**  
(56) Related Art Documents: **Not Applicable**  
(57) Statement of Newness and Distinctiveness: **Newness and distinctiveness is claimed in those features of shape and/or configuration of a female drafting tool as illustrated in continuous lines in the accompanying representations.**



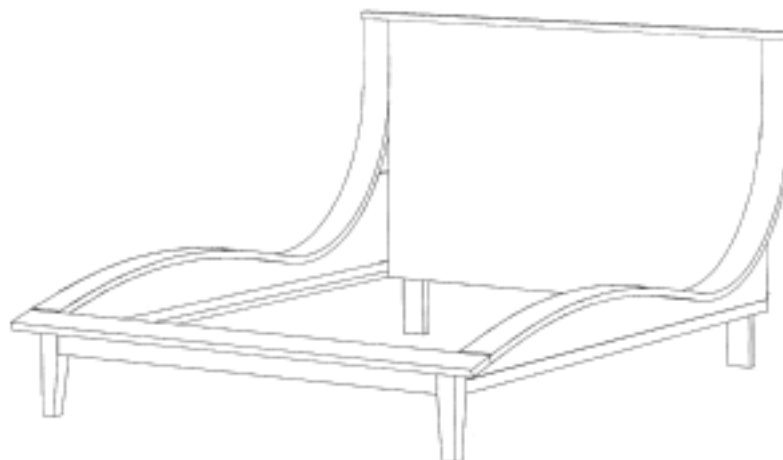
- (21) Design Number: **12045/2011**  
(22) Date of Filing Application: **10 May 2011**  
(24) Date from which industrial property rights may have effect: **10 May 2011**  
(54) Product in respect of which the design is registered: **Male drafting tool**  
(51) International Design Classification: **19-06**  
(74) Name(s) of Attorney(s): **SPRUSON & FERGUSON**  
(71) Name(s) and Address(s) of Applicant(s):  
**Andrew Rainey**  
**329 Lower Plateau Road Bilgola New South Wales 2107 Australia**  
(72) Name(s) of Designer(s): **Prue Rainey**  
(45) Registration Date: **12 July 2011**  
(56) Related Art Documents: **Not Applicable**  
(57) Statement of Newness and Distinctiveness: **Newness and distinctiveness is claimed in those features of shape and/or configuration of a male drafting tool as illustrated in continuous lines in the accompanying representations.**



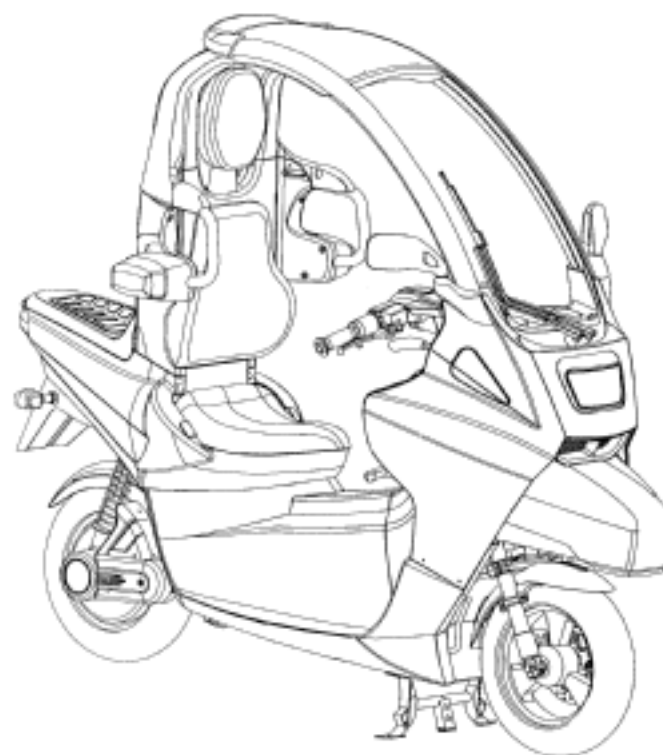
- (21) Design Number: **12685/2011**  
(22) Date of Filing Application: **16 June 2011**  
(24) Date from which industrial property rights may have effect: **16 June 2011**  
(54) Product in respect of which the design is registered: **Temporary bulkhead**  
(51) International Design Classification: **09-03H**  
(74) Name(s) of Attorney(s): **Davies Collison Cave**  
(71) Name(s) and Address(s) of Applicant(s):  
**Visy R & D Pty Ltd**  
**Level 11 2 Southbank Boulevard Southbank Victoria 3006 Australia**  
(72) Name(s) of Designer(s): **Gordon Bate**  
(45) Registration Date: **12 July 2011**  
(56) Related Art Documents: **Not Applicable**  
(57) Statement of Newness and Distinctiveness: **The features of the design which are considered to be new and distinctive are the features of shape or configuration of a temporary bulkhead as illustrated in the representations. In determining the newness and distinctiveness, the number and position of the hand holes should not be taken into account.**



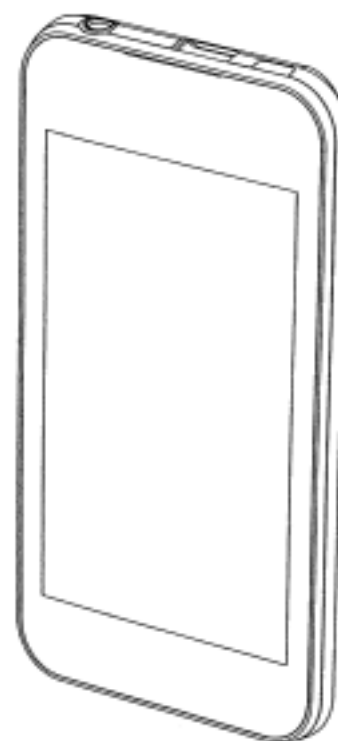
(21) Design Number: **12687/2011**  
(22) Date of Filing Application: **17 June 2011**  
(24) Date from which industrial property rights may have effect: **17 June 2011**  
(54) Product in respect of which the design is registered: **Bed**  
(51) International Design Classification: **06-02**  
(74) Name(s) of Attorney(s):  
(71) Name(s) and Address(s) of Applicant(s):  
**Bomi Furniture Pty Ltd**  
**11-17 Sages Road Glenroy Victoria 3046 Australia**  
(72) Name(s) of Designer(s): **Simon Bowler**  
(45) Registration Date: **12 July 2011**  
(56) Related Art Documents: **Not Applicable**  
(57) Statement of Newness and Distinctiveness: **Nil**



(21) Design Number: **12688/2011**  
(22) Date of Filing Application: **16 June 2011**  
(24) Date from which industrial property rights may have effect: **16 June 2011**  
(54) Product in respect of which the design is registered: **Electric vehicle**  
(51) International Design Classification: **12-11**  
(74) Name(s) of Attorney(s): **Shelston IP**  
(71) Name(s) and Address(s) of Applicant(s):  
**Suzhou Eagle Electric Vehicle Manufacturing Co. Ltd**  
**No. 699 TongYuan Road Suzhou Industrial Park Suzhou City China**  
(72) Name(s) of Designer(s): **Xue-qing Zhang and Xue Li**  
(45) Registration Date: **12 July 2011**  
(30) Convention priority data:  
(31) Number      (32) Date      (33) Country  
**201130033268.2**   **03 Mar 2011**      **CHINA**  
(56) Related Art Documents: **Not Applicable**  
(57) Statement of Newness and Distinctiveness: **Newness and distinctiveness resides in the shape and/or configuration of the electric vehicle, as shown by solid lines in the accompanying representations.**



(21) Design Number: **12690/2011**  
(22) Date of Filing Application: **16 June 2011**  
(24) Date from which industrial property rights may have effect: **16 June 2011**  
(54) Product in respect of which the design is registered: **Mobile phone**  
(51) International Design Classification: **14-03E**  
(74) Name(s) of Attorney(s): **FB Rice**  
(71) Name(s) and Address(s) of Applicant(s):  
**LG Electronics Inc.**  
**20 Yeouido-dong Yeongdeungpo-gu Seoul 150-721 Republic of Korea**  
(72) Name(s) of Designer(s): **Hong Sik Kim and Joe Hyun and Min Kim**  
(45) Registration Date: **12 July 2011**  
(30) Convention priority data:  
(31) Number (32) Date (33) Country  
**30-2011-0001294 11 Jan 2011 REPUBLIC OF KOREA**  
(56) Related Art Documents: **Not Applicable**  
(57) Statement of Newness and Distinctiveness: **Newness and distinctiveness reside in the features of the design as shown in the representations.**



(21) Design Number: **12691/2011**  
(22) Date of Filing Application: **16 June 2011**  
(24) Date from which industrial property rights may have effect: **16 June 2011**  
(54) Product in respect of which the design is registered: **Oral care implement**  
(51) International Design Classification: **04-02**  
(74) Name(s) of Attorney(s): **FB Rice**  
(71) Name(s) and Address(s) of Applicant(s):  
**Colgate-Palmolive Company**  
**300 Park Avenue New York New York 10022 United States of America**  
(72) Name(s) of Designer(s): **David Lee and Brenda Zuck**  
(45) Registration Date: **12 July 2011**  
(30) Convention priority data:  
(31) Number (32) Date (33) Country  
**29/381426 20 Dec 2010 UNITED STATES OF AMERICA**  
(56) Related Art Documents: **Not Applicable**  
(57) Statement of Newness and Distinctiveness: **Newness and distinctiveness reside in the features of the oral care implement as shown in the representations.**



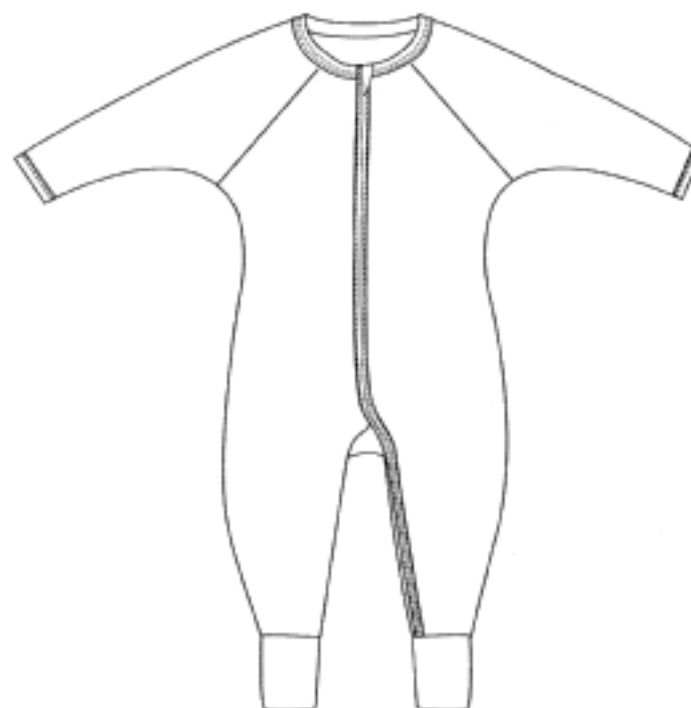
(21) Design Number: **12692/2011**  
(22) Date of Filing Application: **16 June 2011**  
(24) Date from which industrial property rights may have effect: **16 June 2011**  
(54) Product in respect of which the design is registered: **Oral care implement**  
(51) International Design Classification: **04-02**  
(74) Name(s) of Attorney(s): **FB Rice**  
(71) Name(s) and Address(s) of Applicant(s):  
**Colgate-Palmolive Company**  
**300 Park Avenue New York New York 10022 United States of America**  
(72) Name(s) of Designer(s): **David Lee and Brenda Zuck**  
(45) Registration Date: **12 July 2011**  
(30) Convention priority data:  
(31) Number (32) Date (33) Country  
**29/381428 20 Dec 2010 UNITED STATES OF AMERICA**  
(56) Related Art Documents: **Not Applicable**  
(57) Statement of Newness and Distinctiveness: **Newness and distinctiveness resides in the features of shape and configuration of the oral care implement shown in the drawings. When determining whether the design is substantially similar in overall impression to another design, no regard is to be had to those features shown in the drawings with dotted outline, which features are provided for illustrative purposes only.**



(21) Design Number: **12693/2011**  
(22) Date of Filing Application: **16 June 2011**  
(24) Date from which industrial property rights may have effect: **16 June 2011**  
(54) Product in respect of which the design is registered: **Oral care implement**  
(51) International Design Classification: **04-02**  
(74) Name(s) of Attorney(s): **FB Rice**  
(71) Name(s) and Address(s) of Applicant(s):  
**Colgate-Palmolive Company**  
**300 Park Avenue New York New York 10022 United States of America**  
(72) Name(s) of Designer(s): **David Lee and Brenda Zuck**  
(45) Registration Date: **12 July 2011**  
(30) Convention priority data:  
(31) Number (32) Date (33) Country  
**29/381430 20 Dec 2010 UNITED STATES OF AMERICA**  
(56) Related Art Documents: **Not Applicable**  
(57) Statement of Newness and Distinctiveness: **Newness and distinctiveness resides in the features of shape and configuration of the oral care implement shown in the drawings. When determining whether the design is substantially similar in overall impression to another design, no regard is to be had to those features shown in the drawings with dotted outline, which features are provided for illustrative purposes only.**



- (21) Design Number: **12953/2011**  
(22) Date of Filing Application: **01 July 2011**  
(24) Date from which industrial property rights may have effect: **01 July 2011**  
(54) Product in respect of which the design is registered: **Baby garment**  
(51) International Design Classification: **02-02C**  
(74) Name(s) of Attorney(s): **Freehills Patent & Trade Mark Attorneys**  
(71) Name(s) and Address(s) of Applicant(s):  
**Bonds Industries Pty Ltd**  
**Level 3 290 Burwood Road Hawthorn Victoria 3122 Australia**  
(72) Name(s) of Designer(s): **Phoebe Rofail and Jane Newman and Meri Manojlovski**  
(45) Registration Date: **12 July 2011**  
(56) Related Art Documents: **Not Applicable**  
(57) Statement of Newness and Distinctiveness: **Newness and distinctiveness resides in the shape and configuration of the front of the baby garment incorporating a lengthwise extending opening defined by a zip fastener.**



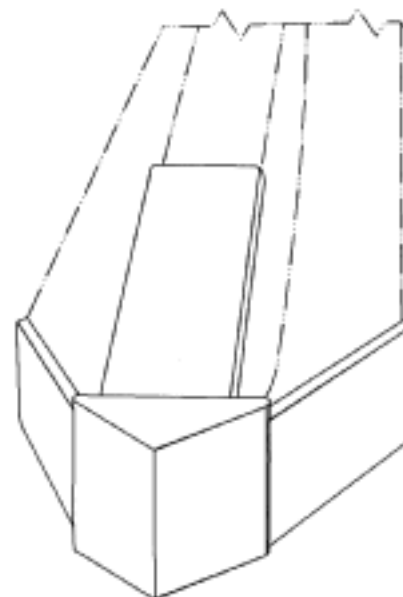
- (21) Design Number: **12669/2011**  
(22) Date of Filing Application: **15 June 2011**  
(24) Date from which industrial property rights may have effect: **15 June 2011**  
(54) Product in respect of which the design is registered: **Tablet**  
(51) International Design Classification: **28-01**  
(74) Name(s) of Attorney(s): **Griffith Hack**  
(71) Name(s) and Address(s) of Applicant(s):  
**Otsuka Pharmaceutical Co., Ltd**  
**2-9 Kanda-Tsukasamachi Chiyoda-ku Tokyo 101-8535 Japan**  
(72) Name(s) of Designer(s): **Takanori Inoue**  
(45) Registration Date: **12 July 2011**  
(30) Convention priority data:  
(31) Number      (32) Date      (33) Country  
**2010-029927      15 Dec 2010      JAPAN**  
(56) Related Art Documents: **Not Applicable**  
(57) Statement of Newness and Distinctiveness: **Newness and distinctiveness resides in the shape and configuration of a TABLET as shown in the accompanying representations.**



- (21) Design Number: **12670/2011**  
(22) Date of Filing Application: **15 June 2011**  
(24) Date from which industrial property rights may have effect: **15 June 2011**  
(54) Product in respect of which the design is registered: **Ripper point**  
(51) International Design Classification: **15-99**  
(74) Name(s) of Attorney(s): **Fisher Adams Kelly**  
(71) Name(s) and Address(s) of Applicant(s):

**Castpoints Pty Ltd**  
**2 Wyndham Street Toowoomba Queensland 4350 Australia**

- (72) Name(s) of Designer(s): **Robert Edward Steggall**  
(45) Registration Date: **12 July 2011**  
(56) Related Art Documents: **Not Applicable**  
(57) Statement of Newness and Distinctiveness: **The newness and distinctiveness of the design resides in the shape and/or configuration of the RIPPER POINT shown in the representations. In considering the scope of monopoly particular regard is to be had to the nose cap and the arrangement of the protective tiles abutting behind a lip of the nose cap.**

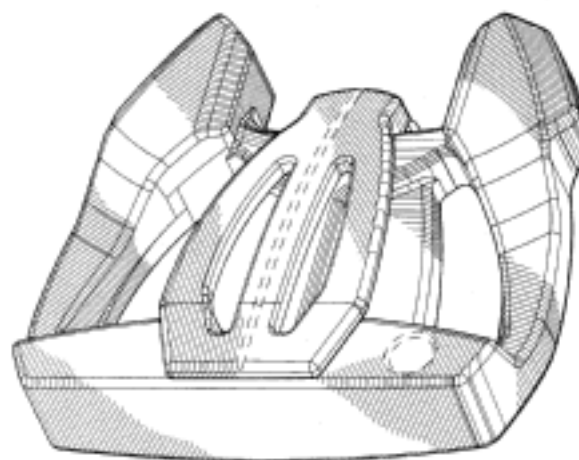


- (21) Design Number: **12672/2011**  
(22) Date of Filing Application: **15 June 2011**  
(24) Date from which industrial property rights may have effect: **15 June 2011**  
(54) Product in respect of which the design is registered: **Golf club head**  
(51) International Design Classification: **21-02C**  
(74) Name(s) of Attorney(s): **Davies Collison Cave**  
(71) Name(s) and Address(s) of Applicant(s):

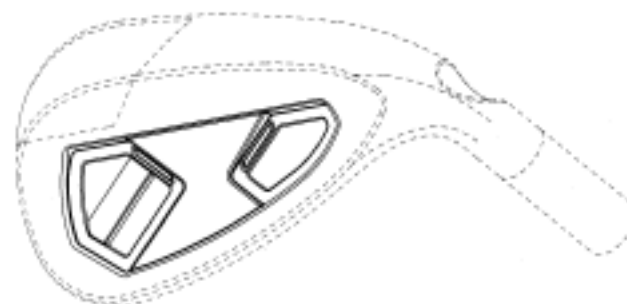
**Karsten Manufacturing Corporation**  
**2201 West Desert Cove Phoenix Arizona 85029 United States of America**

- (72) Name(s) of Designer(s): **Xiaojian Chen and Michael R. Nicolette and Bradley D. Schweigert**  
(45) Registration Date: **12 July 2011**  
(30) Convention priority data:
- |                  |                    |                                 |
|------------------|--------------------|---------------------------------|
| (31) Number      | (32) Date          | (33) Country                    |
| <b>29/382850</b> | <b>07 Jan 2011</b> | <b>UNITED STATES OF AMERICA</b> |

- (56) Related Art Documents: **Not Applicable**  
(57) Statement of Newness and Distinctiveness: **Newness and distinctiveness is claimed in the visual features shown in solid lines in the representations. In considering the extent of the design rights, the broken lines shown in the representations are for illustrative purposes only and do not form part of the design.**



(21) Design Number: **12673/2011**  
(22) Date of Filing Application: **15 June 2011**  
(24) Date from which industrial property rights may have effect: **15 June 2011**  
(54) Product in respect of which the design is registered: **Golf club head**  
(51) International Design Classification: **21-02C**  
(74) Name(s) of Attorney(s): **Davies Collison Cave**  
(71) Name(s) and Address(s) of Applicant(s):  
**Karsten Manufacturing Corporation**  
**2201 West Desert Cove Phoenix Arizona 85029 United States of America**  
(72) Name(s) of Designer(s): **Ryan M. Stokke and Marty R. Jertson and Michael R. Nicolette and John A. Solheim**  
(45) Registration Date: **12 July 2011**  
(30) Convention priority data:  
(31) Number (32) Date (33) Country  
**29/383462 18 Jan 2011 UNITED STATES OF AMERICA**  
(56) Related Art Documents: **Not Applicable**  
(57) Statement of Newness and Distinctiveness: **Newness and distinctiveness is claimed in the visual features shown in solid lines in the representations. In considering the extent of the design rights, the broken lines shown in the representations are for illustrative purposes only and do not form part of the design.**



(21) Design Number: **12674/2011**  
(22) Date of Filing Application: **15 June 2011**  
(24) Date from which industrial property rights may have effect: **15 June 2011**  
(54) Product in respect of which the design is registered: **Oral care implement**  
(51) International Design Classification: **04-02**  
(74) Name(s) of Attorney(s): **FB Rice**  
(71) Name(s) and Address(s) of Applicant(s):  
**Colgate-Palmolive Company**  
**300 Park Avenue New York New York 10022 United States of America**  
(72) Name(s) of Designer(s): **John Jacob Gatzemeyer and Joseph Edward Fattori**  
(45) Registration Date: **12 July 2011**  
(30) Convention priority data:  
(31) Number (32) Date (33) Country  
**29/381528 20 Dec 2010 UNITED STATES OF AMERICA**  
(56) Related Art Documents: **Not Applicable**  
(57) Statement of Newness and Distinctiveness: **Newness and distinctiveness resides in the features of shape and configuration of the oral care implement shown in the drawings. When determining whether the design is substantially similar in overall impression to another design, no regard is to be had to those features shown in the drawings with dotted outline, which features are provided for illustrative purposes only.**



(21) Design Number: **12675/2011**  
(22) Date of Filing Application: **15 June 2011**  
(24) Date from which industrial property rights may have effect: **15 June 2011**  
(54) Product in respect of which the design is registered: **Oral care implement**  
(51) International Design Classification: **04-02**  
(74) Name(s) of Attorney(s): **FB Rice**  
(71) Name(s) and Address(s) of Applicant(s):  
**Colgate-Palmolive Company**  
**300 Park Avenue New York New York 10022 United States of America**  
(72) Name(s) of Designer(s): **John Jacob Gatzemeyer and Joseph Edward Fattori**  
(45) Registration Date: **12 July 2011**  
(30) Convention priority data:  
(31) Number (32) Date (33) Country  
**29/381528 20 Dec 2010 UNITED STATES OF AMERICA**  
(56) Related Art Documents: **Not Applicable**  
(57) Statement of Newness and Distinctiveness: **Newness and distinctiveness resides in the features of shape and configuration of the oral care implement shown in the drawings. When determining whether the design is substantially similar in overall impression to another design, no regard is to be had to those features shown in the drawings with dotted outline, which features are provided for illustrative purposes only.**

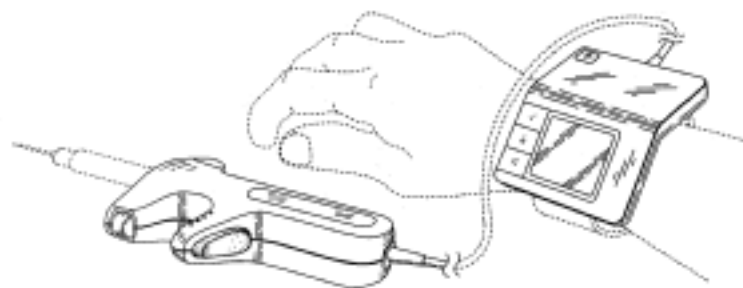


(21) Design Number: **12001/2011**  
(22) Date of Filing Application: **06 May 2011**  
(24) Date from which industrial property rights may have effect: **06 May 2011**  
(54) Product in respect of which the design is registered: **3D glasses**  
(51) International Design Classification: **16-06**  
(74) Name(s) of Attorney(s): **Davies Collison Cave**  
(71) Name(s) and Address(s) of Applicant(s):  
**X6D Limited**  
**199 Arch Makarios III Avenue Neocleous House 3030 Limassol Cyprus**  
(72) Name(s) of Designer(s): **Miha Klinar and Martin Sostaric and Andraz Sapec and Luka Stepan and Maria Costeira and Tjasa Vrhovnik and Jure Bezgovsek**  
(45) Registration Date: **12 July 2011**  
(30) Convention priority data:  
(31) Number (32) Date (33) Country  
**29/378689 08 Nov 2010 UNITED STATES OF AMERICA**  
(56) Related Art Documents: **Not Applicable**  
(57) Statement of Newness and Distinctiveness: **Newness and distinctiveness is claimed in the visual features shown in the representations.**

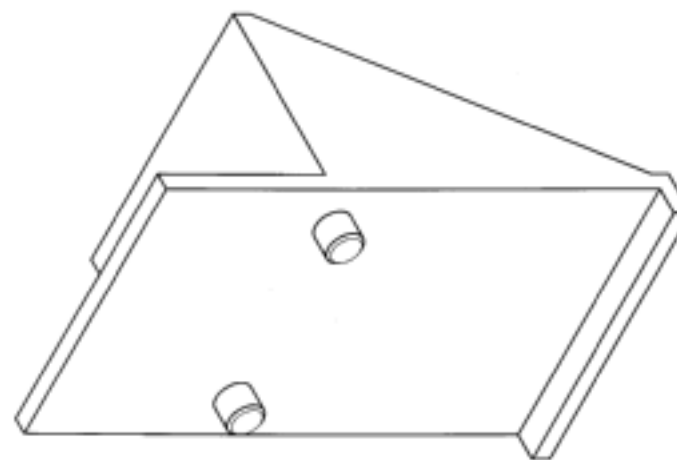




- (21) Design Number: **12002/2011**  
(22) Date of Filing Application: **06 May 2011**  
(24) Date from which industrial property rights may have effect: **06 May 2011**  
(54) Product in respect of which the design is registered: **Injection device**  
(51) International Design Classification: **24-02**  
(74) Name(s) of Attorney(s): **Davies Collison Cave**  
(71) Name(s) and Address(s) of Applicant(s):  
**Allergan, Inc.**  
**2525 Dupont Drive Irvine California 92612 United States of America**  
(72) Name(s) of Designer(s): **Christopher S. Mudd and Ahmet Tezel**  
(45) Registration Date: **12 July 2011**  
(30) Convention priority data:  
(31) Number (32) Date (33) Country  
**29/378703 08 Nov 2010 UNITED STATES OF AMERICA**  
(56) Related Art Documents: **Not Applicable**  
(57) Statement of Newness and Distinctiveness: **Newness and distinctiveness is claimed in the visual features shown in solid lines in the representations. In considering the extent of the design rights, the broken lines shown in the representation are for illustrative purposes only and do not form part of the design.**



- (21) Design Number: **12473/2011**  
(22) Date of Filing Application: **01 June 2011**  
(24) Date from which industrial property rights may have effect: **01 June 2011**  
(54) Product in respect of which the design is registered: **Hi lift jack**  
(51) International Design Classification: **12-05, 08-05E**  
(74) Name(s) of Attorney(s):  
(71) Name(s) and Address(s) of Applicant(s):  
**Eden Mackay Tait**  
**35 Ironbark Road Chapel Hill Queensland 4069 Australia**  
(72) Name(s) of Designer(s): **Eden Tait**  
(45) Registration Date: **12 July 2011**  
(56) Related Art Documents: **Not Applicable**  
(57) Statement of Newness and Distinctiveness: **The design "Jackabead" has been designed to work as an attachment on a hi lift jack. A hi lift jack is a 4wd or 4x4 product that enables the operator to lift his or her vehicle up to either change a wheel or enable them to get out of a bog. My design the "Jackabead" is designed to work as an attachment to this jack. Once they have changed the wheel they can using the "Jackabead" to break the tyres bead or seal, allowing the easy removal of the tyre from the rim for repair or replacement. The Jackabead has been designed to allow the base of the hi lift jack to sit upon it. The features that make this design new and unique are the backing locating ridge and locating pins on the top to position the jack in its safest working position as well as the blade that is located on the underside. This has been gusseted towards the backing ridge, the 90 degree angle that is left at the underside front and is to allow room for the rim to slide up into, while at the same time the tyre is forced down by the blade, this in turn breaks the seal or bead. The unique features to take note of are the locating pins on the top at the front face along with the locating backing ridge; other key areas include the underside that consists of a blade with gussets for support.**



(21) Design Number: **12745/2011**  
(22) Date of Filing Application: **17 June 2011**  
(24) Date from which industrial property rights may have effect: **17 June 2011**  
(54) Product in respect of which the design is registered: **Power device**  
(51) International Design Classification: **13-02, 13-03NES**  
(74) Name(s) of Attorney(s): **Halfords IP**  
(71) Name(s) and Address(s) of Applicant(s):  
**Eveready Battery Company, Inc.**  
**533 Maryville University Drive St Louis Missouri 63141 United States of America**

(72) Name(s) of Designer(s): **John D. Crawford and David J. Hine and David A. Furth and Mark A. Ferguson**

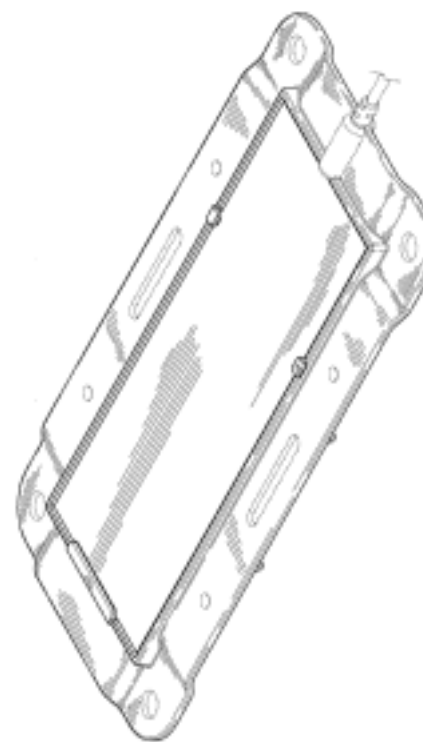
(45) Registration Date: **13 July 2011**

(30) Convention priority data:

(31) Number	(32) Date	(33) Country
<b>29/385651</b>	<b>17 Feb 2011</b>	<b>UNITED STATES OF AMERICA</b>

(56) Related Art Documents: **Not Applicable**

(57) Statement of Newness and Distinctiveness: **Newness and distinctiveness is claimed in those features of shape and or configuration of a power device as depicted in the representations in unbroken lines. The representations use broken lines, contour lines and shading to assist in the illustration of features of shape and or configuration. Such broken lines, contour lines and shading do not form part of the design.**



(21) Design Number: **12746/2011**  
(22) Date of Filing Application: **17 June 2011**  
(24) Date from which industrial property rights may have effect: **17 June 2011**  
(54) Product in respect of which the design is registered: **Lighting device**  
(51) International Design Classification: **26-02**  
(74) Name(s) of Attorney(s): **Halfords IP**  
(71) Name(s) and Address(s) of Applicant(s):  
**Eveready Battery Company, Inc.**  
**533 Maryville University Drive St Louis Missouri 63141 United States of America**

(72) Name(s) of Designer(s): **John D. Crawford and David J. Hine and Matthew R. Gortner and Mark A. Ferguson**

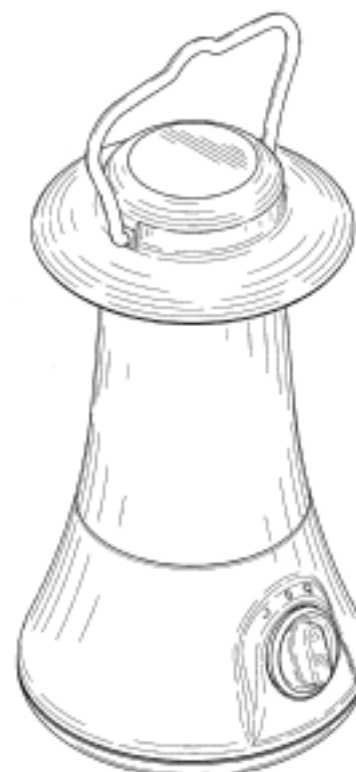
(45) Registration Date: **13 July 2011**

(30) Convention priority data:

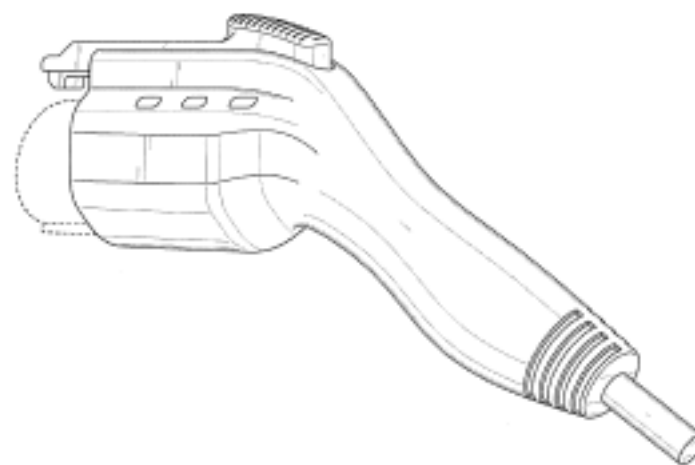
(31) Number	(32) Date	(33) Country
<b>29/385656</b>	<b>17 Feb 2011</b>	<b>UNITED STATES OF AMERICA</b>

(56) Related Art Documents: **Not Applicable**

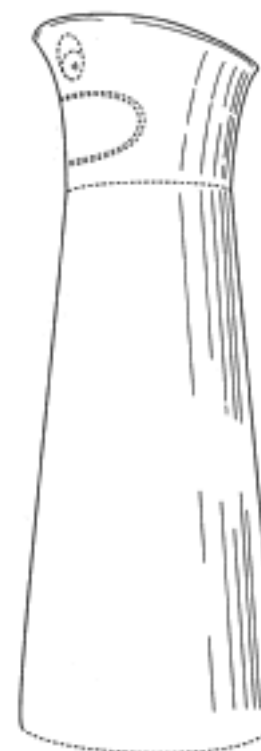
(57) Statement of Newness and Distinctiveness: **Newness and distinctiveness is claimed in those features of shape and or configuration of a lighting device as depicted in the representations in unbroken lines. The representations use broken lines, contour lines and shading to assist in the illustration of features of shape and or configuration. Such broken lines, contour lines and shading do not form part of the design.**



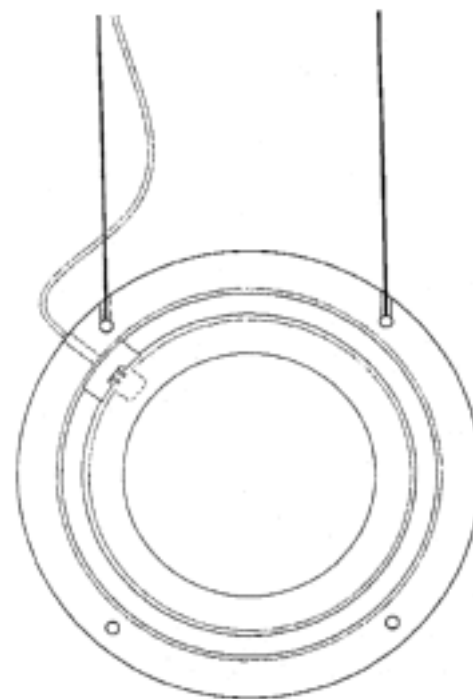
(21) Design Number: **12747/2011**  
(22) Date of Filing Application: **20 June 2011**  
(24) Date from which industrial property rights may have effect: **20 June 2011**  
(54) Product in respect of which the design is registered: **Electrical connector**  
(51) International Design Classification: **13-03E**  
(74) Name(s) of Attorney(s): **PIZZEYS**  
(71) Name(s) and Address(s) of Applicant(s):  
**General Cable Technologies Corporation**  
**4 Tesseneer Drive Highland Heights KY 41076 United States of America**  
(72) Name(s) of Designer(s): **Damien T. Sebald and Brian D. Smith**  
(45) Registration Date: **13 July 2011**  
(30) Convention priority data:  
(31) Number (32) Date (33) Country  
**29/382,230 30 Dec 2010 UNITED STATES OF AMERICA**  
(56) Related Art Documents: **Not Applicable**  
(57) Statement of Newness and Distinctiveness: **Nil**



(21) Design Number: **11961/2011**  
(22) Date of Filing Application: **03 May 2011**  
(24) Date from which industrial property rights may have effect: **03 May 2011**  
(54) Product in respect of which the design is registered: **Container and cap**  
(51) International Design Classification: **09-01NES**  
(74) Name(s) of Attorney(s): **SPRUSON & FERGUSON**  
(71) Name(s) and Address(s) of Applicant(s):  
**S.C. Johnson & Son, Inc.**  
**1525 Howe Street Racine Wisconsin 53403-2236 United States of America**  
(72) Name(s) of Designer(s): **Jeffrey Allen Gershune and Dan Kraemer**  
(45) Registration Date: **13 July 2011**  
(30) Convention priority data:  
(31) Number (32) Date (33) Country  
**001242937 03 Nov 2010 EUROPEAN COMMUNITY**  
(56) Related Art Documents: **Not Applicable**  
(57) Statement of Newness and Distinctiveness: **Newness and distinctiveness is claimed in those features of shape and/or configuration of a container and cap as illustrated in continuous lines in the accompanying representations.**



- (21) Design Number: **12976/2011**  
(22) Date of Filing Application: **01 July 2011**  
(24) Date from which industrial property rights may have effect: **01 July 2011**  
(54) Product in respect of which the design is registered: **Candy circular light**  
(51) International Design Classification: **26-05D**  
(74) Name(s) of Attorney(s):  
(71) Name(s) and Address(s) of Applicant(s):  
**Sebastian Clarke**  
**76 Voltri Street Mentone Victoria 3194 Australia**  
**Celina Clarke**  
**76 Voltri Street Mentone Victoria 3194 Australia**  
(72) Name(s) of Designer(s): **Sebastian Anthony Houghton Clarke**  
(45) Registration Date: **13 July 2011**  
(56) Related Art Documents: **Not Applicable**  
(57) Statement of Newness and Distinctiveness: **Circular lamp encased by acrylic. Can be clear or coloured.**



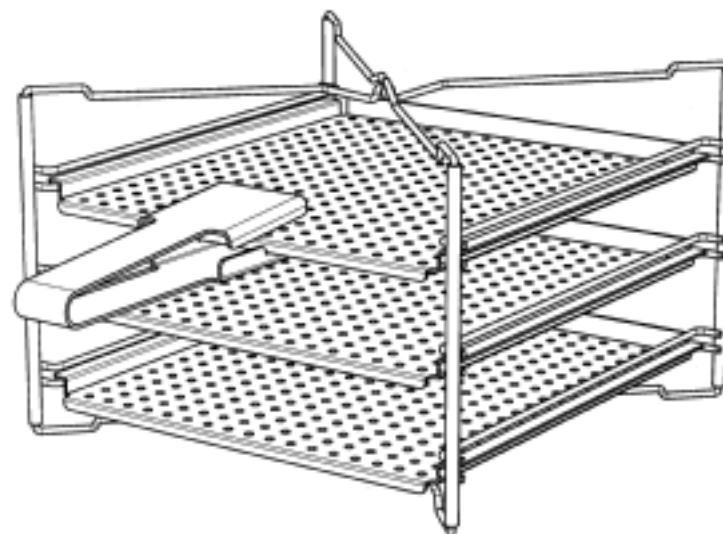
- (21) Design Number: **12977/2011**  
(22) Date of Filing Application: **01 July 2011**  
(24) Date from which industrial property rights may have effect: **01 July 2011**  
(54) Product in respect of which the design is registered: **Candy rectangular light**  
(51) International Design Classification: **26-05D**  
(74) Name(s) of Attorney(s):  
(71) Name(s) and Address(s) of Applicant(s):  
**Sebastian Clarke**  
**76 Voltri Street Mentone Victoria 3194 Australia**  
**Celina Clarke**  
**76 Voltri Street Mentone Victoria 3194 Australia**  
(72) Name(s) of Designer(s): **Sebastian Anthony Houghton Clarke**  
(45) Registration Date: **13 July 2011**  
(56) Related Art Documents: **Not Applicable**  
(57) Statement of Newness and Distinctiveness: **Linear lamp encased by acrylic. Can be clear or coloured. Hung vertically or horizontally.**



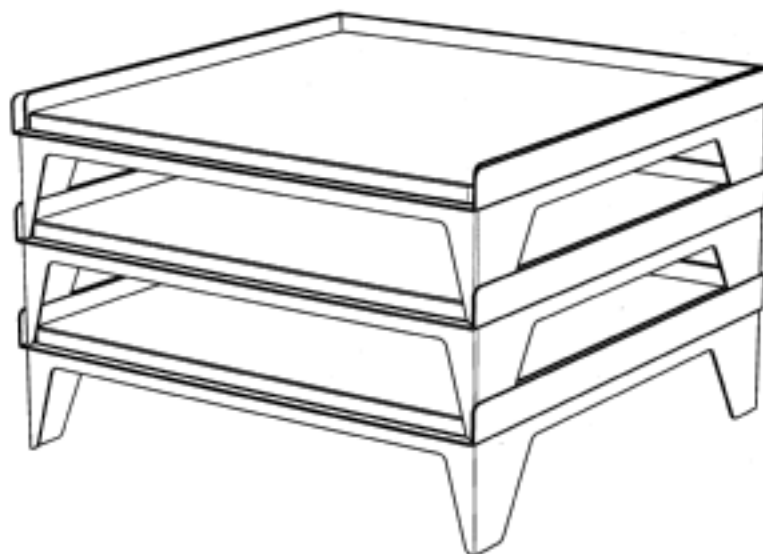
- (21) Design Number: **11962/2011**  
(22) Date of Filing Application: **03 May 2011**  
(24) Date from which industrial property rights may have effect: **03 May 2011**  
(54) Product in respect of which the design is registered: **Container and cap**  
(51) International Design Classification: **09-01NES**  
(74) Name(s) of Attorney(s): **SPRUSON & FERGUSON**  
(71) Name(s) and Address(s) of Applicant(s):  
**S.C. Johnson & Son, Inc.**  
**1525 Howe Street Racine Wisconsin 53403-2236 United States of America**  
(72) Name(s) of Designer(s): **Jeffrey Allen Gershune and Dan Kraemer**  
(45) Registration Date: **13 July 2011**  
(30) Convention priority data:  
(31) Number (32) Date (33) Country  
**001242937 03 Nov 2010 EUROPEAN COMMUNITY**  
(56) Related Art Documents: **Not Applicable**  
(57) Statement of Newness and Distinctiveness: **Newness and distinctiveness is claimed in the features of shape and/or configuration of a container and cap as illustrated in the accompanying representations.**



- (21) Design Number: **12697/2011**  
(22) Date of Filing Application: **17 June 2011**  
(24) Date from which industrial property rights may have effect: **17 June 2011**  
(54) Product in respect of which the design is registered: **Pizza stacker**  
(51) International Design Classification: **07-02N, 07-02C**  
(74) Name(s) of Attorney(s):  
(71) Name(s) and Address(s) of Applicant(s):  
**Mayo Hardware Pty Ltd**  
**34 Morley Avenue Rosebery New South Wales 2018 Australia**  
(72) Name(s) of Designer(s): **Barry Crone and Rosemary Murphy**  
(45) Registration Date: **13 July 2011**  
(56) Related Art Documents: **Not Applicable**  
(57) Statement of Newness and Distinctiveness: **Nil**



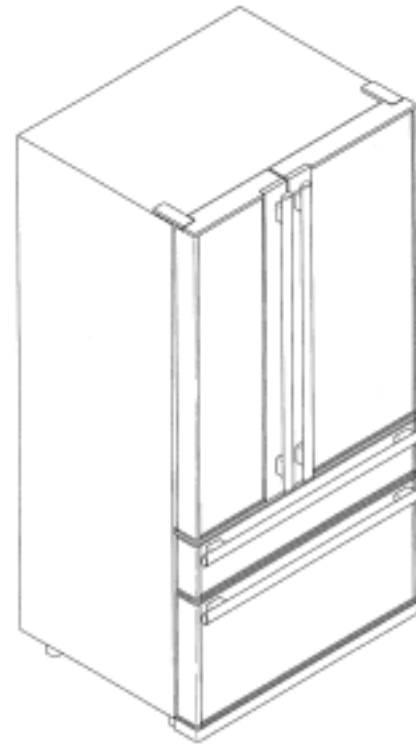
- (21) Design Number: **12698/2011**  
(22) Date of Filing Application: **17 June 2011**  
(24) Date from which industrial property rights may have effect: **17 June 2011**  
(54) Product in respect of which the design is registered: **Pizza stone stacker**  
(51) International Design Classification: **07-02N, 07-02C**  
(74) Name(s) of Attorney(s):  
(71) Name(s) and Address(s) of Applicant(s):  
**Mayo Hardware Pty Ltd**  
**34 Morley Avenue Rosebery New South Wales 2018 Australia**  
(72) Name(s) of Designer(s): **Barry Crone and Rosemary Murphy**  
(45) Registration Date: **13 July 2011**  
(56) Related Art Documents: **Not Applicable**  
(57) Statement of Newness and Distinctiveness: **Nil**



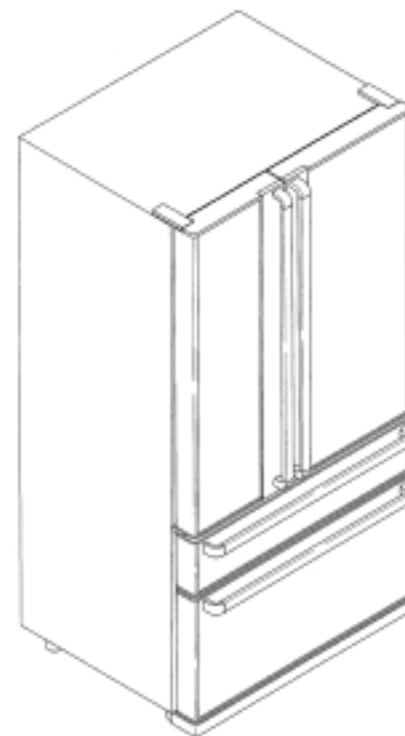
- (21) Design Number: **12700/2011**  
(22) Date of Filing Application: **16 June 2011**  
(24) Date from which industrial property rights may have effect: **16 June 2011**  
(54) Product in respect of which the design is registered: **Tool adapter**  
(51) International Design Classification: **08-08B**  
(74) Name(s) of Attorney(s): **Griffith Hack**  
(71) Name(s) and Address(s) of Applicant(s):  
**Brand Developers Ltd**  
**519-521 Lake Road Takapuna Auckland 0622 New Zealand**  
(72) Name(s) of Designer(s): **Jason Lee Cooper**  
(45) Registration Date: **13 July 2011**  
(56) Related Art Documents: **Not Applicable**  
(57) Statement of Newness and Distinctiveness: **Newness and distinctiveness resides in the visual features, including shape and/or configuration of the product as shown in solid outline in the accompanying drawings. When determining whether the design is substantially similar in overall impression to another design, no regard is to be had to the features shown in dashed, dotted and/or phantom lines.**



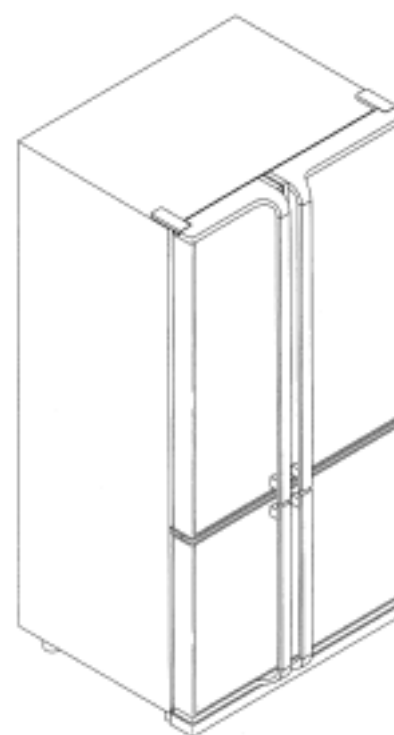
(21) Design Number: **12701/2011**  
(22) Date of Filing Application: **16 June 2011**  
(24) Date from which industrial property rights may have effect: **16 June 2011**  
(54) Product in respect of which the design is registered: **Refrigerator**  
(51) International Design Classification: **15-07**  
(74) Name(s) of Attorney(s): **Griffith Hack**  
(71) Name(s) and Address(s) of Applicant(s):  
**Mitsubishi Electric Corporation**  
**7-3 Marunouchi 2-chome Chiyoda-ku Tokyo 100-8310 Japan**  
(72) Name(s) of Designer(s): **Hideyuki Takasago and Kei Kasuga and Jason Ammerman**  
(45) Registration Date: **13 July 2011**  
(30) Convention priority data:  
(31) Number (32) Date (33) Country  
**2011-001049 20 Jan 2011 JAPAN**  
(56) Related Art Documents: **Not Applicable**  
(57) Statement of Newness and Distinctiveness: **Nil**



(21) Design Number: **12702/2011**  
(22) Date of Filing Application: **16 June 2011**  
(24) Date from which industrial property rights may have effect: **16 June 2011**  
(54) Product in respect of which the design is registered: **Refrigerator**  
(51) International Design Classification: **15-07**  
(74) Name(s) of Attorney(s): **Griffith Hack**  
(71) Name(s) and Address(s) of Applicant(s):  
**Mitsubishi Electric Corporation**  
**7-3 Marunouchi 2-chome Chiyoda-ku Tokyo 100-8310 Japan**  
(72) Name(s) of Designer(s): **Hideyuki Takasago and Kei Kasuga and Jason Ammerman**  
(45) Registration Date: **13 July 2011**  
(30) Convention priority data:  
(31) Number (32) Date (33) Country  
**2011-001048 20 Jan 2011 JAPAN**  
(56) Related Art Documents: **Not Applicable**  
(57) Statement of Newness and Distinctiveness: **Nil**



(21) Design Number: **12703/2011**  
(22) Date of Filing Application: **16 June 2011**  
(24) Date from which industrial property rights may have effect: **16 June 2011**  
(54) Product in respect of which the design is registered: **Refrigerator**  
(51) International Design Classification: **15-07**  
(74) Name(s) of Attorney(s): **Griffith Hack**  
(71) Name(s) and Address(s) of Applicant(s):  
**Mitsubishi Electric Corporation**  
**7-3 Marunouchi 2-chome Chiyoda-ku Tokyo 100-8310 Japan**  
(72) Name(s) of Designer(s): **Hideyuki Takasago and Kei Kasuga and Jason Ammerman**  
(45) Registration Date: **13 July 2011**  
(30) Convention priority data:  
(31) Number      (32) Date      (33) Country  
**2011-001047      20 Jan 2011      JAPAN**  
(56) Related Art Documents: **Not Applicable**  
(57) Statement of Newness and Distinctiveness: **Nil**



(21) Design Number: **12788/2011**  
(22) Date of Filing Application: **17 June 2011**  
(24) Date from which industrial property rights may have effect: **17 June 2011**  
(54) Product in respect of which the design is registered: **LED downlight**  
(51) International Design Classification: **26-05E**  
(74) Name(s) of Attorney(s):  
(71) Name(s) and Address(s) of Applicant(s):  
**Hillstone Architectural Lighting Pty Ltd**  
**41 Westwood Meander Carramar Western Australia 6031 Australia**  
(72) Name(s) of Designer(s): **Scott Johnstone**  
(45) Registration Date: **13 July 2011**  
(56) Related Art Documents: **Not Applicable**  
(57) Statement of Newness and Distinctiveness: **The design has a unique internal reflector covered by a textured frosted lens. The frosted lens cover conceals all internal components while providing an angled beam.**

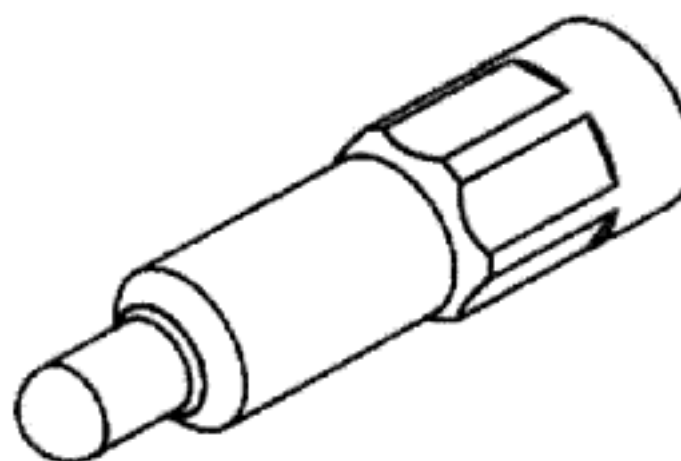




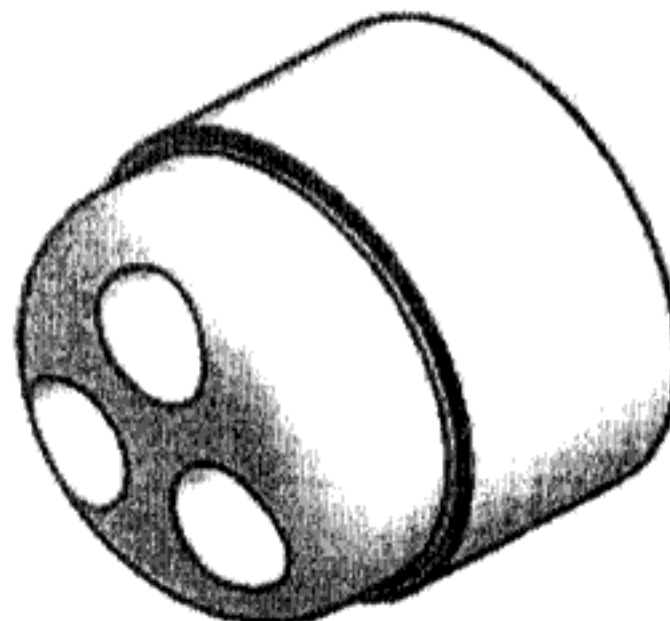
(21) Design Number: **12790/2011**  
(22) Date of Filing Application: **17 June 2011**  
(24) Date from which industrial property rights may have effect: **17 June 2011**  
(54) Product in respect of which the design is registered: **LED downlight**  
(51) International Design Classification: **26-05E**  
(74) Name(s) of Attorney(s):  
(71) Name(s) and Address(s) of Applicant(s):  
**Hillstone Architectural Lighting Pty Ltd**  
**41 Westwood Meander Carramar Western Australia 6031 Australia**  
(72) Name(s) of Designer(s): **Scott Johnstone**  
(45) Registration Date: **13 July 2011**  
(56) Related Art Documents: **Not Applicable**  
(57) Statement of Newness and Distinctiveness: **The design has a unique honeycomb textured lens cover with a concentric recess to direct a more concentrated beam.**



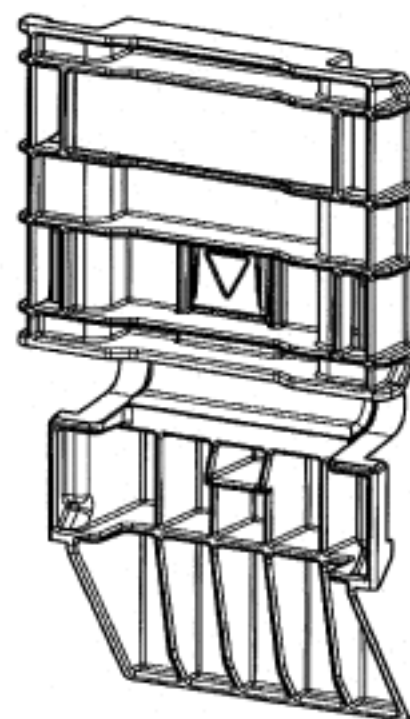
(21) Design Number: **12748/2011**  
(22) Date of Filing Application: **20 June 2011**  
(24) Date from which industrial property rights may have effect: **20 June 2011**  
(54) Product in respect of which the design is registered: **Electrode**  
(51) International Design Classification: **13-03NES**  
(74) Name(s) of Attorney(s): **WATERMARK PATENT AND TRADE MARKS ATTORNEYS**  
(71) Name(s) and Address(s) of Applicant(s):  
**Sulzer Metco (US) Inc**  
**1101 Prospect Avenue Westbury NY 11590 United States of America**  
(72) Name(s) of Designer(s): **Robert F. Savill Jr.**  
(45) Registration Date: **13 July 2011**  
(30) Convention priority data:  
(31) Number      (32) Date      (33) Country  
**29/382,221      30 Dec 2010      UNITED STATES OF AMERICA**  
(56) Related Art Documents: **Not Applicable**  
(57) Statement of Newness and Distinctiveness: **Nil**



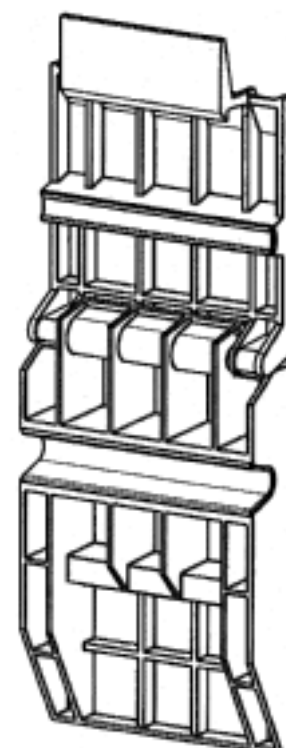
(21) Design Number: **12750/2011**  
(22) Date of Filing Application: **20 June 2011**  
(24) Date from which industrial property rights may have effect: **20 June 2011**  
(54) Product in respect of which the design is registered: **Electrode insulator**  
(51) International Design Classification: **13-03NES, 13-03A**  
(74) Name(s) of Attorney(s): **WATERMARK PATENT AND TRADE MARKS ATTORNEYS**  
(71) Name(s) and Address(s) of Applicant(s):  
**Sulzer Metco (US) Inc**  
**1101 Prospect Avenue Westbury NY 11590 United States of America**  
(72) Name(s) of Designer(s): **Robert F. Savill Jr.**  
(45) Registration Date: **13 July 2011**  
(30) Convention priority data:  
(31) Number (32) Date (33) Country  
**29/382,220 30 Dec 2010 UNITED STATES OF AMERICA**  
(56) Related Art Documents: **Not Applicable**  
(57) Statement of Newness and Distinctiveness: **Nil**



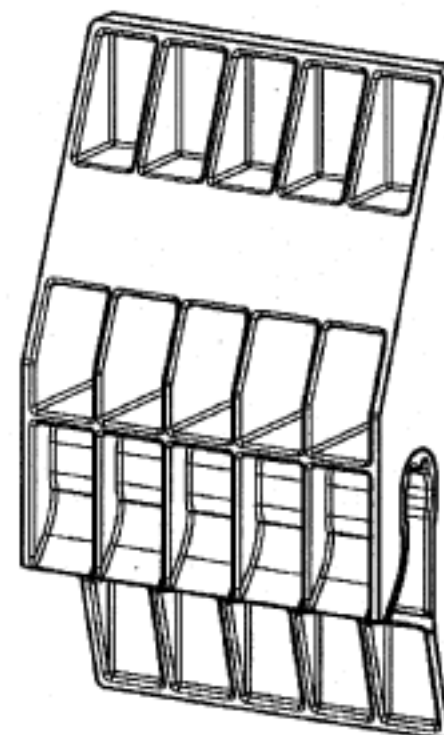
(21) Design Number: **12751/2011**  
(22) Date of Filing Application: **18 June 2011**  
(24) Date from which industrial property rights may have effect: **18 June 2011**  
(54) Product in respect of which the design is registered: **Cable suspension clip**  
(51) International Design Classification: **13-03B**  
(74) Name(s) of Attorney(s): **MIDDLETONS**  
(71) Name(s) and Address(s) of Applicant(s):  
**Giga Solar Pty Ltd**  
**48 Dover Street Richmond Victoria 3121 Australia**  
(72) Name(s) of Designer(s): **Stuart Gordon**  
(45) Registration Date: **13 July 2011**  
(56) Related Art Documents: **Not Applicable**  
(57) Statement of Newness and Distinctiveness: **The design is to be applied to a cable suspension clip and the novelty resides in the features of shape and configuration of the article shown in the accompanying representations. No novelty is claimed for the features of the cable shown in broken lines - those are for illustrative purposes only and depict the environment of the design.**



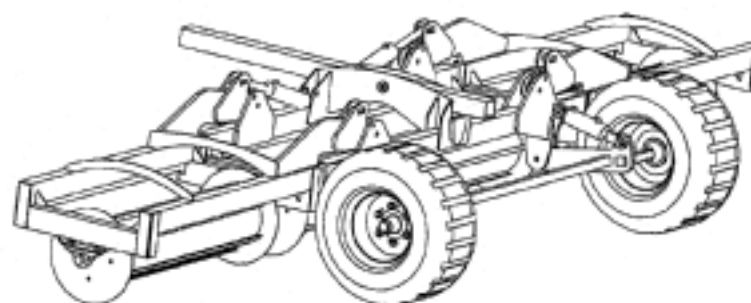
- (21) Design Number: **12752/2011**  
(22) Date of Filing Application: **18 June 2011**  
(24) Date from which industrial property rights may have effect: **18 June 2011**  
(54) Product in respect of which the design is registered: **Cable suspension clip**  
(51) International Design Classification: **13-03B**  
(74) Name(s) of Attorney(s): **MIDDLETONS**  
(71) Name(s) and Address(s) of Applicant(s):  
**Giga Solar Pty Ltd**  
**48 Dover Street Richmond Victoria 3121 Australia**  
(72) Name(s) of Designer(s): **Stuart Gordon**  
(45) Registration Date: **13 July 2011**  
(56) Related Art Documents: **Not Applicable**  
(57) Statement of Newness and Distinctiveness: **The design is to be applied to a cable suspension clip and the novelty resides in the features of shape and configuration of the article shown in the accompanying representations. No novelty is claimed for the features of the cable shown in broken lines - those are for illustrative purposes only and depict the environment of the design.**



- (21) Design Number: **12753/2011**  
(22) Date of Filing Application: **18 June 2011**  
(24) Date from which industrial property rights may have effect: **18 June 2011**  
(54) Product in respect of which the design is registered: **Cable suspension clip**  
(51) International Design Classification: **13-03B**  
(74) Name(s) of Attorney(s): **MIDDLETONS**  
(71) Name(s) and Address(s) of Applicant(s):  
**Giga Solar Pty Ltd**  
**48 Dover Street Richmond Victoria 3121 Australia**  
(72) Name(s) of Designer(s): **Stuart Gordon**  
(45) Registration Date: **13 July 2011**  
(56) Related Art Documents: **Not Applicable**  
(57) Statement of Newness and Distinctiveness: **The design is to be applied to a cable suspension clip and the novelty resides in the features of shape and configuration of the article shown in the accompanying representations. No novelty is claimed for the features of the cable shown in broken lines - those are for illustrative purposes only and depict the environment of the design.**



(21) Design Number: **12715/2011**  
(22) Date of Filing Application: **17 June 2011**  
(24) Date from which industrial property rights may have effect: **17 June 2011**  
(54) Product in respect of which the design is registered: **A deployable/undeployable roller assembly**  
(51) International Design Classification: **15-03B**  
(74) Name(s) of Attorney(s): **A J Park**  
(71) Name(s) and Address(s) of Applicant(s):  
**The Feeder Leader Company Limited**  
**2 Miro Street Taupo New Zealand**  
(72) Name(s) of Designer(s): **Terrance William Cameron**  
(45) Registration Date: **13 July 2011**  
(30) Convention priority data:  
(31) Number      (32) Date      (33) Country  
**414427          20 Dec 2010      NEW ZEALAND**



(56) Related Art Documents: **Not Applicable**  
(57) Statement of Newness and Distinctiveness: **Application is for a design to be applied to a deployable/undeployable roller assembly. The novelty resides in the features of shape and/or configuration as shown in the accompanying drawings when, in the deployed mode, the ground wheels each aligns to a transition from a tyred/untired flanking roller precursor to the tyred/untired central roller precursor. The novelty does not extend to the actual shape and/or configuration of each roller precursor and whether carrying tyres (not shown) or not carrying tyres (as shown).**

(21) Design Number: **12716/2011**  
(22) Date of Filing Application: **17 June 2011**  
(24) Date from which industrial property rights may have effect: **17 June 2011**  
(54) Product in respect of which the design is registered: **Dance footwear**  
(51) International Design Classification: **02-04NES**  
(74) Name(s) of Attorney(s): **Griffith Hack**  
(71) Name(s) and Address(s) of Applicant(s):  
**Ballet Makers, Inc.**  
**One Campus Road Totowa NJ 07512 United States of America**  
(72) Name(s) of Designer(s): **Laura Jacobs**  
(45) Registration Date: **13 July 2011**  
(30) Convention priority data:  
(31) Number      (32) Date      (33) Country  
**29/382897      10 Jan 2011      UNITED STATES OF AMERICA**



(56) Related Art Documents: **Not Applicable**  
(57) Statement of Newness and Distinctiveness: **Newness and distinctiveness resides in the visual features, of shape and/or configuration of a dance footwear as shown in solid outline in the accompanying drawings.**

(21) Design Number: **12718/2011**  
(22) Date of Filing Application: **17 June 2011**  
(24) Date from which industrial property rights may have effect: **17 June 2011**  
(54) Product in respect of which the design is registered: **A tensioning device**  
(51) International Design Classification: **08-99**  
(74) Name(s) of Attorney(s): **A J Park**  
(71) Name(s) and Address(s) of Applicant(s):

**D C Ross Limited**  
**570 Kaikorai Valley Road Dunedin New Zealand**

(72) Name(s) of Designer(s): **Robert Neville Houlston**

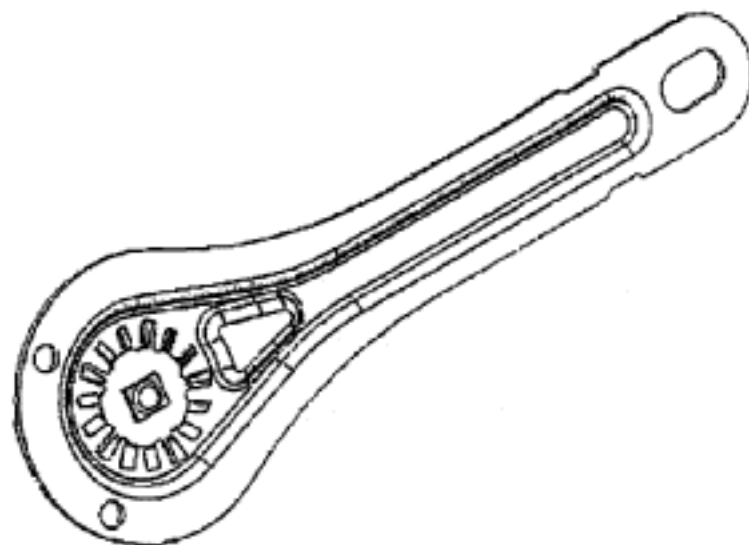
(45) Registration Date: **13 July 2011**

(30) Convention priority data:

(31) Number	(32) Date	(33) Country
<b>414429</b>	<b>21 Dec 2010</b>	<b>NEW ZEALAND</b>

(56) Related Art Documents: **Not Applicable**

(57) Statement of Newness and Distinctiveness: **The novelty claimed for the design resides in the features of shape and/or configuration all as shown in the representations irrespective of the length of the handle at region L-L.**



(21) Design Number: **12717/2011**  
(22) Date of Filing Application: **17 June 2011**  
(24) Date from which industrial property rights may have effect: **17 June 2011**  
(54) Product in respect of which the design is registered: **Compact suction unit**  
(51) International Design Classification: **24-01**  
(74) Name(s) of Attorney(s): **Davies Collison Cave**  
(71) Name(s) and Address(s) of Applicant(s):

**Laerdal Medical AS**  
**Postboks 377 4002 Stavanger Norway**

(72) Name(s) of Designer(s): **Jens Olav Hetland and Ole Terje Ostrem**

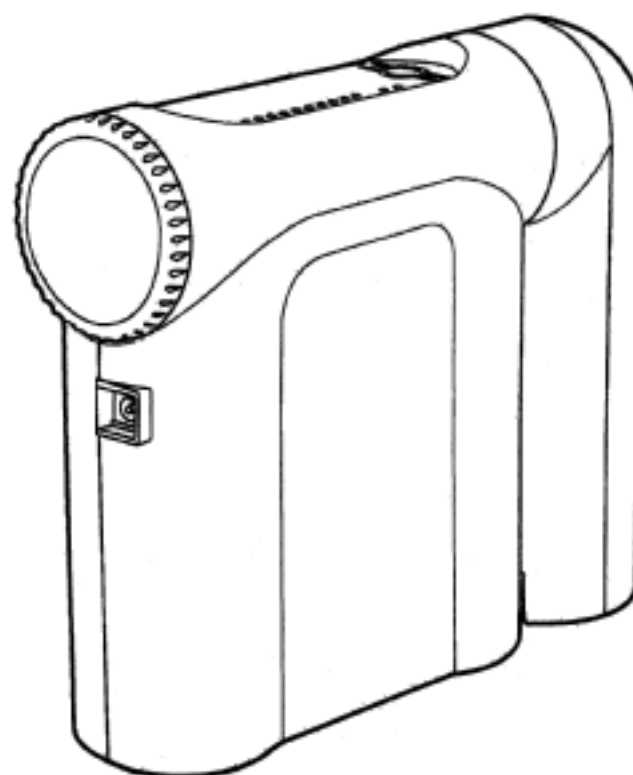
(45) Registration Date: **13 July 2011**

(30) Convention priority data:

(31) Number	(32) Date	(33) Country
<b>20110067</b>	<b>03 Feb 2011</b>	<b>NORWAY</b>

(56) Related Art Documents: **Not Applicable**

(57) Statement of Newness and Distinctiveness: **Newness and distinctiveness is claimed in the visual features of shape and configuration as shown in the representations.**



(21) Design Number: **13023/2011**  
(22) Date of Filing Application: **06 July 2011**  
(24) Date from which industrial property rights may have effect: **06 July 2011**  
(54) Product in respect of which the design is registered: **A canopy**  
(51) International Design Classification: **12-06NES**  
(74) Name(s) of Attorney(s): **FB Rice**  
(71) Name(s) and Address(s) of Applicant(s):

**Brian Hamilton**  
**86 Hartburn Lane Stockton-on-Tees TS18 4EN United Kingdom**  
**Christine Hamilton**  
**86 Hartburn Lane Stockton-on-Tees TS18 4EN United Kingdom**

(72) Name(s) of Designer(s): **Christine Hamilton and Brian Hamilton**

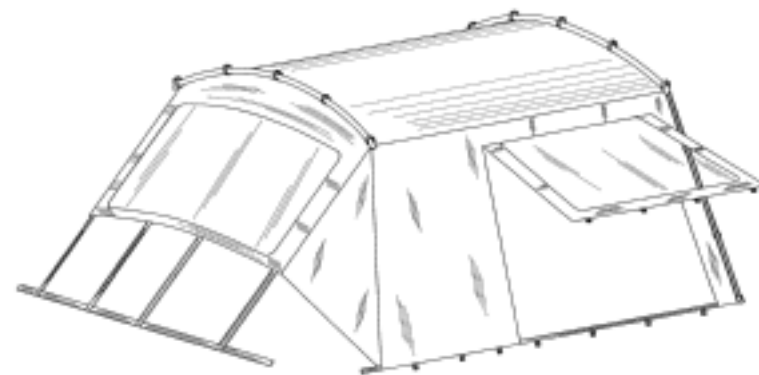
(45) Registration Date: **13 July 2011**

(30) Convention priority data:

(31) Number	(32) Date	(33) Country
<b>001255152-0001</b>	<b>17 Jan 2011</b>	<b>EUROPEAN COMMUNITY</b>

(56) Related Art Documents: **Not Applicable**

(57) Statement of Newness and Distinctiveness: **Newness and distinctiveness reside in the features of the shape and configuration of the design as shown in the representations.**



(21) Design Number: **13065/2011**  
(22) Date of Filing Application: **11 January 2011**  
(24) Date from which industrial property rights may have effect: **11 January 2011**  
(54) Product in respect of which the design is registered: **Cardigan**  
(51) International Design Classification: **02-02NES**  
(74) Name(s) of Attorney(s): **MIDDLETONS**  
(71) Name(s) and Address(s) of Applicant(s):

**Beba Enterprises Pty Ltd**  
**34 Garden Street South Yarra Victoria 3141 Australia**

(72) Name(s) of Designer(s): **Arthur Soetedja**

(45) Registration Date: **13 July 2011**

(56) Related Art Documents: **Not Applicable**

(57) Statement of Newness and Distinctiveness: **Nil**



(21) Design Number: **10078/2011**  
(22) Date of Filing Application: **11 January 2011**  
(24) Date from which industrial property rights may have effect: **11 January 2011**  
(54) Product in respect of which the design is registered: **Dress**  
(51) International Design Classification: **02-02C**  
(74) Name(s) of Attorney(s): **MIDDLETONS**  
(71) Name(s) and Address(s) of Applicant(s):  
**Beba Enterprises Pty Ltd**  
**34 Garden Street South Yarra Victoria 3141 Australia**  
(72) Name(s) of Designer(s): **Arthur Soetedja**  
(45) Registration Date: **13 July 2011**  
(56) Related Art Documents: **Not Applicable**  
(57) Statement of Newness and Distinctiveness: **Nil**



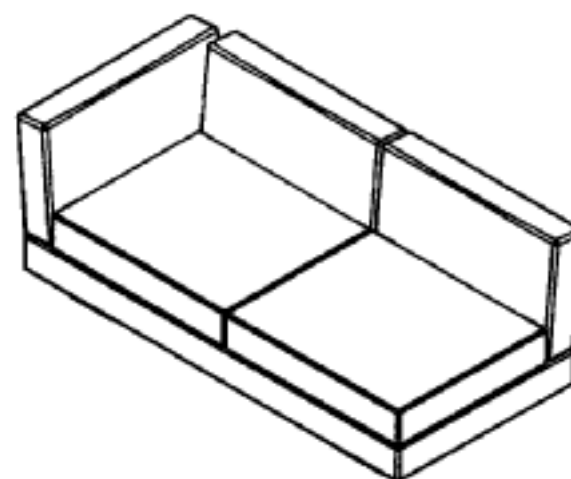
(21) Design Number: **11983/2011**  
(22) Date of Filing Application: **04 May 2011**  
(24) Date from which industrial property rights may have effect: **04 May 2011**  
(54) Product in respect of which the design is registered: **Container**  
(51) International Design Classification: **09-05**  
(74) Name(s) of Attorney(s): **WATERMARK PATENT AND TRADE MARKS ATTORNEYS**  
(71) Name(s) and Address(s) of Applicant(s):  
**Sands Innovations Pty Ltd**  
**Level 3 74 Astor Terrace Brisbane Queensland 4000 Australia**  
(72) Name(s) of Designer(s): **Bradley Donald Teys and Neil Stewart Waldbaum and David Michael Pickett**  
(45) Registration Date: **14 July 2011**  
(56) Related Art Documents: **Not Applicable**  
(57) Statement of Newness and Distinctiveness: **Nil**



- (21) Design Number: **12032/2011**  
(22) Date of Filing Application: **09 May 2011**  
(24) Date from which industrial property rights may have effect: **09 May 2011**  
(54) Product in respect of which the design is registered: **Container with retaining device**  
(51) International Design Classification: **09-07A**  
(74) Name(s) of Attorney(s): **SPRUSON & FERGUSON**  
(71) Name(s) and Address(s) of Applicant(s):  
**S.C. Johnson & Son, Inc.**  
**1525 Howe Street Racine Wisconsin 53403-2236 United States of America**  
(72) Name(s) of Designer(s): **James R. Crapser and Thomas A. Helf and Jeffrey L. Crull**  
(45) Registration Date: **14 July 2011**  
(30) Convention priority data:  
(31) Number (32) Date (33) Country  
**29/378779 09 Nov 2010 UNITED STATES OF AMERICA**  
(56) Related Art Documents: **Not Applicable**  
(57) Statement of Newness and Distinctiveness: **Newness and distinctiveness is claimed in those features of shape and/or configuration of a container with retaining device illustrated in continuous lines in the accompanying representations.**



- (21) Design Number: **12764/2011**  
(22) Date of Filing Application: **20 June 2011**  
(24) Date from which industrial property rights may have effect: **20 June 2011**  
(54) Product in respect of which the design is registered: **Sofa**  
(51) International Design Classification: **06-01G**  
(74) Name(s) of Attorney(s): **FB Rice**  
(71) Name(s) and Address(s) of Applicant(s):  
**King Furniture (Australia) Pty Ltd**  
**123 Turrella Street Turrella New South Wales 2205 Australia**  
(72) Name(s) of Designer(s): **David Russell King and Ryan Lawson**  
(45) Registration Date: **14 July 2011**  
(56) Related Art Documents: **Not Applicable**  
(57) Statement of Newness and Distinctiveness: **Newness and distinctiveness reside in the features of the design as shown in the representations, the shape, number and position of the feet being disclaimed. Although the armrest of the sofa is shown in the representations on the right side of the sofa, the armrest could, instead, be on the left side of the sofa. Further, the angular positions of the armrest and the backrests are able to be adjusted independently of each other.**





- (21) Design Number: **12765/2011**  
(22) Date of Filing Application: **20 June 2011**  
(24) Date from which industrial property rights may have effect: **20 June 2011**  
(54) Product in respect of which the design is registered: **Sofa**  
(51) International Design Classification: **06-01G**  
(74) Name(s) of Attorney(s): **FB Rice**  
(71) Name(s) and Address(s) of Applicant(s):

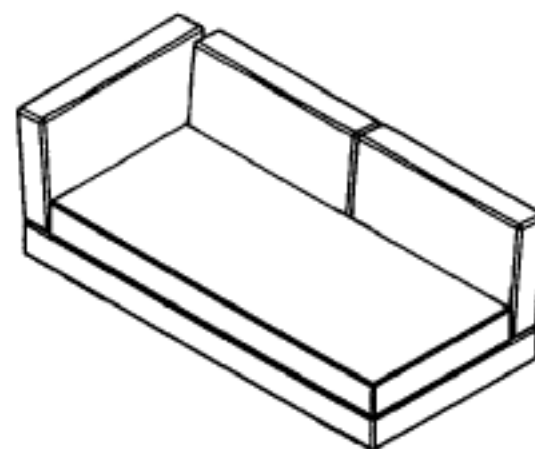
**King Furniture (Australia) Pty Ltd**  
**123 Turrella Street Turrella New South Wales 2205 Australia**

- (72) Name(s) of Designer(s): **David Russell King and Ryan Lawson**

(45) Registration Date: **14 July 2011**

(56) Related Art Documents: **Not Applicable**

(57) Statement of Newness and Distinctiveness: **Newness and distinctiveness reside in the features of the design as shown in the representations, the shape, number and position of the feet being disclaimed. Although the armrest of the sofa is shown in the representations on the right side of the sofa, the armrest could, instead, be on the left side of the sofa. Further, the angular positions of the armrest and the backrests are able to be adjusted independently of each other.**



- (21) Design Number: **12766/2011**  
(22) Date of Filing Application: **20 June 2011**  
(24) Date from which industrial property rights may have effect: **20 June 2011**  
(54) Product in respect of which the design is registered: **Sofa**  
(51) International Design Classification: **06-01G**  
(74) Name(s) of Attorney(s): **FB Rice**  
(71) Name(s) and Address(s) of Applicant(s):

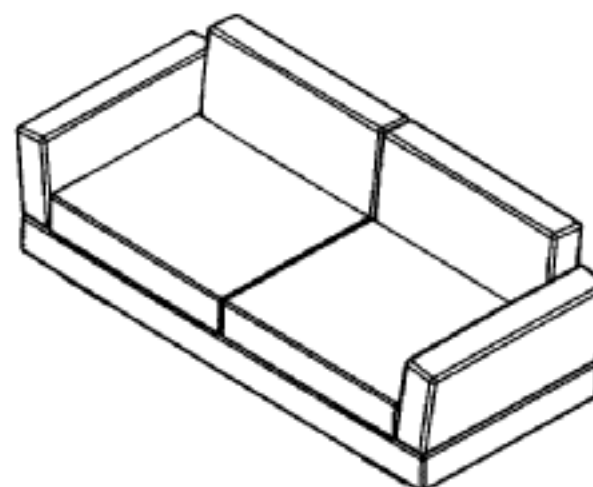
**King Furniture (Australia) Pty Ltd**  
**123 Turrella Street Turrella New South Wales 2205 Australia**

- (72) Name(s) of Designer(s): **David Russell King and Ryan Lawson**

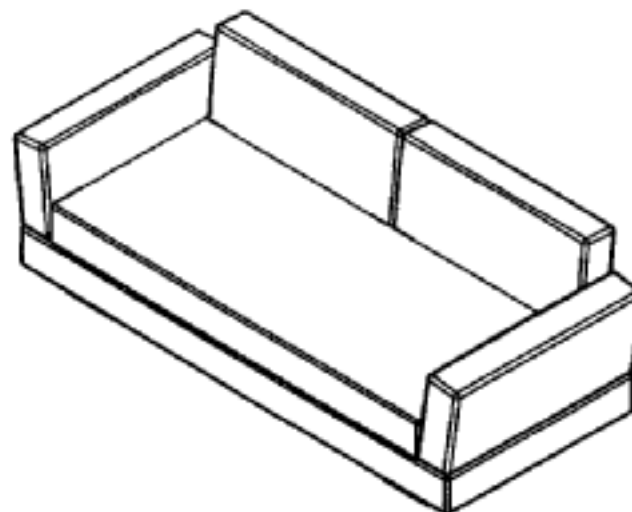
(45) Registration Date: **14 July 2011**

(56) Related Art Documents: **Not Applicable**

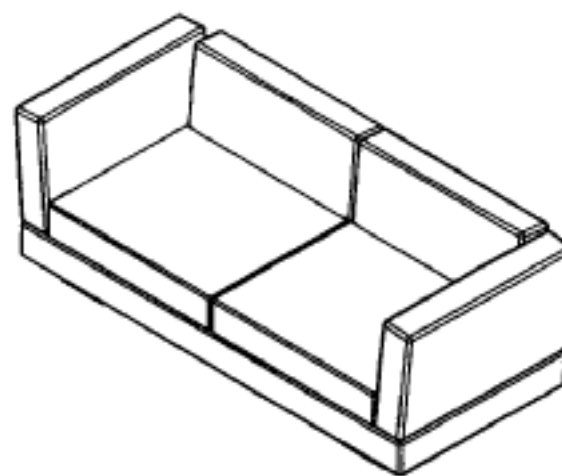
(57) Statement of Newness and Distinctiveness: **Newness and distinctiveness reside in the features of the design as shown in the representations, the shape, number and position of the feet being disclaimed. The angular positions of the armrests and the backrests are able to be adjusted independently of each other.**



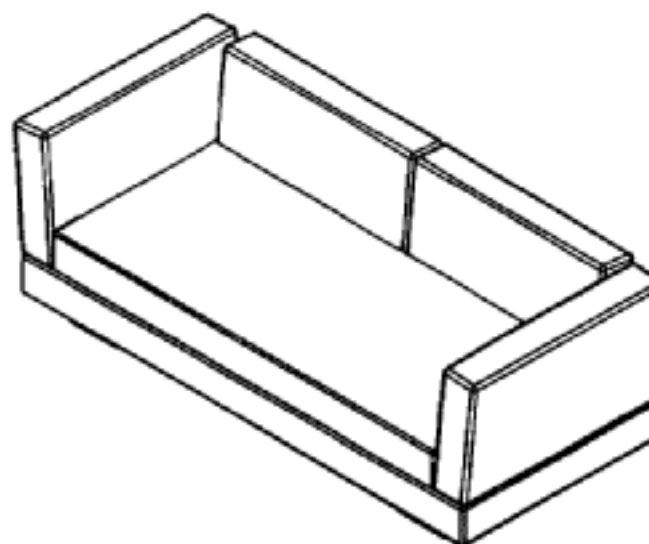
- (21) Design Number: **12767/2011**
- (22) Date of Filing Application: **20 June 2011**
- (24) Date from which industrial property rights may have effect: **20 June 2011**
- (54) Product in respect of which the design is registered: **Sofa**
- (51) International Design Classification: **06-01G**
- (74) Name(s) of Attorney(s): **FB Rice**
- (71) Name(s) and Address(s) of Applicant(s):  
**King Furniture (Australia) Pty Ltd**  
**123 Turrella Street Turrella New South Wales 2205 Australia**
- (72) Name(s) of Designer(s): **David Russell King and Ryan Lawson**
- (45) Registration Date: **14 July 2011**
- (56) Related Art Documents: **Not Applicable**
- (57) Statement of Newness and Distinctiveness: **Newness and distinctiveness reside in the features of the design as shown in the representations, the shape, number and position of the feet being disclaimed. The angular positions of the armrests and the backrests are able to be adjusted independently of each other.**



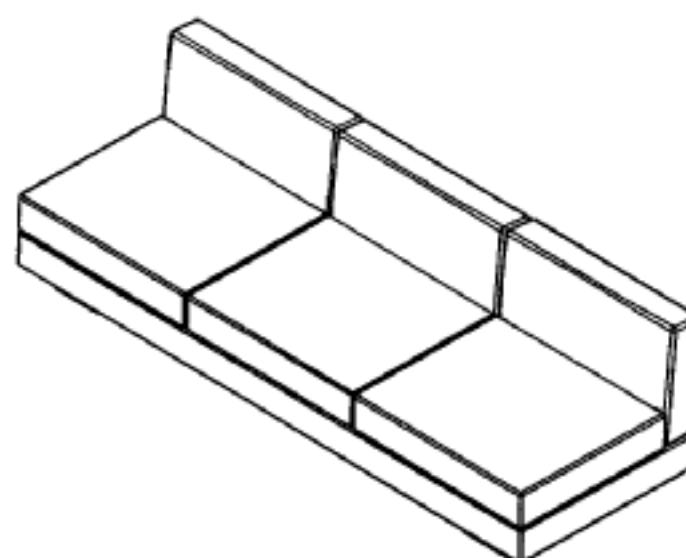
- (21) Design Number: **12768/2011**
- (22) Date of Filing Application: **20 June 2011**
- (24) Date from which industrial property rights may have effect: **20 June 2011**
- (54) Product in respect of which the design is registered: **Sofa**
- (51) International Design Classification: **06-01G**
- (74) Name(s) of Attorney(s): **FB Rice**
- (71) Name(s) and Address(s) of Applicant(s):  
**King Furniture (Australia) Pty Ltd**  
**123 Turrella Street Turrella New South Wales 2205 Australia**
- (72) Name(s) of Designer(s): **David Russell King and Ryan Lawson**
- (45) Registration Date: **14 July 2011**
- (56) Related Art Documents: **Not Applicable**
- (57) Statement of Newness and Distinctiveness: **Newness and distinctiveness reside in the features of the design as shown in the representations, the shape, number and position of the feet being disclaimed. The angular positions of the armrests and the backrests are able to be adjusted independently of each other.**



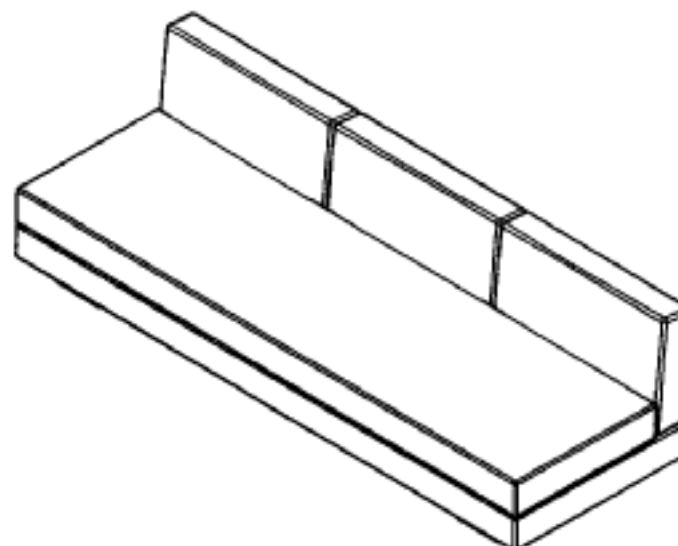
- (21) Design Number: **12769/2011**  
(22) Date of Filing Application: **20 June 2011**  
(24) Date from which industrial property rights may have effect: **20 June 2011**  
(54) Product in respect of which the design is registered: **Sofa**  
(51) International Design Classification: **06-01G**  
(74) Name(s) of Attorney(s): **FB Rice**  
(71) Name(s) and Address(s) of Applicant(s):  
**King Furniture (Australia) Pty Ltd**  
**123 Turrella Street Turrella New South Wales 2205 Australia**  
(72) Name(s) of Designer(s): **David Russell King and Ryan Lawson**  
(45) Registration Date: **14 July 2011**  
(56) Related Art Documents: **Not Applicable**  
(57) Statement of Newness and Distinctiveness: **Newness and distinctiveness reside in the features of the design as shown in the representations, the shape, number and position of the feet being disclaimed. The angular positions of the armrests and the backrests are able to be adjusted independently of each other.**



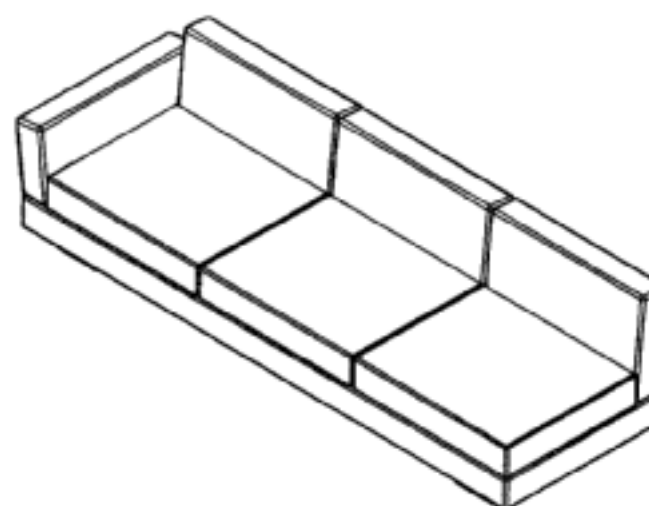
- (21) Design Number: **12770/2011**  
(22) Date of Filing Application: **20 June 2011**  
(24) Date from which industrial property rights may have effect: **20 June 2011**  
(54) Product in respect of which the design is registered: **Sofa**  
(51) International Design Classification: **06-01G**  
(74) Name(s) of Attorney(s): **FB Rice**  
(71) Name(s) and Address(s) of Applicant(s):  
**King Furniture (Australia) Pty Ltd**  
**123 Turrella Street Turrella New South Wales 2205 Australia**  
(72) Name(s) of Designer(s): **David Russell King and Ryan Lawson**  
(45) Registration Date: **14 July 2011**  
(56) Related Art Documents: **Not Applicable**  
(57) Statement of Newness and Distinctiveness: **Newness and distinctiveness reside in the features of the design as shown in the representations, the shape, number and position of the feet being disclaimed. The angular positions of the the backrests are able to be adjusted independently of each other.**



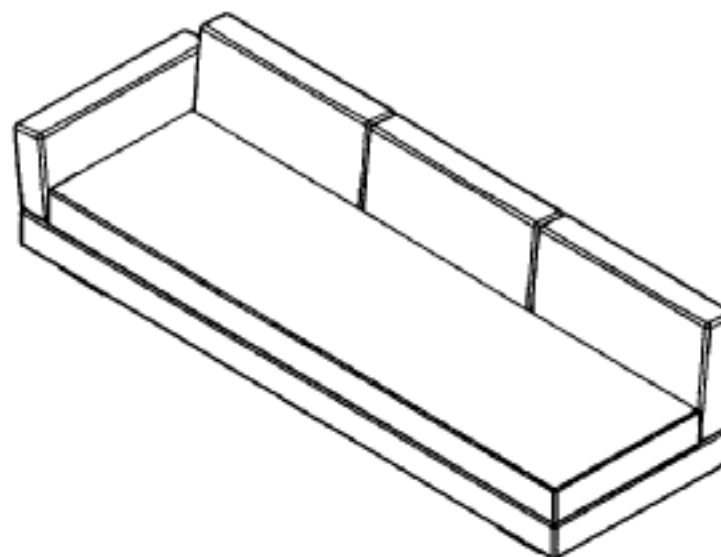
- (21) Design Number: **12771/2011**  
(22) Date of Filing Application: **20 June 2011**  
(24) Date from which industrial property rights may have effect: **20 June 2011**  
(54) Product in respect of which the design is registered: **Sofa**  
(51) International Design Classification: **06-01G**  
(74) Name(s) of Attorney(s): **FB Rice**  
(71) Name(s) and Address(s) of Applicant(s):  
**King Furniture (Australia) Pty Ltd**  
**123 Turrella Street Turrella New South Wales 2205 Australia**  
(72) Name(s) of Designer(s): **David Russell King and Ryan Lawson**  
(45) Registration Date: **14 July 2011**  
(56) Related Art Documents: **Not Applicable**  
(57) Statement of Newness and Distinctiveness: **Newness and distinctiveness reside in the features of the design as shown in the representations, the shape, number and position of the feet being disclaimed. The angular positions of the the backrests are able to be adjusted independently of each other.**



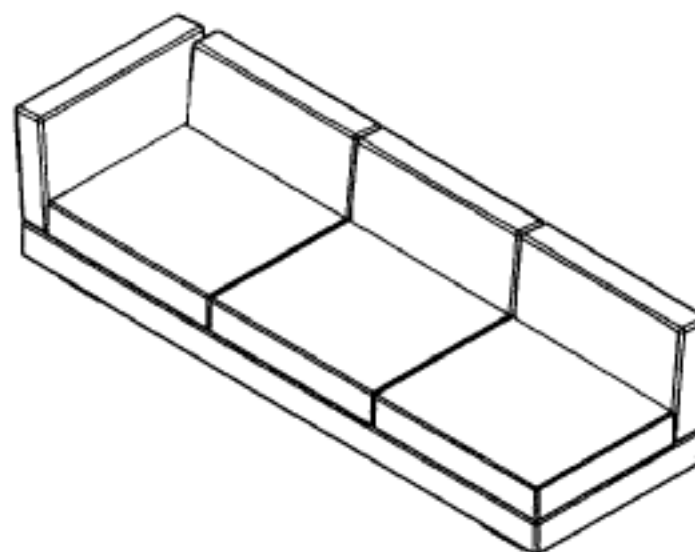
- (21) Design Number: **12772/2011**  
(22) Date of Filing Application: **20 June 2011**  
(24) Date from which industrial property rights may have effect: **20 June 2011**  
(54) Product in respect of which the design is registered: **Sofa**  
(51) International Design Classification: **06-01G**  
(74) Name(s) of Attorney(s): **FB Rice**  
(71) Name(s) and Address(s) of Applicant(s):  
**King Furniture (Australia) Pty Ltd**  
**123 Turrella Street Turrella New South Wales 2205 Australia**  
(72) Name(s) of Designer(s): **David Russell King and Ryan Lawson**  
(45) Registration Date: **14 July 2011**  
(56) Related Art Documents: **Not Applicable**  
(57) Statement of Newness and Distinctiveness: **Newness and distinctiveness reside in the features of the design as shown in the representations, the shape, number and position of the feet being disclaimed. Although the armrest of the sofa is shown in the representations on the right side of the sofa, the armrest could, instead, be on the left side of the sofa. Further, the angular positions of the armrest and the backrests are able to be adjusted independently of each other.**



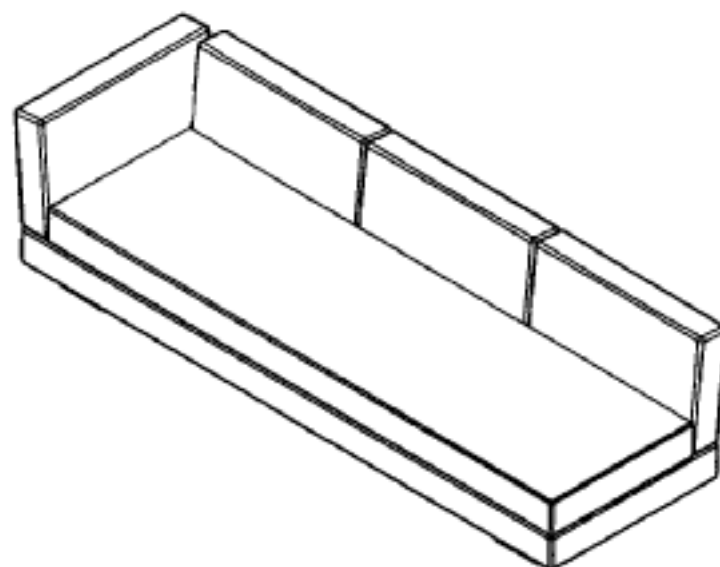
- (21) Design Number: **12773/2011**  
(22) Date of Filing Application: **20 June 2011**  
(24) Date from which industrial property rights may have effect: **20 June 2011**  
(54) Product in respect of which the design is registered: **Sofa**  
(51) International Design Classification: **06-01G**  
(74) Name(s) of Attorney(s): **FB Rice**  
(71) Name(s) and Address(s) of Applicant(s):  
**King Furniture (Australia) Pty Ltd**  
**123 Turrella Street Turrella New South Wales 2205 Australia**  
(72) Name(s) of Designer(s): **David Russell King and Ryan Lawson**  
(45) Registration Date: **14 July 2011**  
(56) Related Art Documents: **Not Applicable**  
(57) Statement of Newness and Distinctiveness: **Newness and distinctiveness reside in the features of the design as shown in the representations, the shape, number and position of the feet being disclaimed. Although the armrest of the sofa is shown in the representations on the right side of the sofa, the armrest could, instead, be on the left side of the sofa. Further, the angular positions of the armrest and the backrests are able to be adjusted independently of each other.**



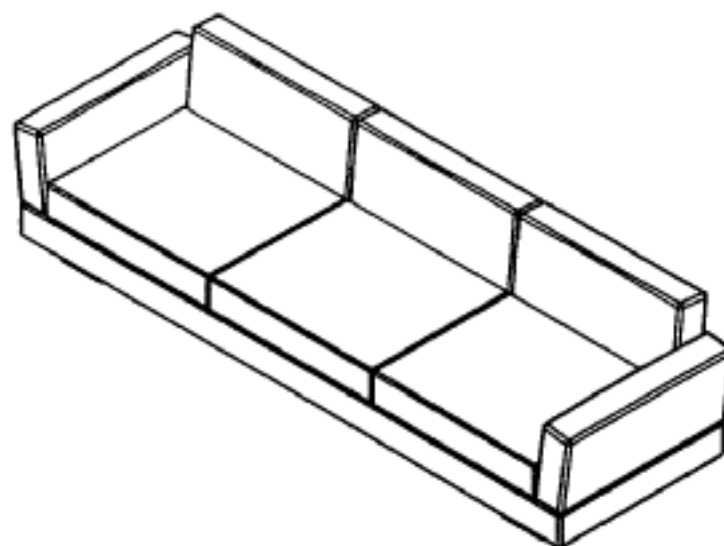
- (21) Design Number: **12774/2011**  
(22) Date of Filing Application: **20 June 2011**  
(24) Date from which industrial property rights may have effect: **20 June 2011**  
(54) Product in respect of which the design is registered: **Sofa**  
(51) International Design Classification: **06-01G**  
(74) Name(s) of Attorney(s): **FB Rice**  
(71) Name(s) and Address(s) of Applicant(s):  
**King Furniture (Australia) Pty Ltd**  
**123 Turrella Street Turrella New South Wales 2205 Australia**  
(72) Name(s) of Designer(s): **David Russell King and Ryan Lawson**  
(45) Registration Date: **14 July 2011**  
(56) Related Art Documents: **Not Applicable**  
(57) Statement of Newness and Distinctiveness: **Newness and distinctiveness reside in the features of the design as shown in the representations, the shape, number and position of the feet being disclaimed. Although the armrest of the sofa is shown in the representations on the right side of the sofa, the armrest could, instead, be on the left side of the sofa. Further, the angular positions of the armrest and the backrests are able to be adjusted independently of each other.**



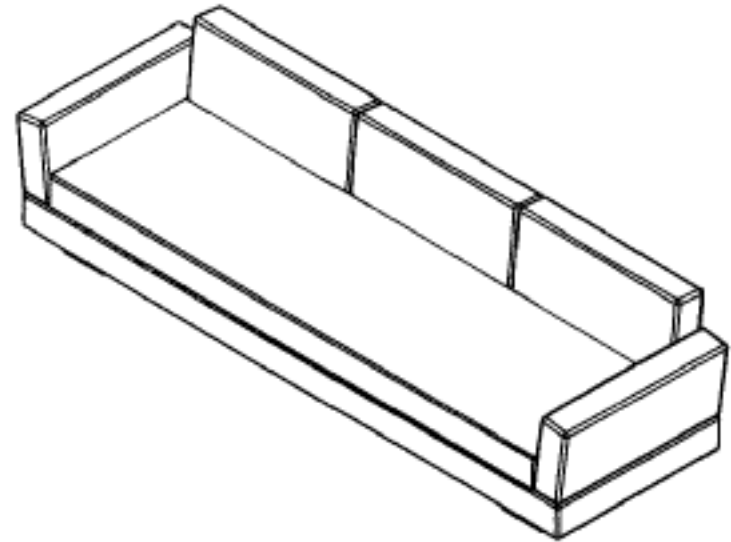
- (21) Design Number: **12775/2011**  
(22) Date of Filing Application: **20 June 2011**  
(24) Date from which industrial property rights may have effect: **20 June 2011**  
(54) Product in respect of which the design is registered: **Sofa**  
(51) International Design Classification: **06-01G**  
(74) Name(s) of Attorney(s): **FB Rice**  
(71) Name(s) and Address(s) of Applicant(s):  
**King Furniture (Australia) Pty Ltd**  
**123 Turrella Street Turrella New South Wales 2205 Australia**  
(72) Name(s) of Designer(s): **David Russell King and Ryan Lawson**  
(45) Registration Date: **14 July 2011**  
(56) Related Art Documents: **Not Applicable**  
(57) Statement of Newness and Distinctiveness: **Newness and distinctiveness reside in the features of the design as shown in the representations, the shape, number and position of the feet being disclaimed. Although the armrest of the sofa is shown in the representations on the right side of the sofa, the armrest could, instead, be on the left side of the sofa. Further, the angular positions of the armrest and the backrests are able to be adjusted independently of each other.**



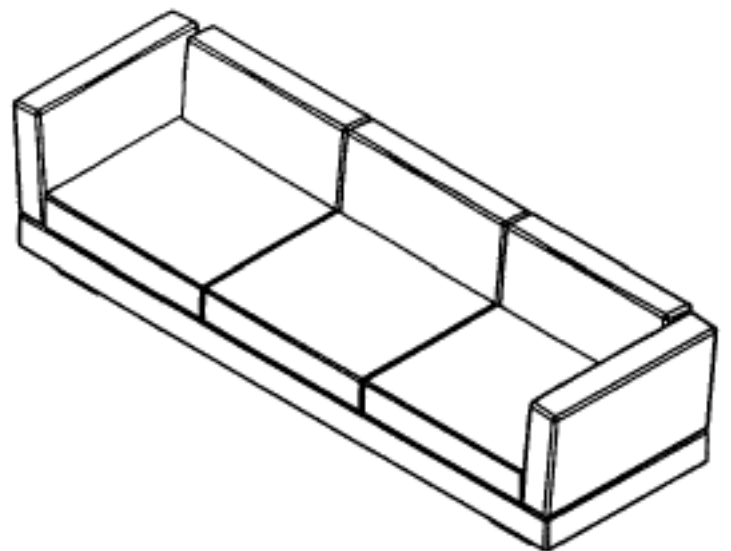
- (21) Design Number: **12776/2011**  
(22) Date of Filing Application: **20 June 2011**  
(24) Date from which industrial property rights may have effect: **20 June 2011**  
(54) Product in respect of which the design is registered: **Sofa**  
(51) International Design Classification: **06-01G**  
(74) Name(s) of Attorney(s): **FB Rice**  
(71) Name(s) and Address(s) of Applicant(s):  
**King Furniture (Australia) Pty Ltd**  
**123 Turrella Street Turrella New South Wales 2205 Australia**  
(72) Name(s) of Designer(s): **David Russell King and Ryan Lawson**  
(45) Registration Date: **14 July 2011**  
(56) Related Art Documents: **Not Applicable**  
(57) Statement of Newness and Distinctiveness: **Newness and distinctiveness reside in the features of the design as shown in the representations, the shape, number and position of the feet being disclaimed. The angular positions of the armrests and the backrests are able to be adjusted independently of each other.**



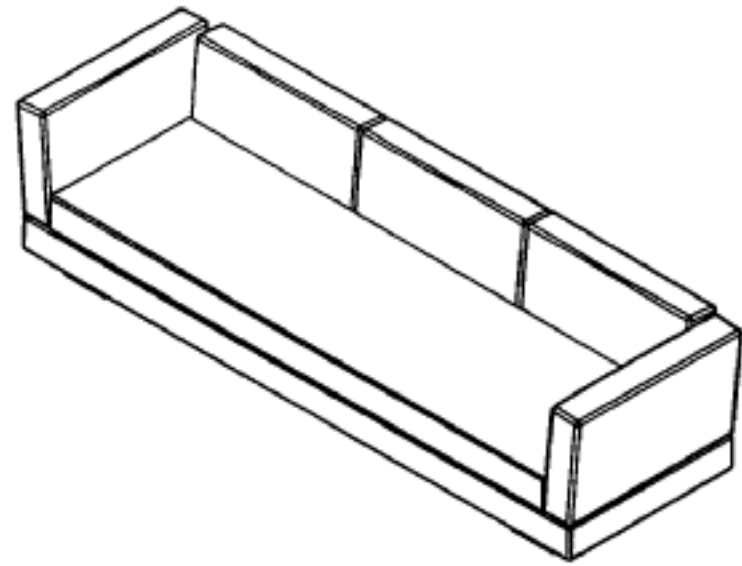
- (21) Design Number: **12777/2011**  
(22) Date of Filing Application: **20 June 2011**  
(24) Date from which industrial property rights may have effect: **20 June 2011**  
(54) Product in respect of which the design is registered: **Sofa**  
(51) International Design Classification: **06-01G**  
(74) Name(s) of Attorney(s): **FB Rice**  
(71) Name(s) and Address(s) of Applicant(s):  
**King Furniture (Australia) Pty Ltd**  
**123 Turrella Street Turrella New South Wales 2205 Australia**  
(72) Name(s) of Designer(s): **David Russell King and Ryan Lawson**  
(45) Registration Date: **14 July 2011**  
(56) Related Art Documents: **Not Applicable**  
(57) Statement of Newness and Distinctiveness: **Newness and distinctiveness reside in the features of the design as shown in the representations, the shape, number and position of the feet being disclaimed. The angular positions of the armrests and the backrests are able to be adjusted independently of each other.**



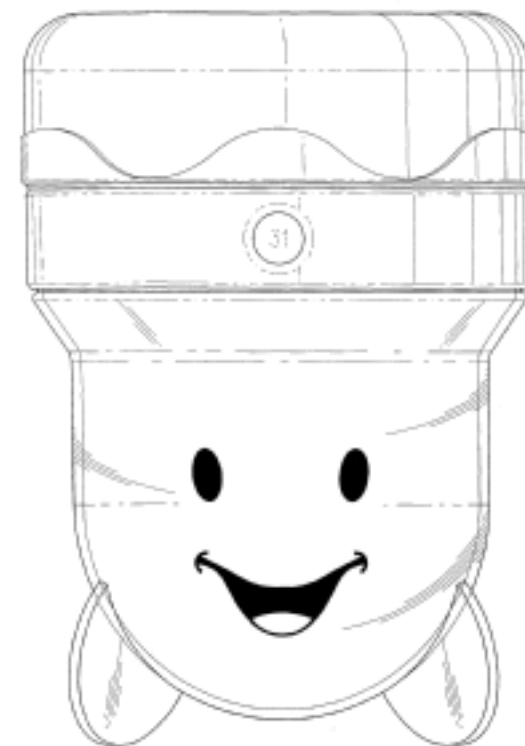
- (21) Design Number: **12778/2011**  
(22) Date of Filing Application: **20 June 2011**  
(24) Date from which industrial property rights may have effect: **20 June 2011**  
(54) Product in respect of which the design is registered: **Sofa**  
(51) International Design Classification: **06-01G**  
(74) Name(s) of Attorney(s): **FB Rice**  
(71) Name(s) and Address(s) of Applicant(s):  
**King Furniture (Australia) Pty Ltd**  
**123 Turrella Street Turrella New South Wales 2205 Australia**  
(72) Name(s) of Designer(s): **David Russell King and Ryan Lawson**  
(45) Registration Date: **14 July 2011**  
(56) Related Art Documents: **Not Applicable**  
(57) Statement of Newness and Distinctiveness: **Newness and distinctiveness reside in the features of the design as shown in the representations, the shape, number and position of the feet being disclaimed. The angular positions of the armrests and the backrests are able to be adjusted independently of each other.**



- (21) Design Number: **12779/2011**  
(22) Date of Filing Application: **20 June 2011**  
(24) Date from which industrial property rights may have effect: **20 June 2011**  
(54) Product in respect of which the design is registered: **Sofa**  
(51) International Design Classification: **06-01G**  
(74) Name(s) of Attorney(s): **FB Rice**  
(71) Name(s) and Address(s) of Applicant(s):  
**King Furniture (Australia) Pty Ltd**  
**123 Turrella Street Turrella New South Wales 2205 Australia**  
(72) Name(s) of Designer(s): **David Russell King and Ryan Lawson**  
(45) Registration Date: **14 July 2011**  
(56) Related Art Documents: **Not Applicable**  
(57) Statement of Newness and Distinctiveness: **Newness and distinctiveness reside in the features of the design as shown in the representations, the shape, number and position of the feet being disclaimed. The angular positions of the armrests and the backrests are able to be adjusted independently of each other.**

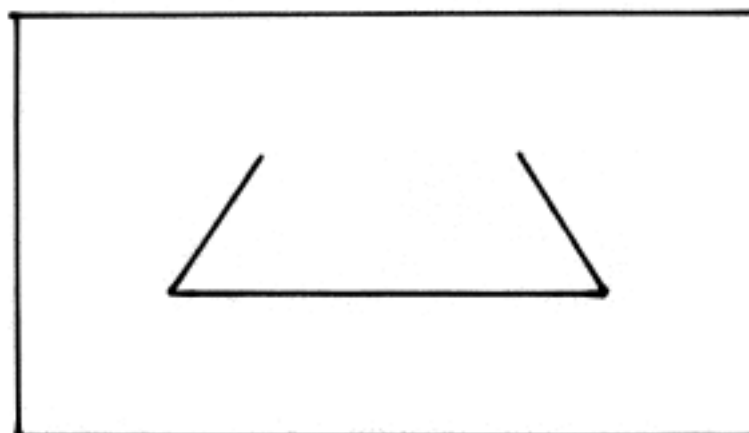


- (21) Design Number: **12781/2011**  
(22) Date of Filing Application: **20 June 2011**  
(24) Date from which industrial property rights may have effect: **20 June 2011**  
(54) Product in respect of which the design is registered: **Food storage cup**  
(51) International Design Classification: **07-01NES**  
(74) Name(s) of Attorney(s): **Freehills Patent & Trade Mark Attorneys**  
(71) Name(s) and Address(s) of Applicant(s):  
**Baby Bullet, LLC**  
**11755 Wilshire Boulevard Suite 1200 Los Angeles California 90025**  
**United States of America**  
(72) Name(s) of Designer(s): **Lenny Sands**  
(45) Registration Date: **14 July 2011**  
(30) Convention priority data:  
(31) Number      (32) Date      (33) Country  
**29/381542      20 Dec 2010      UNITED STATES OF AMERICA**  
(56) Related Art Documents: **Not Applicable**  
(57) Statement of Newness and Distinctiveness: **Nil**

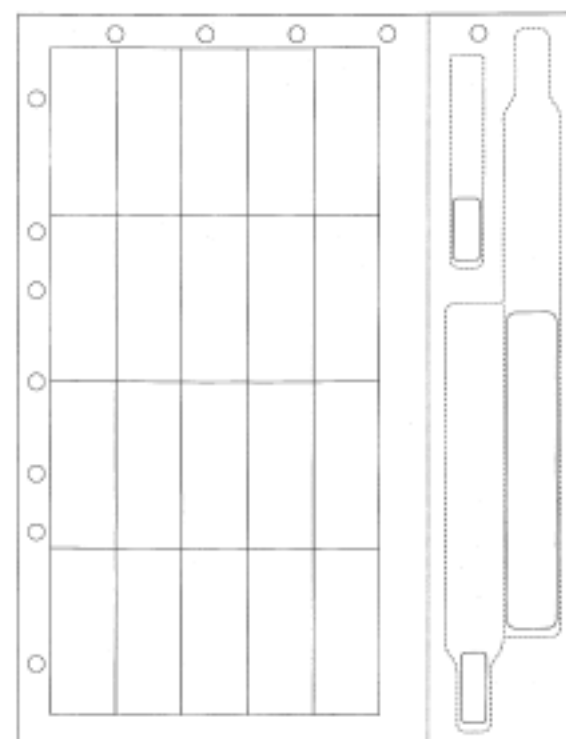




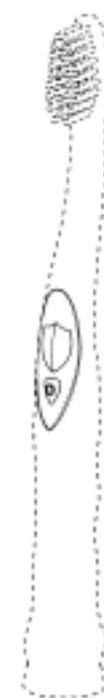
(21) Design Number: **12241/2011**  
(22) Date of Filing Application: **19 May 2011**  
(24) Date from which industrial property rights may have effect: **19 May 2011**  
(54) Product in respect of which the design is registered: **Adhesive transfer**  
(51) International Design Classification: **19-08**  
(74) Name(s) of Attorney(s): **Middletons**  
(71) Name(s) and Address(s) of Applicant(s):  
**Philip Bernard Mills**  
**73 Ridglands Drive Sanctuary Point New South Wales 2540 Australia**  
(72) Name(s) of Designer(s): **Philip Bernard Mills**  
(45) Registration Date: **14 July 2011**  
(56) Related Art Documents: **Not Applicable**  
(57) Statement of Newness and Distinctiveness: **Attached to a vehicle's windscreen, guidelines, a driving safety guide to aid the driver to centralise a vehicle in it's own lane.**



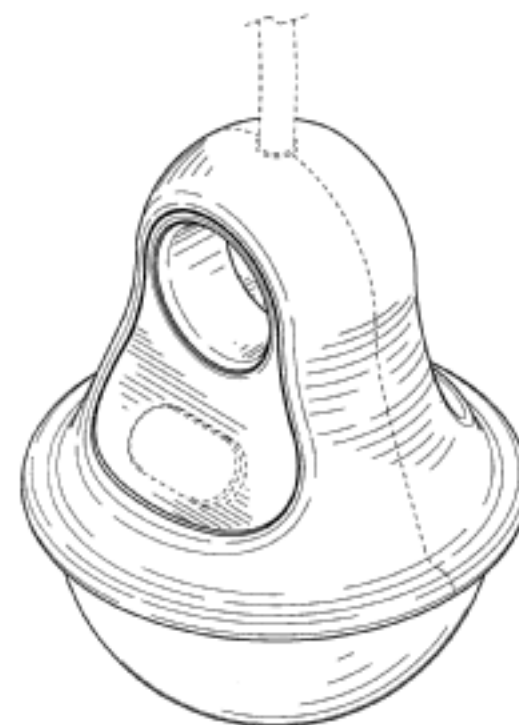
(21) Design Number: **12635/2011**  
(22) Date of Filing Application: **15 June 2011**  
(24) Date from which industrial property rights may have effect: **15 June 2011**  
(54) Product in respect of which the design is registered: **Business form with self-laminating wristband and labels**  
(51) International Design Classification: **11-01C**  
(74) Name(s) of Attorney(s): **PIZZEYS**  
(71) Name(s) and Address(s) of Applicant(s):  
**Laser Band, LLC**  
**120 South Central Suite 450 St Louis MO 63105 United States of America**  
(72) Name(s) of Designer(s): **Sanjay K. Jain and Mark Greer**  
(45) Registration Date: **14 July 2011**  
(30) Convention priority data:  
(31) Number      (32) Date      (33) Country  
**29/385,657      17 Feb 2011      UNITED STATES OF AMERICA**  
(56) Related Art Documents: **Not Applicable**  
(57) Statement of Newness and Distinctiveness: **Nil**



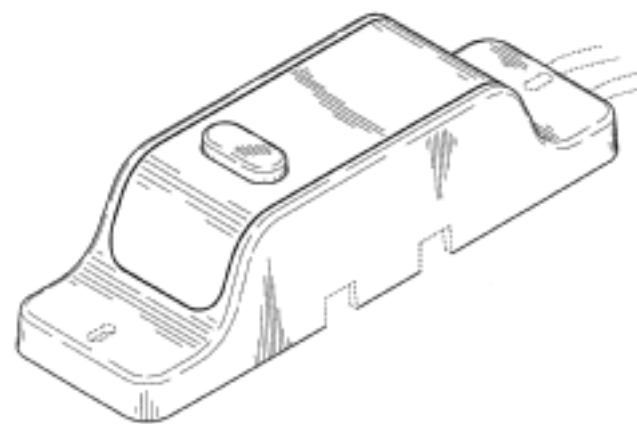
(21) Design Number: **12725/2011**  
(22) Date of Filing Application: **17 June 2011**  
(24) Date from which industrial property rights may have effect: **17 June 2011**  
(54) Product in respect of which the design is registered: **Oral care implement**  
(51) International Design Classification: **04-02**  
(74) Name(s) of Attorney(s): **FB Rice**  
(71) Name(s) and Address(s) of Applicant(s):  
**Colgate-Palmolive Company**  
**300 Park Avenue New York New York 10022 United States of America**  
(72) Name(s) of Designer(s): **David Lee and Brenda Zuck**  
(45) Registration Date: **14 July 2011**  
(30) Convention priority data:  
(31) Number (32) Date (33) Country  
**29/381431 20 Dec 2010 UNITED STATES OF AMERICA**  
(56) Related Art Documents: **Not Applicable**  
(57) Statement of Newness and Distinctiveness: **Newness and distinctiveness resides in the features of shape and configuration of the oral care implement shown in the drawings. When determining whether the design is substantially similar in overall impression to another design, no regard is to be had to those features shown in the drawings with dotted outline, which features are provided for illustrative purposes only.**



(21) Design Number: **12738/2011**  
(22) Date of Filing Application: **17 June 2011**  
(24) Date from which industrial property rights may have effect: **17 June 2011**  
(54) Product in respect of which the design is registered: **Lighting device**  
(51) International Design Classification: **26-05D**  
(74) Name(s) of Attorney(s): **Halfords IP**  
(71) Name(s) and Address(s) of Applicant(s):  
**Eveready Battery Company, Inc.**  
**533 Maryville University Drive St Louis Missouri 63141 United States of America**  
(72) Name(s) of Designer(s): **John D. Crawford and David J. Hine and David A. Furth and Mark A. Ferguson**  
(45) Registration Date: **14 July 2011**  
(30) Convention priority data:  
(31) Number (32) Date (33) Country  
**29/385646 17 Feb 2011 UNITED STATES OF AMERICA**  
(56) Related Art Documents: **Not Applicable**  
(57) Statement of Newness and Distinctiveness: **Newness and distinctiveness is claimed in those features of shape and or configuration of a Lighting Device as depicted in the representations in unbroken lines. The representations use broken lines, contour lines and shading to assist in the illustration of features of shape and or configuration. Such broken lines, contour lines and shading do not form part of the design.**



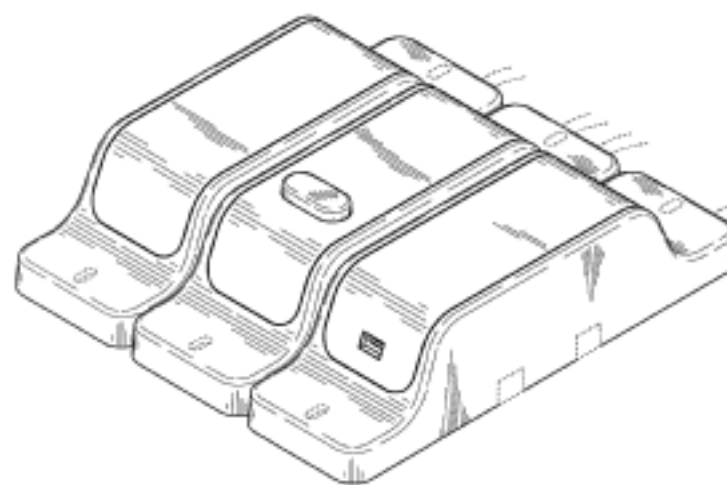
(21) Design Number: **12739/2011**  
(22) Date of Filing Application: **17 June 2011**  
(24) Date from which industrial property rights may have effect: **17 June 2011**  
(54) Product in respect of which the design is registered: **Power device**  
(51) International Design Classification: **13-02, 13-03NES**  
(74) Name(s) of Attorney(s): **Halfords IP**  
(71) Name(s) and Address(s) of Applicant(s):  
**Eveready Battery Company, Inc.**  
**533 Maryville University Drive St Louis Missouri 63141 United States of America**



(72) Name(s) of Designer(s): **John D. Crawford and David J. Hine and David A. Furth**  
(45) Registration Date: **14 July 2011**  
(30) Convention priority data:  
(31) Number (32) Date (33) Country  
**29/385650 17 Feb 2011 UNITED STATES OF AMERICA**

(56) Related Art Documents: **Not Applicable**  
(57) Statement of Newness and Distinctiveness: **Newness and distinctiveness is claimed in those features of shape and or configuration of a Power Device as depicted in the representations in unbroken lines. The representations use broken lines, contour lines and shading to assist in the illustration of features of shape and or configuration. Such broken lines, contour lines and shading do not form part of the design.**

(21) Design Number: **12740/2011**  
(22) Date of Filing Application: **17 June 2011**  
(24) Date from which industrial property rights may have effect: **17 June 2011**  
(54) Product in respect of which the design is registered: **Power and lighting device**  
(51) International Design Classification: **13-02, 13-03NES**  
(74) Name(s) of Attorney(s): **Halfords IP**  
(71) Name(s) and Address(s) of Applicant(s):  
**Eveready Battery Company, Inc.**  
**533 Maryville University Drive St Louis Missouri 63141 United States of America**



(72) Name(s) of Designer(s): **John D. Crawford and David J. Hine and David A. Furth**  
(45) Registration Date: **14 July 2011**  
(30) Convention priority data:  
(31) Number (32) Date (33) Country  
**29/385642 17 Feb 2011 UNITED STATES OF AMERICA**

(56) Related Art Documents: **Not Applicable**  
(57) Statement of Newness and Distinctiveness: **Newness and distinctiveness is claimed in those features of shape and or configuration of a Power and Lighting Device as depicted in the representations in unbroken lines. The representations use broken lines, contour lines and shading to assist in the illustration of features of shape and or configuration. Such broken lines, contour lines and shading do not form part of the design.**

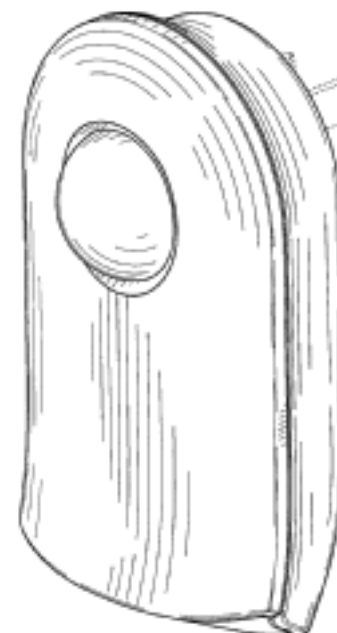
(21) Design Number: **12741/2011**  
(22) Date of Filing Application: **17 June 2011**  
(24) Date from which industrial property rights may have effect: **17 June 2011**  
(54) Product in respect of which the design is registered: **Lighting device**  
(51) International Design Classification: **13-03D**  
(74) Name(s) of Attorney(s): **Halfords IP**  
(71) Name(s) and Address(s) of Applicant(s):  
**Eveready Battery Company, Inc.**  
**533 Maryville University Drive St Louis Missouri 63141 United States of America**

(72) Name(s) of Designer(s): **Ronald J. Kingston**  
(45) Registration Date: **14 July 2011**

(30) Convention priority data:  
(31) Number (32) Date (33) Country  
**29/383847 24 Jan 2011 UNITED STATES OF AMERICA**

(56) Related Art Documents: **Not Applicable**

(57) Statement of Newness and Distinctiveness: **Newness and distinctiveness is claimed in those features of shape and or configuration of a Lighting Device as depicted in the representations in unbroken lines. The representations use broken lines, contour lines and shading to assist in the illustration of features of shape and or configuration. Such broken lines, contour lines and shading do not form part of the design.**



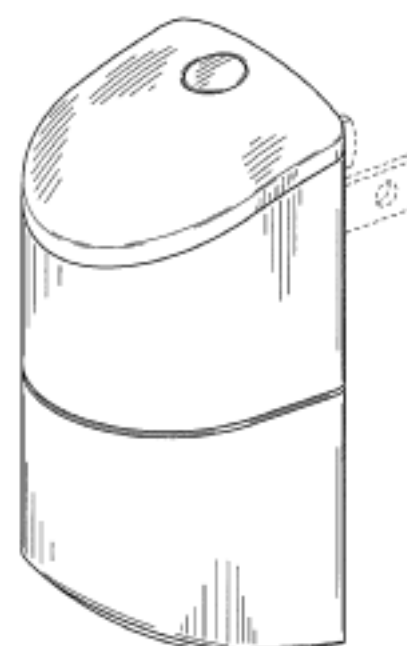
(21) Design Number: **12742/2011**  
(22) Date of Filing Application: **17 June 2011**  
(24) Date from which industrial property rights may have effect: **17 June 2011**  
(54) Product in respect of which the design is registered: **Lighting device**  
(51) International Design Classification: **13-03D**  
(74) Name(s) of Attorney(s): **Halfords IP**  
(71) Name(s) and Address(s) of Applicant(s):  
**Eveready Battery Company, Inc.**  
**533 Maryville University Drive St Louis Missouri 63141 United States of America**

(72) Name(s) of Designer(s): **Donwoong Kang**  
(45) Registration Date: **14 July 2011**

(30) Convention priority data:  
(31) Number (32) Date (33) Country  
**29/382679 06 Jan 2011 UNITED STATES OF AMERICA**

(56) Related Art Documents: **Not Applicable**

(57) Statement of Newness and Distinctiveness: **Newness and distinctiveness is claimed in those features of shape and or configuration of a Lighting Device as depicted in the representations in unbroken lines. The representations use broken lines, contour lines and shading to assist in the illustration of features of shape and or configuration. Such broken lines, contour lines and shading do not form part of the design.**



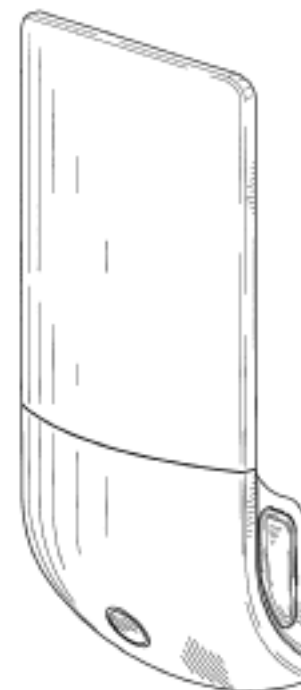
(21) Design Number: **12743/2011**  
(22) Date of Filing Application: **17 June 2011**  
(24) Date from which industrial property rights may have effect: **17 June 2011**  
(54) Product in respect of which the design is registered: **Lighting device**  
(51) International Design Classification: **13-03D**  
(74) Name(s) of Attorney(s): **Halfords IP**  
(71) Name(s) and Address(s) of Applicant(s):  
**Eveready Battery Company, Inc.**  
**533 Maryville University Drive St Louis Missouri 63141 United States of America**

(72) Name(s) of Designer(s): **Brian M. Kaule and Scott W. Osiecki**  
(45) Registration Date: **14 July 2011**

(30) Convention priority data:  
(31) Number (32) Date (33) Country  
**29/382677 06 Jan 2011 UNITED STATES OF AMERICA**

(56) Related Art Documents: **Not Applicable**

(57) Statement of Newness and Distinctiveness: **Newness and distinctiveness is claimed in those features of shape and or configuration of a Lighting Device as depicted in the representations in unbroken lines. The representations use broken lines, contour lines and shading to assist in the illustration of features of shape and or configuration. Such broken lines, contour lines and shading do not form part of the design.**



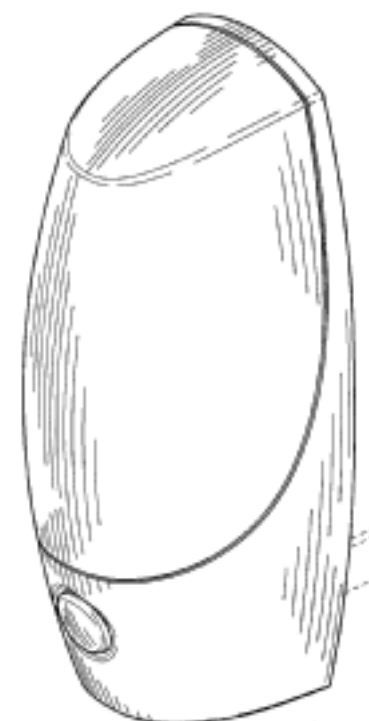
(21) Design Number: **12744/2011**  
(22) Date of Filing Application: **17 June 2011**  
(24) Date from which industrial property rights may have effect: **17 June 2011**  
(54) Product in respect of which the design is registered: **Lighting device**  
(51) International Design Classification: **13-03D**  
(74) Name(s) of Attorney(s): **Halfords IP**  
(71) Name(s) and Address(s) of Applicant(s):  
**Eveready Battery Company, Inc.**  
**533 Maryville University Drive St Louis Missouri 63141 United States of America**

(72) Name(s) of Designer(s): **Donwoong Kang and Scott W. Osiecki**  
(45) Registration Date: **14 July 2011**

(30) Convention priority data:  
(31) Number (32) Date (33) Country  
**29/382673 06 Jan 2011 UNITED STATES OF AMERICA**

(56) Related Art Documents: **Not Applicable**

(57) Statement of Newness and Distinctiveness: **Newness and distinctiveness is claimed in those features of shape and or configuration of a Lighting Device as depicted in the representations in unbroken lines. The representations use broken lines, contour lines and shading to assist in the illustration of features of shape and or configuration. Such broken lines, contour lines and shading do not form part of the design.**



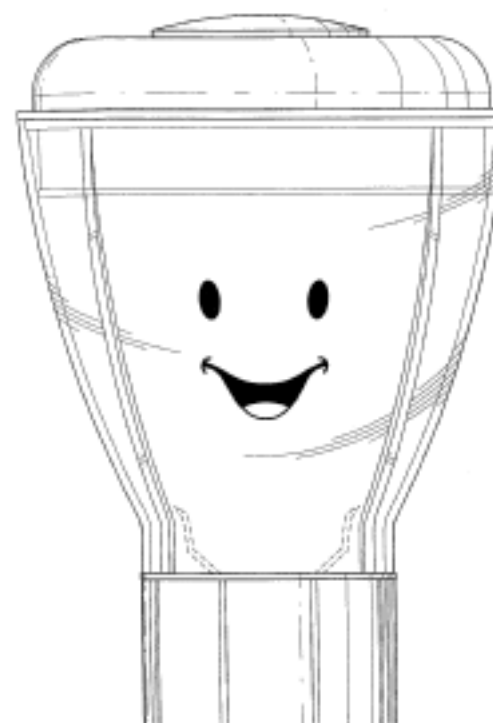
(21) Design Number: **11841/2011**  
(22) Date of Filing Application: **28 April 2011**  
(24) Date from which industrial property rights may have effect: **28 April 2011**  
(54) Product in respect of which the design is registered: **Container**  
(51) International Design Classification: **09-01A**  
(74) Name(s) of Attorney(s): **FB Rice**  
(71) Name(s) and Address(s) of Applicant(s):  
**Colgate-Palmolive Company**  
**300 Park Avenue New York New York 10022 United States of America**  
(72) Name(s) of Designer(s): **Kiat-Cheong Toh and Simon Nicholas Dutton**  
(45) Registration Date: **14 July 2011**  
(30) Convention priority data:  
(31) Number (32) Date (33) Country  
**29/378561 05 Nov 2010 UNITED STATES OF AMERICA**  
(56) Related Art Documents: **Not Applicable**  
(57) Statement of Newness and Distinctiveness: **Newness and distinctiveness reside in the features of shape and ornamentation of the container shown in the representations. When determining whether the design is substantially similar in overall impression to another design, no regard is to be had to those features shown in the drawings with dotted outline, which features are provided for illustrative purposes only.**



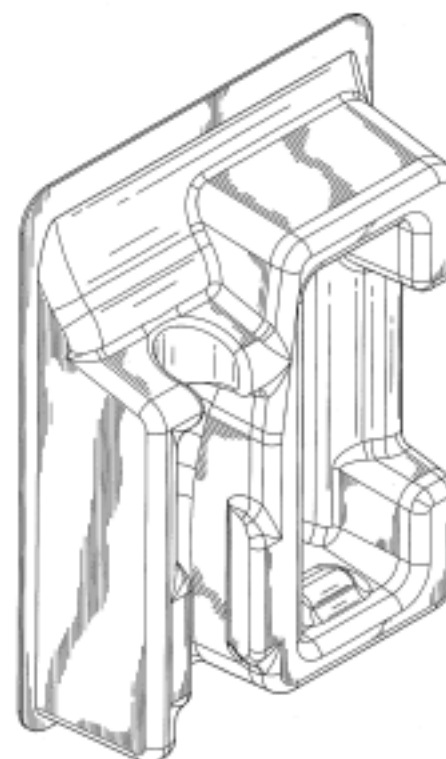
(21) Design Number: **13069/2011**  
(22) Date of Filing Application: **28 April 2011**  
(24) Date from which industrial property rights may have effect: **28 April 2011**  
(54) Product in respect of which the design is registered: **Container**  
(51) International Design Classification: **09-01A**  
(74) Name(s) of Attorney(s): **FB Rice**  
(71) Name(s) and Address(s) of Applicant(s):  
**Colgate-Palmolive Company**  
**300 Park Avenue New York New York 10022 United States of America**  
(72) Name(s) of Designer(s): **Kiat-Cheong Toh and Simon Nicholas Dutton**  
(45) Registration Date: **14 July 2011**  
(30) Convention priority data:  
(31) Number (32) Date (33) Country  
**29/378561 05 Nov 2010 UNITED STATES OF AMERICA**  
(56) Related Art Documents: **Not Applicable**  
(57) Statement of Newness and Distinctiveness: **Newness and distinctiveness reside in the features of shape and ornamentation of the container shown in the representations. When determining whether the design is substantially similar in overall impression to another design, no regard is to be had to those features shown in the drawings with dotted outline, which features are provided for illustrative purposes only.**



(21) Design Number: **12782/2011**  
(22) Date of Filing Application: **20 June 2011**  
(24) Date from which industrial property rights may have effect: **20 June 2011**  
(54) Product in respect of which the design is registered: **Kitchen food processor container**  
(51) International Design Classification: **07-02NES**  
(74) Name(s) of Attorney(s): **Freehills Patent & Trade Mark Attorneys**  
(71) Name(s) and Address(s) of Applicant(s):  
**Baby Bullet, LLC**  
**11755 Wilshire Blvd Suite 1200 Los Angeles California 90025 United States of America**  
(72) Name(s) of Designer(s): **Lenny Sands**  
(45) Registration Date: **14 July 2011**  
(30) Convention priority data:  
(31) Number (32) Date (33) Country  
**29/381541 20 Dec 2010 UNITED STATES OF AMERICA**  
(56) Related Art Documents: **Not Applicable**  
(57) Statement of Newness and Distinctiveness: **Nil**



(21) Design Number: **12783/2011**  
(22) Date of Filing Application: **20 June 2011**  
(24) Date from which industrial property rights may have effect: **20 June 2011**  
(54) Product in respect of which the design is registered: **Shaving razor handle and cartridge dispenser**  
(51) International Design Classification: **28-03A, 09-03NES**  
(74) Name(s) of Attorney(s): **PHILLIPS ORMONDE FITZPATRICK**  
(71) Name(s) and Address(s) of Applicant(s):  
**The Gillette Company**  
**One Gillette Park Boston Massachusetts 02127 United States of America**  
(72) Name(s) of Designer(s): **Andres Felipe Ocampo and Richard Kevin Sennett and Scott Alfred Shackleton**  
(45) Registration Date: **14 July 2011**  
(30) Convention priority data:  
(31) Number (32) Date (33) Country  
**29/381,416 20 Dec 2010 UNITED STATES OF AMERICA**  
(56) Related Art Documents: **Not Applicable**  
(57) Statement of Newness and Distinctiveness: **Those features of the shaving razor handle and cartridge dispenser depicted in the representations that are new and distinctive are the shape and/or configuration. The features shown in broken line are not part of the design and are to be disregarded when considering the overall impression of the design.**



(21) Design Number: **12784/2011**  
(22) Date of Filing Application: **20 June 2011**  
(24) Date from which industrial property rights may have effect: **20 June 2011**  
(54) Product in respect of which the design is registered: **Flow regulator**  
(51) International Design Classification: **23-01G**  
(74) Name(s) of Attorney(s): **PHILLIPS ORMONDE FITZPATRICK**  
(71) Name(s) and Address(s) of Applicant(s):

**Neoperl GmbH**  
**Klosterrunsstrasse 11 79379 Mullheim Germany**

(72) Name(s) of Designer(s): **Gerhard Blum**

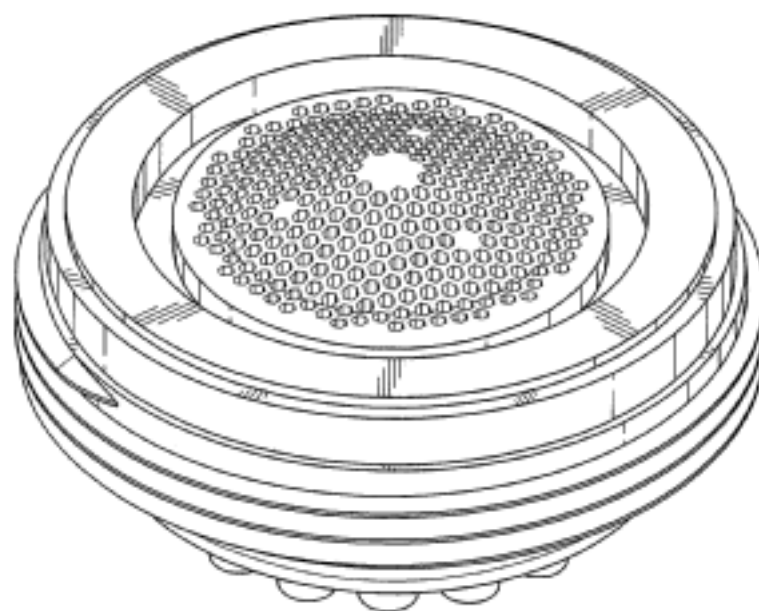
(45) Registration Date: **14 July 2011**

(30) Convention priority data:

(31) Number	(32) Date	(33) Country
<b>001261960</b>	<b>23 Feb 2011</b>	<b>EUROPEAN COMMUNITY</b>

(56) Related Art Documents: **Not Applicable**

(57) Statement of Newness and Distinctiveness: **Those features of the flow regulator depicted in the representations that are new and distinctive are the shape and/or configuration.**



(21) Design Number: **12785/2011**  
(22) Date of Filing Application: **20 June 2011**  
(24) Date from which industrial property rights may have effect: **20 June 2011**  
(54) Product in respect of which the design is registered: **Razor cartridge**  
(51) International Design Classification: **28-03A**  
(74) Name(s) of Attorney(s): **PHILLIPS ORMONDE FITZPATRICK**  
(71) Name(s) and Address(s) of Applicant(s):

**The Gillette Company**  
**One Gillette Park Boston Massachusetts 02127 United States of America**

(72) Name(s) of Designer(s): **Corey Edward Corbell and Christopher Ramm**

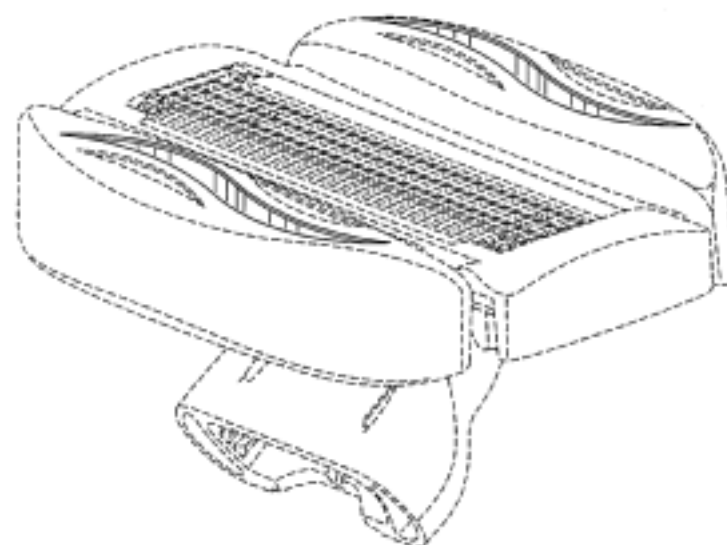
(45) Registration Date: **14 July 2011**

(30) Convention priority data:

(31) Number	(32) Date	(33) Country
<b>29/381,494</b>	<b>20 Dec 2010</b>	<b>UNITED STATES OF AMERICA</b>

(56) Related Art Documents: **Not Applicable**

(57) Statement of Newness and Distinctiveness: **Those features of the razor cartridge depicted in the representations that are new and distinctive are the shape and/or configuration. The features shown in broken line are not part of the design and are to be disregarded when considering the overall impression of the design.**





(21) Design Number: **12786/2011**  
(22) Date of Filing Application: **20 June 2011**  
(24) Date from which industrial property rights may have effect: **20 June 2011**  
(54) Product in respect of which the design is registered: **A hose**  
(51) International Design Classification: **23-01NES, 23-01C**  
(74) Name(s) of Attorney(s): **Cotters Patent & Trade Mark Attorneys**  
(71) Name(s) and Address(s) of Applicant(s):



**FITT S.p.A.**

**Via Piave 8 Sandrigo Vicenza 36066 Italy**

(72) Name(s) of Designer(s): **Alessandro Mezzalira**

(45) Registration Date: **14 July 2011**

(30) Convention priority data:

(31) Number	(32) Date	(33) Country
<b>001795923-0003</b>	<b>20 Dec 2010</b>	<b>EUROPEAN COMMUNITY</b>

(56) Related Art Documents: **Not Applicable**

(57) Statement of Newness and Distinctiveness: **Newness and distinctiveness is claimed in the features of pattern and/or ornamentation including colour of a hose of indefinite length as depicted in the accompanying drawings.**

(21) Design Number: **12787/2011**  
(22) Date of Filing Application: **20 June 2011**  
(24) Date from which industrial property rights may have effect: **20 June 2011**  
(54) Product in respect of which the design is registered: **Decking template**  
(51) International Design Classification: **25-01NES**  
(74) Name(s) of Attorney(s):  
(71) Name(s) and Address(s) of Applicant(s):

**Neil Robinson**

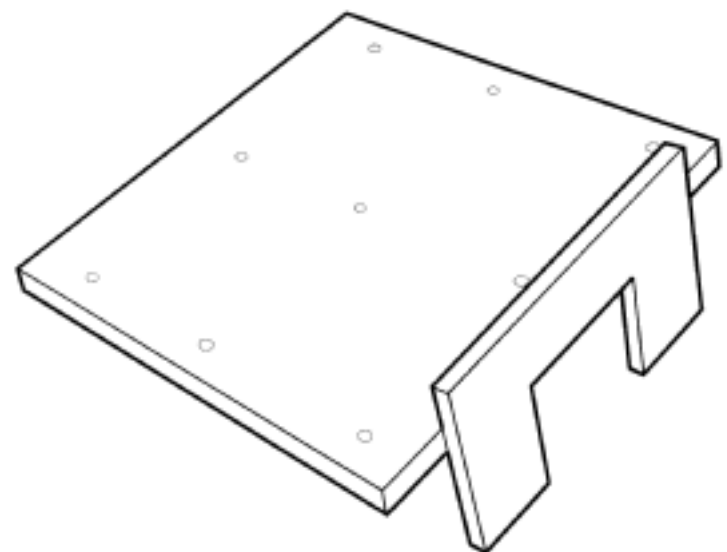
**39A Treetop Avenue Edgewater Western Australia 6027 Australia**

(72) Name(s) of Designer(s): **Neil Robinson**

(45) Registration Date: **14 July 2011**

(56) Related Art Documents: **Not Applicable**

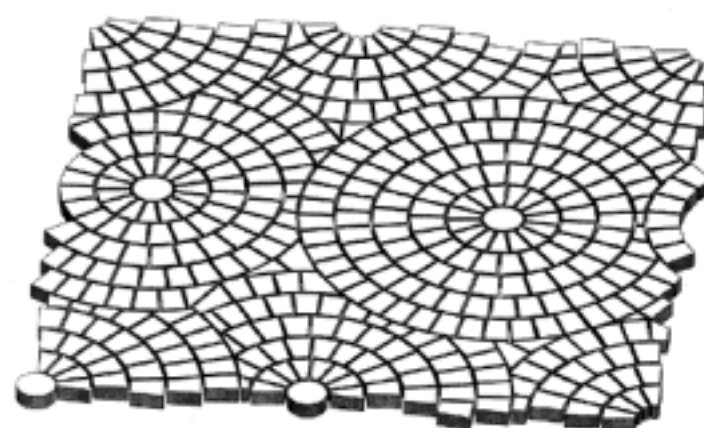
(57) Statement of Newness and Distinctiveness: **Newness and distinctiveness is found in the shape and configuration of the decking template shown in the representations. The drill holes shown in phantom lines are indicative only, and are not to be considered as part of the design.**



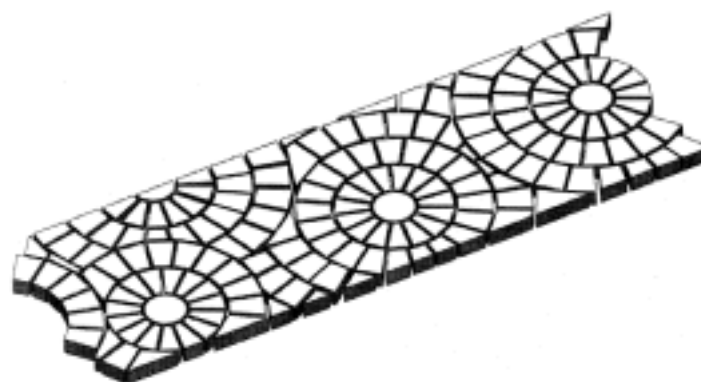
- (21) Design Number: **12812/2011**  
(22) Date of Filing Application: **22 June 2011**  
(24) Date from which industrial property rights may have effect: **22 June 2011**  
(54) Product in respect of which the design is registered: **Beaded perfume flower in a pot**  
(51) International Design Classification: **11-04**  
(74) Name(s) of Attorney(s):  
(71) Name(s) and Address(s) of Applicant(s):  
**Christine McCann**  
**46 Annandale Street Annandale New South Wales 2038 Australia**  
**John McCann**  
**46 Annandale Street Annandale New South Wales 2038 Australia**  
(72) Name(s) of Designer(s): **Christine McCann and John McCann**  
(45) Registration Date: **15 July 2011**  
(56) Related Art Documents: **Not Applicable**  
(57) Statement of Newness and Distinctiveness: **The newness and distinctiveness of the beaded perfume flower in a pot resides in the shape and/or configuration and/or pattern of the beaded perfume flower in a pot.**



- (21) Design Number: **12813/2011**  
(22) Date of Filing Application: **22 June 2011**  
(24) Date from which industrial property rights may have effect: **22 June 2011**  
(54) Product in respect of which the design is registered: **A tesserae**  
(51) International Design Classification: **25-01F**  
(74) Name(s) of Attorney(s): **Allens Arthur Robinson**  
(71) Name(s) and Address(s) of Applicant(s):  
**Everstone International Pty Limited**  
**20 Princes Road East Auburn New South Wales 2144 Australia**  
(72) Name(s) of Designer(s): **John Zeng**  
(45) Registration Date: **15 July 2011**  
(56) Related Art Documents: **Not Applicable**  
(57) Statement of Newness and Distinctiveness: **Newness and distinctiveness is claimed in the features of shape and configuration of the tesserae as shown in the attached representations. It is to be understood that the basic element of tesserae is shown, however the tesserae can be repeated with other basic elements so that the tesserae is of indefinite length and/or width.**



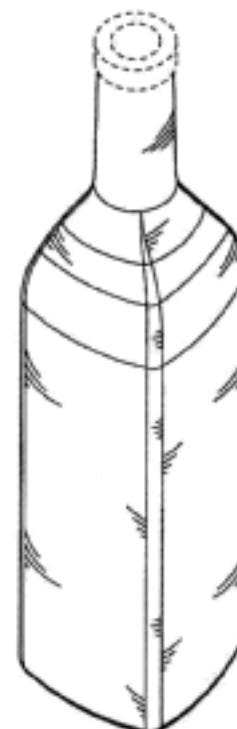
- (21) Design Number: **12814/2011**  
(22) Date of Filing Application: **22 June 2011**  
(24) Date from which industrial property rights may have effect: **22 June 2011**  
(54) Product in respect of which the design is registered: **A tesserae**  
(51) International Design Classification: **25-01F**  
(74) Name(s) of Attorney(s): **Allens Arthur Robinson**  
(71) Name(s) and Address(s) of Applicant(s):  
**Everstone International Pty Limited**  
**20 Princes Road East Auburn New South Wales 2144 Australia**  
(72) Name(s) of Designer(s): **John Zeng**  
(45) Registration Date: **15 July 2011**  
(56) Related Art Documents: **Not Applicable**  
(57) Statement of Newness and Distinctiveness: **Newness and distinctiveness is claimed in the features of shape and configuration of the tesserae as shown in the attached representations. It is to be understood that the basic element of tesserae is shown, however the tesserae can be repeated with other basic elements so that the tesserae is of indefinite length.**



- (21) Design Number: **12816/2011**  
(22) Date of Filing Application: **23 June 2011**  
(24) Date from which industrial property rights may have effect: **23 June 2011**  
(54) Product in respect of which the design is registered: **Vehicle seat component**  
(51) International Design Classification: **06-01D**  
(74) Name(s) of Attorney(s):  
(71) Name(s) and Address(s) of Applicant(s):  
**Transport Seating Technology Pty Ltd**  
**14 Angel Road Stapylton Queensland 4207 Australia**  
(72) Name(s) of Designer(s): **Rodney Trevor Ferguson**  
(45) Registration Date: **15 July 2011**  
(56) Related Art Documents: **Not Applicable**  
(57) Statement of Newness and Distinctiveness: **Newness and distinctiveness is claimed in the shape and configuration of the product as illustrated in the accompanying representations. No newness and distinctiveness is claimed in the precise shape and configuration of the strengthening ribs on the underside of the product.**



(21) Design Number: **12837/2011**  
(22) Date of Filing Application: **23 June 2011**  
(24) Date from which industrial property rights may have effect: **23 June 2011**  
(54) Product in respect of which the design is registered: **Bottle**  
(51) International Design Classification: **09-01H**  
(74) Name(s) of Attorney(s): **Shelston IP**  
(71) Name(s) and Address(s) of Applicant(s):  
**Owens-Brockway Glass Container Inc.**  
**One Michael Owens Way Perrysburg Ohio 43551 United States of America**  
(72) Name(s) of Designer(s): **Craig L. Potts**  
(45) Registration Date: **15 July 2011**  
(30) Convention priority data:  
(31) Number (32) Date (33) Country  
**29/384160 27 Jan 2011 UNITED STATES OF AMERICA**  
(56) Related Art Documents: **Not Applicable**  
(57) Statement of Newness and Distinctiveness: **Newness and distinctiveness reside in the shape and/or configuration of the design for a BOTTLE as shown in the representations, in solid line. The Bottle finish shown in broken line is illustrative only and does not form part of the design.**



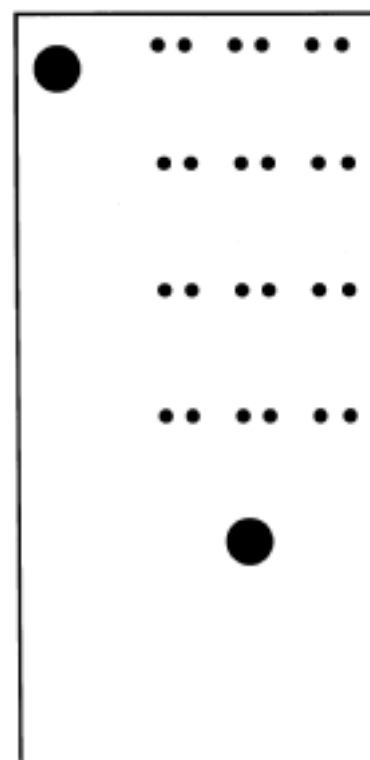
(21) Design Number: **12838/2011**  
(22) Date of Filing Application: **23 June 2011**  
(24) Date from which industrial property rights may have effect: **23 June 2011**  
(54) Product in respect of which the design is registered: **Bottle**  
(51) International Design Classification: **09-01H**  
(74) Name(s) of Attorney(s): **Shelston IP**  
(71) Name(s) and Address(s) of Applicant(s):  
**Owens-Brockway Glass Container Inc.**  
**One Michael Owens Way Perrysburg Ohio 43551 United States of America**  
(72) Name(s) of Designer(s): **Craig L. Potts**  
(45) Registration Date: **15 July 2011**  
(30) Convention priority data:  
(31) Number (32) Date (33) Country  
**29/384162 27 Jan 2011 UNITED STATES OF AMERICA**  
(56) Related Art Documents: **Not Applicable**  
(57) Statement of Newness and Distinctiveness: **Newness and distinctiveness reside in the shape and/or configuration of the design for a BOTTLE as shown in the representations.**



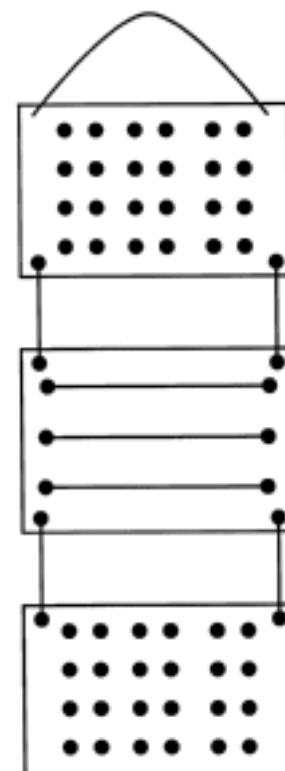
(21) Design Number: **12839/2011**  
(22) Date of Filing Application: **23 June 2011**  
(24) Date from which industrial property rights may have effect: **23 June 2011**  
(54) Product in respect of which the design is registered: **Bottle**  
(51) International Design Classification: **09-01NES**  
(74) Name(s) of Attorney(s): **Shelston IP**  
(71) Name(s) and Address(s) of Applicant(s):  
**Owens-Brockway Glass Container Inc.**  
**One Michael Owens Way Perrysburg Ohio 43551 United States of America**  
(72) Name(s) of Designer(s): **Craig L. Potts**  
(45) Registration Date: **15 July 2011**  
(30) Convention priority data:  
(31) Number (32) Date (33) Country  
**29/384166 27 Jan 2011 UNITED STATES OF AMERICA**  
(56) Related Art Documents: **Not Applicable**  
(57) Statement of Newness and Distinctiveness: **Newness and distinctiveness reside in the shape and/or configuration of the design for a BOTTLE as shown in the representations, in solid line. The Bottle finish shown in broken line is illustrative only and does not form part of the design.**



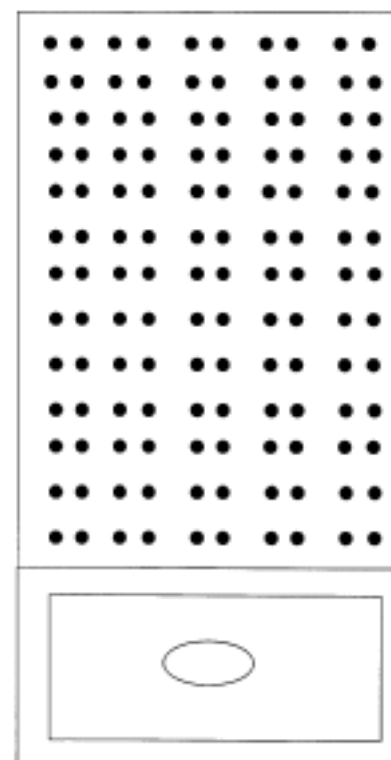
(21) Design Number: **12067/2011**  
(22) Date of Filing Application: **10 May 2011**  
(24) Date from which industrial property rights may have effect: **10 May 2011**  
(54) Product in respect of which the design is registered: **Rectangle earring board with ring and chain placement**  
(51) International Design Classification: **20-02NES**  
(74) Name(s) of Attorney(s):  
(71) Name(s) and Address(s) of Applicant(s):  
**Sarah Agius**  
**97 Liberator Drive Paralowie South Australia 5108 Australia**  
(72) Name(s) of Designer(s): **Sarah Agius**  
(45) Registration Date: **15 July 2011**  
(56) Related Art Documents: **Not Applicable**  
(57) Statement of Newness and Distinctiveness: **Drilled holes that do not pierce the material.**



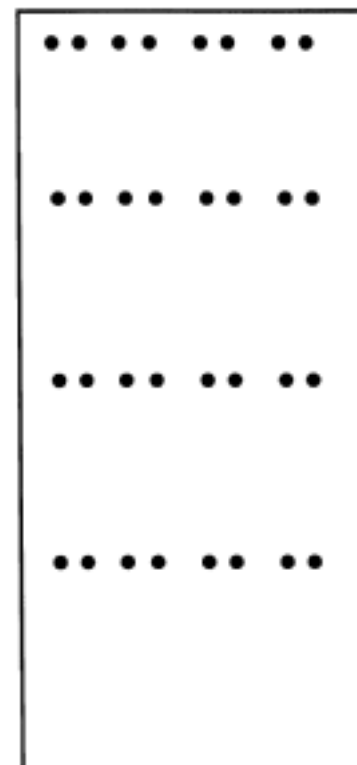
(21) Design Number: **12068/2011**  
(22) Date of Filing Application: **10 May 2011**  
(24) Date from which industrial property rights may have effect: **10 May 2011**  
(54) Product in respect of which the design is registered: **Earring, clip and badge board**  
(51) International Design Classification: **20-02NES**  
(74) Name(s) of Attorney(s):  
(71) Name(s) and Address(s) of Applicant(s):  
**Sarah Agius**  
**97 Liberator Drive Paralowie South Australia 5108 Australia**  
(72) Name(s) of Designer(s): **Sarah Agius**  
(45) Registration Date: **15 July 2011**  
(56) Related Art Documents: **Not Applicable**  
(57) Statement of Newness and Distinctiveness: **Nil**



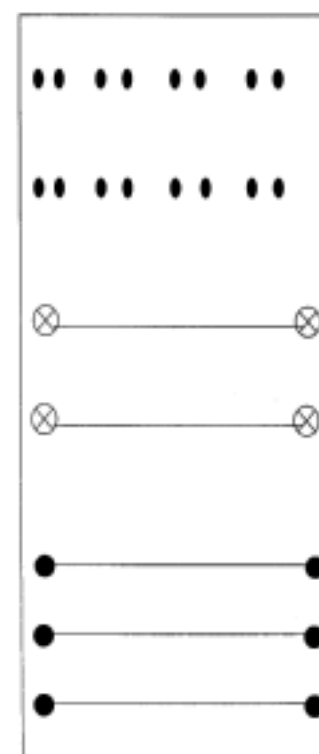
(21) Design Number: **12069/2011**  
(22) Date of Filing Application: **10 May 2011**  
(24) Date from which industrial property rights may have effect: **10 May 2011**  
(54) Product in respect of which the design is registered: **Aidan earring and draw unit**  
(51) International Design Classification: **20-02NES**  
(74) Name(s) of Attorney(s):  
(71) Name(s) and Address(s) of Applicant(s):  
**Sarah Agius**  
**97 Liberator Drive Paralowie South Australia 5108 Australia**  
(72) Name(s) of Designer(s): **Sarah Agius**  
(45) Registration Date: **15 July 2011**  
(56) Related Art Documents: **Not Applicable**  
(57) Statement of Newness and Distinctiveness: **Earring board connected to draw.**



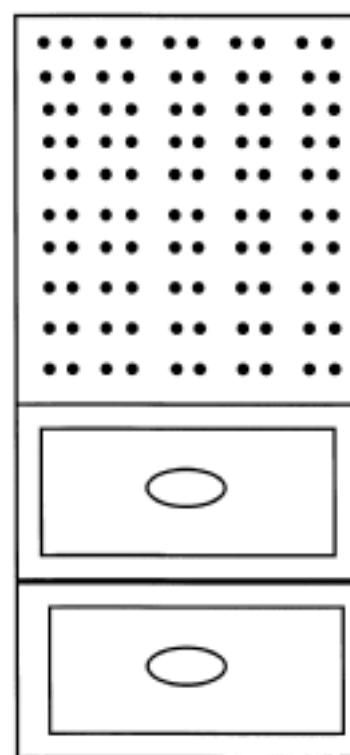
(21) Design Number: **12070/2011**  
(22) Date of Filing Application: **10 May 2011**  
(24) Date from which industrial property rights may have effect: **10 May 2011**  
(54) Product in respect of which the design is registered: **Rectangle earring board**  
(51) International Design Classification: **20-02NES**  
(74) Name(s) of Attorney(s):  
(71) Name(s) and Address(s) of Applicant(s):  
**Sarah Agius**  
**97 Liberator Drive Paralowie South Australia 5108 Australia**  
(72) Name(s) of Designer(s): **Sarah Agius**  
(45) Registration Date: **15 July 2011**  
(56) Related Art Documents: **Not Applicable**  
(57) Statement of Newness and Distinctiveness: **Drilled holes for earring placement. Holes do not peirce material.**



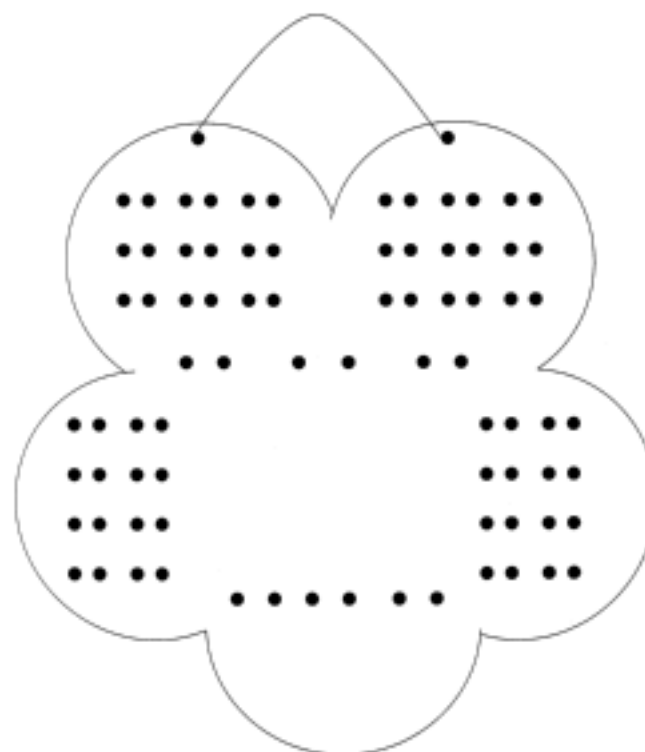
(21) Design Number: **12719/2011**  
(22) Date of Filing Application: **10 May 2011**  
(24) Date from which industrial property rights may have effect: **10 May 2011**  
(54) Product in respect of which the design is registered: **Jewellery board**  
(51) International Design Classification: **20-02NES**  
(74) Name(s) of Attorney(s):  
(71) Name(s) and Address(s) of Applicant(s):  
**Sarah Agius**  
**97 Liberator Drive Paralowie South Australia 5108 Australia**  
(72) Name(s) of Designer(s): **Sarah Agius**  
(45) Registration Date: **15 July 2011**  
(56) Related Art Documents: **Not Applicable**  
(57) Statement of Newness and Distinctiveness: **Nil**



- (21) Design Number: **12720/2011**  
(22) Date of Filing Application: **10 May 2011**  
(24) Date from which industrial property rights may have effect: **10 May 2011**  
(54) Product in respect of which the design is registered: **Earring and draws unit**  
(51) International Design Classification: **20-02NES**  
(74) Name(s) of Attorney(s):  
(71) Name(s) and Address(s) of Applicant(s):  
**Sarah Agius**  
**97 Liberator Drive Paralowie South Australia 5108 Australia**  
(72) Name(s) of Designer(s): **Sarah Agius**  
(45) Registration Date: **15 July 2011**  
(56) Related Art Documents: **Not Applicable**  
(57) Statement of Newness and Distinctiveness: **Earring board connected to draws.**

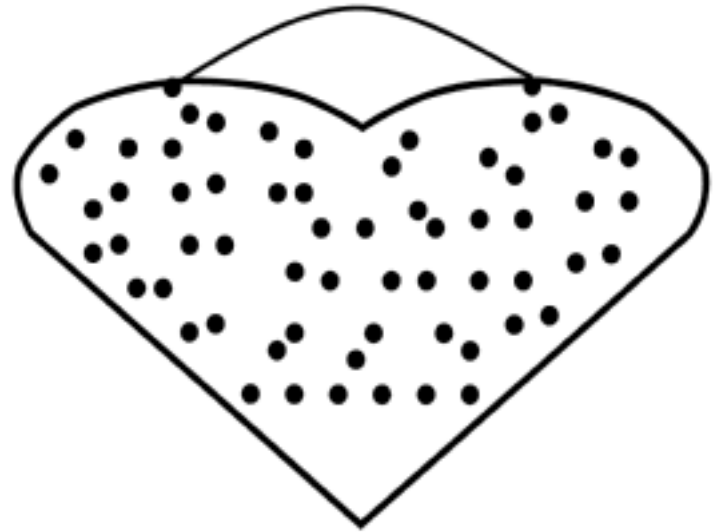


- (21) Design Number: **12721/2011**  
(22) Date of Filing Application: **10 May 2011**  
(24) Date from which industrial property rights may have effect: **10 May 2011**  
(54) Product in respect of which the design is registered: **Flower shaped earring board**  
(51) International Design Classification: **20-02NES**  
(74) Name(s) of Attorney(s):  
(71) Name(s) and Address(s) of Applicant(s):  
**Sarah Agius**  
**97 Liberator Drive Paralowie South Australia 5108 Australia**  
(72) Name(s) of Designer(s): **Sarah Agius**  
(45) Registration Date: **15 July 2011**  
(56) Related Art Documents: **Not Applicable**  
(57) Statement of Newness and Distinctiveness: **Hanging or portable earring board.**

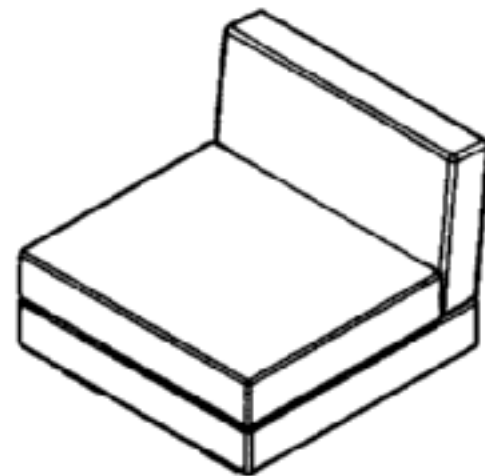




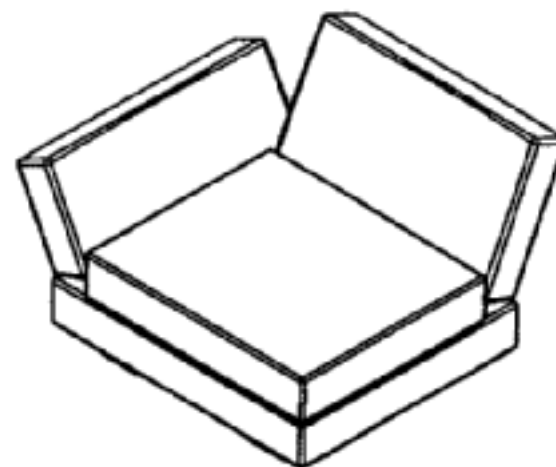
- (21) Design Number: **12722/2011**  
(22) Date of Filing Application: **10 May 2011**  
(24) Date from which industrial property rights may have effect: **10 May 2011**  
(54) Product in respect of which the design is registered: **Heart shaped earring board**  
(51) International Design Classification: **20-02NES**  
(74) Name(s) of Attorney(s):  
(71) Name(s) and Address(s) of Applicant(s):  
**Sarah Agius**  
**97 Liberator Drive Paralowie South Australia 5108 Australia**  
(72) Name(s) of Designer(s): **Sarah Agius**  
(45) Registration Date: **15 July 2011**  
(56) Related Art Documents: **Not Applicable**  
(57) Statement of Newness and Distinctiveness: **Hanging or portable.**



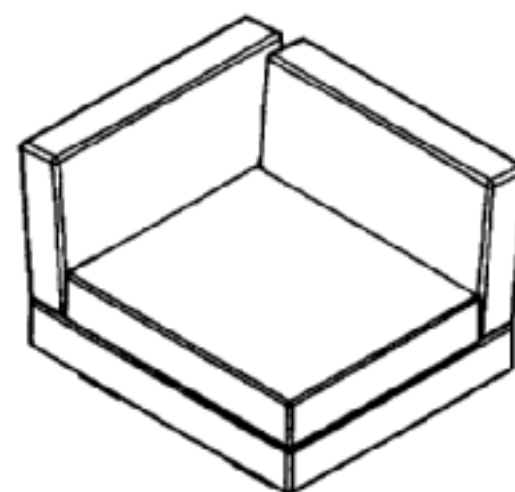
- (21) Design Number: **12755/2011**  
(22) Date of Filing Application: **20 June 2011**  
(24) Date from which industrial property rights may have effect: **20 June 2011**  
(54) Product in respect of which the design is registered: **Chair**  
(51) International Design Classification: **06-01G**  
(74) Name(s) of Attorney(s): **FB Rice**  
(71) Name(s) and Address(s) of Applicant(s):  
**King Furniture (Australia) Pty Ltd**  
**123 Turrella Street Turrella New South Wales 2205 Australia**  
(72) Name(s) of Designer(s): **David Russell King and Ryan Lawson**  
(45) Registration Date: **15 July 2011**  
(56) Related Art Documents: **Not Applicable**  
(57) Statement of Newness and Distinctiveness: **Newness and distinctiveness reside in the features of the design as shown in the representations, the shape, number and position of the feet being disclaimed.**



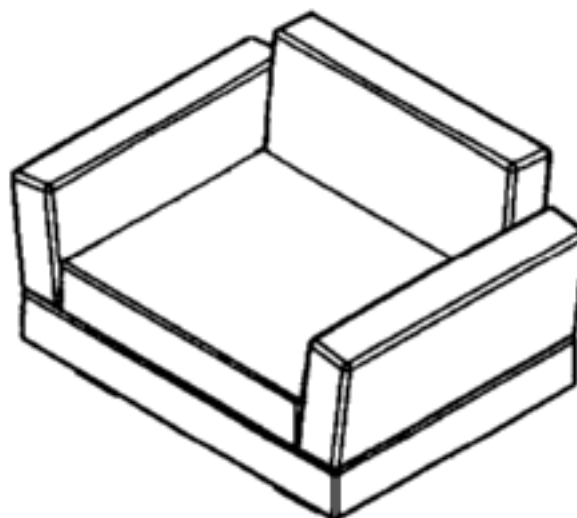
- (21) Design Number: **12756/2011**  
(22) Date of Filing Application: **20 June 2011**  
(24) Date from which industrial property rights may have effect: **20 June 2011**  
(54) Product in respect of which the design is registered: **Armchair**  
(51) International Design Classification: **06-01G**  
(74) Name(s) of Attorney(s): **FB Rice**  
(71) Name(s) and Address(s) of Applicant(s):  
**King Furniture (Australia) Pty Ltd**  
**123 Turrella Street Turrella New South Wales 2205 Australia**  
(72) Name(s) of Designer(s): **David Russell King and Ryan Lawson**  
(45) Registration Date: **15 July 2011**  
(56) Related Art Documents: **Not Applicable**  
(57) Statement of Newness and Distinctiveness: **Newness and distinctiveness reside in the features of the design as shown in the representations, the shape, number and position of the feet being disclaimed. Although the armrest of the armchair is shown in the representations on the right side of the armchair, the armrest could, instead, be on the left side of the armchair. Further, the angular positions of the armrest and the backrest are able to be adjusted independently of each other.**



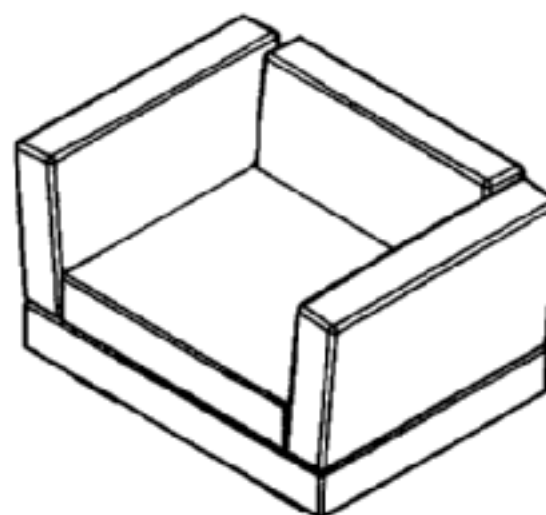
- (21) Design Number: **12757/2011**  
(22) Date of Filing Application: **20 June 2011**  
(24) Date from which industrial property rights may have effect: **20 June 2011**  
(54) Product in respect of which the design is registered: **Armchair**  
(51) International Design Classification: **06-01G**  
(74) Name(s) of Attorney(s): **FB Rice**  
(71) Name(s) and Address(s) of Applicant(s):  
**King Furniture (Australia) Pty Ltd**  
**123 Turrella Street Turrella New South Wales 2205 Australia**  
(72) Name(s) of Designer(s): **David Russell King and Ryan Lawson**  
(45) Registration Date: **15 July 2011**  
(56) Related Art Documents: **Not Applicable**  
(57) Statement of Newness and Distinctiveness: **Newness and distinctiveness reside in the features of the design as shown in the representations, the shape, number and position of the feet being disclaimed. Although the armrest of the armchair is shown in the representations on the right side of the armchair, the armrest could, instead, be on the left side of the armchair. Further, the angular positions of the armrest and the backrest are able to be adjusted independently of each other.**



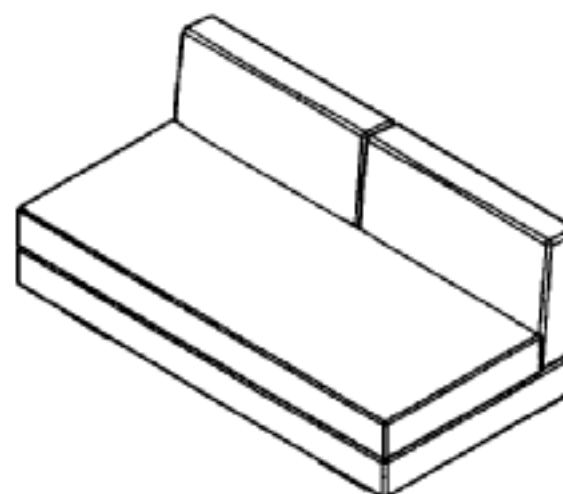
- 
- (21) Design Number: **12758/2011**
  - (22) Date of Filing Application: **20 June 2011**
  - (24) Date from which industrial property rights may have effect: **20 June 2011**
  - (54) Product in respect of which the design is registered: **Armchair**
  - (51) International Design Classification: **06-01G**
  - (74) Name(s) of Attorney(s): **FB Rice**
  - (71) Name(s) and Address(s) of Applicant(s):  
**King Furniture (Australia) Pty Ltd**  
**123 Turrella Street Turrella New South Wales 2205 Australia**
  - (72) Name(s) of Designer(s): **David Russell King and Ryan Lawson**
  - (45) Registration Date: **15 July 2011**
  - (56) Related Art Documents: **Not Applicable**
  - (57) Statement of Newness and Distinctiveness: **Newness and distinctiveness reside in the features of the design as shown in the representations, the shape, number and position of the feet being disclaimed. The angular positions of the armrests and the backrest are able to be adjusted independently of each other.**



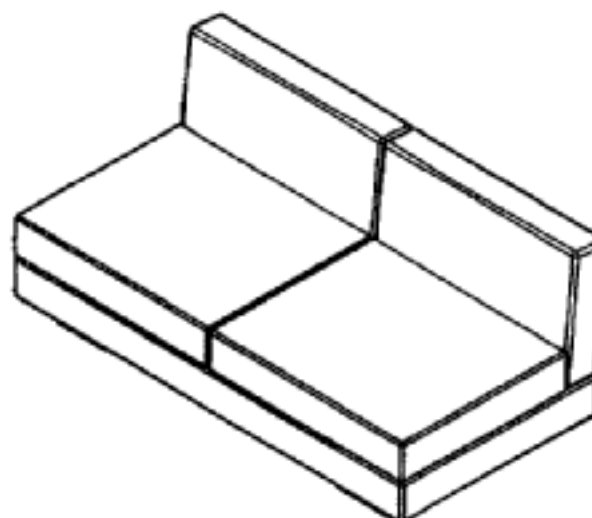
- 
- (21) Design Number: **12759/2011**
  - (22) Date of Filing Application: **20 June 2011**
  - (24) Date from which industrial property rights may have effect: **20 June 2011**
  - (54) Product in respect of which the design is registered: **Armchair**
  - (51) International Design Classification: **06-01G**
  - (74) Name(s) of Attorney(s): **FB Rice**
  - (71) Name(s) and Address(s) of Applicant(s):  
**King Furniture (Australia) Pty Ltd**  
**123 Turrella Street Turrella New South Wales 2205 Australia**
  - (72) Name(s) of Designer(s): **David Russell King and Ryan Lawson**
  - (45) Registration Date: **15 July 2011**
  - (56) Related Art Documents: **Not Applicable**
  - (57) Statement of Newness and Distinctiveness: **Newness and distinctiveness reside in the features of the design as shown in the representations, the shape, number and position of the feet being disclaimed. The angular positions of the armrests and the backrest are able to be adjusted independently of each other.**



- (21) Design Number: **12760/2011**  
(22) Date of Filing Application: **20 June 2011**  
(24) Date from which industrial property rights may have effect: **20 June 2011**  
(54) Product in respect of which the design is registered: **Sofa**  
(51) International Design Classification: **06-01G**  
(74) Name(s) of Attorney(s): **FB Rice**  
(71) Name(s) and Address(s) of Applicant(s):  
**King Furniture (Australia) Pty Ltd**  
**123 Turrella Street Turrella New South Wales 2205 Australia**  
(72) Name(s) of Designer(s): **David Russell King and Ryan Lawson**  
(45) Registration Date: **15 July 2011**  
(56) Related Art Documents: **Not Applicable**  
(57) Statement of Newness and Distinctiveness: **Newness and distinctiveness reside in the features of the design as shown in the representations, the shape, number and position of the feet being disclaimed. The angular positions of the backrests are able to be adjusted independently of each other.**



- (21) Design Number: **12761/2011**  
(22) Date of Filing Application: **20 June 2011**  
(24) Date from which industrial property rights may have effect: **20 June 2011**  
(54) Product in respect of which the design is registered: **Sofa**  
(51) International Design Classification: **06-01G**  
(74) Name(s) of Attorney(s): **FB Rice**  
(71) Name(s) and Address(s) of Applicant(s):  
**King Furniture (Australia) Pty Ltd**  
**123 Turrella Street Turrella New South Wales 2205 Australia**  
(72) Name(s) of Designer(s): **David Russell King and Ryan Lawson**  
(45) Registration Date: **15 July 2011**  
(56) Related Art Documents: **Not Applicable**  
(57) Statement of Newness and Distinctiveness: **Newness and distinctiveness reside in the features of the design as shown in the representations, the shape, number and position of the feet being disclaimed. The angular positions of the armrest and the backrest are able to be adjusted independently of each other.**



(21) Design Number: **12762/2011**

(22) Date of Filing Application: **20 June 2011**

(24) Date from which industrial property rights may have effect: **20 June 2011**

(54) Product in respect of which the design is registered: **Sofa**

(51) International Design Classification: **06-01G**

(74) Name(s) of Attorney(s): **FB Rice**

(71) Name(s) and Address(s) of Applicant(s):

**King Furniture (Australia) Pty Ltd**

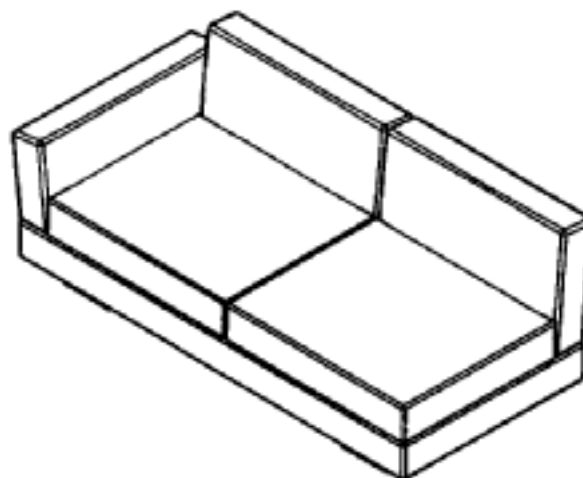
**123 Turrella Street Turrella New South Wales 2205 Australia**

(72) Name(s) of Designer(s): **David Russell King and Ryan Lawson**

(45) Registration Date: **15 July 2011**

(56) Related Art Documents: **Not Applicable**

(57) Statement of Newness and Distinctiveness: **Newness and distinctiveness reside in the features of the design as shown in the representations, the shape, number and position of the feet being disclaimed. Although the armrest of the sofa is shown in the representations on the right side of the sofa, the armrest could, instead, be on the left side of the sofa. Further, the angular positions of the armrest and the backrests are able to be adjusted independently of each other.**



(21) Design Number: **12763/2011**

(22) Date of Filing Application: **20 June 2011**

(24) Date from which industrial property rights may have effect: **20 June 2011**

(54) Product in respect of which the design is registered: **Sofa**

(51) International Design Classification: **06-01G**

(74) Name(s) of Attorney(s): **FB Rice**

(71) Name(s) and Address(s) of Applicant(s):

**King Furniture (Australia) Pty Ltd**

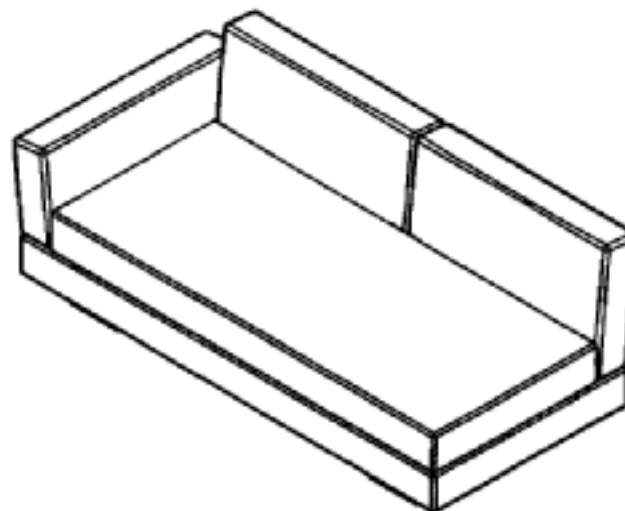
**123 Turrella Street Turrella New South Wales 2205 Australia**

(72) Name(s) of Designer(s): **David Russell King and Ryan Lawson**

(45) Registration Date: **15 July 2011**

(56) Related Art Documents: **Not Applicable**

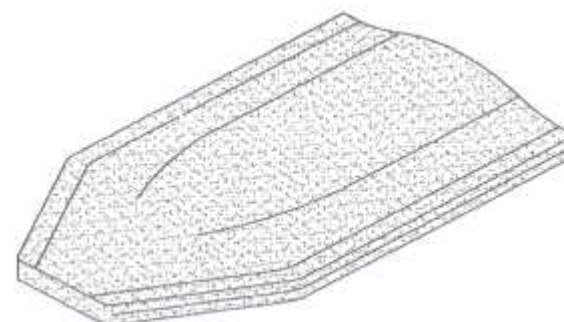
(57) Statement of Newness and Distinctiveness: **Newness and distinctiveness reside in the features of the design as shown in the representations, the shape, number and position of the feet being disclaimed. Although the armrest of the sofa is shown in the representations on the right side of the sofa, the armrest could, instead, be on the left side of the sofa. Further, the angular positions of the armrest and the backrests are able to be adjusted independently of each other.**



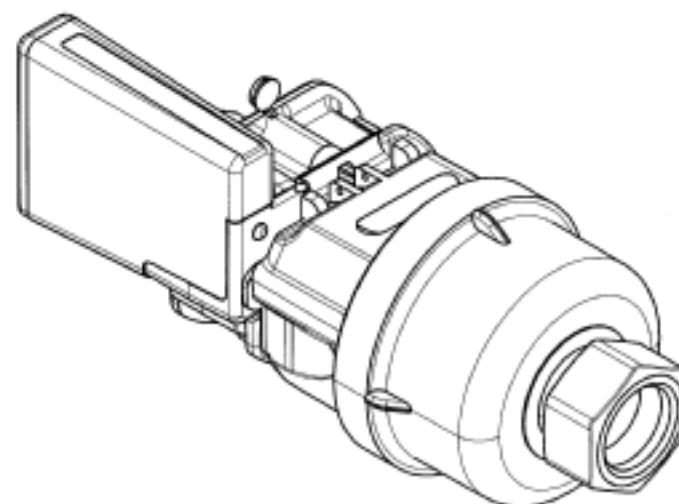
- (21) Design Number: **12885/2011**  
(22) Date of Filing Application: **28 June 2011**  
(24) Date from which industrial property rights may have effect: **28 June 2011**  
(54) Product in respect of which the design is registered: **Camper trailer**  
(51) International Design Classification: **12-10**  
(74) Name(s) of Attorney(s):  
(71) Name(s) and Address(s) of Applicant(s):  
**Primus Australia Pty Ltd**  
**Level 3 20 Enterprise Drive Bundoora Victoria 3083 Australia**  
(72) Name(s) of Designer(s): **Paul McLaughlan**  
(45) Registration Date: **15 July 2011**  
(56) Related Art Documents: **Not Applicable**  
(57) Statement of Newness and Distinctiveness: **A camper trailer designed to fit motor bikes, jet skis, boats and other equipment underneath the camper while travelling. The supportive strut design then allows the camper section to be lowered and used like a regular camper trailer.**



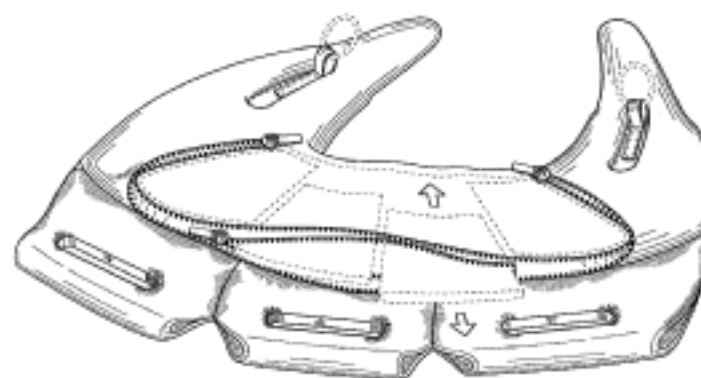
- (21) Design Number: **12791/2011**  
(22) Date of Filing Application: **21 June 2011**  
(24) Date from which industrial property rights may have effect: **21 June 2011**  
(54) Product in respect of which the design is registered: **Scrubbing pad**  
(51) International Design Classification: **07-05E**  
(74) Name(s) of Attorney(s): **SPRUSON & FERGUSON**  
(71) Name(s) and Address(s) of Applicant(s):  
**Ecolab USA Inc.**  
**Ecolab Center 370 N. Wabasha Street St Paul Minnesota 55102-2233**  
**United States of America**  
(72) Name(s) of Designer(s): **Michael Brown and Thomas P. Berg**  
(45) Registration Date: **15 July 2011**  
(30) Convention priority data:  
(31) Number      (32) Date      (33) Country  
**29/381752      22 Dec 2010      UNITED STATES OF AMERICA**  
(56) Related Art Documents: **Not Applicable**  
(57) Statement of Newness and Distinctiveness: **Newness and distinctiveness is claimed in the features of shape and/or configuration of a scrubbing pad.**



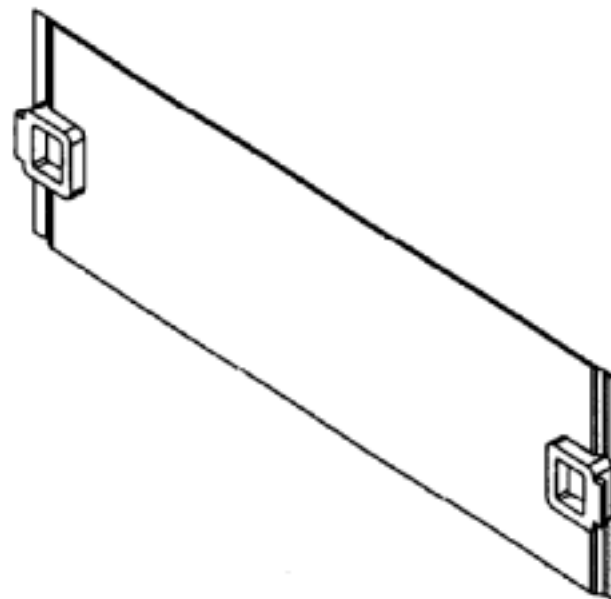
- (21) Design Number: **12792/2011**  
(22) Date of Filing Application: **21 June 2011**  
(24) Date from which industrial property rights may have effect: **21 June 2011**  
(54) Product in respect of which the design is registered: **Housing and clamp for automatic meter reading (AMR) device for V100 type water meters**  
(51) International Design Classification: **08-08D, 10-04**  
(74) Name(s) of Attorney(s):  
(71) Name(s) and Address(s) of Applicant(s):  
**Taggle Systems Pty. Ltd.**  
**Suite 206 National Innovation Centre Australian Technology Park 4**  
**Cornwallis St Eveleigh New South Wales 2015 Australia**  
(72) Name(s) of Designer(s): **Matthew Henderson and Chris Andrews and Henry Greaves and Graeme MacDonald**  
(45) Registration Date: **15 July 2011**  
(56) Related Art Documents: **Not Applicable**  
(57) Statement of Newness and Distinctiveness: **1. Tamper resistant design with integrated sensor and no observable means of removing device. 2. Easy to install and accurately position AMR sensor on the water meter. 3. Two piece design simplifies installation logistics and replacement of electronics. 4. Minimise potential for damage by positioning AMR device within water meter profile.**



- (21) Design Number: **12803/2011**  
(22) Date of Filing Application: **22 June 2011**  
(24) Date from which industrial property rights may have effect: **22 June 2011**  
(54) Product in respect of which the design is registered: **Training bag**  
(51) International Design Classification: **03-01A**  
(74) Name(s) of Attorney(s): **Baldwins Intellectual Property**  
(71) Name(s) and Address(s) of Applicant(s):  
**Ivan R. Ivanov**  
**5836 South Arctic Way Boise ID 83709 United States of America**  
(72) Name(s) of Designer(s): **Ivan R. Ivanov**  
(45) Registration Date: **15 July 2011**  
(30) Convention priority data:  
(31) Number (32) Date (33) Country  
**29/389,702 15 Apr 2011 UNITED STATES OF AMERICA**  
(56) Related Art Documents: **Not Applicable**  
(57) Statement of Newness and Distinctiveness: **Newness and distinctiveness resides in the features of shape and configuration of the training bag, excluding the portions shown in broken line.**



(21) Design Number: **12804/2011**  
(22) Date of Filing Application: **21 June 2011**  
(24) Date from which industrial property rights may have effect: **21 June 2011**  
(54) Product in respect of which the design is registered: **Part of furniture drawers**  
(51) International Design Classification: **06-06D**  
(74) Name(s) of Attorney(s): **Callinans**  
(71) Name(s) and Address(s) of Applicant(s):  
**Julius Blum GmbH**  
**Industriestrasse 1 6973 Hochst Austria**  
(72) Name(s) of Designer(s): **Ingo Gasser**  
(45) Registration Date: **15 July 2011**  
(30) Convention priority data:  
(31) Number (32) Date (33) Country  
**001251961-0026 27 Dec 2010 EUROPEAN COMMUNITY**  
(56) Related Art Documents: **Not Applicable**  
(57) Statement of Newness and Distinctiveness: **Nil**



(21) Design Number: **12864/2011**  
(22) Date of Filing Application: **24 June 2011**  
(24) Date from which industrial property rights may have effect: **24 June 2011**  
(54) Product in respect of which the design is registered: **Candle and tea-light holder**  
(51) International Design Classification: **26-01**  
(74) Name(s) of Attorney(s): **Blake Dawson**  
(71) Name(s) and Address(s) of Applicant(s):  
**Marimekko Oyj**  
**Puusepankatu 4 00880 Helsinki Finland**  
(72) Name(s) of Designer(s): **Harri Paivio**  
(45) Registration Date: **15 July 2011**  
(30) Convention priority data:  
(31) Number (32) Date (33) Country  
**001799172-0001 28 Dec 2010 EUROPEAN COMMUNITY**  
(56) Related Art Documents: **Not Applicable**  
(57) Statement of Newness and Distinctiveness: **Nil**

