



Australian Government

IP Australia

AUSTRALIAN OFFICIAL JOURNAL

OF

DESIGNS

Did you know a searchable version of this journal is now available online?

It's FREE and EASY to SEARCH.

Find it on our website (www.ipaustralia.gov.au)

by using the "Journals" link on the home page.

This Page Left Intentionally Blank

Contents

General Information & Notices

**Proceedings Under the Designs Act 1906 preserved as a result of the provisions of Chapter 12
Part 2 of the Designs Act 2003**

Extension of Period of Registration of Designs	2140
Extensions of Time Granted	2140
Names Registered - Alterations and Amendments	2140
Registrations Ceased	2140
Subsequent Owners Registered	2140

Proceedings Under the Designs Act 2003

Applications for Extension of Time Under Section 137	2151
Applications Lapsed	2150
Applications Lodged	2144
Applications Withdrawn	2150
Certificate of Examination	2153
Extension of Period of Registration of Design	2151
Extension of Time Granted Under Section 137	2151
Names Registered - Alterations and Amendments	2152
Publication and Registration Proceedings	
Designs Registered 337699 to 337927.....	2154
Registrations Ceased	2151
Subsequent Owners Registered	2151

This Page Left Intentionally Blank

For information on the following please see our website www.ipaustralia.gov.au or contact our Customer Service Network on 1300651010

[Editorial enquiries](#)

[Contact information](#)

[Freedom of Information ACT](#)

[Professional Standards Board](#)

[Sales](#)

[Requests for Information under Section 194 \(c\)](#)

[Country Codes](#)

[Trade Mark and Designs Hearing Sessions](#)

[INID \(Internationally agreed Numbers for the Identification of Data\)](#)

“INID” NUMBERS in use on Australian Design Documents

“INID” is an acronym for “Internationally agreed Numbers for the Identification of Data”.

(10) Data concerning the registration/renewal

- (11) Serial number of the registration and/or number of the design document
- (12) Plain language designation of the kind of published document
- (19) Identification, using the two-letter code according to WIPO Standard ST.3, of the authority publishing or registering the industrial design

(20) Data concerning the application

- (21) Serial number of the application
- (22) Date of filing of the application
- (24) Date from which the industrial design right has effect

(30) Data relating to priority under the Paris Convention

- (31) Serial number assigned to the priority application
- (32) Date of filing of the priority application
- (33) Two-letter code, according to WIPO Standard ST.3, identifying the authority with which the priority application was made

(40) Date(s) of making information available to the public

- (45) Date of publication of the registered industrial design by printing or similar process, or making it available to the public by any other means

(50) Miscellaneous Information

- (51) International Classification for Industrial Designs (class and subclass of the Locarno Classification)
- (54) Designation of article(s) or product(s) covered by the industrial design or title of the industrial design
- (55) Reproduction of the industrial design (e.g., drawing, photograph) and explanations relating to the reproduction
- (56) List of prior art documents, if separate from descriptive text
- (57) Description of characteristic features of the industrial design including indication of colours

(60) References to other legally related application(s) and registration(s)

- (62) Serial number(s) and, if available, filing date(s) of application(s), registration(s) or document(s) related by division
- (66) Serial number(s) of the application, or the registration, of the design(s) which is (are) a variant(s) of the present one

(70) Identification of parties concerned with the application or registration

- (71) Name(s) and address(es) of the applicant(s)
- (72) Name(s) of the creator(s) if known to be such
- (74) Name(s) and address(es) of the representative(s)

This Page Left Intentionally Blank

Nil notices for this journal issue.

Proceedings under the Designs Act 1906 preserved as a result of the provisions of Chapter 12 Part 2 of the Designs Act 2003.

This Page Left Intentionally Blank

Applications Lapsed

There were no Applications Lapsed under this section

Extension of Period of Registration of Designs

1st Period (Section 27A(8))

2nd Period (Section 27A(12))

3rd Period (Section 27A(13))

137810	141325	141732
142859	143056	143269
143273	143275	143276
143349	143350	143479
143480	143584	143609
143893	143923	143968
143969	143970	144009
144096	144324	144435
144436	144863	144973
144974	145177	145228
145355	146276	146320
146699	146926	147011
147023	147024	147757
147758	147772	148239
151482		

Registrations Ceased

Note: Some of the following Registrations may have been previously advertised as ceased. In this instance, the previous advertisement still prevails.

125959	126023	126069
126077	126078	126079
126080	126083	126084
126138	126148	126178
126179	126180	126181
126182	126211	126212
126300	126324	126380
126618	126619	126672
127111	127728	127729
127730	127731	127732
127833	127835	128718
128828	128918	129465
129466	129653	129848
132974	132975	132976
140403	140485	141277
141702	141716	141867
141916	142657	143375
143376	144090	144097
144552	144723	145434
146852	147513	

Extensions of time granted

Applications lodged for extension of time have been granted.

137810 **Visy R. & D. Pty Ltd** An Extension of time to extend a registration has been granted to 14/01/2011

Subsequent Owners Registered

(The name in parentheses is that of the subsequent owner)

150503	(S.C. Johnson & Son, Inc.)	Samar L.L.C.
155929	(S.C. Johnson & Son, Inc.)	Samar L.L.C.
156768	(Tebco International, Inc.)	Tebco Pty Limited
157233	(Tebco International, Inc.)	Tebco Pty Limited
157234	(Tebco International, Inc.)	Tebco Pty Limited
144361	(Tebco International, Inc.)	Tebco Pty Limited
150994	(Marshalls, naamloze vennootschap)	Luc Anna Philomena Van Cauwenbergh
151013	(Marshalls, naamloze vennootschap)	Luc Anna Philomena Van Cauwenbergh
130081	(Tech Plas Extrusions Pty Ltd)	Peter Baron
138603	(Digga Australia Pty Ltd)	Jaden Charters Pty Ltd

Names Registered - Alterations and Amendments

(The name in parentheses is the new name of the proprietor)

128539	(Hills Holdings Limited)	Hills Industries Limited
--------	-----------------------------------	--------------------------

This Page Left Intentionally Blank

Proceedings under the Designs Act 2003.

This Page Left Intentionally Blank

Applications Lodged

Lodgement information is in the following order: **Applicant's Name**; International Classification, Name of Product, Lodgement Date and **Design Number**. If the applicant claims an earlier priority date under an International Convention, the Convention Country and the associated filing date are shown in parentheses before the Lodgement Date. Divisional information will also appear in parentheses before the Lodgement Date.

Accrete Limited; 25-02G, A grate, (NZ, 15 Mar 2011) 20 Jul 2011	13219/2011	ADC Communications (Australia) Pty Limited; 14-02, Base plate for an optical fibre outlet, 27 Jul 2011	13295/2011
Ako Growbal Pty Ltd;Kim, Mi Jung; 11-02C, Flowerpot water saucer "without" roller and "with" roller, 28 Jul 2011	13294/2011	ADC Communications (Australia) Pty Limited; 14-02, Spool for an optical fibre outlet, 27 Jul 2011	13296/2011
Alexander, Robert; 08-05F, This jig is to help fabricate stainless steel 50.8 handrails. It helps to hold the top rail and prevent it from, falling off. It also keeps the stouchen central to the top rail, 13 Jul 2011	13131/2011	ADC Communications (Australia) Pty Limited; 14-02, Extension spool for an optical fibre outlet, 27 Jul 2011	13297/2011
Alexiadis, Con; 25-02G, Vent cover, 18 Jul 2011	13174/2011	Balmark Pty Ltd; 06-03C, Trelo desk range, 26 Jul 2011	13286/2011
Alive Girl Pty Ltd; 02-02C, 02-02NES, Apparel, 14 Jul 2011	13124/2011	Bermad CS LTD; 23-01K, Air release valve, 15 Jul 2011	13142/2011
Aloqaili, Hajar; 14-02, Tab-connect is an electronic device for visually impaired and blind people to support them to read a visual text, 19 Jul 2011	13193/2011	Bermad CS LTD; 23-01K, Air release valve, 15 Jul 2011	13146/2011
Anchor Foods Pty Ltd; 07-01NES, Transparent food container, 26 Jul 2011	13289/2011	Bermad CS LTD; 23-01K, Air release valve, 15 Jul 2011	13147/2011
Apotex Pty Ltd; 09-05, Blister pack, 21 Jul 2011	13224/2011	Bermad CS LTD; 23-01K, Air release valve, 15 Jul 2011	13145/2011
Apotex Pty Ltd; 09-05, Blister pack, 21 Jul 2011	13225/2011	Bermad CS LTD; 23-01K, Air release valve, 15 Jul 2011	13143/2011
Aptargroup, Inc.; 09-07A, Partial lid dispensing closure, (US, 11 Mar 2011) 25 Jul 2011	13263/2011	Bermad CS LTD; 23-01K, Air release valve, 15 Jul 2011	13144/2011
Aptargroup, Inc.; 09-07A, Closure, (US, 11 Mar 2011) 25 Jul 2011	13266/2011	Bermad CS LTD; 23-01K, Air release valve, 15 Jul 2011	13141/2011
Aquarius Rubber (Aust.) Pty. Ltd.; 23-01A, 25-02F, Flashing device, 13 Jul 2011	13116/2011	Biobehavioral Diagnostics Company; 24-01, Portable computer instrument for the assessment of behavioral and neurological disorders, (US, 11 Jul 2011) 22 Jul 2011	13247/2011
Aquarius Rubber (Aust.) Pty. Ltd.; 23-01A, 25-02F, Flasing device, 13 Jul 2011	13117/2011	Black Marlin Australia Pty Ltd; 22-05, Fishing rod handle, 19 Jul 2011	13188/2011
Araki, Yasuhiro;Margis, Paul Anthony;Izadyar, Mehdir;Perlman, Marshal H.;Tomita, Kaname;Yamada, Taku;Lopez, Omar;Depner, Craig;Tong, Sheng; 06-01D, Integrated seatback display for a passenger seat, (Divisional of 11691/2011) 31 Mar 2011	13321/2011	Black Marlin Australia Pty Ltd; 22-05, Fishing rod handle, 19 Jul 2011	13187/2011
Architectural Window Systems Pty Ltd; 25-01K, 25-02H, An extrusion, 20 Jul 2011	13216/2011	Brennan, Katherine; 05-06NES, 11-02F, Decorative screen set, 20 Jul 2011	13210/2011
Australian Geographic Retail Pty Ltd; 02-02B, Dinosaur costume, 14 Jul 2011	13130/2011	Brightgreen Pty Ltd; 26-05E, LED downlight, 22 Jul 2011	13245/2011
		Brightgreen Pty Ltd; 26-05E, LED Downlight, 22 Jul 2011	13246/2011
		BK Investments Ltd.; 02-03, Helmet, (IL, 27 Jan 2011) 20 Jul 2011	13205/2011

Carew, John; 20-03NES, Interchangeable ring that is marked and denotes alcohol content in a vessel. Eg Light Beer/Heavy beer etc and, advertising, 27 Jul 2011	13301/2011	Daikin Industries Ltd.; 23-04, Outdoor unit for air conditioner, 27 Jul 2011	13307/2011
Carl Freudenberg KG; 08-08F, Mop, (EM, 18 Feb 2011) 14 Jul 2011	13132/2011	Dart Industries Inc.; 03-01NES, Pill case, (US, 07 Apr 2011) 27 Jul 2011	13320/2011
Centurion Garage Doors Pty Ltd; 25-01K, Door track, 27 Jul 2011	13303/2011	Deckers Outdoor Corporation; 02-04NES, Heel wrap, (US, 05 May 2011) 19 Jul 2011	13203/2011
Christen, Theodor; 12-06A, Water craft, (WO, 09 Feb 2011) 21 Jul 2011	13234/2011	Deckers Outdoor Corporation; 02-04NES, Footwear upper, (US, 09 May 2011) 19 Jul 2011	13202/2011
Coin Purse Holdings; 03-01B, Plastic money clip, 20 Jul 2011	13204/2011	Deckers Outdoor Corporation; 02-04B, Footwear outsole, (US, 04 May 2011) 19 Jul 2011	13201/2011
Columbia Insurance Company; 07-04, Food slicer, (US, 08 Feb 2011) 25 Jul 2011	13261/2011	Delta Panels Pty Ltd; 25-01D, Building panel, 26 Jul 2011	13290/2011
Columbia Insurance Company; 07-04, Food slicer, (US, 26 Jan 2011) 25 Jul 2011	13264/2011	Delta Panels Pty Ltd; 25-01D, Building panel, 26 Jul 2011	13291/2011
Columbia Insurance Company; 07-04, Food wedger, (US, 20 Jan 2011) 19 Jul 2011	13194/2011	Delta T Corporation; 23-04, Fan with shroud, (US, 28 Feb 2011) 25 Jul 2011	13240/2011
Columbia Insurance Company; 07-04, Food wedger, (US, 01 Feb 2011) 19 Jul 2011	13195/2011	Depner, Craig;Margis, Paul Anthony;Izadyar, Mehdir;Perlman, Marshal H.;Tomita, Kaname;Araki, Yasuhiro;Yamada, Taku;Lopez, Omar;Tong, Sheng; 06-01D, Integrated seatback display for a passenger seat, (Divisional of 11691/2011) 31 Mar 2011	13321/2011
Corazzi, Mauro;Milner, Stephen James; 08-08C, Suspension clip, 19 Jul 2011	13192/2011	Derlot Pty Limited; 06-01E, Barstool, 27 Jul 2011	13313/2011
Cowdroy Products Limited; 08-06, A handle, (NZ, 26 May 2011) 15 Jul 2011	13158/2011	Derlot Pty Limited; 09-09, Rubbish bin, 27 Jul 2011	13314/2011
Cristina Re IP Pty Ltd; 09-03C, Soap packaging, 23 Jul 2011	13257/2011	Dyson Limited; 15-05, Part of a vacuum cleaner, (EM, 02 Feb 2011) 20 Jul 2011	13214/2011
Cryovac Australia Pty Ltd; 07-99A, 09-03M, Spiked tray, 14 Jul 2011	13157/2011	Dyson Limited; 15-05, Part of a vacuum cleaner, (EM, 02 Feb 2011) 20 Jul 2011	13215/2011
Cryovac Australia Pty Ltd; 07-01NES, A container, 19 Jul 2011	13179/2011	Electrolux Home Products Pty Limited; 15-07, An appliance component, (Divisional of 15486/2010) 14 Dec 2010	13207/2011
Cryovac Australia Pty Ltd; 07-01NES, A container, 19 Jul 2011	13181/2011	Escape Fitness Limited; 21-02F, Dumbell, (EM, 13 Jan 2011) 13 Jul 2011	13120/2011
Cryovac Australia Pty Ltd; 07-01NES, A container, 19 Jul 2011	13180/2011	Escape Fitness Limited; 21-02F, Kettlebell, (EM, 13 Jan 2011) 13 Jul 2011	13121/2011
Cryovac Australia Pty Ltd; 09-03M, Tray, 14 Jul 2011	13156/2011	Ferrari S.p.A.; 12-08, Car and toy-car, (EM, 27 Jan 2011) 19 Jul 2011	13184/2011
Daikin Industries Ltd.; 23-04, Air conditioner, 27 Jul 2011	13304/2011	Fodor, Andras; 23-02A, 09-09, Hygienic wiper storage and disposal unit, 25 Jul 2011	13259/2011
Daikin Industries Ltd.; 14-03NES, Controller for air conditioner, (JP, 05 Apr 2011) 27 Jul 2011	13305/2011		
Daikin Industries Ltd.; 23-04, Outdoor unit for air conditioner, 27 Jul 2011	13306/2011		
Daikin Industries Ltd.; 23-04, Outdoor unit for air conditioner, 27 Jul 2011	13308/2011		

Garlick Developments Pty Limited; 11-04, Recycled, heat compressed plastic Christmas tree, 22 Jul 2011	13258/2011	Groove Child Pty Ltd; 06-13B, Baby swaddle wrap (ie sleep aid), 28 Jul 2011	13309/2011
Genmar Processing Services; 25-01K, 25-02B, 25-02H, Security windows and doors, 09 Jun 2011	13274/2011	Grujic, Jovica; 08-03, Blade for tile spacer removal tool, 26 Jul 2011	13288/2011
Genmar Processing Services; 25-01K, 25-02B, 25-02H, Security windows and doors, 09 Jun 2011	13275/2011	Grundel, Simon; 26-05NES, Decoration, 21 Jul 2011	13200/2011
Genmar Processing Services; 25-01K, 25-02B, 25-02H, Security windows and doors, 09 Jun 2011	13272/2011	GG Technologies Pty Ltd; 09-08, A pallet, 28 Jul 2011	13326/2011
Genmar Processing Services; 25-01K, 25-02B, 25-02H, Security windows and doors, 09 Jun 2011	13273/2011	Hansgrohe AG; 23-02B, Hand shower, (EM, 28 Jan 2011) 26 Jul 2011	13281/2011
Gillette Company, The; 28-03A, Razor, (US, 21 Jan 2011) 18 Jul 2011	13171/2011	Hansgrohe AG; 23-02B, Hand shower, (EM, 28 Jan 2011) 26 Jul 2011	13282/2011
Gillette Company, The; 28-03A, Razor, (US, 21 Jan 2011) 18 Jul 2011	13170/2011	Hansgrohe AG; 23-02B, Hand shower, (EM, 28 Jan 2011) 26 Jul 2011	13283/2011
Gillette Company, The; 28-03A, Razor, (US, 21 Jan 2011) 18 Jul 2011	13169/2011	High Tech Health Ltd; 28-03NES, Therapeutic device for stimulating muscle contractions, (EM, 31 Jan 2011) 21 Jul 2011	13223/2011
Glen, Garry Joseph; 09-09, Bin compactor, 20 Jul 2011	13212/2011	Hillstone Architectural Lighting Pty Ltd; 26-05E, LED downlight, 19 Jul 2011	13165/2011
Goodhew, Gavin; 25-01K, Solar rail extrusion, 20 Jul 2011	13208/2011	Hollister Incorporated; 24-03, Convex barrier ring with tapered peripheral end portions for ostomy appliances, (US, 07 Mar 2011) 20 Jul 2011	13217/2011
Green Wing Lighting Pty Ltd; 12-16C, Taxi driver protection screen polycarbonate joiner, 28 Jul 2011	13302/2011	Honda Motor Co., Ltd.; 12-16B, Engine cover for outboard motor machine, (CN, 28 Jan 2011) 27 Jul 2011	13299/2011
Greenway Energy Pty Ltd; 08-08NES, Clip, 20 Jul 2011	13209/2011	Horsfall, Barry; 26-05C, Lighting, 15 Jul 2011	13150/2011
Griffiths, James Ian;Griffiths, Michelle May; 23-03NES, This is a flue-mounted heat exchange for pressurised hot water supply, 29 Jul 2011	13332/2011	Huisman, Richard Johannes Cornelis; 09-02A, 23-01F, A fire-fighting helicopter dip-tank, structured within an ISO steel shipping container, 22 Jul 2011	13237/2011
Griffiths, Michelle May;Griffiths, James Ian; 23-03NES, This is a flue-mounted heat exchange for pressurised hot water supply, 29 Jul 2011	13332/2011	Izadyar, Mehdir;Margis, Paul Anthony;Perlman, Marshal H.;Tomita, Kaname;Araki, Yasuhiro;Yamada, Taku;Lopez, Omar;Depner, Craig;Tong, Sheng; 06-01D, Integrated seatback display for a passenger seat, (Divisional of 11691/2011) 31 Mar 2011	13321/2011
Grillwerk GmbH & Co KG; 07-02E, Barbeque, (WO, 01 Feb 2011) 21 Jul 2011	13220/2011	IDEXX Laboratories, Inc; 24-01, Lateral flow device, (US, 24 Jan 2011) 25 Jul 2011	13255/2011
Grillwerk GmbH & Co KG; 07-02E, Barbeque, (WO, 01 Feb 2011) 21 Jul 2011	13221/2011	IP Holdings Pty Limited; 21-02F, Gym fitness equipment, 27 Jul 2011	13284/2011
Grillwerk GmbH & Co KG; 07-02E, Barbeque, (WO, 01 Feb 2011) 21 Jul 2011	13222/2011	Juvekar, Sagar; 02-02NES, T-shirt, 22 Jul 2011	13243/2011
Groove Child Pty Ltd; 03-01NES, Baby dummy holder, 28 Jul 2011	13310/2011	Juvekar, Sagar; 02-02NES, T-shirt, 22 Jul 2011	13244/2011

JANE. S.A.; 12-12, Infant carrycots, (EM, 19 Jan 2011) 18 Jul 2011	13172/2011	Lopez, Omar;Margis, Paul Anthony;Izadyar, Mehdir;Perlman, Marshal H.;Tomita, Kaname;Araki, Yasuhiro;Yamada, Taku;Depner, Craig;Tong, Sheng; 06-01D, Integrated seatback display for a passenger seat, (Divisional of 11691/2011) 31 Mar 2011	13321/2011
Kanichowsky, Ari; 07-02L, Coffee capsule, (IL, 15 Feb 2011) 20 Jul 2011	13218/2011		
Karsten Manufacturing Corporation; 21-02C, Golf club head, (US, 07 Jan 2011) 24 Mar 2011	13226/2011	Malouf, Jessica; 06-03A, Design 1: table, 15 Jul 2011	13151/2011
Kellogg Company; 01-01, Food bar, (US, 08 Feb 2011) 14 Jul 2011	13123/2011	Manrex Pty. Ltd.; 09-05, Foldable stiffening card for supporting a blister sheet, (CA, 18 Feb 2011) 19 Jul 2011	13167/2011
Kenwood Limited; 07-02K, Electric kettle, (EM, 15 Feb 2011) 27 Jul 2011	13300/2011	Manrex Pty. Ltd.; 09-05, A combination of a flat stiffening card and an adhering blister sheet, (CA, 18 Feb 2011) 19 Jul 2011	13168/2011
Kevin Murphy Academy of Hair and Design Pty.Ltd.; 09-03NES, Hair treatment container, 27 Jul 2011	13325/2011	Manrex Pty. Ltd.; 09-05, A combination of stiffening card and blister sheet, (CA, 18 Feb 2011) 19 Jul 2011	13166/2011
Kim, Mi Jung;Ako Growbal Pty Ltd; 11-02C, Flowerpot water saucer "without" roller and "with" roller, 28 Jul 2011	13294/2011	Margis, Paul Anthony;Izadyar, Mehdir;Perlman, Marshal H.;Tomita, Kaname;Araki, Yasuhiro;Yamada, Taku;Lopez, Omar;Depner, Craig;Tong, Sheng; 06-01D, Integrated seatback display for a passenger seat, (Divisional of 11691/2011) 31 Mar 2011	13321/2011
Kirkness, Neil William; 11-02B, A concrete planter box retaining wall block with protruding stubs, front and back which interlock with other blocks, and, a low tie to form the base of the planter box, so forming the appearance of a retaining wall of planter boxes, 14 Jul 2011	13138/2011	Mars, Incorporated; 01-06, Pet chew, (EM, 30 Mar 2011) 20 Jul 2011	13211/2011
Koninklijke Philips Electronics N.V.; 14-01, Micro audio system, (EM, 25 Jan 2011) 22 Jul 2011	13251/2011	Mass Technology (H.K.) Limited; 26-05B, Lamp, (HK, 21 Feb 2011) 21 Jul 2011	13254/2011
Koninklijke Philips Electronics N.V.; 14-01, Micro audio system, (EM, 25 Jan 2011) 22 Jul 2011	13252/2011	Matthews International Pty Ltd; 25-01K, A profile, 19 Jul 2011	13177/2011
Koninklijke Philips Electronics N.V.; 14-01, Micro audio system, (EM, 25 Jan 2011) 22 Jul 2011	13249/2011	McNeil-PPC, Inc.; 04-02, Electric toothbrush and replaceable toothbrush head, (Divisional of 11954/2011) 20 Apr 2011	13233/2011
Koninklijke Philips Electronics N.V.; 14-01, Micro audio system, (EM, 25 Jan 2011) 22 Jul 2011	13250/2011	Michelin Recherche et Technique S.A.;Societe De Technologie Michelin; 12-15A, A tyre, (FR, 25 Feb 2011) 28 Jul 2011	13323/2011
Koninklijke Philips Electronics N.V.; 14-01, Micro audio system, (EM, 25 Jan 2011) 22 Jul 2011	13248/2011	Milner, Stephen James;Corazzi, Mauro; 08-08C, Suspension clip, 19 Jul 2011	13192/2011
LeAmon, Simone Yvette; 26-05B, Light fittings, 20 Jul 2011	13206/2011	Milvain, Drew Heath;Parkinson, Trevor Glen; 06-01G, Bench seat, 27 Jul 2011	13293/2011
Linak A/S; 15-99, A linear actuator, (DK, 26 Jan 2011) 19 Jul 2011	13196/2011	Milvain, Drew Heath;Parkinson, Trevor Glen; 06-01G, Chair, 27 Jul 2011	13292/2011
Logipak Pty Limited; 09-07B, Plastic lid to suit an industrial plastic pail, 18 Jul 2011	13160/2011	Neals Yard Pty Ltd; 20-03C, , 26 Jul 2011	13270/2011
		Neals Yard Pty Ltd; 20-03C, , 26 Jul 2011	13271/2011

Neoperl GmbH; 23-01G, Flow regulator, (EM, 09 Mar 2011) 19 Jul 2011	13183/2011	Parkinson, Trevor Glen;Milvain, Drew Heath; 06-01G, Chair, 27 Jul 2011	13292/2011
Nick Moore Design; 26-05D, , 15 Jul 2011	13134/2011	Pebel Enterprises Pty Ltd; 06-13B, Fitted bedding for a porta cot, 28 Jul 2011	13322/2011
Nick Moore Design; 26-05D, , 15 Jul 2011	13135/2011	Perlman, Marshal H.;Margis, Paul Anthony;Izadyar, Mehdir;Tomita, Kaname;Araki, Yasuhiro;Yamada, Taku;Lopez, Omar;Depner, Craig;Tong, Sheng; 06-01D, Integrated seatback display for a passenger seat, (Divisional of 11691/2011) 31 Mar 2011	13321/2011
Nick Moore Design; 26-05D, , 15 Jul 2011	13136/2011	Powers, David; 23-01NES, Freefill drinking fountain, 18 Jul 2011	13159/2011
Nick Moore Design; 26-05D, Outdoor decorative lights (aka the umbo collection), 15 Jul 2011	13133/2011	Reckitt & Colman (Overseas) Limited; 09-01A, Removable cover for a device, (EM, 25 Jan 2011) 22 Jul 2011	13242/2011
Nile Delta Pty Ltd; 19-06, Artist's utility board, 29 Jul 2011	13327/2011	Reckitt Benckiser N.V.; 09-01K, Bottle, (EM, 21 Feb 2011) 25 Jul 2011	13269/2011
Ningbo Yinzhou Self Photoelectron Technology Co., Ltd.; 26-06, LED lighthouse, 25 Jul 2011	13239/2011	Regal Manufacturers 1973 Limited; 08-06, Handle, 19 Jul 2011	13186/2011
Ningbo Yinzhou Self Photoelectron Technology Co., Ltd.; 26-06, LED dash light, 25 Jul 2011	13238/2011	Regal Manufacturers 1973 Limited; 08-06, Handle, 19 Jul 2011	13185/2011
Nique Enterprises Pty Limited; 06-01F, Dining chair, 27 Jul 2011	13312/2011	Renolds, Mary; 14-03E, Keyboard suitable for mobile phone and one-finger typing, 25 Jul 2011	13287/2011
Nique Enterprises Pty Limited; 06-01F, Dining chair, 27 Jul 2011	13311/2011	Research In Motion Limited; 14-03E, Handheld electronic device, (US, 26 Jan 2011) 25 Jul 2011	13262/2011
Norco Attachments, Inc.; 15-04, Coupler, 18 May 2011	13140/2011	ResMed Ltd.; 24-01, Cushion for respiratory mask, (US, 01 Dec 2010) 17 May 2011	13190/2011
Novetec Building Products Pty Ltd.; 23-02B, Shower unit, 19 Jul 2011	13178/2011	ResMed Ltd.; 24-01, Cushion for respiratory mask, (US, 01 Dec 2010) 17 May 2011	13191/2011
Orica International Pte Ltd.; 22-03, Explosive shell, 14 Jul 2011	13126/2011	ResMed Ltd.; 24-01, Cushion for respiratory mask, (US, 01 Dec 2010) 17 May 2011	13189/2011
Orica International Pte Ltd.; 22-03, Explosive shell, 14 Jul 2011	13127/2011	Riteway Mixers Pty Ltd.; 15-04, Cement mixing apparatus, 27 Jul 2011	13316/2011
Orica International Pte Ltd.; 22-03, Explosive shell, 14 Jul 2011	13125/2011	Sanyo Electric Co., Ltd.; 13-99, Solar cell module, (JP, 28 Jan 2011) 27 Jul 2011	13317/2011
Orica International Pte Ltd.; 22-03, Explosive shell, 14 Jul 2011	13128/2011	Sanyo Electric Co., Ltd.; 13-99, Solar cell, (JP, 28 Jan 2011) 27 Jul 2011	13318/2011
Oticon A/S.; 14-01, Wireless microphone, (EM, 10 Feb 2011) 25 Jul 2011	13241/2011	Scheppach Fabrikation von Holzbearbeitungsmaschinen GmbH.; 08-03, Plunge saw, (WO, 11 May 2011) 14 Jul 2011	13137/2011
Owens-Brockway Glass Container Inc.; 09-03L, Container, (Divisional of 12313/2011) 24 May 2011	13319/2011		
Pacific Market International, LLC.; 07-01NES, Food container, (US, 10 Jan 2011) (Divisional of 12613/2011) 10 Jun 2011	13173/2011		
Panasonic HA Air-Conditioning R&D (M) SDN.BHD.; 14-03NES, Remote control, (MY, 28 Apr 2011) 22 Jul 2011	13253/2011		
Parkinson, Trevor Glen;Milvain, Drew Heath.; 06-01G, Bench seat, 27 Jul 2011	13293/2011		

Scholle Corporation; 09-07A, Closure portion of a cap assembly for a self-sealing bag, (US, 13 Jan 2011) 13 Jul 2011	13118/2011	Sureguard Safety Australia Pty Ltd; 08-08G, Multipurpose suspension hook wall bracket, 20 Jul 2011	13198/2011
Serta Inc.; 06-09, Mattress, (US, 21 Jan 2011) 21 Jul 2011	13230/2011	SwitchEasy Limited; 03-01NES, 14-02, Protective casing and stand for a portable handheld electronic device, (HK, 28 Apr 2011) 19 Jul 2011	13199/2011
Serta Inc.; 06-06F, Bed display, (US, 21 Jan 2011) 21 Jul 2011	13231/2011	Tasman Sinkware Pty Ltd; 23-02F, Sink, 26 Jul 2011	13285/2011
Serta, Inc.; 06-06F, Bed display, (US, 21 Jan 2011) 21 Jul 2011	13228/2011	Tetra Laval Holdings & Finance S.A.; 09-03NES, Packaging container, (EM, 03 Feb 2011) 15 Jul 2011	13139/2011
Serta, Inc.; 06-06F, Bed display, (US, 21 Jan 2011) 21 Jul 2011	13229/2011	The Coleman Company, Inc.; 21-02D, Inflatable towable, (US, 14 Jan 2011) 14 Jul 2011	13129/2011
Shirtliff, Matthew; 23-01H, Tap handle, 18 Jul 2011	13161/2011	The Decor Corporation Pty. Ltd.; 07-01NES, Lettuce crisper bowl, 25 Jul 2011	13276/2011
Shirtliff, Matthew; 23-01H, Tap body with spout, 18 Jul 2011	13162/2011	The Decor Corporation Pty. Ltd.; 07-01NES, Lid for container, 25 Jul 2011	13280/2011
Shirtliff, Matthew; 23-01H, Spout, 18 Jul 2011	13163/2011	The Decor Corporation Pty. Ltd.; 07-01NES, Lettuce crisper lid, 25 Jul 2011	13278/2011
Smith Optics, Inc.; 16-06, Goggle strap connectors, (US, 19 Jan 2011) 18 Jul 2011	13175/2011	The Decor Corporation Pty. Ltd.; 07-01NES, Container, 25 Jul 2011	13279/2011
Smith Optics, Inc.; 02-03, Helmet, (US, 19 Jan 2011) 18 Jul 2011	13176/2011	The Decor Corporation Pty. Ltd.; 07-01NES, Lettuce crisper grid, 25 Jul 2011	13277/2011
Societe des Produits Nestle S.A.; 31-00, A coffee machine, (CH, 24 Feb 2011) 14 Jul 2011	13122/2011	The Goodyear Tire & Rubber Company; 12-15B, Tyre, (US, 02 Feb 2011) 21 Jul 2011	13232/2011
Societe des Produits Nestle S.A.; 07-02L, A coffee machine, (CH, 28 Feb 2011) 26 Jul 2011	13260/2011	The Stanley Works Israel Ltd.; 03-01D, Tool bag, (US, 03 Feb 2011) 19 Jul 2011	13182/2011
Societe des Produits Nestle S.A.; 07-02L, A coffee machine, (CH, 15 Feb 2011) 14 Jul 2011	13119/2011	Tomita, Kaname;Margis, Paul Anthony;Izadyar, Mehdir;Perlman, Marshal H.;Araki, Yasuhiro;Yamada, Taku;Lopez, Omar;Depner, Craig;Tong, Sheng; 06-01D, Integrated seatback display for a passenger seat, (Divisional of 11691/2011) 31 Mar 2011	13321/2011
Societe De Technologie Michelin;Michelin Recherche et Technique S.A.; 12-15A, A tyre, (FR, 25 Feb 2011) 28 Jul 2011	13323/2011	Tong, Sheng;Margis, Paul Anthony;Izadyar, Mehdir;Perlman, Marshal H.;Tomita, Kaname;Araki, Yasuhiro;Yamada, Taku;Lopez, Omar;Depner, Craig; 06-01D, Integrated seatback display for a passenger seat, (Divisional of 11691/2011) 31 Mar 2011	13321/2011
Sony Computer Entertainment Inc.; 21-01N, Portable information terminal, (JP, 25 Jan 2011) 25 Jul 2011	13268/2011	Trespass Holdings Pty Ltd; 02-02B, Pocket, 21 Jul 2011	13235/2011
Sony Computer Entertainment Inc.; 21-01N, Portable information terminal, (JP, 25 Jan 2011) 25 Jul 2011	13267/2011	Turbonetics, Inc.; 15-01, Compressor wheel, (US, 16 Jun 2011) 27 Jul 2011	13298/2011
Stephens, Brett John; 12-16K, A spare wheel carrier, 22 Jul 2011	13236/2011	Tycoon Jewelry, Inc.; 11-01NES, Diamond cut, (US, 01 Feb 2011) 25 Jul 2011	13265/2011
Sterling Products Pty Ltd; 14-02, 20-01, ATM facelift kit, 15 Jul 2011	13164/2011		
Sureguard Safety Australia Pty Ltd; 08-08G, Multipurpose suspension hook, 20 Jul 2011	13197/2011		

U.S. Energy Technologies, Inc.; 26-03, Street light, (US, 21 Jan 2011) 21 Jul 2011	13213/2011	Wallis, Dean Ashley; 22-05, Fishing lure, 15 Jul 2011	13148/2011
Victaulic Company; 23-01B, Pipe element, (US, 20 Jan 2011) 15 Jul 2011	13154/2011	Wallmark Australia Pty Ltd; 25-01E, Insert for a post of indefinite length, 21 Jul 2011	13256/2011
Victaulic Company; 23-01B, Pipe element, (US, 20 Jan 2011) 15 Jul 2011	13155/2011	Wilson Timbers Pty Ltd; 08-08A, Deck joiner (DOGBONE 86), 21 Jul 2011	13227/2011
Victaulic Company; 23-01B, Pipe element, (US, 20 Jan 2011) 15 Jul 2011	13153/2011	Yamada, Taku;Margis, Paul Anthony;Izadyar, Mehdir;Perlman, Marshal H.;Tomita, Kaname;Araki, Yasuhiro;Lopez, Omar;Depner, Craig;Tong, Sheng; 06-01D, Integrated seatback display for a passenger seat, (Divisional of 11691/2011) 31 Mar 2011	13321/2011
Victaulic Company; 23-01B, Pipe element, (US, 20 Jan 2011) 15 Jul 2011	13152/2011	3M Innovative Properties Company; 09-01B, Water bottle, (US, 28 Jan 2011) 27 Jul 2011	13315/2011
Visy R & D Pty Ltd; 09-04, Storage crate, 15 Jul 2011	13149/2011		

Applications Withdrawn

10326 / 2011 (22-05)	12908 / 2011 (21-01N)
12991 / 2011 (13-03NES)	

Applications Lapsed

14937 / 2010 (14-02)	11804 / 2011 (12-16B)
11975 / 2011 (09-03F)	12059 / 2011 (25-01F)
12072 / 2011 (12-02)	12132 / 2011 (25-01F)
12265 / 2011 (99-00)	13173 / 2011 (07-01NES)
13175 / 2011 (16-06)	13176 / 2011 (02-03)

Extension of Period of Registration of Designs

307848	308259	309282
309313	309314	309315
309324	309332	309333
309334	309447	309448
309449	309450	309451
309506	309581	309624
309626	309627	309652
309653	309654	309655
309825	309909	310092
310110	310133	310238
310239	310240	310317
310322	310331	310332
310333	310334	310335
310351	310352	310353
310354	310355	310356
310375	310376	310381
310383	310384	310398
310408	310471	310577
310578	310819	311024
311025	311080	311081
311088	311178	311179
311180	311299	311421
311436	311568	311569
311570	311571	311572
311573	311574	311575
311983	312003	312228
312229	312230	312231
312381	312829	312837
312838	312839	312840
312886	312887	312888
312889	313328	313438
314842	314843	314844
316579	319585	319586
319587	319590	319591
319592		

Registrations Ceased

305093	305615	305616
305617	305681	306270
307503	307656	307657
307658	307736	307737
307738	307739	307740
307741	307742	307743
307744	307745	307746
307748	307756	307759
307797	307798	307799
307800	307801	307820
307856	307861	307862
307886	307887	307907

307915	307916	307917
307925	307949	307950
308014	308111	308206
308207	308208	308210
308211	308230	308387
308388	308570	308571
308800	309406	309407
309588	309711	310185
310399	310400	310401
310402	310530	310692
310798	310799	311219
312111		

Applications for Extension of time under Section 137

Applications under section 137 for extension of time have been lodged. Objections must be lodged within 1 month from the date of this journal.

13300/2010 **Jeffrey Anning** Address for Service: Thompson and Associates 17/9 Moores Crescent VARSITY LAKES QLD 4227

Extensions of time granted under Section 137

Applications lodged under section 137 for extension of time have been granted.

15688/2010 **Finn Enterprise Aust Pty Ltd**

337846 **Briggs & Stratton Corporation**

337886 **Briggs & Stratton Corporation**

Subsequent Owners Registered

(The name in parentheses is that of the subsequent owner)

330404	(S.C. Johnson & Son, Inc.)	Samar, LLC
330403	(S.C. Johnson & Son, Inc.)	Samar, LLC
330989	(S.C. Johnson & Son, Inc.)	Samar, LLC
330990	(S.C. Johnson & Son, Inc.)	Samar, LLC
328313	(S.C. Johnson & Son, Inc.)	Samar, LLC
332833	(S.C. Johnson & Son, Inc.)	Samar, LLC
331007	(S.C. Johnson & Son, Inc.)	Samar, LLC
323857	(S.C. Johnson & Son, Inc.)	Samar, LLC
331006	(S.C. Johnson & Son, Inc.)	Samar, LLC
327612	(S.C. Johnson & Son, Inc.)	Samar, LLC
321742	(S.C. Johnson & Son, Inc.)	Samar, LLC
334856	(S.C. Johnson & Son, Inc.)	Samar, LLC
334857	(S.C. Johnson & Son, Inc.)	Samar, LLC
334858	(S.C. Johnson & Son, Inc.)	Samar, LLC
302149	(Kraft Foods Global, Inc.)	Cadbury Adams USA LLC
302139	(Kraft Foods Global, Inc.)	Cadbury Adams USA LLC
302138	(Kraft Foods Global, Inc.)	Cadbury Adams USA LLC
308961	(Kraft Foods Global, Inc.)	Cadbury Adams USA LLC
308962	(Kraft Foods Global, Inc.)	Cadbury Adams USA LLC
308963	(Kraft Foods Global, Inc.)	Cadbury Adams USA LLC
315067	(Kraft Foods Global, Inc.)	Cadbury Adams USA LLC
302149	(Kraft Foods Global Brands LLC)	Kraft Foods Global, Inc.
302139	(Kraft Foods Global Brands LLC)	Kraft Foods Global, Inc.

- 302138 (**Kraft Foods Global Brands LLC**) Kraft Foods Global, Inc.
- 308961 (**Kraft Foods Global Brands LLC**) Kraft Foods Global, Inc.
- 308962 (**Kraft Foods Global Brands LLC**) Kraft Foods Global, Inc.
- 308963 (**Kraft Foods Global Brands LLC**) Kraft Foods Global, Inc.
- 315067 (**Kraft Foods Global Brands LLC**) Kraft Foods Global, Inc.
- 329986 (**Hunter Douglas Industries Switzerland GmbH**) VKR Holding A/S
- 329987 (**Hunter Douglas Industries Switzerland GmbH**) VKR Holding A/S
- 330793 (**Leaffield Environmental Limited**) LINPAC Environmental Limited
- 331469 (**Leaffield Environmental Limited**) LINPAC Environmental Limited
- 309767 (**Legend Corporate Services Pty Ltd**) Kulak Pty Ltd
- 314516 (**Legend Corporate Services Pty Ltd**) Kulak Pty Ltd
- 310127 (**Tebco International, Inc.**) Tebco Pty Ltd
- 310126 (**Tebco International, Inc.**) Tebco Pty Ltd
- 313642 (**Speziallampenfabrik Dr. Fischer GmbH**) Koninklijke Philips Electronics N.V.

Names Registered - Alterations and Amendments

(The name in parentheses is that of the subsequent applicant)

- 332688 (**LVMH Fragrance Brands**) Parfums Givenchy S.A.
- 330201 (**LVMH Fragrance Brands**) Parfums Givenchy S.A.
- 326164 (**LVMH Fragrance Brands**) Parfums Givenchy S.A.
- 323061 (**LVMH Fragrance Brands**) Parfums Givenchy S.A.
- 303551 (**LVMH Fragrance Brands**) Parfums Givenchy
- 321162 (**LVMH Fragrance Brands**) Parfums Givenchy
- 300279 (**Hills Holdings Limited**) Hills Industries Limited

Certificate(s) of Examination

Examination of the following Design Registration(s) has been completed. Infringement proceedings may now be commenced.

310959	06-11	26/07/2011
311392	22-05	18/07/2011
332139	15-04	28/07/2011
332898	14-03A	27/07/2011
334702	06-01E	26/07/2011
335317	15-05	28/07/2011
335318	15-05	28/07/2011
335319	15-05	28/07/2011
335428	07-02L	22/07/2011
335429	07-02L	22/07/2011
335430	07-02L	22/07/2011
335702	10-05	22/07/2011
335857	08-01	18/07/2011
335858	08-01	18/07/2011
336150	14-02	26/07/2011
336151	14-02	26/07/2011
336324	02-04NES	18/07/2011
336325	09-03NES	18/07/2011
336369	24-01	28/07/2011
336379	23-04	27/07/2011
336380	23-04	27/07/2011
336862	23-02NES	29/07/2011
336864	28-99	27/07/2011
337010	09-05	22/07/2011
337011	09-05	22/07/2011
337011	09-05	22/07/2011
337012	09-05	22/07/2011
337013	09-05	22/07/2011
337042	24-04	25/07/2011
337044	04-02	27/07/2011
337107	15-05	29/07/2011
337108	15-05	29/07/2011
337304	04-02	29/07/2011
337357	24-04	29/07/2011
337358	24-04	29/07/2011
337359	24-04	29/07/2011
337425	04-02	29/07/2011
337452	04-02	29/07/2011
337453	04-02	29/07/2011
337454	04-02	29/07/2011
337463	04-02	29/07/2011

Publication and Registration Proceedings

Designs Registered

This section provides a concordance between design number and registration number of Designs covered in this journal. It also shows the main class and registration date.

This section covers Registration numbers 337699 to 337927 .

The registration number shown below should be used in all future correspondence.

Design Number	Registration Number	International Classification Code (IDC)	Registration Date	Design Number	Registration Number	International Classification Code (IDC)	Registration Date
15058/2010	337784	20-03NES	25/07/2011	12532/2011	337756	09-09	21/07/2011
15129/2010	337806	07-02C	26/07/2011	12538/2011	337716	13-99	18/07/2011
15130/2010	337843	15-07	26/07/2011	12571/2011	337868	20-01	28/07/2011
15131/2010	337844	15-07	26/07/2011	12604/2011	337738	09-07NES	20/07/2011
15132/2010	337845	15-07	26/07/2011	12613/2011	337745	07-01NES	20/07/2011
15486/2010	337813	15-07	26/07/2011	12633/2011	337892	08-07	29/07/2011
10011/2011	337715	12-06NES	18/07/2011	12634/2011	337893	08-07	29/07/2011
10158/2011	337737	12-08	20/07/2011	12666/2011	337874	09-03M	29/07/2011
10460/2011	337885	10-04	29/07/2011	12677/2011	337817	06-06E	26/07/2011
11281/2011	337857	21-02C	28/07/2011	12678/2011	337818	26-05D	26/07/2011
11700/2011	337807	12-16NES	26/07/2011	12683/2011	337847	23-03D	26/07/2011
11795/2011	337889	21-01M	29/07/2011	12696/2011	337894	08-08G	29/07/2011
11812/2011	337742	06-03D	20/07/2011	12797/2011	337706	21-01E	18/07/2011
11833/2011	337814	09-01A	26/07/2011	12798/2011	337707	21-01E	18/07/2011
11834/2011	337779	09-01A	22/07/2011	12800/2011	337699	06-01F	18/07/2011
11843/2011	337713	09-01A	18/07/2011	12801/2011	337700	14-01	18/07/2011
11917/2011	337717	09-03F	19/07/2011	12802/2011	337701	14-01	18/07/2011
11954/2011	337890	04-02	29/07/2011	12807/2011	337708	11-04	18/07/2011
11976/2011	337718	09-01H	19/07/2011	12808/2011	337709	23-01A	18/07/2011
11977/2011	337719	09-01H	19/07/2011	12809/2011	337710	09-09	18/07/2011
11978/2011	337720	09-01H	19/07/2011	12810/2011	337711	24-01	18/07/2011
11979/2011	337721	09-01H	19/07/2011	12811/2011	337712	08-08NES	18/07/2011
12113/2011	337815	08-08L	26/07/2011	12819/2011	337757	25-02B	21/07/2011
12115/2011	337816	08-08L	26/07/2011	12820/2011	337758	25-02B	21/07/2011
12121/2011	337846	13-01	26/07/2011	12821/2011	337759	25-02B	21/07/2011
12123/2011	337886	13-01	29/07/2011	12822/2011	337760	25-02B	21/07/2011
12170/2011	337778	21-99	22/07/2011	12823/2011	337761	25-02B	21/07/2011
12173/2011	337722	14-02	19/07/2011	12824/2011	337762	25-02B	21/07/2011
12203/2011	337808	09-09	26/07/2011	12825/2011	337763	25-02B	21/07/2011
12212/2011	337785	21-01F	25/07/2011	12826/2011	337764		21/07/2011
12217/2011	337768	24-01	22/07/2011	12827/2011	337723	23-01C	19/07/2011
12233/2011	337834	12-06A	26/07/2011	12831/2011	337724	03-01NES	19/07/2011
12237/2011	337734	15-04	20/07/2011	12832/2011	337725	03-01NES	19/07/2011
12279/2011	337913	22-05	01/08/2011	12833/2011	337730	09-01H	19/07/2011
12280/2011	337914	22-05	01/08/2011	12834/2011	337731	09-01H	19/07/2011
12294/2011	337748	06-09	21/07/2011	12835/2011	337732	09-01H	19/07/2011
12314/2011	337703	12-15B	18/07/2011	12836/2011	337733	09-01H	19/07/2011
12331/2011	337809	09-03NES	26/07/2011	12841/2011	337752	14-03E	21/07/2011
12332/2011	337743	09-03NES	20/07/2011	12845/2011	337753	07-01NES	21/07/2011
12333/2011	337744	09-03NES	20/07/2011	12846/2011	337726	03-99	19/07/2011
12334/2011	337749	12-02	21/07/2011	12847/2011	337727	08-08K	19/07/2011
12335/2011	337704	12-02	18/07/2011	12849/2011	337728	07-02N	19/07/2011
12336/2011	337705	12-02	18/07/2011	12850/2011	337729	08-05K	19/07/2011
12350/2011	337867	08-05K	28/07/2011	12854/2011	337897	02-04C	29/07/2011
12373/2011	337891	12-16NES	29/07/2011	12855/2011	337739	08-03	20/07/2011
12404/2011	337915	08-01	01/08/2011	12856/2011	337740	10-01	20/07/2011
12406/2011	337916	08-01	01/08/2011	12857/2011	337736	23-02C	20/07/2011
12407/2011	337917	08-01	01/08/2011	12860/2011	337772	23-02C	22/07/2011
12410/2011	337750	13-03E	21/07/2011	12861/2011	337773	23-02C	22/07/2011
12450/2011	337751	22-01	21/07/2011	12862/2011	337774	23-02C	22/07/2011

Publication and Registration Proceedings - Designs Registered cont'd

Design Number	Registration Number	International Classification Code (IDC)	Registration Date	Design Number	Registration Number	International Classification Code (IDC)	Registration Date
12863/2011	337765	23-02C	21/07/2011	12944/2011	337837	25-01K	26/07/2011
12865/2011	337887	08-03	29/07/2011	12945/2011	337838	25-01K	26/07/2011
12866/2011	337888	08-03	29/07/2011	12946/2011	337839	25-01K	26/07/2011
12867/2011	337819	15-03B	26/07/2011	12947/2011	337840	25-01K	26/07/2011
12868/2011	337754	12-16E	21/07/2011	12948/2011	337841	25-01K	26/07/2011
12869/2011	337755	10-04	21/07/2011	12949/2011	337842	25-01K	26/07/2011
12870/2011	337746	12-10	21/07/2011	12951/2011	337851	14-01	27/07/2011
12871/2011	337747	14-01	21/07/2011	12952/2011	337852	14-01	27/07/2011
12872/2011	337766	14-01	21/07/2011	12955/2011	337853	31-00	27/07/2011
12873/2011	337767	14-01	21/07/2011	12956/2011	337854	14-01	27/07/2011
12874/2011	337775	14-01	22/07/2011	12957/2011	337855	14-01	27/07/2011
12875/2011	337776	14-01	22/07/2011	12958/2011	337859	09-03NES	28/07/2011
12876/2011	337777	14-01	22/07/2011	12959/2011	337860	09-03NES	28/07/2011
12881/2011	337786	09-09	25/07/2011	12960/2011	337861	09-03NES	28/07/2011
12882/2011	337787	12-16B	25/07/2011	12961/2011	337862	24-01	28/07/2011
12883/2011	337788	25-01B	25/07/2011	12962/2011	337863	24-01	28/07/2011
12884/2011	337799	25-01B	25/07/2011	12963/2011	337864	24-01	28/07/2011
12886/2011	337800	07-02L	25/07/2011	12964/2011	337865	24-01	28/07/2011
12887/2011	337780	12-12	22/07/2011	12975/2011	337866	12-16C	28/07/2011
12889/2011	337781	23-01H	22/07/2011	12978/2011	337870	07-02A	28/07/2011
12890/2011	337782	23-01H	22/07/2011	12980/2011	337871	08-05N	28/07/2011
12891/2011	337820	09-03E	26/07/2011	12981/2011	337872	23-01A	28/07/2011
12892/2011	337783	12-08	22/07/2011	12982/2011	337873	23-01A	28/07/2011
12893/2011	337821	09-01H	26/07/2011	12983/2011	337869	09-01A	28/07/2011
12894/2011	337822	12-11	26/07/2011	12994/2011	337898	06-01F	29/07/2011
12895/2011	337823	12-11	26/07/2011	12995/2011	337899	12-15B	29/07/2011
12896/2011	337824	07-02NES	26/07/2011	12996/2011	337900	25-01K	29/07/2011
12897/2011	337825	06-06G	26/07/2011	12997/2011	337901	08-05P	29/07/2011
12898/2011	337826	25-04	26/07/2011	12998/2011	337902	08-05P	29/07/2011
12899/2011	337827	25-04	26/07/2011	13009/2011	337875	21-01NES	29/07/2011
12900/2011	337828	25-04	26/07/2011	13010/2011	337876	21-01NES	29/07/2011
12904/2011	337789	21-01N	25/07/2011	13011/2011	337877	21-01NES	29/07/2011
12905/2011	337790	21-01N	25/07/2011	13012/2011	337878	21-01NES	29/07/2011
12907/2011	337791	14-02	25/07/2011	13013/2011	337879	21-01NES	29/07/2011
12909/2011	337792	21-01N	25/07/2011	13014/2011	337880	21-01NES	29/07/2011
12910/2011	337793	21-01N	25/07/2011	13015/2011	337881	21-01NES	29/07/2011
12911/2011	337801	21-01N	25/07/2011	13016/2011	337882	21-01NES	29/07/2011
12913/2011	337802	21-01N	25/07/2011	13017/2011	337883	21-01NES	29/07/2011
12914/2011	337803	21-01N	25/07/2011	13018/2011	337884	21-01NES	29/07/2011
12917/2011	337804	21-02C	25/07/2011	13021/2011	337925	02-02B	01/08/2011
12918/2011	337805	21-02C	25/07/2011	13024/2011	337926	01-01	01/08/2011
12920/2011	337794	13-03C	25/07/2011	13025/2011	337927	28-03A	01/08/2011
12921/2011	337795	13-03D	25/07/2011	13027/2011	337903	02-02A	01/08/2011
12922/2011	337796	14-02	25/07/2011	13028/2011	337904	02-02A	01/08/2011
12923/2011	337797	12-08	25/07/2011	13029/2011	337905	02-02A	01/08/2011
12925/2011	337798	03-01A	25/07/2011	13030/2011	337906	02-02A	01/08/2011
12927/2011	337810	19-07	26/07/2011	13031/2011	337907	02-02A	01/08/2011
12929/2011	337811	07-07B	26/07/2011	13032/2011	337908	02-02A	01/08/2011
12930/2011	337812	11-04	26/07/2011	13033/2011	337909	02-02A	01/08/2011
12935/2011	337848	07-04	26/07/2011	13036/2011	337910	25-01NES	01/08/2011
12938/2011	337829	23-01A	26/07/2011	13037/2011	337911	25-01NES	01/08/2011
12939/2011	337830	23-01A	26/07/2011	13038/2011	337912	09-01NES	01/08/2011
12940/2011	337831	23-01A	26/07/2011	13039/2011	337741	07-02N	20/07/2011
12942/2011	337835	25-01K	26/07/2011	13042/2011	337832	14-01	26/07/2011
12943/2011	337836	25-01K	26/07/2011	13043/2011	337833	14-01	26/07/2011

Publication and Registration Proceedings - Designs Registered cont'd

Design Number	Registration Number	International Classification Code (IDC)	Registration Date	Design Number	Registration Number	International Classification Code (IDC)	Registration Date
13067/2011	337702	04-02	18/07/2011	13147/2011	337924	23-01K	01/08/2011
13071/2011	337849	25-01NES	26/07/2011	13173/2011	337856	07-01NES	27/07/2011
13073/2011	337850	08-08L	26/07/2011	13185/2011	337895	08-06	29/07/2011
13086/2011	337714	09-01A	18/07/2011	13186/2011	337896	08-06	29/07/2011
13140/2011	337735	15-04	20/07/2011	13189/2011	337769	24-01	22/07/2011
13141/2011	337918	23-01K	01/08/2011	13190/2011	337770	24-01	22/07/2011
13142/2011	337919	23-01K	01/08/2011	13191/2011	337771	24-01	22/07/2011
13143/2011	337920	23-01K	01/08/2011	13226/2011	337858	21-02C	28/07/2011
13144/2011	337921	23-01K	01/08/2011				
13145/2011	337922	23-01K	01/08/2011				
13146/2011	337923	23-01K	01/08/2011				

Publication and Registration Proceedings

Class Listing of Designs Published or Registered

The following section shows an International Classification Code listing of the Registered or Published Designs covered in this supplement.

Classification	Registration Number	Design Number	Classification	Registration Number	Design Number
01-01	337926	13024/2011	08-08K	337727	12847/2011
02-02A	337903	13027/2011	08-08L	337815	12113/2011
02-02A	337904	13028/2011	08-08L	337816	12115/2011
02-02A	337905	13029/2011	08-08L	337850	13073/2011
02-02A	337906	13030/2011	08-08NES	337712	12811/2011
02-02A	337907	13031/2011	09-01A	337713	11843/2011
02-02A	337908	13032/2011	09-01A	337714	13086/2011
02-02A	337909	13033/2011	09-01A	337779	11834/2011
02-02B	337925	13021/2011	09-01A	337814	11833/2011
02-04C	337897	12854/2011	09-01A	337869	12983/2011
03-01A	337798	12925/2011	09-01H	337718	11976/2011
03-01NES	337722	12173/2011	09-01H	337719	11977/2011
03-01NES	337724	12831/2011	09-01H	337720	11978/2011
03-01NES	337725	12832/2011	09-01H	337721	11979/2011
03-01NES	337798	12925/2011	09-01H	337730	12833/2011
03-99	337726	12846/2011	09-01H	337731	12834/2011
04-02	337702	13067/2011	09-01H	337732	12835/2011
04-02	337890	11954/2011	09-01H	337733	12836/2011
06-01F	337699	12800/2011	09-01H	337821	12893/2011
06-01F	337898	12994/2011	09-01NES	337912	13038/2011
06-03D	337742	11812/2011	09-03E	337820	12891/2011
06-06E	337817	12677/2011	09-03F	337717	11917/2011
06-06G	337825	12897/2011	09-03M	337874	12666/2011
06-09	337748	12294/2011	09-03NES	337705	12336/2011
07-01NES	337745	12613/2011	09-03NES	337743	12332/2011
07-01NES	337753	12845/2011	09-03NES	337744	12333/2011
07-01NES	337856	13173/2011	09-03NES	337809	12331/2011
07-02A	337870	12978/2011	09-03NES	337859	12958/2011
07-02C	337806	15129/2010	09-03NES	337860	12959/2011
07-02L	337800	12886/2011	09-03NES	337861	12960/2011
07-02N	337728	12849/2011	09-07NES	337738	12604/2011
07-02N	337741	13039/2011	09-09	337709	12808/2011
07-02NES	337824	12896/2011	09-09	337710	12809/2011
07-04	337848	12935/2011	09-09	337756	12532/2011
07-07B	337811	12929/2011	09-09	337786	12881/2011
07-99NES	337710	12809/2011	09-09	337808	12203/2011
08-01	337915	12404/2011	10-01	337740	12856/2011
08-01	337916	12406/2011	10-04	337755	12869/2011
08-01	337917	12407/2011	10-04	337794	12920/2011
08-03	337739	12855/2011	10-04	337885	10460/2011
08-03	337819	12867/2011	11-04	337708	12807/2011
08-03	337887	12865/2011	11-04	337812	12930/2011
08-03	337888	12866/2011	12-02	337704	12335/2011
08-05K	337729	12850/2011	12-02	337705	12336/2011
08-05K	337867	12350/2011	12-02	337749	12334/2011
08-05N	337871	12980/2011	12-06A	337834	12233/2011
08-05P	337901	12997/2011	12-06NES	337715	10011/2011
08-05P	337902	12998/2011	12-08	337737	10158/2011
08-06	337895	13185/2011	12-08	337783	12892/2011
08-06	337896	13186/2011	12-08	337797	12923/2011
08-07	337892	12633/2011	12-10	337746	12870/2011
08-07	337893	12634/2011	12-11	337822	12894/2011
08-08G	337894	12696/2011	12-11	337823	12895/2011

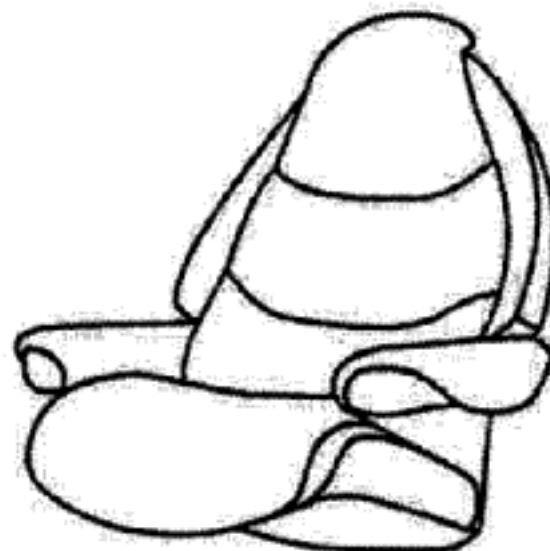
Registration Proceedings - Class Listing of Designs Published or Registered cont'd

Classification	Registration Number	Design Number	Classification	Registration Number	Design Number
12-12	337780	12887/2011	21-01N	337790	12905/2011
12-15B	337703	12314/2011	21-01N	337792	12909/2011
12-15B	337899	12995/2011	21-01N	337793	12910/2011
12-16B	337787	12882/2011	21-01N	337801	12911/2011
12-16C	337866	12975/2011	21-01N	337802	12913/2011
12-16E	337754	12868/2011	21-01N	337803	12914/2011
12-16NES	337715	10011/2011	21-01NES	337875	13009/2011
12-16NES	337807	11700/2011	21-01NES	337876	13010/2011
12-16NES	337891	12373/2011	21-01NES	337877	13011/2011
13-01	337846	12121/2011	21-01NES	337878	13012/2011
13-01	337886	12123/2011	21-01NES	337879	13013/2011
13-03C	337794	12920/2011	21-01NES	337880	13014/2011
13-03D	337772	12860/2011	21-01NES	337881	13015/2011
13-03D	337773	12861/2011	21-01NES	337882	13016/2011
13-03D	337774	12862/2011	21-01NES	337883	13017/2011
13-03D	337795	12921/2011	21-01NES	337884	13018/2011
13-03E	337750	12410/2011	21-02C	337804	12917/2011
13-99	337716	12538/2011	21-02C	337805	12918/2011
14-01	337700	12801/2011	21-02C	337857	11281/2011
14-01	337701	12802/2011	21-02C	337858	13226/2011
14-01	337747	12871/2011	21-99	337778	12170/2011
14-01	337766	12872/2011	22-01	337751	12450/2011
14-01	337767	12873/2011	22-05	337913	12279/2011
14-01	337775	12874/2011	22-05	337914	12280/2011
14-01	337776	12875/2011	23-01A	337709	12808/2011
14-01	337777	12876/2011	23-01A	337829	12938/2011
14-01	337832	13042/2011	23-01A	337830	12939/2011
14-01	337833	13043/2011	23-01A	337831	12940/2011
14-01	337851	12951/2011	23-01A	337872	12981/2011
14-01	337852	12952/2011	23-01A	337873	12982/2011
14-01	337854	12956/2011	23-01C	337723	12827/2011
14-01	337855	12957/2011	23-01C	337829	12938/2011
14-02	337722	12173/2011	23-01C	337830	12939/2011
14-02	337791	12907/2011	23-01C	337831	12940/2011
14-02	337796	12922/2011	23-01H	337781	12889/2011
14-03E	337752	12841/2011	23-01H	337782	12890/2011
15-03B	337819	12867/2011	23-01K	337918	13141/2011
15-04	337734	12237/2011	23-01K	337919	13142/2011
15-04	337735	13140/2011	23-01K	337920	13143/2011
15-07	337813	15486/2010	23-01K	337921	13144/2011
15-07	337843	15130/2010	23-01K	337922	13145/2011
15-07	337844	15131/2010	23-01K	337923	13146/2011
15-07	337845	15132/2010	23-01K	337924	13147/2011
19-07	337810	12927/2011	23-02C	337736	12857/2011
20-01	337868	12571/2011	23-02C	337765	12863/2011
20-03NES	337784	15058/2010	23-02C	337772	12860/2011
21-01C	337783	12892/2011	23-02C	337773	12861/2011
21-01E	337706	12797/2011	23-02C	337774	12862/2011
21-01E	337707	12798/2011	23-03D	337847	12683/2011
21-01F	337780	12887/2011	23-03NES	337716	12538/2011
21-01F	337785	12212/2011	24-01	337711	12810/2011
21-01F	337822	12894/2011	24-01	337768	12217/2011
21-01F	337823	12895/2011	24-01	337769	13189/2011
21-01M	337810	12927/2011	24-01	337770	13190/2011
21-01M	337889	11795/2011	24-01	337771	13191/2011
21-01N	337789	12904/2011	24-01	337862	12961/2011

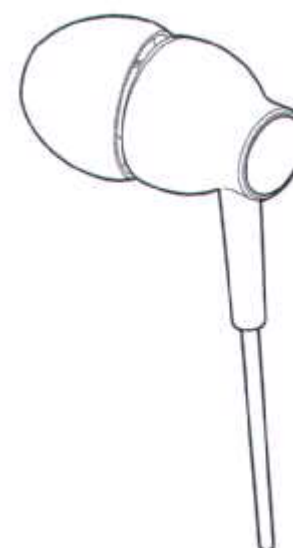
Registration Proceedings - Class Listing of Designs Published or Registered cont'd

Classification	Registration Number	Design Number	Classification	Registration Number	Design Number
24-01	337863	12962/2011	25-01NES	337911	13037/2011
24-01	337864	12963/2011	25-02B	337757	12819/2011
24-01	337865	12964/2011	25-02B	337758	12820/2011
24-04	337897	12854/2011	25-02B	337759	12821/2011
25-01B	337788	12883/2011	25-02B	337760	12822/2011
25-01B	337799	12884/2011	25-02B	337761	12823/2011
25-01K	337835	12942/2011	25-02B	337762	12824/2011
25-01K	337836	12943/2011	25-02B	337763	12825/2011
25-01K	337837	12944/2011	25-02NES	337794	12920/2011
25-01K	337838	12945/2011	25-04	337826	12898/2011
25-01K	337839	12946/2011	25-04	337827	12899/2011
25-01K	337840	12947/2011	25-04	337828	12900/2011
25-01K	337841	12948/2011	26-05D	337818	12678/2011
25-01K	337842	12949/2011	28-03A	337927	13025/2011
25-01K	337900	12996/2011	31-00	337853	12955/2011
25-01NES	337849	13071/2011			
25-01NES	337910	13036/2011			

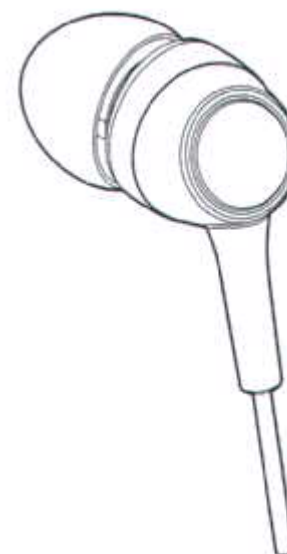
(21) Design Number: **12800/2011**
(22) Date of Filing Application: **21 June 2011**
(24) Date from which industrial property rights may have effect: **21 June 2011**
(54) Product in respect of which the design is registered: **Chair**
(51) International Design Classification: **06-01F**
(74) Name(s) of Attorney(s): **Shelston IP**
(71) Name(s) and Address(s) of Applicant(s):
Ekornes ASA
6222 Ikornnes Norway
(72) Name(s) of Designer(s): **Rikke Wold**
(45) Registration Date: **18 July 2011**
(30) Convention priority data:
(31) Number (32) Date (33) Country
20110162 11 Mar 2011 NORWAY
(56) Related Art Documents: **Not Applicable**
(57) Statement of Newness and Distinctiveness: **Newness and distinctiveness reside in the shape and/or configuration of a chair illustrated by solid lines in the accompanying representations.**



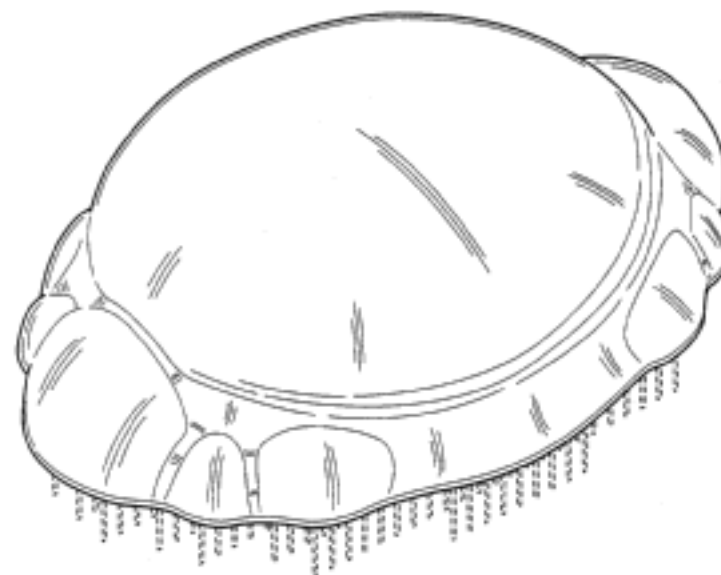
(21) Design Number: **12801/2011**
(22) Date of Filing Application: **21 June 2011**
(24) Date from which industrial property rights may have effect: **21 June 2011**
(54) Product in respect of which the design is registered: **Headphone**
(51) International Design Classification: **14-01**
(74) Name(s) of Attorney(s): **FB Rice**
(71) Name(s) and Address(s) of Applicant(s):
Koninklijke Philips Electronics N.V.
Groenewoudseweg 1 5621 BA Eindhoven The Netherlands
(72) Name(s) of Designer(s): **Mark Craig Weedon**
(45) Registration Date: **18 July 2011**
(30) Convention priority data:
(31) Number (32) Date (33) Country
001797382-0001 22 Dec 2010 EUROPEAN COMMUNITY
(56) Related Art Documents: **Not Applicable**
(57) Statement of Newness and Distinctiveness: **Newness and distinctiveness reside in the shape and configuration of the design as shown in the representations.**



(21) Design Number: **12802/2011**
(22) Date of Filing Application: **21 June 2011**
(24) Date from which industrial property rights may have effect: **21 June 2011**
(54) Product in respect of which the design is registered: **Headphone**
(51) International Design Classification: **14-01**
(74) Name(s) of Attorney(s): **FB Rice**
(71) Name(s) and Address(s) of Applicant(s):
Koninklijke Philips Electronics N.V.
Groenewoudseweg 1 5621 BA Eindhoven The Netherlands
(72) Name(s) of Designer(s): **Mark Craig Weedon**
(45) Registration Date: **18 July 2011**
(30) Convention priority data:
(31) Number (32) Date (33) Country
001797382-0002 22 Dec 2010 EUROPEAN COMMUNITY
(56) Related Art Documents: **Not Applicable**
(57) Statement of Newness and Distinctiveness: **Newness and distinctiveness reside in the shape and configuration of the design as shown in the representations.**



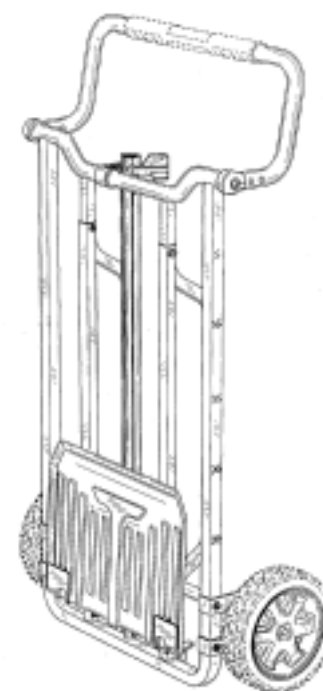
(21) Design Number: **13067/2011**
(22) Date of Filing Application: **08 July 2011**
(24) Date from which industrial property rights may have effect: **08 July 2011**
(54) Product in respect of which the design is registered: **Hair brush**
(51) International Design Classification: **04-02**
(74) Name(s) of Attorney(s): **Madderns**
(71) Name(s) and Address(s) of Applicant(s):
Beans Hair LLC
6105 S Akron Way Greenwood Village 80111 Colorado United States of America
(72) Name(s) of Designer(s): **Alon Mor and Rikki Mor**
(45) Registration Date: **18 July 2011**
(30) Convention priority data:
(31) Number (32) Date (33) Country
29/383,043 11 Jan 2011 UNITED STATES OF AMERICA
(56) Related Art Documents: **Not Applicable**
(57) Statement of Newness and Distinctiveness: **Newness and distinctiveness is claimed in the shape and/or configuration of a hairbrush as shown in the accompanying representations. In determining the scope of protection, no regard will be had to the features depicted in dotted lines.**



(21) Design Number: **12314/2011**
(22) Date of Filing Application: **24 May 2011**
(24) Date from which industrial property rights may have effect: **24 May 2011**
(54) Product in respect of which the design is registered: **Tyre for an automobile**
(51) International Design Classification: **12-15B**
(74) Name(s) of Attorney(s): **Davies Collison Cave**
(71) Name(s) and Address(s) of Applicant(s):
Sumitomo Rubber Industries, Ltd.
6-9 Wakinohama-cho 3-chome Chuo-ku Kobe-shi Hyogo 651-0072 Japan
(72) Name(s) of Designer(s): **Tomoyuki Kujime**
(45) Registration Date: **18 July 2011**
(30) Convention priority data:
(31) Number (32) Date (33) Country
2011-003019 14 Feb 2011 JAPAN
(56) Related Art Documents: **Not Applicable**
(57) Statement of Newness and Distinctiveness: **Nil**



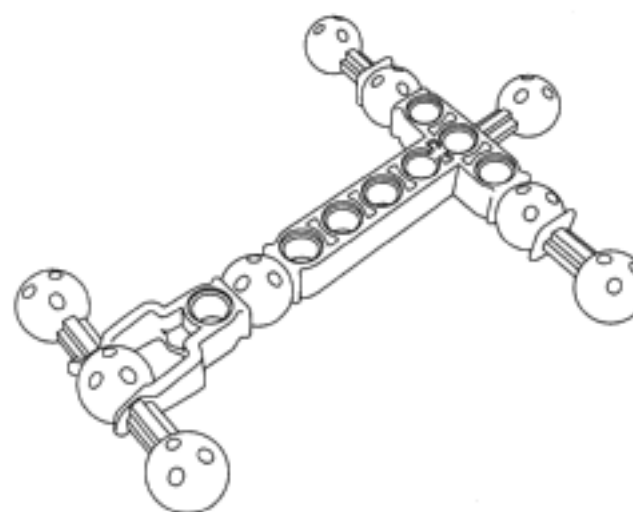
(21) Design Number: **12335/2011**
(22) Date of Filing Application: **25 May 2011**
(24) Date from which industrial property rights may have effect: **25 May 2011**
(54) Product in respect of which the design is registered: **Storage system frame**
(51) International Design Classification: **12-02**
(74) Name(s) of Attorney(s): **Davies Collison Cave**
(71) Name(s) and Address(s) of Applicant(s):
The Stanley Works Israel Ltd.
19 Ha'melacha Street New Industrial Zone Rosh Ha'ayin 48091 Israel
(72) Name(s) of Designer(s): **Gil Vilkomirski and Zvika Fraiman**
(45) Registration Date: **18 July 2011**
(30) Convention priority data:
(31) Number (32) Date (33) Country
29/388802 01 Apr 2011 UNITED STATES OF AMERICA
(56) Related Art Documents: **Not Applicable**
(57) Statement of Newness and Distinctiveness: **Newness and distinctiveness is claimed in the visual features shown in solid lines in the representations.**



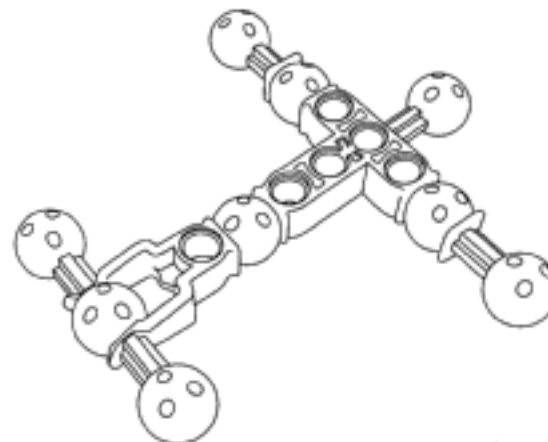
(21) Design Number: **12336/2011**
(22) Date of Filing Application: **25 May 2011**
(24) Date from which industrial property rights may have effect: **25 May 2011**
(54) Product in respect of which the design is registered: **Storage system**
(51) International Design Classification: **12-02, 09-03NES**
(74) Name(s) of Attorney(s): **Davies Collison Cave**
(71) Name(s) and Address(s) of Applicant(s):
The Stanley Works Israel Ltd.
19 Ha'melacha Street New Industrial Zone Rosh Ha'ayin 48091 Israel
(72) Name(s) of Designer(s): **Gil Vilkomirski and Zvika Fraiman**
(45) Registration Date: **18 July 2011**
(30) Convention priority data:
(31) Number (32) Date (33) Country
29/388804 01 Apr 2011 UNITED STATES OF AMERICA
(56) Related Art Documents: **Not Applicable**
(57) Statement of Newness and Distinctiveness: **Newness and distinctiveness is claimed in the visual features shown in solid lines in the representations.**



(21) Design Number: **12797/2011**
(22) Date of Filing Application: **21 June 2011**
(24) Date from which industrial property rights may have effect: **21 June 2011**
(54) Product in respect of which the design is registered: **Building blocks for toy building sets**
(51) International Design Classification: **21-01E**
(74) Name(s) of Attorney(s): **Griffith Hack**
(71) Name(s) and Address(s) of Applicant(s):
Lego A/S
Aastvej 1 Billund DK-7190 Denmark
(72) Name(s) of Designer(s): **Christoph Rottje**
(45) Registration Date: **18 July 2011**
(30) Convention priority data:
(31) Number (32) Date (33) Country
584173601 25 Jan 2011 WORLD INTELLECTUAL PROPERTY ORGANIZATION (WIPO)
(56) Related Art Documents: **Not Applicable**
(57) Statement of Newness and Distinctiveness: **Newness and distinctiveness resides in the shape and configuration of the BUILDING BLOCKS FOR TOY BUILDING SETS as shown in the accompanying representations.**

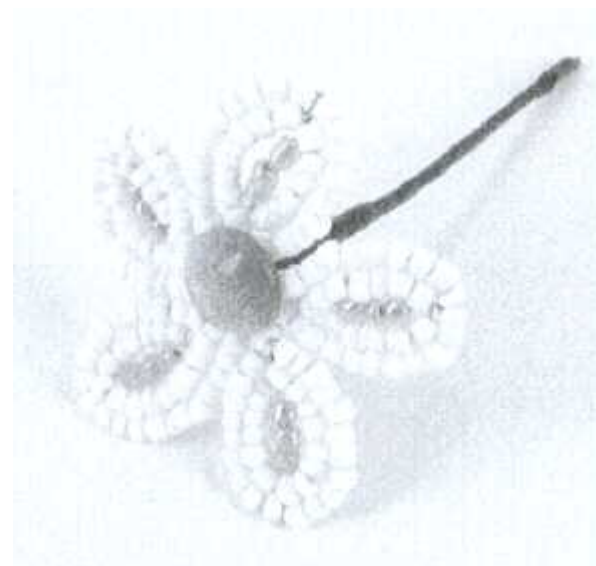


(21) Design Number: **12798/2011**
(22) Date of Filing Application: **21 June 2011**
(24) Date from which industrial property rights may have effect: **21 June 2011**
(54) Product in respect of which the design is registered: **Building blocks for toy building sets**
(51) International Design Classification: **21-01E**
(74) Name(s) of Attorney(s): **Griffith Hack**
(71) Name(s) and Address(s) of Applicant(s):
Lego A/S
Aastvej 1 Billund DK-7190 Denmark
(72) Name(s) of Designer(s): **Christoph Rottje**
(45) Registration Date: **18 July 2011**
(30) Convention priority data:
(31) Number (32) Date (33) Country
**584173601 25 Jan 2011 WORLD INTELLECTUAL
PROPERTY ORGANIZATION
(WIPO)**

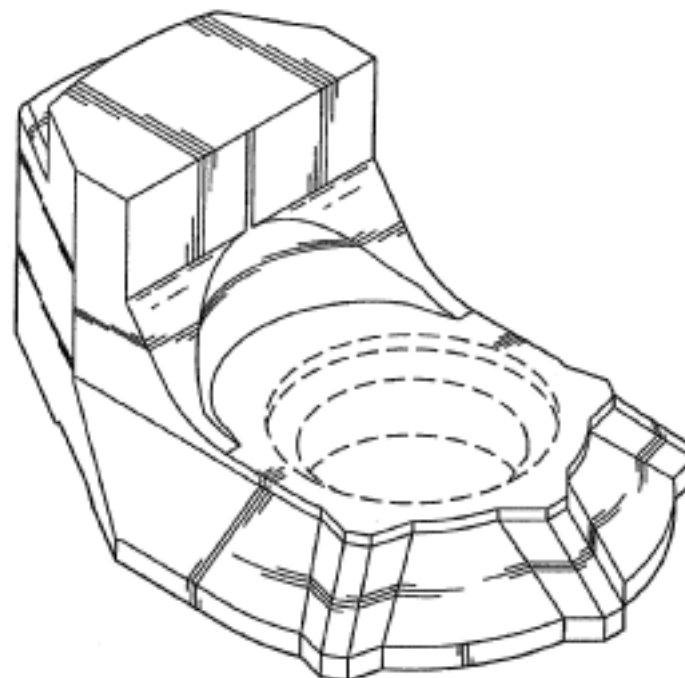


(56) Related Art Documents: **Not Applicable**
(57) Statement of Newness and Distinctiveness: **Newness and distinctiveness resides in the shape and configuration of the BUILDING BLOCKS FOR TOY BUILDING SETS as shown in the accompanying representations.**

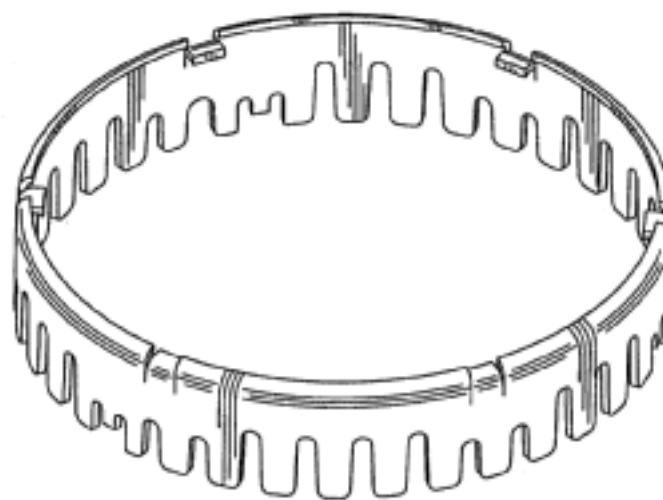
(21) Design Number: **12807/2011**
(22) Date of Filing Application: **22 June 2011**
(24) Date from which industrial property rights may have effect: **22 June 2011**
(54) Product in respect of which the design is registered: **Beaded flower**
(51) International Design Classification: **11-04**
(74) Name(s) of Attorney(s):
(71) Name(s) and Address(s) of Applicant(s):
Christine McCann
46 Annandale Street Annandale New South Wales 2038 Australia
John McCann
46 Annandale Street Annandale New South Wales 2038 Australia
(72) Name(s) of Designer(s): **Christine McCann and John McCann**
(45) Registration Date: **18 July 2011**
(56) Related Art Documents: **Not Applicable**
(57) Statement of Newness and Distinctiveness: **The newness and distinctiveness of the beaded flower resides in the shape and/or configuration and/or pattern of the beaded flower.**



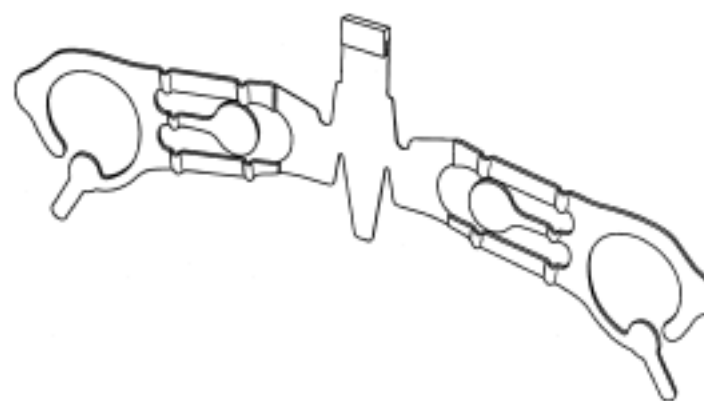
(21) Design Number: **12808/2011**
(22) Date of Filing Application: **22 June 2011**
(24) Date from which industrial property rights may have effect: **22 June 2011**
(54) Product in respect of which the design is registered: **Swivel lug for food waste disposer**
(51) International Design Classification: **23-01A, 09-09**
(74) Name(s) of Attorney(s): **FB Rice**
(71) Name(s) and Address(s) of Applicant(s):
Emerson Electric Co.
8000 West Florissant Avenue St Louis Missouri 63136 United States of America
(72) Name(s) of Designer(s): **Dane Hofmeister**
(45) Registration Date: **18 July 2011**
(30) Convention priority data:
(31) Number (32) Date (33) Country
29/384245 28 Jan 2011 UNITED STATES OF AMERICA
(56) Related Art Documents: **Not Applicable**
(57) Statement of Newness and Distinctiveness: **Newness and distinctiveness reside in the features of the shape and configuration of the design shown in solid lines in the representations excluding those features shown in broken lines.**



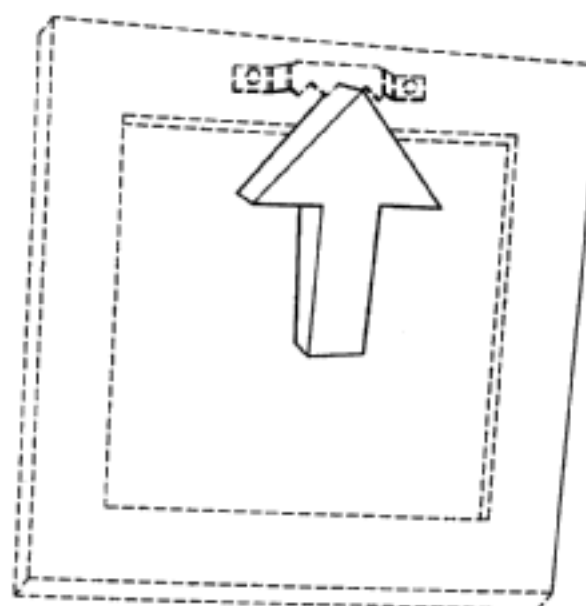
(21) Design Number: **12809/2011**
(22) Date of Filing Application: **22 June 2011**
(24) Date from which industrial property rights may have effect: **22 June 2011**
(54) Product in respect of which the design is registered: **Grind ring for food waste disposer**
(51) International Design Classification: **09-09, 07-99NES**
(74) Name(s) of Attorney(s): **FB Rice**
(71) Name(s) and Address(s) of Applicant(s):
Emerson Electric Co.
8000 West Florissant Avenue St Louis Missouri 63136 United States of America
(72) Name(s) of Designer(s): **Dane Hofmeister and Donald Gapko**
(45) Registration Date: **18 July 2011**
(30) Convention priority data:
(31) Number (32) Date (33) Country
29/384242 28 Jan 2011 UNITED STATES OF AMERICA
(56) Related Art Documents: **Not Applicable**
(57) Statement of Newness and Distinctiveness: **Newness and distinctiveness reside in the features of the shape and configuration of the design as shown in the representations.**



(21) Design Number: **12810/2011**
(22) Date of Filing Application: **22 June 2011**
(24) Date from which industrial property rights may have effect: **22 June 2011**
(54) Product in respect of which the design is registered: **Flexible headset for sensing brain electrical activity**
(51) International Design Classification: **24-01**
(74) Name(s) of Attorney(s): **FB Rice**
(71) Name(s) and Address(s) of Applicant(s):
Brainscope Company, Inc.
8120 Woodmont Avenue Suite 250 Bethesda Maryland 20814 United States of America
(72) Name(s) of Designer(s): **Neil S. Rothman and Michael E. Singer**
(45) Registration Date: **18 July 2011**
(30) Convention priority data:
(31) Number (32) Date (33) Country
29/382685 06 Jan 2011 UNITED STATES OF AMERICA
(56) Related Art Documents: **Not Applicable**
(57) Statement of Newness and Distinctiveness: **Newness and distinctiveness reside in the features of the shape and configuration of the design as shown in the representations.**



(21) Design Number: **12811/2011**
(22) Date of Filing Application: **22 June 2011**
(24) Date from which industrial property rights may have effect: **22 June 2011**
(54) Product in respect of which the design is registered: **Picture hanging aid**
(51) International Design Classification: **08-08NES**
(74) Name(s) of Attorney(s): **FB Rice**
(71) Name(s) and Address(s) of Applicant(s):
Jeff Lombardo
2141 Palomar Airport Road Suite 320 Carlsbad California 92011 United States of America
(72) Name(s) of Designer(s): **Jeff Lombardo**
(45) Registration Date: **18 July 2011**
(56) Related Art Documents: **Not Applicable**
(57) Statement of Newness and Distinctiveness: **Newness and distinctiveness reside in the features of the design as shown in the representations.**



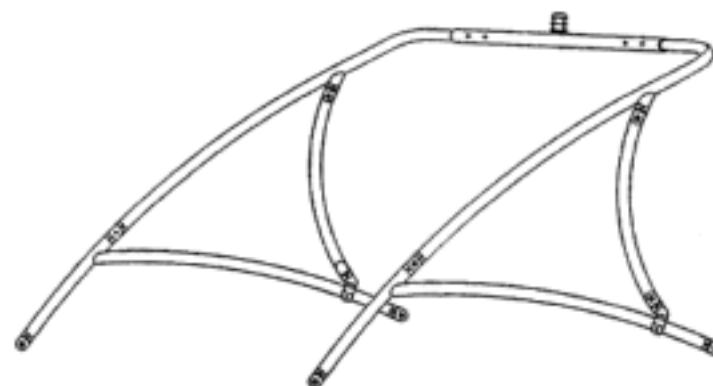
(21) Design Number: **11843/2011**
(22) Date of Filing Application: **28 April 2011**
(24) Date from which industrial property rights may have effect: **28 April 2011**
(54) Product in respect of which the design is registered: **Container**
(51) International Design Classification: **09-01A**
(74) Name(s) of Attorney(s): **FB Rice**
(71) Name(s) and Address(s) of Applicant(s):
Colgate-Palmolive Company
300 Park Avenue New York New York 10022 United States of America
(72) Name(s) of Designer(s): **Kiat-Cheong Toh and Simon Nicholas Dutton**
(45) Registration Date: **18 July 2011**
(30) Convention priority data:
(31) Number (32) Date (33) Country
29/378566 05 Nov 2010 UNITED STATES OF AMERICA
(56) Related Art Documents: **Not Applicable**
(57) Statement of Newness and Distinctiveness: **Newness and distinctiveness reside in the features of shape and ornamentation of the container shown in the representations. When determining whether the design is substantially similar in overall impression to another design, no regard is to be had to those features shown in the drawings with dotted outline, which features are provided for illustrative purposes only.**



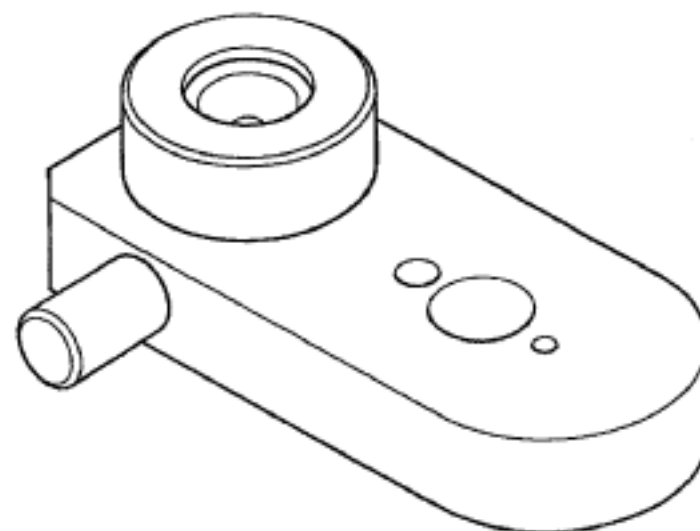
(21) Design Number: **13086/2011**
(22) Date of Filing Application: **28 April 2011**
(24) Date from which industrial property rights may have effect: **28 April 2011**
(54) Product in respect of which the design is registered: **Container**
(51) International Design Classification: **09-01A**
(74) Name(s) of Attorney(s): **FB Rice**
(71) Name(s) and Address(s) of Applicant(s):
Colgate-Palmolive Company
300 Park Avenue New York New York 10022 United States of America
(72) Name(s) of Designer(s): **Kiat-Cheong Toh and Simon Nicholas Dutton**
(45) Registration Date: **18 July 2011**
(30) Convention priority data:
(31) Number (32) Date (33) Country
29/378566 05 Nov 2010 UNITED STATES OF AMERICA
(56) Related Art Documents: **Not Applicable**
(57) Statement of Newness and Distinctiveness: **Newness and distinctiveness reside in the features of shape and ornamentation of the container shown in the representations. When determining whether the design is substantially similar in overall impression to another design, no regard is to be had to those features shown in the drawings with dotted outline, which features are provided for illustrative purposes only.**



(21) Design Number: **10011/2011**
(22) Date of Filing Application: **04 January 2011**
(24) Date from which industrial property rights may have effect: **04 January 2011**
(54) Product in respect of which the design is registered: **Wakeboard tower**
(51) International Design Classification: **12-06NES, 12-16NES**
(74) Name(s) of Attorney(s): **Trademark Central**
(71) Name(s) and Address(s) of Applicant(s):
James Odell
Unit 25 45 Powers Road Seven Hills New South Wales 2147 Australia
(72) Name(s) of Designer(s): **James Odell**
(45) Registration Date: **18 July 2011**
(30) Convention priority data:
(31) Number (32) Date (33) Country
ZL200830173795101 Aug 2008 CHINA
(56) Related Art Documents: **Not Applicable**
(57) Statement of Newness and Distinctiveness: **A wakeboard tower for boats with adjustable height and universal fitting frame (Model LTX).**



(21) Design Number: **12538/2011**
(22) Date of Filing Application: **06 June 2011**
(24) Date from which industrial property rights may have effect: **06 June 2011**
(54) Product in respect of which the design is registered: **Sample cell**
(51) International Design Classification: **13-99, 23-03NES**
(74) Name(s) of Attorney(s): **Davies Collison Cave**
(71) Name(s) and Address(s) of Applicant(s):
The South African Nuclear Energy Corporation Limited
Church Street West Extension Brits Magisterial District 2025 Northwest
Province South Africa
(72) Name(s) of Designer(s): **Mpho Diphago Stanley Lekgoathi and Johannes**
Petrus Le Roux and Willem Gabriel Augustyn
(45) Registration Date: **18 July 2011**
(30) Convention priority data:
(31) Number (32) Date (33) Country
F2010/01687 10 Dec 2010 SOUTH AFRICA
(56) Related Art Documents: **Not Applicable**
(57) Statement of Newness and Distinctiveness: **Newness and distinctiveness is claimed in the shape and/or configuration of a sample cell substantially as shown in the accompanying representations.**



(21) Design Number: **11917/2011**
(22) Date of Filing Application: **29 April 2011**
(24) Date from which industrial property rights may have effect: **29 April 2011**
(54) Product in respect of which the design is registered: **A tray**
(51) International Design Classification: **09-03F**
(74) Name(s) of Attorney(s): **A J Park**
(71) Name(s) and Address(s) of Applicant(s):

Alto Packaging Limited
Level 6 57 Symonds Street Grafton Auckland New Zealand

(72) Name(s) of Designer(s): **Steven Long and Christopher James Cowan**

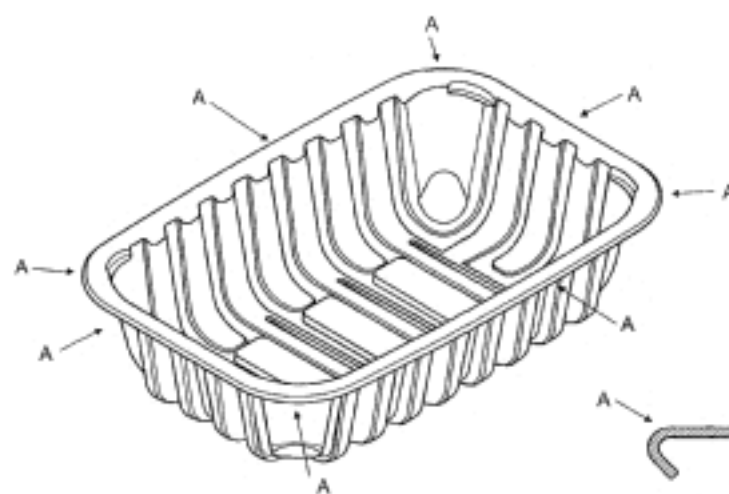
(45) Registration Date: **19 July 2011**

(30) Convention priority data:

(31) Number	(32) Date	(33) Country
414250	09 Nov 2010	NEW ZEALAND

(56) Related Art Documents: **Not Applicable**

(57) Statement of Newness and Distinctiveness: **The novelty claimed for the design resides in the features of shape and/or configuration all as shown in the representations.**



(21) Design Number: **11976/2011**
(22) Date of Filing Application: **05 May 2011**
(24) Date from which industrial property rights may have effect: **05 May 2011**
(54) Product in respect of which the design is registered: **Bottle**
(51) International Design Classification: **09-01H**
(74) Name(s) of Attorney(s): **Wrays**
(71) Name(s) and Address(s) of Applicant(s):

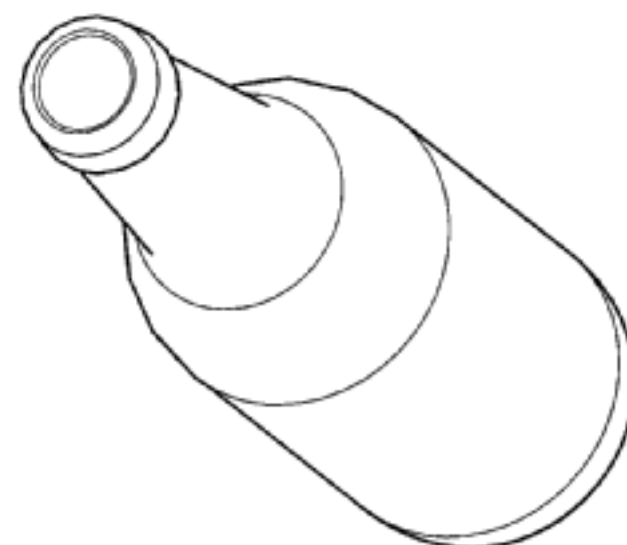
Glass Solution International Ltd
Block F 3-8 Plaza Damas No. 60 Jalan Sri Hartamas Kuala Lumpur 50480
Malaysia

(72) Name(s) of Designer(s): **Jaime Boey**

(45) Registration Date: **19 July 2011**

(56) Related Art Documents: **Not Applicable**

(57) Statement of Newness and Distinctiveness: **Newness and distinctiveness is claimed in each feature of the design as shown in the drawings.**



(21) Design Number: **11977/2011**

(22) Date of Filing Application: **05 May 2011**

(24) Date from which industrial property rights may have effect: **05 May 2011**

(54) Product in respect of which the design is registered: **Bottle**

(51) International Design Classification: **09-01H**

(74) Name(s) of Attorney(s): **Wrays**

(71) Name(s) and Address(s) of Applicant(s):

Glass Solution International Ltd

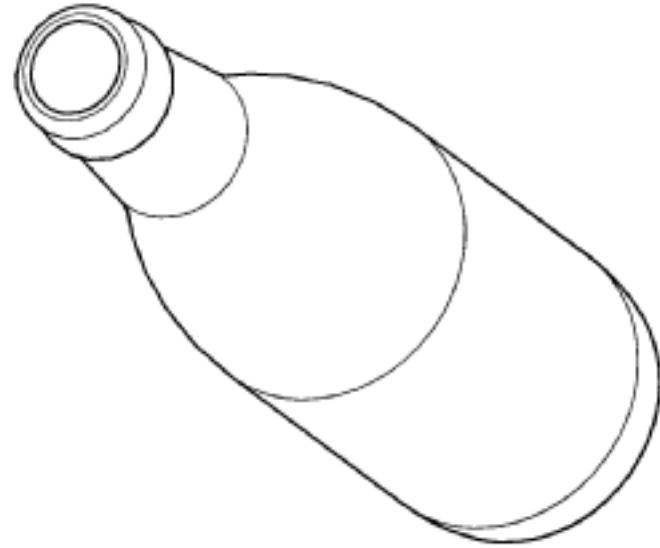
**Block F 3-8 Plaza Damas No. 60 Jalan Sri Hartamas Kuala Lumpur 50480
Malaysia**

(72) Name(s) of Designer(s): **Jaime Boey**

(45) Registration Date: **19 July 2011**

(56) Related Art Documents: **Not Applicable**

(57) Statement of Newness and Distinctiveness: **Newness and distinctiveness
is claimed in each feature of the design as shown in the drawings.**



(21) Design Number: **11978/2011**

(22) Date of Filing Application: **05 May 2011**

(24) Date from which industrial property rights may have effect: **05 May 2011**

(54) Product in respect of which the design is registered: **Bottle**

(51) International Design Classification: **09-01H**

(74) Name(s) of Attorney(s): **Wrays**

(71) Name(s) and Address(s) of Applicant(s):

Glass Solution International Ltd

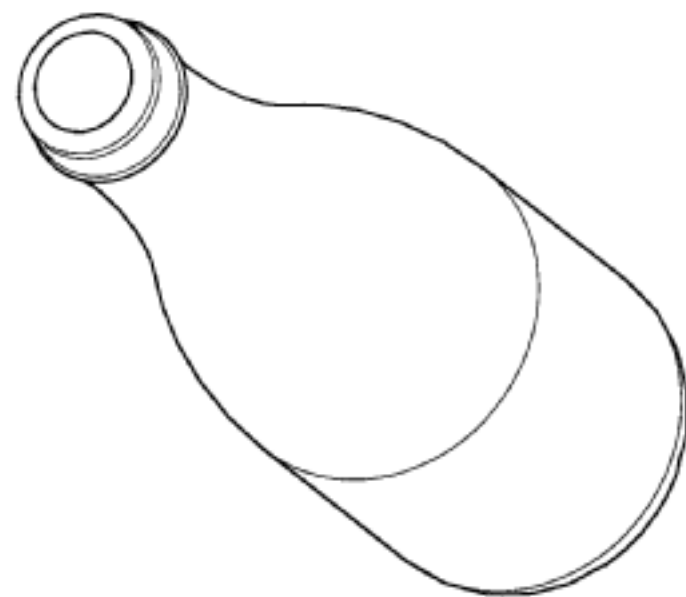
**Block F 3-8 Plaza Damas No. 60 Jalan Sri Hartamas Kuala Lumpur 50480
Malaysia**

(72) Name(s) of Designer(s): **Jaime Boey**

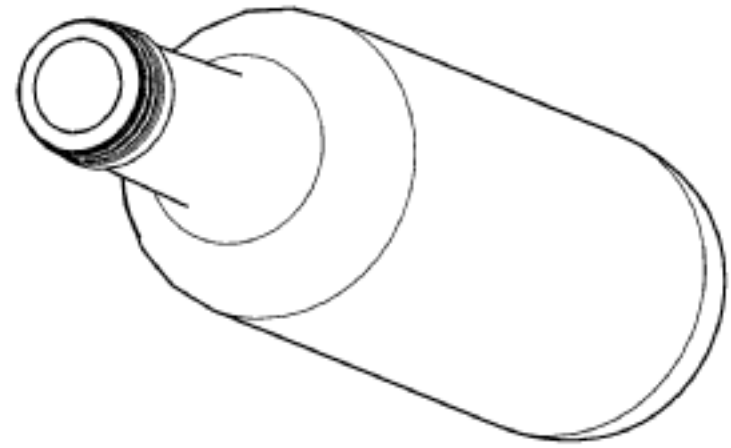
(45) Registration Date: **19 July 2011**

(56) Related Art Documents: **Not Applicable**

(57) Statement of Newness and Distinctiveness: **Newness and distinctiveness
is claimed in each feature of the design as shown in the drawings.**



- (21) Design Number: **11979/2011**
(22) Date of Filing Application: **05 May 2011**
(24) Date from which industrial property rights may have effect: **05 May 2011**
(54) Product in respect of which the design is registered: **Bottle**
(51) International Design Classification: **09-01H**
(74) Name(s) of Attorney(s): **Wrays**
(71) Name(s) and Address(s) of Applicant(s):
Glass Solution International Ltd
Block F 3-8 Plaza Damas No. 60 Jalan Sri Hartamas Kuala Lumpur 50480
Malaysia
(72) Name(s) of Designer(s): **Jaime Boey**
(45) Registration Date: **19 July 2011**
(56) Related Art Documents: **Not Applicable**
(57) Statement of Newness and Distinctiveness: **Newness and distinctiveness is claimed in each feature of the design as shown in the drawings.**



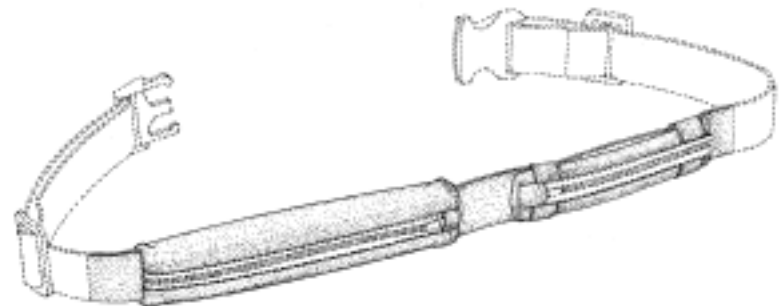
- (21) Design Number: **12173/2011**
(22) Date of Filing Application: **16 May 2011**
(24) Date from which industrial property rights may have effect: **16 May 2011**
(54) Product in respect of which the design is registered: **A protective casing for a portable electronic slate or tablet type device**
(51) International Design Classification: **14-02, 03-01NES**
(74) Name(s) of Attorney(s): **WATERMARK PATENT AND TRADE MARKS ATTORNEYS**
(71) Name(s) and Address(s) of Applicant(s):
Russell Sloan
35 McDonald Street Mordialloc Victoria 3195 Australia
(72) Name(s) of Designer(s): **Russell Sloan**
(45) Registration Date: **19 July 2011**
(56) Related Art Documents: **Not Applicable**
(57) Statement of Newness and Distinctiveness: **Newness and distinctiveness resides in the visual features of the protective casing shown in the accompanying images. The clipboard clip does not form part of the design.**



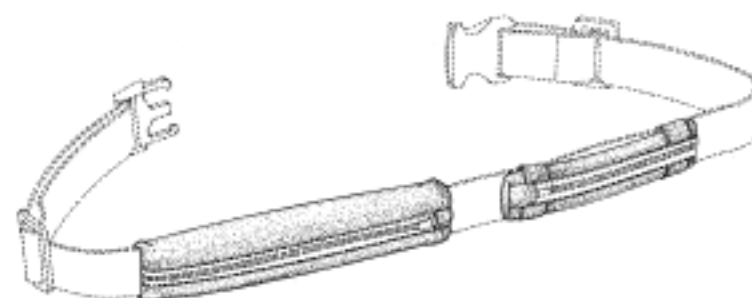
- (21) Design Number: **12827/2011**
(22) Date of Filing Application: **22 June 2011**
(24) Date from which industrial property rights may have effect: **22 June 2011**
(54) Product in respect of which the design is registered: **A hose**
(51) International Design Classification: **23-01C**
(74) Name(s) of Attorney(s): **Cotters Patent & Trade Mark Attorneys**
(71) Name(s) and Address(s) of Applicant(s):
FITT S.p.A.
Via Piave 8 Sandrigo Vicenza 36066 Italy
(72) Name(s) of Designer(s): **Alessandro Mezzalira**
(45) Registration Date: **19 July 2011**
(56) Related Art Documents: **Not Applicable**
(57) Statement of Newness and Distinctiveness: **Newness and distinctiveness is claimed in the features of pattern and/or ornamentation including colour of a hose of indefinite length as depicted in the accompanying drawings.**



- (21) Design Number: **12831/2011**
(22) Date of Filing Application: **22 June 2011**
(24) Date from which industrial property rights may have effect: **22 June 2011**
(54) Product in respect of which the design is registered: **Messenger bag**
(51) International Design Classification: **03-01NES**
(74) Name(s) of Attorney(s): **SPRUSON & FERGUSON**
(71) Name(s) and Address(s) of Applicant(s):
Overton Enterprises, LLC
2205 West 5th Street Austin Texas 78702 United States of America
(72) Name(s) of Designer(s): **Kimberley Overton and Tetsushi Nakayama**
(45) Registration Date: **19 July 2011**
(30) Convention priority data:
(31) Number (32) Date (33) Country
29/372671 22 Dec 2010 UNITED STATES OF AMERICA
(56) Related Art Documents: **Not Applicable**
(57) Statement of Newness and Distinctiveness: **Newness and distinctiveness is claimed in those features of shape and/or configuration of a messenger bag illustrated in continuous lines in the accompanying representations.**



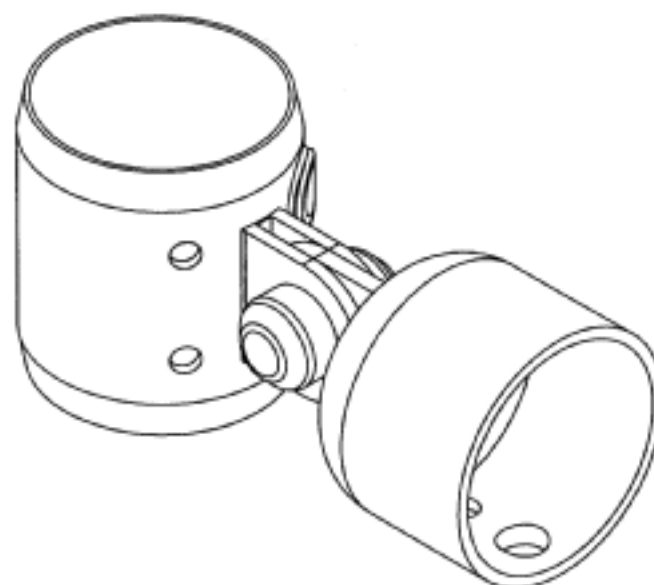
(21) Design Number: **12832/2011**
(22) Date of Filing Application: **22 June 2011**
(24) Date from which industrial property rights may have effect: **22 June 2011**
(54) Product in respect of which the design is registered: **Messenger bag**
(51) International Design Classification: **03-01NES**
(74) Name(s) of Attorney(s): **SPRUSON & FERGUSON**
(71) Name(s) and Address(s) of Applicant(s):
Overton Enterprises, LLC
2205 West 5th Street Austin Texas 78702 United States of America
(72) Name(s) of Designer(s): **Kimberley Overton and Tetsushi Nakayama**
(45) Registration Date: **19 July 2011**
(30) Convention priority data:
(31) Number (32) Date (33) Country
29/372671 22 Dec 2010 UNITED STATES OF AMERICA
(56) Related Art Documents: **Not Applicable**
(57) Statement of Newness and Distinctiveness: **Newness and distinctiveness is claimed in those features of shape and/or configuration of a messenger bag illustrated in continuous lines in the accompanying representations.**



(21) Design Number: **12846/2011**
(22) Date of Filing Application: **23 June 2011**
(24) Date from which industrial property rights may have effect: **23 June 2011**
(54) Product in respect of which the design is registered: **Baby carrier**
(51) International Design Classification: **03-99**
(74) Name(s) of Attorney(s): **SPRUSON & FERGUSON**
(71) Name(s) and Address(s) of Applicant(s):
BabyBjorn AB
Box 913 170 09 Solna Sweden
(72) Name(s) of Designer(s): **Hakan Bergkvist and Lisen Elmberg**
(45) Registration Date: **19 July 2011**
(30) Convention priority data:
(31) Number (32) Date (33) Country
001810664-0001 25 Jan 2011 EUROPEAN COMMUNITY
(56) Related Art Documents: **Not Applicable**
(57) Statement of Newness and Distinctiveness: **Newness and distinctiveness is claimed in the features of shape and/or configuration of a baby carrier as illustrated in the accompanying representations and in particular the shape and/or configuration of the following parts of the baby carrier: The belt portion labelled "A" and The end portion of the strap labelled "B".**



- (21) Design Number: **12847/2011**
(22) Date of Filing Application: **23 June 2011**
(24) Date from which industrial property rights may have effect: **23 June 2011**
(54) Product in respect of which the design is registered: **Fence or railing connector**
(51) International Design Classification: **08-08K**
(74) Name(s) of Attorney(s): **PHILLIPS ORMONDE FITZPATRICK**
(71) Name(s) and Address(s) of Applicant(s):
Rudy Diener
2 Myall Street Doonside New South Wales 2767 Australia
Wayne Milner
1 Berkshire Road Sunshine Victoria 3020 Australia
Danny Earle Rose
105 Jackaranda Road North St. Marys New South Wales 2760 Australia
(72) Name(s) of Designer(s): **Rudy Diener**
(45) Registration Date: **19 July 2011**
(56) Related Art Documents: **Not Applicable**
(57) Statement of Newness and Distinctiveness: **Those features of the fence or railing connector depicted in the representations that are new and distinctive are the shape and/or configuration.**



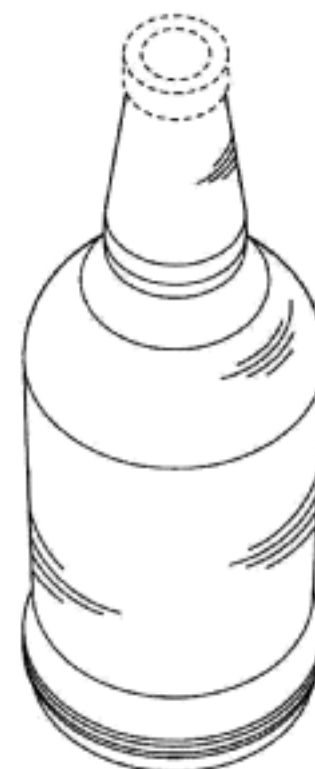
- (21) Design Number: **12849/2011**
(22) Date of Filing Application: **23 June 2011**
(24) Date from which industrial property rights may have effect: **23 June 2011**
(54) Product in respect of which the design is registered: **Electric pressure cooker**
(51) International Design Classification: **07-02N**
(74) Name(s) of Attorney(s): **SPRUSON & FERGUSON**
(71) Name(s) and Address(s) of Applicant(s):
SEB
21260 Selongey France
(72) Name(s) of Designer(s): **Guillaume Reiner**
(45) Registration Date: **19 July 2011**
(30) Convention priority data:
(31) Number (32) Date (33) Country
110850 15 Feb 2011 FRANCE
(56) Related Art Documents: **Not Applicable**
(57) Statement of Newness and Distinctiveness: **Newness and distinctiveness is claimed in the following features of an electric pressure cooker as illustrated in the accompanying representations: a) the shape and/or configuration of the handles of the cooker b) the bulging shape of the body of the cooker.**



(21) Design Number: **12850/2011**
(22) Date of Filing Application: **23 June 2011**
(24) Date from which industrial property rights may have effect: **23 June 2011**
(54) Product in respect of which the design is registered: **Tile spacer**
(51) International Design Classification: **08-05K**
(74) Name(s) of Attorney(s): **Cotters Patent & Trade Mark Attorneys**
(71) Name(s) and Address(s) of Applicant(s):
Michael Gorton
8 Iluka Close Port Macquarie New South Wales 2444 Australia
(72) Name(s) of Designer(s): **Michael Gorton**
(45) Registration Date: **19 July 2011**
(56) Related Art Documents: **Not Applicable**
(57) Statement of Newness and Distinctiveness: **Newness and distinctiveness is claimed in the features of shape and/or configuration of a tile spacer as depicted in the accompanying drawings, and when considering the extent of monopoly protection sought, particular regard is to be given to the rounded corners labeled "B" in the front view.**



(21) Design Number: **12833/2011**
(22) Date of Filing Application: **23 June 2011**
(24) Date from which industrial property rights may have effect: **23 June 2011**
(54) Product in respect of which the design is registered: **Bottle**
(51) International Design Classification: **09-01H**
(74) Name(s) of Attorney(s): **Shelston IP**
(71) Name(s) and Address(s) of Applicant(s):
Owens-Brockway Glass Container Inc.
One Michael Owens Way Perrysburg Ohio 43551 United States of America
(72) Name(s) of Designer(s): **Craig L. Potts**
(45) Registration Date: **19 July 2011**
(30) Convention priority data:
(31) Number (32) Date (33) Country
29/384155 27 Jan 2011 UNITED STATES OF AMERICA
(56) Related Art Documents: **Not Applicable**
(57) Statement of Newness and Distinctiveness: **Newness and distinctiveness reside in the shape and/or configuration of the design for a bottle as shown in the representations, in solid line. The bottle finish shown in broken line is illustrative only and does not form part of the design.**



(21) Design Number: **12834/2011**
(22) Date of Filing Application: **23 June 2011**
(24) Date from which industrial property rights may have effect: **23 June 2011**
(54) Product in respect of which the design is registered: **Bottle**
(51) International Design Classification: **09-01H**
(74) Name(s) of Attorney(s): **Shelston IP**
(71) Name(s) and Address(s) of Applicant(s):
Owens-Brockway Glass Container Inc.
One Michael Owens Way Perrysburg Ohio 43551 United States of America
(72) Name(s) of Designer(s): **Craig L. Potts**
(45) Registration Date: **19 July 2011**
(30) Convention priority data:
(31) Number (32) Date (33) Country
29/384156 27 Jan 2011 UNITED STATES OF AMERICA
(56) Related Art Documents: **Not Applicable**
(57) Statement of Newness and Distinctiveness: **Newness and distinctiveness reside in the shape and/or configuration of the design for a bottle as shown in the representations.**



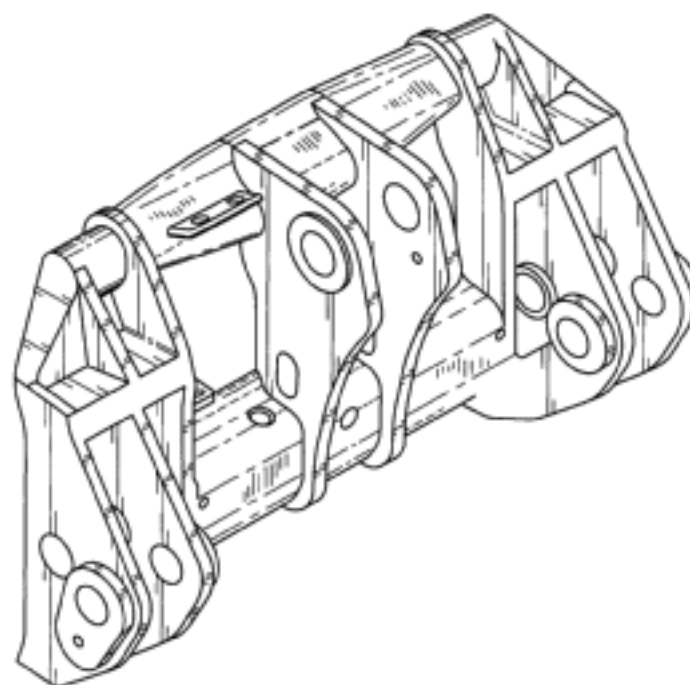
(21) Design Number: **12835/2011**
(22) Date of Filing Application: **23 June 2011**
(24) Date from which industrial property rights may have effect: **23 June 2011**
(54) Product in respect of which the design is registered: **Bottle**
(51) International Design Classification: **09-01H**
(74) Name(s) of Attorney(s): **Shelston IP**
(71) Name(s) and Address(s) of Applicant(s):
Owens-Brockway Glass Container Inc.
One Michael Owens Way Perrysburg Ohio 43551 United States of America
(72) Name(s) of Designer(s): **Craig L. Potts**
(45) Registration Date: **19 July 2011**
(30) Convention priority data:
(31) Number (32) Date (33) Country
29/384157 27 Jan 2011 UNITED STATES OF AMERICA
(56) Related Art Documents: **Not Applicable**
(57) Statement of Newness and Distinctiveness: **Newness and distinctiveness reside in the shape and/or configuration of the design for a bottle as shown in the representations, in solid line. The bottle finish shown in broken line is illustrative only and does not for part of the design.**



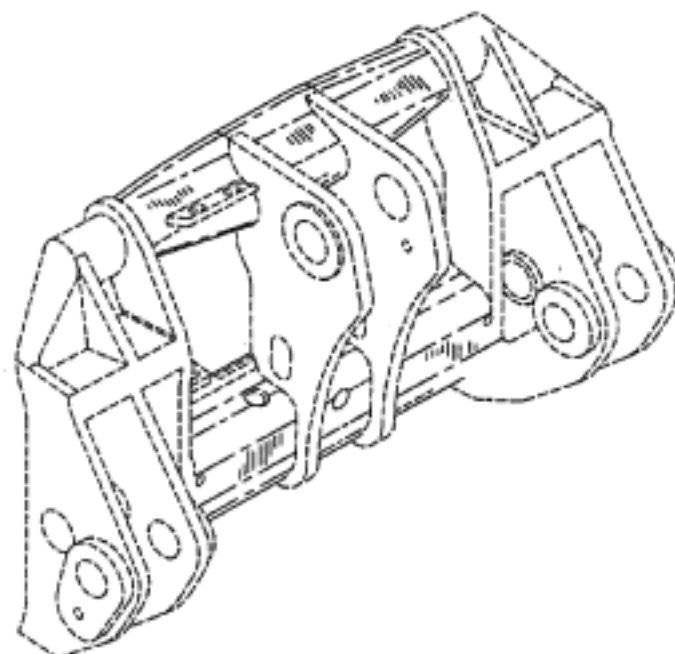
- (21) Design Number: **12836/2011**
(22) Date of Filing Application: **23 June 2011**
(24) Date from which industrial property rights may have effect: **23 June 2011**
(54) Product in respect of which the design is registered: **Bottle**
(51) International Design Classification: **09-01H**
(74) Name(s) of Attorney(s): **Shelston IP**
(71) Name(s) and Address(s) of Applicant(s):
Owens-Brockway Glass Container Inc.
One Michael Owens Way Perrysburg Ohio 43551 United States of America
(72) Name(s) of Designer(s): **Craig L. Potts**
(45) Registration Date: **19 July 2011**
(30) Convention priority data:
(31) Number (32) Date (33) Country
29/384159 27 Jan 2011 UNITED STATES OF AMERICA
(56) Related Art Documents: **Not Applicable**
(57) Statement of Newness and Distinctiveness: **Newness and distinctiveness reside in the shape and/or configuration of the design for a bottle as shown in the representations.**



- (21) Design Number: **12237/2011**
(22) Date of Filing Application: **18 May 2011**
(24) Date from which industrial property rights may have effect: **18 May 2011**
(54) Product in respect of which the design is registered: **Coupler**
(51) International Design Classification: **15-04**
(74) Name(s) of Attorney(s): **WATERMARK PATENT AND TRADE MARKS ATTORNEYS**
(71) Name(s) and Address(s) of Applicant(s):
Norco Attachments, Inc
5010 Hudson Drive Stow Ohio 44224 United States of America
(72) Name(s) of Designer(s): **Jeffrey Bercsik**
(45) Registration Date: **20 July 2011**
(56) Related Art Documents: **Not Applicable**
(57) Statement of Newness and Distinctiveness: **Newness and distinctiveness resides in the features of shape or configuration of a coupler as shown in the accompanying drawings.**



- (21) Design Number: **13140/2011**
(22) Date of Filing Application: **18 May 2011**
(24) Date from which industrial property rights may have effect: **18 May 2011**
(54) Product in respect of which the design is registered: **Coupler**
(51) International Design Classification: **15-04**
(74) Name(s) of Attorney(s): **WATERMARK PATENT AND TRADE MARKS ATTORNEYS**
(71) Name(s) and Address(s) of Applicant(s):
Norco Attachments, Inc
5010 Hudson Drive Stow Ohio 44224 United States of America
(72) Name(s) of Designer(s): **Jeffrey Bercsik**
(45) Registration Date: **20 July 2011**
(56) Related Art Documents: **Not Applicable**
(57) Statement of Newness and Distinctiveness: **Newness and distinctiveness resides in the features of shape or configuration of a coupler as shown in the accompanying drawings. The features shown in dashed lines in the drawings do not form part of the design and are to be disregarded.**



- (21) Design Number: **12857/2011**
(22) Date of Filing Application: **24 June 2011**
(24) Date from which industrial property rights may have effect: **24 June 2011**
(54) Product in respect of which the design is registered: **Toilet pan and cistern**
(51) International Design Classification: **23-02C**
(74) Name(s) of Attorney(s): **HODGKINSON McINNES PATENTS**
(71) Name(s) and Address(s) of Applicant(s):
Gemini Industries Pty Ltd
3/97 Banksia Street Botany New South Wales 2019 Australia
(72) Name(s) of Designer(s): **James Arthur Longley**
(45) Registration Date: **20 July 2011**
(56) Related Art Documents: **Not Applicable**
(57) Statement of Newness and Distinctiveness: **Newness and distinctiveness are claimed in relation to the shape and/or configuration of a toilet pan and cistern as shown in the attached representations.**



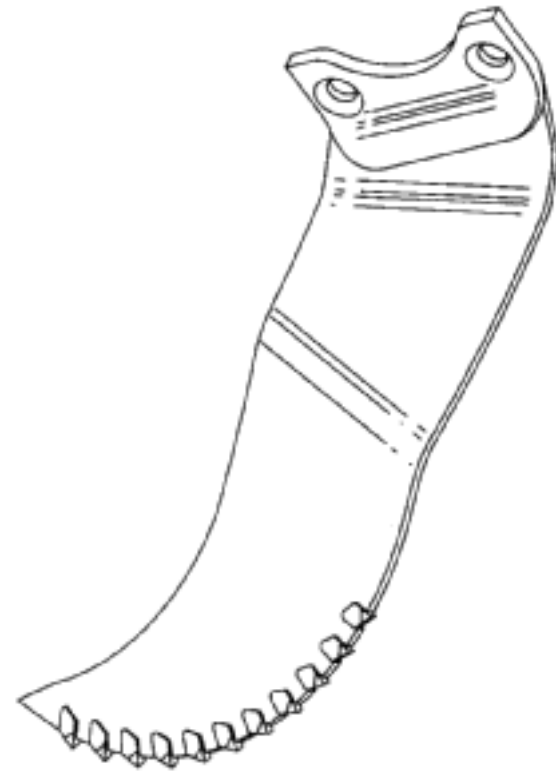
(21) Design Number: **10158/2011**
(22) Date of Filing Application: **21 January 2011**
(24) Date from which industrial property rights may have effect: **21 January 2011**
(54) Product in respect of which the design is registered: **A vehicle**
(51) International Design Classification: **12-08**
(74) Name(s) of Attorney(s): **MIDDLETONS**
(71) Name(s) and Address(s) of Applicant(s):
GM Global Technology Operations LLC
300 Renaissance Centre Detroit Michigan United States of America
(72) Name(s) of Designer(s): **Peter Hughes**
(45) Registration Date: **20 July 2011**
(56) Related Art Documents: **Not Applicable**
(57) Statement of Newness and Distinctiveness: **Nil**



(21) Design Number: **12604/2011**
(22) Date of Filing Application: **10 June 2011**
(24) Date from which industrial property rights may have effect: **10 June 2011**
(54) Product in respect of which the design is registered: **Pot pourri lid with map**
(51) International Design Classification: **09-07NES**
(74) Name(s) of Attorney(s): **Chrysiliou IP**
(71) Name(s) and Address(s) of Applicant(s):
Ellen Charlesworth
5 Eucalypt Close Cowes Victoria 3922 Australia
(72) Name(s) of Designer(s): **Ellen Charlesworth**
(45) Registration Date: **20 July 2011**
(56) Related Art Documents: **Not Applicable**
(57) Statement of Newness and Distinctiveness: **Newness and distinctiveness is claimed in the features of shape and/or configuration of the pot pourri lid with map as illustrated in the accompanying representations.**



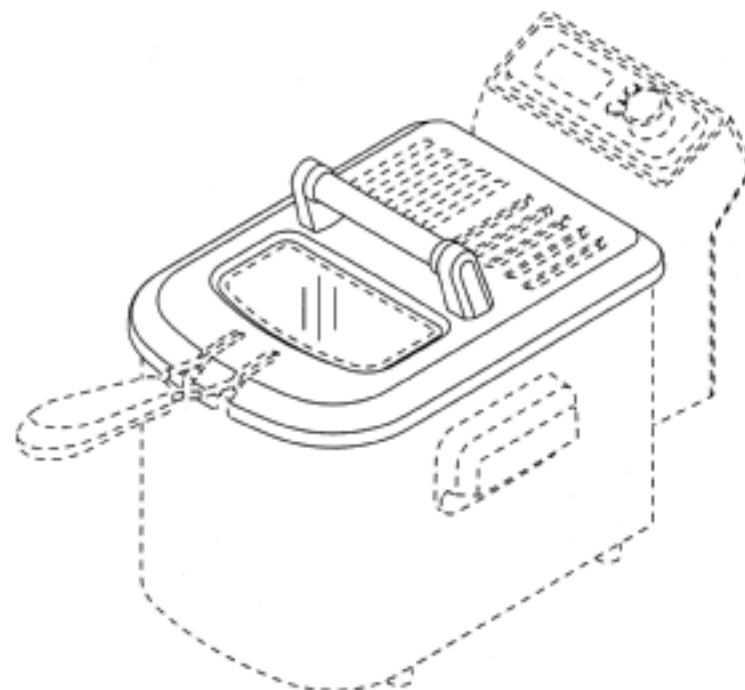
- (21) Design Number: **12855/2011**
(22) Date of Filing Application: **27 June 2011**
(24) Date from which industrial property rights may have effect: **27 June 2011**
(54) Product in respect of which the design is registered: **Allsaw**
(51) International Design Classification: **08-03**
(74) Name(s) of Attorney(s):
(71) Name(s) and Address(s) of Applicant(s):
Arbortech Industries Limited
67 Westchester Road Malaga Western Austrlia 6090 Australia
(72) Name(s) of Designer(s): **Kevin Ross Inkster**
(45) Registration Date: **20 July 2011**
(56) Related Art Documents: **Not Applicable**
(57) Statement of Newness and Distinctiveness: **The blade is bent in several planes as per the drawings and is used in tandem with its mirror image.**



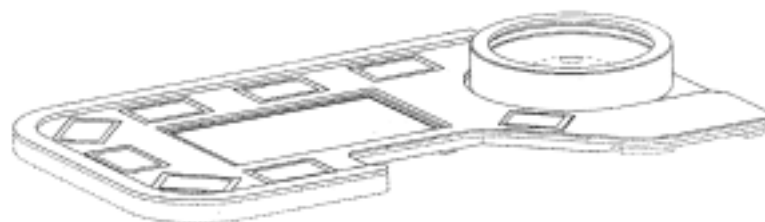
- (21) Design Number: **12856/2011**
(22) Date of Filing Application: **27 June 2011**
(24) Date from which industrial property rights may have effect: **27 June 2011**
(54) Product in respect of which the design is registered: **Clock**
(51) International Design Classification: **10-01**
(74) Name(s) of Attorney(s):
(71) Name(s) and Address(s) of Applicant(s):
Kyriacos (Jack) Papoutsidis
90 Bayview Street Williamstown Victoria 3016 Australia
(72) Name(s) of Designer(s): **Kyriacos (Jack) Papoutsidis**
(45) Registration Date: **20 July 2011**
(56) Related Art Documents: **Not Applicable**
(57) Statement of Newness and Distinctiveness: **Elliptical appearance with an offset angle giving the clock a horizontal vertical application.**



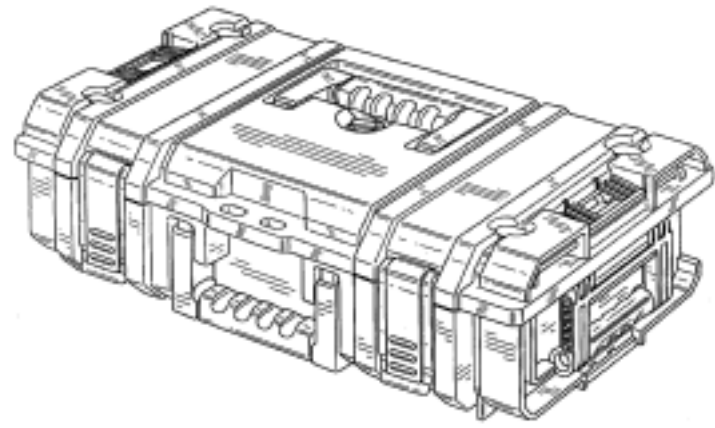
(21) Design Number: **13039/2011**
(22) Date of Filing Application: **08 July 2011**
(24) Date from which industrial property rights may have effect: **08 July 2011**
(54) Product in respect of which the design is registered: **Deep fryer**
(51) International Design Classification: **07-02N**
(74) Name(s) of Attorney(s): **Molins & Co**
(71) Name(s) and Address(s) of Applicant(s):
Breville Pty Limited
Building 2 Port Air Industrial Estate 1A Hale Street Botany New South
Wales 2019 Australia
(72) Name(s) of Designer(s): **Tristan Brega**
(45) Registration Date: **20 July 2011**
(56) Related Art Documents: **Not Applicable**
(57) Statement of Newness and Distinctiveness: **Newness is claimed in the features of shape and configuration of the deep fryer as shown in the accompanying representations. Elements shown in dashed lines form no part of the design.**



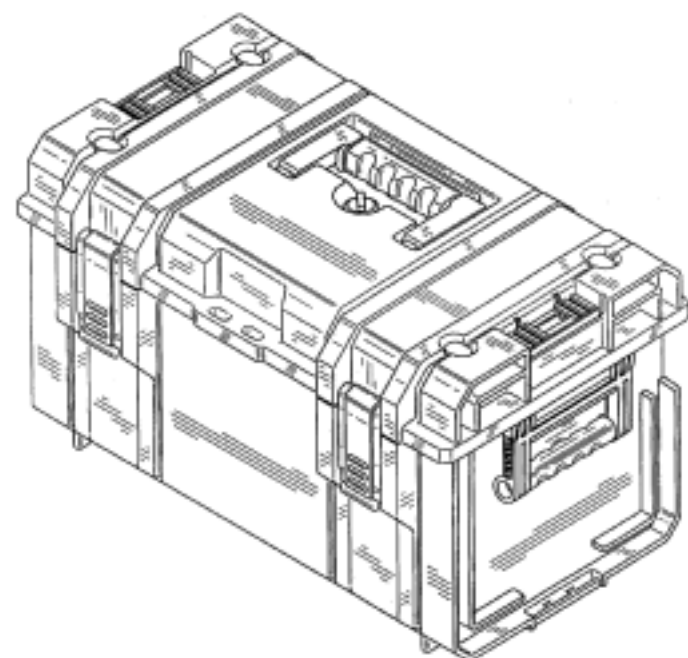
(21) Design Number: **11812/2011**
(22) Date of Filing Application: **21 April 2011**
(24) Date from which industrial property rights may have effect: **21 April 2011**
(54) Product in respect of which the design is registered: **Gaming table for electronic roulette**
(51) International Design Classification: **06-03D**
(74) Name(s) of Attorney(s):
(71) Name(s) and Address(s) of Applicant(s):
Shuffle Master, Inc.
1106 Palms Airport Drive Las Vegas Nevada 89119 United States of
America
(72) Name(s) of Designer(s): **Sion D. Walsh and Russell Caronan and Roger M. Snow and Robert J. Rynda and James Roberts**
(45) Registration Date: **20 July 2011**
(30) Convention priority data:
(31) Number (32) Date (33) Country
29/378,486 04 Nov 2010 UNITED STATES OF AMERICA
(56) Related Art Documents: **Not Applicable**
(57) Statement of Newness and Distinctiveness: **Newness and distinctiveness is claimed in the shape and configuration of a gaming table as represented in solid lines in the attached drawings. In assessing newness and distinctiveness, no regard should be had of the features represented in broken lines, including the presence, shape and configuration of the leg support feature.**



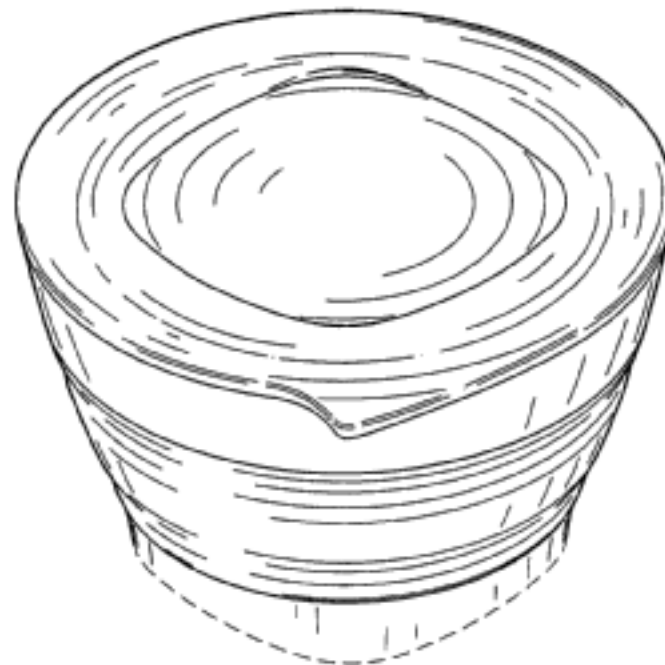
(21) Design Number: **12332/2011**
(22) Date of Filing Application: **25 May 2011**
(24) Date from which industrial property rights may have effect: **25 May 2011**
(54) Product in respect of which the design is registered: **Storage container**
(51) International Design Classification: **09-03NES**
(74) Name(s) of Attorney(s): **Davies Collison Cave**
(71) Name(s) and Address(s) of Applicant(s):
The Stanley Works Israel Ltd.
19 Ha'melacha Street New Industrial Zone Rosh Ha'ayin 48091 Israel
(72) Name(s) of Designer(s): **Gil Vilkomirski and Zvika Fraiman**
(45) Registration Date: **20 July 2011**
(30) Convention priority data:
(31) Number (32) Date (33) Country
29/388792 01 Apr 2011 UNITED STATES OF AMERICA
(56) Related Art Documents: **Not Applicable**
(57) Statement of Newness and Distinctiveness: **Nil**



(21) Design Number: **12333/2011**
(22) Date of Filing Application: **25 May 2011**
(24) Date from which industrial property rights may have effect: **25 May 2011**
(54) Product in respect of which the design is registered: **Storage container**
(51) International Design Classification: **09-03NES**
(74) Name(s) of Attorney(s): **Davies Collison Cave**
(71) Name(s) and Address(s) of Applicant(s):
The Stanley Works Israel Ltd.
19 Ha'melacha Street New Industrial Zone Rosh Ha'ayin 48091 Israel
(72) Name(s) of Designer(s): **Gil Vilkomirski and Zvika Fraiman**
(45) Registration Date: **20 July 2011**
(30) Convention priority data:
(31) Number (32) Date (33) Country
29/388792 01 Apr 2011 UNITED STATES OF AMERICA
(56) Related Art Documents: **Not Applicable**
(57) Statement of Newness and Distinctiveness: **Nil**



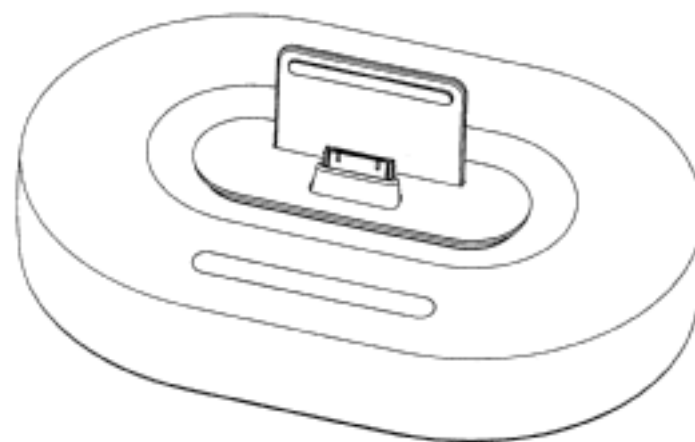
(21) Design Number: **12613/2011**
(22) Date of Filing Application: **10 June 2011**
(24) Date from which industrial property rights may have effect: **10 June 2011**
(54) Product in respect of which the design is registered: **Food container**
(51) International Design Classification: **07-01NES**
(74) Name(s) of Attorney(s): **Griffith Hack**
(71) Name(s) and Address(s) of Applicant(s):
Pacific Market International, LLC
2401 Elliott Avenue Fourth Floor Seattle WA 98121 United States of America
(72) Name(s) of Designer(s): **Tyler Sean Gilbert**
(45) Registration Date: **20 July 2011**
(30) Convention priority data:
(31) Number (32) Date (33) Country
29/382,915 10 Jan 2011 UNITED STATES OF AMERICA
(56) Related Art Documents: **Not Applicable**
(57) Statement of Newness and Distinctiveness: **The shape and configuration of those parts of the design shown by means of solid lines in the representations are new and distinctive.**



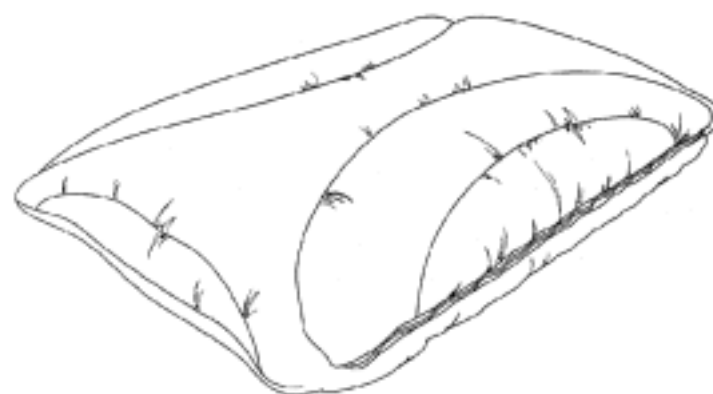
(21) Design Number: **12870/2011**
(22) Date of Filing Application: **28 June 2011**
(24) Date from which industrial property rights may have effect: **28 June 2011**
(54) Product in respect of which the design is registered: **Lightweight luggage trailer**
(51) International Design Classification: **12-10**
(74) Name(s) of Attorney(s):
(71) Name(s) and Address(s) of Applicant(s):
Jeffrey Kenneth Laird
100 Maud Street Waratah New South Wales 2298 Australia
(72) Name(s) of Designer(s): **Jeffrey Kenneth Laird**
(45) Registration Date: **21 July 2011**
(56) Related Art Documents: **Not Applicable**
(57) Statement of Newness and Distinctiveness: **Newness and distinctiveness is claimed for the shape and configuration of the luggage trailer as illustrated in the accompanying illustrations. In considering the scope of newness, the hitch, the particular wheels, the type of trailer suspension, the lid support mechanism, and the tail lights of the trailer, should be disregarded.**



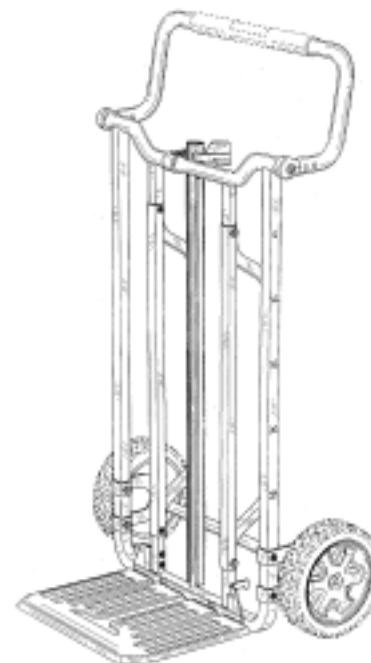
(21) Design Number: **12871/2011**
(22) Date of Filing Application: **27 June 2011**
(24) Date from which industrial property rights may have effect: **27 June 2011**
(54) Product in respect of which the design is registered: **Speaker**
(51) International Design Classification: **14-01**
(74) Name(s) of Attorney(s): **FB Rice**
(71) Name(s) and Address(s) of Applicant(s):
Koninklijke Philips Electronics N.V.
Groenewoudseweg 1 5621 BA Eindhoven The Netherlands
(72) Name(s) of Designer(s): **Charlie Bolton**
(45) Registration Date: **21 July 2011**
(30) Convention priority data:
(31) Number (32) Date (33) Country
001801101-0002 04 Jan 2011 EUROPEAN COMMUNITY
(56) Related Art Documents: **Not Applicable**
(57) Statement of Newness and Distinctiveness: **Newness and distinctiveness reside in the features of shape and configuration of the speaker, as shown in the representations.**



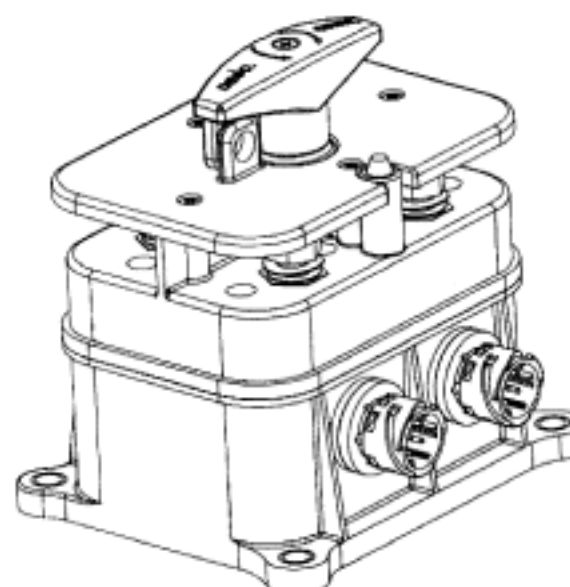
(21) Design Number: **12294/2011**
(22) Date of Filing Application: **23 May 2011**
(24) Date from which industrial property rights may have effect: **23 May 2011**
(54) Product in respect of which the design is registered: **Cover for a cushion**
(51) International Design Classification: **06-09**
(74) Name(s) of Attorney(s): **Griffith Hack**
(71) Name(s) and Address(s) of Applicant(s):
Wenatex DAS Schlafsystem Forschung
Munchner Bundesstrasse 117 Salzburg 5020 Austria
Beratung und Entwicklung GmbH
Munchner Bundesstrasse 117 Salzburg 5020 Austria
(72) Name(s) of Designer(s): **Hans-Gerd Wernicke**
(45) Registration Date: **21 July 2011**
(30) Convention priority data:
(31) Number (32) Date (33) Country
001260590-0001 07 Feb 2011 EUROPEAN COMMUNITY
(56) Related Art Documents: **Not Applicable**
(57) Statement of Newness and Distinctiveness: **Newness and distinctiveness resides in the visual features, including shape and configuration of a COVER FOR A CUSHION as shown in the accompanying representations.**



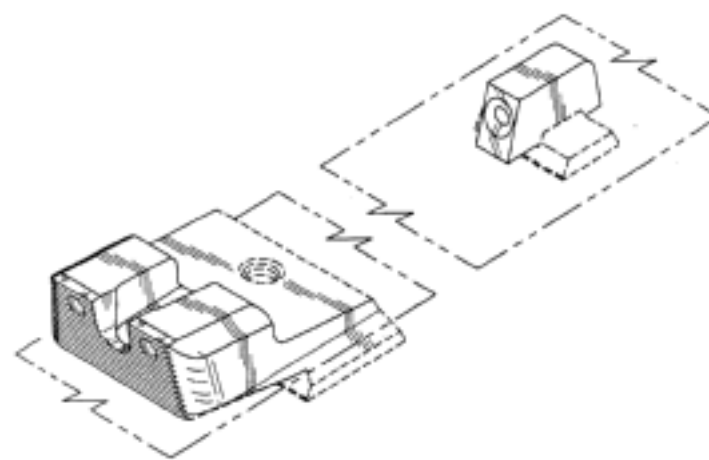
- (21) Design Number: **12334/2011**
(22) Date of Filing Application: **25 May 2011**
(24) Date from which industrial property rights may have effect: **25 May 2011**
(54) Product in respect of which the design is registered: **Storage system frame**
(51) International Design Classification: **12-02**
(74) Name(s) of Attorney(s): **Davies Collison Cave**
(71) Name(s) and Address(s) of Applicant(s):
The Stanley Works Israel Ltd.
19 Ha'melacha Street New Industrial Zone Rosh Ha'ayin 48091 Israel
(72) Name(s) of Designer(s): **Gil Vilkomirski and Zvika Fraiman**
(45) Registration Date: **21 July 2011**
(30) Convention priority data:
(31) Number (32) Date (33) Country
29/388802 01 Apr 2011 UNITED STATES OF AMERICA
(56) Related Art Documents: **Not Applicable**
(57) Statement of Newness and Distinctiveness: **Newness and distinctiveness is claimed in the visual features shown in solid lines in the representations.**



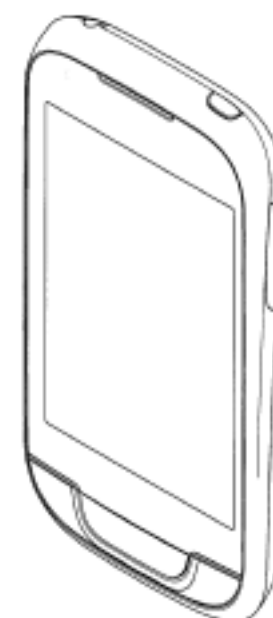
- (21) Design Number: **12410/2011**
(22) Date of Filing Application: **30 May 2011**
(24) Date from which industrial property rights may have effect: **30 May 2011**
(54) Product in respect of which the design is registered: **Battery master switch for vehicles and equipment isolation**
(51) International Design Classification: **13-03E**
(74) Name(s) of Attorney(s):
(71) Name(s) and Address(s) of Applicant(s):
Greaterlinx Pty Ltd
3 Kingston Park Court Knoxfield Victoria 3180 Australia
(72) Name(s) of Designer(s): **Travis Atkinson**
(45) Registration Date: **21 July 2011**
(56) Related Art Documents: **Not Applicable**
(57) Statement of Newness and Distinctiveness: **Newness and distinctiveness resides in the products compact size and sleek IP69 rated enclosure (image 1). The TSWITCH incorporates a two color on off indicator, safety lock out feature of the main control T-handle and a safety isolation cover.**



(21) Design Number: **12450/2011**
(22) Date of Filing Application: **31 May 2011**
(24) Date from which industrial property rights may have effect: **31 May 2011**
(54) Product in respect of which the design is registered: **Gun sight**
(51) International Design Classification: **22-01**
(74) Name(s) of Attorney(s): **Davies Collison Cave**
(71) Name(s) and Address(s) of Applicant(s):
Trijicon, Inc.
49385 Shafer Avenue Wixom Michigan 48393 United States of America
(72) Name(s) of Designer(s): **Bryan R. Glimpse and Robert W. Condra and
Joshua Lee Varner and Joseph R. Adkins**
(45) Registration Date: **21 July 2011**
(30) Convention priority data:
(31) Number (32) Date (33) Country
29/380965 14 Dec 2010 UNITED STATES OF AMERICA
(56) Related Art Documents: **Not Applicable**
(57) Statement of Newness and Distinctiveness: **Newness and distinctiveness is
claimed in the visual features shown in solid lines in the representations.**



(21) Design Number: **12841/2011**
(22) Date of Filing Application: **23 June 2011**
(24) Date from which industrial property rights may have effect: **23 June 2011**
(54) Product in respect of which the design is registered: **Cellular phone**
(51) International Design Classification: **14-03E**
(74) Name(s) of Attorney(s): **Freehills Patent & Trade Mark Attorneys**
(71) Name(s) and Address(s) of Applicant(s):
LG Electronics, Inc.
20 Yeouido-dong Yeongdeungpo-gu Seoul 150-721 Republic of Korea
(72) Name(s) of Designer(s): **Hyon Kim and Kyusuh Park**
(45) Registration Date: **21 July 2011**
(30) Convention priority data:
(31) Number (32) Date (33) Country
30-2011-0001615 13 Jan 2011 REPUBLIC OF KOREA
(56) Related Art Documents: **Not Applicable**
(57) Statement of Newness and Distinctiveness: **Newness and distinctiveness
resides in the features of shape and/or configuration of a cellular phone
as shown in the accompanying drawings.**



(21) Design Number: **12845/2011**
(22) Date of Filing Application: **23 June 2011**
(24) Date from which industrial property rights may have effect: **23 June 2011**
(54) Product in respect of which the design is registered: **A lid for a drink container**
(51) International Design Classification: **07-01NES**
(74) Name(s) of Attorney(s): **SPRUSON & FERGUSON**
(71) Name(s) and Address(s) of Applicant(s):

Thermos L.L.C.
2550 W. Golf Road Suite 800 Rolling Meadows Illinois 60008 United States of America

(72) Name(s) of Designer(s): **Marvin Lane**

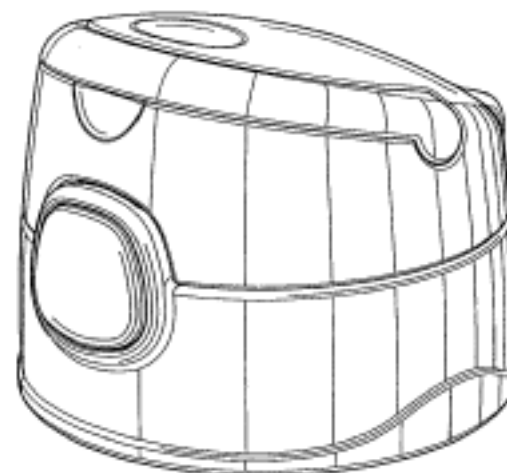
(45) Registration Date: **21 July 2011**

(30) Convention priority data:

(31) Number	(32) Date	(33) Country
29/391312	06 May 2011	UNITED STATES OF AMERICA

(56) Related Art Documents: **Not Applicable**

(57) Statement of Newness and Distinctiveness: **Newness and distinctiveness is claimed in the features of shape and/or configuration of a lid for a drink container as illustrated in the accompanying representations.**



(21) Design Number: **12868/2011**
(22) Date of Filing Application: **27 June 2011**
(24) Date from which industrial property rights may have effect: **27 June 2011**
(54) Product in respect of which the design is registered: **Frame for vehicle lighting element**
(51) International Design Classification: **12-16E**
(74) Name(s) of Attorney(s): **Griffith Hack**
(71) Name(s) and Address(s) of Applicant(s):

Honda Motor Co., Ltd.
1-1 Minami-Aoyama 2-chome Minato-ku Tokyo 107-8556 Japan

(72) Name(s) of Designer(s): **Naoki Akita**

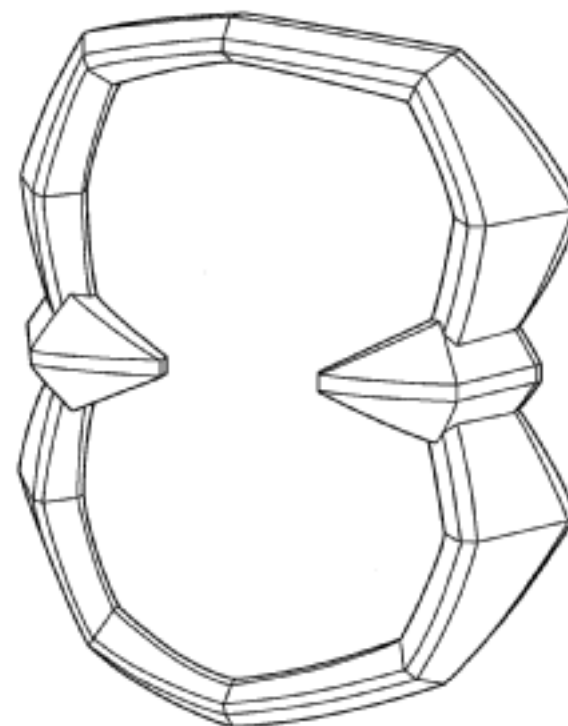
(45) Registration Date: **21 July 2011**

(30) Convention priority data:

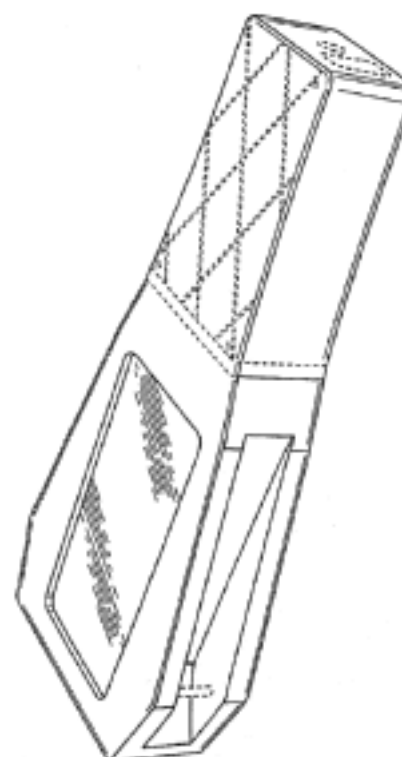
(31) Number	(32) Date	(33) Country
2010-031378	28 Dec 2010	JAPAN

(56) Related Art Documents: **Not Applicable**

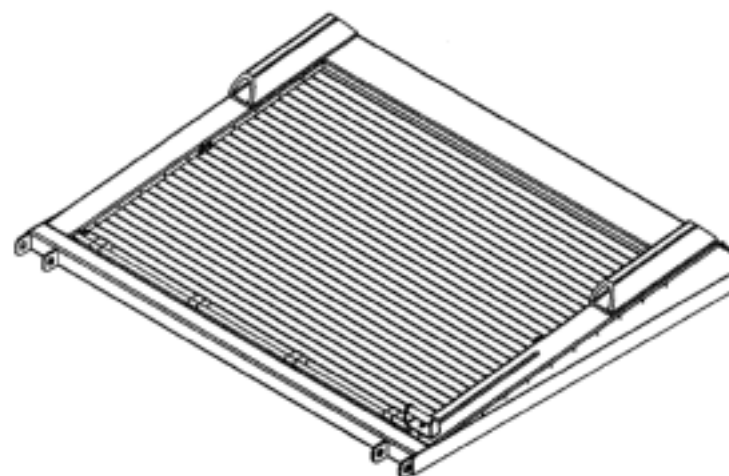
(57) Statement of Newness and Distinctiveness: **Newness and distinctiveness resides in the shape and configuration of the frame for a vehicle lighting element as shown in the accompanying representations.**



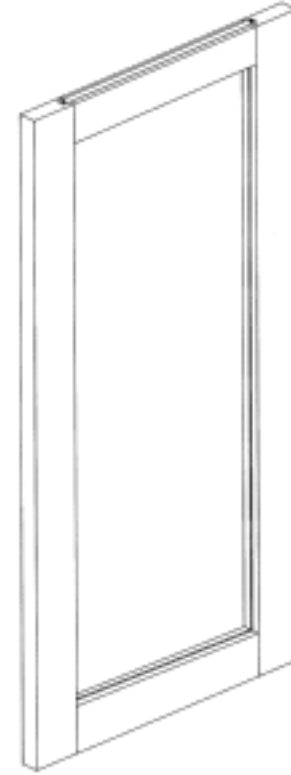
- (21) Design Number: **12869/2011**
(22) Date of Filing Application: **27 June 2011**
(24) Date from which industrial property rights may have effect: **27 June 2011**
(54) Product in respect of which the design is registered: **Analytical instrument**
(51) International Design Classification: **10-04**
(74) Name(s) of Attorney(s): **Griffith Hack**
(71) Name(s) and Address(s) of Applicant(s):
Nomacor LLC
400 Vintage Park Drive Zebulon NC 27597 United States of America
(72) Name(s) of Designer(s): **Olav Marcus Aagaard and Jerome Angelo Sciacchitano and James Stephen Durking**
(45) Registration Date: **21 July 2011**
(30) Convention priority data:
(31) Number (32) Date (33) Country
001252282-0001 27 Dec 2010 EUROPEAN COMMUNITY
(56) Related Art Documents: **Not Applicable**
(57) Statement of Newness and Distinctiveness: **Newness and distinctiveness resides in the visual features, including shape and configuration of an analytical instrument as shown by means of the solid lines in the accompanying representations. Those parts of the analytical instrument shown by means of dashed lines, hashing, scoring and shading do not form part of the design and have been included for illustration purposes only.**



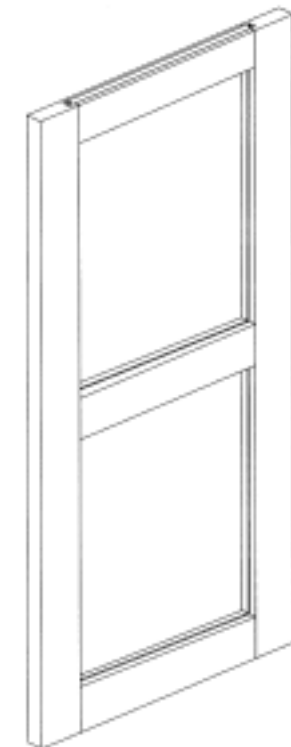
- (21) Design Number: **12532/2011**
(22) Date of Filing Application: **03 June 2011**
(24) Date from which industrial property rights may have effect: **03 June 2011**
(54) Product in respect of which the design is registered: **Lid for a front-lift bin**
(51) International Design Classification: **09-09**
(74) Name(s) of Attorney(s): **Davies Collison Cave**
(71) Name(s) and Address(s) of Applicant(s):
Warren Leonard Stone
26 Karrum Karrum Court Narre Warren South Victoria 3805 Australia
(72) Name(s) of Designer(s): **Warren Stone and Darren Brink and David Auld**
(45) Registration Date: **21 July 2011**
(56) Related Art Documents: **Not Applicable**
(57) Statement of Newness and Distinctiveness: **Newness and distinctiveness is claimed in the shape and configuration of a front-lift bin lid or dumpster bin lid as shown in the accompanying representations, excluding that of the fasteners along the front and sides of the lid.**



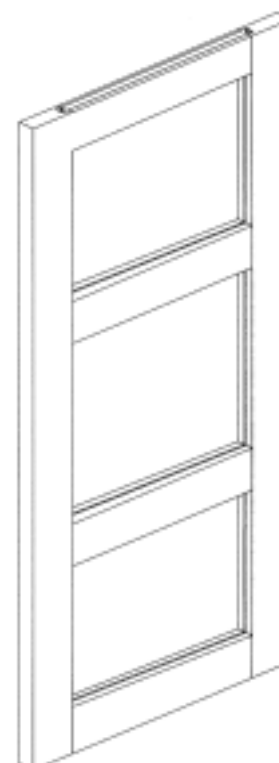
- (21) Design Number: **12819/2011**
(22) Date of Filing Application: **21 June 2011**
(24) Date from which industrial property rights may have effect: **21 June 2011**
(54) Product in respect of which the design is registered: **Door**
(51) International Design Classification: **25-02B**
(74) Name(s) of Attorney(s):
(71) Name(s) and Address(s) of Applicant(s):
Oreica Pty Ltd
52 Marsengo Road Bateman 6150 Western Australia Australia
(72) Name(s) of Designer(s): **Willy Lim**
(45) Registration Date: **21 July 2011**
(56) Related Art Documents: **Not Applicable**
(57) Statement of Newness and Distinctiveness: **The design resides in the visual features of shape and configuration of a infill panel door, window and or partition as shown in the accompanying representations. Beneficially, it allows panel to be inserted and replaced at will. No sealant/putty or filler required. The panel can be replaced by glazed, solid panel or wire mesh when needed.**



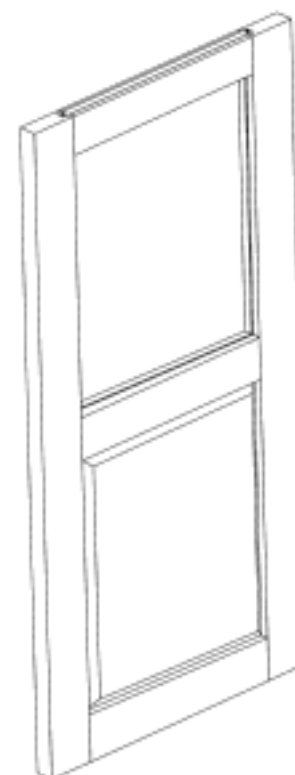
- (21) Design Number: **12820/2011**
(22) Date of Filing Application: **21 June 2011**
(24) Date from which industrial property rights may have effect: **21 June 2011**
(54) Product in respect of which the design is registered: **Door**
(51) International Design Classification: **25-02B**
(74) Name(s) of Attorney(s):
(71) Name(s) and Address(s) of Applicant(s):
Oreica Pty Ltd
52 Marsengo Road Bateman 6150 Western Australia Australia
(72) Name(s) of Designer(s): **Willy Lim**
(45) Registration Date: **21 July 2011**
(56) Related Art Documents: **Not Applicable**
(57) Statement of Newness and Distinctiveness: **The design resides in the visual features of shape and configuration of a infill panel door, window and or partition as shown in the accompanying representations. Beneficially, it allows panel to be inserted and replaced at will. No sealant/putty or filler required. The panel can be replaced by glazed, solid panel or wire mesh when needed.**



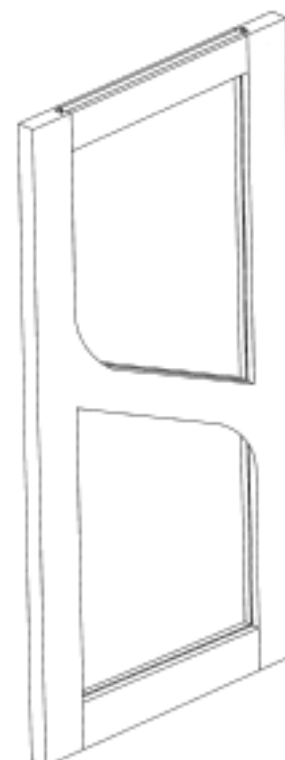
- (21) Design Number: **12821/2011**
(22) Date of Filing Application: **21 June 2011**
(24) Date from which industrial property rights may have effect: **21 June 2011**
(54) Product in respect of which the design is registered: **Door**
(51) International Design Classification: **25-02B**
(74) Name(s) of Attorney(s):
(71) Name(s) and Address(s) of Applicant(s):
 Oreica Pty Ltd
 52 Marsengo Road Bateman 6150 Western Australia Australia
(72) Name(s) of Designer(s): **Willy Lim**
(45) Registration Date: **21 July 2011**
(56) Related Art Documents: **Not Applicable**
(57) Statement of Newness and Distinctiveness: **The design resides in the visual features of shape and configuration of a infill panel door, window and or partition as shown in the accompanying representations. Beneficially, it allows panel to be inserted and replaced at will. No sealant/putty or filler required. The panel can be replaced by glazed, solid panel or wire mesh when needed.**



- (21) Design Number: **12822/2011**
(22) Date of Filing Application: **21 June 2011**
(24) Date from which industrial property rights may have effect: **21 June 2011**
(54) Product in respect of which the design is registered: **Door**
(51) International Design Classification: **25-02B**
(74) Name(s) of Attorney(s):
(71) Name(s) and Address(s) of Applicant(s):
 Oreica Pty Ltd
 52 Marsengo Road Bateman 6150 Western Australia Australia
(72) Name(s) of Designer(s): **Willy Lim**
(45) Registration Date: **21 July 2011**
(56) Related Art Documents: **Not Applicable**
(57) Statement of Newness and Distinctiveness: **The design resides in the visual features of shape and configuration of a infill panel door, window and or partition as shown in the accompanying representations. Beneficially, it allows panel to be inserted and replaced at will. No sealant/putty or filler required. The panel can be replaced by glazed, solid panel or wire mesh when needed.**



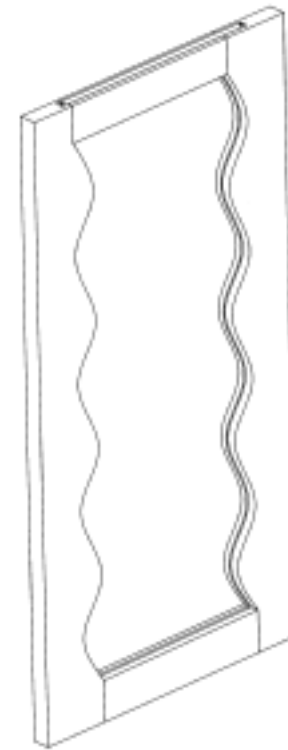
- (21) Design Number: **12823/2011**
(22) Date of Filing Application: **21 June 2011**
(24) Date from which industrial property rights may have effect: **21 June 2011**
(54) Product in respect of which the design is registered: **Door**
(51) International Design Classification: **25-02B**
(74) Name(s) of Attorney(s):
(71) Name(s) and Address(s) of Applicant(s):
 Oreica Pty Ltd
 52 Marsengo Road Bateman 6150 Western Australia Australia
(72) Name(s) of Designer(s): **Willy Lim**
(45) Registration Date: **21 July 2011**
(56) Related Art Documents: **Not Applicable**
(57) Statement of Newness and Distinctiveness: **The design resides in the visual features of shape and configuration of a infill panel door, window and or partition as shown in the accompanying representations. Beneficially, it allows panel to be inserted and replaced at will. No sealant/putty or filler required. The panel can be replaced by glazed, solid panel or wire mesh when needed.**



- (21) Design Number: **12824/2011**
(22) Date of Filing Application: **21 June 2011**
(24) Date from which industrial property rights may have effect: **21 June 2011**
(54) Product in respect of which the design is registered: **Door**
(51) International Design Classification: **25-02B**
(74) Name(s) of Attorney(s):
(71) Name(s) and Address(s) of Applicant(s):
 Oreica Pty Ltd
 52 Marsengo Road Bateman 6150 Western Australia Australia
(72) Name(s) of Designer(s): **Willy Lim**
(45) Registration Date: **21 July 2011**
(56) Related Art Documents: **Not Applicable**
(57) Statement of Newness and Distinctiveness: **The design resides in the visual features of shape and configuration of a infill panel door, window and or partition as shown in the accompanying representations. Beneficially, it allows panel to be inserted and replaced at will. No sealant/putty or filler required. The panel can be replaced by glazed, solid panel or wire mesh when needed.**



- (21) Design Number: **12825/2011**
(22) Date of Filing Application: **21 June 2011**
(24) Date from which industrial property rights may have effect: **21 June 2011**
(54) Product in respect of which the design is registered: **Door**
(51) International Design Classification: **25-02B**
(74) Name(s) of Attorney(s):
(71) Name(s) and Address(s) of Applicant(s):
Oreica Pty Ltd
52 Marsengo Road Bateman 6150 Western Australia Australia
(72) Name(s) of Designer(s): **Willy Lim**
(45) Registration Date: **21 July 2011**
(56) Related Art Documents: **Not Applicable**
(57) Statement of Newness and Distinctiveness: **The design resides in the visual features of shape and configuration of a infill panel door, window and or partition as shown in the accompanying representations. Beneficially, it allows panel to be inserted and replaced at will. No sealant/putty or filler required. The panel can be replaced by glazed, solid panel or wire mesh when needed.**



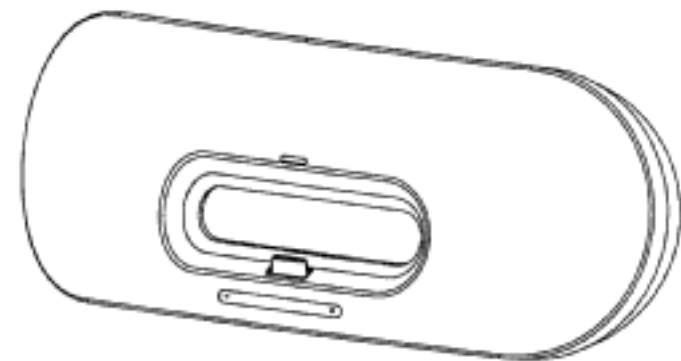
- (21) Design Number: **12826/2011**
(22) Date of Filing Application: **21 June 2011**
(24) Date from which industrial property rights may have effect: **21 June 2011**
(54) Product in respect of which the design is registered: **Door**
(74) Name(s) of Attorney(s):
(71) Name(s) and Address(s) of Applicant(s):
Oreica Pty Ltd
52 Marsengo Road Bateman 6150 Western Australia Australia
(72) Name(s) of Designer(s): **Willy Lim**
(45) Registration Date: **21 July 2011**
(56) Related Art Documents: **Not Applicable**
(57) Statement of Newness and Distinctiveness: **The design resides in the visual features of shape and configuration of a infill panel door, window and or partition as shown in the accompanying representations. Beneficially, it allows panel to be inserted and replaced at will. No sealant/putty or filler required. The panel can be replaced by glazed, solid panel or wire mesh when needed.**



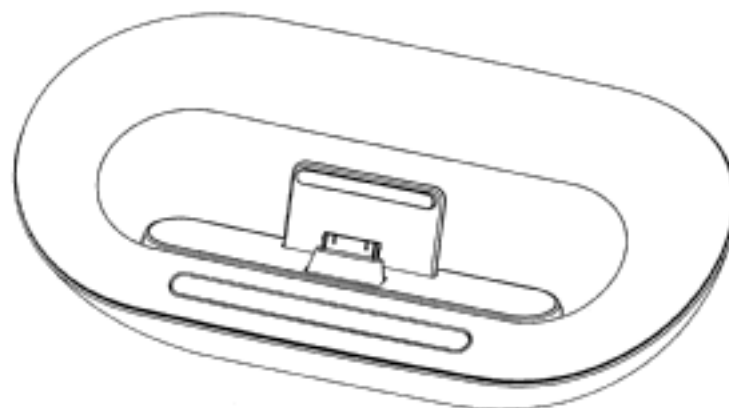
(21) Design Number: **12863/2011**
(22) Date of Filing Application: **24 June 2011**
(24) Date from which industrial property rights may have effect: **24 June 2011**
(54) Product in respect of which the design is registered: **Control panel for toilet flush tank**
(51) International Design Classification: **23-02C**
(74) Name(s) of Attorney(s): **Allens Arthur Robinson**
(71) Name(s) and Address(s) of Applicant(s):
Geberit International AG
Schachenstrasse 77 8645 Jona Switzerland
(72) Name(s) of Designer(s): **Christoph Behling**
(45) Registration Date: **21 July 2011**
(30) Convention priority data:
(31) Number (32) Date (33) Country
581 593 901 11 Jan 2011 WORLD INTELLECTUAL
PROPERTY ORGANIZATION
(WIPO)
(56) Related Art Documents: **Not Applicable**
(57) Statement of Newness and Distinctiveness: **Newness and distinctiveness resides in the visual features of shape and/or configuration of a control panel for toilet flush tank as illustrated in the accompanying representations.**



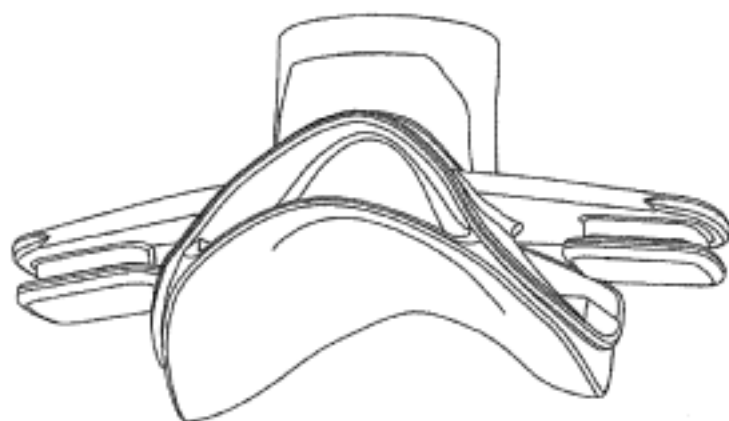
(21) Design Number: **12872/2011**
(22) Date of Filing Application: **27 June 2011**
(24) Date from which industrial property rights may have effect: **27 June 2011**
(54) Product in respect of which the design is registered: **Speaker**
(51) International Design Classification: **14-01**
(74) Name(s) of Attorney(s): **FB Rice**
(71) Name(s) and Address(s) of Applicant(s):
Koninklijke Philips Electronics N.V.
Groenewoudseweg 1 5621 BA Eindhoven The Netherlands
(72) Name(s) of Designer(s): **Charlie Bolton**
(45) Registration Date: **21 July 2011**
(30) Convention priority data:
(31) Number (32) Date (33) Country
001801101-0003 04 Jan 2011 EUROPEAN COMMUNITY
(56) Related Art Documents: **Not Applicable**
(57) Statement of Newness and Distinctiveness: **Newness and distinctiveness reside in the features of shape and configuration of the speaker, as shown in the representations.**



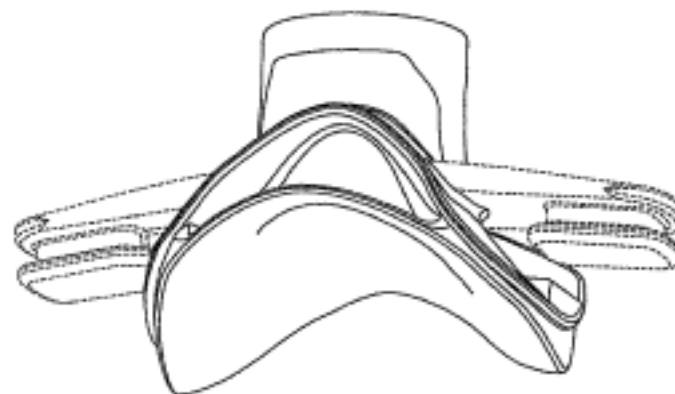
(21) Design Number: **12873/2011**
(22) Date of Filing Application: **27 June 2011**
(24) Date from which industrial property rights may have effect: **27 June 2011**
(54) Product in respect of which the design is registered: **Speaker**
(51) International Design Classification: **14-01**
(74) Name(s) of Attorney(s): **FB Rice**
(71) Name(s) and Address(s) of Applicant(s):
Koninklijke Philips Electronics N.V.
Groenewoudseweg 1 5621 BA Eindhoven The Netherlands
(72) Name(s) of Designer(s): **Charlie Bolton**
(45) Registration Date: **21 July 2011**
(30) Convention priority data:
(31) Number (32) Date (33) Country
001801101-0004 04 Jan 2011 EUROPEAN COMMUNITY
(56) Related Art Documents: **Not Applicable**
(57) Statement of Newness and Distinctiveness: **Newness and distinctiveness reside in the features of shape and configuration of the speaker, as shown in the representations.**



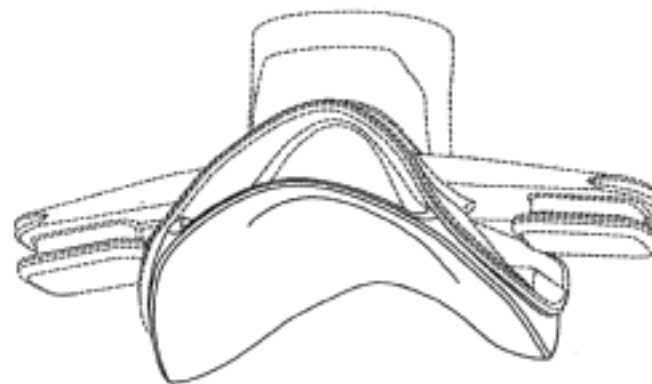
(21) Design Number: **12217/2011**
(22) Date of Filing Application: **17 May 2011**
(24) Date from which industrial property rights may have effect: **17 May 2011**
(54) Product in respect of which the design is registered: **Cushion for respiratory mask**
(51) International Design Classification: **24-01**
(74) Name(s) of Attorney(s): **Halfords IP**
(71) Name(s) and Address(s) of Applicant(s):
ResMed Ltd
1 Elizabeth Macarthur Drive Bella Vista New South Wales 2153 Australia
(72) Name(s) of Designer(s): **Matthew Eves and Adam Barlow and Lochlan von Moger**
(45) Registration Date: **22 July 2011**
(30) Convention priority data:
(31) Number (32) Date (33) Country
29/380213 01 Dec 2010 UNITED STATES OF AMERICA
(56) Related Art Documents: **Not Applicable**
(57) Statement of Newness and Distinctiveness: **Newness and distinctiveness is claimed in those features of shape and or configuration of a Cushion for Respiratory Mask as depicted in the accompanying representations.**



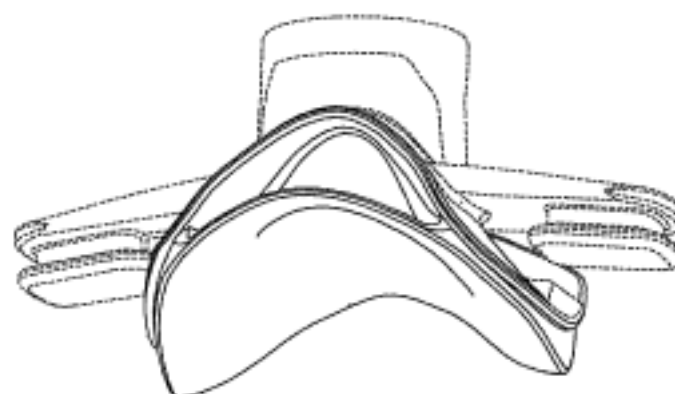
(21) Design Number: **13189/2011**
(22) Date of Filing Application: **17 May 2011**
(24) Date from which industrial property rights may have effect: **17 May 2011**
(54) Product in respect of which the design is registered: **Cushion for respiratory mask**
(51) International Design Classification: **24-01**
(74) Name(s) of Attorney(s): **Halfords IP**
(71) Name(s) and Address(s) of Applicant(s):
ResMed Ltd
1 Elizabeth Macarthur Drive Bella Vista New South Wales 2153 Australia
(72) Name(s) of Designer(s): **Matthew Eves and Adam Barlow and Lochlan von Moger**
(45) Registration Date: **22 July 2011**
(30) Convention priority data:
(31) Number (32) Date (33) Country
29/380213 01 Dec 2010 UNITED STATES OF AMERICA
(56) Related Art Documents: **Not Applicable**
(57) Statement of Newness and Distinctiveness: **Newness and distinctiveness is claimed in those features of shape and or configuration of a Cushion for Respiratory Mask as depicted in the accompanying representations. The features shown in broken lines do not form part of the design.**



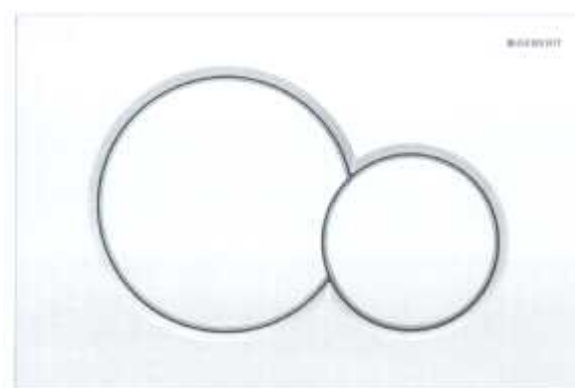
(21) Design Number: **13190/2011**
(22) Date of Filing Application: **17 May 2011**
(24) Date from which industrial property rights may have effect: **17 May 2011**
(54) Product in respect of which the design is registered: **Cushion for respiratory mask**
(51) International Design Classification: **24-01**
(74) Name(s) of Attorney(s): **Halfords IP**
(71) Name(s) and Address(s) of Applicant(s):
ResMed Ltd
1 Elizabeth Macarthur Drive Bella Vista New South Wales 2153 Australia
(72) Name(s) of Designer(s): **Matthew Eves and Adam Barlow and Lochlan von Moger**
(45) Registration Date: **22 July 2011**
(30) Convention priority data:
(31) Number (32) Date (33) Country
29/380213 01 Dec 2010 UNITED STATES OF AMERICA
(56) Related Art Documents: **Not Applicable**
(57) Statement of Newness and Distinctiveness: **Newness and distinctiveness is claimed in those features of shape and or configuration of a Cushion for Respiratory Mask as depicted in the accompanying representations. The features shown in broken lines do not form part of the design.**



(21) Design Number: **13191/2011**
(22) Date of Filing Application: **17 May 2011**
(24) Date from which industrial property rights may have effect: **17 May 2011**
(54) Product in respect of which the design is registered: **Cushion for respiratory mask**
(51) International Design Classification: **24-01**
(74) Name(s) of Attorney(s): **Halfords IP**
(71) Name(s) and Address(s) of Applicant(s):
ResMed Ltd
1 Elizabeth Macarthur Drive Bella Vista New South Wales 2153 Australia
(72) Name(s) of Designer(s): **Matthew Eves and Adam Barlow and Lochlan von Moger**
(45) Registration Date: **22 July 2011**
(30) Convention priority data:
(31) Number (32) Date (33) Country
29/380213 01 Dec 2010 UNITED STATES OF AMERICA
(56) Related Art Documents: **Not Applicable**
(57) Statement of Newness and Distinctiveness: **Newness and distinctiveness is claimed in those features of shape and or configuration of a Cushion for Respiratory Mask as depicted in the accompanying representations. The features shown in broken lines do not form part of the design.**



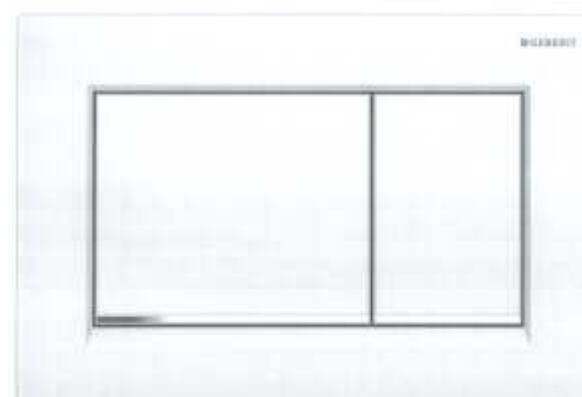
(21) Design Number: **12860/2011**
(22) Date of Filing Application: **24 June 2011**
(24) Date from which industrial property rights may have effect: **24 June 2011**
(54) Product in respect of which the design is registered: **Control panel for toilet flush tank**
(51) International Design Classification: **23-02C, 13-03D**
(74) Name(s) of Attorney(s): **Allens Arthur Robinson**
(71) Name(s) and Address(s) of Applicant(s):
Geberit International AG
Schachenstrasse 77 8645 Jona Switzerland
(72) Name(s) of Designer(s): **Christoph Behling**
(45) Registration Date: **22 July 2011**
(30) Convention priority data:
(31) Number (32) Date (33) Country
581 593 901 11 Jan 2011 WORLD INTELLECTUAL PROPERTY ORGANIZATION (WIPO)
(56) Related Art Documents: **Not Applicable**
(57) Statement of Newness and Distinctiveness: **Newness and distinctiveness resides in the visual features of shape and/or configuration of a control panel for toilet flush tank as illustrated in the accompanying representations.**



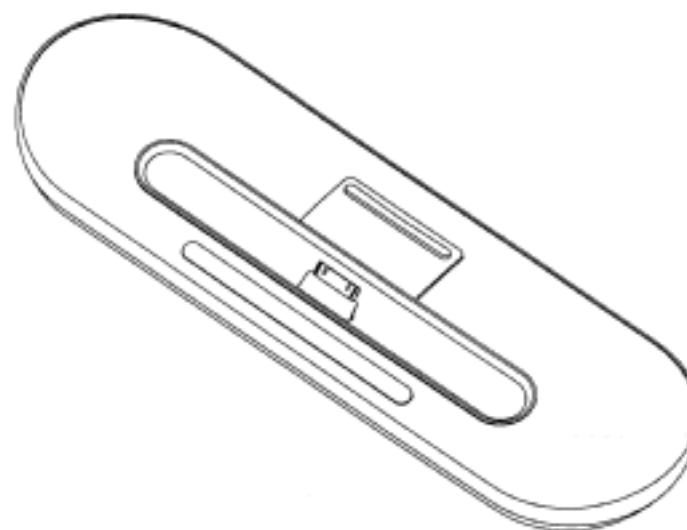
(21) Design Number: **12861/2011**
(22) Date of Filing Application: **24 June 2011**
(24) Date from which industrial property rights may have effect: **24 June 2011**
(54) Product in respect of which the design is registered: **Control panel for toilet flush tank**
(51) International Design Classification: **23-02C, 13-03D**
(74) Name(s) of Attorney(s): **Allens Arthur Robinson**
(71) Name(s) and Address(s) of Applicant(s):
Geberit International AG
Schachenstrasse 77 8645 Jona Switzerland
(72) Name(s) of Designer(s): **Christoph Behling**
(45) Registration Date: **22 July 2011**
(30) Convention priority data:
(31) Number (32) Date (33) Country
581 593 901 11 Jan 2011 WORLD INTELLECTUAL
PROPERTY ORGANIZATION
(WIPO)
(56) Related Art Documents: **Not Applicable**
(57) Statement of Newness and Distinctiveness: **Newness and distinctiveness resides in the visual features of shape and/or configuration of a control panel for toilet flush tank as illustrated in the accompanying representations.**



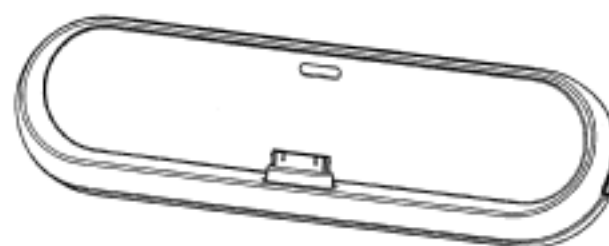
(21) Design Number: **12862/2011**
(22) Date of Filing Application: **24 June 2011**
(24) Date from which industrial property rights may have effect: **24 June 2011**
(54) Product in respect of which the design is registered: **Control panel for toilet flush tank**
(51) International Design Classification: **23-02C, 13-03D**
(74) Name(s) of Attorney(s): **Allens Arthur Robinson**
(71) Name(s) and Address(s) of Applicant(s):
Geberit International AG
Schachenstrasse 77 8645 Jona Switzerland
(72) Name(s) of Designer(s): **Christoph Behling**
(45) Registration Date: **22 July 2011**
(30) Convention priority data:
(31) Number (32) Date (33) Country
581 593 901 11 Jan 2011 WORLD INTELLECTUAL
PROPERTY ORGANIZATION
(WIPO)
(56) Related Art Documents: **Not Applicable**
(57) Statement of Newness and Distinctiveness: **Newness and distinctiveness resides in the visual features of shape and/or configuration of a control panel for toilet flush tank as illustrated in the accompanying representations.**



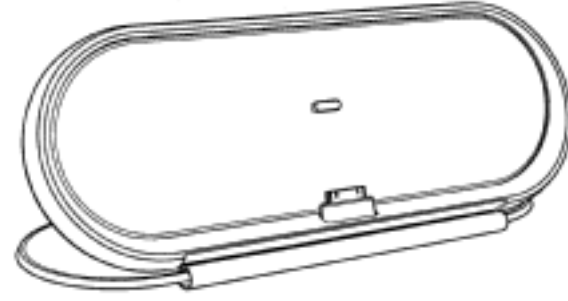
(21) Design Number: **12874/2011**
(22) Date of Filing Application: **27 June 2011**
(24) Date from which industrial property rights may have effect: **27 June 2011**
(54) Product in respect of which the design is registered: **Speaker**
(51) International Design Classification: **14-01**
(74) Name(s) of Attorney(s): **FB Rice**
(71) Name(s) and Address(s) of Applicant(s):
Koninklijke Philips Electronics N.V.
Groenewoudseweg 1 5621 BA Eindhoven The Netherlands
(72) Name(s) of Designer(s): **Charlie Bolton**
(45) Registration Date: **22 July 2011**
(30) Convention priority data:
(31) Number (32) Date (33) Country
001801101-0001 04 Jan 2011 EUROPEAN COMMUNITY
(56) Related Art Documents: **Not Applicable**
(57) Statement of Newness and Distinctiveness: **Newness and distinctiveness reside in the features of shape and configuration of the speaker, as shown in the representations.**



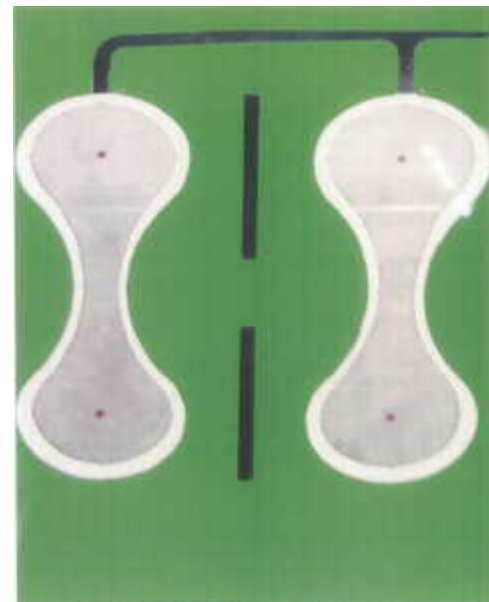
(21) Design Number: **12875/2011**
(22) Date of Filing Application: **27 June 2011**
(24) Date from which industrial property rights may have effect: **27 June 2011**
(54) Product in respect of which the design is registered: **Speaker**
(51) International Design Classification: **14-01**
(74) Name(s) of Attorney(s): **FB Rice**
(71) Name(s) and Address(s) of Applicant(s):
Koninklijke Philips Electronics N.V.
Groenewoudseweg 1 5621 BA Eindhoven The Netherlands
(72) Name(s) of Designer(s): **Charlie Bolton**
(45) Registration Date: **22 July 2011**
(30) Convention priority data:
(31) Number (32) Date (33) Country
001801101-0005 04 Jan 2011 EUROPEAN COMMUNITY
(56) Related Art Documents: **Not Applicable**
(57) Statement of Newness and Distinctiveness: **Newness and distinctiveness reside in the features of shape and configuration of the speaker, as shown in the representations.**



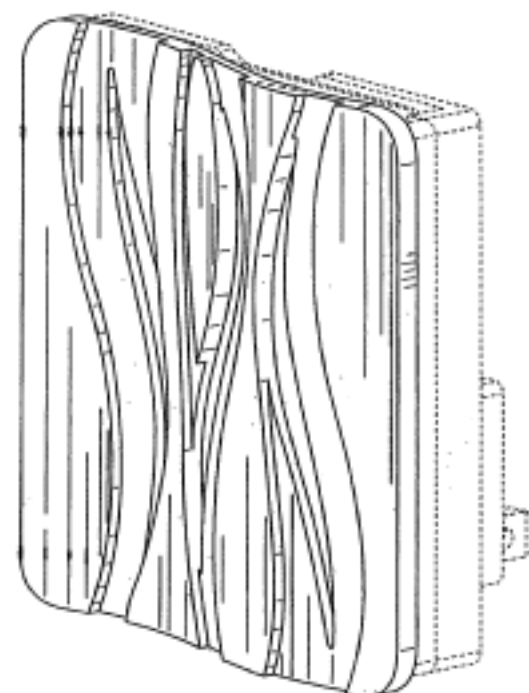
- (21) Design Number: **12876/2011**
(22) Date of Filing Application: **27 June 2011**
(24) Date from which industrial property rights may have effect: **27 June 2011**
(54) Product in respect of which the design is registered: **Speaker**
(51) International Design Classification: **14-01**
(74) Name(s) of Attorney(s): **FB Rice**
(71) Name(s) and Address(s) of Applicant(s):
Koninklijke Philips Electronics N.V.
Groenewoudseweg 1 5621 BA Eindhoven The Netherlands
(72) Name(s) of Designer(s): **Charlie Bolton**
(45) Registration Date: **22 July 2011**
(30) Convention priority data:
(31) Number (32) Date (33) Country
001801101-0006 04 Jan 2011 EUROPEAN COMMUNITY
(56) Related Art Documents: **Not Applicable**
(57) Statement of Newness and Distinctiveness: **Newness and distinctiveness reside in the features of shape and configuration of the speaker, as shown in the representations.**



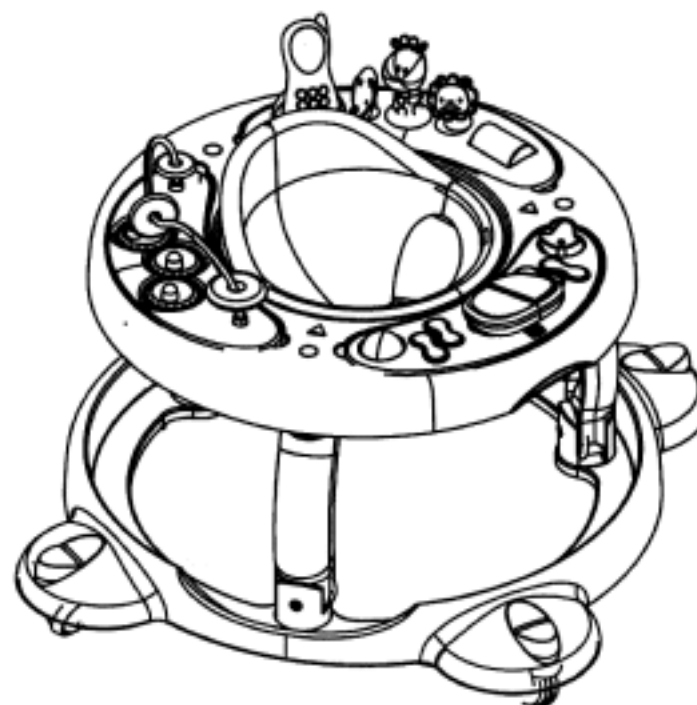
- (21) Design Number: **12170/2011**
(22) Date of Filing Application: **16 May 2011**
(24) Date from which industrial property rights may have effect: **16 May 2011**
(54) Product in respect of which the design is registered: **Prototype of driver training skid pans**
(51) International Design Classification: **21-99**
(74) Name(s) of Attorney(s):
(71) Name(s) and Address(s) of Applicant(s):
Stanley Edward Bellingham
379/118 Bellflower Road Sippy Downs Queensland 4556 Australia
(72) Name(s) of Designer(s): **Stanley Edward Bellingham**
(45) Registration Date: **22 July 2011**
(56) Related Art Documents: **Not Applicable**
(57) Statement of Newness and Distinctiveness: **A figure eight twin skid pans, completely level, polished surface, with water covering surface @ 2/3 mil max depth and retained by the slightly raised rough surface concrete surround perimeter, to terminate slip on this area having studied much information on a wide variety of driver training skid pans I realised they had similar problems. Retaining water, my design has overcome this main aspect also the compact design is much less to construct and maintain.**



(21) Design Number: **11834/2011**
(22) Date of Filing Application: **04 May 2011**
(24) Date from which industrial property rights may have effect: **04 May 2011**
(54) Product in respect of which the design is registered: **Dispenser**
(51) International Design Classification: **09-01A**
(74) Name(s) of Attorney(s): **SPRUSON & FERGUSON**
(71) Name(s) and Address(s) of Applicant(s):
S.C. Johnson & Son Inc.
1525 Howe Street Racine Wisconsin 53403-2236 United States of America
(72) Name(s) of Designer(s): **Bryan Andrew Irwin and Aparna Unnikrishnan and Nathan R. Westphal**
(45) Registration Date: **22 July 2011**
(30) Convention priority data:
(31) Number (32) Date (33) Country
29/378789 09 Nov 2010 UNITED STATES OF AMERICA
(56) Related Art Documents: **Not Applicable**
(57) Statement of Newness and Distinctiveness: **Newness and distinctiveness is claimed in those features of shape and/or configuration of a dispenser illustrated in continuous lines in the accompanying representations.**



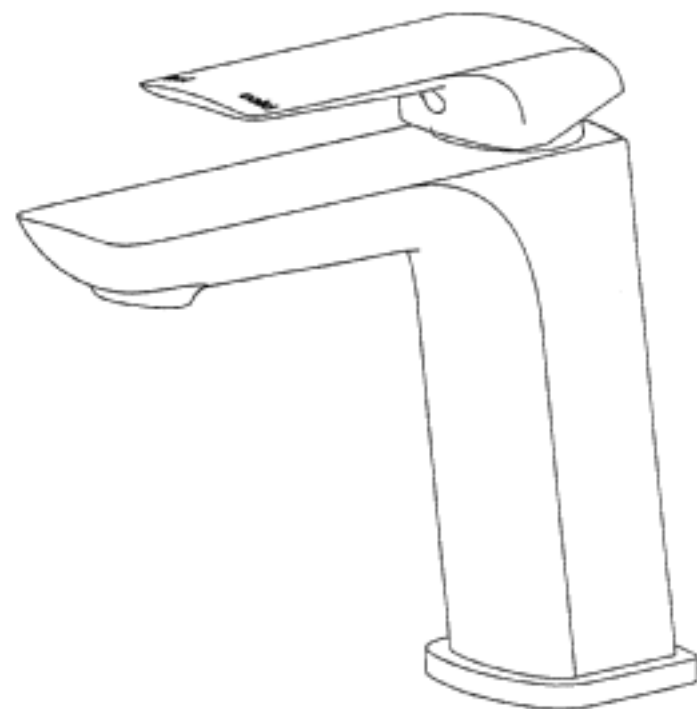
(21) Design Number: **12887/2011**
(22) Date of Filing Application: **28 June 2011**
(24) Date from which industrial property rights may have effect: **28 June 2011**
(54) Product in respect of which the design is registered: **A baby walker and activity station**
(51) International Design Classification: **12-12, 21-01F**
(74) Name(s) of Attorney(s): **Gilbert + Tobin Lawyers**
(71) Name(s) and Address(s) of Applicant(s):
Mothercare UK Ltd
Cherry Tree Road Watford Hertfordshire WD24 6SH United Kingdom
(72) Name(s) of Designer(s): **Louisa Swindle**
(45) Registration Date: **22 July 2011**
(30) Convention priority data:
(31) Number (32) Date (33) Country
001880808 21 Jun 2011 EUROPEAN COMMUNITY
(56) Related Art Documents: **Not Applicable**
(57) Statement of Newness and Distinctiveness: **Nil**



(21) Design Number: **12889/2011**
(22) Date of Filing Application: **28 June 2011**
(24) Date from which industrial property rights may have effect: **28 June 2011**
(54) Product in respect of which the design is registered: **Mixer tap**
(51) International Design Classification: **23-01H**
(74) Name(s) of Attorney(s): **Freehills Patent & Trade Mark Attorneys**
(71) Name(s) and Address(s) of Applicant(s):
Phoenix Industries Pty Ltd
20-22 Trade Place Vermont Victoria 3133 Australia
(72) Name(s) of Designer(s): **Ban Hsi Liu**
(45) Registration Date: **22 July 2011**
(56) Related Art Documents: **Not Applicable**
(57) Statement of Newness and Distinctiveness: **Nil**



(21) Design Number: **12890/2011**
(22) Date of Filing Application: **28 June 2011**
(24) Date from which industrial property rights may have effect: **28 June 2011**
(54) Product in respect of which the design is registered: **Mixer tap and spout**
(51) International Design Classification: **23-01H**
(74) Name(s) of Attorney(s): **Freehills Patent & Trade Mark Attorneys**
(71) Name(s) and Address(s) of Applicant(s):
Phoenix Industries Pty Ltd
20-22 Trade Place Vermont Victoria 3133 Australia
(72) Name(s) of Designer(s): **Ban Hsi Liu**
(45) Registration Date: **22 July 2011**
(56) Related Art Documents: **Not Applicable**
(57) Statement of Newness and Distinctiveness: **Nil**



(21) Design Number: **12892/2011**
(22) Date of Filing Application: **28 June 2011**
(24) Date from which industrial property rights may have effect: **28 June 2011**
(54) Product in respect of which the design is registered: **Car and toy-car**
(51) International Design Classification: **12-08, 21-01C**
(74) Name(s) of Attorney(s): **PHILLIPS ORMONDE FITZPATRICK**
(71) Name(s) and Address(s) of Applicant(s):

Ferrari S.p.A.
Via Emilia Est 1163 I-41100 Modena Italy

(72) Name(s) of Designer(s): **Massimiliano Casoni**

(45) Registration Date: **22 July 2011**

(30) Convention priority data:

(31) Number	(32) Date	(33) Country
001808312	20 Jan 2011	EUROPEAN COMMUNITY

(56) Related Art Documents: **Not Applicable**

(57) Statement of Newness and Distinctiveness: **Those features of the car and toy-car depicted in the representations that are new and distinctive are the shape and/or configuration. The wheels and tyres of the car and toy-car are not part of the design are to be disregarded when considering the overall impression of the design.**



(21) Design Number: **15058/2010**
(22) Date of Filing Application: **17 November 2010**
(24) Date from which industrial property rights may have effect: **17 November 2010**
(54) Product in respect of which the design is registered: **Electronic kiosk; directory**
(51) International Design Classification: **20-03NES**
(74) Name(s) of Attorney(s):
(71) Name(s) and Address(s) of Applicant(s):

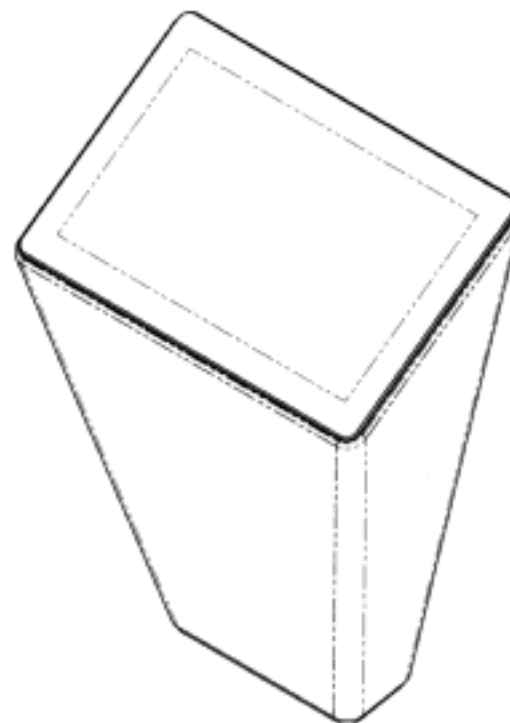
Abuzz Solutions Pty Ltd
267 Abercrombie Street Darlington New South Wales 2008 Australia

(72) Name(s) of Designer(s): **Alison Howard**

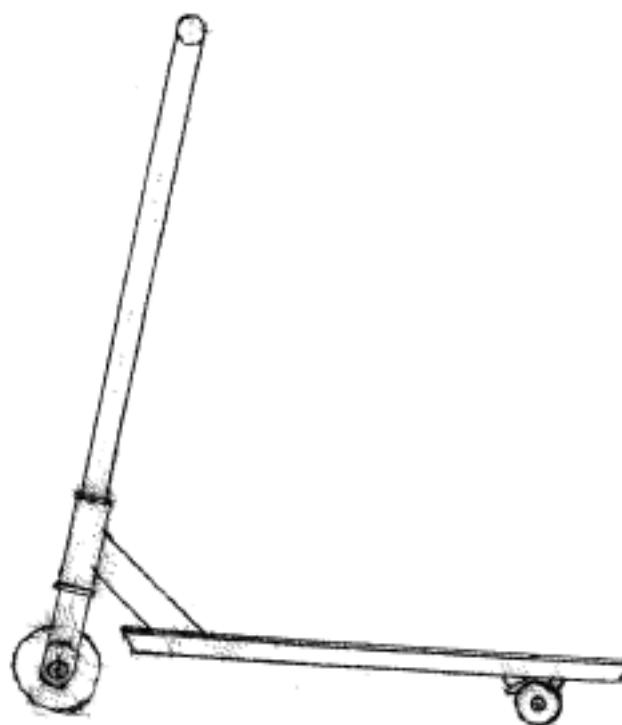
(45) Registration Date: **25 July 2011**

(56) Related Art Documents: **Not Applicable**

(57) Statement of Newness and Distinctiveness: **Nil**



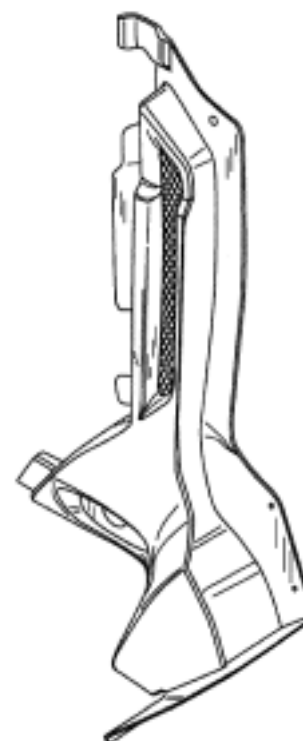
- (21) Design Number: **12212/2011**
(22) Date of Filing Application: **17 May 2011**
(24) Date from which industrial property rights may have effect: **17 May 2011**
(54) Product in respect of which the design is registered: **Scooter**
(51) International Design Classification: **21-01F**
(74) Name(s) of Attorney(s):
(71) Name(s) and Address(s) of Applicant(s):
KiaToa Mihaere O'Connell
22 Maleny Street Landsbrough Queensland 4552 Australia
(72) Name(s) of Designer(s): **KiaToa Mihaere O'Connell**
(45) Registration Date: **25 July 2011**
(56) Related Art Documents: **Not Applicable**
(57) Statement of Newness and Distinctiveness: **Nil**



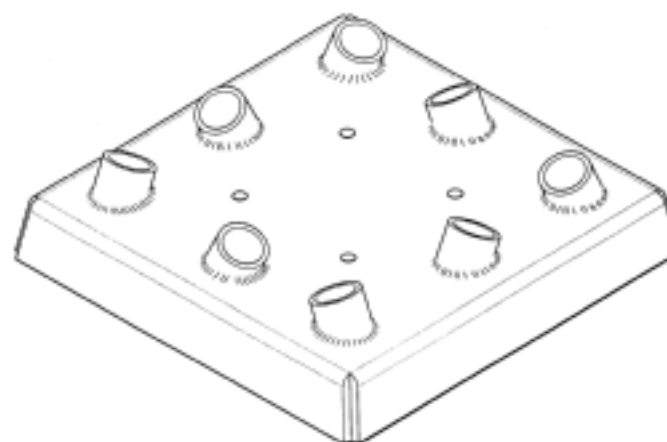
- (21) Design Number: **12881/2011**
(22) Date of Filing Application: **28 June 2011**
(24) Date from which industrial property rights may have effect: **28 June 2011**
(54) Product in respect of which the design is registered: **Automated lid assembly for a bin**
(51) International Design Classification: **09-09**
(74) Name(s) of Attorney(s): **SPRUSON & FERGUSON**
(71) Name(s) and Address(s) of Applicant(s):
Calfarme Australia Pty Ltd
Unit 42 55 Norman Street Peakhurst New South Wales 2210 Australia
(72) Name(s) of Designer(s): **Boon Lye Paul Neo**
(45) Registration Date: **25 July 2011**
(56) Related Art Documents: **Not Applicable**
(57) Statement of Newness and Distinctiveness: **Newness and distinctiveness is claimed in the features of shape and/or configuration of an automated lid assembly for a bin as illustrated in the accompanying representations.**



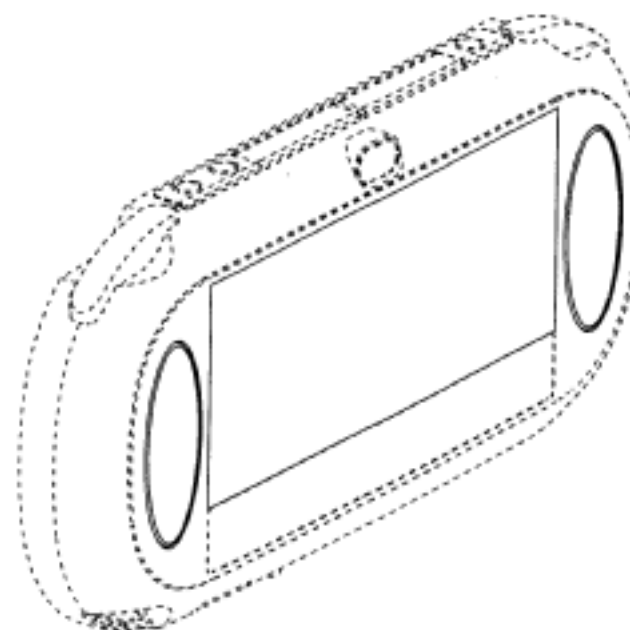
- (21) Design Number: **12882/2011**
(22) Date of Filing Application: **29 June 2011**
(24) Date from which industrial property rights may have effect: **29 June 2011**
(54) Product in respect of which the design is registered: **Cowl panel of a truck vehicle**
(51) International Design Classification: **12-16B**
(74) Name(s) of Attorney(s): **WATERMARK PATENT AND TRADE MARKS ATTORNEYS**
(71) Name(s) and Address(s) of Applicant(s):
International Truck Intellectual Property Company, LLC
4201 Winfield Road Warrenville Illinois 60555 United States of America
(72) Name(s) of Designer(s): **David J. Beigel and Scott K. Firman and Graeme M. Kinney and George McCowan and Christopher J. Spurlin and Richard Weiss**
(45) Registration Date: **25 July 2011**
(30) Convention priority data:
(31) Number (32) Date (33) Country
29/384,952 07 Feb 2011 UNITED STATES OF AMERICA
(56) Related Art Documents: **Not Applicable**
(57) Statement of Newness and Distinctiveness: **Newness and distinctiveness resides in the shape of the cowl panel of a truck vehicle as shown in the annexed drawings, views not provided do not form part of the design.**



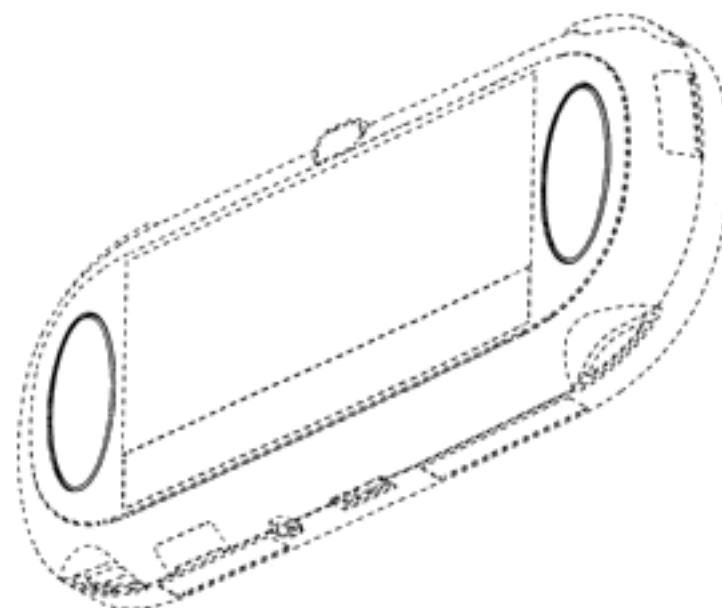
- (21) Design Number: **12883/2011**
(22) Date of Filing Application: **28 June 2011**
(24) Date from which industrial property rights may have effect: **28 June 2011**
(54) Product in respect of which the design is registered: **Footing plate**
(51) International Design Classification: **25-01B**
(74) Name(s) of Attorney(s): **Callinans**
(71) Name(s) and Address(s) of Applicant(s):
Neil Despotellis
26 Elle Close Bundoora Victoria 3083 Australia
(72) Name(s) of Designer(s): **Neil Despotellis**
(45) Registration Date: **25 July 2011**
(56) Related Art Documents: **Not Applicable**
(57) Statement of Newness and Distinctiveness: **Nil**



- (21) Design Number: **12904/2011**
(22) Date of Filing Application: **29 June 2011**
(24) Date from which industrial property rights may have effect: **29 June 2011**
(54) Product in respect of which the design is registered: **Portable information terminal**
(51) International Design Classification: **21-01N**
(74) Name(s) of Attorney(s): **Shelston IP**
(71) Name(s) and Address(s) of Applicant(s):
Sony Computer Entertainment Inc.
1-7-1 Konan Minato-ku Tokyo Japan
(72) Name(s) of Designer(s): **Takashi Sogabe**
(45) Registration Date: **25 July 2011**
(30) Convention priority data:
(31) Number (32) Date (33) Country
2011-001608 26 Jan 2011 JAPAN
(56) Related Art Documents: **Not Applicable**
(57) Statement of Newness and Distinctiveness: **Newness and distinctiveness reside in the shape and/or configuration of a portable information terminal as illustrated by solid lines in the accompanying representations. The features shown in broken or discontinuous lines are for illustrative purposes only and do not form part of the design.**



- (21) Design Number: **12905/2011**
(22) Date of Filing Application: **29 June 2011**
(24) Date from which industrial property rights may have effect: **29 June 2011**
(54) Product in respect of which the design is registered: **Portable information terminal**
(51) International Design Classification: **21-01N**
(74) Name(s) of Attorney(s): **Shelston IP**
(71) Name(s) and Address(s) of Applicant(s):
Sony Computer Entertainment Inc.
1-7-1 Konan Minato-ku Tokyo Japan
(72) Name(s) of Designer(s): **Takashi Sogabe**
(45) Registration Date: **25 July 2011**
(30) Convention priority data:
(31) Number (32) Date (33) Country
2011-001609 26 Jan 2011 JAPAN
(56) Related Art Documents: **Not Applicable**
(57) Statement of Newness and Distinctiveness: **Newness and distinctiveness reside in the shape and/or configuration of a portable information terminal as illustrated by solid lines in the accompanying representations. The features shown in broken or discontinuous lines are for illustrative purposes only and do not form part of the design.**



(21) Design Number: **12907/2011**
(22) Date of Filing Application: **29 June 2011**
(24) Date from which industrial property rights may have effect: **29 June 2011**
(54) Product in respect of which the design is registered: **Recording media**
(51) International Design Classification: **14-02**
(74) Name(s) of Attorney(s): **Shelston IP**
(71) Name(s) and Address(s) of Applicant(s):

Sony Computer Entertainment Inc.
1-7-1 Konan Minato-ku Tokyo Japan

(72) Name(s) of Designer(s): **Shinjiro Komatani and Takashi Sogabe**

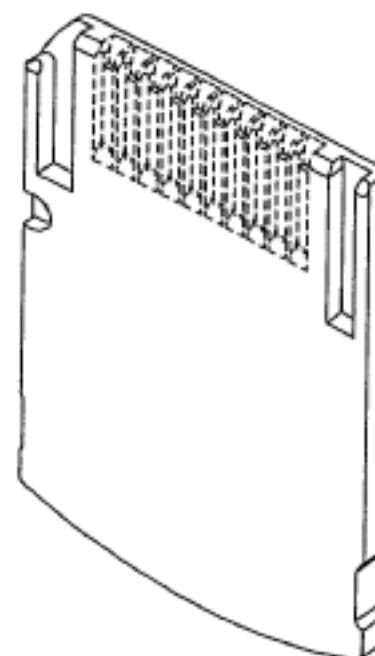
(45) Registration Date: **25 July 2011**

(30) Convention priority data:

(31) Number	(32) Date	(33) Country
2011-001413	25 Jan 2011	JAPAN

(56) Related Art Documents: **Not Applicable**

(57) Statement of Newness and Distinctiveness: **Newness and distinctiveness reside in the shape and/or configuration of a recording media as illustrated by solid lines in the accompanying representations. The features shown in broken or discontinuous lines are for illustrative purposes only and do not form part of the design.**



(21) Design Number: **12909/2011**
(22) Date of Filing Application: **29 June 2011**
(24) Date from which industrial property rights may have effect: **29 June 2011**
(54) Product in respect of which the design is registered: **Portable information terminal**
(51) International Design Classification: **21-01N**
(74) Name(s) of Attorney(s): **Shelston IP**
(71) Name(s) and Address(s) of Applicant(s):

Sony Computer Entertainment Inc.
1-7-1 Konan Minato-ku Tokyo Japan

(72) Name(s) of Designer(s): **Takashi Sogabe**

(45) Registration Date: **25 July 2011**

(30) Convention priority data:

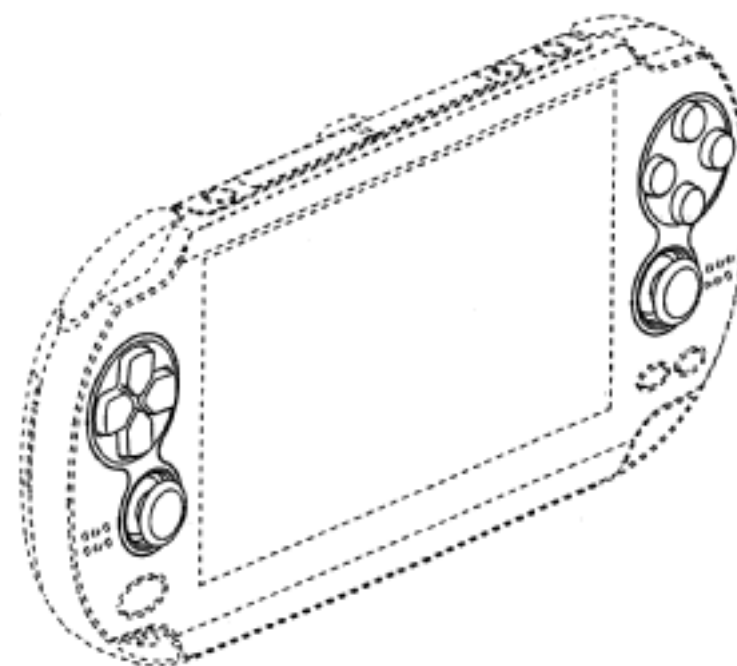
(31) Number	(32) Date	(33) Country
2011-001606	26 Jan 2011	JAPAN

(56) Related Art Documents: **Not Applicable**

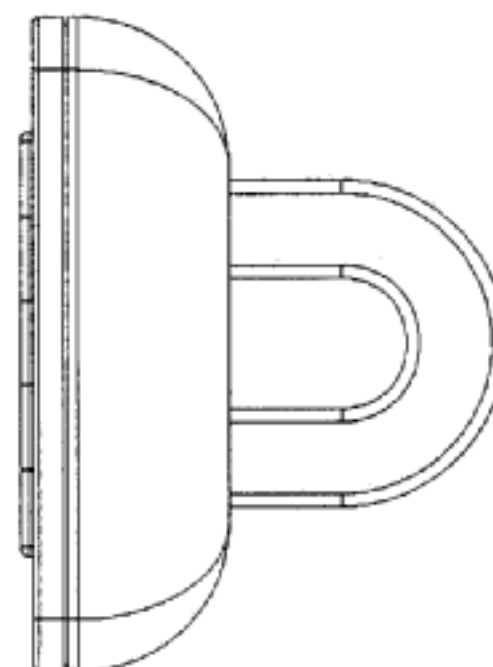
(57) Statement of Newness and Distinctiveness: **Nil**



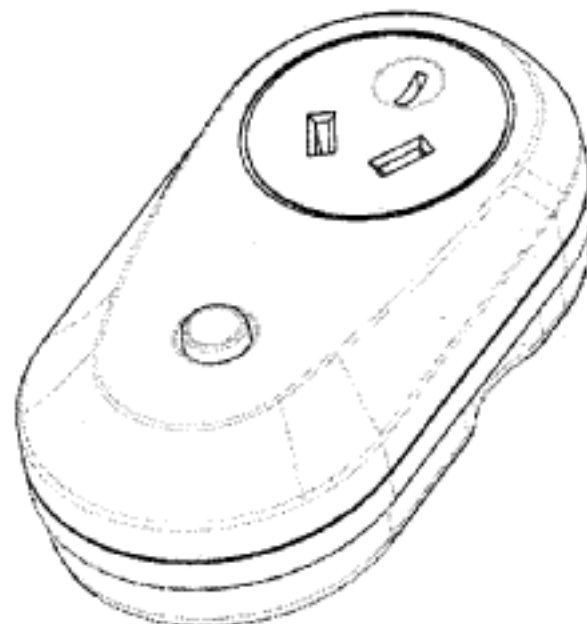
- (21) Design Number: **12910/2011**
(22) Date of Filing Application: **29 June 2011**
(24) Date from which industrial property rights may have effect: **29 June 2011**
(54) Product in respect of which the design is registered: **Portable information terminal**
(51) International Design Classification: **21-01N**
(74) Name(s) of Attorney(s): **Shelston IP**
(71) Name(s) and Address(s) of Applicant(s):
Sony Computer Entertainment Inc.
1-7-1 Konan Minato-ku Tokyo Japan
(72) Name(s) of Designer(s): **Takashi Sogabe**
(45) Registration Date: **25 July 2011**
(30) Convention priority data:
(31) Number (32) Date (33) Country
2011-001607 26 Jan 2011 JAPAN
(56) Related Art Documents: **Not Applicable**
(57) Statement of Newness and Distinctiveness: **Newness and distinctiveness reside in the shape and/or configuration of a portable information terminal as illustrated by solid lines in the accompanying representations. The features shown in broken or discontinuous lines are for illustrative purposes only and do not form part of the design.**



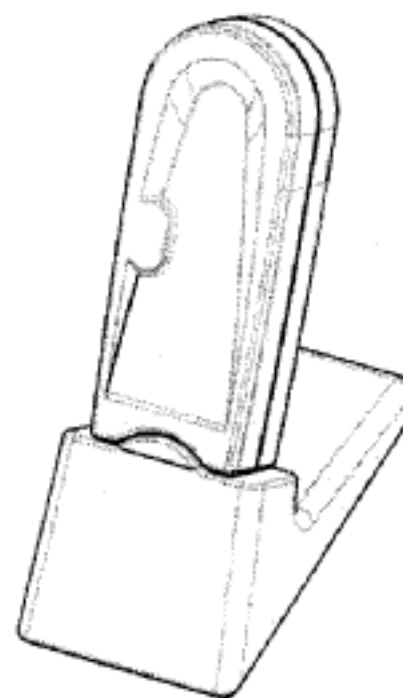
- (21) Design Number: **12920/2011**
(22) Date of Filing Application: **29 June 2011**
(24) Date from which industrial property rights may have effect: **29 June 2011**
(54) Product in respect of which the design is registered: **Power meter box**
(51) International Design Classification: **13-03C, 10-04, 25-02NES**
(74) Name(s) of Attorney(s): **FB Rice**
(71) Name(s) and Address(s) of Applicant(s):
Mort Bay Traders Pty Ltd
Level 1 21a Elliott Street Balmain New South Wales 2041 Australia
(72) Name(s) of Designer(s): **Simon Grigg**
(45) Registration Date: **25 July 2011**
(56) Related Art Documents: **Not Applicable**
(57) Statement of Newness and Distinctiveness: **Each feature of the shape and configuration of the power meter box body considered separately or in combination with any other feature or features of shape and configuration excluding the indicia shown on the power meter box.**



- (21) Design Number: **12921/2011**
(22) Date of Filing Application: **29 June 2011**
(24) Date from which industrial property rights may have effect: **29 June 2011**
(54) Product in respect of which the design is registered: **Remote control GPO adaptor**
(51) International Design Classification: **13-03D**
(74) Name(s) of Attorney(s): **FB Rice**
(71) Name(s) and Address(s) of Applicant(s):
Mort Bay Traders Pty Ltd
Level 1 21a Elliott Street Balmain New South Wales 2041 Australia
(72) Name(s) of Designer(s): **Simon Grigg**
(45) Registration Date: **25 July 2011**
(56) Related Art Documents: **Not Applicable**
(57) Statement of Newness and Distinctiveness: **Each feature of the shape and configuration of the remote control GPO adaptor considered separately or in combination with any other feature or features of shape and configuration.**



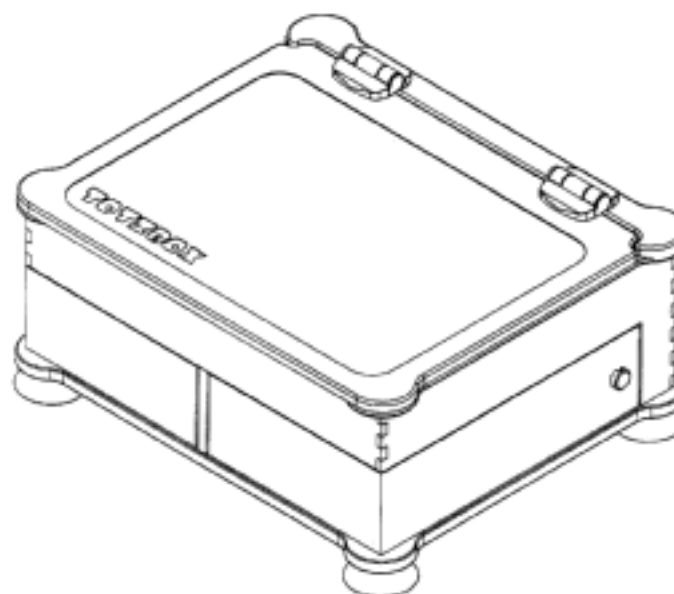
- (21) Design Number: **12922/2011**
(22) Date of Filing Application: **29 June 2011**
(24) Date from which industrial property rights may have effect: **29 June 2011**
(54) Product in respect of which the design is registered: **USB and holder**
(51) International Design Classification: **14-02**
(74) Name(s) of Attorney(s): **FB Rice**
(71) Name(s) and Address(s) of Applicant(s):
Mort Bay Traders Pty Ltd
Level 1 21a Elliott Street Balmain New South Wales 2041 Australia
(72) Name(s) of Designer(s): **Simon Grigg**
(45) Registration Date: **25 July 2011**
(56) Related Art Documents: **Not Applicable**
(57) Statement of Newness and Distinctiveness: **Each feature of the shape and configuration of the USB and associated holder considered separately or in combination with any other feature or features of shape and configuration.**



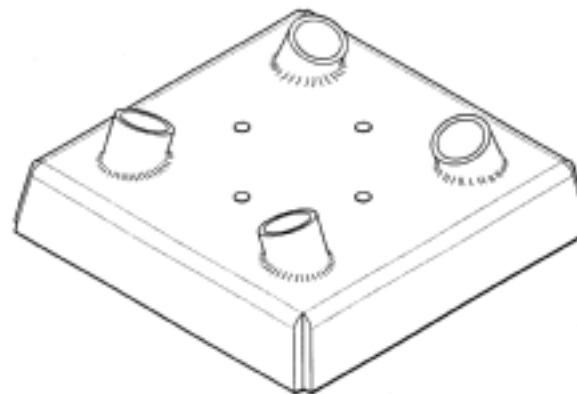
(21) Design Number: **12923/2011**
(22) Date of Filing Application: **29 June 2011**
(24) Date from which industrial property rights may have effect: **29 June 2011**
(54) Product in respect of which the design is registered: **Automobile**
(51) International Design Classification: **12-08**
(74) Name(s) of Attorney(s): **SPRUSON & FERGUSON**
(71) Name(s) and Address(s) of Applicant(s):
Chongqing Sokon Industry Group Stock Co., Ltd.
61-1 Jingqiao Road Shapingba District Chongqing People's Republic of
China
(72) Name(s) of Designer(s): **Xinghai Zhang and Zili Peng**
(45) Registration Date: **25 July 2011**
(30) Convention priority data:
(31) Number (32) Date (33) Country
201130023696.7 17 Feb 2011 CHINA
(56) Related Art Documents: **Not Applicable**
(57) Statement of Newness and Distinctiveness: **Newness and distinctiveness**
is claimed in the features of shape and/or configuration of an automobile
as illustrated in the accompanying representations.



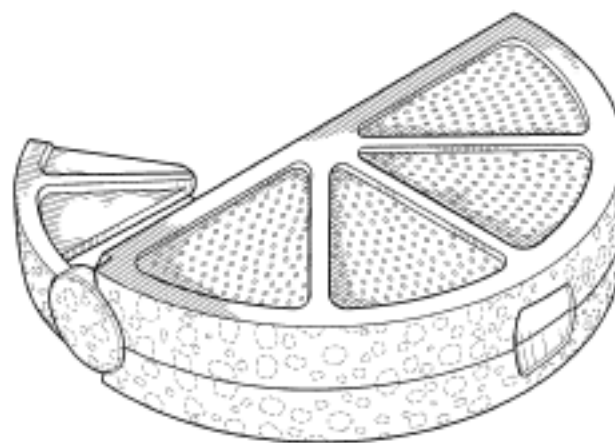
(21) Design Number: **12925/2011**
(22) Date of Filing Application: **29 June 2011**
(24) Date from which industrial property rights may have effect: **29 June 2011**
(54) Product in respect of which the design is registered: **Project box**
(51) International Design Classification: **03-01A, 03-01NES**
(74) Name(s) of Attorney(s): **Actuate IP**
(71) Name(s) and Address(s) of Applicant(s):
Cherine Gibson
4 Clovelly Court Balwyn North Victoria 3104 Australia
(72) Name(s) of Designer(s): **Cherine Gibson**
(45) Registration Date: **25 July 2011**
(56) Related Art Documents: **Not Applicable**
(57) Statement of Newness and Distinctiveness: **Newness and distinctiveness**
is claimed in the features of shape and/or configuration of the project
box as illustrated in the accompanying representations.



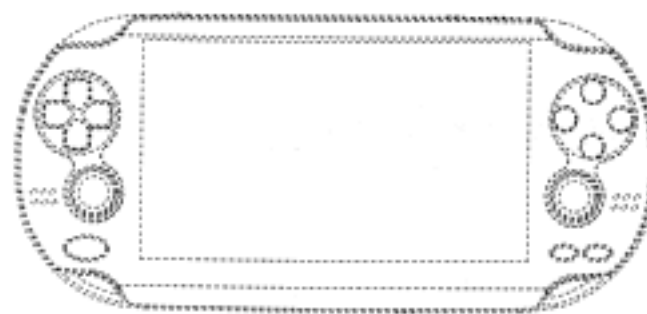
(21) Design Number: **12884/2011**
(22) Date of Filing Application: **28 June 2011**
(24) Date from which industrial property rights may have effect: **28 June 2011**
(54) Product in respect of which the design is registered: **Footing plate**
(51) International Design Classification: **25-01B**
(74) Name(s) of Attorney(s): **Callinans**
(71) Name(s) and Address(s) of Applicant(s):
Neil Despotellis
26 Elle Close Bundoora Victoria 3083 Australia
(72) Name(s) of Designer(s): **Neil Despotellis**
(45) Registration Date: **25 July 2011**
(56) Related Art Documents: **Not Applicable**
(57) Statement of Newness and Distinctiveness: **Nil**



(21) Design Number: **12886/2011**
(22) Date of Filing Application: **28 June 2011**
(24) Date from which industrial property rights may have effect: **28 June 2011**
(54) Product in respect of which the design is registered: **Tea infuser**
(51) International Design Classification: **07-02L**
(74) Name(s) of Attorney(s): **FB Rice**
(71) Name(s) and Address(s) of Applicant(s):
Hutzler Manufacturing Co., Inc.
4 Grace Way Canaan Connecticut 06018 United States of America
(72) Name(s) of Designer(s): **Kate Hixon**
(45) Registration Date: **25 July 2011**
(30) Convention priority data:
(31) Number (32) Date (33) Country
29/389836 18 Apr 2011 UNITED STATES OF AMERICA
(56) Related Art Documents: **Not Applicable**
(57) Statement of Newness and Distinctiveness: **Newness and distinctiveness reside in the shape and configuration of the product shown in the representations having the distinctive shape of part of a slice of lemon or other similar fruit.**



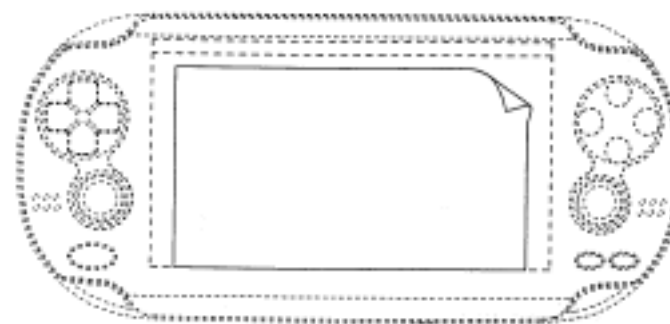
(21) Design Number: **12911/2011**
(22) Date of Filing Application: **29 June 2011**
(24) Date from which industrial property rights may have effect: **29 June 2011**
(54) Product in respect of which the design is registered: **Portable information terminal**
(51) International Design Classification: **21-01N**
(74) Name(s) of Attorney(s): **Shelston IP**
(71) Name(s) and Address(s) of Applicant(s):
Sony Computer Entertainment Inc.
1-7-1 Konan Minato-ku Tokyo Japan
(72) Name(s) of Designer(s): **Takashi Sogabe**
(45) Registration Date: **25 July 2011**
(30) Convention priority data:
(31) Number (32) Date (33) Country
2011-001608 26 Jan 2011 JAPAN
(56) Related Art Documents: **Not Applicable**
(57) Statement of Newness and Distinctiveness: **Newness and distinctiveness reside in the shape and/or configuration of a portable information terminal as illustrated by solid lines in the accompanying representations. The features shown in broken or discontinuous lines are for illustrative purposes only and do not form part of the design.**



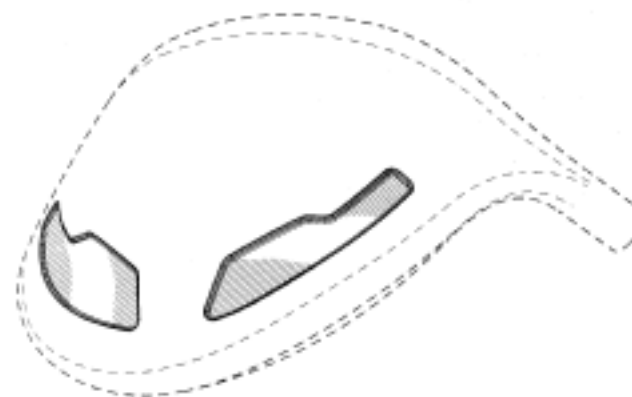
(21) Design Number: **12913/2011**
(22) Date of Filing Application: **29 June 2011**
(24) Date from which industrial property rights may have effect: **29 June 2011**
(54) Product in respect of which the design is registered: **Portable information terminal**
(51) International Design Classification: **21-01N**
(74) Name(s) of Attorney(s): **Shelston IP**
(71) Name(s) and Address(s) of Applicant(s):
Sony Computer Entertainment Inc.
1-7-1 Konan Minato-ku Tokyo Japan
(72) Name(s) of Designer(s): **Eiichi Nishina and Keigo Tsuchiya**
(45) Registration Date: **25 July 2011**
(30) Convention priority data:
(31) Number (32) Date (33) Country
2011-001412 25 Jan 2011 JAPAN
(56) Related Art Documents: **Not Applicable**
(57) Statement of Newness and Distinctiveness: **Newness and distinctiveness reside in the shape and/or configuration of a portable information terminal as illustrated by solid lines in the accompanying representations. The features shown in broken or discontinuous lines are for illustrative purposes only and do not form part of the design.**



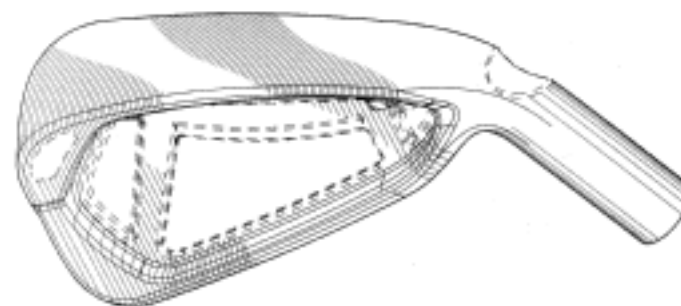
(21) Design Number: **12914/2011**
(22) Date of Filing Application: **29 June 2011**
(24) Date from which industrial property rights may have effect: **29 June 2011**
(54) Product in respect of which the design is registered: **Portable information terminal**
(51) International Design Classification: **21-01N**
(74) Name(s) of Attorney(s): **Shelston IP**
(71) Name(s) and Address(s) of Applicant(s):
Sony Computer Entertainment Inc.
1-7-1 Konan Minato-ku Tokyo Japan
(72) Name(s) of Designer(s): **Munetaka Tsuda and Hidenori Karasawa**
(45) Registration Date: **25 July 2011**
(30) Convention priority data:
(31) Number (32) Date (33) Country
2011-001415 25 Jan 2011 JAPAN
(56) Related Art Documents: **Not Applicable**
(57) Statement of Newness and Distinctiveness: **Newness and distinctiveness reside in the shape and/or configuration of a portable information terminal as illustrated by solid lines in the accompanying representations. The features shown in broken or discontinuous lines are for illustrative purposes only and do not form part of the design.**



(21) Design Number: **12917/2011**
(22) Date of Filing Application: **29 June 2011**
(24) Date from which industrial property rights may have effect: **29 June 2011**
(54) Product in respect of which the design is registered: **Golf club head**
(51) International Design Classification: **21-02C**
(74) Name(s) of Attorney(s): **Davies Collison Cave**
(71) Name(s) and Address(s) of Applicant(s):
Karsten Manufacturing Corporation
2201 West Desert Cove Phoenix Arizona 85029 United States of America
(72) Name(s) of Designer(s): **Marty R. Jertson and Xiaojian Chen and Michael R. Nicolette**
(45) Registration Date: **25 July 2011**
(30) Convention priority data:
(31) Number (32) Date (33) Country
29/385232 10 Feb 2011 UNITED STATES OF AMERICA
(56) Related Art Documents: **Not Applicable**
(57) Statement of Newness and Distinctiveness: **Newness and distinctiveness is claimed in the visual features shown in solid lines in the representations. In considering the extent of the design rights, the broken lines shown in the representations are for illustrative purposes only and do not form part of the design.**



(21) Design Number: **12918/2011**
(22) Date of Filing Application: **29 June 2011**
(24) Date from which industrial property rights may have effect: **29 June 2011**
(54) Product in respect of which the design is registered: **Golf club head**
(51) International Design Classification: **21-02C**
(74) Name(s) of Attorney(s): **Davies Collison Cave**
(71) Name(s) and Address(s) of Applicant(s):
Karsten Manufacturing Corporation
2201 West Desert Cove Phoenix Arizona 85029 United States of America
(72) Name(s) of Designer(s): **Michael R. Nicolette and Bradley D. Schweigert**
and Xiaojian Chen and Marty R. Jertson
(45) Registration Date: **25 July 2011**
(30) Convention priority data:
(31) Number (32) Date (33) Country
29/387591 15 Mar 2011 UNITED STATES OF AMERICA
(56) Related Art Documents: **Not Applicable**
(57) Statement of Newness and Distinctiveness: **Newness and distinctiveness is claimed in the visual features shown in solid lines in the representations. In considering the extent of the design rights, the broken lines shown in the representations are for illustrative purposes only and do not form part of the design.**



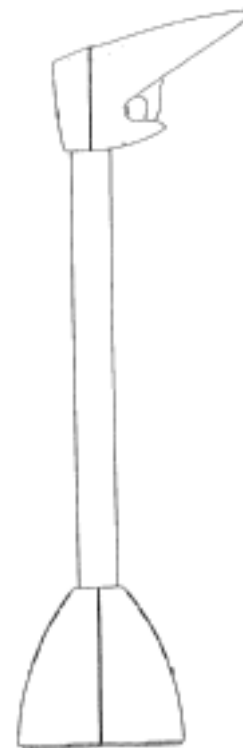
(21) Design Number: **15129/2010**
(22) Date of Filing Application: **24 November 2010**
(24) Date from which industrial property rights may have effect: **24 November 2010**
(54) Product in respect of which the design is registered: **Coupler**
(51) International Design Classification: **07-02C**
(74) Name(s) of Attorney(s): **Halfords IP**
(71) Name(s) and Address(s) of Applicant(s):
Electrolux Home Products Pty Limited
163 O'Riordan Street Mascot New South Wales 2020 Australia
(72) Name(s) of Designer(s): **Vijay Paliwal and Colin Grant**
(45) Registration Date: **26 July 2011**
(56) Related Art Documents: **Not Applicable**
(57) Statement of Newness and Distinctiveness: **Newness and distinctiveness is claimed in those features of shape and or configuration of a Coupler as depicted in the representations. The representations use contour lines, colour, shading and rendering to assist in the illustration of features of shape and or configuration. Such contour lines, colour, shading and rendering do not form part of the design.**



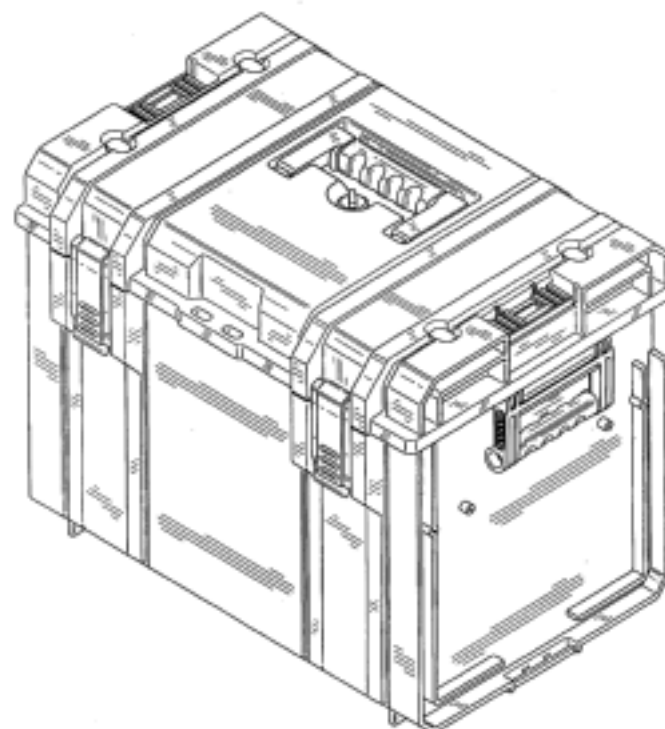
- (21) Design Number: **11700/2011**
(22) Date of Filing Application: **14 April 2011**
(24) Date from which industrial property rights may have effect: **14 April 2011**
(54) Product in respect of which the design is registered: **Weather shade for motorcycles**
(51) International Design Classification: **12-16NES**
(74) Name(s) of Attorney(s):
(71) Name(s) and Address(s) of Applicant(s):
Philip Farrelly
14 Essence Lane Point Cook Victoria 3030 Australia
(72) Name(s) of Designer(s): **Philip Farrelly**
(45) Registration Date: **26 July 2011**
(56) Related Art Documents: **Not Applicable**
(57) Statement of Newness and Distinctiveness: **Shape and materials are designed to maximise coverage and protection while minimise weight and folded size for ease of storage - Eg. pocket sized.**



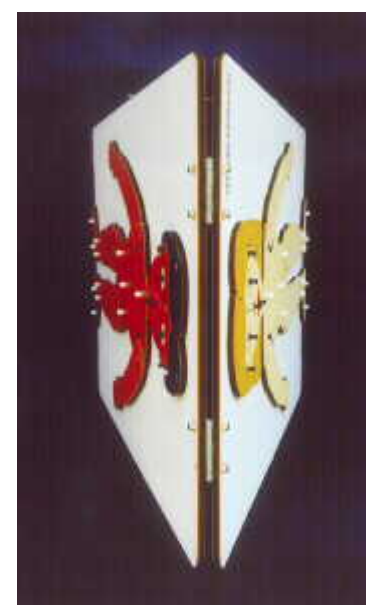
- (21) Design Number: **12203/2011**
(22) Date of Filing Application: **17 May 2011**
(24) Date from which industrial property rights may have effect: **17 May 2011**
(54) Product in respect of which the design is registered: **Bin stand**
(51) International Design Classification: **09-09**
(74) Name(s) of Attorney(s): **Griffith Hack**
(71) Name(s) and Address(s) of Applicant(s):
SULO MGB Australia Pty Ltd
123 Wisemans Ferry Road Somersby New South Wales 2250 Australia
(72) Name(s) of Designer(s): **Thorsten Voss and Michael Huston and Jon Pryor**
(45) Registration Date: **26 July 2011**
(56) Related Art Documents: **Not Applicable**
(57) Statement of Newness and Distinctiveness: **Newness and distinctiveness reside in the overall shape and configuration of the bin stand shown in the accompanying drawings. Contouring lines shown on the surface of the bin stand are designed to show the shape of the design and are not themselves features of the design.**



(21) Design Number: **12331/2011**
(22) Date of Filing Application: **25 May 2011**
(24) Date from which industrial property rights may have effect: **25 May 2011**
(54) Product in respect of which the design is registered: **Storage container**
(51) International Design Classification: **09-03NES**
(74) Name(s) of Attorney(s): **Davies Collison Cave**
(71) Name(s) and Address(s) of Applicant(s):
The Stanley Works Israel Ltd.
19 Ha'melacha Street New Industrial Zone Rosh Ha'ayin 48091 Israel
(72) Name(s) of Designer(s): **Gil Vilkomirski and Zvika Fraiman**
(45) Registration Date: **26 July 2011**
(30) Convention priority data:
(31) Number (32) Date (33) Country
29/388792 01 Apr 2011 UNITED STATES OF AMERICA
(56) Related Art Documents: **Not Applicable**
(57) Statement of Newness and Distinctiveness: **Nil**



(21) Design Number: **12927/2011**
(22) Date of Filing Application: **01 July 2011**
(24) Date from which industrial property rights may have effect: **01 July 2011**
(54) Product in respect of which the design is registered: **Educational puzzle peg board**
(51) International Design Classification: **19-07, 21-01M**
(74) Name(s) of Attorney(s):
(71) Name(s) and Address(s) of Applicant(s):
Leonard Fisher
12 Fleet Street Mornington Victoria 3931 Australia
(72) Name(s) of Designer(s): **Leonard Fisher**
(45) Registration Date: **26 July 2011**
(56) Related Art Documents: **Not Applicable**
(57) Statement of Newness and Distinctiveness: **A frame - white vinyl board. Insert facial features eyes, ears, nose, mouth. All have plastic pegs. Plastic pegs on peg board to hold body parts. All parts of the design are covered in vinyl then digitally printed to give colour and detail. There are multiple parts to the educational puzzle peg board.**



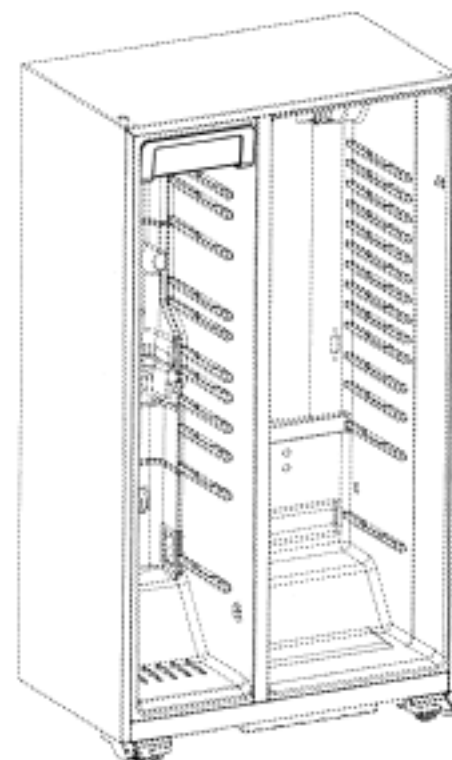
- (21) Design Number: **12929/2011**
(22) Date of Filing Application: **30 June 2011**
(24) Date from which industrial property rights may have effect: **30 June 2011**
(54) Product in respect of which the design is registered: **Collapsible bucket**
(51) International Design Classification: **07-07B**
(74) Name(s) of Attorney(s):
(71) Name(s) and Address(s) of Applicant(s):
Primus Australia Pty Ltd
Level 3 20 Enterprise Drive Bundoora Victoria 3083 Australia
(72) Name(s) of Designer(s): **Joel Noble**
(45) Registration Date: **26 July 2011**
(56) Related Art Documents: **Not Applicable**
(57) Statement of Newness and Distinctiveness: **A fully collapsible bucket made from a folding silicone design. The handle inside the rim allows for complete flat packing and portability.**



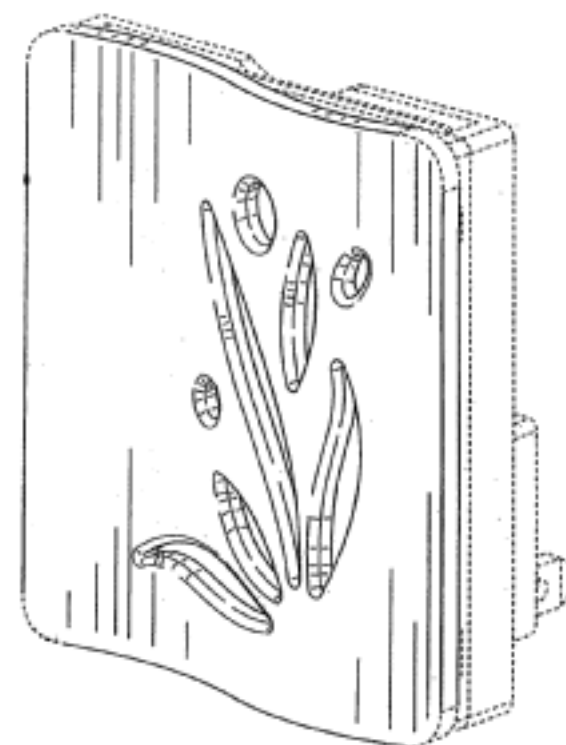
- (21) Design Number: **12930/2011**
(22) Date of Filing Application: **01 July 2011**
(24) Date from which industrial property rights may have effect: **01 July 2011**
(54) Product in respect of which the design is registered: **Christmas tree**
(51) International Design Classification: **11-04**
(74) Name(s) of Attorney(s):
(71) Name(s) and Address(s) of Applicant(s):
Vladimir Ivanov
1 Renny Street Paddington New South Wales 2021 Australia
(72) Name(s) of Designer(s): **Vladimir Ivanov**
(45) Registration Date: **26 July 2011**
(56) Related Art Documents: **Not Applicable**
(57) Statement of Newness and Distinctiveness: **A Christmas tree made from two sheets of plywood or perspex that slot together in a unique way. Each half of the tree is punctuated with holes of varying sizes to allow for decorations to be hung in each one.**



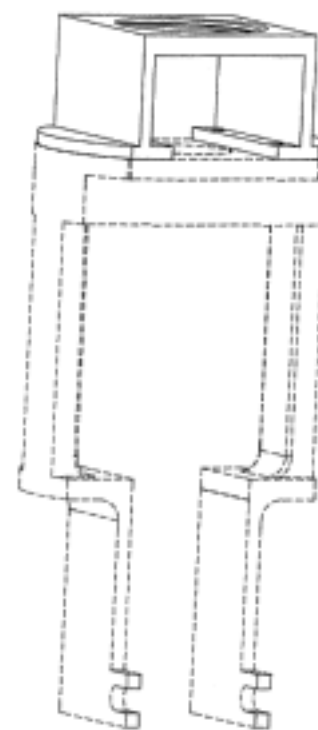
- (21) Design Number: **15486/2010**
(22) Date of Filing Application: **14 December 2010**
(24) Date from which industrial property rights may have effect: **14 December 2010**
(54) Product in respect of which the design is registered: **An appliance**
(51) International Design Classification: **15-07**
(74) Name(s) of Attorney(s): **Halfords IP**
(71) Name(s) and Address(s) of Applicant(s):
Electrolux Home Products Pty Limited
163 O'Riordan Street Mascot New South Wales 2020 Australia
(72) Name(s) of Designer(s): **Tim Clancy and Lyndon Craig and Kittikorn Kaskangam and Xiaozhi Wang**
(45) Registration Date: **26 July 2011**
(56) Related Art Documents: **Not Applicable**
(57) Statement of Newness and Distinctiveness: **Newness and distinctiveness is claimed in those features of shape and or configuration of an appliance as depicted in the accompanying representations. The features shown in brokenlines do not form part of the design.**



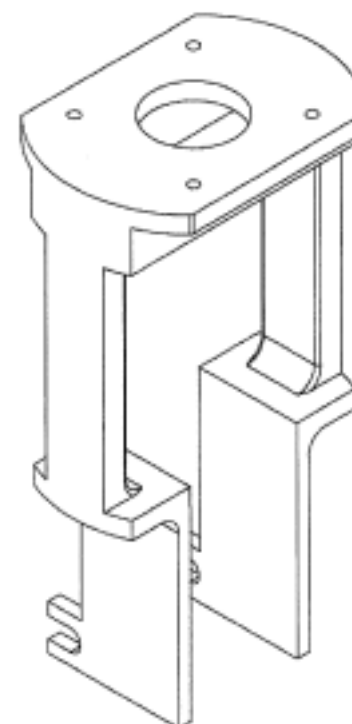
- (21) Design Number: **11833/2011**
(22) Date of Filing Application: **04 May 2011**
(24) Date from which industrial property rights may have effect: **04 May 2011**
(54) Product in respect of which the design is registered: **Dispenser**
(51) International Design Classification: **09-01A**
(74) Name(s) of Attorney(s): **SPRUSON & FERGUSON**
(71) Name(s) and Address(s) of Applicant(s):
S.C. Johnson & Son, Inc.
1525 Howe Street Racine Wisconsin 53403-2236 United States of America
(72) Name(s) of Designer(s): **Bryan Andrew Irwin and Aparna Unnikrishnan and Nathan R. Westphal**
(45) Registration Date: **26 July 2011**
(30) Convention priority data:
(31) Number (32) Date (33) Country
29/378560 05 Nov 2010 UNITED STATES OF AMERICA
(56) Related Art Documents: **Not Applicable**
(57) Statement of Newness and Distinctiveness: **Newness and distinctiveness is claimed in those features of shape and/or configuration of a dispenser illustrated in continuous lines in the accompanying representations.**



- (21) Design Number: **12113/2011**
(22) Date of Filing Application: **12 May 2011**
(24) Date from which industrial property rights may have effect: **12 May 2011**
(54) Product in respect of which the design is registered: **Bracket**
(51) International Design Classification: **08-08L**
(74) Name(s) of Attorney(s): **Davies Collison Cave**
(71) Name(s) and Address(s) of Applicant(s):
Orica Australia Pty Ltd
1 Nicholson Street Melbourne Victoria 3000 Australia
(72) Name(s) of Designer(s): **Dragomir Stanic and Miguel Cruz**
(45) Registration Date: **26 July 2011**
(56) Related Art Documents: **Not Applicable**
(57) Statement of Newness and Distinctiveness: **Newness and distinctiveness is claimed in the visual features of shape and configuration of an extension part of a bracket shown in solid lines in the representations.**



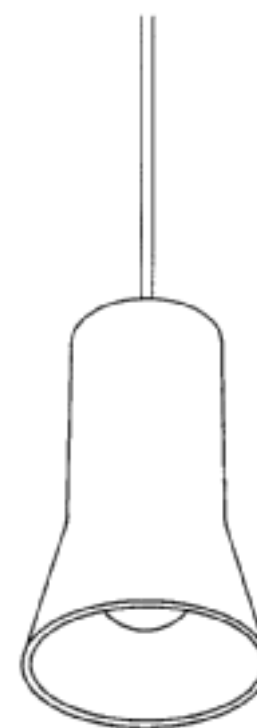
- (21) Design Number: **12115/2011**
(22) Date of Filing Application: **12 May 2011**
(24) Date from which industrial property rights may have effect: **12 May 2011**
(54) Product in respect of which the design is registered: **Bracket**
(51) International Design Classification: **08-08L**
(74) Name(s) of Attorney(s): **Davies Collison Cave**
(71) Name(s) and Address(s) of Applicant(s):
Orica Australia Pty Ltd
1 Nicholson Street Melbourne Victoria 3000 Australia
(72) Name(s) of Designer(s): **Dragomir Stanic and Miguel Cruz**
(45) Registration Date: **26 July 2011**
(56) Related Art Documents: **Not Applicable**
(57) Statement of Newness and Distinctiveness: **Nil**



- (21) Design Number: **12677/2011**
(22) Date of Filing Application: **16 June 2011**
(24) Date from which industrial property rights may have effect: **16 June 2011**
(54) Product in respect of which the design is registered: **A leg for half full table, half full bench, half full stool**
(51) International Design Classification: **06-06E**
(74) Name(s) of Attorney(s):
(71) Name(s) and Address(s) of Applicant(s):
Spaceleft Pty Ltd
Level 1 Studio 2 15-19 Anthony Street Melbourne 3000 Australia
(72) Name(s) of Designer(s): **Ross Gardam**
(45) Registration Date: **26 July 2011**
(56) Related Art Documents: **Not Applicable**
(57) Statement of Newness and Distinctiveness: **The leg detail of the Half Full range of products is the new and distinctive feature. The leg is a turned circular leg which is cut in half to make two parts. The resultant design is a leg with a round back and base and flat front.**



- (21) Design Number: **12678/2011**
(22) Date of Filing Application: **16 June 2011**
(24) Date from which industrial property rights may have effect: **16 June 2011**
(54) Product in respect of which the design is registered: **Touch pendant light**
(51) International Design Classification: **26-05D**
(74) Name(s) of Attorney(s):
(71) Name(s) and Address(s) of Applicant(s):
Spaceleft Pty Ltd
Level 1 Studio 2 15-19 Anthony Street Melbourne 3000 Australia
(72) Name(s) of Designer(s): **Ross Gardam**
(45) Registration Date: **26 July 2011**
(56) Related Art Documents: **Not Applicable**
(57) Statement of Newness and Distinctiveness: **Nil**

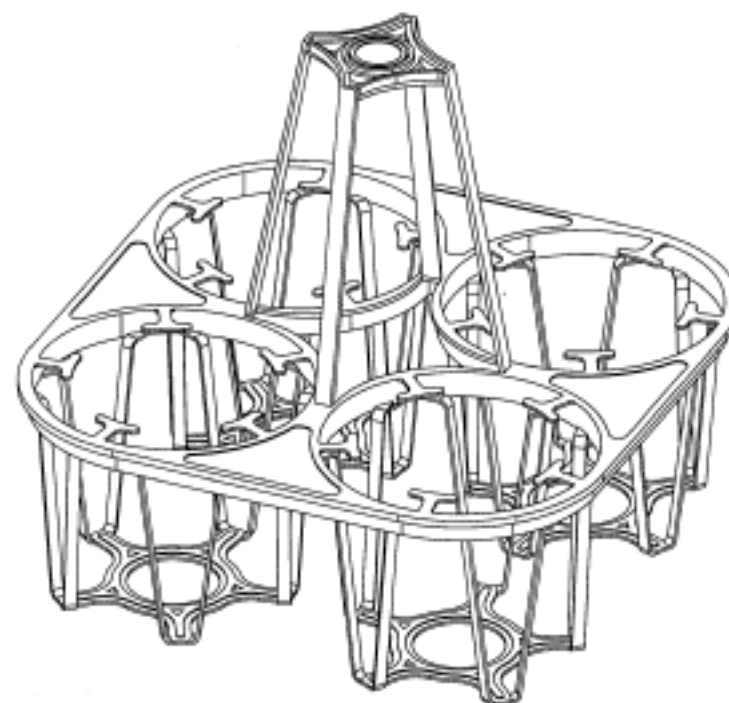


(21) Design Number: **12867/2011**
(22) Date of Filing Application: **27 June 2011**
(24) Date from which industrial property rights may have effect: **27 June 2011**
(54) Product in respect of which the design is registered: **The champ junior 2 light weight brushcutter replacement head**
(51) International Design Classification: **15-03B, 08-03**
(74) Name(s) of Attorney(s):
(71) Name(s) and Address(s) of Applicant(s):
Jennifer Mary Neeves Alexander Trading as Curagul Stud
1 Kayley Place Glenhaven New South Wales 2156 Australia
Ian Ramage Alexander Trading as Curagul Stud
1 Kayley Place Glenhaven New South Wales 2156 Australia
(72) Name(s) of Designer(s): **Ian Ramage Alexander and Philip Ian Alexander**
(45) Registration Date: **26 July 2011**
(56) Related Art Documents: **Not Applicable**



(57) Statement of Newness and Distinctiveness: **The CHAMP Junior 2 replacement Brushcutter head is engineered in marine grade aluminium and is comprised of only 2 parts. The base (housing) and the Cutting Cylinder (spigot). This design eliminates all moving parts. The cutting cylinder is highly engineered and it has a coarse "square" style left handed thread cut in its outside wall, the wall is also pierced with four opposing vertical slots line slots 3.6mm wide. The slots are designed to accommodate two 2 cutting lines. The leading edge of each slot is rounded to relieve any cutting pressure on the line to prolong cutting cycles. Two pieces of line - gauge 3.0mm - can be inserted through the slots and extended equally to give 4 (four) cutters. Externally on the bottom edge of the cutting cylinder there are 4" c" spanner release slots. A special "C" spanner (Gold Zinc Plated) with diameter specific to Cutting Cylinder is included with each Head, facilitating the "unlocking" of the Cutting Cylinder. The underside the CHAMP Jnr 2 is fitted with a 25mm recess which enables the Head to be "centred" on the same 25mm riser commonly found on the bearing cover plate of all "straight shaft" brushcutters.**

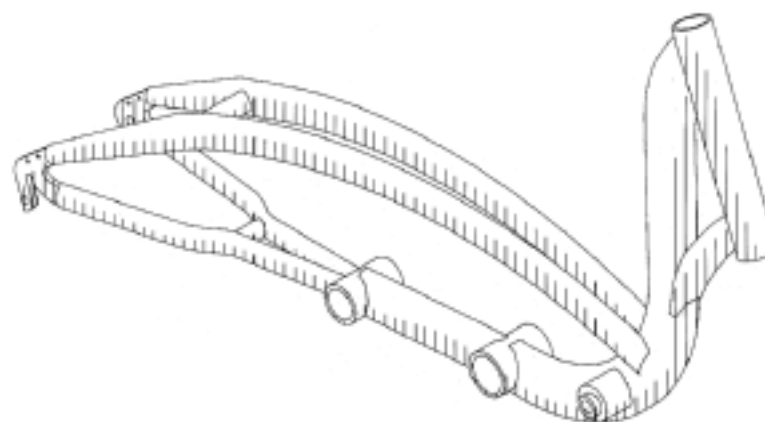
(21) Design Number: **12891/2011**
(22) Date of Filing Application: **28 June 2011**
(24) Date from which industrial property rights may have effect: **28 June 2011**
(54) Product in respect of which the design is registered: **Carrier for beverages**
(51) International Design Classification: **09-03E**
(74) Name(s) of Attorney(s): **PHILLIPS ORMONDE FITZPATRICK**
(71) Name(s) and Address(s) of Applicant(s):
Biba Pty Ltd
11 Grange Road Cheltenham Victoria 3192 Australia
(72) Name(s) of Designer(s): **Colin Robertson**
(45) Registration Date: **26 July 2011**
(56) Related Art Documents: **Not Applicable**
(57) Statement of Newness and Distinctiveness: **Those features of the carrier depicted in the representations that are new and distinctive are the shape and/or configuration.**



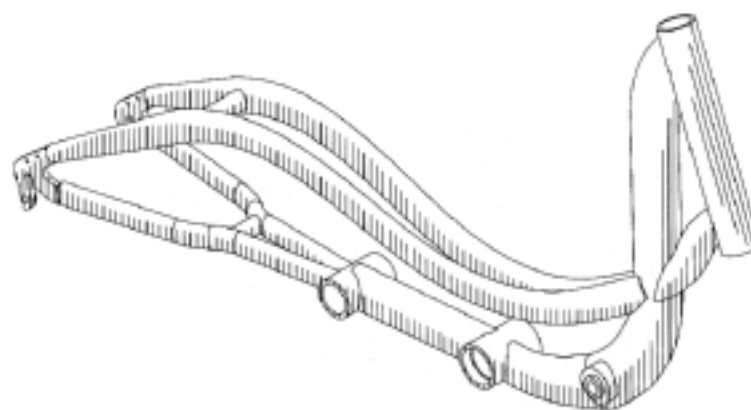
(21) Design Number: **12893/2011**
(22) Date of Filing Application: **28 June 2011**
(24) Date from which industrial property rights may have effect: **28 June 2011**
(54) Product in respect of which the design is registered: **A bottle**
(51) International Design Classification: **09-01H**
(74) Name(s) of Attorney(s): **A J Park**
(71) Name(s) and Address(s) of Applicant(s):
Spirits International B.V.
7 Rue Nicolas Bove L-1253 Luxembourg Luxembourg
(72) Name(s) of Designer(s): **Yuri Shefler**
(45) Registration Date: **26 July 2011**
(30) Convention priority data:
(31) Number (32) Date (33) Country
137594 28 Dec 2010 SWITZERLAND
(56) Related Art Documents: **Not Applicable**
(57) Statement of Newness and Distinctiveness: **Newness and distinctiveness reside in the features of shape and/or configuration of the bottle as shown in the representations.**



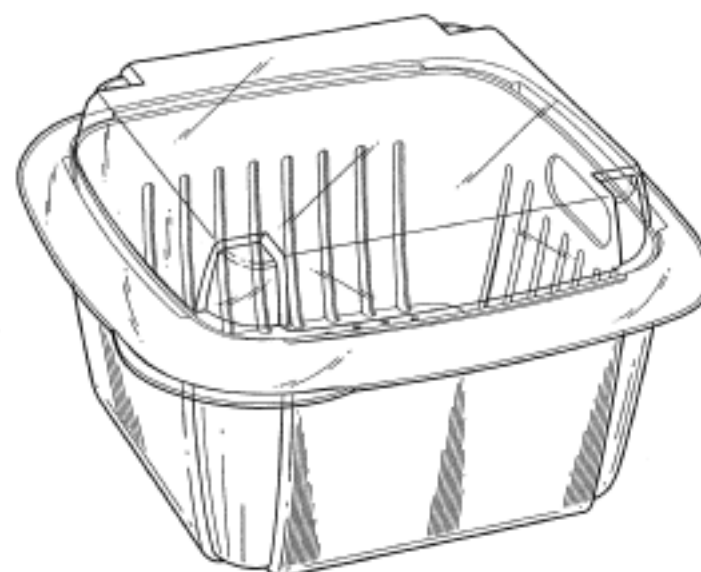
(21) Design Number: **12894/2011**
(22) Date of Filing Application: **29 June 2011**
(24) Date from which industrial property rights may have effect: **29 June 2011**
(54) Product in respect of which the design is registered: **Frame**
(51) International Design Classification: **12-11, 21-01F**
(74) Name(s) of Attorney(s): **Baxter IP**
(71) Name(s) and Address(s) of Applicant(s):
Zike, LLC
902 N. Pleasantburg Drive Greenville South Carolina 29607 United States of America
(72) Name(s) of Designer(s): **Nathan Anthony Scolari and Robert Wayne Lewis Jr**
(45) Registration Date: **26 July 2011**
(30) Convention priority data:
(31) Number (32) Date (33) Country
29/389,795 15 Apr 2011 UNITED STATES OF AMERICA
(56) Related Art Documents: **Not Applicable**
(57) Statement of Newness and Distinctiveness: **Nil**



(21) Design Number: **12895/2011**
(22) Date of Filing Application: **29 June 2011**
(24) Date from which industrial property rights may have effect: **29 June 2011**
(54) Product in respect of which the design is registered: **Frame**
(51) International Design Classification: **12-11, 21-01F**
(74) Name(s) of Attorney(s): **Baxter IP**
(71) Name(s) and Address(s) of Applicant(s):
Zike, LLC
902 N. Pleasantburg Drive Greenville South Carolina 29607 United States of America
(72) Name(s) of Designer(s): **Nathan Anthony Scolari and Robert Wayne Lewis Jr**
(45) Registration Date: **26 July 2011**
(30) Convention priority data:
(31) Number (32) Date (33) Country
29/389,793 15 Apr 2011 UNITED STATES OF AMERICA
(56) Related Art Documents: **Not Applicable**
(57) Statement of Newness and Distinctiveness: **Nil**



(21) Design Number: **12896/2011**
(22) Date of Filing Application: **29 June 2011**
(24) Date from which industrial property rights may have effect: **29 June 2011**
(54) Product in respect of which the design is registered: **Bowl including base, container and strainer**
(51) International Design Classification: **07-02NES**
(74) Name(s) of Attorney(s): **FB Rice**
(71) Name(s) and Address(s) of Applicant(s):
Hutzler Manufacturing Co., Inc.
4 Grace Way Canaan Connecticut 06018 United States of America
(72) Name(s) of Designer(s): **Richard Ehrenhaus**
(45) Registration Date: **26 July 2011**
(30) Convention priority data:
(31) Number (32) Date (33) Country
29/386529 02 Mar 2011 UNITED STATES OF AMERICA
(56) Related Art Documents: **Not Applicable**
(57) Statement of Newness and Distinctiveness: **Newness and distinctiveness reside in the features of shape and configuration of the design as shown in the representations.**



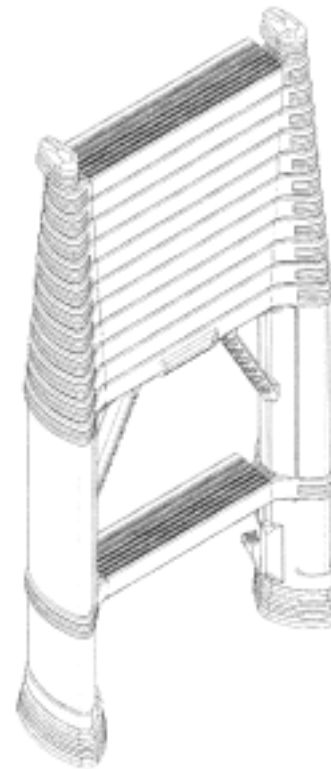
- (21) Design Number: **12897/2011**
(22) Date of Filing Application: **29 June 2011**
(24) Date from which industrial property rights may have effect: **29 June 2011**
(54) Product in respect of which the design is registered: **Seat, armrest and backrest for a chair**
(51) International Design Classification: **06-06G**
(74) Name(s) of Attorney(s): **Griffith Hack**
(71) Name(s) and Address(s) of Applicant(s):
Sitland S.P.A.
Via Ca' Silvestre 32 Nanto 36024 Italy
(72) Name(s) of Designer(s): **Sergio Bellin**
(45) Registration Date: **26 July 2011**
(56) Related Art Documents: **Not Applicable**
(57) Statement of Newness and Distinctiveness: **Newness and distinctiveness resides in the visual features including shape and configuration of a seat, armrest and backrest for a chair as shown in the accompanying representations.**



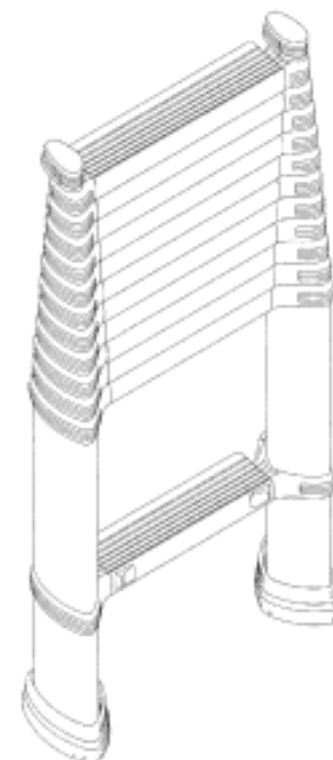
- (21) Design Number: **12898/2011**
(22) Date of Filing Application: **29 June 2011**
(24) Date from which industrial property rights may have effect: **29 June 2011**
(54) Product in respect of which the design is registered: **Ladder components**
(51) International Design Classification: **25-04**
(74) Name(s) of Attorney(s): **Griffith Hack**
(71) Name(s) and Address(s) of Applicant(s):
Telesteps AB
PO Box 362 Tranas SE-573 24 Sweden
(72) Name(s) of Designer(s): **Magnus Goransson and Jens Bernhardsson**
(45) Registration Date: **26 July 2011**
(30) Convention priority data:
(31) Number (32) Date (33) Country
001799875 29 Dec 2010 EUROPEAN COMMUNITY
(56) Related Art Documents: **Not Applicable**
(57) Statement of Newness and Distinctiveness: **Nil**



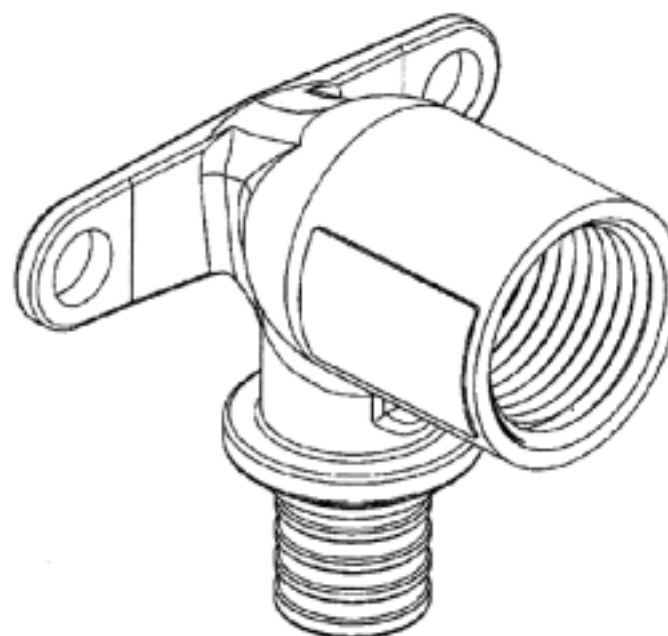
(21) Design Number: **12899/2011**
(22) Date of Filing Application: **29 June 2011**
(24) Date from which industrial property rights may have effect: **29 June 2011**
(54) Product in respect of which the design is registered: **Ladder**
(51) International Design Classification: **25-04**
(74) Name(s) of Attorney(s): **Griffith Hack**
(71) Name(s) and Address(s) of Applicant(s):
Telesteps AB
PO Box 362 Tranas SE-573 24 Sweden
(72) Name(s) of Designer(s): **Magnus Goransson and Jens Bernhardsson**
(45) Registration Date: **26 July 2011**
(30) Convention priority data:
(31) Number (32) Date (33) Country
001799875 29 Dec 2010 EUROPEAN COMMUNITY
(56) Related Art Documents: **Not Applicable**
(57) Statement of Newness and Distinctiveness: **Nil**



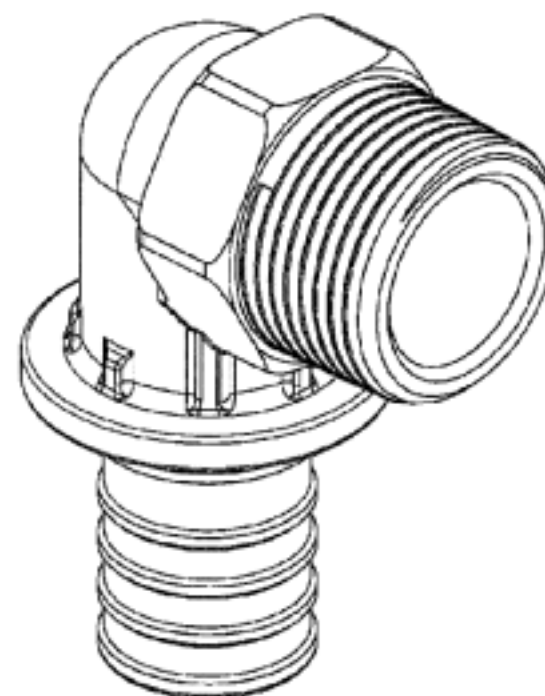
(21) Design Number: **12900/2011**
(22) Date of Filing Application: **29 June 2011**
(24) Date from which industrial property rights may have effect: **29 June 2011**
(54) Product in respect of which the design is registered: **Ladder**
(51) International Design Classification: **25-04**
(74) Name(s) of Attorney(s): **Griffith Hack**
(71) Name(s) and Address(s) of Applicant(s):
Telesteps AB
PO Box 362 Tranas SE-573 24 Sweden
(72) Name(s) of Designer(s): **Magnus Goransson and Jens Bernhardsson**
(45) Registration Date: **26 July 2011**
(30) Convention priority data:
(31) Number (32) Date (33) Country
001799875 29 Dec 2010 EUROPEAN COMMUNITY
(56) Related Art Documents: **Not Applicable**
(57) Statement of Newness and Distinctiveness: **Nil**



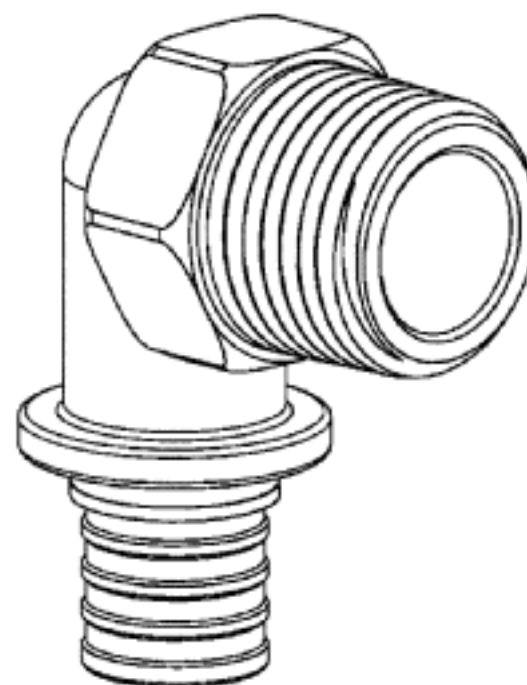
- (21) Design Number: **12938/2011**
(22) Date of Filing Application: **30 June 2011**
(24) Date from which industrial property rights may have effect: **30 June 2011**
(54) Product in respect of which the design is registered: **Hose or pipe fitting**
(51) International Design Classification: **23-01A, 23-01C**
(74) Name(s) of Attorney(s): **Shelston IP**
(71) Name(s) and Address(s) of Applicant(s):
Rehau AG + Co
Rheniumhaus 95111 Rehau Germany
(72) Name(s) of Designer(s): **Reinhold Waedt and Claus Buttner and Sven Christoph**
(45) Registration Date: **26 July 2011**
(30) Convention priority data:
(31) Number (32) Date (33) Country
00 126 3297 02 Mar 2011 EUROPEAN COMMUNITY
(56) Related Art Documents: **Not Applicable**
(57) Statement of Newness and Distinctiveness: **Newness and distinctiveness reside in the features of shape and/or configuration of a HOSE OR PIPE FITTING as illustrated in the accompanying representations.**



- (21) Design Number: **12939/2011**
(22) Date of Filing Application: **30 June 2011**
(24) Date from which industrial property rights may have effect: **30 June 2011**
(54) Product in respect of which the design is registered: **Hose or pipe fitting**
(51) International Design Classification: **23-01A, 23-01C**
(74) Name(s) of Attorney(s): **Shelston IP**
(71) Name(s) and Address(s) of Applicant(s):
Rehau AG + Co
Rheniumhaus 95111 Rehau Germany
(72) Name(s) of Designer(s): **Reinhold Waedt and Claus Buttner and Sven Christoph**
(45) Registration Date: **26 July 2011**
(30) Convention priority data:
(31) Number (32) Date (33) Country
00 126 3297 02 Mar 2011 EUROPEAN COMMUNITY
(56) Related Art Documents: **Not Applicable**
(57) Statement of Newness and Distinctiveness: **Newness and distinctiveness reside in the features of shape and/or configuration of a HOSE OR PIPE FITTING as illustrated in the accompanying representations.**



- (21) Design Number: **12940/2011**
(22) Date of Filing Application: **30 June 2011**
(24) Date from which industrial property rights may have effect: **30 June 2011**
(54) Product in respect of which the design is registered: **Hose or pipe fitting**
(51) International Design Classification: **23-01A, 23-01C**
(74) Name(s) of Attorney(s): **Shelston IP**
(71) Name(s) and Address(s) of Applicant(s):
Rehau AG + Co
Rheniumhaus 95111 Rehau Germany
(72) Name(s) of Designer(s): **Reinhold Waedt and Claus Buttner and Sven Christoph**
(45) Registration Date: **26 July 2011**
(30) Convention priority data:
(31) Number (32) Date (33) Country
00 126 3297 02 Mar 2011 EUROPEAN COMMUNITY
(56) Related Art Documents: **Not Applicable**
(57) Statement of Newness and Distinctiveness: **Newness and distinctiveness reside in the features of shape and/or configuration of a HOSE OR PIPE FITTING as illustrated in the accompanying representations.**



- (21) Design Number: **13042/2011**
(22) Date of Filing Application: **07 July 2011**
(24) Date from which industrial property rights may have effect: **07 July 2011**
(54) Product in respect of which the design is registered: **Portable display device**
(51) International Design Classification: **14-01**
(74) Name(s) of Attorney(s): **Freehills Patent & Trade Mark Attorneys**
(71) Name(s) and Address(s) of Applicant(s):
Apple Inc.
1 Infinite Loop Cupertino California 95014 United States of America
(72) Name(s) of Designer(s): **Jody Akana and Bartley K. Andre and Jeremy Bataillou and Daniel J. Coster and Daniele De Iuliis and Evans Hankey and Julian Hoenig and Richard P. Howarth and Jonathan P. Ive and Duncan Robert Kerr and Shin Nishibori and Matthew Dean Rohrbach and Peter Russell-Clarke and Christopher J. Stringer and Eugene Antony Whang and Rico Zorkendorfer**
(45) Registration Date: **26 July 2011**
(30) Convention priority data:
(31) Number (32) Date (33) Country
29/382846 07 Jan 2011 UNITED STATES OF AMERICA
(56) Related Art Documents: **Not Applicable**
(57) Statement of Newness and Distinctiveness: **Newness and distinctiveness resides in the features of shape shown in the accompanying representations by solid outline lines and by solid shade lines, which show contour.**



(21) Design Number: **13043/2011**
(22) Date of Filing Application: **07 July 2011**
(24) Date from which industrial property rights may have effect: **07 July 2011**
(54) Product in respect of which the design is registered: **Portable display device**
(51) International Design Classification: **14-01**
(74) Name(s) of Attorney(s): **Freehills Patent & Trade Mark Attorneys**
(71) Name(s) and Address(s) of Applicant(s):

Apple Inc.
1 Infinite Loop Cupertino California 95014 United States of America

(72) Name(s) of Designer(s): **Jody Akana and Bartley K. Andre and Jeremy Bataillou and Daniel J. Coster and Daniele De Iuliis and Evans Hankey and Julian Hoenig and Richard P. Howarth and Jonathan P. Ive and Duncan Robert Kerr and Shin Nishibori and Matthew Dean Rohrbach and Peter Russell-Clarke and Christopher J. Stringer and Eugene Antony Whang and Rico Zorkendorfer**

(45) Registration Date: **26 July 2011**

(30) Convention priority data:

(31) Number	(32) Date	(33) Country
29/382846	07 Jan 2011	UNITED STATES OF AMERICA

(56) Related Art Documents: **Not Applicable**

(57) Statement of Newness and Distinctiveness: **Newness and distinctiveness resides in the features of shape shown in the accompanying representations by solid outline lines and by solid shade lines, which show contour.**



(21) Design Number: **12233/2011**
(22) Date of Filing Application: **18 May 2011**
(24) Date from which industrial property rights may have effect: **18 May 2011**
(54) Product in respect of which the design is registered: **A watercraft hull**
(51) International Design Classification: **12-06A**
(74) Name(s) of Attorney(s): **Griffith Hack**
(71) Name(s) and Address(s) of Applicant(s):

Bionx International Inc.
455 Magna Drive Aurora ON L4G 7A9 Canada

(72) Name(s) of Designer(s): **Matthew James Finbow**

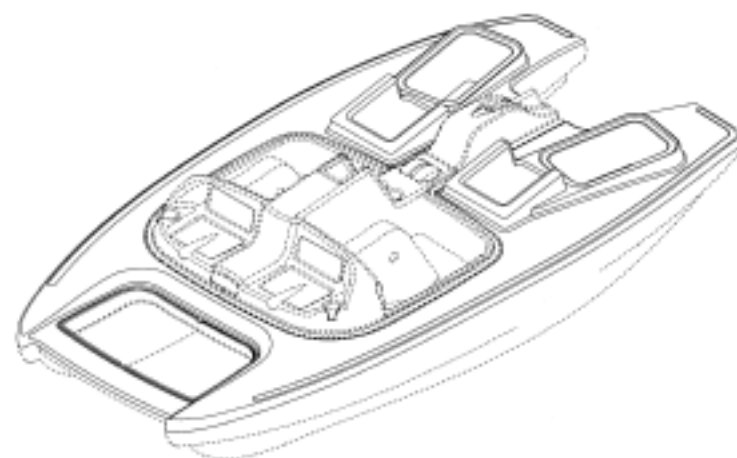
(45) Registration Date: **26 July 2011**

(30) Convention priority data:

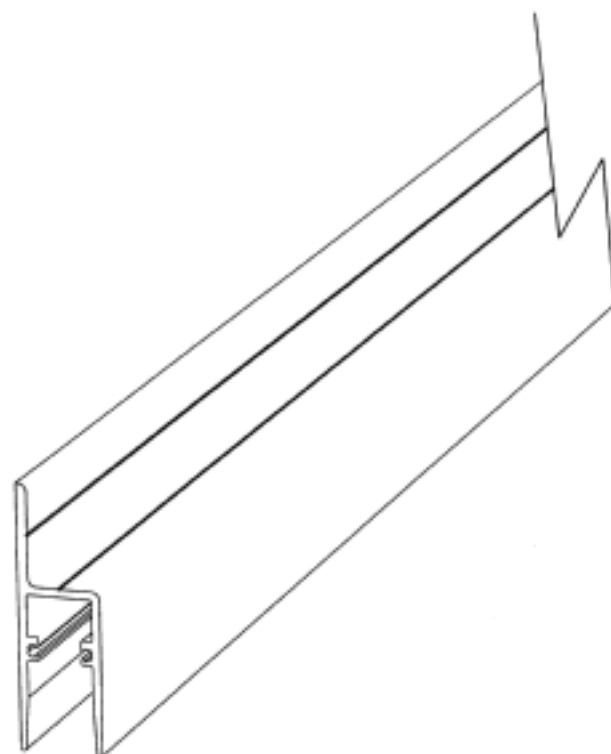
(31) Number	(32) Date	(33) Country
29/379,986	29 Nov 2010	UNITED STATES OF AMERICA

(56) Related Art Documents: **Not Applicable**

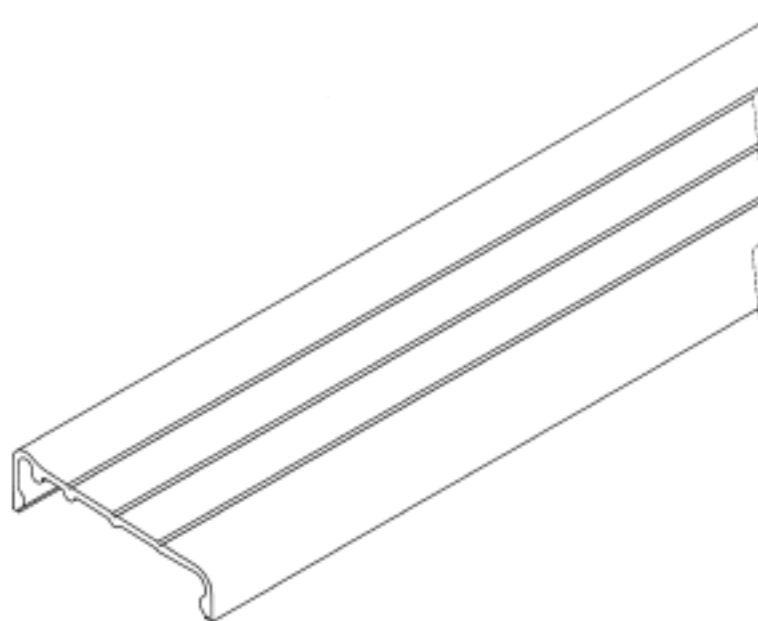
(57) Statement of Newness and Distinctiveness: **The shape and configuration of those parts of the design shown by means of solid lines in the representations are new and distinctive.**



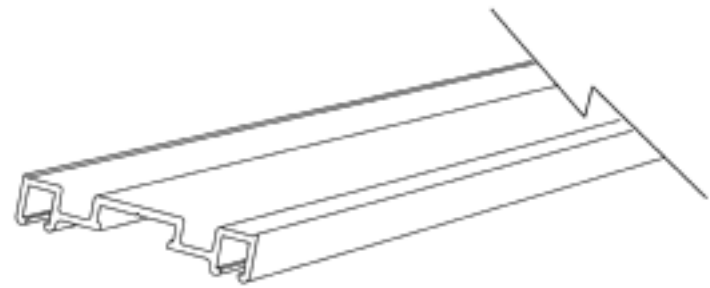
- (21) Design Number: **12942/2011**
(22) Date of Filing Application: **01 July 2011**
(24) Date from which industrial property rights may have effect: **01 July 2011**
(54) Product in respect of which the design is registered: **Drop door seal housing extrusion**
(51) International Design Classification: **25-01K**
(74) Name(s) of Attorney(s): **A.P.T. Patent and Trade Mark Attorneys**
(71) Name(s) and Address(s) of Applicant(s):
Raven Products Pty Ltd
22 Aldershot Road Lonsdale South Australia 5160 Australia
(72) Name(s) of Designer(s): **Russell Clark**
(45) Registration Date: **26 July 2011**
(56) Related Art Documents: **Not Applicable**
(57) Statement of Newness and Distinctiveness: **Novelty resides in the shape and/or configuration of the drop door seal housing extrusion as shown in the drawings.**



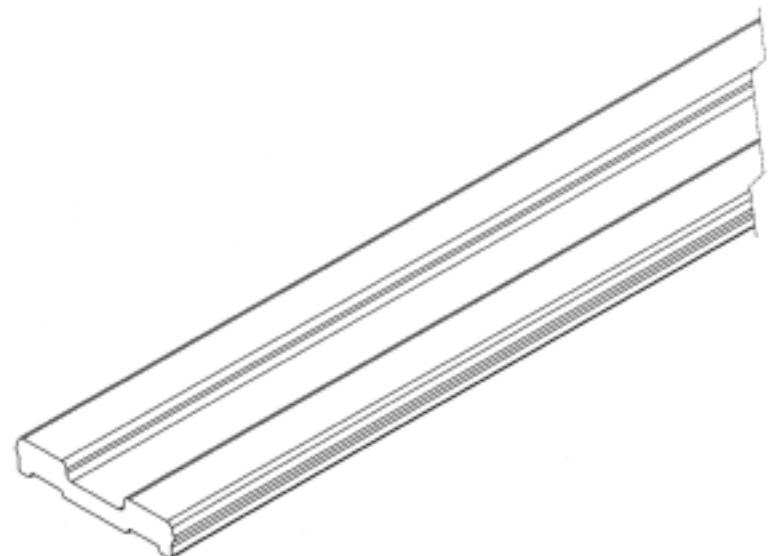
- (21) Design Number: **12943/2011**
(22) Date of Filing Application: **01 July 2011**
(24) Date from which industrial property rights may have effect: **01 July 2011**
(54) Product in respect of which the design is registered: **Door threshold plate extrusion**
(51) International Design Classification: **25-01K**
(74) Name(s) of Attorney(s): **A.P.T. Patent and Trade Mark Attorneys**
(71) Name(s) and Address(s) of Applicant(s):
Raven Products Pty Ltd
22 Aldershot Road Lonsdale South Australia 5160 Australia
(72) Name(s) of Designer(s): **Russell Clark and Neil Raven and Craig Cowling**
(45) Registration Date: **26 July 2011**
(56) Related Art Documents: **Not Applicable**
(57) Statement of Newness and Distinctiveness: **Novelty resides in the shape and/or configuration of the drop threshold plate extrusion as shown in the drawings.**



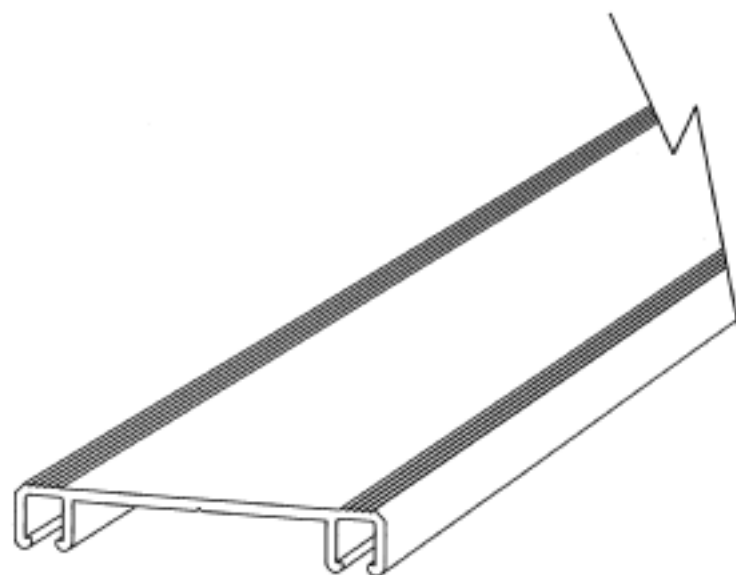
- (21) Design Number: **12944/2011**
(22) Date of Filing Application: **01 July 2011**
(24) Date from which industrial property rights may have effect: **01 July 2011**
(54) Product in respect of which the design is registered: **Door frame seal extrusion**
(51) International Design Classification: **25-01K**
(74) Name(s) of Attorney(s): **A.P.T. Patent and Trade Mark Attorneys**
(71) Name(s) and Address(s) of Applicant(s):
Raven Products Pty Ltd
22 Aldershot Road Lonsdale South Australia 5160 Australia
(72) Name(s) of Designer(s): **Russell Clark**
(45) Registration Date: **26 July 2011**
(56) Related Art Documents: **Not Applicable**
(57) Statement of Newness and Distinctiveness: **Novelty resides in the shape and/or configuration of the door frame seal extrusion as shown in the drawings.**



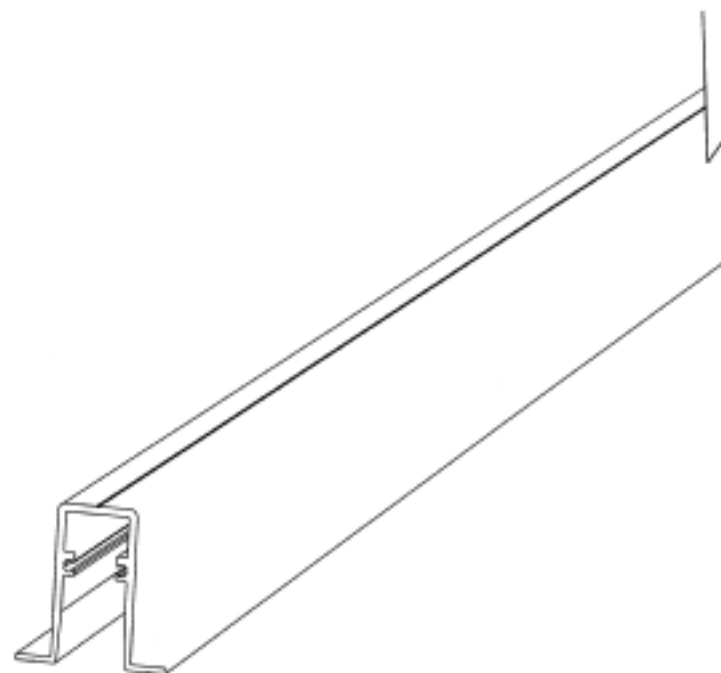
- (21) Design Number: **12945/2011**
(22) Date of Filing Application: **01 July 2011**
(24) Date from which industrial property rights may have effect: **01 July 2011**
(54) Product in respect of which the design is registered: **Door threshold locating block extrusion**
(51) International Design Classification: **25-01K**
(74) Name(s) of Attorney(s): **A.P.T. Patent and Trade Mark Attorneys**
(71) Name(s) and Address(s) of Applicant(s):
Raven Products Pty Ltd
22 Aldershot Road Lonsdale South Australia 5160 Australia
(72) Name(s) of Designer(s): **Russell Clark and Neil Raven and Craig Cowling**
(45) Registration Date: **26 July 2011**
(56) Related Art Documents: **Not Applicable**
(57) Statement of Newness and Distinctiveness: **Novelty resides in the shape and/or configuration of the door threshold locating block extrusion as shown in the drawings.**



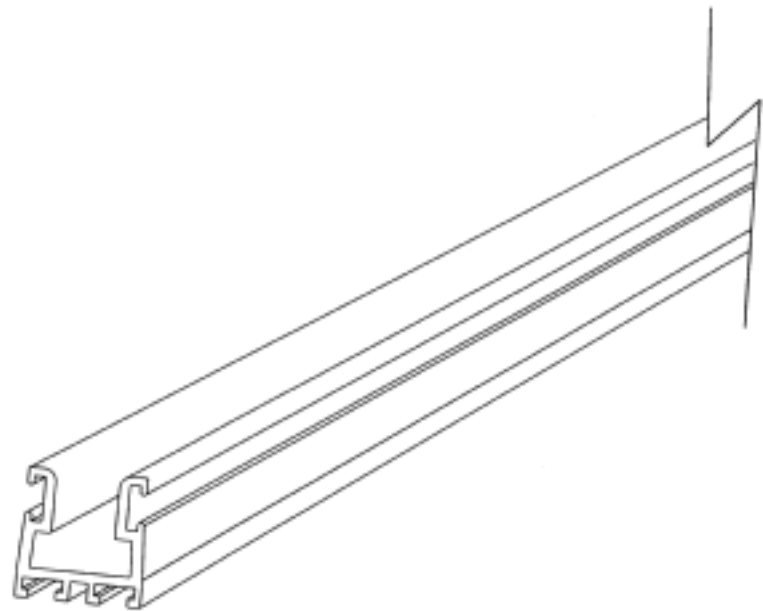
- (21) Design Number: **12946/2011**
(22) Date of Filing Application: **01 July 2011**
(24) Date from which industrial property rights may have effect: **01 July 2011**
(54) Product in respect of which the design is registered: **Door bottom seal extrusion**
(51) International Design Classification: **25-01K**
(74) Name(s) of Attorney(s): **A.P.T. Patent and Trade Mark Attorneys**
(71) Name(s) and Address(s) of Applicant(s):
Raven Products Pty Ltd
22 Aldershot Road Lonsdale South Australia 5160 Australia
(72) Name(s) of Designer(s): **Russell Clark**
(45) Registration Date: **26 July 2011**
(56) Related Art Documents: **Not Applicable**
(57) Statement of Newness and Distinctiveness: **Novelty resides in the shape and/or configuration of the door bottom seal extrusion as shown in the drawings.**



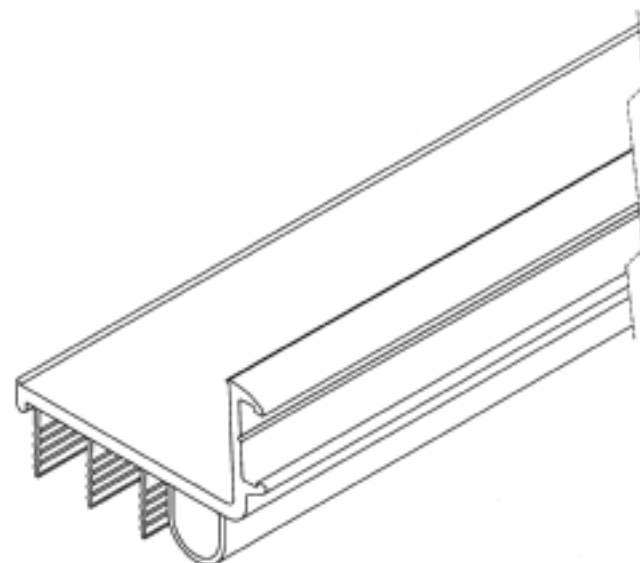
- (21) Design Number: **12947/2011**
(22) Date of Filing Application: **01 July 2011**
(24) Date from which industrial property rights may have effect: **01 July 2011**
(54) Product in respect of which the design is registered: **Drop door seal housing extrusion**
(51) International Design Classification: **25-01K**
(74) Name(s) of Attorney(s): **A.P.T. Patent and Trade Mark Attorneys**
(71) Name(s) and Address(s) of Applicant(s):
Raven Products Pty Ltd
22 Aldershot Road Lonsdale South Australia 5160 Australia
(72) Name(s) of Designer(s): **Russell Clark**
(45) Registration Date: **26 July 2011**
(56) Related Art Documents: **Not Applicable**
(57) Statement of Newness and Distinctiveness: **Novelty resides in the shape and/or configuration of the drop door seal housing extrusion as shown in the drawings.**



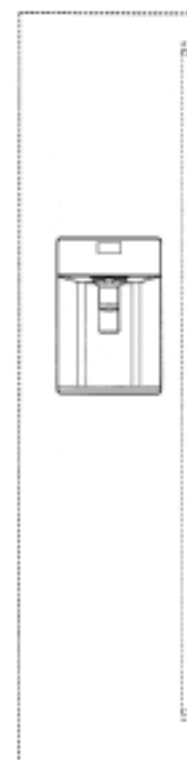
- (21) Design Number: **12948/2011**
(22) Date of Filing Application: **01 July 2011**
(24) Date from which industrial property rights may have effect: **01 July 2011**
(54) Product in respect of which the design is registered: **Drop door seal member extrusion**
(51) International Design Classification: **25-01K**
(74) Name(s) of Attorney(s): **A.P.T. Patent and Trade Mark Attorneys**
(71) Name(s) and Address(s) of Applicant(s):
Raven Products Pty Ltd
22 Aldershot Road Lonsdale South Australia 5160 Australia
(72) Name(s) of Designer(s): **Russell Clark**
(45) Registration Date: **26 July 2011**
(56) Related Art Documents: **Not Applicable**
(57) Statement of Newness and Distinctiveness: **Novelty resides in the shape and/or configuration of the drop door seal member extrusion as shown in the drawings.**



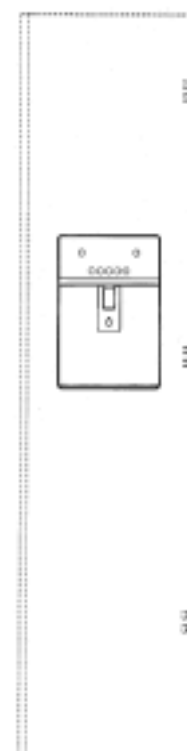
- (21) Design Number: **12949/2011**
(22) Date of Filing Application: **01 July 2011**
(24) Date from which industrial property rights may have effect: **01 July 2011**
(54) Product in respect of which the design is registered: **Door threshold seal extrusion**
(51) International Design Classification: **25-01K**
(74) Name(s) of Attorney(s): **A.P.T. Patent and Trade Mark Attorneys**
(71) Name(s) and Address(s) of Applicant(s):
Raven Products Pty Ltd
22 Aldershot Road Lonsdale South Australia 5160 Australia
(72) Name(s) of Designer(s): **Russell Clark and Neil Raven and Craig Cowling**
(45) Registration Date: **26 July 2011**
(56) Related Art Documents: **Not Applicable**
(57) Statement of Newness and Distinctiveness: **Novelty resides in the shape and/or configuration of the door threshold seal extrusion as shown in the drawings.**



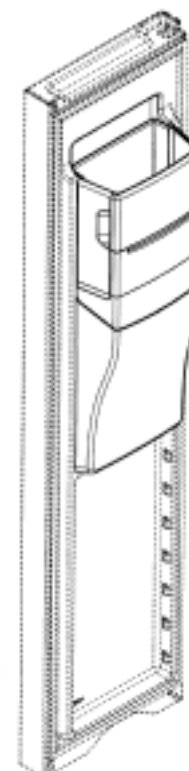
- (21) Design Number: **15130/2010**
(22) Date of Filing Application: **24 November 2010**
(24) Date from which industrial property rights may have effect: **24 November 2010**
(54) Product in respect of which the design is registered: **Dispenser**
(51) International Design Classification: **15-07**
(74) Name(s) of Attorney(s): **Halfords IP**
(71) Name(s) and Address(s) of Applicant(s):
Electrolux Home Products Pty Limited
163 O'Riordan Street Mascot New South Wales 2020 Australia
(72) Name(s) of Designer(s): **Tim Clancy and Lyndon Craig and Vijay Paliwal and Nagarajan Muthusamy**
(45) Registration Date: **26 July 2011**
(56) Related Art Documents: **Not Applicable**
(57) Statement of Newness and Distinctiveness: **Newness and distinctiveness is claimed in those features of shape and or configuration of a dispenser as depicted in the representations in unbroken lines. Such broken lines do not form part of the design.**



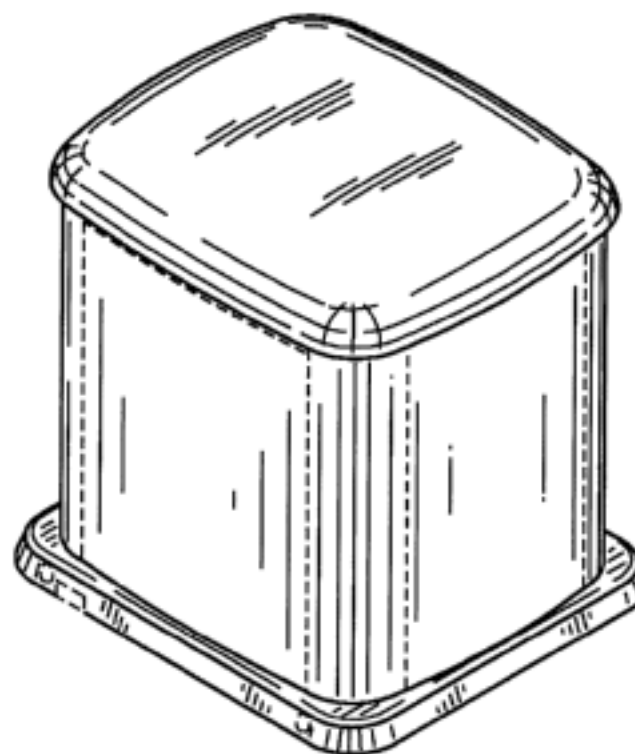
- (21) Design Number: **15131/2010**
(22) Date of Filing Application: **24 November 2010**
(24) Date from which industrial property rights may have effect: **24 November 2010**
(54) Product in respect of which the design is registered: **Dispenser**
(51) International Design Classification: **15-07**
(74) Name(s) of Attorney(s): **Halfords IP**
(71) Name(s) and Address(s) of Applicant(s):
Electrolux Home Products Pty Limited
163 O'Riordan Street Mascot New South Wales 2020 Australia
(72) Name(s) of Designer(s): **Tim Clancy and Lyndon Craig and Vijay Paliwal and Nagarajan Muthusamy**
(45) Registration Date: **26 July 2011**
(56) Related Art Documents: **Not Applicable**
(57) Statement of Newness and Distinctiveness: **Newness and distinctiveness is claimed in those features of shape and or configuration of a dispenser as depicted in the representations in unbroken lines. Such broken lines do not form part of the design.**



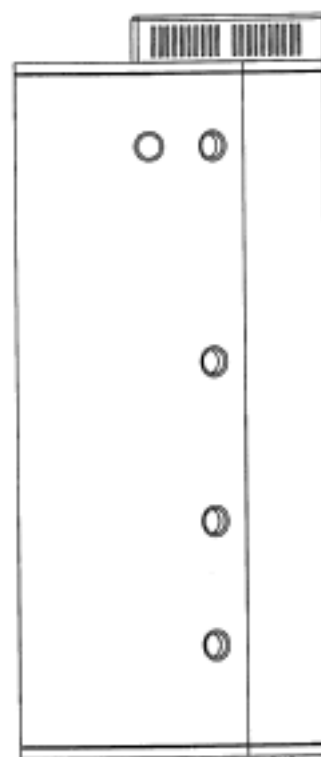
- (21) Design Number: **15132/2010**
(22) Date of Filing Application: **24 November 2010**
(24) Date from which industrial property rights may have effect: **24 November 2010**
(54) Product in respect of which the design is registered: **Appliance door**
(51) International Design Classification: **15-07**
(74) Name(s) of Attorney(s): **Halfords IP**
(71) Name(s) and Address(s) of Applicant(s):
Electrolux Home Products Pty Limited
163 O'Riordan Street Mascot New South Wales 2020 Australia
(72) Name(s) of Designer(s): **Tim Clancy and Lyndon Craig and Vijay Paliwal and Nagarajan Muthusamy**
(45) Registration Date: **26 July 2011**
(56) Related Art Documents: **Not Applicable**
(57) Statement of Newness and Distinctiveness: **Newness and distinctiveness is claimed in those features of shape and or configuration of an appliance door having a bin assembly as depicted in the representations in unbroken lines. Features shown in broken lines do not form part of the design.**



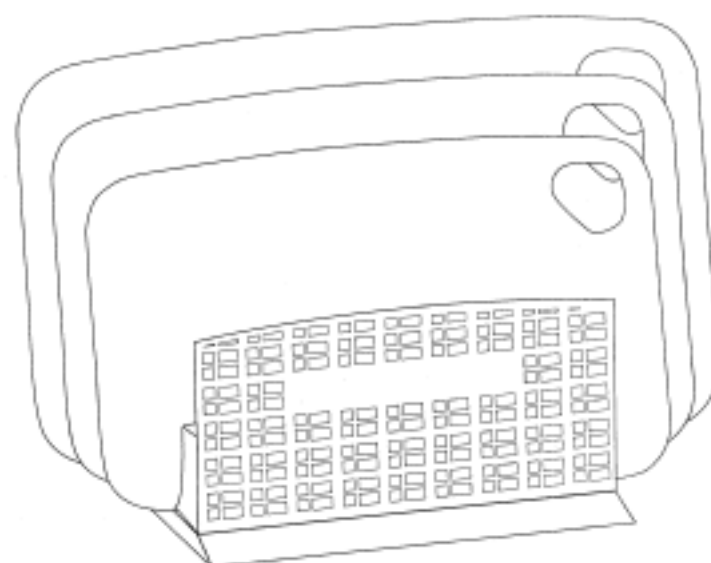
- (21) Design Number: **12121/2011**
(22) Date of Filing Application: **11 May 2011**
(24) Date from which industrial property rights may have effect: **11 May 2011**
(54) Product in respect of which the design is registered: **Standby generator**
(51) International Design Classification: **13-01**
(74) Name(s) of Attorney(s): **SPRUSON & FERGUSON**
(71) Name(s) and Address(s) of Applicant(s):
Briggs & Stratton Corporation
12301 W. Wirth Street Wauwatosa Wisconsin 53222 United States of America
(72) Name(s) of Designer(s): **Michelle L. Plato and Robert G. Townsend and David J. Kujawa and Frank L. Unterholzner**
(45) Registration Date: **26 July 2011**
(30) Convention priority data:
(31) Number (32) Date (33) Country
29/378054 28 Oct 2010 UNITED STATES OF AMERICA
(56) Related Art Documents: **Not Applicable**
(57) Statement of Newness and Distinctiveness: **Newness and distinctiveness is claimed in those features of shape and/or configuration of a standby generator as illustrated in continuous lines in the accompanying representations.**



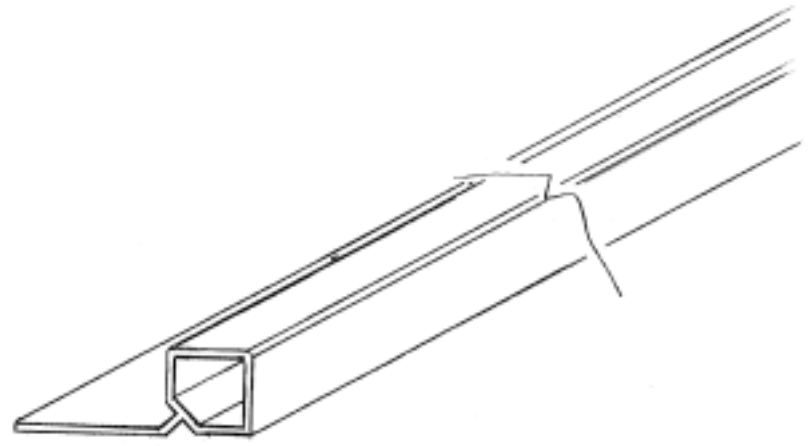
- (21) Design Number: **12683/2011**
(22) Date of Filing Application: **16 June 2011**
(24) Date from which industrial property rights may have effect: **16 June 2011**
(54) Product in respect of which the design is registered: **Water tank of/for a solar water heater**
(51) International Design Classification: **23-03D**
(74) Name(s) of Attorney(s): **Davies Collison Cave**
(71) Name(s) and Address(s) of Applicant(s):
Honeywell (China) Co., Ltd.
430 Li Bing Road Zhang Jiang Hi-Tech Park Pudong New Area Shanghai
201203 China
(72) Name(s) of Designer(s): **Ke Zhang and Weihao Chen and Yongkui Yu and Hongda Li**
(45) Registration Date: **26 July 2011**
(30) Convention priority data:
(31) Number (32) Date (33) Country
201030685917.2 16 Dec 2010 CHINA
(56) Related Art Documents: **Not Applicable**
(57) Statement of Newness and Distinctiveness: **Nil**



- (21) Design Number: **12935/2011**
(22) Date of Filing Application: **30 June 2011**
(24) Date from which industrial property rights may have effect: **30 June 2011**
(54) Product in respect of which the design is registered: **A cutting boards and holder assembly**
(51) International Design Classification: **07-04**
(74) Name(s) of Attorney(s): **SPRUSON & FERGUSON**
(71) Name(s) and Address(s) of Applicant(s):
Scanpan A/S
Industrivej 49 DK-8550 Ryomgaard Denmark
(72) Name(s) of Designer(s): **Alexander Angus**
(45) Registration Date: **26 July 2011**
(56) Related Art Documents: **Not Applicable**
(57) Statement of Newness and Distinctiveness: **Newness and distinctiveness is claimed in the features of shape and/or configuration of a cutting boards and holder assembly as illustrated in the accompanying representations.**



- (21) Design Number: **13071/2011**
(22) Date of Filing Application: **12 July 2011**
(24) Date from which industrial property rights may have effect: **12 July 2011**
(54) Product in respect of which the design is registered: **Finishing trim used in tiling installations**
(51) International Design Classification: **25-01NES**
(74) Name(s) of Attorney(s):
(71) Name(s) and Address(s) of Applicant(s):
A-Mark Ind. Pty Ltd
48 Skarratt Street Silverwater New South Wales 2128 Australia
(72) Name(s) of Designer(s): **John Proctor**
(45) Registration Date: **26 July 2011**
(56) Related Art Documents: **Not Applicable**
(57) Statement of Newness and Distinctiveness: **Void section in hidden corner to allow for locking in of glue and grout upon installation.**



- (21) Design Number: **13073/2011**
(22) Date of Filing Application: **08 July 2011**
(24) Date from which industrial property rights may have effect: **08 July 2011**
(54) Product in respect of which the design is registered: **Pot plant bracket - clip**
(51) International Design Classification: **08-08L**
(74) Name(s) of Attorney(s):
(71) Name(s) and Address(s) of Applicant(s):
Joe McDonnell
6 Juma Place Roseberry Northern Territory 0832 Australia
(72) Name(s) of Designer(s): **Joe McDonnell**
(45) Registration Date: **26 July 2011**
(56) Related Art Documents: **Not Applicable**
(57) Statement of Newness and Distinctiveness: **Nil**



(21) Design Number: **12951/2011**
(22) Date of Filing Application: **01 July 2011**
(24) Date from which industrial property rights may have effect: **01 July 2011**
(54) Product in respect of which the design is registered: **Audio listening system**
(51) International Design Classification: **14-01**
(74) Name(s) of Attorney(s): **SPRUSON & FERGUSON**
(71) Name(s) and Address(s) of Applicant(s):
Beats Electronics, LLC
2220 Colorado Avenue Santa Monica California 90404 United States of America
(72) Name(s) of Designer(s): **Robert Brunner and Gregoire Vandebussche and Chris Fruhauf**
(45) Registration Date: **27 July 2011**
(30) Convention priority data:
(31) Number (32) Date (33) Country
29/382417 03 Jan 2011 UNITED STATES OF AMERICA
(56) Related Art Documents: **Not Applicable**
(57) Statement of Newness and Distinctiveness: **Newness and distinctiveness is claimed in the features of shape and/or configuration of an audio listening system as illustrated in continuous lines in the accompanying representations.**



(21) Design Number: **12952/2011**
(22) Date of Filing Application: **01 July 2011**
(24) Date from which industrial property rights may have effect: **01 July 2011**
(54) Product in respect of which the design is registered: **Audio listening system**
(51) International Design Classification: **14-01**
(74) Name(s) of Attorney(s): **SPRUSON & FERGUSON**
(71) Name(s) and Address(s) of Applicant(s):
Beats Electronics, LLC
2220 Colorado Avenue Santa Monica California 90404 United States of America
(72) Name(s) of Designer(s): **Robert Brunner and Gregoire Vandebussche and Chris Fruhauf**
(45) Registration Date: **27 July 2011**
(30) Convention priority data:
(31) Number (32) Date (33) Country
29/382418 03 Jan 2011 UNITED STATES OF AMERICA
(56) Related Art Documents: **Not Applicable**
(57) Statement of Newness and Distinctiveness: **Newness and distinctiveness is claimed in the features of shape and/or configuration of an audio listening system as illustrated in continuous lines in the accompanying representations.**



(21) Design Number: **12955/2011**
(22) Date of Filing Application: **04 July 2011**
(24) Date from which industrial property rights may have effect: **04 July 2011**
(54) Product in respect of which the design is registered: **Electric mixer**
(51) International Design Classification: **31-00**
(74) Name(s) of Attorney(s): **MALLESONS STEPHEN JAQUES**
(71) Name(s) and Address(s) of Applicant(s):

Pi-Design AG
Kantonsstrasse 100 6234 Triengen Switzerland

(72) Name(s) of Designer(s): **Jorgen Bodum**

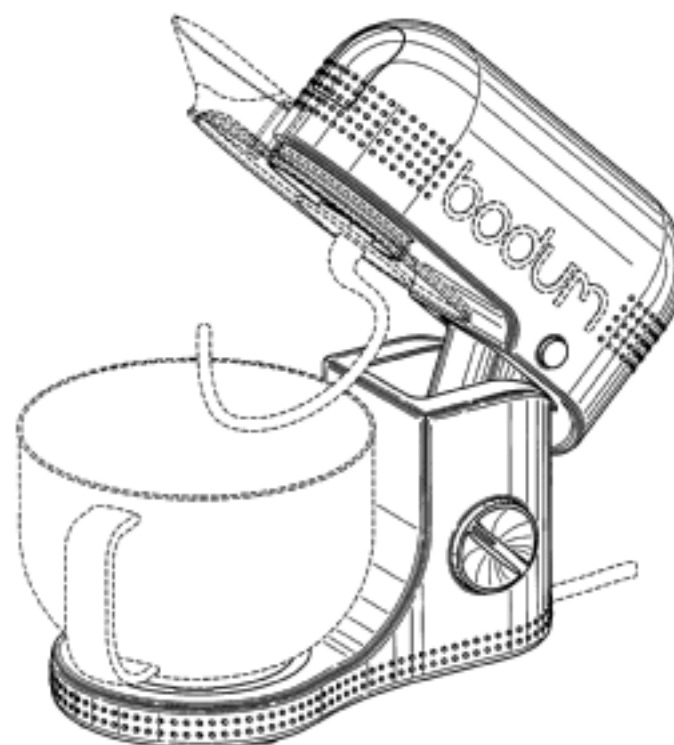
(45) Registration Date: **27 July 2011**

(30) Convention priority data:

(31) Number	(32) Date	(33) Country
DM/075 167	14 Jan 2011	WORLD INTELLECTUAL PROPERTY ORGANIZATION (WIPO)

(56) Related Art Documents: **Not Applicable**

(57) Statement of Newness and Distinctiveness: **Nil**



(21) Design Number: **12956/2011**
(22) Date of Filing Application: **01 July 2011**
(24) Date from which industrial property rights may have effect: **01 July 2011**
(54) Product in respect of which the design is registered: **Speaker**
(51) International Design Classification: **14-01**
(74) Name(s) of Attorney(s): **FB Rice**
(71) Name(s) and Address(s) of Applicant(s):

Koninklijke Philips Electronics N.V.
Groenewoudseweg 1 5621 BA Eindhoven The Netherlands

(72) Name(s) of Designer(s): **Charlie Bolton**

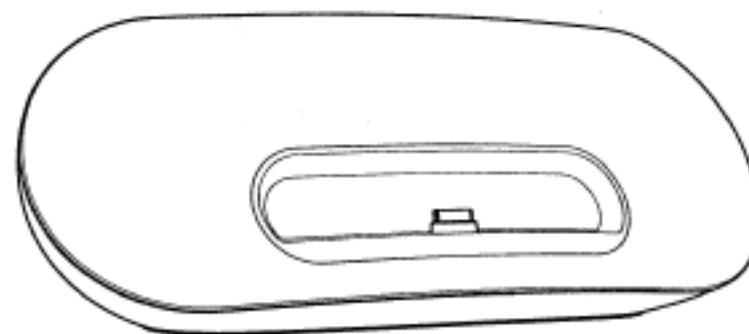
(45) Registration Date: **27 July 2011**

(30) Convention priority data:

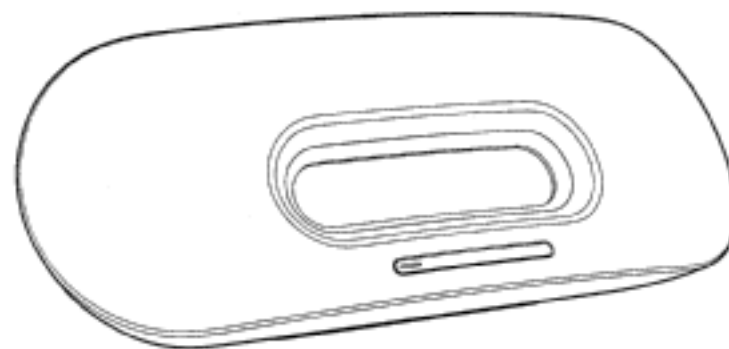
(31) Number	(32) Date	(33) Country
001802117-0001	06 Jan 2011	EUROPEAN COMMUNITY

(56) Related Art Documents: **Not Applicable**

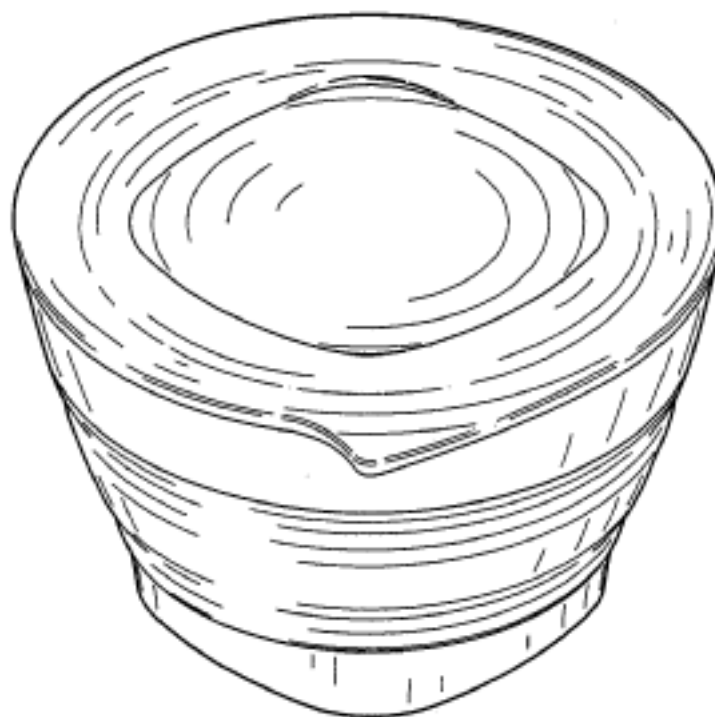
(57) Statement of Newness and Distinctiveness: **Newness and distinctiveness reside in the features of shape and configuration of the speaker, as shown in the representations.**



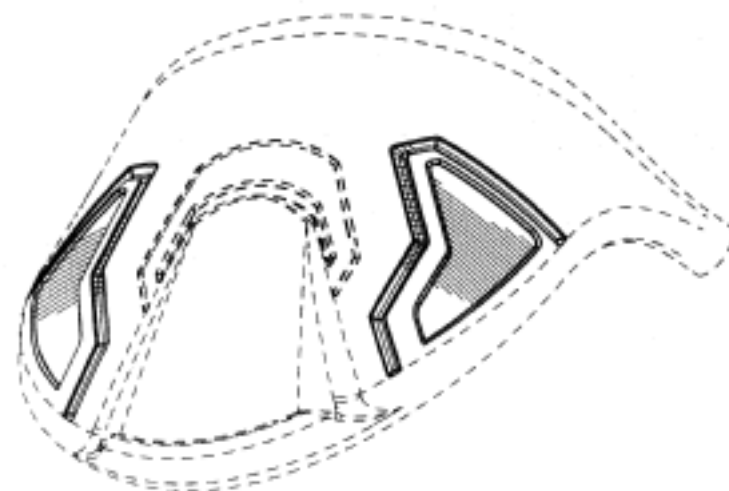
(21) Design Number: **12957/2011**
(22) Date of Filing Application: **01 July 2011**
(24) Date from which industrial property rights may have effect: **01 July 2011**
(54) Product in respect of which the design is registered: **Speaker**
(51) International Design Classification: **14-01**
(74) Name(s) of Attorney(s): **FB Rice**
(71) Name(s) and Address(s) of Applicant(s):
Koninklijke Philips Electronics N.V.
Groenewoudseweg 1 5621 BA Eindhoven The Netherlands
(72) Name(s) of Designer(s): **Charlie Bolton**
(45) Registration Date: **27 July 2011**
(30) Convention priority data:
(31) Number (32) Date (33) Country
001802117-0002 06 Jan 2011 EUROPEAN COMMUNITY
(56) Related Art Documents: **Not Applicable**
(57) Statement of Newness and Distinctiveness: **Newness and distinctiveness reside in the features of shape and configuration of the speaker, as shown in the representations.**



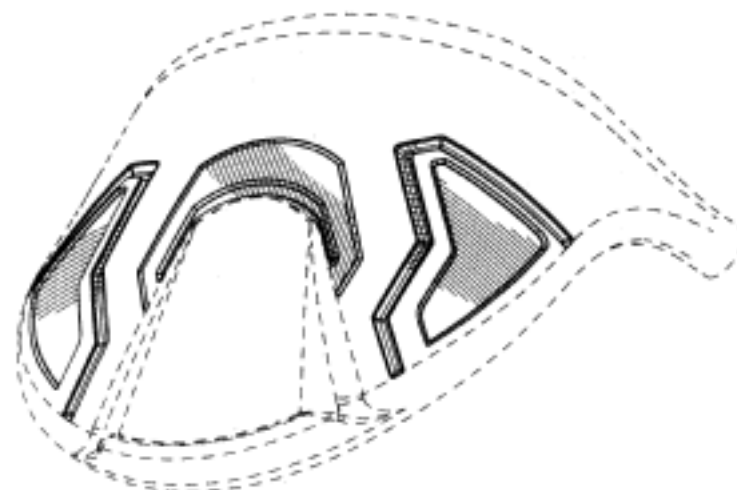
(21) Design Number: **13173/2011**
(22) Date of Filing Application: **10 June 2011**
(24) Date from which industrial property rights may have effect: **10 June 2011**
(54) Product in respect of which the design is registered: **Food container**
(51) International Design Classification: **07-01NES**
(74) Name(s) of Attorney(s): **Griffith Hack**
(71) Name(s) and Address(s) of Applicant(s):
Pacific Market International, LLC
2401 Elliott Avenue Fourth Floor Seattle WA 98121 United States of America
(72) Name(s) of Designer(s): **Tyler Sean Gilbert**
(45) Registration Date: **27 July 2011**
(30) Convention priority data:
(31) Number (32) Date (33) Country
29/382,915 10 Jan 2011 UNITED STATES OF AMERICA
(62) Divisional of: **337745**
(56) Related Art Documents: **Not Applicable**
(57) Statement of Newness and Distinctiveness: **Nil**



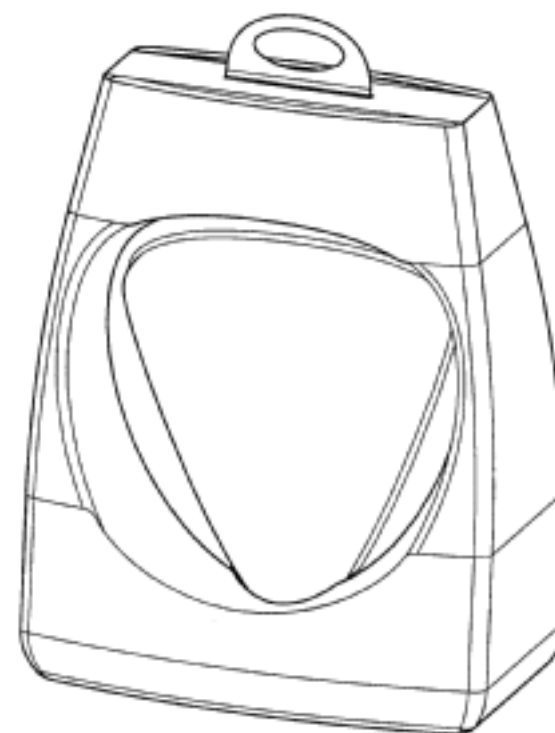
(21) Design Number: **11281/2011**
(22) Date of Filing Application: **24 March 2011**
(24) Date from which industrial property rights may have effect: **24 March 2011**
(54) Product in respect of which the design is registered: **Golf club head**
(51) International Design Classification: **21-02C**
(74) Name(s) of Attorney(s): **Davies Collison Cave**
(71) Name(s) and Address(s) of Applicant(s):
Karsten Manufacturing Corporation
2201 West Desert Cove Phoenix Arizona 85029 United States of America
(72) Name(s) of Designer(s): **Bradley D. Schweigert and Xiaojian Chen and Michael R. Nicolette**
(45) Registration Date: **28 July 2011**
(30) Convention priority data:
(31) Number (32) Date (33) Country
29/382811 07 Jan 2011 UNITED STATES OF AMERICA
(56) Related Art Documents: **Not Applicable**
(57) Statement of Newness and Distinctiveness: **Newness and distinctiveness is claimed in the visual features shown in solid lines in the representations. In considering the extent of the design rights, the broken lines shown in the representations are for illustrative purposes only and do not form part of the design.**



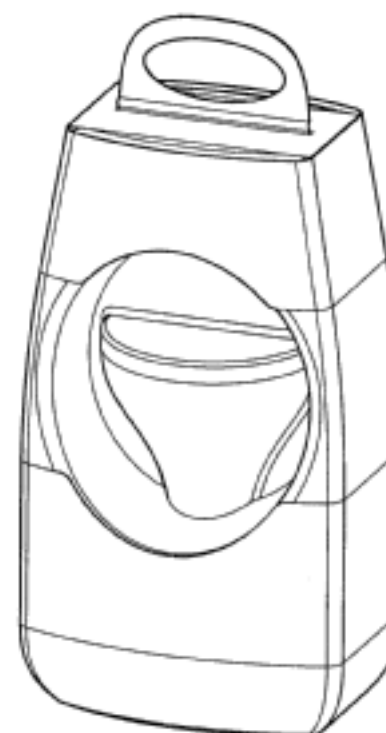
(21) Design Number: **13226/2011**
(22) Date of Filing Application: **24 March 2011**
(24) Date from which industrial property rights may have effect: **24 March 2011**
(54) Product in respect of which the design is registered: **Golf club head**
(51) International Design Classification: **21-02C**
(74) Name(s) of Attorney(s): **Davies Collison Cave**
(71) Name(s) and Address(s) of Applicant(s):
Karsten Manufacturing Corporation
2201 West Desert Cove Phoenix Arizona 85029 United States of America
(72) Name(s) of Designer(s): **Bradley D. Schweigert and Xiaojian Chen and Michael R. Nicolette**
(45) Registration Date: **28 July 2011**
(30) Convention priority data:
(31) Number (32) Date (33) Country
29/382811 07 Jan 2011 UNITED STATES OF AMERICA
(56) Related Art Documents: **Not Applicable**
(57) Statement of Newness and Distinctiveness: **Newness and Distinctiveness is claimed in the visual features shown in solid lines in the representations. In considering the extent of the design rights, the broken lines shown in the representations are for illustrative purposes only and do not form part of the design.**



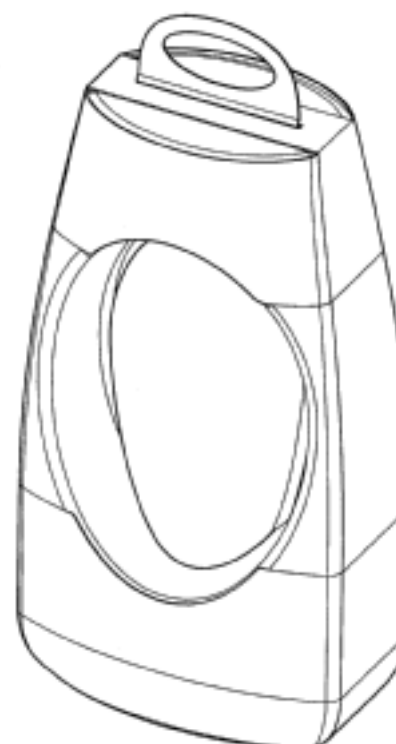
- (21) Design Number: **12958/2011**
(22) Date of Filing Application: **01 July 2011**
(24) Date from which industrial property rights may have effect: **01 July 2011**
(54) Product in respect of which the design is registered: **Packaging**
(51) International Design Classification: **09-03NES**
(74) Name(s) of Attorney(s): **FB Rice**
(71) Name(s) and Address(s) of Applicant(s):
Koninklijke Philips Electronics N.V.
Groenewoudseweg 1 5621 BA Eindhoven The Netherlands
(72) Name(s) of Designer(s): **Mark Armstrong and Dale Mark Nicholls and Terry Xu and Johnny Xu and Ronald Menno Victor Wienia**
(45) Registration Date: **28 July 2011**
(30) Convention priority data:
(31) Number (32) Date (33) Country
001801176-0001 04 Jan 2011 EUROPEAN COMMUNITY
(56) Related Art Documents: **Not Applicable**
(57) Statement of Newness and Distinctiveness: **Newness and distinctiveness reside in the features of shape and configuration of the packaging, as shown in the representations.**



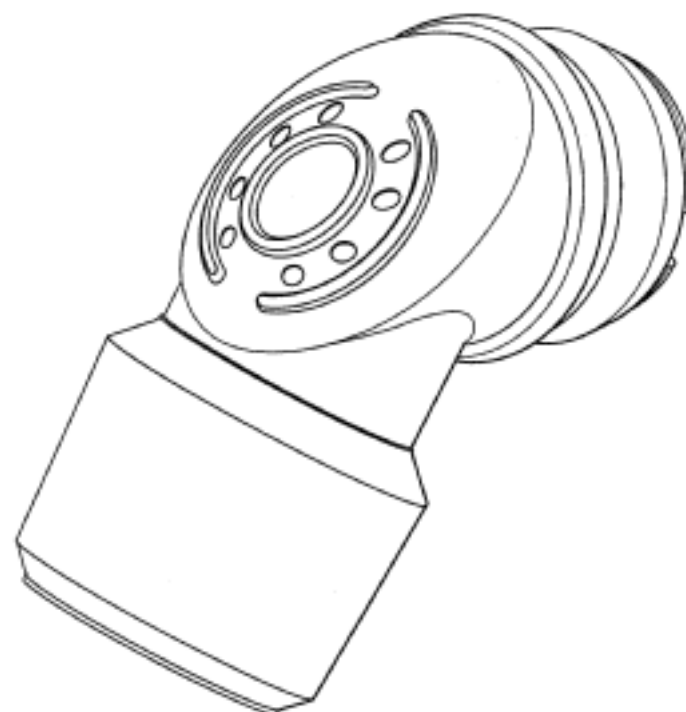
- (21) Design Number: **12959/2011**
(22) Date of Filing Application: **01 July 2011**
(24) Date from which industrial property rights may have effect: **01 July 2011**
(54) Product in respect of which the design is registered: **Packaging**
(51) International Design Classification: **09-03NES**
(74) Name(s) of Attorney(s): **FB Rice**
(71) Name(s) and Address(s) of Applicant(s):
Koninklijke Philips Electronics N.V.
Groenewoudseweg 1 5621 BA Eindhoven The Netherlands
(72) Name(s) of Designer(s): **Mark Armstrong and Dale Mark Nicholls and Terry Xu and Johnny Xu and Ronald Menno Victor Wienia**
(45) Registration Date: **28 July 2011**
(30) Convention priority data:
(31) Number (32) Date (33) Country
001801176-0003 04 Jan 2011 EUROPEAN COMMUNITY
(56) Related Art Documents: **Not Applicable**
(57) Statement of Newness and Distinctiveness: **Newness and distinctiveness reside in the features of shape and configuration of the packaging, as shown in the representations.**



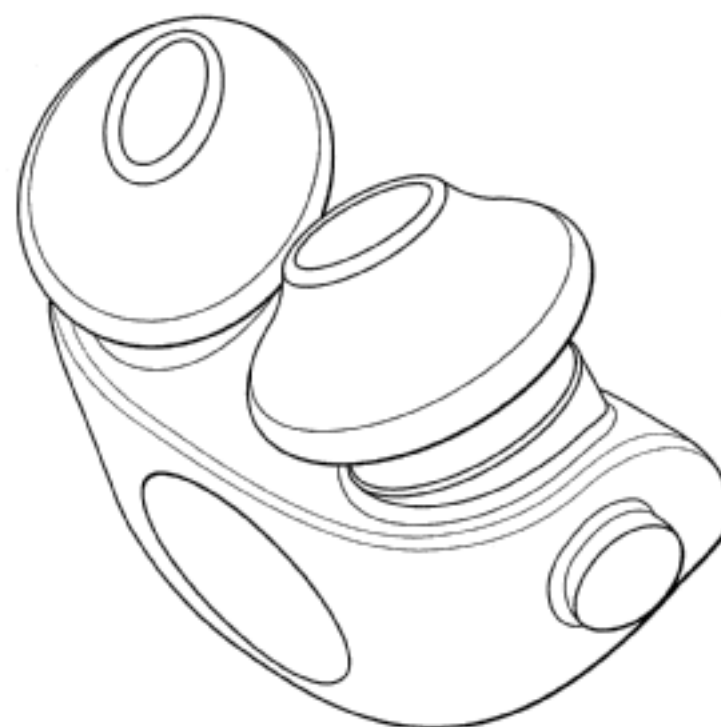
- (21) Design Number: **12960/2011**
(22) Date of Filing Application: **01 July 2011**
(24) Date from which industrial property rights may have effect: **01 July 2011**
(54) Product in respect of which the design is registered: **Packaging**
(51) International Design Classification: **09-03NES**
(74) Name(s) of Attorney(s): **FB Rice**
(71) Name(s) and Address(s) of Applicant(s):
Koninklijke Philips Electronics N.V.
Groenewoudseweg 1 5621 BA Eindhoven The Netherlands
(72) Name(s) of Designer(s): **Mark Armstrong and Dale Mark Nicholls and Terry Xu and Johnny Xu and Ronald Menno Victor Wienia**
(45) Registration Date: **28 July 2011**
(30) Convention priority data:
(31) Number (32) Date (33) Country
001801176-0002 04 Jan 2011 EUROPEAN COMMUNITY
(56) Related Art Documents: **Not Applicable**
(57) Statement of Newness and Distinctiveness: **Newness and distinctiveness reside in the features of shape and configuration of the packaging, as shown in the representations.**



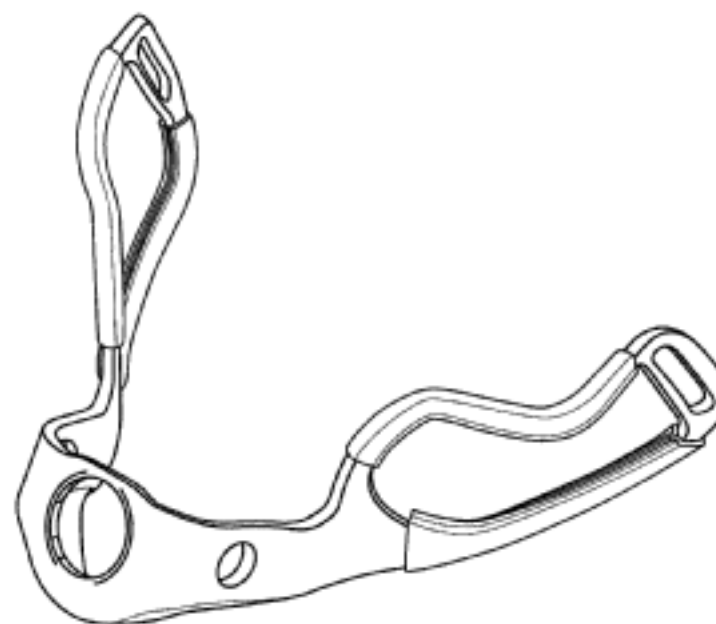
- (21) Design Number: **12961/2011**
(22) Date of Filing Application: **01 July 2011**
(24) Date from which industrial property rights may have effect: **01 July 2011**
(54) Product in respect of which the design is registered: **Elbow connector for a nasal mask assembly**
(51) International Design Classification: **24-01**
(74) Name(s) of Attorney(s): **FB Rice**
(71) Name(s) and Address(s) of Applicant(s):
Koninklijke Philips Electronics N.V.
Groenewoudseweg 1 5621 BA Eindhoven The Netherlands
(72) Name(s) of Designer(s): **Jeffry Huth and Derrick Andrews**
(45) Registration Date: **28 July 2011**
(30) Convention priority data:
(31) Number (32) Date (33) Country
00802489-0003 07 Jan 2011 EUROPEAN COMMUNITY
(56) Related Art Documents: **Not Applicable**
(57) Statement of Newness and Distinctiveness: **Newness and distinctiveness reside in the features of shape and configuration of the elbow connector for a nasal mask assembly, as shown in the representations.**



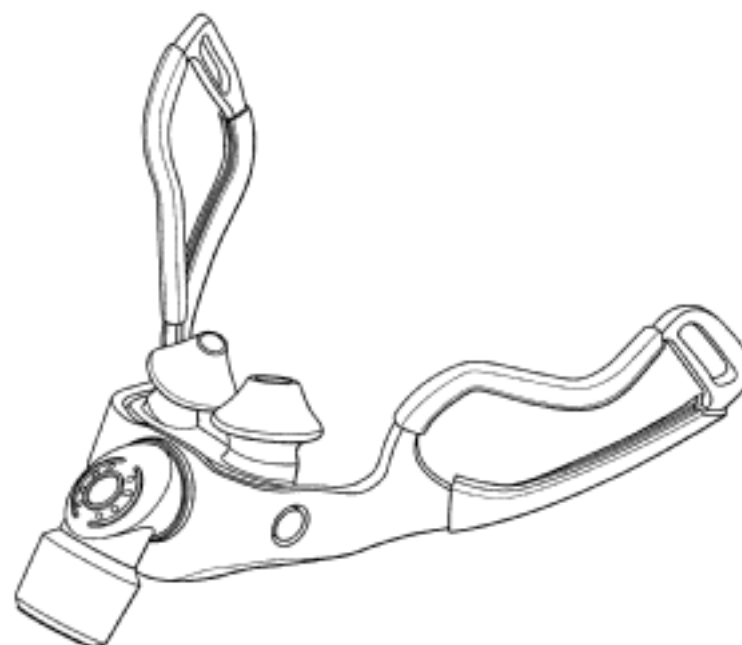
(21) Design Number: **12962/2011**
(22) Date of Filing Application: **01 July 2011**
(24) Date from which industrial property rights may have effect: **01 July 2011**
(54) Product in respect of which the design is registered: **Nasal pillows for a nasal mask assembly**
(51) International Design Classification: **24-01**
(74) Name(s) of Attorney(s): **FB Rice**
(71) Name(s) and Address(s) of Applicant(s):
Koninklijke Philips Electronics N.V.
Groenewoudseweg 1 5621 BA Eindhoven The Netherlands
(72) Name(s) of Designer(s): **Jerome Matula Jr. and Derrick Andrews**
(45) Registration Date: **28 July 2011**
(30) Convention priority data:
(31) Number (32) Date (33) Country
00802489-0002 07 Jan 2011 EUROPEAN COMMUNITY
(56) Related Art Documents: **Not Applicable**
(57) Statement of Newness and Distinctiveness: **Newness and distinctiveness reside in the features of shape and configuration of the nasal pillows for a nasal mask assembly, as shown in the representations.**



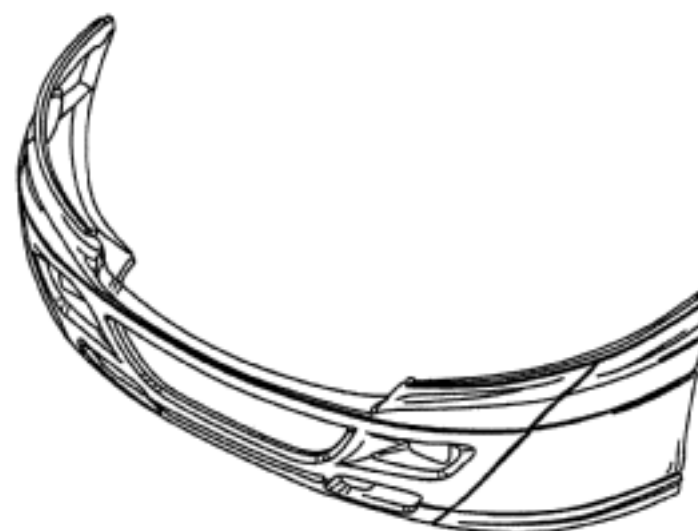
(21) Design Number: **12963/2011**
(22) Date of Filing Application: **01 July 2011**
(24) Date from which industrial property rights may have effect: **01 July 2011**
(54) Product in respect of which the design is registered: **Support frame for a nasal mask assembly**
(51) International Design Classification: **24-01**
(74) Name(s) of Attorney(s): **FB Rice**
(71) Name(s) and Address(s) of Applicant(s):
Koninklijke Philips Electronics N.V.
Groenewoudseweg 1 5621 BA Eindhoven The Netherlands
(72) Name(s) of Designer(s): **Jerome Matula Jr.**
(45) Registration Date: **28 July 2011**
(30) Convention priority data:
(31) Number (32) Date (33) Country
00802489-0004 07 Jan 2011 EUROPEAN COMMUNITY
(56) Related Art Documents: **Not Applicable**
(57) Statement of Newness and Distinctiveness: **Newness and distinctiveness reside in the features of shape and configuration of the support frame for a nasal mask assembly, as shown in the representations.**



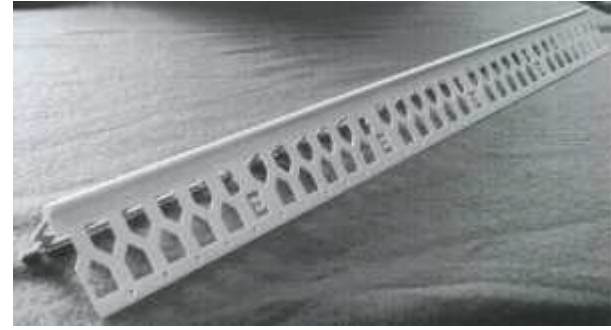
(21) Design Number: **12964/2011**
(22) Date of Filing Application: **01 July 2011**
(24) Date from which industrial property rights may have effect: **01 July 2011**
(54) Product in respect of which the design is registered: **Nasal mask assembly**
(51) International Design Classification: **24-01**
(74) Name(s) of Attorney(s): **FB Rice**
(71) Name(s) and Address(s) of Applicant(s):
Koninklijke Philips Electronics N.V.
Groenewoudseweg 1 5621 BA Eindhoven The Netherlands
(72) Name(s) of Designer(s): **Jerome Matula Jr. and Derrick Andrews and Jeffry Huth**
(45) Registration Date: **28 July 2011**
(30) Convention priority data:
(31) Number (32) Date (33) Country
00802489-0001 07 Jan 2011 EUROPEAN COMMUNITY
(56) Related Art Documents: **Not Applicable**
(57) Statement of Newness and Distinctiveness: **Newness and distinctiveness reside in the features of shape and configuration of the nasal mask assembly, as shown in the representations.**



(21) Design Number: **12975/2011**
(22) Date of Filing Application: **04 July 2011**
(24) Date from which industrial property rights may have effect: **04 July 2011**
(54) Product in respect of which the design is registered: **Bumper member for a truck vehicle**
(51) International Design Classification: **12-16C**
(74) Name(s) of Attorney(s): **WATERMARK PATENT AND TRADE MARKS ATTORNEYS**
(71) Name(s) and Address(s) of Applicant(s):
International Truck Intellectual Property Company, LLC
4201 Winfield Road Warrenville Illinois 60555 United States of America
(72) Name(s) of Designer(s): **David J. Beigel and Phanidhar Anugonda and Scott K. Firman and Jeffrey S. Gray and James L. Hebe and Steven A. Oliver and Melissa A. Pavlock and Jaimi L. Smith and Tina R. Spielman**
(45) Registration Date: **28 July 2011**
(30) Convention priority data:
(31) Number (32) Date (33) Country
29/386,190 25 Feb 2011 UNITED STATES OF AMERICA
(56) Related Art Documents: **Not Applicable**
(57) Statement of Newness and Distinctiveness: **Newness and distinctiveness resides in the shape of a bumper member for a truck vehicle as represented in the annexed drawings, the rear elevation view of the bumper member not forming part of the design.**



- (21) Design Number: **12350/2011**
(22) Date of Filing Application: **26 May 2011**
(24) Date from which industrial property rights may have effect: **26 May 2011**
(54) Product in respect of which the design is registered: **External angle for cement rendering**
(51) International Design Classification: **08-05K**
(74) Name(s) of Attorney(s):
(71) Name(s) and Address(s) of Applicant(s):
Rabea Chouman
12 Ferrington Crescent Liverpool New South Wales 2170 Australia
(72) Name(s) of Designer(s): **Rabea Chouman**
(45) Registration Date: **28 July 2011**
(56) Related Art Documents: **Not Applicable**
(57) Statement of Newness and Distinctiveness: **The new feature of the design are the five sided shapes and the sequence they are in.**



(21) Design Number: **12571/2011**

(22) Date of Filing Application: **06 June 2011**

(24) Date from which industrial property rights may have effect: **06 June 2011**

(54) Product in respect of which the design is registered: **A wall-mounted digital product and media (DPM) vending kiosk**

(51) International Design Classification: **20-01**

(74) Name(s) of Attorney(s):

(71) Name(s) and Address(s) of Applicant(s):

Peter Bloomfield

49-51 Streeton Crescent Ivanhoe East Victoria 3079 Australia

(72) Name(s) of Designer(s): **Peter Bloomfield**

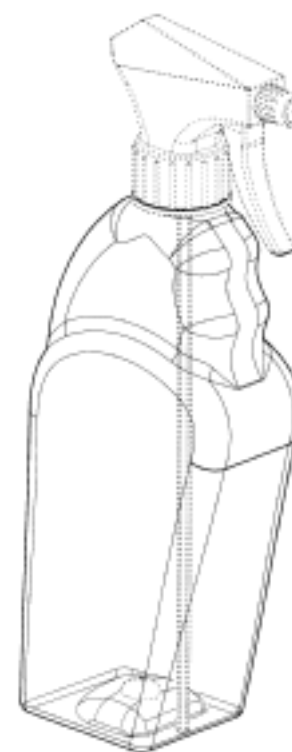
(45) Registration Date: **28 July 2011**

(56) Related Art Documents: **Not Applicable**

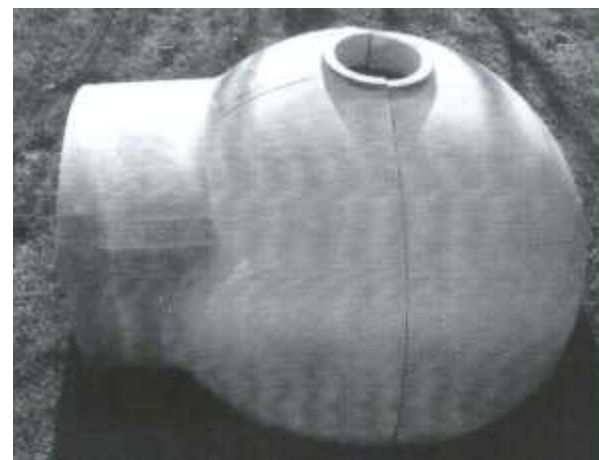
(57) Statement of Newness and Distinctiveness: **A Wall-Mounted Digital Product and Media (DPM) Vending Kiosk has been specially designed to be lightweight, visually appealing, minimalist and tamper resistant. The Wall-Mounted DPM Vending Kiosk is constructed from aluminium, zinc plated iron and shatterproof 6mm clear toughened glass. The shape and size of the Wall-Mounted DPM Vending Kiosk is unique. The edges have a distinct and seamless radius edge, this edging has been designed and calculated to offer consumers protection against accidental injury during interaction with the machine whilst maximising usage of space for the products and workings inside. The clear toughened glass front surface of the Wall-Mounted DPM Vending Kiosk extends right into every edge and corner creating a maximum interactive surface area for consumers. The shatterproof 6mm clear toughened glass window is fitted from the inside with all signage and graphics reverse printed. This results in a visually modern, clean, clear and safe operational surface. Behind the surface of toughened glass is a full surface interactive digital touch screen and LCD monitor. This 'smart' digital media LCD is specifically designed for the widest possible viewing angles of 89 degrees l/r and 89 degrees v/h and is operational in the most extreme conditions including 0 degrees to 50 degrees celcius. The overall design of the machine allows for contactless application by consumers when appropriate, and so there are no protruding elements to the machine at all. The physical product-dispensing outlet at the bottom of the Wall-Mounted DPM Vending Kiosk is specifically shaped to allow for reliable 'fall' of the product and safe, easy collection of physical product by consumers with no sharp edges. A retractable flap is installed to allow clean, safe retrieval of products whilst at the same time acting as a security barrier when retracted against forced entry and potential hand or finger jams. The dispensing mechanism can handle any sized product ranging from a postage stamp or business card to a boxed mobile phone or nappy. The back of the machine features submerged internal bolt fasteners and wall fasteners allowing the unit to be cleanly and securely mounted to any type of wall without the need for additional structural reinforcing.**



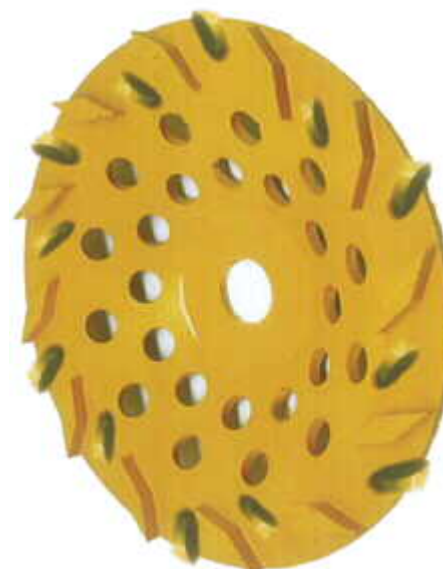
- (21) Design Number: **12983/2011**
(22) Date of Filing Application: **04 July 2011**
(24) Date from which industrial property rights may have effect: **04 July 2011**
(54) Product in respect of which the design is registered: **A bottle for dispensing fluid**
(51) International Design Classification: **09-01A**
(74) Name(s) of Attorney(s): **Adams Pluck**
(71) Name(s) and Address(s) of Applicant(s):
David Allen Esling
15 Sheltie Place Nabiac New South Wales 2312 Australia
(72) Name(s) of Designer(s): **David Allen Esling**
(45) Registration Date: **28 July 2011**
(56) Related Art Documents: **Not Applicable**
(57) Statement of Newness and Distinctiveness: **Monopoly is claimed in the features of shape and/or configuration of the bottle illustrated in the accompanying representations. In considering the scope of monopoly protection, the features shown in phantom outline in the representations are to be disregarded.**



- (21) Design Number: **12978/2011**
(22) Date of Filing Application: **04 July 2011**
(24) Date from which industrial property rights may have effect: **04 July 2011**
(54) Product in respect of which the design is registered: **Oven**
(51) International Design Classification: **07-02A**
(74) Name(s) of Attorney(s):
(71) Name(s) and Address(s) of Applicant(s):
Andrew David Green
10 Valentine Street Mowbray Tasmania 7248 Australia
(72) Name(s) of Designer(s): **Andrew David Green and Wayne Lewis and David William Green**
(45) Registration Date: **28 July 2011**
(56) Related Art Documents: **Not Applicable**
(57) Statement of Newness and Distinctiveness: **Nil**



- (21) Design Number: **12980/2011**
(22) Date of Filing Application: **05 July 2011**
(24) Date from which industrial property rights may have effect: **05 July 2011**
(54) Product in respect of which the design is registered: **The combination - swirly turbo pattern type abrasive diamond segment cup wheel, and PCD, polycrystalline diamond**
(51) International Design Classification: **08-05N**
(74) Name(s) of Attorney(s):
(71) Name(s) and Address(s) of Applicant(s):
Mathew Norton
24 Dapper Street Sunnybank Hills Queensland 4109 Australia
(72) Name(s) of Designer(s): **Mathew Norton**
(45) Registration Date: **28 July 2011**
(56) Related Art Documents: **Not Applicable**
(57) Statement of Newness and Distinctiveness: **Design monopoly is claimed for the shape, configuration and combination use of the swirly - turbo cup wheel and PCD - [polycrystalline] diamond bit inserts into the cup wheel design.**



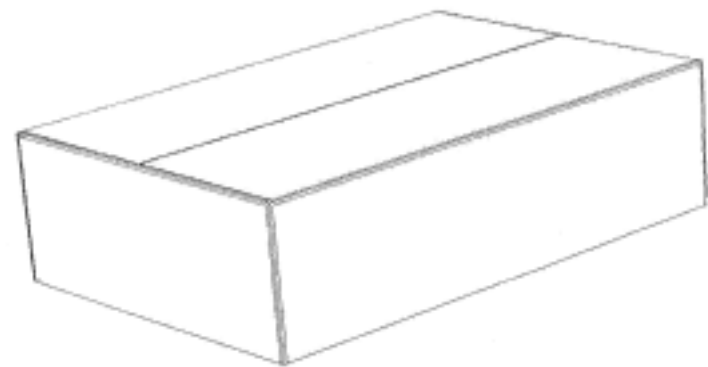
- (21) Design Number: **12981/2011**
(22) Date of Filing Application: **04 July 2011**
(24) Date from which industrial property rights may have effect: **04 July 2011**
(54) Product in respect of which the design is registered: **A sealing ring**
(51) International Design Classification: **23-01A**
(74) Name(s) of Attorney(s):
(71) Name(s) and Address(s) of Applicant(s):
Callum Sean Goodman
32 Jindabyne Road Berridale New South Wales 2628 Australia
Alan Philip Goodman
2466 Dunoon Road Rosebank New South Wales 2480 Australia
(72) Name(s) of Designer(s): **Callum Sean Goodman and Alan Philip Goodman**
(45) Registration Date: **28 July 2011**
(56) Related Art Documents: **Not Applicable**
(57) Statement of Newness and Distinctiveness: **Newness and distinctiveness is claimed in the features of shape and/or configuration of a sealing ring as illustrated in the accompanying representations.**



- (21) Design Number: **12982/2011**
(22) Date of Filing Application: **04 July 2011**
(24) Date from which industrial property rights may have effect: **04 July 2011**
(54) Product in respect of which the design is registered: **A sealing ring**
(51) International Design Classification: **23-01A**
(74) Name(s) of Attorney(s):
(71) Name(s) and Address(s) of Applicant(s):
 Callum Sean Goodman
 32 Jindabyne Road Berridale New South Wales 2628 Australia
 Alan Philip Goodman
 2466 Dunoon Road Rosebank New South Wales 2480 Australia
(72) Name(s) of Designer(s): **Callum Sean Goodman and Alan Philip Goodman**
(45) Registration Date: **28 July 2011**
(56) Related Art Documents: **Not Applicable**
(57) Statement of Newness and Distinctiveness: **Newness and distinctiveness is claimed in the features of shape and/or configuration of a sealing ring as illustrated in the accompanying representations.**



- (21) Design Number: **12666/2011**
(22) Date of Filing Application: **15 June 2011**
(24) Date from which industrial property rights may have effect: **15 June 2011**
(54) Product in respect of which the design is registered: **Carton lid and blank therefor**
(51) International Design Classification: **09-03M**
(74) Name(s) of Attorney(s): **Davies Collison Cave**
(71) Name(s) and Address(s) of Applicant(s):
 Visy R & D Pty Ltd
 Level 11 2 Southbank Boulevard Southbank Victoria 3006 Australia
(72) Name(s) of Designer(s): **Russell Sytsma**
(45) Registration Date: **29 July 2011**
(56) Related Art Documents: **Not Applicable**
(57) Statement of Newness and Distinctiveness: **The features of the design that are new and distinctive are the features of shape or configuration of a carton lid and blank therefor as illustrated in the representations.**



(21) Design Number: **13009/2011**
(22) Date of Filing Application: **05 July 2011**
(24) Date from which industrial property rights may have effect: **05 July 2011**
(54) Product in respect of which the design is registered: **Toy**
(51) International Design Classification: **21-01NES**
(74) Name(s) of Attorney(s): **Allens Arthur Robinson**
(71) Name(s) and Address(s) of Applicant(s):

Glow Europe B.V.
Kralingse Plaslaan 99 3061 DG Rotterdam The Netherlands

(72) Name(s) of Designer(s): **J.G. Menting**

(45) Registration Date: **29 July 2011**

(30) Convention priority data:

(31) Number	(32) Date	(33) Country
1812793-0001	28 Jan 2011	EUROPEAN COMMUNITY

(56) Related Art Documents: **Not Applicable**

(57) Statement of Newness and Distinctiveness: **Newness and distinctiveness resides in the visual features of shape and/or configuration of a toy as illustrated in the accompanying representation.**



(21) Design Number: **13010/2011**
(22) Date of Filing Application: **05 July 2011**
(24) Date from which industrial property rights may have effect: **05 July 2011**
(54) Product in respect of which the design is registered: **Toy**
(51) International Design Classification: **21-01NES**
(74) Name(s) of Attorney(s): **Allens Arthur Robinson**
(71) Name(s) and Address(s) of Applicant(s):

Glow Europe B.V.
Kralingse Plaslaan 99 3061 DG Rotterdam The Netherlands

(72) Name(s) of Designer(s): **J.G. Menting**

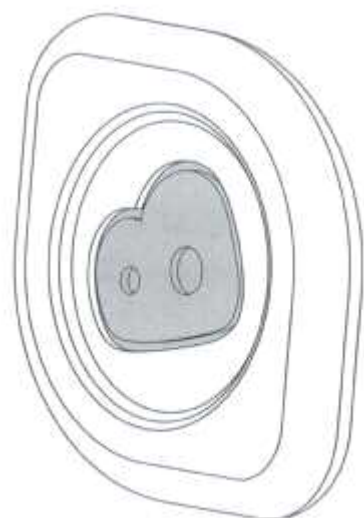
(45) Registration Date: **29 July 2011**

(30) Convention priority data:

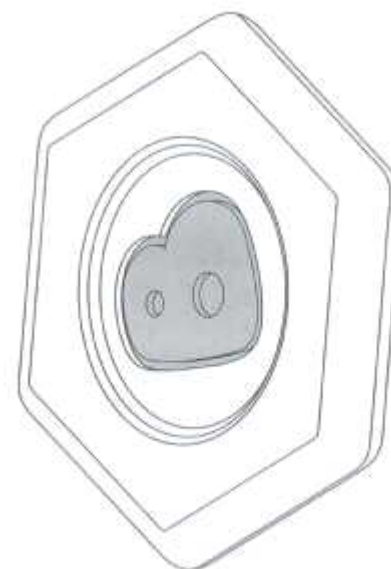
(31) Number	(32) Date	(33) Country
1812793-0002	28 Jan 2011	EUROPEAN COMMUNITY

(56) Related Art Documents: **Not Applicable**

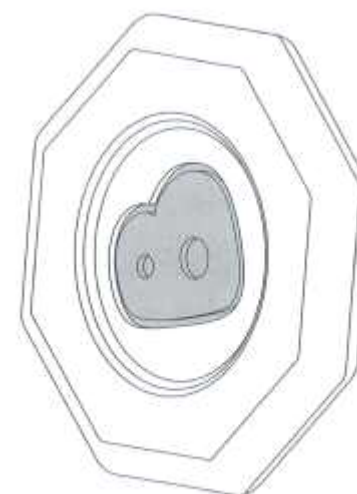
(57) Statement of Newness and Distinctiveness: **Newness and distinctiveness resides in the visual features of shape and/or configuration of a toy as illustrated in the accompanying representation.**



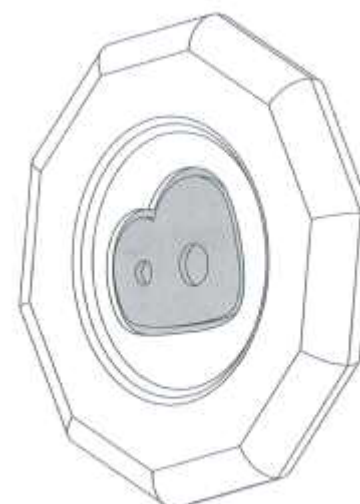
(21) Design Number: **13011/2011**
(22) Date of Filing Application: **05 July 2011**
(24) Date from which industrial property rights may have effect: **05 July 2011**
(54) Product in respect of which the design is registered: **Toy**
(51) International Design Classification: **21-01NES**
(74) Name(s) of Attorney(s): **Allens Arthur Robinson**
(71) Name(s) and Address(s) of Applicant(s):
Glow Europe B.V.
Kralingse Plaslaan 99 3061 DG Rotterdam The Netherlands
(72) Name(s) of Designer(s): **J.G. Menting**
(45) Registration Date: **29 July 2011**
(30) Convention priority data:
(31) Number (32) Date (33) Country
1812793-0003 28 Jan 2011 EUROPEAN COMMUNITY
(56) Related Art Documents: **Not Applicable**
(57) Statement of Newness and Distinctiveness: **Newness and distinctiveness resides in the visual features of shape and/or configuration of a toy as illustrated in the accompanying representation.**



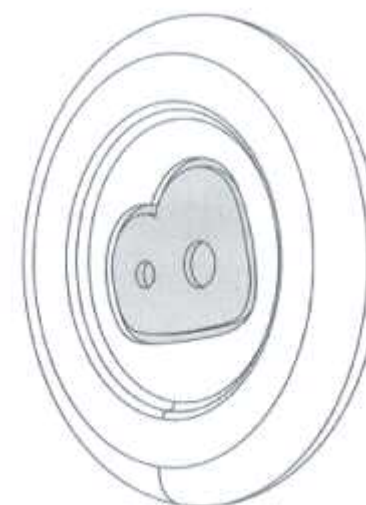
(21) Design Number: **13012/2011**
(22) Date of Filing Application: **05 July 2011**
(24) Date from which industrial property rights may have effect: **05 July 2011**
(54) Product in respect of which the design is registered: **Toy**
(51) International Design Classification: **21-01NES**
(74) Name(s) of Attorney(s): **Allens Arthur Robinson**
(71) Name(s) and Address(s) of Applicant(s):
Glow Europe B.V.
Kralingse Plaslaan 99 3061 DG Rotterdam The Netherlands
(72) Name(s) of Designer(s): **J.G. Menting**
(45) Registration Date: **29 July 2011**
(30) Convention priority data:
(31) Number (32) Date (33) Country
1812793-0004 28 Jan 2011 EUROPEAN COMMUNITY
(56) Related Art Documents: **Not Applicable**
(57) Statement of Newness and Distinctiveness: **Newness and distinctiveness resides in the visual features of shape and/or configuration of a toy as illustrated in the accompanying representation.**



(21) Design Number: **13013/2011**
(22) Date of Filing Application: **05 July 2011**
(24) Date from which industrial property rights may have effect: **05 July 2011**
(54) Product in respect of which the design is registered: **Toy**
(51) International Design Classification: **21-01NES**
(74) Name(s) of Attorney(s): **Allens Arthur Robinson**
(71) Name(s) and Address(s) of Applicant(s):
Glow Europe B.V.
Kralingse Plaslaan 99 3061 DG Rotterdam The Netherlands
(72) Name(s) of Designer(s): **J.G. Menting**
(45) Registration Date: **29 July 2011**
(30) Convention priority data:
(31) Number (32) Date (33) Country
1812793-0005 28 Jan 2011 EUROPEAN COMMUNITY
(56) Related Art Documents: **Not Applicable**
(57) Statement of Newness and Distinctiveness: **Newness and distinctiveness resides in the visual features of shape and/or configuration of a toy as illustrated in the accompanying representation.**



(21) Design Number: **13014/2011**
(22) Date of Filing Application: **05 July 2011**
(24) Date from which industrial property rights may have effect: **05 July 2011**
(54) Product in respect of which the design is registered: **Toy**
(51) International Design Classification: **21-01NES**
(74) Name(s) of Attorney(s): **Allens Arthur Robinson**
(71) Name(s) and Address(s) of Applicant(s):
Glow Europe B.V.
Kralingse Plaslaan 99 3061 DG Rotterdam The Netherlands
(72) Name(s) of Designer(s): **J.G. Menting**
(45) Registration Date: **29 July 2011**
(30) Convention priority data:
(31) Number (32) Date (33) Country
1801432-0001 05 Jan 2011 EUROPEAN COMMUNITY
(56) Related Art Documents: **Not Applicable**
(57) Statement of Newness and Distinctiveness: **Newness and distinctiveness resides in the visual features of shape and/or configuration of a toy as illustrated in the accompanying representation.**



(21) Design Number: **13015/2011**
(22) Date of Filing Application: **05 July 2011**
(24) Date from which industrial property rights may have effect: **05 July 2011**
(54) Product in respect of which the design is registered: **Toy**
(51) International Design Classification: **21-01NES**
(74) Name(s) of Attorney(s): **Allens Arthur Robinson**
(71) Name(s) and Address(s) of Applicant(s):

Glow Europe B.V.
Kralingse Plaslaan 99 3061 DG Rotterdam The Netherlands

(72) Name(s) of Designer(s): **J.G. Menting**

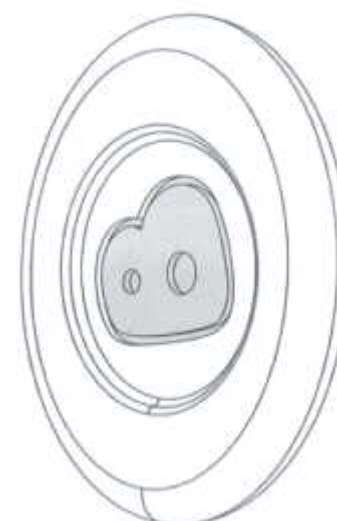
(45) Registration Date: **29 July 2011**

(30) Convention priority data:

(31) Number	(32) Date	(33) Country
1801432-0002	05 Jan 2011	EUROPEAN COMMUNITY

(56) Related Art Documents: **Not Applicable**

(57) Statement of Newness and Distinctiveness: **Newness and distinctiveness resides in the visual features of shape and/or configuration of a toy as illustrated in the accompanying representation.**



(21) Design Number: **13016/2011**
(22) Date of Filing Application: **05 July 2011**
(24) Date from which industrial property rights may have effect: **05 July 2011**
(54) Product in respect of which the design is registered: **Toy**
(51) International Design Classification: **21-01NES**
(74) Name(s) of Attorney(s): **Allens Arthur Robinson**
(71) Name(s) and Address(s) of Applicant(s):

Glow Europe B.V.
Kralingse Plaslaan 99 3061 DG Rotterdam The Netherlands

(72) Name(s) of Designer(s): **J.G. Menting**

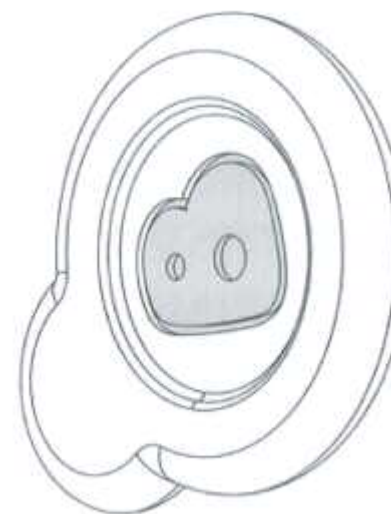
(45) Registration Date: **29 July 2011**

(30) Convention priority data:

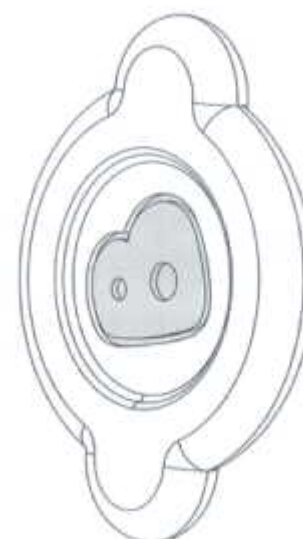
(31) Number	(32) Date	(33) Country
1801432-0003	05 Jan 2011	EUROPEAN COMMUNITY

(56) Related Art Documents: **Not Applicable**

(57) Statement of Newness and Distinctiveness: **Newness and distinctiveness resides in the visual features of shape and/or configuration of a toy as illustrated in the accompanying representation.**



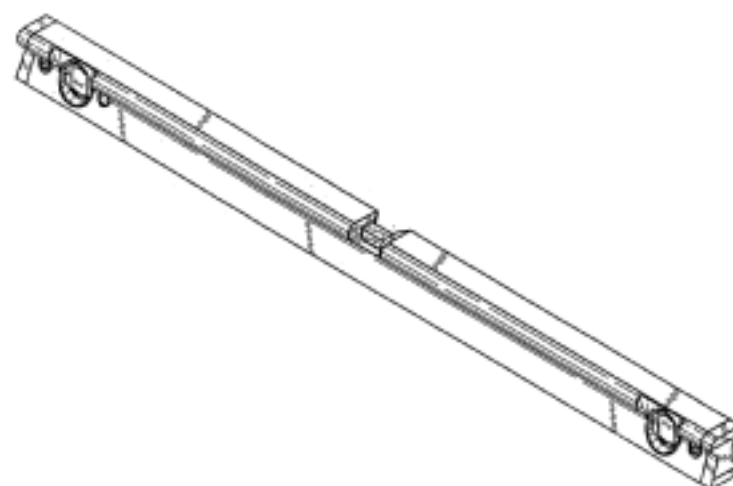
(21) Design Number: **13017/2011**
(22) Date of Filing Application: **05 July 2011**
(24) Date from which industrial property rights may have effect: **05 July 2011**
(54) Product in respect of which the design is registered: **Toy**
(51) International Design Classification: **21-01NES**
(74) Name(s) of Attorney(s): **Allens Arthur Robinson**
(71) Name(s) and Address(s) of Applicant(s):
Glow Europe B.V.
Kralingse Plaslaan 99 3061 DG Rotterdam The Netherlands
(72) Name(s) of Designer(s): **J.G. Menting**
(45) Registration Date: **29 July 2011**
(30) Convention priority data:
(31) Number (32) Date (33) Country
1801432-0004 05 Jan 2011 EUROPEAN COMMUNITY
(56) Related Art Documents: **Not Applicable**
(57) Statement of Newness and Distinctiveness: **Newness and distinctiveness resides in the visual features of shape and/or configuration of a toy as illustrated in the accompanying representation.**



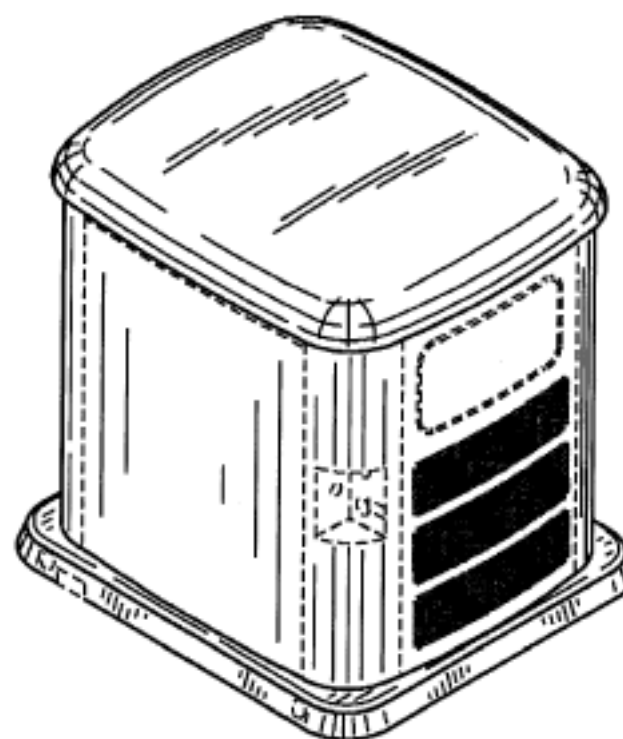
(21) Design Number: **13018/2011**
(22) Date of Filing Application: **05 July 2011**
(24) Date from which industrial property rights may have effect: **05 July 2011**
(54) Product in respect of which the design is registered: **Toy**
(51) International Design Classification: **21-01NES**
(74) Name(s) of Attorney(s): **Allens Arthur Robinson**
(71) Name(s) and Address(s) of Applicant(s):
Glow Europe B.V.
Kralingse Plaslaan 99 3061 DG Rotterdam The Netherlands
(72) Name(s) of Designer(s): **J.G. Menting**
(45) Registration Date: **29 July 2011**
(30) Convention priority data:
(31) Number (32) Date (33) Country
1801432-0005 05 Jan 2011 EUROPEAN COMMUNITY
(56) Related Art Documents: **Not Applicable**
(57) Statement of Newness and Distinctiveness: **Newness and distinctiveness resides in the visual features of shape and/or configuration of a toy as illustrated in the accompanying representation.**



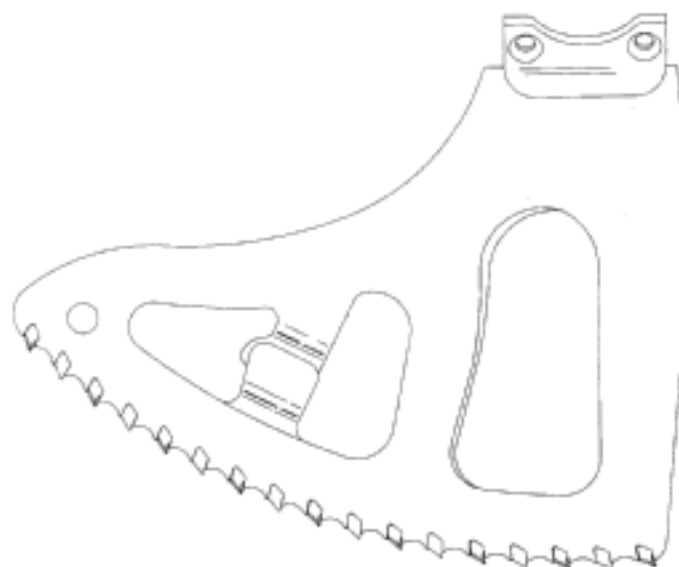
- (21) Design Number: **10460/2011**
(22) Date of Filing Application: **15 February 2011**
(24) Date from which industrial property rights may have effect: **15 February 2011**
(54) Product in respect of which the design is registered: **Level with asymmetric profile**
(51) International Design Classification: **10-04**
(74) Name(s) of Attorney(s): **PATENT ATTORNEY SERVICES**
(71) Name(s) and Address(s) of Applicant(s):
STABILA Messgerate Gustav Ullrich GmbH
Landauer Str. 45 76855 Annweiler Germany
(72) Name(s) of Designer(s): **Gabriel Kallabis and Thorsten Setzer**
(45) Registration Date: **29 July 2011**
(56) Related Art Documents: **Not Applicable**
(57) Statement of Newness and Distinctiveness: **Visual features of the design which are new and distinctive are the features of shape and configuration of level with asymmetric profile as illustrated in the representations.**



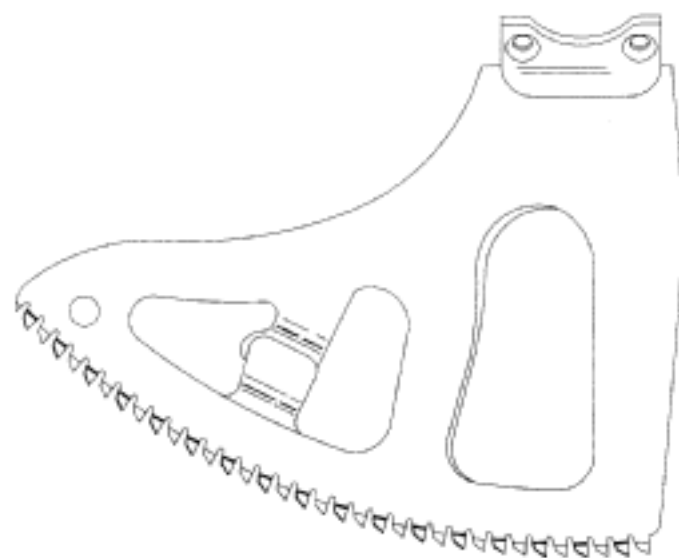
- (21) Design Number: **12123/2011**
(22) Date of Filing Application: **11 May 2011**
(24) Date from which industrial property rights may have effect: **11 May 2011**
(54) Product in respect of which the design is registered: **Standby generator**
(51) International Design Classification: **13-01**
(74) Name(s) of Attorney(s): **SPRUSON & FERGUSON**
(71) Name(s) and Address(s) of Applicant(s):
Briggs & Stratton Corporation
12301 W. Wirth Street Wauwatosa Wisconsin 53222 United States of America
(72) Name(s) of Designer(s): **Michelle L. Plato and Robert G. Townsend and David J. Kujawa and Frank L. Unterholzner**
(45) Registration Date: **29 July 2011**
(30) Convention priority data:
(31) Number (32) Date (33) Country
29/378054 28 Oct 2010 UNITED STATES OF AMERICA
(56) Related Art Documents: **Not Applicable**
(57) Statement of Newness and Distinctiveness: **Newness and distinctiveness is claimed in those features of shape and/or configuration of a standby generator as illustrated in continuous lines in the accompanying representations.**



- (21) Design Number: **12865/2011**
(22) Date of Filing Application: **27 June 2011**
(24) Date from which industrial property rights may have effect: **27 June 2011**
(54) Product in respect of which the design is registered: **Allsaw**
(51) International Design Classification: **08-03**
(74) Name(s) of Attorney(s):
(71) Name(s) and Address(s) of Applicant(s):
 Arbortech Industries Limited
 67 Westchester Road Malaga Western Australia 6090 Australia
(72) Name(s) of Designer(s): **Kevin Ross Inkster**
(45) Registration Date: **29 July 2011**
(56) Related Art Documents: **Not Applicable**
(57) Statement of Newness and Distinctiveness: **Blades have tabs which interlock the blades and can only be used as an interlocked pair.**



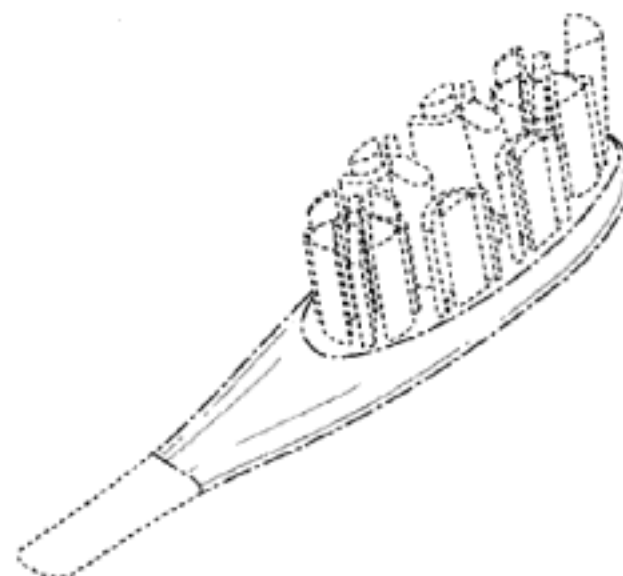
- (21) Design Number: **12866/2011**
(22) Date of Filing Application: **27 June 2011**
(24) Date from which industrial property rights may have effect: **27 June 2011**
(54) Product in respect of which the design is registered: **Allsaw**
(51) International Design Classification: **08-03**
(74) Name(s) of Attorney(s):
(71) Name(s) and Address(s) of Applicant(s):
 Arbortech Industries Limited
 67 Westchester Road Malaga Western Australia 6090 Australia
(72) Name(s) of Designer(s): **Kevin Ross Inkster**
(45) Registration Date: **29 July 2011**
(56) Related Art Documents: **Not Applicable**
(57) Statement of Newness and Distinctiveness: **Blades have tabs which interlock the blades and can only be used as an interlocked pair.**



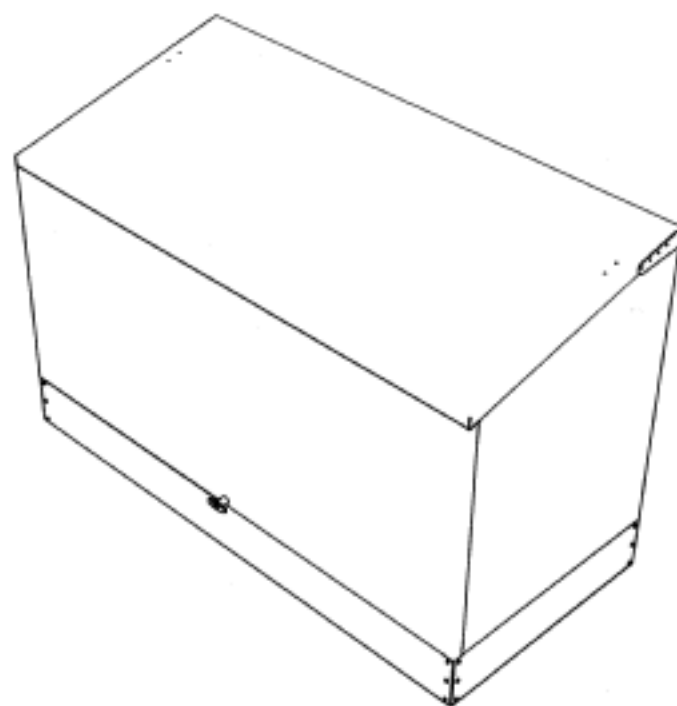
(21) Design Number: **11795/2011**
(22) Date of Filing Application: **20 April 2011**
(24) Date from which industrial property rights may have effect: **20 April 2011**
(54) Product in respect of which the design is registered: **Puzzle wooden cup/
trophy 3 dimensional**
(51) International Design Classification: **21-01M**
(74) Name(s) of Attorney(s):
(71) Name(s) and Address(s) of Applicant(s):
Cawsey Menck Pty Ltd
2 Rothwell Avenue Concord West New South Wales 2138 Australia
(72) Name(s) of Designer(s): **Richard Owen Menck**
(45) Registration Date: **29 July 2011**
(56) Related Art Documents: **Not Applicable**
(57) Statement of Newness and Distinctiveness: **Monopoly is claimed for the
individual 3-dimension design/drawing as illustrated in the attached
sheet.**



(21) Design Number: **11954/2011**
(22) Date of Filing Application: **20 April 2011**
(24) Date from which industrial property rights may have effect: **20 April 2011**
(54) Product in respect of which the design is registered: **Replaceable toothbrush
head**
(51) International Design Classification: **04-02**
(74) Name(s) of Attorney(s): **Shelston IP**
(71) Name(s) and Address(s) of Applicant(s):
McNeil-PPC, Inc.
**199 Grandview Road Skillman New Jersey 08558 United States of
America**
(72) Name(s) of Designer(s): **Eligio Ponzini and Giulio Ponzini and Fabrizio
Pizzi and Hlynur Vagn Atlason**
(45) Registration Date: **29 July 2011**
(30) Convention priority data:
(31) Number (32) Date (33) Country
29/377588 22 Oct 2010 UNITED STATES OF AMERICA
(56) Related Art Documents: **Not Applicable**
(57) Statement of Newness and Distinctiveness: **Newness and distinctiveness
reside in the shape and/or configuration of the design for a Replaceable
Toothbrush Head as shown in the accompanying representations. The
features shown in broken line are illustrative only and do not form part
of the design.**



- (21) Design Number: **12373/2011**
(22) Date of Filing Application: **30 May 2011**
(24) Date from which industrial property rights may have effect: **30 May 2011**
(54) Product in respect of which the design is registered: **Free standing secure bike storage unit for indoor and outdoor installation in domestic/residential settings**
(51) International Design Classification: **12-16NES**
(74) Name(s) of Attorney(s):
(71) Name(s) and Address(s) of Applicant(s):
Space Commander Pty Ltd
91 Ashford Avenue Milperra New South Wales 2214 Australia
(72) Name(s) of Designer(s): **Samuel Court**
(45) Registration Date: **29 July 2011**
(56) Related Art Documents: **Not Applicable**
(57) Statement of Newness and Distinctiveness: **The front door is new and distinctive by virtue of its ease of use with gas struts; it opens to create a large space for easy storage and removal of bicycles or other household items.**



- (21) Design Number: **12633/2011**
(22) Date of Filing Application: **14 June 2011**
(24) Date from which industrial property rights may have effect: **14 June 2011**
(54) Product in respect of which the design is registered: **Diabetes insulin pump key for battery changes**
(51) International Design Classification: **08-07**
(74) Name(s) of Attorney(s):
(71) Name(s) and Address(s) of Applicant(s):
Deb Foskett
25 Beira Street Aspley Queensland 4034 Australia
Nicole Braidwood
25 Beira Street Aspley Queensland 4034 Australia
(72) Name(s) of Designer(s): **Cameron Braidwood**
(45) Registration Date: **29 July 2011**
(56) Related Art Documents: **Not Applicable**
(57) Statement of Newness and Distinctiveness: **The overall appearance is fun, modern and uniquely designed as a tool for insulin pump users to change the battery. By making this product and presenting it in a unique and fun way, helps those, in particular young children who using an insulin pump to take ownership of their condition and the responsibilities it entails. Characteristics such as the key cover, length of key, shape of end of key, all contribute to making this design unique and visually attractive in appearance and use. A variety of different coloured designed key covers have been used. It is an add on piece to identify the pump key tool in a fun and positive way. The key covers provide a special characteristic to this necessary product. The key is engraved on front with words, "MY PUMP KEY" & on the back with logos of 'Level Living' & "Insulin Pump Angels". The distinct length of aluminium key has been designed for easy grip to use & cause minimum impact of force to key thread. Bottom lip of aluminium key is shaped to fit into groove of specific type of insulin pump. This smooth curved shape has been designed for use with Medtronic & Animas Insulin pumps for those with diabetes.**

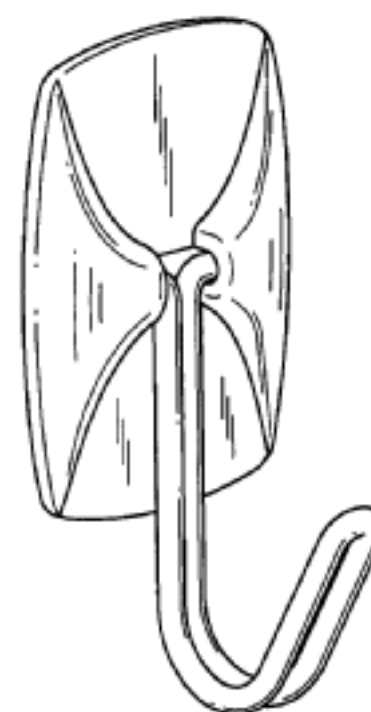


(21) Design Number: **12634/2011**
(22) Date of Filing Application: **14 June 2011**
(24) Date from which industrial property rights may have effect: **14 June 2011**
(54) Product in respect of which the design is registered: **Diabetes insulin pump key for battery changes**
(51) International Design Classification: **08-07**
(74) Name(s) of Attorney(s):
(71) Name(s) and Address(s) of Applicant(s):
Deb Foskett
25 Beira Street Aspley Queensland 4034 Australia
Nicole Braidwood
25 Beira Street Aspley Queensland 4034 Australia
(72) Name(s) of Designer(s): **Cameron Braidwood**
(45) Registration Date: **29 July 2011**
(56) Related Art Documents: **Not Applicable**

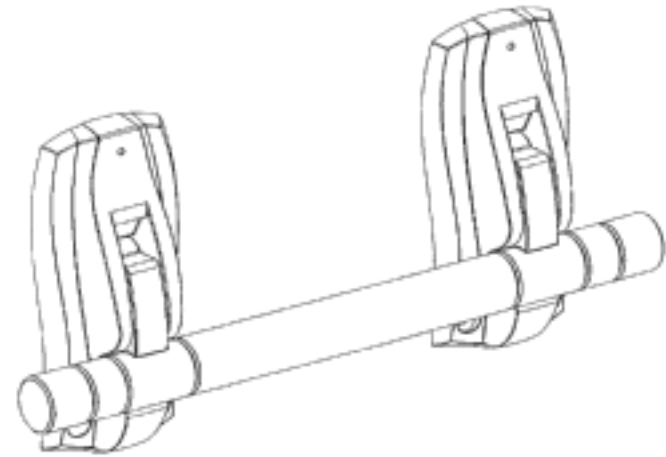


(57) Statement of Newness and Distinctiveness: **The overall appearance is fun, modern and uniquely designed as a tool for insulin pump users to change the battery. By making this product and presenting it in a unique and fun way, helps those, in particular young children who using an insulin pump to take ownership of their condition and the responsibilities it entails. Characteristics such as the key cover, length of key, shape of end of key, all contribute to making this design unique and visually attractive in appearance and use. A variety of different coloured designed key covers have been used. It is an add on piece to identify the pump key tool in a fun and positive way. The key covers provide a special characteristic to this necessary product. The key is engraved on front with words, "MY PUMP KEY" & on the back with logos of 'Level Living' & "Insulin Pump Angels". The distinct length of aluminium key has been designed for easy grip to use & cause minimum impact of force to key thread. Bottom lip of aluminium key is shaped to fit into groove of specific type of insulin pump. This smooth curved shape has been designed for use with Medtronic & Animas Insulin pumps for those with diabetes.**

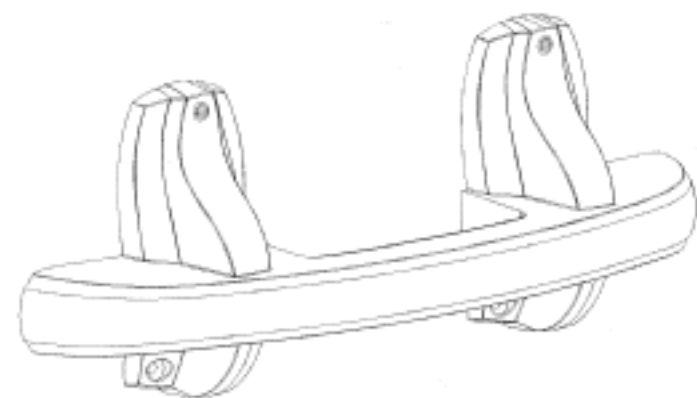
(21) Design Number: **12696/2011**
(22) Date of Filing Application: **16 June 2011**
(24) Date from which industrial property rights may have effect: **16 June 2011**
(54) Product in respect of which the design is registered: **Pivotable wire hook**
(51) International Design Classification: **08-08G**
(74) Name(s) of Attorney(s): **Davies Collison Cave**
(71) Name(s) and Address(s) of Applicant(s):
3M Innovative Properties Company
3M Center Saint Paul Minnesota 55133-3427 United States of America
(72) Name(s) of Designer(s): **Craig Donald Thompson and Jameel Rakad Qiblawi and Angela Lilun Pan**
(45) Registration Date: **29 July 2011**
(30) Convention priority data:
(31) Number (32) Date (33) Country
29/381624 21 Dec 2010 UNITED STATES OF AMERICA
(56) Related Art Documents: **Not Applicable**
(57) Statement of Newness and Distinctiveness: **Nil**



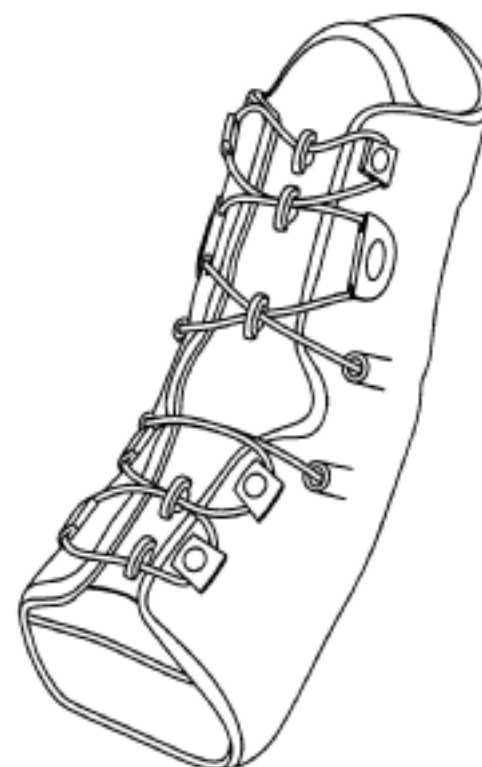
(21) Design Number: **13185/2011**
(22) Date of Filing Application: **19 July 2011**
(24) Date from which industrial property rights may have effect: **19 July 2011**
(54) Product in respect of which the design is registered: **Handle**
(51) International Design Classification: **08-06**
(74) Name(s) of Attorney(s): **Baldwins Intellectual Property**
(71) Name(s) and Address(s) of Applicant(s):
Regal Manufacturers 1973 Limited
17 Collins Avenue Tawa Wellington 5249 New Zealand
(72) Name(s) of Designer(s): **Alex Salisbury**
(45) Registration Date: **29 July 2011**
(56) Related Art Documents: **Not Applicable**
(57) Statement of Newness and Distinctiveness: **Nil**



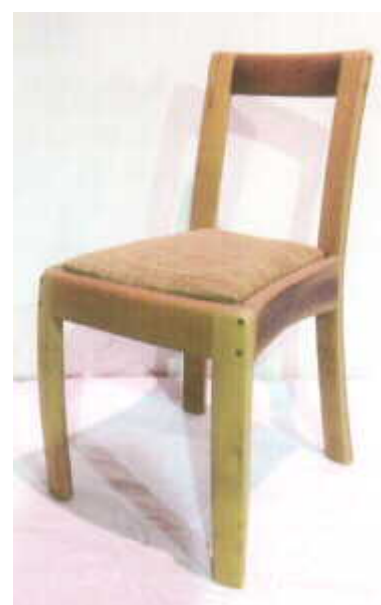
(21) Design Number: **13186/2011**
(22) Date of Filing Application: **19 July 2011**
(24) Date from which industrial property rights may have effect: **19 July 2011**
(54) Product in respect of which the design is registered: **Handle**
(51) International Design Classification: **08-06**
(74) Name(s) of Attorney(s): **Baldwins Intellectual Property**
(71) Name(s) and Address(s) of Applicant(s):
Regal Manufacturers 1973 Limited
17 Collins Avenue Tawa Wellington 5249 New Zealand
(72) Name(s) of Designer(s): **Alex Salisbury**
(45) Registration Date: **29 July 2011**
(56) Related Art Documents: **Not Applicable**
(57) Statement of Newness and Distinctiveness: **Nil**



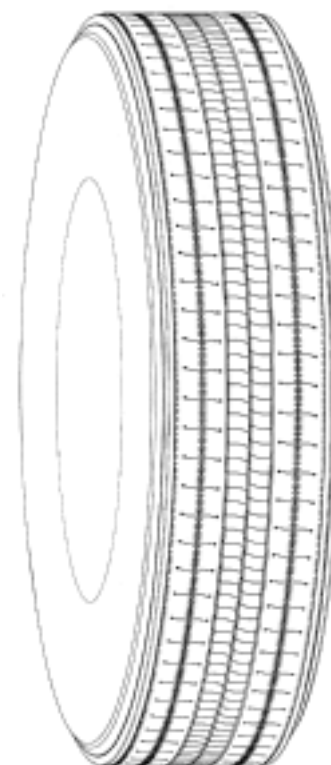
(21) Design Number: **12854/2011**
(22) Date of Filing Application: **24 June 2011**
(24) Date from which industrial property rights may have effect: **24 June 2011**
(54) Product in respect of which the design is registered: **Ankle brace**
(51) International Design Classification: **02-04C, 24-04**
(74) Name(s) of Attorney(s): **Davies Collison Cave**
(71) Name(s) and Address(s) of Applicant(s):
3M Innovative Properties Company
3M Center Saint Paul Minnesota 55133-3427 United States of America
(72) Name(s) of Designer(s): **Edward Leonard Weaver II and Jeremy Joseph Jacobs and John Robert Elrod**
(45) Registration Date: **29 July 2011**
(30) Convention priority data:
(31) Number (32) Date (33) Country
29/382231 30 Dec 2010 UNITED STATES OF AMERICA
(56) Related Art Documents: **Not Applicable**
(57) Statement of Newness and Distinctiveness: **Newness and distinctiveness is claimed in the visual features shown in the representations, and in particular, to the lace and tensioning systems of the article.**



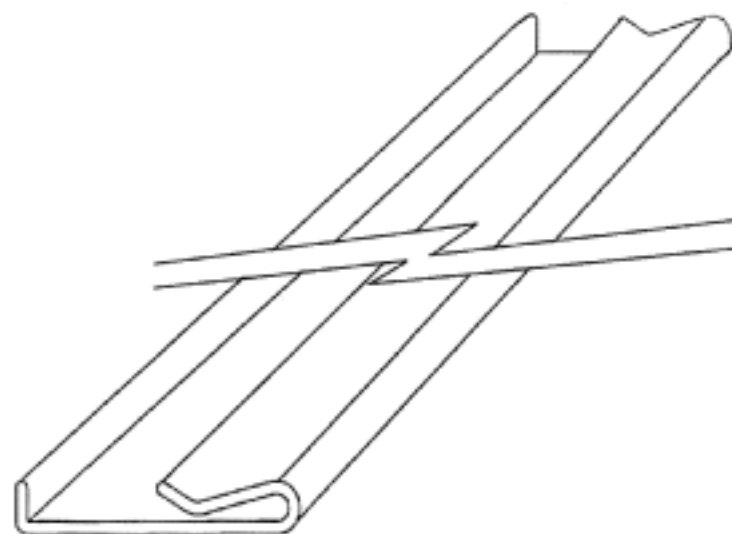
(21) Design Number: **12994/2011**
(22) Date of Filing Application: **06 July 2011**
(24) Date from which industrial property rights may have effect: **06 July 2011**
(54) Product in respect of which the design is registered: **Wine barrel chair**
(51) International Design Classification: **06-01F**
(74) Name(s) of Attorney(s):
(71) Name(s) and Address(s) of Applicant(s):
Leonard Ramsay
1/27 Beaumaris Parade Highett Victoria 3190 Australia
(72) Name(s) of Designer(s): **Leonard John Ramsay**
(45) Registration Date: **29 July 2011**
(56) Related Art Documents: **Not Applicable**
(57) Statement of Newness and Distinctiveness: **Designed from wood sourced from wine barrels. Single cross piece between rear legs. Hand shaped.**



(21) Design Number: **12995/2011**
(22) Date of Filing Application: **06 July 2011**
(24) Date from which industrial property rights may have effect: **06 July 2011**
(54) Product in respect of which the design is registered: **A tyre**
(51) International Design Classification: **12-15B**
(74) Name(s) of Attorney(s): **WATERMARK PATENT AND TRADE MARKS ATTORNEYS**
(71) Name(s) and Address(s) of Applicant(s):
Societe De Technologie Michelin
23 rue Breschet F-63000 Clermont-Ferrand Cedex France
Michelin Recherche et Technique S.A.
Route Louis Braille 10 et 12 CH-1763 Granges-Paccot Switzerland
(72) Name(s) of Designer(s): **Alexis Bournat and William License**
(45) Registration Date: **29 July 2011**
(30) Convention priority data:
(31) Number (32) Date (33) Country
11/0313 19 Jan 2011 FRANCE
(56) Related Art Documents: **Not Applicable**
(57) Statement of Newness and Distinctiveness: **Newness and distinctiveness resides in the pattern, shape and configuration applied to the tread region of the tyre shown in the annexed drawings, the remainder of the tyre not forming part of the design.**



(21) Design Number: **12996/2011**
(22) Date of Filing Application: **05 July 2011**
(24) Date from which industrial property rights may have effect: **05 July 2011**
(54) Product in respect of which the design is registered: **Extrusion**
(51) International Design Classification: **25-01K**
(74) Name(s) of Attorney(s):
(71) Name(s) and Address(s) of Applicant(s):
Shane Mark Buchan
23 Stockdale Road O'Connor Western Australia 6163 Australia
(72) Name(s) of Designer(s): **Shane Mark Buchan**
(45) Registration Date: **29 July 2011**
(56) Related Art Documents: **Not Applicable**
(57) Statement of Newness and Distinctiveness: **Nil**



(21) Design Number: **12997/2011**
(22) Date of Filing Application: **05 July 2011**
(24) Date from which industrial property rights may have effect: **05 July 2011**
(54) Product in respect of which the design is registered: **Pliers**
(51) International Design Classification: **08-05P**
(74) Name(s) of Attorney(s): **SPRUSON & FERGUSON**
(71) Name(s) and Address(s) of Applicant(s):

Raimondi S.p.a.
Via dei Tipografi 11 41122 Modena Italy

(72) Name(s) of Designer(s): **Giorgio Sighinolfi**

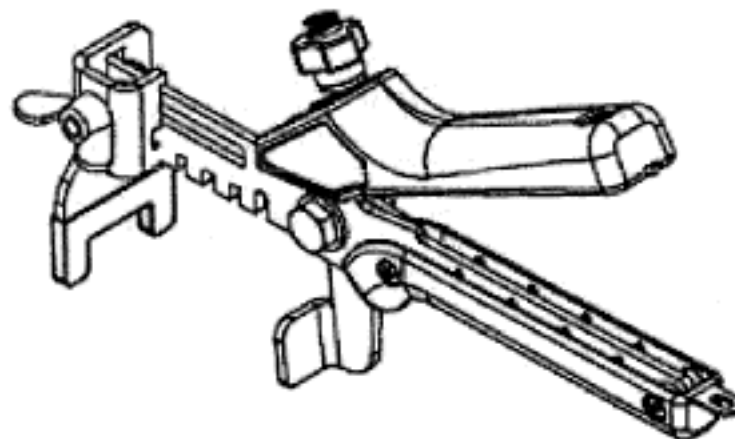
(45) Registration Date: **29 July 2011**

(30) Convention priority data:

(31) Number	(32) Date	(33) Country
001842949	30 Mar 2011	EUROPEAN COMMUNITY

(56) Related Art Documents: **Not Applicable**

(57) Statement of Newness and Distinctiveness: **Newness and distinctiveness is claimed in the features of shape and/or configuration of a pliers as illustrated in the accompanying representations.**



(21) Design Number: **12998/2011**
(22) Date of Filing Application: **05 July 2011**
(24) Date from which industrial property rights may have effect: **05 July 2011**
(54) Product in respect of which the design is registered: **Pliers**
(51) International Design Classification: **08-05P**
(74) Name(s) of Attorney(s): **SPRUSON & FERGUSON**
(71) Name(s) and Address(s) of Applicant(s):

Raimondi S.p.a.
Via dei Tipografi 11 41122 Modena Italy

(72) Name(s) of Designer(s): **Giorgio Sighinolfi**

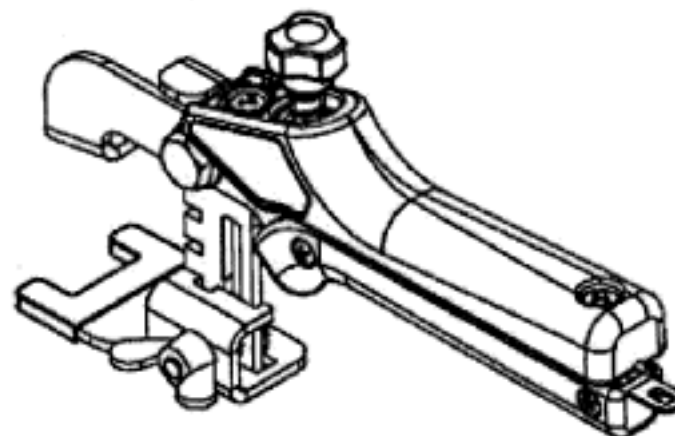
(45) Registration Date: **29 July 2011**

(30) Convention priority data:

(31) Number	(32) Date	(33) Country
001842949	30 Mar 2011	EUROPEAN COMMUNITY

(56) Related Art Documents: **Not Applicable**

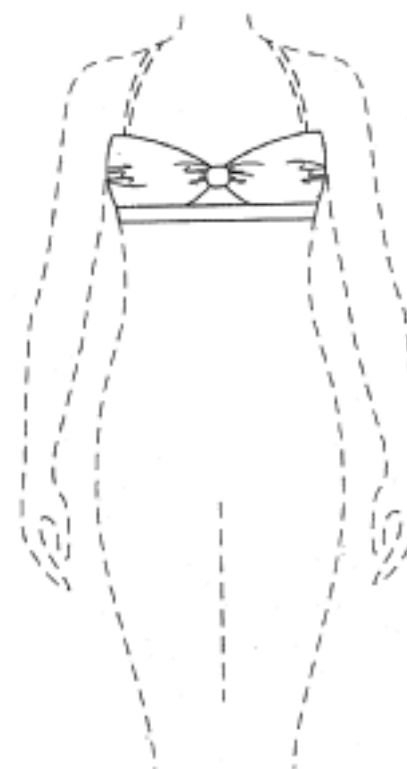
(57) Statement of Newness and Distinctiveness: **Newness and distinctiveness is claimed in the features of shape and/or configuration of a pliers as illustrated in the accompanying representations.**



(21) Design Number: **13027/2011**
(22) Date of Filing Application: **07 July 2011**
(24) Date from which industrial property rights may have effect: **07 July 2011**
(54) Product in respect of which the design is registered: **Swimwear garment**
(51) International Design Classification: **02-02A**
(74) Name(s) of Attorney(s): **Herbert Geer Lawyers**
(71) Name(s) and Address(s) of Applicant(s):
JETS Swimwear Pty Ltd
8-18 Bowden Street Alexandria New South Wales 2015 Australia
(72) Name(s) of Designer(s): **Jessika Allen**
(45) Registration Date: **01 August 2011**
(56) Related Art Documents: **Not Applicable**
(57) Statement of Newness and Distinctiveness: **Newness and distinctiveness is claimed in the shape, configuration, pattern and/or ornamentation of the swimwear garment as depicted in the accompanying representations. In considering the newness and distinctiveness of the design, the clasp and back straps shown in the back view, as indicated at "A", are to be disregarded.**



(21) Design Number: **13028/2011**
(22) Date of Filing Application: **07 July 2011**
(24) Date from which industrial property rights may have effect: **07 July 2011**
(54) Product in respect of which the design is registered: **Swimwear garment**
(51) International Design Classification: **02-02A**
(74) Name(s) of Attorney(s): **Herbert Geer Lawyers**
(71) Name(s) and Address(s) of Applicant(s):
JETS Swimwear Pty Ltd
8-18 Bowden Street Alexandria New South Wales 2015 Australia
(72) Name(s) of Designer(s): **Jessika Allen**
(45) Registration Date: **01 August 2011**
(56) Related Art Documents: **Not Applicable**
(57) Statement of Newness and Distinctiveness: **Newness and distinctiveness is claimed in the shape and/or configuration of the swimwear garment as depicted in the accompanying representations. In considering the newness and distinctiveness of the design, the clasp shown in the back view, as indicated at "A", and the neck strap shown in dotted lines, are to be disregarded. The outline of the wearer forms no part of the design.**



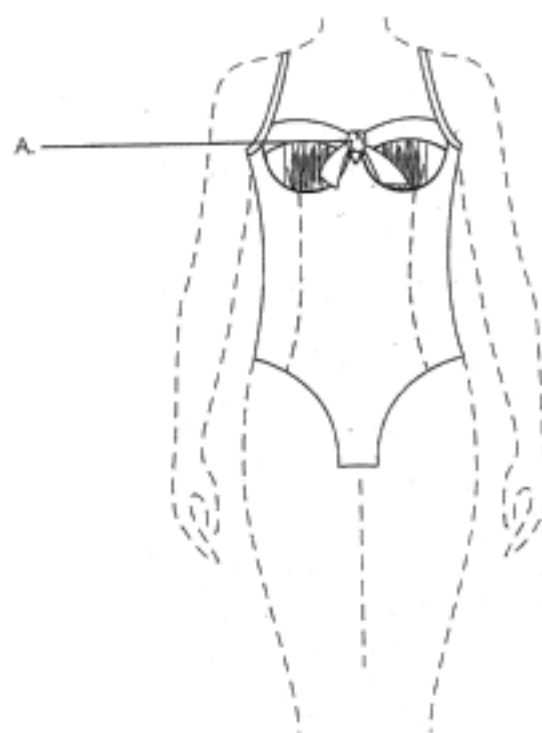
(21) Design Number: **13029/2011**
(22) Date of Filing Application: **07 July 2011**
(24) Date from which industrial property rights may have effect: **07 July 2011**
(54) Product in respect of which the design is registered: **Swimwear garment**
(51) International Design Classification: **02-02A**
(74) Name(s) of Attorney(s): **Herbert Geer Lawyers**
(71) Name(s) and Address(s) of Applicant(s):
JETS Swimwear Pty Ltd
8-18 Bowden Street Alexandria New South Wales 2015 Australia

(72) Name(s) of Designer(s): **Jessika Allen**

(45) Registration Date: **01 August 2011**

(56) Related Art Documents: **Not Applicable**

(57) Statement of Newness and Distinctiveness: **Newness and distinctiveness is claimed in the shape and/or configuration of the swimwear garment as depicted in the accompanying representations. In considering the newness and distinctiveness of the design, the bow shown in the front view, as indicated at "A", and the two front seams in the front view and the back straps shown in the back view, both in dotted lines, are to be disregarded. The outline of the wearer forms no part of the design.**



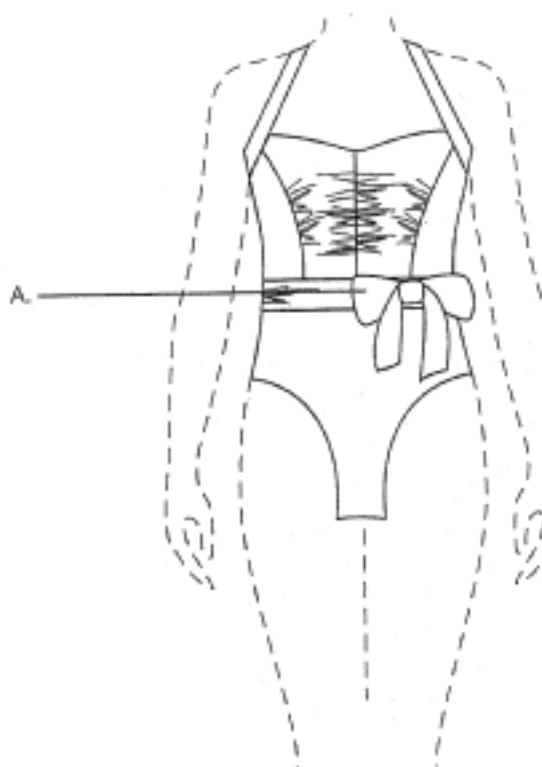
(21) Design Number: **13030/2011**
(22) Date of Filing Application: **07 July 2011**
(24) Date from which industrial property rights may have effect: **07 July 2011**
(54) Product in respect of which the design is registered: **Swimwear garment**
(51) International Design Classification: **02-02A**
(74) Name(s) of Attorney(s): **Herbert Geer Lawyers**
(71) Name(s) and Address(s) of Applicant(s):
JETS Swimwear Pty Ltd
8-18 Bowden Street Alexandria New South Wales 2015 Australia

(72) Name(s) of Designer(s): **Jessika Allen**

(45) Registration Date: **01 August 2011**

(56) Related Art Documents: **Not Applicable**

(57) Statement of Newness and Distinctiveness: **Newness and distinctiveness is claimed in the shape and/or configuration of the swimwear garment as depicted in the accompanying representations. In considering the newness and distinctiveness of the design, the bow shown in the front view and the two bows shown in the back view, each indicated at "A", as well as the scoop back shown in dotted line, are to be disregarded. The outline of the wearer forms no part of the design.**



(21) Design Number: **13031/2011**
(22) Date of Filing Application: **07 July 2011**
(24) Date from which industrial property rights may have effect: **07 July 2011**
(54) Product in respect of which the design is registered: **Swimwear garment**
(51) International Design Classification: **02-02A**
(74) Name(s) of Attorney(s): **Herbert Geer Lawyers**
(71) Name(s) and Address(s) of Applicant(s):

JETS Swimwear Pty Ltd
8-18 Bowden Street Alexandria New South Wales 2015 Australia

(72) Name(s) of Designer(s): **Jessika Allen**

(45) Registration Date: **01 August 2011**

(56) Related Art Documents: **Not Applicable**

(57) Statement of Newness and Distinctiveness: **Newness and distinctiveness is claimed in the shape, configuration, pattern and/or ornamentation of the swimwear garment as depicted in the accompanying representations. In considering the newness and distinctiveness of the design, the bow shown in the back view as indicated at "A", is to be disregarded. The outline of the wearer forms no part of the design.**



(21) Design Number: **13032/2011**
(22) Date of Filing Application: **07 July 2011**
(24) Date from which industrial property rights may have effect: **07 July 2011**
(54) Product in respect of which the design is registered: **Swimwear garment**
(51) International Design Classification: **02-02A**
(74) Name(s) of Attorney(s): **Herbert Geer Lawyers**
(71) Name(s) and Address(s) of Applicant(s):

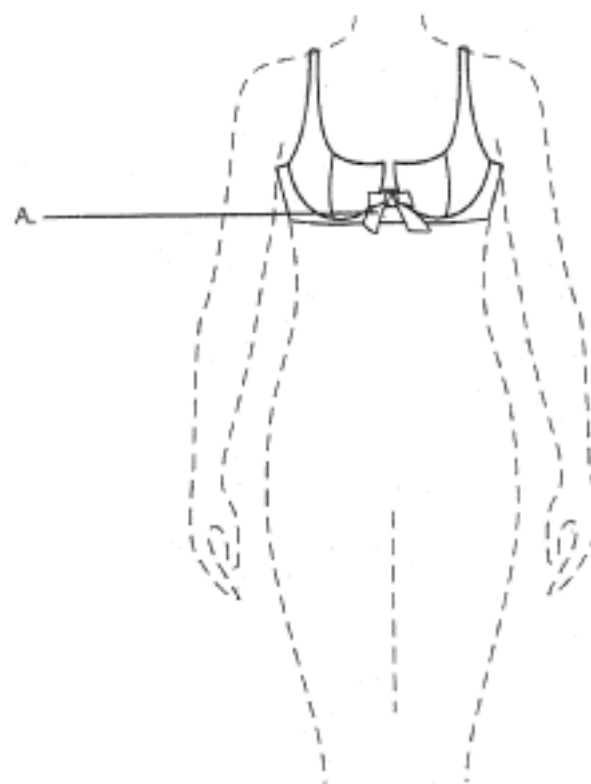
JETS Swimwear Pty Ltd
8-18 Bowden Street Alexandria New South Wales 2015 Australia

(72) Name(s) of Designer(s): **Jessika Allen**

(45) Registration Date: **01 August 2011**

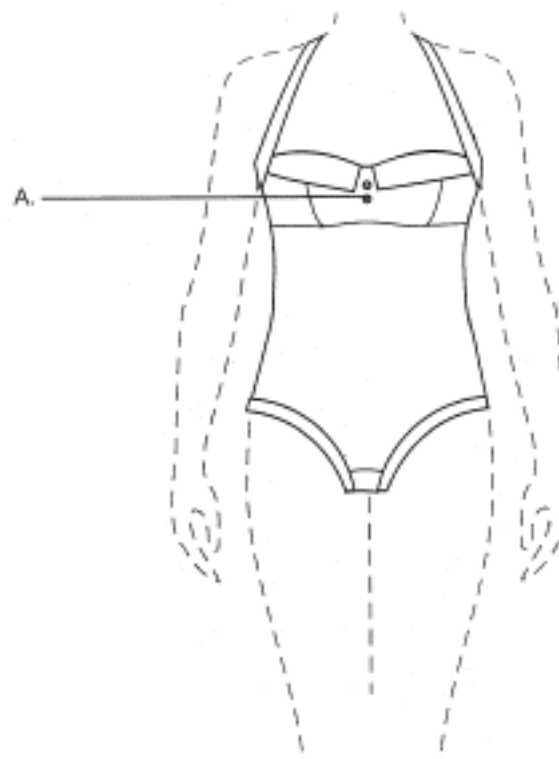
(56) Related Art Documents: **Not Applicable**

(57) Statement of Newness and Distinctiveness: **Newness and distinctiveness is claimed in the shape and/or configuration of the swimwear garment as depicted in the accompanying representations. In considering the newness and distinctiveness of the design, the bow shown in the front view and the clasp shown in the back view, as indicated at "A", and the back straps shown in dotted lines, are to be disregarded. The outline of the wearer forms no part of the design.**



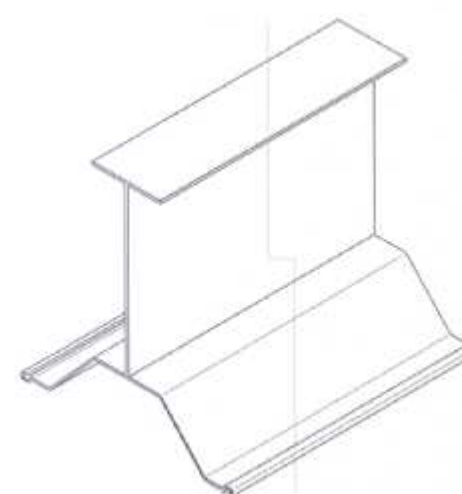
(21) Design Number: **13033/2011**
(22) Date of Filing Application: **07 July 2011**
(24) Date from which industrial property rights may have effect: **07 July 2011**
(54) Product in respect of which the design is registered: **Swimwear garment**
(51) International Design Classification: **02-02A**
(74) Name(s) of Attorney(s): **Herbert Geer Lawyers**
(71) Name(s) and Address(s) of Applicant(s):
JETS Swimwear Pty Ltd
8-18 Bowden Street Alexandria New South Wales 2015 Australia

(72) Name(s) of Designer(s): **Jessika Allen**
(45) Registration Date: **01 August 2011**
(56) Related Art Documents: **Not Applicable**
(57) Statement of Newness and Distinctiveness: **Newness and distinctiveness is claimed in the shape and/or configuration of the swimwear garment as depicted in the accompanying representations. In considering the newness and distinctiveness of the design, the buttons shown in the front view, as indicated at "A", and the two bows and scooped back shown in dotted lines in the back view are to be disregarded. The outline of the wearer forms no part of the design.**

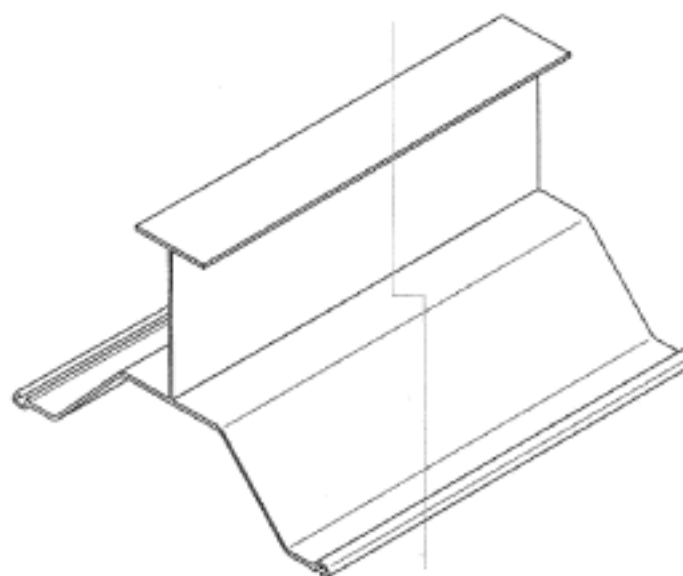


(21) Design Number: **13036/2011**
(22) Date of Filing Application: **06 July 2011**
(24) Date from which industrial property rights may have effect: **06 July 2011**
(54) Product in respect of which the design is registered: **Steel sheet pile**
(51) International Design Classification: **25-01NES**
(74) Name(s) of Attorney(s): **Griffith Hack**
(71) Name(s) and Address(s) of Applicant(s):
Nippon Steel Corporation
6-1 Marunouchi 2-chome Chiyoda-ku Tokyo 100-8071 Japan
(72) Name(s) of Designer(s): **Noriyoshi Harata and Shigeki Terasaki and Kei Teshima and Ryosuke Nagatsu and Kazuhide Toda**
(45) Registration Date: **01 August 2011**
(30) Convention priority data:
(31) Number (32) Date (33) Country
2011-000337 11 Jan 2011 JAPAN

(56) Related Art Documents: **Not Applicable**
(57) Statement of Newness and Distinctiveness: **Newness and distinctiveness resides in the visual features, including shape and configuration of a steel sheet pile as shown in the accompanying figures. The steel sheet pile may be of any length, as shown by the zig-zag symbol in the figures, and figure 8 is a perspective view of three of the steel sheet piles connected side-by-side.**



(21) Design Number: **13037/2011**
(22) Date of Filing Application: **06 July 2011**
(24) Date from which industrial property rights may have effect: **06 July 2011**
(54) Product in respect of which the design is registered: **Steel sheet pile**
(51) International Design Classification: **25-01NES**
(74) Name(s) of Attorney(s): **Griffith Hack**
(71) Name(s) and Address(s) of Applicant(s):
Nippon Steel Corporation
6-1 Marunouchi 2-chome Chiyoda-ku Tokyo 100-8071 Japan
(72) Name(s) of Designer(s): **Noriyoshi Harata and Shigeki Terasaki and Kei Teshima and Ryosuke Nagatsu and Kazuhide Toda**
(45) Registration Date: **01 August 2011**
(30) Convention priority data:
(31) Number (32) Date (33) Country
2011-000336 11 Jan 2011 JAPAN
(56) Related Art Documents: **Not Applicable**
(57) Statement of Newness and Distinctiveness: **Newness and distinctiveness resides in the visual features, including shape and configuration of a steel sheet pile as shown in the accompanying figures. The steel sheet pile may be of any length, as shown by the zig-zag symbol in the figures, and figure 8 is a perspective view of three of the steel sheet piles connected side-by-side.**



(21) Design Number: **13038/2011**
(22) Date of Filing Application: **07 July 2011**
(24) Date from which industrial property rights may have effect: **07 July 2011**
(54) Product in respect of which the design is registered: **Bottle**
(51) International Design Classification: **09-01NES**
(74) Name(s) of Attorney(s): **Baldwins Intellectual Property**
(71) Name(s) and Address(s) of Applicant(s):
Sempio Foods Company
51-9 Pildong 1-ka Joongku Seoul 100-271 Republic of Korea
(72) Name(s) of Designer(s): **Jinsun Park**
(45) Registration Date: **01 August 2011**
(30) Convention priority data:
(31) Number (32) Date (33) Country
30-2011-0014590 11 Apr 2011 DEMOCRATIC PEOPLE'S REPUBLIC OF KOREA
(56) Related Art Documents: **Not Applicable**
(57) Statement of Newness and Distinctiveness: **Newness and distinctiveness resides in the features of shape and configuration of the bottle, excluding the portions shown in broken line.**



(21) Design Number: **12279/2011**
(22) Date of Filing Application: **20 May 2011**
(24) Date from which industrial property rights may have effect: **20 May 2011**
(54) Product in respect of which the design is registered: **Fishing tackle**
(51) International Design Classification: **22-05**
(74) Name(s) of Attorney(s): **Davies Collison Cave**
(71) Name(s) and Address(s) of Applicant(s):

Rapala VMC Oyj
Tehtaantie 2 FIN-17200 Vaaksy Finland

(72) Name(s) of Designer(s): **Mikko Rautiainen**

(45) Registration Date: **01 August 2011**

(30) Convention priority data:

(31) Number	(32) Date	(33) Country
001865098	18 May 2011	EUROPEAN COMMUNITY

(56) Related Art Documents: **Not Applicable**

(57) Statement of Newness and Distinctiveness: **Newness and distinctiveness is claimed in the visual features of shape, configuration, pattern and ornamentation of the article illustrated in the representations, with particular attention to the 3D pattern, protrusions on the body, the 3D eyes and the lip.**



(21) Design Number: **12280/2011**
(22) Date of Filing Application: **20 May 2011**
(24) Date from which industrial property rights may have effect: **20 May 2011**
(54) Product in respect of which the design is registered: **Fishing tackle**
(51) International Design Classification: **22-05**
(74) Name(s) of Attorney(s): **Davies Collison Cave**
(71) Name(s) and Address(s) of Applicant(s):

Rapala VMC Oyj
Tehtaantie 2 FIN-17200 Vaaksy Finland

(72) Name(s) of Designer(s): **Mikko Rautiainen**

(45) Registration Date: **01 August 2011**

(30) Convention priority data:

(31) Number	(32) Date	(33) Country
001865098	18 May 2011	EUROPEAN COMMUNITY

(56) Related Art Documents: **Not Applicable**

(57) Statement of Newness and Distinctiveness: **Newness and distinctiveness is claimed in the visual features of shape, configuration, pattern and ornamentation of the article illustrated in the representations, with particular attention to the aerodynamically shaped lip, the 3D patterns and protrusions on the body and the 3D eyes.**



- (21) Design Number: **12404/2011**
(22) Date of Filing Application: **30 May 2011**
(24) Date from which industrial property rights may have effect: **30 May 2011**
(54) Product in respect of which the design is registered: **A power tool**
(51) International Design Classification: **08-01**
(74) Name(s) of Attorney(s): **Davies Collison Cave**
(71) Name(s) and Address(s) of Applicant(s):
Illinois Tool Works Inc.
3600 West Lake Avenue Glenview Illinois 60026-1215 United States of America
(72) Name(s) of Designer(s): **Jean-Luc Simonin and Guy Jaillet**
(45) Registration Date: **01 August 2011**
(30) Convention priority data:
(31) Number (32) Date (33) Country
001854696-0001 21 Apr 2011 EUROPEAN COMMUNITY
(56) Related Art Documents: **Not Applicable**
(57) Statement of Newness and Distinctiveness: **Newness and distinctiveness is claimed in the features of shape and configuration of the power tool shown in the representations.**



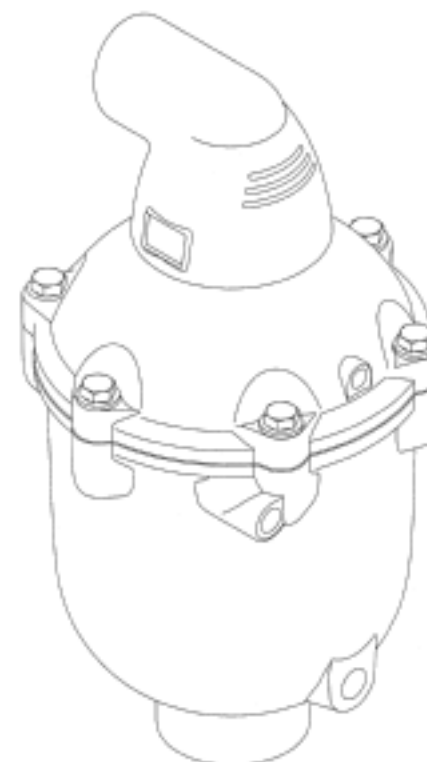
- (21) Design Number: **12406/2011**
(22) Date of Filing Application: **30 May 2011**
(24) Date from which industrial property rights may have effect: **30 May 2011**
(54) Product in respect of which the design is registered: **A power tool**
(51) International Design Classification: **08-01**
(74) Name(s) of Attorney(s): **Davies Collison Cave**
(71) Name(s) and Address(s) of Applicant(s):
Illinois Tool Works Inc.
3600 West Lake Avenue Glenview Illinois 60026-1215 United States of America
(72) Name(s) of Designer(s): **Jean-Luc Simonin and Guy Jaillet**
(45) Registration Date: **01 August 2011**
(30) Convention priority data:
(31) Number (32) Date (33) Country
001854696-0001 21 Apr 2011 EUROPEAN COMMUNITY
(56) Related Art Documents: **Not Applicable**
(57) Statement of Newness and Distinctiveness: **Newness and distinctiveness is claimed in the features of shape and configuration of the power tool shown in the representations.**



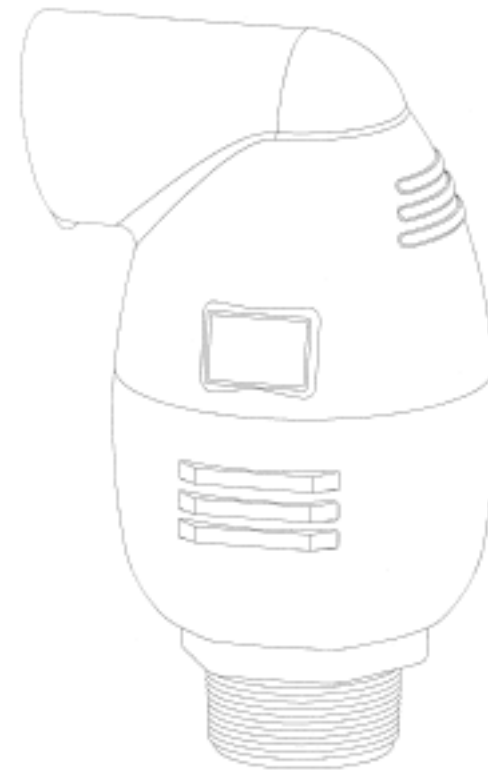
(21) Design Number: **12407/2011**
(22) Date of Filing Application: **30 May 2011**
(24) Date from which industrial property rights may have effect: **30 May 2011**
(54) Product in respect of which the design is registered: **A power tool**
(51) International Design Classification: **08-01**
(74) Name(s) of Attorney(s): **Davies Collison Cave**
(71) Name(s) and Address(s) of Applicant(s):
Illinois Tool Works Inc.
3600 West Lake Avenue Glenview Illinois 60026-1215 United States of America
(72) Name(s) of Designer(s): **Jean-Luc Simonin and Guy Jaillet**
(45) Registration Date: **01 August 2011**
(30) Convention priority data:
(31) Number (32) Date (33) Country
001854696-0001 21 Apr 2011 EUROPEAN COMMUNITY
(56) Related Art Documents: **Not Applicable**
(57) Statement of Newness and Distinctiveness: **Newness and distinctiveness is claimed in the features of shape and configuration of the power tool shown in the representations.**



(21) Design Number: **13141/2011**
(22) Date of Filing Application: **15 July 2011**
(24) Date from which industrial property rights may have effect: **15 July 2011**
(54) Product in respect of which the design is registered: **Air release valve**
(51) International Design Classification: **23-01K**
(74) Name(s) of Attorney(s): **PHILLIPS ORMONDE FITZPATRICK**
(71) Name(s) and Address(s) of Applicant(s):
Bermad CS LTD
Kibbutz Evron 22808 Israel
(72) Name(s) of Designer(s): **Zvi Weingarten**
(45) Registration Date: **01 August 2011**
(56) Related Art Documents: **Not Applicable**
(57) Statement of Newness and Distinctiveness: **Nil**



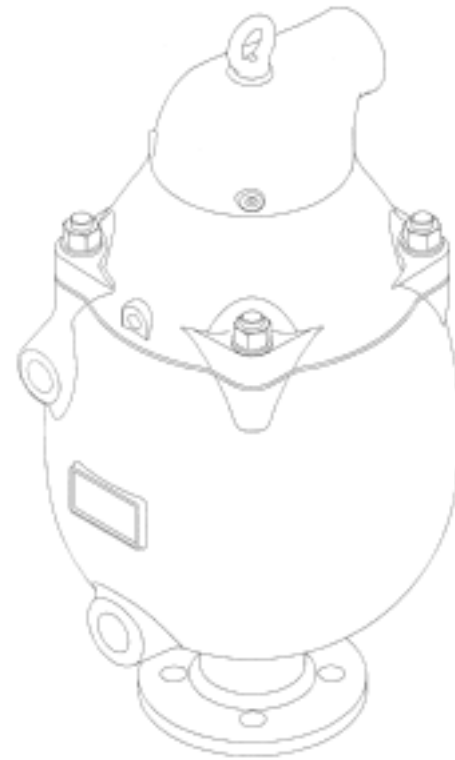
(21) Design Number: **13142/2011**
(22) Date of Filing Application: **15 July 2011**
(24) Date from which industrial property rights may have effect: **15 July 2011**
(54) Product in respect of which the design is registered: **Air release valve**
(51) International Design Classification: **23-01K**
(74) Name(s) of Attorney(s): **PHILLIPS ORMONDE FITZPATRICK**
(71) Name(s) and Address(s) of Applicant(s):
Bermad CS LTD
Kibbutz Evron 22808 Israel
(72) Name(s) of Designer(s): **Zvi Weingarten**
(45) Registration Date: **01 August 2011**
(56) Related Art Documents: **Not Applicable**
(57) Statement of Newness and Distinctiveness: **Nil**



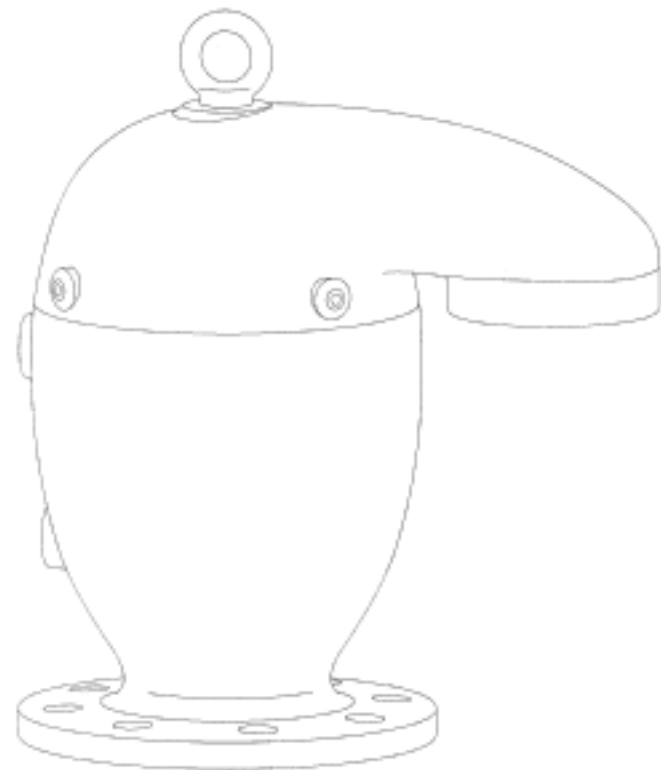
(21) Design Number: **13143/2011**
(22) Date of Filing Application: **15 July 2011**
(24) Date from which industrial property rights may have effect: **15 July 2011**
(54) Product in respect of which the design is registered: **Air release valve**
(51) International Design Classification: **23-01K**
(74) Name(s) of Attorney(s): **PHILLIPS ORMONDE FITZPATRICK**
(71) Name(s) and Address(s) of Applicant(s):
Bermad CS LTD
Kibbutz Evron 22808 Israel
(72) Name(s) of Designer(s): **Zvi Weingarten**
(45) Registration Date: **01 August 2011**
(56) Related Art Documents: **Not Applicable**
(57) Statement of Newness and Distinctiveness: **Nil**



(21) Design Number: **13144/2011**
(22) Date of Filing Application: **15 July 2011**
(24) Date from which industrial property rights may have effect: **15 July 2011**
(54) Product in respect of which the design is registered: **Air release valve**
(51) International Design Classification: **23-01K**
(74) Name(s) of Attorney(s): **PHILLIPS ORMONDE FITZPATRICK**
(71) Name(s) and Address(s) of Applicant(s):
Bermad CS LTD
Kibbutz Evron 22808 Israel
(72) Name(s) of Designer(s): **Zvi Weingarten**
(45) Registration Date: **01 August 2011**
(56) Related Art Documents: **Not Applicable**
(57) Statement of Newness and Distinctiveness: **Nil**



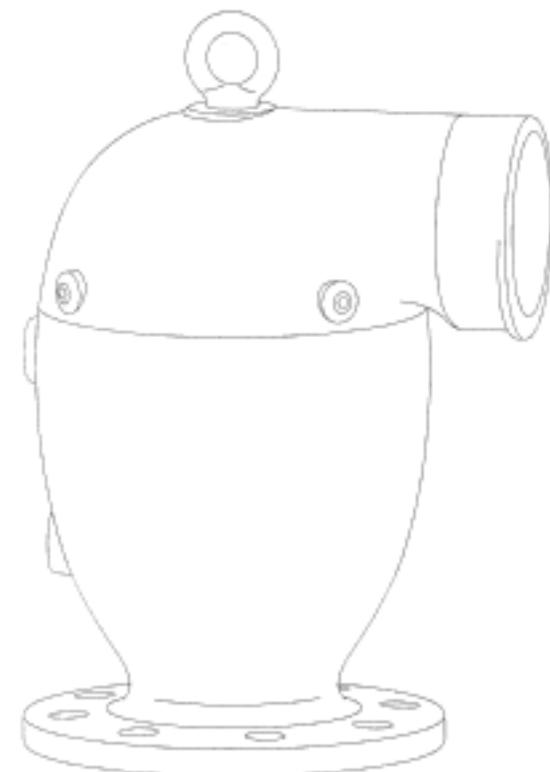
(21) Design Number: **13145/2011**
(22) Date of Filing Application: **15 July 2011**
(24) Date from which industrial property rights may have effect: **15 July 2011**
(54) Product in respect of which the design is registered: **Air release valve**
(51) International Design Classification: **23-01K**
(74) Name(s) of Attorney(s): **PHILLIPS ORMONDE FITZPATRICK**
(71) Name(s) and Address(s) of Applicant(s):
Bermad CS LTD
Kibbutz Evron 22808 Israel
(72) Name(s) of Designer(s): **Zvi Weingarten**
(45) Registration Date: **01 August 2011**
(56) Related Art Documents: **Not Applicable**
(57) Statement of Newness and Distinctiveness: **Nil**



- (21) Design Number: **13146/2011**
(22) Date of Filing Application: **15 July 2011**
(24) Date from which industrial property rights may have effect: **15 July 2011**
(54) Product in respect of which the design is registered: **Air release valve**
(51) International Design Classification: **23-01K**
(74) Name(s) of Attorney(s): **PHILLIPS ORMONDE FITZPATRICK**
(71) Name(s) and Address(s) of Applicant(s):
Bermad CS LTD
Kibbutz Evron 22808 Israel
(72) Name(s) of Designer(s): **Zvi Weingarten**
(45) Registration Date: **01 August 2011**
(56) Related Art Documents: **Not Applicable**
(57) Statement of Newness and Distinctiveness: **Nil**



- (21) Design Number: **13147/2011**
(22) Date of Filing Application: **15 July 2011**
(24) Date from which industrial property rights may have effect: **15 July 2011**
(54) Product in respect of which the design is registered: **Air release valve**
(51) International Design Classification: **23-01K**
(74) Name(s) of Attorney(s): **PHILLIPS ORMONDE FITZPATRICK**
(71) Name(s) and Address(s) of Applicant(s):
Bermad CS LTD
Kibbutz Evron 22808 Israel
(72) Name(s) of Designer(s): **Zvi Weingarten**
(45) Registration Date: **01 August 2011**
(56) Related Art Documents: **Not Applicable**
(57) Statement of Newness and Distinctiveness: **Nil**



- (21) Design Number: **13021/2011**
(22) Date of Filing Application: **07 July 2011**
(24) Date from which industrial property rights may have effect: **07 July 2011**
(54) Product in respect of which the design is registered: **High visibility work wear (shirt or jacket)**
(51) International Design Classification: **02-02B**
(74) Name(s) of Attorney(s):
(71) Name(s) and Address(s) of Applicant(s):
Craig Wilson
742 Mahers Road Bonegilla Victoria 3691 Australia
(72) Name(s) of Designer(s): **Craig Wilson**
(45) Registration Date: **01 August 2011**
(56) Related Art Documents: **Not Applicable**
(57) Statement of Newness and Distinctiveness: **High visibility, safety work wear, in a checkered flannel design.**



- (21) Design Number: **13024/2011**
(22) Date of Filing Application: **07 July 2011**
(24) Date from which industrial property rights may have effect: **07 July 2011**
(54) Product in respect of which the design is registered: **Confectionery flower design**
(51) International Design Classification: **01-01**
(74) Name(s) of Attorney(s): **IP Wealth Pty Ltd**
(71) Name(s) and Address(s) of Applicant(s):
Edible Blooms Pty Ltd
54 A King William Road Hyde Park South Australia 5061 Australia
(72) Name(s) of Designer(s): **Abbey Baker**
(45) Registration Date: **01 August 2011**
(56) Related Art Documents: **Not Applicable**
(57) Statement of Newness and Distinctiveness: **The newness and distinctiveness of the design resides in the features of shape and configuration of the design that are shown in the accompanying representations.**



(19) AU

(21) Design Number: **13025/2011**

(22) Date of Filing Application: **06 July 2011**

(24) Date from which industrial property rights may have effect: **06 July 2011**

(54) Product in respect of which the design is registered: **Razor hanger**

(51) International Design Classification: **28-03A**

(74) Name(s) of Attorney(s): **PHILLIPS ORMONDE FITZPATRICK**

(71) Name(s) and Address(s) of Applicant(s):

The Gillette Company

One Gillette Park Boston Massachusetts 02127 United States of America

(72) Name(s) of Designer(s): **Jennifer Ruth Kinard and Andrew Anthony Szczepanowski and Kristopher William Schulz**

(45) Registration Date: **01 August 2011**

(30) Convention priority data:

(31) Number

(32) Date

(33) Country

29/382,688

06 Jan 2011

UNITED STATES OF AMERICA

(56) Related Art Documents: **Not Applicable**

(57) Statement of Newness and Distinctiveness: **Those features of the razor hanger depicted in the representations that are new and distinctive are the shape and/or configuration. The features shown in broken line are not part of the design and are to be disregarded when considering the overall impression of the design.**

