



Australian Government

IP Australia

AUSTRALIAN OFFICIAL JOURNAL

OF

DESIGNS

Did you know a searchable version of this journal is now available online?

It's FREE and EASY to SEARCH.

Find it on our website (www.ipaustralia.gov.au)

by using the "Journals" link on the home page.

This Page Left Intentionally Blank

Contents

General Information & Notices

**Proceedings Under the Designs Act 1906 preserved as a result of the provisions of Chapter 12
Part 2 of the Designs Act 2003**

Extension of Period of Registration of Designs 2278
Registrations Ceased 2278
Subsequent Owners Registered 2278

Proceedings Under the Designs Act 2003

Applications for Extension of Time Under Section 137 2291
Applications Lapsed 2290
Applications Lodged 2282
Applications Withdrawn 2290
Certificate of Examination 2294
Corrigenda 2293
Extension of Period of Registration of Design 2291
Extension of Time Granted Under Section 137 2291
Names Registered - Alterations and Amendments 2292
Publication and Registration Proceedings
Designs Registered 337928 to 338074..... 2295
Registrations Ceased 2291
Subsequent Owners Registered 2291

This Page Left Intentionally Blank

For information on the following please see our website www.ipaustralia.gov.au or contact our Customer Service Network on 1300651010

[Editorial enquiries](#)

[Contact information](#)

[Freedom of Information ACT](#)

[Professional Standards Board](#)

[Sales](#)

[Requests for Information under Section 194 \(c\)](#)

[Country Codes](#)

[Trade Mark and Designs Hearing Sessions](#)

[INID \(Internationally agreed Numbers for the Identification of Data\)](#)

“INID” NUMBERS in use on Australian Design Documents

“INID” is an acronym for “Internationally agreed Numbers for the Identification of Data”.

(10) Data concerning the registration/renewal

- (11) Serial number of the registration and/or number of the design document
- (12) Plain language designation of the kind of published document
- (19) Identification, using the two-letter code according to WIPO Standard ST.3, of the authority publishing or registering the industrial design

(20) Data concerning the application

- (21) Serial number of the application
- (22) Date of filing of the application
- (24) Date from which the industrial design right has effect

(30) Data relating to priority under the Paris Convention

- (31) Serial number assigned to the priority application
- (32) Date of filing of the priority application
- (33) Two-letter code, according to WIPO Standard ST.3, identifying the authority with which the priority application was made

(40) Date(s) of making information available to the public

- (45) Date of publication of the registered industrial design by printing or similar process, or making it available to the public by any other means

(50) Miscellaneous Information

- (51) International Classification for Industrial Designs (class and subclass of the Locarno Classification)
- (54) Designation of article(s) or product(s) covered by the industrial design or title of the industrial design
- (55) Reproduction of the industrial design (e.g., drawing, photograph) and explanations relating to the reproduction
- (56) List of prior art documents, if separate from descriptive text
- (57) Description of characteristic features of the industrial design including indication of colours

(60) References to other legally related application(s) and registration(s)

- (62) Serial number(s) and, if available, filing date(s) of application(s), registration(s) or document(s) related by division
- (66) Serial number(s) of the application, or the registration, of the design(s) which is (are) a variant(s) of the present one

(70) Identification of parties concerned with the application or registration

- (71) Name(s) and address(es) of the applicant(s)
- (72) Name(s) of the creator(s) if known to be such
- (74) Name(s) and address(es) of the representative(s)

This Page Left Intentionally Blank

Nil notices for this journal issue.

Proceedings under the Designs Act 1906 preserved as a result of the provisions of Chapter 12 Part 2 of the Designs Act 2003.

This Page Left Intentionally Blank

Applications Lapsed

There were no Applications Lapsed under this section

Extension of Period of Registration of Designs

1st Period (Section 27A(8))

2nd Period (Section 27A(12))

3rd Period (Section 27A(13))

141661	141887	141888
142608	142609	142610
143160	143199	143232
143358	143433	143506
143507	143527	143530
143587	143752	144519
144521	145399	145400
145401	145402	145403
145404	145424	145425
145653	146056	146057
146179	146278	147082
147083	147084	147147
147458	147551	147552
147618	147619	147652
147691	147692	147693
147953	148263	

Subsequent Owners Registered

(The name in parentheses is that of the subsequent owner)

150813	(Viscount Plastics (Australia) Pty Ltd) Viscount Plastics (NSW) Ltd
148031	(Viscount Plastics (Australia) Pty Ltd) Viscount Plastics (NSW) Ltd
150157	(Viscount Plastics (Australia) Pty Ltd) Viscount Plastics (NSW) Ltd
145560	(Wacker Neuson Production Americas LLC) Wacker Corporation

Registrations Ceased

Note: Some of the following Registrations may have been previously advertised as ceased. In this instance, the previous advertisement still prevails.

125799	126089	126150
126168	126169	126170
126216	126247	126299
126326	126350	126788
126931	127160	127161
128042	128362	129687
129688	129689	130500
131647	131648	131649
132169	135332	136710
139682	139683	139684
139685	139686	140062
141176	141177	141178
141179	141180	141252
141458	141460	141601
141636	141654	141673
141688	141927	142080
142146	142150	142208
142209	142864	143288
143293	143294	145019
157776		

This Page Left Intentionally Blank

Proceedings under the Designs Act 2003.

This Page Left Intentionally Blank

Applications Lodged

Lodgement information is in the following order: **Applicant's Name**; International Classification, Name of Product, Lodgement Date and **Design Number**. If the applicant claims an earlier priority date under an International Convention, the Convention Country and the associated filing date are shown in parentheses before the Lodgement Date. Divisional information will also appear in parentheses before the Lodgement Date.

Abuzz Solutions Pty Ltd; 14-02, 20-03NES, Electronic kiosk, 08 Aug 2011	13527/2011	Baker, Raymond John; 09-01NES, Bottle, 02 Aug 2011	13406/2011
Actuant Corporation; 08-99, Hydraulic tensioner, (US, 11 Feb 2011) 10 Aug 2011	13526/2011	Baker, Raymond John; 09-01NES, Bottle, 02 Aug 2011	13407/2011
Allflex Europe; 30-08, A marker for animals, 05 Aug 2011	13473/2011	Barber, Cindy Jane; 06-01G, Seat, 05 Aug 2011	13495/2011
Aluminium Industries of Australia Pty Ltd; 25-01K, Thermal break framing system assembly, 05 Aug 2011	13480/2011	Barrett-Lennard, Matthew D.;Lewis, Thomas W.; 15-03B, An agricultural receptacle normally towed behind a harvesting machine primarily for collection and strategic, dumping of crop residue or other material. The said receptacle being operated in conjunction with an integrally, mounted conveyor., 28 Jul 2011	13330/2011
Aluminium Industries of Australia Pty Ltd; 25-01K, Thermal break framing system, 05 Aug 2011	13477/2011	Beba Enterprises Pty Ltd; 02-02NES, Top, 02 Feb 2011	13405/2011
Aluminium Industries of Australia Pty Ltd; 25-01K, Thermal break framing system assembly, 05 Aug 2011	13478/2011	Beba Enterprises Pty Ltd; 02-02C, Women's clothing, 05 Aug 2011	13464/2011
Aluminium Industries of Australia Pty Ltd; 25-01K, Thermal break framing system, 05 Aug 2011	13476/2011	Bizzarri S.R.L.; 12-02, Shopping trolley, 04 Aug 2011	13474/2011
Aluminium Industries of Australia Pty Ltd; 25-01K, Thermal break framing system assembly, 05 Aug 2011	13481/2011	Bobby Bebe Pty Ltd; 06-06NES, A cot net, 02 Aug 2011	13412/2011
Aluminium Industries of Australia Pty Ltd; 25-01K, Thermal break framing system assembly, 05 Aug 2011	13479/2011	Breville Pty Limited; 07-02H, Toaster oven, 03 Aug 2011	13428/2011
Ames True Temper, Inc.; 08-06, Tool handle, (US, 21 Apr 2011) 29 Jul 2011	13359/2011	Breville Pty Limited; 31-00, Ice cream maker, 03 Aug 2011	13436/2011
Ames True Temper, Inc.; 08-06, Tool handle, (US, 21 Apr 2011) 29 Jul 2011	13358/2011	Breville Pty Limited; 07-02N, Electric fry pan, 29 Jul 2011	13369/2011
Archimedes Development Limited; 09-01NES, A bottle or container, (EM, 04 Feb 2011) 03 Aug 2011	13427/2011	Briggs & Stratton Corporation; 23-04, Air filter, (US, 11 Feb 2011) 08 Aug 2011	13510/2011
Archimedes Development Limited; 09-01NES, A bottle or container, (EM, 04 Feb 2011) 03 Aug 2011	13426/2011	Briggs & Stratton Corporation; 23-04, Air filter, (US, 11 Feb 2011) 08 Aug 2011	13511/2011
Arlec Australia Pty. Ltd.; 13-03D, Back plate for a mains wiring accessory, 09 Aug 2011	13522/2011	Cadbury Enterprises Pte Limited; 01-01, Confectionery, 04 Aug 2011	13444/2011
Arlec Australia Pty. Ltd.; 13-03NES, A rocker switch, 09 Aug 2011	13523/2011	Cannon, Kate Louise; 08-06, Backplate for handle assembly, 28 Jul 2011	13328/2011
Arrow Fastener Co., LLC; 08-05NES, Fastening tool, (US, 04 Feb 2011) 02 Aug 2011	13395/2011	Cannon, Kate Louise; 08-06, Handle assembly, 28 Jul 2011	13329/2011
AFI (WA) Pty Ltd; 06-04F, 06-06B, Bed side table, tall boy and dresser, 12 May 2011	13380/2011	Carl Freudenberg KG; 07-07B, Tubs with incorporated wringers, (EM, 09 Feb 2011) 01 Aug 2011	13382/2011
		Chill-Rite Refrigeration Pty Ltd; 09-06, , 03 Aug 2011	13408/2011
		Choker, Ramzey;Francis, Michael; 23-01H, Dispensing tap, 09 Aug 2011	13513/2011

Choker, Ramzey;Francis, Michael; 23-01NES, Selector, 09 Aug 2011	13515/2011	Clark, Adam;Kippes, Scott;Parel, Thomas;Scott, Zach; 07-02E, Grill and insert, (US, 31 Jan 2011) 29 Jul 2011	13349/2011
Choker, Ramzey;Francis, Michael; 23-01H, Dispensing taps, 09 Aug 2011	13514/2011	Clark, Adam;Kippes, Scott;Parel, Thomas;Scott, Zach; 07-02E, Grill and insert, (US, 31 Jan 2011) 29 Jul 2011	13341/2011
Clark, Adam;Kippes, Scott;Parel, Thomas;Scott, Zach; 07-02E, Grill and insert, (US, 31 Jan 2011) 01 Aug 2011	13403/2011	Clark, Adam;Kippes, Scott;Parel, Thomas;Scott, Zach; 07-02E, Grill and insert, (US, 31 Jan 2011) 29 Jul 2011	13339/2011
Clark, Adam;Kippes, Scott;Parel, Thomas;Scott, Zach; 07-02E, Grill and insert, (US, 31 Jan 2011) 01 Aug 2011	13404/2011	Clark, Adam;Kippes, Scott;Parel, Thomas;Scott, Zach; 07-02E, Grill and insert, (US, 31 Jan 2011) 29 Jul 2011	13336/2011
Clark, Adam;Kippes, Scott;Parel, Thomas;Scott, Zach; 07-02E, Grill and insert, (US, 31 Jan 2011) 29 Jul 2011	13334/2011	Clark, Adam;Kippes, Scott;Parel, Thomas;Scott, Zach; 07-02E, Grill and insert, (US, 31 Jan 2011) 29 Jul 2011	13337/2011
Clark, Adam;Kippes, Scott;Parel, Thomas;Scott, Zach; 07-02E, Grill and insert, (US, 31 Jan 2011) 29 Jul 2011	13342/2011	Clark, Adam;Kippes, Scott;Parel, Thomas;Scott, Zach; 07-02E, Grill and insert, (US, 31 Jan 2011) 29 Jul 2011	13333/2011
Clark, Adam;Kippes, Scott;Parel, Thomas;Scott, Zach; 07-02E, Grill and insert, (US, 31 Jan 2011) 29 Jul 2011	13352/2011	Clark, Adam;Kippes, Scott;Parel, Thomas;Scott, Zach; 07-02E, Grill and insert, (US, 31 Jan 2011) 29 Jul 2011	13340/2011
Clark, Adam;Kippes, Scott;Parel, Thomas;Scott, Zach; 07-02E, Grill and insert, (US, 31 Jan 2011) 29 Jul 2011	13351/2011	Clark, Adam;Kippes, Scott;Parel, Thomas;Scott, Zach; 07-02E, Grill and insert, (US, 31 Jan 2011) 29 Jul 2011	13335/2011
Clark, Adam;Kippes, Scott;Parel, Thomas;Scott, Zach; 07-02E, Grill and insert, (US, 31 Jan 2011) 29 Jul 2011	13350/2011	Clark, Adam;Kippes, Scott;Parel, Thomas;Scott, Zach; 07-02E, Grill and insert, (US, 31 Jan 2011) 29 Jul 2011	13338/2011
Clark, Adam;Kippes, Scott;Parel, Thomas;Scott, Zach; 07-02E, Grill and insert, (US, 31 Jan 2011) 29 Jul 2011	13347/2011	Climate Technologies Pty Ltd; 23-04, A base for an evaporative cooler housing, 01 Aug 2011	13391/2011
Clark, Adam;Kippes, Scott;Parel, Thomas;Scott, Zach; 07-02E, Grill and insert, (US, 31 Jan 2011) 29 Jul 2011	13346/2011	Climate Technologies Pty Ltd; 23-04, An evaporative cooler housing, 01 Aug 2011	13389/2011
Clark, Adam;Kippes, Scott;Parel, Thomas;Scott, Zach; 07-02E, Grill and insert, (US, 31 Jan 2011) 29 Jul 2011	13345/2011	Cryovac Australia Pty Ltd; 07-99NES, Tray, 01 Aug 2011	13393/2011
Clark, Adam;Kippes, Scott;Parel, Thomas;Scott, Zach; 07-02E, Grill and insert, (US, 31 Jan 2011) 29 Jul 2011	13343/2011	D & C Wilson Holdings; 25-01D, Deck plank and joist weather protection strip, 09 Aug 2011	13472/2011
Clark, Adam;Kippes, Scott;Parel, Thomas;Scott, Zach; 07-02E, Grill and insert, (US, 31 Jan 2011) 29 Jul 2011	13348/2011	D & D Group Pty Ltd; 08-06, Hinge, (US, 04 Feb 2011) 04 Aug 2011	13450/2011
Clark, Adam;Kippes, Scott;Parel, Thomas;Scott, Zach; 07-02E, Grill and insert, (US, 31 Jan 2011) 29 Jul 2011	13344/2011	D & D Group Pty Ltd; 08-06, Hinge, (US, 04 Feb 2011) 04 Aug 2011	13454/2011
		D & D Group Pty Ltd; 08-06, Hinge, (US, 07 Feb 2011) 04 Aug 2011	13456/2011

D & D Group Pty Ltd; 08-06, Hinge, (US, 04 Feb 2011) 04 Aug 2011	13457/2011	Eveready Battery Company, Inc.; 28-03A, Razor head cover, (US, 04 Mar 2011) 08 Aug 2011	13501/2011
D & D Group Pty Ltd; 08-06, Hinge, (US, 07 Feb 2011) 04 Aug 2011	13455/2011	Eveready Battery Company, Inc.; 26-04, A lighting device, (US, 28 Mar 2011) 05 Aug 2011	13469/2011
D & D Group Pty Ltd; 08-06, Handle, (US, 04 Feb 2011) 04 Aug 2011	13451/2011	Eveready Battery Company, Inc.; 26-04, A lighting device, (US, 28 Mar 2011) 05 Aug 2011	13468/2011
D & D Group Pty Ltd; 08-06, Hinge, (US, 04 Feb 2011) 04 Aug 2011	13449/2011	ELC Management LLC; 03-01D, Cosmetic jar with cover, (US, 14 Feb 2011) 29 Jul 2011	13363/2011
D & D Group Pty Ltd; 08-07, Latch, (US, 04 Feb 2011) 04 Aug 2011	13458/2011	ELC Management LLC; 03-01D, Cosmetic jar with cover, (US, 14 Feb 2011) 29 Jul 2011	13365/2011
D & D Group Pty Ltd; 08-06, Handle, (US, 04 Feb 2011) 04 Aug 2011	13452/2011	Fitness Brands 2 LLC; 21-02F, Stepper exercise apparatus, 04 Aug 2011	13524/2011
D & D Group Pty Ltd; 08-07, Striker for latch, (US, 04 Feb 2011) 04 Aug 2011	13453/2011	Fitness Brands 2 LLC; 21-02F, Stepper exercise apparatus, 04 Aug 2011	13525/2011
Delta System AS; 25-04, Platform for construction scaffold, (NO, 01 Feb 2011) 29 Jul 2011	13373/2011	Fitzpatrick, Alexander; 07-01B, Bowl, 02 Aug 2011	13415/2011
Delta System AS; 25-04, Platform for construction scaffold, (NO, 01 Feb 2011) 29 Jul 2011	13374/2011	Fitzpatrick, Alexander; 07-01A, Plate, 02 Aug 2011	13414/2011
Delta System AS; 25-04, Platform for construction scaffold, (NO, 01 Feb 2011) 29 Jul 2011	13371/2011	Fonterra Brands (Australia) Pty Ltd; 09-01K, A bottle, (NZ, 28 Jun 2011) 04 Aug 2011	13441/2011
Delta System AS; 25-04, Platform for construction scaffold, (NO, 01 Feb 2011) 29 Jul 2011	13372/2011	Forefront Solutions Limited; 26-05A, Cosydome recessed luminaire barrier device, 04 Aug 2011	13435/2011
Despotellis, Neil; 25-01B, Footing plate, 05 Aug 2011	13483/2011	Forever New Clothing Pty Ltd; 02-02NES, Women's fashion clothing, 05 Aug 2011	13484/2011
Donaldson, Stuart; 12-16NES, Bottom roller connection for a truck side tarpaulin curtain, 02 Aug 2011	13463/2011	Francis, Michael;Choker, Ramzey; 23-01H, Dispensing taps, 09 Aug 2011	13514/2011
Dyson Limited; 15-05, Part of a vacuum cleaner, (EM, 11 Feb 2011) 03 Aug 2011	13434/2011	Francis, Michael;Choker, Ramzey; 23-01NES, Selector, 09 Aug 2011	13515/2011
Elsteel (Private) Ltd.; 13-03B, Component for holding electrical cables intact inside electrical equipments, (EM, 08 Feb 2011) 05 Aug 2011	13482/2011	Francis, Michael;Choker, Ramzey; 23-01H, Dispensing tap, 09 Aug 2011	13513/2011
Enghard, Florian; 09-02A, Hopper, (DE, 05 Feb 2011) 01 Aug 2011	13392/2011	Freedom Design Pty Ltd; 09-03E, 03-01NES, Bicycle bottle holder, 04 Aug 2011	13462/2011
Enghard, Florian; 07-04, Mixing element for a beverage shaker, (Divisional of 12578/2011) 08 Jun 2011	13376/2011	FSP Holdings Pty Ltd; 06-04B, Door for locker or the like, 29 Jul 2011	13355/2011
Eveready Battery Company, Inc.; 28-03A, Razor head cover, (US, 04 Mar 2011) 08 Aug 2011	13500/2011	FSP Holdings Pty Ltd; 06-04B, Door for locker or the like, 29 Jul 2011	13356/2011
		FSP Holdings Pty Ltd; 06-04B, Door for locker or the like, 29 Jul 2011	13357/2011
		FSP Holdings Pty Ltd; 06-04B, Lockers, 29 Jul 2011	13353/2011

FSP Holdings Pty Ltd; 06-04B, Locker cabinet, 29 Jul 2011	13354/2011	Illinois Tool Works Inc.; 08-05NES, Hand grip for a sledgehammer Hand grip for a hammer Hand grip for a cutter tool Hand grip for a pliers, Hand grip for a screwdriver Hand grip for a rivet tool Hand grip for a hand saw Hand grip for a hole saw/wallboard, saw Hand grip for a clamp Hand grip for a float/trowel, 08 Aug 2011	13504/2011
Gesswein, Andreas Klaus;Keyvanloo, Aydin;Tung, Liang; 20-03NES, Sign strand, 05 Aug 2011	13467/2011	Industrie Bitossi S.P.A.;Plasan Sasa Ltd.; 22-99, Armour tile, (Divisional of 15553/2010) 05 Aug 2011	13485/2011
Gesswein, Andreas Klaus;Keyvanloo, Aydin;Tung, Liang; 20-03NES, Sign stand, 05 Aug 2011	13503/2011	IP Holdings Pty Limited; 21-02F, Gym and fitness rack, 01 Aug 2011	13378/2011
Gifts King Import Pty Ltd; 09-05, Digitally recorded disc holder, 27 Jul 2011	13368/2011	IP Holdings Pty Limited; 21-02F, Gym fitness bench, 02 Aug 2011	13396/2011
Gillette Company, The; 28-03A, Hair removal device, (US, 02 Mar 2011) 01 Aug 2011	13390/2011	IP Holdings Pty Limited; 21-02F, Gym fitness equipment, 02 Aug 2011	13397/2011
Griffiths, James Ian;Griffiths, Michelle May; 23-03H, Heat exchange for hot water supply under pressure, 29 Jul 2011	13331/2011	IP Holdings Pty Limited; 21-02F, Gym and fitness rack, 01 Aug 2011	13379/2011
Griffiths, Michelle May;Griffiths, James Ian; 23-03H, Heat exchange for hot water supply under pressure, 29 Jul 2011	13331/2011	Joseph Joseph Ltd; 07-04, 07-06A, Kitchenware, 08 Aug 2011	13488/2011
Hammersmith Nominees Pty Ltd; 30-04, A strap fitting for girth straps of equestrian saddles, 01 Aug 2011	13394/2011	Joseph Joseph Ltd; 07-05NES, 07-07NES, Kitchenware, (EM, 05 May 2011) 08 Aug 2011	13494/2011
Haysom, Robert Henry;Haysom, Deirdre Mary; 25-01K, An edging strip, 04 Aug 2011	13461/2011	Joseph Joseph Ltd; 07-06C, Kitchenware, (EM, 05 May 2011) 08 Aug 2011	13493/2011
Haysom, Deirdre Mary;Haysom, Robert Henry; 25-01K, An edging strip, 04 Aug 2011	13461/2011	Joseph Joseph Ltd; 07-04, Kitchenware, (EM, 17 Feb 2011) 08 Aug 2011	13491/2011
Helen of Troy Limited; 07-04, Salad spinner, (US, 15 Apr 2011) 08 Aug 2011	13502/2011	Joseph Joseph Ltd; 07-02N, Kitchenware, (EM, 05 May 2011) 08 Aug 2011	13492/2011
Hill, Keith Lawrence; 22-05, Quik-flik fishing rod holder, 10 Aug 2011	13532/2011	Joseph Joseph Ltd; 07-06B, Kitchenware, (EM, 17 Feb 2011) 08 Aug 2011	13490/2011
Honda Motor Co., Ltd.; 12-11, Side cover for motorcycle, (JP, 10 Feb 2011) 08 Aug 2011	13512/2011	Joseph Joseph Ltd; 07-99A, Kitchenware, (EM, 17 Feb 2011) 08 Aug 2011	13489/2011
Honda Motor Co., Ltd.; 12-11, Motorcycle, (JP, 10 Feb 2011) 08 Aug 2011	13499/2011	Joseph Joseph Ltd; 07-01B, 07-04, Kitchenware, 08 Aug 2011	13487/2011
Honda Motor Co., Ltd.; 12-11, Front side cover for motorcycle, (JP, 10 Feb 2011) 08 Aug 2011	13509/2011	Joseph Joseph Ltd; 07-05NES, Kitchenware, (EM, 17 Feb 2011) 08 Aug 2011	13486/2011
Honda Motor Co., Ltd.; 12-11, 12-16B, Motorcycle, (JP, 10 Feb 2011) 08 Aug 2011	13497/2011	Juvekar, Sagar; 02-02NES, T shirt, 22 Jul 2011	13324/2011
Honda Motor Co., Ltd.; 12-11, Motorcycle, (JP, 10 Feb 2011) 08 Aug 2011	13498/2011	Keyvanloo, Aydin;Gesswein, Andreas Klaus;Tung, Liang; 20-03NES, Sign strand, 05 Aug 2011	13467/2011
Hornery, Paul R.;Rotherham, David; 25-01A, Construction blocks, 09 Jun 2011	13381/2011	Keyvanloo, Aydin;Gesswein, Andreas Klaus;Tung, Liang; 20-03NES, Sign stand, 05 Aug 2011	13503/2011

Kippes, Scott;Clark, Adam;Parel, Thomas;Scott, Zach; 07-02E, Grill and insert, (US, 31 Jan 2011) 01 Aug 2011	13403/2011	Kippes, Scott;Clark, Adam;Parel, Thomas;Scott, Zach; 07-02E, Grill and insert, (US, 31 Jan 2011) 29 Jul 2011	13341/2011
Kippes, Scott;Clark, Adam;Parel, Thomas;Scott, Zach; 07-02E, Grill and insert, (US, 31 Jan 2011) 01 Aug 2011	13404/2011	Kippes, Scott;Clark, Adam;Parel, Thomas;Scott, Zach; 07-02E, Grill and insert, (US, 31 Jan 2011) 29 Jul 2011	13339/2011
Kippes, Scott;Clark, Adam;Parel, Thomas;Scott, Zach; 07-02E, Grill and insert, (US, 31 Jan 2011) 29 Jul 2011	13334/2011	Kippes, Scott;Clark, Adam;Parel, Thomas;Scott, Zach; 07-02E, Grill and insert, (US, 31 Jan 2011) 29 Jul 2011	13336/2011
Kippes, Scott;Clark, Adam;Parel, Thomas;Scott, Zach; 07-02E, Grill and insert, (US, 31 Jan 2011) 29 Jul 2011	13342/2011	Kippes, Scott;Clark, Adam;Parel, Thomas;Scott, Zach; 07-02E, Grill and insert, (US, 31 Jan 2011) 29 Jul 2011	13337/2011
Kippes, Scott;Clark, Adam;Parel, Thomas;Scott, Zach; 07-02E, Grill and insert, (US, 31 Jan 2011) 29 Jul 2011	13352/2011	Kippes, Scott;Clark, Adam;Parel, Thomas;Scott, Zach; 07-02E, Grill and insert, (US, 31 Jan 2011) 29 Jul 2011	13333/2011
Kippes, Scott;Clark, Adam;Parel, Thomas;Scott, Zach; 07-02E, Grill and insert, (US, 31 Jan 2011) 29 Jul 2011	13351/2011	Kippes, Scott;Clark, Adam;Parel, Thomas;Scott, Zach; 07-02E, Grill and insert, (US, 31 Jan 2011) 29 Jul 2011	13340/2011
Kippes, Scott;Clark, Adam;Parel, Thomas;Scott, Zach; 07-02E, Grill and insert, (US, 31 Jan 2011) 29 Jul 2011	13350/2011	Kippes, Scott;Clark, Adam;Parel, Thomas;Scott, Zach; 07-02E, Grill and insert, (US, 31 Jan 2011) 29 Jul 2011	13335/2011
Kippes, Scott;Clark, Adam;Parel, Thomas;Scott, Zach; 07-02E, Grill and insert, (US, 31 Jan 2011) 29 Jul 2011	13347/2011	Kippes, Scott;Clark, Adam;Parel, Thomas;Scott, Zach; 07-02E, Grill and insert, (US, 31 Jan 2011) 29 Jul 2011	13338/2011
Kippes, Scott;Clark, Adam;Parel, Thomas;Scott, Zach; 07-02E, Grill and insert, (US, 31 Jan 2011) 29 Jul 2011	13346/2011	Knott, David; 06-04NES, Bookshelf, 02 Aug 2011	13388/2011
Kippes, Scott;Clark, Adam;Parel, Thomas;Scott, Zach; 07-02E, Grill and insert, (US, 31 Jan 2011) 29 Jul 2011	13345/2011	Koninklijke Philips Electronics N.V.; 14-03A, Baby unit for a babyphone, (EM, 08 Feb 2011) 08 Aug 2011	13506/2011
Kippes, Scott;Clark, Adam;Parel, Thomas;Scott, Zach; 07-02E, Grill and insert, (US, 31 Jan 2011) 29 Jul 2011	13343/2011	Koninklijke Philips Electronics N.V.; 14-03A, Parent unit for babyphone, (EM, 08 Feb 2011) 08 Aug 2011	13505/2011
Kippes, Scott;Clark, Adam;Parel, Thomas;Scott, Zach; 07-02E, Grill and insert, (US, 31 Jan 2011) 29 Jul 2011	13348/2011	Koninklijke Philips Electronics N.V.; 07-05A, Iron with steam generator, (EM, 03 Feb 2011) 02 Aug 2011	13421/2011
Kippes, Scott;Clark, Adam;Parel, Thomas;Scott, Zach; 07-02E, Grill and insert, (US, 31 Jan 2011) 29 Jul 2011	13344/2011	Koninklijke Philips Electronics N.V.; 07-05A, Steam generator for iron, (EM, 03 Feb 2011) 02 Aug 2011	13423/2011
Kippes, Scott;Clark, Adam;Parel, Thomas;Scott, Zach; 07-02E, Grill and insert, (US, 31 Jan 2011) 29 Jul 2011	13349/2011	Koninklijke Philips Electronics N.V.; 07-05A, Iron, (EM, 03 Feb 2011) 02 Aug 2011	13422/2011
Kippes, Scott;Clark, Adam;Parel, Thomas;Scott, Zach; 07-02E, Grill and insert, (US, 31 Jan 2011) 29 Jul 2011	13349/2011	L. & A. Fazzini Manufacturing Pty Ltd; 25-01K, Metal section, 10 Nov 2010	13410/2011

Lewis, Thomas W.;Barrett-Lennard, Matthew D.; 15-03B, An agricultural receptacle normally towed behind a harvesting machine primarily for collection and strategic, dumping of crop residue or other material. The said receptacle being operated in conjunction with an integrally, mounted conveyor., 28 Jul 2011	13330/2011	Michelin Recherche et Technique S.A.;Societe De Technologie Michelin; 12-15C, A tyre, (FR, 18 Feb 2011) 04 Aug 2011	13430/2011
Little, Steven; 07-99A, Serving apparatus for beverage containers, (US, 06 Apr 2011) 05 Aug 2011	13447/2011	Michelin Recherche et Technique S.A.;Societe De Technologie Michelin; 12-15C, A tyre, (FR, 18 Feb 2011) 04 Aug 2011	13431/2011
LEDON Lamp GmbH; 26-04, LED lamp, (EM, 03 Feb 2011) 02 Aug 2011	13413/2011	Nachabe, Heylal; 23-04, Aircraft brake cooling fan, 05 Aug 2011	13496/2011
Makita Corporation; 15-99, Gas nailing machine, (JP, 22 Mar 2011) 09 Aug 2011	13529/2011	Novotec Building Products Pty Ltd; 23-02B, Square shower unit, 02 Aug 2011	13362/2011
Manitowoc Foodservice Companies, LLC; 15-07, Ice machine, (US, 10 Feb 2011) 01 Aug 2011	13399/2011	NCI Holdings Pty Ltd; 09-03NES, Container, 03 Aug 2011	13439/2011
Manitowoc Foodservice Companies, LLC; 15-07, Ice machine, (US, 10 Feb 2011) 01 Aug 2011	13401/2011	NCI Holdings Pty Ltd; 09-03NES, Container, 03 Aug 2011	13440/2011
Manitowoc Foodservice Companies, LLC; 15-07, Ice machine, (US, 10 Feb 2011) 01 Aug 2011	13400/2011	NCI Holdings Pty Ltd; 09-03NES, Container, 03 Aug 2011	13438/2011
Manitowoc Foodservice Companies, LLC; 15-07, Ice machine, (US, 10 Feb 2011) 01 Aug 2011	13398/2011	Opus International Consultants Limited; 08-08NES, An adjustable support, (NZ, 04 Feb 2011) 01 Aug 2011	13387/2011
Manning, Glen; 11-02E, Tree Frog ornament, 04 Aug 2011	13424/2011	Parel, Thomas;Clark, Adam;Kippes, Scott;Scott, Zach; 07-02E, Grill and insert, (US, 31 Jan 2011) 29 Jul 2011	13352/2011
Mars Drinks UK Limited; 07-02L, Beverage maker, (US, 30 Jun 2011) 08 Aug 2011	13507/2011	Parel, Thomas;Clark, Adam;Kippes, Scott;Scott, Zach; 07-02E, Grill and insert, (US, 31 Jan 2011) 29 Jul 2011	13341/2011
Mars Incorporated; 01-01, Chocolate/confectionery, (US, 19 Apr 2011) 08 Aug 2011	13508/2011	Parel, Thomas;Clark, Adam;Kippes, Scott;Scott, Zach; 07-02E, Grill and insert, (US, 31 Jan 2011) 01 Aug 2011	13404/2011
Mercatus Technologies Inc.; 14-02, Display device with magnetic card reader, (CA, 11 Feb 2011) 05 Aug 2011	13475/2011	Parel, Thomas;Clark, Adam;Kippes, Scott;Scott, Zach; 07-02E, Grill and insert, (US, 31 Jan 2011) 01 Aug 2011	13403/2011
Meyer Intellectual Properties Limited; 07-02R, Cookware elongated side handle having a visibly contrasting medallion, (US, 04 Feb 2011) 04 Aug 2011	13518/2011	Parel, Thomas;Clark, Adam;Kippes, Scott;Scott, Zach; 07-02E, Grill and insert, (US, 31 Jan 2011) 29 Jul 2011	13340/2011
Meyer Intellectual Properties Limited; 07-02R, Cookware lid handle having a visibly contrasting medallion, (US, 04 Feb 2011) 04 Aug 2011	13520/2011	Parel, Thomas;Clark, Adam;Kippes, Scott;Scott, Zach; 07-02E, Grill and insert, (US, 31 Jan 2011) 29 Jul 2011	13342/2011
Meyer Intellectual Properties Limited; 07-02R, Cookware side handle having a visibly contrasting medallion, (US, 04 Feb 2011) 04 Aug 2011	13519/2011	Parel, Thomas;Clark, Adam;Kippes, Scott;Scott, Zach; 07-02E, Grill and insert, (US, 31 Jan 2011) 29 Jul 2011	13351/2011
Michelin Recherche et Technique S.A.;Societe De Technologie Michelin; 12-15C, A tyre, (FR, 18 Feb 2011) 04 Aug 2011	13429/2011	Parel, Thomas;Clark, Adam;Kippes, Scott;Scott, Zach; 07-02E, Grill and insert, (US, 31 Jan 2011) 29 Jul 2011	13350/2011

Parel, Thomas;Clark, Adam;Kippes, Scott;Scott, Zach; 07-02E, Grill and insert, (US, 31 Jan 2011) 29 Jul 2011	13347/2011	Piaggio & C. S.p.A.; 12-11, Motor scooter, (EM, 17 Feb 2011) 05 Aug 2011	13459/2011
Parel, Thomas;Clark, Adam;Kippes, Scott;Scott, Zach; 07-02E, Grill and insert, (US, 31 Jan 2011) 29 Jul 2011	13346/2011	Plasan Sasa Ltd.;Industrie Bitossi S.P.A.; 22-99, Armour tile, (Divisional of 15553/2010) 05 Aug 2011	13485/2011
Parel, Thomas;Clark, Adam;Kippes, Scott;Scott, Zach; 07-02E, Grill and insert, (US, 31 Jan 2011) 29 Jul 2011	13345/2011	Red Bull GmbH; 15-07, Cooler, 29 Jul 2011	13375/2011
Parel, Thomas;Clark, Adam;Kippes, Scott;Scott, Zach; 07-02E, Grill and insert, (US, 31 Jan 2011) 29 Jul 2011	13344/2011	Ren, Jianhua; 23-03A, Electric heater, (CN, 04 May 2011) 03 Aug 2011	13437/2011
Parel, Thomas;Clark, Adam;Kippes, Scott;Scott, Zach; 07-02E, Grill and insert, (US, 31 Jan 2011) 29 Jul 2011	13344/2011	Ren, Jianhua; 23-03A, Electric heater, (CN, 04 May 2011) 03 Aug 2011	13443/2011
Parel, Thomas;Clark, Adam;Kippes, Scott;Scott, Zach; 07-02E, Grill and insert, (US, 31 Jan 2011) 29 Jul 2011	13349/2011	Ren, Jianhua; 23-03A, Electric heater, (CN, 04 May 2011) 03 Aug 2011	13442/2011
Parel, Thomas;Clark, Adam;Kippes, Scott;Scott, Zach; 07-02E, Grill and insert, (US, 31 Jan 2011) 29 Jul 2011	13343/2011	Research In Motion Limited; 14-03E, Handheld electronic device, (US, 08 Feb 2011) 04 Aug 2011	13445/2011
Parel, Thomas;Clark, Adam;Kippes, Scott;Scott, Zach; 07-02E, Grill and insert, (US, 31 Jan 2011) 29 Jul 2011	13348/2011	Rotherham, David;Hornery, Paul R.; 25-01A, Construction blocks, 09 Jun 2011	13381/2011
Parel, Thomas;Clark, Adam;Kippes, Scott;Scott, Zach; 07-02E, Grill and insert, (US, 31 Jan 2011) 29 Jul 2011	13336/2011	Scanpan A/S; 08-05H, Hand-held sharpener, 29 Jul 2011	13377/2011
Parel, Thomas;Clark, Adam;Kippes, Scott;Scott, Zach; 07-02E, Grill and insert, (US, 31 Jan 2011) 29 Jul 2011	13335/2011	Schyns, Werner; 12-11, 12-16C, , 04 Aug 2011	13425/2011
Parel, Thomas;Clark, Adam;Kippes, Scott;Scott, Zach; 07-02E, Grill and insert, (US, 31 Jan 2011) 29 Jul 2011	13337/2011	Scott, Zach;Clark, Adam;Kippes, Scott;Parel, Thomas; 07-02E, Grill and insert, (US, 31 Jan 2011) 01 Aug 2011	13404/2011
Parel, Thomas;Clark, Adam;Kippes, Scott;Scott, Zach; 07-02E, Grill and insert, (US, 31 Jan 2011) 29 Jul 2011	13333/2011	Scott, Zach;Clark, Adam;Kippes, Scott;Parel, Thomas; 07-02E, Grill and insert, (US, 31 Jan 2011) 01 Aug 2011	13403/2011
Parel, Thomas;Clark, Adam;Kippes, Scott;Scott, Zach; 07-02E, Grill and insert, (US, 31 Jan 2011) 29 Jul 2011	13339/2011	Scott, Zach;Clark, Adam;Kippes, Scott;Parel, Thomas; 07-02E, Grill and insert, (US, 31 Jan 2011) 29 Jul 2011	13352/2011
Parel, Thomas;Clark, Adam;Kippes, Scott;Scott, Zach; 07-02E, Grill and insert, (US, 31 Jan 2011) 29 Jul 2011	13334/2011	Scott, Zach;Clark, Adam;Kippes, Scott;Parel, Thomas; 07-02E, Grill and insert, (US, 31 Jan 2011) 29 Jul 2011	13342/2011
Parel, Thomas;Clark, Adam;Kippes, Scott;Scott, Zach; 07-02E, Grill and insert, (US, 31 Jan 2011) 29 Jul 2011	13338/2011	Scott, Zach;Clark, Adam;Kippes, Scott;Parel, Thomas; 07-02E, Grill and insert, (US, 31 Jan 2011) 29 Jul 2011	13351/2011
Parel, Thomas;Clark, Adam;Kippes, Scott;Scott, Zach; 07-02E, Grill and insert, (US, 31 Jan 2011) 29 Jul 2011	13338/2011	Scott, Zach;Clark, Adam;Kippes, Scott;Parel, Thomas; 07-02E, Grill and insert, (US, 31 Jan 2011) 29 Jul 2011	13350/2011
Parel, Thomas;Clark, Adam;Kippes, Scott;Scott, Zach; 07-02E, Grill and insert, (US, 31 Jan 2011) 29 Jul 2011	13338/2011	Scott, Zach;Clark, Adam;Kippes, Scott;Parel, Thomas; 07-02E, Grill and insert, (US, 31 Jan 2011) 29 Jul 2011	13347/2011

Scott, Zach;Clark, Adam;Kippes, Scott;Parel, Thomas; 07-02E, Grill and insert, (US, 31 Jan 2011) 29 Jul 2011	13346/2011	Scott, Zach;Clark, Adam;Kippes, Scott;Parel, Thomas; 07-02E, Grill and insert, (US, 31 Jan 2011) 29 Jul 2011	13338/2011
Scott, Zach;Clark, Adam;Kippes, Scott;Parel, Thomas; 07-02E, Grill and insert, (US, 31 Jan 2011) 29 Jul 2011	13345/2011	Silverstein, Ronald David; 99-00, Plan of subdivision PS420001G dated 26th March 2003 stage six being an unregistered plan of subdivision produced under, the hand of Riccardo G. Marsella and consisting of two sheets. Parish Merrimu, section eighteen derived from, P/P 083/99, 02 Aug 2011	13409/2011
Scott, Zach;Clark, Adam;Kippes, Scott;Parel, Thomas; 07-02E, Grill and insert, (US, 31 Jan 2011) 29 Jul 2011	13344/2011	Silverstein, Ronald David; 99-00, Plan of subdivision PS420001G dated 26th March 2003 state 7 being an unregistered plan subdivision produced under the, hand of Riccardo G. Marsella and consisting of 2 sheets. Parish Merrimu, section 18 derived from P/P 083/99, 02 Aug 2011	13419/2011
Scott, Zach;Clark, Adam;Kippes, Scott;Parel, Thomas; 07-02E, Grill and insert, (US, 31 Jan 2011) 29 Jul 2011	13349/2011	Silverstein, Ronald David; 99-00, Plan of subdivision PS420001G dated 26th March 2003 stage 3 being an unregistered plan of subdivision produced under, the hand of Riccardo G. Marsella and consisting of 2 sheets. Parish Merrimu, section 18 derived from P/P 083/99, 02 Aug 2011	13420/2011
Scott, Zach;Clark, Adam;Kippes, Scott;Parel, Thomas; 07-02E, Grill and insert, (US, 31 Jan 2011) 29 Jul 2011	13343/2011	Smart Enviromental Solutions Pty Ltd; 26-05NES, Light apparatus, 02 Aug 2011	13385/2011
Scott, Zach;Clark, Adam;Kippes, Scott;Parel, Thomas; 07-02E, Grill and insert, (US, 31 Jan 2011) 29 Jul 2011	13348/2011	Smart Enviromental Solutions Pty Ltd; 26-05NES, Light apparatus, 02 Aug 2011	13386/2011
Scott, Zach;Clark, Adam;Kippes, Scott;Parel, Thomas; 07-02E, Grill and insert, (US, 31 Jan 2011) 29 Jul 2011	13341/2011	Smart Enviromental Solutions Pty Ltd; 26-05NES, Light apparatus, 02 Aug 2011	13384/2011
Scott, Zach;Clark, Adam;Kippes, Scott;Parel, Thomas; 07-02E, Grill and insert, (US, 31 Jan 2011) 29 Jul 2011	13340/2011	Societe De Technologie Michelin;Michelin Recherche et Technique S.A.; 12-15C, A tyre, (FR, 18 Feb 2011) 04 Aug 2011	13430/2011
Scott, Zach;Clark, Adam;Kippes, Scott;Parel, Thomas; 07-02E, Grill and insert, (US, 31 Jan 2011) 29 Jul 2011	13336/2011	Societe De Technologie Michelin;Michelin Recherche et Technique S.A.; 12-15C, A tyre, (FR, 18 Feb 2011) 04 Aug 2011	13431/2011
Scott, Zach;Clark, Adam;Kippes, Scott;Parel, Thomas; 07-02E, Grill and insert, (US, 31 Jan 2011) 29 Jul 2011	13335/2011	Societe De Technologie Michelin;Michelin Recherche et Technique S.A.; 12-15C, A tyre, (FR, 18 Feb 2011) 04 Aug 2011	13429/2011
Scott, Zach;Clark, Adam;Kippes, Scott;Parel, Thomas; 07-02E, Grill and insert, (US, 31 Jan 2011) 29 Jul 2011	13337/2011	Solar Eggs IP Pty Ltd; 09-03D, Egg and food carton, 29 Jul 2011	13370/2011
Scott, Zach;Clark, Adam;Kippes, Scott;Parel, Thomas; 07-02E, Grill and insert, (US, 31 Jan 2011) 29 Jul 2011	13333/2011	Straightmark Nominees Pty Ltd; 25-02G, A grate, 04 Aug 2011	13433/2011
Scott, Zach;Clark, Adam;Kippes, Scott;Parel, Thomas; 07-02E, Grill and insert, (US, 31 Jan 2011) 29 Jul 2011	13339/2011	Straightmark Nominees Pty Ltd; 25-02G, A grate, 04 Aug 2011	13432/2011
Scott, Zach;Clark, Adam;Kippes, Scott;Parel, Thomas; 07-02E, Grill and insert, (US, 31 Jan 2011) 29 Jul 2011	13334/2011	Stramit Corporation Pty Limited; 25-01G, Cladding panel, 29 Jul 2011	13364/2011
		Stramit Corporation Pty Limited; 25-01G, Cladding panel, 29 Jul 2011	13366/2011
		Sunbeam Corporation Limited; 31-00, Blender, 01 Aug 2011	13402/2011

SEB; 07-02N, Electric fryer, (FR, 25 Feb 2011) 04 Aug 2011	13446/2011	TRL Trading Limited; 07-01NES, Lid of a jar. Lid of a bottle. Lid of a glass container, (GB, 11 Mar 2011) 03 Aug 2011	13417/2011
Teeland, Alexandra; 11-02NES, Hanging mobile, 03 Aug 2011	13411/2011	TRL Trading Limited; 07-01NES, Lid of a jar. Lid of a bottle. Lid of a glass container, (GB, 11 Mar 2011) 03 Aug 2011	13418/2011
The Hammock Company; 06-06H, Adjustable tubular hammock steel frame, 01 Aug 2011	13360/2011	TRL Trading Limited; 07-01NES, Lid of a jar. Lid of a bottle. Lid of a glass container, (GB, 11 Mar 2011) 03 Aug 2011	13416/2011
The Hammock Company; 09-05, Hammock carry bag, 03 Aug 2011	13521/2011	V&S Vin & Sprit AB; 07-07A, Bottle coverings, (EM, 01 Aug 2011) 05 Aug 2011	13465/2011
The Hammock Company; 06-02, Adjustable tubular hammock steel frame, 03 Aug 2011	13517/2011	V&S Vin & Sprit AB; 07-07A, Bottle coverings, (EM, 01 Aug 2011) 05 Aug 2011	13466/2011
The Hammock Company; 06-06H, 03-01NES, Hammock carry bag, 01 Aug 2011	13361/2011	Viridi, Kamaldeep Kaur;Viridi, Paramraj Singh; 12-16NES, Mudguard plastic, 10 Aug 2011	13531/2011
The Vinum Corporation; 09-07C, Reusable bottle stopper, (US, 24 May 2011) 09 Aug 2011	13516/2011	Viridi, Paramraj Singh;Viridi, Kamaldeep Kaur; 12-16NES, Mudguard plastic, 10 Aug 2011	13531/2011
Thompson, Kathryn Margaret; 11-01H, Charm jewellery, 01 Aug 2011	13367/2011	Waterco Limited; 23-01G, Filter assembly, 04 Aug 2011	13448/2011
Toyota Jidosha Kabushiki Kaisha; 12-08, Automobile, (ZA, 25 Mar 2011) 05 Aug 2011	13470/2011	Wiles, Colin Norman; 07-04, Fruit and vegetable cutting guillotine, 02 Aug 2011	13383/2011
Toyota Jidosha Kabushiki Kaisha; 26-06, Front combination lamp for an automobile, (ZA, 25 Mar 2011) 05 Aug 2011	13471/2011	3M Innovative Properties Company; 14-03A, Ear cup for a headset, (EM, 15 Feb 2011) 04 Aug 2011	13460/2011
Tung, Liang;Keyvanloo, Aydin;Gesswein, Andreas Klaus; 20-03NES, Sign strand, 05 Aug 2011	13467/2011	3M Innovative Properties Company; 29-02, A hearing protector headband, (EM, 23 Feb 2011) 09 Aug 2011	13528/2011
Tung, Liang;Keyvanloo, Aydin;Gesswein, Andreas Klaus; 20-03NES, Sign stand, 05 Aug 2011	13503/2011		

Applications Withdrawn

12916 / 2011 (21-01N) 13085 / 2011 (23-01H)

Applications Lapsed

10127 / 2011 (08-05M) 10128 / 2011 (07-07A)
 10322 / 2011 (02-02NES) 11279 / 2011 (08-01)
 12303 / 2011 (25-02NES) 12349 / 2011 (08-08L)
 12355 / 2011 (12-11) 12438 / 2011 (25-03)
 12439 / 2011 (13-01)

Extension of Period of Registration of Designs

307233	307252	307253
307254	308909	308910
308911	309337	309338
309398	309456	309459
309460	309461	309462
309616	309617	309649
309650	309656	309657
309658	309659	309660
309826	309860	309861
309862	309864	309923
310386	310392	310393
310406	310407	310413
310414	310415	310424
310425	310426	310431
310436	310437	310516
310517	310518	310519
310520	310606	310607
310639	310640	310642
310646	310647	310672
310673	310674	310767
310769	310805	310807
310829	310830	310840
310910	310911	310961
310974	310975	311000
311001	311002	311115
311260	311262	311263
311425	311426	311441
311493	311494	311607
311609	311662	311802
311843	311844	311904
311951	312193	312371
312422	312423	312424
312613	312616	313113
313114	313115	313116
313117	313179	313180
313211	313213	313259
313260	313261	313375
313488	316237	316735
316736	316737	316738

Registrations Ceased

305878	306022	306204
307320	307806	307807
307808	307822	307838
307839	307840	307841
307842	307866	307867
307868	307873	307874
307875	307922	307923
307951	307952	307955

307956	307973	307975
307976	307978	307979
307980	307994	308015
308047	308057	308171
308185	308186	308212
308307	308801	308822
309021	309064	309346
309363	309409	309410
309411	309528	309837
309875	309912	309952
309953	309954	310097
310323	310610	310611
310612	310779	310780
310781	310782	311360
311361	311362	311363
311364	311365	311366
311367	311368	311369
311370	311371	311372
311373	311374	311375
311376	311377	311399
311435	311488	311636
311678	311733	311751
311816	311817	311818
312006	312007	312402
312919	313173	316855

Applications for Extension of time under Section 137

Applications under section 137 for extension of time have been lodged. Objections must be lodged within 1 month from the date of this journal.

304511 **28 Newlands Road Holdings Pty Ltd** Address for Service: FB Rice Level 23 200 Queen Street MELBOURNE VIC 3000

Extensions of time granted under Section 137

Applications lodged under section 137 for extension of time have been granted.

307233 **Gregory John Young**

307252 **Gregory John Young**

307253 **Gregory John Young**

307254 **Gregory John Young**

338028 **Smith Optics, Inc.**

338029 **Smith Optics, Inc.**

Subsequent Owners Registered

(The name in parentheses is that of the subsequent owner)

315114 **(7748035 Canada Inc.)** Springboard Retail Networks Inc

- | | |
|--|---|
| <p>315115 (7748035 Canada Inc.) Springboard Retail Networks Inc
 316033 (Haywire Enterprises Pty Limited) Donna Hay
 301378 (Haywire Enterprises Pty Limited) Donna Hay
 315113 (7748035 Canada Inc.) Springboard Retail Networks Inc
 315113 (Mercatus Technologies Inc.) 7748035 Canada Inc.
 315114 (Mercatus Technologies Inc.) 7748035 Canada Inc.
 315115 (Mercatus Technologies Inc.) 7748035 Canada Inc.
 331362 (0912139 B.C Ltd.) KE Imports Ltd
 322844 (Wacker Neuson Production Americas LLC)
 Wacker Neuson Corporation</p> | <p>334224 (MSD CONSUMER CARE, INC.) Schering-Plough HealthCare Products, Inc.
 334226 (MSD CONSUMER CARE, INC.) Schering-Plough HealthCare Products, Inc.</p> |
|--|---|

Names Registered - Alterations and Amendments

(The name in parentheses is that of the subsequent applicant)

- 319807 (**MSD CONSUMER CARE, INC.)** Schering-Plough Healthcare Products, Inc.
- 319808 (**MSD CONSUMER CARE, INC.)** Schering-Plough Healthcare Products, Inc.
- 319806 (**MSD CONSUMER CARE, INC.)** Schering-Plough Healthcare Products, Inc.
- 323255 (**MSD CONSUMER CARE, INC.)** Schering-Plough Healthcare Products, Inc.
- 323256 (**MSD CONSUMER CARE, INC.)** Schering-Plough Healthcare Products, Inc.
- 323257 (**MSD CONSUMER CARE, INC.)** Schering-Plough Healthcare Products, Inc.
- 323258 (**MSD CONSUMER CARE, INC.)** Schering-Plough Healthcare Products, Inc.
- 323259 (**MSD CONSUMER CARE, INC.)** Schering-Plough Healthcare Products, Inc.
- 323254 (**MSD CONSUMER CARE, INC.)** Schering-Plough Healthcare Products, Inc.
- 328841 (**MSD CONSUMER CARE, INC.)** Schering-Plough Healthcare Products, Inc.
- 328842 (**MSD CONSUMER CARE, INC.)** Schering-Plough Healthcare Products, Inc.
- 328848 (**MSD CONSUMER CARE, INC.)** Schering-Plough Healthcare Products, Inc.
- 328849 (**MSD CONSUMER CARE, INC.)** Schering-Plough Healthcare Products, Inc.
- 328847 (**MSD CONSUMER CARE, INC.)** Schering-Plough Healthcare Products, Inc.
- 328845 (**MSD CONSUMER CARE, INC.)** Schering-Plough Healthcare Products, Inc.
- 328844 (**MSD CONSUMER CARE, INC.)** Schering-Plough Healthcare Products, Inc.
- 328846 (**MSD CONSUMER CARE, INC.)** Schering-Plough Healthcare Products, Inc.
- 328843 (**MSD CONSUMER CARE, INC.)** Schering-Plough Healthcare Products, Inc.
- 330415 (**MSD CONSUMER CARE, INC.)** Schering-Plough Healthcare Products, Inc.
- 330414 (**MSD CONSUMER CARE, INC.)** Schering-Plough Healthcare Products, Inc.
- 334223 (**MSD CONSUMER CARE, INC.)** Schering-Plough HealthCare Products, Inc.;MSD CONSUMER CARE, INC.
- 334227 (**MSD CONSUMER CARE, INC.)** Schering-Plough HealthCare Products, Inc.
- 334225 (**MSD CONSUMER CARE, INC.)** Schering-Plough HealthCare Products, Inc.

Corrigenda

Number 337856

In Vol 25 , No 16 , page 2150 under the heading **Applications Lapsed**; Delete all reference to design application number 13173/2011

Certificate(s) of Examination

Examination of the following Design Registration(s) has been completed. Infringement proceedings may now be commenced.

301299	23-04	02/08/2011
301300	23-04	02/08/2011
306124	23-04	02/08/2011
318135	04-02	10/08/2011
318136	04-02	10/08/2011
318469	28-03NES	11/08/2011
318731	07-04	05/08/2011
322150	28-03NES	11/08/2011
332475	06-04NES	11/08/2011
332476	06-04NES	11/08/2011
332477	06-04NES	11/08/2011
332478	06-04NES	11/08/2011
332479	06-04NES	11/08/2011
332480	06-04NES	11/08/2011
332481	06-04NES	11/08/2011
334732	01-01	08/08/2011
334733	01-01	08/08/2011
335154	24-99	10/08/2011
335155	24-99	10/08/2011
335156	24-99	10/08/2011
335157	24-99	10/08/2011
335418	10-04	09/08/2011
335550	09-01G	12/08/2011
335870	06-01F	09/08/2011
336181	07-01C	08/08/2011
336611	08-05A	11/08/2011
336612	08-05A	11/08/2011
336863	09-01A	04/08/2011
336975	28-03NES	09/08/2011
336976	28-03NES	09/08/2011
336977	28-03NES	09/08/2011
337026	06-01F	12/08/2011
337156	28-03NES	09/08/2011
337225	28-03NES	09/08/2011
337226	28-03NES	09/08/2011
337227	28-03NES	09/08/2011
337228	28-03NES	09/08/2011

Publication and Registration Proceedings

Designs Registered

This section provides a concordance between design number and registration number of Designs covered in this journal. It also shows the main class and registration date.

This section covers Registration numbers 337928 to 338074 .

The registration number shown below should be used in all future correspondence.

Design Number	Registration Number	International Classification Code (IDC)	Registration Date	Design Number	Registration Number	International Classification Code (IDC)	Registration Date
14850/2010	337971	25-01K	08/08/2011	12686/2011	337934	19-04	02/08/2011
15553/2010	338033	22-99	10/08/2011	12714/2011	337961	02-02B	05/08/2011
15748/2010	338043	07-06NES	11/08/2011	12793/2011	338056	15-03B	11/08/2011
11691/2011	337973	06-01D	08/08/2011	12796/2011	337938	21-01E	04/08/2011
11990/2011	338000	13-99	09/08/2011	12806/2011	337950	07-06NES	05/08/2011
12150/2011	337974	12-16NES	08/08/2011	12830/2011	338057	15-03B	11/08/2011
12174/2011	337941	06-02	04/08/2011	12843/2011	338013	23-02B	10/08/2011
12263/2011	338036	09-03F	11/08/2011	12844/2011	338048	06-01E	11/08/2011
12360/2011	337958	24-02	05/08/2011	12858/2011	338051	16-06	11/08/2011
12361/2011	337959	24-02	05/08/2011	12859/2011	338052	16-06	11/08/2011
12387/2011	337975	09-03NES	08/08/2011	12888/2011	337978	09-05	08/08/2011
12411/2011	337976	09-03NES	08/08/2011	12928/2011	338001	26-05B	09/08/2011
12413/2011	337977	09-03NES	08/08/2011	12968/2011	338002	26-05E	09/08/2011
12415/2011	337960	14-01	05/08/2011	12969/2011	337930	13-03B	02/08/2011
12416/2011	338060	02-02A	12/08/2011	12979/2011	337935	13-03B	02/08/2011
12417/2011	338061	02-02A	12/08/2011	12984/2011	338003	12-16NES	09/08/2011
12418/2011	338062	02-02A	12/08/2011	12993/2011	337936	02-02C	02/08/2011
12419/2011	338063	02-02A	12/08/2011	13000/2011	338058	07-04	11/08/2011
12420/2011	338064	02-02A	12/08/2011	13026/2011	338010	09-03K	10/08/2011
12421/2011	338065	02-02A	12/08/2011	13044/2011	337931	14-02	02/08/2011
12422/2011	338066	02-02A	12/08/2011	13051/2011	337962	26-05NES	05/08/2011
12423/2011	338067	02-02A	12/08/2011	13054/2011	337951	08-07	05/08/2011
12424/2011	338068	02-02A	12/08/2011	13056/2011	337963	07-05NES	05/08/2011
12425/2011	338069	02-02A	12/08/2011	13057/2011	337964	10-04	05/08/2011
12426/2011	338070	02-02A	12/08/2011	13058/2011	337939	19-06	04/08/2011
12427/2011	338071	02-02A	12/08/2011	13061/2011	338053	02-02C	11/08/2011
12428/2011	338072	02-02A	12/08/2011	13063/2011	337952	08-05NES	05/08/2011
12429/2011	338073	02-02A	12/08/2011	13064/2011	337953	08-05NES	05/08/2011
12451/2011	338004	22-99	10/08/2011	13066/2011	338014	02-02C	10/08/2011
12452/2011	338005	22-99	10/08/2011	13068/2011	338011	26-04	10/08/2011
12453/2011	338006	22-99	10/08/2011	13070/2011	337946	12-08	04/08/2011
12454/2011	338007	22-99	10/08/2011	13082/2011	337940	07-02E	04/08/2011
12455/2011	338008	03-01D	10/08/2011	13084/2011	337966	13-03E	05/08/2011
12456/2011	338009	08-08NES	10/08/2011	13087/2011	337967	08-08A	05/08/2011
12461/2011	338074	09-01A	12/08/2011	13088/2011	337947	25-02B	05/08/2011
12496/2011	337943	09-07C	04/08/2011	13089/2011	337948	12-08	05/08/2011
12518/2011	338034	09-01K	10/08/2011	13090/2011	337949	14-02	05/08/2011
12519/2011	338050	09-01NES	11/08/2011	13092/2011	337954	08-07	05/08/2011
12522/2011	337928	24-02	02/08/2011	13093/2011	337955	08-08NES	05/08/2011
12523/2011	337929	24-02	02/08/2011	13094/2011	337956	23-02NES	05/08/2011
12553/2011	338044	09-01A	11/08/2011	13099/2011	337965	12-02	05/08/2011
12554/2011	338045	09-01A	11/08/2011	13100/2011	337980	07-01D	08/08/2011
12562/2011	338046	09-01K	11/08/2011	13101/2011	337981	07-05A	08/08/2011
12565/2011	338047	21-02D	11/08/2011	13102/2011	337982	07-05A	08/08/2011
12578/2011	337944	07-04	04/08/2011	13103/2011	337983	07-05A	08/08/2011
12580/2011	338031	25-01A	10/08/2011	13104/2011	337984	07-05A	08/08/2011
12607/2011	338055	04-02	11/08/2011	13105/2011	337985	07-05A	08/08/2011
12624/2011	337932	01-01	02/08/2011	13106/2011	337986	07-05A	08/08/2011
12625/2011	337933	01-01	02/08/2011	13107/2011	337987	08-05F	08/08/2011
12676/2011	337937	07-02L	04/08/2011	13108/2011	337988	08-05F	08/08/2011

Publication and Registration Proceedings - Designs Registered cont'd

Design Number	Registration Number	International Classification Code (IDC)	Registration Date	Design Number	Registration Number	International Classification Code (IDC)	Registration Date
13109/2011	337989	26-05A	08/08/2011	13162/2011	338038	23-01H	11/08/2011
13111/2011	337990	26-05A	08/08/2011	13163/2011	338039	23-01H	11/08/2011
13112/2011	337991	21-02C	08/08/2011	13165/2011	338054	26-05E	11/08/2011
13113/2011	337992	08-08B	08/08/2011	13169/2011	338040	28-03A	11/08/2011
13114/2011	337993	09-07A	08/08/2011	13170/2011	338041	28-03A	11/08/2011
13115/2011	337994	25-01G	08/08/2011	13171/2011	338042	28-03A	11/08/2011
13116/2011	337995	23-01A	08/08/2011	13172/2011	338049	12-12	11/08/2011
13117/2011	337996	23-01A	08/08/2011	13175/2011	338028	16-06	10/08/2011
13118/2011	337997	09-07A	08/08/2011	13176/2011	338029	02-03	10/08/2011
13119/2011	337998	07-02L	08/08/2011	13177/2011	338059	25-01K	11/08/2011
13122/2011	337999	07-02L	08/08/2011	13205/2011	338020	02-03	10/08/2011
13130/2011	338012	02-02B	10/08/2011	13219/2011	337968	25-02G	05/08/2011
13133/2011	338015	26-05D	10/08/2011	13227/2011	338021	08-08A	10/08/2011
13134/2011	338016	26-05D	10/08/2011	13292/2011	337969	06-01G	05/08/2011
13135/2011	338017	26-05D	10/08/2011	13293/2011	337970	06-01G	05/08/2011
13136/2011	338018	26-05D	10/08/2011	13318/2011	338030	13-99	10/08/2011
13137/2011	338019	08-03	10/08/2011	13321/2011	337979	06-01D	08/08/2011
13138/2011	337957	11-02B	05/08/2011	13376/2011	337945	07-04	04/08/2011
13149/2011	338022	09-04	10/08/2011	13380/2011	337942	06-04F	04/08/2011
13150/2011	338023	26-05C	10/08/2011	13381/2011	338032	25-01A	10/08/2011
13152/2011	338024	23-01B	10/08/2011	13410/2011	337972	25-01K	08/08/2011
13153/2011	338025	23-01B	10/08/2011	13441/2011	338035	09-01K	10/08/2011
13154/2011	338026	23-01B	10/08/2011				
13155/2011	338027	23-01B	10/08/2011				
13161/2011	338037	23-01H	11/08/2011				

Publication and Registration Proceedings

Class Listing of Designs Published or Registered

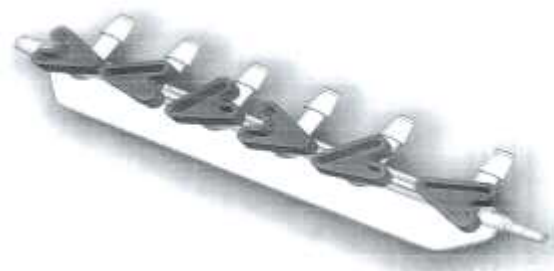
The following section shows an International Classification Code listing of the Registered or Published Designs covered in this supplement.

Classification	Registration Number	Design Number	Classification	Registration Number	Design Number
01-01	337932	12624/2011	08-05F	337987	13107/2011
01-01	337933	12625/2011	08-05F	337988	13108/2011
02-02A	338060	12416/2011	08-05NES	337952	13063/2011
02-02A	338061	12417/2011	08-05NES	337953	13064/2011
02-02A	338062	12418/2011	08-07	337951	13054/2011
02-02A	338063	12419/2011	08-07	337954	13092/2011
02-02A	338064	12420/2011	08-08A	337967	13087/2011
02-02A	338065	12421/2011	08-08A	338021	13227/2011
02-02A	338066	12422/2011	08-08B	337992	13113/2011
02-02A	338067	12423/2011	08-08NES	337954	13092/2011
02-02A	338068	12424/2011	08-08NES	337955	13093/2011
02-02A	338069	12425/2011	08-08NES	338009	12456/2011
02-02A	338070	12426/2011	09-01A	338044	12553/2011
02-02A	338071	12427/2011	09-01A	338045	12554/2011
02-02A	338072	12428/2011	09-01A	338074	12461/2011
02-02A	338073	12429/2011	09-01K	338034	12518/2011
02-02B	337961	12714/2011	09-01K	338035	13441/2011
02-02B	338012	13130/2011	09-01K	338046	12562/2011
02-02C	337936	12993/2011	09-01NES	338050	12519/2011
02-02C	338014	13066/2011	09-03F	338036	12263/2011
02-02C	338053	13061/2011	09-03K	338010	13026/2011
02-03	338020	13205/2011	09-03NES	337975	12387/2011
02-03	338029	13176/2011	09-03NES	337976	12411/2011
03-01D	338008	12455/2011	09-03NES	337977	12413/2011
04-02	338055	12607/2011	09-04	338022	13149/2011
06-01D	337973	11691/2011	09-05	337978	12888/2011
06-01D	337979	13321/2011	09-07A	337993	13114/2011
06-01E	338048	12844/2011	09-07A	337997	13118/2011
06-01G	337969	13292/2011	09-07C	337943	12496/2011
06-01G	337970	13293/2011	10-04	337964	13057/2011
06-02	337941	12174/2011	11-02B	337957	13138/2011
06-04F	337942	13380/2011	12-02	337965	13099/2011
06-06B	337942	13380/2011	12-05	338010	13026/2011
06-06F	337941	12174/2011	12-08	337946	13070/2011
07-01D	337980	13100/2011	12-08	337948	13089/2011
07-02E	337940	13082/2011	12-12	338049	13172/2011
07-02L	337937	12676/2011	12-16NES	337974	12150/2011
07-02L	337998	13119/2011	12-16NES	338003	12984/2011
07-02L	337999	13122/2011	13-03B	337930	12969/2011
07-04	337944	12578/2011	13-03B	337935	12979/2011
07-04	337945	13376/2011	13-03E	337966	13084/2011
07-04	338058	13000/2011	13-99	338000	11990/2011
07-05A	337981	13101/2011	13-99	338030	13318/2011
07-05A	337982	13102/2011	14-01	337960	12415/2011
07-05A	337983	13103/2011	14-02	337931	13044/2011
07-05A	337984	13104/2011	14-02	337949	13090/2011
07-05A	337985	13105/2011	15-03B	338056	12793/2011
07-05A	337986	13106/2011	15-03B	338057	12830/2011
07-05NES	337963	13056/2011	16-06	338028	13175/2011
07-06NES	337950	12806/2011	16-06	338051	12858/2011
07-06NES	338043	15748/2010	16-06	338052	12859/2011
07-99NES	338043	15748/2010	19-04	337934	12686/2011
08-03	338019	13137/2011	19-06	337939	13058/2011

Registration Proceedings - Class Listing of Designs Published or Registered cont'd

Classification	Registration Number	Design Number	Classification	Registration Number	Design Number
21-01E	337938	12796/2011	25-01G	337994	13115/2011
21-02C	337991	13112/2011	25-01K	337971	14850/2010
21-02D	338047	12565/2011	25-01K	337972	13410/2011
22-99	338004	12451/2011	25-01K	338059	13177/2011
22-99	338005	12452/2011	25-02B	337947	13088/2011
22-99	338006	12453/2011	25-02F	337995	13116/2011
22-99	338007	12454/2011	25-02F	337996	13117/2011
22-99	338033	15553/2010	25-02G	337968	13219/2011
23-01A	337995	13116/2011	26-04	338011	13068/2011
23-01A	337996	13117/2011	26-05A	337989	13109/2011
23-01B	338024	13152/2011	26-05A	337990	13111/2011
23-01B	338025	13153/2011	26-05B	338001	12928/2011
23-01B	338026	13154/2011	26-05C	338023	13150/2011
23-01B	338027	13155/2011	26-05D	338015	13133/2011
23-01H	338037	13161/2011	26-05D	338016	13134/2011
23-01H	338038	13162/2011	26-05D	338017	13135/2011
23-01H	338039	13163/2011	26-05D	338018	13136/2011
23-01NES	338009	12456/2011	26-05E	338002	12968/2011
23-02B	338013	12843/2011	26-05E	338054	13165/2011
23-02NES	337956	13094/2011	26-05NES	337962	13051/2011
24-02	337928	12522/2011	28-03A	338040	13169/2011
24-02	337929	12523/2011	28-03A	338041	13170/2011
24-02	337958	12360/2011	28-03A	338042	13171/2011
24-02	337959	12361/2011	29-02	338011	13068/2011
25-01A	338031	12580/2011			
25-01A	338032	13381/2011			

- (21) Design Number: **12522/2011**
(22) Date of Filing Application: **03 June 2011**
(24) Date from which industrial property rights may have effect: **03 June 2011**
(54) Product in respect of which the design is registered: **Valve manifold**
(51) International Design Classification: **24-02**
(74) Name(s) of Attorney(s): **SPRUSON & FERGUSON**
(71) Name(s) and Address(s) of Applicant(s):
Alfa Wassermann
4 Henderson Drive West Caldwell New Jersey 07006 United States of America
(72) Name(s) of Designer(s): **Kurt Spiegel**
(45) Registration Date: **02 August 2011**
(30) Convention priority data:
(31) Number (32) Date (33) Country
29/380362 03 Dec 2010 UNITED STATES OF AMERICA
(56) Related Art Documents: **Not Applicable**
(57) Statement of Newness and Distinctiveness: **Newness and distinctiveness is claimed in the features of shape and/or configuration of a valve manifold as illustrated in the accompanying representations.**



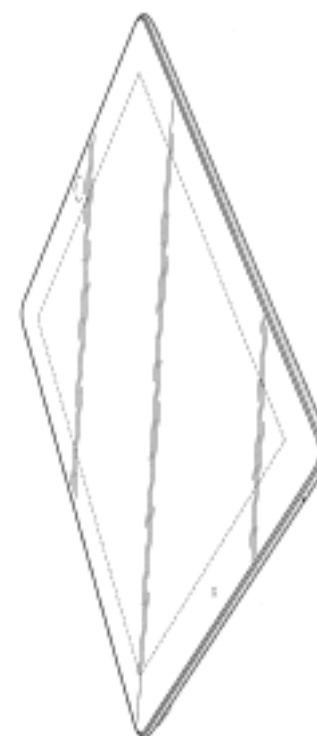
- (21) Design Number: **12523/2011**
(22) Date of Filing Application: **03 June 2011**
(24) Date from which industrial property rights may have effect: **03 June 2011**
(54) Product in respect of which the design is registered: **Valve manifold**
(51) International Design Classification: **24-02**
(74) Name(s) of Attorney(s): **SPRUSON & FERGUSON**
(71) Name(s) and Address(s) of Applicant(s):
Alfa Wassermann
4 Henderson Drive West Caldwell New Jersey 07006 United States of America
(72) Name(s) of Designer(s): **Kurt Spiegel**
(45) Registration Date: **02 August 2011**
(30) Convention priority data:
(31) Number (32) Date (33) Country
29/380362 03 Dec 2010 UNITED STATES OF AMERICA
(56) Related Art Documents: **Not Applicable**
(57) Statement of Newness and Distinctiveness: **Newness and distinctiveness is claimed in the features of shape and/or configuration of a valve manifold as illustrated in the accompanying representations.**



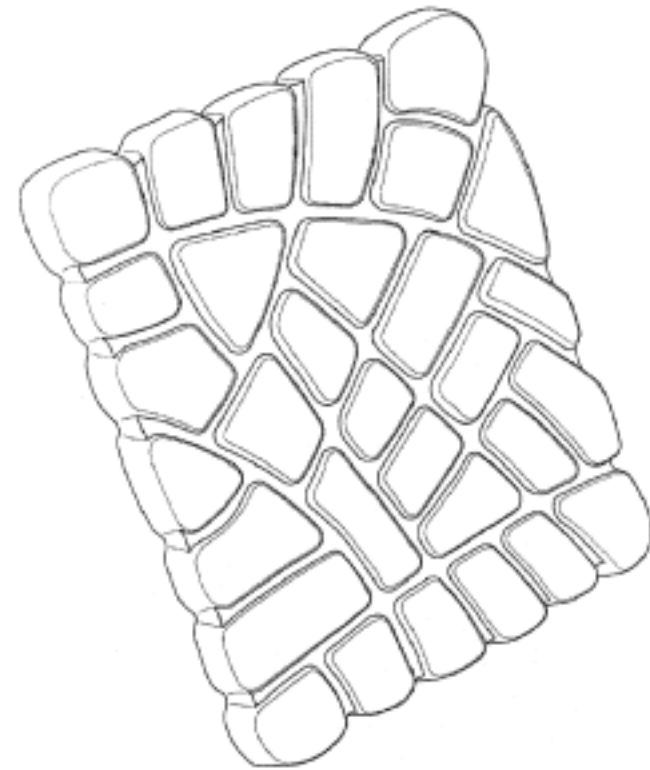
- (21) Design Number: **12969/2011**
(22) Date of Filing Application: **01 July 2011**
(24) Date from which industrial property rights may have effect: **01 July 2011**
(54) Product in respect of which the design is registered: **Electrical contact**
(51) International Design Classification: **13-03B**
(74) Name(s) of Attorney(s): **Davies Collison Cave**
(71) Name(s) and Address(s) of Applicant(s):
Arlec Australia Pty. Ltd.
272-274 Maroondah Highway Chirnside Park Victoria 3116 Australia
(72) Name(s) of Designer(s): **Filipe Neto Lim**
(45) Registration Date: **02 August 2011**
(56) Related Art Documents: **Not Applicable**
(57) Statement of Newness and Distinctiveness: **Newness and distinctiveness is claimed in the features of shape, configuration, and colour as shown in the representations.**



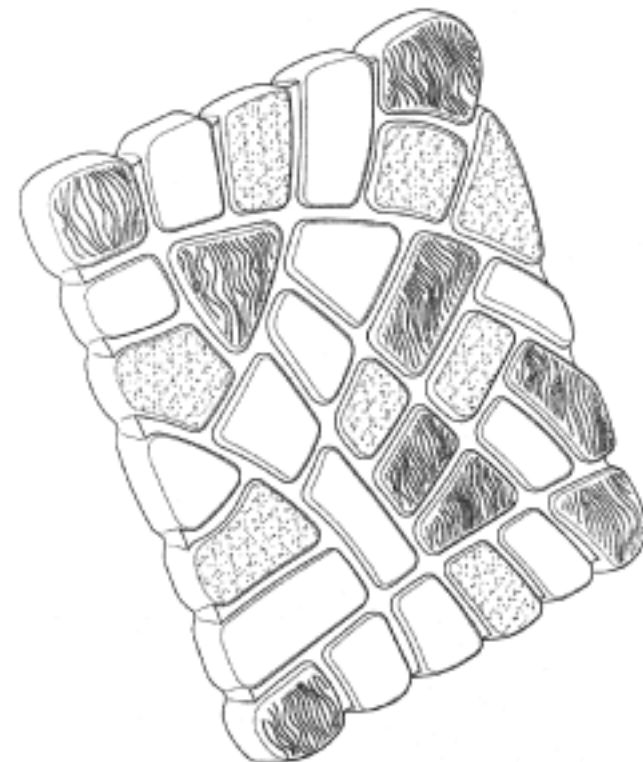
- (21) Design Number: **13044/2011**
(22) Date of Filing Application: **07 July 2011**
(24) Date from which industrial property rights may have effect: **07 July 2011**
(54) Product in respect of which the design is registered: **Portable display device**
(51) International Design Classification: **14-02**
(74) Name(s) of Attorney(s): **Freehills Patent & Trade Mark Attorneys**
(71) Name(s) and Address(s) of Applicant(s):
Apple Inc.
1 Infinite Loop Cupertino California 95014 United States of America
(72) Name(s) of Designer(s): **Jody Akana and Bartley K. Andre and Jeremy Bataillou and Daniel J. Coster and Daniele De Iulii and Evans Hankey and Julian Hoenig and Richard P. Howarth and Jonathan P. Ive and Duncan Robert Kerr and Shin Nishibori and Matthew Dean Rohrbach and Peter Russell-Clarke and Christopher J. Stringer and Eugene Antony Whang and Rico Zorkendorfer**
(45) Registration Date: **02 August 2011**
(30) Convention priority data:
(31) Number (32) Date (33) Country
29/382846 07 Jan 2011 UNITED STATES OF AMERICA
(56) Related Art Documents: **Not Applicable**
(57) Statement of Newness and Distinctiveness: **Newness and distinctiveness resides in the features of shape shown in the accompanying representations by solid outline lines and by solid shade lines, which show contour.**



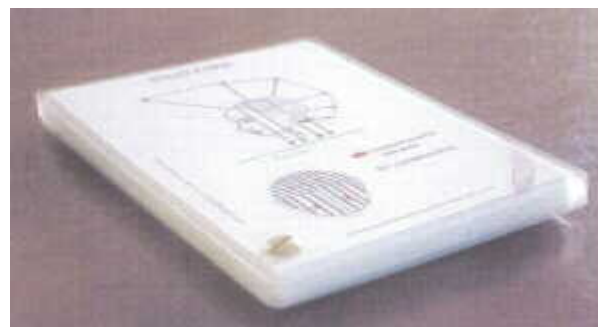
(21) Design Number: **12624/2011**
(22) Date of Filing Application: **14 June 2011**
(24) Date from which industrial property rights may have effect: **14 June 2011**
(54) Product in respect of which the design is registered: **Chocolate confectionery**
(51) International Design Classification: **01-01**
(74) Name(s) of Attorney(s): **Griffith Hack**
(71) Name(s) and Address(s) of Applicant(s):
Cadbury UK Limited
PO Box 12 Bournville Lane Bournville Birmingham West Midlands B30
2LU United Kingdom
(72) Name(s) of Designer(s): **Tanja Langgner and Andrian Caroen**
(45) Registration Date: **02 August 2011**
(30) Convention priority data:
(31) Number (32) Date (33) Country
001793613-0002 14 Dec 2010 EUROPEAN COMMUNITY
(56) Related Art Documents: **Not Applicable**
(57) Statement of Newness and Distinctiveness: **Nil**



(21) Design Number: **12625/2011**
(22) Date of Filing Application: **14 June 2011**
(24) Date from which industrial property rights may have effect: **14 June 2011**
(54) Product in respect of which the design is registered: **Chocolate confectionery**
(51) International Design Classification: **01-01**
(74) Name(s) of Attorney(s): **Griffith Hack**
(71) Name(s) and Address(s) of Applicant(s):
Cadbury UK Limited
PO Box 12 Bournville Lane Bournville Birmingham West Midlands B30
2LU United Kingdom
(72) Name(s) of Designer(s): **Tanja Langgner and Andrian Caroen**
(45) Registration Date: **02 August 2011**
(30) Convention priority data:
(31) Number (32) Date (33) Country
001793613-0001 14 Dec 2010 EUROPEAN COMMUNITY
(56) Related Art Documents: **Not Applicable**
(57) Statement of Newness and Distinctiveness: **Nil**



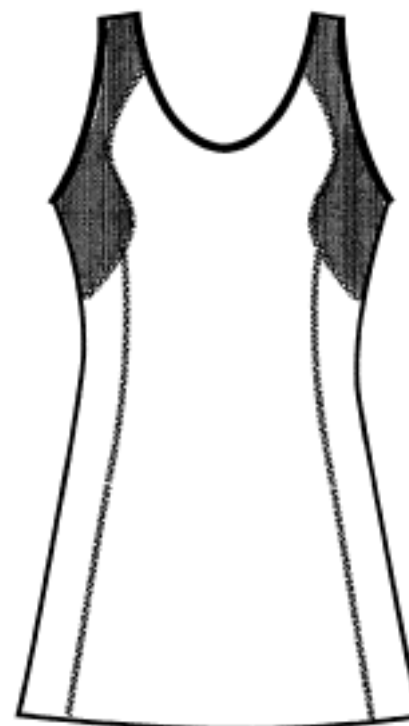
- (21) Design Number: **12686/2011**
(22) Date of Filing Application: **17 June 2011**
(24) Date from which industrial property rights may have effect: **17 June 2011**
(54) Product in respect of which the design is registered: **Hairdressing reference guide**
(51) International Design Classification: **19-04**
(74) Name(s) of Attorney(s):
(71) Name(s) and Address(s) of Applicant(s):
Theresa McGain
PO Box 8166 Croydon Victoria 3136 Australia
(72) Name(s) of Designer(s): **Theresa McGain**
(45) Registration Date: **02 August 2011**
(56) Related Art Documents: **Not Applicable**
(57) Statement of Newness and Distinctiveness: **This design has been newly created and not sold or given out to the public in any way. The design is hairdressing reference cards that are targeted for the hairdressing industry. They are quick reference guides to cutting, colouring, winding and hair pigmentation. This design consists of 13 back to back printed cards that are 6" x 4' in size and are covered in lamination for protection from colour dyes, hair products and hairdressing tools. These cards are fastened with a Chicago screw at the bottom left hand corner to allow cards to spread open like a fan. This compact size allows the cards to be kept in the hairdressing trolley or even in the hairdressing apron pockets so as not to take up too much room. These hairdressing reference cards can also be used as a learning aid to people who are starting out in the hairdressing trade. Chicago screw used to allow additional cards to be added or replaced.**



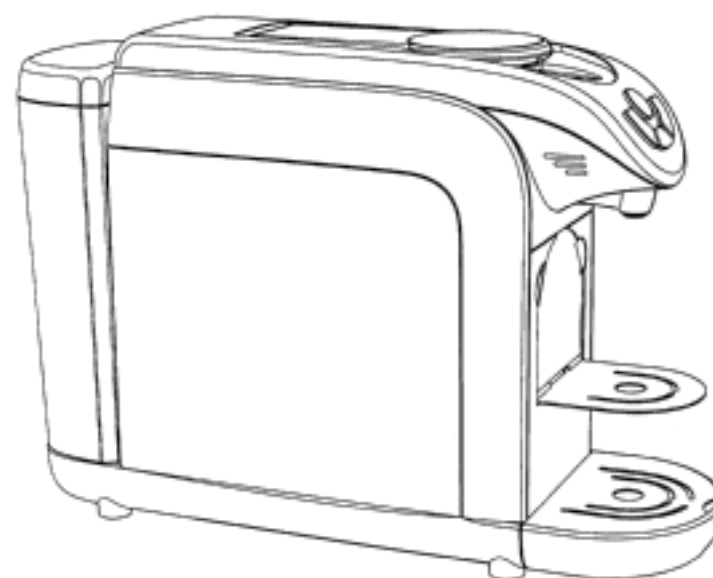
- (21) Design Number: **12979/2011**
(22) Date of Filing Application: **04 July 2011**
(24) Date from which industrial property rights may have effect: **04 July 2011**
(54) Product in respect of which the design is registered: **Lead guide**
(51) International Design Classification: **13-03B**
(74) Name(s) of Attorney(s):
(71) Name(s) and Address(s) of Applicant(s):
Quintec Industries Pty Ltd
2/2 Cumberland Street Mandurah Western Australia 6210 Australia
(72) Name(s) of Designer(s): **Glenn Swarbrick and Travis Cole**
(45) Registration Date: **02 August 2011**
(56) Related Art Documents: **Not Applicable**
(57) Statement of Newness and Distinctiveness: **Newness and distinctiveness resides in the shape and configuration of the guide arranged to be mounted atop a stand.**



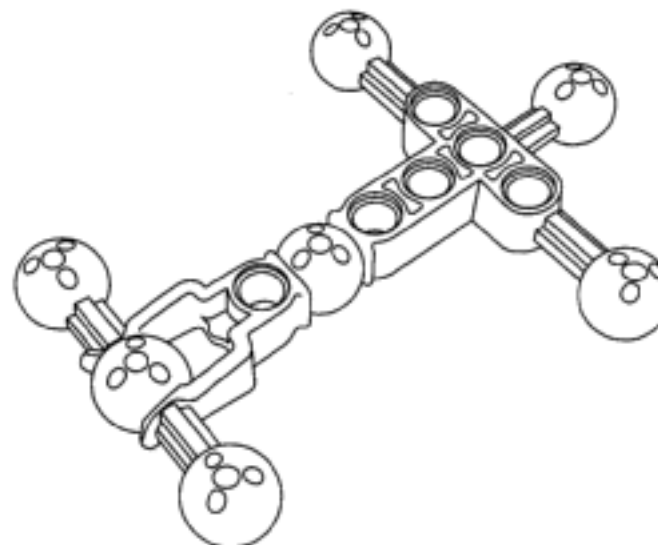
- (21) Design Number: **12993/2011**
(22) Date of Filing Application: **05 July 2011**
(24) Date from which industrial property rights may have effect: **05 July 2011**
(54) Product in respect of which the design is registered: **A dress**
(51) International Design Classification: **02-02C**
(74) Name(s) of Attorney(s): **IP Gateway Patent & Trademark Attorneys**
(71) Name(s) and Address(s) of Applicant(s):
Scody Pty Ltd
Unit 1 12 Leda Drive Burleigh Heads Queensland 4220 Australia
(72) Name(s) of Designer(s): **Grace Mary Demaio**
(45) Registration Date: **02 August 2011**
(56) Related Art Documents: **Not Applicable**
(57) Statement of Newness and Distinctiveness: **The newness and distinctiveness resides in the shape and/or configuration of the shaded panel of the dress as illustrated in the accompanying representations and in the contrast between the shaded panel and the remainder of the dress.**



- (21) Design Number: **12676/2011**
(22) Date of Filing Application: **15 June 2011**
(24) Date from which industrial property rights may have effect: **15 June 2011**
(54) Product in respect of which the design is registered: **Coffee maker**
(51) International Design Classification: **07-02L**
(74) Name(s) of Attorney(s): **FB Rice**
(71) Name(s) and Address(s) of Applicant(s):
Koninklijke Philips Electronics N.V.
Groenewoudseweg 1, 5621 BA Eindhoven, The Netherlands
Sara Lee/DE N.V.
Vleutensevaart 100 3532 AD Utrecht The Netherlands
(72) Name(s) of Designer(s): **Dario De Pra**
(45) Registration Date: **04 August 2011**
(30) Convention priority data:
(31) Number (32) Date (33) Country
001794009-0001 15 Dec 2010 EUROPEAN COMMUNITY
(56) Related Art Documents: **Not Applicable**
(57) Statement of Newness and Distinctiveness: **Newness and distinctiveness reside in the shape and configuration of the design as shown in the representations.**

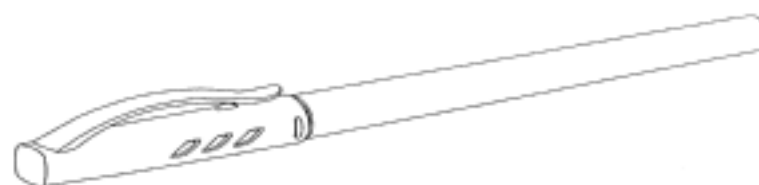


(21) Design Number: **12796/2011**
(22) Date of Filing Application: **21 June 2011**
(24) Date from which industrial property rights may have effect: **21 June 2011**
(54) Product in respect of which the design is registered: **Building blocks for toy building sets**
(51) International Design Classification: **21-01E**
(74) Name(s) of Attorney(s): **Griffith Hack**
(71) Name(s) and Address(s) of Applicant(s):
Lego A/S
Aastvej 1 Billund DK-7190 Denmark
(72) Name(s) of Designer(s): **Christoph Rottje**
(45) Registration Date: **04 August 2011**
(30) Convention priority data:
(31) Number (32) Date (33) Country
**584173601 25 Jan 2011 WORLD INTELLECTUAL
PROPERTY ORGANIZATION
(WIPO)**



(56) Related Art Documents: **Not Applicable**
(57) Statement of Newness and Distinctiveness: **Newness and distinctiveness resides in the shape and configuration of the BULDING BLOCKS FOR TOY BUILDING SETS as shown in the accompanying representations.**

(21) Design Number: **13058/2011**
(22) Date of Filing Application: **08 July 2011**
(24) Date from which industrial property rights may have effect: **08 July 2011**
(54) Product in respect of which the design is registered: **Ballpoint pen**
(51) International Design Classification: **19-06**
(74) Name(s) of Attorney(s): **SPRUSON & FERGUSON**
(71) Name(s) and Address(s) of Applicant(s):
Kabushiki Kaisha Pilot Corporation (also trading as Pilot Corporation)
6-21 Kyobashi 2-chome Chuo-ku Tokyo 104-8304 Japan
(72) Name(s) of Designer(s): **Kumiko Mizoguchi**
(45) Registration Date: **04 August 2011**
(30) Convention priority data:
(31) Number (32) Date (33) Country
D2011-000623 14 Jan 2011 JAPAN

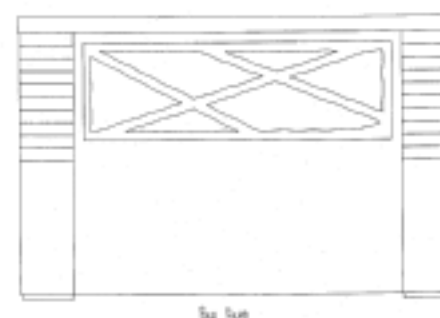
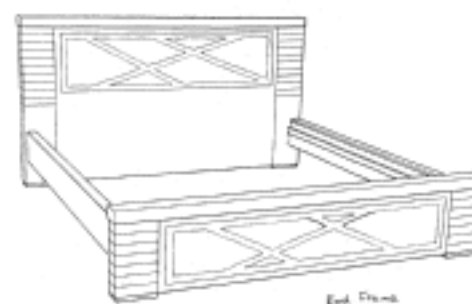


(56) Related Art Documents: **Not Applicable**
(57) Statement of Newness and Distinctiveness: **Newness and distinctiveness is claimed in the features of shape and/or configuration of a ballpoint pen as illustrated in the accompanying representations.**

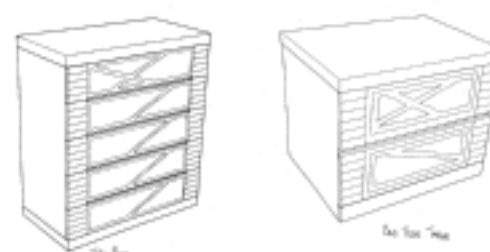
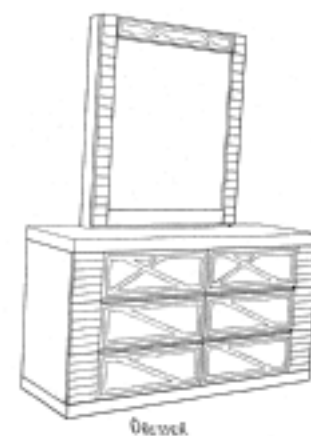
- (21) Design Number: **13082/2011**
(22) Date of Filing Application: **11 July 2011**
(24) Date from which industrial property rights may have effect: **11 July 2011**
(54) Product in respect of which the design is registered: **A motorised do it yourself charcoal chicken spit BBQ**
(51) International Design Classification: **07-02E**
(74) Name(s) of Attorney(s):
(71) Name(s) and Address(s) of Applicant(s):
Viking BBQ's Australia Pty Ltd
3 Ryrie Road Earlwood New South Australia 2206 Australia
(72) Name(s) of Designer(s): **Paul Petrakis**
(45) Registration Date: **04 August 2011**
(56) Related Art Documents: **Not Applicable**
(57) Statement of Newness and Distinctiveness: **The motor can be attached to rotate the spit rod on any of the three provisions (left/centre/right side). The mechanism that rotates the spit rod is geared so that all three rotate simultaneously, you only need one spit rod to engage with the motor and all will rotate. The BBQ tub has circulation holes for air ventilation. There is provision for up to three spit rods rotating at the same time. The charcoal pan sits inside the BBQ tub keeping the solid fuel together. The lid has a latch that allows it to open as per attached picture. The lid can be removed altogether. The legs have a cross bar to provide greater stability. The side panels can be removed but are fitted with three external screw holes and four from the inside for greater stability. They are also overlapped on top of the BBQ tub again to provide greater stability. The motor, side panels and lid can be removed so it can be used as a normal solid fuel BBQ.**



- (21) Design Number: **12174/2011**
(22) Date of Filing Application: **12 May 2011**
(24) Date from which industrial property rights may have effect: **12 May 2011**
(54) Product in respect of which the design is registered: **Bed frame and bed head**
(51) International Design Classification: **06-02, 06-06F**
(74) Name(s) of Attorney(s): **Elliptic Legal & Patent Services**
(71) Name(s) and Address(s) of Applicant(s):
AFI (WA) Pty Ltd
211 Camboon Road Malaga Western Australia 6090 Australia
(72) Name(s) of Designer(s): **Bruno Tassone and Chin Hoo Low**
(45) Registration Date: **04 August 2011**
(56) Related Art Documents: **Not Applicable**
(57) Statement of Newness and Distinctiveness: **Novelty is claimed in the pattern and ornamentation of the bedroom suite as shown in the accompanying representations.**



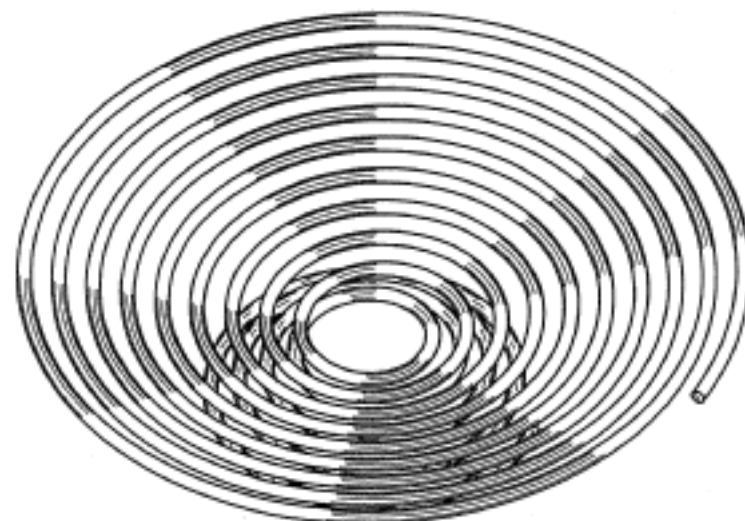
- (21) Design Number: **13380/2011**
(22) Date of Filing Application: **12 May 2011**
(24) Date from which industrial property rights may have effect: **12 May 2011**
(54) Product in respect of which the design is registered: **Bed side table, tall boy and dresser**
(51) International Design Classification: **06-04F, 06-06B**
(74) Name(s) of Attorney(s): **Elliptic Legal & Patent Services**
(71) Name(s) and Address(s) of Applicant(s):
AFI (WA) Pty Ltd
211 Camboon Road Malaga Western Australia 6090 Australia
(72) Name(s) of Designer(s): **Bruno Tassone and Chin Hoo Low**
(45) Registration Date: **04 August 2011**
(56) Related Art Documents: **Not Applicable**
(57) Statement of Newness and Distinctiveness: **Novelty is claimed in the pattern and ornamentation of the bedroom suite as shown in the accompanying representations.**



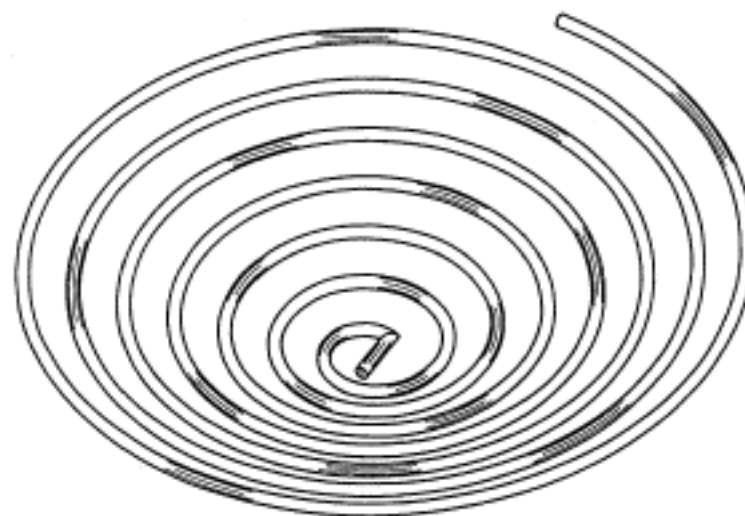
- (21) Design Number: **12496/2011**
(22) Date of Filing Application: **31 May 2011**
(24) Date from which industrial property rights may have effect: **31 May 2011**
(54) Product in respect of which the design is registered: **Diamond shoe stopper - wine stopper**
(51) International Design Classification: **09-07C**
(74) Name(s) of Attorney(s):
(71) Name(s) and Address(s) of Applicant(s):
Broplenty Pty Ltd
PO Box 1927 Sunshine Plaza Queensland 4558 Australia
(72) Name(s) of Designer(s): **Jane Brown**
(45) Registration Date: **04 August 2011**
(56) Related Art Documents: **Not Applicable**
(57) Statement of Newness and Distinctiveness: **Stiletto shoe covered in diamonds sitting on oval plate. Wine stopper has hot pink rubber. Plate and stopper metal. Shoe resin.**



- (21) Design Number: **12578/2011**
(22) Date of Filing Application: **08 June 2011**
(24) Date from which industrial property rights may have effect: **08 June 2011**
(54) Product in respect of which the design is registered: **Mixing element for a beverage shaker**
(51) International Design Classification: **07-04**
(74) Name(s) of Attorney(s): **SPRUSON & FERGUSON**
(71) Name(s) and Address(s) of Applicant(s):
Florian Enghard
Wiesenstrasse 17 D-65843 Sulzbach Germany
(72) Name(s) of Designer(s): **Florian Enghard**
(45) Registration Date: **04 August 2011**
(30) Convention priority data:
(31) Number (32) Date (33) Country
40 201006605.7 11 Dec 2010 GERMANY
(56) Related Art Documents: **Not Applicable**
(57) Statement of Newness and Distinctiveness: **Newness and distinctiveness is claimed in the features of shape and/or configuration of a mixing element for a beverage shaker as illustrated in the accompanying representations.**



- (21) Design Number: **13376/2011**
(22) Date of Filing Application: **08 June 2011**
(24) Date from which industrial property rights may have effect: **08 June 2011**
(54) Product in respect of which the design is registered: **Mixing element for a beverage shaker**
(51) International Design Classification: **07-04**
(74) Name(s) of Attorney(s): **SPRUSON & FERGUSON**
(71) Name(s) and Address(s) of Applicant(s):
Florian Enghard
Wiesenstrasse 17 D-65842 Sulzbach Germany
(72) Name(s) of Designer(s): **Florian Enghard**
(45) Registration Date: **04 August 2011**
(62) Divisional of: **337944**
(56) Related Art Documents: **Not Applicable**
(57) Statement of Newness and Distinctiveness: **Newness and distinctiveness is claimed in the features of shape and/or configuration of a mixing element for a beverage shaker as illustrated in the accompanying representations.**



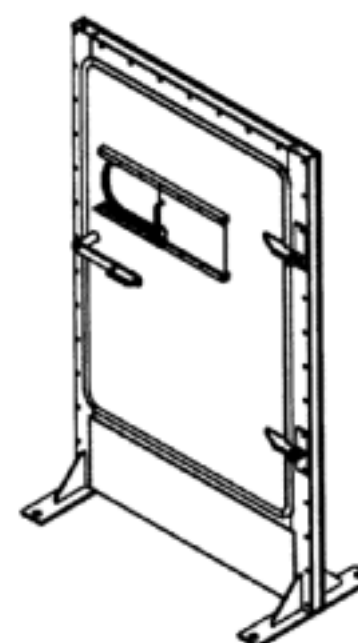
(21) Design Number: **13070/2011**
(22) Date of Filing Application: **11 July 2011**
(24) Date from which industrial property rights may have effect: **11 July 2011**
(54) Product in respect of which the design is registered: **Automobile**
(51) International Design Classification: **12-08**
(74) Name(s) of Attorney(s): **Griffith Hack**
(71) Name(s) and Address(s) of Applicant(s):



Honda Motor Co., Ltd.
1-1 Minami-Aoyama 2-chome Minato-ku Tokyo 107-8556 Japan

(72) Name(s) of Designer(s): **Shuji Koman and Naohiro Kitazono**
(45) Registration Date: **04 August 2011**
(30) Convention priority data:
(31) Number (32) Date (33) Country
2011-000696 14 Jan 2011 JAPAN
(56) Related Art Documents: **Not Applicable**
(57) Statement of Newness and Distinctiveness: **Newness and distinctiveness resides in the visual features including shape and configuration of an automobile as shown in the accompanying representations.**

(21) Design Number: **13088/2011**
(22) Date of Filing Application: **12 July 2011**
(24) Date from which industrial property rights may have effect: **12 July 2011**
(54) Product in respect of which the design is registered: **Mine ventilation door**
(51) International Design Classification: **25-02B**
(74) Name(s) of Attorney(s):
(71) Name(s) and Address(s) of Applicant(s):



Minespec Fabrication Services Pty Ltd
26 Hawkins Place Emerald Queensland 4720 Australia

(72) Name(s) of Designer(s): **Robert Brady**
(45) Registration Date: **05 August 2011**
(56) Related Art Documents: **Not Applicable**
(57) Statement of Newness and Distinctiveness: **The uniqueness of the design resides in the features of shape and configuration of the man-door structure illustrated in the accompanying representations, excluding the mounting pedestals for the structure.**

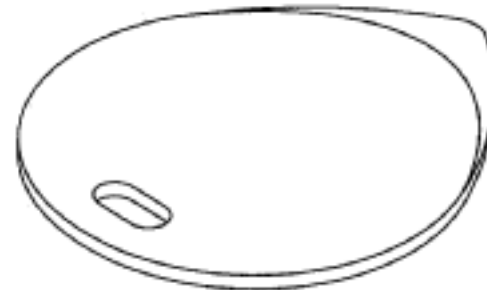
(21) Design Number: **13089/2011**
(22) Date of Filing Application: **12 July 2011**
(24) Date from which industrial property rights may have effect: **12 July 2011**
(54) Product in respect of which the design is registered: **Automobile**
(51) International Design Classification: **12-08**
(74) Name(s) of Attorney(s): **Wrays**
(71) Name(s) and Address(s) of Applicant(s):
Suzuki Motor Corporation
300 Takatsuka-cho Minami-ku Hamamatsu-shi Shizuoka-ken Japan
(72) Name(s) of Designer(s): **Takashi Maeda and Hisanori Matsushima and Hiroyuki Tokuda**
(45) Registration Date: **05 August 2011**
(30) Convention priority data:
(31) Number (32) Date (33) Country
2011-002501 07 Feb 2011 JAPAN
(56) Related Art Documents: **Not Applicable**
(57) Statement of Newness and Distinctiveness: **Newness and distinctiveness is claimed in the features of shape and/or configuration of the automobile depicted in the accompanying representations.**



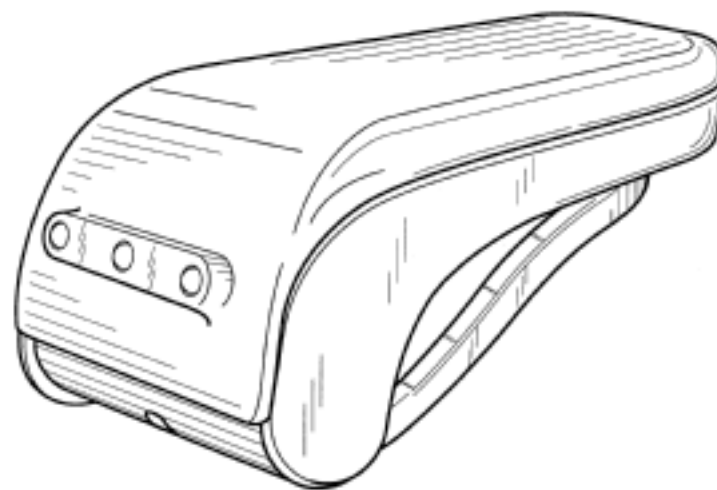
(21) Design Number: **13090/2011**
(22) Date of Filing Application: **12 July 2011**
(24) Date from which industrial property rights may have effect: **12 July 2011**
(54) Product in respect of which the design is registered: **Adaptor with double USB interface**
(51) International Design Classification: **14-02**
(74) Name(s) of Attorney(s): **Wrays**
(71) Name(s) and Address(s) of Applicant(s):
Shenzhen Sunkin Technology Co., Ltd.
No.10128 Nanshan Avenue Nanshan District Shenzhen Guangdong Province 518057 China
(72) Name(s) of Designer(s): **Fabrice Blanc and Xiaoming Zhao**
(45) Registration Date: **05 August 2011**
(30) Convention priority data:
(31) Number (32) Date (33) Country
001805300-0001 14 Jan 2011 EUROPEAN COMMUNITY
(56) Related Art Documents: **Not Applicable**
(57) Statement of Newness and Distinctiveness: **Nil**



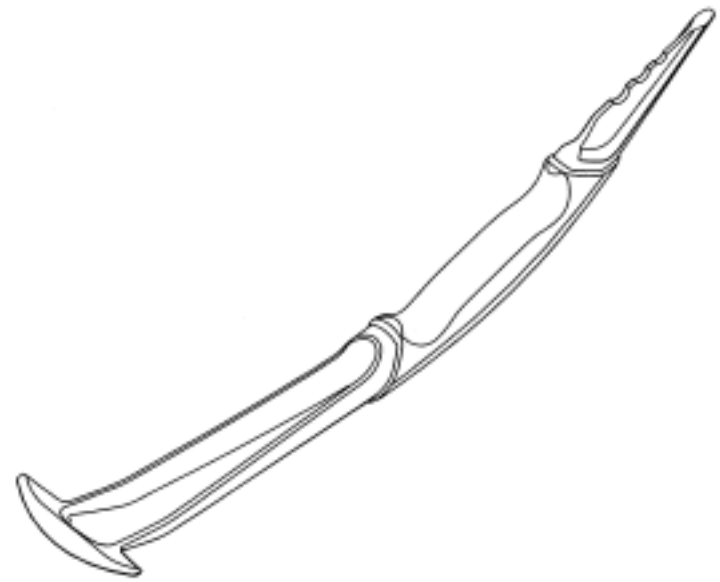
- (21) Design Number: **12806/2011**
(22) Date of Filing Application: **23 June 2011**
(24) Date from which industrial property rights may have effect: **23 June 2011**
(54) Product in respect of which the design is registered: **Walnut opener**
(51) International Design Classification: **07-06NES**
(74) Name(s) of Attorney(s):
(71) Name(s) and Address(s) of Applicant(s):
Mydwan B. Crabtree
RSD 33a Wellington Road Highland Valley South Australia 5255
Australia
(72) Name(s) of Designer(s): **Mydwan B. Crabtree**
(45) Registration Date: **05 August 2011**
(56) Related Art Documents: **Not Applicable**
(57) Statement of Newness and Distinctiveness: **Flat stainless steel blade in the shape of a teardrop.**



- (21) Design Number: **13054/2011**
(22) Date of Filing Application: **07 July 2011**
(24) Date from which industrial property rights may have effect: **07 July 2011**
(54) Product in respect of which the design is registered: **Deflecting closure means**
(51) International Design Classification: **08-07**
(74) Name(s) of Attorney(s): **Actuate IP**
(71) Name(s) and Address(s) of Applicant(s):
Michael Corbell
34 Moresby Street Trinity Beach Queensland 4879 Australia
Kymmie Corbell
34 Moresby Street Trinity Beach Queensland 4879 Australia
(72) Name(s) of Designer(s): **Michael Corbell and Kymmie Corbell**
(45) Registration Date: **05 August 2011**
(56) Related Art Documents: **Not Applicable**
(57) Statement of Newness and Distinctiveness: **Newness and distinctiveness is claimed in the features of shape and/or configuration of the deflecting closure means as illustrated in the accompanying representations.**



(21) Design Number: **13063/2011**
(22) Date of Filing Application: **11 July 2011**
(24) Date from which industrial property rights may have effect: **11 July 2011**
(54) Product in respect of which the design is registered: **Mud scraper**
(51) International Design Classification: **08-05NES**
(74) Name(s) of Attorney(s):
(71) Name(s) and Address(s) of Applicant(s):
Ian Geoffrey Wilson
40 Cobran Road Cheltenham New South Wales 2119 Australia
(72) Name(s) of Designer(s): **Ian Geoffrey Wilson**
(45) Registration Date: **05 August 2011**
(56) Related Art Documents: **Not Applicable**
(57) Statement of Newness and Distinctiveness: **Nil**



(21) Design Number: **13064/2011**
(22) Date of Filing Application: **11 July 2011**
(24) Date from which industrial property rights may have effect: **11 July 2011**
(54) Product in respect of which the design is registered: **Seal cleaner**
(51) International Design Classification: **08-05NES**
(74) Name(s) of Attorney(s):
(71) Name(s) and Address(s) of Applicant(s):
Ian Geoffrey Wilson
40 Cobran Road Cheltenham New South Wales 2119 Australia
(72) Name(s) of Designer(s): **Ian Geoffrey Wilson**
(45) Registration Date: **05 August 2011**
(56) Related Art Documents: **Not Applicable**
(57) Statement of Newness and Distinctiveness: **Nil**



(21) Design Number: **13092/2011**

(22) Date of Filing Application: **12 July 2011**

(24) Date from which industrial property rights may have effect: **12 July 2011**

(54) Product in respect of which the design is registered: **Dome hook saddle**

(51) International Design Classification: **08-07, 08-08NES**

(74) Name(s) of Attorney(s): **LESICAR PERRIN**

(71) Name(s) and Address(s) of Applicant(s):

Stuart Hollingworth

5 The Brook Drive Currency Creek South Australia 5214 Australia

(72) Name(s) of Designer(s): **Stuart Hollingworth**

(45) Registration Date: **05 August 2011**

(56) Related Art Documents: **Not Applicable**

(57) Statement of Newness and Distinctiveness: **Nil**



(21) Design Number: **13093/2011**

(22) Date of Filing Application: **12 July 2011**

(24) Date from which industrial property rights may have effect: **12 July 2011**

(54) Product in respect of which the design is registered: **Shock chord loop body**

(51) International Design Classification: **08-08NES**

(74) Name(s) of Attorney(s): **LESICAR PERRIN**

(71) Name(s) and Address(s) of Applicant(s):

Stuart Hollingworth

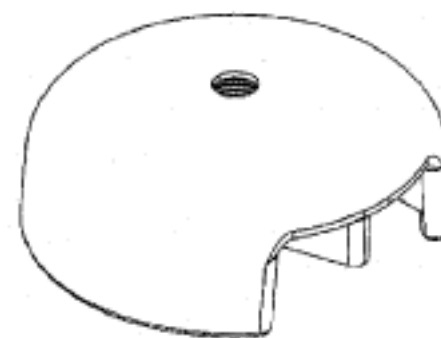
5 The Brook Drive Currency Creek South Australia 5214 Australia

(72) Name(s) of Designer(s): **Stuart Hollingworth**

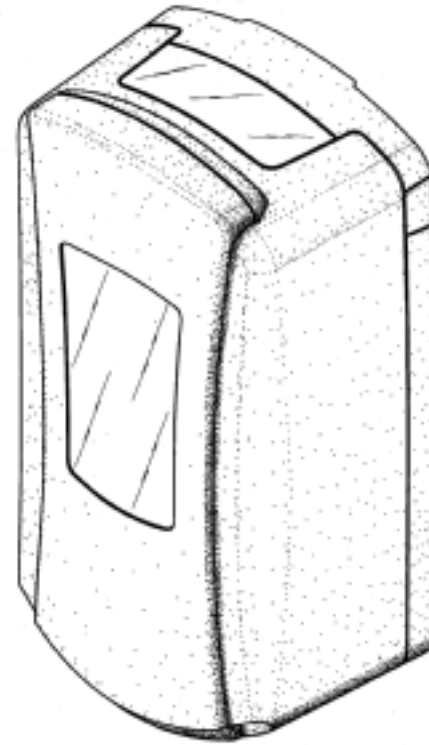
(45) Registration Date: **05 August 2011**

(56) Related Art Documents: **Not Applicable**

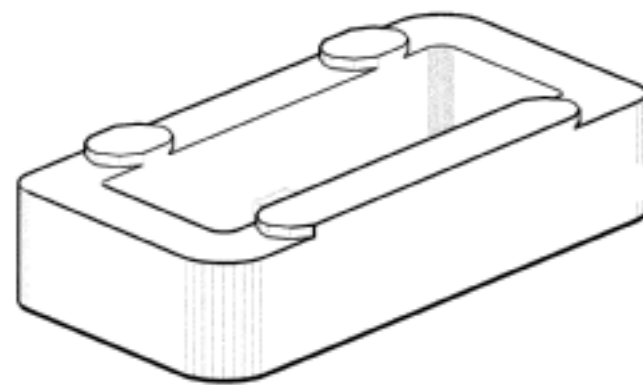
(57) Statement of Newness and Distinctiveness: **Newness and distinctiveness resides in the visual features of shape and/or configuration of the rounded outer casing of the shock chord loop body as illustrated in the accompanying representations.**



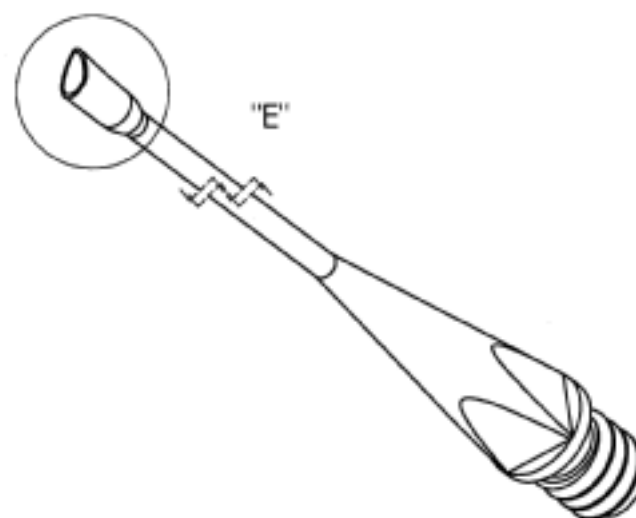
- (21) Design Number: **13094/2011**
(22) Date of Filing Application: **12 July 2011**
(24) Date from which industrial property rights may have effect: **12 July 2011**
(54) Product in respect of which the design is registered: **Dispenser housing**
(51) International Design Classification: **23-02NES**
(74) Name(s) of Attorney(s): **Collison & Co**
(71) Name(s) and Address(s) of Applicant(s):
Gojo Industries, Inc.
One Gojo Plaza Suite 500 Akron Ohio 44309 United States of America
(72) Name(s) of Designer(s): **Aaron R. Reynolds and Anthony R. Marchetta and Brian Chiarizia and Rebecca Pezdek and Corinna Proctor and Alex Hussain**
(45) Registration Date: **05 August 2011**
(30) Convention priority data:
(31) Number (32) Date (33) Country
29/383271 14 Jan 2011 UNITED STATES OF AMERICA
(56) Related Art Documents: **Not Applicable**
(57) Statement of Newness and Distinctiveness: **Nil**



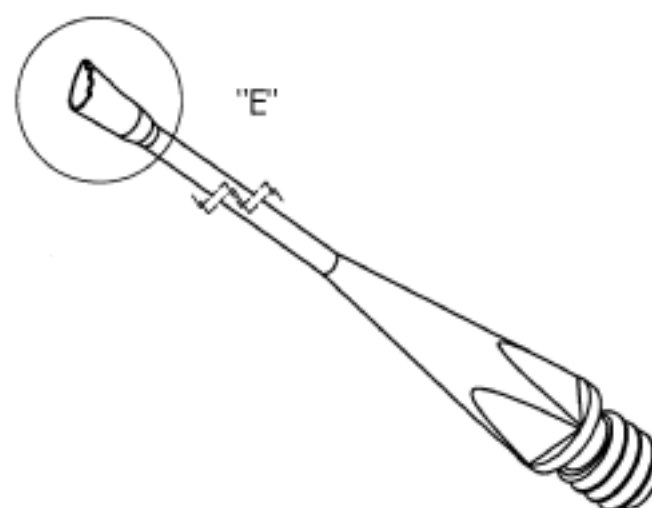
- (21) Design Number: **13138/2011**
(22) Date of Filing Application: **14 July 2011**
(24) Date from which industrial property rights may have effect: **14 July 2011**
(54) Product in respect of which the design is registered: **Planter block**
(51) International Design Classification: **11-02B**
(74) Name(s) of Attorney(s):
(71) Name(s) and Address(s) of Applicant(s):
Neil William Kirkness
37 Granadilla Street Duncraig Western Australia 6023 Australia
(72) Name(s) of Designer(s): **Neil William Kirkness**
(45) Registration Date: **05 August 2011**
(56) Related Art Documents: **Not Applicable**
(57) Statement of Newness and Distinctiveness: **The visual arrangement of the three protruding stubs which are on the top of the block, with one wide one in the front, and two short ones at the back. In addition there is a low tie centrally located which helps to provide a base for each planter box void.**



- (21) Design Number: **12360/2011**
(22) Date of Filing Application: **26 May 2011**
(24) Date from which industrial property rights may have effect: **26 May 2011**
(54) Product in respect of which the design is registered: **Surgical needle**
(51) International Design Classification: **24-02**
(74) Name(s) of Attorney(s): **Janet Stead & Associates, Patent and Trade Mark At**
(71) Name(s) and Address(s) of Applicant(s):
Oz Sonotek Pty Ltd
5/592 Stirling Highway Mosman Park Western Australia 6012 Australia
(72) Name(s) of Designer(s): **Nigel Morlet**
(45) Registration Date: **05 August 2011**
(56) Related Art Documents: **Not Applicable**
(57) Statement of Newness and Distinctiveness: **Newness and distinctiveness is claimed in the shape and/or configuration of the needle tip marked E of the surgical needle as shown in the accompanying representations.**



- (21) Design Number: **12361/2011**
(22) Date of Filing Application: **26 May 2011**
(24) Date from which industrial property rights may have effect: **26 May 2011**
(54) Product in respect of which the design is registered: **Surgical needle**
(51) International Design Classification: **24-02**
(74) Name(s) of Attorney(s): **Janet Stead & Associates, Patent and Trade Mark At**
(71) Name(s) and Address(s) of Applicant(s):
Oz Sonotek Pty Ltd
5/592 Stirling Highway Mosman Park Western Australia 6012 Australia
(72) Name(s) of Designer(s): **Nigel Morlet**
(45) Registration Date: **05 August 2011**
(56) Related Art Documents: **Not Applicable**
(57) Statement of Newness and Distinctiveness: **Newness and distinctiveness is claimed in the shape and/or configuration of the needle tip marked E of the surgical needle as shown in the accompanying representations.**



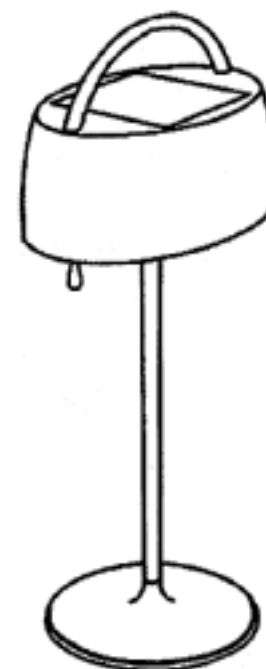
(21) Design Number: **12415/2011**
(22) Date of Filing Application: **30 May 2011**
(24) Date from which industrial property rights may have effect: **30 May 2011**
(54) Product in respect of which the design is registered: **Network media player**
(51) International Design Classification: **14-01**
(74) Name(s) of Attorney(s): **Freehills Patent & Trade Mark Attorneys**
(71) Name(s) and Address(s) of Applicant(s):
LG Electronics Inc.
20 Yeouido-dong Yeongdeungpo-gu Seoul 150-721 Republic of Korea
(72) Name(s) of Designer(s): **Yongseock Kim and Myungwhoon Lee and Yoonkyeong Lee**
(45) Registration Date: **05 August 2011**
(30) Convention priority data:
(31) Number (32) Date (33) Country
30-2010-0053129 08 Dec 2010 REPUBLIC OF KOREA
(56) Related Art Documents: **Not Applicable**
(57) Statement of Newness and Distinctiveness: **Nil**



(21) Design Number: **12714/2011**
(22) Date of Filing Application: **17 June 2011**
(24) Date from which industrial property rights may have effect: **17 June 2011**
(54) Product in respect of which the design is registered: **Ponchos**
(51) International Design Classification: **02-02B**
(74) Name(s) of Attorney(s):
(71) Name(s) and Address(s) of Applicant(s):
PUC Pty Ltd
9 Rosebud Street Robina Queensland 4226 Australia
(72) Name(s) of Designer(s): **Deborah Wright**
(45) Registration Date: **05 August 2011**
(56) Related Art Documents: **Not Applicable**
(57) Statement of Newness and Distinctiveness: **The poncho is designed to protect the wearer from rain in the standing or sitting position. Leggings attached, fold down from inside the front (where they are held with press studs) to go around the leg and join at the back using Velcro.**



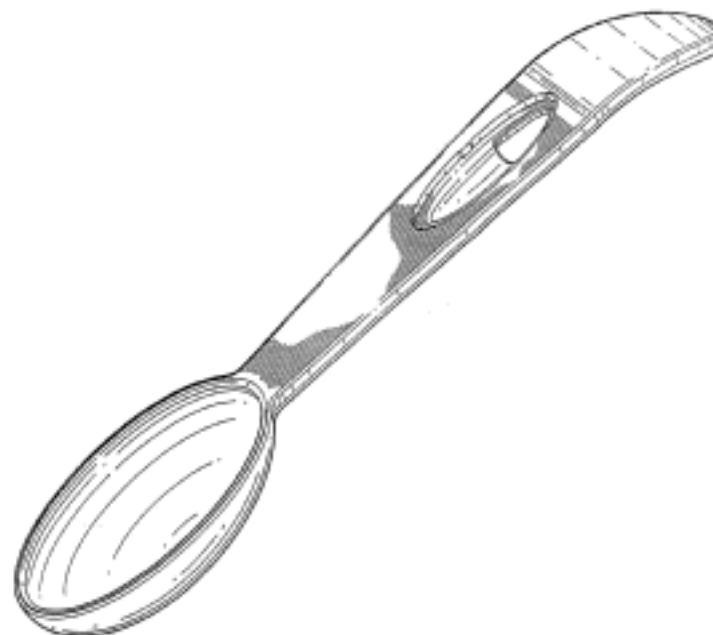
(21) Design Number: **13051/2011**
(22) Date of Filing Application: **07 July 2011**
(24) Date from which industrial property rights may have effect: **07 July 2011**
(54) Product in respect of which the design is registered: **Solar table lamp**
(51) International Design Classification: **26-05NES**
(74) Name(s) of Attorney(s):
(71) Name(s) and Address(s) of Applicant(s):
Hangzhou China Arts Industrial Corp. Ltd
No.169 Wuchang Avenue Wuchang Street Yuhang District Hangzhou
310023 China
(72) Name(s) of Designer(s): **Ren Li and Peng Xu**
(45) Registration Date: **05 August 2011**
(56) Related Art Documents: **Not Applicable**
(57) Statement of Newness and Distinctiveness: **Newness and distinctiveness is claimed in the shape and/or configuration of a table lamp as illustrated by the accompanying representations.**



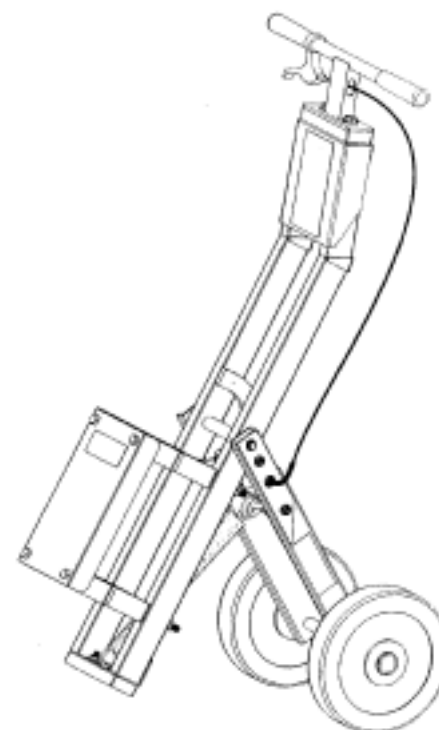
(21) Design Number: **13056/2011**
(22) Date of Filing Application: **13 July 2011**
(24) Date from which industrial property rights may have effect: **13 July 2011**
(54) Product in respect of which the design is registered: **Washing bag**
(51) International Design Classification: **07-05NES**
(74) Name(s) of Attorney(s): **Actuate IP**
(71) Name(s) and Address(s) of Applicant(s):
Eftihia Georgiou
11 Almond Street Balwyn North Victoria 3104 Australia
(72) Name(s) of Designer(s): **Eftihia Georgiou**
(45) Registration Date: **05 August 2011**
(56) Related Art Documents: **Not Applicable**
(57) Statement of Newness and Distinctiveness: **Newness and distinctiveness are claimed in the features of shape and/or configuration of the washing bag as illustrated in the accompanying representations. The design is of indeterminate length and is not limited to the number of pockets.**



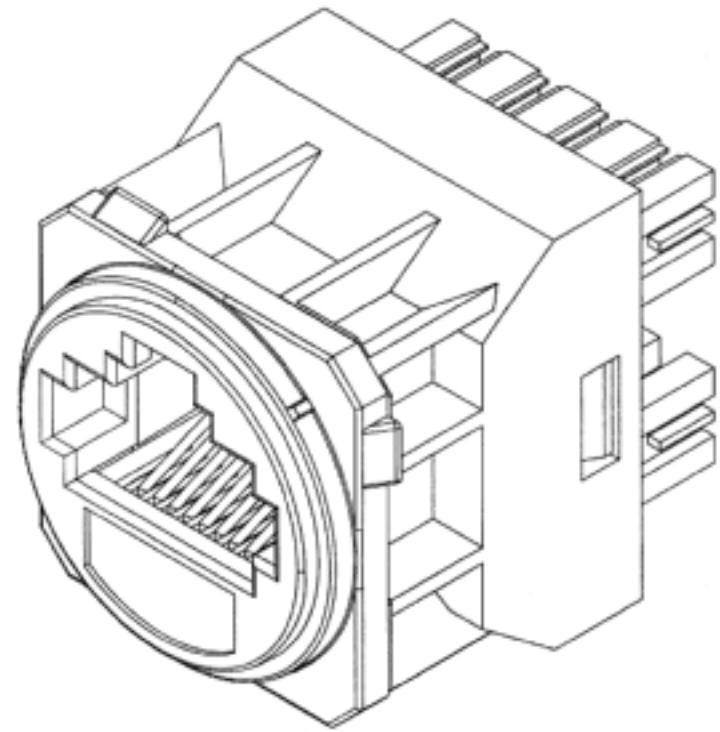
(21) Design Number: **13057/2011**
(22) Date of Filing Application: **08 July 2011**
(24) Date from which industrial property rights may have effect: **08 July 2011**
(54) Product in respect of which the design is registered: **Measuring spoon**
(51) International Design Classification: **10-04**
(74) Name(s) of Attorney(s): **SPRUSON & FERGUSON**
(71) Name(s) and Address(s) of Applicant(s):
Columbia Insurance Company
3024 Harney Street Omaha Nebraska 68131 United States of America
(72) Name(s) of Designer(s): **William Lupkes and Frances M. Coursey**
(45) Registration Date: **05 August 2011**
(30) Convention priority data:
(31) Number (32) Date (33) Country
29/383654 20 Jan 2011 UNITED STATES OF AMERICA
(56) Related Art Documents: **Not Applicable**
(57) Statement of Newness and Distinctiveness: **Newness and distinctiveness is claimed in the features of shape and/or configuration of a measuring spoon as illustrated in the accompanying representations.**



(21) Design Number: **13099/2011**
(22) Date of Filing Application: **12 July 2011**
(24) Date from which industrial property rights may have effect: **12 July 2011**
(54) Product in respect of which the design is registered: **A jackhammer trolley**
(51) International Design Classification: **12-02**
(74) Name(s) of Attorney(s):
(71) Name(s) and Address(s) of Applicant(s):
Kenovations Pty Limited
Unit 3/16 Herbert Street Artarmon New South Wales 2064 Australia
(72) Name(s) of Designer(s): **Rory Campbell Kennard**
(45) Registration Date: **05 August 2011**
(56) Related Art Documents: **Not Applicable**
(57) Statement of Newness and Distinctiveness: **The newness and distinctiveness of the design resides in the features of shape and/or configuration shown in the accompanying representations.**



(21) Design Number: **13084/2011**
(22) Date of Filing Application: **13 July 2011**
(24) Date from which industrial property rights may have effect: **13 July 2011**
(54) Product in respect of which the design is registered: **Network connector**
(51) International Design Classification: **13-03E**
(74) Name(s) of Attorney(s): **WATERMARK PATENT AND TRADE MARKS ATTORNEYS**
(71) Name(s) and Address(s) of Applicant(s):
Yu-Tai Liang
7F. No. 5 Lane 163 Xinyi Road Banqiao District New Taipei City Taiwan
(72) Name(s) of Designer(s): **Yu-Tai Liang**
(45) Registration Date: **05 August 2011**
(56) Related Art Documents: **Not Applicable**
(57) Statement of Newness and Distinctiveness: **Nil**



(21) Design Number: **13087/2011**
(22) Date of Filing Application: **12 July 2011**
(24) Date from which industrial property rights may have effect: **12 July 2011**
(54) Product in respect of which the design is registered: **Deck joiner**
(51) International Design Classification: **08-08A**
(74) Name(s) of Attorney(s): **Pegasus IP**
(71) Name(s) and Address(s) of Applicant(s):
Wilson Timbers Pty Ltd
PO Box 79 Salisbury Queensland 4107 Australia
(72) Name(s) of Designer(s): **Nigel Shaw**
(45) Registration Date: **05 August 2011**
(56) Related Art Documents: **Not Applicable**
(57) Statement of Newness and Distinctiveness: **Newness and distinctiveness resides in the features of shape and/or configuration of the deck joiner as shown in the attached representations.**



(21) Design Number: **13219/2011**
(22) Date of Filing Application: **20 July 2011**
(24) Date from which industrial property rights may have effect: **20 July 2011**
(54) Product in respect of which the design is registered: **A grate**
(51) International Design Classification: **25-02G**
(74) Name(s) of Attorney(s): **A.J. Pietras & Co**
(71) Name(s) and Address(s) of Applicant(s):

Accrete Limited
2 Volkner Grove Waterloo Lower Hutt New Zealand

(72) Name(s) of Designer(s): **Mark Berry**

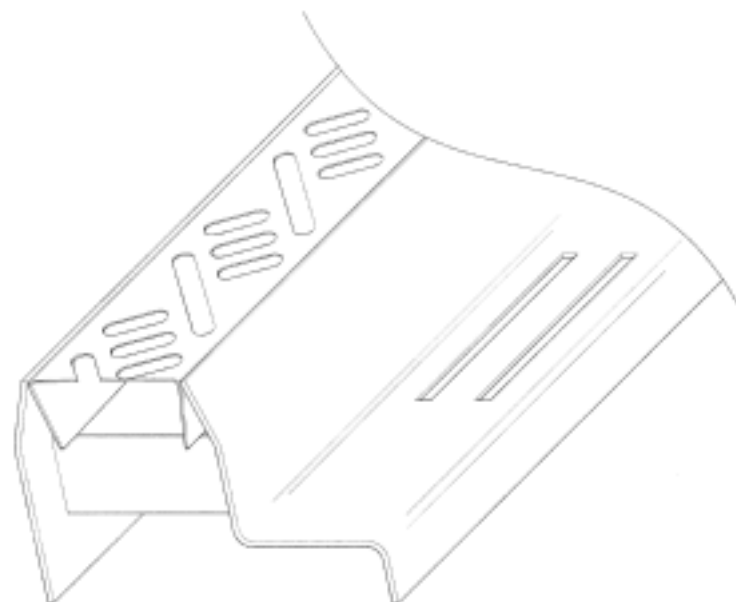
(45) Registration Date: **05 August 2011**

(30) Convention priority data:

(31) Number	(32) Date	(33) Country
414676	15 Mar 2011	NEW ZEALAND

(56) Related Art Documents: **Not Applicable**

(57) Statement of Newness and Distinctiveness: **Novelty resides in the features of shape as shown in the accompanying representations. The design may be of indefinite length.**



(21) Design Number: **13292/2011**
(22) Date of Filing Application: **27 July 2011**
(24) Date from which industrial property rights may have effect: **27 July 2011**
(54) Product in respect of which the design is registered: **Chair**
(51) International Design Classification: **06-01G**
(74) Name(s) of Attorney(s):
(71) Name(s) and Address(s) of Applicant(s):

Drew Heath Milvain
19b Mohr Street Tullamarine Victoria 3043 Australia

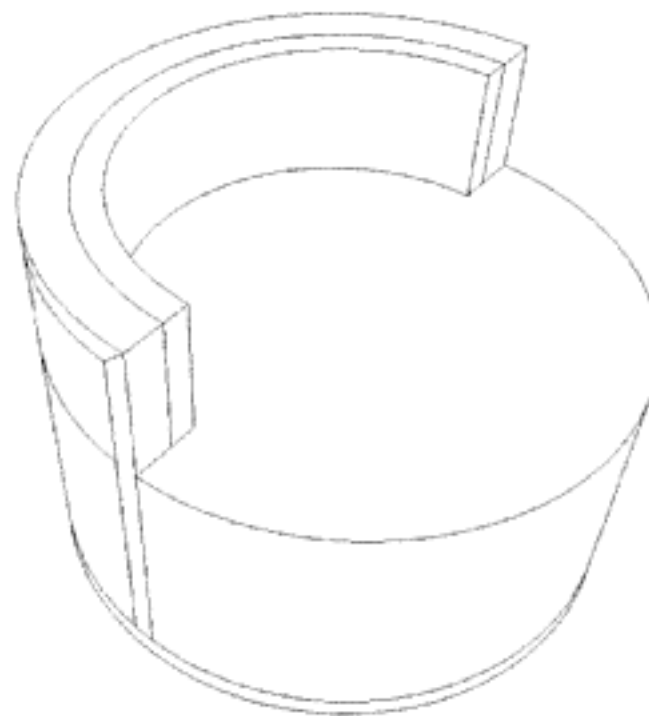
Trevor Glen Parkinson
19b Mohr Street Tullamarine Victoria 3043 Australia

(72) Name(s) of Designer(s): **Gavin Jarvis and Drew Heath Milvain and Trevor Glen Parkinson**

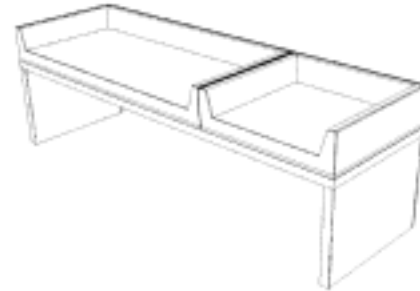
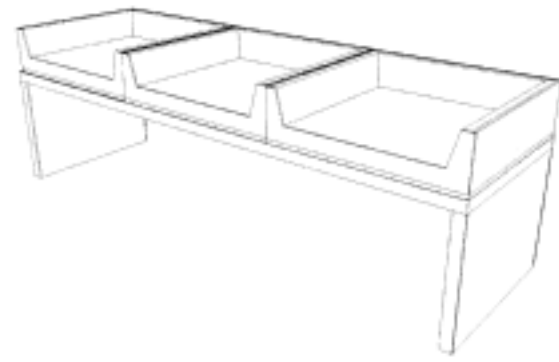
(45) Registration Date: **05 August 2011**

(56) Related Art Documents: **Not Applicable**

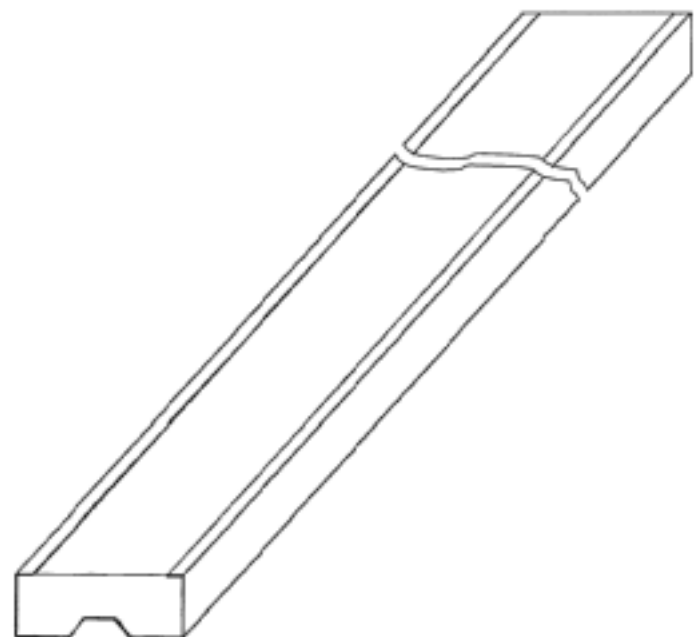
(57) Statement of Newness and Distinctiveness: **Timber frame with upholstered seat and back sections.**



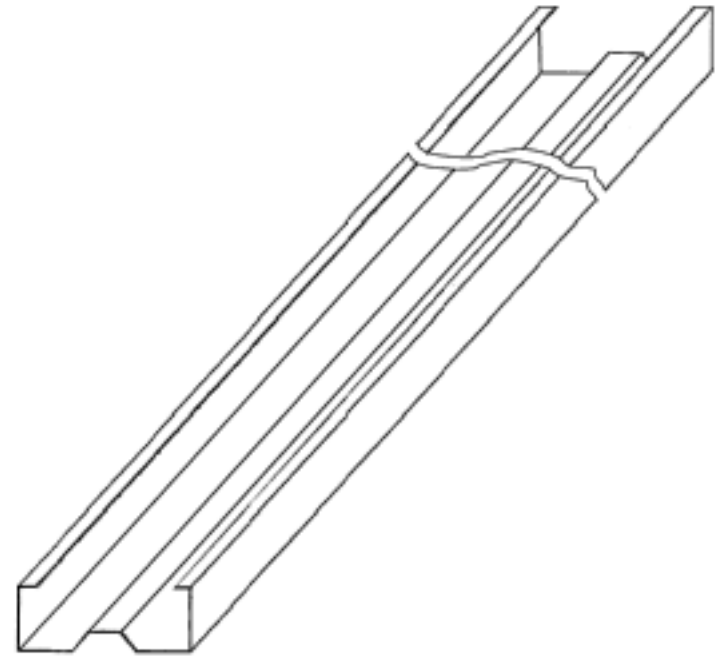
- (21) Design Number: **13293/2011**
(22) Date of Filing Application: **27 July 2011**
(24) Date from which industrial property rights may have effect: **27 July 2011**
(54) Product in respect of which the design is registered: **Bench seat**
(51) International Design Classification: **06-01G**
(74) Name(s) of Attorney(s):
(71) Name(s) and Address(s) of Applicant(s):
 Drew Heath Milvain
 19b Mohr Street Tullamarine Victoria 3043 Australia
 Trevor Glen Parkinson
 19b Mohr Street Tullamarine Victoria 3043 Australia
(72) Name(s) of Designer(s): **Gavin Jarvis and Drew Heath Milvain and Trevor Glen Parkinson**
(45) Registration Date: **05 August 2011**
(56) Related Art Documents: **Not Applicable**
(57) Statement of Newness and Distinctiveness: **Timber bench frame with multi positioning single and double seat pads.**



- (21) Design Number: **14850/2010**
(22) Date of Filing Application: **10 November 2010**
(24) Date from which industrial property rights may have effect: **10 November 2010**
(54) Product in respect of which the design is registered: **Fire rated lintel**
(51) International Design Classification: **25-01K**
(74) Name(s) of Attorney(s): **Halfords IP**
(71) Name(s) and Address(s) of Applicant(s):
 L. & A. Fazzini Manufacturing Pty Ltd
 23-25 Wentworth Street Greenacre New South Wales 2190 Australia
(72) Name(s) of Designer(s): **Lorenzo Fazzini**
(45) Registration Date: **08 August 2011**
(56) Related Art Documents: **Not Applicable**
(57) Statement of Newness and Distinctiveness: **Newness and distinctiveness resides in the shape and or configuration of a fire rated lintel of indefinite length as depicted in the accompanying representations.**



- (21) Design Number: **13410/2011**
(22) Date of Filing Application: **10 November 2010**
(24) Date from which industrial property rights may have effect: **10 November 2010**
(54) Product in respect of which the design is registered: **Metal section**
(51) International Design Classification: **25-01K**
(74) Name(s) of Attorney(s): **Halfords IP**
(71) Name(s) and Address(s) of Applicant(s):
L. & A. Fazzini Manufacturing Pty Ltd
23-25 Wentworth Street Greenacre New South Wales 2190 Australia
(72) Name(s) of Designer(s): **Lorenzo Fazzini**
(45) Registration Date: **08 August 2011**
(56) Related Art Documents: **Not Applicable**
(57) Statement of Newness and Distinctiveness: **Newness and distinctiveness resides in the shape and or configuration of a metal section of indefinite length as depicted in the accompanying representations.**



(19) AU

(21) Design Number: **11691/2011**

(22) Date of Filing Application: **31 March 2011**

(24) Date from which industrial property rights may have effect: **31 March 2011**

(54) Product in respect of which the design is registered: **Passenger seat with integrated seatback display**

(51) International Design Classification: **06-01D**

(74) Name(s) of Attorney(s): **SPRUSON & FERGUSON**

(71) Name(s) and Address(s) of Applicant(s):

Paul Anthony Margis

6 Glorieta Irvine California 92620 United States of America

Marshal H. Perlman

19665 Orviento Drive Portola Hills California 92679 United States of America

Kaname Tomita

2-22-407 Takatsuka-Cho Hirakata-Shi Osaka 573-0035 Japan

Yasuhiro Araki

5-1-407 Myokenzaka Katano-shi Osaka 571-0021 Japan

Taku Yamada

81 Agostino Irvine California 92614 United States of America

Omar Lopez

827 Big Spring Court Corona California 92880 United States of America

Craig Depner

20882 Shadow Rock Lane Trabuco Canyon California 92679 United States of America

Sheng Tong

2701 Harbor Boulevard #E2-143 Costa Mesa California 92626 United States of America

Mehdir Izaydar

29026 Canyon Vista Drive Trabuco Canyon California 92630 United States of America

(72) Name(s) of Designer(s): **Paul Anthony Margis and Mehdi Izaydar and Marshal H. Perlman and Kaname Tomita and Yasuhiro Araki and Taku Yamada and Omar Lopez and Craig Depner and Sheng Tong**

(45) Registration Date: **08 August 2011**

(30) Convention priority data:

(31) Number

(32) Date

(33) Country

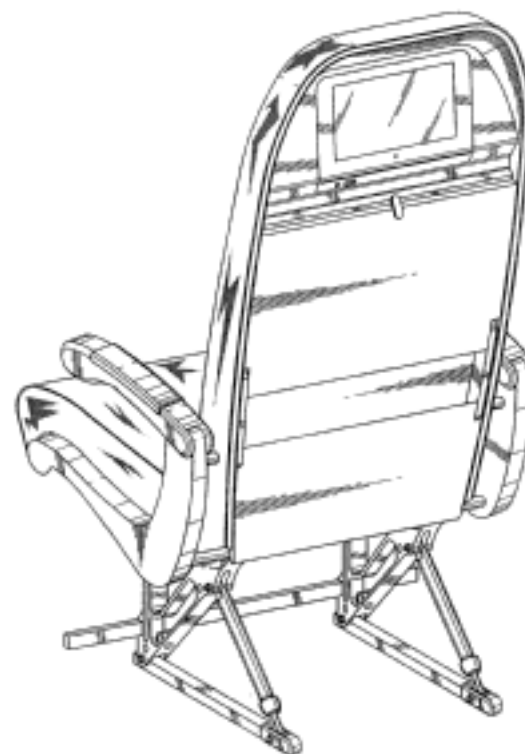
29/376168

01 Oct 2010

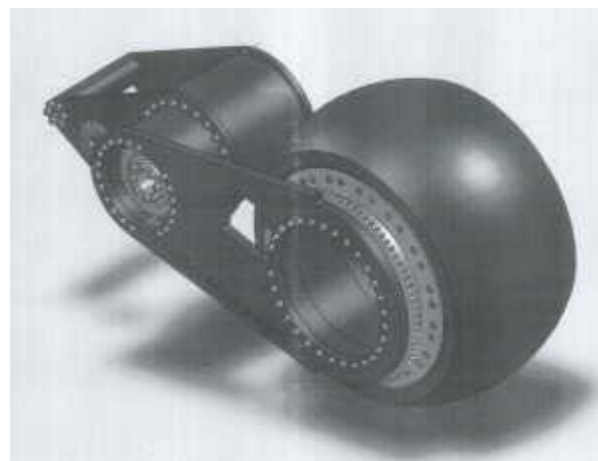
UNITED STATES OF AMERICA

(56) Related Art Documents: **Not Applicable**

(57) Statement of Newness and Distinctiveness: **Newness and distinctiveness is claimed in the features of shape and/or configuration of an integrated seatback display for a passenger seat as illustrated in the accompanying representations.**



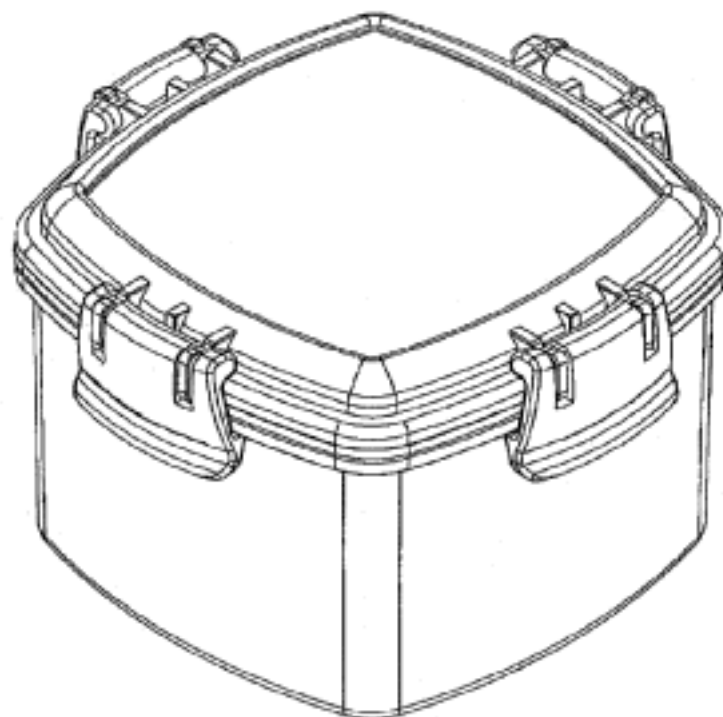
- (21) Design Number: **12150/2011**
(22) Date of Filing Application: **09 May 2011**
(24) Date from which industrial property rights may have effect: **09 May 2011**
(54) Product in respect of which the design is registered: **Motorcycle rear swingarm**
(51) International Design Classification: **12-16NES**
(74) Name(s) of Attorney(s):
(71) Name(s) and Address(s) of Applicant(s):
Dreadnought Motorcycles Pty Ltd
3 Lawrence Hargrave Drive Helensburg New South Wales 2508 Australia
(72) Name(s) of Designer(s): **Colin Aldred and David Aldred**
(45) Registration Date: **08 August 2011**
(56) Related Art Documents: **Not Applicable**
(57) Statement of Newness and Distinctiveness: **Use of hollow spools and plate as structural members; Use of our specific edge bolted hollow rim design; Use of a rim split in more than one plane; Use of a hollow jackshaft; Extensive use of exposed cap screws; Use of large uniformly colour anodised 6061-T6 grade aluminium for both structure and rim; Use of custom circular camlocking idlers; Use of integrated rear brake disc and sprocket in a road bike application; Use of partial bearing retainment; Use of rolled, welded and heat treated 6061-T6 plate for this application; Use of multiple inner tubes; and Reuse of standard brake callipers with integrated support plate design. Our design application recognises that a motorcycle hollow rear rim is the subject of ample prior art and recognises no 'owner' of this basic idea. Neither do we assert ownership now; in this matter we seek only the protection of a multiple section split rim that is edge bolted as a design innovation and detailed drawings are provided for this purposes.**



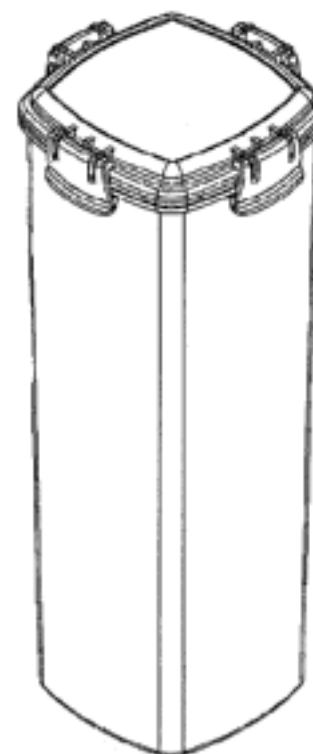
- (21) Design Number: **12387/2011**
(22) Date of Filing Application: **30 May 2011**
(24) Date from which industrial property rights may have effect: **30 May 2011**
(54) Product in respect of which the design is registered: **A lidded container**
(51) International Design Classification: **09-03NES**
(74) Name(s) of Attorney(s): **A J Park**
(71) Name(s) and Address(s) of Applicant(s):
Sistema Plastics Limited
80 Hugo Johnson Drive Penrose Auckland New Zealand
(72) Name(s) of Designer(s): **Brendan Jon Lindsay and James Richard Manley**
(45) Registration Date: **08 August 2011**
(30) Convention priority data:
(31) Number (32) Date (33) Country
414354 01 Dec 2010 NEW ZEALAND
(56) Related Art Documents: **Not Applicable**
(57) Statement of Newness and Distinctiveness: **Application is for a design to be applied to a lidded container. The novelty claimed for the design resides in the features of shape and/or configuration all as shown in the representations.**



- (21) Design Number: **12411/2011**
(22) Date of Filing Application: **30 May 2011**
(24) Date from which industrial property rights may have effect: **30 May 2011**
(54) Product in respect of which the design is registered: **A lidded container**
(51) International Design Classification: **09-03NES**
(74) Name(s) of Attorney(s): **A J Park**
(71) Name(s) and Address(s) of Applicant(s):
Sistema Plastics Limited
80 Hugo Johnson Drive Penrose Auckland New Zealand
(72) Name(s) of Designer(s): **Brendan Jon Lindsay and James Richard Manley**
(45) Registration Date: **08 August 2011**
(30) Convention priority data:
(31) Number (32) Date (33) Country
414353 01 Dec 2010 NEW ZEALAND
(56) Related Art Documents: **Not Applicable**
(57) Statement of Newness and Distinctiveness: **Application is for a design to be applied to a lidded container. The novelty claimed for the design resides in the features of shape and/or configuration all as shown in the representations.**



- (21) Design Number: **12413/2011**
(22) Date of Filing Application: **30 May 2011**
(24) Date from which industrial property rights may have effect: **30 May 2011**
(54) Product in respect of which the design is registered: **A lidded container**
(51) International Design Classification: **09-03NES**
(74) Name(s) of Attorney(s): **A J Park**
(71) Name(s) and Address(s) of Applicant(s):
Sistema Plastics Limited
80 Hugo Johnson Drive Penrose Auckland New Zealand
(72) Name(s) of Designer(s): **Brendan Jon Lindsay and James Richard Manley**
(45) Registration Date: **08 August 2011**
(30) Convention priority data:
(31) Number (32) Date (33) Country
414352 01 Dec 2010 NEW ZEALAND
(56) Related Art Documents: **Not Applicable**
(57) Statement of Newness and Distinctiveness: **Application is for a design to be applied to A LIDDED CONTAINER. The novelty claimed for the design resides in the features and/or configuration all as shown in the representations.**



(21) Design Number: **12888/2011**

(22) Date of Filing Application: **28 June 2011**

(24) Date from which industrial property rights may have effect: **28 June 2011**

(54) Product in respect of which the design is registered: **Pouch for packaging household care product**

(51) International Design Classification: **09-05**

(74) Name(s) of Attorney(s): **Davies Collison Cave**

(71) Name(s) and Address(s) of Applicant(s):

Unilever PLC

Unilever House 100 Victoria Embankment London EC4Y 0DY United Kingdom

(72) Name(s) of Designer(s): **Carlo di Foggia and Prashant Kurani and Manash Tumulu**

(45) Registration Date: **08 August 2011**

(30) Convention priority data:

(31) Number

(32) Date

(33) Country

001806092-0001 17 Jan 2011

EUROPEAN COMMUNITY

(56) Related Art Documents: **Not Applicable**

(57) Statement of Newness and Distinctiveness: **Newness and distinctiveness is claimed in the visual features shown in solid lines in the representations.**



(21) Design Number: **13321/2011**

(22) Date of Filing Application: **31 March 2011**

(24) Date from which industrial property rights may have effect: **31 March 2011**

(54) Product in respect of which the design is registered: **Integrated seatback display for a passenger seat**

(51) International Design Classification: **06-01D**

(74) Name(s) of Attorney(s): **SPRUSON & FERGUSON**

(71) Name(s) and Address(s) of Applicant(s):

Paul Anthony Margis

6 Glorieta Irvine California 92620 United States of America

Marshal H. Perlman

19665 Orviento Drive Portola Hills California 92679 United States of America

Kaname Tomita

2-22-407 Takatsuka-Cho Hirakata-Shi Osaka 573-0035 Japan

Yasuhiro Araki

5-1-407 Myokenzaka Katano-shi Osaka 571-0021 Japan

Taku Yamada

81 Agostino Irvine California 92614 United States of America

Omar Lopez

827 Big Spring Court Corona California 92880 United States of America

Craig Depner

20882 Shadow Rock Lane Trabuco Canyon California 92679 United States of America

Sheng Tong

2701 Harbor Boulevard #E2-143 Costa Mesa California 92626 United States of America

Mehdir Izaydar

29026 Canyon Vista Drive Trabuco Canyon California 92630 United States of America

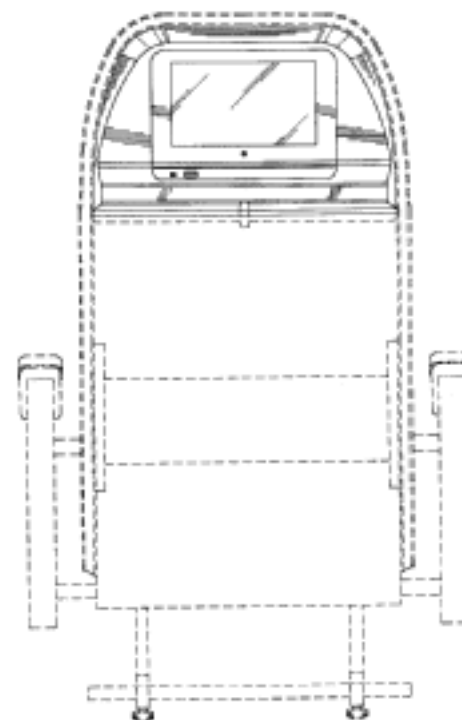
(72) Name(s) of Designer(s): **Paul Anthony Margis and Marshal H. Perlman and Kaname Tomita and Yasuhiro Araki and Taku Yamada and Omar Lopez and Craig Allan Depner and Sheng Tong and Mehdir Izaydar**

(45) Registration Date: **08 August 2011**

(62) Divisional of: **337973**

(56) Related Art Documents: **Not Applicable**

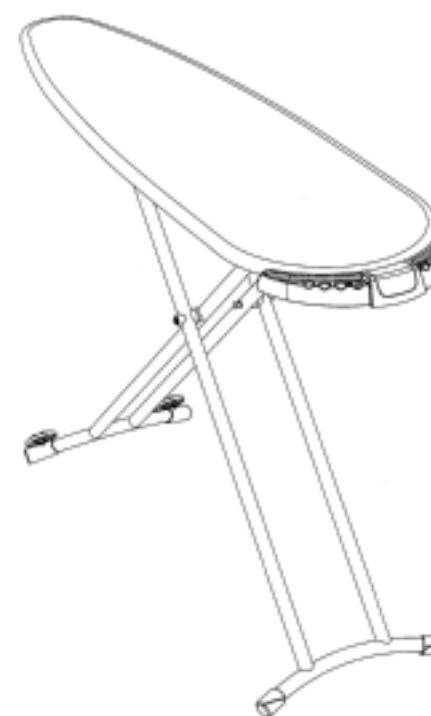
(57) Statement of Newness and Distinctiveness: **Newness and distinctiveness is claimed in the features of shape and/or configuration of an integrated seatback display for a passenger seat as illustrated in the accompanying representations.**



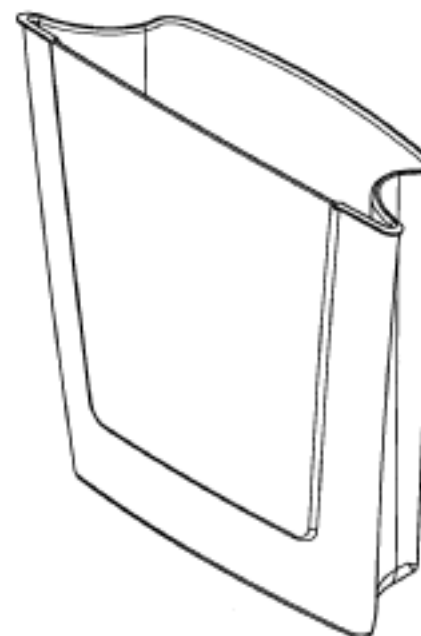
(21) Design Number: **13100/2011**
(22) Date of Filing Application: **14 July 2011**
(24) Date from which industrial property rights may have effect: **14 July 2011**
(54) Product in respect of which the design is registered: **A cup**
(51) International Design Classification: **07-01D**
(74) Name(s) of Attorney(s): **Banki Haddock Fiora**
(71) Name(s) and Address(s) of Applicant(s):
Societe des Produits Nestle S.A.
1800 Vevey Switzerland
(72) Name(s) of Designer(s): **Antoine Cahen**
(45) Registration Date: **08 August 2011**
(30) Convention priority data:
(31) Number (32) Date (33) Country
137588 01 Feb 2011 SWITZERLAND
(56) Related Art Documents: **Not Applicable**
(57) Statement of Newness and Distinctiveness: **Nil**



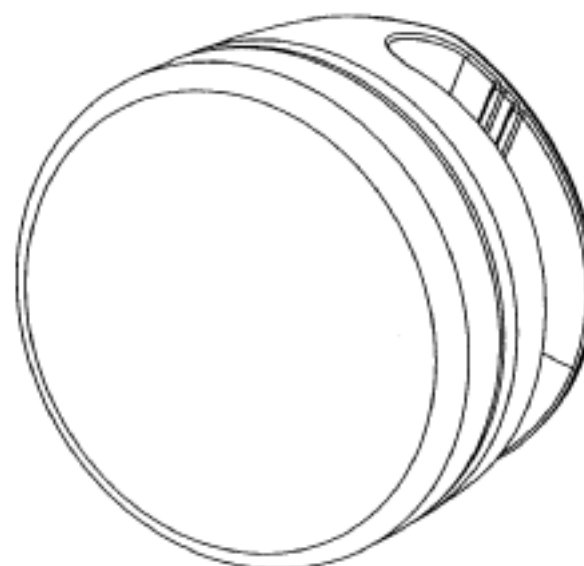
(21) Design Number: **13101/2011**
(22) Date of Filing Application: **13 July 2011**
(24) Date from which industrial property rights may have effect: **13 July 2011**
(54) Product in respect of which the design is registered: **An ironing board**
(51) International Design Classification: **07-05A**
(74) Name(s) of Attorney(s): **Madderns**
(71) Name(s) and Address(s) of Applicant(s):
Hills Holdings Limited
944-956 South Road Edwardstown 5039 South Australia Australia
(72) Name(s) of Designer(s): **Timothy Hooper and Penny Stevens**
(45) Registration Date: **08 August 2011**
(56) Related Art Documents: **Not Applicable**
(57) Statement of Newness and Distinctiveness: **Nil**



- (21) Design Number: **13102/2011**
(22) Date of Filing Application: **13 July 2011**
(24) Date from which industrial property rights may have effect: **13 July 2011**
(54) Product in respect of which the design is registered: **A jug for an ironing board**
(51) International Design Classification: **07-05A**
(74) Name(s) of Attorney(s): **Madderns**
(71) Name(s) and Address(s) of Applicant(s):
Hills Holdings Limited
944-956 South Road Edwardstown 5039 South Australia Australia
(72) Name(s) of Designer(s): **Benjamin Hill**
(45) Registration Date: **08 August 2011**
(56) Related Art Documents: **Not Applicable**
(57) Statement of Newness and Distinctiveness: **Nil**



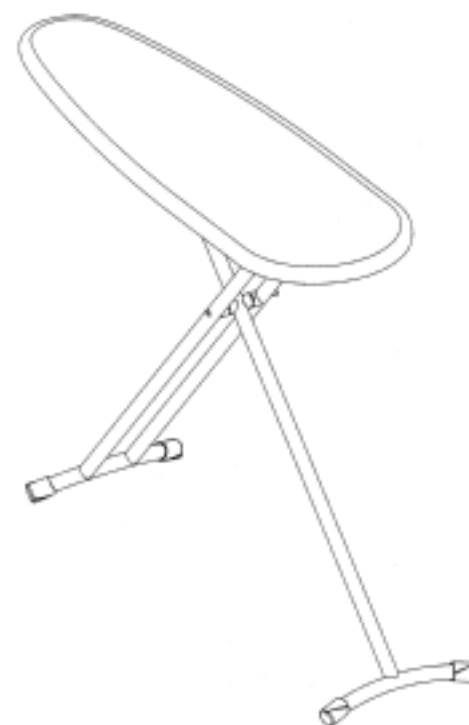
- (21) Design Number: **13103/2011**
(22) Date of Filing Application: **13 July 2011**
(24) Date from which industrial property rights may have effect: **13 July 2011**
(54) Product in respect of which the design is registered: **A counterweight for an iron chord**
(51) International Design Classification: **07-05A**
(74) Name(s) of Attorney(s): **Madderns**
(71) Name(s) and Address(s) of Applicant(s):
Hills Holdings Limited
944-956 South Road Edwardstown 5039 South Australia Australia
(72) Name(s) of Designer(s): **Timothy Hooper**
(45) Registration Date: **08 August 2011**
(56) Related Art Documents: **Not Applicable**
(57) Statement of Newness and Distinctiveness: **Nil**



(21) Design Number: **13104/2011**
(22) Date of Filing Application: **13 July 2011**
(24) Date from which industrial property rights may have effect: **13 July 2011**
(54) Product in respect of which the design is registered: **An ironing board**
(51) International Design Classification: **07-05A**
(74) Name(s) of Attorney(s): **Madderns**
(71) Name(s) and Address(s) of Applicant(s):
Hills Holdings Limited
944-956 South Road Edwardstown 5039 South Australia Australia
(72) Name(s) of Designer(s): **Timothy Hooper and Penny Stevens**
(45) Registration Date: **08 August 2011**
(56) Related Art Documents: **Not Applicable**
(57) Statement of Newness and Distinctiveness: **Nil**



(21) Design Number: **13105/2011**
(22) Date of Filing Application: **13 July 2011**
(24) Date from which industrial property rights may have effect: **13 July 2011**
(54) Product in respect of which the design is registered: **An ironing board**
(51) International Design Classification: **07-05A**
(74) Name(s) of Attorney(s): **Madderns**
(71) Name(s) and Address(s) of Applicant(s):
Hills Holdings Limited
944-956 South Road Edwardstown 5039 South Australia Australia
(72) Name(s) of Designer(s): **Timothy Hooper and Penny Stevens**
(45) Registration Date: **08 August 2011**
(56) Related Art Documents: **Not Applicable**
(57) Statement of Newness and Distinctiveness: **Nil**



(21) Design Number: **13106/2011**
(22) Date of Filing Application: **13 July 2011**
(24) Date from which industrial property rights may have effect: **13 July 2011**
(54) Product in respect of which the design is registered: **An ironing board**
(51) International Design Classification: **07-05A**
(74) Name(s) of Attorney(s): **Madderns**
(71) Name(s) and Address(s) of Applicant(s):
Hills Holdings Limited
944-956 South Road Edwardstown 5039 South Australia Australia
(72) Name(s) of Designer(s): **Timothy Hooper and Penny Stevens**
(45) Registration Date: **08 August 2011**
(56) Related Art Documents: **Not Applicable**
(57) Statement of Newness and Distinctiveness: **Nil**



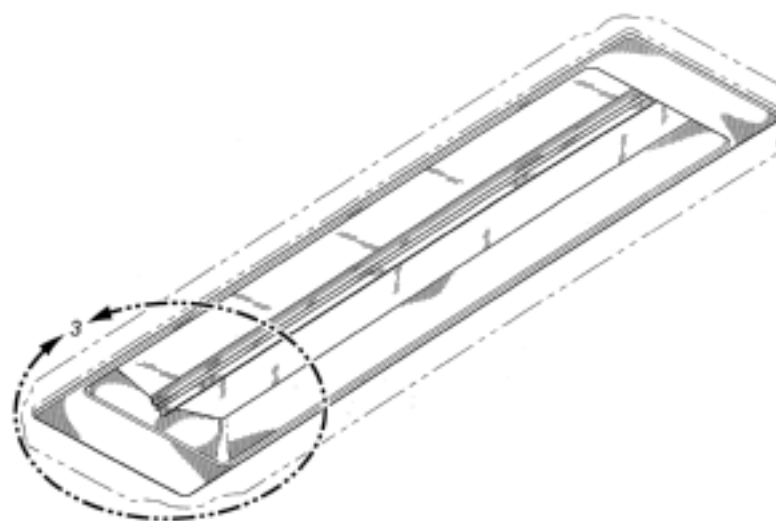
(21) Design Number: **13107/2011**
(22) Date of Filing Application: **14 July 2011**
(24) Date from which industrial property rights may have effect: **14 July 2011**
(54) Product in respect of which the design is registered: **Clamp connecting part**
(51) International Design Classification: **08-05F**
(74) Name(s) of Attorney(s):
(71) Name(s) and Address(s) of Applicant(s):
Matthew Phillipott
Unit 3/7 Luso Drive Unanderra New South Wales 2526 Australia
(72) Name(s) of Designer(s): **Matthew Phillipott**
(45) Registration Date: **08 August 2011**
(56) Related Art Documents: **Not Applicable**
(57) Statement of Newness and Distinctiveness: **Monopoly is claimed in the features of shape and configuration of a pair of clamp connecting parts (as shown in the accompanying representations) which are designed to be used in conjunction with a handlebar clamp and motorcycle handguard.**



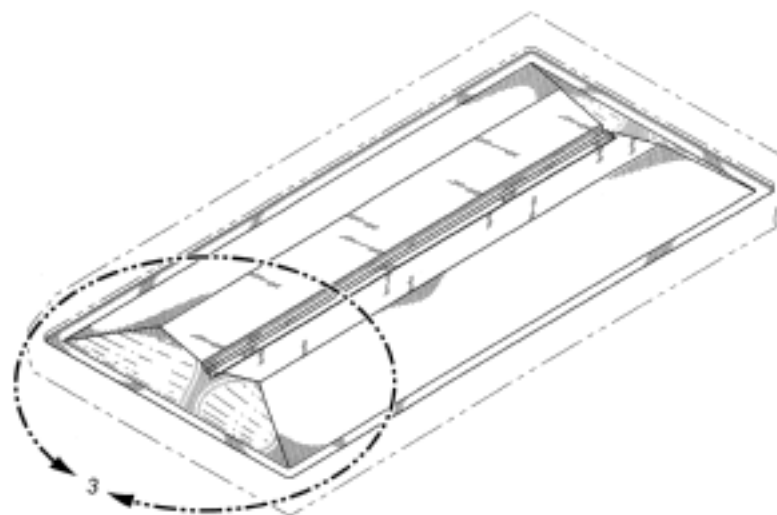
- (21) Design Number: **13108/2011**
(22) Date of Filing Application: **14 July 2011**
(24) Date from which industrial property rights may have effect: **14 July 2011**
(54) Product in respect of which the design is registered: **Clamp connecting part**
(51) International Design Classification: **08-05F**
(74) Name(s) of Attorney(s):
(71) Name(s) and Address(s) of Applicant(s):
Matthew Phillpott
Unit 3/7 Luso Drive Unanderra New South Wales 2526 Australia
(72) Name(s) of Designer(s): **Matthew Phillpott**
(45) Registration Date: **08 August 2011**
(56) Related Art Documents: **Not Applicable**
(57) Statement of Newness and Distinctiveness: **Monopoly is claimed in the features of shape and configuration of a pair of clamp connecting parts (as shown in the accompanying representations) which are designed to be used in conjunction with a handlebar clamp and motorcycle handguard.**



- (21) Design Number: **13109/2011**
(22) Date of Filing Application: **13 July 2011**
(24) Date from which industrial property rights may have effect: **13 July 2011**
(54) Product in respect of which the design is registered: **Troffer-style lighting fixture**
(51) International Design Classification: **26-05A**
(74) Name(s) of Attorney(s): **SPRUSON & FERGUSON**
(71) Name(s) and Address(s) of Applicant(s):
Cree, Inc.
4600 Silicon Drive Durham North Carolina 27703 United States of America
(72) Name(s) of Designer(s): **Paul Kenneth Pickard and Mark D. Edmond and Dong Lu and Gerald Negley and Nick Nguyen and Patrick John O'Flaherty and Gary David Trott**
(45) Registration Date: **08 August 2011**
(30) Convention priority data:
(31) Number (32) Date (33) Country
29/387170 09 Mar 2011 UNITED STATES OF AMERICA
(56) Related Art Documents: **Not Applicable**
(57) Statement of Newness and Distinctiveness: **Newness and distinctiveness is claimed in the features of shape and/or configuration of a troffer-style lighting fixture as illustrated in continuous lines in the accompanying representations.**



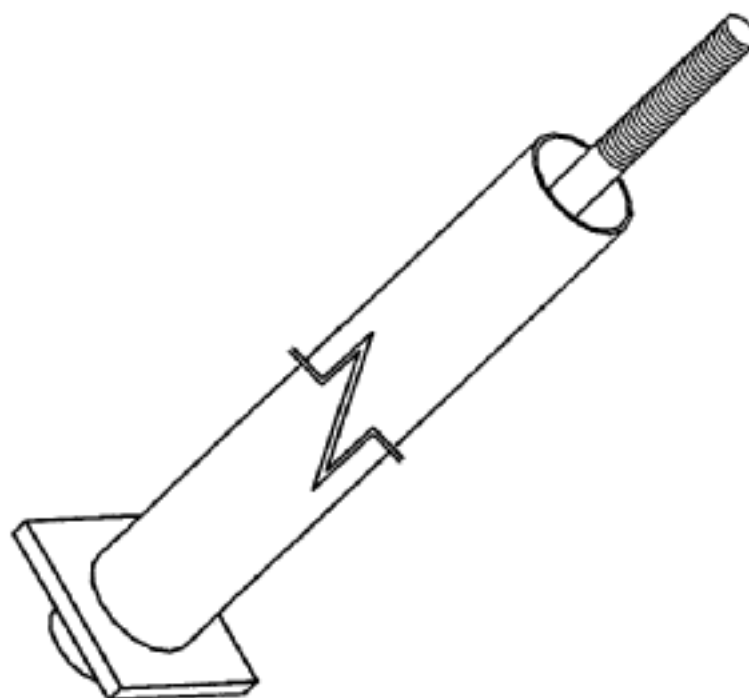
(21) Design Number: **13111/2011**
(22) Date of Filing Application: **13 July 2011**
(24) Date from which industrial property rights may have effect: **13 July 2011**
(54) Product in respect of which the design is registered: **Troffer-style lighting fixture**
(51) International Design Classification: **26-05A**
(74) Name(s) of Attorney(s): **SPRUSON & FERGUSON**
(71) Name(s) and Address(s) of Applicant(s):
Cree, Inc.
4600 Silicon Drive Durham North Carolina 27703 United States of America
(72) Name(s) of Designer(s): **Paul Kenneth Pickard and Mark D. Edmond and Dong Lu and Gerald Negley and Nick Nguyen and Patrick John O'Flaherty and Gary David Trott**
(45) Registration Date: **08 August 2011**
(30) Convention priority data:
(31) Number (32) Date (33) Country
29/387172 09 Mar 2011 UNITED STATES OF AMERICA
(56) Related Art Documents: **Not Applicable**
(57) Statement of Newness and Distinctiveness: **Newness and distinctiveness is claimed in the features of shape and/or configuration of a troffer-style lighting fixture as illustrated in continuous lines in the accompanying representations.**



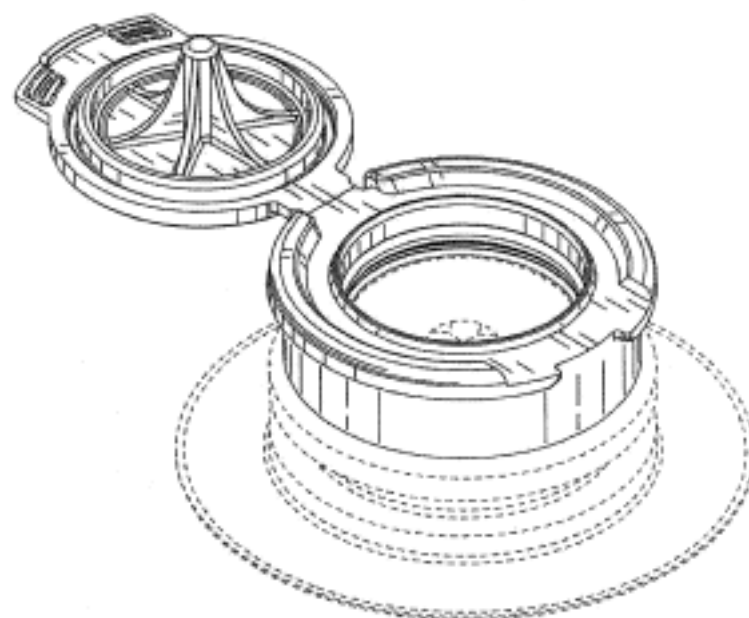
(21) Design Number: **13112/2011**
(22) Date of Filing Application: **13 July 2011**
(24) Date from which industrial property rights may have effect: **13 July 2011**
(54) Product in respect of which the design is registered: **Golf grip**
(51) International Design Classification: **21-02C**
(74) Name(s) of Attorney(s): **FB Rice**
(71) Name(s) and Address(s) of Applicant(s):
Eaton Corporation
Eaton Center 1111 Superior Avenue Cleveland Ohio 44114-2584 United States of America
(72) Name(s) of Designer(s): **MinHsuan Sun**
(45) Registration Date: **08 August 2011**
(30) Convention priority data:
(31) Number (32) Date (33) Country
29/383236 14 Jan 2011 UNITED STATES OF AMERICA
(56) Related Art Documents: **Not Applicable**
(57) Statement of Newness and Distinctiveness: **Newness and distinctiveness reside in the features of the design as shown in the representations.**



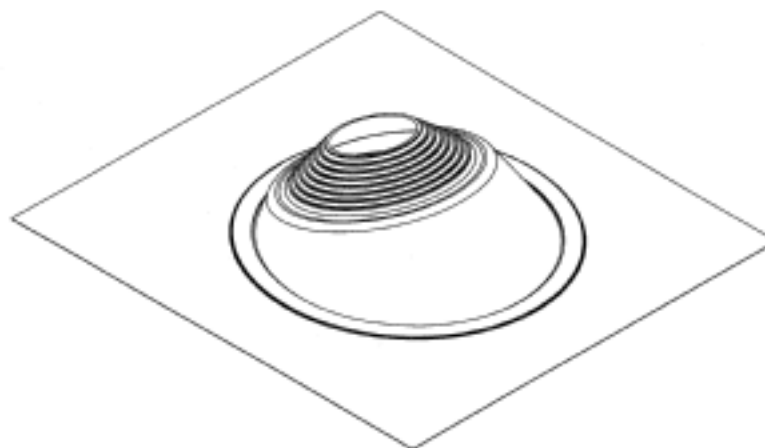
- (21) Design Number: **13113/2011**
(22) Date of Filing Application: **13 July 2011**
(24) Date from which industrial property rights may have effect: **13 July 2011**
(54) Product in respect of which the design is registered: **Anchor bolt system**
(51) International Design Classification: **08-08B**
(74) Name(s) of Attorney(s): **PHILLIPS ORMONDE FITZPATRICK**
(71) Name(s) and Address(s) of Applicant(s):
SGA Engineering Pty Ltd
PO Box 375 1/67 High Street Melton Victoria 3337 Australia
(72) Name(s) of Designer(s): **Darek Sygidus**
(45) Registration Date: **08 August 2011**
(56) Related Art Documents: **Not Applicable**
(57) Statement of Newness and Distinctiveness: **Those features of the anchor bolt system depicted in the representations that are new and distinctive are the shape and/or configuration. The anchor bolt system may be of indefinite length.**



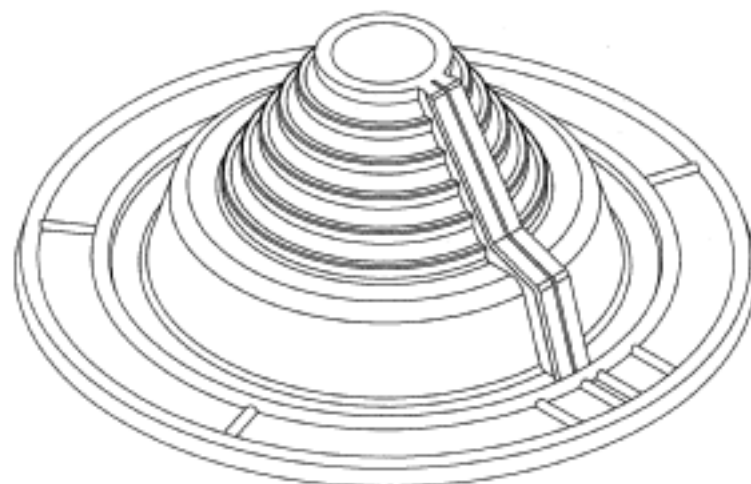
- (21) Design Number: **13114/2011**
(22) Date of Filing Application: **13 July 2011**
(24) Date from which industrial property rights may have effect: **13 July 2011**
(54) Product in respect of which the design is registered: **Cap assembly for self-sealing bag**
(51) International Design Classification: **09-07A**
(74) Name(s) of Attorney(s): **PHILLIPS ORMONDE FITZPATRICK**
(71) Name(s) and Address(s) of Applicant(s):
Scholle Corporation
19520 Jamboree Road Suite 250 Irvine California 92612 United States of America
(72) Name(s) of Designer(s): **James J. Arch and Charles Thurman**
(45) Registration Date: **08 August 2011**
(30) Convention priority data:
(31) Number (32) Date (33) Country
29/383,152 13 Jan 2011 UNITED STATES OF AMERICA
(56) Related Art Documents: **Not Applicable**
(57) Statement of Newness and Distinctiveness: **Newness and distinctiveness is claimed in the features of shape and/or configuration of the cap assembly for self-sealing bag as shown in continuous lines in the accompanying representations. The features shown in broken line are not part of the design and are to be disregarded when considering the overall impression of the design.**



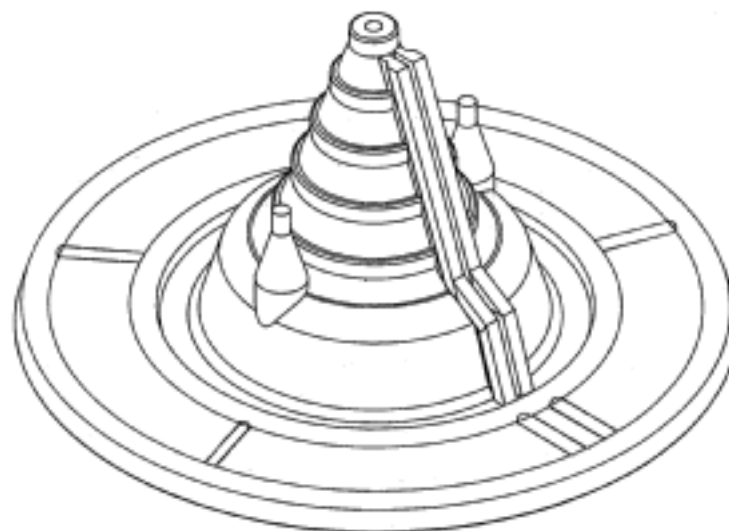
- (21) Design Number: **13115/2011**
(22) Date of Filing Application: **13 July 2011**
(24) Date from which industrial property rights may have effect: **13 July 2011**
(54) Product in respect of which the design is registered: **Flashing device**
(51) International Design Classification: **25-01G**
(74) Name(s) of Attorney(s): **PHILLIPS ORMONDE FITZPATRICK**
(71) Name(s) and Address(s) of Applicant(s):
Aquarius Rubber (Aust.) Pty. Ltd.
46 Rushdale Street Knoxfield Victoria 3180 Australia
(72) Name(s) of Designer(s): **Werner Ernst Schalle**
(45) Registration Date: **08 August 2011**
(56) Related Art Documents: **Not Applicable**
(57) Statement of Newness and Distinctiveness: **Those features of the flashing device depicted in the representations that are new and distinctive are the shape and/or configuration.**



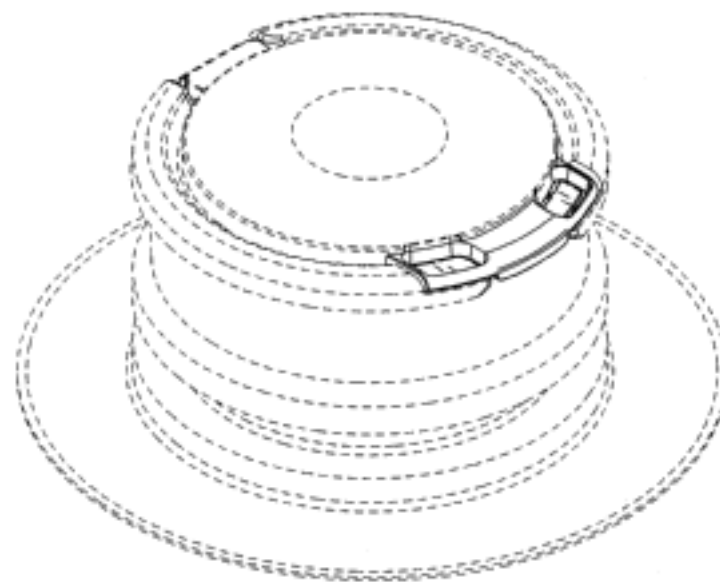
- (21) Design Number: **13116/2011**
(22) Date of Filing Application: **13 July 2011**
(24) Date from which industrial property rights may have effect: **13 July 2011**
(54) Product in respect of which the design is registered: **Flashing device**
(51) International Design Classification: **23-01A, 25-02F**
(74) Name(s) of Attorney(s): **PHILLIPS ORMONDE FITZPATRICK**
(71) Name(s) and Address(s) of Applicant(s):
Aquarius Rubber (Aust.) Pty. Ltd.
46 Rushdale Street Knoxfield Victoria 3180 Australia
(72) Name(s) of Designer(s): **Werner Ernst Schalle**
(45) Registration Date: **08 August 2011**
(56) Related Art Documents: **Not Applicable**
(57) Statement of Newness and Distinctiveness: **Those features of the flashing device depicted in the representations that are new and distinctive are the shape and/or configuration.**



- (21) Design Number: **13117/2011**
(22) Date of Filing Application: **13 July 2011**
(24) Date from which industrial property rights may have effect: **13 July 2011**
(54) Product in respect of which the design is registered: **Flasing device**
(51) International Design Classification: **23-01A, 25-02F**
(74) Name(s) of Attorney(s): **PHILLIPS ORMONDE FITZPATRICK**
(71) Name(s) and Address(s) of Applicant(s):
Aquarius Rubber (Aust.) Pty. Ltd.
46 Rushdale Street Knoxfield Victoria 3180 Australia
(72) Name(s) of Designer(s): **Werner Ernst Schalle**
(45) Registration Date: **08 August 2011**
(56) Related Art Documents: **Not Applicable**
(57) Statement of Newness and Distinctiveness: **Those features of the flashing device depicted in the representations that are new and distinctive are the shape and/or configuration.**



- (21) Design Number: **13118/2011**
(22) Date of Filing Application: **13 July 2011**
(24) Date from which industrial property rights may have effect: **13 July 2011**
(54) Product in respect of which the design is registered: **Closure portion of a cap assembly for a self-sealing bag**
(51) International Design Classification: **09-07A**
(74) Name(s) of Attorney(s): **PHILLIPS ORMONDE FITZPATRICK**
(71) Name(s) and Address(s) of Applicant(s):
Scholle Corporation
19520 Jamboree Road Suite 250 Irvine California 92612 United States of America
(72) Name(s) of Designer(s): **James J. Arch and Charles Thurman**
(45) Registration Date: **08 August 2011**
(30) Convention priority data:
(31) Number (32) Date (33) Country
29/383,152 13 Jan 2011 UNITED STATES OF AMERICA
(56) Related Art Documents: **Not Applicable**
(57) Statement of Newness and Distinctiveness: **Newness and distinctiveness is claimed in the features of shape and/or configuration of the closure portion of cap assembly for a self-sealing bag as shown in continuous lines in the accompanying representations. The features shown in broken line are not part of the design and are to be disregarded when considering the overall impression of the design.**



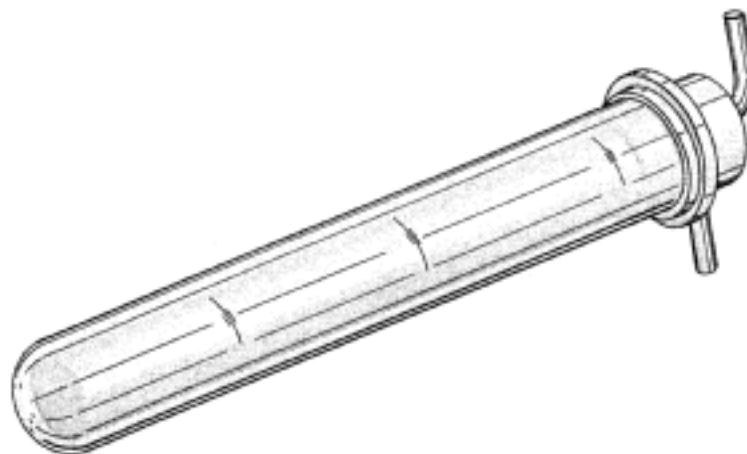
(21) Design Number: **13119/2011**
(22) Date of Filing Application: **14 July 2011**
(24) Date from which industrial property rights may have effect: **14 July 2011**
(54) Product in respect of which the design is registered: **A coffee machine**
(51) International Design Classification: **07-02L**
(74) Name(s) of Attorney(s): **Banki Haddock Fiora**
(71) Name(s) and Address(s) of Applicant(s):
Societe des Produits Nestle S.A.
1800 Vevey Switzerland
(72) Name(s) of Designer(s): **Antoine Cahen**
(45) Registration Date: **08 August 2011**
(30) Convention priority data:
(31) Number (32) Date (33) Country
137632 15 Feb 2011 SWITZERLAND
(56) Related Art Documents: **Not Applicable**
(57) Statement of Newness and Distinctiveness: **Nil**



(21) Design Number: **13122/2011**
(22) Date of Filing Application: **14 July 2011**
(24) Date from which industrial property rights may have effect: **14 July 2011**
(54) Product in respect of which the design is registered: **A coffee machine**
(51) International Design Classification: **07-02L**
(74) Name(s) of Attorney(s): **Banki Haddock Fiora**
(71) Name(s) and Address(s) of Applicant(s):
Societe des Produits Nestle S.A.
1800 Vevey Switzerland
(72) Name(s) of Designer(s): **Antoine Cahen**
(45) Registration Date: **08 August 2011**
(30) Convention priority data:
(31) Number (32) Date (33) Country
137665 24 Feb 2011 SWITZERLAND
(56) Related Art Documents: **Not Applicable**
(57) Statement of Newness and Distinctiveness: **Nil**



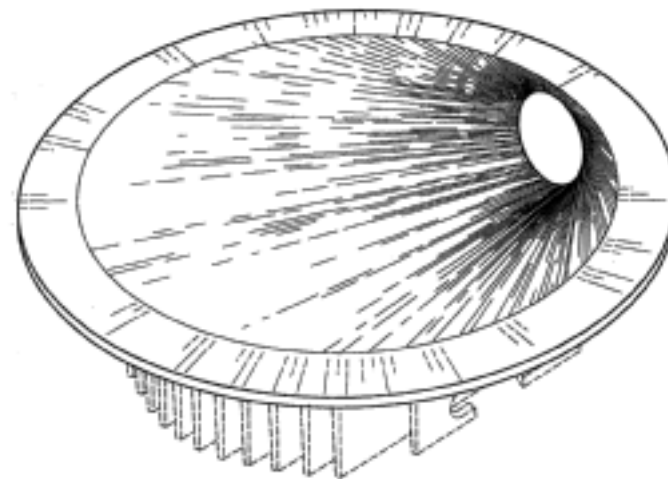
(21) Design Number: **11990/2011**
(22) Date of Filing Application: **06 May 2011**
(24) Date from which industrial property rights may have effect: **06 May 2011**
(54) Product in respect of which the design is registered: **Collector tube assembly**
(51) International Design Classification: **13-99**
(74) Name(s) of Attorney(s):
(71) Name(s) and Address(s) of Applicant(s):
Allan James Yeomans
60 Sunrise Boulevard Surfers Paradise Queensland 4217 Australia
(72) Name(s) of Designer(s): **Allan James Yeomans**
(45) Registration Date: **09 August 2011**
(56) Related Art Documents: **Not Applicable**
(57) Statement of Newness and Distinctiveness: **Newness and distinctiveness reside in the features of shape and configuration of a collector tube assembly as shown in the accompanying representations.**



(21) Design Number: **12928/2011**
(22) Date of Filing Application: **01 July 2011**
(24) Date from which industrial property rights may have effect: **01 July 2011**
(54) Product in respect of which the design is registered: **Desk lamp**
(51) International Design Classification: **26-05B**
(74) Name(s) of Attorney(s): **TressCox**
(71) Name(s) and Address(s) of Applicant(s):
PH Plus Pty Ltd
Suite 2 18 Station Street Bowral New South Wales 2576 Australia
(72) Name(s) of Designer(s): **Wallace Patrick Horsley**
(45) Registration Date: **09 August 2011**
(30) Convention priority data:
(31) Number (32) Date (33) Country
29/389,969 19 Apr 2011 UNITED STATES OF AMERICA
(56) Related Art Documents: **Not Applicable**
(57) Statement of Newness and Distinctiveness: **Nil**



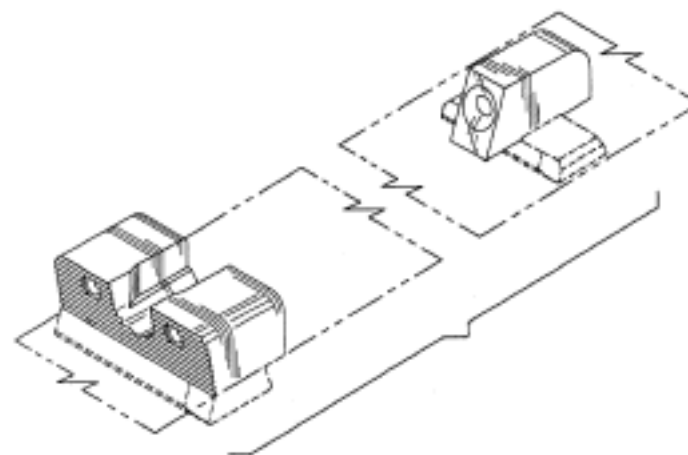
(21) Design Number: **12968/2011**
(22) Date of Filing Application: **01 July 2011**
(24) Date from which industrial property rights may have effect: **01 July 2011**
(54) Product in respect of which the design is registered: **LED light fitting**
(51) International Design Classification: **26-05E**
(74) Name(s) of Attorney(s): **Davies Collison Cave**
(71) Name(s) and Address(s) of Applicant(s):
Brightgreen Pty Ltd
PO Box 1021 St Kilda South Post Office St Kilda South Victoria 3182
Australia
(72) Name(s) of Designer(s): **David Mitchell O'Driscoll**
(45) Registration Date: **09 August 2011**
(56) Related Art Documents: **Not Applicable**
(57) Statement of Newness and Distinctiveness: **Newness and distinctiveness resides in the shape and/or configuration of the product as shown in solid lines and shading in the attached representations.**



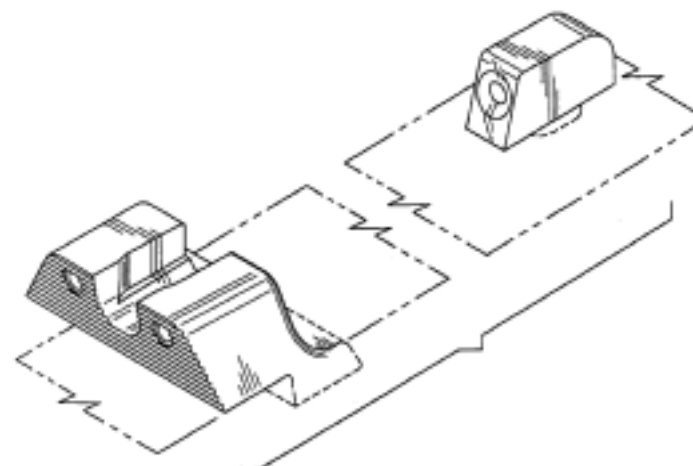
(21) Design Number: **12984/2011**
(22) Date of Filing Application: **04 July 2011**
(24) Date from which industrial property rights may have effect: **04 July 2011**
(54) Product in respect of which the design is registered: **Armoured boot for a mechanical joint for a vehicle**
(51) International Design Classification: **12-16NES**
(74) Name(s) of Attorney(s):
(71) Name(s) and Address(s) of Applicant(s):
Callum Sean Goodman
32 Jindabyne Road Berridale New South Wales 2628 Australia
Alan Philip Goodman
2466 Dunoon Road Rosebank New South Wales 2480 Australia
(72) Name(s) of Designer(s): **Callum Sean Goodman and Alan Philip Goodman**
(45) Registration Date: **09 August 2011**
(56) Related Art Documents: **Not Applicable**
(57) Statement of Newness and Distinctiveness: **Newness and distinctiveness is claimed in the features of shape and/or configuration of a boot for a mechanical joint for a vehicle as illustrated in the accompanying representations.**



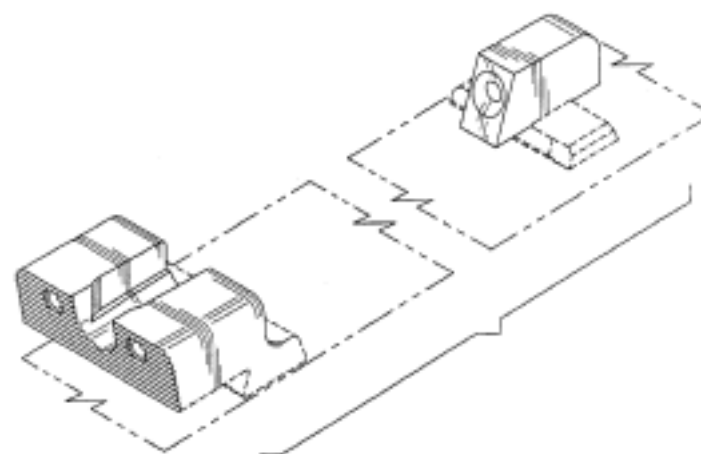
- (21) Design Number: **12451/2011**
(22) Date of Filing Application: **31 May 2011**
(24) Date from which industrial property rights may have effect: **31 May 2011**
(54) Product in respect of which the design is registered: **Gun sight**
(51) International Design Classification: **22-99**
(74) Name(s) of Attorney(s): **Davies Collison Cave**
(71) Name(s) and Address(s) of Applicant(s):
Trijicon, Inc.
49385 Shafer Avenue Wixom Michigan 48393 United States of America
(72) Name(s) of Designer(s): **Bryan R. Glimpse and Robert W. Condra and Joshua Lee Varner and Joseph R. Adkins**
(45) Registration Date: **10 August 2011**
(30) Convention priority data:
(31) Number (32) Date (33) Country
29/380965 14 Dec 2010 UNITED STATES OF AMERICA
(56) Related Art Documents: **Not Applicable**
(57) Statement of Newness and Distinctiveness: **Newness and distinctiveness is claimed in the visual features shown in solid lines in the representations.**



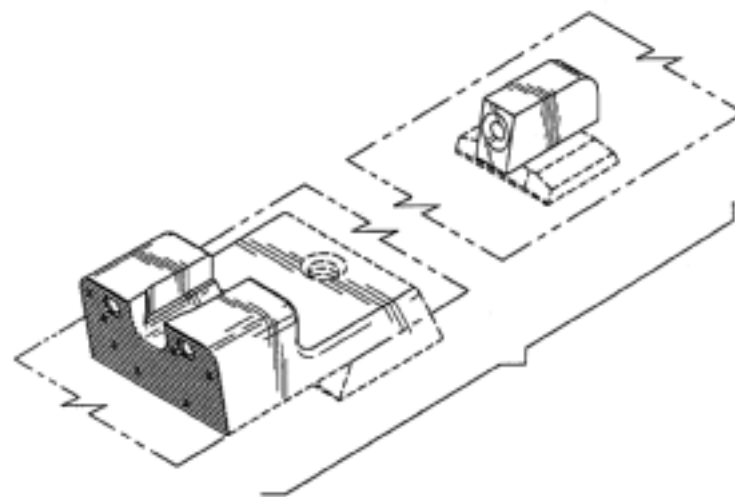
- (21) Design Number: **12452/2011**
(22) Date of Filing Application: **31 May 2011**
(24) Date from which industrial property rights may have effect: **31 May 2011**
(54) Product in respect of which the design is registered: **Gun sight**
(51) International Design Classification: **22-99**
(74) Name(s) of Attorney(s): **Davies Collison Cave**
(71) Name(s) and Address(s) of Applicant(s):
Trijicon, Inc.
49385 Shafer Avenue Wixom Michigan 48393 United States of America
(72) Name(s) of Designer(s): **Bryan R. Glimpse and Robert W. Condra and Joshua Lee Varner and Joseph R. Adkins**
(45) Registration Date: **10 August 2011**
(30) Convention priority data:
(31) Number (32) Date (33) Country
29/380965 14 Dec 2010 UNITED STATES OF AMERICA
(56) Related Art Documents: **Not Applicable**
(57) Statement of Newness and Distinctiveness: **Newness and distinctiveness is claimed in the visual features shown in solid lines in the representations.**



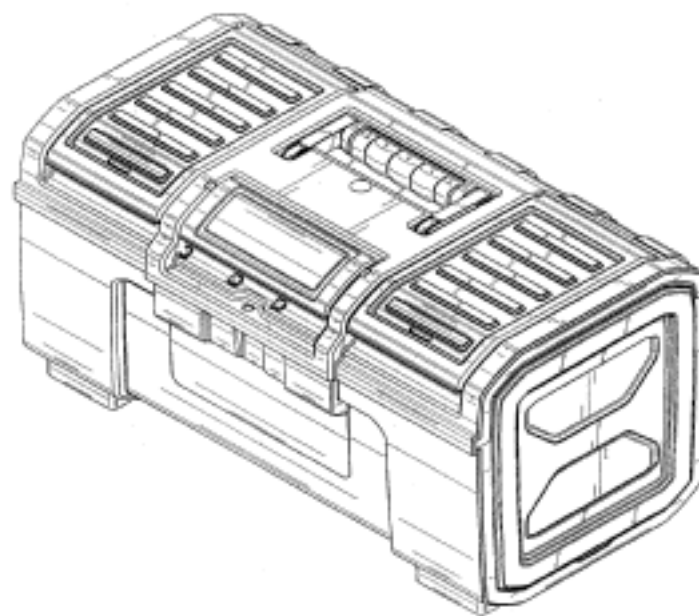
- (21) Design Number: **12453/2011**
(22) Date of Filing Application: **31 May 2011**
(24) Date from which industrial property rights may have effect: **31 May 2011**
(54) Product in respect of which the design is registered: **Gun sight**
(51) International Design Classification: **22-99**
(74) Name(s) of Attorney(s): **Davies Collison Cave**
(71) Name(s) and Address(s) of Applicant(s):
Trijicon, Inc.
49385 Shafer Avenue Wixom Michigan 48393 United States of America
(72) Name(s) of Designer(s): **Bryan R. Glimpse and Robert W. Condra and Joshua Lee Varner and Joseph R. Adkins**
(45) Registration Date: **10 August 2011**
(30) Convention priority data:
(31) Number (32) Date (33) Country
29/380965 14 Dec 2010 UNITED STATES OF AMERICA
(56) Related Art Documents: **Not Applicable**
(57) Statement of Newness and Distinctiveness: **Newness and distinctiveness is claimed in the visual features shown in solid lines in the representations.**



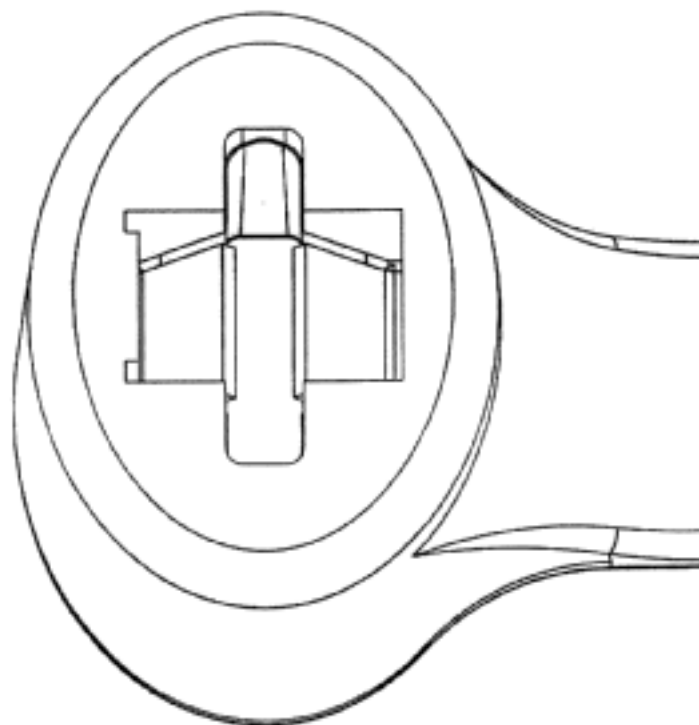
- (21) Design Number: **12454/2011**
(22) Date of Filing Application: **31 May 2011**
(24) Date from which industrial property rights may have effect: **31 May 2011**
(54) Product in respect of which the design is registered: **Gun sight**
(51) International Design Classification: **22-99**
(74) Name(s) of Attorney(s): **Davies Collison Cave**
(71) Name(s) and Address(s) of Applicant(s):
Trijicon, Inc.
49385 Shafer Avenue Wixom Michigan 48393 United States of America
(72) Name(s) of Designer(s): **Bryan R. Glimpse and Robert W. Condra and Joshua Lee Varner and Joseph R. Adkins**
(45) Registration Date: **10 August 2011**
(30) Convention priority data:
(31) Number (32) Date (33) Country
29/380965 14 Dec 2010 UNITED STATES OF AMERICA
(56) Related Art Documents: **Not Applicable**
(57) Statement of Newness and Distinctiveness: **Newness and distinctiveness is claimed in the visual features shown in solid lines in the representations.**



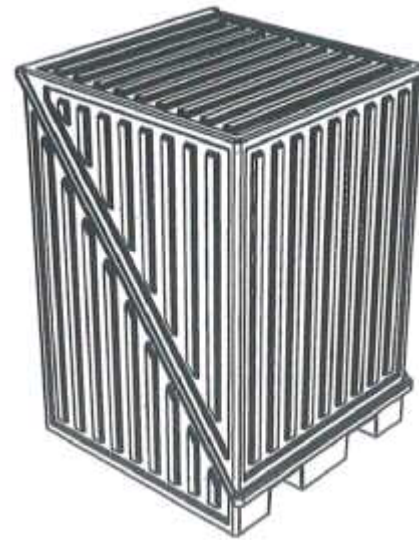
(21) Design Number: **12455/2011**
(22) Date of Filing Application: **31 May 2011**
(24) Date from which industrial property rights may have effect: **31 May 2011**
(54) Product in respect of which the design is registered: **Container**
(51) International Design Classification: **03-01D**
(74) Name(s) of Attorney(s): **Davies Collison Cave**
(71) Name(s) and Address(s) of Applicant(s):
The Stanley Works Israel Ltd.
19 Ha'melacha Street New Industrial Zone Rosh Ha'ayin 48091 Israel
(72) Name(s) of Designer(s): **Elad Hay Shitrit and Mark Bensman**
(45) Registration Date: **10 August 2011**
(30) Convention priority data:
(31) Number (32) Date (33) Country
29/381858 23 Dec 2010 UNITED STATES OF AMERICA
(56) Related Art Documents: **Not Applicable**
(57) Statement of Newness and Distinctiveness: **Nil**



(21) Design Number: **12456/2011**
(22) Date of Filing Application: **31 May 2011**
(24) Date from which industrial property rights may have effect: **31 May 2011**
(54) Product in respect of which the design is registered: **Pipe clamp**
(51) International Design Classification: **08-08NES, 23-01NES**
(74) Name(s) of Attorney(s): **Davies Collison Cave**
(71) Name(s) and Address(s) of Applicant(s):
Illinois Tool Works Inc.
3600 West Lake Avenue Glenview Illinois 60025-6811 United States of America
(72) Name(s) of Designer(s): **Michele Casarotti Todeschini and Federico Cabrele**
(45) Registration Date: **10 August 2011**
(30) Convention priority data:
(31) Number (32) Date (33) Country
1247662 01 Dec 2010 EUROPEAN COMMUNITY
(56) Related Art Documents: **Not Applicable**
(57) Statement of Newness and Distinctiveness: **Newness and distinctiveness is claimed in the visual features shown in solid lines in the representations.**



- (21) Design Number: **13026/2011**
(22) Date of Filing Application: **06 July 2011**
(24) Date from which industrial property rights may have effect: **06 July 2011**
(54) Product in respect of which the design is registered: **A light weight fork lift container**
(51) International Design Classification: **09-03K, 12-05**
(74) Name(s) of Attorney(s): **Pegasus IP**
(71) Name(s) and Address(s) of Applicant(s):
Polyworld Pty Ltd
14-20 Robson Street Clontarf Queensland 4019 Australia
(72) Name(s) of Designer(s): **Daniel Wos**
(45) Registration Date: **10 August 2011**
(56) Related Art Documents: **Not Applicable**
(57) Statement of Newness and Distinctiveness: **Newness and distinctiveness resides in the features of shape and/or configuration of the light weight fork lift container.**



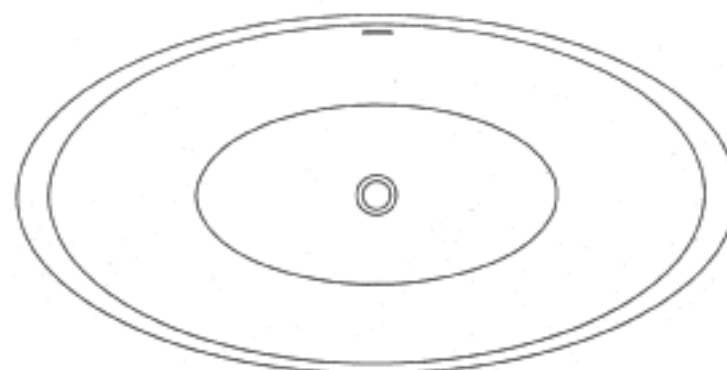
- (21) Design Number: **13068/2011**
(22) Date of Filing Application: **08 July 2011**
(24) Date from which industrial property rights may have effect: **08 July 2011**
(54) Product in respect of which the design is registered: **Lighting installation**
(51) International Design Classification: **26-04, 29-02**
(74) Name(s) of Attorney(s): **Cullens Patent and Trade Mark Attorneys**
(71) Name(s) and Address(s) of Applicant(s):
Boris Vladimirovitch Nalitchaev
ul. Palehs kaya d. 146 kv. 16 129375 Moscow Russian Federation
Iliia Borisovitch Nalitchaev
ul. Palehs kaya d. 146 kv. 16 129375 Moscow Russian Federation
(72) Name(s) of Designer(s): **Boris Vladimirovitch Nalitchaev and Iliia Borisovitch Nalitchaev**
(45) Registration Date: **10 August 2011**
(56) Related Art Documents: **Not Applicable**
(57) Statement of Newness and Distinctiveness: **Newness and distinctiveness resides in the visual features of shape and configuration of the design.**



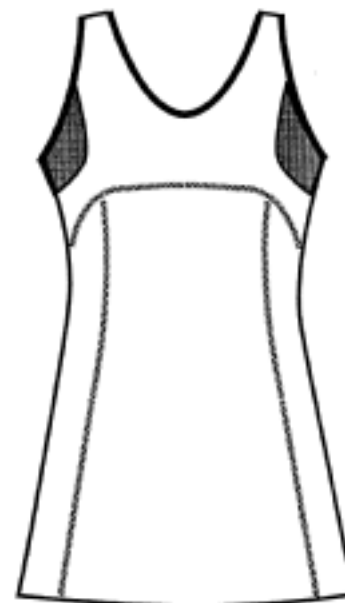
(21) Design Number: **13130/2011**
(22) Date of Filing Application: **14 July 2011**
(24) Date from which industrial property rights may have effect: **14 July 2011**
(54) Product in respect of which the design is registered: **Dinosaur costume**
(51) International Design Classification: **02-02B**
(74) Name(s) of Attorney(s): **Trademark Central**
(71) Name(s) and Address(s) of Applicant(s):
Australian Geographic Retail Pty Ltd
PO Box 219 Pymble New South Wales 2073 Australia
(72) Name(s) of Designer(s): **Claire Robertson**
(45) Registration Date: **10 August 2011**
(56) Related Art Documents: **Not Applicable**
(57) Statement of Newness and Distinctiveness: **Especially designed dinosaur costume.**



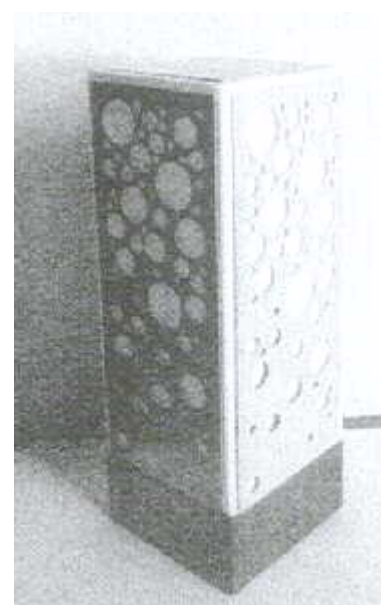
(21) Design Number: **12843/2011**
(22) Date of Filing Application: **24 June 2011**
(24) Date from which industrial property rights may have effect: **24 June 2011**
(54) Product in respect of which the design is registered: **Bath**
(51) International Design Classification: **23-02B**
(74) Name(s) of Attorney(s):
(71) Name(s) and Address(s) of Applicant(s):
Jo Brewer
11 Humphreys Avenue Casula New South Wales 2170 Australia
(72) Name(s) of Designer(s): **Jo Brewer**
(45) Registration Date: **10 August 2011**
(56) Related Art Documents: **Not Applicable**
(57) Statement of Newness and Distinctiveness: **Monolythic, freeform bath - unique detailing to edge.**



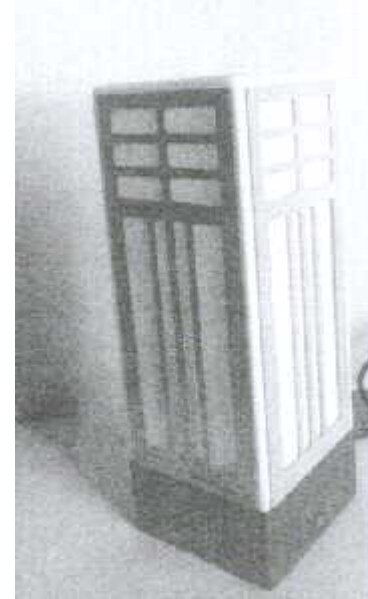
- (21) Design Number: **13066/2011**
(22) Date of Filing Application: **05 July 2011**
(24) Date from which industrial property rights may have effect: **05 July 2011**
(54) Product in respect of which the design is registered: **A dress**
(51) International Design Classification: **02-02C**
(74) Name(s) of Attorney(s): **IP Gateway Patent & Trademark Attorneys**
(71) Name(s) and Address(s) of Applicant(s):
Scody Pty Ltd
Unit 1 12 Leda Drive Burleigh Heads Queensland 4220 Australia
(72) Name(s) of Designer(s): **Grace Mary Demaio**
(45) Registration Date: **10 August 2011**
(56) Related Art Documents: **Not Applicable**
(57) Statement of Newness and Distinctiveness: **The newness and distinctiveness resides in the shape and/or configuration of the shaded panel of the dress as illustrated in the accompanying representations and in the contrast between the shaded panel and the remainder of the dress.**



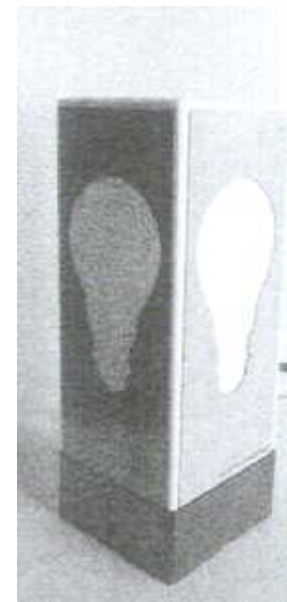
- (21) Design Number: **13133/2011**
(22) Date of Filing Application: **15 July 2011**
(24) Date from which industrial property rights may have effect: **15 July 2011**
(54) Product in respect of which the design is registered: **Outdoor decorative light**
(51) International Design Classification: **26-05D**
(74) Name(s) of Attorney(s):
(71) Name(s) and Address(s) of Applicant(s):
Nick Moore
13 Lovejoy Street Carina Queensland 4152 Australia
(72) Name(s) of Designer(s): **Nick Moore**
(45) Registration Date: **10 August 2011**
(56) Related Art Documents: **Not Applicable**
(57) Statement of Newness and Distinctiveness: **Decorative outdoor lights with cut out shapes to create range of designs.**



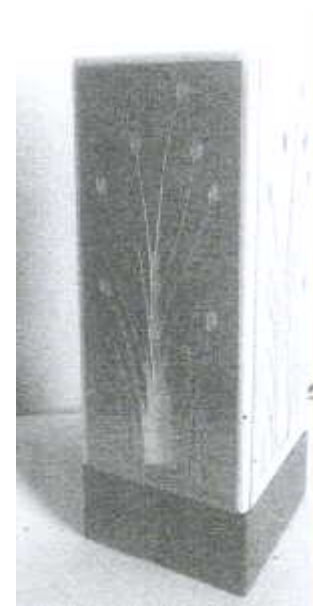
(21) Design Number: **13134/2011**
(22) Date of Filing Application: **15 July 2011**
(24) Date from which industrial property rights may have effect: **15 July 2011**
(54) Product in respect of which the design is registered: **Outdoor decorative light**
(51) International Design Classification: **26-05D**
(74) Name(s) of Attorney(s):
(71) Name(s) and Address(s) of Applicant(s):
Nick Moore
13 Lovejoy Street Carina Queensland 4152 Australia
(72) Name(s) of Designer(s): **Nick Moore**
(45) Registration Date: **10 August 2011**
(56) Related Art Documents: **Not Applicable**
(57) Statement of Newness and Distinctiveness: **Nil**



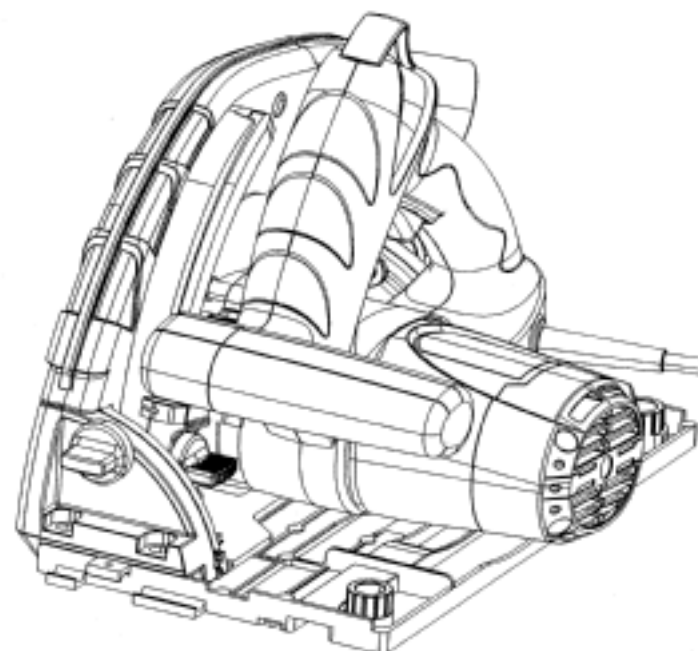
(21) Design Number: **13135/2011**
(22) Date of Filing Application: **15 July 2011**
(24) Date from which industrial property rights may have effect: **15 July 2011**
(54) Product in respect of which the design is registered: **Outdoor decorative light**
(51) International Design Classification: **26-05D**
(74) Name(s) of Attorney(s):
(71) Name(s) and Address(s) of Applicant(s):
Nick Moore
13 Lovejoy Street Carina Queensland 4152 Australia
(72) Name(s) of Designer(s): **Nick Moore**
(45) Registration Date: **10 August 2011**
(56) Related Art Documents: **Not Applicable**
(57) Statement of Newness and Distinctiveness: **Nil**



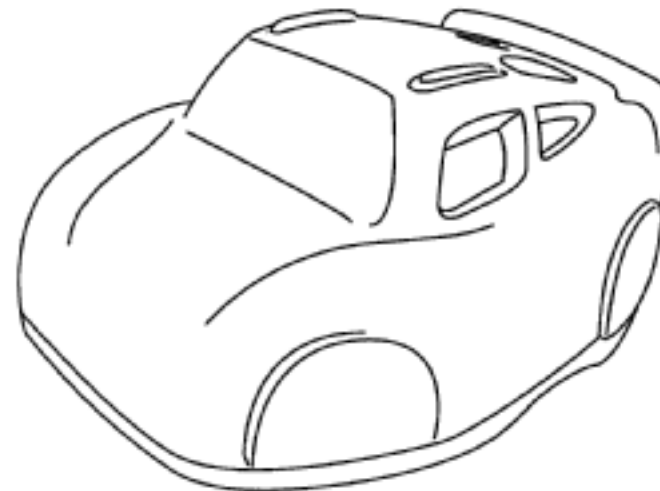
(21) Design Number: **13136/2011**
(22) Date of Filing Application: **15 July 2011**
(24) Date from which industrial property rights may have effect: **15 July 2011**
(54) Product in respect of which the design is registered: **Outdoor decorative light**
(51) International Design Classification: **26-05D**
(74) Name(s) of Attorney(s):
(71) Name(s) and Address(s) of Applicant(s):
Nick Moore
13 Lovejoy Street Carina Queensland 4152 Australia
(72) Name(s) of Designer(s): **Nick Moore**
(45) Registration Date: **10 August 2011**
(56) Related Art Documents: **Not Applicable**
(57) Statement of Newness and Distinctiveness: **Nil**



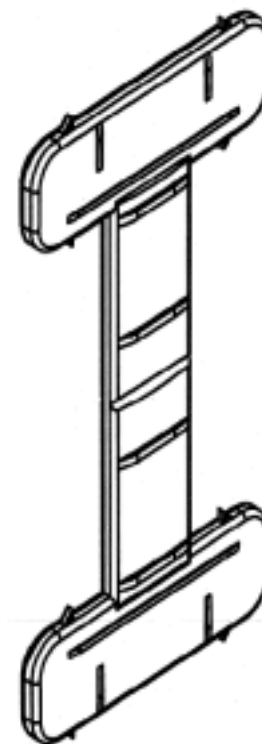
(21) Design Number: **13137/2011**
(22) Date of Filing Application: **14 July 2011**
(24) Date from which industrial property rights may have effect: **14 July 2011**
(54) Product in respect of which the design is registered: **Plunge saw**
(51) International Design Classification: **08-03**
(74) Name(s) of Attorney(s): **Madderns**
(71) Name(s) and Address(s) of Applicant(s):
Scheppach Fabrikation von Holzbearbeitungsmaschinen GmbH
Gunzburger Str. 69 Ichenhausen 89335 Germany
(72) Name(s) of Designer(s): **Christine Valk**
(45) Registration Date: **10 August 2011**
(30) Convention priority data:
(31) Number (32) Date (33) Country
**602464901 11 May 2011 WORLD INTELLECTUAL
PROPERTY ORGANIZATION
(WIPO)**
(56) Related Art Documents: **Not Applicable**
(57) Statement of Newness and Distinctiveness: **Nil**



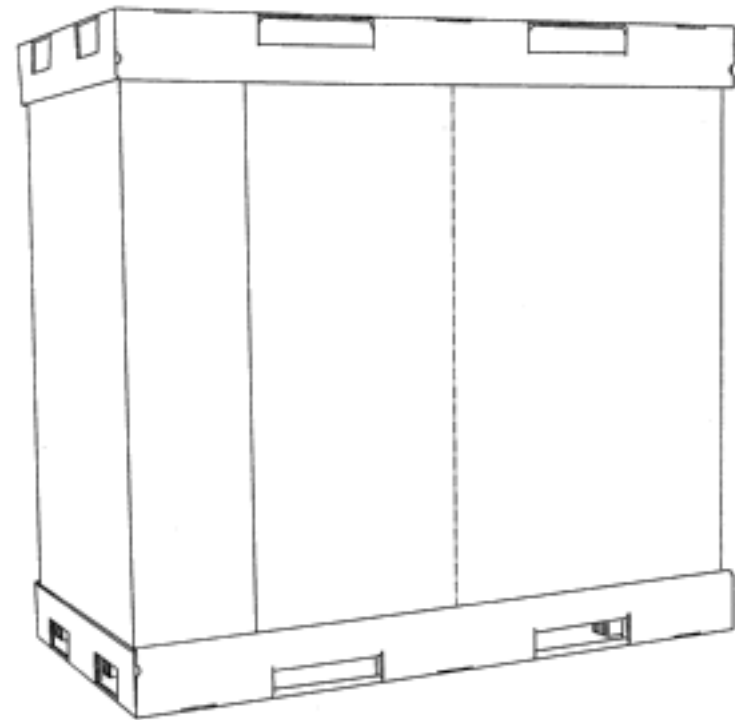
(21) Design Number: **13205/2011**
(22) Date of Filing Application: **20 July 2011**
(24) Date from which industrial property rights may have effect: **20 July 2011**
(54) Product in respect of which the design is registered: **Helmet**
(51) International Design Classification: **02-03**
(74) Name(s) of Attorney(s): **Halfords IP**
(71) Name(s) and Address(s) of Applicant(s):
BK Investment Ltd.
5/F No. 16 Lane 658 Jinzhong Road Shanghai 2003355 China
(72) Name(s) of Designer(s): **Ariel Badanjo**
(45) Registration Date: **10 August 2011**
(30) Convention priority data:
(31) Number (32) Date (33) Country
50586 27 Jan 2011 ISRAEL
(56) Related Art Documents: **Not Applicable**
(57) Statement of Newness and Distinctiveness: **Nil**



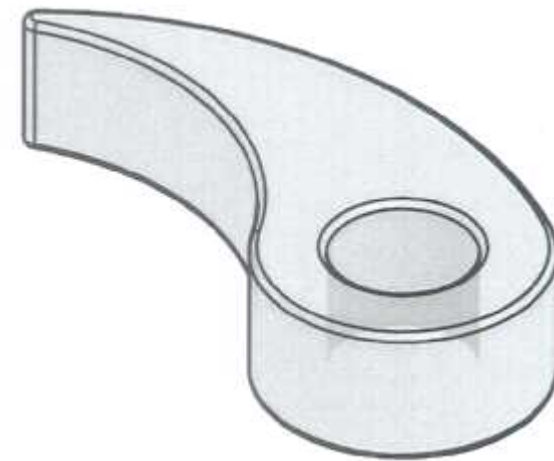
(21) Design Number: **13227/2011**
(22) Date of Filing Application: **21 July 2011**
(24) Date from which industrial property rights may have effect: **21 July 2011**
(54) Product in respect of which the design is registered: **Deck joiner**
(51) International Design Classification: **08-08A**
(74) Name(s) of Attorney(s): **Pegasus IP**
(71) Name(s) and Address(s) of Applicant(s):
Wilson Timbers Pty Ltd
PO Box 79 Salisbury Queensland 4107 Australia
(72) Name(s) of Designer(s): **Nigel Shaw**
(45) Registration Date: **10 August 2011**
(56) Related Art Documents: **Not Applicable**
(57) Statement of Newness and Distinctiveness: **Newness and distinctiveness resides in the features of shape and/or configuration of the deck joiner (Dogbone 86) shown in the reps.**



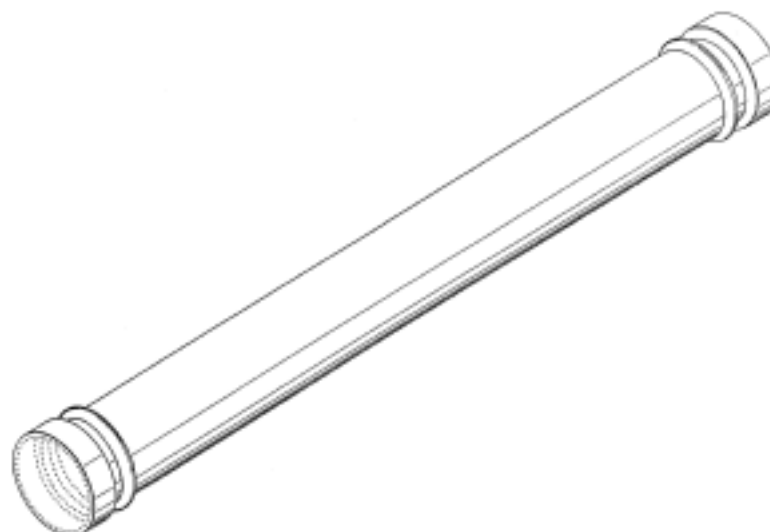
- (21) Design Number: **13149/2011**
(22) Date of Filing Application: **15 July 2011**
(24) Date from which industrial property rights may have effect: **15 July 2011**
(54) Product in respect of which the design is registered: **Storage crate**
(51) International Design Classification: **09-04**
(74) Name(s) of Attorney(s): **Davies Collison Cave**
(71) Name(s) and Address(s) of Applicant(s):
Visy R & D Pty Ltd
Level 11 2 Southbank Boulevard Southbank Victoria 3006 Australia
(72) Name(s) of Designer(s): **Sam Saw**
(45) Registration Date: **10 August 2011**
(56) Related Art Documents: **Not Applicable**
(57) Statement of Newness and Distinctiveness: **The features of the design that are new and distinctive are the features and shape of configuration as illustrated in the accompanying representations.**



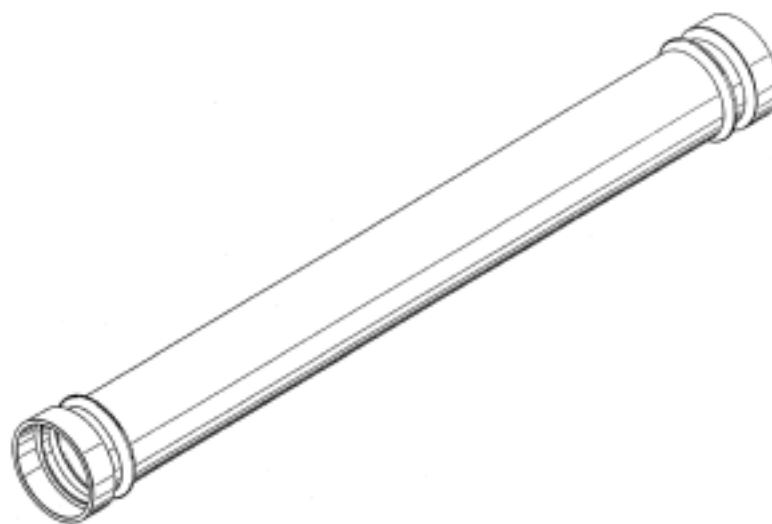
- (21) Design Number: **13150/2011**
(22) Date of Filing Application: **15 July 2011**
(24) Date from which industrial property rights may have effect: **15 July 2011**
(54) Product in respect of which the design is registered: **Lighting**
(51) International Design Classification: **26-05C**
(74) Name(s) of Attorney(s):
(71) Name(s) and Address(s) of Applicant(s):
Barry Horsfall
624 Grange Road Henley Beach South Australia 5022 Australia
(72) Name(s) of Designer(s): **Barry Horsfall**
(45) Registration Date: **10 August 2011**
(56) Related Art Documents: **Not Applicable**
(57) Statement of Newness and Distinctiveness: **Lobe shape.**



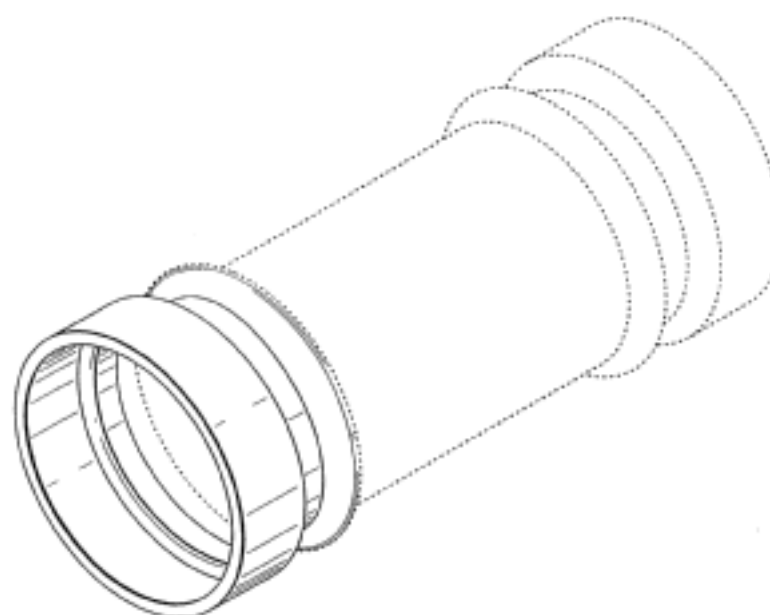
(21) Design Number: **13152/2011**
(22) Date of Filing Application: **15 July 2011**
(24) Date from which industrial property rights may have effect: **15 July 2011**
(54) Product in respect of which the design is registered: **Pipe element**
(51) International Design Classification: **23-01B**
(74) Name(s) of Attorney(s): **SPRUSON & FERGUSON**
(71) Name(s) and Address(s) of Applicant(s):
Victaulic Company
4901 Kesslersville Road Easton Pennsylvania 18040 United States of America
(72) Name(s) of Designer(s): **Douglas R. Dole and Scott D. Madara and Charles E. Wilk Jr and Anthony J. Cuvo**
(45) Registration Date: **10 August 2011**
(30) Convention priority data:
(31) Number (32) Date (33) Country
29/383624 20 Jan 2011 UNITED STATES OF AMERICA
(56) Related Art Documents: **Not Applicable**
(57) Statement of Newness and Distinctiveness: **Newness and distinctiveness is claimed in those features of shape and/or configuration of a pipe element illustrated in continuous lines in the accompanying representations.**



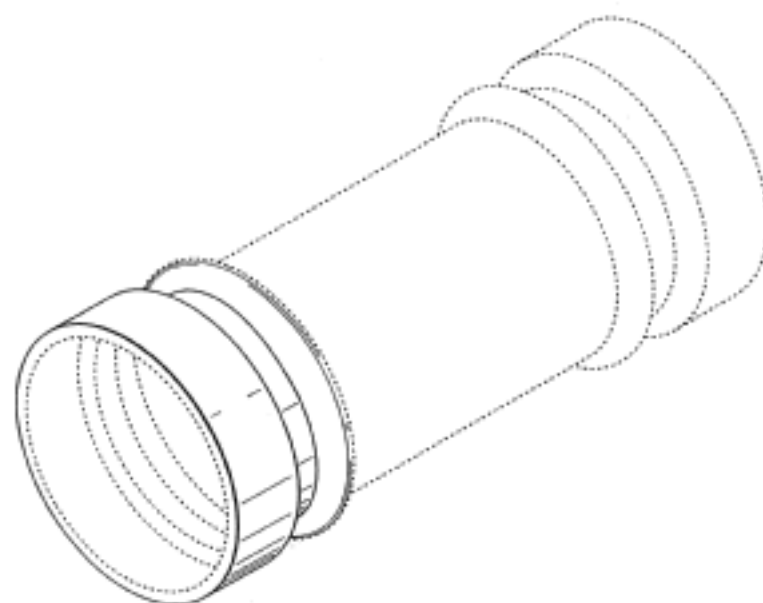
(21) Design Number: **13153/2011**
(22) Date of Filing Application: **15 July 2011**
(24) Date from which industrial property rights may have effect: **15 July 2011**
(54) Product in respect of which the design is registered: **Pipe element**
(51) International Design Classification: **23-01B**
(74) Name(s) of Attorney(s): **SPRUSON & FERGUSON**
(71) Name(s) and Address(s) of Applicant(s):
Victaulic Company
4901 Kesslersville Road Easton Pennsylvania 18040 United States of America
(72) Name(s) of Designer(s): **Douglas R. Dole and Scott D. Madara and Charles E. Wilk Jr and Anthony J. Cuvo**
(45) Registration Date: **10 August 2011**
(30) Convention priority data:
(31) Number (32) Date (33) Country
29/383624 20 Jan 2011 UNITED STATES OF AMERICA
(56) Related Art Documents: **Not Applicable**
(57) Statement of Newness and Distinctiveness: **Newness and distinctiveness is claimed in the features of shape and/or configuration of a pipe element as illustrated in the accompanying representations.**



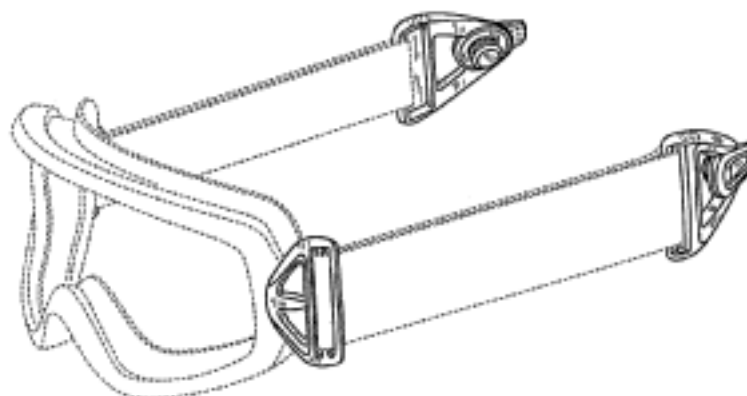
- (21) Design Number: **13154/2011**
(22) Date of Filing Application: **15 July 2011**
(24) Date from which industrial property rights may have effect: **15 July 2011**
(54) Product in respect of which the design is registered: **Pipe element**
(51) International Design Classification: **23-01B**
(74) Name(s) of Attorney(s): **SPRUSON & FERGUSON**
(71) Name(s) and Address(s) of Applicant(s):
Victaulic Company
4901 Kesslersville Road Easton Pennsylvania 18040 United States of America
(72) Name(s) of Designer(s): **Douglas R. Dole and Scott D. Madara and Charles E. Wilk Jr and Anthony J. Cuvo**
(45) Registration Date: **10 August 2011**
(30) Convention priority data:
(31) Number (32) Date (33) Country
29/383624 20 Jan 2011 UNITED STATES OF AMERICA
(56) Related Art Documents: **Not Applicable**
(57) Statement of Newness and Distinctiveness: **Newness and distinctiveness is claimed in those features of shape and/or configuration of a pipe element illustrated in continuous lines in the accompanying representations.**



- (21) Design Number: **13155/2011**
(22) Date of Filing Application: **15 July 2011**
(24) Date from which industrial property rights may have effect: **15 July 2011**
(54) Product in respect of which the design is registered: **Pipe element**
(51) International Design Classification: **23-01B**
(74) Name(s) of Attorney(s): **SPRUSON & FERGUSON**
(71) Name(s) and Address(s) of Applicant(s):
Victaulic Company
4901 Kesslersville Road Easton Pennsylvania 18040 United States of America
(72) Name(s) of Designer(s): **Douglas R. Dole and Scott D. Madara and Charles E. Wilk Jr and Anthony J. Cuvo**
(45) Registration Date: **10 August 2011**
(30) Convention priority data:
(31) Number (32) Date (33) Country
29/383624 20 Jan 2011 UNITED STATES OF AMERICA
(56) Related Art Documents: **Not Applicable**
(57) Statement of Newness and Distinctiveness: **Newness and distinctiveness is claimed in those features of shape and/or configuration of a pipe element illustrated in continuous lines in the accompanying representations.**

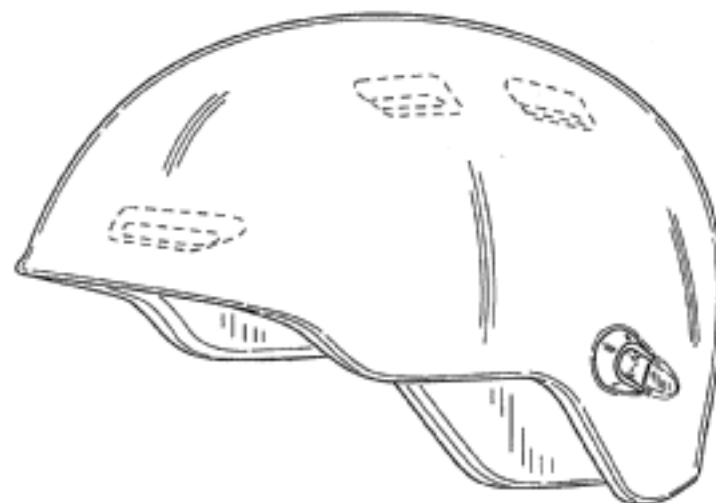


(21) Design Number: **13175/2011**
(22) Date of Filing Application: **18 July 2011**
(24) Date from which industrial property rights may have effect: **18 July 2011**
(54) Product in respect of which the design is registered: **Goggle strap connectors**
(51) International Design Classification: **16-06**
(74) Name(s) of Attorney(s): **PIPERS Melbourne**
(71) Name(s) and Address(s) of Applicant(s):
Smith Optics, Inc.
280 Northwood Way PO Box 2999 Ketchum Idaho 83340 United States of America



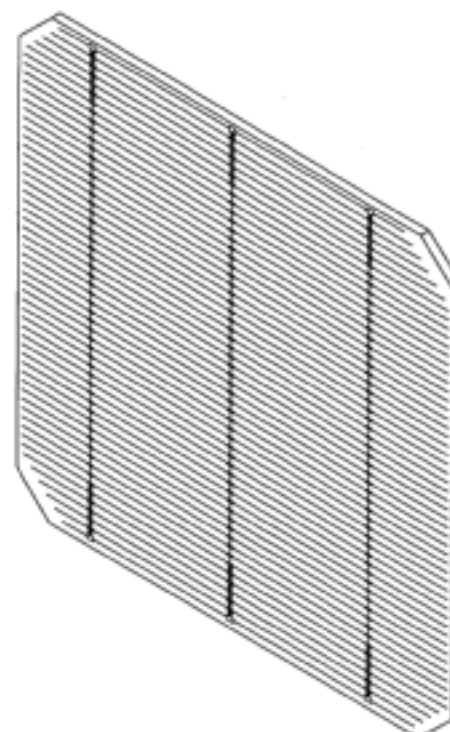
(72) Name(s) of Designer(s): **George T. Giroux**
(45) Registration Date: **10 August 2011**
(30) Convention priority data:
(31) Number (32) Date (33) Country
29/383,584 19 Jan 2011 UNITED STATES OF AMERICA
(56) Related Art Documents: **Not Applicable**
(57) Statement of Newness and Distinctiveness: **The design is to be applied to goggle strap connectors and the novelty resides in the features of shape and configuration of the goggle strap connectors as shown in the accompanying representations. The dashed lines and shadings and do form part of the design.**

(21) Design Number: **13176/2011**
(22) Date of Filing Application: **18 July 2011**
(24) Date from which industrial property rights may have effect: **18 July 2011**
(54) Product in respect of which the design is registered: **Helmet**
(51) International Design Classification: **02-03**
(74) Name(s) of Attorney(s): **PIPERS Melbourne**
(71) Name(s) and Address(s) of Applicant(s):
Smith Optics, Inc.
280 Northwood Way PO Box 2999 Ketchum Idaho 83340 United States of America

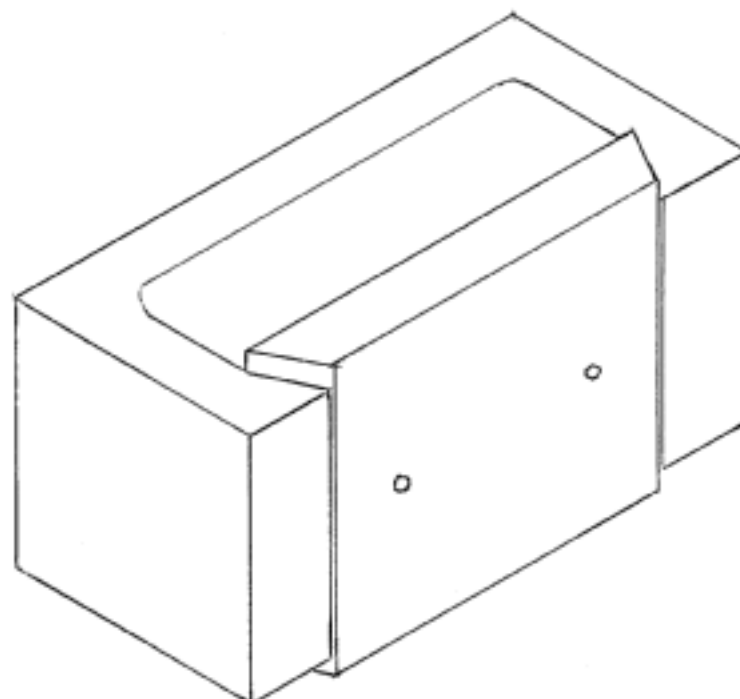


(72) Name(s) of Designer(s): **Thomas A. Moeller and James A. Chilson**
(45) Registration Date: **10 August 2011**
(30) Convention priority data:
(31) Number (32) Date (33) Country
29/383,583 19 Jan 2011 UNITED STATES OF AMERICA
(56) Related Art Documents: **Not Applicable**
(57) Statement of Newness and Distinctiveness: **The design is to be applied to a helmet and the novelty resides in the features of shape and configuration of the helmet as shown in the accompanying representations. The dashed lines and shadings do not form part of the design.**

(21) Design Number: **13318/2011**
(22) Date of Filing Application: **27 July 2011**
(24) Date from which industrial property rights may have effect: **27 July 2011**
(54) Product in respect of which the design is registered: **Solar cell**
(51) International Design Classification: **13-99**
(74) Name(s) of Attorney(s): **Shelston IP**
(71) Name(s) and Address(s) of Applicant(s):
Sanyo Electric Co., Ltd.
5-5 Keihanhondori 2-chome Moriguchi-shi Osaka 570-8677 Japan
(72) Name(s) of Designer(s): **Hiroyuki Kannou and Satoshi Tohoda**
(45) Registration Date: **10 August 2011**
(30) Convention priority data:
(31) Number (32) Date (33) Country
2011-001788 28 Jan 2011 JAPAN
(56) Related Art Documents: **Not Applicable**
(57) Statement of Newness and Distinctiveness: **Nil**



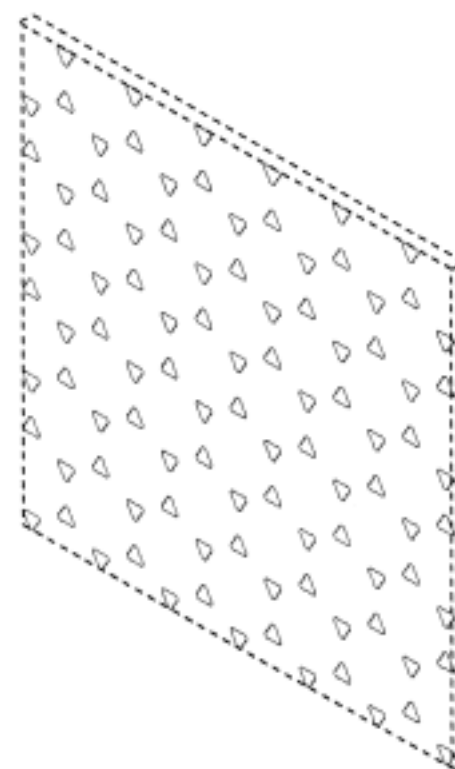
(21) Design Number: **12580/2011**
(22) Date of Filing Application: **09 June 2011**
(24) Date from which industrial property rights may have effect: **09 June 2011**
(54) Product in respect of which the design is registered: **Construction blocks**
(51) International Design Classification: **25-01A**
(74) Name(s) of Attorney(s):
(71) Name(s) and Address(s) of Applicant(s):
David Rotherham
19 Viburnum Road Loftus New South Wales 2232 Australia
Paul R. Hornery
19 Viburnum Road Loftus New South Wales 2232 Australia
(72) Name(s) of Designer(s): **David Rotherham and Paul R. Hornery**
(45) Registration Date: **10 August 2011**
(56) Related Art Documents: **Not Applicable**
(57) Statement of Newness and Distinctiveness: **Concrete cleaning block with a lid so that use of formwork is obviated prior to core filling.**



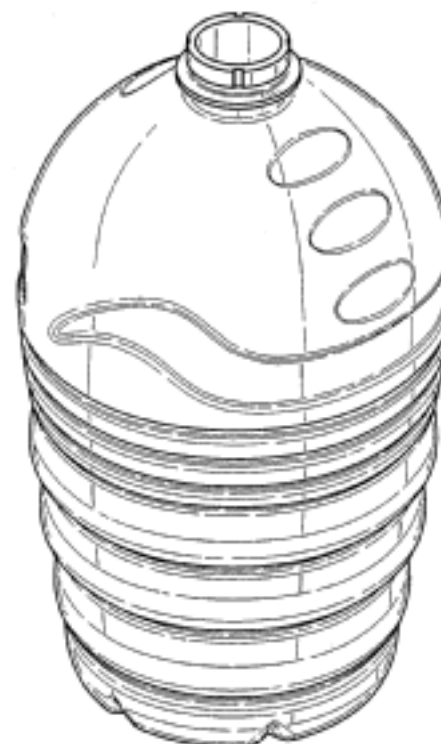
- (21) Design Number: **13381/2011**
(22) Date of Filing Application: **09 June 2011**
(24) Date from which industrial property rights may have effect: **09 June 2011**
(54) Product in respect of which the design is registered: **Construction blocks**
(51) International Design Classification: **25-01A**
(74) Name(s) of Attorney(s):
(71) Name(s) and Address(s) of Applicant(s):
 David Rotherham
 19 Viburnum Road Loftus New South Wales 2232 Australia
 Paul R. Hornery
 19 Viburnum Road Loftus New South Wales 2232 Australia
(72) Name(s) of Designer(s): **David Rotherham and Paul R. Hornery**
(45) Registration Date: **10 August 2011**
(56) Related Art Documents: **Not Applicable**
(57) Statement of Newness and Distinctiveness: **Concrete cleaning block with a lid so that use of formwork is obviated prior to core filling.**



- (21) Design Number: **15553/2010**
(22) Date of Filing Application: **16 December 2010**
(24) Date from which industrial property rights may have effect: **16 December 2010**
(54) Product in respect of which the design is registered: **Armour tile**
(51) International Design Classification: **22-99**
(74) Name(s) of Attorney(s): **Griffith Hack**
(71) Name(s) and Address(s) of Applicant(s):
 Industrie Bitossi S.P.A.
 Via Pietramarina 53 1-50053 Sovigliana Vinci (Firenze) Italy
 Plasan Sasa Ltd.
 Kibbutz Sasa M.P. Marom Hagalil 13870 Israel
(72) Name(s) of Designer(s): **Loriano Bocini and Francesco Borghini and Riccardo Rovai and Shmuel Genihovich and Eliyahu Herush and Mark Pak**
(45) Registration Date: **10 August 2011**
(56) Related Art Documents: **Not Applicable**
(57) Statement of Newness and Distinctiveness: **The shape, pattern and configuration of channels in the armour tile as illustrated in solid lines in the representations are new and distinctive. The outer peripheral shape of the armour tile illustrated in broken lines in the representations is not a limitation of this design.**



(21) Design Number: **12518/2011**
(22) Date of Filing Application: **03 June 2011**
(24) Date from which industrial property rights may have effect: **03 June 2011**
(54) Product in respect of which the design is registered: **Refill bottle**
(51) International Design Classification: **09-01K**
(74) Name(s) of Attorney(s): **Davies Collison Cave**
(71) Name(s) and Address(s) of Applicant(s):
Unilever PLC
Unilever House 100 Victoria Embankment London EC4Y 0DY United Kingdom
(72) Name(s) of Designer(s): **Wilfried Hermel and Damien Jocelyn Pascal Bourne**
(45) Registration Date: **10 August 2011**
(30) Convention priority data:
(31) Number (32) Date (33) Country
001795097-0001 17 Dec 2010 EUROPEAN COMMUNITY
(56) Related Art Documents: **Not Applicable**
(57) Statement of Newness and Distinctiveness: **Newness and distinctiveness is claimed in the visual features shown in solid lines in the representations.**



(21) Design Number: **13441/2011**
(22) Date of Filing Application: **04 August 2011**
(24) Date from which industrial property rights may have effect: **04 August 2011**
(54) Product in respect of which the design is registered: **A bottle**
(51) International Design Classification: **09-01K**
(74) Name(s) of Attorney(s): **A J Park**
(71) Name(s) and Address(s) of Applicant(s):
Fonterra Brands (Australia) Pty Ltd
327 Ferntree Gully Road Mt Waverly Victoria 3149 Australia
(72) Name(s) of Designer(s): **James Rutherford**
(45) Registration Date: **10 August 2011**
(30) Convention priority data:
(31) Number (32) Date (33) Country
415093 28 Jun 2011 NEW ZEALAND
(56) Related Art Documents: **Not Applicable**
(57) Statement of Newness and Distinctiveness: **Newness and distinctiveness reside in the features of shape and/or configuration of the bottle as shown in the representations. The features shown in broken lines are shown for illustrative purposes only and are to be disregarded when considering the overall impression of the design.**



- (21) Design Number: **12263/2011**
(22) Date of Filing Application: **20 May 2011**
(24) Date from which industrial property rights may have effect: **20 May 2011**
(54) Product in respect of which the design is registered: **A protective capsule for fruit/nuts**
(51) International Design Classification: **09-03F**
(74) Name(s) of Attorney(s):
(71) Name(s) and Address(s) of Applicant(s):
Michael Feletar
20 Ryan Street Dundas Valley New South Wales 2117 Australia
(72) Name(s) of Designer(s): **Michael Feletar**
(45) Registration Date: **11 August 2011**
(56) Related Art Documents: **Not Applicable**
(57) Statement of Newness and Distinctiveness: **Fruit protection cocoon without chemical or biological pesticides.**



- (21) Design Number: **13161/2011**
(22) Date of Filing Application: **18 July 2011**
(24) Date from which industrial property rights may have effect: **18 July 2011**
(54) Product in respect of which the design is registered: **Tap handle**
(51) International Design Classification: **23-01H**
(74) Name(s) of Attorney(s):
(71) Name(s) and Address(s) of Applicant(s):
Matthew Shirliff
17 Sanctuary Point Road West Pennant Hills New South Wales 2125 Australia
(72) Name(s) of Designer(s): **Matthew Shirliff**
(45) Registration Date: **11 August 2011**
(56) Related Art Documents: **Not Applicable**
(57) Statement of Newness and Distinctiveness: **Features are the shape and configuration/profile of the tap handle as shown in the accompanying representation.**



(21) Design Number: **13162/2011**

(22) Date of Filing Application: **18 July 2011**

(24) Date from which industrial property rights may have effect: **18 July 2011**

(54) Product in respect of which the design is registered: **Tap body with spout**

(51) International Design Classification: **23-01H**

(74) Name(s) of Attorney(s):

(71) Name(s) and Address(s) of Applicant(s):

Matthew Shirliff

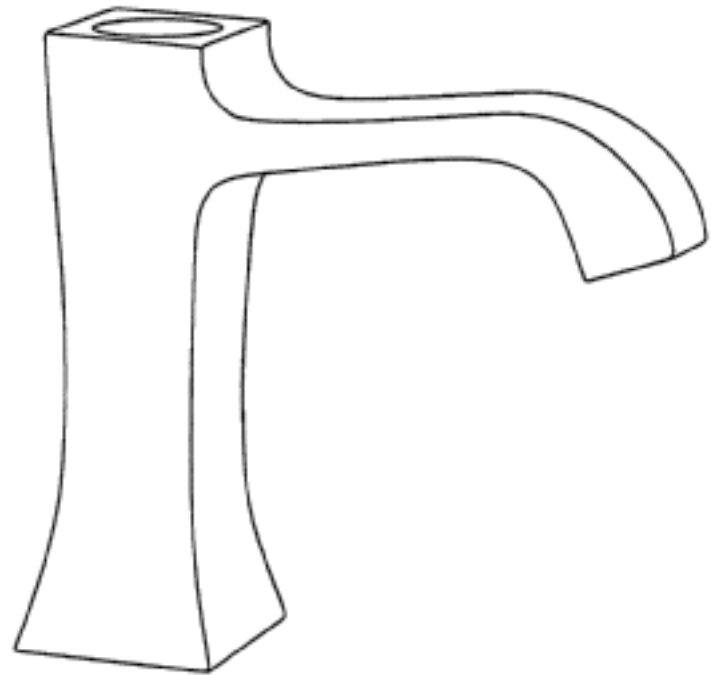
**17 Sanctuary Point Road West Pennant Hills New South Wales 2125
Australia**

(72) Name(s) of Designer(s): **Matthew Shirliff**

(45) Registration Date: **11 August 2011**

(56) Related Art Documents: **Not Applicable**

(57) Statement of Newness and Distinctiveness: **Features are the shape and configuration/profile of the tap body with spout as shown in the accompanying representation.**



(21) Design Number: **13163/2011**

(22) Date of Filing Application: **18 July 2011**

(24) Date from which industrial property rights may have effect: **18 July 2011**

(54) Product in respect of which the design is registered: **Spout**

(51) International Design Classification: **23-01H**

(74) Name(s) of Attorney(s):

(71) Name(s) and Address(s) of Applicant(s):

Matthew Shirliff

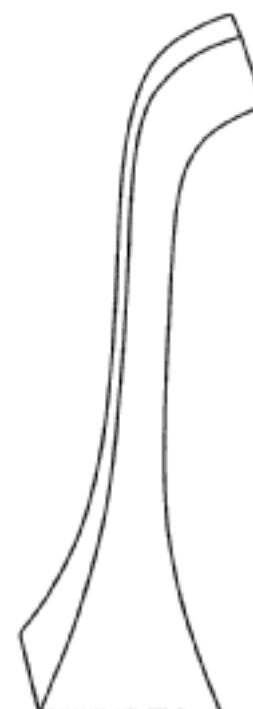
**17 Sanctuary Point Road West Pennant Hills New South Wales 2125
Australia**

(72) Name(s) of Designer(s): **Matthew Shirliff**

(45) Registration Date: **11 August 2011**

(56) Related Art Documents: **Not Applicable**

(57) Statement of Newness and Distinctiveness: **Features are the shape and configuration/profile of the spout as shown in the accompanying representation.**



(21) Design Number: **13169/2011**
(22) Date of Filing Application: **18 July 2011**
(24) Date from which industrial property rights may have effect: **18 July 2011**
(54) Product in respect of which the design is registered: **Razor**
(51) International Design Classification: **28-03A**
(74) Name(s) of Attorney(s): **PHILLIPS ORMONDE FITZPATRICK**
(71) Name(s) and Address(s) of Applicant(s):

The Gillette Company
One Gillette Park Boston Massachusetts 02127 United States of America

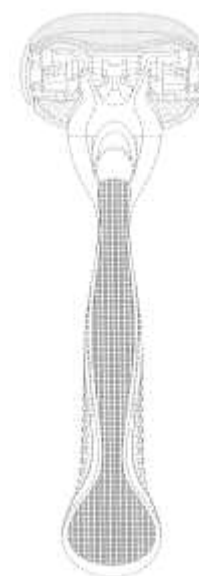
(72) Name(s) of Designer(s): **Jo Wilby**
(45) Registration Date: **11 August 2011**

(30) Convention priority data:

(31) Number	(32) Date	(33) Country
29/383,760	21 Jan 2011	UNITED STATES OF AMERICA

(56) Related Art Documents: **Not Applicable**

(57) Statement of Newness and Distinctiveness: **Newness and distinctiveness resides in the features of pattern and/or ornamentation of a razor as shown in the accompanying representations. The handle portion of the razor represented by cross-hatching represents a gold colour. The stipple shading on the upper lubrication portion of the razor represents a colour, but not limited to any particular colour, and the stipple shading on the other lubrication portion represents a second contrasting colour. The shape and configuration of the lubrication portions, cartridge and handle are to be disregarded when considering the overall impression of the design. The features shown in broken lines are not part of the design and are to be disregarded when considering the overall impression of the design.**



(21) Design Number: **13170/2011**
(22) Date of Filing Application: **18 July 2011**
(24) Date from which industrial property rights may have effect: **18 July 2011**
(54) Product in respect of which the design is registered: **Razor**
(51) International Design Classification: **28-03A**
(74) Name(s) of Attorney(s): **PHILLIPS ORMONDE FITZPATRICK**
(71) Name(s) and Address(s) of Applicant(s):

The Gillette Company
One Gillette Park Boston Massachusetts 02127 United States of America

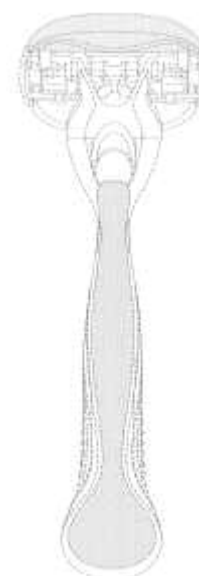
(72) Name(s) of Designer(s): **Jo Wilby**
(45) Registration Date: **11 August 2011**

(30) Convention priority data:

(31) Number	(32) Date	(33) Country
29/383,760	21 Jan 2011	UNITED STATES OF AMERICA

(56) Related Art Documents: **Not Applicable**

(57) Statement of Newness and Distinctiveness: **Newness and distinctiveness resides in the features of pattern and/or ornamentation of a razor as shown in the accompanying representations. The stipple shading on the handle and upper lubrication portion of the razor represents a colour, but not limited to any particular colour. The shape and configuration of the lubrication portions, cartridge and handle are to be disregarded when considering the overall impression of the design. The features shown in broken lines are not part of the design and are to be disregarded when considering the overall impression of the design.**



(21) Design Number: **13171/2011**
(22) Date of Filing Application: **18 July 2011**
(24) Date from which industrial property rights may have effect: **18 July 2011**
(54) Product in respect of which the design is registered: **Razor**
(51) International Design Classification: **28-03A**
(74) Name(s) of Attorney(s): **PHILLIPS ORMONDE FITZPATRICK**
(71) Name(s) and Address(s) of Applicant(s):

The Gillette Company
One Gillette Park Boston Massachusetts 02127 United States of America

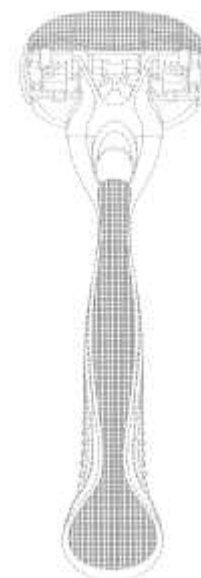
(72) Name(s) of Designer(s): **Jo Wilby**
(45) Registration Date: **11 August 2011**

(30) Convention priority data:

(31) Number	(32) Date	(33) Country
29/383,760	21 Jan 2011	UNITED STATES OF AMERICA

(56) Related Art Documents: **Not Applicable**

(57) Statement of Newness and Distinctiveness: **Newness and distinctiveness resides in the features of pattern and/or ornamentation, as illustrated by cross-hatching of the handle portion and upper cartridge shaving aid wing, applied to the razor as shown in the accompanying representations. The cross-hatching represents a gold colour. The shape and configuration of the lubrication portions, cartridge and handle are to be disregarded when considering the overall impression of the design. The features shown in broken lines are not part of the design and are to be disregarded when considering the overall impression of the design.**



(21) Design Number: **15748/2010**
(22) Date of Filing Application: **24 December 2010**
(24) Date from which industrial property rights may have effect: **24 December 2010**
(54) Product in respect of which the design is registered: **Scoop**
(51) International Design Classification: **07-06NES, 07-99NES**
(74) Name(s) of Attorney(s): **Davies Collison Cave**
(71) Name(s) and Address(s) of Applicant(s):

Cryovac Australia Pty Ltd
90 Keilor Park Drive Tullamarine Victoria 3043 Australia

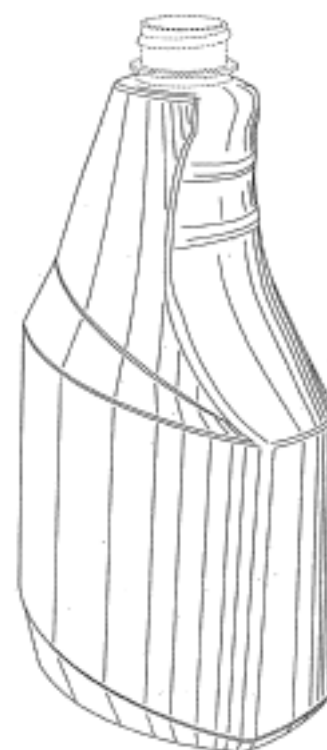
(72) Name(s) of Designer(s): **Mark Bayly**
(45) Registration Date: **11 August 2011**

(56) Related Art Documents: **Not Applicable**

(57) Statement of Newness and Distinctiveness: **Nil**



- (21) Design Number: **12553/2011**
(22) Date of Filing Application: **06 June 2011**
(24) Date from which industrial property rights may have effect: **06 June 2011**
(54) Product in respect of which the design is registered: **Bottle**
(51) International Design Classification: **09-01A**
(74) Name(s) of Attorney(s): **SPRUSON & FERGUSON**
(71) Name(s) and Address(s) of Applicant(s):
S.C. Johnson & Son, Inc.
1525 Howe Street Racine Wisconsin 53403-2236 United States of America
(72) Name(s) of Designer(s): **Jose de Jesus and Peter M. Neumann and Holger Hampf and Matthew D. Hern and Gary B. Swetish and Benjamin R. Lloyd**
(45) Registration Date: **11 August 2011**
(30) Convention priority data:
(31) Number (32) Date (33) Country
29/380459 06 Dec 2010 UNITED STATES OF AMERICA
(56) Related Art Documents: **Not Applicable**
(57) Statement of Newness and Distinctiveness: **Newness and distinctiveness is claimed in those features of shape and/or configuration of a bottle illustrated in continuous lines in the accompanying representations.**



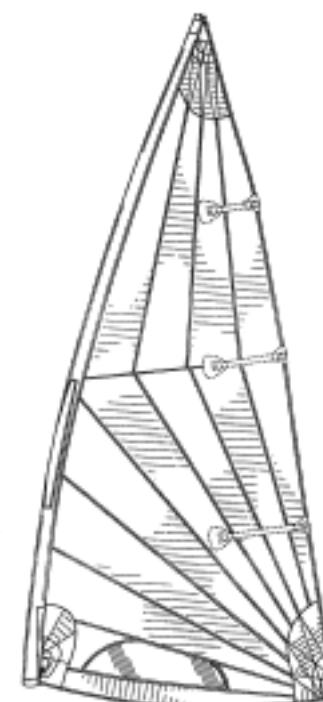
- (21) Design Number: **12554/2011**
(22) Date of Filing Application: **06 June 2011**
(24) Date from which industrial property rights may have effect: **06 June 2011**
(54) Product in respect of which the design is registered: **Bottle**
(51) International Design Classification: **09-01A**
(74) Name(s) of Attorney(s): **SPRUSON & FERGUSON**
(71) Name(s) and Address(s) of Applicant(s):
S.C. Johnson & Son, Inc.
1525 Howe Street Racine Wisconsin 53403-2236 United States of America
(72) Name(s) of Designer(s): **Jose de Jesus and Peter M. Neumann and Holger Hampf and Matthew D. Hern and Gary B. Swetish and Benjamin R. Lloyd**
(45) Registration Date: **11 August 2011**
(30) Convention priority data:
(31) Number (32) Date (33) Country
29/380459 06 Dec 2010 UNITED STATES OF AMERICA
(56) Related Art Documents: **Not Applicable**
(57) Statement of Newness and Distinctiveness: **Newness and distinctiveness is claimed in those features of shape and/or configuration of a bottle illustrated in continuous lines in the accompanying representations.**



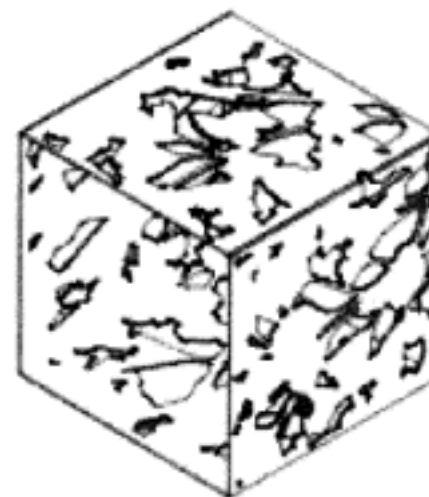
(21) Design Number: **12562/2011**
(22) Date of Filing Application: **07 June 2011**
(24) Date from which industrial property rights may have effect: **07 June 2011**
(54) Product in respect of which the design is registered: **Bottle**
(51) International Design Classification: **09-01K**
(74) Name(s) of Attorney(s): **SPRUSON & FERGUSON**
(71) Name(s) and Address(s) of Applicant(s):
S.C. Johnson & Son, Inc.
1525 Howe Street Racine Wisconsin 53403-2236 United States of America
(72) Name(s) of Designer(s): **Steven A. Zach and Daniel I. Saper and Leah Pelowski and Mark J. Van Handel and Michael D. DeLong and Matthew J. Forst**
(45) Registration Date: **11 August 2011**
(30) Convention priority data:
(31) Number (32) Date (33) Country
29/380588 08 Dec 2010 UNITED STATES OF AMERICA
(56) Related Art Documents: **Not Applicable**
(57) Statement of Newness and Distinctiveness: **Newness and distinctiveness is claimed in those features of shape and/or configuration of a bottle illustrated in continuous lines in the accompanying representations.**



(21) Design Number: **12565/2011**
(22) Date of Filing Application: **08 June 2011**
(24) Date from which industrial property rights may have effect: **08 June 2011**
(54) Product in respect of which the design is registered: **Radial sail**
(51) International Design Classification: **21-02D**
(74) Name(s) of Attorney(s): **Davies Collison Cave**
(71) Name(s) and Address(s) of Applicant(s):
International Laser Class Association
51B Church Street Falmouth Cornwall TR11 3DS United Kingdom
(72) Name(s) of Designer(s): **Michael Lennon and Ian Cameron MacDiarmid**
(45) Registration Date: **11 August 2011**
(30) Convention priority data:
(31) Number (32) Date (33) Country
29/380679 09 Dec 2010 UNITED STATES OF AMERICA
(56) Related Art Documents: **Not Applicable**
(57) Statement of Newness and Distinctiveness: **Newness and distinctiveness is claimed in the visual features shown in solid lines in the representations.**



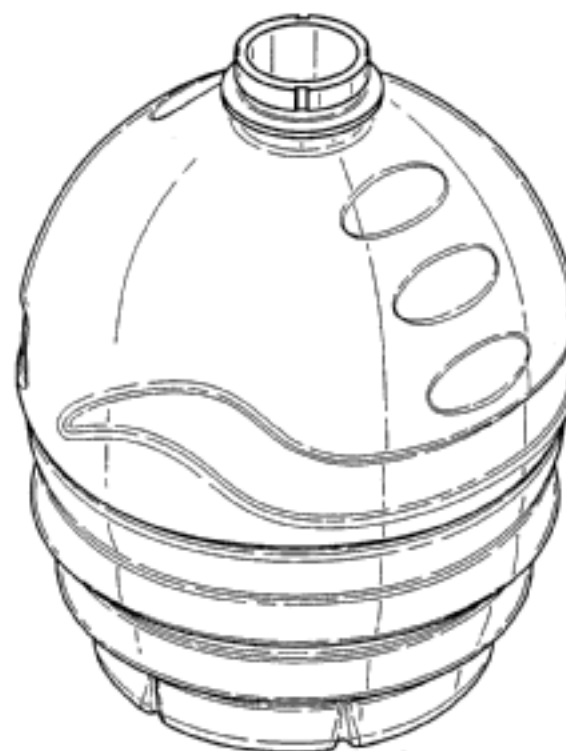
(21) Design Number: **12844/2011**
(22) Date of Filing Application: **23 June 2011**
(24) Date from which industrial property rights may have effect: **23 June 2011**
(54) Product in respect of which the design is registered: **Stool**
(51) International Design Classification: **06-01E**
(74) Name(s) of Attorney(s): **Choy Lawyers**
(71) Name(s) and Address(s) of Applicant(s):
Katherine Brennan
526 Malvern Road Prahran Victoria 3181 Australia
(72) Name(s) of Designer(s): **Katherine Brennan**
(45) Registration Date: **11 August 2011**
(56) Related Art Documents: **Not Applicable**
(57) Statement of Newness and Distinctiveness: **Nil**



(21) Design Number: **13172/2011**
(22) Date of Filing Application: **18 July 2011**
(24) Date from which industrial property rights may have effect: **18 July 2011**
(54) Product in respect of which the design is registered: **Infant carrycots**
(51) International Design Classification: **12-12**
(74) Name(s) of Attorney(s): **Callinans**
(71) Name(s) and Address(s) of Applicant(s):
JANE. S.A.
Mercaders 34 Pol. Ind. Riera de Caldes 08184 Paulau Solita I Plegamans
Barcelona Spain
(72) Name(s) of Designer(s): **Manuel Jane Santamaria**
(45) Registration Date: **11 August 2011**
(30) Convention priority data:
(31) Number (32) Date (33) Country
001807777 **19 Jan 2011** **EUROPEAN COMMUNITY**
(56) Related Art Documents: **Not Applicable**
(57) Statement of Newness and Distinctiveness: **Nil**



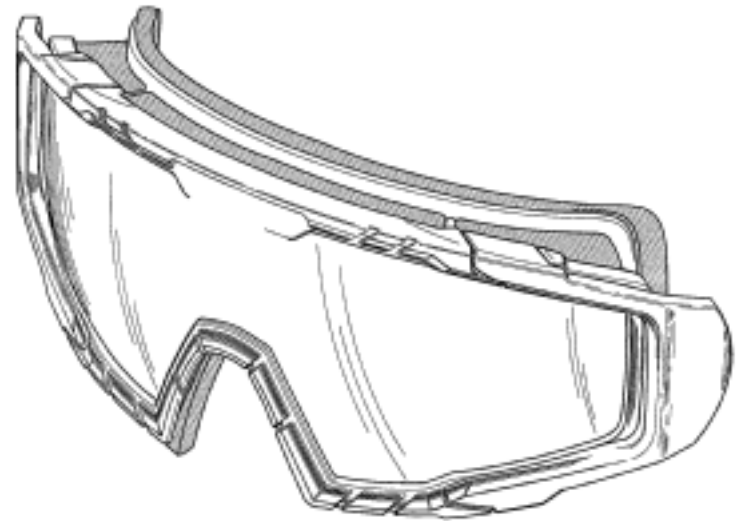
(21) Design Number: **12519/2011**
(22) Date of Filing Application: **03 June 2011**
(24) Date from which industrial property rights may have effect: **03 June 2011**
(54) Product in respect of which the design is registered: **Refill bottle**
(51) International Design Classification: **09-01NES**
(74) Name(s) of Attorney(s): **Davies Collison Cave**
(71) Name(s) and Address(s) of Applicant(s):
Unilever PLC
Unilever House 100 Victoria Embankment London EC4Y 0DY United Kingdom
(72) Name(s) of Designer(s): **Wilfried Hermel and Laurent Lepoitevin**
(45) Registration Date: **11 August 2011**
(30) Convention priority data:
(31) Number (32) Date (33) Country
001795071-0001 17 Dec 2010 EUROPEAN COMMUNITY
(56) Related Art Documents: **Not Applicable**
(57) Statement of Newness and Distinctiveness: **Newness and distinctiveness is claimed in the visual features shown in solid lines in the representations.**



(21) Design Number: **12858/2011**
(22) Date of Filing Application: **24 June 2011**
(24) Date from which industrial property rights may have effect: **24 June 2011**
(54) Product in respect of which the design is registered: **Eyeglasses**
(51) International Design Classification: **16-06**
(74) Name(s) of Attorney(s): **Davies Collison Cave**
(71) Name(s) and Address(s) of Applicant(s):
Oakley, Inc.
One Icon Foothill Ranch California 92610 United States of America
(72) Name(s) of Designer(s): **Aaron Taylor and Jason Belbey and Jeremy Hadden and Neil Ferrier and Carlos D. Reyes and Gardner Wade**
(45) Registration Date: **11 August 2011**
(30) Convention priority data:
(31) Number (32) Date (33) Country
29/383464 18 Jan 2011 UNITED STATES OF AMERICA
(56) Related Art Documents: **Not Applicable**
(57) Statement of Newness and Distinctiveness: **Nil**



(21) Design Number: **12859/2011**
(22) Date of Filing Application: **24 June 2011**
(24) Date from which industrial property rights may have effect: **24 June 2011**
(54) Product in respect of which the design is registered: **Goggles**
(51) International Design Classification: **16-06**
(74) Name(s) of Attorney(s): **Davies Collison Cave**
(71) Name(s) and Address(s) of Applicant(s):
Oakley, Inc.
One Icon Foothill Ranch California 92610 United States of America
(72) Name(s) of Designer(s): **Hans Moritz and Chris Goodman**
(45) Registration Date: **11 August 2011**
(30) Convention priority data:
(31) Number (32) Date (33) Country
29/383478 18 Jan 2011 UNITED STATES OF AMERICA
(56) Related Art Documents: **Not Applicable**
(57) Statement of Newness and Distinctiveness: **Nil**



(21) Design Number: **13061/2011**
(22) Date of Filing Application: **11 July 2011**
(24) Date from which industrial property rights may have effect: **11 July 2011**
(54) Product in respect of which the design is registered: **Maternity/labor gown**
(51) International Design Classification: **02-02C**
(74) Name(s) of Attorney(s):
(71) Name(s) and Address(s) of Applicant(s):
Triple AAA Promotions Pty Ltd
6/6 Foley Street Mona Vale New South Wales 2103 Australia
(72) Name(s) of Designer(s): **Barbara Donald**
(45) Registration Date: **11 August 2011**
(56) Related Art Documents: **Not Applicable**
(57) Statement of Newness and Distinctiveness: **The wrap around feature of the gown; totally enclosing the body. RHS concealed pocket. Feminine shaped raglan sleeve opening in the front. Shaped darting in the back of gown for extra shaping.**



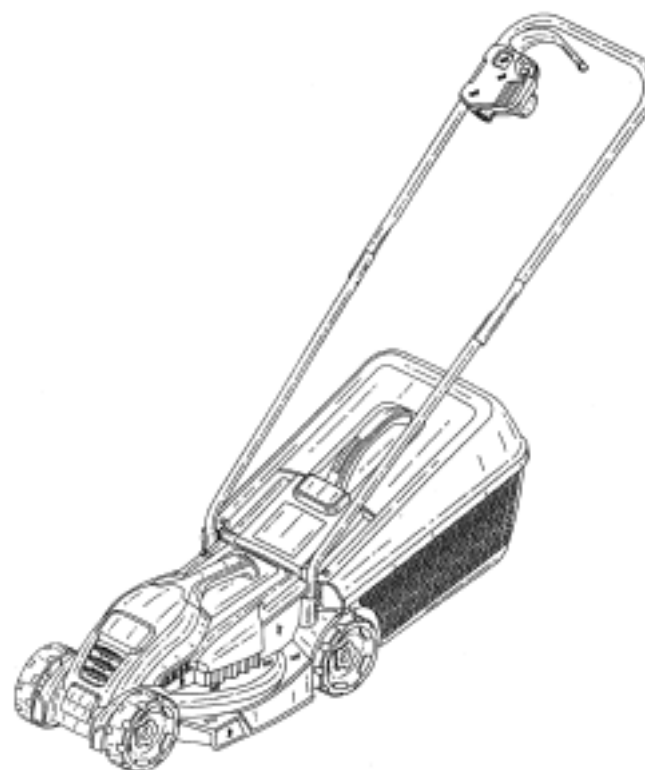
(21) Design Number: **13165/2011**
(22) Date of Filing Application: **19 July 2011**
(24) Date from which industrial property rights may have effect: **19 July 2011**
(54) Product in respect of which the design is registered: **LED downlight**
(51) International Design Classification: **26-05E**
(74) Name(s) of Attorney(s):
(71) Name(s) and Address(s) of Applicant(s):
Hillstone Architectural Lighting Pty Ltd
41 Westwood Meander Carramar Western Australia 6031 Australia
(72) Name(s) of Designer(s): **Scott Johnstone**
(45) Registration Date: **11 August 2011**
(56) Related Art Documents: **Not Applicable**
(57) Statement of Newness and Distinctiveness: **The design has a unique internal reflector covered by a textured clear lens. The clear lens cover distorts all internal components.**



(21) Design Number: **12607/2011**
(22) Date of Filing Application: **10 June 2011**
(24) Date from which industrial property rights may have effect: **10 June 2011**
(54) Product in respect of which the design is registered: **Toothbrush**
(51) International Design Classification: **04-02**
(74) Name(s) of Attorney(s): **Davies Collison Cave**
(71) Name(s) and Address(s) of Applicant(s):
GlaxoSmithKline Consumer Healthcare GmbH & Co. KG
Bussmatten 1 D-77815 Buehl (Baden) Germany
(72) Name(s) of Designer(s): **Christoph Geiberger**
(45) Registration Date: **11 August 2011**
(30) Convention priority data:
(31) Number (32) Date (33) Country
4018115 13 Dec 2010 UNITED KINGDOM
(56) Related Art Documents: **Not Applicable**
(57) Statement of Newness and Distinctiveness: **Newness and distinctiveness is claimed in the visual features shown in solid lines in the representations.**



(21) Design Number: **12793/2011**
(22) Date of Filing Application: **21 June 2011**
(24) Date from which industrial property rights may have effect: **21 June 2011**
(54) Product in respect of which the design is registered: **Lawnmower**
(51) International Design Classification: **15-03B**
(74) Name(s) of Attorney(s): **Davies Collison Cave**
(71) Name(s) and Address(s) of Applicant(s):
Black & Decker Inc
1207 Drummond Plaza Newark Delaware 19711 United States of America
(72) Name(s) of Designer(s): **Mark Stratford**
(45) Registration Date: **11 August 2011**
(30) Convention priority data:
(31) Number (32) Date (33) Country
001253173 04 Jan 2011 EUROPEAN COMMUNITY
(56) Related Art Documents: **Not Applicable**
(57) Statement of Newness and Distinctiveness: **Nil**



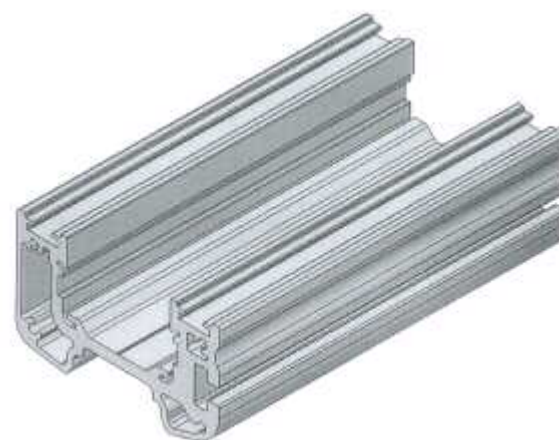
(21) Design Number: **12830/2011**
(22) Date of Filing Application: **22 June 2011**
(24) Date from which industrial property rights may have effect: **22 June 2011**
(54) Product in respect of which the design is registered: **Lawn mower**
(51) International Design Classification: **15-03B**
(74) Name(s) of Attorney(s): **Davies Collison Cave**
(71) Name(s) and Address(s) of Applicant(s):
Black & Decker Inc
1207 Drummond Plaza Newark Delaware 19711 United States of America
(72) Name(s) of Designer(s): **Mark Stratford**
(45) Registration Date: **11 August 2011**
(30) Convention priority data:
(31) Number (32) Date (33) Country
001253165 04 Jan 2011 EUROPEAN COMMUNITY
(56) Related Art Documents: **Not Applicable**
(57) Statement of Newness and Distinctiveness: **Nil**



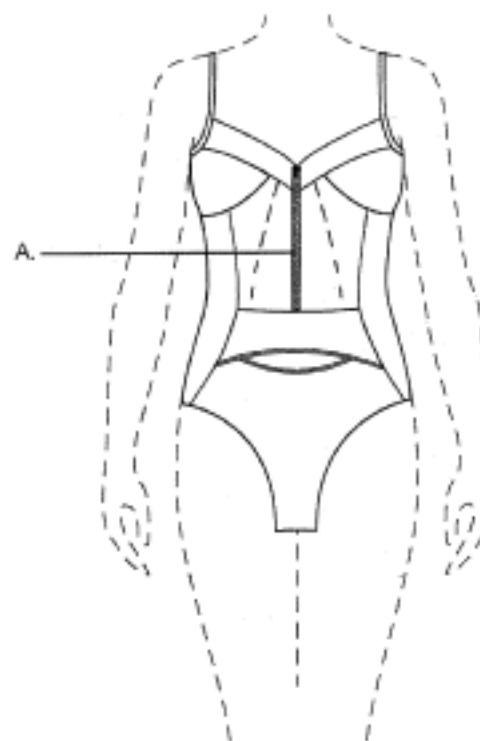
- (21) Design Number: **13000/2011**
(22) Date of Filing Application: **02 May 2011**
(24) Date from which industrial property rights may have effect: **02 May 2011**
(54) Product in respect of which the design is registered: **Food chopper**
(51) International Design Classification: **07-04**
(74) Name(s) of Attorney(s): **Davies Collison Cave**
(71) Name(s) and Address(s) of Applicant(s):
Chef'n Corporation
1525 4th Avenue Suite 700 Seattle Washington 98101 United States of America
(72) Name(s) of Designer(s): **David A. Holcomb and Theresa H. Lee**
(45) Registration Date: **11 August 2011**
(62) Divisional of: **337551**
(56) Related Art Documents: **Not Applicable**
(57) Statement of Newness and Distinctiveness: **Newness and distinctiveness is claimed in the visual features shown in solid lines in the representations.**



- (21) Design Number: **13177/2011**
(22) Date of Filing Application: **19 July 2011**
(24) Date from which industrial property rights may have effect: **19 July 2011**
(54) Product in respect of which the design is registered: **A profile**
(51) International Design Classification: **25-01K**
(74) Name(s) of Attorney(s):
(71) Name(s) and Address(s) of Applicant(s):
Matthews International Pty Ltd
194 Macquarie Way Drewvale Queensland 4116 Australia
(72) Name(s) of Designer(s): **Carl Matthews**
(45) Registration Date: **11 August 2011**
(56) Related Art Documents: **Not Applicable**
(57) Statement of Newness and Distinctiveness: **The shape and configuration of a profile of constant cross section and indefinite length as illustrated in the accompanying representations.**



- (21) Design Number: **12416/2011**
(22) Date of Filing Application: **27 May 2011**
(24) Date from which industrial property rights may have effect: **27 May 2011**
(54) Product in respect of which the design is registered: **Swimwear**
(51) International Design Classification: **02-02A**
(74) Name(s) of Attorney(s): **Herbert Geer Lawyers**
(71) Name(s) and Address(s) of Applicant(s):
JETS Swimwear Pty Limited
8-18 Bowden Street Alexandria New South Wales 2015 Australia
(72) Name(s) of Designer(s): **Jessika Allen**
(45) Registration Date: **12 August 2011**
(56) Related Art Documents: **Not Applicable**
(57) Statement of Newness and Distinctiveness: **Newness and distinctiveness is claimed in the shape, configuration, pattern and/or ornamentation of the swimwear garment as depicted in the accompanying representations. In considering the newness and distinctiveness of the design, the zipper shown in the front view, as indicated at "A", is to be disregarded. The outline of the wearer, the back straps shown in the rear view, the back seams shown in the rear view and the front seams shown in the front view; each shown in broken lines, form no part of the design.**



- (21) Design Number: **12417/2011**
(22) Date of Filing Application: **27 May 2011**
(24) Date from which industrial property rights may have effect: **27 May 2011**
(54) Product in respect of which the design is registered: **Swimwear**
(51) International Design Classification: **02-02A**
(74) Name(s) of Attorney(s): **Herbert Geer Lawyers**
(71) Name(s) and Address(s) of Applicant(s):
JETS Swimwear Pty Limited
8-18 Bowden Street Alexandria New South Wales 2015 Australia
(72) Name(s) of Designer(s): **Jessika Allen**
(45) Registration Date: **12 August 2011**
(56) Related Art Documents: **Not Applicable**
(57) Statement of Newness and Distinctiveness: **Newness and distinctiveness is claimed in the shape and/or configuration of the swimwear garment as depicted in the accompanying representations. In considering the newness and distinctiveness of the design, the zipper shown in the back view, as indicated at "A", is to be disregarded. The outline of the wearer, the back neck strap shown in the rear view and the front straps shown in the front view; each shown in broken lines, form no part of the design.**



(21) Design Number: **12418/2011**
(22) Date of Filing Application: **27 May 2011**
(24) Date from which industrial property rights may have effect: **27 May 2011**
(54) Product in respect of which the design is registered: **Swimwear**
(51) International Design Classification: **02-02A**
(74) Name(s) of Attorney(s): **Herbert Geer Lawyers**
(71) Name(s) and Address(s) of Applicant(s):

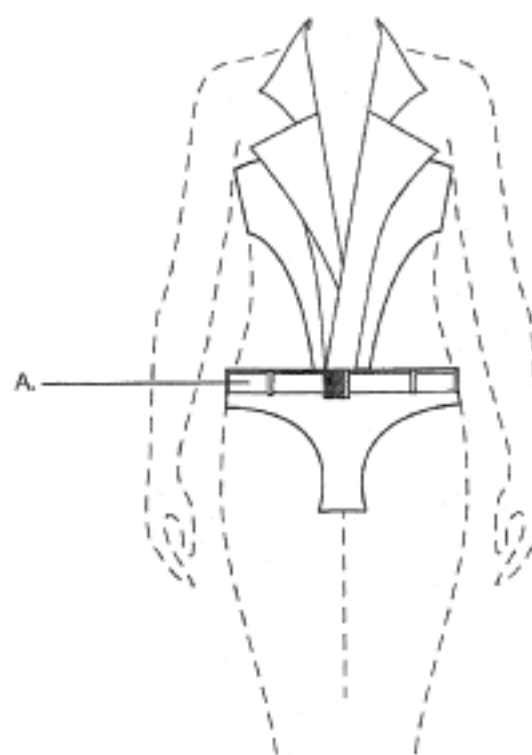
JETS Swimwear Pty Limited
8-18 Bowden Street Alexandria New South Wales 2015 Australia

(72) Name(s) of Designer(s): **Jessika Allen**

(45) Registration Date: **12 August 2011**

(56) Related Art Documents: **Not Applicable**

(57) Statement of Newness and Distinctiveness: **Newness and distinctiveness is claimed in the shape and/or configuration of the swimwear garment as depicted in the accompanying representations. In considering the newness and the distinctiveness of the design, the belt shown in the front view, the belt shown in the back view, and the bow shown in the back view as indicated at "A", is to be disregarded. The outline of the wearer, shown in broken lines forms no part of the design.**



(21) Design Number: **12419/2011**
(22) Date of Filing Application: **27 May 2011**
(24) Date from which industrial property rights may have effect: **27 May 2011**
(54) Product in respect of which the design is registered: **Swimwear**
(51) International Design Classification: **02-02A**
(74) Name(s) of Attorney(s): **Herbert Geer Lawyers**
(71) Name(s) and Address(s) of Applicant(s):

JETS Swimwear Pty Limited
8-18 Bowden Street Alexandria New South Wales 2015 Australia

(72) Name(s) of Designer(s): **Jessika Allen**

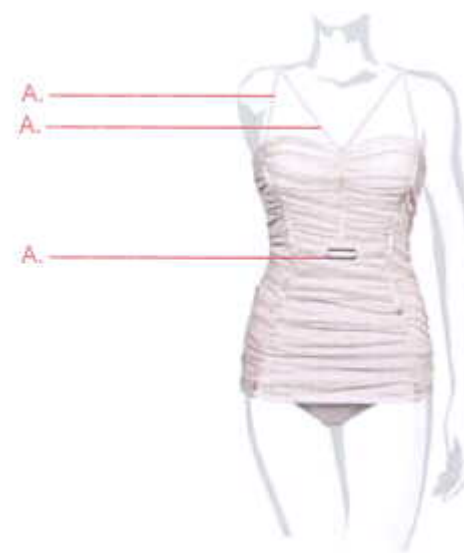
(45) Registration Date: **12 August 2011**

(56) Related Art Documents: **Not Applicable**

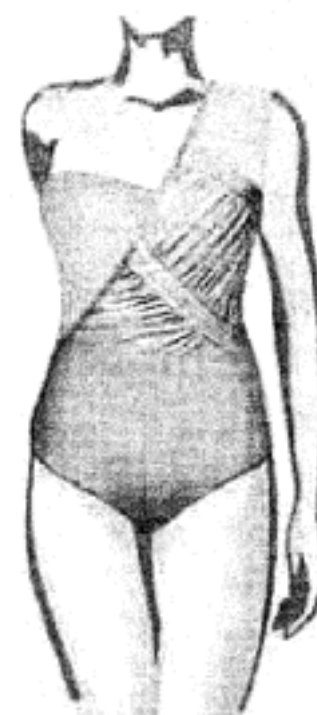
(57) Statement of Newness and Distinctiveness: **Newness and distinctiveness is claimed in the shape and/or configuration of the swimwear garment as depicted in the accompanying representations. In considering the newness and distinctiveness of the design, the front straps shown in the front view, as indicated at "A", are to be disregarded. The outline of the wearer forms no part of the design.**



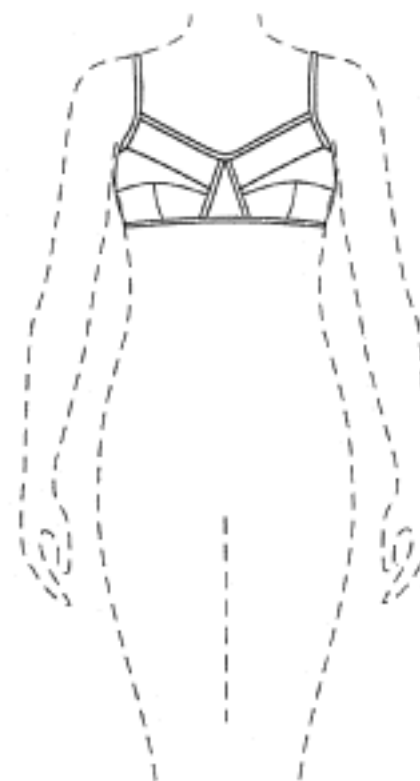
- (21) Design Number: **12420/2011**
(22) Date of Filing Application: **27 May 2011**
(24) Date from which industrial property rights may have effect: **27 May 2011**
(54) Product in respect of which the design is registered: **Swimwear**
(51) International Design Classification: **02-02A**
(74) Name(s) of Attorney(s): **Herbert Geer Lawyers**
(71) Name(s) and Address(s) of Applicant(s):
JETS Swimwear Pty Limited
8-18 Bowden Street Alexandria New South Wales 2015 Australia
(72) Name(s) of Designer(s): **Jessika Allen**
(45) Registration Date: **12 August 2011**
(56) Related Art Documents: **Not Applicable**
(57) Statement of Newness and Distinctiveness: **Newness and distinctiveness is claimed in the shape and/or configuration of the swimwear garment as depicted in the accompanying representations. In considering the newness and distinctiveness of the design, the front straps and the belt and buckle shown the front view, and the back straps and clasp shown in the back view, as indicated at "A", are to be disregarded. The outline of the wearer forms no part of the design.**



- (21) Design Number: **12421/2011**
(22) Date of Filing Application: **27 May 2011**
(24) Date from which industrial property rights may have effect: **27 May 2011**
(54) Product in respect of which the design is registered: **Swimwear**
(51) International Design Classification: **02-02A**
(74) Name(s) of Attorney(s): **Herbert Geer Lawyers**
(71) Name(s) and Address(s) of Applicant(s):
JETS Swimwear Pty Limited
8-18 Bowden Street Alexandria New South Wales 2015 Australia
(72) Name(s) of Designer(s): **Jessika Allen**
(45) Registration Date: **12 August 2011**
(56) Related Art Documents: **Not Applicable**
(57) Statement of Newness and Distinctiveness: **Newness and distinctiveness is claimed in the shape and/or configuration of the swimwear garment as depicted in the accompanying representations. The outline of the wearer forms no part of the design.**



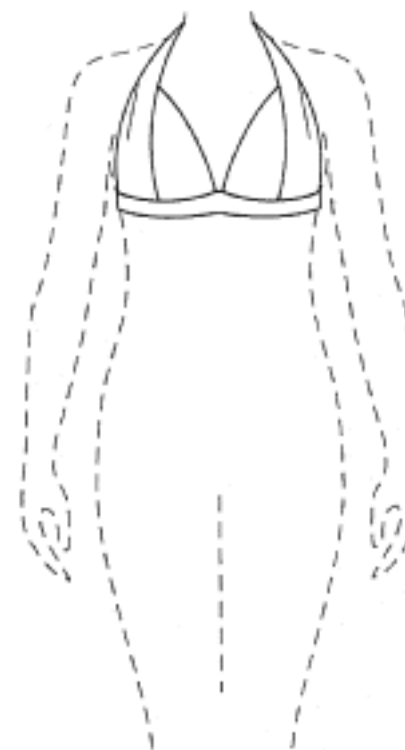
- (21) Design Number: **12422/2011**
(22) Date of Filing Application: **27 May 2011**
(24) Date from which industrial property rights may have effect: **27 May 2011**
(54) Product in respect of which the design is registered: **Swimwear**
(51) International Design Classification: **02-02A**
(74) Name(s) of Attorney(s): **Herbert Geer Lawyers**
(71) Name(s) and Address(s) of Applicant(s):
JETS Swimwear Pty Limited
8-18 Bowden Street Alexandria New South Wales 2015 Australia
(72) Name(s) of Designer(s): **Jessika Allen**
(45) Registration Date: **12 August 2011**
(56) Related Art Documents: **Not Applicable**
(57) Statement of Newness and Distinctiveness: **Newness and distinctiveness is claimed in the shape and/or configuration of the swimwear garment as depicted in the accompanying representations. In considering the newness and distinctiveness of the design, the clasp shown in the back view, as indicated at "A", is to be disregarded. The outline of the wearer and the back straps shown in the back view; each shown in broken lines, form no part of the design.**



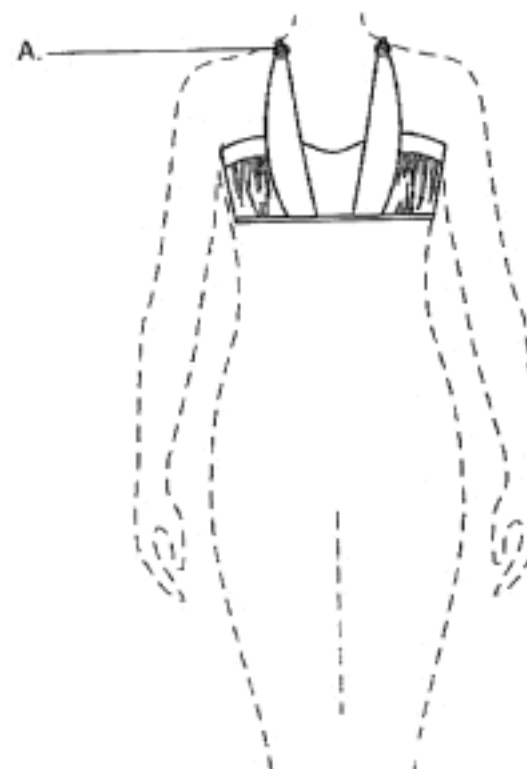
- (21) Design Number: **12423/2011**
(22) Date of Filing Application: **27 May 2011**
(24) Date from which industrial property rights may have effect: **27 May 2011**
(54) Product in respect of which the design is registered: **Swimwear**
(51) International Design Classification: **02-02A**
(74) Name(s) of Attorney(s): **Herbert Geer Lawyers**
(71) Name(s) and Address(s) of Applicant(s):
JETS Swimwear Pty Limited
8-18 Bowden Street Alexandria New South Wales 2015 Australia
(72) Name(s) of Designer(s): **Jessika Allen**
(45) Registration Date: **12 August 2011**
(56) Related Art Documents: **Not Applicable**
(57) Statement of Newness and Distinctiveness: **Newness and distinctiveness is claimed in the shape and/or configuration of the swimwear garment as depicted in the accompanying representations. In considering the newness and distinctiveness of the of the design, the clasp shown in the back view, as indicated at "A", is to be disregarded. The outline of the wearer and the back straps shown in the back view; each shown in broken lines, form no part of the design.**



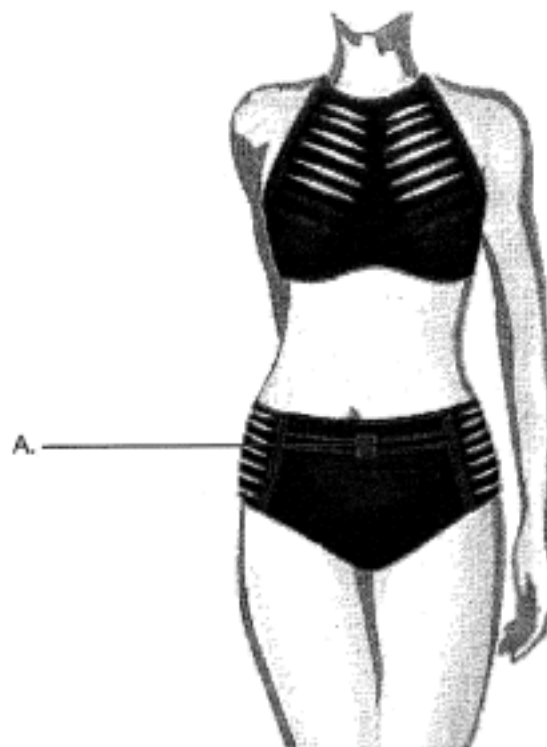
- (21) Design Number: **12424/2011**
(22) Date of Filing Application: **27 May 2011**
(24) Date from which industrial property rights may have effect: **27 May 2011**
(54) Product in respect of which the design is registered: **Swimwear**
(51) International Design Classification: **02-02A**
(74) Name(s) of Attorney(s): **Herbert Geer Lawyers**
(71) Name(s) and Address(s) of Applicant(s):
JETS Swimwear Pty Limited
8-18 Bowden Street Alexandria New South Wales 2015 Australia
(72) Name(s) of Designer(s): **Jessika Allen**
(45) Registration Date: **12 August 2011**
(56) Related Art Documents: **Not Applicable**
(57) Statement of Newness and Distinctiveness: **Newness and distinctiveness is claimed in the shape and/or configuration of the swimwear garment as depicted in the accompanying representations. In considering the newness and distinctiveness of the design, the two bows shown in the back view and the outline of the wearer, all shown in broken lines form no part of the design.**



- (21) Design Number: **12425/2011**
(22) Date of Filing Application: **27 May 2011**
(24) Date from which industrial property rights may have effect: **27 May 2011**
(54) Product in respect of which the design is registered: **Swimwear**
(51) International Design Classification: **02-02A**
(74) Name(s) of Attorney(s): **Herbert Geer Lawyers**
(71) Name(s) and Address(s) of Applicant(s):
JETS Swimwear Pty Limited
8-18 Bowden Street Alexandria New South Wales 2015 Australia
(72) Name(s) of Designer(s): **Jessika Allen**
(45) Registration Date: **12 August 2011**
(56) Related Art Documents: **Not Applicable**
(57) Statement of Newness and Distinctiveness: **Newness and distinctiveness is claimed in the shape and/or configuration of the swimwear garment as depicted in the accompanying representations. In considering the newness and distinctiveness of the design, the buckle shown in the front view, and the back view, and the back straps and clasp shown in the back view, as indicated at "A", are to be disregarded.**



- (21) Design Number: **12426/2011**
(22) Date of Filing Application: **27 May 2011**
(24) Date from which industrial property rights may have effect: **27 May 2011**
(54) Product in respect of which the design is registered: **Swimwear**
(51) International Design Classification: **02-02A**
(74) Name(s) of Attorney(s): **Herbert Geer Lawyers**
(71) Name(s) and Address(s) of Applicant(s):
JETS Swimwear Pty Limited
8-18 Bowden Street Alexandria New South Wales 2015 Australia
(72) Name(s) of Designer(s): **Jessika Allen**
(45) Registration Date: **12 August 2011**
(56) Related Art Documents: **Not Applicable**
(57) Statement of Newness and Distinctiveness: **Newness and distinctiveness is claimed in the shape and/or configuration of the swimwear garment as depicted in the accompanying representations. In considering the newness and distinctiveness of the design, the buckle shown in the front view and the bow and clasp shown in the back view, as indicated at "A", are to be disregarded. The outline of the wearer forms no part of the design.**



- (21) Design Number: **12427/2011**
(22) Date of Filing Application: **27 May 2011**
(24) Date from which industrial property rights may have effect: **27 May 2011**
(54) Product in respect of which the design is registered: **Swimwear**
(51) International Design Classification: **02-02A**
(74) Name(s) of Attorney(s): **Herbert Geer Lawyers**
(71) Name(s) and Address(s) of Applicant(s):
JETS Swimwear Pty Limited
8-18 Bowden Street Alexandria New South Wales 2015 Australia
(72) Name(s) of Designer(s): **Jessika Allen**
(45) Registration Date: **12 August 2011**
(56) Related Art Documents: **Not Applicable**
(57) Statement of Newness and Distinctiveness: **Newness and distinctiveness is claimed in the shape and/or configuration of the swimwear garment as depicted in the accompanying representations. In considering the newness and distinctiveness of the design, the straps shown in the front view, and the back straps and clasp shown in the back view, as indicated at "A", are to be disregarded. The outline of the wearer forms no part of the design.**



- (21) Design Number: **12428/2011**
(22) Date of Filing Application: **27 May 2011**
(24) Date from which industrial property rights may have effect: **27 May 2011**
(54) Product in respect of which the design is registered: **Swimwear**
(51) International Design Classification: **02-02A**
(74) Name(s) of Attorney(s): **Herbert Geer Lawyers**
(71) Name(s) and Address(s) of Applicant(s):
JETS Swimwear Pty Limited
8-18 Bowden Street Alexandria New South Wales 2015 Australia
(72) Name(s) of Designer(s): **Jessika Allen**
(45) Registration Date: **12 August 2011**
(56) Related Art Documents: **Not Applicable**
(57) Statement of Newness and Distinctiveness: **Newness and distinctiveness is claimed in the shape and/or configuration of the swimwear garment as depicted in the accompanying representations. The outline of the wearer forms no part of the design.**



- (21) Design Number: **12429/2011**
(22) Date of Filing Application: **27 May 2011**
(24) Date from which industrial property rights may have effect: **27 May 2011**
(54) Product in respect of which the design is registered: **Swimwear**
(51) International Design Classification: **02-02A**
(74) Name(s) of Attorney(s): **Herbert Geer Lawyers**
(71) Name(s) and Address(s) of Applicant(s):
JETS Swimwear Pty Limited
8-18 Bowden Street Alexandria New South Wales 2015 Australia
(72) Name(s) of Designer(s): **Jessika Allen**
(45) Registration Date: **12 August 2011**
(56) Related Art Documents: **Not Applicable**
(57) Statement of Newness and Distinctiveness: **Newness and distinctiveness is claimed in the shape and/or configuration of the swimwear garment as depicted in the accompanying representations. The outline of the wearer forms no part of the design.**



(19) AU

(21) Design Number: **12461/2011**

(22) Date of Filing Application: **31 May 2011**

(24) Date from which industrial property rights may have effect: **31 May 2011**

(54) Product in respect of which the design is registered: **Part of spray dispenser**

(51) International Design Classification: **09-01A**

(74) Name(s) of Attorney(s): **Davies Collison Cave**

(71) Name(s) and Address(s) of Applicant(s):

Unilever PLC

Unilever House 100 Victoria Embankment London EC4Y 0DY United Kingdom

(72) Name(s) of Designer(s): **Par Robert Erik William Blanking and Benjamin Nathan Diamant and Richard Nicholas Francis Parker and James Edward Roe and Guy Richard Thompson**

(45) Registration Date: **12 August 2011**

(30) Convention priority data:

(31) Number

(32) Date

(33) Country

001249882-0001 14 Dec 2010

EUROPEAN COMMUNITY

(56) Related Art Documents: **Not Applicable**

(57) Statement of Newness and Distinctiveness: **Newness and distinctiveness is claimed in the visual features shown in solid lines in the representations.**

