



Australian Government

IP Australia

AUSTRALIAN OFFICIAL JOURNAL

OF

DESIGNS

Did you know a searchable version of this journal is now available online?

It's FREE and EASY to SEARCH.

Find it on our website (www.ipaustralia.gov.au)

by using the "Journals" link on the home page.

This Page Left Intentionally Blank

Contents

General Information & Notices

**Proceedings Under the Designs Act 1906 preserved as a result of the provisions of Chapter 12
Part 2 of the Designs Act 2003**

Extension of Period of Registration of Designs 2376
Names Registered - Alterations and Amendments 2376
Registrations Ceased 2376
Subsequent Owners Registered 2376

Proceedings Under the Designs Act 2003

Applications Lapsed 2390
Applications Lodged 2384
Applications Withdrawn 2390
Certificate of Examination 2395
Corrigenda 2394
Extension of Period of Registration of Design 2391
Extension of Time Granted Under Section 137 2391
Names Registered - Alterations and Amendments 2391
Publication and Registration Proceedings
Designs Registered 338075 to 338289..... 2396
Registrations Ceased 2391
Subsequent Owners Registered 2391

This Page Left Intentionally Blank

For information on the following please see our website www.ipaustralia.gov.au or contact our Customer Service Network on 1300651010

[Editorial enquiries](#)

[Contact information](#)

[Freedom of Information ACT](#)

[Professional Standards Board](#)

[Sales](#)

[Requests for Information under Section 194 \(c\)](#)

[Country Codes](#)

[Trade Mark and Designs Hearing Sessions](#)

[INID \(Internationally agreed Numbers for the Identification of Data\)](#)

“INID” NUMBERS in use on Australian Design Documents

“INID” is an acronym for “Internationally agreed Numbers for the Identification of Data”.

(10) Data concerning the registration/renewal

- (11) Serial number of the registration and/or number of the design document
- (12) Plain language designation of the kind of published document
- (19) Identification, using the two-letter code according to WIPO Standard ST.3, of the authority publishing or registering the industrial design

(20) Data concerning the application

- (21) Serial number of the application
- (22) Date of filing of the application
- (24) Date from which the industrial design right has effect

(30) Data relating to priority under the Paris Convention

- (31) Serial number assigned to the priority application
- (32) Date of filing of the priority application
- (33) Two-letter code, according to WIPO Standard ST.3, identifying the authority with which the priority application was made

(40) Date(s) of making information available to the public

- (45) Date of publication of the registered industrial design by printing or similar process, or making it available to the public by any other means

(50) Miscellaneous Information

- (51) International Classification for Industrial Designs (class and subclass of the Locarno Classification)
- (54) Designation of article(s) or product(s) covered by the industrial design or title of the industrial design
- (55) Reproduction of the industrial design (e.g., drawing, photograph) and explanations relating to the reproduction
- (56) List of prior art documents, if separate from descriptive text
- (57) Description of characteristic features of the industrial design including indication of colours

(60) References to other legally related application(s) and registration(s)

- (62) Serial number(s) and, if available, filing date(s) of application(s), registration(s) or document(s) related by division
- (66) Serial number(s) of the application, or the registration, of the design(s) which is (are) a variant(s) of the present one

(70) Identification of parties concerned with the application or registration

- (71) Name(s) and address(es) of the applicant(s)
- (72) Name(s) of the creator(s) if known to be such
- (74) Name(s) and address(es) of the representative(s)

This Page Left Intentionally Blank

Nil notices for this journal issue.

Proceedings under the Designs Act 1906 preserved as a result of the provisions of Chapter 12 Part 2 of the Designs Act 2003.

This Page Left Intentionally Blank

Applications Lapsed

There were no Applications Lapsed under this section

Extension of Period of Registration of Designs

1st Period (Section 27A(8))

2nd Period (Section 27A(12))

3rd Period (Section 27A(13))

143407	143534	143593
143594	143595	143596
143658	144101	144520
144677	147433	147797

Registrations Ceased

Note: Some of the following Registrations may have been previously advertised as ceased. In this instance, the previous advertisement still prevails.

124689	124887	126050
126225	126251	126253
126254	126255	126256
126261	126289	126328
126329	126333	126385
126386	126387	126388
126416	126420	126421
126422	126423	126496
126497	126498	126499
126500	126501	126502
126503	126504	126505
126580	126687	126742
126830	126880	126881
126932	127305	127306
127307	127923	127924
128055	128799	130360
130381	130976	140001
140465	141321	141341
141405	141491	141512
141604	141605	141606
141718	141719	141720
141879	142104	142502
142733	142885	143704
143705	143768	144731
145970		

Subsequent Owners Registered

(The name in parentheses is that of the subsequent owner)

156541	(Federick David Gibson; Anthony William Gibson) Federick David Gibson; Brian Russull Gibson; Anthony William Gibson
126744	(Trimcast Products Pty Ltd) Trimcast Pty Ltd
138475	(Trimcast Products Pty Ltd) Trimcast Pty Ltd

Subsequent Owners Registered

132383	(Trimcast Products Pty Ltd) Trimcast Pty Ltd
133539	(Trimcast Products Pty Ltd) Trimcast Pty Ltd

Names Registered - Alterations and Amendments

(The name in parentheses is the new name of the proprietor)

137737	(GM Global Technology Operations, LLC) GM Global Technology Operations, Inc
137956	(GM Global Technology Operations, LLC) GM Global Technology Operations, Inc
137957	(GM Global Technology Operations, LLC) GM Global Technology Operations, Inc
137958	(GM Global Technology Operations, LLC) GM Global Technology Operations, Inc
137994	(GM Global Technology Operations, LLC) GM Global Technology Operations, Inc
138049	(GM Global Technology Operations, LLC) GM Global Technology Operations, Inc
138050	(GM Global Technology Operations, LLC) GM Global Technology Operations, Inc
138072	(GM Global Technology Operations, LLC) GM Global Technology Operations, Inc
138086	(GM Global Technology Operations, LLC) GM Global Technology Operations, Inc
138088	(GM Global Technology Operations, LLC) GM Global Technology Operations, Inc
138091	(GM Global Technology Operations, LLC) GM Global Technology Operations, Inc
138092	(GM Global Technology Operations, LLC) GM Global Technology Operations, Inc
138093	(GM Global Technology Operations, LLC) GM Global Technology Operations, Inc
138094	(GM Global Technology Operations, LLC) GM Global Technology Operations, Inc
138095	(GM Global Technology Operations, LLC) GM Global Technology Operations, Inc
138096	(GM Global Technology Operations, LLC) GM Global Technology Operations, Inc
138097	(GM Global Technology Operations, LLC) GM Global Technology Operations, Inc
138137	(GM Global Technology Operations, LLC) GM Global Technology Operations, Inc
138087	(GM Global Technology Operations, LLC) GM Global Technology Operations, Inc
138138	(GM Global Technology Operations, LLC) GM Global Technology Operations, Inc
138711	(GM Global Technology Operations, LLC) GM Global Technology Operations, Inc
138712	(GM Global Technology Operations, LLC) GM Global Technology Operations, Inc
138832	(GM Global Technology Operations, LLC) GM Global Technology Operations, Inc

- 158039 (**GM Global Technology Operations, LLC**) GM
Global Technology Operations, Inc
- 158056 (**GM Global Technology Operations, LLC**) GM
Global Technology Operations, Inc
- 158057 (**GM Global Technology Operations, LLC**) GM
Global Technology Operations, Inc
- 158058 (**GM Global Technology Operations, LLC**) GM
Global Technology Operations, Inc
- 158059 (**GM Global Technology Operations, LLC**) GM
Global Technology Operations, Inc
- 158060 (**GM Global Technology Operations, LLC**) GM
Global Technology Operations, Inc
- 158061 (**GM Global Technology Operations, LLC**) GM
Global Technology Operations, Inc
- 158062 (**GM Global Technology Operations, LLC**) GM
Global Technology Operations, Inc
- 158151 (**GM Global Technology Operations, LLC**) GM
Global Technology Operations, Inc
- 158152 (**GM Global Technology Operations, LLC**) GM
Global Technology Operations, Inc
- 158183 (**GM Global Technology Operations, LLC**) GM
Global Technology Operations, Inc
- 158472 (**GM Global Technology Operations, LLC**) GM
Global Technology Operations, Inc

This Page Left Intentionally Blank

Proceedings under the Designs Act 2003.

This Page Left Intentionally Blank

Applications Lodged

Lodgement information is in the following order: **Applicant's Name**; International Classification, Name of Product, Lodgement Date and **Design Number**. If the applicant claims an earlier priority date under an International Convention, the Convention Country and the associated filing date are shown in parentheses before the Lodgement Date. Divisional information will also appear in parentheses before the Lodgement Date.

de Jager, Mark; 12-16C, 12-11, Complete mounting bracket for motorcycle hand guards, 25 Aug 2011	13746/2011	Arlec Australia Pty Ltd; 13-02, 13-03E, 1. Portable residual current device with fixed power 2. Portable residual current device with socket for, removable power cord, 19 Aug 2011	13698/2011
A & C Packers Pty Ltd; 09-07B, A cap, 18 Aug 2011	13652/2011	Australian Lock Company Pty Ltd; 08-07, Key blank, 09 Aug 2011	13536/2011
A & C Packers Pty Ltd; 08-08NES, A connector, 18 Aug 2011	13653/2011	Axess Trading Pty Ltd; 06-01NES, Disabled access WC backrest (in accordance with AS1428.1-2009), 16 Aug 2011	13607/2011
Acoustic 3D Holdings Ltd; 14-01, Audio speaker, 23 Aug 2011	13709/2011	Barbeques Galore (Aust) Pty Limited; 07-02E, A barbecue and a barbecue trolley or stand, 17 Aug 2011	13642/2011
Ako Growbal Pty Ltd;Kim, Mi Jung; 11-02C, Flowerpot water saucer with roller, 28 Jul 2011	13556/2011	Beltrami, Antonio; 07-06A, Glass holder, 12 Aug 2011	13575/2011
Alessi, Paul Alan; 15-03B, Casing for a brush harvester, 19 Aug 2011	13699/2011	Bennett Precision Tooling Pty Ltd; 09-07A, Container spout cap, 23 Aug 2011	13710/2011
Alessi, Paul Alan; 15-03B, Brush harvester unit, 19 Aug 2011	13700/2011	Bennett Precision Tooling Pty Ltd; 09-07A, Container dropper cap, 23 Aug 2011	13711/2011
Alo Aktiebolag; 12-09, Front loader for a tractor, (EM, 10 Jan 2011) (Divisional of 13052/2011) 07 Jul 2011	13576/2011	Bickerton, Rodney John; 12-06A, Speed boat, 22 Aug 2011	13672/2011
Ames True Temper, Inc.; 12-12, 12-16A, Wheelbarrow wheel, (US, 06 Apr 2011) 19 Aug 2011	13690/2011	Bissell Homecare, Inc.; 09-01K, Bottle, (US, 03 Mar 2011) 12 Aug 2011	13582/2011
Amiad Filtration Systems Ltd.; 23-01NES, Fluid distribution equipment, (EM, 16 Dec 2010) (Divisional of 12684/2011) 16 Jun 2011	13533/2011	Botak Sign Pte Ltd; 20-02NES, Display stand base, (SG, 22 Mar 2011) 24 Aug 2011	13750/2011
Amiad Filtration Systems Ltd.; 23-01NES, Fluid distribution equipment, (EM, 16 Dec 2010) (Divisional of 12684/2011) 16 Jun 2011	13535/2011	Braun GmbH; 28-03NES, Electric toothbrush, (WO, 11 Feb 2011) 11 Aug 2011	13565/2011
Amiad Filtration Systems Ltd.; 23-01NES, Fluid distribution equipment, (EM, 16 Dec 2010) (Divisional of 12684/2011) 16 Jun 2011	13534/2011	Braun GmbH; 28-03NES, Electric toothbrush, (WO, 11 Feb 2011) 11 Aug 2011	13563/2011
Apple Inc.; 14-02, Docking station, (US, 18 Feb 2011) 15 Aug 2011	13600/2011	Braun GmbH; 28-03NES, Electric toothbrush, (WO, 11 Feb 2011) 11 Aug 2011	13564/2011
Apple Inc.; 14-02, Component of an electronic device, (US, 18 Feb 2011) 12 Aug 2011	13592/2011	Breville Pty Limited; 07-02H, Compact oven and toaster, 17 Aug 2011	13643/2011
Aquaponicals Pty Ltd; 09-03F, 30-02, Modified rectangular aquaponics system, 23 Aug 2011	13735/2011	Bridgestone Corporation; 12-15A, Automobile tyre, (JP, 21 Feb 2011) 18 Aug 2011	13659/2011
Aquaponicals Pty Ltd; 09-03F, 30-02, Modified circular aquaponics system, 23 Aug 2011	13734/2011	Brown & Watson International Pty Ltd; 26-06, Lamp, 22 Aug 2011	13723/2011
Aquaponicals Pty Ltd; 09-03F, 30-02, Modified square aquaponics system, 23 Aug 2011	13736/2011	BISSELL Homecare, Inc.; 15-05, Floor cleaning machine, (US, 04 Mar 2011) 12 Aug 2011	13580/2011

BISSELL Homecare, Inc; 15-05, Portion of floor cleaning machine, (US, 04 Mar 2011) 12 Aug 2011	13581/2011	Caroma Industries Limited; 23-02C, A toilet suite, 17 Aug 2011	13651/2011
BISSELL Homecare, Inc; 15-05, Portion of floor cleaning machine, (US, 04 Mar 2011) 12 Aug 2011	13587/2011	Caroma Industries Limited; 23-02F, A basin, 17 Aug 2011	13648/2011
BISSELL Homecare, Inc; 15-05, Portion of floor cleaning machine, (US, 04 Mar 2011) 12 Aug 2011	13588/2011	Caroma Industries Limited; 23-02C, A toilet pan, 17 Aug 2011	13649/2011
BISSELL Homecare, Inc; 15-05, Portion of floor cleaning machine, (US, 04 Mar 2011) 12 Aug 2011	13585/2011	Caroma Industries Limited; 23-02C, A toilet suite, 17 Aug 2011	13646/2011
BISSELL Homecare, Inc; 15-05, Portion of floor cleaning machine, (US, 04 Mar 2011) 12 Aug 2011	13589/2011	Caroma Industries Limited; 23-02C, A toilet suite, 17 Aug 2011	13647/2011
BISSELL Homecare, Inc; 15-05, Portion of a vacuum cleaner, (US, 04 Mar 2011) 12 Aug 2011	13589/2011	Caterpillar Inc.; 12-16A, Steering wheel, (US, 23 Feb 2011) 17 Aug 2011	13629/2011
BISSELL Homecare, Inc; 15-05, Portion of floor cleaning machine, (US, 04 Mar 2011) 12 Aug 2011	13577/2011	Cay, Chris; 15-03B, Playing field cover roller, 18 Aug 2011	13658/2011
BISSELL Homecare, Inc; 15-05, Portion of floor cleaning machine, (US, 04 Mar 2011) 12 Aug 2011	13586/2011	Cepia, LLC; 21-02A, Ball, (US, 28 Apr 2011) 24 Aug 2011	13747/2011
BISSELL Homecare, Inc; 15-05, Portion of floor cleaning machine, (US, 04 Mar 2011) 12 Aug 2011	13583/2011	Cerebos (Australia) Limited; 09-01K, Spice grinder refill container, 12 Aug 2011	13591/2011
BISSELL Homecare, Inc; 15-05, Carpet cleaner, (US, 04 Mar 2011) 12 Aug 2011	13583/2011	Climate Technologies Pty Ltd; 23-04, An inlet ring for an evaporative cooler, 12 Aug 2011	13555/2011
BISSELL Homecare, Inc; 15-05, Portion of floor cleaning machine, (US, 04 Mar 2011) 12 Aug 2011	13578/2011	Conair Corporation; 07-02N, Multicooker, (US, 22 Feb 2011) 19 Aug 2011	13674/2011
BISSELL Homecare, Inc; 15-05, Handheld surface cleaner, (US, 04 Mar 2011) 12 Aug 2011	13579/2011	Creative Products Enterprises Pty Limited; 07-07A, Rollable cooler, 18 Aug 2011	13705/2011
BISSELL Homecare, Inc; 15-05, Portion of floor cleaning machine, (US, 04 Mar 2011) 12 Aug 2011	13584/2011	Cushie Tushies Pty Ltd; 02-01B, A one size fits all cloth nappy, 17 Aug 2011	13611/2011
Cadbury UK Limited; 01-01, Confectionery, (EM, 21 Feb 2011) 19 Aug 2011	13688/2011	D & C Wilson Holdings Pty Ltd; 25-01D, Decking board, 19 Aug 2011	13695/2011
Cadbury UK Limited; 01-01, Confectionery, (EM, 21 Feb 2011) 19 Aug 2011	13687/2011	D & C Wilson Holdings Pty Ltd; 25-01D, Decking board, 19 Aug 2011	13696/2011
Cadbury UK Limited; 01-01, Confectionery, 16 Aug 2011	13619/2011	D.V. Logic Pty Ltd; 12-16NES, Wheel motor cover, 10 Aug 2011	13567/2011
Cadbury UK Limited; 01-01, Confectionery, 16 Aug 2011	13620/2011	Dart Industries Inc.; 07-02N, Rice cooker, (US, 24 Mar 2011) 15 Aug 2011	13602/2011
Cahir, Samuel; 14-02, 18-02, Egg carton shaped ABS plastic ink reservoir with internal pressure equalisation chambers (4 ink reservoirs), 12 Aug 2011	13569/2011	Daynes-Todman, Sjorcha; 03-99, Mini Moe Dolly sling, 11 Aug 2011	13550/2011
Cahir, Samuel; 14-02, 18-02, Egg carton shaped ABS plastic ink reservoir with internal pressure equalisation chambers (6 ink reservoirs), 12 Aug 2011	13570/2011	Dezinal Pty Ltd; 25-01K, Front to centre glazed heavy duty adaptor, 10 Aug 2011	13538/2011
Caroma Industries Limited; 23-02F, A basin, 17 Aug 2011	13650/2011	Dezinal Pty Ltd; 25-01K, Bottom rolling inward opening transom, 10 Aug 2011	13539/2011

Docsinnovent Limited; 12-12, Flexible stretcher with arm restraint system, component parts thereof including flexible stretcher and flexible, and/or adjustable arm restraint, and/or variations thereof, (EM, 23 Feb 2011) 19 Aug 2011	13697/2011	Fedorova, Alina;MacLeod, Neil; 06-09, Strap-on sitting pad, 12 Aug 2011	13559/2011
Donaldson, Stuart George; 12-16NES, Truck and trailer coaming rail, 23 Aug 2011	13715/2011	Fedorova, Alina;MacLeod, Neil; 06-09, Strap-on sitting pad, 12 Aug 2011	13558/2011
Dynamic Concepts (Victoria) Pty Ltd; 06-01E, 06-01F, 200 Series stool, 15 Aug 2011	13640/2011	Fiskars Brands, Inc.; 08-03, Scissors, (US, 07 Apr 2011) 11 Aug 2011	13568/2011
Dyson Limited; 15-05, Vacuum cleaner, (EM, 15 Feb 2011) 10 Aug 2011	13540/2011	Fitzpatrick, Alexander; 26-05C, Modular wall light fitting, 10 Aug 2011	13548/2011
Dyson Limited; 15-05, Vacuum cleaner, (EM, 15 Feb 2011) 10 Aug 2011	13541/2011	FormSeat Pty Ltd; 25-01C, 25-01K, Extruded aluminium deck track. Used for commercial beam seating system, 19 Aug 2011	13742/2011
Dyson Limited; 15-05, Part of a vacuum cleaner, (EM, 15 Feb 2011) 10 Aug 2011	13542/2011	FormSeat Pty Ltd; 08-08NES, 25-01C, 25-01NES, 25-02NES, Cast leg for beam seating system, used for waiting areas or transport seating, 19 Aug 2011	13740/2011
Dyson Limited; 15-05, Part of a vacuum cleaner, (EM, 15 Feb 2011) 10 Aug 2011	13543/2011	FormSeat Pty Ltd; 25-01K, Chair side frame aluminium extrusion. Used for commercial seating, 19 Aug 2011	13741/2011
Dyson Limited; 15-05, Vacuum cleaner, (EM, 15 Feb 2011) 10 Aug 2011	13544/2011	FormSeat Pty Ltd; 06-01C, Beam seating system for use with multiple number of seats, used for waiting areas or transport seating., 19 Aug 2011	13704/2011
Eaton Corporation; 21-02C, Split ring golf grip upper end, (US, 18 Feb 2011) 16 Aug 2011	13614/2011	FormSeat Pty Ltd; 25-01C, 25-01NES, 25-02NES, 08-08NES, Cast leg for bolting to a floor track. Used for commercial beam seating system, 19 Aug 2011	13721/2011
Eaton Corporation; 21-02C, Split ring golf grip upper end, (US, 18 Feb 2011) 17 Aug 2011	13626/2011	FormSeat Pty Ltd; 08-06, 06-06G, Beam hinge casting used for commercial beam seating system, 19 Aug 2011	13712/2011
Eaton Corporation; 21-02C, Split ring golf grip, (US, 18 Feb 2011) 16 Aug 2011	13615/2011	FormSeat Pty Ltd; 25-01C, 25-01NES, 25-02NES, 08-08NES, Cast leg for bolting to a floor track. Used for commercial beam seating system, 19 Aug 2011	13724/2011
Eaton Corporation; 21-02C, Split ring golf grip, (US, 18 Feb 2011) 17 Aug 2011	13627/2011	FormSeat Pty Ltd; 25-01K, Main beam aluminium extrusion. Used for commercial beam seating system, 19 Aug 2011	13703/2011
Enghard, Florian; 09-07C, Cap for water bottle, (DE, 15 Feb 2011) 15 Aug 2011	13597/2011	Foster, Dale Anthony; 15-03NES, Chassis for a single disc opener, 15 Aug 2011	13603/2011
Enghard, Florian; 07-01F, Water bottle, (DE, 15 Feb 2011) 12 Aug 2011	13574/2011	Fresenius Medical Care Holdings, Inc.; 24-01, Blood flow chamber, (US, 18 Feb 2011) 18 Aug 2011	13657/2011
Faulkner, R.L.;Faulkner, E.E.; 12-16NES, 23-01F, A tank to carry or store fuel or other liquid. A tank that can be placed on hardstand or transported on a truck or, trailer, 24 Aug 2011	13738/2011	Fuller Fabrications Pty Ltd; 25-02B, 1 Container cage, 12 Aug 2011	13566/2011
Faulkner, E.E.;Faulkner, R.L.; 12-16NES, 23-01F, A tank to carry or store fuel or other liquid. A tank that can be placed on hardstand or transported on a truck or, trailer, 24 Aug 2011	13738/2011	Gessi S.P.A.; 23-01H, Faucet, (IT, 15 Feb 2011) 12 Aug 2011	13594/2011
Fedorova, Alina;MacLeod, Neil; 06-09, Strap-on sitting pad, 12 Aug 2011	13557/2011		

Gessi S.P.A.; 23-02B, Shower column, (IT, 15 Feb 2011) 12 Aug 2011	13593/2011	Kenwood Limited; 07-02L, Coffee maker, (EM, 16 Feb 2011) 15 Aug 2011	13599/2011
Growinska, Malgorzata; 25-01F, Tile/tiles, 10 Aug 2011	13537/2011	Kim, Mi Jung;Ako Growbal Pty Ltd; 11-02C, Flowerpot water saucer with roller, 28 Jul 2011	13556/2011
GUALA PACK S.p.A.; 09-07NES, Cap, (IT, 18 Feb 2011) 17 Aug 2011	13633/2011	Koninklijke Philips Electronics N.V.; 09-03NES, Packaging, (EM, 14 Feb 2011) 12 Aug 2011	13572/2011
Henkel AG & Co. KGaA; 09-01NES, Bottle, (EM, 11 Mar 2011) 18 Aug 2011	13660/2011	Koninklijke Philips Electronics N.V.;Sara Lee/DE N.V.; 07-02L, Coffee maker, (EM, 24 Feb 2011) 23 Aug 2011	13725/2011
Hitchen, Jasmine;Piper, Leonie; 03-01NES, Camping and leisure, 24 Aug 2011	13739/2011	Koninklijke Philips Electronics N.V.;Sara Lee/DE N.V.; 07-02L, Container for coffee beans, (EM, 24 Feb 2011) 24 Aug 2011	13749/2011
Hua, Shan; 14-01, Loudspeaker housing, 19 Aug 2011	13683/2011	Koninklijke Philips Electronics N.V.;Sara Lee/DE N.V.; 07-02L, Milk container for coffee maker, (EM, 24 Feb 2011) 23 Aug 2011	13727/2011
Hua, Liu Yan; 23-02A, Recessed shower shelf, 15 Aug 2011	13608/2011	Koninklijke Philips Electronics N.V.;Sara Lee/DE N.V.; 07-02L, Coffee maker, (EM, 24 Feb 2011) 23 Aug 2011	13726/2011
HFV; 28-01, Tablet, (EM, 16 Feb 2011) 16 Aug 2011	13622/2011	Koninklijke Philips Electronics N.V.; 28-03A, Total body shaver, (EM, 14 Feb 2011) 12 Aug 2011	13571/2011
Illumination Innovation Pty Ltd; 26-06, Illumination sign for motorcycles, 19 Aug 2011	13722/2011	Koninklijke Philips Electronics N.V.; 14-01, Headphone, (EM, 10 Feb 2011) 10 Aug 2011	13546/2011
IQ Kid & Furniture Pty Ltd; 06-02, Racing car bed, 15 Aug 2011	13623/2011	Koninklijke Philips Electronics N.V.; 14-01, Headphone, (EM, 10 Feb 2011) 10 Aug 2011	13547/2011
IQ Kid & Furniture Pty Ltd; 06-02, Princess carriage single bed, 15 Aug 2011	13613/2011	Ladson, Norman; 23-01A, Plumbing fitting, 25 Aug 2011	13745/2011
IQ Kid & Furniture Pty Ltd; 06-02, Racing car bed, 15 Aug 2011	13609/2011	Legend Corporate Services Pty Ltd; 08-05P, Crimping tool, 12 Aug 2011	13573/2011
ITT Manufacturing Enterprises, Inc.; 12-06NES, Portable bilge pump, (US, 16 Feb 2011) 16 Aug 2011	13610/2011	Liu, Yan H.; 23-02A, Recessed shower shelf, 15 Aug 2011	13604/2011
ITT Manufacturing Enterprises, Inc.; 12-06NES, Bilge pump, (US, 18 Feb 2011) 17 Aug 2011	13628/2011	Lucas, Kain; 06-04NES, Storage furniture, 10 Aug 2011	13549/2011
Jackson, Dennis; 22-05, Fishing gear, 16 Aug 2011	13606/2011	MacLeod, Neil;Fedorova, Alina; 06-09, Strap-on sitting pad, 12 Aug 2011	13557/2011
JF Arbuckle Medical Pty Ltd; 10-04, 10-99, Template for the measurement of food stuffs, 23 Aug 2011	13731/2011	MacLeod, Neil;Fedorova, Alina; 06-09, Strap-on sitting pad, 12 Aug 2011	13559/2011
JF Arbuckle Medical Pty Ltd; 07-01NES, Functional base for crockery, 23 Aug 2011	13732/2011	MacLeod, Neil;Fedorova, Alina; 06-09, Strap-on sitting pad, 12 Aug 2011	13558/2011
JF Arbuckle Medical Pty Ltd; 10-04, A measuring cup, 23 Aug 2011	13729/2011	Magafas, Gregory; 24-02, Speculum kit - colon hydrotherapy, 17 Aug 2011	13641/2011
JF Arbuckle Medical Pty Ltd; 10-03, A timer, 23 Aug 2011	13728/2011	Mars, Incorporated; 07-01NES, 09-03E, 09-03F, Translucent container, (EM, 13 Apr 2011) 15 Aug 2011	13601/2011
JF Arbuckle Medical Pty Ltd; 10-04, A measuring spoon, 23 Aug 2011	13730/2011		
Karsten Manufacturing Corporation; 14-02, Portable electronic device holder, (US, 11 May 2011) 04 Jul 2011	13595/2011		

Martin, John Patrick; 08-05NES, Bootscraper, 15 Aug 2011	13645/2011	Pierias, Christopher; 08-08B, Slip bolts, 11 Aug 2011	13553/2011
Maxitrol Company; 23-03NES, Remote control unit for a combustion appliance, (US, 28 Feb 2011) 15 Aug 2011	13596/2011	Piper, Leonie;Hitchen, Jasmine; 03-01NES, Camping and leisure, 24 Aug 2011	13739/2011
McConnell, James F.C.; 03-03, The street smart umbrella is a cantilevered umbrella made in two parts to facilitate easy erection and removal by a small person. The principle design feature is the bayonet fitting allowing the canopy assembly to be separately, installed., 18 Aug 2011	13654/2011	Plastec Australia Pty Ltd; 23-02D, A test plug, 10 Aug 2011	13552/2011
Metalflex Pty Ltd; 08-08C, 23-04, Clip, 17 Aug 2011	13644/2011	Poolrite Research Pty Ltd; 23-01G, A filter system, 10 Aug 2011	13554/2011
Metalflex Pty Ltd; 08-08NES, 23-04, Fixing pin, 17 Aug 2011	13630/2011	Pretzels, Inc; 01-01, Pretzel cracker, (US, 11 Mar 2011) 18 Aug 2011	13661/2011
Meyer Intellectual Properties Limited; 07-02R, Extending cookware handle with open end cavity, (US, 18 Feb 2011) 18 Aug 2011	13671/2011	Primus Australia Pty Ltd; 09-02B, 08-07, Jerry can, 16 Aug 2011	13621/2011
Meyer Intellectual Properties Limited; 07-02R, Cookware handle lid, (US, 18 Feb 2011) 18 Aug 2011	13670/2011	Pryde Foundation; 09-09, Waste compactor, (EM, 25 Feb 2011) 17 Aug 2011	13625/2011
Meyer Intellectual Properties Limited; 07-02R, Cookware side handle, (US, 18 Feb 2011) 18 Aug 2011	13669/2011	QHDC Australia Pty Ltd; 12-02, A shopping trolley, 18 Aug 2011	13631/2011
Meyer Intellectual Properties Limited; 07-02R, Extending cookware handle with open end cavity, (US, 18 Feb 2011) 18 Aug 2011	13668/2011	Radhakrishnan, Yashin;Yashin Inc; 02-04NES, Thongs, 16 Aug 2011	13612/2011
Mikocki, Lara; 26-06, Bicycle light, 16 Aug 2011	13624/2011	Radio Systems Corporation; 30-03, Pet consumables container, (US, 15 Dec 2010) 15 Jun 2011	13632/2011
Minecorp Pty Ltd; 12-16C, Coupler, 19 Aug 2011	13675/2011	Raymond Corporation, The; 12-16NES, Integral display mount, (US, 18 Mar 2011) 24 Aug 2011	13737/2011
Morrish, Gerald David;Morrish, Kenneth George; 06-01NES, 12-12, Evacuation chair, (EM, 11 Feb 2011) 10 Aug 2011	13545/2011	Redpath, James Edward; 07-05C, Clothes line clip, 16 Aug 2011	13605/2011
Morrish, Kenneth George;Morrish, Gerald David; 06-01NES, 12-12, Evacuation chair, (EM, 11 Feb 2011) 10 Aug 2011	13545/2011	ResMed Limited; 24-01, Respiratory mask and/or components thereof, (US, 25 Feb 2011) 22 Aug 2011	13714/2011
NTEC Australia Pty. Ltd.; 23-01K, 23-01NES, Thermal insulating cover for pressure relief valves on hot water delivery systems, 23 Aug 2011	13733/2011	ResMed Limited; 24-01, Wearable positive airway (PAP) delivery device and/or components thereof, (US, 25 Feb 2011) 22 Aug 2011	13713/2011
Obrist Closures Switzerland GmbH; 09-07C, Closing means for packaging, (CN, 18 Feb 2011) 12 Aug 2011	13590/2011	Rimmer, Gary; 21-02D, A surfboard, 19 Aug 2011	13655/2011
Panasonic Corporation; 07-02B, Microwave oven, 24 Aug 2011	13743/2011	Roney, Gerard; 30-03, The adjustor guard is made up of the modified adjustor brace and the adjustor grid. The tabs on the grid slide into the, gap between the adjustor brace and the upper adjustor on any Advantage feeders grain feeder. It sits along the length of, the trough and guards the feed access area., 15 Aug 2011	13598/2011
Panasonic Corporation; 07-02B, Microwave oven, 24 Aug 2011	13744/2011	RL Industry Company Ltd.; 07-02P, Baking ware, 19 Aug 2011	13680/2011
		RL Industry Company Ltd.; 07-01NES, Cupcake carrier, 19 Aug 2011	13682/2011
		RL Industry Company Ltd.; 07-02P, Baking ware, 19 Aug 2011	13681/2011
		RL Industry Company Ltd.; 07-01NES, Cupcake carrier, 19 Aug 2011	13679/2011

Sara Lee/DE N.V.;Koninklijke Philips Electronics N.V.; 07-02L, Coffee maker, (EM, 24 Feb 2011) 23 Aug 2011	13726/2011	SwitchEasy Limited; 03-01NES, 14-02, Protective casing for portable handheld electronic device, (HK, 22 Jul 2011) 22 Aug 2011	13720/2011
Sara Lee/DE N.V.;Koninklijke Philips Electronics N.V.; 07-02L, Container for coffee beans, (EM, 24 Feb 2011) 24 Aug 2011	13749/2011	The Discovery Clothing Company Pty Ltd; 02-02C, Sequin kaftan, 16 Aug 2011	13656/2011
Sara Lee/DE N.V.;Koninklijke Philips Electronics N.V.; 07-02L, Milk container for coffee maker, (EM, 24 Feb 2011) 23 Aug 2011	13727/2011	The Discovery Clothing Company Pty Ltd; 06-13B, Sheet print, 19 Aug 2011	13719/2011
Sara Lee/DE N.V.;Koninklijke Philips Electronics N.V.; 07-02L, Coffee maker, (EM, 24 Feb 2011) 23 Aug 2011	13725/2011	The Discovery Clothing Company Pty Ltd; 06-13B, Sheet print, 19 Aug 2011	13716/2011
Schill, Andreas; 07-01D, 09-03NES, Cup for packaging purposes, (DE, 19 Feb 2011) 19 Aug 2011	13686/2011	The Discovery Clothing Company Pty Ltd; 06-13B, Sheet print, 19 Aug 2011	13717/2011
Schneider Electric Industries SAS; 23-01K, Regulator for heating installations and boilers, (WO, 30 Mar 2011) 17 Aug 2011	13638/2011	The Procter & Gamble Company; 09-01K, Container with surface ornamentation, (US, 11 Feb 2011) 11 Aug 2011	13560/2011
Schneider Electric Industries SAS; 23-01K, Regulator for heating installations and boilers, (WO, 30 Mar 2011) 17 Aug 2011	13639/2011	The Procter & Gamble Company; 09-01K, Container with surface ornamentation, (US, 11 Feb 2011) 11 Aug 2011	13561/2011
Schneider Electric Industries SAS; 10-05, Power measuring device, (WO, 30 Mar 2011) 17 Aug 2011	13636/2011	The Procter & Gamble Company; 09-01K, Container with surface ornamentation, (US, 11 Feb 2011) 11 Aug 2011	13562/2011
Schneider Electric Industries SAS; 10-05, Power measuring device, (WO, 30 Mar 2011) 17 Aug 2011	13637/2011	Thinking Ergonomix Pty Limited; 06-06E, Table base, 18 Aug 2011	13663/2011
Schneider Electric Industries SAS; 10-05, Thermostat, (WO, 30 Mar 2011) 17 Aug 2011	13634/2011	Thinking Ergonomix Pty Limited; 06-06E, Support leg for a table, 18 Aug 2011	13667/2011
Schneider Electric Industries SAS; 10-05, Thermostat, (WO, 30 Mar 2011) 17 Aug 2011	13635/2011	Thinking Ergonomix Pty Limited; 06-06E, Support base for a table, 18 Aug 2011	13665/2011
Sega Toys Co., Ltd.; 21-01A, Animal toy, (JP, 10 Feb 2011) 09 Aug 2011	13551/2011	Thinking Ergonomix Pty Limited; 06-06E, Support leg for a table, 18 Aug 2011	13666/2011
Shriro Australia Pty Limited; 07-02E, A barbeque, 19 Aug 2011	13685/2011	Thinking Ergonomix Pty Limited; 13-03C, Cable management cover, 18 Aug 2011	13664/2011
Shriro Australia Pty Limited; 07-02E, A barbeque with lid, 19 Aug 2011	13684/2011	Thinking Ergonomix Pty Limited; 06-06E, Table base, 18 Aug 2011	13662/2011
Sistema Plastics Limited; 07-01NES, A lid assembly, (NZ, 22 Feb 2011) 19 Aug 2011	13708/2011	Threadsure Connector Systems Pty Ltd; 08-08B, Ferrule, 19 Aug 2011	13691/2011
Sistema Plastics Limited; 07-01NES, A lid assembly, (NZ, 22 Feb 2011) 19 Aug 2011	13706/2011	Threadsure Connector Systems Pty Ltd; 08-08A, 08-08B, (1) Stud (2) Plug, 19 Aug 2011	13692/2011
Sistema Plastics Limited; 07-01NES, A lid assembly, (NZ, 22 Feb 2011) 19 Aug 2011	13707/2011	Topstar Pty Ltd; 06-01F, Chair, 19 Aug 2011	13689/2011
Sonnendorfer, Horst;Wieth, Franz; 12-02, Shopping trolley handle, (DE, 23 Feb 2011) 22 Aug 2011	13673/2011	Tormey, Neill G.; 30-04, Pet industry - pet stores, dogs., 25 Aug 2011	13748/2011
		Walker, Peter Terrant; 19-08, A topographical plan, 16 Aug 2011	13616/2011
		Walker, Peter Terrant; 19-08, A topographical plan, 16 Aug 2011	13617/2011

Walker, Peter Terrant; 19-08, A topographical plan, 16 Aug 2011	13618/2011	X6D Limited; 16-06, 3D glasses, (US, 17 Dec 2010) 16 Jun 2011	13676/2011
Wieth, Franz;Sonnendorfer, Horst; 12-02, Shopping trolley handle, (DE, 23 Feb 2011) 22 Aug 2011	13673/2011	X6D Limited; 16-06, 3D glasses, (US, 17 Dec 2010) 16 Jun 2011	13677/2011
Willow Ware Australia Pty Ltd; 09-09, Bin, 19 Aug 2011	13701/2011	Yashin Inc;Radhakrishnan, Yashin; 02-04NES, Thongs, 16 Aug 2011	13612/2011
X6D Limited; 16-06, 3D glasses, (US, 17 Dec 2010) 16 Jun 2011	13678/2011	3M Innovative Properties Company; 29-02, Hearing protector with ear cups, (EM, 23 Feb 2011) 19 Aug 2011	13702/2011

Applications Withdrawn

13467 / 2011 (20-03NES)

Applications Lapsed

12131 / 2011 (09-01A)	12322 / 2011 (02-02B)
12323 / 2011 (02-02B)	12533 / 2011 (11-01C)
12536 / 2011 (13-03D)	12543 / 2011 (02-02C)
12564 / 2011 (23-01A)	12599 / 2011 (23-03A)
12602 / 2011 (23-03A)	

Extension of Period of Registration of Designs

308492	310254	310544
310545	310546	310580
310582	310663	310664
310665	310667	310669
310670	310671	310675
310680	310709	310732
310746	310753	310815
310888	310915	310917
310924	310947	311019
311076	311077	311082
311288	311290	311297
311479	311496	311643
311676	311677	311703
311804	311916	311930
312067	312131	312197
312237	312465	312466
312467	312468	312469
312470	312471	312472
312473	312788	312789
313145	313239	313240
313749	324250	324251

Registrations Ceased

305732	306030	306031
306223	306224	306382
306549	306550	306551
306552	306553	307878
307880	307881	307884
307885	307888	307889
307892	307893	307894
307900	307901	307902
307903	307904	307905
307906	307910	307912
307913	307914	307929
307931	307936	307937
307938	307941	307959
307995	307996	307997
307998	307999	308017
308052	308114	308146
308173	308174	308176
308177	308178	308179
308180	308213	308214
308215	308217	308218
308219	308220	308283
308284	308310	308392
308393	308394	308398
308401	308613	309306
309413	309535	309671
310136	310137	310138

310225	310447	310454
311282	311330	311331
311401	311402	311451
311452	311453	311665
311666	311667	311796
311799	311841	312405
312406	312544	312819
316856	316857	316858
328400	332197	332198

Extensions of time granted under Section 137

Applications lodged under section 137 for extension of time have been granted.

338122 **Keep abreast Ltd**

338116 **Owens-Brockway Glass Container Inc.**

338273 **Be Bold Ltd**

338273 **Be Bold Ltd**

Subsequent Owners Registered

(The name in parentheses is that of the subsequent owner)

318055	(ResMed Motor Technologies Inc)	ResMed Ltd
318056	(ResMed Motor Technologies Inc)	ResMed Ltd
318057	(ResMed Motor Technologies Inc)	ResMed Ltd
318058	(ResMed Motor Technologies Inc)	ResMed Ltd
318059	(ResMed Motor Technologies Inc)	ResMed Ltd
318060	(ResMed Motor Technologies Inc)	ResMed Ltd
318061	(ResMed Motor Technologies Inc)	ResMed Ltd
318062	(ResMed Motor Technologies Inc)	ResMed Ltd
318063	(ResMed Motor Technologies Inc)	ResMed Ltd
314397	(Trimcast Products Pty Ltd)	Trimcast Pty Ltd
314395	(Trimcast Products Pty Ltd)	Trimcast Pty Ltd
314396	(Trimcast Products Pty Ltd)	Trimcast Pty Ltd
314398	(Trimcast Products Pty Ltd)	Trimcast Pty Ltd
314400	(Trimcast Products Pty Ltd)	Trimcast Pty Ltd
314394	(Trimcast Products Pty Ltd)	Trimcast Pty Ltd
309824	(Trimcast Products Pty Ltd)	Trimcast Pty Ltd
314393	(Trimcast Products Pty Ltd)	Trimcast Pty Ltd
314399	(Trimcast Products Pty Ltd)	Trimcast Pty Ltd

Names Registered - Alterations and Amendments

(The name in parentheses is that of the subsequent applicant)

316146	(Superior Screens Australia Pty Ltd)	Superior Steel Group Pty Ltd
157129	(GM Global Technology Operations, LLC)	GM Global Technology Operations, Inc
301164	(GM Global Technology Operations, LLC)	GM Global Technology Operations, Inc
301663	(GM Global Technology Operations, LLC)	GM Global Technology Operations, Inc
301664	(GM Global Technology Operations, LLC)	GM Global Technology Operations, Inc
301665	(GM Global Technology Operations, LLC)	GM Global Technology Operations, Inc

Corrigenda

Number 312829

In Vol 25 , No 16 , page 2151 under the heading **Extension of Period of Registration of** This entry is to be deleted in toto.

Certificate(s) of Examination

Examination of the following Design Registration(s) has been completed. Infringement proceedings may now be commenced.

306709	23-03B	19/08/2011
332469	06-04NES	26/08/2011
332470	06-04NES	26/08/2011
332471	06-04NES	26/08/2011
332472	06-04NES	26/08/2011
332473	06-04NES	26/08/2011
332474	06-04NES	26/08/2011
332863	23-04	19/08/2011
335431	09-09	26/08/2011
335432	09-09	26/08/2011
336616	14-02	25/08/2011
336807	23-01NES	26/08/2011
336808	23-01NES	26/08/2011
336838	28-99	19/08/2011
336851	02-04NES	25/08/2011
336899	02-04NES	19/08/2011
337089	28-02	16/08/2011
337144	23-01NES	24/08/2011
337175	12-15B	24/08/2011
337237	03-01D	23/08/2011
337305	04-02	16/08/2011
337306	04-02	15/08/2011
337307	04-02	15/08/2011
337319	04-02	15/08/2011
337320	04-02	15/08/2011
337408	06-09	18/08/2011
337415	23-01NES	19/08/2011
337424	15-05	24/08/2011
337447	08-05P	22/08/2011
337541	20-02NES	23/08/2011
337548	13-99	17/08/2011
337575	15-99	26/08/2011

Publication and Registration Proceedings

Designs Registered

This section provides a concordance between design number and registration number of Designs covered in this journal. It also shows the main class and registration date.

This section covers Registration numbers 338075 to 338289 .

The registration number shown below should be used in all future correspondence.

Design Number	Registration Number	International Classification Code (IDC)	Registration Date	Design Number	Registration Number	International Classification Code (IDC)	Registration Date
10294/2011	338175	02-02NES	19/08/2011	13097/2011	338255	08-08NES	25/08/2011
10355/2011	338088	06-06H	15/08/2011	13110/2011	338244	26-05A	25/08/2011
10461/2011	338215	07-02P	23/08/2011	13132/2011	338224	08-08F	23/08/2011
10462/2011	338216	07-02P	23/08/2011	13157/2011	338177	07-99A	19/08/2011
10463/2011	338217	07-02P	23/08/2011	13159/2011	338148	23-01NES	18/08/2011
10464/2011	338218	07-02P	23/08/2011	13160/2011	338256	09-07B	25/08/2011
10465/2011	338219	07-02P	23/08/2011	13182/2011	338281	03-01D	26/08/2011
10466/2011	338220	07-02P	23/08/2011	13183/2011	338082	23-01G	15/08/2011
10467/2011	338221	07-02P	23/08/2011	13184/2011	338083	12-08	15/08/2011
10468/2011	338222	07-02P	23/08/2011	13187/2011	338264	22-05	26/08/2011
10469/2011	338223	07-02P	23/08/2011	13188/2011	338265	22-05	26/08/2011
10745/2011	338252	08-06	25/08/2011	13192/2011	338089	08-08C	15/08/2011
10772/2011	338232	25-01E	24/08/2011	13194/2011	338075	07-04	12/08/2011
11080/2011	338144	12-08	18/08/2011	13195/2011	338076	07-04	12/08/2011
11081/2011	338145	12-08	18/08/2011	13196/2011	338077	15-99	12/08/2011
11082/2011	338146	12-08	18/08/2011	13197/2011	338084	08-08G	15/08/2011
11257/2011	338118	07-05D	17/08/2011	13198/2011	338085	08-08G	15/08/2011
11837/2011	338122	02-01A	17/08/2011	13199/2011	338106	03-01NES	16/08/2011
12313/2011	338116	09-03L	16/08/2011	13200/2011	338266	26-05NES	26/08/2011
12374/2011	338273	13-03D	26/08/2011	13201/2011	338107	02-04B	16/08/2011
12574/2011	338205	09-01A	22/08/2011	13202/2011	338086	02-04NES	15/08/2011
12575/2011	338206	09-01A	22/08/2011	13203/2011	338087	02-04NES	15/08/2011
12577/2011	338162	08-07	18/08/2011	13206/2011	338108	26-05B	16/08/2011
12589/2011	338128	23-02NES	17/08/2011	13207/2011	338109	15-07	16/08/2011
12591/2011	338129	23-02NES	17/08/2011	13209/2011	338090	08-08NES	15/08/2011
12593/2011	338130	23-02NES	17/08/2011	13211/2011	338091	01-06	15/08/2011
12594/2011	338131	23-02NES	17/08/2011	13212/2011	338092	09-09	15/08/2011
12603/2011	338228	11-01C	23/08/2011	13213/2011	338093	26-03	15/08/2011
12623/2011	338182	19-08	19/08/2011	13214/2011	338094	15-05	15/08/2011
12665/2011	338188	30-03	22/08/2011	13215/2011	338095	15-05	15/08/2011
12671/2011	338233	28-03B	24/08/2011	13216/2011	338096	25-01K	15/08/2011
12684/2011	338078	23-01NES	12/08/2011	13217/2011	338097	24-03	15/08/2011
12695/2011	338276	16-06	26/08/2011	13218/2011	338241	07-02L	24/08/2011
12704/2011	338132	11-05	17/08/2011	13220/2011	338100	07-02E	16/08/2011
12708/2011	338253	12-05	25/08/2011	13221/2011	338101	07-02E	16/08/2011
12794/2011	338098	03-01D	16/08/2011	13222/2011	338102	07-02E	16/08/2011
12795/2011	338099	03-01D	16/08/2011	13223/2011	338103	28-03NES	16/08/2011
12815/2011	338280	23-02NES	26/08/2011	13224/2011	338104	09-05	16/08/2011
12877/2011	338262	07-01NES	26/08/2011	13225/2011	338105	09-05	16/08/2011
12926/2011	338147	24-01	18/08/2011	13232/2011	338123	12-15B	17/08/2011
12987/2011	338149	14-02	18/08/2011	13234/2011	338112	12-06A	16/08/2011
13001/2011	338184	03-01B	19/08/2011	13235/2011	338113	02-02B	16/08/2011
13002/2011	338286	15-99	26/08/2011	13236/2011	338114	12-16K	16/08/2011
13003/2011	338287	15-99	26/08/2011	13237/2011	338115	09-02A	16/08/2011
13004/2011	338288	15-99	26/08/2011	13238/2011	338119	26-06	17/08/2011
13005/2011	338289	15-99	26/08/2011	13240/2011	338120	23-04	17/08/2011
13052/2011	338211	12-09	23/08/2011	13241/2011	338121	14-01	17/08/2011
13062/2011	338207	12-15A	23/08/2011	13243/2011	338133	02-02NES	17/08/2011
13095/2011	338263	08-05NES	26/08/2011	13244/2011	338134	02-02NES	17/08/2011
13096/2011	338254	08-05NES	25/08/2011	13248/2011	338136	14-01	17/08/2011

Publication and Registration Proceedings - Designs Registered cont'd

Design Number	Registration Number	International Classification Code (IDC)	Registration Date	Design Number	Registration Number	International Classification Code (IDC)	Registration Date
13249/2011	338137	14-01	17/08/2011	13329/2011	338227	08-06	23/08/2011
13250/2011	338138	14-01	17/08/2011	13331/2011	338213	23-03H	23/08/2011
13251/2011	338139	14-01	17/08/2011	13332/2011	338229	23-03NES	23/08/2011
13252/2011	338140	14-01	17/08/2011	13363/2011	338234	03-01D	24/08/2011
13253/2011	338124	14-03NES	17/08/2011	13364/2011	338235	25-01G	24/08/2011
13254/2011	338125	26-05B	17/08/2011	13365/2011	338236	03-01D	24/08/2011
13256/2011	338151	25-01E	18/08/2011	13366/2011	338237	25-01G	24/08/2011
13257/2011	338168	09-03C	19/08/2011	13367/2011	338238	11-01H	24/08/2011
13258/2011	338152	11-04	18/08/2011	13368/2011	338242	09-05	24/08/2011
13259/2011	338153	23-02A	18/08/2011	13370/2011	338186	09-03D	19/08/2011
13260/2011	338155	07-02L	18/08/2011	13377/2011	338243	08-05H	24/08/2011
13261/2011	338156	07-04	18/08/2011	13378/2011	338230	21-02F	23/08/2011
13262/2011	338157	14-03E	18/08/2011	13379/2011	338231	21-02F	23/08/2011
13263/2011	338158	09-07A	18/08/2011	13382/2011	338210	07-07B	23/08/2011
13264/2011	338159	07-04	18/08/2011	13383/2011	338245	07-04	25/08/2011
13265/2011	338160	11-01NES	18/08/2011	13384/2011	338246	26-05NES	25/08/2011
13266/2011	338161	09-07A	18/08/2011	13385/2011	338247	26-05NES	25/08/2011
13269/2011	338154	09-01K	18/08/2011	13386/2011	338248	26-05NES	25/08/2011
13276/2011	338163	07-01NES	18/08/2011	13387/2011	338249	08-08NES	25/08/2011
13277/2011	338164	07-01NES	18/08/2011	13388/2011	338135	06-04NES	17/08/2011
13278/2011	338165	07-01NES	18/08/2011	13389/2011	338267	23-04	26/08/2011
13279/2011	338166	07-01NES	18/08/2011	13390/2011	338268	28-03A	26/08/2011
13280/2011	338167	07-01NES	18/08/2011	13391/2011	338269	23-04	26/08/2011
13281/2011	338169	23-02B	19/08/2011	13392/2011	338270	09-02A	26/08/2011
13282/2011	338170	23-02B	19/08/2011	13395/2011	338239	08-05NES	24/08/2011
13283/2011	338171	23-02B	19/08/2011	13396/2011	338271	21-02F	26/08/2011
13284/2011	338172	21-02F	19/08/2011	13397/2011	338257	21-02F	25/08/2011
13285/2011	338173	23-02F	19/08/2011	13398/2011	338258	15-07	25/08/2011
13288/2011	338178	08-03	19/08/2011	13399/2011	338259	15-07	25/08/2011
13289/2011	338225	07-01NES	23/08/2011	13400/2011	338260	15-07	25/08/2011
13290/2011	338183	25-01D	19/08/2011	13401/2011	338261	15-07	25/08/2011
13291/2011	338185	25-01D	19/08/2011	13405/2011	338176	02-02NES	19/08/2011
13294/2011	338126	11-02C	17/08/2011	13406/2011	338282	09-01NES	26/08/2011
13298/2011	338190	15-01	22/08/2011	13407/2011	338283	09-01NES	26/08/2011
13299/2011	338191	12-16B	22/08/2011	13408/2011	338284	09-06	26/08/2011
13300/2011	338192	07-02K	22/08/2011	13412/2011	338274	06-06NES	26/08/2011
13303/2011	338193	25-01K	22/08/2011	13413/2011	338275	26-04	26/08/2011
13304/2011	338194	23-04	22/08/2011	13416/2011	338141	07-01NES	17/08/2011
13305/2011	338195	14-03NES	22/08/2011	13417/2011	338142	07-01NES	17/08/2011
13306/2011	338196	23-04	22/08/2011	13418/2011	338143	07-01NES	17/08/2011
13307/2011	338197	23-04	22/08/2011	13425/2011	338174	12-11	19/08/2011
13308/2011	338198	23-04	22/08/2011	13472/2011	338179	25-01D	19/08/2011
13311/2011	338199	06-01F	22/08/2011	13502/2011	338240	07-04	24/08/2011
13312/2011	338200	06-01F	22/08/2011	13513/2011	338250	23-01H	25/08/2011
13313/2011	338110	06-01E	16/08/2011	13515/2011	338251	31-00	25/08/2011
13314/2011	338111	09-09	16/08/2011	13524/2011	338180	21-02F	19/08/2011
13316/2011	338201	15-04	22/08/2011	13525/2011	338181	21-02F	19/08/2011
13317/2011	338202	13-99	22/08/2011	13531/2011	338187	12-16NES	19/08/2011
13319/2011	338117	09-03L	16/08/2011	13533/2011	338079	23-01NES	12/08/2011
13320/2011	338203	03-01NES	22/08/2011	13534/2011	338080	23-01NES	12/08/2011
13323/2011	338204	12-15A	22/08/2011	13535/2011	338081	23-01NES	12/08/2011
13324/2011	338214	02-02NES	23/08/2011	13538/2011	338272	25-01K	26/08/2011
13325/2011	338208	09-03NES	23/08/2011	13556/2011	338127	11-02C	17/08/2011
13326/2011	338209	09-08	23/08/2011	13576/2011	338212	12-09	23/08/2011
13328/2011	338226	08-06	23/08/2011	13595/2011	338150	14-02	18/08/2011

Publication and Registration Proceedings - Designs Registered cont'd

Design Number	Registration Number	International Classification Code (IDC)	Registration Date	Design Number	Registration Number	International Classification Code (IDC)	Registration Date
13611/2011	338285	02-01B	26/08/2011	13678/2011	338279	16-06	26/08/2011
13632/2011	338189	30-03	22/08/2011				
13676/2011	338277	16-06	26/08/2011				
13677/2011	338278	16-06	26/08/2011				

Publication and Registration Proceedings

Class Listing of Designs Published or Registered

The following section shows an International Classification Code listing of the Registered or Published Designs covered in this supplement.

Classification	Registration Number	Design Number	Classification	Registration Number	Design Number
01-06	338091	13211/2011	07-04	338156	13261/2011
02-01A	338122	11837/2011	07-04	338159	13264/2011
02-01B	338285	13611/2011	07-04	338240	13502/2011
02-02B	338113	13235/2011	07-04	338245	13383/2011
02-02NES	338133	13243/2011	07-05D	338118	11257/2011
02-02NES	338134	13244/2011	07-07B	338210	13382/2011
02-02NES	338175	10294/2011	07-99A	338177	13157/2011
02-02NES	338176	13405/2011	08-03	338178	13288/2011
02-02NES	338214	13324/2011	08-05H	338243	13377/2011
02-04B	338107	13201/2011	08-05NES	338239	13395/2011
02-04NES	338086	13202/2011	08-05NES	338254	13096/2011
02-04NES	338087	13203/2011	08-05NES	338263	13095/2011
03-01B	338184	13001/2011	08-06	338226	13328/2011
03-01D	338098	12794/2011	08-06	338227	13329/2011
03-01D	338099	12795/2011	08-06	338252	10745/2011
03-01D	338234	13363/2011	08-07	338162	12577/2011
03-01D	338236	13365/2011	08-08C	338089	13192/2011
03-01D	338281	13182/2011	08-08F	338224	13132/2011
03-01NES	338106	13199/2011	08-08G	338084	13197/2011
03-01NES	338203	13320/2011	08-08G	338085	13198/2011
06-01E	338110	13313/2011	08-08NES	338090	13209/2011
06-01F	338199	13311/2011	08-08NES	338249	13387/2011
06-01F	338200	13312/2011	08-08NES	338255	13097/2011
06-04NES	338135	13388/2011	09-01A	338205	12574/2011
06-06H	338088	10355/2011	09-01A	338206	12575/2011
06-06NES	338274	13412/2011	09-01K	338154	13269/2011
07-01NES	338141	13416/2011	09-01NES	338282	13406/2011
07-01NES	338142	13417/2011	09-01NES	338283	13407/2011
07-01NES	338143	13418/2011	09-02A	338115	13237/2011
07-01NES	338163	13276/2011	09-02A	338270	13392/2011
07-01NES	338164	13277/2011	09-03C	338168	13257/2011
07-01NES	338165	13278/2011	09-03D	338186	13370/2011
07-01NES	338166	13279/2011	09-03L	338116	12313/2011
07-01NES	338167	13280/2011	09-03L	338117	13319/2011
07-01NES	338225	13289/2011	09-03M	338177	13157/2011
07-01NES	338262	12877/2011	09-03NES	338208	13325/2011
07-02E	338100	13220/2011	09-05	338104	13224/2011
07-02E	338101	13221/2011	09-05	338105	13225/2011
07-02E	338102	13222/2011	09-05	338242	13368/2011
07-02K	338192	13300/2011	09-06	338284	13408/2011
07-02L	338155	13260/2011	09-07A	338158	13263/2011
07-02L	338241	13218/2011	09-07A	338161	13266/2011
07-02P	338215	10461/2011	09-07B	338256	13160/2011
07-02P	338216	10462/2011	09-08	338209	13326/2011
07-02P	338217	10463/2011	09-09	338092	13212/2011
07-02P	338218	10464/2011	09-09	338111	13314/2011
07-02P	338219	10465/2011	09-09	338153	13259/2011
07-02P	338220	10466/2011	11-01C	338228	12603/2011
07-02P	338221	10467/2011	11-01H	338238	13367/2011
07-02P	338222	10468/2011	11-01NES	338160	13265/2011
07-02P	338223	10469/2011	11-02C	338126	13294/2011
07-04	338075	13194/2011	11-02C	338127	13556/2011
07-04	338076	13195/2011	11-04	338152	13258/2011

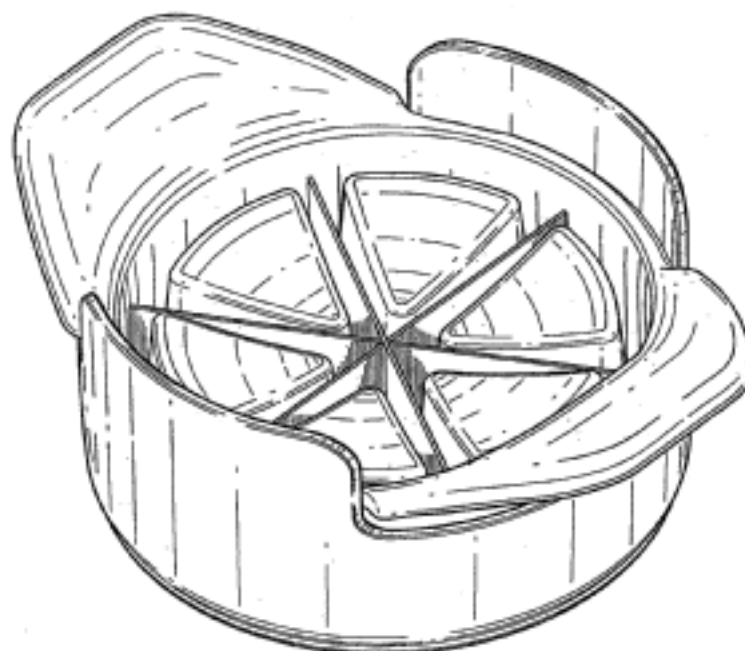
Registration Proceedings - Class Listing of Designs Published or Registered cont'd

Classification	Registration Number	Design Number	Classification	Registration Number	Design Number
11-05	338132	12704/2011	21-02F	338271	13396/2011
12-05	338253	12708/2011	22-05	338264	13187/2011
12-06A	338112	13234/2011	22-05	338265	13188/2011
12-08	338083	13184/2011	23-01F	338115	13237/2011
12-08	338144	11080/2011	23-01G	338082	13183/2011
12-08	338145	11081/2011	23-01H	338250	13513/2011
12-08	338146	11082/2011	23-01NES	338078	12684/2011
12-09	338211	13052/2011	23-01NES	338079	13533/2011
12-09	338212	13576/2011	23-01NES	338080	13534/2011
12-11	338174	13425/2011	23-01NES	338081	13535/2011
12-15A	338204	13323/2011	23-01NES	338148	13159/2011
12-15A	338207	13062/2011	23-01NES	338255	13097/2011
12-15B	338123	13232/2011	23-02A	338153	13259/2011
12-16B	338191	13299/2011	23-02B	338169	13281/2011
12-16C	338174	13425/2011	23-02B	338170	13282/2011
12-16K	338114	13236/2011	23-02B	338171	13283/2011
12-16NES	338187	13531/2011	23-02F	338173	13285/2011
13-03D	338273	12374/2011	23-02NES	338128	12589/2011
13-99	338202	13317/2011	23-02NES	338129	12591/2011
14-01	338121	13241/2011	23-02NES	338130	12593/2011
14-01	338136	13248/2011	23-02NES	338131	12594/2011
14-01	338137	13249/2011	23-02NES	338280	12815/2011
14-01	338138	13250/2011	23-03H	338213	13331/2011
14-01	338139	13251/2011	23-03NES	338229	13332/2011
14-01	338140	13252/2011	23-04	338120	13240/2011
14-02	338106	13199/2011	23-04	338194	13304/2011
14-02	338149	12987/2011	23-04	338196	13306/2011
14-02	338150	13595/2011	23-04	338197	13307/2011
14-03E	338157	13262/2011	23-04	338198	13308/2011
14-03NES	338124	13253/2011	23-04	338267	13389/2011
14-03NES	338195	13305/2011	23-04	338269	13391/2011
15-01	338190	13298/2011	24-01	338147	12926/2011
15-04	338201	13316/2011	24-03	338097	13217/2011
15-05	338094	13214/2011	25-01D	338179	13472/2011
15-05	338095	13215/2011	25-01D	338183	13290/2011
15-07	338109	13207/2011	25-01D	338185	13291/2011
15-07	338258	13398/2011	25-01E	338151	13256/2011
15-07	338259	13399/2011	25-01E	338232	10772/2011
15-07	338260	13400/2011	25-01G	338235	13364/2011
15-07	338261	13401/2011	25-01G	338237	13366/2011
15-99	338077	13196/2011	25-01K	338096	13216/2011
15-99	338286	13002/2011	25-01K	338193	13303/2011
15-99	338287	13003/2011	25-01K	338272	13538/2011
15-99	338288	13004/2011	25-02H	338096	13216/2011
15-99	338289	13005/2011	26-03	338093	13213/2011
16-06	338276	12695/2011	26-04	338275	13413/2011
16-06	338277	13676/2011	26-05A	338244	13110/2011
16-06	338278	13677/2011	26-05B	338108	13206/2011
16-06	338279	13678/2011	26-05B	338125	13254/2011
19-08	338182	12623/2011	26-05NES	338246	13384/2011
21-02F	338172	13284/2011	26-05NES	338247	13385/2011
21-02F	338180	13524/2011	26-05NES	338248	13386/2011
21-02F	338181	13525/2011	26-05NES	338266	13200/2011
21-02F	338230	13378/2011	26-06	338119	13238/2011
21-02F	338231	13379/2011	28-03A	338268	13390/2011
21-02F	338257	13397/2011	28-03B	338233	12671/2011

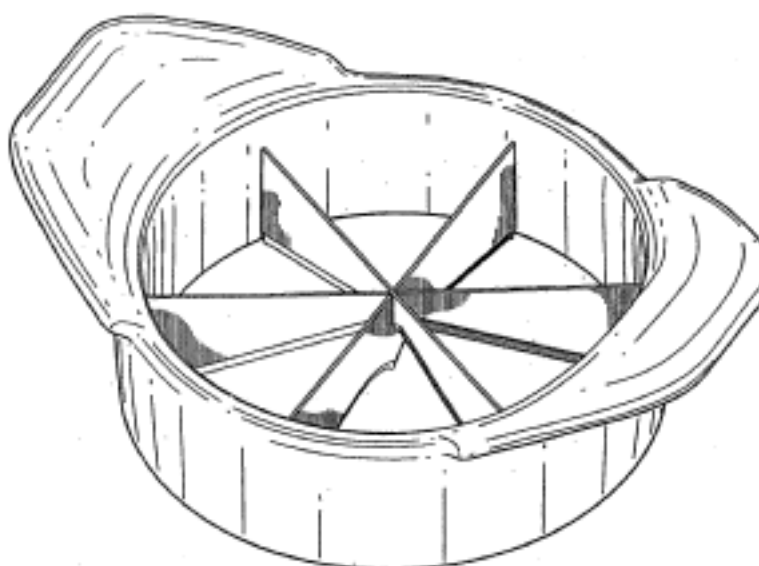
Registration Proceedings - Class Listing of Designs Published or Registered cont'd

Classification	Registration Number	Design Number	Classification	Registration Number	Design Number
28-03NES	338103	13223/2011	31-00	338251	13515/2011
29-02	338132	12704/2011			
30-03	338188	12665/2011			
30-03	338189	13632/2011			

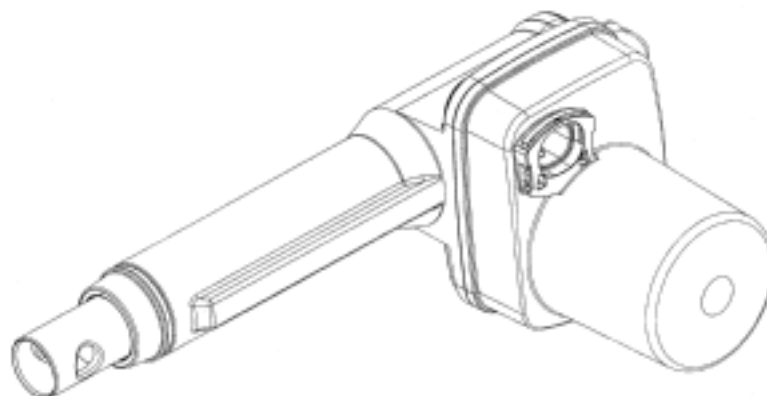
(21) Design Number: **13194/2011**
(22) Date of Filing Application: **19 July 2011**
(24) Date from which industrial property rights may have effect: **19 July 2011**
(54) Product in respect of which the design is registered: **Food wedger**
(51) International Design Classification: **07-04**
(74) Name(s) of Attorney(s): **SPRUSON & FERGUSON**
(71) Name(s) and Address(s) of Applicant(s):
Columbia Insurance Company
3024 Harney Street Omaha Nebraska 68131 United States of America
(72) Name(s) of Designer(s): **Frances M. Coursey and Jamie Di Fonzo**
(45) Registration Date: **12 August 2011**
(30) Convention priority data:
(31) Number (32) Date (33) Country
29/383656 20 Jan 2011 UNITED STATES OF AMERICA
(56) Related Art Documents: **Not Applicable**
(57) Statement of Newness and Distinctiveness: **Newness and distinctiveness is claimed in the features of shape and/or configuration of a food wedger as illustrated in the accompanying representations.**



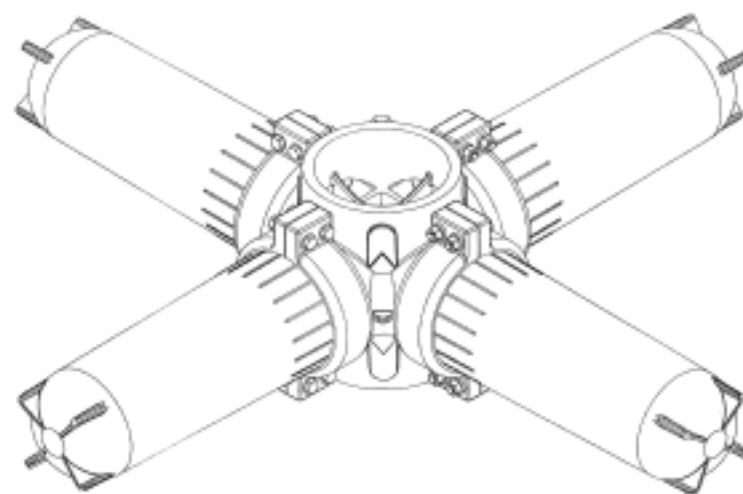
(21) Design Number: **13195/2011**
(22) Date of Filing Application: **19 July 2011**
(24) Date from which industrial property rights may have effect: **19 July 2011**
(54) Product in respect of which the design is registered: **Food wedger**
(51) International Design Classification: **07-04**
(74) Name(s) of Attorney(s): **SPRUSON & FERGUSON**
(71) Name(s) and Address(s) of Applicant(s):
Columbia Insurance Company
3024 Harney Street Omaha Nebraska 68131 United States of America
(72) Name(s) of Designer(s): **Frances M. Coursey and Jamie Di Fonzo**
(45) Registration Date: **12 August 2011**
(30) Convention priority data:
(31) Number (32) Date (33) Country
29/384565 01 Feb 2011 UNITED STATES OF AMERICA
(56) Related Art Documents: **Not Applicable**
(57) Statement of Newness and Distinctiveness: **Newness and distinctiveness is claimed in the features of shape and/or configuration of a food wedger as illustrated in the accompanying representations.**



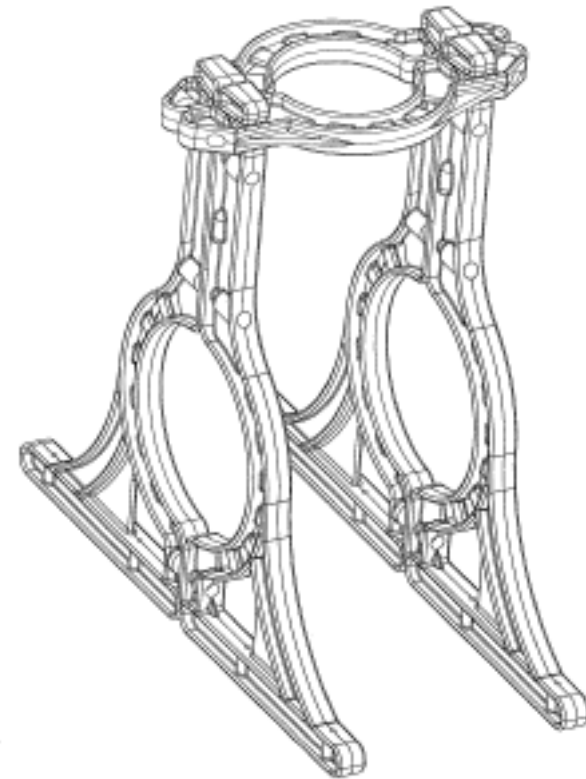
- (21) Design Number: **13196/2011**
(22) Date of Filing Application: **19 July 2011**
(24) Date from which industrial property rights may have effect: **19 July 2011**
(54) Product in respect of which the design is registered: **A linear actuator**
(51) International Design Classification: **15-99**
(74) Name(s) of Attorney(s): **SPRUSON & FERGUSON**
(71) Name(s) and Address(s) of Applicant(s):
Linak A/S
Smedevaenget 8 Guderup DK-6430 Nordborg Denmark
(72) Name(s) of Designer(s): **Torben Iversen and Rene Sorensen and Martin Kahr Knudsen**
(45) Registration Date: **12 August 2011**
(30) Convention priority data:
(31) Number (32) Date (33) Country
DA 2011 00011 26 Jan 2011 DENMARK
(56) Related Art Documents: **Not Applicable**
(57) Statement of Newness and Distinctiveness: **Newness and distinctiveness is claimed in the features of shape and/or configuration of a linear actuator as illustrated in the accompanying representations.**



- (21) Design Number: **12684/2011**
(22) Date of Filing Application: **16 June 2011**
(24) Date from which industrial property rights may have effect: **16 June 2011**
(54) Product in respect of which the design is registered: **Fluid distribution equipment**
(51) International Design Classification: **23-01NES**
(74) Name(s) of Attorney(s): **Davies Collison Cave**
(71) Name(s) and Address(s) of Applicant(s):
Amiad Filtration Systems Ltd.
Kibbutz Amiad D.N. Upper Galil 1 12335 Israel
(72) Name(s) of Designer(s): **Ra'anan Ben-Horin and Alexey Slavinsky**
(45) Registration Date: **12 August 2011**
(30) Convention priority data:
(31) Number (32) Date (33) Country
001250120 16 Dec 2010 EUROPEAN COMMUNITY
(56) Related Art Documents: **Not Applicable**
(57) Statement of Newness and Distinctiveness: **Newness and distinctiveness is claimed in the shape and/or configuration of the equipment as shown in the representations.**



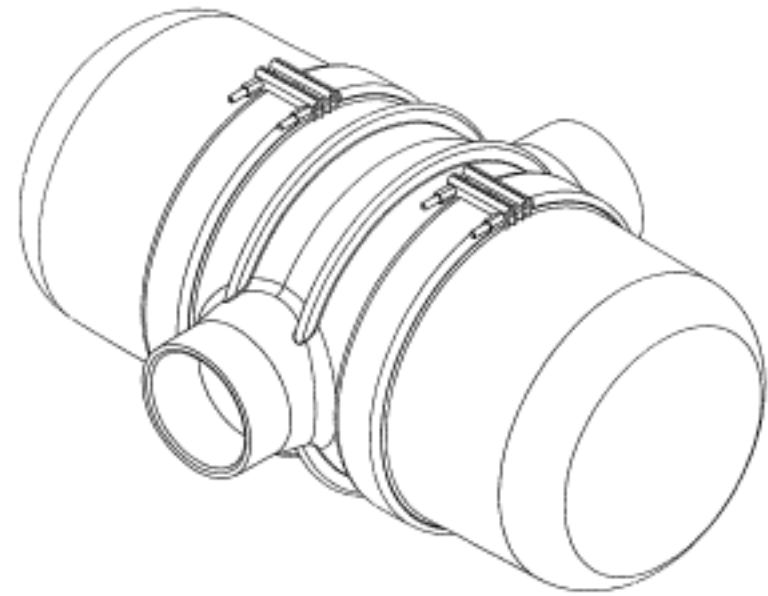
(21) Design Number: **13533/2011**
(22) Date of Filing Application: **16 June 2011**
(24) Date from which industrial property rights may have effect: **16 June 2011**
(54) Product in respect of which the design is registered: **Fluid distribution equipment**
(51) International Design Classification: **23-01NES**
(74) Name(s) of Attorney(s): **Davies Collison Cave**
(71) Name(s) and Address(s) of Applicant(s):
Amiad Filtration Systems Ltd.
Kibbutz Amiad D.N. Upper Galil 1 12335 Israel
(72) Name(s) of Designer(s): **Ra'anan Ben-Horin and Alexey Slavinsky**
(45) Registration Date: **12 August 2011**
(30) Convention priority data:
(31) Number (32) Date (33) Country
001250120 16 Dec 2010 EUROPEAN COMMUNITY
(62) Divisional of: **338078**
(56) Related Art Documents: **Not Applicable**
(57) Statement of Newness and Distinctiveness: **Newness and distinctiveness is claimed in the shape and/or configuration of the equipment as shown in the representations.**



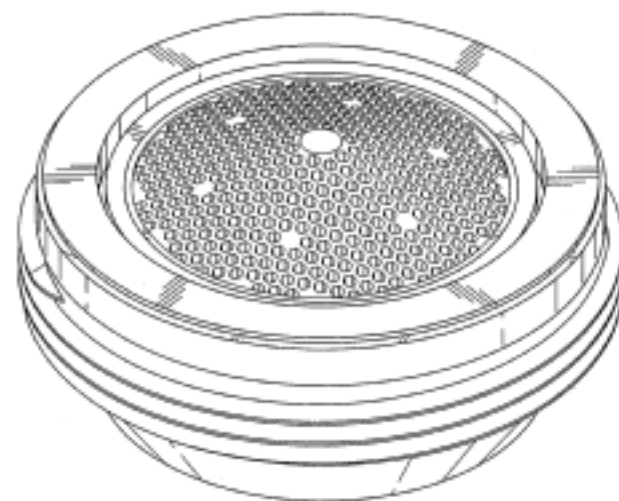
(21) Design Number: **13534/2011**
(22) Date of Filing Application: **16 June 2011**
(24) Date from which industrial property rights may have effect: **16 June 2011**
(54) Product in respect of which the design is registered: **Fluid distribution equipment**
(51) International Design Classification: **23-01NES**
(74) Name(s) of Attorney(s): **Davies Collison Cave**
(71) Name(s) and Address(s) of Applicant(s):
Amiad Filtration Systems Ltd.
Kibbutz Amiad D.N. Upper Galil 1 12335 Israel
(72) Name(s) of Designer(s): **Ra'anan Ben-Horin and Alexey Slavinsky**
(45) Registration Date: **12 August 2011**
(30) Convention priority data:
(31) Number (32) Date (33) Country
001250120 16 Dec 2010 EUROPEAN COMMUNITY
(62) Divisional of: **338078**
(56) Related Art Documents: **Not Applicable**
(57) Statement of Newness and Distinctiveness: **Newness and distinctiveness is claimed in the shape and/or configuration of the equipment as shown in the representations.**



(21) Design Number: **13535/2011**
(22) Date of Filing Application: **16 June 2011**
(24) Date from which industrial property rights may have effect: **16 June 2011**
(54) Product in respect of which the design is registered: **Fluid distribution equipment**
(51) International Design Classification: **23-01NES**
(74) Name(s) of Attorney(s): **Davies Collison Cave**
(71) Name(s) and Address(s) of Applicant(s):
Amiad Filtration Systems Ltd.
Kibbutz Amiad D.N. Upper Galil 1 12335 Israel
(72) Name(s) of Designer(s): **Ra'anan Ben-Horin and Alexey Slavinsky**
(45) Registration Date: **12 August 2011**
(30) Convention priority data:
(31) Number (32) Date (33) Country
001250120 16 Dec 2010 EUROPEAN COMMUNITY
(62) Divisional of: **338078**
(56) Related Art Documents: **Not Applicable**
(57) Statement of Newness and Distinctiveness: **Newness and distinctiveness is claimed in the shape and/or configuration of the equipment as shown in the representations.**



(21) Design Number: **13183/2011**
(22) Date of Filing Application: **19 July 2011**
(24) Date from which industrial property rights may have effect: **19 July 2011**
(54) Product in respect of which the design is registered: **Flow regulator**
(51) International Design Classification: **23-01G**
(74) Name(s) of Attorney(s): **PHILLIPS ORMONDE FITZPATRICK**
(71) Name(s) and Address(s) of Applicant(s):
Neoperl GmbH
Klosterrunsstrasse 11 79379 Mullheim Germany
(72) Name(s) of Designer(s): **Gerhard Blum**
(45) Registration Date: **15 August 2011**
(30) Convention priority data:
(31) Number (32) Date (33) Country
001264501 09 Mar 2011 EUROPEAN COMMUNITY
(56) Related Art Documents: **Not Applicable**
(57) Statement of Newness and Distinctiveness: **Those features of the flow regulator depicted in the representations that are new and distinctive are the shape and/or configuration.**



(21) Design Number: **13184/2011**
(22) Date of Filing Application: **19 July 2011**
(24) Date from which industrial property rights may have effect: **19 July 2011**
(54) Product in respect of which the design is registered: **Car and toy-car**
(51) International Design Classification: **12-08**
(74) Name(s) of Attorney(s): **PHILLIPS ORMONDE FITZPATRICK**
(71) Name(s) and Address(s) of Applicant(s):

Ferrari S.p.A.
Via Emilia Est 1163 I-41100 Modena Italy

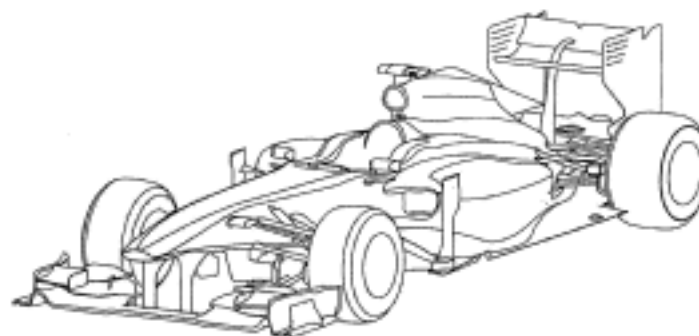
(72) Name(s) of Designer(s): **Nikolaos Tombazis**
(45) Registration Date: **15 August 2011**

(30) Convention priority data:

(31) Number	(32) Date	(33) Country
001812033	27 Jan 2011	EUROPEAN COMMUNITY

(56) Related Art Documents: **Not Applicable**

(57) Statement of Newness and Distinctiveness: **Those features of the car and toy-car depicted in the representations that are new and distinctive are the shape and/or configuration.**



(21) Design Number: **13197/2011**
(22) Date of Filing Application: **20 July 2011**
(24) Date from which industrial property rights may have effect: **20 July 2011**
(54) Product in respect of which the design is registered: **Multipurpose suspension hook**
(51) International Design Classification: **08-08G**
(74) Name(s) of Attorney(s):
(71) Name(s) and Address(s) of Applicant(s):

Sureguard Safety Australia Pty Ltd
34 Abington Crescent Glen Alpine New South Wales 2560 Australia

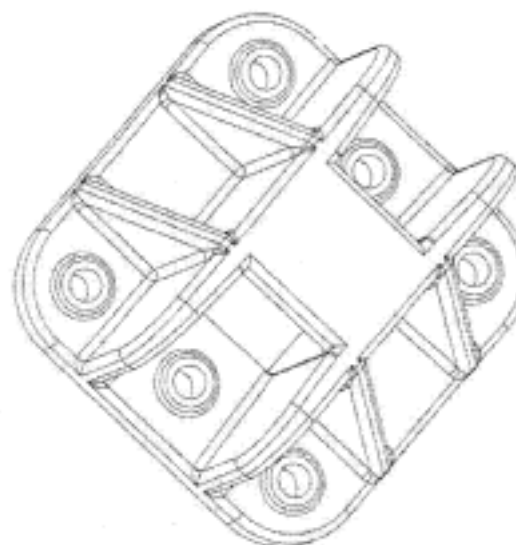
(72) Name(s) of Designer(s): **Wayne Kopp**
(45) Registration Date: **15 August 2011**

(56) Related Art Documents: **Not Applicable**

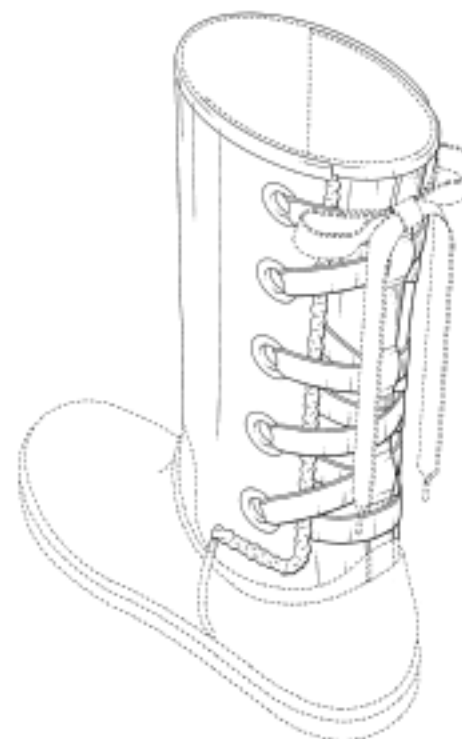
(57) Statement of Newness and Distinctiveness: **Nil**



- (21) Design Number: **13198/2011**
(22) Date of Filing Application: **20 July 2011**
(24) Date from which industrial property rights may have effect: **20 July 2011**
(54) Product in respect of which the design is registered: **Multipurpose suspension hook wall bracket**
(51) International Design Classification: **08-08G**
(74) Name(s) of Attorney(s):
(71) Name(s) and Address(s) of Applicant(s):
Sureguard Safety Australia Pty Ltd
34 Abington Crescent Glen Alpine New South Wales 2560 Australia
(72) Name(s) of Designer(s): **Wayne Kopp**
(45) Registration Date: **15 August 2011**
(56) Related Art Documents: **Not Applicable**
(57) Statement of Newness and Distinctiveness: **Nil**



- (21) Design Number: **13202/2011**
(22) Date of Filing Application: **19 July 2011**
(24) Date from which industrial property rights may have effect: **19 July 2011**
(54) Product in respect of which the design is registered: **Footwear upper**
(51) International Design Classification: **02-04NES**
(74) Name(s) of Attorney(s): **FB Rice**
(71) Name(s) and Address(s) of Applicant(s):
Deckers Outdoor Corporation
495-A South Fairview Avenue Goleta California 93117 United States of America
(72) Name(s) of Designer(s): **Manuel Roldan**
(45) Registration Date: **15 August 2011**
(30) Convention priority data:
(31) Number (32) Date (33) Country
29/391446 09 May 2011 UNITED STATES OF AMERICA
(56) Related Art Documents: **Not Applicable**
(57) Statement of Newness and Distinctiveness: **Newness and distinctiveness reside in the features of shape and configuration of the design on the whole shown in solid lines in the representations excluding those features shown in broken lines. In particular the newness and distinctiveness reside in the arrangement of the laces on and through the boot and the use of frayed edges as indicated in the representations by the use of short lines.**



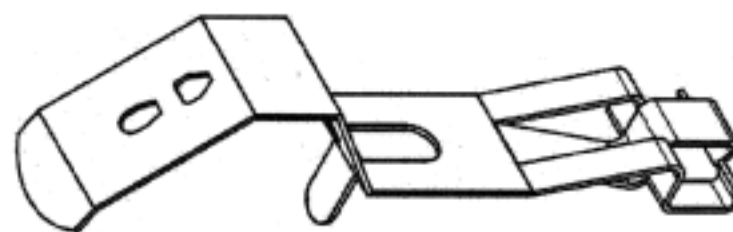
- (21) Design Number: **13203/2011**
(22) Date of Filing Application: **19 July 2011**
(24) Date from which industrial property rights may have effect: **19 July 2011**
(54) Product in respect of which the design is registered: **Heel wrap**
(51) International Design Classification: **02-04NES**
(74) Name(s) of Attorney(s): **FB Rice**
(71) Name(s) and Address(s) of Applicant(s):
Deckers Outdoor Corporation
495-A South Fairview Avenue Goleta California 93117 United States of America
(72) Name(s) of Designer(s): **Ryan Ringholz**
(45) Registration Date: **15 August 2011**
(30) Convention priority data:
(31) Number (32) Date (33) Country
29/391247 05 May 2011 UNITED STATES OF AMERICA
(56) Related Art Documents: **Not Applicable**
(57) Statement of Newness and Distinctiveness: **Newness and distinctiveness reside in the features of shape and configuration of the design on the whole shown in solid lines in the representations excluding those features shown in broken lines. In particular the newness and distinctiveness reside in the outer shape of the heel shown in solid line, excluding an inner portion of the heel that is shown in broken line.**



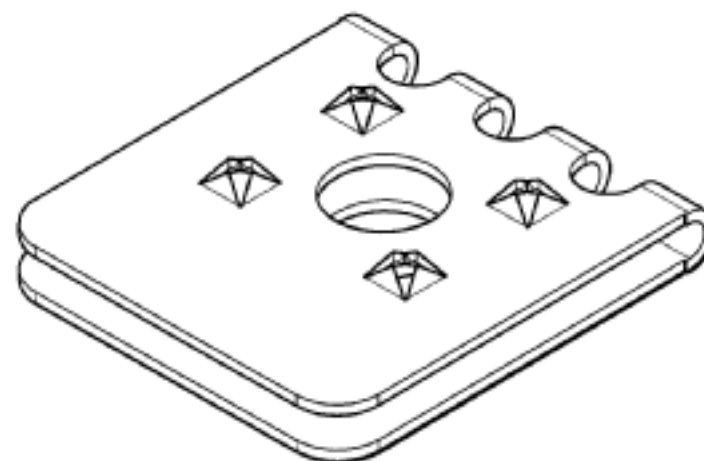
- (21) Design Number: **10355/2011**
(22) Date of Filing Application: **08 February 2011**
(24) Date from which industrial property rights may have effect: **08 February 2011**
(54) Product in respect of which the design is registered: **Triplicate stool**
(51) International Design Classification: **06-06H**
(74) Name(s) of Attorney(s):
(71) Name(s) and Address(s) of Applicant(s):
Joshua Carmody
13 Cambage Street Yarralumla Australian Capital Territory 2600 Australia
(72) Name(s) of Designer(s): **Joshua Carmody**
(45) Registration Date: **15 August 2011**
(56) Related Art Documents: **Not Applicable**
(57) Statement of Newness and Distinctiveness: **The features that make this stool new and distinctive in appearance surround the joint system that holds the stool together. The three components that make up the seat are identical to each other. The three legs are also identical to each other. The unconventional joints and arrangements of said joints create details in the seat top and sides that compliment and enhance the overall look and design. The leather gaskets that fit in the joints between the seat components and legs also add a minor and new detail to the overall structure and appearance and arrangement of the design. This design will be sold as an assembled product, or unassembled in a kit of parts.**



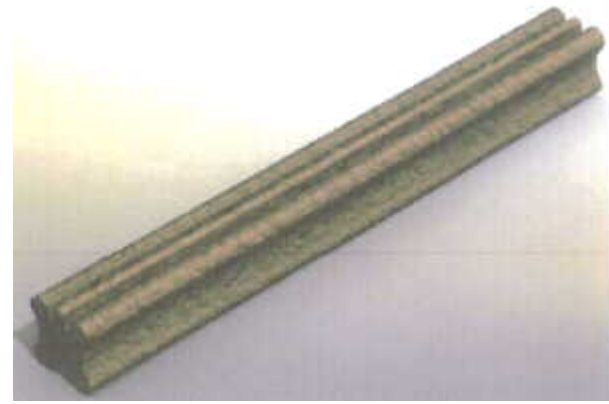
(21) Design Number: **13192/2011**
(22) Date of Filing Application: **19 July 2011**
(24) Date from which industrial property rights may have effect: **19 July 2011**
(54) Product in respect of which the design is registered: **Suspension clip**
(51) International Design Classification: **08-08C**
(74) Name(s) of Attorney(s): **Baxter IP**
(71) Name(s) and Address(s) of Applicant(s):
Stephen James Milner
5/4 Avenue of Americas Newington New South Wales 2127 Australia
Mauro Corazzi
5/4 Avenue of Americas Newington New South Wales 2127 Australia
(72) Name(s) of Designer(s): **Stephen James Milner and Mauro Corazzi**
(45) Registration Date: **15 August 2011**
(56) Related Art Documents: **Not Applicable**
(57) Statement of Newness and Distinctiveness: **Nil**



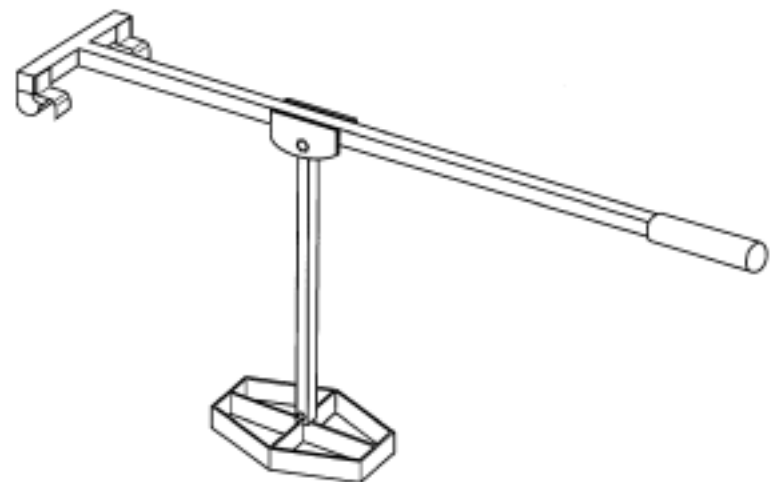
(21) Design Number: **13209/2011**
(22) Date of Filing Application: **20 July 2011**
(24) Date from which industrial property rights may have effect: **20 July 2011**
(54) Product in respect of which the design is registered: **Clip**
(51) International Design Classification: **08-08NES**
(74) Name(s) of Attorney(s): **Callinans**
(71) Name(s) and Address(s) of Applicant(s):
Greenway Energy Pty Ltd
63 Broughton Road Surrey Hills Victoria 3127 Australia
(72) Name(s) of Designer(s): **Luke Simon Robert Wexler**
(45) Registration Date: **15 August 2011**
(56) Related Art Documents: **Not Applicable**
(57) Statement of Newness and Distinctiveness: **Nil**



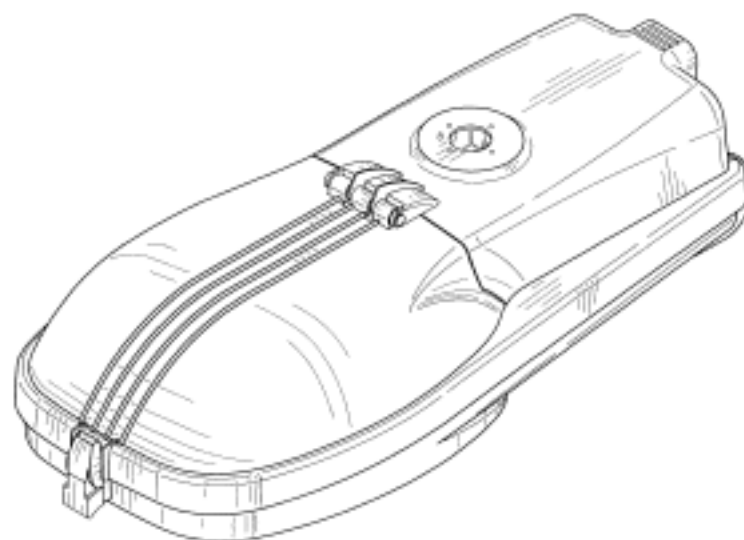
(21) Design Number: **13211/2011**
(22) Date of Filing Application: **20 July 2011**
(24) Date from which industrial property rights may have effect: **20 July 2011**
(54) Product in respect of which the design is registered: **Pet chew**
(51) International Design Classification: **01-06**
(74) Name(s) of Attorney(s): **Baker & McKenzie**
(71) Name(s) and Address(s) of Applicant(s):
Mars, Incorporated
6885 Elm Street McLean Virginia 22101 United States of America
(72) Name(s) of Designer(s): **Mark Scholefield**
(45) Registration Date: **15 August 2011**
(30) Convention priority data:
(31) Number (32) Date (33) Country
001268148 30 Mar 2011 EUROPEAN COMMUNITY
(56) Related Art Documents: **Not Applicable**
(57) Statement of Newness and Distinctiveness: **Nil**



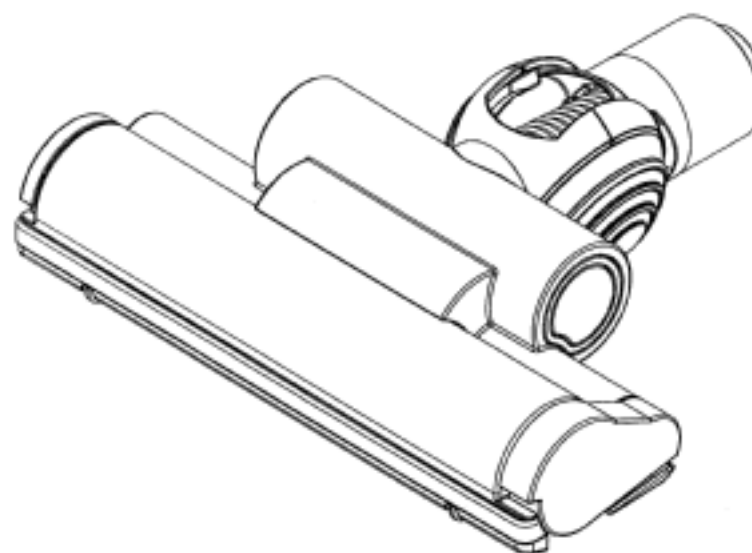
(21) Design Number: **13212/2011**
(22) Date of Filing Application: **20 July 2011**
(24) Date from which industrial property rights may have effect: **20 July 2011**
(54) Product in respect of which the design is registered: **Bin compactor**
(51) International Design Classification: **09-09**
(74) Name(s) of Attorney(s): **Wrays**
(71) Name(s) and Address(s) of Applicant(s):
Garry Joseph Glen
35 Brabourne Street Maddington Western Australia 6109 Australia
(72) Name(s) of Designer(s): **Garry Joseph Glen**
(45) Registration Date: **15 August 2011**
(56) Related Art Documents: **Not Applicable**
(57) Statement of Newness and Distinctiveness: **Nil**



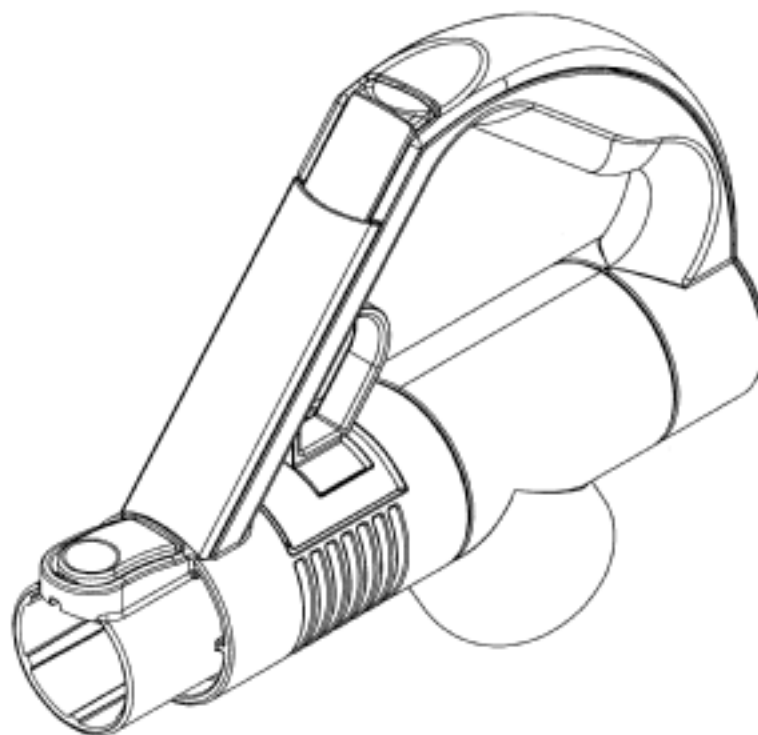
(21) Design Number: **13213/2011**
(22) Date of Filing Application: **21 July 2011**
(24) Date from which industrial property rights may have effect: **21 July 2011**
(54) Product in respect of which the design is registered: **Street light**
(51) International Design Classification: **26-03**
(74) Name(s) of Attorney(s): **PETER MAXWELL & ASSOCIATES**
(71) Name(s) and Address(s) of Applicant(s):
U.S. Energy Technologies, Inc.
14370 Myford Road Suite 100 Irvine California United States of America
(72) Name(s) of Designer(s): **Richard K. Ham**
(45) Registration Date: **15 August 2011**
(30) Convention priority data:
(31) Number (32) Date (33) Country
USSN 29/383,817 21 Jan 2011 UNITED STATES OF AMERICA
(56) Related Art Documents: **Not Applicable**
(57) Statement of Newness and Distinctiveness: **Newness and distinctiveness is claimed in the shape and/or configuration of street light as illustrated by unbroken lines in the accompanying representation/s.**



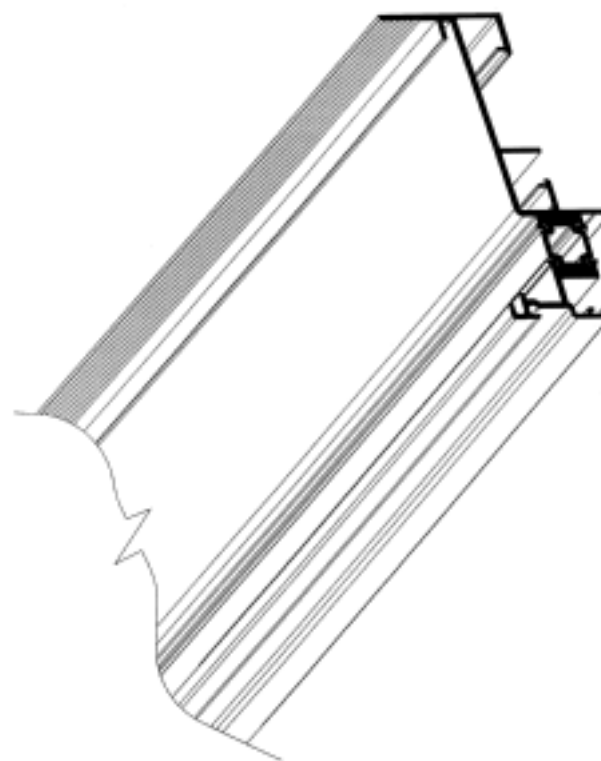
(21) Design Number: **13214/2011**
(22) Date of Filing Application: **20 July 2011**
(24) Date from which industrial property rights may have effect: **20 July 2011**
(54) Product in respect of which the design is registered: **Part of a vacuum cleaner**
(51) International Design Classification: **15-05**
(74) Name(s) of Attorney(s): **Shelston IP**
(71) Name(s) and Address(s) of Applicant(s):
Dyson Limited
Tetbury Hill Malmesbury Wiltshire SN16 0RP United Kingdom
(72) Name(s) of Designer(s): **Jonathan Richard Codling and Matthew John Dobson and David Andrew McLeod and James Dyson and Peter David Gammack**
(45) Registration Date: **15 August 2011**
(30) Convention priority data:
(31) Number (32) Date (33) Country
001257687-0001 02 Feb 2011 EUROPEAN COMMUNITY
(56) Related Art Documents: **Not Applicable**
(57) Statement of Newness and Distinctiveness: **Newness and distinctiveness reside in the shape and/or configuration of a part of a vacuum cleaner as illustrated in the accompanying representations. In particular, newness and distinctiveness reside in the cross-sectional profile of the head portion and the shape and/or configuration of the cylindrical chamber directly adjacent the head portion.**



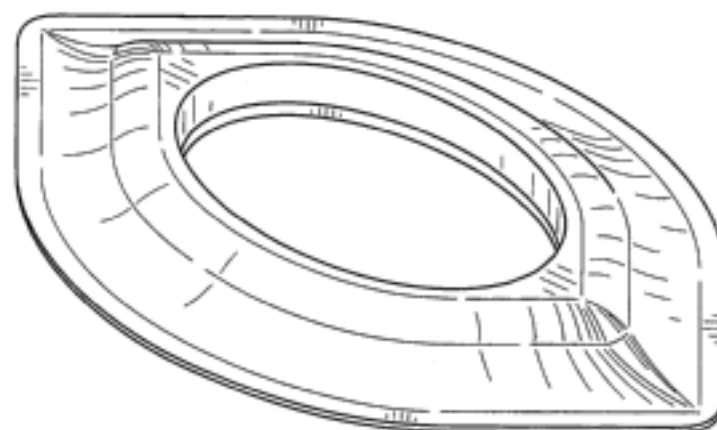
(21) Design Number: **13215/2011**
(22) Date of Filing Application: **20 July 2011**
(24) Date from which industrial property rights may have effect: **20 July 2011**
(54) Product in respect of which the design is registered: **Part of a vacuum cleaner**
(51) International Design Classification: **15-05**
(74) Name(s) of Attorney(s): **Shelston IP**
(71) Name(s) and Address(s) of Applicant(s):
Dyson Limited
Tetbury Hill Malmesbury Wiltshire SN16 0RP United Kingdom
(72) Name(s) of Designer(s): **Sean Ventress and James Dyson and Peter David Gammack**
(45) Registration Date: **15 August 2011**
(30) Convention priority data:
(31) Number (32) Date (33) Country
001257679/0001 02 Feb 2011 EUROPEAN COMMUNITY
(56) Related Art Documents: **Not Applicable**
(57) Statement of Newness and Distinctiveness: **Newness and distinctiveness reside in the features of shape and/or configuration of a part of a vacuum cleaner as illustrated in the accompanying representations. In particular, newness and distinctiveness reside in the shape and/or configuration of the handle and the valve actuator directly under the handle.**



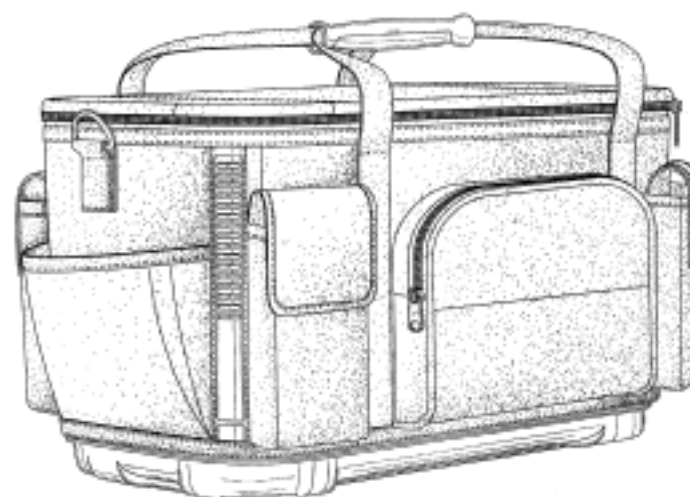
(21) Design Number: **13216/2011**
(22) Date of Filing Application: **20 July 2011**
(24) Date from which industrial property rights may have effect: **20 July 2011**
(54) Product in respect of which the design is registered: **An extrusion**
(51) International Design Classification: **25-01K, 25-02H**
(74) Name(s) of Attorney(s): **SPRUSON & FERGUSON**
(71) Name(s) and Address(s) of Applicant(s):
Architectural Window Systems Pty Ltd
76-78 Jemma Road Prestons New South Wales 2170 Australia
(72) Name(s) of Designer(s): **Mark McCleary**
(45) Registration Date: **15 August 2011**
(56) Related Art Documents: **Not Applicable**
(57) Statement of Newness and Distinctiveness: **Newness and distinctiveness is claimed in the features of shape and/or configuration of the cross-section of an extrusion as illustrated in the accompanying representations wherein the cross-section of the extrusion is constant along its length.**



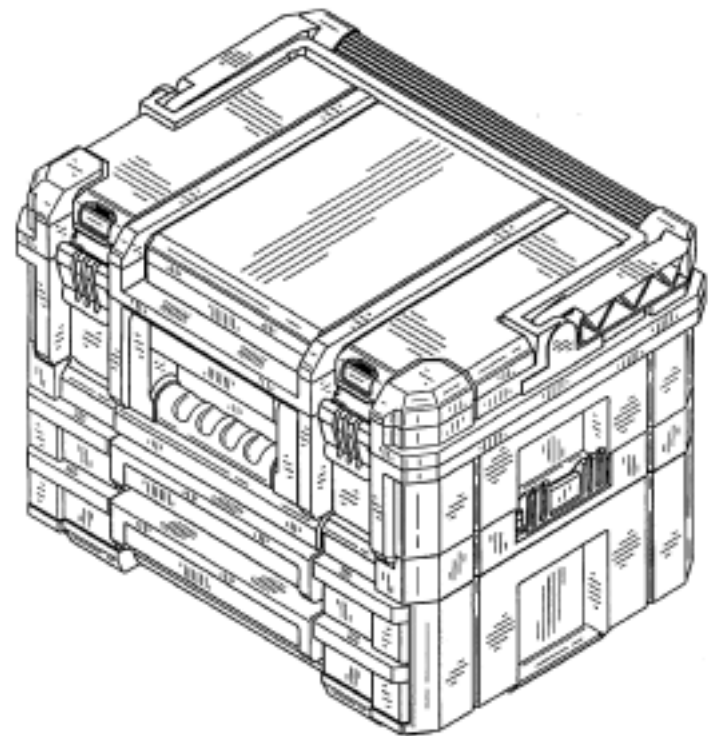
(21) Design Number: **13217/2011**
(22) Date of Filing Application: **20 July 2011**
(24) Date from which industrial property rights may have effect: **20 July 2011**
(54) Product in respect of which the design is registered: **Convex barrier ring with tapered peripheral end portions for ostomy appliances**
(51) International Design Classification: **24-03**
(74) Name(s) of Attorney(s): **PHILLIPS ORMONDE FITZPATRICK**
(71) Name(s) and Address(s) of Applicant(s):
Hollister Incorporated
2000 Hollister Drive Libertyville Illinois 60048 United States of America
(72) Name(s) of Designer(s): **Russell J. Todd and Brock E. Masters**
(45) Registration Date: **15 August 2011**
(30) Convention priority data:
(31) Number (32) Date (33) Country
29/386,963 07 Mar 2011 UNITED STATES OF AMERICA
(56) Related Art Documents: **Not Applicable**
(57) Statement of Newness and Distinctiveness: **Those features of the convex barrier ring with tapered peripheral end portions for ostomy appliances depicted in the representations that are new and distinctive are the shape and/or configuration.**



(21) Design Number: **12794/2011**
(22) Date of Filing Application: **21 June 2011**
(24) Date from which industrial property rights may have effect: **21 June 2011**
(54) Product in respect of which the design is registered: **Rigid tool bag**
(51) International Design Classification: **03-01D**
(74) Name(s) of Attorney(s): **Davies Collison Cave**
(71) Name(s) and Address(s) of Applicant(s):
The Stanley Works Israel Ltd.
19 Ha'melacha Street New Industrial Zone Rosh Ha'ayin 48091 Israel
(72) Name(s) of Designer(s): **David Sosnovsky**
(45) Registration Date: **16 August 2011**
(30) Convention priority data:
(31) Number (32) Date (33) Country
29/384464 31 Jan 2011 UNITED STATES OF AMERICA
(56) Related Art Documents: **Not Applicable**
(57) Statement of Newness and Distinctiveness: **Nil**



(21) Design Number: **12795/2011**
(22) Date of Filing Application: **21 June 2011**
(24) Date from which industrial property rights may have effect: **21 June 2011**
(54) Product in respect of which the design is registered: **Tool container**
(51) International Design Classification: **03-01D**
(74) Name(s) of Attorney(s): **Davies Collison Cave**
(71) Name(s) and Address(s) of Applicant(s):
The Stanley Works Israel Ltd.
19 Ha'melacha Street New Industrial Zone Rosh Ha'ayin 48091 Israel
(72) Name(s) of Designer(s): **Elad Hay Shitrit**
(45) Registration Date: **16 August 2011**
(30) Convention priority data:
(31) Number (32) Date (33) Country
29/384002 25 Jan 2011 UNITED STATES OF AMERICA
(56) Related Art Documents: **Not Applicable**
(57) Statement of Newness and Distinctiveness: **Nil**



(21) Design Number: **13220/2011**
(22) Date of Filing Application: **21 July 2011**
(24) Date from which industrial property rights may have effect: **21 July 2011**
(54) Product in respect of which the design is registered: **Barbeque**
(51) International Design Classification: **07-02E**
(74) Name(s) of Attorney(s): **Corrs Chambers Westgarth**
(71) Name(s) and Address(s) of Applicant(s):
Grillwerk GmbH & Co KG
Furstenbergerstr. 141 60322 Frankfurt Germany
(72) Name(s) of Designer(s): **Bastian Goecke and Hisham Almannai**
(45) Registration Date: **16 August 2011**
(30) Convention priority data:
(31) Number (32) Date (33) Country
**DM/075222 01 Feb 2011 WORLD INTELLECTUAL
PROPERTY ORGANIZATION
(WIPO)**
(56) Related Art Documents: **Not Applicable**
(57) Statement of Newness and Distinctiveness: **Nil**



(21) Design Number: **13221/2011**
(22) Date of Filing Application: **21 July 2011**
(24) Date from which industrial property rights may have effect: **21 July 2011**
(54) Product in respect of which the design is registered: **Barbeque**
(51) International Design Classification: **07-02E**
(74) Name(s) of Attorney(s): **Corrs Chambers Westgarth**
(71) Name(s) and Address(s) of Applicant(s):

Grillwerk GmbH & Co KG
Furstenbergerstr. 141 60322 Frankfurt Germany

(72) Name(s) of Designer(s): **Bastian Goecke and Hisham Almannai**

(45) Registration Date: **16 August 2011**

(30) Convention priority data:

(31) Number	(32) Date	(33) Country
DM/075222	01 Feb 2011	WORLD INTELLECTUAL PROPERTY ORGANIZATION (WIPO)

(56) Related Art Documents: **Not Applicable**

(57) Statement of Newness and Distinctiveness: **Nil**



(21) Design Number: **13222/2011**
(22) Date of Filing Application: **21 July 2011**
(24) Date from which industrial property rights may have effect: **21 July 2011**
(54) Product in respect of which the design is registered: **Barbeque**
(51) International Design Classification: **07-02E**
(74) Name(s) of Attorney(s): **Corrs Chambers Westgarth**
(71) Name(s) and Address(s) of Applicant(s):

Grillwerk GmbH & Co KG
Furstenbergerstr. 141 60322 Frankfurt Germany

(72) Name(s) of Designer(s): **Bastian Goecke and Hisham Almannai**

(45) Registration Date: **16 August 2011**

(30) Convention priority data:

(31) Number	(32) Date	(33) Country
DM/075222	01 Feb 2011	WORLD INTELLECTUAL PROPERTY ORGANIZATION (WIPO)

(56) Related Art Documents: **Not Applicable**

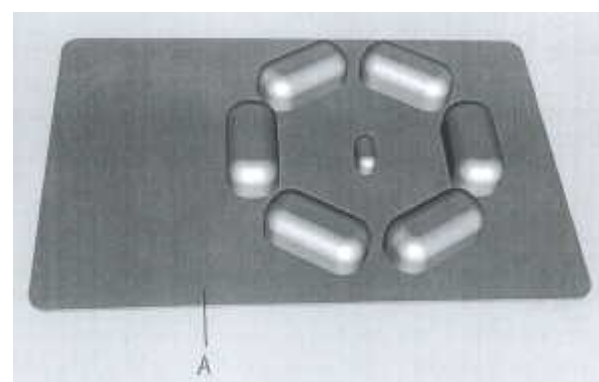
(57) Statement of Newness and Distinctiveness: **Nil**



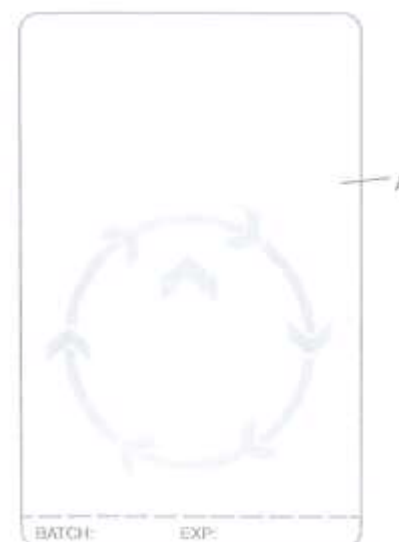
(21) Design Number: **13223/2011**
(22) Date of Filing Application: **21 July 2011**
(24) Date from which industrial property rights may have effect: **21 July 2011**
(54) Product in respect of which the design is registered: **Therapeutic device for stimulating muscle contractions**
(51) International Design Classification: **28-03NES**
(74) Name(s) of Attorney(s): **Collison & Co**
(71) Name(s) and Address(s) of Applicant(s):
High Tech Health Ltd
8 Queens Square Ascot Business Park Lyndhurst Road Ascot Berkshire
SL5 9FE United Kingdom
(72) Name(s) of Designer(s): **David Robinson**
(45) Registration Date: **16 August 2011**
(30) Convention priority data:
(31) Number (32) Date (33) Country
001813833 31 Jan 2011 EUROPEAN COMMUNITY
(56) Related Art Documents: **Not Applicable**
(57) Statement of Newness and Distinctiveness: **Nil**



(21) Design Number: **13224/2011**
(22) Date of Filing Application: **21 July 2011**
(24) Date from which industrial property rights may have effect: **21 July 2011**
(54) Product in respect of which the design is registered: **Blister pack**
(51) International Design Classification: **09-05**
(74) Name(s) of Attorney(s): **Freehills Patent & Trade Mark Attorneys**
(71) Name(s) and Address(s) of Applicant(s):
Apotex Pty Ltd
Level 2 66 Waterloo Road North Ryde New South Wales 2113 Australia
(72) Name(s) of Designer(s): **Marnie Peterson and Colin Hope**
(45) Registration Date: **16 August 2011**
(56) Related Art Documents: **Not Applicable**
(57) Statement of Newness and Distinctiveness: **Newness and distinctiveness is claimed in the features of shape and/or configuration of a blister pack as shown in the representations. When determining whether the design is substantially similar in overall impression to another design, no regard is to be had to the shape of the sheet labelled 'A'.**



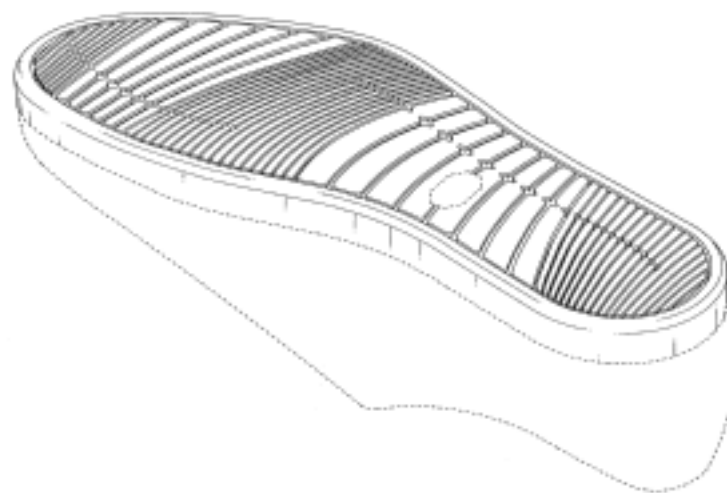
- (21) Design Number: **13225/2011**
(22) Date of Filing Application: **21 July 2011**
(24) Date from which industrial property rights may have effect: **21 July 2011**
(54) Product in respect of which the design is registered: **Blister pack**
(51) International Design Classification: **09-05**
(74) Name(s) of Attorney(s): **Freehills Patent & Trade Mark Attorneys**
(71) Name(s) and Address(s) of Applicant(s):
Apotex Pty Ltd
Level 2 66 Waterloo Road North Ryde New South Wales 2113 Australia
(72) Name(s) of Designer(s): **Marnie Peterson and Colin Hope**
(45) Registration Date: **16 August 2011**
(56) Related Art Documents: **Not Applicable**
(57) Statement of Newness and Distinctiveness: **Newness and distinctiveness is claimed in the features of pattern and/or ornamentation applied to a blister pack as shown in the representation. When determining whether the design is substantially similar in overall impression to another design, no regard is to be had to the shape of the sheet labelled 'A', the text, or the broken line.**



- (21) Design Number: **13199/2011**
(22) Date of Filing Application: **19 July 2011**
(24) Date from which industrial property rights may have effect: **19 July 2011**
(54) Product in respect of which the design is registered: **Protective casing and stand for a portable handheld electronic device**
(51) International Design Classification: **03-01NES, 14-02**
(74) Name(s) of Attorney(s): **Griffith Hack**
(71) Name(s) and Address(s) of Applicant(s):
SwitchEasy Limited
Room 314 Sing Win Factory Building 15-17 Shing Yip Street Kwun Tong Kowloon Hong Kong
(72) Name(s) of Designer(s): **Chi Vun Steven Bau**
(45) Registration Date: **16 August 2011**
(30) Convention priority data:
(31) Number (32) Date (33) Country
1100728.7 28 Apr 2011 HONG KONG
(56) Related Art Documents: **Not Applicable**
(57) Statement of Newness and Distinctiveness: **Newness and distinctiveness resides in the visual features, including shape and configuration, of a PROTECTIVE CASING AND STAND FOR A PORTABLE HANDHELD ELECTRONIC DEVICE as shown in the accompanying representations. Those parts shown in dotted lines do not form part of the PROTECTIVE CASING AND STAND, or identify parts of the PROTECTIVE CASING AND STAND, that do not form part of the design.**



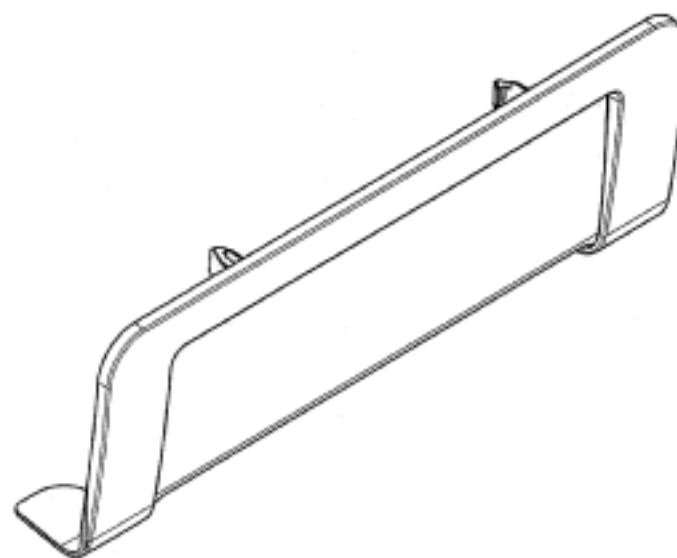
(21) Design Number: **13201/2011**
(22) Date of Filing Application: **19 July 2011**
(24) Date from which industrial property rights may have effect: **19 July 2011**
(54) Product in respect of which the design is registered: **Footwear outsole**
(51) International Design Classification: **02-04B**
(74) Name(s) of Attorney(s): **FB Rice**
(71) Name(s) and Address(s) of Applicant(s):
Deckers Outdoor Corporation
495-A South Fairview Avenue Goleta California 93117 United States of America
(72) Name(s) of Designer(s): **Brendon M. Dowling**
(45) Registration Date: **16 August 2011**
(30) Convention priority data:
(31) Number (32) Date (33) Country
29/391159 04 May 2011 UNITED STATES OF AMERICA
(56) Related Art Documents: **Not Applicable**
(57) Statement of Newness and Distinctiveness: **Newness and distinctiveness reside in the features of shape and configuration of the design on the whole shown in solid lines in the representations excluding those features shown in broken lines. In particular the newness and distinctiveness reside in the shape and configuration of the sole of the footwear resulting from the shown groove pattern.**



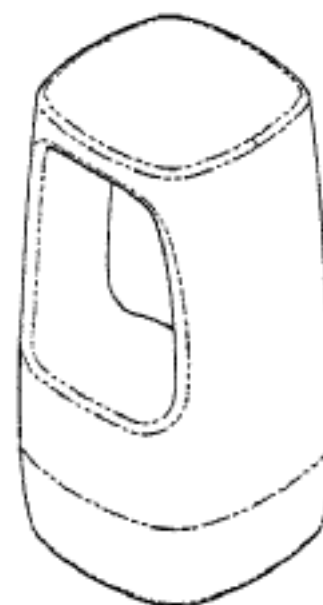
(21) Design Number: **13206/2011**
(22) Date of Filing Application: **20 July 2011**
(24) Date from which industrial property rights may have effect: **20 July 2011**
(54) Product in respect of which the design is registered: **Light fittings**
(51) International Design Classification: **26-05B**
(74) Name(s) of Attorney(s):
(71) Name(s) and Address(s) of Applicant(s):
Simone Yvette LeAmon
c/- Dr Mark Williams Barrister & Solicitor 8th Floor 170 Queen Street Melbourne Victoria 3000 Australia
(72) Name(s) of Designer(s): **Simone Yvette LeAmon**
(45) Registration Date: **16 August 2011**
(56) Related Art Documents: **Not Applicable**
(57) Statement of Newness and Distinctiveness: **The features of shape or configuration of the light fitting as represented in the five drawings affixed hereto.**



- (21) Design Number: **13207/2011**
(22) Date of Filing Application: **14 December 2010**
(24) Date from which industrial property rights may have effect: **14 December 2010**
(54) Product in respect of which the design is registered: **An appliance component**
(51) International Design Classification: **15-07**
(74) Name(s) of Attorney(s): **Halfords IP**
(71) Name(s) and Address(s) of Applicant(s):
Electrolux Home Products Pty Limited
163 O'Riordan Street Mascot New South Wales 2020 Australia
(72) Name(s) of Designer(s): **Tim Clancy and Lyndon Craig and Kittikorn Kaskangam and Xiaozhi Wang**
(45) Registration Date: **16 August 2011**
(62) Divisional of: **337813**
(56) Related Art Documents: **Not Applicable**
(57) Statement of Newness and Distinctiveness: **Newness and distinctiveness is claimed in those features of shape and or configuration of an appliance component as depicted in the accompanying representations. The features shown in broken lines do not form part of the design.**



- (21) Design Number: **13313/2011**
(22) Date of Filing Application: **27 July 2011**
(24) Date from which industrial property rights may have effect: **27 July 2011**
(54) Product in respect of which the design is registered: **Barstool**
(51) International Design Classification: **06-01E**
(74) Name(s) of Attorney(s):
(71) Name(s) and Address(s) of Applicant(s):
Derlot Pty Limited
3/15 Edmonstone Street West End Queensland 4101 Australia
(72) Name(s) of Designer(s): **Alexander Lotersztain**
(45) Registration Date: **16 August 2011**
(56) Related Art Documents: **Not Applicable**
(57) Statement of Newness and Distinctiveness: **Nil**



(21) Design Number: **13314/2011**
(22) Date of Filing Application: **27 July 2011**
(24) Date from which industrial property rights may have effect: **27 July 2011**
(54) Product in respect of which the design is registered: **Rubbish bin**
(51) International Design Classification: **09-09**
(74) Name(s) of Attorney(s):
(71) Name(s) and Address(s) of Applicant(s):
Derlot Pty Limited
3/15 Edmonstone Street West End Queensland 4101 Australia
(72) Name(s) of Designer(s): **Alexander Lotersztain**
(45) Registration Date: **16 August 2011**
(56) Related Art Documents: **Not Applicable**
(57) Statement of Newness and Distinctiveness: **Nil**



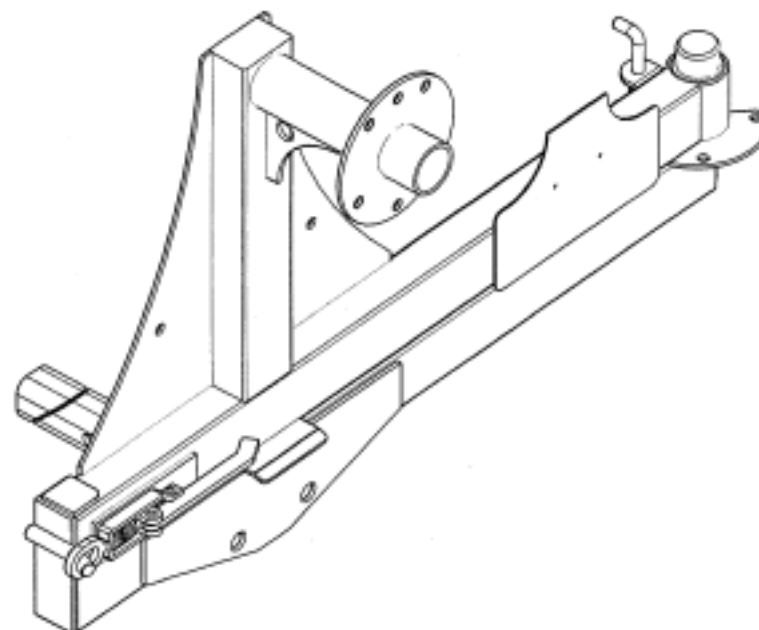
(21) Design Number: **13234/2011**
(22) Date of Filing Application: **21 July 2011**
(24) Date from which industrial property rights may have effect: **21 July 2011**
(54) Product in respect of which the design is registered: **Water craft**
(51) International Design Classification: **12-06A**
(74) Name(s) of Attorney(s): **Griffith Hack**
(71) Name(s) and Address(s) of Applicant(s):
Theodor Christen
Oberdierikerstrasse 32 6030 Ebikon Switzerland
(72) Name(s) of Designer(s): **Theodor Christen**
(45) Registration Date: **16 August 2011**
(30) Convention priority data:
(31) Number (32) Date (33) Country
**586746101 09 Feb 2011 WORLD INTELLECTUAL
PROPERTY ORGANIZATION
(WIPO)**
(56) Related Art Documents: **Not Applicable**
(57) Statement of Newness and Distinctiveness: **Nil**



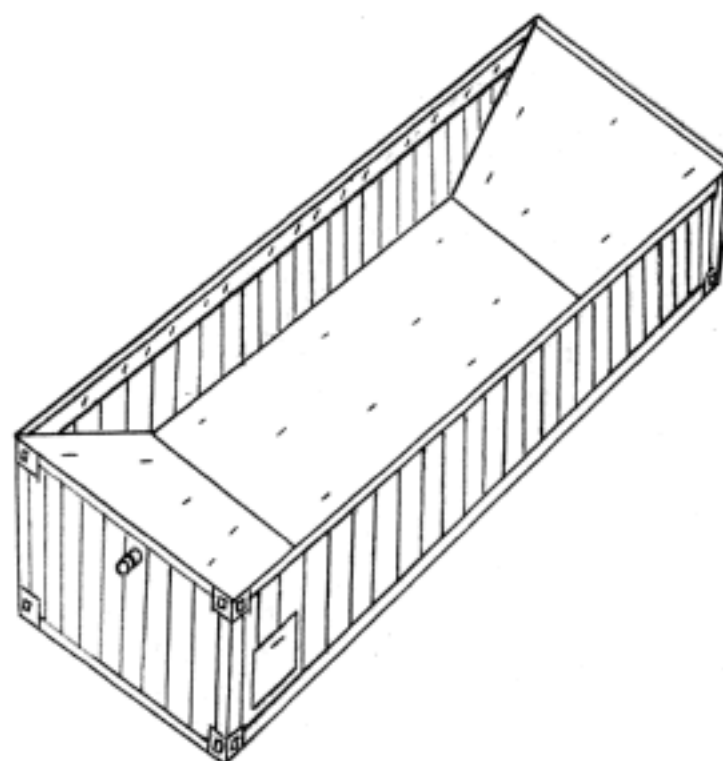
- (21) Design Number: **13235/2011**
(22) Date of Filing Application: **21 July 2011**
(24) Date from which industrial property rights may have effect: **21 July 2011**
(54) Product in respect of which the design is registered: **Pocket**
(51) International Design Classification: **02-02B**
(74) Name(s) of Attorney(s): **Choy Lawyers**
(71) Name(s) and Address(s) of Applicant(s):
Trespass Holdings Pty Ltd
244 Bulwara Road Ultimo New South Wales 2007 Australia
(72) Name(s) of Designer(s): **Luke Hammonds and Broady Davison**
(45) Registration Date: **16 August 2011**
(56) Related Art Documents: **Not Applicable**
(57) Statement of Newness and Distinctiveness: **Monopoly is claimed in the features of pattern and ornamentation of the pocket as shown in the representations. The applicant disclaims colour of stitching, selvedge lines and fabric.**



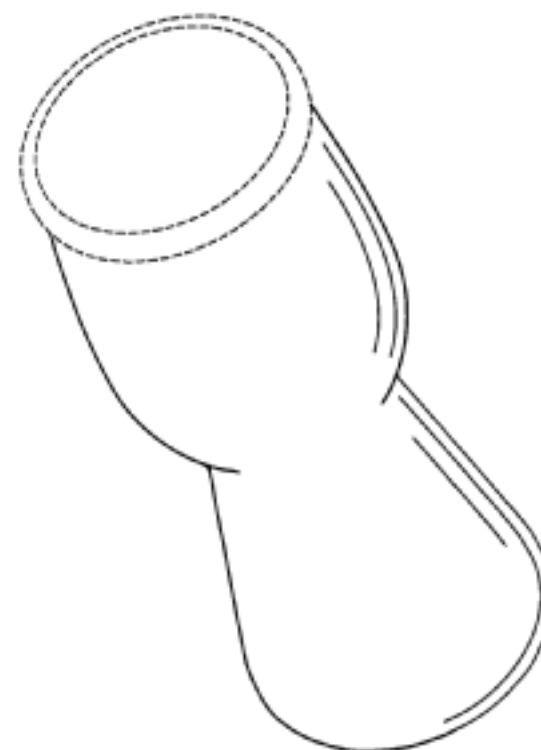
- (21) Design Number: **13236/2011**
(22) Date of Filing Application: **22 July 2011**
(24) Date from which industrial property rights may have effect: **22 July 2011**
(54) Product in respect of which the design is registered: **A spare wheel carrier**
(51) International Design Classification: **12-16K**
(74) Name(s) of Attorney(s): **IP Gateway Patent & Trademark Attorneys**
(71) Name(s) and Address(s) of Applicant(s):
Brett John Stephens
1 Lanbar Court Glenvale Queensland 4350 Australia
(72) Name(s) of Designer(s): **Brett John Stephens**
(45) Registration Date: **16 August 2011**
(56) Related Art Documents: **Not Applicable**
(57) Statement of Newness and Distinctiveness: **The newness and distinctiveness of the design resides in the visual features of the overall shape and/or configuration of a spare wheel carrier as shown in the accompanying representations.**



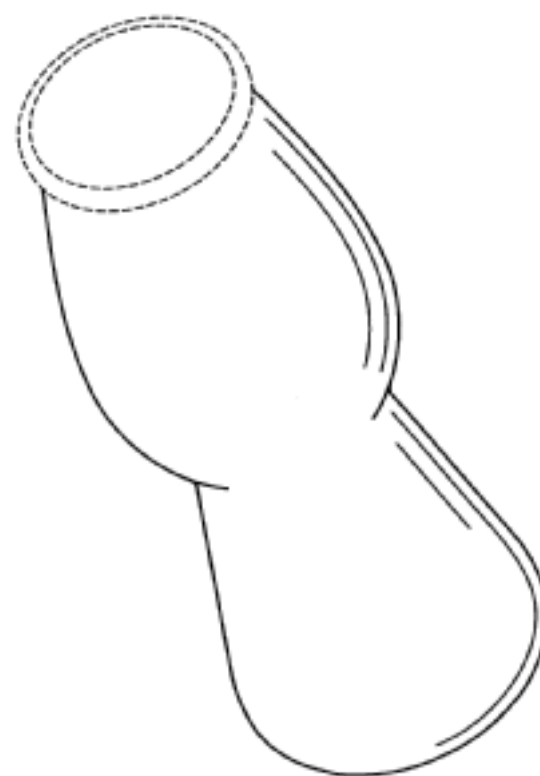
- (21) Design Number: **13237/2011**
(22) Date of Filing Application: **22 July 2011**
(24) Date from which industrial property rights may have effect: **22 July 2011**
(54) Product in respect of which the design is registered: **A fire-fighting helicopter dip-tank, structured within an ISO steel shipping container**
(51) International Design Classification: **09-02A, 23-01F**
(74) Name(s) of Attorney(s):
(71) Name(s) and Address(s) of Applicant(s):
Richard Johannes Cornelis Huisman
35 Highgrove Close Chambers Flat Queensland 4133 Australia
(72) Name(s) of Designer(s): **Richard Johannes Cornelis Huisman**
(45) Registration Date: **16 August 2011**
(56) Related Art Documents: **Not Applicable**
(57) Statement of Newness and Distinctiveness: **Newness and distinctiveness is claimed in the shape and configuration of a fire-fighting helicopter dip-tank structured within an ISO steel shipping container, as shown in the accompanying drawn representation.**



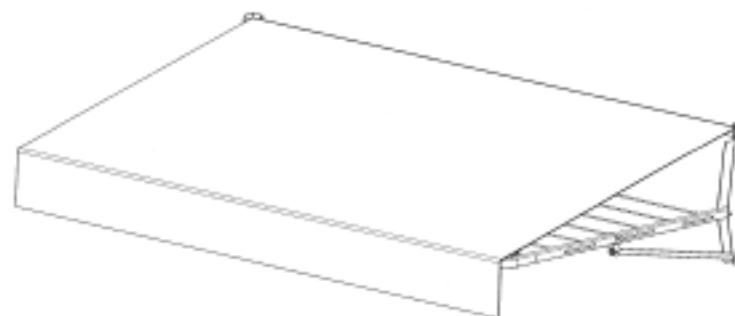
- (21) Design Number: **12313/2011**
(22) Date of Filing Application: **24 May 2011**
(24) Date from which industrial property rights may have effect: **24 May 2011**
(54) Product in respect of which the design is registered: **Container**
(51) International Design Classification: **09-03L**
(74) Name(s) of Attorney(s): **Shelston IP**
(71) Name(s) and Address(s) of Applicant(s):
Owens-Brockway Glass Container Inc.
One Michael Owens Way Perrysburg Ohio 43551 United States of America
(72) Name(s) of Designer(s): **Craig L. Potts**
(45) Registration Date: **16 August 2011**
(30) Convention priority data:
(31) Number (32) Date (33) Country
29/379728 23 Nov 2010 UNITED STATES OF AMERICA
(56) Related Art Documents: **Not Applicable**
(57) Statement of Newness and Distinctiveness: **Newness and distinctiveness resides in the features of shape and/or configuration of a container as illustrated in solid lines in the accompanying representations. The features shown in the broken or discontinuous lines are for illustrative purposes only and do not form part of the design.**



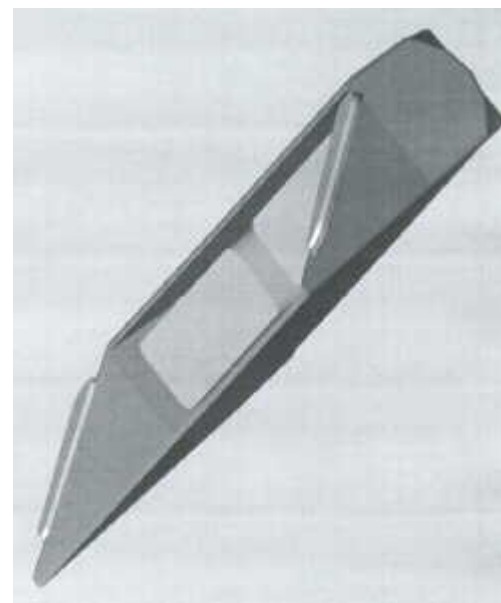
- (21) Design Number: **13319/2011**
(22) Date of Filing Application: **24 May 2011**
(24) Date from which industrial property rights may have effect: **24 May 2011**
(54) Product in respect of which the design is registered: **Container**
(51) International Design Classification: **09-03L**
(74) Name(s) of Attorney(s): **Shelston IP**
(71) Name(s) and Address(s) of Applicant(s):
Owens-Brockway Glass Container Inc.
One Michael Owens Way Perrysburg Ohio 43551 United States of America
(72) Name(s) of Designer(s): **Craig L. Potts**
(45) Registration Date: **16 August 2011**
(62) Divisional of: **338116**
(56) Related Art Documents: **Not Applicable**
(57) Statement of Newness and Distinctiveness: **Newness and distinctiveness reside in the features of shape and/or configuration of a container as illustrated in solid lines in the accompanying representations. The features shown in broken or discontinuous lines are illustrative only and do not form part of the design.**



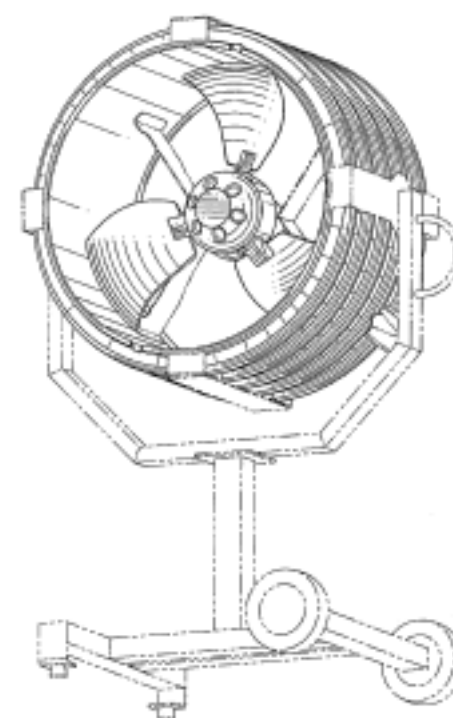
- (21) Design Number: **11257/2011**
(22) Date of Filing Application: **23 March 2011**
(24) Date from which industrial property rights may have effect: **23 March 2011**
(54) Product in respect of which the design is registered: **Covered clothes line**
(51) International Design Classification: **07-05D**
(74) Name(s) of Attorney(s): **Davies Collison Cave**
(71) Name(s) and Address(s) of Applicant(s):
Meir Beneli
48 Burrindi Road Caulfield South Victoria 3162 Australia
(72) Name(s) of Designer(s): **Meir Beneli**
(45) Registration Date: **17 August 2011**
(56) Related Art Documents: **Not Applicable**
(57) Statement of Newness and Distinctiveness: **Newness and distinctiveness is claimed in the visual features shown in solid lines in the representations, excluding the mounting holes marked "X".**



(21) Design Number: **13238/2011**
(22) Date of Filing Application: **25 July 2011**
(24) Date from which industrial property rights may have effect: **25 July 2011**
(54) Product in respect of which the design is registered: **LED dash light**
(51) International Design Classification: **26-06**
(74) Name(s) of Attorney(s): **A.P.T. Patent and Trade Mark Attorneys**
(71) Name(s) and Address(s) of Applicant(s):
Ningbo Yinzhou Self Photoelectron Technology Co., Ltd.
Qianzhou Village Zhonggongmiao Town Yinzhou Center Area Ningbo
City Zhejiang Province 315194 China
(72) Name(s) of Designer(s): **Yimei Cai**
(45) Registration Date: **17 August 2011**
(56) Related Art Documents: **Not Applicable**
(57) Statement of Newness and Distinctiveness: **Nil**



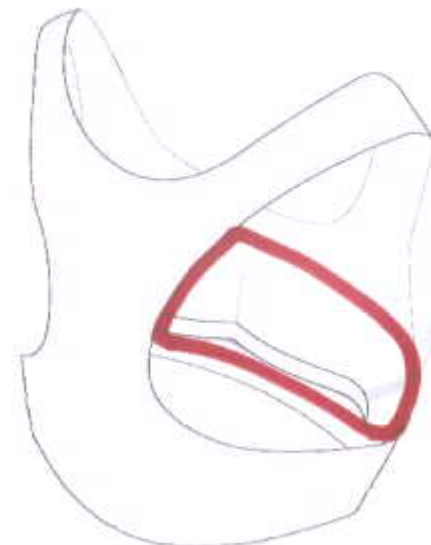
(21) Design Number: **13240/2011**
(22) Date of Filing Application: **25 July 2011**
(24) Date from which industrial property rights may have effect: **25 July 2011**
(54) Product in respect of which the design is registered: **Fan with shroud**
(51) International Design Classification: **23-04**
(74) Name(s) of Attorney(s): **Macpherson + Kelley**
(71) Name(s) and Address(s) of Applicant(s):
Delta T Corporation
2425 Merchant Street Lexington KY 40511-3731 United States of America
(72) Name(s) of Designer(s): **C. Jason Hollan and Jason A. Williams**
(45) Registration Date: **17 August 2011**
(30) Convention priority data:
(31) Number (32) Date (33) Country
29/386,379 28 Feb 2011 UNITED STATES OF AMERICA
(56) Related Art Documents: **Not Applicable**
(57) Statement of Newness and Distinctiveness: **Monopoly is claimed in the shape and configuration of the fan with shroud as illustrated in the accompanying representations.**



(21) Design Number: **13241/2011**
(22) Date of Filing Application: **25 July 2011**
(24) Date from which industrial property rights may have effect: **25 July 2011**
(54) Product in respect of which the design is registered: **Wireless microphone**
(51) International Design Classification: **14-01**
(74) Name(s) of Attorney(s):
(71) Name(s) and Address(s) of Applicant(s):
Oticon A/S
Kongebakken 9 DK-2765 Smorum Denmark
(72) Name(s) of Designer(s): **Maria Mehlsen and Anders Thule and Michael Porsbo**
(45) Registration Date: **17 August 2011**
(30) Convention priority data:
(31) Number (32) Date (33) Country
001819566-0001 10 Feb 2011 EUROPEAN COMMUNITY
(56) Related Art Documents: **Not Applicable**
(57) Statement of Newness and Distinctiveness: **Nil**



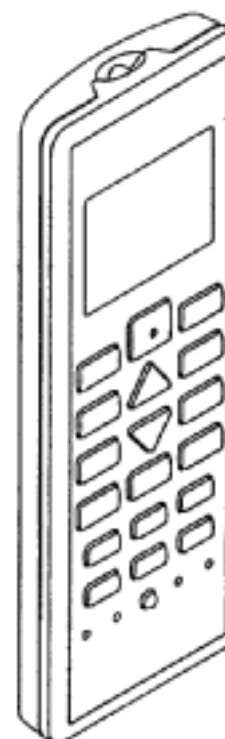
(21) Design Number: **11837/2011**
(22) Date of Filing Application: **27 April 2011**
(24) Date from which industrial property rights may have effect: **27 April 2011**
(54) Product in respect of which the design is registered: **Sports bras**
(51) International Design Classification: **02-01A**
(74) Name(s) of Attorney(s):
(71) Name(s) and Address(s) of Applicant(s):
Keep abreast Ltd
28 Sutherland Close Bordon GU35 9RF United Kingdom
(72) Name(s) of Designer(s): **Lisa Moore**
(45) Registration Date: **17 August 2011**
(56) Related Art Documents: **Not Applicable**
(57) Statement of Newness and Distinctiveness: **Internal seperate double layer 'hammock' support system within the sports bra-providing uplift of breast tissue keeping it away from the rib cage wall, works with the over layer encasing the breast providing space for prosthesis.**



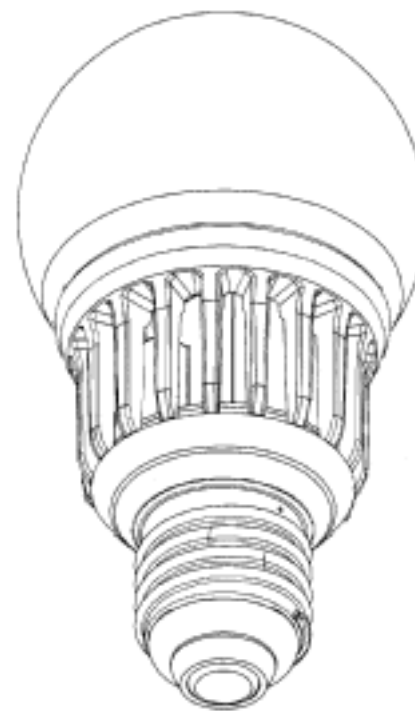
- (21) Design Number: **13232/2011**
(22) Date of Filing Application: **21 July 2011**
(24) Date from which industrial property rights may have effect: **21 July 2011**
(54) Product in respect of which the design is registered: **Tyre**
(51) International Design Classification: **12-15B**
(74) Name(s) of Attorney(s): **SPRUSON & FERGUSON**
(71) Name(s) and Address(s) of Applicant(s):
The Goodyear Tire & Rubber Company
1144 East Market Street Akron Ohio 44316-0001 United States of America
(72) Name(s) of Designer(s): **Maurice Graas and Nicolas Claude Jean-Claude Froger and Matthieu Pingonat and William Urbano Villamizar and Bernard Jean Francois Croissant and Alexander Ossipov and Ralf Reinardt**
(45) Registration Date: **17 August 2011**
(30) Convention priority data:
(31) Number (32) Date (33) Country
29/384649 02 Feb 2011 UNITED STATES OF AMERICA
(56) Related Art Documents: **Not Applicable**
(57) Statement of Newness and Distinctiveness: **Newness and distinctiveness is claimed in the features of shape and/or configuration of the tread of a tyre as illustrated in the accompanying representations, wherein the shape and/or configuration of the tread is repeated throughout the circumference of the tyre.**



- (21) Design Number: **13253/2011**
(22) Date of Filing Application: **22 July 2011**
(24) Date from which industrial property rights may have effect: **22 July 2011**
(54) Product in respect of which the design is registered: **Remote control**
(51) International Design Classification: **14-03NES**
(74) Name(s) of Attorney(s): **PHILLIPS ORMONDE FITZPATRICK**
(71) Name(s) and Address(s) of Applicant(s):
Panasonic HA Air-Conditioning R&D (M) SDN.BHD
Lot 2 Persiaran Tengku Ampuan Seksyen 21 Shah Alam Industrial Site
40300 Shah Alam Selangor Malaysia
(72) Name(s) of Designer(s): **Lim Meng Sin**
(45) Registration Date: **17 August 2011**
(30) Convention priority data:
(31) Number (32) Date (33) Country
11-00546-0101 28 Apr 2011 MALAYSIA
(56) Related Art Documents: **Not Applicable**
(57) Statement of Newness and Distinctiveness: **Those features of the remote control depicted in the representations that are new and distinctive are the shape and/or configuration.**



(21) Design Number: **13254/2011**
(22) Date of Filing Application: **21 July 2011**
(24) Date from which industrial property rights may have effect: **21 July 2011**
(54) Product in respect of which the design is registered: **Lamp**
(51) International Design Classification: **26-05B**
(74) Name(s) of Attorney(s): **Wrays**
(71) Name(s) and Address(s) of Applicant(s):
Mass Technology (H.K.) Limited
31/F. Two Landmark East 100 How Ming Street Kwun Tong Kowloon
Hong Kong
(72) Name(s) of Designer(s): **Onn Fah Foo**
(45) Registration Date: **17 August 2011**
(30) Convention priority data:
(31) Number (32) Date (33) Country
1100278.1 21 Feb 2011 HONG KONG
(56) Related Art Documents: **Not Applicable**
(57) Statement of Newness and Distinctiveness: **Newness and distinctiveness is claimed in the features of shape and/or configuration of the Lamp depicted in the accompanying representations.**



(21) Design Number: **13294/2011**
(22) Date of Filing Application: **28 July 2011**
(24) Date from which industrial property rights may have effect: **28 July 2011**
(54) Product in respect of which the design is registered: **Flowerpot water saucer "without" roller**
(51) International Design Classification: **11-02C**
(74) Name(s) of Attorney(s):
(71) Name(s) and Address(s) of Applicant(s):
Mi Jung Kim
402/2 Shoreline Drive Rhodes New South Wales 2138 Australia
Ako Growbal Pty Ltd
Shop 45, 427-441 Victoria Avenue Chatswood New South Wales 2067
Australia
(72) Name(s) of Designer(s): **Mi Jung Kim and Yun Jae Hwang**
(45) Registration Date: **17 August 2011**
(56) Related Art Documents: **Not Applicable**
(57) Statement of Newness and Distinctiveness: **This is a first "new" and "distinctive" design in which a water saucer/tray comes with a flowerpot. It effectively collects water onto a saucer/tray without any mess or spliage onto any surface where the flowerpot is placed**



(21) Design Number: **13556/2011**
(22) Date of Filing Application: **28 July 2011**
(24) Date from which industrial property rights may have effect: **28 July 2011**
(54) Product in respect of which the design is registered: **Flowerpot water saucer with roller**
(51) International Design Classification: **11-02C**
(74) Name(s) of Attorney(s):
(71) Name(s) and Address(s) of Applicant(s):



Mi Jung Kim
402/2 Shoreline Drive Rhodes New South Wales 2138 Australia
Ako Growbal Pty Ltd
Shop 45, 427-441 Victoria Avenue Chatswood New South Wales 2067 Australia

(72) Name(s) of Designer(s): **Mi Jung Kim and Yun Jae Hwang**
(45) Registration Date: **17 August 2011**
(56) Related Art Documents: **Not Applicable**
(57) Statement of Newness and Distinctiveness: **This is a first "new" and "distinctive" design in which a water saucer/tray comes with a flower pot. It effectively collects water onto a saucer/tray without any mess or spillage onto any surface where the flowerpot is placed.**

(21) Design Number: **12589/2011**
(22) Date of Filing Application: **09 June 2011**
(24) Date from which industrial property rights may have effect: **09 June 2011**
(54) Product in respect of which the design is registered: **Wand for drain clog removal**
(51) International Design Classification: **23-02NES**
(74) Name(s) of Attorney(s): **SPRUSON & FERGUSON**
(71) Name(s) and Address(s) of Applicant(s):

S.C. Johnson & Son, Inc.
1525 Howe Street Racine Wisconsin 53403-2236 United States of America

(72) Name(s) of Designer(s): **Steven A. Zach and John C. Taylor and Nancy L. Broen and Ann Marie Przepasniak and David A. Smith and Daniel I. Saper and Michael J. Bauman and Travis D. Wesley and Douglas A. Soller and Wendy A. Weeks**

(45) Registration Date: **17 August 2011**

(30) Convention priority data:

(31) Number	(32) Date	(33) Country
29/380650	09 Dec 2010	UNITED STATES OF AMERICA

(56) Related Art Documents: **Not Applicable**

(57) Statement of Newness and Distinctiveness: **Newness and distinctiveness is claimed in those features of shape and/or configuration of a wand for drain clog removal illustrated in continuous lines in the accompanying representations and labelled 8-8.**



- (21) Design Number: **12591/2011**
(22) Date of Filing Application: **09 June 2011**
(24) Date from which industrial property rights may have effect: **09 June 2011**
(54) Product in respect of which the design is registered: **Wand for drain clog removal**
(51) International Design Classification: **23-02NES**
(74) Name(s) of Attorney(s): **SPRUSON & FERGUSON**
(71) Name(s) and Address(s) of Applicant(s):
S.C. Johnson & Son, Inc.
1525 Howe Street Racine Wisconsin 53403-2236 United States of America
(72) Name(s) of Designer(s): **Steven A. Zach and John C. Taylor and Nancy L. Broen and Wendy A. Weeks**
(45) Registration Date: **17 August 2011**
(30) Convention priority data:
(31) Number (32) Date (33) Country
29/380652 09 Dec 2010 UNITED STATES OF AMERICA
(56) Related Art Documents: **Not Applicable**
(57) Statement of Newness and Distinctiveness: **Newness and distinctiveness is claimed in those features of shape and/or configuration of a wand for drain clog removal illustrated in continuous lines in the accompanying representations and labelled "A".**



- (21) Design Number: **12593/2011**
(22) Date of Filing Application: **09 June 2011**
(24) Date from which industrial property rights may have effect: **09 June 2011**
(54) Product in respect of which the design is registered: **Wand for drain clog removal**
(51) International Design Classification: **23-02NES**
(74) Name(s) of Attorney(s): **SPRUSON & FERGUSON**
(71) Name(s) and Address(s) of Applicant(s):
S.C. Johnson & Son, Inc.
1525 Howe Street Racine Wisconsin 53403-2236 United States of America
(72) Name(s) of Designer(s): **Steven A. Zach and John C. Taylor and Nancy L. Broen and Ann Marie Przpasiak and David A. Smith and Daniel I. Saper and Michael J. Bauman and Travis D. Wesley and Douglas A. Soller and Wendy A. Weeks**
(45) Registration Date: **17 August 2011**
(30) Convention priority data:
(31) Number (32) Date (33) Country
29/380647 09 Dec 2010 UNITED STATES OF AMERICA
(56) Related Art Documents: **Not Applicable**
(57) Statement of Newness and Distinctiveness: **Newness and distinctiveness is claimed in the features of shape and/or configuration of a wand for drain clog removal as illustrated in the accompanying representations.**



- (21) Design Number: **12594/2011**
(22) Date of Filing Application: **09 June 2011**
(24) Date from which industrial property rights may have effect: **09 June 2011**
(54) Product in respect of which the design is registered: **Wand for drain clog removal**
(51) International Design Classification: **23-02NES**
(74) Name(s) of Attorney(s): **SPRUSON & FERGUSON**
(71) Name(s) and Address(s) of Applicant(s):
S.C. Johnson & Son, Inc.
1525 Howe Street Racine Wisconsin 53403-2236 United States of America
(72) Name(s) of Designer(s): **Steven A. Zach and John C. Taylor and Nancy L. Broen and Wendy A. Weeks and Ann Marie Przpasniak**
(45) Registration Date: **17 August 2011**
(30) Convention priority data:
(31) Number (32) Date (33) Country
29/380654 09 Dec 2010 UNITED STATES OF AMERICA
(56) Related Art Documents: **Not Applicable**
(57) Statement of Newness and Distinctiveness: **Newness and distinctiveness is claimed in the features of shape and/or configuration of a wand for drain clog removal as illustrated in the accompanying representations.**



- (21) Design Number: **12704/2011**
(22) Date of Filing Application: **15 June 2011**
(24) Date from which industrial property rights may have effect: **15 June 2011**
(54) Product in respect of which the design is registered: **High visual safety flag**
(51) International Design Classification: **11-05, 29-02**
(74) Name(s) of Attorney(s):
(71) Name(s) and Address(s) of Applicant(s):
Julie Doris Peddie
28 Pearcedale Road Pearcedale Victoria 3912 Australia
(72) Name(s) of Designer(s): **Julie Doris Peddie**
(45) Registration Date: **17 August 2011**
(56) Related Art Documents: **Not Applicable**
(57) Statement of Newness and Distinctiveness: **Retro reflective tape cross sewn to both sides of flag. Plastic keeper attached to pole.**



- (21) Design Number: **13243/2011**
(22) Date of Filing Application: **22 July 2011**
(24) Date from which industrial property rights may have effect: **22 July 2011**
(54) Product in respect of which the design is registered: **T-shirt**
(51) International Design Classification: **02-02NES**
(74) Name(s) of Attorney(s):
(71) Name(s) and Address(s) of Applicant(s):

Sagar Juvekar
5/38 Bates Street Homebush New South Wales 2140 Australia

(72) Name(s) of Designer(s): **Sagar Juvekar**

(45) Registration Date: **17 August 2011**

(56) Related Art Documents: **Not Applicable**

(57) Statement of Newness and Distinctiveness: **The design of the garment is unique and distinctive in the following aspects: 1. Ability to display an illustration on the front of the garment. 2. Ability to achieve a change to the illustration on the front of the garment. The change in illustration is controlled by the user of the garment. 3. Ability to revert back to the original illustration on the front of the garment. The newness and distinctiveness of the article of clothing resides in the pattern and/or ornamentation, and the ability to achieve a change in the illustration, as shown in the accompanying representations.**



- (21) Design Number: **13244/2011**
(22) Date of Filing Application: **22 July 2011**
(24) Date from which industrial property rights may have effect: **22 July 2011**
(54) Product in respect of which the design is registered: **T-shirt**
(51) International Design Classification: **02-02NES**
(74) Name(s) of Attorney(s):
(71) Name(s) and Address(s) of Applicant(s):

Sagar Juvekar
5/38 Bates Street Homebush New South Wales 2140 Australia

(72) Name(s) of Designer(s): **Sagar Juvekar**

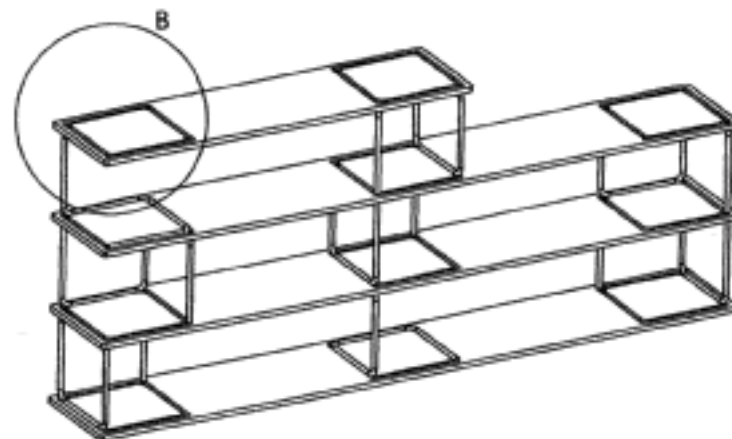
(45) Registration Date: **17 August 2011**

(56) Related Art Documents: **Not Applicable**

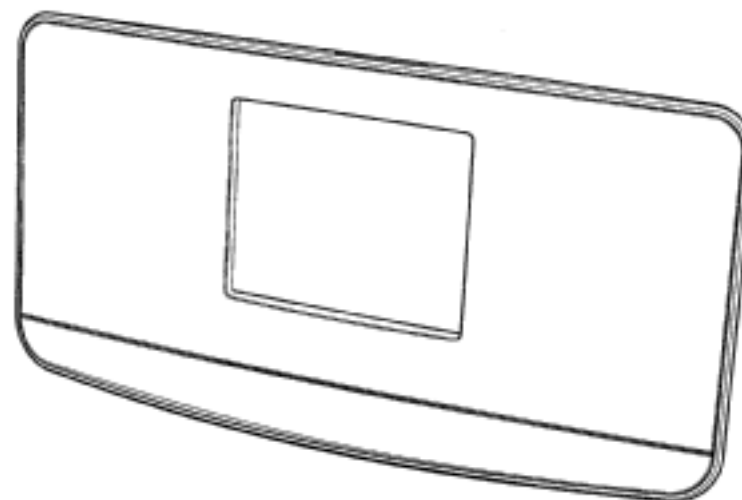
(57) Statement of Newness and Distinctiveness: **The design of the garment is unique and distinctive in the following aspects: 1. Ability to display an illustration on the front of the garment. 2. Ability to achieve a change to the illustration on the front of the garment. The change in illustration is controlled by the user of the garment. 3. Ability to revert back to the original illustration on the front of the garment. The newness and distinctiveness of the article of clothing resides in the pattern and/or ornamentation, and the ability to achieve a change in the illustration, as shown in the accompanying representations.**



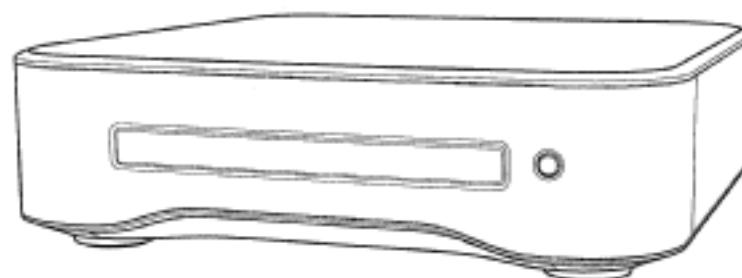
- (21) Design Number: **13388/2011**
(22) Date of Filing Application: **02 August 2011**
(24) Date from which industrial property rights may have effect: **02 August 2011**
(54) Product in respect of which the design is registered: **Multi-configurable bookshelf**
(51) International Design Classification: **06-04NES**
(74) Name(s) of Attorney(s):
(71) Name(s) and Address(s) of Applicant(s):
David Knott
19 Yarralumla Avenue St Ives New South Wales 2075 Australia
(72) Name(s) of Designer(s): **David Knott**
(45) Registration Date: **17 August 2011**
(56) Related Art Documents: **Not Applicable**
(57) Statement of Newness and Distinctiveness: **Newness and distinctiveness is claimed in the shape and configuration of the bookcase design. Special note is made of the slots in each shelf and relationship with support frame.**



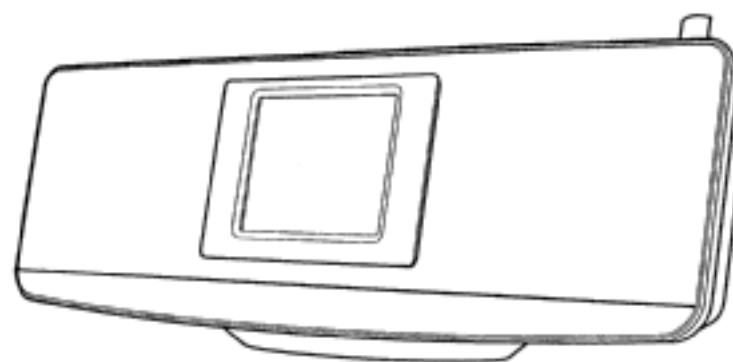
- (21) Design Number: **13248/2011**
(22) Date of Filing Application: **22 July 2011**
(24) Date from which industrial property rights may have effect: **22 July 2011**
(54) Product in respect of which the design is registered: **Micro audio system**
(51) International Design Classification: **14-01**
(74) Name(s) of Attorney(s): **FB Rice**
(71) Name(s) and Address(s) of Applicant(s):
Koninklijke Philips Electronics N.V.
Groenewoudseweg 1 5621 BA Eindhoven The Netherlands
(72) Name(s) of Designer(s): **Shaun Seongwon Choi**
(45) Registration Date: **17 August 2011**
(30) Convention priority data:
(31) Number (32) Date (33) Country
001810334-0004 25 Jan 2011 EUROPEAN COMMUNITY
(56) Related Art Documents: **Not Applicable**
(57) Statement of Newness and Distinctiveness: **Newness and distinctiveness reside in the features of shape and configuration of the design as shown in the representations.**



(21) Design Number: **13249/2011**
(22) Date of Filing Application: **22 July 2011**
(24) Date from which industrial property rights may have effect: **22 July 2011**
(54) Product in respect of which the design is registered: **Micro audio system**
(51) International Design Classification: **14-01**
(74) Name(s) of Attorney(s): **FB Rice**
(71) Name(s) and Address(s) of Applicant(s):
Koninklijke Philips Electronics N.V.
Groenewoudseweg 1 5621 BA Eindhoven The Netherlands
(72) Name(s) of Designer(s): **Shaun Seongwon Choi**
(45) Registration Date: **17 August 2011**
(30) Convention priority data:
(31) Number (32) Date (33) Country
001810334-0002 25 Jan 2011 EUROPEAN COMMUNITY
(56) Related Art Documents: **Not Applicable**
(57) Statement of Newness and Distinctiveness: **Newness and distinctiveness reside in the features of shape and configuration of the design as shown in the representations.**



(21) Design Number: **13250/2011**
(22) Date of Filing Application: **22 July 2011**
(24) Date from which industrial property rights may have effect: **22 July 2011**
(54) Product in respect of which the design is registered: **Micro audio system**
(51) International Design Classification: **14-01**
(74) Name(s) of Attorney(s): **FB Rice**
(71) Name(s) and Address(s) of Applicant(s):
Koninklijke Philips Electronics N.V.
Groenewoudseweg 1 5621 BA Eindhoven The Netherlands
(72) Name(s) of Designer(s): **Shaun Seongwon Choi**
(45) Registration Date: **17 August 2011**
(30) Convention priority data:
(31) Number (32) Date (33) Country
001810334-0005 25 Jan 2011 EUROPEAN COMMUNITY
(56) Related Art Documents: **Not Applicable**
(57) Statement of Newness and Distinctiveness: **Newness and distinctiveness reside in the features of shape and configuration of the design as shown in the representations.**



(21) Design Number: **13251/2011**
(22) Date of Filing Application: **22 July 2011**
(24) Date from which industrial property rights may have effect: **22 July 2011**
(54) Product in respect of which the design is registered: **Micro audio system**
(51) International Design Classification: **14-01**
(74) Name(s) of Attorney(s): **FB Rice**
(71) Name(s) and Address(s) of Applicant(s):

Koninklijke Philips Electronics N.V.
Groenewoudseweg 1 5621 BA Eindhoven The Netherlands

(72) Name(s) of Designer(s): **Shaun Seongwon Choi**

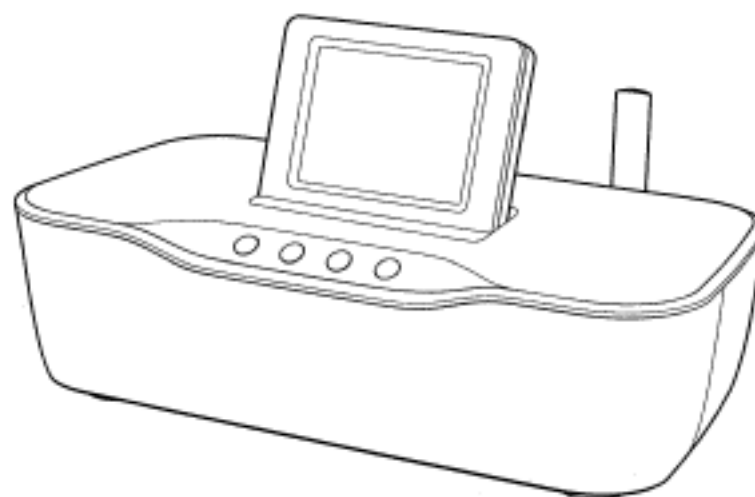
(45) Registration Date: **17 August 2011**

(30) Convention priority data:

(31) Number	(32) Date	(33) Country
001810334-0003	25 Jan 2011	EUROPEAN COMMUNITY

(56) Related Art Documents: **Not Applicable**

(57) Statement of Newness and Distinctiveness: **Newness and distinctiveness reside in the features of shape and configuration of the design as shown in the representations.**



(21) Design Number: **13252/2011**
(22) Date of Filing Application: **22 July 2011**
(24) Date from which industrial property rights may have effect: **22 July 2011**
(54) Product in respect of which the design is registered: **Micro audio system**
(51) International Design Classification: **14-01**
(74) Name(s) of Attorney(s): **FB Rice**
(71) Name(s) and Address(s) of Applicant(s):

Koninklijke Philips Electronics N.V.
Groenewoudseweg 1 5621 BA Eindhoven The Netherlands

(72) Name(s) of Designer(s): **Shaun Seongwon Choi**

(45) Registration Date: **17 August 2011**

(30) Convention priority data:

(31) Number	(32) Date	(33) Country
001810334-0001	25 Jan 2011	EUROPEAN COMMUNITY

(56) Related Art Documents: **Not Applicable**

(57) Statement of Newness and Distinctiveness: **Newness and distinctiveness reside in the features of shape and configuration of the design as shown in the representations.**



(21) Design Number: **13416/2011**
(22) Date of Filing Application: **03 August 2011**
(24) Date from which industrial property rights may have effect: **03 August 2011**
(54) Product in respect of which the design is registered: **Lid for a container**
(51) International Design Classification: **07-01NES**
(74) Name(s) of Attorney(s): **Julian Gyngell Solicitor and Attorney**
(71) Name(s) and Address(s) of Applicant(s):
TRL Trading Limited
25 Pillings Road Oakham Rutland England LE15 6QF United Kingdom
(72) Name(s) of Designer(s): **Rosemary Jameson**
(45) Registration Date: **17 August 2011**
(30) Convention priority data:
(31) Number (32) Date (33) Country
4019155 11 Mar 2011 UNITED KINGDOM
(56) Related Art Documents: **Not Applicable**
(57) Statement of Newness and Distinctiveness: **Nil**



(21) Design Number: **13417/2011**
(22) Date of Filing Application: **03 August 2011**
(24) Date from which industrial property rights may have effect: **03 August 2011**
(54) Product in respect of which the design is registered: **Lid for a container**
(51) International Design Classification: **07-01NES**
(74) Name(s) of Attorney(s): **Julian Gyngell Solicitor and Attorney**
(71) Name(s) and Address(s) of Applicant(s):
TRL Trading Limited
25 Pillings Road Oakham Rutland England LE15 6QF United Kingdom
(72) Name(s) of Designer(s): **Rosemary Jameson**
(45) Registration Date: **17 August 2011**
(30) Convention priority data:
(31) Number (32) Date (33) Country
4019156 11 Mar 2011 UNITED KINGDOM
(56) Related Art Documents: **Not Applicable**
(57) Statement of Newness and Distinctiveness: **Nil**



(21) Design Number: **13418/2011**
(22) Date of Filing Application: **03 August 2011**
(24) Date from which industrial property rights may have effect: **03 August 2011**
(54) Product in respect of which the design is registered: **Lid for a container**
(51) International Design Classification: **07-01NES**
(74) Name(s) of Attorney(s): **Julian Gyngell Solicitor and Attorney**
(71) Name(s) and Address(s) of Applicant(s):
TRL Trading Limited
25 Pillings Road Oakham Rutland England LE15 6QF United Kingdom
(72) Name(s) of Designer(s): **Rosemary Jameson**
(45) Registration Date: **17 August 2011**
(30) Convention priority data:
(31) Number (32) Date (33) Country
4019157 11 Mar 2011 UNITED KINGDOM
(56) Related Art Documents: **Not Applicable**
(57) Statement of Newness and Distinctiveness: **Nil**



(21) Design Number: **11080/2011**
(22) Date of Filing Application: **11 March 2011**
(24) Date from which industrial property rights may have effect: **11 March 2011**
(54) Product in respect of which the design is registered: **Automobile**
(51) International Design Classification: **12-08**
(74) Name(s) of Attorney(s): **SPRUSON & FERGUSON**
(71) Name(s) and Address(s) of Applicant(s):
Toyota Jidosha Kabushiki Kaisha
1 Toyota-cho Toyota-shi Aichi-ken 471-8571 Japan
(72) Name(s) of Designer(s): **Hirofumi Hokao and Tien-Tzu Lin**
(45) Registration Date: **18 August 2011**
(56) Related Art Documents: **Not Applicable**
(57) Statement of Newness and Distinctiveness: **Newness and distinctiveness is claimed in the features of shape and/or configuration of an automobile as illustrated in the accompanying representations, apart from Toyota emblems.**



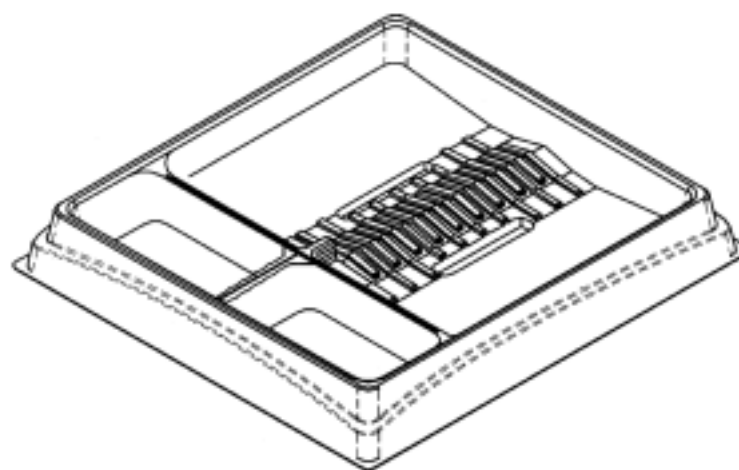
- (21) Design Number: **11081/2011**
(22) Date of Filing Application: **11 March 2011**
(24) Date from which industrial property rights may have effect: **11 March 2011**
(54) Product in respect of which the design is registered: **Automobile**
(51) International Design Classification: **12-08**
(74) Name(s) of Attorney(s): **SPRUSON & FERGUSON**
(71) Name(s) and Address(s) of Applicant(s):
Toyota Jidosha Kabushiki Kaisha
1 Toyota-cho Toyota-shi Aichi-ken 471-8571 Japan
(72) Name(s) of Designer(s): **Hirofumi Hokao and Tetsu Endoh and Shigetoshi Kouzai and Takafumi Ito and Yoshiyasu Neuchi**
(45) Registration Date: **18 August 2011**
(56) Related Art Documents: **Not Applicable**
(57) Statement of Newness and Distinctiveness: **Newness and distinctiveness is claimed in the features of shape and/or configuration of an automobile as illustrated in the accompanying representations, apart from Toyota emblems.**



- (21) Design Number: **11082/2011**
(22) Date of Filing Application: **11 March 2011**
(24) Date from which industrial property rights may have effect: **11 March 2011**
(54) Product in respect of which the design is registered: **Automobile**
(51) International Design Classification: **12-08**
(74) Name(s) of Attorney(s): **SPRUSON & FERGUSON**
(71) Name(s) and Address(s) of Applicant(s):
Toyota Jidosha Kabushiki Kaisha
1 Toyota-cho Toyota-shi Aichi-ken 471-8571 Japan
(72) Name(s) of Designer(s): **Shuusaku Kodama and Hirofumi Hokao and Nicolas Hogios and Peter Hutchinson**
(45) Registration Date: **18 August 2011**
(56) Related Art Documents: **Not Applicable**
(57) Statement of Newness and Distinctiveness: **Newness and distinctiveness is claimed in the features of shape and/or configuration of an automobile as illustrated in the accompanying representations, apart from Toyota emblems.**



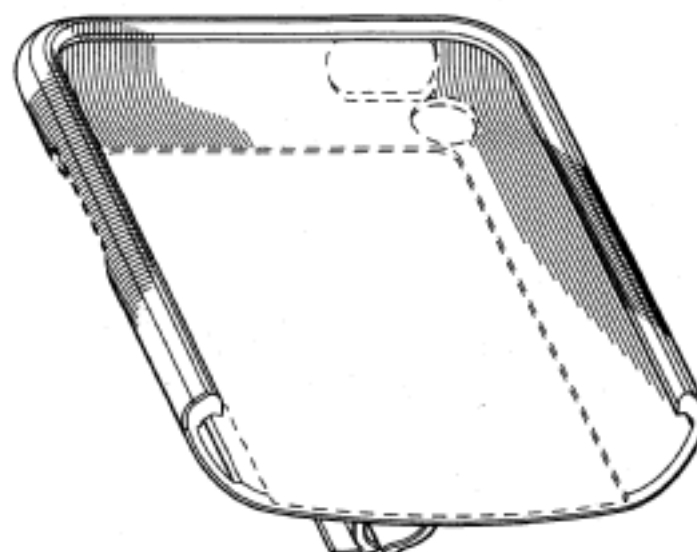
- (21) Design Number: **12926/2011**
(22) Date of Filing Application: **29 June 2011**
(24) Date from which industrial property rights may have effect: **29 June 2011**
(54) Product in respect of which the design is registered: **Medical procedure tray**
(51) International Design Classification: **24-01**
(74) Name(s) of Attorney(s): **Actuate IP**
(71) Name(s) and Address(s) of Applicant(s):
Axis Pty Ltd
24-32 Forge Street Blacktown New South Wales 2148 Australia
(72) Name(s) of Designer(s): **Soa Sher**
(45) Registration Date: **18 August 2011**
(56) Related Art Documents: **Not Applicable**
(57) Statement of Newness and Distinctiveness: **Newness and distinctiveness is claimed in the features of shape and/or configuration of the medical procedure tray as illustrated in the accompanying representations.**



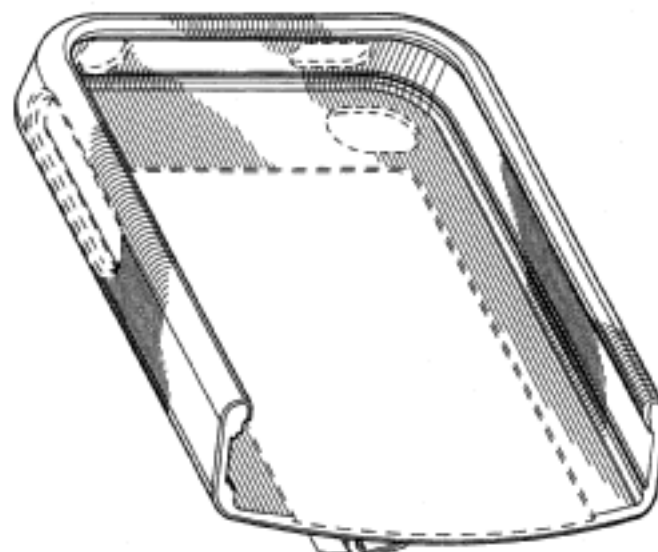
- (21) Design Number: **13159/2011**
(22) Date of Filing Application: **18 July 2011**
(24) Date from which industrial property rights may have effect: **18 July 2011**
(54) Product in respect of which the design is registered: **Freefill drinking fountain**
(51) International Design Classification: **23-01NES**
(74) Name(s) of Attorney(s):
(71) Name(s) and Address(s) of Applicant(s):
David Powers
3 Holms Place Anna Bay New South Wales 2316 Australia
(72) Name(s) of Designer(s): **David Powers**
(45) Registration Date: **18 August 2011**
(56) Related Art Documents: **Not Applicable**
(57) Statement of Newness and Distinctiveness: **The 'Freefill' drinking fountain has a distinctive and original shape. The design is cast from fibre reinforced concrete. The drainage cover-plates are distinctive and cover the base mounting and drainage components. (Images attached)**



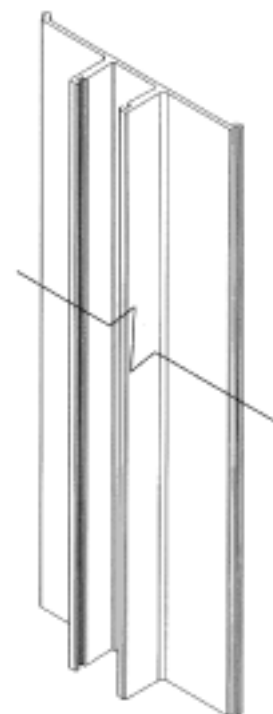
(21) Design Number: **12987/2011**
(22) Date of Filing Application: **04 July 2011**
(24) Date from which industrial property rights may have effect: **04 July 2011**
(54) Product in respect of which the design is registered: **Portable electronic device holder**
(51) International Design Classification: **14-02**
(74) Name(s) of Attorney(s): **Davies Collison Cave**
(71) Name(s) and Address(s) of Applicant(s):
Karsten Manufacturing Corporation
2201 West Desert Cove Phoenix Arizona 85029 United States of America
(72) Name(s) of Designer(s): **Marty R. Jertson**
(45) Registration Date: **18 August 2011**
(30) Convention priority data:
(31) Number (32) Date (33) Country
29/391657 11 May 2011 UNITED STATES OF AMERICA
(56) Related Art Documents: **Not Applicable**
(57) Statement of Newness and Distinctiveness: **Newness and distinctiveness is claimed in the visual features shown in solid lines in the representations. In considering the extent of the design rights, the broken lines shown in the representations are for illustrative purposes only and do not form part of the design.**



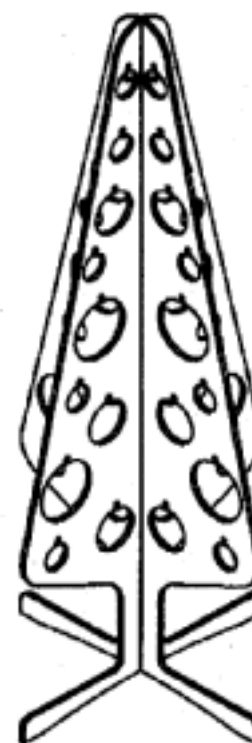
(21) Design Number: **13595/2011**
(22) Date of Filing Application: **04 July 2011**
(24) Date from which industrial property rights may have effect: **04 July 2011**
(54) Product in respect of which the design is registered: **Portable electronic device holder**
(51) International Design Classification: **14-02**
(74) Name(s) of Attorney(s): **Davies Collison Cave**
(71) Name(s) and Address(s) of Applicant(s):
Karsten Manufacturing Corporation
2201 West Desert Cove Phoenix Arizona 85029 United States of America
(72) Name(s) of Designer(s): **Marty R. Jertson**
(45) Registration Date: **18 August 2011**
(30) Convention priority data:
(31) Number (32) Date (33) Country
29/391657 11 May 2011 UNITED STATES OF AMERICA
(56) Related Art Documents: **Not Applicable**
(57) Statement of Newness and Distinctiveness: **Newness and distinctiveness is claimed in the visual features shown in solid lines in the representations. In considering the extent of the design rights, the broken lines shown in the representations are for illustrative purposes only and do not form part of the design.**



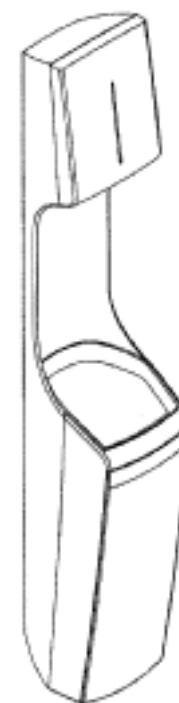
- (21) Design Number: **13256/2011**
(22) Date of Filing Application: **21 July 2011**
(24) Date from which industrial property rights may have effect: **21 July 2011**
(54) Product in respect of which the design is registered: **Insert for a post of indefinite length**
(51) International Design Classification: **25-01E**
(74) Name(s) of Attorney(s):
(71) Name(s) and Address(s) of Applicant(s):
Wallmark Australia Pty Ltd
PO Box 1109 Maryborough Queensland 4650 Australia
(72) Name(s) of Designer(s): **Lester Rowland**
(45) Registration Date: **18 August 2011**
(56) Related Art Documents: **Not Applicable**
(57) Statement of Newness and Distinctiveness: **Nil**



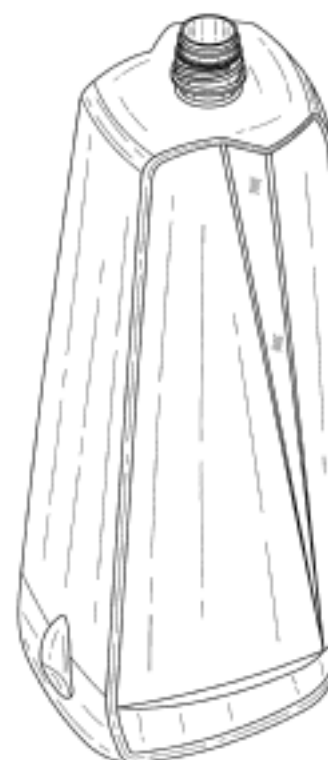
- (21) Design Number: **13258/2011**
(22) Date of Filing Application: **22 July 2011**
(24) Date from which industrial property rights may have effect: **22 July 2011**
(54) Product in respect of which the design is registered: **Recycled, heat compressed plastic Christmas tree**
(51) International Design Classification: **11-04**
(74) Name(s) of Attorney(s):
(71) Name(s) and Address(s) of Applicant(s):
Garlick Developments Pty Limited
21 Woodward Street Merewether New South Wales 2291 Australia
(72) Name(s) of Designer(s): **Elizabeth Jane Durbin**
(45) Registration Date: **18 August 2011**
(56) Related Art Documents: **Not Applicable**
(57) Statement of Newness and Distinctiveness: **Nil**



- (21) Design Number: **13259/2011**
(22) Date of Filing Application: **25 July 2011**
(24) Date from which industrial property rights may have effect: **25 July 2011**
(54) Product in respect of which the design is registered: **Hygienic wiper storage and disposal unit**
(51) International Design Classification: **23-02A, 09-09**
(74) Name(s) of Attorney(s): **Griffith Hack**
(71) Name(s) and Address(s) of Applicant(s):
Andras Fodor
Zold u.11 Budapest H-1039 Hungary
(72) Name(s) of Designer(s): **Andras Fodor**
(45) Registration Date: **18 August 2011**
(56) Related Art Documents: **Not Applicable**
(57) Statement of Newness and Distinctiveness: **Newness and distinctiveness resides in the visual features, including shape and configuration of a HYGIENIC WIPER STORAGE AND DISPOSAL UNIT as shown in the accompanying representations.**



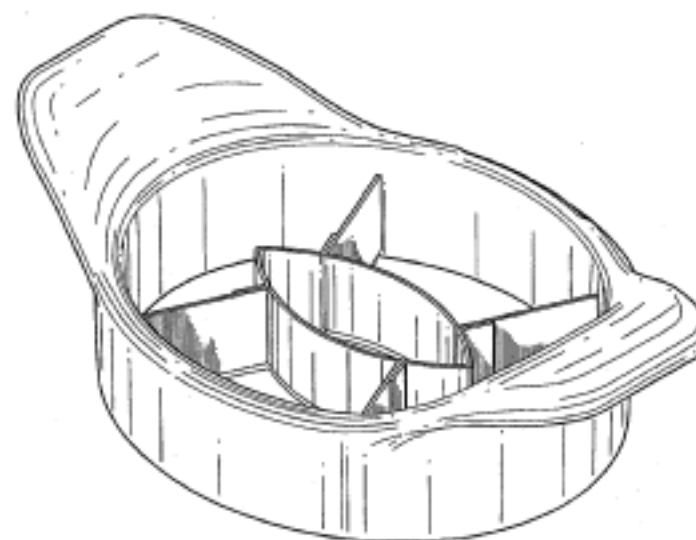
- (21) Design Number: **13269/2011**
(22) Date of Filing Application: **25 July 2011**
(24) Date from which industrial property rights may have effect: **25 July 2011**
(54) Product in respect of which the design is registered: **Bottle**
(51) International Design Classification: **09-01K**
(74) Name(s) of Attorney(s): **Shelston IP**
(71) Name(s) and Address(s) of Applicant(s):
Reckitt Benckiser N.V.
Siriusdreef 14 2132 WT Hoofddorp The Netherlands
(72) Name(s) of Designer(s): **Randy Bos and Taco Dietvorst**
(45) Registration Date: **18 August 2011**
(30) Convention priority data:
(31) Number (32) Date (33) Country
001823691-0001 21 Feb 2011 EUROPEAN COMMUNITY
(56) Related Art Documents: **Not Applicable**
(57) Statement of Newness and Distinctiveness: **Newness and distinctiveness resides in the features of shape and configuration of a bottle as shown in the accompanying representations.**



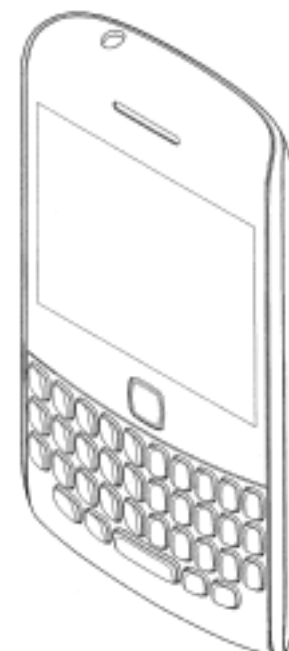
(21) Design Number: **13260/2011**
(22) Date of Filing Application: **26 July 2011**
(24) Date from which industrial property rights may have effect: **26 July 2011**
(54) Product in respect of which the design is registered: **A coffee machine**
(51) International Design Classification: **07-02L**
(74) Name(s) of Attorney(s): **Banki Haddock Fiora**
(71) Name(s) and Address(s) of Applicant(s):
Societe des Produits Nestle S.A.
1800 Vevey Switzerland
(72) Name(s) of Designer(s): **Frank Rousselin**
(45) Registration Date: **18 August 2011**
(30) Convention priority data:
(31) Number (32) Date (33) Country
137666 28 Feb 2011 SWITZERLAND
(56) Related Art Documents: **Not Applicable**
(57) Statement of Newness and Distinctiveness: **Nil**



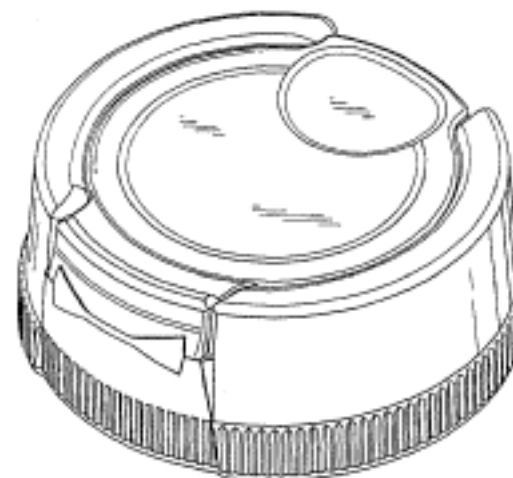
(21) Design Number: **13261/2011**
(22) Date of Filing Application: **25 July 2011**
(24) Date from which industrial property rights may have effect: **25 July 2011**
(54) Product in respect of which the design is registered: **Food slicer**
(51) International Design Classification: **07-04**
(74) Name(s) of Attorney(s): **SPRUSON & FERGUSON**
(71) Name(s) and Address(s) of Applicant(s):
Columbia Insurance Company
3024 Harney Street Omaha Nebraska 68131 United States of America
(72) Name(s) of Designer(s): **E. Mark Harris and Jamie Di Fonzo and Nigel Wang and Roland Sudmalis**
(45) Registration Date: **18 August 2011**
(30) Convention priority data:
(31) Number (32) Date (33) Country
29/385046 08 Feb 2011 UNITED STATES OF AMERICA
(56) Related Art Documents: **Not Applicable**
(57) Statement of Newness and Distinctiveness: **Newness and distinctiveness is claimed in the features of shape and/or configuration of a food slicer as illustrated in the accompanying representations.**



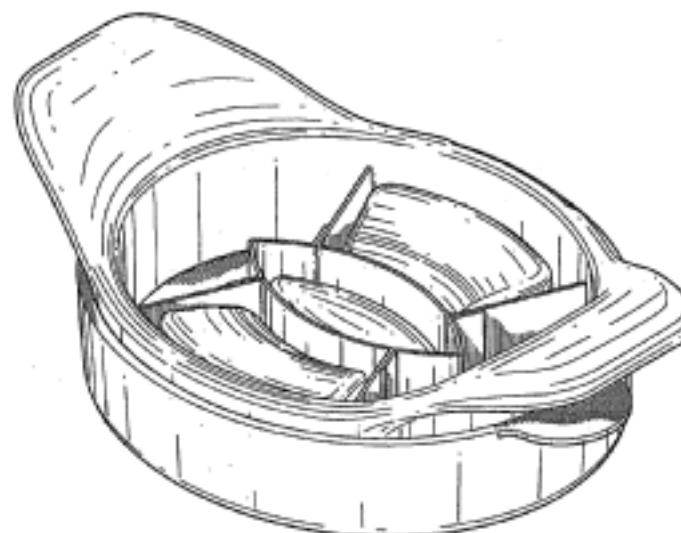
(21) Design Number: **13262/2011**
(22) Date of Filing Application: **25 July 2011**
(24) Date from which industrial property rights may have effect: **25 July 2011**
(54) Product in respect of which the design is registered: **Handheld electronic device**
(51) International Design Classification: **14-03E**
(74) Name(s) of Attorney(s): **SPRUSON & FERGUSON**
(71) Name(s) and Address(s) of Applicant(s):
Research In Motion Limited
295 Phillip Street Waterloo Ontario N2L 3W8 Canada
(72) Name(s) of Designer(s): **Marco Sixtus Ferrari and Todd Andrew Wood and Ingve Holmung and Di Tao and Min Zhu**
(45) Registration Date: **18 August 2011**
(30) Convention priority data:
(31) Number (32) Date (33) Country
29/384057 26 Jan 2011 UNITED STATES OF AMERICA
(56) Related Art Documents: **Not Applicable**
(57) Statement of Newness and Distinctiveness: **Newness and distinctiveness is claimed in the features of shape and/or configuration of a handheld electronic device as illustrated in the accompanying representations.**



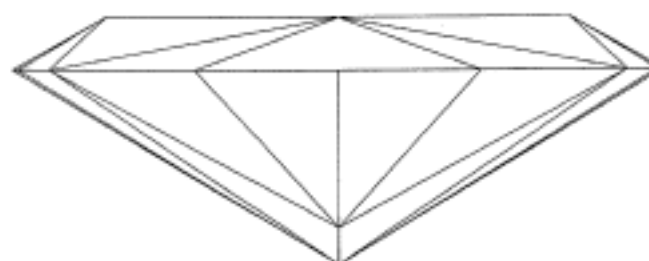
(21) Design Number: **13263/2011**
(22) Date of Filing Application: **25 July 2011**
(24) Date from which industrial property rights may have effect: **25 July 2011**
(54) Product in respect of which the design is registered: **Partial lid dispensing closure**
(51) International Design Classification: **09-07A**
(74) Name(s) of Attorney(s): **SPRUSON & FERGUSON**
(71) Name(s) and Address(s) of Applicant(s):
Aptargroup, Inc.
475 West Terra Cotta Suite E Crystal Lake Illinois 60014-9695 United States of America
(72) Name(s) of Designer(s): **John Wisniewski and Susan DeGroot**
(45) Registration Date: **18 August 2011**
(30) Convention priority data:
(31) Number (32) Date (33) Country
29/387300 11 Mar 2011 UNITED STATES OF AMERICA
(56) Related Art Documents: **Not Applicable**
(57) Statement of Newness and Distinctiveness: **Newness and distinctiveness is claimed in the features of shape and/or configuration of a partial lid dispensing closure as illustrated in the accompanying representations.**



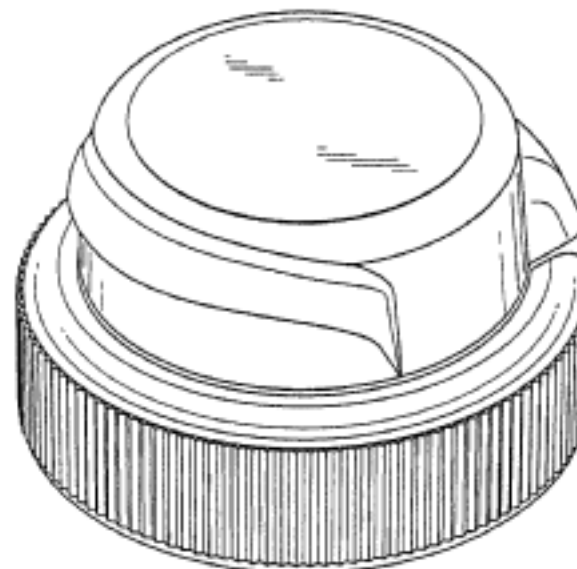
(21) Design Number: **13264/2011**
(22) Date of Filing Application: **25 July 2011**
(24) Date from which industrial property rights may have effect: **25 July 2011**
(54) Product in respect of which the design is registered: **Food slicer**
(51) International Design Classification: **07-04**
(74) Name(s) of Attorney(s): **SPRUSON & FERGUSON**
(71) Name(s) and Address(s) of Applicant(s):
Columbia Insurance Company
3024 Harney Street Omaha Nebraska 68131 United States of America
(72) Name(s) of Designer(s): **E. Mark Harris and Jamie Di Fonzo and Nigel Wang and Roland Sudmalis**
(45) Registration Date: **18 August 2011**
(30) Convention priority data:
(31) Number (32) Date (33) Country
29/384065 26 Jan 2011 UNITED STATES OF AMERICA
(56) Related Art Documents: **Not Applicable**
(57) Statement of Newness and Distinctiveness: **Newness and distinctiveness is claimed in the features of shape and/or configuration of a food slicer as illustrated in the accompanying representations.**



(21) Design Number: **13265/2011**
(22) Date of Filing Application: **25 July 2011**
(24) Date from which industrial property rights may have effect: **25 July 2011**
(54) Product in respect of which the design is registered: **Diamond cut**
(51) International Design Classification: **11-01NES**
(74) Name(s) of Attorney(s): **SPRUSON & FERGUSON**
(71) Name(s) and Address(s) of Applicant(s):
Tycoon Jewelry, Inc.
500 State Street Glendale California 91203 United States of America
(72) Name(s) of Designer(s): **Toros Kejejian**
(45) Registration Date: **18 August 2011**
(30) Convention priority data:
(31) Number (32) Date (33) Country
29/384621 01 Feb 2011 UNITED STATES OF AMERICA
(56) Related Art Documents: **Not Applicable**
(57) Statement of Newness and Distinctiveness: **Newness and distinctiveness is claimed in the features of shape and/or configuration of a diamond-shaped table on a cushion-shaped diamond of a diamond cut illustrated in the accompanying representations.**



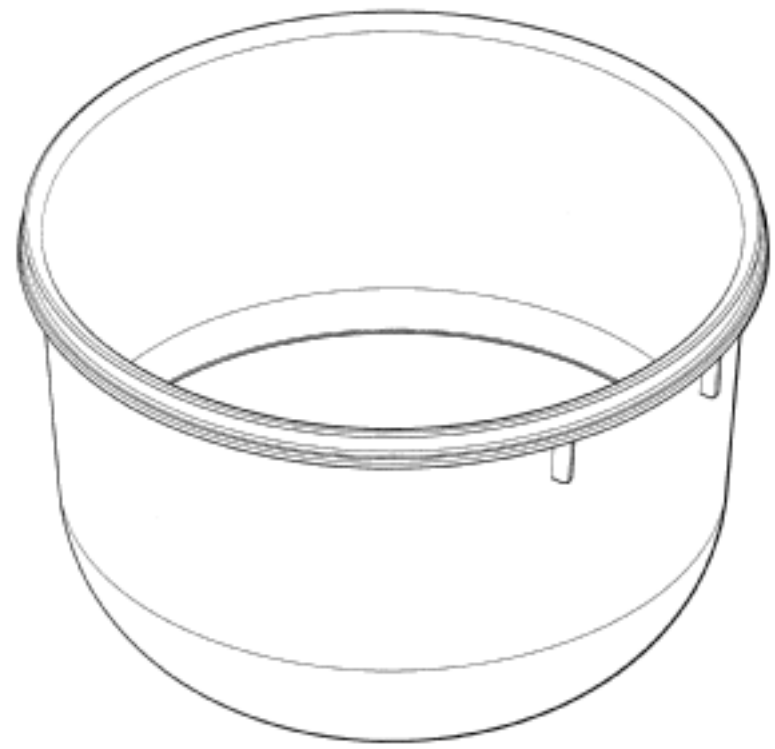
(21) Design Number: **13266/2011**
(22) Date of Filing Application: **25 July 2011**
(24) Date from which industrial property rights may have effect: **25 July 2011**
(54) Product in respect of which the design is registered: **Closure**
(51) International Design Classification: **09-07A**
(74) Name(s) of Attorney(s): **SPRUSON & FERGUSON**
(71) Name(s) and Address(s) of Applicant(s):
Aptargroup, Inc.
475 West Terra Cotta Suite E Crystal Lake Illinois 60014-9695 United States of America
(72) Name(s) of Designer(s): **John Wisniewski and Anne F. Stecker**
(45) Registration Date: **18 August 2011**
(30) Convention priority data:
(31) Number (32) Date (33) Country
29/387297 11 Mar 2011 UNITED STATES OF AMERICA
(56) Related Art Documents: **Not Applicable**
(57) Statement of Newness and Distinctiveness: **Newness and distinctiveness is claimed in the features of shape and/or configuration of a closure as illustrated in the accompanying representations.**



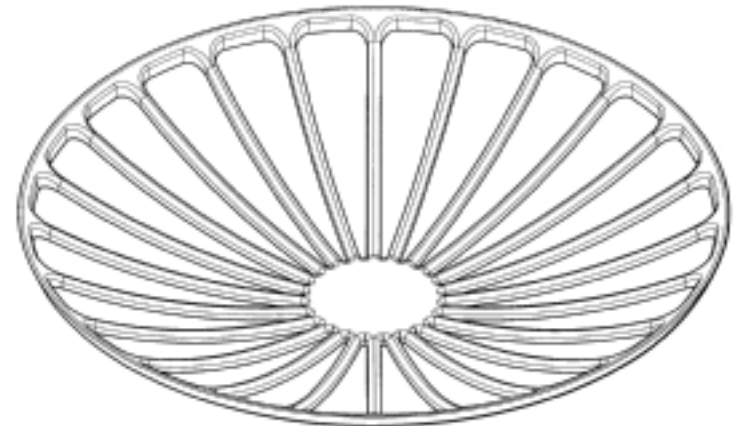
(21) Design Number: **12577/2011**
(22) Date of Filing Application: **08 June 2011**
(24) Date from which industrial property rights may have effect: **08 June 2011**
(54) Product in respect of which the design is registered: **Dead bolt with a latch locating jig**
(51) International Design Classification: **08-07**
(74) Name(s) of Attorney(s):
(71) Name(s) and Address(s) of Applicant(s):
Inventionz IP Limited
C/o 8 Telford Avenue Balmoral Auckland 1041 New Zealand
Alistair Hugh Craig
C/o 8 Telford Avenue Balmoral Auckland 1041 New Zealand
(72) Name(s) of Designer(s): **Dragon Pavlicevic**
(45) Registration Date: **18 August 2011**
(56) Related Art Documents: **Not Applicable**
(57) Statement of Newness and Distinctiveness: **This device locates the exact middle of the striker plate when putting new handles on doors.**



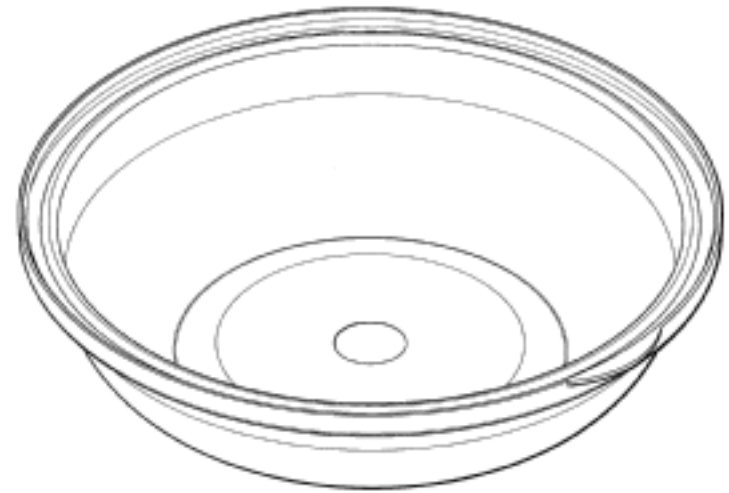
(21) Design Number: **13276/2011**
(22) Date of Filing Application: **25 July 2011**
(24) Date from which industrial property rights may have effect: **25 July 2011**
(54) Product in respect of which the design is registered: **Lettuce crisper bowl**
(51) International Design Classification: **07-01NES**
(74) Name(s) of Attorney(s): **Callinans**
(71) Name(s) and Address(s) of Applicant(s):
The Decor Corporation Pty. Ltd.
1314 Ferntree Gully Road Scoresby Victoria 3179 Australia
(72) Name(s) of Designer(s): **Arthur Richard Carlson**
(45) Registration Date: **18 August 2011**
(56) Related Art Documents: **Not Applicable**
(57) Statement of Newness and Distinctiveness: **Nil**



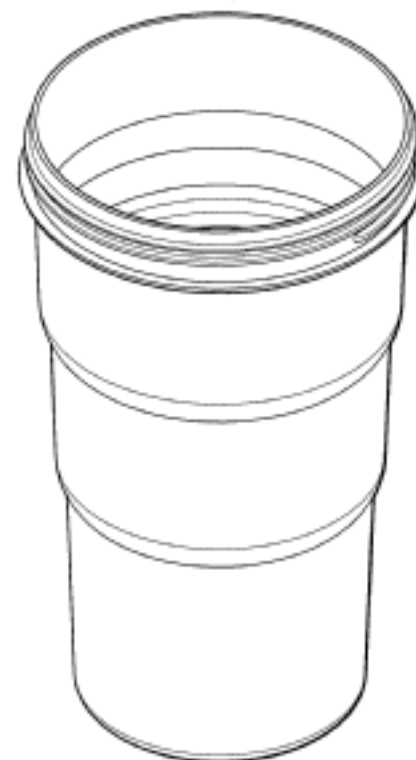
(21) Design Number: **13277/2011**
(22) Date of Filing Application: **25 July 2011**
(24) Date from which industrial property rights may have effect: **25 July 2011**
(54) Product in respect of which the design is registered: **Lettuce crisper grid**
(51) International Design Classification: **07-01NES**
(74) Name(s) of Attorney(s): **Callinans**
(71) Name(s) and Address(s) of Applicant(s):
The Decor Corporation Pty. Ltd.
1314 Ferntree Gully Road Scoresby Victoria 3179 Australia
(72) Name(s) of Designer(s): **Arthur Richard Carlson**
(45) Registration Date: **18 August 2011**
(56) Related Art Documents: **Not Applicable**
(57) Statement of Newness and Distinctiveness: **Nil**



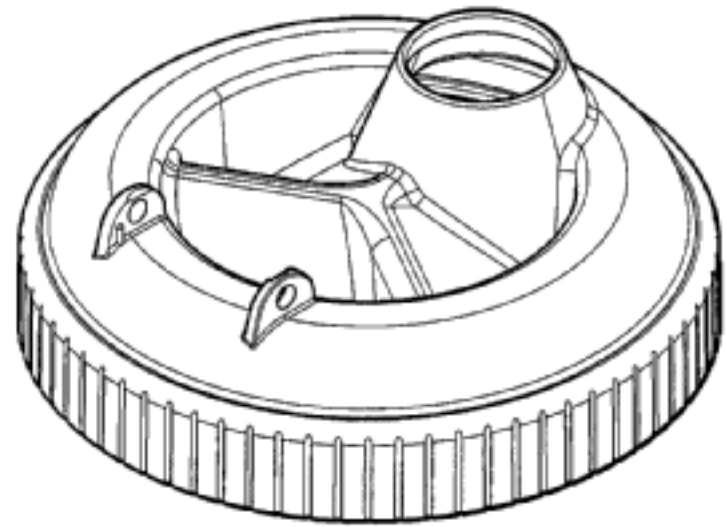
(21) Design Number: **13278/2011**
(22) Date of Filing Application: **25 July 2011**
(24) Date from which industrial property rights may have effect: **25 July 2011**
(54) Product in respect of which the design is registered: **Lettuce crisper lid**
(51) International Design Classification: **07-01NES**
(74) Name(s) of Attorney(s): **Callinans**
(71) Name(s) and Address(s) of Applicant(s):
The Decor Corporation Pty. Ltd.
1314 Ferntree Gully Road Scoresby Victoria 3179 Australia
(72) Name(s) of Designer(s): **Arthur Richard Carlson**
(45) Registration Date: **18 August 2011**
(56) Related Art Documents: **Not Applicable**
(57) Statement of Newness and Distinctiveness: **Nil**



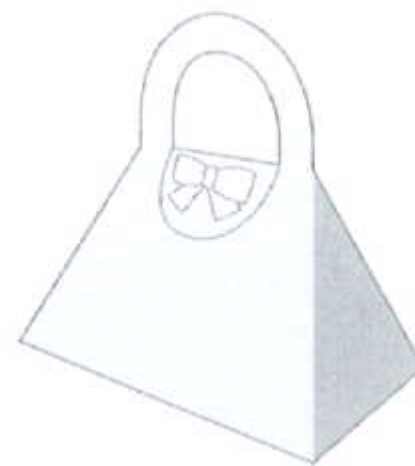
(21) Design Number: **13279/2011**
(22) Date of Filing Application: **25 July 2011**
(24) Date from which industrial property rights may have effect: **25 July 2011**
(54) Product in respect of which the design is registered: **Container**
(51) International Design Classification: **07-01NES**
(74) Name(s) of Attorney(s): **Callinans**
(71) Name(s) and Address(s) of Applicant(s):
The Decor Corporation Pty. Ltd.
1314 Ferntree Gully Road Scoresby Victoria 3179 Australia
(72) Name(s) of Designer(s): **Arthur Richard Carlson**
(45) Registration Date: **18 August 2011**
(56) Related Art Documents: **Not Applicable**
(57) Statement of Newness and Distinctiveness: **Nil**



(21) Design Number: **13280/2011**
(22) Date of Filing Application: **25 July 2011**
(24) Date from which industrial property rights may have effect: **25 July 2011**
(54) Product in respect of which the design is registered: **Lid for container**
(51) International Design Classification: **07-01NES**
(74) Name(s) of Attorney(s): **Callinans**
(71) Name(s) and Address(s) of Applicant(s):
The Decor Corporation Pty. Ltd.
1314 Ferntree Gully Road Scoresby Victoria 3179 Australia
(72) Name(s) of Designer(s): **Arthur Richard Carlson**
(45) Registration Date: **18 August 2011**
(56) Related Art Documents: **Not Applicable**
(57) Statement of Newness and Distinctiveness: **Nil**



(21) Design Number: **13257/2011**
(22) Date of Filing Application: **23 July 2011**
(24) Date from which industrial property rights may have effect: **23 July 2011**
(54) Product in respect of which the design is registered: **Soap packaging**
(51) International Design Classification: **09-03C**
(74) Name(s) of Attorney(s): **Sharon Givoni Consulting**
(71) Name(s) and Address(s) of Applicant(s):
Cristina Re IP Pty Ltd
30-34 Oxford Street Collingwood Victoria 3006 Australia
(72) Name(s) of Designer(s): **Cristina Re**
(45) Registration Date: **19 August 2011**
(56) Related Art Documents: **Not Applicable**
(57) Statement of Newness and Distinctiveness: **The particular visual features of the design which the applicant hereby identifies as new and distinctive are as follows: Packaging in the shape and/or configuration of a handbag as illustrated in the accompanying representations, including the bow on the front flap that may be in any colour or colours.**



(21) Design Number: **13281/2011**
(22) Date of Filing Application: **26 July 2011**
(24) Date from which industrial property rights may have effect: **26 July 2011**
(54) Product in respect of which the design is registered: **Hand shower**
(51) International Design Classification: **23-02B**
(74) Name(s) of Attorney(s): **Griffith Hack**
(71) Name(s) and Address(s) of Applicant(s):



Hansgrohe AG
Austr. 5-9 D-77761 Schiltach Germany
(72) Name(s) of Designer(s): **Tom Schonherr and Matthias Oesterle**
(45) Registration Date: **19 August 2011**
(30) Convention priority data:
(31) Number (32) Date (33) Country
001256937-0001 28 Jan 2011 EUROPEAN COMMUNITY
(56) Related Art Documents: **Not Applicable**
(57) Statement of Newness and Distinctiveness: **Newness and distinctiveness resides in the visual features, including shape and configuration, of the HAND SHOWER as shown in the accompanying representations.**

(21) Design Number: **13282/2011**
(22) Date of Filing Application: **26 July 2011**
(24) Date from which industrial property rights may have effect: **26 July 2011**
(54) Product in respect of which the design is registered: **Hand shower**
(51) International Design Classification: **23-02B**
(74) Name(s) of Attorney(s): **Griffith Hack**
(71) Name(s) and Address(s) of Applicant(s):



Hansgrohe AG
Austr. 5-9 D-77761 Schiltach Germany
(72) Name(s) of Designer(s): **Tom Schonherr and Matthias Oesterle**
(45) Registration Date: **19 August 2011**
(30) Convention priority data:
(31) Number (32) Date (33) Country
001256952-0001 28 Jan 2011 EUROPEAN COMMUNITY
(56) Related Art Documents: **Not Applicable**
(57) Statement of Newness and Distinctiveness: **Newness and distinctiveness resides in the visual features, including shape and configuration, of a HAND SHOWER as shown in the accompanying representations.**

(21) Design Number: **13283/2011**
(22) Date of Filing Application: **26 July 2011**
(24) Date from which industrial property rights may have effect: **26 July 2011**
(54) Product in respect of which the design is registered: **Hand shower**
(51) International Design Classification: **23-02B**
(74) Name(s) of Attorney(s): **Griffith Hack**
(71) Name(s) and Address(s) of Applicant(s):

Hansgrohe AG
Austr. 5-9 D-77761 Schiltach Germany

(72) Name(s) of Designer(s): **Tom Schonherr and Matthias Oesterle**

(45) Registration Date: **19 August 2011**

(30) Convention priority data:

(31) Number	(32) Date	(33) Country
001256937-0002	28 Jan 2011	EUROPEAN COMMUNITY

(56) Related Art Documents: **Not Applicable**

(57) Statement of Newness and Distinctiveness: **Newness and distinctiveness resides in the visual features, including shape and configuration, of a HAND SHOWER as shown in the accompanying representations.**



(21) Design Number: **13284/2011**
(22) Date of Filing Application: **27 July 2011**
(24) Date from which industrial property rights may have effect: **27 July 2011**
(54) Product in respect of which the design is registered: **Gym fitness equipment**
(51) International Design Classification: **21-02F**
(74) Name(s) of Attorney(s): **Complete IP Pty Limited**
(71) Name(s) and Address(s) of Applicant(s):

IP Holdings Pty Limited
PO Box 204 Kensington Park South Australia 5065 Australia

(72) Name(s) of Designer(s): **Daniel Alenaddaf**

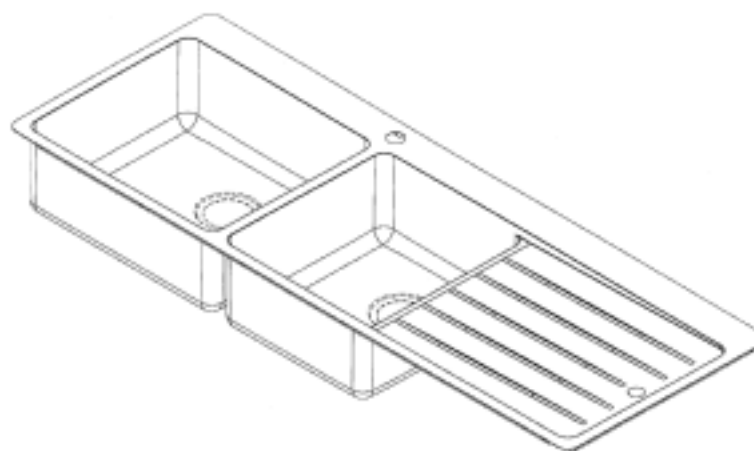
(45) Registration Date: **19 August 2011**

(56) Related Art Documents: **Not Applicable**

(57) Statement of Newness and Distinctiveness: **Newness and distinctiveness is claimed in the shape and/or configuration of the fitness equipment as illustrated in the representations accompanying the application.**



- (21) Design Number: **13285/2011**
(22) Date of Filing Application: **26 July 2011**
(24) Date from which industrial property rights may have effect: **26 July 2011**
(54) Product in respect of which the design is registered: **Sink**
(51) International Design Classification: **23-02F**
(74) Name(s) of Attorney(s): **Callinans**
(71) Name(s) and Address(s) of Applicant(s):
Tasman Sinkware Pty Ltd
51 Naweena Road Regency Park South Australia 5010 Australia
(72) Name(s) of Designer(s): **Jeremy Axton and Jonathan Lee**
(45) Registration Date: **19 August 2011**
(56) Related Art Documents: **Not Applicable**
(57) Statement of Newness and Distinctiveness: **The newness and distinctiveness of the article resides in the shape and configuration of the sink as shown in the accompanying drawings. The drain holes shown in dashed outline in the representations do not form part of the design and may be varied from that shown.**



- (21) Design Number: **13425/2011**
(22) Date of Filing Application: **04 August 2011**
(24) Date from which industrial property rights may have effect: **04 August 2011**
(54) Product in respect of which the design is registered: **Aluminium hand guard with plastic protective shell**
(51) International Design Classification: **12-11, 12-16C**
(74) Name(s) of Attorney(s):
(71) Name(s) and Address(s) of Applicant(s):
Werner Schyns
3 Hammersley Road Grays Point New South Wales 2232 Australia
(72) Name(s) of Designer(s): **Werner Schyns**
(45) Registration Date: **19 August 2011**
(56) Related Art Documents: **Not Applicable**
(57) Statement of Newness and Distinctiveness: **Nil**



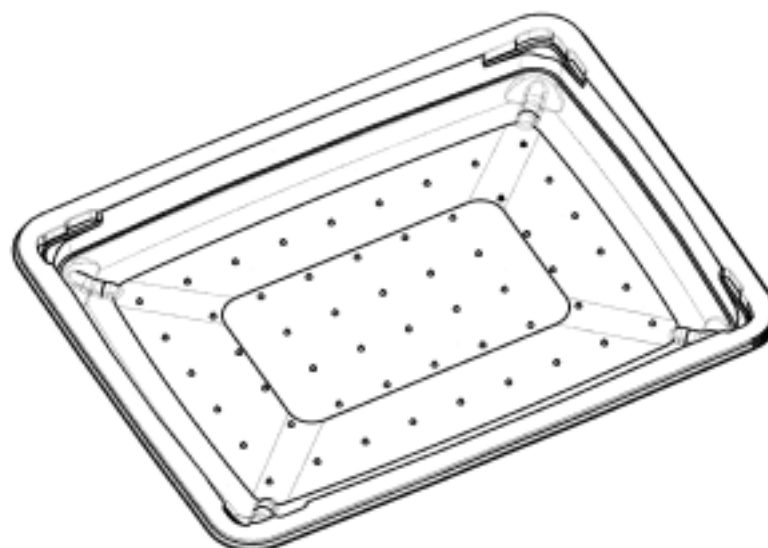
(21) Design Number: **10294/2011**
(22) Date of Filing Application: **02 February 2011**
(24) Date from which industrial property rights may have effect: **02 February 2011**
(54) Product in respect of which the design is registered: **Cardigan**
(51) International Design Classification: **02-02NES**
(74) Name(s) of Attorney(s): **MIDDLETONS**
(71) Name(s) and Address(s) of Applicant(s):
Beba Enterprises Pty Ltd
34 Garden Street South Yarra Victoria 3141 Australia
(72) Name(s) of Designer(s): **Arthur Soetedja**
(45) Registration Date: **19 August 2011**
(56) Related Art Documents: **Not Applicable**
(57) Statement of Newness and Distinctiveness: **Nil**



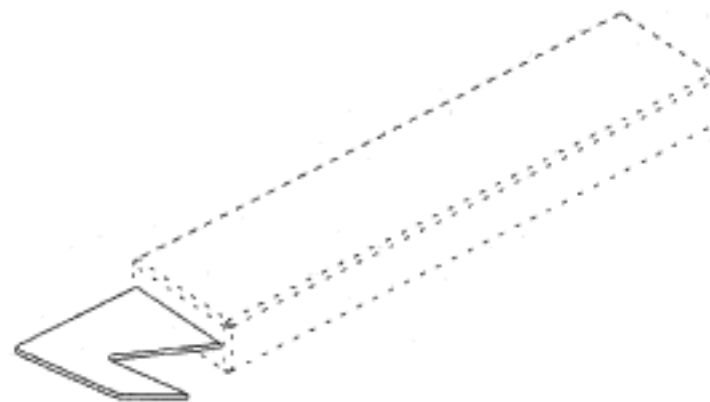
(21) Design Number: **13405/2011**
(22) Date of Filing Application: **02 February 2011**
(24) Date from which industrial property rights may have effect: **02 February 2011**
(54) Product in respect of which the design is registered: **Top**
(51) International Design Classification: **02-02NES**
(74) Name(s) of Attorney(s): **MIDDLETONS**
(71) Name(s) and Address(s) of Applicant(s):
Beba Enterprises Pty Ltd
34 Garden Street South Yarra Victoria 3141 Australia
(72) Name(s) of Designer(s): **Arthur Soetedja**
(45) Registration Date: **19 August 2011**
(56) Related Art Documents: **Not Applicable**
(57) Statement of Newness and Distinctiveness: **Nil**



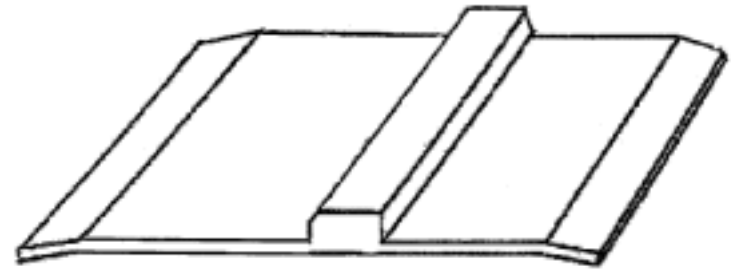
(21) Design Number: **13157/2011**
(22) Date of Filing Application: **14 July 2011**
(24) Date from which industrial property rights may have effect: **14 July 2011**
(54) Product in respect of which the design is registered: **Spiked tray**
(51) International Design Classification: **07-99A, 09-03M**
(74) Name(s) of Attorney(s): **Davies Collison Cave**
(71) Name(s) and Address(s) of Applicant(s):
Cryovac Australia Pty Ltd
90 Keilor Park Drive Tullamarine Victoria 3043 Australia
(72) Name(s) of Designer(s): **Leslie Lopez**
(45) Registration Date: **19 August 2011**
(56) Related Art Documents: **Not Applicable**
(57) Statement of Newness and Distinctiveness: **Nil**



(21) Design Number: **13288/2011**
(22) Date of Filing Application: **26 July 2011**
(24) Date from which industrial property rights may have effect: **26 July 2011**
(54) Product in respect of which the design is registered: **Blade for tile spacer removal tool**
(51) International Design Classification: **08-03**
(74) Name(s) of Attorney(s): **LESICAR PERRIN**
(71) Name(s) and Address(s) of Applicant(s):
Jovica Grujic
34 Liascos Avenue Newton South Australia 5074 Australia
(72) Name(s) of Designer(s): **Jovica Grujic**
(45) Registration Date: **19 August 2011**
(56) Related Art Documents: **Not Applicable**
(57) Statement of Newness and Distinctiveness: **Newness and distinctiveness is found in the shape and configuration of the blade as shown in solid lines in the drawings. The broken lines in the drawing represent the environment in which the blade is used and form no part of the claimed design.**



- (21) Design Number: **13472/2011**
(22) Date of Filing Application: **09 August 2011**
(24) Date from which industrial property rights may have effect: **09 August 2011**
(54) Product in respect of which the design is registered: **Deck plank and joist weather protection strip**
(51) International Design Classification: **25-01D**
(74) Name(s) of Attorney(s): **Pegasus IP**
(71) Name(s) and Address(s) of Applicant(s):
D & C Wilson Holdings Pty Ltd
PO Box 79 Salisbury Queensland 4107 Australia
(72) Name(s) of Designer(s): **Nigel Shaw**
(45) Registration Date: **19 August 2011**
(56) Related Art Documents: **Not Applicable**
(57) Statement of Newness and Distinctiveness: **Newness and distinctiveness resides in the features of shape and/or configuration of the deck plank and joist weather protection strip without limitation to its length as shown in the attached representations.**



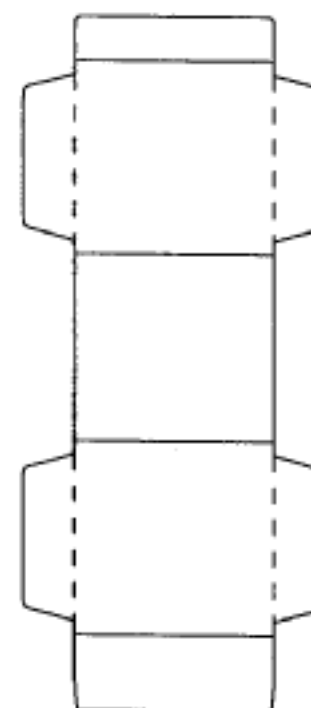
- (21) Design Number: **13524/2011**
(22) Date of Filing Application: **04 August 2011**
(24) Date from which industrial property rights may have effect: **04 August 2011**
(54) Product in respect of which the design is registered: **Stepper exercise apparatus**
(51) International Design Classification: **21-02F**
(74) Name(s) of Attorney(s): **Griffith Hack**
(71) Name(s) and Address(s) of Applicant(s):
Fitness Brands 2 LLC
c/o TechLaw LLP 204 N. El Camino Real Suite 444 San Diego CA 92024
United States of America
(72) Name(s) of Designer(s): **Charles Ho and Michael Casey**
(45) Registration Date: **19 August 2011**
(56) Related Art Documents: **Not Applicable**
(57) Statement of Newness and Distinctiveness: **Newness and Distinctiveness resides in the visual features including shape and/or configuration of a stepper exercise apparatus as shown in the accompanying representations.**



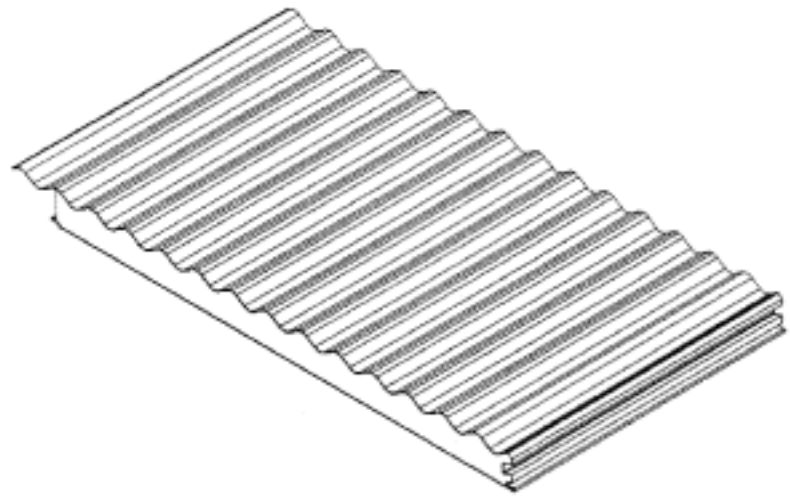
(21) Design Number: **13525/2011**
(22) Date of Filing Application: **04 August 2011**
(24) Date from which industrial property rights may have effect: **04 August 2011**
(54) Product in respect of which the design is registered: **Stepper exercise apparatus**
(51) International Design Classification: **21-02F**
(74) Name(s) of Attorney(s): **Griffith Hack**
(71) Name(s) and Address(s) of Applicant(s):
Fitness Brands 2 LLC
c/o TechLaw LLP 204 N. El Camino Real Suite 444 San Diego CA 92024
United States of America
(72) Name(s) of Designer(s): **Charles Ho and Michael Casey**
(45) Registration Date: **19 August 2011**
(56) Related Art Documents: **Not Applicable**
(57) Statement of Newness and Distinctiveness: **Newness and Distinctiveness resides in the visual features including shape and/or configuration of a stepper exercise apparatus as shown in the accompanying representations.**



(21) Design Number: **12623/2011**
(22) Date of Filing Application: **14 June 2011**
(24) Date from which industrial property rights may have effect: **14 June 2011**
(54) Product in respect of which the design is registered: **Security sticker**
(51) International Design Classification: **19-08**
(74) Name(s) of Attorney(s): **PHILLIPS ORMONDE FITZPATRICK**
(71) Name(s) and Address(s) of Applicant(s):
Max-Gear Europe Limited
Rocket Building Imperial Way Watford Hertfordshire WA24 4XX United Kingdom
(72) Name(s) of Designer(s): **Richard Newman**
(45) Registration Date: **19 August 2011**
(30) Convention priority data:
(31) Number (32) Date (33) Country
4018106 13 Dec 2010 UNITED KINGDOM
(56) Related Art Documents: **Not Applicable**
(57) Statement of Newness and Distinctiveness: **Nil**



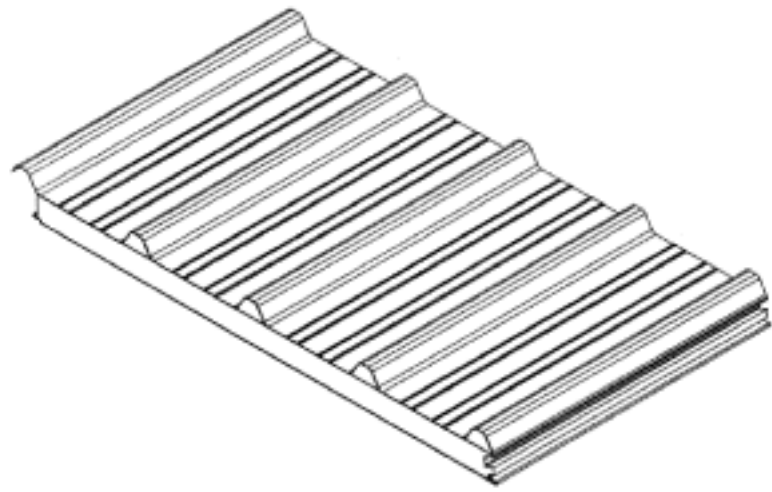
- (21) Design Number: **13290/2011**
(22) Date of Filing Application: **26 July 2011**
(24) Date from which industrial property rights may have effect: **26 July 2011**
(54) Product in respect of which the design is registered: **Building panel**
(51) International Design Classification: **25-01D**
(74) Name(s) of Attorney(s): **Trademark Central**
(71) Name(s) and Address(s) of Applicant(s):
Delta Panels Pty Ltd
55 Mica Street Carole Park Queensland 4300 Australia
(72) Name(s) of Designer(s): **Brian James Donovan**
(45) Registration Date: **19 August 2011**
(56) Related Art Documents: **Not Applicable**
(57) Statement of Newness and Distinctiveness: **Monopoly is claimed in the shape and configuration of a building panel of indefinite length and width.**



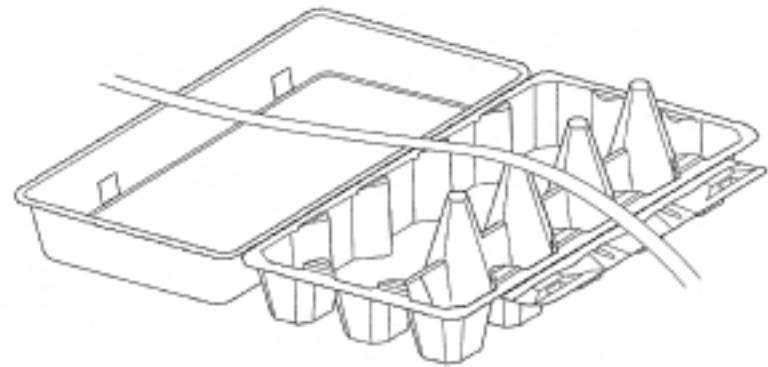
- (21) Design Number: **13001/2011**
(22) Date of Filing Application: **04 July 2011**
(24) Date from which industrial property rights may have effect: **04 July 2011**
(54) Product in respect of which the design is registered: **Passport holder**
(51) International Design Classification: **03-01B**
(74) Name(s) of Attorney(s):
(71) Name(s) and Address(s) of Applicant(s):
Victoria Maude
738/ 7 Crescent Street Waterloo New South Wales 2017 Australia
(72) Name(s) of Designer(s): **Victoria Maude**
(45) Registration Date: **19 August 2011**
(56) Related Art Documents: **Not Applicable**
(57) Statement of Newness and Distinctiveness: **The passport holder that I have designed is distinct in the placement of the passport slip, boarding pass slip, note compartment, receipt compartment, coin compartment, card compartment and pen holder.**



- (21) Design Number: **13291/2011**
(22) Date of Filing Application: **26 July 2011**
(24) Date from which industrial property rights may have effect: **26 July 2011**
(54) Product in respect of which the design is registered: **Building panel**
(51) International Design Classification: **25-01D**
(74) Name(s) of Attorney(s): **Trademark Central**
(71) Name(s) and Address(s) of Applicant(s):
Delta Panels Pty Ltd
55 Mica Street Carole Park Queensland 4300 Australia
(72) Name(s) of Designer(s): **Brian James Donovan**
(45) Registration Date: **19 August 2011**
(56) Related Art Documents: **Not Applicable**
(57) Statement of Newness and Distinctiveness: **Monopoly is claimed in the shape and configuration of a building panel of indefinite length and width.**



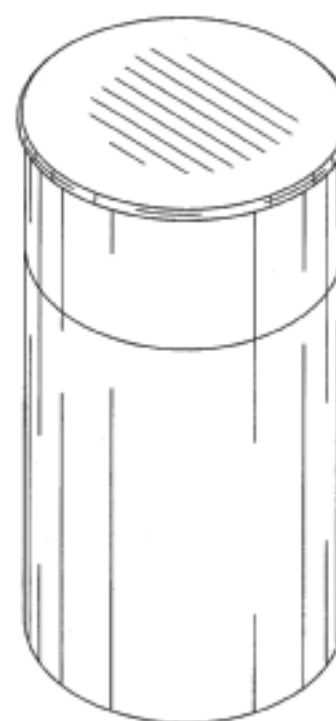
- (21) Design Number: **13370/2011**
(22) Date of Filing Application: **29 July 2011**
(24) Date from which industrial property rights may have effect: **29 July 2011**
(54) Product in respect of which the design is registered: **Egg and food carton**
(51) International Design Classification: **09-03D**
(74) Name(s) of Attorney(s): **LESICAR PERRIN**
(71) Name(s) and Address(s) of Applicant(s):
Solar Eggs IP Pty Ltd
12 Kinkaid Avenue North Plympton South Australia 5037 Australia
(72) Name(s) of Designer(s): **Jonathan Attard**
(45) Registration Date: **19 August 2011**
(56) Related Art Documents: **Not Applicable**
(57) Statement of Newness and Distinctiveness: **Newness and distinctiveness resides in the shape and/or configuration of the egg and food carton as illustrated in the accompanying representations. When considering the extent of monopoly, the length of the carton and/or the number of egg pockets are to be disregarded.**



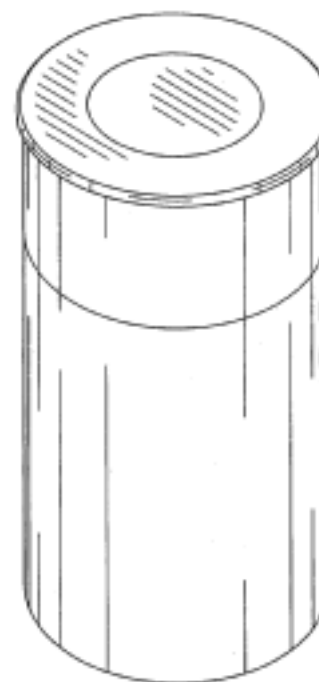
- (21) Design Number: **13531/2011**
(22) Date of Filing Application: **10 August 2011**
(24) Date from which industrial property rights may have effect: **10 August 2011**
(54) Product in respect of which the design is registered: **Mudguard plastic**
(51) International Design Classification: **12-16NES**
(74) Name(s) of Attorney(s):
(71) Name(s) and Address(s) of Applicant(s):
 Paramraj Singh Virdi
 11 National Drive Hallam Victoria 3803 Australia
 Kamaldeep Kaur Virdi
 11 National Drive Hallam Victoria 3803 Australia
(72) Name(s) of Designer(s): **Paramraj Singh Virdi**
(45) Registration Date: **19 August 2011**
(56) Related Art Documents: **Not Applicable**
(57) Statement of Newness and Distinctiveness: **The steps have a greater surface area to accommodate larger clearance lights.**



- (21) Design Number: **12665/2011**
(22) Date of Filing Application: **15 June 2011**
(24) Date from which industrial property rights may have effect: **15 June 2011**
(54) Product in respect of which the design is registered: **Pet consumables container**
(51) International Design Classification: **30-03**
(74) Name(s) of Attorney(s): **PHILLIPS ORMONDE FITZPATRICK**
(71) Name(s) and Address(s) of Applicant(s):
 Radio Systems Corporation
 10427 Electric Avenue Knoxville Tennessee 37932 United States of America
(72) Name(s) of Designer(s): **Aaron Russell and Kevin Zinn**
(45) Registration Date: **22 August 2011**
(30) Convention priority data:
 (31) Number (32) Date (33) Country
 29/381,078 15 Dec 2010 UNITED STATES OF AMERICA
(56) Related Art Documents: **Not Applicable**
(57) Statement of Newness and Distinctiveness: **Those features of the pet consumables container depicted in the representations that are new and distinctive are the shape and/or configuration.**



(21) Design Number: **13632/2011**
(22) Date of Filing Application: **15 June 2011**
(24) Date from which industrial property rights may have effect: **15 June 2011**
(54) Product in respect of which the design is registered: **Pet consumables container**
(51) International Design Classification: **30-03**
(74) Name(s) of Attorney(s): **PHILLIPS ORMONDE FITZPATRICK**
(71) Name(s) and Address(s) of Applicant(s):
Radio Systems Corporation
10427 Electric Avenue Knoxville Tennessee 37932 United States of America
(72) Name(s) of Designer(s): **Aaron Russell and Kevin Zinn**
(45) Registration Date: **22 August 2011**
(30) Convention priority data:
(31) Number (32) Date (33) Country
29/381,078 15 Dec 2010 UNITED STATES OF AMERICA
(56) Related Art Documents: **Not Applicable**
(57) Statement of Newness and Distinctiveness: **Those features of the pet consumables container depicted in the representations that are new and distinctive are the shape and/or configuration.**



(21) Design Number: **13298/2011**
(22) Date of Filing Application: **27 July 2011**
(24) Date from which industrial property rights may have effect: **27 July 2011**
(54) Product in respect of which the design is registered: **Compressor wheel**
(51) International Design Classification: **15-01**
(74) Name(s) of Attorney(s): **SPRUSON & FERGUSON**
(71) Name(s) and Address(s) of Applicant(s):
Turbonetics, Inc.
2255 Agate Court Simi Valley California 93065 United States of America
(72) Name(s) of Designer(s): **Hayden D. Austin and Michael Hastings and Mark D. Steele and Nicholas C. D'Orsi**
(45) Registration Date: **22 August 2011**
(30) Convention priority data:
(31) Number (32) Date (33) Country
29/394361 16 Jun 2011 UNITED STATES OF AMERICA
(56) Related Art Documents: **Not Applicable**
(57) Statement of Newness and Distinctiveness: **Newness and distinctiveness is claimed in the features of shape and/or configuration of a compressor wheel as illustrated in the accompanying representations.**



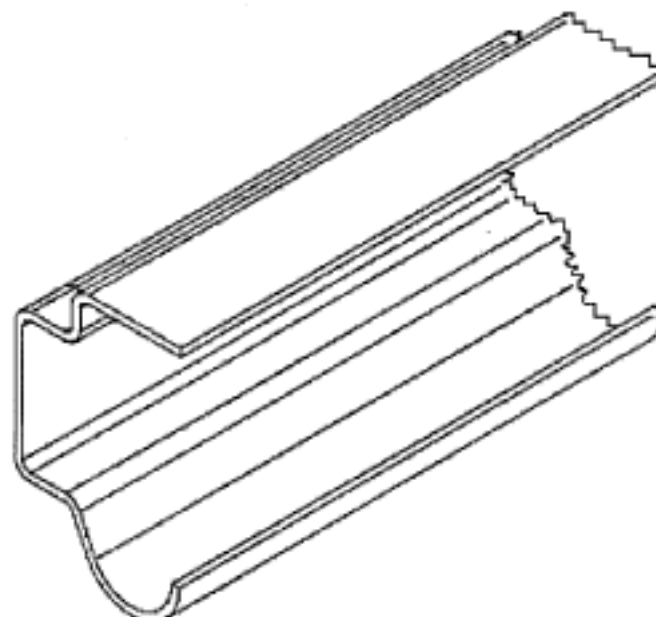
(21) Design Number: **13299/2011**
(22) Date of Filing Application: **27 July 2011**
(24) Date from which industrial property rights may have effect: **27 July 2011**
(54) Product in respect of which the design is registered: **Engine cover for outboard motor machine**
(51) International Design Classification: **12-16B**
(74) Name(s) of Attorney(s): **SPRUSON & FERGUSON**
(71) Name(s) and Address(s) of Applicant(s):
Honda Motor Co., Ltd.
1-1 Minamiaoyama 2-chome Minato-ku Tokyo Japan
(72) Name(s) of Designer(s): **Fumiya Isono**
(45) Registration Date: **22 August 2011**
(30) Convention priority data:
(31) Number (32) Date (33) Country
201130020303.7 28 Jan 2011 CHINA
(56) Related Art Documents: **Not Applicable**
(57) Statement of Newness and Distinctiveness: **Newness and distinctiveness is claimed in the features of shape and/or configuration of an engine cover for outboard motor machine as illustrated in the accompanying representations.**



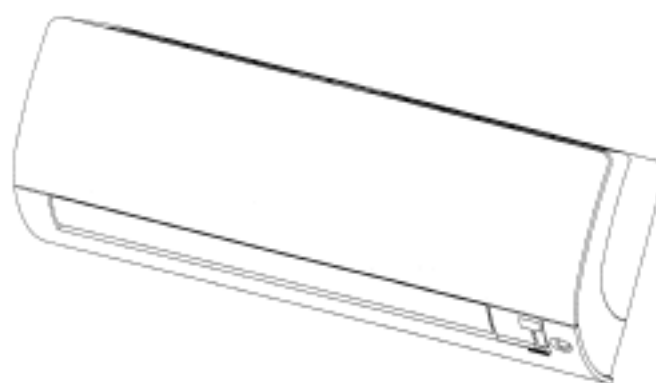
(21) Design Number: **13300/2011**
(22) Date of Filing Application: **27 July 2011**
(24) Date from which industrial property rights may have effect: **27 July 2011**
(54) Product in respect of which the design is registered: **Electric kettle**
(51) International Design Classification: **07-02K**
(74) Name(s) of Attorney(s): **Callinans**
(71) Name(s) and Address(s) of Applicant(s):
Kenwood Limited
New Lane Havant Hampshire PO9 2NH England
(72) Name(s) of Designer(s): **Stuart Williamson and Johan Santer**
(45) Registration Date: **22 August 2011**
(30) Convention priority data:
(31) Number (32) Date (33) Country
001821448-0001 15 Feb 2011 EUROPEAN COMMUNITY
(56) Related Art Documents: **Not Applicable**
(57) Statement of Newness and Distinctiveness: **Nil**



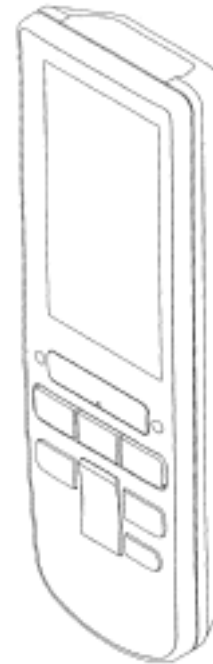
- (21) Design Number: **13303/2011**
(22) Date of Filing Application: **27 July 2011**
(24) Date from which industrial property rights may have effect: **27 July 2011**
(54) Product in respect of which the design is registered: **Door track**
(51) International Design Classification: **25-01K**
(74) Name(s) of Attorney(s): **Wrays**
(71) Name(s) and Address(s) of Applicant(s):
Centurion Garage Doors Pty Ltd
79 Innovation Circuit Wangara Western Australia 6065 Australia
(72) Name(s) of Designer(s): **Steven Canning**
(45) Registration Date: **22 August 2011**
(56) Related Art Documents: **Not Applicable**
(57) Statement of Newness and Distinctiveness: **Newness and distinctiveness is claimed in the shape and configuration of a door track of indefinite length as shown in the representations.**



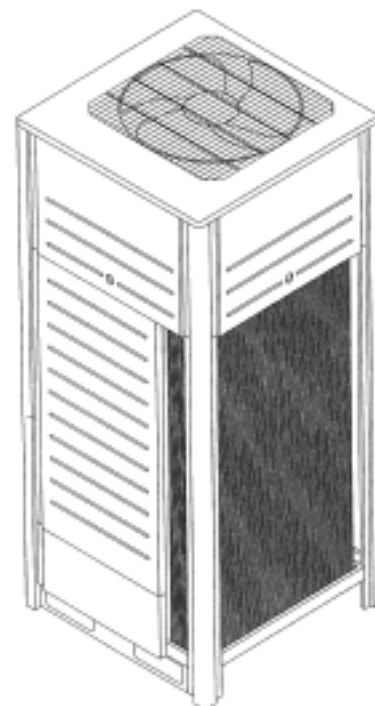
- (21) Design Number: **13304/2011**
(22) Date of Filing Application: **27 July 2011**
(24) Date from which industrial property rights may have effect: **27 July 2011**
(54) Product in respect of which the design is registered: **Air conditioner**
(51) International Design Classification: **23-04**
(74) Name(s) of Attorney(s): **Freehills Patent & Trade Mark Attorneys**
(71) Name(s) and Address(s) of Applicant(s):
Daikin Industries Ltd.
Umeda Center Building 4-12 Nakazaki-Nishi 2-chome Kita-ku Osaka-shi
Osaka-fu Japan
(72) Name(s) of Designer(s): **Masahiko Chouji**
(45) Registration Date: **22 August 2011**
(56) Related Art Documents: **Not Applicable**
(57) Statement of Newness and Distinctiveness: **Nil**



- (21) Design Number: **13305/2011**
(22) Date of Filing Application: **27 July 2011**
(24) Date from which industrial property rights may have effect: **27 July 2011**
(54) Product in respect of which the design is registered: **Controller for air conditioner**
(51) International Design Classification: **14-03NES**
(74) Name(s) of Attorney(s): **Freehills Patent & Trade Mark Attorneys**
(71) Name(s) and Address(s) of Applicant(s):
Daikin Industries Ltd.
Umeda Center Building 4-12 Nakazaki-Nishi 2-chome Kita-ku Osaka-shi
Osaka-fu Japan
(72) Name(s) of Designer(s): **Hiroko Kashimoto**
(45) Registration Date: **22 August 2011**
(30) Convention priority data:
(31) Number (32) Date (33) Country
D2011-007861 05 Apr 2011 JAPAN
(56) Related Art Documents: **Not Applicable**
(57) Statement of Newness and Distinctiveness: **The newness and distinctiveness of the design resides in the shape and arrangement of operation buttons on the front surface.**



- (21) Design Number: **13306/2011**
(22) Date of Filing Application: **27 July 2011**
(24) Date from which industrial property rights may have effect: **27 July 2011**
(54) Product in respect of which the design is registered: **Outdoor unit for air conditioner**
(51) International Design Classification: **23-04**
(74) Name(s) of Attorney(s): **Freehills Patent & Trade Mark Attorneys**
(71) Name(s) and Address(s) of Applicant(s):
Daikin Industries Ltd.
Umeda Center Building 4-12 Nakazaki-Nishi 2-chome Kita-ku Osaka-shi
Osaka-fu Japan
(72) Name(s) of Designer(s): **Dai Satou**
(45) Registration Date: **22 August 2011**
(56) Related Art Documents: **Not Applicable**
(57) Statement of Newness and Distinctiveness: **Nil**



(21) Design Number: **13307/2011**

(22) Date of Filing Application: **27 July 2011**

(24) Date from which industrial property rights may have effect: **27 July 2011**

(54) Product in respect of which the design is registered: **Outdoor unit for air conditioner**

(51) International Design Classification: **23-04**

(74) Name(s) of Attorney(s): **Freehills Patent & Trade Mark Attorneys**

(71) Name(s) and Address(s) of Applicant(s):

Daikin Industries Ltd.

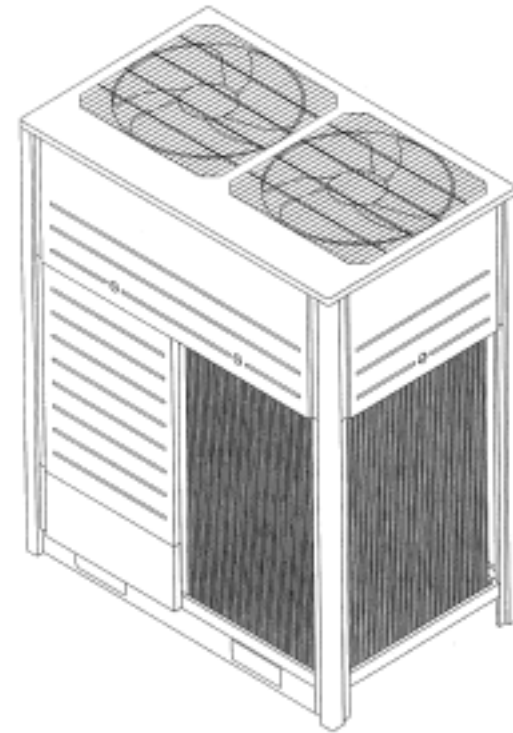
**Umeda Center Building 4-12 Nakazaki-Nishi 2-chome Kita-ku Osaka-shi
Osaka-fu Japan**

(72) Name(s) of Designer(s): **Dai Satou**

(45) Registration Date: **22 August 2011**

(56) Related Art Documents: **Not Applicable**

(57) Statement of Newness and Distinctiveness: **Nil**



(21) Design Number: **13308/2011**

(22) Date of Filing Application: **27 July 2011**

(24) Date from which industrial property rights may have effect: **27 July 2011**

(54) Product in respect of which the design is registered: **Outdoor unit for air conditioner**

(51) International Design Classification: **23-04**

(74) Name(s) of Attorney(s): **Freehills Patent & Trade Mark Attorneys**

(71) Name(s) and Address(s) of Applicant(s):

Daikin Industries Ltd.

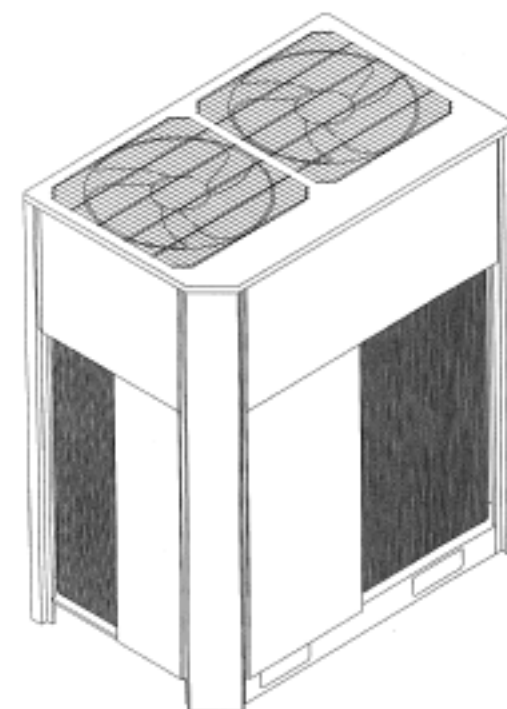
**Umeda Center Building 4-12 Nakazaki-Nishi 2-chome Kita-ku Osaka-shi
Osaka-fu Japan**

(72) Name(s) of Designer(s): **Kaichi Tsuji**

(45) Registration Date: **22 August 2011**

(56) Related Art Documents: **Not Applicable**

(57) Statement of Newness and Distinctiveness: **Nil**



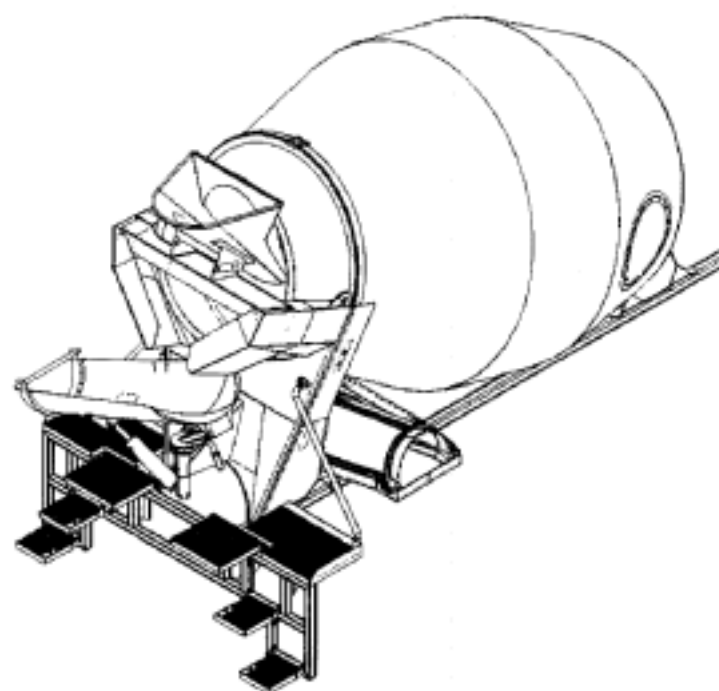
- (21) Design Number: **13311/2011**
(22) Date of Filing Application: **27 July 2011**
(24) Date from which industrial property rights may have effect: **27 July 2011**
(54) Product in respect of which the design is registered: **Dining chair**
(51) International Design Classification: **06-01F**
(74) Name(s) of Attorney(s):
(71) Name(s) and Address(s) of Applicant(s):
 Nique Enterprises Pty Limited
 PO Box 557 Willoughby New South Wales 2068 Australia
(72) Name(s) of Designer(s): **Tom Bihari**
(45) Registration Date: **22 August 2011**
(56) Related Art Documents: **Not Applicable**
(57) Statement of Newness and Distinctiveness: **Nil**



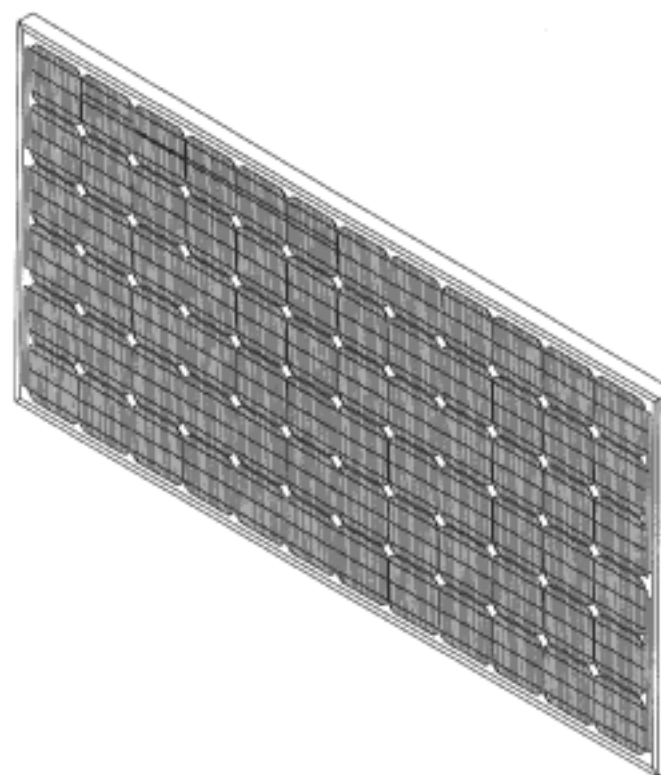
- (21) Design Number: **13312/2011**
(22) Date of Filing Application: **27 July 2011**
(24) Date from which industrial property rights may have effect: **27 July 2011**
(54) Product in respect of which the design is registered: **Dining chair**
(51) International Design Classification: **06-01F**
(74) Name(s) of Attorney(s):
(71) Name(s) and Address(s) of Applicant(s):
 Nique Enterprises Pty Limited
 PO Box 557 Willoughby New South Wales 2068 Australia
(72) Name(s) of Designer(s): **F.N. Lamb and Tom Bihari**
(45) Registration Date: **22 August 2011**
(56) Related Art Documents: **Not Applicable**
(57) Statement of Newness and Distinctiveness: **Nil**



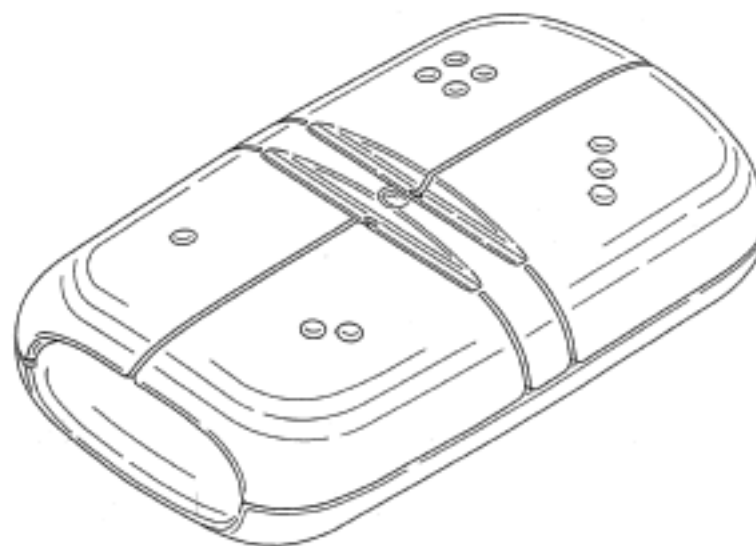
(21) Design Number: **13316/2011**
(22) Date of Filing Application: **27 July 2011**
(24) Date from which industrial property rights may have effect: **27 July 2011**
(54) Product in respect of which the design is registered: **Cement mixing apparatus**
(51) International Design Classification: **15-04**
(74) Name(s) of Attorney(s): **FB Rice**
(71) Name(s) and Address(s) of Applicant(s):
Riteway Mixers Pty Ltd
PO Box 46 Menai Central New South Wales 2234 Australia
(72) Name(s) of Designer(s): **Rodney Allen Brown**
(45) Registration Date: **22 August 2011**
(56) Related Art Documents: **Not Applicable**
(57) Statement of Newness and Distinctiveness: **Newness and distinctiveness reside in the features of shape and configuration of the mixing apparatus incorporating steps as shown in the representations.**



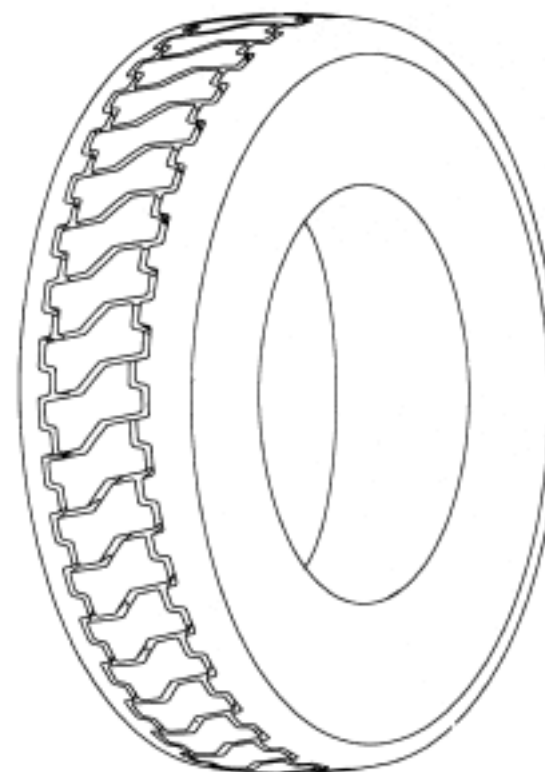
(21) Design Number: **13317/2011**
(22) Date of Filing Application: **27 July 2011**
(24) Date from which industrial property rights may have effect: **27 July 2011**
(54) Product in respect of which the design is registered: **Solar cell module**
(51) International Design Classification: **13-99**
(74) Name(s) of Attorney(s): **Shelston IP**
(71) Name(s) and Address(s) of Applicant(s):
Sanyo Electric Co., Ltd.
5-5 Keihanhondori 2-chome Moriguchi-shi Osaka 570-8677 Japan
(72) Name(s) of Designer(s): **Hiroyuki Kannou and Satoshi Tohoda**
(45) Registration Date: **22 August 2011**
(30) Convention priority data:
(31) Number (32) Date (33) Country
2011-001789 28 Jan 2011 JAPAN
(56) Related Art Documents: **Not Applicable**
(57) Statement of Newness and Distinctiveness: **Nil**



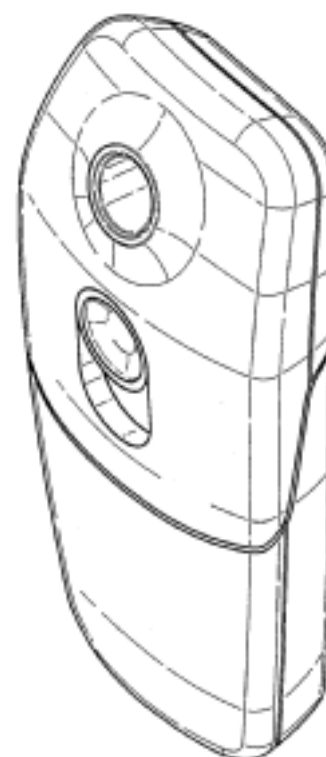
(21) Design Number: **13320/2011**
(22) Date of Filing Application: **27 July 2011**
(24) Date from which industrial property rights may have effect: **27 July 2011**
(54) Product in respect of which the design is registered: **Pill case**
(51) International Design Classification: **03-01NES**
(74) Name(s) of Attorney(s): **PHILLIPS ORMONDE FITZPATRICK**
(71) Name(s) and Address(s) of Applicant(s):
Dart Industries Inc.
14901 S. Orange Blossom Trail Orlando Florida 32837 United States of America
(72) Name(s) of Designer(s): **Rui Yuan Chen**
(45) Registration Date: **22 August 2011**
(30) Convention priority data:
(31) Number (32) Date (33) Country
29/373,433 07 Apr 2011 UNITED STATES OF AMERICA
(56) Related Art Documents: **Not Applicable**
(57) Statement of Newness and Distinctiveness: **Those features of the pill case depicted in the representations that are new and distinctive are the shape and/or configuration.**



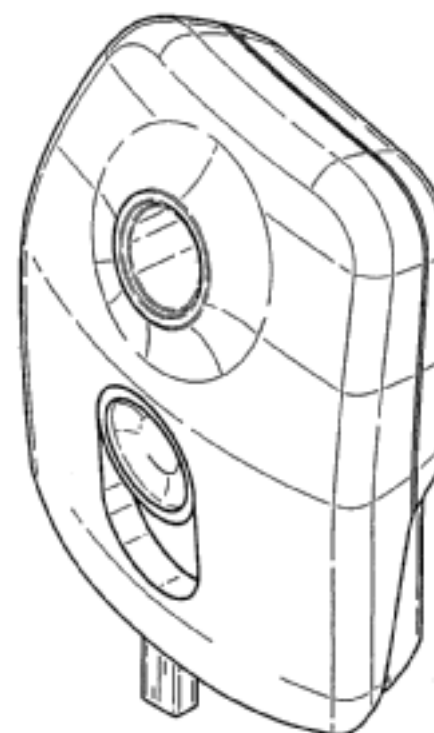
(21) Design Number: **13323/2011**
(22) Date of Filing Application: **28 July 2011**
(24) Date from which industrial property rights may have effect: **28 July 2011**
(54) Product in respect of which the design is registered: **A tyre**
(51) International Design Classification: **12-15A**
(74) Name(s) of Attorney(s): **WATERMARK PATENT AND TRADE MARKS ATTORNEYS**
(71) Name(s) and Address(s) of Applicant(s):
Societe De Technologie Michelin
23 rue Breschet F-63000 Clermont-Ferrand Cedex France
Michelin Recherche et Technique S.A.
Route Louis Braille 10 et 12 CH-1763 Granges-Paccot Switzerland
(72) Name(s) of Designer(s): **Dominique Chauvin and Helene Emorine**
(45) Registration Date: **22 August 2011**
(30) Convention priority data:
(31) Number (32) Date (33) Country
11/1069 25 Feb 2011 FRANCE
(56) Related Art Documents: **Not Applicable**
(57) Statement of Newness and Distinctiveness: **Newness and distinctiveness resides in the tread pattern, shape and configuration of the tyre, the remainder of the tyre not forming part of the design.**



- (21) Design Number: **12574/2011**
(22) Date of Filing Application: **08 June 2011**
(24) Date from which industrial property rights may have effect: **08 June 2011**
(54) Product in respect of which the design is registered: **Spray dispenser**
(51) International Design Classification: **09-01A**
(74) Name(s) of Attorney(s): **Davies Collison Cave**
(71) Name(s) and Address(s) of Applicant(s):
Unilever PLC
Unilever House 100 Victoria Embankment London EC4Y 0DY United Kingdom
(72) Name(s) of Designer(s): **Par Robert Erik William Blanking and Benjamin Nathan Diamant and Richard Nicholas Francis Parker and James Edward Roe and Guy Richard Thompson**
(45) Registration Date: **22 August 2011**
(30) Convention priority data:
(31) Number (32) Date (33) Country
001249890-0001 14 Dec 2010 EUROPEAN COMMUNITY
(56) Related Art Documents: **Not Applicable**
(57) Statement of Newness and Distinctiveness: **Newness and distinctiveness is claimed in the visual features shown in solid lines in the representations.**



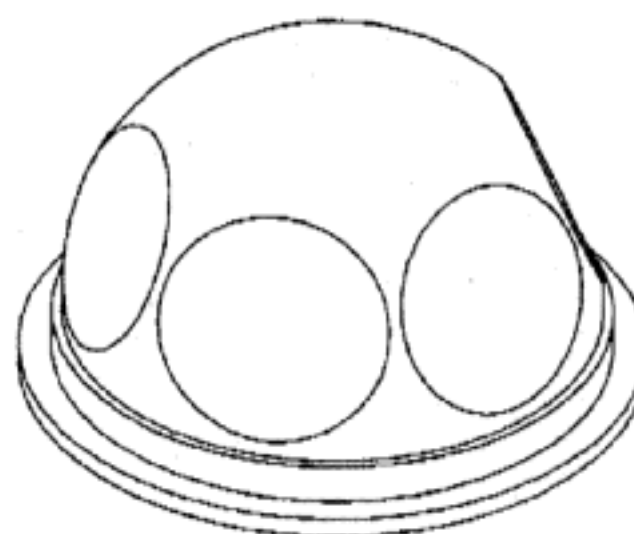
- (21) Design Number: **12575/2011**
(22) Date of Filing Application: **08 June 2011**
(24) Date from which industrial property rights may have effect: **08 June 2011**
(54) Product in respect of which the design is registered: **Spray dispenser refill**
(51) International Design Classification: **09-01A**
(74) Name(s) of Attorney(s): **Davies Collison Cave**
(71) Name(s) and Address(s) of Applicant(s):
Unilever PLC
Unilever House 100 Victoria Embankment London EC4Y 0DY United Kingdom
(72) Name(s) of Designer(s): **Par Robert Erik William Blanking and Benjamin Nathan Diamant and Richard Nicholas Francis Parker and James Edward Roe and Guy Richard Thompson**
(45) Registration Date: **22 August 2011**
(30) Convention priority data:
(31) Number (32) Date (33) Country
001249890-0007 14 Dec 2010 EUROPEAN COMMUNITY
(56) Related Art Documents: **Not Applicable**
(57) Statement of Newness and Distinctiveness: **Newness and distinctiveness is claimed in the visual features shown in solid lines in the representations.**



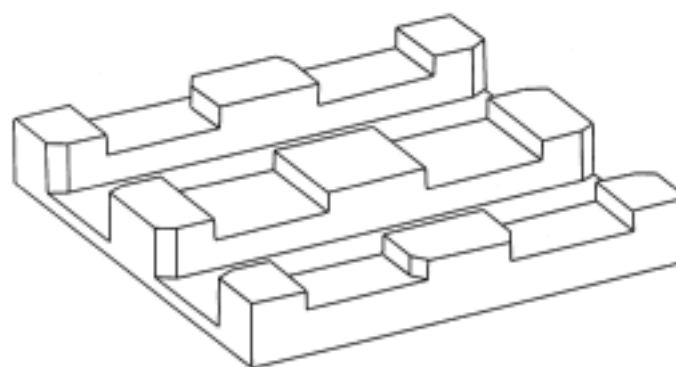
(21) Design Number: **13062/2011**
(22) Date of Filing Application: **08 July 2011**
(24) Date from which industrial property rights may have effect: **08 July 2011**
(54) Product in respect of which the design is registered: **Vehicle tyre**
(51) International Design Classification: **12-15A**
(74) Name(s) of Attorney(s): **Davies Collison Cave**
(71) Name(s) and Address(s) of Applicant(s):
Sumitomo Rubber Industries, Ltd.
6-9 Wakinohama-cho 3-chome Chuo-ku Kobe-shi Hyogo 651-0072 Japan
(72) Name(s) of Designer(s): **Takuya Oji**
(45) Registration Date: **23 August 2011**
(30) Convention priority data:
(31) Number (32) Date (33) Country
2011-012530 02 Jun 2011 JAPAN
(56) Related Art Documents: **Not Applicable**
(57) Statement of Newness and Distinctiveness: **Nil**



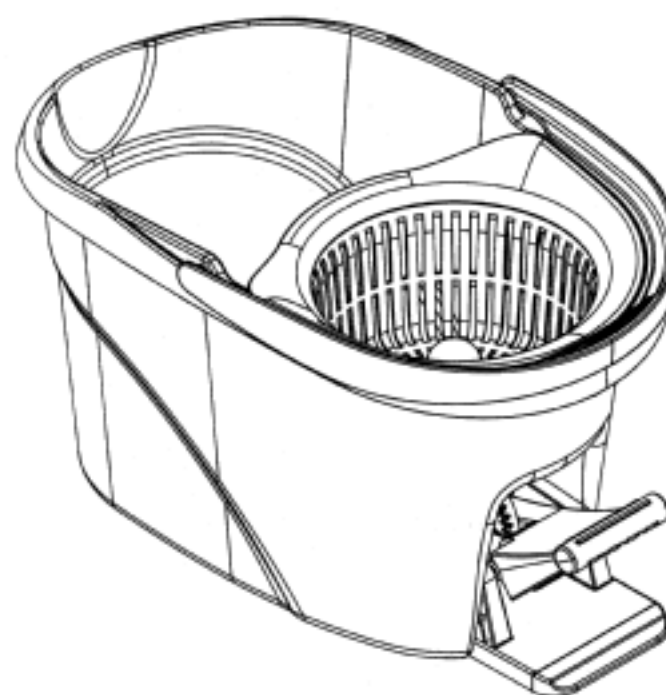
(21) Design Number: **13325/2011**
(22) Date of Filing Application: **27 July 2011**
(24) Date from which industrial property rights may have effect: **27 July 2011**
(54) Product in respect of which the design is registered: **Hair treatment container**
(51) International Design Classification: **09-03NES**
(74) Name(s) of Attorney(s):
(71) Name(s) and Address(s) of Applicant(s):
Kevin Murphy Academy of Hair and Design Pty.Ltd.
7 Endeavor Way Sunshine West Victoria 3020 Australia
(72) Name(s) of Designer(s): **Kevin Murphy and Brenan Liston and Mark Evans**
(45) Registration Date: **23 August 2011**
(56) Related Art Documents: **Not Applicable**
(57) Statement of Newness and Distinctiveness: **Nil**



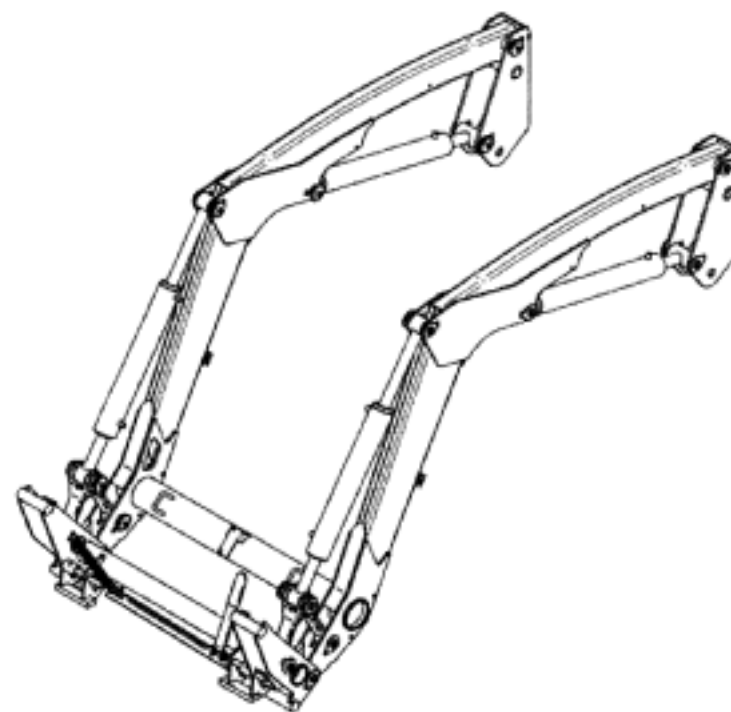
- (21) Design Number: **13326/2011**
(22) Date of Filing Application: **28 July 2011**
(24) Date from which industrial property rights may have effect: **28 July 2011**
(54) Product in respect of which the design is registered: **A pallet**
(51) International Design Classification: **09-08**
(74) Name(s) of Attorney(s): **Clayton Utz**
(71) Name(s) and Address(s) of Applicant(s):
GG Technologies Pty Ltd
Level 36 71 Eagle Street Brisbane Queensland 4000 Australia
(72) Name(s) of Designer(s): **Wayne Ackers and David Rose**
(45) Registration Date: **23 August 2011**
(56) Related Art Documents: **Not Applicable**
(57) Statement of Newness and Distinctiveness: **Newness and distinctiveness is claimed in the shape and/or configuration of the slots of the pallet as illustrated in the accompanying representations.**



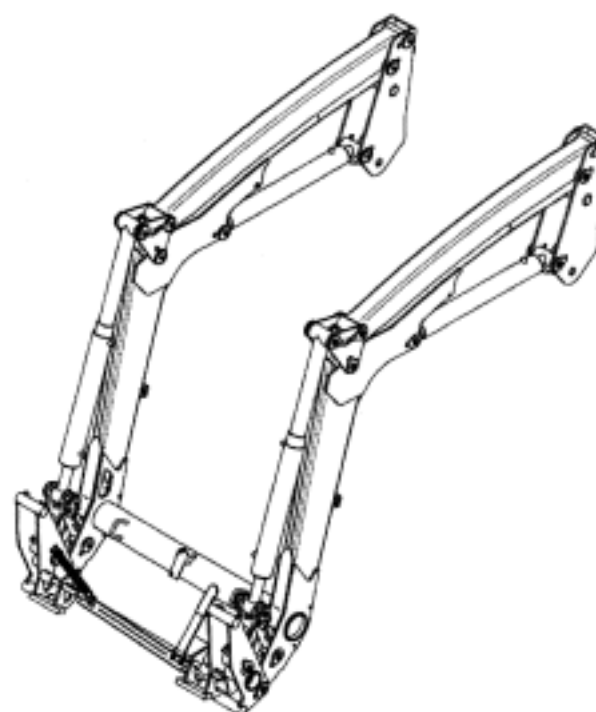
- (21) Design Number: **13382/2011**
(22) Date of Filing Application: **01 August 2011**
(24) Date from which industrial property rights may have effect: **01 August 2011**
(54) Product in respect of which the design is registered: **Bucket**
(51) International Design Classification: **07-07B**
(74) Name(s) of Attorney(s): **Davies Collison Cave**
(71) Name(s) and Address(s) of Applicant(s):
Carl Freudenberg KG
Hoehnerweg 2-4 69469 Weinheim Germany
(72) Name(s) of Designer(s): **Uwe Dingert**
(45) Registration Date: **23 August 2011**
(30) Convention priority data:
(31) Number (32) Date (33) Country
001818899 09 Feb 2011 EUROPEAN COMMUNITY
(56) Related Art Documents: **Not Applicable**
(57) Statement of Newness and Distinctiveness: **Newness and distinctiveness is claimed in the visual features of shape and configuration of the product illustrated in the representations, with particular attention to the shape of the bucket.**



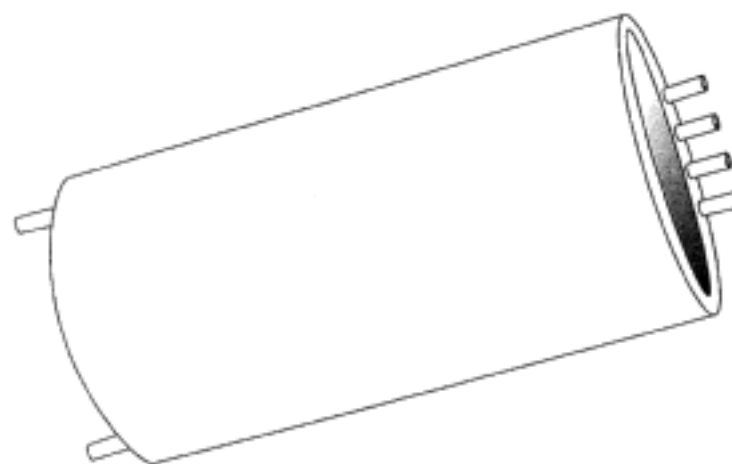
(21) Design Number: **13052/2011**
(22) Date of Filing Application: **07 July 2011**
(24) Date from which industrial property rights may have effect: **07 July 2011**
(54) Product in respect of which the design is registered: **Front loader for tractor**
(51) International Design Classification: **12-09**
(74) Name(s) of Attorney(s): **Griffith Hack**
(71) Name(s) and Address(s) of Applicant(s):
Alo Aktiebolag
Brannland 300 907 50 Umea Sweden
(72) Name(s) of Designer(s): **Tommy Nilsson**
(45) Registration Date: **23 August 2011**
(30) Convention priority data:
(31) Number (32) Date (33) Country
001802802-0001 10 Jan 2011 EUROPEAN COMMUNITY
(56) Related Art Documents: **Not Applicable**
(57) Statement of Newness and Distinctiveness: **Newness and distinctiveness resides in the visual features, including shape and configuration of a front loader for a tractor as shown in the accompanying representations.**



(21) Design Number: **13576/2011**
(22) Date of Filing Application: **07 July 2011**
(24) Date from which industrial property rights may have effect: **07 July 2011**
(54) Product in respect of which the design is registered: **Front loader for a tractor**
(51) International Design Classification: **12-09**
(74) Name(s) of Attorney(s): **Griffith Hack**
(71) Name(s) and Address(s) of Applicant(s):
Alo Aktiebolag
Brannland 300 907 50 Umea Sweden
(72) Name(s) of Designer(s): **Tommy Nilsson**
(45) Registration Date: **23 August 2011**
(30) Convention priority data:
(31) Number (32) Date (33) Country
001802802-0001 10 Jan 2011 EUROPEAN COMMUNITY
(62) Divisional of: **338211**
(56) Related Art Documents: **Not Applicable**
(57) Statement of Newness and Distinctiveness: **Newness and distinctiveness resides in the visual features, including shape and configuration, of a front loader for a tractor as shown in the accompanying representations.**



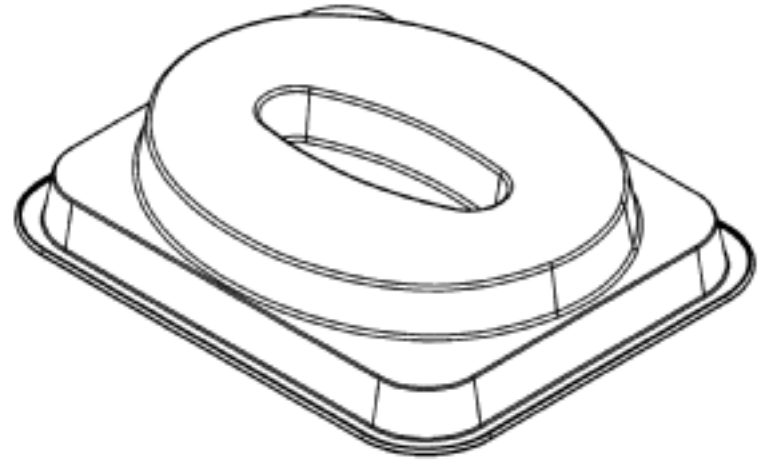
- (21) Design Number: **13331/2011**
(22) Date of Filing Application: **29 July 2011**
(24) Date from which industrial property rights may have effect: **29 July 2011**
(54) Product in respect of which the design is registered: **Heat exchange for hot water supply under pressure**
(51) International Design Classification: **23-03H**
(74) Name(s) of Attorney(s):
(71) Name(s) and Address(s) of Applicant(s):
James Ian Griffiths
9964 New England Highway Saumarez New South Wales 2350 Australia
Michelle May Griffiths
9964 New England Highway Saumarez New South Wales 2350 Australia
(72) Name(s) of Designer(s): **James Ian Griffiths and Michelle May Griffiths**
(45) Registration Date: **23 August 2011**
(56) Related Art Documents: **Not Applicable**
(57) Statement of Newness and Distinctiveness: **The new feature of this design is the units size(it is designed to fit over the internal flue of a wood fire but inside the outer cover of the flue).**



- (21) Design Number: **13324/2011**
(22) Date of Filing Application: **22 July 2011**
(24) Date from which industrial property rights may have effect: **22 July 2011**
(54) Product in respect of which the design is registered: **T shirt**
(51) International Design Classification: **02-02NES**
(74) Name(s) of Attorney(s):
(71) Name(s) and Address(s) of Applicant(s):
Sagar Juvekar
5/38 Bates Street Homebush New South Wales 2140 Australia
(72) Name(s) of Designer(s): **Sagar Juvekar**
(45) Registration Date: **23 August 2011**
(56) Related Art Documents: **Not Applicable**
(57) Statement of Newness and Distinctiveness: **The design of the garment is unique and distinctive in the following aspects: 1. Ability to display an illustration on the front of the garment 2. Ability to achieve a change to the illustration on the front of the garment. The change in illustration is controlled by the user of the garment 3. Ability to revert back to the original illustration on the front of the garment.**



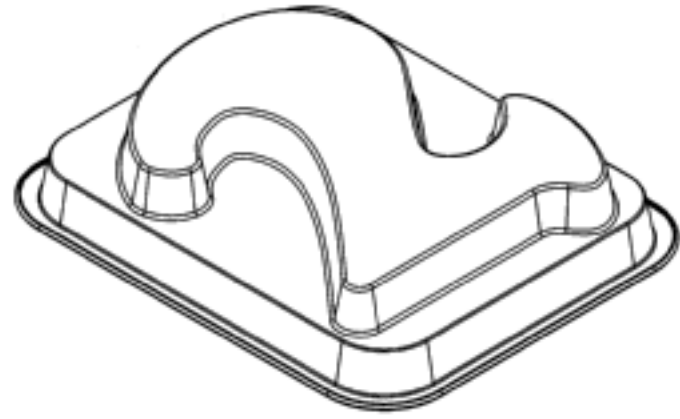
(21) Design Number: **10461/2011**
(22) Date of Filing Application: **15 February 2011**
(24) Date from which industrial property rights may have effect: **15 February 2011**
(54) Product in respect of which the design is registered: **Cake mould**
(51) International Design Classification: **07-02P**
(74) Name(s) of Attorney(s):
(71) Name(s) and Address(s) of Applicant(s):
Three Eagles Enterprises Pty Ltd
Unit 1 79 Glassop Street Balmain New South Wales 2401 Australia
(72) Name(s) of Designer(s): **Katherine Anne Guiliani**
(45) Registration Date: **23 August 2011**
(56) Related Art Documents: **Not Applicable**
(57) Statement of Newness and Distinctiveness: **Nil**



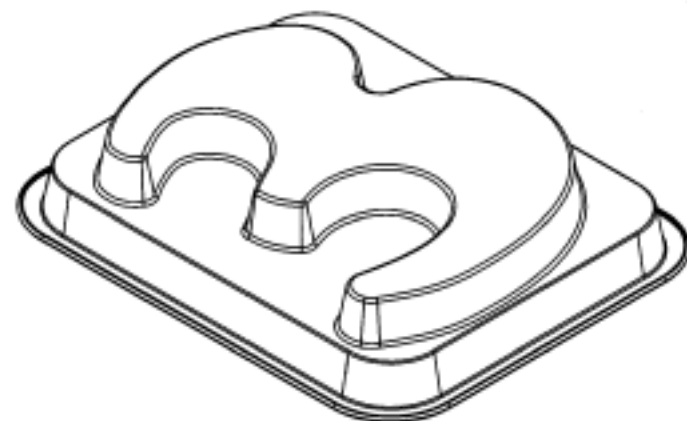
(21) Design Number: **10462/2011**
(22) Date of Filing Application: **15 February 2011**
(24) Date from which industrial property rights may have effect: **15 February 2011**
(54) Product in respect of which the design is registered: **Cake mould**
(51) International Design Classification: **07-02P**
(74) Name(s) of Attorney(s):
(71) Name(s) and Address(s) of Applicant(s):
Three Eagles Enterprises Pty Ltd
Unit 1 79 Glassop Street Balmain New South Wales 2401 Australia
(72) Name(s) of Designer(s): **Katherine Anne Guiliani**
(45) Registration Date: **23 August 2011**
(56) Related Art Documents: **Not Applicable**
(57) Statement of Newness and Distinctiveness: **Nil**



(21) Design Number: **10463/2011**
(22) Date of Filing Application: **15 February 2011**
(24) Date from which industrial property rights may have effect: **15 February 2011**
(54) Product in respect of which the design is registered: **Cake mould**
(51) International Design Classification: **07-02P**
(74) Name(s) of Attorney(s):
(71) Name(s) and Address(s) of Applicant(s):
Three Eagles Enterprises Pty Ltd
Unit 1 79 Glassop Street Balmain New South Wales 2401 Australia
(72) Name(s) of Designer(s): **Katherine Anne Guiliani**
(45) Registration Date: **23 August 2011**
(56) Related Art Documents: **Not Applicable**
(57) Statement of Newness and Distinctiveness: **Nil**



(21) Design Number: **10464/2011**
(22) Date of Filing Application: **15 February 2011**
(24) Date from which industrial property rights may have effect: **15 February 2011**
(54) Product in respect of which the design is registered: **Cake mould**
(51) International Design Classification: **07-02P**
(74) Name(s) of Attorney(s):
(71) Name(s) and Address(s) of Applicant(s):
Three Eagles Enterprises Pty Ltd
Unit 1 79 Glassop Street Balmain New South Wales 2401 Australia
(72) Name(s) of Designer(s): **Katherine Anne Guiliani**
(45) Registration Date: **23 August 2011**
(56) Related Art Documents: **Not Applicable**
(57) Statement of Newness and Distinctiveness: **Nil**



(21) Design Number: **10465/2011**

(22) Date of Filing Application: **15 February 2011**

(24) Date from which industrial property rights may have effect: **15 February 2011**

(54) Product in respect of which the design is registered: **Cake mould**

(51) International Design Classification: **07-02P**

(74) Name(s) of Attorney(s):

(71) Name(s) and Address(s) of Applicant(s):

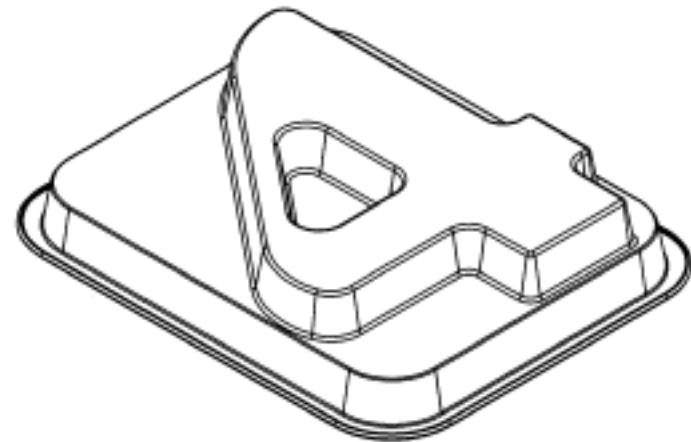
**Three Eagles Enterprises Pty Ltd
Unit 1 79 Glassop Street Balmain New South Wales 2401 Australia**

(72) Name(s) of Designer(s): **Katherine Anne Guiliani**

(45) Registration Date: **23 August 2011**

(56) Related Art Documents: **Not Applicable**

(57) Statement of Newness and Distinctiveness: **Nil**



(21) Design Number: **10466/2011**

(22) Date of Filing Application: **15 February 2011**

(24) Date from which industrial property rights may have effect: **15 February 2011**

(54) Product in respect of which the design is registered: **Cake mould**

(51) International Design Classification: **07-02P**

(74) Name(s) of Attorney(s):

(71) Name(s) and Address(s) of Applicant(s):

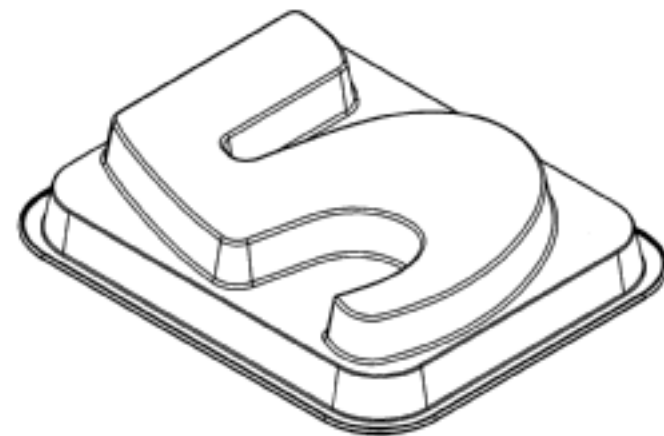
**Three Eagles Enterprises Pty Ltd
Unit 1 79 Glassop Street Balmain New South Wales 2401 Australia**

(72) Name(s) of Designer(s): **Katherine Anne Guiliani**

(45) Registration Date: **23 August 2011**

(56) Related Art Documents: **Not Applicable**

(57) Statement of Newness and Distinctiveness: **Nil**



(21) Design Number: **10467/2011**

(22) Date of Filing Application: **15 February 2011**

(24) Date from which industrial property rights may have effect: **15 February 2011**

(54) Product in respect of which the design is registered: **Cake mould**

(51) International Design Classification: **07-02P**

(74) Name(s) of Attorney(s):

(71) Name(s) and Address(s) of Applicant(s):

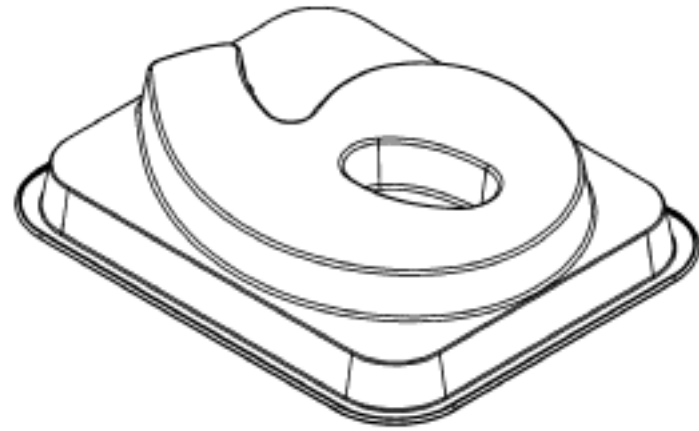
**Three Eagles Enterprises Pty Ltd
Unit 1 79 Glassop Street Balmain New South Wales 2401 Australia**

(72) Name(s) of Designer(s): **Katherine Anne Guiliani**

(45) Registration Date: **23 August 2011**

(56) Related Art Documents: **Not Applicable**

(57) Statement of Newness and Distinctiveness: **Nil**



(21) Design Number: **10468/2011**

(22) Date of Filing Application: **15 February 2011**

(24) Date from which industrial property rights may have effect: **15 February 2011**

(54) Product in respect of which the design is registered: **Cake mould**

(51) International Design Classification: **07-02P**

(74) Name(s) of Attorney(s):

(71) Name(s) and Address(s) of Applicant(s):

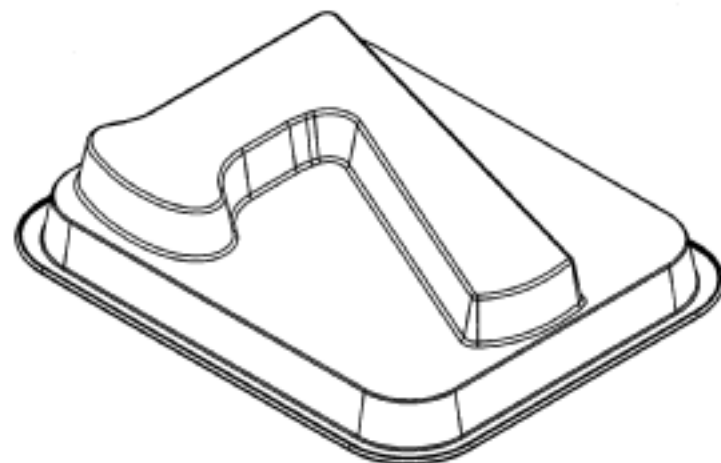
**Three Eagles Enterprises Pty Ltd
Unit 1 79 Glassop Street Balmain New South Wales 2401 Australia**

(72) Name(s) of Designer(s): **Katherine Anne Guiliani**

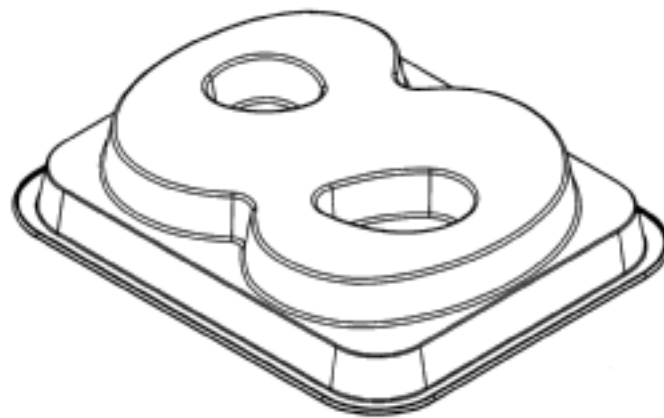
(45) Registration Date: **23 August 2011**

(56) Related Art Documents: **Not Applicable**

(57) Statement of Newness and Distinctiveness: **Nil**



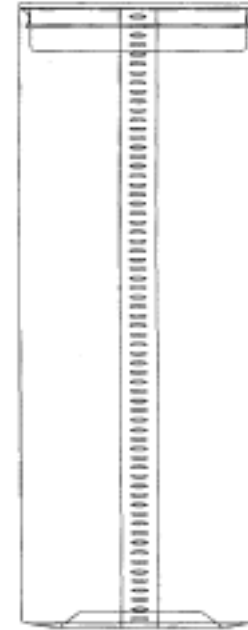
(21) Design Number: **10469/2011**
(22) Date of Filing Application: **15 February 2011**
(24) Date from which industrial property rights may have effect: **15 February 2011**
(54) Product in respect of which the design is registered: **Cake mould**
(51) International Design Classification: **07-02P**
(74) Name(s) of Attorney(s):
(71) Name(s) and Address(s) of Applicant(s):
Three Eagles Enterprises Pty Ltd
Unit 1 79 Glassop Street Balmain New South Wales 2401 Australia
(72) Name(s) of Designer(s): **Katherine Anne Guiliani**
(45) Registration Date: **23 August 2011**
(56) Related Art Documents: **Not Applicable**
(57) Statement of Newness and Distinctiveness: **Nil**



(21) Design Number: **13132/2011**
(22) Date of Filing Application: **14 July 2011**
(24) Date from which industrial property rights may have effect: **14 July 2011**
(54) Product in respect of which the design is registered: **Mop**
(51) International Design Classification: **08-08F**
(74) Name(s) of Attorney(s): **Davies Collison Cave**
(71) Name(s) and Address(s) of Applicant(s):
Carl Freudenberg KG
Hoehnerweg 2-4 69469 Weinheim Germany
(72) Name(s) of Designer(s): **Uwe Dingert**
(45) Registration Date: **23 August 2011**
(30) Convention priority data:
(31) Number (32) Date (33) Country
001823022 18 Feb 2011 EUROPEAN COMMUNITY
(56) Related Art Documents: **Not Applicable**
(57) Statement of Newness and Distinctiveness: **Newness and distinctiveness is claimed in the visual features of shape and configuration of the plate of the mop.**



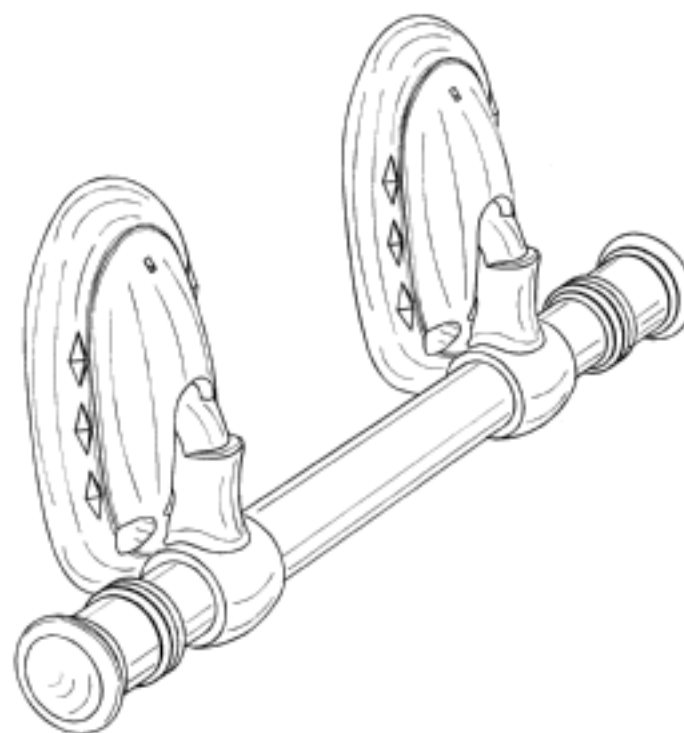
- (21) Design Number: **13289/2011**
(22) Date of Filing Application: **26 July 2011**
(24) Date from which industrial property rights may have effect: **26 July 2011**
(54) Product in respect of which the design is registered: **Transparent food container**
(51) International Design Classification: **07-01NES**
(74) Name(s) of Attorney(s): **TELLER & ASSOCIATES**
(71) Name(s) and Address(s) of Applicant(s):
Anchor Foods Pty Ltd
148 Carrington Street Fremantle Western Australia 6163 Australia
(72) Name(s) of Designer(s): **Euan Holmes**
(45) Registration Date: **23 August 2011**
(56) Related Art Documents: **Not Applicable**
(57) Statement of Newness and Distinctiveness: **Nil**



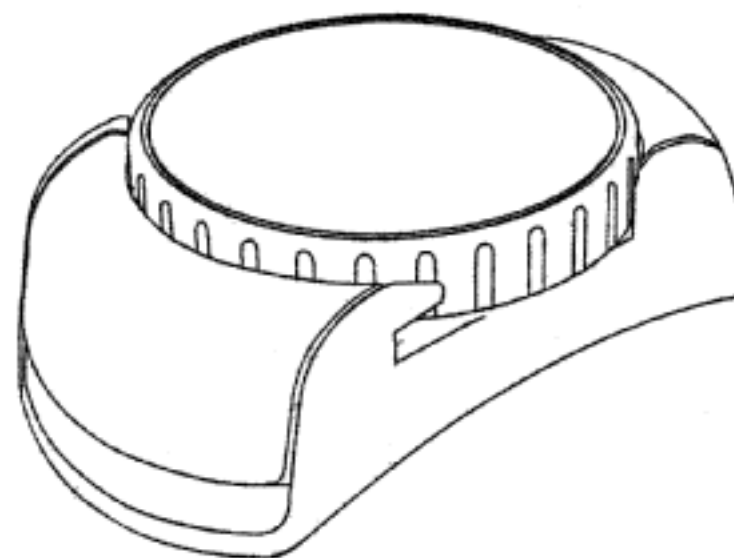
- (21) Design Number: **13328/2011**
(22) Date of Filing Application: **28 July 2011**
(24) Date from which industrial property rights may have effect: **28 July 2011**
(54) Product in respect of which the design is registered: **Backplate for handle assembly**
(51) International Design Classification: **08-06**
(74) Name(s) of Attorney(s): **Shelston IP**
(71) Name(s) and Address(s) of Applicant(s):
Kate Louise Cannon
71-77 Audley Street Petersham New South Wales 2049 Australia
(72) Name(s) of Designer(s): **Kate Louise Cannon**
(45) Registration Date: **23 August 2011**
(56) Related Art Documents: **Not Applicable**
(57) Statement of Newness and Distinctiveness: **Newness and distinctiveness reside in the shape and/or configuration of a backplate for a handle assembly, as illustrated by solid lines in the accompanying representations. The discontinuous lines are for illustrative purposes only and do not form part of the design.**



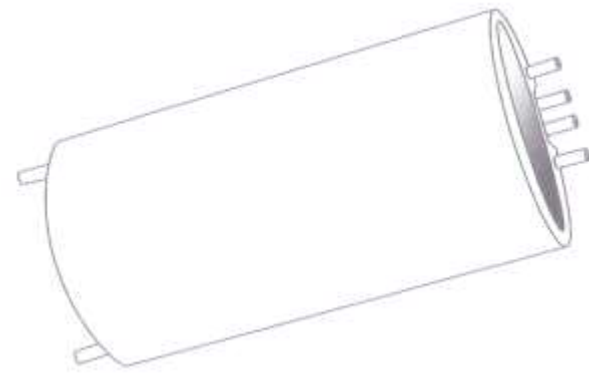
- (21) Design Number: **13329/2011**
(22) Date of Filing Application: **28 July 2011**
(24) Date from which industrial property rights may have effect: **28 July 2011**
(54) Product in respect of which the design is registered: **Handle assembly**
(51) International Design Classification: **08-06**
(74) Name(s) of Attorney(s): **Shelston IP**
(71) Name(s) and Address(s) of Applicant(s):
Kate Louise Cannon
71-77 Audley Street Petersham New South Wales 2049 Australia
(72) Name(s) of Designer(s): **Kate Louise Cannon**
(45) Registration Date: **23 August 2011**
(56) Related Art Documents: **Not Applicable**
(57) Statement of Newness and Distinctiveness: **Newness and distinctiveness reside in the shape and/or configuration of a handle assembly, as illustrated by solid lines in the accompanying representations. The discontinuous lines are for illustrative purposes only and do not form part of the design.**



- (21) Design Number: **12603/2011**
(22) Date of Filing Application: **10 June 2011**
(24) Date from which industrial property rights may have effect: **10 June 2011**
(54) Product in respect of which the design is registered: **Identification bracelet**
(51) International Design Classification: **11-01C**
(74) Name(s) of Attorney(s): **Molins & Co**
(71) Name(s) and Address(s) of Applicant(s):
Bruce Hegan
Unit 1 13 Burnet Road Warnervale New South Wales 2259 Australia
(72) Name(s) of Designer(s): **Bruce Hegan**
(45) Registration Date: **23 August 2011**
(56) Related Art Documents: **Not Applicable**
(57) Statement of Newness and Distinctiveness: **Newness is claimed in the shape of the identification bracelet depicted in the drawing figures. The strap forms no part of the design. The pattern of the central, circular, upper surface of the dial forms no part of the design.**



- (21) Design Number: **13332/2011**
(22) Date of Filing Application: **29 July 2011**
(24) Date from which industrial property rights may have effect: **29 July 2011**
(54) Product in respect of which the design is registered: **This is a flue-mounted heat exchange for pressurised hot water supply**
(51) International Design Classification: **23-03NES**
(74) Name(s) of Attorney(s):
(71) Name(s) and Address(s) of Applicant(s):
James Ian Griffiths
9964 New England Highway Saumarez New South Wales 2350 Australia
Michelle May Griffiths
9964 New England Highway Saumarez New South Wales 2350 Australia
(72) Name(s) of Designer(s): **James Ian Griffiths and Michelle May Griffiths**
(45) Registration Date: **23 August 2011**
(56) Related Art Documents: **Not Applicable**
(57) Statement of Newness and Distinctiveness: **The new feature of this design is the unit's size (it is designed to fit over the internal flue of a wood fire but inside the outer cover of the flue), and the unit has exposed piping.**



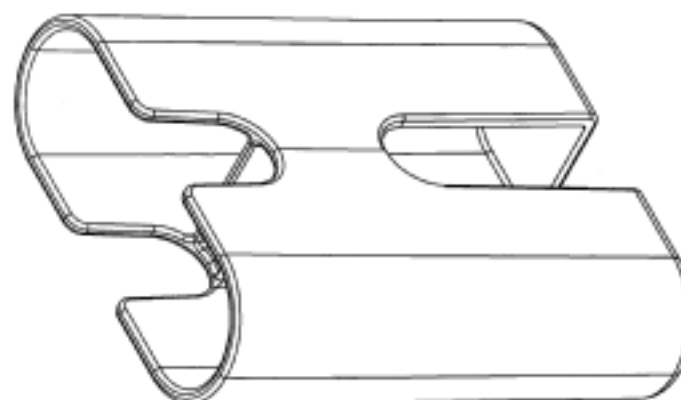
- (21) Design Number: **13378/2011**
(22) Date of Filing Application: **01 August 2011**
(24) Date from which industrial property rights may have effect: **01 August 2011**
(54) Product in respect of which the design is registered: **Gym and fitness rack**
(51) International Design Classification: **21-02F**
(74) Name(s) of Attorney(s): **Complete IP Pty Limited**
(71) Name(s) and Address(s) of Applicant(s):
IP Holdings Pty Limited
PO Box 204 Kensington Park South Australia 5065 Australia
(72) Name(s) of Designer(s): **Daniel Alenaddaf**
(45) Registration Date: **23 August 2011**
(56) Related Art Documents: **Not Applicable**
(57) Statement of Newness and Distinctiveness: **Newness and distinctiveness is claimed in the shape and/or configuration of the fitness equipment as illustrated in the representations accompanying the application.**



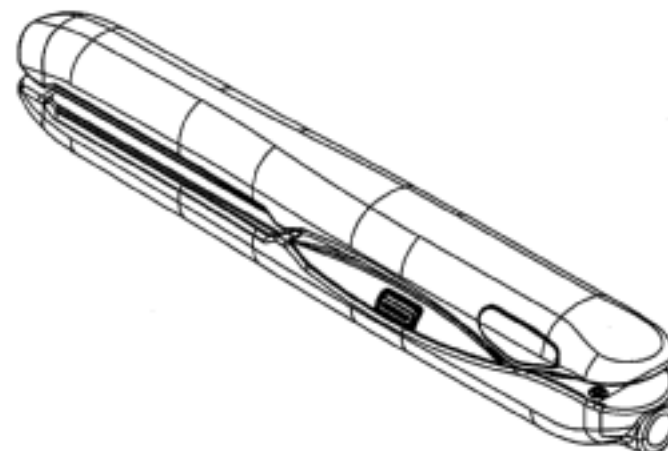
- (21) Design Number: **13379/2011**
(22) Date of Filing Application: **01 August 2011**
(24) Date from which industrial property rights may have effect: **01 August 2011**
(54) Product in respect of which the design is registered: **Gym and fitness rack**
(51) International Design Classification: **21-02F**
(74) Name(s) of Attorney(s): **Complete IP Pty Limited**
(71) Name(s) and Address(s) of Applicant(s):
IP Holdings Pty Limited
PO Box 204 Kensington Park South Australia 5065 Australia
(72) Name(s) of Designer(s): **Daniel Alenaddaf**
(45) Registration Date: **23 August 2011**
(56) Related Art Documents: **Not Applicable**
(57) Statement of Newness and Distinctiveness: **Newness and distinctiveness is claimed in the shape and/or configuration of the fitness equipment as illustrated in the representations accompanying the application.**



- (21) Design Number: **10772/2011**
(22) Date of Filing Application: **28 February 2011**
(24) Date from which industrial property rights may have effect: **28 February 2011**
(54) Product in respect of which the design is registered: **Post cap**
(51) International Design Classification: **25-01E**
(74) Name(s) of Attorney(s): **Halfords IP**
(71) Name(s) and Address(s) of Applicant(s):
Industrial Galvanizers Corporation Pty Ltd
C/- Ingal Civil Products 57-65 Airds Road Minto New South Wales 2566
Australia
(72) Name(s) of Designer(s): **Terry Colquhoun and Hayden Wallace and John Rafferty**
(45) Registration Date: **24 August 2011**
(56) Related Art Documents: **Not Applicable**
(57) Statement of Newness and Distinctiveness: **Nil**



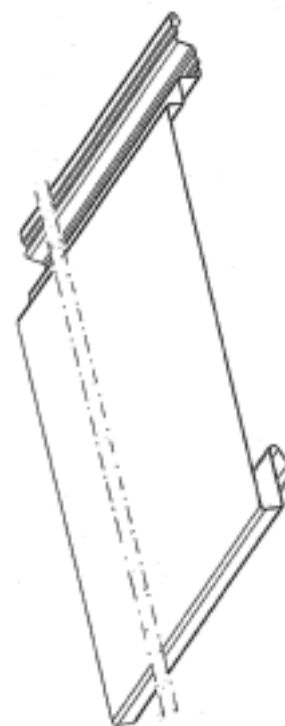
- (21) Design Number: **12671/2011**
(22) Date of Filing Application: **15 June 2011**
(24) Date from which industrial property rights may have effect: **15 June 2011**
(54) Product in respect of which the design is registered: **Hair iron**
(51) International Design Classification: **28-03B**
(74) Name(s) of Attorney(s): **Davies Collison Cave**
(71) Name(s) and Address(s) of Applicant(s):
GHD Korea, Inc.
110-2 Samgok-ri Seonggeo-eup Cheonan-si Chungcheongnam-do
330-833 Republic of Korea (South)
(72) Name(s) of Designer(s): **Hae Jin Kim**
(45) Registration Date: **24 August 2011**
(30) Convention priority data:
(31) Number (32) Date (33) Country
30-2010-0054794 17 Dec 2010 REPUBLIC OF KOREA
(56) Related Art Documents: **Not Applicable**
(57) Statement of Newness and Distinctiveness: **Newness and distinctiveness is claimed in the visual features shown in solid lines in the representations.**



- (21) Design Number: **13363/2011**
(22) Date of Filing Application: **29 July 2011**
(24) Date from which industrial property rights may have effect: **29 July 2011**
(54) Product in respect of which the design is registered: **Cosmetic jar with cover**
(51) International Design Classification: **03-01D**
(74) Name(s) of Attorney(s): **PHILLIPS ORMONDE FITZPATRICK**
(71) Name(s) and Address(s) of Applicant(s):
ELC Management LLC
767 Fifth Avenue New York New York 10153 United States of America
(72) Name(s) of Designer(s): **Kimberly Jean McCoy**
(45) Registration Date: **24 August 2011**
(30) Convention priority data:
(31) Number (32) Date (33) Country
29/385,409 14 Feb 2011 UNITED STATES OF AMERICA
(56) Related Art Documents: **Not Applicable**
(57) Statement of Newness and Distinctiveness: **Those features of the cosmetic jar with cover depicted in the representations that are new and distinctive are the shape and/or configuration.**



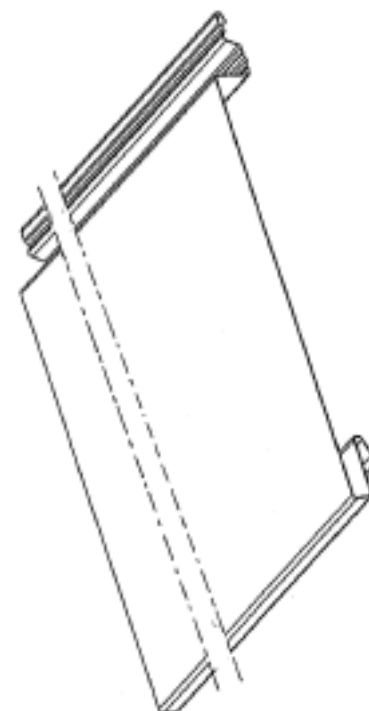
- (21) Design Number: **13364/2011**
(22) Date of Filing Application: **29 July 2011**
(24) Date from which industrial property rights may have effect: **29 July 2011**
(54) Product in respect of which the design is registered: **Cladding panel**
(51) International Design Classification: **25-01G**
(74) Name(s) of Attorney(s): **PHILLIPS ORMONDE FITZPATRICK**
(71) Name(s) and Address(s) of Applicant(s):
Stramit Corporation Pty Limited
Level 11 Tower B Zenith Centre 821 Pacific Highway Chatswood New
South Wales 2067 Australia
(72) Name(s) of Designer(s): **John Richard Bugh and John Philip McLanders**
and Christopher Lee Healy
(45) Registration Date: **24 August 2011**
(56) Related Art Documents: **Not Applicable**
(57) Statement of Newness and Distinctiveness: **Newness and distinctiveness**
resides in the shape or configuration of the profiled margins at the sides
of the central body of the panel. The shape or configuration of the central
body does not form part of the design. The panel is of indefinite length
and of constant transverse cross-section throughout its length.



- (21) Design Number: **13365/2011**
(22) Date of Filing Application: **29 July 2011**
(24) Date from which industrial property rights may have effect: **29 July 2011**
(54) Product in respect of which the design is registered: **Cosmetic jar with cover**
(51) International Design Classification: **03-01D**
(74) Name(s) of Attorney(s): **PHILLIPS ORMONDE FITZPATRICK**
(71) Name(s) and Address(s) of Applicant(s):
ELC Management LLC
767 Fifth Avenue New York New York 10153 United States of America
(72) Name(s) of Designer(s): **Kimberly Jean McCoy**
(45) Registration Date: **24 August 2011**
(30) Convention priority data:
(31) Number (32) Date (33) Country
29/385,415 14 Feb 2011 UNITED STATES OF AMERICA
(56) Related Art Documents: **Not Applicable**
(57) Statement of Newness and Distinctiveness: **Those features of the cosmetic**
jar with cover depicted in the representations that are new and distinctive
are the shape and/or configuration.



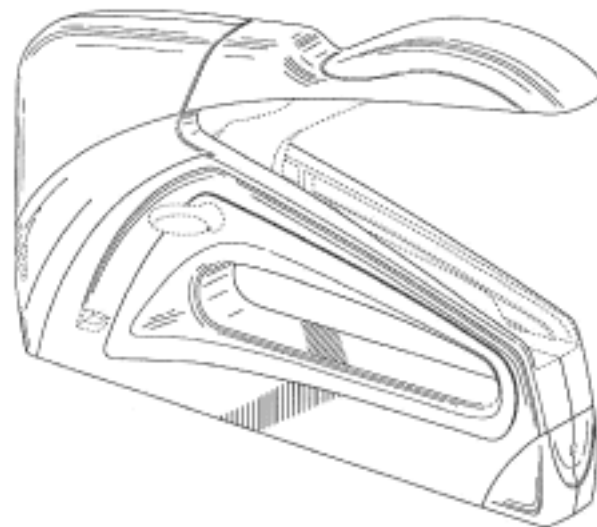
- (21) Design Number: **13366/2011**
(22) Date of Filing Application: **29 July 2011**
(24) Date from which industrial property rights may have effect: **29 July 2011**
(54) Product in respect of which the design is registered: **Cladding panel**
(51) International Design Classification: **25-01G**
(74) Name(s) of Attorney(s): **PHILLIPS ORMONDE FITZPATRICK**
(71) Name(s) and Address(s) of Applicant(s):
Stramit Corporation Pty Limited
Level 11 Tower B Zenith Centre 821 Pacific Highway Chatswood New
South Wales 2067 Australia
(72) Name(s) of Designer(s): **John Richard Bugh and John Philip McLanders**
and Christopher Lee Healy
(45) Registration Date: **24 August 2011**
(56) Related Art Documents: **Not Applicable**
(57) Statement of Newness and Distinctiveness: **Newness and distinctiveness**
resides in the shape or configuration of the profiled margins at the sides
of the central body of the panel. The shape or configuration of the central
body does not form part of the design. The panel is of indefinite length
and of constant transverse cross-section throughout its length.



- (21) Design Number: **13367/2011**
(22) Date of Filing Application: **01 August 2011**
(24) Date from which industrial property rights may have effect: **01 August 2011**
(54) Product in respect of which the design is registered: **Charm jewellery**
(51) International Design Classification: **11-01H**
(74) Name(s) of Attorney(s):
(71) Name(s) and Address(s) of Applicant(s):
Kathryn Margaret Thompson
2 Kyla Street Alstonville New South Wales 2477 Australia
(72) Name(s) of Designer(s): **Kathryn Margaret Thompson**
(45) Registration Date: **24 August 2011**
(56) Related Art Documents: **Not Applicable**
(57) Statement of Newness and Distinctiveness: **Angel constructed of crystal**
and metal - 2 crystal round beads, 1 artemis triangle shaped bead, metal
wings and metal and crystal halo.



(21) Design Number: **13395/2011**
(22) Date of Filing Application: **02 August 2011**
(24) Date from which industrial property rights may have effect: **02 August 2011**
(54) Product in respect of which the design is registered: **Fastening tool**
(51) International Design Classification: **08-05NES**
(74) Name(s) of Attorney(s): **Baldwins Intellectual Property**
(71) Name(s) and Address(s) of Applicant(s):
Arrow Fastener Co., LLC
271 Mayhill Street Saddle Brook NJ 07663 United States of America
(72) Name(s) of Designer(s): **Man Ki Yoo and Michael Reedy and Jonathan Patrick Sokol**
(45) Registration Date: **24 August 2011**
(30) Convention priority data:
(31) Number (32) Date (33) Country
USSN:29/384,882 04 Feb 2011 UNITED STATES OF AMERICA
(56) Related Art Documents: **Not Applicable**
(57) Statement of Newness and Distinctiveness: **Newness and distinctiveness resides in the features of shape and configuration of the fastening tool, excluding the portions shown in broken line.**



(21) Design Number: **13502/2011**
(22) Date of Filing Application: **08 August 2011**
(24) Date from which industrial property rights may have effect: **08 August 2011**
(54) Product in respect of which the design is registered: **Salad spinner**
(51) International Design Classification: **07-04**
(74) Name(s) of Attorney(s): **Cullens Patent and Trade Mark Attorneys**
(71) Name(s) and Address(s) of Applicant(s):
Helen of Troy Limited
13 8th Avenue Belleville PO Box 836E St Michael Barbados
(72) Name(s) of Designer(s): **Marco Perry and Mark Prommel and David Block**
(45) Registration Date: **24 August 2011**
(30) Convention priority data:
(31) Number (32) Date (33) Country
29/389742 15 Apr 2011 UNITED STATES OF AMERICA
(56) Related Art Documents: **Not Applicable**
(57) Statement of Newness and Distinctiveness: **Nil**



(21) Design Number: **13218/2011**
(22) Date of Filing Application: **20 July 2011**
(24) Date from which industrial property rights may have effect: **20 July 2011**
(54) Product in respect of which the design is registered: **Coffee capsule**
(51) International Design Classification: **07-02L**
(74) Name(s) of Attorney(s): **PHILLIPS ORMONDE FITZPATRICK**
(71) Name(s) and Address(s) of Applicant(s):

Ari Kanichowsky
Alfasi 19th Street Ra'anana Israel

(72) Name(s) of Designer(s): **Ari Kanichowsky**

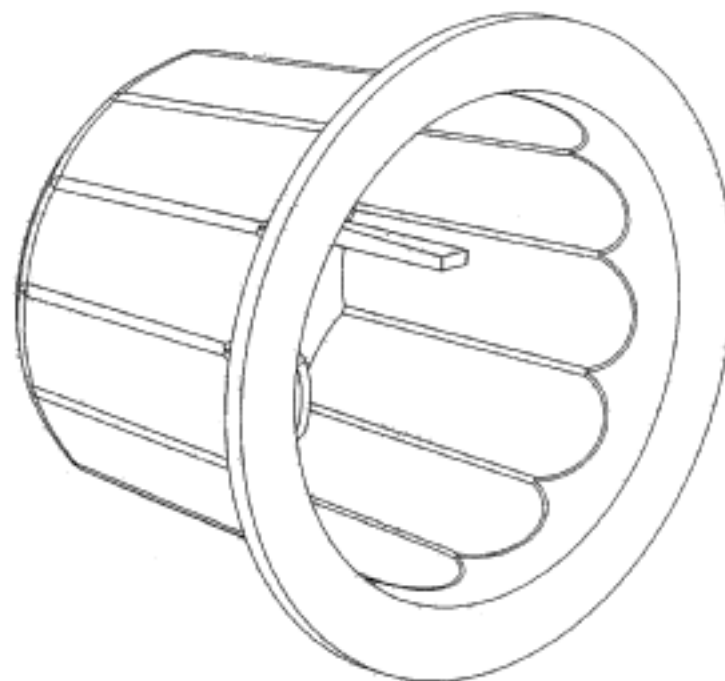
(45) Registration Date: **24 August 2011**

(30) Convention priority data:

(31) Number	(32) Date	(33) Country
50674	15 Feb 2011	ISRAEL

(56) Related Art Documents: **Not Applicable**

(57) Statement of Newness and Distinctiveness: **Nil**



(21) Design Number: **13368/2011**
(22) Date of Filing Application: **27 July 2011**
(24) Date from which industrial property rights may have effect: **27 July 2011**
(54) Product in respect of which the design is registered: **Digitally recorded disc holder**

(51) International Design Classification: **09-05**

(74) Name(s) of Attorney(s): **Actuate IP**

(71) Name(s) and Address(s) of Applicant(s):

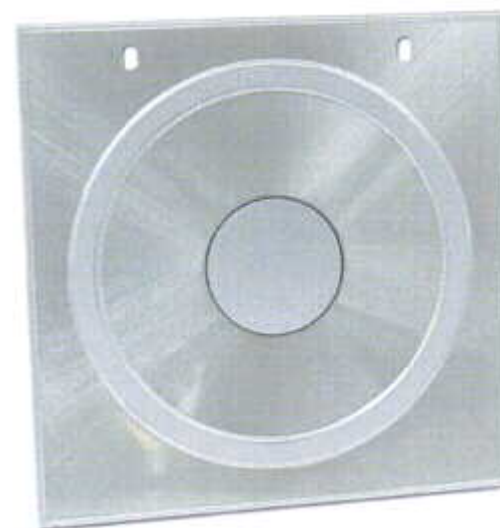
Gifts King Import Pty Ltd
28 Ebdon Street Moorabbin Victoria 3189 Australia

(72) Name(s) of Designer(s): **Ying Fei Zhu**

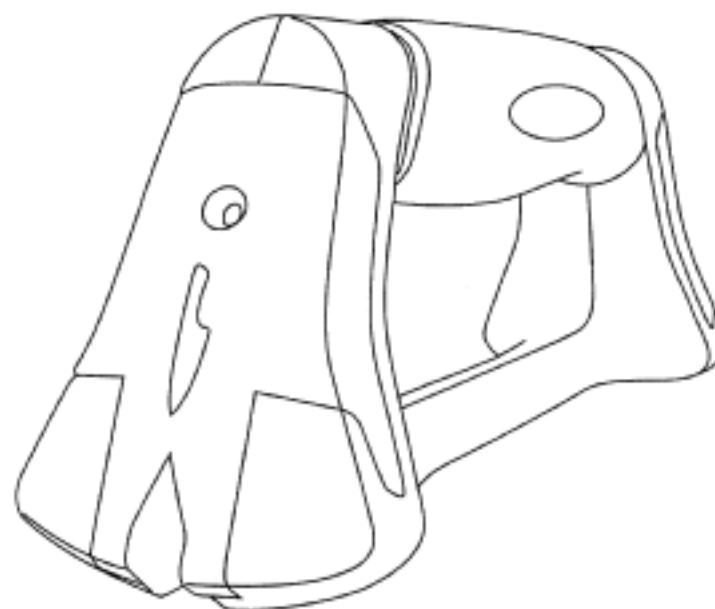
(45) Registration Date: **24 August 2011**

(56) Related Art Documents: **Not Applicable**

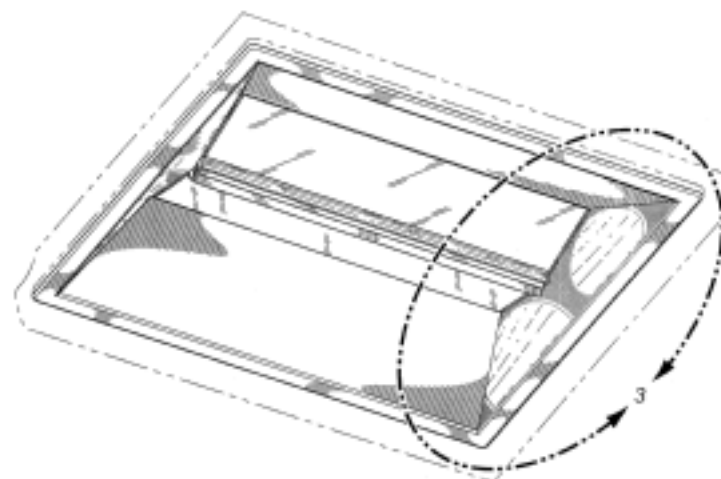
(57) Statement of Newness and Distinctiveness: **Newness and distinctiveness is claimed in the features of shape and/or configuration of the attachable digitally recorded disc holder, as illustrated in the accompanying representations. The digitally recorded disc holder, by way of example, is attachable as a cover to such items as books and photo albums. Colour is to be excluded from the design.**



- (21) Design Number: **13377/2011**
(22) Date of Filing Application: **29 July 2011**
(24) Date from which industrial property rights may have effect: **29 July 2011**
(54) Product in respect of which the design is registered: **Hand-held sharpener**
(51) International Design Classification: **08-05H**
(74) Name(s) of Attorney(s): **SPRUSON & FERGUSON**
(71) Name(s) and Address(s) of Applicant(s):
Scanpan A/S
Industrivej 49 DK-8550 Ryomgard Denmark
(72) Name(s) of Designer(s): **Alexander Angus**
(45) Registration Date: **24 August 2011**
(56) Related Art Documents: **Not Applicable**
(57) Statement of Newness and Distinctiveness: **Newness and distinctiveness is claimed in the features of shape and/or configuration of a hand-held sharpener as illustrated in the accompanying representations.**



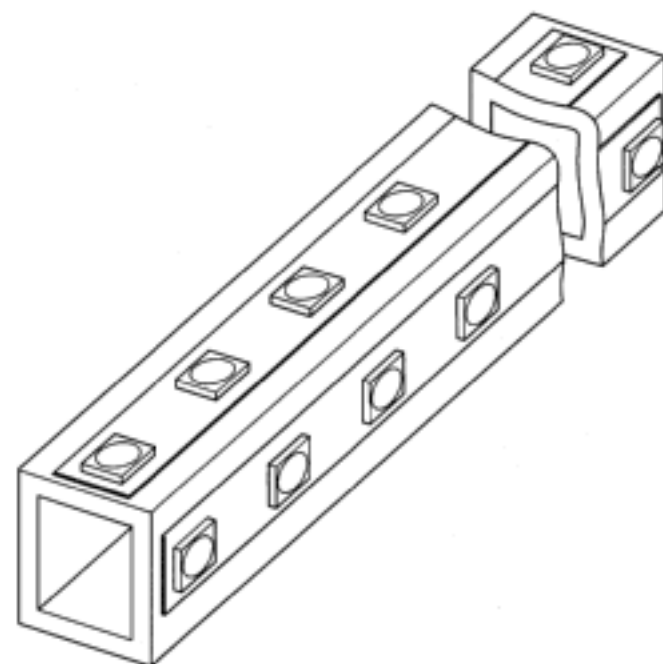
- (21) Design Number: **13110/2011**
(22) Date of Filing Application: **13 July 2011**
(24) Date from which industrial property rights may have effect: **13 July 2011**
(54) Product in respect of which the design is registered: **Troffer-style lighting fixture**
(51) International Design Classification: **26-05A**
(74) Name(s) of Attorney(s): **SPRUSON & FERGUSON**
(71) Name(s) and Address(s) of Applicant(s):
Cree, Inc.
4600 Silicon Drive Durham North Carolina 27703 United States of America
(72) Name(s) of Designer(s): **Paul Kenneth Pickard and Mark D. Edmond and Dong Lu and Gerald Negley and Nick Nguyen and Patrick John O'Flaherty and Gary David Trott**
(45) Registration Date: **25 August 2011**
(30) Convention priority data:
(31) Number (32) Date (33) Country
29/387171 09 Mar 2011 UNITED STATES OF AMERICA
(56) Related Art Documents: **Not Applicable**
(57) Statement of Newness and Distinctiveness: **Newness and distinctiveness is claimed in the features of shape and/or configuration of a troffer-style lighting fixture as illustrated in continuous lines in the accompanying representations.**



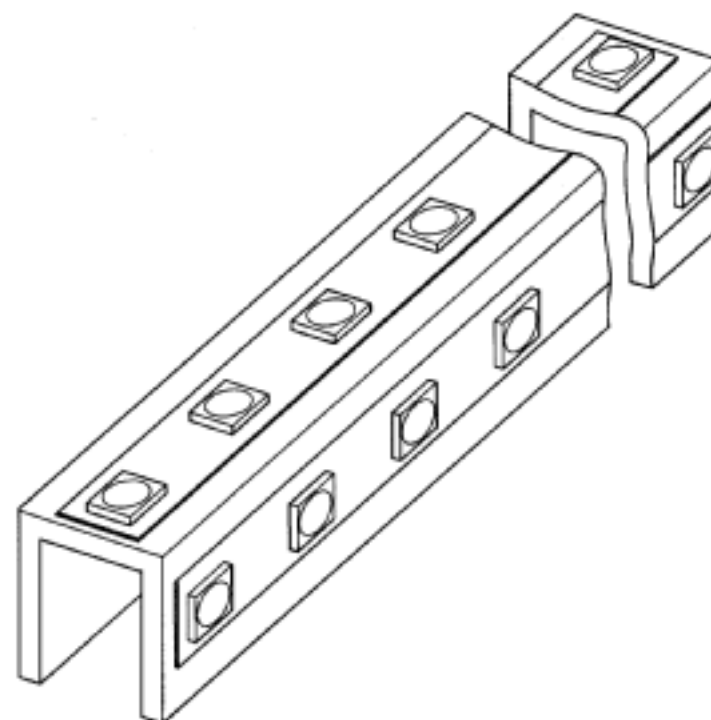
- (21) Design Number: **13383/2011**
(22) Date of Filing Application: **02 August 2011**
(24) Date from which industrial property rights may have effect: **02 August 2011**
(54) Product in respect of which the design is registered: **Fruit and vegetable cutting guillotine**
(51) International Design Classification: **07-04**
(74) Name(s) of Attorney(s):
(71) Name(s) and Address(s) of Applicant(s):
Colin Norman Wiles
15 Lalor Close Mulgrave Victoria 3170 Australia
(72) Name(s) of Designer(s): **Colin Norman Wiles**
(45) Registration Date: **25 August 2011**
(56) Related Art Documents: **Not Applicable**
(57) Statement of Newness and Distinctiveness: **Nil**



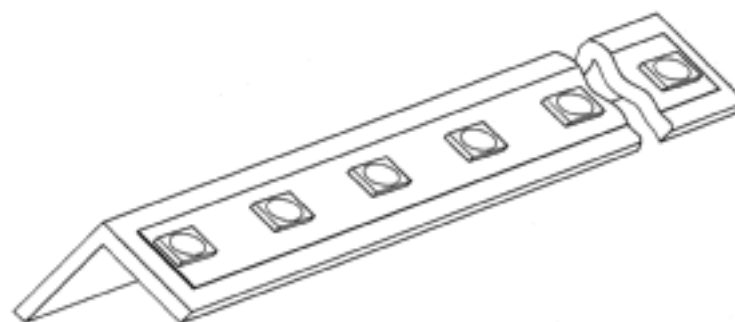
- (21) Design Number: **13384/2011**
(22) Date of Filing Application: **02 August 2011**
(24) Date from which industrial property rights may have effect: **02 August 2011**
(54) Product in respect of which the design is registered: **Light apparatus**
(51) International Design Classification: **26-05NES**
(74) Name(s) of Attorney(s): **Molins & Co**
(71) Name(s) and Address(s) of Applicant(s):
Smart Environmental Solutions Pty Ltd
PO Box 845 Marrickville New South Wales 2204 Australia
(72) Name(s) of Designer(s): **Steven Peter Kosmas**
(45) Registration Date: **25 August 2011**
(56) Related Art Documents: **Not Applicable**
(57) Statement of Newness and Distinctiveness: **Newness is claimed in the features of shape and configuration of the Light Apparatus as shown in the accompanying representations.**



- (21) Design Number: **13385/2011**
(22) Date of Filing Application: **02 August 2011**
(24) Date from which industrial property rights may have effect: **02 August 2011**
(54) Product in respect of which the design is registered: **Light apparatus**
(51) International Design Classification: **26-05NES**
(74) Name(s) of Attorney(s): **Molins & Co**
(71) Name(s) and Address(s) of Applicant(s):
Smart Environmental Solutions Pty Ltd
PO Box 845 Marrickville New South Wales 2204 Australia
(72) Name(s) of Designer(s): **Steven Peter Kosmas**
(45) Registration Date: **25 August 2011**
(56) Related Art Documents: **Not Applicable**
(57) Statement of Newness and Distinctiveness: **Newness is claimed in the features of shape and configuration of the Light Apparatus as shown in the accompanying representations.**



- (21) Design Number: **13386/2011**
(22) Date of Filing Application: **02 August 2011**
(24) Date from which industrial property rights may have effect: **02 August 2011**
(54) Product in respect of which the design is registered: **Light apparatus**
(51) International Design Classification: **26-05NES**
(74) Name(s) of Attorney(s): **Molins & Co**
(71) Name(s) and Address(s) of Applicant(s):
Smart Environmental Solutions Pty Ltd
PO Box 845 Marrickville New South Wales 2204 Australia
(72) Name(s) of Designer(s): **Steven Peter Kosmas**
(45) Registration Date: **25 August 2011**
(56) Related Art Documents: **Not Applicable**
(57) Statement of Newness and Distinctiveness: **Newness is claimed in the features of shape and configuration of the Light Apparatus as shown in the accompanying representations.**



(21) Design Number: **13387/2011**

(22) Date of Filing Application: **01 August 2011**

(24) Date from which industrial property rights may have effect: **01 August 2011**

(54) Product in respect of which the design is registered: **An adjustable support**

(51) International Design Classification: **08-08NES**

(74) Name(s) of Attorney(s): **Baldwins Intellectual Property**

(71) Name(s) and Address(s) of Applicant(s):

Opus International Consultants Limited
9th Floor Majestic Centre 100 Willis Street Wellington 6011 New Zealand

(72) Name(s) of Designer(s): **Neil Watson Gumbley**

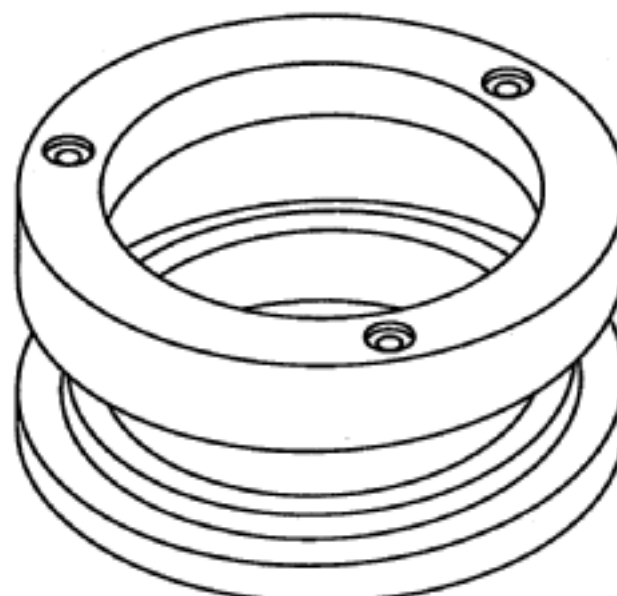
(45) Registration Date: **25 August 2011**

(30) Convention priority data:

(31) Number	(32) Date	(33) Country
414550	04 Feb 2011	NEW ZEALAND

(56) Related Art Documents: **Not Applicable**

(57) Statement of Newness and Distinctiveness: **Nil**



(21) Design Number: **13513/2011**

(22) Date of Filing Application: **09 August 2011**

(24) Date from which industrial property rights may have effect: **09 August 2011**

(54) Product in respect of which the design is registered: **Dispensing tap**

(51) International Design Classification: **23-01H**

(74) Name(s) of Attorney(s): **SPRUSON & FERGUSON**

(71) Name(s) and Address(s) of Applicant(s):

Ramzey Choker
43a 29-33 Epsom Road Rosebery New South Wales 2018 Australia

Michael Francis
1/35 Hope Street Brunswick Victoria 3050 Australia

(72) Name(s) of Designer(s): **Ramzey Choker and Michael Francis**

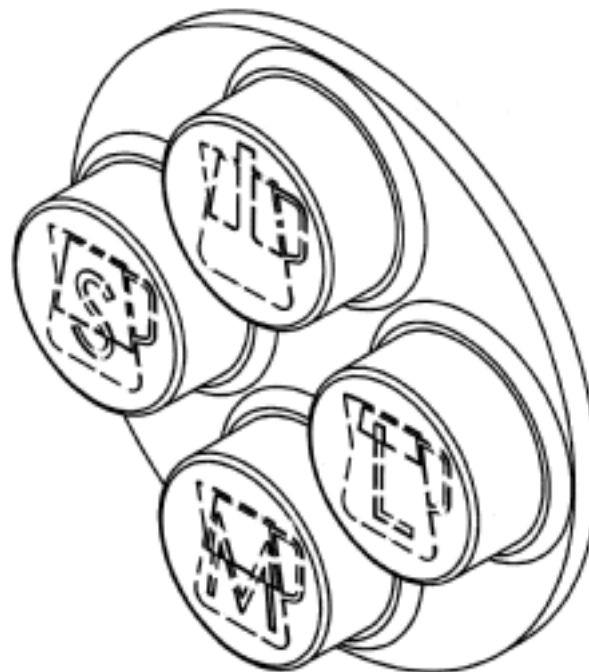
(45) Registration Date: **25 August 2011**

(56) Related Art Documents: **Not Applicable**

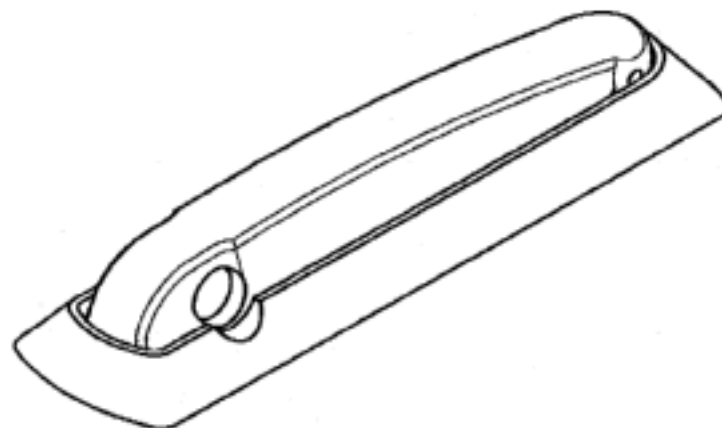
(57) Statement of Newness and Distinctiveness: **Newness and distinctiveness is claimed in those features of shape and/or configuration of a dispensing tap as illustrated in continuous lines in the accompanying representations.**



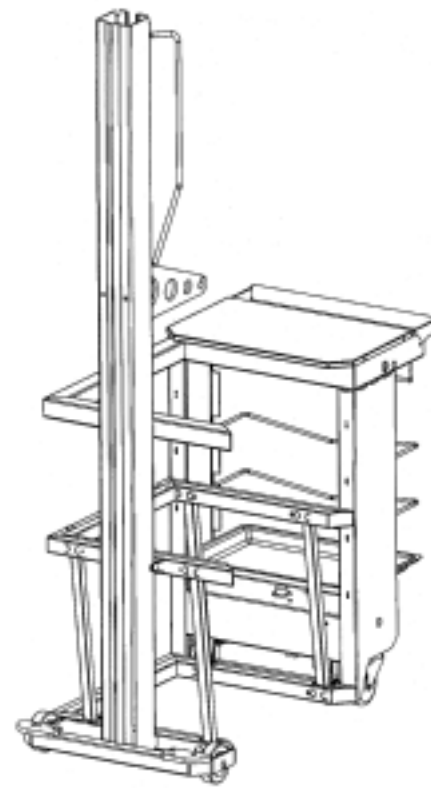
- (21) Design Number: **13515/2011**
(22) Date of Filing Application: **09 August 2011**
(24) Date from which industrial property rights may have effect: **09 August 2011**
(54) Product in respect of which the design is registered: **Button selector**
(51) International Design Classification: **31-00**
(74) Name(s) of Attorney(s): **SPRUSON & FERGUSON**
(71) Name(s) and Address(s) of Applicant(s):
Ramzey Choker
43a 29-33 Epsom Road Rosebery New South Wales 2018 Australia
Michael Francis
1/35 Hope Street Brunswick Victoria 3050 Australia
(72) Name(s) of Designer(s): **Ramzey Choker and Michael Francis**
(45) Registration Date: **25 August 2011**
(56) Related Art Documents: **Not Applicable**
(57) Statement of Newness and Distinctiveness: **Newness and distinctiveness is claimed in those features of shape and/or configuration of a button selector as illustrated in continuous lines in the accompanying representations.**



- (21) Design Number: **10745/2011**
(22) Date of Filing Application: **28 February 2011**
(24) Date from which industrial property rights may have effect: **28 February 2011**
(54) Product in respect of which the design is registered: **Handle**
(51) International Design Classification: **08-06**
(74) Name(s) of Attorney(s): **Houlihan2**
(71) Name(s) and Address(s) of Applicant(s):
David Stuckey Investments Pty Ltd
Pitcher Partners 6th Floor 161 Collins Street Melbourne Victoria 3000
Australia
(72) Name(s) of Designer(s): **David Martin Stuckey**
(45) Registration Date: **25 August 2011**
(56) Related Art Documents: **Not Applicable**
(57) Statement of Newness and Distinctiveness: **Nil**



(21) Design Number: **12708/2011**
(22) Date of Filing Application: **15 June 2011**
(24) Date from which industrial property rights may have effect: **15 June 2011**
(54) Product in respect of which the design is registered: **Retail Unloader**
(51) International Design Classification: **12-05**
(74) Name(s) of Attorney(s):
(71) Name(s) and Address(s) of Applicant(s):
Stephen L. Simmons
13A Scott Avenue Mangere Bridge Manukau 2022 New Zealand
(72) Name(s) of Designer(s): **Stephen L. Simmons**
(45) Registration Date: **25 August 2011**
(56) Related Art Documents: **Not Applicable**
(57) Statement of Newness and Distinctiveness: **The complete general design of the machine.**



(21) Design Number: **13096/2011**
(22) Date of Filing Application: **12 July 2011**
(24) Date from which industrial property rights may have effect: **12 July 2011**
(54) Product in respect of which the design is registered: **Hand tool**
(51) International Design Classification: **08-05NES**
(74) Name(s) of Attorney(s): **Davies Collison Cave**
(71) Name(s) and Address(s) of Applicant(s):
SMCP ApS
Caspar Brands Plads 3 B 1 4220 Korsor Denmark
(72) Name(s) of Designer(s): **Tom Ossain Jonsson and Brian Rise Hamann Jensen**
(45) Registration Date: **25 August 2011**
(56) Related Art Documents: **Not Applicable**
(57) Statement of Newness and Distinctiveness: **Nil**



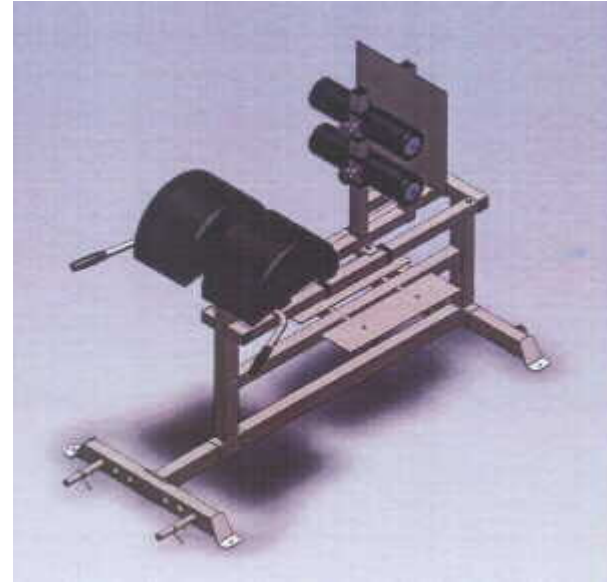
(21) Design Number: **13097/2011**
(22) Date of Filing Application: **12 July 2011**
(24) Date from which industrial property rights may have effect: **12 July 2011**
(54) Product in respect of which the design is registered: **Clamp for pipes**
(51) International Design Classification: **08-08NES, 23-01NES**
(74) Name(s) of Attorney(s): **Davies Collison Cave**
(71) Name(s) and Address(s) of Applicant(s):
SMCP ApS
Caspar Brands Plads 3 B 1 4220 Korsor Denmark
(72) Name(s) of Designer(s): **Soren Frandsen**
(45) Registration Date: **25 August 2011**
(30) Convention priority data:
(31) Number (32) Date (33) Country
001828401-0001 01 Mar 2011 EUROPEAN COMMUNITY
(56) Related Art Documents: **Not Applicable**
(57) Statement of Newness and Distinctiveness: **Newness and distinctiveness is claimed in the visual features of shape and configuration as shown in the representations.**



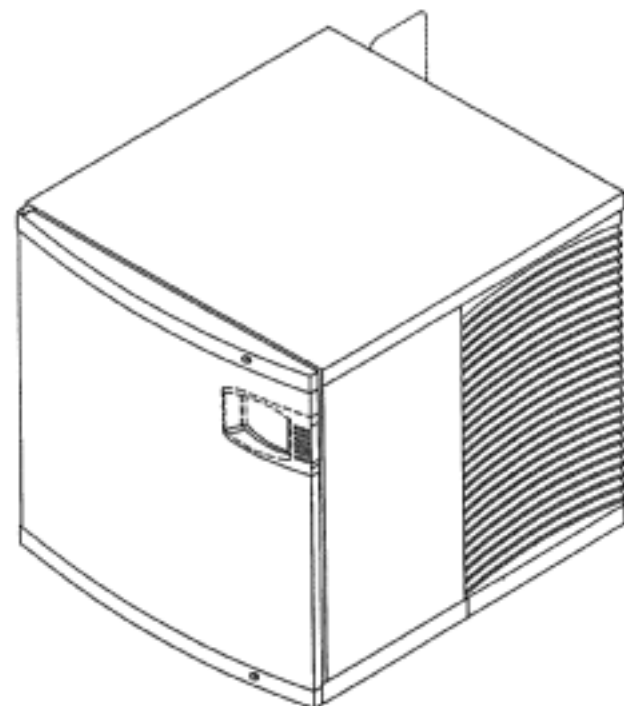
(21) Design Number: **13160/2011**
(22) Date of Filing Application: **18 July 2011**
(24) Date from which industrial property rights may have effect: **18 July 2011**
(54) Product in respect of which the design is registered: **Plastic lid to suit an industrial plastic pail**
(51) International Design Classification: **09-07B**
(74) Name(s) of Attorney(s):
(71) Name(s) and Address(s) of Applicant(s):
Logipak Pty Limited
7 Reynolds Place Galston New South Wales 2159 Australia
(72) Name(s) of Designer(s): **Graeme John Langley**
(45) Registration Date: **25 August 2011**
(56) Related Art Documents: **Not Applicable**
(57) Statement of Newness and Distinctiveness: **This new innovative pail lid incorporates a moulded neck feature which is integral to the lid. This neck accepts a standard 56/58mm tamper evident closure for filling and pouring.**



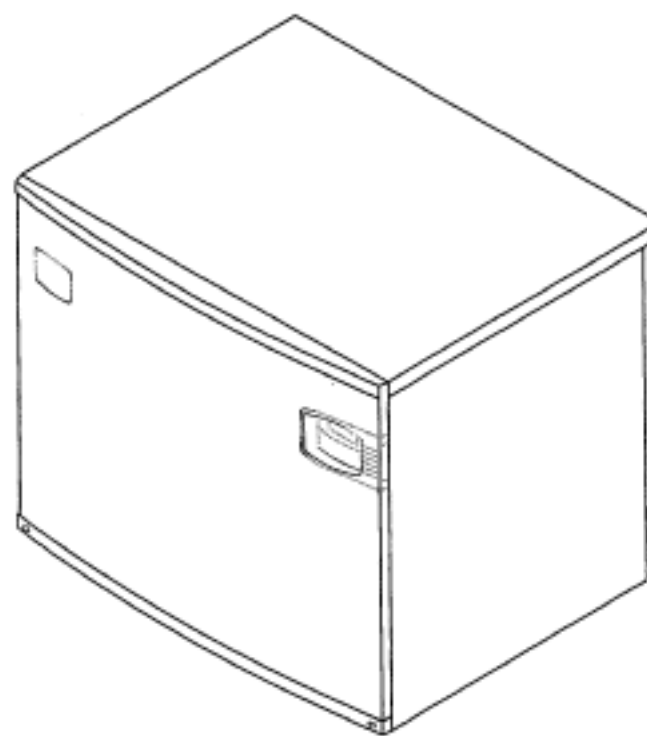
(21) Design Number: **13397/2011**
(22) Date of Filing Application: **02 August 2011**
(24) Date from which industrial property rights may have effect: **02 August 2011**
(54) Product in respect of which the design is registered: **Gym fitness equipment**
(51) International Design Classification: **21-02F**
(74) Name(s) of Attorney(s): **Complete IP Pty Limited**
(71) Name(s) and Address(s) of Applicant(s):
IP Holdings Pty Limited
PO Box 204 Kensington Park South Australia 5065 Australia
(72) Name(s) of Designer(s): **Daniel Alenaddaf**
(45) Registration Date: **25 August 2011**
(56) Related Art Documents: **Not Applicable**
(57) Statement of Newness and Distinctiveness: **Newness and distinctiveness is claimed in the shape and/or configuration of the fitness equipment as illustrated in the representations accompanying the application.**



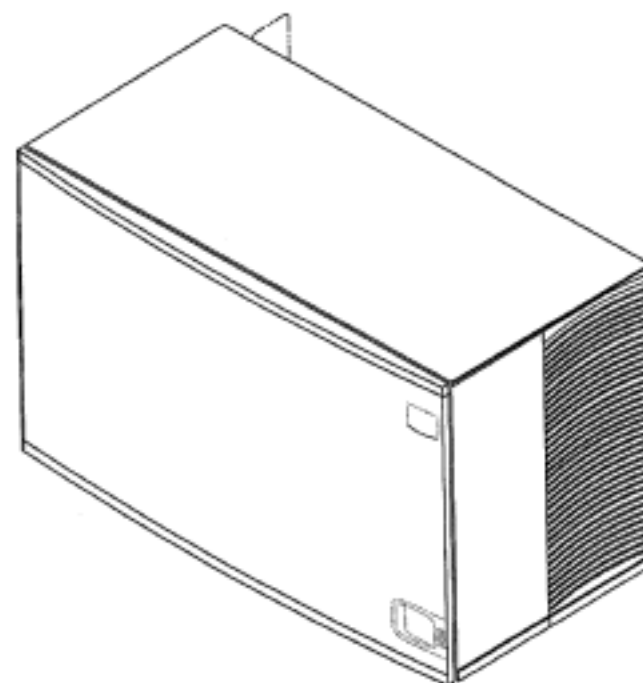
(21) Design Number: **13398/2011**
(22) Date of Filing Application: **01 August 2011**
(24) Date from which industrial property rights may have effect: **01 August 2011**
(54) Product in respect of which the design is registered: **Ice machine**
(51) International Design Classification: **15-07**
(74) Name(s) of Attorney(s): **IP Gateway Patent & Trademark Attorneys**
(71) Name(s) and Address(s) of Applicant(s):
Manitowoc Foodservice Companies, LLC
2400 South 44th Street Manitowoc Wisconsin 54220 United States of America
(72) Name(s) of Designer(s): **Stephen D. Herning and Marty J. Lafond and William E. Olson and John T. Sara III**
(45) Registration Date: **25 August 2011**
(30) Convention priority data:
(31) Number (32) Date (33) Country
29/385,247 10 Feb 2011 UNITED STATES OF AMERICA
(56) Related Art Documents: **Not Applicable**
(57) Statement of Newness and Distinctiveness: **Newness and distinctiveness of the design resides in the visual features of shape and/or configuration of an ice machine as shown in solid lines in the accompanying representations.**



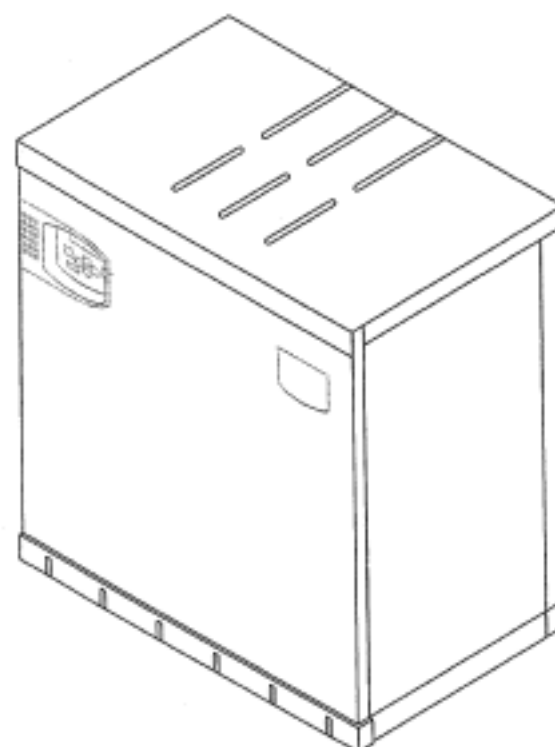
(21) Design Number: **13399/2011**
(22) Date of Filing Application: **01 August 2011**
(24) Date from which industrial property rights may have effect: **01 August 2011**
(54) Product in respect of which the design is registered: **Ice machine**
(51) International Design Classification: **15-07**
(74) Name(s) of Attorney(s): **IP Gateway Patent & Trademark Attorneys**
(71) Name(s) and Address(s) of Applicant(s):
Manitowoc Foodservice Companies, LLC
2400 South 44th Street Manitowoc Wisconsin 54220 United States of America
(72) Name(s) of Designer(s): **Marty J. Lafond and William E. Olson and John T. Sara III**
(45) Registration Date: **25 August 2011**
(30) Convention priority data:
(31) Number (32) Date (33) Country
29/385,255 10 Feb 2011 UNITED STATES OF AMERICA
(56) Related Art Documents: **Not Applicable**
(57) Statement of Newness and Distinctiveness: **Newness and distinctiveness of the design resides in the visual features of shape and/or configuration of an ice machine as shown in solid lines in the accompanying representations.**



(21) Design Number: **13400/2011**
(22) Date of Filing Application: **01 August 2011**
(24) Date from which industrial property rights may have effect: **01 August 2011**
(54) Product in respect of which the design is registered: **Ice machine**
(51) International Design Classification: **15-07**
(74) Name(s) of Attorney(s): **IP Gateway Patent & Trademark Attorneys**
(71) Name(s) and Address(s) of Applicant(s):
Manitowoc Foodservice Companies, LLC
2400 South 44th Street Manitowoc Wisconsin 54220 United States of America
(72) Name(s) of Designer(s): **Marty J. Lafond and William E. Olson and Brian A. Ebelt and John T. Sara III**
(45) Registration Date: **25 August 2011**
(30) Convention priority data:
(31) Number (32) Date (33) Country
29/385,259 10 Feb 2011 UNITED STATES OF AMERICA
(56) Related Art Documents: **Not Applicable**
(57) Statement of Newness and Distinctiveness: **Newness and distinctiveness of the design resides in the visual features of shape and/or configuration of an ice machine as shown in solid lines in the accompanying representations.**



- (21) Design Number: **13401/2011**
(22) Date of Filing Application: **01 August 2011**
(24) Date from which industrial property rights may have effect: **01 August 2011**
(54) Product in respect of which the design is registered: **Ice machine**
(51) International Design Classification: **15-07**
(74) Name(s) of Attorney(s): **IP Gateway Patent & Trademark Attorneys**
(71) Name(s) and Address(s) of Applicant(s):
Manitowoc Foodservice Companies, LLC
2400 South 44th Street Manitowoc Wisconsin 54220 United States of America
(72) Name(s) of Designer(s): **Brian A. Ebelt and William E. Olson Jr and John T. Sara III**
(45) Registration Date: **25 August 2011**
(30) Convention priority data:
(31) Number (32) Date (33) Country
29/385,252 10 Feb 2011 UNITED STATES OF AMERICA
(56) Related Art Documents: **Not Applicable**
(57) Statement of Newness and Distinctiveness: **Newness and distinctiveness of the design resides in the visual features of shape and/or configuration of an ice machine as shown in solid lines in the accompanying representations.**



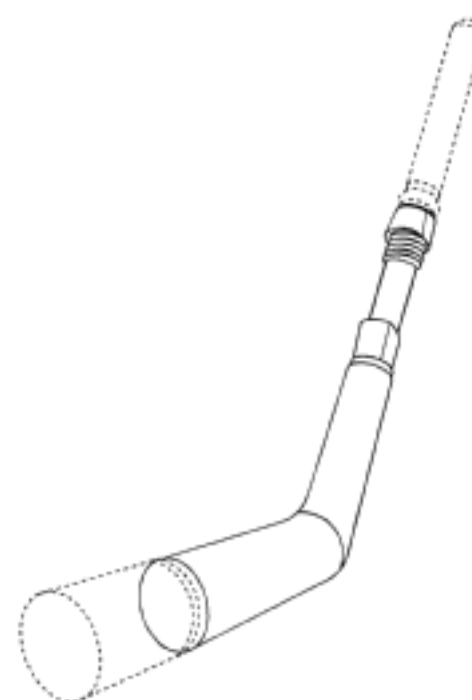
- (21) Design Number: **12877/2011**
(22) Date of Filing Application: **24 June 2011**
(24) Date from which industrial property rights may have effect: **24 June 2011**
(54) Product in respect of which the design is registered: **Reusable coffee cup**
(51) International Design Classification: **07-01NES**
(74) Name(s) of Attorney(s):
(71) Name(s) and Address(s) of Applicant(s):
Samantha Hatzikourtis
221 A Bay Street Port Melbourne Victoria 3207 Australia
Lisa Eskander
221 A Bay Street Port Melbourne Victoria 3207 Australia
(72) Name(s) of Designer(s): **Lisa Eskander and Samantha Hatzikourtis**
(45) Registration Date: **26 August 2011**
(56) Related Art Documents: **Not Applicable**
(57) Statement of Newness and Distinctiveness: **We wish to identify the following visual features of the design as new and distinctive; 1. Contours of the cup. 2. The twist/lock seal lid. 3. The writable area on top of the cup. 4. Band and cup in one.**



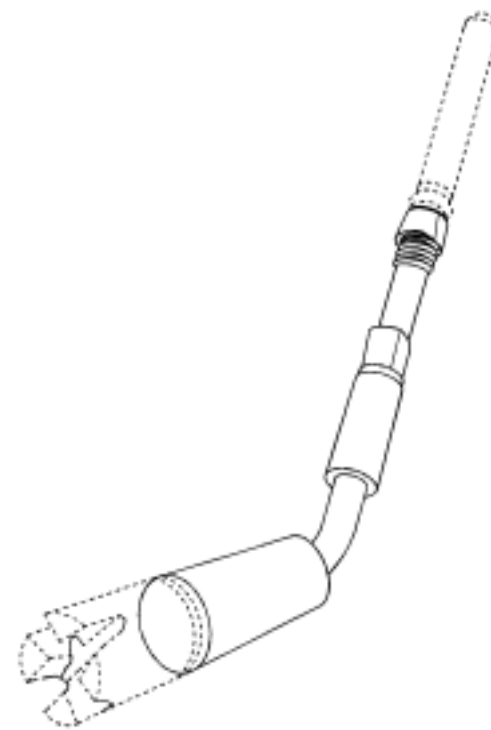
(21) Design Number: **13095/2011**
(22) Date of Filing Application: **12 July 2011**
(24) Date from which industrial property rights may have effect: **12 July 2011**
(54) Product in respect of which the design is registered: **Hand tool**
(51) International Design Classification: **08-05NES**
(74) Name(s) of Attorney(s): **Davies Collison Cave**
(71) Name(s) and Address(s) of Applicant(s):
SMCP ApS
Caspar Brands Plads 3 B 1 4220 Korsor Denmark
(72) Name(s) of Designer(s): **Tom Ossain Jonsson and Brian Rise Hamann Jensen**
(45) Registration Date: **26 August 2011**
(56) Related Art Documents: **Not Applicable**
(57) Statement of Newness and Distinctiveness: **Nil**



(21) Design Number: **13187/2011**
(22) Date of Filing Application: **19 July 2011**
(24) Date from which industrial property rights may have effect: **19 July 2011**
(54) Product in respect of which the design is registered: **Fishing rod handle**
(51) International Design Classification: **22-05**
(74) Name(s) of Attorney(s): **Shelston IP**
(71) Name(s) and Address(s) of Applicant(s):
Black Marlin Australia Pty Ltd
30 Venetia Street Sylvania New South Wales 2224 Australia
(72) Name(s) of Designer(s): **Alex Kotsalidis and Gregory Nicholas Naris**
(45) Registration Date: **26 August 2011**
(56) Related Art Documents: **Not Applicable**
(57) Statement of Newness and Distinctiveness: **Newness and distinctiveness reside in the features of shape and/or configuration of a FISHING ROD HANDLE as illustrated in unbroken lines in the accompanying representations.**



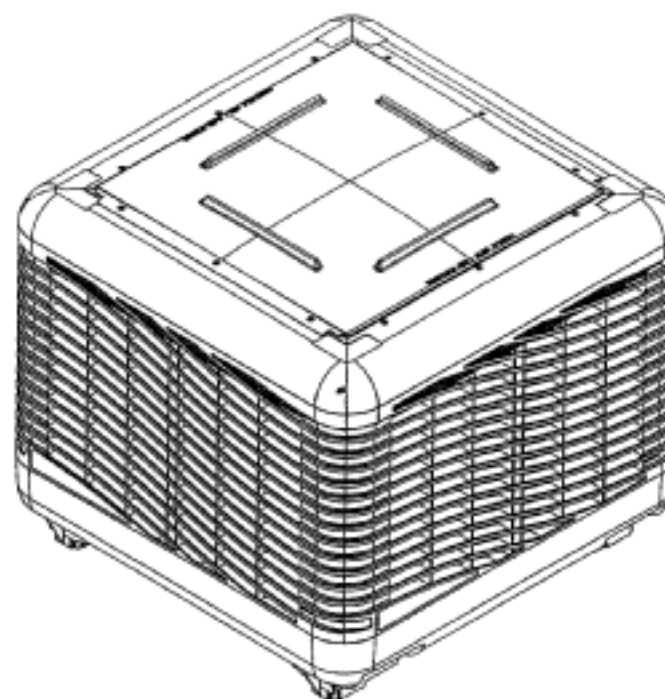
- (21) Design Number: **13188/2011**
- (22) Date of Filing Application: **19 July 2011**
- (24) Date from which industrial property rights may have effect: **19 July 2011**
- (54) Product in respect of which the design is registered: **Fishing rod handle**
- (51) International Design Classification: **22-05**
- (74) Name(s) of Attorney(s): **Shelston IP**
- (71) Name(s) and Address(s) of Applicant(s):
Black Marlin Australia Pty Ltd
30 Venetia Street Sylvania New South Wales 2224 Australia
- (72) Name(s) of Designer(s): **Alex Kotsalidis and Gregory Nicholas Naris**
- (45) Registration Date: **26 August 2011**
- (56) Related Art Documents: **Not Applicable**
- (57) Statement of Newness and Distinctiveness: **Newness and distinctiveness reside in the features of shape and/or configuration of a FISHING ROD HANDLE as illustrated in unbroken lines in the accompanying representations.**



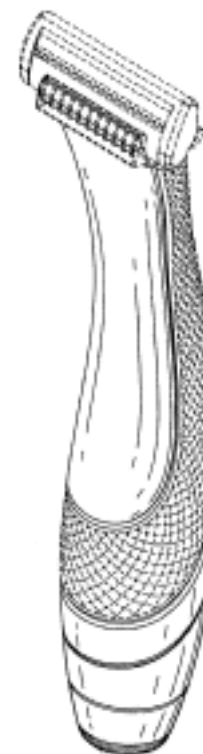
- (21) Design Number: **13200/2011**
- (22) Date of Filing Application: **21 July 2011**
- (24) Date from which industrial property rights may have effect: **21 July 2011**
- (54) Product in respect of which the design is registered: **Decoration**
- (51) International Design Classification: **26-05NES**
- (74) Name(s) of Attorney(s): **WALSH & ASSOCIATES**
- (71) Name(s) and Address(s) of Applicant(s):
Simon Grundel
PO Box 61 Coffs Harbour New South Wales 2450 Australia
- (72) Name(s) of Designer(s): **Simon Grundel**
- (45) Registration Date: **26 August 2011**
- (56) Related Art Documents: **Not Applicable**
- (57) Statement of Newness and Distinctiveness: **The newness and distinctiveness resides in the shape and configuration of the heart and arrow devices (as shown in the illustration).**



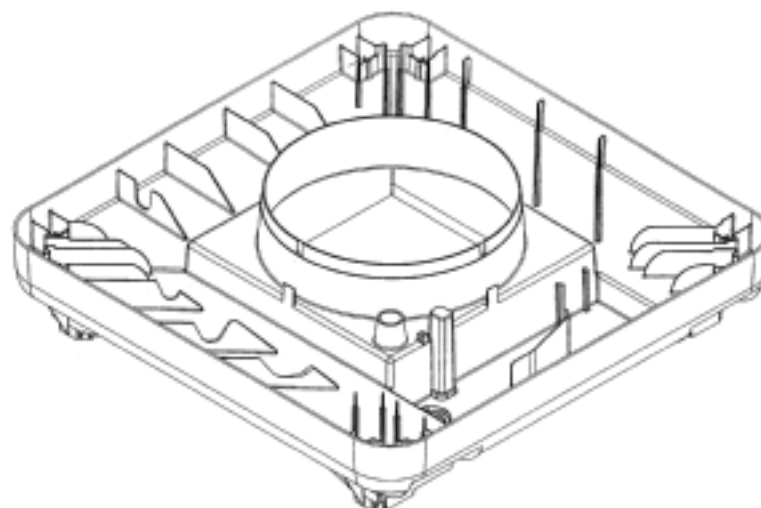
- (21) Design Number: **13389/2011**
(22) Date of Filing Application: **01 August 2011**
(24) Date from which industrial property rights may have effect: **01 August 2011**
(54) Product in respect of which the design is registered: **An evaporative cooler housing**
(51) International Design Classification: **23-04**
(74) Name(s) of Attorney(s): **PHILLIPS ORMONDE FITZPATRICK**
(71) Name(s) and Address(s) of Applicant(s):
Climate Technologies Pty Ltd
26 Nylex Avenue Salisbury South Australia 5108 Australia
(72) Name(s) of Designer(s): **Santo Celi and Shaun Leigh Milde and Ralph Lee**
(45) Registration Date: **26 August 2011**
(56) Related Art Documents: **Not Applicable**
(57) Statement of Newness and Distinctiveness: **Newness and Distinctiveness is claimed in the shape and configuration of the evaporative cooler housing as shown in the representations. The configuration of the underside of the housing as shown in the bottom view of the representations is to be disregarded. Any writing depicted in the representations of the housing should also be disregarded.**



- (21) Design Number: **13390/2011**
(22) Date of Filing Application: **01 August 2011**
(24) Date from which industrial property rights may have effect: **01 August 2011**
(54) Product in respect of which the design is registered: **Hair removal device**
(51) International Design Classification: **28-03A**
(74) Name(s) of Attorney(s): **PHILLIPS ORMONDE FITZPATRICK**
(71) Name(s) and Address(s) of Applicant(s):
The Gillette Company
One Gillette Park Boston Massachusetts 02127 United States of America
(72) Name(s) of Designer(s): **Guohua Pan and Vanessa Christie**
(45) Registration Date: **26 August 2011**
(30) Convention priority data:
(31) Number (32) Date (33) Country
29/286,513 02 Mar 2011 UNITED STATES OF AMERICA
(56) Related Art Documents: **Not Applicable**
(57) Statement of Newness and Distinctiveness: **Those features of the hair removal device depicted in the representations that are new and distinctive are the shape and/or configuration. The features shown in broken lines are not part of the design and are to be disregarded when considering the overall impression of the design.**



- (21) Design Number: **13391/2011**
(22) Date of Filing Application: **01 August 2011**
(24) Date from which industrial property rights may have effect: **01 August 2011**
(54) Product in respect of which the design is registered: **A base for an evaporative cooler housing**
(51) International Design Classification: **23-04**
(74) Name(s) of Attorney(s): **PHILLIPS ORMONDE FITZPATRICK**
(71) Name(s) and Address(s) of Applicant(s):
Climate Technologies Pty Ltd
26 Nylex Avenue Salisbury South Australia 5108 Australia
(72) Name(s) of Designer(s): **Santo Celi and Shaun Leigh Milde**
(45) Registration Date: **26 August 2011**
(56) Related Art Documents: **Not Applicable**
(57) Statement of Newness and Distinctiveness: **Newness and distinctiveness is claimed in the shape and configuration of the forklift tyre channels formed in the base as shown in the accompanying representations.**



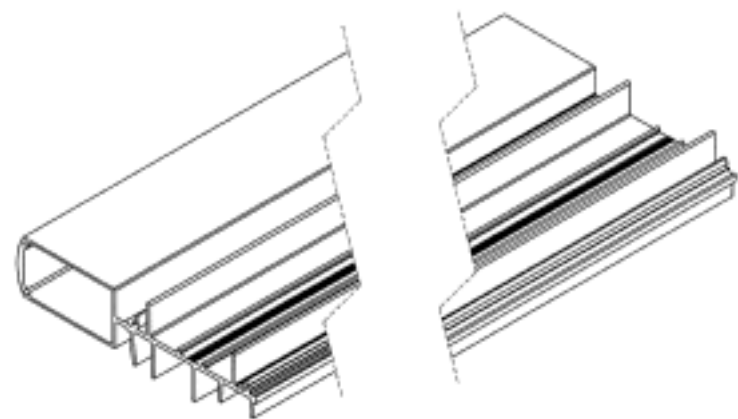
- (21) Design Number: **13392/2011**
(22) Date of Filing Application: **01 August 2011**
(24) Date from which industrial property rights may have effect: **01 August 2011**
(54) Product in respect of which the design is registered: **Hopper**
(51) International Design Classification: **09-02A**
(74) Name(s) of Attorney(s): **SPRUSON & FERGUSON**
(71) Name(s) and Address(s) of Applicant(s):
Florian Enghard
Wiesenstrasse 17 D-65843 Sulzbach Germany
(72) Name(s) of Designer(s): **Florian Enghard**
(45) Registration Date: **26 August 2011**
(30) Convention priority data:
(31) Number (32) Date (33) Country
402011000 663.4 05 Feb 2011 GERMANY
(56) Related Art Documents: **Not Applicable**
(57) Statement of Newness and Distinctiveness: **Newness and distinctiveness is claimed in the features of shape and/or configuration of a hopper as illustrated in the accompanying representations.**



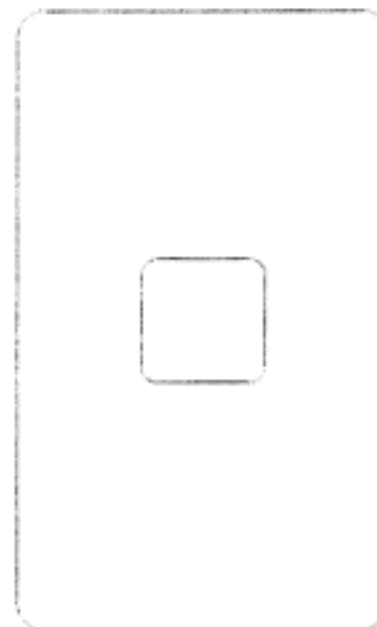
- (21) Design Number: **13396/2011**
(22) Date of Filing Application: **02 August 2011**
(24) Date from which industrial property rights may have effect: **02 August 2011**
(54) Product in respect of which the design is registered: **Gym fitness bench**
(51) International Design Classification: **21-02F**
(74) Name(s) of Attorney(s): **Complete IP Pty Limited**
(71) Name(s) and Address(s) of Applicant(s):
IP Holdings Pty Limited
PO Box 204 Kensington Park South Australia 5065 Australia
(72) Name(s) of Designer(s): **Daniel Alenaddaf**
(45) Registration Date: **26 August 2011**
(56) Related Art Documents: **Not Applicable**
(57) Statement of Newness and Distinctiveness: **Newness and distinctiveness is claimed in the shape and/or configuration of the fitness equipment as illustrated in the representations accompanying the application.**



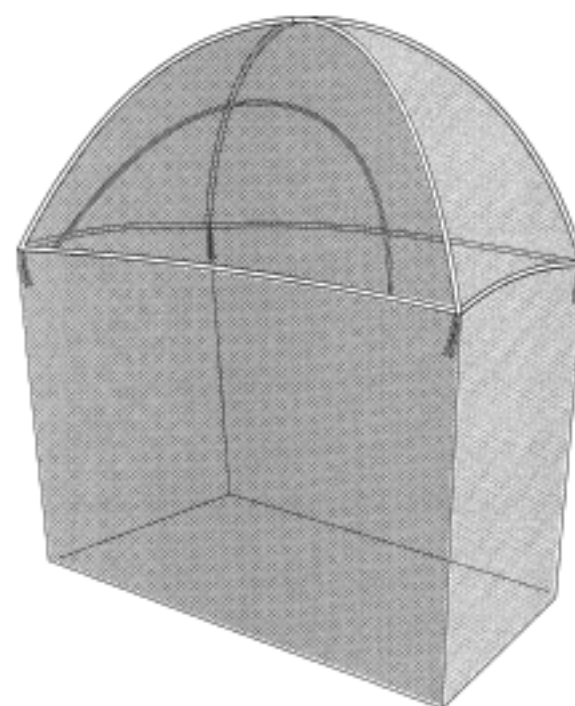
- (21) Design Number: **13538/2011**
(22) Date of Filing Application: **10 August 2011**
(24) Date from which industrial property rights may have effect: **10 August 2011**
(54) Product in respect of which the design is registered: **Front to centre glazed heavy duty adaptor**
(51) International Design Classification: **25-01K**
(74) Name(s) of Attorney(s):
(71) Name(s) and Address(s) of Applicant(s):
Dezinal Pty Ltd
C/- GCY Accountants Suites 1 & 2 Level 1-67 Lytton Road East Brisbane Queensland 4169 Australia
(72) Name(s) of Designer(s): **Ronald Maxwell**
(45) Registration Date: **26 August 2011**
(56) Related Art Documents: **Not Applicable**
(57) Statement of Newness and Distinctiveness: **100mm front to 101.6mm centre glazed heavy duty adaptor.**



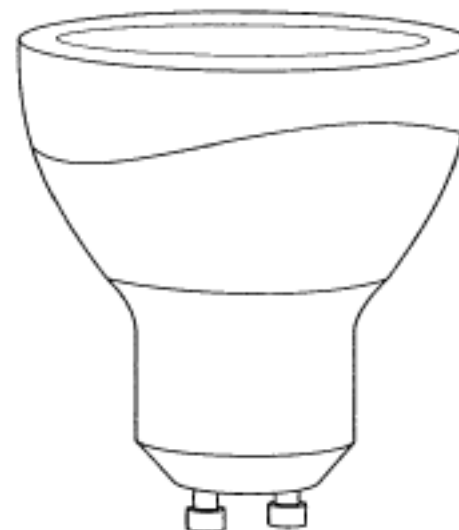
(21) Design Number: **12374/2011**
(22) Date of Filing Application: **25 May 2011**
(24) Date from which industrial property rights may have effect: **25 May 2011**
(54) Product in respect of which the design is registered: **Light switch cover decal**
(51) International Design Classification: **13-03D**
(74) Name(s) of Attorney(s):
(71) Name(s) and Address(s) of Applicant(s):
Be Bold Ltd
5/4 Churton Street Parnell Auckland 1052 New Zealand
(72) Name(s) of Designer(s): **Erin Leanne Chambers**
(45) Registration Date: **26 August 2011**
(30) Convention priority data:
(31) Number (32) Date (33) Country
414217 29 Oct 2010 NEW ZEALAND
(56) Related Art Documents: **Not Applicable**
(57) Statement of Newness and Distinctiveness: **This design is to be applied to a switch plate cover and the novelty resides in features of shape and configuration of the article all as shown in the accompanying representations.**



(21) Design Number: **13412/2011**
(22) Date of Filing Application: **02 August 2011**
(24) Date from which industrial property rights may have effect: **02 August 2011**
(54) Product in respect of which the design is registered: **A cot net**
(51) International Design Classification: **06-06NES**
(74) Name(s) of Attorney(s): **Fisher Adams Kelly**
(71) Name(s) and Address(s) of Applicant(s):
Bobby Bebe Pty Ltd
132-134 Compton Road Woodridge Queensland 4114 Australia
(72) Name(s) of Designer(s): **Fazila Bhamjee**
(45) Registration Date: **26 August 2011**
(56) Related Art Documents: **Not Applicable**
(57) Statement of Newness and Distinctiveness: **The newness and distinctiveness of the design resides in the shape and/or configuration of A COT NET shown in the representations.**



(21) Design Number: **13413/2011**
(22) Date of Filing Application: **02 August 2011**
(24) Date from which industrial property rights may have effect: **02 August 2011**
(54) Product in respect of which the design is registered: **LED lamp**
(51) International Design Classification: **26-04**
(74) Name(s) of Attorney(s): **SPRUSON & FERGUSON**
(71) Name(s) and Address(s) of Applicant(s):
LEDON Lamp GmbH
Hochster Strasse 8 6850 Dornbirn Austria
(72) Name(s) of Designer(s): **Reinhard Zetsche**
(45) Registration Date: **26 August 2011**
(30) Convention priority data:
(31) Number (32) Date (33) Country
001258123-01/14 03 Feb 2011 EUROPEAN COMMUNITY
(56) Related Art Documents: **Not Applicable**
(57) Statement of Newness and Distinctiveness: **Newness and distinctiveness is claimed in the features of shape and/or configuration of a LED lamp as illustrated in the accompanying representations.**



(21) Design Number: **12695/2011**
(22) Date of Filing Application: **16 June 2011**
(24) Date from which industrial property rights may have effect: **16 June 2011**
(54) Product in respect of which the design is registered: **3D glasses**
(51) International Design Classification: **16-06**
(74) Name(s) of Attorney(s): **Davies Collison Cave**
(71) Name(s) and Address(s) of Applicant(s):
X6D Limited
199 Arch Makarios III Avenue Neocleous House 3030 Limassol Cyprus
(72) Name(s) of Designer(s): **Miha Klinar and Martin Sostaric and Andraz Sapec and Tjasa Vrhovnik and Jure Bezgovsek and Maria Costeira and Domen Gazvoda**
(45) Registration Date: **26 August 2011**
(30) Convention priority data:
(31) Number (32) Date (33) Country
29/381373 17 Dec 2010 UNITED STATES OF AMERICA
(56) Related Art Documents: **Not Applicable**
(57) Statement of Newness and Distinctiveness: **Newness and distinctiveness is claimed in the visual features shown in the representations. In considering the extent of the design rights, colour shown in the representations is for illustrative purposes only, different colour combinations, or the same single colour, should be considered to be within the scope of the design.**



- (21) Design Number: **13676/2011**
(22) Date of Filing Application: **16 June 2011**
(24) Date from which industrial property rights may have effect: **16 June 2011**
(54) Product in respect of which the design is registered: **3D glasses**
(51) International Design Classification: **16-06**
(74) Name(s) of Attorney(s): **Davies Collison Cave**
(71) Name(s) and Address(s) of Applicant(s):
X6D Limited
199 Arch Makarios III Avenue Neocleous House 3030 Limassol Cyprus
(72) Name(s) of Designer(s): **Miha Klinar and Martin Sostaric and Andraz Sapec and Tjasa Vrhovnik and Jure Bezgovsek and Maria Costeira and Domen Gazvoda**
(45) Registration Date: **26 August 2011**
(30) Convention priority data:
(31) Number (32) Date (33) Country
29/381373 17 Dec 2010 UNITED STATES OF AMERICA
(56) Related Art Documents: **Not Applicable**
(57) Statement of Newness and Distinctiveness: **Newness and distinctiveness is claimed in the visual features shown in the representations. In considering the extent of the design rights, colour shown in the representations is for illustrative purposes only, different colour combinations, or the same single colour, should be considered to be within the scope of the design.**



- (21) Design Number: **13677/2011**
(22) Date of Filing Application: **16 June 2011**
(24) Date from which industrial property rights may have effect: **16 June 2011**
(54) Product in respect of which the design is registered: **3D glasses**
(51) International Design Classification: **16-06**
(74) Name(s) of Attorney(s): **Davies Collison Cave**
(71) Name(s) and Address(s) of Applicant(s):
X6D Limited
199 Arch Makarios III Avenue Neocleous House 3030 Limassol Cyprus
(72) Name(s) of Designer(s): **Miha Klinar and Martin Sostaric and Andraz Sapec and Tjasa Vrhovnik and Jure Bezgovsek and Maria Costeira and Domen Gazvoda**
(45) Registration Date: **26 August 2011**
(30) Convention priority data:
(31) Number (32) Date (33) Country
29/381373 17 Dec 2010 UNITED STATES OF AMERICA
(56) Related Art Documents: **Not Applicable**
(57) Statement of Newness and Distinctiveness: **Newness and distinctiveness is claimed in the visual features shown in the representations. In considering the extent of the design rights, colour shown in the representations is for illustrative purposes only, different colour combinations, or the same single colour, should be considered to be within the scope of the design.**



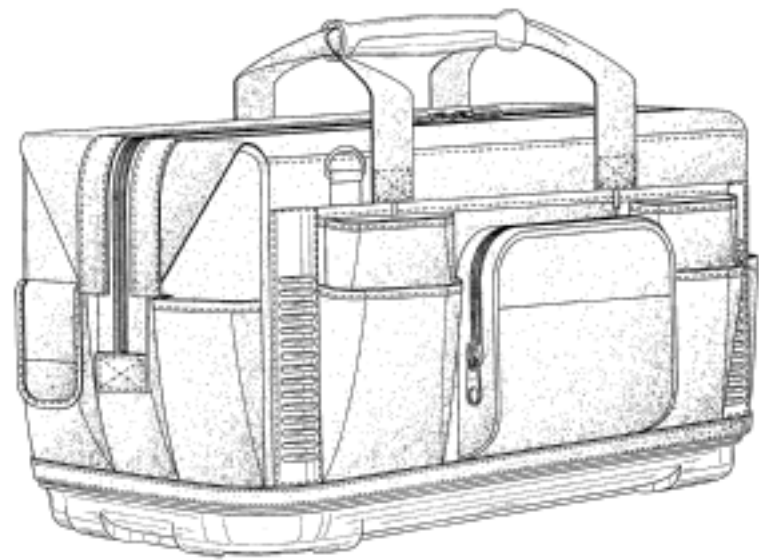
- (21) Design Number: **13678/2011**
(22) Date of Filing Application: **16 June 2011**
(24) Date from which industrial property rights may have effect: **16 June 2011**
(54) Product in respect of which the design is registered: **3D glasses**
(51) International Design Classification: **16-06**
(74) Name(s) of Attorney(s): **Davies Collison Cave**
(71) Name(s) and Address(s) of Applicant(s):
X6D Limited
199 Arch Makarios III Avenue Neocleous House 3030 Limassol Cyprus
(72) Name(s) of Designer(s): **Miha Klinar and Martin Sostaric and Andraz Sapec and Tjasa Vrhovnik and Jure Bezgovsek and Maria Costeira and Domen Gazvoda**
(45) Registration Date: **26 August 2011**
(30) Convention priority data:
(31) Number (32) Date (33) Country
29/381373 17 Dec 2010 UNITED STATES OF AMERICA
(56) Related Art Documents: **Not Applicable**
(57) Statement of Newness and Distinctiveness: **Newness and distinctiveness is claimed in the visual features shown in the representations. In considering the extent of the design rights, colour shown in the representations is for illustrative purposes only, and does not form part of the design.**



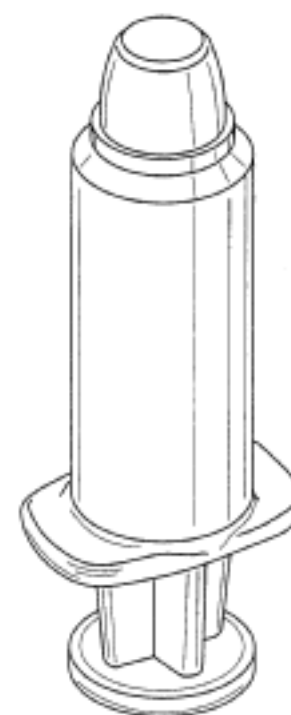
- (21) Design Number: **12815/2011**
(22) Date of Filing Application: **23 June 2011**
(24) Date from which industrial property rights may have effect: **23 June 2011**
(54) Product in respect of which the design is registered: **Bermuda channel floor grate**
(51) International Design Classification: **23-02NES**
(74) Name(s) of Attorney(s):
(71) Name(s) and Address(s) of Applicant(s):
Tim Lucas
14 White Street Bayswater Western Australia 6053 Australia
(72) Name(s) of Designer(s): **Scott Johnstone**
(45) Registration Date: **26 August 2011**
(56) Related Art Documents: **Not Applicable**
(57) Statement of Newness and Distinctiveness: **Nil**



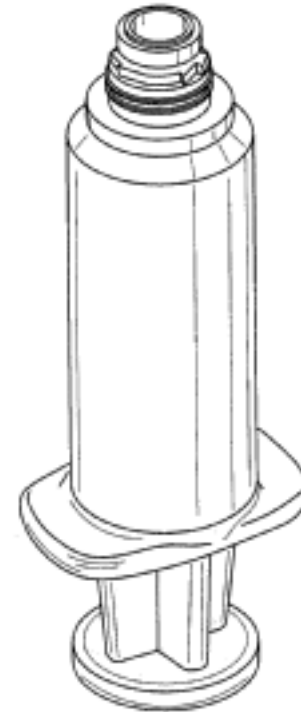
(21) Design Number: **13182/2011**
(22) Date of Filing Application: **19 July 2011**
(24) Date from which industrial property rights may have effect: **19 July 2011**
(54) Product in respect of which the design is registered: **Tool bag**
(51) International Design Classification: **03-01D**
(74) Name(s) of Attorney(s): **Davies Collison Cave**
(71) Name(s) and Address(s) of Applicant(s):
The Stanley Works Israel Ltd.
19 Ha'melacha Street New Industrial Zone Rosh Ha'ayin 48091 Israel
(72) Name(s) of Designer(s): **David Sosnovsky**
(45) Registration Date: **26 August 2011**
(30) Convention priority data:
(31) Number (32) Date (33) Country
29/384799 03 Feb 2011 UNITED STATES OF AMERICA
(56) Related Art Documents: **Not Applicable**
(57) Statement of Newness and Distinctiveness: **Nil**



(21) Design Number: **13406/2011**
(22) Date of Filing Application: **02 August 2011**
(24) Date from which industrial property rights may have effect: **02 August 2011**
(54) Product in respect of which the design is registered: **Bottle**
(51) International Design Classification: **09-01NES**
(74) Name(s) of Attorney(s): **Griffith Hack**
(71) Name(s) and Address(s) of Applicant(s):
Raymond John Baker
PO Box 989 Melton Victoria 3337 Australia
(72) Name(s) of Designer(s): **Raymond John Baker**
(45) Registration Date: **26 August 2011**
(56) Related Art Documents: **Not Applicable**
(57) Statement of Newness and Distinctiveness: **Nil**



(21) Design Number: **13407/2011**
(22) Date of Filing Application: **02 August 2011**
(24) Date from which industrial property rights may have effect: **02 August 2011**
(54) Product in respect of which the design is registered: **Bottle**
(51) International Design Classification: **09-01NES**
(74) Name(s) of Attorney(s): **Griffith Hack**
(71) Name(s) and Address(s) of Applicant(s):
Raymond John Baker
PO Box 989 Melton Victoria 3337 Australia
(72) Name(s) of Designer(s): **Raymond John Baker**
(45) Registration Date: **26 August 2011**
(56) Related Art Documents: **Not Applicable**
(57) Statement of Newness and Distinctiveness: **Nil**



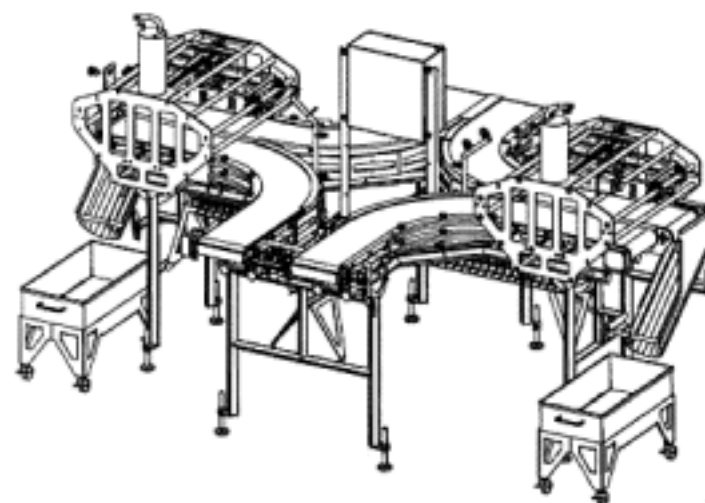
(21) Design Number: **13408/2011**
(22) Date of Filing Application: **03 August 2011**
(24) Date from which industrial property rights may have effect: **03 August 2011**
(54) Product in respect of which the design is registered: **Flexible duct adjustable supporting strap**
(51) International Design Classification: **09-06**
(74) Name(s) of Attorney(s):
(71) Name(s) and Address(s) of Applicant(s):
Chill-Rite Refrigeration Pty Ltd
36 Kingsgate Drive Tinbeerwah Queensland 4563 Australia
(72) Name(s) of Designer(s): **Paul Hinchcliffe**
(45) Registration Date: **26 August 2011**
(56) Related Art Documents: **Not Applicable**
(57) Statement of Newness and Distinctiveness: **The hook and loop strap is quick to install, fully adjustable. The newness of this product is that the wide harness does not restrict or distort the flexible duct, dispersing the weight evenly exceeding the Australian standard.**



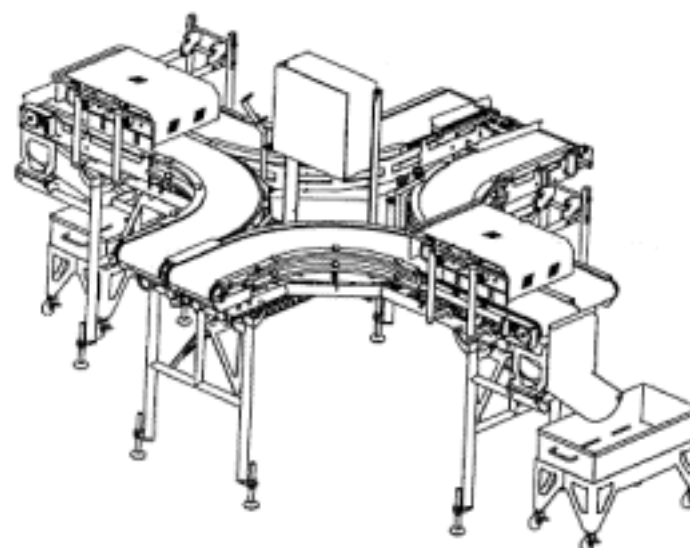
(21) Design Number: **13611/2011**
(22) Date of Filing Application: **17 August 2011**
(24) Date from which industrial property rights may have effect: **17 August 2011**
(54) Product in respect of which the design is registered: **A one size fits all cloth nappy**
(51) International Design Classification: **02-01B**
(74) Name(s) of Attorney(s):
(71) Name(s) and Address(s) of Applicant(s):
Cushie Tushies Pty Ltd
24 Monash Parade Croydon New South Wales 2132 Australia
(72) Name(s) of Designer(s): **Michelle Fowler**
(45) Registration Date: **26 August 2011**
(56) Related Art Documents: **Not Applicable**
(57) Statement of Newness and Distinctiveness: **A one-size-fits-all cloth nappy featuring a unique folding design and snap formation allowing the one nappy to fit from newborn to toddler. The absorbent booster features a unique double elastic gusset along the sides and back to contain leaks from leg holes and back waist.**



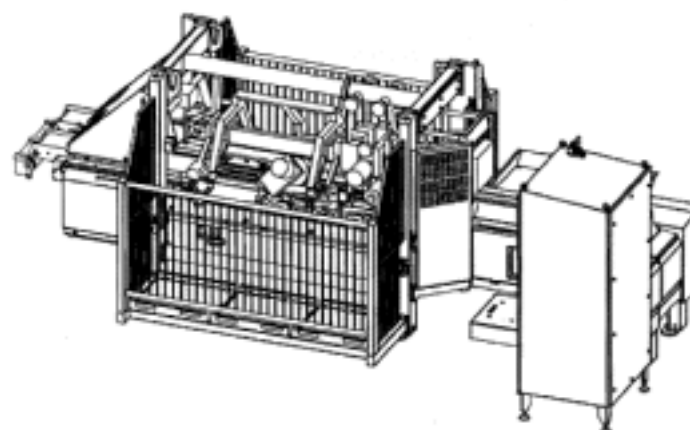
(21) Design Number: **13002/2011**
(22) Date of Filing Application: **06 July 2011**
(24) Date from which industrial property rights may have effect: **06 July 2011**
(54) Product in respect of which the design is registered: **Fish processing machine**
(51) International Design Classification: **15-99**
(74) Name(s) of Attorney(s): **PIZZEYS**
(71) Name(s) and Address(s) of Applicant(s):
Nordischer Maschinenbau Rud. Baader GMBH + CO. KG
Geniner Strasse 249 Lubeck D-23560 Germany
(72) Name(s) of Designer(s): **Stefan Giesler and Torsten Rusko and Oliver Hahn**
(45) Registration Date: **26 August 2011**
(30) Convention priority data:
(31) Number (32) Date (33) Country
DM/075 514 19 Jan 2011 WORLD INTELLECTUAL PROPERTY ORGANIZATION (WIPO)
(56) Related Art Documents: **Not Applicable**
(57) Statement of Newness and Distinctiveness: **Nil**



(21) Design Number: **13003/2011**
(22) Date of Filing Application: **06 July 2011**
(24) Date from which industrial property rights may have effect: **06 July 2011**
(54) Product in respect of which the design is registered: **Fish processing machine**
(51) International Design Classification: **15-99**
(74) Name(s) of Attorney(s): **PIZZEYS**
(71) Name(s) and Address(s) of Applicant(s):
Nordischer Maschinenbau Rud. Baader GMBH + CO. KG
Geniner Strasse 249 Lubeck D-23560 Germany
(72) Name(s) of Designer(s): **Stefan Giesler and Torsten Rusko and Oliver Hahn**
(45) Registration Date: **26 August 2011**
(30) Convention priority data:
(31) Number (32) Date (33) Country
DM/075 514 19 Jan 2011 WORLD INTELLECTUAL PROPERTY ORGANIZATION (WIPO)
(56) Related Art Documents: **Not Applicable**
(57) Statement of Newness and Distinctiveness: **Nil**



(21) Design Number: **13004/2011**
(22) Date of Filing Application: **06 July 2011**
(24) Date from which industrial property rights may have effect: **06 July 2011**
(54) Product in respect of which the design is registered: **Fish processing machine**
(51) International Design Classification: **15-99**
(74) Name(s) of Attorney(s): **PIZZEYS**
(71) Name(s) and Address(s) of Applicant(s):
Nordischer Maschinenbau Rud. Baader GMBH + CO. KG
Geniner Strasse 249 Lubeck D-23560 Germany
(72) Name(s) of Designer(s): **Michael Jurs**
(45) Registration Date: **26 August 2011**
(30) Convention priority data:
(31) Number (32) Date (33) Country
DM/075 514 19 Jan 2011 WORLD INTELLECTUAL PROPERTY ORGANIZATION (WIPO)
(56) Related Art Documents: **Not Applicable**
(57) Statement of Newness and Distinctiveness: **Nil**



(19) AU

(21) Design Number: **13005/2011**

(22) Date of Filing Application: **06 July 2011**

(24) Date from which industrial property rights may have effect: **06 July 2011**

(54) Product in respect of which the design is registered: **Fish processing machine**

(51) International Design Classification: **15-99**

(74) Name(s) of Attorney(s): **PIZZEYS**

(71) Name(s) and Address(s) of Applicant(s):

**Nordischer Maschinenbau Rud. Baader GMBH + CO. KG
Geniner Strasse 249 Lubeck D-23560 Germany**

(72) Name(s) of Designer(s): **Michael Jurs**

(45) Registration Date: **26 August 2011**

(30) Convention priority data:

(31) Number
DM/075 514

(32) Date
19 Jan 2011

(33) Country
**WORLD INTELLECTUAL
PROPERTY ORGANIZATION
(WIPO)**

(56) Related Art Documents: **Not Applicable**

(57) Statement of Newness and Distinctiveness: **Nil**

