



Australian Government

IP Australia

AUSTRALIAN OFFICIAL JOURNAL

OF

DESIGNS

Did you know a searchable version of this journal is now available online?

It's FREE and EASY to SEARCH.

Find it on our website (www.ipaustralia.gov.au)

by using the "Journals" link on the home page.

This Page Left Intentionally Blank

Contents

General Information & Notices

**Proceedings Under the Designs Act 1906 preserved as a result of the provisions of Chapter 12
Part 2 of the Designs Act 2003**

Extension of Period of Registration of Designs 2512
Extensions of Time Granted 2512
Registrations Ceased 2512
Subsequent Owners Registered 2512

Proceedings Under the Designs Act 2003

Applications for Extension of Time Under Section 137 2522
Applications Lapsed 2521
Applications Lodged 2516
Certificate of Examination 2526
Extension of Period of Registration of Design 2522
Extension of Time Granted Under Section 137 2522
Licences Registered 2523
Names Registered - Alterations and Amendments 2523
Publication and Registration Proceedings
Designs Registered 338290 to 338471..... 2527
Registrations Ceased 2522
Revocation of Design Registrations 2522
Subsequent Owners Registered 2523

This Page Left Intentionally Blank

For information on the following please see our website www.ipaustralia.gov.au or contact our Customer Service Network on 1300651010

[Editorial enquiries](#)

[Contact information](#)

[Freedom of Information ACT](#)

[Professional Standards Board](#)

[Sales](#)

[Requests for Information under Section 194 \(c\)](#)

[Country Codes](#)

[Trade Mark and Designs Hearing Sessions](#)

[INID \(Internationally agreed Numbers for the Identification of Data\)](#)

“INID” NUMBERS in use on Australian Design Documents

“INID” is an acronym for “Internationally agreed Numbers for the Identification of Data”.

(10) Data concerning the registration/renewal

- (11) Serial number of the registration and/or number of the design document
- (12) Plain language designation of the kind of published document
- (19) Identification, using the two-letter code according to WIPO Standard ST.3, of the authority publishing or registering the industrial design

(20) Data concerning the application

- (21) Serial number of the application
- (22) Date of filing of the application
- (24) Date from which the industrial design right has effect

(30) Data relating to priority under the Paris Convention

- (31) Serial number assigned to the priority application
- (32) Date of filing of the priority application
- (33) Two-letter code, according to WIPO Standard ST.3, identifying the authority with which the priority application was made

(40) Date(s) of making information available to the public

- (45) Date of publication of the registered industrial design by printing or similar process, or making it available to the public by any other means

(50) Miscellaneous Information

- (51) International Classification for Industrial Designs (class and subclass of the Locarno Classification)
- (54) Designation of article(s) or product(s) covered by the industrial design or title of the industrial design
- (55) Reproduction of the industrial design (e.g., drawing, photograph) and explanations relating to the reproduction
- (56) List of prior art documents, if separate from descriptive text
- (57) Description of characteristic features of the industrial design including indication of colours

(60) References to other legally related application(s) and registration(s)

- (62) Serial number(s) and, if available, filing date(s) of application(s), registration(s) or document(s) related by division
- (66) Serial number(s) of the application, or the registration, of the design(s) which is (are) a variant(s) of the present one

(70) Identification of parties concerned with the application or registration

- (71) Name(s) and address(es) of the applicant(s)
- (72) Name(s) of the creator(s) if known to be such
- (74) Name(s) and address(es) of the representative(s)

This Page Left Intentionally Blank

Nil notices for this journal issue.

Proceedings under the Designs Act 1906 preserved as a result of the provisions of Chapter 12 Part 2 of the Designs Act 2003.

This Page Left Intentionally Blank

Applications Lapsed

There were no Applications Lapsed under this section

Extension of Period of Registration of Designs

142911	143051	143052
143069	144067	144732
144849	145925	146311

1st Period (Section 27A(8))

2nd Period (Section 27A(12))

3rd Period (Section 27A(13))

141157	142951	142952
142953	142954	143528
143529	143588	143604
143657	143659	143660
143661	143662	143663
143757	143896	143900
143943	143948	143991
144014	144028	144029
144053	144165	144166
144188	144248	144333
144334	144407	144408
144411	144481	144854
144969	144971	145026
145122	146120	147094
147235	147798	147799
147800	148025	149120
149121	149237	

Extensions of time granted

Applications lodged for extension of time have been granted.

141157 **Architectural Window Systems Pty Limited** An An Extension of time to extend a registration has been granted to 20/07/2011

Subsequent Owners Registered

(The name in parentheses is that of the subsequent owner)

132672	(R. Stahl Limited)	Signature Industries Limited
131293	(McCarron Pty Ltd)	J.I. Peston Pty Ltd
155355	(Heltech Industries Pty Ltd)	Heltech Precast Pty Ltd
155354	(Heltech Industries Pty Ltd)	Heltech Precast Pty Ltd
158537	(Heltech Industries Pty Ltd)	Heltech Precast Pty Ltd
158538	(Heltech Industries Pty Ltd)	Heltech Precast Pty Ltd

Registrations Ceased

Note: Some of the following Registrations may have been previously advertised as ceased. In this instance, the previous advertisement still prevails.

124830	125027	125142
126335	126336	126352
126353	126354	126355
126356	126357	126358
126389	126424	126443
126444	126445	126446
126507	126676	126726
126727	126728	126793
127004	127067	127112
127179	127354	128574
129240	129364	129923
129924	129925	129926
129927	129928	130025
130424	130900	131099
139982	140040	140041
140042	140080	140081
140257	140259	140486
140893	141435	141516
141527	141530	141560
141574	141637	141656
141723	141734	142060

This Page Left Intentionally Blank

Proceedings under the Designs Act 2003.

This Page Left Intentionally Blank

Applications Lodged

Lodgement information is in the following order: **Applicant's Name**; International Classification, Name of Product, Lodgement Date and **Design Number**. If the applicant claims an earlier priority date under an International Convention, the Convention Country and the associated filing date are shown in parentheses before the Lodgement Date. Divisional information will also appear in parentheses before the Lodgement Date.

iwood Australia; 06-01F, 06-01H, Chair, 30 Aug 2011	13846/2011	Bromic Pty Limited; 23-03A, Heating apparatus, 02 Sep 2011	13890/2011
Agressor Corporation Pty Ltd; 25-01E, 09-08, A corner post assembly for a collapsible container, 29 Aug 2011	13804/2011	Bromic Pty Limited; 23-03A, Heating apparatus, 02 Sep 2011	13897/2011
Alfagomma Australia Pty Ltd; 23-01A, Hydraulic coupling, 02 Sep 2011	13899/2011	Bromic Pty Limited; 23-03A, Heating apparatus, 02 Sep 2011	13893/2011
Ames True Temper, Inc.; 08-03, Tool, (US, 29 Apr 2011) 05 Sep 2011	13916/2011	Bromic Pty Limited; 23-03A, Heating apparatus, 02 Sep 2011	13894/2011
Ask Grace Pty Ltd; 02-02C, 02-02NES, Ladies garments, 26 Aug 2011	13790/2011	Bromic Pty Limited; 23-03A, Heating apparatus, 02 Sep 2011	13891/2011
Automobili Lamborghini S.p.A.; 12-08, 21-01C, Car and toy-car, (EM, 02 Mar 2011) 30 Aug 2011	13837/2011	Bromic Pty Limited; 23-03A, Heating apparatus, 02 Sep 2011	13895/2011
BabyBjorn AB; 06-01D, 06-01E, Booster seat, (EM, 28 Apr 2011) 06 Sep 2011	13936/2011	Bromic Pty Limited; 23-03A, Heating apparatus, 02 Sep 2011	13896/2011
Bartco Traffic Equipment Pty. Ltd.; 12-16L, Trailer support system, 26 Aug 2011	13794/2011	Bromic Pty Limited; 23-03A, Heating apparatus, 02 Sep 2011	13892/2011
Beba Enterprises Pty Ltd; 02-02C, Women's clothing, 03 Mar 2011	13921/2011	Bulgari Horlogerie SA; 10-02, Wrist watch body, (CH, 04 Mar 2011) 31 Aug 2011	13842/2011
Beba Enterprises Pty Ltd; 02-02NES, Women's clothing, 03 Mar 2011	13919/2011	BANG & OLUFSEN A/S; 14-03B, A television, (DK, 04 Mar 2011) 02 Sep 2011	13869/2011
Beba Enterprises Pty Ltd; 02-02C, Women's clothing, 03 Mar 2011	13920/2011	BK Jewellery, Inc.; 11-01NES, Jewelry design, (US, 25 Feb 2011) 25 Aug 2011	13778/2011
Beba Enterprises Pty Ltd; 02-02C, Women's clothing, 03 Mar 2011	13918/2011	Cabin Creek, Inc; 12-05, Conveyor belt scraper, (US, 11 Mar 2011) 06 Sep 2011	13932/2011
Bianca Vessel Management Pty Ltd; 12-06NES, Manufacture and design double width gangway for electric operation, 29 Aug 2011	13785/2011	Cadbury UK Limited; 01-01, Confectionery, (EM, 25 Feb 2011) 25 Aug 2011	13771/2011
Bianca Vessel Management Pty Ltd; 12-06NES, Single gangway - lightweight for boarding vessel, 29 Aug 2011	13783/2011	Cadbury UK Limited; 01-01, Confectionery, (EM, 25 Feb 2011) 25 Aug 2011	13773/2011
Bianca Vessel Management Pty Ltd; 13-03NES, Manufacture and design gangway for electric operation, 29 Aug 2011	13784/2011	Cadbury UK Limited; 01-01, Confectionery, (EM, 25 Feb 2011) 25 Aug 2011	13774/2011
Black Marlin Australia Pty Ltd; 22-05, Fishing rod handle, 31 Aug 2011	13851/2011	Cadbury UK Limited; 01-01, Confectionery, (EM, 25 Feb 2011) 25 Aug 2011	13772/2011
Black Marlin Australia Pty Ltd; 22-05, Fishing rod handle, 31 Aug 2011	13852/2011	Calow, Phillip G.; 25-01D, A plastic panel for assembly with matching larger panels to make up box void former for water retention under ground., Acts as an end closure panel and central stiffener in box, 06 Sep 2011	13934/2011
Black Marlin Australia Pty Ltd; 22-05, Fishing rod handle, 31 Aug 2011	13850/2011		
Black Marlin Australia Pty Ltd; 22-05, Fishing rod handle, 31 Aug 2011	13853/2011		
Bobby Bebe Pty Ltd; 06-02, A cot, 24 Aug 2011	13765/2011		

Calow, Phillip G.; 25-01D, A plastic panel for assembly with other similar panels to make up a box void former for water retention under ground, 06 Sep 2011	13935/2011	Education Projects Pty Ltd; 21-01B, Toy puppet, 29 Aug 2011	13817/2011
Carmichael, Andrew; 06-03B, Bar table, 30 Aug 2011	13826/2011	Electrolux Home Products, Inc.; 07-02B, 07-02N, Slow cooker, (US, 04 Mar 2011) 05 Sep 2011	13905/2011
Columbia Insurance Company; 07-02P, Small baker, (US, 22 Mar 2011) 05 Sep 2011	13914/2011	Electrolux Home Products, Inc.; 07-02B, 07-02N, Slow cooker, (US, 04 Mar 2011) 05 Sep 2011	13907/2011
Country Road Clothing Pty Ltd; 06-13C, Towel, 30 Aug 2011	13818/2011	Electrolux Home Products, Inc.; 07-02L, Coffee maker, (US, 04 Mar 2011) 05 Sep 2011	13908/2011
Country Road Clothing Pty Ltd; 06-13C, Towel, 30 Aug 2011	13819/2011	Electrolux Home Products, Inc.; 07-02F, Toaster, (US, 04 Mar 2011) 05 Sep 2011	13906/2011
Croft, Jeremy; 21-02D, A fin for a surfboard, 25 Aug 2011	13806/2011	Electrolux Home Products, Inc.; 07-02A, Oven, (US, 04 Mar 2011) 05 Sep 2011	13903/2011
Dematic Pty Ltd; 08-08L, Rack column of indefinite length, 30 Aug 2011	13813/2011	Electrolux Home Products, Inc.; 07-02F, Toaster, (US, 04 Mar 2011) 05 Sep 2011	13904/2011
Dematic Pty Ltd; 08-08L, 08-08NES, Connector for racking, 30 Aug 2011	13814/2011	Electrolux Home Products, Inc.; 07-02NES, Base for a kitchen appliance, (US, 04 Mar 2011) 05 Sep 2011	13901/2011
Dematic Pty Ltd; 08-08A, Retaining pin of indefinite length, 30 Aug 2011	13815/2011	Electrolux Home Products, Inc.; 07-05A, Iron, (US, 04 Mar 2011) 05 Sep 2011	13902/2011
Dematic Pty Ltd; 25-02A, End cap, 30 Aug 2011	13811/2011	Electrolux Home Products, Inc.; 07-05A, Iron, (US, 04 Mar 2011) 05 Sep 2011	13900/2011
Dematic Pty Ltd; 08-08L, Upright protector of indefinite length, 30 Aug 2011	13812/2011	Electrolux Home Products, Inc.; 07-02A, Base for a kitchen appliance, (US, 04 Mar 2011) 05 Sep 2011	13911/2011
Dezinal Pty Ltd; 08-09, 25-01K, A 90 degree stile for a commercial door, 29 Aug 2011	13780/2011	Electrolux Home Products, Inc.; 07-02L, Coffee maker, (US, 04 Mar 2011) 05 Sep 2011	13909/2011
Di Stefano, Carmelo Joseph Licciardi;Malleons Stephen Jaques; 06-10, The design is intended to be applied to a screen tensioning mechanism. Representations of the design, as applied to the screen tensioning mechanism are contained in the attached sheets (8 drawings), 06 Sep 2011	13922/2011	Electrolux Home Products, Inc.; 07-02A, Oven, (US, 04 Mar 2011) 05 Sep 2011	13910/2011
Diageo Australia Limited; 09-01H, Bottle, 30 Aug 2011	13820/2011	Eveready Battery Company, Inc.; 13-02, 26-04, Lighting Device, (US, 26 Apr 2011) 01 Sep 2011	13856/2011
Downhole Products Limited; 08-01, Centraliser, (EM, 24 Feb 2011) 24 Aug 2011	13766/2011	Eveready Battery Company, Inc.; 26-05B, Lighting device, (US, 09 May 2011) 01 Sep 2011	13859/2011
Dunn-Vaughan, Simon;Inglis, Darren; 03-03, Umbrella, 19 Aug 2011	13693/2011	Eveready Battery Company, Inc.; 26-05B, Lighting device, (US, 02 May 2011) 01 Sep 2011	13857/2011
Dunn-Vaughan, Simon;Inglis, Darren; 03-01NES, 03-01B, Hard plastic mobile phone case, 30 Aug 2011	13825/2011	Eveready Battery Company, Inc.; 26-05B, Lighting device, (US, 09 May 2011) 01 Sep 2011	13858/2011
Dunn-Vaughan, Simon;Inglis, Darren; 03-03, Umbrella, 19 Aug 2011	13694/2011	Flagship Brands, LLC; 02-04C, Sock, (US, 14 Mar 2011) 07 Sep 2011	13927/2011
Education Projects Pty Ltd; 21-01C, Toy glider, 29 Aug 2011	13816/2011	Forever New Clothing Pty Ltd; 02-02C, Women's fashion clothing, 02 Sep 2011	13870/2011

Gerard Lighting Pty Ltd; 26-05D, Reflector, 26 Aug 2011	13792/2011	Inglis, Darren;Dunn-Vaughan, Simon; 03-03, Umbrella, 19 Aug 2011	13693/2011
Gorge Design; 02-04B, Gorge designs ladies and men's fashion shoes, 23 Aug 2011	13767/2011	Inglis, Darren;Dunn-Vaughan, Simon; 03-01NES, 03-01B, Hard plastic mobile phone case, 30 Aug 2011	13825/2011
Hansa Metallwerke AG; 23-01H, Mixing tap, (EM, 02 Mar 2011) 26 Aug 2011	13801/2011	Inglis, Darren;Dunn-Vaughan, Simon; 03-03, Umbrella, 19 Aug 2011	13694/2011
Hansa Metallwerke AG; 23-01H, Mixing tap, (EM, 02 Mar 2011) 26 Aug 2011	13802/2011	Jacobs, Walter; 21-02A, Lawn bowling ball, 06 Sep 2011	13925/2011
Hansa Metallwerke AG; 23-01H, Mixing tap, (EM, 02 Mar 2011) 26 Aug 2011	13799/2011	Johnson & Johnson Consumer Companies, Inc.; 24-04, Adhseive bandage with decorated pad, (US, 28 Feb 2011) 26 Aug 2011	13788/2011
Hansa Metallwerke AG; 23-01H, Mixing tap, (EM, 02 Mar 2011) 26 Aug 2011	13800/2011	Johnson & Johnson Consumer Companies, Inc.; 24-04, Adhseive bandage with decorated pad, (US, 28 Feb 2011) 26 Aug 2011	13787/2011
Hansa Metallwerke AG; 23-01H, Mixing tap, (EM, 02 Mar 2011) 26 Aug 2011	13797/2011	Julius Blum GmbH; 06-04B, Part of a drawer, (EM, 19 May 2011) 24 Aug 2011	13759/2011
Hansa Metallwerke AG; 23-01H, Mixing tap, (EM, 02 Mar 2011) 26 Aug 2011	13798/2011	Julius Blum GmbH; 06-04B, Part of a drawer, (EM, 19 May 2011) 24 Aug 2011	13757/2011
Haysom, Robert Henry;Haysom, Deirdre Mary; 25-99, Edging member, 06 Sep 2011	13923/2011	Julius Blum GmbH; 06-04B, Part of a drawer, (EM, 19 May 2011) 24 Aug 2011	13758/2011
Haysom, Deirdre Mary;Haysom, Robert Henry; 25-99, Edging member, 06 Sep 2011	13924/2011	Julius Blum GmbH; 06-04B, Part of a drawer, (EM, 19 May 2011) 24 Aug 2011	13755/2011
Haysom, Deirdre Mary;Haysom, Robert Henry; 25-99, Edging member, 06 Sep 2011	13923/2011	Julius Blum GmbH; 06-04B, Part of a drawer, (EM, 19 May 2011) 24 Aug 2011	13756/2011
Haysom, Robert Henry;Haysom, Deirdre Mary; 25-99, Edging member, 06 Sep 2011	13924/2011	Julius Blum GmbH; 06-04B, Part of a drawer, (EM, 19 May 2011) 24 Aug 2011	13754/2011
Honda Motor Co., Ltd.; 12-16C, A front bumper for an automobile, (JP, 10 Mar 2011) 06 Sep 2011	13939/2011	Julius Blum GmbH; 06-04B, Part of a drawer, (EM, 19 May 2011) 24 Aug 2011	13752/2011
Honda Motor Co., Ltd.; 12-08, An automobile, (JP, 10 Mar 2011) 06 Sep 2011	13937/2011	Julius Blum GmbH; 06-04B, Part of a drawer, (EM, 19 May 2011) 24 Aug 2011	13753/2011
Honda Motor Co., Ltd.; 26-06, A front combination lamp for an automobile, (JP, 10 Mar 2011) 06 Sep 2011	13938/2011	Julius Blum GmbH; 06-04B, Part of a drawer, (EM, 19 May 2011) 24 Aug 2011	13751/2011
Illinois Tool Works Inc.; 08-08NES, A sheet of indefinite length/width bendable/cuttable to form a bracket, 25 Aug 2011	13770/2011	K. Hartwell Oy Ab; 09-03E, Tray for bottles, (EM, 07 Mar 2011) 05 Sep 2011	13928/2011
Illinois Tool Works Inc.; 13-02, 08-99, Battery pack for a combustion power tool, (US, 09 Mar 2011) 05 Sep 2011	13913/2011	Knog Pty Ltd; 08-07, 14-99, Bicycle lock, 31 Aug 2011	13848/2011
Illinois Tool Works Inc.; 13-02, 08-99, Battery pack for a combustion power tool, (US, 09 Mar 2011) 05 Sep 2011	13912/2011	Knog Pty Ltd; 09-03NES, Packaging for bicycle accessory, 31 Aug 2011	13862/2011
		Knog Pty Ltd; 09-03NES, Packaging for bicycle accessory, 31 Aug 2011	13860/2011

Knog Pty Ltd; 09-03NES, Packaging for bicycle accessory, 31 Aug 2011	13861/2011	Mifsud, Daniel;Mifsud, Manuel; 06-01G, A ergonomic chaise lounge with in-built surround sound system with both wireless and adaptable capabilities for, most modern portable audio devices, 01 Sep 2011	13838/2011
Leader Products Pty. Ltd.; 19-08, 30-08, Tag, 30 Aug 2011	13823/2011	Mifsud, Manuel;Mifsud, Daniel; 06-01G, A ergonomic chaise lounge with in-built surround sound system with both wireless and adaptable capabilities for, most modern portable audio devices, 01 Sep 2011	13838/2011
Lee, Alan Sian Ghee; 08-01, Drill attachment, 05 Sep 2011	13915/2011	Milenco Limited; 08-08B, A clamp, (GB, 05 Mar 2011) 02 Sep 2011	13878/2011
Longyear TM, Inc.; 08-01, 15-99, Tube loader, (US, 02 Mar 2011) 26 Aug 2011	13791/2011	Milenco Limited; 12-16H, A towing mirror, (GB, 05 Mar 2011) 02 Sep 2011	13879/2011
Lynch Group Australia Pty Ltd; 20-02E, Display stand, 31 Aug 2011	13841/2011	Move Collective LLC; 07-01F, 23-01G, Water pitcher and filter, (US, 04 Mar 2011) 29 Aug 2011	13793/2011
Lynch Group Australia Pty Ltd; 20-02E, Display stand, 31 Aug 2011	13840/2011	My Side of the Bed Pty Ltd; 06-13B, Pillow protective cover, 31 Aug 2011	13839/2011
LG Electronics Inc.; 15-05, Vacuum cleaner, (KR, 04 Mar 2011) 25 Aug 2011	13779/2011	Nanscawen, Geoffrey; 07-02E, BBQ with inbuilt glass doored oven, 31 Aug 2011	13821/2011
Madd Gear Pty Ltd; 12-11, Frame tube, 24 Aug 2011	13760/2011	Nokia Corporation; 14-03E, Handset, (US, 13 Jun 2011) 24 Aug 2011	13762/2011
Madd Gear Pty Ltd; 12-11, Bicycle frame, 24 Aug 2011	13761/2011	Nokia Corporation; 14-03E, Handset, (US, 20 May 2011) 24 Aug 2011	13763/2011
Mahi Enterprises Pty Ltd; 13-03D, Energy saving switch kit 3 pcs remote control socket and a remote control, 25 Aug 2011	13775/2011	NEOSHO TRADING 15 (PTY) LTD, Trading as TRI-VISION SAFETY; 10-06, 26-05D, A reflector unit, (ZA, 28 Feb 2011) 26 Aug 2011	13789/2011
Mallesons Stephen Jaques;Di Stefano, Carmelo Joseph Licciardi; 06-10, The design is intended to be applied to a screen tensioning mechanism. Representations of the design, as applied to the screen tensioning mechanism are contained in the attached sheets (8 drawings), 06 Sep 2011	13922/2011	Odell, James; 12-06NES, Wakeboard tower, 26 Aug 2011	13776/2011
Maltzahn, John Louis; 12-12, Multi purpose folding hand cart with child seat, 01 Sep 2011	13849/2011	Odell, Grant;Odell, Marc; 21-02F, Fitness equipment for health/well being, 29 Aug 2011	13781/2011
Mansweto, Kim Maree; 06-13B, Cot sheet assembly, 02 Sep 2011	13876/2011	Odell, Marc;Odell, Grant; 21-02F, Fitness equipment for health/well being, 29 Aug 2011	13781/2011
Master Lock Company LLC; 08-07, Packlock cover, (US, 15 Mar 2011) 02 Sep 2011	13877/2011	Pakton Developments Pty Ltd; 13-03NES, High voltage PCB mount screw terminal, 09 Aug 2011	13530/2011
Mega Brands International, Luxembourg, Zug Branch; 08-08NES, Puzzle clip, (US, 03 Mar 2011) 01 Sep 2011	13843/2011	Parent Solution Group, LLC; 12-02, 12-12, Carrying cart accommodation for special needs rider, (US, 03 Mar 2011) 02 Sep 2011	13898/2011
Mega Brands International, Luxembourg, Zug Branch; 08-08NES, Puzzle clip, (US, 03 Mar 2011) 01 Sep 2011	13844/2011	Poolrite Research Pty Ltd; 08-05A, A skimmer lid, 24 Aug 2011	13764/2011
Mega Brands International, Luxembourg, Zug Branch; 08-08NES, Puzzle clip, (US, 03 Mar 2011) 01 Sep 2011	13845/2011	Premier Plastics Limited; 09-07C, A closure, 29 Aug 2011	13822/2011
		Psaila, Anthony; 08-05K, Tile spacer, 05 Sep 2011	13917/2011

Raymond Corporation, The; 12-05, Mast for a material handling vehicle, (US, 18 Mar 2011) 30 Aug 2011	13805/2011	The Procter & Gamble Company; 09-03M, Packaging, (US, 01 Mar 2011) 30 Aug 2011	13827/2011
Red Bull GmbH; 14-02, USB stick, (EM, 23 Feb 2011) 06 Sep 2011	13931/2011	The Procter & Gamble Company; 09-03M, Packaging, (US, 01 Mar 2011) 30 Aug 2011	13828/2011
Rowbottom, John Philip; 02-01NES, Pyjamas that have a replica fullbody (upper and lower) white cricket team outfit printed on them, inclusive of the, batting pads and sweat bands on the arms., 02 Sep 2011	13855/2011	The Procter & Gamble Company; 09-03M, Packaging, (US, 01 Mar 2011) 30 Aug 2011	13829/2011
S. C. Johnson & Son, Inc.; 09-01A, Container and shroud, (US, 04 Mar 2011) 02 Sep 2011	13871/2011	The Procter & Gamble Company; 09-03M, Packaging, (US, 01 Mar 2011) 30 Aug 2011	13830/2011
S. C. Johnson & Son, Inc.; 09-01A, Container shroud, (US, 04 Mar 2011) 02 Sep 2011	13872/2011	The Procter & Gamble Company; 09-03M, Packaging, (US, 01 Mar 2011) 30 Aug 2011	13831/2011
Samsonite IP Holdings S.a.r.l.; 03-01A, Luggage, (EM, 03 May 2011) 02 Sep 2011	13873/2011	The Procter & Gamble Company; 09-03M, Packaging, (US, 01 Mar 2011) 30 Aug 2011	13836/2011
Scalas, Simon Andrew; 21-03, Mobile skate ramps, 04 Jul 2011	13786/2011	Thoratec Corporation; 24-01, Implantable blood pump, (US, 02 Mar 2011) 02 Sep 2011	13874/2011
Selle Italia S.r.l.; 12-11, Bicycle seat, (EM, 03 Mar 2011) 01 Sep 2011	13930/2011	Tim Ord Designs; 11-02C, Pot holder, 30 Aug 2011	13824/2011
Siemens Aktiengesellschaft; 10-04, Temperature and humidity sensor, (EM, 25 Feb 2011) 25 Aug 2011	13768/2011	Toyota Jidosha Kabushiki Kaisha; 12-08, Automobile, 30 Aug 2011	13809/2011
Siemens Aktiengesellschaft; 10-04, Temperature and humidity sensor, (EM, 25 Feb 2011) 25 Aug 2011	13769/2011	Toyota Jidosha Kabushiki Kaisha; 12-08, Automobile, 01 Sep 2011	13863/2011
Smash Enterprises Pty Ltd; 03-01NES, Bag, 06 Sep 2011	13933/2011	TNBT Holdings Pty Ltd; 08-07, Roller door lock slimline fascia packer, 05 Sep 2011	13929/2011
Specialized Bicycle Components, Inc.; 12-11, A bicycle seatpost, (US, 25 Apr 2011) 02 Sep 2011	13875/2011	Uni-Lock Pty Ltd; 08-07, Over centre latch, 26 Aug 2011	13782/2011
Spence, Julie Ann;Spence, Judith; 05-06NES, 06-13B, Sheet with surface pattern, 26 Aug 2011	13795/2011	Unilever PLC; 23-01K, Nozzle, (EM, 16 Mar 2011) 30 Aug 2011	13810/2011
Spence, Judith;Spence, Julie Ann; 05-06NES, 06-13B, Sheet with surface pattern, 26 Aug 2011	13795/2011	Viridi, Paramraj Singh;Viridi, Kamaldeep Kaur; 12-05, Corner steady jack for caravan chassis and trailers, 29 Aug 2011	13832/2011
Sprue Safety Products Ltd.; 10-05, Gas detector, (EM, 28 Feb 2011) 29 Aug 2011	13803/2011	Viridi, Paramraj Singh; 12-05, Corner steady jack foot slotted, 29 Aug 2011	13834/2011
Sterling Products Pty Ltd; 14-02, 20-01, ATM facelift kit, 15 Jul 2011	13854/2011	Viridi, Paramraj Singh; 12-05, Corner steady jack foot, 29 Aug 2011	13835/2011
Sunbeam Corporation Limited; 07-02L, Espresso machine, 30 Aug 2011	13847/2011	Viridi, Kamaldeep Kaur;Viridi, Paramraj Singh; 12-05, Corner steady jack for caravan chassis and trailers, 29 Aug 2011	13832/2011
SMG Brands, Inc.; 08-05A, 09-01A, 23-01NES, Sprayer, (US, 01 Mar 2011) 30 Aug 2011	13807/2011	Viridi, Paramraj Singh; 12-05, Corner steady jack bracket slotted, 29 Aug 2011	13833/2011
SMG Brands, Inc.; 09-07A, 28-03NES, Applicator, (US, 01 Mar 2011) 30 Aug 2011	13808/2011	Willow Ware Australia Pty Ltd; 09-02A, 09-09, Bin with clips, 26 Aug 2011	13796/2011

Wyatt, David John;
08-08G, A wall mounted hook for a leash, 07
Sep 2011

13926/2011

Zoo Fans Incorporated;
23-04, Destratification fan, 25 Aug 2011

13777/2011

Applications Lapsed

10599 / 2011 (11-05)

12789 / 2011 (03-01A)

12829 / 2011 (06-13B)

12842 / 2011 (13-03NES)

Extension of Period of Registration of Designs

308201	309316	309744
310159	310177	310247
310282	310321	310391
310397	310418	310439
310584	310585	310668
310684	310685	310755
310770	310776	310803
310804	310809	310812
310834	310836	310846
310867	310868	310886
310889	310900	310901
310918	310922	310929
310936	310943	310958
310970	310971	310973
310976	310978	310984
310987	310998	310999
311020	311021	311034
311035	311036	311063
311064	311065	311092
311113	311128	311138
311140	311141	311142
311143	311144	311167
311182	311183	311184
311223	311224	311225
311226	311227	311238
311252	311277	311316
311387	311428	311448
311463	311464	311644
311645	311647	311649
311650	311652	311653
311654	311655	311660
311661	311687	311808
311944	311966	311967
311968	311970	311971
312048	312051	312166
312256	312257	312272
312273	312274	312275
312276	312277	312315
312316	312478	312479
312537	313188	313461
313469	313475	314164
316422	316423	

Revocation of Design Registrations

The following Design Registration(s) have been revoked and are taken never to have been registered:

310884 25-04

Registrations Ceased

306086	306087	306517
308007	308008	308018
308021	308023	308024
308025	308026	308027
308028	308053	308076
308078	308079	308081
308115	308117	308147
308151	308152	308153
308154	308155	308156
308157	308161	308181
308187	308188	308193
308194	308195	308240
308241	308243	308321
308325	308402	308403
308407	308463	308464
308824	308826	308827
308828	308829	308941
308964	308965	309002
309003	309165	309166
309371	309510	310055
310139	310166	310167
310227	310404	310405
310421	310539	311117
311398	311680	311800
311819	313151	313253
316294	316295	316296
317230		

Applications for Extension of time under Section 137

Applications under section 137 for extension of time have been lodged. Objections must be lodged within 1 month from the date of this journal.

300093 **Matthew Forrest** Address for Service: Complete IP Pty Limited PO Box 63 Boronia Vic 3155

311457 **Pacific Worldwide Pty Ltd** Address for Service: Pacific Worldwide Pty Ltd 1366 Heatherton Road DANDENONG VIC 3175

311458 **Pacific Worldwide Pty Ltd** Address for Service: Pacific Worldwide Pty Ltd 1366 Heatherton Road DANDENONG VIC 3175

Extensions of time granted under Section 137

Applications lodged under section 137 for extension of time have been granted.

311458 **Pacific Worldwide Pty Ltd**

307733 **Architectural Window Systems Pty Limited**

307734 **Architectural Window Systems Pty Limited**

307735 **Architectural Window Systems Pty Limited**

12131/2011 **Mark Evans**

338311 **Western Resource Recovery Pty Ltd**

12322/2011 **Mark Edward G Designs Pty Ltd**
 338326 **Christopher William Murray Cole**
 12564/2011 **Alliance Sealing Pty Ltd**

Licences Registered

310452 A licence has been granted to **D & D Technologies Pty Limited**

Subsequent Owners Registered

(The name in parentheses is that of the subsequent owner)

318073 (**Kabushiki Kaisha Aichi Corporation**) Kabushiki Kaisha Toyota Jidoshokki
 318074 (**Kabushiki Kaisha Aichi Corporation**) Kabushiki Kaisha Toyota Jidoshokki
 318075 (**Kabushiki Kaisha Aichi Corporation**) Kabushiki Kaisha Toyota Jidoshokki
 318076 (**Kabushiki Kaisha Aichi Corporation**) Kabushiki Kaisha Toyota Jidoshokki
 318077 (**Kabushiki Kaisha Aichi Corporation**) Kabushiki Kaisha Toyota Jidoshokki
 321615 (**H P Productions Pty Ltd**) Heather Pritchard
 327536 (**SULO MGB Australia Pty Ltd**) Suzanne Maree Perrin;Kimberley Donald Perrin
 318530 (**Heltech Industries Pty Ltd**) Heltech Precast Pty Ltd
 321907 (**Heltech Industries Pty Ltd**) Heltech Precast Pty Ltd
 321564 (**Heltech Industries Pty Ltd**) Heltech Precast Pty Ltd
 312926 (**Heltech Industries Pty Ltd**) Heltech Precast Pty Ltd

Names Registered - Alterations and Amendments

(The name in parentheses is that of the subsequent applicant)

312500 (**GM Global Technology Operations, LLC**) GM Global Technology Operations, Inc
 312501 (**GM Global Technology Operations, LLC**) GM Global Technology Operations, Inc
 312502 (**GM Global Technology Operations, LLC**) GM Global Technology Operations, Inc
 312896 (**GM Global Technology Operations, LLC**) GM Global Technology Operations, Inc
 314171 (**GM Global Technology Operations, LLC**) GM Global Technology Operations, Inc
 314594 (**GM Global Technology Operations, LLC**) GM Global Technology Operations, Inc
 314595 (**GM Global Technology Operations, LLC**) GM Global Technology Operations, Inc
 314879 (**GM Global Technology Operations, LLC**) GM Global Technology Operations, Inc
 314880 (**GM Global Technology Operations, LLC**) GM Global Technology Operations, Inc
 314881 (**GM Global Technology Operations, LLC**) GM Global Technology Operations, Inc
 314882 (**GM Global Technology Operations, LLC**) GM Global Technology Operations, Inc
 314899 (**GM Global Technology Operations, LLC**) GM Global Technology Operations, Inc
 314900 (**GM Global Technology Operations, LLC**) GM Global Technology Operations, Inc
 314901 (**GM Global Technology Operations, LLC**) GM Global Technology Operations, Inc

314902 (**GM Global Technology Operations, LLC**) GM Global Technology Operations, Inc
 314903 (**GM Global Technology Operations, LLC**) GM Global Technology Operations, Inc
 314905 (**GM Global Technology Operations, LLC**) GM Global Technology Operations, Inc
 314906 (**GM Global Technology Operations, LLC**) GM Global Technology Operations, Inc
 314907 (**GM Global Technology Operations, LLC**) GM Global Technology Operations, Inc
 314908 (**GM Global Technology Operations, LLC**) GM Global Technology Operations, Inc
 314909 (**GM Global Technology Operations, LLC**) GM Global Technology Operations, Inc
 314910 (**GM Global Technology Operations, LLC**) GM Global Technology Operations, Inc
 314911 (**GM Global Technology Operations, LLC**) GM Global Technology Operations, Inc
 314912 (**GM Global Technology Operations, LLC**) GM Global Technology Operations, Inc
 314913 (**GM Global Technology Operations, LLC**) GM Global Technology Operations, Inc
 314914 (**GM Global Technology Operations, LLC**) GM Global Technology Operations, Inc
 314915 (**GM Global Technology Operations, LLC**) GM Global Technology Operations, Inc
 314916 (**GM Global Technology Operations, LLC**) GM Global Technology Operations, Inc
 314917 (**GM Global Technology Operations, LLC**) GM Global Technology Operations, Inc
 314918 (**GM Global Technology Operations, LLC**) GM Global Technology Operations, Inc
 314919 (**GM Global Technology Operations, LLC**) GM Global Technology Operations, Inc
 314920 (**GM Global Technology Operations, LLC**) GM Global Technology Operations, Inc
 314921 (**GM Global Technology Operations, LLC**) GM Global Technology Operations, Inc
 314922 (**GM Global Technology Operations, LLC**) GM Global Technology Operations, Inc
 315896 (**GM Global Technology Operations, LLC**) GM Global Technology Operations, Inc
 314904 (**GM Global Technology Operations, LLC**) GM Global Technology Operations, Inc
 316128 (**GM Global Technology Operations, LLC**) GM Global Technology Operations, Inc
 316129 (**GM Global Technology Operations, LLC**) GM Global Technology Operations, Inc
 316130 (**GM Global Technology Operations, LLC**) GM Global Technology Operations, Inc
 316131 (**GM Global Technology Operations, LLC**) GM Global Technology Operations, Inc
 316132 (**GM Global Technology Operations, LLC**) GM Global Technology Operations, Inc
 316133 (**GM Global Technology Operations, LLC**) GM Global Technology Operations, Inc
 316134 (**GM Global Technology Operations, LLC**) GM Global Technology Operations, Inc
 316373 (**GM Global Technology Operations, LLC**) GM Global Technology Operations, Inc
 316374 (**GM Global Technology Operations, LLC**) GM Global Technology Operations, Inc
 316375 (**GM Global Technology Operations, LLC**) GM Global Technology Operations, Inc
 316376 (**GM Global Technology Operations, LLC**) GM Global Technology Operations, Inc

- 333686 (**GM Global Technology Operations, LLC**) GM
Global Technology Operations, Inc
- 333687 (**GM Global Technology Operations, LLC**) GM
Global Technology Operations, Inc
- 333688 (**GM Global Technology Operations, LLC**) GM
Global Technology Operations, Inc
- 333689 (**GM Global Technology Operations, LLC**) GM
Global Technology Operations, Inc
- 333690 (**GM Global Technology Operations, LLC**) GM
Global Technology Operations, Inc
- 333691 (**GM Global Technology Operations, LLC**) GM
Global Technology Operations, Inc
- 333692 (**GM Global Technology Operations, LLC**) GM
Global Technology Operations, Inc
- 333693 (**GM Global Technology Operations, LLC**) GM
Global Technology Operations, Inc
- 333694 (**GM Global Technology Operations, LLC**) GM
Global Technology Operations, Inc
- 333695 (**GM Global Technology Operations, LLC**) GM
Global Technology Operations, Inc
- 333696 (**GM Global Technology Operations, LLC**) GM
Global Technology Operations, Inc
- 333697 (**GM Global Technology Operations, LLC**) GM
Global Technology Operations, Inc
- 333698 (**GM Global Technology Operations, LLC**) GM
Global Technology Operations, Inc
- 333699 (**GM Global Technology Operations, LLC**) GM
Global Technology Operations, Inc
- 333700 (**GM Global Technology Operations, LLC**) GM
Global Technology Operations, Inc
- 333701 (**GM Global Technology Operations, LLC**) GM
Global Technology Operations, Inc

Certificate(s) of Examination

Examination of the following Design Registration(s) has been completed. Infringement proceedings may now be commenced.

303709	19-08	29/08/2011
303710	19-08	29/08/2011
303711	19-08	29/08/2011
318029	14-02	31/08/2011
318031	14-02	31/08/2011
332596	08-05NES	29/08/2011
334547	02-01B	02/09/2011
334548	02-01B	02/09/2011
334549	02-01B	02/09/2011
335290	12-15A	31/08/2011
335762	09-08	07/09/2011
336073	14-03NES	01/09/2011
336463	21-01NES	31/08/2011
336464	21-01B	31/08/2011
336817	14-01	09/09/2011
336869	09-03L	02/09/2011
337038	23-03F	05/09/2011
337054	05-05NES	02/09/2011
337209	23-01H	05/09/2011
337210	23-01H	05/09/2011
337211	23-01H	05/09/2011
337212	23-01H	05/09/2011
337247	12-15A	06/09/2011
337466	12-15B	06/09/2011

Publication and Registration Proceedings

Designs Registered

This section provides a concordance between design number and registration number of Designs covered in this journal. It also shows the main class and registration date.

This section covers Registration numbers 338290 to 338471 .

The registration number shown below should be used in all future correspondence.

Design Number	Registration Number	International Classification Code (IDC)	Registration Date	Design Number	Registration Number	International Classification Code (IDC)	Registration Date
10707/2011	338305	06-04NES	29/08/2011	13374/2011	338459	25-04	08/09/2011
12246/2011	338323	25-02C	30/08/2011	13411/2011	338406	11-02NES	06/09/2011
12247/2011	338324	25-02C	30/08/2011	13421/2011	338294	07-05A	29/08/2011
12248/2011	338325	25-02C	30/08/2011	13422/2011	338295	07-05A	29/08/2011
12303/2011	338311	25-02NES	30/08/2011	13423/2011	338296	07-05A	29/08/2011
12438/2011	338326	25-03	30/08/2011	13429/2011	338300	12-15C	29/08/2011
12510/2011	338350	08-07	31/08/2011	13430/2011	338301	12-15C	29/08/2011
12705/2011	338306	08-08B	29/08/2011	13431/2011	338302	12-15C	29/08/2011
12706/2011	338299	23-01A	29/08/2011	13432/2011	338303	25-02G	29/08/2011
12805/2011	338405	12-16B	06/09/2011	13433/2011	338297	25-02G	29/08/2011
12851/2011	338290	02-02NES	29/08/2011	13434/2011	338298	15-05	29/08/2011
12901/2011	338369	21-03	01/09/2011	13435/2011	338423	26-05A	07/09/2011
12902/2011	338389	21-03	06/09/2011	13444/2011	338335	01-01	31/08/2011
12903/2011	338390	21-03	06/09/2011	13445/2011	338336	14-03E	31/08/2011
12912/2011	338378	21-01N	02/09/2011	13446/2011	338337	07-02N	31/08/2011
12915/2011	338379	21-01N	02/09/2011	13447/2011	338338	07-99A	31/08/2011
12924/2011	338312	23-01G	30/08/2011	13448/2011	338339	23-01G	31/08/2011
12950/2011	338351	21-03	31/08/2011	13449/2011	338329	08-06	30/08/2011
12954/2011	338327	09-05	30/08/2011	13450/2011	338330	08-06	30/08/2011
12967/2011	338451	21-01F	08/09/2011	13451/2011	338331	08-06	30/08/2011
12970/2011	338452	14-03NES	08/09/2011	13452/2011	338332	08-06	30/08/2011
12971/2011	338391	09-01H	06/09/2011	13453/2011	338333	08-07	30/08/2011
12985/2011	338453	06-13NES	08/09/2011	13454/2011	338314	08-06	30/08/2011
13019/2011	338342	09-01NES	31/08/2011	13455/2011	338315	08-06	30/08/2011
13020/2011	338328	14-02	30/08/2011	13456/2011	338316	08-06	30/08/2011
13046/2011	338343	09-01K	31/08/2011	13457/2011	338317	08-06	30/08/2011
13048/2011	338344	09-01A	31/08/2011	13458/2011	338318	08-07	30/08/2011
13049/2011	338377	09-01K	02/09/2011	13459/2011	338319	12-11	30/08/2011
13074/2011	338429	06-04F	07/09/2011	13460/2011	338320	14-03A	30/08/2011
13075/2011	338430	06-01F	07/09/2011	13461/2011	338321	25-01K	30/08/2011
13076/2011	338431	06-01E	07/09/2011	13462/2011	338322	09-03E	30/08/2011
13077/2011	338432	06-03A	07/09/2011	13468/2011	338345	26-04	31/08/2011
13120/2011	338419	21-02F	07/09/2011	13469/2011	338346	26-04	31/08/2011
13121/2011	338420	21-02F	07/09/2011	13473/2011	338347	30-08	31/08/2011
13123/2011	338313	01-01	30/08/2011	13474/2011	338348	12-02	31/08/2011
13131/2011	338334	08-05F	31/08/2011	13475/2011	338349	14-02	31/08/2011
13158/2011	338454	08-06	08/09/2011	13476/2011	338360	25-01K	01/09/2011
13164/2011	338421	14-02	07/09/2011	13477/2011	338361	25-01K	01/09/2011
13166/2011	338291	09-05	29/08/2011	13478/2011	338362	25-01K	01/09/2011
13167/2011	338292	09-05	29/08/2011	13479/2011	338363	25-01K	01/09/2011
13168/2011	338293	09-05	29/08/2011	13480/2011	338364	25-01K	01/09/2011
13179/2011	338392	07-01NES	06/09/2011	13481/2011	338365	25-01K	01/09/2011
13180/2011	338393	07-01NES	06/09/2011	13482/2011	338366	13-03B	01/09/2011
13181/2011	338394	07-01NES	06/09/2011	13483/2011	338367	25-01B	01/09/2011
13242/2011	338445	09-01A	08/09/2011	13485/2011	338368	22-99	01/09/2011
13245/2011	338446	26-05E	08/09/2011	13497/2011	338353	12-11	01/09/2011
13268/2011	338455	21-01N	08/09/2011	13498/2011	338354	12-11	01/09/2011
13371/2011	338456	25-04	08/09/2011	13499/2011	338355	12-11	01/09/2011
13372/2011	338457	25-04	08/09/2011	13500/2011	338380	28-03A	02/09/2011
13373/2011	338458	25-04	08/09/2011	13501/2011	338381	28-03A	02/09/2011

Publication and Registration Proceedings - Designs Registered cont'd

Design Number	Registration Number	International Classification Code (IDC)	Registration Date	Design Number	Registration Number	International Classification Code (IDC)	Registration Date
13503/2011	338382	20-03NES	02/09/2011	13579/2011	338426	15-05	07/09/2011
13505/2011	338356	14-03A	01/09/2011	13580/2011	338427	15-05	07/09/2011
13506/2011	338357	14-03A	01/09/2011	13582/2011	338428	09-01K	07/09/2011
13507/2011	338358	07-02L	01/09/2011	13583/2011	338433	15-05	07/09/2011
13508/2011	338359	01-01	01/09/2011	13584/2011	338434	15-05	07/09/2011
13509/2011	338370	12-11	01/09/2011	13585/2011	338435	15-05	07/09/2011
13510/2011	338371	23-04	01/09/2011	13586/2011	338436	15-05	07/09/2011
13511/2011	338372	23-04	01/09/2011	13587/2011	338437	15-05	07/09/2011
13512/2011	338373	12-11	01/09/2011	13588/2011	338438	15-05	07/09/2011
13514/2011	338395	23-01H	06/09/2011	13589/2011	338439	15-05	07/09/2011
13518/2011	338396	07-02R	06/09/2011	13591/2011	338463	09-01K	09/09/2011
13519/2011	338397	07-02R	06/09/2011	13592/2011	338447	14-02	08/09/2011
13520/2011	338398	07-02R	06/09/2011	13593/2011	338448	23-02B	08/09/2011
13522/2011	338376	13-03D	02/09/2011	13594/2011	338449	23-01H	08/09/2011
13523/2011	338375	13-03NES	02/09/2011	13596/2011	338464	23-03NES	09/09/2011
13526/2011	338383	08-99	02/09/2011	13600/2011	338441	14-02	08/09/2011
13528/2011	338399	29-02	06/09/2011	13602/2011	338308	07-02N	29/08/2011
13536/2011	338400	08-07	06/09/2011	13604/2011	338442	23-02A	08/09/2011
13539/2011	338401	25-01K	06/09/2011	13608/2011	338450	23-02A	08/09/2011
13546/2011	338387	14-01	05/09/2011	13609/2011	338465	06-02	09/09/2011
13547/2011	338388	14-01	05/09/2011	13612/2011	338304	02-04NES	29/08/2011
13550/2011	338374	03-99	01/09/2011	13613/2011	338340	06-02	31/08/2011
13552/2011	338402	23-02D	06/09/2011	13616/2011	338469	19-08	09/09/2011
13554/2011	338403	23-01G	06/09/2011	13617/2011	338470	19-08	09/09/2011
13555/2011	338307	23-04	29/08/2011	13618/2011	338471	19-08	09/09/2011
13557/2011	338413	06-09	07/09/2011	13621/2011	338466	09-02B	09/09/2011
13558/2011	338414	06-09	07/09/2011	13623/2011	338309	06-02	29/08/2011
13559/2011	338415	06-09	07/09/2011	13635/2011	338384	10-05	02/09/2011
13560/2011	338407	09-01K	06/09/2011	13638/2011	338385	23-01K	02/09/2011
13561/2011	338408	09-01K	06/09/2011	13639/2011	338386	23-01K	02/09/2011
13562/2011	338409	09-01K	06/09/2011	13641/2011	338404	24-02	06/09/2011
13563/2011	338410	28-03NES	06/09/2011	13666/2011	338341	06-06E	31/08/2011
13564/2011	338411	28-03NES	06/09/2011	13693/2011	338443	03-03	08/09/2011
13565/2011	338412	28-03NES	06/09/2011	13694/2011	338444	03-03	08/09/2011
13568/2011	338416	08-03	07/09/2011	13720/2011	338310	03-01NES	29/08/2011
13569/2011	338417	14-02	07/09/2011	13722/2011	338467	26-06	09/09/2011
13570/2011	338418	14-02	07/09/2011	13733/2011	338440	23-01K	07/09/2011
13571/2011	338460	28-03A	09/09/2011	13738/2011	338468	12-16NES	09/09/2011
13572/2011	338461	09-03NES	09/09/2011	13786/2011	338352	21-03	31/08/2011
13573/2011	338462	08-05P	09/09/2011	13854/2011	338422	14-02	07/09/2011
13577/2011	338424	15-05	07/09/2011				
13578/2011	338425	15-05	07/09/2011				

Publication and Registration Proceedings

Class Listing of Designs Published or Registered

The following section shows an International Classification Code listing of the Registered or Published Designs covered in this supplement.

Classification	Registration Number	Design Number	Classification	Registration Number	Design Number
01-01	338313	13123/2011	08-08B	338306	12705/2011
01-01	338335	13444/2011	08-99	338383	13526/2011
01-01	338359	13508/2011	09-01A	338344	13048/2011
02-02NES	338290	12851/2011	09-01A	338445	13242/2011
02-04NES	338304	13612/2011	09-01H	338391	12971/2011
03-01NES	338310	13720/2011	09-01K	338343	13046/2011
03-01NES	338322	13462/2011	09-01K	338377	13049/2011
03-03	338443	13693/2011	09-01K	338407	13560/2011
03-03	338444	13694/2011	09-01K	338408	13561/2011
03-99	338374	13550/2011	09-01K	338409	13562/2011
06-01E	338431	13076/2011	09-01K	338428	13582/2011
06-01F	338430	13075/2011	09-01K	338463	13591/2011
06-02	338309	13623/2011	09-01NES	338342	13019/2011
06-02	338340	13613/2011	09-02B	338466	13621/2011
06-02	338465	13609/2011	09-03E	338322	13462/2011
06-03A	338432	13077/2011	09-03NES	338461	13572/2011
06-04F	338429	13074/2011	09-05	338291	13166/2011
06-04NES	338305	10707/2011	09-05	338292	13167/2011
06-06E	338341	13666/2011	09-05	338293	13168/2011
06-09	338413	13557/2011	09-05	338327	12954/2011
06-09	338414	13558/2011	10-05	338384	13635/2011
06-09	338415	13559/2011	11-02NES	338406	13411/2011
06-13NES	338453	12985/2011	12-02	338348	13474/2011
07-01NES	338392	13179/2011	12-11	338319	13459/2011
07-01NES	338393	13180/2011	12-11	338353	13497/2011
07-01NES	338394	13181/2011	12-11	338354	13498/2011
07-02L	338358	13507/2011	12-11	338355	13499/2011
07-02N	338308	13602/2011	12-11	338370	13509/2011
07-02N	338337	13446/2011	12-11	338373	13512/2011
07-02R	338396	13518/2011	12-15C	338300	13429/2011
07-02R	338397	13519/2011	12-15C	338301	13430/2011
07-02R	338398	13520/2011	12-15C	338302	13431/2011
07-05A	338294	13421/2011	12-16B	338353	13497/2011
07-05A	338295	13422/2011	12-16B	338405	12805/2011
07-05A	338296	13423/2011	12-16NES	338468	13738/2011
07-99A	338338	13447/2011	13-03B	338366	13482/2011
08-03	338416	13568/2011	13-03D	338376	13522/2011
08-05F	338334	13131/2011	13-03NES	338375	13523/2011
08-05P	338462	13573/2011	14-01	338387	13546/2011
08-06	338314	13454/2011	14-01	338388	13547/2011
08-06	338315	13455/2011	14-02	338310	13720/2011
08-06	338316	13456/2011	14-02	338328	13020/2011
08-06	338317	13457/2011	14-02	338349	13475/2011
08-06	338329	13449/2011	14-02	338417	13569/2011
08-06	338330	13450/2011	14-02	338418	13570/2011
08-06	338331	13451/2011	14-02	338421	13164/2011
08-06	338332	13452/2011	14-02	338422	13854/2011
08-06	338454	13158/2011	14-02	338441	13600/2011
08-07	338318	13458/2011	14-02	338447	13592/2011
08-07	338333	13453/2011	14-03A	338320	13460/2011
08-07	338350	12510/2011	14-03A	338356	13505/2011
08-07	338400	13536/2011	14-03A	338357	13506/2011
08-07	338466	13621/2011	14-03E	338336	13445/2011

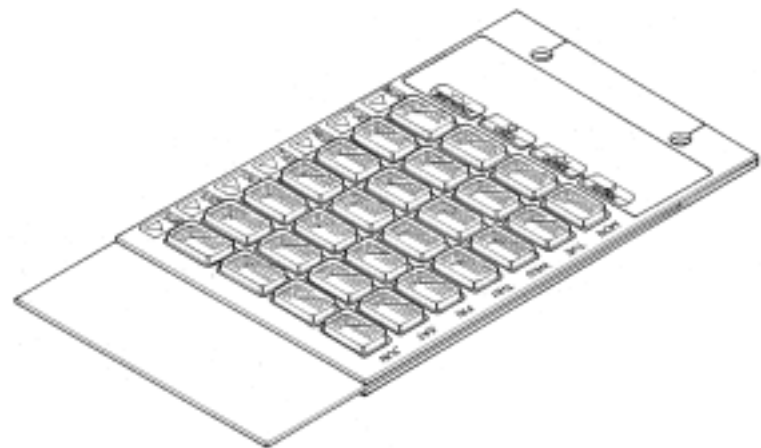
Registration Proceedings - Class Listing of Designs Published or Registered cont'd

Classification	Registration Number	Design Number	Classification	Registration Number	Design Number
14-03NES	338452	12970/2011	23-02A	338450	13608/2011
15-05	338298	13434/2011	23-02B	338448	13593/2011
15-05	338424	13577/2011	23-02D	338402	13552/2011
15-05	338425	13578/2011	23-03NES	338464	13596/2011
15-05	338426	13579/2011	23-04	338307	13555/2011
15-05	338427	13580/2011	23-04	338371	13510/2011
15-05	338433	13583/2011	23-04	338372	13511/2011
15-05	338434	13584/2011	24-02	338327	12954/2011
15-05	338435	13585/2011	24-02	338404	13641/2011
15-05	338436	13586/2011	25-01B	338367	13483/2011
15-05	338437	13587/2011	25-01K	338321	13461/2011
15-05	338438	13588/2011	25-01K	338360	13476/2011
15-05	338439	13589/2011	25-01K	338361	13477/2011
18-02	338417	13569/2011	25-01K	338362	13478/2011
18-02	338418	13570/2011	25-01K	338363	13479/2011
19-08	338469	13616/2011	25-01K	338364	13480/2011
19-08	338470	13617/2011	25-01K	338365	13481/2011
19-08	338471	13618/2011	25-01K	338401	13539/2011
20-01	338421	13164/2011	25-02C	338323	12246/2011
20-01	338422	13854/2011	25-02C	338324	12247/2011
20-03NES	338382	13503/2011	25-02C	338325	12248/2011
21-01F	338451	12967/2011	25-02G	338297	13433/2011
21-01N	338378	12912/2011	25-02G	338303	13432/2011
21-01N	338379	12915/2011	25-02NES	338311	12303/2011
21-01N	338455	13268/2011	25-03	338326	12438/2011
21-02F	338419	13120/2011	25-04	338456	13371/2011
21-02F	338420	13121/2011	25-04	338457	13372/2011
21-03	338351	12950/2011	25-04	338458	13373/2011
21-03	338352	13786/2011	25-04	338459	13374/2011
21-03	338369	12901/2011	26-04	338345	13468/2011
21-03	338389	12902/2011	26-04	338346	13469/2011
21-03	338390	12903/2011	26-05A	338423	13435/2011
22-99	338368	13485/2011	26-05E	338446	13245/2011
23-01A	338299	12706/2011	26-06	338467	13722/2011
23-01F	338468	13738/2011	28-03A	338380	13500/2011
23-01G	338312	12924/2011	28-03A	338381	13501/2011
23-01G	338339	13448/2011	28-03A	338460	13571/2011
23-01G	338403	13554/2011	28-03NES	338410	13563/2011
23-01H	338395	13514/2011	28-03NES	338411	13564/2011
23-01H	338449	13594/2011	28-03NES	338412	13565/2011
23-01K	338385	13638/2011	29-02	338399	13528/2011
23-01K	338386	13639/2011	30-08	338347	13473/2011
23-01K	338440	13733/2011			
23-01NES	338440	13733/2011			
23-02A	338442	13604/2011			

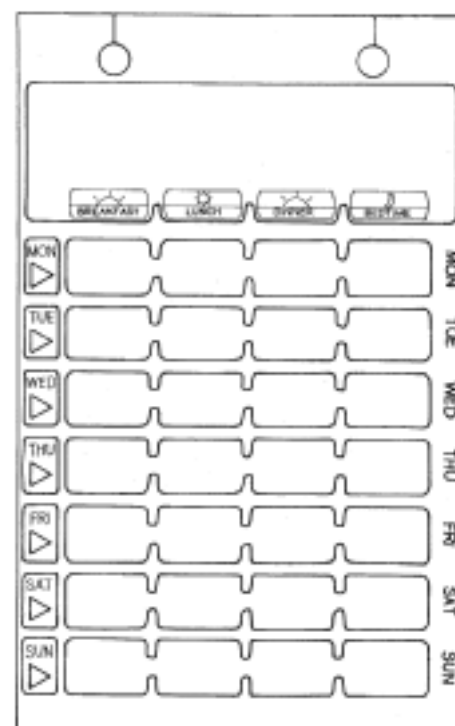
(21) Design Number: **12851/2011**
(22) Date of Filing Application: **24 June 2011**
(24) Date from which industrial property rights may have effect: **24 June 2011**
(54) Product in respect of which the design is registered: **Jersey**
(51) International Design Classification: **02-02NES**
(74) Name(s) of Attorney(s):
(71) Name(s) and Address(s) of Applicant(s):
Simon Vince Knowles
1 Murndal Drive Donvale Victoria 3111 Australia
(72) Name(s) of Designer(s): **Simon Vince Knowles**
(45) Registration Date: **29 August 2011**
(56) Related Art Documents: **Not Applicable**
(57) Statement of Newness and Distinctiveness: **Nil**



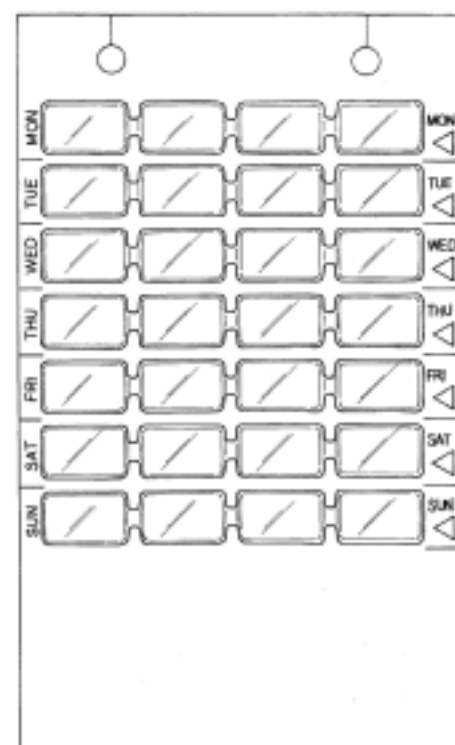
(21) Design Number: **13166/2011**
(22) Date of Filing Application: **19 July 2011**
(24) Date from which industrial property rights may have effect: **19 July 2011**
(54) Product in respect of which the design is registered: **A combination of stiffening card and blister sheet**
(51) International Design Classification: **09-05**
(74) Name(s) of Attorney(s): **H J Rantzen**
(71) Name(s) and Address(s) of Applicant(s):
Manrex Pty. Ltd.
17-19 Moore Street Leichhardt New South Wales 2040 Australia
(72) Name(s) of Designer(s): **Gerard Stevens**
(45) Registration Date: **29 August 2011**
(30) Convention priority data:
(31) Number (32) Date (33) Country
139256 18 Feb 2011 CANADA
(56) Related Art Documents: **Not Applicable**
(57) Statement of Newness and Distinctiveness: **Nil**



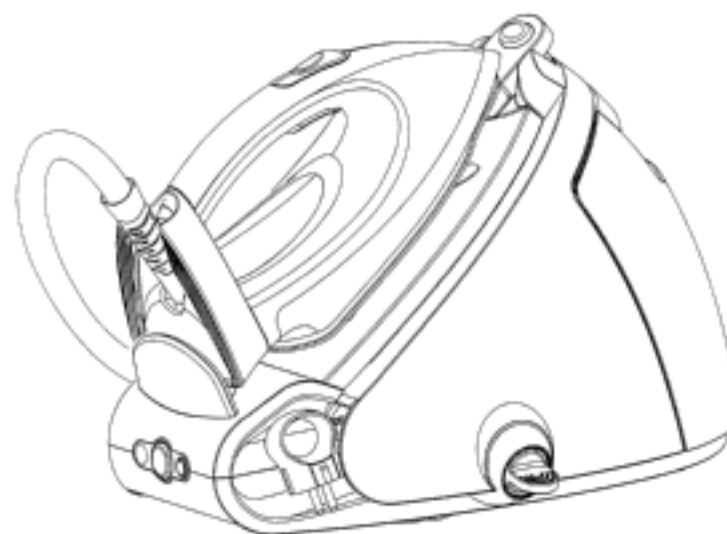
- (21) Design Number: **13167/2011**
(22) Date of Filing Application: **19 July 2011**
(24) Date from which industrial property rights may have effect: **19 July 2011**
(54) Product in respect of which the design is registered: **Foldable stiffening card for supporting a blister sheet**
(51) International Design Classification: **09-05**
(74) Name(s) of Attorney(s): **H J Rantzen**
(71) Name(s) and Address(s) of Applicant(s):
Manrex Pty. Ltd.
17-19 Moore Street Leichhardt New South Wales 2040 Australia
(72) Name(s) of Designer(s): **Gerard Stevens**
(45) Registration Date: **29 August 2011**
(30) Convention priority data:
(31) Number (32) Date (33) Country
139256 18 Feb 2011 CANADA
(56) Related Art Documents: **Not Applicable**
(57) Statement of Newness and Distinctiveness: **An intermediate thin sheet which is sandwiched between the two halves of the folded-together card is secured to the back of the card half formed with the interrupted lattice structure.**



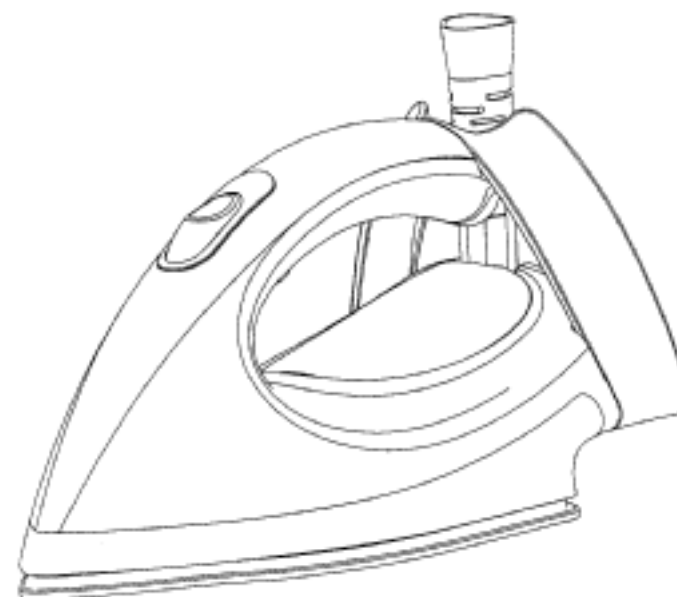
- (21) Design Number: **13168/2011**
(22) Date of Filing Application: **19 July 2011**
(24) Date from which industrial property rights may have effect: **19 July 2011**
(54) Product in respect of which the design is registered: **A combination of a flat stiffening card and an adhering blister sheet**
(51) International Design Classification: **09-05**
(74) Name(s) of Attorney(s): **H J Rantzen**
(71) Name(s) and Address(s) of Applicant(s):
Manrex Pty. Ltd.
17-19 Moore Street Leichhardt New South Wales 2040 Australia
(72) Name(s) of Designer(s): **Gerard Stevens**
(45) Registration Date: **29 August 2011**
(30) Convention priority data:
(31) Number (32) Date (33) Country
139256 18 Feb 2011 CANADA
(56) Related Art Documents: **Not Applicable**
(57) Statement of Newness and Distinctiveness: **Nil**



- (21) Design Number: **13421/2011**
(22) Date of Filing Application: **02 August 2011**
(24) Date from which industrial property rights may have effect: **02 August 2011**
(54) Product in respect of which the design is registered: **Iron with steam generator**
(51) International Design Classification: **07-05A**
(74) Name(s) of Attorney(s): **FB Rice**
(71) Name(s) and Address(s) of Applicant(s):
Koninklijke Philips Electronics N.V.
Groenewoudseweg 1, 5621 BA Eindhoven, The Netherlands
(72) Name(s) of Designer(s): **Peter Smith**
(45) Registration Date: **29 August 2011**
(30) Convention priority data:
(31) Number (32) Date (33) Country
001816042-0001 03 Feb 2011 EUROPEAN COMMUNITY
(56) Related Art Documents: **Not Applicable**
(57) Statement of Newness and Distinctiveness: **Newness and distinctiveness reside in the features of shape and configuration of the design as shown in the representations.**



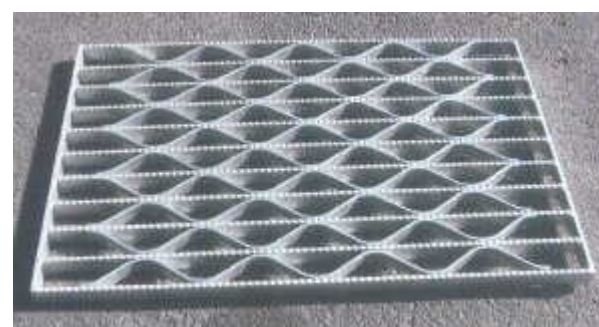
- (21) Design Number: **13422/2011**
(22) Date of Filing Application: **02 August 2011**
(24) Date from which industrial property rights may have effect: **02 August 2011**
(54) Product in respect of which the design is registered: **Iron**
(51) International Design Classification: **07-05A**
(74) Name(s) of Attorney(s): **FB Rice**
(71) Name(s) and Address(s) of Applicant(s):
Koninklijke Philips Electronics N.V.
Groenewoudseweg 1, 5621 BA Eindhoven, The Netherlands
(72) Name(s) of Designer(s): **Peter Smith**
(45) Registration Date: **29 August 2011**
(30) Convention priority data:
(31) Number (32) Date (33) Country
001816042-0002 03 Feb 2011 EUROPEAN COMMUNITY
(56) Related Art Documents: **Not Applicable**
(57) Statement of Newness and Distinctiveness: **Newness and distinctiveness reside in the features of shape and configuration of the design as shown in the representations.**



(21) Design Number: **13423/2011**
(22) Date of Filing Application: **02 August 2011**
(24) Date from which industrial property rights may have effect: **02 August 2011**
(54) Product in respect of which the design is registered: **Steam generator for iron**
(51) International Design Classification: **07-05A**
(74) Name(s) of Attorney(s): **FB Rice**
(71) Name(s) and Address(s) of Applicant(s):
Koninklijke Philips Electronics N.V.
Groenewoudseweg 1, 5621 BA Eindhoven, The Netherlands
(72) Name(s) of Designer(s): **Peter Smith**
(45) Registration Date: **29 August 2011**
(30) Convention priority data:
(31) Number (32) Date (33) Country
001816042-0003 03 Feb 2011 EUROPEAN COMMUNITY
(56) Related Art Documents: **Not Applicable**
(57) Statement of Newness and Distinctiveness: **Newness and distinctiveness reside in the features of shape and configuration of the design as shown in the representations.**



(21) Design Number: **13433/2011**
(22) Date of Filing Application: **04 August 2011**
(24) Date from which industrial property rights may have effect: **04 August 2011**
(54) Product in respect of which the design is registered: **A grate**
(51) International Design Classification: **25-02G**
(74) Name(s) of Attorney(s): **WATERMARK PATENT AND TRADE MARKS ATTORNEYS**
(71) Name(s) and Address(s) of Applicant(s):
Straightmark Nominees Pty Ltd
13 Healey Road Dandenong South Victoria 3175 Australia
(72) Name(s) of Designer(s): **Kevin Harris**
(45) Registration Date: **29 August 2011**
(56) Related Art Documents: **Not Applicable**
(57) Statement of Newness and Distinctiveness: **Newness and distinctiveness resides in the serrated edge of the grate bars.**



(21) Design Number: **13434/2011**

(22) Date of Filing Application: **03 August 2011**

(24) Date from which industrial property rights may have effect: **03 August 2011**

(54) Product in respect of which the design is registered: **Part of a vacuum cleaner**

(51) International Design Classification: **15-05**

(74) Name(s) of Attorney(s): **Shelston IP**

(71) Name(s) and Address(s) of Applicant(s):

Dyson Limited

Tetbury Hill Malmesbury Wiltshire SN16 0RP United Kingdom

(72) Name(s) of Designer(s): **James Dyson and Peter David Gammack**

(45) Registration Date: **29 August 2011**

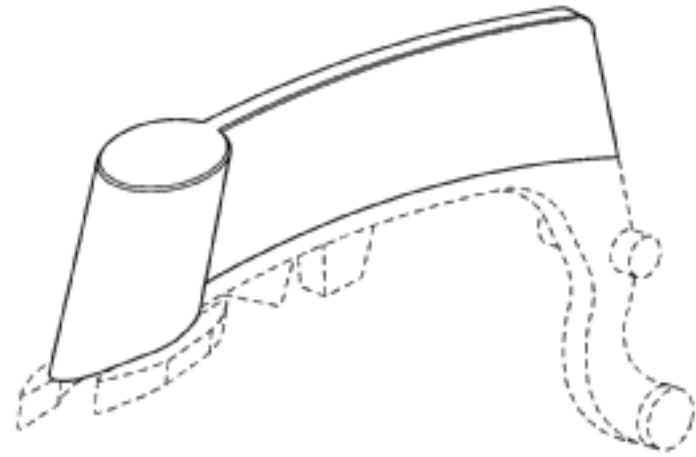
(30) Convention priority data:

(31) Number (32) Date (33) Country

001259717-0001 11 Feb 2011 EUROPEAN COMMUNITY

(56) Related Art Documents: **Not Applicable**

(57) Statement of Newness and Distinctiveness: **Newness and distinctiveness reside in the features of shape and/or configuration of a part of a vacuum cleaner illustrated in solid lines in the accompanying representations. The features shown in broken or discontinuous lines do not form part of the design.**



(21) Design Number: **12706/2011**

(22) Date of Filing Application: **16 June 2011**

(24) Date from which industrial property rights may have effect: **16 June 2011**

(54) Product in respect of which the design is registered: **Split seal for gear boxes**

(51) International Design Classification: **23-01A**

(74) Name(s) of Attorney(s):

(71) Name(s) and Address(s) of Applicant(s):

Alliance Sealing Pty Ltd

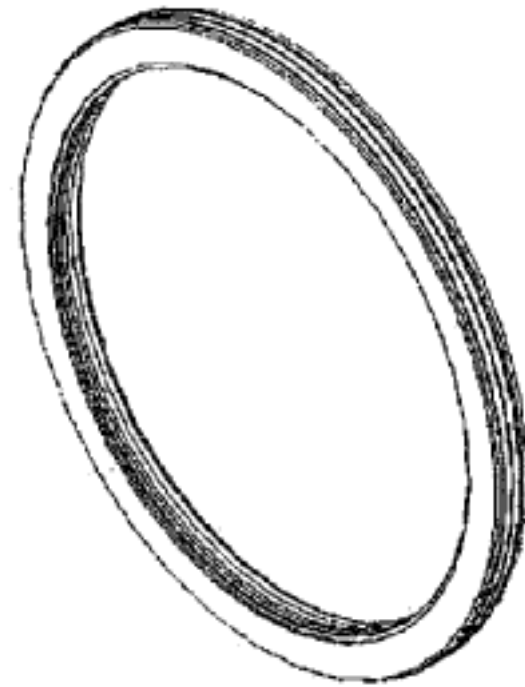
3 The Crescent Kingsgrove New South Wales 2208 Australia

(72) Name(s) of Designer(s): **David Harley**

(45) Registration Date: **29 August 2011**

(56) Related Art Documents: **Not Applicable**

(57) Statement of Newness and Distinctiveness: **Current available replacement oil seals required for heavy duty gearboxes are not meeting customers' performance expectations. The failure mode discovered in some applications where standard oil seals are required to maintain a sealing line with combined radial and reciprocating shaft action coupled with higher than standard operating pressures. The seal is required to retain the oil from escaping and also prevent contaminants penetrating the lubrication system. In addition a sealing line has to be achieved when the product has been split for convenient installation purposes. The owner's design has overcome these problems by adopting the following design features; * For this high degree of difficulty of sealing (Both reciprocating and rotating shaft movement at higher than standard service pressures) for a split seal, the owner has custom designed the sealing lip to match the shaft and added a labyrinth component which provides the required lip support for higher service pressures encountered as well as prevent the sealing lip rollback when the shaft moves from a rotary to a reciprocating motion. * The Labyrinth component has 3 functions 1. Ingress excluder that prevents dust and matter from the atmosphere from getting under the sealing lip, damaging the primary sealing lip and then contaminating the lubrication system. 2. The labyrinth is a secondary barrier to the standard primary sealing lip. 3. The labyrinth also is an extrusion device and assists the softer elastomeric sealing lip from collapsing under higher pressure. * These sealing elements are bonded together in a retainer cover that also acts as a seal preventing oil from leaking over the outer diameter of the seal. * To maintain the integrity of the split seal the cut ends are also chemically joined together with the aid of a jig during onsite installation.**



- (21) Design Number: **13429/2011**
(22) Date of Filing Application: **04 August 2011**
(24) Date from which industrial property rights may have effect: **04 August 2011**
(54) Product in respect of which the design is registered: **A tyre**
(51) International Design Classification: **12-15C**
(74) Name(s) of Attorney(s): **WATERMARK PATENT AND TRADE MARKS ATTORNEYS**
(71) Name(s) and Address(s) of Applicant(s):
Societe De Technologie Michelin
23 rue Breschet F-63000 Clermont-Ferrand Cedex France
Michelin Recherche et Technique S.A.
Route Louis Braille 10 et 12 CH-1763 Granges-Paccot Switzerland
(72) Name(s) of Designer(s): **Arnaud Larregain**
(45) Registration Date: **29 August 2011**
(30) Convention priority data:
(31) Number (32) Date (33) Country
11/0935 18 Feb 2011 FRANCE
(56) Related Art Documents: **Not Applicable**
(57) Statement of Newness and Distinctiveness: **Newness and distinctiveness resides in the pattern, shape or configuration applied to the tread region of the tyre, the remainder of the tyre not forming part of the design.**



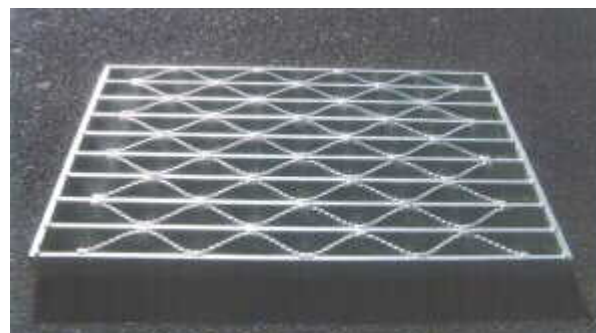
- (21) Design Number: **13430/2011**
(22) Date of Filing Application: **04 August 2011**
(24) Date from which industrial property rights may have effect: **04 August 2011**
(54) Product in respect of which the design is registered: **A tyre**
(51) International Design Classification: **12-15C**
(74) Name(s) of Attorney(s): **WATERMARK PATENT AND TRADE MARKS ATTORNEYS**
(71) Name(s) and Address(s) of Applicant(s):
Societe De Technologie Michelin
23 rue Breschet F-63000 Clermont-Ferrand Cedex France
Michelin Recherche et Technique S.A.
Route Louis Braille 10 et 12 CH-1763 Granges-Paccot Switzerland
(72) Name(s) of Designer(s): **Arnaud Larregain**
(45) Registration Date: **29 August 2011**
(30) Convention priority data:
(31) Number (32) Date (33) Country
11/0931 18 Feb 2011 FRANCE
(56) Related Art Documents: **Not Applicable**
(57) Statement of Newness and Distinctiveness: **Newness and distinctiveness resides in the pattern, shape or configuration applied to the tread region of the tyre, the remainder of the tyre not forming part of the design.**



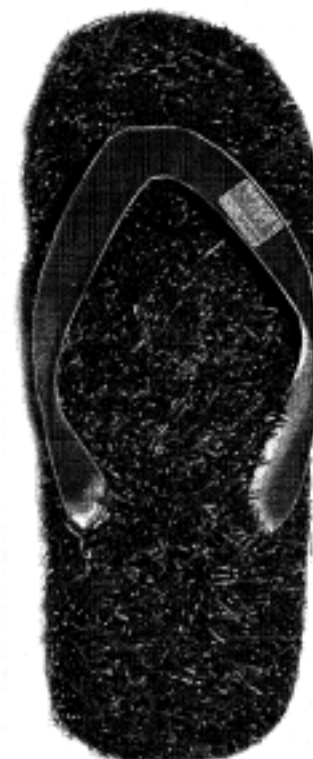
- (21) Design Number: **13431/2011**
(22) Date of Filing Application: **04 August 2011**
(24) Date from which industrial property rights may have effect: **04 August 2011**
(54) Product in respect of which the design is registered: **A tyre**
(51) International Design Classification: **12-15C**
(74) Name(s) of Attorney(s): **WATERMARK PATENT AND TRADE MARKS ATTORNEYS**
(71) Name(s) and Address(s) of Applicant(s):
Societe De Technologie Michelin
23 rue Breschet F-63000 Clermont-Ferrand Cedex France
Michelin Recherche et Technique S.A.
Route Louis Braille 10 et 12 CH-1763 Granges-Paccot Switzerland
(72) Name(s) of Designer(s): **Arnaud Larregain**
(45) Registration Date: **29 August 2011**
(30) Convention priority data:
(31) Number (32) Date (33) Country
11/0933 18 Feb 2011 FRANCE
(56) Related Art Documents: **Not Applicable**
(57) Statement of Newness and Distinctiveness: **Newness and distinctiveness resides in the pattern, shape or configuration applied to the tread region of the tyre, the remainder of the tyre not forming part of the design.**



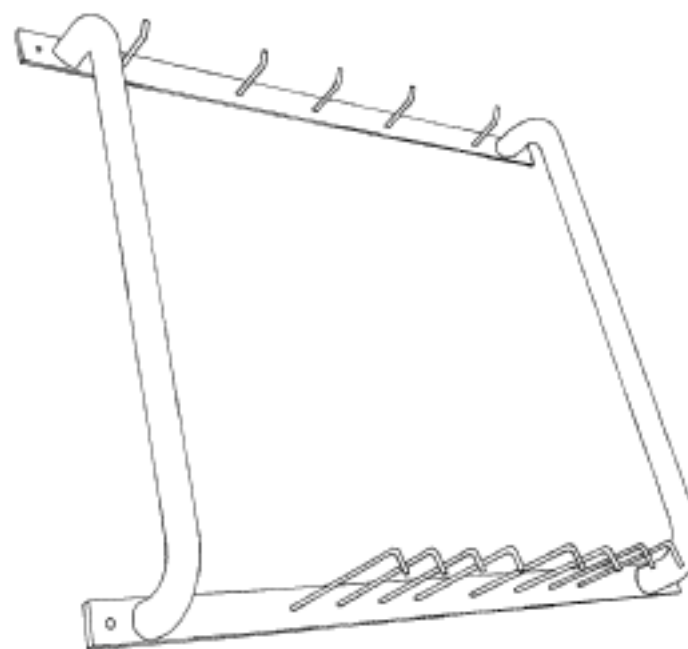
- (21) Design Number: **13432/2011**
(22) Date of Filing Application: **04 August 2011**
(24) Date from which industrial property rights may have effect: **04 August 2011**
(54) Product in respect of which the design is registered: **A grate**
(51) International Design Classification: **25-02G**
(74) Name(s) of Attorney(s): **WATERMARK PATENT AND TRADE MARKS ATTORNEYS**
(71) Name(s) and Address(s) of Applicant(s):
Straightmark Nominees Pty Ltd
13 Healey Road Dandenong South Victoria 3175 Australia
(72) Name(s) of Designer(s): **Kevin Harris**
(45) Registration Date: **29 August 2011**
(56) Related Art Documents: **Not Applicable**
(57) Statement of Newness and Distinctiveness: **Newness and distinctiveness resides in the serrated edge of the grate bars.**



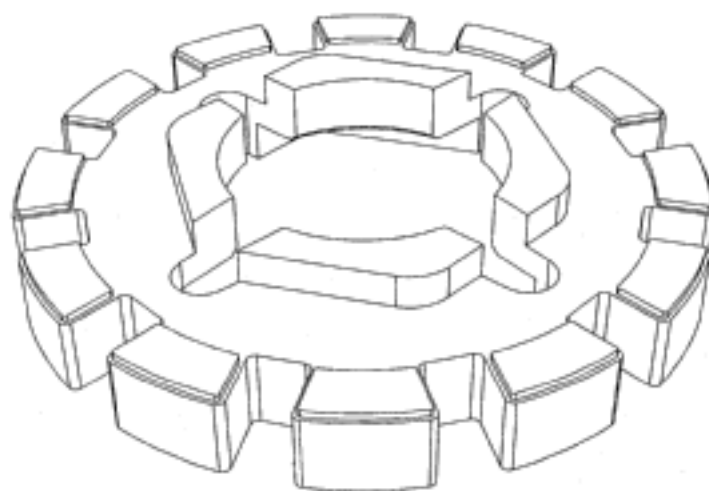
- (21) Design Number: **13612/2011**
(22) Date of Filing Application: **16 August 2011**
(24) Date from which industrial property rights may have effect: **16 August 2011**
(54) Product in respect of which the design is registered: **Thongs**
(51) International Design Classification: **02-04NES**
(74) Name(s) of Attorney(s):
(71) Name(s) and Address(s) of Applicant(s):
Yashin Radhakrishnan
39 Wards Road Bensville New South Wales 2251 Australia
Yashin Inc
39 Wards Road Bensville New South Wales 2251 Australia
(72) Name(s) of Designer(s): **Yashin Radhakrishnan**
(45) Registration Date: **29 August 2011**
(56) Related Art Documents: **Not Applicable**
(57) Statement of Newness and Distinctiveness: **Layer of artificial grass attached to plastic or rubber Flip Flops, Slippers, Thongs. The grass may or may not accurately resemble real grass, (eg. colour variation). The wearer walks directly on the grass with bare feet. Kusa flip flops: artificial grass flip flops (slippers, thongs)**



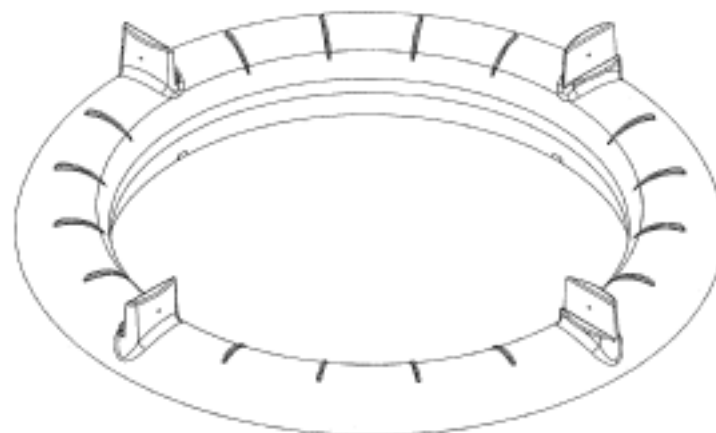
- (21) Design Number: **10707/2011**
(22) Date of Filing Application: **25 February 2011**
(24) Date from which industrial property rights may have effect: **25 February 2011**
(54) Product in respect of which the design is registered: **A rack**
(51) International Design Classification: **06-04NES**
(74) Name(s) of Attorney(s): **Lord & Company**
(71) Name(s) and Address(s) of Applicant(s):
Dennis Albert Winder
4 Sterling Close Craigie Western Australia 6025 Australia
Julie Anne Reynolds
4 Sterling Close Craigie Western Australia 6025 Australia
(72) Name(s) of Designer(s): **Dennis Albert Winder and Julie Anne Reynolds**
(45) Registration Date: **29 August 2011**
(56) Related Art Documents: **Not Applicable**
(57) Statement of Newness and Distinctiveness: **The particular visual features of the design which are new and distinctive are shape or configuration.**



- (21) Design Number: **12705/2011**
(22) Date of Filing Application: **16 June 2011**
(24) Date from which industrial property rights may have effect: **16 June 2011**
(54) Product in respect of which the design is registered: **Tool adapter**
(51) International Design Classification: **08-08B**
(74) Name(s) of Attorney(s): **Griffith Hack**
(71) Name(s) and Address(s) of Applicant(s):
Brand Developers Ltd
519-521 Lake Road Takapuna Auckland 0622 New Zealand
(72) Name(s) of Designer(s): **Jason Lee Cooper**
(45) Registration Date: **29 August 2011**
(56) Related Art Documents: **Not Applicable**
(57) Statement of Newness and Distinctiveness: **Newness and distinctiveness resides in the visual features, including shape and/or configuration, of the product as shown in solid outline in the accompanying drawings. Hidden details of the design are represented by dashed and/or phantom lines.**



- (21) Design Number: **13555/2011**
(22) Date of Filing Application: **12 August 2011**
(24) Date from which industrial property rights may have effect: **12 August 2011**
(54) Product in respect of which the design is registered: **An inlet ring for an evaporative cooler**
(51) International Design Classification: **23-04**
(74) Name(s) of Attorney(s): **PHILLIPS ORMONDE FITZPATRICK**
(71) Name(s) and Address(s) of Applicant(s):
Climate Technologies Pty Ltd
26 Nylex Avenue Salisbury South Australia 5108 Australia
(72) Name(s) of Designer(s): **Santo Celi and Shaun Leigh Milde**
(45) Registration Date: **29 August 2011**
(56) Related Art Documents: **Not Applicable**
(57) Statement of Newness and Distinctiveness: **Newness and distinctiveness is claimed in the shape and configuration of the fins located on the upper curved surface of the inlet ring.**



(21) Design Number: **13602/2011**

(22) Date of Filing Application: **15 August 2011**

(24) Date from which industrial property rights may have effect: **15 August 2011**

(54) Product in respect of which the design is registered: **Rice cooker**

(51) International Design Classification: **07-02N**

(74) Name(s) of Attorney(s): **PHILLIPS ORMONDE FITZPATRICK**

(71) Name(s) and Address(s) of Applicant(s):

Dart Industries Inc.

14901 S. Orange Blossom Trail Orlando Florida 32837 United States of America

(72) Name(s) of Designer(s): **Rui Yuan Chen**

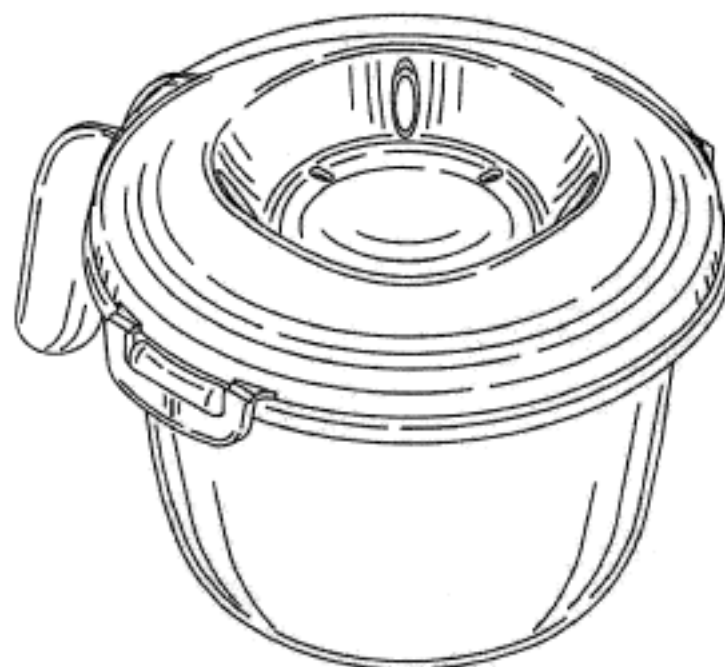
(45) Registration Date: **29 August 2011**

(30) Convention priority data:

(31) Number	(32) Date	(33) Country
29/373,278	24 Mar 2011	UNITED STATES OF AMERICA

(56) Related Art Documents: **Not Applicable**

(57) Statement of Newness and Distinctiveness: **Those features of the rice cooker depicted in the representations that are new and distinctive are the shape and/or configuration.**



(21) Design Number: **13623/2011**

(22) Date of Filing Application: **15 August 2011**

(24) Date from which industrial property rights may have effect: **15 August 2011**

(54) Product in respect of which the design is registered: **Racing car bed**

(51) International Design Classification: **06-02**

(74) Name(s) of Attorney(s):

(71) Name(s) and Address(s) of Applicant(s):

IQ Kid & Furniture Pty Ltd

Unit 4 3-7 Rhur Street Dandenong South Victoria 3175 Australia

(72) Name(s) of Designer(s): **Wee Koon Ng**

(45) Registration Date: **29 August 2011**

(56) Related Art Documents: **Not Applicable**

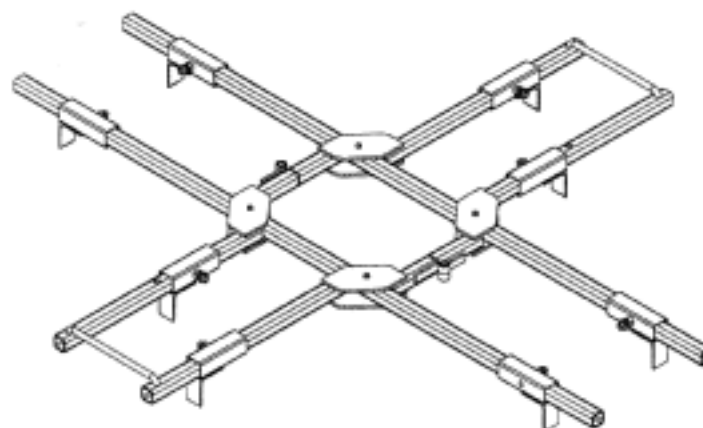
(57) Statement of Newness and Distinctiveness: **Nil**



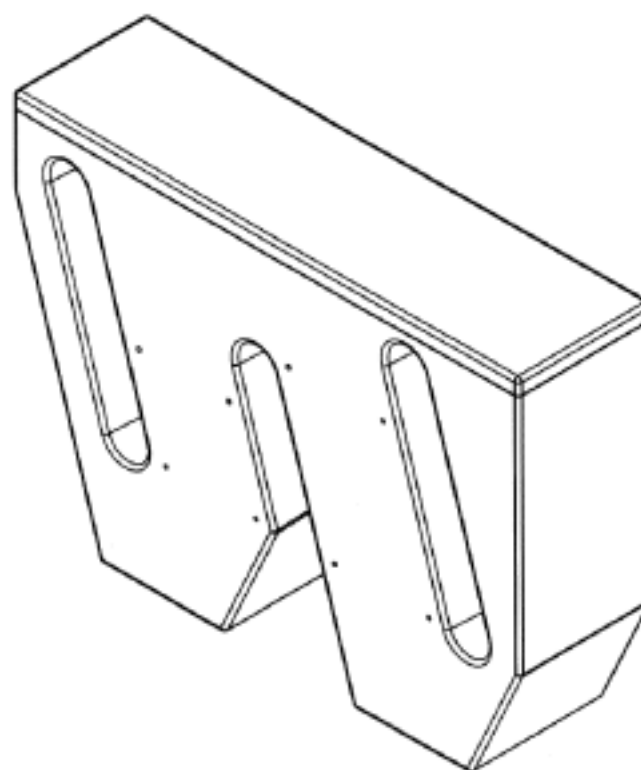
(21) Design Number: **13720/2011**
(22) Date of Filing Application: **22 August 2011**
(24) Date from which industrial property rights may have effect: **22 August 2011**
(54) Product in respect of which the design is registered: **Protective casing for portable handheld electronic device**
(51) International Design Classification: **03-01NES, 14-02**
(74) Name(s) of Attorney(s): **Griffith Hack**
(71) Name(s) and Address(s) of Applicant(s):
SwitchEasy Limited
Room 314 Sing Win Factory Building 15-17 Shing Yip Street Kwun Tong
Kowloon Hong Kong
(72) Name(s) of Designer(s): **Chi Vun Steven Bau**
(45) Registration Date: **29 August 2011**
(30) Convention priority data:
(31) Number (32) Date (33) Country
1101247.7 22 Jul 2011 HONG KONG
(56) Related Art Documents: **Not Applicable**
(57) Statement of Newness and Distinctiveness: **Newness and distinctiveness resides in the visual features, including shape and configuration, of a protective casing for portable handheld electronic device as shown by means of solid lines in the accompanying representations. The parts of the design shown by means of dotted lines do not form part of the design.**



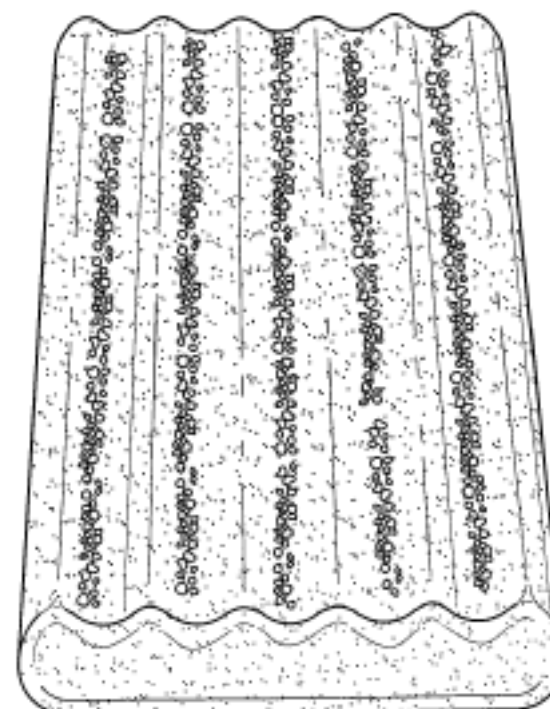
(21) Design Number: **12303/2011**
(22) Date of Filing Application: **20 May 2011**
(24) Date from which industrial property rights may have effect: **20 May 2011**
(54) Product in respect of which the design is registered: **Safety barrier**
(51) International Design Classification: **25-02NES**
(74) Name(s) of Attorney(s): **WATERMARK PATENT AND TRADE MARKS ATTORNEYS**
(71) Name(s) and Address(s) of Applicant(s):
Western Resource Recovery Pty Ltd
113 Ewing Street Welshpool Western Australia 6106 Australia
(72) Name(s) of Designer(s): **Paul Gibbs and Dale Flynn**
(45) Registration Date: **30 August 2011**
(56) Related Art Documents: **Not Applicable**
(57) Statement of Newness and Distinctiveness: **Nil**



(21) Design Number: **12924/2011**
(22) Date of Filing Application: **29 June 2011**
(24) Date from which industrial property rights may have effect: **29 June 2011**
(54) Product in respect of which the design is registered: **Water, solid, and/or oil separator**
(51) International Design Classification: **23-01G**
(74) Name(s) of Attorney(s): **Actuate IP**
(71) Name(s) and Address(s) of Applicant(s):
WIM Industries Pty Ltd
15 Cottage Street Blackburn Victoria 3130 Australia
(72) Name(s) of Designer(s): **Michael Ian Watt and Benjamin Hopley**
(45) Registration Date: **30 August 2011**
(56) Related Art Documents: **Not Applicable**
(57) Statement of Newness and Distinctiveness: **Newness and distinctiveness is claimed in the features of shape and/or configuration of a separator as illustrated in the accompanying representations with particular attention to the location of the baffles. Color is to be excluded from the design.**



(21) Design Number: **13123/2011**
(22) Date of Filing Application: **14 July 2011**
(24) Date from which industrial property rights may have effect: **14 July 2011**
(54) Product in respect of which the design is registered: **Food bar**
(51) International Design Classification: **01-01**
(74) Name(s) of Attorney(s): **Davies Collison Cave**
(71) Name(s) and Address(s) of Applicant(s):
Kellogg Company
One Kellogg Square PO Box 3599 Battle Creek Michigan 49016-3599
United States of America
(72) Name(s) of Designer(s): **Terence Andren and James E. Bates and Luz E. Palacios and Albert P. Karls Jr and Hillis O. Kauffman**
(45) Registration Date: **30 August 2011**
(30) Convention priority data:
(31) Number (32) Date (33) Country
29/385068 08 Feb 2011 UNITED STATES OF AMERICA
(56) Related Art Documents: **Not Applicable**
(57) Statement of Newness and Distinctiveness: **Nil**



(21) Design Number: **13454/2011**
(22) Date of Filing Application: **04 August 2011**
(24) Date from which industrial property rights may have effect: **04 August 2011**
(54) Product in respect of which the design is registered: **Hinge**
(51) International Design Classification: **08-06**
(74) Name(s) of Attorney(s): **Griffith Hack**
(71) Name(s) and Address(s) of Applicant(s):

D & D Group Pty Ltd
Unit 6 4-6 Aquatic Drive Frenchs Forest New South Wales 2086 Australia

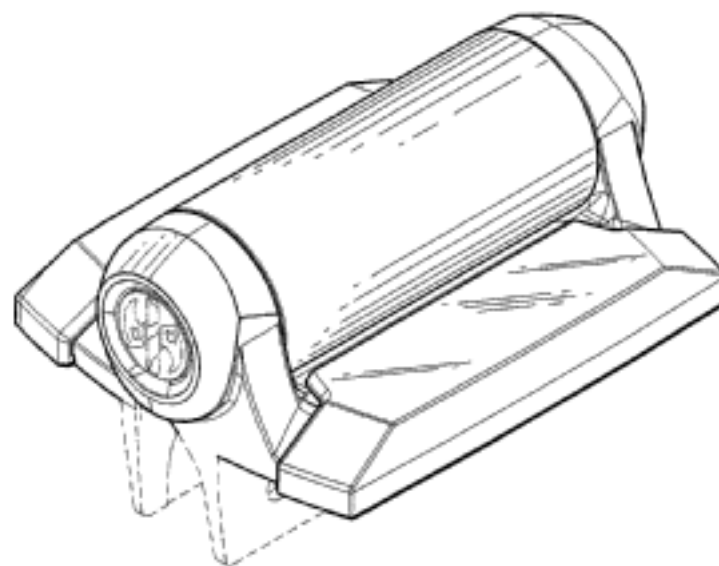
(72) Name(s) of Designer(s): **Bartholomew Jeremy Caffin and Filip Tejszerski**
(45) Registration Date: **30 August 2011**

(30) Convention priority data:

(31) Number	(32) Date	(33) Country
29/384893	04 Feb 2011	UNITED STATES OF AMERICA

(56) Related Art Documents: **Not Applicable**

(57) Statement of Newness and Distinctiveness: **When determining whether the design is substantially similar in overall impression to another design no regard is to be had to those features shown in dashed outline.**



(21) Design Number: **13455/2011**
(22) Date of Filing Application: **04 August 2011**
(24) Date from which industrial property rights may have effect: **04 August 2011**
(54) Product in respect of which the design is registered: **Hinge**
(51) International Design Classification: **08-06**
(74) Name(s) of Attorney(s): **Griffith Hack**
(71) Name(s) and Address(s) of Applicant(s):

D & D Group Pty Ltd
Unit 6 4-6 Aquatic Drive Frenchs Forest New South Wales 2086 Australia

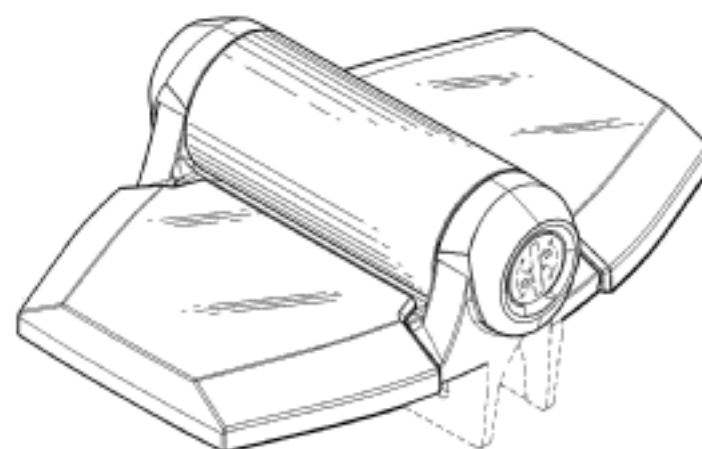
(72) Name(s) of Designer(s): **Bartholomew Jeremy Caffin and Filip Tejszerski**
(45) Registration Date: **30 August 2011**

(30) Convention priority data:

(31) Number	(32) Date	(33) Country
29/384955	07 Feb 2011	UNITED STATES OF AMERICA

(56) Related Art Documents: **Not Applicable**

(57) Statement of Newness and Distinctiveness: **When determining whether the design is substantially similar in overall impression to another design no regard is to be had to those features shown in dashed outline.**



(21) Design Number: **13456/2011**
(22) Date of Filing Application: **04 August 2011**
(24) Date from which industrial property rights may have effect: **04 August 2011**
(54) Product in respect of which the design is registered: **Hinge**
(51) International Design Classification: **08-06**
(74) Name(s) of Attorney(s): **Griffith Hack**
(71) Name(s) and Address(s) of Applicant(s):

D & D Group Pty Ltd
Unit 6 4-6 Aquatic Drive Frenchs Forest New South Wales 2086 Australia

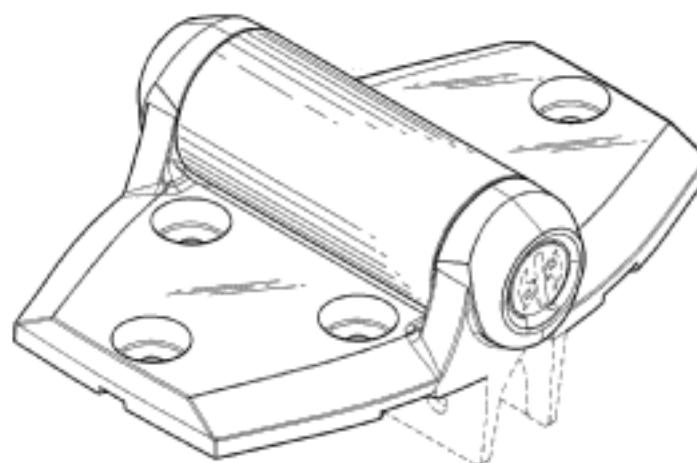
(72) Name(s) of Designer(s): **Bartholomew Jeremy Caffin and Filip Tejszerski**
(45) Registration Date: **30 August 2011**

(30) Convention priority data:

(31) Number	(32) Date	(33) Country
29/384955	07 Feb 2011	UNITED STATES OF AMERICA

(56) Related Art Documents: **Not Applicable**

(57) Statement of Newness and Distinctiveness: **When determining whether the design is substantially similar in overall impression to another design no regard is to be had to those features shown in dashed outline.**



(21) Design Number: **13457/2011**
(22) Date of Filing Application: **04 August 2011**
(24) Date from which industrial property rights may have effect: **04 August 2011**
(54) Product in respect of which the design is registered: **Hinge**
(51) International Design Classification: **08-06**
(74) Name(s) of Attorney(s): **Griffith Hack**
(71) Name(s) and Address(s) of Applicant(s):

D & D Group Pty Ltd
Unit 6 4-6 Aquatic Drive Frenchs Forest New South Wales 2086 Australia

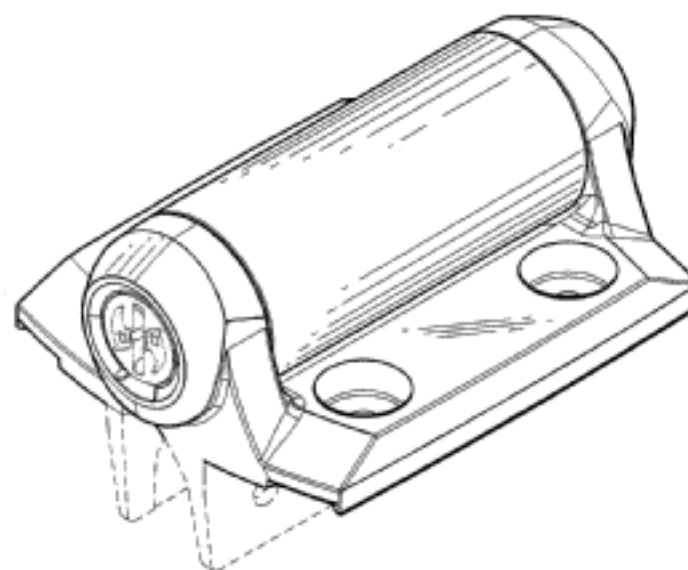
(72) Name(s) of Designer(s): **Bartholomew Jeremy Caffin and Filip Tejszerski**
(45) Registration Date: **30 August 2011**

(30) Convention priority data:

(31) Number	(32) Date	(33) Country
29/384893	04 Feb 2011	UNITED STATES OF AMERICA

(56) Related Art Documents: **Not Applicable**

(57) Statement of Newness and Distinctiveness: **When determining whether the design is substantially similar in overall impression to another design no regard is to be had to those features shown in dashed outline.**



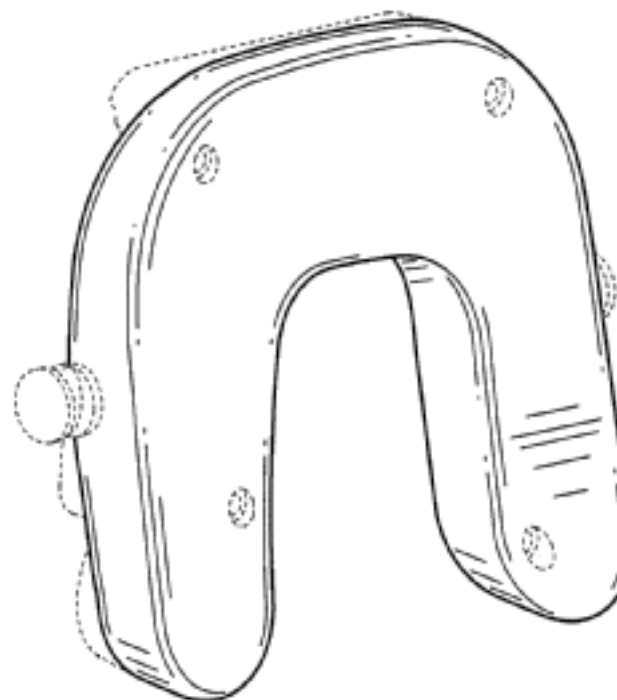
(21) Design Number: **13458/2011**
(22) Date of Filing Application: **04 August 2011**
(24) Date from which industrial property rights may have effect: **04 August 2011**
(54) Product in respect of which the design is registered: **Latch**
(51) International Design Classification: **08-07**
(74) Name(s) of Attorney(s): **Griffith Hack**
(71) Name(s) and Address(s) of Applicant(s):
D & D Group Pty Ltd
Unit 6 4-6 Aquatic Drive Frenchs Forest New South Wales 2086 Australia
(72) Name(s) of Designer(s): **Andre Tarris and Glenn Smith and James Novak**
(45) Registration Date: **30 August 2011**
(30) Convention priority data:
(31) Number (32) Date (33) Country
29/384908 04 Feb 2011 UNITED STATES OF AMERICA
(56) Related Art Documents: **Not Applicable**
(57) Statement of Newness and Distinctiveness: **When determining whether the design is substantially similar in overall impression to another design no regard is to be had to those features shown in dashed outline.**



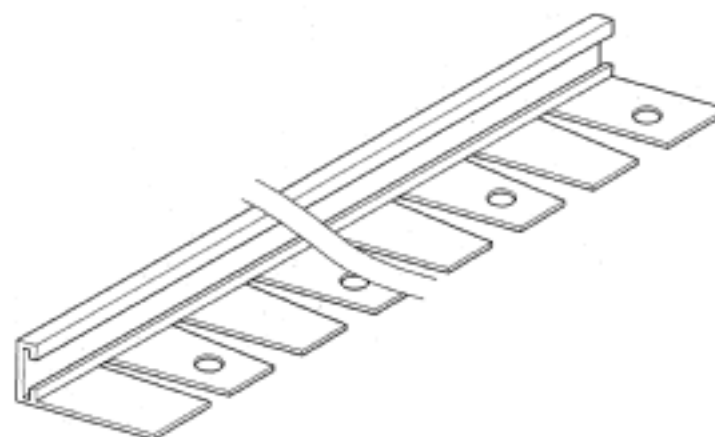
(21) Design Number: **13459/2011**
(22) Date of Filing Application: **05 August 2011**
(24) Date from which industrial property rights may have effect: **05 August 2011**
(54) Product in respect of which the design is registered: **Motor scooter**
(51) International Design Classification: **12-11**
(74) Name(s) of Attorney(s): **WATERMARK PATENT AND TRADE MARKS ATTORNEYS**
(71) Name(s) and Address(s) of Applicant(s):
Piaggio & C. S.p.A.
Viale Rinaldo Piaggio 25 56025 Pontedera Pisa Italy
(72) Name(s) of Designer(s): **Frederic Devernay and Pietro Arru**
(45) Registration Date: **30 August 2011**
(30) Convention priority data:
(31) Number (32) Date (33) Country
001822511 17 Feb 2011 EUROPEAN COMMUNITY
(56) Related Art Documents: **Not Applicable**
(57) Statement of Newness and Distinctiveness: **Nil**



- (21) Design Number: **13460/2011**
(22) Date of Filing Application: **04 August 2011**
(24) Date from which industrial property rights may have effect: **04 August 2011**
(54) Product in respect of which the design is registered: **Ear cup for a headset**
(51) International Design Classification: **14-03A**
(74) Name(s) of Attorney(s): **Freehills Patent & Trade Mark Attorneys**
(71) Name(s) and Address(s) of Applicant(s):
3M Innovative Properties Company
3M Center Saint Paul Minnesota 55133-3427 United States of America
(72) Name(s) of Designer(s): **Martin P. O. Allard and Robert Karlsson and Niklas D. B. Emilsson**
(45) Registration Date: **30 August 2011**
(30) Convention priority data:
(31) Number (32) Date (33) Country
001260137 15 Feb 2011 EUROPEAN COMMUNITY
(56) Related Art Documents: **Not Applicable**
(57) Statement of Newness and Distinctiveness: **Newness and distinctiveness is claimed in the features of shape and/or configuration of an ear cup for a headset as shown in solid outline in the accompanying drawings.**



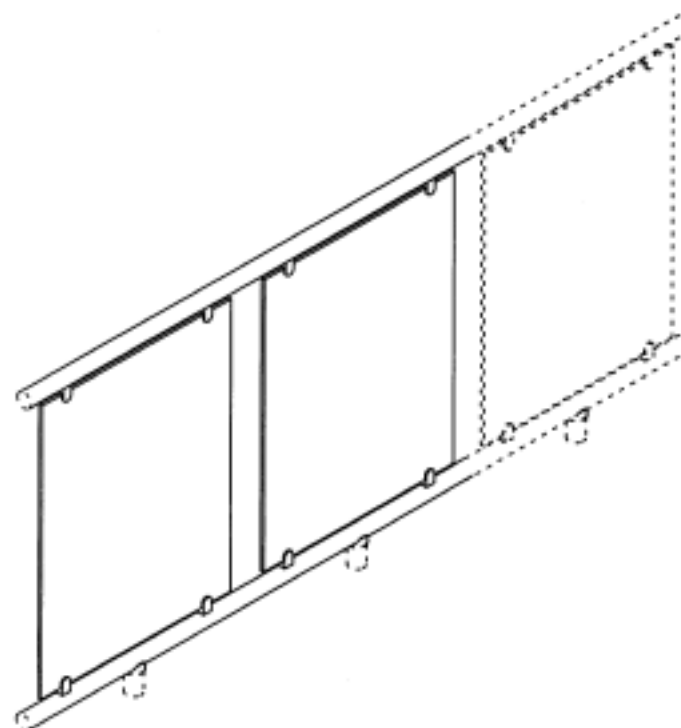
- (21) Design Number: **13461/2011**
(22) Date of Filing Application: **04 August 2011**
(24) Date from which industrial property rights may have effect: **04 August 2011**
(54) Product in respect of which the design is registered: **An edging strip**
(51) International Design Classification: **25-01K**
(74) Name(s) of Attorney(s): **Collison & Co**
(71) Name(s) and Address(s) of Applicant(s):
Robert Henry Haysom
31 Duffield Street Gawler East South Australia 5118 Australia
Deirdre Mary Haysom
31 Duffield Street Gawler East South Australia 5118 Australia
(72) Name(s) of Designer(s): **Robert Henry Haysom and Deirdre Mary Haysom**
(45) Registration Date: **30 August 2011**
(56) Related Art Documents: **Not Applicable**
(57) Statement of Newness and Distinctiveness: **Nil**



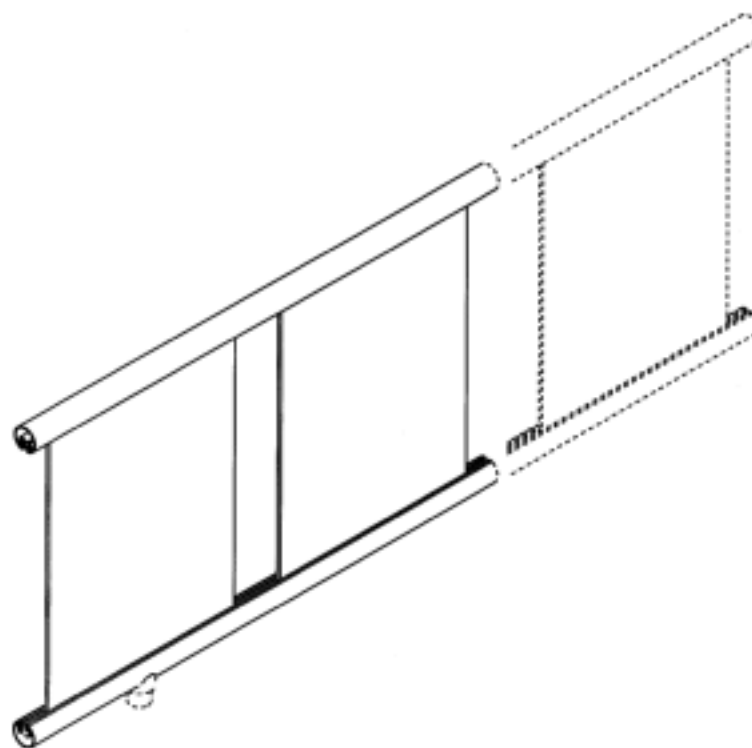
- (21) Design Number: **13462/2011**
(22) Date of Filing Application: **04 August 2011**
(24) Date from which industrial property rights may have effect: **04 August 2011**
(54) Product in respect of which the design is registered: **Bicycle bottle holder**
(51) International Design Classification: **09-03E, 03-01NES**
(74) Name(s) of Attorney(s): **Actuate IP**
(71) Name(s) and Address(s) of Applicant(s):
Freedom Design Pty Ltd
8 Gordon Street Bendigo Victoria 3550 Australia
(72) Name(s) of Designer(s): **Steve Roy Serpell and Andrea Sartore**
(45) Registration Date: **30 August 2011**
(56) Related Art Documents: **Not Applicable**
(57) Statement of Newness and Distinctiveness: **Newness and distinctiveness is claimed in the features of shape and/or configuration of bicycle bottle holder as illustrated in the accompanying representations.**



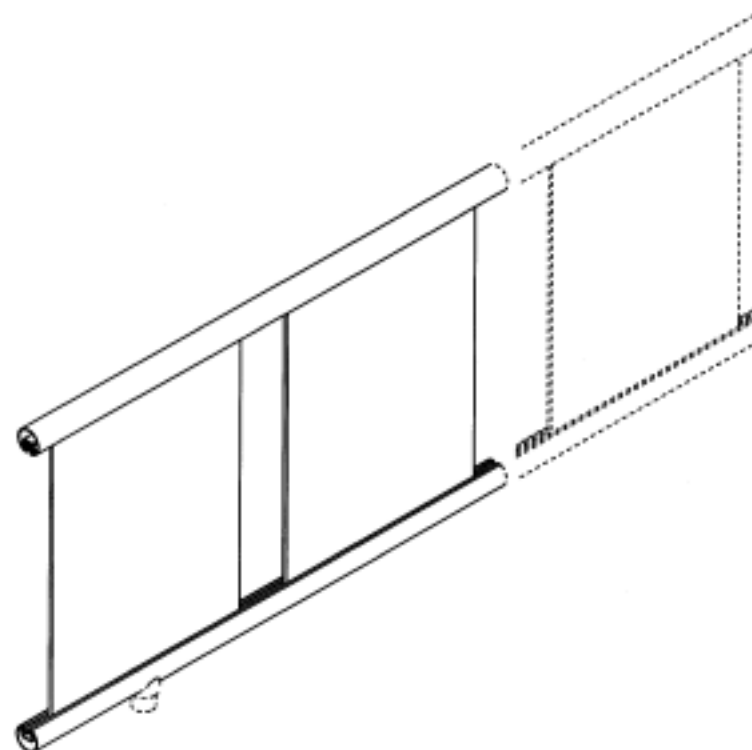
- (21) Design Number: **12246/2011**
(22) Date of Filing Application: **17 May 2011**
(24) Date from which industrial property rights may have effect: **17 May 2011**
(54) Product in respect of which the design is registered: **Fencing arrangement**
(51) International Design Classification: **25-02C**
(74) Name(s) of Attorney(s):
(71) Name(s) and Address(s) of Applicant(s):
Allied Leisure Products Australia Pty Ltd
C/- Hughes & Guy Level 1 100 Mill Point Road South Perth Western
Australia 6151 Australia
(72) Name(s) of Designer(s): **Arthur Henry Blaquiere and Edward Taylor**
(45) Registration Date: **30 August 2011**
(56) Related Art Documents: **Not Applicable**
(57) Statement of Newness and Distinctiveness: **In considering the newness and distinctiveness of the design, the features shown in broken lines are to be disregarded. The design is of indefinite length.**



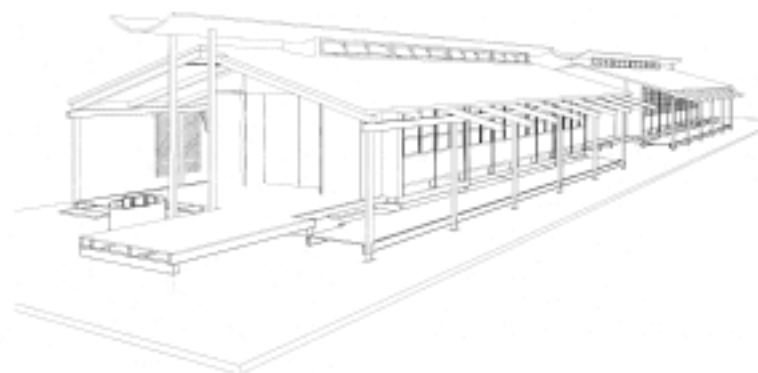
- (21) Design Number: **12247/2011**
(22) Date of Filing Application: **17 May 2011**
(24) Date from which industrial property rights may have effect: **17 May 2011**
(54) Product in respect of which the design is registered: **Fencing arrangement**
(51) International Design Classification: **25-02C**
(74) Name(s) of Attorney(s):
(71) Name(s) and Address(s) of Applicant(s):
Allied Leisure Products Australia Pty Ltd
C/- Hughes & Guy Level 1 100 Mill Point Road South Perth Western
Australia 6151 Australia
(72) Name(s) of Designer(s): **Arthur Henry Blaquiere and Edward Taylor**
(45) Registration Date: **30 August 2011**
(56) Related Art Documents: **Not Applicable**
(57) Statement of Newness and Distinctiveness: **In considering the newness and distinctiveness of the design, the features shown in broken lines are to be disregarded including the cross section of the channels in which the glass is held. The design is of indefinite length.**



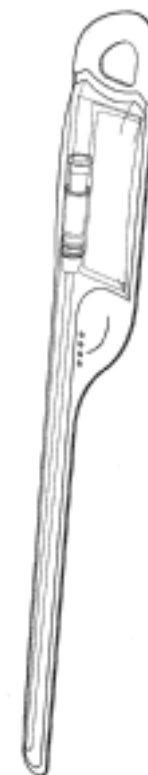
- (21) Design Number: **12248/2011**
(22) Date of Filing Application: **17 May 2011**
(24) Date from which industrial property rights may have effect: **17 May 2011**
(54) Product in respect of which the design is registered: **Fencing arrangement**
(51) International Design Classification: **25-02C**
(74) Name(s) of Attorney(s):
(71) Name(s) and Address(s) of Applicant(s):
Allied Leisure Products Australia Pty Ltd
C/- Hughes & Guy Level 1 100 Mill Point Road South Perth Western
Australia 6151 Australia
(72) Name(s) of Designer(s): **Arthur Henry Blaquiere and Edward Taylor**
(45) Registration Date: **30 August 2011**
(56) Related Art Documents: **Not Applicable**
(57) Statement of Newness and Distinctiveness: **In considering the newness and distinctiveness of the design, the features shown in broken lines are to be disregarded. The design is of indefinite length.**



(21) Design Number: **12438/2011**
(22) Date of Filing Application: **01 June 2011**
(24) Date from which industrial property rights may have effect: **01 June 2011**
(54) Product in respect of which the design is registered: **Portable modular building**
(51) International Design Classification: **25-03**
(74) Name(s) of Attorney(s):
(71) Name(s) and Address(s) of Applicant(s):
Christopher William Murray Cole
40 Ruthven Street Bondi Junction New South Wales 2022 Australia
(72) Name(s) of Designer(s): **Christopher William Murray Cole**
(45) Registration Date: **30 August 2011**
(56) Related Art Documents: **Not Applicable**
(57) Statement of Newness and Distinctiveness: **Features of shape and configuration of the portable modular building as illustrated in the drawings and specifically the shape and configuration of the roof gutter.**



(21) Design Number: **12954/2011**
(22) Date of Filing Application: **01 July 2011**
(24) Date from which industrial property rights may have effect: **01 July 2011**
(54) Product in respect of which the design is registered: **Catheter package**
(51) International Design Classification: **09-05, 24-02**
(74) Name(s) of Attorney(s): **PHILLIPS ORMONDE FITZPATRICK**
(71) Name(s) and Address(s) of Applicant(s):
Astra Tech AB
Aminogatan 1 S-431 21 Molndal Sweden
(72) Name(s) of Designer(s): **Evelina Gustavsson**
(45) Registration Date: **30 August 2011**
(30) Convention priority data:
(31) Number (32) Date (33) Country
001805714 14 Jan 2011 EUROPEAN COMMUNITY
(56) Related Art Documents: **Not Applicable**
(57) Statement of Newness and Distinctiveness: **Newness and distinctiveness resides in the shape and/or configuration of the catheter packaging as illustrated by the accompanying representations.**



(21) Design Number: **13020/2011**
(22) Date of Filing Application: **06 July 2011**
(24) Date from which industrial property rights may have effect: **06 July 2011**
(54) Product in respect of which the design is registered: **Hand-held scanner**
(51) International Design Classification: **14-02**
(74) Name(s) of Attorney(s): **Davies Collison Cave**
(71) Name(s) and Address(s) of Applicant(s):

3SHAPE A/S
Holmens Kanal 7 Copenhagen K DK-1060 Denmark

(72) Name(s) of Designer(s): **Finn Hansen and Tais Clausen**

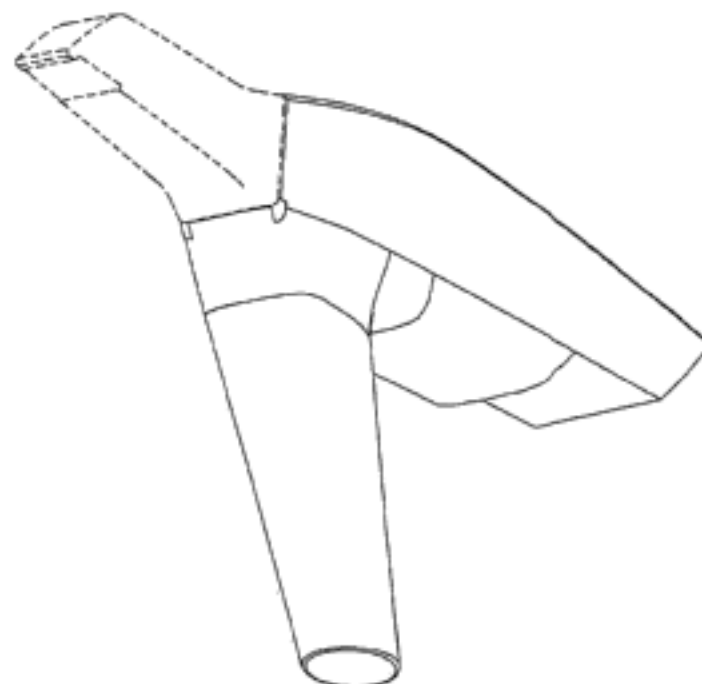
(45) Registration Date: **30 August 2011**

(30) Convention priority data:

(31) Number	(32) Date	(33) Country
DM/075144	06 Jan 2011	WORLD INTELLECTUAL PROPERTY ORGANIZATION (WIPO)

(56) Related Art Documents: **Not Applicable**

(57) Statement of Newness and Distinctiveness: **Newness and distinctiveness is claimed in the visual features shown in solid lines in the representations.**



(21) Design Number: **13449/2011**
(22) Date of Filing Application: **04 August 2011**
(24) Date from which industrial property rights may have effect: **04 August 2011**
(54) Product in respect of which the design is registered: **Hinge**
(51) International Design Classification: **08-06**
(74) Name(s) of Attorney(s): **Griffith Hack**
(71) Name(s) and Address(s) of Applicant(s):

D & D Group Pty Ltd
Unit 6 4-6 Aquatic Drive Frenchs Forest New South Wales 2086 Australia

(72) Name(s) of Designer(s): **Bartholomew Jeremy Caffin and Filip Tejszerski**

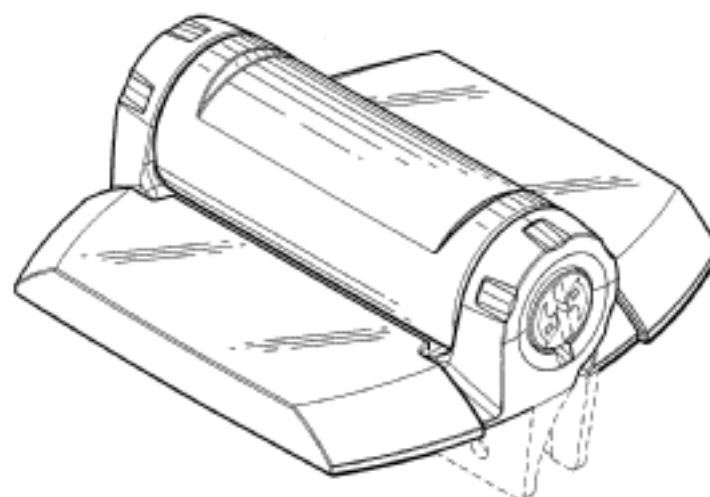
(45) Registration Date: **30 August 2011**

(30) Convention priority data:

(31) Number	(32) Date	(33) Country
29/384885	04 Feb 2011	UNITED STATES OF AMERICA

(56) Related Art Documents: **Not Applicable**

(57) Statement of Newness and Distinctiveness: **When determining whether the design is substantially similar in overall impression to another design no regard is to be had to those features shown in dashed outline.**



(21) Design Number: **13450/2011**
(22) Date of Filing Application: **04 August 2011**
(24) Date from which industrial property rights may have effect: **04 August 2011**
(54) Product in respect of which the design is registered: **Hinge**
(51) International Design Classification: **08-06**
(74) Name(s) of Attorney(s): **Griffith Hack**
(71) Name(s) and Address(s) of Applicant(s):

D & D Group Pty Ltd
Unit 6 4-6 Aquatic Drive Frenchs Forest New South Wales 2086 Australia

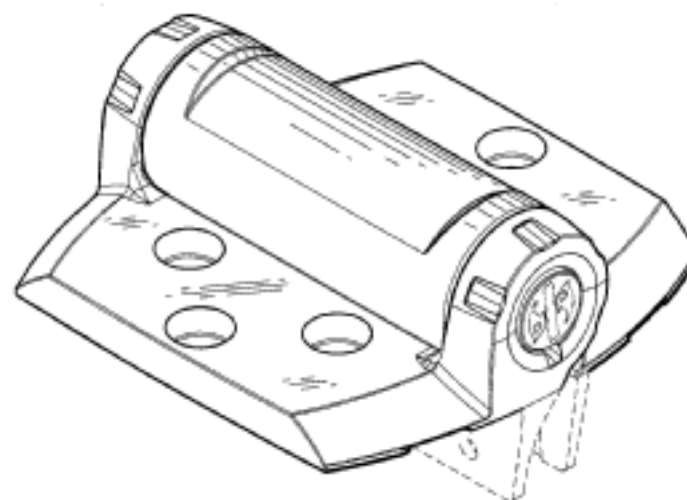
(72) Name(s) of Designer(s): **Bartholomew Jeremy Caffin and Filip Tejszerski**
(45) Registration Date: **30 August 2011**

(30) Convention priority data:

(31) Number	(32) Date	(33) Country
29/384885	04 Feb 2011	UNITED STATES OF AMERICA

(56) Related Art Documents: **Not Applicable**

(57) Statement of Newness and Distinctiveness: **When determining whether the design is substantially similar in overall impression to another design no regard is to be had to those features shown in dashed outline.**



(21) Design Number: **13451/2011**
(22) Date of Filing Application: **04 August 2011**
(24) Date from which industrial property rights may have effect: **04 August 2011**
(54) Product in respect of which the design is registered: **Handle**
(51) International Design Classification: **08-06**
(74) Name(s) of Attorney(s): **Griffith Hack**
(71) Name(s) and Address(s) of Applicant(s):

D & D Group Pty Ltd
Unit 6 4-6 Aquatic Drive Frenchs Forest New South Wales 2086 Australia

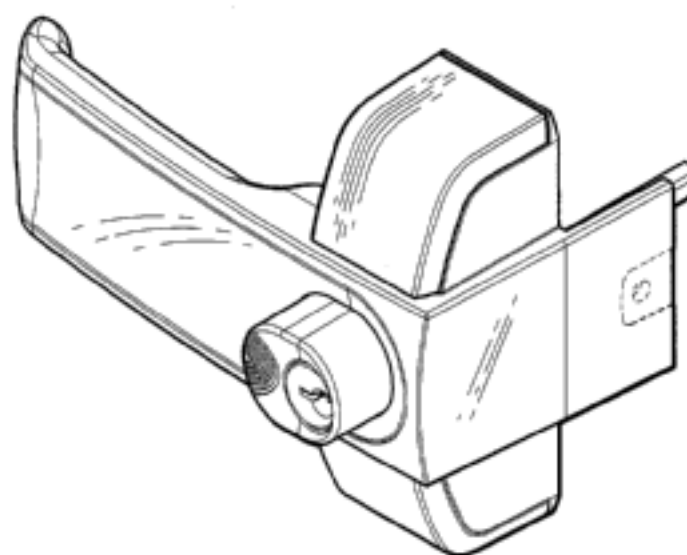
(72) Name(s) of Designer(s): **Filip Tejszerski and Linn Thu Yein Tun**
(45) Registration Date: **30 August 2011**

(30) Convention priority data:

(31) Number	(32) Date	(33) Country
29/384897	04 Feb 2011	UNITED STATES OF AMERICA

(56) Related Art Documents: **Not Applicable**

(57) Statement of Newness and Distinctiveness: **When determining whether the design is substantially similar in overall impression to another design no regard is to be had to those features shown in dashed outline.**



(21) Design Number: **13452/2011**
(22) Date of Filing Application: **04 August 2011**
(24) Date from which industrial property rights may have effect: **04 August 2011**
(54) Product in respect of which the design is registered: **Handle**
(51) International Design Classification: **08-06**
(74) Name(s) of Attorney(s): **Griffith Hack**
(71) Name(s) and Address(s) of Applicant(s):

D & D Group Pty Ltd
Unit 6 4-6 Aquatic Drive Frenchs Forest New South Wales 2086 Australia

(72) Name(s) of Designer(s): **Filip Tejszerski and Linn Thu Yein Tun**

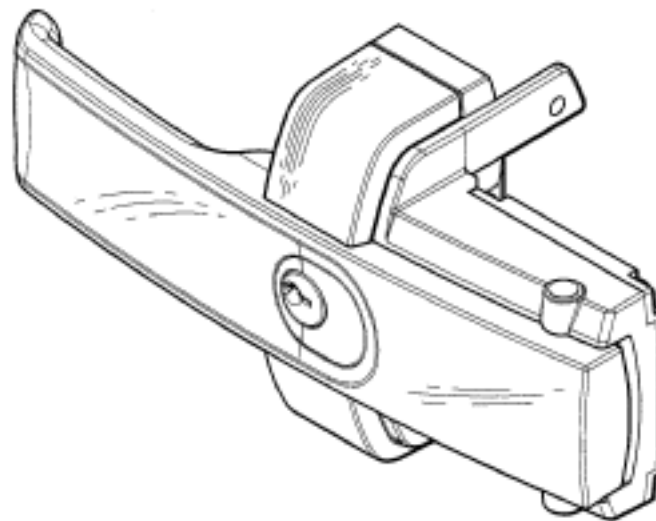
(45) Registration Date: **30 August 2011**

(30) Convention priority data:

(31) Number	(32) Date	(33) Country
29/384902	04 Feb 2011	UNITED STATES OF AMERICA

(56) Related Art Documents: **Not Applicable**

(57) Statement of Newness and Distinctiveness: **When determining whether the design is substantially similar in overall impression to another design no regard is to be had to those features shown in dashed outline.**



(21) Design Number: **13453/2011**
(22) Date of Filing Application: **04 August 2011**
(24) Date from which industrial property rights may have effect: **04 August 2011**
(54) Product in respect of which the design is registered: **Striker for latch**
(51) International Design Classification: **08-07**
(74) Name(s) of Attorney(s): **Griffith Hack**
(71) Name(s) and Address(s) of Applicant(s):

D & D Group Pty Ltd
Unit 6 4-6 Aquatic Drive Frenchs Forest New South Wales 2086 Australia

(72) Name(s) of Designer(s): **Andre Tarris and Glenn Smith and James Novak**

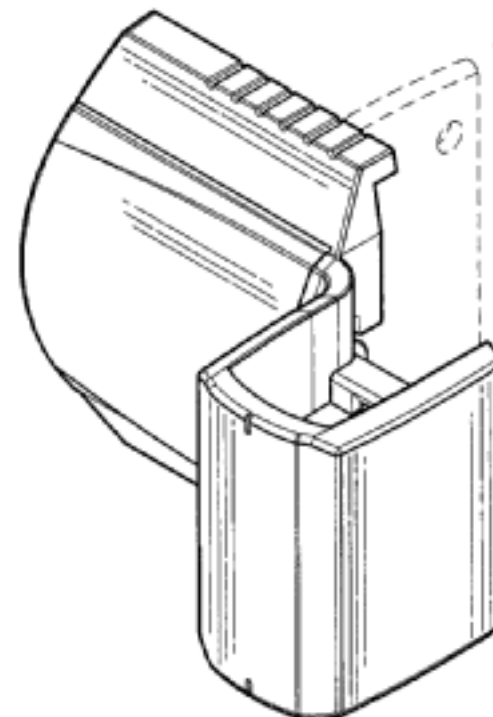
(45) Registration Date: **30 August 2011**

(30) Convention priority data:

(31) Number	(32) Date	(33) Country
29/384910	04 Feb 2011	UNITED STATES OF AMERICA

(56) Related Art Documents: **Not Applicable**

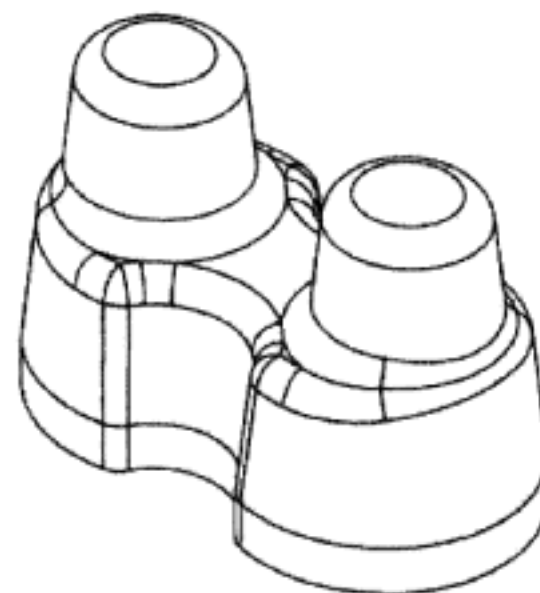
(57) Statement of Newness and Distinctiveness: **When determining whether the design is substantially similar in overall impression to another design no regard is to be had to those features shown in dashed outline.**



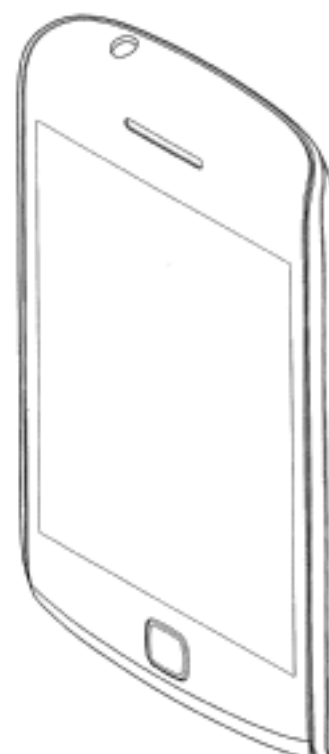
(21) Design Number: **13131/2011**
(22) Date of Filing Application: **13 July 2011**
(24) Date from which industrial property rights may have effect: **13 July 2011**
(54) Product in respect of which the design is registered: **Handrail fabrication jig**
(51) International Design Classification: **08-05F**
(74) Name(s) of Attorney(s):
(71) Name(s) and Address(s) of Applicant(s):
Robert Alexander
6 Concorde Place Glenorchy Tasmania 7010 Australia
(72) Name(s) of Designer(s): **Robert Edward John Alexander**
(45) Registration Date: **31 August 2011**
(56) Related Art Documents: **Not Applicable**
(57) Statement of Newness and Distinctiveness: **This jig is to help fabricate stainless steel 50.8 handrails. It helps to hold the top rail and prevent it from falling off. It also keeps the stouchen central to the top rail. This is the only product of its kind, nothing else is on the market. The jig has been injected molded from plastic and comes in different colours.**



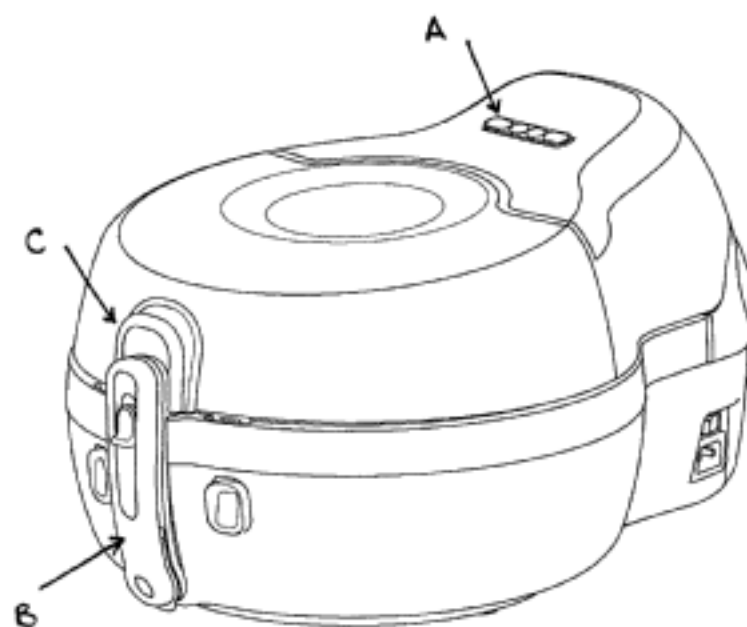
(21) Design Number: **13444/2011**
(22) Date of Filing Application: **04 August 2011**
(24) Date from which industrial property rights may have effect: **04 August 2011**
(54) Product in respect of which the design is registered: **Confectionery**
(51) International Design Classification: **01-01**
(74) Name(s) of Attorney(s): **Griffith Hack**
(71) Name(s) and Address(s) of Applicant(s):
Cadbury Enterprises Pte Limited
346 Jalan Boon Lay Jurong 619528 Singapore
(72) Name(s) of Designer(s): **David McClausland**
(45) Registration Date: **31 August 2011**
(56) Related Art Documents: **Not Applicable**
(57) Statement of Newness and Distinctiveness: **Nil**



(21) Design Number: **13445/2011**
(22) Date of Filing Application: **04 August 2011**
(24) Date from which industrial property rights may have effect: **04 August 2011**
(54) Product in respect of which the design is registered: **Handheld electronic device**
(51) International Design Classification: **14-03E**
(74) Name(s) of Attorney(s): **SPRUSON & FERGUSON**
(71) Name(s) and Address(s) of Applicant(s):
Research In Motion Limited
295 Phillip Street Waterloo Ontario N2L 3W8 Canada
(72) Name(s) of Designer(s): **Marco Sixtus Ferrari and Ingve Holmung and Todd Andrew Wood and Di Tao and Anders Fahrendorff and Min Zhu**
(45) Registration Date: **31 August 2011**
(30) Convention priority data:
(31) Number (32) Date (33) Country
29/385061 08 Feb 2011 UNITED STATES OF AMERICA
(56) Related Art Documents: **Not Applicable**
(57) Statement of Newness and Distinctiveness: **Newness and distinctive is claimed in the features of shape and/or configuration of a handheld electronic device as illustrated in the accompanying representations.**



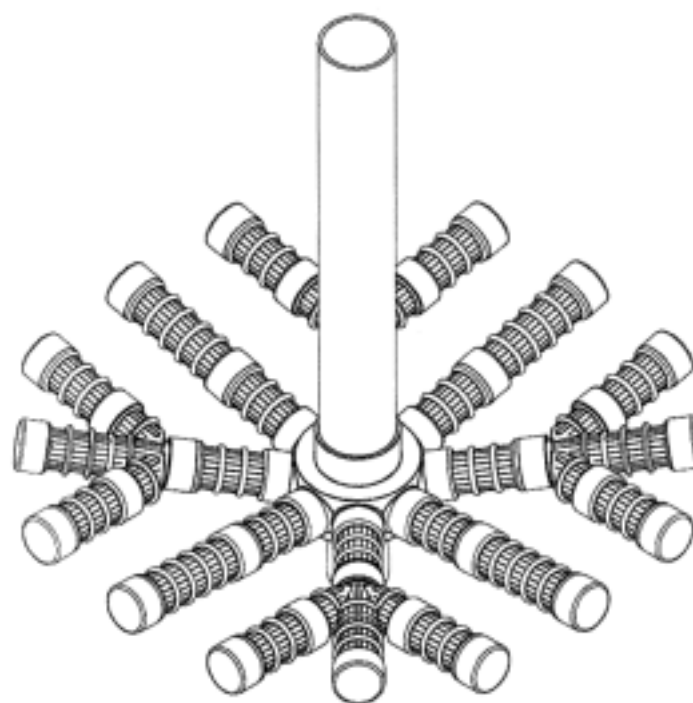
(21) Design Number: **13446/2011**
(22) Date of Filing Application: **04 August 2011**
(24) Date from which industrial property rights may have effect: **04 August 2011**
(54) Product in respect of which the design is registered: **Electric fryer**
(51) International Design Classification: **07-02N**
(74) Name(s) of Attorney(s): **SPRUSON & FERGUSON**
(71) Name(s) and Address(s) of Applicant(s):
SEB
21260 Selongey France
(72) Name(s) of Designer(s): **Guillaume Reiner**
(45) Registration Date: **31 August 2011**
(30) Convention priority data:
(31) Number (32) Date (33) Country
11 1075 25 Feb 2011 FRANCE
(56) Related Art Documents: **Not Applicable**
(57) Statement of Newness and Distinctiveness: **Newness and distinctiveness is claimed in the following features of shape and/or configuration of an electric fryer as illustrated in the accompanying representations and labelled in the perspective view: a) the panel labelled 'A' b) the handle labelled 'B' c) the handle surround on the lid labelled 'C'.**



- (21) Design Number: **13447/2011**
(22) Date of Filing Application: **05 August 2011**
(24) Date from which industrial property rights may have effect: **05 August 2011**
(54) Product in respect of which the design is registered: **Serving apparatus for beverage containers**
(51) International Design Classification: **07-99A**
(74) Name(s) of Attorney(s): **IP Gateway Patent & Trademark Attorneys**
(71) Name(s) and Address(s) of Applicant(s):
Steven Little
204 Huron Road Goderich Ontario N7A 2Z9 Canada
(72) Name(s) of Designer(s): **Steven Little**
(45) Registration Date: **31 August 2011**
(30) Convention priority data:
(31) Number (32) Date (33) Country
29/389,114 06 Apr 2011 UNITED STATES OF AMERICA
(56) Related Art Documents: **Not Applicable**
(57) Statement of Newness and Distinctiveness: **Newness and distinctiveness of the design resides in the visual features of shape and/or configuration of a serving apparatus for beverage containers as shown in solid lines in the accompanying representations.**



- (21) Design Number: **13448/2011**
(22) Date of Filing Application: **04 August 2011**
(24) Date from which industrial property rights may have effect: **04 August 2011**
(54) Product in respect of which the design is registered: **Filter assembly**
(51) International Design Classification: **23-01G**
(74) Name(s) of Attorney(s): **Cotters Patent & Trade Mark Attorneys**
(71) Name(s) and Address(s) of Applicant(s):
Waterco Limited
36 South Street Rydalmere New South Wales 2116 Australia
(72) Name(s) of Designer(s): **Pradeep Kumar Tandon**
(45) Registration Date: **31 August 2011**
(56) Related Art Documents: **Not Applicable**
(57) Statement of Newness and Distinctiveness: **Newness and distinctiveness is claimed in the features of shape and/or configuration of a filter assembly as depicted in the accompanying drawings.**



(21) Design Number: **13613/2011**
(22) Date of Filing Application: **15 August 2011**
(24) Date from which industrial property rights may have effect: **15 August 2011**
(54) Product in respect of which the design is registered: **Princess carriage single bed**
(51) International Design Classification: **06-02**
(74) Name(s) of Attorney(s):
(71) Name(s) and Address(s) of Applicant(s):
IQ Kid & Furniture Pty Ltd
Unit 4 3-7 Rhur Street Dandenong South Victoria 3175 Australia
(72) Name(s) of Designer(s): **Wee Koon Ng**
(45) Registration Date: **31 August 2011**
(56) Related Art Documents: **Not Applicable**
(57) Statement of Newness and Distinctiveness: **Nil**



(21) Design Number: **13666/2011**
(22) Date of Filing Application: **18 August 2011**
(24) Date from which industrial property rights may have effect: **18 August 2011**
(54) Product in respect of which the design is registered: **Support leg for a table**
(51) International Design Classification: **06-06E**
(74) Name(s) of Attorney(s): **HODGKINSON McINNES PATENTS**
(71) Name(s) and Address(s) of Applicant(s):
Thinking Ergonomix Pty Limited
6A Childs Road Chipping Norton New South Wales 2170 Australia
(72) Name(s) of Designer(s): **Matthew Thomas Cramsie**
(45) Registration Date: **31 August 2011**
(56) Related Art Documents: **Not Applicable**
(57) Statement of Newness and Distinctiveness: **Features of Newness and Distinctiveness are claimed in the shape and/or configuration of a support leg for a table as shown in the attached representations.**



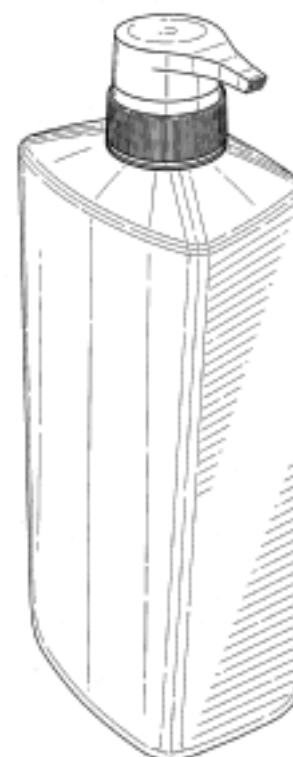
- (21) Design Number: **13019/2011**
(22) Date of Filing Application: **06 July 2011**
(24) Date from which industrial property rights may have effect: **06 July 2011**
(54) Product in respect of which the design is registered: **Oval bottle**
(51) International Design Classification: **09-01NES**
(74) Name(s) of Attorney(s):
(71) Name(s) and Address(s) of Applicant(s):
Jadro Enterprises Pty Ltd
19 Blundy Way Littlehampton South Australia 5250 Australia
(72) Name(s) of Designer(s): **John Rowe**
(45) Registration Date: **31 August 2011**
(56) Related Art Documents: **Not Applicable**
(57) Statement of Newness and Distinctiveness: **The newness and distinctiveness of the design reside in the features of shape, configuration, pattern and ornamentation of the bottle as illustrated in accompanying documents. No regard should be shown to the neck of the bottle.**



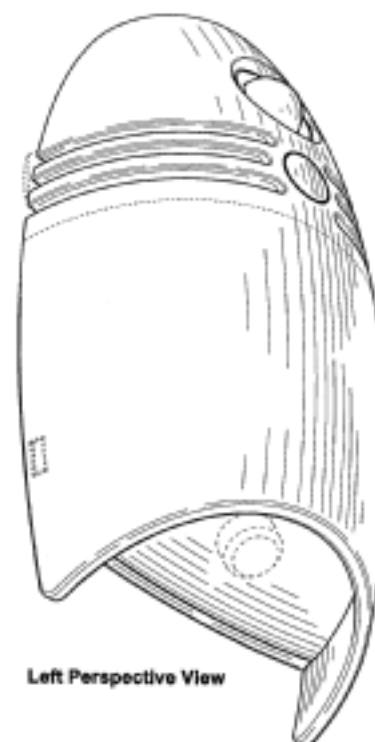
- (21) Design Number: **13046/2011**
(22) Date of Filing Application: **07 July 2011**
(24) Date from which industrial property rights may have effect: **07 July 2011**
(54) Product in respect of which the design is registered: **Bottle**
(51) International Design Classification: **09-01K**
(74) Name(s) of Attorney(s): **Davies Collison Cave**
(71) Name(s) and Address(s) of Applicant(s):
Unilever PLC
Unilever House 100 Victoria Embankment London EC4Y 0DY United Kingdom
(72) Name(s) of Designer(s): **Bas Jeroen ten Brummelhuis and Andrew Peter Sharpe**
(45) Registration Date: **31 August 2011**
(30) Convention priority data:
(31) Number (32) Date (33) Country
001812447-0001 28 Jan 2011 EUROPEAN COMMUNITY
(56) Related Art Documents: **Not Applicable**
(57) Statement of Newness and Distinctiveness: **Newness and distinctiveness is claimed in the visual features shown in solid lines in the representations.**



(21) Design Number: **13048/2011**
(22) Date of Filing Application: **07 July 2011**
(24) Date from which industrial property rights may have effect: **07 July 2011**
(54) Product in respect of which the design is registered: **Bottle with pump**
(51) International Design Classification: **09-01A**
(74) Name(s) of Attorney(s): **Davies Collison Cave**
(71) Name(s) and Address(s) of Applicant(s):
Unilever PLC
Unilever House 100 Victoria Embankment London EC4Y 0DY United Kingdom
(72) Name(s) of Designer(s): **Bas Jeroen ten Brummelhuis and Andrew Peter Sharpe**
(45) Registration Date: **31 August 2011**
(30) Convention priority data:
(31) Number (32) Date (33) Country
001812512-0001 28 Jan 2011 EUROPEAN COMMUNITY
(56) Related Art Documents: **Not Applicable**
(57) Statement of Newness and Distinctiveness: **Newness and distinctiveness is claimed in the visual features shown in solid lines in the representations.**



(21) Design Number: **13468/2011**
(22) Date of Filing Application: **05 August 2011**
(24) Date from which industrial property rights may have effect: **05 August 2011**
(54) Product in respect of which the design is registered: **A lighting device**
(51) International Design Classification: **26-04**
(74) Name(s) of Attorney(s): **Halfords IP**
(71) Name(s) and Address(s) of Applicant(s):
Eveready Battery Company, Inc.
533 Maryville University Drive St Louis Missouri 63141 United States of America
(72) Name(s) of Designer(s): **David J. Hine and Ronald J. Kingston**
(45) Registration Date: **31 August 2011**
(30) Convention priority data:
(31) Number (32) Date (33) Country
29/388288 28 Mar 2011 UNITED STATES OF AMERICA
(56) Related Art Documents: **Not Applicable**
(57) Statement of Newness and Distinctiveness: **Newness and distinctiveness is claimed in those features of shape and or configuration of a lighting device as depicted in the representations. The representations use broken lines, contour lines and shading to assist in the illustration of features of shape and or configuration. Such broken lines, contour lines and shading do not form part of the design.**



(21) Design Number: **13469/2011**
(22) Date of Filing Application: **05 August 2011**
(24) Date from which industrial property rights may have effect: **05 August 2011**
(54) Product in respect of which the design is registered: **A lighting device**
(51) International Design Classification: **26-04**
(74) Name(s) of Attorney(s): **Halfords IP**
(71) Name(s) and Address(s) of Applicant(s):
Eveready Battery Company, Inc.
533 Maryville University Drive St Louis Missouri 63141 United States of America

(72) Name(s) of Designer(s): **David J. Hine and Scott W. Osiecki**

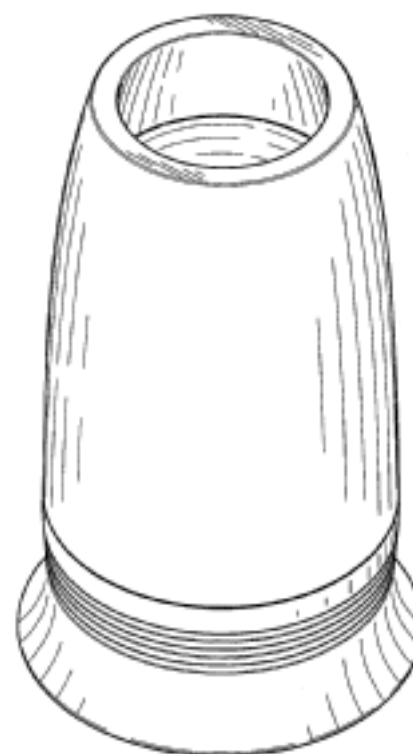
(45) Registration Date: **31 August 2011**

(30) Convention priority data:

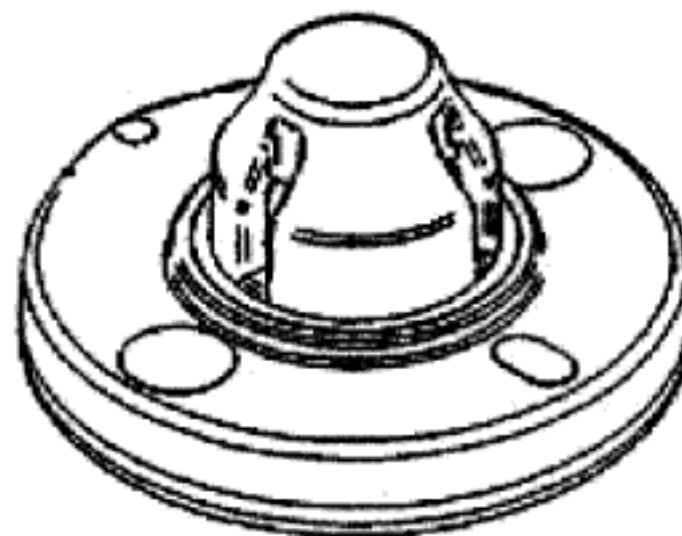
(31) Number	(32) Date	(33) Country
29/388290	28 Mar 2011	UNITED STATES OF AMERICA

(56) Related Art Documents: **Not Applicable**

(57) Statement of Newness and Distinctiveness: **Newness and distinctiveness is claimed in those features of shape and or configuration of a lighting device as depicted in the representations. The representations use broken lines, contour lines and shading to assist in the illustration of features of shape and or configuration. Such broken lines, contour lines and shading do not form part of the design.**



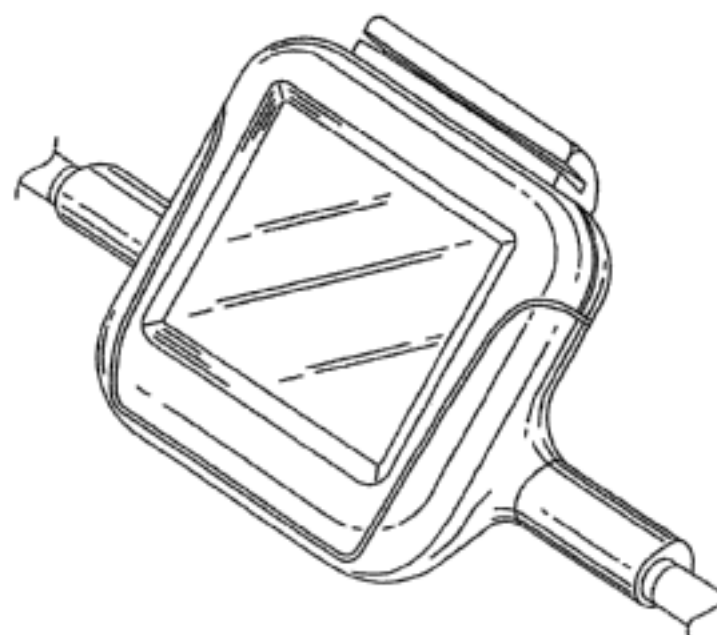
(21) Design Number: **13473/2011**
(22) Date of Filing Application: **05 August 2011**
(24) Date from which industrial property rights may have effect: **05 August 2011**
(54) Product in respect of which the design is registered: **A marker for animals**
(51) International Design Classification: **30-08**
(74) Name(s) of Attorney(s): **Ellis Terry**
(71) Name(s) and Address(s) of Applicant(s):
Allflex Europe
Route des Eaux ZI de Plague 35500 Vitre France
(72) Name(s) of Designer(s): **Johan Decaluwe and Jean-Jacques Hilpert and Emmanuel Lemaire**
(45) Registration Date: **31 August 2011**
(56) Related Art Documents: **Not Applicable**
(57) Statement of Newness and Distinctiveness: **Nil**



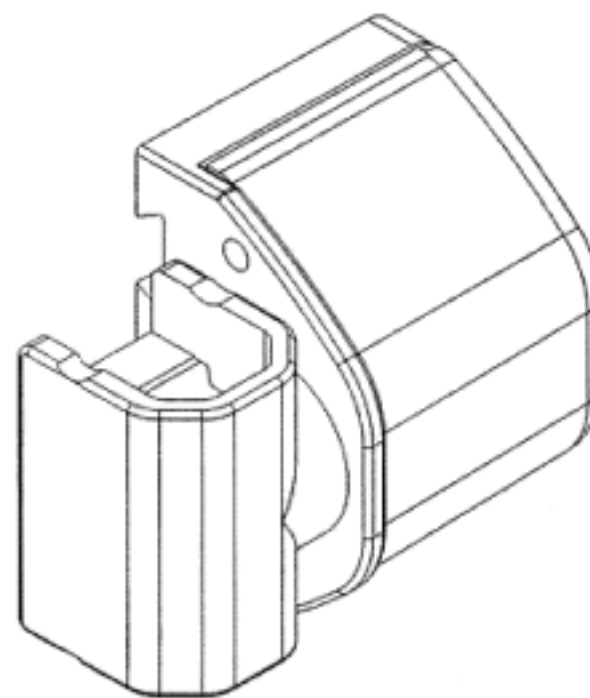
- (21) Design Number: **13474/2011**
(22) Date of Filing Application: **04 August 2011**
(24) Date from which industrial property rights may have effect: **04 August 2011**
(54) Product in respect of which the design is registered: **Shopping trolley**
(51) International Design Classification: **12-02**
(74) Name(s) of Attorney(s): **FB Rice**
(71) Name(s) and Address(s) of Applicant(s):
Bizzarri S.R.L.
Via Antonio Da Sangallo 9 06034 Foligno (PG) Italy
(72) Name(s) of Designer(s): **Riccardo Bizzarri and Marco Bizzarri**
(45) Registration Date: **31 August 2011**
(56) Related Art Documents: **Not Applicable**
(57) Statement of Newness and Distinctiveness: **Newness and distinctiveness reside in the features of the shape and configuration of the design as shown in the representations.**



- (21) Design Number: **13475/2011**
(22) Date of Filing Application: **05 August 2011**
(24) Date from which industrial property rights may have effect: **05 August 2011**
(54) Product in respect of which the design is registered: **Display device with magnetic card reader**
(51) International Design Classification: **14-02**
(74) Name(s) of Attorney(s): **HODGKINSON McINNES PATENTS**
(71) Name(s) and Address(s) of Applicant(s):
Mercatus Technologies Inc.
60 Adelaide Street East Suite 700 Toronto Ontario M5C 3E4 Canada
(72) Name(s) of Designer(s): **Jeremy List and Mark Edey and Alan Lok and Ambles Kwok**
(45) Registration Date: **31 August 2011**
(30) Convention priority data:
(31) Number (32) Date (33) Country
139149 11 Feb 2011 CANADA
(56) Related Art Documents: **Not Applicable**
(57) Statement of Newness and Distinctiveness: **Newness and distinctiveness are claimed in relation to the features of shape and/or configuration of the display device with magnetic card reader as shown in the attached representation. The shape and/or configuration of the portions of the drawings shown in stippled lines are for illustrative purposes only and do not form part of the design.**



- (21) Design Number: **12510/2011**
(22) Date of Filing Application: **01 June 2011**
(24) Date from which industrial property rights may have effect: **01 June 2011**
(54) Product in respect of which the design is registered: **A gate latch unit**
(51) International Design Classification: **08-07**
(74) Name(s) of Attorney(s): **SPRUSON & FERGUSON**
(71) Name(s) and Address(s) of Applicant(s):
Bekine Pty Ltd
29 Dalmar Street Croydon New South Wales 2132 Australia
(72) Name(s) of Designer(s): **Neville Brown**
(45) Registration Date: **31 August 2011**
(56) Related Art Documents: **Not Applicable**
(57) Statement of Newness and Distinctiveness: **Newness and distinctiveness is claimed in the features of shape an/or configuration of a gate latch unit as illustrated in the accompanying representations.**



- (21) Design Number: **12950/2011**
(22) Date of Filing Application: **04 July 2011**
(24) Date from which industrial property rights may have effect: **04 July 2011**
(54) Product in respect of which the design is registered: **Mobile skate ramps**
(51) International Design Classification: **21-03**
(74) Name(s) of Attorney(s):
(71) Name(s) and Address(s) of Applicant(s):
Simon Andrew Scalas
15 Matcham Road Erina Heights New South Wales 2260 Australia
(72) Name(s) of Designer(s): **Simon Andrew Scalas**
(45) Registration Date: **31 August 2011**
(56) Related Art Documents: **Not Applicable**
(57) Statement of Newness and Distinctiveness: **The modular system for mobile skate and bike parks (base system).**



- (21) Design Number: **13786/2011**
(22) Date of Filing Application: **04 July 2011**
(24) Date from which industrial property rights may have effect: **04 July 2011**
(54) Product in respect of which the design is registered: **Mobile skate ramps**
(51) International Design Classification: **21-03**
(74) Name(s) of Attorney(s):
(71) Name(s) and Address(s) of Applicant(s):
Simon Andrew Scalas
15 Matcham Road Erina Heights New South Wales 2260 Australia
(72) Name(s) of Designer(s): **Simon Andrew Scalas**
(45) Registration Date: **31 August 2011**
(56) Related Art Documents: **Not Applicable**
(57) Statement of Newness and Distinctiveness: **The modular system for mobile skate and bike parks (base system).**



- (21) Design Number: **13497/2011**
(22) Date of Filing Application: **08 August 2011**
(24) Date from which industrial property rights may have effect: **08 August 2011**
(54) Product in respect of which the design is registered: **Motorcycle**
(51) International Design Classification: **12-11, 12-16B**
(74) Name(s) of Attorney(s): **SPRUSON & FERGUSON**
(71) Name(s) and Address(s) of Applicant(s):
Honda Motor Co., Ltd.
1-1 Minamiaoyama 2-chome Minato-ku Tokyo Japan
(72) Name(s) of Designer(s): **Yosuke Matsuoka and Osami Inomata**
(45) Registration Date: **01 September 2011**
(30) Convention priority data:
(31) Number (32) Date (33) Country
2011-002870 10 Feb 2011 JAPAN
(56) Related Art Documents: **Not Applicable**
(57) Statement of Newness and Distinctiveness: **Newness and distinctiveness is claimed in the features of shape and/or configuration of a motorcycle illustrated in shades of grey in the accompanying representations, apart from the features illustrated in shades of violet.**



(21) Design Number: **13498/2011**
(22) Date of Filing Application: **08 August 2011**
(24) Date from which industrial property rights may have effect: **08 August 2011**
(54) Product in respect of which the design is registered: **Motorcycle**
(51) International Design Classification: **12-11**
(74) Name(s) of Attorney(s): **SPRUSON & FERGUSON**
(71) Name(s) and Address(s) of Applicant(s):
Honda Motor Co., Ltd.
1-1 Minamiaoyama 2-chome Minato-ku Tokyo Japan
(72) Name(s) of Designer(s): **Yosuke Matsuoka and Osami Inomata**
(45) Registration Date: **01 September 2011**
(30) Convention priority data:
(31) Number (32) Date (33) Country
2011-002865 10 Feb 2011 JAPAN
(56) Related Art Documents: **Not Applicable**
(57) Statement of Newness and Distinctiveness: **Newness and distinctiveness is claimed in the features of shape and/or configuration of a motorcycle as illustrated in the accompanying representations.**



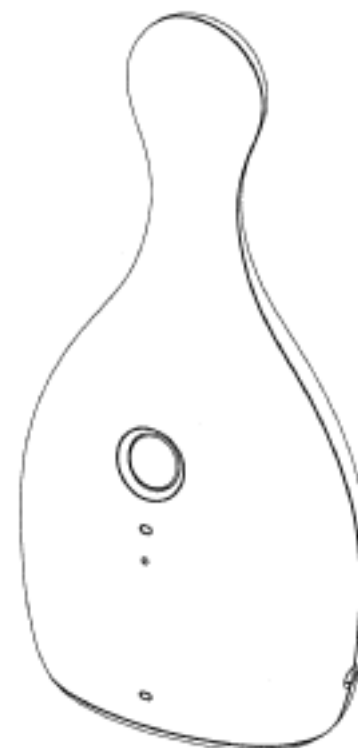
(21) Design Number: **13499/2011**
(22) Date of Filing Application: **08 August 2011**
(24) Date from which industrial property rights may have effect: **08 August 2011**
(54) Product in respect of which the design is registered: **Motorcycle**
(51) International Design Classification: **12-11**
(74) Name(s) of Attorney(s): **SPRUSON & FERGUSON**
(71) Name(s) and Address(s) of Applicant(s):
Honda Motor Co., Ltd.
1-1 Minamiaoyama 2-chome Minato-ku Tokyo Japan
(72) Name(s) of Designer(s): **Takayuki Yamazaki and Takashi Watanabe**
(45) Registration Date: **01 September 2011**
(30) Convention priority data:
(31) Number (32) Date (33) Country
2011-002866 10 Feb 2011 JAPAN
(56) Related Art Documents: **Not Applicable**
(57) Statement of Newness and Distinctiveness: **Newness and distinctiveness is claimed in the features of shape and/or configuration of a motorcycle as illustrated in the accompanying representations.**



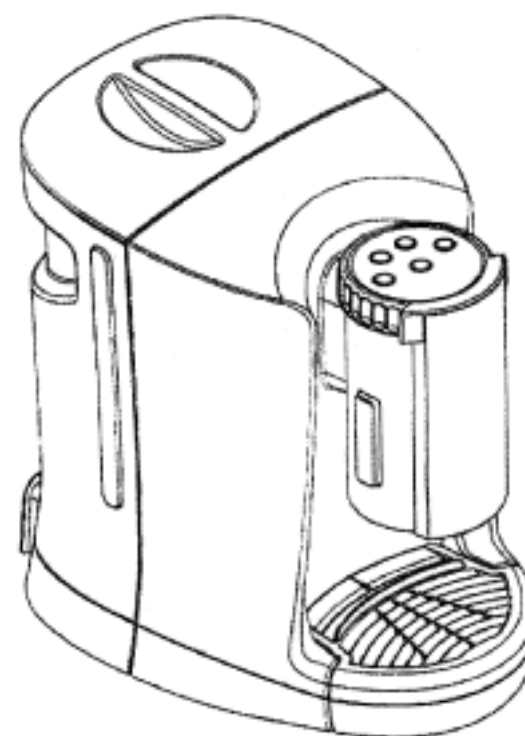
- (21) Design Number: **13505/2011**
(22) Date of Filing Application: **08 August 2011**
(24) Date from which industrial property rights may have effect: **08 August 2011**
(54) Product in respect of which the design is registered: **Parent unit for babyphone**
(51) International Design Classification: **14-03A**
(74) Name(s) of Attorney(s): **FB Rice**
(71) Name(s) and Address(s) of Applicant(s):
Koninklijke Philips Electronics N.V.
Groenewoudseweg 1 5621 BA Eindhoven The Netherlands
(72) Name(s) of Designer(s): **Edouard Gebski**
(45) Registration Date: **01 September 2011**
(30) Convention priority data:
(31) Number (32) Date (33) Country
001818006-0001 08 Feb 2011 EUROPEAN COMMUNITY
(56) Related Art Documents: **Not Applicable**
(57) Statement of Newness and Distinctiveness: **Newness and distinctiveness reside in the features of shape and configuration of the parent unit for babyphone as shown in the representations.**



- (21) Design Number: **13506/2011**
(22) Date of Filing Application: **08 August 2011**
(24) Date from which industrial property rights may have effect: **08 August 2011**
(54) Product in respect of which the design is registered: **Baby unit for babyphone**
(51) International Design Classification: **14-03A**
(74) Name(s) of Attorney(s): **FB Rice**
(71) Name(s) and Address(s) of Applicant(s):
Koninklijke Philips Electronics N.V.
Groenewoudseweg 1 5621 BA Eindhoven The Netherlands
(72) Name(s) of Designer(s): **Edouard Gebski**
(45) Registration Date: **01 September 2011**
(30) Convention priority data:
(31) Number (32) Date (33) Country
001818006-0002 08 Feb 2011 EUROPEAN COMMUNITY
(56) Related Art Documents: **Not Applicable**
(57) Statement of Newness and Distinctiveness: **Newness and distinctiveness reside in the features of shape and configuration of the baby unit for babyphone as shown in the representations.**



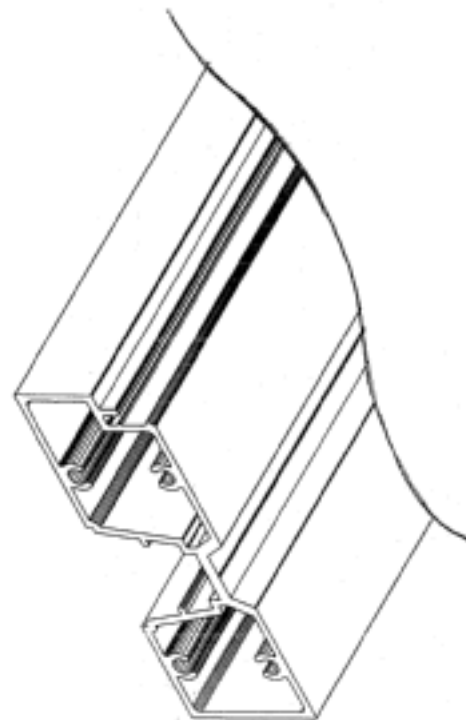
(21) Design Number: **13507/2011**
(22) Date of Filing Application: **08 August 2011**
(24) Date from which industrial property rights may have effect: **08 August 2011**
(54) Product in respect of which the design is registered: **Beverage maker**
(51) International Design Classification: **07-02L**
(74) Name(s) of Attorney(s): **Baker & McKenzie**
(71) Name(s) and Address(s) of Applicant(s):
Mars Drinks UK Limited
3D Dundee Road Slough Berkshire SL1 4LG United Kingdom
(72) Name(s) of Designer(s): **Guang Mu Wu and Kai Miao Liu and Qin Li and Qiang Zhang and Yi Bin Zhang and Lars Lieberwirth**
(45) Registration Date: **01 September 2011**
(30) Convention priority data:
(31) Number (32) Date (33) Country
29/396,464 30 Jun 2011 UNITED STATES OF AMERICA
(56) Related Art Documents: **Not Applicable**
(57) Statement of Newness and Distinctiveness: **The newness and distinctiveness of the design resides in the features of shape and configuration depicted on solid lines in the attached representations.**



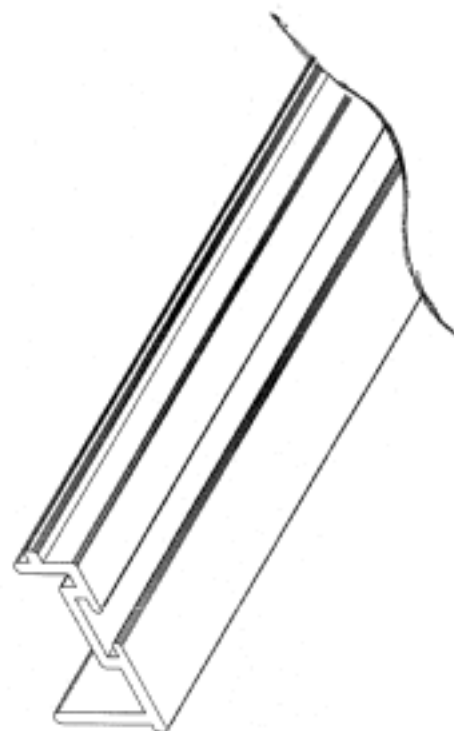
(21) Design Number: **13508/2011**
(22) Date of Filing Application: **08 August 2011**
(24) Date from which industrial property rights may have effect: **08 August 2011**
(54) Product in respect of which the design is registered: **Chocolate/confectionery**
(51) International Design Classification: **01-01**
(74) Name(s) of Attorney(s): **Baker & McKenzie**
(71) Name(s) and Address(s) of Applicant(s):
Mars Incorporated
6885 Elm Street McLean Virginia 22101 United States of America
(72) Name(s) of Designer(s): **William Jason Greer and Paul Francis Regan and Puja Minotto**
(45) Registration Date: **01 September 2011**
(30) Convention priority data:
(31) Number (32) Date (33) Country
29/390,050 19 Apr 2011 UNITED STATES OF AMERICA
(56) Related Art Documents: **Not Applicable**
(57) Statement of Newness and Distinctiveness: **Nil**



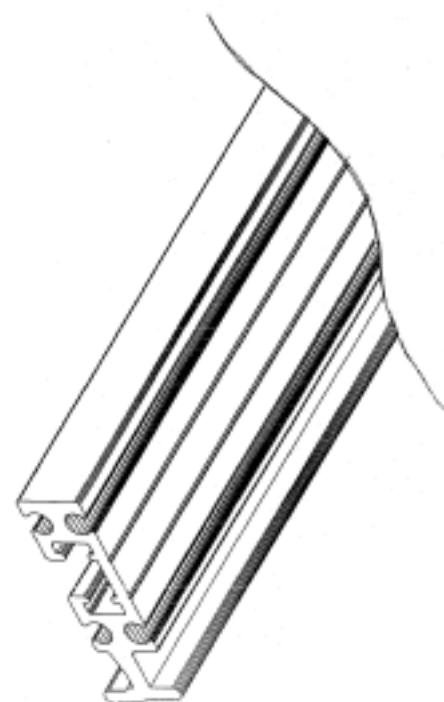
- (21) Design Number: **13476/2011**
(22) Date of Filing Application: **05 August 2011**
(24) Date from which industrial property rights may have effect: **05 August 2011**
(54) Product in respect of which the design is registered: **Thermal break framing system**
(51) International Design Classification: **25-01K**
(74) Name(s) of Attorney(s):
(71) Name(s) and Address(s) of Applicant(s):
Aluminium Industries of Australia Pty Ltd
Cnr Carson Avenue & Cheltenham Road Keysborough Victoria 3173
Australia
(72) Name(s) of Designer(s): **Jim Gallagher and Tracey Coad**
(45) Registration Date: **01 September 2011**
(56) Related Art Documents: **Not Applicable**
(57) Statement of Newness and Distinctiveness: **Monopoly is claimed in the shape and/or configuration of an extruded thermal break extrusion 10 as illustrated in the representations which is of infinite length.**



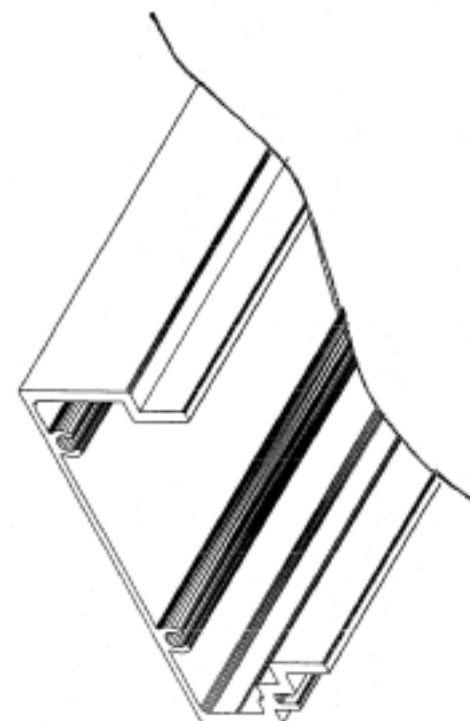
- (21) Design Number: **13477/2011**
(22) Date of Filing Application: **05 August 2011**
(24) Date from which industrial property rights may have effect: **05 August 2011**
(54) Product in respect of which the design is registered: **Thermal break framing system**
(51) International Design Classification: **25-01K**
(74) Name(s) of Attorney(s):
(71) Name(s) and Address(s) of Applicant(s):
Aluminium Industries of Australia Pty Ltd
Cnr Carson Avenue & Cheltenham Road Keysborough Victoria 3173
Australia
(72) Name(s) of Designer(s): **Jim Gallagher and Tracey Coad**
(45) Registration Date: **01 September 2011**
(56) Related Art Documents: **Not Applicable**
(57) Statement of Newness and Distinctiveness: **Monopoly is claimed in the shape and/or configuration of an extruded thermal break extrusion 11 as illustrated in the representations which is of infinite length.**



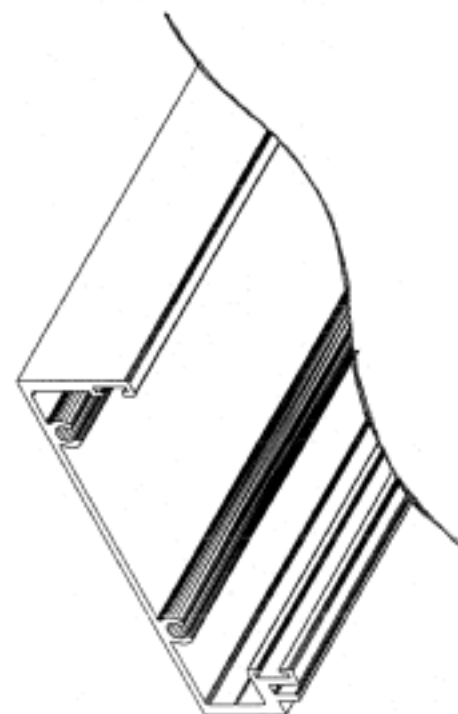
- (21) Design Number: **13478/2011**
(22) Date of Filing Application: **05 August 2011**
(24) Date from which industrial property rights may have effect: **05 August 2011**
(54) Product in respect of which the design is registered: **Thermal break framing system assembly**
(51) International Design Classification: **25-01K**
(74) Name(s) of Attorney(s):
(71) Name(s) and Address(s) of Applicant(s):
Aluminium Industries of Australia Pty Ltd
Cnr Carson Avenue & Cheltenham Road Keysborough Victoria 3173
Australia
(72) Name(s) of Designer(s): **Jim Gallagher and Tracey Coad**
(45) Registration Date: **01 September 2011**
(56) Related Art Documents: **Not Applicable**
(57) Statement of Newness and Distinctiveness: **Monopoly is claimed in the shape and/or configuration of an extruded thermal break extrusion 1 as illustrated in the representations which is of infinite length.**



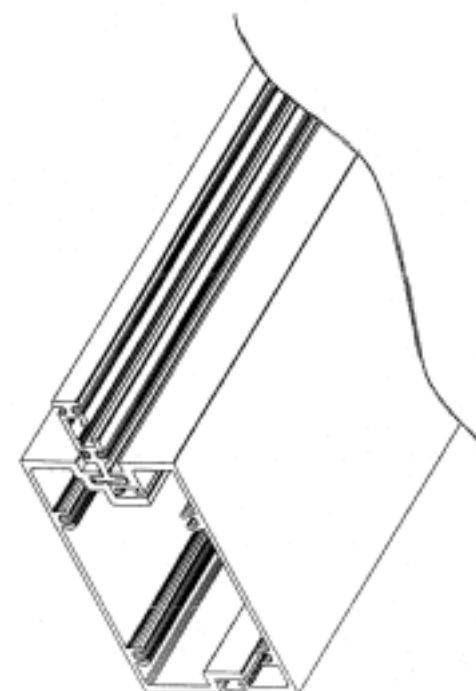
- (21) Design Number: **13479/2011**
(22) Date of Filing Application: **05 August 2011**
(24) Date from which industrial property rights may have effect: **05 August 2011**
(54) Product in respect of which the design is registered: **Thermal break framing system assembly**
(51) International Design Classification: **25-01K**
(74) Name(s) of Attorney(s):
(71) Name(s) and Address(s) of Applicant(s):
Aluminium Industries of Australia Pty Ltd
Cnr Carson Avenue & Cheltenham Road Keysborough Victoria 3173
Australia
(72) Name(s) of Designer(s): **Jim Gallagher and Tracey Coad**
(45) Registration Date: **01 September 2011**
(56) Related Art Documents: **Not Applicable**
(57) Statement of Newness and Distinctiveness: **Monopoly is claimed in the shape and/or configuration of an extruded thermal break extrusion 2 as illustrated in the representations which is of infinite length.**



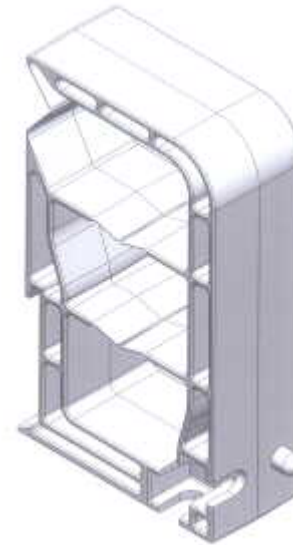
- (21) Design Number: **13480/2011**
(22) Date of Filing Application: **05 August 2011**
(24) Date from which industrial property rights may have effect: **05 August 2011**
(54) Product in respect of which the design is registered: **Thermal break framing system assembly**
(51) International Design Classification: **25-01K**
(74) Name(s) of Attorney(s):
(71) Name(s) and Address(s) of Applicant(s):
Aluminium Industries of Australia Pty Ltd
Cnr Carson Avenue & Cheltenham Road Keysborough Victoria 3173
Australia
(72) Name(s) of Designer(s): **Jim Gallagher and Tracey Coad**
(45) Registration Date: **01 September 2011**
(56) Related Art Documents: **Not Applicable**
(57) Statement of Newness and Distinctiveness: **Monopoly is claimed in the shape and/or configuration of an extruded thermal break extrusion 3 as illustrated in the representations which is of infinite length.**



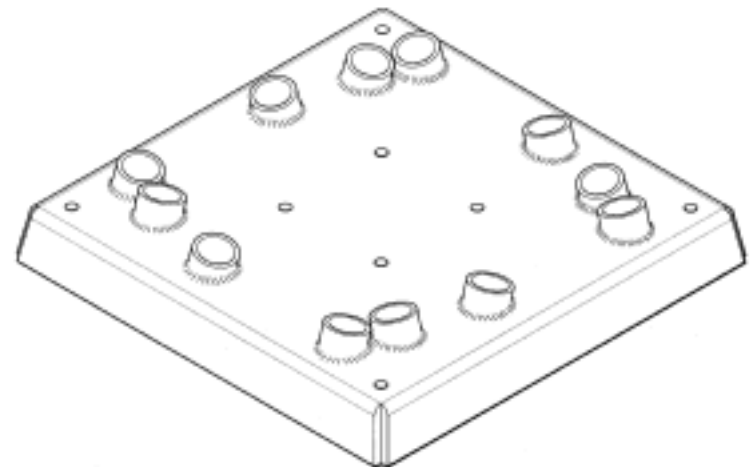
- (21) Design Number: **13481/2011**
(22) Date of Filing Application: **05 August 2011**
(24) Date from which industrial property rights may have effect: **05 August 2011**
(54) Product in respect of which the design is registered: **Thermal break framing system assembly**
(51) International Design Classification: **25-01K**
(74) Name(s) of Attorney(s):
(71) Name(s) and Address(s) of Applicant(s):
Aluminium Industries of Australia Pty Ltd
Cnr Carson Avenue & Cheltenham Road Keysborough Victoria 3173
Australia
(72) Name(s) of Designer(s): **Jim Gallagher and Tracey Coad**
(45) Registration Date: **01 September 2011**
(56) Related Art Documents: **Not Applicable**
(57) Statement of Newness and Distinctiveness: **Monopoly is claimed in the shape and/or configuration of an extruded thermal break extrusion assembly as illustrated in the representations which is of infinite length.**



(21) Design Number: **13482/2011**
(22) Date of Filing Application: **05 August 2011**
(24) Date from which industrial property rights may have effect: **05 August 2011**
(54) Product in respect of which the design is registered: **Component for holding electrical cables intact inside electrical equipments**
(51) International Design Classification: **13-03B**
(74) Name(s) of Attorney(s):
(71) Name(s) and Address(s) of Applicant(s):
Elsteel (Private) Ltd.
Spur Road 2 Phase 1 EPZ Katunayake Western 11420 Sri Lanka
(72) Name(s) of Designer(s): **Erik Landsperg Logstrup**
(45) Registration Date: **01 September 2011**
(30) Convention priority data:
(31) Number (32) Date (33) Country
001817784 08 Feb 2011 EUROPEAN COMMUNITY
(56) Related Art Documents: **Not Applicable**
(57) Statement of Newness and Distinctiveness: **Nil**



(21) Design Number: **13483/2011**
(22) Date of Filing Application: **05 August 2011**
(24) Date from which industrial property rights may have effect: **05 August 2011**
(54) Product in respect of which the design is registered: **Footing plate**
(51) International Design Classification: **25-01B**
(74) Name(s) of Attorney(s): **Callinans**
(71) Name(s) and Address(s) of Applicant(s):
Neil Despotellis
26 Elle Close Bundoora Victoria 3083 Australia
(72) Name(s) of Designer(s): **Neil Despotellis**
(45) Registration Date: **01 September 2011**
(56) Related Art Documents: **Not Applicable**
(57) Statement of Newness and Distinctiveness: **Nil**



- (21) Design Number: **13485/2011**
(22) Date of Filing Application: **05 August 2011**
(24) Date from which industrial property rights may have effect: **16 December 2010**
(54) Product in respect of which the design is registered: **Armour tile**
(51) International Design Classification: **22-99**
(74) Name(s) of Attorney(s): **Griffith Hack**
(71) Name(s) and Address(s) of Applicant(s):
Industrie Bitossi S.P.A.
Via Pietramarina 53 1-50053 Sovigliana Vinci (Firenze) Italy
Plasan Sasa Ltd.
Kibbutz Sasa M.P. Marom Hagalil 13870 Israel
(72) Name(s) of Designer(s): **Loriano Bocini and Francesco Borghini and Riccardo Rovai and Shmuel Genihovich and Eliyahu Herush and Mark Pak**
(45) Registration Date: **01 September 2011**
(62) Divisional of: **338033**
(56) Related Art Documents: **Not Applicable**
(57) Statement of Newness and Distinctiveness: **The shape, pattern and configuration of channels in the armour tile as illustrated in solid lines in the representations are new and distinctive. The outer peripheral shape of the armour tile illustrated in broken lines in the representations is not a limitation of this design.**



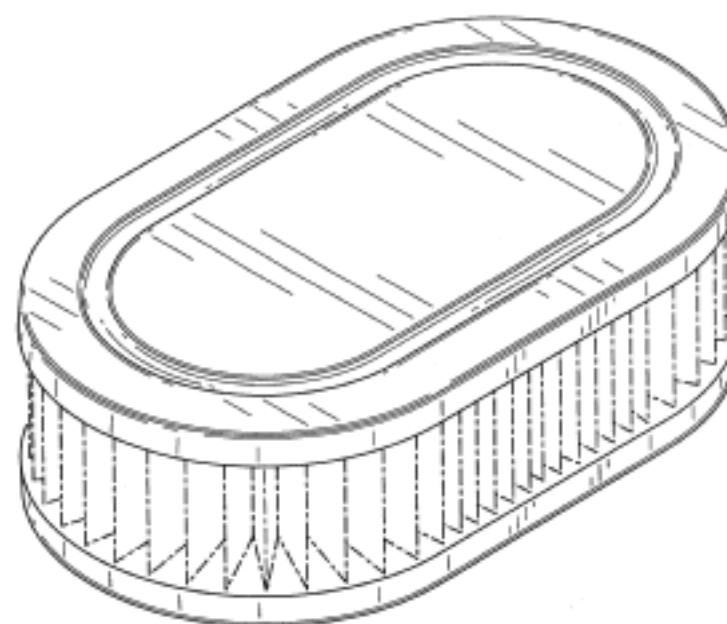
- (21) Design Number: **12901/2011**
(22) Date of Filing Application: **29 June 2011**
(24) Date from which industrial property rights may have effect: **29 June 2011**
(54) Product in respect of which the design is registered: **Gaming machine**
(51) International Design Classification: **21-03**
(74) Name(s) of Attorney(s): **Shelston IP**
(71) Name(s) and Address(s) of Applicant(s):
Ainsworth Game Technology Limited
10 Holker Street Newington New South Wales 2127 Australia
(72) Name(s) of Designer(s): **Vincent Carmelo Bruzzese and Scott Paul Shelley and Peter Scott Clarebrough**
(45) Registration Date: **01 September 2011**
(56) Related Art Documents: **Not Applicable**
(57) Statement of Newness and Distinctiveness: **Newness and distinctiveness reside in the features of shape and/or configuration of a gaming machine as illustrated in the accompanying representations.**



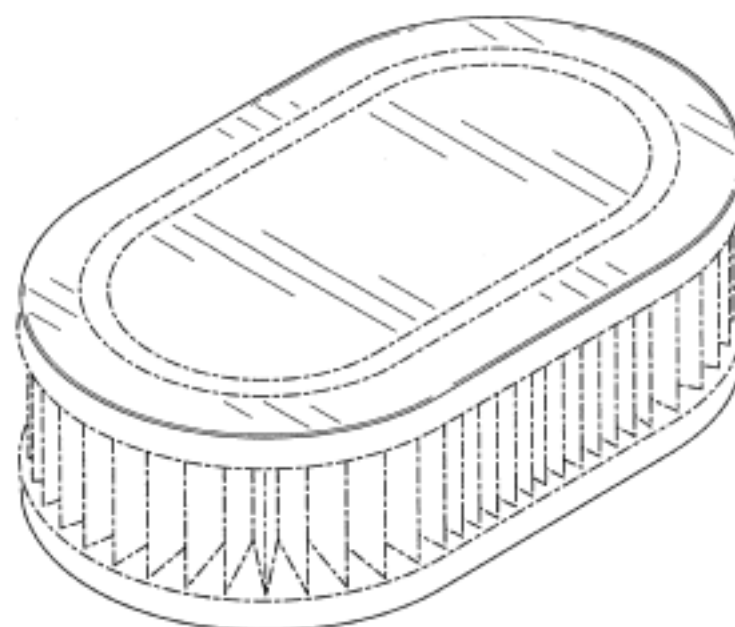
- (21) Design Number: **13509/2011**
(22) Date of Filing Application: **08 August 2011**
(24) Date from which industrial property rights may have effect: **08 August 2011**
(54) Product in respect of which the design is registered: **Front side cover for motorcycle**
(51) International Design Classification: **12-11**
(74) Name(s) of Attorney(s): **SPRUSON & FERGUSON**
(71) Name(s) and Address(s) of Applicant(s):
Honda Motor Co., Ltd.
1-1 Minamiaoyama 2-chome Minato-ku Tokyo Japan
(72) Name(s) of Designer(s): **Martin Peterson and Satoshi Ito**
(45) Registration Date: **01 September 2011**
(30) Convention priority data:
(31) Number (32) Date (33) Country
2011-002869 10 Feb 2011 JAPAN
(56) Related Art Documents: **Not Applicable**
(57) Statement of Newness and Distinctiveness: **Newness and distinctiveness is claimed in the features of shape and/or configuration of a front side cover for motorcycle as illustrated in the accompanying representations.**



- (21) Design Number: **13510/2011**
(22) Date of Filing Application: **08 August 2011**
(24) Date from which industrial property rights may have effect: **08 August 2011**
(54) Product in respect of which the design is registered: **Air filter**
(51) International Design Classification: **23-04**
(74) Name(s) of Attorney(s): **SPRUSON & FERGUSON**
(71) Name(s) and Address(s) of Applicant(s):
Briggs & Stratton Corporation
12301 West Wirth Street Wauwatosa Wisconsin 53222 United States of America
(72) Name(s) of Designer(s): **Michael Schultz**
(45) Registration Date: **01 September 2011**
(30) Convention priority data:
(31) Number (32) Date (33) Country
29385370 11 Feb 2011 UNITED STATES OF AMERICA
(56) Related Art Documents: **Not Applicable**
(57) Statement of Newness and Distinctiveness: **Newness and distinctiveness is claimed in those features of shape and/or configuration of an air filter illustrated in continuous lines in the accompanying representations.**



(21) Design Number: **13511/2011**
(22) Date of Filing Application: **08 August 2011**
(24) Date from which industrial property rights may have effect: **08 August 2011**
(54) Product in respect of which the design is registered: **Air filter**
(51) International Design Classification: **23-04**
(74) Name(s) of Attorney(s): **SPRUSON & FERGUSON**
(71) Name(s) and Address(s) of Applicant(s):
Briggs & Stratton Corporation
12301 West Wirth Street Wauwatosa Wisconsin 53222 United States of America
(72) Name(s) of Designer(s): **Michael Schultz**
(45) Registration Date: **01 September 2011**
(30) Convention priority data:
(31) Number (32) Date (33) Country
29385370 11 Feb 2011 UNITED STATES OF AMERICA
(56) Related Art Documents: **Not Applicable**
(57) Statement of Newness and Distinctiveness: **Newness and distinctiveness is claimed in those features of shape and/or configuration of an air filter illustrated in continuous lines in the accompanying representations.**



(21) Design Number: **13512/2011**
(22) Date of Filing Application: **08 August 2011**
(24) Date from which industrial property rights may have effect: **08 August 2011**
(54) Product in respect of which the design is registered: **Side cover for motorcycle**
(51) International Design Classification: **12-11**
(74) Name(s) of Attorney(s): **SPRUSON & FERGUSON**
(71) Name(s) and Address(s) of Applicant(s):
Honda Motor Co., Ltd.
1-1 Minamiaoyama 2-chome Minato-ku Tokyo Japan
(72) Name(s) of Designer(s): **Takayuki Yamazaki and Takashi Watanabe**
(45) Registration Date: **01 September 2011**
(30) Convention priority data:
(31) Number (32) Date (33) Country
2011-002868 10 Feb 2011 JAPAN
(56) Related Art Documents: **Not Applicable**
(57) Statement of Newness and Distinctiveness: **Newness and distinctiveness is claimed in the features of shape and/or configuration of a side cover for motorcycle as illustrated in the accompanying representations.**



(21) Design Number: **13550/2011**

(22) Date of Filing Application: **11 August 2011**

(24) Date from which industrial property rights may have effect: **11 August 2011**

(54) Product in respect of which the design is registered: **Doll sling**

(51) International Design Classification: **03-99**

(74) Name(s) of Attorney(s):

(71) Name(s) and Address(s) of Applicant(s):

Sjorcha Daynes-Todman

PO Box 24 Richmond New South Wales 2753 Australia

(72) Name(s) of Designer(s): **Sjorcha Daynes-Todman**

(45) Registration Date: **01 September 2011**

(56) Related Art Documents: **Not Applicable**

(57) Statement of Newness and Distinctiveness: **Mini Moe Dolly Sling is the abridged child's version of the parent product Bubba Moe Dolly Sling. The design and physical structure are uniformly identifiable across both products with the exception of the elastised edges of the hammock section of the dolly sling (parent product has padding). The unique folding of the hammock section at the junctions between the shoulder pad and end cap. The shoulder pad, position of logo, specialized spine at the base of hammock and the use of the same adjustment strapping mechanism is identical to parent product, only scaled down to accommodate children between the 3 and 8 year age group. Dimensions of finished product (allowing 5% variance) Shoulder pad - (L) 23.5cm - (W) 12cm End cap - (L) 7cm - (W) 12cm Hammock capacity - (L) 57cm stretched and 46cm not stretched (W) 54cm (opened) Depth at deepest point of Hammock 27cm.**



(21) Design Number: **13523/2011**

(22) Date of Filing Application: **09 August 2011**

(24) Date from which industrial property rights may have effect: **09 August 2011**

(54) Product in respect of which the design is registered: **A rocker switch**

(51) International Design Classification: **13-03NES**

(74) Name(s) of Attorney(s): **Davies Collison Cave**

(71) Name(s) and Address(s) of Applicant(s):

Arlec Australia Pty. Ltd.

272-274 Maroondah Highway Chirnside Park Victoria 3116 Australia

(72) Name(s) of Designer(s): **Monvids Puika**

(45) Registration Date: **02 September 2011**

(56) Related Art Documents: **Not Applicable**

(57) Statement of Newness and Distinctiveness: **Newness and distinctiveness is claimed in the features of shape and configuration of the rocker switch as viewed from the rear.**



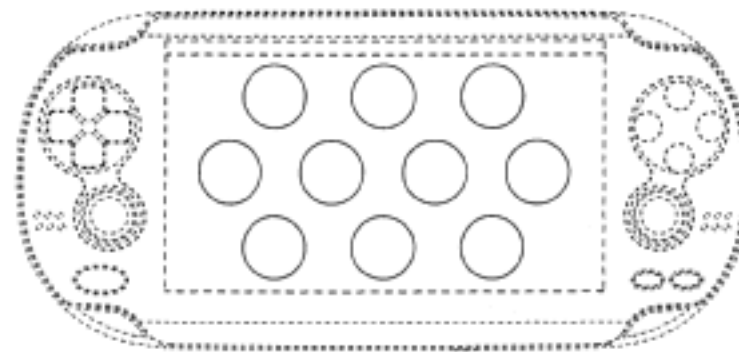
(21) Design Number: **13522/2011**
(22) Date of Filing Application: **09 August 2011**
(24) Date from which industrial property rights may have effect: **09 August 2011**
(54) Product in respect of which the design is registered: **Back plate for a mains wiring accessory**
(51) International Design Classification: **13-03D**
(74) Name(s) of Attorney(s): **Davies Collison Cave**
(71) Name(s) and Address(s) of Applicant(s):
Arlec Australia Pty. Ltd.
272-274 Maroondah Highway Chirnside Park Victoria 3116 Australia
(72) Name(s) of Designer(s): **Monvids Puika**
(45) Registration Date: **02 September 2011**
(56) Related Art Documents: **Not Applicable**
(57) Statement of Newness and Distinctiveness: **Newness and distinctiveness is claimed in the features of shape and configuration of the back plate shown in the representations.**



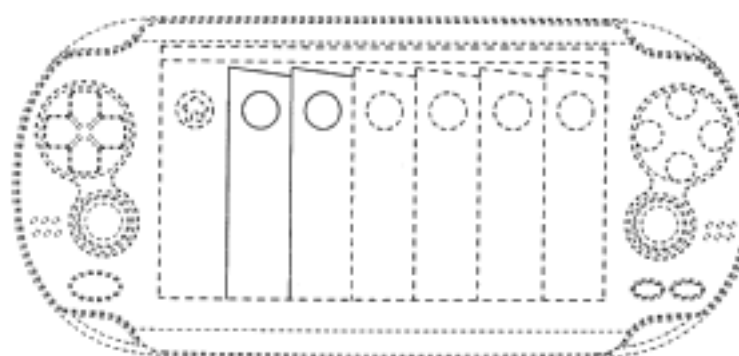
(21) Design Number: **13049/2011**
(22) Date of Filing Application: **07 July 2011**
(24) Date from which industrial property rights may have effect: **07 July 2011**
(54) Product in respect of which the design is registered: **Bottle**
(51) International Design Classification: **09-01K**
(74) Name(s) of Attorney(s): **Davies Collison Cave**
(71) Name(s) and Address(s) of Applicant(s):
Unilever PLC
Unilever House 100 Victoria Embankment London EC4Y 0DY United Kingdom
(72) Name(s) of Designer(s): **Bas Jeroen ten Brummelhuis and Andrew Peter Sharpe**
(45) Registration Date: **02 September 2011**
(30) Convention priority data:
(31) Number (32) Date (33) Country
001812546-0001 28 Jan 2011 EUROPEAN COMMUNITY
(56) Related Art Documents: **Not Applicable**
(57) Statement of Newness and Distinctiveness: **Newness and distinctiveness is claimed in the visual features shown in solid lines in the representations.**



- (21) Design Number: **12912/2011**
(22) Date of Filing Application: **29 June 2011**
(24) Date from which industrial property rights may have effect: **29 June 2011**
(54) Product in respect of which the design is registered: **Portable information terminal**
(51) International Design Classification: **21-01N**
(74) Name(s) of Attorney(s): **Shelston IP**
(71) Name(s) and Address(s) of Applicant(s):
Sony Computer Entertainment Inc.
1-7-1 Konan Minato-ku Tokyo Japan
(72) Name(s) of Designer(s): **Takahiro Fujii and Sho Suga**
(45) Registration Date: **02 September 2011**
(30) Convention priority data:
(31) Number (32) Date (33) Country
2011-001414 25 Jan 2011 JAPAN
(56) Related Art Documents: **Not Applicable**
(57) Statement of Newness and Distinctiveness: **Newness and distinctiveness reside in the shape and/or configuration of a portable information terminal as illustrated by solid lines in the accompanying representations. The features shown in broken or discontinuous lines are for illustrative purposes only and do not form part of the design.**



- (21) Design Number: **12915/2011**
(22) Date of Filing Application: **29 June 2011**
(24) Date from which industrial property rights may have effect: **29 June 2011**
(54) Product in respect of which the design is registered: **Portable information terminal**
(51) International Design Classification: **21-01N**
(74) Name(s) of Attorney(s): **Shelston IP**
(71) Name(s) and Address(s) of Applicant(s):
Sony Computer Entertainment Inc.
1-7-1 Konan Minato-ku Tokyo Japan
(72) Name(s) of Designer(s): **Munetaka Tsuda and Hidenori Karasawa**
(45) Registration Date: **02 September 2011**
(30) Convention priority data:
(31) Number (32) Date (33) Country
2011-001416 25 Jan 2011 JAPAN
(56) Related Art Documents: **Not Applicable**
(57) Statement of Newness and Distinctiveness: **Newness and distinctiveness reside in the shape and/or configuration of a portable information terminal as illustrated by solid lines in the accompanying representations. The features shown in broken or discontinuous lines are for illustrative purposes only and do not form part of the design.**



(21) Design Number: **13500/2011**
(22) Date of Filing Application: **08 August 2011**
(24) Date from which industrial property rights may have effect: **08 August 2011**
(54) Product in respect of which the design is registered: **Razor head cover**
(51) International Design Classification: **28-03A**
(74) Name(s) of Attorney(s): **Halfords IP**
(71) Name(s) and Address(s) of Applicant(s):
Eveready Battery Company, Inc.
533 Maryville University Drive St Louis Missouri 63141 United States of America
(72) Name(s) of Designer(s): **Gregg A. Micinilio**
(45) Registration Date: **02 September 2011**
(30) Convention priority data:
(31) Number (32) Date (33) Country
29/386770 04 Mar 2011 UNITED STATES OF AMERICA
(56) Related Art Documents: **Not Applicable**
(57) Statement of Newness and Distinctiveness: **Nil**



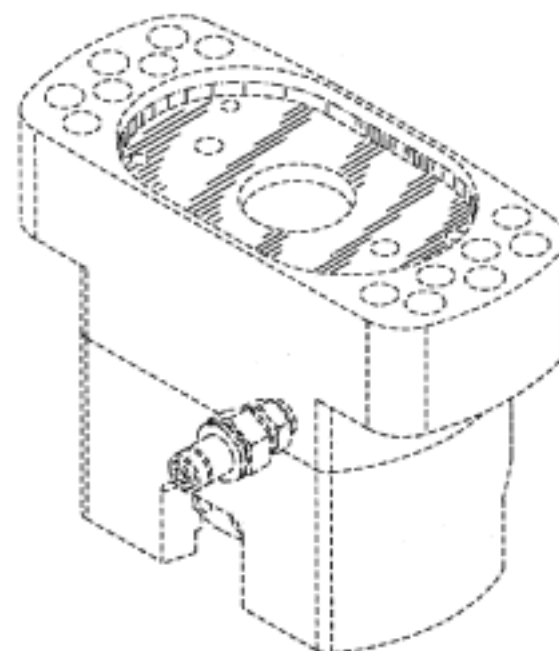
(21) Design Number: **13501/2011**
(22) Date of Filing Application: **08 August 2011**
(24) Date from which industrial property rights may have effect: **08 August 2011**
(54) Product in respect of which the design is registered: **Razor head cover**
(51) International Design Classification: **28-03A**
(74) Name(s) of Attorney(s): **Halfords IP**
(71) Name(s) and Address(s) of Applicant(s):
Eveready Battery Company, Inc.
533 Maryville University Drive St Louis Missouri 63141 United States of America
(72) Name(s) of Designer(s): **Gregg A. Micinilio**
(45) Registration Date: **02 September 2011**
(30) Convention priority data:
(31) Number (32) Date (33) Country
29/386774 04 Mar 2011 UNITED STATES OF AMERICA
(56) Related Art Documents: **Not Applicable**
(57) Statement of Newness and Distinctiveness: **Nil**



- (21) Design Number: **13503/2011**
(22) Date of Filing Application: **05 August 2011**
(24) Date from which industrial property rights may have effect: **05 August 2011**
(54) Product in respect of which the design is registered: **Sign stand**
(51) International Design Classification: **20-03NES**
(74) Name(s) of Attorney(s): **Freehills Patent & Trade Mark Attorneys**
(71) Name(s) and Address(s) of Applicant(s):
Aydin Keyvanloo
3 Harcourt Street Doncaster Victoria 3108 Australia
Andreas Klaus Gesswein
Am Lichten Holz 21 31737 Rinteln Germany
Liang Tung
5F. No.22 ALY 60 2N 114 Chungshan N. Road Sec. 7 Taipei City Taiwan
(72) Name(s) of Designer(s): **Aydin Keyvanloo**
(45) Registration Date: **02 September 2011**
(56) Related Art Documents: **Not Applicable**
(57) Statement of Newness and Distinctiveness: **Nil**



- (21) Design Number: **13526/2011**
(22) Date of Filing Application: **10 August 2011**
(24) Date from which industrial property rights may have effect: **10 August 2011**
(54) Product in respect of which the design is registered: **Hydraulic tensioner**
(51) International Design Classification: **08-99**
(74) Name(s) of Attorney(s): **PIZZEYS**
(71) Name(s) and Address(s) of Applicant(s):
Actuant Corporation
13000 West Silver Spring Drive Butler WI 53007 United States Of America
(72) Name(s) of Designer(s): **Jason P. Stevens**
(45) Registration Date: **02 September 2011**
(30) Convention priority data:
(31) Number (32) Date (33) Country
29/385,308 11 Feb 2011 UNITED STATES OF AMERICA
(56) Related Art Documents: **Not Applicable**
(57) Statement of Newness and Distinctiveness: **Newness and distinctiveness of the design is claimed in the shape and configuration of the piston cavity and portion of the bore wall adjacent to the piston cavity.**



(21) Design Number: **13635/2011**
(22) Date of Filing Application: **17 August 2011**
(24) Date from which industrial property rights may have effect: **17 August 2011**
(54) Product in respect of which the design is registered: **Thermostat**
(51) International Design Classification: **10-05**
(74) Name(s) of Attorney(s): **PHILLIPS ORMONDE FITZPATRICK**
(71) Name(s) and Address(s) of Applicant(s):
Schneider Electric Industries SAS
35 rue Joseph Monier F-92500 Rueil Malmaison France
(72) Name(s) of Designer(s): **Mathieu Lehaneur**
(45) Registration Date: **02 September 2011**
(30) Convention priority data:
(31) Number (32) Date (33) Country
DM/075763 30 Mar 2011 WORLD INTELLECTUAL
PROPERTY ORGANIZATION
(WIPO)



(56) Related Art Documents: **Not Applicable**
(57) Statement of Newness and Distinctiveness: **Those features of the thermostat depicted in the representations that are new and distinctive are the shape and/or configuration. The textual matter is not part of the design and is to be disregarded when considering the overall impression of the design.**

(21) Design Number: **13638/2011**
(22) Date of Filing Application: **17 August 2011**
(24) Date from which industrial property rights may have effect: **17 August 2011**
(54) Product in respect of which the design is registered: **Regulator for heating installations and boilers**
(51) International Design Classification: **23-01K**
(74) Name(s) of Attorney(s): **PHILLIPS ORMONDE FITZPATRICK**
(71) Name(s) and Address(s) of Applicant(s):
Schneider Electric Industries SAS
35 rue Joseph Monier F-92500 Rueil Malmaison France
(72) Name(s) of Designer(s): **Mathieu Lehaneur**
(45) Registration Date: **02 September 2011**
(30) Convention priority data:
(31) Number (32) Date (33) Country
DM/075763 30 Mar 2011 WORLD INTELLECTUAL
PROPERTY ORGANIZATION
(WIPO)



(56) Related Art Documents: **Not Applicable**
(57) Statement of Newness and Distinctiveness: **Those features of the regulator for heating installations and boilers depicted in the representations that are new and distinctive are the shape and/or configuration. The textual matter is not part of the design and is to be disregarded when considering the overall impression of the design.**

(21) Design Number: **13639/2011**
(22) Date of Filing Application: **17 August 2011**
(24) Date from which industrial property rights may have effect: **17 August 2011**
(54) Product in respect of which the design is registered: **Regulator for heating installations and boilers**
(51) International Design Classification: **23-01K**
(74) Name(s) of Attorney(s): **PHILLIPS ORMONDE FITZPATRICK**
(71) Name(s) and Address(s) of Applicant(s):
Schneider Electric Industries SAS
35 rue Joseph Monier F-92500 Rueil Malmaison France
(72) Name(s) of Designer(s): **Mathieu Lehanneur**
(45) Registration Date: **02 September 2011**
(30) Convention priority data:
(31) Number (32) Date (33) Country
DM/075763 30 Mar 2011 WORLD INTELLECTUAL
PROPERTY ORGANIZATION
(WIPO)
(56) Related Art Documents: **Not Applicable**
(57) Statement of Newness and Distinctiveness: **Those features of the regulator for heating installations and boilers depicted in the representations that are new and distinctive are the shape and/or configuration. The textual matter is not part of the design and is to be disregarded when considering the overall impression of the design.**



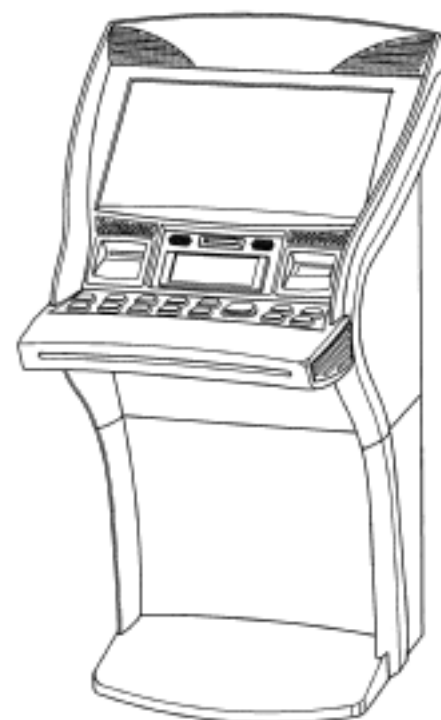
(21) Design Number: **13546/2011**
(22) Date of Filing Application: **10 August 2011**
(24) Date from which industrial property rights may have effect: **10 August 2011**
(54) Product in respect of which the design is registered: **Headphone**
(51) International Design Classification: **14-01**
(74) Name(s) of Attorney(s): **FB Rice**
(71) Name(s) and Address(s) of Applicant(s):
Koninklijke Philips Electronics N.V.
Groenewoudseweg 1 5621 BA Eindhoven The Netherlands
(72) Name(s) of Designer(s): **Brendan Hutchieson**
(45) Registration Date: **05 September 2011**
(30) Convention priority data:
(31) Number (32) Date (33) Country
001819467-0001 10 Feb 2011 EUROPEAN COMMUNITY
(56) Related Art Documents: **Not Applicable**
(57) Statement of Newness and Distinctiveness: **Newness and distinctiveness reside in the features of shape and configuration of the design as shown in the representations.**



- (21) Design Number: **13547/2011**
(22) Date of Filing Application: **10 August 2011**
(24) Date from which industrial property rights may have effect: **10 August 2011**
(54) Product in respect of which the design is registered: **Headphone**
(51) International Design Classification: **14-01**
(74) Name(s) of Attorney(s): **FB Rice**
(71) Name(s) and Address(s) of Applicant(s):
Koninklijke Philips Electronics N.V.
Groenewoudseweg 1 5621 BA Eindhoven The Netherlands
(72) Name(s) of Designer(s): **Brendan Hutchieson**
(45) Registration Date: **05 September 2011**
(30) Convention priority data:
(31) Number (32) Date (33) Country
001819467-0002 10 Feb 2011 EUROPEAN COMMUNITY
(56) Related Art Documents: **Not Applicable**
(57) Statement of Newness and Distinctiveness: **Newness and distinctiveness reside in the features of shape and configuration of the design as shown in the representations.**



- (21) Design Number: **12902/2011**
(22) Date of Filing Application: **29 June 2011**
(24) Date from which industrial property rights may have effect: **29 June 2011**
(54) Product in respect of which the design is registered: **Gaming machine**
(51) International Design Classification: **21-03**
(74) Name(s) of Attorney(s): **Shelston IP**
(71) Name(s) and Address(s) of Applicant(s):
Ainsworth Game Technology Limited
10 Holker Street Newington New South Wales 2127 Australia
(72) Name(s) of Designer(s): **Vincent Carmelo Bruzzese and Scott Paul Shelley and Peter Scott Clarebrough**
(45) Registration Date: **06 September 2011**
(56) Related Art Documents: **Not Applicable**
(57) Statement of Newness and Distinctiveness: **Newness and distinctiveness reside in the features of shape and/or configuration of a GAMING MACHINE as illustrated in the accompanying representations.**



- (21) Design Number: **12903/2011**
(22) Date of Filing Application: **29 June 2011**
(24) Date from which industrial property rights may have effect: **29 June 2011**
(54) Product in respect of which the design is registered: **Gaming machine**
(51) International Design Classification: **21-03**
(74) Name(s) of Attorney(s): **Shelston IP**
(71) Name(s) and Address(s) of Applicant(s):
Ainsworth Game Technology Limited
10 Holker Street Newington New South Wales 2127 Australia
(72) Name(s) of Designer(s): **Vincent Carmelo Bruzzese and Scott Paul Shelley and Peter Scott Clarebrough**
(45) Registration Date: **06 September 2011**
(56) Related Art Documents: **Not Applicable**
(57) Statement of Newness and Distinctiveness: **Newness and distinctiveness reside in the features of shape and/or configuration of a GAMING MACHINE as illustrated in the accompanying representations.**



- (21) Design Number: **12971/2011**
(22) Date of Filing Application: **01 July 2011**
(24) Date from which industrial property rights may have effect: **01 July 2011**
(54) Product in respect of which the design is registered: **Bottle**
(51) International Design Classification: **09-01H**
(74) Name(s) of Attorney(s): **Fisher Adams Kelly**
(71) Name(s) and Address(s) of Applicant(s):
Pure Crystall Ltd
6 Ugol'naya Street Mytishchi Moscow District 141013 Russian Federation
(72) Name(s) of Designer(s): **Andrei G. Satiukov**
(45) Registration Date: **06 September 2011**
(30) Convention priority data:
(31) Number (32) Date (33) Country
29/372737 04 Jan 2011 UNITED STATES OF AMERICA
(56) Related Art Documents: **Not Applicable**
(57) Statement of Newness and Distinctiveness: **The newness and distinctiveness of the design resides in the shape, pattern, configuration, or ornamentation of the BOTTLE as shown in the representation.**



- (21) Design Number: **13179/2011**
(22) Date of Filing Application: **19 July 2011**
(24) Date from which industrial property rights may have effect: **19 July 2011**
(54) Product in respect of which the design is registered: **A container**
(51) International Design Classification: **07-01NES**
(74) Name(s) of Attorney(s): **Davies Collison Cave**
(71) Name(s) and Address(s) of Applicant(s):
Cryovac Australia Pty Ltd
1126 Sydney Road Fawkner Victoria 3060 Australia
(72) Name(s) of Designer(s): **Michael Grima and Bryan Terry**
(45) Registration Date: **06 September 2011**
(56) Related Art Documents: **Not Applicable**
(57) Statement of Newness and Distinctiveness: **Newness and distinctiveness is claimed in the shape and configuration of the body of the container shown in the representations but not in the lid.**



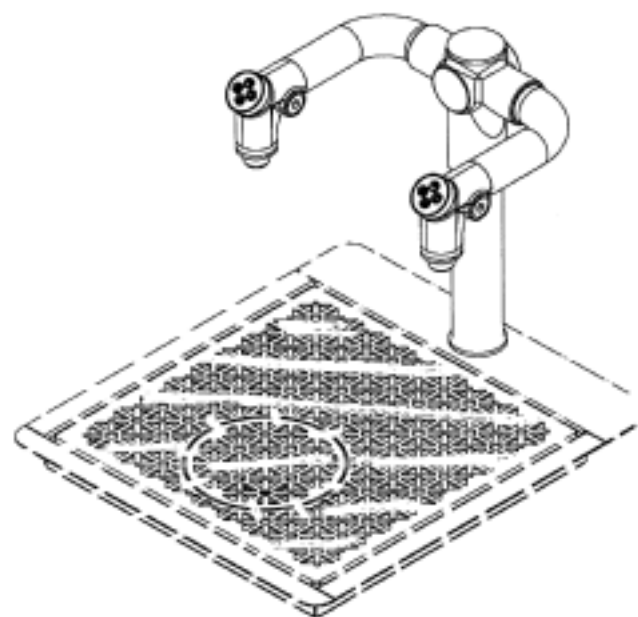
- (21) Design Number: **13180/2011**
(22) Date of Filing Application: **19 July 2011**
(24) Date from which industrial property rights may have effect: **19 July 2011**
(54) Product in respect of which the design is registered: **A container**
(51) International Design Classification: **07-01NES**
(74) Name(s) of Attorney(s): **Davies Collison Cave**
(71) Name(s) and Address(s) of Applicant(s):
Cryovac Australia Pty Ltd
1126 Sydney Road Fawkner Victoria 3060 Australia
(72) Name(s) of Designer(s): **Michael Grima and Bryan Terry**
(45) Registration Date: **06 September 2011**
(56) Related Art Documents: **Not Applicable**
(57) Statement of Newness and Distinctiveness: **Newness and distinctiveness is claimed in the shape and configuration of the body of the container shown in the representations but not in the lid.**



- (21) Design Number: **13181/2011**
(22) Date of Filing Application: **19 July 2011**
(24) Date from which industrial property rights may have effect: **19 July 2011**
(54) Product in respect of which the design is registered: **A container**
(51) International Design Classification: **07-01NES**
(74) Name(s) of Attorney(s): **Davies Collison Cave**
(71) Name(s) and Address(s) of Applicant(s):
Cryovac Australia Pty Ltd
1126 Sydney Road Fawkner Victoria 3060 Australia
(72) Name(s) of Designer(s): **Michael Grima and Bryan Terry**
(45) Registration Date: **06 September 2011**
(56) Related Art Documents: **Not Applicable**
(57) Statement of Newness and Distinctiveness: **Newness and distinctiveness is claimed in the shape and configuration of the body of the container shown in the representations but not in the lid.**



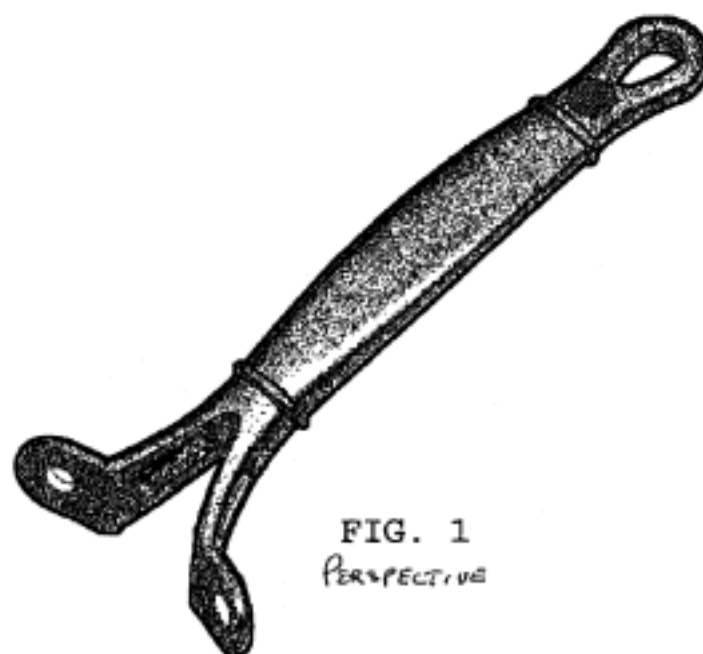
- (21) Design Number: **13514/2011**
(22) Date of Filing Application: **09 August 2011**
(24) Date from which industrial property rights may have effect: **09 August 2011**
(54) Product in respect of which the design is registered: **Dispensing taps**
(51) International Design Classification: **23-01H**
(74) Name(s) of Attorney(s): **SPRUSON & FERGUSON**
(71) Name(s) and Address(s) of Applicant(s):
Ramzey Choker
43a 29-33 Epsom Road Rosebery New South Wales 2018 Australia
Michael Francis
1/35 Hope Street Brunswick Victoria 3050 Australia
(72) Name(s) of Designer(s): **Ramzey Choker and Michael Francis**
(45) Registration Date: **06 September 2011**
(56) Related Art Documents: **Not Applicable**
(57) Statement of Newness and Distinctiveness: **Newness and distinctiveness is claimed in those features of shape and/or configuration of dispensing taps as illustrated in continuous lines in the accompanying representations.**



(21) Design Number: **13518/2011**
(22) Date of Filing Application: **04 August 2011**
(24) Date from which industrial property rights may have effect: **04 August 2011**
(54) Product in respect of which the design is registered: **Cookware elongated side handle having a visibly contrasting medallion**
(51) International Design Classification: **07-02R**
(74) Name(s) of Attorney(s): **PIPERS Melbourne**
(71) Name(s) and Address(s) of Applicant(s):
Meyer Intellectual Properties Limited
382 Kwun Tong Road Hong Kong
(72) Name(s) of Designer(s): **Stanley Kin Sui Cheng and Robert A. Rae**
(45) Registration Date: **06 September 2011**
(30) Convention priority data:
(31) Number (32) Date (33) Country
29/372,927 04 Feb 2011 UNITED STATES OF AMERICA

(56) Related Art Documents: **Not Applicable**

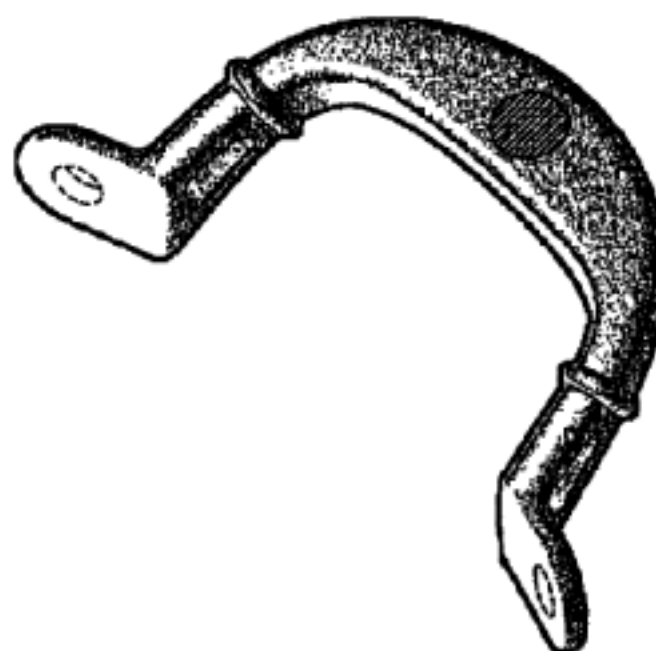
(57) Statement of Newness and Distinctiveness: **This design is to be applied to a Cookware elongated side handle having a visibly contrasting medallion and the novelty resides in the features of shape and configuration of the article shown in the accompanying representations. The visibly contrasting medallion is shown by hatching on the upper surface that is a contrasting colour from the surrounding material that forms the greater portion of the handle. No novelty is claimed for the features shown in broken lines - those are for illustrative purposes only and depict the environment of the design.**



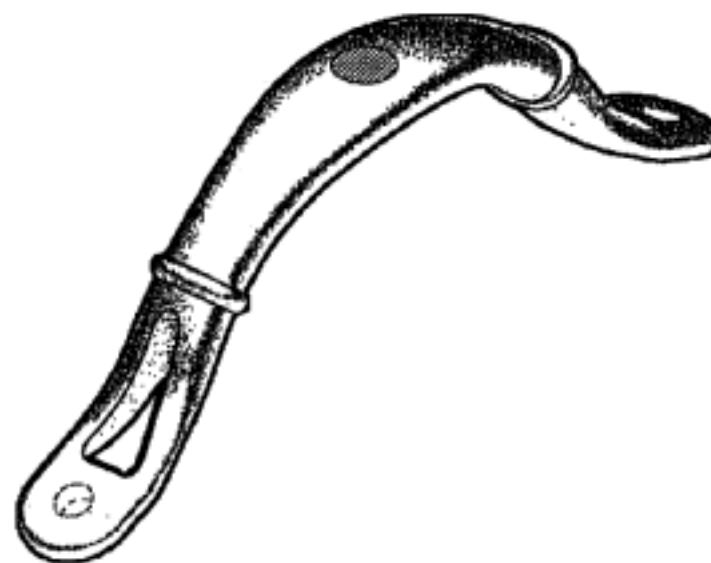
(21) Design Number: **13519/2011**
(22) Date of Filing Application: **04 August 2011**
(24) Date from which industrial property rights may have effect: **04 August 2011**
(54) Product in respect of which the design is registered: **Cookware side handle having a visibly contrasting medallion**
(51) International Design Classification: **07-02R**
(74) Name(s) of Attorney(s): **PIPERS Melbourne**
(71) Name(s) and Address(s) of Applicant(s):
Meyer Intellectual Properties Limited
382 Kwun Tong Road Hong Kong
(72) Name(s) of Designer(s): **Stanley Kin Sui Cheng and Robert A. Rae**
(45) Registration Date: **06 September 2011**
(30) Convention priority data:
(31) Number (32) Date (33) Country
29/372,926 04 Feb 2011 UNITED STATES OF AMERICA

(56) Related Art Documents: **Not Applicable**

(57) Statement of Newness and Distinctiveness: **This design is to be applied to a Cookware side handle having a visibly contrasting medallion and the novelty resides in the features of shape and configuration of the article shown in the accompanying representations. The visibly contrasting medallion is shown by hatching on the upper surface that is a contrasting colour from the surrounding material that forms the greater portion of the handle. No novelty is claimed for the features shown in broken lines - those are for illustrative purposes only and depict the environment of the design.**



(21) Design Number: **13520/2011**
(22) Date of Filing Application: **04 August 2011**
(24) Date from which industrial property rights may have effect: **04 August 2011**
(54) Product in respect of which the design is registered: **Cookware lid handle having a visibly contrasting medallion**
(51) International Design Classification: **07-02R**
(74) Name(s) of Attorney(s): **PIPERS Melbourne**
(71) Name(s) and Address(s) of Applicant(s):
Meyer Intellectual Properties Limited
382 Kwun Tong Road Hong Kong
(72) Name(s) of Designer(s): **Stanley Kin Sui Cheng and Robert A. Rae**
(45) Registration Date: **06 September 2011**
(30) Convention priority data:
(31) Number (32) Date (33) Country
29/372,928 04 Feb 2011 UNITED STATES OF AMERICA



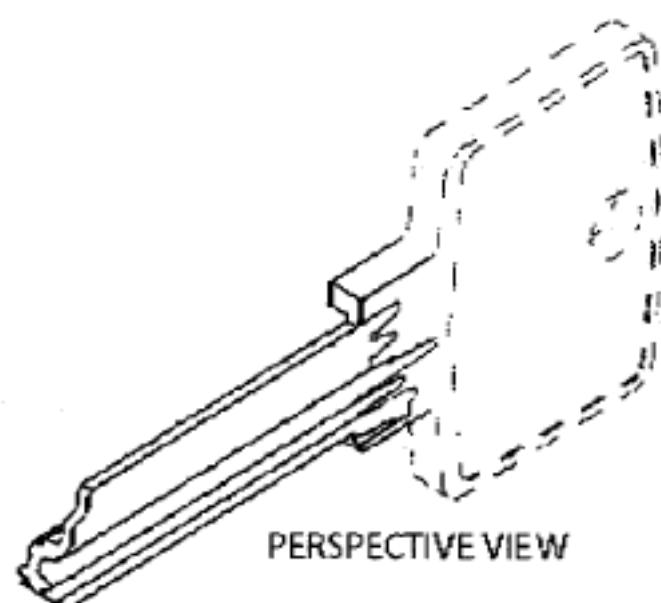
(56) Related Art Documents: **Not Applicable**
(57) Statement of Newness and Distinctiveness: **This design is to be applied to a Cookware lid handle having a visibly contrasting medallion and the novelty resides in the features of shape and configuration of the article shown in the accompanying representations. The visibly contrasting medallion is shown by hatching on the upper surface that is a contrasting colour from the surrounding material that forms the greater portion of the handle. No novelty is claimed for the features shown in broken lines - those are for illustrative purposes only and depict the environment of the design.**

(21) Design Number: **13528/2011**
(22) Date of Filing Application: **09 August 2011**
(24) Date from which industrial property rights may have effect: **09 August 2011**
(54) Product in respect of which the design is registered: **A hearing protector headband**
(51) International Design Classification: **29-02**
(74) Name(s) of Attorney(s): **Freehills Patent & Trade Mark Attorneys**
(71) Name(s) and Address(s) of Applicant(s):
3M Innovative Properties Company
3M Center Saint Paul Minnesota 55133-3427 United States of America
(72) Name(s) of Designer(s): **Robert Karlsson and August H.P. Michael and Oskar E. Juhlin and Hans Nystrom and Martin L.E. Birath**
(45) Registration Date: **06 September 2011**
(30) Convention priority data:
(31) Number (32) Date (33) Country
001262000 23 Feb 2011 EUROPEAN COMMUNITY

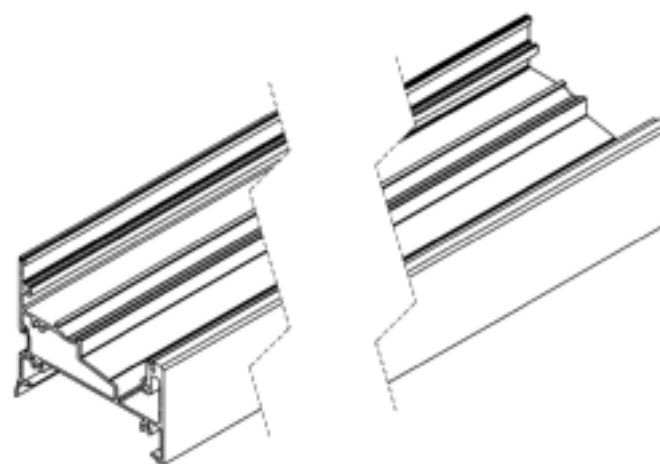


(56) Related Art Documents: **Not Applicable**
(57) Statement of Newness and Distinctiveness: **Newness and distinctiveness is claimed in the features of shape and/or configuration of a hearing protector headband as shown in solid outline in the accompanying drawings.**

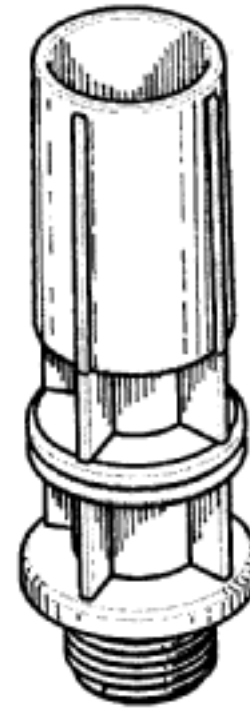
- (21) Design Number: **13536/2011**
(22) Date of Filing Application: **09 August 2011**
(24) Date from which industrial property rights may have effect: **09 August 2011**
(54) Product in respect of which the design is registered: **Key blank**
(51) International Design Classification: **08-07**
(74) Name(s) of Attorney(s): **Franke Hyland**
(71) Name(s) and Address(s) of Applicant(s):
Australian Lock Company Pty Ltd
17 Doyle Avenue Unanderra New South Wales 2526 Australia
(72) Name(s) of Designer(s): **Jerry You and Brian Hiscocks**
(45) Registration Date: **06 September 2011**
(56) Related Art Documents: **Not Applicable**
(57) Statement of Newness and Distinctiveness: **Newness and distinctiveness is claimed in the shape and configuration of the key blade as represented in solid lines in the drawings. In assessing newness and distinctiveness, no regard should be had of the features represented in broken lines, including the key head.**



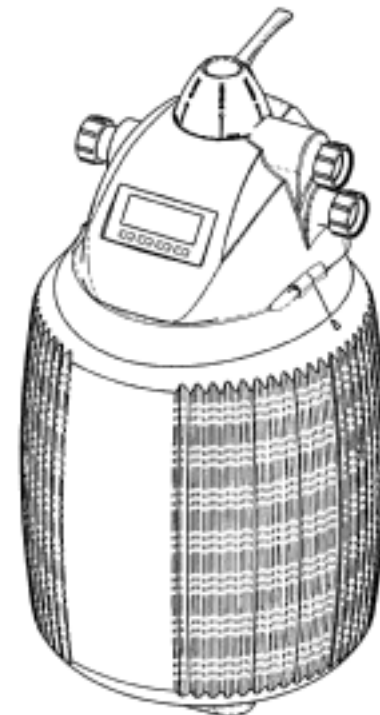
- (21) Design Number: **13539/2011**
(22) Date of Filing Application: **10 August 2011**
(24) Date from which industrial property rights may have effect: **10 August 2011**
(54) Product in respect of which the design is registered: **Bottom rolling inward opening transom**
(51) International Design Classification: **25-01K**
(74) Name(s) of Attorney(s):
(71) Name(s) and Address(s) of Applicant(s):
Dezinal Pty Ltd
C/- GCY Accountants Suites 1 & 2 Level 1-67 Lytton Road East Brisbane Queensland 4169 Australia
(72) Name(s) of Designer(s): **Ronald Maxwell**
(45) Registration Date: **06 September 2011**
(56) Related Art Documents: **Not Applicable**
(57) Statement of Newness and Distinctiveness: **Nil**



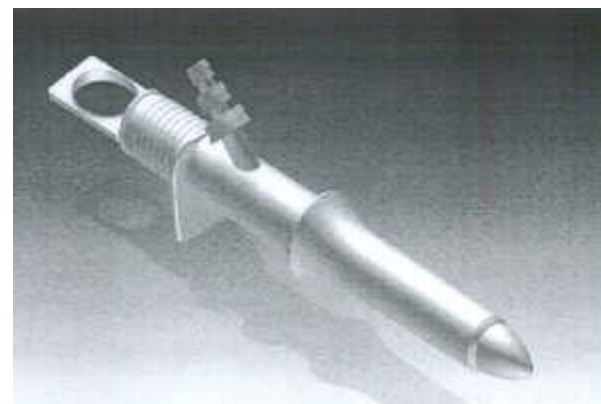
- (21) Design Number: **13552/2011**
(22) Date of Filing Application: **10 August 2011**
(24) Date from which industrial property rights may have effect: **10 August 2011**
(54) Product in respect of which the design is registered: **A test plug**
(51) International Design Classification: **23-02D**
(74) Name(s) of Attorney(s): **IP Gateway Patent & Trademark Attorneys**
(71) Name(s) and Address(s) of Applicant(s):
Plastec Australia Pty Ltd
2 Enterprise Street Caloundra Queensland 4551 Australia
(72) Name(s) of Designer(s): **Sydney Hawthorne**
(45) Registration Date: **06 September 2011**
(56) Related Art Documents: **Not Applicable**
(57) Statement of Newness and Distinctiveness: **The newness and distinctiveness of the design resides in the visual features of shape and/or configuration of a test plug as shown in the accompanying representations.**



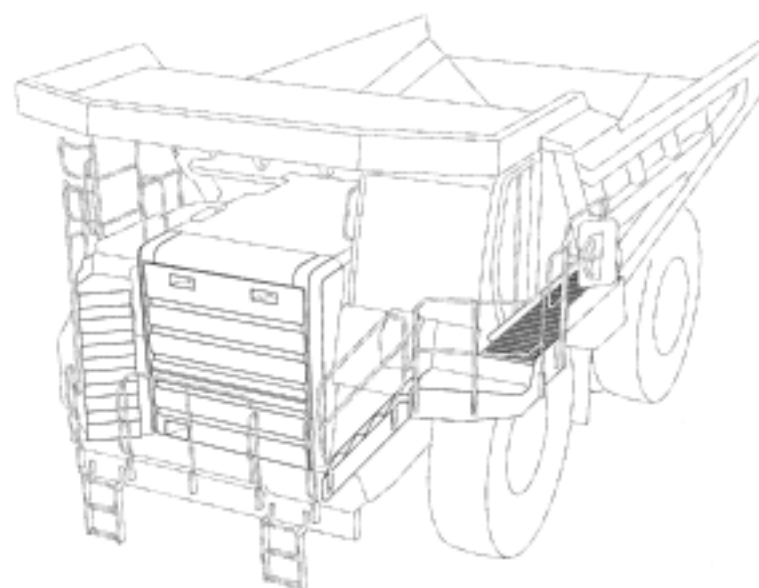
- (21) Design Number: **13554/2011**
(22) Date of Filing Application: **10 August 2011**
(24) Date from which industrial property rights may have effect: **10 August 2011**
(54) Product in respect of which the design is registered: **A filter system**
(51) International Design Classification: **23-01G**
(74) Name(s) of Attorney(s): **Fisher Adams Kelly**
(71) Name(s) and Address(s) of Applicant(s):
Poolrite Research Pty Ltd
415 Creek Road Mt Gravatt Queensland 4122 Australia
(72) Name(s) of Designer(s): **Ross Leslie Palmer and Aaron Kelly**
(45) Registration Date: **06 September 2011**
(56) Related Art Documents: **Not Applicable**
(57) Statement of Newness and Distinctiveness: **The newness and distinctiveness of the design resides in the shape and/or configuration of the a filter system shown in the representations.**



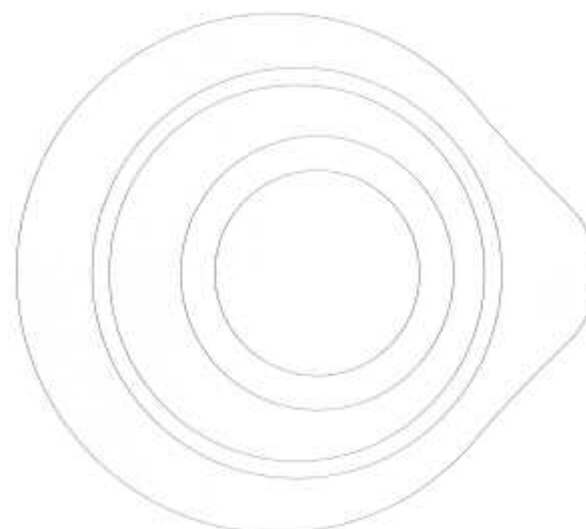
(21) Design Number: **13641/2011**
(22) Date of Filing Application: **17 August 2011**
(24) Date from which industrial property rights may have effect: **17 August 2011**
(54) Product in respect of which the design is registered: **Speculum kit - colon hydrotherapy**
(51) International Design Classification: **24-02**
(74) Name(s) of Attorney(s):
(71) Name(s) and Address(s) of Applicant(s):
Gregory Magafas
3 Boondi Place Kelmscott Western Australia 6111 Australia
(72) Name(s) of Designer(s): **Ross Antartis**
(45) Registration Date: **06 September 2011**
(56) Related Art Documents: **Not Applicable**
(57) Statement of Newness and Distinctiveness: **Nil**



(21) Design Number: **12805/2011**
(22) Date of Filing Application: **22 June 2011**
(24) Date from which industrial property rights may have effect: **22 June 2011**
(54) Product in respect of which the design is registered: **Front portion of an off highway truck**
(51) International Design Classification: **12-16B**
(74) Name(s) of Attorney(s): **Freehills Patent & Trade Mark Attorneys**
(71) Name(s) and Address(s) of Applicant(s):
Caterpillar Inc.
100 N.E. Adams Street Peoria Illinois 61629 United States of America
(72) Name(s) of Designer(s): **Pawan Arora and Sarath B. Chirumamila and Ravichandra Patchigolla and Vasantha Kodukula**
(45) Registration Date: **06 September 2011**
(30) Convention priority data:
(31) Number (32) Date (33) Country
29/381683 22 Dec 2010 UNITED STATES OF AMERICA
(56) Related Art Documents: **Not Applicable**
(57) Statement of Newness and Distinctiveness: **Newness and distinctiveness resides in the features of shape and configuration of the front portion of an off highway truck illustrated in the solid lines in the accompanying representations.**



(21) Design Number: **13411/2011**
(22) Date of Filing Application: **03 August 2011**
(24) Date from which industrial property rights may have effect: **03 August 2011**
(54) Product in respect of which the design is registered: **Hanging mobile**
(51) International Design Classification: **11-02NES**
(74) Name(s) of Attorney(s):
(71) Name(s) and Address(s) of Applicant(s):
Alexandra Teeland
14 Roedean Street Figtree Pocket Queensland 4069 Australia
(72) Name(s) of Designer(s): **Alexandra Jane Teeland**
(45) Registration Date: **06 September 2011**
(56) Related Art Documents: **Not Applicable**
(57) Statement of Newness and Distinctiveness: **Nil**



(21) Design Number: **13560/2011**
(22) Date of Filing Application: **11 August 2011**
(24) Date from which industrial property rights may have effect: **11 August 2011**
(54) Product in respect of which the design is registered: **Container with surface ornamentation**
(51) International Design Classification: **09-01K**
(74) Name(s) of Attorney(s): **PHILLIPS ORMONDE FITZPATRICK**
(71) Name(s) and Address(s) of Applicant(s):
The Procter & Gamble Company
One Procter & Gamble Plaza Cincinnati Ohio 45202 United States of America
(72) Name(s) of Designer(s): **Jean Martin Campbell and Jennifer Marie Merchant and Scott Cunningham and Kevin Wimmer**
(45) Registration Date: **06 September 2011**
(30) Convention priority data:
(31) Number (32) Date (33) Country
29/385,303 11 Feb 2011 UNITED STATES OF AMERICA
(56) Related Art Documents: **Not Applicable**
(57) Statement of Newness and Distinctiveness: **Those features of the container with surface ornamentation depicted in the representations that are new and distinctive are the pattern and/or ornamentation. The stippling shown in the representations indicates a colour, but not a particular colour. The features shown in broken lines are not part of the design and are to be disregarded when considering the overall impression of the design.**



- (21) Design Number: **13561/2011**
(22) Date of Filing Application: **11 August 2011**
(24) Date from which industrial property rights may have effect: **11 August 2011**
(54) Product in respect of which the design is registered: **Container with surface ornamentation**
(51) International Design Classification: **09-01K**
(74) Name(s) of Attorney(s): **PHILLIPS ORMONDE FITZPATRICK**
(71) Name(s) and Address(s) of Applicant(s):
The Procter & Gamble Company
One Procter & Gamble Plaza Cincinnati Ohio 45202 United States of America
(72) Name(s) of Designer(s): **Jean Martin Campbell and Jennifer Marie Merchant and Scott Cunningham and Kevin Wimmer**
(45) Registration Date: **06 September 2011**
(30) Convention priority data:
(31) Number (32) Date (33) Country
29/385,303 11 Feb 2011 UNITED STATES OF AMERICA
(56) Related Art Documents: **Not Applicable**
(57) Statement of Newness and Distinctiveness: **Those features of the container with surface ornamentation depicted in the representations that are new and distinctive are the pattern and/or ornamentation. The stippling shown in the representations indicates a colour, but not a particular colour. The features shown in broken lines are not part of the design and are to be disregarded when considering the overall impression of the design.**



- (21) Design Number: **13562/2011**
(22) Date of Filing Application: **11 August 2011**
(24) Date from which industrial property rights may have effect: **11 August 2011**
(54) Product in respect of which the design is registered: **Container with surface ornamentation**
(51) International Design Classification: **09-01K**
(74) Name(s) of Attorney(s): **PHILLIPS ORMONDE FITZPATRICK**
(71) Name(s) and Address(s) of Applicant(s):
The Procter & Gamble Company
One Procter & Gamble Plaza Cincinnati Ohio 45202 United States of America
(72) Name(s) of Designer(s): **Jean Martin Campbell and Jennifer Marie Merchant and Scott Cunningham and Kevin Wimmer**
(45) Registration Date: **06 September 2011**
(30) Convention priority data:
(31) Number (32) Date (33) Country
29/385,303 11 Feb 2011 UNITED STATES OF AMERICA
(56) Related Art Documents: **Not Applicable**
(57) Statement of Newness and Distinctiveness: **Those features of the container with surface ornamentation depicted in the representations that are new and distinctive are the pattern and/or ornamentation. The stippling shown in the representations indicates a colour, but not a particular colour. The features shown in broken lines are not part of the design and are to be disregarded when considering the overall impression of the design.**



(21) Design Number: **13563/2011**
(22) Date of Filing Application: **11 August 2011**
(24) Date from which industrial property rights may have effect: **11 August 2011**
(54) Product in respect of which the design is registered: **Electric toothbrush**
(51) International Design Classification: **28-03NES**
(74) Name(s) of Attorney(s): **PHILLIPS ORMONDE FITZPATRICK**
(71) Name(s) and Address(s) of Applicant(s):

Braun GmbH
Frankfurter Strasse 145 61476 Kronberg am Taunus Germany

(72) Name(s) of Designer(s): **Alma Alejandro and Simone Back and Harald De Buhr and Michael Schmid and Tilmann Winkler**

(45) Registration Date: **06 September 2011**

(30) Convention priority data:

(31) Number	(32) Date	(33) Country
587154101	11 Feb 2011	WORLD INTELLECTUAL PROPERTY ORGANIZATION (WIPO)

(56) Related Art Documents: **Not Applicable**

(57) Statement of Newness and Distinctiveness: **Newness and distinctiveness resides in the shape and/or configuration of the portion of the electric toothbrush shown in continuous lines in the accompanying representations. The features shown in broken line are not part of the design and are to be disregarded when considering the overall impression of the design.**



(21) Design Number: **13564/2011**
(22) Date of Filing Application: **11 August 2011**
(24) Date from which industrial property rights may have effect: **11 August 2011**
(54) Product in respect of which the design is registered: **Electric toothbrush**
(51) International Design Classification: **28-03NES**
(74) Name(s) of Attorney(s): **PHILLIPS ORMONDE FITZPATRICK**
(71) Name(s) and Address(s) of Applicant(s):

Braun GmbH
Frankfurter Strasse 145 61476 Kronberg am Taunus Germany

(72) Name(s) of Designer(s): **Tilmann Winkler and Alma Alejandro and Simone Back and Harald De Buhr and Michael Schmid**

(45) Registration Date: **06 September 2011**

(30) Convention priority data:

(31) Number	(32) Date	(33) Country
587154101	11 Feb 2011	WORLD INTELLECTUAL PROPERTY ORGANIZATION (WIPO)

(56) Related Art Documents: **Not Applicable**

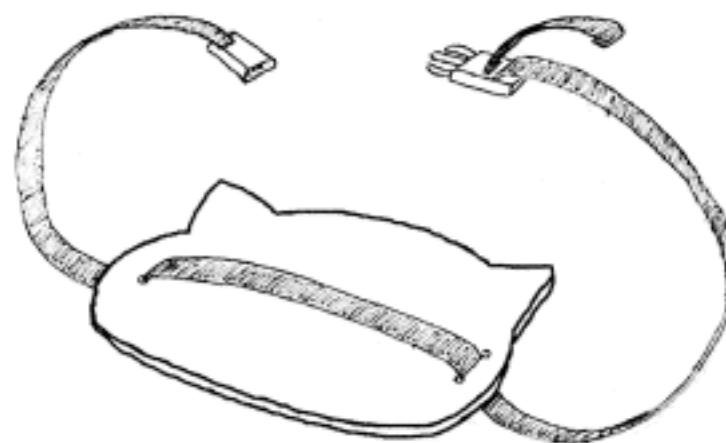
(57) Statement of Newness and Distinctiveness: **Nil**



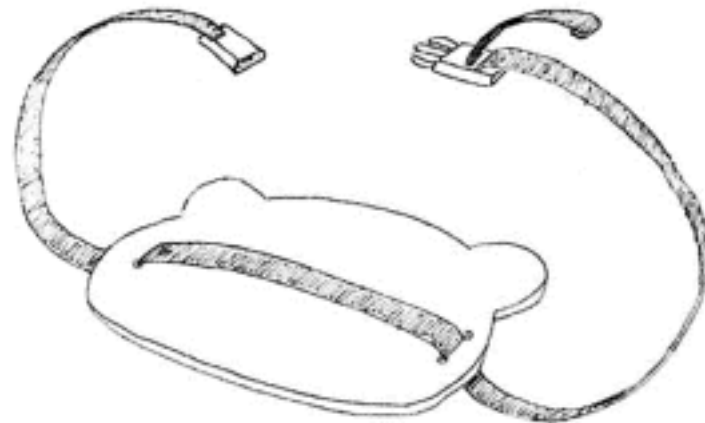
- (21) Design Number: **13565/2011**
(22) Date of Filing Application: **11 August 2011**
(24) Date from which industrial property rights may have effect: **11 August 2011**
(54) Product in respect of which the design is registered: **Electric toothbrush**
(51) International Design Classification: **28-03NES**
(74) Name(s) of Attorney(s): **PHILLIPS ORMONDE FITZPATRICK**
(71) Name(s) and Address(s) of Applicant(s):
Braun GmbH
Frankfurter Strasse 145 61476 Kronberg am Taunus Germany
(72) Name(s) of Designer(s): **Tilmann Winkler and Alma Alejandro and Simone Back and Harald De Buhr and Michael Schmid**
(45) Registration Date: **06 September 2011**
(30) Convention priority data:
(31) Number (32) Date (33) Country
587154101 11 Feb 2011 WORLD INTELLECTUAL
PROPERTY ORGANIZATION
(WIPO)
(56) Related Art Documents: **Not Applicable**
(57) Statement of Newness and Distinctiveness: **Nil**



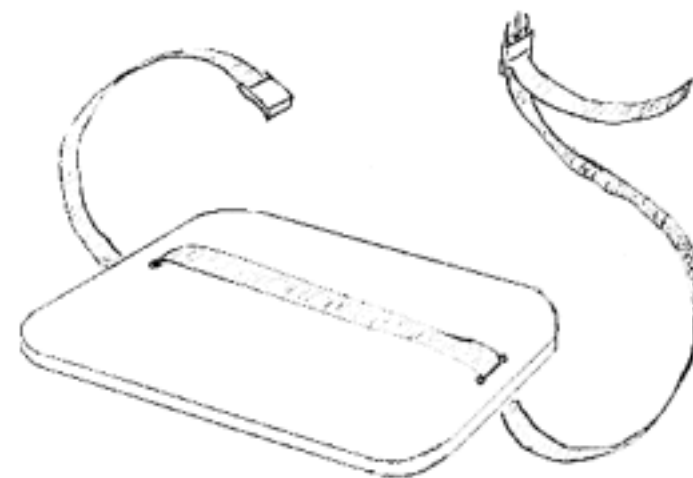
- (21) Design Number: **13557/2011**
(22) Date of Filing Application: **12 August 2011**
(24) Date from which industrial property rights may have effect: **12 August 2011**
(54) Product in respect of which the design is registered: **Strap-on sitting pad**
(51) International Design Classification: **06-09**
(74) Name(s) of Attorney(s):
(71) Name(s) and Address(s) of Applicant(s):
Neil MacLeod
13B Southgate Place Henderson Auckland 0612 New Zealand
Alina Fedorova
13B Southgate Place Henderson Auckland 0612 New Zealand
(72) Name(s) of Designer(s): **Neil MacLeod and Alina Fedorova**
(45) Registration Date: **07 September 2011**
(56) Related Art Documents: **Not Applicable**
(57) Statement of Newness and Distinctiveness: **The novelty of the design resides in the sitting pad being cut in a shape of an animal head with pointed ears, as shown in accompanying representation.**



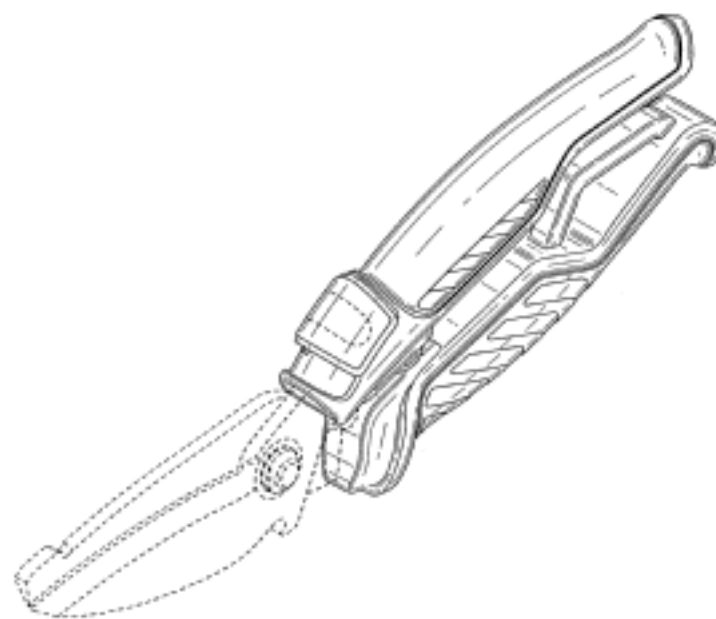
- (21) Design Number: **13558/2011**
(22) Date of Filing Application: **12 August 2011**
(24) Date from which industrial property rights may have effect: **12 August 2011**
(54) Product in respect of which the design is registered: **Strap-on sitting pad**
(51) International Design Classification: **06-09**
(74) Name(s) of Attorney(s):
(71) Name(s) and Address(s) of Applicant(s):
 Neil MacLeod
 13B Southgate Place Henderson Auckland 0612 New Zealand
 Alina Fedorova
 13B Southgate Place Henderson Auckland 0612 New Zealand
(72) Name(s) of Designer(s): **Neil MacLeod and Alina Fedorova**
(45) Registration Date: **07 September 2011**
(56) Related Art Documents: **Not Applicable**
(57) Statement of Newness and Distinctiveness: **The novelty of the design resides in the sitting pad being cut in a shape of an animal head with rounded ears, as shown in accompanying representation.**



- (21) Design Number: **13559/2011**
(22) Date of Filing Application: **12 August 2011**
(24) Date from which industrial property rights may have effect: **12 August 2011**
(54) Product in respect of which the design is registered: **Strap-on sitting pad**
(51) International Design Classification: **06-09**
(74) Name(s) of Attorney(s):
(71) Name(s) and Address(s) of Applicant(s):
 Neil MacLeod
 13B Southgate Place Henderson Auckland 0612 New Zealand
 Alina Fedorova
 13B Southgate Place Henderson Auckland 0612 New Zealand
(72) Name(s) of Designer(s): **Neil MacLeod and Alina Fedorova**
(45) Registration Date: **07 September 2011**
(56) Related Art Documents: **Not Applicable**
(57) Statement of Newness and Distinctiveness: **The novelty of the design resides in the sitting pad being cut in a shape of an animal head with pointed ears, as shown in accompanying representation.**



- (21) Design Number: **13568/2011**
(22) Date of Filing Application: **11 August 2011**
(24) Date from which industrial property rights may have effect: **11 August 2011**
(54) Product in respect of which the design is registered: **Scissors**
(51) International Design Classification: **08-03**
(74) Name(s) of Attorney(s): **Freehills Patent & Trade Mark Attorneys**
(71) Name(s) and Address(s) of Applicant(s):
Fiskars Brands, Inc.
2537 Daniels Street Madison Wisconsin 53718-6772 United States of America
(72) Name(s) of Designer(s): **Daniel Cunningham and Colin Roberts and Daniel J. Lipscomb**
(45) Registration Date: **07 September 2011**
(30) Convention priority data:
(31) Number (32) Date (33) Country
29/389149 07 Apr 2011 UNITED STATES OF AMERICA
(56) Related Art Documents: **Not Applicable**
(57) Statement of Newness and Distinctiveness: **The newness and distinctiveness resides in the features of shape and configuration of the scissors as shown in solid lines in the representations. When considering whether the design is substantially similar in overall impression to another design, no regard is to be given to those features shown in phantom in the representations.**



- (21) Design Number: **13569/2011**
(22) Date of Filing Application: **12 August 2011**
(24) Date from which industrial property rights may have effect: **12 August 2011**
(54) Product in respect of which the design is registered: **Egg carton shaped ABS plastic ink reservoir with internal pressure equalisation chambers (4 ink reservoirs)**
(51) International Design Classification: **14-02, 18-02**
(74) Name(s) of Attorney(s):
(71) Name(s) and Address(s) of Applicant(s):
Samuel Cahir
Unit 1 72-80 Hampstead Road Maidstone Victoria 3012 Australia
(72) Name(s) of Designer(s): **Samuel Cahir**
(45) Registration Date: **07 September 2011**
(56) Related Art Documents: **Not Applicable**
(57) Statement of Newness and Distinctiveness: **Egg carton shaped design ink reservoirs (made from ABS plastic). Internal isobaric equilibrium (pressure equalisation) chambers to equalise vacuum pressure drawing on ink feed lines.**



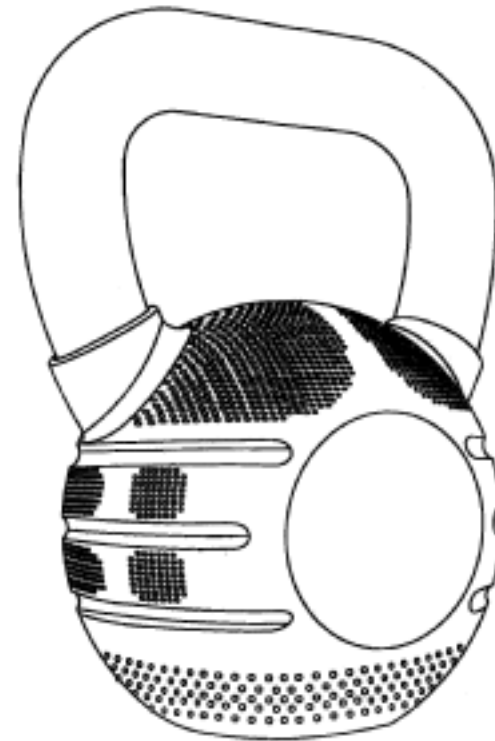
- (21) Design Number: **13570/2011**
(22) Date of Filing Application: **12 August 2011**
(24) Date from which industrial property rights may have effect: **12 August 2011**
(54) Product in respect of which the design is registered: **Egg carton shaped ABS plastic ink reservoir with internal pressure equalisation chambers (6 ink reservoirs)**
(51) International Design Classification: **14-02, 18-02**
(74) Name(s) of Attorney(s):
(71) Name(s) and Address(s) of Applicant(s):
Samuel Cahir
Unit 1 72-80 Hampstead Road Maidstone Victoria 3012 Australia
(72) Name(s) of Designer(s): **Samuel Cahir**
(45) Registration Date: **07 September 2011**
(56) Related Art Documents: **Not Applicable**
(57) Statement of Newness and Distinctiveness: **Egg carton shaped design ink reservoirs (made from ABS plastic). Internal isobaric equilibrium (pressure equalisation) chambers to equalise vacuum pressure drawing on ink feed lines.**



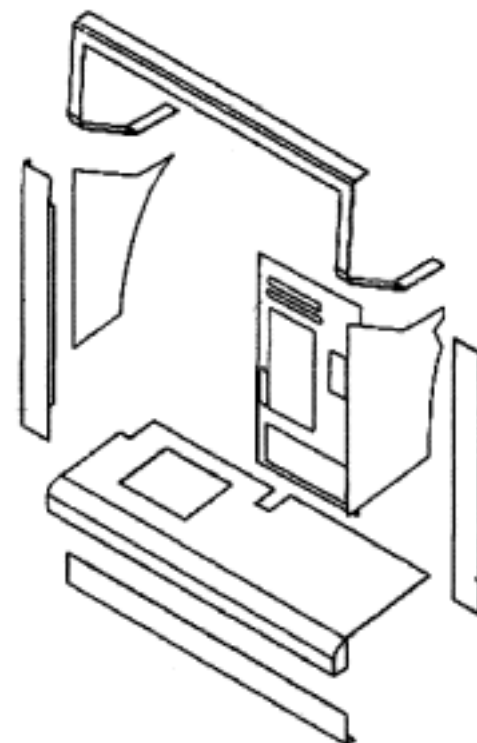
- (21) Design Number: **13120/2011**
(22) Date of Filing Application: **13 July 2011**
(24) Date from which industrial property rights may have effect: **13 July 2011**
(54) Product in respect of which the design is registered: **Dumbbell**
(51) International Design Classification: **21-02F**
(74) Name(s) of Attorney(s): **Davies Collison Cave**
(71) Name(s) and Address(s) of Applicant(s):
Escape Fitness Limited
Eastwood House The Office Village Cygnet Park Hampton Peterborough
PE7 8FD United Kingdom
(72) Name(s) of Designer(s): **Nicholas Hillson**
(45) Registration Date: **07 September 2011**
(30) Convention priority data:
(31) Number (32) Date (33) Country
001804741-0002 13 Jan 2011 EUROPEAN COMMUNITY
(56) Related Art Documents: **Not Applicable**
(57) Statement of Newness and Distinctiveness: **Nil**



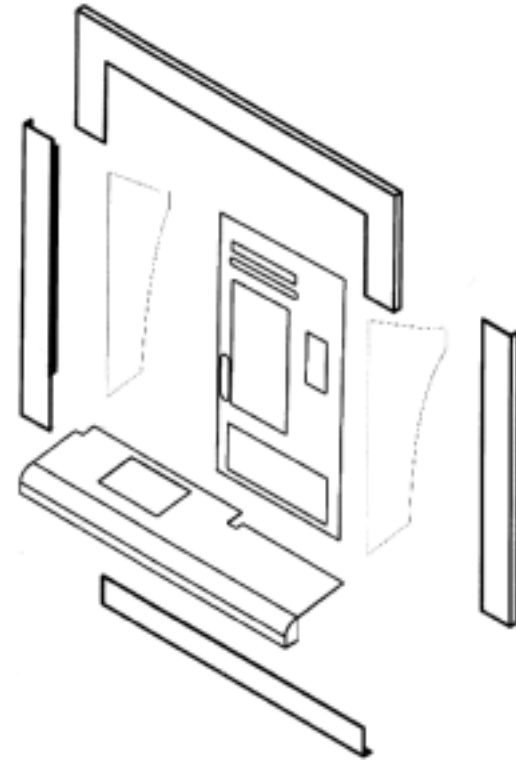
(21) Design Number: **13121/2011**
(22) Date of Filing Application: **13 July 2011**
(24) Date from which industrial property rights may have effect: **13 July 2011**
(54) Product in respect of which the design is registered: **Kettlebell**
(51) International Design Classification: **21-02F**
(74) Name(s) of Attorney(s): **Davies Collison Cave**
(71) Name(s) and Address(s) of Applicant(s):
Escape Fitness Limited
Eastwood House The Office Village Cygnet Park Hampton Peterborough
PE7 8FD United Kingdom
(72) Name(s) of Designer(s): **Matthew Januszek**
(45) Registration Date: **07 September 2011**
(30) Convention priority data:
(31) Number (32) Date (33) Country
001804741-0005 13 Jan 2011 EUROPEAN COMMUNITY
(56) Related Art Documents: **Not Applicable**
(57) Statement of Newness and Distinctiveness: **Nil**



(21) Design Number: **13164/2011**
(22) Date of Filing Application: **15 July 2011**
(24) Date from which industrial property rights may have effect: **15 July 2011**
(54) Product in respect of which the design is registered: **ATM facelift kit**
(51) International Design Classification: **14-02, 20-01**
(74) Name(s) of Attorney(s): **Jogias**
(71) Name(s) and Address(s) of Applicant(s):
Sterling Products Pty Ltd
13 Barrinia Street Slacks Creek Queensland 4127 Australia
(72) Name(s) of Designer(s): **Paul P. Leisemann**
(45) Registration Date: **07 September 2011**
(56) Related Art Documents: **Not Applicable**
(57) Statement of Newness and Distinctiveness: **Nil**



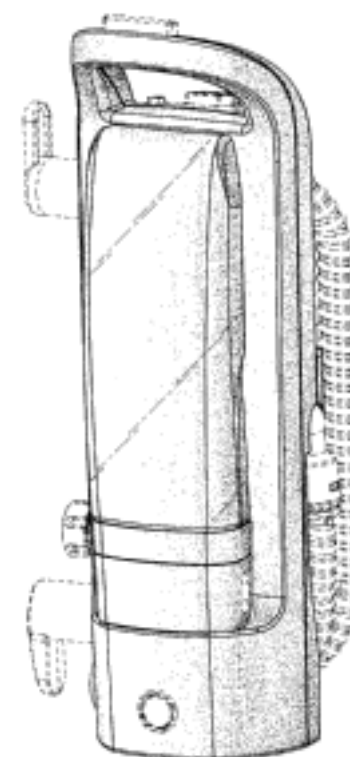
(21) Design Number: **13854/2011**
(22) Date of Filing Application: **15 July 2011**
(24) Date from which industrial property rights may have effect: **15 July 2011**
(54) Product in respect of which the design is registered: **ATM facelift kit**
(51) International Design Classification: **14-02, 20-01**
(74) Name(s) of Attorney(s): **Jogias**
(71) Name(s) and Address(s) of Applicant(s):
Sterling Products Pty Ltd
13 Barrinia Street Slacks Creek Queensland 4127 Australia
(72) Name(s) of Designer(s): **Paul P. Leisemann**
(45) Registration Date: **07 September 2011**
(56) Related Art Documents: **Not Applicable**
(57) Statement of Newness and Distinctiveness: **Nil**



(21) Design Number: **13435/2011**
(22) Date of Filing Application: **04 August 2011**
(24) Date from which industrial property rights may have effect: **04 August 2011**
(54) Product in respect of which the design is registered: **Cosydome recessed luminaire barrier device**
(51) International Design Classification: **26-05A**
(74) Name(s) of Attorney(s):
(71) Name(s) and Address(s) of Applicant(s):
Forefront Solutions Limited
PO Box 30095 St Martins Christchurch 8246 New Zealand
(72) Name(s) of Designer(s): **Paul Hill and Tony Sandes**
(45) Registration Date: **07 September 2011**
(56) Related Art Documents: **Not Applicable**
(57) Statement of Newness and Distinctiveness: **Nil**



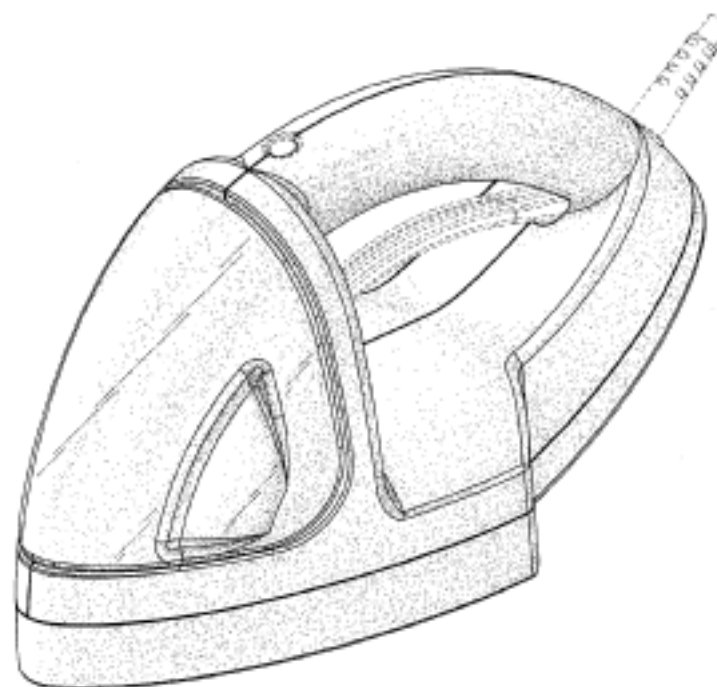
- (21) Design Number: **13577/2011**
(22) Date of Filing Application: **12 August 2011**
(24) Date from which industrial property rights may have effect: **12 August 2011**
(54) Product in respect of which the design is registered: **Portion of floor cleaning machine**
(51) International Design Classification: **15-05**
(74) Name(s) of Attorney(s): **Griffith Hack**
(71) Name(s) and Address(s) of Applicant(s):
BISSELL Homecare, Inc
2345 Walker Avenue N.W. Grand Rapids Michigan 49544 United States of America
(72) Name(s) of Designer(s): **Ambreese Hill and Meghan M. Raven and Douglas J. Medema**
(45) Registration Date: **07 September 2011**
(30) Convention priority data:
(31) Number (32) Date (33) Country
29/386,748 04 Mar 2011 UNITED STATES OF AMERICA
(56) Related Art Documents: **Not Applicable**
(57) Statement of Newness and Distinctiveness: **Newness and distinctiveness resides in the visual features, including shape and configuration, of a portion of floor cleaning machine as shown in the accompanying representation. Those parts of the portion of floor cleaning machine shown by means of the dots and dashed lines do not form part of the design.**



- (21) Design Number: **13578/2011**
(22) Date of Filing Application: **12 August 2011**
(24) Date from which industrial property rights may have effect: **12 August 2011**
(54) Product in respect of which the design is registered: **Portion of floor cleaning machine**
(51) International Design Classification: **15-05**
(74) Name(s) of Attorney(s): **Griffith Hack**
(71) Name(s) and Address(s) of Applicant(s):
BISSELL Homecare, Inc
2345 Walker Avenue N.W. Grand Rapids Michigan 49544 United States of America
(72) Name(s) of Designer(s): **Ambreese Hill and Meghan M. Raven and Douglas J. Medema**
(45) Registration Date: **07 September 2011**
(30) Convention priority data:
(31) Number (32) Date (33) Country
29/386,749 04 Mar 2011 UNITED STATES OF AMERICA
(56) Related Art Documents: **Not Applicable**
(57) Statement of Newness and Distinctiveness: **Newness and distinctiveness resides in the visual features, including shape and configuration, of a portion of floor cleaning machine as shown in the accompanying representation. Those parts of the portion of floor cleaning machine shown by means of the dots and dashed lines do not form part of the design.**



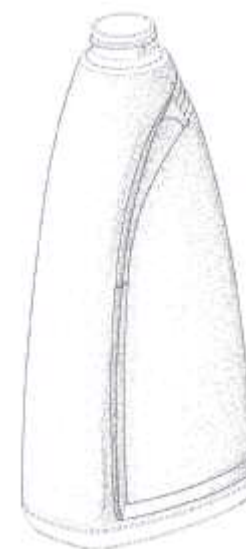
(21) Design Number: **13579/2011**
(22) Date of Filing Application: **12 August 2011**
(24) Date from which industrial property rights may have effect: **12 August 2011**
(54) Product in respect of which the design is registered: **Handheld surface cleaner**
(51) International Design Classification: **15-05**
(74) Name(s) of Attorney(s): **Griffith Hack**
(71) Name(s) and Address(s) of Applicant(s):
BISSELL Homecare, Inc
2345 Walker Avenue N.W. Grand Rapids Michigan 49544 United States of America
(72) Name(s) of Designer(s): **Meghan M. Raven**
(45) Registration Date: **07 September 2011**
(30) Convention priority data:
(31) Number (32) Date (33) Country
29/386,743 04 Mar 2011 UNITED STATES OF AMERICA
(56) Related Art Documents: **Not Applicable**
(57) Statement of Newness and Distinctiveness: **Newness and distinctiveness resides in the visual features, including shape and configuration, of a handheld surface cleaner as shown in the accompanying representation. Those parts of the handheld surface cleaner shown by means of the dots and dashed lines do not form part of the design.**



(21) Design Number: **13580/2011**
(22) Date of Filing Application: **12 August 2011**
(24) Date from which industrial property rights may have effect: **12 August 2011**
(54) Product in respect of which the design is registered: **Floor cleaning machine**
(51) International Design Classification: **15-05**
(74) Name(s) of Attorney(s): **Griffith Hack**
(71) Name(s) and Address(s) of Applicant(s):
BISSELL Homecare, Inc
2345 Walker Avenue N.W. Grand Rapids Michigan 49544 United States of America
(72) Name(s) of Designer(s): **Ambreese Hill and Meghan M. Raven and Douglas J. Medema**
(45) Registration Date: **07 September 2011**
(30) Convention priority data:
(31) Number (32) Date (33) Country
29/386,757 04 Mar 2011 UNITED STATES OF AMERICA
(56) Related Art Documents: **Not Applicable**
(57) Statement of Newness and Distinctiveness: **Newness and distinctiveness resides in the visual features, including shape and configuration, of a floor cleaning machine as shown in the accompanying representation. Those parts of the floor cleaning machine shown by means of the dots and dashed lines do not form part of the design.**



(21) Design Number: **13582/2011**
(22) Date of Filing Application: **12 August 2011**
(24) Date from which industrial property rights may have effect: **12 August 2011**
(54) Product in respect of which the design is registered: **Bottle**
(51) International Design Classification: **09-01K**
(74) Name(s) of Attorney(s): **Griffith Hack**
(71) Name(s) and Address(s) of Applicant(s):
BISSELL Homecare, Inc
2345 Walker Avenue N.W. Grand Rapids Michigan 49544 United States of America
(72) Name(s) of Designer(s): **Michael Luyckx**
(45) Registration Date: **07 September 2011**
(30) Convention priority data:
(31) Number (32) Date (33) Country
29/386,678 03 Mar 2011 UNITED STATES OF AMERICA
(56) Related Art Documents: **Not Applicable**
(57) Statement of Newness and Distinctiveness: **Newness and distinctiveness resides in the visual features, including shape and configuration, of a bottle as shown in the accompanying representation. Those parts of the bottle shown by means of dots and dashed lines do not form part of the design.**



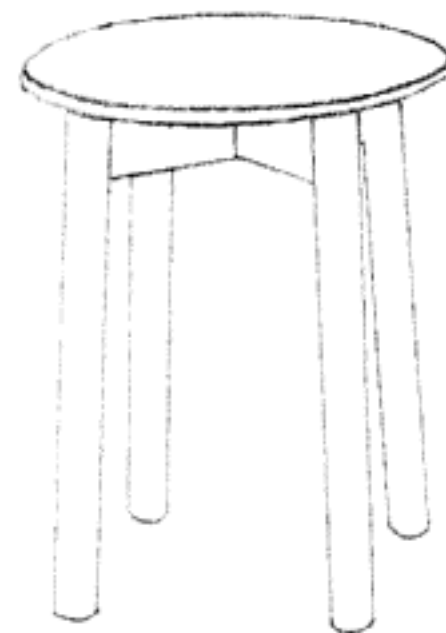
(21) Design Number: **13074/2011**
(22) Date of Filing Application: **11 July 2011**
(24) Date from which industrial property rights may have effect: **11 July 2011**
(54) Product in respect of which the design is registered: **Cabinet on four splayed legs**
(51) International Design Classification: **06-04F**
(74) Name(s) of Attorney(s):
(71) Name(s) and Address(s) of Applicant(s):
Ross Didier
85 Glenair Court Lower Templestowe Victoria 3107 Australia
(72) Name(s) of Designer(s): **Ross Didier**
(45) Registration Date: **07 September 2011**
(56) Related Art Documents: **Not Applicable**
(57) Statement of Newness and Distinctiveness: **Combination of splayed legs and crossed over rails to create look of triangular angled point from front/side profile.**



- (21) Design Number: **13075/2011**
(22) Date of Filing Application: **11 July 2011**
(24) Date from which industrial property rights may have effect: **11 July 2011**
(54) Product in respect of which the design is registered: **Chair with four splayed legs**
(51) International Design Classification: **06-01F**
(74) Name(s) of Attorney(s):
(71) Name(s) and Address(s) of Applicant(s):
Ross Didier
85 Glenair Court Lower Templestowe Victoria 3107 Australia
(72) Name(s) of Designer(s): **Ross Didier**
(45) Registration Date: **07 September 2011**
(56) Related Art Documents: **Not Applicable**
(57) Statement of Newness and Distinctiveness: **Combination of splayed legs and crossed over rails to create look of triangular angled point from front/ side profile.**



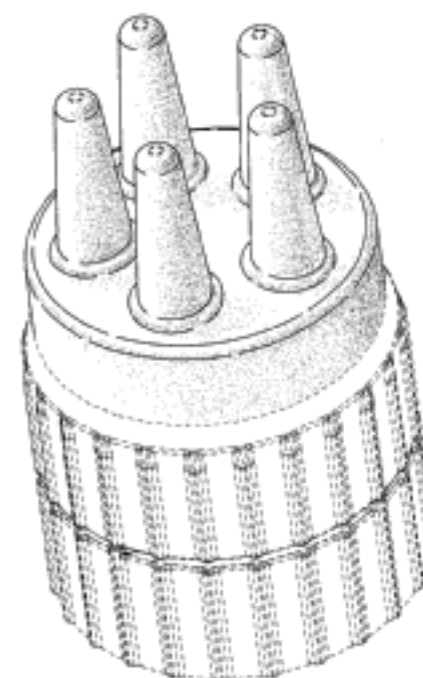
- (21) Design Number: **13076/2011**
(22) Date of Filing Application: **11 July 2011**
(24) Date from which industrial property rights may have effect: **11 July 2011**
(54) Product in respect of which the design is registered: **Stool with four splayed legs**
(51) International Design Classification: **06-01E**
(74) Name(s) of Attorney(s):
(71) Name(s) and Address(s) of Applicant(s):
Ross Didier
85 Glenair Court Lower Templestowe Victoria 3107 Australia
(72) Name(s) of Designer(s): **Ross Didier**
(45) Registration Date: **07 September 2011**
(56) Related Art Documents: **Not Applicable**
(57) Statement of Newness and Distinctiveness: **Combination of splayed legs and crossed over rails to create look of triangular angled point from front/ side profile.**



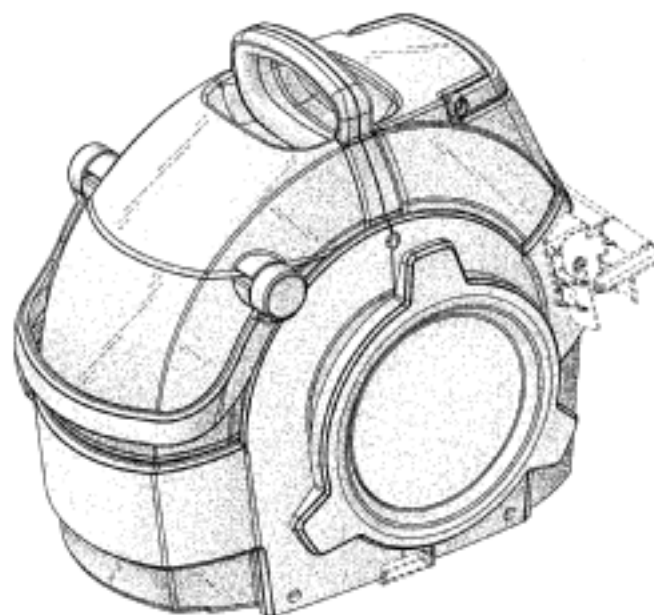
(21) Design Number: **13077/2011**
(22) Date of Filing Application: **11 July 2011**
(24) Date from which industrial property rights may have effect: **11 July 2011**
(54) Product in respect of which the design is registered: **Table with four splayed legs**
(51) International Design Classification: **06-03A**
(74) Name(s) of Attorney(s):
(71) Name(s) and Address(s) of Applicant(s):
Ross Didier
85 Glenair Court Lower Templestowe Victoria 3107 Australia
(72) Name(s) of Designer(s): **Ross Didier**
(45) Registration Date: **07 September 2011**
(56) Related Art Documents: **Not Applicable**
(57) Statement of Newness and Distinctiveness: **Combination of splayed legs and crossed over rails to create look of triangular angled point from front/side profile.**



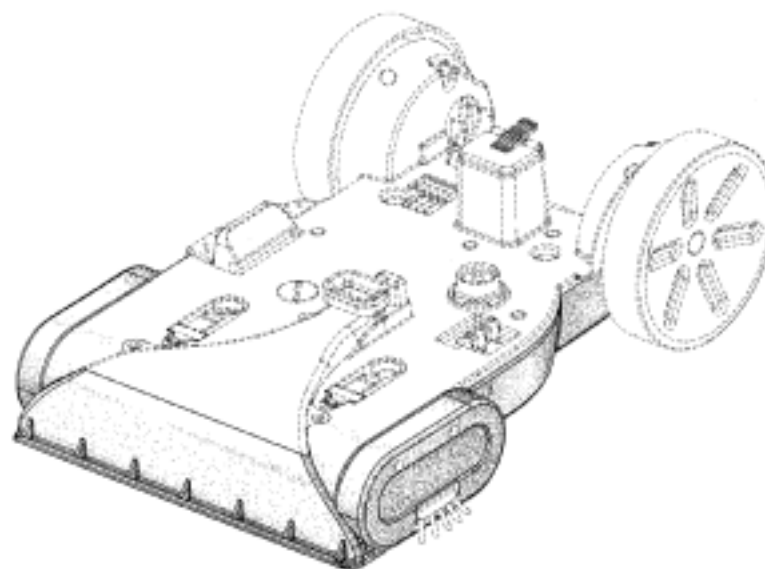
(21) Design Number: **13583/2011**
(22) Date of Filing Application: **12 August 2011**
(24) Date from which industrial property rights may have effect: **12 August 2011**
(54) Product in respect of which the design is registered: **Carpet cleaner**
(51) International Design Classification: **15-05**
(74) Name(s) of Attorney(s): **Griffith Hack**
(71) Name(s) and Address(s) of Applicant(s):
BISSELL Homecare, Inc
2345 Walker Avenue N.W. Grand Rapids Michigan 49544 United States of America
(72) Name(s) of Designer(s): **Bryce Porter and Gabriel Prero**
(45) Registration Date: **07 September 2011**
(30) Convention priority data:
(31) Number (32) Date (33) Country
29/386,747 04 Mar 2011 UNITED STATES OF AMERICA
(56) Related Art Documents: **Not Applicable**
(57) Statement of Newness and Distinctiveness: **Newness and distinctiveness resides in the visual features, including shape and configuration, of a CARPET CLEANER as shown in the accompanying representation. Those parts of the CARPET CLEANER shown by means of the dots and dashed lines do not form part of the design.**



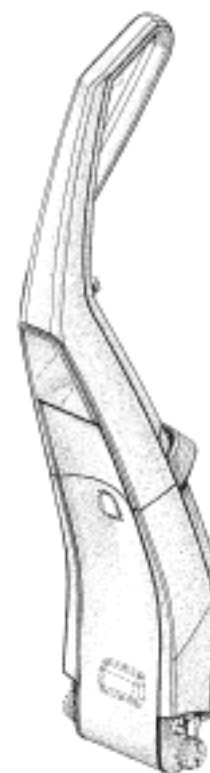
(21) Design Number: **13584/2011**
(22) Date of Filing Application: **12 August 2011**
(24) Date from which industrial property rights may have effect: **12 August 2011**
(54) Product in respect of which the design is registered: **Portion of floor cleaning machine**
(51) International Design Classification: **15-05**
(74) Name(s) of Attorney(s): **Griffith Hack**
(71) Name(s) and Address(s) of Applicant(s):
BISSELL Homecare, Inc
2345 Walker Avenue N.W. Grand Rapids Michigan 49544 United States of America
(72) Name(s) of Designer(s): **Justin Benacquisto**
(45) Registration Date: **07 September 2011**
(30) Convention priority data:
(31) Number (32) Date (33) Country
29/386,755 04 Mar 2011 UNITED STATES OF AMERICA
(56) Related Art Documents: **Not Applicable**
(57) Statement of Newness and Distinctiveness: **Newness and distinctiveness resides in the visual features, including shape and configuration, of a PORTION OF FLOOR CLEANING MACHINE as shown in the accompanying representation. Those parts of the PORTION OF FLOOR CLEANING MACHINE shown by means of the dots and dashed lines do not form part of the design.**



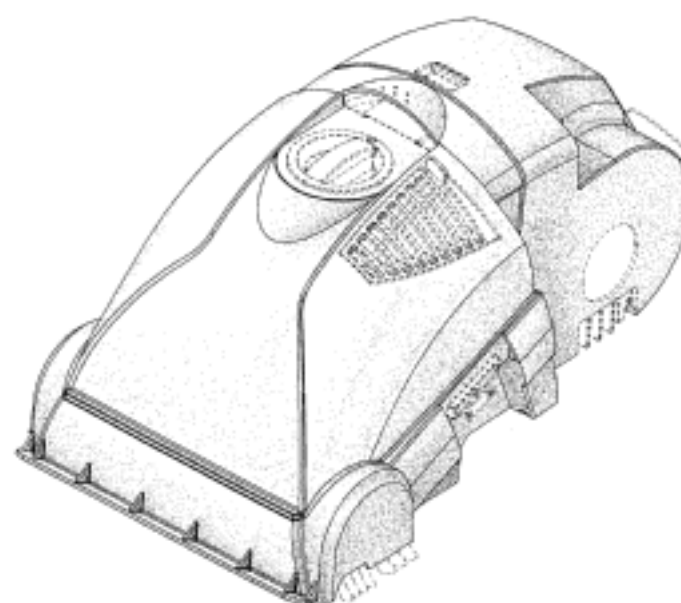
(21) Design Number: **13585/2011**
(22) Date of Filing Application: **12 August 2011**
(24) Date from which industrial property rights may have effect: **12 August 2011**
(54) Product in respect of which the design is registered: **Portion of floor cleaning machine**
(51) International Design Classification: **15-05**
(74) Name(s) of Attorney(s): **Griffith Hack**
(71) Name(s) and Address(s) of Applicant(s):
BISSELL Homecare, Inc
2345 Walker Avenue N.W. Grand Rapids Michigan 49544 United States of America
(72) Name(s) of Designer(s): **Justin Benacquisto**
(45) Registration Date: **07 September 2011**
(30) Convention priority data:
(31) Number (32) Date (33) Country
29/386,752 04 Mar 2011 UNITED STATES OF AMERICA
(56) Related Art Documents: **Not Applicable**
(57) Statement of Newness and Distinctiveness: **Newness and distinctiveness resides in the visual features, including shape and configuration, of a PORTION OF FLOOR CLEANING MACHINE as shown in the accompanying representation. Those parts of the PORTION OF FLOOR CLEANING MACHINE shown by means of the dots and dashed lines do not form part of the design.**



(21) Design Number: **13586/2011**
(22) Date of Filing Application: **12 August 2011**
(24) Date from which industrial property rights may have effect: **12 August 2011**
(54) Product in respect of which the design is registered: **Portion of floor cleaning machine**
(51) International Design Classification: **15-05**
(74) Name(s) of Attorney(s): **Griffith Hack**
(71) Name(s) and Address(s) of Applicant(s):
BISSELL Homecare, Inc
2345 Walker Avenue N.W. Grand Rapids Michigan 49544 United States of America
(72) Name(s) of Designer(s): **Justin Benacquisto**
(45) Registration Date: **07 September 2011**
(30) Convention priority data:
(31) Number (32) Date (33) Country
29/386,753 04 Mar 2011 UNITED STATES OF AMERICA
(56) Related Art Documents: **Not Applicable**
(57) Statement of Newness and Distinctiveness: **Newness and distinctiveness resides in the visual features, including shape and configuration, of a PORTION OF FLOOR CLEANING MACHINE as shown in the accompanying representation. Those parts of the PORTION OF FLOOR CLEANING MACHINE shown by means of the dots and dashed lines do not form part of the design.**



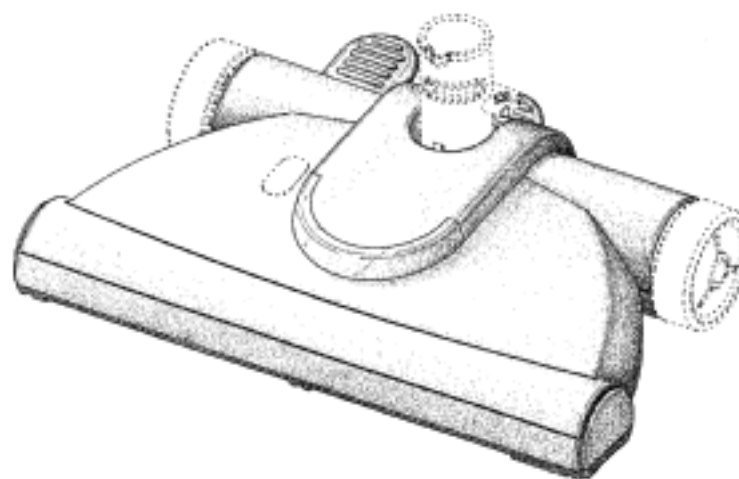
(21) Design Number: **13587/2011**
(22) Date of Filing Application: **12 August 2011**
(24) Date from which industrial property rights may have effect: **12 August 2011**
(54) Product in respect of which the design is registered: **Portion of floor cleaning machine**
(51) International Design Classification: **15-05**
(74) Name(s) of Attorney(s): **Griffith Hack**
(71) Name(s) and Address(s) of Applicant(s):
BISSELL Homecare, Inc
2345 Walker Avenue N.W. Grand Rapids Michigan 49544 United States of America
(72) Name(s) of Designer(s): **Bryce Porter and Jose Carlito Santiago**
(45) Registration Date: **07 September 2011**
(30) Convention priority data:
(31) Number (32) Date (33) Country
29/386,788 04 Mar 2011 UNITED STATES OF AMERICA
(56) Related Art Documents: **Not Applicable**
(57) Statement of Newness and Distinctiveness: **Newness and distinctiveness resides in the visual features, including shape and configuration, of a PORTION OF FLOOR CLEANING MACHINE as shown in the accompanying representation. Those parts of the PORTION OF FLOOR CLEANING MACHINE shown by means of the dots and dashed lines do not form part of the design.**



(21) Design Number: **13588/2011**
(22) Date of Filing Application: **12 August 2011**
(24) Date from which industrial property rights may have effect: **12 August 2011**
(54) Product in respect of which the design is registered: **Portion of floor cleaning machine**
(51) International Design Classification: **15-05**
(74) Name(s) of Attorney(s): **Griffith Hack**
(71) Name(s) and Address(s) of Applicant(s):
BISSELL Homecare, Inc
2345 Walker Avenue N.W. Grand Rapids Michigan 49544 United States of America
(72) Name(s) of Designer(s): **Bryce Porter and Jose Carlito Santiago**
(45) Registration Date: **07 September 2011**
(30) Convention priority data:
(31) Number (32) Date (33) Country
29/386,750 04 Mar 2011 UNITED STATES OF AMERICA
(56) Related Art Documents: **Not Applicable**
(57) Statement of Newness and Distinctiveness: **Newness and distinctiveness resides in the visual features, including shape and configuration, of a PORTION OF FLOOR CLEANING MACHINE as shown in the accompanying representation. Those parts of the PORTION OF FLOOR CLEANING MACHINE shown by means of the dots and dashed lines do not form part of the design.**



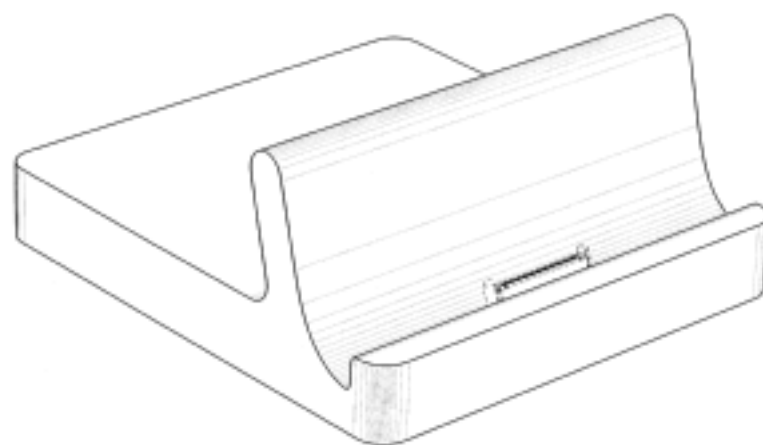
(21) Design Number: **13589/2011**
(22) Date of Filing Application: **12 August 2011**
(24) Date from which industrial property rights may have effect: **12 August 2011**
(54) Product in respect of which the design is registered: **Portion of a vacuum cleaner**
(51) International Design Classification: **15-05**
(74) Name(s) of Attorney(s): **Griffith Hack**
(71) Name(s) and Address(s) of Applicant(s):
BISSELL Homecare, Inc
2345 Walker Avenue N.W. Grand Rapids Michigan 49544 United States of America
(72) Name(s) of Designer(s): **Lawrence Chun-Hei Chu and Wendy Hui Wu**
(45) Registration Date: **07 September 2011**
(30) Convention priority data:
(31) Number (32) Date (33) Country
29/386,746 04 Mar 2011 UNITED STATES OF AMERICA
(56) Related Art Documents: **Not Applicable**
(57) Statement of Newness and Distinctiveness: **Newness and distinctiveness resides in the visual features, including shape and configuration, of a PORTION OF A VACUUM CLEANER as shown in the accompanying representation. Those parts of the PORTION OF A VACUUM CLEANER shown by means of the dots and dashed lines do not form part of the design.**



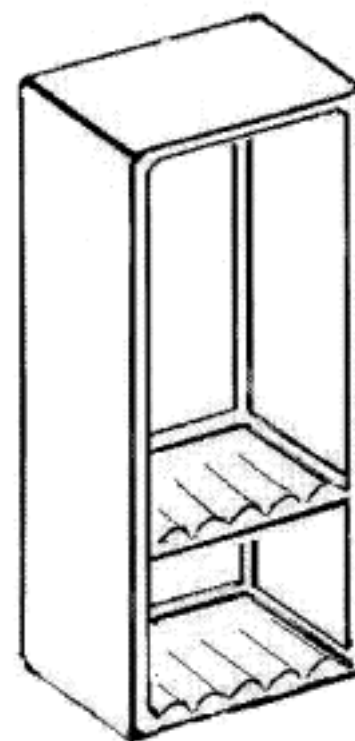
- (21) Design Number: **13733/2011**
(22) Date of Filing Application: **23 August 2011**
(24) Date from which industrial property rights may have effect: **23 August 2011**
(54) Product in respect of which the design is registered: **Thermal insulating cover for pressure relief valves on hot water delivery systems**
(51) International Design Classification: **23-01K, 23-01NES**
(74) Name(s) of Attorney(s):
(71) Name(s) and Address(s) of Applicant(s):
NTEC Australia Pty. Ltd.
48 Percy Street Newport Victoria 3015 Australia
(72) Name(s) of Designer(s): **David William Lugton and NTEC Australia Pty. Ltd.**
(45) Registration Date: **07 September 2011**
(56) Related Art Documents: **Not Applicable**
(57) Statement of Newness and Distinctiveness: **The newness and distinctiveness of the design resides in the overall shape. Shape and features are shown in the attached illustrations.**



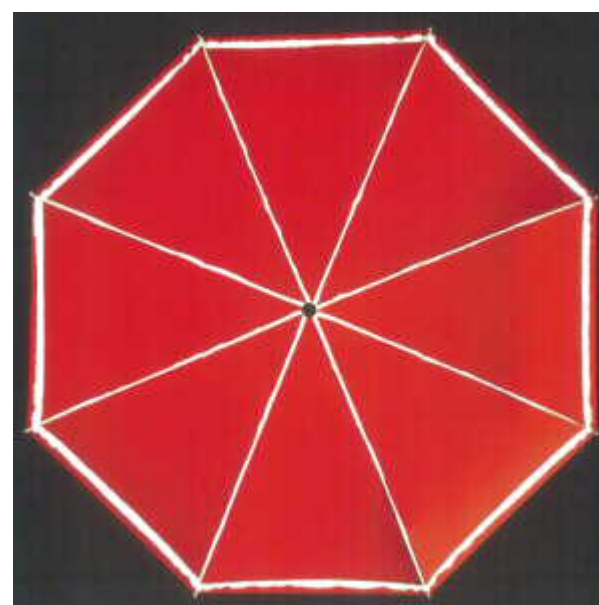
- (21) Design Number: **13600/2011**
(22) Date of Filing Application: **15 August 2011**
(24) Date from which industrial property rights may have effect: **15 August 2011**
(54) Product in respect of which the design is registered: **Docking station**
(51) International Design Classification: **14-02**
(74) Name(s) of Attorney(s): **Freehills Patent & Trade Mark Attorneys**
(71) Name(s) and Address(s) of Applicant(s):
Apple Inc.
1 Infinite Loop Cupertino California 95014 United States of America
(72) Name(s) of Designer(s): **Jody Akana and Bartley K. Andre and Jeremy Bataillou and Daniel J. Coster and Daniele De Iulii and Evans Hankey and Julian Hoenig and Richard P. Howarth and Jonathan P. Ive and Duncan Robert Kerr and Shin Nishibori and Matthew Dean Rohrbach and Peter Russell-Clarke and Christopher J. Stringer and Eugene Antony Whang and Rico Zorkendorfer**
(45) Registration Date: **08 September 2011**
(30) Convention priority data:
(31) Number (32) Date (33) Country
29/385788 18 Feb 2011 UNITED STATES OF AMERICA
(56) Related Art Documents: **Not Applicable**
(57) Statement of Newness and Distinctiveness: **Newness and distinctiveness resides in the features of shape of the Docking Station that are shown in solid lines and shade lines (illustrating contour and not surface ornamentation) in the part of the design that is indicated A in Figure 5 of the accompanying figures and is visible in Figures 1,2,3,6, and 7 (the indication 'A' is not shown in these Figures).**



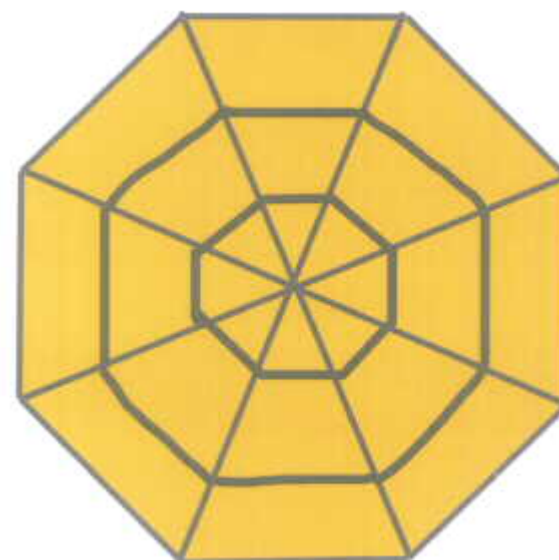
- (21) Design Number: **13604/2011**
(22) Date of Filing Application: **15 August 2011**
(24) Date from which industrial property rights may have effect: **15 August 2011**
(54) Product in respect of which the design is registered: **Recessed shower shelf**
(51) International Design Classification: **23-02A**
(74) Name(s) of Attorney(s):
(71) Name(s) and Address(s) of Applicant(s):
Yan H. Liu
1 Collins Street Thomastown Victoria 3074 Australia
(72) Name(s) of Designer(s): **Yan Hua Liu**
(45) Registration Date: **08 September 2011**
(56) Related Art Documents: **Not Applicable**
(57) Statement of Newness and Distinctiveness: **Recessed shelf that fits easily into normal tiling. It does not have flanges to overlap existing tiles. It save space, gives extra storage room, easy to maintain and is safer with no protruding parts.**



- (21) Design Number: **13693/2011**
(22) Date of Filing Application: **19 August 2011**
(24) Date from which industrial property rights may have effect: **19 August 2011**
(54) Product in respect of which the design is registered: **Umbrella**
(51) International Design Classification: **03-03**
(74) Name(s) of Attorney(s):
(71) Name(s) and Address(s) of Applicant(s):
Simon Dunn-Vaughan
2 Second Street Black Rock Victoria 3193 Australia
Darren Inglis
11 Trentham Road Tylden Victoria 3444 Australia
(72) Name(s) of Designer(s): **Simon Dunn-Vaughan and Darren Inglis**
(45) Registration Date: **08 September 2011**
(56) Related Art Documents: **Not Applicable**
(57) Statement of Newness and Distinctiveness: **Includes a 2.5cm high visibility retro reflective tape that runs around the perimetre of the umbrella canopy. Also retro reflective piping that adheres to the ribs of the frame. Canopy is available in high visibility orange and hi-visibility yellow.**



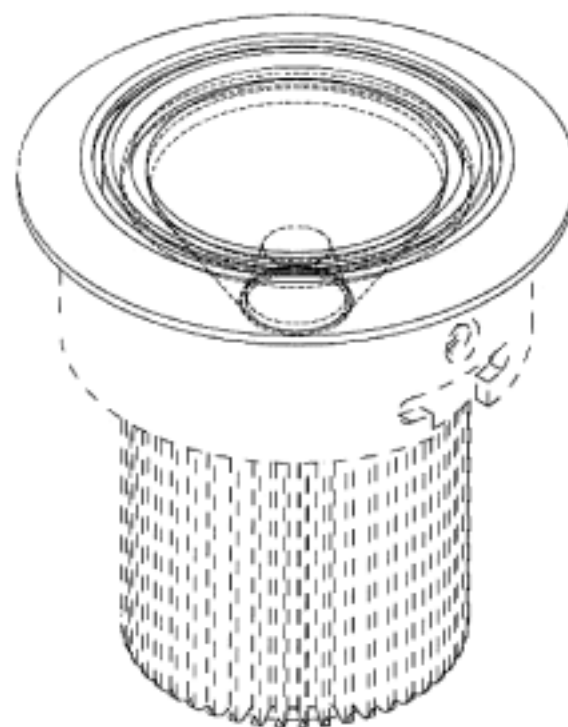
- (21) Design Number: **13694/2011**
(22) Date of Filing Application: **19 August 2011**
(24) Date from which industrial property rights may have effect: **19 August 2011**
(54) Product in respect of which the design is registered: **Umbrella**
(51) International Design Classification: **03-03**
(74) Name(s) of Attorney(s):
(71) Name(s) and Address(s) of Applicant(s):
 Simon Dunn-Vaughan
 2 Second Street Black Rock Victoria 3193 Australia
 Darren Inglis
 11 Trentham Road Tylden Victoria 3444 Australia
(72) Name(s) of Designer(s): **Simon Dunn-Vaughan and Darren Inglis**
(45) Registration Date: **08 September 2011**
(56) Related Art Documents: **Not Applicable**
(57) Statement of Newness and Distinctiveness: **Includes 3 x 2.5cm retro reflective tape (high visibility) that runs around the perimeter of canopy in concentric circles. Canopy is available in high visibility orange or yellow.**



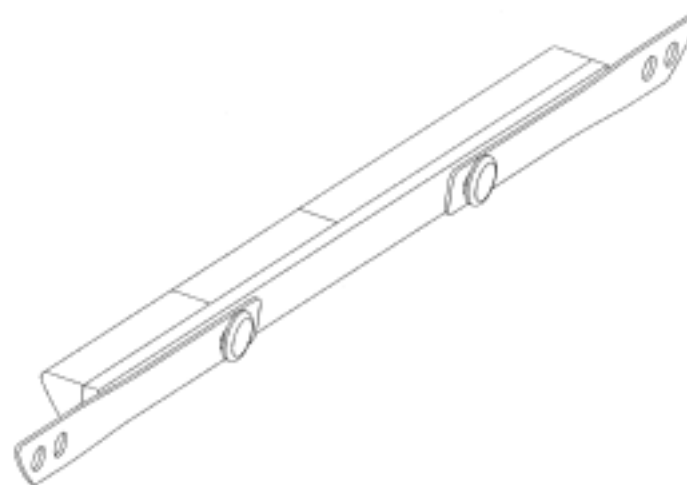
- (21) Design Number: **13242/2011**
(22) Date of Filing Application: **22 July 2011**
(24) Date from which industrial property rights may have effect: **22 July 2011**
(54) Product in respect of which the design is registered: **Removable cover for a device**
(51) International Design Classification: **09-01A**
(74) Name(s) of Attorney(s): **Madderns**
(71) Name(s) and Address(s) of Applicant(s):
 Reckitt & Colman (Overseas) Limited
 103-105 Bath Road Slough Berkshire SL1 3UH United Kingdom
(72) Name(s) of Designer(s): **Christopher Leonard Padain and Jesse DelGigante and Christopher Evans**
(45) Registration Date: **08 September 2011**
(30) Convention priority data:
 (31) Number (32) Date (33) Country
 001810607 25 Jan 2011 EUROPEAN COMMUNITY
(56) Related Art Documents: **Not Applicable**
(57) Statement of Newness and Distinctiveness: **Nil**



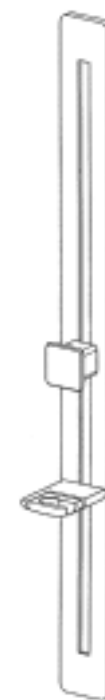
(21) Design Number: **13245/2011**
(22) Date of Filing Application: **22 July 2011**
(24) Date from which industrial property rights may have effect: **22 July 2011**
(54) Product in respect of which the design is registered: **LED downlight**
(51) International Design Classification: **26-05E**
(74) Name(s) of Attorney(s): **Davies Collison Cave**
(71) Name(s) and Address(s) of Applicant(s):
Brightgreen Pty Ltd
PO Box 1021 St Kilda South Post Office St Kilda South Victoria 3182
Australia
(72) Name(s) of Designer(s): **David O'Driscoll**
(45) Registration Date: **08 September 2011**
(56) Related Art Documents: **Not Applicable**
(57) Statement of Newness and Distinctiveness: **Newness and distinctiveness is claimed in the visual features shown in solid lines in the representations.**



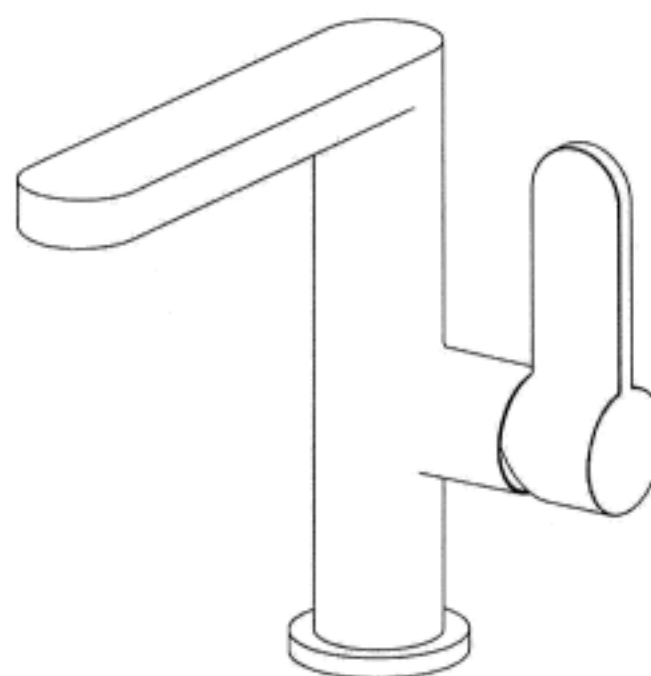
(21) Design Number: **13592/2011**
(22) Date of Filing Application: **12 August 2011**
(24) Date from which industrial property rights may have effect: **12 August 2011**
(54) Product in respect of which the design is registered: **Component of an electronic device**
(51) International Design Classification: **14-02**
(74) Name(s) of Attorney(s): **Freehills Patent & Trade Mark Attorneys**
(71) Name(s) and Address(s) of Applicant(s):
Apple Inc.
1 Infinite Loop Cupertino California 95014 United States of America
(72) Name(s) of Designer(s): **Sean Stewart Corbin and Elvis Mwenda Kibiti and Stephen McClure**
(45) Registration Date: **08 September 2011**
(30) Convention priority data:
(31) Number (32) Date (33) Country
29/385796 18 Feb 2011 UNITED STATES OF AMERICA
(56) Related Art Documents: **Not Applicable**
(57) Statement of Newness and Distinctiveness: **Nil**



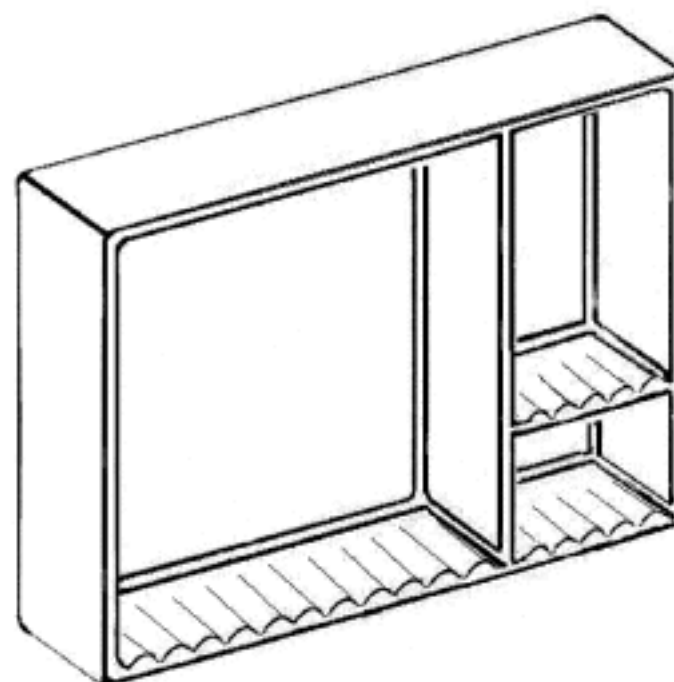
(21) Design Number: **13593/2011**
(22) Date of Filing Application: **12 August 2011**
(24) Date from which industrial property rights may have effect: **12 August 2011**
(54) Product in respect of which the design is registered: **Shower column**
(51) International Design Classification: **23-02B**
(74) Name(s) of Attorney(s): **SPRUSON & FERGUSON**
(71) Name(s) and Address(s) of Applicant(s):
Gessi S.P.A.
Parco Gessi Frazione Vintebbio 13037 Serravalle Sesia (Vercelli) Italy
(72) Name(s) of Designer(s): **Gian Luca Gessi**
(45) Registration Date: **08 September 2011**
(30) Convention priority data:
(31) Number (32) Date (33) Country
MI2011O000019 15 Feb 2011 ITALY
(56) Related Art Documents: **Not Applicable**
(57) Statement of Newness and Distinctiveness: **Newness and distinctiveness is claimed in the features of shape and/or configuration of a shower column as illustrated in the accompanying representations.**



(21) Design Number: **13594/2011**
(22) Date of Filing Application: **12 August 2011**
(24) Date from which industrial property rights may have effect: **12 August 2011**
(54) Product in respect of which the design is registered: **Faucet**
(51) International Design Classification: **23-01H**
(74) Name(s) of Attorney(s): **SPRUSON & FERGUSON**
(71) Name(s) and Address(s) of Applicant(s):
Gessi S.P.A.
Parco Gessi Frazione Vintebbio 13037 Serravalle Sesia (Vercelli) Italy
(72) Name(s) of Designer(s): **Gian Luca Gessi**
(45) Registration Date: **08 September 2011**
(30) Convention priority data:
(31) Number (32) Date (33) Country
MI2011O000019 15 Feb 2011 ITALY
(56) Related Art Documents: **Not Applicable**
(57) Statement of Newness and Distinctiveness: **Newness and distinctiveness is claimed in the features of shape and/or configuration of a faucet as illustrated in the accompanying representations.**



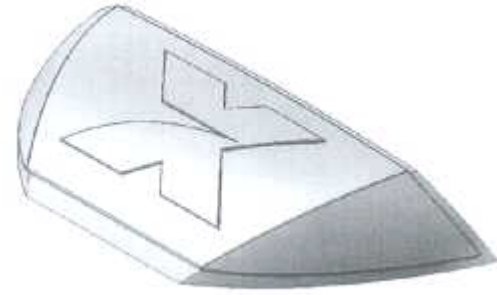
- (21) Design Number: **13608/2011**
(22) Date of Filing Application: **15 August 2011**
(24) Date from which industrial property rights may have effect: **15 August 2011**
(54) Product in respect of which the design is registered: **Recessed shower shelf**
(51) International Design Classification: **23-02A**
(74) Name(s) of Attorney(s):
(71) Name(s) and Address(s) of Applicant(s):
Liu Yan Hua
1 Collins Street Thomastown Victoria 3074 Australia
(72) Name(s) of Designer(s): **Liu Yan Hua**
(45) Registration Date: **08 September 2011**
(56) Related Art Documents: **Not Applicable**
(57) Statement of Newness and Distinctiveness: **Recessed shelf that fits easily into normal tiling. It does not have flanges to overlay existing tiles. It saves space, gives extra storage room, easy to maintain and clean. It is safer because it does not have any protruding parts.**



- (21) Design Number: **12967/2011**
(22) Date of Filing Application: **01 July 2011**
(24) Date from which industrial property rights may have effect: **01 July 2011**
(54) Product in respect of which the design is registered: **Rocking chair**
(51) International Design Classification: **21-01F**
(74) Name(s) of Attorney(s): **Davies Collison Cave**
(71) Name(s) and Address(s) of Applicant(s):
Keter Plastic Ltd
2 Sapir Street Herzlia 46852 Israel
(72) Name(s) of Designer(s): **David Keller and Guy Ceder**
(45) Registration Date: **08 September 2011**
(30) Convention priority data:
(31) Number (32) Date (33) Country
50481 03 Jan 2011 ISRAEL
(56) Related Art Documents: **Not Applicable**
(57) Statement of Newness and Distinctiveness: **Newness and distinctiveness is claimed in the features of shape and configuration as shown in the representations.**



- (21) Design Number: **12970/2011**
(22) Date of Filing Application: **01 July 2011**
(24) Date from which industrial property rights may have effect: **01 July 2011**
(54) Product in respect of which the design is registered: **Improved emitter for viewing 3D with shutter glasses**
(51) International Design Classification: **14-03NES**
(74) Name(s) of Attorney(s): **Davies Collison Cave**
(71) Name(s) and Address(s) of Applicant(s):
X6D Limited
199 Arch Makarios III Avenue Neocleous House 3030 Limassol Cyprus
(72) Name(s) of Designer(s): **Miha Dolinar and Jure Bezgovsek**
(45) Registration Date: **08 September 2011**
(30) Convention priority data:
(31) Number (32) Date (33) Country
29/382568 05 Jan 2011 UNITED STATES OF AMERICA
(56) Related Art Documents: **Not Applicable**
(57) Statement of Newness and Distinctiveness: **Newness and distinctiveness is claimed in the visual features shown in the representations. The upper covering section and the lower section, over which the upper covering section sits, can each be of the same colour or of different colours.**



- (21) Design Number: **12985/2011**
(22) Date of Filing Application: **03 July 2011**
(24) Date from which industrial property rights may have effect: **03 July 2011**
(54) Product in respect of which the design is registered: **Waterproof cover for the car seat**
(51) International Design Classification: **06-13NES**
(74) Name(s) of Attorney(s):
(71) Name(s) and Address(s) of Applicant(s):
Z-Wise LTD
14 Vitkin Street Herzelia 46332 Israel
(72) Name(s) of Designer(s): **Ido Korin**
(45) Registration Date: **08 September 2011**
(56) Related Art Documents: **Not Applicable**
(57) Statement of Newness and Distinctiveness: **Particular features of the design which are new and distinctive: This design was never published in Australia. The design of the cover is made exactly to fit the top side of the car seat and cover it all easy (the cover can be put on/off in seconds). It was also designed in a way it will exactly fit the headrest of the car seat.**



(21) Design Number: **13158/2011**
(22) Date of Filing Application: **15 July 2011**
(24) Date from which industrial property rights may have effect: **15 July 2011**
(54) Product in respect of which the design is registered: **A handle**
(51) International Design Classification: **08-06**
(74) Name(s) of Attorney(s): **James & Wells Intellectual Property**
(71) Name(s) and Address(s) of Applicant(s):

Cowdroy Products Limited
18 Kerwyn Avenue East Tamaki Auckland 2013 New Zealand

(72) Name(s) of Designer(s): **Brett Ian Baillie**

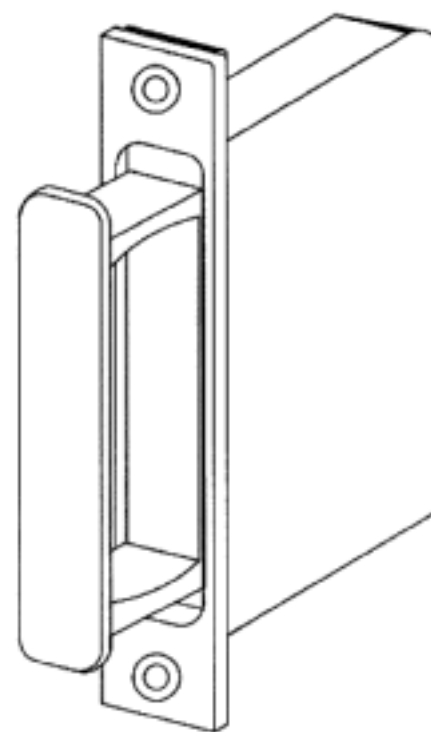
(45) Registration Date: **08 September 2011**

(30) Convention priority data:

(31) Number	(32) Date	(33) Country
414943	26 May 2011	NEW ZEALAND

(56) Related Art Documents: **Not Applicable**

(57) Statement of Newness and Distinctiveness: **This design is to be applied to a handle and the novelty resides in features of shape and configuration of the article, all as shown in the accompanying representations.**



(21) Design Number: **13268/2011**
(22) Date of Filing Application: **25 July 2011**
(24) Date from which industrial property rights may have effect: **25 July 2011**
(54) Product in respect of which the design is registered: **Portable information terminal**
(51) International Design Classification: **21-01N**
(74) Name(s) of Attorney(s): **Shelston IP**
(71) Name(s) and Address(s) of Applicant(s):

Sony Computer Entertainment Inc.
1-7-1 Konan Minato-ku Tokyo Japan

(72) Name(s) of Designer(s): **Takahiro Fujii and Sho Suga**

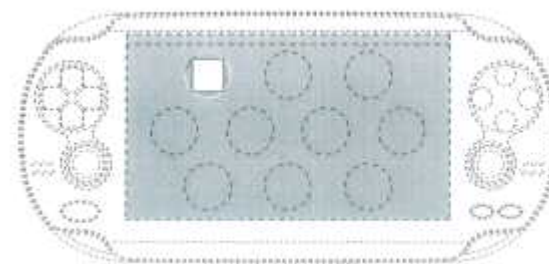
(45) Registration Date: **08 September 2011**

(30) Convention priority data:

(31) Number	(32) Date	(33) Country
2011-001417	25 Jan 2011	JAPAN

(56) Related Art Documents: **Not Applicable**

(57) Statement of Newness and Distinctiveness: **Newness and distinctiveness reside in the visual features of transparent icon windows through which a background image displayed on a display part of a portable information terminal can be seen, or through which the background image can be seen around an icon displayed in an icon window. The features shown in broken or discontinuous lines are for illustrative purposes only and do not form part of the design. The background image and the colour thereof are not part of the design sought to be protected, nor is the area within the icon displayed in an icon window.**



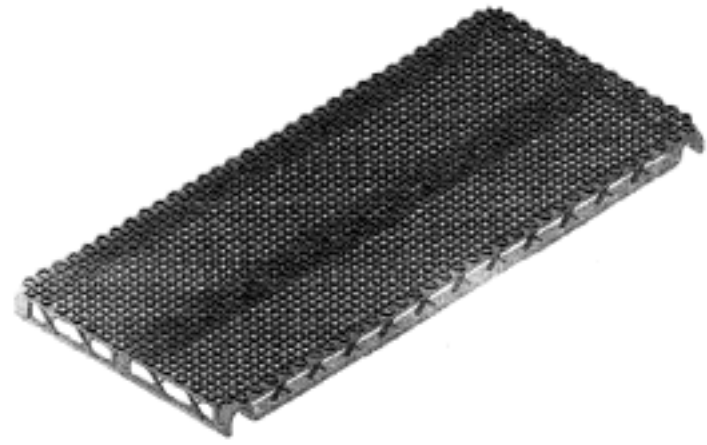
(21) Design Number: **13371/2011**
(22) Date of Filing Application: **29 July 2011**
(24) Date from which industrial property rights may have effect: **29 July 2011**
(54) Product in respect of which the design is registered: **Platform for construction scaffold**
(51) International Design Classification: **25-04**
(74) Name(s) of Attorney(s): **Davies Collison Cave**
(71) Name(s) and Address(s) of Applicant(s):
Delta System AS
Storebotn Naeringspark Kleppesto N-5300 Norway
(72) Name(s) of Designer(s): **Strand Gunnar**
(45) Registration Date: **08 September 2011**
(30) Convention priority data:
(31) Number (32) Date (33) Country
20110060 01 Feb 2011 NORWAY
(56) Related Art Documents: **Not Applicable**
(57) Statement of Newness and Distinctiveness: **Nil**



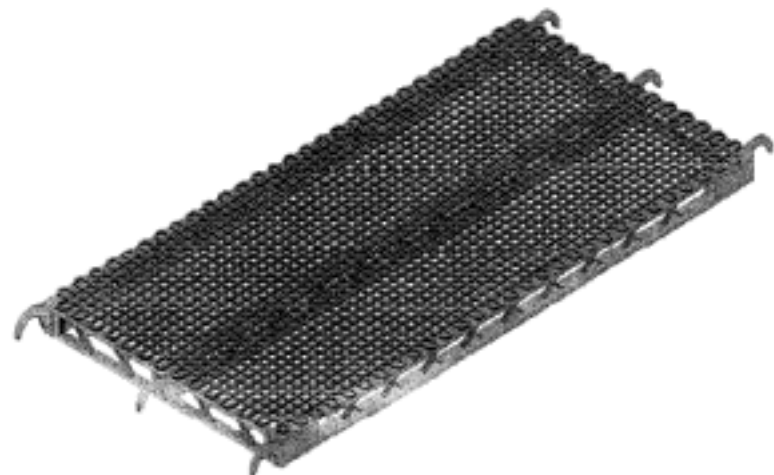
(21) Design Number: **13372/2011**
(22) Date of Filing Application: **29 July 2011**
(24) Date from which industrial property rights may have effect: **29 July 2011**
(54) Product in respect of which the design is registered: **Platform for construction scaffold**
(51) International Design Classification: **25-04**
(74) Name(s) of Attorney(s): **Davies Collison Cave**
(71) Name(s) and Address(s) of Applicant(s):
Delta System AS
Storebotn Naeringspark Kleppesto N-5300 Norway
(72) Name(s) of Designer(s): **Strand Gunnar**
(45) Registration Date: **08 September 2011**
(30) Convention priority data:
(31) Number (32) Date (33) Country
20110060 01 Feb 2011 NORWAY
(56) Related Art Documents: **Not Applicable**
(57) Statement of Newness and Distinctiveness: **Nil**



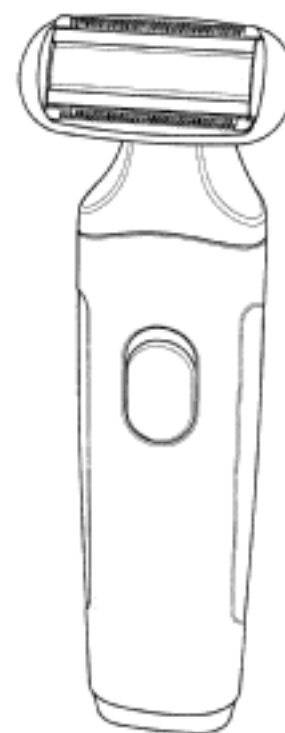
(21) Design Number: **13373/2011**
(22) Date of Filing Application: **29 July 2011**
(24) Date from which industrial property rights may have effect: **29 July 2011**
(54) Product in respect of which the design is registered: **Platform for construction scaffold**
(51) International Design Classification: **25-04**
(74) Name(s) of Attorney(s): **Davies Collison Cave**
(71) Name(s) and Address(s) of Applicant(s):
Delta System AS
Storebotn Naeringspark Kleppesto N-5300 Norway
(72) Name(s) of Designer(s): **Strand Gunnar**
(45) Registration Date: **08 September 2011**
(30) Convention priority data:
(31) Number (32) Date (33) Country
20110060 01 Feb 2011 NORWAY
(56) Related Art Documents: **Not Applicable**
(57) Statement of Newness and Distinctiveness: **Nil**



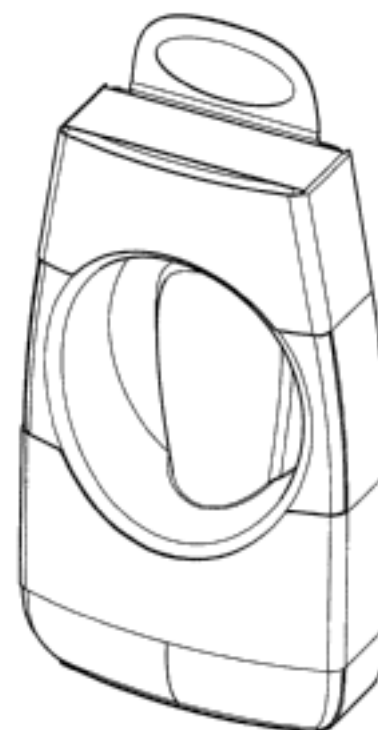
(21) Design Number: **13374/2011**
(22) Date of Filing Application: **29 July 2011**
(24) Date from which industrial property rights may have effect: **29 July 2011**
(54) Product in respect of which the design is registered: **Platform for construction scaffold**
(51) International Design Classification: **25-04**
(74) Name(s) of Attorney(s): **Davies Collison Cave**
(71) Name(s) and Address(s) of Applicant(s):
Delta System AS
Storebotn Naeringspark Kleppesto N-5300 Norway
(72) Name(s) of Designer(s): **Strand Gunnar**
(45) Registration Date: **08 September 2011**
(30) Convention priority data:
(31) Number (32) Date (33) Country
20110060 01 Feb 2011 NORWAY
(56) Related Art Documents: **Not Applicable**
(57) Statement of Newness and Distinctiveness: **Nil**



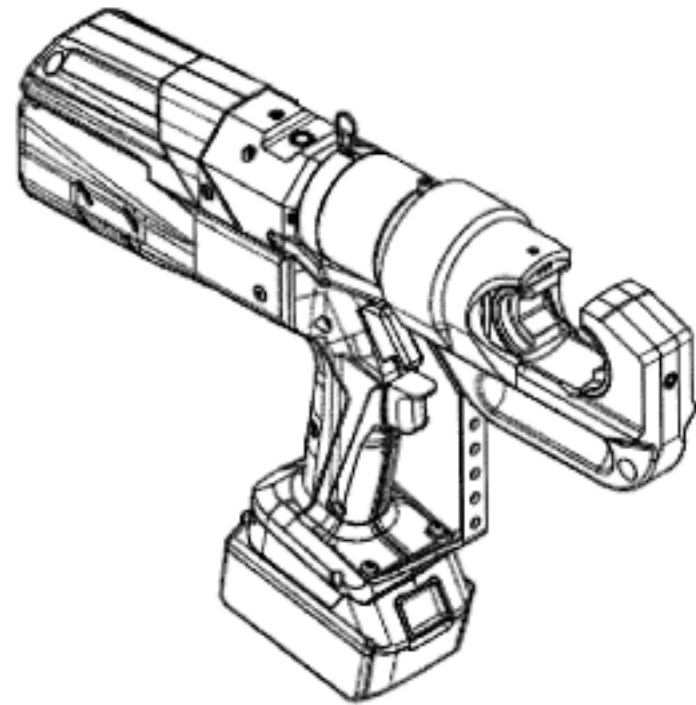
(21) Design Number: **13571/2011**
(22) Date of Filing Application: **12 August 2011**
(24) Date from which industrial property rights may have effect: **12 August 2011**
(54) Product in respect of which the design is registered: **Total body shaver**
(51) International Design Classification: **28-03A**
(74) Name(s) of Attorney(s): **FB Rice**
(71) Name(s) and Address(s) of Applicant(s):
Koninklijke Philips Electronics N.V.
Groenewoudseweg 1 5621 BA Eindhoven The Netherlands
(72) Name(s) of Designer(s): **Florian Jeremy Fabrice Boulanger**
(45) Registration Date: **09 September 2011**
(30) Convention priority data:
(31) Number (32) Date (33) Country
001821026-0001 14 Feb 2011 EUROPEAN COMMUNITY
(56) Related Art Documents: **Not Applicable**
(57) Statement of Newness and Distinctiveness: **Newness and distinctiveness reside in the features of shape and configuration of the design as shown in the representations.**



(21) Design Number: **13572/2011**
(22) Date of Filing Application: **12 August 2011**
(24) Date from which industrial property rights may have effect: **12 August 2011**
(54) Product in respect of which the design is registered: **Packaging**
(51) International Design Classification: **09-03NES**
(74) Name(s) of Attorney(s): **FB Rice**
(71) Name(s) and Address(s) of Applicant(s):
Koninklijke Philips Electronics N.V.
Groenewoudseweg 1 5621 BA Eindhoven The Netherlands
(72) Name(s) of Designer(s): **Mark Armstrong and Dale Mark Nicholls and Terry Xu and Johnny Xu and Ronald Menno Victor Wienia**
(45) Registration Date: **09 September 2011**
(30) Convention priority data:
(31) Number (32) Date (33) Country
001821034-0001 14 Feb 2011 EUROPEAN COMMUNITY
(56) Related Art Documents: **Not Applicable**
(57) Statement of Newness and Distinctiveness: **Newness and distinctiveness reside in the features of shape and configuration of the design as shown in the representations.**



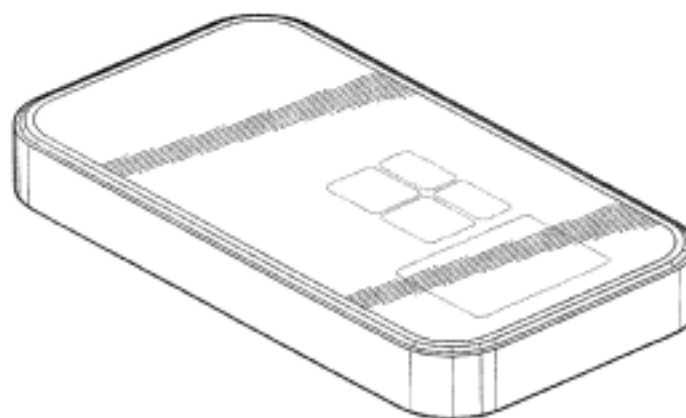
- (21) Design Number: **13573/2011**
(22) Date of Filing Application: **12 August 2011**
(24) Date from which industrial property rights may have effect: **12 August 2011**
(54) Product in respect of which the design is registered: **Crimping tool**
(51) International Design Classification: **08-05P**
(74) Name(s) of Attorney(s): **SPRUSON & FERGUSON**
(71) Name(s) and Address(s) of Applicant(s):
Legend Corporate Services Pty Ltd
1 Butler Drive Hendon South Australia 5014 Australia
(72) Name(s) of Designer(s): **Michael Stuart Sneath**
(45) Registration Date: **09 September 2011**
(56) Related Art Documents: **Not Applicable**
(57) Statement of Newness and Distinctiveness: **Newness and distinctiveness is claimed in the following features of a crimping tool as illustrated in the accompanying representations: a) the shape and/or configuration of the tool head b) the angle between the central axes of the tool head and handle.**



- (21) Design Number: **13591/2011**
(22) Date of Filing Application: **12 August 2011**
(24) Date from which industrial property rights may have effect: **12 August 2011**
(54) Product in respect of which the design is registered: **Spice grinder refill container**
(51) International Design Classification: **09-01K**
(74) Name(s) of Attorney(s): **HODGKINSON McINNES PATENTS**
(71) Name(s) and Address(s) of Applicant(s):
Cerebos (Australia) Limited
2 Costello Place Seven Hills New South Wales 2147 Australia
(72) Name(s) of Designer(s): **Stan Odesse and Stratos Stefanidis and David Francis**
(45) Registration Date: **09 September 2011**
(56) Related Art Documents: **Not Applicable**
(57) Statement of Newness and Distinctiveness: **Newness and distinctiveness is claimed in the features of shape and/or configuration of a spice grinder refill container as illustrated in the accompanying representations.**



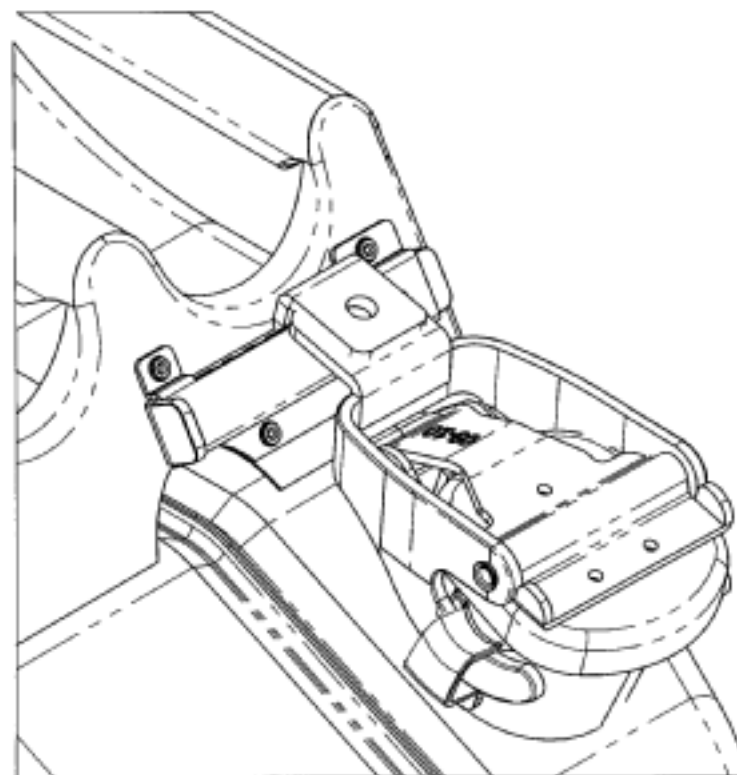
(21) Design Number: **13596/2011**
(22) Date of Filing Application: **15 August 2011**
(24) Date from which industrial property rights may have effect: **15 August 2011**
(54) Product in respect of which the design is registered: **Remote control unit for a combustion appliance**
(51) International Design Classification: **23-03NES**
(74) Name(s) of Attorney(s): **Fisher Adams Kelly**
(71) Name(s) and Address(s) of Applicant(s):
Maxitrol Company
23555 Telegraph Road Southfield 48037 Michigan United States of America
(72) Name(s) of Designer(s): **Bonnie Kern Koskela and Richard H. Bargert and Daniel J. Perz**
(45) Registration Date: **09 September 2011**
(30) Convention priority data:
(31) Number (32) Date (33) Country
29/386292 28 Feb 2011 UNITED STATES OF AMERICA
(56) Related Art Documents: **Not Applicable**
(57) Statement of Newness and Distinctiveness: **The newness and distinctiveness of the design resides in the shape and/or configuration of the REMOTE CONTROL UNIT FOR A COMBUSTION APPLIANCE shown in the representations.**



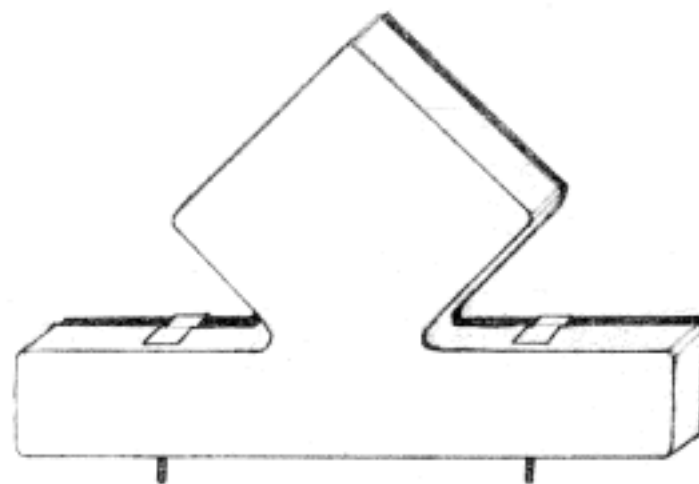
(21) Design Number: **13609/2011**
(22) Date of Filing Application: **15 August 2011**
(24) Date from which industrial property rights may have effect: **15 August 2011**
(54) Product in respect of which the design is registered: **Racing car bed**
(51) International Design Classification: **06-02**
(74) Name(s) of Attorney(s):
(71) Name(s) and Address(s) of Applicant(s):
IQ Kid & Furniture Pty Ltd
Unit 4 3-7 Rhur Street Dandenong South Victoria 3175 Australia
(72) Name(s) of Designer(s): **Wee Koon Ng**
(45) Registration Date: **09 September 2011**
(56) Related Art Documents: **Not Applicable**
(57) Statement of Newness and Distinctiveness: **Nil**



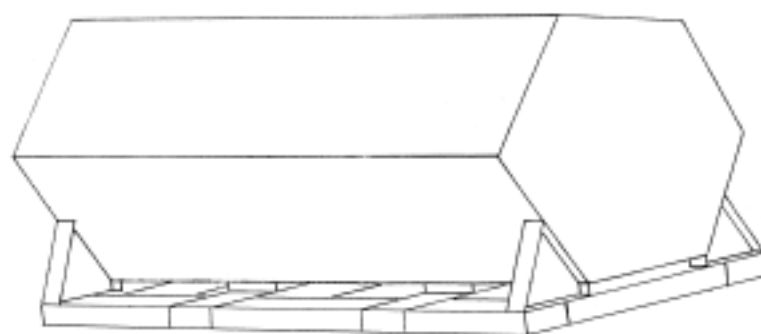
- (21) Design Number: **13621/2011**
- (22) Date of Filing Application: **16 August 2011**
- (24) Date from which industrial property rights may have effect: **16 August 2011**
- (54) Product in respect of which the design is registered: **Bolt lock with sliding catch for a jerry can**
- (51) International Design Classification: **09-02B, 08-07**
- (74) Name(s) of Attorney(s):
- (71) Name(s) and Address(s) of Applicant(s):
Primus Australia Pty Ltd
PO Box 385 Bundoora Victoria 3083 Australia
- (72) Name(s) of Designer(s): **Mark Sampson**
- (45) Registration Date: **09 September 2011**
- (56) Related Art Documents: **Not Applicable**
- (57) Statement of Newness and Distinctiveness: **The design improves on the traditional bolt locking system on most jerry cans, adding a sliding catch that secures the jerry can cap when in the closed position.**



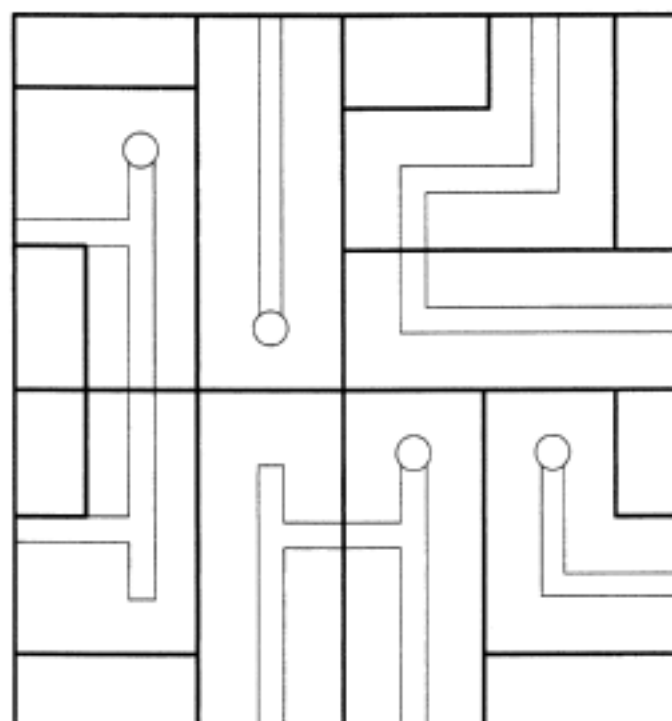
- (21) Design Number: **13722/2011**
- (22) Date of Filing Application: **19 August 2011**
- (24) Date from which industrial property rights may have effect: **19 August 2011**
- (54) Product in respect of which the design is registered: **Illumination sign for motorcycles**
- (51) International Design Classification: **26-06**
- (74) Name(s) of Attorney(s): **Ahearn Fox**
- (71) Name(s) and Address(s) of Applicant(s):
Illumination Innovation Pty Ltd
2 Donna Place Buderim Queensland 4556 Australia
- (72) Name(s) of Designer(s): **Timothy Yervantian**
- (45) Registration Date: **09 September 2011**
- (56) Related Art Documents: **Not Applicable**
- (57) Statement of Newness and Distinctiveness: **Newness and distinctiveness is claimed in the shape and configuration of an illumination sign for motorcycles as shown in the accompanying representations. In considering the scope of the registration, the colour or shading of the sign is to be disregarded.**



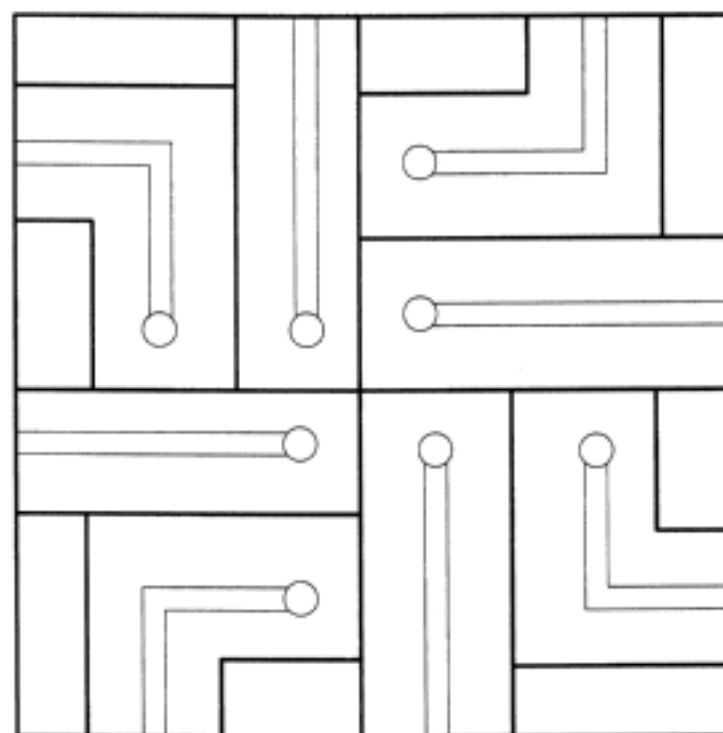
- (21) Design Number: **13738/2011**
(22) Date of Filing Application: **24 August 2011**
(24) Date from which industrial property rights may have effect: **24 August 2011**
(54) Product in respect of which the design is registered: **A tank to carry or store fuel or other liquid. A tank that can be placed on hardstand or transported on a truck or**
(51) International Design Classification: **12-16NES, 23-01F**
(74) Name(s) of Attorney(s):
(71) Name(s) and Address(s) of Applicant(s):
Reginald Leigh Faulkner
2035 Albany Highway Maddington Western Australia 6109 Australia
Edith Eweyi Faulkner
2035 Albany Highway Maddington Western Australia 6109 Australia
(72) Name(s) of Designer(s): **Reginald Leigh Faulkner and Edith Eweyi Faulkner**
(45) Registration Date: **09 September 2011**
(56) Related Art Documents: **Not Applicable**
(57) Statement of Newness and Distinctiveness: **Newness and distinctiveness resides in the uniqueness of the shape and configuration of this tank, as shown in figures 1 to 3.**



- (21) Design Number: **13616/2011**
(22) Date of Filing Application: **16 August 2011**
(24) Date from which industrial property rights may have effect: **16 August 2011**
(54) Product in respect of which the design is registered: **A topographical plan**
(51) International Design Classification: **19-08**
(74) Name(s) of Attorney(s): **FB Rice**
(71) Name(s) and Address(s) of Applicant(s):
Peter Terrant Walker
44 Petit Street Yass New South Wales 2582 Australia
(72) Name(s) of Designer(s): **Charles Walker**
(45) Registration Date: **09 September 2011**
(56) Related Art Documents: **Not Applicable**
(57) Statement of Newness and Distinctiveness: **Newness and distinctiveness reside in the features of the design as shown in the representation, the representation showing a cell of a subdivision of an area, the cell, or portions thereof, being repeated throughout the subdivision, the bold boundary line representing a periphery of the cell defined by a grid road network of the subdivision, the bold internal lines of the cell representing lot layouts within the cell and the non-bold lines representing a road network within the cell.**



- (21) Design Number: **13617/2011**
(22) Date of Filing Application: **16 August 2011**
(24) Date from which industrial property rights may have effect: **16 August 2011**
(54) Product in respect of which the design is registered: **A topographical plan**
(51) International Design Classification: **19-08**
(74) Name(s) of Attorney(s): **FB Rice**
(71) Name(s) and Address(s) of Applicant(s):
Peter Terrant Walker
44 Petit Street Yass New South Wales 2582 Australia
(72) Name(s) of Designer(s): **Charles Walker**
(45) Registration Date: **09 September 2011**
(56) Related Art Documents: **Not Applicable**
(57) Statement of Newness and Distinctiveness: **Newness and distinctiveness reside in the features of the design as shown in the representation, the representation showing a cell of a subdivision of an area, the cell, or portions thereof, being repeated throughout the subdivision, the bold boundary line representing a periphery of the cell defined by a grid road network of the subdivision, the bold internal lines of the cell representing lot layouts within the cell and the non-bold lines representing a road network within the cell.**



- (21) Design Number: **13618/2011**
(22) Date of Filing Application: **16 August 2011**
(24) Date from which industrial property rights may have effect: **16 August 2011**
(54) Product in respect of which the design is registered: **A topographical plan**
(51) International Design Classification: **19-08**
(74) Name(s) of Attorney(s): **FB Rice**
(71) Name(s) and Address(s) of Applicant(s):
Peter Terrant Walker
44 Petit Street Yass New South Wales 2582 Australia
(72) Name(s) of Designer(s): **Charles Walker**
(45) Registration Date: **09 September 2011**
(56) Related Art Documents: **Not Applicable**
(57) Statement of Newness and Distinctiveness: **Newness and distinctiveness reside in the features of the design as shown in the representation, the representation showing a cell of a subdivision of an area, the cell, or portions thereof, being repeated throughout the subdivision, the bold boundary line representing a periphery of the cell defined by a grid road network of the subdivision, the bold internal lines of the cell representing lot layouts within the cell and the non-bold lines representing a road network within the cell.**

