



**Australian Government**

---

**IP Australia**

**AUSTRALIAN OFFICIAL JOURNAL**

**OF**

**DESIGNS**

Did you know a searchable version of this journal is now available online?

It's FREE and EASY to SEARCH.

Find it on our website ([www.ipaustralia.gov.au](http://www.ipaustralia.gov.au))

by using the "Journals" link on the home page.

This Page Left Intentionally Blank

**Contents**

**General Information & Notices**

**Proceedings Under the Designs Act 1906 preserved as a result of the provisions of Chapter 12  
Part 2 of the Designs Act 2003**

Applications for Extension of Time .....	2624
Extension of Period of Registration of Designs .....	2624
Registrations Ceased .....	2624

**Proceedings Under the Designs Act 2003**

Applications Lapsed .....	2632
Applications Lodged .....	2628
Applications Withdrawn .....	2632
Certificate of Examination .....	2634
Extension of Period of Registration of Design .....	2633
Publication and Registration Proceedings	
Designs Registered 338472 to 338574.....	2635
Registrations Ceased .....	2633

This Page Left Intentionally Blank

For information on the following please see our website [www.ipaustralia.gov.au](http://www.ipaustralia.gov.au) or contact our Customer Service Network on 1300651010

[Editorial enquiries](#)

[Contact information](#)

[Freedom of Information ACT](#)

[Professional Standards Board](#)

[Sales](#)

[Requests for Information under Section 194 \(c\)](#)

[Country Codes](#)

[Trade Mark and Designs Hearing Sessions](#)

[INID \(Internationally agreed Numbers for the Identification of Data\)](#)

## “INID” NUMBERS in use on Australian Design Documents

“INID” is an acronym for “Internationally agreed Numbers for the Identification of Data”.

### (10) Data concerning the registration/renewal

- (11) Serial number of the registration and/or number of the design document
- (12) Plain language designation of the kind of published document
- (19) Identification, using the two-letter code according to WIPO Standard ST.3, of the authority publishing or registering the industrial design

### (20) Data concerning the application

- (21) Serial number of the application
- (22) Date of filing of the application
- (24) Date from which the industrial design right has effect

### (30) Data relating to priority under the Paris Convention

- (31) Serial number assigned to the priority application
- (32) Date of filing of the priority application
- (33) Two-letter code, according to WIPO Standard ST.3, identifying the authority with which the priority application was made

### (40) Date(s) of making information available to the public

- (45) Date of publication of the registered industrial design by printing or similar process, or making it available to the public by any other means

### (50) Miscellaneous Information

- (51) International Classification for Industrial Designs (class and subclass of the Locarno Classification)
- (54) Designation of article(s) or product(s) covered by the industrial design or title of the industrial design
- (55) Reproduction of the industrial design (e.g., drawing, photograph) and explanations relating to the reproduction
- (56) List of prior art documents, if separate from descriptive text
- (57) Description of characteristic features of the industrial design including indication of colours

### (60) References to other legally related application(s) and registration(s)

- (62) Serial number(s) and, if available, filing date(s) of application(s), registration(s) or document(s) related by division
- (66) Serial number(s) of the application, or the registration, of the design(s) which is (are) a variant(s) of the present one

### (70) Identification of parties concerned with the application or registration

- (71) Name(s) and address(es) of the applicant(s)
- (72) Name(s) of the creator(s) if known to be such
- (74) Name(s) and address(es) of the representative(s)

This Page Left Intentionally Blank

OFFICIAL NOTICES**IP Australia extends the hours of operation for its Customer Service Centre during Daylight Savings**

From the commencement of Daylight Savings on Tuesday, 4 October 2011 (noting that Monday, 3 October is a Public Holiday in the ACT) until Friday, 30 March 2012, IP Australia's Customer Service Centre will be available between 9am and 8pm Australia Eastern Daylight Time (AEDT). This will ensure customers in all states and territories will be able to contact IP Australia during their business hours (9am to 5pm) to receive information and assistance from IP Australia.

**Queries:** Gaye Turner  
Customer Service Delivery  
+61 2 6283 2274

**Contact:** IP Australia  
**Phone:** 1300 651 010  
**Fax:** +61 2 6283 7999  
**E-mail:** [assist@ipaustralia.gov.au](mailto:assist@ipaustralia.gov.au)  
**Web:** [www.ipaustralia.gov.au](http://www.ipaustralia.gov.au)

## Notification of IP Australia 2011 Fee Review Designs

To ensure customers are paying an appropriate amount for services, IP Australia periodically undertakes a Fee Review.

The purpose of IP Australia's 2011 Fee Review is to assess the existing IP Australia cost recovery arrangements in accordance with the *Australian Government Cost Recovery Guidelines 2005* and ensure that fees and charges are transparent and consistent with the Australian Government cost recovery policy.

The objectives of the 2011 Fee Review is to:

- Maintain the on-going viability of IP Australia while keeping the cost of services low
- Maximise innovation in Australia through a fee structure that promotes the economic value of IP Rights
- Simplify and streamline the fee structure by:
  - keeping fee structures as simple as possible with minimal changes over time
  - reducing the administrative burden on customers while achieving improvements in operational efficiency within IP Australia, and
  - increasing parity and uniformity in fees across product lines
- Ensure fees remain internationally competitive

Following the review, a draft Cost Recovery Impact Statement will be published on the IP Australia web site for customer feedback and comment. It is anticipated that any proposed fee changes will take effect from 1 July 2012.

IP Australia welcomes customer feedback and comments can be emailed to IP Australia via the email link below.

**Queries:** Kieran Sloan  
Financial Management  
+61 2 6283 2715

**Contact:** IP Australia  
**Phone:** 1300 651 010  
**Fax:** +61 2 6283 7999  
**E-mail:** [FeeReview@ipaustrialia.gov.au](mailto:FeeReview@ipaustrialia.gov.au)  
**Web:** [www.ipaustrialia.gov.au](http://www.ipaustrialia.gov.au)



## Designs Act 2003 Amendments to Registered Designs

The following amendments have been made to details previously published in the Australian Official Journal of Designs during the Examination process:

<b>Registration Numbers</b>	<b>Amendment type</b>	<b>New details</b>
325507, 325508	Add Designers	Alex Lee; Dan Formosa; Steven Vordenberg; Joern Vicari; Eric Fritage; Boris Kontorvich
329685, 329686, 329687	Add Designers	Darrell Morgan; Alex Lee; Dan Formosa; Steven Vordenberg; Joern Vicari; Eric Fritage; Boris Kontorvich

**Queries:** Jodie Boyd  
Trade Mark and Designs Administration  
+61 2 6283 2456

**Contact:** IP Australia  
**Phone:** 1300 651 010  
**Fax:** +61 2 6283 7999  
**E-mail:** [assist@ipaustralia.gov.au](mailto:assist@ipaustralia.gov.au)  
**Web:** [www.ipaustralia.gov.au](http://www.ipaustralia.gov.au)

**Proceedings under the Designs Act 1906 preserved as a result of the provisions of Chapter 12 Part 2 of the Designs Act 2003.**

This Page Left Intentionally Blank

**Applications Lapsed**

There were no Applications Lapsed under this section

**Extension of Period of Registration of Designs**

**1st Period (Section 27A(8))**

**2nd Period (Section 27A(12))**

**3rd Period (Section 27A(13))**

139490	141227	143159
143642	143643	143644
143788	144098	144335
146548	147591	154126

**Registrations Ceased**

Note: Some of the following Registrations may have been previously advertised as ceased. In this instance, the previous advertisement still prevails.

124994	125056	125324
125710	126647	126729
126730	126767	127113
127231	127232	127233
128043	128189	130000
130989	141531	141799
141800	141801	141809
141810	141838	141839
141840	141880	141917
142085	142130	142232
142233	142297	142298
145875	145918	148194

**Applications for Extension of time**

Applications for extension of time have been lodged. Objections must be lodged within 1 month from the date of this journal.

140415 **IPH International Pty Ltd** Extension of time to extend a registration. Address for Service: Fisher Adams Kelly GPO Box 1413 BRISBANE QLD 4001

This Page Left Intentionally Blank

**Proceedings under the Designs Act 2003.**

This Page Left Intentionally Blank



**Applications Lodged**

Lodgement information is in the following order: **Applicant's Name**; International Classification, Name of Product, Lodgement Date and **Design Number**. If the applicant claims an earlier priority date under an International Convention, the Convention Country and the associated filing date are shown in parentheses before the Lodgement Date. Divisional information will also appear in parentheses before the Lodgement Date.

<b>Aktiebolaget Electrolux;</b> 23-01G, Water filter device, receptacle and filter, (EM, 15 Mar 2011) 13 Sep 2011	<b>14045/2011</b>	<b>Briggs &amp; Stratton Corporation;</b> 15-01, Cover for an engine, (US, 11 Mar 2011) 09 Sep 2011	<b>13991/2011</b>
<b>Amcor Fibre Packaging;</b> 09-03M, Tray and blank therefor, 08 Sep 2011	<b>13984/2011</b>	<b>Briggs &amp; Stratton Corporation;</b> 12-16NES, 23-04, 15-03B, Air cleaner, (US, 11 Mar 2011) 09 Sep 2011	<b>13994/2011</b>
<b>Amcor Fibre Packaging;</b> 09-03M, Tray, lid and blanks therefor, 08 Sep 2011	<b>13985/2011</b>	<b>Briggs &amp; Stratton Corporation;</b> 15-03B, Recoil starter cover, (US, 03 Mar 2011) 01 Sep 2011	<b>13865/2011</b>
<b>Ames True Temper, Inc.;</b> 12-12, 12-16A, Wheelbarrow wheel, (US, 06 Apr 2011) 12 Sep 2011	<b>14012/2011</b>	<b>Brown &amp; Watson International Pty Ltd;</b> 26-05D, Pendant light, 13 Sep 2011	<b>14035/2011</b>
<b>Apple Inc.;</b> 09-03NES, Packaging, (US, 11 Mar 2011) 07 Sep 2011	<b>13942/2011</b>	<b>Brown &amp; Watson International Pty Ltd;</b> 26-05A, Lamp, 13 Sep 2011	<b>14041/2011</b>
<b>Bagguley, David;</b> 11-99, Water feature, rock pond, 07 Sep 2011	<b>13964/2011</b>	<b>Brown &amp; Watson International Pty Ltd;</b> 26-05A, Lamp, 13 Sep 2011	<b>14039/2011</b>
<b>Bean, David Robin;</b> 08-07, A locking assembly, 09 Sep 2011	<b>13995/2011</b>	<b>Brown &amp; Watson International Pty Ltd;</b> 26-05A, Lamp, 13 Sep 2011	<b>14040/2011</b>
<b>Beba Enterprises Pty Ltd;</b> 02-02C, Women's clothing, 12 Sep 2011	<b>14023/2011</b>	<b>Brown &amp; Watson International Pty Ltd;</b> 26-05A, Lamp, 13 Sep 2011	<b>14037/2011</b>
<b>Belkin International, Inc.;</b> 14-03NES, Transceiver assembly, (US, 08 Mar 2011) 07 Sep 2011	<b>14023/2011</b>	<b>Brown &amp; Watson International Pty Ltd;</b> 26-05A, Lamp, 13 Sep 2011	<b>14038/2011</b>
<b>Belkin International, Inc.;</b> 14-03NES, Transceiver assembly, (US, 11 Mar 2011) 07 Sep 2011	<b>13943/2011</b>	<b>Brown &amp; Watson International Pty Ltd;</b> 26-05A, Strip light, 13 Sep 2011	<b>14043/2011</b>
<b>Belkin International, Inc.;</b> 14-03NES, Transceiver assembly, (US, 11 Mar 2011) 07 Sep 2011	<b>13944/2011</b>	<b>Brown &amp; Watson International Pty Ltd;</b> 26-05A, Strip light, 13 Sep 2011	<b>14042/2011</b>
<b>Boca Enterprise Group Inc.;</b> 07-01NES, Lid for a container, (US, 24 Mar 2011) 14 Sep 2011	<b>14050/2011</b>	<b>Christian Dior Couture;</b> 10-02, Watch, (CH, 23 Mar 2011) 08 Sep 2011	<b>13977/2011</b>
<b>Bridgestone Corporation;</b> 12-15B, Automobile tyre, (JP, 11 Mar 2011) 12 Sep 2011	<b>14027/2011</b>	<b>Christian Dior Couture;</b> 10-02, Watch, (CH, 23 Mar 2011) 08 Sep 2011	<b>13978/2011</b>
<b>Briggs &amp; Stratton Corporation;</b> 15-03B, Recoil starter cover, (US, 03 Mar 2011) 01 Sep 2011	<b>13864/2011</b>	<b>Christian Dior Couture;</b> 10-02, Watch, (CH, 23 Mar 2011) 08 Sep 2011	<b>13979/2011</b>
<b>Briggs &amp; Stratton Corporation;</b> 15-01, Cover for an engine, (US, 11 Mar 2011) 09 Sep 2011	<b>13992/2011</b>	<b>Christian Dior Couture;</b> 10-02, Watch, (CH, 23 Mar 2011) 08 Sep 2011	<b>13976/2011</b>
<b>Briggs &amp; Stratton Corporation;</b> 15-03B, Air cleaner, (US, 11 Mar 2011) 09 Sep 2011	<b>13997/2011</b>	<b>Colgate-Palmolive Company;</b> 09-01NES, Container, (US, 29 Apr 2011) 14 Sep 2011	<b>14051/2011</b>
<b>Briggs &amp; Stratton Corporation;</b> 12-16NES, 23-04, 15-03B, Air cleaner, (US, 11 Mar 2011) 09 Sep 2011	<b>13996/2011</b>	<b>Colgate-Palmolive Company;</b> 09-01NES, Container, (US, 29 Apr 2011) 14 Sep 2011	<b>14058/2011</b>
<b>Briggs &amp; Stratton Corporation;</b> 15-01, Cover for an engine, (US, 11 Mar 2011) 09 Sep 2011	<b>13993/2011</b>	<b>Colgate-Palmolive Company;</b> 09-01NES, Container, (US, 29 Apr 2011) 14 Sep 2011	<b>14052/2011</b>
		<b>Colgate-Palmolive Company;</b> 09-07C, Closure, (US, 29 Apr 2011) 14 Sep 2011	<b>14053/2011</b>

<b>Continental Reifen Deutschland GmbH;</b> 12-15C, Tyre, (EM, 17 Aug 2011) 12 Sep 2011	<b>14026/2011</b>	<b>Illinois Tool Works Inc.;</b> 13-02, 08-99, Battery charger for a combustion power tool, (US, 22 Mar 2011) 07 Sep 2011	<b>13963/2011</b>
<b>D&amp;K Home Security P/L;</b> 25-02B, Metal door pockets, 09 Sep 2011	<b>14014/2011</b>	<b>Kellogg Company;</b> 01-01, Unfrosted food piece, (US, 14 Mar 2011) 12 Sep 2011	<b>14030/2011</b>
<b>Ethicon Endo-Surgery, Inc.;</b> 24-02, Laparoscopic multi-feed stapler, (US, 10 Mar 2011) 07 Sep 2011	<b>13955/2011</b>	<b>Kellogg Company;</b> 01-01, Frosted food piece, (US, 14 Mar 2011) 12 Sep 2011	<b>14029/2011</b>
<b>Exlites Pty Ltd;</b> 13-03NES, Single axle solar lighting tower, 24 Jun 2011	<b>14034/2011</b>	<b>Koninklijke Philips Electronics N.V.;</b> 26-05A, Luminaire, (EM, 18 Mar 2011) 13 Sep 2011	<b>14048/2011</b>
<b>Fallon, Stephen;</b> 25-02B, Door hanging apparatus, 08 Sep 2011	<b>13975/2011</b>	<b>Landmark Engineering &amp; Design Pty Ltd;</b> 25-03, Bus shelter, 15 Sep 2011	<b>14056/2011</b>
<b>Fallon, Stephen;</b> 25-02B, Door hanging apparatus, 08 Sep 2011	<b>13974/2011</b>	<b>Lighting Science Group Corporation;</b> 26-05A, Luminaire, (US, 07 Mar 2011) 07 Sep 2011	<b>13948/2011</b>
<b>Funtastic Limited;</b> 12-11, A collapsible tricycle, 12 Sep 2011	<b>14025/2011</b>	<b>Lighting Science Group Corporation;</b> 26-05A, Luminaire, (US, 07 Mar 2011) 07 Sep 2011	<b>13952/2011</b>
<b>Funtastic Limited;</b> 12-11, A tricycle, 12 Sep 2011	<b>14024/2011</b>	<b>Lighting Science Group Corporation;</b> 26-05A, Luminaire, (US, 07 Mar 2011) 07 Sep 2011	<b>13951/2011</b>
<b>Gravolin, Dennis Ronald;Gravolin, Sandra Lorraine;</b> 99-00, Component cover, 09 Sep 2011	<b>14015/2011</b>	<b>Lighting Science Group Corporation;</b> 26-05A, Luminaire, (US, 07 Mar 2011) 07 Sep 2011	<b>13953/2011</b>
<b>Gravolin, Sandra Lorraine;Gravolin, Dennis Ronald;</b> 99-00, Component cover, 09 Sep 2011	<b>14015/2011</b>	<b>Lighting Science Group Corporation;</b> 26-05A, Luminaire, (US, 07 Mar 2011) 07 Sep 2011	<b>13954/2011</b>
<b>Harris-Light, Solomon;</b> 02-02NES, Adaptive clothing; night gown; hospital gown, 01 Sep 2011	<b>13888/2011</b>	<b>Lighting Science Group Corporation;</b> 26-05A, Luminaire, (US, 07 Mar 2011) 07 Sep 2011	<b>13950/2011</b>
<b>Heininen, Jukka;</b> 24-01, 24-04, Apparatus for the treatment of muscles, (EM, 30 Mar 2011) 13 Sep 2011	<b>14036/2011</b>	<b>Lighting Science Group Corporation;</b> 26-05A, Luminaire, (US, 07 Mar 2011) 07 Sep 2011	<b>13947/2011</b>
<b>High Tech Health Ltd;</b> 24-04, Breathing training apparatus, (EM, 07 Mar 2011) 07 Sep 2011	<b>13941/2011</b>	<b>Lighting Science Group Corporation;</b> 26-05A, Luminaire, (US, 07 Mar 2011) 07 Sep 2011	<b>13949/2011</b>
<b>Honda Motor Co., Ltd.;</b> 12-11, A motor scooter, (JP, 11 Mar 2011) 08 Sep 2011	<b>13980/2011</b>	<b>Logue and Co. Pty Ltd;</b> 09-03NES, 09-03M, Medicament package, 14 Sep 2011	<b>14079/2011</b>
<b>Honda Motor Co., Ltd.;</b> 12-11, A side cover for a motor scooter, (JP, 11 Mar 2011) 08 Sep 2011	<b>13981/2011</b>	<b>Logue and Co. Pty Ltd;</b> 09-01NES, 09-03M, Medicament package, 14 Sep 2011	<b>14083/2011</b>
<b>Hunter Douglas Inc.;</b> 06-10, 25-02H, Shade, (US, 05 Mar 2011) 02 Sep 2011	<b>13881/2011</b>	<b>Logue and Co. Pty Ltd;</b> 09-03NES, 09-03M, Medicament package, 14 Sep 2011	<b>14080/2011</b>
<b>Hunter Douglas Inc.;</b> 06-10, 25-02H, Shade system, (US, 05 Mar 2011) 02 Sep 2011	<b>13882/2011</b>	<b>Logue and Co. Pty Ltd;</b> 09-03NES, 09-05, Medicament package, 14 Sep 2011	<b>14102/2011</b>
<b>Illinois Tool Works Inc.;</b> 13-02, 08-99, Battery charger for a combustion power tool, (US, 22 Mar 2011) 07 Sep 2011	<b>13962/2011</b>	<b>Logue and Co. Pty Ltd;</b> 09-03NES, Medicament package, 14 Sep 2011	<b>14103/2011</b>

<b>Logue and Co. Pty Ltd;</b> 09-03NES, Medicament package, 14 Sep 2011	<b>14100/2011</b>	<b>Logue and Co. Pty Ltd;</b> 09-03M, 09-03NES, Medicament package, 14 Sep 2011	<b>14074/2011</b>
<b>Logue and Co. Pty Ltd;</b> 09-03NES, 09-03M, Medicament package, 14 Sep 2011	<b>14077/2011</b>	<b>Logue and Co. Pty Ltd;</b> 09-01NES, 09-03M, Medicament package, 14 Sep 2011	<b>14081/2011</b>
<b>Logue and Co. Pty Ltd;</b> 09-03M, Medicament package, 14 Sep 2011	<b>14078/2011</b>	<b>Logue and Co. Pty Ltd;</b> 09-01NES, 09-03M, Medicament package, 14 Sep 2011	<b>14082/2011</b>
<b>Logue and Co. Pty Ltd;</b> 09-03NES, 09-03M, Medicament package, 14 Sep 2011	<b>14075/2011</b>	<b>Logue and Co. Pty Ltd;</b> 09-05, 09-03M, Medicament package, 14 Sep 2011	<b>14090/2011</b>
<b>Logue and Co. Pty Ltd;</b> 09-03M, Medicament package, 14 Sep 2011	<b>14076/2011</b>	<b>Logue and Co. Pty Ltd;</b> 09-05, Medicament package, 14 Sep 2011	<b>14091/2011</b>
<b>Logue and Co. Pty Ltd;</b> 09-03NES, 09-03M, Medicament package, 14 Sep 2011	<b>14101/2011</b>	<b>Love N Care Pty Ltd;</b> 06-04F, Vulu chest, 08 Sep 2011	<b>14010/2011</b>
<b>Logue and Co. Pty Ltd;</b> 09-03NES, 09-03M, Medicament package, 14 Sep 2011	<b>14098/2011</b>	<b>Love N Care Pty Ltd;</b> 06-02, Vulu cot, 08 Sep 2011	<b>14011/2011</b>
<b>Logue and Co. Pty Ltd;</b> 09-03NES, 09-05, Medicament package, 14 Sep 2011	<b>14099/2011</b>	<b>Macsim Fastenings Pty Ltd;</b> 08-01, Depth limiting device for drilling tool, 09 Sep 2011	<b>13982/2011</b>
<b>Logue and Co. Pty Ltd;</b> 09-01NES, 09-05, Medicament package, 14 Sep 2011	<b>14088/2011</b>	<b>Mayne Pharma International Pty Ltd;</b> 28-01, Oral dose form, 14 Sep 2011	<b>14059/2011</b>
<b>Logue and Co. Pty Ltd;</b> 09-05, 09-03NES, Medicament package, 14 Sep 2011	<b>14092/2011</b>	<b>Mayo Hardware Pty Ltd;</b> 07-04, BBQ spatula, 12 Sep 2011	<b>14008/2011</b>
<b>Logue and Co. Pty Ltd;</b> 09-03M, Medicament package, 14 Sep 2011	<b>14093/2011</b>	<b>McCann, Jared Sandelin;McCann, Melissa Sandelin;</b> 24-01, Design relates to device to be used in the bedside or office based application of cryotherapy to pathological skin, lesions. The present design incorporates apertures through which the user will spray cryogenic liquid, ergonomic, handle design., 08 Sep 2011	<b>14013/2011</b>
<b>Logue and Co. Pty Ltd;</b> 09-01NES, 09-03NES, Medicament package, 14 Sep 2011	<b>14089/2011</b>	<b>McCann, Melissa Sandelin;McCann, Jared Sandelin;</b> 24-01, Design relates to device to be used in the bedside or office based application of cryotherapy to pathological skin, lesions. The present design incorporates apertures through which the user will spray cryogenic liquid, ergonomic, handle design., 08 Sep 2011	<b>14013/2011</b>
<b>Logue and Co. Pty Ltd;</b> 09-03NES, 09-01NES, Medicament package, 14 Sep 2011	<b>14086/2011</b>	<b>McNamara, Geoff;</b> 15-99, General cam bearing holder, 13 Sep 2011	<b>14032/2011</b>
<b>Logue and Co. Pty Ltd;</b> 09-03M, Medicament package, 14 Sep 2011	<b>14094/2011</b>	<b>Milenco Limited;</b> 12-16H, A towing mirror, (GB, 05 Mar 2011) 02 Sep 2011	<b>13880/2011</b>
<b>Logue and Co. Pty Ltd;</b> 09-03M, 09-05, 20-02NES, Medicament package, 14 Sep 2011	<b>14095/2011</b>	<b>Monterey Wine Accessories Pty Ltd;</b> 06-04NES, Wine rack unit, 14 Sep 2011	<b>14054/2011</b>
<b>Logue and Co. Pty Ltd;</b> 09-01NES, 09-03M, Medicament package, 14 Sep 2011	<b>14087/2011</b>	<b>Naim, Ossama;</b> 12-16A, Mag wheels/rims, 12 Sep 2011	<b>14007/2011</b>
<b>Logue and Co. Pty Ltd;</b> 09-03M, Medicament package, 14 Sep 2011	<b>14096/2011</b>	<b>Neoperl GmbH;</b> 23-01G, Flow regulator, (US, 26 Apr 2011) 14 Sep 2011	<b>14060/2011</b>
<b>Logue and Co. Pty Ltd;</b> 09-03M, 09-03NES, Medicament package, 14 Sep 2011	<b>14097/2011</b>		
<b>Logue and Co. Pty Ltd;</b> 09-01NES, 09-05, Medicament package, 14 Sep 2011	<b>14085/2011</b>		

<b>Neoperl GmbH;</b> 23-01NES, Fluid distribution equipment, (EM, 23 Mar 2011) 08 Sep 2011	<b>13983/2011</b>	<b>Societe des Produits Nestle S.A.;</b> 09-01D, Container, (CH, 25 Mar 2011) 15 Sep 2011	<b>14061/2011</b>
<b>Off-Road Camping Accessories Pty Ltd;</b> 12-10, Camper trailer, 13 Sep 2011	<b>14044/2011</b>	<b>Societe des Produits Nestle S.A.;</b> 09-01NES, A container, (CH, 25 Mar 2011) 15 Sep 2011	<b>14055/2011</b>
<b>P.S. Drafting Pty. Ltd.;</b> 25-03, Prefabricated accomodation modules, 08 Sep 2011	<b>14016/2011</b>	<b>Sony Computer Entertainment Inc.;</b> 05-05NES, Sheet material, (JP, 04 Jul 2011) 09 Sep 2011	<b>14004/2011</b>
<b>PenClic AB;</b> 14-02, Computer input device, (WO, 03 May 2011) 08 Sep 2011	<b>13967/2011</b>	<b>Sony Computer Entertainment Inc.;</b> 21-01N, Portable information terminal, (JP, 11 Jul 2011) 09 Sep 2011	<b>14003/2011</b>
<b>PenClic AB;</b> 14-02, Computer input device, (WO, 03 May 2011) 08 Sep 2011	<b>13968/2011</b>	<b>Sony Computer Entertainment Inc.;</b> 21-01N, Portable information terminal, (JP, 11 Jul 2011) 09 Sep 2011	<b>13999/2011</b>
<b>Pheonix Industries Pty Ltd;</b> 23-01H, Shelf mixer, 13 Sep 2011	<b>14047/2011</b>	<b>Sony Computer Entertainment Inc.;</b> 21-01N, Portable information terminal, (JP, 11 Jul 2011) 09 Sep 2011	<b>14000/2011</b>
<b>Philip Morris Products S.A.;</b> 27-01, Cigarettes, (EM, 14 Mar 2011) 13 Sep 2011	<b>14049/2011</b>	<b>Sony Computer Entertainment Inc.;</b> 21-01N, Portable information terminal, (JP, 11 Jul 2011) 09 Sep 2011	<b>14001/2011</b>
<b>Pi-Design AG;</b> 07-01C, Travel mug, (EM, 29 Mar 2011) 08 Sep 2011	<b>14009/2011</b>	<b>Sony Computer Entertainment Inc.;</b> 21-01N, Portable information terminal, (JP, 11 Jul 2011) 09 Sep 2011	<b>14002/2011</b>
<b>Promopack Pty Ltd;</b> 09-03A, Cigarette pack sleeve, 01 Sep 2011	<b>13887/2011</b>	<b>Sony Computer Entertainment Inc.;</b> 21-01N, Portable information terminal, (JP, 11 Jul 2011) 09 Sep 2011	<b>13998/2011</b>
<b>Reckitt Benckiser LLC;</b> 09-03L, Container, (US, 08 Mar 2011) 08 Sep 2011	<b>13969/2011</b>	<b>Strategic Lighting Pty Ltd;</b> 26-05NES, A mounting assembly for a light, 02 Sep 2011	<b>13886/2011</b>
<b>Reckitt Benckiser LLC;</b> 09-03L, Container, (US, 08 Mar 2011) 08 Sep 2011	<b>13973/2011</b>	<b>Strategic Lighting Pty Ltd;</b> 26-05NES, A light fitting (Double), 02 Sep 2011	<b>13884/2011</b>
<b>Reckitt Benckiser LLC;</b> 09-03L, Container, (US, 08 Mar 2011) 08 Sep 2011	<b>13971/2011</b>	<b>Strategic Lighting Pty Ltd;</b> 26-05NES, A light fitting, 02 Sep 2011	<b>13885/2011</b>
<b>Reckitt Benckiser LLC;</b> 09-03L, Container, (US, 08 Mar 2011) 08 Sep 2011	<b>13972/2011</b>	<b>Sunbeam Corporation Limited;</b> 07-02K, Kettle, 08 Sep 2011	<b>13965/2011</b>
<b>Reckitt Benckiser LLC;</b> 09-03L, Container, (US, 08 Mar 2011) 08 Sep 2011	<b>13970/2011</b>	<b>Sunbeam Corporation Limited;</b> 07-05A, Steam station, 08 Sep 2011	<b>13966/2011</b>
<b>Rosi, Iglisch;</b> 30-04, Leash, 13 Sep 2011	<b>14046/2011</b>	<b>SDI Corporation;</b> 19-02, Correction ribbon, (TW, 15 Mar 2011) 12 Sep 2011	<b>14028/2011</b>
<b>RAD I.P. PTY LTD;</b> 31-00, Drinks font, 07 Sep 2011	<b>13940/2011</b>	<b>Tait Electronics Limited;</b> 14-03D, Portable radio, 31 Aug 2011	<b>13867/2011</b>
<b>Sharpe Engineering (Roma) Pty Ltd;</b> 23-01B, A bore casing for oil and gas production, 09 Sep 2011	<b>14033/2011</b>	<b>Tait Electronics Limited;</b> 14-03D, Portable radio, 31 Aug 2011	<b>13868/2011</b>
<b>Shea, Glenn;</b> 99-00, The storyteller Australian board game educational resource "LOGO", 06 Sep 2011	<b>14017/2011</b>	<b>The Gillette Company;</b> 28-03A, Hand held device, (US, 10 Mar 2011) 09 Sep 2011	<b>14006/2011</b>
<b>Shea, Glenn;</b> 21-01L, Cultural education resources the storyteller, 06 Sep 2011	<b>14018/2011</b>	<b>The Gillette Company;</b> 28-03A, Hand held device, (US, 10 Mar 2011) 09 Sep 2011	<b>14005/2011</b>
<b>Societe des Produits Nestle S.A.;</b> 09-01NES, A container, (CH, 25 Mar 2011) 15 Sep 2011	<b>14057/2011</b>	<b>The Libman Company;</b> 04-01, Comb for a mop, (US, 02 Mar 2011) 02 Sep 2011	<b>13883/2011</b>

<b>The Procter &amp; Gamble Company;</b> 09-03M, Packaging container with surface ornamentation, (US, 09 Mar 2011) 07 Sep 2011	<b>13959/2011</b>	<b>Ute Locker Pty Ltd;</b> 03-01D, 12-16K, Product is called ute locker and it's design relates to a tool box/ storage box to be used to transport goods, 06 Sep 2011	<b>13989/2011</b>
<b>The Procter &amp; Gamble Company;</b> 09-03M, Packaging container with surface ornamentation, (US, 09 Mar 2011) 07 Sep 2011	<b>13961/2011</b>	<b>Ute Locker Pty Ltd;</b> 03-01D, 12-16K, Product is called ute locker and it's design relates to a tool box/ storage box to be used to transport goods, 06 Sep 2011	<b>13988/2011</b>
<b>The Procter &amp; Gamble Company;</b> 09-03M, Packaging container with surface ornamentation, (US, 09 Mar 2011) 07 Sep 2011	<b>13960/2011</b>	<b>Ute Locker Pty Ltd;</b> 03-01D, 12-16K, Product is called ute locker and it's design relates to a tool box/ storage box to be used to transport goods, 06 Sep 2011	<b>13986/2011</b>
<b>The Procter &amp; Gamble Company;</b> 09-03M, Packaging container with surface ornamentation, (US, 09 Mar 2011) 07 Sep 2011	<b>13957/2011</b>	<b>UUBEE Pty Ltd;</b> 23-02NES, A sanitary appliance, 01 Sep 2011	<b>13866/2011</b>
<b>The Procter &amp; Gamble Company;</b> 09-03M, Packaging container with surface ornamentation, (US, 09 Mar 2011) 07 Sep 2011	<b>13958/2011</b>	<b>Vosc Pty. Ltd.;</b> 06-01F, Seating, 07 Sep 2011	<b>14019/2011</b>
<b>The Procter &amp; Gamble Company;</b> 09-03M, Packaging container with surface ornamentation, (US, 09 Mar 2011) 07 Sep 2011	<b>13956/2011</b>	<b>Vosc Pty. Ltd.;</b> 06-01F, Seating, 07 Sep 2011	<b>14021/2011</b>
<b>The Procter &amp; Gamble Company;</b> 09-03M, Packaging container with surface ornamentation, (US, 09 Mar 2011) 07 Sep 2011	<b>13956/2011</b>	<b>Vosc Pty. Ltd.;</b> 06-01E, Seating, 07 Sep 2011	<b>14022/2011</b>
<b>The Stanley Works Israel Ltd.;</b> 03-01D, 03-01NES, Tool bag, (US, 17 Mar 2011) 12 Sep 2011	<b>14031/2011</b>	<b>Vosc Pty. Ltd.;</b> 06-01F, Seating, 07 Sep 2011	<b>14020/2011</b>
<b>Urquhart, Lesley Joy;</b> 02-02NES, Wrap, 31 Aug 2011	<b>13889/2011</b>	<b>Waterco Limited;</b> 08-08NES, 23-01NES, Mounting ring, 09 Sep 2011	<b>13990/2011</b>
<b>Ute Locker Pty Ltd;</b> 03-01D, 12-16K, Product is called ute locker and it's design relates to a tool box/ storage box to be used to transport goods, 06 Sep 2011	<b>13987/2011</b>	<b>Wentworth Furniture Company Pty Ltd;</b> 06-04F, A furniture piece with drawers, 08 Sep 2011	<b>13946/2011</b>
		<b>Wentworth Furniture Company Pty Ltd;</b> 06-06F, A foot end of a bed base, 08 Sep 2011	<b>13945/2011</b>

### Applications Withdrawn

12525 / 2011 (31-00)	12526 / 2011 (31-00)
13287 / 2011 (14-03E)	13727 / 2011 (07-02L)

### Applications Lapsed

12966 / 2011 (02-02C)

**Extension of Period of Registration of Designs**

			311705	312407	312408
			312409	312410	316859
			316860	316861	316862
307733	307734	307735			
310850	310851	310897			
310923	310934	310935			
310939	310941	310977			
310979	310980	311045			
311048	311049	311050			
311051	311052	311053			
311054	311055	311056			
311057	311062	311067			
311083	311084	311127			
311129	311145	311147			
311148	311149	311195			
311196	311197	311198			
311199	311200	311201			
311206	311220	311221			
311222	311229	311231			
311232	311245	311251			
311253	311254	311258			
311264	311265	311266			
311267	311268	311273			
311386	311481	311500			
311501	311503	311511			
311612	311613	311704			
311730	311945	311961			
312000	312030	312031			
312032	312033	312034			
312035	312194	312429			
312430	312431	312604			
312605	312647	313472			
313473	314868	314934			
314935	315542	315715			

**Registrations Ceased**

306522	306555	307596
307597	307598	307599
308085	308088	308089
308120	308121	308122
308123	308141	308142
308250	308251	308252
308295	308331	308512
308513	308514	308580
308581	308637	308682
308713	308734	308835
308839	308864	309065
309152	309167	309168
309169	309170	309171
309172	309173	310359
310360	310361	310620
310786	311283	311489

**Certificate(s) of Examination**

Examination of the following Design Registration(s) has been completed. Infringement proceedings may now be commenced.

309883	12-05	16/09/2011
332598	08-05NES	16/09/2011
335816	08-08G	12/09/2011
336097	24-02	12/09/2011
336235	14-02	09/09/2011
336465	21-01NES	12/09/2011
336466	21-01H	12/09/2011
336780	28-03NES	15/09/2011
337055	05-05NES	16/09/2011
337080	25-02NES	16/09/2011
337185	04-02	09/09/2011
337592	04-02	12/09/2011
337593	04-02	12/09/2011
337594	04-02	12/09/2011
337651	19-08	13/09/2011
337653	04-02	12/09/2011
337832	14-02	09/09/2011
337833	14-02	09/09/2011
337931	14-02	09/09/2011

**Publication and Registration Proceedings**

**Designs Registered**

This section provides a concordance between design number and registration number of Designs covered in this journal. It also shows the main class and registration date.

This section covers Registration numbers 338472 to 338574 .

The registration number shown below should be used in all future correspondence.

<b>Design Number</b>	<b>Registration Number</b>	<b>International Classification Code (IDC)</b>	<b>Registration Date</b>	<b>Design Number</b>	<b>Registration Number</b>	<b>International Classification Code (IDC)</b>	<b>Registration Date</b>
10905/2011	338497	14-02	13/09/2011	13648/2011	338504	23-02F	13/09/2011
10906/2011	338498	14-02	13/09/2011	13649/2011	338505	23-02C	13/09/2011
11544/2011	338568	07-02E	16/09/2011	13650/2011	338506	23-02F	13/09/2011
11901/2011	338476	24-01	12/09/2011	13651/2011	338507	23-02C	13/09/2011
12131/2011	338477	09-01A	12/09/2011	13652/2011	338531	09-07B	14/09/2011
12524/2011	338521	31-00	14/09/2011	13655/2011	338532	21-02D	14/09/2011
12906/2011	338542	21-01N	15/09/2011	13658/2011	338533	15-03B	14/09/2011
12972/2011	338522	30-02	14/09/2011	13660/2011	338534	09-01NES	14/09/2011
12973/2011	338523	30-02	14/09/2011	13661/2011	338535	01-01	14/09/2011
12974/2011	338524	30-02	14/09/2011	13662/2011	338513	06-06E	14/09/2011
12999/2011	338478	07-05E	12/09/2011	13663/2011	338514	06-06E	14/09/2011
13022/2011	338543	12-16C	15/09/2011	13664/2011	338515	13-03C	14/09/2011
13041/2011	338525	11-01A	14/09/2011	13665/2011	338516	06-06E	14/09/2011
13047/2011	338544	09-02C	15/09/2011	13667/2011	338496	06-06E	13/09/2011
13078/2011	338555	09-07A	15/09/2011	13672/2011	338536	12-06A	14/09/2011
13079/2011	338545	09-05	15/09/2011	13674/2011	338537	07-02N	14/09/2011
13080/2011	338546	09-05	15/09/2011	13675/2011	338552	12-16C	15/09/2011
13081/2011	338547	09-05	15/09/2011	13683/2011	338517	14-01	14/09/2011
13156/2011	338556	09-03M	15/09/2011	13684/2011	338518	07-02E	14/09/2011
13239/2011	338479	26-06	12/09/2011	13685/2011	338519	07-02E	14/09/2011
13246/2011	338548	26-05E	15/09/2011	13687/2011	338508	01-01	14/09/2011
13255/2011	338480	24-01	12/09/2011	13688/2011	338509	01-01	14/09/2011
13267/2011	338526	21-01N	14/09/2011	13689/2011	338510	06-01F	14/09/2011
13286/2011	338527	06-03C	14/09/2011	13690/2011	338511	12-12	14/09/2011
13394/2011	338557	30-04	15/09/2011	13691/2011	338512	08-08B	14/09/2011
13504/2011	338528	08-05NES	14/09/2011	13695/2011	338538	25-01D	14/09/2011
13517/2011	338549	06-02	15/09/2011	13696/2011	338539	25-01D	14/09/2011
13521/2011	338550	09-05	15/09/2011	13698/2011	338482	13-02	12/09/2011
13537/2011	338481	25-01F	12/09/2011	13702/2011	338540	29-02	14/09/2011
13575/2011	338551	07-06A	15/09/2011	13706/2011	338569	07-01NES	16/09/2011
13599/2011	338491	07-02L	13/09/2011	13707/2011	338570	07-01NES	16/09/2011
13605/2011	338529	07-05C	14/09/2011	13708/2011	338571	07-01NES	16/09/2011
13607/2011	338499	06-01NES	13/09/2011	13709/2011	338558	14-01	15/09/2011
13610/2011	338483	12-06NES	12/09/2011	13710/2011	338559	09-07A	15/09/2011
13614/2011	338500	21-02C	13/09/2011	13711/2011	338560	09-07A	15/09/2011
13615/2011	338501	21-02C	13/09/2011	13712/2011	338561	08-06	15/09/2011
13619/2011	338484	01-01	12/09/2011	13725/2011	338572	07-02L	16/09/2011
13620/2011	338485	01-01	12/09/2011	13726/2011	338573	07-02L	16/09/2011
13625/2011	338486	09-09	12/09/2011	13728/2011	338564	10-03	16/09/2011
13626/2011	338487	21-02C	12/09/2011	13729/2011	338565	10-04	16/09/2011
13627/2011	338488	21-02C	12/09/2011	13730/2011	338566	10-04	16/09/2011
13628/2011	338489	12-06NES	12/09/2011	13732/2011	338567	07-01NES	16/09/2011
13629/2011	338490	12-16A	12/09/2011	13737/2011	338574	12-16NES	16/09/2011
13633/2011	338472	09-07NES	12/09/2011	13760/2011	338553	12-11	15/09/2011
13634/2011	338473	10-05	12/09/2011	13775/2011	338541	13-03D	14/09/2011
13636/2011	338474	10-05	12/09/2011	13803/2011	338562	10-05	15/09/2011
13637/2011	338475	10-05	12/09/2011	13825/2011	338554	03-01NES	15/09/2011
13640/2011	338530	06-01E	14/09/2011	13832/2011	338492	12-05	13/09/2011
13646/2011	338502	23-02C	13/09/2011	13833/2011	338493	12-05	13/09/2011
13647/2011	338503	23-02C	13/09/2011	13834/2011	338494	12-05	13/09/2011



Publication and Registration Proceedings - Designs Registered cont'd

Design Number	Registration Number	International Classification Code (IDC)	Registration Date	Design Number	Registration Number	International Classification Code (IDC)	Registration Date
13835/2011	338495	12-05	13/09/2011	13940/2011	338563	31-00	15/09/2011
13933/2011	338520	03-01NES	14/09/2011				

**Publication and Registration Proceedings**

**Class Listing of Designs Published or Registered**

The following section shows an International Classification Code listing of the Registered or Published Designs covered in this supplement.

<b>Classification</b>	<b>Registration Number</b>	<b>Design Number</b>	<b>Classification</b>	<b>Registration Number</b>	<b>Design Number</b>
01-01	338484	13619/2011	10-04	338566	13730/2011
01-01	338485	13620/2011	10-05	338473	13634/2011
01-01	338508	13687/2011	10-05	338474	13636/2011
01-01	338509	13688/2011	10-05	338475	13637/2011
01-01	338535	13661/2011	10-05	338562	13803/2011
03-01B	338554	13825/2011	11-01A	338525	13041/2011
03-01NES	338520	13933/2011	12-05	338492	13832/2011
03-01NES	338554	13825/2011	12-05	338493	13833/2011
06-01E	338530	13640/2011	12-05	338494	13834/2011
06-01F	338510	13689/2011	12-05	338495	13835/2011
06-01F	338530	13640/2011	12-06A	338536	13672/2011
06-01NES	338499	13607/2011	12-06NES	338483	13610/2011
06-02	338549	13517/2011	12-06NES	338489	13628/2011
06-03C	338527	13286/2011	12-11	338553	13760/2011
06-06E	338496	13667/2011	12-12	338511	13690/2011
06-06E	338513	13662/2011	12-16A	338490	13629/2011
06-06E	338514	13663/2011	12-16A	338511	13690/2011
06-06E	338516	13665/2011	12-16C	338543	13022/2011
06-06G	338561	13712/2011	12-16C	338552	13675/2011
07-01NES	338567	13732/2011	12-16NES	338552	13675/2011
07-01NES	338569	13706/2011	12-16NES	338574	13737/2011
07-01NES	338570	13707/2011	13-02	338482	13698/2011
07-01NES	338571	13708/2011	13-03C	338515	13664/2011
07-02E	338518	13684/2011	13-03D	338541	13775/2011
07-02E	338519	13685/2011	13-03E	338482	13698/2011
07-02E	338568	11544/2011	14-01	338517	13683/2011
07-02L	338491	13599/2011	14-01	338558	13709/2011
07-02L	338572	13725/2011	14-02	338497	10905/2011
07-02L	338573	13726/2011	14-02	338498	10906/2011
07-02N	338537	13674/2011	15-03B	338533	13658/2011
07-05C	338529	13605/2011	21-01N	338526	13267/2011
07-05E	338478	12999/2011	21-01N	338542	12906/2011
07-06A	338551	13575/2011	21-02C	338487	13626/2011
08-05E	338552	13675/2011	21-02C	338488	13627/2011
08-05NES	338528	13504/2011	21-02C	338500	13614/2011
08-06	338561	13712/2011	21-02C	338501	13615/2011
08-08B	338512	13691/2011	21-02D	338532	13655/2011
09-01A	338477	12131/2011	23-02C	338499	13607/2011
09-01NES	338534	13660/2011	23-02C	338502	13646/2011
09-02C	338544	13047/2011	23-02C	338503	13647/2011
09-03M	338556	13156/2011	23-02C	338505	13649/2011
09-05	338545	13079/2011	23-02C	338507	13651/2011
09-05	338546	13080/2011	23-02F	338504	13648/2011
09-05	338547	13081/2011	23-02F	338506	13650/2011
09-05	338550	13521/2011	23-02NES	338499	13607/2011
09-07A	338555	13078/2011	24-01	338476	11901/2011
09-07A	338559	13710/2011	24-01	338480	13255/2011
09-07A	338560	13711/2011	25-01D	338538	13695/2011
09-07B	338531	13652/2011	25-01D	338539	13696/2011
09-07NES	338472	13633/2011	25-01F	338481	13537/2011
09-09	338486	13625/2011	26-05E	338548	13246/2011
10-03	338564	13728/2011	26-06	338479	13239/2011
10-04	338565	13729/2011	29-02	338540	13702/2011

**Registration Proceedings - Class Listing of Designs Published or Registered cont'd**

<b>Classification</b>	<b>Registration Number</b>	<b>Design Number</b>	<b>Classification</b>	<b>Registration Number</b>	<b>Design Number</b>
30-02	338522	12972/2011	31-00	338521	12524/2011
30-02	338523	12973/2011	31-00	338563	13940/2011
30-02	338524	12974/2011			
30-04	338557	13394/2011			

(19) AU

(21) Design Number: **13633/2011**

(22) Date of Filing Application: **17 August 2011**

(24) Date from which industrial property rights may have effect: **17 August 2011**

(54) Product in respect of which the design is registered: **Cap**

(51) International Design Classification: **09-07NES**

(74) Name(s) of Attorney(s): **PHILLIPS ORMONDE FITZPATRICK**

(71) Name(s) and Address(s) of Applicant(s):

**GUALA PACK S.p.A.**

**Strada Alessandria Acqui 2A I-15073 Castellazzo Bormida Alessandria  
Italy**

(72) Name(s) of Designer(s): **Stefano Tamarindo**

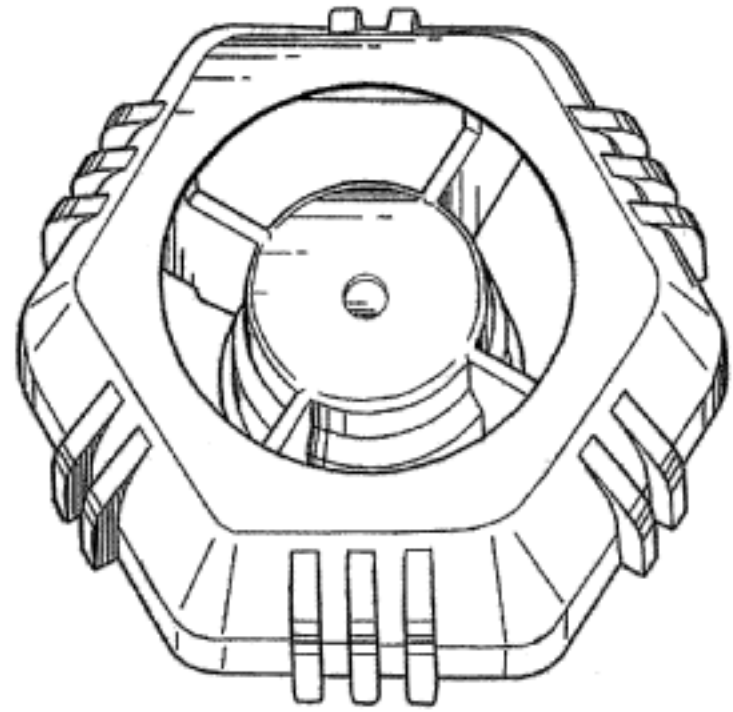
(45) Registration Date: **12 September 2011**

(30) Convention priority data:

(31) Number	(32) Date	(33) Country
<b>BS2011O000003</b>	<b>18 Feb 2011</b>	<b>ITALY</b>

(56) Related Art Documents: **Not Applicable**

(57) Statement of Newness and Distinctiveness: **Nil**



(19) AU

(21) Design Number: **13634/2011**

(22) Date of Filing Application: **17 August 2011**

(24) Date from which industrial property rights may have effect: **17 August 2011**

(54) Product in respect of which the design is registered: **Thermostat**

(51) International Design Classification: **10-05**

(74) Name(s) of Attorney(s): **PHILLIPS ORMONDE FITZPATRICK**

(71) Name(s) and Address(s) of Applicant(s):

**Schneider Electric Industries SAS**

**35 rue Joseph Monier F-92500 Rueil Malmaison France**

(72) Name(s) of Designer(s): **Mathieu Lehanneur**

(45) Registration Date: **12 September 2011**

(30) Convention priority data:

(31) Number	(32) Date	(33) Country
<b>DM/075763</b>	<b>30 Mar 2011</b>	<b>WORLD INTELLECTUAL PROPERTY ORGANIZATION (WIPO)</b>

(56) Related Art Documents: **Not Applicable**

(57) Statement of Newness and Distinctiveness: **Those features of the thermostat depicted in the representations that are new and distinctive are the shape and/or configuration. The textual matter including the polarity symbols are not part of the design and are to be disregarded when considering the overall impression of the design.**



(21) Design Number: **13636/2011**

(22) Date of Filing Application: **17 August 2011**

(24) Date from which industrial property rights may have effect: **17 August 2011**

(54) Product in respect of which the design is registered: **Power measuring device**

(51) International Design Classification: **10-05**

(74) Name(s) of Attorney(s): **PHILLIPS ORMONDE FITZPATRICK**

(71) Name(s) and Address(s) of Applicant(s):

**Schneider Electric Industries SAS**  
**35 rue Joseph Monier F-92500 Rueil Malmaison France**

(72) Name(s) of Designer(s): **Mathieu Lehanneur**

(45) Registration Date: **12 September 2011**

(30) Convention priority data:

(31) Number	(32) Date	(33) Country
<b>DM/075763</b>	<b>30 Mar 2011</b>	<b>WORLD INTELLECTUAL PROPERTY ORGANIZATION (WIPO)</b>

(56) Related Art Documents: **Not Applicable**

(57) Statement of Newness and Distinctiveness: **Those features of the power measuring device depicted in the representations that are new and distinctive are the shape and/or configuration.**



(21) Design Number: **13637/2011**

(22) Date of Filing Application: **17 August 2011**

(24) Date from which industrial property rights may have effect: **17 August 2011**

(54) Product in respect of which the design is registered: **Power measuring device**

(51) International Design Classification: **10-05**

(74) Name(s) of Attorney(s): **PHILLIPS ORMONDE FITZPATRICK**

(71) Name(s) and Address(s) of Applicant(s):

**Schneider Electric Industries SAS**  
**35 rue Joseph Monier F-92500 Rueil Malmaison France**

(72) Name(s) of Designer(s): **Mathieu Lehanneur**

(45) Registration Date: **12 September 2011**

(30) Convention priority data:

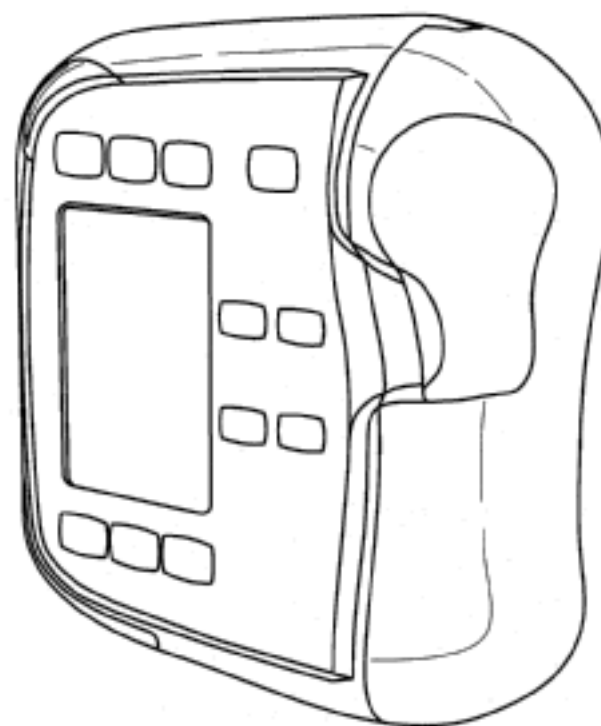
(31) Number	(32) Date	(33) Country
<b>DM/075763</b>	<b>30 Mar 2011</b>	<b>WORLD INTELLECTUAL PROPERTY ORGANIZATION (WIPO)</b>

(56) Related Art Documents: **Not Applicable**

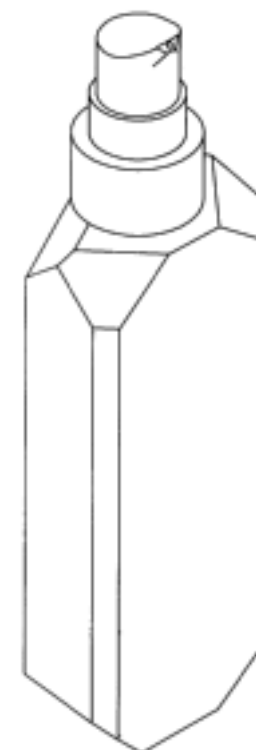
(57) Statement of Newness and Distinctiveness: **Those features of the power measuring device depicted in the representations that are new and distinctive are the shape and/or configuration. The textual matter is not part of the design and is to be disregarded when considering the overall impression of the design.**



(21) Design Number: **11901/2011**  
(22) Date of Filing Application: **29 April 2011**  
(24) Date from which industrial property rights may have effect: **29 April 2011**  
(54) Product in respect of which the design is registered: **Medical pump**  
(51) International Design Classification: **24-01**  
(74) Name(s) of Attorney(s): **Shelston IP**  
(71) Name(s) and Address(s) of Applicant(s):  
**Fresenius Kabi Deutschland GmbH**  
**Else-Kroner-Str 1 61352 Bad Homburg Germany**  
(72) Name(s) of Designer(s): **Patrick Maguerie**  
(45) Registration Date: **12 September 2011**  
(30) Convention priority data:  
(31) Number (32) Date (33) Country  
**001775651 01 Nov 2010 EUROPEAN COMMUNITY**  
(56) Related Art Documents: **Not Applicable**  
(57) Statement of Newness and Distinctiveness: **Nil**



(21) Design Number: **12131/2011**  
(22) Date of Filing Application: **06 May 2011**  
(24) Date from which industrial property rights may have effect: **06 May 2011**  
(54) Product in respect of which the design is registered: **Plastic bottle with lotion pump**  
(51) International Design Classification: **09-01A**  
(74) Name(s) of Attorney(s):  
(71) Name(s) and Address(s) of Applicant(s):  
**Mark Evans**  
**Level 3 255 Riley Street Surry Hills New South Wales 2010 Australia**  
**Brenan Liston**  
**Level 3 255 Riley Street Surry Hills New South Wales 2010 Australia**  
(72) Name(s) of Designer(s): **Brenan Liston and Mark Evans**  
(45) Registration Date: **12 September 2011**  
(56) Related Art Documents: **Not Applicable**  
(57) Statement of Newness and Distinctiveness: **Nil**



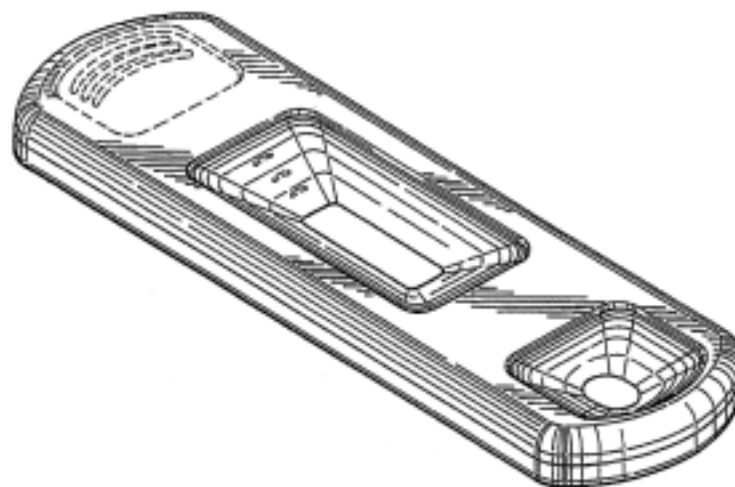
- (21) Design Number: **12999/2011**  
(22) Date of Filing Application: **05 July 2011**  
(24) Date from which industrial property rights may have effect: **05 July 2011**  
(54) Product in respect of which the design is registered: **Fabric sweeper**  
(51) International Design Classification: **07-05E**  
(74) Name(s) of Attorney(s): **SPRUSON & FERGUSON**  
(71) Name(s) and Address(s) of Applicant(s):  
**S. C. Johnson & Son, Inc.**  
**1525 Howe Street Racine Wisconsin 53403-2236 United States of America**  
(72) Name(s) of Designer(s): **Peter M. Neumann and Jeremy F. Knopow and Raymond C. Sulin and Matthew J. Forst and Scott A. Olson and Nancy L. Broen and Eugene M. Placzkowski and Richard Graceffa and Sergio Reyes Salgado and David J. Prince and Aaron J. Munsinger and Robert G. Fehr and Milton W. Erickson and Micah L. Maraia and Christopher Peterson and Robert C. Martineau**  
(45) Registration Date: **12 September 2011**  
(30) Convention priority data:  
(31) Number (32) Date (33) Country  
**12/984741 05 Jan 2011 UNITED STATES OF AMERICA**  
(56) Related Art Documents: **Not Applicable**  
(57) Statement of Newness and Distinctiveness: **Newness and distinctiveness is claimed in those features of shape and/or configuration of a fabric sweeper as illustrated in continuous lines in the accompanying representations.**



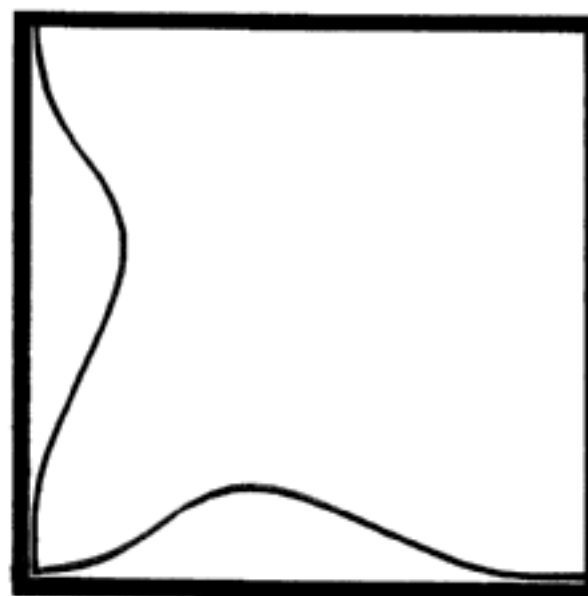
- (21) Design Number: **13239/2011**  
(22) Date of Filing Application: **25 July 2011**  
(24) Date from which industrial property rights may have effect: **25 July 2011**  
(54) Product in respect of which the design is registered: **LED lighthouse**  
(51) International Design Classification: **26-06**  
(74) Name(s) of Attorney(s): **A.P.T. Patent and Trade Mark Attorneys**  
(71) Name(s) and Address(s) of Applicant(s):  
**Ningbo Yinzhou Self Photoelectron Technology Co., Ltd.**  
**Qianzhou Village Zhonggongmiao Town Yinzhou Center Area Ningbo City Zhejiang Province 315194 China**  
(72) Name(s) of Designer(s): **Yimei Cai**  
(45) Registration Date: **12 September 2011**  
(56) Related Art Documents: **Not Applicable**  
(57) Statement of Newness and Distinctiveness: **Nil**



(21) Design Number: **13255/2011**  
(22) Date of Filing Application: **25 July 2011**  
(24) Date from which industrial property rights may have effect: **25 July 2011**  
(54) Product in respect of which the design is registered: **Lateral flow device**  
(51) International Design Classification: **24-01**  
(74) Name(s) of Attorney(s): **Knightsbridge Patent Attorneys**  
(71) Name(s) and Address(s) of Applicant(s):  
**IDEXX Laboratories, Inc**  
**One IDEXX Drive Westbrook Maine 04092 United States of America**  
(72) Name(s) of Designer(s): **Scott William Wagner and Frank Alvin Winslow**  
(45) Registration Date: **12 September 2011**  
(30) Convention priority data:  
(31) Number (32) Date (33) Country  
**29/383928 24 Jan 2011 UNITED STATES OF AMERICA**  
(56) Related Art Documents: **Not Applicable**  
(57) Statement of Newness and Distinctiveness: **The applicant claims that newness and distinctiveness reside in the features of shape and configuration of a lateral flow device, as shown in the accompanying drawings.**



(21) Design Number: **13537/2011**  
(22) Date of Filing Application: **10 August 2011**  
(24) Date from which industrial property rights may have effect: **10 August 2011**  
(54) Product in respect of which the design is registered: **Tile/tiles**  
(51) International Design Classification: **25-01F**  
(74) Name(s) of Attorney(s):  
(71) Name(s) and Address(s) of Applicant(s):  
**Malgorzata Growinska**  
**470B Williamstown Road Port Melbourne Victoria 3207 Australia**  
(72) Name(s) of Designer(s): **Malgorzata Growinska**  
(45) Registration Date: **12 September 2011**  
(56) Related Art Documents: **Not Applicable**  
(57) Statement of Newness and Distinctiveness: **The new and distinctive visual feature is the uniqueness of the tile's design, which is simple, yet very adaptable and versatile, design, which is allowing create countless patterns for customised and personalised applications.**

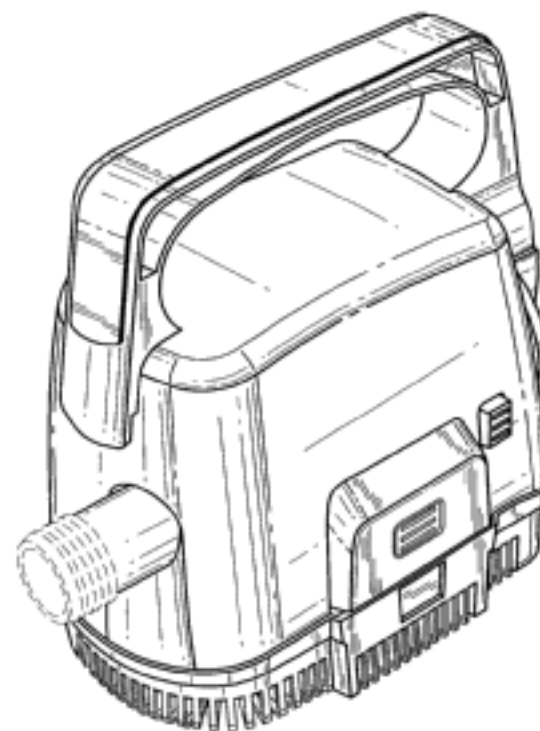




- (21) Design Number: **13698/2011**  
(22) Date of Filing Application: **19 August 2011**  
(24) Date from which industrial property rights may have effect: **19 August 2011**  
(54) Product in respect of which the design is registered: **1. Portable residual current device with fixed power 2. Portable residual current device with socket for**  
(51) International Design Classification: **13-02, 13-03E**  
(74) Name(s) of Attorney(s): **Davies Collison Cave**  
(71) Name(s) and Address(s) of Applicant(s):  
**Arlec Australia Pty Ltd**  
**272-274 Maroondah Highway Chirnside Park Victoria 3116 Australia**  
(72) Name(s) of Designer(s): **Monvids Puika and Kar Lun Tam**  
(45) Registration Date: **12 September 2011**  
(56) Related Art Documents: **Not Applicable**  
(57) Statement of Newness and Distinctiveness: **Newness and distinctiveness resides in the shape and/or configuration of the product shown in the representations but not including the details shown behind the transparent cover marked "A" in the representations.**



- (21) Design Number: **13610/2011**  
(22) Date of Filing Application: **16 August 2011**  
(24) Date from which industrial property rights may have effect: **16 August 2011**  
(54) Product in respect of which the design is registered: **Portable bilge pump**  
(51) International Design Classification: **12-06NES**  
(74) Name(s) of Attorney(s): **Shelston IP**  
(71) Name(s) and Address(s) of Applicant(s):  
**ITT Manufacturing Enterprises, Inc.**  
**1105 N. Market Street Suite 1217 Wilmington Delaware 19801 United States of America**  
(72) Name(s) of Designer(s): **Randall H. Moormann and Rick Burnham and Gregory Cook**  
(45) Registration Date: **12 September 2011**  
(30) Convention priority data:  
(31) Number (32) Date (33) Country  
**29/385571 16 Feb 2011 UNITED STATES OF AMERICA**  
(56) Related Art Documents: **Not Applicable**  
(57) Statement of Newness and Distinctiveness: **Newness and distinctiveness resides in the features of shape and/or configuration of the portable bilge pump, as illustrated by solid lines in the accompanying representations.**



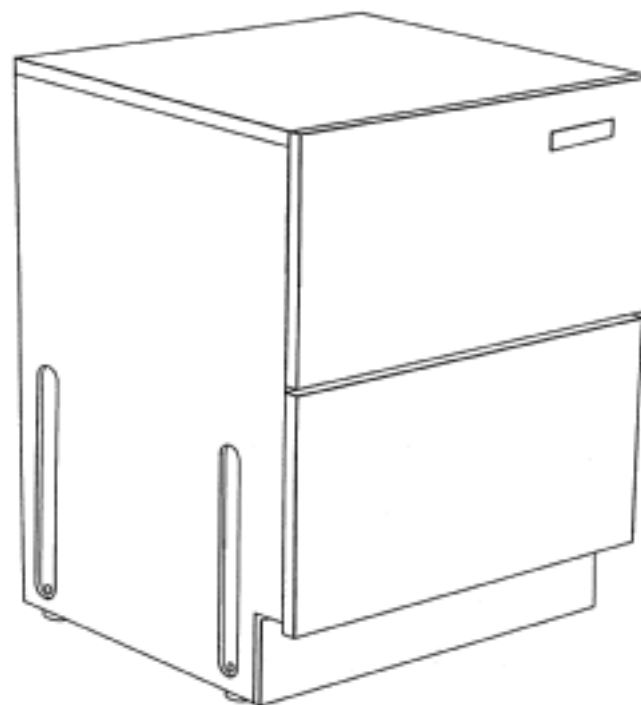
(21) Design Number: **13619/2011**  
(22) Date of Filing Application: **16 August 2011**  
(24) Date from which industrial property rights may have effect: **16 August 2011**  
(54) Product in respect of which the design is registered: **Confectionery**  
(51) International Design Classification: **01-01**  
(74) Name(s) of Attorney(s): **Griffith Hack**  
(71) Name(s) and Address(s) of Applicant(s):  
**Cadbury UK Limited**  
**PO Box 12 Bournville Lane Bournville Birmingham West Midlands B30**  
**2LU United Kingdom**  
(72) Name(s) of Designer(s): **John Tonks**  
(45) Registration Date: **12 September 2011**  
(56) Related Art Documents: **Not Applicable**  
(57) Statement of Newness and Distinctiveness: **Nil**



(21) Design Number: **13620/2011**  
(22) Date of Filing Application: **16 August 2011**  
(24) Date from which industrial property rights may have effect: **16 August 2011**  
(54) Product in respect of which the design is registered: **Confectionery**  
(51) International Design Classification: **01-01**  
(74) Name(s) of Attorney(s): **Griffith Hack**  
(71) Name(s) and Address(s) of Applicant(s):  
**Cadbury UK Limited**  
**PO Box 12 Bournville Lane Bournville Birmingham West Midlands B30**  
**2LU United Kingdom**  
(72) Name(s) of Designer(s): **John Tonks**  
(45) Registration Date: **12 September 2011**  
(56) Related Art Documents: **Not Applicable**  
(57) Statement of Newness and Distinctiveness: **Nil**



(21) Design Number: **13625/2011**  
(22) Date of Filing Application: **17 August 2011**  
(24) Date from which industrial property rights may have effect: **17 August 2011**  
(54) Product in respect of which the design is registered: **Waste compactor**  
(51) International Design Classification: **09-09**  
(74) Name(s) of Attorney(s): **FB Rice**  
(71) Name(s) and Address(s) of Applicant(s):  
**Pryde Foundation**  
**Austrasse 42 PO Box 239 Vaduz FL 9490 Liechtenstein**  
(72) Name(s) of Designer(s): **Matthew Young and James Glencross and Emma DeJong**  
(45) Registration Date: **12 September 2011**  
(30) Convention priority data:  
(31) Number (32) Date (33) Country  
**001827122-0001 25 Feb 2011 EUROPEAN COMMUNITY**  
(56) Related Art Documents: **Not Applicable**  
(57) Statement of Newness and Distinctiveness: **Newness and distinctiveness reside in the features of the design as shown in the representations.**



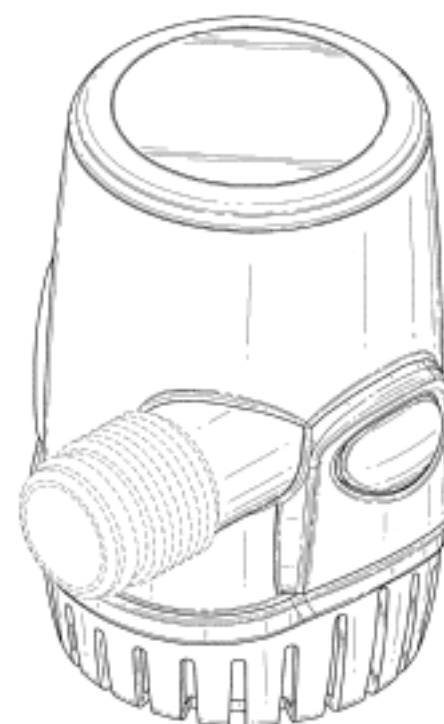
(21) Design Number: **13626/2011**  
(22) Date of Filing Application: **17 August 2011**  
(24) Date from which industrial property rights may have effect: **17 August 2011**  
(54) Product in respect of which the design is registered: **Split ring golf grip upper end**  
(51) International Design Classification: **21-02C**  
(74) Name(s) of Attorney(s): **FB Rice**  
(71) Name(s) and Address(s) of Applicant(s):  
**Eaton Corporation**  
**Eaton Center 1111 Superior Avenue Cleveland Ohio 44114-2584 United States of America**  
(72) Name(s) of Designer(s): **David K. Gill**  
(45) Registration Date: **12 September 2011**  
(30) Convention priority data:  
(31) Number (32) Date (33) Country  
**29/385697 18 Feb 2011 UNITED STATES OF AMERICA**  
(56) Related Art Documents: **Not Applicable**  
(57) Statement of Newness and Distinctiveness: **Newness and distinctiveness reside in the features of the design shown in solid lines in the representations excluding those features shown in broken lines.**



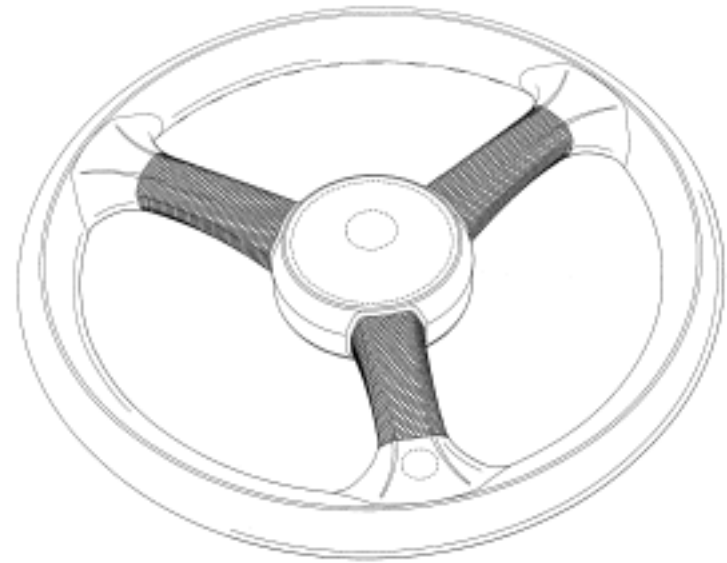
(21) Design Number: **13627/2011**  
(22) Date of Filing Application: **17 August 2011**  
(24) Date from which industrial property rights may have effect: **17 August 2011**  
(54) Product in respect of which the design is registered: **Split ring golf grip**  
(51) International Design Classification: **21-02C**  
(74) Name(s) of Attorney(s): **FB Rice**  
(71) Name(s) and Address(s) of Applicant(s):  
**Eaton Corporation**  
**Eaton Center 1111 Superior Avenue Cleveland Ohio 44114-2584 United States of America**  
(72) Name(s) of Designer(s): **David K. Gill**  
(45) Registration Date: **12 September 2011**  
(30) Convention priority data:  
(31) Number (32) Date (33) Country  
**29/385698 18 Feb 2011 UNITED STATES OF AMERICA**  
(56) Related Art Documents: **Not Applicable**  
(57) Statement of Newness and Distinctiveness: **Newness and distinctiveness reside in the features of the design as shown in the representations.**



(21) Design Number: **13628/2011**  
(22) Date of Filing Application: **17 August 2011**  
(24) Date from which industrial property rights may have effect: **17 August 2011**  
(54) Product in respect of which the design is registered: **Bilge pump**  
(51) International Design Classification: **12-06NES**  
(74) Name(s) of Attorney(s): **Shelston IP**  
(71) Name(s) and Address(s) of Applicant(s):  
**ITT Manufacturing Enterprises, Inc.**  
**1105 N. Market Street Suite 1217 Wilmington Delaware 19801 United States of America**  
(72) Name(s) of Designer(s): **Gregory Cook**  
(45) Registration Date: **12 September 2011**  
(30) Convention priority data:  
(31) Number (32) Date (33) Country  
**29/385718 18 Feb 2011 UNITED STATES OF AMERICA**  
(56) Related Art Documents: **Not Applicable**  
(57) Statement of Newness and Distinctiveness: **Newness and distinctiveness resides in the features of shape and/or configuration of the bilge pump, as illustrated by solid lines in the accompanying representations.**



(21) Design Number: **13629/2011**  
(22) Date of Filing Application: **17 August 2011**  
(24) Date from which industrial property rights may have effect: **17 August 2011**  
(54) Product in respect of which the design is registered: **Steering wheel**  
(51) International Design Classification: **12-16A**  
(74) Name(s) of Attorney(s): **Freehills Patent & Trade Mark Attorneys**  
(71) Name(s) and Address(s) of Applicant(s):  
**Caterpillar Inc.**  
**100 N.E. Adams Street Peoria Illinois 61629 United States of America**  
(72) Name(s) of Designer(s): **David A. Lucas and Terril J. Johnson**  
(45) Registration Date: **12 September 2011**  
(30) Convention priority data:  
(31) Number (32) Date (33) Country  
**29/385977 23 Feb 2011 UNITED STATES OF AMERICA**  
(56) Related Art Documents: **Not Applicable**  
(57) Statement of Newness and Distinctiveness: **Nil**



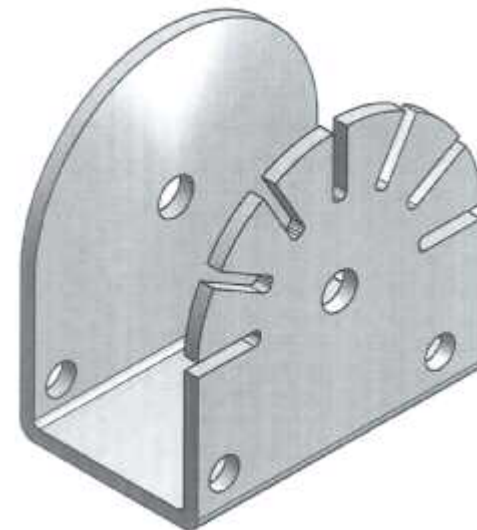
(21) Design Number: **13599/2011**  
(22) Date of Filing Application: **15 August 2011**  
(24) Date from which industrial property rights may have effect: **15 August 2011**  
(54) Product in respect of which the design is registered: **Coffee maker**  
(51) International Design Classification: **07-02L**  
(74) Name(s) of Attorney(s): **Callinans**  
(71) Name(s) and Address(s) of Applicant(s):  
**Kenwood Limited**  
**New Lane Havant Hampshire PO9 2NH United Kingdom**  
(72) Name(s) of Designer(s): **Stuart Williamson and Johan Santer**  
(45) Registration Date: **13 September 2011**  
(30) Convention priority data:  
(31) Number (32) Date (33) Country  
**00181968-0001/0 16 Feb 2011 EUROPEAN COMMUNITY**  
(56) Related Art Documents: **Not Applicable**  
(57) Statement of Newness and Distinctiveness: **Nil**



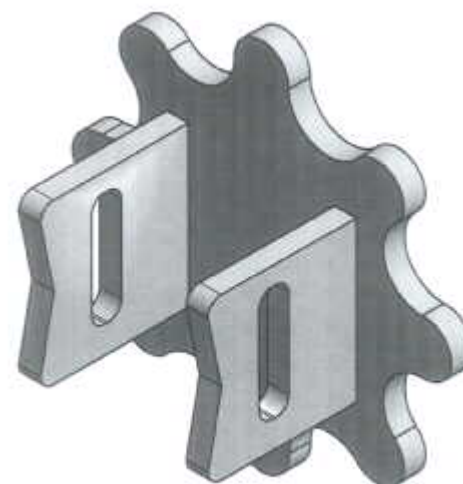
- (21) Design Number: **13832/2011**  
(22) Date of Filing Application: **29 August 2011**  
(24) Date from which industrial property rights may have effect: **29 August 2011**  
(54) Product in respect of which the design is registered: **Corner steady jack for caravan chassis and trailers**  
(51) International Design Classification: **12-05**  
(74) Name(s) of Attorney(s):  
(71) Name(s) and Address(s) of Applicant(s):  
**Paramraj Singh Virdi**  
**11 National Drive Hallam Victoria 3803 Australia**  
**Kamaldeep Kaur Virdi**  
**11 National Drive Hallam Victoria 3803 Australia**  
(72) Name(s) of Designer(s): **Paramraj Singh Virdi**  
(45) Registration Date: **13 September 2011**  
(56) Related Art Documents: **Not Applicable**  
(57) Statement of Newness and Distinctiveness: **Shape and configuration. Incorporates a system which enables single handed operation in moving the leg from loaded to maneuvering position.**



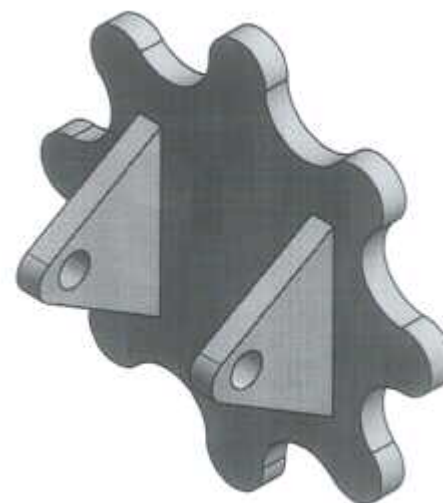
- (21) Design Number: **13833/2011**  
(22) Date of Filing Application: **29 August 2011**  
(24) Date from which industrial property rights may have effect: **29 August 2011**  
(54) Product in respect of which the design is registered: **Corner steady jack bracket slotted**  
(51) International Design Classification: **12-05**  
(74) Name(s) of Attorney(s):  
(71) Name(s) and Address(s) of Applicant(s):  
**Paramraj Singh Virdi**  
**11 National Drive Hallam Victoria 3803 Australia**  
(72) Name(s) of Designer(s): **Paramraj Singh Virdi**  
(45) Registration Date: **13 September 2011**  
(56) Related Art Documents: **Not Applicable**  
(57) Statement of Newness and Distinctiveness: **Shape and configuration. Slotted bracket allows positioning with a lock handle at the slot locations.**



- (21) Design Number: **13834/2011**  
(22) Date of Filing Application: **29 August 2011**  
(24) Date from which industrial property rights may have effect: **29 August 2011**  
(54) Product in respect of which the design is registered: **Corner steady jack foot slotted**  
(51) International Design Classification: **12-05**  
(74) Name(s) of Attorney(s):  
(71) Name(s) and Address(s) of Applicant(s):  
**Paramraj Singh Virdi**  
**11 National Drive Hallam Victoria 3803 Australia**  
(72) Name(s) of Designer(s): **Paramraj Singh Virdi**  
(45) Registration Date: **13 September 2011**  
(56) Related Art Documents: **Not Applicable**  
(57) Statement of Newness and Distinctiveness: **Shape and configuration. Large foot base holds a good grip on the floor and the slot allows the foot to be positioned.**



- (21) Design Number: **13835/2011**  
(22) Date of Filing Application: **29 August 2011**  
(24) Date from which industrial property rights may have effect: **29 August 2011**  
(54) Product in respect of which the design is registered: **Corner steady jack foot**  
(51) International Design Classification: **12-05**  
(74) Name(s) of Attorney(s):  
(71) Name(s) and Address(s) of Applicant(s):  
**Paramraj Singh Virdi**  
**11 National Drive Hallam Victoria 3803 Australia**  
(72) Name(s) of Designer(s): **Paramraj Singh Virdi**  
(45) Registration Date: **13 September 2011**  
(56) Related Art Documents: **Not Applicable**  
(57) Statement of Newness and Distinctiveness: **Shape and configuration. Large foot base holds a good grip on the floor.**



(21) Design Number: **13667/2011**

(22) Date of Filing Application: **18 August 2011**

(24) Date from which industrial property rights may have effect: **18 August 2011**

(54) Product in respect of which the design is registered: **Support leg for a table**

(51) International Design Classification: **06-06E**

(74) Name(s) of Attorney(s): **HODGKINSON McINNES PATENTS**

(71) Name(s) and Address(s) of Applicant(s):

**Thinking Ergonomix Pty Limited**

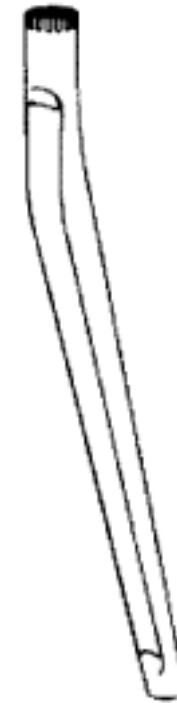
**6A Childs Road Chipping Norton New South Wales 2170 Australia**

(72) Name(s) of Designer(s): **Lowell Mak**

(45) Registration Date: **13 September 2011**

(56) Related Art Documents: **Not Applicable**

(57) Statement of Newness and Distinctiveness: **Features of newness and distinctiveness are claimed in the shape and/or configuration of a support leg for a table as shown in the attached representations.**



(21) Design Number: **10905/2011**

(22) Date of Filing Application: **07 March 2011**

(24) Date from which industrial property rights may have effect: **07 March 2011**

(54) Product in respect of which the design is registered: **Cable connector plug**

(51) International Design Classification: **14-02**

(74) Name(s) of Attorney(s): **Halfords IP**

(71) Name(s) and Address(s) of Applicant(s):

**Assembly Electronics Pty Ltd**

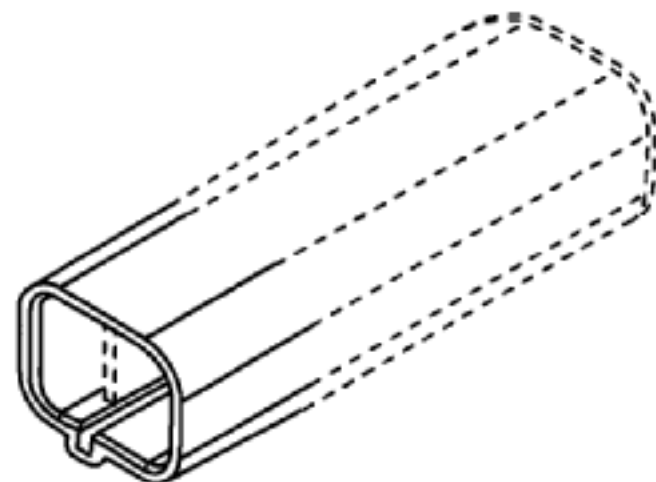
**24 Binney Road Kings Park New South Wales 2148 Australia**

(72) Name(s) of Designer(s): **John Schmidli**

(45) Registration Date: **13 September 2011**

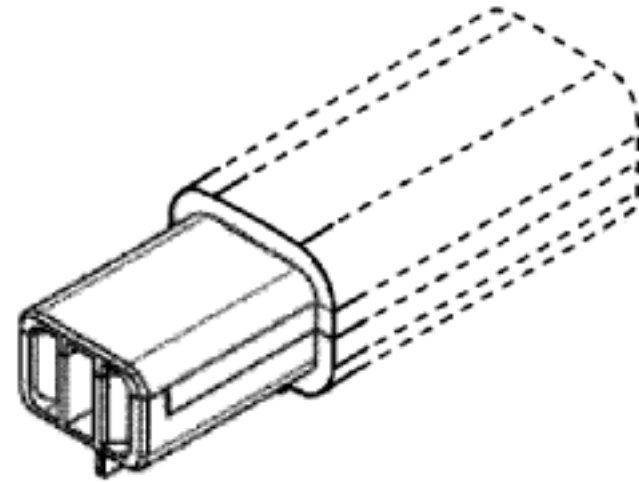
(56) Related Art Documents: **Not Applicable**

(57) Statement of Newness and Distinctiveness: **Newness and distinctiveness is claimed in those visual features depicted in unbroken lines.**

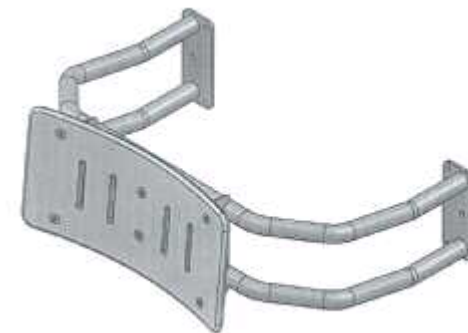




- (21) Design Number: **10906/2011**  
(22) Date of Filing Application: **07 March 2011**  
(24) Date from which industrial property rights may have effect: **07 March 2011**  
(54) Product in respect of which the design is registered: **Cable connector socket**  
(51) International Design Classification: **14-02**  
(74) Name(s) of Attorney(s): **Halfords IP**  
(71) Name(s) and Address(s) of Applicant(s):  
**Assembly Electronics Pty Ltd**  
**24 Binney Road Kings Park New South Wales 2148 Australia**  
(72) Name(s) of Designer(s): **John Schmidli**  
(45) Registration Date: **13 September 2011**  
(56) Related Art Documents: **Not Applicable**  
(57) Statement of Newness and Distinctiveness: **Newness and distinctiveness is claimed in those visual features depicted in unbroken lines.**



- (21) Design Number: **13607/2011**  
(22) Date of Filing Application: **16 August 2011**  
(24) Date from which industrial property rights may have effect: **16 August 2011**  
(54) Product in respect of which the design is registered: **Disabled access WC backrest (in accordance with AS1428.1-2009)**  
(51) International Design Classification: **06-01NES, 23-02C, 23-02NES**  
(74) Name(s) of Attorney(s):  
(71) Name(s) and Address(s) of Applicant(s):  
**Axess Trading Pty Ltd**  
**25/69 Acacia Road Ferntree Gully Victoria 3156 Australia**  
(72) Name(s) of Designer(s): **Rudolf Webel**  
(45) Registration Date: **13 September 2011**  
(56) Related Art Documents: **Not Applicable**  
(57) Statement of Newness and Distinctiveness: **Molded HDPE (High Density Polyethylene) textured backrest fixed to a bi-tubular corrosion resistant stainless steel wall mountable frame.**



(21) Design Number: **13614/2011**  
 (22) Date of Filing Application: **16 August 2011**  
 (24) Date from which industrial property rights may have effect: **16 August 2011**  
 (54) Product in respect of which the design is registered: **Split ring golf grip upper end**  
 (51) International Design Classification: **21-02C**  
 (74) Name(s) of Attorney(s): **FB Rice**  
 (71) Name(s) and Address(s) of Applicant(s):  
**Eaton Corporation**  
**Eaton Center 1111 Superior Avenue Cleveland Ohio 44114-2584 United States of America**  
 (72) Name(s) of Designer(s): **David Keith Gill**  
 (45) Registration Date: **13 September 2011**  
 (30) Convention priority data:  
 (31) Number      (32) Date      (33) Country  
**29/385694      18 Feb 2011      UNITED STATES OF AMERICA**  
 (56) Related Art Documents: **Not Applicable**  
 (57) Statement of Newness and Distinctiveness: **Newness and distinctiveness reside in the features of the design shown in solid lines in the representations excluding those features shown in broken lines.**



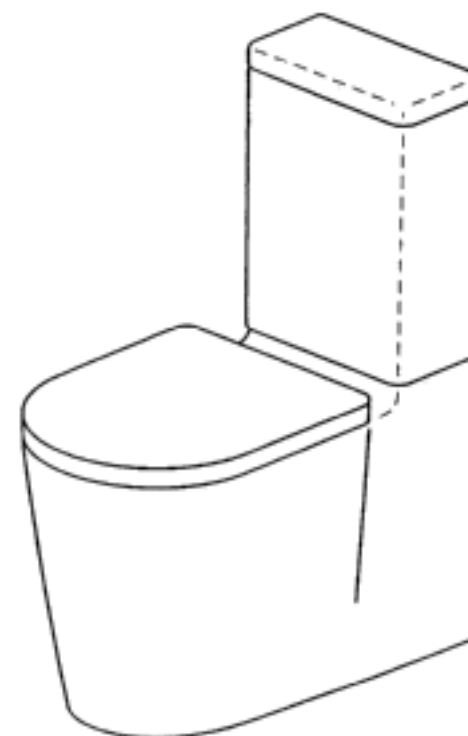
(21) Design Number: **13615/2011**  
 (22) Date of Filing Application: **16 August 2011**  
 (24) Date from which industrial property rights may have effect: **16 August 2011**  
 (54) Product in respect of which the design is registered: **Split ring golf grip**  
 (51) International Design Classification: **21-02C**  
 (74) Name(s) of Attorney(s): **FB Rice**  
 (71) Name(s) and Address(s) of Applicant(s):  
**Eaton Corporation**  
**Eaton Center 1111 Superior Avenue Cleveland Ohio 44114-2584 United States of America**  
 (72) Name(s) of Designer(s): **David Keith Gill**  
 (45) Registration Date: **13 September 2011**  
 (30) Convention priority data:  
 (31) Number      (32) Date      (33) Country  
**29/385692      18 Feb 2011      UNITED STATES OF AMERICA**  
 (56) Related Art Documents: **Not Applicable**  
 (57) Statement of Newness and Distinctiveness: **Newness and distinctiveness reside in the features of the design as shown in the representations.**



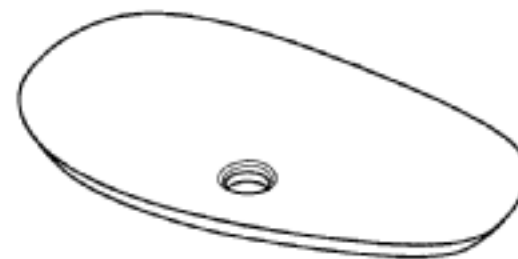
- (21) Design Number: **13646/2011**  
(22) Date of Filing Application: **17 August 2011**  
(24) Date from which industrial property rights may have effect: **17 August 2011**  
(54) Product in respect of which the design is registered: **A toilet suite**  
(51) International Design Classification: **23-02C**  
(74) Name(s) of Attorney(s): **SPRUSON & FERGUSON**  
(71) Name(s) and Address(s) of Applicant(s):  
**Caroma Industries Limited**  
**10 Market Street Brisbane Queensland 4000 Australia**  
(72) Name(s) of Designer(s): **Vincent Kai Hong Ho and Luke Anthony Di Michiel**  
(45) Registration Date: **13 September 2011**  
(56) Related Art Documents: **Not Applicable**  
(57) Statement of Newness and Distinctiveness: **Newness and distinctiveness is claimed in the features of shape and/or configuration of a toilet suite as illustrated in continuous lines in the accompanying representations.**



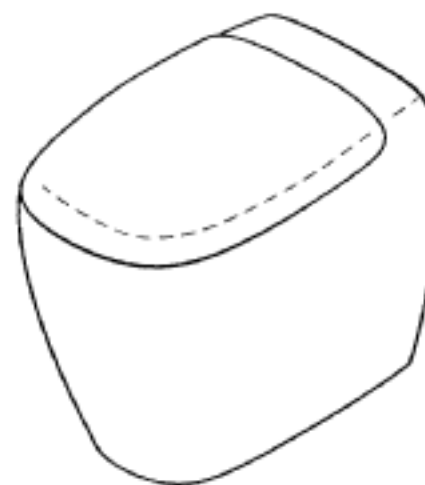
- (21) Design Number: **13647/2011**  
(22) Date of Filing Application: **17 August 2011**  
(24) Date from which industrial property rights may have effect: **17 August 2011**  
(54) Product in respect of which the design is registered: **A toilet suite**  
(51) International Design Classification: **23-02C**  
(74) Name(s) of Attorney(s): **SPRUSON & FERGUSON**  
(71) Name(s) and Address(s) of Applicant(s):  
**Caroma Industries Limited**  
**10 Market Street Brisbane Queensland 4000 Australia**  
(72) Name(s) of Designer(s): **Vincent Kai Hong Ho and Luke Anthony Di Michiel**  
(45) Registration Date: **13 September 2011**  
(56) Related Art Documents: **Not Applicable**  
(57) Statement of Newness and Distinctiveness: **Newness and distinctiveness is claimed in the features of shape and/or configuration of a toilet suite as illustrated in continuous lines in the accompanying representations.**



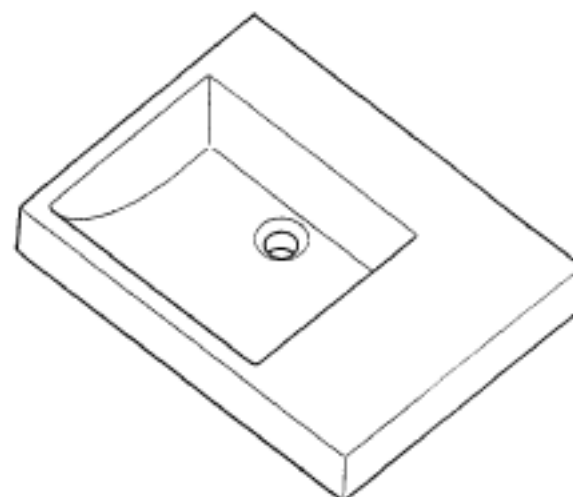
- (21) Design Number: **13648/2011**  
(22) Date of Filing Application: **17 August 2011**  
(24) Date from which industrial property rights may have effect: **17 August 2011**  
(54) Product in respect of which the design is registered: **A basin**  
(51) International Design Classification: **23-02F**  
(74) Name(s) of Attorney(s): **SPRUSON & FERGUSON**  
(71) Name(s) and Address(s) of Applicant(s):  
**Caroma Industries Limited**  
**10 Market Street Brisbane Queensland 4000 Australia**  
(72) Name(s) of Designer(s): **Vincent Kai Hong Ho and Luke Anthony Di Michiel**  
(45) Registration Date: **13 September 2011**  
(56) Related Art Documents: **Not Applicable**  
(57) Statement of Newness and Distinctiveness: **Newness and distinctiveness is claimed in the features of shape and/or configuration of a basin as illustrated in continuous lines in the accompanying representations.**



- (21) Design Number: **13649/2011**  
(22) Date of Filing Application: **17 August 2011**  
(24) Date from which industrial property rights may have effect: **17 August 2011**  
(54) Product in respect of which the design is registered: **A toilet pan**  
(51) International Design Classification: **23-02C**  
(74) Name(s) of Attorney(s): **SPRUSON & FERGUSON**  
(71) Name(s) and Address(s) of Applicant(s):  
**Caroma Industries Limited**  
**10 Market Street Brisbane Queensland 4000 Australia**  
(72) Name(s) of Designer(s): **Vincent Kai Hong Ho and Luke Anthony Di Michiel**  
(45) Registration Date: **13 September 2011**  
(56) Related Art Documents: **Not Applicable**  
(57) Statement of Newness and Distinctiveness: **Newness and distinctiveness is claimed in the features of shape and/or configuration of a toilet pan as illustrated in continuous lines in the accompanying representations.**



- (21) Design Number: **13650/2011**  
(22) Date of Filing Application: **17 August 2011**  
(24) Date from which industrial property rights may have effect: **17 August 2011**  
(54) Product in respect of which the design is registered: **A basin**  
(51) International Design Classification: **23-02F**  
(74) Name(s) of Attorney(s): **SPRUSON & FERGUSON**  
(71) Name(s) and Address(s) of Applicant(s):  
**Caroma Industries Limited**  
**10 Market Street Brisbane Queensland 4000 Australia**  
(72) Name(s) of Designer(s): **Vincent Kai Hong Ho and Luke Anthony Di Michiel**  
(45) Registration Date: **13 September 2011**  
(56) Related Art Documents: **Not Applicable**  
(57) Statement of Newness and Distinctiveness: **Newness and distinctiveness is claimed in the features of shape and/or configuration of a basin as illustrated in continuous lines in the accompanying representations.**



- (21) Design Number: **13651/2011**  
(22) Date of Filing Application: **17 August 2011**  
(24) Date from which industrial property rights may have effect: **17 August 2011**  
(54) Product in respect of which the design is registered: **A toilet suite**  
(51) International Design Classification: **23-02C**  
(74) Name(s) of Attorney(s): **SPRUSON & FERGUSON**  
(71) Name(s) and Address(s) of Applicant(s):  
**Caroma Industries Limited**  
**10 Market Street Brisbane Queensland 4000 Australia**  
(72) Name(s) of Designer(s): **Vincent Kai Hong Ho and Luke Anthony Di Michiel**  
(45) Registration Date: **13 September 2011**  
(56) Related Art Documents: **Not Applicable**  
(57) Statement of Newness and Distinctiveness: **Newness and distinctiveness is claimed in the features of shape and/or configuration of a toilet suite as illustrated in continuous lines in the accompanying representations.**



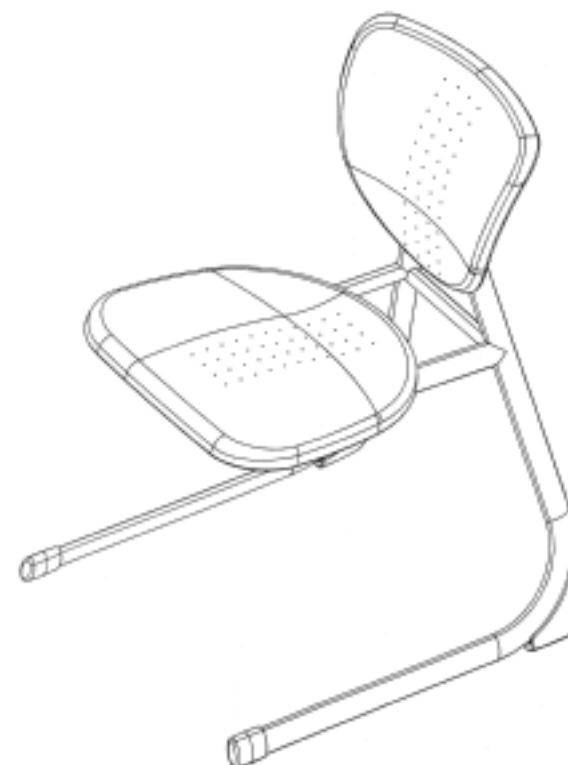
(21) Design Number: **13687/2011**  
(22) Date of Filing Application: **19 August 2011**  
(24) Date from which industrial property rights may have effect: **19 August 2011**  
(54) Product in respect of which the design is registered: **Confectionery**  
(51) International Design Classification: **01-01**  
(74) Name(s) of Attorney(s): **Madderns**  
(71) Name(s) and Address(s) of Applicant(s):  
**Cadbury UK Limited**  
**PO Box 12 Bournville Lane Bournville Birmingham B30 2LU United Kingdom**  
(72) Name(s) of Designer(s): **Andrew Christopher Bufton**  
(45) Registration Date: **14 September 2011**  
(30) Convention priority data:  
(31) Number      (32) Date      (33) Country  
**001823782-0001    21 Feb 2011      EUROPEAN COMMUNITY**  
(56) Related Art Documents: **Not Applicable**  
(57) Statement of Newness and Distinctiveness: **Nil**



(21) Design Number: **13688/2011**  
(22) Date of Filing Application: **19 August 2011**  
(24) Date from which industrial property rights may have effect: **19 August 2011**  
(54) Product in respect of which the design is registered: **Confectionery**  
(51) International Design Classification: **01-01**  
(74) Name(s) of Attorney(s): **Madderns**  
(71) Name(s) and Address(s) of Applicant(s):  
**Cadbury UK Limited**  
**PO Box 12 Bournville Lane Bournville Birmingham B30 2LU United Kingdom**  
(72) Name(s) of Designer(s): **Andrew Christopher Bufton**  
(45) Registration Date: **14 September 2011**  
(30) Convention priority data:  
(31) Number      (32) Date      (33) Country  
**001823782-0002    21 Feb 2011      EUROPEAN COMMUNITY**  
(56) Related Art Documents: **Not Applicable**  
(57) Statement of Newness and Distinctiveness: **Nil**



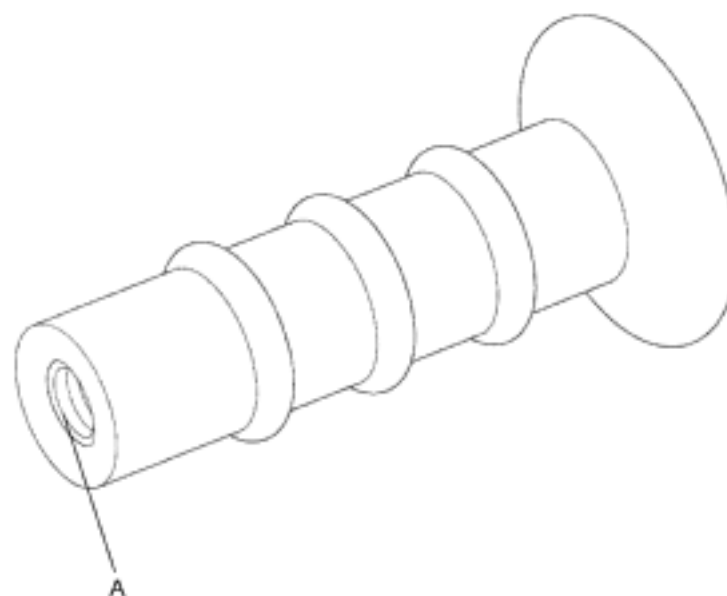
- (21) Design Number: **13689/2011**  
(22) Date of Filing Application: **19 August 2011**  
(24) Date from which industrial property rights may have effect: **19 August 2011**  
(54) Product in respect of which the design is registered: **Chair**  
(51) International Design Classification: **06-01F**  
(74) Name(s) of Attorney(s): **FB Rice**  
(71) Name(s) and Address(s) of Applicant(s):  
**Topstar Pty Ltd**  
**32 Queen Street Revesby New South Wales 2212 Australia**  
(72) Name(s) of Designer(s): **Andrew Kirsh**  
(45) Registration Date: **14 September 2011**  
(56) Related Art Documents: **Not Applicable**  
(57) Statement of Newness and Distinctiveness: **Newness and distinctiveness reside in the features of the design as shown in the representations.**



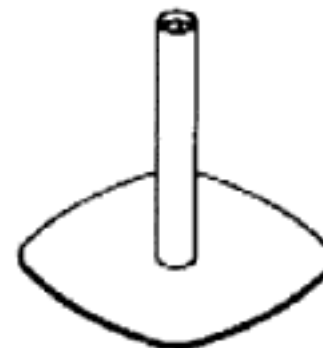
- (21) Design Number: **13690/2011**  
(22) Date of Filing Application: **19 August 2011**  
(24) Date from which industrial property rights may have effect: **19 August 2011**  
(54) Product in respect of which the design is registered: **Wheelbarrow wheel**  
(51) International Design Classification: **12-12, 12-16A**  
(74) Name(s) of Attorney(s): **FB Rice**  
(71) Name(s) and Address(s) of Applicant(s):  
**Ames True Temper, Inc.**  
**465 Railroad Avenue Camp Hill Pennsylvania 17011 United States of America**  
(72) Name(s) of Designer(s): **Stephen D. Hatcher and Eric Hyp**  
(45) Registration Date: **14 September 2011**  
(30) Convention priority data:  
(31) Number      (32) Date      (33) Country  
**29/389055      06 Apr 2011      UNITED STATES OF AMERICA**  
(56) Related Art Documents: **Not Applicable**  
(57) Statement of Newness and Distinctiveness: **Newness and distinctiveness reside in the features of the design shown in solid lines in the representations, excluding those features shown in broken lines.**



- (21) Design Number: **13691/2011**  
(22) Date of Filing Application: **19 August 2011**  
(24) Date from which industrial property rights may have effect: **19 August 2011**  
(54) Product in respect of which the design is registered: **Ferrule**  
(51) International Design Classification: **08-08B**  
(74) Name(s) of Attorney(s): **PIZZEYS**  
(71) Name(s) and Address(s) of Applicant(s):  
**Threadsure Connector Systems Pty Ltd**  
**C/- VLC Partners Level 16 168 Walker Street North Sydney New South**  
**Wales 2060 Australia**  
(72) Name(s) of Designer(s): **Gavin Douglas Weston**  
(45) Registration Date: **14 September 2011**  
(56) Related Art Documents: **Not Applicable**  
(57) Statement of Newness and Distinctiveness: **The newness and distinctiveness of the design resides in the features of shape and/or configuration shown in unbroken lines in the accompanying representations. No monopoly is claimed in the visual feature (aperture) labelled A.**

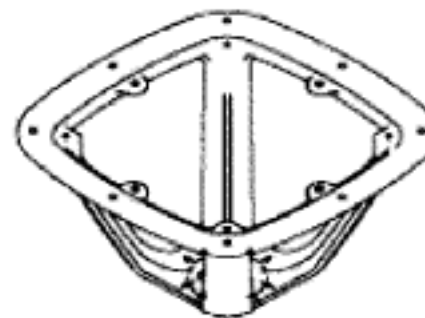


- (21) Design Number: **13662/2011**  
(22) Date of Filing Application: **18 August 2011**  
(24) Date from which industrial property rights may have effect: **18 August 2011**  
(54) Product in respect of which the design is registered: **Table base**  
(51) International Design Classification: **06-06E**  
(74) Name(s) of Attorney(s): **HODGKINSON McINNES PATENTS**  
(71) Name(s) and Address(s) of Applicant(s):  
**Thinking Ergonomix Pty Limited**  
**6A Childs Road Chipping Norton New South Wales 2170 Australia**  
(72) Name(s) of Designer(s): **Roberto Pereira**  
(45) Registration Date: **14 September 2011**  
(56) Related Art Documents: **Not Applicable**  
(57) Statement of Newness and Distinctiveness: **Figures of Newness and Distinctiveness are claimed in the shape and/or configuration of a table base as shown in the attached representations.**

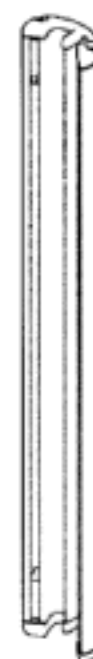




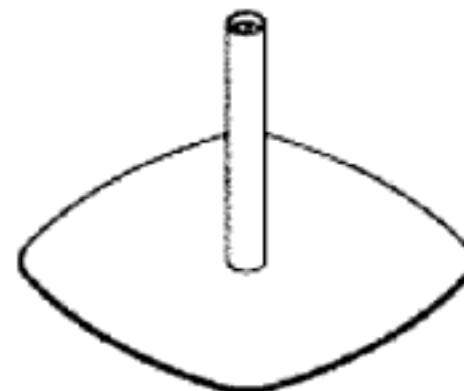
- (21) Design Number: **13663/2011**  
(22) Date of Filing Application: **18 August 2011**  
(24) Date from which industrial property rights may have effect: **18 August 2011**  
(54) Product in respect of which the design is registered: **Table base**  
(51) International Design Classification: **06-06E**  
(74) Name(s) of Attorney(s): **HODGKINSON McINNES PATENTS**  
(71) Name(s) and Address(s) of Applicant(s):  
**Thinking Ergonomix Pty Limited**  
**6A Childs Road Chipping Norton New South Wales 2170 Australia**  
(72) Name(s) of Designer(s): **Roberto Pereira**  
(45) Registration Date: **14 September 2011**  
(56) Related Art Documents: **Not Applicable**  
(57) Statement of Newness and Distinctiveness: **Features of Newness and Distinctiveness are claimed in the shape and/or configuration of a table base as shown in the attached representations.**



- (21) Design Number: **13664/2011**  
(22) Date of Filing Application: **18 August 2011**  
(24) Date from which industrial property rights may have effect: **18 August 2011**  
(54) Product in respect of which the design is registered: **Cable management cover**  
(51) International Design Classification: **13-03C**  
(74) Name(s) of Attorney(s): **HODGKINSON McINNES PATENTS**  
(71) Name(s) and Address(s) of Applicant(s):  
**Thinking Ergonomix Pty Limited**  
**6A Childs Road Chipping Norton New South Wales 2170 Australia**  
(72) Name(s) of Designer(s): **Lowell Mak**  
(45) Registration Date: **14 September 2011**  
(56) Related Art Documents: **Not Applicable**  
(57) Statement of Newness and Distinctiveness: **Features of Newness and Distinctiveness are claimed in the shape and/or configuration of a cable management cover as shown in the attached representations.**



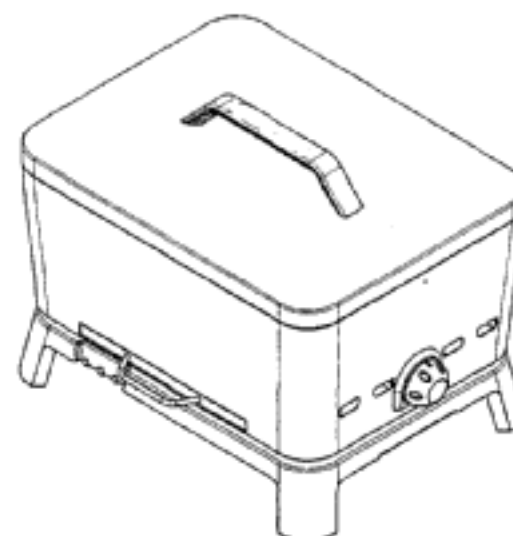
- (21) Design Number: **13665/2011**  
(22) Date of Filing Application: **18 August 2011**  
(24) Date from which industrial property rights may have effect: **18 August 2011**  
(54) Product in respect of which the design is registered: **Support base for a table**  
(51) International Design Classification: **06-06E**  
(74) Name(s) of Attorney(s): **HODGKINSON McINNES PATENTS**  
(71) Name(s) and Address(s) of Applicant(s):  
**Thinking Ergonomix Pty Limited**  
**6A Childs Road Chipping Norton New South Wales 2170 Australia**  
(72) Name(s) of Designer(s): **Roberto Pereira**  
(45) Registration Date: **14 September 2011**  
(56) Related Art Documents: **Not Applicable**  
(57) Statement of Newness and Distinctiveness: **Features of Newness and Distinctiveness are claimed in the shape and/or configuration of a support base for a table as shown in the attached representations.**



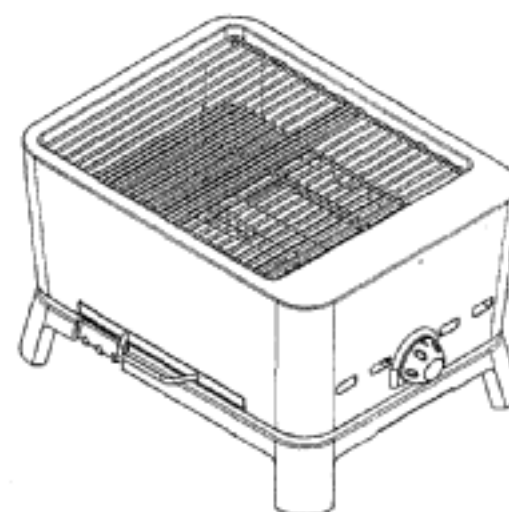
- (21) Design Number: **13683/2011**  
(22) Date of Filing Application: **19 August 2011**  
(24) Date from which industrial property rights may have effect: **19 August 2011**  
(54) Product in respect of which the design is registered: **Loudspeaker housing**  
(51) International Design Classification: **14-01**  
(74) Name(s) of Attorney(s): **SPRUSON & FERGUSON**  
(71) Name(s) and Address(s) of Applicant(s):  
**Shan Hua**  
**2/10 Illawarra Street Allawah New South Wales 2218 Australia**  
(72) Name(s) of Designer(s): **Shan Hua**  
(45) Registration Date: **14 September 2011**  
(56) Related Art Documents: **Not Applicable**  
(57) Statement of Newness and Distinctiveness: **Newness and distinctiveness is claimed in the features of shape and/or configuration of a loudspeaker housing, including the air port at the enclosed curve end, as illustrated in the accompanying representations.**



- (21) Design Number: **13684/2011**  
(22) Date of Filing Application: **19 August 2011**  
(24) Date from which industrial property rights may have effect: **19 August 2011**  
(54) Product in respect of which the design is registered: **A barbeque with lid**  
(51) International Design Classification: **07-02E**  
(74) Name(s) of Attorney(s): **SPRUSON & FERGUSON**  
(71) Name(s) and Address(s) of Applicant(s):  
**Shriro Australia Pty Limited**  
**23-27 Chaplin Drive Lane Cove New South Wales 2066 Australia**  
(72) Name(s) of Designer(s): **Joshua Morabito**  
(45) Registration Date: **14 September 2011**  
(56) Related Art Documents: **Not Applicable**  
(57) Statement of Newness and Distinctiveness: **Newness and distinctiveness is claimed in the features of shape and/or configuration of similarly shaped body and base parts of a barbeque as illustrated in the accompanying representations.**



- (21) Design Number: **13685/2011**  
(22) Date of Filing Application: **19 August 2011**  
(24) Date from which industrial property rights may have effect: **19 August 2011**  
(54) Product in respect of which the design is registered: **A barbeque**  
(51) International Design Classification: **07-02E**  
(74) Name(s) of Attorney(s): **SPRUSON & FERGUSON**  
(71) Name(s) and Address(s) of Applicant(s):  
**Shriro Australia Pty Limited**  
**23-27 Chaplin Drive Lane Cove New South Wales 2066 Australia**  
(72) Name(s) of Designer(s): **Joshua Morabito**  
(45) Registration Date: **14 September 2011**  
(56) Related Art Documents: **Not Applicable**  
(57) Statement of Newness and Distinctiveness: **Newness and distinctiveness is claimed in the features of shape and/or configuration of similarly shaped body and base parts of a barbeque as illustrated in the accompanying representations.**



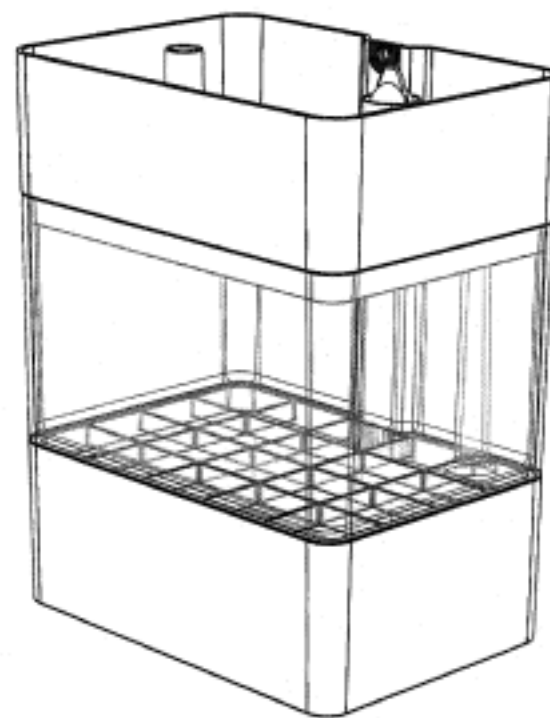
- (21) Design Number: **13933/2011**  
(22) Date of Filing Application: **06 September 2011**  
(24) Date from which industrial property rights may have effect: **06 September 2011**  
(54) Product in respect of which the design is registered: **Bag**  
(51) International Design Classification: **03-01NES**  
(74) Name(s) of Attorney(s): **EKM patent & trade marks**  
(71) Name(s) and Address(s) of Applicant(s):  
**Smash Enterprises Pty Ltd**  
**33 Redland Drive Mitcham Victoria 3132 Australia**  
(72) Name(s) of Designer(s): **Dale Harbinson**  
(45) Registration Date: **14 September 2011**  
(56) Related Art Documents: **Not Applicable**  
(57) Statement of Newness and Distinctiveness: **Newness and distinctiveness resides in the features of shape and/or configuration of a bag as shown in the accompanying representations.**



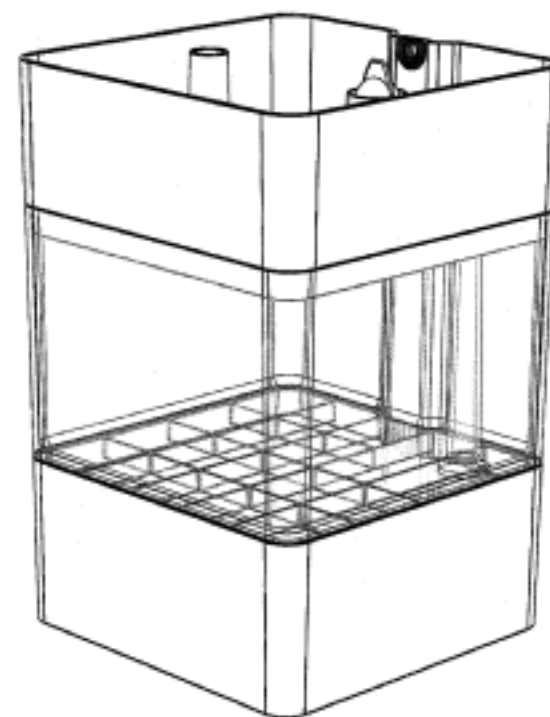
- (21) Design Number: **12524/2011**  
(22) Date of Filing Application: **17 May 2011**  
(24) Date from which industrial property rights may have effect: **17 May 2011**  
(54) Product in respect of which the design is registered: **Kernel Extractor**  
(51) International Design Classification: **31-00**  
(74) Name(s) of Attorney(s):  
(71) Name(s) and Address(s) of Applicant(s):  
**Ian Dennis**  
**165 Albert Road Howth Tasmania 7316 Australia**  
**Dianne L. Dennis**  
**165 Albert Road Howth Tasmania 7316 Australia**  
(72) Name(s) of Designer(s): **Ian Dennis**  
(45) Registration Date: **14 September 2011**  
(56) Related Art Documents: **Not Applicable**  
(57) Statement of Newness and Distinctiveness: **My Design uses density differential in the primary stage of production by exposing shell and kernel to an air stream from the venturi feeder to a rotary drum fitted with staged lifters and a slotted core air pipe. The feed mix of shell and kernel is designed to expose the lower density shell to the constant air stream provided by the feed venturi. The shell is expelled at the drum exit. Kernel is retained in the rotary drum and removed via a suction tube at the end of a batch cycle. This process can be modified later to operate continuously, for now the design concept is intended to be captured.**



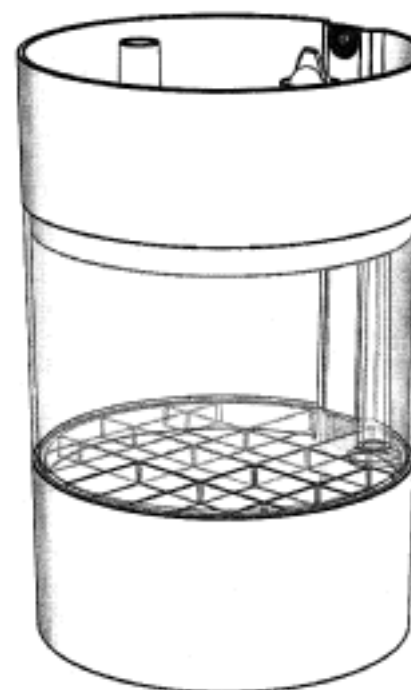
- (21) Design Number: **12972/2011**
- (22) Date of Filing Application: **01 July 2011**
- (24) Date from which industrial property rights may have effect: **01 July 2011**
- (54) Product in respect of which the design is registered: **A rectangular aquaponics fish tank**
- (51) International Design Classification: **30-02**
- (74) Name(s) of Attorney(s): **Pegasus IP**
- (71) Name(s) and Address(s) of Applicant(s):  
**Aquaponicals Pty Ltd**  
**Level 5 175 Eagle Street Brisbane 4000 Australia**
- (72) Name(s) of Designer(s): **Clint Zahmel**
- (45) Registration Date: **14 September 2011**
- (56) Related Art Documents: **Not Applicable**
- (57) Statement of Newness and Distinctiveness: **Newness and distinctiveness resides in the features of shape and/or configuration of the product as shown in the reps.**



- (21) Design Number: **12973/2011**
- (22) Date of Filing Application: **01 July 2011**
- (24) Date from which industrial property rights may have effect: **01 July 2011**
- (54) Product in respect of which the design is registered: **A square aquaponics fish tank**
- (51) International Design Classification: **30-02**
- (74) Name(s) of Attorney(s): **Pegasus IP**
- (71) Name(s) and Address(s) of Applicant(s):  
**Aquaponicals Pty Ltd**  
**Level 5 175 Eagle Street Brisbane 4000 Australia**
- (72) Name(s) of Designer(s): **Clint Zahmel**
- (45) Registration Date: **14 September 2011**
- (56) Related Art Documents: **Not Applicable**
- (57) Statement of Newness and Distinctiveness: **Newness and distinctiveness resides in the features of shape and/or configuration of the product as shown in the reps.**



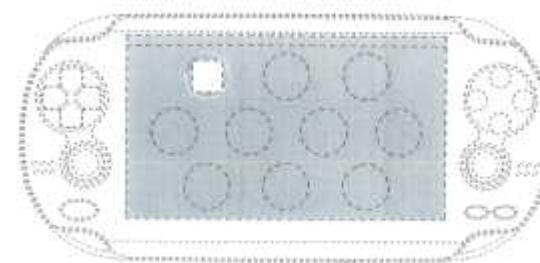
- (21) Design Number: **12974/2011**  
(22) Date of Filing Application: **01 July 2011**  
(24) Date from which industrial property rights may have effect: **01 July 2011**  
(54) Product in respect of which the design is registered: **A round aquaponics fish tank**  
(51) International Design Classification: **30-02**  
(74) Name(s) of Attorney(s): **Pegasus IP**  
(71) Name(s) and Address(s) of Applicant(s):  
**Aquaponicals Pty Ltd**  
**Level 5 175 Eagle Street Brisbane 4000 Australia**  
(72) Name(s) of Designer(s): **Clint Zahmel**  
(45) Registration Date: **14 September 2011**  
(56) Related Art Documents: **Not Applicable**  
(57) Statement of Newness and Distinctiveness: **Newness and distinctiveness resides in the features of shape and/or configuration of the product as shown in the reps.**



- (21) Design Number: **13041/2011**  
(22) Date of Filing Application: **08 July 2011**  
(24) Date from which industrial property rights may have effect: **08 July 2011**  
(54) Product in respect of which the design is registered: **Jewellery**  
(51) International Design Classification: **11-01A**  
(74) Name(s) of Attorney(s):  
(71) Name(s) and Address(s) of Applicant(s):  
**Kiron Barui**  
**48 East Street East Toowoomba Queensland 4350 Australia**  
(72) Name(s) of Designer(s): **Kiron Barui**  
(45) Registration Date: **14 September 2011**  
(56) Related Art Documents: **Not Applicable**  
(57) Statement of Newness and Distinctiveness: **The design of the jewellery is new and distinctive as it consists of a ring frame into which caps from bubbly and champagne bottles can be inserted on a temporary basis.**



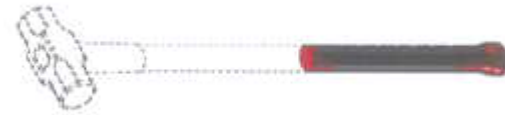
- (21) Design Number: **13267/2011**  
(22) Date of Filing Application: **25 July 2011**  
(24) Date from which industrial property rights may have effect: **25 July 2011**  
(54) Product in respect of which the design is registered: **Portable information terminal**  
(51) International Design Classification: **21-01N**  
(74) Name(s) of Attorney(s): **Shelston IP**  
(71) Name(s) and Address(s) of Applicant(s):  
**Sony Computer Entertainment Inc.**  
**1-7-1 Konan Minato-ku Tokyo Japan**  
(72) Name(s) of Designer(s): **Takahiro Fujii and Sho Suga**  
(45) Registration Date: **14 September 2011**  
(30) Convention priority data:  
(31) Number      (32) Date      (33) Country  
**2011-001417      25 Jan 2011      JAPAN**  
(56) Related Art Documents: **Not Applicable**  
(57) Statement of Newness and Distinctiveness: **Newness and distinctiveness reside in the visual features of transparent icon windows through which a background image displayed on a display part of a portable information terminal can be seen, or through which the background image can be seen around an icon displayed in an icon window. The features shown in broken or discontinuous lines are for illustrative purposes only and do not form part of the design. The background image and the colour thereof are not part of the design sought to be protected, nor is the area within the icon displayed in an icon window.**



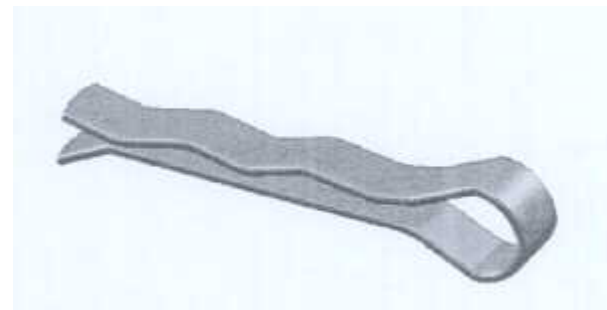
- (21) Design Number: **13286/2011**  
(22) Date of Filing Application: **26 July 2011**  
(24) Date from which industrial property rights may have effect: **26 July 2011**  
(54) Product in respect of which the design is registered: **Desk**  
(51) International Design Classification: **06-03C**  
(74) Name(s) of Attorney(s):  
(71) Name(s) and Address(s) of Applicant(s):  
**Balmark Pty Ltd**  
**47 Norman Street Peakhurst New South Wales 2210 Australia**  
(72) Name(s) of Designer(s): **Jim Karpouzos and Ronald Hibberd**  
(45) Registration Date: **14 September 2011**  
(56) Related Art Documents: **Not Applicable**  
(57) Statement of Newness and Distinctiveness: **The integration in the upper corner detail of the end frame, with the rectangular tube meeting the round rail support.**



- (21) Design Number: **13504/2011**  
(22) Date of Filing Application: **08 August 2011**  
(24) Date from which industrial property rights may have effect: **08 August 2011**  
(54) Product in respect of which the design is registered: **saw,Hand grip for a clamp,Hand grip for a float/trowel.**  
(51) International Design Classification: **08-05NES**  
(74) Name(s) of Attorney(s): **Davies Collison Cave**  
(71) Name(s) and Address(s) of Applicant(s):  
**Illinois Tool Works Inc.**  
**3600 West Lake Avenue Glenview Illinois 60026 United States of America**  
(72) Name(s) of Designer(s): **Jesse Keith and Kristian Aus and Bryan Marshall**  
(45) Registration Date: **14 September 2011**  
(56) Related Art Documents: **Not Applicable**  
(57) Statement of Newness and Distinctiveness: **Newness and distinctiveness is claimed in the visual appearance of the respective hand grips as shown in the solid colours in the representations but not in the parts shown in broken lines.**



- (21) Design Number: **13605/2011**  
(22) Date of Filing Application: **16 August 2011**  
(24) Date from which industrial property rights may have effect: **16 August 2011**  
(54) Product in respect of which the design is registered: **Clothes line clip**  
(51) International Design Classification: **07-05C**  
(74) Name(s) of Attorney(s):  
(71) Name(s) and Address(s) of Applicant(s):  
**James Edward Redpath**  
**11 Hardwood Turn Merriwa Western Australia 6030 Australia**  
(72) Name(s) of Designer(s): **James Edward Redpath**  
(45) Registration Date: **14 September 2011**  
(56) Related Art Documents: **Not Applicable**  
(57) Statement of Newness and Distinctiveness: **Nil**

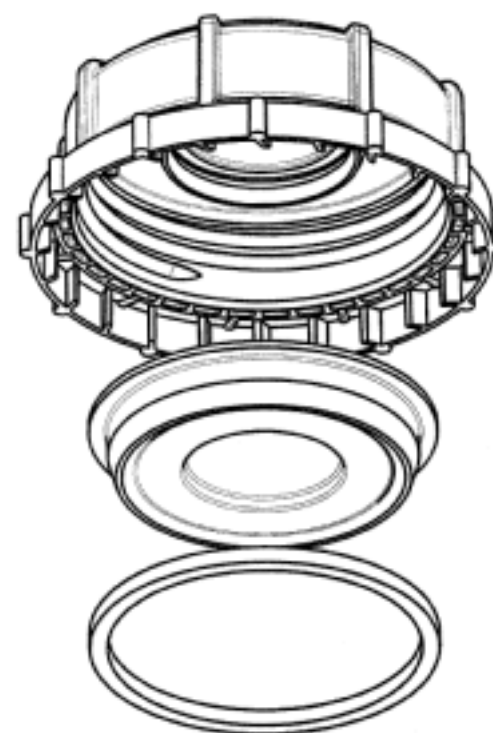




- (21) Design Number: **13640/2011**  
(22) Date of Filing Application: **15 August 2011**  
(24) Date from which industrial property rights may have effect: **15 August 2011**  
(54) Product in respect of which the design is registered: **Stool**  
(51) International Design Classification: **06-01E, 06-01F**  
(74) Name(s) of Attorney(s):  
(71) Name(s) and Address(s) of Applicant(s):  
**Dynamic Concepts (Victoria) Pty Ltd**  
**58 Rushdale Street Knoxfield Victoria 3180 Australia**  
(72) Name(s) of Designer(s): **Paul Coffey**  
(45) Registration Date: **14 September 2011**  
(56) Related Art Documents: **Not Applicable**  
(57) Statement of Newness and Distinctiveness: **Monopoly is claimed in the design and shape of the stool frame including the fixed floor glides. No claim is made in the colour scheme of the seat shell.**



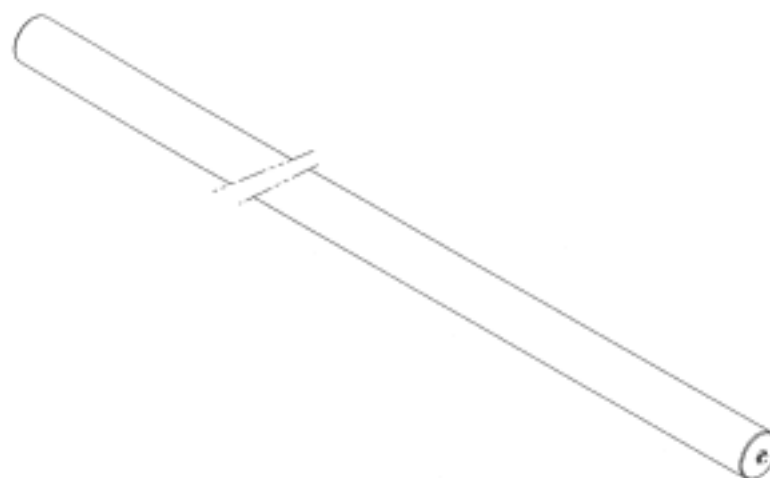
- (21) Design Number: **13652/2011**  
(22) Date of Filing Application: **18 August 2011**  
(24) Date from which industrial property rights may have effect: **18 August 2011**  
(54) Product in respect of which the design is registered: **A cap**  
(51) International Design Classification: **09-07B**  
(74) Name(s) of Attorney(s): **Cullens Patent and Trade Mark Attorneys**  
(71) Name(s) and Address(s) of Applicant(s):  
**A & C Packers Pty Ltd**  
**126 Delta Street Geebung Queensland 4034 Australia**  
(72) Name(s) of Designer(s): **Mark Stone**  
(45) Registration Date: **14 September 2011**  
(56) Related Art Documents: **Not Applicable**  
(57) Statement of Newness and Distinctiveness: **Newness and distinctiveness resides in the shape and configuration of a cap as depicted in the accompanying illustrations.**



- (21) Design Number: **13655/2011**  
(22) Date of Filing Application: **19 August 2011**  
(24) Date from which industrial property rights may have effect: **19 August 2011**  
(54) Product in respect of which the design is registered: **A surfboard**  
(51) International Design Classification: **21-02D**  
(74) Name(s) of Attorney(s):  
(71) Name(s) and Address(s) of Applicant(s):  
**Gary Rimmer**  
**C/- Michael Buck IP PO Box 4361 St Lucia Queensland 4067 Australia**  
(72) Name(s) of Designer(s): **Gary Rimmer**  
(45) Registration Date: **14 September 2011**  
(56) Related Art Documents: **Not Applicable**  
(57) Statement of Newness and Distinctiveness: **The shape and configuration of a surfboard as illustrated in the accompanying representations with particular regard to the forward deflector curves on the side rails and without regard to the tail portion.**



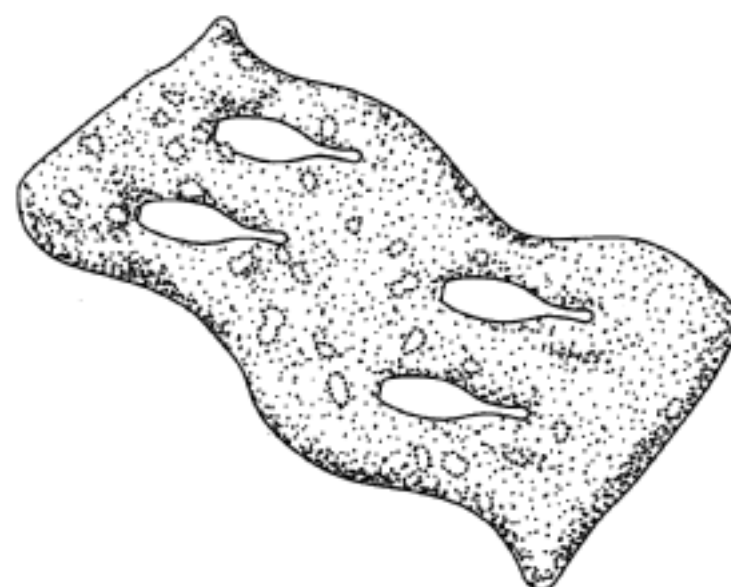
- (21) Design Number: **13658/2011**  
(22) Date of Filing Application: **18 August 2011**  
(24) Date from which industrial property rights may have effect: **18 August 2011**  
(54) Product in respect of which the design is registered: **Playing field cover roller**  
(51) International Design Classification: **15-03B**  
(74) Name(s) of Attorney(s): **PHILLIPS ORMONDE FITZPATRICK**  
(71) Name(s) and Address(s) of Applicant(s):  
**Chris Cay**  
**14 Wills Road Somers Victoria 3927 Australia**  
(72) Name(s) of Designer(s): **Chris Cay**  
(45) Registration Date: **14 September 2011**  
(56) Related Art Documents: **Not Applicable**  
(57) Statement of Newness and Distinctiveness: **Those features of the playing field cover roller depicted in the representations that are new and distinctive are the shape and/or configuration. The playing field cover roller may be of indefinite length. The features shown in broken line is not part of the design and is to be disregarded when considering the overall impression of the design.**



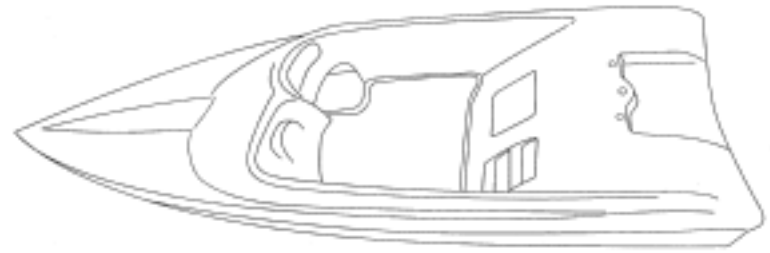
(21) Design Number: **13660/2011**  
(22) Date of Filing Application: **18 August 2011**  
(24) Date from which industrial property rights may have effect: **18 August 2011**  
(54) Product in respect of which the design is registered: **Bottle**  
(51) International Design Classification: **09-01NES**  
(74) Name(s) of Attorney(s): **SPRUSON & FERGUSON**  
(71) Name(s) and Address(s) of Applicant(s):  
**Henkel AG & Co. KGaA**  
**Henkelstrasse 67 40589 Dusseldorf/Deutschland Germany**  
(72) Name(s) of Designer(s): **Raphael Riffe**  
(45) Registration Date: **14 September 2011**  
(30) Convention priority data:  
(31) Number (32) Date (33) Country  
**EU 001834375 11 Mar 2011 EUROPEAN COMMUNITY**  
(56) Related Art Documents: **Not Applicable**  
(57) Statement of Newness and Distinctiveness: **Newness and distinctiveness is claimed in the features of shape and/or configuration of the central horizontally banded portion of the body of a bottle as illustrated in the accompanying representations.**



(21) Design Number: **13661/2011**  
(22) Date of Filing Application: **18 August 2011**  
(24) Date from which industrial property rights may have effect: **18 August 2011**  
(54) Product in respect of which the design is registered: **Pretzel cracker**  
(51) International Design Classification: **01-01**  
(74) Name(s) of Attorney(s): **Wrays**  
(71) Name(s) and Address(s) of Applicant(s):  
**Pretzels, Inc**  
**123 Harvest Road Bluffton Indiana 46714 United States of America**  
(72) Name(s) of Designer(s): **William A. Mann II**  
(45) Registration Date: **14 September 2011**  
(30) Convention priority data:  
(31) Number (32) Date (33) Country  
**29/373,176 11 Mar 2011 UNITED STATES OF AMERICA**  
(56) Related Art Documents: **Not Applicable**  
(57) Statement of Newness and Distinctiveness: **Newness and distinctiveness are claimed in the features of shape and/or configuration of a pretzel cracker as shown in the accompanying representations.**



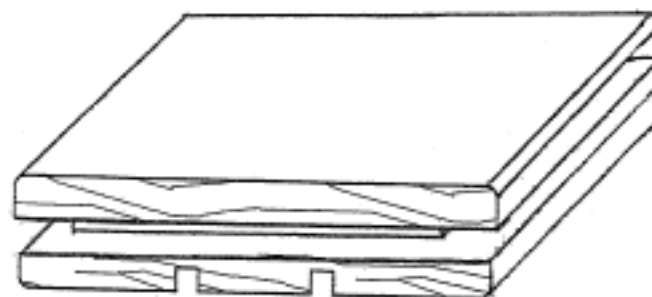
- (21) Design Number: **13672/2011**  
(22) Date of Filing Application: **22 August 2011**  
(24) Date from which industrial property rights may have effect: **22 August 2011**  
(54) Product in respect of which the design is registered: **Speed boat**  
(51) International Design Classification: **12-06A**  
(74) Name(s) of Attorney(s): **Trademark Works**  
(71) Name(s) and Address(s) of Applicant(s):  
**Rodney John Bickerton**  
**608 River Road Lower Portland New South Wales 2756 Australia**  
(72) Name(s) of Designer(s): **Rodney John Bickerton**  
(45) Registration Date: **14 September 2011**  
(56) Related Art Documents: **Not Applicable**  
(57) Statement of Newness and Distinctiveness: **Newness and distinctiveness is claimed in those features of shape and/or configuration of a speed boat as illustrated in the accompanying representations.**



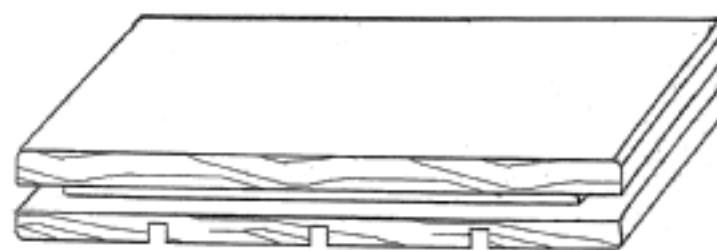
- (21) Design Number: **13674/2011**  
(22) Date of Filing Application: **19 August 2011**  
(24) Date from which industrial property rights may have effect: **19 August 2011**  
(54) Product in respect of which the design is registered: **Multicooker**  
(51) International Design Classification: **07-02N**  
(74) Name(s) of Attorney(s): **SPRUSON & FERGUSON**  
(71) Name(s) and Address(s) of Applicant(s):  
**Conair Corporation**  
**One Cummings Point Road Stamford Connecticut 06902 United States of America**  
(72) Name(s) of Designer(s): **Kurt Chi Ho Wong**  
(45) Registration Date: **14 September 2011**  
(30) Convention priority data:  
(31) Number      (32) Date      (33) Country  
**29/385740      22 Feb 2011      UNITED STATES OF AMERICA**  
(56) Related Art Documents: **Not Applicable**  
(57) Statement of Newness and Distinctiveness: **Newness and distinctiveness is claimed in those features of shape and/or configuration of a multicooker as illustrated in the accompanying representations.**



- (21) Design Number: **13695/2011**  
(22) Date of Filing Application: **19 August 2011**  
(24) Date from which industrial property rights may have effect: **19 August 2011**  
(54) Product in respect of which the design is registered: **Decking board**  
(51) International Design Classification: **25-01D**  
(74) Name(s) of Attorney(s): **Pegasus IP**  
(71) Name(s) and Address(s) of Applicant(s):  
**D & C Wilson Holdings Pty Ltd**  
**PO Box 79 Salisbury Queensland 4107 Australia**  
(72) Name(s) of Designer(s): **Nigel Shaw**  
(45) Registration Date: **14 September 2011**  
(56) Related Art Documents: **Not Applicable**  
(57) Statement of Newness and Distinctiveness: **Newness and distinctiveness resides in the features of shape and/or configuration of the decking board without limitation to its length as shown in the attached representations.**



- (21) Design Number: **13696/2011**  
(22) Date of Filing Application: **19 August 2011**  
(24) Date from which industrial property rights may have effect: **19 August 2011**  
(54) Product in respect of which the design is registered: **Decking board**  
(51) International Design Classification: **25-01D**  
(74) Name(s) of Attorney(s): **Pegasus IP**  
(71) Name(s) and Address(s) of Applicant(s):  
**D & C Wilson Holdings Pty Ltd**  
**PO Box 79 Salisbury Queensland 4107 Australia**  
(72) Name(s) of Designer(s): **Nigel Shaw**  
(45) Registration Date: **14 September 2011**  
(56) Related Art Documents: **Not Applicable**  
(57) Statement of Newness and Distinctiveness: **Newness and distinctiveness resides in the features of shape and/or configuration of the decking board without limitation to its length as shown in the attached representations.**



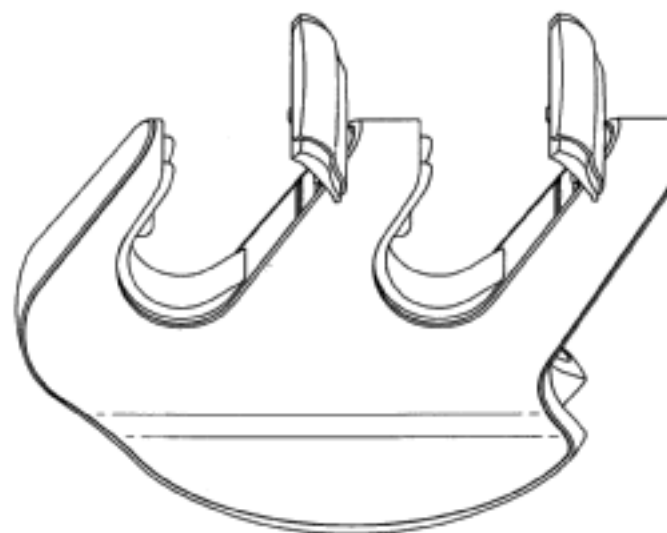
- (21) Design Number: **13702/2011**  
(22) Date of Filing Application: **19 August 2011**  
(24) Date from which industrial property rights may have effect: **19 August 2011**  
(54) Product in respect of which the design is registered: **Hearing protector with ear cups**  
(51) International Design Classification: **29-02**  
(74) Name(s) of Attorney(s): **Freehills Patent & Trade Mark Attorneys**  
(71) Name(s) and Address(s) of Applicant(s):  
**3M Innovative Properties Company**  
**3M Center Saint Paul Minnesota 55133-3427 United States of America**  
(72) Name(s) of Designer(s): **Robert Karlsson and Martin L.E. Birath and Oskar E. Juhlin and August H.P. Michael and Hans Nystrom**  
(45) Registration Date: **14 September 2011**  
(30) Convention priority data:  
(31) Number (32) Date (33) Country  
**001262034 23 Feb 2011 EUROPEAN COMMUNITY**  
(56) Related Art Documents: **Not Applicable**  
(57) Statement of Newness and Distinctiveness: **Newness and distinctiveness is claimed in the features of shape and/or configuration of ear cups of a hearing protector that are shown in solid outline in the accompanying drawings.**



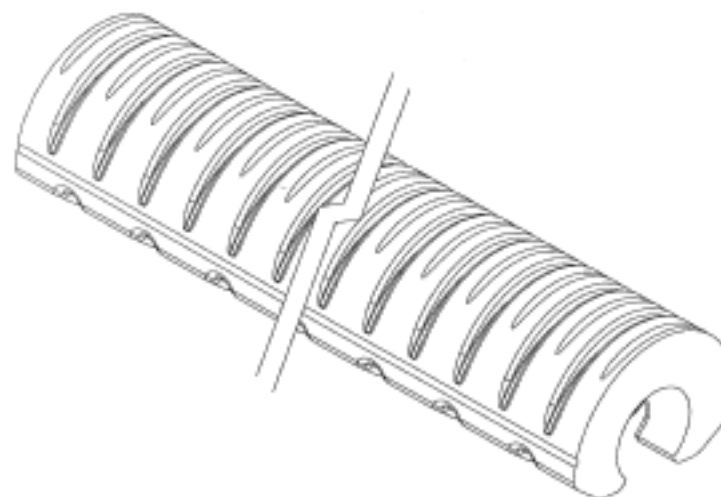
- (21) Design Number: **13775/2011**  
(22) Date of Filing Application: **25 August 2011**  
(24) Date from which industrial property rights may have effect: **25 August 2011**  
(54) Product in respect of which the design is registered: **Energy saving switch kit 3 pcs remote control socket and a remote control**  
(51) International Design Classification: **13-03D**  
(74) Name(s) of Attorney(s):  
(71) Name(s) and Address(s) of Applicant(s):  
**Mahi Enterprises Pty Ltd**  
**4 Fernbrook Place Castle Hill New South Wales 2154 Australia**  
(72) Name(s) of Designer(s): **Raj N. Rajkumar**  
(45) Registration Date: **14 September 2011**  
(56) Related Art Documents: **Not Applicable**  
(57) Statement of Newness and Distinctiveness: **Nil**



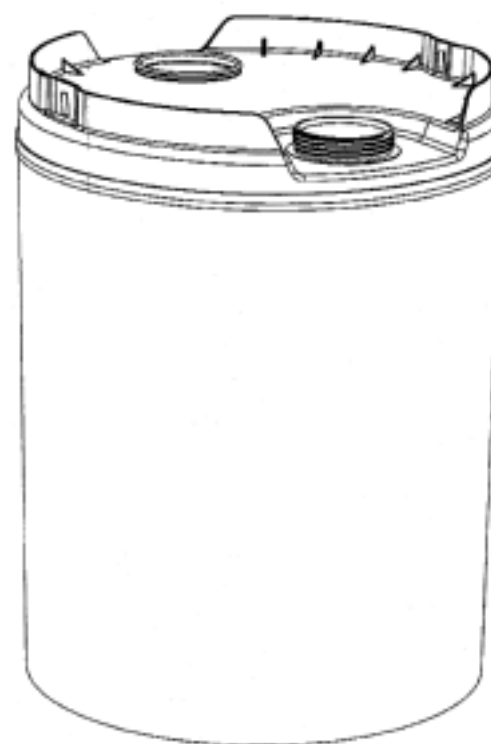
(21) Design Number: **12906/2011**  
(22) Date of Filing Application: **29 June 2011**  
(24) Date from which industrial property rights may have effect: **29 June 2011**  
(54) Product in respect of which the design is registered: **A cradle for wireless game controllers**  
(51) International Design Classification: **21-01N**  
(74) Name(s) of Attorney(s): **Shelston IP**  
(71) Name(s) and Address(s) of Applicant(s):  
**Sony Computer Entertainment Inc.**  
**1-7-1 Konan Minato-ku Tokyo Japan**  
(72) Name(s) of Designer(s): **Taichi Nokuo and Takashi Sogabe**  
(45) Registration Date: **15 September 2011**  
(30) Convention priority data:  
(31) Number      (32) Date      (33) Country  
**2011-002716      09 Feb 2011      JAPAN**  
(56) Related Art Documents: **Not Applicable**  
(57) Statement of Newness and Distinctiveness: **Nil**



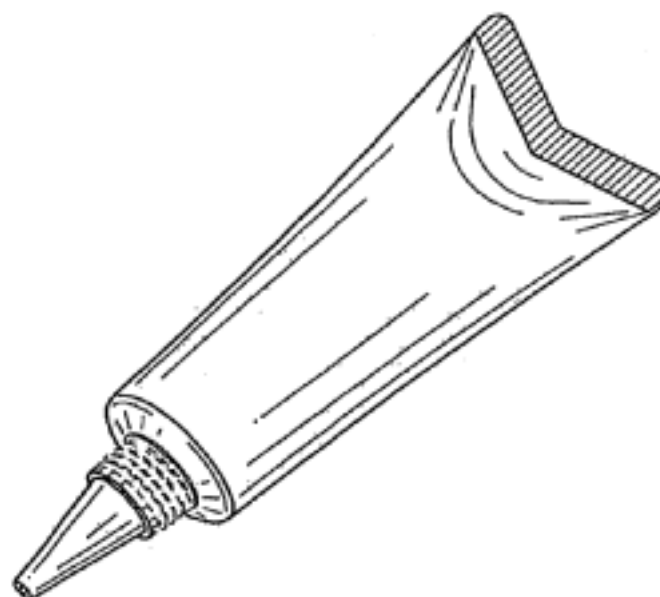
(21) Design Number: **13022/2011**  
(22) Date of Filing Application: **06 July 2011**  
(24) Date from which industrial property rights may have effect: **06 July 2011**  
(54) Product in respect of which the design is registered: **Rollbar padding**  
(51) International Design Classification: **12-16C**  
(74) Name(s) of Attorney(s): **Wrays**  
(71) Name(s) and Address(s) of Applicant(s):  
**TL Engineering (Aust) Pty Ltd**  
**300 Collier Road Bayswater Western Australia 6053 Australia**  
(72) Name(s) of Designer(s): **Graham Wilson**  
(45) Registration Date: **15 September 2011**  
(56) Related Art Documents: **Not Applicable**  
(57) Statement of Newness and Distinctiveness: **Newness and distinctiveness is claimed in the shape and configuration of a padding of indefinite length as shown in the representations.**



- (21) Design Number: **13047/2011**  
(22) Date of Filing Application: **07 July 2011**  
(24) Date from which industrial property rights may have effect: **07 July 2011**  
(54) Product in respect of which the design is registered: **Single orifice drum**  
(51) International Design Classification: **09-02C**  
(74) Name(s) of Attorney(s): **WATERMARK PATENT AND TRADE MARKS ATTORNEYS**  
(71) Name(s) and Address(s) of Applicant(s):  
**Baroda Manufacturing Pty Ltd**  
**78-84 Malcolm Road Braeside Victoria 3195 Australia**  
(72) Name(s) of Designer(s): **Ritchie John Williams and Shalendra Singh and Denzel Sheard Milton**  
(45) Registration Date: **15 September 2011**  
(56) Related Art Documents: **Not Applicable**  
(57) Statement of Newness and Distinctiveness: **Newness and distinctiveness is claimed in the sloped stepped deck which houses the threaded orifice. Newness and distinctiveness is also claimed in the recessed handle attachment and the stacking lip. For completeness the drum is shown with and without a cap.**

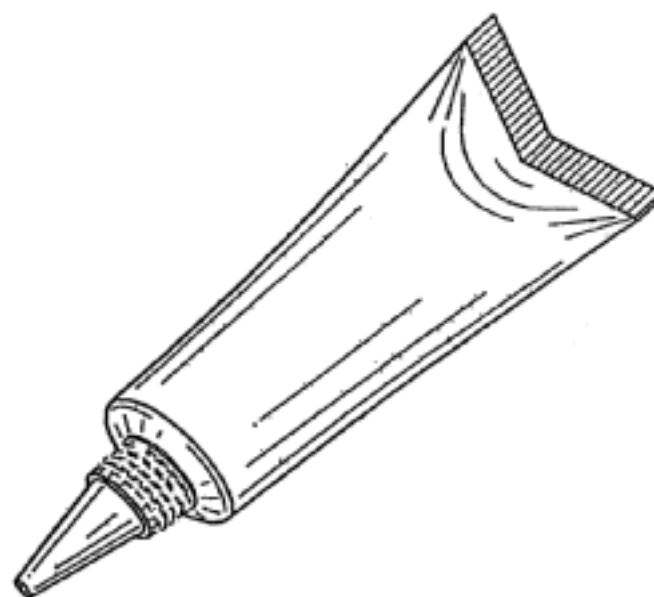


- (21) Design Number: **13079/2011**  
(22) Date of Filing Application: **11 July 2011**  
(24) Date from which industrial property rights may have effect: **11 July 2011**  
(54) Product in respect of which the design is registered: **Dispensing tube**  
(51) International Design Classification: **09-05**  
(74) Name(s) of Attorney(s): **SPRUSON & FERGUSON**  
(71) Name(s) and Address(s) of Applicant(s):  
**S.C. Johnson & Son, Inc.**  
**1525 Howe Street Racine Wisconsin 53403-2236 United States of America**  
(72) Name(s) of Designer(s): **Dirk K. Nickel and Donald A. Lehman and Justin B. Holmes**  
(45) Registration Date: **15 September 2011**  
(30) Convention priority data:  
(31) Number      (32) Date      (33) Country  
**29/382995      11 Jan 2011      UNITED STATES OF AMERICA**  
(56) Related Art Documents: **Not Applicable**  
(57) Statement of Newness and Distinctiveness: **Newness and distinctiveness is claimed in those features of shape and/or configuration of a dispensing tube as illustrated in continuous lines in the accompanying representations.**

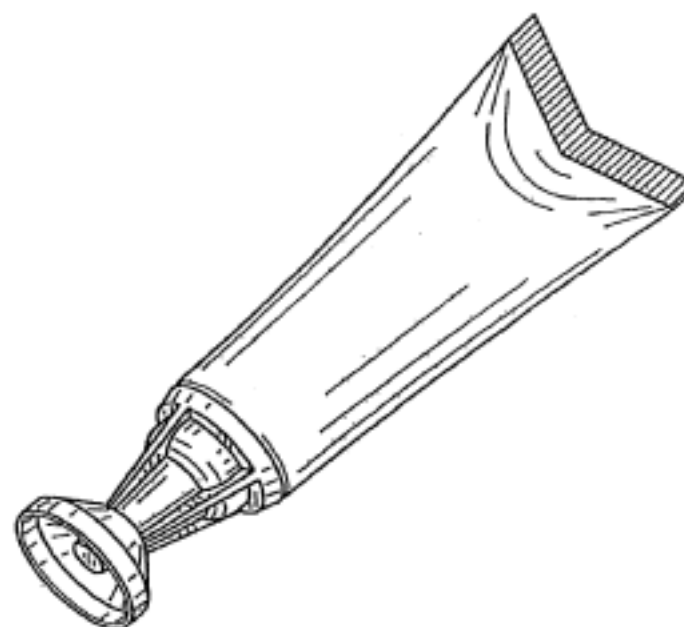




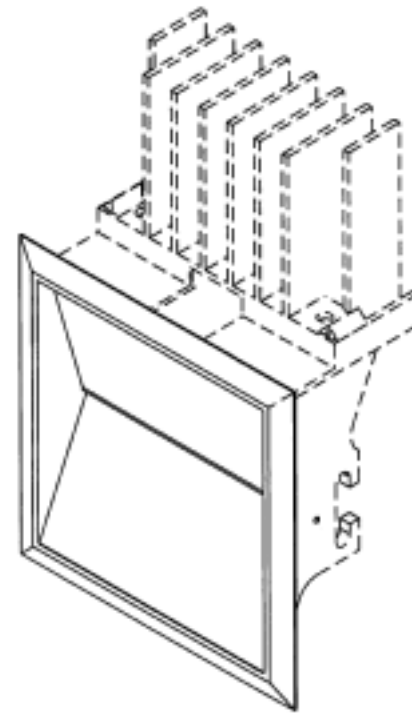
- (21) Design Number: **13080/2011**  
(22) Date of Filing Application: **11 July 2011**  
(24) Date from which industrial property rights may have effect: **11 July 2011**  
(54) Product in respect of which the design is registered: **Dispensing tube**  
(51) International Design Classification: **09-05**  
(74) Name(s) of Attorney(s): **SPRUSON & FERGUSON**  
(71) Name(s) and Address(s) of Applicant(s):  
**S.C. Johnson & Son, Inc.**  
**1525 Howe Street Racine Wisconsin 53403-2236 United States of America**  
(72) Name(s) of Designer(s): **Dirk K. Nickel and Donald A. Lehman**  
(45) Registration Date: **15 September 2011**  
(30) Convention priority data:  
(31) Number      (32) Date      (33) Country  
**29/382995      11 Jan 2011      UNITED STATES OF AMERICA**  
(56) Related Art Documents: **Not Applicable**  
(57) Statement of Newness and Distinctiveness: **Newness and distinctiveness is claimed in the features of shape and/or configuration of a dispensing tube as illustrated in the accompanying representations.**



- (21) Design Number: **13081/2011**  
(22) Date of Filing Application: **11 July 2011**  
(24) Date from which industrial property rights may have effect: **11 July 2011**  
(54) Product in respect of which the design is registered: **Dispensing tube with cap**  
(51) International Design Classification: **09-05**  
(74) Name(s) of Attorney(s): **SPRUSON & FERGUSON**  
(71) Name(s) and Address(s) of Applicant(s):  
**S.C. Johnson & Son, Inc.**  
**1525 Howe Street Racine Wisconsin 53403-2236 United States of America**  
(72) Name(s) of Designer(s): **Dirk K. Nickel and Donald A. Lehman**  
(45) Registration Date: **15 September 2011**  
(30) Convention priority data:  
(31) Number      (32) Date      (33) Country  
**29/383001      11 Jan 2011      UNITED STATES OF AMERICA**  
(56) Related Art Documents: **Not Applicable**  
(57) Statement of Newness and Distinctiveness: **Newness and distinctiveness is claimed in the features of shape and/or configuration of a dispensing tube with cap as illustrated in the accompanying representations.**



- (21) Design Number: **13246/2011**  
(22) Date of Filing Application: **22 July 2011**  
(24) Date from which industrial property rights may have effect: **22 July 2011**  
(54) Product in respect of which the design is registered: **LED wall light**  
(51) International Design Classification: **26-05E**  
(74) Name(s) of Attorney(s): **Davies Collison Cave**  
(71) Name(s) and Address(s) of Applicant(s):  
**Brightgreen Pty Ltd**  
**PO Box 1021 St Kilda South Post Office St Kilda South Victoria 3182**  
**Australia**  
(72) Name(s) of Designer(s): **David O'Driscoll**  
(45) Registration Date: **15 September 2011**  
(56) Related Art Documents: **Not Applicable**  
(57) Statement of Newness and Distinctiveness: **Newness and distinctiveness is claimed in the visual features shown in solid lines in the representations.**



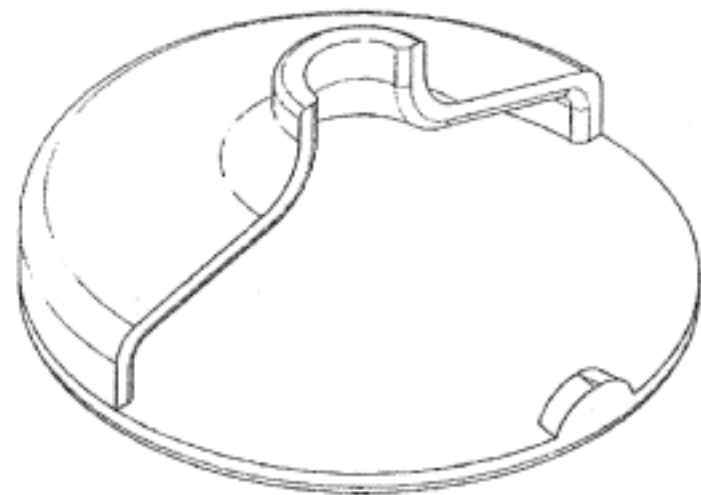
- (21) Design Number: **13517/2011**  
(22) Date of Filing Application: **03 August 2011**  
(24) Date from which industrial property rights may have effect: **03 August 2011**  
(54) Product in respect of which the design is registered: **Adjustable tubular hammock steel frame**  
(51) International Design Classification: **06-02**  
(74) Name(s) of Attorney(s):  
(71) Name(s) and Address(s) of Applicant(s):  
**Rob McGovern**  
**4/2 Berne Street St Peters New South Wales 2044 Australia**  
(72) Name(s) of Designer(s): **Rob McGovern**  
(45) Registration Date: **15 September 2011**  
(56) Related Art Documents: **Not Applicable**  
(57) Statement of Newness and Distinctiveness: **Hammock steel frame with tubular design and adjustable concept to suit various hammock sizes. The base tube bar can be adjusted to longer/shorter lengths. Held by four screws for better stability. The side bars can be adjusted upwards to hang the hammock higher. Side bars are held by two screws on each side. Wheels are also detachable.**



- (21) Design Number: **13521/2011**  
(22) Date of Filing Application: **03 August 2011**  
(24) Date from which industrial property rights may have effect: **03 August 2011**  
(54) Product in respect of which the design is registered: **Hammock carry bag**  
(51) International Design Classification: **09-05**  
(74) Name(s) of Attorney(s):  
(71) Name(s) and Address(s) of Applicant(s):  
**Rob McGovern**  
**4/2 Berne Street St Peters New South Wales 2044 Australia**  
(72) Name(s) of Designer(s): **Rob McGovern**  
(45) Registration Date: **15 September 2011**  
(56) Related Art Documents: **Not Applicable**  
(57) Statement of Newness and Distinctiveness: **Compact hammock carry bag with folded hammock inside.**



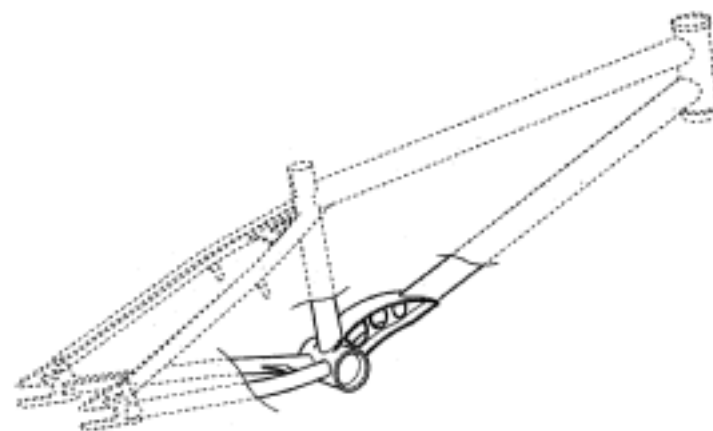
- (21) Design Number: **13575/2011**  
(22) Date of Filing Application: **12 August 2011**  
(24) Date from which industrial property rights may have effect: **12 August 2011**  
(54) Product in respect of which the design is registered: **Glass holder**  
(51) International Design Classification: **07-06A**  
(74) Name(s) of Attorney(s): **WATERMARK PATENT AND TRADE MARKS ATTORNEYS**  
(71) Name(s) and Address(s) of Applicant(s):  
**Antonio Beltrami**  
**c/o Beltrami Group Pty Ltd 18-20 Cottage Street Blackburn Victoria 3130 Australia**  
(72) Name(s) of Designer(s): **Antonio Beltrami**  
(45) Registration Date: **15 September 2011**  
(56) Related Art Documents: **Not Applicable**  
(57) Statement of Newness and Distinctiveness: **Nil**



- (21) Design Number: **13675/2011**  
(22) Date of Filing Application: **19 August 2011**  
(24) Date from which industrial property rights may have effect: **19 August 2011**  
(54) Product in respect of which the design is registered: **Tube coupler**  
(51) International Design Classification: **12-16C, 12-16NES, 08-05E**  
(74) Name(s) of Attorney(s): **Griffith Hack**  
(71) Name(s) and Address(s) of Applicant(s):  
**Minecorp Pty Ltd**  
**37 Murdoch Circuit Acacia Ridge Queensland 4110 Australia**  
(72) Name(s) of Designer(s): **Brad Burns and Ian Shultz**  
(45) Registration Date: **15 September 2011**  
(56) Related Art Documents: **Not Applicable**  
(57) Statement of Newness and Distinctiveness: **Nil**



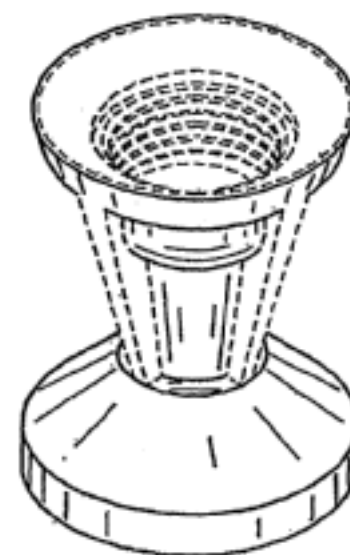
- (21) Design Number: **13760/2011**  
(22) Date of Filing Application: **24 August 2011**  
(24) Date from which industrial property rights may have effect: **24 August 2011**  
(54) Product in respect of which the design is registered: **Bicycle frame tube**  
(51) International Design Classification: **12-11**  
(74) Name(s) of Attorney(s): **Collison & Co**  
(71) Name(s) and Address(s) of Applicant(s):  
**Madd Gear Pty Ltd**  
**12/35 Garden Road Clayton Victoria 3168 Australia**  
(72) Name(s) of Designer(s): **Mike Horne**  
(45) Registration Date: **15 September 2011**  
(56) Related Art Documents: **Not Applicable**  
(57) Statement of Newness and Distinctiveness: **Newness and distinctiveness resides in the shape and configuration of the bike frame in the accompanying figures, where the down tube joins with the bottom bracket. No claim is made to the sections of the frame shown in dotted outline.**



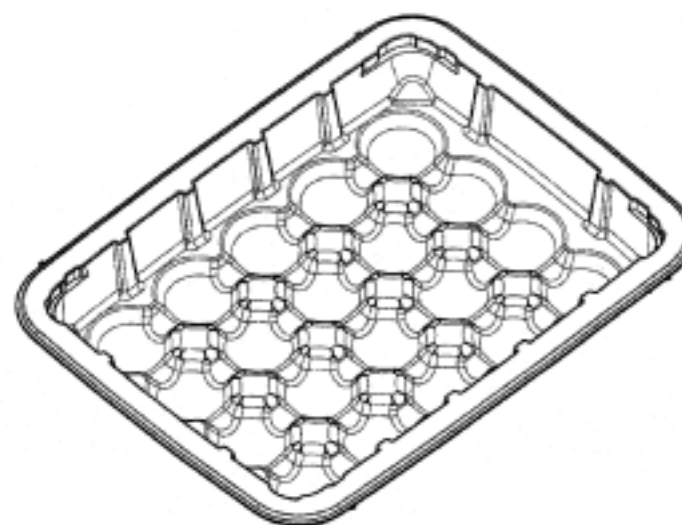
(21) Design Number: **13825/2011**  
(22) Date of Filing Application: **30 August 2011**  
(24) Date from which industrial property rights may have effect: **30 August 2011**  
(54) Product in respect of which the design is registered: **Hard plastic mobile phone case**  
(51) International Design Classification: **03-01NES, 03-01B**  
(74) Name(s) of Attorney(s):  
(71) Name(s) and Address(s) of Applicant(s):  
**Simon Dunn-Vaughan**  
**2 Second Street Black Rock Victoria 3193 Australia**  
**Darren Inglis**  
**PO Box 499 Woodend Victoria 3442 Australia**  
(72) Name(s) of Designer(s): **Simon Dunn-Vaughan and Darren Inglis**  
(45) Registration Date: **15 September 2011**  
(56) Related Art Documents: **Not Applicable**  
(57) Statement of Newness and Distinctiveness: **Hinged compartment incorporated into rear of mobile phone case providing secure storage for licence, credit cards, key, business cards, cash etc etc - Re design specs.**



(21) Design Number: **13078/2011**  
(22) Date of Filing Application: **11 July 2011**  
(24) Date from which industrial property rights may have effect: **11 July 2011**  
(54) Product in respect of which the design is registered: **Cap for a dispensing tube**  
(51) International Design Classification: **09-07A**  
(74) Name(s) of Attorney(s): **SPRUSON & FERGUSON**  
(71) Name(s) and Address(s) of Applicant(s):  
**S.C. Johnson & Son, Inc.**  
**1525 Howe Street Racine Wisconsin 53403-2236 United States of America**  
(72) Name(s) of Designer(s): **Dirk K. Nickel and Donald A. Lehman**  
(45) Registration Date: **15 September 2011**  
(30) Convention priority data:  
(31) Number (32) Date (33) Country  
**29/383004 11 Jan 2011 UNITED STATES OF AMERICA**  
(56) Related Art Documents: **Not Applicable**  
(57) Statement of Newness and Distinctiveness: **Newness and distinctiveness is claimed in those features of shape and/or configuration of a cap for a dispensing tube as illustrated in continuous lines in the accompanying representations.**



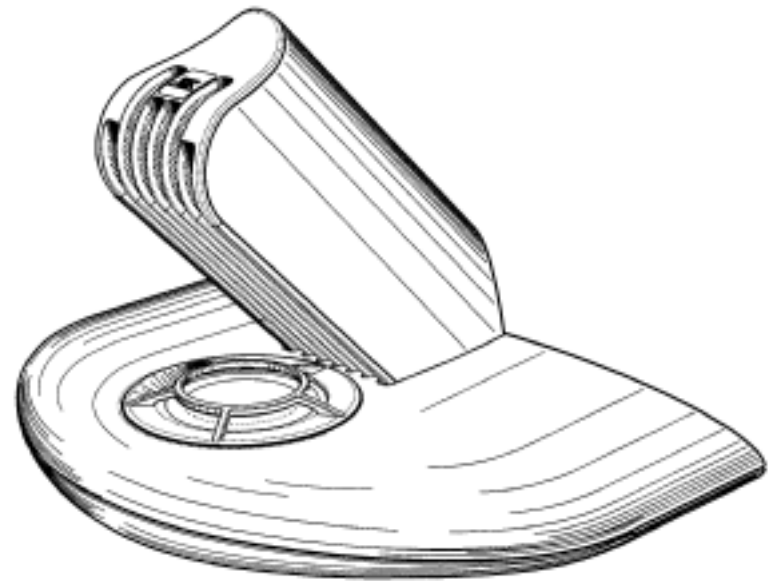
(21) Design Number: **13156/2011**  
(22) Date of Filing Application: **14 July 2011**  
(24) Date from which industrial property rights may have effect: **14 July 2011**  
(54) Product in respect of which the design is registered: **Tray**  
(51) International Design Classification: **09-03M**  
(74) Name(s) of Attorney(s): **Davies Collison Cave**  
(71) Name(s) and Address(s) of Applicant(s):  
**Cryovac Australia Pty Ltd**  
**90 Keilor Park Drive Tullamarine Victoria 3043 Australia**  
(72) Name(s) of Designer(s): **Jayesh Vijayaraghavan**  
(45) Registration Date: **15 September 2011**  
(56) Related Art Documents: **Not Applicable**  
(57) Statement of Newness and Distinctiveness: **Nil**



(21) Design Number: **13394/2011**  
(22) Date of Filing Application: **01 August 2011**  
(24) Date from which industrial property rights may have effect: **01 August 2011**  
(54) Product in respect of which the design is registered: **A strap fitting for girth straps of equestrian saddles**  
(51) International Design Classification: **30-04**  
(74) Name(s) of Attorney(s): **Davies Collison Cave**  
(71) Name(s) and Address(s) of Applicant(s):  
**Hammersmith Nominees Pty Ltd**  
**PO Box 153 Northbridge Western Australia 6865 Australia**  
(72) Name(s) of Designer(s): **Kenneth John Bates**  
(45) Registration Date: **15 September 2011**  
(56) Related Art Documents: **Not Applicable**  
(57) Statement of Newness and Distinctiveness: **Newness and distinctiveness is claimed in the shape of the strap fitting shown in the representations.**



(21) Design Number: **13709/2011**  
(22) Date of Filing Application: **23 August 2011**  
(24) Date from which industrial property rights may have effect: **23 August 2011**  
(54) Product in respect of which the design is registered: **Audio speaker**  
(51) International Design Classification: **14-01**  
(74) Name(s) of Attorney(s):  
(71) Name(s) and Address(s) of Applicant(s):  
**Acoustic 3D Holdings Ltd**  
**C/- Level 18 300 Queen Street Brisbane Queensland 4000 Australia**  
(72) Name(s) of Designer(s): **Adam Doyle**  
(45) Registration Date: **15 September 2011**  
(56) Related Art Documents: **Not Applicable**  
(57) Statement of Newness and Distinctiveness: **Nil**



(21) Design Number: **13710/2011**  
(22) Date of Filing Application: **23 August 2011**  
(24) Date from which industrial property rights may have effect: **23 August 2011**  
(54) Product in respect of which the design is registered: **Container spout cap**  
(51) International Design Classification: **09-07A**  
(74) Name(s) of Attorney(s): **Adams Pluck**  
(71) Name(s) and Address(s) of Applicant(s):  
**Bennett Precision Tooling Pty Ltd**  
**10 Binney Road Kings Park New South Wales 2148 Australia**  
(72) Name(s) of Designer(s): **Stephen Scott and John Rafferty**  
(45) Registration Date: **15 September 2011**  
(56) Related Art Documents: **Not Applicable**  
(57) Statement of Newness and Distinctiveness: **Nil**



- (21) Design Number: **13711/2011**  
(22) Date of Filing Application: **23 August 2011**  
(24) Date from which industrial property rights may have effect: **23 August 2011**  
(54) Product in respect of which the design is registered: **Container dropper cap**  
(51) International Design Classification: **09-07A**  
(74) Name(s) of Attorney(s): **Adams Pluck**  
(71) Name(s) and Address(s) of Applicant(s):  
**Bennett Precision Tooling Pty Ltd**  
**10 Binney Road Kings Park New South Wales 2148 Australia**  
(72) Name(s) of Designer(s): **Stephen Scott and John Rafferty**  
(45) Registration Date: **15 September 2011**  
(56) Related Art Documents: **Not Applicable**  
(57) Statement of Newness and Distinctiveness: **Nil**

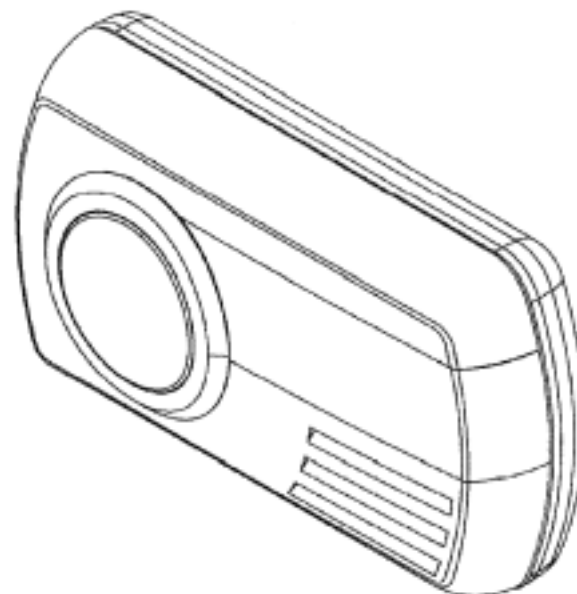


- (21) Design Number: **13712/2011**  
(22) Date of Filing Application: **19 August 2011**  
(24) Date from which industrial property rights may have effect: **19 August 2011**  
(54) Product in respect of which the design is registered: **Beam hinge casting used for commercial beam seating system**  
(51) International Design Classification: **08-06, 06-06G**  
(74) Name(s) of Attorney(s):  
(71) Name(s) and Address(s) of Applicant(s):  
**FormSeat Pty Ltd**  
**Registered office KSR Partners 2/971 Burke Road Camberwell Victoria**  
**3124 Australia**  
(72) Name(s) of Designer(s): **Johan H. Naess**  
(45) Registration Date: **15 September 2011**  
(56) Related Art Documents: **Not Applicable**  
(57) Statement of Newness and Distinctiveness: **The new and distinctive feature of this hinge casting is the ability to arrange beam seating with varying degree of angle between them, also forming "S" and "L" configurations. An endless number of shapes can be achieved.**

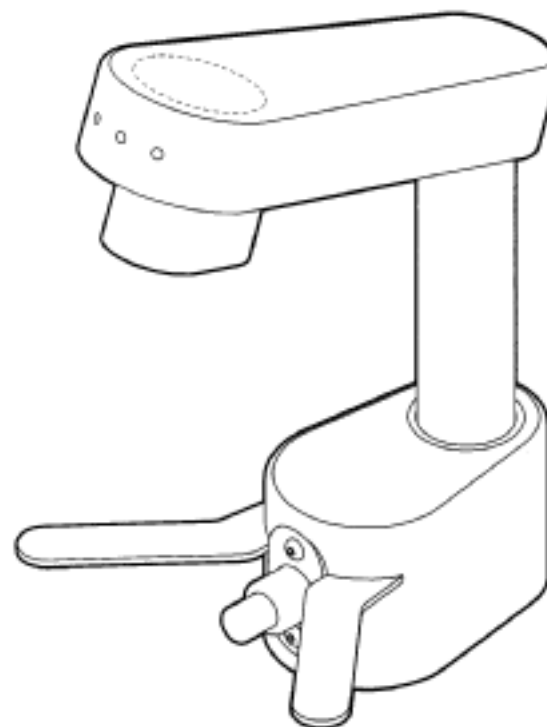




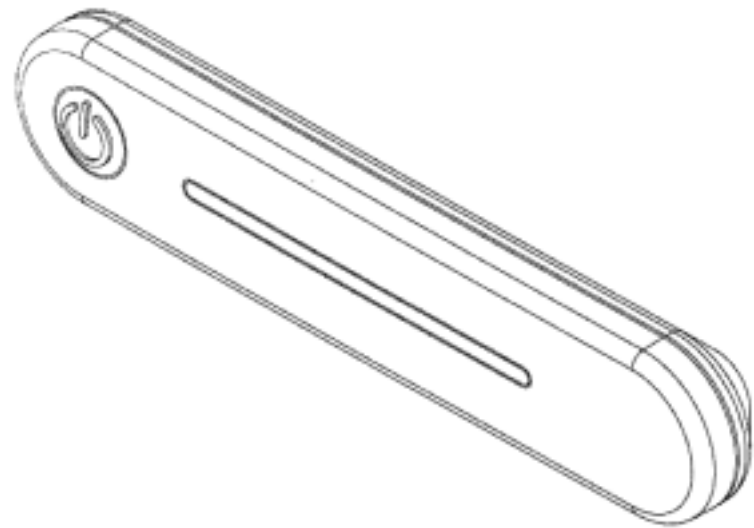
(21) Design Number: **13803/2011**  
(22) Date of Filing Application: **29 August 2011**  
(24) Date from which industrial property rights may have effect: **29 August 2011**  
(54) Product in respect of which the design is registered: **Gas detector**  
(51) International Design Classification: **10-05**  
(74) Name(s) of Attorney(s): **Griffith Hack**  
(71) Name(s) and Address(s) of Applicant(s):  
**Sprue Safety Products Ltd.**  
**Unit 10 Vanguard Centre Sir William Lyons Road Coventry CV4 7EZ**  
**United Kingdom**  
(72) Name(s) of Designer(s): **David Treharne and Adrian Game**  
(45) Registration Date: **15 September 2011**  
(30) Convention priority data:  
(31) Number (32) Date (33) Country  
**001828070-0001 28 Feb 2011 EUROPEAN COMMUNITY**  
(56) Related Art Documents: **Not Applicable**  
(57) Statement of Newness and Distinctiveness: **Newness and distinctiveness resides in the visual features including shape and/or configuration of a gas detector as shown in the accompanying drawings.**



(21) Design Number: **13940/2011**  
(22) Date of Filing Application: **07 September 2011**  
(24) Date from which industrial property rights may have effect: **07 September 2011**  
(54) Product in respect of which the design is registered: **Drinks font**  
(51) International Design Classification: **31-00**  
(74) Name(s) of Attorney(s):  
(71) Name(s) and Address(s) of Applicant(s):  
**RAD I.P. PTY LTD**  
**5/80 O'Riordan Street Alexandria New South Wales 2015 Australia**  
(72) Name(s) of Designer(s): **Ross Nicholls and Adam Preston**  
(45) Registration Date: **15 September 2011**  
(56) Related Art Documents: **Not Applicable**  
(57) Statement of Newness and Distinctiveness: **Newness and distinctiveness is claimed in the shape and/or configuration of a drinks font as illustrated in the representations.**



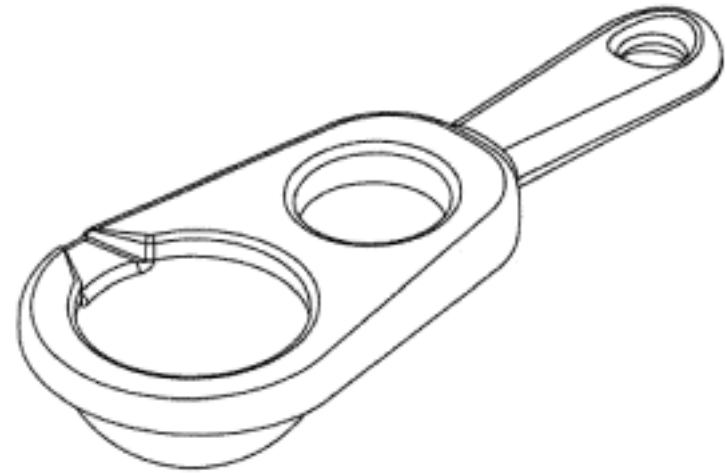
(21) Design Number: **13728/2011**  
(22) Date of Filing Application: **23 August 2011**  
(24) Date from which industrial property rights may have effect: **23 August 2011**  
(54) Product in respect of which the design is registered: **A timer**  
(51) International Design Classification: **10-03**  
(74) Name(s) of Attorney(s): **Cullens Patent and Trade Mark Attorneys**  
(71) Name(s) and Address(s) of Applicant(s):  
**JF Arbuckle Medical Pty Ltd**  
**152 Olsen Avenue Arundel Queensland 4214 Australia**  
(72) Name(s) of Designer(s): **Adam Doyle and Reilly Edwards**  
(45) Registration Date: **16 September 2011**  
(56) Related Art Documents: **Not Applicable**  
(57) Statement of Newness and Distinctiveness: **Nil**



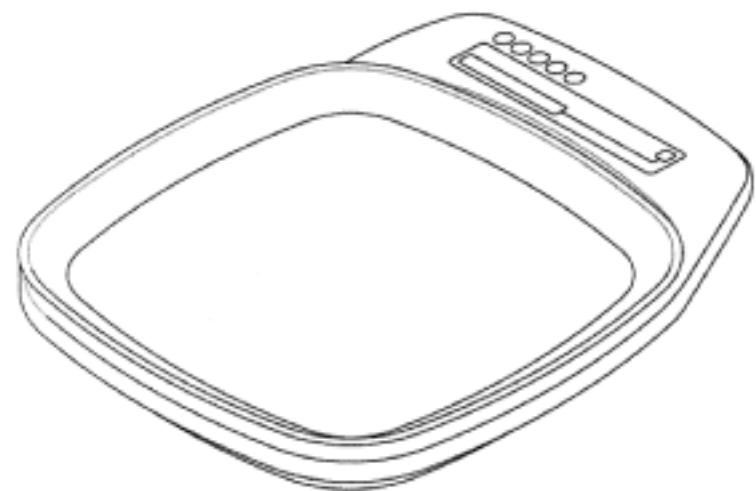
(21) Design Number: **13729/2011**  
(22) Date of Filing Application: **23 August 2011**  
(24) Date from which industrial property rights may have effect: **23 August 2011**  
(54) Product in respect of which the design is registered: **A measuring cup**  
(51) International Design Classification: **10-04**  
(74) Name(s) of Attorney(s): **Cullens Patent and Trade Mark Attorneys**  
(71) Name(s) and Address(s) of Applicant(s):  
**JF Arbuckle Medical Pty Ltd**  
**152 Olsen Avenue Arundel Queensland 4214 Australia**  
(72) Name(s) of Designer(s): **Adam Doyle and Reilly Edwards**  
(45) Registration Date: **16 September 2011**  
(56) Related Art Documents: **Not Applicable**  
(57) Statement of Newness and Distinctiveness: **Nil**



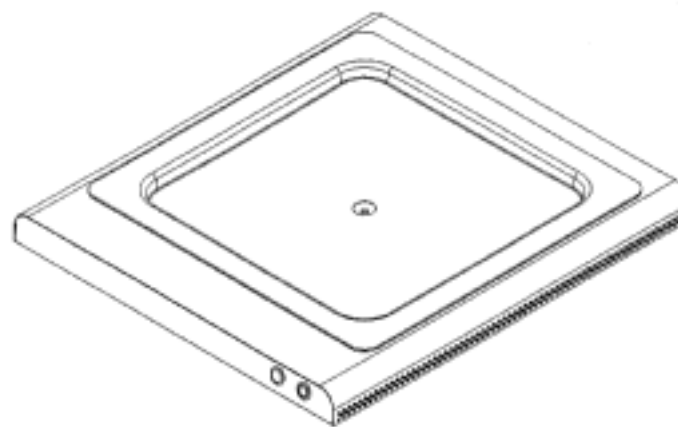
(21) Design Number: **13730/2011**  
(22) Date of Filing Application: **23 August 2011**  
(24) Date from which industrial property rights may have effect: **23 August 2011**  
(54) Product in respect of which the design is registered: **A measuring spoon**  
(51) International Design Classification: **10-04**  
(74) Name(s) of Attorney(s): **Cullens Patent and Trade Mark Attorneys**  
(71) Name(s) and Address(s) of Applicant(s):  
**JF Arbuckle Medical Pty Ltd**  
**152 Olsen Avenue Arundel Queensland 4214 Australia**  
(72) Name(s) of Designer(s): **Adam Doyle and Reilly Edwards**  
(45) Registration Date: **16 September 2011**  
(56) Related Art Documents: **Not Applicable**  
(57) Statement of Newness and Distinctiveness: **Nil**



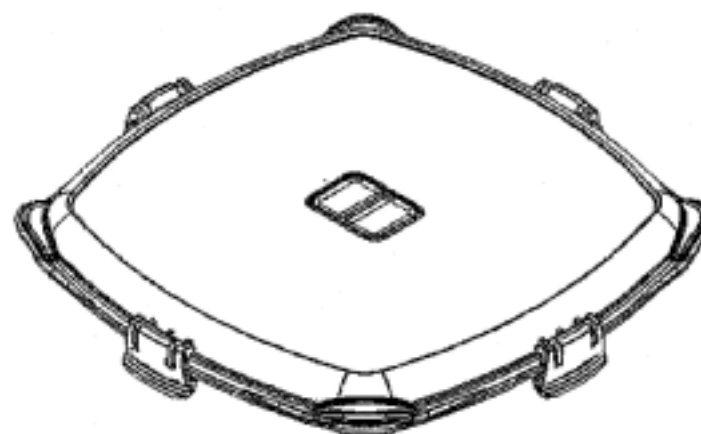
(21) Design Number: **13732/2011**  
(22) Date of Filing Application: **23 August 2011**  
(24) Date from which industrial property rights may have effect: **23 August 2011**  
(54) Product in respect of which the design is registered: **Functional base for crockery**  
(51) International Design Classification: **07-01NES**  
(74) Name(s) of Attorney(s): **Cullens Patent and Trade Mark Attorneys**  
(71) Name(s) and Address(s) of Applicant(s):  
**JF Arbuckle Medical Pty Ltd**  
**152 Olsen Avenue Arundel Queensland 4214 Australia**  
(72) Name(s) of Designer(s): **Adam Doyle and Reilly Edwards**  
(45) Registration Date: **16 September 2011**  
(56) Related Art Documents: **Not Applicable**  
(57) Statement of Newness and Distinctiveness: **Nil**



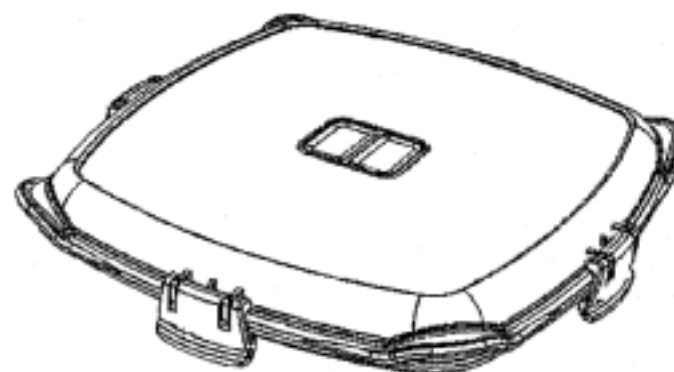
- (21) Design Number: **11544/2011**  
(22) Date of Filing Application: **11 April 2011**  
(24) Date from which industrial property rights may have effect: **11 April 2011**  
(54) Product in respect of which the design is registered: **Barbeque hot plate assembly**  
(51) International Design Classification: **07-02E**  
(74) Name(s) of Attorney(s): **Griffith Hack**  
(71) Name(s) and Address(s) of Applicant(s):  
**D.A. Christie Pty Ltd**  
**12 Brasser Avenue Dromana Victoria 3936 Australia**  
(72) Name(s) of Designer(s): **Paul Nelson**  
(45) Registration Date: **16 September 2011**  
(56) Related Art Documents: **Not Applicable**  
(57) Statement of Newness and Distinctiveness: **Newness and distinctiveness resides in the visual features including shape and configuration of a BARBEQUE HOT PLATE ASSEMBLY as shown in the accompanying Figures.**



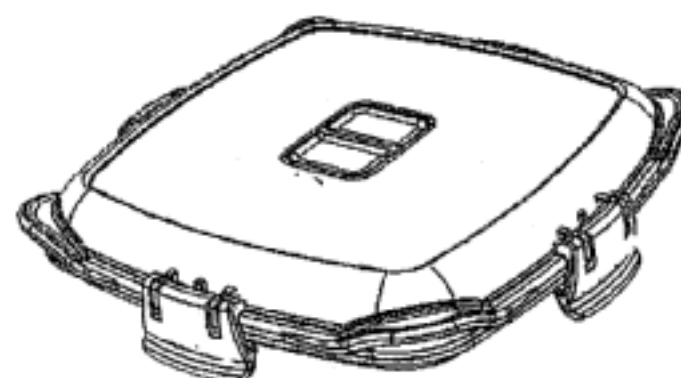
- (21) Design Number: **13706/2011**  
(22) Date of Filing Application: **19 August 2011**  
(24) Date from which industrial property rights may have effect: **19 August 2011**  
(54) Product in respect of which the design is registered: **A lid assembly**  
(51) International Design Classification: **07-01NES**  
(74) Name(s) of Attorney(s): **A J Park**  
(71) Name(s) and Address(s) of Applicant(s):  
**Sistema Plastics Limited**  
**80 Hugo Johnston Drive Penrose Auckland New Zealand**  
(72) Name(s) of Designer(s): **Brendan Jon Lindsay and James Richard Manley**  
(45) Registration Date: **16 September 2011**  
(30) Convention priority data:  
(31) Number      (32) Date      (33) Country  
**414581          22 Feb 2011      NEW ZEALAND**  
(56) Related Art Documents: **Not Applicable**  
(57) Statement of Newness and Distinctiveness: **The novelty claimed for the design resides in the features of shape and/or configuration of the lid assembly as depicted in the accompanying representations. No novelty is claimed for the features of shape and/or configuration of the vent shown in the lid body.**



- (21) Design Number: **13707/2011**  
(22) Date of Filing Application: **19 August 2011**  
(24) Date from which industrial property rights may have effect: **19 August 2011**  
(54) Product in respect of which the design is registered: **A lid assembly**  
(51) International Design Classification: **07-01NES**  
(74) Name(s) of Attorney(s): **A J Park**  
(71) Name(s) and Address(s) of Applicant(s):  
**Sistema Plastics Limited**  
**80 Hugo Johnston Drive Penrose Auckland New Zealand**  
(72) Name(s) of Designer(s): **Brendan Jon Lindsay and James Richard Manley**  
(45) Registration Date: **16 September 2011**  
(30) Convention priority data:  
(31) Number (32) Date (33) Country  
**414581 22 Feb 2011 NEW ZEALAND**  
(56) Related Art Documents: **Not Applicable**  
(57) Statement of Newness and Distinctiveness: **The novelty claimed for the design resides in the features of shape and/or configuration of the lid assembly as depicted in the accompanying representations. No novelty is claimed for the features of shape and/or configuration of the vent shown in the lid body.**



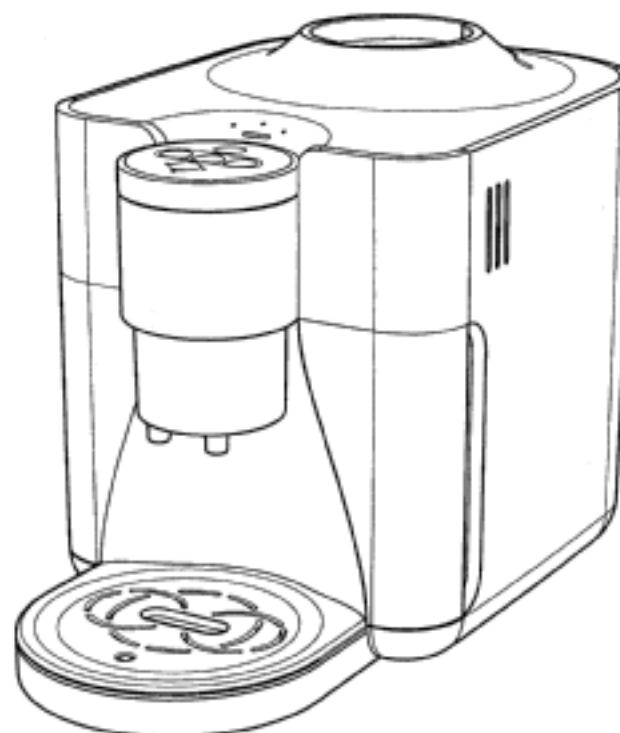
- (21) Design Number: **13708/2011**  
(22) Date of Filing Application: **19 August 2011**  
(24) Date from which industrial property rights may have effect: **19 August 2011**  
(54) Product in respect of which the design is registered: **A lid assembly**  
(51) International Design Classification: **07-01NES**  
(74) Name(s) of Attorney(s): **A J Park**  
(71) Name(s) and Address(s) of Applicant(s):  
**Sistema Plastics Limited**  
**80 Hugo Johnston Drive Penrose Auckland New Zealand**  
(72) Name(s) of Designer(s): **Brendan Jon Lindsay and James Richard Manley**  
(45) Registration Date: **16 September 2011**  
(30) Convention priority data:  
(31) Number (32) Date (33) Country  
**414581 22 Feb 2011 NEW ZEALAND**  
(56) Related Art Documents: **Not Applicable**  
(57) Statement of Newness and Distinctiveness: **The novelty claimed for the design resides in the features of shape and/or configuration of the lid assembly as depicted in the accompanying representations. No novelty is claimed for the features of shape and/or configuration of the vent shown in the lid body.**



- (21) Design Number: **13725/2011**  
(22) Date of Filing Application: **23 August 2011**  
(24) Date from which industrial property rights may have effect: **23 August 2011**  
(54) Product in respect of which the design is registered: **Coffee maker**  
(51) International Design Classification: **07-02L**  
(74) Name(s) of Attorney(s): **FB Rice**  
(71) Name(s) and Address(s) of Applicant(s):  
**Koninklijke Philips Electronics N.V.**  
**Groenewoudseweg 1 5621 BA Eindhoven The Netherlands**  
**Sara Lee/DE N.V.**  
**Vleutensevaart 100 3532 AD Utrecht The Netherlands**  
(72) Name(s) of Designer(s): **Stefan Andreesen**  
(45) Registration Date: **16 September 2011**  
(30) Convention priority data:  
(31) Number (32) Date (33) Country  
**001826439-0001 24 Feb 2011 EUROPEAN COMMUNITY**  
(56) Related Art Documents: **Not Applicable**  
(57) Statement of Newness and Distinctiveness: **Newness and distinctiveness reside in the features of the shape and configuration of the coffee maker as shown in the representations.**



- (21) Design Number: **13726/2011**  
(22) Date of Filing Application: **23 August 2011**  
(24) Date from which industrial property rights may have effect: **23 August 2011**  
(54) Product in respect of which the design is registered: **Coffee maker**  
(51) International Design Classification: **07-02L**  
(74) Name(s) of Attorney(s): **FB Rice**  
(71) Name(s) and Address(s) of Applicant(s):  
**Koninklijke Philips Electronics N.V.**  
**Groenewoudseweg 1 5621 BA Eindhoven The Netherlands**  
**Sara Lee/DE N.V.**  
**Vleutensevaart 100 3532 AD Utrecht The Netherlands**  
(72) Name(s) of Designer(s): **Stefan Andreesen**  
(45) Registration Date: **16 September 2011**  
(30) Convention priority data:  
(31) Number (32) Date (33) Country  
**001826439-0002 24 Feb 2011 EUROPEAN COMMUNITY**  
(56) Related Art Documents: **Not Applicable**  
(57) Statement of Newness and Distinctiveness: **Newness and distinctiveness reside in the features of shape and configuration of the coffee maker as shown in the representations.**



(21) Design Number: **13737/2011**

(22) Date of Filing Application: **24 August 2011**

(24) Date from which industrial property rights may have effect: **24 August 2011**

(54) Product in respect of which the design is registered: **Integral display mount**

(51) International Design Classification: **12-16NES**

(74) Name(s) of Attorney(s): **PIZZEYS**

(71) Name(s) and Address(s) of Applicant(s):

**The Raymond Corporation**

**20 South Canal Street Greene NY 13778-0130 United States of America**

(72) Name(s) of Designer(s): **Matthew I. Gilbride and Gregory W. Smiley**

(45) Registration Date: **16 September 2011**

(30) Convention priority data:

(31) Number	(32) Date	(33) Country
<b>29/387,860</b>	<b>18 Mar 2011</b>	<b>UNITED STATES OF AMERICA</b>

(56) Related Art Documents: **Not Applicable**

(57) Statement of Newness and Distinctiveness: **Nil**

