



Australian Government

IP Australia

AUSTRALIAN OFFICIAL JOURNAL

OF

DESIGNS

Did you know a searchable version of this journal is now available online?

It's FREE and EASY to SEARCH.

Find it on our website (www.ipaustralia.gov.au)

by using the "Journals" link on the home page.

This Page Left Intentionally Blank

Contents

General Information & Notices

**Proceedings Under the Designs Act 1906 preserved as a result of the provisions of Chapter 12
Part 2 of the Designs Act 2003**

Corrigenda	2693
Extension of Period of Registration of Designs	2692
Registrations Ceased	2692
Subsequent Owners Registered	2692

Proceedings Under the Designs Act 2003

Applications Lapsed	2707
Applications Lodged	2697
Applications Withdrawn	2707
Certificate of Examination	2712
Corrigenda	2711
Extension of Period of Registration of Design	2709
Extension of Time Granted Under Section 137	2710
Publication and Registration Proceedings	
Designs Registered 338575 to 338799.....	2713
Registrations Ceased	2709
Revocation of Design Registrations	2709
Subsequent Owners Registered	2710

This Page Left Intentionally Blank

For information on the following please see our website www.ipaustralia.gov.au or contact our Customer Service Network on 1300651010

[Editorial enquiries](#)

[Contact information](#)

[Freedom of Information ACT](#)

[Professional Standards Board](#)

[Sales](#)

[Requests for Information under Section 194 \(c\)](#)

[Country Codes](#)

[Trade Mark and Designs Hearing Sessions](#)

[INID \(Internationally agreed Numbers for the Identification of Data\)](#)

“INID” NUMBERS in use on Australian Design Documents

“INID” is an acronym for “Internationally agreed Numbers for the Identification of Data”.

(10) Data concerning the registration/renewal

- (11) Serial number of the registration and/or number of the design document
- (12) Plain language designation of the kind of published document
- (19) Identification, using the two-letter code according to WIPO Standard ST.3, of the authority publishing or registering the industrial design

(20) Data concerning the application

- (21) Serial number of the application
- (22) Date of filing of the application
- (24) Date from which the industrial design right has effect

(30) Data relating to priority under the Paris Convention

- (31) Serial number assigned to the priority application
- (32) Date of filing of the priority application
- (33) Two-letter code, according to WIPO Standard ST.3, identifying the authority with which the priority application was made

(40) Date(s) of making information available to the public

- (45) Date of publication of the registered industrial design by printing or similar process, or making it available to the public by any other means

(50) Miscellaneous Information

- (51) International Classification for Industrial Designs (class and subclass of the Locarno Classification)
- (54) Designation of article(s) or product(s) covered by the industrial design or title of the industrial design
- (55) Reproduction of the industrial design (e.g., drawing, photograph) and explanations relating to the reproduction
- (56) List of prior art documents, if separate from descriptive text
- (57) Description of characteristic features of the industrial design including indication of colours

(60) References to other legally related application(s) and registration(s)

- (62) Serial number(s) and, if available, filing date(s) of application(s), registration(s) or document(s) related by division
- (66) Serial number(s) of the application, or the registration, of the design(s) which is (are) a variant(s) of the present one

(70) Identification of parties concerned with the application or registration

- (71) Name(s) and address(es) of the applicant(s)
- (72) Name(s) of the creator(s) if known to be such
- (74) Name(s) and address(es) of the representative(s)

This Page Left Intentionally Blank

Nil notices for this journal issue.

Proceedings under the Designs Act 1906 preserved as a result of the provisions of Chapter 12 Part 2 of the Designs Act 2003.

This Page Left Intentionally Blank

Applications Lapsed

There were no Applications Lapsed under this section

Extension of Period of Registration of Designs

1st Period (Section 27A(8))

2nd Period (Section 27A(12))

3rd Period (Section 27A(13))

142242	142796	142797
142813	142814	142815
142816	142817	142818
142819	143535	143605
143664	143776	143987
144070	144112	144193
144252	144329	144338
144344	144482	144506
144667	144672	144762
144763	144833	144834
144835	145074	145075
145312	145313	145314
145353	146058	146282
146386	146387	146554
146555	146556	146572
146606	147148	147416
147417	147460	147695
147823	148008	148058
148700	148775	148980
149003	149153	149529
149530	156994	157101

142040	142063	142086
142113	142482	142563
142844	142928	143149
143339	143575	143654
144735	144909	146010
147393	148122	148258
149007		

Subsequent Owners Registered

(The name in parentheses is that of the subsequent owner)

157132	(Covidien AG) Novamedix Distribution Ltd
142114	(MAGU BAUSYSTEME GmbH) Magu Pty Ltd
154603	(Blackie Family Company Pty Ltd) Ponale Pty Ltd

Registrations Ceased

Note: Some of the following Registrations may have been previously advertised as ceased. In this instance, the previous advertisement still prevails.

125010	125800	125801
126482	126485	126486
126532	126533	126557
126563	126584	126585
126588	126603	126623
126624	126634	126653
126696	126697	126698
126836	126936	127006
127007	127008	127393
127432	127467	127513
127752	128363	128425
128680	130001	130002
130029	130787	130870
140061	140142	140303
140552	141613	141642
141660	141681	141693
141724	141871	141882

Corrigenda

Number

In Vol 25 , No 19 , page 2512 under the heading **Subsequent Owners Registered**; This entry is deleted in toto.

Number

In Vol 25 , No 19 , page 2512 under the heading **Subsequent Owners Registered**; This entry is deleted in toto..

Number

In Vol 25 , No 19 , page 2512 under the heading **Subsequent Owners Registered**; This entry is deleted in toto..

Number

In Vol 25 , No 19 , page 2512 under the heading **Subsequent Owners Registered**; This entry is deleted in toto..

This Page Left Intentionally Blank

Proceedings under the Designs Act 2003.

This Page Left Intentionally Blank

Applications Lodged

Lodgement information is in the following order: **Applicant's Name**; International Classification, Name of Product, Lodgement Date and **Design Number**. If the applicant claims an earlier priority date under an International Convention, the Convention Country and the associated filing date are shown in parentheses before the Lodgement Date. Divisional information will also appear in parentheses before the Lodgement Date.

Alive Girl Pty Ltd;AG (Syd) Fashion Pty Ltd; 02-02C, Apparel, 30 Sep 2011	14450/2011	Babyliss Faco SA; 28-03D, Hair clippers, (EM, 01 Apr 2011) 28 Sep 2011	14420/2011
Allison, Chris; 11-02B, Planter box, 22 Sep 2011	14287/2011	Babyliss Faco SA; 28-03D, Hair clippers, (EM, 01 Apr 2011) 28 Sep 2011	14421/2011
Alto Packaging Limited; 07-99A, A tray, 21 Sep 2011	14250/2011	Bannister, Jordan; 21-02A, Development kicking football, 28 Sep 2011	14463/2011
Alto Packaging Limited; 09-03F, A tray, 21 Sep 2011	14226/2011	Beaute Prestige International; 09-01G, Flask, (EM, 07 Apr 2011) 28 Sep 2011	14364/2011
Altronic Distributors Pty Ltd; 14-01, Speaker cover, 23 Sep 2011	14262/2011	Bermad CS LTD; 23-01K, Air release valve, 26 Sep 2011	14322/2011
Apex Building Products Pty Ltd; 08-08A, 08-08NES, Sheeting fastener, 16 Sep 2011	14175/2011	Black, Ric; 12-16NES, Vehicle fuel tank, 30 Sep 2011	14461/2011
Apex Masonry; 25-01A, A block, 21 Sep 2011	14218/2011	Black, Ric; 12-16NES, Vehicle fuel tank, 30 Sep 2011	14462/2011
Aquaponicals Pty Ltd; 09-03F, Modified square aquaponics system, 20 Sep 2011	14215/2011	Bonouvrie, Johannes; 12-16NES, Great plate 1- clear number plate frame with wings, 22 Sep 2011	14270/2011
Aquaponicals Pty Ltd; 09-03F, Modified circular aquaponics system, 20 Sep 2011	14216/2011	Bose Corporation; 14-01, Speaker, (US, 15 Apr 2011) 30 Sep 2011	14425/2011
Aquaponicals Pty Ltd; 09-03F, Modified rectangular aquaponics system, 20 Sep 2011	14217/2011	Bose Corporation; 14-03NES, Speaker, (US, 15 Apr 2011) 26 Sep 2011	14323/2011
Aspect Furniture Systems Limited; 06-06NES, 25-01NES, A connector component, (NZ, 17 Mar 2011) 16 Sep 2011	14199/2011	Bose Corporation; 14-01, Portable audio system, (US, 15 Apr 2011) 29 Sep 2011	14409/2011
Aspect Furniture Systems Limited; 25-01NES, A connector, 16 Sep 2011	14200/2011	Bradken Resources Pty Limited; 15-04, Excavation bucket, 27 Sep 2011	14342/2011
Aspect Furniture Systems Limited; 25-01K, An extrusion, 16 Sep 2011	14197/2011	Bradken Resources Pty Limited; 15-04, Shroud for excavation bucket, 27 Sep 2011	14338/2011
Atkar Group Pty Ltd; 25-01D, Wall panel, 22 Sep 2011	14246/2011	Bradken Resources Pty Limited; 15-04, Excavation bucket corner element, 27 Sep 2011	14339/2011
Australian Performance Development Pty Ltd; 12-16N, 12-16NES, Air intake snorkel for a vehicle, 14 Sep 2011	14070/2011	Bradken Resources Pty Limited; 15-04, Shroud for excavation bucket, 27 Sep 2011	14337/2011
AEM Australia Pty Ltd;Jaques, Mallesons Stephen; 08-08NES, 25-01D, The design is intended to be applied to insulating cradle. Representations of the design as applied to insulating, cradle are contained in the attached sheets (6 drawings), 15 Sep 2011	14172/2011	Bradken Resources Pty Limited; 15-04, Lip for excavation bucket, 27 Sep 2011	14341/2011
AG (Syd) Fashion Pty Ltd;Alive Girl Pty Ltd; 02-02C, Apparel, 30 Sep 2011	14450/2011	Bradken Resources Pty Limited; 15-04, Cheek plate for excavation bucket, 27 Sep 2011	14340/2011
ARK Corporation Pty Ltd; 12-16NES, Jockey wheel, 13 Sep 2011	14132/2011		

Braun GmbH; 31-00, Hand blender, (WO, 16 Mar 2011) 15 Sep 2011	14136/2011	Clorox Company, The; 23-01G, Faucet mount device with flip configuration, (US, 06 Apr 2011) 19 Sep 2011	14202/2011
Braun GmbH; 31-00, Handpiece of a hand blender, (WO, 16 Mar 2011) 15 Sep 2011	14137/2011	Coffee News Australia Pty Ltd, as trustee for Ruzams Trust; 20-02NES, Display stand - coffee news 1, 28 Sep 2011	14378/2011
Braun GmbH; 31-00, Handpiece of a hand blender, (WO, 16 Mar 2011) 15 Sep 2011	14138/2011	Colgate-Palmolive Company; 09-01NES, Container, (US, 02 May 2011) 22 Sep 2011	14253/2011
Breville Pty Limited; 07-02F, Toaster, 26 Sep 2011	14266/2011	Colgate-Palmolive Company; 09-01NES, Container, (US, 29 Apr 2011) 15 Sep 2011	14161/2011
Breville Pty Limited; 07-02N, Electric frypan, 26 Sep 2011	14268/2011	Colgate-Palmolive Company; 09-01K, Container, (US, 29 Apr 2011) 15 Sep 2011	14159/2011
Breville Pty Limited; 07-02N, Deep fryer, 26 Sep 2011	14269/2011	Conex IPR Limited; 23-01A, O ring, 26 Sep 2011	14324/2011
Breville Pty Limited; 07-02N, Electric skillet, 26 Sep 2011	14267/2011	Continental Reifen Deutschland GmbH; 12-15A, Tyre, (EM, 17 Aug 2011) 28 Sep 2011	14361/2011
Bridgestone Corporation; 12-15A, Automobile tyre, (JP, 17 Mar 2011) 16 Sep 2011	14174/2011	Dart Industries Inc.; 07-04, Food slicer, (US, 20 Jun 2011) 21 Sep 2011	14230/2011
Brown, Justin Peter; 06-06G, A selector handle for an office chair, 26 Sep 2011	14332/2011	Dart Industries Inc.; 07-02P, Folding dumpling maker, (US, 07 Jun 2011) 21 Sep 2011	14229/2011
Brown, Justin Peter; 06-06G, A selector handle for an office chair, 26 Sep 2011	14330/2011	Decor Corporation Pty. Ltd., The; 09-01NES, 09-01K, Bottle, 19 Sep 2011	14205/2011
Brown, Justin Peter; 06-06G, A selector handle for an office chair, 26 Sep 2011	14331/2011	Decor Corporation Pty. Ltd., The; 09-01NES, 09-01K, Bottle, 19 Sep 2011	14206/2011
Brown & Watson International Pty Ltd; 26-06, Light fitting, 23 Sep 2011	14279/2011	Decor Corporation Pty. Ltd., The; 09-01NES, 09-01K, Bottle, 19 Sep 2011	14207/2011
Bulgari Horlogerie SA; 10-02, Wrist watch, (CH, 18 Mar 2011) 16 Sep 2011	14179/2011	Decor Corporation Pty. Ltd., The; 07-07A, 07-07NES, Chiller element, 19 Sep 2011	14208/2011
BRITA GMBH; 24-01, 24-99, UV radiation apparatus, (DE, 01 Apr 2011) 26 Sep 2011	14333/2011	Decor Corporation Pty. Ltd., The; 09-01K, Bottle, 19 Sep 2011	14209/2011
Cadcam Marine Pty Ltd; 12-06A, 12-06C, Boat, 30 Sep 2011	14454/2011	Decor Corporation Pty. Ltd., The; 07-01NES, 08-07, Latch, 19 Sep 2011	14210/2011
Caroma Industries Limited; 23-02B, A bath, 14 Sep 2011	14072/2011	Decor Corporation Pty. Ltd., The; 07-01NES, Lid with handle, 19 Sep 2011	14211/2011
Caroma Industries Limited; 23-02B, A bath, 14 Sep 2011	14073/2011	Decor Corporation Pty. Ltd., The; 07-01NES, 09-03NES, Container base, 19 Sep 2011	14212/2011
Charter Manufacturing Co., Inc.; 08-08C, Spring retainer, (US, 28 Mar 2011) 27 Sep 2011	14325/2011	Decor Corporation Pty. Ltd., The; 09-01NES, 09-01K, Bottle, 19 Sep 2011	14204/2011
Charter Manufacturing Co., Inc.; 08-08C, Spring retainer, (US, 28 Mar 2011) 27 Sep 2011	14326/2011	Dezinal Pty Ltd; 25-01K, 25-02B, Bottom rolling bi-fold door, 19 Sep 2011	14180/2011
Chromoplas Pty Ltd; 09-05, Tube and cap assembly, 23 Sep 2011	14273/2011	E.D. Oates Pty Ltd; 07-07B, Mop bucket, 27 Sep 2011	14347/2011
Clorox Company, The; 23-01G, Faucet mount device with pressure fit, (US, 06 Apr 2011) 19 Sep 2011	14203/2011	Easy Fall Guttering Pty Ltd; 23-01L, Guttering system, 30 Sep 2011	14432/2011

Esfahani, Mirali Seyed; 14-02, External ink reservoir tank with cover for inkjet printers. The reservoir tanks feed ink cartridges by way of silicone, tubing, 15 Sep 2011	14158/2011	Fuji Jukogyo Kabushiki Kaisha;Toyota Jidosha Kabushiki Kaisha; 26-06, Front combination lamp for an automobile, 26 Sep 2011	14305/2011
Eveready Battery Company, Inc.; 26-05B, Lighting device, (US, 09 May 2011) 01 Sep 2011	14366/2011	Fuji Jukogyo Kabushiki Kaisha;Toyota Jidosha Kabushiki Kaisha; 12-08, Automobile, 26 Sep 2011	14309/2011
Eveready Battery Company, Inc.; 26-05B, Lighting device, (US, 09 May 2011) 01 Sep 2011	14367/2011	Fuji Jukogyo Kabushiki Kaisha;Toyota Jidosha Kabushiki Kaisha; 12-08, Automobile, 26 Sep 2011	14303/2011
Ezi Bolt Systems Pty Ltd; 08-08B, Anchor bolt system, 16 Sep 2011	14178/2011	Fuji Jukogyo Kabushiki Kaisha;Toyota Jidosha Kabushiki Kaisha; 12-08, Automobile, 26 Sep 2011	14311/2011
Finch, Garry; 12-02, Trolley, 14 Sep 2011	14130/2011	Fuji Jukogyo Kabushiki Kaisha;Toyota Jidosha Kabushiki Kaisha; 12-08, Automobile, 26 Sep 2011	14313/2011
Forever New Clothing Pty Ltd; 02-02C, Women's fashion clothing, 03 Oct 2011	14466/2011	Fuji Jukogyo Kabushiki Kaisha;Toyota Jidosha Kabushiki Kaisha; 12-08, Automobile, 26 Sep 2011	14302/2011
Formed Australia Pty Ltd; 23-02B, Bath, 03 Oct 2011	14467/2011	Fuji Jukogyo Kabushiki Kaisha;Toyota Jidosha Kabushiki Kaisha; 26-06, Rear combination lamp for an automobile, 26 Sep 2011	14312/2011
Formed Australia Pty Ltd; 08-09, 23-02B, Shower screen support, 22 Sep 2011	14247/2011	Fuji Jukogyo Kabushiki Kaisha;Toyota Jidosha Kabushiki Kaisha; 26-06, Front combination lamp for an automobile, 26 Sep 2011	14319/2011
Formed Australia Pty Ltd; 08-09, 23-02B, Shower screen support, 22 Sep 2011	14248/2011	Fuji Jukogyo Kabushiki Kaisha;Toyota Jidosha Kabushiki Kaisha; 12-16C, Front bumper for an automobile, 26 Sep 2011	14317/2011
Foster's Australia Limited; 09-01K, Bottle, 15 Sep 2011	14162/2011	Fuji Jukogyo Kabushiki Kaisha;Toyota Jidosha Kabushiki Kaisha; 12-16NES, Front door for an automobile, 26 Sep 2011	14316/2011
Foster's Australia Limited; 09-01K, Bottle, 15 Sep 2011	14163/2011	Fuji Jukogyo Kabushiki Kaisha;Toyota Jidosha Kabushiki Kaisha; 12-16C, Front bumper for an automobile, 26 Sep 2011	14318/2011
Frucor Beverages Limited; 09-01NES, A container, (NZ, 30 Mar 2011) 27 Sep 2011	14345/2011	Fuji Jukogyo Kabushiki Kaisha;Toyota Jidosha Kabushiki Kaisha; 12-16C, Front bumper for an automobile, 26 Sep 2011	14315/2011
Fuji Jukogyo Kabushiki Kaisha;Toyota Jidosha Kabushiki Kaisha; 12-16NES, Instrument panel for an automobile, 26 Sep 2011	14304/2011	Gallagher Group Limited; 08-99, A link, (NZ, 01 Apr 2011) 30 Sep 2011	14453/2011
Fuji Jukogyo Kabushiki Kaisha;Toyota Jidosha Kabushiki Kaisha; 12-16C, Rear bumper for an automobile, 26 Sep 2011	14314/2011	Gallagher Group Limited; 08-99, A link, (NZ, 01 Apr 2011) 30 Sep 2011	14451/2011
Fuji Jukogyo Kabushiki Kaisha;Toyota Jidosha Kabushiki Kaisha; 12-16C, Rear bumper for an automobile, 26 Sep 2011	14310/2011	Gallagher Group Limited; 08-99, A link, (NZ, 01 Apr 2011) 30 Sep 2011	14452/2011
Fuji Jukogyo Kabushiki Kaisha;Toyota Jidosha Kabushiki Kaisha; 12-08, Automobile, 26 Sep 2011	14307/2011	Garlate Holdings Pty Ltd; 08-99, A roller, 29 Sep 2011	14410/2011
Fuji Jukogyo Kabushiki Kaisha;Toyota Jidosha Kabushiki Kaisha; 26-06, Rear combination lamp for an automobile, 26 Sep 2011	14306/2011	Garton, Jonathan; 20-03NES, Sign, 15 Aug 2011	14176/2011
Fuji Jukogyo Kabushiki Kaisha;Toyota Jidosha Kabushiki Kaisha; 12-16B, Spoiler for an automobile, 26 Sep 2011	14308/2011	Gemini Industries Pty Ltd; 23-02C, Toilet pan and cistern, 30 Sep 2011	14429/2011

Gemini Industries Pty Ltd; 23-02C, Toilet pan and cistern, 30 Sep 2011	14430/2011	Hewlett-Packard Development Company L.P.; 14-02, Ink cartridge, (US, 23 Sep 2011) 29 Sep 2011	14415/2011
Gialanze, Dennis Joseph; 02-02B, 02-03, 29-99, Visor, 14 Sep 2011	14129/2011	Heywood, Simon;Prospectors Pty Ltd;Heywood, Sonya; 25-01E, Star picket cap, 04 Oct 2011	14469/2011
Gilmark Holdings Pty Ltd; 29-02, Safety harness for workers working at heights, 19 Sep 2011	14194/2011	Heywood, Sonya;Prospectors Pty Ltd;Heywood, Simon; 25-01E, Star picket cap, 04 Oct 2011	14469/2011
Gray, Richard; 21-02F, Sports apparatus, (EM, 16 Mar 2011) 13 Sep 2011	14168/2011	Hillstone Architectural Lighting Pty Ltd; 26-05E, LED downlight fixed, 20 Sep 2011	14214/2011
Green, David William;Shears, Ingrid Annetta Maria; 14-01, Design is related to the Smart Myk microphone for use as recording equipment with DSLR and Video cameras, 23 Sep 2011	14255/2011	Holly Performance Products, Inc.; 15-01, Carburettor, (US, 30 Mar 2011) 29 Sep 2011	14369/2011
Grow Your Own Systems Pty Ltd; 09-03H, Stack panel (as shown in images), comprising a panel with a long straight section bending into a 90 degree angle leading, to a short return, and exhibiting a series of molded tabs protruding from the bottom horizontal edge, with, corresponding molded slots in the top horizontal edge; these, 28 Sep 2011	14362/2011	Homestead Fencing; 08-08C, 08-08K, Fencing clip, 16 Sep 2011	14177/2011
Helding, Mark; 08-08N, Steel storage racking end frame protection - option (type) 2, 14 Sep 2011	14156/2011	Honda Motor Co., Ltd.; 12-11, Front side cowl for motorcycle, (JP, 31 Mar 2011) 27 Sep 2011	14351/2011
Helding, Mark; 08-08N, Steel storage racking end frame protection - option (type) 1, 14 Sep 2011	14155/2011	Honda Motor Co., Ltd.; 26-06, Rear combination lamp for motor scooter, (JP, 31 Mar 2011) 27 Sep 2011	14352/2011
Helding, Mark; 08-08N, Steel storage racking end frame protection - option (type) 3, 14 Sep 2011	14157/2011	Honda Motor Co., Ltd.; 12-11, Front top cover for motor scooter, (JP, 31 Mar 2011) 27 Sep 2011	14349/2011
Hella New Zealand Limited; 26-06, Vehicle safety light, 15 Sep 2011	14134/2011	Honda Motor Co., Ltd.; 12-11, Motor scooter, (JP, 31 Mar 2011) 27 Sep 2011	14350/2011
Hella New Zealand Limited; 26-06, Vehicle safety light, 15 Sep 2011	14135/2011	Hunt, Ethan;Kalinowski, Michael; 12-16NES, 14-99, Replacement button pad to suit car remote controls, 21 Sep 2011	14213/2011
Hewlett-Packard Development Company L.P.; 14-02, Ink cartridge, (US, 23 Sep 2011) 29 Sep 2011	14416/2011	Invacare Corporation; 06-06G, Seat back, (US, 04 Apr 2011) 04 Oct 2011	14468/2011
Hewlett-Packard Development Company L.P.; 14-02, Ink cartridge, (US, 23 Sep 2011) 29 Sep 2011	14417/2011	Invacare Corporation; 12-12, Wheelchair chassis, (US, 28 Mar 2011) 19 Sep 2011	14196/2011
Hewlett-Packard Development Company L.P.; 14-02, Ink cartridge, (US, 23 Sep 2011) 29 Sep 2011	14414/2011	IPH International Pty Ltd; 25-01K, Frame extrusion, 26 Sep 2011	14249/2011
Hewlett-Packard Development Company L.P.; 14-02, Ink cartridge, (US, 23 Sep 2011) 29 Sep 2011	14418/2011	Jaques, Mallesons Stephen;AEM Australia Pty Ltd; 08-08NES, 25-01D, The design is intended to be applied to insulating cradle. Representations of the design as applied to insulating, cradle are contained in the attached sheets (6 drawings), 15 Sep 2011	14172/2011
Hewlett-Packard Development Company L.P.; 14-02, Ink cartridge, (US, 23 Sep 2011) 29 Sep 2011	14419/2011	Jeyes Group Limited; 23-02A, Sanitary dispenser, (WO, 25 Mar 2011) 23 Sep 2011	14286/2011
		Jeyes Group Limited; 23-02A, Sanitary dispenser, (WO, 25 Mar 2011) 23 Sep 2011	14284/2011
		Jeyes Group Limited; 23-02A, Sanitary dispenser, (WO, 25 Mar 2011) 23 Sep 2011	14285/2011

Jeyes Group Limited; 23-02A, Sanitary dispenser, (WO, 25 Mar 2011) 23 Sep 2011	14282/2011	Logue and Co. Pty Ltd; 09-03NES, 07-01C, Fluid receptacle, 14 Sep 2011	14117/2011
Jeyes Group Limited; 23-02A, Sanitary dispenser, (WO, 25 Mar 2011) 23 Sep 2011	14283/2011	Logue and Co. Pty Ltd; 20-01, Vending machine, 14 Sep 2011	14115/2011
Jeyes Group Limited; 23-02A, Sanitary dispenser, (WO, 25 Mar 2011) 23 Sep 2011	14280/2011	Logue and Co. Pty Ltd; 20-01, Vending machine, 14 Sep 2011	14113/2011
Jeyes Group Limited; 23-02A, Sanitary dispenser, (WO, 25 Mar 2011) 23 Sep 2011	14281/2011	Logue and Co. Pty Ltd; 20-01, Vending machine, 14 Sep 2011	14110/2011
Kainotomies Verde-Kyvika Logika Paignidia A.E.B.E - Verdes Innovations SA; 21-01M, Logic toys, (EM, 21 Jun 2011) 30 Sep 2011	14448/2011	Logue and Co. Pty Ltd; 09-03M, 09-03NES, Medicament package, 14 Sep 2011	14121/2011
Kainotomies Verde-Kyvika Logika Paignidia A.E.B.E - Verdes Innovations SA; 21-01M, Logic toys, (EM, 21 Jun 2011) 30 Sep 2011	14449/2011	Logue and Co. Pty Ltd; 09-03M, 09-03NES, Medicament package cartridge, 14 Sep 2011	14106/2011
Kalinowski, Michael;Hunt, Ethan; 12-16NES, 14-99, Replacement button pad to suit car remote controls, 21 Sep 2011	14213/2011	Logue and Co. Pty Ltd; 20-02E, Medicament package, 14 Sep 2011	14124/2011
Karsten Manufacturing Corporation; 21-02C, Golf club head, (US, 11 Aug 2011) 14 Sep 2011	14071/2011	Logue and Co. Pty Ltd; 09-03M, 09-03NES, Blister pack, 14 Sep 2011	14125/2011
Kate Stokes trading as Coco Flip; 26-05D, Pendant light, 12 Sep 2011	14154/2011	Logue and Co. Pty Ltd; 09-03M, 09-03NES, Medicament package cartridge, 14 Sep 2011	14107/2011
Koninklijke Philips Electronics N.V.; 26-05B, Lamp, (EM, 30 Mar 2011) 27 Sep 2011	14365/2011	Logue and Co. Pty Ltd; 20-02E, Medicament package stand, 14 Sep 2011	14104/2011
Kosiak, Michael;Maxwell, Jay A.; 20-02C, Portable inflatable exhibition and function booth/shelter, 28 Sep 2011	14346/2011	Logue and Co. Pty Ltd; 20-01, Vending machine, 14 Sep 2011	14126/2011
Lazer Asset Pty Ltd; 25-02C, Fence panel, 30 Sep 2011	14428/2011	Logue and Co. Pty Ltd; 20-01, Vending machine, 14 Sep 2011	14127/2011
Liu, Yan Hua; 06-04NES, Recessed bathroom corner shelf, 16 Sep 2011	14160/2011	Logue and Co. Pty Ltd; 09-03NES, 07-01C, Fluid receptacle, 14 Sep 2011	14108/2011
Logue and Co. Pty Ltd; 20-01, Vending machine, 14 Sep 2011	14112/2011	Logue and Co. Pty Ltd; 09-03M, 09-03NES, Medicament package, 14 Sep 2011	14122/2011
Logue and Co. Pty Ltd; 20-01, Vending machine, 14 Sep 2011	14118/2011	Logue and Co. Pty Ltd; 09-03M, 09-03NES, Medicament package, 14 Sep 2011	14123/2011
Logue and Co. Pty Ltd; 20-01, Vending machine, 14 Sep 2011	14119/2011	Logue and Co. Pty Ltd; 09-03NES, 07-01C, Fluid receptacle, 14 Sep 2011	14109/2011
Logue and Co. Pty Ltd; 20-01, Vending machine, 14 Sep 2011	14114/2011	Logue and Co. Pty Ltd; 09-03M, Medicament package, 14 Sep 2011	14105/2011
Logue and Co. Pty Ltd; 20-01, Vending machine, 14 Sep 2011	14128/2011	Lolitta Clothing; 02-02C, 02-02NES, , 04 Oct 2011	14424/2011
Logue and Co. Pty Ltd; 20-01, Vending machine, 14 Sep 2011	14116/2011	LVMH Swiss Manufactures SA; 14-03E, Mobile phone, (WO, 24 Mar 2011) 15 Sep 2011	14140/2011

LVMH Swiss Manufactures SA; 10-07, Watch case, (WO, 21 Mar 2011) 15 Sep 2011	14141/2011	Michaloudakis, Joanne; 06-13C, Maternity towel, 26 Sep 2011	14321/2011
LVMH Swiss Manufactures SA; 10-07, Watch dial, (WO, 21 Mar 2011) 15 Sep 2011	14139/2011	Michelin Recherche et Technique SA; Societe De Technologie Michelin; 12-15B, A tyre, (US, 14 Apr 2011) 30 Sep 2011	14423/2011
Madd Gear Pty Ltd; 12-11, Bicycle frame tube, 22 Sep 2011	14254/2011	Michelin Recherche et Technique SA; Societe De Technologie Michelin; 12-15B, A tyre, (US, 14 Apr 2011) 30 Sep 2011	14422/2011
Magic Tap, LLC; 15-02, Fluid pump, 15 Sep 2011	14153/2011	Midori Anzen Kabushiki Kaisha; 02-04A, Toe cap, (JP, 01 Apr 2011) 21 Sep 2011	14219/2011
Magic Tap, LLC; 15-02, 23-01NES, Fluid pump, (US, 19 Apr 2011) 29 Sep 2011	14408/2011	Millward, Hannah; 02-01B, Undergarment, 23 Sep 2011	14260/2011
Masport Limited; 15-03B, A lawnmower nose cover, (NZ, 11 Apr 2011) 27 Sep 2011	14375/2011	Mine Safety Appliances Company; 02-03, Visor interface, (US, 04 Apr 2011) 26 Sep 2011	14288/2011
Masport Limited; 15-03B, A lawnmower nose cover, (NZ, 11 Apr 2011) 27 Sep 2011	14377/2011	Mine Safety Appliances Company; 02-03, Visor frame, (US, 04 Apr 2011) 26 Sep 2011	14289/2011
Masport Limited; 15-03B, A lawnmower nose cover, (NZ, 11 Apr 2011) 27 Sep 2011	14376/2011	Mine Safety Appliances Company; 02-03, Chin guard, (US, 04 Apr 2011) 26 Sep 2011	14290/2011
Masport Limited; 15-03B, A lawnmower nose cover, (NZ, 11 Apr 2011) 27 Sep 2011	14353/2011	Mine Safety Appliances Company; 02-03, Chin guard, (US, 04 Apr 2011) 26 Sep 2011	14291/2011
Masport Limited; 15-03B, A lawnmower nose cover, (NZ, 11 Apr 2011) 27 Sep 2011	14354/2011	Mine Safety Appliances Company; 02-03, Visor, (US, 04 Apr 2011) 26 Sep 2011	14292/2011
Masport Limited; 15-03B, A lawnmower nose cover, (NZ, 11 Apr 2011) 27 Sep 2011	14355/2011	Mine Safety Appliances Company; 02-03, Visor, (US, 04 Apr 2011) 26 Sep 2011	14293/2011
Masport Limited; 15-03B, A lawnmower nose cover, (NZ, 11 Apr 2011) 27 Sep 2011	14356/2011	Mine Safety Appliances Company; 02-03, Visor, (US, 04 Apr 2011) 26 Sep 2011	14294/2011
Masport Limited; 15-03B, A lawnmower nose cover, (NZ, 11 Apr 2011) 27 Sep 2011	14357/2011	Mine Safety Appliances Company; 02-03, Visor, (US, 04 Apr 2011) 26 Sep 2011	14295/2011
Maxwell, Jay A.; Kosiak, Michael; 20-02C, Portable inflatable exhibition and function booth/shelter, 28 Sep 2011	14346/2011	Mine Safety Appliances Company; 02-03, Visor, (US, 04 Apr 2011) 26 Sep 2011	14297/2011
McKay, Nathan Thomas; 21-02A, Medicine ball, 27 Sep 2011	14344/2011	Mine Safety Appliances Company; 02-03, Visor, (US, 04 Apr 2011) 26 Sep 2011	14298/2011
McNeil-PPC, Inc.; 04-02, Replaceable head for a toothbrush, (Divisional of 11954/2011) 20 Apr 2011	14263/2011	Mine Safety Appliances Company; 02-03, Visor frame, (US, 04 Apr 2011) 26 Sep 2011	14299/2011
McNeil-PPC, Inc.; 24-04, Sanitary napkin, (US, 04 Apr 2011) 16 Sep 2011	14181/2011	Mine Safety Appliances Company; 02-03, Visor, (US, 04 Apr 2011) 26 Sep 2011	14300/2011
McNeil-PPC, Inc.; 24-04, Sanitary napkin, (US, 04 Apr 2011) 16 Sep 2011	14182/2011	Montres Tudor S.A.; 10-07, Watch dial, (CH, 16 Mar 2011) 15 Sep 2011	14148/2011
Medela Holding AG; 07-01E, Teat unit for a feeding bottle, (WO, 09 May 2011) 26 Sep 2011	14336/2011	Montres Tudor S.A.; 10-07, Watch dial, (CH, 16 Mar 2011) 15 Sep 2011	14170/2011

Montres Tudor S.A.; 10-02, Watch, (CH, 16 Mar 2011) 15 Sep 2011	14171/2011	Morris, Colin;Skinner, Judith Anne; 25-02C, Privacy screen, 19 Sep 2011	14183/2011
Montres Tudor S.A.; 10-07, Watch case, (CH, 16 Mar 2011) 15 Sep 2011	14151/2011	Morris, Colin;Skinner, Judith Anne; 25-02C, Privacy screen, 19 Sep 2011	14193/2011
Montres Tudor S.A.; 10-07, Watch wristlet, (CH, 16 Mar 2011) 15 Sep 2011	14150/2011	Morrissey, Christian; 06-09, Arm support cushion, 22 Sep 2011	14245/2011
Montres Tudor S.A.; 10-07, Watch dial, (CH, 16 Mar 2011) 15 Sep 2011	14145/2011	Mothercare UK Limited; 07-01E, Feeding bottle, (EM, 25 Mar 2011) 26 Sep 2011	14343/2011
Montres Tudor S.A.; 10-07, Watch case, (CH, 16 Mar 2011) 15 Sep 2011	14146/2011	Myoori Pty Ltd; 09-01H, A beverage bottle, 23 Sep 2011	14233/2011
Montres Tudor S.A.; 10-07, Watch hand, (CH, 16 Mar 2011) 15 Sep 2011	14142/2011	Myoori Pty Ltd; 09-01H, A beverage bottle, 23 Sep 2011	14240/2011
Montres Tudor S.A.; 10-07, Watch case, (CH, 16 Mar 2011) 15 Sep 2011	14152/2011	Myoori Pty Ltd; 09-01H, A beverage bottle, 23 Sep 2011	14241/2011
Montres Tudor S.A.; 10-07, Watch case, (CH, 16 Mar 2011) 15 Sep 2011	14149/2011	Myoori Pty Ltd; 09-01H, A beverage bottle, 23 Sep 2011	14237/2011
Montres Tudor S.A.; 10-02, Watch, (CH, 16 Mar 2011) 15 Sep 2011	14169/2011	Myoori Pty Ltd; 09-01H, A beverage bottle, 23 Sep 2011	14238/2011
Morris, Colin;Skinner, Judith Anne; 25-02C, Privacy screen, pool fencing, fence panel, balcony screen, garden gate, 19 Sep 2011	14188/2011	Myoori Pty Ltd; 09-01H, A beverage bottle, 23 Sep 2011	14235/2011
Morris, Colin;Skinner, Judith Anne; 25-02C, Privacy screen, pool fencing, fence panel, balcony screen, garden gate, 19 Sep 2011	14187/2011	Myoori Pty Ltd; 09-01H, A beverage bottle, 23 Sep 2011	14236/2011
Morris, Colin;Skinner, Judith Anne; 25-02C, Privacy screen, pool fencing, fence panel, balcony screen, garden gate, 19 Sep 2011	14189/2011	Myoori Pty Ltd; 09-01H, A beverage bottle, 23 Sep 2011	14234/2011
Morris, Colin;Skinner, Judith Anne; 25-02C, Privacy screen, 19 Sep 2011	14186/2011	Myoori Pty Ltd; 09-01H, A beverage bottle, 23 Sep 2011	14231/2011
Morris, Colin;Skinner, Judith Anne; 25-02C, Privacy screen, 19 Sep 2011	14190/2011	Myoori Pty Ltd; 09-01H, A beverage bottle, 23 Sep 2011	14239/2011
Morris, Colin;Skinner, Judith Anne; 25-02C, Privacy screen, pool fencing, fence panel, balcony screen, garden gate, 19 Sep 2011	14185/2011	Myoori Pty Ltd; 09-01NES, A container, 23 Sep 2011	14232/2011
Morris, Colin;Skinner, Judith Anne; 25-02C, Privacy screen, 19 Sep 2011	14191/2011	Myoori Pty Ltd; 09-01H, A beverage bottle, 23 Sep 2011	14244/2011
Morris, Colin;Skinner, Judith Anne; 25-02C, Privacy screen, 19 Sep 2011	14184/2011	Myoori Pty Ltd; 09-01H, A beverage bottle, 23 Sep 2011	14242/2011
Morris, Colin;Skinner, Judith Anne; 25-02C, Privacy screen, pool fencing, fence panel, balcony screen, garden gate, 19 Sep 2011	14192/2011	Myoori Pty Ltd; 09-01NES, A container, 23 Sep 2011	14243/2011
		Nairan Pty Ltd; 06-04NES, Shelf divider, 20 Sep 2011	14198/2011
		Onesteel Wire Pty Limited; 08-08C, 25-01E, Post clip, 21 Sep 2011	14223/2011
		Onesteel Wire Pty Limited; 08-08C, 25-01E, Post clip, 21 Sep 2011	14225/2011
		Onesteel Wire Pty Limited; 08-08C, 25-01E, Post clip, 21 Sep 2011	14224/2011
		Onesteel Wire Pty Limited; 08-08C, 25-01E, Post clip, 21 Sep 2011	14221/2011
		Onesteel Wire Pty Limited; 08-08C, 25-01E, Post clip, 21 Sep 2011	14222/2011

Oreica Pty Ltd; 25-02H, Door/window (product functions as both door, window and or partition), 29 Sep 2011	14412/2011	QHDC Australia Pty Ltd; 12-02, A shopping trolley, 20 Sep 2011	14228/2011
Oreica Pty Ltd; 25-02H, Door/ Window (product functions as both door, window and or partition), 29 Sep 2011	14413/2011	Red Bull GmbH; 15-07, Cooler, (EM, 09 Sep 2011) 15 Sep 2011	14166/2011
Oui Create Pty Ltd; 23-01G, Filter assembly for swimming pools, 27 Sep 2011	14348/2011	Red Bull GmbH; 15-07, Cooler, (Divisional of 13375/2011) 04 Oct 2011	14464/2011
Pacific Worldwide Pty Ltd; 09-03F, Chan's yum cha at home shitake dumplings (packaging for food), 29 Sep 2011	14368/2011	Red Bull GmbH; 15-07, Cooler, (Divisional of 13375/2011) 04 Oct 2011	14465/2011
Pacific Worldwide Pty Ltd; 09-03F, Chan's yum cha at home prawn hargow (packaging for food), 29 Sep 2011	14363/2011	Red Bull GmbH; 15-07, Cooler, (EM, 09 Sep 2011) 15 Sep 2011	14167/2011
Philip Morris Products S.A.; 09-03A, Cigarette pack, (EM, 29 Mar 2011) 23 Sep 2011	14256/2011	Rocktec Limited; 25-02C, Walkway, (NZ, 24 Mar 2011) 20 Sep 2011	14227/2011
Philip Morris Products S.A.; 09-03A, Cigarette pack, (EM, 29 Mar 2011) 23 Sep 2011	14257/2011	Rolex SA; 10-07, Watch dial, (CH, 16 Mar 2011) 15 Sep 2011	14147/2011
Phoenix Industries Pty Ltd; 23-01H, Spout, 23 Sep 2011	14278/2011	Rolex SA; 10-07, Watch dial, (CH, 16 Mar 2011) 15 Sep 2011	14143/2011
Phoenix Industries Pty Ltd; 23-01H, Shower outlet, 23 Sep 2011	14276/2011	Rolex SA; 10-07, Watch wristlet, (CH, 16 Mar 2011) 15 Sep 2011	14144/2011
Phoenix Industries Pty Ltd; 23-01H, Spout, 23 Sep 2011	14277/2011	Rutledge, Jon; 08-10, Bicycle rack, 30 Sep 2011	14371/2011
Phoenix Industries Pty Ltd; 23-01H, Mixer tap set, 23 Sep 2011	14274/2011	Rutledge, Jon; 08-10, Bicycle rack, 30 Sep 2011	14372/2011
Phoenix Industries Pty Ltd; 23-01H, Mixer tap set, 23 Sep 2011	14275/2011	Rutledge, Jon; 08-10, Bicycle rack, 30 Sep 2011	14370/2011
Poolrite Research Pty Ltd; 23-01G, Filter assembly for swimming pool, 23 Sep 2011	14265/2011	R82 A/S; 12-12, Wheelchair parts, (EM, 15 Jun 2011) 26 Sep 2011	14328/2011
Prospectors Pty Ltd;Heywood, Simon;Heywood, Sonya; 25-01E, Star picket cap, 04 Oct 2011	14469/2011	R82 A/S; 12-12, Walking frame for disabled, (EM, 15 Jun 2011) 26 Sep 2011	14329/2011
PIOMED Co., Ltd; 24-01, Device for generating electric stimulus and electric stimulus band, (KR, 30 Mar 2011) 28 Sep 2011	14358/2011	R82 A/S; 12-12, Walking frames for disabled, (EM, 15 Jun 2011) 26 Sep 2011	14327/2011
POD Ware Pty Ltd; 21-02D, Leash connector, 21 Sep 2011	14258/2011	S.C. Johnson & Son, Inc.; 28-03NES, Applicator, (EM, 23 Mar 2011) 23 Sep 2011	14271/2011
POD Ware Pty Ltd; 21-02D, Swim fin, 21 Sep 2011	14259/2011	S.C. Johnson & Son, Inc.; 28-03NES, Applicator, (EM, 23 Mar 2011) 23 Sep 2011	14272/2011
PSP Engineering Limited; 08-09, A set of brackets provided as left-hand and a right-hand pair, (NZ, 14 Jul 2011) 03 Oct 2011	14427/2011	Savage, Steven; 25-02E, Cornice, 16 Sep 2011	14195/2011
Qiang, Gao; 08-08C, Lateral quick-tight clip, (CN, 22 Apr 2011) 23 Sep 2011	14261/2011	Shears, Ingrid Annetta Maria;Green, David William; 14-01, Design is related to the Smart Myk microphone for use as recording equipment with DSLR and Video cameras, 23 Sep 2011	14255/2011

Sherman & Reilly, Inc.; 08-08L, Crossarm bracket, (US, 17 Mar 2011) 15 Sep 2011	14165/2011	SI Aust Group Pty Ltd; 23-01H, Tap mixer and spout, 30 Sep 2011	14446/2011
Sherman & Reilly, Inc.; 08-08L, Crossarm bracket, (US, 17 Mar 2011) 15 Sep 2011	14164/2011	SI Aust Group Pty Ltd; 23-01H, Tap mixer, 30 Sep 2011	14447/2011
Skinner, Anne Michelle;Tolhurst, Benjamin Craig; 07-04, Chopping board with imbedded mortar and pestal, 16 Sep 2011	14173/2011	SI Aust Group Pty Ltd; 23-01H, Tap mixer, 30 Sep 2011	14442/2011
Skinner, Judith Anne;Morris, Colin; 25-02C, Privacy screen, pool fencing, fence panel, balcony screen, garden gate, 19 Sep 2011	14188/2011	SI Aust Group Pty Ltd; 23-01H, Tap mixer and spout, 30 Sep 2011	14439/2011
Skinner, Judith Anne;Morris, Colin; 25-02C, Privacy screen, 19 Sep 2011	14193/2011	SI Aust Group Pty Ltd; 23-01H, Tap mixer and spout, 30 Sep 2011	14443/2011
Skinner, Judith Anne;Morris, Colin; 25-02C, Privacy screen, pool fencing, fence panel, balcony screen, garden gate, 19 Sep 2011	14187/2011	SI Aust Group Pty Ltd; 23-01H, Mixer tap set, 30 Sep 2011	14444/2011
Skinner, Judith Anne;Morris, Colin; 25-02C, Privacy screen, pool fencing, fence panel, balcony screen, garden gate, 19 Sep 2011	14189/2011	SI Aust Group Pty Ltd; 23-01H, Tap mixer and spout, 30 Sep 2011	14440/2011
Skinner, Judith Anne;Morris, Colin; 25-02C, Privacy screen, 19 Sep 2011	14186/2011	SI Aust Group Pty Ltd; 23-01H, Tap mixer and spout, 30 Sep 2011	14437/2011
Skinner, Judith Anne;Morris, Colin; 25-02C, Privacy screen, 19 Sep 2011	14190/2011	SI Aust Group Pty Ltd; 23-01H, Tap and spout set, 30 Sep 2011	14438/2011
Skinner, Judith Anne;Morris, Colin; 25-02C, Privacy screen, pool fencing, fence panel, balcony screen, garden gate, 19 Sep 2011	14185/2011	SI Aust Group Pty Ltd; 23-01H, Tap and spout set, 30 Sep 2011	14435/2011
Skinner, Judith Anne;Morris, Colin; 25-02C, Privacy screen, 19 Sep 2011	14191/2011	S2DIO Pty Ltd; 06-01F, 06-01H, A chair, 04 Oct 2011	14436/2011
Skinner, Judith Anne;Morris, Colin; 25-02C, Privacy screen, 19 Sep 2011	14183/2011	S2DIO Pty Ltd; 06-01F, 06-01H, A chair, 04 Oct 2011	14433/2011
Skinner, Judith Anne;Morris, Colin; 25-02C, Privacy screen, 19 Sep 2011	14184/2011	S2DIO Pty Ltd; 06-01F, 06-01H, A chair, 04 Oct 2011	14434/2011
Skinner, Judith Anne;Morris, Colin; 25-02C, Privacy screen, pool fencing, fence panel, balcony screen, garden gate, 19 Sep 2011	14192/2011	Tangle Teezer Limited; 04-02, Hair brush, (EM, 19 Aug 2011) 13 Sep 2011	14457/2011
Societe De Technologie Michelin;Michelin Recherche et Technique SA; 12-15B, A tyre, (US, 14 Apr 2011) 30 Sep 2011	14423/2011	Tangle Teezer Limited; 04-02, Hair brush, (EM, 19 Aug 2011) 13 Sep 2011	14456/2011
Societe De Technologie Michelin;Michelin Recherche et Technique SA; 12-15B, A tyre, (US, 14 Apr 2011) 30 Sep 2011	14422/2011	Tetra Laval Holdings & Finance S.A.; 09-03NES, Packaging container, (EM, 03 Feb 2011) (Divisional of 13139/2011) 15 Jul 2011	14455/2011
Sunbeam Corporation Limited; 07-02A, Compact oven, 21 Sep 2011	14220/2011	Tolhurst, Benjamin Craig;Skinner, Anne Michelle; 07-04, Chopping board with imbedded mortar and pestal, 16 Sep 2011	14131/2011
SI Aust Group Pty Ltd; 23-01H, Tap mixer and spout, 30 Sep 2011	14441/2011	Toyota Jidosha Kabushiki Kaisha; 12-08, Automobile, (US, 31 Mar 2011) 29 Sep 2011	14133/2011
SI Aust Group Pty Ltd; 23-01H, Tap mixer, 30 Sep 2011	14445/2011	Toyota Jidosha Kabushiki Kaisha; 12-08, Automobile, (US, 31 Mar 2011) 29 Sep 2011	14264/2011

Toyota Jidosha Kabushiki Kaisha; 12-16C, Front bumper for an automobile, (US, 31 Mar 2011) 29 Sep 2011	14404/2011	Toyota Jidosha Kabushiki Kaisha; 12-16B, Front grille for an automobile, (US, 31 Mar 2011) 29 Sep 2011	14391/2011
Toyota Jidosha Kabushiki Kaisha; 12-08, Automobile, (US, 31 Mar 2011) 29 Sep 2011	14400/2011	Toyota Jidosha Kabushiki Kaisha; 12-08, Automobile, (US, 31 Mar 2011) 29 Sep 2011	14392/2011
Toyota Jidosha Kabushiki Kaisha; 12-16C, Front bumper for an automobile, (US, 31 Mar 2011) 29 Sep 2011	14397/2011	Toyota Jidosha Kabushiki Kaisha; 12-16C, Front bumper for an automobile, (US, 31 Mar 2011) 29 Sep 2011	14382/2011
Toyota Jidosha Kabushiki Kaisha; 12-16C, Rear bumper for an automobile, (US, 31 Mar 2011) 29 Sep 2011	14405/2011	Toyota Jidosha Kabushiki Kaisha; 12-08, Automobile, (US, 31 Mar 2011) 29 Sep 2011	14379/2011
Toyota Jidosha Kabushiki Kaisha; 12-16C, Front bumper for an automobile, (US, 31 Mar 2011) 29 Sep 2011	14401/2011	Toyota Jidosha Kabushiki Kaisha; 12-16E, Front combination lamp for an automobile, (US, 31 Mar 2011) 29 Sep 2011	14393/2011
Toyota Jidosha Kabushiki Kaisha; 12-16B, Front grille for an automobile, (US, 31 Mar 2011) 29 Sep 2011	14402/2011	Toyota Jidosha Kabushiki Kaisha; 12-16E, Front combination lamp for an automobile, (US, 31 Mar 2011) 29 Sep 2011	14394/2011
Toyota Jidosha Kabushiki Kaisha; 12-16B, Front grille for an automobile, (US, 31 Mar 2011) 29 Sep 2011	14398/2011	Toyota Jidosha Kabushiki Kaisha; 12-16E, Front combination lamp for an automobile, (US, 31 Mar 2011) 29 Sep 2011	14380/2011
Toyota Jidosha Kabushiki Kaisha; 12-16E, Rear combination lamp for an automobile, (US, 31 Mar 2011) 29 Sep 2011	14395/2011	Toyota Jidosha Kabushiki Kaisha;Fuji Jukogyo Kabushiki Kaisha; 12-16NES, Front door for an automobile, 26 Sep 2011	14316/2011
Toyota Jidosha Kabushiki Kaisha; 12-16E, Rear combination lamp for an automobile, (US, 31 Mar 2011) 29 Sep 2011	14396/2011	Toyota Jidosha Kabushiki Kaisha;Fuji Jukogyo Kabushiki Kaisha; 12-16C, Front bumper for an automobile, 26 Sep 2011	14318/2011
Toyota Jidosha Kabushiki Kaisha; 12-16A, Steering wheel for an automobile, (US, 31 Mar 2011) 29 Sep 2011	14385/2011	Toyota Jidosha Kabushiki Kaisha;Fuji Jukogyo Kabushiki Kaisha; 12-16C, Front bumper for an automobile, 26 Sep 2011	14317/2011
Toyota Jidosha Kabushiki Kaisha; 12-16B, Front grille for an automobile, (US, 31 Mar 2011) 29 Sep 2011	14387/2011	Toyota Jidosha Kabushiki Kaisha;Fuji Jukogyo Kabushiki Kaisha; 26-06, Front combination lamp for an automobile, 26 Sep 2011	14319/2011
Toyota Jidosha Kabushiki Kaisha; 12-08, Automobile, (US, 31 Mar 2011) 29 Sep 2011	14388/2011	Toyota Jidosha Kabushiki Kaisha;Fuji Jukogyo Kabushiki Kaisha; 12-16C, Front bumper for an automobile, 26 Sep 2011	14315/2011
Toyota Jidosha Kabushiki Kaisha; 12-08, Automobile, (US, 31 Mar 2011) 29 Sep 2011	14386/2011	Toyota Jidosha Kabushiki Kaisha;Fuji Jukogyo Kabushiki Kaisha; 12-08, Automobile, 26 Sep 2011	14302/2011
Toyota Jidosha Kabushiki Kaisha; 12-16B, Front grille for an automobile, (US, 31 Mar 2011) 29 Sep 2011	14383/2011	Toyota Jidosha Kabushiki Kaisha; 26-06, Rear combination lamp for an automobile, 14 Sep 2011	14062/2011
Toyota Jidosha Kabushiki Kaisha; 12-16C, Front bumper for an automobile, (US, 31 Mar 2011) 29 Sep 2011	14389/2011	Toyota Jidosha Kabushiki Kaisha; 12-16B, Front grille for an automobile, (US, 31 Mar 2011) 29 Sep 2011	14406/2011
Toyota Jidosha Kabushiki Kaisha; 12-16C, Rear bumper for an automobile, (US, 31 Mar 2011) 29 Sep 2011	14390/2011	Toyota Jidosha Kabushiki Kaisha; 12-08, Automobile, (US, 31 Mar 2011) 29 Sep 2011	14407/2011
Toyota Jidosha Kabushiki Kaisha; 12-16NES, Instrument panel for an automobile, (US, 31 Mar 2011) 29 Sep 2011	14384/2011	Toyota Jidosha Kabushiki Kaisha; 26-06, Front combination lamp for an automobile, 14 Sep 2011	14063/2011
Toyota Jidosha Kabushiki Kaisha; 12-16E, Rear combination lamp for an automobile, (US, 31 Mar 2011) 29 Sep 2011	14381/2011		

Toyota Jidosha Kabushiki Kaisha;Fuji Jukogyo Kabushiki Kaisha; 26-06, Front combination lamp for an automobile, 26 Sep 2011	14305/2011	Toyota Jidosha Kabushiki Kaisha; 12-16NES, Instrument panel for an automobile, 14 Sep 2011	14064/2011
Toyota Jidosha Kabushiki Kaisha;Fuji Jukogyo Kabushiki Kaisha; 12-08, Automobile, 26 Sep 2011	14311/2011	Toyota Jidosha Kabushiki Kaisha; 12-08, Automobile, 14 Sep 2011	14065/2011
Toyota Jidosha Kabushiki Kaisha;Fuji Jukogyo Kabushiki Kaisha; 12-16B, Spoiler for an automobile, 26 Sep 2011	14308/2011	Toyota Jidosha Kabushiki Kaisha; 12-08, Automobile, 14 Sep 2011	14066/2011
Toyota Jidosha Kabushiki Kaisha;Fuji Jukogyo Kabushiki Kaisha; 12-08, Automobile, 26 Sep 2011	14307/2011	Toyota Jidosha Kabushiki Kaisha; 12-08, Automobile, 14 Sep 2011	14067/2011
Toyota Jidosha Kabushiki Kaisha;Fuji Jukogyo Kabushiki Kaisha; 12-08, Automobile, 26 Sep 2011	14309/2011	Toyota Jidosha Kabushiki Kaisha; 12-16C, Rear bumper for an automobile, 14 Sep 2011	14068/2011
Toyota Jidosha Kabushiki Kaisha;Fuji Jukogyo Kabushiki Kaisha; 26-06, Rear combination lamp for an automobile, 26 Sep 2011	14306/2011	Toyota Jidosha Kabushiki Kaisha; 12-16C, Front bumper for an automobile, 14 Sep 2011	14069/2011
Toyota Jidosha Kabushiki Kaisha;Fuji Jukogyo Kabushiki Kaisha; 12-16C, Rear bumper for an automobile, 26 Sep 2011	14310/2011	Unilever PLC; 31-00, Ice cream dispenser, (EM, 19 Apr 2011) 26 Sep 2011	14334/2011
Toyota Jidosha Kabushiki Kaisha;Fuji Jukogyo Kabushiki Kaisha; 12-16NES, Instrument panel for an automobile, 26 Sep 2011	14304/2011	Unilever PLC; 31-00, Ice cream dispenser, (EM, 19 Apr 2011) 26 Sep 2011	14335/2011
Toyota Jidosha Kabushiki Kaisha;Fuji Jukogyo Kabushiki Kaisha; 26-06, Rear combination lamp for an automobile, 26 Sep 2011	14312/2011	Vilno Group Pty Ltd; 23-01L, 08-08L, Gutter bracket, 29 Sep 2011	14373/2011
Toyota Jidosha Kabushiki Kaisha;Fuji Jukogyo Kabushiki Kaisha; 12-16C, Rear bumper for an automobile, 26 Sep 2011	14314/2011	Vilno Group Pty Ltd; 23-01L, 08-08L, Gutter bracket, 29 Sep 2011	14374/2011
Toyota Jidosha Kabushiki Kaisha;Fuji Jukogyo Kabushiki Kaisha; 12-08, Automobile, 26 Sep 2011	14303/2011	Volkswagon Aktiengesellschaft; 12-08, Motor vehicle, 22 Sep 2011	14252/2011
Toyota Jidosha Kabushiki Kaisha;Fuji Jukogyo Kabushiki Kaisha; 12-08, Automobile, 26 Sep 2011	14313/2011	Ward, Duncan; 26-05A, Light fitting, 22 Sep 2011	14251/2011
		Windsor, Amy Genevieve; 02-02A, A reconfigurable swim suit for women, 16 Sep 2011	14201/2011
		Wobben, Aloys; 13-01, Wind turbine, (DE, 04 Apr 2011) 30 Sep 2011	14411/2011
		Wrap Film Systems Limited; 20-02D, Roll dispenser, (EM, 01 Apr 2011) 30 Sep 2011	14426/2011
		3M Innovative Properties Company; 07-01F, Water filtration pitcher, (US, 28 Mar 2011) 28 Sep 2011	14320/2011

Applications Withdrawn

14185 / 2011 (25-02C)	14187 / 2011 (25-02C)
14188 / 2011 (25-02C)	14189 / 2011 (25-02C)
14192 / 2011 (25-02C)	14265 / 2011 (23-01G)

Applications Lapsed

15449 / 2010 (02-02C)

	12641 / 2011 (02-02C)
12642 / 2011 (02-02C)	12643 / 2011 (02-02NES)
12644 / 2011 (02-02C)	12645 / 2011 (02-02NES)
12646 / 2011 (02-02NES)	12647 / 2011 (02-02C)
12648 / 2011 (02-02NES)	12649 / 2011 (02-02C)
12650 / 2011 (02-02NES)	12651 / 2011 (02-02C)
12652 / 2011 (02-02C)	12653 / 2011 (02-02NES)
12654 / 2011 (02-02NES)	12655 / 2011 (02-02NES)
12656 / 2011 (02-02NES)	12657 / 2011 (02-02NES)
12658 / 2011 (02-02NES)	12659 / 2011 (02-02NES)
12660 / 2011 (02-02NES)	13045 / 2011 (12-13)
13098 / 2011 (09-03M)	13270 / 2011 (20-03C)
13271 / 2011 (20-03C)	13272 / 2011 (25-01K)
13273 / 2011 (25-01K)	13274 / 2011 (25-01K)
13275 / 2011 (25-01K)	

Extension of Period of Registration of Designs

304511	308307	309933
310528	310707	310775
310847	310869	310972
311037	311038	311039
311040	311041	311066
311107	311108	311139
311150	311155	311204
311237	311246	311248
311259	311294	311295
311296	311354	311388
311431	311432	311459
311460	311461	311482
311483	311484	311485
311486	311487	311506
311507	311508	311509
311530	311531	311555
311556	311558	311559
311560	311561	311562
311564	311565	311580
311588	311589	311595
311602	311615	311616
311617	311618	311620
311621	311622	311623
311624	311625	311626
311627	311681	311682
311688	311689	311690
311691	311692	311693
311694	311695	311697
311725	311744	311760
311762	311763	311764
311777	311778	311779
311780	311781	311782
311783	311784	311785
311786	311787	311788
311789	311790	311791
311792	311793	311794
311795	311827	311828
311829	311830	311831
311832	311833	311849
311854	311857	311859
311915	311922	311923
311924	311927	311933
311934	311935	311941
311947	311948	311949
311950	311952	311975
311976	311993	311994
312036	312037	312038
312039	312040	312045
312046	312081	312090
312100	312107	312108
312109	312155	312164

312170	312172	312195
312196	312217	312218
312284	312287	312292
312309	312322	312393
312397	312428	312440
312570	312603	312628
312634	312635	312646
312670	312702	312706
312942	312943	312971
312972	312973	312974
312975	312976	312977
312978	312979	312980
312996	313006	313007
313014	313147	313345
313346	313347	313490
313511	313663	314221
314244	314355	314466
314981	315942	

Revocation of Design Registrations

The following Design Registration(s) have been revoked and are taken never to have been registered:

311166 03-01NES

Registrations Ceased

306485	306486	306497
306499	306501	306502
306504	306511	306527
306528	307443	307444
307445	308126	308129
308130	308134	308135
308183	308256	308349
308350	308465	308491
308523	308524	308531
308535	308536	308537
308538	308582	308597
308599	308600	308605
308607	308653	308655
308656	308738	308739
308740	308769	308865
308866	308867	308869
308901	308921	308960
308966	308970	309004
309154	309155	309372
309877	309878	309879
310324	310457	310458
310459	310718	310855
310968	310989	310990
310992	310993	310997

311301	311302	311305
311306	311307	311308
311311	311312	311313
311319	311320	311322
311325	311326	311327
311328	311332	311333
311334	311335	311356
311357	311358	311359
311378	311403	311404
311408	311409	311410
311412	311414	311962
311963	311972	312411
312412	312413	312443
312609	312610	313149
314005		

Extensions of time granted under Section 137

Applications lodged under section 137 for extension of time have been granted.

304511 **28 Newlands Road Holdings Pty Ltd**

308307 **Oliver Clemens Robert Kratzer**

338610 **Jeffrey Anning**

338691 **Exlites Pty Ltd**

338695 **Tetra Laval Holdings & Finance S.A.**

Subsequent Owners Registered

(The name in parentheses is that of the subsequent owner)

315684	(Be Well IP Pty Limited) Christopher Kelly
315685	(Be Well IP Pty Limited) Christopher Kelly
315686	(Be Well IP Pty Limited) Christopher Kelly
321271	(Thinking Ergonomix Pty Limited) Fluid Furniture Pty Limited
321279	(Thinking Ergonomix Pty Limited) Fluid Furniture Pty Limited
321280	(Thinking Ergonomix Pty Limited) Fluid Furniture Pty Limited
321281	(Thinking Ergonomix Pty Limited) Fluid Furniture Pty Limited
321282	(Thinking Ergonomix Pty Limited) Fluid Furniture Pty Limited
321283	(Thinking Ergonomix Pty Limited) Fluid Furniture Pty Limited
321043	(Nathan Horsfall) Harvey David Horsfall;Sue-Ellen Horsfall
321049	(Nathan Horsfall) Sue-Ellen Horsfall;Harvey David Horsfall
328494	(Nathan Horsfall) Harvey David Horsfall;Sue-Ellen Horsfall

Corrigenda

Number 312926

In Vol 25 , No 19 , page 2523 under the heading **Subsequent Owners Registered**; This entry is deleted in toto..

Number 318530

In Vol 25 , No 19 , page 2523 under the heading **Subsequent Owners Registered**; This entry is deleted in toto..

Number 321907

In Vol 25 , No 19 , page 2523 under the heading **Subsequent Owners Registered**; This entry is deleted in toto..

Number 321564

In Vol 25 , No 19 , page 2523 under the heading **Subsequent Owners Registered**; This entry is deleted in toto..

Number 311458

In Vol 25 , No 19 , page 2522 under the heading **Extensions of time granted under Section** This entry is to be deleted in toto.

Certificate(s) of Examination

Examination of the following Design Registration(s) has been completed. Infringement proceedings may now be commenced.

320684	23-01C	30/09/2011
320685	23-01C	30/09/2011
320763	07-02E	21/09/2011
326890	25-01D	06/10/2011
329003	23-01E	30/09/2011
329291	23-02NES	28/09/2011
329292	23-02NES	28/09/2011
330429	23-01E	22/09/2011
331106	15-05	06/10/2011
333412	21-02F	30/09/2011
335344	14-02	21/09/2011
335345	14-02	21/09/2011
335694	07-05NES	20/09/2011
335722	12-16L	30/09/2011
335886	08-05E	30/09/2011
335887	08-05E	30/09/2011
335888	08-05E	30/09/2011
336467	21-01B	21/09/2011
336626	24-01	30/09/2011
336664	14-02	29/09/2011
336665	14-02	29/09/2011
336666	14-02	29/09/2011
336803	02-02C	20/09/2011
336926	14-03NES	30/09/2011
336943	14-03NES	30/09/2011
337434	24-02	26/09/2011
337495	02-01B	19/09/2011
337505	10-05	06/10/2011
337604	12-05	23/09/2011
337652	11-01C	26/09/2011

Publication and Registration Proceedings

Designs Registered

This section provides a concordance between design number and registration number of Designs covered in this journal. It also shows the main class and registration date.

This section covers Registration numbers 338575 to 338799 .

The registration number shown below should be used in all future correspondence.

Design Number	Registration Number	International Classification Code (IDC)	Registration Date	Design Number	Registration Number	International Classification Code (IDC)	Registration Date
13300/2010	338610	12-14	22/09/2011	13357/2011	338606	06-04B	22/09/2011
15688/2010	338713	02-02C	29/09/2011	13426/2011	338668	09-01NES	27/09/2011
10815/2011	338684	02-02NES	28/09/2011	13427/2011	338669	09-01NES	27/09/2011
11230/2011	338662	12-02	27/09/2011	13486/2011	338699	07-05NES	28/09/2011
11231/2011	338663	12-02	27/09/2011	13487/2011	338700	07-01B	28/09/2011
11232/2011	338664	12-02	27/09/2011	13488/2011	338701	07-04	28/09/2011
11233/2011	338665	12-02	27/09/2011	13489/2011	338702	07-99A	28/09/2011
11354/2011	338656	06-06H	27/09/2011	13490/2011	338703	07-06B	28/09/2011
11484/2011	338657	15-07	27/09/2011	13491/2011	338704	07-04	28/09/2011
11485/2011	338658	15-07	27/09/2011	13492/2011	338705	07-02N	28/09/2011
11490/2011	338731	25-03	30/09/2011	13493/2011	338706	07-06C	28/09/2011
11644/2011	338637	21-02D	26/09/2011	13494/2011	338707	07-05NES	28/09/2011
12092/2011	338680	12-16NES	28/09/2011	13496/2011	338577	23-04	20/09/2011
12147/2011	338739	03-01NES	30/09/2011	13590/2011	338748	09-07C	04/10/2011
12204/2011	338712	08-08C	29/09/2011	13598/2011	338646	30-03	26/09/2011
12322/2011	338681	02-02B	28/09/2011	13692/2011	338779	08-08A	05/10/2011
12323/2011	338682	02-02B	28/09/2011	13705/2011	338578	07-07A	20/09/2011
12368/2011	338760	09-03L	05/10/2011	13734/2011	338579	09-03F	20/09/2011
12376/2011	338761	09-03L	05/10/2011	13735/2011	338580	09-03F	20/09/2011
12537/2011	338575	25-01C	20/09/2011	13736/2011	338581	09-03F	20/09/2011
12557/2011	338666	26-04	27/09/2011	13743/2011	338614	07-02B	23/09/2011
12564/2011	338732	08-08B	30/09/2011	13744/2011	338615	07-02B	23/09/2011
12585/2011	338592	11-02F	21/09/2011	13745/2011	338616	23-01A	23/09/2011
12842/2011	338691	13-99	28/09/2011	13746/2011	338617	12-16C	23/09/2011
12965/2011	338659	08-08NES	27/09/2011	13747/2011	338618	21-02A	23/09/2011
13050/2011	338683	09-02C	28/09/2011	13749/2011	338629	07-02L	23/09/2011
13072/2011	338576	08-06	20/09/2011	13750/2011	338586	20-02NES	21/09/2011
13139/2011	338695	09-03NES	28/09/2011	13751/2011	338587	06-04B	21/09/2011
13151/2011	338593	06-03A	21/09/2011	13752/2011	338588	06-04B	21/09/2011
13193/2011	338778	14-02	05/10/2011	13753/2011	338589	06-04B	21/09/2011
13208/2011	338789	25-01K	06/10/2011	13754/2011	338590	06-04B	21/09/2011
13210/2011	338650	05-06NES	26/09/2011	13755/2011	338591	06-04B	21/09/2011
13228/2011	338733	06-06F	30/09/2011	13756/2011	338582	06-04B	20/09/2011
13229/2011	338734	06-06F	30/09/2011	13757/2011	338583	06-04B	20/09/2011
13230/2011	338735	06-09	30/09/2011	13758/2011	338584	06-04B	20/09/2011
13231/2011	338736	06-06F	30/09/2011	13759/2011	338585	06-04B	20/09/2011
13233/2011	338697	04-02	28/09/2011	13761/2011	338619	12-11	23/09/2011
13295/2011	338625	14-02	23/09/2011	13762/2011	338630	14-03E	23/09/2011
13296/2011	338626	14-02	23/09/2011	13763/2011	338631	14-03E	23/09/2011
13297/2011	338627	14-02	23/09/2011	13764/2011	338632	08-05A	23/09/2011
13302/2011	338628	12-16C	23/09/2011	13765/2011	338633	06-02	23/09/2011
13309/2011	338741	06-13B	04/10/2011	13766/2011	338634	08-01	23/09/2011
13310/2011	338740	03-01NES	04/10/2011	13768/2011	338620	10-04	23/09/2011
13315/2011	338747	09-01B	04/10/2011	13769/2011	338621	10-04	23/09/2011
13322/2011	338667	06-13B	27/09/2011	13770/2011	338622	08-08NES	23/09/2011
13330/2011	338660	15-03B	27/09/2011	13771/2011	338594	01-01	21/09/2011
13353/2011	338602	06-04B	22/09/2011	13772/2011	338595	01-01	21/09/2011
13354/2011	338603	06-04B	22/09/2011	13773/2011	338596	01-01	21/09/2011
13355/2011	338604	06-04B	22/09/2011	13774/2011	338597	01-01	21/09/2011
13356/2011	338605	06-04B	22/09/2011	13776/2011	338607	12-06NES	22/09/2011

Publication and Registration Proceedings - Designs Registered cont'd

Design Number	Registration Number	International Classification Code (IDC)	Registration Date	Design Number	Registration Number	International Classification Code (IDC)	Registration Date
13777/2011	338608	23-04	22/09/2011	13893/2011	338717	23-03A	29/09/2011
13779/2011	338609	15-05	22/09/2011	13894/2011	338718	23-03A	29/09/2011
13780/2011	338599	08-09	22/09/2011	13895/2011	338719	23-03A	29/09/2011
13781/2011	338600	21-02F	22/09/2011	13896/2011	338720	23-03A	29/09/2011
13782/2011	338601	08-07	22/09/2011	13897/2011	338721	23-03A	29/09/2011
13789/2011	338611	10-06	22/09/2011	13898/2011	338722	12-02	29/09/2011
13791/2011	338612	08-01	22/09/2011	13914/2011	338729	07-02P	30/09/2011
13792/2011	338613	26-05D	22/09/2011	13915/2011	338737	08-01	30/09/2011
13804/2011	338635	25-01E	26/09/2011	13917/2011	338730	08-05K	30/09/2011
13805/2011	338623	12-05	23/09/2011	13918/2011	338685	02-02C	28/09/2011
13806/2011	338651	21-02D	26/09/2011	13919/2011	338686	02-02NES	28/09/2011
13807/2011	338652	08-05A	26/09/2011	13920/2011	338687	02-02C	28/09/2011
13808/2011	338653	09-07A	26/09/2011	13921/2011	338688	02-02C	28/09/2011
13810/2011	338636	23-01K	26/09/2011	13923/2011	338749	25-99	04/10/2011
13812/2011	338638	08-08L	26/09/2011	13924/2011	338750	25-99	04/10/2011
13813/2011	338639	08-08L	26/09/2011	13927/2011	338751	02-04C	04/10/2011
13814/2011	338640	08-08L	26/09/2011	13928/2011	338752	09-03E	04/10/2011
13815/2011	338641	08-08A	26/09/2011	13930/2011	338753	12-11	05/10/2011
13822/2011	338654	09-07C	26/09/2011	13934/2011	338754	25-01D	05/10/2011
13823/2011	338655	19-08	26/09/2011	13935/2011	338755	25-01D	05/10/2011
13824/2011	338598	11-02C	21/09/2011	13936/2011	338756	06-01D	05/10/2011
13828/2011	338647	09-03M	26/09/2011	13937/2011	338757	12-08	05/10/2011
13830/2011	338648	09-03M	26/09/2011	13938/2011	338758	26-06	05/10/2011
13836/2011	338649	09-03M	26/09/2011	13939/2011	338759	12-16C	05/10/2011
13837/2011	338624	12-08	23/09/2011	13941/2011	338780	24-04	06/10/2011
13839/2011	338675	06-13B	27/09/2011	13942/2011	338781	09-03NES	06/10/2011
13842/2011	338676	10-02	27/09/2011	13944/2011	338782	14-03NES	06/10/2011
13843/2011	338677	08-08NES	27/09/2011	13949/2011	338762	26-05A	05/10/2011
13844/2011	338678	08-08NES	27/09/2011	13950/2011	338763	26-05A	05/10/2011
13845/2011	338679	08-08NES	27/09/2011	13951/2011	338764	26-05A	05/10/2011
13849/2011	338670	12-12	27/09/2011	13952/2011	338765	26-05A	05/10/2011
13850/2011	338671	22-05	27/09/2011	13953/2011	338766	26-05A	05/10/2011
13851/2011	338672	22-05	27/09/2011	13954/2011	338767	26-05A	05/10/2011
13852/2011	338673	22-05	27/09/2011	13955/2011	338768	24-02	05/10/2011
13853/2011	338674	22-05	27/09/2011	13956/2011	338769	09-03M	05/10/2011
13856/2011	338693	26-04	28/09/2011	13957/2011	338770	09-03M	05/10/2011
13857/2011	338694	26-05B	28/09/2011	13958/2011	338771	09-03M	05/10/2011
13858/2011	338743	26-05B	04/10/2011	13959/2011	338772	09-03M	05/10/2011
13859/2011	338745	26-05B	04/10/2011	13960/2011	338773	09-03M	05/10/2011
13864/2011	338689	15-03B	28/09/2011	13961/2011	338774	09-03M	05/10/2011
13865/2011	338690	15-03B	28/09/2011	13974/2011	338775	25-02B	05/10/2011
13873/2011	338723	03-01A	30/09/2011	13975/2011	338776	25-02B	05/10/2011
13874/2011	338724	24-01	30/09/2011	13976/2011	338790	10-02	06/10/2011
13877/2011	338725	08-07	30/09/2011	13977/2011	338791	10-02	06/10/2011
13878/2011	338726	08-08B	30/09/2011	13978/2011	338792	10-02	06/10/2011
13879/2011	338727	12-16H	30/09/2011	13979/2011	338793	10-02	06/10/2011
13880/2011	338728	12-16H	30/09/2011	13980/2011	338794	12-11	06/10/2011
13883/2011	338708	04-01	29/09/2011	13981/2011	338795	12-11	06/10/2011
13884/2011	338709	26-05NES	29/09/2011	13982/2011	338796	08-01	06/10/2011
13885/2011	338710	26-05NES	29/09/2011	13983/2011	338797	23-01NES	06/10/2011
13886/2011	338711	26-05NES	29/09/2011	13984/2011	338798	09-03M	06/10/2011
13887/2011	338661	09-03A	27/09/2011	13985/2011	338799	09-03M	06/10/2011
13890/2011	338714	23-03A	29/09/2011	13986/2011	338643	03-01D	26/09/2011
13891/2011	338715	23-03A	29/09/2011	13987/2011	338642	03-01D	26/09/2011
13892/2011	338716	23-03A	29/09/2011	13988/2011	338644	03-01D	26/09/2011

Publication and Registration Proceedings - Designs Registered cont'd

Design Number	Registration Number	International Classification Code (IDC)	Registration Date	Design Number	Registration Number	International Classification Code (IDC)	Registration Date
13989/2011	338645	03-01D	26/09/2011	14193/2011	338788	25-02C	06/10/2011
14013/2011	338777	24-01	05/10/2011	14201/2011	338738	02-02A	30/09/2011
14034/2011	338692	13-99	28/09/2011	14263/2011	338698	04-02	28/09/2011
14169/2011	338746	10-02	04/10/2011	14264/2011	338696	09-03NES	28/09/2011
14183/2011	338783	25-02C	06/10/2011	14366/2011	338744	26-05B	04/10/2011
14184/2011	338784	25-02C	06/10/2011	14367/2011	338742	26-05B	04/10/2011
14186/2011	338785	25-02C	06/10/2011				
14190/2011	338786	25-02C	06/10/2011				
14191/2011	338787	25-02C	06/10/2011				

Publication and Registration Proceedings

Class Listing of Designs Published or Registered

The following section shows an International Classification Code listing of the Registered or Published Designs covered in this supplement.

Classification	Registration Number	Design Number	Classification	Registration Number	Design Number
01-01	338594	13771/2011	07-01B	338700	13487/2011
01-01	338595	13772/2011	07-01NES	338761	12376/2011
01-01	338596	13773/2011	07-02B	338614	13743/2011
01-01	338597	13774/2011	07-02B	338615	13744/2011
02-02A	338738	14201/2011	07-02L	338629	13749/2011
02-02B	338681	12322/2011	07-02N	338705	13492/2011
02-02B	338682	12323/2011	07-02P	338729	13914/2011
02-02C	338685	13918/2011	07-04	338700	13487/2011
02-02C	338687	13920/2011	07-04	338701	13488/2011
02-02C	338688	13921/2011	07-04	338704	13491/2011
02-02C	338713	15688/2010	07-05NES	338699	13486/2011
02-02NES	338684	10815/2011	07-05NES	338707	13494/2011
02-02NES	338686	13919/2011	07-06A	338701	13488/2011
02-04C	338751	13927/2011	07-06B	338703	13490/2011
03-01A	338723	13873/2011	07-06C	338706	13493/2011
03-01D	338642	13987/2011	07-07A	338578	13705/2011
03-01D	338643	13986/2011	07-07NES	338707	13494/2011
03-01D	338644	13988/2011	07-99A	338702	13489/2011
03-01D	338645	13989/2011	08-01	338612	13791/2011
03-01NES	338739	12147/2011	08-01	338634	13766/2011
03-01NES	338740	13310/2011	08-01	338737	13915/2011
04-01	338708	13883/2011	08-01	338796	13982/2011
04-02	338697	13233/2011	08-05A	338632	13764/2011
04-02	338698	14263/2011	08-05A	338652	13807/2011
05-06NES	338650	13210/2011	08-05K	338730	13917/2011
06-01D	338756	13936/2011	08-06	338576	13072/2011
06-01E	338756	13936/2011	08-07	338601	13782/2011
06-02	338633	13765/2011	08-07	338725	13877/2011
06-03A	338593	13151/2011	08-08A	338641	13815/2011
06-04B	338582	13756/2011	08-08A	338779	13692/2011
06-04B	338583	13757/2011	08-08B	338726	13878/2011
06-04B	338584	13758/2011	08-08B	338732	12564/2011
06-04B	338585	13759/2011	08-08B	338779	13692/2011
06-04B	338587	13751/2011	08-08C	338712	12204/2011
06-04B	338588	13752/2011	08-08L	338638	13812/2011
06-04B	338589	13753/2011	08-08L	338639	13813/2011
06-04B	338590	13754/2011	08-08L	338640	13814/2011
06-04B	338591	13755/2011	08-08M	338635	13804/2011
06-04B	338602	13353/2011	08-08NES	338622	13770/2011
06-04B	338603	13354/2011	08-08NES	338640	13814/2011
06-04B	338604	13355/2011	08-08NES	338659	12965/2011
06-04B	338605	13356/2011	08-08NES	338677	13843/2011
06-04B	338606	13357/2011	08-08NES	338678	13844/2011
06-04NES	338639	13813/2011	08-08NES	338679	13845/2011
06-04NES	338640	13814/2011	08-09	338599	13780/2011
06-06F	338733	13228/2011	09-01A	338652	13807/2011
06-06F	338734	13229/2011	09-01B	338747	13315/2011
06-06F	338736	13231/2011	09-01NES	338668	13426/2011
06-06H	338656	11354/2011	09-01NES	338669	13427/2011
06-09	338735	13230/2011	09-02C	338683	13050/2011
06-13B	338667	13322/2011	09-03A	338661	13887/2011
06-13B	338675	13839/2011	09-03E	338752	13928/2011
06-13B	338741	13309/2011	09-03F	338579	13734/2011

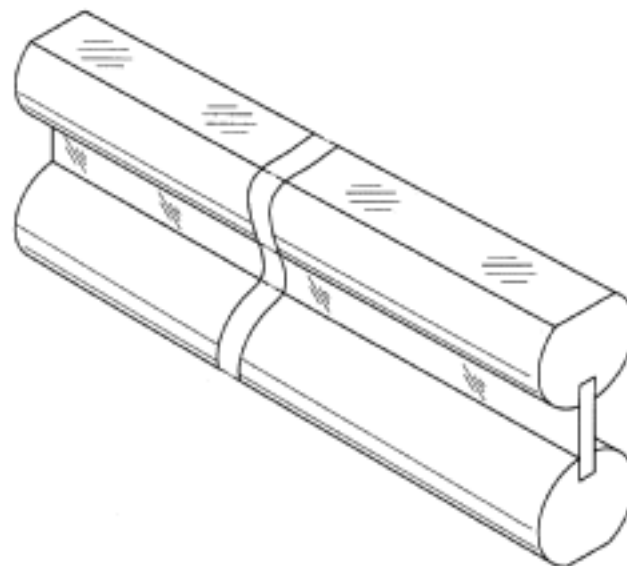
Registration Proceedings - Class Listing of Designs Published or Registered cont'd

Classification	Registration Number	Design Number	Classification	Registration Number	Design Number
09-03F	338580	13735/2011	12-16K	338642	13987/2011
09-03F	338581	13736/2011	12-16K	338643	13986/2011
09-03L	338760	12368/2011	12-16K	338644	13988/2011
09-03L	338761	12376/2011	12-16K	338645	13989/2011
09-03M	338647	13828/2011	12-16NES	338680	12092/2011
09-03M	338648	13830/2011	13-99	338691	12842/2011
09-03M	338649	13836/2011	13-99	338692	14034/2011
09-03M	338769	13956/2011	14-02	338625	13295/2011
09-03M	338770	13957/2011	14-02	338626	13296/2011
09-03M	338771	13958/2011	14-02	338627	13297/2011
09-03M	338772	13959/2011	14-02	338659	12965/2011
09-03M	338773	13960/2011	14-02	338778	13193/2011
09-03M	338774	13961/2011	14-03E	338630	13762/2011
09-03M	338798	13984/2011	14-03E	338631	13763/2011
09-03M	338799	13985/2011	14-03NES	338782	13944/2011
09-03NES	338695	13139/2011	15-03B	338660	13330/2011
09-03NES	338696	14264/2011	15-03B	338689	13864/2011
09-03NES	338781	13942/2011	15-03B	338690	13865/2011
09-07A	338653	13808/2011	15-05	338609	13779/2011
09-07C	338654	13822/2011	15-07	338657	11484/2011
09-07C	338748	13590/2011	15-07	338658	11485/2011
09-08	338635	13804/2011	15-99	338612	13791/2011
10-02	338676	13842/2011	15-99	338732	12564/2011
10-02	338746	14169/2011	19-08	338655	13823/2011
10-02	338790	13976/2011	20-02NES	338586	13750/2011
10-02	338791	13977/2011	21-01C	338624	13837/2011
10-02	338792	13978/2011	21-01M	338677	13843/2011
10-02	338793	13979/2011	21-02A	338618	13747/2011
10-04	338620	13768/2011	21-02D	338637	11644/2011
10-04	338621	13769/2011	21-02D	338651	13806/2011
10-06	338611	13789/2011	21-02E	338610	13300/2010
11-02C	338598	13824/2011	21-02F	338600	13781/2011
11-02F	338592	12585/2011	22-05	338671	13850/2011
11-02F	338650	13210/2011	22-05	338672	13851/2011
12-02	338662	11230/2011	22-05	338673	13852/2011
12-02	338663	11231/2011	22-05	338674	13853/2011
12-02	338664	11232/2011	23-01A	338616	13745/2011
12-02	338665	11233/2011	23-01K	338636	13810/2011
12-02	338722	13898/2011	23-01NES	338652	13807/2011
12-05	338623	13805/2011	23-01NES	338797	13983/2011
12-06NES	338607	13776/2011	23-03A	338714	13890/2011
12-08	338624	13837/2011	23-03A	338715	13891/2011
12-08	338757	13937/2011	23-03A	338716	13892/2011
12-11	338617	13746/2011	23-03A	338717	13893/2011
12-11	338619	13761/2011	23-03A	338718	13894/2011
12-11	338753	13930/2011	23-03A	338719	13895/2011
12-11	338794	13980/2011	23-03A	338720	13896/2011
12-11	338795	13981/2011	23-03A	338721	13897/2011
12-12	338670	13849/2011	23-04	338577	13496/2011
12-12	338722	13898/2011	23-04	338608	13777/2011
12-14	338610	13300/2010	24-01	338724	13874/2011
12-16C	338617	13746/2011	24-01	338777	14013/2011
12-16C	338628	13302/2011	24-02	338768	13955/2011
12-16C	338759	13939/2011	24-04	338780	13941/2011
12-16H	338727	13879/2011	25-01C	338575	12537/2011
12-16H	338728	13880/2011	25-01D	338754	13934/2011

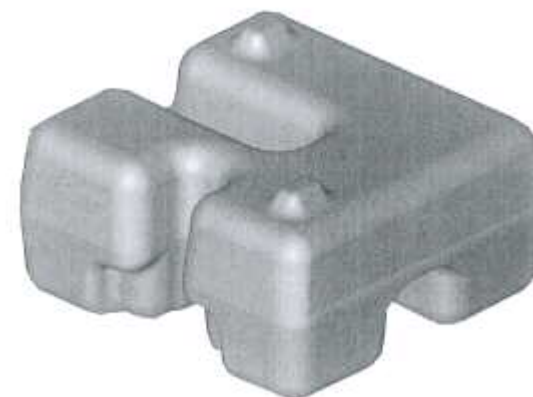
Registration Proceedings - Class Listing of Designs Published or Registered cont'd

Classification	Registration Number	Design Number	Classification	Registration Number	Design Number
25-01D	338755	13935/2011	26-05A	338766	13953/2011
25-01E	338635	13804/2011	26-05A	338767	13954/2011
25-01F	338592	12585/2011	26-05B	338694	13857/2011
25-01K	338599	13780/2011	26-05B	338742	14367/2011
25-01K	338789	13208/2011	26-05B	338743	13858/2011
25-02B	338775	13974/2011	26-05B	338744	14366/2011
25-02B	338776	13975/2011	26-05B	338745	13859/2011
25-02C	338783	14183/2011	26-05C	338666	12557/2011
25-02C	338784	14184/2011	26-05D	338611	13789/2011
25-02C	338785	14186/2011	26-05D	338613	13792/2011
25-02C	338786	14190/2011	26-05E	338666	12557/2011
25-02C	338787	14191/2011	26-05NES	338709	13884/2011
25-02C	338788	14193/2011	26-05NES	338710	13885/2011
25-02NES	338638	13812/2011	26-05NES	338711	13886/2011
25-02NES	338731	11490/2011	26-06	338758	13938/2011
25-03	338731	11490/2011	28-03NES	338653	13808/2011
25-99	338749	13923/2011	30-02	338579	13734/2011
25-99	338750	13924/2011	30-02	338580	13735/2011
26-04	338666	12557/2011	30-02	338581	13736/2011
26-04	338693	13856/2011	30-03	338646	13598/2011
26-05A	338762	13949/2011	30-08	338655	13823/2011
26-05A	338763	13950/2011			
26-05A	338764	13951/2011			
26-05A	338765	13952/2011			

- (21) Design Number: **12537/2011**
- (22) Date of Filing Application: **06 June 2011**
- (24) Date from which industrial property rights may have effect: **06 June 2011**
- (54) Product in respect of which the design is registered: **Structural member**
- (51) International Design Classification: **25-01C**
- (74) Name(s) of Attorney(s): **Freehills Patent & Trade Mark Attorneys**
- (71) Name(s) and Address(s) of Applicant(s):
Loggo IP Pty Ltd
33 Bridge Avenue Oak Flats New South Wales 2529 Australia
- (72) Name(s) of Designer(s): **Patrick Thornton**
- (45) Registration Date: **20 September 2011**
- (56) Related Art Documents: **Not Applicable**
- (57) Statement of Newness and Distinctiveness: **Newness and distinctiveness resides in the features of shape and/or configuration of a structural member of indefinite length as shown in the accompanying representations.**



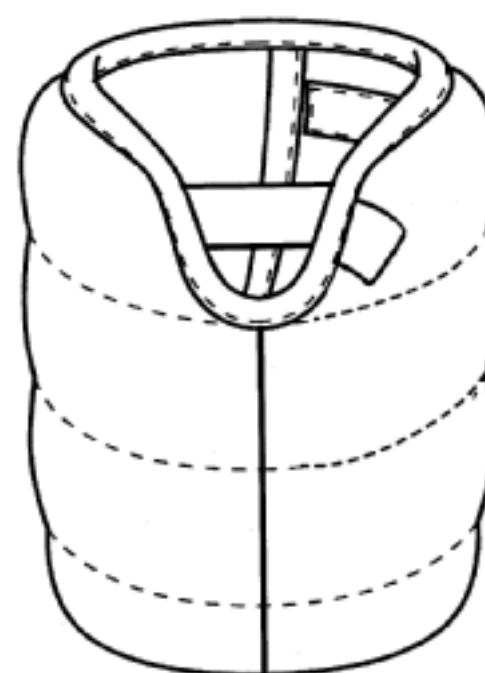
- (21) Design Number: **13072/2011**
- (22) Date of Filing Application: **11 July 2011**
- (24) Date from which industrial property rights may have effect: **11 July 2011**
- (54) Product in respect of which the design is registered: **Sign weight**
- (51) International Design Classification: **08-06**
- (74) Name(s) of Attorney(s): **WATERMARK PATENT AND TRADE MARKS ATTORNEYS**
- (71) Name(s) and Address(s) of Applicant(s):
Plastic Solutions Australia Pty Ltd
24 Janine Street Scoresby Victoria 3179 Australia
- (72) Name(s) of Designer(s): **Kevin Kelly**
- (45) Registration Date: **20 September 2011**
- (56) Related Art Documents: **Not Applicable**
- (57) Statement of Newness and Distinctiveness: **Nil**



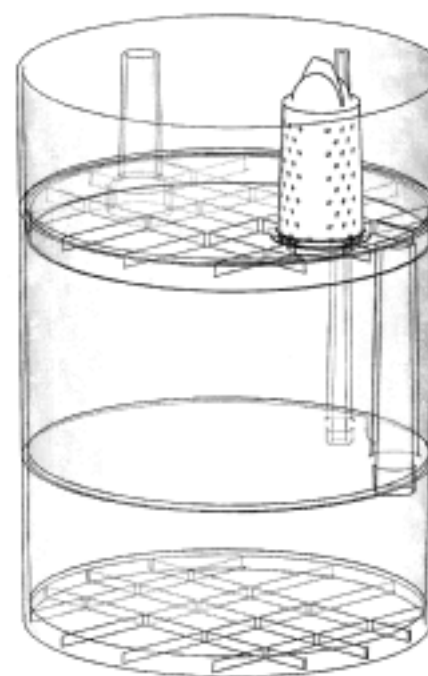
- (21) Design Number: **13496/2011**
(22) Date of Filing Application: **05 August 2011**
(24) Date from which industrial property rights may have effect: **05 August 2011**
(54) Product in respect of which the design is registered: **Aircraft brake cooling fan**
(51) International Design Classification: **23-04**
(74) Name(s) of Attorney(s):
(71) Name(s) and Address(s) of Applicant(s):
Heylal Nachabe
88 The Avenue Bankstown New South Wales 2200 Australia
(72) Name(s) of Designer(s): **Heylal Nachabe**
(45) Registration Date: **20 September 2011**
(56) Related Art Documents: **Not Applicable**
(57) Statement of Newness and Distinctiveness: **DC powered fan (portable, cordless).**



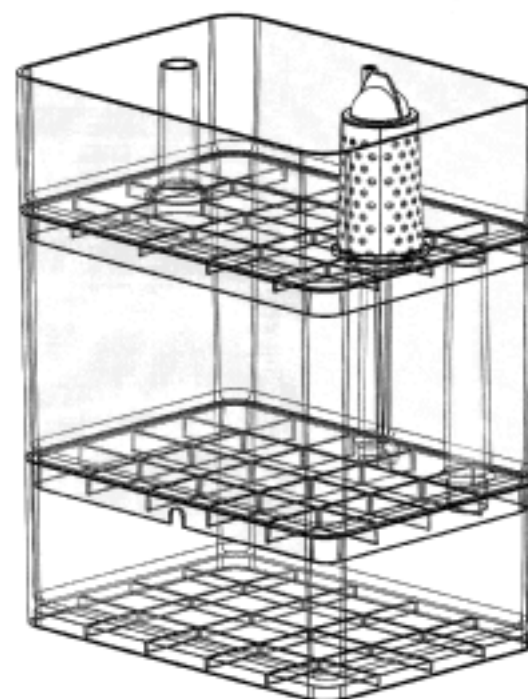
- (21) Design Number: **13705/2011**
(22) Date of Filing Application: **18 August 2011**
(24) Date from which industrial property rights may have effect: **18 August 2011**
(54) Product in respect of which the design is registered: **Rollable cooler**
(51) International Design Classification: **07-07A**
(74) Name(s) of Attorney(s): **Molins & Co**
(71) Name(s) and Address(s) of Applicant(s):
Creative Products Enterprises Pty Limited
2A & 2B James Ruse Business Park 6 Boundary Road Northmead New South Wales 2152 Australia
(72) Name(s) of Designer(s): **David Te**
(45) Registration Date: **20 September 2011**
(56) Related Art Documents: **Not Applicable**
(57) Statement of Newness and Distinctiveness: **Newness is claimed in the features of shape and configuration of the Rollable Cooler as shown in the accompanying representations.**



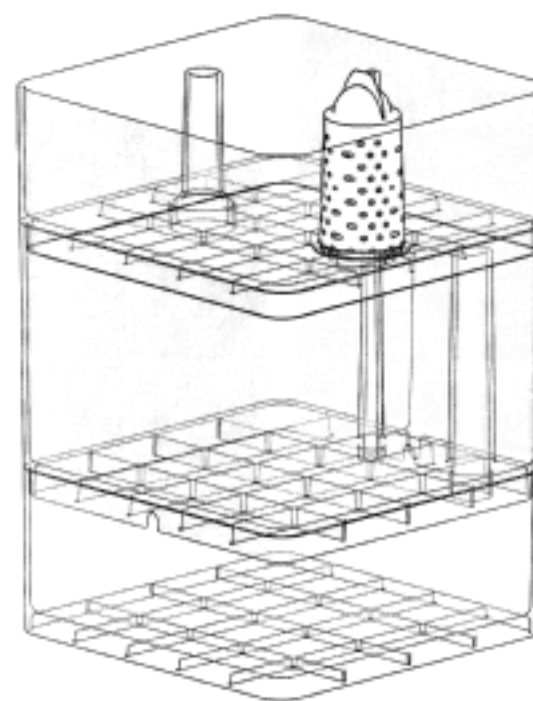
- (21) Design Number: **13734/2011**
(22) Date of Filing Application: **23 August 2011**
(24) Date from which industrial property rights may have effect: **23 August 2011**
(54) Product in respect of which the design is registered: **Modified circular aquaponics system**
(51) International Design Classification: **09-03F, 30-02**
(74) Name(s) of Attorney(s): **Pegasus IP**
(71) Name(s) and Address(s) of Applicant(s):
Aquaponicals Pty Ltd
Level 5 175 Eagle Street Brisbane 4000 Australia
(72) Name(s) of Designer(s): **Clint Zahmel**
(45) Registration Date: **20 September 2011**
(56) Related Art Documents: **Not Applicable**
(57) Statement of Newness and Distinctiveness: **Newness and distinctiveness resides in the features of shape and/or configuration of the product as shown in the reps.**



- (21) Design Number: **13735/2011**
(22) Date of Filing Application: **23 August 2011**
(24) Date from which industrial property rights may have effect: **23 August 2011**
(54) Product in respect of which the design is registered: **Modified rectangular aquaponics system**
(51) International Design Classification: **09-03F, 30-02**
(74) Name(s) of Attorney(s): **Pegasus IP**
(71) Name(s) and Address(s) of Applicant(s):
Aquaponicals Pty Ltd
Level 5 175 Eagle Street Brisbane 4000 Australia
(72) Name(s) of Designer(s): **Clint Zahmel**
(45) Registration Date: **20 September 2011**
(56) Related Art Documents: **Not Applicable**
(57) Statement of Newness and Distinctiveness: **Newness and distinctiveness resides in the features of shape and/or configuration of the product as shown in the reps.**



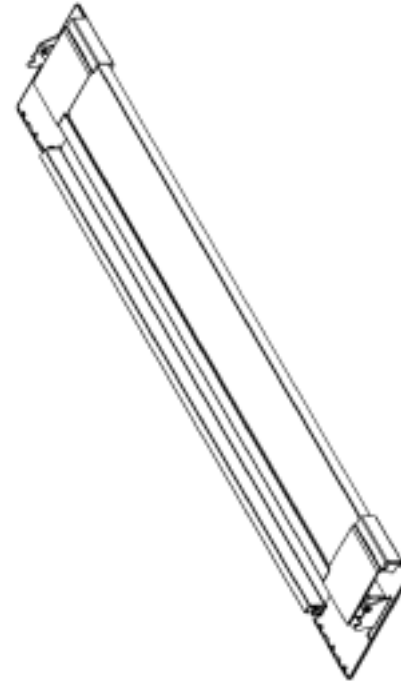
- (21) Design Number: **13736/2011**
(22) Date of Filing Application: **23 August 2011**
(24) Date from which industrial property rights may have effect: **23 August 2011**
(54) Product in respect of which the design is registered: **Modified square aquaponics system**
(51) International Design Classification: **09-03F, 30-02**
(74) Name(s) of Attorney(s): **Pegasus IP**
(71) Name(s) and Address(s) of Applicant(s):
Aquaponicals Pty Ltd
Level 5 175 Eagle Street Brisbane 4000 Australia
(72) Name(s) of Designer(s): **Clint Zahmel**
(45) Registration Date: **20 September 2011**
(56) Related Art Documents: **Not Applicable**
(57) Statement of Newness and Distinctiveness: **Newness and distinctiveness resides in the features of shape and/or configuration of the product as shown in the reps.**



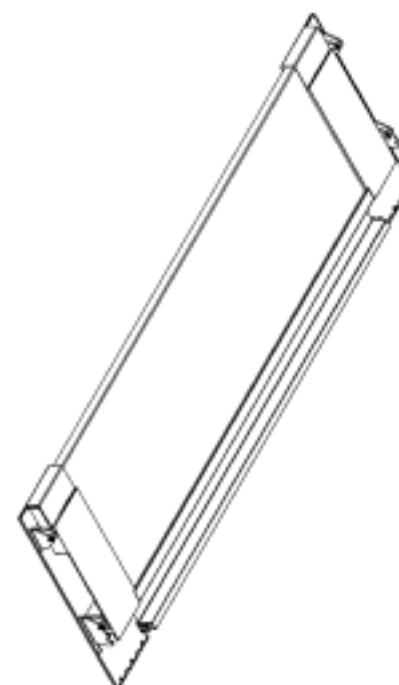
- (21) Design Number: **13756/2011**
(22) Date of Filing Application: **24 August 2011**
(24) Date from which industrial property rights may have effect: **24 August 2011**
(54) Product in respect of which the design is registered: **Part of a drawer**
(51) International Design Classification: **06-04B**
(74) Name(s) of Attorney(s): **Callinans**
(71) Name(s) and Address(s) of Applicant(s):
Julius Blum GmbH
Industriestrasse 1 6973 Hochst Austria
(72) Name(s) of Designer(s): **Ingo Gasser**
(45) Registration Date: **20 September 2011**
(30) Convention priority data:
(31) Number (32) Date (33) Country
1866211-0007 19 May 2011 EUROPEAN COMMUNITY
(56) Related Art Documents: **Not Applicable**
(57) Statement of Newness and Distinctiveness: **Nil**



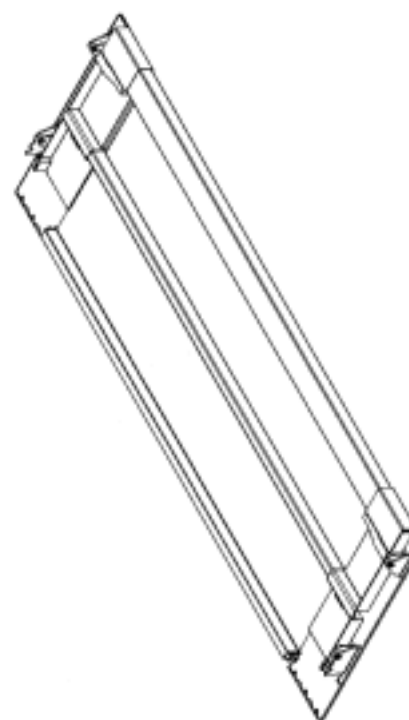
(21) Design Number: **13757/2011**
(22) Date of Filing Application: **24 August 2011**
(24) Date from which industrial property rights may have effect: **24 August 2011**
(54) Product in respect of which the design is registered: **Part of a drawer**
(51) International Design Classification: **06-04B**
(74) Name(s) of Attorney(s): **Callinans**
(71) Name(s) and Address(s) of Applicant(s):
Julius Blum GmbH
Industriestrasse 1 6973 Hochst Austria
(72) Name(s) of Designer(s): **Ingo Gasser**
(45) Registration Date: **20 September 2011**
(30) Convention priority data:
(31) Number (32) Date (33) Country
1866211-0005 19 May 2011 EUROPEAN COMMUNITY
(56) Related Art Documents: **Not Applicable**
(57) Statement of Newness and Distinctiveness: **Nil**



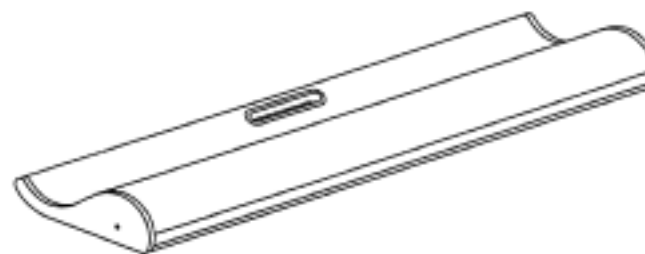
(21) Design Number: **13758/2011**
(22) Date of Filing Application: **24 August 2011**
(24) Date from which industrial property rights may have effect: **24 August 2011**
(54) Product in respect of which the design is registered: **Part of a drawer**
(51) International Design Classification: **06-04B**
(74) Name(s) of Attorney(s): **Callinans**
(71) Name(s) and Address(s) of Applicant(s):
Julius Blum GmbH
Industriestrasse 1 6973 Hochst Austria
(72) Name(s) of Designer(s): **Ingo Gasser**
(45) Registration Date: **20 September 2011**
(30) Convention priority data:
(31) Number (32) Date (33) Country
1866211-0003 19 May 2011 EUROPEAN COMMUNITY
(56) Related Art Documents: **Not Applicable**
(57) Statement of Newness and Distinctiveness: **Nil**



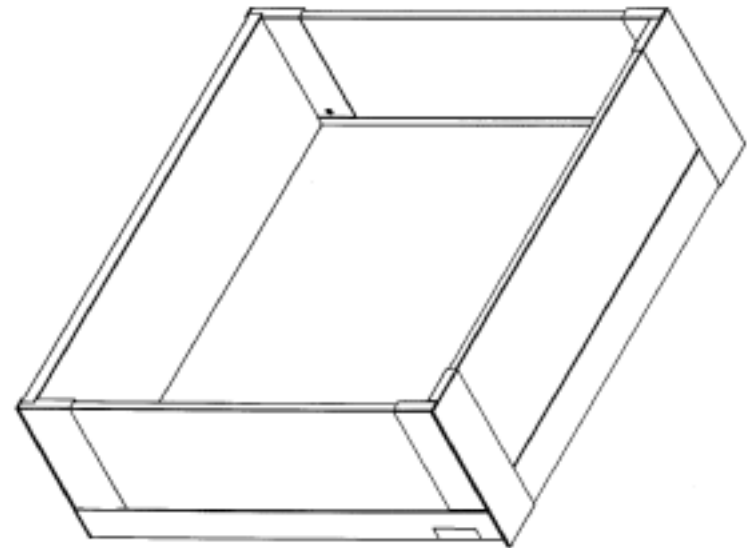
(21) Design Number: **13759/2011**
(22) Date of Filing Application: **24 August 2011**
(24) Date from which industrial property rights may have effect: **24 August 2011**
(54) Product in respect of which the design is registered: **Part of a drawer**
(51) International Design Classification: **06-04B**
(74) Name(s) of Attorney(s): **Callinans**
(71) Name(s) and Address(s) of Applicant(s):
Julius Blum GmbH
Industriestrasse 1 6973 Hochst Austria
(72) Name(s) of Designer(s): **Ingo Gasser**
(45) Registration Date: **20 September 2011**
(30) Convention priority data:
(31) Number (32) Date (33) Country
1866211-0001 19 May 2011 EUROPEAN COMMUNITY
(56) Related Art Documents: **Not Applicable**
(57) Statement of Newness and Distinctiveness: **Nil**



(21) Design Number: **13750/2011**
(22) Date of Filing Application: **24 August 2011**
(24) Date from which industrial property rights may have effect: **24 August 2011**
(54) Product in respect of which the design is registered: **Display stand base**
(51) International Design Classification: **20-02NES**
(74) Name(s) of Attorney(s): **Griffith Hack**
(71) Name(s) and Address(s) of Applicant(s):
Botak Sign Pte Ltd
22 Yio Chu Kang Road #01-34 Highland Centre 545535 Singapore
(72) Name(s) of Designer(s): **Boon Keng Sim**
(45) Registration Date: **21 September 2011**
(30) Convention priority data:
(31) Number (32) Date (33) Country
D2011/400/I 22 Mar 2011 SINGAPORE
(56) Related Art Documents: **Not Applicable**
(57) Statement of Newness and Distinctiveness: **Newness and distinctiveness resides in the visual features, including shape, configuration, pattern and ornamentation of the DISPLAY STAND BASE as shown by means of solid lines in the accompanying representations. Those parts of the design shown by means of dashed lines in Figure 9 do not form part of the design.**



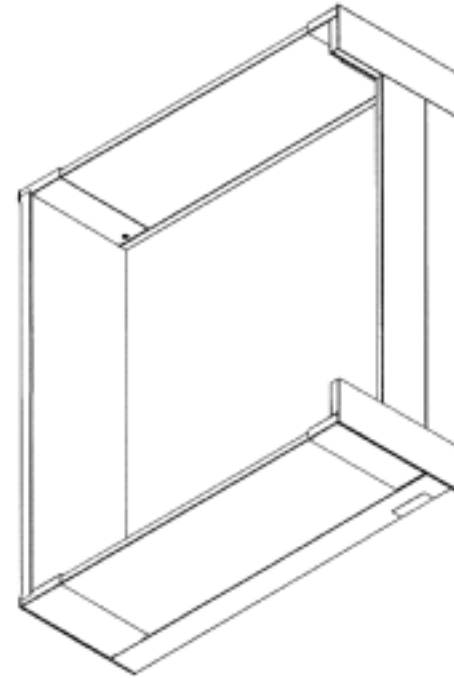
(21) Design Number: **13751/2011**
(22) Date of Filing Application: **24 August 2011**
(24) Date from which industrial property rights may have effect: **24 August 2011**
(54) Product in respect of which the design is registered: **Part of a drawer**
(51) International Design Classification: **06-04B**
(74) Name(s) of Attorney(s): **Callinans**
(71) Name(s) and Address(s) of Applicant(s):
Julius Blum GmbH
Industriestrasse 1 6973 Hochst Austria
(72) Name(s) of Designer(s): **Ingo Gasser**
(45) Registration Date: **21 September 2011**
(30) Convention priority data:
(31) Number (32) Date (33) Country
1866211-0012 19 May 2011 EUROPEAN COMMUNITY
(56) Related Art Documents: **Not Applicable**
(57) Statement of Newness and Distinctiveness: **Nil**



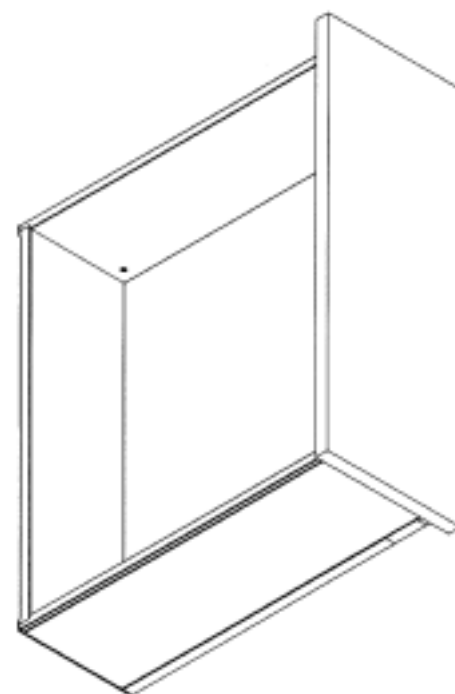
(21) Design Number: **13752/2011**
(22) Date of Filing Application: **24 August 2011**
(24) Date from which industrial property rights may have effect: **24 August 2011**
(54) Product in respect of which the design is registered: **Part of a drawer**
(51) International Design Classification: **06-04B**
(74) Name(s) of Attorney(s): **Callinans**
(71) Name(s) and Address(s) of Applicant(s):
Julius Blum GmbH
Industriestrasse 1 6973 Hochst Austria
(72) Name(s) of Designer(s): **Ingo Gasser**
(45) Registration Date: **21 September 2011**
(30) Convention priority data:
(31) Number (32) Date (33) Country
1866211-0013 19 May 2011 EUROPEAN COMMUNITY
(56) Related Art Documents: **Not Applicable**
(57) Statement of Newness and Distinctiveness: **Nil**



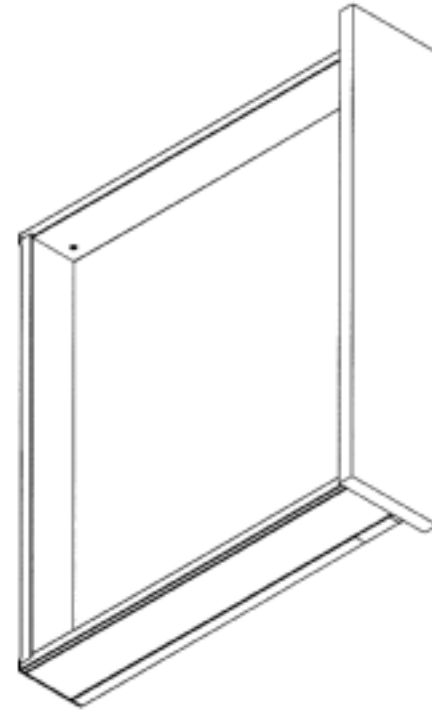
(21) Design Number: **13753/2011**
(22) Date of Filing Application: **24 August 2011**
(24) Date from which industrial property rights may have effect: **24 August 2011**
(54) Product in respect of which the design is registered: **Part of a drawer**
(51) International Design Classification: **06-04B**
(74) Name(s) of Attorney(s): **Callinans**
(71) Name(s) and Address(s) of Applicant(s):
Julius Blum GmbH
Industriestrasse 1 6973 Hochst Austria
(72) Name(s) of Designer(s): **Ingo Gasser**
(45) Registration Date: **21 September 2011**
(30) Convention priority data:
(31) Number (32) Date (33) Country
1866211-0011 19 May 2011 EUROPEAN COMMUNITY
(56) Related Art Documents: **Not Applicable**
(57) Statement of Newness and Distinctiveness: **Nil**



(21) Design Number: **13754/2011**
(22) Date of Filing Application: **24 August 2011**
(24) Date from which industrial property rights may have effect: **24 August 2011**
(54) Product in respect of which the design is registered: **Part of a drawer**
(51) International Design Classification: **06-04B**
(74) Name(s) of Attorney(s): **Callinans**
(71) Name(s) and Address(s) of Applicant(s):
Julius Blum GmbH
Industriestrasse 1 6973 Hochst Austria
(72) Name(s) of Designer(s): **Ingo Gasser**
(45) Registration Date: **21 September 2011**
(30) Convention priority data:
(31) Number (32) Date (33) Country
1866211-0010 19 May 2011 EUROPEAN COMMUNITY
(56) Related Art Documents: **Not Applicable**
(57) Statement of Newness and Distinctiveness: **Nil**



(21) Design Number: **13755/2011**
(22) Date of Filing Application: **24 August 2011**
(24) Date from which industrial property rights may have effect: **24 August 2011**
(54) Product in respect of which the design is registered: **Part of a drawer**
(51) International Design Classification: **06-04B**
(74) Name(s) of Attorney(s): **Callinans**
(71) Name(s) and Address(s) of Applicant(s):
Julius Blum GmbH
Industriestrasse 1 6973 Hochst Austria
(72) Name(s) of Designer(s): **Ingo Gasser**
(45) Registration Date: **21 September 2011**
(30) Convention priority data:
(31) Number (32) Date (33) Country
1866211-0009 19 May 2011 EUROPEAN COMMUNITY
(56) Related Art Documents: **Not Applicable**
(57) Statement of Newness and Distinctiveness: **Nil**

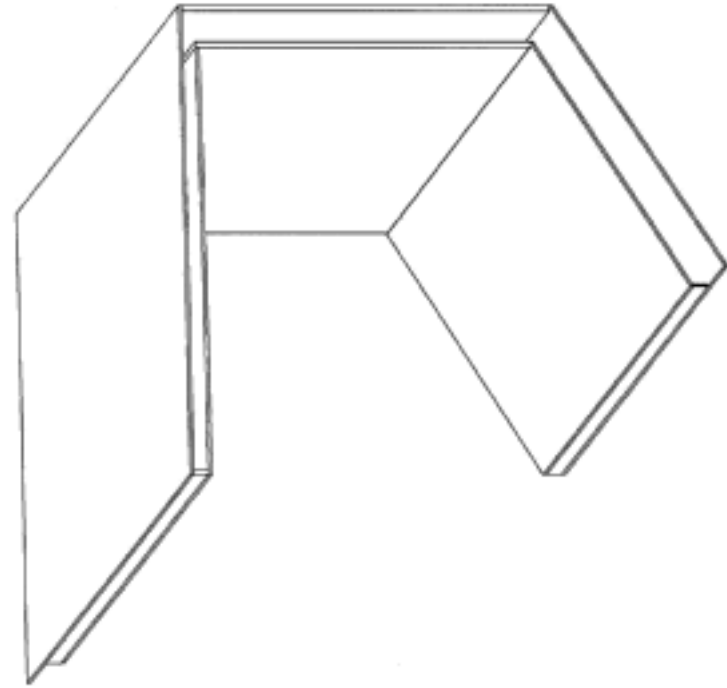


- (21) Design Number: **12585/2011**
(22) Date of Filing Application: **08 June 2011**
(24) Date from which industrial property rights may have effect: **08 June 2011**
(54) Product in respect of which the design is registered: **Feature tiles of timber pieces attached to a fabric backing**
(51) International Design Classification: **11-02F, 25-01F**
(74) Name(s) of Attorney(s):
(71) Name(s) and Address(s) of Applicant(s):
Hannah Mead
60 Currajong Place Brassall Queensland 4305 Australia
(72) Name(s) of Designer(s): **Hannah Mead**
(45) Registration Date: **21 September 2011**
(56) Related Art Documents: **Not Applicable**

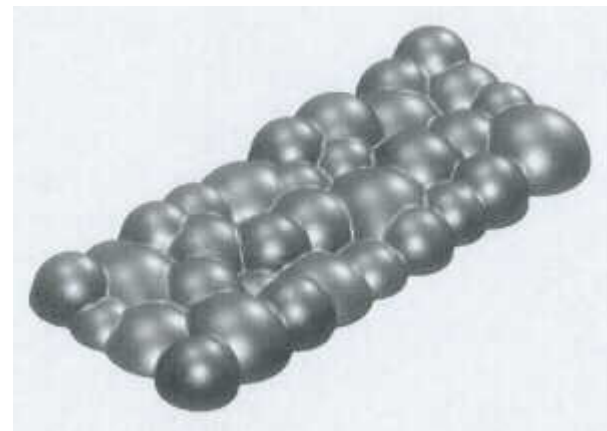


- (57) Statement of Newness and Distinctiveness: **Feature tiles of timber pieces attached to a fabric backing. Random timber pieces in rows with optional highlights of any of the following; metals, mirrors, ceramics, glass, stained timber, laminates, distressed or rough sawn timber, gloss painted or splattered paint finishes, leather or fabric. The pieces of timber, metal, etc are either 60mm, 30mm, or 45mm in width, or multiples of these sizes. Thickness of each piece varies between 3mm and 35mm and length varies from 60mm to 400mm in approximate multiples of 30mm. The sizes of the tiles are approximately 180mm by 540mm, but this can vary according to the customer's requirements. The individual pieces are attached to a fabric backing. The backing sheet is only used to hold the pieces together until they are glued to the feature wall. The tiles are floppy and unstable until attached (similar to ceramic mosaic tile sheets) and it is necessary to use sufficient adhesive when applying to ensure each individual piece is well attached to the feature wall. The effect of the tiles can be altered for individual projects. An individual piece can be removed, from a tile by cutting it from the backing fabric. A new piece of a different color or texture can be inserted instead. Or, a piece of metal, mirror etc can be added by fixing these highlights over thinner pieces of timber, again creating a special individual effect of more mirrors, for example. Edge tiles will also be made which can be used to create a picture frame effect around a wall panel. These edge tiles will include timbers, metal, etc of wider or longer sizes to create distinctive border effect, and will usually be less random. Edge tiles will include provision for mitre cuts, special corner effects or customer requirements.**

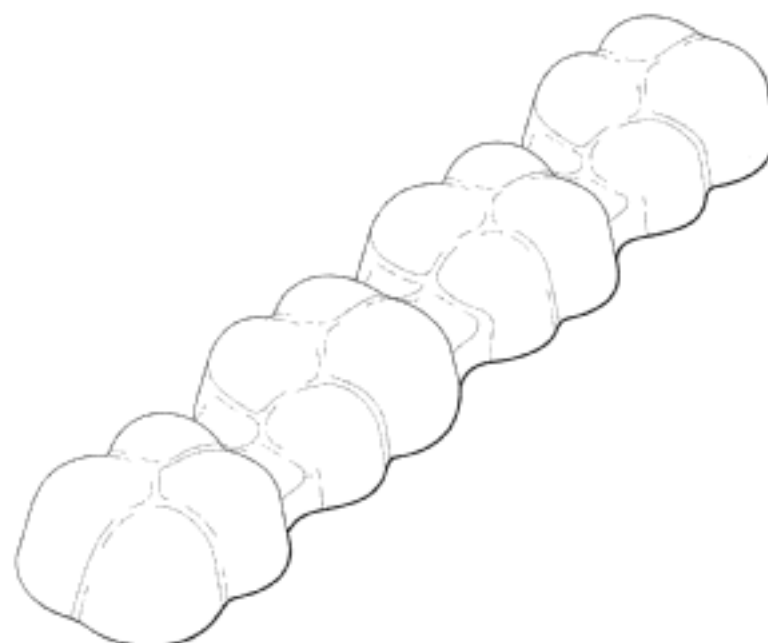
(21) Design Number: **13151/2011**
(22) Date of Filing Application: **15 July 2011**
(24) Date from which industrial property rights may have effect: **15 July 2011**
(54) Product in respect of which the design is registered: **Design 1: table**
(51) International Design Classification: **06-03A**
(74) Name(s) of Attorney(s):
(71) Name(s) and Address(s) of Applicant(s):
Jessica Malouf
136 Bettington Road Oatlands New South Wales 2117 Australia
(72) Name(s) of Designer(s): **Jessica Malouf**
(45) Registration Date: **21 September 2011**
(56) Related Art Documents: **Not Applicable**
(57) Statement of Newness and Distinctiveness: **Nil**



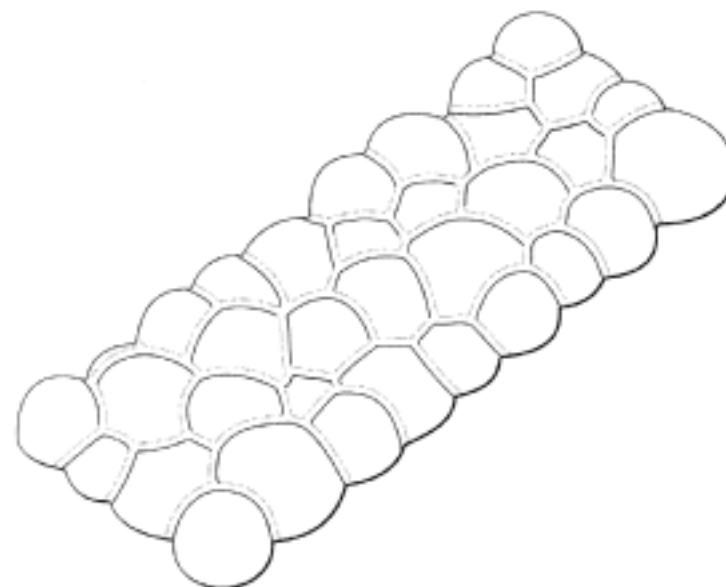
(21) Design Number: **13771/2011**
(22) Date of Filing Application: **25 August 2011**
(24) Date from which industrial property rights may have effect: **25 August 2011**
(54) Product in respect of which the design is registered: **Confectionery**
(51) International Design Classification: **01-01**
(74) Name(s) of Attorney(s): **Madderns**
(71) Name(s) and Address(s) of Applicant(s):
Cadbury UK Limited
PO Box 12 Bournville Lane Bournville Birmingham B30 2LU United Kingdom
(72) Name(s) of Designer(s): **Helen Booden**
(45) Registration Date: **21 September 2011**
(30) Convention priority data:
(31) Number (32) Date (33) Country
001827346-00012 25 Feb 2011 EUROPEAN COMMUNITY
(56) Related Art Documents: **Not Applicable**
(57) Statement of Newness and Distinctiveness: **Nil**



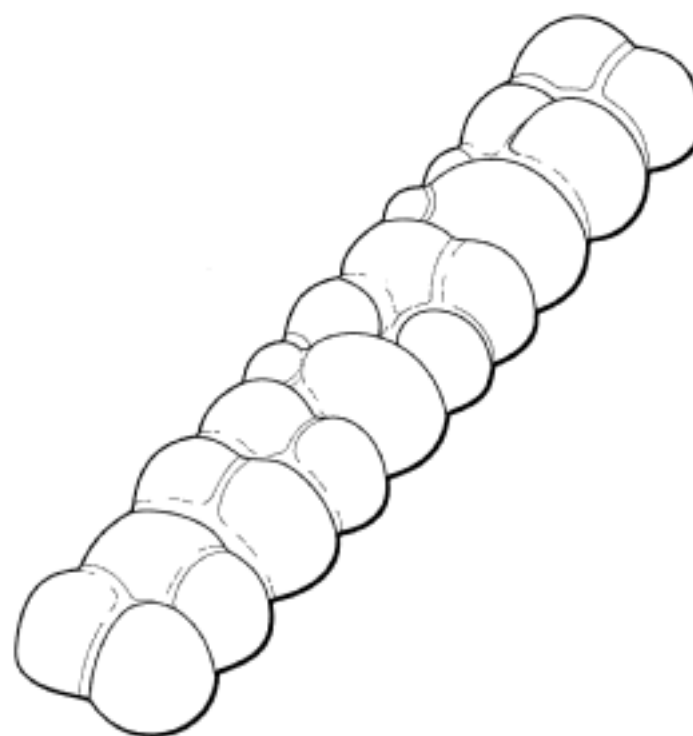
(21) Design Number: **13772/2011**
(22) Date of Filing Application: **25 August 2011**
(24) Date from which industrial property rights may have effect: **25 August 2011**
(54) Product in respect of which the design is registered: **Confectionery**
(51) International Design Classification: **01-01**
(74) Name(s) of Attorney(s): **Madderns**
(71) Name(s) and Address(s) of Applicant(s):
Cadbury UK Limited
PO Box 12 Bournville Lane Bournville Birmingham B30 2LU United Kingdom
(72) Name(s) of Designer(s): **Helen Booden**
(45) Registration Date: **21 September 2011**
(30) Convention priority data:
(31) Number (32) Date (33) Country
001827346-00016 25 Feb 2011 EUROPEAN COMMUNITY
(56) Related Art Documents: **Not Applicable**
(57) Statement of Newness and Distinctiveness: **Nil**



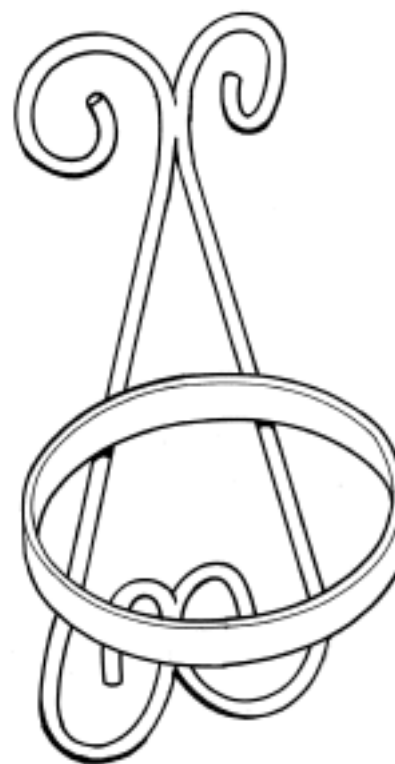
(21) Design Number: **13773/2011**
(22) Date of Filing Application: **25 August 2011**
(24) Date from which industrial property rights may have effect: **25 August 2011**
(54) Product in respect of which the design is registered: **Confectionery**
(51) International Design Classification: **01-01**
(74) Name(s) of Attorney(s): **Madderns**
(71) Name(s) and Address(s) of Applicant(s):
Cadbury UK Limited
PO Box 12 Bournville Lane Bournville Birmingham B30 2LU United Kingdom
(72) Name(s) of Designer(s): **Helen Booden**
(45) Registration Date: **21 September 2011**
(30) Convention priority data:
(31) Number (32) Date (33) Country
001827346-00013 25 Feb 2011 EUROPEAN COMMUNITY
(56) Related Art Documents: **Not Applicable**
(57) Statement of Newness and Distinctiveness: **Nil**



(21) Design Number: **13774/2011**
(22) Date of Filing Application: **25 August 2011**
(24) Date from which industrial property rights may have effect: **25 August 2011**
(54) Product in respect of which the design is registered: **Confectionery**
(51) International Design Classification: **01-01**
(74) Name(s) of Attorney(s): **Madderns**
(71) Name(s) and Address(s) of Applicant(s):
Cadbury UK Limited
PO Box 12 Bournville Lane Bournville Birmingham B30 2LU United Kingdom
(72) Name(s) of Designer(s): **Helen Booden**
(45) Registration Date: **21 September 2011**
(30) Convention priority data:
(31) Number (32) Date (33) Country
001827346-00018 25 Feb 2011 EUROPEAN COMMUNITY
(56) Related Art Documents: **Not Applicable**
(57) Statement of Newness and Distinctiveness: **Nil**



(21) Design Number: **13824/2011**
(22) Date of Filing Application: **30 August 2011**
(24) Date from which industrial property rights may have effect: **30 August 2011**
(54) Product in respect of which the design is registered: **Pot holder**
(51) International Design Classification: **11-02C**
(74) Name(s) of Attorney(s):
(71) Name(s) and Address(s) of Applicant(s):
Tim James Ord
66A Larchwood Avenue Westmere Auckland 1022 New Zealand
(72) Name(s) of Designer(s): **Tim James Ord**
(45) Registration Date: **21 September 2011**
(56) Related Art Documents: **Not Applicable**
(57) Statement of Newness and Distinctiveness: **The design is to be applied to a pot holder and the newness and distinctiveness claimed resides in the features of shape and configuration as shown in the accompanying representations.**



(21) Design Number: **13780/2011**

(22) Date of Filing Application: **29 August 2011**

(24) Date from which industrial property rights may have effect: **29 August 2011**

(54) Product in respect of which the design is registered: **A 90 degree stile for a commercial door**

(51) International Design Classification: **08-09, 25-01K**

(74) Name(s) of Attorney(s):

(71) Name(s) and Address(s) of Applicant(s):

Dezinal Pty Ltd

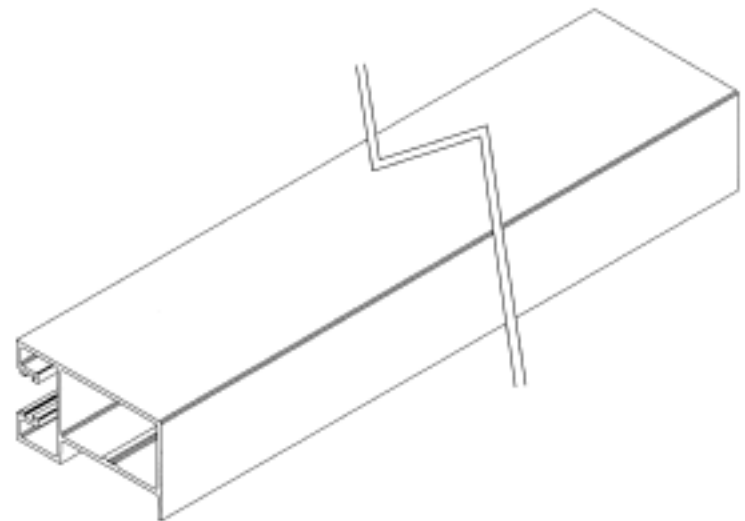
**C/- GCY Accountants Suites 1 & 2 Level 1-67 Lytton Road East Brisbane
Queensland 4169 Australia**

(72) Name(s) of Designer(s): **Ronald Maxwell**

(45) Registration Date: **22 September 2011**

(56) Related Art Documents: **Not Applicable**

(57) Statement of Newness and Distinctiveness: **A unique stile allowing a 45 mm commercial sliding door to close into another 45mm commercial sliding door stile at 90 degrees to create a postless corner.**



(21) Design Number: **13781/2011**

(22) Date of Filing Application: **29 August 2011**

(24) Date from which industrial property rights may have effect: **29 August 2011**

(54) Product in respect of which the design is registered: **Fitness equipment for health/well being**

(51) International Design Classification: **21-02F**

(74) Name(s) of Attorney(s):

(71) Name(s) and Address(s) of Applicant(s):

Marc Odell

38 Greenbank Drive Glenhaven New South Wales 2156 Australia

Grant Odell

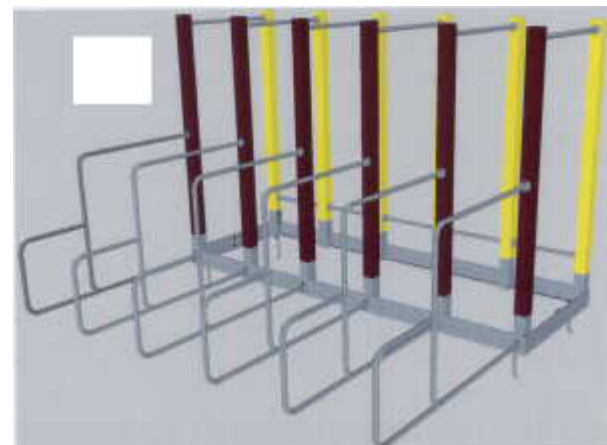
38 Greenbank Drive Glenhaven New South Wales 2156 Australia

(72) Name(s) of Designer(s): **Marc Odell**

(45) Registration Date: **22 September 2011**

(56) Related Art Documents: **Not Applicable**

(57) Statement of Newness and Distinctiveness: **The base assembly, galvanise steel metal with six RHS boxes attached to the Rio bars, this is in 2 pieces attached by 2(two) connection plates (bolted).**



- (21) Design Number: **13782/2011**
(22) Date of Filing Application: **26 August 2011**
(24) Date from which industrial property rights may have effect: **26 August 2011**
(54) Product in respect of which the design is registered: **Over centre latch**
(51) International Design Classification: **08-07**
(74) Name(s) of Attorney(s): **Davies Collison Cave**
(71) Name(s) and Address(s) of Applicant(s):
Uni-Lock Pty Ltd
19-23 Taragala Street Cowra New South Wales 2794 Australia
(72) Name(s) of Designer(s): **Lindsay R. White**
(45) Registration Date: **22 September 2011**
(56) Related Art Documents: **Not Applicable**
(57) Statement of Newness and Distinctiveness: **Newness and distinctiveness is claimed in the visual features shown in solid lines in the representations. In considering the extent of the design rights, the broken lines shown in the representations are for illustrative purposes only and do not form part of the design.**



- (21) Design Number: **13353/2011**
(22) Date of Filing Application: **29 July 2011**
(24) Date from which industrial property rights may have effect: **29 July 2011**
(54) Product in respect of which the design is registered: **Lockers**
(51) International Design Classification: **06-04B**
(74) Name(s) of Attorney(s): **FB Rice**
(71) Name(s) and Address(s) of Applicant(s):
FSP Holdings Pty Ltd
123 Maison Dieu Road Singleton New South Wales 2330 Australia
(72) Name(s) of Designer(s): **Stephan Hewitt**
(45) Registration Date: **22 September 2011**
(56) Related Art Documents: **Not Applicable**
(57) Statement of Newness and Distinctiveness: **Newness and distinctiveness reside in the features of the design as shown in the representations.**



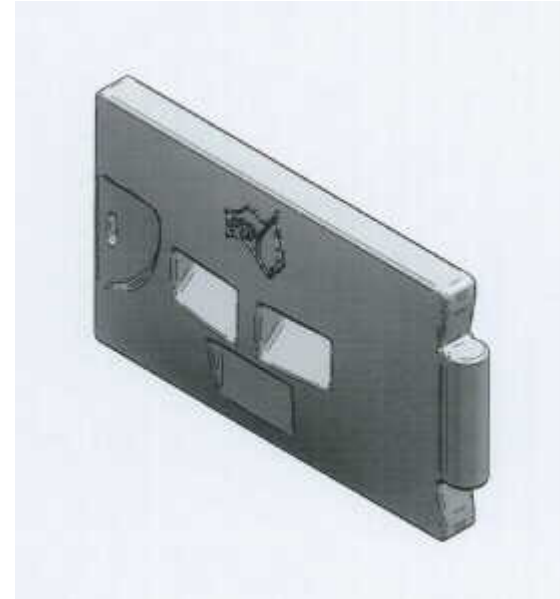
- (21) Design Number: **13354/2011**
(22) Date of Filing Application: **29 July 2011**
(24) Date from which industrial property rights may have effect: **29 July 2011**
(54) Product in respect of which the design is registered: **Locker cabinet**
(51) International Design Classification: **06-04B**
(74) Name(s) of Attorney(s): **FB Rice**
(71) Name(s) and Address(s) of Applicant(s):
FSP Holdings Pty Ltd
123 Maison Dieu Road Singleton New South Wales 2330 Australia
(72) Name(s) of Designer(s): **Stephan Hewitt**
(45) Registration Date: **22 September 2011**
(56) Related Art Documents: **Not Applicable**
(57) Statement of Newness and Distinctiveness: **Newness and distinctiveness reside in the features of the design as shown in the representations.**



- (21) Design Number: **13355/2011**
(22) Date of Filing Application: **29 July 2011**
(24) Date from which industrial property rights may have effect: **29 July 2011**
(54) Product in respect of which the design is registered: **Door for locker or the like**
(51) International Design Classification: **06-04B**
(74) Name(s) of Attorney(s): **FB Rice**
(71) Name(s) and Address(s) of Applicant(s):
FSP Holdings Pty Ltd
123 Maison Dieu Road Singleton New South Wales 2330 Australia
(72) Name(s) of Designer(s): **Stephan Hewitt**
(45) Registration Date: **22 September 2011**
(56) Related Art Documents: **Not Applicable**
(57) Statement of Newness and Distinctiveness: **Newness and distinctiveness reside in the features of the design as shown in the representations.**



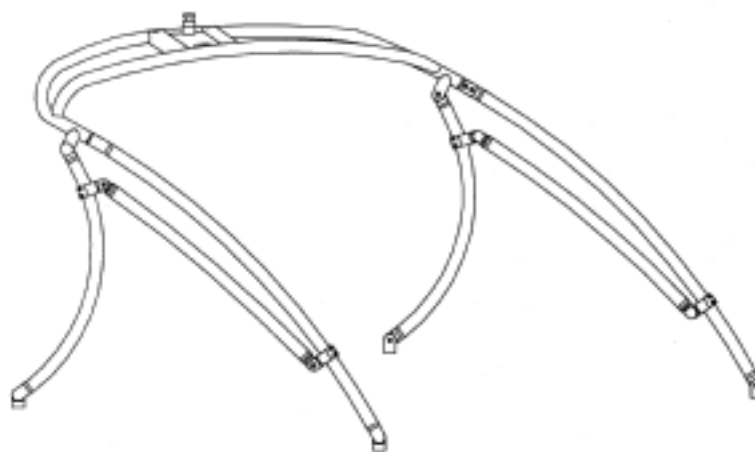
- (21) Design Number: **13356/2011**
(22) Date of Filing Application: **29 July 2011**
(24) Date from which industrial property rights may have effect: **29 July 2011**
(54) Product in respect of which the design is registered: **Door for locker or the like**
(51) International Design Classification: **06-04B**
(74) Name(s) of Attorney(s): **FB Rice**
(71) Name(s) and Address(s) of Applicant(s):
FSP Holdings Pty Ltd
123 Maison Dieu Road Singleton New South Wales 2330 Australia
(72) Name(s) of Designer(s): **Stephan Hewitt**
(45) Registration Date: **22 September 2011**
(56) Related Art Documents: **Not Applicable**
(57) Statement of Newness and Distinctiveness: **Newness and distinctiveness reside in the features of the design as shown in the representations.**



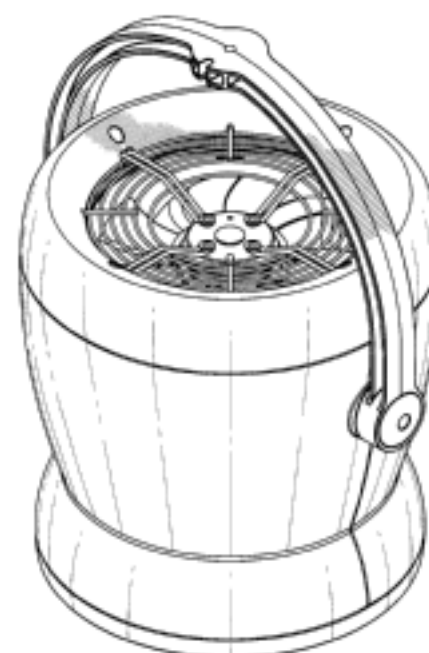
- (21) Design Number: **13357/2011**
(22) Date of Filing Application: **29 July 2011**
(24) Date from which industrial property rights may have effect: **29 July 2011**
(54) Product in respect of which the design is registered: **Door for locker or the like**
(51) International Design Classification: **06-04B**
(74) Name(s) of Attorney(s): **FB Rice**
(71) Name(s) and Address(s) of Applicant(s):
FSP Holdings Pty Ltd
123 Maison Dieu Road Singleton New South Wales 2330 Australia
(72) Name(s) of Designer(s): **Stephan Hewitt**
(45) Registration Date: **22 September 2011**
(56) Related Art Documents: **Not Applicable**
(57) Statement of Newness and Distinctiveness: **Newness and distinctiveness reside in the features of the design as shown in the representations.**



- (21) Design Number: **13776/2011**
(22) Date of Filing Application: **26 August 2011**
(24) Date from which industrial property rights may have effect: **26 August 2011**
(54) Product in respect of which the design is registered: **Wakeboard tower**
(51) International Design Classification: **12-06NES**
(74) Name(s) of Attorney(s):
(71) Name(s) and Address(s) of Applicant(s):
James Odell
Unit 25/45 Powers Road Seven Hills New South Wales 2147 Australia
(72) Name(s) of Designer(s): **James Odell**
(45) Registration Date: **22 September 2011**
(56) Related Art Documents: **Not Applicable**
(57) Statement of Newness and Distinctiveness: **The top section of the wakeboard tower is a solid curved stylised frame reaching across from side to side of the boat with welded fittings to attach the legs. The top section, rear bar follows the line of the front leg when attached, the rear leg is attached to a fitting underneath the top section. The front legs attach direct to the boat. The rear leg curves downwards and attaches direct to the boat. The top section with two stylised curved bars and a welded plate area for the tow point to be attached. A distinctive shaped tow point can point upwards or downwards as desired. The distinctive beam attaches with stylised clamps and fittings, low on the front leg and high on the rear leg, to give the tower a very different stylised look.**



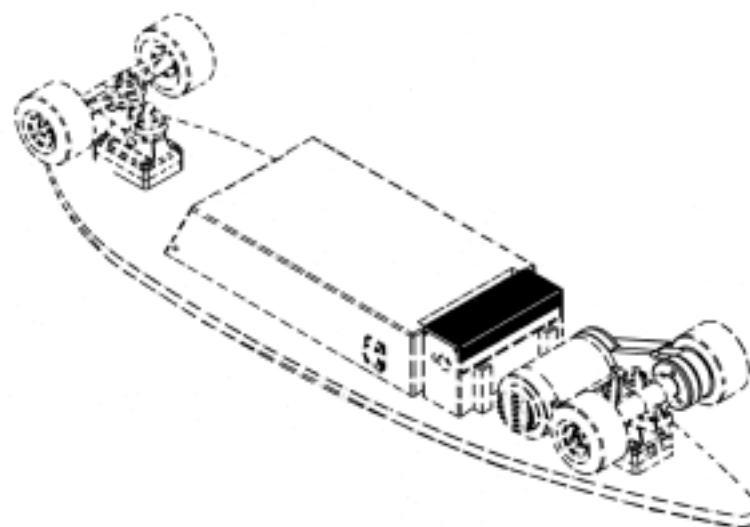
- (21) Design Number: **13777/2011**
(22) Date of Filing Application: **25 August 2011**
(24) Date from which industrial property rights may have effect: **25 August 2011**
(54) Product in respect of which the design is registered: **Destratification fan**
(51) International Design Classification: **23-04**
(74) Name(s) of Attorney(s): **Griffith Hack**
(71) Name(s) and Address(s) of Applicant(s):
Zoo Fans Incorporated
710 Willowbrook Road Boulder CO 80302 United States of America
(72) Name(s) of Designer(s): **Jeffery G. Benton and William F. Buell Jr. and Brian M. Johnson**
(45) Registration Date: **22 September 2011**
(56) Related Art Documents: **Not Applicable**
(57) Statement of Newness and Distinctiveness: **Newness and distinctiveness resides in the visual features including shape and/or configuration of a destratification fan, shown in the accompanying representations.**



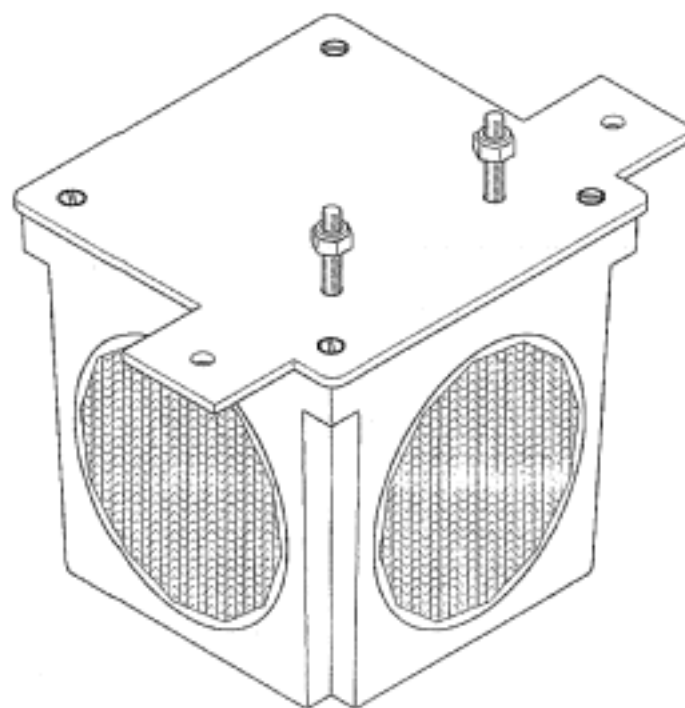
(21) Design Number: **13779/2011**
(22) Date of Filing Application: **25 August 2011**
(24) Date from which industrial property rights may have effect: **25 August 2011**
(54) Product in respect of which the design is registered: **Vacuum cleaner**
(51) International Design Classification: **15-05**
(74) Name(s) of Attorney(s): **FB Rice**
(71) Name(s) and Address(s) of Applicant(s):
LG Electronics Inc.
20 Yeouido-dong Yeongdeungpo-gu Seoul 150-721 Republic of Korea
(72) Name(s) of Designer(s): **Hyo Sung Kim and Jae Hun Chung and Seung Hyun Song**
(45) Registration Date: **22 September 2011**
(30) Convention priority data:
(31) Number (32) Date (33) Country
30-2011-0008914 04 Mar 2011 REPUBLIC OF KOREA
(56) Related Art Documents: **Not Applicable**
(57) Statement of Newness and Distinctiveness: **Newness and distinctiveness reside in the visual features of the design as shown in the representations.**



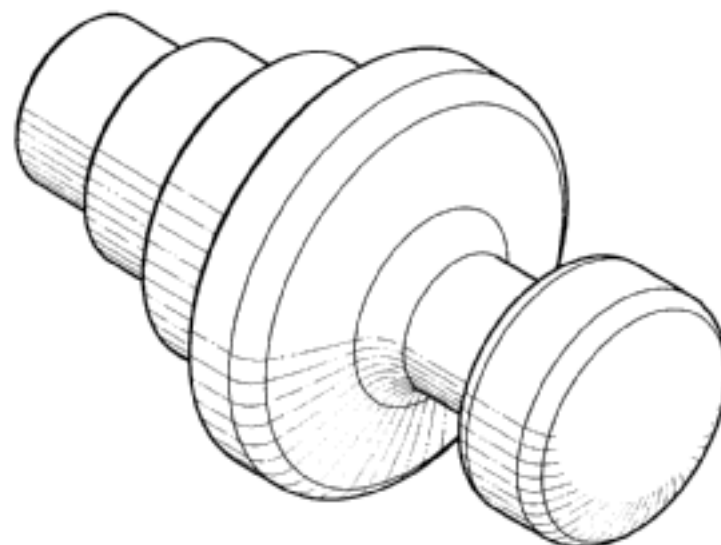
(21) Design Number: **13300/2010**
(22) Date of Filing Application: **05 August 2010**
(24) Date from which industrial property rights may have effect: **05 August 2010**
(54) Product in respect of which the design is registered: **Motorized skateboard**
(51) International Design Classification: **12-14, 21-02E**
(74) Name(s) of Attorney(s):
(71) Name(s) and Address(s) of Applicant(s):
Jeffrey Anning
5 Suzanne Street Southport Queensland 4215 Australia
(72) Name(s) of Designer(s): **Jeffrey Anning**
(45) Registration Date: **22 September 2011**
(56) Related Art Documents: **Not Applicable**
(57) Statement of Newness and Distinctiveness: **Monopoly is claimed in the features of shape and configuration of drive gear wheel, belt cover, sliding mount plate, truck and deck.**



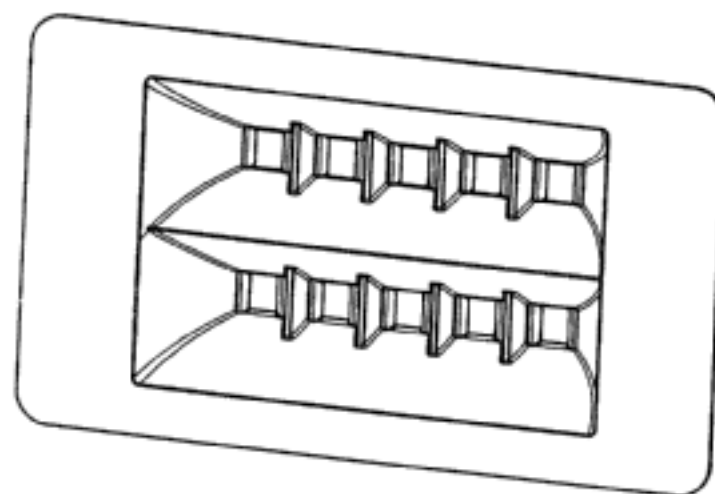
- (21) Design Number: **13789/2011**
(22) Date of Filing Application: **26 August 2011**
(24) Date from which industrial property rights may have effect: **26 August 2011**
(54) Product in respect of which the design is registered: **A reflector unit**
(51) International Design Classification: **10-06, 26-05D**
(74) Name(s) of Attorney(s): **Shelston IP**
(71) Name(s) and Address(s) of Applicant(s):
NEOSHO TRADING 15 (PTY) LTD Trading as TRI-VISION SAFETY
98 Doreen Street Colbyn Hatfield Pretoria 0083 South Africa
(72) Name(s) of Designer(s): **Ross Graeme Allan and France Dominique Jean-**
Pierre Regnard and Yusuf Noordin and Osman Moosa
(45) Registration Date: **22 September 2011**
(30) Convention priority data:
(31) Number (32) Date (33) Country
F2011/00285 28 Feb 2011 SOUTH AFRICA
(56) Related Art Documents: **Not Applicable**
(57) Statement of Newness and Distinctiveness: **Newness and distinctiveness**
resides in the features of pattern and/or ornamentation and/or shape and/
or configuration of the reflector unit substantially as illustrated in the
accompanying representations.



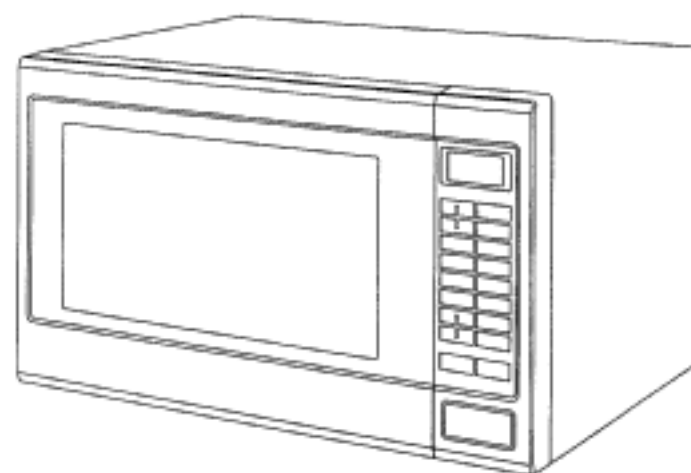
- (21) Design Number: **13791/2011**
(22) Date of Filing Application: **26 August 2011**
(24) Date from which industrial property rights may have effect: **26 August 2011**
(54) Product in respect of which the design is registered: **Tube loader**
(51) International Design Classification: **08-01, 15-99**
(74) Name(s) of Attorney(s): **Cotters Patent & Trade Mark Attorneys**
(71) Name(s) and Address(s) of Applicant(s):
Longyear TM, Inc.
10808 South River Front Parkway Suite 600 South Jordan Utah 84095
United States of America
(72) Name(s) of Designer(s): **Christopher L. Drenth and George Ibrahim and**
Jay S. Averett and Cliff Wiki and Tony Wiki
(45) Registration Date: **22 September 2011**
(30) Convention priority data:
(31) Number (32) Date (33) Country
29/386,570 02 Mar 2011 UNITED STATES OF AMERICA
(56) Related Art Documents: **Not Applicable**
(57) Statement of Newness and Distinctiveness: **Newness and distinctiveness**
is claimed in the features of shape and/or configuration of a tube loader
as depicted in the accompanying drawings.



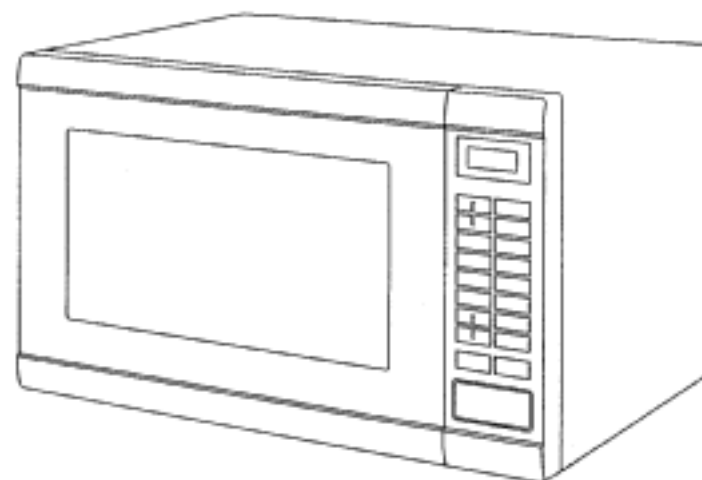
- (21) Design Number: **13792/2011**
(22) Date of Filing Application: **26 August 2011**
(24) Date from which industrial property rights may have effect: **26 August 2011**
(54) Product in respect of which the design is registered: **Reflector**
(51) International Design Classification: **26-05D**
(74) Name(s) of Attorney(s): **Madderns**
(71) Name(s) and Address(s) of Applicant(s):
Gerard Lighting Pty Ltd
101 Port Wakefield Road Cavan South Australia 5094 Australia
(72) Name(s) of Designer(s): **Maxwell Dickison and Bryan Negrone and Jason Jiang**
(45) Registration Date: **22 September 2011**
(56) Related Art Documents: **Not Applicable**
(57) Statement of Newness and Distinctiveness: **Newness and distinctiveness is claimed in the shape and/or configuration of a reflector as depicted in the accompanying drawings.**



- (21) Design Number: **13743/2011**
(22) Date of Filing Application: **24 August 2011**
(24) Date from which industrial property rights may have effect: **24 August 2011**
(54) Product in respect of which the design is registered: **Microwave oven**
(51) International Design Classification: **07-02B**
(74) Name(s) of Attorney(s): **SPRUSON & FERGUSON**
(71) Name(s) and Address(s) of Applicant(s):
Panasonic Corporation
1006 Oaza Kadoma Kadoma-shi Osaka 571-8501 Japan
(72) Name(s) of Designer(s): **Ken Ohmae and Haruka Ohno and Muneyuki Nagai**
(45) Registration Date: **23 September 2011**
(56) Related Art Documents: **Not Applicable**
(57) Statement of Newness and Distinctiveness: **Newness and distinctiveness is claimed in the features of shape and/or configuration of the microwave oven and the arrangement and/or configuration of the keypad/control panel thereof as illustrated in the accompanying representations.**



- (21) Design Number: **13744/2011**
(22) Date of Filing Application: **24 August 2011**
(24) Date from which industrial property rights may have effect: **24 August 2011**
(54) Product in respect of which the design is registered: **Microwave oven**
(51) International Design Classification: **07-02B**
(74) Name(s) of Attorney(s): **SPRUSON & FERGUSON**
(71) Name(s) and Address(s) of Applicant(s):
Panasonic Corporation
1006 Oaza Kadoma Kadoma-shi Osaka 571-8501 Japan
(72) Name(s) of Designer(s): **Ken Ohmae and Haruka Ohno and Muneyuki Nagai**
(45) Registration Date: **23 September 2011**
(56) Related Art Documents: **Not Applicable**
(57) Statement of Newness and Distinctiveness: **Newness and distinctiveness is claimed in the features of shape and/or configuration of the microwave oven and the arrangement and/or configuration of the keypad/control panel thereof as illustrated in the accompanying representations.**



- (21) Design Number: **13745/2011**
(22) Date of Filing Application: **25 August 2011**
(24) Date from which industrial property rights may have effect: **25 August 2011**
(54) Product in respect of which the design is registered: **Plumbing fitting**
(51) International Design Classification: **23-01A**
(74) Name(s) of Attorney(s): **David Shanks & Associates**
(71) Name(s) and Address(s) of Applicant(s):
Norman Ladson
52 Clifton Street North Balwyn Victoria 3104 Australia
(72) Name(s) of Designer(s): **Norman Ladson**
(45) Registration Date: **23 September 2011**
(56) Related Art Documents: **Not Applicable**
(57) Statement of Newness and Distinctiveness: **Newness and Distinctiveness lies in the shape and configuration of the plumbing fitting as shown in the diagrams. The surface markings are not part of the design.**



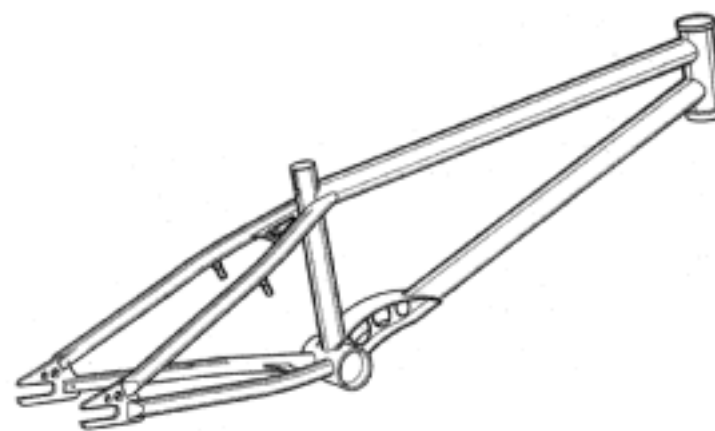
- (21) Design Number: **13746/2011**
(22) Date of Filing Application: **25 August 2011**
(24) Date from which industrial property rights may have effect: **25 August 2011**
(54) Product in respect of which the design is registered: **Complete mounting bracket for motorcycle hand guards**
(51) International Design Classification: **12-16C, 12-11**
(74) Name(s) of Attorney(s):
(71) Name(s) and Address(s) of Applicant(s):
Mark de Jager
11 Lakewood Boulevard Flinders New South Wales 2529 Australia
(72) Name(s) of Designer(s): **Mark de Jager**
(45) Registration Date: **23 September 2011**
(56) Related Art Documents: **Not Applicable**
(57) Statement of Newness and Distinctiveness: **Documentation submitted is the left hand side. The right hand side is a mirror image.**



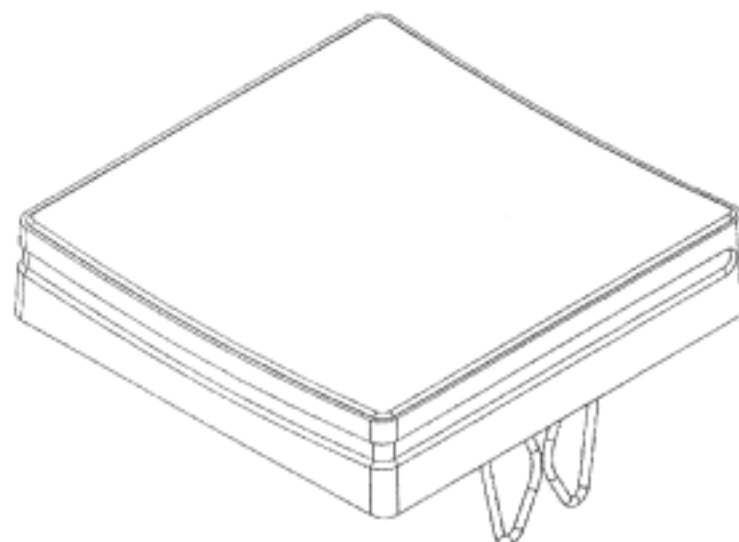
- (21) Design Number: **13747/2011**
(22) Date of Filing Application: **24 August 2011**
(24) Date from which industrial property rights may have effect: **24 August 2011**
(54) Product in respect of which the design is registered: **Ball**
(51) International Design Classification: **21-02A**
(74) Name(s) of Attorney(s): **Freehills Patent & Trade Mark Attorneys**
(71) Name(s) and Address(s) of Applicant(s):
Cepia, LLC
121 Hunter Avenue Suite 103 St Louis Missouri 63124 United States of America
(72) Name(s) of Designer(s): **James Russell Hornsby and Joseph McGowan and James Augustus Keefe III and Michael Reynolds and Ryan William Alexander Lee**
(45) Registration Date: **23 September 2011**
(30) Convention priority data:
(31) Number (32) Date (33) Country
29/390673 28 Apr 2011 UNITED STATES OF AMERICA
(56) Related Art Documents: **Not Applicable**
(57) Statement of Newness and Distinctiveness: **Nil**



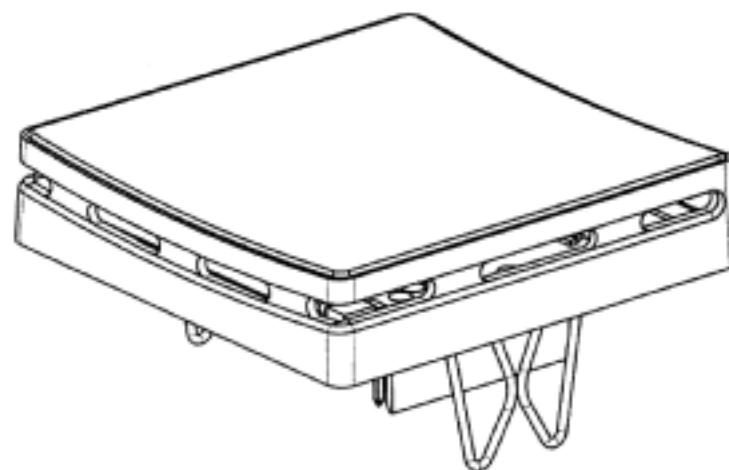
- (21) Design Number: **13761/2011**
(22) Date of Filing Application: **24 August 2011**
(24) Date from which industrial property rights may have effect: **24 August 2011**
(54) Product in respect of which the design is registered: **Bicycle frame**
(51) International Design Classification: **12-11**
(74) Name(s) of Attorney(s): **Collison & Co**
(71) Name(s) and Address(s) of Applicant(s):
Madd Gear Pty Ltd
12/35 Garden Road Clayton Victoria 3168 Australia
(72) Name(s) of Designer(s): **Mike Horne**
(45) Registration Date: **23 September 2011**
(56) Related Art Documents: **Not Applicable**
(57) Statement of Newness and Distinctiveness: **Newness and distinctiveness resides in the shape and configuration of the bicycle frame as shown in the accompanying figures.**



- (21) Design Number: **13768/2011**
(22) Date of Filing Application: **25 August 2011**
(24) Date from which industrial property rights may have effect: **25 August 2011**
(54) Product in respect of which the design is registered: **Temperature and humidity sensor**
(51) International Design Classification: **10-04**
(74) Name(s) of Attorney(s): **SPRUSON & FERGUSON**
(71) Name(s) and Address(s) of Applicant(s):
Siemens Aktiengesellschaft
Wittelsbacherplatz 2 80333 Munchen Germany
(72) Name(s) of Designer(s): **Gerold Lars**
(45) Registration Date: **23 September 2011**
(30) Convention priority data:
(31) Number (32) Date (33) Country
001827056 25 Feb 2011 EUROPEAN COMMUNITY
(56) Related Art Documents: **Not Applicable**
(57) Statement of Newness and Distinctiveness: **Newness and distinctiveness is claimed in the features of shape and/or configuration of a temperature and humidity sensor as illustrated in the accompanying representations.**



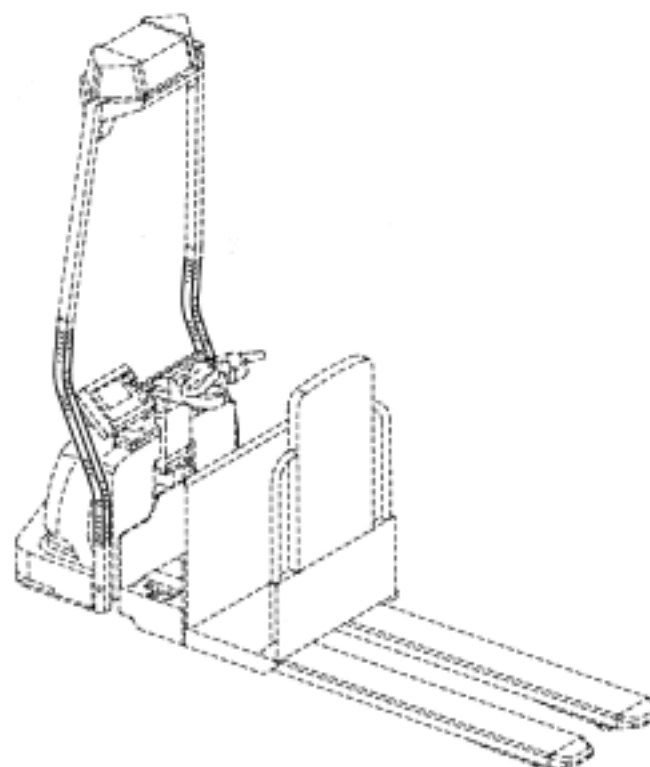
(21) Design Number: **13769/2011**
(22) Date of Filing Application: **25 August 2011**
(24) Date from which industrial property rights may have effect: **25 August 2011**
(54) Product in respect of which the design is registered: **Temperature and humidity sensor**
(51) International Design Classification: **10-04**
(74) Name(s) of Attorney(s): **SPRUSON & FERGUSON**
(71) Name(s) and Address(s) of Applicant(s):
Siemens Aktiengesellschaft
Wittelsbacherplatz 2 80333 Munchen Germany
(72) Name(s) of Designer(s): **Gerold Lars**
(45) Registration Date: **23 September 2011**
(30) Convention priority data:
(31) Number (32) Date (33) Country
001827056 25 Feb 2011 EUROPEAN COMMUNITY
(56) Related Art Documents: **Not Applicable**
(57) Statement of Newness and Distinctiveness: **Newness and distinctiveness is claimed in the features of shape and/or configuration of a temperature and humidity sensor as illustrated in the accompanying representations.**



(21) Design Number: **13770/2011**
(22) Date of Filing Application: **25 August 2011**
(24) Date from which industrial property rights may have effect: **25 August 2011**
(54) Product in respect of which the design is registered: **A sheet of indefinite length/width bendable/cuttable to form a bracket**
(51) International Design Classification: **08-08NES**
(74) Name(s) of Attorney(s): **Davies Collison Cave**
(71) Name(s) and Address(s) of Applicant(s):
Illinois Tool Works Inc.
3600 West Lake Avenue Glenview Illinois 60026 United States of America
(72) Name(s) of Designer(s): **Mark A. Camilleri**
(45) Registration Date: **23 September 2011**
(56) Related Art Documents: **Not Applicable**
(57) Statement of Newness and Distinctiveness: **Newness and distinctiveness is claimed in the shape and configuration of the cruciform holes (one of which is marked "A") distributed in a regular pattern throughout the sheet.**



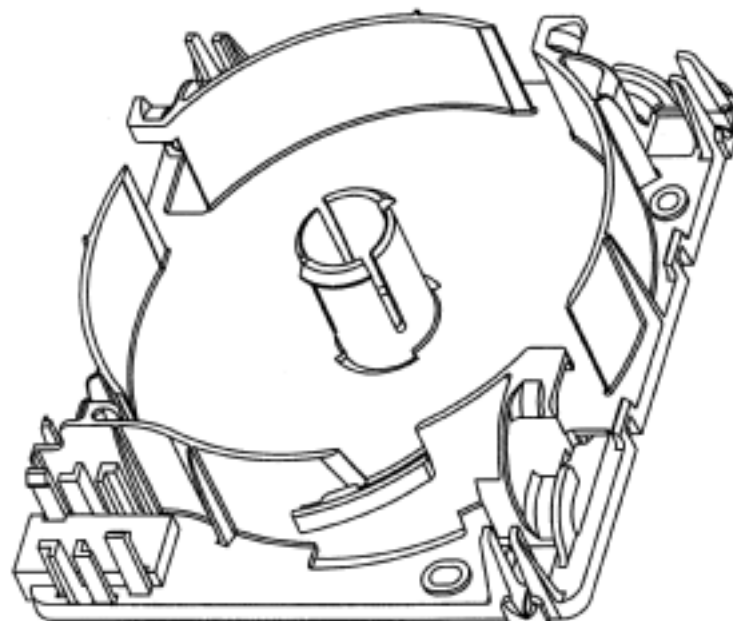
(21) Design Number: **13805/2011**
(22) Date of Filing Application: **30 August 2011**
(24) Date from which industrial property rights may have effect: **30 August 2011**
(54) Product in respect of which the design is registered: **Mast for a material handling vehicle**
(51) International Design Classification: **12-05**
(74) Name(s) of Attorney(s): **PIZZEYS**
(71) Name(s) and Address(s) of Applicant(s):
The Raymond Corporation
20 South Canal Street Greene NY 13778-0130 United States of America
(72) Name(s) of Designer(s): **Matthew I. Gilbride and Gregory W. Smiley**
(45) Registration Date: **23 September 2011**
(30) Convention priority data:
(31) Number (32) Date (33) Country
29/387,858 18 Mar 2011 UNITED STATES OF AMERICA
(56) Related Art Documents: **Not Applicable**
(57) Statement of Newness and Distinctiveness: **Nil**



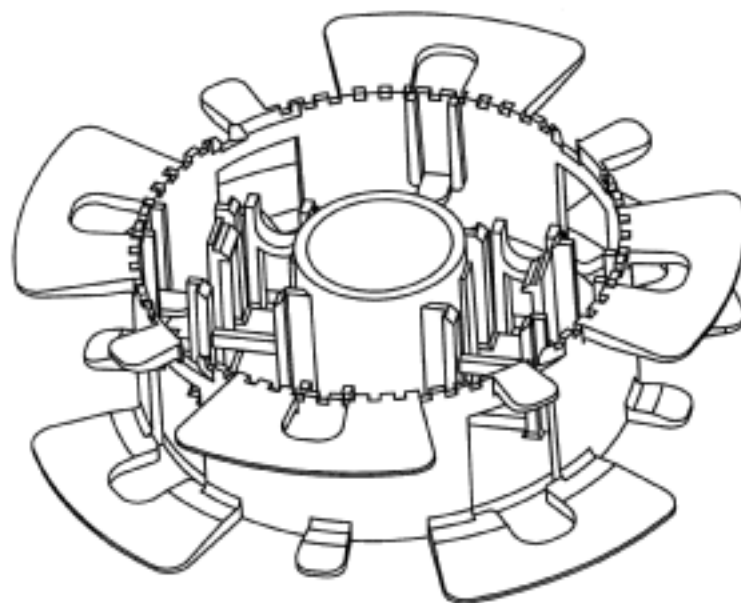
(21) Design Number: **13837/2011**
(22) Date of Filing Application: **30 August 2011**
(24) Date from which industrial property rights may have effect: **30 August 2011**
(54) Product in respect of which the design is registered: **Car and toy-car**
(51) International Design Classification: **12-08, 21-01C**
(74) Name(s) of Attorney(s): **PHILLIPS ORMONDE FITZPATRICK**
(71) Name(s) and Address(s) of Applicant(s):
Automobili Lamborghini S.p.A.
Via Modena 12 40019 Sant'Agata Bolognese (BO) Italy
(72) Name(s) of Designer(s): **Filippo Perini**
(45) Registration Date: **23 September 2011**
(30) Convention priority data:
(31) Number (32) Date (33) Country
001829441 02 Mar 2011 EUROPEAN COMMUNITY
(56) Related Art Documents: **Not Applicable**
(57) Statement of Newness and Distinctiveness: **Those features of the car and toy-car depicted in the representations that are new and distinctive are the shape and/or configuration. The word Lamborghini, badging, wheels and tyres of the car and toy-car are not part of the design and are to be disregarded when considering the overall impression of the design.**



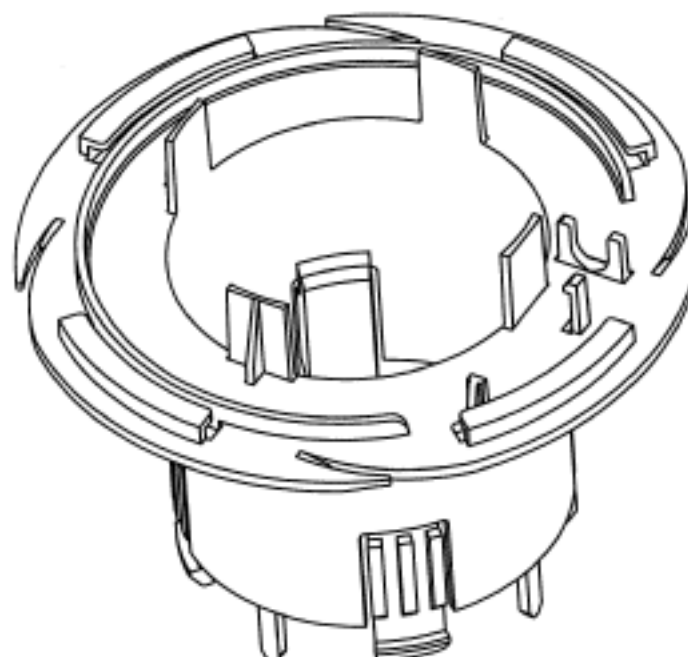
- (21) Design Number: **13295/2011**
(22) Date of Filing Application: **27 July 2011**
(24) Date from which industrial property rights may have effect: **27 July 2011**
(54) Product in respect of which the design is registered: **Base plate for an optical fibre outlet**
(51) International Design Classification: **14-02**
(74) Name(s) of Attorney(s): **Davies Collison Cave**
(71) Name(s) and Address(s) of Applicant(s):
ADC Communications (Australia) Pty Limited
2 Hereford Street Berkeley Vale New South Wales 2261 Australia
(72) Name(s) of Designer(s): **Brett Hoe Slater and Bryce Lindsay Nicholls**
(45) Registration Date: **23 September 2011**
(56) Related Art Documents: **Not Applicable**
(57) Statement of Newness and Distinctiveness: **The features of shape and configuration of the base plate for an optical fibre outlet shown in the accompanying representations are considered to be new and distinctive.**



- (21) Design Number: **13296/2011**
(22) Date of Filing Application: **27 July 2011**
(24) Date from which industrial property rights may have effect: **27 July 2011**
(54) Product in respect of which the design is registered: **Spool for an optical fibre outlet**
(51) International Design Classification: **14-02**
(74) Name(s) of Attorney(s): **Davies Collison Cave**
(71) Name(s) and Address(s) of Applicant(s):
ADC Communications (Australia) Pty Limited
2 Hereford Street Berkeley Vale New South Wales 2261 Australia
(72) Name(s) of Designer(s): **Brett Hoe Slater and Bryce Lindsay Nicholls**
(45) Registration Date: **23 September 2011**
(56) Related Art Documents: **Not Applicable**
(57) Statement of Newness and Distinctiveness: **The features of shape and configuration of the spool shown in the accompanying representations are considered to be new and distinctive.**



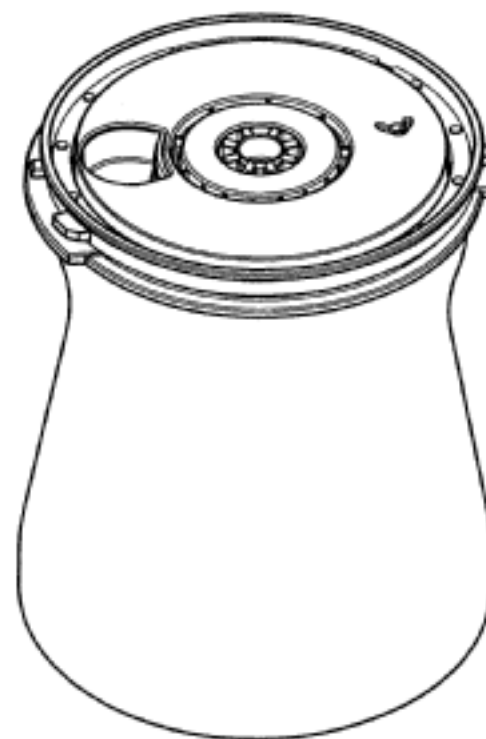
- (21) Design Number: **13297/2011**
(22) Date of Filing Application: **27 July 2011**
(24) Date from which industrial property rights may have effect: **27 July 2011**
(54) Product in respect of which the design is registered: **Extension spool for an optical fibre outlet**
(51) International Design Classification: **14-02**
(74) Name(s) of Attorney(s): **Davies Collison Cave**
(71) Name(s) and Address(s) of Applicant(s):
ADC Communications (Australia) Pty Limited
2 Hereford Street Berkeley Vale New South Wales 2261 Australia
(72) Name(s) of Designer(s): **Brett Hoe Slater and Bryce Lindsay Nicholls**
(45) Registration Date: **23 September 2011**
(56) Related Art Documents: **Not Applicable**
(57) Statement of Newness and Distinctiveness: **The features of shape and configuration of the extension spool shown in the accompanying representations are considered to be new and distinctive.**



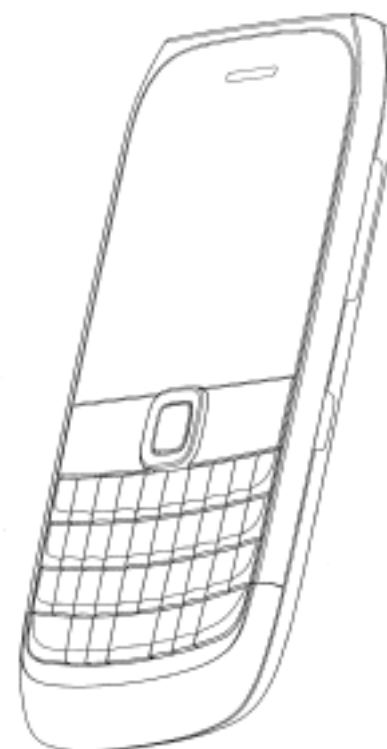
- (21) Design Number: **13302/2011**
(22) Date of Filing Application: **28 July 2011**
(24) Date from which industrial property rights may have effect: **28 July 2011**
(54) Product in respect of which the design is registered: **Taxi driver protection screen polycarbonate joiner**
(51) International Design Classification: **12-16C**
(74) Name(s) of Attorney(s):
(71) Name(s) and Address(s) of Applicant(s):
Green Wing Lighting Pty Ltd
112 Miller Street West Melbourne Victoria 3003 Australia
(72) Name(s) of Designer(s): **Sung Hak Kim**
(45) Registration Date: **23 September 2011**
(56) Related Art Documents: **Not Applicable**
(57) Statement of Newness and Distinctiveness: **It is a product consisting of a small polycarbonate piece with springs and rivet. It is attached to the taxi driver protection screen. When the drivers seat is reclined back or forward, it minimizes the gap between the protection screen and the ceiling. The product can be used with competing companies protection screens too.**



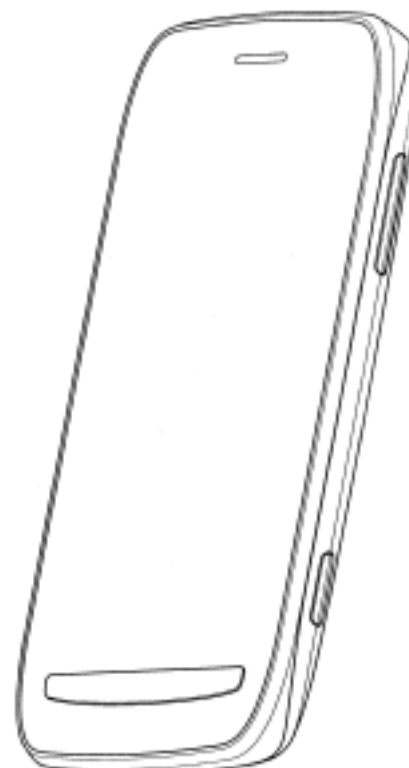
- (21) Design Number: **13749/2011**
(22) Date of Filing Application: **24 August 2011**
(24) Date from which industrial property rights may have effect: **24 August 2011**
(54) Product in respect of which the design is registered: **Container for coffee beans**
(51) International Design Classification: **07-02L**
(74) Name(s) of Attorney(s): **FB Rice**
(71) Name(s) and Address(s) of Applicant(s):
Koninklijke Philips Electronics N.V.
Groenewoudseweg 1 5621 BA Eindhoven The Netherlands
Sara Lee/DE N.V.
Vleutensevaart 100 3532 AD Utrecht The Netherlands
(72) Name(s) of Designer(s): **Maria Margaretha Agnes Beugelsdijk and Gerbrand Kristiaan de Graaff**
(45) Registration Date: **23 September 2011**
(30) Convention priority data:
(31) Number (32) Date (33) Country
001826439-0003 24 Feb 2011 EUROPEAN COMMUNITY
(56) Related Art Documents: **Not Applicable**
(57) Statement of Newness and Distinctiveness: **Newness and distinctiveness reside in the features of the shape and configuration of the container for coffee beans as shown in the representations.**



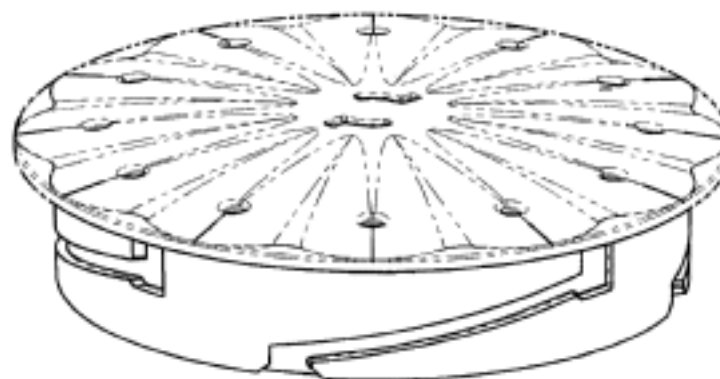
- (21) Design Number: **13762/2011**
(22) Date of Filing Application: **24 August 2011**
(24) Date from which industrial property rights may have effect: **24 August 2011**
(54) Product in respect of which the design is registered: **Handset**
(51) International Design Classification: **14-03E**
(74) Name(s) of Attorney(s): **SPRUSON & FERGUSON**
(71) Name(s) and Address(s) of Applicant(s):
Nokia Corporation
Keilalahdentie-4 FIN-02150 Espoo Finland
(72) Name(s) of Designer(s): **Sean Cai**
(45) Registration Date: **23 September 2011**
(30) Convention priority data:
(31) Number (32) Date (33) Country
29/394057 13 Jun 2011 UNITED STATES OF AMERICA
(56) Related Art Documents: **Not Applicable**
(57) Statement of Newness and Distinctiveness: **Newness and distinctiveness is claimed in the features of shape and/or configuration of a handset as illustrated in the accompanying representations.**



- (21) Design Number: **13763/2011**
(22) Date of Filing Application: **24 August 2011**
(24) Date from which industrial property rights may have effect: **24 August 2011**
(54) Product in respect of which the design is registered: **Handset**
(51) International Design Classification: **14-03E**
(74) Name(s) of Attorney(s): **SPRUSON & FERGUSON**
(71) Name(s) and Address(s) of Applicant(s):
Nokia Corporation
Keilalahdentie 4 FIN-02150 Espoo Finland
(72) Name(s) of Designer(s): **Travis Tom and Jim Holtorf and Ed Mitchell and Jan Stillerman**
(45) Registration Date: **23 September 2011**
(30) Convention priority data:
(31) Number (32) Date (33) Country
29/392424 20 May 2011 UNITED STATES OF AMERICA
(56) Related Art Documents: **Not Applicable**
(57) Statement of Newness and Distinctiveness: **Newness and distinctiveness is claimed in the features of shape and/or configuration of a handset as illustrated in the accompanying representations.**



- (21) Design Number: **13764/2011**
(22) Date of Filing Application: **24 August 2011**
(24) Date from which industrial property rights may have effect: **24 August 2011**
(54) Product in respect of which the design is registered: **A skimmer lid**
(51) International Design Classification: **08-05A**
(74) Name(s) of Attorney(s): **Fisher Adams Kelly**
(71) Name(s) and Address(s) of Applicant(s):
Poolrite Research Pty Ltd
415 Creek Road Mt Gravatt Queensland 4122 Australia
(72) Name(s) of Designer(s): **John Mansell and Aaron Kelly**
(45) Registration Date: **23 September 2011**
(56) Related Art Documents: **Not Applicable**
(57) Statement of Newness and Distinctiveness: **The newness and distinctiveness of the design resides in the shape and/or configuration of a skimmer lid shown in the representations. When assessing the newness and distinctiveness of the design, the portion shown in phantom in the representations should not be taken into account.**



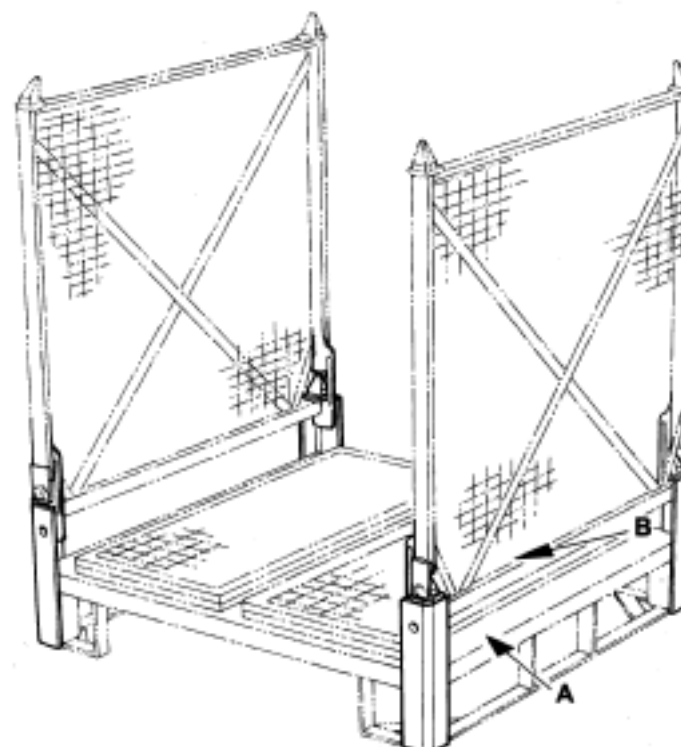
- (21) Design Number: **13765/2011**
(22) Date of Filing Application: **24 August 2011**
(24) Date from which industrial property rights may have effect: **24 August 2011**
(54) Product in respect of which the design is registered: **A cot**
(51) International Design Classification: **06-02**
(74) Name(s) of Attorney(s): **Fisher Adams Kelly**
(71) Name(s) and Address(s) of Applicant(s):
Bobby Bebe Pty Ltd
132-134 Compton Road Woodridge Queensland 4114 Australia
(72) Name(s) of Designer(s): **Fazila Bhamjee**
(45) Registration Date: **23 September 2011**
(56) Related Art Documents: **Not Applicable**
(57) Statement of Newness and Distinctiveness: **The newness and distinctiveness of the design resides in the shape and/or configuration of a cot as shown in the representations. The portions shown in phantom lines are to be disregarded when assessing the newness and distinctiveness of the design.**



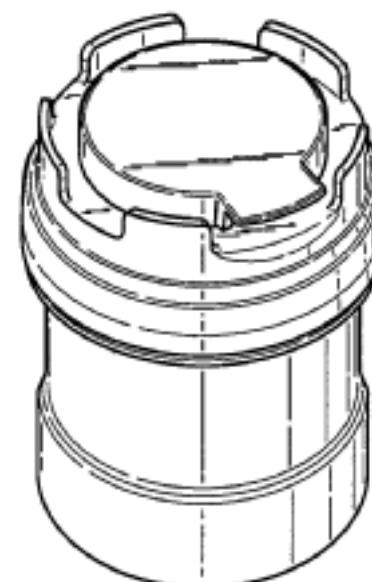
- (21) Design Number: **13766/2011**
(22) Date of Filing Application: **24 August 2011**
(24) Date from which industrial property rights may have effect: **24 August 2011**
(54) Product in respect of which the design is registered: **Centraliser**
(51) International Design Classification: **08-01**
(74) Name(s) of Attorney(s): **Allens Arthur Robinson**
(71) Name(s) and Address(s) of Applicant(s):
Downhole Products Limited
Badentoy Road Badentoy Park Portlethen Arberdeen AB12 4YA
Scotland
(72) Name(s) of Designer(s): **Andrew Keith Kirk and Ian Alastair Kirk**
(45) Registration Date: **23 September 2011**
(30) Convention priority data:
(31) Number (32) Date (33) Country
001825977 24 Feb 2011 EUROPEAN COMMUNITY
(56) Related Art Documents: **Not Applicable**
(57) Statement of Newness and Distinctiveness: **Newness and distinctiveness is claimed in the features of shape and/or configuration of the centraliser shown in solid line in the accompanying representations. The notches separating the circumferentially spaced teeth at the opposed ends of the centraliser body may vary in the number and dimensions.**



(21) Design Number: **13804/2011**
(22) Date of Filing Application: **29 August 2011**
(24) Date from which industrial property rights may have effect: **29 August 2011**
(54) Product in respect of which the design is registered: **A corner post assembly for a collapsible container**
(51) International Design Classification: **25-01E, 09-08, 08-08M**
(74) Name(s) of Attorney(s): **HODGKINSON McINNES PATENTS**
(71) Name(s) and Address(s) of Applicant(s):
Agressor Corporation Pty Ltd
25A Vaucluse Road Vaucluse New South Wales 2030 Australia
(72) Name(s) of Designer(s): **Richard Spira**
(45) Registration Date: **26 September 2011**
(56) Related Art Documents: **Not Applicable**
(57) Statement of Newness and Distinctiveness: **Features of Newness and Distinctiveness are claimed in the shape and/or configuration of a corner post assembly for a collapsible container as shown in the attached representations.**



(21) Design Number: **13810/2011**
(22) Date of Filing Application: **30 August 2011**
(24) Date from which industrial property rights may have effect: **30 August 2011**
(54) Product in respect of which the design is registered: **Nozzle**
(51) International Design Classification: **23-01K**
(74) Name(s) of Attorney(s): **Griffith Hack**
(71) Name(s) and Address(s) of Applicant(s):
Unilever PLC
100 Victoria Embankment London EC4Y 0DY United Kingdom
(72) Name(s) of Designer(s): **Harry Evert Boer and Sebastiaan Wilhelmus Josephus Den Boer**
(45) Registration Date: **26 September 2011**
(30) Convention priority data:
(31) Number (32) Date (33) Country
001836214-0001 16 Mar 2011 EUROPEAN COMMUNITY
(56) Related Art Documents: **Not Applicable**
(57) Statement of Newness and Distinctiveness: **Newness and distinctiveness resides in the visual features of shape and/or configuration, of a nozzle, as shown in the accompanying representations.**



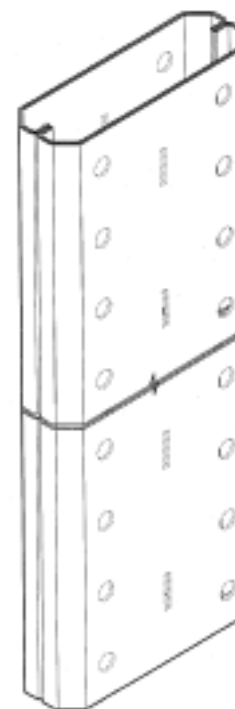
(21) Design Number: **11644/2011**
(22) Date of Filing Application: **14 April 2011**
(24) Date from which industrial property rights may have effect: **14 April 2011**
(54) Product in respect of which the design is registered: **Leash connector for water sports**
(51) International Design Classification: **21-02D**
(74) Name(s) of Attorney(s):
(71) Name(s) and Address(s) of Applicant(s):
POD Ware Pty Ltd
26 Curtin Crescent Maroubra New South Wales 2035 Australia
(72) Name(s) of Designer(s): **Shane Thomas Anthony Vassallo**
(45) Registration Date: **26 September 2011**
(56) Related Art Documents: **Not Applicable**
(57) Statement of Newness and Distinctiveness: **Nil**



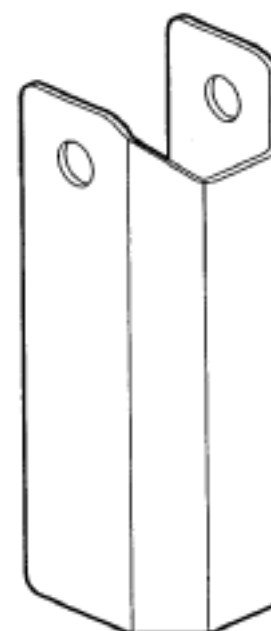
(21) Design Number: **13812/2011**
(22) Date of Filing Application: **30 August 2011**
(24) Date from which industrial property rights may have effect: **30 August 2011**
(54) Product in respect of which the design is registered: **Upright protector of indefinite length**
(51) International Design Classification: **08-08L, 25-02NES**
(74) Name(s) of Attorney(s): **Griffith Hack**
(71) Name(s) and Address(s) of Applicant(s):
Dematic Pty Ltd
24 Narabang Way Belrose New South Wales 2085 Australia
(72) Name(s) of Designer(s): **Robert Ernest Partridge and Murray James Clarke and Paul Armstrong Berry and Stephen John Celati**
(45) Registration Date: **26 September 2011**
(56) Related Art Documents: **Not Applicable**
(57) Statement of Newness and Distinctiveness: **Newness and distinctiveness resides in the visual features, including shape and/or configuration, of an Upright Protector of Indefinite Length as shown in solid outline in the accompanying drawings. When determining whether the design is substantially similar in overall impression to another design, no regard is to be had to the spacing and shape of the holes, as shown in broken outline in the accompanying drawings.**



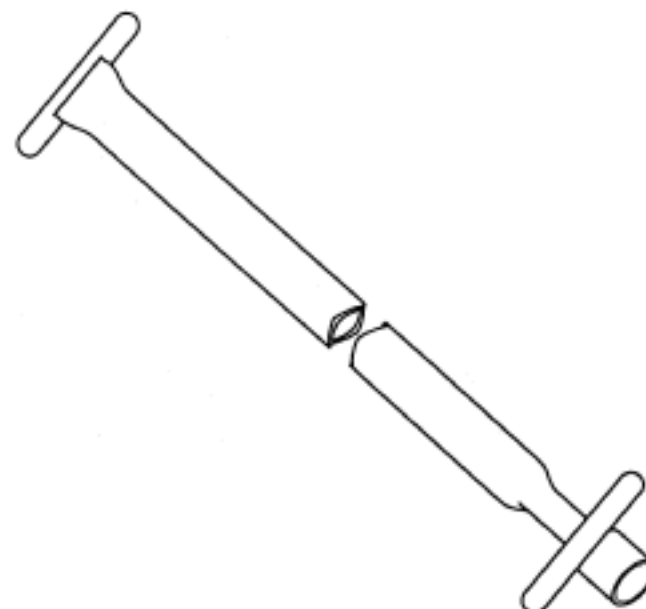
- (21) Design Number: **13813/2011**
(22) Date of Filing Application: **30 August 2011**
(24) Date from which industrial property rights may have effect: **30 August 2011**
(54) Product in respect of which the design is registered: **Rack column of indefinite length**
(51) International Design Classification: **08-08L, 06-04NES**
(74) Name(s) of Attorney(s): **Griffith Hack**
(71) Name(s) and Address(s) of Applicant(s):
Dematic Pty Ltd
24 Narabang Way Belrose New South Wales 2085 Australia
(72) Name(s) of Designer(s): **Paul Armstrong Berry and Murray James Clarke and Phillip Joseph Manno**
(45) Registration Date: **26 September 2011**
(56) Related Art Documents: **Not Applicable**
(57) Statement of Newness and Distinctiveness: **Newness and distinctiveness resides in the visual features, including shape and/or configuration, of a Rack Column of Indefinite Length as shown in solid outline in the accompanying drawings. When determining whether the design is substantially similar in overall impression to another design, no regard is to be had to the spacing and shape of the holes shown in broken outline in the accompanying drawings.**



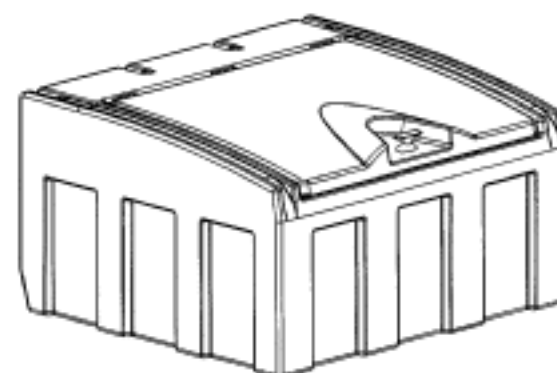
- (21) Design Number: **13814/2011**
(22) Date of Filing Application: **30 August 2011**
(24) Date from which industrial property rights may have effect: **30 August 2011**
(54) Product in respect of which the design is registered: **Connector for racking**
(51) International Design Classification: **08-08L, 08-08NES, 06-04NES**
(74) Name(s) of Attorney(s): **Griffith Hack**
(71) Name(s) and Address(s) of Applicant(s):
Dematic Pty Ltd
24 Narabang Way Belrose New South Wales 2085 Australia
(72) Name(s) of Designer(s): **Paul Armstrong Berry and Murray James Clarke and Phillip Joseph Manno**
(45) Registration Date: **26 September 2011**
(56) Related Art Documents: **Not Applicable**
(57) Statement of Newness and Distinctiveness: **Nil**



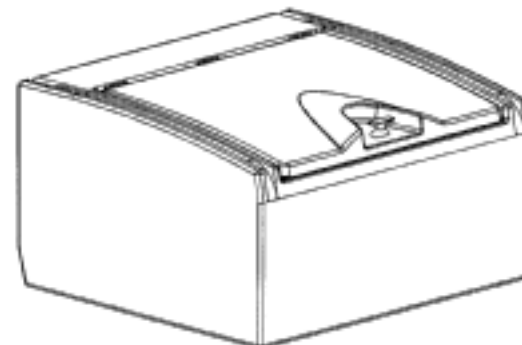
- (21) Design Number: **13815/2011**
(22) Date of Filing Application: **30 August 2011**
(24) Date from which industrial property rights may have effect: **30 August 2011**
(54) Product in respect of which the design is registered: **Retaining pin of indefinite length**
(51) International Design Classification: **08-08A**
(74) Name(s) of Attorney(s): **Griffith Hack**
(71) Name(s) and Address(s) of Applicant(s):
Dematic Pty Ltd
24 Narabang Way Belrose New South Wales 2085 Australia
(72) Name(s) of Designer(s): **Paul Armstrong Berry**
(45) Registration Date: **26 September 2011**
(56) Related Art Documents: **Not Applicable**
(57) Statement of Newness and Distinctiveness: **Newness and distinctiveness resides in the visual features including shape and/or configuration, of a retaining pin of indefinite length as shown in solid outline in the accompanying drawings. When determining whether the design is substantially similar in overall impression to another design, particular regard is to be had to shape and/or configuration of the end portions shown within the area labelled A.**



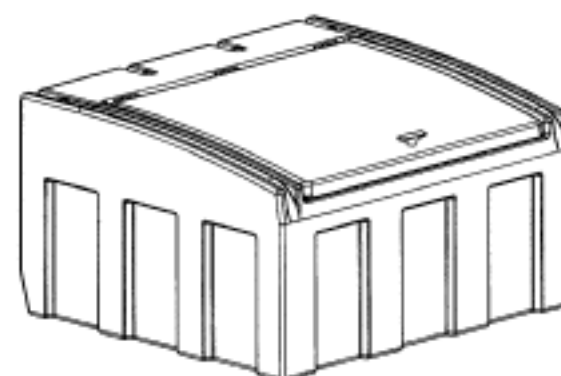
- (21) Design Number: **13987/2011**
(22) Date of Filing Application: **06 September 2011**
(24) Date from which industrial property rights may have effect: **06 September 2011**
(54) Product in respect of which the design is registered: **Product is called ute locker and it's design relates to a tool box/ storage box to be used to transport goods**
(51) International Design Classification: **03-01D, 12-16K**
(74) Name(s) of Attorney(s):
(71) Name(s) and Address(s) of Applicant(s):
Ute Locker Pty Ltd
183 Fingal Street Tarragindi Queensland 4121 Australia
(72) Name(s) of Designer(s): **Nigel Smith**
(45) Registration Date: **26 September 2011**
(56) Related Art Documents: **Not Applicable**
(57) Statement of Newness and Distinctiveness: **Nil**



- (21) Design Number: **13986/2011**
(22) Date of Filing Application: **06 September 2011**
(24) Date from which industrial property rights may have effect: **06 September 2011**
(54) Product in respect of which the design is registered: **Product is called ute locker and it's design relates to a tool box/ storage box to be used to transport goods**
(51) International Design Classification: **03-01D, 12-16K**
(74) Name(s) of Attorney(s):
(71) Name(s) and Address(s) of Applicant(s):
Ute Locker Pty Ltd
183 Fingal Street Tarragindi Queensland 4121 Australia
(72) Name(s) of Designer(s): **Nigel Smith**
(45) Registration Date: **26 September 2011**
(56) Related Art Documents: **Not Applicable**
(57) Statement of Newness and Distinctiveness: **Nil**



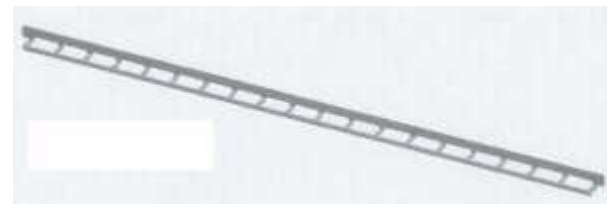
- (21) Design Number: **13988/2011**
(22) Date of Filing Application: **06 September 2011**
(24) Date from which industrial property rights may have effect: **06 September 2011**
(54) Product in respect of which the design is registered: **Product is called ute locker and it's design relates to a tool box/ storage box to be used to transport goods**
(51) International Design Classification: **03-01D, 12-16K**
(74) Name(s) of Attorney(s):
(71) Name(s) and Address(s) of Applicant(s):
Ute Locker Pty Ltd
183 Fingal Street Tarragindi Queensland 4121 Australia
(72) Name(s) of Designer(s): **Nigel Smith**
(45) Registration Date: **26 September 2011**
(56) Related Art Documents: **Not Applicable**
(57) Statement of Newness and Distinctiveness: **Nil**



- (21) Design Number: **13989/2011**
(22) Date of Filing Application: **06 September 2011**
(24) Date from which industrial property rights may have effect: **06 September 2011**
(54) Product in respect of which the design is registered: **Product is called ute locker and it's design relates to a tool box/ storage box to be used to transport goods**
(51) International Design Classification: **03-01D, 12-16K**
(74) Name(s) of Attorney(s):
(71) Name(s) and Address(s) of Applicant(s):
Ute Locker Pty Ltd
183 Fingal Street Tarragindi Queensland 4121 Australia
(72) Name(s) of Designer(s): **Nigel Smith**
(45) Registration Date: **26 September 2011**
(56) Related Art Documents: **Not Applicable**
(57) Statement of Newness and Distinctiveness: **Nil**



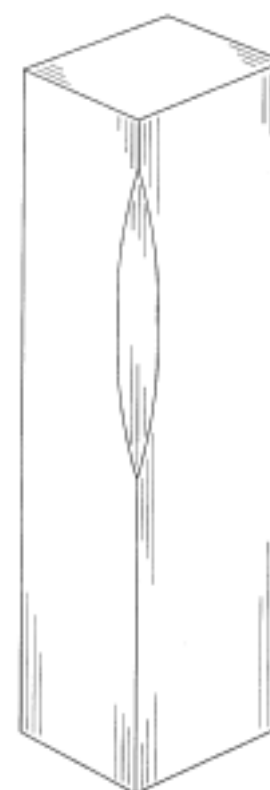
- (21) Design Number: **13598/2011**
(22) Date of Filing Application: **15 August 2011**
(24) Date from which industrial property rights may have effect: **15 August 2011**
(54) Product in respect of which the design is registered: **Adjuster guard for a grain feeder**
(51) International Design Classification: **30-03**
(74) Name(s) of Attorney(s):
(71) Name(s) and Address(s) of Applicant(s):
Gerard Roney
10/1517 Malvern Road Glen Iris Victoria 3146 Australia
(72) Name(s) of Designer(s): **Gerard Roney**
(45) Registration Date: **26 September 2011**
(56) Related Art Documents: **Not Applicable**
(57) Statement of Newness and Distinctiveness: **The adjuster guard is an accessory to the Advantage feeders grain feeder. It attaches to the feeder. The adjuster guard is made up of the modified adjuster brace and the adjuster grid. The tabs on the grid slide into the gap between the adjuster brace and the upper adjuster on any Advantage feeders grain feeder. It sits along the length of the trough and guards the feed access area.**



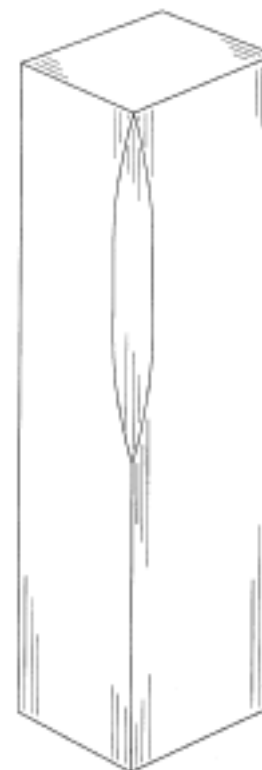
- (21) Design Number: **13828/2011**
(22) Date of Filing Application: **30 August 2011**
(24) Date from which industrial property rights may have effect: **30 August 2011**
(54) Product in respect of which the design is registered: **Packaging**
(51) International Design Classification: **09-03M**
(74) Name(s) of Attorney(s): **PHILLIPS ORMONDE FITZPATRICK**
(71) Name(s) and Address(s) of Applicant(s):
The Procter & Gamble Company
One Procter & Gamble Plaza Cincinnati Ohio 45202 United States of America
(72) Name(s) of Designer(s): **Maxine Jane Walter and Niklas Kuhn and Martin Jay Marotti**
(45) Registration Date: **26 September 2011**
(30) Convention priority data:
(31) Number (32) Date (33) Country
29/386,443 01 Mar 2011 UNITED STATES OF AMERICA
(56) Related Art Documents: **Not Applicable**
(57) Statement of Newness and Distinctiveness: **Those features of the packaging depicted in the representations that are new and distinctive are the shape and/or configuration.**



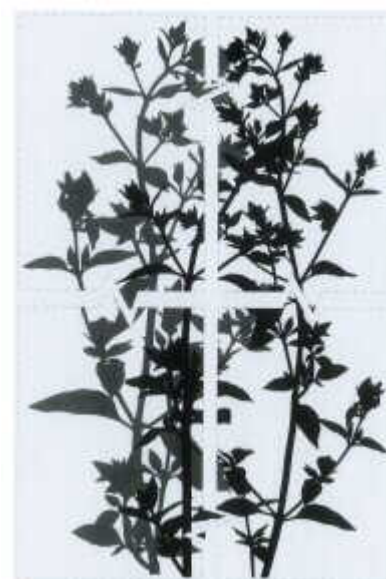
- (21) Design Number: **13830/2011**
(22) Date of Filing Application: **30 August 2011**
(24) Date from which industrial property rights may have effect: **30 August 2011**
(54) Product in respect of which the design is registered: **Packaging**
(51) International Design Classification: **09-03M**
(74) Name(s) of Attorney(s): **PHILLIPS ORMONDE FITZPATRICK**
(71) Name(s) and Address(s) of Applicant(s):
The Procter & Gamble Company
One Procter & Gamble Plaza Cincinnati Ohio 45202 United States of America
(72) Name(s) of Designer(s): **Maxine Jane Walter and Tina Marie Bernard and Mahmood A. Shaikh and Joe Alexander and Rob Pfister**
(45) Registration Date: **26 September 2011**
(30) Convention priority data:
(31) Number (32) Date (33) Country
29/386,448 01 Mar 2011 UNITED STATES OF AMERICA
(56) Related Art Documents: **Not Applicable**
(57) Statement of Newness and Distinctiveness: **Those features of the packaging depicted in the representations that are new and distinctive are the shape and/or configuration.**



- (21) Design Number: **13836/2011**
(22) Date of Filing Application: **30 August 2011**
(24) Date from which industrial property rights may have effect: **30 August 2011**
(54) Product in respect of which the design is registered: **Packaging**
(51) International Design Classification: **09-03M**
(74) Name(s) of Attorney(s): **PHILLIPS ORMONDE FITZPATRICK**
(71) Name(s) and Address(s) of Applicant(s):
The Procter & Gamble Company
One Procter & Gamble Plaza Cincinnati Ohio 45202 United States of America
(72) Name(s) of Designer(s): **Maxine Jane Walter and Tina Marie Bernard and Mahmood A. Shaikh and Joe Alexander and Rob Pfister**
(45) Registration Date: **26 September 2011**
(30) Convention priority data:
(31) Number (32) Date (33) Country
29/386,448 01 Mar 2011 UNITED STATES OF AMERICA
(56) Related Art Documents: **Not Applicable**
(57) Statement of Newness and Distinctiveness: **Those features of the packaging depicted in the representations that are new and distinctive are the shape and/or configuration of the portion of the packaging shown in continuous lines. The features shown in broken lines are not part of the design and are to be disregarded when considering the overall impression of the design.**



- (21) Design Number: **13210/2011**
(22) Date of Filing Application: **20 July 2011**
(24) Date from which industrial property rights may have effect: **20 July 2011**
(54) Product in respect of which the design is registered: **Layered decorative screen set**
(51) International Design Classification: **05-06NES, 11-02F**
(74) Name(s) of Attorney(s): **Choy Lawyers**
(71) Name(s) and Address(s) of Applicant(s):
Katherine Brennan
526 Malvern Road Prahran Victoria 3181 Australia
(72) Name(s) of Designer(s): **Katherine Brennan**
(45) Registration Date: **26 September 2011**
(56) Related Art Documents: **Not Applicable**
(57) Statement of Newness and Distinctiveness: **Nil**



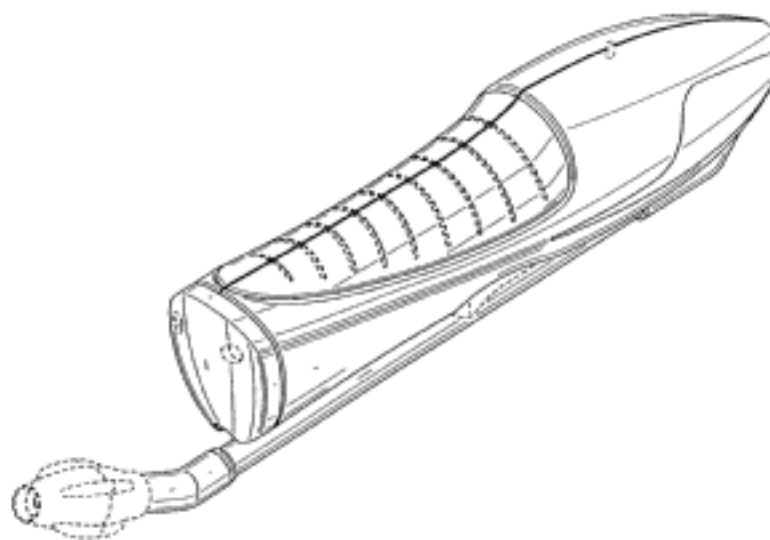
(21) Design Number: **13806/2011**
(22) Date of Filing Application: **25 August 2011**
(24) Date from which industrial property rights may have effect: **25 August 2011**
(54) Product in respect of which the design is registered: **A fin for a surfboard**
(51) International Design Classification: **21-02D**
(74) Name(s) of Attorney(s): **Chrysiliou IP**
(71) Name(s) and Address(s) of Applicant(s):
Jeremy Croft
15/34 Kooloora Avenue Freshwater New South Wales 2096 Australia
(72) Name(s) of Designer(s): **Jeremy Croft**
(45) Registration Date: **26 September 2011**
(56) Related Art Documents: **Not Applicable**
(57) Statement of Newness and Distinctiveness: **Nil**



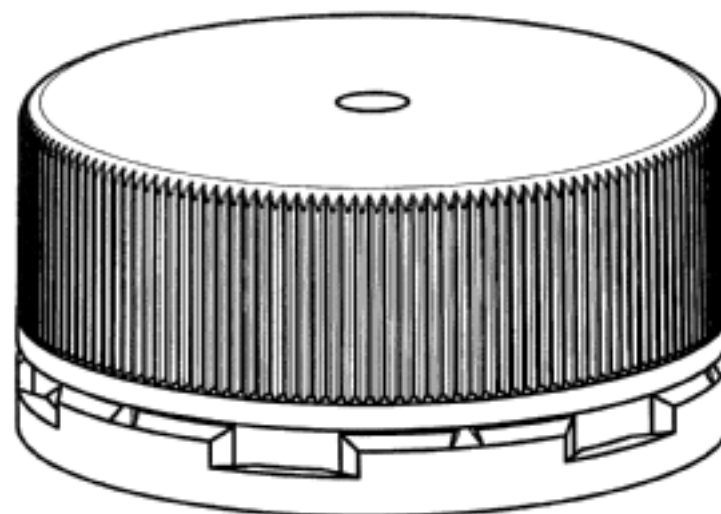
(21) Design Number: **13807/2011**
(22) Date of Filing Application: **30 August 2011**
(24) Date from which industrial property rights may have effect: **30 August 2011**
(54) Product in respect of which the design is registered: **Sprayer**
(51) International Design Classification: **08-05A, 09-01A, 23-01NES**
(74) Name(s) of Attorney(s): **WATERMARK PATENT AND TRADE MARKS ATTORNEYS**
(71) Name(s) and Address(s) of Applicant(s):
SMG Brands, Inc
1105 N Market Street Suite 1300 Wilmington DE 19801 United States of America
(72) Name(s) of Designer(s): **Paul Havlovitz and Randy M. Goodwin and Paul Hsu and Jay F. Perkins and Ryan R. Berger and Sun-Jan Alan Huang and Timothy Michael Martin**
(45) Registration Date: **26 September 2011**
(30) Convention priority data:
(31) Number (32) Date (33) Country
29/386,485 01 Mar 2011 UNITED STATES OF AMERICA
(56) Related Art Documents: **Not Applicable**
(57) Statement of Newness and Distinctiveness: **In considering the newness and distinctiveness of the design, no regard is to be had to the portions of the design shown in dotted outline which in Figure 1 are visible at the top of the sprayer and to the rear of the spray outlet, and in circular outline towards the base of the handle portion.**



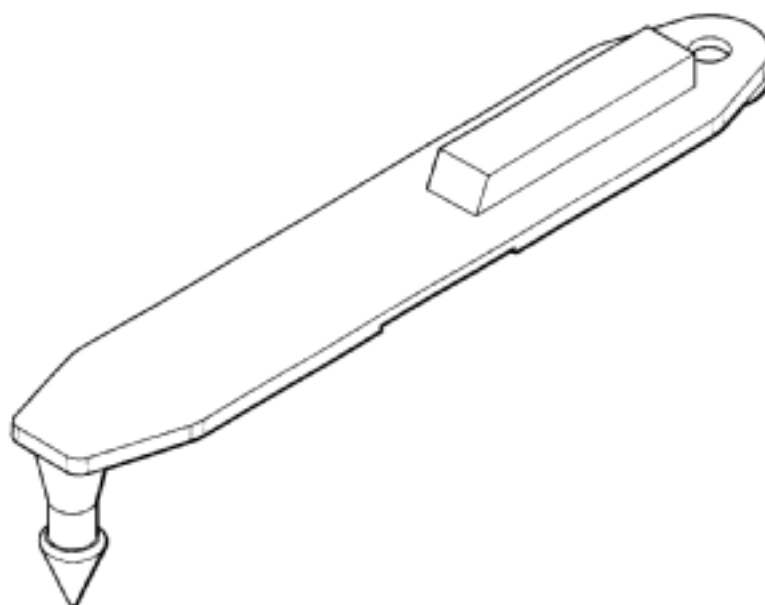
- (21) Design Number: **13808/2011**
(22) Date of Filing Application: **30 August 2011**
(24) Date from which industrial property rights may have effect: **30 August 2011**
(54) Product in respect of which the design is registered: **Applicator**
(51) International Design Classification: **09-07A, 28-03NES**
(74) Name(s) of Attorney(s): **WATERMARK PATENT AND TRADE MARKS ATTORNEYS**
(71) Name(s) and Address(s) of Applicant(s):
SMG Brands, Inc
1105 N Market Street Suite 1300 Wilmington DE 19801 United States of America
(72) Name(s) of Designer(s): **Paul Havlovitz and Randy M. Goodwin and Paul Hsu and Jay F. Perkins and Mike T. Kopczewski and Ryan R. Berger and Timothy Michael Martin**
(45) Registration Date: **26 September 2011**
(30) Convention priority data:
(31) Number (32) Date (33) Country
29/386,483 01 Mar 2011 UNITED STATES OF AMERICA
(56) Related Art Documents: **Not Applicable**
(57) Statement of Newness and Distinctiveness: **In considering the newness and distinctiveness of the design, no regard is to be had to the nozzle portion of the design shown in dotted outline, and nor to the trigger portion of the design shown in dotted outline underneath the applicator in Figure 7.**



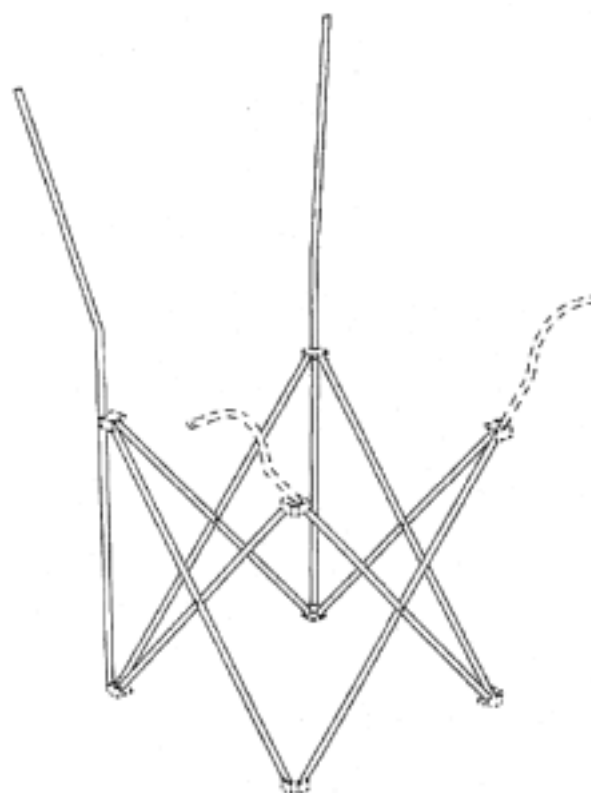
- (21) Design Number: **13822/2011**
(22) Date of Filing Application: **29 August 2011**
(24) Date from which industrial property rights may have effect: **29 August 2011**
(54) Product in respect of which the design is registered: **A closure**
(51) International Design Classification: **09-07C**
(74) Name(s) of Attorney(s): **Baldwins Intellectual Property**
(71) Name(s) and Address(s) of Applicant(s):
Premier Plastics Limited
27 Ross Reid Place East Tamaki 2013 Auckland New Zealand
(72) Name(s) of Designer(s): **Bruce Harold Mutch and Christopher John Radford and Stephen David Habershon**
(45) Registration Date: **26 September 2011**
(56) Related Art Documents: **Not Applicable**
(57) Statement of Newness and Distinctiveness: **Newness and distinctiveness resides in the shape and configuration of the closure.**



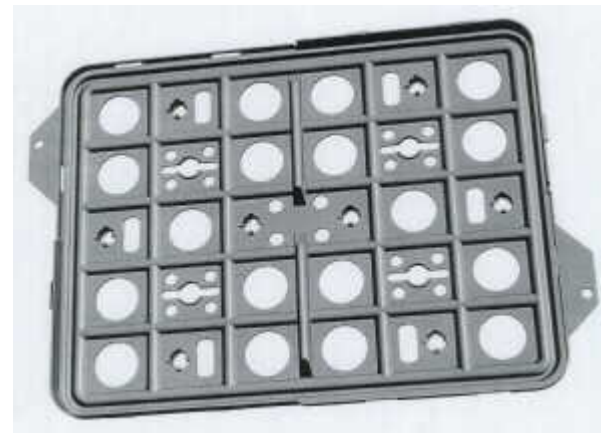
- (21) Design Number: **13823/2011**
(22) Date of Filing Application: **30 August 2011**
(24) Date from which industrial property rights may have effect: **30 August 2011**
(54) Product in respect of which the design is registered: **Tag**
(51) International Design Classification: **19-08, 30-08**
(74) Name(s) of Attorney(s): **Callinans**
(71) Name(s) and Address(s) of Applicant(s):
Leader Products Pty. Ltd.
Hume Highway Craigieburn Victoria 3064 Australia
(72) Name(s) of Designer(s): **Geoffrey Dumbrell**
(45) Registration Date: **26 September 2011**
(56) Related Art Documents: **Not Applicable**
(57) Statement of Newness and Distinctiveness: **Nil**



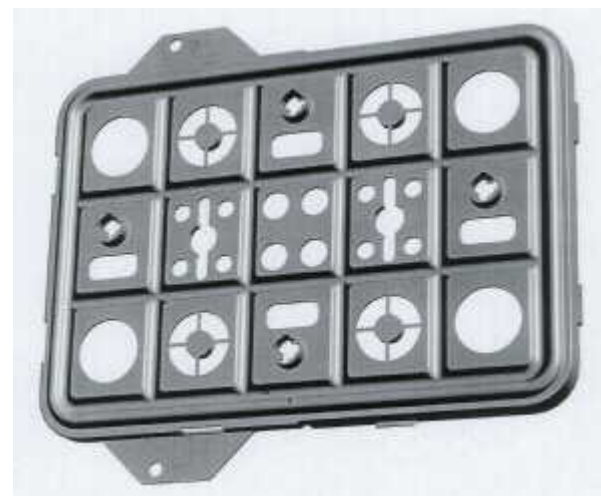
- (21) Design Number: **11354/2011**
(22) Date of Filing Application: **29 March 2011**
(24) Date from which industrial property rights may have effect: **29 March 2011**
(54) Product in respect of which the design is registered: **Chair frame**
(51) International Design Classification: **06-06H**
(74) Name(s) of Attorney(s): **Houlihan2**
(71) Name(s) and Address(s) of Applicant(s):
Leisurelife (Aust) Pty Ltd
3/313 Burwood Road Hawthorn Victoria 3122 Australia
(72) Name(s) of Designer(s): **Maxwell Day**
(45) Registration Date: **27 September 2011**
(56) Related Art Documents: **Not Applicable**
(57) Statement of Newness and Distinctiveness: **Newness and distinctiveness reside in the shape and/or configuration of a chair frame illustrated by solid lines in accompanying representations. The features shown in discontinuous lines or in broken outline are for illustrative purposes only and form no part of the design.**



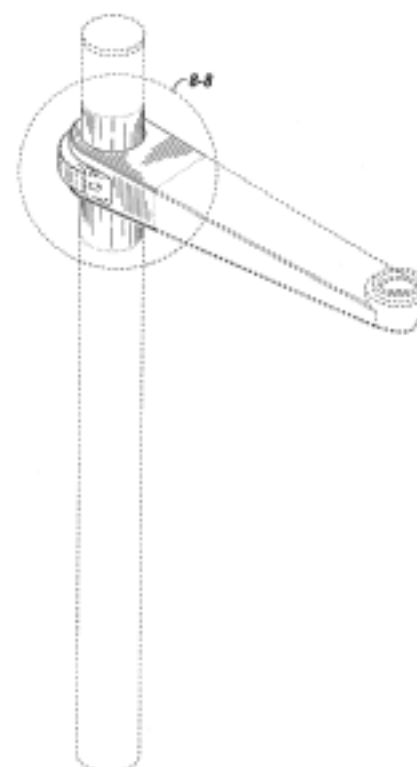
- (21) Design Number: **11484/2011**
(22) Date of Filing Application: **05 April 2011**
(24) Date from which industrial property rights may have effect: **05 April 2011**
(54) Product in respect of which the design is registered: **Filter casing for use in refrigerated environments**
(51) International Design Classification: **15-07**
(74) Name(s) of Attorney(s):
(71) Name(s) and Address(s) of Applicant(s):
Steven Murray Ellis
10 Tarbet Street Kenmore Queensland 4069 Australia
Optikool QLD Pty Ltd
10 Tarbet Street Kenmore Queensland 4069 Australia
(72) Name(s) of Designer(s): **Steve Ellis and Mark Serisier**
(45) Registration Date: **27 September 2011**
(56) Related Art Documents: **Not Applicable**
(57) Statement of Newness and Distinctiveness: **Symmetrical design; additional of magnet moulded into casing AND raised from surface; Inclusion of separator strip; Inclusion of keyholes.**



- (21) Design Number: **11485/2011**
(22) Date of Filing Application: **05 April 2011**
(24) Date from which industrial property rights may have effect: **05 April 2011**
(54) Product in respect of which the design is registered: **Filter casing for use in refrigerated environments**
(51) International Design Classification: **15-07**
(74) Name(s) of Attorney(s):
(71) Name(s) and Address(s) of Applicant(s):
Steven Murray Ellis
10 Tarbet Street Kenmore Queensland 4069 Australia
Optikool QLD Pty Ltd
10 Tarbet Street Kenmore Queensland 4069 Australia
(72) Name(s) of Designer(s): **Steve Ellis and Mark Serisier**
(45) Registration Date: **27 September 2011**
(56) Related Art Documents: **Not Applicable**
(57) Statement of Newness and Distinctiveness: **Symmetrical design; additional of magnet moulded into casing AND raised from surface; Inclusion of separator strip; Inclusion of keyholes.**



(21) Design Number: **12965/2011**
(22) Date of Filing Application: **01 July 2011**
(24) Date from which industrial property rights may have effect: **01 July 2011**
(54) Product in respect of which the design is registered: **A pole arm**
(51) International Design Classification: **08-08NES, 14-02**
(74) Name(s) of Attorney(s): **Fraser Old & Sohn**
(71) Name(s) and Address(s) of Applicant(s):
Innovative Office Products, Inc.
100 Kuebler Road Easton Pennsylvania 18040 United States of America
(72) Name(s) of Designer(s): **Bradley A. Derry and David VanDuzer and Stephen J. Bowman**
(45) Registration Date: **27 September 2011**
(30) Convention priority data:
(31) Number (32) Date (33) Country
29/382,510 04 Jan 2011 UNITED STATES OF AMERICA
(56) Related Art Documents: **Not Applicable**
(57) Statement of Newness and Distinctiveness: **Newness and distinctiveness is claimed in respect of the shape and/or configuration of the product illustrated in the accompanying representations. In the representations the portions illustrated by solid lines are claimed subject matter whilst the portions illustrated by broken lines are unclaimed subject matter and are included for the purpose of illustrating environmental subject matter only. In carrying out a consideration in accordance with Section 19 the shape and/or configuration of the claimed subject matter is to be considered whilst the shape and/or configuration of the unclaimed matter forms no part of the claimed design. of the design.**



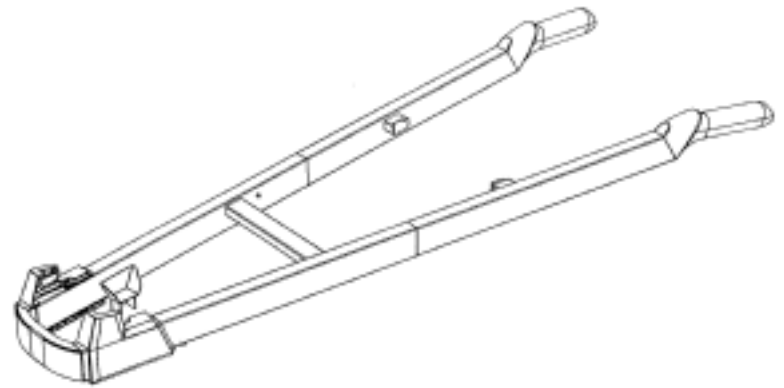
(21) Design Number: **13330/2011**
(22) Date of Filing Application: **28 July 2011**
(24) Date from which industrial property rights may have effect: **28 July 2011**
(54) Product in respect of which the design is registered: **Crop residue collector**
(51) International Design Classification: **15-03B**
(74) Name(s) of Attorney(s):
(71) Name(s) and Address(s) of Applicant(s):
Thomas W. Lewis
Box 64 Bruce Rock Western Australia 6418 Australia
Matthew D. Barrett-Lennard
Box 144 Bruce Rock Western Australia 6418 Australia
(72) Name(s) of Designer(s): **Thomas W. Lewis and Matthew D. Barrett-Lennard**
(45) Registration Date: **27 September 2011**
(56) Related Art Documents: **Not Applicable**
(57) Statement of Newness and Distinctiveness: **The design in question has a distinctive appearance in that the basic unit is formed in the shape of an unequal sided pentagon and is fitted with an upper or top section to complete the shape as shown in the accompanying pictures. The design does not include specific colours. It is not restricted to a particular colour or combination colours.**



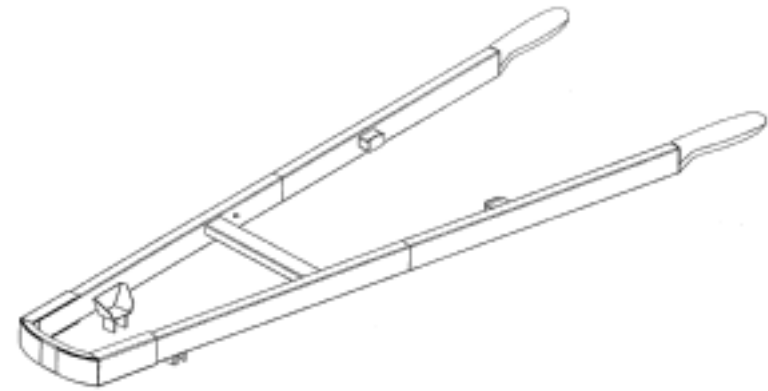
- (21) Design Number: **13887/2011**
(22) Date of Filing Application: **01 September 2011**
(24) Date from which industrial property rights may have effect: **01 September 2011**
(54) Product in respect of which the design is registered: **Cigarette pack sleeve**
(51) International Design Classification: **09-03A**
(74) Name(s) of Attorney(s): **WATERMARK PATENT AND TRADE MARKS ATTORNEYS**
(71) Name(s) and Address(s) of Applicant(s):
Promopack Pty Ltd
Level 1 465 Auburn Road Hawthorn East Victoria 3123 Australia
(72) Name(s) of Designer(s): **Charlie Maher and Andrew Lloyd**
(45) Registration Date: **27 September 2011**
(56) Related Art Documents: **Not Applicable**
(57) Statement of Newness and Distinctiveness: **The newness and distinctiveness resides in the visual features of the cigarette pack sleeve whereby one end of the sleeve has rolled out cuff, which allows for the insertion of cigarette pack from the top end of the sleeve. The other opposite end of the sleeve has a rolled in cuff to retain the cigarette pack within the sleeve.**



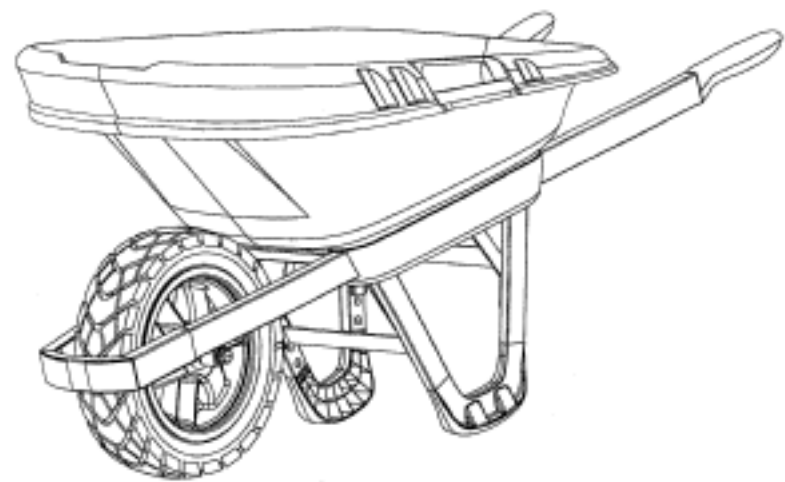
- (21) Design Number: **11230/2011**
(22) Date of Filing Application: **22 March 2011**
(24) Date from which industrial property rights may have effect: **22 March 2011**
(54) Product in respect of which the design is registered: **A kit for assembly to form a chassis frame for a wheelbarrow**
(51) International Design Classification: **12-02**
(74) Name(s) of Attorney(s): **Davies Collison Cave**
(71) Name(s) and Address(s) of Applicant(s):
Illinois Tool Works Inc.
3600 West Lake Avenue Glenview Illinois 60026 United States of America
(72) Name(s) of Designer(s): **Nathan Anderson Pollock and Douglas Buckle and Lee Anthony Rodezno**
(45) Registration Date: **27 September 2011**
(56) Related Art Documents: **Not Applicable**
(57) Statement of Newness and Distinctiveness: **Nil**



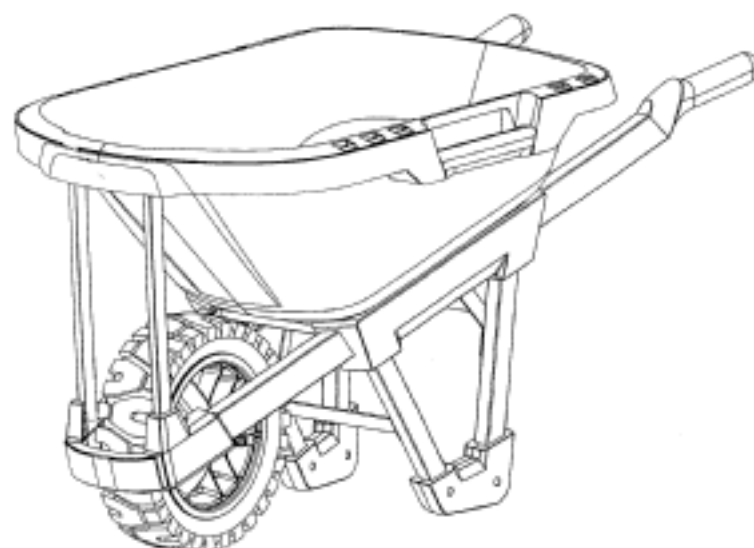
- (21) Design Number: **11231/2011**
(22) Date of Filing Application: **22 March 2011**
(24) Date from which industrial property rights may have effect: **22 March 2011**
(54) Product in respect of which the design is registered: **A kit for assembly to form a chassis frame for a wheelbarrow**
(51) International Design Classification: **12-02**
(74) Name(s) of Attorney(s): **Davies Collison Cave**
(71) Name(s) and Address(s) of Applicant(s):
Illinois Tool Works Inc.
3600 West Lake Avenue Glenview Illinois 60026 United States of America
(72) Name(s) of Designer(s): **Nathan Anderson Pollock and Douglas Buckle and Lee Anthony Rodezno**
(45) Registration Date: **27 September 2011**
(56) Related Art Documents: **Not Applicable**
(57) Statement of Newness and Distinctiveness: **Nil**



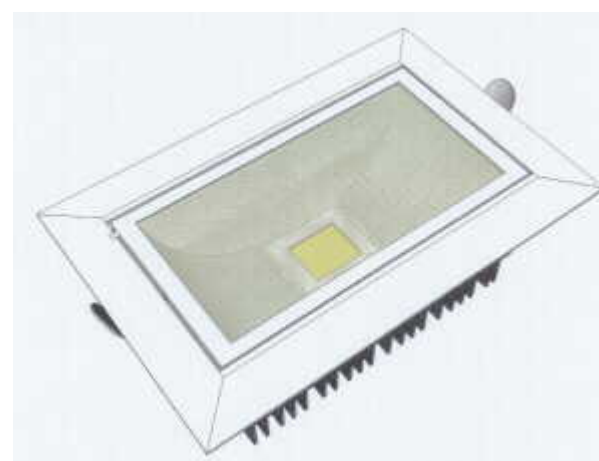
- (21) Design Number: **11232/2011**
(22) Date of Filing Application: **22 March 2011**
(24) Date from which industrial property rights may have effect: **22 March 2011**
(54) Product in respect of which the design is registered: **A wheelbarrow**
(51) International Design Classification: **12-02**
(74) Name(s) of Attorney(s): **Davies Collison Cave**
(71) Name(s) and Address(s) of Applicant(s):
Illinois Tool Works Inc.
3600 West Lake Avenue Glenview Illinois 60026 United States of America
(72) Name(s) of Designer(s): **Nathan Anderson Pollock and Douglas Buckle and Lee Anthony Rodezno**
(45) Registration Date: **27 September 2011**
(56) Related Art Documents: **Not Applicable**
(57) Statement of Newness and Distinctiveness: **Nil**



- (21) Design Number: **11233/2011**
(22) Date of Filing Application: **22 March 2011**
(24) Date from which industrial property rights may have effect: **22 March 2011**
(54) Product in respect of which the design is registered: **A wheelbarrow**
(51) International Design Classification: **12-02**
(74) Name(s) of Attorney(s): **Davies Collison Cave**
(71) Name(s) and Address(s) of Applicant(s):
Illinois Tool Works Inc.
3600 West Lake Avenue Glenview Illinois 60026 United States of America
(72) Name(s) of Designer(s): **Nathan Anderson Pollock and Douglas Buckle and Lee Anthony Rodezno**
(45) Registration Date: **27 September 2011**
(56) Related Art Documents: **Not Applicable**
(57) Statement of Newness and Distinctiveness: **Nil**



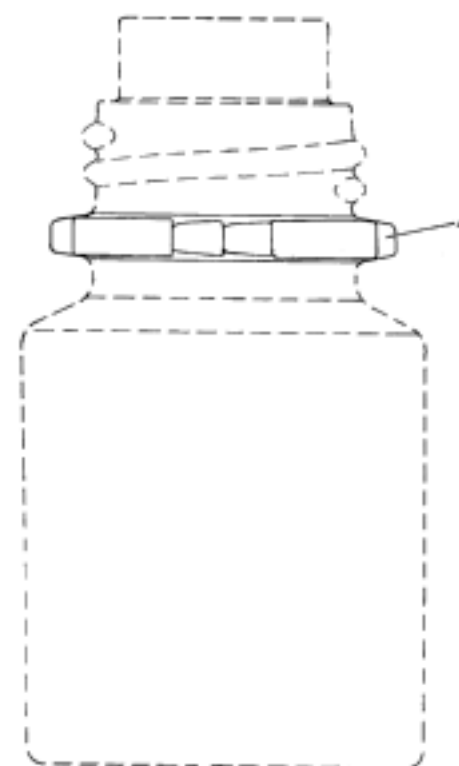
- (21) Design Number: **12557/2011**
(22) Date of Filing Application: **03 June 2011**
(24) Date from which industrial property rights may have effect: **03 June 2011**
(54) Product in respect of which the design is registered: **SR-DLR-30w rectangle sop lighter - downlight**
(51) International Design Classification: **26-04, 26-05C, 26-05E**
(74) Name(s) of Attorney(s):
(71) Name(s) and Address(s) of Applicant(s):
Warren Melling
34A Sunbeam Road Glynde South Australia 5060 Australia
Theo Spartalis
34A Sunbeam Road Glynde South Australia 5060 Australia
(72) Name(s) of Designer(s): **Warren Melling and Theo Spartalis**
(45) Registration Date: **27 September 2011**
(56) Related Art Documents: **Not Applicable**
(57) Statement of Newness and Distinctiveness: **The design is unique in 4 main areas. 1) The Front Flange Assembly: Dimensionally the flange has been enlarged to allow for easier installation while also maintaining dimensional proportion. Cosmetically the front side of the flange has been profiled to a thin edge around the outer perimeter thus allowing for a neat low profile fitting into the ceiling cavity. 2) LED Light Source: A single COB (Chip on Board) Bridgelux LED is fitted. This system will allow the fitting of an LED from 20w-40w without any change in dimension or appearance of the luminaire assembly. 3) Reflector shape and material: The reflector assembly has been shaped with a semi-parabolic profile on the sides. This aids in more accurately projecting the emitted light. The reflector material aids in eliminating LED light banding around the edges of the emitted light beam, by diffusing the emitted light more evenly. The reflector is made of aluminium sheet pattern No1060. 4) Retaining Spring Assembly: The retaining spring assembly has been designed to allow for safer installation procedures by employing a solid centre lever and base design. This also allows for a heavy duty spring tension to aid in maintaining the fitted integrity of the luminaire in the ceiling cavity.**



- (21) Design Number: **13322/2011**
(22) Date of Filing Application: **28 July 2011**
(24) Date from which industrial property rights may have effect: **28 July 2011**
(54) Product in respect of which the design is registered: **Fitted bedding for a porta cot**
(51) International Design Classification: **06-13B**
(74) Name(s) of Attorney(s):
(71) Name(s) and Address(s) of Applicant(s):
Pebel Enterprises Pty Ltd
1107 Bishopsbourne Road Bishopsbourne Tasmania 7301 Australia
(72) Name(s) of Designer(s): **Philipa Ebbelaar**
(45) Registration Date: **27 September 2011**
(56) Related Art Documents: **Not Applicable**
(57) Statement of Newness and Distinctiveness: **Newness and distinctiveness resides in the features of shape and or configuration of the porta cot bedding as displayed in the attached representations, in particular the zips attached to each side of the bedding to allow a lengthwise opening - displayed in pictures 1, 2, and 3, the two snaps that are attached to the cover of the bedding to allow it to be folded down and held in place - displayed in picture 2, the three Velcro loop tabs that are attached to each end of the bedding - displayed in pictures 4 and 5 and the envelope openings (porta cot mattress slides into) on the underside of the bedding - displayed in picture 5.**



- (21) Design Number: **13426/2011**
(22) Date of Filing Application: **03 August 2011**
(24) Date from which industrial property rights may have effect: **03 August 2011**
(54) Product in respect of which the design is registered: **A bottle or container**
(51) International Design Classification: **09-01NES**
(74) Name(s) of Attorney(s): **Halfords IP**
(71) Name(s) and Address(s) of Applicant(s):
Archimedes Development Limited
Albert Einstein Centre University Boulevard Nottingham
Nottinghamshire NG7 2TN United Kingdom
(72) Name(s) of Designer(s): **Philip Walsh and Peter Watts**
(45) Registration Date: **27 September 2011**
(30) Convention priority data:
(31) Number (32) Date (33) Country
001816273-0001 04 Feb 2011 EUROPEAN COMMUNITY
(56) Related Art Documents: **Not Applicable**
(57) Statement of Newness and Distinctiveness: **Newness and distinctiveness is claimed in respect of those features of shape and or configuration of a Bottle or Container having a teeth ring as depicted in the representations in unbroken lines. For clarity the teeth ring is marked with a letter A in the representations. The features shown in broken lines do not form part of the design.**



(21) Design Number: **13427/2011**

(22) Date of Filing Application: **03 August 2011**

(24) Date from which industrial property rights may have effect: **03 August 2011**

(54) Product in respect of which the design is registered: **A bottle or container**

(51) International Design Classification: **09-01NES**

(74) Name(s) of Attorney(s): **Halfords IP**

(71) Name(s) and Address(s) of Applicant(s):

**Archimedes Development Limited
Albert Einstein Centre University Boulevard Nottingham NG7 2TN United Kingdom**

(72) Name(s) of Designer(s): **Philip Walsh and Peter Watts**

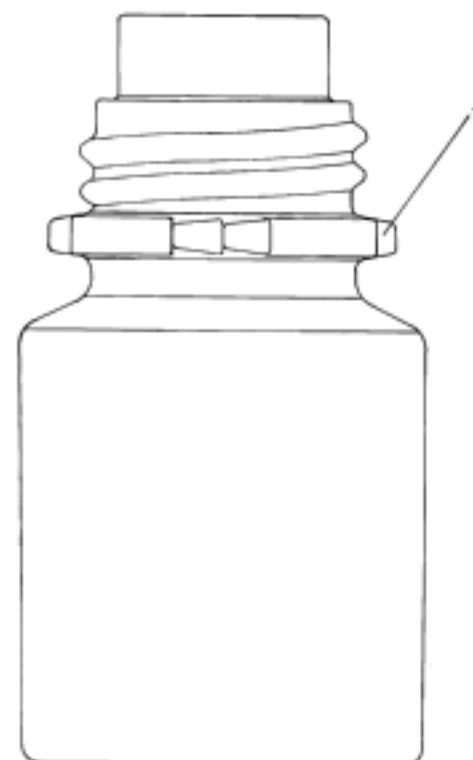
(45) Registration Date: **27 September 2011**

(30) Convention priority data:

(31) Number	(32) Date	(33) Country
001816273-0001	04 Feb 2011	EUROPEAN COMMUNITY

(56) Related Art Documents: **Not Applicable**

(57) Statement of Newness and Distinctiveness: **Newness and distinctiveness is claimed in respect of those features of shape and or configuration of a Bottle or Container having a teeth ring as depicted in the representations in unbroken lines. For clarity the teeth ring is marked with a letter A in the representations. The features shown in broken lines do not form part of the design.**



(21) Design Number: **13849/2011**

(22) Date of Filing Application: **01 September 2011**

(24) Date from which industrial property rights may have effect: **01 September 2011**

(54) Product in respect of which the design is registered: **Multi purpose folding hand cart with child seat**

(51) International Design Classification: **12-12**

(74) Name(s) of Attorney(s):

(71) Name(s) and Address(s) of Applicant(s):

**John Louis Maltzahn
9 Highview Road Balwyn North Victoria 3104 Australia**

(72) Name(s) of Designer(s): **John Louis Maltzahn**

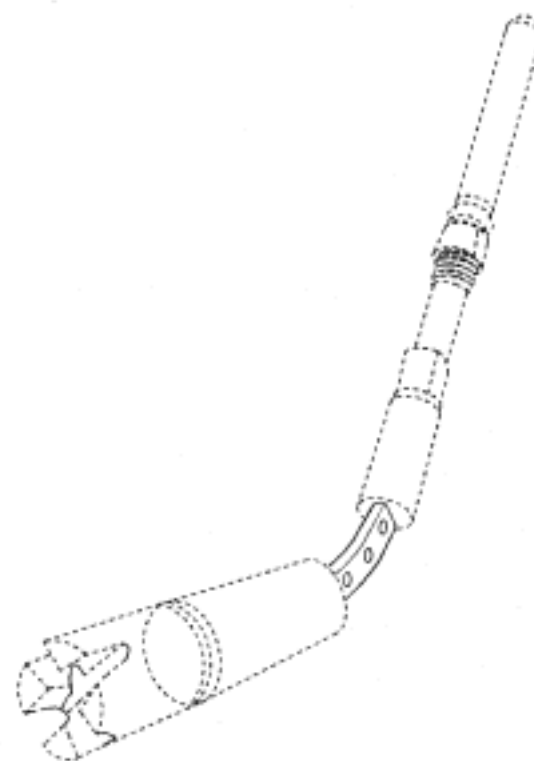
(45) Registration Date: **27 September 2011**

(56) Related Art Documents: **Not Applicable**

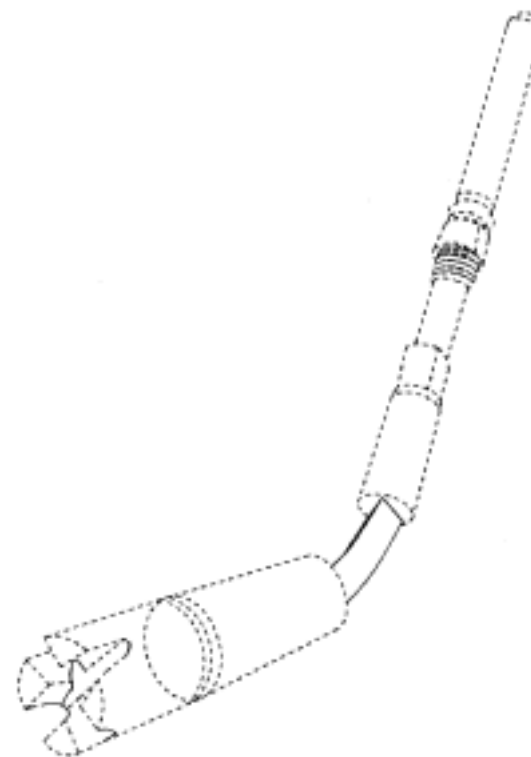
(57) Statement of Newness and Distinctiveness: **Hand cart with large carrying capacity combined with collapsibility, a child seat and the capacity to travel over hard or soft surfaces.**



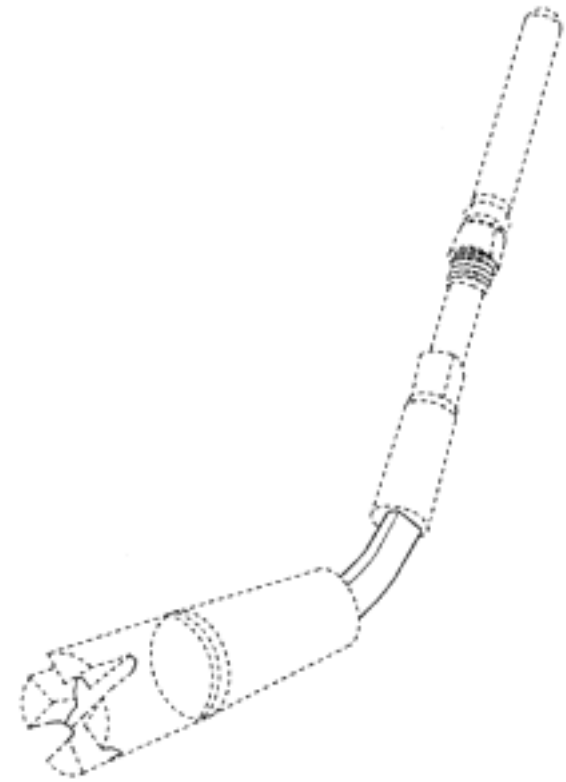
- (21) Design Number: **13850/2011**
(22) Date of Filing Application: **31 August 2011**
(24) Date from which industrial property rights may have effect: **31 August 2011**
(54) Product in respect of which the design is registered: **Fishing rod handle**
(51) International Design Classification: **22-05**
(74) Name(s) of Attorney(s): **Shelston IP**
(71) Name(s) and Address(s) of Applicant(s):
Black Marlin Australia Pty Ltd
30 Venetia Street Sylvania New South Wales 2224 Australia
(72) Name(s) of Designer(s): **Alex Kotsalidis and Gregory Nicholas Naris**
(45) Registration Date: **27 September 2011**
(56) Related Art Documents: **Not Applicable**
(57) Statement of Newness and Distinctiveness: **Newness and distinctiveness reside in the features of shape and/or configuration of a fishing rod handle as illustrated in the accompanying drawings. In particular, newness and distinctiveness reside in the shape and configuration of the elbow portion of the handle as illustrated in unbroken lines.**



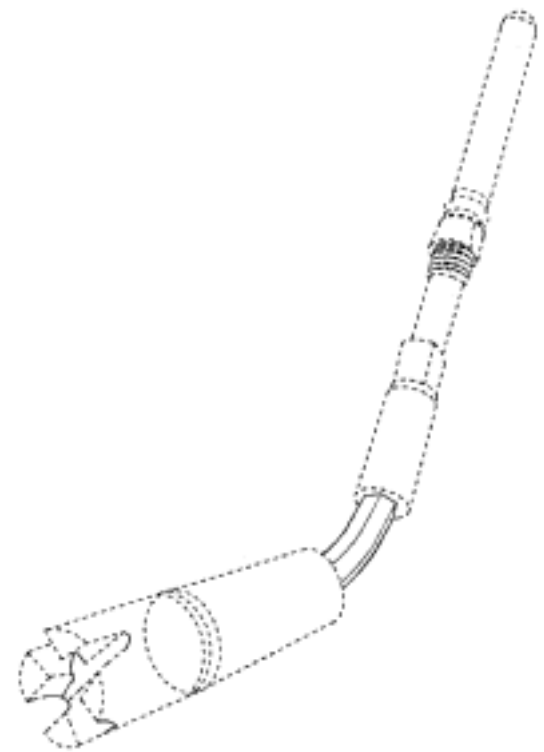
- (21) Design Number: **13851/2011**
(22) Date of Filing Application: **31 August 2011**
(24) Date from which industrial property rights may have effect: **31 August 2011**
(54) Product in respect of which the design is registered: **Fishing rod handle**
(51) International Design Classification: **22-05**
(74) Name(s) of Attorney(s): **Shelston IP**
(71) Name(s) and Address(s) of Applicant(s):
Black Marlin Australia Pty Ltd
30 Venetia Street Sylvania New South Wales 2224 Australia
(72) Name(s) of Designer(s): **Alex Kotsalidis and Gregory Nicholas Naris**
(45) Registration Date: **27 September 2011**
(56) Related Art Documents: **Not Applicable**
(57) Statement of Newness and Distinctiveness: **Newness and distinctiveness reside in the features of shape and/or configuration of a fishing rod handle as illustrated in the accompanying drawings. In particular, newness and distinctiveness reside in the shape and configuration of the elbow portion of the handle as illustrated in unbroken lines.**



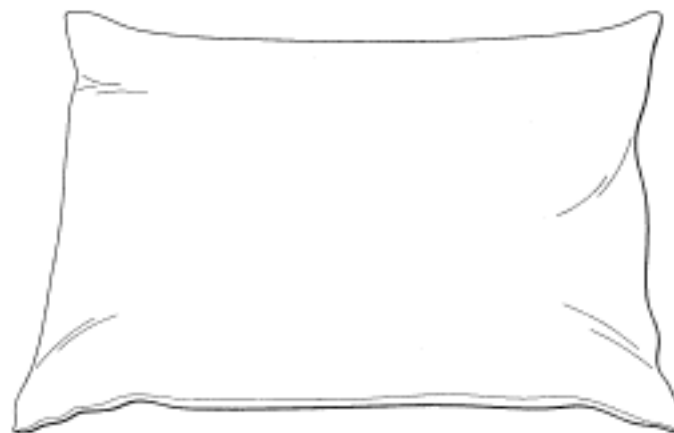
- (21) Design Number: **13852/2011**
(22) Date of Filing Application: **31 August 2011**
(24) Date from which industrial property rights may have effect: **31 August 2011**
(54) Product in respect of which the design is registered: **Fishing rod handle**
(51) International Design Classification: **22-05**
(74) Name(s) of Attorney(s): **Shelston IP**
(71) Name(s) and Address(s) of Applicant(s):
Black Marlin Australia Pty Ltd
30 Venetia Street Sylvania New South Wales 2224 Australia
(72) Name(s) of Designer(s): **Alex Kotsalidis and Gregory Nicholas Naris**
(45) Registration Date: **27 September 2011**
(56) Related Art Documents: **Not Applicable**
(57) Statement of Newness and Distinctiveness: **Newness and distinctiveness reside in the features of shape and/or configuration of a fishing rod handle as illustrated in the accompanying drawings. In particular, newness and distinctiveness reside in the shape and configuration of the elbow portion of the handle as illustrated in unbroken lines.**



- (21) Design Number: **13853/2011**
(22) Date of Filing Application: **31 August 2011**
(24) Date from which industrial property rights may have effect: **31 August 2011**
(54) Product in respect of which the design is registered: **Fishing rod handle**
(51) International Design Classification: **22-05**
(74) Name(s) of Attorney(s): **Shelston IP**
(71) Name(s) and Address(s) of Applicant(s):
Black Marlin Australia Pty Ltd
30 Venetia Street Sylvania New South Wales 2224 Australia
(72) Name(s) of Designer(s): **Alex Kotsalidis and Gregory Nicholas Naris**
(45) Registration Date: **27 September 2011**
(56) Related Art Documents: **Not Applicable**
(57) Statement of Newness and Distinctiveness: **Newness and distinctiveness reside in the features of shape and/or configuration of a fishing rod handle as illustrated in the accompanying drawings. In particular, newness and distinctiveness reside in the shape and configuration of the elbow portion of the handle as illustrated in unbroken lines.**



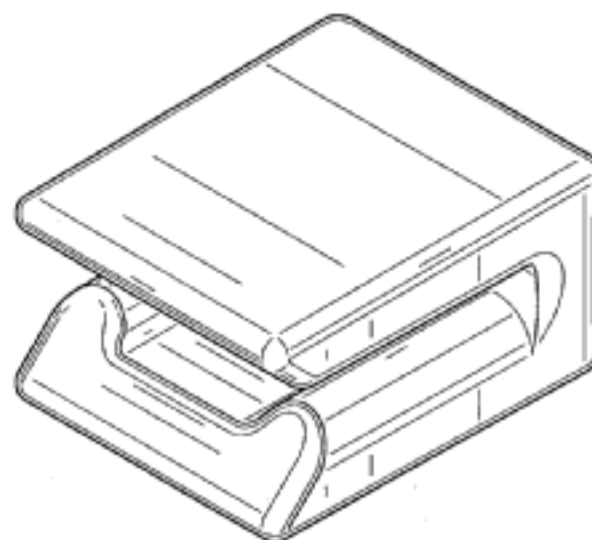
- (21) Design Number: **13839/2011**
(22) Date of Filing Application: **31 August 2011**
(24) Date from which industrial property rights may have effect: **31 August 2011**
(54) Product in respect of which the design is registered: **Pillow protective cover**
(51) International Design Classification: **06-13B**
(74) Name(s) of Attorney(s): **FB Rice**
(71) Name(s) and Address(s) of Applicant(s):
My Side of the Bed Pty Ltd
70 Noone Street Clifton Hill Victoria 3068 Australia
(72) Name(s) of Designer(s): **Karen Carew**
(45) Registration Date: **27 September 2011**
(56) Related Art Documents: **Not Applicable**
(57) Statement of Newness and Distinctiveness: **Each feature of the design of the pillow protective cover considered separately or in combination with any other feature or features, but disregarding the pillow shown in phantom.**



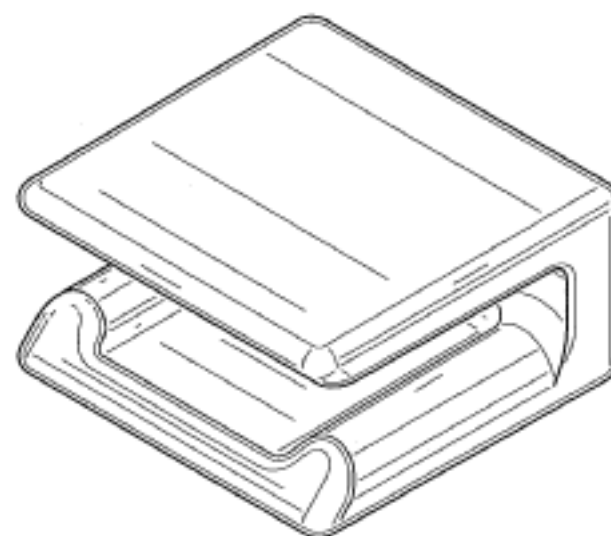
- (21) Design Number: **13842/2011**
(22) Date of Filing Application: **31 August 2011**
(24) Date from which industrial property rights may have effect: **31 August 2011**
(54) Product in respect of which the design is registered: **Wrist watch body**
(51) International Design Classification: **10-02**
(74) Name(s) of Attorney(s): **SPRUSON & FERGUSON**
(71) Name(s) and Address(s) of Applicant(s):
Bulgari Horlogerie SA
34 Rue de Monruz CH 2008 Neuchatel Switzerland
(72) Name(s) of Designer(s): **Paolo Bulgari**
(45) Registration Date: **27 September 2011**
(30) Convention priority data:
(31) Number (32) Date (33) Country
DM/075493 04 Mar 2011 SWITZERLAND
(56) Related Art Documents: **Not Applicable**
(57) Statement of Newness and Distinctiveness: **Newness and distinctiveness is claimed in the features of shape and/or configuration of a wrist watch body as illustrated in the accompanying representations, wherein the strap does not form part of the wrist watch body.**



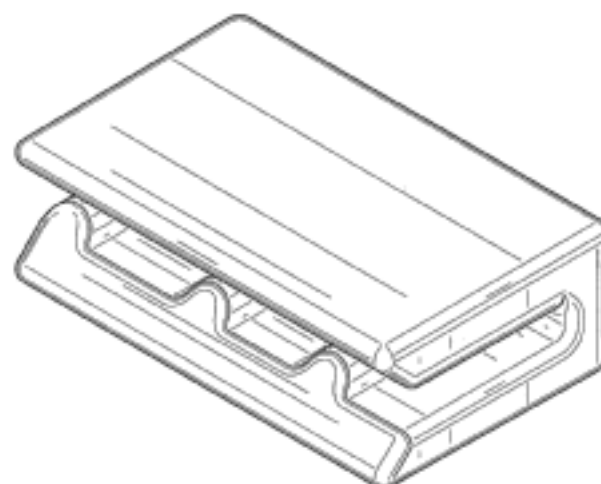
(21) Design Number: **13843/2011**
(22) Date of Filing Application: **01 September 2011**
(24) Date from which industrial property rights may have effect: **01 September 2011**
(54) Product in respect of which the design is registered: **Puzzle clip**
(51) International Design Classification: **08-08NES, 21-01M**
(74) Name(s) of Attorney(s): **PIZZEYS**
(71) Name(s) and Address(s) of Applicant(s):
Mega Brands International, Luxembourg, Zug Branch
Poststrasse 6 ZUG CH-6300 Switzerland
(72) Name(s) of Designer(s): **Etienne Boucher-Gagne and Genevieve Cote**
(45) Registration Date: **27 September 2011**
(30) Convention priority data:
(31) Number (32) Date (33) Country
29/386,695 03 Mar 2011 UNITED STATES OF AMERICA
(56) Related Art Documents: **Not Applicable**
(57) Statement of Newness and Distinctiveness: **Nil**



(21) Design Number: **13844/2011**
(22) Date of Filing Application: **01 September 2011**
(24) Date from which industrial property rights may have effect: **01 September 2011**
(54) Product in respect of which the design is registered: **Puzzle clip**
(51) International Design Classification: **08-08NES**
(74) Name(s) of Attorney(s): **PIZZEYS**
(71) Name(s) and Address(s) of Applicant(s):
Mega Brands International, Luxembourg, Zug Branch
Poststrasse 6 ZUG CH-6300 Switzerland
(72) Name(s) of Designer(s): **Etienne Boucher-Gagne and Genevieve Cote**
(45) Registration Date: **27 September 2011**
(30) Convention priority data:
(31) Number (32) Date (33) Country
29/386,698 03 Mar 2011 UNITED STATES OF AMERICA
(56) Related Art Documents: **Not Applicable**
(57) Statement of Newness and Distinctiveness: **Nil**



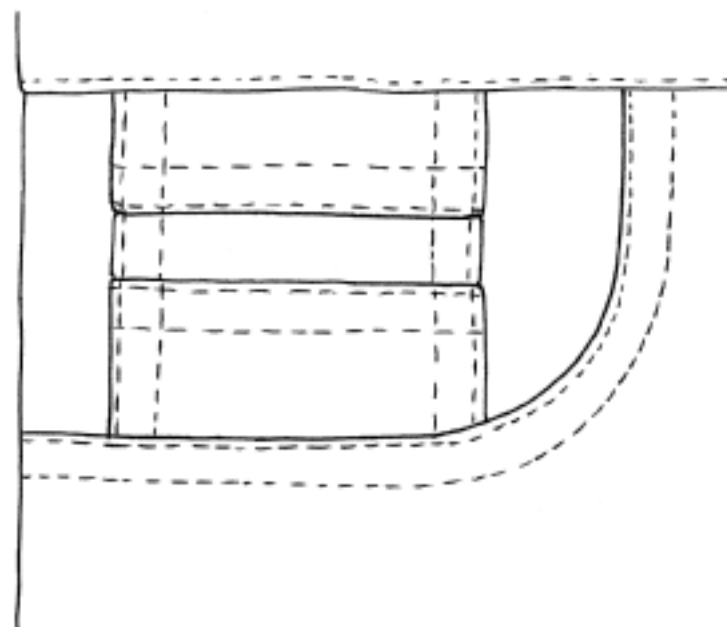
(21) Design Number: **13845/2011**
(22) Date of Filing Application: **01 September 2011**
(24) Date from which industrial property rights may have effect: **01 September 2011**
(54) Product in respect of which the design is registered: **Puzzle clip**
(51) International Design Classification: **08-08NES**
(74) Name(s) of Attorney(s): **PIZZEYS**
(71) Name(s) and Address(s) of Applicant(s):
Mega Brands International, Luxembourg, Zug Branch
Poststrasse 6 ZUG CH-6300 Switzerland
(72) Name(s) of Designer(s): **Etienne Boucher-Gagne and Genevieve Cote**
(45) Registration Date: **27 September 2011**
(30) Convention priority data:
(31) Number (32) Date (33) Country
29/386,691 03 Mar 2011 UNITED STATES OF AMERICA
(56) Related Art Documents: **Not Applicable**
(57) Statement of Newness and Distinctiveness: **Nil**



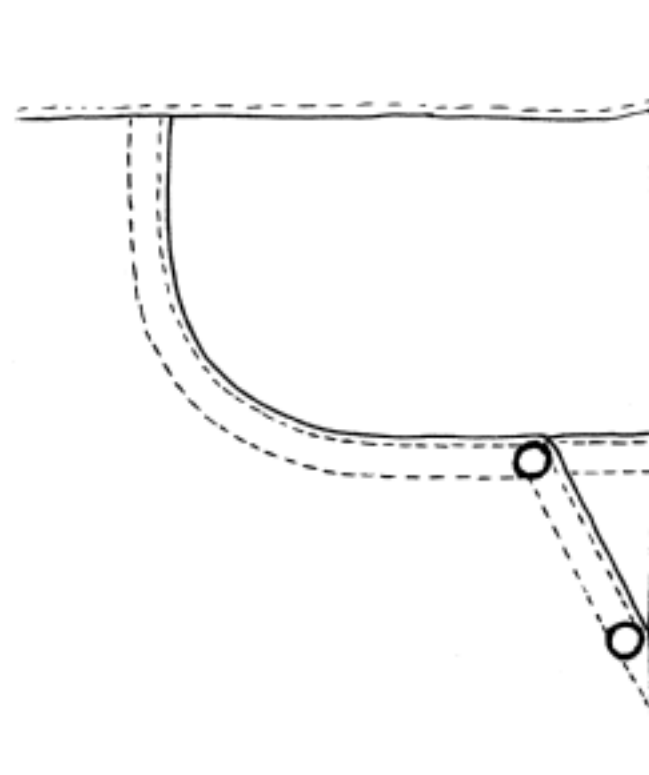
(21) Design Number: **12092/2011**
(22) Date of Filing Application: **09 May 2011**
(24) Date from which industrial property rights may have effect: **09 May 2011**
(54) Product in respect of which the design is registered: **Stowable recreational/leisure vehicle awning**
(51) International Design Classification: **12-16NES**
(74) Name(s) of Attorney(s):
(71) Name(s) and Address(s) of Applicant(s):
Glenn Torrens
C/- 51 Ida Street Hornsby New South Wales 2077 Australia
(72) Name(s) of Designer(s): **Glenn Thomas Torrens**
(45) Registration Date: **28 September 2011**
(56) Related Art Documents: **Not Applicable**
(57) Statement of Newness and Distinctiveness: **New and distinctive features include the single strut-assisted support pole, the fan-style array when deployed and the self-supporting spars.**



- (21) Design Number: **12322/2011**
(22) Date of Filing Application: **25 May 2011**
(24) Date from which industrial property rights may have effect: **25 May 2011**
(54) Product in respect of which the design is registered: **Front coin pocket of jeans, pants, shorts. Men's and women's apparel**
(51) International Design Classification: **02-02B**
(74) Name(s) of Attorney(s):
(71) Name(s) and Address(s) of Applicant(s):
Mark Edward G Designs Pty Ltd
26 Clotilde Street Mount Lawley Western Australia 6050 Australia
(72) Name(s) of Designer(s): **Mark Edward Greenham**
(45) Registration Date: **28 September 2011**
(56) Related Art Documents: **Not Applicable**
(57) Statement of Newness and Distinctiveness: **Through my own research I feel that the design of my 'front coin pocket' is new and distinctive. There is three sections of the pocket with the top section sewn under the waist band. It is designed like this to create an optical illusion of there being no pocket opening. This is achieved by the pocket opening being hidden by what looks like a seam between the bottom and middle sections.**



- (21) Design Number: **12323/2011**
(22) Date of Filing Application: **25 May 2011**
(24) Date from which industrial property rights may have effect: **25 May 2011**
(54) Product in respect of which the design is registered: **Front pocket of jeans**
(51) International Design Classification: **02-02B**
(74) Name(s) of Attorney(s):
(71) Name(s) and Address(s) of Applicant(s):
Mark Edward G Designs Pty Ltd
26 Clotilde Street Mount Lawley Western Australia 6050 Australia
(72) Name(s) of Designer(s): **Mark Edward Greenham**
(45) Registration Date: **28 September 2011**
(56) Related Art Documents: **Not Applicable**
(57) Statement of Newness and Distinctiveness: **Through my own research I feel that this additional seam to the front pockets is new and original.**



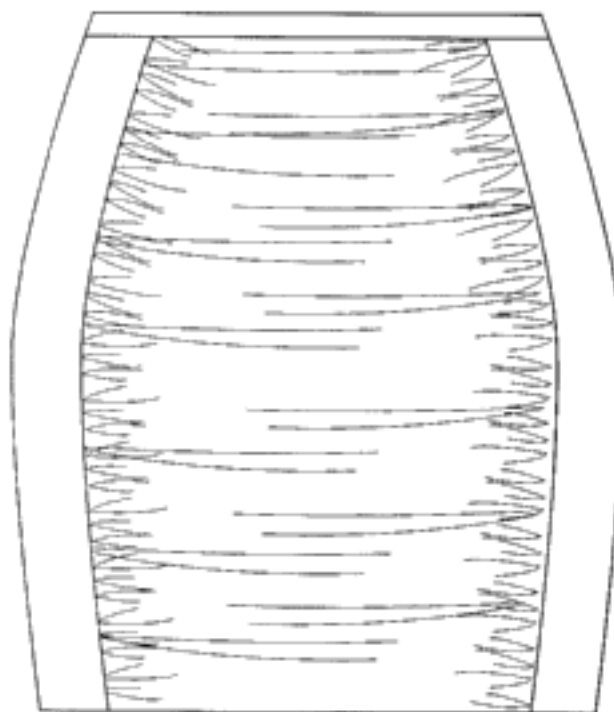
- (21) Design Number: **13050/2011**
(22) Date of Filing Application: **07 July 2011**
(24) Date from which industrial property rights may have effect: **07 July 2011**
(54) Product in respect of which the design is registered: **Double orifice drum**
(51) International Design Classification: **09-02C**
(74) Name(s) of Attorney(s): **WATERMARK PATENT AND TRADE MARKS ATTORNEYS**
(71) Name(s) and Address(s) of Applicant(s):
Baroda Manufacturing Pty Ltd
78-84 Malcolm Road Braeside Victoria 3195 Australia
(72) Name(s) of Designer(s): **Ritchie John Williams and Shalendra Singh and Denzil Sheard Milton**
(45) Registration Date: **28 September 2011**
(56) Related Art Documents: **Not Applicable**
(57) Statement of Newness and Distinctiveness: **Newness and distinctiveness is claimed in the sloped stepped deck which houses one of the threaded orifices. Newness and distinctiveness is also claimed in the recessed handle attachment and the stacking lip. For completeness the drum is shown with and without a cap.**



- (21) Design Number: **10815/2011**
(22) Date of Filing Application: **03 March 2011**
(24) Date from which industrial property rights may have effect: **03 March 2011**
(54) Product in respect of which the design is registered: **Bolero**
(51) International Design Classification: **02-02NES**
(74) Name(s) of Attorney(s): **MIDDLETONS**
(71) Name(s) and Address(s) of Applicant(s):
Beba Enterprises Pty Ltd
34 Garden Street South Yarra Victoria 3141 Australia
(72) Name(s) of Designer(s): **Arthur Soetedja**
(45) Registration Date: **28 September 2011**
(56) Related Art Documents: **Not Applicable**
(57) Statement of Newness and Distinctiveness: **Nil**



(21) Design Number: **13918/2011**
(22) Date of Filing Application: **03 March 2011**
(24) Date from which industrial property rights may have effect: **03 March 2011**
(54) Product in respect of which the design is registered: **Skirt**
(51) International Design Classification: **02-02C**
(74) Name(s) of Attorney(s): **MIDDLETONS**
(71) Name(s) and Address(s) of Applicant(s):
Beba Enterprises Pty Ltd
34 Garden Street South Yarra Victoria 3141 Australia
(72) Name(s) of Designer(s): **Arthur Soetedja**
(45) Registration Date: **28 September 2011**
(56) Related Art Documents: **Not Applicable**
(57) Statement of Newness and Distinctiveness: **Nil**



(21) Design Number: **13919/2011**
(22) Date of Filing Application: **03 March 2011**
(24) Date from which industrial property rights may have effect: **03 March 2011**
(54) Product in respect of which the design is registered: **Cardigan**
(51) International Design Classification: **02-02NES**
(74) Name(s) of Attorney(s): **MIDDLETONS**
(71) Name(s) and Address(s) of Applicant(s):
Beba Enterprises Pty Ltd
34 Garden Street South Yarra Victoria 3141 Australia
(72) Name(s) of Designer(s): **Arthur Soetedja**
(45) Registration Date: **28 September 2011**
(56) Related Art Documents: **Not Applicable**
(57) Statement of Newness and Distinctiveness: **Nil**



(21) Design Number: **13920/2011**
(22) Date of Filing Application: **03 March 2011**
(24) Date from which industrial property rights may have effect: **03 March 2011**
(54) Product in respect of which the design is registered: **Skirt**
(51) International Design Classification: **02-02C**
(74) Name(s) of Attorney(s): **MIDDLETONS**
(71) Name(s) and Address(s) of Applicant(s):
Beba Enterprises Pty Ltd
34 Garden Street South Yarra Victoria 3141 Australia
(72) Name(s) of Designer(s): **Arthur Soetedja**
(45) Registration Date: **28 September 2011**
(56) Related Art Documents: **Not Applicable**
(57) Statement of Newness and Distinctiveness: **Nil**

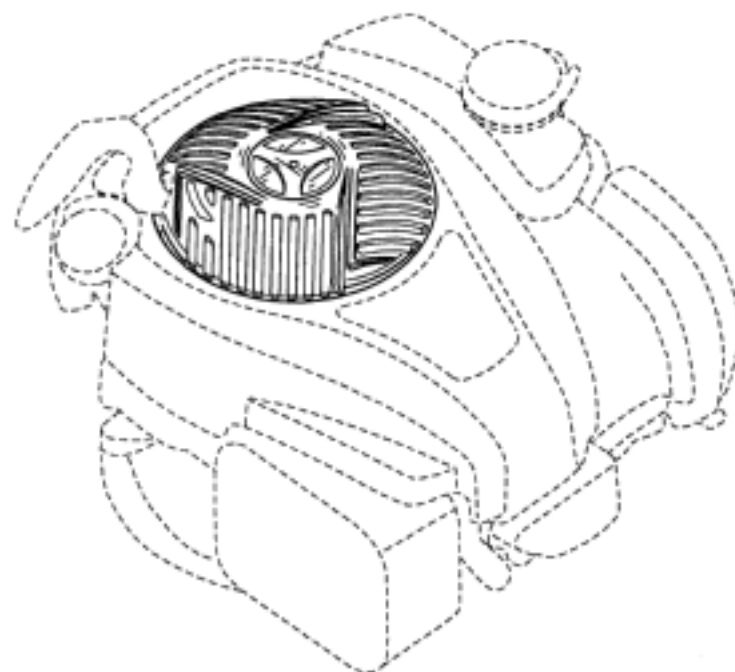


(21) Design Number: **13921/2011**
(22) Date of Filing Application: **03 March 2011**
(24) Date from which industrial property rights may have effect: **03 March 2011**
(54) Product in respect of which the design is registered: **Dress**
(51) International Design Classification: **02-02C**
(74) Name(s) of Attorney(s): **MIDDLETONS**
(71) Name(s) and Address(s) of Applicant(s):
Beba Enterprises Pty Ltd
34 Garden Street South Yarra Victoria 3141 Australia
(72) Name(s) of Designer(s): **Arthur Soetedja**
(45) Registration Date: **28 September 2011**
(56) Related Art Documents: **Not Applicable**
(57) Statement of Newness and Distinctiveness: **Nil**



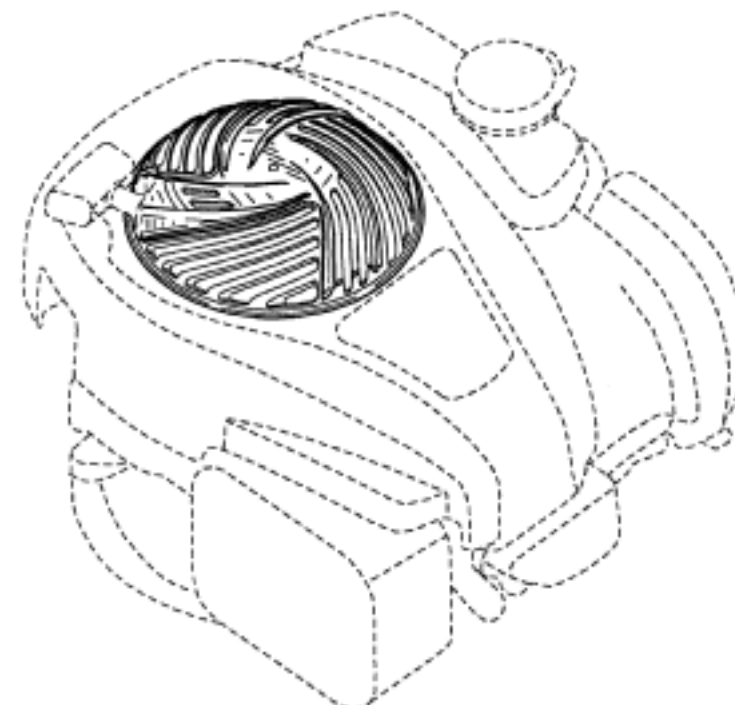
(19) AU

(21) Design Number: **13864/2011**
 (22) Date of Filing Application: **01 September 2011**
 (24) Date from which industrial property rights may have effect: **01 September 2011**
 (54) Product in respect of which the design is registered: **Recoil starter cover**
 (51) International Design Classification: **15-03B**
 (74) Name(s) of Attorney(s): **SPRUSON & FERGUSON**
 (71) Name(s) and Address(s) of Applicant(s):
Briggs & Stratton Corporation
12301 West Wirth Street Wauwatosa Wisconsin 53222 United States of America
 (72) Name(s) of Designer(s): **Carl T. Tiefenthaler**
 (45) Registration Date: **28 September 2011**
 (30) Convention priority data:
 (31) Number (32) Date (33) Country
29/387397 03 Mar 2011 UNITED STATES OF AMERICA
 (56) Related Art Documents: **Not Applicable**
 (57) Statement of Newness and Distinctiveness: **Newness and distinctiveness is claimed in those features of shape and/or configuration of a recoil starter cover illustrated in continuous lines in the accompanying representations.**



(19) AU

(21) Design Number: **13865/2011**
 (22) Date of Filing Application: **01 September 2011**
 (24) Date from which industrial property rights may have effect: **01 September 2011**
 (54) Product in respect of which the design is registered: **Recoil starter cover**
 (51) International Design Classification: **15-03B**
 (74) Name(s) of Attorney(s): **SPRUSON & FERGUSON**
 (71) Name(s) and Address(s) of Applicant(s):
Briggs & Stratton Corporation
12301 West Wirth Street Wauwatosa Wisconsin 53222 United States of America
 (72) Name(s) of Designer(s): **Carl T. Tiefenthaler**
 (45) Registration Date: **28 September 2011**
 (30) Convention priority data:
 (31) Number (32) Date (33) Country
29/387397 03 Mar 2011 UNITED STATES OF AMERICA
 (56) Related Art Documents: **Not Applicable**
 (57) Statement of Newness and Distinctiveness: **Newness and distinctiveness is claimed in those features of shape and/or configuration of a recoil starter cover illustrated in continuous lines in the accompanying representations.**



- (21) Design Number: **12842/2011**
(22) Date of Filing Application: **24 June 2011**
(24) Date from which industrial property rights may have effect: **24 June 2011**
(54) Product in respect of which the design is registered: **Single axle solar lighting tower**
(51) International Design Classification: **13-99**
(74) Name(s) of Attorney(s):
(71) Name(s) and Address(s) of Applicant(s):
Exlites Pty Ltd
1/8 Dual Avenue Warana Queensland 4575 Australia
(72) Name(s) of Designer(s): **Mike Arieni**
(45) Registration Date: **28 September 2011**
(56) Related Art Documents: **Not Applicable**
(57) Statement of Newness and Distinctiveness: **The entire design is new and distinctive.**



- (21) Design Number: **14034/2011**
(22) Date of Filing Application: **24 June 2011**
(24) Date from which industrial property rights may have effect: **24 June 2011**
(54) Product in respect of which the design is registered: **Single axle solar lighting tower**
(51) International Design Classification: **13-99**
(74) Name(s) of Attorney(s):
(71) Name(s) and Address(s) of Applicant(s):
Exlites Pty Ltd
1/8 Dual Avenue Warana Queensland 4575 Australia
(72) Name(s) of Designer(s): **Mike Arieni**
(45) Registration Date: **28 September 2011**
(56) Related Art Documents: **Not Applicable**
(57) Statement of Newness and Distinctiveness: **The entire design is new and distinctive.**



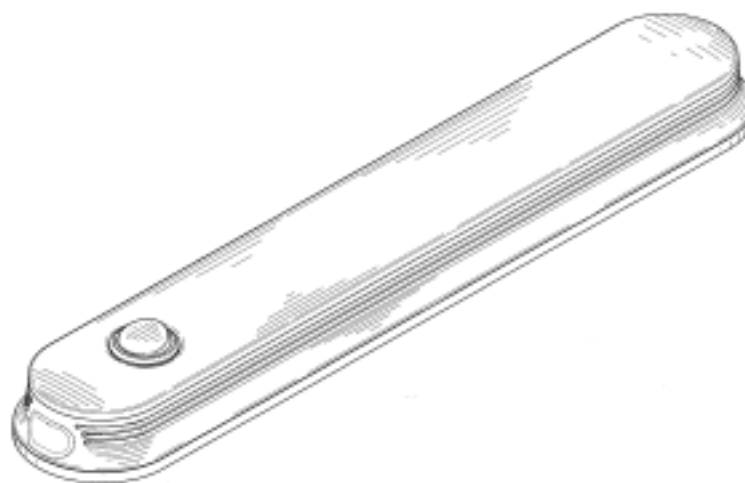
(21) Design Number: **13856/2011**
(22) Date of Filing Application: **01 September 2011**
(24) Date from which industrial property rights may have effect: **01 September 2011**
(54) Product in respect of which the design is registered: **Lighting Device**
(51) International Design Classification: **26-04**
(74) Name(s) of Attorney(s): **Halfords IP**
(71) Name(s) and Address(s) of Applicant(s):
Eveready Battery Company, Inc.
533 Maryville University Drive St Louis Missouri 63141 United States of America

(72) Name(s) of Designer(s): **Scott W. Osiecki and David J. Hine**
(45) Registration Date: **28 September 2011**

(30) Convention priority data:
(31) Number (32) Date (33) Country
29/390504 26 Apr 2011 UNITED STATES OF AMERICA

(56) Related Art Documents: **Not Applicable**

(57) Statement of Newness and Distinctiveness: **Newness and distinctiveness is claimed in those features of shape and or configuration of a Lighting Device as depicted in the representations. The representations use contour lines, broken lines and shading to assist in the illustration of features of shape and or configuration. Such contour lines, shading and broken lines do not form part of the design.**



(21) Design Number: **13857/2011**
(22) Date of Filing Application: **01 September 2011**
(24) Date from which industrial property rights may have effect: **01 September 2011**
(54) Product in respect of which the design is registered: **Lighting device**
(51) International Design Classification: **26-05B**
(74) Name(s) of Attorney(s): **Halfords IP**
(71) Name(s) and Address(s) of Applicant(s):
Eveready Battery Company, Inc.
533 Maryville University Drive St Louis Missouri 63141 United States of America

(72) Name(s) of Designer(s): **David J. Hine and Ronald J. Kingston**
(45) Registration Date: **28 September 2011**

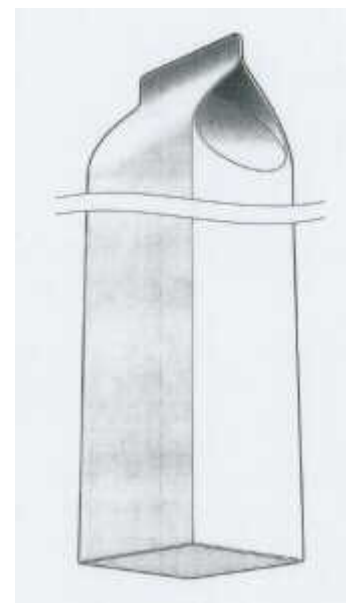
(30) Convention priority data:
(31) Number (32) Date (33) Country
29/390958 02 May 2011 UNITED STATES OF AMERICA

(56) Related Art Documents: **Not Applicable**

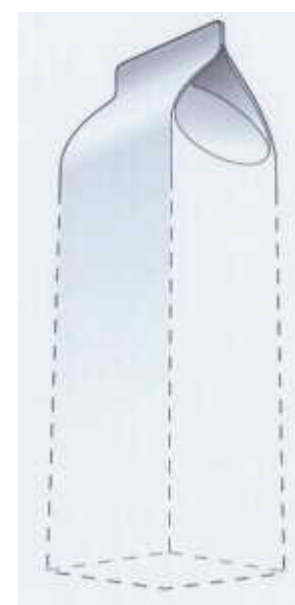
(57) Statement of Newness and Distinctiveness: **Newness and distinctiveness is claimed in those features of shape and or configuration of a Lighting Device as depicted in the representations. The representations use contour lines, broken lines and shading to assist in the illustration of features of shape and or configuration. Such contour lines, shading and broken lines do not form part of the design.**



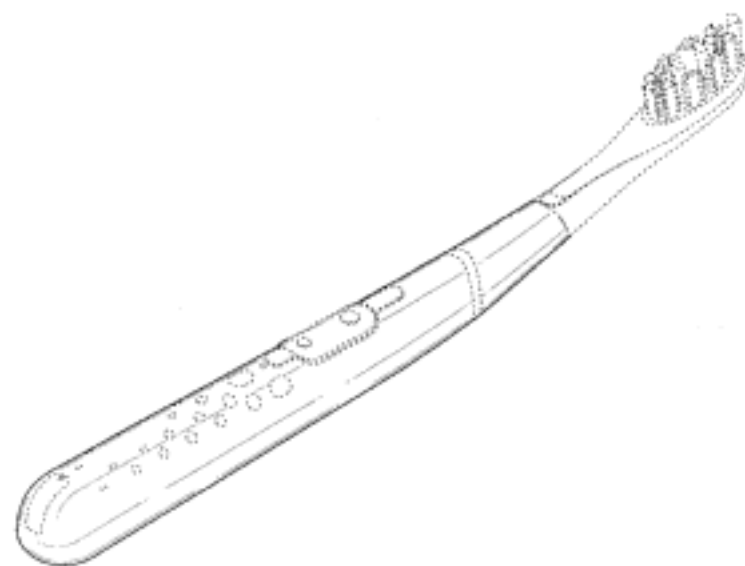
(21) Design Number: **13139/2011**
(22) Date of Filing Application: **15 July 2011**
(24) Date from which industrial property rights may have effect: **15 July 2011**
(54) Product in respect of which the design is registered: **Packaging container**
(51) International Design Classification: **09-03NES**
(74) Name(s) of Attorney(s): **WATERMARK PATENT AND TRADE MARKS ATTORNEYS**
(71) Name(s) and Address(s) of Applicant(s):
Tetra Laval Holdings & Finance S.A.
Avenue General Guisan 70 CH-1009 Pully Switzerland
(72) Name(s) of Designer(s): **Christopher Scales and Koi Chin Chung and Garrick Tan**
(45) Registration Date: **28 September 2011**
(30) Convention priority data:
(31) Number (32) Date (33) Country
001258065 03 Feb 2011 EUROPEAN COMMUNITY
(56) Related Art Documents: **Not Applicable**
(57) Statement of Newness and Distinctiveness: **Newness and distinctiveness resides in the shape and/or configuration of the top of a packaging container, which is of indefinite dimension with regard to its height, as indicated in the representations.**



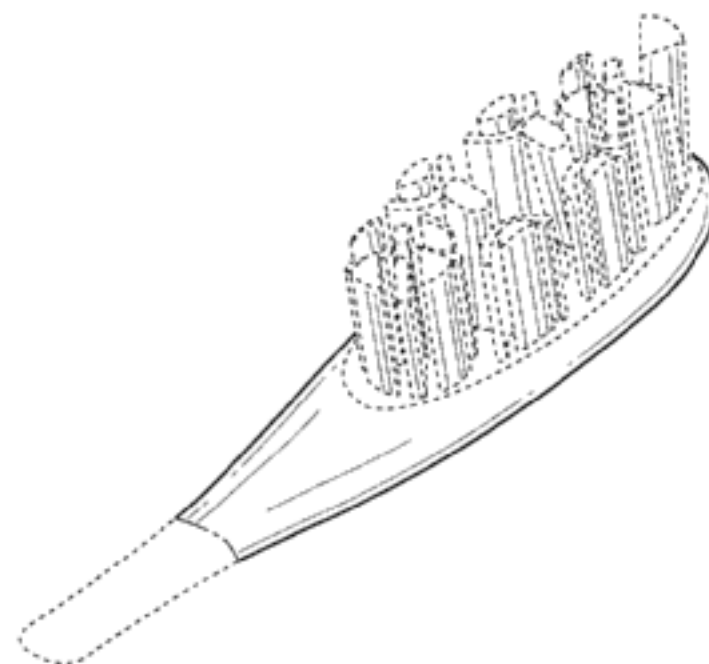
(21) Design Number: **14264/2011**
(22) Date of Filing Application: **15 July 2011**
(24) Date from which industrial property rights may have effect: **15 July 2011**
(54) Product in respect of which the design is registered: **Packaging container**
(51) International Design Classification: **09-03NES**
(74) Name(s) of Attorney(s): **WATERMARK PATENT AND TRADE MARKS ATTORNEYS**
(71) Name(s) and Address(s) of Applicant(s):
Tetra Laval Holdings & Finance S.A.
Avenue General Guisan 70 CH-1009 Pully Switzerland
(72) Name(s) of Designer(s): **Christopher Scales and Koi Chin Chung and Garrick Tan**
(45) Registration Date: **28 September 2011**
(30) Convention priority data:
(31) Number (32) Date (33) Country
001258065 03 Feb 2011 EUROPEAN COMMUNITY
(62) Divisional of: **338695**
(56) Related Art Documents: **Not Applicable**
(57) Statement of Newness and Distinctiveness: **Newness and distinctiveness resides in the shape and/or configuration of the top of a packaging container, as indicated in the representations.**



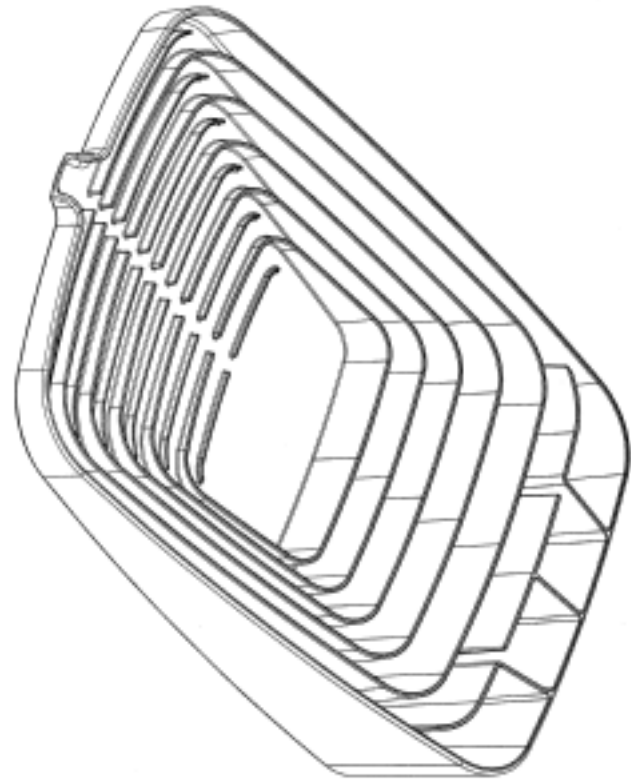
- (21) Design Number: **13233/2011**
(22) Date of Filing Application: **20 April 2011**
(24) Date from which industrial property rights may have effect: **20 April 2011**
(54) Product in respect of which the design is registered: **Electric toothbrush handle having a replaceable head**
(51) International Design Classification: **04-02**
(74) Name(s) of Attorney(s): **Shelston IP**
(71) Name(s) and Address(s) of Applicant(s):
McNeil-PPC, Inc.
199 Grandview Road Skillman New Jersey 08558 United States of America
(72) Name(s) of Designer(s): **Eligio Ponzini and Giulio Ponzini and Fabrizio Pizzi and Hlynur Vagn Atlason**
(45) Registration Date: **28 September 2011**
(62) Divisional of: **337890**
(56) Related Art Documents: **Not Applicable**
(57) Statement of Newness and Distinctiveness: **Newness and distinctiveness reside in the shape and/or configuraion of the design for an electric toothbrush handle having a replaceable head as shown in the accompanying representations. The features shown in broken line are illustrative only and do not form part of the design.**



- (21) Design Number: **14263/2011**
(22) Date of Filing Application: **20 April 2011**
(24) Date from which industrial property rights may have effect: **20 April 2011**
(54) Product in respect of which the design is registered: **Replaceable head for a toothbrush**
(51) International Design Classification: **04-02**
(74) Name(s) of Attorney(s): **Shelston IP**
(71) Name(s) and Address(s) of Applicant(s):
McNeil-PPC, Inc.
199 Grandview Road Skillman New Jersey 08558 United States of America
(72) Name(s) of Designer(s): **Eligio Ponzini and Giulio Ponzini and Fabrizio Pizzi and Hlynur Vagn Atlason**
(45) Registration Date: **28 September 2011**
(62) Divisional of: **337890**
(56) Related Art Documents: **Not Applicable**
(57) Statement of Newness and Distinctiveness: **Newness and distinctiveness reside in shape and/or configuration of the design for a replaceable head for a toothbrush as shown in the accompanying representations. The features shown in broken line are illustrative only and do not form part of the design.**



(21) Design Number: **13486/2011**
(22) Date of Filing Application: **08 August 2011**
(24) Date from which industrial property rights may have effect: **08 August 2011**
(54) Product in respect of which the design is registered: **Dish drainer**
(51) International Design Classification: **07-05NES**
(74) Name(s) of Attorney(s): **Trademark Works**
(71) Name(s) and Address(s) of Applicant(s):
Joseph Joseph Ltd
The Grove 30 Great Guildford Street SE1 0HS United Kingdom
(72) Name(s) of Designer(s): **Antony Joseph**
(45) Registration Date: **28 September 2011**
(30) Convention priority data:
(31) Number (32) Date (33) Country
001822743-0013 17 Feb 2011 EUROPEAN COMMUNITY
(56) Related Art Documents: **Not Applicable**
(57) Statement of Newness and Distinctiveness: **Nil**



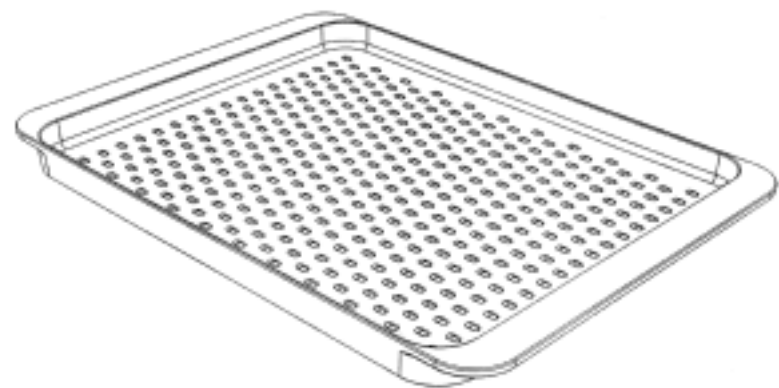
(21) Design Number: **13487/2011**
(22) Date of Filing Application: **08 August 2011**
(24) Date from which industrial property rights may have effect: **08 August 2011**
(54) Product in respect of which the design is registered: **Double-sided chopping board with meat grip on one side**
(51) International Design Classification: **07-01B, 07-04**
(74) Name(s) of Attorney(s): **Trademark Works**
(71) Name(s) and Address(s) of Applicant(s):
Joseph Joseph Ltd
The Grove 30 Great Guildford Street SE1 0HS United Kingdom
(72) Name(s) of Designer(s): **Antony Joseph and John Brauer**
(45) Registration Date: **28 September 2011**
(56) Related Art Documents: **Not Applicable**
(57) Statement of Newness and Distinctiveness: **Nil**



(21) Design Number: **13488/2011**
(22) Date of Filing Application: **08 August 2011**
(24) Date from which industrial property rights may have effect: **08 August 2011**
(54) Product in respect of which the design is registered: **Kitchen utensil set with holder**
(51) International Design Classification: **07-04, 07-06A**
(74) Name(s) of Attorney(s): **Trademark Works**
(71) Name(s) and Address(s) of Applicant(s):
Joseph Joseph Ltd
The Grove 30 Great Guildford Street SE1 0HS United Kingdom
(72) Name(s) of Designer(s): **Antony Joseph and John Brauer**
(45) Registration Date: **28 September 2011**
(56) Related Art Documents: **Not Applicable**
(57) Statement of Newness and Distinctiveness: **Nil**



(21) Design Number: **13489/2011**
(22) Date of Filing Application: **08 August 2011**
(24) Date from which industrial property rights may have effect: **08 August 2011**
(54) Product in respect of which the design is registered: **Serving tray**
(51) International Design Classification: **07-99A**
(74) Name(s) of Attorney(s): **Trademark Works**
(71) Name(s) and Address(s) of Applicant(s):
Joseph Joseph Ltd
The Grove 30 Great Guildford Street SE1 0HS United Kingdom
(72) Name(s) of Designer(s): **Bill Holding and Ben Cox**
(45) Registration Date: **28 September 2011**
(30) Convention priority data:
(31) Number (32) Date (33) Country
001822743-0010 17 Feb 2011 EUROPEAN COMMUNITY
(56) Related Art Documents: **Not Applicable**
(57) Statement of Newness and Distinctiveness: **Nil**



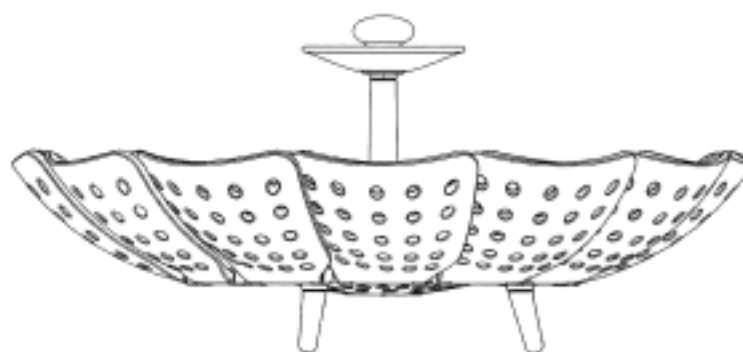
(21) Design Number: **13490/2011**
(22) Date of Filing Application: **08 August 2011**
(24) Date from which industrial property rights may have effect: **08 August 2011**
(54) Product in respect of which the design is registered: **Trivet**
(51) International Design Classification: **07-06B**
(74) Name(s) of Attorney(s): **Trademark Works**
(71) Name(s) and Address(s) of Applicant(s):
Joseph Joseph Ltd
The Grove 30 Great Guildford Street SE1 0HS United Kingdom
(72) Name(s) of Designer(s): **Antony Joseph**
(45) Registration Date: **28 September 2011**
(30) Convention priority data:
(31) Number (32) Date (33) Country
001822743-0009 17 Feb 2011 EUROPEAN COMMUNITY
(56) Related Art Documents: **Not Applicable**
(57) Statement of Newness and Distinctiveness: **Nil**



(21) Design Number: **13491/2011**
(22) Date of Filing Application: **08 August 2011**
(24) Date from which industrial property rights may have effect: **08 August 2011**
(54) Product in respect of which the design is registered: **Colander**
(51) International Design Classification: **07-04**
(74) Name(s) of Attorney(s): **Trademark Works**
(71) Name(s) and Address(s) of Applicant(s):
Joseph Joseph Ltd
The Grove 30 Great Guildford Street SE1 0HS United Kingdom
(72) Name(s) of Designer(s): **Bill Holding and Ben Cox**
(45) Registration Date: **28 September 2011**
(30) Convention priority data:
(31) Number (32) Date (33) Country
001822743-0006 17 Feb 2011 EUROPEAN COMMUNITY
(56) Related Art Documents: **Not Applicable**
(57) Statement of Newness and Distinctiveness: **Nil**



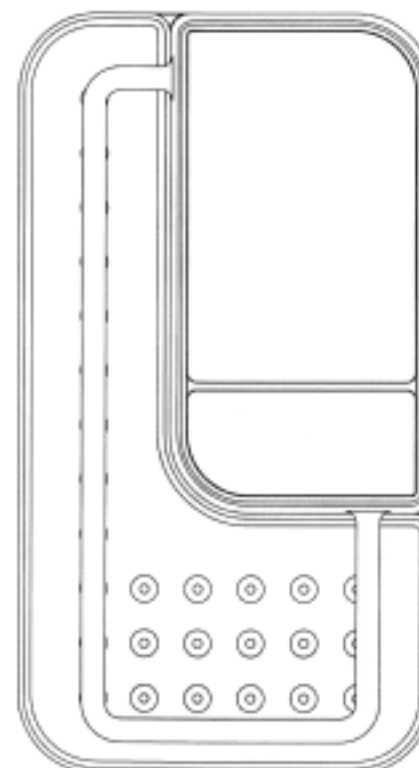
(21) Design Number: **13492/2011**
(22) Date of Filing Application: **08 August 2011**
(24) Date from which industrial property rights may have effect: **08 August 2011**
(54) Product in respect of which the design is registered: **Steamer**
(51) International Design Classification: **07-02N**
(74) Name(s) of Attorney(s): **Trademark Works**
(71) Name(s) and Address(s) of Applicant(s):
Joseph Joseph Ltd
The Grove 30 Great Guildford Street SE1 0HS United Kingdom
(72) Name(s) of Designer(s): **Graeme Davies**
(45) Registration Date: **28 September 2011**
(30) Convention priority data:
(31) Number (32) Date (33) Country
001859562-0001 05 May 2011 EUROPEAN COMMUNITY
(56) Related Art Documents: **Not Applicable**
(57) Statement of Newness and Distinctiveness: **Nil**



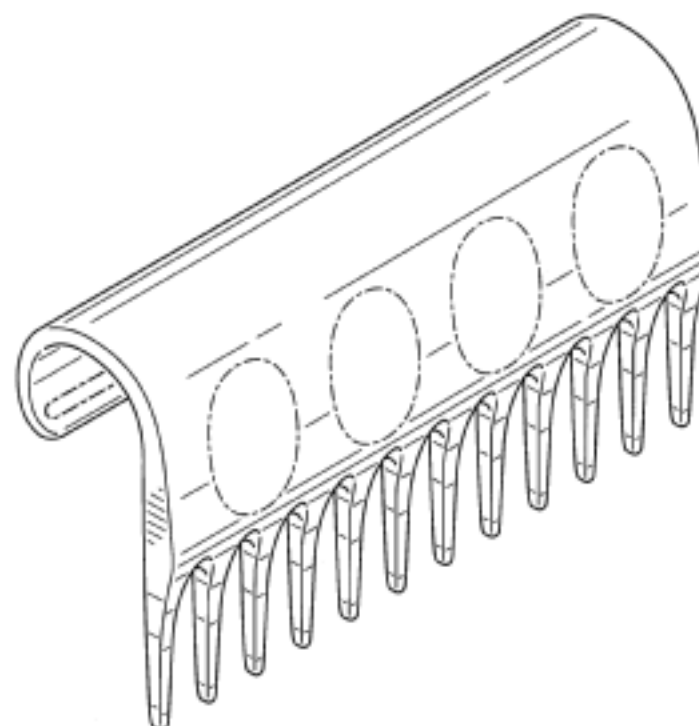
(21) Design Number: **13493/2011**
(22) Date of Filing Application: **08 August 2011**
(24) Date from which industrial property rights may have effect: **08 August 2011**
(54) Product in respect of which the design is registered: **Pepper mill**
(51) International Design Classification: **07-06C**
(74) Name(s) of Attorney(s): **Trademark Works**
(71) Name(s) and Address(s) of Applicant(s):
Joseph Joseph Ltd
The Grove 30 Great Guildford Street SE1 0HS United Kingdom
(72) Name(s) of Designer(s): **Simon Pengelly**
(45) Registration Date: **28 September 2011**
(30) Convention priority data:
(31) Number (32) Date (33) Country
001859562-0005 05 May 2011 EUROPEAN COMMUNITY
(56) Related Art Documents: **Not Applicable**
(57) Statement of Newness and Distinctiveness: **Nil**



(21) Design Number: **13494/2011**
(22) Date of Filing Application: **08 August 2011**
(24) Date from which industrial property rights may have effect: **08 August 2011**
(54) Product in respect of which the design is registered: **Sink caddy**
(51) International Design Classification: **07-05NES, 07-07NES**
(74) Name(s) of Attorney(s): **Trademark Works**
(71) Name(s) and Address(s) of Applicant(s):
Joseph Joseph Ltd
The Grove 30 Great Guildford Street SE1 0HS United Kingdom
(72) Name(s) of Designer(s): **David Evans and Ashley May**
(45) Registration Date: **28 September 2011**
(30) Convention priority data:
(31) Number (32) Date (33) Country
001859562-0007 05 May 2011 EUROPEAN COMMUNITY
(56) Related Art Documents: **Not Applicable**
(57) Statement of Newness and Distinctiveness: **Nil**



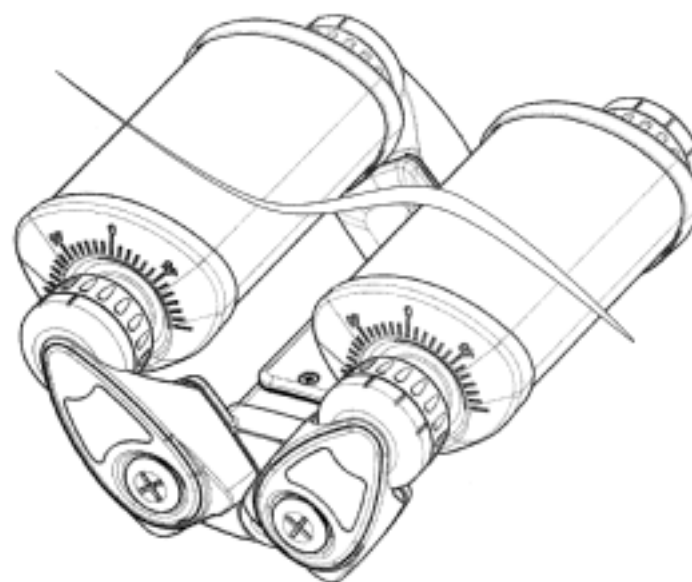
(21) Design Number: **13883/2011**
(22) Date of Filing Application: **02 September 2011**
(24) Date from which industrial property rights may have effect: **02 September 2011**
(54) Product in respect of which the design is registered: **Comb for a mop**
(51) International Design Classification: **04-01**
(74) Name(s) of Attorney(s): **Shelston IP**
(71) Name(s) and Address(s) of Applicant(s):
The Libman Company
220 North Sheldon Arcola Illinois 61910 United States of America
(72) Name(s) of Designer(s): **Andrew Libman and Robert J. Libman and Aaron Libman and Tobia Berti**
(45) Registration Date: **29 September 2011**
(30) Convention priority data:
(31) Number (32) Date (33) Country
29/386540 02 Mar 2011 UNITED STATES OF AMERICA
(56) Related Art Documents: **Not Applicable**
(57) Statement of Newness and Distinctiveness: **Newness and distinctiveness reside in the features of shape and/or configuration of a comb for a mop, as illustrated by solid lines in the representations. The features shown in broken lines are for illustrative purposes only and do not form part of the design.**



- (21) Design Number: **13884/2011**
(22) Date of Filing Application: **02 September 2011**
(24) Date from which industrial property rights may have effect: **02 September 2011**
(54) Product in respect of which the design is registered: **A light fitting (Double)**
(51) International Design Classification: **26-05NES**
(74) Name(s) of Attorney(s): **Cullens Patent and Trade Mark Attorneys**
(71) Name(s) and Address(s) of Applicant(s):

Strategic Lighting Pty Ltd
c/- UHY Haines Norton Level 11 42-60 Albert Street Brisbane Queensland
4000 Australia

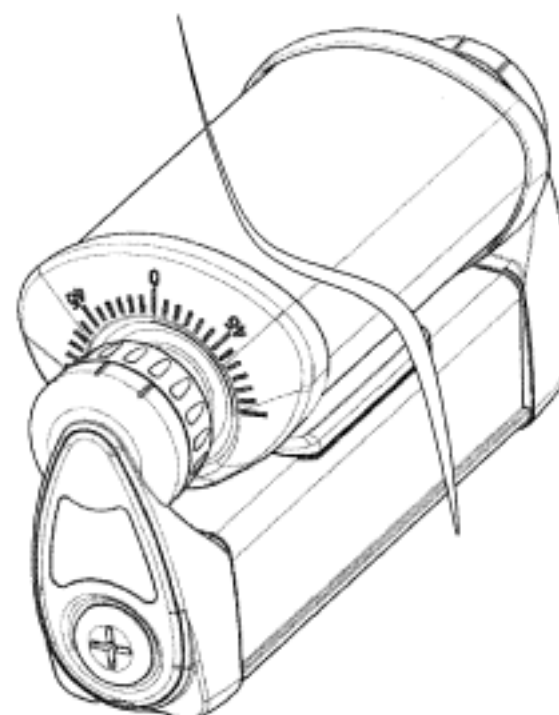
- (72) Name(s) of Designer(s): **Rod Davidson**
(45) Registration Date: **29 September 2011**
(56) Related Art Documents: **Not Applicable**
(57) Statement of Newness and Distinctiveness: **As indicated on the representations, the design is claimed in indefinite length.**



- (21) Design Number: **13885/2011**
(22) Date of Filing Application: **02 September 2011**
(24) Date from which industrial property rights may have effect: **02 September 2011**
(54) Product in respect of which the design is registered: **A light fitting**
(51) International Design Classification: **26-05NES**
(74) Name(s) of Attorney(s): **Cullens Patent and Trade Mark Attorneys**
(71) Name(s) and Address(s) of Applicant(s):

Strategic Lighting Pty Ltd
c/- UHY Haines Norton Level 11 42-60 Albert Street Brisbane Queensland
4000 Australia

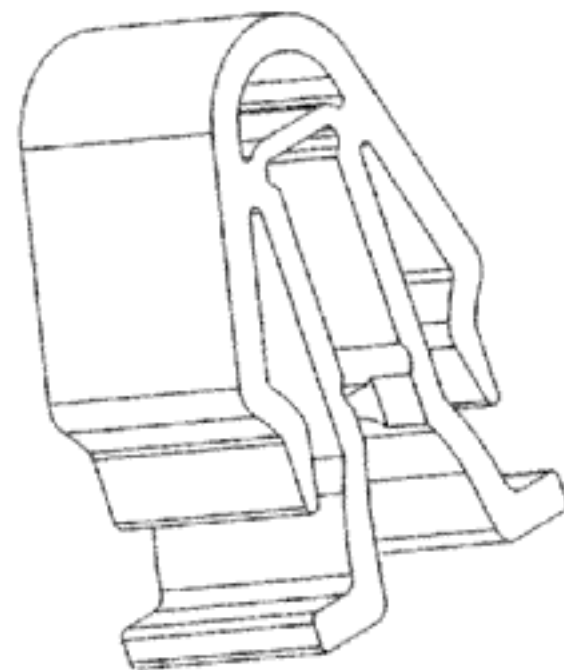
- (72) Name(s) of Designer(s): **Rod Davidson**
(45) Registration Date: **29 September 2011**
(56) Related Art Documents: **Not Applicable**
(57) Statement of Newness and Distinctiveness: **As indicated on the representations, the design is claimed in indefinite length.**



(21) Design Number: **13886/2011**
(22) Date of Filing Application: **02 September 2011**
(24) Date from which industrial property rights may have effect: **02 September 2011**
(54) Product in respect of which the design is registered: **A mounting assembly for a light**
(51) International Design Classification: **26-05NES**
(74) Name(s) of Attorney(s): **Cullens Patent and Trade Mark Attorneys**
(71) Name(s) and Address(s) of Applicant(s):
Strategic Lighting Pty Ltd
c/- UHY Haines Norton Level 11 42-60 Albert Street Brisbane Queensland
4000 Australia
(72) Name(s) of Designer(s): **Rod Davidson**
(45) Registration Date: **29 September 2011**
(56) Related Art Documents: **Not Applicable**
(57) Statement of Newness and Distinctiveness: **Nil**



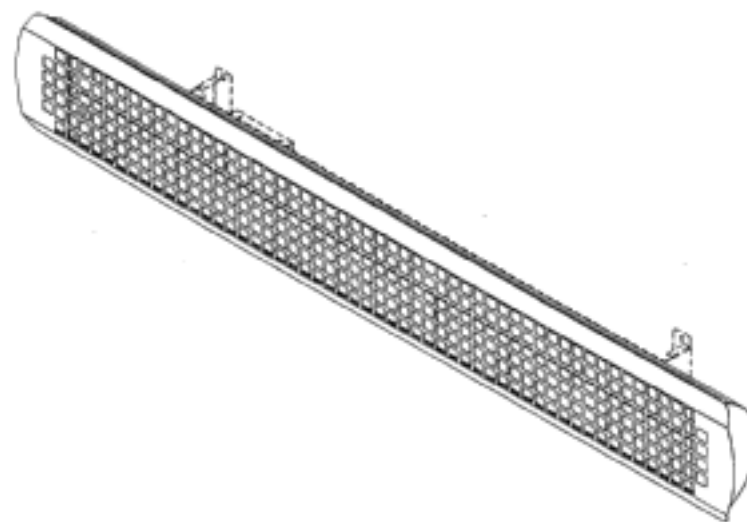
(21) Design Number: **12204/2011**
(22) Date of Filing Application: **18 May 2011**
(24) Date from which industrial property rights may have effect: **18 May 2011**
(54) Product in respect of which the design is registered: **Clip**
(51) International Design Classification: **08-08C**
(74) Name(s) of Attorney(s):
(71) Name(s) and Address(s) of Applicant(s):
DHBYDESIGN Pty Ltd
6 Bendigo Avenue Bentleigh Victoria 3204 Australia
(72) Name(s) of Designer(s): **David Husband**
(45) Registration Date: **29 September 2011**
(56) Related Art Documents: **Not Applicable**
(57) Statement of Newness and Distinctiveness: **Nil**



- (21) Design Number: **15688/2010**
(22) Date of Filing Application: **23 December 2010**
(24) Date from which industrial property rights may have effect: **23 December 2010**
(54) Product in respect of which the design is registered: **Original indigo reverse silver skinny jean**
(51) International Design Classification: **02-02C**
(74) Name(s) of Attorney(s):
(71) Name(s) and Address(s) of Applicant(s):
Finn Enterprise Aust Pty Ltd
18 Brumby Street Surry Hills New South Wales 2010 Australia
(72) Name(s) of Designer(s): **Kassandra Scardino**
(45) Registration Date: **29 September 2011**
(56) Related Art Documents: **Not Applicable**
(57) Statement of Newness and Distinctiveness: **Front patch pocket stitch detail (indigo side), back pocket welt with stitching detail (silver side), button extension with one button and one rivet design feature (silver side), zipper fly panel (silver side), double stitch on inner leg and outer leg seams. Back pocket design stitching.**



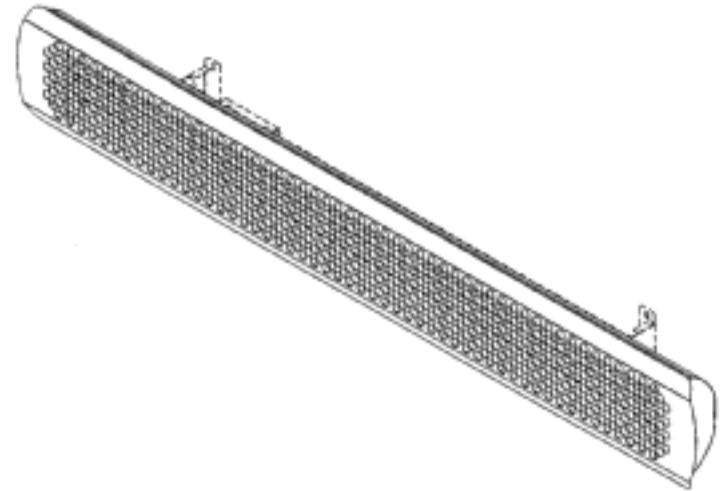
- (21) Design Number: **13890/2011**
(22) Date of Filing Application: **02 September 2011**
(24) Date from which industrial property rights may have effect: **02 September 2011**
(54) Product in respect of which the design is registered: **Heating apparatus**
(51) International Design Classification: **23-03A**
(74) Name(s) of Attorney(s): **PHILLIPS ORMONDE FITZPATRICK**
(71) Name(s) and Address(s) of Applicant(s):
Bromic Pty Limited
PO Box 6062 Silverwater New South Wales 1811 Australia
(72) Name(s) of Designer(s): **Scott Smith**
(45) Registration Date: **29 September 2011**
(56) Related Art Documents: **Not Applicable**
(57) Statement of Newness and Distinctiveness: **Those features of the heating apparatus depicted in the representations that are new and distinctive are the shape and/or configuration. The features shown in broken line are not part of the design and are to be disregarded when considering the overall impression of the design.**



- (21) Design Number: **13891/2011**
(22) Date of Filing Application: **02 September 2011**
(24) Date from which industrial property rights may have effect: **02 September 2011**
(54) Product in respect of which the design is registered: **Heating apparatus**
(51) International Design Classification: **23-03A**
(74) Name(s) of Attorney(s): **PHILLIPS ORMONDE FITZPATRICK**
(71) Name(s) and Address(s) of Applicant(s):

Bromic Pty Limited
PO Box 6062 Silverwater New South Wales 1811 Australia

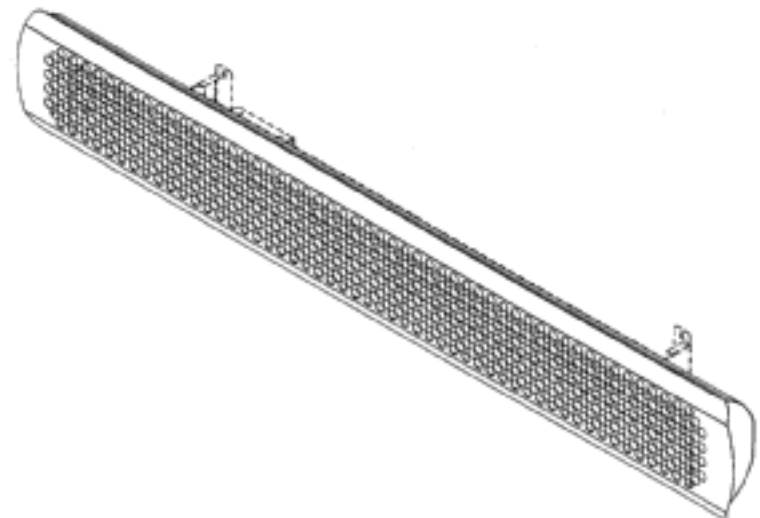
- (72) Name(s) of Designer(s): **Scott Smith**
(45) Registration Date: **29 September 2011**
(56) Related Art Documents: **Not Applicable**
(57) Statement of Newness and Distinctiveness: **Those features of the heating apparatus depicted in the representations that are new and distinctive are the shape and/or configuration. The features shown in broken line are not part of the design and are to be disregarded when considering the overall impression of the design.**



- (21) Design Number: **13892/2011**
(22) Date of Filing Application: **02 September 2011**
(24) Date from which industrial property rights may have effect: **02 September 2011**
(54) Product in respect of which the design is registered: **Heating apparatus**
(51) International Design Classification: **23-03A**
(74) Name(s) of Attorney(s): **PHILLIPS ORMONDE FITZPATRICK**
(71) Name(s) and Address(s) of Applicant(s):

Bromic Pty Limited
PO Box 6062 Silverwater New South Wales 1811 Australia

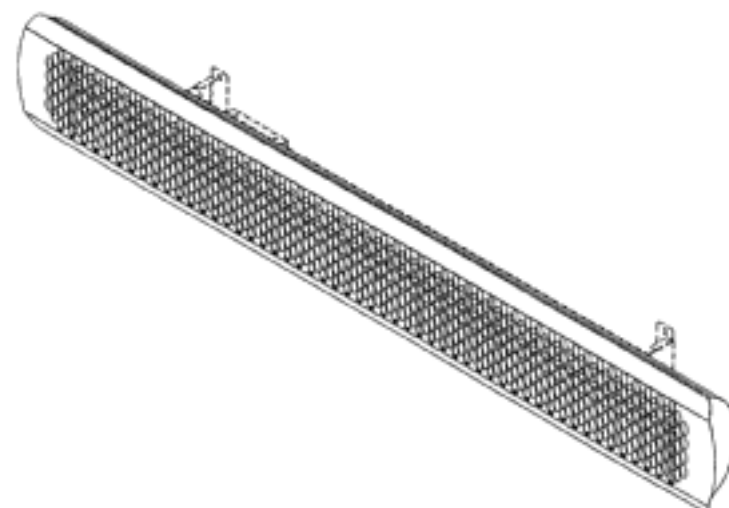
- (72) Name(s) of Designer(s): **Scott Smith**
(45) Registration Date: **29 September 2011**
(56) Related Art Documents: **Not Applicable**
(57) Statement of Newness and Distinctiveness: **Those features of the heating apparatus depicted in the representations that are new and distinctive are the shape and/or configuration. The features shown in broken line are not part of the design and are to be disregarded when considering the overall impression of the design.**



- (21) Design Number: **13893/2011**
(22) Date of Filing Application: **02 September 2011**
(24) Date from which industrial property rights may have effect: **02 September 2011**
(54) Product in respect of which the design is registered: **Heating apparatus**
(51) International Design Classification: **23-03A**
(74) Name(s) of Attorney(s): **PHILLIPS ORMONDE FITZPATRICK**
(71) Name(s) and Address(s) of Applicant(s):

Bromic Pty Limited
PO Box 6062 Silverwater New South Wales 1811 Australia

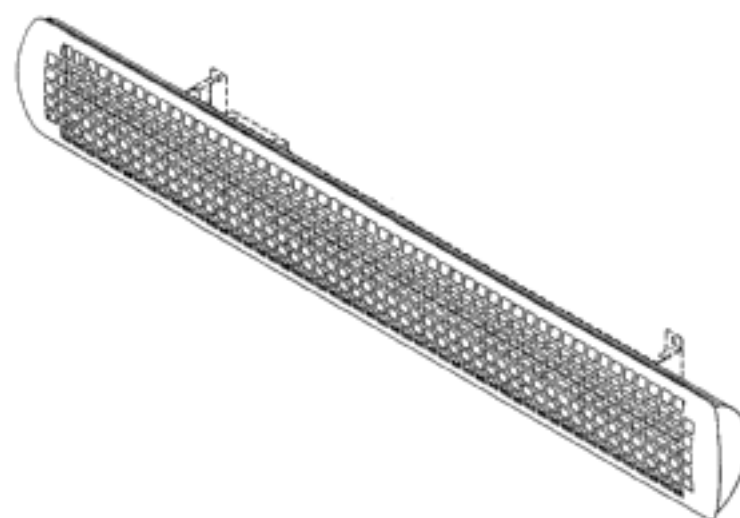
- (72) Name(s) of Designer(s): **Scott Smith**
(45) Registration Date: **29 September 2011**
(56) Related Art Documents: **Not Applicable**
(57) Statement of Newness and Distinctiveness: **Those features of the heating apparatus depicted in the representations that are new and distinctive are the shape and/or configuration. The features shown in broken line are not part of the design and are to be disregarded when considering the overall impression of the design.**



- (21) Design Number: **13894/2011**
(22) Date of Filing Application: **02 September 2011**
(24) Date from which industrial property rights may have effect: **02 September 2011**
(54) Product in respect of which the design is registered: **Heating apparatus**
(51) International Design Classification: **23-03A**
(74) Name(s) of Attorney(s): **PHILLIPS ORMONDE FITZPATRICK**
(71) Name(s) and Address(s) of Applicant(s):

Bromic Pty Limited
PO Box 6062 Silverwater New South Wales 1811 Australia

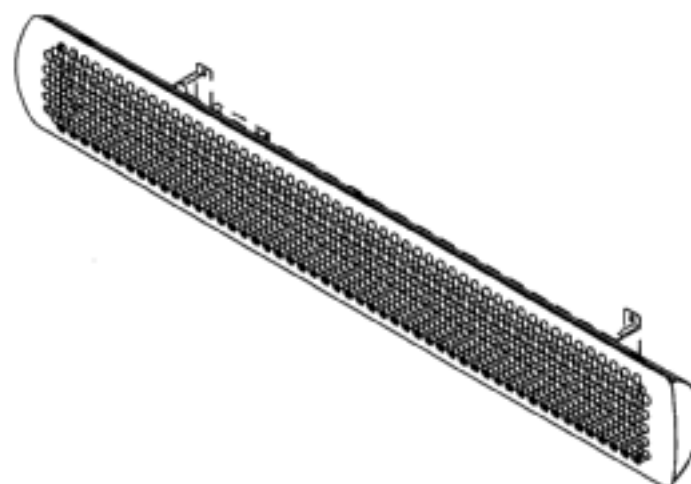
- (72) Name(s) of Designer(s): **Scott Smith**
(45) Registration Date: **29 September 2011**
(56) Related Art Documents: **Not Applicable**
(57) Statement of Newness and Distinctiveness: **Those features of the heating apparatus depicted in the representations that are new and distinctive are the shape and/or configuration. The features shown in broken line are not part of the design and are to be disregarded when considering the overall impression of the design.**



- (21) Design Number: **13895/2011**
(22) Date of Filing Application: **02 September 2011**
(24) Date from which industrial property rights may have effect: **02 September 2011**
(54) Product in respect of which the design is registered: **Heating apparatus**
(51) International Design Classification: **23-03A**
(74) Name(s) of Attorney(s): **PHILLIPS ORMONDE FITZPATRICK**
(71) Name(s) and Address(s) of Applicant(s):

Bromic Pty Limited
PO Box 6062 Silverwater New South Wales 1811 Australia

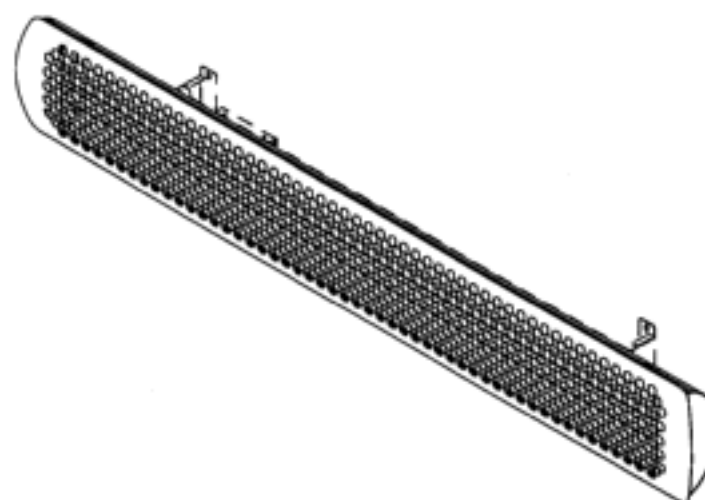
- (72) Name(s) of Designer(s): **Scott Smith**
(45) Registration Date: **29 September 2011**
(56) Related Art Documents: **Not Applicable**
(57) Statement of Newness and Distinctiveness: **Those features of the heating apparatus depicted in the representations that are new and distinctive are the shape and/or configuration. The features shown in broken line are not part of the design and are to be disregarded when considering the overall impression of the design.**



- (21) Design Number: **13896/2011**
(22) Date of Filing Application: **02 September 2011**
(24) Date from which industrial property rights may have effect: **02 September 2011**
(54) Product in respect of which the design is registered: **Heating apparatus**
(51) International Design Classification: **23-03A**
(74) Name(s) of Attorney(s): **PHILLIPS ORMONDE FITZPATRICK**
(71) Name(s) and Address(s) of Applicant(s):

Bromic Pty Limited
PO Box 6062 Silverwater New South Wales 1811 Australia

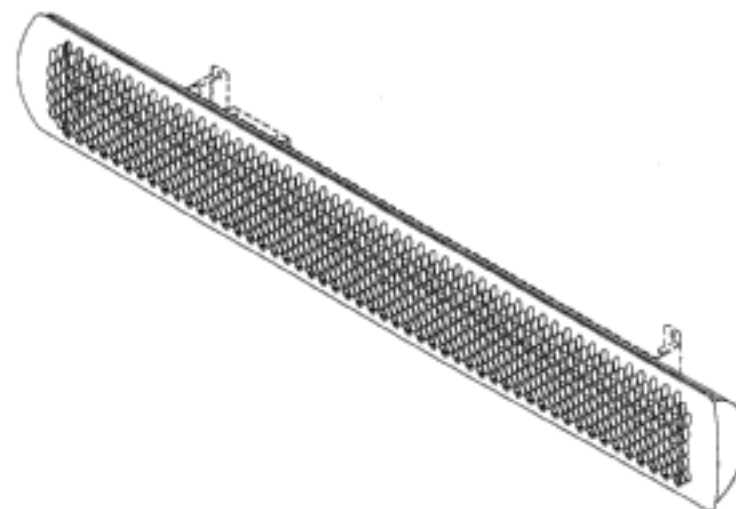
- (72) Name(s) of Designer(s): **Scott Smith**
(45) Registration Date: **29 September 2011**
(56) Related Art Documents: **Not Applicable**
(57) Statement of Newness and Distinctiveness: **Those features of the heating apparatus depicted in the representations that are new and distinctive are the shape and/or configuration. The features shown in broken line are not part of the design and are to be disregarded when considering the overall impression of the design.**



(21) Design Number: **13897/2011**
(22) Date of Filing Application: **02 September 2011**
(24) Date from which industrial property rights may have effect: **02 September 2011**
(54) Product in respect of which the design is registered: **Heating apparatus**
(51) International Design Classification: **23-03A**
(74) Name(s) of Attorney(s): **PHILLIPS ORMONDE FITZPATRICK**
(71) Name(s) and Address(s) of Applicant(s):

Bromic Pty Limited
PO Box 6062 Silverwater New South Wales 1811 Australia

(72) Name(s) of Designer(s): **Scott Smith**
(45) Registration Date: **29 September 2011**
(56) Related Art Documents: **Not Applicable**
(57) Statement of Newness and Distinctiveness: **Those features of the heating apparatus depicted in the representations that are new and distinctive are the shape and/or configuration. The features shown in broken line are not part of the design and are to be disregarded when considering the overall impression of the design.**

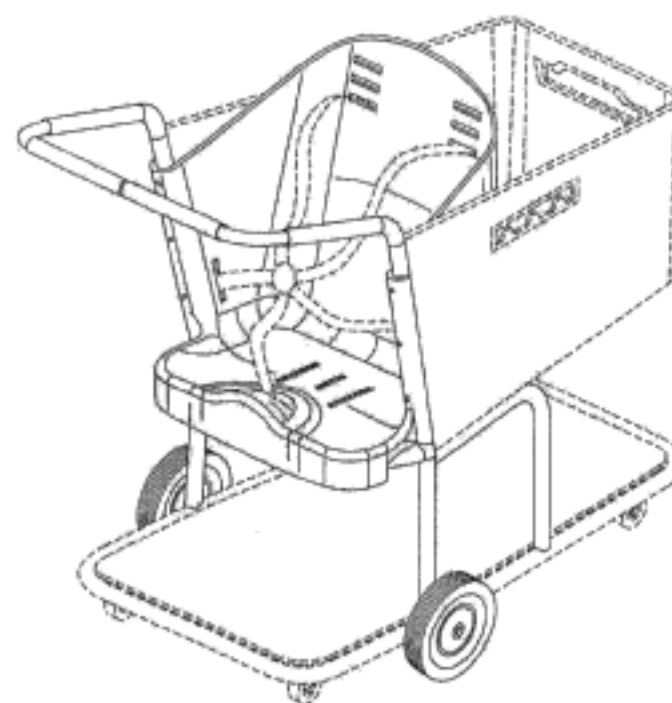


(21) Design Number: **13898/2011**
(22) Date of Filing Application: **02 September 2011**
(24) Date from which industrial property rights may have effect: **02 September 2011**
(54) Product in respect of which the design is registered: **Carrying cart accommodation for special needs rider**
(51) International Design Classification: **12-02, 12-12**
(74) Name(s) of Attorney(s): **PHILLIPS ORMONDE FITZPATRICK**
(71) Name(s) and Address(s) of Applicant(s):

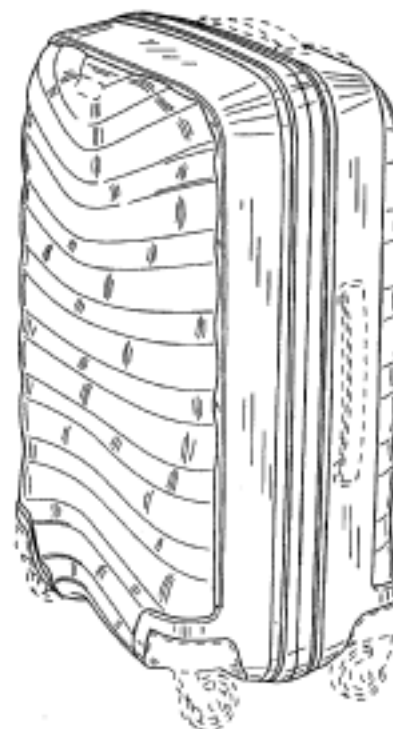
Parent Solution Group, LLC
289 Kensington Lane Alabaster Alabama 35007 United States of America

(72) Name(s) of Designer(s): **Drew Ann Long and David Long**
(45) Registration Date: **29 September 2011**
(30) Convention priority data:
(31) Number (32) Date (33) Country
29/386,703 03 Mar 2011 UNITED STATES OF AMERICA

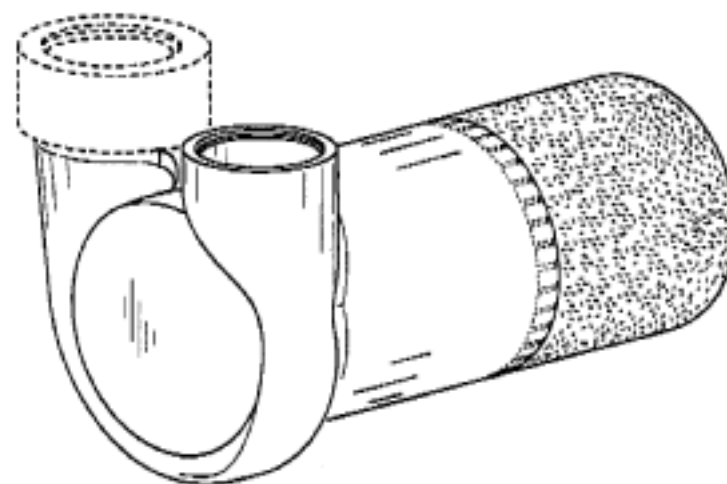
(56) Related Art Documents: **Not Applicable**
(57) Statement of Newness and Distinctiveness: **Newness and distinctiveness resides in the shape and/or configuration of the carrying cart accommodation for special needs rider as shown in solid lines in the accompanying representations. The features shown in broken line are not part of the design and are to be disregarded when considering the overall impression of the design.**



(21) Design Number: **13873/2011**
(22) Date of Filing Application: **02 September 2011**
(24) Date from which industrial property rights may have effect: **02 September 2011**
(54) Product in respect of which the design is registered: **Luggage**
(51) International Design Classification: **03-01A**
(74) Name(s) of Attorney(s): **Griffith Hack**
(71) Name(s) and Address(s) of Applicant(s):
Samsonite IP Holdings S.a.r.l.
13-15 Avenue de la Liberte Luxembourg L-1931 Luxembourg
(72) Name(s) of Designer(s): **Erik Sikmons**
(45) Registration Date: **30 September 2011**
(30) Convention priority data:
(31) Number (32) Date (33) Country
001858333-0001 03 May 2011 EUROPEAN COMMUNITY
(56) Related Art Documents: **Not Applicable**
(57) Statement of Newness and Distinctiveness: **The shape and configuration of those parts of the design shown by means of solid lines in the representations are new and distinctive.**



(21) Design Number: **13874/2011**
(22) Date of Filing Application: **02 September 2011**
(24) Date from which industrial property rights may have effect: **02 September 2011**
(54) Product in respect of which the design is registered: **Implantable blood pump**
(51) International Design Classification: **24-01**
(74) Name(s) of Attorney(s): **Griffith Hack**
(71) Name(s) and Address(s) of Applicant(s):
Thoratec Corporation
6035 Stoneridge Drive Pleasanton California 94588 United States of America
(72) Name(s) of Designer(s): **Pieter W.C.J. Le Blanc and David Gary Eldridge and Steven H. Reichenbach**
(45) Registration Date: **30 September 2011**
(30) Convention priority data:
(31) Number (32) Date (33) Country
29/386,544 02 Mar 2011 UNITED STATES OF AMERICA
(56) Related Art Documents: **Not Applicable**
(57) Statement of Newness and Distinctiveness: **Newness and distinctiveness resides in the visual features, including shape and configuration of an IMPLANTABLE BLOOD PUMP as shown by means of solid lines in the accompanying representations. The parts of the design shown by means of dotted lines do not form part of the design.**



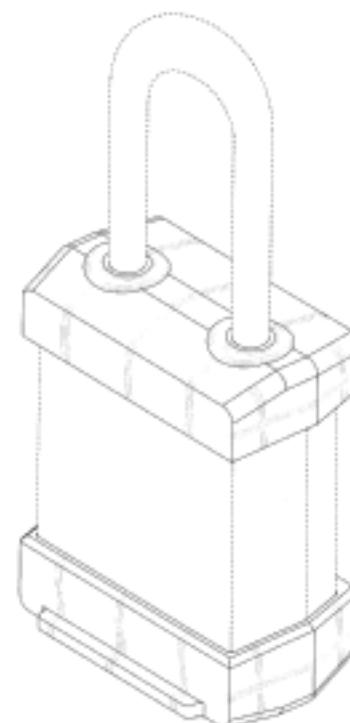
(21) Design Number: **13877/2011**
(22) Date of Filing Application: **02 September 2011**
(24) Date from which industrial property rights may have effect: **02 September 2011**
(54) Product in respect of which the design is registered: **Packlock cover**
(51) International Design Classification: **08-07**
(74) Name(s) of Attorney(s): **Callinans**
(71) Name(s) and Address(s) of Applicant(s):
Master Lock Company LLC
137 W. Forest Hill Avenue Oak Creek Wisconsin 53154 United States of America

(72) Name(s) of Designer(s): **Ray Wojtak**
(45) Registration Date: **30 September 2011**

(30) Convention priority data:
(31) Number (32) Date (33) Country
29/387,574 15 Mar 2011 UNITED STATES OF AMERICA

(56) Related Art Documents: **Not Applicable**

(57) Statement of Newness and Distinctiveness: **Newness and distinctiveness are provided by the shape and/or configuration of the design shown in the representations. The features shown in broken lines in the representations are for illustrative purposes only and should not be considered when construing visual features of the design.**



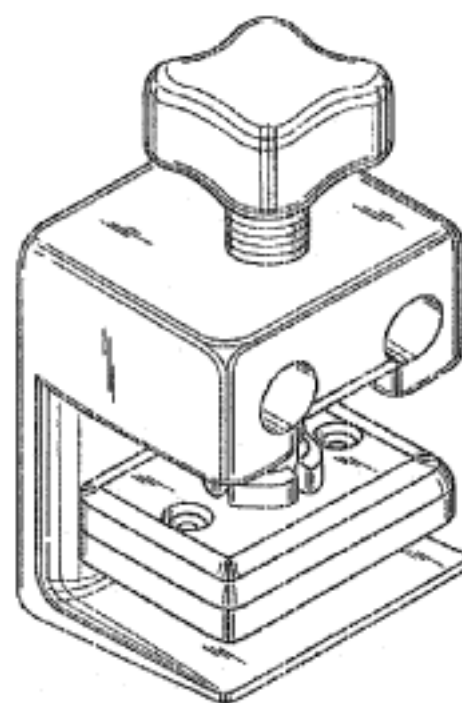
(21) Design Number: **13878/2011**
(22) Date of Filing Application: **02 September 2011**
(24) Date from which industrial property rights may have effect: **02 September 2011**
(54) Product in respect of which the design is registered: **A clamp**
(51) International Design Classification: **08-08B**
(74) Name(s) of Attorney(s): **LESICAR PERRIN**
(71) Name(s) and Address(s) of Applicant(s):
Milenco Limited
Blackhill Drive Wolverton Mill Milton Keynes Buckinghamshire MK12 5TS United Kingdom

(72) Name(s) of Designer(s): **Frederick Nigel Milbank**
(45) Registration Date: **30 September 2011**

(30) Convention priority data:
(31) Number (32) Date (33) Country
UK 4019100 05 Mar 2011 UNITED KINGDOM

(56) Related Art Documents: **Not Applicable**

(57) Statement of Newness and Distinctiveness: **Nil**



(21) Design Number: **13879/2011**
(22) Date of Filing Application: **02 September 2011**
(24) Date from which industrial property rights may have effect: **02 September 2011**
(54) Product in respect of which the design is registered: **A towing mirror**
(51) International Design Classification: **12-16H**
(74) Name(s) of Attorney(s): **LESICAR PERRIN**
(71) Name(s) and Address(s) of Applicant(s):

Milenco Limited
Blackhill Drive Wolverton Mill Milton Keynes Buckinghamshire MK12
5TS United Kingdom

(72) Name(s) of Designer(s): **Frederick Nigel Milbank**

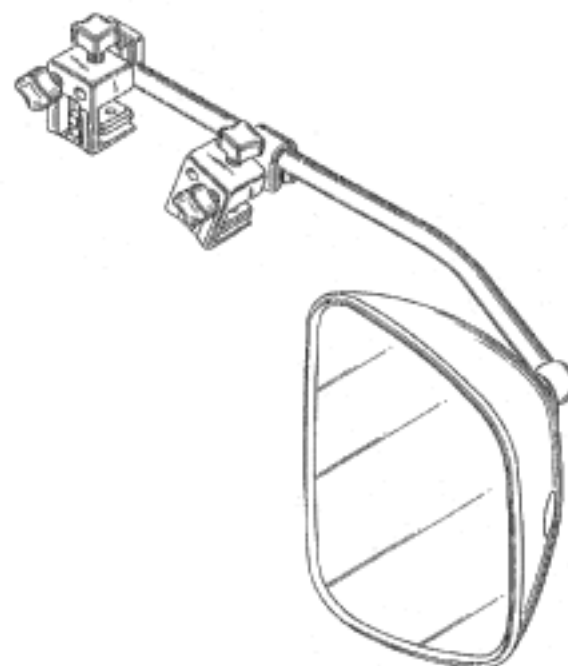
(45) Registration Date: **30 September 2011**

(30) Convention priority data:

(31) Number	(32) Date	(33) Country
UK 4019099	05 Mar 2011	UNITED KINGDOM

(56) Related Art Documents: **Not Applicable**

(57) Statement of Newness and Distinctiveness: **Nil**



(21) Design Number: **13880/2011**
(22) Date of Filing Application: **02 September 2011**
(24) Date from which industrial property rights may have effect: **02 September 2011**
(54) Product in respect of which the design is registered: **A towing mirror**
(51) International Design Classification: **12-16H**
(74) Name(s) of Attorney(s): **LESICAR PERRIN**
(71) Name(s) and Address(s) of Applicant(s):

Milenco Limited
Blackhill Drive Wolverton Mill Milton Keynes Buckinghamshire MK12
5TS United Kingdom

(72) Name(s) of Designer(s): **Frederick Nigel Milbank**

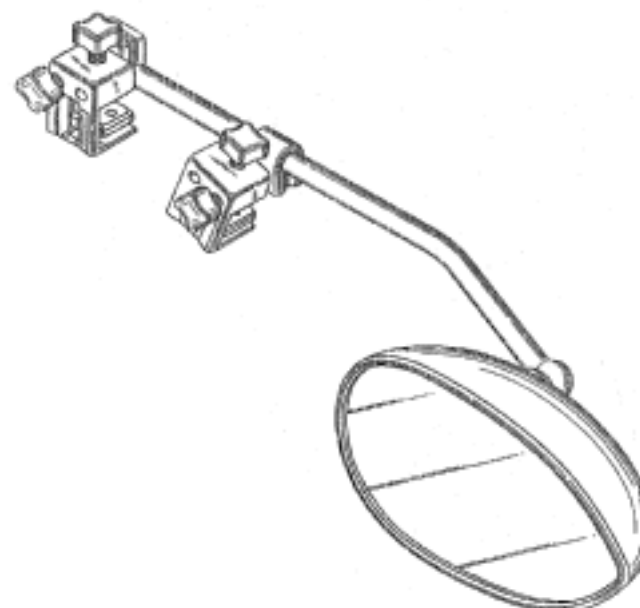
(45) Registration Date: **30 September 2011**

(30) Convention priority data:

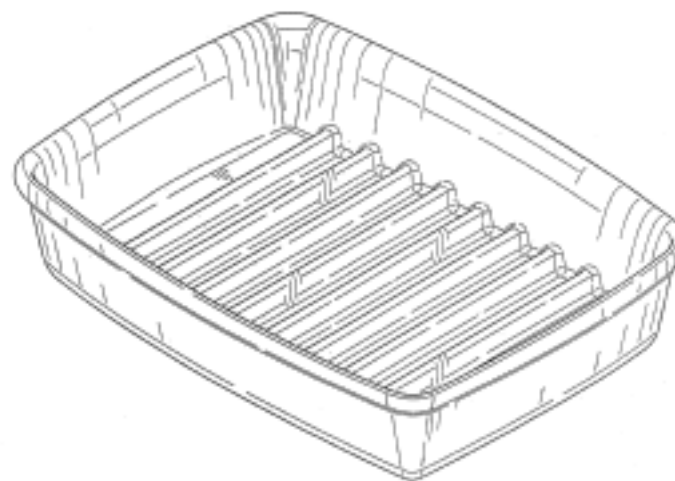
(31) Number	(32) Date	(33) Country
UK 4019098	05 Mar 2011	UNITED KINGDOM

(56) Related Art Documents: **Not Applicable**

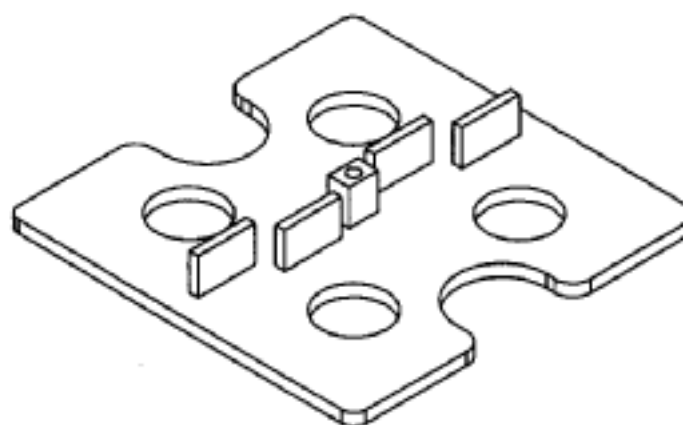
(57) Statement of Newness and Distinctiveness: **Nil**



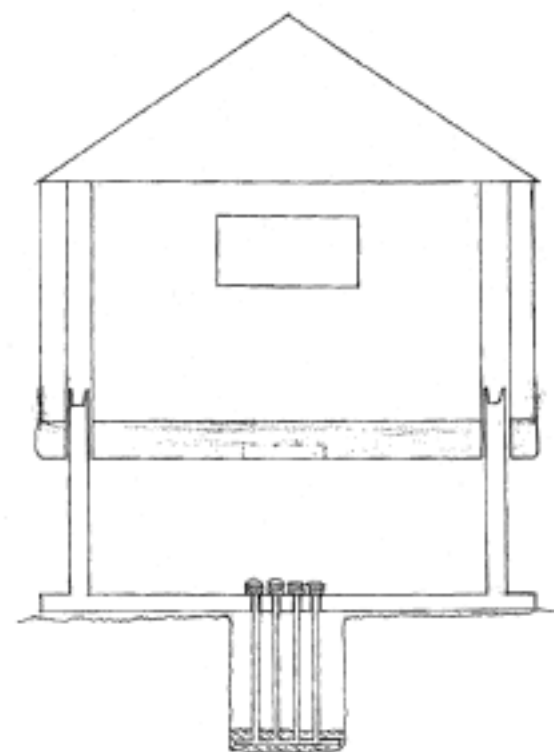
(21) Design Number: **13914/2011**
(22) Date of Filing Application: **05 September 2011**
(24) Date from which industrial property rights may have effect: **05 September 2011**
(54) Product in respect of which the design is registered: **Small baker**
(51) International Design Classification: **07-02P**
(74) Name(s) of Attorney(s): **SPRUSON & FERGUSON**
(71) Name(s) and Address(s) of Applicant(s):
Columbia Insurance Company
3024 Harney Street Omaha Nebraska 68131 United States of America
(72) Name(s) of Designer(s): **William Lupkes**
(45) Registration Date: **30 September 2011**
(30) Convention priority data:
(31) Number (32) Date (33) Country
29/387954 22 Mar 2011 UNITED STATES OF AMERICA
(56) Related Art Documents: **Not Applicable**
(57) Statement of Newness and Distinctiveness: **Newness and distinctiveness is claimed in those features of shape and/or configuration of a small baker illustrated in continuous lines in the accompanying representations.**



(21) Design Number: **13917/2011**
(22) Date of Filing Application: **05 September 2011**
(24) Date from which industrial property rights may have effect: **05 September 2011**
(54) Product in respect of which the design is registered: **Tile spacer**
(51) International Design Classification: **08-05K**
(74) Name(s) of Attorney(s): **PHILLIPS ORMONDE FITZPATRICK**
(71) Name(s) and Address(s) of Applicant(s):
Anthony Psaila
77 Parer Road Airport West Victoria 3042 Australia
(72) Name(s) of Designer(s): **Anthony Psaila and Andy Nicholas Psaila**
(45) Registration Date: **30 September 2011**
(56) Related Art Documents: **Not Applicable**
(57) Statement of Newness and Distinctiveness: **Those features of the tile spacer depicted in the representations that are new and distinctive are the shape and/or configuration.**



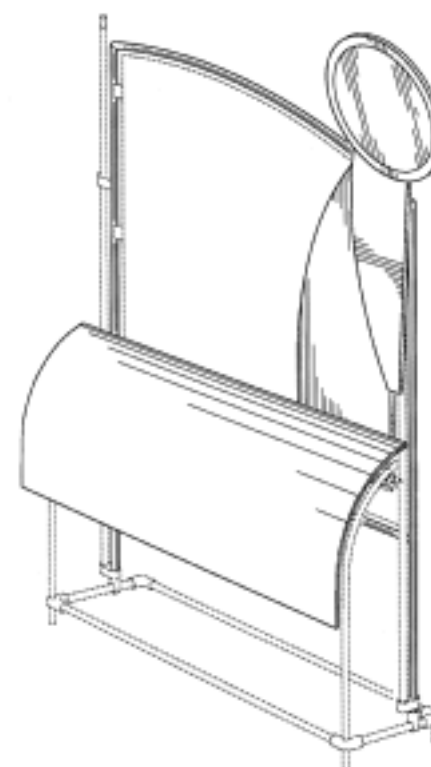
- (21) Design Number: **11490/2011**
(22) Date of Filing Application: **05 April 2011**
(24) Date from which industrial property rights may have effect: **05 April 2011**
(54) Product in respect of which the design is registered: **A single family house foundation designed for natural disasters such as floods, earthquakes, tsunamis and other**
(51) International Design Classification: **25-03, 25-02NES**
(74) Name(s) of Attorney(s):
(71) Name(s) and Address(s) of Applicant(s):
Mirko Riha
25 Purdom Road Wembley Downs Western Australia 6019 Australia
(72) Name(s) of Designer(s): **Mirko Riha**
(45) Registration Date: **30 September 2011**
(56) Related Art Documents: **Not Applicable**
(57) Statement of Newness and Distinctiveness: **A single family house foundation designate for natural disasters such as floods, earthquakes, tsunamis and other disasters.**



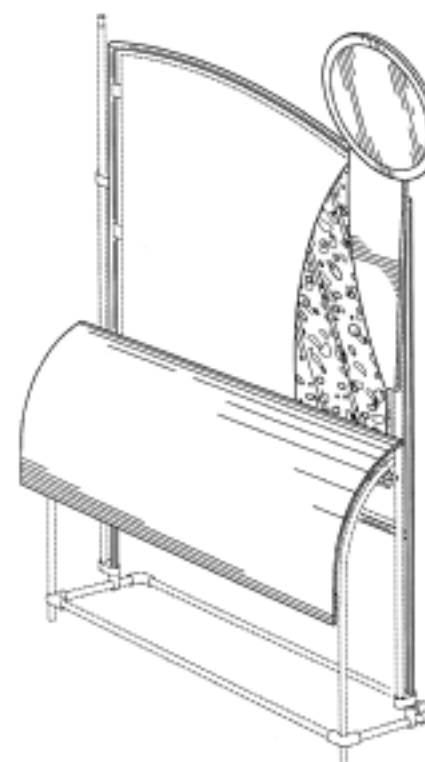
- (21) Design Number: **12564/2011**
(22) Date of Filing Application: **03 June 2011**
(24) Date from which industrial property rights may have effect: **03 June 2011**
(54) Product in respect of which the design is registered: **Pot line rod gland for use in pneumatic cylinder power transmission applications**
(51) International Design Classification: **08-08B, 15-99**
(74) Name(s) of Attorney(s):
(71) Name(s) and Address(s) of Applicant(s):
Alliance Sealing Pty Ltd
3 The Crescent Kingsgrove New South Wales 2208 Australia
(72) Name(s) of Designer(s): **David Harley**
(45) Registration Date: **30 September 2011**
(56) Related Art Documents: **Not Applicable**
(57) Statement of Newness and Distinctiveness: **The existing rod gland is made of filled PTFE with a single O ring to seal on the outside diameter. The problem was that due to the differential in PTFE expansion than the metal housing and heat ageing combined with side loads, the glands cracked causing air leakage and premature failure of the unit. The owner's design has overcome these problems by adopting the following design features; Replace PTFE gland with brass to overcome the problems associated with non uniform expansion thus leading to cracking and disintegration. For secure sealing and anchoring, on the OD of the gland double O rings placed symmetrically, this also prevented any movement if high side loads when encounter. A guide ring made of fortified PTFE which has self lubricating ability and can function with lubricated or non lubricated air and capable of high temperature and load. Seal made of fluorinated elastomer (FPM) with combination sealing lips that has a specially designed sealing lip for excellent sealing with low friction and an effective lubricant trapped by the secondary lip that also prevents any ingress passing through. The wiper/scrapper was designed especially for this application with a heat and wear resistant material secured by a brass retainer and FPM gasket. Finally the lip is energised with a rust resistant stainless steel spring for continuous positive wiping and sealing.**



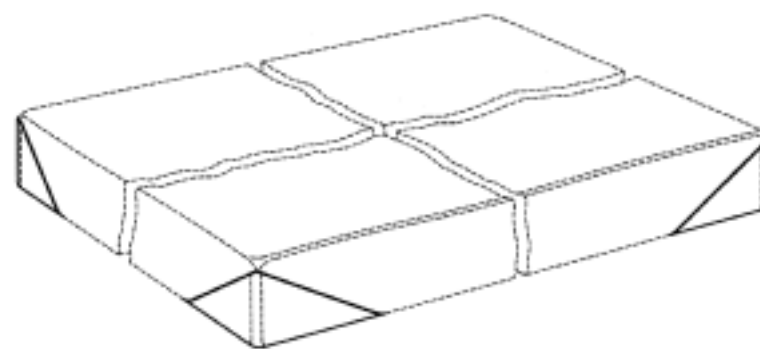
(21) Design Number: **13228/2011**
(22) Date of Filing Application: **21 July 2011**
(24) Date from which industrial property rights may have effect: **21 July 2011**
(54) Product in respect of which the design is registered: **Bed display**
(51) International Design Classification: **06-06F**
(74) Name(s) of Attorney(s): **SPRUSON & FERGUSON**
(71) Name(s) and Address(s) of Applicant(s):
Serta, Inc.
2600 Forbes Avenue Hoffman Estates Illinois 60192-3411 United States of America
(72) Name(s) of Designer(s): **Andrew Gross and Brett A. Woodley and Jerry Barone and Matthew R. Whitmer and Robin Brower**
(45) Registration Date: **30 September 2011**
(30) Convention priority data:
(31) Number (32) Date (33) Country
29/383791 21 Jan 2011 UNITED STATES OF AMERICA
(56) Related Art Documents: **Not Applicable**
(57) Statement of Newness and Distinctiveness: **Newness and distinctiveness is claimed in the features of shape and/or configuration of a bed display as illustrated in continuous lines in the accompanying representations.**



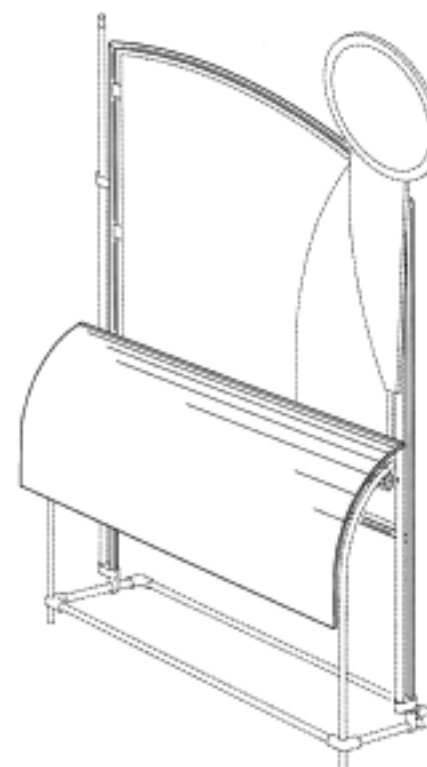
(21) Design Number: **13229/2011**
(22) Date of Filing Application: **21 July 2011**
(24) Date from which industrial property rights may have effect: **21 July 2011**
(54) Product in respect of which the design is registered: **Bed display**
(51) International Design Classification: **06-06F**
(74) Name(s) of Attorney(s): **SPRUSON & FERGUSON**
(71) Name(s) and Address(s) of Applicant(s):
Serta, Inc.
2600 Forbes Avenue Hoffman Estates Illinois 60192-3411 United States of America
(72) Name(s) of Designer(s): **Andrew Gross and Brett A. Woodley and Jerry Barone and Matthew R. Whitmer and Robin Brower**
(45) Registration Date: **30 September 2011**
(30) Convention priority data:
(31) Number (32) Date (33) Country
29/383791 21 Jan 2011 UNITED STATES OF AMERICA
(56) Related Art Documents: **Not Applicable**
(57) Statement of Newness and Distinctiveness: **Newness and distinctiveness is claimed in the features of shape and/or configuration of a bed display as illustrated in continuous lines in the accompanying representations.**



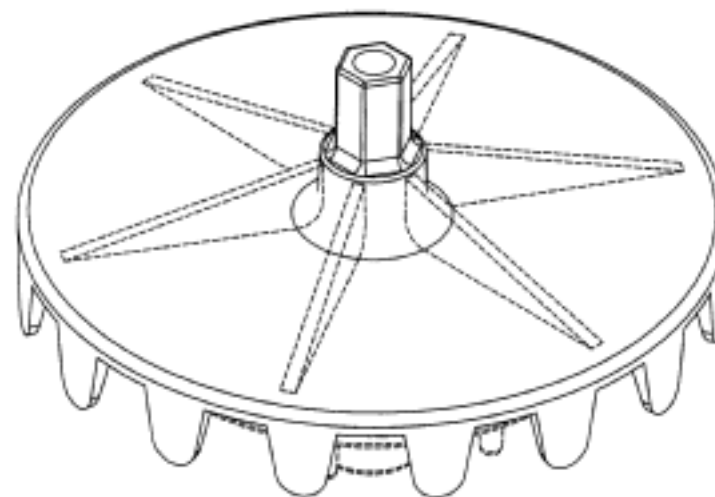
(21) Design Number: **13230/2011**
(22) Date of Filing Application: **21 July 2011**
(24) Date from which industrial property rights may have effect: **21 July 2011**
(54) Product in respect of which the design is registered: **Mattress**
(51) International Design Classification: **06-09**
(74) Name(s) of Attorney(s): **SPRUSON & FERGUSON**
(71) Name(s) and Address(s) of Applicant(s):
Serta Inc.
2600 Forbes Avenue Hoffman Estates Illinois 60192-3411 United States of America
(72) Name(s) of Designer(s): **Leona Wightman**
(45) Registration Date: **30 September 2011**
(30) Convention priority data:
(31) Number (32) Date (33) Country
29/383811 21 Jan 2011 UNITED STATES OF AMERICA
(56) Related Art Documents: **Not Applicable**
(57) Statement of Newness and Distinctiveness: **Newness and distinctiveness is claimed in the features of shape and/or configuration of a mattress having an indefinite length and width as illustrated in continuous lines in the accompanying representations.**



(21) Design Number: **13231/2011**
(22) Date of Filing Application: **21 July 2011**
(24) Date from which industrial property rights may have effect: **21 July 2011**
(54) Product in respect of which the design is registered: **Bed display**
(51) International Design Classification: **06-06F**
(74) Name(s) of Attorney(s): **SPRUSON & FERGUSON**
(71) Name(s) and Address(s) of Applicant(s):
Serta Inc.
2600 Forbes Avenue Hoffman Estates Illinois 60192-3411 United States of America
(72) Name(s) of Designer(s): **Andrew Gross and Brett A. Woodley and Jerry Barone and Matthew R. Whitmer and Robin Brower**
(45) Registration Date: **30 September 2011**
(30) Convention priority data:
(31) Number (32) Date (33) Country
29/383791 21 Jan 2011 UNITED STATES OF AMERICA
(56) Related Art Documents: **Not Applicable**
(57) Statement of Newness and Distinctiveness: **Newness and distinctiveness is claimed in those features of shape and/or configuration of a bed display as illustrated in continuous lines in the accompanying representations.**



- (21) Design Number: **13915/2011**
(22) Date of Filing Application: **05 September 2011**
(24) Date from which industrial property rights may have effect: **05 September 2011**
(54) Product in respect of which the design is registered: **Drill attachment**
(51) International Design Classification: **08-01**
(74) Name(s) of Attorney(s): **FB Rice**
(71) Name(s) and Address(s) of Applicant(s):
Alan Sian Ghee Lee
15 Joan Road Singapore 298899 Singapore
(72) Name(s) of Designer(s): **Alan Sian Ghee Lee and Henry Greaves**
(45) Registration Date: **30 September 2011**
(56) Related Art Documents: **Not Applicable**
(57) Statement of Newness and Distinctiveness: **Newness and distinctiveness reside in the features of the shape and configuration of the design as shown in solid lines in the representations, the features shown in dashed lines being disclaimed.**



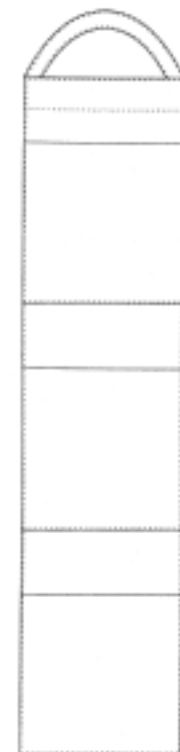
- (21) Design Number: **14201/2011**
(22) Date of Filing Application: **16 September 2011**
(24) Date from which industrial property rights may have effect: **16 September 2011**
(54) Product in respect of which the design is registered: **A reconfigurable swim suit for women**
(51) International Design Classification: **02-02A**
(74) Name(s) of Attorney(s):
(71) Name(s) and Address(s) of Applicant(s):
Amy Genevieve Windsor
81 Barnehurst Street Tarragindi Queensland 4121 Australia
(72) Name(s) of Designer(s): **Amy Genevieve Windsor**
(45) Registration Date: **30 September 2011**
(56) Related Art Documents: **Not Applicable**
(57) Statement of Newness and Distinctiveness: **The shape and configuration of a reconfigurable swimsuit for women as illustrated in the accompanying representations.**



- (21) Design Number: **12147/2011**
(22) Date of Filing Application: **12 May 2011**
(24) Date from which industrial property rights may have effect: **12 May 2011**
(54) Product in respect of which the design is registered: **A storage bag for bed linen**
(51) International Design Classification: **03-01NES**
(74) Name(s) of Attorney(s):
(71) Name(s) and Address(s) of Applicant(s):
Rita Werden
28 Sunnyside Avenue Camberwell Victoria 3124 Australia
(72) Name(s) of Designer(s): **Rita Werden**
(45) Registration Date: **30 September 2011**
(56) Related Art Documents: **Not Applicable**
(57) Statement of Newness and Distinctiveness: **Newness and distinctiveness resides in the features of shape and/or configuration of the product shown in the representations.**



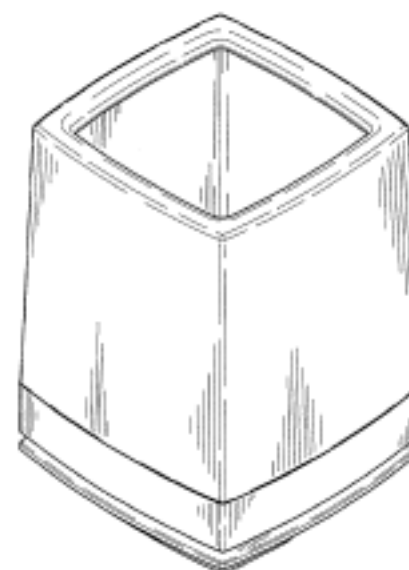
- (21) Design Number: **13310/2011**
(22) Date of Filing Application: **28 July 2011**
(24) Date from which industrial property rights may have effect: **28 July 2011**
(54) Product in respect of which the design is registered: **Baby dummy holder**
(51) International Design Classification: **03-01NES**
(74) Name(s) of Attorney(s):
(71) Name(s) and Address(s) of Applicant(s):
Groove Child Pty Ltd
PO Box 247 Surry Hills New South Wales 2010 Australia
(72) Name(s) of Designer(s): **Wendy Gregory and Louise Macklin**
(45) Registration Date: **04 October 2011**
(56) Related Art Documents: **Not Applicable**
(57) Statement of Newness and Distinctiveness: **In terms of dummy holders, this product looks new and distinctive as it has pockets that will fit any size dummy, the fact that it is made of fabric means it can be easily rolled up and taken anywhere and most importantly the handle allows it to hang on any door knob, hook or the like.**



(21) Design Number: **13309/2011**
(22) Date of Filing Application: **28 July 2011**
(24) Date from which industrial property rights may have effect: **28 July 2011**
(54) Product in respect of which the design is registered: **Baby swaddle wrap (ie sleep aid)**
(51) International Design Classification: **06-13B**
(74) Name(s) of Attorney(s):
(71) Name(s) and Address(s) of Applicant(s):
Groove Child Pty Ltd
PO Box 247 Surry Hills New South Wales 2010 Australia
(72) Name(s) of Designer(s): **Wendy Gregory and Louise Macklin**
(45) Registration Date: **04 October 2011**
(56) Related Art Documents: **Not Applicable**
(57) Statement of Newness and Distinctiveness: **New and distinctive in terms of baby wraps as it is long and narrow covering only the babies torso (ie shoulders to hips).**



(21) Design Number: **14367/2011**
(22) Date of Filing Application: **01 September 2011**
(24) Date from which industrial property rights may have effect: **01 September 2011**
(54) Product in respect of which the design is registered: **Lighting device**
(51) International Design Classification: **26-05B**
(74) Name(s) of Attorney(s): **Halfords IP**
(71) Name(s) and Address(s) of Applicant(s):
Eveready Battery Company, Inc.
533 Maryville University Drive St Louis Missouri 63141 United States of America
(72) Name(s) of Designer(s): **Jason R. Bennett and Timothy J. Rugendyke and Kenneth G. Bonham and Peter McMillan**
(45) Registration Date: **04 October 2011**
(30) Convention priority data:
(31) Number (32) Date (33) Country
29/391422 09 May 2011 UNITED STATES OF AMERICA
(56) Related Art Documents: **Not Applicable**
(57) Statement of Newness and Distinctiveness: **Newness and distinctiveness is claimed in those features of shape and or configuration of a Lighting Device as depicted in the representations. The representations use contour lines, broken lines and shading to assist in the illustration of features of shape and or configuration. Such contour lines, shading and broken lines do not form part of the design.**



(21) Design Number: **13858/2011**
(22) Date of Filing Application: **01 September 2011**
(24) Date from which industrial property rights may have effect: **01 September 2011**
(54) Product in respect of which the design is registered: **Lighting device**
(51) International Design Classification: **26-05B**
(74) Name(s) of Attorney(s): **Halfords IP**
(71) Name(s) and Address(s) of Applicant(s):
Eveready Battery Company, Inc.
533 Maryville University Drive St Louis Missouri 63141 United States of America

(72) Name(s) of Designer(s): **Jason R. Bennett and Timothy J. Rugendyke and Kenneth G. Bonham and Peter McMillan**

(45) Registration Date: **04 October 2011**

(30) Convention priority data:

(31) Number	(32) Date	(33) Country
29/391422	09 May 2011	UNITED STATES OF AMERICA

(56) Related Art Documents: **Not Applicable**

(57) Statement of Newness and Distinctiveness: **Newness and distinctiveness is claimed in those features of shape and or configuration of a Lighting Device as depicted in the representations. The representations use contour lines, broken lines and shading to assist in the illustration of features of shape and or configuration. Such contour lines, shading and broken lines do not form part of the design.**



(21) Design Number: **14366/2011**
(22) Date of Filing Application: **01 September 2011**
(24) Date from which industrial property rights may have effect: **01 September 2011**
(54) Product in respect of which the design is registered: **Lighting device**
(51) International Design Classification: **26-05B**
(74) Name(s) of Attorney(s): **Halfords IP**
(71) Name(s) and Address(s) of Applicant(s):
Eveready Battery Company, Inc.
533 Maryville University Drive St Louis Missouri 63141 United States of America

(72) Name(s) of Designer(s): **Jason R. Bennett and Timothy J. Rugendyke and Kenneth G. Bonham and Peter McMillan**

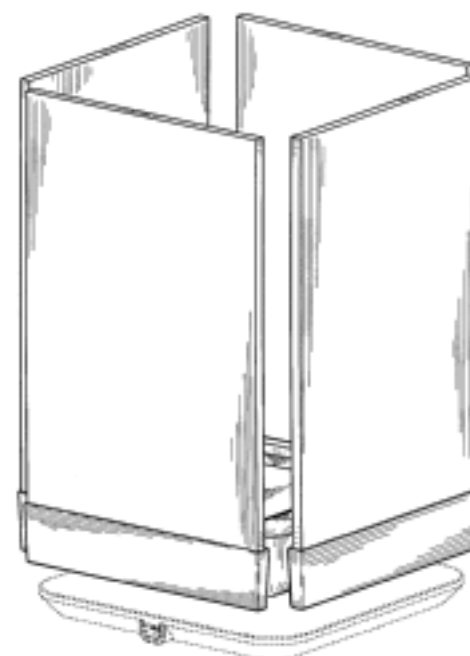
(45) Registration Date: **04 October 2011**

(30) Convention priority data:

(31) Number	(32) Date	(33) Country
29/391405	09 May 2011	UNITED STATES OF AMERICA

(56) Related Art Documents: **Not Applicable**

(57) Statement of Newness and Distinctiveness: **Newness and distinctiveness is claimed in those features of shape and or configuration of a Lighting Device as depicted in the representations. The representations use contour lines, broken lines and shading to assist in the illustration of features of shape and or configuration. Such contour lines, shading and broken lines do not form part of the design.**



(21) Design Number: **13859/2011**
(22) Date of Filing Application: **01 September 2011**
(24) Date from which industrial property rights may have effect: **01 September 2011**
(54) Product in respect of which the design is registered: **Lighting device**
(51) International Design Classification: **26-05B**
(74) Name(s) of Attorney(s): **Halfords IP**
(71) Name(s) and Address(s) of Applicant(s):
Eveready Battery Company, Inc.
533 Maryville University Drive St Louis Missouri 63141 United States of America

(72) Name(s) of Designer(s): **Jason R. Bennett and Timothy J. Rugendyke and Kenneth G. Bonham and Peter McMillan**

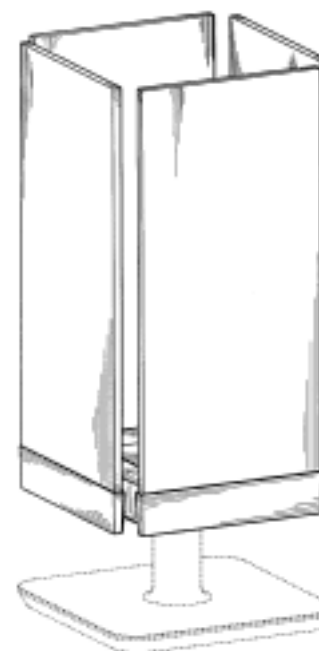
(45) Registration Date: **04 October 2011**

(30) Convention priority data:

(31) Number	(32) Date	(33) Country
29/391405	09 May 2011	UNITED STATES OF AMERICA

(56) Related Art Documents: **Not Applicable**

(57) Statement of Newness and Distinctiveness: **Newness and distinctiveness is claimed in those features of shape and or configuration of a Lighting Device as depicted in the representations. The representations use contour lines, broken lines and shading to assist in the illustration of features of shape and or configuration. Such contour lines, shading and broken lines do not form part of the design.**



(21) Design Number: **14169/2011**
(22) Date of Filing Application: **15 September 2011**
(24) Date from which industrial property rights may have effect: **15 September 2011**
(54) Product in respect of which the design is registered: **Watch**
(51) International Design Classification: **10-02**
(74) Name(s) of Attorney(s): **SPRUSON & FERGUSON**
(71) Name(s) and Address(s) of Applicant(s):
Montres Tudor S.A.
3 rue Francois-Dussaud 1211 Geneve 26 Switzerland

(72) Name(s) of Designer(s): **Davide Cerrato**

(45) Registration Date: **04 October 2011**

(30) Convention priority data:

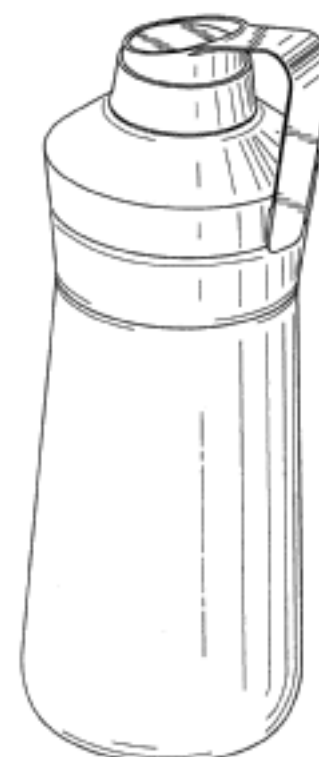
(31) Number	(32) Date	(33) Country
137820	16 Mar 2011	SWITZERLAND

(56) Related Art Documents: **Not Applicable**

(57) Statement of Newness and Distinctiveness: **Newness and distinctiveness is claimed in the following features of a watch as illustrated in the accompanying representations: a) the shape and/or configuration of the watch case b) the shape and/or configuration of the hands; and c) the pattern and/or ornamentation of the dial.**



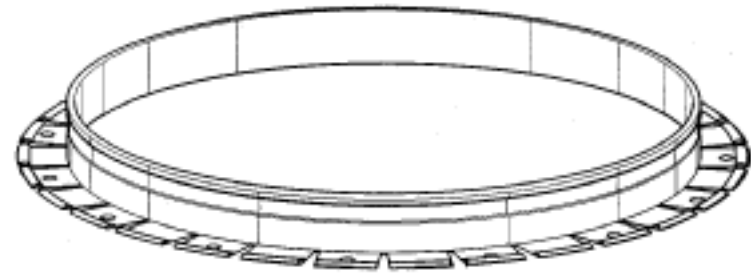
(21) Design Number: **13315/2011**
(22) Date of Filing Application: **27 July 2011**
(24) Date from which industrial property rights may have effect: **27 July 2011**
(54) Product in respect of which the design is registered: **Water bottle**
(51) International Design Classification: **09-01B**
(74) Name(s) of Attorney(s): **Davies Collison Cave**
(71) Name(s) and Address(s) of Applicant(s):
3M Innovative Properties Company
3M Center Saint Paul Minnesota 55133-3427 United States of America
(72) Name(s) of Designer(s): **Judd D. Olson and Kent E. Lageson and Sean C. McGreevy and Gretchen A. Hauble and Kevin J. Gilboe and Martin E. Broen**
(45) Registration Date: **04 October 2011**
(30) Convention priority data:
(31) Number (32) Date (33) Country
29/384229 28 Jan 2011 UNITED STATES OF AMERICA
(56) Related Art Documents: **Not Applicable**
(57) Statement of Newness and Distinctiveness: **Newness and distinctiveness is claimed in the visual features of shape and configuration shown in the representations.**



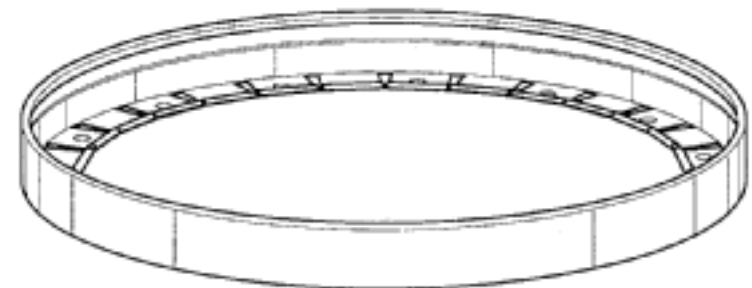
(21) Design Number: **13590/2011**
(22) Date of Filing Application: **12 August 2011**
(24) Date from which industrial property rights may have effect: **12 August 2011**
(54) Product in respect of which the design is registered: **Closing means for packaging**
(51) International Design Classification: **09-07C**
(74) Name(s) of Attorney(s): **Cullens Patent and Trade Mark Attorneys**
(71) Name(s) and Address(s) of Applicant(s):
Obriest Closures Switzerland GmbH
Romerstrasse 83 4153 Reinach Switzerland
(72) Name(s) of Designer(s): **Rainer Schawo**
(45) Registration Date: **04 October 2011**
(30) Convention priority data:
(31) Number (32) Date (33) Country
201130023943.3 18 Feb 2011 CHINA
(56) Related Art Documents: **Not Applicable**
(57) Statement of Newness and Distinctiveness: **Newness and distinctiveness is claimed in the shape and configuration of the closing means for packaging as shown in the accompanying representations. No newness and distinctiveness is claimed in the indicia on the top of the closing means.**



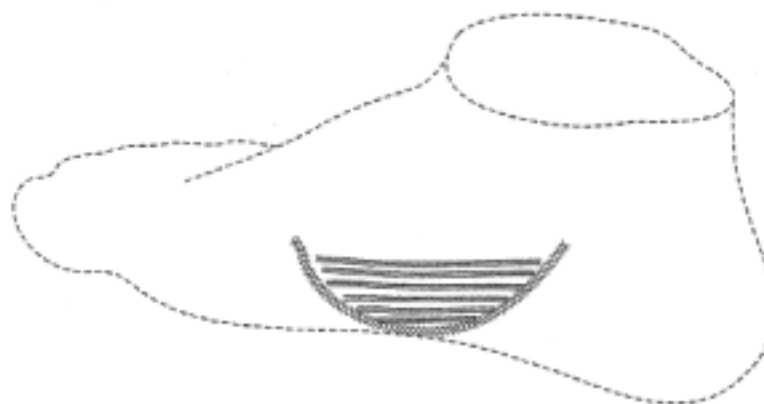
(21) Design Number: **13923/2011**
(22) Date of Filing Application: **06 September 2011**
(24) Date from which industrial property rights may have effect: **06 September 2011**
(54) Product in respect of which the design is registered: **Edging member**
(51) International Design Classification: **25-99**
(74) Name(s) of Attorney(s): **Collison & Co**
(71) Name(s) and Address(s) of Applicant(s):
Robert Henry Haysom
31 Duffield Street Gawler East South Australia 5118 Australia
Deirdre Mary Haysom
31 Duffield Street Gawler East South Australia 5118 Australia
(72) Name(s) of Designer(s): **Robert Henry Haysom and Deirdre Mary Haysom**
(45) Registration Date: **04 October 2011**
(56) Related Art Documents: **Not Applicable**
(57) Statement of Newness and Distinctiveness: **Nil**



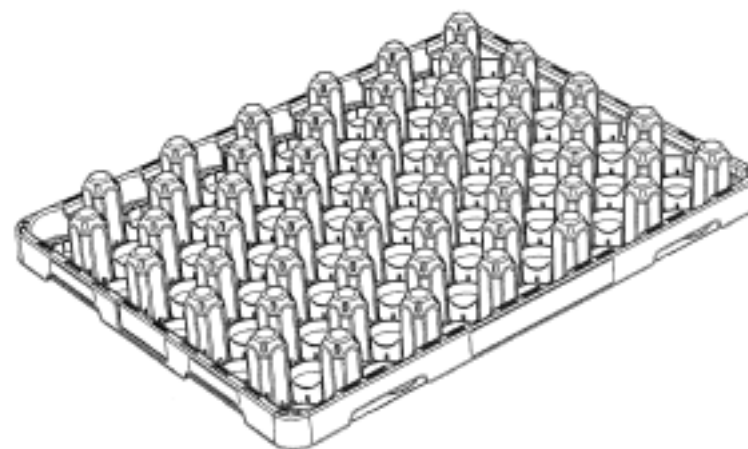
(21) Design Number: **13924/2011**
(22) Date of Filing Application: **06 September 2011**
(24) Date from which industrial property rights may have effect: **06 September 2011**
(54) Product in respect of which the design is registered: **Edging member**
(51) International Design Classification: **25-99**
(74) Name(s) of Attorney(s): **Collison & Co**
(71) Name(s) and Address(s) of Applicant(s):
Robert Henry Haysom
31 Duffield Street Gawler East South Australia 5118 Australia
Deirdre Mary Haysom
31 Duffield Street Gawler East South Australia 5118 Australia
(72) Name(s) of Designer(s): **Robert Henry Haysom and Deirdre Mary Haysom**
(45) Registration Date: **04 October 2011**
(56) Related Art Documents: **Not Applicable**
(57) Statement of Newness and Distinctiveness: **Nil**



(21) Design Number: **13927/2011**
(22) Date of Filing Application: **07 September 2011**
(24) Date from which industrial property rights may have effect: **07 September 2011**
(54) Product in respect of which the design is registered: **Sock**
(51) International Design Classification: **02-04C**
(74) Name(s) of Attorney(s): **PIZZEYS**
(71) Name(s) and Address(s) of Applicant(s):
Flagship Brands, LLC
Post Office Box 1401 Newton NC 28658 United States of America
(72) Name(s) of Designer(s): **Hugh Gaither**
(45) Registration Date: **04 October 2011**
(30) Convention priority data:
(31) Number (32) Date (33) Country
29/373,185 14 Mar 2011 UNITED STATES OF AMERICA
(56) Related Art Documents: **Not Applicable**
(57) Statement of Newness and Distinctiveness: **Nil**



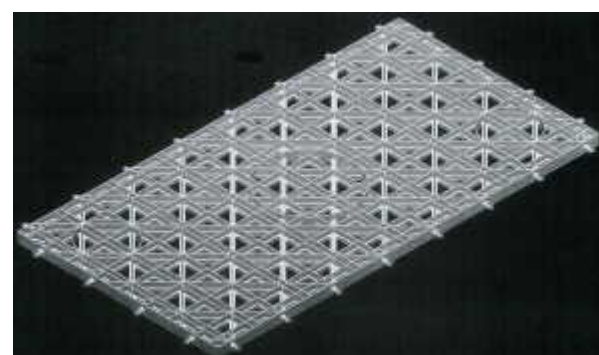
(21) Design Number: **13928/2011**
(22) Date of Filing Application: **05 September 2011**
(24) Date from which industrial property rights may have effect: **05 September 2011**
(54) Product in respect of which the design is registered: **Tray for bottles**
(51) International Design Classification: **09-03E**
(74) Name(s) of Attorney(s): **Golja Haines & Friend**
(71) Name(s) and Address(s) of Applicant(s):
K. Hartwell Oy Ab
Kay Hartwalls vag 2 01150 Soderkulla Finland
(72) Name(s) of Designer(s): **Johan Lindstrom**
(45) Registration Date: **04 October 2011**
(30) Convention priority data:
(31) Number (32) Date (33) Country
001831405 07 Mar 2011 EUROPEAN COMMUNITY
(56) Related Art Documents: **Not Applicable**
(57) Statement of Newness and Distinctiveness: **Newness and distinctiveness is claimed in the shape and configuration of the tray for bottles as illustrated in the accompanying representations.**



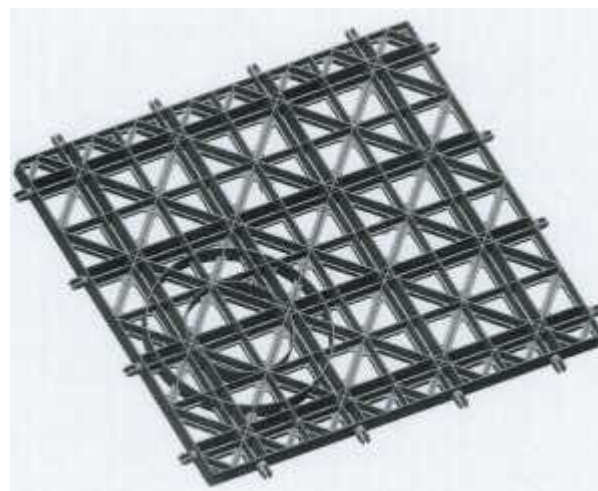
(21) Design Number: **13930/2011**
(22) Date of Filing Application: **01 September 2011**
(24) Date from which industrial property rights may have effect: **01 September 2011**
(54) Product in respect of which the design is registered: **Bicycle seat**
(51) International Design Classification: **12-11**
(74) Name(s) of Attorney(s): **Callinans**
(71) Name(s) and Address(s) of Applicant(s):
Selle Italia S.r.l.
Via E. Fermi 2 31011 Casella D'Asolo (TV) Italy
(72) Name(s) of Designer(s): **Giuseppe Bigolin**
(45) Registration Date: **05 October 2011**
(30) Convention priority data:
(31) Number (32) Date (33) Country
001830126 03 Mar 2011 EUROPEAN COMMUNITY
(56) Related Art Documents: **Not Applicable**
(57) Statement of Newness and Distinctiveness: **Nil**



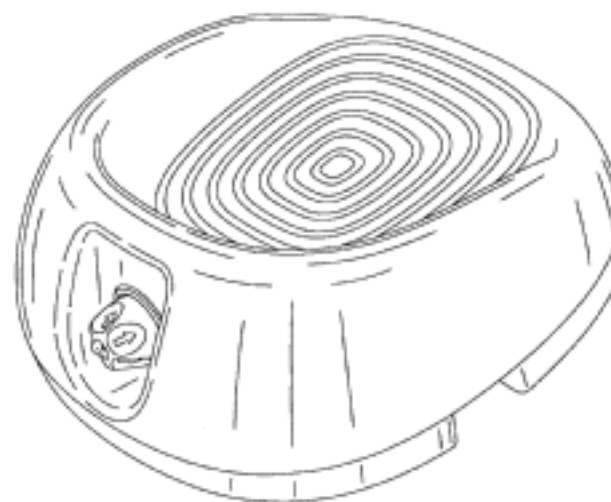
(21) Design Number: **13934/2011**
(22) Date of Filing Application: **06 September 2011**
(24) Date from which industrial property rights may have effect: **06 September 2011**
(54) Product in respect of which the design is registered: **A plastic panel for assembly with matching larger panels to make up box void former for water retention under ground.**
(51) International Design Classification: **25-01D**
(74) Name(s) of Attorney(s):
(71) Name(s) and Address(s) of Applicant(s):
Phillip G. Calow
17 Catalano Road Canning Vale Western Australia 6155 Australia
(72) Name(s) of Designer(s): **Phillip G. Calow**
(45) Registration Date: **05 October 2011**
(56) Related Art Documents: **Not Applicable**
(57) Statement of Newness and Distinctiveness: **Panel has 'H' design perpendicular stiffening sections with diagonal web stiffeners. Panel has pins located round the perimeter for locating and fixing to panels in item 1 here (DWP7640) with.**



- (21) Design Number: **13935/2011**
(22) Date of Filing Application: **06 September 2011**
(24) Date from which industrial property rights may have effect: **06 September 2011**
(54) Product in respect of which the design is registered: **A plastic panel for assembly with other similar panels to make up a box void former for water retention under ground**
(51) International Design Classification: **25-01D**
(74) Name(s) of Attorney(s):
(71) Name(s) and Address(s) of Applicant(s):
Phillip G. Calow
17 Catalano Road Canning Vale Western Australia 6155 Australia
(72) Name(s) of Designer(s): **Phillip G. Calow**
(45) Registration Date: **05 October 2011**
(56) Related Art Documents: **Not Applicable**
(57) Statement of Newness and Distinctiveness: **Panel has perpendicular stiffening sections with diagonal web stiffening members. Panel has integral pins around perimeter for locating and fixing of panels to each other.**



- (21) Design Number: **13936/2011**
(22) Date of Filing Application: **06 September 2011**
(24) Date from which industrial property rights may have effect: **06 September 2011**
(54) Product in respect of which the design is registered: **Booster seat**
(51) International Design Classification: **06-01D, 06-01E**
(74) Name(s) of Attorney(s): **SPRUSON & FERGUSON**
(71) Name(s) and Address(s) of Applicant(s):
BabyBjorn AB
Box 913 170 09 SOLNA Sweden
(72) Name(s) of Designer(s): **Hakan Bergkvist**
(45) Registration Date: **05 October 2011**
(30) Convention priority data:
(31) Number (32) Date (33) Country
001856485 28 Apr 2011 EUROPEAN COMMUNITY
(56) Related Art Documents: **Not Applicable**
(57) Statement of Newness and Distinctiveness: **Newness and distinctiveness is claimed in the features of shape and/or configuration of a booster seat as illustrated in the accompanying representations.**



(21) Design Number: **13937/2011**
(22) Date of Filing Application: **06 September 2011**
(24) Date from which industrial property rights may have effect: **06 September 2011**
(54) Product in respect of which the design is registered: **An automobile**
(51) International Design Classification: **12-08**
(74) Name(s) of Attorney(s): **SPRUSON & FERGUSON**
(71) Name(s) and Address(s) of Applicant(s):
Honda Motor Co., Ltd.
1-1 Minami-Aoyama 2-chome Minato-ku Tokyo Japan
(72) Name(s) of Designer(s): **Manabu Konaka and Seiji Takayama**
(45) Registration Date: **05 October 2011**
(30) Convention priority data:
(31) Number (32) Date (33) Country
2011-005483 10 Mar 2011 JAPAN
(56) Related Art Documents: **Not Applicable**
(57) Statement of Newness and Distinctiveness: **Newness and distinctiveness is claimed in the features of shape and/or configuration of an automobile as illustrated in the accompanying representations.**



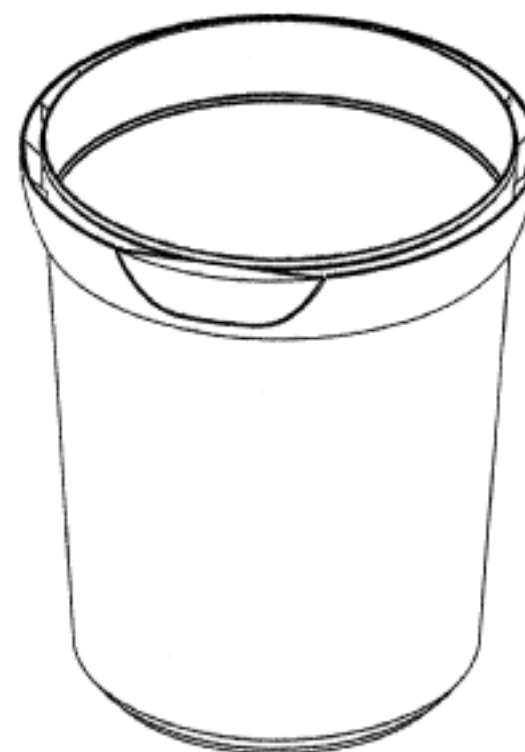
(21) Design Number: **13938/2011**
(22) Date of Filing Application: **06 September 2011**
(24) Date from which industrial property rights may have effect: **06 September 2011**
(54) Product in respect of which the design is registered: **A front combination lamp for an automobile**
(51) International Design Classification: **26-06**
(74) Name(s) of Attorney(s): **SPRUSON & FERGUSON**
(71) Name(s) and Address(s) of Applicant(s):
Honda Motor Co., Ltd.
1-1 Minami-Aoyama 2-chome Minato-ku Tokyo Japan
(72) Name(s) of Designer(s): **Hiroki Koizumi**
(45) Registration Date: **05 October 2011**
(30) Convention priority data:
(31) Number (32) Date (33) Country
2011-005485 10 Mar 2011 JAPAN
(56) Related Art Documents: **Not Applicable**
(57) Statement of Newness and Distinctiveness: **Newness and distinctiveness is claimed in the features of shape and/or configuration of a front combination lamp for an automobile as illustrated in the accompanying representations.**



- (21) Design Number: **13939/2011**
(22) Date of Filing Application: **06 September 2011**
(24) Date from which industrial property rights may have effect: **06 September 2011**
(54) Product in respect of which the design is registered: **A front bumper for an automobile**
(51) International Design Classification: **12-16C**
(74) Name(s) of Attorney(s): **SPRUSON & FERGUSON**
(71) Name(s) and Address(s) of Applicant(s):
Honda Motor Co., Ltd.
1-1 Minami-Aoyama 2-chome Minato-ku Tokyo Japan
(72) Name(s) of Designer(s): **Hiroki Koizumi and Yoshihisa Nojima**
(45) Registration Date: **05 October 2011**
(30) Convention priority data:
(31) Number (32) Date (33) Country
2011-005488 10 Mar 2011 JAPAN
(56) Related Art Documents: **Not Applicable**
(57) Statement of Newness and Distinctiveness: **Newness and distinctiveness is claimed in the features of shape and/or configuration of a front bumper for an automobile as illustrated in the accompanying representations.**



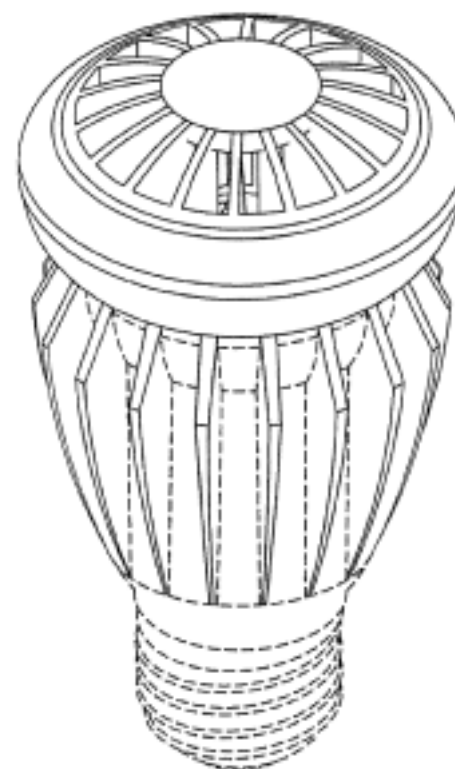
- (21) Design Number: **12368/2011**
(22) Date of Filing Application: **27 May 2011**
(24) Date from which industrial property rights may have effect: **27 May 2011**
(54) Product in respect of which the design is registered: **Container**
(51) International Design Classification: **09-03L**
(74) Name(s) of Attorney(s): **MORCOM PERNAT**
(71) Name(s) and Address(s) of Applicant(s):
Gamsee Industries (Victoria) Pty Ltd
82 Rushdale Street Knoxfield Victoria 3180 Australia
(72) Name(s) of Designer(s): **David Husband and Mark Juzva**
(45) Registration Date: **05 October 2011**
(56) Related Art Documents: **Not Applicable**
(57) Statement of Newness and Distinctiveness: **Distinctive features include the configuration of the protruding collar on the body of the container.**



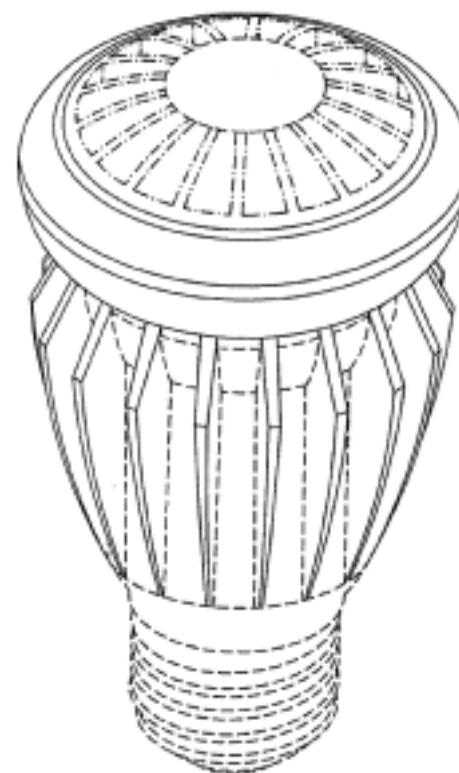
- (21) Design Number: **12376/2011**
(22) Date of Filing Application: **27 May 2011**
(24) Date from which industrial property rights may have effect: **27 May 2011**
(54) Product in respect of which the design is registered: **Container with lid**
(51) International Design Classification: **09-03L, 07-01NES**
(74) Name(s) of Attorney(s): **MORCOM PERNAT**
(71) Name(s) and Address(s) of Applicant(s):
Gamsee Industries (Victoria) Pty Ltd
82 Rushdale Street Knoxfield Victoria 3180 Australia
(72) Name(s) of Designer(s): **David Husband and Mark Juzva**
(45) Registration Date: **05 October 2011**
(56) Related Art Documents: **Not Applicable**
(57) Statement of Newness and Distinctiveness: **Distinctive features include the configuration of the protruding collar on the body of the container.**



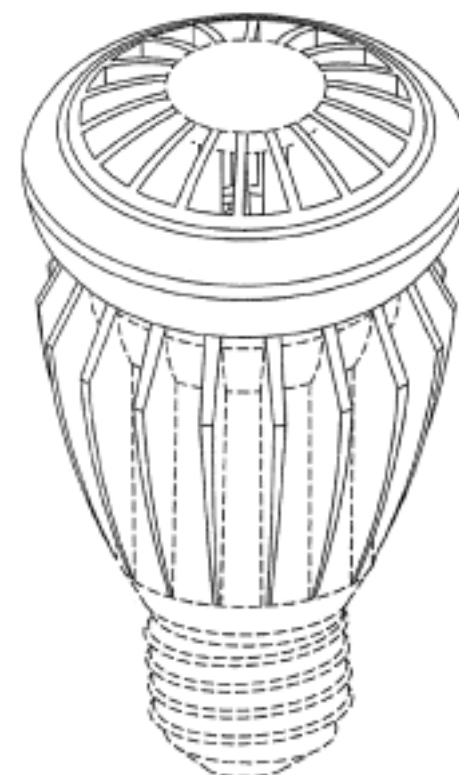
- (21) Design Number: **13949/2011**
(22) Date of Filing Application: **07 September 2011**
(24) Date from which industrial property rights may have effect: **07 September 2011**
(54) Product in respect of which the design is registered: **Luminaire**
(51) International Design Classification: **26-05A**
(74) Name(s) of Attorney(s): **Cullens Patent and Trade Mark Attorneys**
(71) Name(s) and Address(s) of Applicant(s):
Lighting Science Group Corporation
1227 South Patrick Drive Building 2A Satellite Beach 32937 FL United States of America
(72) Name(s) of Designer(s): **Mark Penley Boomgaarden and Shane Sullivan and Ryan Chase Kelley and David Henderson**
(45) Registration Date: **05 October 2011**
(30) Convention priority data:
(31) Number (32) Date (33) Country
29/373145 07 Mar 2011 UNITED STATES OF AMERICA
(56) Related Art Documents: **Not Applicable**
(57) Statement of Newness and Distinctiveness: **Newness and distinctiveness reside in the visual features of shape and configuration of a luminaire as shown in the representations. Features, including the electrical base, shown in dashed lines may or may not form part of the design.**



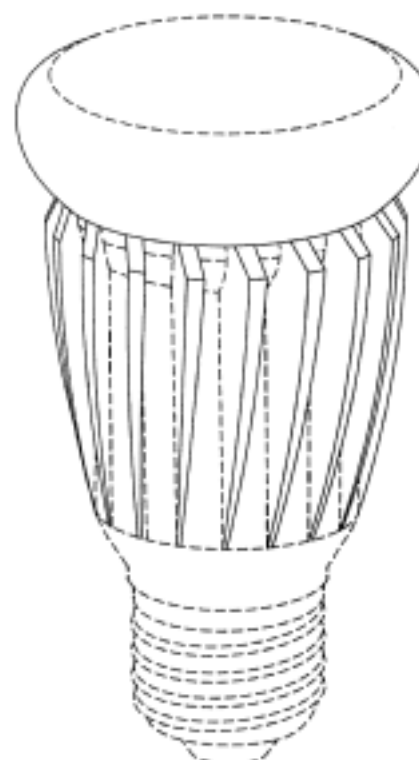
- (21) Design Number: **13950/2011**
(22) Date of Filing Application: **07 September 2011**
(24) Date from which industrial property rights may have effect: **07 September 2011**
(54) Product in respect of which the design is registered: **Luminaire**
(51) International Design Classification: **26-05A**
(74) Name(s) of Attorney(s): **Cullens Patent and Trade Mark Attorneys**
(71) Name(s) and Address(s) of Applicant(s):
Lighting Science Group Corporation
1227 South Patrick Drive Building 2A Satellite Beach 32937 FL United States of America
(72) Name(s) of Designer(s): **Mark Penley Boomgaarden and Shane Sullivan and Ryan Chase Kelley and David Henderson**
(45) Registration Date: **05 October 2011**
(30) Convention priority data:
(31) Number (32) Date (33) Country
29/373145 07 Mar 2011 UNITED STATES OF AMERICA
(56) Related Art Documents: **Not Applicable**
(57) Statement of Newness and Distinctiveness: **Newness and distinctiveness reside in the visual features of shape and configuration of a luminaire as shown in the representations. Features, including those of the optic lens and electrical base, shown in dashed lines may or may not form part of the design. When considering newness and distinctiveness, little or no weight is to be given to the openings in a convex surface of the luminaire represented by dash-dot-dash lines.**



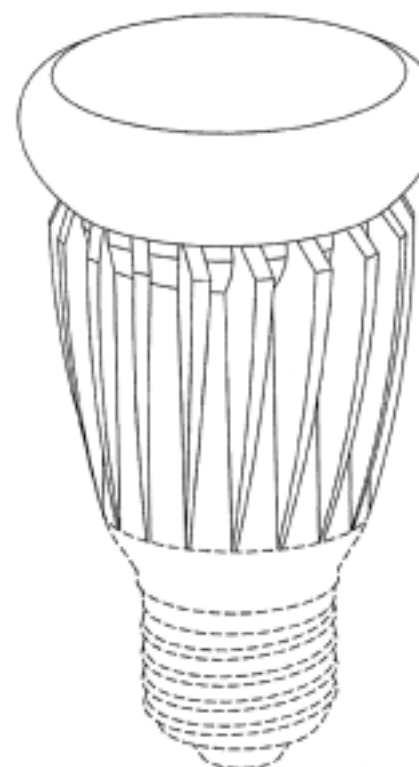
- (21) Design Number: **13951/2011**
(22) Date of Filing Application: **07 September 2011**
(24) Date from which industrial property rights may have effect: **07 September 2011**
(54) Product in respect of which the design is registered: **Luminaire**
(51) International Design Classification: **26-05A**
(74) Name(s) of Attorney(s): **Cullens Patent and Trade Mark Attorneys**
(71) Name(s) and Address(s) of Applicant(s):
Lighting Science Group Corporation
1227 South Patrick Drive Building 2A Satellite Beach 32937 FL United States of America
(72) Name(s) of Designer(s): **Mark Penley Boomgaarden and Shane Sullivan and Ryan Chase Kelley and David Henderson**
(45) Registration Date: **05 October 2011**
(30) Convention priority data:
(31) Number (32) Date (33) Country
29/373145 07 Mar 2011 UNITED STATES OF AMERICA
(56) Related Art Documents: **Not Applicable**
(57) Statement of Newness and Distinctiveness: **Newness and distinctiveness reside in the visual features of shape and configuration of a luminaire as shown in the representations. Features, including those of the optic lens and electrical base, shown in dashed lines may or may not form part of the design.**



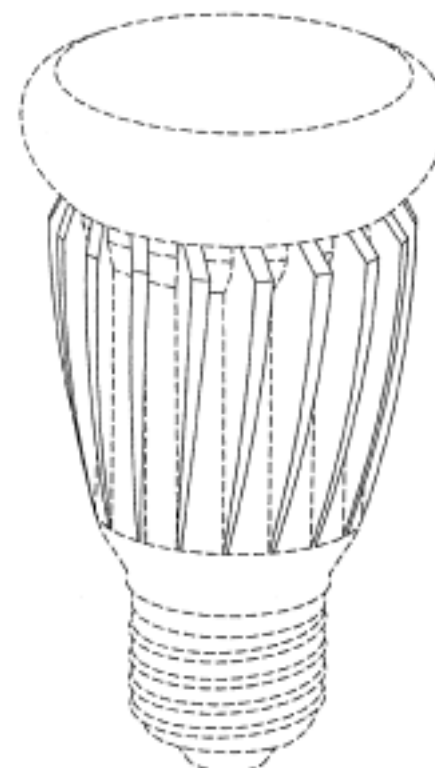
- (21) Design Number: **13952/2011**
(22) Date of Filing Application: **07 September 2011**
(24) Date from which industrial property rights may have effect: **07 September 2011**
(54) Product in respect of which the design is registered: **Luminaire**
(51) International Design Classification: **26-05A**
(74) Name(s) of Attorney(s): **Cullens Patent and Trade Mark Attorneys**
(71) Name(s) and Address(s) of Applicant(s):
Lighting Science Group Corporation
1227 South Patrick Drive Building 2A Satellite Beach 32937 FL United States of America
(72) Name(s) of Designer(s): **Mark Penley Boomgaarden and Shane Sullivan and Ryan Chase Kelley and David Henderson**
(45) Registration Date: **05 October 2011**
(30) Convention priority data:
(31) Number (32) Date (33) Country
29/373145 07 Mar 2011 UNITED STATES OF AMERICA
(56) Related Art Documents: **Not Applicable**
(57) Statement of Newness and Distinctiveness: **Newness and distinctiveness reside in the visual features of shape and configuration of a luminaire as shown in the representations. Features, including the optic lens and the electrical base, shown in dashed lines may or may not form part of the design.**



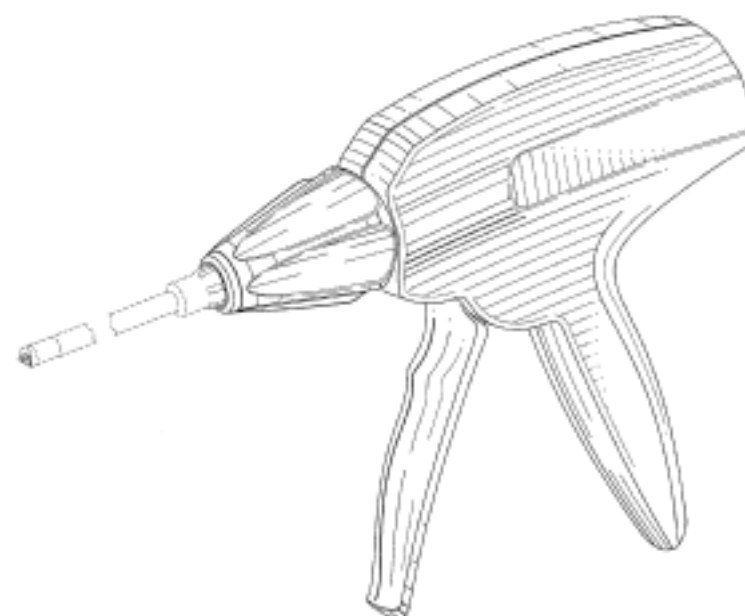
- (21) Design Number: **13953/2011**
(22) Date of Filing Application: **07 September 2011**
(24) Date from which industrial property rights may have effect: **07 September 2011**
(54) Product in respect of which the design is registered: **Luminaire**
(51) International Design Classification: **26-05A**
(74) Name(s) of Attorney(s): **Cullens Patent and Trade Mark Attorneys**
(71) Name(s) and Address(s) of Applicant(s):
Lighting Science Group Corporation
1227 South Patrick Drive Building 2A Satellite Beach 32937 FL United States of America
(72) Name(s) of Designer(s): **Mark Penley Boomgaarden and Shane Sullivan and Ryan Chase Kelley and David Henderson**
(45) Registration Date: **05 October 2011**
(30) Convention priority data:
(31) Number (32) Date (33) Country
29/373145 07 Mar 2011 UNITED STATES OF AMERICA
(56) Related Art Documents: **Not Applicable**
(57) Statement of Newness and Distinctiveness: **Newness and distinctiveness reside in the visual features of shape and configuration of a luminaire as shown in the representations. The electrical base shown in dashed lines does not form part of the design.**



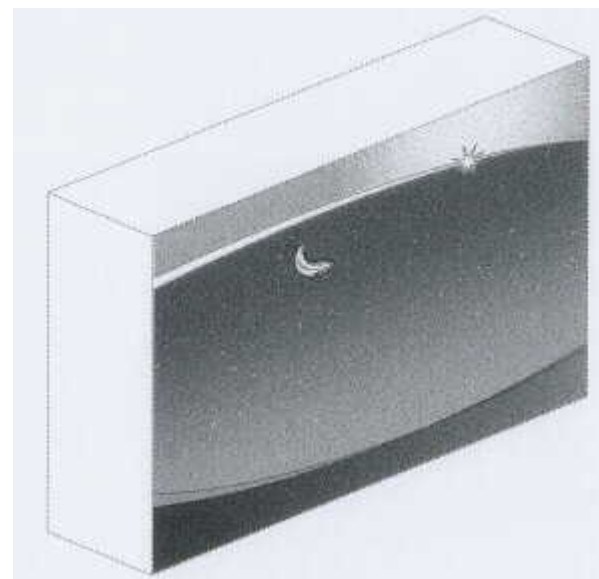
(21) Design Number: **13954/2011**
(22) Date of Filing Application: **07 September 2011**
(24) Date from which industrial property rights may have effect: **07 September 2011**
(54) Product in respect of which the design is registered: **Luminaire**
(51) International Design Classification: **26-05A**
(74) Name(s) of Attorney(s): **Cullens Patent and Trade Mark Attorneys**
(71) Name(s) and Address(s) of Applicant(s):
Lighting Science Group Corporation
1227 South Patrick Drive Building 2A Satellite Beach 32937 FL United States of America
(72) Name(s) of Designer(s): **Mark Penley Boomgaarden and Shane Sullivan and Ryan Chase Kelley and David Henderson**
(45) Registration Date: **05 October 2011**
(30) Convention priority data:
(31) Number (32) Date (33) Country
29/373145 07 Mar 2011 UNITED STATES OF AMERICA
(56) Related Art Documents: **Not Applicable**
(57) Statement of Newness and Distinctiveness: **Newness and distinctiveness reside in the visual features of shape and configuration of a luminaire as shown in the representations. Features, including the optic and the electrical base, shown in dashed lines may or may not form part of the design.**



(21) Design Number: **13955/2011**
(22) Date of Filing Application: **07 September 2011**
(24) Date from which industrial property rights may have effect: **07 September 2011**
(54) Product in respect of which the design is registered: **Laparoscopic multi-feed stapler**
(51) International Design Classification: **24-02**
(74) Name(s) of Attorney(s): **Callinans**
(71) Name(s) and Address(s) of Applicant(s):
Ethicon Endo-Surgery, Inc.
4545 Creek Road Cincinnati Ohio 45242 United States of America
(72) Name(s) of Designer(s): **Thomas E. Albrecht**
(45) Registration Date: **05 October 2011**
(30) Convention priority data:
(31) Number (32) Date (33) Country
29/387,181 10 Mar 2011 UNITED STATES OF AMERICA
(56) Related Art Documents: **Not Applicable**
(57) Statement of Newness and Distinctiveness: **Newness and distinctiveness are provided by the shape and/or configuration of the design shown in the representations. The features shown in broken lines in the representations are for illustrative purposes only and should not be considered when construing visual features of the design.**

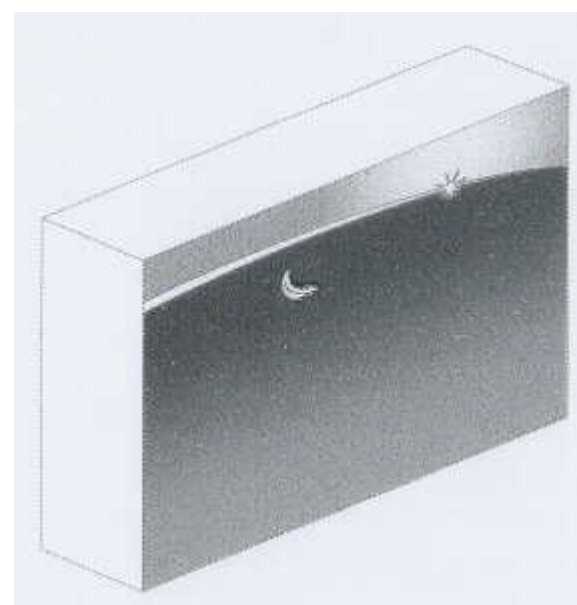


(21) Design Number: **13956/2011**
(22) Date of Filing Application: **07 September 2011**
(24) Date from which industrial property rights may have effect: **07 September 2011**
(54) Product in respect of which the design is registered: **Packaging container with surface ornamentation**
(51) International Design Classification: **09-03M**
(74) Name(s) of Attorney(s): **PHILLIPS ORMONDE FITZPATRICK**
(71) Name(s) and Address(s) of Applicant(s):
The Procter & Gamble Company
One Procter & Gamble Plaza Cincinnati Ohio 45202 United States of America
(72) Name(s) of Designer(s): **Diane Danheiser Powers and Andrea Marie Subler**
(45) Registration Date: **05 October 2011**
(30) Convention priority data:
(31) Number (32) Date (33) Country
29/387,106 09 Mar 2011 UNITED STATES OF AMERICA



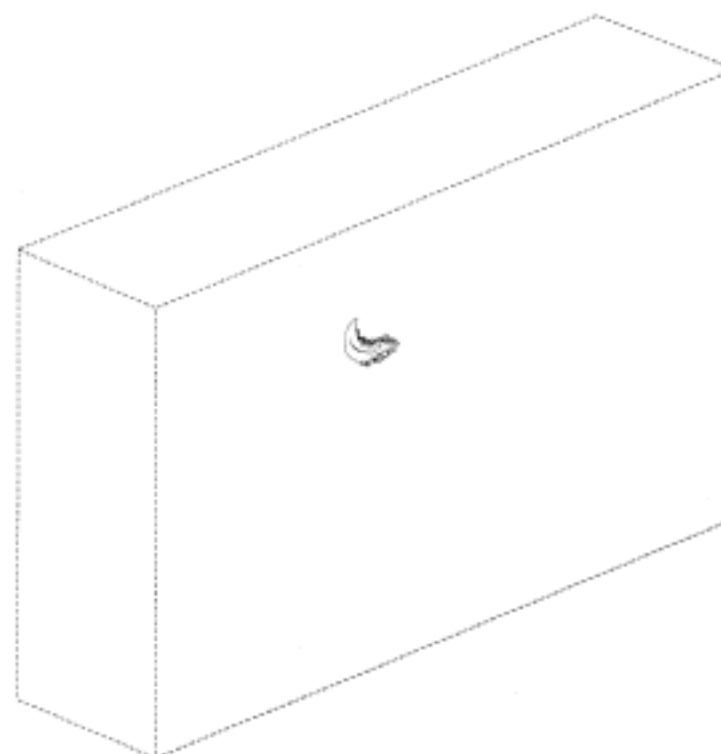
(56) Related Art Documents: **Not Applicable**
(57) Statement of Newness and Distinctiveness: **Those features of the packaging container with surface ornamentation depicted in the representations that are new and distinctive are the pattern and/or ornamentation. The stippling illustrates that the pattern and/or ornamentation may be in any colour or colours, but not limited to a particular colour or colours. The features shown in broken line are not part of the design and are to be disregarded when considering the overall impression of the design.**

(21) Design Number: **13957/2011**
(22) Date of Filing Application: **07 September 2011**
(24) Date from which industrial property rights may have effect: **07 September 2011**
(54) Product in respect of which the design is registered: **Packaging container with surface ornamentation**
(51) International Design Classification: **09-03M**
(74) Name(s) of Attorney(s): **PHILLIPS ORMONDE FITZPATRICK**
(71) Name(s) and Address(s) of Applicant(s):
The Procter & Gamble Company
One Procter & Gamble Plaza Cincinnati Ohio 45202 United States of America
(72) Name(s) of Designer(s): **Diane Danheiser Powers and Andrea Marie Subler**
(45) Registration Date: **05 October 2011**
(30) Convention priority data:
(31) Number (32) Date (33) Country
29/387,106 09 Mar 2011 UNITED STATES OF AMERICA



(56) Related Art Documents: **Not Applicable**
(57) Statement of Newness and Distinctiveness: **Those features of the packaging container with surface ornamentation depicted in the representations that are new and distinctive are the pattern and/or ornamentation. The stippling illustrates that the pattern and/or ornamentation may be in any colour or colours, but not limited to a particular colour or colours. The features shown in broken line are not part of the design and are to be disregarded when considering the overall impression of the design.**

(21) Design Number: **13958/2011**
(22) Date of Filing Application: **07 September 2011**
(24) Date from which industrial property rights may have effect: **07 September 2011**
(54) Product in respect of which the design is registered: **Packaging container with surface ornamentation**
(51) International Design Classification: **09-03M**
(74) Name(s) of Attorney(s): **PHILLIPS ORMONDE FITZPATRICK**
(71) Name(s) and Address(s) of Applicant(s):
The Procter & Gamble Company
One Procter & Gamble Plaza Cincinnati Ohio 45202 United States of America
(72) Name(s) of Designer(s): **Diane Danheiser Powers and Andrea Marie Subler**
(45) Registration Date: **05 October 2011**
(30) Convention priority data:
(31) Number (32) Date (33) Country
29/387,106 09 Mar 2011 UNITED STATES OF AMERICA
(56) Related Art Documents: **Not Applicable**
(57) Statement of Newness and Distinctiveness: **Newness and distinctiveness resides in the ornamentation of the packaging container as shown in the accompanying representations. The features shown in broken line are not part of the design and are to be disregarded when considering the overall impression of the design.**



(21) Design Number: **13959/2011**
(22) Date of Filing Application: **07 September 2011**
(24) Date from which industrial property rights may have effect: **07 September 2011**
(54) Product in respect of which the design is registered: **Packaging container with surface ornamentation**
(51) International Design Classification: **09-03M**
(74) Name(s) of Attorney(s): **PHILLIPS ORMONDE FITZPATRICK**
(71) Name(s) and Address(s) of Applicant(s):
The Procter & Gamble Company
One Procter & Gamble Plaza Cincinnati Ohio 45202 United States of America
(72) Name(s) of Designer(s): **Diane Danheiser Powers and Andrea Marie Subler**
(45) Registration Date: **05 October 2011**
(30) Convention priority data:
(31) Number (32) Date (33) Country
29/387,106 09 Mar 2011 UNITED STATES OF AMERICA
(56) Related Art Documents: **Not Applicable**
(57) Statement of Newness and Distinctiveness: **Those features of the packaging container with surface ornamentation depicted in the representations that are new and distinctive are the pattern and/or ornamentation. The stippling illustrates that the pattern and/or ornamentation may be in any colour or colours, but not limited to a particular colour or colours. The features shown in broken line are not part of the design and are to be disregarded when considering the overall impression of the design.**



(21) Design Number: **13960/2011**
(22) Date of Filing Application: **07 September 2011**
(24) Date from which industrial property rights may have effect: **07 September 2011**
(54) Product in respect of which the design is registered: **Packaging container with surface ornamentation**
(51) International Design Classification: **09-03M**
(74) Name(s) of Attorney(s): **PHILLIPS ORMONDE FITZPATRICK**
(71) Name(s) and Address(s) of Applicant(s):
The Procter & Gamble Company
One Procter & Gamble Plaza Cincinnati Ohio 45202 United States of America
(72) Name(s) of Designer(s): **Diane Danheiser Powers and Andrea Marie Subler**
(45) Registration Date: **05 October 2011**
(30) Convention priority data:
(31) Number (32) Date (33) Country
29/387,106 09 Mar 2011 UNITED STATES OF AMERICA



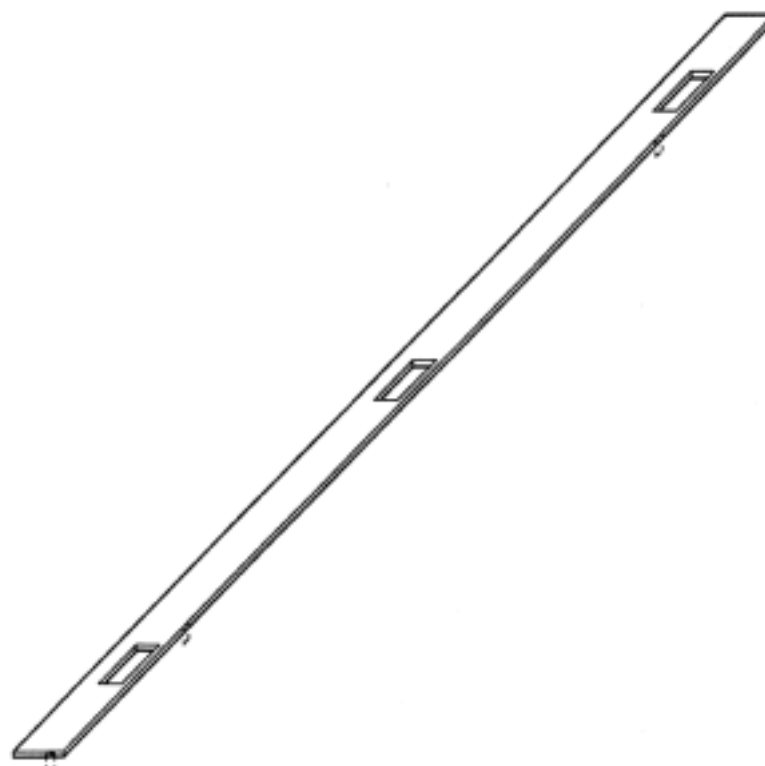
(56) Related Art Documents: **Not Applicable**
(57) Statement of Newness and Distinctiveness: **Those features of the packaging container with surface ornamentation depicted in the representations that are new and distinctive are the pattern and/or ornamentation. The stippling illustrates that the pattern and/or ornamentation may be in any colour or colours, but not limited to a particular colour or colours. The features shown in broken line are not part of the design and are to be disregarded when considering the overall impression of the design.**

(21) Design Number: **13961/2011**
(22) Date of Filing Application: **07 September 2011**
(24) Date from which industrial property rights may have effect: **07 September 2011**
(54) Product in respect of which the design is registered: **Packaging container with surface ornamentation**
(51) International Design Classification: **09-03M**
(74) Name(s) of Attorney(s): **PHILLIPS ORMONDE FITZPATRICK**
(71) Name(s) and Address(s) of Applicant(s):
The Procter & Gamble Company
One Procter & Gamble Plaza Cincinnati Ohio 45202 United States of America
(72) Name(s) of Designer(s): **Diane Danheiser Powers and Andrea Marie Subler**
(45) Registration Date: **05 October 2011**
(30) Convention priority data:
(31) Number (32) Date (33) Country
29/387,106 09 Mar 2011 UNITED STATES OF AMERICA

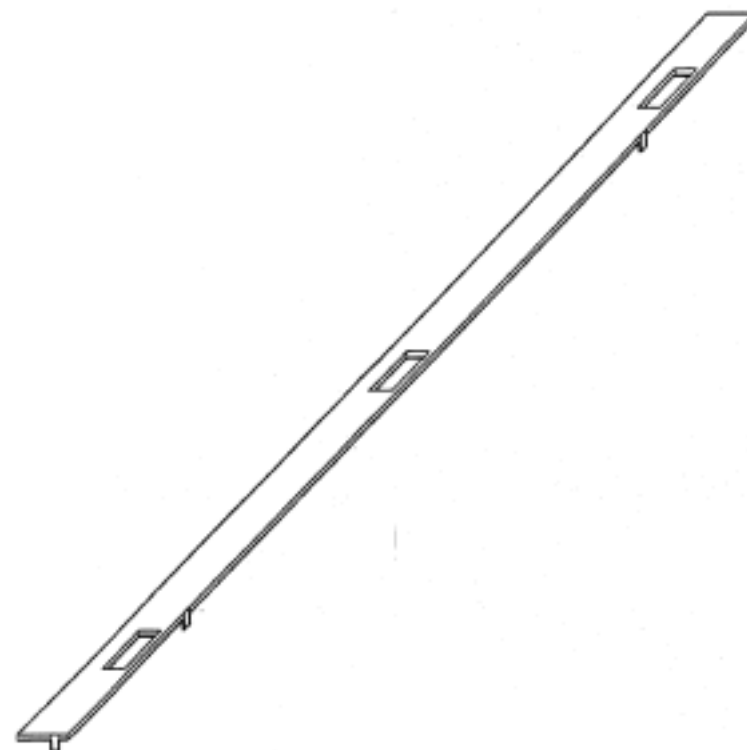


(56) Related Art Documents: **Not Applicable**
(57) Statement of Newness and Distinctiveness: **Newness and distinctiveness resides in the ornamentation of the packaging container as shown in the accompanying representations. The features shown in broken line are not part of the design and are to be disregarded when considering the overall impression of the design.**

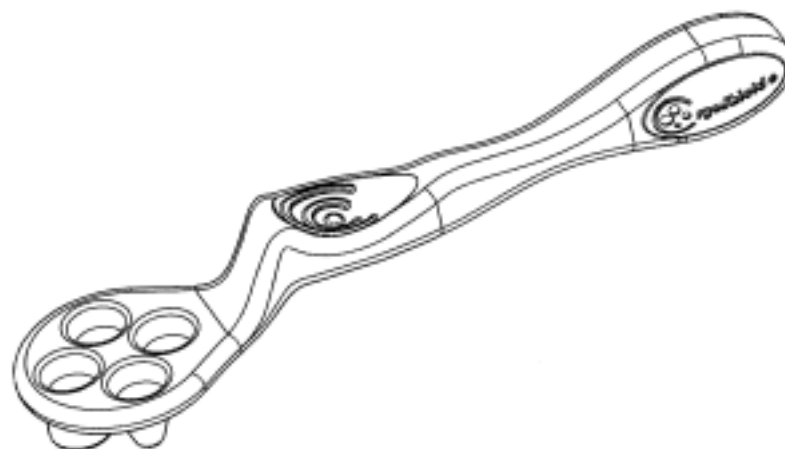
- (21) Design Number: **13974/2011**
(22) Date of Filing Application: **08 September 2011**
(24) Date from which industrial property rights may have effect: **08 September 2011**
(54) Product in respect of which the design is registered: **Door hanging apparatus**
(51) International Design Classification: **25-02B**
(74) Name(s) of Attorney(s): **Adams Pluck**
(71) Name(s) and Address(s) of Applicant(s):
Stephen Fallon
Unit 2 18 Regent Street Dee Why New South Wales 2099 Australia
(72) Name(s) of Designer(s): **Stephen Fallon**
(45) Registration Date: **05 October 2011**
(56) Related Art Documents: **Not Applicable**
(57) Statement of Newness and Distinctiveness: **Newness and distinctiveness resides in the visual features, including shape and configuration, of a door hanging apparatus as shown in solid outline in the accompanying drawings. When determining whether the design is substantially similar in overall impression to another design, no regard is to be had to those features shown in dotted outline in the accompanying drawings, which features are provided for illustrative purposes only.**



- (21) Design Number: **13975/2011**
(22) Date of Filing Application: **08 September 2011**
(24) Date from which industrial property rights may have effect: **08 September 2011**
(54) Product in respect of which the design is registered: **Door hanging apparatus**
(51) International Design Classification: **25-02B**
(74) Name(s) of Attorney(s): **Adams Pluck**
(71) Name(s) and Address(s) of Applicant(s):
Stephen Fallon
Unit 2 18 Regent Street Dee Why New South Wales 2099 Australia
(72) Name(s) of Designer(s): **Stephen Fallon**
(45) Registration Date: **05 October 2011**
(56) Related Art Documents: **Not Applicable**
(57) Statement of Newness and Distinctiveness: **Newness and distinctiveness resides in the visual features, including shape and configuration, of a door hanging apparatus as shown in solid outline in the accompanying drawings. When determining whether the design is substantially similar in overall impression to another design, no regard is to be had to those features shown in dotted outline in the accompanying drawings, which features are provided for illustrative purposes only.**



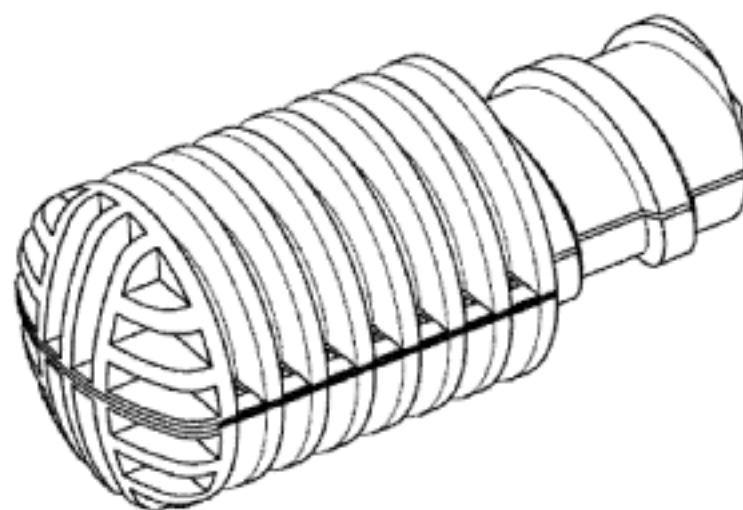
- (21) Design Number: **14013/2011**
(22) Date of Filing Application: **08 September 2011**
(24) Date from which industrial property rights may have effect: **08 September 2011**
(54) Product in respect of which the design is registered: **Cryosurgery device**
(51) International Design Classification: **24-01**
(74) Name(s) of Attorney(s):
(71) Name(s) and Address(s) of Applicant(s):
Jared Sandelin McCann
10 Langara Drive Southside Queensland 4570 Australia
Melissa Sandelin McCann
10 Langara Drive Southside Queensland 4570 Australia
(72) Name(s) of Designer(s): **Jared Sandelin McCann and Melissa Sandelin McCann**
(45) Registration Date: **05 October 2011**
(56) Related Art Documents: **Not Applicable**
(57) Statement of Newness and Distinctiveness: **In particular the design is slimline, smooth contours, has a depression for thumb to placed in during use, and may bear the cryoshield logo.**



- (21) Design Number: **13193/2011**
(22) Date of Filing Application: **19 July 2011**
(24) Date from which industrial property rights may have effect: **19 July 2011**
(54) Product in respect of which the design is registered: **Tab-connect is an electronic device for visually impaired and blind people to support them to read a visual text**
(51) International Design Classification: **14-02**
(74) Name(s) of Attorney(s):
(71) Name(s) and Address(s) of Applicant(s):
Hajar Aloqaili
1903/41 Blamey Street Kelvin Grove Queensland 4059 Australia
(72) Name(s) of Designer(s): **Hajar Aloqaili**
(45) Registration Date: **05 October 2011**
(56) Related Art Documents: **Not Applicable**
(57) Statement of Newness and Distinctiveness: **Nil**



(21) Design Number: **13692/2011**
(22) Date of Filing Application: **19 August 2011**
(24) Date from which industrial property rights may have effect: **19 August 2011**
(54) Product in respect of which the design is registered: **(1) Stud (2) Plug**
(51) International Design Classification: **08-08A, 08-08B**
(74) Name(s) of Attorney(s): **PIZZEYS**
(71) Name(s) and Address(s) of Applicant(s):
Threadsure Connector Systems Pty Ltd
C/- VLC Partners Level 16 168 Walker Street North Sydney New South
Wales 2060 Australia
(72) Name(s) of Designer(s): **Gavin Douglas Weston**
(45) Registration Date: **05 October 2011**
(56) Related Art Documents: **Not Applicable**
(57) Statement of Newness and Distinctiveness: **The newness and distinctiveness of the design resides in the features of shape and/or configuration shown in unbroken lines in the accompanying representations. No monopoly is claimed in the visual feature (externally threaded portion) labelled A.**



(21) Design Number: **13941/2011**
(22) Date of Filing Application: **07 September 2011**
(24) Date from which industrial property rights may have effect: **07 September 2011**
(54) Product in respect of which the design is registered: **Breathing training apparatus**
(51) International Design Classification: **24-04**
(74) Name(s) of Attorney(s): **Collison & Co**
(71) Name(s) and Address(s) of Applicant(s):
High Tech Health Ltd
8 Queens Square Ascot Business Park Lyndhurst Road Ascot Berkshire
SL5 9FE United Kingdom
(72) Name(s) of Designer(s): **Paul Greenhalgh**
(45) Registration Date: **06 October 2011**
(30) Convention priority data:
(31) Number (32) Date (33) Country
001831751 07 Mar 2011 EUROPEAN COMMUNITY
(56) Related Art Documents: **Not Applicable**
(57) Statement of Newness and Distinctiveness: **Newness and distinctiveness resides in the shape and configuration of the breathing training apparatus as shown in the accompanying representations.**



(21) Design Number: **13942/2011**
(22) Date of Filing Application: **07 September 2011**
(24) Date from which industrial property rights may have effect: **07 September 2011**
(54) Product in respect of which the design is registered: **Packaging**
(51) International Design Classification: **09-03NES**
(74) Name(s) of Attorney(s): **Freehills Patent & Trade Mark Attorneys**
(71) Name(s) and Address(s) of Applicant(s):

Apple Inc.
1 Infinite Loop Cupertino California 95014 United States of America

(72) Name(s) of Designer(s): **Jody Akana and Bartley K. Andre and Jeremy Bataillou and Daniel J. Coster and Daniele De Iuliis and Evans Hankey and Julian Hoenig and Richard P. Howarth and Jonathan P. Ive and Duncan Robert Kerr and Shin Nishibori and Matthew Dean Rohrbach and Peter Russell-Clarke and Christopher J. Stringer and Eugene Antony Whang and Rico Zorkendorfer**

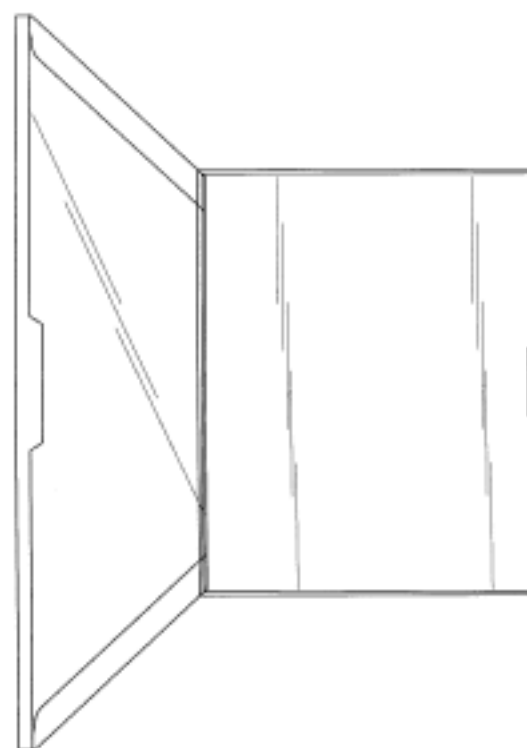
(45) Registration Date: **06 October 2011**

(30) Convention priority data:

(31) Number	(32) Date	(33) Country
29/387400	11 Mar 2011	UNITED STATES OF AMERICA

(56) Related Art Documents: **Not Applicable**

(57) Statement of Newness and Distinctiveness: **Nil**



(21) Design Number: **13944/2011**
(22) Date of Filing Application: **07 September 2011**
(24) Date from which industrial property rights may have effect: **07 September 2011**
(54) Product in respect of which the design is registered: **Transceiver assembly**
(51) International Design Classification: **14-03NES**
(74) Name(s) of Attorney(s): **SPRUSON & FERGUSON**
(71) Name(s) and Address(s) of Applicant(s):

Belkin International, Inc.
12045 East Waterfront Drive Playa Vista California 90094 United States of America

(72) Name(s) of Designer(s): **Yuji Ikeda and Avery Holleman and Thorben Neu and Ernesto Victor Quinteros and Oliver Duncan Seil**

(45) Registration Date: **06 October 2011**

(30) Convention priority data:

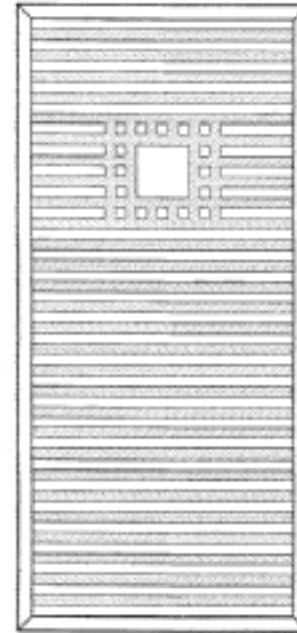
(31) Number	(32) Date	(33) Country
29/387304	11 Mar 2011	UNITED STATES OF AMERICA

(56) Related Art Documents: **Not Applicable**

(57) Statement of Newness and Distinctiveness: **Newness and distinctiveness is claimed in the features of shape and/or configuration of a Transceiver assembly as illustrated in the accompanying representations in which particular regard is had to the features shown in solid lines and lesser regard to the features shown in broken lines.**



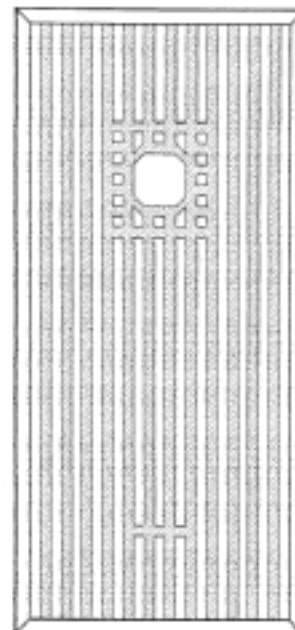
- (21) Design Number: **14183/2011**
(22) Date of Filing Application: **19 September 2011**
(24) Date from which industrial property rights may have effect: **19 September 2011**
(54) Product in respect of which the design is registered: **Privacy screen**
(51) International Design Classification: **25-02C**
(74) Name(s) of Attorney(s):
(71) Name(s) and Address(s) of Applicant(s):
Judith Anne Skinner
23 Helen Street South Golden Beach New South Wales 2483 Australia
Colin Morris
23 Helen Street South Golden Beach New South Wales 2483 Australia
(72) Name(s) of Designer(s): **Colin Morris and Judi Skinner**
(45) Registration Date: **06 October 2011**
(56) Related Art Documents: **Not Applicable**
(57) Statement of Newness and Distinctiveness: **Unique distinctive design feature to timber screen.**



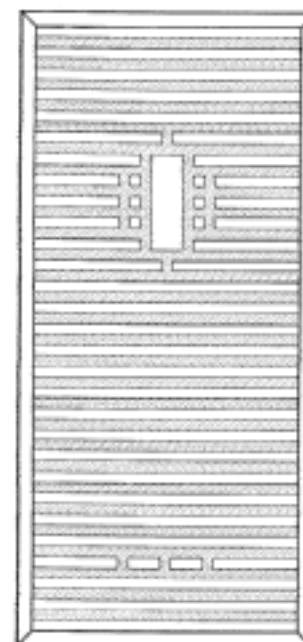
- (21) Design Number: **14184/2011**
(22) Date of Filing Application: **19 September 2011**
(24) Date from which industrial property rights may have effect: **19 September 2011**
(54) Product in respect of which the design is registered: **Privacy screen**
(51) International Design Classification: **25-02C**
(74) Name(s) of Attorney(s):
(71) Name(s) and Address(s) of Applicant(s):
Judith Anne Skinner
23 Helen Street South Golden Beach New South Wales 2483 Australia
Colin Morris
23 Helen Street South Golden Beach New South Wales 2483 Australia
(72) Name(s) of Designer(s): **Colin Morris and Judi Skinner**
(45) Registration Date: **06 October 2011**
(56) Related Art Documents: **Not Applicable**
(57) Statement of Newness and Distinctiveness: **Unique distinctive design feature to timber screen.**



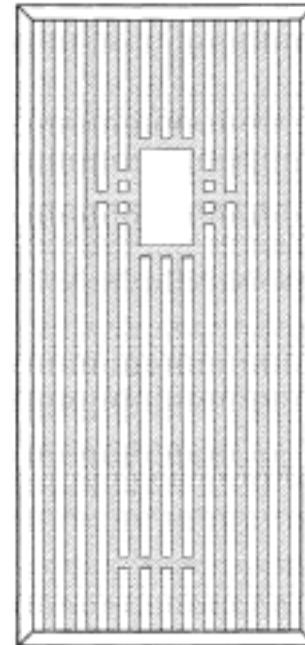
- (21) Design Number: **14186/2011**
(22) Date of Filing Application: **19 September 2011**
(24) Date from which industrial property rights may have effect: **19 September 2011**
(54) Product in respect of which the design is registered: **Privacy screen**
(51) International Design Classification: **25-02C**
(74) Name(s) of Attorney(s):
(71) Name(s) and Address(s) of Applicant(s):
Judith Anne Skinner
23 Helen Street South Golden Beach New South Wales 2483 Australia
Colin Morris
23 Helen Street South Golden Beach New South Wales 2483 Australia
(72) Name(s) of Designer(s): **Colin Morris and Judi Skinner**
(45) Registration Date: **06 October 2011**
(56) Related Art Documents: **Not Applicable**
(57) Statement of Newness and Distinctiveness: **Unique distinctive design feature to timber screen.**



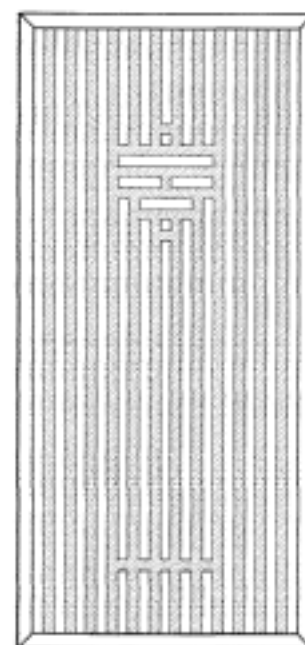
- (21) Design Number: **14190/2011**
(22) Date of Filing Application: **19 September 2011**
(24) Date from which industrial property rights may have effect: **19 September 2011**
(54) Product in respect of which the design is registered: **Privacy screen**
(51) International Design Classification: **25-02C**
(74) Name(s) of Attorney(s):
(71) Name(s) and Address(s) of Applicant(s):
Judith Anne Skinner
23 Helen Street South Golden Beach New South Wales 2483 Australia
Colin Morris
23 Helen Street South Golden Beach New South Wales 2483 Australia
(72) Name(s) of Designer(s): **Colin Morris and Judi Skinner**
(45) Registration Date: **06 October 2011**
(56) Related Art Documents: **Not Applicable**
(57) Statement of Newness and Distinctiveness: **Unique distinctive design feature to timber screen.**



- (21) Design Number: **14191/2011**
(22) Date of Filing Application: **19 September 2011**
(24) Date from which industrial property rights may have effect: **19 September 2011**
(54) Product in respect of which the design is registered: **Privacy screen**
(51) International Design Classification: **25-02C**
(74) Name(s) of Attorney(s):
(71) Name(s) and Address(s) of Applicant(s):
 Judith Anne Skinner
 23 Helen Street South Golden Beach New South Wales 2483 Australia
 Colin Morris
 23 Helen Street South Golden Beach New South Wales 2483 Australia
(72) Name(s) of Designer(s): **Colin Morris and Judi Skinner**
(45) Registration Date: **06 October 2011**
(56) Related Art Documents: **Not Applicable**
(57) Statement of Newness and Distinctiveness: **Unique distinctive design feature to timber screen.**



- (21) Design Number: **14193/2011**
(22) Date of Filing Application: **19 September 2011**
(24) Date from which industrial property rights may have effect: **19 September 2011**
(54) Product in respect of which the design is registered: **Privacy screen**
(51) International Design Classification: **25-02C**
(74) Name(s) of Attorney(s):
(71) Name(s) and Address(s) of Applicant(s):
 Judith Anne Skinner
 23 Helen Street South Golden Beach New South Wales 2483 Australia
 Colin Morris
 23 Helen Street South Golden Beach New South Wales 2483 Australia
(72) Name(s) of Designer(s): **Colin Morris and Judi Skinner**
(45) Registration Date: **06 October 2011**
(56) Related Art Documents: **Not Applicable**
(57) Statement of Newness and Distinctiveness: **Unique distinctive design feature to timber screen.**



(21) Design Number: **13208/2011**
(22) Date of Filing Application: **20 July 2011**
(24) Date from which industrial property rights may have effect: **20 July 2011**
(54) Product in respect of which the design is registered: **Solar rail extrusion**
(51) International Design Classification: **25-01K**
(74) Name(s) of Attorney(s):
(71) Name(s) and Address(s) of Applicant(s):
Gavin Goodhew
17 Jessie Close Thornlands Queensland 4164 Australia
(72) Name(s) of Designer(s): **Gavin Goodhew**
(45) Registration Date: **06 October 2011**
(56) Related Art Documents: **Not Applicable**
(57) Statement of Newness and Distinctiveness: **Nil**



(21) Design Number: **13976/2011**
(22) Date of Filing Application: **08 September 2011**
(24) Date from which industrial property rights may have effect: **08 September 2011**
(54) Product in respect of which the design is registered: **Watch**
(51) International Design Classification: **10-02**
(74) Name(s) of Attorney(s): **SPRUSON & FERGUSON**
(71) Name(s) and Address(s) of Applicant(s):
Christian Dior Couture
30 avenue Montaigne 75008 Paris France
(72) Name(s) of Designer(s): **Mathieu Jamin**
(45) Registration Date: **06 October 2011**
(30) Convention priority data:
(31) Number (32) Date (33) Country
DM/076035 23 Mar 2011 SWITZERLAND
(56) Related Art Documents: **Not Applicable**
(57) Statement of Newness and Distinctiveness: **Newness and distinctiveness is claimed in the features of the case of a watch as illustrated in the accompanying representations.**



(21) Design Number: **13977/2011**
(22) Date of Filing Application: **08 September 2011**
(24) Date from which industrial property rights may have effect: **08 September 2011**
(54) Product in respect of which the design is registered: **Watch**
(51) International Design Classification: **10-02**
(74) Name(s) of Attorney(s): **SPRUSON & FERGUSON**
(71) Name(s) and Address(s) of Applicant(s):
Christian Dior Couture
30 avenue Montaigne 75008 Paris France
(72) Name(s) of Designer(s): **Mathieu Jamin**
(45) Registration Date: **06 October 2011**
(30) Convention priority data:
(31) Number (32) Date (33) Country
DM/076035 23 Mar 2011 SWITZERLAND
(56) Related Art Documents: **Not Applicable**
(57) Statement of Newness and Distinctiveness: **Newness and distinctiveness is claimed in the features of the case of a watch as illustrated in the accompanying representations.**



(21) Design Number: **13978/2011**
(22) Date of Filing Application: **08 September 2011**
(24) Date from which industrial property rights may have effect: **08 September 2011**
(54) Product in respect of which the design is registered: **Watch**
(51) International Design Classification: **10-02**
(74) Name(s) of Attorney(s): **SPRUSON & FERGUSON**
(71) Name(s) and Address(s) of Applicant(s):
Christian Dior Couture
30 avenue Montaigne 75008 Paris France
(72) Name(s) of Designer(s): **Mathieu Jamin**
(45) Registration Date: **06 October 2011**
(30) Convention priority data:
(31) Number (32) Date (33) Country
DM/076035 23 Mar 2011 SWITZERLAND
(56) Related Art Documents: **Not Applicable**
(57) Statement of Newness and Distinctiveness: **Newness and distinctiveness is claimed in the features of the case of a watch as illustrated in the accompanying representations.**



(21) Design Number: **13979/2011**
(22) Date of Filing Application: **08 September 2011**
(24) Date from which industrial property rights may have effect: **08 September 2011**
(54) Product in respect of which the design is registered: **Watch**
(51) International Design Classification: **10-02**
(74) Name(s) of Attorney(s): **SPRUSON & FERGUSON**
(71) Name(s) and Address(s) of Applicant(s):
Christian Dior Couture
30 avenue Montaigne 75008 Paris France
(72) Name(s) of Designer(s): **Mathieu Jamin**
(45) Registration Date: **06 October 2011**
(30) Convention priority data:
(31) Number (32) Date (33) Country
DM/076035 23 Mar 2011 SWITZERLAND
(56) Related Art Documents: **Not Applicable**
(57) Statement of Newness and Distinctiveness: **Newness and distinctiveness is claimed in the features of the case of a watch as illustrated in the accompanying representations.**



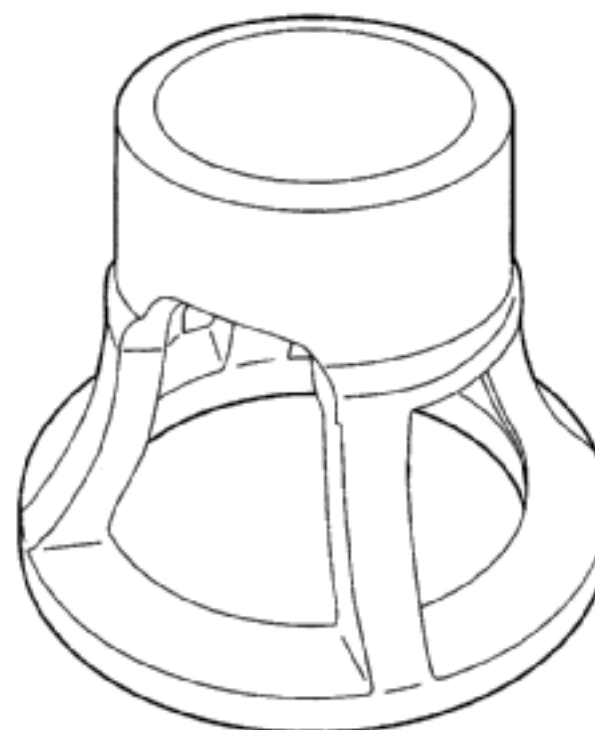
(21) Design Number: **13980/2011**
(22) Date of Filing Application: **08 September 2011**
(24) Date from which industrial property rights may have effect: **08 September 2011**
(54) Product in respect of which the design is registered: **A motor scooter**
(51) International Design Classification: **12-11**
(74) Name(s) of Attorney(s): **SPRUSON & FERGUSON**
(71) Name(s) and Address(s) of Applicant(s):
Honda Motor Co., Ltd.
1-1 Minami-Aoyama 2-Chome Minato-ku Tokyo Japan
(72) Name(s) of Designer(s): **Dai Takakuwa and Kouhei Suzuki**
(45) Registration Date: **06 October 2011**
(30) Convention priority data:
(31) Number (32) Date (33) Country
2011-005639 11 Mar 2011 JAPAN
(56) Related Art Documents: **Not Applicable**
(57) Statement of Newness and Distinctiveness: **Newness and distinctiveness is claimed in the features of shape and/or configuration of a motor scooter as illustrated in the accompanying representations.**



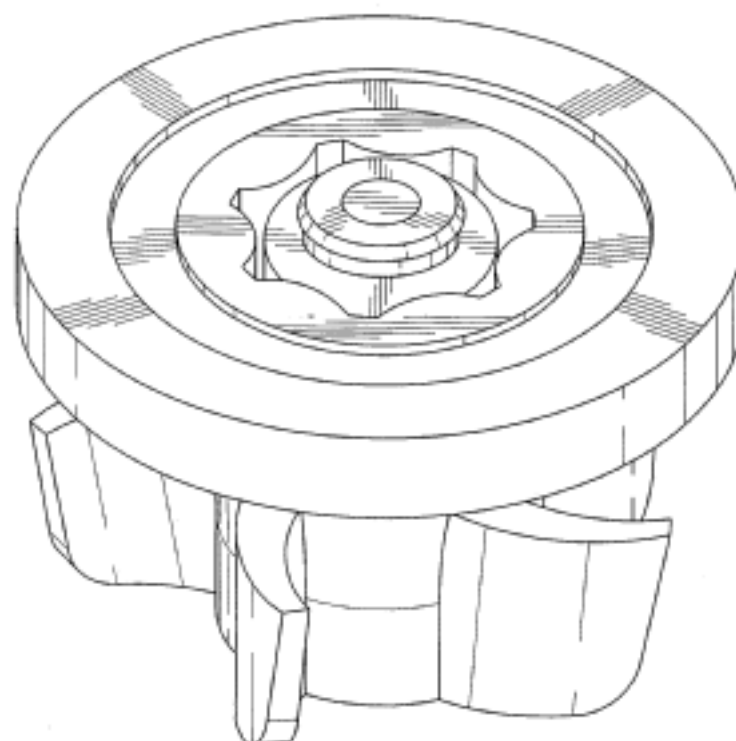
- (21) Design Number: **13981/2011**
(22) Date of Filing Application: **08 September 2011**
(24) Date from which industrial property rights may have effect: **08 September 2011**
(54) Product in respect of which the design is registered: **A side cover for a motor scooter**
(51) International Design Classification: **12-11**
(74) Name(s) of Attorney(s): **SPRUSON & FERGUSON**
(71) Name(s) and Address(s) of Applicant(s):
Honda Motor Co., Ltd.
1-1 Minami-Aoyama 2-Chome Minato-ku Tokyo Japan
(72) Name(s) of Designer(s): **Tetsuo Kojima and Kouhei Suzuki**
(45) Registration Date: **06 October 2011**
(30) Convention priority data:
(31) Number (32) Date (33) Country
2011-005640 11 Mar 2011 JAPAN
(56) Related Art Documents: **Not Applicable**
(57) Statement of Newness and Distinctiveness: **Newness and distinctiveness is claimed in the features of shape and/or configuration of a side cover for a motor scooter as illustrated in the accompanying representations.**



- (21) Design Number: **13982/2011**
(22) Date of Filing Application: **09 September 2011**
(24) Date from which industrial property rights may have effect: **09 September 2011**
(54) Product in respect of which the design is registered: **Depth limiting device for drilling tool**
(51) International Design Classification: **08-01**
(74) Name(s) of Attorney(s): **PETER MAXWELL & ASSOCIATES**
(71) Name(s) and Address(s) of Applicant(s):
Maccsim Fastenings Pty Ltd
10 Wonderland Drive Eastern Creek New South Wales 2766 Australia
(72) Name(s) of Designer(s): **Fraser Mackay-Sim**
(45) Registration Date: **06 October 2011**
(56) Related Art Documents: **Not Applicable**
(57) Statement of Newness and Distinctiveness: **Newness and distinctiveness is claimed in the shape and/or configuration of depth limiting device for drilling tool as illustrated by the unbroken lines in the accompanying representation/s.**



(21) Design Number: **13983/2011**
(22) Date of Filing Application: **08 September 2011**
(24) Date from which industrial property rights may have effect: **08 September 2011**
(54) Product in respect of which the design is registered: **Fluid distribution equipment**
(51) International Design Classification: **23-01NES**
(74) Name(s) of Attorney(s): **PHILLIPS ORMONDE FITZPATRICK**
(71) Name(s) and Address(s) of Applicant(s):
Neoperl GmbH
Klosterrunsstrasse 11 79379 Mullheim Germany
(72) Name(s) of Designer(s): **Alexander Stein**
(45) Registration Date: **06 October 2011**
(30) Convention priority data:
(31) Number (32) Date (33) Country
001266902 23 Mar 2011 EUROPEAN COMMUNITY
(56) Related Art Documents: **Not Applicable**
(57) Statement of Newness and Distinctiveness: **Nil**



(21) Design Number: **13984/2011**
(22) Date of Filing Application: **08 September 2011**
(24) Date from which industrial property rights may have effect: **08 September 2011**
(54) Product in respect of which the design is registered: **Tray and blank therefor**
(51) International Design Classification: **09-03M**
(74) Name(s) of Attorney(s): **Cullens Patent and Trade Mark Attorneys**
(71) Name(s) and Address(s) of Applicant(s):
Amcor Limited
103 Ashover Road Rocklea Queensland 4106 Australia
(72) Name(s) of Designer(s): **David Carter**
(45) Registration Date: **06 October 2011**
(56) Related Art Documents: **Not Applicable**
(57) Statement of Newness and Distinctiveness: **The new and distinctive features of the design are the features of shape and configuration of a tray and a blank therefor as shown in the representations.**



(21) Design Number: **13985/2011**

(22) Date of Filing Application: **08 September 2011**

(24) Date from which industrial property rights may have effect: **08 September 2011**

(54) Product in respect of which the design is registered: **Tray, lid and blanks therefor**

(51) International Design Classification: **09-03M**

(74) Name(s) of Attorney(s): **Cullens Patent and Trade Mark Attorneys**

(71) Name(s) and Address(s) of Applicant(s):

Amcor Limited

103 Ashover Road Rocklea Queensland 4106 Australia

(72) Name(s) of Designer(s): **David Carter**

(45) Registration Date: **06 October 2011**

(56) Related Art Documents: **Not Applicable**

(57) Statement of Newness and Distinctiveness: **The new and distinctive features of the design are the features of shape and configuration of a tray, lid and blanks therefor as shown in the representations.**

