



Australian Government

IP Australia

AUSTRALIAN OFFICIAL JOURNAL

OF

DESIGNS

Did you know a searchable version of this journal is now available online?

It's FREE and EASY to SEARCH.

Find it on our website (www.ipaustralia.gov.au)

by using the "Journals" link on the home page.

This Page Left Intentionally Blank

Contents

General Information & Notices

**Proceedings Under the Designs Act 1906 preserved as a result of the provisions of Chapter 12
Part 2 of the Designs Act 2003**

Extension of Period of Registration of Designs 2834

Registrations Ceased 2834

Proceedings Under the Designs Act 2003

Applications Lapsed 2842

Applications Lodged 2838

Applications Withdrawn 2842

Certificate of Examination 2846

Corrigenda 2845

Extension of Period of Registration of Design 2844

Extension of Time Granted Under Section 137 2844

Publication and Registration Proceedings

Designs Registered 338800 to 338995..... 2847

Registrations Ceased 2844

Subsequent Owners Registered 2844

This Page Left Intentionally Blank

For information on the following please see our website www.ipaustralia.gov.au or contact our Customer Service Network on 1300651010

[Editorial enquiries](#)

[Contact information](#)

[Freedom of Information ACT](#)

[Professional Standards Board](#)

[Sales](#)

[Requests for Information under Section 194 \(c\)](#)

[Country Codes](#)

[Trade Mark and Designs Hearing Sessions](#)

[INID \(Internationally agreed Numbers for the Identification of Data\)](#)

“INID” NUMBERS in use on Australian Design Documents

“INID” is an acronym for “Internationally agreed Numbers for the Identification of Data”.

(10) Data concerning the registration/renewal

- (11) Serial number of the registration and/or number of the design document
- (12) Plain language designation of the kind of published document
- (19) Identification, using the two-letter code according to WIPO Standard ST.3, of the authority publishing or registering the industrial design

(20) Data concerning the application

- (21) Serial number of the application
- (22) Date of filing of the application
- (24) Date from which the industrial design right has effect

(30) Data relating to priority under the Paris Convention

- (31) Serial number assigned to the priority application
- (32) Date of filing of the priority application
- (33) Two-letter code, according to WIPO Standard ST.3, identifying the authority with which the priority application was made

(40) Date(s) of making information available to the public

- (45) Date of publication of the registered industrial design by printing or similar process, or making it available to the public by any other means

(50) Miscellaneous Information

- (51) International Classification for Industrial Designs (class and subclass of the Locarno Classification)
- (54) Designation of article(s) or product(s) covered by the industrial design or title of the industrial design
- (55) Reproduction of the industrial design (e.g., drawing, photograph) and explanations relating to the reproduction
- (56) List of prior art documents, if separate from descriptive text
- (57) Description of characteristic features of the industrial design including indication of colours

(60) References to other legally related application(s) and registration(s)

- (62) Serial number(s) and, if available, filing date(s) of application(s), registration(s) or document(s) related by division
- (66) Serial number(s) of the application, or the registration, of the design(s) which is (are) a variant(s) of the present one

(70) Identification of parties concerned with the application or registration

- (71) Name(s) and address(es) of the applicant(s)
- (72) Name(s) of the creator(s) if known to be such
- (74) Name(s) and address(es) of the representative(s)

This Page Left Intentionally Blank

Nil notices for this journal issue.

Proceedings under the Designs Act 1906 preserved as a result of the provisions of Chapter 12 Part 2 of the Designs Act 2003.

This Page Left Intentionally Blank

Applications Lapsed

There were no Applications Lapsed under this section

Extension of Period of Registration of Designs

1st Period (Section 27A(8))

2nd Period (Section 27A(12))

3rd Period (Section 27A(13))

143863	143867	144109
144418	144478	145028
145242	148620	

Registrations Ceased

Note: Some of the following Registrations may have been previously advertised as ceased. In this instance, the previous advertisement still prevails.

126654	126709	126744
126799	126800	126801
126804	126839	126840
126841	127235	127309
128428	128429	128550
128885	128979	129148
129163	129164	129165
129166	129167	129168
130141	130142	130281
130426	130427	130796
130969	131060	140668
140669	140830	140871
141055	141056	141200
141742	141743	141744
141761	141951	141970
142041	142120	142142
142219	142237	142565
142832	142833	143073
143113	143114	143169
143576	144302	144303
144606	144779	144918
145064	145065	145091
145350	145648	145649
145766	145792	146041
146233	146234	146235
146312	146313	146640
146641	147010	147731
147732	147733	

This Page Left Intentionally Blank

Proceedings under the Designs Act 2003.

This Page Left Intentionally Blank

Applications Lodged

Lodgement information is in the following order: **Applicant's Name**; International Classification, Name of Product, Lodgement Date and **Design Number**. If the applicant claims an earlier priority date under an International Convention, the Convention Country and the associated filing date are shown in parentheses before the Lodgement Date. Divisional information will also appear in parentheses before the Lodgement Date.

ic! berlin brillen GmbH; 16-06, 26-02, Spectacles with lamp fixture, (DE, 07 Apr 2011) 07 Oct 2011	14552/2011	Altobelli, Giuseppe;Launch Drinks Pty Ltd; 07-01F, Beverage containers, (EM, 13 Apr 2011) 11 Oct 2011	14591/2011
A.L.L. Innovations Pty Ltd; 26-05NES, Light guide, 11 Oct 2011	14613/2011	Ames True Temper, Inc.; 08-06, Tool handle, (US, 21 Apr 2011) 29 Jul 2011	14471/2011
A.L.L.Innovations Pty Ltd; 25-01K, Sign frame extrusion, 06 Oct 2011	14479/2011	Ames True Temper, Inc.; 08-06, Tool handle, (US, 21 Apr 2011) 29 Jul 2011	14472/2011
Adams, Ian William; 08-05A, A grafter tool and set of components, (NZ, 06 Apr 2011) 06 Oct 2011	14478/2011	Ashton, David; 08-08H, Aluminium bendable curtain track as per attached drawing, 30 Sep 2011	14460/2011
Alpargatas S.A.; 02-04NES, Footwear, (EM, 19 Jul 2011) 06 Oct 2011	14498/2011	B&B Italia S.p.A.; 06-01G, Armchair, (EM, 12 Apr 2011) 11 Oct 2011	14579/2011
Alpargatas S.A.; 02-04NES, Footwear, (EM, 05 Jul 2011) 06 Oct 2011	14506/2011	B&B Italia S.p.A.; 06-01H, Armchair, (EM, 12 Apr 2011) 11 Oct 2011	14580/2011
Alpargatas S.A.; 02-04NES, Footwear, (EM, 05 Jul 2011) 06 Oct 2011	14507/2011	B&B Italia S.p.A.; 06-01F, Chair, (EM, 12 Apr 2011) 11 Oct 2011	14578/2011
Alpargatas S.A.; 02-04NES, Footwear, (EM, 05 Jul 2011) 06 Oct 2011	14504/2011	Babyliss Faco SA; 28-03D, Hair clippers, (EM, 15 Apr 2011) 12 Oct 2011	14627/2011
Alpargatas S.A.; 02-04NES, Footwear, (EM, 05 Jul 2011) 06 Oct 2011	14505/2011	Brand, Jurgen; 25-03, A bus shelter, 07 Oct 2011	14508/2011
Alpargatas S.A.; 02-04NES, Footwear, (EM, 05 Jul 2011) 06 Oct 2011	14502/2011	Bromberger, John Anthony Neville; 29-02, Rescue board, 06 Oct 2011	14534/2011
Alpargatas S.A.; 02-04NES, Footwear, (EM, 19 Jul 2011) 06 Oct 2011	14503/2011	Cree, Inc.; 26-05E, Lighting fixture, (US, 11 Apr 2011) 11 Oct 2011	14583/2011
Alpargatas S.A.; 02-04NES, Footwear, (EM, 19 Jul 2011) 06 Oct 2011	14500/2011	Cree, Inc.; 26-05E, Lighting fixture, (US, 11 Apr 2011) 11 Oct 2011	14584/2011
Alpargatas S.A.; 02-04NES, Footwear, (EM, 19 Jul 2011) 06 Oct 2011	14501/2011	Cree, Inc.; 26-05E, Lighting fixture, (US, 11 Apr 2011) 11 Oct 2011	14582/2011
Alpargatas S.A.; 02-04NES, Footwear, (EM, 19 Jul 2011) 06 Oct 2011	14499/2011	Cree, Inc.; 26-05E, Lighting fixture, (US, 11 Apr 2011) 11 Oct 2011	14585/2011
Altobelli, Giuseppe;Launch Drinks Pty Ltd; 07-01F, Beverage containers, (EM, 13 Apr 2011) 11 Oct 2011	14592/2011	Cree, Inc.; 26-05E, Lighting fixture, (US, 11 Apr 2011) 11 Oct 2011	14586/2011
Altobelli, Giuseppe;Launch Drinks Pty Ltd; 07-01F, Beverage containers, (EM, 13 Apr 2011) 11 Oct 2011	14593/2011	CJ Cheiljedang Corp.; 09-05, Bag for food packing, (KR, 12 Aug 2011) 11 Oct 2011	14568/2011
		CJ Cheiljedang Corp.; 09-03M, Container for food packing, (KR, 16 Aug 2011) 11 Oct 2011	14570/2011

CJ Cheiljedang Corp.; 07-06C, Container for food packing, (KR, 20 Jun 2011) 11 Oct 2011	14571/2011	Eveready Battery Company, Inc.; 28-03A, Safety razor handle, (US, 28 Apr 2011) 06 Oct 2011	14509/2011
CJ Cheiljedang Corp.; 09-03L, Container for food packing, (KR, 16 Aug 2011) 11 Oct 2011	14572/2011	Forever New Clothing Pty Ltd; 02-02C, Women's fashion clothing, 13 Apr 2011	14594/2011
CJ Cheiljedang Corp.; 09-03NES, Ground paper for food packing, (KR, 16 Aug 2011) 11 Oct 2011	14573/2011	Forever New Clothing Pty Ltd; 02-02NES, Women's fashion clothing, 13 Apr 2011	14598/2011
CJ Cheiljedang Corp.; 09-03M, Container for food packing, (KR, 16 Aug 2011) 11 Oct 2011	14569/2011	Forever New Clothing Pty Ltd; 02-02C, Women's fashion clothing, 13 Apr 2011	14599/2011
CJ Cheiljedang Corp.; 09-01C, Container for food packing, (KR, 16 Aug 2011) 11 Oct 2011	14566/2011	Forever New Clothing Pty Ltd; 02-02NES, Women's fashion clothing, 13 Apr 2011	14596/2011
CJ Cheiljedang Corp.; 09-05, Bag for food packing, (KR, 12 Aug 2011) 11 Oct 2011	14567/2011	Forever New Clothing Pty Ltd; 02-01B, Women's fashion clothing, 13 Apr 2011	14600/2011
CJ Cheiljedang Corp.; 09-01C, Container for food packing, (KR, 16 Aug 2011) 11 Oct 2011	14564/2011	Forever New Clothing Pty Ltd; 02-02C, Women's fashion clothing, 13 Apr 2011	14602/2011
CJ Cheiljedang Corp.; 09-05, Bag for food packing, (KR, 12 Aug 2011) 11 Oct 2011	14565/2011	Forever New Clothing Pty Ltd; 02-02NES, Women's fashion clothing, 13 Apr 2011	14601/2011
CJ Cheiljedang Corp.; 09-01H, Container for food packing, (KR, 16 Aug 2011) 11 Oct 2011	14562/2011	Forever New Clothing Pty Ltd; 02-02C, Women's fashion clothing, 13 Apr 2011	14597/2011
CJ Cheiljedang Corp.; 09-01C, Container for food packing, (KR, 16 Aug 2011) 11 Oct 2011	14563/2011	Forever New Clothing Pty Ltd; 02-02NES, Women's fashion clothing, 13 Apr 2011	14595/2011
Dalton, Shane; 08-08NES, Flat top two piece adjustable ground spike, 11 Oct 2011	14536/2011	FormSeat Pty Ltd; 06-01NES, Multifunctional seating, 04 Oct 2011	14487/2011
Ethicon Endo-Surgery, Inc.; 24-01, 13-01, Surgical generator, (US, 13 Apr 2011) 12 Oct 2011	14622/2011	FormSeat Pty Ltd; 06-01K, Rocking chair, 04 Oct 2011	14490/2011
Ethicon Endo-Surgery, Inc.; 24-01, 13-01, Surgical generator, (US, 13 Apr 2011) 12 Oct 2011	14624/2011	FormSeat Pty Ltd; 06-01NES, Multifunctional seating, 04 Oct 2011	14488/2011
Ethicon Endo-Surgery, Inc.; 24-01, 13-01, Surgical generator, (US, 13 Apr 2011) 12 Oct 2011	14623/2011	FormSeat Pty Ltd; 25-01K, Aluminium extrusion for seating, 04 Oct 2011	14484/2011
Ethicon Endo-Surgery, Inc.; 13-03E, Electrical connector, (US, 17 May 2011) 05 Oct 2011	14483/2011	FormSeat Pty Ltd; 06-01C, 06-01D, Multifunctional transport seating, 04 Oct 2011	14492/2011
Ettason Pty Ltd; 09-03M, Instant sesame dessert, 13 Oct 2011	14620/2011	FormSeat Pty Ltd; 06-01C, 06-01D, Multifunctional transport seating, 04 Oct 2011	14493/2011
Ettason Pty Ltd; 09-03M, 09-03F, Torto instant peanut dessert, 13 Oct 2011	14619/2011	FormSeat Pty Ltd; 06-01F, Chair with castors, 04 Oct 2011	14491/2011
Eveready Battery Company, Inc.; 28-03A, Safety razor, (US, 28 Apr 2011) 06 Oct 2011	14510/2011	FormSeat Pty Ltd; 06-01F, Chair with glides, 04 Oct 2011	14485/2011
		FormSeat Pty Ltd; 06-01F, Chair with glides and head rest, 04 Oct 2011	14486/2011

Francis, Christopher; 23-03NES, Hot water systems, 11 Oct 2011	14550/2011	Kraft Foods Schweiz Holding GmbH; 01-01, Biscuit, (EM, 20 Apr 2011) 07 Oct 2011	14542/2011
Graham, Bernard John; 14-02, Stand and/or support for planar or tablet computing device, (US, 01 Apr 2011) 04 Oct 2011	14459/2011	Kuver Designs Pty Ltd; 02-01B, Stretchy belt for diapers and pads, 06 Oct 2011	14359/2011
GCX Corporation; 08-08NES, Wall mounted extension arm, (US, 13 Apr 2011) 12 Oct 2011	14609/2011	Kuver Designs Pty Ltd; 02-01B, Stretchy belt for diapers and pads, 06 Oct 2011	14360/2011
Hillstone Architectural Lighting Pty Ltd; 26-05E, LED downlight fixed, 20 Sep 2011	14473/2011	Launch Drinks Pty Ltd;Altobelli, Giuseppe; 07-01F, Beverage containers, (EM, 13 Apr 2011) 11 Oct 2011	14592/2011
Holliday, Paul; 21-02D, A fin for a watercraft, 12 Oct 2011	14615/2011	Launch Drinks Pty Ltd;Altobelli, Giuseppe; 07-01F, Beverage containers, (EM, 13 Apr 2011) 11 Oct 2011	14593/2011
Holt, Kathie; 02-03, A hat, 07 Oct 2011	14553/2011	Launch Drinks Pty Ltd;Altobelli, Giuseppe; 07-01F, Beverage containers, (EM, 13 Apr 2011) 11 Oct 2011	14591/2011
Homeland Housewares, LLC; 07-01C, Goblet, (US, 12 Apr 2011) 04 Oct 2011	14470/2011	Love N Care Pty Ltd; 06-02, Vulu cot, 08 Sep 2011	14496/2011
Hui, Cheung Loi; 21-03, 21-01NES, Swirl tube leisure entertainment instrument, 11 Oct 2011	14630/2011	Love N Care Pty Ltd; 06-02, Vulu cot, 08 Sep 2011	14497/2011
Jackson Electrical Industries Limited; 13-03NES, A handle incorporating pedestal for a portable electrical distribution tower, 07 Oct 2011	14532/2011	Luceplan SpA; 26-05B, Desk lamp, (EM, 05 Apr 2011) 05 Oct 2011	14494/2011
Jones, Ben; 09-03H, A bulkhead, 06 Oct 2011	14476/2011	Luceplan SpA; 26-05E, LED module, (EM, 05 Apr 2011) 05 Oct 2011	14495/2011
Karsten Manufacturing Corporation; 21-02C, Golf club head, (US, 16 Aug 2011) 11 Oct 2011	14587/2011	Madad Pty Ltd; 06-09, Mattress, 07 Oct 2011	14556/2011
Keso AG; 08-07, Security key, (WO, 24 May 2011) 04 Oct 2011	14458/2011	Madad Pty Ltd; 06-09, Mattress, 07 Oct 2011	14555/2011
Keter Plastic Ltd.; 06-01G, Chair and sofa, (IN, 08 Apr 2011) 07 Oct 2011	14538/2011	Megabass Inc.; 22-05, Fishing lure, 05 Oct 2011	14481/2011
Keter Plastic Ltd.; 06-01H, Chair and sofa, (IN, 08 Apr 2011) 07 Oct 2011	14539/2011	Miniter, Frederick Michael; 25-01K, A panel locating strip, 11 Oct 2011	14558/2011
Keter Plastic Ltd.; 06-01H, Garden furniture, (IL, 03 May 2011) 07 Oct 2011	14540/2011	Miniter, Frederick Michael; 25-01D, A building panel, 11 Oct 2011	14557/2011
Kid Group, LLC; 21-01M, Three dimensional maze game and components thereof, (US, 11 Apr 2011) 10 Oct 2011	14590/2011	MEGA Brands, Inc.; 08-06, Handle, (US, 05 Apr 2011) 05 Oct 2011	14475/2011
Koncept Technologies, Inc.; 26-05B, Desk lamp, (US, 13 May 2011) 11 Oct 2011	14560/2011	Naim, Ossama; 12-16A, Alloy wheel rims, 06 Oct 2011	14474/2011
Koncept Technologies, Inc.; 26-04, Light, (US, 02 May 2011) 11 Oct 2011	14561/2011	Panorama Antennas Pty Ltd; 14-03NES, Antenna, 06 Oct 2011	14511/2011
Kraft Foods Schweiz Holding GmbH; 01-01, Biscuit, (EM, 20 Apr 2011) 07 Oct 2011	14541/2011	Paradise Motor Homes Pty Ltd; 12-16B, A lower body panel for a motor home having a storage receptacle, 07 Oct 2011	14543/2011
		Paradise Motor Homes Pty Ltd; 12-08, A motor home, 07 Oct 2011	14546/2011

Paradise Motor Homes Pty Ltd; 12-08, A motor home, 07 Oct 2011	14547/2011	Reid, Wendy Lynn; 06-03A, Coupole tables - any size, height or top shape, 05 Oct 2011	14520/2011
Paradise Motor Homes Pty Ltd; 12-08, A motor home, 07 Oct 2011	14545/2011	Reid, Wendy Lynn; 06-04D, Storage buffet cabinet - any length or height, 05 Oct 2011	14521/2011
Paradise Motor Homes Pty Ltd; 12-16B, A lower body panel for a motor home having storage receptacles, 07 Oct 2011	14548/2011	Reid, Wendy Lynn; 06-03B, , 05 Oct 2011	14522/2011
Paradise Motor Homes Pty Ltd; 12-08, A motor home, 07 Oct 2011	14544/2011	Reid, Wendy Lynn; 06-01E, Any height, 05 Oct 2011	14523/2011
Paradise Motor Homes Pty Ltd; 12-16K, A lower body panel for a motor home having a storage receptacle, 07 Oct 2011	14549/2011	Reid, Wendy Lynn; 06-01G, Sofas, armchairs and ottomans, 05 Oct 2011	14524/2011
Pi-Design AG; 07-04, Peeler, (EM, 26 Apr 2011) 12 Oct 2011	14621/2011	Reid, Wendy Lynn; 06-03A, , 05 Oct 2011	14525/2011
Plastics Packaging Products Pty Ltd; 09-01NES, Container, 10 Oct 2011	14603/2011	Reid, Wendy Lynn; 06-03B, , 05 Oct 2011	14526/2011
Playtex Products, LLC; 09-01NES, Ergonomic bottle, (US, 15 Apr 2011) 10 Oct 2011	14589/2011	Reid, Wendy Lynn; 06-01E, , 05 Oct 2011	14527/2011
Polkinghorne, David Lindsay; 25-02H, Window vent, 06 Oct 2011	14477/2011	Reid, Wendy Lynn; 08-06, , 05 Oct 2011	14528/2011
Reid, Wendy Lynn; 06-01G, Rene sofa - all lengths including arm chair and ottoman and rene t sofa - cushion variation, 05 Oct 2011	14512/2011	Reid, Wendy Lynn; 06-03C, , 05 Oct 2011	14529/2011
Reid, Wendy Lynn; 06-01G, Opera chair and opera grand (680 wide), 05 Oct 2011	14513/2011	Reid, Wendy Lynn; 08-06, , 05 Oct 2011	14530/2011
Reid, Wendy Lynn; 06-01G, Bogart dining and task chair - leather or vinyl cary dining, task or reading - tweed fabric cooper dining, task or, reading with buttons side chairs and arm chairs, 05 Oct 2011	14514/2011	Reid, Wendy Lynn; 06-01G, , 05 Oct 2011	14531/2011
Reid, Wendy Lynn; 06-01G, Sofa - all lengths; arm chair and ottoman, 05 Oct 2011	14515/2011	Reisler, Yeriv; 02-02B, Vest, (US, 08 Apr 2011) 07 Oct 2011	14554/2011
Reid, Wendy Lynn; 06-03C, Table - all sizes heights and top shape top can be stone, mirror or timber, 05 Oct 2011	14516/2011	Republic Tobacco L.P.; 27-99, Handheld cigarette making machine, (US, 10 Jun 2011) 12 Oct 2011	14618/2011
Reid, Wendy Lynn; 26-05B, Tall frank, fat frank, baby frank, frank sailor lamps - various shades, 05 Oct 2011	14517/2011	Research In Motion Limited; 14-01, Multimedia converter, (US, 18 Apr 2011) 11 Oct 2011	14581/2011
Reid, Wendy Lynn; 26-05B, Claus bone, claus sailor, claus dandy, claus chrome all heights and shade variations and finishes, 05 Oct 2011	14518/2011	Roadwest Transport Equipment & Sales Pty Ltd; 12-16B, Side tipper door, 11 Oct 2011	14632/2011
Reid, Wendy Lynn; 26-05D, Pendant lamp and shades - with or without light diffuser, 05 Oct 2011	14519/2011	Roadwest Transport Equipment & Sales Pty Ltd; 12-16B, Front and rear side tipper door seal, 11 Oct 2011	14634/2011
		Roadwest Transport Equipment & Sales Pty Ltd; 12-16B, Front and rear side tipper door brackets, 11 Oct 2011	14635/2011
		Robert Bosch GmbH; 13-02, Device for charging batteries, (WO, 13 Apr 2011) 12 Oct 2011	14612/2011
		Robert Bosch GmbH; 13-02, Device for charging batteries, (EM, 13 Apr 2011) 12 Oct 2011	14610/2011

Robert Bosch GmbH; 13-02, Device for charging batteries, (EM, 13 Apr 2011) 12 Oct 2011	14611/2011	Techtronic Power Tools Technology Limited; 08-05NES, Portion of a tool head, (US, 15 Apr 2011) 12 Oct 2011	14629/2011
Rodgers, Martin; 11-03, Medallion, 06 Oct 2011	14480/2011	Techtronic Power Tools Technology Limited; 13-01, Portion of power base, (US, 15 Apr 2011) 12 Oct 2011	14633/2011
Roofsafe-T-Systems Pty Limited; 08-08NES, 29-02, Fall arresting bracket, 06 Oct 2011	14533/2011	Techtronic Power Tools Technology Limited; 13-01, Portion of a power base, (US, 15 Apr 2011) 12 Oct 2011	14631/2011
Sansai Japan Australia Pty Ltd; 13-03D, Universal Adaptor, 03 Oct 2011	14431/2011	Techtronic Power Tools Technology Limited; 08-01, Portion of a tool head, (US, 15 Apr 2011) 12 Oct 2011	14625/2011
Scholtes Family Holdings Pty Ltd; 25-01E, Raised garden bed, 10 Oct 2011	14577/2011	Techtronic Power Tools Technology Limited; 08-05NES, Portion of a tool head, (US, 15 Apr 2011) 12 Oct 2011	14628/2011
Schopf, John Michael; 08-08K, Clamp for fence panels, 10 Oct 2011	14614/2011	Terumo Kabushiki Kaisha; 15-02, 24-01, Infusion pump, (JP, 11 Apr 2011) 11 Oct 2011	14574/2011
Societe des Produits Nestle S.A.; 01-01, A foodstuff tablet, (CH, 17 May 2011) 11 Oct 2011	14559/2011	Terumo Kabushiki Kaisha; 15-02, 24-01, Syringe pump, (JP, 11 Apr 2011) 11 Oct 2011	14575/2011
Space Commander Pty Ltd; 25-03, Free standing secure bicycle storage unit made from steel with powder-coated finish for domestic/residential use, 11 Oct 2011	14537/2011	The Stanley Works Israel Ltd.; 03-01D, A bag, (US, 28 Apr 2011) 12 Oct 2011	14616/2011
Stanley Black & Decker, Inc.; 08-03, Hedge trimmer, (EM, 18 Apr 2011) 11 Oct 2011	14604/2011	The Stanley Works Israel Ltd.; 03-01D, A bag, (US, 28 Apr 2011) 12 Oct 2011	14617/2011
Stanley Black & Decker, Inc.; 08-03, Hedge trimmer, (EM, 18 Apr 2011) 11 Oct 2011	14606/2011	The Vinum Corporation; 09-07C, Reusable bottle stopper, (US, 24 May 2011) 09 Aug 2011	14608/2011
Stanley Black & Decker, Inc.; 08-03, Hedge trimmer, (EM, 18 Apr 2011) 11 Oct 2011	14607/2011	Thornton, Stephen; 07-05D, Clothes drying assembly, 05 Oct 2011	14482/2011
Stanley Black & Decker, Inc.; 08-03, Hedge trimmer, (EM, 18 Apr 2011) 11 Oct 2011	14605/2011	Tsalkos, John; 09-03NES, Personal hygiene and accessory container, 05 Oct 2011	14489/2011
Sully, Melissa; 21-01B, Clearance diver toy clearance diver action figure clearance diver plastic figure clearance diver doll, 11 Oct 2011	14588/2011	Victorian Alps Wine Company Pty Ltd; 09-01H, Bottle, 10 Oct 2011	14551/2011
SCA Hygiene Products AB; 24-04, Sanitary towel, (EM, 13 Apr 2011) 11 Oct 2011	14535/2011	Weidmuller Pty Ltd; 26-05C, A housing for a lighting assembly, 11 Oct 2011	14576/2011
Techtronic Power Tools Technology Limited; 08-05NES, Portion of a tool head, (US, 15 Apr 2011) 12 Oct 2011	14626/2011		

Applications Withdrawn

14266 / 2011 (07-02F)

Applications Lapsed

11393 / 2011 (02-02C)

13360 / 2011 (06-06H)	11481 / 2011 (08-08NES)
13409 / 2011 (99-00)	13361 / 2011 (06-06H)
13420 / 2011 (99-00)	13419 / 2011 (99-00)

Extension of Period of Registration of Designs

308298	310230	310630
310932	311071	311480
311510	311603	311628
311701	311702	311761
311766	311767	311770
311813	312058	312101
312202	312620	312981
312982	312983	312984
313192	313237	314223

Registrations Ceased

306794	307983	307984
307985	307986	308113
308266	308294	308297
308303	308304	308306
308333	308406	308471
308473	308474	308475
308554	308567	308572
308586	308587	308589
308590	308644	308645
308741	308743	308744
308745	308746	308747
308748	308749	308750
308751	308752	308811
308817	308818	308819
308883	308884	308885
308886	308904	308905
308906	308907	308908
308949	308950	309008
309009	309010	309011
309012	309014	309015
309049	309092	309386
309387	309529	309548
309630	309673	309676
309853	309914	309935
309936	309937	309972
310168	310169	310494
310734	310787	311006
311007	311240	311336
311532	311533	311534
311535	311536	311537
311538	311539	311540
311541	311542	311543
311544	311545	311546
311547	311548	311549
311550	311551	311552
311553	311554	311820
312008	312009	312010
312011	312012	312013

312014	312015	312016
312017	312018	312019
312069	312071	312072
313370	313659	314793

Extensions of time granted under Section 137

Applications lodged under section 137 for extension of time have been granted.

338966 **Red Bull GmbH**

13697/2011 **Docsinnovent Limited**

Subsequent Owners Registered

(The name in parentheses is that of the subsequent owner)

312659 (**Infa-Secure Pty Ltd**) Russell Alexander
Horsfall;Annalise Horsfall

Corrigenda

Number 336626

In Vol 25 , No 21 , page 2712 under the heading **Certificates of Examination**; This entry was entered in error..

Number 336665

In Vol 25 , No 21 , page 2712 under the heading **Certificates of Examination**; This entry was entered in error..

Number 336665

In Vol 25 , No 21 , page 2712 under the heading **Certificates of Examination**; This entry was entered in error..

Certificate(s) of Examination

Examination of the following Design Registration(s) has been completed. Infringement proceedings may now be commenced.

331105	15-05	07/10/2011
335691	15-05	14/10/2011
336649	09-01A	11/10/2011
336650	09-01A	11/10/2011
336678	09-01A	11/10/2011
336751	09-01A	11/10/2011
336820	03-01NES	11/10/2011
337528	26-05D	20/09/2011
337529	26-05D	11/10/2011
337618	26-05E	12/10/2011
337728	07-02N	17/10/2011
337787	12-16B	17/10/2011

Publication and Registration Proceedings

Designs Registered

This section provides a concordance between design number and registration number of Designs covered in this journal. It also shows the main class and registration date.

This section covers Registration numbers 338800 to 338995 .

The registration number shown below should be used in all future correspondence.

Design Number	Registration Number	International Classification Code (IDC)	Registration Date	Design Number	Registration Number	International Classification Code (IDC)	Registration Date
11362/2011	338852	25-02NES	11/10/2011	13802/2011	338815	23-01H	07/10/2011
11423/2011	338853	23-03B	11/10/2011	13947/2011	338883	26-05A	12/10/2011
11510/2011	338854	09-03H	11/10/2011	13948/2011	338884	26-05A	12/10/2011
13125/2011	338800	22-03	07/10/2011	13967/2011	338885	14-02	12/10/2011
13126/2011	338801	22-03	07/10/2011	13968/2011	338886	14-02	12/10/2011
13127/2011	338802	22-03	07/10/2011	13969/2011	338887	09-03L	12/10/2011
13128/2011	338803	22-03	07/10/2011	13970/2011	338888	09-03L	12/10/2011
13129/2011	338804	21-02D	07/10/2011	13971/2011	338889	09-03L	12/10/2011
13247/2011	338965	24-01	14/10/2011	13972/2011	338890	09-03L	12/10/2011
13333/2011	338832	07-02E	11/10/2011	13973/2011	338891	09-03L	12/10/2011
13334/2011	338833	07-02E	11/10/2011	13990/2011	338823	08-08NES	11/10/2011
13335/2011	338834	07-02E	11/10/2011	13991/2011	338824	15-01	11/10/2011
13336/2011	338835	07-02E	11/10/2011	13992/2011	338825	15-01	11/10/2011
13337/2011	338836	07-02E	11/10/2011	13993/2011	338826	15-01	11/10/2011
13338/2011	338837	07-02E	11/10/2011	13994/2011	338827	12-16NES	11/10/2011
13339/2011	338838	07-02E	11/10/2011	13995/2011	338828	08-07	11/10/2011
13340/2011	338839	07-02E	11/10/2011	13996/2011	338829	12-16NES	11/10/2011
13341/2011	338840	07-02E	11/10/2011	13997/2011	338830	15-03B	11/10/2011
13342/2011	338841	07-02E	11/10/2011	14004/2011	338831	05-05NES	11/10/2011
13343/2011	338842	07-02E	11/10/2011	14008/2011	338817	07-04	07/10/2011
13344/2011	338843	07-02E	11/10/2011	14009/2011	338818	07-01C	07/10/2011
13345/2011	338844	07-02E	11/10/2011	14012/2011	338819	12-12	07/10/2011
13346/2011	338845	07-02E	11/10/2011	14014/2011	338820	25-02B	07/10/2011
13347/2011	338846	07-02E	11/10/2011	14015/2011	338816	13-03D	07/10/2011
13348/2011	338847	07-02E	11/10/2011	14026/2011	338892	12-15C	12/10/2011
13349/2011	338848	07-02E	11/10/2011	14033/2011	338862	23-01B	11/10/2011
13350/2011	338849	07-02E	11/10/2011	14036/2011	338968	24-01	14/10/2011
13351/2011	338850	07-02E	11/10/2011	14047/2011	338915	23-01H	13/10/2011
13352/2011	338851	07-02E	11/10/2011	14048/2011	338916	26-05A	13/10/2011
13375/2011	338966	15-07	14/10/2011	14050/2011	338917	07-01NES	13/10/2011
13414/2011	338855	07-01A	11/10/2011	14051/2011	338918	09-01K	13/10/2011
13415/2011	338856	07-01B	11/10/2011	14052/2011	338919	09-01K	13/10/2011
13437/2011	338913	23-03A	13/10/2011	14053/2011	338920	09-07C	13/10/2011
13442/2011	338914	23-03A	13/10/2011	14054/2011	338921	06-04NES	13/10/2011
13443/2011	338805	23-03A	07/10/2011	14055/2011	338922	09-01NES	13/10/2011
13622/2011	338806	28-01	07/10/2011	14057/2011	338923	09-01NES	13/10/2011
13653/2011	338857	08-08NES	11/10/2011	14058/2011	338924	09-01K	13/10/2011
13703/2011	338807	25-01K	07/10/2011	14059/2011	338925	28-01	13/10/2011
13716/2011	338858	05-05B	11/10/2011	14060/2011	338926	23-01G	13/10/2011
13717/2011	338859	05-05C	11/10/2011	14061/2011	338927	09-01D	13/10/2011
13718/2011	338860	05-05NES	11/10/2011	14070/2011	338928	12-16NES	13/10/2011
13719/2011	338861	05-05C	11/10/2011	14071/2011	338929	21-02C	13/10/2011
13731/2011	338967	10-04	14/10/2011	14072/2011	338930	23-02B	13/10/2011
13741/2011	338808	25-01K	07/10/2011	14073/2011	338931	23-02B	13/10/2011
13742/2011	338809	25-01K	07/10/2011	14074/2011	338932	09-03M	13/10/2011
13797/2011	338810	23-01H	07/10/2011	14075/2011	338933	09-03NES	13/10/2011
13798/2011	338811	23-01H	07/10/2011	14076/2011	338934	09-03M	13/10/2011
13799/2011	338812	23-01H	07/10/2011	14077/2011	338935	09-03NES	13/10/2011
13800/2011	338813	23-01H	07/10/2011	14078/2011	338936	09-03M	13/10/2011
13801/2011	338814	23-01H	07/10/2011	14079/2011	338937	09-03NES	13/10/2011

Publication and Registration Proceedings - Designs Registered cont'd

Design Number	Registration Number	International Classification Code (IDC)	Registration Date	Design Number	Registration Number	International Classification Code (IDC)	Registration Date
14080/2011	338938	09-03NES	13/10/2011	14134/2011	338984	26-06	17/10/2011
14081/2011	338939	09-01NES	13/10/2011	14135/2011	338985	26-06	17/10/2011
14082/2011	338940	09-01NES	13/10/2011	14139/2011	338986	10-07	17/10/2011
14083/2011	338941	09-01NES	13/10/2011	14140/2011	338987	14-03E	17/10/2011
14084/2011	338893	09-01NES	13/10/2011	14141/2011	338988	10-07	17/10/2011
14085/2011	338894	09-01NES	13/10/2011	14142/2011	338989	10-07	17/10/2011
14086/2011	338895	09-03NES	13/10/2011	14143/2011	338990	10-07	17/10/2011
14087/2011	338896	09-01NES	13/10/2011	14144/2011	338991	10-07	17/10/2011
14088/2011	338897	09-01NES	13/10/2011	14145/2011	338992	10-07	17/10/2011
14089/2011	338898	09-01NES	13/10/2011	14146/2011	338993	10-07	17/10/2011
14090/2011	338899	09-05	13/10/2011	14147/2011	338994	10-07	17/10/2011
14091/2011	338900	09-05	13/10/2011	14148/2011	338995	10-07	17/10/2011
14092/2011	338901	09-05	13/10/2011	14149/2011	338971	10-07	14/10/2011
14093/2011	338902	09-03M	13/10/2011	14150/2011	338972	10-07	14/10/2011
14094/2011	338903	09-03M	13/10/2011	14151/2011	338973	10-07	14/10/2011
14095/2011	338904	09-03M	13/10/2011	14152/2011	338974	10-07	14/10/2011
14096/2011	338905	09-03M	13/10/2011	14154/2011	338821	26-05D	07/10/2011
14097/2011	338906	09-03M	13/10/2011	14159/2011	338975	09-01K	14/10/2011
14098/2011	338907	09-03NES	13/10/2011	14160/2011	338976	06-04NES	14/10/2011
14099/2011	338908	09-03NES	13/10/2011	14161/2011	338977	09-01NES	14/10/2011
14100/2011	338909	09-03NES	13/10/2011	14164/2011	338978	08-08L	14/10/2011
14101/2011	338910	09-03NES	13/10/2011	14165/2011	338979	08-08L	14/10/2011
14102/2011	338911	09-03NES	13/10/2011	14166/2011	338980	15-07	14/10/2011
14103/2011	338912	09-03NES	13/10/2011	14167/2011	338981	15-07	14/10/2011
14104/2011	338954	20-02E	13/10/2011	14170/2011	338982	10-07	14/10/2011
14105/2011	338955	09-03M	13/10/2011	14171/2011	338983	10-02	14/10/2011
14106/2011	338956	09-03M	13/10/2011	14172/2011	338864	08-08NES	11/10/2011
14107/2011	338957	09-03M	13/10/2011	14177/2011	338970	08-08C	14/10/2011
14108/2011	338958	09-03NES	13/10/2011	14180/2011	338822	25-01K	07/10/2011
14109/2011	338959	09-03NES	13/10/2011	14197/2011	338865	25-01K	11/10/2011
14110/2011	338960	20-01	13/10/2011	14200/2011	338866	25-01NES	11/10/2011
14111/2011	338961	20-01	13/10/2011	14258/2011	338867	21-02D	11/10/2011
14112/2011	338962	20-01	13/10/2011	14259/2011	338868	21-02D	11/10/2011
14113/2011	338963	20-01	13/10/2011	14288/2011	338869	02-03	12/10/2011
14114/2011	338964	20-01	13/10/2011	14289/2011	338870	02-03	12/10/2011
14115/2011	338942	20-01	13/10/2011	14290/2011	338871	02-03	12/10/2011
14116/2011	338943	20-01	13/10/2011	14291/2011	338872	02-03	12/10/2011
14117/2011	338944	09-03NES	13/10/2011	14292/2011	338873	02-03	12/10/2011
14118/2011	338945	20-01	13/10/2011	14293/2011	338874	02-03	12/10/2011
14119/2011	338946	20-01	13/10/2011	14294/2011	338875	02-03	12/10/2011
14120/2011	338947	20-01	13/10/2011	14295/2011	338876	02-03	12/10/2011
14121/2011	338948	09-03M	13/10/2011	14296/2011	338877	02-03	12/10/2011
14122/2011	338949	09-03M	13/10/2011	14297/2011	338878	02-03	12/10/2011
14123/2011	338950	09-03M	13/10/2011	14298/2011	338879	02-03	12/10/2011
14125/2011	338951	09-05	13/10/2011	14299/2011	338880	02-03	12/10/2011
14126/2011	338952	20-01	13/10/2011	14300/2011	338881	02-03	12/10/2011
14127/2011	338969	20-01	14/10/2011	14301/2011	338882	02-03	12/10/2011
14128/2011	338953	20-01	13/10/2011				
14133/2011	338863	04-02	11/10/2011				

Publication and Registration Proceedings

Class Listing of Designs Published or Registered

The following section shows an International Classification Code listing of the Registered or Published Designs covered in this supplement.

Classification	Registration Number	Design Number	Classification	Registration Number	Design Number
02-03	338869	14288/2011	08-08L	338978	14164/2011
02-03	338870	14289/2011	08-08L	338979	14165/2011
02-03	338871	14290/2011	08-08NES	338823	13990/2011
02-03	338872	14291/2011	08-08NES	338857	13653/2011
02-03	338873	14292/2011	08-08NES	338864	14172/2011
02-03	338874	14293/2011	09-01D	338927	14061/2011
02-03	338875	14294/2011	09-01K	338918	14051/2011
02-03	338876	14295/2011	09-01K	338919	14052/2011
02-03	338877	14296/2011	09-01K	338924	14058/2011
02-03	338878	14297/2011	09-01K	338975	14159/2011
02-03	338879	14298/2011	09-01NES	338893	14084/2011
02-03	338880	14299/2011	09-01NES	338894	14085/2011
02-03	338881	14300/2011	09-01NES	338895	14086/2011
02-03	338882	14301/2011	09-01NES	338896	14087/2011
04-02	338863	14133/2011	09-01NES	338897	14088/2011
05-05B	338858	13716/2011	09-01NES	338898	14089/2011
05-05C	338859	13717/2011	09-01NES	338922	14055/2011
05-05C	338861	13719/2011	09-01NES	338923	14057/2011
05-05NES	338831	14004/2011	09-01NES	338939	14081/2011
05-05NES	338860	13718/2011	09-01NES	338940	14082/2011
06-04NES	338921	14054/2011	09-01NES	338941	14083/2011
06-04NES	338976	14160/2011	09-01NES	338977	14161/2011
07-01A	338855	13414/2011	09-03H	338854	11510/2011
07-01B	338856	13415/2011	09-03L	338887	13969/2011
07-01C	338818	14009/2011	09-03L	338888	13970/2011
07-01C	338944	14117/2011	09-03L	338889	13971/2011
07-01C	338958	14108/2011	09-03L	338890	13972/2011
07-01C	338959	14109/2011	09-03L	338891	13973/2011
07-01NES	338917	14050/2011	09-03M	338893	14084/2011
07-02E	338832	13333/2011	09-03M	338896	14087/2011
07-02E	338833	13334/2011	09-03M	338899	14090/2011
07-02E	338834	13335/2011	09-03M	338902	14093/2011
07-02E	338835	13336/2011	09-03M	338903	14094/2011
07-02E	338836	13337/2011	09-03M	338904	14095/2011
07-02E	338837	13338/2011	09-03M	338905	14096/2011
07-02E	338838	13339/2011	09-03M	338906	14097/2011
07-02E	338839	13340/2011	09-03M	338907	14098/2011
07-02E	338840	13341/2011	09-03M	338910	14101/2011
07-02E	338841	13342/2011	09-03M	338932	14074/2011
07-02E	338842	13343/2011	09-03M	338933	14075/2011
07-02E	338843	13344/2011	09-03M	338934	14076/2011
07-02E	338844	13345/2011	09-03M	338935	14077/2011
07-02E	338845	13346/2011	09-03M	338936	14078/2011
07-02E	338846	13347/2011	09-03M	338937	14079/2011
07-02E	338847	13348/2011	09-03M	338938	14080/2011
07-02E	338848	13349/2011	09-03M	338939	14081/2011
07-02E	338849	13350/2011	09-03M	338940	14082/2011
07-02E	338850	13351/2011	09-03M	338941	14083/2011
07-02E	338851	13352/2011	09-03M	338948	14121/2011
07-04	338817	14008/2011	09-03M	338949	14122/2011
08-07	338828	13995/2011	09-03M	338950	14123/2011
08-08C	338970	14177/2011	09-03M	338955	14105/2011
08-08K	338970	14177/2011	09-03M	338956	14106/2011

Registration Proceedings - Class Listing of Designs Published or Registered cont'd

Classification	Registration Number	Design Number	Classification	Registration Number	Design Number
09-03M	338957	14107/2011	10-07	338995	14148/2011
09-03NES	338895	14086/2011	10-99	338967	13731/2011
09-03NES	338898	14089/2011	12-06C	338804	13129/2011
09-03NES	338901	14092/2011	12-12	338819	14012/2011
09-03NES	338906	14097/2011	12-15C	338892	14026/2011
09-03NES	338907	14098/2011	12-16A	338819	14012/2011
09-03NES	338908	14099/2011	12-16NES	338827	13994/2011
09-03NES	338909	14100/2011	12-16NES	338829	13996/2011
09-03NES	338910	14101/2011	12-16NES	338928	14070/2011
09-03NES	338911	14102/2011	13-03D	338816	14015/2011
09-03NES	338912	14103/2011	14-02	338885	13967/2011
09-03NES	338932	14074/2011	14-02	338886	13968/2011
09-03NES	338933	14075/2011	14-03E	338987	14140/2011
09-03NES	338935	14077/2011	15-01	338824	13991/2011
09-03NES	338937	14079/2011	15-01	338825	13992/2011
09-03NES	338938	14080/2011	15-01	338826	13993/2011
09-03NES	338944	14117/2011	15-03B	338827	13994/2011
09-03NES	338948	14121/2011	15-03B	338829	13996/2011
09-03NES	338949	14122/2011	15-03B	338830	13997/2011
09-03NES	338950	14123/2011	15-07	338966	13375/2011
09-03NES	338956	14106/2011	15-07	338980	14166/2011
09-03NES	338957	14107/2011	15-07	338981	14167/2011
09-03NES	338958	14108/2011	20-01	338942	14115/2011
09-03NES	338959	14109/2011	20-01	338943	14116/2011
09-05	338894	14085/2011	20-01	338945	14118/2011
09-05	338895	14086/2011	20-01	338946	14119/2011
09-05	338897	14088/2011	20-01	338947	14120/2011
09-05	338898	14089/2011	20-01	338952	14126/2011
09-05	338899	14090/2011	20-01	338953	14128/2011
09-05	338900	14091/2011	20-01	338960	14110/2011
09-05	338901	14092/2011	20-01	338961	14111/2011
09-05	338904	14095/2011	20-01	338962	14112/2011
09-05	338906	14097/2011	20-01	338963	14113/2011
09-05	338907	14098/2011	20-01	338964	14114/2011
09-05	338908	14099/2011	20-01	338969	14127/2011
09-05	338909	14100/2011	20-02E	338954	14104/2011
09-05	338910	14101/2011	20-02NES	338904	14095/2011
09-05	338911	14102/2011	21-02C	338929	14071/2011
09-05	338912	14103/2011	21-02D	338804	13129/2011
09-05	338951	14125/2011	21-02D	338867	14258/2011
09-07C	338920	14053/2011	21-02D	338868	14259/2011
10-02	338983	14171/2011	22-03	338800	13125/2011
10-04	338967	13731/2011	22-03	338801	13126/2011
10-07	338971	14149/2011	22-03	338802	13127/2011
10-07	338972	14150/2011	22-03	338803	13128/2011
10-07	338973	14151/2011	23-01B	338862	14033/2011
10-07	338974	14152/2011	23-01G	338926	14060/2011
10-07	338982	14170/2011	23-01H	338810	13797/2011
10-07	338986	14139/2011	23-01H	338811	13798/2011
10-07	338988	14141/2011	23-01H	338812	13799/2011
10-07	338989	14142/2011	23-01H	338813	13800/2011
10-07	338990	14143/2011	23-01H	338814	13801/2011
10-07	338991	14144/2011	23-01H	338815	13802/2011
10-07	338992	14145/2011	23-01H	338915	14047/2011
10-07	338993	14146/2011	23-01NES	338823	13990/2011
10-07	338994	14147/2011	23-02B	338930	14072/2011

Registration Proceedings - Class Listing of Designs Published or Registered cont'd

Classification	Registration Number	Design Number	Classification	Registration Number	Design Number
23-02B	338931	14073/2011	25-01K	338865	14197/2011
23-03A	338805	13443/2011	25-01NES	338866	14200/2011
23-03A	338913	13437/2011	25-02B	338820	14014/2011
23-03A	338914	13442/2011	25-02B	338822	14180/2011
23-03B	338853	11423/2011	25-02NES	338852	11362/2011
23-04	338827	13994/2011	26-05A	338883	13947/2011
23-04	338829	13996/2011	26-05A	338884	13948/2011
24-01	338965	13247/2011	26-05A	338916	14048/2011
24-01	338968	14036/2011	26-05D	338821	14154/2011
24-04	338968	14036/2011	26-06	338984	14134/2011
25-01D	338864	14172/2011	26-06	338985	14135/2011
25-01K	338807	13703/2011	28-01	338806	13622/2011
25-01K	338808	13741/2011	28-01	338925	14059/2011
25-01K	338809	13742/2011			
25-01K	338822	14180/2011			

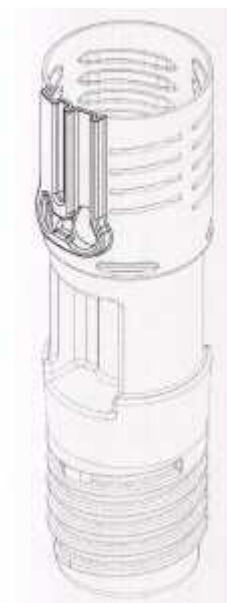
- (21) Design Number: **13125/2011**
(22) Date of Filing Application: **14 July 2011**
(24) Date from which industrial property rights may have effect: **14 July 2011**
(54) Product in respect of which the design is registered: **An explosive shell for use in mining, seismic and civil infrastructure applications**
(51) International Design Classification: **22-03**
(74) Name(s) of Attorney(s): **Davies Collison Cave**
(71) Name(s) and Address(s) of Applicant(s):
Orica International Pte Ltd
78 Shenton Way #06-15 Tower 2 Singapore 079120
(72) Name(s) of Designer(s): **Steven Kotsonis and Clem Bennett and Jason Smith and Neil Davidson**
(45) Registration Date: **07 October 2011**
(56) Related Art Documents: **Not Applicable**
(57) Statement of Newness and Distinctiveness: **Newness and distinctiveness is claimed in the visual features of shape and configuration of the part of the explosive shell shown in solid lines in the representations.**



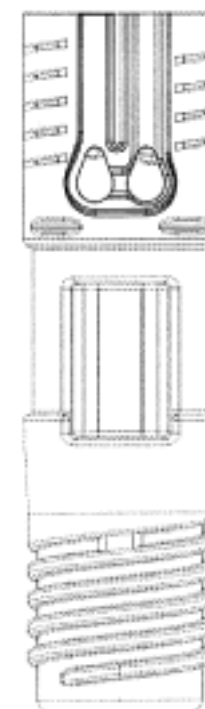
- (21) Design Number: **13126/2011**
(22) Date of Filing Application: **14 July 2011**
(24) Date from which industrial property rights may have effect: **14 July 2011**
(54) Product in respect of which the design is registered: **An explosive shell for use in mining, seismic and civil infrastructure applications**
(51) International Design Classification: **22-03**
(74) Name(s) of Attorney(s): **Davies Collison Cave**
(71) Name(s) and Address(s) of Applicant(s):
Orica International Pte Ltd
78 Shenton Way #06-15 Tower 2 Singapore 079120
(72) Name(s) of Designer(s): **Steven Kotsonis and Clem Bennett and Jason Smith and Neil Davidson**
(45) Registration Date: **07 October 2011**
(56) Related Art Documents: **Not Applicable**
(57) Statement of Newness and Distinctiveness: **Nil**



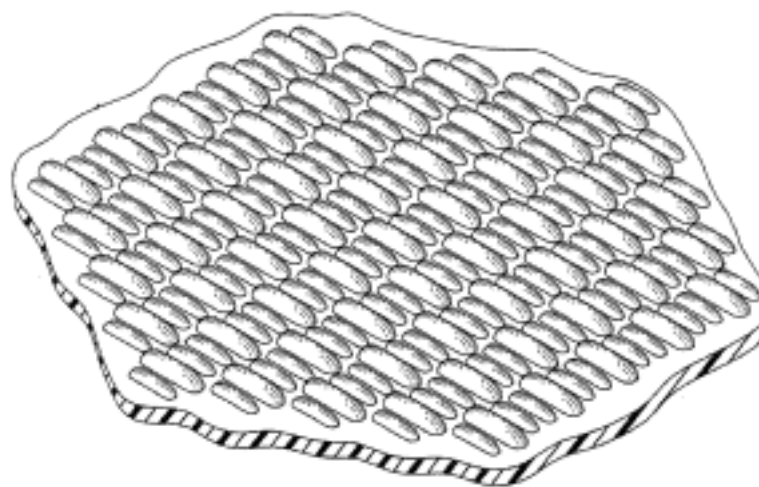
- (21) Design Number: **13127/2011**
(22) Date of Filing Application: **14 July 2011**
(24) Date from which industrial property rights may have effect: **14 July 2011**
(54) Product in respect of which the design is registered: **An explosive shell for use in mining, seismic and civil infrastructure applications**
(51) International Design Classification: **22-03**
(74) Name(s) of Attorney(s): **Davies Collison Cave**
(71) Name(s) and Address(s) of Applicant(s):
Orica International Pte Ltd
78 Shenton Way #06-15 Tower 2 Singapore 079120
(72) Name(s) of Designer(s): **Steven Kotsonis and Clem Bennett and Jason Smith and Neil Davidson**
(45) Registration Date: **07 October 2011**
(56) Related Art Documents: **Not Applicable**
(57) Statement of Newness and Distinctiveness: **Newness and distinctiveness is claimed in the visual features of shape and configuration of the part of the explosive shell shown in solid lines in the representations.**



- (21) Design Number: **13128/2011**
(22) Date of Filing Application: **14 July 2011**
(24) Date from which industrial property rights may have effect: **14 July 2011**
(54) Product in respect of which the design is registered: **An explosive shell for use in mining, seismic and civil infrastructure applications**
(51) International Design Classification: **22-03**
(74) Name(s) of Attorney(s): **Davies Collison Cave**
(71) Name(s) and Address(s) of Applicant(s):
Orica International Pte Ltd
78 Shenton Way #06-15 Tower 2 Singapore 079120
(72) Name(s) of Designer(s): **Steven Kotsonis and Clem Bennett and Jason Smith and Neil Davidson**
(45) Registration Date: **07 October 2011**
(56) Related Art Documents: **Not Applicable**
(57) Statement of Newness and Distinctiveness: **Newness and distinctiveness is claimed in the visual features of shape and configuration of the part of the explosive shell shown in solid lines in the representations.**



(21) Design Number: **13129/2011**
(22) Date of Filing Application: **14 July 2011**
(24) Date from which industrial property rights may have effect: **14 July 2011**
(54) Product in respect of which the design is registered: **Inflatable towable**
(51) International Design Classification: **21-02D, 12-06C**
(74) Name(s) of Attorney(s): **Griffith Hack**
(71) Name(s) and Address(s) of Applicant(s):
The Coleman Company, Inc.
3600 North Hydraulic Wichita KS 67219 United States of America
(72) Name(s) of Designer(s): **Steven M. Haring and Byron N. Loibl**
(45) Registration Date: **07 October 2011**
(30) Convention priority data:
(31) Number (32) Date (33) Country
29/383296 14 Jan 2011 UNITED STATES OF AMERICA



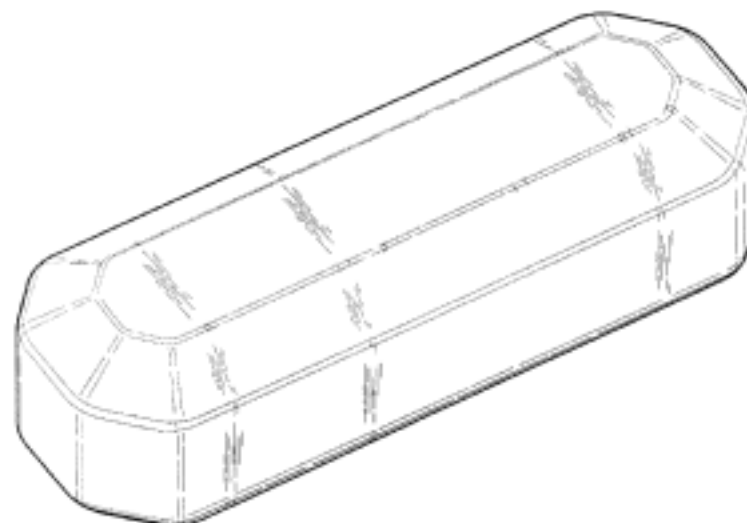
(56) Related Art Documents: **Not Applicable**
(57) Statement of Newness and Distinctiveness: **Newness and distinctiveness resides in the visual features including any one of pattern and/or ornamentation as applied to the product as shown in solid outline in the accompanying figures. No regard is to be had by the lines showing a cross section.**

(21) Design Number: **13443/2011**
(22) Date of Filing Application: **03 August 2011**
(24) Date from which industrial property rights may have effect: **03 August 2011**
(54) Product in respect of which the design is registered: **Electric heater**
(51) International Design Classification: **23-03A**
(74) Name(s) of Attorney(s):
(71) Name(s) and Address(s) of Applicant(s):
Jianhua Ren
Building 38 Yude Street Jiangmen City Guandong China
(72) Name(s) of Designer(s): **Jianhua Ren**
(45) Registration Date: **07 October 2011**
(30) Convention priority data:
(31) Number (32) Date (33) Country
201130103459.1 04 May 2011 CHINA

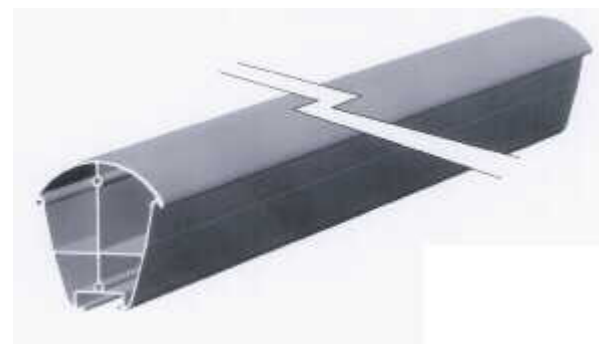


(56) Related Art Documents: **Not Applicable**
(57) Statement of Newness and Distinctiveness: **Nil**

(21) Design Number: **13622/2011**
(22) Date of Filing Application: **16 August 2011**
(24) Date from which industrial property rights may have effect: **16 August 2011**
(54) Product in respect of which the design is registered: **Tablet**
(51) International Design Classification: **28-01**
(74) Name(s) of Attorney(s): **WATERMARK PATENT AND TRADE MARKS ATTORNEYS**
(71) Name(s) and Address(s) of Applicant(s):
HFV
4 Impasse Chantoiseau F-03600 Commeny France
(72) Name(s) of Designer(s): **Jean-Charles Renaud**
(45) Registration Date: **07 October 2011**
(30) Convention priority data:
(31) Number (32) Date (33) Country
001822107-0001 16 Feb 2011 EUROPEAN COMMUNITY
(56) Related Art Documents: **Not Applicable**
(57) Statement of Newness and Distinctiveness: **Nil**



(21) Design Number: **13703/2011**
(22) Date of Filing Application: **19 August 2011**
(24) Date from which industrial property rights may have effect: **19 August 2011**
(54) Product in respect of which the design is registered: **Aluminium extrusion for seating**
(51) International Design Classification: **25-01K**
(74) Name(s) of Attorney(s):
(71) Name(s) and Address(s) of Applicant(s):
FormSeat Pty Ltd
Registered office KSR Partners 2/971 Burke Road Camberwell Victoria
3124 Australia
(72) Name(s) of Designer(s): **Johan H. Naess**
(45) Registration Date: **07 October 2011**
(56) Related Art Documents: **Not Applicable**
(57) Statement of Newness and Distinctiveness: **The shape of this extrusion makes the weight to strength ratio very high.**



- (21) Design Number: **13741/2011**
(22) Date of Filing Application: **19 August 2011**
(24) Date from which industrial property rights may have effect: **19 August 2011**
(54) Product in respect of which the design is registered: **Aluminium extrusion for seating**
(51) International Design Classification: **25-01K**
(74) Name(s) of Attorney(s):
(71) Name(s) and Address(s) of Applicant(s):
FormSeat Pty Ltd
Registered office KSR Partners 2/971 Burke Road Camberwell Victoria
3124 Australia
(72) Name(s) of Designer(s): **Johan H. Naess**
(45) Registration Date: **07 October 2011**
(56) Related Art Documents: **Not Applicable**
(57) Statement of Newness and Distinctiveness: **The shape of this extrusion makes it multifunctional and strong.**



- (21) Design Number: **13742/2011**
(22) Date of Filing Application: **19 August 2011**
(24) Date from which industrial property rights may have effect: **19 August 2011**
(54) Product in respect of which the design is registered: **Aluminium extrusion for seating**
(51) International Design Classification: **25-01K**
(74) Name(s) of Attorney(s):
(71) Name(s) and Address(s) of Applicant(s):
FormSeat Pty Ltd
Registered office KSR Partners 2/971 Burke Road Camberwell Victoria
3124 Australia
(72) Name(s) of Designer(s): **Johan H. Naess**
(45) Registration Date: **07 October 2011**
(56) Related Art Documents: **Not Applicable**
(57) Statement of Newness and Distinctiveness: **The shape of this extrusion allows it to be welded or riveted to the deck.**



(21) Design Number: **13797/2011**
(22) Date of Filing Application: **26 August 2011**
(24) Date from which industrial property rights may have effect: **26 August 2011**
(54) Product in respect of which the design is registered: **Mixing tap**
(51) International Design Classification: **23-01H**
(74) Name(s) of Attorney(s): **Davies Collison Cave**
(71) Name(s) and Address(s) of Applicant(s):
Hansa Metallwerke AG
Sigmaringer Str. 107 D-70567 Stuttgart Germany
(72) Name(s) of Designer(s): **Michael Zeisel and Michael Lammel**
(45) Registration Date: **07 October 2011**
(30) Convention priority data:
(31) Number (32) Date (33) Country
001829276-0001 02 Mar 2011 EUROPEAN COMMUNITY
(56) Related Art Documents: **Not Applicable**
(57) Statement of Newness and Distinctiveness: **Nil**



(21) Design Number: **13798/2011**
(22) Date of Filing Application: **26 August 2011**
(24) Date from which industrial property rights may have effect: **26 August 2011**
(54) Product in respect of which the design is registered: **Mixing tap**
(51) International Design Classification: **23-01H**
(74) Name(s) of Attorney(s): **Davies Collison Cave**
(71) Name(s) and Address(s) of Applicant(s):
Hansa Metallwerke AG
Sigmaringer Str. 107 D-70567 Stuttgart Germany
(72) Name(s) of Designer(s): **Michael Zeisel and Michael Lammel**
(45) Registration Date: **07 October 2011**
(30) Convention priority data:
(31) Number (32) Date (33) Country
001829243-0001 02 Mar 2011 EUROPEAN COMMUNITY
(56) Related Art Documents: **Not Applicable**
(57) Statement of Newness and Distinctiveness: **Nil**



(21) Design Number: **13799/2011**
(22) Date of Filing Application: **26 August 2011**
(24) Date from which industrial property rights may have effect: **26 August 2011**
(54) Product in respect of which the design is registered: **Mixing tap**
(51) International Design Classification: **23-01H**
(74) Name(s) of Attorney(s): **Davies Collison Cave**
(71) Name(s) and Address(s) of Applicant(s):
Hansa Metallwerke AG
Sigmaringer Str. 107 D-70567 Stuttgart Germany
(72) Name(s) of Designer(s): **Michael Zeisel and Michael Lammel**
(45) Registration Date: **07 October 2011**
(30) Convention priority data:
(31) Number (32) Date (33) Country
001829276-0003 02 Mar 2011 EUROPEAN COMMUNITY
(56) Related Art Documents: **Not Applicable**
(57) Statement of Newness and Distinctiveness: **Nil**



(21) Design Number: **13800/2011**
(22) Date of Filing Application: **26 August 2011**
(24) Date from which industrial property rights may have effect: **26 August 2011**
(54) Product in respect of which the design is registered: **Mixing tap**
(51) International Design Classification: **23-01H**
(74) Name(s) of Attorney(s): **Davies Collison Cave**
(71) Name(s) and Address(s) of Applicant(s):
Hansa Metallwerke AG
Sigmaringer Str. 107 D-70567 Stuttgart Germany
(72) Name(s) of Designer(s): **Michael Zeisel and Michael Lammel**
(45) Registration Date: **07 October 2011**
(30) Convention priority data:
(31) Number (32) Date (33) Country
001829193-0001 02 Mar 2011 EUROPEAN COMMUNITY
(56) Related Art Documents: **Not Applicable**
(57) Statement of Newness and Distinctiveness: **Nil**



(21) Design Number: **13801/2011**
(22) Date of Filing Application: **26 August 2011**
(24) Date from which industrial property rights may have effect: **26 August 2011**
(54) Product in respect of which the design is registered: **Mixing tap**
(51) International Design Classification: **23-01H**
(74) Name(s) of Attorney(s): **Davies Collison Cave**
(71) Name(s) and Address(s) of Applicant(s):
Hansa Metallwerke AG
Sigmaringer Str. 107 D-70567 Stuttgart Germany
(72) Name(s) of Designer(s): **Michael Zeisel and Michael Lammel**
(45) Registration Date: **07 October 2011**
(30) Convention priority data:
(31) Number (32) Date (33) Country
001829219-0001 02 Mar 2011 EUROPEAN COMMUNITY
(56) Related Art Documents: **Not Applicable**
(57) Statement of Newness and Distinctiveness: **Nil**



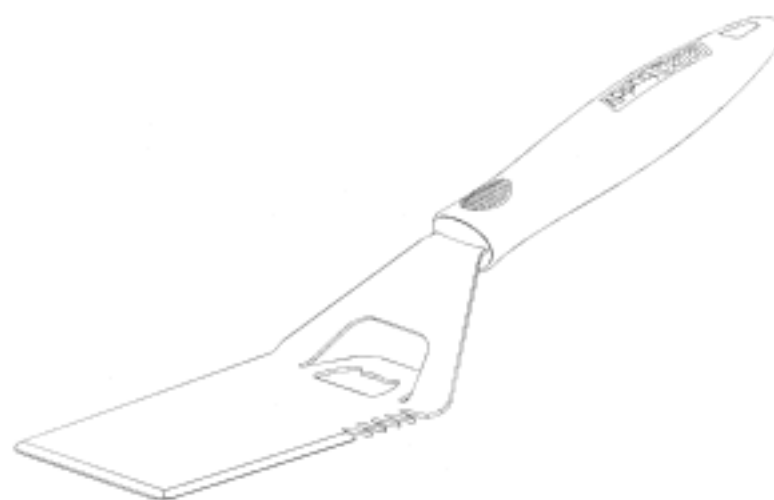
(21) Design Number: **13802/2011**
(22) Date of Filing Application: **26 August 2011**
(24) Date from which industrial property rights may have effect: **26 August 2011**
(54) Product in respect of which the design is registered: **Mixing tap**
(51) International Design Classification: **23-01H**
(74) Name(s) of Attorney(s): **Davies Collison Cave**
(71) Name(s) and Address(s) of Applicant(s):
Hansa Metallwerke AG
Sigmaringer Str. 107 D-70567 Stuttgart Germany
(72) Name(s) of Designer(s): **Michael Zeisel and Michael Lammel**
(45) Registration Date: **07 October 2011**
(30) Convention priority data:
(31) Number (32) Date (33) Country
001829219-0003 02 Mar 2011 EUROPEAN COMMUNITY
(56) Related Art Documents: **Not Applicable**
(57) Statement of Newness and Distinctiveness: **Nil**



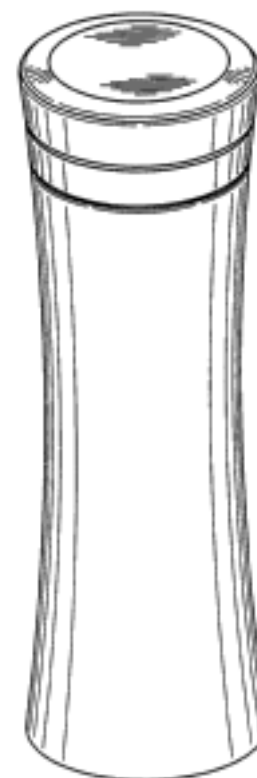
- (21) Design Number: **14015/2011**
(22) Date of Filing Application: **09 September 2011**
(24) Date from which industrial property rights may have effect: **09 September 2011**
(54) Product in respect of which the design is registered: **Cover for a breakaway switch**
(51) International Design Classification: **13-03D**
(74) Name(s) of Attorney(s):
(71) Name(s) and Address(s) of Applicant(s):
Dennis Ronald Gravalin
271 River Street Maclean New South Wales 2463 Australia
Sandra Lorraine Gravalin
271 River Street Maclean New South Wales 2463 Australia
(72) Name(s) of Designer(s): **Dennis Ronald Gravalin and Sandra Lorraine Gravalin**
(45) Registration Date: **07 October 2011**
(56) Related Art Documents: **Not Applicable**
(57) Statement of Newness and Distinctiveness: **Newness and Distinctiveness is claimed in the visual features of the design in the shape and configuration of a component cover as shown in the accompanied illustrations and representations in solid lines.**



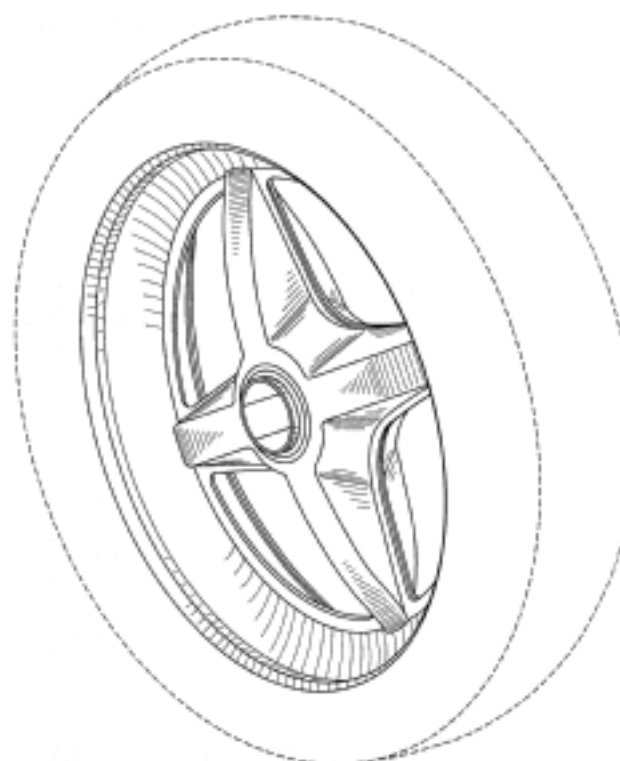
- (21) Design Number: **14008/2011**
(22) Date of Filing Application: **12 September 2011**
(24) Date from which industrial property rights may have effect: **12 September 2011**
(54) Product in respect of which the design is registered: **BBQ spatula**
(51) International Design Classification: **07-04**
(74) Name(s) of Attorney(s):
(71) Name(s) and Address(s) of Applicant(s):
Mayo Hardware Pty Ltd
34 Morley Avenue Rosebery New South Wales 2018 Australia
(72) Name(s) of Designer(s): **Barry Crone**
(45) Registration Date: **07 October 2011**
(56) Related Art Documents: **Not Applicable**
(57) Statement of Newness and Distinctiveness: **Nil**



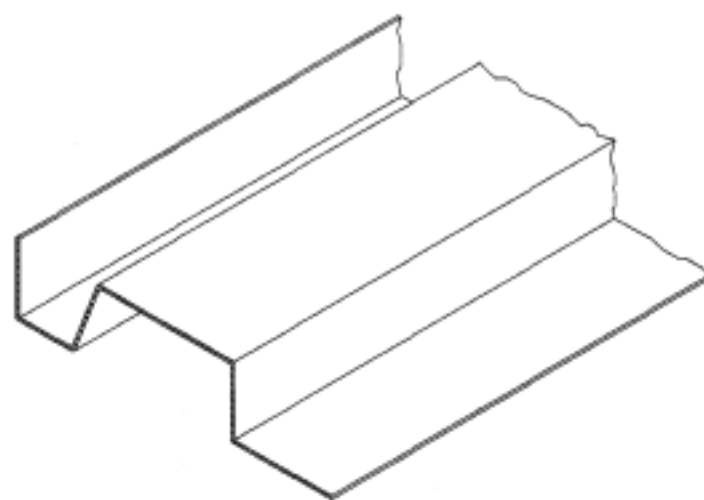
(21) Design Number: **14009/2011**
(22) Date of Filing Application: **08 September 2011**
(24) Date from which industrial property rights may have effect: **08 September 2011**
(54) Product in respect of which the design is registered: **Travel mug**
(51) International Design Classification: **07-01C**
(74) Name(s) of Attorney(s): **MALLESONS STEPHEN JAQUES**
(71) Name(s) and Address(s) of Applicant(s):
Pi-Design AG
Kantonsstrasse 100 6234 Triengen Switzerland
(72) Name(s) of Designer(s): **Jorgen Bodum**
(45) Registration Date: **07 October 2011**
(30) Convention priority data:
(31) Number (32) Date (33) Country
DM/075 790 29 Mar 2011 EUROPEAN COMMUNITY
(56) Related Art Documents: **Not Applicable**
(57) Statement of Newness and Distinctiveness: **Nil**



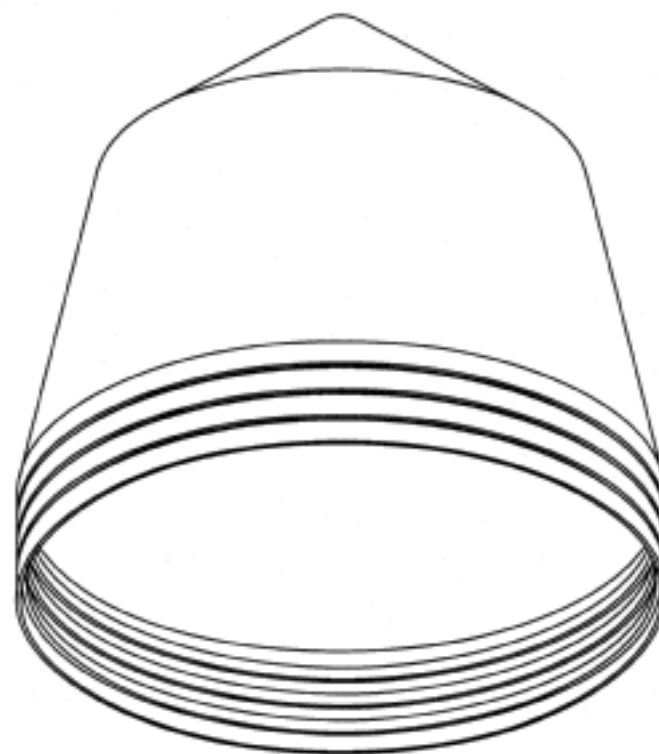
(21) Design Number: **14012/2011**
(22) Date of Filing Application: **12 September 2011**
(24) Date from which industrial property rights may have effect: **12 September 2011**
(54) Product in respect of which the design is registered: **Wheelbarrow wheel**
(51) International Design Classification: **12-12, 12-16A**
(74) Name(s) of Attorney(s): **FB Rice**
(71) Name(s) and Address(s) of Applicant(s):
Ames True Temper, Inc.
465 Railroad Avenue Camp Hill Pennsylvania 17011 United States of America
(72) Name(s) of Designer(s): **Stephen D. Hatcher and Eric Hyp**
(45) Registration Date: **07 October 2011**
(30) Convention priority data:
(31) Number (32) Date (33) Country
29/389057 06 Apr 2011 UNITED STATES OF AMERICA
(56) Related Art Documents: **Not Applicable**
(57) Statement of Newness and Distinctiveness: **Newness and distinctiveness reside in the features of the design as shown in the representations.**



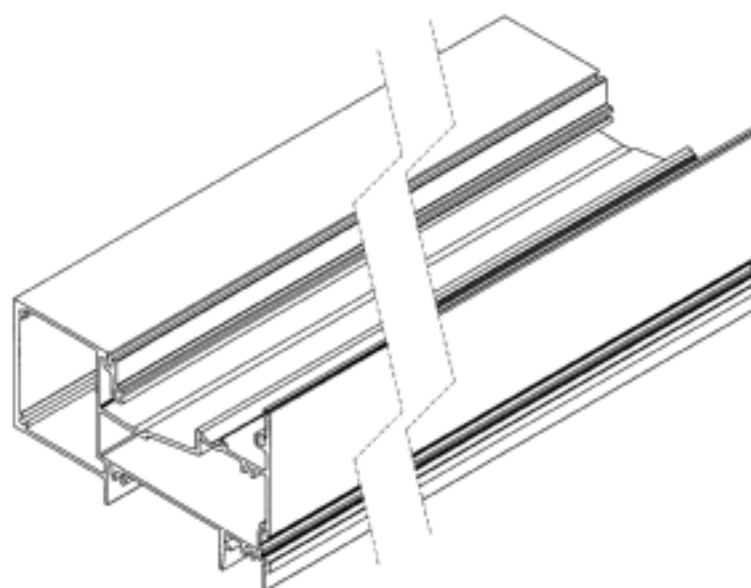
- (21) Design Number: **14014/2011**
(22) Date of Filing Application: **09 September 2011**
(24) Date from which industrial property rights may have effect: **09 September 2011**
(54) Product in respect of which the design is registered: **Metal door pockets**
(51) International Design Classification: **25-02B**
(74) Name(s) of Attorney(s):
(71) Name(s) and Address(s) of Applicant(s):
 D&K Home Security Pty Ltd
 Factory 4 8 Jesmond Road Croyden Victoria 3136 Australia
(72) Name(s) of Designer(s): **David Mackintosh**
(45) Registration Date: **07 October 2011**
(56) Related Art Documents: **Not Applicable**
(57) Statement of Newness and Distinctiveness: **Statement of newness and distinctiveness resides in the features of shape and configuration of the metal door pocket member of indefinite length, as shown in the accompanying drawings.**



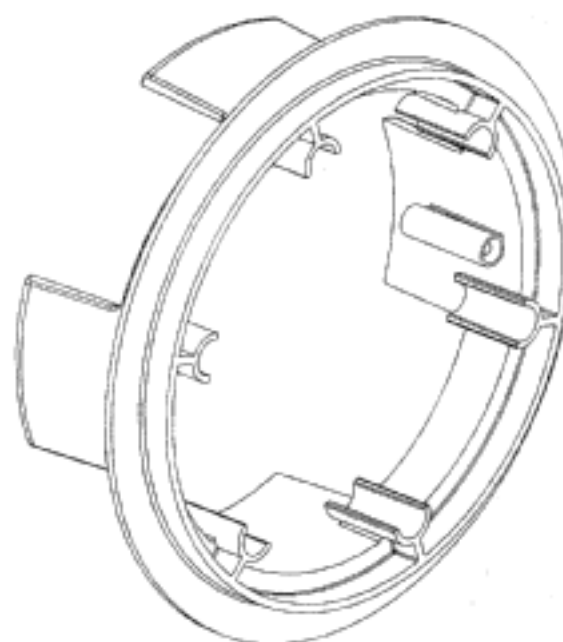
- (21) Design Number: **14154/2011**
(22) Date of Filing Application: **12 September 2011**
(24) Date from which industrial property rights may have effect: **12 September 2011**
(54) Product in respect of which the design is registered: **Pendant light**
(51) International Design Classification: **26-05D**
(74) Name(s) of Attorney(s):
(71) Name(s) and Address(s) of Applicant(s):
 Kate Stokes trading as Coco Flip
 22-24 Sackville Street Collingwood Victoria 3066 Australia
(72) Name(s) of Designer(s): **Kate Stokes**
(45) Registration Date: **07 October 2011**
(56) Related Art Documents: **Not Applicable**
(57) Statement of Newness and Distinctiveness: **Nil**



- (21) Design Number: **14180/2011**
(22) Date of Filing Application: **19 September 2011**
(24) Date from which industrial property rights may have effect: **19 September 2011**
(54) Product in respect of which the design is registered: **Bottom rolling bi-fold door**
(51) International Design Classification: **25-01K, 25-02B**
(74) Name(s) of Attorney(s):
(71) Name(s) and Address(s) of Applicant(s):
Dezinal Pty Ltd
C/- GCY Accountants Suites 1 & 2 Level 1 67 Lytton Road East Brisbane
Queensland 4169 Australia
(72) Name(s) of Designer(s): **Ronald Maxwell**
(45) Registration Date: **07 October 2011**
(56) Related Art Documents: **Not Applicable**
(57) Statement of Newness and Distinctiveness: **Bottom rolling inward opening high capacity transom to suit front glazed lowlite.**



- (21) Design Number: **13990/2011**
(22) Date of Filing Application: **09 September 2011**
(24) Date from which industrial property rights may have effect: **09 September 2011**
(54) Product in respect of which the design is registered: **Mounting ring**
(51) International Design Classification: **08-08NES, 23-01NES**
(74) Name(s) of Attorney(s): **Cotters Patent & Trade Mark Attorneys**
(71) Name(s) and Address(s) of Applicant(s):
Waterco Limited
36 South Street Rydalmere New South Wales 2116 Australia
(72) Name(s) of Designer(s): **Pradeep Kumar Tandon**
(45) Registration Date: **11 October 2011**
(56) Related Art Documents: **Not Applicable**
(57) Statement of Newness and Distinctiveness: **Newness and distinctiveness is claimed in the features of shape and/or configuration of a mounting ring as depicted in the accompanying drawings and in particular, the features of shape and/or configuration of the four pronged sides projecting from the ring.**

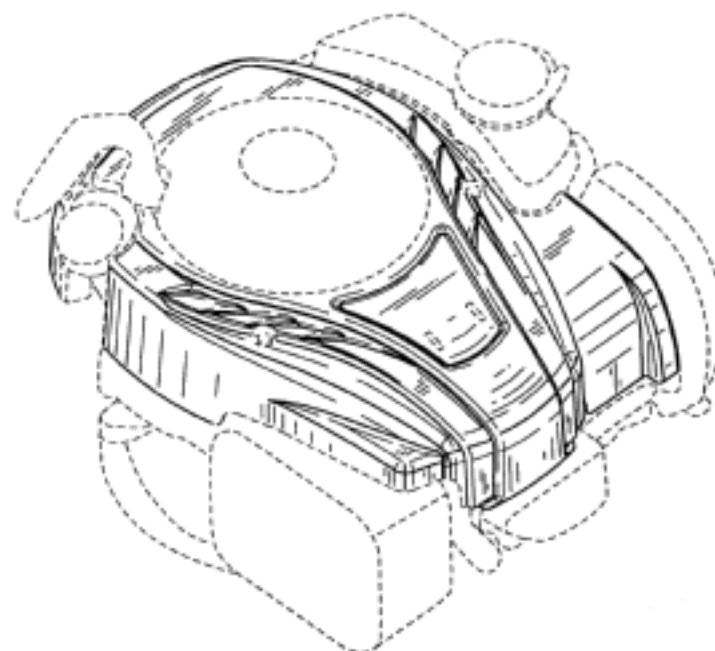


(21) Design Number: **13991/2011**
(22) Date of Filing Application: **09 September 2011**
(24) Date from which industrial property rights may have effect: **09 September 2011**
(54) Product in respect of which the design is registered: **Cover for an engine**
(51) International Design Classification: **15-01**
(74) Name(s) of Attorney(s): **SPRUSON & FERGUSON**
(71) Name(s) and Address(s) of Applicant(s):
Briggs & Stratton Corporation
12301 West Wirth Street Wauwatosa Wisconsin 53222 United States of America

(72) Name(s) of Designer(s): **Carl T. Tiefenthaler**
(45) Registration Date: **11 October 2011**

(30) Convention priority data:
(31) Number (32) Date (33) Country
29/387394 11 Mar 2011 UNITED STATES OF AMERICA

(56) Related Art Documents: **Not Applicable**
(57) Statement of Newness and Distinctiveness: **Newness and distinctiveness is claimed in those features of shape and/or configuration of a Cover for an engine illustrated in continuous lines in the accompanying representations.**

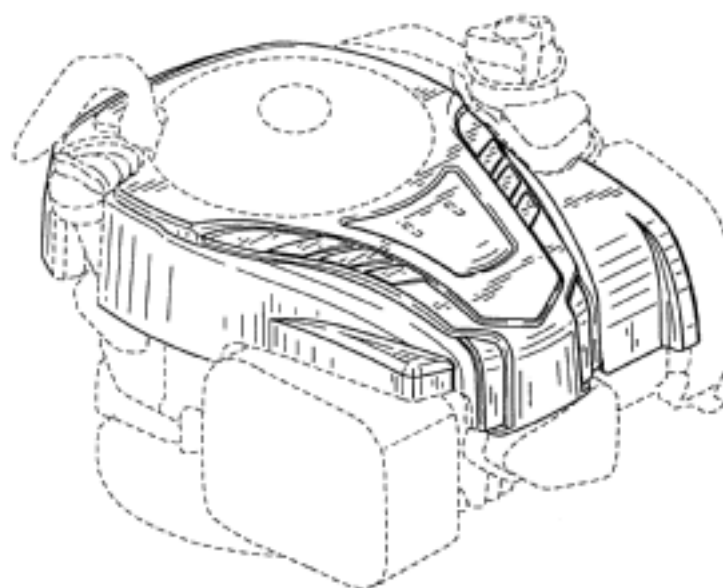


(21) Design Number: **13992/2011**
(22) Date of Filing Application: **09 September 2011**
(24) Date from which industrial property rights may have effect: **09 September 2011**
(54) Product in respect of which the design is registered: **Cover for an engine**
(51) International Design Classification: **15-01**
(74) Name(s) of Attorney(s): **SPRUSON & FERGUSON**
(71) Name(s) and Address(s) of Applicant(s):
Briggs & Stratton Corporation
12301 West Wirth Street Wauwatosa Wisconsin 53222 United States of America

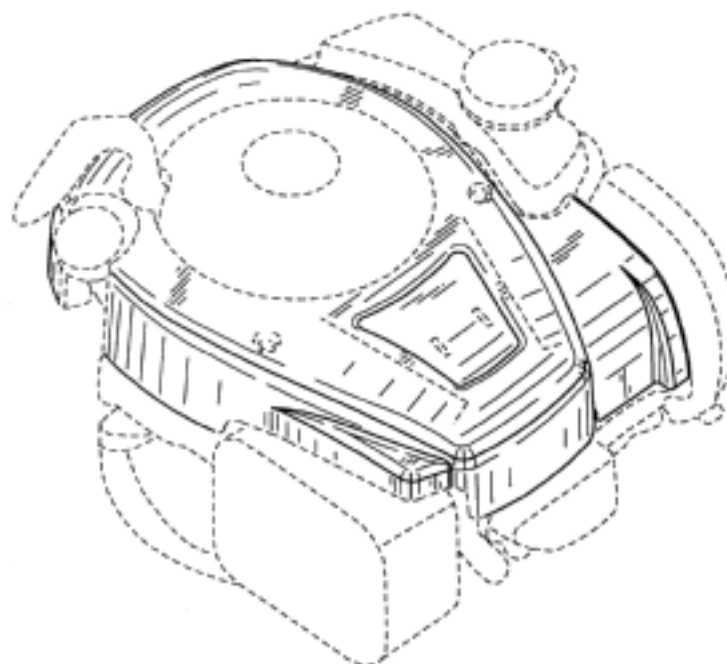
(72) Name(s) of Designer(s): **Carl T. Tiefenthaler**
(45) Registration Date: **11 October 2011**

(30) Convention priority data:
(31) Number (32) Date (33) Country
29/387394 11 Mar 2011 UNITED STATES OF AMERICA

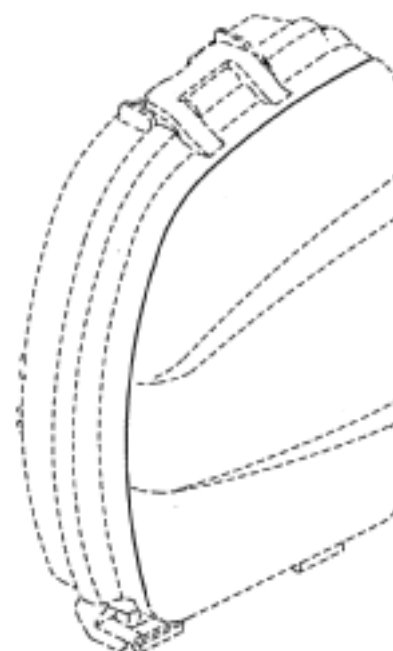
(56) Related Art Documents: **Not Applicable**
(57) Statement of Newness and Distinctiveness: **Newness and distinctiveness is claimed in those features of shape and/or configuration of a Cover for an engine illustrated in continuous lines in the accompanying representations.**



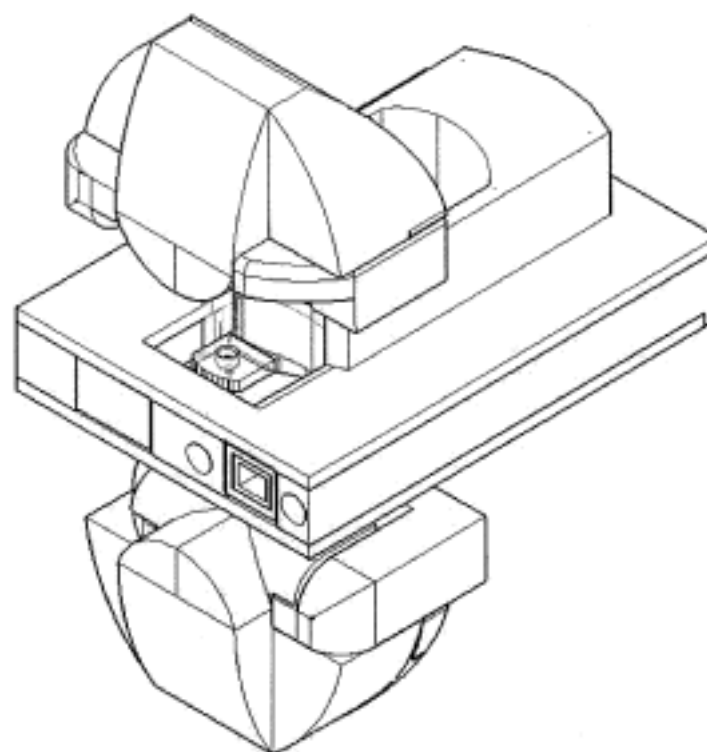
(21) Design Number: **13993/2011**
(22) Date of Filing Application: **09 September 2011**
(24) Date from which industrial property rights may have effect: **09 September 2011**
(54) Product in respect of which the design is registered: **Cover for an engine**
(51) International Design Classification: **15-01**
(74) Name(s) of Attorney(s): **SPRUSON & FERGUSON**
(71) Name(s) and Address(s) of Applicant(s):
Briggs & Stratton Corporation
12301 West Wirth Street Wauwatosa Wisconsin 53222 United States of America
(72) Name(s) of Designer(s): **Carl T. Tiefenthaler**
(45) Registration Date: **11 October 2011**
(30) Convention priority data:
(31) Number (32) Date (33) Country
29/387394 11 Mar 2011 UNITED STATES OF AMERICA
(56) Related Art Documents: **Not Applicable**
(57) Statement of Newness and Distinctiveness: **Newness and distinctiveness is claimed in those features of shape and/or configuration of a Cover for an engine illustrated in continuous lines in the accompanying representations.**



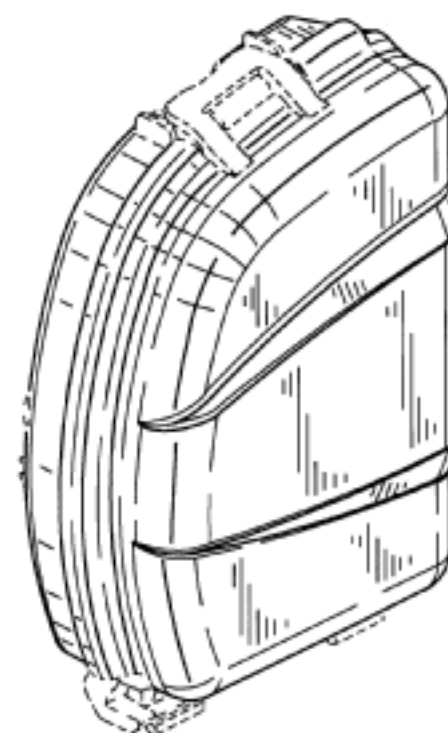
(21) Design Number: **13994/2011**
(22) Date of Filing Application: **09 September 2011**
(24) Date from which industrial property rights may have effect: **09 September 2011**
(54) Product in respect of which the design is registered: **Air cleaner**
(51) International Design Classification: **12-16NES, 23-04, 15-03B**
(74) Name(s) of Attorney(s): **SPRUSON & FERGUSON**
(71) Name(s) and Address(s) of Applicant(s):
Briggs & Stratton Corporation
12301 West Wirth Street Wauwatosa Wisconsin 53222 United States of America
(72) Name(s) of Designer(s): **Carl T. Tiefenthaler**
(45) Registration Date: **11 October 2011**
(30) Convention priority data:
(31) Number (32) Date (33) Country
29387399 11 Mar 2011 UNITED STATES OF AMERICA
(56) Related Art Documents: **Not Applicable**
(57) Statement of Newness and Distinctiveness: **Newness and distinctiveness is claimed in those features of shape and/or configuration of an air cleaner illustrated in continuous lines in the accompanying representations.**



(21) Design Number: **13995/2011**
(22) Date of Filing Application: **09 September 2011**
(24) Date from which industrial property rights may have effect: **09 September 2011**
(54) Product in respect of which the design is registered: **A locking assembly**
(51) International Design Classification: **08-07**
(74) Name(s) of Attorney(s): **SPRUSON & FERGUSON**
(71) Name(s) and Address(s) of Applicant(s):
David Robin Bean
386 Bourke Street Surry Hills New South Wales 2010 Australia
(72) Name(s) of Designer(s): **David Robin Bean**
(45) Registration Date: **11 October 2011**
(56) Related Art Documents: **Not Applicable**
(57) Statement of Newness and Distinctiveness: **Newness and distinctiveness is claimed in the features of shape and/or configuration of a locking assembly as illustrated in the accompanying representations.**



(21) Design Number: **13996/2011**
(22) Date of Filing Application: **09 September 2011**
(24) Date from which industrial property rights may have effect: **09 September 2011**
(54) Product in respect of which the design is registered: **Air cleaner**
(51) International Design Classification: **12-16NES, 23-04, 15-03B**
(74) Name(s) of Attorney(s): **SPRUSON & FERGUSON**
(71) Name(s) and Address(s) of Applicant(s):
Briggs & Stratton Corporation
12301 West Wirth Street Wauwatosa Wisconsin 53222 United States of America
(72) Name(s) of Designer(s): **Carl T. Tiefenthaler**
(45) Registration Date: **11 October 2011**
(30) Convention priority data:
(31) Number (32) Date (33) Country
29387399 11 Mar 2011 UNITED STATES OF AMERICA
(56) Related Art Documents: **Not Applicable**
(57) Statement of Newness and Distinctiveness: **Newness and distinctiveness is claimed in those features of shape and/or configuration of an air cleaner illustrated in continuous lines in the accompanying representations.**

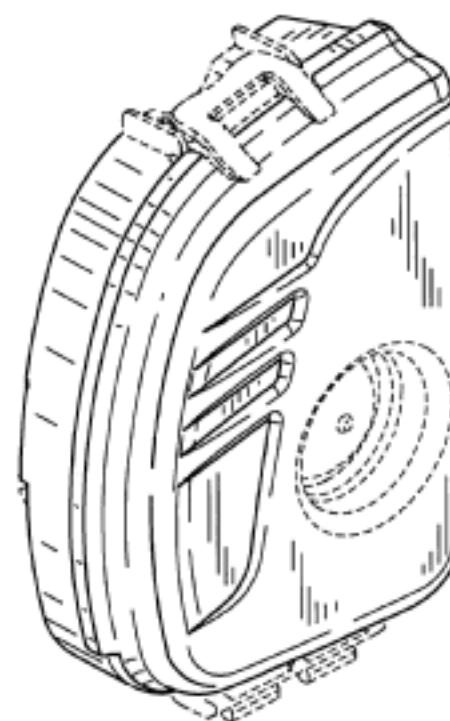


(21) Design Number: **13997/2011**
(22) Date of Filing Application: **09 September 2011**
(24) Date from which industrial property rights may have effect: **09 September 2011**
(54) Product in respect of which the design is registered: **Air cleaner**
(51) International Design Classification: **15-03B**
(74) Name(s) of Attorney(s): **SPRUSON & FERGUSON**
(71) Name(s) and Address(s) of Applicant(s):
Briggs & Stratton Corporation
12301 West Wirth Street Wauwatosa Wisconsin 53222 United States of America

(72) Name(s) of Designer(s): **Carl T. Tiefenthaler**
(45) Registration Date: **11 October 2011**

(30) Convention priority data:
(31) Number (32) Date (33) Country
29387399 11 Mar 2011 UNITED STATES OF AMERICA

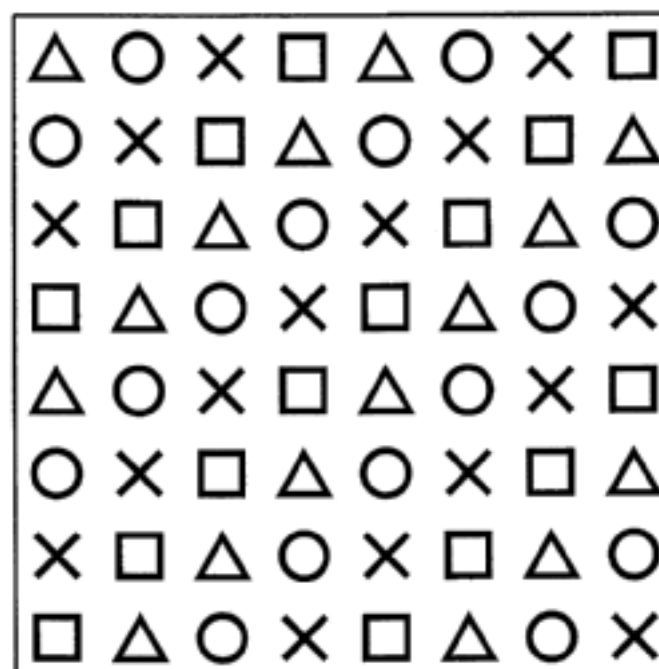
(56) Related Art Documents: **Not Applicable**
(57) Statement of Newness and Distinctiveness: **Newness and distinctiveness is claimed in those features of shape and/or configuration of an air cleaner illustrated in continuous lines in the accompanying representations.**



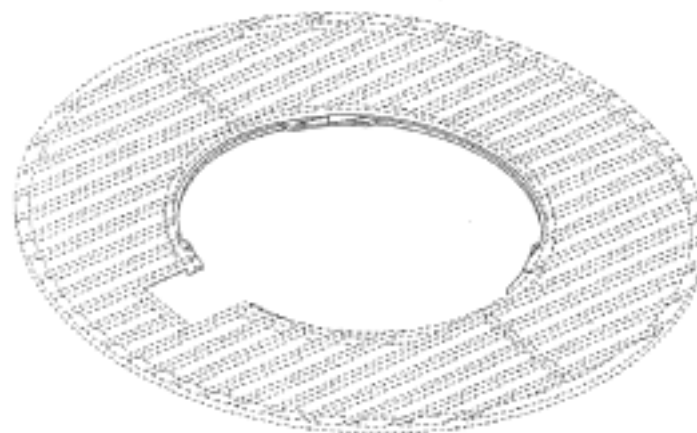
(21) Design Number: **14004/2011**
(22) Date of Filing Application: **09 September 2011**
(24) Date from which industrial property rights may have effect: **09 September 2011**
(54) Product in respect of which the design is registered: **Sheet material**
(51) International Design Classification: **05-05NES**
(74) Name(s) of Attorney(s): **Shelston IP**
(71) Name(s) and Address(s) of Applicant(s):
Sony Computer Entertainment Inc.
1-7-1 Konan Minato-ku Tokyo Japan

(72) Name(s) of Designer(s): **Takashi Sogabe**
(45) Registration Date: **11 October 2011**
(30) Convention priority data:
(31) Number (32) Date (33) Country
2011-015290 04 Jul 2011 JAPAN

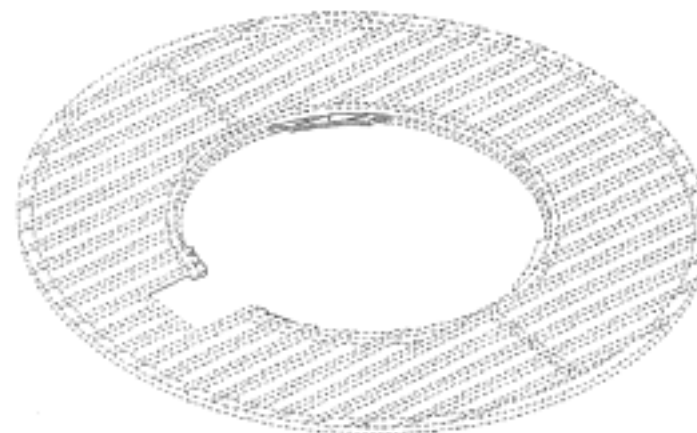
(56) Related Art Documents: **Not Applicable**
(57) Statement of Newness and Distinctiveness: **Newness and distinctiveness reside in the features of pattern and/or ornamentation applied to the top surface of a sheet material as shown in the accompanying representations.**



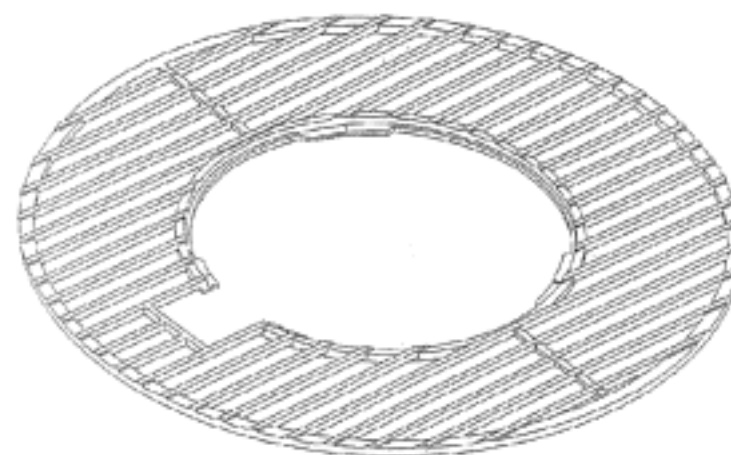
(21) Design Number: **13333/2011**
(22) Date of Filing Application: **29 July 2011**
(24) Date from which industrial property rights may have effect: **29 July 2011**
(54) Product in respect of which the design is registered: **Grill and insert**
(51) International Design Classification: **07-02E**
(74) Name(s) of Attorney(s): **Griffith Hack**
(71) Name(s) and Address(s) of Applicant(s):
Techtronic Power Tools Technology Limited
Trident Chambers PO Box 146 Road Town Tortola Virgin Islands
(British)
(72) Name(s) of Designer(s): **Thomas Parel and Zach Scott and Scott Kippes**
and Adam Clark
(45) Registration Date: **11 October 2011**
(30) Convention priority data:
(31) Number (32) Date (33) Country
29/384,502 31 Jan 2011 UNITED STATES OF AMERICA
(56) Related Art Documents: **Not Applicable**
(57) Statement of Newness and Distinctiveness: **Nil**



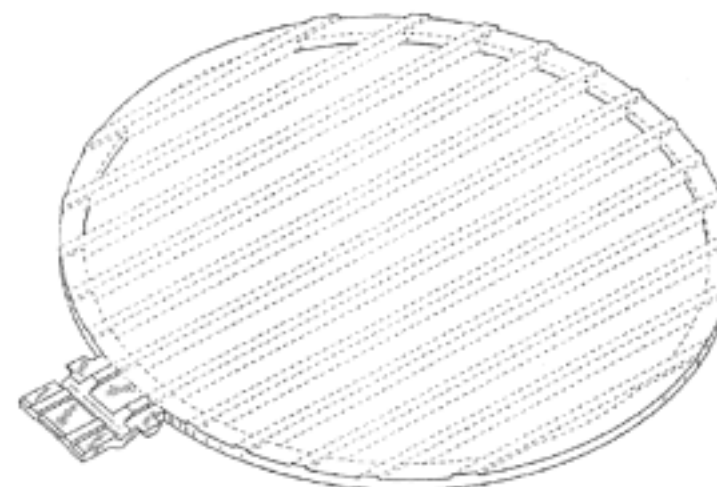
(21) Design Number: **13334/2011**
(22) Date of Filing Application: **29 July 2011**
(24) Date from which industrial property rights may have effect: **29 July 2011**
(54) Product in respect of which the design is registered: **Grill and insert**
(51) International Design Classification: **07-02E**
(74) Name(s) of Attorney(s): **Griffith Hack**
(71) Name(s) and Address(s) of Applicant(s):
Techtronic Power Tools Technology Limited
Trident Chambers PO Box 146 Road Town Tortola Virgin Islands
(British)
(72) Name(s) of Designer(s): **Thomas Parel and Zach Scott and Scott Kippes**
and Adam Clark
(45) Registration Date: **11 October 2011**
(30) Convention priority data:
(31) Number (32) Date (33) Country
29/384,502 31 Jan 2011 UNITED STATES OF AMERICA
(56) Related Art Documents: **Not Applicable**
(57) Statement of Newness and Distinctiveness: **Nil**



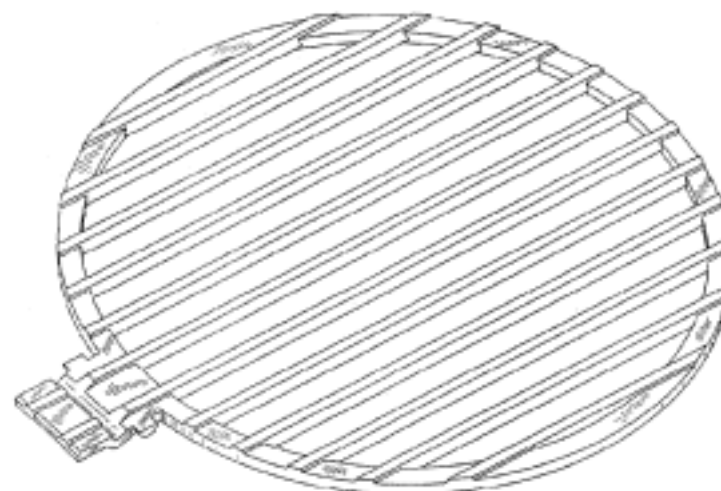
(21) Design Number: **13335/2011**
(22) Date of Filing Application: **29 July 2011**
(24) Date from which industrial property rights may have effect: **29 July 2011**
(54) Product in respect of which the design is registered: **Grill and insert**
(51) International Design Classification: **07-02E**
(74) Name(s) of Attorney(s): **Griffith Hack**
(71) Name(s) and Address(s) of Applicant(s):
Techtronic Power Tools Technology Limited
Trident Chambers PO Box 146 Road Town Tortola Virgin Islands
(British)
(72) Name(s) of Designer(s): **Thomas Parel and Zach Scott and Scott Kippes**
and Adam Clark
(45) Registration Date: **11 October 2011**
(30) Convention priority data:
(31) Number (32) Date (33) Country
29/384,502 31 Jan 2011 UNITED STATES OF AMERICA
(56) Related Art Documents: **Not Applicable**
(57) Statement of Newness and Distinctiveness: **Nil**



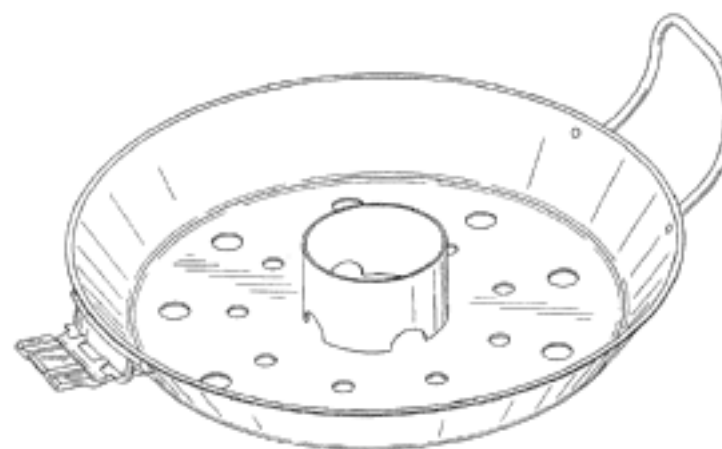
(21) Design Number: **13336/2011**
(22) Date of Filing Application: **29 July 2011**
(24) Date from which industrial property rights may have effect: **29 July 2011**
(54) Product in respect of which the design is registered: **Grill and insert**
(51) International Design Classification: **07-02E**
(74) Name(s) of Attorney(s): **Griffith Hack**
(71) Name(s) and Address(s) of Applicant(s):
Techtronic Power Tools Technology Limited
Trident Chambers PO Box 146 Road Town Tortola Virgin Islands
(British)
(72) Name(s) of Designer(s): **Thomas Parel and Zach Scott and Scott Kippes**
and Adam Clark
(45) Registration Date: **11 October 2011**
(30) Convention priority data:
(31) Number (32) Date (33) Country
29/384,502 31 Jan 2011 UNITED STATES OF AMERICA
(56) Related Art Documents: **Not Applicable**
(57) Statement of Newness and Distinctiveness: **Nil**



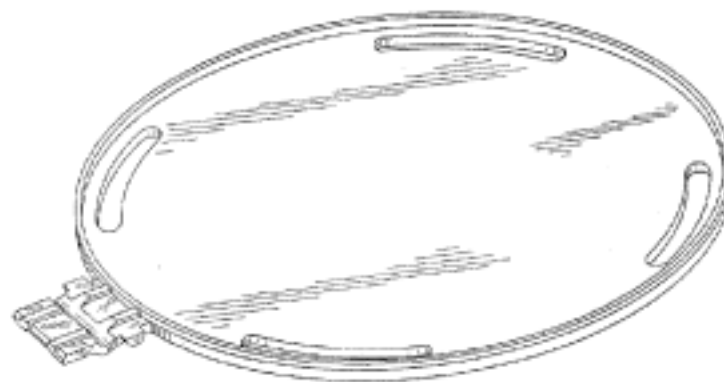
(21) Design Number: **13337/2011**
(22) Date of Filing Application: **29 July 2011**
(24) Date from which industrial property rights may have effect: **29 July 2011**
(54) Product in respect of which the design is registered: **Grill and insert**
(51) International Design Classification: **07-02E**
(74) Name(s) of Attorney(s): **Griffith Hack**
(71) Name(s) and Address(s) of Applicant(s):
Techtronic Power Tools Technology Limited
Trident Chambers PO Box 146 Road Town Tortola Virgin Islands
(British)
(72) Name(s) of Designer(s): **Thomas Parel and Zach Scott and Scott Kippes**
and Adam Clark
(45) Registration Date: **11 October 2011**
(30) Convention priority data:
(31) Number (32) Date (33) Country
29/384,502 31 Jan 2011 UNITED STATES OF AMERICA
(56) Related Art Documents: **Not Applicable**
(57) Statement of Newness and Distinctiveness: **Nil**



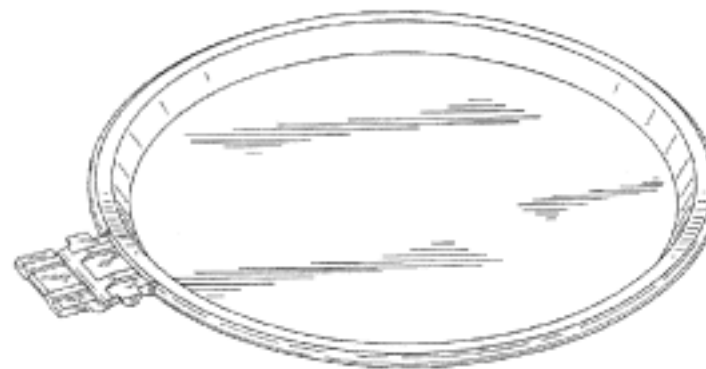
(21) Design Number: **13338/2011**
(22) Date of Filing Application: **29 July 2011**
(24) Date from which industrial property rights may have effect: **29 July 2011**
(54) Product in respect of which the design is registered: **Grill and insert**
(51) International Design Classification: **07-02E**
(74) Name(s) of Attorney(s): **Griffith Hack**
(71) Name(s) and Address(s) of Applicant(s):
Techtronic Power Tools Technology Limited
Trident Chambers PO Box 146 Road Town Tortola Virgin Islands
(British)
(72) Name(s) of Designer(s): **Thomas Parel and Zach Scott and Scott Kippes**
and Adam Clark
(45) Registration Date: **11 October 2011**
(30) Convention priority data:
(31) Number (32) Date (33) Country
29/384,502 31 Jan 2011 UNITED STATES OF AMERICA
(56) Related Art Documents: **Not Applicable**
(57) Statement of Newness and Distinctiveness: **Nil**



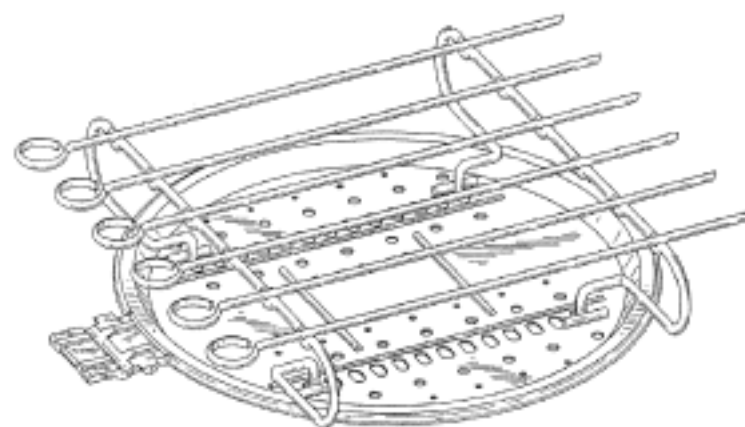
(21) Design Number: **13339/2011**
(22) Date of Filing Application: **29 July 2011**
(24) Date from which industrial property rights may have effect: **29 July 2011**
(54) Product in respect of which the design is registered: **Grill and insert**
(51) International Design Classification: **07-02E**
(74) Name(s) of Attorney(s): **Griffith Hack**
(71) Name(s) and Address(s) of Applicant(s):
Techtronic Power Tools Technology Limited
Trident Chambers PO Box 146 Road Town Tortola Virgin Islands
(British)
(72) Name(s) of Designer(s): **Thomas Parel and Zach Scott and Scott Kippes**
and Adam Clark
(45) Registration Date: **11 October 2011**
(30) Convention priority data:
(31) Number (32) Date (33) Country
29/384,502 31 Jan 2011 UNITED STATES OF AMERICA
(56) Related Art Documents: **Not Applicable**
(57) Statement of Newness and Distinctiveness: **Nil**



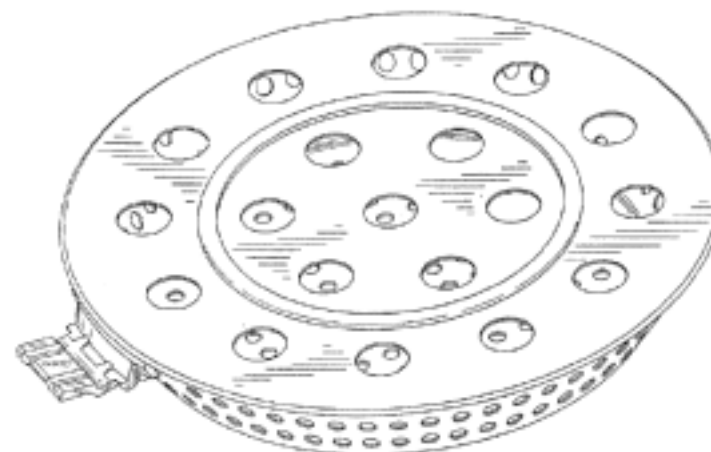
(21) Design Number: **13340/2011**
(22) Date of Filing Application: **29 July 2011**
(24) Date from which industrial property rights may have effect: **29 July 2011**
(54) Product in respect of which the design is registered: **Grill and insert**
(51) International Design Classification: **07-02E**
(74) Name(s) of Attorney(s): **Griffith Hack**
(71) Name(s) and Address(s) of Applicant(s):
Techtronic Power Tools Technology Limited
Trident Chambers PO Box 146 Road Town Tortola Virgin Islands
(British)
(72) Name(s) of Designer(s): **Thomas Parel and Zach Scott and Scott Kippes**
and Adam Clark
(45) Registration Date: **11 October 2011**
(30) Convention priority data:
(31) Number (32) Date (33) Country
29/384,502 31 Jan 2011 UNITED STATES OF AMERICA
(56) Related Art Documents: **Not Applicable**
(57) Statement of Newness and Distinctiveness: **Nil**



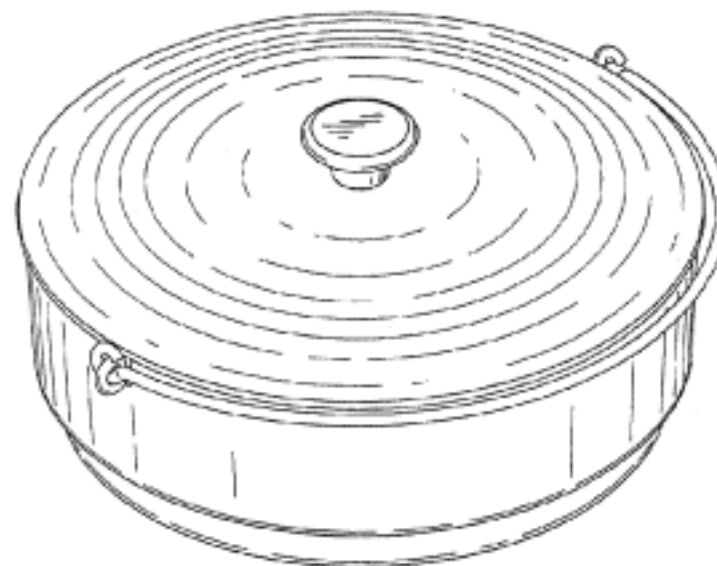
(21) Design Number: **13341/2011**
(22) Date of Filing Application: **29 July 2011**
(24) Date from which industrial property rights may have effect: **29 July 2011**
(54) Product in respect of which the design is registered: **Grill and insert**
(51) International Design Classification: **07-02E**
(74) Name(s) of Attorney(s): **Griffith Hack**
(71) Name(s) and Address(s) of Applicant(s):
Techtronic Power Tools Technology Limited
Trident Chambers PO Box 146 Road Town Tortola Virgin Islands
(British)
(72) Name(s) of Designer(s): **Thomas Parel and Zach Scott and Scott Kippes**
and Adam Clark
(45) Registration Date: **11 October 2011**
(30) Convention priority data:
(31) Number (32) Date (33) Country
29/384,505 31 Jan 2011 UNITED STATES OF AMERICA
(56) Related Art Documents: **Not Applicable**
(57) Statement of Newness and Distinctiveness: **Nil**



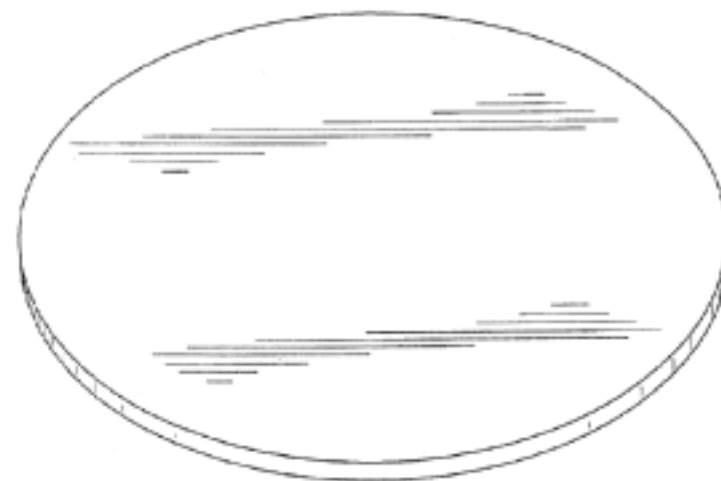
(21) Design Number: **13342/2011**
(22) Date of Filing Application: **29 July 2011**
(24) Date from which industrial property rights may have effect: **29 July 2011**
(54) Product in respect of which the design is registered: **Grill and insert**
(51) International Design Classification: **07-02E**
(74) Name(s) of Attorney(s): **Griffith Hack**
(71) Name(s) and Address(s) of Applicant(s):
Techtronic Power Tools Technology Limited
Trident Chambers PO Box 146 Road Town Tortola Virgin Islands
(British)
(72) Name(s) of Designer(s): **Thomas Parel and Zach Scott and Scott Kippes**
and Adam Clark
(45) Registration Date: **11 October 2011**
(30) Convention priority data:
(31) Number (32) Date (33) Country
29/384,502 31 Jan 2011 UNITED STATES OF AMERICA
(56) Related Art Documents: **Not Applicable**
(57) Statement of Newness and Distinctiveness: **Nil**



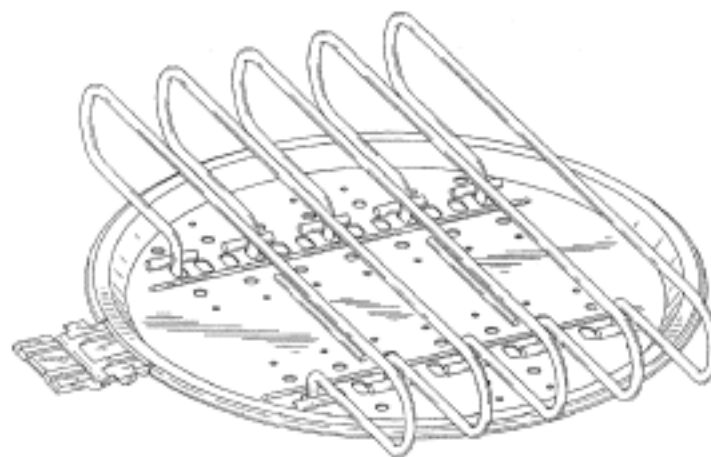
(21) Design Number: **13343/2011**
(22) Date of Filing Application: **29 July 2011**
(24) Date from which industrial property rights may have effect: **29 July 2011**
(54) Product in respect of which the design is registered: **Grill and insert**
(51) International Design Classification: **07-02E**
(74) Name(s) of Attorney(s): **Griffith Hack**
(71) Name(s) and Address(s) of Applicant(s):
Techtronic Power Tools Technology Limited
Trident Chambers PO Box 146 Road Town Tortola Virgin Islands
(British)
(72) Name(s) of Designer(s): **Thomas Parel and Zach Scott and Scott Kippes**
and Adam Clark
(45) Registration Date: **11 October 2011**
(30) Convention priority data:
(31) Number (32) Date (33) Country
29/384,502 31 Jan 2011 UNITED STATES OF AMERICA
(56) Related Art Documents: **Not Applicable**
(57) Statement of Newness and Distinctiveness: **Nil**



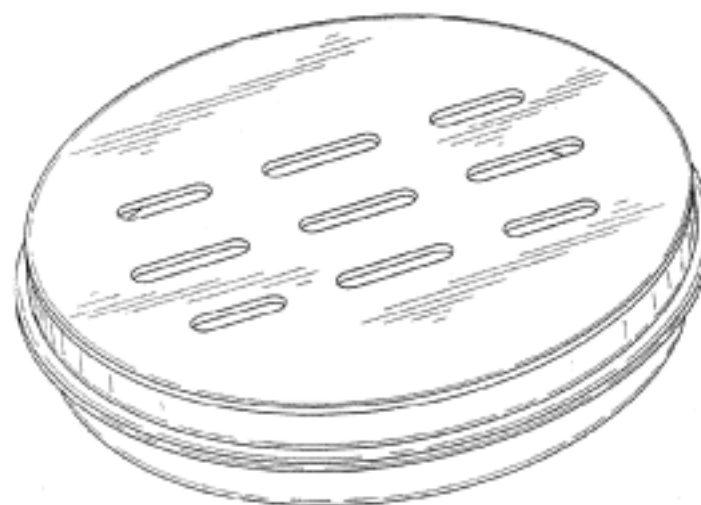
(21) Design Number: **13344/2011**
(22) Date of Filing Application: **29 July 2011**
(24) Date from which industrial property rights may have effect: **29 July 2011**
(54) Product in respect of which the design is registered: **Grill and insert**
(51) International Design Classification: **07-02E**
(74) Name(s) of Attorney(s): **Griffith Hack**
(71) Name(s) and Address(s) of Applicant(s):
Techtronic Power Tools Technology Limited
Trident Chambers PO Box 146 Road Town Tortola Virgin Islands
(British)
(72) Name(s) of Designer(s): **Thomas Parel and Zach Scott and Scott Kippes**
and Adam Clark
(45) Registration Date: **11 October 2011**
(30) Convention priority data:
(31) Number (32) Date (33) Country
29/384,502 31 Jan 2011 UNITED STATES OF AMERICA
(56) Related Art Documents: **Not Applicable**
(57) Statement of Newness and Distinctiveness: **Nil**



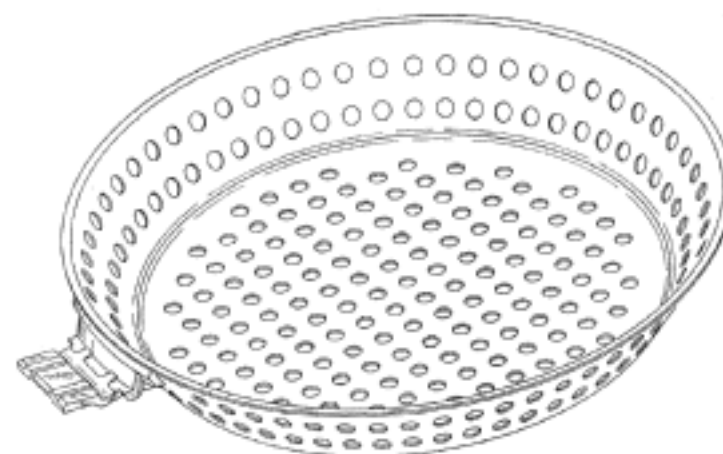
(21) Design Number: **13345/2011**
(22) Date of Filing Application: **29 July 2011**
(24) Date from which industrial property rights may have effect: **29 July 2011**
(54) Product in respect of which the design is registered: **Grill and insert**
(51) International Design Classification: **07-02E**
(74) Name(s) of Attorney(s): **Griffith Hack**
(71) Name(s) and Address(s) of Applicant(s):
Techtronic Power Tools Technology Limited
Trident Chambers PO Box 146 Road Town Tortola Virgin Islands
(British)
(72) Name(s) of Designer(s): **Thomas Parel and Zach Scott and Scott Kippes**
and Adam Clark
(45) Registration Date: **11 October 2011**
(30) Convention priority data:
(31) Number (32) Date (33) Country
29/384,502 31 Jan 2011 UNITED STATES OF AMERICA
(56) Related Art Documents: **Not Applicable**
(57) Statement of Newness and Distinctiveness: **Nil**



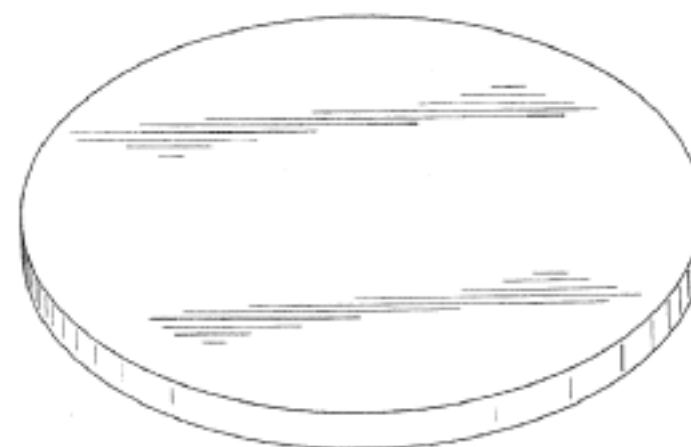
(21) Design Number: **13346/2011**
(22) Date of Filing Application: **29 July 2011**
(24) Date from which industrial property rights may have effect: **29 July 2011**
(54) Product in respect of which the design is registered: **Grill and insert**
(51) International Design Classification: **07-02E**
(74) Name(s) of Attorney(s): **Griffith Hack**
(71) Name(s) and Address(s) of Applicant(s):
Techtronic Power Tools Technology Limited
Trident Chambers PO Box 146 Road Town Tortola Virgin Islands
(British)
(72) Name(s) of Designer(s): **Thomas Parel and Zach Scott and Scott Kippes**
and Adam Clark
(45) Registration Date: **11 October 2011**
(30) Convention priority data:
(31) Number (32) Date (33) Country
29/384,502 31 Jan 2011 UNITED STATES OF AMERICA
(56) Related Art Documents: **Not Applicable**
(57) Statement of Newness and Distinctiveness: **Nil**



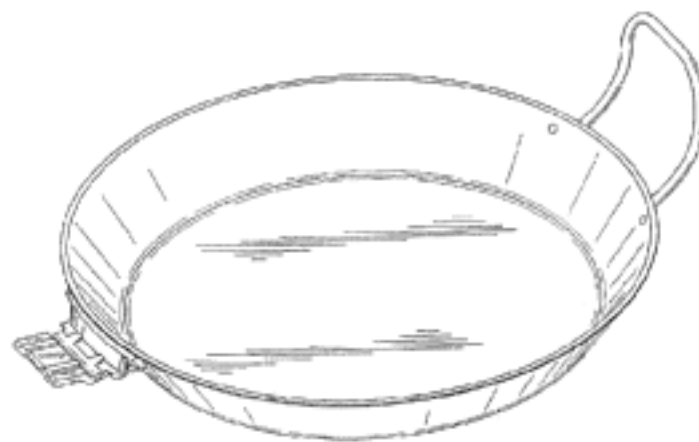
(21) Design Number: **13347/2011**
(22) Date of Filing Application: **29 July 2011**
(24) Date from which industrial property rights may have effect: **29 July 2011**
(54) Product in respect of which the design is registered: **Grill and insert**
(51) International Design Classification: **07-02E**
(74) Name(s) of Attorney(s): **Griffith Hack**
(71) Name(s) and Address(s) of Applicant(s):
Techtronic Power Tools Technology Limited
Trident Chambers PO Box 146 Road Town Tortola Virgin Islands
(British)
(72) Name(s) of Designer(s): **Thomas Parel and Zach Scott and Scott Kippes**
and Adam Clark
(45) Registration Date: **11 October 2011**
(30) Convention priority data:
(31) Number (32) Date (33) Country
29/384,502 31 Jan 2011 UNITED STATES OF AMERICA
(56) Related Art Documents: **Not Applicable**
(57) Statement of Newness and Distinctiveness: **Nil**



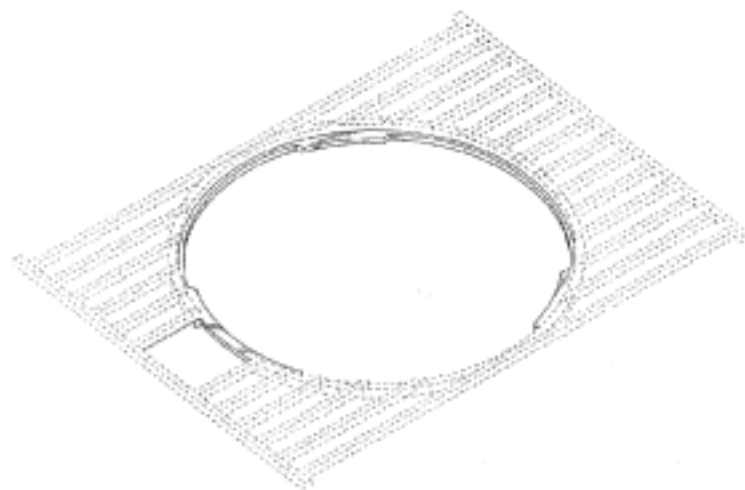
(21) Design Number: **13348/2011**
(22) Date of Filing Application: **29 July 2011**
(24) Date from which industrial property rights may have effect: **29 July 2011**
(54) Product in respect of which the design is registered: **Grill and insert**
(51) International Design Classification: **07-02E**
(74) Name(s) of Attorney(s): **Griffith Hack**
(71) Name(s) and Address(s) of Applicant(s):
Techtronic Power Tools Technology Limited
Trident Chambers PO Box 146 Road Town Tortola Virgin Islands
(British)
(72) Name(s) of Designer(s): **Thomas Parel and Zach Scott and Scott Kippes**
and Adam Clark
(45) Registration Date: **11 October 2011**
(30) Convention priority data:
(31) Number (32) Date (33) Country
29/384,502 31 Jan 2011 UNITED STATES OF AMERICA
(56) Related Art Documents: **Not Applicable**
(57) Statement of Newness and Distinctiveness: **Nil**



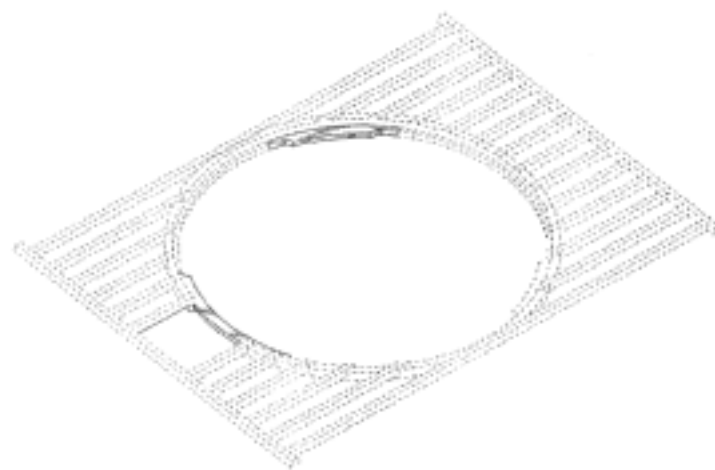
(21) Design Number: **13349/2011**
(22) Date of Filing Application: **29 July 2011**
(24) Date from which industrial property rights may have effect: **29 July 2011**
(54) Product in respect of which the design is registered: **Grill and insert**
(51) International Design Classification: **07-02E**
(74) Name(s) of Attorney(s): **Griffith Hack**
(71) Name(s) and Address(s) of Applicant(s):
Techtronic Power Tools Technology Limited
Trident Chambers PO Box 146 Road Town Tortola Virgin Islands
(British)
(72) Name(s) of Designer(s): **Thomas Parel and Zach Scott and Scott Kippes**
and Adam Clark
(45) Registration Date: **11 October 2011**
(30) Convention priority data:
(31) Number (32) Date (33) Country
29/384,502 31 Jan 2011 UNITED STATES OF AMERICA
(56) Related Art Documents: **Not Applicable**
(57) Statement of Newness and Distinctiveness: **Nil**



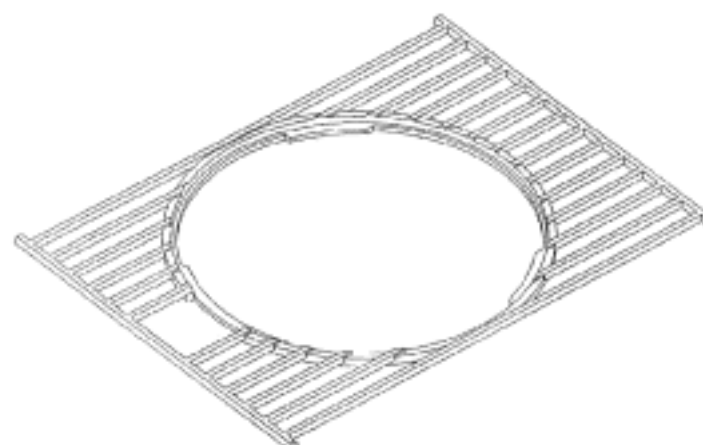
(21) Design Number: **13350/2011**
(22) Date of Filing Application: **29 July 2011**
(24) Date from which industrial property rights may have effect: **29 July 2011**
(54) Product in respect of which the design is registered: **Grill and insert**
(51) International Design Classification: **07-02E**
(74) Name(s) of Attorney(s): **Griffith Hack**
(71) Name(s) and Address(s) of Applicant(s):
Techtronic Power Tools Technology Limited
Trident Chambers PO Box 146 Road Town Tortola Virgin Islands
(British)
(72) Name(s) of Designer(s): **Thomas Parel and Zach Scott and Scott Kippes**
and Adam Clark
(45) Registration Date: **11 October 2011**
(30) Convention priority data:
(31) Number (32) Date (33) Country
29/384,505 31 Jan 2011 UNITED STATES OF AMERICA
(56) Related Art Documents: **Not Applicable**
(57) Statement of Newness and Distinctiveness: **Nil**



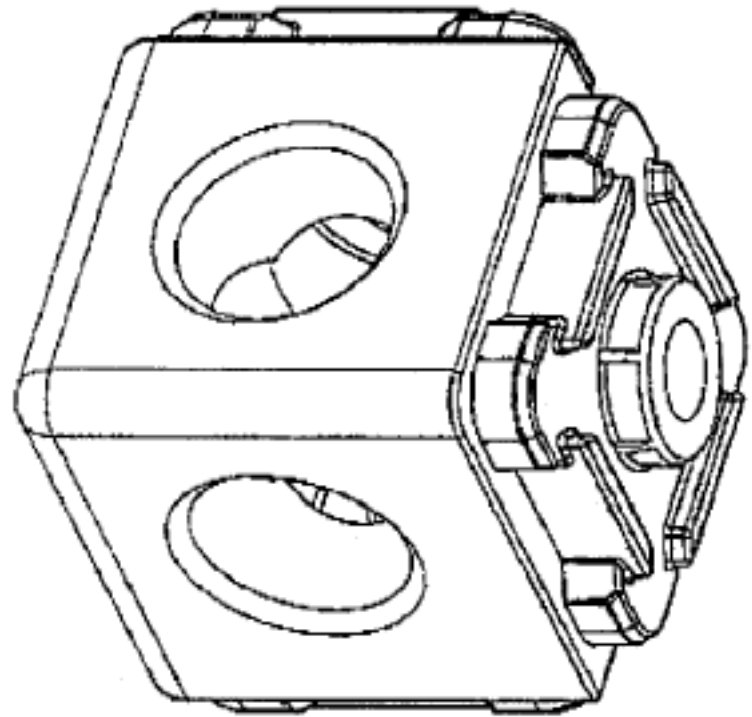
(21) Design Number: **13351/2011**
(22) Date of Filing Application: **29 July 2011**
(24) Date from which industrial property rights may have effect: **29 July 2011**
(54) Product in respect of which the design is registered: **Grill and insert**
(51) International Design Classification: **07-02E**
(74) Name(s) of Attorney(s): **Griffith Hack**
(71) Name(s) and Address(s) of Applicant(s):
Techtronic Power Tools Technology Limited
Trident Chambers PO Box 146 Road Town Tortola Virgin Islands
(British)
(72) Name(s) of Designer(s): **Thomas Parel and Zach Scott and Scott Kippes**
and Adam Clark
(45) Registration Date: **11 October 2011**
(30) Convention priority data:
(31) Number (32) Date (33) Country
29/384,505 31 Jan 2011 UNITED STATES OF AMERICA
(56) Related Art Documents: **Not Applicable**
(57) Statement of Newness and Distinctiveness: **Nil**



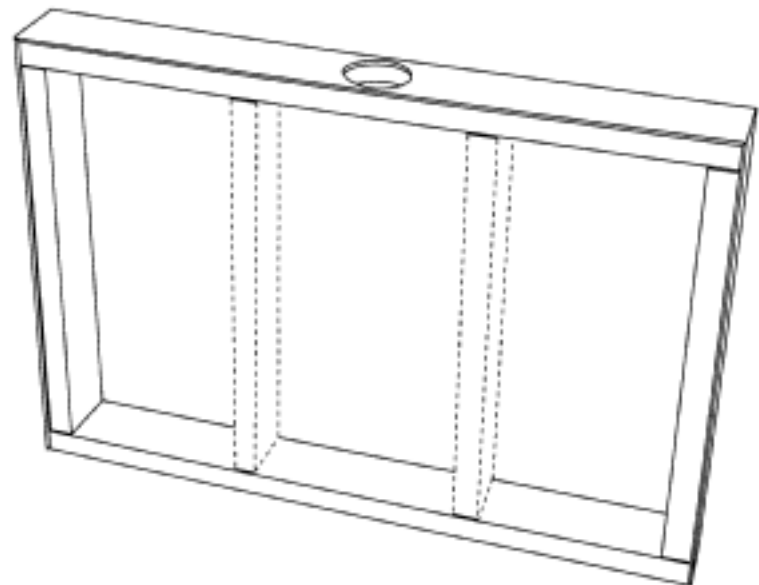
(21) Design Number: **13352/2011**
(22) Date of Filing Application: **29 July 2011**
(24) Date from which industrial property rights may have effect: **29 July 2011**
(54) Product in respect of which the design is registered: **Grill and insert**
(51) International Design Classification: **07-02E**
(74) Name(s) of Attorney(s): **Griffith Hack**
(71) Name(s) and Address(s) of Applicant(s):
Techtronic Power Tools Technology Limited
Trident Chambers PO Box 146 Road Town Tortola Virgin Islands
(British)
(72) Name(s) of Designer(s): **Thomas Parel and Zach Scott and Scott Kippes**
and Adam Clark
(45) Registration Date: **11 October 2011**
(30) Convention priority data:
(31) Number (32) Date (33) Country
29/384,505 31 Jan 2011 UNITED STATES OF AMERICA
(56) Related Art Documents: **Not Applicable**
(57) Statement of Newness and Distinctiveness: **Nil**



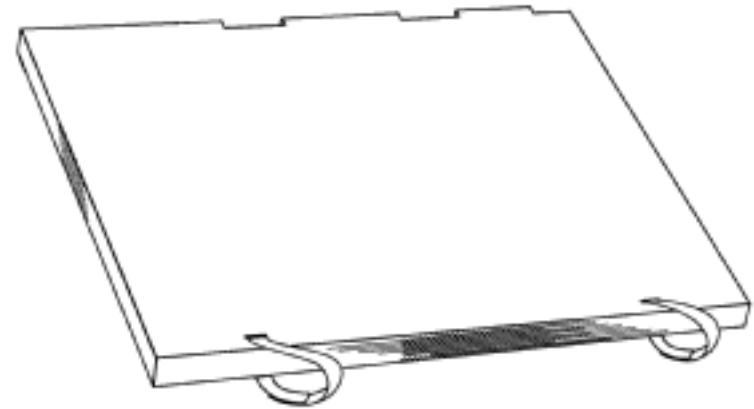
- (21) Design Number: **11362/2011**
(22) Date of Filing Application: **30 March 2011**
(24) Date from which industrial property rights may have effect: **30 March 2011**
(54) Product in respect of which the design is registered: **Connector**
(51) International Design Classification: **25-02NES**
(74) Name(s) of Attorney(s): **Houlihan2**
(71) Name(s) and Address(s) of Applicant(s):
Burgundy Trial Pty Ltd
2 Merchant Avenue Thomastown Victoria 3074 Australia
(72) Name(s) of Designer(s): **Leonard Stuckey**
(45) Registration Date: **11 October 2011**
(56) Related Art Documents: **Not Applicable**
(57) Statement of Newness and Distinctiveness: **Newness and distinctiveness reside in the shape and/or configuration of a connector as illustrated in the accompanying representations.**



- (21) Design Number: **11423/2011**
(22) Date of Filing Application: **31 March 2011**
(24) Date from which industrial property rights may have effect: **31 March 2011**
(54) Product in respect of which the design is registered: **Gas heater back space frame**
(51) International Design Classification: **23-03B**
(74) Name(s) of Attorney(s): **Halfords IP**
(71) Name(s) and Address(s) of Applicant(s):
C C E Group Pty Ltd
7/46-48 Restwell Street Bankstown New South Wales 2200 Australia
(72) Name(s) of Designer(s): **Maher Chamsine**
(45) Registration Date: **11 October 2011**
(56) Related Art Documents: **Not Applicable**
(57) Statement of Newness and Distinctiveness: **Newness and distinctiveness is claimed in those visual features depicted in unbroken lines.**



- (21) Design Number: **11510/2011**
(22) Date of Filing Application: **07 April 2011**
(24) Date from which industrial property rights may have effect: **07 April 2011**
(54) Product in respect of which the design is registered: **A bulkhead**
(51) International Design Classification: **09-03H**
(74) Name(s) of Attorney(s): **Fisher Adams Kelly**
(71) Name(s) and Address(s) of Applicant(s):
Ben Jones
8 Benton Close The Gap Queensland 4061 Australia
(72) Name(s) of Designer(s): **Ben Jones**
(45) Registration Date: **11 October 2011**
(56) Related Art Documents: **Not Applicable**
(57) Statement of Newness and Distinctiveness: **The newness and distinctiveness of the design resides in the shape and/or configuration of the bulkhead shown in the representations.**



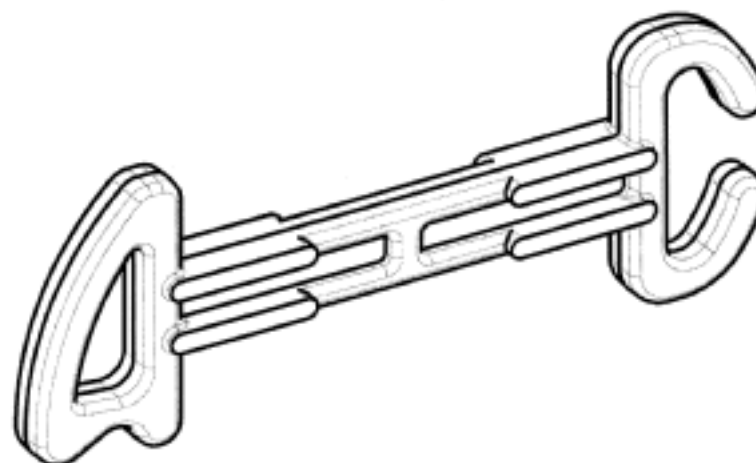
- (21) Design Number: **13414/2011**
(22) Date of Filing Application: **02 August 2011**
(24) Date from which industrial property rights may have effect: **02 August 2011**
(54) Product in respect of which the design is registered: **Plate**
(51) International Design Classification: **07-01A**
(74) Name(s) of Attorney(s):
(71) Name(s) and Address(s) of Applicant(s):
Alexander Fitzpatrick
9 Bourke Street Queens Park New South Wales 2022 Australia
(72) Name(s) of Designer(s): **Alexander Fitzpatrick**
(45) Registration Date: **11 October 2011**
(56) Related Art Documents: **Not Applicable**
(57) Statement of Newness and Distinctiveness: **Asymmetric 5 sided dinnerware.**



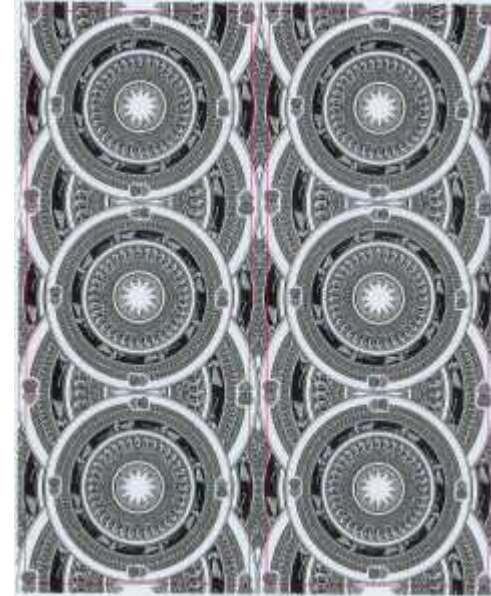
(21) Design Number: **13415/2011**
(22) Date of Filing Application: **02 August 2011**
(24) Date from which industrial property rights may have effect: **02 August 2011**
(54) Product in respect of which the design is registered: **Bowl**
(51) International Design Classification: **07-01B**
(74) Name(s) of Attorney(s):
(71) Name(s) and Address(s) of Applicant(s):
Alexander Fitzpatrick
9 Bourke Street Queens Park New South Wales 2022 Australia
(72) Name(s) of Designer(s): **Alexander Fitzpatrick**
(45) Registration Date: **11 October 2011**
(56) Related Art Documents: **Not Applicable**
(57) Statement of Newness and Distinctiveness: **Asymmetric 5 sided dinnerware.**



(21) Design Number: **13653/2011**
(22) Date of Filing Application: **18 August 2011**
(24) Date from which industrial property rights may have effect: **18 August 2011**
(54) Product in respect of which the design is registered: **A connector**
(51) International Design Classification: **08-08NES**
(74) Name(s) of Attorney(s): **Cullens Patent and Trade Mark Attorneys**
(71) Name(s) and Address(s) of Applicant(s):
A & C Packers Pty Ltd
126 Delta Street Geebung Queensland 4034 Australia
(72) Name(s) of Designer(s): **Mark Stone**
(45) Registration Date: **11 October 2011**
(56) Related Art Documents: **Not Applicable**
(57) Statement of Newness and Distinctiveness: **Newness and distinctiveness resides in the shape and configuration of a connector as depicted in the accompanying illustrations.**



(21) Design Number: **13716/2011**
(22) Date of Filing Application: **19 August 2011**
(24) Date from which industrial property rights may have effect: **19 August 2011**
(54) Product in respect of which the design is registered: **Sheet print**
(51) International Design Classification: **05-05B**
(74) Name(s) of Attorney(s):
(71) Name(s) and Address(s) of Applicant(s):
The Discovery Clothing Company Pty Ltd
10/26-34 Dunning Avenue Rosebery New South Wales 2018 Australia
(72) Name(s) of Designer(s): **Charlie Brown**
(45) Registration Date: **11 October 2011**
(56) Related Art Documents: **Not Applicable**
(57) Statement of Newness and Distinctiveness: **Nil**



(21) Design Number: **13717/2011**
(22) Date of Filing Application: **19 August 2011**
(24) Date from which industrial property rights may have effect: **19 August 2011**
(54) Product in respect of which the design is registered: **Sheet print**
(51) International Design Classification: **05-05C**
(74) Name(s) of Attorney(s):
(71) Name(s) and Address(s) of Applicant(s):
The Discovery Clothing Company Pty Ltd
10/26-34 Dunning Avenue Rosebery New South Wales 2018 Australia
(72) Name(s) of Designer(s): **Charlie Brown**
(45) Registration Date: **11 October 2011**
(56) Related Art Documents: **Not Applicable**
(57) Statement of Newness and Distinctiveness: **Nil**



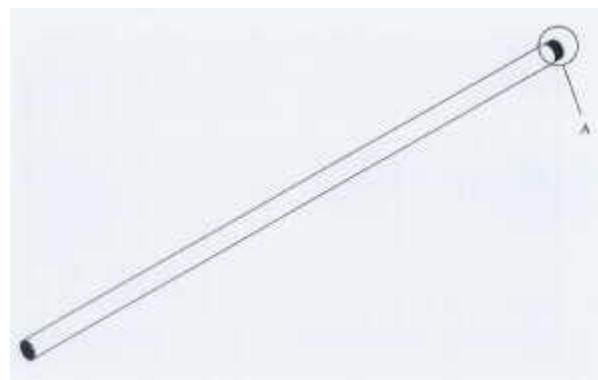
(21) Design Number: **13718/2011**
(22) Date of Filing Application: **19 August 2011**
(24) Date from which industrial property rights may have effect: **19 August 2011**
(54) Product in respect of which the design is registered: **Sheet print**
(51) International Design Classification: **05-05NES**
(74) Name(s) of Attorney(s):
(71) Name(s) and Address(s) of Applicant(s):
The Discovery Clothing Company Pty Ltd
10/26-34 Dunning Avenue Rosebery New South Wales 2018 Australia
(72) Name(s) of Designer(s): **Charlie Brown**
(45) Registration Date: **11 October 2011**
(56) Related Art Documents: **Not Applicable**
(57) Statement of Newness and Distinctiveness: **Nil**



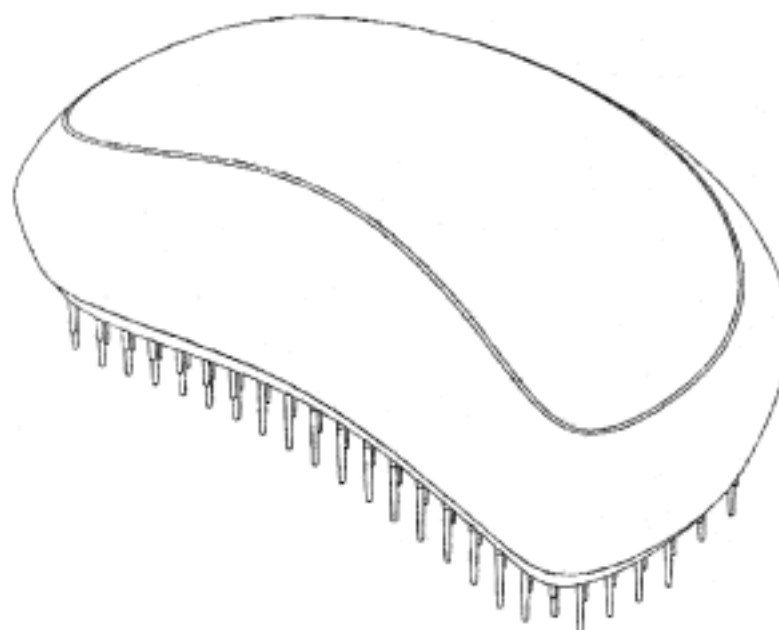
(21) Design Number: **13719/2011**
(22) Date of Filing Application: **19 August 2011**
(24) Date from which industrial property rights may have effect: **19 August 2011**
(54) Product in respect of which the design is registered: **Sheet print**
(51) International Design Classification: **05-05C**
(74) Name(s) of Attorney(s):
(71) Name(s) and Address(s) of Applicant(s):
The Discovery Clothing Company Pty Ltd
10/26-34 Dunning Avenue Rosebery New South Wales 2018 Australia
(72) Name(s) of Designer(s): **Charlie Brown**
(45) Registration Date: **11 October 2011**
(56) Related Art Documents: **Not Applicable**
(57) Statement of Newness and Distinctiveness: **Nil**



(21) Design Number: **14033/2011**
(22) Date of Filing Application: **09 September 2011**
(24) Date from which industrial property rights may have effect: **09 September 2011**
(54) Product in respect of which the design is registered: **A bore casing for oil and gas production**
(51) International Design Classification: **23-01B**
(74) Name(s) of Attorney(s):
(71) Name(s) and Address(s) of Applicant(s):
Sharpe Engineering (Roma) Pty Ltd
78-86 Duke Street Roma Queensland 4455 Australia
(72) Name(s) of Designer(s): **Jon Andrew Sharpe**
(45) Registration Date: **11 October 2011**
(56) Related Art Documents: **Not Applicable**
(57) Statement of Newness and Distinctiveness: **The shape and configuration of a bore casing for oil and gas production as illustrated in the accompanying representations with particular regard to the threaded end "A" and without regard to the overall length of the bore casing.**



(21) Design Number: **14133/2011**
(22) Date of Filing Application: **13 September 2011**
(24) Date from which industrial property rights may have effect: **13 September 2011**
(54) Product in respect of which the design is registered: **Hair brush**
(51) International Design Classification: **04-02**
(74) Name(s) of Attorney(s): **Intellepro Patent & Trade Mark Attorneys**
(71) Name(s) and Address(s) of Applicant(s):
Tangle Teezer Limited
Office 301 143 Acre Lane London SW2 5UA United Kindgom
(72) Name(s) of Designer(s): **Cameron Bruce William Treeby**
(45) Registration Date: **11 October 2011**
(30) Convention priority data:
(31) Number (32) Date (33) Country
001290340-0001 19 Aug 2011 EUROPEAN COMMUNITY
(56) Related Art Documents: **Not Applicable**
(57) Statement of Newness and Distinctiveness: **Nil**



(21) Design Number: **14172/2011**
(22) Date of Filing Application: **15 September 2011**
(24) Date from which industrial property rights may have effect: **15 September 2011**
(54) Product in respect of which the design is registered: **Insulating cradle**
(51) International Design Classification: **08-08NES, 25-01D**
(74) Name(s) of Attorney(s): **Mallesons Stephen Jaques**
(71) Name(s) and Address(s) of Applicant(s):

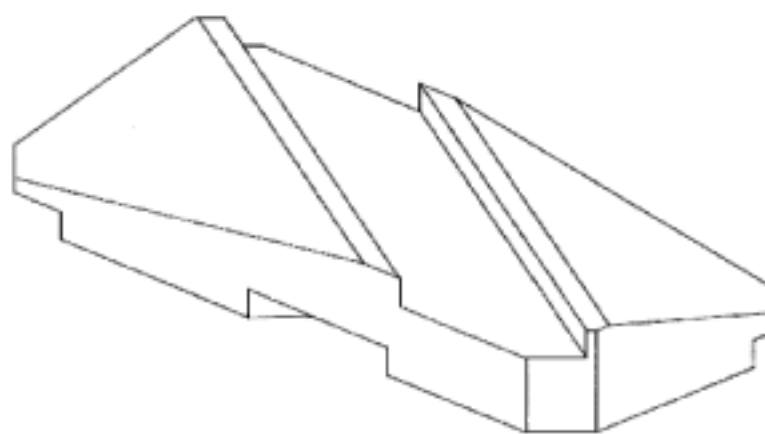
AEM Australia Pty Ltd
27 Walker Street South Windsor New South Wales 2756 Australia

(72) Name(s) of Designer(s): **Gherasim Almasan**

(45) Registration Date: **11 October 2011**

(56) Related Art Documents: **Not Applicable**

(57) Statement of Newness and Distinctiveness: **The following visual features of the design are new and distinctive: the shape and configuration of an insulating cradle as shown in solid lines in the accompanying drawings (6 drawings). In considering the newness and distinctiveness of the design, no regard is to be had to the visual features depicted by the broken lines.**



(21) Design Number: **14197/2011**
(22) Date of Filing Application: **16 September 2011**
(24) Date from which industrial property rights may have effect: **16 September 2011**
(54) Product in respect of which the design is registered: **An extrusion**
(51) International Design Classification: **25-01K**
(74) Name(s) of Attorney(s): **A J Park**
(71) Name(s) and Address(s) of Applicant(s):

Aspect Furniture Systems Limited
30 Loughton Street Washdyke Timaru New Zealand

(72) Name(s) of Designer(s): **Richard Paul Simmons**

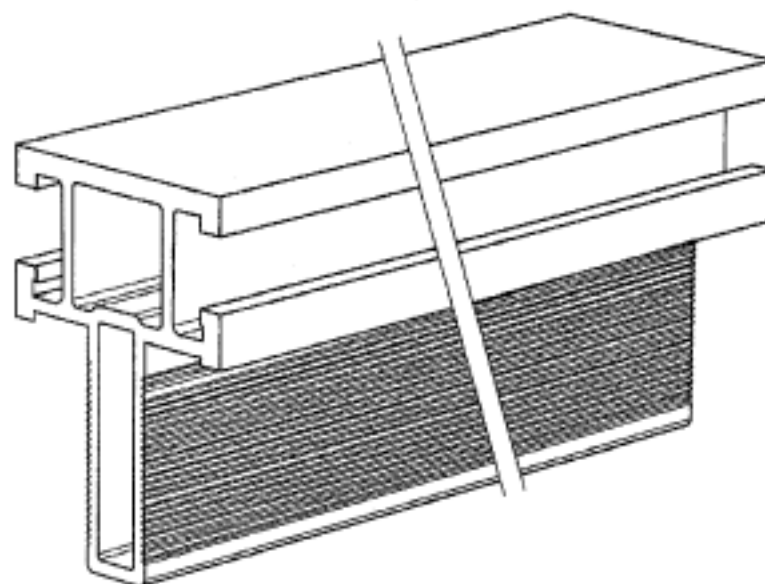
(45) Registration Date: **11 October 2011**

(30) Convention priority data:

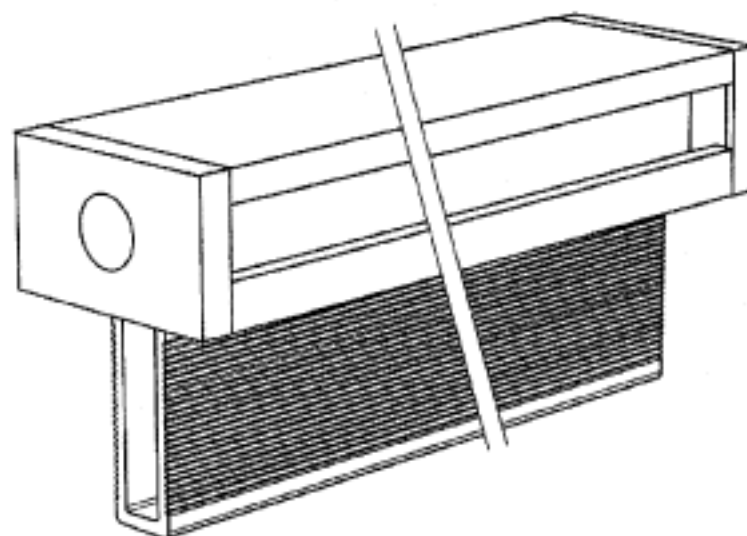
(31) Number	(32) Date	(33) Country
414680	17 Mar 2011	NEW ZEALAND

(56) Related Art Documents: **Not Applicable**

(57) Statement of Newness and Distinctiveness: **The novelty claimed for the design resides in the features of shape and/or configuration all as shown in the representations irrespective of the length.**



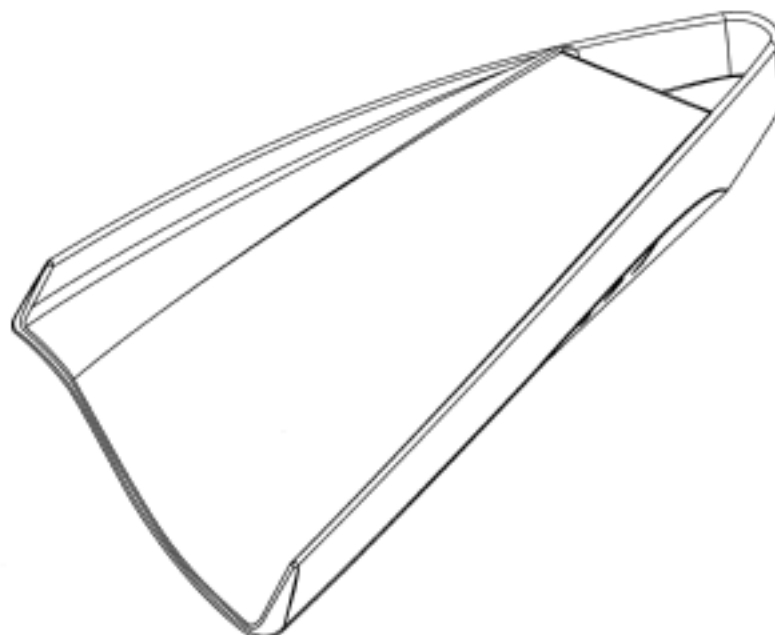
(21) Design Number: **14200/2011**
(22) Date of Filing Application: **16 September 2011**
(24) Date from which industrial property rights may have effect: **16 September 2011**
(54) Product in respect of which the design is registered: **A connector**
(51) International Design Classification: **25-01NES**
(74) Name(s) of Attorney(s): **A J Park**
(71) Name(s) and Address(s) of Applicant(s):
Aspect Furniture Systems Limited
30 Loughton Street Washdyke Timaru New Zealand
(72) Name(s) of Designer(s): **Richard Paul Simmons**
(45) Registration Date: **11 October 2011**
(30) Convention priority data:
(31) Number (32) Date (33) Country
414678 17 Mar 2011 NEW ZEALAND
(56) Related Art Documents: **Not Applicable**
(57) Statement of Newness and Distinctiveness: **The novelty claimed for the design resides in the features of shape and/or configuration as shown irrespective of the length.**



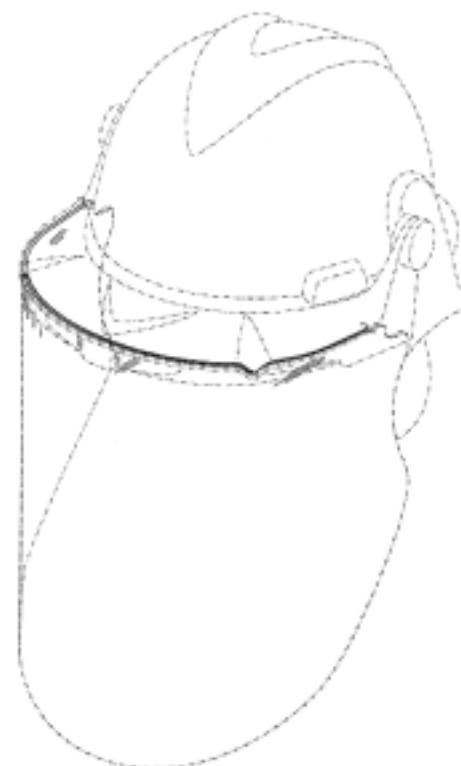
(21) Design Number: **14258/2011**
(22) Date of Filing Application: **21 September 2011**
(24) Date from which industrial property rights may have effect: **21 September 2011**
(54) Product in respect of which the design is registered: **Leash connector**
(51) International Design Classification: **21-02D**
(74) Name(s) of Attorney(s):
(71) Name(s) and Address(s) of Applicant(s):
POD Ware Pty Ltd
26 Curtin Crescent Maroubra New South Wales 2035 Australia
(72) Name(s) of Designer(s): **Shane Thomas Anthony Vassallo**
(45) Registration Date: **11 October 2011**
(56) Related Art Documents: **Not Applicable**
(57) Statement of Newness and Distinctiveness: **Nil**



(21) Design Number: **14259/2011**
(22) Date of Filing Application: **21 September 2011**
(24) Date from which industrial property rights may have effect: **21 September 2011**
(54) Product in respect of which the design is registered: **Swim fin**
(51) International Design Classification: **21-02D**
(74) Name(s) of Attorney(s):
(71) Name(s) and Address(s) of Applicant(s):
POD Ware Pty Ltd
26 Curtin Crescent Maroubra New South Wales 2035 Australia
(72) Name(s) of Designer(s): **Shane Thomas Anthony Vassallo**
(45) Registration Date: **11 October 2011**
(56) Related Art Documents: **Not Applicable**
(57) Statement of Newness and Distinctiveness: **Nil**



(21) Design Number: **14288/2011**
(22) Date of Filing Application: **26 September 2011**
(24) Date from which industrial property rights may have effect: **26 September 2011**
(54) Product in respect of which the design is registered: **Visor interface**
(51) International Design Classification: **02-03**
(74) Name(s) of Attorney(s): **Mallesons Stephen Jaques**
(71) Name(s) and Address(s) of Applicant(s):
Mine Safety Appliances Company
1000 Cranberry Woods Drive Cranberry Township PA 16066 United States of America
(72) Name(s) of Designer(s): **Robert Klotz and Rebecca Kreke and Mark Hall**
(45) Registration Date: **12 October 2011**
(30) Convention priority data:
(31) Number (32) Date (33) Country
29/388,889 04 Apr 2011 UNITED STATES OF AMERICA
(56) Related Art Documents: **Not Applicable**
(57) Statement of Newness and Distinctiveness: **The following visual features of the design are new and distinctive: the shape and configuration of the Visor interface as shown in solid lines in the accompanying drawings. In considering the newness and distinctiveness of the design, no regard is to be had to the visual features depicted by the broken lines.**



(21) Design Number: **14289/2011**
(22) Date of Filing Application: **26 September 2011**
(24) Date from which industrial property rights may have effect: **26 September 2011**
(54) Product in respect of which the design is registered: **Visor frame**
(51) International Design Classification: **02-03**
(74) Name(s) of Attorney(s): **Mallesons Stephen Jaques**
(71) Name(s) and Address(s) of Applicant(s):

Mine Safety Appliances Company
1000 Cranberry Woods Drive Cranberry Township PA 16066 United States of America

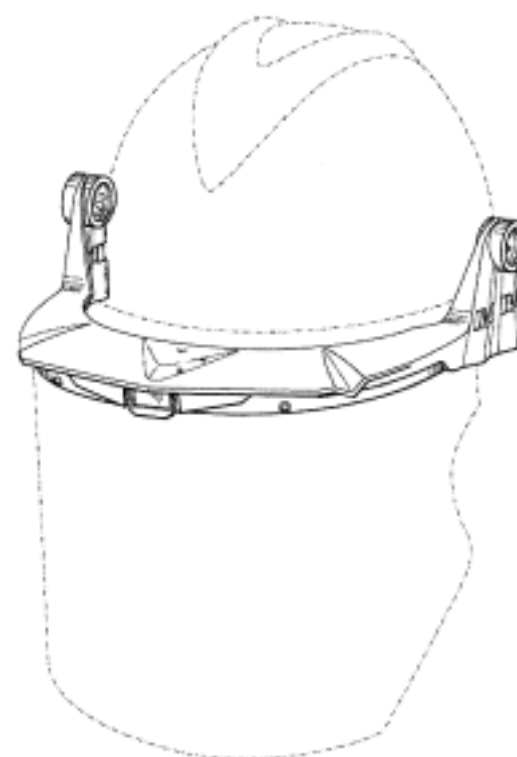
(72) Name(s) of Designer(s): **Robert Klotz and Rebecca Kreke and Mark Hall**
(45) Registration Date: **12 October 2011**

(30) Convention priority data:

(31) Number	(32) Date	(33) Country
29/388,893	04 Apr 2011	UNITED STATES OF AMERICA

(56) Related Art Documents: **Not Applicable**

(57) Statement of Newness and Distinctiveness: **The following visual features of the design are new and distinctive: the shape and configuration of the Visor frame as shown in solid lines in the accompanying drawings. In considering the newness and distinctiveness of the design, no regard is to be had to the visual features depicted by the broken lines.**



(21) Design Number: **14290/2011**
(22) Date of Filing Application: **26 September 2011**
(24) Date from which industrial property rights may have effect: **26 September 2011**
(54) Product in respect of which the design is registered: **Chin guard**
(51) International Design Classification: **02-03**
(74) Name(s) of Attorney(s): **Mallesons Stephen Jaques**
(71) Name(s) and Address(s) of Applicant(s):

Mine Safety Appliances Company
1000 Cranberry Woods Drive Cranberry Township PA 16066 United States of America

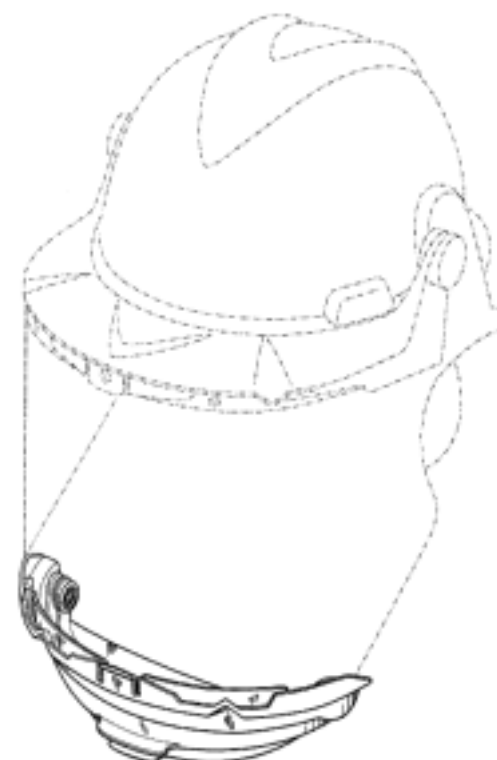
(72) Name(s) of Designer(s): **Robert Klotz and Rebecca Kreke and Mark Hall**
(45) Registration Date: **12 October 2011**

(30) Convention priority data:

(31) Number	(32) Date	(33) Country
29/388,895	04 Apr 2011	UNITED STATES OF AMERICA

(56) Related Art Documents: **Not Applicable**

(57) Statement of Newness and Distinctiveness: **The following visual features of the design are new and distinctive: the shape and configuration of the Chin guard as shown in solid lines in the accompanying drawings. In considering the newness and distinctiveness of the design, no regard is to be had to the visual features depicted by the broken lines.**



(21) Design Number: **14291/2011**
(22) Date of Filing Application: **26 September 2011**
(24) Date from which industrial property rights may have effect: **26 September 2011**
(54) Product in respect of which the design is registered: **Chin guard**
(51) International Design Classification: **02-03**
(74) Name(s) of Attorney(s): **Mallesons Stephen Jaques**
(71) Name(s) and Address(s) of Applicant(s):

Mine Safety Appliances Company
1000 Cranberry Woods Drive Cranberry Township PA 16066 United States of America

(72) Name(s) of Designer(s): **Robert Klotz and Rebecca Kreke and Mark Hall**
(45) Registration Date: **12 October 2011**

(30) Convention priority data:

(31) Number	(32) Date	(33) Country
29/388,898	04 Apr 2011	UNITED STATES OF AMERICA

(56) Related Art Documents: **Not Applicable**

(57) Statement of Newness and Distinctiveness: **The following visual features of the design are new and distinctive: the shape and configuration of the Chin guard as shown in solid lines in the accompanying drawings. In considering the newness and distinctiveness of the design, no regard is to be had to the visual features depicted by the broken lines.**



(21) Design Number: **14292/2011**
(22) Date of Filing Application: **26 September 2011**
(24) Date from which industrial property rights may have effect: **26 September 2011**
(54) Product in respect of which the design is registered: **Visor**
(51) International Design Classification: **02-03**
(74) Name(s) of Attorney(s): **Mallesons Stephen Jaques**
(71) Name(s) and Address(s) of Applicant(s):

Mine Safety Appliances Company
1000 Cranberry Woods Drive Cranberry Township PA 16066 United States of America

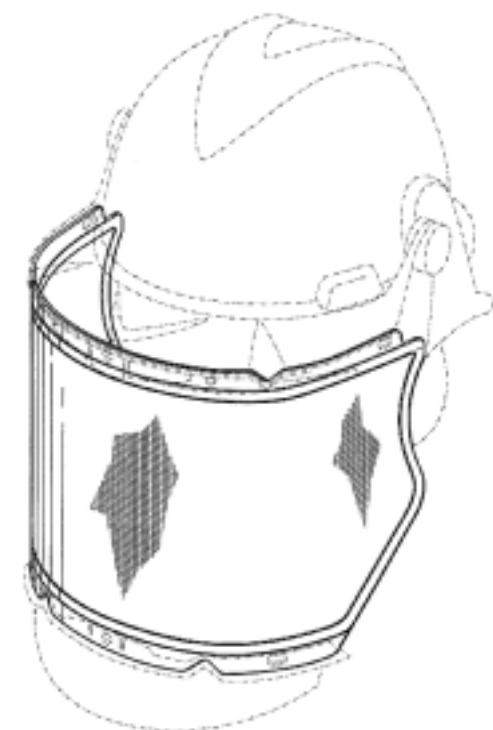
(72) Name(s) of Designer(s): **Robert Klotz and Rebecca Kreke and Mark Hall**
(45) Registration Date: **12 October 2011**

(30) Convention priority data:

(31) Number	(32) Date	(33) Country
29/388,899	04 Apr 2011	UNITED STATES OF AMERICA

(56) Related Art Documents: **Not Applicable**

(57) Statement of Newness and Distinctiveness: **The following visual features of the design are new and distinctive: the shape and configuration of the Visor as shown in solid lines in the accompanying drawings. In considering the newness and distinctiveness of the design, no regard is to be had to the visual features depicted by the broken lines.**



(21) Design Number: **14293/2011**
(22) Date of Filing Application: **26 September 2011**
(24) Date from which industrial property rights may have effect: **26 September 2011**
(54) Product in respect of which the design is registered: **Visor**
(51) International Design Classification: **02-03**
(74) Name(s) of Attorney(s): **Mallesons Stephen Jaques**
(71) Name(s) and Address(s) of Applicant(s):

Mine Safety Appliances Company
1000 Cranberry Woods Drive Cranberry Township PA 16066 United States of America

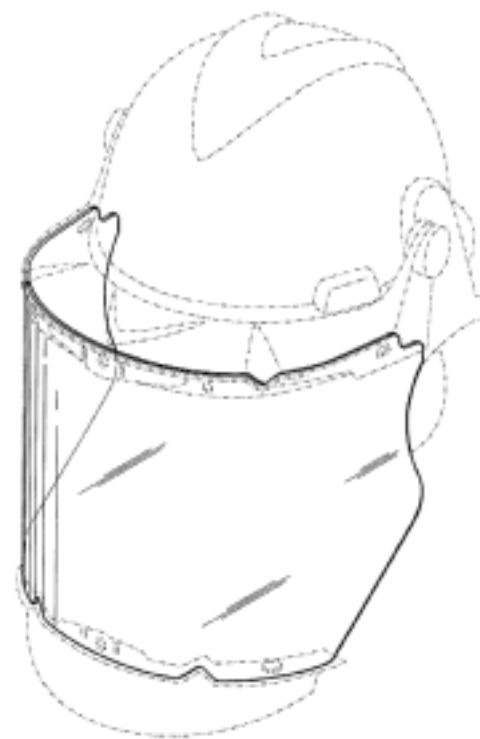
(72) Name(s) of Designer(s): **Robert Klotz and Rebecca Kreke and Mark Hall**
(45) Registration Date: **12 October 2011**

(30) Convention priority data:

(31) Number	(32) Date	(33) Country
29/388,902	04 Apr 2011	UNITED STATES OF AMERICA

(56) Related Art Documents: **Not Applicable**

(57) Statement of Newness and Distinctiveness: **The following visual features of the design are new and distinctive: the shape and configuration of the Visor as shown in solid lines in the accompanying drawings. In considering the newness and distinctiveness of the design, no regard is to be had to the visual features depicted by the broken lines.**



(21) Design Number: **14294/2011**
(22) Date of Filing Application: **26 September 2011**
(24) Date from which industrial property rights may have effect: **26 September 2011**
(54) Product in respect of which the design is registered: **Visor**
(51) International Design Classification: **02-03**
(74) Name(s) of Attorney(s): **Mallesons Stephen Jaques**
(71) Name(s) and Address(s) of Applicant(s):

Mine Safety Appliances Company
1000 Cranberry Woods Drive Cranberry Township PA 16066 United States of America

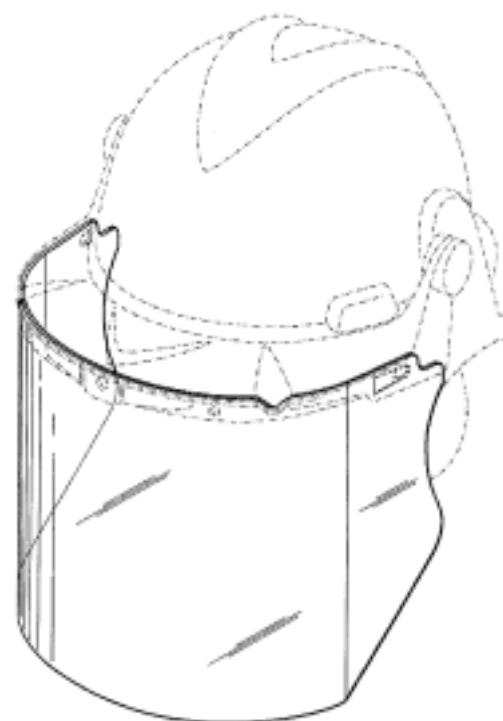
(72) Name(s) of Designer(s): **Robert Klotz and Rebecca Kreke and Mark Hall**
(45) Registration Date: **12 October 2011**

(30) Convention priority data:

(31) Number	(32) Date	(33) Country
29/388,903	04 Apr 2011	UNITED STATES OF AMERICA

(56) Related Art Documents: **Not Applicable**

(57) Statement of Newness and Distinctiveness: **The following visual features of the design are new and distinctive: the shape and configuration of the Visor as shown in solid lines in the accompanying drawings. In considering the newness and distinctiveness of the design, no regard is to be had to the visual features depicted by the broken lines.**



(21) Design Number: **14295/2011**
(22) Date of Filing Application: **26 September 2011**
(24) Date from which industrial property rights may have effect: **26 September 2011**
(54) Product in respect of which the design is registered: **Visor**
(51) International Design Classification: **02-03**
(74) Name(s) of Attorney(s): **Mallesons Stephen Jaques**
(71) Name(s) and Address(s) of Applicant(s):

Mine Safety Appliances Company
1000 Cranberry Woods Drive Cranberry Township PA 16066 United States of America

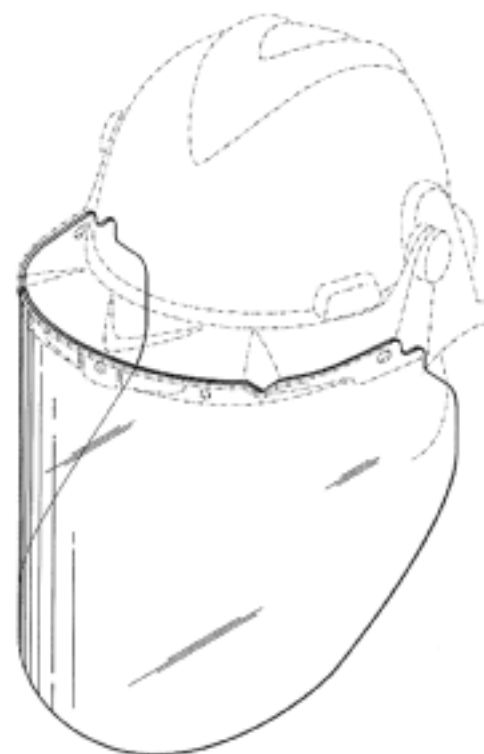
(72) Name(s) of Designer(s): **Robert Klotz and Rebecca Kreke and Mark Hall**
(45) Registration Date: **12 October 2011**

(30) Convention priority data:

(31) Number	(32) Date	(33) Country
29/388,906	04 Apr 2011	UNITED STATES OF AMERICA

(56) Related Art Documents: **Not Applicable**

(57) Statement of Newness and Distinctiveness: **The following visual features of the design are new and distinctive: the shape and configuration of the Visor as shown in solid lines in the accompanying drawings. In considering the newness and distinctiveness of the design, no regard is to be had to the visual features depicted by the broken lines.**



(21) Design Number: **14296/2011**
(22) Date of Filing Application: **26 September 2011**
(24) Date from which industrial property rights may have effect: **26 September 2011**
(54) Product in respect of which the design is registered: **Visor**
(51) International Design Classification: **02-03**
(74) Name(s) of Attorney(s): **Mallesons Stephen Jaques**
(71) Name(s) and Address(s) of Applicant(s):

Mine Safety Appliances Company
1000 Cranberry Woods Drive Cranberry Township PA 16066 United States of America

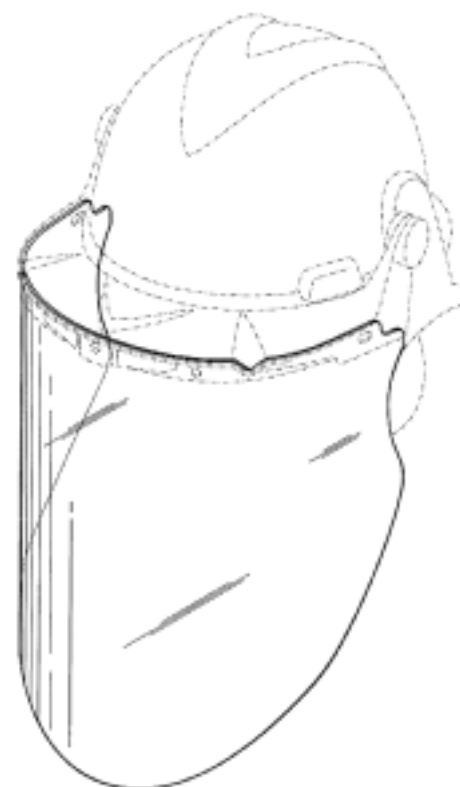
(72) Name(s) of Designer(s): **Robert Klotz and Rebecca Kreke and Mark Hall**
(45) Registration Date: **12 October 2011**

(30) Convention priority data:

(31) Number	(32) Date	(33) Country
29/388,908	04 Apr 2011	UNITED STATES OF AMERICA

(56) Related Art Documents: **Not Applicable**

(57) Statement of Newness and Distinctiveness: **The following visual features of the design are new and distinctive: the shape and configuration of the Visor as shown in solid lines in the accompanying drawings. In considering the newness and distinctiveness of the design, no regard is to be had to the visual features depicted by the broken lines.**



(21) Design Number: **14297/2011**
(22) Date of Filing Application: **26 September 2011**
(24) Date from which industrial property rights may have effect: **26 September 2011**
(54) Product in respect of which the design is registered: **Visor**
(51) International Design Classification: **02-03**
(74) Name(s) of Attorney(s): **Mallesons Stephen Jaques**
(71) Name(s) and Address(s) of Applicant(s):

Mine Safety Appliances Company
1000 Cranberry Woods Drive Cranberry Township PA 16066 United States of America

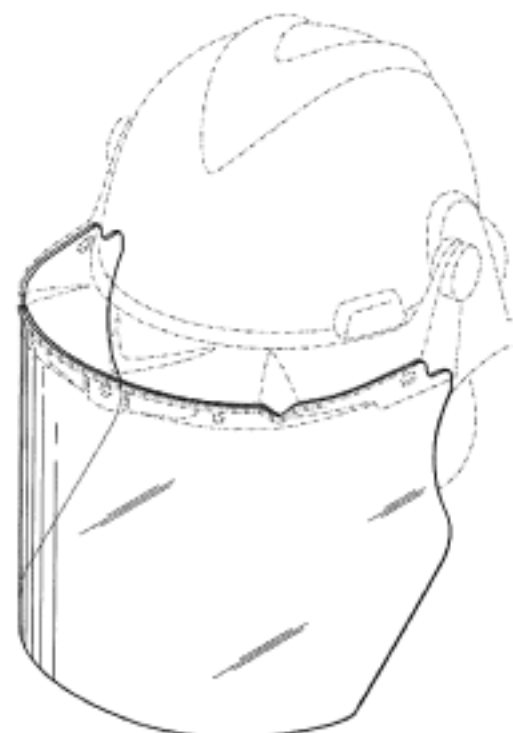
(72) Name(s) of Designer(s): **Robert Klotz and Rebecca Kreke and Mark Hall**
(45) Registration Date: **12 October 2011**

(30) Convention priority data:

(31) Number	(32) Date	(33) Country
29/388,911	04 Apr 2011	UNITED STATES OF AMERICA

(56) Related Art Documents: **Not Applicable**

(57) Statement of Newness and Distinctiveness: **The following visual features of the design are new and distinctive: the shape and configuration of the Visor as shown in solid lines in the accompanying drawings. In considering the newness and distinctiveness of the design, no regard is to be had to the visual features depicted by the broken lines.**



(21) Design Number: **14298/2011**
(22) Date of Filing Application: **26 September 2011**
(24) Date from which industrial property rights may have effect: **26 September 2011**
(54) Product in respect of which the design is registered: **Visor**
(51) International Design Classification: **02-03**
(74) Name(s) of Attorney(s): **Mallesons Stephen Jaques**
(71) Name(s) and Address(s) of Applicant(s):

Mine Safety Appliances Company
1000 Cranberry Woods Drive Cranberry Township PA 16066 United States of America

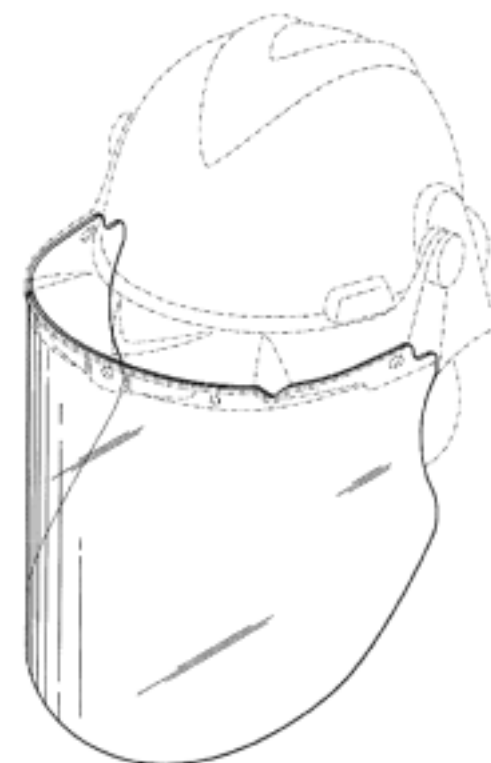
(72) Name(s) of Designer(s): **Robert Klotz and Rebecca Kreke and Mark Hall**
(45) Registration Date: **12 October 2011**

(30) Convention priority data:

(31) Number	(32) Date	(33) Country
29/388,914	04 Apr 2011	UNITED STATES OF AMERICA

(56) Related Art Documents: **Not Applicable**

(57) Statement of Newness and Distinctiveness: **The following visual features of the design are new and distinctive: the shape and configuration of the Visor as shown in solid lines in the accompanying drawings. In considering the newness and distinctiveness of the design, no regard is to be had to the visual features depicted by the broken lines.**



(21) Design Number: **14299/2011**
(22) Date of Filing Application: **26 September 2011**
(24) Date from which industrial property rights may have effect: **26 September 2011**
(54) Product in respect of which the design is registered: **Visor frame**
(51) International Design Classification: **02-03**
(74) Name(s) of Attorney(s): **Mallesons Stephen Jaques**
(71) Name(s) and Address(s) of Applicant(s):

Mine Safety Appliances Company
1000 Cranberry Woods Drive Cranberry Township PA 16066 United States of America

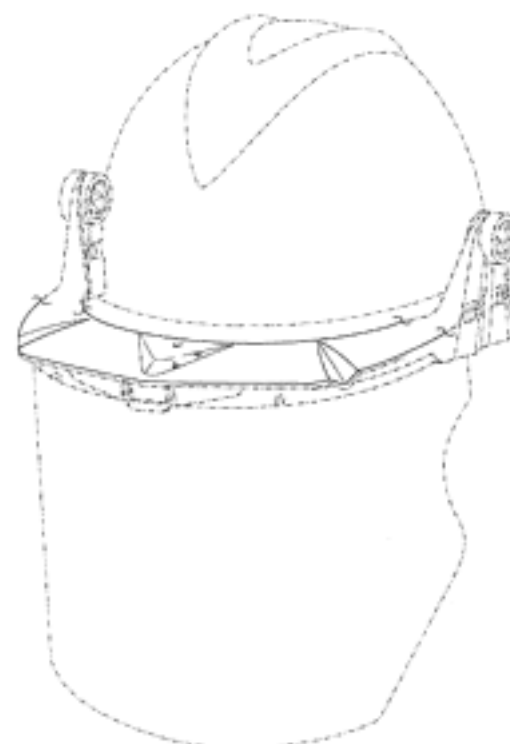
(72) Name(s) of Designer(s): **Robert Klotz and Rebecca Kreke and Mark Hall**
(45) Registration Date: **12 October 2011**

(30) Convention priority data:

(31) Number	(32) Date	(33) Country
29/388,917	04 Apr 2011	UNITED STATES OF AMERICA

(56) Related Art Documents: **Not Applicable**

(57) Statement of Newness and Distinctiveness: **The following visual features of the design are new and distinctive: the shape and configuration of the Visor frame as shown in solid lines in the accompanying drawings. In considering the newness and distinctiveness of the design, no regard is to be had to the visual features depicted by the broken lines.**



(21) Design Number: **14300/2011**
(22) Date of Filing Application: **26 September 2011**
(24) Date from which industrial property rights may have effect: **26 September 2011**
(54) Product in respect of which the design is registered: **Visor**
(51) International Design Classification: **02-03**
(74) Name(s) of Attorney(s): **Mallesons Stephen Jaques**
(71) Name(s) and Address(s) of Applicant(s):

Mine Safety Appliances Company
1000 Cranberry Woods Drive Cranberry Township PA 16066 United States of America

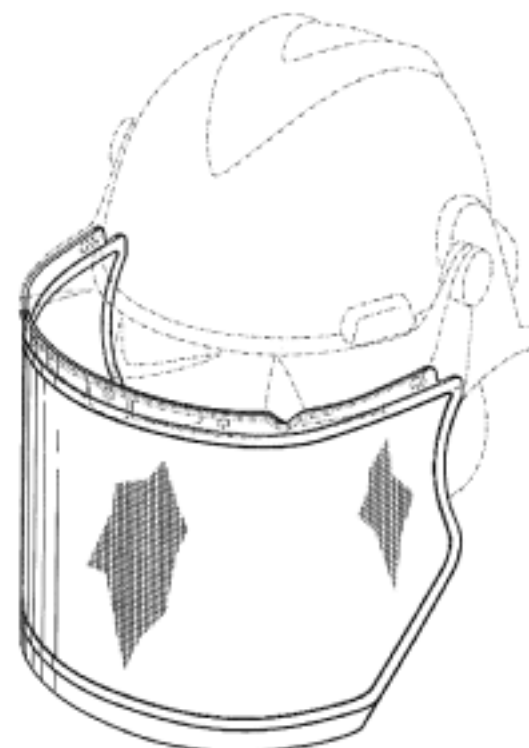
(72) Name(s) of Designer(s): **Robert Klotz and Rebecca Kreke and Mark Hall**
(45) Registration Date: **12 October 2011**

(30) Convention priority data:

(31) Number	(32) Date	(33) Country
29/388,919	04 Apr 2011	UNITED STATES OF AMERICA

(56) Related Art Documents: **Not Applicable**

(57) Statement of Newness and Distinctiveness: **The following visual features of the design are new and distinctive: the shape and configuration of the Visor as shown in solid lines in the accompanying drawings. In considering the newness and distinctiveness of the design, no regard is to be had to the visual features depicted by the broken lines.**



(21) Design Number: **14301/2011**
(22) Date of Filing Application: **26 September 2011**
(24) Date from which industrial property rights may have effect: **26 September 2011**
(54) Product in respect of which the design is registered: **Visor**
(51) International Design Classification: **02-03**
(74) Name(s) of Attorney(s): **Mallesons Stephen Jaques**
(71) Name(s) and Address(s) of Applicant(s):

Mine Safety Appliances Company
1000 Cranberry Woods Drive Cranberry Township PA 16066 United States of America

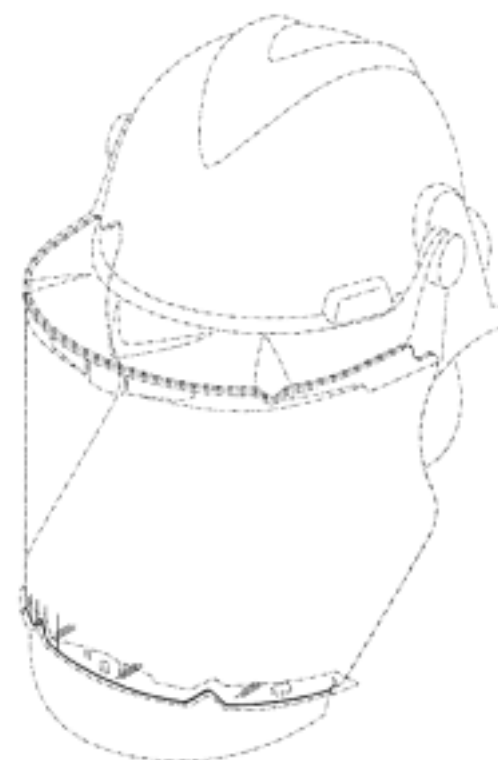
(72) Name(s) of Designer(s): **Robert Klotz and Rebecca Kreke and Mark Hall**
(45) Registration Date: **12 October 2011**

(30) Convention priority data:

(31) Number	(32) Date	(33) Country
29/388,920	04 Apr 2011	UNITED STATES OF AMERICA

(56) Related Art Documents: **Not Applicable**

(57) Statement of Newness and Distinctiveness: **The following visual features of the design are new and distinctive: the shape and configuration of the Visor as shown in solid lines in the accompanying drawings. In considering the newness and distinctiveness of the design, no regard is to be had to the visual features depicted by the broken lines.**



(21) Design Number: **13947/2011**
(22) Date of Filing Application: **07 September 2011**
(24) Date from which industrial property rights may have effect: **07 September 2011**
(54) Product in respect of which the design is registered: **Luminaire**
(51) International Design Classification: **26-05A**
(74) Name(s) of Attorney(s): **Cullens Patent and Trade Mark Attorneys**
(71) Name(s) and Address(s) of Applicant(s):

Lighting Science Group Corporation
1227 South Patrick Drive Building 2A Satellite Beach 32937 FL United States of America

(72) Name(s) of Designer(s): **Mark Penley Boomgaarden and Shane Sullivan and Ryan Chase Kelley and David Henderson**

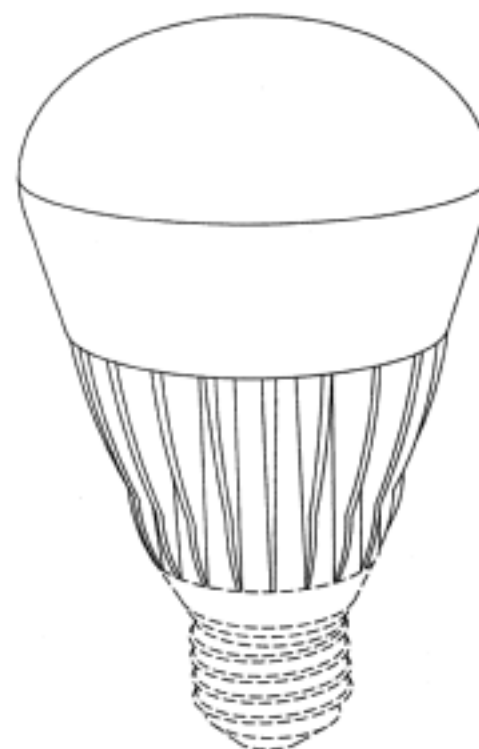
(45) Registration Date: **12 October 2011**

(30) Convention priority data:

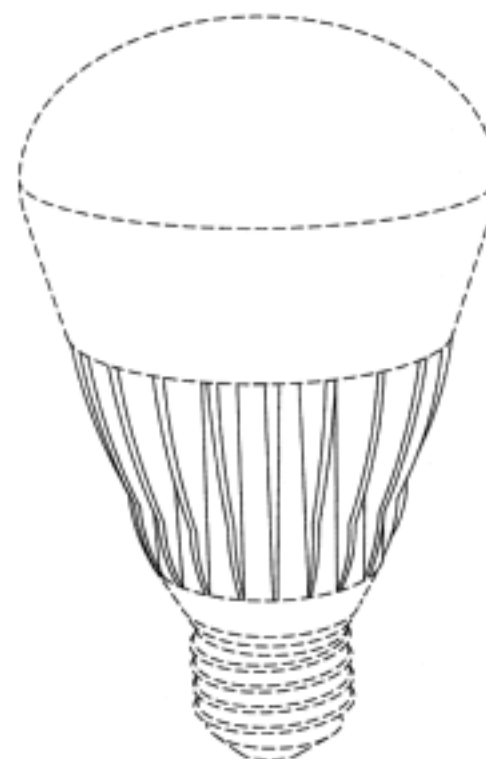
(31) Number	(32) Date	(33) Country
29/373145	07 Mar 2011	UNITED STATES OF AMERICA

(56) Related Art Documents: **Not Applicable**

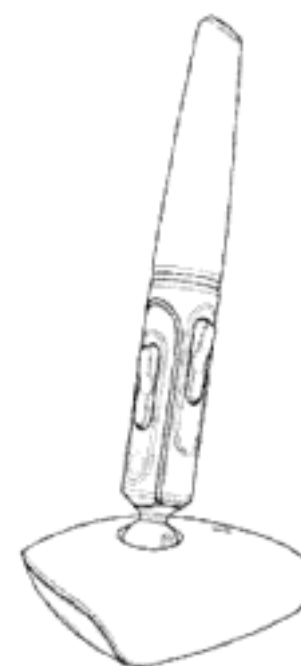
(57) Statement of Newness and Distinctiveness: **Newness and distinctiveness reside in the visual features of shape and configuration of a luminaire as shown in the representations. The electrical base shown in dashed lines does not form part of the design.**



- (21) Design Number: **13948/2011**
(22) Date of Filing Application: **07 September 2011**
(24) Date from which industrial property rights may have effect: **07 September 2011**
(54) Product in respect of which the design is registered: **Luminaire**
(51) International Design Classification: **26-05A**
(74) Name(s) of Attorney(s): **Cullens Patent and Trade Mark Attorneys**
(71) Name(s) and Address(s) of Applicant(s):
Lighting Science Group Corporation
1227 South Patrick Drive Building 2A Satellite Beach 32937 FL United States of America
(72) Name(s) of Designer(s): **Mark Penley Boomgaarden and Shane Sullivan and Ryan Chase Kelley and David Henderson**
(45) Registration Date: **12 October 2011**
(30) Convention priority data:
(31) Number (32) Date (33) Country
29/373145 07 Mar 2011 UNITED STATES OF AMERICA
(56) Related Art Documents: **Not Applicable**
(57) Statement of Newness and Distinctiveness: **Newness and distinctiveness reside in the visual features of shape and configuration of a luminaire as shown in the representations. The electrical base and optic shown in dashed lines do not form part of the design.**



- (21) Design Number: **13967/2011**
(22) Date of Filing Application: **08 September 2011**
(24) Date from which industrial property rights may have effect: **08 September 2011**
(54) Product in respect of which the design is registered: **Computer input device**
(51) International Design Classification: **14-02**
(74) Name(s) of Attorney(s): **Griffith Hack**
(71) Name(s) and Address(s) of Applicant(s):
PenClic AB
Vendevagen 90 DANDERYD 182 32 SWEDEN
(72) Name(s) of Designer(s): **Jonas Stahl**
(45) Registration Date: **12 October 2011**
(30) Convention priority data:
(31) Number (32) Date (33) Country
601068901 03 May 2011 WORLD INTELLECTUAL PROPERTY ORGANIZATION (WIPO)
(56) Related Art Documents: **Not Applicable**
(57) Statement of Newness and Distinctiveness: **Newness and distinctiveness resides in the visual features, including shape, configuration and ornamentation, of a COMPUTER INPUT DEVICE as shown in the accompanying representations.**



(21) Design Number: **13968/2011**
(22) Date of Filing Application: **08 September 2011**
(24) Date from which industrial property rights may have effect: **08 September 2011**
(54) Product in respect of which the design is registered: **Computer input device**
(51) International Design Classification: **14-02**
(74) Name(s) of Attorney(s): **Griffith Hack**
(71) Name(s) and Address(s) of Applicant(s):

PenClic AB
Vendevagen 90 DANDERYD 182 32 SWEDEN

(72) Name(s) of Designer(s): **Jonas Stahl**

(45) Registration Date: **12 October 2011**

(30) Convention priority data:

(31) Number	(32) Date	(33) Country
601068901	03 May 2011	WORLD INTELLECTUAL PROPERTY ORGANIZATION (WIPO)

(56) Related Art Documents: **Not Applicable**

(57) Statement of Newness and Distinctiveness: **Newness and distinctiveness resides in the visual features, including shape, configuration and ornamentation, of a COMPUTER INPUT DEVICE as shown in the accompanying representations.**



(21) Design Number: **13969/2011**
(22) Date of Filing Application: **08 September 2011**
(24) Date from which industrial property rights may have effect: **08 September 2011**
(54) Product in respect of which the design is registered: **Container**
(51) International Design Classification: **09-03L**
(74) Name(s) of Attorney(s): **Shelston IP**
(71) Name(s) and Address(s) of Applicant(s):

Reckitt Benckiser LLC
**Morris Corporate Center IV 399 Interpace Parkway Parsippany New
Jersey 07054 United States of America**

(72) Name(s) of Designer(s): **Taco Dietvorst**

(45) Registration Date: **12 October 2011**

(30) Convention priority data:

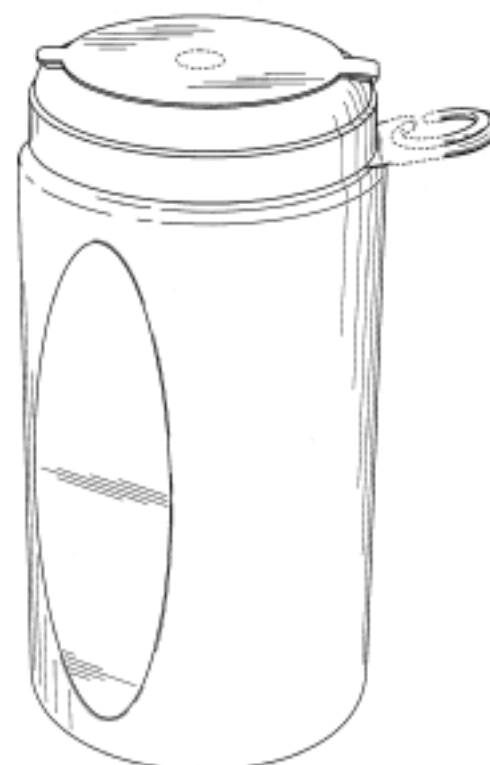
(31) Number	(32) Date	(33) Country
29/387052	08 Mar 2011	UNITED STATES OF AMERICA

(56) Related Art Documents: **Not Applicable**

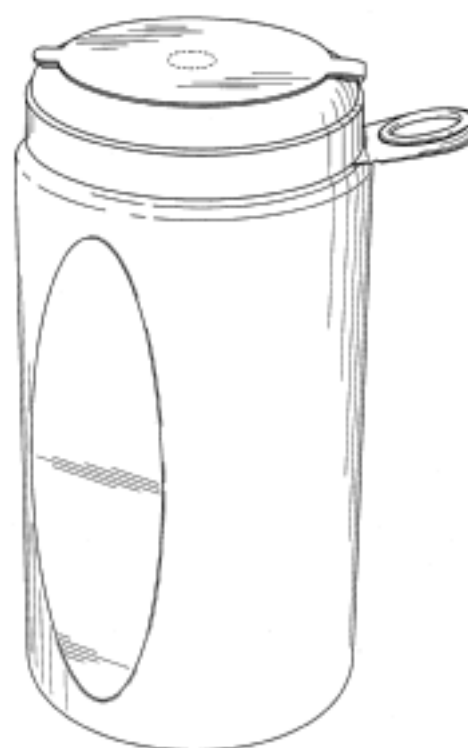
(57) Statement of Newness and Distinctiveness: **Newness and distinctiveness reside in the features of shape and configuration of a container as shown in solid lines in the accompanying representations.**



(21) Design Number: **13970/2011**
(22) Date of Filing Application: **08 September 2011**
(24) Date from which industrial property rights may have effect: **08 September 2011**
(54) Product in respect of which the design is registered: **Container**
(51) International Design Classification: **09-03L**
(74) Name(s) of Attorney(s): **Shelston IP**
(71) Name(s) and Address(s) of Applicant(s):
Reckitt Benckiser LLC
Morris Corporate Center IV 399 Interpace Parkway Parsippany New Jersey 07054 United States of America
(72) Name(s) of Designer(s): **Taco Dietvorst**
(45) Registration Date: **12 October 2011**
(30) Convention priority data:
(31) Number (32) Date (33) Country
29/387052 08 Mar 2011 UNITED STATES OF AMERICA
(56) Related Art Documents: **Not Applicable**
(57) Statement of Newness and Distinctiveness: **Newness and distinctiveness reside in the features of shape and configuration of a container as shown in solid lines in the accompanying representations.**



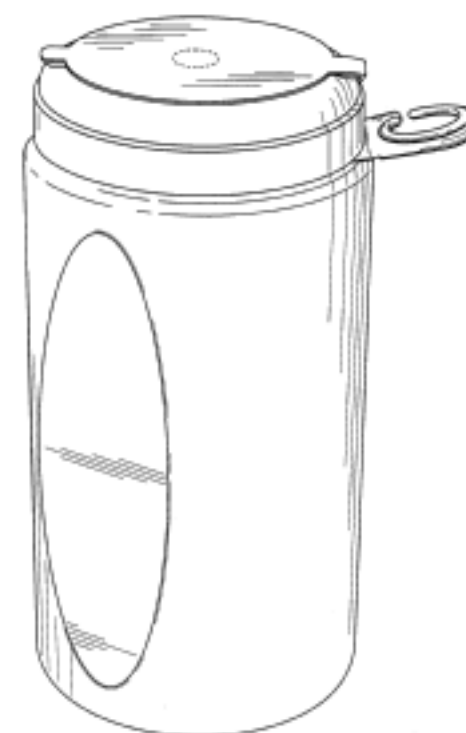
(21) Design Number: **13971/2011**
(22) Date of Filing Application: **08 September 2011**
(24) Date from which industrial property rights may have effect: **08 September 2011**
(54) Product in respect of which the design is registered: **Container**
(51) International Design Classification: **09-03L**
(74) Name(s) of Attorney(s): **Shelston IP**
(71) Name(s) and Address(s) of Applicant(s):
Reckitt Benckiser LLC
Morris Corporate Center IV 399 Interpace Parkway Parsippany New Jersey 07054 United States of America
(72) Name(s) of Designer(s): **Taco Dietvorst**
(45) Registration Date: **12 October 2011**
(30) Convention priority data:
(31) Number (32) Date (33) Country
29/387052 08 Mar 2011 UNITED STATES OF AMERICA
(56) Related Art Documents: **Not Applicable**
(57) Statement of Newness and Distinctiveness: **Newness and distinctiveness reside in the features of shape and configuration of a container as shown in solid lines in the accompanying representations.**



(21) Design Number: **13972/2011**
(22) Date of Filing Application: **08 September 2011**
(24) Date from which industrial property rights may have effect: **08 September 2011**
(54) Product in respect of which the design is registered: **Container**
(51) International Design Classification: **09-03L**
(74) Name(s) of Attorney(s): **Shelston IP**
(71) Name(s) and Address(s) of Applicant(s):
Reckitt Benckiser LLC
Morris Corporate Center IV 399 Interpace Parkway Parsippany New Jersey 07054 United States of America
(72) Name(s) of Designer(s): **Taco Dietvorst**
(45) Registration Date: **12 October 2011**
(30) Convention priority data:
(31) Number (32) Date (33) Country
29/387052 08 Mar 2011 UNITED STATES OF AMERICA
(56) Related Art Documents: **Not Applicable**
(57) Statement of Newness and Distinctiveness: **Newness and distinctiveness reside in the features of shape and configuration of a container as shown in solid lines in the accompanying representations.**



(21) Design Number: **13973/2011**
(22) Date of Filing Application: **08 September 2011**
(24) Date from which industrial property rights may have effect: **08 September 2011**
(54) Product in respect of which the design is registered: **Container**
(51) International Design Classification: **09-03L**
(74) Name(s) of Attorney(s): **Shelston IP**
(71) Name(s) and Address(s) of Applicant(s):
Reckitt Benckiser LLC
Morris Corporate Center IV 399 Interpace Parkway Parsippany New Jersey 07054 United States of America
(72) Name(s) of Designer(s): **Taco Dietvorst**
(45) Registration Date: **12 October 2011**
(30) Convention priority data:
(31) Number (32) Date (33) Country
29/387052 08 Mar 2011 UNITED STATES OF AMERICA
(56) Related Art Documents: **Not Applicable**
(57) Statement of Newness and Distinctiveness: **Newness and distinctiveness reside in the features of shape and configuration of a container as shown in solid lines in the accompanying representations.**



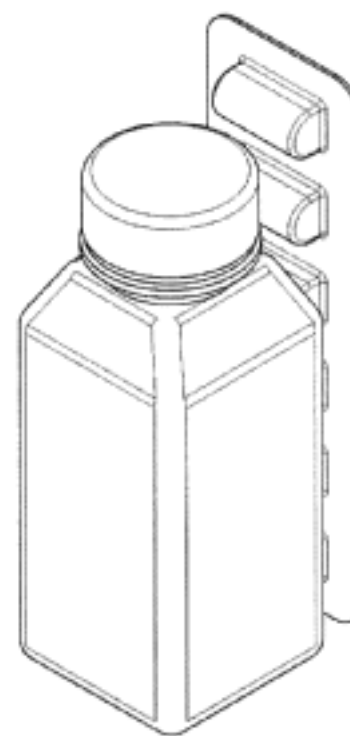
(21) Design Number: **14026/2011**
(22) Date of Filing Application: **12 September 2011**
(24) Date from which industrial property rights may have effect: **12 September 2011**
(54) Product in respect of which the design is registered: **Tyre**
(51) International Design Classification: **12-15C**
(74) Name(s) of Attorney(s): **Griffith Hack**
(71) Name(s) and Address(s) of Applicant(s):
Continental Reifen Deutschland GmbH
Vahrenwalder Str. 9 30165 Hannover Germany
(72) Name(s) of Designer(s): **Thomas Buchinger-Barnstorf**
(45) Registration Date: **12 October 2011**
(30) Convention priority data:
(31) Number (32) Date (33) Country
001905225 17 Aug 2011 EUROPEAN COMMUNITY
(56) Related Art Documents: **Not Applicable**
(57) Statement of Newness and Distinctiveness: **Newness and distinctiveness resides in the visual features, including shape, configuration and pattern, of a tread for a TYRE as shown in the accompanying representations.**



(21) Design Number: **14084/2011**
(22) Date of Filing Application: **14 September 2011**
(24) Date from which industrial property rights may have effect: **14 September 2011**
(54) Product in respect of which the design is registered: **Medicament package**
(51) International Design Classification: **09-01NES, 09-03M**
(74) Name(s) of Attorney(s): **Cotters Patent & Trade Mark Attorneys**
(71) Name(s) and Address(s) of Applicant(s):
Logue and Co. Pty Ltd
199 Kiora Road Yowie Bay New South Wales 2228 Australia
(72) Name(s) of Designer(s): **Anthony Thomas Logue**
(45) Registration Date: **13 October 2011**
(56) Related Art Documents: **Not Applicable**
(57) Statement of Newness and Distinctiveness: **Newness and distinctiveness is claimed in the features of shape and/or configuration of a medicament package as depicted in the accompanying drawings.**



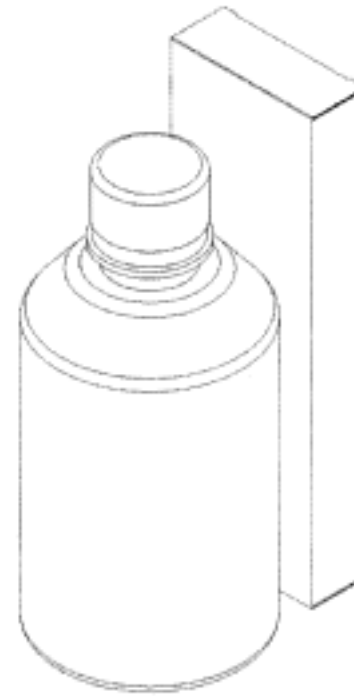
- (21) Design Number: **14085/2011**
(22) Date of Filing Application: **14 September 2011**
(24) Date from which industrial property rights may have effect: **14 September 2011**
(54) Product in respect of which the design is registered: **Medicament package**
(51) International Design Classification: **09-01NES, 09-05**
(74) Name(s) of Attorney(s): **Cotters Patent & Trade Mark Attorneys**
(71) Name(s) and Address(s) of Applicant(s):
Logue and Co. Pty Ltd
199 Kiora Road Yowie Bay New South Wales 2228 Australia
(72) Name(s) of Designer(s): **Anthony Thomas Logue**
(45) Registration Date: **13 October 2011**
(56) Related Art Documents: **Not Applicable**
(57) Statement of Newness and Distinctiveness: **Newness and distinctiveness is claimed in the features of shape and/or configuration of a medicament package as depicted in the accompanying drawings.**



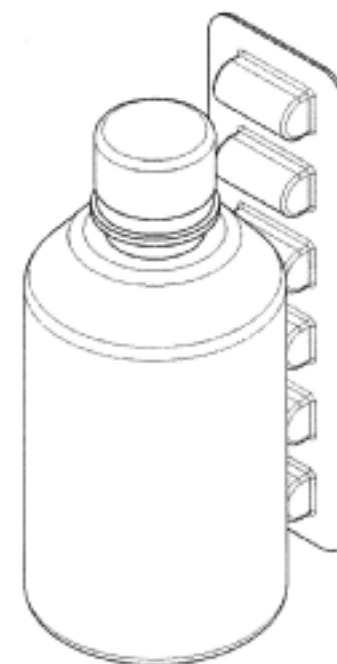
- (21) Design Number: **14086/2011**
(22) Date of Filing Application: **14 September 2011**
(24) Date from which industrial property rights may have effect: **14 September 2011**
(54) Product in respect of which the design is registered: **Medicament package**
(51) International Design Classification: **09-03NES, 09-01NES, 09-05**
(74) Name(s) of Attorney(s): **Cotters Patent & Trade Mark Attorneys**
(71) Name(s) and Address(s) of Applicant(s):
Logue and Co. Pty Ltd
199 Kiora Road Yowie Bay New South Wales 2228 Australia
(72) Name(s) of Designer(s): **Anthony Thomas Logue**
(45) Registration Date: **13 October 2011**
(56) Related Art Documents: **Not Applicable**
(57) Statement of Newness and Distinctiveness: **Newness and distinctiveness is claimed in the features of shape and/or configuration of a medicament package as depicted in the accompanying drawings.**



- (21) Design Number: **14087/2011**
(22) Date of Filing Application: **14 September 2011**
(24) Date from which industrial property rights may have effect: **14 September 2011**
(54) Product in respect of which the design is registered: **Medicament package**
(51) International Design Classification: **09-01NES, 09-03M**
(74) Name(s) of Attorney(s): **Cotters Patent & Trade Mark Attorneys**
(71) Name(s) and Address(s) of Applicant(s):
Logue and Co. Pty Ltd
199 Kiora Road Yowie Bay New South Wales 2228 Australia
(72) Name(s) of Designer(s): **Anthony Thomas Logue**
(45) Registration Date: **13 October 2011**
(56) Related Art Documents: **Not Applicable**
(57) Statement of Newness and Distinctiveness: **Newness and distinctiveness is claimed in the features of shape and/or configuration of a medicament package as depicted in the accompanying drawings.**



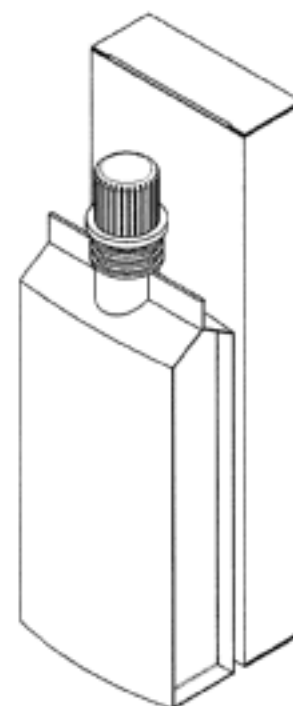
- (21) Design Number: **14088/2011**
(22) Date of Filing Application: **14 September 2011**
(24) Date from which industrial property rights may have effect: **14 September 2011**
(54) Product in respect of which the design is registered: **Medicament package**
(51) International Design Classification: **09-01NES, 09-05**
(74) Name(s) of Attorney(s): **Cotters Patent & Trade Mark Attorneys**
(71) Name(s) and Address(s) of Applicant(s):
Logue and Co. Pty Ltd
199 Kiora Road Yowie Bay New South Wales 2228 Australia
(72) Name(s) of Designer(s): **Anthony Thomas Logue**
(45) Registration Date: **13 October 2011**
(56) Related Art Documents: **Not Applicable**
(57) Statement of Newness and Distinctiveness: **Newness and distinctiveness is claimed in the features of shape and/or configuration of a medicament package as depicted in the accompanying drawings.**



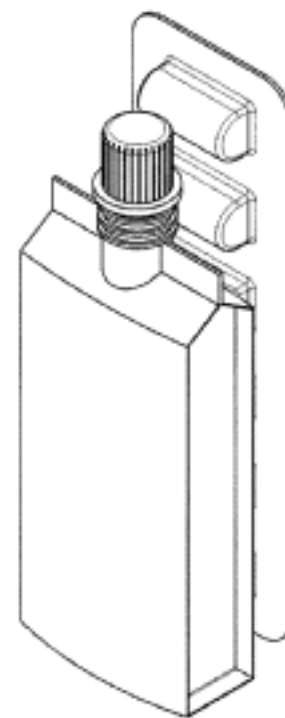
- (21) Design Number: **14089/2011**
(22) Date of Filing Application: **14 September 2011**
(24) Date from which industrial property rights may have effect: **14 September 2011**
(54) Product in respect of which the design is registered: **Medicament package**
(51) International Design Classification: **09-01NES, 09-03NES, 09-05**
(74) Name(s) of Attorney(s): **Cotters Patent & Trade Mark Attorneys**
(71) Name(s) and Address(s) of Applicant(s):
Logue and Co. Pty Ltd
199 Kiora Road Yowie Bay New South Wales 2228 Australia
(72) Name(s) of Designer(s): **Anthony Thomas Logue**
(45) Registration Date: **13 October 2011**
(56) Related Art Documents: **Not Applicable**
(57) Statement of Newness and Distinctiveness: **Newness and distinctiveness is claimed in the features of shape and/or configuration of a medicament package as depicted in the accompanying drawings.**



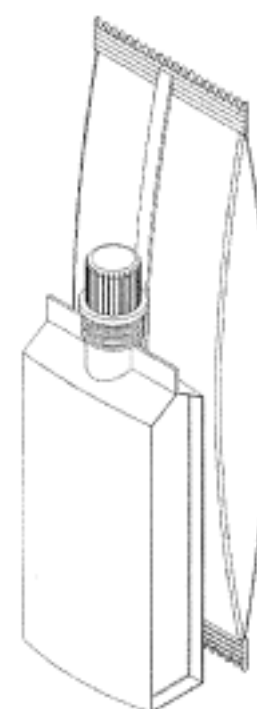
- (21) Design Number: **14090/2011**
(22) Date of Filing Application: **14 September 2011**
(24) Date from which industrial property rights may have effect: **14 September 2011**
(54) Product in respect of which the design is registered: **Medicament package**
(51) International Design Classification: **09-05, 09-03M**
(74) Name(s) of Attorney(s): **Cotters Patent & Trade Mark Attorneys**
(71) Name(s) and Address(s) of Applicant(s):
Logue and Co. Pty Ltd
199 Kiora Road Yowie Bay New South Wales 2228 Australia
(72) Name(s) of Designer(s): **Anthony Thomas Logue**
(45) Registration Date: **13 October 2011**
(56) Related Art Documents: **Not Applicable**
(57) Statement of Newness and Distinctiveness: **Newness and distinctiveness is claimed in the features of shape and/or configuration of a medicament package as depicted in the accompanying drawings.**



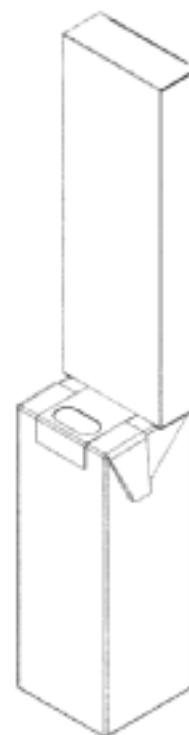
- (21) Design Number: **14091/2011**
(22) Date of Filing Application: **14 September 2011**
(24) Date from which industrial property rights may have effect: **14 September 2011**
(54) Product in respect of which the design is registered: **Medicament package**
(51) International Design Classification: **09-05**
(74) Name(s) of Attorney(s): **Cotters Patent & Trade Mark Attorneys**
(71) Name(s) and Address(s) of Applicant(s):
Logue and Co. Pty Ltd
199 Kiara Road Yowie Bay New South Wales 2228 Australia
(72) Name(s) of Designer(s): **Anthony Thomas Logue**
(45) Registration Date: **13 October 2011**
(56) Related Art Documents: **Not Applicable**
(57) Statement of Newness and Distinctiveness: **Newness and distinctiveness is claimed in the features of shape and/or configuration of a medicament package as depicted in the accompanying drawings.**



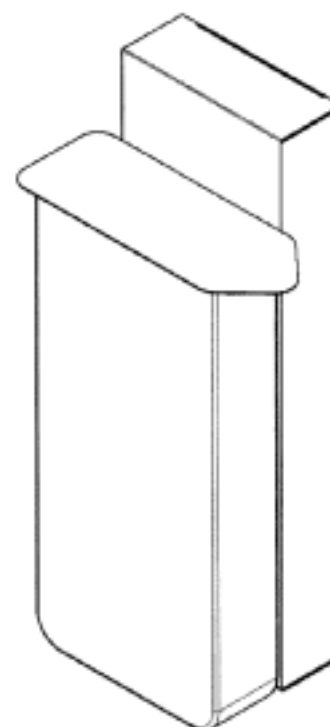
- (21) Design Number: **14092/2011**
(22) Date of Filing Application: **14 September 2011**
(24) Date from which industrial property rights may have effect: **14 September 2011**
(54) Product in respect of which the design is registered: **Medicament package**
(51) International Design Classification: **09-05, 09-03NES**
(74) Name(s) of Attorney(s): **Cotters Patent & Trade Mark Attorneys**
(71) Name(s) and Address(s) of Applicant(s):
Logue and Co. Pty Ltd
199 Kiara Road Yowie Bay New South Wales 2228 Australia
(72) Name(s) of Designer(s): **Anthony Thomas Logue**
(45) Registration Date: **13 October 2011**
(56) Related Art Documents: **Not Applicable**
(57) Statement of Newness and Distinctiveness: **Newness and distinctiveness is claimed in the features of shape and/or configuration of a medicament package as depicted in the accompanying drawings.**



- (21) Design Number: **14093/2011**
(22) Date of Filing Application: **14 September 2011**
(24) Date from which industrial property rights may have effect: **14 September 2011**
(54) Product in respect of which the design is registered: **Medicament package**
(51) International Design Classification: **09-03M**
(74) Name(s) of Attorney(s): **Cotters Patent & Trade Mark Attorneys**
(71) Name(s) and Address(s) of Applicant(s):
Logue and Co. Pty Ltd
199 Kiara Road Yowie Bay New South Wales 2228 Australia
(72) Name(s) of Designer(s): **Anthony Thomas Logue**
(45) Registration Date: **13 October 2011**
(56) Related Art Documents: **Not Applicable**
(57) Statement of Newness and Distinctiveness: **Newness and distinctiveness is claimed in the features of shape and/or configuration of a medicament package as depicted in the accompanying drawings.**



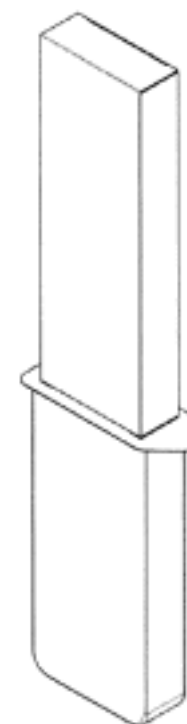
- (21) Design Number: **14094/2011**
(22) Date of Filing Application: **14 September 2011**
(24) Date from which industrial property rights may have effect: **14 September 2011**
(54) Product in respect of which the design is registered: **Medicament package**
(51) International Design Classification: **09-03M**
(74) Name(s) of Attorney(s): **Cotters Patent & Trade Mark Attorneys**
(71) Name(s) and Address(s) of Applicant(s):
Logue and Co. Pty Ltd
199 Kiara Road Yowie Bay New South Wales 2228 Australia
(72) Name(s) of Designer(s): **Anthony Thomas Logue**
(45) Registration Date: **13 October 2011**
(56) Related Art Documents: **Not Applicable**
(57) Statement of Newness and Distinctiveness: **Newness and distinctiveness is claimed in the features of shape and/or configuration of a medicament package as depicted in the accompanying drawings.**



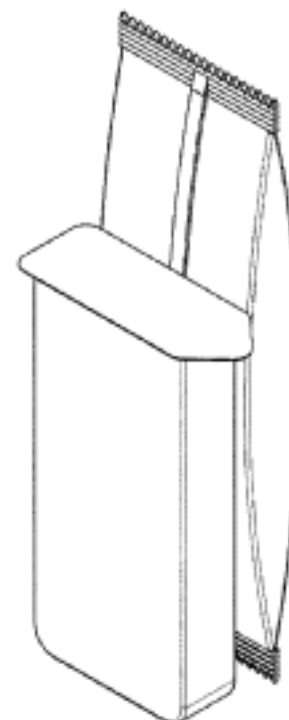
- (21) Design Number: **14095/2011**
(22) Date of Filing Application: **14 September 2011**
(24) Date from which industrial property rights may have effect: **14 September 2011**
(54) Product in respect of which the design is registered: **Medicament package**
(51) International Design Classification: **09-03M, 09-05, 20-02NES**
(74) Name(s) of Attorney(s): **Cotters Patent & Trade Mark Attorneys**
(71) Name(s) and Address(s) of Applicant(s):
Logue and Co. Pty Ltd
199 Kiora Road Yowie Bay New South Wales 2228 Australia
(72) Name(s) of Designer(s): **Anthony Thomas Logue**
(45) Registration Date: **13 October 2011**
(56) Related Art Documents: **Not Applicable**
(57) Statement of Newness and Distinctiveness: **Newness and distinctiveness is claimed in the features of shape and/or configuration of a medicament package as depicted in the accompanying drawings.**



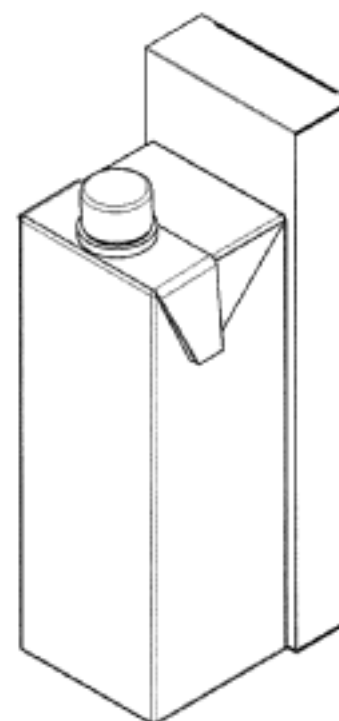
- (21) Design Number: **14096/2011**
(22) Date of Filing Application: **14 September 2011**
(24) Date from which industrial property rights may have effect: **14 September 2011**
(54) Product in respect of which the design is registered: **Medicament package**
(51) International Design Classification: **09-03M**
(74) Name(s) of Attorney(s): **Cotters Patent & Trade Mark Attorneys**
(71) Name(s) and Address(s) of Applicant(s):
Logue and Co. Pty Ltd
199 Kiora Road Yowie Bay New South Wales 2228 Australia
(72) Name(s) of Designer(s): **Anthony Thomas Logue**
(45) Registration Date: **13 October 2011**
(56) Related Art Documents: **Not Applicable**
(57) Statement of Newness and Distinctiveness: **Newness and distinctiveness is claimed in the features of shape and/or configuration of a medicament package as depicted in the accompanying drawings.**



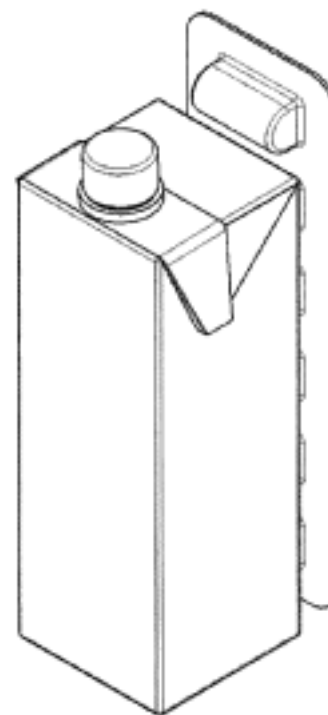
- (21) Design Number: **14097/2011**
(22) Date of Filing Application: **14 September 2011**
(24) Date from which industrial property rights may have effect: **14 September 2011**
(54) Product in respect of which the design is registered: **Medicament package**
(51) International Design Classification: **09-03M, 09-03NES, 09-05**
(74) Name(s) of Attorney(s): **Cotters Patent & Trade Mark Attorneys**
(71) Name(s) and Address(s) of Applicant(s):
Logue and Co. Pty Ltd
199 Kiora Road Yowie Bay New South Wales 2228 Australia
(72) Name(s) of Designer(s): **Anthony Thomas Logue**
(45) Registration Date: **13 October 2011**
(56) Related Art Documents: **Not Applicable**
(57) Statement of Newness and Distinctiveness: **Newness and distinctiveness is claimed in the features of shape and/or configuration of a medicament package as depicted in the accompanying drawings.**



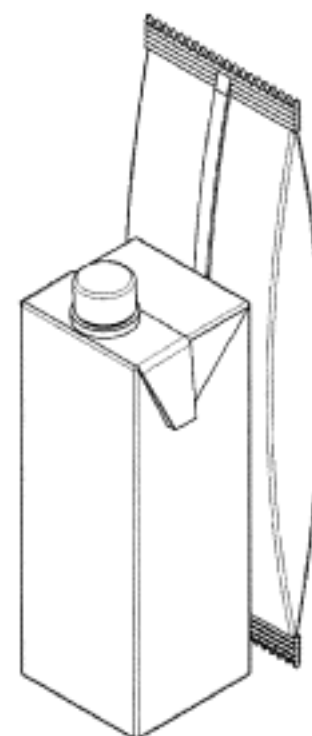
- (21) Design Number: **14098/2011**
(22) Date of Filing Application: **14 September 2011**
(24) Date from which industrial property rights may have effect: **14 September 2011**
(54) Product in respect of which the design is registered: **Medicament package**
(51) International Design Classification: **09-03NES, 09-03M, 09-05**
(74) Name(s) of Attorney(s): **Cotters Patent & Trade Mark Attorneys**
(71) Name(s) and Address(s) of Applicant(s):
Logue and Co. Pty Ltd
199 Kiora Road Yowie Bay New South Wales 2228 Australia
(72) Name(s) of Designer(s): **Anthony Thomas Logue**
(45) Registration Date: **13 October 2011**
(56) Related Art Documents: **Not Applicable**
(57) Statement of Newness and Distinctiveness: **Newness and distinctiveness is claimed in the features of shape and/or configuration of a medicament package as depicted in the accompanying drawings.**



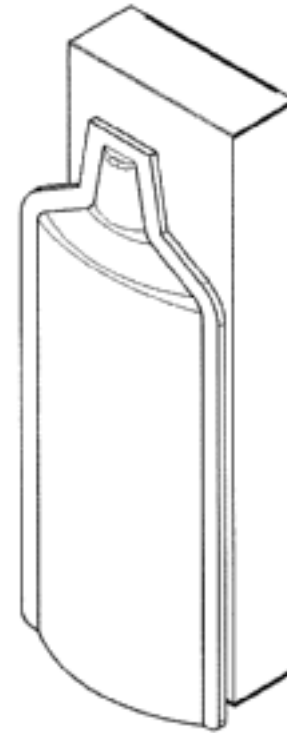
- (21) Design Number: **14099/2011**
(22) Date of Filing Application: **14 September 2011**
(24) Date from which industrial property rights may have effect: **14 September 2011**
(54) Product in respect of which the design is registered: **Medicament package**
(51) International Design Classification: **09-03NES, 09-05**
(74) Name(s) of Attorney(s): **Cotters Patent & Trade Mark Attorneys**
(71) Name(s) and Address(s) of Applicant(s):
Logue and Co. Pty Ltd
199 Kiora Road Yowie Bay New South Wales 2228 Australia
(72) Name(s) of Designer(s): **Anthony Thomas Logue**
(45) Registration Date: **13 October 2011**
(56) Related Art Documents: **Not Applicable**
(57) Statement of Newness and Distinctiveness: **Newness and distinctiveness is claimed in the features of shape and/or configuration of a medicament package as depicted in the accompanying drawings.**



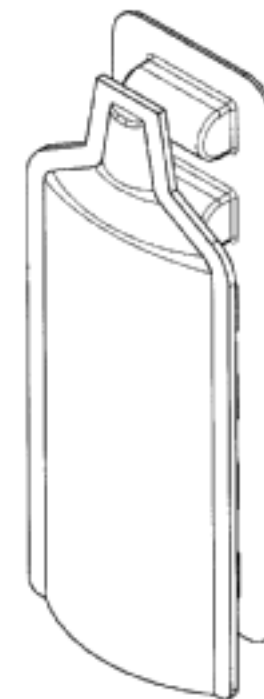
- (21) Design Number: **14100/2011**
(22) Date of Filing Application: **14 September 2011**
(24) Date from which industrial property rights may have effect: **14 September 2011**
(54) Product in respect of which the design is registered: **Medicament package**
(51) International Design Classification: **09-03NES, 09-05**
(74) Name(s) of Attorney(s): **Cotters Patent & Trade Mark Attorneys**
(71) Name(s) and Address(s) of Applicant(s):
Logue and Co. Pty Ltd
199 Kiora Road Yowie Bay New South Wales 2228 Australia
(72) Name(s) of Designer(s): **Anthony Thomas Logue**
(45) Registration Date: **13 October 2011**
(56) Related Art Documents: **Not Applicable**
(57) Statement of Newness and Distinctiveness: **Newness and distinctiveness is claimed in the features of shape and/or configuration of a medicament package as depicted in the accompanying drawings.**



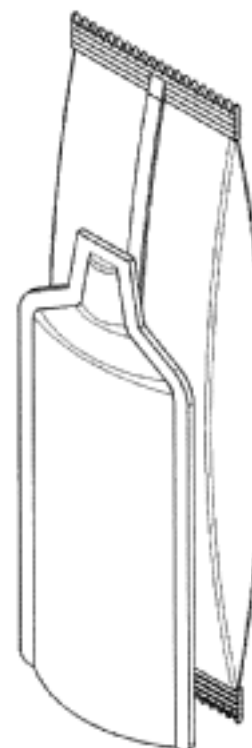
- (21) Design Number: **14101/2011**
(22) Date of Filing Application: **14 September 2011**
(24) Date from which industrial property rights may have effect: **14 September 2011**
(54) Product in respect of which the design is registered: **Medicament package**
(51) International Design Classification: **09-03NES, 09-03M, 09-05**
(74) Name(s) of Attorney(s): **Cotters Patent & Trade Mark Attorneys**
(71) Name(s) and Address(s) of Applicant(s):
Logue and Co. Pty Ltd
199 Kiora Road Yowie Bay New South Wales 2228 Australia
(72) Name(s) of Designer(s): **Anthony Thomas Logue**
(45) Registration Date: **13 October 2011**
(56) Related Art Documents: **Not Applicable**
(57) Statement of Newness and Distinctiveness: **Newness and distinctiveness is claimed in the features of shape and/or configuration of a medicament package as depicted in the accompanying drawings.**



- (21) Design Number: **14102/2011**
(22) Date of Filing Application: **14 September 2011**
(24) Date from which industrial property rights may have effect: **14 September 2011**
(54) Product in respect of which the design is registered: **Medicament package**
(51) International Design Classification: **09-03NES, 09-05**
(74) Name(s) of Attorney(s): **Cotters Patent & Trade Mark Attorneys**
(71) Name(s) and Address(s) of Applicant(s):
Logue and Co. Pty Ltd
199 Kiora Road Yowie Bay New South Wales 2228 Australia
(72) Name(s) of Designer(s): **Anthony Thomas Logue**
(45) Registration Date: **13 October 2011**
(56) Related Art Documents: **Not Applicable**
(57) Statement of Newness and Distinctiveness: **Newness and distinctiveness is claimed in the features of shape and/or configuration of a medicament package as depicted in the accompanying drawings.**



- (21) Design Number: **14103/2011**
(22) Date of Filing Application: **14 September 2011**
(24) Date from which industrial property rights may have effect: **14 September 2011**
(54) Product in respect of which the design is registered: **Medicament package**
(51) International Design Classification: **09-03NES, 09-05**
(74) Name(s) of Attorney(s): **Cotters Patent & Trade Mark Attorneys**
(71) Name(s) and Address(s) of Applicant(s):
Logue and Co. Pty Ltd
199 Kiara Road Yowie Bay New South Wales 2228 Australia
(72) Name(s) of Designer(s): **Anthony Thomas Logue**
(45) Registration Date: **13 October 2011**
(56) Related Art Documents: **Not Applicable**
(57) Statement of Newness and Distinctiveness: **Newness and distinctiveness is claimed in the features of shape and/or configuration of a medicament package as depicted in the accompanying drawings.**



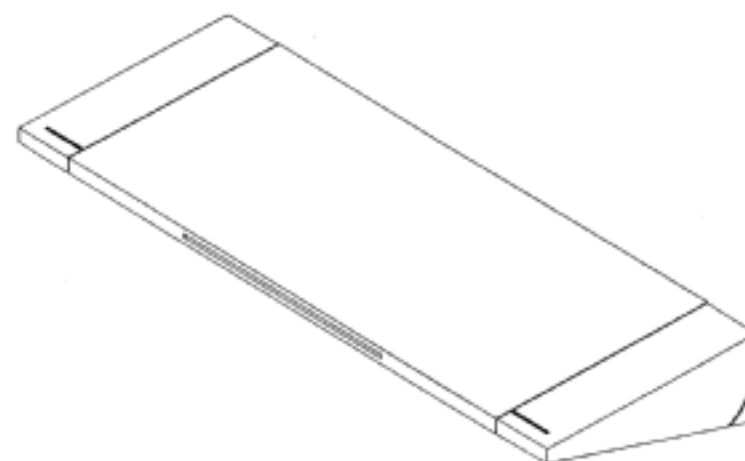
- (21) Design Number: **13437/2011**
(22) Date of Filing Application: **03 August 2011**
(24) Date from which industrial property rights may have effect: **03 August 2011**
(54) Product in respect of which the design is registered: **Electric heater**
(51) International Design Classification: **23-03A**
(74) Name(s) of Attorney(s):
(71) Name(s) and Address(s) of Applicant(s):
Jianhua Ren
Building 38 Yude Street Jiangmen City Guandong China
(72) Name(s) of Designer(s): **Jianhua Ren**
(45) Registration Date: **13 October 2011**
(30) Convention priority data:
(31) Number (32) Date (33) Country
201130103459.1 04 May 2011 CHINA
(56) Related Art Documents: **Not Applicable**
(57) Statement of Newness and Distinctiveness: **Nil**



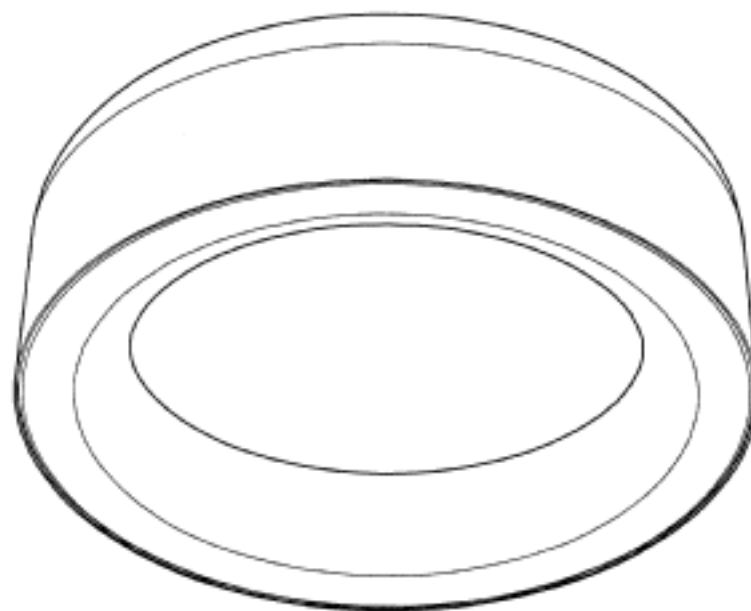
(21) Design Number: **13442/2011**
(22) Date of Filing Application: **03 August 2011**
(24) Date from which industrial property rights may have effect: **03 August 2011**
(54) Product in respect of which the design is registered: **Electric heater**
(51) International Design Classification: **23-03A**
(74) Name(s) of Attorney(s):
(71) Name(s) and Address(s) of Applicant(s):
Jianhua Ren
Building 38 Yude Street Jiangmen City Guandong China
(72) Name(s) of Designer(s): **Jianhua Ren**
(45) Registration Date: **13 October 2011**
(30) Convention priority data:
(31) Number (32) Date (33) Country
201130103459.1 04 May 2011 CHINA
(56) Related Art Documents: **Not Applicable**
(57) Statement of Newness and Distinctiveness: **Nil**



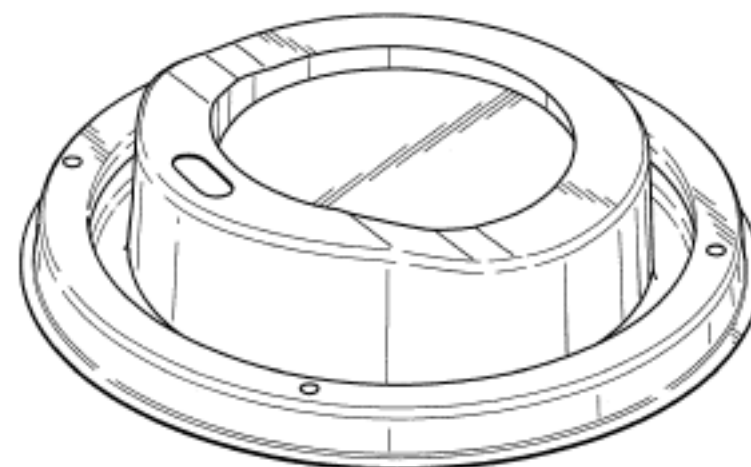
(21) Design Number: **14047/2011**
(22) Date of Filing Application: **13 September 2011**
(24) Date from which industrial property rights may have effect: **13 September 2011**
(54) Product in respect of which the design is registered: **Shelf mixer**
(51) International Design Classification: **23-01H**
(74) Name(s) of Attorney(s): **Freehills Patent & Trade Mark Attorneys**
(71) Name(s) and Address(s) of Applicant(s):
Pheonix Industries Pty Ltd
20-22 Trade Place Vermont Victoria 3133 Australia
(72) Name(s) of Designer(s): **Andrew Cocks**
(45) Registration Date: **13 October 2011**
(56) Related Art Documents: **Not Applicable**
(57) Statement of Newness and Distinctiveness: **In assessing newness and distinctiveness, particular regard is to be had to the shape and configuration of the shelf mixer, other than the appearance of the rear face.**



(21) Design Number: **14048/2011**
(22) Date of Filing Application: **13 September 2011**
(24) Date from which industrial property rights may have effect: **13 September 2011**
(54) Product in respect of which the design is registered: **Luminaire**
(51) International Design Classification: **26-05A**
(74) Name(s) of Attorney(s): **FB Rice**
(71) Name(s) and Address(s) of Applicant(s):
Koninklijke Philips Electronics N.V.
Groenewoudseweg 1 5621 BA Eindhoven The Netherlands
(72) Name(s) of Designer(s): **Wim Gielen**
(45) Registration Date: **13 October 2011**
(30) Convention priority data:
(31) Number (32) Date (33) Country
001837675-0001 18 Mar 2011 EUROPEAN COMMUNITY
(56) Related Art Documents: **Not Applicable**
(57) Statement of Newness and Distinctiveness: **Newness and distinctiveness reside in the features of shape and configuration of the design as shown in the representations.**



(21) Design Number: **14050/2011**
(22) Date of Filing Application: **14 September 2011**
(24) Date from which industrial property rights may have effect: **14 September 2011**
(54) Product in respect of which the design is registered: **Lid for a container**
(51) International Design Classification: **07-01NES**
(74) Name(s) of Attorney(s): **FB Rice**
(71) Name(s) and Address(s) of Applicant(s):
Boca Enterprise Group Inc.
751 Park of Commerce Drive Suite 128 Boca Raton Florida 33487 United States of America
(72) Name(s) of Designer(s): **David Weiss**
(45) Registration Date: **13 October 2011**
(30) Convention priority data:
(31) Number (32) Date (33) Country
29/388160 24 Mar 2011 UNITED STATES OF AMERICA
(56) Related Art Documents: **Not Applicable**
(57) Statement of Newness and Distinctiveness: **Newness and distinctiveness reside in the features of the design as shown in the representations.**



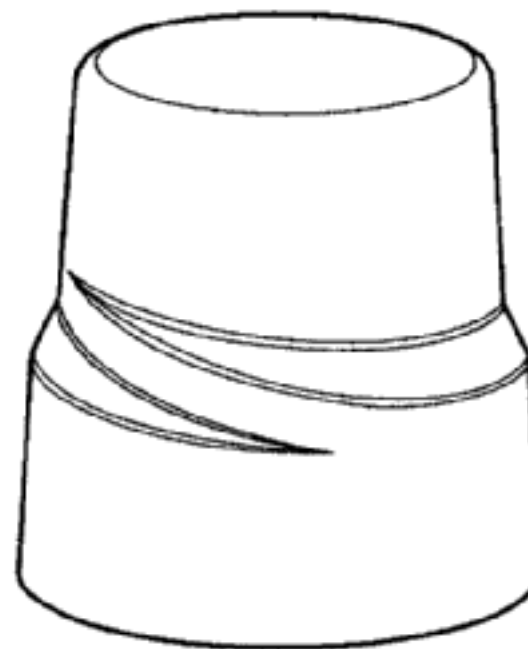
- (21) Design Number: **14051/2011**
(22) Date of Filing Application: **14 September 2011**
(24) Date from which industrial property rights may have effect: **14 September 2011**
(54) Product in respect of which the design is registered: **Container**
(51) International Design Classification: **09-01K**
(74) Name(s) of Attorney(s): **FB Rice**
(71) Name(s) and Address(s) of Applicant(s):
Colgate-Palmolive Company
300 Park Avenue New York New York 10022 United States of America
(72) Name(s) of Designer(s): **Bruce Cummings and Amy Ramirez and Peter Booth and Martin Bunce and Mark Watson and John Lamb and Corinne Elstow**
(45) Registration Date: **13 October 2011**
(30) Convention priority data:
(31) Number (32) Date (33) Country
29/390915 29 Apr 2011 UNITED STATES OF AMERICA
(56) Related Art Documents: **Not Applicable**
(57) Statement of Newness and Distinctiveness: **Newness and distinctiveness reside in the features of shape and configuration of the design shown in solid lines in the representations excluding those features shown in broken lines.**



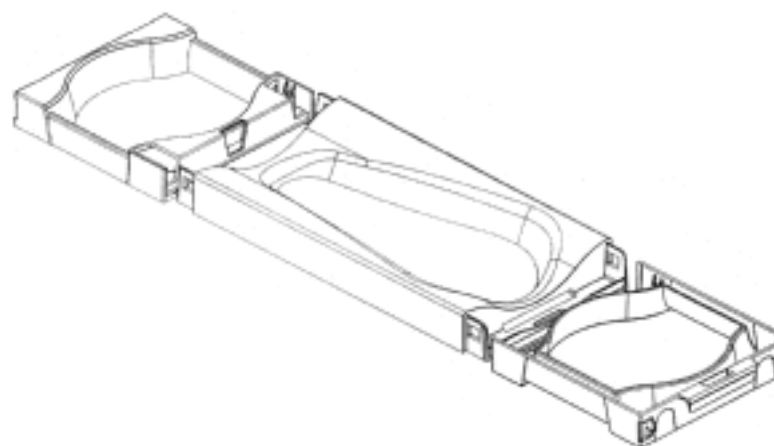
- (21) Design Number: **14052/2011**
(22) Date of Filing Application: **14 September 2011**
(24) Date from which industrial property rights may have effect: **14 September 2011**
(54) Product in respect of which the design is registered: **Container**
(51) International Design Classification: **09-01K**
(74) Name(s) of Attorney(s): **FB Rice**
(71) Name(s) and Address(s) of Applicant(s):
Colgate-Palmolive Company
300 Park Avenue New York New York 10022 United States of America
(72) Name(s) of Designer(s): **Bruce Cummings and Amy Ramirez and Peter Booth and Martin Bunce and Mark Watson and John Lamb and Corinne Elstow**
(45) Registration Date: **13 October 2011**
(30) Convention priority data:
(31) Number (32) Date (33) Country
29/390911 29 Apr 2011 UNITED STATES OF AMERICA
(56) Related Art Documents: **Not Applicable**
(57) Statement of Newness and Distinctiveness: **Newness and distinctiveness reside in the features of shape and configuration of the design shown in solid lines in the representations excluding those features shown in broken lines.**



- (21) Design Number: **14053/2011**
(22) Date of Filing Application: **14 September 2011**
(24) Date from which industrial property rights may have effect: **14 September 2011**
(54) Product in respect of which the design is registered: **Closure**
(51) International Design Classification: **09-07C**
(74) Name(s) of Attorney(s): **FB Rice**
(71) Name(s) and Address(s) of Applicant(s):
Colgate-Palmolive Company
300 Park Avenue New York New York 10022 United States of America
(72) Name(s) of Designer(s): **Bruce Cummings and Amy Ramirez and Peter Booth and Martin Bunce and Mark Watson and John Lamb and Corinne Elstow**
(45) Registration Date: **13 October 2011**
(30) Convention priority data:
(31) Number (32) Date (33) Country
29/390908 29 Apr 2011 UNITED STATES OF AMERICA
(56) Related Art Documents: **Not Applicable**
(57) Statement of Newness and Distinctiveness: **Newness and distinctiveness reside in the features of shape and configuration of the closure as shown in the representations.**



- (21) Design Number: **14054/2011**
(22) Date of Filing Application: **14 September 2011**
(24) Date from which industrial property rights may have effect: **14 September 2011**
(54) Product in respect of which the design is registered: **Wine rack unit**
(51) International Design Classification: **06-04NES**
(74) Name(s) of Attorney(s): **Collison & Co**
(71) Name(s) and Address(s) of Applicant(s):
Monterey Wine Accessories Pty Ltd
2/2 McGowan Street Pooraka South Australia 5095 Australia
(72) Name(s) of Designer(s): **Chuong Pham**
(45) Registration Date: **13 October 2011**
(56) Related Art Documents: **Not Applicable**
(57) Statement of Newness and Distinctiveness: **Nil**



(21) Design Number: **14055/2011**
(22) Date of Filing Application: **15 September 2011**
(24) Date from which industrial property rights may have effect: **15 September 2011**
(54) Product in respect of which the design is registered: **A container**
(51) International Design Classification: **09-01NES**
(74) Name(s) of Attorney(s): **Banki Haddock Fiora**
(71) Name(s) and Address(s) of Applicant(s):
Societe des Produits Nestle S.A.
1800 Vevey Switzerland
(72) Name(s) of Designer(s): **Michel Bourguignon**
(45) Registration Date: **13 October 2011**
(30) Convention priority data:
(31) Number (32) Date (33) Country
137765 25 Mar 2011 SWITZERLAND
(56) Related Art Documents: **Not Applicable**
(57) Statement of Newness and Distinctiveness: **Nil**



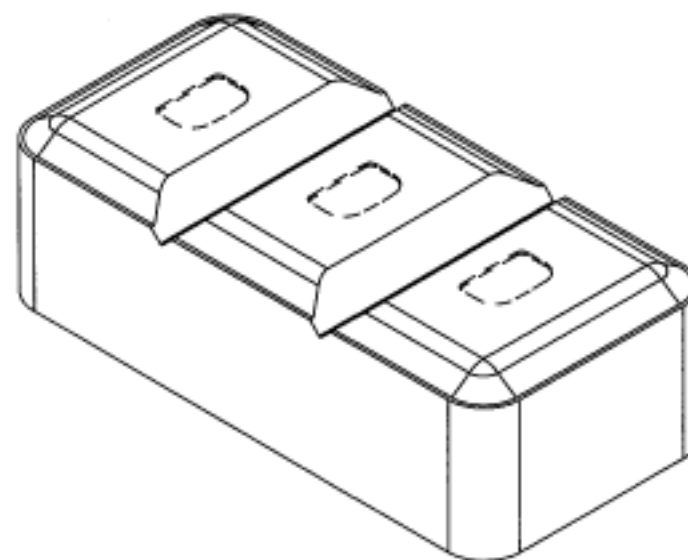
(21) Design Number: **14057/2011**
(22) Date of Filing Application: **15 September 2011**
(24) Date from which industrial property rights may have effect: **15 September 2011**
(54) Product in respect of which the design is registered: **A container**
(51) International Design Classification: **09-01NES**
(74) Name(s) of Attorney(s): **Banki Haddock Fiora**
(71) Name(s) and Address(s) of Applicant(s):
Societe des Produits Nestle S.A.
1800 Vevey Switzerland
(72) Name(s) of Designer(s): **Michel Bourguignon**
(45) Registration Date: **13 October 2011**
(30) Convention priority data:
(31) Number (32) Date (33) Country
137766 25 Mar 2011 SWITZERLAND
(56) Related Art Documents: **Not Applicable**
(57) Statement of Newness and Distinctiveness: **Nil**



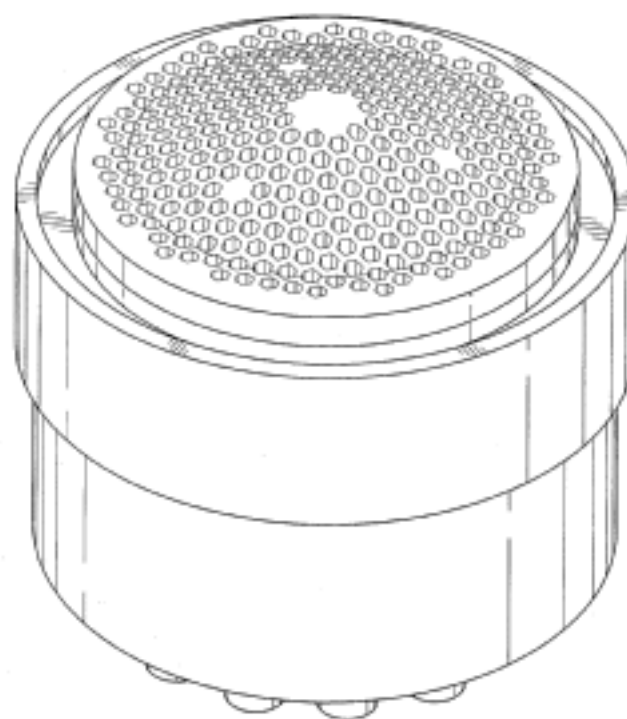
- (21) Design Number: **14058/2011**
(22) Date of Filing Application: **14 September 2011**
(24) Date from which industrial property rights may have effect: **14 September 2011**
(54) Product in respect of which the design is registered: **Container**
(51) International Design Classification: **09-01K**
(74) Name(s) of Attorney(s): **FB Rice**
(71) Name(s) and Address(s) of Applicant(s):
Colgate-Palmolive Company
300 Park Avenue New York New York 10022 United States of America
(72) Name(s) of Designer(s): **Bruce Cummings and Amy Ramirez and Peter Booth and Martin Bunce and Mark Watson and John Lamb and Corinne Elstow**
(45) Registration Date: **13 October 2011**
(30) Convention priority data:
(31) Number (32) Date (33) Country
29/390905 29 Apr 2011 UNITED STATES OF AMERICA
(56) Related Art Documents: **Not Applicable**
(57) Statement of Newness and Distinctiveness: **Newness and distinctiveness reside in the features of shape and configuration of the container as shown in the representations.**



- (21) Design Number: **14059/2011**
(22) Date of Filing Application: **14 September 2011**
(24) Date from which industrial property rights may have effect: **14 September 2011**
(54) Product in respect of which the design is registered: **Oral dosage form**
(51) International Design Classification: **28-01**
(74) Name(s) of Attorney(s): **PHILLIPS ORMONDE FITZPATRICK**
(71) Name(s) and Address(s) of Applicant(s):
Mayne Pharma International Pty Ltd
Suite 3 Level 10 470 Collins Street Melbourne Victoria 3000 Australia
(72) Name(s) of Designer(s): **Eugene Anthony Quinn and William Carl Turner**
(45) Registration Date: **13 October 2011**
(56) Related Art Documents: **Not Applicable**
(57) Statement of Newness and Distinctiveness: **Those features of the oral dosage form depicted in the representations that are new and distinctive are the shape and/or configuration. The features shown in broken lines are not part of the design and are to be disregarded when considering the overall impression of the design.**



(21) Design Number: **14060/2011**
(22) Date of Filing Application: **14 September 2011**
(24) Date from which industrial property rights may have effect: **14 September 2011**
(54) Product in respect of which the design is registered: **Flow regulator**
(51) International Design Classification: **23-01G**
(74) Name(s) of Attorney(s): **PHILLIPS ORMONDE FITZPATRICK**
(71) Name(s) and Address(s) of Applicant(s):
Neoperl GmbH
Klosterrunsstrasse 11 79379 Mullheim Germany
(72) Name(s) of Designer(s): **Gerhard Blum**
(45) Registration Date: **13 October 2011**
(30) Convention priority data:
(31) Number (32) Date (33) Country
29/390,509 26 Apr 2011 UNITED STATES OF AMERICA
(56) Related Art Documents: **Not Applicable**
(57) Statement of Newness and Distinctiveness: **Those features of the flow regulator depicted in the representations that are new and distinctive are the shape and/or configuration.**



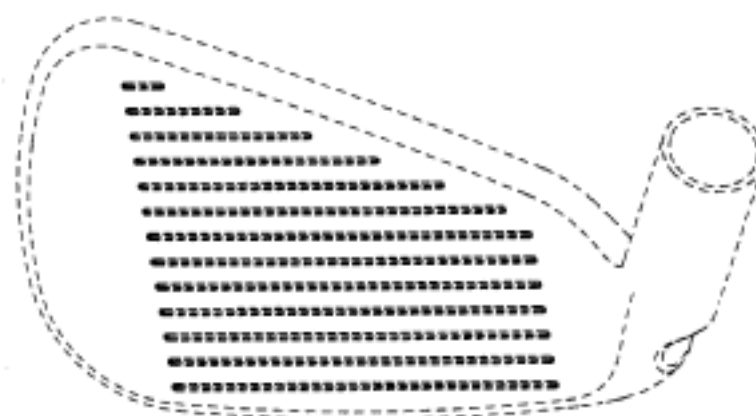
(21) Design Number: **14061/2011**
(22) Date of Filing Application: **15 September 2011**
(24) Date from which industrial property rights may have effect: **15 September 2011**
(54) Product in respect of which the design is registered: **A container**
(51) International Design Classification: **09-01D**
(74) Name(s) of Attorney(s): **Banki Haddock Fiora**
(71) Name(s) and Address(s) of Applicant(s):
Societe des Produits Nestle S.A.
1800 Vevey Switzerland
(72) Name(s) of Designer(s): **Michel Bourguignon**
(45) Registration Date: **13 October 2011**
(30) Convention priority data:
(31) Number (32) Date (33) Country
137764 25 Mar 2011 SWITZERLAND
(56) Related Art Documents: **Not Applicable**
(57) Statement of Newness and Distinctiveness: **Nil**



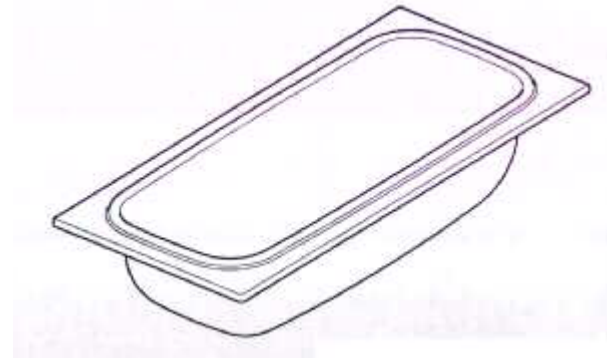
(21) Design Number: **14070/2011**
(22) Date of Filing Application: **14 September 2011**
(24) Date from which industrial property rights may have effect: **14 September 2011**
(54) Product in respect of which the design is registered: **Air intake snorkel for a vehicle**
(51) International Design Classification: **12-16NES**
(74) Name(s) of Attorney(s): **HODGKINSON McINNES PATENTS**
(71) Name(s) and Address(s) of Applicant(s):
Australian Performance Development Pty Ltd
73 Merrindale Drive South Croydon Victoria 3136 Australia
(72) Name(s) of Designer(s): **Manvir Randhawa**
(45) Registration Date: **13 October 2011**
(56) Related Art Documents: **Not Applicable**
(57) Statement of Newness and Distinctiveness: **Newness and distinctiveness resides in the features of shape and configuration of an air intake snorkel for a vehicle as illustrated in the representations.**



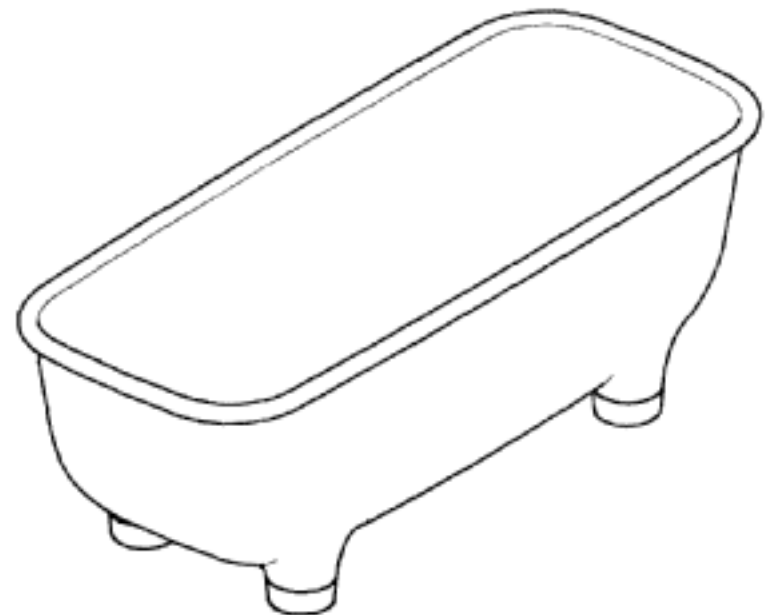
(21) Design Number: **14071/2011**
(22) Date of Filing Application: **14 September 2011**
(24) Date from which industrial property rights may have effect: **14 September 2011**
(54) Product in respect of which the design is registered: **Golf club head**
(51) International Design Classification: **21-02C**
(74) Name(s) of Attorney(s): **Davies Collison Cave**
(71) Name(s) and Address(s) of Applicant(s):
Karsten Manufacturing Corporation
2201 West Desert Cove Phoenix Arizona 85029 United States of America
(72) Name(s) of Designer(s): **Marty R. Jertson and Xiaojian Chen**
(45) Registration Date: **13 October 2011**
(30) Convention priority data:
(31) Number (32) Date (33) Country
29/399305 11 Aug 2011 UNITED STATES OF AMERICA
(56) Related Art Documents: **Not Applicable**
(57) Statement of Newness and Distinctiveness: **Newness and distinctiveness is claimed in the visual features shown in solid lines in the representations. In considering the extent of the design rights, the broken lines shown in the representations are for illustrative purposes only and do not form part of the design.**



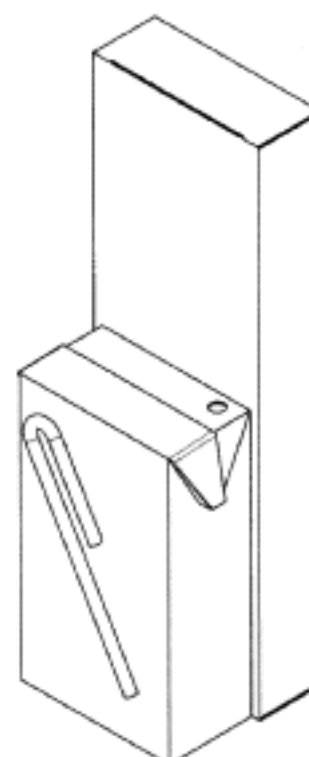
- (21) Design Number: **14072/2011**
(22) Date of Filing Application: **14 September 2011**
(24) Date from which industrial property rights may have effect: **14 September 2011**
(54) Product in respect of which the design is registered: **A bath**
(51) International Design Classification: **23-02B**
(74) Name(s) of Attorney(s): **SPRUSON & FERGUSON**
(71) Name(s) and Address(s) of Applicant(s):
Caroma Industries Limited
10 Market Street Brisbane Queensland 4000 Australia
(72) Name(s) of Designer(s): **Marc Andrew Newson**
(45) Registration Date: **13 October 2011**
(56) Related Art Documents: **Not Applicable**
(57) Statement of Newness and Distinctiveness: **Newness and distinctiveness is claimed in the features of shape and/or configuration of a bath as illustrated in continuous lines in the accompanying representations.**



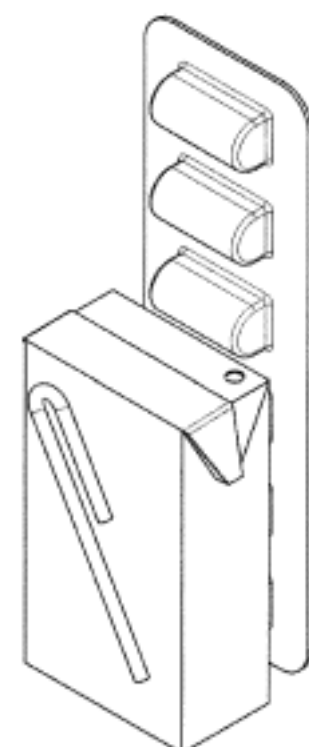
- (21) Design Number: **14073/2011**
(22) Date of Filing Application: **14 September 2011**
(24) Date from which industrial property rights may have effect: **14 September 2011**
(54) Product in respect of which the design is registered: **A bath**
(51) International Design Classification: **23-02B**
(74) Name(s) of Attorney(s): **SPRUSON & FERGUSON**
(71) Name(s) and Address(s) of Applicant(s):
Caroma Industries Limited
10 Market Street Brisbane Queensland 4000 Australia
(72) Name(s) of Designer(s): **Marc Andrew Newson**
(45) Registration Date: **13 October 2011**
(56) Related Art Documents: **Not Applicable**
(57) Statement of Newness and Distinctiveness: **Newness and distinctiveness is claimed in the features of shape and/or configuration of a bath as illustrated in continuous lines in the accompanying representations.**



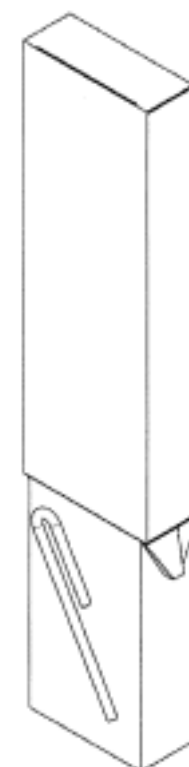
- (21) Design Number: **14074/2011**
(22) Date of Filing Application: **14 September 2011**
(24) Date from which industrial property rights may have effect: **14 September 2011**
(54) Product in respect of which the design is registered: **Medicament package**
(51) International Design Classification: **09-03M, 09-03NES**
(74) Name(s) of Attorney(s): **Cotters Patent & Trade Mark Attorneys**
(71) Name(s) and Address(s) of Applicant(s):
Logue and Co. Pty Ltd
199 Kiora Road Yowie Bay New South Wales 2228 Australia
(72) Name(s) of Designer(s): **Anthony Thomas Logue**
(45) Registration Date: **13 October 2011**
(56) Related Art Documents: **Not Applicable**
(57) Statement of Newness and Distinctiveness: **Newness and distinctiveness is claimed in the features of shape and/or configuration of a medicament package as depicted in the accompanying drawings.**



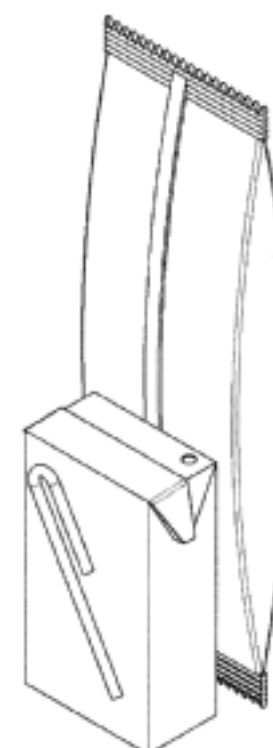
- (21) Design Number: **14075/2011**
(22) Date of Filing Application: **14 September 2011**
(24) Date from which industrial property rights may have effect: **14 September 2011**
(54) Product in respect of which the design is registered: **Medicament package**
(51) International Design Classification: **09-03NES, 09-03M**
(74) Name(s) of Attorney(s): **Cotters Patent & Trade Mark Attorneys**
(71) Name(s) and Address(s) of Applicant(s):
Logue and Co. Pty Ltd
199 Kiora Road Yowie Bay New South Wales 2228 Australia
(72) Name(s) of Designer(s): **Anthony Thomas Logue**
(45) Registration Date: **13 October 2011**
(56) Related Art Documents: **Not Applicable**
(57) Statement of Newness and Distinctiveness: **Newness and distinctiveness is claimed in the features of shape and/or configuration of a medicament package as depicted in the accompanying drawings.**



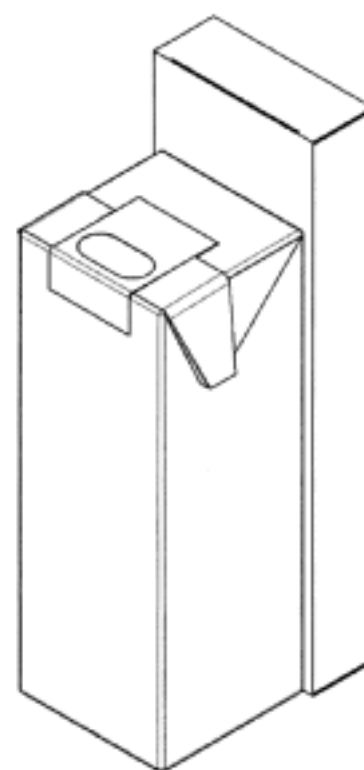
- (21) Design Number: **14076/2011**
(22) Date of Filing Application: **14 September 2011**
(24) Date from which industrial property rights may have effect: **14 September 2011**
(54) Product in respect of which the design is registered: **Medicament package**
(51) International Design Classification: **09-03M**
(74) Name(s) of Attorney(s): **Cotters Patent & Trade Mark Attorneys**
(71) Name(s) and Address(s) of Applicant(s):
Logue and Co. Pty Ltd
199 Kiara Road Yowie Bay New South Wales 2228 Australia
(72) Name(s) of Designer(s): **Anthony Thomas Logue**
(45) Registration Date: **13 October 2011**
(56) Related Art Documents: **Not Applicable**
(57) Statement of Newness and Distinctiveness: **Newness and distinctiveness is claimed in the features of shape and/or configuration of a medicament package as depicted in the accompanying drawings.**



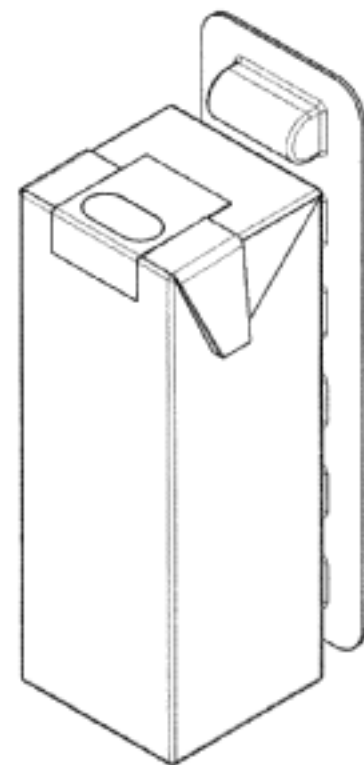
- (21) Design Number: **14077/2011**
(22) Date of Filing Application: **14 September 2011**
(24) Date from which industrial property rights may have effect: **14 September 2011**
(54) Product in respect of which the design is registered: **Medicament package**
(51) International Design Classification: **09-03NES, 09-03M**
(74) Name(s) of Attorney(s): **Cotters Patent & Trade Mark Attorneys**
(71) Name(s) and Address(s) of Applicant(s):
Logue and Co. Pty Ltd
199 Kiara Road Yowie Bay New South Wales 2228 Australia
(72) Name(s) of Designer(s): **Anthony Thomas Logue**
(45) Registration Date: **13 October 2011**
(56) Related Art Documents: **Not Applicable**
(57) Statement of Newness and Distinctiveness: **Newness and distinctiveness is claimed in the features of shape and/or configuration of a medicament package as depicted in the accompanying drawings.**



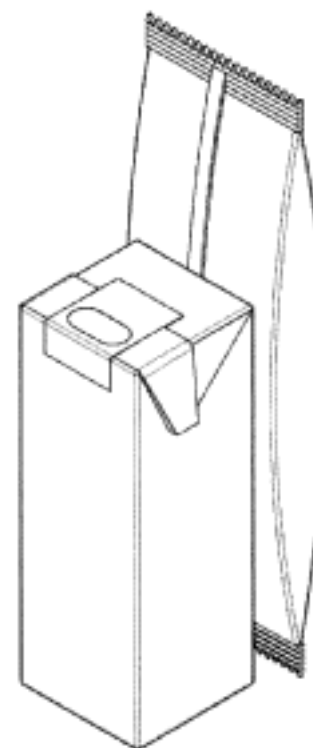
- (21) Design Number: **14078/2011**
(22) Date of Filing Application: **14 September 2011**
(24) Date from which industrial property rights may have effect: **14 September 2011**
(54) Product in respect of which the design is registered: **Medicament package**
(51) International Design Classification: **09-03M**
(74) Name(s) of Attorney(s): **Cotters Patent & Trade Mark Attorneys**
(71) Name(s) and Address(s) of Applicant(s):
Logue and Co. Pty Ltd
199 Kiora Road Yowie Bay New South Wales 2228 Australia
(72) Name(s) of Designer(s): **Anthony Thomas Logue**
(45) Registration Date: **13 October 2011**
(56) Related Art Documents: **Not Applicable**
(57) Statement of Newness and Distinctiveness: **Newness and distinctiveness is claimed in the features of shape and/or configuration of a medicament package as depicted in the accompanying drawings.**



- (21) Design Number: **14079/2011**
(22) Date of Filing Application: **14 September 2011**
(24) Date from which industrial property rights may have effect: **14 September 2011**
(54) Product in respect of which the design is registered: **Medicament package**
(51) International Design Classification: **09-03NES, 09-03M**
(74) Name(s) of Attorney(s): **Cotters Patent & Trade Mark Attorneys**
(71) Name(s) and Address(s) of Applicant(s):
Logue and Co. Pty Ltd
199 Kiora Road Yowie Bay New South Wales 2228 Australia
(72) Name(s) of Designer(s): **Anthony Thomas Logue**
(45) Registration Date: **13 October 2011**
(56) Related Art Documents: **Not Applicable**
(57) Statement of Newness and Distinctiveness: **Newness and distinctiveness is claimed in the features of shape and/or configuration of a medicament package as depicted in the accompanying drawings.**



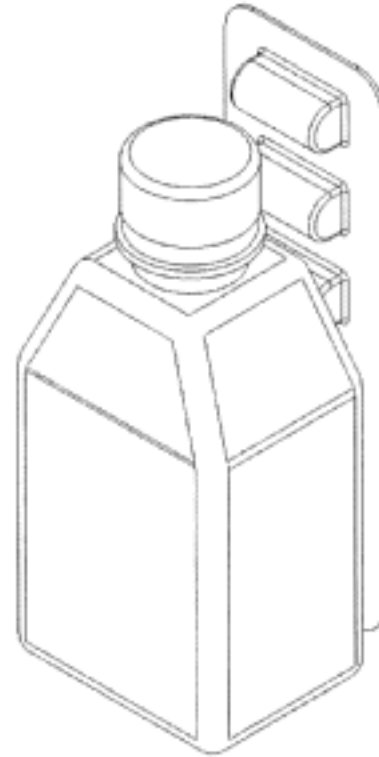
- (21) Design Number: **14080/2011**
(22) Date of Filing Application: **14 September 2011**
(24) Date from which industrial property rights may have effect: **14 September 2011**
(54) Product in respect of which the design is registered: **Medicament package**
(51) International Design Classification: **09-03NES, 09-03M**
(74) Name(s) of Attorney(s): **Cotters Patent & Trade Mark Attorneys**
(71) Name(s) and Address(s) of Applicant(s):
Logue and Co. Pty Ltd
199 Kiora Road Yowie Bay New South Wales 2228 Australia
(72) Name(s) of Designer(s): **Anthony Thomas Logue**
(45) Registration Date: **13 October 2011**
(56) Related Art Documents: **Not Applicable**
(57) Statement of Newness and Distinctiveness: **Newness and distinctiveness is claimed in the features of shape and/or configuration of a medicament package as depicted in the accompanying drawings.**



- (21) Design Number: **14081/2011**
(22) Date of Filing Application: **14 September 2011**
(24) Date from which industrial property rights may have effect: **14 September 2011**
(54) Product in respect of which the design is registered: **Medicament package**
(51) International Design Classification: **09-01NES, 09-03M**
(74) Name(s) of Attorney(s): **Cotters Patent & Trade Mark Attorneys**
(71) Name(s) and Address(s) of Applicant(s):
Logue and Co. Pty Ltd
199 Kiora Road Yowie Bay New South Wales 2228 Australia
(72) Name(s) of Designer(s): **Anthony Thomas Logue**
(45) Registration Date: **13 October 2011**
(56) Related Art Documents: **Not Applicable**
(57) Statement of Newness and Distinctiveness: **Newness and distinctiveness is claimed in the features of shape and/or configuration of a medicament package as depicted in the accompanying drawings.**



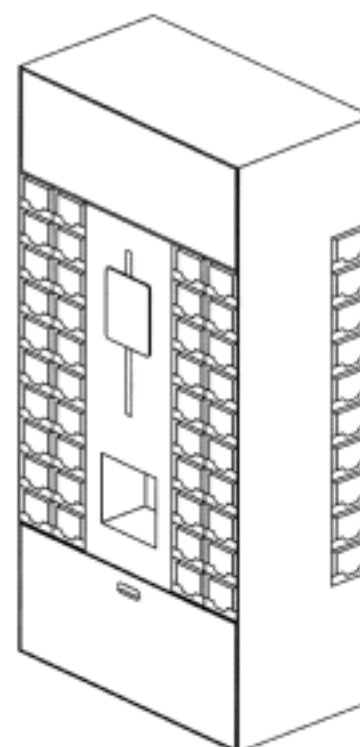
- (21) Design Number: **14082/2011**
(22) Date of Filing Application: **14 September 2011**
(24) Date from which industrial property rights may have effect: **14 September 2011**
(54) Product in respect of which the design is registered: **Medicament package**
(51) International Design Classification: **09-01NES, 09-03M**
(74) Name(s) of Attorney(s): **Cotters Patent & Trade Mark Attorneys**
(71) Name(s) and Address(s) of Applicant(s):
Logue and Co. Pty Ltd
199 Kiora Road Yowie Bay New South Wales 2228 Australia
(72) Name(s) of Designer(s): **Anthony Thomas Logue**
(45) Registration Date: **13 October 2011**
(56) Related Art Documents: **Not Applicable**
(57) Statement of Newness and Distinctiveness: **Newness and distinctiveness is claimed in the features of shape and/or configuration of a medicament package as depicted in the accompanying drawings.**



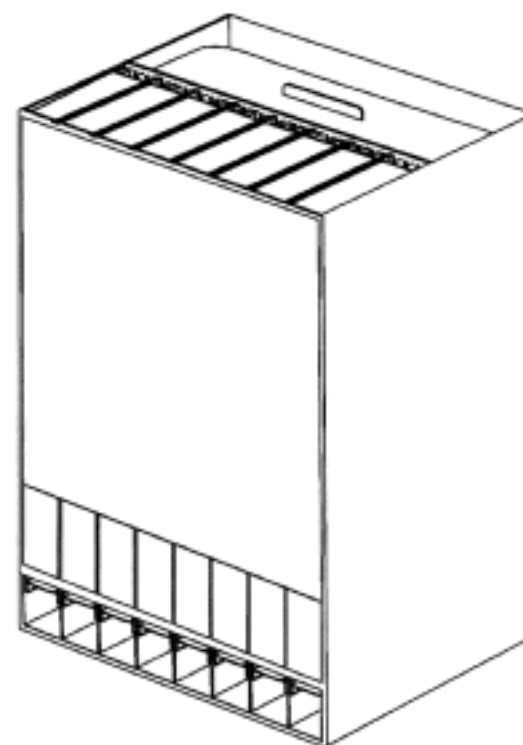
- (21) Design Number: **14083/2011**
(22) Date of Filing Application: **14 September 2011**
(24) Date from which industrial property rights may have effect: **14 September 2011**
(54) Product in respect of which the design is registered: **Medicament package**
(51) International Design Classification: **09-01NES, 09-03M**
(74) Name(s) of Attorney(s): **Cotters Patent & Trade Mark Attorneys**
(71) Name(s) and Address(s) of Applicant(s):
Logue and Co. Pty Ltd
199 Kiora Road Yowie Bay New South Wales 2228 Australia
(72) Name(s) of Designer(s): **Anthony Thomas Logue**
(45) Registration Date: **13 October 2011**
(56) Related Art Documents: **Not Applicable**
(57) Statement of Newness and Distinctiveness: **Newness and distinctiveness is claimed in the features of shape and/or configuration of a medicament package as depicted in the accompanying drawings.**



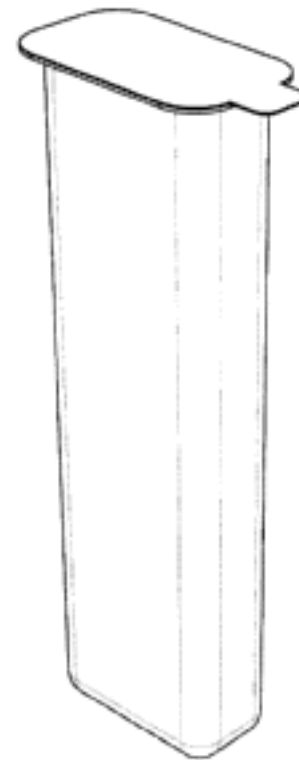
- (21) Design Number: **14115/2011**
(22) Date of Filing Application: **14 September 2011**
(24) Date from which industrial property rights may have effect: **14 September 2011**
(54) Product in respect of which the design is registered: **Vending machine**
(51) International Design Classification: **20-01**
(74) Name(s) of Attorney(s): **Cotters Patent & Trade Mark Attorneys**
(71) Name(s) and Address(s) of Applicant(s):
Logue and Co. Pty Ltd
199 Kiora Road Yowie Bay New South Wales 2228 Australia
(72) Name(s) of Designer(s): **Anthony Thomas Logue**
(45) Registration Date: **13 October 2011**
(56) Related Art Documents: **Not Applicable**
(57) Statement of Newness and Distinctiveness: **Newness and distinctiveness is claimed in the features of shape and/or configuration of a vending machine as depicted in the accompanying drawings.**



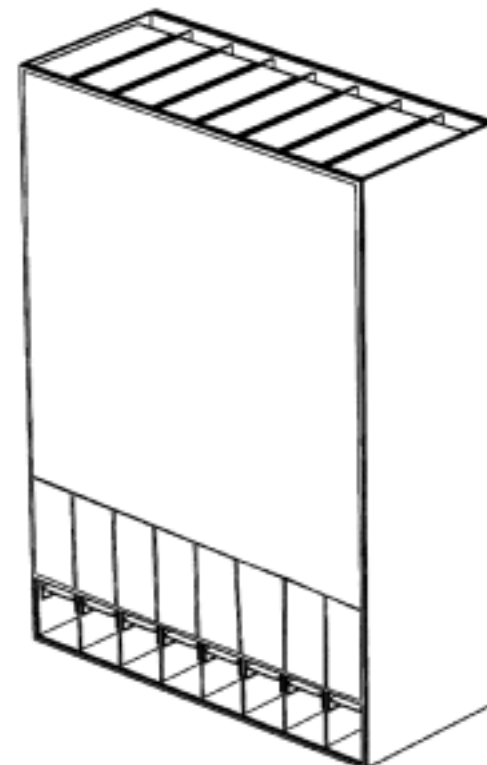
- (21) Design Number: **14116/2011**
(22) Date of Filing Application: **14 September 2011**
(24) Date from which industrial property rights may have effect: **14 September 2011**
(54) Product in respect of which the design is registered: **Vending machine**
(51) International Design Classification: **20-01**
(74) Name(s) of Attorney(s): **Cotters Patent & Trade Mark Attorneys**
(71) Name(s) and Address(s) of Applicant(s):
Logue and Co. Pty Ltd
199 Kiora Road Yowie Bay New South Wales 2228 Australia
(72) Name(s) of Designer(s): **Anthony Thomas Logue**
(45) Registration Date: **13 October 2011**
(56) Related Art Documents: **Not Applicable**
(57) Statement of Newness and Distinctiveness: **Newness and distinctiveness is claimed in the features of shape and/or configuration of a vending machine as depicted in the accompanying drawings.**



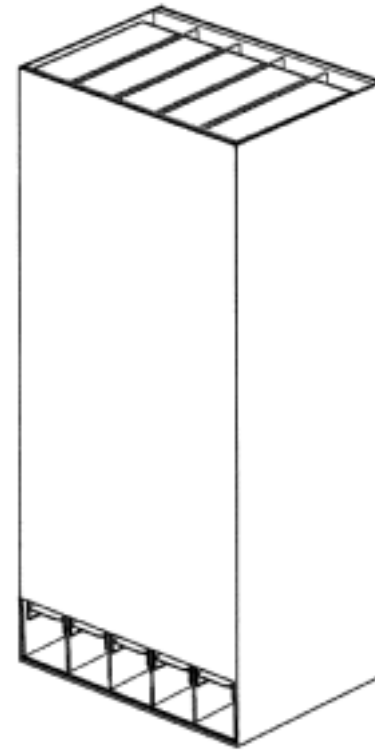
- (21) Design Number: **14117/2011**
(22) Date of Filing Application: **14 September 2011**
(24) Date from which industrial property rights may have effect: **14 September 2011**
(54) Product in respect of which the design is registered: **Fluid receptacle**
(51) International Design Classification: **09-03NES, 07-01C**
(74) Name(s) of Attorney(s): **Cotters Patent & Trade Mark Attorneys**
(71) Name(s) and Address(s) of Applicant(s):
Logue and Co. Pty Ltd
199 Kiora Road Yowie Bay New South Wales 2228 Australia
(72) Name(s) of Designer(s): **Anthony Thomas Logue**
(45) Registration Date: **13 October 2011**
(56) Related Art Documents: **Not Applicable**
(57) Statement of Newness and Distinctiveness: **Newness and distinctiveness is claimed in the features of shape and/or configuration of a fluid receptacle as depicted in the accompanying drawings.**



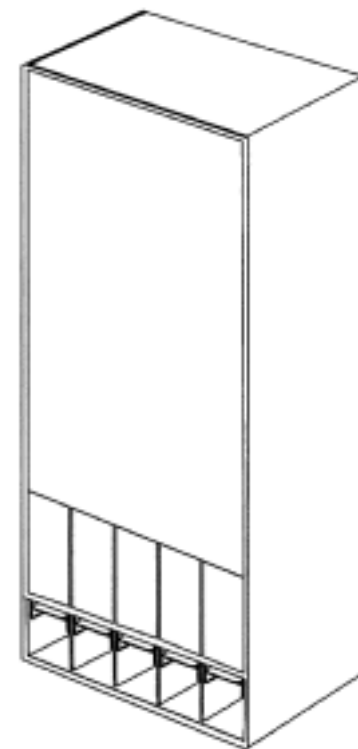
- (21) Design Number: **14118/2011**
(22) Date of Filing Application: **14 September 2011**
(24) Date from which industrial property rights may have effect: **14 September 2011**
(54) Product in respect of which the design is registered: **Vending machine**
(51) International Design Classification: **20-01**
(74) Name(s) of Attorney(s): **Cotters Patent & Trade Mark Attorneys**
(71) Name(s) and Address(s) of Applicant(s):
Logue and Co. Pty Ltd
199 Kiora Road Yowie Bay New South Wales 2228 Australia
(72) Name(s) of Designer(s): **Anthony Thomas Logue**
(45) Registration Date: **13 October 2011**
(56) Related Art Documents: **Not Applicable**
(57) Statement of Newness and Distinctiveness: **Newness and distinctiveness is claimed in the features of shape and/or configuration of a vending machine as depicted in the accompanying drawings.**



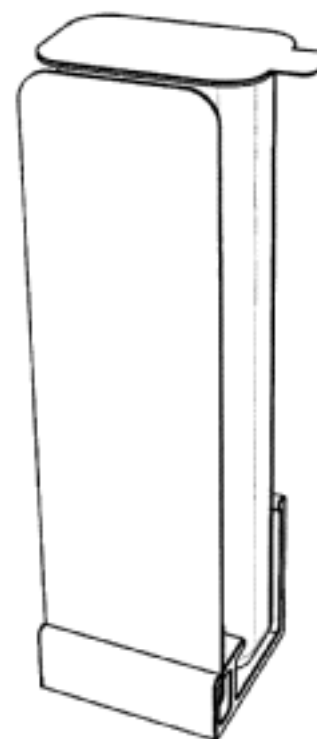
- (21) Design Number: **14119/2011**
(22) Date of Filing Application: **14 September 2011**
(24) Date from which industrial property rights may have effect: **14 September 2011**
(54) Product in respect of which the design is registered: **Vending machine**
(51) International Design Classification: **20-01**
(74) Name(s) of Attorney(s): **Cotters Patent & Trade Mark Attorneys**
(71) Name(s) and Address(s) of Applicant(s):
Logue and Co. Pty Ltd
199 Kiora Road Yowie Bay New South Wales 2228 Australia
(72) Name(s) of Designer(s): **Anthony Thomas Logue**
(45) Registration Date: **13 October 2011**
(56) Related Art Documents: **Not Applicable**
(57) Statement of Newness and Distinctiveness: **Newness and distinctiveness is claimed in the features of shape and/or configuration of a vending machine as depicted in the accompanying drawings.**



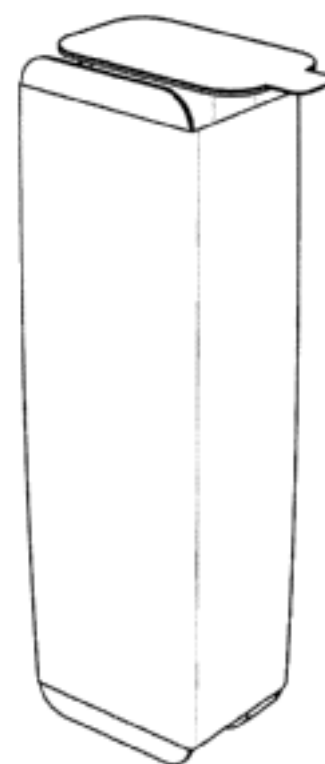
- (21) Design Number: **14120/2011**
(22) Date of Filing Application: **14 September 2011**
(24) Date from which industrial property rights may have effect: **14 September 2011**
(54) Product in respect of which the design is registered: **Vending machine**
(51) International Design Classification: **20-01**
(74) Name(s) of Attorney(s): **Cotters Patent & Trade Mark Attorneys**
(71) Name(s) and Address(s) of Applicant(s):
Logue and Co. Pty Ltd
199 Kiora Road Yowie Bay New South Wales 2228 Australia
(72) Name(s) of Designer(s): **Anthony Thomas Logue**
(45) Registration Date: **13 October 2011**
(56) Related Art Documents: **Not Applicable**
(57) Statement of Newness and Distinctiveness: **Newness and distinctiveness is claimed in the features of shape and/or configuration of a vending machine as depicted in the accompanying drawings.**



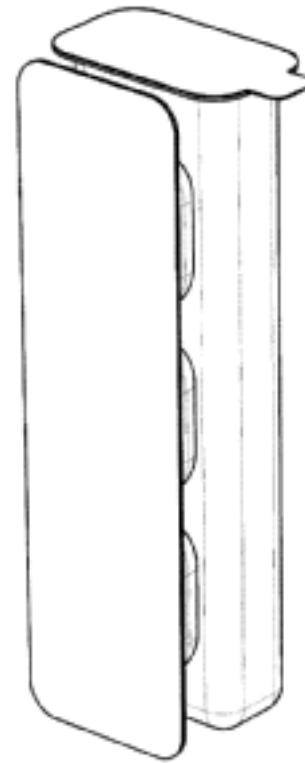
- (21) Design Number: **14121/2011**
(22) Date of Filing Application: **14 September 2011**
(24) Date from which industrial property rights may have effect: **14 September 2011**
(54) Product in respect of which the design is registered: **Medicament package**
(51) International Design Classification: **09-03M, 09-03NES**
(74) Name(s) of Attorney(s): **Cotters Patent & Trade Mark Attorneys**
(71) Name(s) and Address(s) of Applicant(s):
Logue and Co. Pty Ltd
199 Kiara Road Yowie Bay New South Wales 2228 Australia
(72) Name(s) of Designer(s): **Anthony Thomas Logue**
(45) Registration Date: **13 October 2011**
(56) Related Art Documents: **Not Applicable**
(57) Statement of Newness and Distinctiveness: **Newness and distinctiveness is claimed in the features of shape and/or configuration of a medicament package as depicted in the accompanying drawings.**



- (21) Design Number: **14122/2011**
(22) Date of Filing Application: **14 September 2011**
(24) Date from which industrial property rights may have effect: **14 September 2011**
(54) Product in respect of which the design is registered: **Medicament package**
(51) International Design Classification: **09-03M, 09-03NES**
(74) Name(s) of Attorney(s): **Cotters Patent & Trade Mark Attorneys**
(71) Name(s) and Address(s) of Applicant(s):
Logue and Co. Pty Ltd
199 Kiara Road Yowie Bay New South Wales 2228 Australia
(72) Name(s) of Designer(s): **Anthony Thomas Logue**
(45) Registration Date: **13 October 2011**
(56) Related Art Documents: **Not Applicable**
(57) Statement of Newness and Distinctiveness: **Newness and distinctiveness is claimed in the features of shape and/or configuration of a medicament package as depicted in the accompanying drawings.**



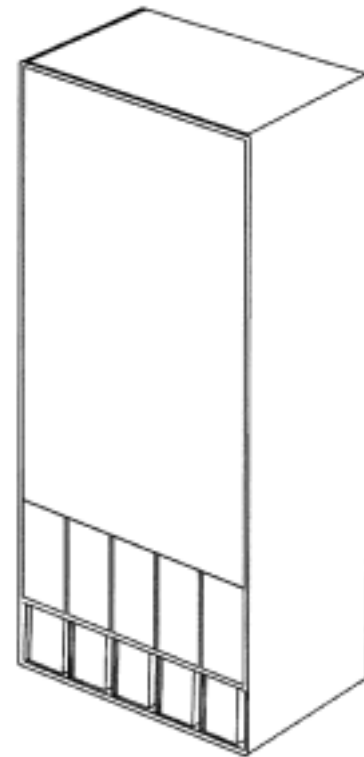
- (21) Design Number: **14123/2011**
(22) Date of Filing Application: **14 September 2011**
(24) Date from which industrial property rights may have effect: **14 September 2011**
(54) Product in respect of which the design is registered: **Medicament package**
(51) International Design Classification: **09-03M, 09-03NES**
(74) Name(s) of Attorney(s): **Cotters Patent & Trade Mark Attorneys**
(71) Name(s) and Address(s) of Applicant(s):
Logue and Co. Pty Ltd
199 Kiara Road Yowie Bay New South Wales 2228 Australia
(72) Name(s) of Designer(s): **Anthony Thomas Logue**
(45) Registration Date: **13 October 2011**
(56) Related Art Documents: **Not Applicable**
(57) Statement of Newness and Distinctiveness: **Newness and distinctiveness is claimed in the features of shape and/or configuration of a medicament package as depicted in the accompanying drawings.**



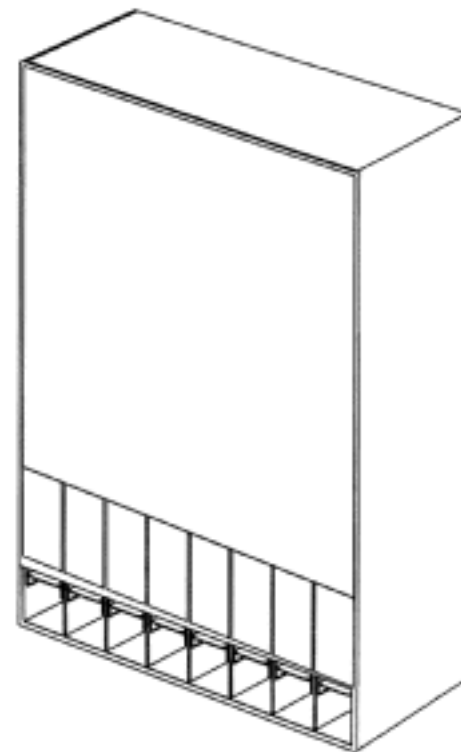
- (21) Design Number: **14125/2011**
(22) Date of Filing Application: **14 September 2011**
(24) Date from which industrial property rights may have effect: **14 September 2011**
(54) Product in respect of which the design is registered: **Blister pack**
(51) International Design Classification: **09-05**
(74) Name(s) of Attorney(s): **Cotters Patent & Trade Mark Attorneys**
(71) Name(s) and Address(s) of Applicant(s):
Logue and Co. Pty Ltd
199 Kiara Road Yowie Bay New South Wales 2228 Australia
(72) Name(s) of Designer(s): **Anthony Thomas Logue**
(45) Registration Date: **13 October 2011**
(56) Related Art Documents: **Not Applicable**
(57) Statement of Newness and Distinctiveness: **Newness and distinctiveness is claimed in the features of shape and/or configuration of a blister pack as depicted in the accompanying drawings.**



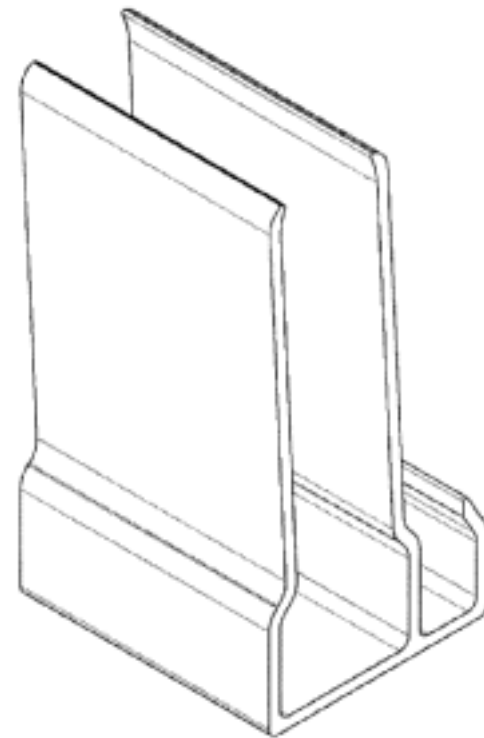
- (21) Design Number: **14126/2011**
(22) Date of Filing Application: **14 September 2011**
(24) Date from which industrial property rights may have effect: **14 September 2011**
(54) Product in respect of which the design is registered: **Vending machine**
(51) International Design Classification: **20-01**
(74) Name(s) of Attorney(s): **Cotters Patent & Trade Mark Attorneys**
(71) Name(s) and Address(s) of Applicant(s):
Logue and Co. Pty Ltd
199 Kiora Road Yowie Bay New South Wales 2228 Australia
(72) Name(s) of Designer(s): **Anthony Thomas Logue**
(45) Registration Date: **13 October 2011**
(56) Related Art Documents: **Not Applicable**
(57) Statement of Newness and Distinctiveness: **Newness and distinctiveness is claimed in the features of shape and/or configuration of a vending machine as depicted in the accompanying drawings.**



- (21) Design Number: **14128/2011**
(22) Date of Filing Application: **14 September 2011**
(24) Date from which industrial property rights may have effect: **14 September 2011**
(54) Product in respect of which the design is registered: **Vending machine**
(51) International Design Classification: **20-01**
(74) Name(s) of Attorney(s): **Cotters Patent & Trade Mark Attorneys**
(71) Name(s) and Address(s) of Applicant(s):
Logue and Co. Pty Ltd
199 Kiora Road Yowie Bay New South Wales 2228 Australia
(72) Name(s) of Designer(s): **Anthony Thomas Logue**
(45) Registration Date: **13 October 2011**
(56) Related Art Documents: **Not Applicable**
(57) Statement of Newness and Distinctiveness: **Newness and distinctiveness is claimed in the features of shape and/or configuration of a vending machine as depicted in the accompanying drawings.**



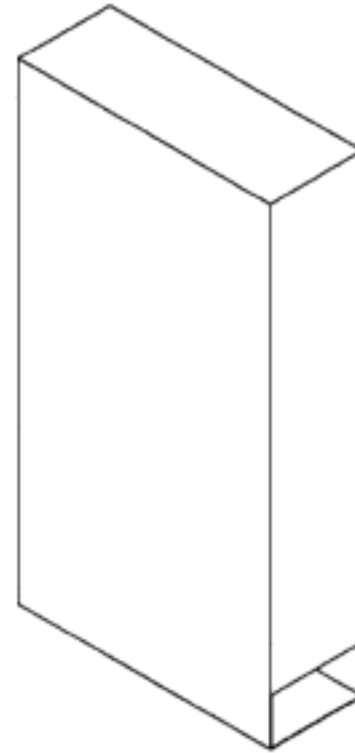
- (21) Design Number: **14104/2011**
(22) Date of Filing Application: **14 September 2011**
(24) Date from which industrial property rights may have effect: **14 September 2011**
(54) Product in respect of which the design is registered: **Medicament package stand**
(51) International Design Classification: **20-02E**
(74) Name(s) of Attorney(s): **Cotters Patent & Trade Mark Attorneys**
(71) Name(s) and Address(s) of Applicant(s):
Logue and Co. Pty Ltd
199 Kiora Road Yowie Bay New South Wales 2228 Australia
(72) Name(s) of Designer(s): **Anthony Thomas Logue**
(45) Registration Date: **13 October 2011**
(56) Related Art Documents: **Not Applicable**
(57) Statement of Newness and Distinctiveness: **Newness and distinctiveness is claimed in the features of shape and/or configuration of a medicament package stand as depicted in the accompanying drawings.**



- (21) Design Number: **14105/2011**
(22) Date of Filing Application: **14 September 2011**
(24) Date from which industrial property rights may have effect: **14 September 2011**
(54) Product in respect of which the design is registered: **Medicament package**
(51) International Design Classification: **09-03M**
(74) Name(s) of Attorney(s): **Cotters Patent & Trade Mark Attorneys**
(71) Name(s) and Address(s) of Applicant(s):
Logue and Co. Pty Ltd
199 Kiora Road Yowie Bay New South Wales 2228 Australia
(72) Name(s) of Designer(s): **Anthony Thomas Logue**
(45) Registration Date: **13 October 2011**
(56) Related Art Documents: **Not Applicable**
(57) Statement of Newness and Distinctiveness: **Newness and distinctiveness is claimed in the features of shape and/or configuration of a medicament package as depicted in the accompanying drawings.**



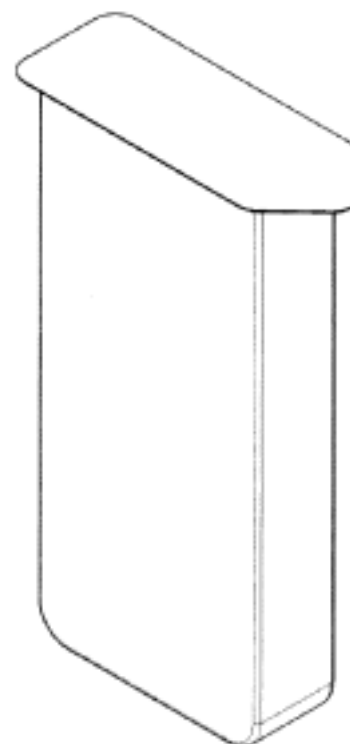
- (21) Design Number: **14106/2011**
(22) Date of Filing Application: **14 September 2011**
(24) Date from which industrial property rights may have effect: **14 September 2011**
(54) Product in respect of which the design is registered: **Medicament package cartridge**
(51) International Design Classification: **09-03M, 09-03NES**
(74) Name(s) of Attorney(s): **Cotters Patent & Trade Mark Attorneys**
(71) Name(s) and Address(s) of Applicant(s):
Logue and Co. Pty Ltd
199 Kiora Road Yowie Bay New South Wales 2228 Australia
(72) Name(s) of Designer(s): **Anthony Thomas Logue**
(45) Registration Date: **13 October 2011**
(56) Related Art Documents: **Not Applicable**
(57) Statement of Newness and Distinctiveness: **Newness and distinctiveness is claimed in the features of shape and/or configuration of a medicament package cartridge as depicted in the accompanying drawings.**



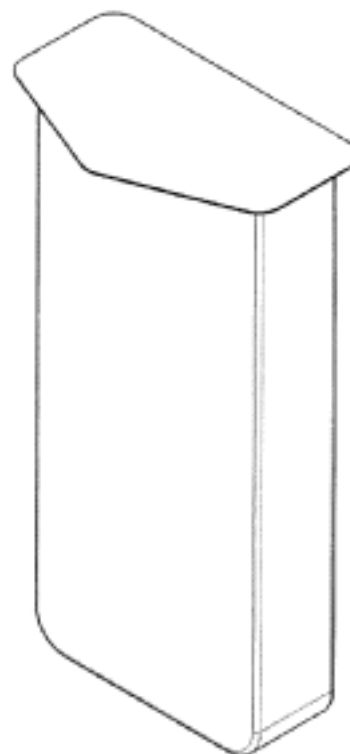
- (21) Design Number: **14107/2011**
(22) Date of Filing Application: **14 September 2011**
(24) Date from which industrial property rights may have effect: **14 September 2011**
(54) Product in respect of which the design is registered: **Medicament package cartridge**
(51) International Design Classification: **09-03M, 09-03NES**
(74) Name(s) of Attorney(s): **Cotters Patent & Trade Mark Attorneys**
(71) Name(s) and Address(s) of Applicant(s):
Logue and Co. Pty Ltd
199 Kiora Road Yowie Bay New South Wales 2228 Australia
(72) Name(s) of Designer(s): **Anthony Thomas Logue**
(45) Registration Date: **13 October 2011**
(56) Related Art Documents: **Not Applicable**
(57) Statement of Newness and Distinctiveness: **Newness and distinctiveness is claimed in the features of shape and/or configuration of a medicament package cartridge as depicted in the accompanying drawings.**



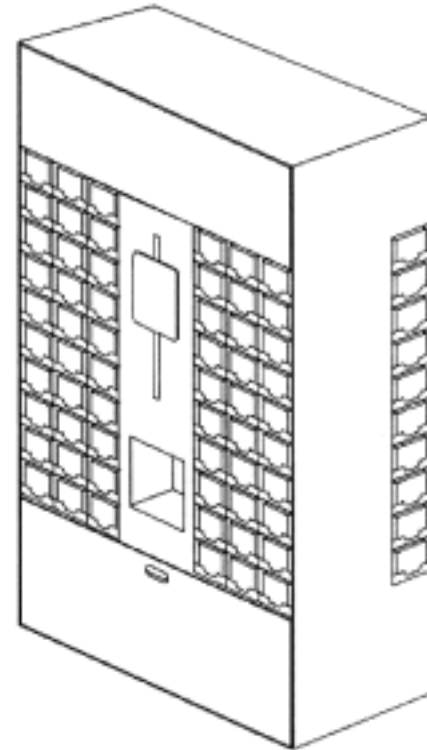
- (21) Design Number: **14108/2011**
(22) Date of Filing Application: **14 September 2011**
(24) Date from which industrial property rights may have effect: **14 September 2011**
(54) Product in respect of which the design is registered: **Fluid receptacle**
(51) International Design Classification: **09-03NES, 07-01C**
(74) Name(s) of Attorney(s): **Cotters Patent & Trade Mark Attorneys**
(71) Name(s) and Address(s) of Applicant(s):
Logue and Co. Pty Ltd
199 Kiora Road Yowie Bay New South Wales 2228 Australia
(72) Name(s) of Designer(s): **Anthony Thomas Logue**
(45) Registration Date: **13 October 2011**
(56) Related Art Documents: **Not Applicable**
(57) Statement of Newness and Distinctiveness: **Newness and distinctiveness is claimed in the features of shape and/or configuration of a fluid receptacle as depicted in the accompanying drawings.**



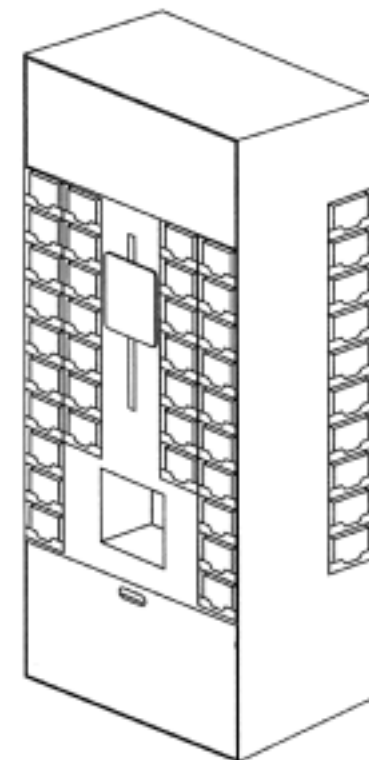
- (21) Design Number: **14109/2011**
(22) Date of Filing Application: **14 September 2011**
(24) Date from which industrial property rights may have effect: **14 September 2011**
(54) Product in respect of which the design is registered: **Fluid receptacle**
(51) International Design Classification: **09-03NES, 07-01C**
(74) Name(s) of Attorney(s): **Cotters Patent & Trade Mark Attorneys**
(71) Name(s) and Address(s) of Applicant(s):
Logue and Co. Pty Ltd
199 Kiora Road Yowie Bay New South Wales 2228 Australia
(72) Name(s) of Designer(s): **Anthony Thomas Logue**
(45) Registration Date: **13 October 2011**
(56) Related Art Documents: **Not Applicable**
(57) Statement of Newness and Distinctiveness: **Newness and distinctiveness is claimed in the features of shape and/or configuration of a fluid receptacle as depicted in the accompanying drawings.**



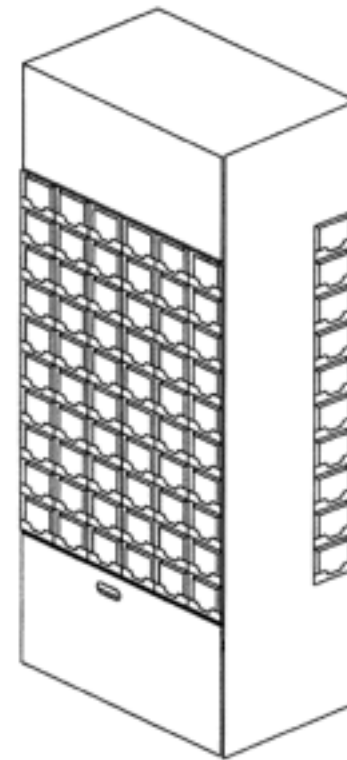
- (21) Design Number: **14110/2011**
(22) Date of Filing Application: **14 September 2011**
(24) Date from which industrial property rights may have effect: **14 September 2011**
(54) Product in respect of which the design is registered: **Vending machine**
(51) International Design Classification: **20-01**
(74) Name(s) of Attorney(s): **Cotters Patent & Trade Mark Attorneys**
(71) Name(s) and Address(s) of Applicant(s):
Logue and Co. Pty Ltd
199 Kiora Road Yowie Bay New South Wales 2228 Australia
(72) Name(s) of Designer(s): **Anthony Thomas Logue**
(45) Registration Date: **13 October 2011**
(56) Related Art Documents: **Not Applicable**
(57) Statement of Newness and Distinctiveness: **Newness and distinctiveness is claimed in the features of shape and/or configuration of a vending machine as depicted in the accompanying drawings.**



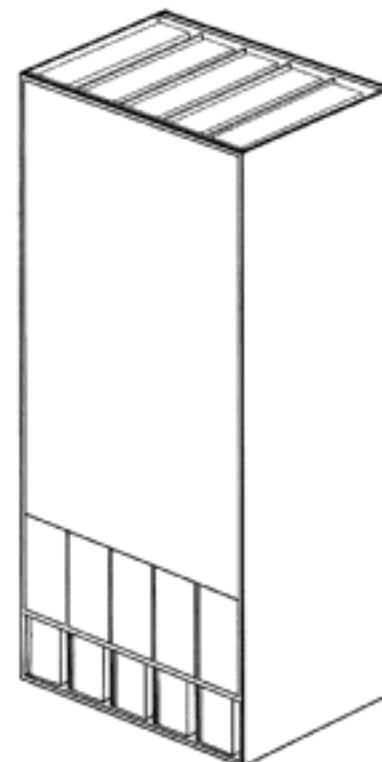
- (21) Design Number: **14111/2011**
(22) Date of Filing Application: **14 September 2011**
(24) Date from which industrial property rights may have effect: **14 September 2011**
(54) Product in respect of which the design is registered: **Vending machine**
(51) International Design Classification: **20-01**
(74) Name(s) of Attorney(s): **Cotters Patent & Trade Mark Attorneys**
(71) Name(s) and Address(s) of Applicant(s):
Logue and Co. Pty Ltd
199 Kiora Road Yowie Bay New South Wales 2228 Australia
(72) Name(s) of Designer(s): **Anthony Thomas Logue**
(45) Registration Date: **13 October 2011**
(56) Related Art Documents: **Not Applicable**
(57) Statement of Newness and Distinctiveness: **Newness and distinctiveness is claimed in the features of shape and/or configuration of a vending machine as depicted in the accompanying drawings.**



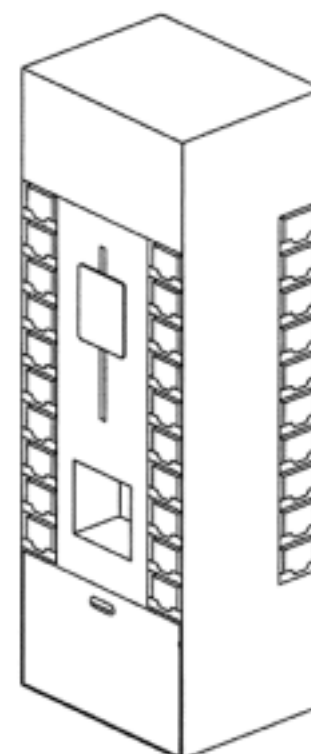
- (21) Design Number: **14112/2011**
(22) Date of Filing Application: **14 September 2011**
(24) Date from which industrial property rights may have effect: **14 September 2011**
(54) Product in respect of which the design is registered: **Vending machine**
(51) International Design Classification: **20-01**
(74) Name(s) of Attorney(s): **Cotters Patent & Trade Mark Attorneys**
(71) Name(s) and Address(s) of Applicant(s):
Logue and Co. Pty Ltd
199 Kiora Road Yowie Bay New South Wales 2228 Australia
(72) Name(s) of Designer(s): **Anthony Thomas Logue**
(45) Registration Date: **13 October 2011**
(56) Related Art Documents: **Not Applicable**
(57) Statement of Newness and Distinctiveness: **Newness and distinctiveness is claimed in the features of shape and/or configuration of a vending machine as depicted in the accompanying drawings.**



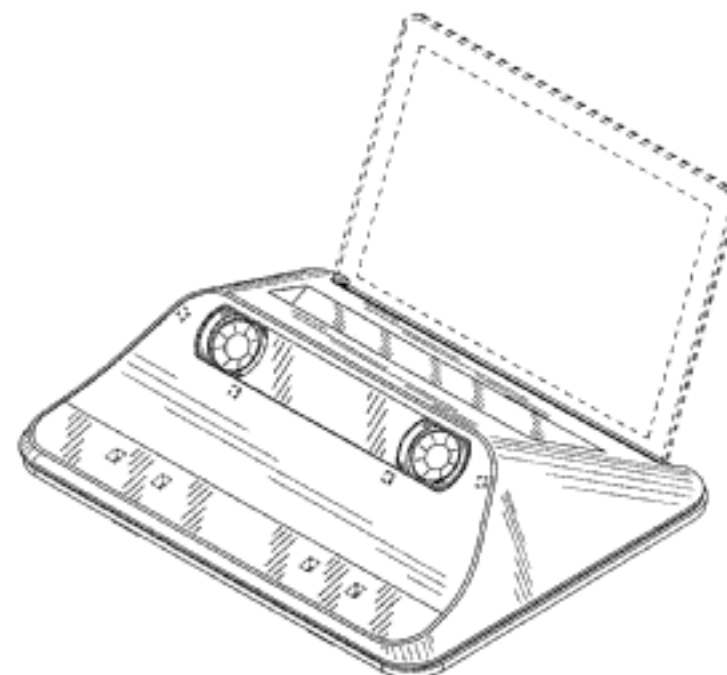
- (21) Design Number: **14113/2011**
(22) Date of Filing Application: **14 September 2011**
(24) Date from which industrial property rights may have effect: **14 September 2011**
(54) Product in respect of which the design is registered: **Vending machine**
(51) International Design Classification: **20-01**
(74) Name(s) of Attorney(s): **Cotters Patent & Trade Mark Attorneys**
(71) Name(s) and Address(s) of Applicant(s):
Logue and Co. Pty Ltd
199 Kiora Road Yowie Bay New South Wales 2228 Australia
(72) Name(s) of Designer(s): **Anthony Thomas Logue**
(45) Registration Date: **13 October 2011**
(56) Related Art Documents: **Not Applicable**
(57) Statement of Newness and Distinctiveness: **Newness and distinctiveness is claimed in the features of shape and/or configuration of a vending machine as depicted in the accompanying drawings.**



- (21) Design Number: **14114/2011**
(22) Date of Filing Application: **14 September 2011**
(24) Date from which industrial property rights may have effect: **14 September 2011**
(54) Product in respect of which the design is registered: **Vending machine**
(51) International Design Classification: **20-01**
(74) Name(s) of Attorney(s): **Cotters Patent & Trade Mark Attorneys**
(71) Name(s) and Address(s) of Applicant(s):
Logue and Co. Pty Ltd
199 Kiara Road Yowie Bay New South Wales 2228 Australia
(72) Name(s) of Designer(s): **Anthony Thomas Logue**
(45) Registration Date: **13 October 2011**
(56) Related Art Documents: **Not Applicable**
(57) Statement of Newness and Distinctiveness: **Newness and distinctiveness is claimed in the features of shape and/or configuration of a vending machine as depicted in the accompanying drawings.**



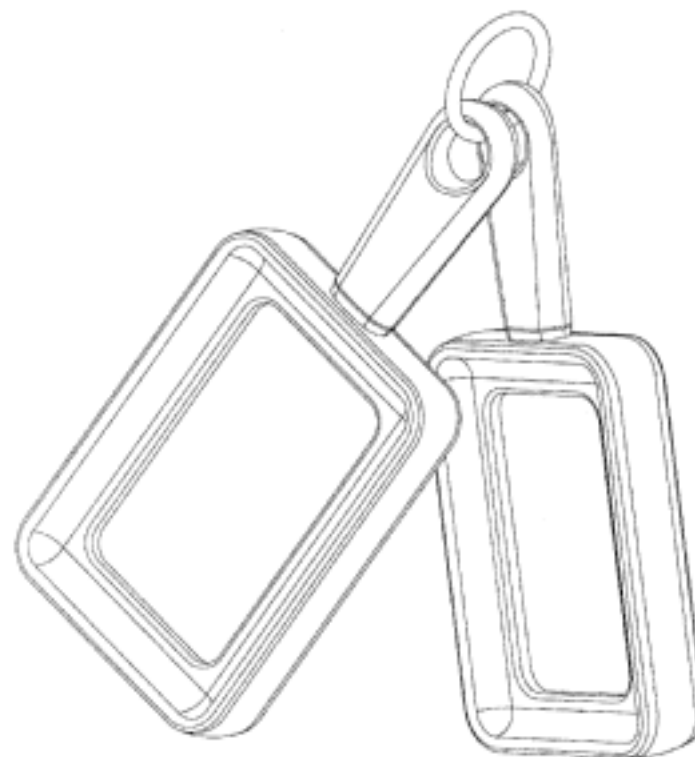
- (21) Design Number: **13247/2011**
(22) Date of Filing Application: **22 July 2011**
(24) Date from which industrial property rights may have effect: **22 July 2011**
(54) Product in respect of which the design is registered: **Portable computer instrument for the assessment of behavioral and neurological disorders**
(51) International Design Classification: **24-01**
(74) Name(s) of Attorney(s): **SPRUSON & FERGUSON**
(71) Name(s) and Address(s) of Applicant(s):
Biobehavioral Diagnostics Company
239 Littleton Road Sute 6A Westford Massachusetts 01886 United States of America
(72) Name(s) of Designer(s): **Gabor Zanoni and Mark Breneman and Christopher Kadamus and Mark Matthews and Kenneth Hoadley and Nikolaos Furligas**
(45) Registration Date: **14 October 2011**
(30) Convention priority data:
(31) Number (32) Date (33) Country
29/397052 11 Jul 2011 UNITED STATES OF AMERICA
(56) Related Art Documents: **Not Applicable**
(57) Statement of Newness and Distinctiveness: **Newness and distinctiveness is claimed in those features of shape and/or configuration of a portable computer instrument for the assessment of behavioral and neurological disorders as illustrated in continuous lines in the accompanying representations.**



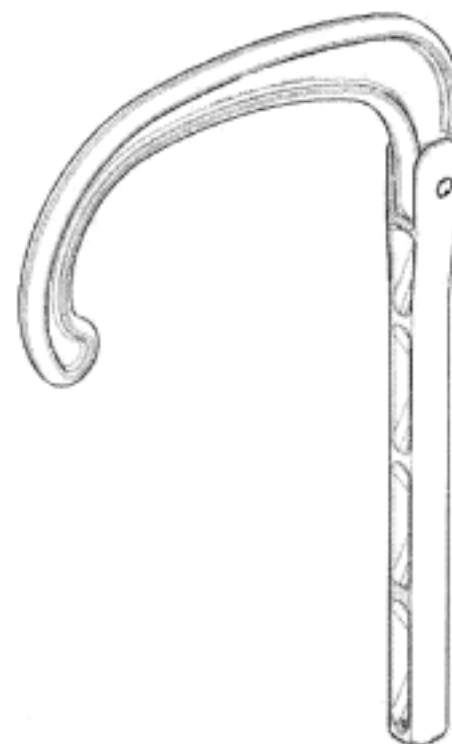
- (21) Design Number: **13375/2011**
(22) Date of Filing Application: **29 July 2011**
(24) Date from which industrial property rights may have effect: **29 July 2011**
(54) Product in respect of which the design is registered: **Cooler**
(51) International Design Classification: **15-07**
(74) Name(s) of Attorney(s): **Shelston IP**
(71) Name(s) and Address(s) of Applicant(s):
Red Bull GmbH
Am Brunnen 1 5330 Fuschl am See Austria
(72) Name(s) of Designer(s): **Matthias Rinderer and Jurgen Brenneis and Toby McDell**
(45) Registration Date: **14 October 2011**
(56) Related Art Documents: **Not Applicable**
(57) Statement of Newness and Distinctiveness: **Newness and distinctiveness reside in the features of shape and/or configuration of a cooler as illustrated in the accompanying representations.**



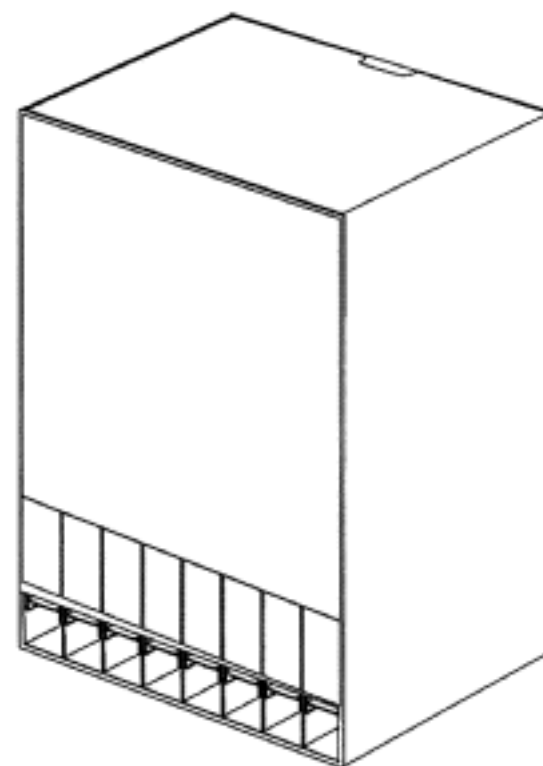
- (21) Design Number: **13731/2011**
(22) Date of Filing Application: **23 August 2011**
(24) Date from which industrial property rights may have effect: **23 August 2011**
(54) Product in respect of which the design is registered: **A set of templates for the measurement of food stuffs**
(51) International Design Classification: **10-04, 10-99**
(74) Name(s) of Attorney(s): **Cullens Patent and Trade Mark Attorneys**
(71) Name(s) and Address(s) of Applicant(s):
JF Arbuckle Medical Pty Ltd
152 Olsen Avenue Arundel Queensland 4214 Australia
(72) Name(s) of Designer(s): **Adam Doyle and Reilly Edwards**
(45) Registration Date: **14 October 2011**
(56) Related Art Documents: **Not Applicable**
(57) Statement of Newness and Distinctiveness: **Nil**



(21) Design Number: **14036/2011**
(22) Date of Filing Application: **13 September 2011**
(24) Date from which industrial property rights may have effect: **13 September 2011**
(54) Product in respect of which the design is registered: **Apparatus for the treatment of muscles**
(51) International Design Classification: **24-01, 24-04**
(74) Name(s) of Attorney(s): **PHILLIPS ORMONDE FITZPATRICK**
(71) Name(s) and Address(s) of Applicant(s):
Jukka Heininen
Asematie 2 A FI-35700 Vilppula Finland
(72) Name(s) of Designer(s): **Jukka Heininen**
(45) Registration Date: **14 October 2011**
(30) Convention priority data:
(31) Number (32) Date (33) Country
1842824-0001 30 Mar 2011 EUROPEAN COMMUNITY
(56) Related Art Documents: **Not Applicable**
(57) Statement of Newness and Distinctiveness: **Newness and distinctiveness resides in the shape and/or configuration of the handle, in particular the provision of the holes in the handle and circular shape at the top of the handle, as well as the fluted or channelled shape of the upper part of the apparatus for treatment of muscles as shown in the accompanying representations.**



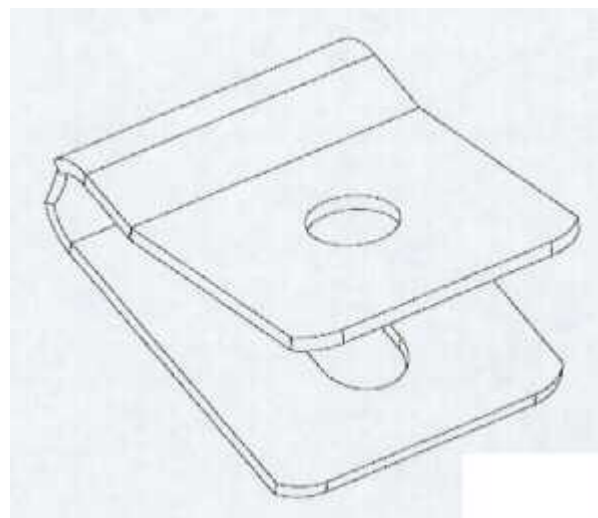
(21) Design Number: **14127/2011**
(22) Date of Filing Application: **14 September 2011**
(24) Date from which industrial property rights may have effect: **14 September 2011**
(54) Product in respect of which the design is registered: **Vending machine**
(51) International Design Classification: **20-01**
(74) Name(s) of Attorney(s): **Cotters Patent & Trade Mark Attorneys**
(71) Name(s) and Address(s) of Applicant(s):
Logue and Co. Pty Ltd
199 Kiora Road Yowie Bay New South Wales 2228 Australia
(72) Name(s) of Designer(s): **Anthony Thomas Logue**
(45) Registration Date: **14 October 2011**
(56) Related Art Documents: **Not Applicable**
(57) Statement of Newness and Distinctiveness: **Newness and distinctiveness is claimed in the features of shape and/or configuration of a vending machine as depicted in the accompanying drawings.**



(21) Design Number: **14177/2011**
(22) Date of Filing Application: **16 September 2011**
(24) Date from which industrial property rights may have effect: **16 September 2011**
(54) Product in respect of which the design is registered: **Fencing clip**
(51) International Design Classification: **08-08C, 08-08K**
(74) Name(s) of Attorney(s): **Cullens Patent and Trade Mark Attorneys**
(71) Name(s) and Address(s) of Applicant(s):

Dale Norman Smith
Shed 3 5 Krauss Avenue South Lismore New South Wales 2480
Australia

(72) Name(s) of Designer(s): **Dale Norman Smith**
(45) Registration Date: **14 October 2011**
(56) Related Art Documents: **Not Applicable**
(57) Statement of Newness and Distinctiveness: **Nil**



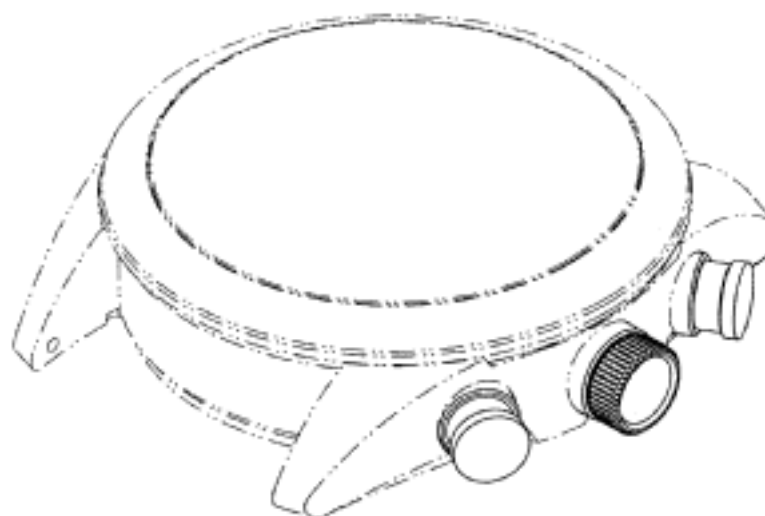
(21) Design Number: **14149/2011**
(22) Date of Filing Application: **15 September 2011**
(24) Date from which industrial property rights may have effect: **15 September 2011**
(54) Product in respect of which the design is registered: **Watch case**
(51) International Design Classification: **10-07**
(74) Name(s) of Attorney(s): **SPRUSON & FERGUSON**
(71) Name(s) and Address(s) of Applicant(s):

Montres Tudor S.A.
3 rue Francois-Dussaud 1211 Geneve 26 Switzerland

(72) Name(s) of Designer(s): **Davide Cerrato**
(45) Registration Date: **14 October 2011**
(30) Convention priority data:

(31) Number	(32) Date	(33) Country
137820	16 Mar 2011	SWITZERLAND

(56) Related Art Documents: **Not Applicable**
(57) Statement of Newness and Distinctiveness: **Newness and distinctiveness is claimed in those features of shape and/or configuration of a watch case illustrated in continuous lines in the accompanying representations.**



(21) Design Number: **14150/2011**
(22) Date of Filing Application: **15 September 2011**
(24) Date from which industrial property rights may have effect: **15 September 2011**
(54) Product in respect of which the design is registered: **Watch wristlet**
(51) International Design Classification: **10-07**
(74) Name(s) of Attorney(s): **SPRUSON & FERGUSON**
(71) Name(s) and Address(s) of Applicant(s):

Montres Tudor S.A.
3 rue Francois-Dussaud 1211 Geneve 26 Switzerland

(72) Name(s) of Designer(s): **Davide Cerrato**

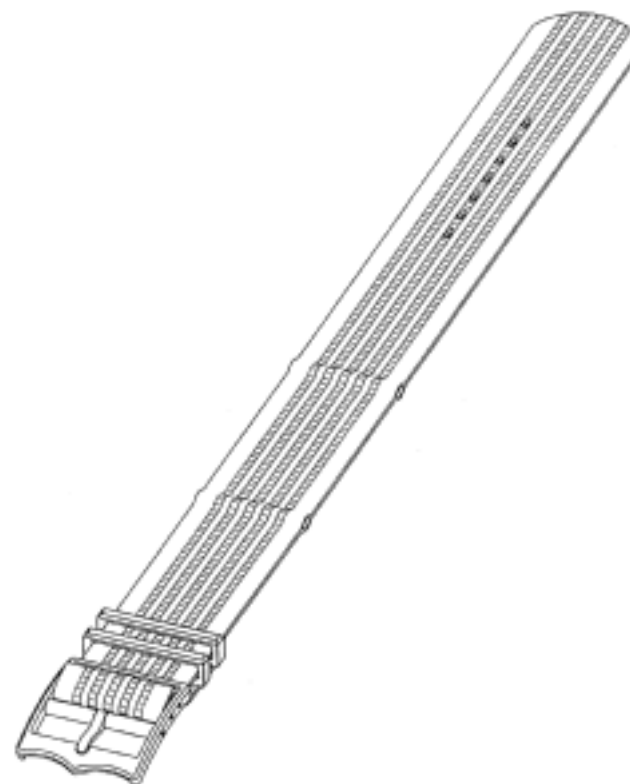
(45) Registration Date: **14 October 2011**

(30) Convention priority data:

(31) Number	(32) Date	(33) Country
137820	16 Mar 2011	SWITZERLAND

(56) Related Art Documents: **Not Applicable**

(57) Statement of Newness and Distinctiveness: **Newness and distinctiveness is claimed in the features of shape and/or configuration of a watch wristlet as illustrated in the accompanying representations, including the ribbing on the top face.**



(21) Design Number: **14151/2011**
(22) Date of Filing Application: **15 September 2011**
(24) Date from which industrial property rights may have effect: **15 September 2011**
(54) Product in respect of which the design is registered: **Watch case**
(51) International Design Classification: **10-07**
(74) Name(s) of Attorney(s): **SPRUSON & FERGUSON**
(71) Name(s) and Address(s) of Applicant(s):

Montres Tudor S.A.
3 rue Francois-Dussaud 1211 Geneve 26 Switzerland

(72) Name(s) of Designer(s): **Davide Cerrato**

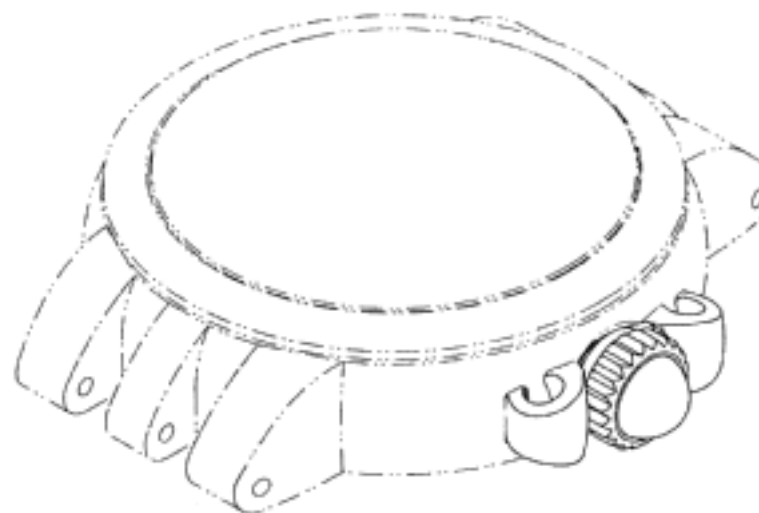
(45) Registration Date: **14 October 2011**

(30) Convention priority data:

(31) Number	(32) Date	(33) Country
137820	16 Mar 2011	SWITZERLAND

(56) Related Art Documents: **Not Applicable**

(57) Statement of Newness and Distinctiveness: **Newness and distinctiveness is claimed in those features of shape and/or configuration of a watch case illustrated in continuous lines in the accompanying representations.**



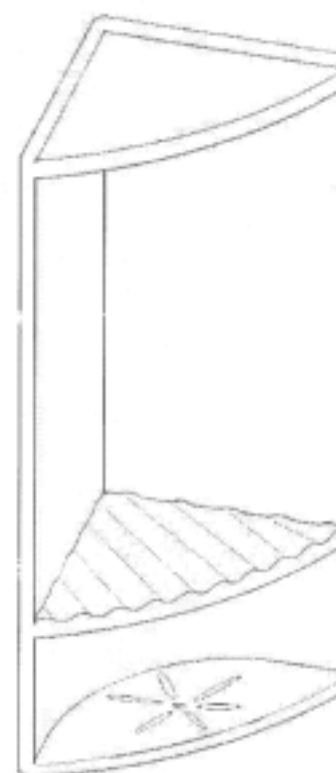
(21) Design Number: **14152/2011**
(22) Date of Filing Application: **15 September 2011**
(24) Date from which industrial property rights may have effect: **15 September 2011**
(54) Product in respect of which the design is registered: **Watch case**
(51) International Design Classification: **10-07**
(74) Name(s) of Attorney(s): **SPRUSON & FERGUSON**
(71) Name(s) and Address(s) of Applicant(s):
Montres Tudor S.A.
3 rue Francois-Dussaud 1211 Geneve 26 Switzerland
(72) Name(s) of Designer(s): **Davide Cerrato**
(45) Registration Date: **14 October 2011**
(30) Convention priority data:
(31) Number (32) Date (33) Country
137820 16 Mar 2011 SWITZERLAND
(56) Related Art Documents: **Not Applicable**
(57) Statement of Newness and Distinctiveness: **Newness and distinctiveness is claimed in the features of shape and/or configuration of a watch case as illustrated in the accompanying representations.**



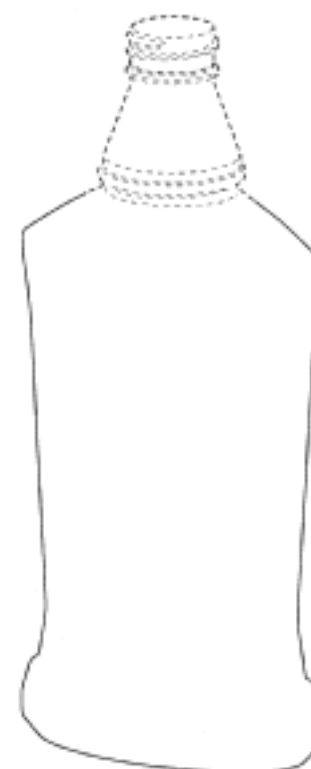
(21) Design Number: **14159/2011**
(22) Date of Filing Application: **15 September 2011**
(24) Date from which industrial property rights may have effect: **15 September 2011**
(54) Product in respect of which the design is registered: **Container**
(51) International Design Classification: **09-01K**
(74) Name(s) of Attorney(s): **FB Rice**
(71) Name(s) and Address(s) of Applicant(s):
Colgate-Palmolive Company
300 Park Avenue New York New York 10022 United States of America
(72) Name(s) of Designer(s): **Bruce Cummings and Amy Ramirez and Peter Booth and Martin Bunce and Mark Watson and John Lamb and Corinne Elstow**
(45) Registration Date: **14 October 2011**
(30) Convention priority data:
(31) Number (32) Date (33) Country
29/390918 29 Apr 2011 UNITED STATES OF AMERICA
(56) Related Art Documents: **Not Applicable**
(57) Statement of Newness and Distinctiveness: **Newness and distinctiveness reside in the features of shape and configuration of the container, as shown in the representations and excluding those features shown in broken lines.**



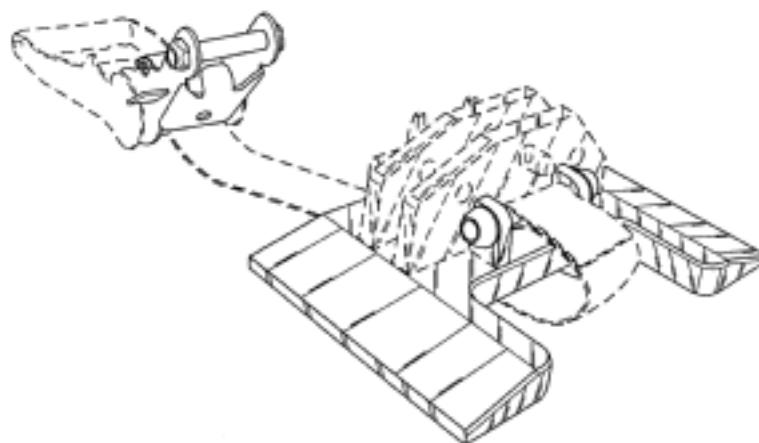
- (21) Design Number: **14160/2011**
(22) Date of Filing Application: **16 September 2011**
(24) Date from which industrial property rights may have effect: **16 September 2011**
(54) Product in respect of which the design is registered: **Recessed bathroom corner shelf**
(51) International Design Classification: **06-04NES**
(74) Name(s) of Attorney(s):
(71) Name(s) and Address(s) of Applicant(s):
Yan Hua Liu
1 Collins Street Thomastown Victoria 3074 Australia
(72) Name(s) of Designer(s): **Yan Hua Liu**
(45) Registration Date: **14 October 2011**
(56) Related Art Documents: **Not Applicable**
(57) Statement of Newness and Distinctiveness: **Recessed corner shelf fits easily into normal tiling. It provides extra storage room, saves space, easy to clean and maintain. It looks one piece to the wall and safer to user. The corner shelf can be also fitted into corner without recesse into wall.**



- (21) Design Number: **14161/2011**
(22) Date of Filing Application: **15 September 2011**
(24) Date from which industrial property rights may have effect: **15 September 2011**
(54) Product in respect of which the design is registered: **Container**
(51) International Design Classification: **09-01NES**
(74) Name(s) of Attorney(s): **FB Rice**
(71) Name(s) and Address(s) of Applicant(s):
Colgate-Palmolive Company
300 Park Avenue New York New York 10022 United States of America
(72) Name(s) of Designer(s): **Bruce Cummings and Amy Ramirez and Peter Booth and Martin Bunce and Mark Watson and John Lamb and Corinne Elstow**
(45) Registration Date: **14 October 2011**
(30) Convention priority data:
(31) Number (32) Date (33) Country
29/390920 29 Apr 2011 UNITED STATES OF AMERICA
(56) Related Art Documents: **Not Applicable**
(57) Statement of Newness and Distinctiveness: **Newness and distinctiveness reside in the features of shape and configuration of the container, as shown in the representations and excluding those features shown in broken lines.**

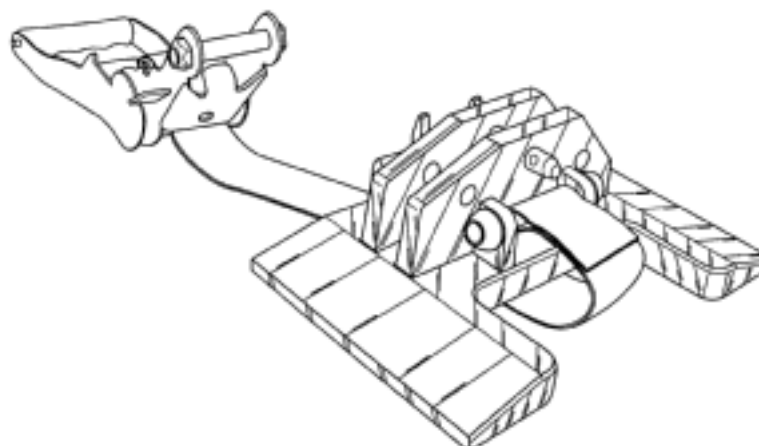


(21) Design Number: **14164/2011**
(22) Date of Filing Application: **15 September 2011**
(24) Date from which industrial property rights may have effect: **15 September 2011**
(54) Product in respect of which the design is registered: **Crossarm bracket**
(51) International Design Classification: **08-08L**
(74) Name(s) of Attorney(s): **FB Rice**
(71) Name(s) and Address(s) of Applicant(s):
Sherman & Reilly, Inc.
409 W. 33rd Street Chattanooga Tennessee 37410-1039 United States of America



(72) Name(s) of Designer(s): **John Philip Rennich**
(45) Registration Date: **14 October 2011**
(30) Convention priority data:
(31) Number (32) Date (33) Country
29/387771 17 Mar 2011 UNITED STATES OF AMERICA
(56) Related Art Documents: **Not Applicable**
(57) Statement of Newness and Distinctiveness: **Newness and distinctiveness reside in the features of the design shown in solid lines in the representations excluding those features shown in broken lines.**

(21) Design Number: **14165/2011**
(22) Date of Filing Application: **15 September 2011**
(24) Date from which industrial property rights may have effect: **15 September 2011**
(54) Product in respect of which the design is registered: **Crossarm bracket**
(51) International Design Classification: **08-08L**
(74) Name(s) of Attorney(s): **FB Rice**
(71) Name(s) and Address(s) of Applicant(s):
Sherman & Reilly, Inc.
409 W. 33rd Street Chattanooga Tennessee 37410-1039 United States of America



(72) Name(s) of Designer(s): **John Philip Rennich**
(45) Registration Date: **14 October 2011**
(30) Convention priority data:
(31) Number (32) Date (33) Country
29/387767 17 Mar 2011 UNITED STATES OF AMERICA
(56) Related Art Documents: **Not Applicable**
(57) Statement of Newness and Distinctiveness: **Newness and distinctiveness reside in the features of the design shown in the representations. The features shown in dashed lines in Figure 1 are for reference only and form no part of the design.**

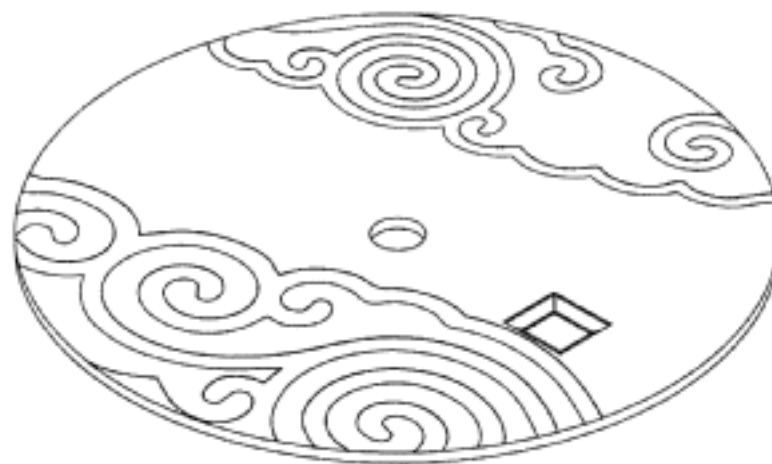
- (21) Design Number: **14166/2011**
(22) Date of Filing Application: **15 September 2011**
(24) Date from which industrial property rights may have effect: **15 September 2011**
(54) Product in respect of which the design is registered: **Cooler**
(51) International Design Classification: **15-07**
(74) Name(s) of Attorney(s): **Shelston IP**
(71) Name(s) and Address(s) of Applicant(s):
Red Bull GmbH
Am Brunnen 1 5330 Fuschl am See Austria
(72) Name(s) of Designer(s): **Matthias Rinderer and Jurgen Brenneis and Toby McDell**
(45) Registration Date: **14 October 2011**
(30) Convention priority data:
(31) Number (32) Date (33) Country
001915125 09 Sep 2011 EUROPEAN COMMUNITY
(56) Related Art Documents: **Not Applicable**
(57) Statement of Newness and Distinctiveness: **Newness and distinctiveness reside in the features of shape and/or configuration and pattern and/or ornamentation of a cooler as illustrated in the accompanying representations.**



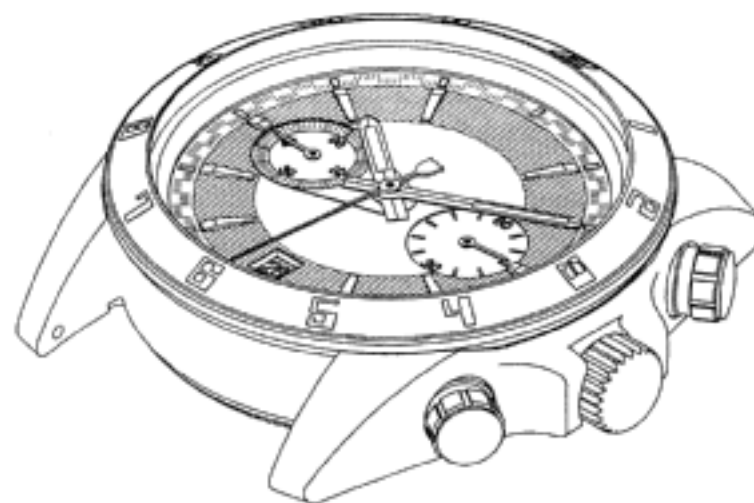
- (21) Design Number: **14167/2011**
(22) Date of Filing Application: **15 September 2011**
(24) Date from which industrial property rights may have effect: **15 September 2011**
(54) Product in respect of which the design is registered: **Cooler**
(51) International Design Classification: **15-07**
(74) Name(s) of Attorney(s): **Shelston IP**
(71) Name(s) and Address(s) of Applicant(s):
Red Bull GmbH
Am Brunnen 1 5330 Fuschl am See Austria
(72) Name(s) of Designer(s): **Matthias Rinderer and Jurgen Brenneis and Toby McDell**
(45) Registration Date: **14 October 2011**
(30) Convention priority data:
(31) Number (32) Date (33) Country
001915125 09 Sep 2011 EUROPEAN COMMUNITY
(56) Related Art Documents: **Not Applicable**
(57) Statement of Newness and Distinctiveness: **Newness and distinctiveness reside in the features of shape and/or configuration of a cooler as illustrated in the accompanying representations.**



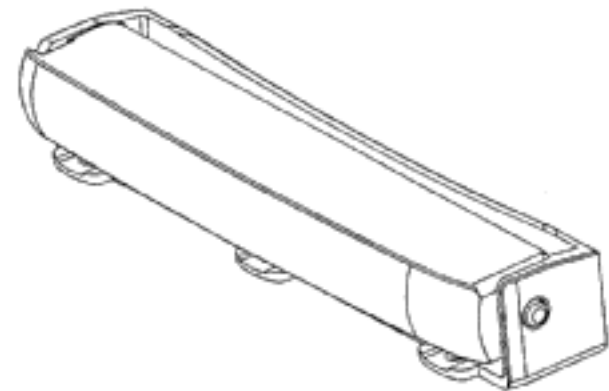
(21) Design Number: **14170/2011**
(22) Date of Filing Application: **15 September 2011**
(24) Date from which industrial property rights may have effect: **15 September 2011**
(54) Product in respect of which the design is registered: **Watch dial**
(51) International Design Classification: **10-07**
(74) Name(s) of Attorney(s): **SPRUSON & FERGUSON**
(71) Name(s) and Address(s) of Applicant(s):
Montres Tudor S.A.
3 rue Francois-Dussaud 1211 Geneve 26 Switzerland
(72) Name(s) of Designer(s): **Davide Cerrato**
(45) Registration Date: **14 October 2011**
(30) Convention priority data:
(31) Number (32) Date (33) Country
137820 16 Mar 2011 SWITZERLAND
(56) Related Art Documents: **Not Applicable**
(57) Statement of Newness and Distinctiveness: **Newness and distinctiveness is claimed in the features of pattern and/or ornamentation of the top face of a watch dial as illustrated in the accompanying representations.**



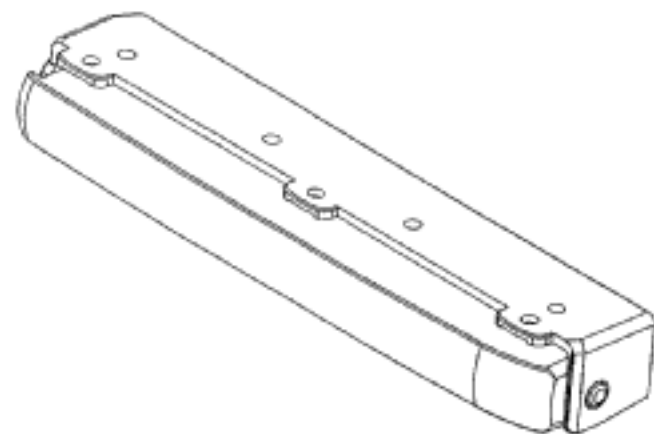
(21) Design Number: **14171/2011**
(22) Date of Filing Application: **15 September 2011**
(24) Date from which industrial property rights may have effect: **15 September 2011**
(54) Product in respect of which the design is registered: **Watch**
(51) International Design Classification: **10-02**
(74) Name(s) of Attorney(s): **SPRUSON & FERGUSON**
(71) Name(s) and Address(s) of Applicant(s):
Montres Tudor S.A.
3 rue Francois-Dussaud 1211 Geneve 26 Switzerland
(72) Name(s) of Designer(s): **Davide Cerrato**
(45) Registration Date: **14 October 2011**
(30) Convention priority data:
(31) Number (32) Date (33) Country
137820 16 Mar 2011 SWITZERLAND
(56) Related Art Documents: **Not Applicable**
(57) Statement of Newness and Distinctiveness: **Newness and distinctiveness is claimed in the features of shape and/or configuration of a watch as illustrated in the accompanying representations, including those features visible through the clear front face cover.**



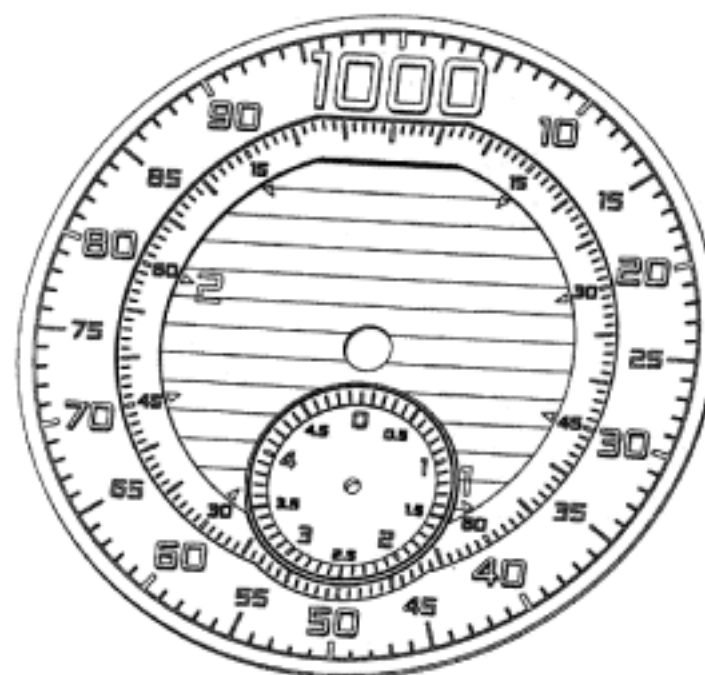
- (21) Design Number: **14134/2011**
(22) Date of Filing Application: **15 September 2011**
(24) Date from which industrial property rights may have effect: **15 September 2011**
(54) Product in respect of which the design is registered: **Vehicle safety light**
(51) International Design Classification: **26-06**
(74) Name(s) of Attorney(s): **Griffith Hack**
(71) Name(s) and Address(s) of Applicant(s):
Hella New Zealand Limited
81-83 Ben Lomond Crescent Pakuranga Auckland 6 New Zealand
(72) Name(s) of Designer(s): **Martin Reinbach**
(45) Registration Date: **17 October 2011**
(56) Related Art Documents: **Not Applicable**
(57) Statement of Newness and Distinctiveness: **The ornamental design for a vehicle safety light, as shown and described.**



- (21) Design Number: **14135/2011**
(22) Date of Filing Application: **15 September 2011**
(24) Date from which industrial property rights may have effect: **15 September 2011**
(54) Product in respect of which the design is registered: **Vehicle safety light**
(51) International Design Classification: **26-06**
(74) Name(s) of Attorney(s): **Griffith Hack**
(71) Name(s) and Address(s) of Applicant(s):
Hella New Zealand Limited
81-83 Ben Lomond Crescent Pakuranga Auckland 6 New Zealand
(72) Name(s) of Designer(s): **Martin Reinbach**
(45) Registration Date: **17 October 2011**
(56) Related Art Documents: **Not Applicable**
(57) Statement of Newness and Distinctiveness: **The ornamental design for a vehicle safety light, as shown and described.**



(21) Design Number: **14139/2011**
(22) Date of Filing Application: **15 September 2011**
(24) Date from which industrial property rights may have effect: **15 September 2011**
(54) Product in respect of which the design is registered: **Watch dial**
(51) International Design Classification: **10-07**
(74) Name(s) of Attorney(s): **Allens Arthur Robinson**
(71) Name(s) and Address(s) of Applicant(s):
LVMH Swiss Manufactures SA
6A Louis-Joseph-Chevrolet 2300 La Chaux-de-Fonds Switzerland
(72) Name(s) of Designer(s): **Christoph Behling**
(45) Registration Date: **17 October 2011**
(30) Convention priority data:
(31) Number (32) Date (33) Country
DM/075688 21 Mar 2011 WORLD INTELLECTUAL
PROPERTY ORGANIZATION
(WIPO)



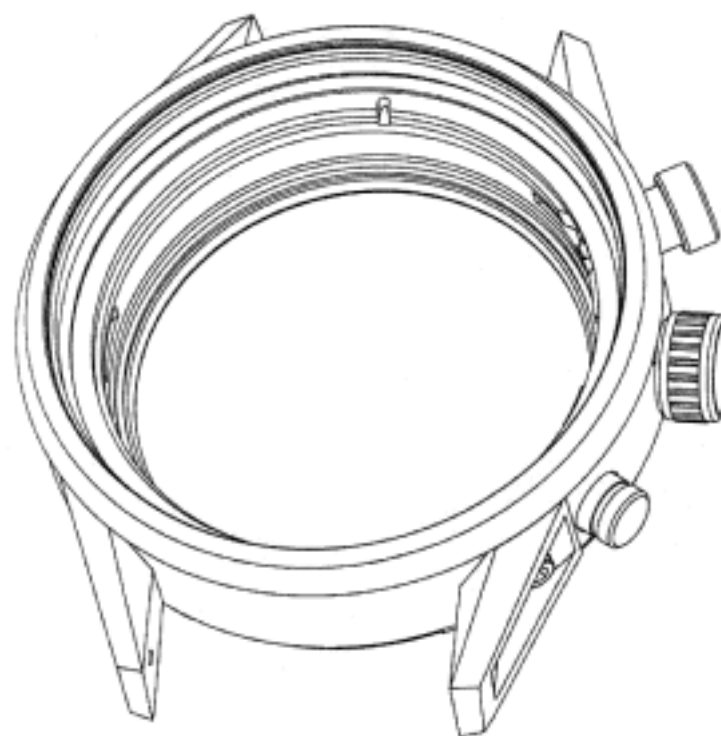
(56) Related Art Documents: **Not Applicable**
(57) Statement of Newness and Distinctiveness: **Newness and distinctiveness resides in the visual features of shape and configuration and/or pattern and ornamentation of a watch dial as illustrated in the accompanying representations.**

(21) Design Number: **14140/2011**
(22) Date of Filing Application: **15 September 2011**
(24) Date from which industrial property rights may have effect: **15 September 2011**
(54) Product in respect of which the design is registered: **Mobile phone**
(51) International Design Classification: **14-03E**
(74) Name(s) of Attorney(s): **Allens Arthur Robinson**
(71) Name(s) and Address(s) of Applicant(s):
LVMH Swiss Manufactures SA
6A Louis-Joseph-Chevrolet 2300 La Chaux-de-Fonds Switzerland
(72) Name(s) of Designer(s): **Christoph Behling**
(45) Registration Date: **17 October 2011**
(30) Convention priority data:
(31) Number (32) Date (33) Country
DM/075741 24 Mar 2011 WORLD INTELLECTUAL
PROPERTY ORGANIZATION
(WIPO)



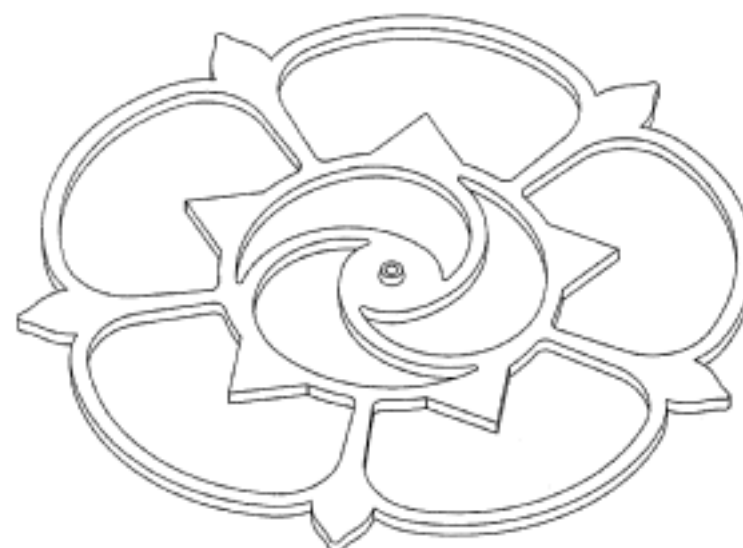
(56) Related Art Documents: **Not Applicable**
(57) Statement of Newness and Distinctiveness: **Newness and distinctiveness resides in the visual features of shape and configuration and/or pattern and ornamentation of a mobile phone as illustrated in the accompanying representations.**

(21) Design Number: **14141/2011**
(22) Date of Filing Application: **15 September 2011**
(24) Date from which industrial property rights may have effect: **15 September 2011**
(54) Product in respect of which the design is registered: **Watch case**
(51) International Design Classification: **10-07**
(74) Name(s) of Attorney(s): **Allens Arthur Robinson**
(71) Name(s) and Address(s) of Applicant(s):
LVMH Swiss Manufactures SA
6A Louis-Joseph-Chevrolet 2300 La Chaux-de-Fonds Switzerland
(72) Name(s) of Designer(s): **Christoph Behling**
(45) Registration Date: **17 October 2011**
(30) Convention priority data:
(31) Number (32) Date (33) Country
DM/075688 21 Mar 2011 WORLD INTELLECTUAL
PROPERTY ORGANIZATION
(WIPO)



(56) Related Art Documents: **Not Applicable**
(57) Statement of Newness and Distinctiveness: **Newness and distinctiveness resides in the visual features of shape and configuration and/or pattern and ornamentation of a watch case as illustrated in the accompanying representations.**

(21) Design Number: **14142/2011**
(22) Date of Filing Application: **15 September 2011**
(24) Date from which industrial property rights may have effect: **15 September 2011**
(54) Product in respect of which the design is registered: **Watch hand**
(51) International Design Classification: **10-07**
(74) Name(s) of Attorney(s): **SPRUSON & FERGUSON**
(71) Name(s) and Address(s) of Applicant(s):
Montres Tudor S.A.
3 rue Francois-Dussaud 1211 Geneve 26 Switzerland
(72) Name(s) of Designer(s): **Davide Cerrato**
(45) Registration Date: **17 October 2011**
(30) Convention priority data:
(31) Number (32) Date (33) Country
137820 16 Mar 2011 SWITZERLAND



(56) Related Art Documents: **Not Applicable**
(57) Statement of Newness and Distinctiveness: **Newness and distinctiveness is claimed in the features of shape and/or configuration of a watch hand as illustrated in the accompanying representations.**

- (21) Design Number: **14143/2011**
(22) Date of Filing Application: **15 September 2011**
(24) Date from which industrial property rights may have effect: **15 September 2011**
(54) Product in respect of which the design is registered: **Watch dial**
(51) International Design Classification: **10-07**
(74) Name(s) of Attorney(s): **SPRUSON & FERGUSON**
(71) Name(s) and Address(s) of Applicant(s):

Rolex SA
3 5 7 rue Francois Dussaud 1211 Geneva 26 Switzerland

(72) Name(s) of Designer(s): **Maria Cristina Calvani**

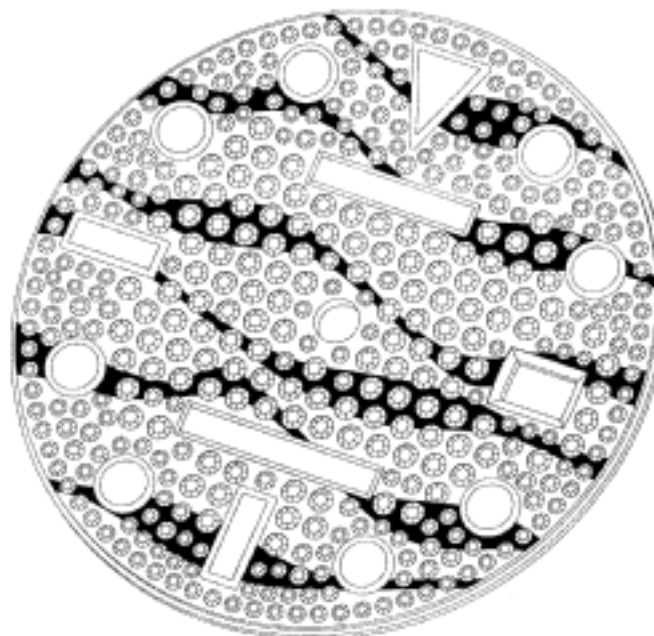
(45) Registration Date: **17 October 2011**

(30) Convention priority data:

(31) Number	(32) Date	(33) Country
137819	16 Mar 2011	SWITZERLAND

(56) Related Art Documents: **Not Applicable**

(57) Statement of Newness and Distinctiveness: **Newness and distinctiveness is claimed in the features of the top and bottom faces of a watch dial as illustrated in the accompanying representations.**



- (21) Design Number: **14144/2011**
(22) Date of Filing Application: **15 September 2011**
(24) Date from which industrial property rights may have effect: **15 September 2011**
(54) Product in respect of which the design is registered: **Watch wristlet**
(51) International Design Classification: **10-07**
(74) Name(s) of Attorney(s): **SPRUSON & FERGUSON**
(71) Name(s) and Address(s) of Applicant(s):

Rolex SA
3 5 7 rue Francois-Dussaud 1211 Geneve 26 Switzerland

(72) Name(s) of Designer(s): **Maria Cristina Calvani**

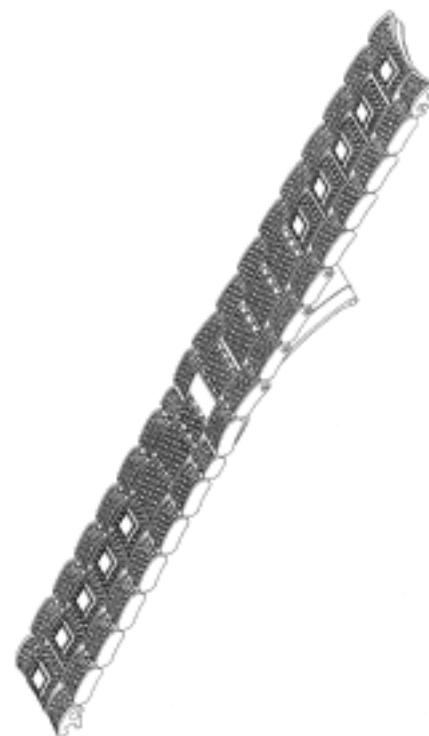
(45) Registration Date: **17 October 2011**

(30) Convention priority data:

(31) Number	(32) Date	(33) Country
137819	16 Mar 2011	SWITZERLAND

(56) Related Art Documents: **Not Applicable**

(57) Statement of Newness and Distinctiveness: **Newness and distinctiveness is claimed in the features of the top face of a watch wristlet as illustrated in the accompanying representations.**



(21) Design Number: **14145/2011**
(22) Date of Filing Application: **15 September 2011**
(24) Date from which industrial property rights may have effect: **15 September 2011**
(54) Product in respect of which the design is registered: **Watch dial**
(51) International Design Classification: **10-07**
(74) Name(s) of Attorney(s): **SPRUSON & FERGUSON**
(71) Name(s) and Address(s) of Applicant(s):

Montres Tudor S.A.
3 rue Francois Dussaud 1211 Geneve 26 Switzerland

(72) Name(s) of Designer(s): **Davide Cerrato**

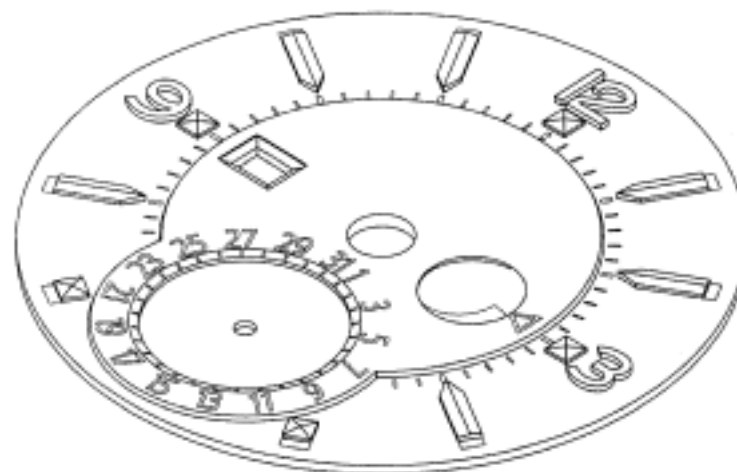
(45) Registration Date: **17 October 2011**

(30) Convention priority data:

(31) Number	(32) Date	(33) Country
137820	16 Mar 2011	SWITZERLAND

(56) Related Art Documents: **Not Applicable**

(57) Statement of Newness and Distinctiveness: **Newness and distinctiveness is claimed in the features of the top face of a watch dial as illustrated in the accompanying representations.**



(21) Design Number: **14146/2011**
(22) Date of Filing Application: **15 September 2011**
(24) Date from which industrial property rights may have effect: **15 September 2011**
(54) Product in respect of which the design is registered: **Watch case**
(51) International Design Classification: **10-07**
(74) Name(s) of Attorney(s): **SPRUSON & FERGUSON**
(71) Name(s) and Address(s) of Applicant(s):

Montres Tudor S.A.
3 rue Francois-Dussaud 1211 Geneve 26 Switzerland

(72) Name(s) of Designer(s): **Davide Cerrato**

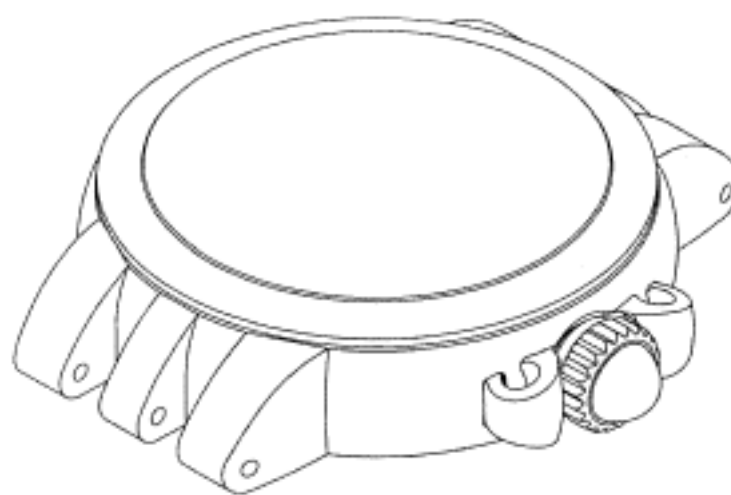
(45) Registration Date: **17 October 2011**

(30) Convention priority data:

(31) Number	(32) Date	(33) Country
137820	16 Mar 2011	SWITZERLAND

(56) Related Art Documents: **Not Applicable**

(57) Statement of Newness and Distinctiveness: **Newness and distinctiveness is claimed in the features of shape and/or configuration of a watch case as illustrated in the accompanying representations.**



(21) Design Number: **14147/2011**
(22) Date of Filing Application: **15 September 2011**
(24) Date from which industrial property rights may have effect: **15 September 2011**
(54) Product in respect of which the design is registered: **Watch dial**
(51) International Design Classification: **10-07**
(74) Name(s) of Attorney(s): **SPRUSON & FERGUSON**
(71) Name(s) and Address(s) of Applicant(s):

Rolex SA
3 5 7 rue Francois Dussaud 1211 Geneva 26 Switzerland

(72) Name(s) of Designer(s): **Maria Cristina Calvani**

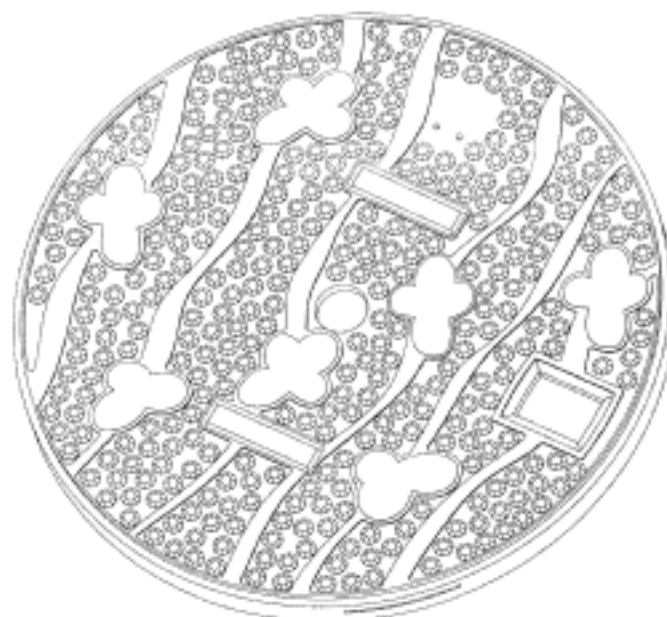
(45) Registration Date: **17 October 2011**

(30) Convention priority data:

(31) Number	(32) Date	(33) Country
137819	16 Mar 2011	SWITZERLAND

(56) Related Art Documents: **Not Applicable**

(57) Statement of Newness and Distinctiveness: **Newness and distinctiveness is claimed in the features of the top and bottom faces of a watch dial as illustrated in the accompanying representations.**



(21) Design Number: **14148/2011**
(22) Date of Filing Application: **15 September 2011**
(24) Date from which industrial property rights may have effect: **15 September 2011**
(54) Product in respect of which the design is registered: **Watch dial**
(51) International Design Classification: **10-07**
(74) Name(s) of Attorney(s): **SPRUSON & FERGUSON**
(71) Name(s) and Address(s) of Applicant(s):

Montres Tudor S.A.
3 rue Francois-Dussaud 1211 Geneve 26 Switzerland

(72) Name(s) of Designer(s): **Davide Cerrato**

(45) Registration Date: **17 October 2011**

(30) Convention priority data:

(31) Number	(32) Date	(33) Country
137820	16 Mar 2011	SWITZERLAND

(56) Related Art Documents: **Not Applicable**

(57) Statement of Newness and Distinctiveness: **Newness and distinctiveness is claimed in those features of a watch dial illustrated in continuous lines in the accompanying representations.**

