



**Australian Government**

---

**IP Australia**

**AUSTRALIAN OFFICIAL JOURNAL**

**OF**

**DESIGNS**

Did you know a searchable version of this journal is now available online?

It's FREE and EASY to SEARCH.

Find it on our website ([www.ipaustralia.gov.au](http://www.ipaustralia.gov.au))

by using the "Journals" link on the home page.

This Page Left Intentionally Blank

**Contents**

**General Information & Notices**

**Proceedings Under the Designs Act 1906 preserved as a result of the provisions of Chapter 12  
Part 2 of the Designs Act 2003**

<b>Extension of Period of Registration of Designs .....</b>	<b>2952</b>
<b>Extensions of Time Granted .....</b>	<b>2952</b>
<b>Names Registered - Alterations and Amendments .....</b>	<b>2952</b>
<b>Registrations Ceased .....</b>	<b>2952</b>
<b>Subsequent Owners Registered .....</b>	<b>2952</b>

**Proceedings Under the Designs Act 2003**

<b>Applications Lapsed .....</b>	<b>2963</b>
<b>Applications Lodged .....</b>	<b>2956</b>
<b>Applications Withdrawn .....</b>	<b>2963</b>
<b>Certificate of Examination .....</b>	<b>2967</b>
<b>Corrigenda .....</b>	<b>2966</b>
<b>Extension of Period of Registration of Design .....</b>	<b>2964</b>
<b>Extension of Time Granted Under Section 137 .....</b>	<b>2964</b>
<b>Publication and Registration Proceedings</b>	
<b>Designs Registered 338996 to 339287.....</b>	<b>2968</b>
<b>Registrations Ceased .....</b>	<b>2964</b>
<b>Subsequent Owners Registered .....</b>	<b>2965</b>

This Page Left Intentionally Blank

For information on the following please see our website [www.ipaustralia.gov.au](http://www.ipaustralia.gov.au) or contact our Customer Service Network on 1300651010

[Editorial enquiries](#)

[Contact information](#)

[Freedom of Information ACT](#)

[Professional Standards Board](#)

[Sales](#)

[Requests for Information under Section 194 \(c\)](#)

[Country Codes](#)

[Trade Mark and Designs Hearing Sessions](#)

[INID \(Internationally agreed Numbers for the Identification of Data\)](#)

## “INID” NUMBERS in use on Australian Design Documents

“INID” is an acronym for “Internationally agreed Numbers for the Identification of Data”.

### (10) Data concerning the registration/renewal

- (11) Serial number of the registration and/or number of the design document
- (12) Plain language designation of the kind of published document
- (19) Identification, using the two-letter code according to WIPO Standard ST.3, of the authority publishing or registering the industrial design

### (20) Data concerning the application

- (21) Serial number of the application
- (22) Date of filing of the application
- (24) Date from which the industrial design right has effect

### (30) Data relating to priority under the Paris Convention

- (31) Serial number assigned to the priority application
- (32) Date of filing of the priority application
- (33) Two-letter code, according to WIPO Standard ST.3, identifying the authority with which the priority application was made

### (40) Date(s) of making information available to the public

- (45) Date of publication of the registered industrial design by printing or similar process, or making it available to the public by any other means

### (50) Miscellaneous Information

- (51) International Classification for Industrial Designs (class and subclass of the Locarno Classification)
- (54) Designation of article(s) or product(s) covered by the industrial design or title of the industrial design
- (55) Reproduction of the industrial design (e.g., drawing, photograph) and explanations relating to the reproduction
- (56) List of prior art documents, if separate from descriptive text
- (57) Description of characteristic features of the industrial design including indication of colours

### (60) References to other legally related application(s) and registration(s)

- (62) Serial number(s) and, if available, filing date(s) of application(s), registration(s) or document(s) related by division
- (66) Serial number(s) of the application, or the registration, of the design(s) which is (are) a variant(s) of the present one

### (70) Identification of parties concerned with the application or registration

- (71) Name(s) and address(es) of the applicant(s)
- (72) Name(s) of the creator(s) if known to be such
- (74) Name(s) and address(es) of the representative(s)

This Page Left Intentionally Blank

OFFICIAL NOTICE**Designs Act 2003  
Amendments to Registered Design**

The following amendment has been made to details previously published in the Australian Official Journal of Designs. This amendment is a result of office error and is being corrected under Designs Regulation 9.05 (1).

<b>Registration Numbers</b>	<b>Amendment type</b>	<b>New details</b>
313382	Correct Statement of Newness and Distinctiveness	The new and distinct features claimed are the shape and or configuration of the <i>bottle</i> as shown in the representations attached.

**Queries:** Gary Flint  
Trade marks and Designs Administration  
+61 2 6283 2023

**Contact:** IP Australia  
**Phone:** 1300 651 010  
**Fax:** +61 2 6283 7999  
**E-mail:** [assist@ipaustralia.gov.au](mailto:assist@ipaustralia.gov.au)  
**Web:** [www.ipaustralia.gov.au](http://www.ipaustralia.gov.au)

**Proceedings under the Designs Act 1906 preserved as a result of the provisions of Chapter 12 Part 2 of the Designs Act 2003.**



This Page Left Intentionally Blank

**Applications Lapsed**

There were no Applications Lapsed under this section

**Extension of Period of Registration of Designs**

151191

**1st Period (Section 27A(8))**

**Extensions of time granted**

Applications lodged for extension of time have been granted.

**2nd Period (Section 27A(12))**

139490 **Robert Anthony Bowyer** An An Extension of time to extend a registration has been granted to 09/04/2011

**3rd Period (Section 27A(13))**

141227 **Robert Anthony Bowyer** An An Extension of time to extend a registration has been granted to 28/04/2011

142368	142550	142630
142670	143822	143823
143824	143915	143917
143919	143952	143954
143955	143956	143957
143988	143990	144015
144018	144019	144111
144214	144215	144372
144374	144437	144438
144439	144492	144510
144534	144569	144577
144578	144579	144580
144581	144663	144664
144977	144978	144979
144980	145030	145187
145245	145297	145298
145299	145371	145372
145373	145374	145427
145557	146060	146061
146211	146212	146213
146214	146551	146552
147374	147375	147859
148344	148364	148704

**Subsequent Owners Registered**

(The name in parentheses is that of the subsequent owner)

135065	( <b>Underwood Companies Holdings Pty Ltd</b> ) Danley Construction Products Pty Ltd
140218	( <b>Cejn AB</b> ) Bo Erik Nyberg
148626	( <b>C-Dax Limited</b> ) Hampton Road Holdings Limited
150562	( <b>C-Dax Limited</b> ) Hampton Road Holdings Limited
156272	( <b>C-Dax Limited</b> ) Hampton Road Holdings Limited

**Names Registered - Alterations and Amendments**

(The name in parentheses is the new name of the proprietor)

148626	( <b>Hampton Road Holdings Limited</b> ) C-Dax Limited
150562	( <b>Hampton Road Holdings Limited</b> ) C-Dax Limited
156272	( <b>Hampton Road Holdings Limited</b> ) C-Dax Limited

**Registrations Ceased**

Note: Some of the following Registrations may have been previously advertised as ceased. In this instance, the previous advertisement still prevails.

125556	126812	126813
126814	126845	126860
126885	126886	126888
126963	127014	127019
127020	127182	127183
127218	127316	127406
127648	128386	129532
129826	130237	130341
130342	130343	130344
131351	142003	142091
142092	142121	142138
142286	142396	142398
142570	142617	142947
145595	145767	145813
146116	147373	149725

This Page Left Intentionally Blank

**Proceedings under the Designs Act 2003.**

This Page Left Intentionally Blank

**Applications Lodged**

Lodgement information is in the following order: **Applicant's Name**; International Classification, Name of Product, Lodgement Date and **Design Number**. If the applicant claims an earlier priority date under an International Convention, the Convention Country and the associated filing date are shown in parentheses before the Lodgement Date. Divisional information will also appear in parentheses before the Lodgement Date.

<b>AgResearch Limited;</b> 08-03, A cutting device, (NZ, 27 Apr 2011) 27 Oct 2011	<b>14856/2011</b>	<b>AFI (WA) Pty Ltd;</b> 06-02, 06-04F, 06-06B, 06-06F, A bed frame, bed side table, tall boy and dresser, 12 Oct 2011	<b>14664/2011</b>
<b>Alder, Anthony Leonard;</b> 23-01H, Mixing tap, 19 Oct 2011	<b>14729/2011</b>	<b>AFI (WA) Pty Ltd;</b> 06-02, 06-06B, 06-06F, 06-04F, A bed frame, bedside table, tall boy and dresser, 12 Oct 2011	<b>14655/2011</b>
<b>Alexander, Greg;</b> 07-02N, A cooking pot/saucepan with a detachable drive unit and bladed shaft for pureeing foods. The drive unit has a toggle, switch with a "stir" setting, and a pulse setting., 17 Oct 2011	<b>14686/2011</b>	<b>Bayer Consumer Care AG;</b> 28-03NES, Cosmetic applicators, (EM, 14 Apr 2011) 14 Oct 2011	<b>14673/2011</b>
<b>Alto Packaging Limited;</b> 09-03F, A tray, 13 Oct 2011	<b>14646/2011</b>	<b>Beba Enterprises Pty Ltd;</b> 02-02NES, Top, 15 Apr 2011	<b>14706/2011</b>
<b>Alto Packaging Limited;</b> 09-03F, A tray, 13 Oct 2011	<b>14645/2011</b>	<b>Beba Enterprises Pty Ltd;</b> 02-02C, Women's clothing, 24 Oct 2011	<b>14823/2011</b>
<b>Alvey, Bruce;Whitehead, Geoffrey;</b> 21-04, A ground stake to hold a tent pole upright without rope support to assist in setting a tent or tarpaulin up, 27 Oct 2011	<b>14841/2011</b>	<b>Bemis Manufacturing Company;</b> 23-02C, Toilet seat ring, (US, 18 Apr 2011) 17 Oct 2011	<b>14705/2011</b>
<b>Ames True Temper, Inc.;</b> 08-01, Tool head, (US, 26 May 2011) 25 Oct 2011	<b>14819/2011</b>	<b>Biogen Idec MA Inc.;SHL Group AB;</b> 24-02, Limiter for dispensing device, (US, 28 Apr 2011) 27 Oct 2011	<b>14834/2011</b>
<b>Ames True Temper, Inc.;</b> 12-02, Wheelbarrow leg stabilizer, (US, 24 Jun 2011) 25 Oct 2011	<b>14820/2011</b>	<b>Bob Jane Corporation Pty Ltd;</b> 12-05, Tyre lifter, 28 Oct 2011	<b>14848/2011</b>
<b>Angus, Mark Christian;</b> 08-08G, Hammer holder/hammer hook (toolbelt mounted), 14 Oct 2011	<b>14667/2011</b>	<b>Bradken Resources Pty Limited;</b> 15-99, Discharge door gate, 31 Oct 2011	<b>14905/2011</b>
<b>Aparso (Fuzhou) Sportswear Co., Ltd.;</b> 02-04NES, Mitten shoes, 13 Oct 2011	<b>14653/2011</b>	<b>Bradley, Taylor;</b> 09-09, Especially designed bin, (US, 23 Aug 2011) 18 Oct 2011	<b>14704/2011</b>
<b>Aparso (Fuzhou) Sportswear Co., Ltd.;</b> 02-04C, Mitten shoes, 13 Oct 2011	<b>14663/2011</b>	<b>Braun GmbH;</b> 28-03A, Shaver, 01 Nov 2011	<b>14918/2011</b>
<b>Aucone, Anthony;</b> 13-03D, Touch switch face plate, 14 Oct 2011	<b>14687/2011</b>	<b>Braun GmbH;</b> 28-03A, Cleaning centre for a shaver, 01 Nov 2011	<b>14920/2011</b>
<b>Aucone, Anthony;</b> 13-03D, Touch switch face plate, 14 Oct 2011	<b>14689/2011</b>	<b>Braun GmbH;</b> 28-03A, Switch/interface for a shaver, 01 Nov 2011	<b>14919/2011</b>
<b>Aucone, Anthony;</b> 13-03D, Touch switch face plate, 14 Oct 2011	<b>14688/2011</b>	<b>Bridgestone Corporation;</b> 12-15A, Automobile tyre, (JP, 27 Apr 2011) 27 Oct 2011	<b>14868/2011</b>
<b>Austal Ships Pty Ltd;</b> 12-06A, A hull, 17 Oct 2011	<b>14708/2011</b>	<b>Bridgestone Corporation;</b> 12-15A, Automobile tyre, (JP, 27 Apr 2011) 27 Oct 2011	<b>14867/2011</b>
<b>Austal Ships Pty Ltd;</b> 12-06A, A hull, 19 Oct 2011	<b>14748/2011</b>	<b>British American Tobacco Denmark A/S;</b> 20-01, Automatic vending machine, (EM, 13 May 2011) 20 Oct 2011	<b>14753/2011</b>
<b>Automatic Technology (Australia) Pty Ltd;</b> 13-03NES, Transceiver unit for photoelectric beam system, 31 Oct 2011	<b>14900/2011</b>	<b>Brookstone Purchasing, Inc.;</b> 21-01C, Remote controlled toy tank vehicle, (US, 25 Apr 2011) 24 Oct 2011	<b>14804/2011</b>
		<b>Brownes Foods Operations Pty Limited;</b> 09-01K, Bottle, 31 Oct 2011	<b>14907/2011</b>

<b>Brownes Foods Operations Pty Limited;</b> 09-01K, Bottle, 31 Oct 2011	<b>14908/2011</b>	<b>David Stuckey Investments Pty Ltd;</b> 08-06, Handle, 13 Oct 2011	<b>14661/2011</b>
<b>Cannon, Damon;</b> 21-04, Fastners of plastic for tents and annexes, 21 Oct 2011	<b>14765/2011</b>	<b>Design Investments Pty Ltd;</b> 08-06, Hinge with covering plate, 25 Oct 2011	<b>14825/2011</b>
<b>Carmichael, Andrew;</b> 06-03B, Bar table, 30 Aug 2011	<b>14909/2011</b>	<b>Dias Aluminium Products Pty. Ltd.;</b> 06-04C, 08-09, Wardrobe sliding door grip stile dress trim, 19 Oct 2011	<b>14669/2011</b>
<b>Carter, Melissa Jane;Lang, Roger Douglas;Lang, Sonja Belinda;Carter, David Ronald;</b> 28-03NES, Cosmetic sponge, 25 Oct 2011	<b>14822/2011</b>	<b>Dias Aluminium Products Pty. Ltd.;</b> 06-04C, 08-09, Wardrobe sliding door grip stile dress trim, 19 Oct 2011	<b>14709/2011</b>
<b>Carter, David Ronald;Lang, Roger Douglas;Lang, Sonja Belinda;Carter, Melissa Jane;</b> 28-03NES, Cosmetic sponge, 25 Oct 2011	<b>14822/2011</b>	<b>Douglas Pharmaceuticals Limited;</b> 09-05, A blister pack, (NZ, 19 Apr 2011) 12 Oct 2011	<b>14641/2011</b>
<b>Caruana, Natalie;</b> 02-04A, Shoe lace holder, 26 Oct 2011	<b>14839/2011</b>	<b>Douglas Pharmaceuticals Limited;</b> 09-05, A blister pack, (NZ, 19 Apr 2011) 12 Oct 2011	<b>14642/2011</b>
<b>Casey, Ralph Adrian;</b> 09-09, Bin brake, 19 Oct 2011	<b>14746/2011</b>	<b>Douglas Pharmaceuticals Limited;</b> 09-05, A blister pack, (NZ, 19 Apr 2011) 12 Oct 2011	<b>14639/2011</b>
<b>Chang, Ju-Chung;</b> 02-01A, Invisible bra, 19 Oct 2011	<b>14727/2011</b>	<b>Douglas Pharmaceuticals Limited;</b> 09-05, A blister pack, (NZ, 19 Apr 2011) 12 Oct 2011	<b>14640/2011</b>
<b>Changzhou Nesl Solartech co., Ltd;</b> 13-01, A foldable solar power box, (CN, 01 Aug 2011) 31 Oct 2011	<b>14898/2011</b>	<b>DDI Operations;</b> 15-07, 20-01, Refridgerator for displaying and dispensing cold beverages and cold foods, 17 Oct 2011	<b>14683/2011</b>
<b>Colgate-Palmolive Company;</b> 04-02, Toothbrush, (US, 02 May 2011) 19 Oct 2011	<b>14745/2011</b>	<b>DM Innovations;</b> 19-02, The designs relate to the Roll Mole Tape Finder. 8 Pages of illustrations, (GB, 16 Jun 2011) 04 Oct 2011	<b>14643/2011</b>
<b>Colgate-Palmolive Company;</b> 04-02, Toothbrush, (US, 02 May 2011) 19 Oct 2011	<b>14743/2011</b>	<b>Eaton Corporation;</b> 21-02C, Golf grip, (US, 29 Apr 2011) 25 Oct 2011	<b>14817/2011</b>
<b>Colgate-Palmolive Company;</b> 04-02, Toothbrush, (US, 02 May 2011) 19 Oct 2011	<b>14744/2011</b>	<b>Everlast Panels Pty Ltd;</b> 08-07, Locking system, 21 Oct 2011	<b>14794/2011</b>
<b>Colgate-Palmolive Company;</b> 04-02, Toothbrush, (US, 02 May 2011) 19 Oct 2011	<b>14747/2011</b>	<b>Everlast Panels Pty Ltd;</b> 25-01D, Panel, 21 Oct 2011	<b>14793/2011</b>
<b>Colgate-Palmolive Company;</b> 04-02, Toothbrush, (US, 02 May 2011) 19 Oct 2011	<b>14742/2011</b>	<b>ENSI Technology co., Ltd.;</b> 14-01, 14-02, 14-03B, Display unit, 14 Oct 2011	<b>14682/2011</b>
<b>Colgate-Palmolive Company;</b> 04-02, Toothbrush, (US, 02 May 2011) 19 Oct 2011	<b>14740/2011</b>	<b>Fidofine International Pty Ltd;</b> 08-08L, A concealed cistern or inwall cistern support bracket, 11 Oct 2011	<b>14644/2011</b>
<b>Colgate-Palmolive Company;</b> 04-02, Toothbrush, (US, 02 May 2011) 19 Oct 2011	<b>14741/2011</b>	<b>Freedman Electronics Pty Limited trading as Rode Microphones;</b> 14-01, A microphone, 18 Oct 2011	<b>14718/2011</b>
<b>Continental Reifen Deutschland GmbH;</b> 12-15B, Tyre, (EM, 18 Aug 2011) 18 Oct 2011	<b>14712/2011</b>	<b>Freiberg Australia Pty Ltd;</b> 06-04B, Roller shutter sliding door cabinet, 24 Oct 2011	<b>14783/2011</b>
<b>Country Road Clothing Pty Ltd;</b> 06-13C, Towel, 14 Oct 2011	<b>14690/2011</b>	<b>Frunique Pty Ltd;</b> 11-01C, 07-99NES, Bangle Stand 01, 17 Oct 2011	<b>14671/2011</b>
<b>Country Road Clothing Pty Ltd;</b> 06-13C, Towel, 14 Oct 2011	<b>14691/2011</b>	<b>Frunique Pty Ltd;</b> 20-02E, Earring stand top, 17 Oct 2011	<b>14678/2011</b>
<b>CODAN Holding GmbH;</b> 24-02, Medical device, (EM, 26 May 2011) 21 Oct 2011	<b>14781/2011</b>		



<b>Fullview Plastics Pty Ltd;</b> 09-01K, Bottle, 24 Oct 2011	<b>14795/2011</b>	<b>Honda Motor Co., Ltd.;</b> 12-16E, Front combination lamp for automobile, (JP, 20 Apr 2011) 14 Oct 2011	<b>14676/2011</b>
<b>Fullview Plastics Pty Ltd;</b> 09-01K, Bottle, 24 Oct 2011	<b>14798/2011</b>	<b>Hookturn Industries Pty Ltd;</b> 09-06, Silicone strap for reusable cup to seal drinking hole and for branding opportunities. Sold in gift shops, coffee, shops and corporate companies for branding, 14 Oct 2011	<b>14656/2011</b>
<b>Fullview Plastics Pty Ltd;</b> 09-01B, Container, 24 Oct 2011	<b>14796/2011</b>	<b>Hookturn Industries Pty Ltd;</b> 09-06, Silicone strap for reusable cup to seal drinking hole and for branding opportunities. Sold in gift shops, coffee, shops and corporate companies for branding, 14 Oct 2011	<b>14657/2011</b>
<b>Fullview Plastics Pty Ltd;</b> 09-01K, Bottle, 24 Oct 2011	<b>14797/2011</b>	<b>Hoover Limited;</b> 15-05, Accessory for a vacuum cleaner, (EM, 28 Apr 2011) 21 Oct 2011	<b>14790/2011</b>
<b>GlaxoSmithKline LLC;</b> 09-05, 09-03NES, Package, (US, 29 Apr 2011) 28 Oct 2011	<b>14887/2011</b>	<b>Hoover Limited;</b> 15-05, Accessory for a vacuum cleaner, (EM, 28 Apr 2011) 21 Oct 2011	<b>14791/2011</b>
<b>GlaxoSmithKline LLC;</b> 09-01NES, Bottle, (US, 29 Apr 2011) 28 Oct 2011	<b>14885/2011</b>	<b>Hoover Limited;</b> 15-05, Vacuum cleaner, (EM, 28 Apr 2011) 21 Oct 2011	<b>14788/2011</b>
<b>Goldstein, Eric J.;</b> 06-04A, 12-12, Reclining chair, (US, 14 Apr 2011) 13 Oct 2011	<b>14659/2011</b>	<b>Hort, Michael;</b> 03-01NES, 14-02, Protective case for tablet computer, 19 Oct 2011	<b>14714/2011</b>
<b>Goldstein, Eric J.;</b> 23-02C, Seat, (US, 14 Apr 2011) 13 Oct 2011	<b>14660/2011</b>	<b>Hunter, Mark Gregory;</b> 08-05NES, A tap dismantling tool, 18 Oct 2011	<b>14707/2011</b>
<b>Gondwana Outdoor Clothing Pty Ltd;</b> 02-02C, 02-02NES, 02-06, Clothing, 26 Oct 2011	<b>14836/2011</b>	<b>Hunter, Mark Gregory;</b> 08-05NES, A tap dismantling tool, 14 Oct 2011	<b>14662/2011</b>
<b>Greig Novelties South Pty Ltd;</b> 21-01A, A soft toy, 20 Oct 2011	<b>14728/2011</b>	<b>Hunter Douglas Inc.;</b> 06-10, 25-02H, Cell for a shade, (US, 15 Apr 2011) 14 Oct 2011	<b>14679/2011</b>
<b>Gruber, LLC;</b> 04-02, Dental cleaning device, (US, 20 Apr 2011) 20 Oct 2011	<b>14761/2011</b>	<b>Inoxcrom, S.A.;</b> 19-06, Pen, (EM, 27 May 2011) 21 Oct 2011	<b>14773/2011</b>
<b>Heine Jones Studio Pty Ltd;</b> 25-01K, 26-99, Plastic extrusion, media holder, light with integrated media holder, 26 Oct 2011	<b>14863/2011</b>	<b>Insleep Technologies, LLC;</b> 24-01, Medical device for treatment of sleep disorders, (US, 27 May 2011) 01 Nov 2011	<b>14890/2011</b>
<b>Heine Jones Studio Pty Ltd;</b> 25-01K, 26-99, Plastic extrusion, media holder, light with integrated media holder, 26 Oct 2011	<b>14864/2011</b>	<b>Interlock USA, Inc.;</b> 08-06, Door handle, (US, 10 May 2011) 13 Oct 2011	<b>14658/2011</b>
<b>Hicks, Nathalie;</b> 05-04, 11-99, SLR camera lens decoration -designed to attract the attention of the person being photographed, 21 Oct 2011	<b>14764/2011</b>	<b>IADVERTISE.COM.AU PTY. LTD.;</b> 20-02C, Kiosk, 27 Oct 2011	<b>14843/2011</b>
<b>Honda Motor Co., Ltd.;</b> 12-11, Motorcycle, (JP, 25 Apr 2011) 20 Oct 2011	<b>14770/2011</b>	<b>IDC Solutions Pty Ltd;</b> 13-03NES, A panel, 28 Oct 2011	<b>14904/2011</b>
<b>Honda Motor Co., Ltd.;</b> 12-11, Front side cowl for motorcycle, (JP, 25 Apr 2011) 20 Oct 2011	<b>14772/2011</b>	<b>Jacobs, Walter;</b> 21-02A, Lawn bowling ball, 06 Sep 2011	<b>14638/2011</b>
<b>Honda Motor Co., Ltd.;</b> 12-11, Front cowl for motorcycle, (JP, 25 Apr 2011) 20 Oct 2011	<b>14771/2011</b>	<b>Jacobs, Walter;</b> 21-02A, Lawn bowling ball, 06 Sep 2011	<b>14636/2011</b>
<b>Honda Motor Co., Ltd.;</b> 12-16C, Front bumper for automobile, (JP, 20 Apr 2011) 14 Oct 2011	<b>14675/2011</b>	<b>Jacobs, Walter;</b> 21-02A, Lawn bowling ball, 06 Sep 2011	<b>14637/2011</b>
<b>Honda Motor Co., Ltd.;</b> 12-08, Automobile, (JP, 20 Apr 2011) 14 Oct 2011	<b>14674/2011</b>		

<b>Janome Sewing Machine Company Limited;</b> 15-06, Sewing machine, (JP, 26 May 2011) 19 Oct 2011	<b>14751/2011</b>	<b>Lang, Roger Douglas;Lang, Sonja Belinda;Carter, David Ronald;Carter, Melissa Jane;</b> 28-03NES, Cosmetic sponge, 25 Oct 2011	<b>14822/2011</b>
<b>Jar Furniture Imports Pty Ltd;</b> 06-01G, Sofa, 31 Oct 2011	<b>14891/2011</b>	<b>Lang, Sonja Belinda;Lang, Roger Douglas;Carter, David Ronald;Carter, Melissa Jane;</b> 28-03NES, Cosmetic sponge, 25 Oct 2011	<b>14822/2011</b>
<b>Jar Furniture Imports Pty Ltd;</b> 06-04D, Sideboard, television unit, bedside cabinet, high chest, dressing table, 31 Oct 2011	<b>14893/2011</b>	<b>Life Scientific, Inc.;</b> 12-02, 24-99, 24-01, Organ transporter with cart, (US, 29 Apr 2011) 28 Oct 2011	<b>14883/2011</b>
<b>Jar Furniture Imports Pty Ltd;</b> 06-01G, Sofa, 31 Oct 2011	<b>14892/2011</b>	<b>Life Scientific, Inc.;</b> 12-02, Cart, (US, 29 Apr 2011) 28 Oct 2011	<b>14881/2011</b>
<b>Joinlock Pty Ltd;</b> 23-01A, Pipe coupling gripper, 26 Oct 2011	<b>14840/2011</b>	<b>Life Scientific, Inc.;</b> 24-01, 24-99, Organ transporter, (US, 29 Apr 2011) 28 Oct 2011	<b>14882/2011</b>
<b>JT International S.A.;</b> 09-03A, Packaging, (GB, 20 Apr 2011) 20 Oct 2011	<b>14775/2011</b>	<b>Life Unparalleled Pty Ltd;</b> 02-07NES, 24-04, Arm cuff, 20 Oct 2011	<b>14766/2011</b>
<b>JT International S.A.;</b> 09-03A, Packaging, (GB, 20 Apr 2011) 20 Oct 2011	<b>14776/2011</b>	<b>Lifetime Products, Inc.;</b> 06-03NES, A portion of a table top, (US, 25 Apr 2011) 24 Oct 2011	<b>14799/2011</b>
<b>K &amp; J Joint Enterprises Pty Limited;</b> 02-02C, An article of clothing, 27 Oct 2011	<b>14853/2011</b>	<b>Lumen Australia Pty Ltd;</b> 14-02, 14-99, Cradle for electronics device, 18 Oct 2011	<b>14710/2011</b>
<b>K &amp; J Joint Enterprises Pty Limited;</b> 02-02C, An article of clothing, 27 Oct 2011	<b>14854/2011</b>	<b>Lumen Australia Pty Ltd;</b> 14-02, 14-99, Cradle for electronics device, 18 Oct 2011	<b>14711/2011</b>
<b>Kabushiki Kaisha Audio-Technica, t/a Audio-Technica Corporation;</b> 14-01, Headphones, (JP, 07 Sep 2011) 27 Oct 2011	<b>14855/2011</b>	<b>Mars, Incorporated;</b> 07-01NES, 09-03F, Translucent container, (EM, 13 Apr 2011) 15 Aug 2011	<b>14668/2011</b>
<b>Kentan Pty Ltd;</b> 08-08NES, Fastener insulation device, 21 Oct 2011	<b>14786/2011</b>	<b>Maxxal Pty Ltd;</b> 09-02A, Dry bulk powder shipping container, 13 Oct 2011	<b>14654/2011</b>
<b>Keter Plastic Ltd;</b> 03-01D, Tool caddy, (IL, 28 Apr 2011) 28 Oct 2011	<b>14886/2011</b>	<b>McGinnis, Michael;Klitsner, Dan;</b> 21-01M, Three dimensional maze game and components therefor, (US, 26 Apr 2011) 26 Oct 2011	<b>14842/2011</b>
<b>Klemm, Stefan;Klemm, Heather;</b> 07-07NES, A tray for creating frozen pet treats, (US, 15 Apr 2011) 12 Oct 2011	<b>14665/2011</b>	<b>Metlam Australia Pty Limited;</b> 08-08L, 08-08M, Adjustable footing member, 26 Oct 2011	<b>14860/2011</b>
<b>Klemm, Heather;Klemm, Stefan;</b> 07-07NES, A tray for creating frozen pet treats, (US, 15 Apr 2011) 12 Oct 2011	<b>14665/2011</b>	<b>Metlam Australia Pty Limited;</b> 23-02A, Toilet roll dispenser, 26 Oct 2011	<b>14849/2011</b>
<b>Klitsner, Dan;McGinnis, Michael;</b> 21-01M, Three dimensional maze game and components therefor, (US, 26 Apr 2011) 26 Oct 2011	<b>14842/2011</b>	<b>Micallef, Martin;</b> 14-01, Four screen display stand, 02 Nov 2011	<b>14923/2011</b>
<b>Koninklijke Philips Electronics N.V.;</b> 28-03A, Epilator, (EM, 20 Apr 2011) 19 Oct 2011	<b>14739/2011</b>	<b>Michelin Recherche et Technique SA;Societe De Technologie Michelin;</b> 12-15C, A tyre, (US, 30 Jun 2011) 27 Oct 2011	<b>14826/2011</b>
<b>Kroupa, Robert J.;</b> 03-01NES, Contact lens case, (US, 18 Apr 2011) 18 Oct 2011	<b>14713/2011</b>	<b>Mitsubishi Electric Corporation;</b> 15-07, Refrigerator, (JP, 21 Apr 2011) 21 Oct 2011	<b>14789/2011</b>
<b>Laboratoires La Prairie SA;</b> 09-01G, Cosmetic container, 24 Oct 2011	<b>14801/2011</b>	<b>Mladenova, Stefka;</b> 11-01E, Necklace, 12 Oct 2011	<b>14649/2011</b>
<b>Lacey, Peter John;</b> 12-16NES, Snap on cover for caravan or R/V awning, 01 Nov 2011	<b>14899/2011</b>		

<b>Monk Distribution Pty Ltd;</b> 03-01NES, 14-03A, Iphone case/wallet, 25 Oct 2011	<b>14852/2011</b>	<b>Pi-Design AG;</b> 07-02E, Grill, (WO, 26 Apr 2011) 25 Oct 2011	<b>14805/2011</b>
<b>Moore, Ann Francis;</b> 25-01E, 25-01NES, Colorbond sheeting, colorbond steel posts, gate latches, 27 Oct 2011	<b>14862/2011</b>	<b>Pi-Design AG;</b> 07-02E, Gas grill, (WO, 09 Sep 2011) 25 Oct 2011	<b>14806/2011</b>
<b>Moore, Ann Francis;</b> 25-01E, 25-01NES, Colorbond Steel, Galvanized and powdercoated posts, tech screws, 27 Oct 2011	<b>14861/2011</b>	<b>Plastec Australia Pty Ltd;</b> 23-01E, Pipe fitting, 26 Oct 2011	<b>14808/2011</b>
<b>Move Collective LLC;</b> 07-01F, 23-01G, Water pitcher and filter, (US, 04 Mar 2011) 29 Aug 2011	<b>14857/2011</b>	<b>Plastec Australia Pty Ltd;</b> 23-01E, Pipe fitting, 26 Oct 2011	<b>14809/2011</b>
<b>Naim, Ossama;</b> 12-16A, Alloy wheels/rims, 20 Oct 2011	<b>14749/2011</b>	<b>Plastic Solutions Australia Pty Ltd;</b> 08-06, Sign weight, 14 Oct 2011	<b>14666/2011</b>
<b>Neoperl GmbH;</b> 23-01G, Flow regulator, (EM, 20 Jun 2011) 19 Oct 2011	<b>14736/2011</b>	<b>Playtex Products, LLC;</b> 24-01, 03-01NES, Sterilizing case, 14 Oct 2011	<b>14680/2011</b>
<b>Neoperl GmbH;</b> 23-01G, Flow regulator, (EM, 20 Jun 2011) 19 Oct 2011	<b>14738/2011</b>	<b>Playtex Products, LLC;</b> 09-01NES, Ergonomic bottle, (US, 15 Apr 2011) (Divisional of 14589/2011) 10 Oct 2011	<b>14865/2011</b>
<b>Neoperl GmbH;</b> 23-01G, Flow regulator, (EM, 20 Jun 2011) 19 Oct 2011	<b>14737/2011</b>	<b>Playtex Products, LLC;</b> 24-04, Pacifier, (US, 15 Apr 2011) 14 Oct 2011	<b>14681/2011</b>
<b>NiboTech AS;</b> 08-05NES, Heated label tongs for attaching labels and tags to clothing and other textiles, (EM, 06 May 2011) 25 Oct 2011	<b>14811/2011</b>	<b>Pool Systems Pty Ltd;</b> 28-99, Chemical dispenser, 01 Nov 2011	<b>14922/2011</b>
<b>Ningbo Yinzhou Self Photoelectron Technology Co., Ltd.;</b> 26-05E, LED reflex lightbar, 14 Oct 2011	<b>14647/2011</b>	<b>Pool Systems Pty Ltd;</b> 08-05A, Leaf scoop, 01 Nov 2011	<b>14921/2011</b>
<b>Ningbo Yinzhou Self Photoelectron Technology Co., Ltd.;</b> 26-05E, LED beacon, 14 Oct 2011	<b>14648/2011</b>	<b>Procon Gesellschaft fur Kontinenzversorgung und Rehabilitation mbH;</b> 24-02, A medical equipment physiotherapy apparatus, (EM, 07 Apr 2011) 07 Oct 2011	<b>14670/2011</b>
<b>Norvill, Adrian;</b> 24-02, Insulin pen needle remover, 13 Oct 2011	<b>14651/2011</b>	<b>PIOMED Co., Ltd;</b> 24-01, Electric stimulus band, (KR, 30 Mar 2011) 28 Sep 2011	<b>14902/2011</b>
<b>Oakley, Inc.;</b> 16-06, Eyeglass, (US, 28 Jun 2011) 24 Oct 2011	<b>14802/2011</b>	<b>PIOMED Co., Ltd;</b> 24-01, Electric stimulus band, (KR, 30 Mar 2011) 28 Sep 2011	<b>14901/2011</b>
<b>Oakley, Inc.;</b> 16-06, Eyeglass and eyeglass component, (US, 31 Aug 2011) 28 Oct 2011	<b>14888/2011</b>	<b>Reckitt Benckiser N.V.;</b> 04-01, Sweeper, (EM, 19 Apr 2011) 17 Oct 2011	<b>14692/2011</b>
<b>Orwin, Michael;</b> 08-05NES, Saw guide, 21 Oct 2011	<b>14762/2011</b>	<b>Robert Bosch GmbH;</b> 08-01, Hammer drill, (EM, 25 May 2011) 19 Oct 2011	<b>14726/2011</b>
<b>Orwin, Michael;</b> 08-05NES, Saw guide, 21 Oct 2011	<b>14763/2011</b>	<b>Rolling Stone Cleaning Co Limited;</b> 23-01B, A pipe diverter, (NZ, 21 Apr 2011) 21 Oct 2011	<b>14784/2011</b>
<b>Performance Health Systems;</b> 21-02F, Apparatus for administering an exercise program, (US, 29 Apr 2011) 27 Oct 2011	<b>14866/2011</b>	<b>Rolling Stone Cleaning Co Limited;</b> 23-01B, A pipe diverter, (NZ, 21 Apr 2011) 21 Oct 2011	<b>14787/2011</b>
<b>Petek, Kenneth;</b> 11-02B, Planter box, 19 Oct 2011	<b>14777/2011</b>	<b>Rosy Blue (India) Private Limited;</b> 11-01NES, Multiple facet gemstone, (US, 03 Aug 2011) 14 Oct 2011	<b>14672/2011</b>
		<b>Ruud Lighting, Inc.;</b> 26-05D, Lighting fixture, (US, 15 Apr 2011) 14 Oct 2011	<b>14677/2011</b>

<b>Sayre, Peter;</b> 07-06A, Drink suppliers cardboard packaging ie beer carton or coke carton, 20 Oct 2011	<b>14750/2011</b>	<b>Spartan Sports Holdings Pty Ltd;</b> 21-02A, Crazy bounce ball, 27 Oct 2011	<b>14827/2011</b>
<b>Scarpar Pty Ltd;</b> 21-02E, Personal vehicle, 31 Oct 2011	<b>14906/2011</b>	<b>Spittle, Paul Geoffrey;</b> 23-02C, BT-50, 27 Oct 2011	<b>14897/2011</b>
<b>Scarpar Pty Ltd;</b> 12-14, Personal vehicle, 20 Oct 2011	<b>14752/2011</b>	<b>Spittle, Paul Geoffrey;</b> 23-02C, BT-50, 27 Oct 2011	<b>14895/2011</b>
<b>Sebor, Pavel;</b> 15-05, Swimming pool cleaning apparatus, (US, 10 May 2011) 28 Oct 2011	<b>14859/2011</b>	<b>Spittle, Paul Geoffrey;</b> 23-02C, BT-50, 27 Oct 2011	<b>14896/2011</b>
<b>Sinnott, Katherina;</b> 20-03NES, A retractable sign, 24 Oct 2011	<b>14800/2011</b>	<b>Spittle, Paul Geoffrey;</b> 23-02C, BT-10 waterless toilet, 16 Oct 2011	<b>14694/2011</b>
<b>Smash Asset Management Pty Ltd;</b> 09-03NES, Container, 27 Oct 2011	<b>14869/2011</b>	<b>Spittle, Paul Geoffrey;</b> 23-02C, BT-5 waterless toilet BT-10 waterless toilet BT-50 waterless toilet, 16 Oct 2011	<b>14700/2011</b>
<b>Societe des Produits Nestle S.A.;</b> 07-02L, Part for a beverage dispenser, (CH, 20 May 2011) 28 Oct 2011	<b>14870/2011</b>	<b>Spittle, Paul Geoffrey;</b> 23-02C, BT-10F waterless toilet, 16 Oct 2011	<b>14701/2011</b>
<b>Societe De Technologie Michelin; Michelin Recherche et Technique SA;</b> 12-15C, A tyre, (US, 30 Jun 2011) 27 Oct 2011	<b>14826/2011</b>	<b>Spittle, Paul Geoffrey;</b> 23-02C, BT-5 waterless toilet BT-10 waterless toilet BT-10F waterless toilet BT-50 waterless toilet, 16 Oct 2011	<b>14698/2011</b>
<b>Sonnendorfer, Horst; Wieth, Franz;</b> 12-02, Shopping trolley handle, (DE, 23 Feb 2011) 22 Aug 2011	<b>14780/2011</b>	<b>Spittle, Paul Geoffrey;</b> 23-02C, BT-5 waterless toilet BT-10 waterless toilet BT-10F waterless toilet, 16 Oct 2011	<b>14699/2011</b>
<b>Sonnendorfer, Horst; Wieth, Franz;</b> 12-02, Shopping trolley handle, (DE, 23 Feb 2011) 22 Aug 2011	<b>14779/2011</b>	<b>Spittle, Paul Geoffrey;</b> 23-02C, BT-5 waterless toilet BT-10 waterless toilet BT-10F waterless toilet BT-50 waterless toilet, 16 Oct 2011	<b>14696/2011</b>
<b>Sonnendorfer, Horst; Wieth, Franz;</b> 12-02, Shopping trolley handle, (DE, 23 Feb 2011) 22 Aug 2011	<b>14778/2011</b>	<b>Spittle, Paul Geoffrey;</b> 23-02C, BT-5 waterless toilet BT-10 waterless toilet BT-10F waterless toilet, 16 Oct 2011	<b>14697/2011</b>
<b>Sony Computer Entertainment Inc.;</b> 03-01NES, Case for a recording media, (JP, 03 Jun 2011) 20 Oct 2011	<b>14755/2011</b>	<b>Spittle, Paul Geoffrey;</b> 23-02C, BT-10F, 16 Oct 2011	<b>14695/2011</b>
<b>Sony Computer Entertainment Inc.;</b> 03-01NES, Case for an electronic device, (JP, 03 Jun 2011) 20 Oct 2011	<b>14754/2011</b>	<b>Spittle, Paul Geoffrey;</b> 23-02C, BT-5 waterless toilet BT-50 waterless toilet, 16 Oct 2011	<b>14693/2011</b>
<b>Sony Computer Entertainment Inc.;</b> 14-02, Cradle for a portable electronic device, (JP, 03 Jun 2011) 20 Oct 2011	<b>14760/2011</b>	<b>Stanley Black &amp; Decker, Inc.;</b> 08-03, 15-03B, String trimmer, (EM, 26 May 2011) 24 Oct 2011	<b>14803/2011</b>
<b>Sony Computer Entertainment Inc.;</b> 14-02, Monitor, (JP, 03 Jun 2011) 20 Oct 2011	<b>14757/2011</b>	<b>Stanley Black &amp; Decker, Inc.;</b> 08-03, Hedge trimmer, (EM, 18 Apr 2011) 18 Oct 2011	<b>14719/2011</b>
<b>Sony Computer Entertainment Inc.;</b> 03-01NES, 21-01N, Case for an electronic device, (JP, 03 Jun 2011) 20 Oct 2011	<b>14759/2011</b>	<b>Stanley Black &amp; Decker, Inc.;</b> 08-03, Hedge trimmer, (EM, 18 Apr 2011) 18 Oct 2011	<b>14720/2011</b>
<b>Sony Computer Entertainment Inc.;</b> 14-02, Keyboard, (JP, 02 May 2011) 20 Oct 2011	<b>14758/2011</b>	<b>Stanley Black &amp; Decker, Inc.;</b> 08-03, Hedge trimmer, (EM, 18 Apr 2011) 18 Oct 2011	<b>14721/2011</b>
<b>Sony Computer Entertainment Inc.;</b> 16-06, 3D glasses, (JP, 03 Jun 2011) 20 Oct 2011	<b>14756/2011</b>	<b>Stanley Black &amp; Decker, Inc.;</b> 08-03, Hedge trimmer, (EM, 18 Apr 2011) 18 Oct 2011	<b>14722/2011</b>
<b>Spartan Sports Holdings Pty Ltd;</b> 21-02A, Crazy bounce ball, 27 Oct 2011	<b>14828/2011</b>	<b>Stanley Black &amp; Decker, Inc.;</b> 08-03, Hedge trimmer, (EM, 18 Apr 2011) 18 Oct 2011	<b>14723/2011</b>
<b>Spartan Sports Holdings Pty Ltd;</b> 21-02A, Crazy bounce ball, 27 Oct 2011	<b>14829/2011</b>		

<b>Stanley Black &amp; Decker, Inc.;</b> 08-03, Hedge trimmer, (EM, 18 Apr 2011) 18 Oct 2011	<b>14724/2011</b>	<b>The Procter &amp; Gamble Company;</b> 09-03M, Container with surface ornamentation, (US, 27 Apr 2011) 25 Oct 2011	<b>14813/2011</b>
<b>Steeltastic Pty Limited;</b> 21-01L, Board game of chance and/or skill wherein the players run their own law firm; game board and accessories for the, aforesaid board game, 24 Oct 2011	<b>14785/2011</b>	<b>The Procter &amp; Gamble Company;</b> 09-03M, Container with surface ornamentation, (US, 21 Apr 2011) 19 Oct 2011	<b>14731/2011</b>
<b>Stuart, Geoffrey Catherwood;</b> 09-03F, 09-05, Sauces, syrups and other liquid food products, 31 Oct 2011	<b>14878/2011</b>	<b>The Procter &amp; Gamble Company;</b> 09-03M, Container with surface ornamentation, (US, 21 Apr 2011) 19 Oct 2011	<b>14733/2011</b>
<b>Swanton Tool Company, Inc.;</b> 25-01K, Straight edge, (US, 06 May 2011) 25 Oct 2011	<b>14810/2011</b>	<b>The Procter &amp; Gamble Company;</b> 09-03M, Container with surface ornamentation, (US, 21 Apr 2011) 19 Oct 2011	<b>14734/2011</b>
<b>SHL Group AB; Biogen Idec MA Inc.;</b> 24-02, Limiter for dispensing device, (US, 28 Apr 2011) 27 Oct 2011	<b>14834/2011</b>	<b>The Procter &amp; Gamble Company;</b> 09-03M, Container with surface ornamentation, (US, 21 Apr 2011) 19 Oct 2011	<b>14732/2011</b>
<b>SOMFY SAS;</b> 14-03NES, Remote control, (EM, 03 May 2011) 01 Nov 2011	<b>14889/2011</b>	<b>The Procter &amp; Gamble Company;</b> 09-03M, Container with surface ornamentation, (US, 21 Apr 2011) 19 Oct 2011	<b>14735/2011</b>
<b>SS Inductions Pty Ltd;</b> 12-16NES, A gauge holder, 21 Oct 2011	<b>14774/2011</b>	<b>The Procter &amp; Gamble Company;</b> 09-03M, Container with surface ornamentation, (US, 21 Apr 2011) 19 Oct 2011	<b>14730/2011</b>
<b>Textile House Pty Ltd;</b> 02-02NES, Clothing, 26 Oct 2011	<b>14835/2011</b>	<b>The Procter &amp; Gamble Company;</b> 09-03M, Container with surface ornamentation, (US, 21 Apr 2011) 19 Oct 2011	<b>14767/2011</b>
<b>The Decor Corporation Pty. Ltd.;</b> 09-07A, Cap for bottle, 24 Oct 2011	<b>14807/2011</b>	<b>The Quaker Oats Company;</b> 09-03NES, Carton blank, (US, 22 Apr 2011) 20 Oct 2011	<b>14768/2011</b>
<b>The Franchise Group Pty Ltd;</b> 12-10, A trailer body, 28 Oct 2011	<b>14879/2011</b>	<b>The Quaker Oats Company;</b> 09-03NES, Carton, (US, 22 Apr 2011) 20 Oct 2011	<b>14769/2011</b>
<b>The Franchise Group Pty Ltd;</b> 12-10, A trailer body, 28 Oct 2011	<b>14880/2011</b>	<b>The Sibley Group Pty Ltd;</b> 08-08C, Clip device, 26 Oct 2011	<b>14837/2011</b>
<b>The Procter &amp; Gamble Company;</b> 09-05, Package with surface ornamentation, (US, 27 Apr 2011) 27 Oct 2011	<b>14847/2011</b>	<b>Thompson, Robin Kaye;</b> 08-05NES, The design is to be applied to a hand tool for manoeuvring building components and the novelty resides in, the features of shape and configuration of the hand tool for manoeuvring building components as shown in the, accompanying repre, (NZ, 26 Apr 2011) 21 Oct 2011	<b>14792/2011</b>
<b>The Procter &amp; Gamble Company;</b> 09-05, Package with surface ornamentation, (US, 27 Apr 2011) 27 Oct 2011	<b>14845/2011</b>	<b>Thoratec Corporation;</b> 24-03, Implantable blood pump, (US, 21 Apr 2011) 21 Oct 2011	<b>14782/2011</b>
<b>The Procter &amp; Gamble Company;</b> 09-05, Package with surface ornamentation, (US, 27 Apr 2011) 27 Oct 2011	<b>14846/2011</b>	<b>Thule Sweden AB;</b> 12-16K, Automobile rooftop cargo box, (EM, 05 Sep 2011) 31 Oct 2011	<b>14884/2011</b>
<b>The Procter &amp; Gamble Company;</b> 09-05, Package with surface ornamentation, (US, 27 Apr 2011) 27 Oct 2011	<b>14844/2011</b>	<b>TwoPack AB;</b> 03-01D, 25-04, Ladder pack, (US, 09 May 2011) 13 Oct 2011	<b>14650/2011</b>
<b>The Procter &amp; Gamble Company;</b> 09-03M, Container with surface ornamentation, (US, 27 Apr 2011) 25 Oct 2011	<b>14814/2011</b>		
<b>The Procter &amp; Gamble Company;</b> 09-03M, Container with surface ornamentation, (US, 27 Apr 2011) 25 Oct 2011	<b>14816/2011</b>		
<b>The Procter &amp; Gamble Company;</b> 09-03M, Container with surface ornamentation, (US, 27 Apr 2011) 25 Oct 2011	<b>14815/2011</b>		

<b>Tycoon Jewelry, Inc.;</b> 11-01NES, Diamond cut, (US, 29 Apr 2011) 28 Oct 2011	<b>14903/2011</b>	<b>Vehicle Components Pty Ltd;</b> 12-16L, A low profile housing for a vehicle coupling assembly, 12 Oct 2011	<b>14652/2011</b>
<b>TASER International, Inc.;</b> 22-02, Two cartridge electronic control device, (US, 19 Apr 2011) 17 Oct 2011	<b>14702/2011</b>	<b>VISIO, s.r.o.;</b> 28-03NES, Toothpick/match, (EM, 04 May 2011) 31 Oct 2011	<b>14894/2011</b>
<b>TASER International, Inc.;</b> 22-02, Two cartridge electronic control device, (US, 19 Apr 2011) 17 Oct 2011	<b>14703/2011</b>	<b>Ward, Marc;</b> 07-99NES, 07-07NES, Egg store, 17 Oct 2011	<b>14685/2011</b>
<b>TEFAL;</b> 07-02N, Cooking utensil, (FR, 19 May 2011) 18 Oct 2011	<b>14715/2011</b>	<b>Ward, Marc;</b> 08-08A, New design of door retaining device commonly called a door wedge or door stop, 17 Oct 2011	<b>14684/2011</b>
<b>TEFAL;</b> 07-02N, Cooking utensil, (FR, 19 May 2011) 18 Oct 2011	<b>14716/2011</b>	<b>Warner, Peter;</b> 30-02, Dome bird net stand, 27 Oct 2011	<b>14838/2011</b>
<b>T2 Biosystems, Inc.;</b> 24-02, 09-03NES, Modular cartridge assembly with interlockable components, (US, 22 Apr 2011) 20 Oct 2011	<b>14725/2011</b>	<b>Whitehead, Geoffrey;Alvey, Bruce;</b> 21-04, A ground stake to hold a tent pole upright without rope support to assist in setting a tent or tarpaulin up, 27 Oct 2011	<b>14841/2011</b>
<b>Unilever PLC;</b> 12-02, 20-99, Mobile vending unit, (EM, 26 Apr 2011) 24 Oct 2011	<b>14376/2011</b>	<b>Wieth, Franz;Sonnendorfer, Horst;</b> 12-02, Shopping trolley handle, (DE, 23 Feb 2011) 22 Aug 2011	<b>14778/2011</b>
<b>Unilever PLC;</b> 12-02, 20-99, Mobile vending unit, (EM, 26 Apr 2011) 24 Oct 2011	<b>14377/2011</b>	<b>Wieth, Franz;Sonnendorfer, Horst;</b> 12-02, Shopping trolley handle, (DE, 23 Feb 2011) 22 Aug 2011	<b>14780/2011</b>
<b>Unilever PLC;</b> 12-02, 20-99, Mobile vending unit, (EM, 26 Apr 2011) 24 Oct 2011	<b>14375/2011</b>	<b>Wieth, Franz;Sonnendorfer, Horst;</b> 12-02, Shopping trolley handle, (DE, 23 Feb 2011) 22 Aug 2011	<b>14779/2011</b>
<b>UAG Services;</b> 10-06, Portable speed hump, 25 Oct 2011	<b>14851/2011</b>	<b>Z-CoiL Ltd;</b> 02-04B, Shoe sole, 18 Oct 2011	<b>14717/2011</b>
<b>UAG Services;</b> 10-06, Portable speed hump, 25 Oct 2011	<b>14850/2011</b>		

### Applications Withdrawn

11331 / 2011 (21-01B)	14694 / 2011 (23-02C)
14695 / 2011 (23-02C)	14698 / 2011 (23-02C)
14699 / 2011 (23-02C)	14701 / 2011 (23-02C)
14897 / 2011 (23-02C)	

### Applications Lapsed

13301 / 2011 (20-03NES)	13549 / 2011 (06-04NES)
13553 / 2011 (08-08B)	13574 / 2011 (07-01F)
13597 / 2011 (09-07C)	13654 / 2011 (03-03)
13669 / 2011 (07-02R)	13670 / 2011 (07-02R)
13739 / 2011 (03-01NES)	

**Extension of Period of Registration of Designs**

300093	310622	310823
310887	310933	311130
311202	311269	311270
311271	311272	311457
311458	311504	311597
311598	311696	311814
311815	311861	311908
311910	311920	311929
311936	311937	311974
311979	311980	311981
312024	312027	312029
312042	312043	312044
312055	312056	312057
312059	312060	312061
312065	312066	312075
312082	312089	312106
312120	312130	312140
312144	312151	312165
312173	312192	312203
312208	312209	312210
312219	312244	312245
312269	312296	312319
312320	312321	312367
312369	312370	312388
312438	312441	312463
312464	312485	312549
312571	312572	312574
312575	312619	312659
312683	312685	312700
312701	312745	312783
312784	312790	312923
312952	313129	313152
313160	313193	313198
313199	313200	313221
313251	313252	313278
313279	313291	313365
313366	313367	313477
313478	313527	313528
313529	314979	315891
315892	315893	316747

**Registrations Ceased**

306903	308341	308342
308345	308346	308454
308461	308479	308480
308481	308482	308483
308484	308485	308486
308487	308509	308533
308555	308556	308651

308658	308660	308661
308690	308691	308755
308756	308757	308772
308773	308913	308927
308928	308929	308930
308931	308932	308940
308953	308954	309016
309017	309018	309019
309024	309174	309225
309307	309514	309515
309516	309549	309550
309563	309564	309608
309839	309840	309841
309882	309884	309961
309983	309984	309985
310146	310147	310442
310590	310695	310789
310857	310875	311008
311013	311014	311015
311016	311017	311156
311192	311193	311379
311380	311381	311468
311593	311608	313018
313538	316575	317231

**Extensions of time granted under Section 137**

Applications lodged under section 137 for extension of time have been granted.

300093 **Matthew Forrest**

311457 **Pacific Worldwide Pty Ltd**

311458 **Pacific Worldwide Pty Ltd**

15449/2010 **Forever New Clothing Pty Ltd**

12641/2011 **Forever New Clothing Pty Ltd**

12642/2011 **Forever New Clothing Pty Ltd**

12643/2011 **Forever New Clothing Pty Ltd**

12644/2011 **Forever New Clothing Pty Ltd**

12645/2011 **Forever New Clothing Pty Ltd**

12646/2011 **Forever New Clothing Pty Ltd**

12647/2011 **Forever New Clothing Pty Ltd**

12648/2011 **Forever New Clothing Pty Ltd**

12649/2011 **Forever New Clothing Pty Ltd**

12650/2011 **Forever New Clothing Pty Ltd**

12651/2011 **Forever New Clothing Pty Ltd**

12652/2011 **Forever New Clothing Pty Ltd**

12653/2011 **Forever New Clothing Pty Ltd**

12654/2011 **Forever New Clothing Pty Ltd**

- 12655/2011 Forever New Clothing Pty Ltd
- 12656/2011 Forever New Clothing Pty Ltd
- 12657/2011 Forever New Clothing Pty Ltd
- 12658/2011 Forever New Clothing Pty Ltd
- 12659/2011 Forever New Clothing Pty Ltd
- 12660/2011 Forever New Clothing Pty Ltd
- 13787/2011 Johnson & Johnson Consumer Companies, Inc.
- 13788/2011 Johnson & Johnson Consumer Companies, Inc.

**Subsequent Owners Registered**

(The name in parentheses is that of the subsequent owner)

- 315792 ( **TOP GUN TORCHES AND LIGHTING PTY LTD** )  
Top Gun Pty Ltd
- 315793 ( **TOP GUN TORCHES AND LIGHTING PTY LTD** )  
Top Gun Pty Ltd
- 315794 ( **TOP GUN TORCHES AND LIGHTING PTY LTD** )  
Top Gun Pty Ltd
- 315795 ( **TOP GUN TORCHES AND LIGHTING PTY LTD** )  
Top Gun Pty Ltd
- 322706 ( **Lidney Investments Pty Ltd** ) Peter Charles  
Coleman
- 321275 ( **Lidney Investments Pty Ltd** ) Peter Charles  
Coleman
- 307609 ( **Underwood Companies Holdings Pty Ltd** ) Daniel  
Charles Underwood
- 307608 ( **Underwood Companies Holdings Pty Ltd** ) Daniel  
Charles Underwood
- 310948 ( **Underwood Companies Holdings Pty Ltd** ) Danley  
Construction Products Pty Ltd
- 313932 ( **Underwood Companies Holdings Pty Ltd** ) Daniel  
Charles Underwood
- 324742 ( **Underwood Companies Holdings Pty Ltd** ) Lesny  
Pty Ltd
- 324743 ( **Underwood Companies Holdings Pty Ltd** ) Lesny  
Pty Ltd
- 325498 ( **Underwood Companies Holdings Pty Ltd** ) Lesny  
Pty Ltd
- 324744 ( **Underwood Companies Holdings Pty Ltd** ) Lesny  
Pty Ltd
- 324725 ( **Underwood Companies Holdings Pty Ltd** ) Lesny  
Pty Ltd
- 324895 ( **Underwood Companies Holdings Pty Ltd** ) Lesny  
Pty Ltd
- 324745 ( **Underwood Companies Holdings Pty Ltd** ) Lesny  
Pty Ltd
- 324746 ( **Underwood Companies Holdings Pty Ltd** ) Lesny  
Pty Ltd
- 324747 ( **Underwood Companies Holdings Pty Ltd** ) Lesny  
Pty Ltd
- 314732 ( **Memo Fishing Innovations Pty Ltd** ) Robbie Meade
- 330379 ( **Collett Manufacturing Pty Ltd** ) Collridge Pty Ltd



**Corrigenda**

Number 336664

In Vol 25 , No 21 , page 2712 under the heading **Certificate(s) of Examination**; This entry was entered in error.

**Certificate(s) of Examination**

Examination of the following Design Registration(s) has been completed. Infringement proceedings may now be commenced.

313425	09-05	28/10/2011
313426	09-05	28/10/2011
314523	08-03	26/10/2011
316567	19-02	21/10/2011
317340	09-03M	20/10/2011
320180	10-06	21/10/2011
334736	14-02	04/11/2011
334793	14-02	04/11/2011
335152	23-01NES	24/10/2011
335153	23-01NES	24/10/2011
336510	06-01G	19/10/2011
336512	06-06G	19/10/2011
336809	23-01NES	19/10/2011
337056	05-05D	28/10/2011
337487	13-03C	03/11/2011
337570	08-07	21/10/2011
337866	12-16C	21/10/2011
337885	10-04	21/10/2011
337913	22-05	21/10/2011
337914	22-05	21/10/2011
337940	07-02E	21/10/2011
338036	09-03F	19/10/2011
338094	15-05	26/10/2011
338095	15-05	26/10/2011
338115	09-02A	18/10/2011

**Publication and Registration Proceedings**

**Designs Registered**

This section provides a concordance between design number and registration number of Designs covered in this journal. It also shows the main class and registration date.

This section covers Registration numbers 338996 to 339287 .

The registration number shown below should be used in all future correspondence.

<b>Design Number</b>	<b>Registration Number</b>	<b>International Classification Code (IDC)</b>	<b>Registration Date</b>	<b>Design Number</b>	<b>Registration Number</b>	<b>International Classification Code (IDC)</b>	<b>Registration Date</b>
10189/2011	339089	07-02P	21/10/2011	13876/2011	339175	06-13B	26/10/2011
10814/2011	339148	14-02	25/10/2011	13888/2011	339059	02-02NES	20/10/2011
11182/2011	339054	12-16A	20/10/2011	13889/2011	339015	02-05	18/10/2011
11183/2011	339055	12-16A	20/10/2011	13900/2011	339103	07-05A	24/10/2011
11184/2011	339056	12-16A	20/10/2011	13901/2011	339128	07-02F	25/10/2011
11185/2011	339057	12-16A	20/10/2011	13902/2011	339129	07-05A	25/10/2011
11186/2011	339058	12-16A	20/10/2011	13903/2011	339130	07-02A	25/10/2011
11365/2011	339018	21-01F	19/10/2011	13904/2011	339131	07-02F	25/10/2011
11553/2011	339019	03-01NES	19/10/2011	13905/2011	339132	07-02B	25/10/2011
11590/2011	339121	28-03NES	24/10/2011	13906/2011	339133	07-02F	25/10/2011
11719/2011	339173	21-02A	26/10/2011	13907/2011	339134	07-02B	25/10/2011
11720/2011	339174	21-02A	26/10/2011	13908/2011	339135	07-02L	25/10/2011
11876/2011	339161	03-01NES	26/10/2011	13909/2011	339202	07-02L	27/10/2011
11877/2011	339162	06-13B	26/10/2011	13910/2011	339176	07-02A	26/10/2011
11878/2011	339163	06-13B	26/10/2011	13911/2011	339177	07-02A	26/10/2011
11879/2011	339164	03-01A	26/10/2011	13912/2011	339178	13-02	26/10/2011
12039/2011	339237	13-03NES	02/11/2011	13913/2011	339179	13-02	26/10/2011
12749/2011	339255	08-05M	03/11/2011	13922/2011	339016	06-10	18/10/2011
12848/2011	338996	15-09	18/10/2011	13925/2011	339060	21-02A	20/10/2011
13358/2011	338998	08-06	18/10/2011	13926/2011	339220	08-08G	31/10/2011
13359/2011	339000	08-06	18/10/2011	13943/2011	339010	14-03NES	18/10/2011
13393/2011	338997	07-99NES	18/10/2011	13945/2011	339090	06-06F	21/10/2011
13403/2011	339002	07-02E	18/10/2011	13946/2011	339091	06-04F	21/10/2011
13404/2011	339003	07-02E	18/10/2011	13962/2011	339180	13-02	26/10/2011
13516/2011	339012	09-07C	18/10/2011	13963/2011	339181	13-02	26/10/2011
13529/2011	339075	15-99	20/10/2011	14007/2011	339017	12-16A	18/10/2011
13540/2011	339004	15-05	18/10/2011	14010/2011	339182	06-04F	26/10/2011
13541/2011	339005	15-05	18/10/2011	14011/2011	339183	06-02	26/10/2011
13542/2011	339006	15-05	18/10/2011	14124/2011	339011	20-02E	18/10/2011
13543/2011	339007	15-05	18/10/2011	14129/2011	339186	02-02B	26/10/2011
13544/2011	339008	15-05	18/10/2011	14173/2011	339023	07-04	19/10/2011
13545/2011	339217	06-01NES	31/10/2011	14176/2011	339046	20-03NES	19/10/2011
13548/2011	339256	26-05C	03/11/2011	14178/2011	339047	08-08B	19/10/2011
13551/2011	339020	21-01A	19/10/2011	14179/2011	339149	10-02	25/10/2011
13566/2011	339076	25-02B	20/10/2011	14181/2011	339048	24-04	19/10/2011
13581/2011	339218	15-05	31/10/2011	14182/2011	339049	24-04	19/10/2011
13601/2011	339021	07-01NES	19/10/2011	14198/2011	339050	06-04NES	19/10/2011
13606/2011	339009	22-05	18/10/2011	14199/2011	339051	06-06NES	19/10/2011
13631/2011	339194	12-02	26/10/2011	14202/2011	339052	23-01G	19/10/2011
13657/2011	339238	24-01	02/11/2011	14203/2011	339053	23-01G	19/10/2011
13659/2011	339122	12-15A	24/10/2011	14204/2011	339024	09-01NES	19/10/2011
13673/2011	339190	12-02	26/10/2011	14205/2011	339025	09-01NES	19/10/2011
13686/2011	339147	07-01D	25/10/2011	14206/2011	339026	09-01NES	19/10/2011
13704/2011	339087	06-01C	26/10/2011	14207/2011	339027	09-01NES	19/10/2011
13748/2011	339118	30-04	24/10/2011	14208/2011	339028	07-07A	19/10/2011
13790/2011	339239	02-02C	02/11/2011	14209/2011	339037	09-01K	19/10/2011
13793/2011	339244	07-01F	02/11/2011	14210/2011	339038	07-01NES	19/10/2011
13838/2011	339219	06-01G	31/10/2011	14211/2011	339039	07-01NES	19/10/2011
13868/2011	339127	14-03D	25/10/2011	14212/2011	339040	07-01NES	19/10/2011
13869/2011	339014	14-03B	18/10/2011	14213/2011	339029	12-16NES	19/10/2011

Publication and Registration Proceedings - Designs Registered cont'd

Design Number	Registration Number	International Classification Code (IDC)	Registration Date	Design Number	Registration Number	International Classification Code (IDC)	Registration Date
14214/2011	339041	26-05E	19/10/2011	14332/2011	339112	06-06G	24/10/2011
14215/2011	339042	09-03F	19/10/2011	14333/2011	339113	24-01	24/10/2011
14216/2011	339043	09-03F	19/10/2011	14334/2011	339114	31-00	24/10/2011
14217/2011	339044	09-03F	19/10/2011	14335/2011	339115	31-00	24/10/2011
14218/2011	339206	25-01A	27/10/2011	14339/2011	339153	15-04	25/10/2011
14219/2011	339045	02-04A	19/10/2011	14340/2011	339116	15-04	24/10/2011
14221/2011	339030	08-08C	19/10/2011	14341/2011	339117	15-04	24/10/2011
14222/2011	339031	08-08C	19/10/2011	14342/2011	339154	15-04	25/10/2011
14223/2011	339032	08-08C	19/10/2011	14344/2011	339099	21-02A	24/10/2011
14224/2011	339033	08-08C	19/10/2011	14345/2011	339100	09-01NES	24/10/2011
14225/2011	339034	08-08C	19/10/2011	14346/2011	339101	20-02C	24/10/2011
14228/2011	339216	12-02	28/10/2011	14348/2011	339102	23-01G	24/10/2011
14229/2011	339035	07-02P	19/10/2011	14349/2011	339123	12-11	24/10/2011
14230/2011	339036	07-04	19/10/2011	14350/2011	339124	12-11	24/10/2011
14231/2011	339064	09-01H	20/10/2011	14351/2011	339125	12-11	24/10/2011
14232/2011	339065	09-01H	20/10/2011	14352/2011	339126	26-06	24/10/2011
14233/2011	339066	09-01H	20/10/2011	14359/2011	339155	02-01B	25/10/2011
14234/2011	339067	09-01H	20/10/2011	14360/2011	339156	02-01B	25/10/2011
14235/2011	339068	09-01H	20/10/2011	14361/2011	339187	12-15A	26/10/2011
14236/2011	339069	09-01H	20/10/2011	14364/2011	339136	09-01G	25/10/2011
14237/2011	339070	09-01H	20/10/2011	14365/2011	339137	26-05B	25/10/2011
14238/2011	339071	09-01H	20/10/2011	14369/2011	339157	15-01	25/10/2011
14239/2011	339072	09-01H	20/10/2011	14370/2011	339158	08-10	25/10/2011
14240/2011	339073	09-01H	20/10/2011	14371/2011	339160	08-10	25/10/2011
14241/2011	339074	09-01H	20/10/2011	14372/2011	339159	08-10	25/10/2011
14242/2011	339077	09-01H	20/10/2011	14408/2011	339165	15-02	26/10/2011
14243/2011	339078	09-01NES	20/10/2011	14410/2011	339195	31-00	26/10/2011
14244/2011	339079	09-01NES	20/10/2011	14411/2011	339166	13-01	26/10/2011
14245/2011	339080	06-09	20/10/2011	14414/2011	339138	14-02	25/10/2011
14246/2011	339081	25-01D	20/10/2011	14415/2011	339139	14-02	25/10/2011
14247/2011	339082	08-09	20/10/2011	14416/2011	339140	14-02	25/10/2011
14248/2011	339083	08-09	20/10/2011	14417/2011	339141	14-02	25/10/2011
14249/2011	339104	25-01K	24/10/2011	14418/2011	339142	14-02	25/10/2011
14253/2011	339085	09-01NES	21/10/2011	14420/2011	339143	28-03D	25/10/2011
14254/2011	339084	12-11	21/10/2011	14421/2011	339144	28-03D	25/10/2011
14255/2011	339105	14-01	24/10/2011	14422/2011	339145	12-15B	25/10/2011
14256/2011	339106	09-03A	24/10/2011	14423/2011	339146	12-15B	25/10/2011
14257/2011	339086	09-03A	21/10/2011	14425/2011	339167	14-01	26/10/2011
14260/2011	339119	02-01B	24/10/2011	14426/2011	339168	20-02D	26/10/2011
14262/2011	339120	14-01	24/10/2011	14427/2011	339169	08-09	26/10/2011
14273/2011	339088	09-05	21/10/2011	14428/2011	339170	25-02C	26/10/2011
14274/2011	339092	23-01H	21/10/2011	14429/2011	339171	23-02C	26/10/2011
14275/2011	339093	23-01H	21/10/2011	14430/2011	339172	23-02C	26/10/2011
14276/2011	339094	23-01H	21/10/2011	14454/2011	339198	12-06A	26/10/2011
14277/2011	339095	23-01H	21/10/2011	14455/2011	339199	06-01F	26/10/2011
14278/2011	339096	23-01H	21/10/2011	14456/2011	339200	06-01F	26/10/2011
14287/2011	339097	11-02B	21/10/2011	14457/2011	339201	06-01F	26/10/2011
14321/2011	339150	06-13C	25/10/2011	14459/2011	339203	14-02	27/10/2011
14322/2011	339151	23-01K	25/10/2011	14461/2011	339259	12-16NES	04/11/2011
14323/2011	339152	14-03NES	25/10/2011	14462/2011	339260	12-16NES	04/11/2011
14324/2011	339107	23-01A	24/10/2011	14468/2011	339204	06-06G	27/10/2011
14325/2011	339108	08-08C	24/10/2011	14469/2011	339225	25-01E	02/11/2011
14326/2011	339109	08-08C	24/10/2011	14470/2011	339205	07-01C	27/10/2011
14330/2011	339110	06-06G	24/10/2011	14471/2011	338999	08-06	18/10/2011
14331/2011	339111	06-06G	24/10/2011	14472/2011	339001	08-06	18/10/2011

Publication and Registration Proceedings - Designs Registered cont'd

Design Number	Registration Number	International Classification Code (IDC)	Registration Date	Design Number	Registration Number	International Classification Code (IDC)	Registration Date
14475/2011	339196	08-06	26/10/2011	14566/2011	339278	09-01C	04/11/2011
14477/2011	339208	25-02H	28/10/2011	14567/2011	339279	09-05	04/11/2011
14479/2011	339209	25-01K	28/10/2011	14568/2011	339280	09-05	04/11/2011
14481/2011	339210	22-05	28/10/2011	14569/2011	339281	09-03M	04/11/2011
14482/2011	339211	07-05D	28/10/2011	14570/2011	339282	09-03M	04/11/2011
14483/2011	339212	13-03E	28/10/2011	14571/2011	339283	07-06C	04/11/2011
14489/2011	339213	09-03NES	28/10/2011	14572/2011	339284	09-03L	04/11/2011
14490/2011	339098	06-01K	21/10/2011	14573/2011	339285	09-03NES	04/11/2011
14494/2011	339214	26-05B	28/10/2011	14574/2011	339286	15-02	04/11/2011
14495/2011	339215	26-05E	28/10/2011	14575/2011	339287	15-02	04/11/2011
14496/2011	339184	06-02	26/10/2011	14577/2011	339254	25-01E	03/11/2011
14497/2011	339185	06-02	26/10/2011	14578/2011	339266	06-01F	04/11/2011
14499/2011	339226	02-04NES	02/11/2011	14579/2011	339267	06-01G	04/11/2011
14500/2011	339227	02-04NES	02/11/2011	14580/2011	339268	06-01H	04/11/2011
14502/2011	339228	02-04NES	02/11/2011	14581/2011	339269	14-01	04/11/2011
14504/2011	339229	02-04NES	02/11/2011	14584/2011	339270	26-05E	04/11/2011
14506/2011	339230	02-04NES	02/11/2011	14585/2011	339271	26-05E	04/11/2011
14507/2011	339231	02-04NES	02/11/2011	14586/2011	339272	26-05E	04/11/2011
14509/2011	339221	28-03A	01/11/2011	14587/2011	339273	21-02C	04/11/2011
14510/2011	339222	28-03A	01/11/2011	14589/2011	339261	09-01NES	04/11/2011
14532/2011	339223	13-03NES	01/11/2011	14591/2011	339263	07-01F	04/11/2011
14533/2011	339224	08-08NES	01/11/2011	14592/2011	339264	07-01F	04/11/2011
14535/2011	339232	24-04	02/11/2011	14593/2011	339265	07-01F	04/11/2011
14536/2011	339207	08-08NES	27/10/2011	14608/2011	339013	09-07C	18/10/2011
14537/2011	339233	25-03	02/11/2011	14636/2011	339061	21-02A	20/10/2011
14538/2011	339234	06-01G	02/11/2011	14637/2011	339062	21-02A	20/10/2011
14539/2011	339235	06-01G	02/11/2011	14638/2011	339063	21-02A	20/10/2011
14540/2011	339236	06-01H	02/11/2011	14655/2011	339242	06-02	02/11/2011
14550/2011	339197	23-03NES	26/10/2011	14656/2011	339189	09-06	26/10/2011
14553/2011	339245	02-03	03/11/2011	14657/2011	339188	09-06	26/10/2011
14554/2011	339246	02-02B	03/11/2011	14668/2011	339022	07-01NES	19/10/2011
14555/2011	339247	06-09	03/11/2011	14669/2011	339258	06-04C	03/11/2011
14556/2011	339248	06-09	03/11/2011	14709/2011	339257	06-04C	03/11/2011
14557/2011	339249	25-01D	03/11/2011	14764/2011	339243	05-04	02/11/2011
14558/2011	339250	25-01K	03/11/2011	14778/2011	339191	12-02	26/10/2011
14559/2011	339251	01-01	03/11/2011	14779/2011	339192	12-02	26/10/2011
14560/2011	339252	26-05B	03/11/2011	14780/2011	339193	12-02	26/10/2011
14561/2011	339253	26-04	03/11/2011	14857/2011	339240	07-01F	02/11/2011
14562/2011	339274	09-01H	04/11/2011	14858/2011	339241	07-01F	02/11/2011
14563/2011	339275	09-01C	04/11/2011	14865/2011	339262	09-01NES	04/11/2011
14564/2011	339276	09-01C	04/11/2011				
14565/2011	339277	09-05	04/11/2011				

**Publication and Registration Proceedings**

**Class Listing of Designs Published or Registered**

The following section shows an International Classification Code listing of the Registered or Published Designs covered in this supplement.

<b>Classification</b>	<b>Registration Number</b>	<b>Design Number</b>	<b>Classification</b>	<b>Registration Number</b>	<b>Design Number</b>
01-01	339251	14559/2011	06-06G	339111	14331/2011
02-01B	339119	14260/2011	06-06G	339112	14332/2011
02-01B	339155	14359/2011	06-06G	339204	14468/2011
02-01B	339156	14360/2011	06-06NES	339051	14199/2011
02-02B	339186	14129/2011	06-09	339080	14245/2011
02-02B	339246	14554/2011	06-09	339183	14011/2011
02-02C	339239	13790/2011	06-09	339184	14496/2011
02-02NES	339059	13888/2011	06-09	339247	14555/2011
02-03	339186	14129/2011	06-09	339248	14556/2011
02-03	339245	14553/2011	06-10	339016	13922/2011
02-04A	339045	14219/2011	06-13B	339162	11877/2011
02-04NES	339226	14499/2011	06-13B	339163	11878/2011
02-04NES	339227	14500/2011	06-13B	339175	13876/2011
02-04NES	339228	14502/2011	06-13C	339150	14321/2011
02-04NES	339229	14504/2011	07-01C	339205	14470/2011
02-04NES	339230	14506/2011	07-01D	339147	13686/2011
02-04NES	339231	14507/2011	07-01F	339240	14857/2011
02-05	339015	13889/2011	07-01F	339241	14858/2011
03-01A	339164	11879/2011	07-01F	339244	13793/2011
03-01NES	339019	11553/2011	07-01F	339263	14591/2011
03-01NES	339161	11876/2011	07-01F	339264	14592/2011
05-04	339243	14764/2011	07-01F	339265	14593/2011
06-01C	339087	13704/2011	07-01NES	339021	13601/2011
06-01D	339087	13704/2011	07-01NES	339022	14668/2011
06-01F	339199	14455/2011	07-01NES	339038	14210/2011
06-01F	339200	14456/2011	07-01NES	339039	14211/2011
06-01F	339201	14457/2011	07-01NES	339040	14212/2011
06-01F	339266	14578/2011	07-02A	339130	13903/2011
06-01G	339219	13838/2011	07-02A	339176	13910/2011
06-01G	339234	14538/2011	07-02A	339177	13911/2011
06-01G	339235	14539/2011	07-02B	339132	13905/2011
06-01G	339267	14579/2011	07-02B	339134	13907/2011
06-01H	339199	14455/2011	07-02E	339002	13403/2011
06-01H	339200	14456/2011	07-02E	339003	13404/2011
06-01H	339201	14457/2011	07-02F	339128	13901/2011
06-01H	339236	14540/2011	07-02F	339131	13904/2011
06-01H	339268	14580/2011	07-02F	339133	13906/2011
06-01K	339098	14490/2011	07-02L	339135	13908/2011
06-01NES	339217	13545/2011	07-02L	339202	13909/2011
06-02	339183	14011/2011	07-02N	339132	13905/2011
06-02	339184	14496/2011	07-02N	339134	13907/2011
06-02	339185	14497/2011	07-02P	339035	14229/2011
06-02	339242	14655/2011	07-02P	339089	10189/2011
06-04C	339257	14709/2011	07-04	339023	14173/2011
06-04C	339258	14669/2011	07-04	339036	14230/2011
06-04F	339091	13946/2011	07-05A	339103	13900/2011
06-04F	339182	14010/2011	07-05A	339129	13902/2011
06-04F	339242	14655/2011	07-05D	339211	14482/2011
06-04NES	339050	14198/2011	07-06C	339283	14571/2011
06-06B	339242	14655/2011	07-07A	339028	14208/2011
06-06F	339090	13945/2011	07-07NES	339028	14208/2011
06-06F	339242	14655/2011	07-99NES	338997	13393/2011
06-06G	339110	14330/2011	08-05M	339255	12749/2011

Registration Proceedings - Class Listing of Designs Published or Registered cont'd

Classification	Registration Number	Design Number	Classification	Registration Number	Design Number
08-06	338998	13358/2011	09-01NES	339079	14244/2011
08-06	338999	14471/2011	09-01NES	339085	14253/2011
08-06	339000	13359/2011	09-01NES	339100	14345/2011
08-06	339001	14472/2011	09-01NES	339261	14589/2011
08-06	339196	14475/2011	09-01NES	339262	14865/2011
08-07	339038	14210/2011	09-03A	339086	14257/2011
08-08B	339047	14178/2011	09-03A	339106	14256/2011
08-08C	339030	14221/2011	09-03E	339021	13601/2011
08-08C	339031	14222/2011	09-03F	339021	13601/2011
08-08C	339032	14223/2011	09-03F	339022	14668/2011
08-08C	339033	14224/2011	09-03F	339042	14215/2011
08-08C	339034	14225/2011	09-03F	339043	14216/2011
08-08C	339108	14325/2011	09-03F	339044	14217/2011
08-08C	339109	14326/2011	09-03H	339021	13601/2011
08-08G	339220	13926/2011	09-03K	339076	13566/2011
08-08NES	339207	14536/2011	09-03L	339284	14572/2011
08-08NES	339224	14533/2011	09-03M	339281	14569/2011
08-09	339082	14247/2011	09-03M	339282	14570/2011
08-09	339083	14248/2011	09-03NES	339040	14212/2011
08-09	339169	14427/2011	09-03NES	339147	13686/2011
08-09	339257	14709/2011	09-03NES	339213	14489/2011
08-09	339258	14669/2011	09-03NES	339285	14573/2011
08-10	339158	14370/2011	09-05	339088	14273/2011
08-10	339159	14372/2011	09-05	339277	14565/2011
08-10	339160	14371/2011	09-05	339279	14567/2011
08-99	339178	13912/2011	09-05	339280	14568/2011
08-99	339179	13913/2011	09-06	339188	14657/2011
08-99	339180	13962/2011	09-06	339189	14656/2011
08-99	339181	13963/2011	09-07C	339012	13516/2011
09-01C	339275	14563/2011	09-07C	339013	14608/2011
09-01C	339276	14564/2011	10-02	339149	14179/2011
09-01C	339278	14566/2011	11-02B	339097	14287/2011
09-01G	339136	14364/2011	11-99	339243	14764/2011
09-01H	339064	14231/2011	12-02	339190	13673/2011
09-01H	339065	14232/2011	12-02	339191	14778/2011
09-01H	339066	14233/2011	12-02	339192	14779/2011
09-01H	339067	14234/2011	12-02	339193	14780/2011
09-01H	339068	14235/2011	12-02	339194	13631/2011
09-01H	339069	14236/2011	12-02	339216	14228/2011
09-01H	339070	14237/2011	12-06A	339198	14454/2011
09-01H	339071	14238/2011	12-06C	339198	14454/2011
09-01H	339072	14239/2011	12-11	339084	14254/2011
09-01H	339073	14240/2011	12-11	339123	14349/2011
09-01H	339074	14241/2011	12-11	339124	14350/2011
09-01H	339077	14242/2011	12-11	339125	14351/2011
09-01H	339274	14562/2011	12-12	339217	13545/2011
09-01K	339024	14204/2011	12-15A	339122	13659/2011
09-01K	339025	14205/2011	12-15A	339187	14361/2011
09-01K	339026	14206/2011	12-15B	339145	14422/2011
09-01K	339027	14207/2011	12-15B	339146	14423/2011
09-01K	339037	14209/2011	12-16A	339017	14007/2011
09-01NES	339024	14204/2011	12-16A	339054	11182/2011
09-01NES	339025	14205/2011	12-16A	339055	11183/2011
09-01NES	339026	14206/2011	12-16A	339056	11184/2011
09-01NES	339027	14207/2011	12-16A	339057	11185/2011
09-01NES	339078	14243/2011	12-16A	339058	11186/2011

Registration Proceedings - Class Listing of Designs Published or Registered cont'd

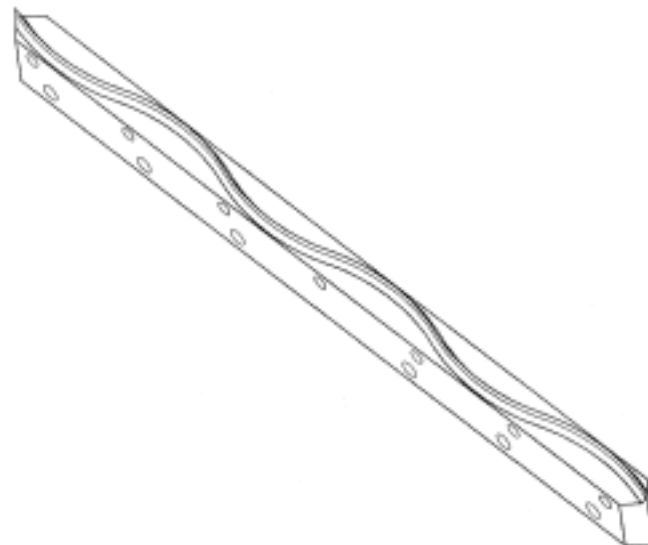
Classification	Registration Number	Design Number	Classification	Registration Number	Design Number
12-16NES	339029	14213/2011	21-02A	339173	11719/2011
12-16NES	339259	14461/2011	21-02A	339174	11720/2011
12-16NES	339260	14462/2011	21-02C	339273	14587/2011
13-01	339166	14411/2011	21-04	339162	11877/2011
13-02	339178	13912/2011	21-04	339163	11878/2011
13-02	339179	13913/2011	22-05	339009	13606/2011
13-02	339180	13962/2011	22-05	339210	14481/2011
13-02	339181	13963/2011	23-01A	339107	14324/2011
13-03E	339212	14483/2011	23-01G	339052	14202/2011
13-03NES	339223	14532/2011	23-01G	339053	14203/2011
13-03NES	339237	12039/2011	23-01G	339102	14348/2011
14-01	339105	14255/2011	23-01G	339240	14857/2011
14-01	339120	14262/2011	23-01G	339241	14858/2011
14-01	339167	14425/2011	23-01G	339244	13793/2011
14-01	339269	14581/2011	23-01H	339092	14274/2011
14-02	339138	14414/2011	23-01H	339093	14275/2011
14-02	339139	14415/2011	23-01H	339094	14276/2011
14-02	339140	14416/2011	23-01H	339095	14277/2011
14-02	339141	14417/2011	23-01H	339096	14278/2011
14-02	339142	14418/2011	23-01K	339151	14322/2011
14-02	339148	10814/2011	23-01NES	339165	14408/2011
14-02	339203	14459/2011	23-02B	339082	14247/2011
14-03B	339014	13869/2011	23-02B	339083	14248/2011
14-03D	339127	13868/2011	23-02C	339171	14429/2011
14-03NES	339010	13943/2011	23-02C	339172	14430/2011
14-03NES	339152	14323/2011	23-03NES	339197	14550/2011
14-03NES	339219	13838/2011	24-01	339113	14333/2011
14-99	339029	14213/2011	24-01	339238	13657/2011
15-01	339157	14369/2011	24-01	339286	14574/2011
15-02	339165	14408/2011	24-01	339287	14575/2011
15-02	339286	14574/2011	24-04	339048	14181/2011
15-02	339287	14575/2011	24-04	339049	14182/2011
15-04	339116	14340/2011	24-04	339232	14535/2011
15-04	339117	14341/2011	24-99	339113	14333/2011
15-04	339153	14339/2011	25-01A	339206	14218/2011
15-04	339154	14342/2011	25-01D	339081	14246/2011
15-05	339004	13540/2011	25-01D	339249	14557/2011
15-05	339005	13541/2011	25-01E	339030	14221/2011
15-05	339006	13542/2011	25-01E	339031	14222/2011
15-05	339007	13543/2011	25-01E	339032	14223/2011
15-05	339008	13544/2011	25-01E	339033	14224/2011
15-05	339218	13581/2011	25-01E	339034	14225/2011
15-09	338996	12848/2011	25-01E	339225	14469/2011
15-99	339075	13529/2011	25-01E	339254	14577/2011
20-02C	339101	14346/2011	25-01K	339104	14249/2011
20-02D	339168	14426/2011	25-01K	339209	14479/2011
20-02E	339011	14124/2011	25-01K	339250	14558/2011
20-03NES	339046	14176/2011	25-01NES	339051	14199/2011
20-03NES	339148	10814/2011	25-02B	339076	13566/2011
21-01A	339020	13551/2011	25-02C	339170	14428/2011
21-01F	339018	11365/2011	25-02H	339208	14477/2011
21-02A	339060	13925/2011	25-03	339233	14537/2011
21-02A	339061	14636/2011	26-04	339253	14561/2011
21-02A	339062	14637/2011	26-05B	339137	14365/2011
21-02A	339063	14638/2011	26-05B	339214	14494/2011
21-02A	339099	14344/2011	26-05B	339252	14560/2011



Registration Proceedings - Class Listing of Designs Published or Registered cont'd

Classification	Registration Number	Design Number	Classification	Registration Number	Design Number
26-05C	339256	13548/2011	28-03D	339144	14421/2011
26-05E	339041	14214/2011	28-03NES	339121	11590/2011
26-05E	339215	14495/2011	29-02	339224	14533/2011
26-05E	339270	14584/2011	29-99	339186	14129/2011
26-05E	339271	14585/2011	30-04	339118	13748/2011
26-05E	339272	14586/2011	31-00	339114	14334/2011
26-06	339126	14352/2011	31-00	339115	14335/2011
28-03A	339221	14509/2011	31-00	339195	14410/2011
28-03A	339222	14510/2011			
28-03D	339143	14420/2011			

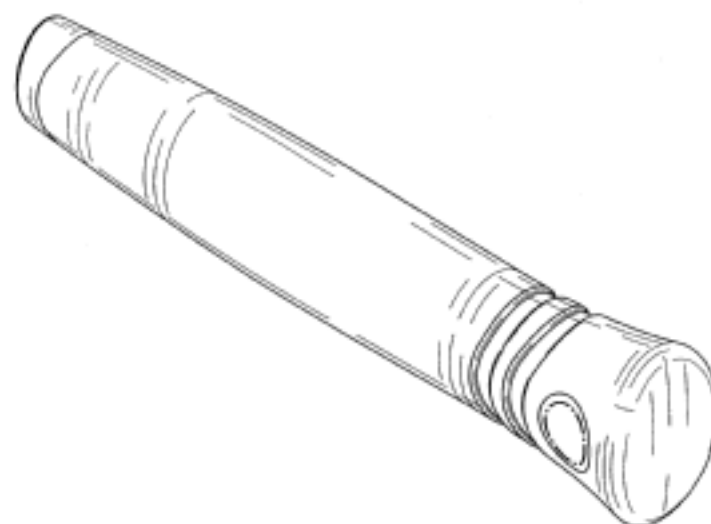
- (21) Design Number: **12848/2011**  
(22) Date of Filing Application: **22 June 2011**  
(24) Date from which industrial property rights may have effect: **22 June 2011**  
(54) Product in respect of which the design is registered: **Die set blade with a waveform cutting edge**  
(51) International Design Classification: **15-09**  
(74) Name(s) of Attorney(s):  
(71) Name(s) and Address(s) of Applicant(s):  
**Jr De Exact Industrial Co., Ltd.**  
**No. 6 Ln. 5 Wende St Daliao Dist Kaohsiung City Taiwan**  
(72) Name(s) of Designer(s): **Lu Chi-Ming**  
(45) Registration Date: **18 October 2011**  
(30) Convention priority data:  
(31) Number (32) Date (33) Country  
**100301844 19 Apr 2011 TAIWAN**  
(56) Related Art Documents: **Not Applicable**  
(57) Statement of Newness and Distinctiveness: **Novelty resides in the ornamental design for a die set blade with a waveform cutting edge as shown in the drawings.**



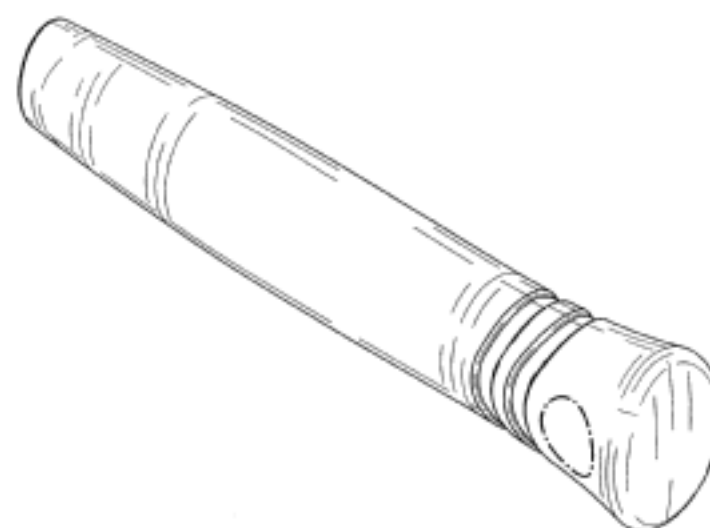
- (21) Design Number: **13393/2011**  
(22) Date of Filing Application: **01 August 2011**  
(24) Date from which industrial property rights may have effect: **01 August 2011**  
(54) Product in respect of which the design is registered: **Tray**  
(51) International Design Classification: **07-99NES**  
(74) Name(s) of Attorney(s): **Davies Collison Cave**  
(71) Name(s) and Address(s) of Applicant(s):  
**Cryovac Australia Pty Ltd**  
**90 Keilor Park Drive Tullamarine Victoria 3043 Australia**  
(72) Name(s) of Designer(s): **Jayesh Nambiar**  
(45) Registration Date: **18 October 2011**  
(56) Related Art Documents: **Not Applicable**  
(57) Statement of Newness and Distinctiveness: **Nil**



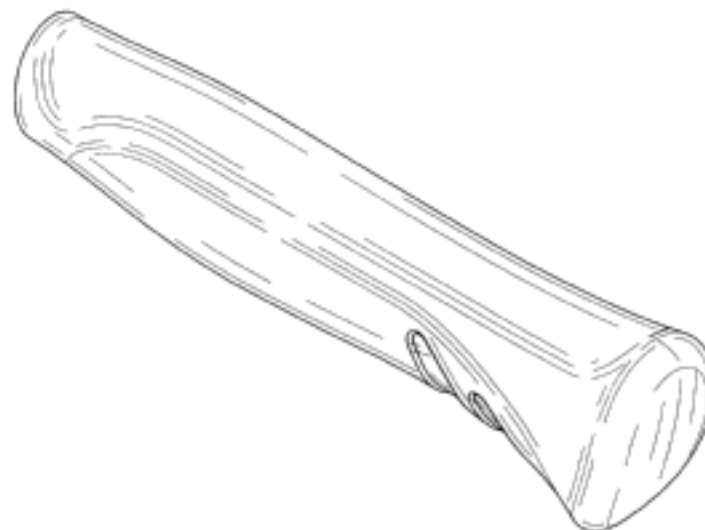
(21) Design Number: **13358/2011**  
(22) Date of Filing Application: **29 July 2011**  
(24) Date from which industrial property rights may have effect: **29 July 2011**  
(54) Product in respect of which the design is registered: **Tool handle**  
(51) International Design Classification: **08-06**  
(74) Name(s) of Attorney(s): **FB Rice**  
(71) Name(s) and Address(s) of Applicant(s):  
**Ames True Temper, Inc.**  
**465 Railroad Avenue Camp Hill Pennsylvania 17011 United States of America**  
(72) Name(s) of Designer(s): **Joshua O. Mullen and Eric D. Hyp**  
(45) Registration Date: **18 October 2011**  
(30) Convention priority data:  
(31) Number (32) Date (33) Country  
**29/390219 21 Apr 2011 UNITED STATES OF AMERICA**  
(56) Related Art Documents: **Not Applicable**  
(57) Statement of Newness and Distinctiveness: **Newness and distinctiveness reside in the features of the design shown in solid lines in the representations excluding those features shown in broken lines.**



(21) Design Number: **14471/2011**  
(22) Date of Filing Application: **29 July 2011**  
(24) Date from which industrial property rights may have effect: **29 July 2011**  
(54) Product in respect of which the design is registered: **Tool handle**  
(51) International Design Classification: **08-06**  
(74) Name(s) of Attorney(s): **FB Rice**  
(71) Name(s) and Address(s) of Applicant(s):  
**Ames True Temper, Inc.**  
**465 Railroad Avenue Camp Hill Pennsylvania 17011 United States of America**  
(72) Name(s) of Designer(s): **Joshua O. Mullen and Eric H. Hyp**  
(45) Registration Date: **18 October 2011**  
(30) Convention priority data:  
(31) Number (32) Date (33) Country  
**29/390219 21 Apr 2011 UNITED STATES OF AMERICA**  
(56) Related Art Documents: **Not Applicable**  
(57) Statement of Newness and Distinctiveness: **Newness and distinctiveness reside in the features of the design as shown in solid lines in the representations excluding those shown in broken lines.**

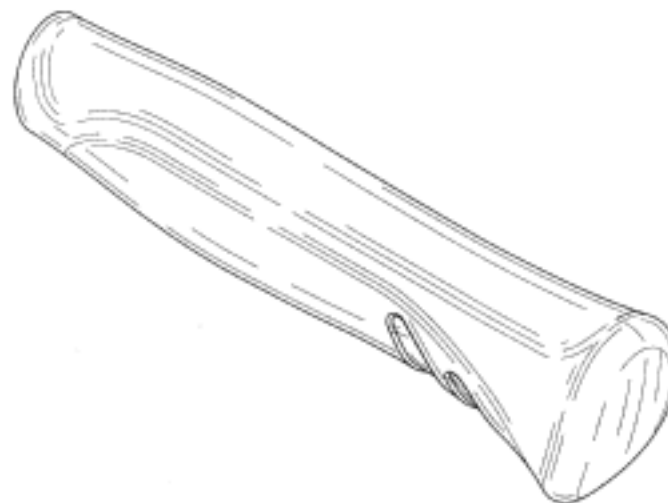


(21) Design Number: **13359/2011**  
 (22) Date of Filing Application: **29 July 2011**  
 (24) Date from which industrial property rights may have effect: **29 July 2011**  
 (54) Product in respect of which the design is registered: **Tool handle**  
 (51) International Design Classification: **08-06**  
 (74) Name(s) of Attorney(s): **FB Rice**  
 (71) Name(s) and Address(s) of Applicant(s):  
**Ames True Temper, Inc.**  
**465 Railroad Avenue Camp Hill Pennsylvania 17011 United States of America**



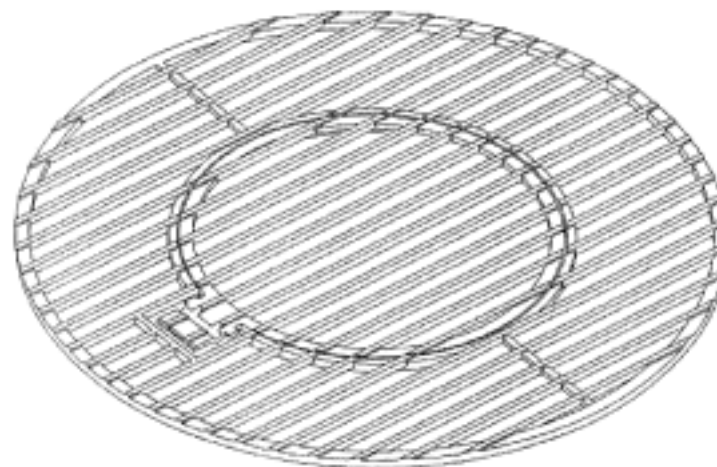
(72) Name(s) of Designer(s): **Joshua O. Mullen and Eric D. Hyp**  
 (45) Registration Date: **18 October 2011**  
 (30) Convention priority data:  
 (31) Number      (32) Date      (33) Country  
**29/390220      21 Apr 2011      UNITED STATES OF AMERICA**  
 (56) Related Art Documents: **Not Applicable**  
 (57) Statement of Newness and Distinctiveness: **Newness and distinctiveness reside in the visual features of shape and configuration of the design as shown in the representations, excluding those features shown in broken lines.**

(21) Design Number: **14472/2011**  
 (22) Date of Filing Application: **29 July 2011**  
 (24) Date from which industrial property rights may have effect: **29 July 2011**  
 (54) Product in respect of which the design is registered: **Tool handle**  
 (51) International Design Classification: **08-06**  
 (74) Name(s) of Attorney(s): **FB Rice**  
 (71) Name(s) and Address(s) of Applicant(s):  
**Ames True Temper, Inc.**  
**465 Railroad Avenue Camp Hill Pennsylvania 17011 United States of America**

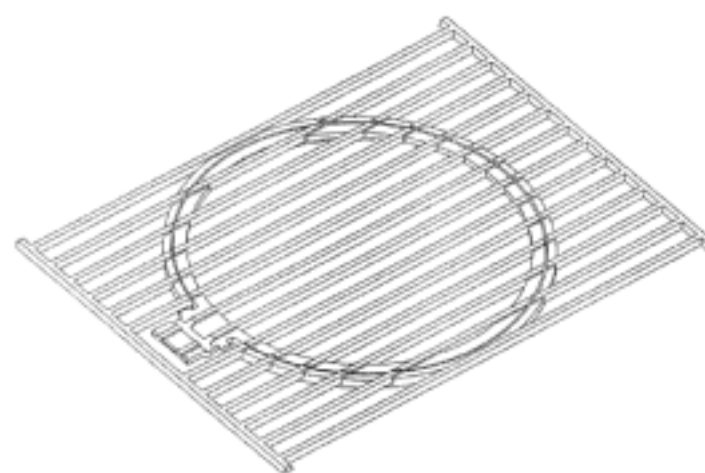


(72) Name(s) of Designer(s): **Joshua O. Mullen and Eric D. Hyp**  
 (45) Registration Date: **18 October 2011**  
 (30) Convention priority data:  
 (31) Number      (32) Date      (33) Country  
**29/390220      21 Apr 2011      UNITED STATES OF AMERICA**  
 (56) Related Art Documents: **Not Applicable**  
 (57) Statement of Newness and Distinctiveness: **Newness and distinctiveness reside in the features of the design as shown in solid lines in the representations excluding those features shown in broken lines.**

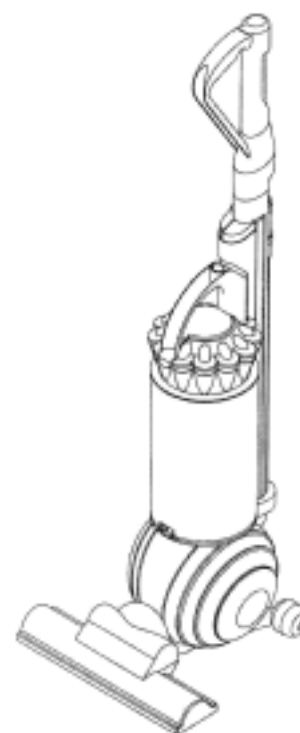
(21) Design Number: **13403/2011**  
(22) Date of Filing Application: **01 August 2011**  
(24) Date from which industrial property rights may have effect: **01 August 2011**  
(54) Product in respect of which the design is registered: **Grill and insert**  
(51) International Design Classification: **07-02E**  
(74) Name(s) of Attorney(s): **Griffith Hack**  
(71) Name(s) and Address(s) of Applicant(s):  
**Techtronic Power Tools Technology Limited**  
**Trident Chambers PO Box 146 Road Town Tortola Virgin Islands**  
**(British)**  
(72) Name(s) of Designer(s): **Thomas Parel and Zach Scott and Scott Kippes**  
**and Adam Clark**  
(45) Registration Date: **18 October 2011**  
(30) Convention priority data:  
(31) Number (32) Date (33) Country  
**29/384,502 31 Jan 2011 UNITED STATES OF AMERICA**  
(56) Related Art Documents: **Not Applicable**  
(57) Statement of Newness and Distinctiveness: **Nil**



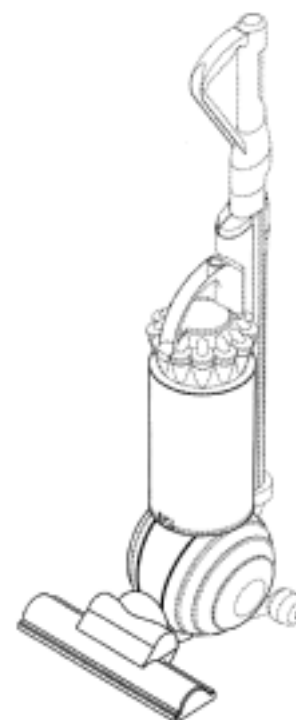
(21) Design Number: **13404/2011**  
(22) Date of Filing Application: **01 August 2011**  
(24) Date from which industrial property rights may have effect: **01 August 2011**  
(54) Product in respect of which the design is registered: **Grill and insert**  
(51) International Design Classification: **07-02E**  
(74) Name(s) of Attorney(s): **Griffith Hack**  
(71) Name(s) and Address(s) of Applicant(s):  
**Techtronic Power Tools Technology Limited**  
**Trident Chambers PO Box 146 Road Town Tortola Virgin Islands**  
**(British)**  
(72) Name(s) of Designer(s): **Thomas Parel and Zach Scott and Scott Kippes**  
**and Adam Clark**  
(45) Registration Date: **18 October 2011**  
(30) Convention priority data:  
(31) Number (32) Date (33) Country  
**29/384,505 31 Jan 2011 UNITED STATES OF AMERICA**  
(56) Related Art Documents: **Not Applicable**  
(57) Statement of Newness and Distinctiveness: **Nil**



(21) Design Number: **13540/2011**  
(22) Date of Filing Application: **10 August 2011**  
(24) Date from which industrial property rights may have effect: **10 August 2011**  
(54) Product in respect of which the design is registered: **Vacuum cleaner**  
(51) International Design Classification: **15-05**  
(74) Name(s) of Attorney(s): **Shelston IP**  
(71) Name(s) and Address(s) of Applicant(s):  
**Dyson Limited**  
**Tetbury Hill Malmesbury Wiltshire SN16 0RP United Kingdom**  
(72) Name(s) of Designer(s): **James Dyson and Peter David Gammack and Paul Dawson and Paul Barry Reid and Adam James Bates**  
(45) Registration Date: **18 October 2011**  
(30) Convention priority data:  
(31) Number (32) Date (33) Country  
**001821695-0001 15 Feb 2011 EUROPEAN COMMUNITY**  
(56) Related Art Documents: **Not Applicable**  
(57) Statement of Newness and Distinctiveness: **Newness and distinctiveness reside in the features of shape and/or configuration of a VACUUM CLEANER as illustrated in the accompanying representations.**



(21) Design Number: **13541/2011**  
(22) Date of Filing Application: **10 August 2011**  
(24) Date from which industrial property rights may have effect: **10 August 2011**  
(54) Product in respect of which the design is registered: **Vacuum cleaner**  
(51) International Design Classification: **15-05**  
(74) Name(s) of Attorney(s): **Shelston IP**  
(71) Name(s) and Address(s) of Applicant(s):  
**Dyson Limited**  
**Tetbury Hill Malmesbury Wiltshire SN16 0RP United Kingdom**  
(72) Name(s) of Designer(s): **James Dyson and Peter David Gammack and Paul Barry Reid**  
(45) Registration Date: **18 October 2011**  
(30) Convention priority data:  
(31) Number (32) Date (33) Country  
**001821695-0005 15 Feb 2011 EUROPEAN COMMUNITY**  
(56) Related Art Documents: **Not Applicable**  
(57) Statement of Newness and Distinctiveness: **Newness and distinctiveness reside in the features of shape and/or configuration of a VACUUM CLEANER as illustrated in solid lines in the accompanying representations. The features shown in broken or discontinuous lines do not form part of the design.**



(21) Design Number: **13542/2011**  
(22) Date of Filing Application: **10 August 2011**  
(24) Date from which industrial property rights may have effect: **10 August 2011**  
(54) Product in respect of which the design is registered: **Part of a vacuum cleaner**  
(51) International Design Classification: **15-05**  
(74) Name(s) of Attorney(s): **Shelston IP**  
(71) Name(s) and Address(s) of Applicant(s):

**Dyson Limited**  
**Tetbury Hill Malmesbury Wiltshire SN16 0RP United Kingdom**

(72) Name(s) of Designer(s): **James Dyson and Peter David Gammack**

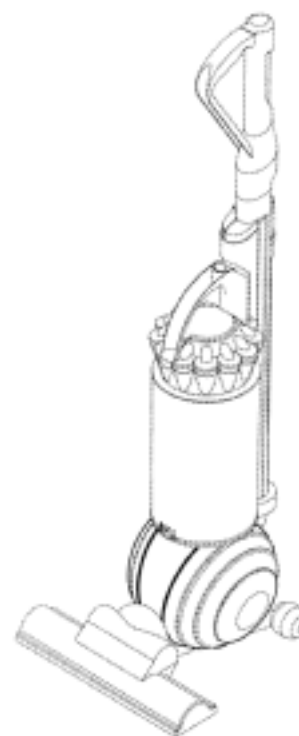
(45) Registration Date: **18 October 2011**

(30) Convention priority data:

(31) Number	(32) Date	(33) Country
<b>001821695-0002</b>	<b>15 Feb 2011</b>	<b>EUROPEAN COMMUNITY</b>

(56) Related Art Documents: **Not Applicable**

(57) Statement of Newness and Distinctiveness: **Newness and distinctiveness reside in the features of shape and/or configuration of PART OF A VACUUM CLEANER as illustrated in solid lines in the accompanying representations. The features shown in broken or discontinuous lines within and external of the PART, do not form part of the design.**



(21) Design Number: **13543/2011**  
(22) Date of Filing Application: **10 August 2011**  
(24) Date from which industrial property rights may have effect: **10 August 2011**  
(54) Product in respect of which the design is registered: **Part of a vacuum cleaner**  
(51) International Design Classification: **15-05**  
(74) Name(s) of Attorney(s): **Shelston IP**  
(71) Name(s) and Address(s) of Applicant(s):

**Dyson Limited**  
**Tetbury Hill Malmesbury Wiltshire SN16 0RP United Kingdom**

(72) Name(s) of Designer(s): **James Dyson and Peter David Gammack and Adam James Bates**

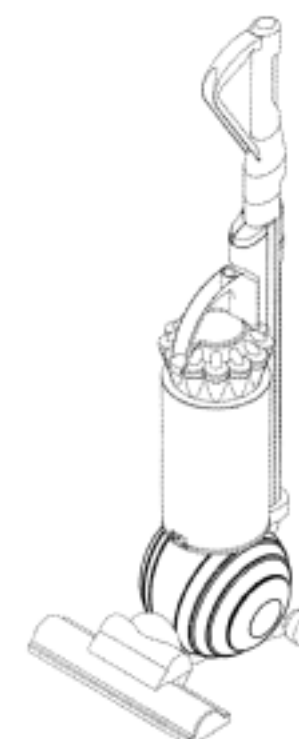
(45) Registration Date: **18 October 2011**

(30) Convention priority data:

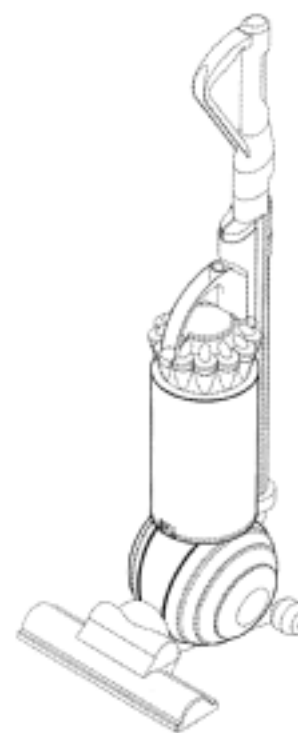
(31) Number	(32) Date	(33) Country
<b>001821695-0003</b>	<b>15 Feb 2011</b>	<b>EUROPEAN COMMUNITY</b>

(56) Related Art Documents: **Not Applicable**

(57) Statement of Newness and Distinctiveness: **Newness and distinctiveness reside in the features of shape and/or configuration of PART OF A VACUUM CLEANER as illustrated in solid lines in the accompanying representations. The features shown in broken or discontinuous lines do not form part of the design.**



(21) Design Number: **13544/2011**  
(22) Date of Filing Application: **10 August 2011**  
(24) Date from which industrial property rights may have effect: **10 August 2011**  
(54) Product in respect of which the design is registered: **Vacuum cleaner**  
(51) International Design Classification: **15-05**  
(74) Name(s) of Attorney(s): **Shelston IP**  
(71) Name(s) and Address(s) of Applicant(s):  
**Dyson Limited**  
**Tetbury Hill Malmesbury Wiltshire SN16 0RP United Kingdom**  
(72) Name(s) of Designer(s): **James Dyson and Peter David Gammack and Paul Dawson**  
(45) Registration Date: **18 October 2011**  
(30) Convention priority data:  
(31) Number (32) Date (33) Country  
**001821695-0004 15 Feb 2011 EUROPEAN COMMUNITY**  
(56) Related Art Documents: **Not Applicable**  
(57) Statement of Newness and Distinctiveness: **Newness and distinctiveness reside in the features of shape and/or configuration of a vacuum cleaner as illustrated in solid lines in the accompanying representations. The features shown in broken or discontinuous lines do not form part of the design.**



(21) Design Number: **13606/2011**  
(22) Date of Filing Application: **16 August 2011**  
(24) Date from which industrial property rights may have effect: **16 August 2011**  
(54) Product in respect of which the design is registered: **Fishing gear**  
(51) International Design Classification: **22-05**  
(74) Name(s) of Attorney(s):  
(71) Name(s) and Address(s) of Applicant(s):  
**Dennis Jackson**  
**C/- Shop 8/ 63 St Andrews Drive Queensland 4565 Australia**  
(72) Name(s) of Designer(s): **Dennis Jackson**  
(45) Registration Date: **18 October 2011**  
(56) Related Art Documents: **Not Applicable**  
(57) Statement of Newness and Distinctiveness: **Nil**

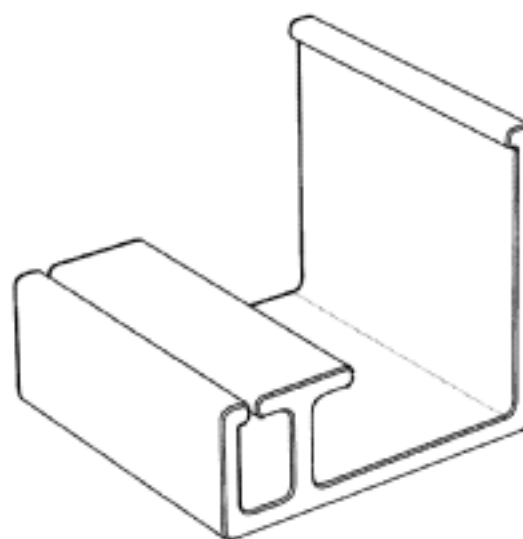




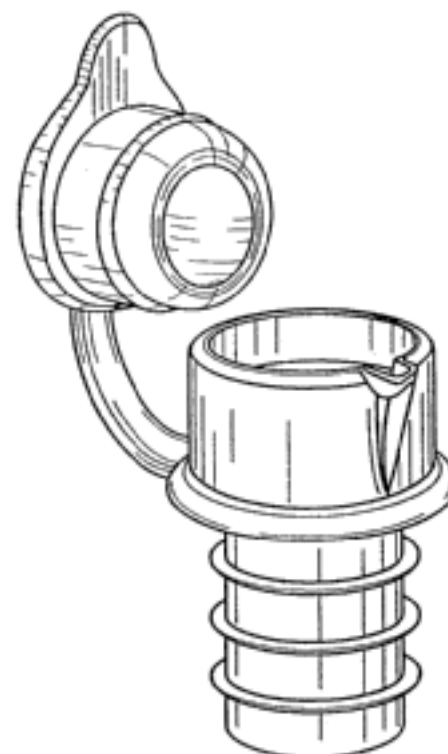
(21) Design Number: **13943/2011**  
(22) Date of Filing Application: **07 September 2011**  
(24) Date from which industrial property rights may have effect: **07 September 2011**  
(54) Product in respect of which the design is registered: **Transceiver assembly**  
(51) International Design Classification: **14-03NES**  
(74) Name(s) of Attorney(s): **SPRUSON & FERGUSON**  
(71) Name(s) and Address(s) of Applicant(s):  
**Belkin International, Inc.**  
**12045 East Waterfront Drive Playa Vista California 90094 United States of America**  
(72) Name(s) of Designer(s): **Avery Holleman and Thorben Neu and Ernesto Victor Quinteros and Oliver Duncan Seil and Yuji Ikeda**  
(45) Registration Date: **18 October 2011**  
(30) Convention priority data:  
(31) Number (32) Date (33) Country  
**29/387064 08 Mar 2011 UNITED STATES OF AMERICA**  
(56) Related Art Documents: **Not Applicable**  
(57) Statement of Newness and Distinctiveness: **Newness and distinctiveness is claimed in the features of shape and/or configuration of a transceiver assembly as illustrated in the accompanying representations in which particular regard is had to the features shown in solid lines and lesser regard to the features shown in broken lines.**



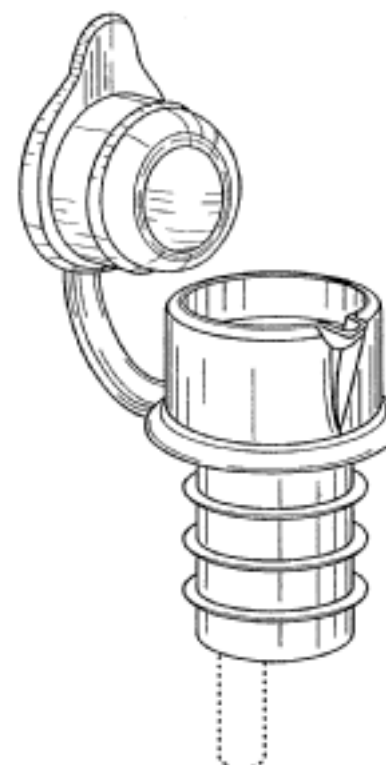
(21) Design Number: **14124/2011**  
(22) Date of Filing Application: **14 September 2011**  
(24) Date from which industrial property rights may have effect: **14 September 2011**  
(54) Product in respect of which the design is registered: **Medicament package stand**  
(51) International Design Classification: **20-02E**  
(74) Name(s) of Attorney(s): **Cotters Patent & Trade Mark Attorneys**  
(71) Name(s) and Address(s) of Applicant(s):  
**Logue and Co. Pty Ltd**  
**199 Kiora Road Yowie Bay New South Wales 2228 Australia**  
(72) Name(s) of Designer(s): **Anthony Thomas Logue**  
(45) Registration Date: **18 October 2011**  
(56) Related Art Documents: **Not Applicable**  
(57) Statement of Newness and Distinctiveness: **Newness and distinctiveness is claimed in the features of shape and/or configuration of a medicament package stand as depicted in the accompanying drawings.**



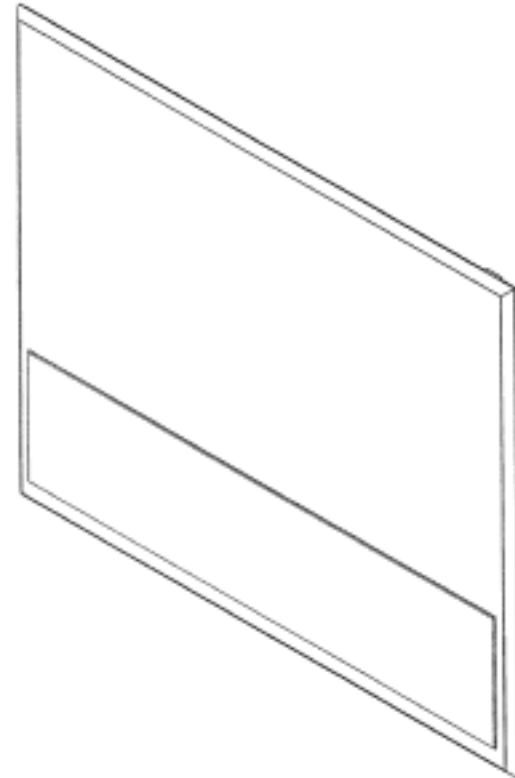
(21) Design Number: **13516/2011**  
(22) Date of Filing Application: **09 August 2011**  
(24) Date from which industrial property rights may have effect: **09 August 2011**  
(54) Product in respect of which the design is registered: **Reusable bottle stopper**  
(51) International Design Classification: **09-07C**  
(74) Name(s) of Attorney(s): **SPRUSON & FERGUSON**  
(71) Name(s) and Address(s) of Applicant(s):  
**The Vinum Corporation**  
**9 Lochinvar Lane Oak Brook Illinois 60523 United States of America**  
(72) Name(s) of Designer(s): **James E. Haley**  
(45) Registration Date: **18 October 2011**  
(30) Convention priority data:  
(31) Number (32) Date (33) Country  
**29/373811 24 May 2011 UNITED STATES OF AMERICA**  
(56) Related Art Documents: **Not Applicable**  
(57) Statement of Newness and Distinctiveness: **Newness and distinctiveness is claimed in the features of shape and/or configuration of a reusable bottle stopper as illustrated in the accompanying representations.**



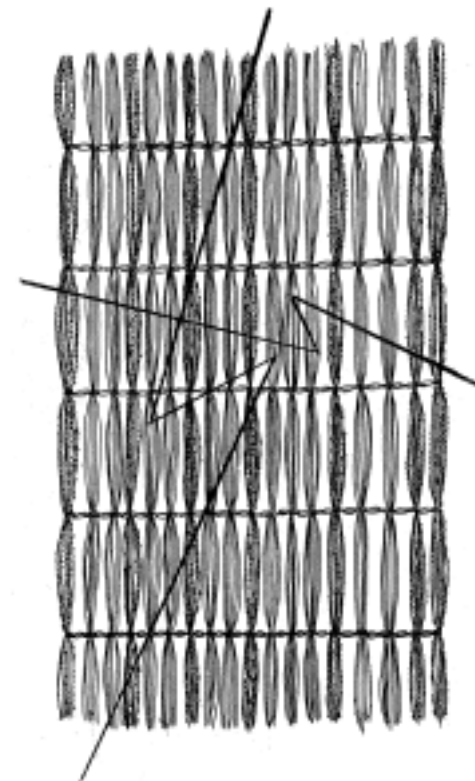
(21) Design Number: **14608/2011**  
(22) Date of Filing Application: **09 August 2011**  
(24) Date from which industrial property rights may have effect: **09 August 2011**  
(54) Product in respect of which the design is registered: **Reusable bottle stopper**  
(51) International Design Classification: **09-07C**  
(74) Name(s) of Attorney(s): **SPRUSON & FERGUSON**  
(71) Name(s) and Address(s) of Applicant(s):  
**The Vinum Corporation**  
**9 Lochinvar Lane Oak Brook Illinois 60523 United States of America**  
(72) Name(s) of Designer(s): **James E. Haley**  
(45) Registration Date: **18 October 2011**  
(30) Convention priority data:  
(31) Number (32) Date (33) Country  
**29/373811 24 May 2011 UNITED STATES OF AMERICA**  
(56) Related Art Documents: **Not Applicable**  
(57) Statement of Newness and Distinctiveness: **Newness and distinctiveness is claimed in the features of shape and/or configuration of a reusable bottle stopper as illustrated in the accompanying representations.**



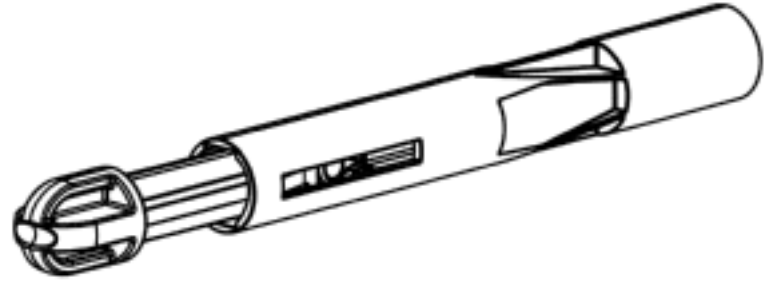
(21) Design Number: **13869/2011**  
(22) Date of Filing Application: **02 September 2011**  
(24) Date from which industrial property rights may have effect: **02 September 2011**  
(54) Product in respect of which the design is registered: **A television**  
(51) International Design Classification: **14-03B**  
(74) Name(s) of Attorney(s): **Griffith Hack**  
(71) Name(s) and Address(s) of Applicant(s):  
**BANG & OLUFSEN A/S**  
**Peter Bangsvej 15 7600 Struer Denmark**  
(72) Name(s) of Designer(s): **David Lewis**  
(45) Registration Date: **18 October 2011**  
(30) Convention priority data:  
(31) Number (32) Date (33) Country  
**DA 2011 00038 04 Mar 2011 DENMARK**  
(56) Related Art Documents: **Not Applicable**  
(57) Statement of Newness and Distinctiveness: **Nil**



(21) Design Number: **13889/2011**  
(22) Date of Filing Application: **31 August 2011**  
(24) Date from which industrial property rights may have effect: **31 August 2011**  
(54) Product in respect of which the design is registered: **Wrap an item of clothing**  
(51) International Design Classification: **02-05**  
(74) Name(s) of Attorney(s):  
(71) Name(s) and Address(s) of Applicant(s):  
**Lesley Joy Urquhart**  
**17 Inelgah Road Como New South Wales 2226 Australia**  
(72) Name(s) of Designer(s): **Lesley Joy Urquhart**  
(45) Registration Date: **18 October 2011**  
(56) Related Art Documents: **Not Applicable**  
(57) Statement of Newness and Distinctiveness: **Nil**



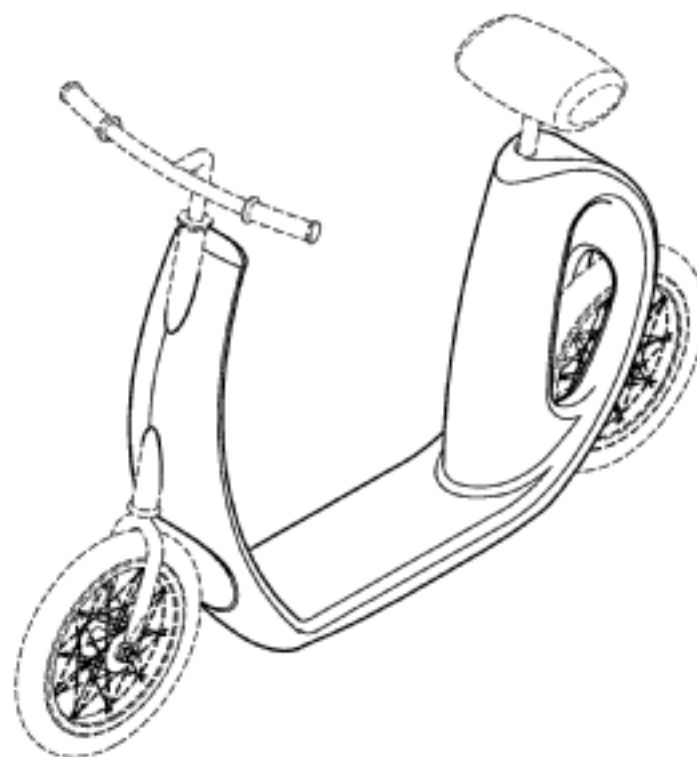
(21) Design Number: **13922/2011**  
(22) Date of Filing Application: **06 September 2011**  
(24) Date from which industrial property rights may have effect: **06 September 2011**  
(54) Product in respect of which the design is registered: **Screen tensioning mechanism**  
(51) International Design Classification: **06-10**  
(74) Name(s) of Attorney(s): **Mallesons Stephen Jaques**  
(71) Name(s) and Address(s) of Applicant(s):  
**Carmelo Joseph Licciardi Di Stefano**  
**110 Northcorp Boulevard Broadmeadows Victoria 3047 Australia**  
(72) Name(s) of Designer(s): **Carmelo Joseph Licciardi Di Stefano**  
(45) Registration Date: **18 October 2011**  
(56) Related Art Documents: **Not Applicable**  
(57) Statement of Newness and Distinctiveness: **Nil**



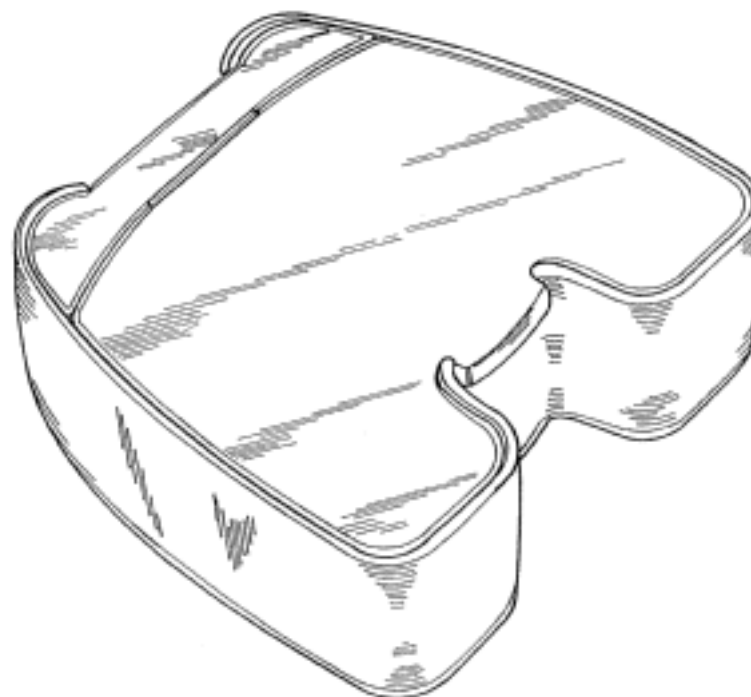
(21) Design Number: **14007/2011**  
(22) Date of Filing Application: **12 September 2011**  
(24) Date from which industrial property rights may have effect: **12 September 2011**  
(54) Product in respect of which the design is registered: **Alloy wheel rim**  
(51) International Design Classification: **12-16A**  
(74) Name(s) of Attorney(s):  
(71) Name(s) and Address(s) of Applicant(s):  
**Ossama Naim**  
**1 Alexander Circle Patterson Lakes Victoria 3197 Australia**  
(72) Name(s) of Designer(s): **Ossama Naim**  
(45) Registration Date: **18 October 2011**  
(56) Related Art Documents: **Not Applicable**  
(57) Statement of Newness and Distinctiveness: **Three symmetrical blade like edges.**



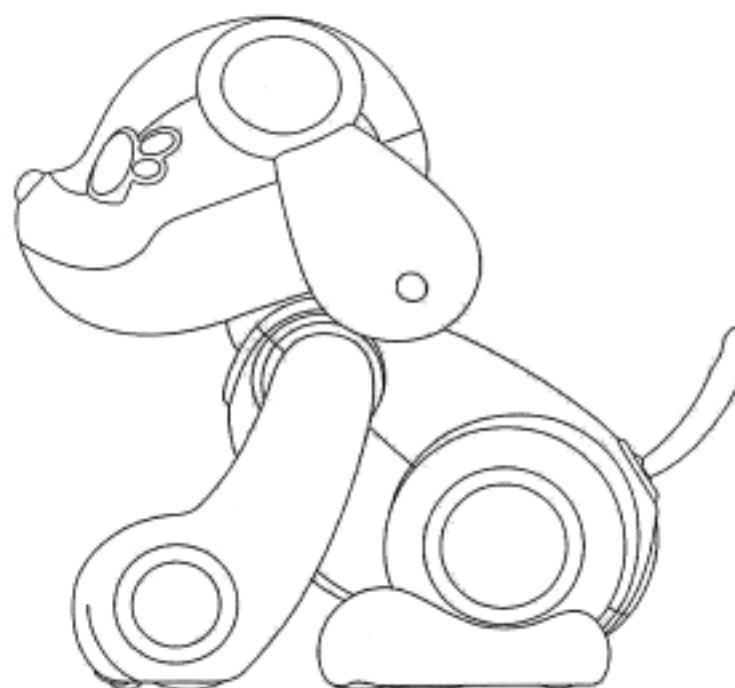
- (21) Design Number: **11365/2011**  
(22) Date of Filing Application: **30 March 2011**  
(24) Date from which industrial property rights may have effect: **30 March 2011**  
(54) Product in respect of which the design is registered: **Scooter**  
(51) International Design Classification: **21-01F**  
(74) Name(s) of Attorney(s): **Halfords IP**  
(71) Name(s) and Address(s) of Applicant(s):  
**Anna Marie Stackpool**  
**18 Golf Parade Manly New South Wales 2095 Australia**  
(72) Name(s) of Designer(s): **Anna Marie Stackpool and Michael Hort and John Levey**  
(45) Registration Date: **19 October 2011**  
(56) Related Art Documents: **Not Applicable**  
(57) Statement of Newness and Distinctiveness: **Newness and distinctiveness is claimed in those visual features depicted in unbroken lines.**



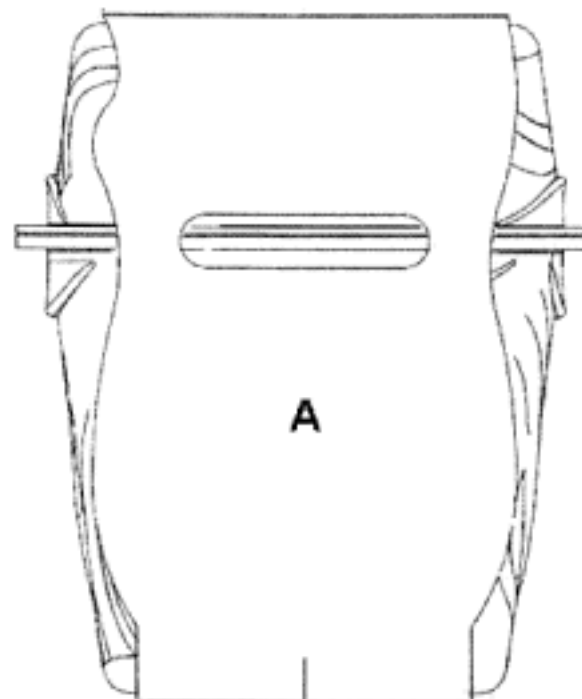
- (21) Design Number: **11553/2011**  
(22) Date of Filing Application: **12 April 2011**  
(24) Date from which industrial property rights may have effect: **12 April 2011**  
(54) Product in respect of which the design is registered: **A container for an appliance**  
(51) International Design Classification: **03-01NES**  
(74) Name(s) of Attorney(s): **IP Gateway Patent & Trademark Attorneys**  
(71) Name(s) and Address(s) of Applicant(s):  
**Christopher John Farrell**  
**44 Siganto Drive Helensvale Queensland 4212 Australia**  
(72) Name(s) of Designer(s): **Christopher John Farrell**  
(45) Registration Date: **19 October 2011**  
(56) Related Art Documents: **Not Applicable**  
(57) Statement of Newness and Distinctiveness: **The newness and distinctiveness of the design resides in the visual features of shape and/or configuration of a container for an appliance as shown in the accompanying representations.**



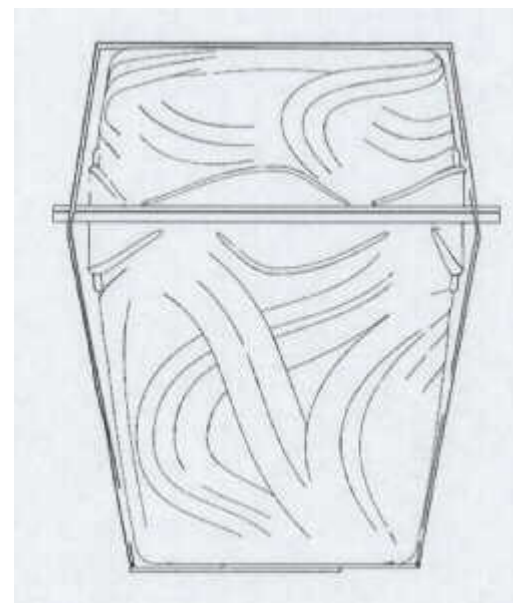
- (21) Design Number: **13551/2011**  
(22) Date of Filing Application: **09 August 2011**  
(24) Date from which industrial property rights may have effect: **09 August 2011**  
(54) Product in respect of which the design is registered: **Animal toy**  
(51) International Design Classification: **21-01A**  
(74) Name(s) of Attorney(s): **IP Gateway Patent & Trademark Attorneys**  
(71) Name(s) and Address(s) of Applicant(s):  
**Sega Toys Co., Ltd.**  
**1-39 Hiroo 1-chome Shibuya-ku Tokyo 150-0012 Japan**  
(72) Name(s) of Designer(s): **Tetsuya Hayakawa and Fujio Nobata**  
(45) Registration Date: **19 October 2011**  
(30) Convention priority data:  
(31) Number (32) Date (33) Country  
**2011-002819 10 Feb 2011 JAPAN**  
(56) Related Art Documents: **Not Applicable**  
(57) Statement of Newness and Distinctiveness: **Newness and distinctiveness of the design resides in the visual features of shape and/or configuration of an animal toy as shown in the accompanying representations.**



- (21) Design Number: **13601/2011**  
(22) Date of Filing Application: **15 August 2011**  
(24) Date from which industrial property rights may have effect: **15 August 2011**  
(54) Product in respect of which the design is registered: **Translucent container**  
(51) International Design Classification: **07-01NES, 09-03E, 09-03F, 09-03H**  
(74) Name(s) of Attorney(s): **Baker & McKenzie**  
(71) Name(s) and Address(s) of Applicant(s):  
**Mars, Incorporated**  
**6885 Elm Street McLean Virginia 22101-3810 United States of America**  
(72) Name(s) of Designer(s): **John Hall and Edward Mitchell**  
(45) Registration Date: **19 October 2011**  
(30) Convention priority data:  
(31) Number (32) Date (33) Country  
**12709530001/2/3 13 Apr 2011 EUROPEAN COMMUNITY**  
(56) Related Art Documents: **Not Applicable**  
(57) Statement of Newness and Distinctiveness: **The novelty of the design resides in: (a) the visual appearance of the translucent container depicted in the accompanying Figures 1 to 3; (b) the shape and configuration of the design depicted in the accompanying Figures, in particular the curved lines embossed on the front and side surfaces of the container and represented with double and triple solid lines in Figures 2 and 3.**



(21) Design Number: **14668/2011**  
(22) Date of Filing Application: **15 August 2011**  
(24) Date from which industrial property rights may have effect: **15 August 2011**  
(54) Product in respect of which the design is registered: **Translucent container**  
(51) International Design Classification: **07-01NES, 09-03F**  
(74) Name(s) of Attorney(s): **Baker & McKenzie**  
(71) Name(s) and Address(s) of Applicant(s):  
**Mars, Incorporated**  
**6885 Elm Street McLean Virginia 22101-3810 United States of America**  
(72) Name(s) of Designer(s): **John Hall and Edward Mitchell**  
(45) Registration Date: **19 October 2011**  
(30) Convention priority data:  
(31) Number (32) Date (33) Country  
**12709530001/2/3 13 Apr 2011 EUROPEAN COMMUNITY**  
(56) Related Art Documents: **Not Applicable**  
(57) Statement of Newness and Distinctiveness: **The novelty of the design resides in: (a) the visual appearance of the translucent container depicted in the accompanying Figures 1 to 7; (b) the shape and configuration of the design depicted in the accompanying Figures, in particular the curved lines embossed on the front and side surfaces of the container and represented with double and triple solid lines in Figures 1 and 3.**



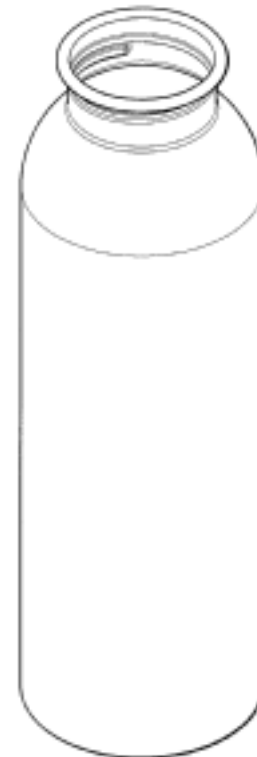
(21) Design Number: **14173/2011**  
(22) Date of Filing Application: **16 September 2011**  
(24) Date from which industrial property rights may have effect: **16 September 2011**  
(54) Product in respect of which the design is registered: **Chopping board with imbedded mortar and pestal**  
(51) International Design Classification: **07-04**  
(74) Name(s) of Attorney(s):  
(71) Name(s) and Address(s) of Applicant(s):  
**Benjamin Craig Tolhurst**  
**237 Hastings Caves Road Southport Tasmania 7109 Australia**  
**Anne Michelle Skinner**  
**237 Hastings Caves Road Southport Tasmania 7109 Australia**  
(72) Name(s) of Designer(s): **Benjamin Craig Tolhurst**  
(45) Registration Date: **19 October 2011**  
(56) Related Art Documents: **Not Applicable**  
(57) Statement of Newness and Distinctiveness: **Imbedding of the mortar into the chopping board.**



(21) Design Number: **14204/2011**  
(22) Date of Filing Application: **19 September 2011**  
(24) Date from which industrial property rights may have effect: **19 September 2011**  
(54) Product in respect of which the design is registered: **Bottle**  
(51) International Design Classification: **09-01NES, 09-01K**  
(74) Name(s) of Attorney(s): **Callinans**  
(71) Name(s) and Address(s) of Applicant(s):  
**The Decor Corporation Pty. Ltd.**  
**1314 Ferntree Gully Road Scoresby Victoria 3179 Australia**  
(72) Name(s) of Designer(s): **Jim Samartgis**  
(45) Registration Date: **19 October 2011**  
(56) Related Art Documents: **Not Applicable**  
(57) Statement of Newness and Distinctiveness: **Nil**

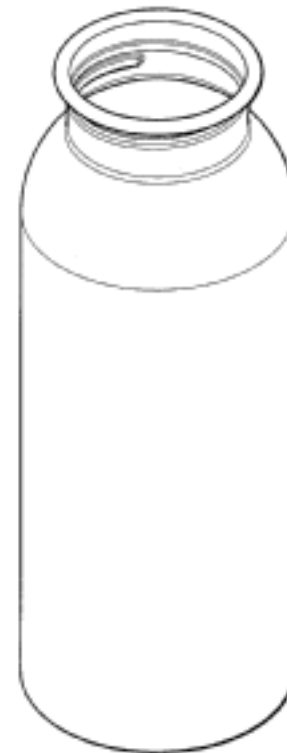


(21) Design Number: **14205/2011**  
(22) Date of Filing Application: **19 September 2011**  
(24) Date from which industrial property rights may have effect: **19 September 2011**  
(54) Product in respect of which the design is registered: **Bottle**  
(51) International Design Classification: **09-01NES, 09-01K**  
(74) Name(s) of Attorney(s): **Callinans**  
(71) Name(s) and Address(s) of Applicant(s):  
**The Decor Corporation Pty. Ltd.**  
**1314 Ferntree Gully Road Scoresby Victoria 3179 Australia**  
(72) Name(s) of Designer(s): **Jim Samartgis**  
(45) Registration Date: **19 October 2011**  
(56) Related Art Documents: **Not Applicable**  
(57) Statement of Newness and Distinctiveness: **Nil**





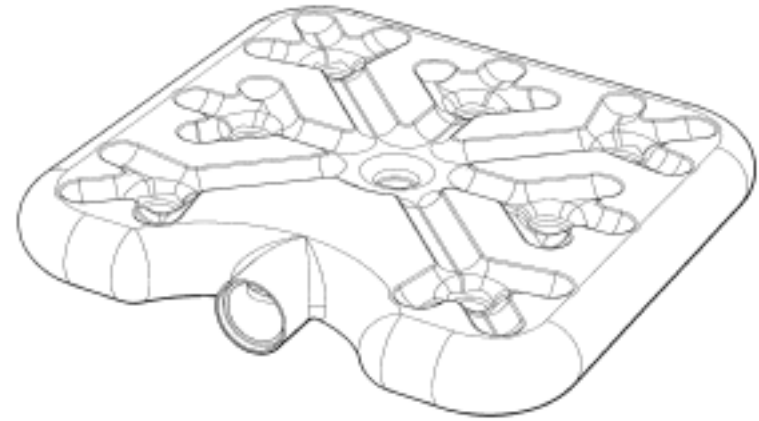
(21) Design Number: **14206/2011**  
(22) Date of Filing Application: **19 September 2011**  
(24) Date from which industrial property rights may have effect: **19 September 2011**  
(54) Product in respect of which the design is registered: **Bottle**  
(51) International Design Classification: **09-01NES, 09-01K**  
(74) Name(s) of Attorney(s): **Callinans**  
(71) Name(s) and Address(s) of Applicant(s):  
**The Decor Corporation Pty. Ltd.**  
**1314 Ferntree Gully Road Scoresby Victoria 3179 Australia**  
(72) Name(s) of Designer(s): **Jim Samartgis**  
(45) Registration Date: **19 October 2011**  
(56) Related Art Documents: **Not Applicable**  
(57) Statement of Newness and Distinctiveness: **Nil**



(21) Design Number: **14207/2011**  
(22) Date of Filing Application: **19 September 2011**  
(24) Date from which industrial property rights may have effect: **19 September 2011**  
(54) Product in respect of which the design is registered: **Bottle**  
(51) International Design Classification: **09-01NES, 09-01K**  
(74) Name(s) of Attorney(s): **Callinans**  
(71) Name(s) and Address(s) of Applicant(s):  
**The Decor Corporation Pty. Ltd.**  
**1314 Ferntree Gully Road Scoresby Victoria 3179 Australia**  
(72) Name(s) of Designer(s): **Jim Samartgis**  
(45) Registration Date: **19 October 2011**  
(56) Related Art Documents: **Not Applicable**  
(57) Statement of Newness and Distinctiveness: **Nil**



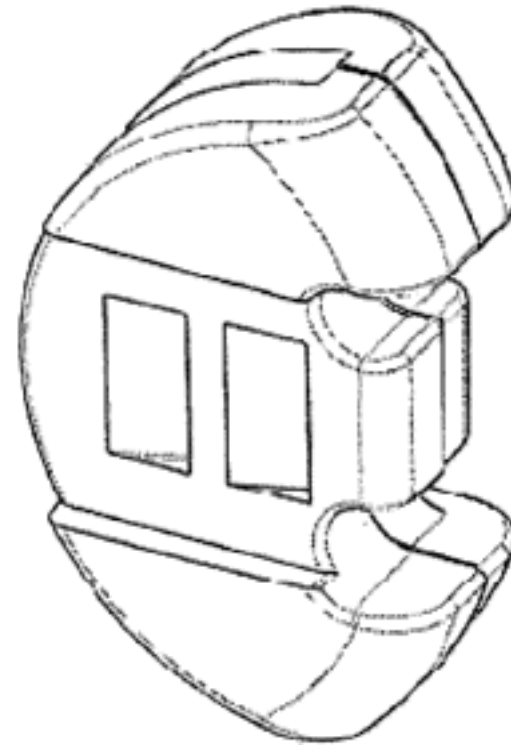
(21) Design Number: **14208/2011**  
(22) Date of Filing Application: **19 September 2011**  
(24) Date from which industrial property rights may have effect: **19 September 2011**  
(54) Product in respect of which the design is registered: **Chiller element**  
(51) International Design Classification: **07-07A, 07-07NES**  
(74) Name(s) of Attorney(s): **Callinans**  
(71) Name(s) and Address(s) of Applicant(s):  
**The Decor Corporation Pty. Ltd.**  
**1314 Ferntree Gully Road Scoresby Victoria 3179 Australia**  
(72) Name(s) of Designer(s): **Arthur Richard Carlson**  
(45) Registration Date: **19 October 2011**  
(56) Related Art Documents: **Not Applicable**  
(57) Statement of Newness and Distinctiveness: **Nil**



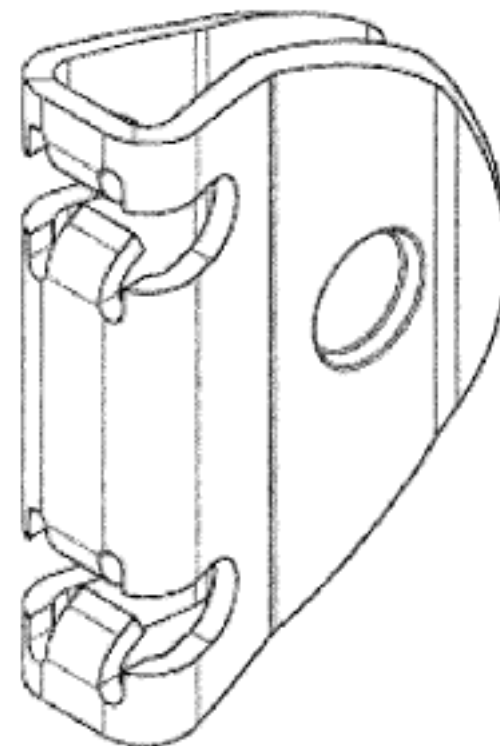
(21) Design Number: **14213/2011**  
(22) Date of Filing Application: **21 September 2011**  
(24) Date from which industrial property rights may have effect: **21 September 2011**  
(54) Product in respect of which the design is registered: **Replacement button pad to suit car remote controls**  
(51) International Design Classification: **12-16NES, 14-99**  
(74) Name(s) of Attorney(s):  
(71) Name(s) and Address(s) of Applicant(s):  
**Michael Kalinowski**  
**PO Box 822 Kuranda Queensland 4881 Australia**  
**Ethan Hunt**  
**PO Box 822 Kuranda Queensland 4881 Australia**  
(72) Name(s) of Designer(s): **Michael Kalinowski and Ethan Hunt**  
(45) Registration Date: **19 October 2011**  
(56) Related Art Documents: **Not Applicable**  
(57) Statement of Newness and Distinctiveness: **Moulded button block with moulded legends. Unique moulding process allows multiple colours to form a single finished piece.**



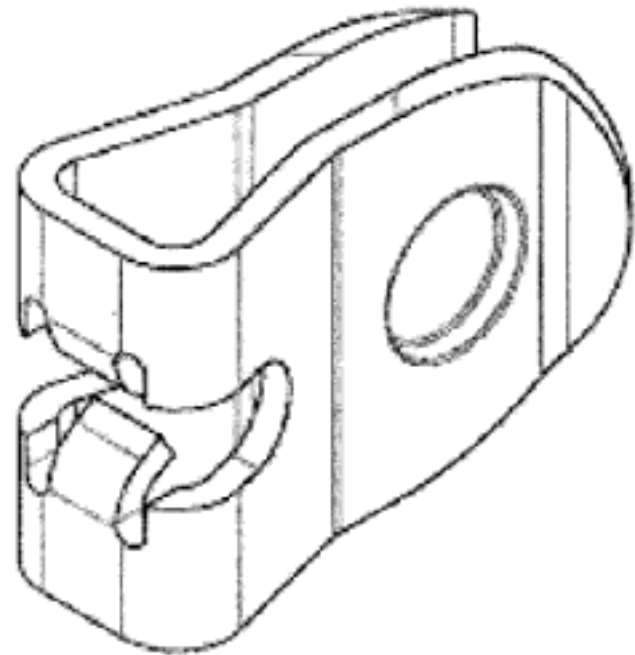
(21) Design Number: **14221/2011**  
(22) Date of Filing Application: **21 September 2011**  
(24) Date from which industrial property rights may have effect: **21 September 2011**  
(54) Product in respect of which the design is registered: **Post clip**  
(51) International Design Classification: **08-08C, 25-01E**  
(74) Name(s) of Attorney(s): **Griffith Hack**  
(71) Name(s) and Address(s) of Applicant(s):  
**Onesteel Wire Pty Limited**  
**Level 40 259 George Street Sydney New South Wales 2000 Australia**  
(72) Name(s) of Designer(s): **Bradley Taylor and Mark Bayly and Mark White**  
(45) Registration Date: **19 October 2011**  
(56) Related Art Documents: **Not Applicable**  
(57) Statement of Newness and Distinctiveness: **Nil**



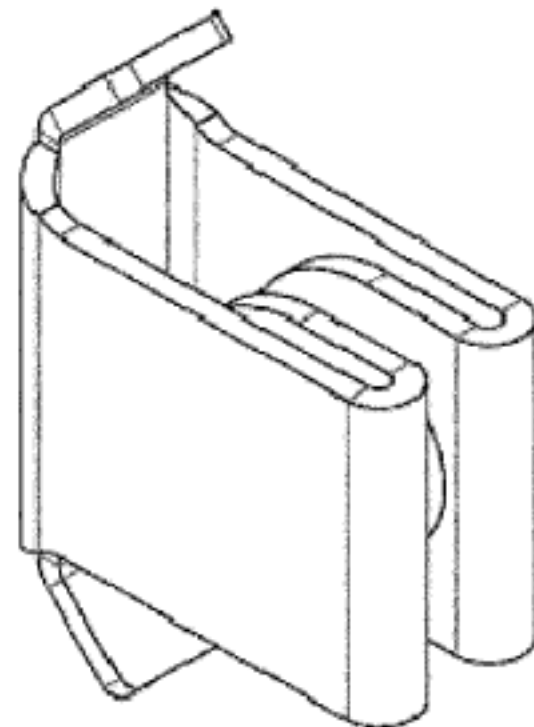
(21) Design Number: **14222/2011**  
(22) Date of Filing Application: **21 September 2011**  
(24) Date from which industrial property rights may have effect: **21 September 2011**  
(54) Product in respect of which the design is registered: **Post clip**  
(51) International Design Classification: **08-08C, 25-01E**  
(74) Name(s) of Attorney(s): **Griffith Hack**  
(71) Name(s) and Address(s) of Applicant(s):  
**Onesteel Wire Pty Limited**  
**Level 40 259 George Street Sydney New South Wales 2000 Australia**  
(72) Name(s) of Designer(s): **Mark Bayly**  
(45) Registration Date: **19 October 2011**  
(56) Related Art Documents: **Not Applicable**  
(57) Statement of Newness and Distinctiveness: **Nil**



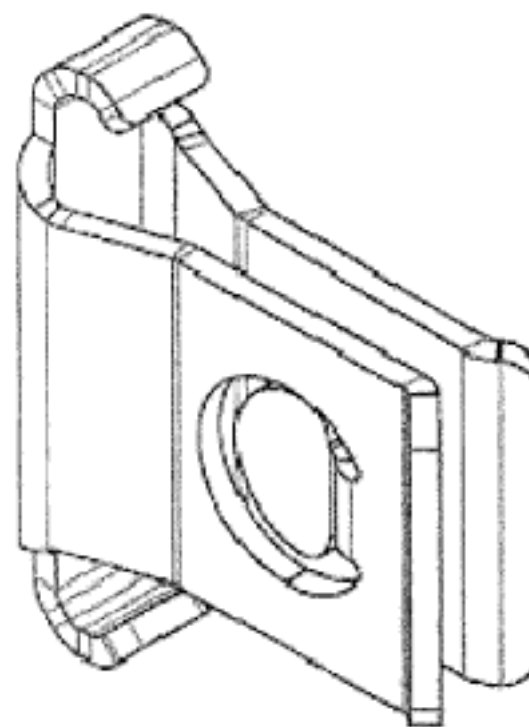
(21) Design Number: **14223/2011**  
(22) Date of Filing Application: **21 September 2011**  
(24) Date from which industrial property rights may have effect: **21 September 2011**  
(54) Product in respect of which the design is registered: **Post clip**  
(51) International Design Classification: **08-08C, 25-01E**  
(74) Name(s) of Attorney(s): **Griffith Hack**  
(71) Name(s) and Address(s) of Applicant(s):  
**Onesteel Wire Pty Limited**  
**Level 40 259 George Street Sydney New South Wales 2000 Australia**  
(72) Name(s) of Designer(s): **Mark Bayly**  
(45) Registration Date: **19 October 2011**  
(56) Related Art Documents: **Not Applicable**  
(57) Statement of Newness and Distinctiveness: **Nil**



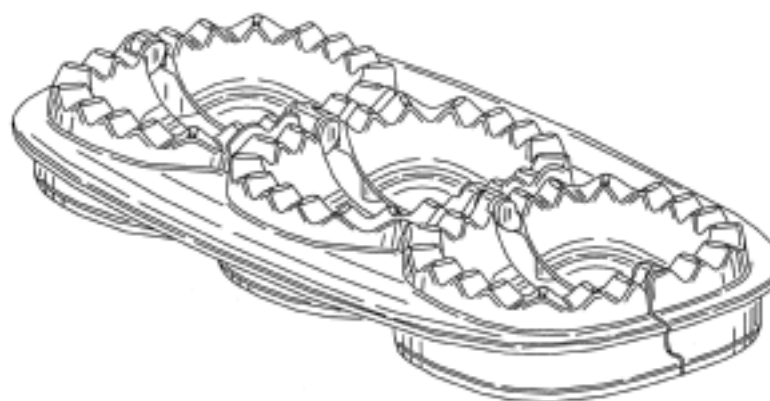
(21) Design Number: **14224/2011**  
(22) Date of Filing Application: **21 September 2011**  
(24) Date from which industrial property rights may have effect: **21 September 2011**  
(54) Product in respect of which the design is registered: **Post clip**  
(51) International Design Classification: **08-08C, 25-01E**  
(74) Name(s) of Attorney(s): **Griffith Hack**  
(71) Name(s) and Address(s) of Applicant(s):  
**Onesteel Wire Pty Limited**  
**Level 40 259 George Street Sydney New South Wales 2000 Australia**  
(72) Name(s) of Designer(s): **Bradley Taylor and Mark Bayly and Mark White**  
(45) Registration Date: **19 October 2011**  
(56) Related Art Documents: **Not Applicable**  
(57) Statement of Newness and Distinctiveness: **Nil**



(21) Design Number: **14225/2011**  
(22) Date of Filing Application: **21 September 2011**  
(24) Date from which industrial property rights may have effect: **21 September 2011**  
(54) Product in respect of which the design is registered: **Post clip**  
(51) International Design Classification: **08-08C, 25-01E**  
(74) Name(s) of Attorney(s): **Griffith Hack**  
(71) Name(s) and Address(s) of Applicant(s):  
**Onesteel Wire Pty Limited**  
**Level 40 259 George Street Sydney New South Wales 2000 Australia**  
(72) Name(s) of Designer(s): **Bradley Taylor and Mark Bayly and Mark White**  
(45) Registration Date: **19 October 2011**  
(56) Related Art Documents: **Not Applicable**  
(57) Statement of Newness and Distinctiveness: **Nil**



(21) Design Number: **14229/2011**  
(22) Date of Filing Application: **21 September 2011**  
(24) Date from which industrial property rights may have effect: **21 September 2011**  
(54) Product in respect of which the design is registered: **Folding dumpling maker**  
(51) International Design Classification: **07-02P**  
(74) Name(s) of Attorney(s): **PHILLIPS ORMONDE FITZPATRICK**  
(71) Name(s) and Address(s) of Applicant(s):  
**Dart Industries Inc.**  
**14901 S. Orange Blossom Trail Orlando Florida 32837 United States of America**  
(72) Name(s) of Designer(s): **Alex Muspratt-Williams**  
(45) Registration Date: **19 October 2011**  
(30) Convention priority data:  
(31) Number      (32) Date      (33) Country  
**29/373,908      07 Jun 2011      UNITED STATES OF AMERICA**  
(56) Related Art Documents: **Not Applicable**  
(57) Statement of Newness and Distinctiveness: **Those features of the folding dumpling maker depicted in the representations that are new and distinctive are the shape and/or configuration.**



(21) Design Number: **14230/2011**  
(22) Date of Filing Application: **21 September 2011**  
(24) Date from which industrial property rights may have effect: **21 September 2011**  
(54) Product in respect of which the design is registered: **Food slicer**  
(51) International Design Classification: **07-04**  
(74) Name(s) of Attorney(s): **PHILLIPS ORMONDE FITZPATRICK**  
(71) Name(s) and Address(s) of Applicant(s):

**Dart Industries Inc.**  
**14901 S. Orange Blossom Trail Orlando Florida 32837 United States of America**

(72) Name(s) of Designer(s): **Vincent Jalet**

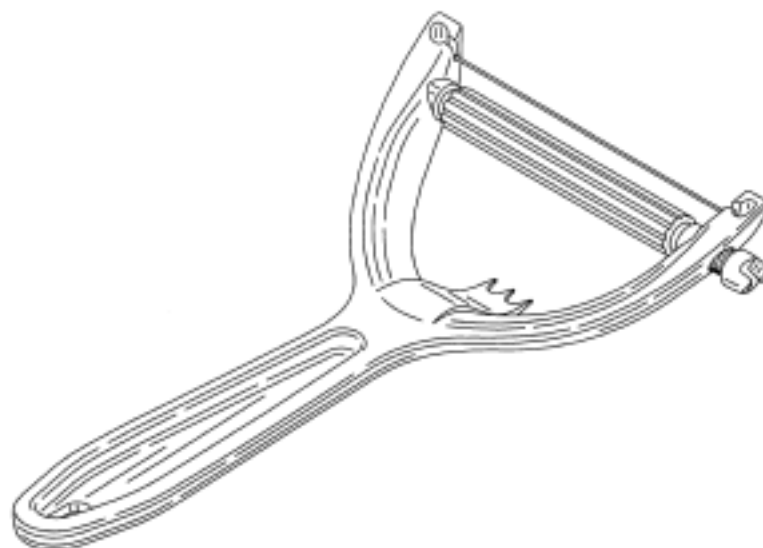
(45) Registration Date: **19 October 2011**

(30) Convention priority data:

(31) Number	(32) Date	(33) Country
<b>29/374,000</b>	<b>20 Jun 2011</b>	<b>UNITED STATES OF AMERICA</b>

(56) Related Art Documents: **Not Applicable**

(57) Statement of Newness and Distinctiveness: **Those features of the food slicer depicted in the representations that are new and distinctive are the shape and/or configuration.**



(21) Design Number: **14209/2011**  
(22) Date of Filing Application: **19 September 2011**  
(24) Date from which industrial property rights may have effect: **19 September 2011**  
(54) Product in respect of which the design is registered: **Bottle**  
(51) International Design Classification: **09-01K**  
(74) Name(s) of Attorney(s): **Callinans**  
(71) Name(s) and Address(s) of Applicant(s):

**The Decor Corporation Pty. Ltd.**  
**1314 Ferntree Gully Road Scoresby Victoria 3179 Australia**

(72) Name(s) of Designer(s): **Arthur Richard Carlson**

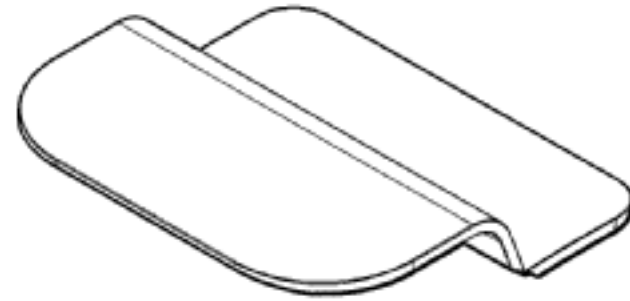
(45) Registration Date: **19 October 2011**

(56) Related Art Documents: **Not Applicable**

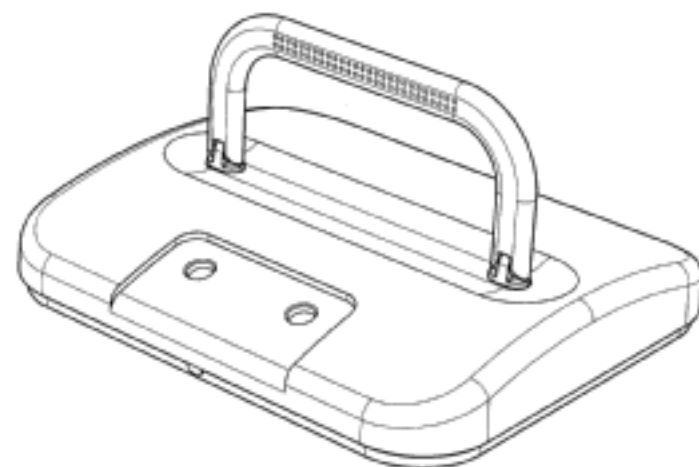
(57) Statement of Newness and Distinctiveness: **Nil**



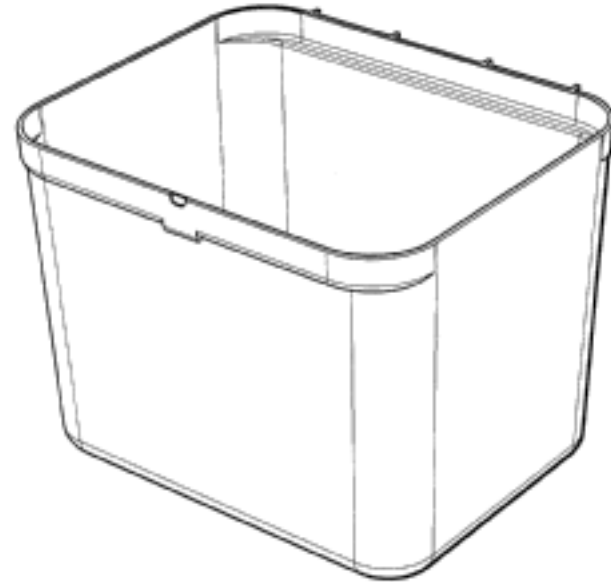
(21) Design Number: **14210/2011**  
(22) Date of Filing Application: **19 September 2011**  
(24) Date from which industrial property rights may have effect: **19 September 2011**  
(54) Product in respect of which the design is registered: **Latch**  
(51) International Design Classification: **07-01NES, 08-07**  
(74) Name(s) of Attorney(s): **Callinans**  
(71) Name(s) and Address(s) of Applicant(s):  
**The Decor Corporation Pty. Ltd.**  
**1314 Ferntree Gully Road Scoresby Victoria 3179 Australia**  
(72) Name(s) of Designer(s): **Arthur Richard Carlson**  
(45) Registration Date: **19 October 2011**  
(56) Related Art Documents: **Not Applicable**  
(57) Statement of Newness and Distinctiveness: **Nil**



(21) Design Number: **14211/2011**  
(22) Date of Filing Application: **19 September 2011**  
(24) Date from which industrial property rights may have effect: **19 September 2011**  
(54) Product in respect of which the design is registered: **Lid with handle**  
(51) International Design Classification: **07-01NES**  
(74) Name(s) of Attorney(s): **Callinans**  
(71) Name(s) and Address(s) of Applicant(s):  
**The Decor Corporation Pty. Ltd.**  
**1314 Ferntree Gully Road Scoresby Victoria 3179 Australia**  
(72) Name(s) of Designer(s): **Arthur Richard Carlson**  
(45) Registration Date: **19 October 2011**  
(56) Related Art Documents: **Not Applicable**  
(57) Statement of Newness and Distinctiveness: **Nil**



- (21) Design Number: **14212/2011**  
(22) Date of Filing Application: **19 September 2011**  
(24) Date from which industrial property rights may have effect: **19 September 2011**  
(54) Product in respect of which the design is registered: **Container base**  
(51) International Design Classification: **07-01NES, 09-03NES**  
(74) Name(s) of Attorney(s): **Callinans**  
(71) Name(s) and Address(s) of Applicant(s):  
**The Decor Corporation Pty. Ltd.**  
**1314 Ferntree Gully Road Scoresby Victoria 3179 Australia**  
(72) Name(s) of Designer(s): **Arthur Richard Carlson**  
(45) Registration Date: **19 October 2011**  
(56) Related Art Documents: **Not Applicable**  
(57) Statement of Newness and Distinctiveness: **Nil**

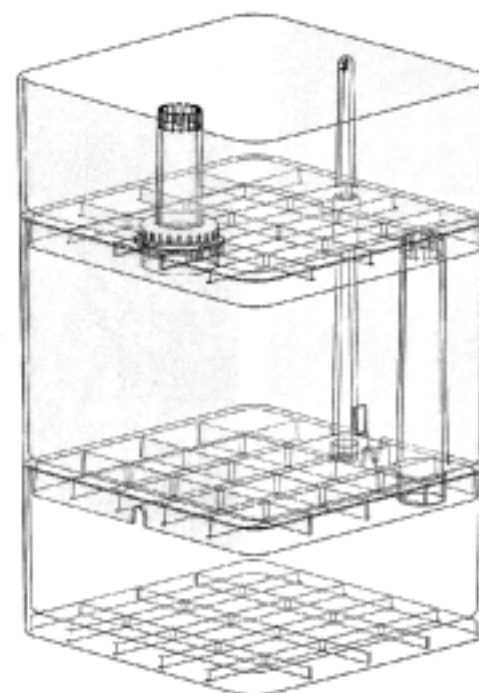


- (21) Design Number: **14214/2011**  
(22) Date of Filing Application: **20 September 2011**  
(24) Date from which industrial property rights may have effect: **20 September 2011**  
(54) Product in respect of which the design is registered: **LED downlight fixed**  
(51) International Design Classification: **26-05E**  
(74) Name(s) of Attorney(s):  
(71) Name(s) and Address(s) of Applicant(s):  
**Hillstone Architectural Lighting Pty Ltd**  
**41 Westwood Meander Carramar Western Australia 6031 Australia**  
(72) Name(s) of Designer(s): **Scott Johnstone**  
(45) Registration Date: **19 October 2011**  
(56) Related Art Documents: **Not Applicable**  
(57) Statement of Newness and Distinctiveness: **The design has a unique internal reflector covered by a textured clear lens with a sealed face. The clear lens cover distorts all internal components while providing a concentrated beam.**

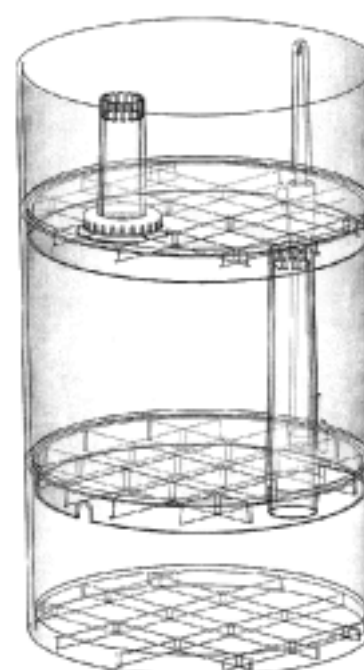




- (21) Design Number: **14215/2011**  
(22) Date of Filing Application: **20 September 2011**  
(24) Date from which industrial property rights may have effect: **20 September 2011**  
(54) Product in respect of which the design is registered: **Modified square aquaponics system**  
(51) International Design Classification: **09-03F**  
(74) Name(s) of Attorney(s): **Pegasus IP**  
(71) Name(s) and Address(s) of Applicant(s):  
**Aquaponicals Pty Ltd**  
**Level 5 175 Eagle Street Brisbane 4000 Australia**  
(72) Name(s) of Designer(s): **Clint Zahmel**  
(45) Registration Date: **19 October 2011**  
(56) Related Art Documents: **Not Applicable**  
(57) Statement of Newness and Distinctiveness: **Newness and distinctiveness resides in the features of shape and/or configuration of the product as shown in the reps.**



- (21) Design Number: **14216/2011**  
(22) Date of Filing Application: **20 September 2011**  
(24) Date from which industrial property rights may have effect: **20 September 2011**  
(54) Product in respect of which the design is registered: **Modified circular aquaponics system**  
(51) International Design Classification: **09-03F**  
(74) Name(s) of Attorney(s): **Pegasus IP**  
(71) Name(s) and Address(s) of Applicant(s):  
**Aquaponicals Pty Ltd**  
**Level 5 175 Eagle Street Brisbane 4000 Australia**  
(72) Name(s) of Designer(s): **Clint Zahmel**  
(45) Registration Date: **19 October 2011**  
(56) Related Art Documents: **Not Applicable**  
(57) Statement of Newness and Distinctiveness: **Newness and distinctiveness resides in the features of shape and/or configuration of the product as shown in the reps.**



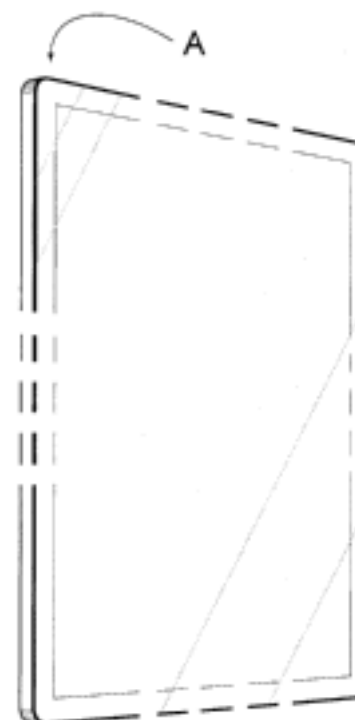
- (21) Design Number: **14217/2011**  
(22) Date of Filing Application: **20 September 2011**  
(24) Date from which industrial property rights may have effect: **20 September 2011**  
(54) Product in respect of which the design is registered: **Modified rectangular aquaponics system**  
(51) International Design Classification: **09-03F**  
(74) Name(s) of Attorney(s): **Pegasus IP**  
(71) Name(s) and Address(s) of Applicant(s):  
**Aquaponicals Pty Ltd**  
**Level 5 175 Eagle Street Brisbane 4000 Australia**  
(72) Name(s) of Designer(s): **Clint Zahmel**  
(45) Registration Date: **19 October 2011**  
(56) Related Art Documents: **Not Applicable**  
(57) Statement of Newness and Distinctiveness: **Newness and distinctiveness resides in the features of shape and/or configuration of the product as shown in the reps.**



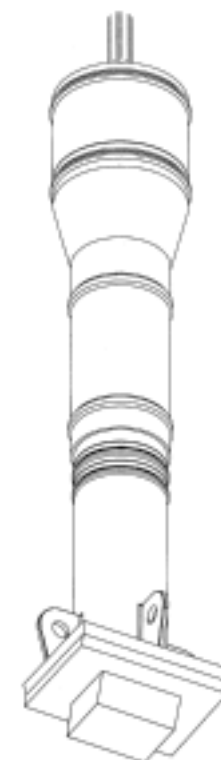
- (21) Design Number: **14219/2011**  
(22) Date of Filing Application: **21 September 2011**  
(24) Date from which industrial property rights may have effect: **21 September 2011**  
(54) Product in respect of which the design is registered: **Toe cap**  
(51) International Design Classification: **02-04A**  
(74) Name(s) of Attorney(s): **Shelston IP**  
(71) Name(s) and Address(s) of Applicant(s):  
**Midori Anzen Kabushiki Kaisha**  
**4-3 Hiroo 5-chome Shibuya-ku Tokyo Japan**  
(72) Name(s) of Designer(s): **Yoshinori Sakurai**  
(45) Registration Date: **19 October 2011**  
(30) Convention priority data:  
(31) Number      (32) Date      (33) Country  
**2011-7626      01 Apr 2011      JAPAN**  
(56) Related Art Documents: **Not Applicable**  
(57) Statement of Newness and Distinctiveness: **Newness and distinctiveness reside in the features of shape and/or configuration of a toe cap as illustrated in the accompanying representations.**



- (21) Design Number: **14176/2011**  
(22) Date of Filing Application: **15 August 2011**  
(24) Date from which industrial property rights may have effect: **15 August 2011**  
(54) Product in respect of which the design is registered: **Sign**  
(51) International Design Classification: **20-03NES**  
(74) Name(s) of Attorney(s):  
(71) Name(s) and Address(s) of Applicant(s):  
**Jonathan Garton**  
**3C/12 Marine Parade St Kilda Victoria 3182 Australia**  
(72) Name(s) of Designer(s): **Jonathan Garton**  
(45) Registration Date: **19 October 2011**  
(56) Related Art Documents: **Not Applicable**  
(57) Statement of Newness and Distinctiveness: **Nil**



- (21) Design Number: **14178/2011**  
(22) Date of Filing Application: **16 September 2011**  
(24) Date from which industrial property rights may have effect: **16 September 2011**  
(54) Product in respect of which the design is registered: **Anchor bolt system**  
(51) International Design Classification: **08-08B**  
(74) Name(s) of Attorney(s): **PHILLIPS ORMONDE FITZPATRICK**  
(71) Name(s) and Address(s) of Applicant(s):  
**Ezi Bolt Systems Pty Ltd**  
**1/67 High Street Melton Victoria 3337 Australia**  
(72) Name(s) of Designer(s): **Darek Sygidus**  
(45) Registration Date: **19 October 2011**  
(56) Related Art Documents: **Not Applicable**  
(57) Statement of Newness and Distinctiveness: **Those features of the anchor bolt system depicted in the representations that are new and distinctive are the shape and/or configuration. The thread of the bolt illustrated in broken lines is not part of the design and is to be disregarded when considering the overall impression of the design.**



(21) Design Number: **14181/2011**  
(22) Date of Filing Application: **16 September 2011**  
(24) Date from which industrial property rights may have effect: **16 September 2011**  
(54) Product in respect of which the design is registered: **Sanitary napkin**  
(51) International Design Classification: **24-04**  
(74) Name(s) of Attorney(s): **Shelston IP**  
(71) Name(s) and Address(s) of Applicant(s):

**McNeil-PPC, Inc.**  
**199 Grandview Road Skillman New Jersey 08558 United States of America**

(72) Name(s) of Designer(s): **Joanna Misiti and Neil Alexander Sadler and Aimee Sealfon and Dana Snider**

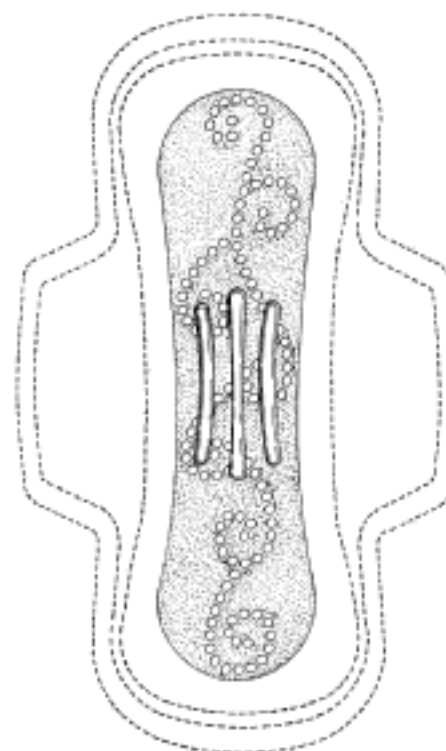
(45) Registration Date: **19 October 2011**

(30) Convention priority data:

(31) Number	(32) Date	(33) Country
<b>29/388875</b>	<b>04 Apr 2011</b>	<b>UNITED STATES OF AMERICA</b>

(56) Related Art Documents: **Not Applicable**

(57) Statement of Newness and Distinctiveness: **Newness and distinctiveness of the design for a sanitary napkin reside in the visual features shown in solid line. The features shown in broken line are illustrative only and do not form part of the design.**



(21) Design Number: **14182/2011**  
(22) Date of Filing Application: **16 September 2011**  
(24) Date from which industrial property rights may have effect: **16 September 2011**  
(54) Product in respect of which the design is registered: **Sanitary napkin**  
(51) International Design Classification: **24-04**  
(74) Name(s) of Attorney(s): **Shelston IP**  
(71) Name(s) and Address(s) of Applicant(s):

**McNeil-PPC, Inc.**  
**199 Grandview Road Skillman New Jersey 08558 United States of America**

(72) Name(s) of Designer(s): **Joanna Misiti and Neil Alexander Sadler and Aimee Sealfon and Dana Snider**

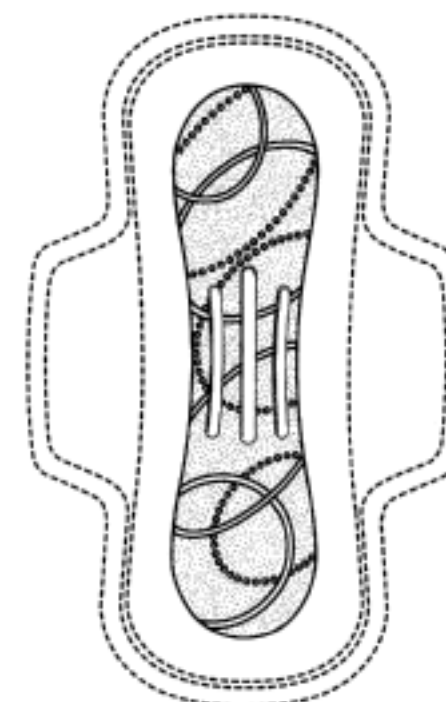
(45) Registration Date: **19 October 2011**

(30) Convention priority data:

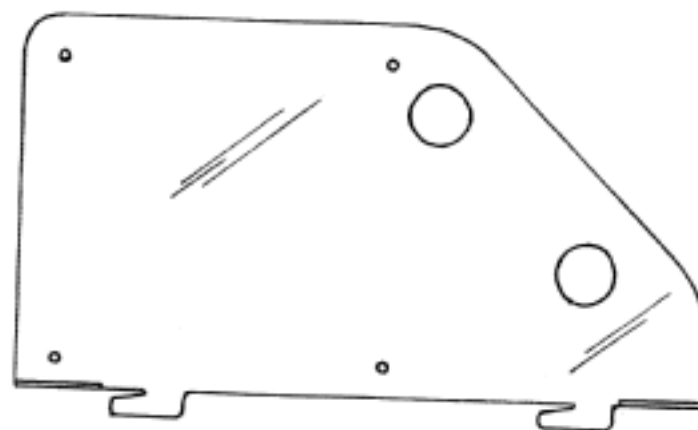
(31) Number	(32) Date	(33) Country
<b>29/388877</b>	<b>04 Apr 2011</b>	<b>UNITED STATES OF AMERICA</b>

(56) Related Art Documents: **Not Applicable**

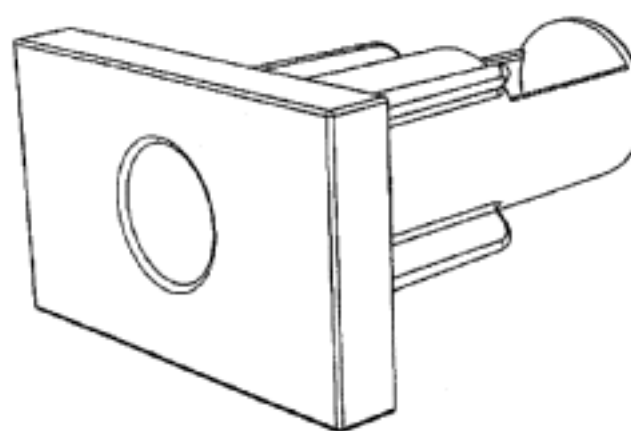
(57) Statement of Newness and Distinctiveness: **Newness and distinctiveness in the design for a sanitary napkin reside in the visual features shown in solid line. Those features shown in broken line are illustrative only and do not form part of the design.**



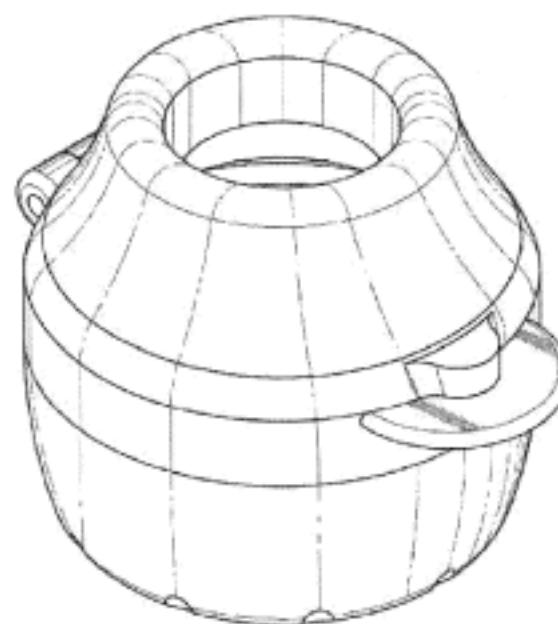
(21) Design Number: **14198/2011**  
(22) Date of Filing Application: **20 September 2011**  
(24) Date from which industrial property rights may have effect: **20 September 2011**  
(54) Product in respect of which the design is registered: **Shelf divider**  
(51) International Design Classification: **06-04NES**  
(74) Name(s) of Attorney(s): **Anderson Taylor & Associates**  
(71) Name(s) and Address(s) of Applicant(s):  
**Nairan Pty Ltd**  
**49 Cawarra Road Caringbah New South Wales 2229 Australia**  
(72) Name(s) of Designer(s): **Peter Clyde Letton**  
(45) Registration Date: **19 October 2011**  
(56) Related Art Documents: **Not Applicable**  
(57) Statement of Newness and Distinctiveness: **The newness and distinctiveness of the design is the shape and configuration of the fastening lugs and flanges formed along the bottom of the divider. The size, number and arrangement of the holes in the divider do not form part of the design.**



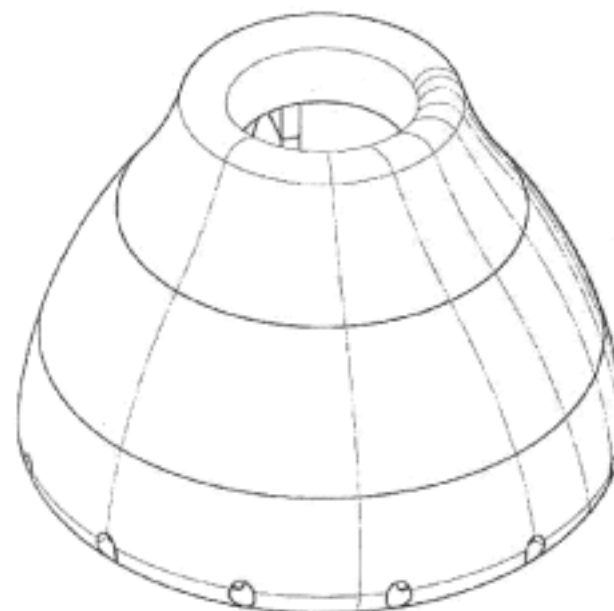
(21) Design Number: **14199/2011**  
(22) Date of Filing Application: **16 September 2011**  
(24) Date from which industrial property rights may have effect: **16 September 2011**  
(54) Product in respect of which the design is registered: **A connector component**  
(51) International Design Classification: **06-06NES, 25-01NES**  
(74) Name(s) of Attorney(s): **A J Park**  
(71) Name(s) and Address(s) of Applicant(s):  
**Aspect Furniture Systems Limited**  
**30 Laughton Street Washdyke Timaru New Zealand**  
(72) Name(s) of Designer(s): **Richard Paul Simmons**  
(45) Registration Date: **19 October 2011**  
(30) Convention priority data:  
(31) Number      (32) Date      (33) Country  
**414679      17 Mar 2011      NEW ZEALAND**  
(56) Related Art Documents: **Not Applicable**  
(57) Statement of Newness and Distinctiveness: **Nil**



(21) Design Number: **14202/2011**  
(22) Date of Filing Application: **19 September 2011**  
(24) Date from which industrial property rights may have effect: **19 September 2011**  
(54) Product in respect of which the design is registered: **Faucet mount device with flip configuration**  
(51) International Design Classification: **23-01G**  
(74) Name(s) of Attorney(s): **PIZZEYS**  
(71) Name(s) and Address(s) of Applicant(s):  
**The Clorox Company**  
**1221 Broadway Oakland CA 94612 United States of America**  
(72) Name(s) of Designer(s): **Russell Bell and Patrick O'Loughlin and William Ouellette**  
(45) Registration Date: **19 October 2011**  
(30) Convention priority data:  
(31) Number (32) Date (33) Country  
**29/389,120 06 Apr 2011 UNITED STATES OF AMERICA**  
(56) Related Art Documents: **Not Applicable**  
(57) Statement of Newness and Distinctiveness: **The newness and distinctiveness of the design resides in the features of pattern and/or ornamentation OR shape and/or configuration shown in unbroken lines in the accompanying representations.**



(21) Design Number: **14203/2011**  
(22) Date of Filing Application: **19 September 2011**  
(24) Date from which industrial property rights may have effect: **19 September 2011**  
(54) Product in respect of which the design is registered: **Faucet mount device with pressure fit**  
(51) International Design Classification: **23-01G**  
(74) Name(s) of Attorney(s): **PIZZEYS**  
(71) Name(s) and Address(s) of Applicant(s):  
**The Clorox Company**  
**1221 Broadway Oakland CA 94612 United States of America**  
(72) Name(s) of Designer(s): **Russell Bell and Patrick O'Loughlin and William Ouellette**  
(45) Registration Date: **19 October 2011**  
(30) Convention priority data:  
(31) Number (32) Date (33) Country  
**29/389,121 06 Apr 2011 UNITED STATES OF AMERICA**  
(56) Related Art Documents: **Not Applicable**  
(57) Statement of Newness and Distinctiveness: **The newness and distinctiveness of the design resides in the features of pattern and/or ornamentation OR shape and/or configuration shown in unbroken lines in the accompanying representations.**



- (21) Design Number: **11182/2011**  
(22) Date of Filing Application: **21 March 2011**  
(24) Date from which industrial property rights may have effect: **21 March 2011**  
(54) Product in respect of which the design is registered: **Wheel for vehicle**  
(51) International Design Classification: **12-16A**  
(74) Name(s) of Attorney(s): **SPRUSON & FERGUSON**  
(71) Name(s) and Address(s) of Applicant(s):  
**Daimler AG**  
**Mercedesstrasse 137 D-70327 Stuttgart Germany**  
(72) Name(s) of Designer(s): **Bernhard Hans and Kaniel Krisch**  
(45) Registration Date: **20 October 2011**  
(56) Related Art Documents: **Not Applicable**  
(57) Statement of Newness and Distinctiveness: **Newness and distinctiveness is claimed in the features of shape and/or configuration of a wheel for vehicle as illustrated in the accompanying representations.**



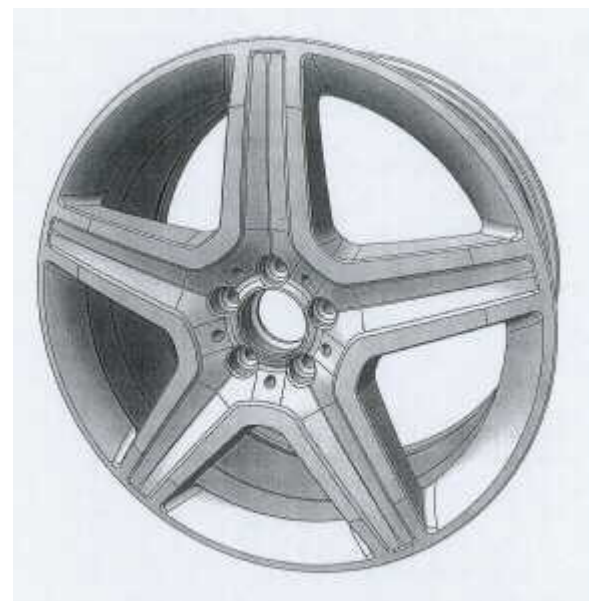
- (21) Design Number: **11183/2011**  
(22) Date of Filing Application: **21 March 2011**  
(24) Date from which industrial property rights may have effect: **21 March 2011**  
(54) Product in respect of which the design is registered: **Wheel for vehicle**  
(51) International Design Classification: **12-16A**  
(74) Name(s) of Attorney(s): **SPRUSON & FERGUSON**  
(71) Name(s) and Address(s) of Applicant(s):  
**Daimler AG**  
**Mercedesstrasse 137 D-70327 Stuttgart Germany**  
(72) Name(s) of Designer(s): **Marian Hrabck and Daniel Krisch**  
(45) Registration Date: **20 October 2011**  
(56) Related Art Documents: **Not Applicable**  
(57) Statement of Newness and Distinctiveness: **Newness and distinctiveness is claimed in the features of shape and/or configuration of a wheel for vehicle as illustrated in the accompanying representations.**



- 
- (21) Design Number: **11184/2011**  
(22) Date of Filing Application: **21 March 2011**  
(24) Date from which industrial property rights may have effect: **21 March 2011**  
(54) Product in respect of which the design is registered: **Wheel for vehicle**  
(51) International Design Classification: **12-16A**  
(74) Name(s) of Attorney(s): **SPRUSON & FERGUSON**  
(71) Name(s) and Address(s) of Applicant(s):  
    **Daimler AG**  
    **Mercedesstrasse 137 D-70327 Stuttgart Germany**  
(72) Name(s) of Designer(s): **Bernhard Hans and Kai Hilpert**  
(45) Registration Date: **20 October 2011**  
(56) Related Art Documents: **Not Applicable**  
(57) Statement of Newness and Distinctiveness: **Newness and distinctiveness is claimed in the features of shape and/or configuration of a wheel for vehicle as illustrated in the accompanying representations.**

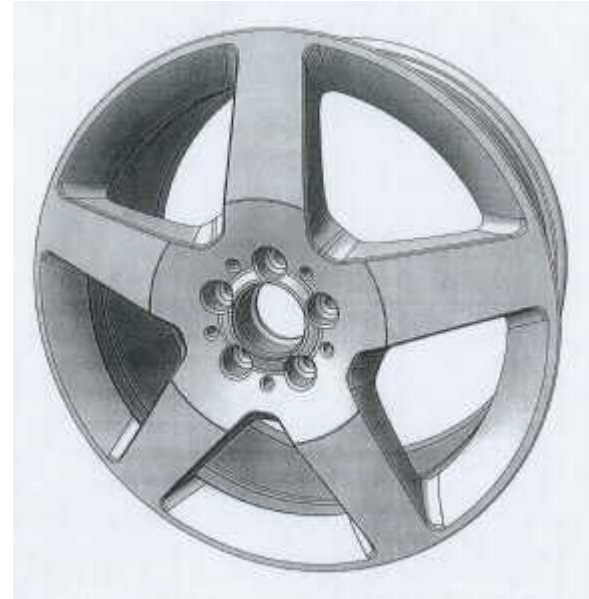


- 
- (21) Design Number: **11185/2011**  
(22) Date of Filing Application: **21 March 2011**  
(24) Date from which industrial property rights may have effect: **21 March 2011**  
(54) Product in respect of which the design is registered: **Wheel for vehicle**  
(51) International Design Classification: **12-16A**  
(74) Name(s) of Attorney(s): **SPRUSON & FERGUSON**  
(71) Name(s) and Address(s) of Applicant(s):  
    **Daimler AG**  
    **Mercedesstrasse 137 D-70327 Stuttgart Germany**  
(72) Name(s) of Designer(s): **Kai Hilpert and Oliver Knittel**  
(45) Registration Date: **20 October 2011**  
(56) Related Art Documents: **Not Applicable**  
(57) Statement of Newness and Distinctiveness: **Newness and distinctiveness is claimed in the features of shape and/or configuration of a wheel for vehicle as illustrated in the accompanying representations.**





- (21) Design Number: **11186/2011**  
(22) Date of Filing Application: **21 March 2011**  
(24) Date from which industrial property rights may have effect: **21 March 2011**  
(54) Product in respect of which the design is registered: **Wheel for vehicle**  
(51) International Design Classification: **12-16A**  
(74) Name(s) of Attorney(s): **SPRUSON & FERGUSON**  
(71) Name(s) and Address(s) of Applicant(s):  
**Daimler AG**  
**Mercedesstrasse 137 D-70327 Stuttgart Germany**  
(72) Name(s) of Designer(s): **Cengiz Dilber and Marian Hrabck**  
(45) Registration Date: **20 October 2011**  
(56) Related Art Documents: **Not Applicable**  
(57) Statement of Newness and Distinctiveness: **Newness and distinctiveness is claimed in the features of shape and/or configuration of a wheel for vehicle as illustrated in the accompanying representations.**



- (21) Design Number: **13888/2011**  
(22) Date of Filing Application: **01 September 2011**  
(24) Date from which industrial property rights may have effect: **01 September 2011**  
(54) Product in respect of which the design is registered: **Adaptive clothing; night gown; hospital gown**  
(51) International Design Classification: **02-02NES**  
(74) Name(s) of Attorney(s):  
(71) Name(s) and Address(s) of Applicant(s):  
**Solomon Harris-Light**  
**38 Hill Street East Angaston South Australia 5353 Australia**  
(72) Name(s) of Designer(s): **Solomon Harris-Light**  
(45) Registration Date: **20 October 2011**  
(56) Related Art Documents: **Not Applicable**  
(57) Statement of Newness and Distinctiveness: **The shape and configuration of the dual overlap tab system attaching to the back yoke fastening positions. This overlap system completely opens, as illustrated in the accompanying series of three representations.**



- (21) Design Number: **13925/2011**  
(22) Date of Filing Application: **06 September 2011**  
(24) Date from which industrial property rights may have effect: **06 September 2011**  
(54) Product in respect of which the design is registered: **Lawn bowling ball**  
(51) International Design Classification: **21-02A**  
(74) Name(s) of Attorney(s): **WATERMARK PATENT AND TRADE MARKS ATTORNEYS**  
(71) Name(s) and Address(s) of Applicant(s):  
**Walter Jacobs**  
**Unit 12 Platinum Business Park 36 Ralph Street Alexandria New South Wales 2015 Australia**  
(72) Name(s) of Designer(s): **Walter Jacobs**  
(45) Registration Date: **20 October 2011**  
(56) Related Art Documents: **Not Applicable**  
(57) Statement of Newness and Distinctiveness: **Newness and distinctiveness resides in the features of shape and/or configuration of the pattern of dimples formed in sunk relief in the surface of a lawn bowling ball as depicted in the representations. The features of shape and/or configuration of the rings do not form part of the design.**



- (21) Design Number: **14636/2011**  
(22) Date of Filing Application: **06 September 2011**  
(24) Date from which industrial property rights may have effect: **06 September 2011**  
(54) Product in respect of which the design is registered: **Lawn bowling ball**  
(51) International Design Classification: **21-02A**  
(74) Name(s) of Attorney(s): **WATERMARK PATENT AND TRADE MARKS ATTORNEYS**  
(71) Name(s) and Address(s) of Applicant(s):  
**Walter Jacobs**  
**Unit 12 Platinum Business Park 36 Ralph Street Alexandria New South Wales 2015 Australia**  
(72) Name(s) of Designer(s): **Walter Jacobs**  
(45) Registration Date: **20 October 2011**  
(56) Related Art Documents: **Not Applicable**  
(57) Statement of Newness and Distinctiveness: **Newness and distinctiveness resides in the features of shape and/or configuration of the pattern of dimples formed in sunk relief in the surface of a lawn bowling ball as depicted in the representations. The features of shape and/or configuration of the rings do not form part of the design.**



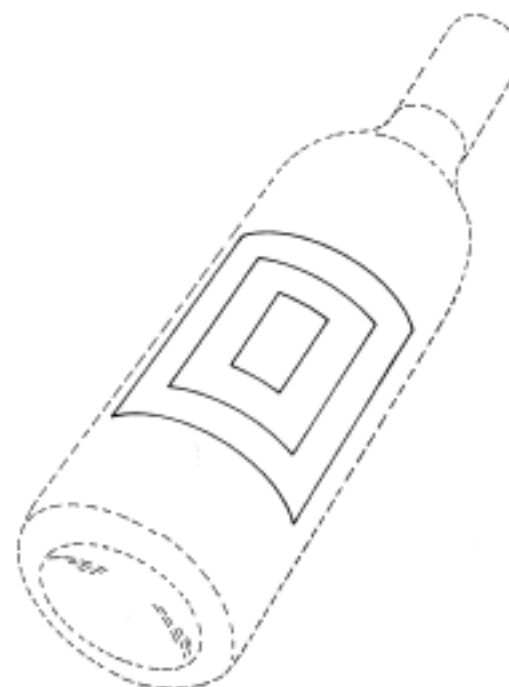
- (21) Design Number: **14637/2011**  
(22) Date of Filing Application: **06 September 2011**  
(24) Date from which industrial property rights may have effect: **06 September 2011**  
(54) Product in respect of which the design is registered: **Lawn bowling ball**  
(51) International Design Classification: **21-02A**  
(74) Name(s) of Attorney(s): **WATERMARK PATENT AND TRADE MARKS ATTORNEYS**  
(71) Name(s) and Address(s) of Applicant(s):  
**Walter Jacobs**  
**Unit 12 Platinum Business Park 36 Ralph Street Alexandria New South Wales 2015 Australia**  
(72) Name(s) of Designer(s): **Walter Jacobs**  
(45) Registration Date: **20 October 2011**  
(56) Related Art Documents: **Not Applicable**  
(57) Statement of Newness and Distinctiveness: **Newness and distinctiveness resides in the features of shape and/or configuration of the pattern of dimples formed in sunk relief in the surface of a lawn bowling ball as depicted in the representations. The features of shape and/or configuration of the rings do not form part of the design.**



- (21) Design Number: **14638/2011**  
(22) Date of Filing Application: **06 September 2011**  
(24) Date from which industrial property rights may have effect: **06 September 2011**  
(54) Product in respect of which the design is registered: **Lawn bowling ball**  
(51) International Design Classification: **21-02A**  
(74) Name(s) of Attorney(s): **WATERMARK PATENT AND TRADE MARKS ATTORNEYS**  
(71) Name(s) and Address(s) of Applicant(s):  
**Walter Jacobs**  
**Unit 12 Platinum Business Park 36 Ralph Street Alexandria New South Wales 2015 Australia**  
(72) Name(s) of Designer(s): **Walter Jacobs**  
(45) Registration Date: **20 October 2011**  
(56) Related Art Documents: **Not Applicable**  
(57) Statement of Newness and Distinctiveness: **Newness and distinctiveness resides in the features of shape and/or configuration of the pattern of dimples formed in sunk relief in the surface of a lawn bowling ball as depicted in the representations. The features of shape and/or configuration of the rings do not form part of the design.**



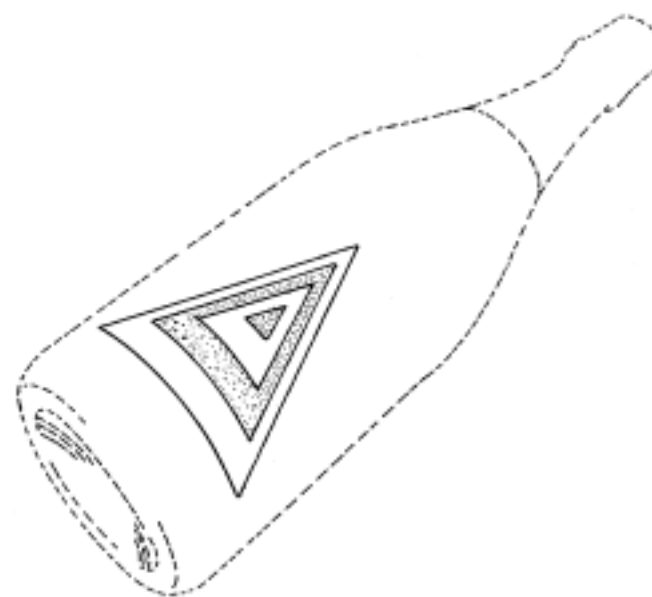
- (21) Design Number: **14231/2011**  
(22) Date of Filing Application: **23 September 2011**  
(24) Date from which industrial property rights may have effect: **23 September 2011**  
(54) Product in respect of which the design is registered: **A beverage bottle**  
(51) International Design Classification: **09-01H**  
(74) Name(s) of Attorney(s): **Fraser Old & Sohn**  
(71) Name(s) and Address(s) of Applicant(s):  
**Myoori Pty Ltd**  
**102/20 Alfred Street Milsons Point New South Wales 2061 Australia**  
(72) Name(s) of Designer(s): **Fraser Patison Old**  
(45) Registration Date: **20 October 2011**  
(56) Related Art Documents: **Not Applicable**  
(57) Statement of Newness and Distinctiveness: **Newness and distinctiveness is claimed in respect of the pattern and/or ornamentation of the product illustrated in the accompanying representations. In carrying out a consideration in accordance with Section 19 the shape and/or configuration of the beverage bottle illustrated in the representations is not to be considered either new or distinctive and does not form part of the design.**



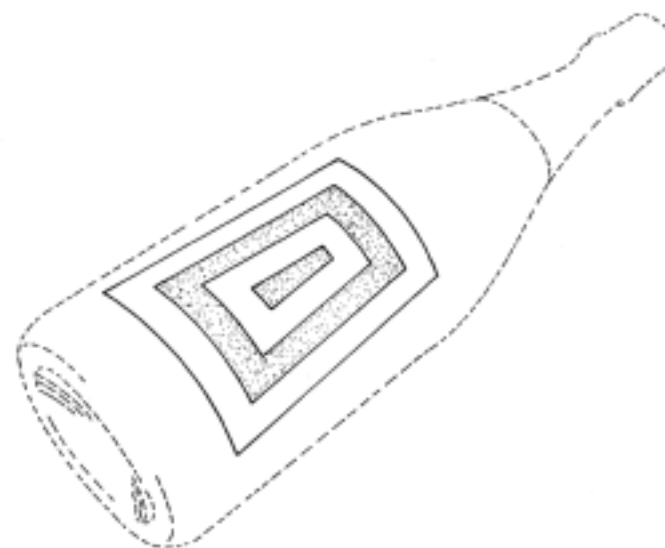
- (21) Design Number: **14232/2011**  
(22) Date of Filing Application: **23 September 2011**  
(24) Date from which industrial property rights may have effect: **23 September 2011**  
(54) Product in respect of which the design is registered: **A beverage bottle**  
(51) International Design Classification: **09-01H**  
(74) Name(s) of Attorney(s): **Fraser Old & Sohn**  
(71) Name(s) and Address(s) of Applicant(s):  
**Myoori Pty Ltd**  
**102/20 Alfred Street Milsons Point New South Wales 2061 Australia**  
(72) Name(s) of Designer(s): **Fraser Patison Old**  
(45) Registration Date: **20 October 2011**  
(56) Related Art Documents: **Not Applicable**  
(57) Statement of Newness and Distinctiveness: **Newness and distinctiveness is claimed in respect of the pattern and/or ornamentation of the product illustrated in the accompanying representations in which the dotted regions and the adjacent undotted regions respectively represent contrasting colours. In carrying out a consideration in accordance with Section 19 the shape and/or configuration of the beverage bottle illustrated in the representations is not to be considered either new or distinctive and does not form part of the design.**



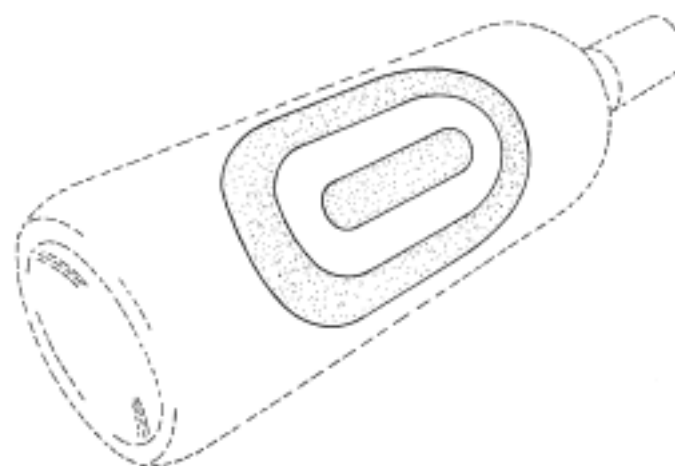
- (21) Design Number: **14233/2011**  
(22) Date of Filing Application: **23 September 2011**  
(24) Date from which industrial property rights may have effect: **23 September 2011**  
(54) Product in respect of which the design is registered: **A beverage bottle**  
(51) International Design Classification: **09-01H**  
(74) Name(s) of Attorney(s): **Fraser Old & Sohn**  
(71) Name(s) and Address(s) of Applicant(s):  
**Myoori Pty Ltd**  
**102/20 Alfred Street Milsons Point New South Wales 2061 Australia**  
(72) Name(s) of Designer(s): **Fraser Patison Old**  
(45) Registration Date: **20 October 2011**  
(56) Related Art Documents: **Not Applicable**  
(57) Statement of Newness and Distinctiveness: **Newness and distinctiveness is claimed in respect of the pattern and/or ornamentation of the product illustrated in the accompanying representations in which the dotted regions and the adjacent undotted regions respectively represent contrasting colours. In carrying out a consideration in accordance with Section 19 the shape and/or configuration of the beverage bottle illustrated in the representations is not to be considered either new or distinctive and does not form part of the design.**



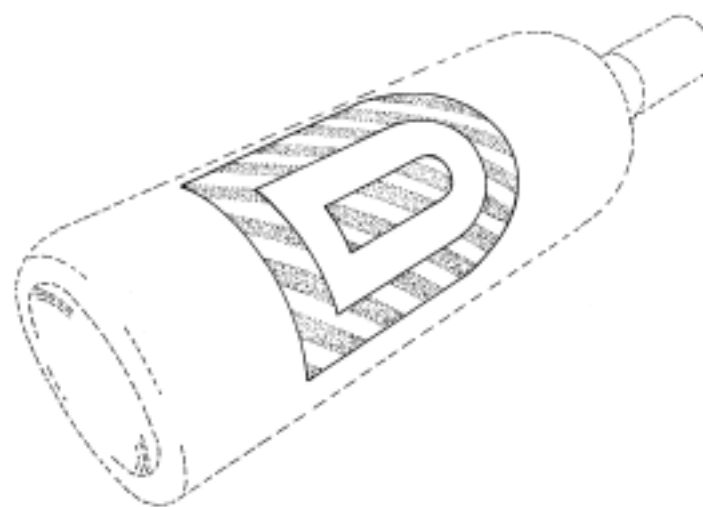
- (21) Design Number: **14234/2011**  
(22) Date of Filing Application: **23 September 2011**  
(24) Date from which industrial property rights may have effect: **23 September 2011**  
(54) Product in respect of which the design is registered: **A beverage bottle**  
(51) International Design Classification: **09-01H**  
(74) Name(s) of Attorney(s): **Fraser Old & Sohn**  
(71) Name(s) and Address(s) of Applicant(s):  
**Myoori Pty Ltd**  
**102/20 Alfred Street Milsons Point New South Wales 2061 Australia**  
(72) Name(s) of Designer(s): **Fraser Patison Old**  
(45) Registration Date: **20 October 2011**  
(56) Related Art Documents: **Not Applicable**  
(57) Statement of Newness and Distinctiveness: **Newness and distinctiveness is claimed in respect of the pattern and/or ornamentation of the product illustrated in the accompanying representations in which the dotted regions and the adjacent undotted regions respectively represent contrasting colours. In carrying out a consideration in accordance with Section 19 the shape and/or configuration of the beverage bottle illustrated in the representations is not to be considered either new or distinctive and does not form part of the design.**



- (21) Design Number: **14235/2011**  
(22) Date of Filing Application: **23 September 2011**  
(24) Date from which industrial property rights may have effect: **23 September 2011**  
(54) Product in respect of which the design is registered: **A beverage bottle**  
(51) International Design Classification: **09-01H**  
(74) Name(s) of Attorney(s): **Fraser Old & Sohn**  
(71) Name(s) and Address(s) of Applicant(s):  
**Myoori Pty Ltd**  
**102/20 Alfred Street Milsons Point New South Wales 2061 Australia**  
(72) Name(s) of Designer(s): **Fraser Patison Old**  
(45) Registration Date: **20 October 2011**  
(56) Related Art Documents: **Not Applicable**  
(57) Statement of Newness and Distinctiveness: **Newness and distinctiveness is claimed in respect of the pattern and/or ornamentation of the product illustrated in the accompanying representations in which the dotted regions and the adjacent undotted regions respectively represent contrasting colours. In carrying out a consideration in accordance with Section 19 the shape and/or configuration of the beverage bottle illustrated in the representations is not to be considered either new or distinctive and does not form part of the design.**



- (21) Design Number: **14236/2011**  
(22) Date of Filing Application: **23 September 2011**  
(24) Date from which industrial property rights may have effect: **23 September 2011**  
(54) Product in respect of which the design is registered: **A beverage bottle**  
(51) International Design Classification: **09-01H**  
(74) Name(s) of Attorney(s): **Fraser Old & Sohn**  
(71) Name(s) and Address(s) of Applicant(s):  
**Myoori Pty Ltd**  
**102/20 Alfred Street Milsons Point New South Wales 2061 Australia**  
(72) Name(s) of Designer(s): **Fraser Patison Old**  
(45) Registration Date: **20 October 2011**  
(56) Related Art Documents: **Not Applicable**  
(57) Statement of Newness and Distinctiveness: **Newness and distinctiveness is claimed in respect of the pattern and/or ornamentation of the product illustrated in the accompanying representations in which the striped regions represent two contrasting colours and the adjacent undotted regions respectively represent a colour contrasting with both colours of the striped regions. In carrying out a consideration in accordance with Section 19 the shape and/or configuration of the beverage bottle illustrated in the representations is not to be considered either new or distinctive and does not form part of the design.**



- (21) Design Number: **14237/2011**  
(22) Date of Filing Application: **23 September 2011**  
(24) Date from which industrial property rights may have effect: **23 September 2011**  
(54) Product in respect of which the design is registered: **A beverage bottle**  
(51) International Design Classification: **09-01H**  
(74) Name(s) of Attorney(s): **Fraser Old & Sohn**  
(71) Name(s) and Address(s) of Applicant(s):

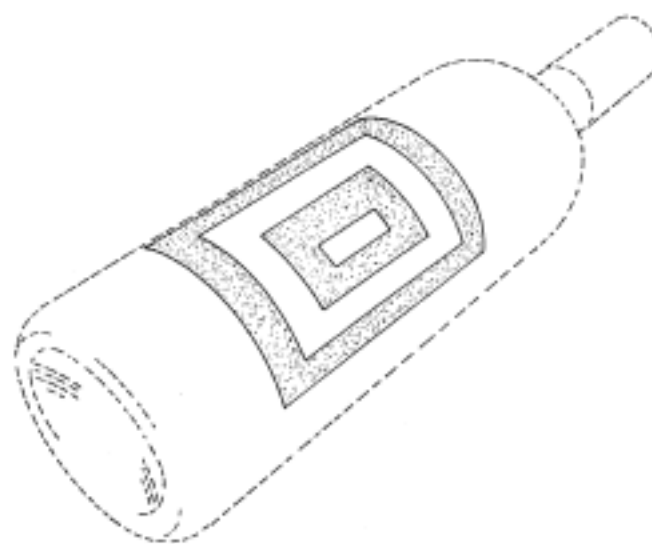
**Myoori Pty Ltd**  
**102/20 Alfred Street Milsons Point New South Wales 2061 Australia**

- (72) Name(s) of Designer(s): **Fraser Patison Old**

(45) Registration Date: **20 October 2011**

(56) Related Art Documents: **Not Applicable**

- (57) Statement of Newness and Distinctiveness: **Newness and distinctiveness is claimed in respect of the pattern and/or ornamentation of the product illustrated in the accompanying representations in which the dotted regions and the adjacent undotted regions respectively represent contrasting colours. In carrying out a consideration in accordance with Section 19 the shape and/or configuration of the beverage bottle illustrated in the representations is not to be considered either new or distinctive and does not form part of the design.**



- (21) Design Number: **14238/2011**  
(22) Date of Filing Application: **23 September 2011**  
(24) Date from which industrial property rights may have effect: **23 September 2011**  
(54) Product in respect of which the design is registered: **A beverage bottle**  
(51) International Design Classification: **09-01H**  
(74) Name(s) of Attorney(s): **Fraser Old & Sohn**  
(71) Name(s) and Address(s) of Applicant(s):

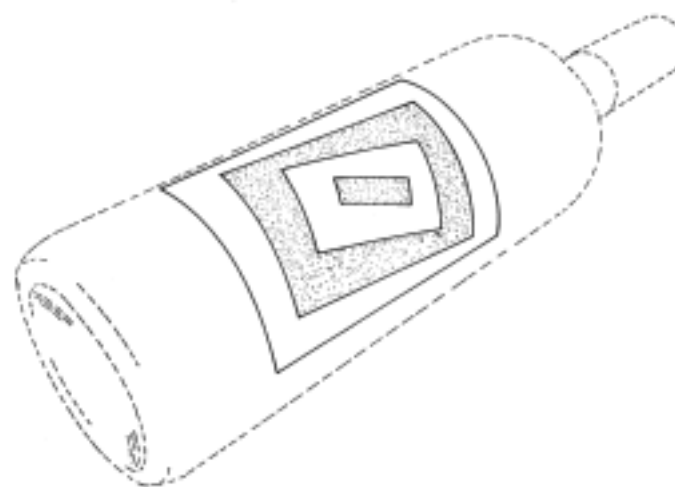
**Myoori Pty Ltd**  
**102/20 Alfred Street Milsons Point New South Wales 2061 Australia**

- (72) Name(s) of Designer(s): **Fraser Patison Old**

(45) Registration Date: **20 October 2011**

(56) Related Art Documents: **Not Applicable**

- (57) Statement of Newness and Distinctiveness: **Newness and distinctiveness is claimed in respect of the pattern and/or ornamentation of the product illustrated in the accompanying representations in which the dotted regions and the adjacent undotted regions respectively represent contrasting colours. In carrying out a consideration in accordance with Section 19 the shape and/or configuration of the beverage bottle illustrated in the representations is not to be considered either new or distinctive and does not form part of the design.**



- (21) Design Number: **14239/2011**  
(22) Date of Filing Application: **23 September 2011**  
(24) Date from which industrial property rights may have effect: **23 September 2011**  
(54) Product in respect of which the design is registered: **A beverage bottle**  
(51) International Design Classification: **09-01H**  
(74) Name(s) of Attorney(s): **Fraser Old & Sohn**  
(71) Name(s) and Address(s) of Applicant(s):

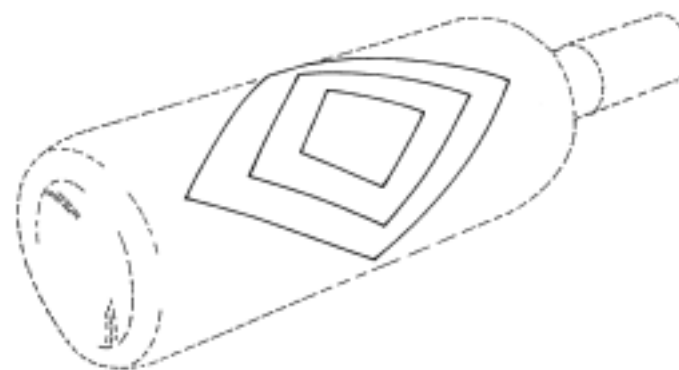
**Myoori Pty Ltd**  
**102/20 Alfred Street Milsons Point New South Wales 2061 Australia**

- (72) Name(s) of Designer(s): **Fraser Patison Old**

(45) Registration Date: **20 October 2011**

(56) Related Art Documents: **Not Applicable**

- (57) Statement of Newness and Distinctiveness: **Newness and distinctiveness is claimed in respect of the pattern and/or ornamentation of the product illustrated in the accompanying representations. In carrying out a consideration in accordance with Section 19 the shape and/or configuration of the beverage bottle illustrated in the representations is not to be considered either new or distinctive and does not form part of the design.**



- (21) Design Number: **14240/2011**  
(22) Date of Filing Application: **23 September 2011**  
(24) Date from which industrial property rights may have effect: **23 September 2011**  
(54) Product in respect of which the design is registered: **A beverage bottle**  
(51) International Design Classification: **09-01H**  
(74) Name(s) of Attorney(s): **Fraser Old & Sohn**  
(71) Name(s) and Address(s) of Applicant(s):

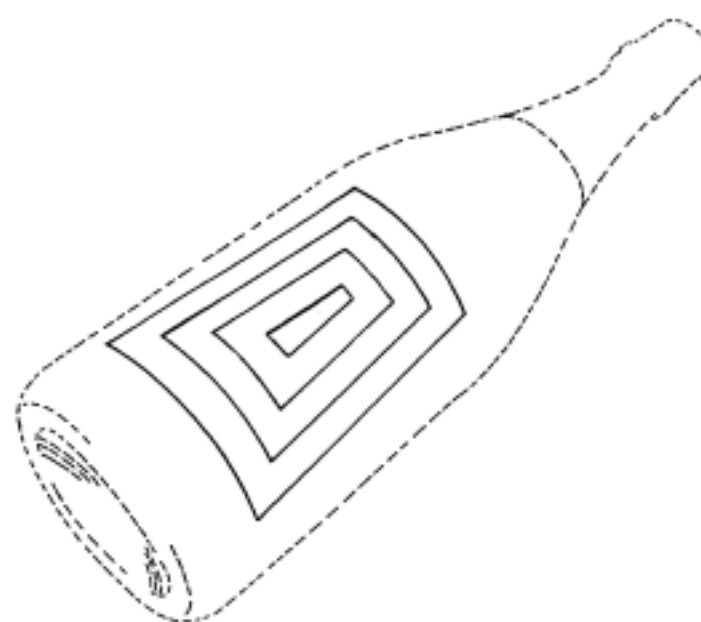
**Myoori Pty Ltd**  
**102/20 Alfred Street Milsons Point New South Wales 2061 Australia**

- (72) Name(s) of Designer(s): **Fraser Patison Old**

(45) Registration Date: **20 October 2011**

(56) Related Art Documents: **Not Applicable**

- (57) Statement of Newness and Distinctiveness: **Newness and distinctiveness is claimed in respect of the pattern and/or ornamentation of the product illustrated in the accompanying representations. In carrying out a consideration in accordance with Section 19 the shape and/or configuration of the beverage bottle illustrated in the representations is not to be considered either new or distinctive and does not form part of the design.**





(21) Design Number: **14241/2011**  
(22) Date of Filing Application: **23 September 2011**  
(24) Date from which industrial property rights may have effect: **23 September 2011**  
(54) Product in respect of which the design is registered: **A beverage bottle**  
(51) International Design Classification: **09-01H**  
(74) Name(s) of Attorney(s): **Fraser Old & Sohn**  
(71) Name(s) and Address(s) of Applicant(s):

**Myoori Pty Ltd**  
**102/20 Alfred Street Milsons Point New South Wales 2061 Australia**

(72) Name(s) of Designer(s): **Fraser Patison Old**

(45) Registration Date: **20 October 2011**

(56) Related Art Documents: **Not Applicable**

(57) Statement of Newness and Distinctiveness: **Newness and distinctiveness is claimed in respect of the pattern and/or ornamentation of the product illustrated in the accompanying representations in which the dotted regions and the adjacent undotted regions respectively represent contrasting colours. In carrying out a consideration in accordance with Section 19 the shape and/or configuration of the beverage bottle illustrated in the representations is not to be considered either new or distinctive and does not form part of the design.**



(21) Design Number: **13529/2011**  
(22) Date of Filing Application: **09 August 2011**  
(24) Date from which industrial property rights may have effect: **09 August 2011**  
(54) Product in respect of which the design is registered: **Gas nailing machine**  
(51) International Design Classification: **15-99**  
(74) Name(s) of Attorney(s): **Cullens Patent and Trade Mark Attorneys**  
(71) Name(s) and Address(s) of Applicant(s):

**Makita Corporation**  
**11-8 Sumiyoshi-cho 3-chome Anjo-shi Aichi-ken Japan**

(72) Name(s) of Designer(s): **Shinsuke Okuda and Kenichi Miyata**

(45) Registration Date: **20 October 2011**

(30) Convention priority data:

(31) Number	(32) Date	(33) Country
<b>2011-6361</b>	<b>22 Mar 2011</b>	<b>JAPAN</b>

(56) Related Art Documents: **Not Applicable**

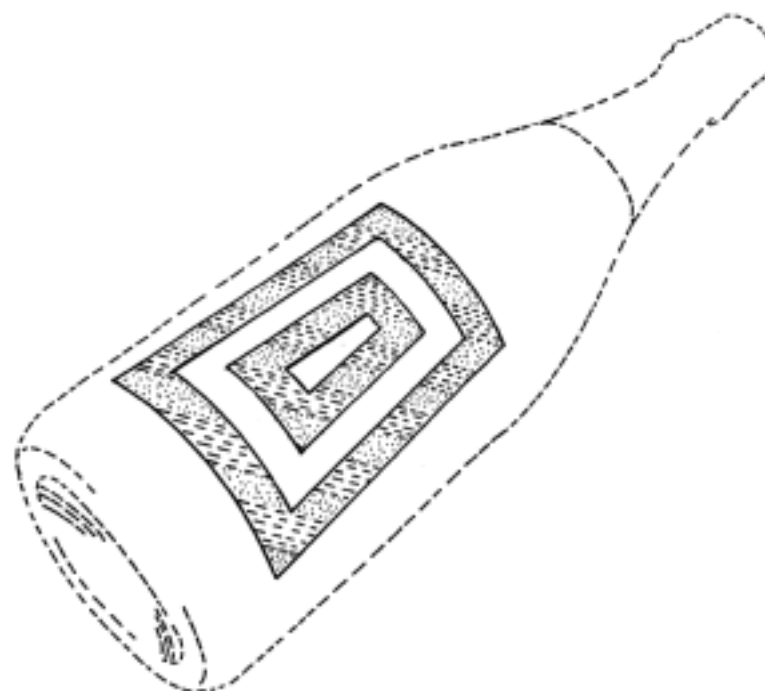
(57) Statement of Newness and Distinctiveness: **Nil**



- (21) Design Number: **13566/2011**  
(22) Date of Filing Application: **12 August 2011**  
(24) Date from which industrial property rights may have effect: **12 August 2011**  
(54) Product in respect of which the design is registered: **Shipping container security screen**  
(51) International Design Classification: **25-02B, 09-03K**  
(74) Name(s) of Attorney(s):  
(71) Name(s) and Address(s) of Applicant(s):  
**Fuller Fabrications Pty Ltd**  
**41 Penman Street New Lambton New South Wales 2305 Australia**  
(72) Name(s) of Designer(s): **Scott Fuller**  
(45) Registration Date: **20 October 2011**  
(56) Related Art Documents: **Not Applicable**  
(57) Statement of Newness and Distinctiveness: **The container cage is the only kind of removable security used specifically to lock up only part of a shipping container, and also using a vandal proof locking system.**



- (21) Design Number: **14242/2011**  
(22) Date of Filing Application: **23 September 2011**  
(24) Date from which industrial property rights may have effect: **23 September 2011**  
(54) Product in respect of which the design is registered: **A beverage bottle**  
(51) International Design Classification: **09-01H**  
(74) Name(s) of Attorney(s): **Fraser Old & Sohn**  
(71) Name(s) and Address(s) of Applicant(s):  
**Myoori Pty Ltd**  
**102/20 Alfred Street Milsons Point New South Wales 2061 Australia**  
(72) Name(s) of Designer(s): **Fraser Patison Old**  
(45) Registration Date: **20 October 2011**  
(56) Related Art Documents: **Not Applicable**  
(57) Statement of Newness and Distinctiveness: **Newness and distinctiveness is claimed in respect of the pattern and/or ornamentation of the product illustrated in the accompanying representations in which the dotted regions and dashed regions represent contrasting colours and the adjacent undotted regions represent a further colour contrasting both colours. In carrying out a consideration in accordance with Section 19 the shape and/or configuration of the beverage bottle illustrated in the representations is not to be considered either new or distinctive and does not form part of the design.**



- (21) Design Number: **14243/2011**  
(22) Date of Filing Application: **23 September 2011**  
(24) Date from which industrial property rights may have effect: **23 September 2011**  
(54) Product in respect of which the design is registered: **A container**  
(51) International Design Classification: **09-01NES**  
(74) Name(s) of Attorney(s): **Fraser Old & Sohn**  
(71) Name(s) and Address(s) of Applicant(s):

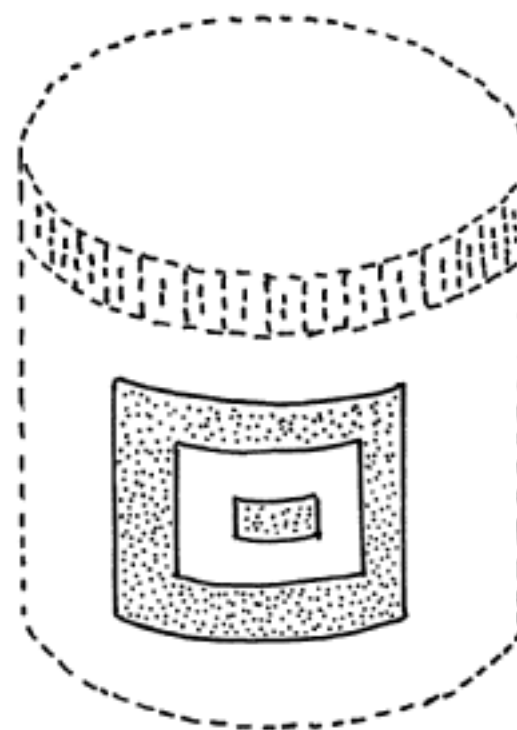
**Myoori Pty Ltd**  
**102/20 Alfred Street Milsons Point New South Wales 2061 Australia**

(72) Name(s) of Designer(s): **Fraser Patison Old**

(45) Registration Date: **20 October 2011**

(56) Related Art Documents: **Not Applicable**

(57) Statement of Newness and Distinctiveness: **Newness and distinctiveness is claimed in respect of the pattern and/or ornamentation of the product illustrated in the accompanying representations in which the dotted regions and the adjacent undotted regions respectively represent contrasting colours. In carrying out a consideration in accordance with Section 19 the shape and/or configuration of the container illustrated in the representations is not to be considered either new or distinctive and does not form part of the design.**



- (21) Design Number: **14244/2011**  
(22) Date of Filing Application: **23 September 2011**  
(24) Date from which industrial property rights may have effect: **23 September 2011**  
(54) Product in respect of which the design is registered: **A container**  
(51) International Design Classification: **09-01NES**  
(74) Name(s) of Attorney(s): **Fraser Old & Sohn**  
(71) Name(s) and Address(s) of Applicant(s):

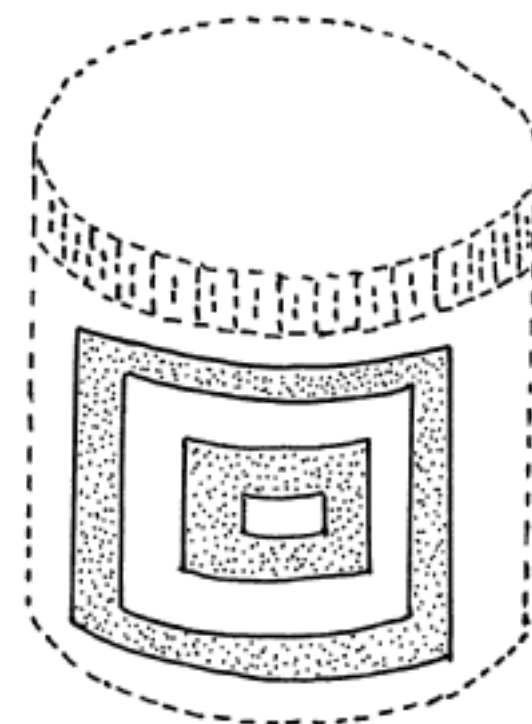
**Myoori Pty Ltd**  
**102/20 Alfred Street Milsons Point New South Wales 2061 Australia**

(72) Name(s) of Designer(s): **Fraser Patison Old**

(45) Registration Date: **20 October 2011**

(56) Related Art Documents: **Not Applicable**

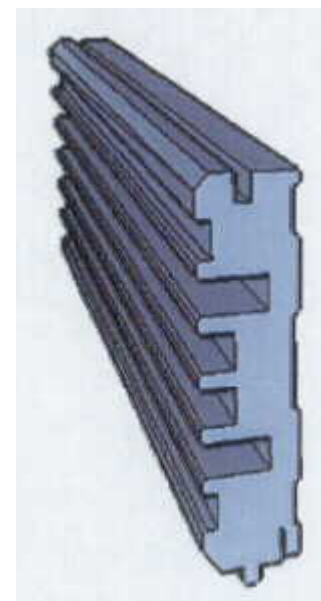
(57) Statement of Newness and Distinctiveness: **Newness and distinctiveness is claimed in respect of the pattern and/or ornamentation of the product illustrated in the accompanying representations in which the dotted regions and the adjacent undotted regions respectively represent contrasting colours. In carrying out a consideration in accordance with Section 19 the shape and/or configuration of the container illustrated in the representations is not to be considered either new or distinctive and does not form part of the design.**



- (21) Design Number: **14245/2011**  
(22) Date of Filing Application: **22 September 2011**  
(24) Date from which industrial property rights may have effect: **22 September 2011**  
(54) Product in respect of which the design is registered: **Arm support cushion**  
(51) International Design Classification: **06-09**  
(74) Name(s) of Attorney(s):  
(71) Name(s) and Address(s) of Applicant(s):  
**Christian Morrissey**  
**18/143 Sydney Street Willoughby New South Wales 2068 Australia**  
(72) Name(s) of Designer(s): **Christian Morrissey**  
(45) Registration Date: **20 October 2011**  
(56) Related Art Documents: **Not Applicable**  
(57) Statement of Newness and Distinctiveness: **Newness and distinctiveness reside in the features of the design shown in the accompanying representations. The shape, position and clear shield of the pocket are to be disregarded, as is the colour and the shape of the objects in the specific camouflage pattern depicted. The product is a support cushion for supporting the arms. It is placed on the lap while sitting and supports the arms when the user is holding a book or an electronic device such as a game console, ebook reader, smartphone, tablet or other item.**



- (21) Design Number: **14246/2011**  
(22) Date of Filing Application: **22 September 2011**  
(24) Date from which industrial property rights may have effect: **22 September 2011**  
(54) Product in respect of which the design is registered: **Wall panel**  
(51) International Design Classification: **25-01D**  
(74) Name(s) of Attorney(s): **Actuate IP**  
(71) Name(s) and Address(s) of Applicant(s):  
**Atkar Group Pty Ltd**  
**17-19 David Lee Road Hallam Victoria 3803 Australia**  
(72) Name(s) of Designer(s): **Philip Grimshaw**  
(45) Registration Date: **20 October 2011**  
(56) Related Art Documents: **Not Applicable**  
(57) Statement of Newness and Distinctiveness: **Newness and distinctiveness is claimed in the features of shape and/or configuration of the wall panel of indeterminate length with lateral tongue and groove fixing system as illustrated in the accompanying representations.**



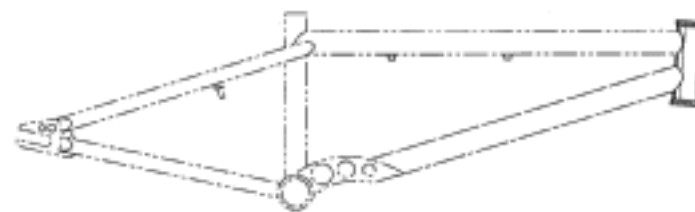
- (21) Design Number: **14247/2011**  
(22) Date of Filing Application: **22 September 2011**  
(24) Date from which industrial property rights may have effect: **22 September 2011**  
(54) Product in respect of which the design is registered: **Shower screen support**  
(51) International Design Classification: **08-09, 23-02B**  
(74) Name(s) of Attorney(s): **Actuate IP**  
(71) Name(s) and Address(s) of Applicant(s):  
**Formed Australia Pty Ltd**  
**22 St Andrew Drive Jan Juc Victoria 3228 Australia**  
(72) Name(s) of Designer(s): **Stephen Craig Royce**  
(45) Registration Date: **20 October 2011**  
(56) Related Art Documents: **Not Applicable**  
(57) Statement of Newness and Distinctiveness: **Newness and distinctiveness is claimed in the features of shape and/or configuration of the shower screen support as illustrated in the accompanying representations.**



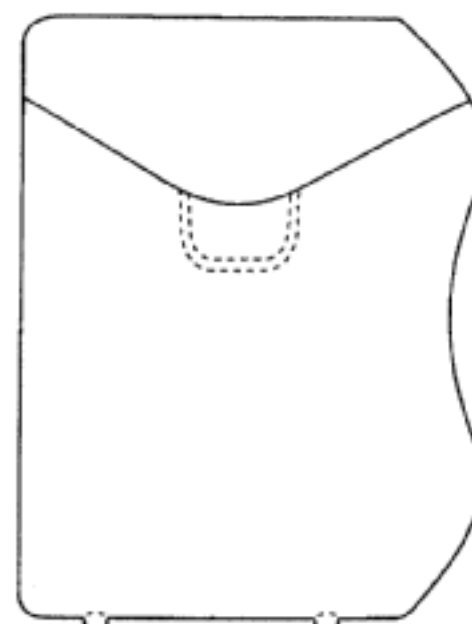
- (21) Design Number: **14248/2011**  
(22) Date of Filing Application: **22 September 2011**  
(24) Date from which industrial property rights may have effect: **22 September 2011**  
(54) Product in respect of which the design is registered: **Shower screen support**  
(51) International Design Classification: **08-09, 23-02B**  
(74) Name(s) of Attorney(s): **Actuate IP**  
(71) Name(s) and Address(s) of Applicant(s):  
**Formed Australia Pty Ltd**  
**22 St Andrew Drive Jan Juc Victoria 3228 Australia**  
(72) Name(s) of Designer(s): **Stephen Craig Royce**  
(45) Registration Date: **20 October 2011**  
(56) Related Art Documents: **Not Applicable**  
(57) Statement of Newness and Distinctiveness: **Newness and distinctiveness is claimed in the features of shape and/or configuration of the shower screen support as illustrated in the accompanying representations.**



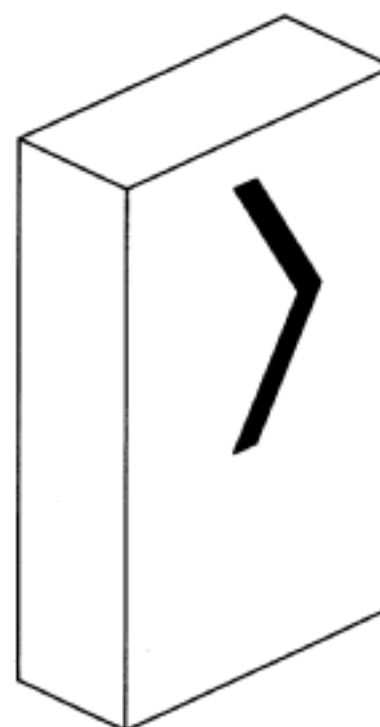
(21) Design Number: **14254/2011**  
(22) Date of Filing Application: **22 September 2011**  
(24) Date from which industrial property rights may have effect: **22 September 2011**  
(54) Product in respect of which the design is registered: **Bicycle frame tube**  
(51) International Design Classification: **12-11**  
(74) Name(s) of Attorney(s): **Collison & Co**  
(71) Name(s) and Address(s) of Applicant(s):  
**Madd Gear Pty Ltd**  
**12/35 Garden Road Clayton Victoria 3168 Australia**  
(72) Name(s) of Designer(s): **Mike Horne**  
(45) Registration Date: **21 October 2011**  
(56) Related Art Documents: **Not Applicable**  
(57) Statement of Newness and Distinctiveness: **Newness and distinctiveness resides in the shape and configuration of the bike frame tube, being the head tube, with the cutout section as shown in the accompanying figures. No claim is made to the sections of the frame shown in dotted outline.**



(21) Design Number: **14253/2011**  
(22) Date of Filing Application: **22 September 2011**  
(24) Date from which industrial property rights may have effect: **22 September 2011**  
(54) Product in respect of which the design is registered: **Container**  
(51) International Design Classification: **09-01NES**  
(74) Name(s) of Attorney(s): **FB Rice**  
(71) Name(s) and Address(s) of Applicant(s):  
**Colgate-Palmolive Company**  
**300 Park Avenue New York New York 10022 United States of America**  
(72) Name(s) of Designer(s): **Robert Moskovich and Jorg Andres Bejarano Marin**  
(45) Registration Date: **21 October 2011**  
(30) Convention priority data:  
(31) Number      (32) Date      (33) Country  
**29/390998      02 May 2011      UNITED STATES OF AMERICA**  
(56) Related Art Documents: **Not Applicable**  
(57) Statement of Newness and Distinctiveness: **Newness and distinctiveness reside in the features of shape and configuration of the container as shown in the representations, and excluding those features shown in broken lines.**



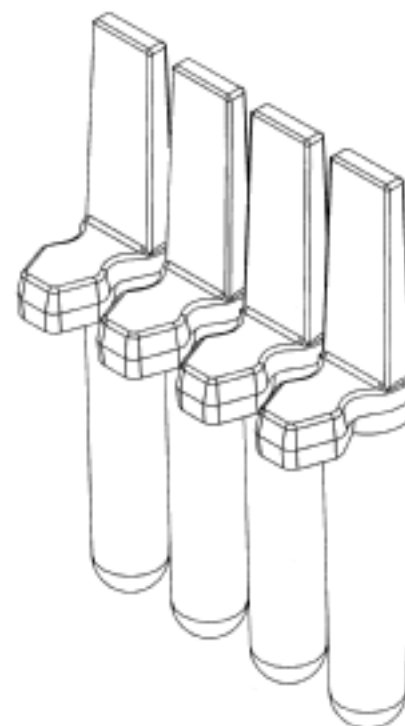
(21) Design Number: **14257/2011**  
(22) Date of Filing Application: **23 September 2011**  
(24) Date from which industrial property rights may have effect: **23 September 2011**  
(54) Product in respect of which the design is registered: **Cigarette pack**  
(51) International Design Classification: **09-03A**  
(74) Name(s) of Attorney(s): **Callinans**  
(71) Name(s) and Address(s) of Applicant(s):  
**Philip Morris Products S.A.**  
**Quai Jeanrenaud 3 2000 Neuchatel Switzerland**  
(72) Name(s) of Designer(s): **Virginy Suchet**  
(45) Registration Date: **21 October 2011**  
(30) Convention priority data:  
(31) Number (32) Date (33) Country  
**001267728-0001 29 Mar 2011 EUROPEAN COMMUNITY**  
(56) Related Art Documents: **Not Applicable**  
(57) Statement of Newness and Distinctiveness: **Newness and distinctiveness resides in the features of pattern and ornamentation and configuration of a cigarette pack as illustrated in the accompanying representations.**



(21) Design Number: **13704/2011**  
(22) Date of Filing Application: **19 August 2011**  
(24) Date from which industrial property rights may have effect: **19 August 2011**  
(54) Product in respect of which the design is registered: **Beam-mounted public area seating**  
(51) International Design Classification: **06-01C, 06-01D**  
(74) Name(s) of Attorney(s):  
(71) Name(s) and Address(s) of Applicant(s):  
**FormSeat Pty Ltd**  
**Registered office KSR Partners 2/971 Burke Road Camberwell Victoria**  
**3124 Australia**  
(72) Name(s) of Designer(s): **Johan H. Naess**  
(45) Registration Date: **26 October 2011**  
(56) Related Art Documents: **Not Applicable**  
(57) Statement of Newness and Distinctiveness: **The new and distinctive feature of this design is the use of an elastomeric membrane in a Beam Seating System, the method of attaching the seat to the beam, and the strong ergonomic shape of the seat, achieving maximum support.**



- (21) Design Number: **14273/2011**  
(22) Date of Filing Application: **23 September 2011**  
(24) Date from which industrial property rights may have effect: **23 September 2011**  
(54) Product in respect of which the design is registered: **Tube and cap assembly**  
(51) International Design Classification: **09-05**  
(74) Name(s) of Attorney(s): **Cotters Patent & Trade Mark Attorneys**  
(71) Name(s) and Address(s) of Applicant(s):  
**Chromoplas Pty Ltd**  
**8-12 Monte Khoury Drive Loganholme Queensland 4129 Australia**  
(72) Name(s) of Designer(s): **Anania Albert Khamu**  
(45) Registration Date: **21 October 2011**  
(56) Related Art Documents: **Not Applicable**  
(57) Statement of Newness and Distinctiveness: **Newness and distinctiveness is claimed in the features of shape and/or configuration of a tube and cap assembly as depicted in the accompanying drawings.**



- (21) Design Number: **10189/2011**  
(22) Date of Filing Application: **27 January 2011**  
(24) Date from which industrial property rights may have effect: **27 January 2011**  
(54) Product in respect of which the design is registered: **Cake holder**  
(51) International Design Classification: **07-02P**  
(74) Name(s) of Attorney(s): **Allens Arthur Robinson**  
(71) Name(s) and Address(s) of Applicant(s):  
**Coles Supermarkets Australia Pty Ltd**  
**800 Toorak Road Tooronga Victoria 3146 Australia**  
(72) Name(s) of Designer(s): **Kelly Elizabeth Orme**  
(45) Registration Date: **21 October 2011**  
(56) Related Art Documents: **Not Applicable**  
(57) Statement of Newness and Distinctiveness: **Newness and distinctiveness resides in the visual features of shape and/or configuration of a cake holder as illustrated in the accompanying representations.**





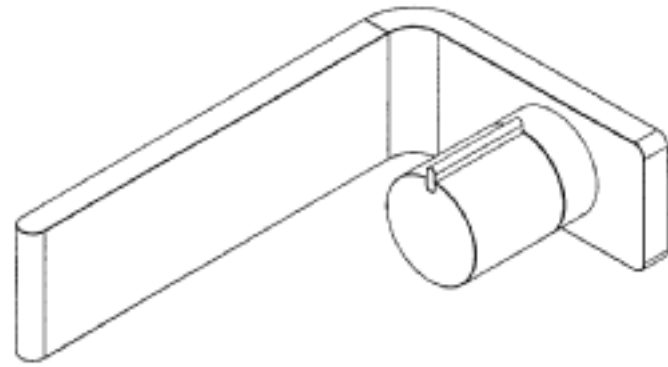
- (21) Design Number: **13945/2011**  
(22) Date of Filing Application: **08 September 2011**  
(24) Date from which industrial property rights may have effect: **08 September 2011**  
(54) Product in respect of which the design is registered: **A foot end of a bed base**  
(51) International Design Classification: **06-06F**  
(74) Name(s) of Attorney(s): **PATENT ATTORNEY SERVICES**  
(71) Name(s) and Address(s) of Applicant(s):  
**Wentworth Furniture Company Pty Ltd**  
**10-12 Dreamhaven Court Epping Victoria 3076 Australia**  
(72) Name(s) of Designer(s): **Rex Carr**  
(45) Registration Date: **21 October 2011**  
(56) Related Art Documents: **Not Applicable**  
(57) Statement of Newness and Distinctiveness: **Visual features of the design which are new and distinctive are the features of shape and configuration of the foot end of a bed base as illustrated in the representations. The larger head end and the horizontal mattress support appearing in some of the representations do not form part of the design and are to be disregarded. The particular materials, colours, types of timber, and timber grains shown in the representations do not form part of the design and are to be disregarded.**



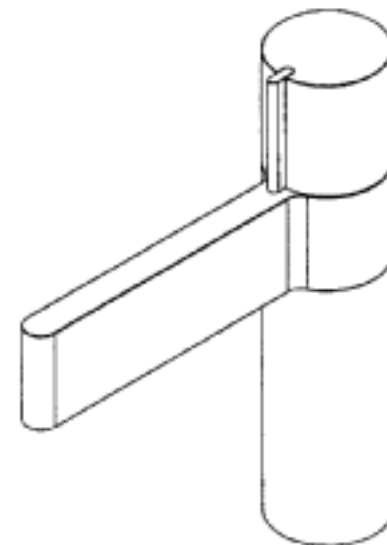
- (21) Design Number: **13946/2011**  
(22) Date of Filing Application: **08 September 2011**  
(24) Date from which industrial property rights may have effect: **08 September 2011**  
(54) Product in respect of which the design is registered: **A furniture piece with drawers**  
(51) International Design Classification: **06-04F**  
(74) Name(s) of Attorney(s): **PATENT ATTORNEY SERVICES**  
(71) Name(s) and Address(s) of Applicant(s):  
**Wentworth Furniture Company Pty Ltd**  
**10-12 Dreamhaven Court Epping Victoria 3076 Australia**  
(72) Name(s) of Designer(s): **Rex Carr**  
(45) Registration Date: **21 October 2011**  
(56) Related Art Documents: **Not Applicable**  
(57) Statement of Newness and Distinctiveness: **Visual features of the design which are new and distinctive are the features of shape and configuration of furniture pieces with drawers, two example products bearing the common design being illustrated in the representations. The first product illustrated is a bedside drawer unit, and the second product illustrated is a chest of drawers. The particular materials, colours, types of timber, and timber grains shown in the representations do not form part of the design and are to be disregarded.**



(21) Design Number: **14274/2011**  
(22) Date of Filing Application: **23 September 2011**  
(24) Date from which industrial property rights may have effect: **23 September 2011**  
(54) Product in respect of which the design is registered: **Mixer tap set**  
(51) International Design Classification: **23-01H**  
(74) Name(s) of Attorney(s): **Freehills Patent & Trade Mark Attorneys**  
(71) Name(s) and Address(s) of Applicant(s):  
**Phoenix Industries Pty Ltd**  
**20-22 Trade Place Vermont Victoria 3133 Australia**  
(72) Name(s) of Designer(s): **Ban Hsi Liu**  
(45) Registration Date: **21 October 2011**  
(56) Related Art Documents: **Not Applicable**  
(57) Statement of Newness and Distinctiveness: **Nil**



(21) Design Number: **14275/2011**  
(22) Date of Filing Application: **23 September 2011**  
(24) Date from which industrial property rights may have effect: **23 September 2011**  
(54) Product in respect of which the design is registered: **Mixer tap set**  
(51) International Design Classification: **23-01H**  
(74) Name(s) of Attorney(s): **Freehills Patent & Trade Mark Attorneys**  
(71) Name(s) and Address(s) of Applicant(s):  
**Phoenix Industries Pty Ltd**  
**20-22 Trade Place Vermont Victoria 3133 Australia**  
(72) Name(s) of Designer(s): **Ban Hsi Liu**  
(45) Registration Date: **21 October 2011**  
(56) Related Art Documents: **Not Applicable**  
(57) Statement of Newness and Distinctiveness: **Nil**



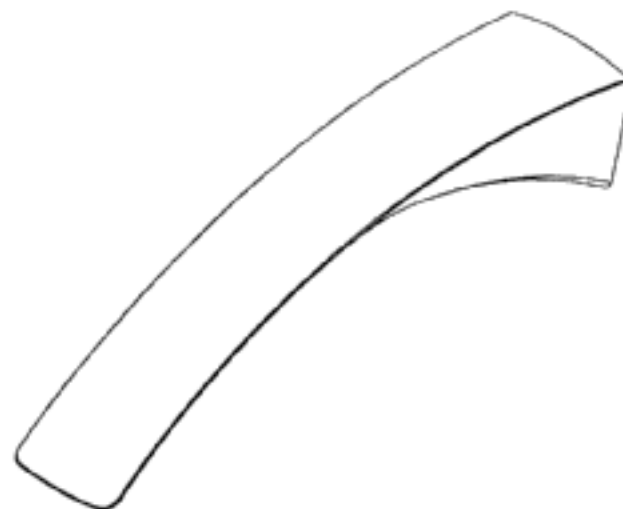
(21) Design Number: **14276/2011**  
(22) Date of Filing Application: **23 September 2011**  
(24) Date from which industrial property rights may have effect: **23 September 2011**  
(54) Product in respect of which the design is registered: **Shower outlet**  
(51) International Design Classification: **23-01H**  
(74) Name(s) of Attorney(s): **Freehills Patent & Trade Mark Attorneys**  
(71) Name(s) and Address(s) of Applicant(s):  
**Phoenix Industries Pty Ltd**  
**20-22 Trade Place Vermont Victoria 3133 Australia**  
(72) Name(s) of Designer(s): **Ban Hsi Liu**  
(45) Registration Date: **21 October 2011**  
(56) Related Art Documents: **Not Applicable**  
(57) Statement of Newness and Distinctiveness: **Nil**



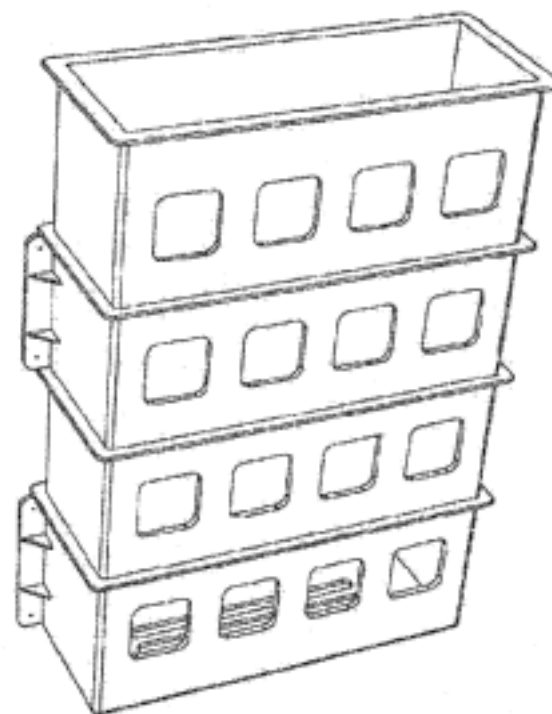
(21) Design Number: **14277/2011**  
(22) Date of Filing Application: **23 September 2011**  
(24) Date from which industrial property rights may have effect: **23 September 2011**  
(54) Product in respect of which the design is registered: **Spout**  
(51) International Design Classification: **23-01H**  
(74) Name(s) of Attorney(s): **Freehills Patent & Trade Mark Attorneys**  
(71) Name(s) and Address(s) of Applicant(s):  
**Phoenix Industries Pty Ltd**  
**20-22 Trade Place Vermont Victoria 3133 Australia**  
(72) Name(s) of Designer(s): **Ban Hsi Liu**  
(45) Registration Date: **21 October 2011**  
(56) Related Art Documents: **Not Applicable**  
(57) Statement of Newness and Distinctiveness: **Nil**



- (21) Design Number: **14278/2011**  
(22) Date of Filing Application: **23 September 2011**  
(24) Date from which industrial property rights may have effect: **23 September 2011**  
(54) Product in respect of which the design is registered: **Spout**  
(51) International Design Classification: **23-01H**  
(74) Name(s) of Attorney(s): **Freehills Patent & Trade Mark Attorneys**  
(71) Name(s) and Address(s) of Applicant(s):  
**Phoenix Industries Pty Ltd**  
**20-22 Trade Place Vermont Victoria 3133 Australia**  
(72) Name(s) of Designer(s): **Ban Hsi Liu**  
(45) Registration Date: **21 October 2011**  
(56) Related Art Documents: **Not Applicable**  
(57) Statement of Newness and Distinctiveness: **Nil**



- (21) Design Number: **14287/2011**  
(22) Date of Filing Application: **22 September 2011**  
(24) Date from which industrial property rights may have effect: **22 September 2011**  
(54) Product in respect of which the design is registered: **Planter box**  
(51) International Design Classification: **11-02B**  
(74) Name(s) of Attorney(s): **Baxter IP**  
(71) Name(s) and Address(s) of Applicant(s):  
**Chris Allison**  
**252 Oxford Street Bondi Junction New South Wales 2022 Australia**  
(72) Name(s) of Designer(s): **Chris Allison**  
(45) Registration Date: **21 October 2011**  
(56) Related Art Documents: **Not Applicable**  
(57) Statement of Newness and Distinctiveness: **Newness and distinctiveness is claimed in the features of shape and/or configuration of a planter box as shown in the accompanying representations.**



(21) Design Number: **14490/2011**

(22) Date of Filing Application: **04 October 2011**

(24) Date from which industrial property rights may have effect: **04 October 2011**

(54) Product in respect of which the design is registered: **Rocking chair**

(51) International Design Classification: **06-01K**

(74) Name(s) of Attorney(s):

(71) Name(s) and Address(s) of Applicant(s):

**FormSeat Pty Ltd**

**Registered office KSR Partners 2/971 Burke Road Camberwell Victoria  
3124 Australia**

(72) Name(s) of Designer(s): **Johan H. Naess**

(45) Registration Date: **21 October 2011**

(56) Related Art Documents: **Not Applicable**

(57) Statement of Newness and Distinctiveness: **This Design makes a robust rocking chair, also suitable for commercial use.**



(21) Design Number: **14344/2011**

(22) Date of Filing Application: **27 September 2011**

(24) Date from which industrial property rights may have effect: **27 September 2011**

(54) Product in respect of which the design is registered: **Medicine ball**

(51) International Design Classification: **21-02A**

(74) Name(s) of Attorney(s): **HODGKINSON McINNES PATENTS**

(71) Name(s) and Address(s) of Applicant(s):

**Nathan Thomas McKay**

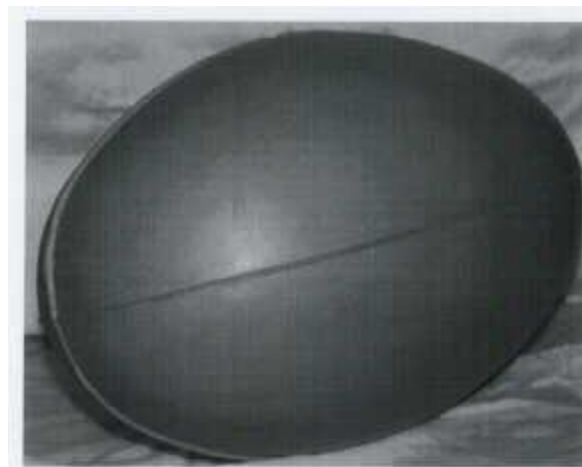
**1/80 Benelong Road Cremorne New South Wales 2090 Australia**

(72) Name(s) of Designer(s): **Nathan Thomas McKay**

(45) Registration Date: **24 October 2011**

(56) Related Art Documents: **Not Applicable**

(57) Statement of Newness and Distinctiveness: **Newness and distinctiveness is claimed in the features of a "medicine ball" as depicted in the representations.**



(21) Design Number: **14345/2011**  
(22) Date of Filing Application: **27 September 2011**  
(24) Date from which industrial property rights may have effect: **27 September 2011**  
(54) Product in respect of which the design is registered: **A container**  
(51) International Design Classification: **09-01NES**  
(74) Name(s) of Attorney(s): **Baldwins Intellectual Property**  
(71) Name(s) and Address(s) of Applicant(s):  
**Frucor Beverages Limited**  
**86 Plunket Avenue Manukau Auckland New Zealand**  
(72) Name(s) of Designer(s): **David Murray Melrose and Campbell Melrose-Allen and Andrew Candy and Tania Maria Larsen**  
(45) Registration Date: **24 October 2011**  
(30) Convention priority data:  
(31) Number (32) Date (33) Country  
**414720 30 Mar 2011 NEW ZEALAND**  
(56) Related Art Documents: **Not Applicable**  
(57) Statement of Newness and Distinctiveness: **Newness and distinctiveness resides in the shape and configuration of A CONTAINER.**



(21) Design Number: **14346/2011**  
(22) Date of Filing Application: **28 September 2011**  
(24) Date from which industrial property rights may have effect: **28 September 2011**  
(54) Product in respect of which the design is registered: **Portable inflatable exhibition and function booth/shelter**  
(51) International Design Classification: **20-02C**  
(74) Name(s) of Attorney(s):  
(71) Name(s) and Address(s) of Applicant(s):  
**Jay A. Maxwell**  
**5 Savannah Place Erskine Park New South Wales 2759 Australia**  
**Michael Kosiak**  
**65 Wrights Road Castle Hill New South Wales 2154 Australia**  
(72) Name(s) of Designer(s): **Jay A. Maxwell**  
(45) Registration Date: **24 October 2011**  
(56) Related Art Documents: **Not Applicable**  
(57) Statement of Newness and Distinctiveness: **Nil**



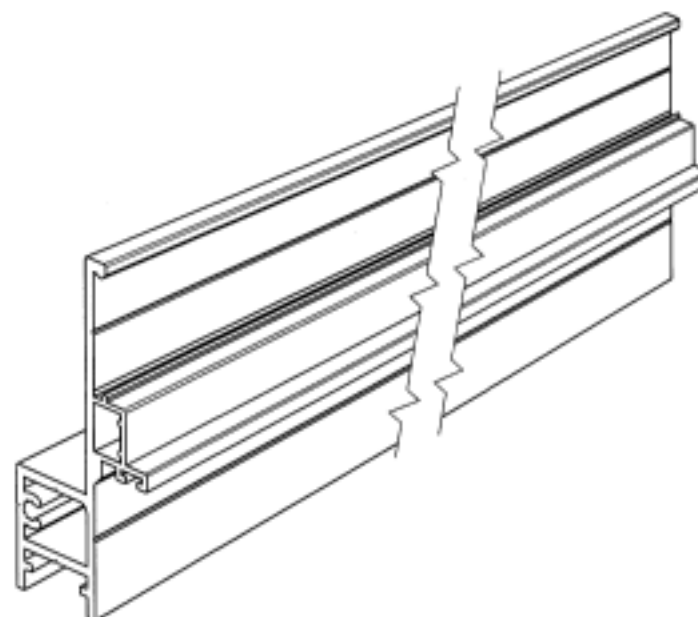
(21) Design Number: **14348/2011**  
(22) Date of Filing Application: **27 September 2011**  
(24) Date from which industrial property rights may have effect: **27 September 2011**  
(54) Product in respect of which the design is registered: **Filter assembly for swimming pools**  
(51) International Design Classification: **23-01G**  
(74) Name(s) of Attorney(s): **Fisher Adams Kelly**  
(71) Name(s) and Address(s) of Applicant(s):  
**Oui Create Pty Ltd**  
**c/o Poolrite Research Pty Ltd PO Box 520 Mt Gravatt 4122 Queensland Australia**  
(72) Name(s) of Designer(s): **Ross Leslie Palmer**  
(45) Registration Date: **24 October 2011**  
(56) Related Art Documents: **Not Applicable**  
(57) Statement of Newness and Distinctiveness: **The newness and distinctiveness of the design resides in the shape and/or configuration of the FILTER ASSEMBLY FOR SWIMMING POOLS shown in the representations.**



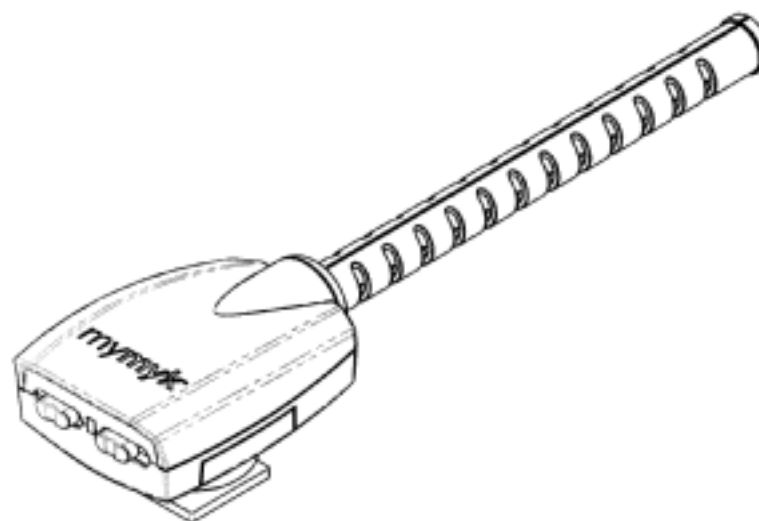
(21) Design Number: **13900/2011**  
(22) Date of Filing Application: **05 September 2011**  
(24) Date from which industrial property rights may have effect: **05 September 2011**  
(54) Product in respect of which the design is registered: **Iron**  
(51) International Design Classification: **07-05A**  
(74) Name(s) of Attorney(s): **Davies Collison Cave**  
(71) Name(s) and Address(s) of Applicant(s):  
**Electrolux Home Products, Inc.**  
**10200 David Taylor Drive Charlotte North Carolina 28262 United States of America**  
(72) Name(s) of Designer(s): **Karolin Rohmer and Christian Agren and Pia Ringholm**  
(45) Registration Date: **24 October 2011**  
(30) Convention priority data:  
(31) Number (32) Date (33) Country  
**29/386856 04 Mar 2011 UNITED STATES OF AMERICA**  
(56) Related Art Documents: **Not Applicable**  
(57) Statement of Newness and Distinctiveness: **Newness and distinctiveness is claimed in the visual features shown in solid lines in the representations.**



- (21) Design Number: **14249/2011**  
(22) Date of Filing Application: **26 September 2011**  
(24) Date from which industrial property rights may have effect: **26 September 2011**  
(54) Product in respect of which the design is registered: **Frame extrusion**  
(51) International Design Classification: **25-01K**  
(74) Name(s) of Attorney(s): **Fisher Adams Kelly**  
(71) Name(s) and Address(s) of Applicant(s):  
**IPH International Pty Ltd**  
**1 Blanck Street Ormeau Queensland 4208 Australia**  
(72) Name(s) of Designer(s): **Ramesh Ramachandran**  
(45) Registration Date: **24 October 2011**  
(56) Related Art Documents: **Not Applicable**  
(57) Statement of Newness and Distinctiveness: **The newness and distinctiveness of the design resides in the shape and/or configuration of a frame extrusion of indefinite length as illustrated in the accompanying representations.**

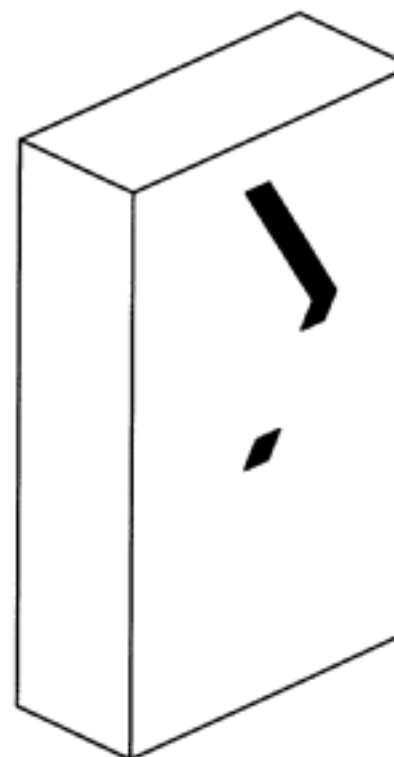


- (21) Design Number: **14255/2011**  
(22) Date of Filing Application: **23 September 2011**  
(24) Date from which industrial property rights may have effect: **23 September 2011**  
(54) Product in respect of which the design is registered: **Design is related to the Smart Myk microphone for use as recording equipment with DSLR and Video cameras**  
(51) International Design Classification: **14-01**  
(74) Name(s) of Attorney(s):  
(71) Name(s) and Address(s) of Applicant(s):  
**Ingrid Annetta Maria Shears**  
**PO Box 167 Cremorne New South Wales 2090 Australia**  
**David William Green**  
**PO Box 167 Cremorne New South Wales 2090 Australia**  
(72) Name(s) of Designer(s): **Ingrid A. Shears and David William Green**  
(45) Registration Date: **24 October 2011**  
(56) Related Art Documents: **Not Applicable**  
(57) Statement of Newness and Distinctiveness: **High definition audio microphone purposefully designed for DSLR and Video cameras which encompasses a shotgun style microphone with weather-proof durable shockmount and electronic circuit all in one encapsulated format. It is low profile; robust; lightweight; easily operated and maintained; amplifier included in compact ergonomic application.**

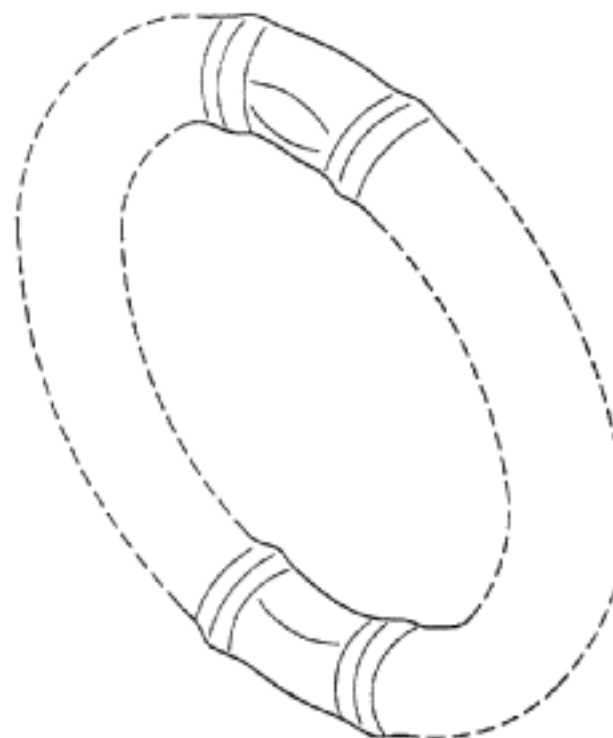




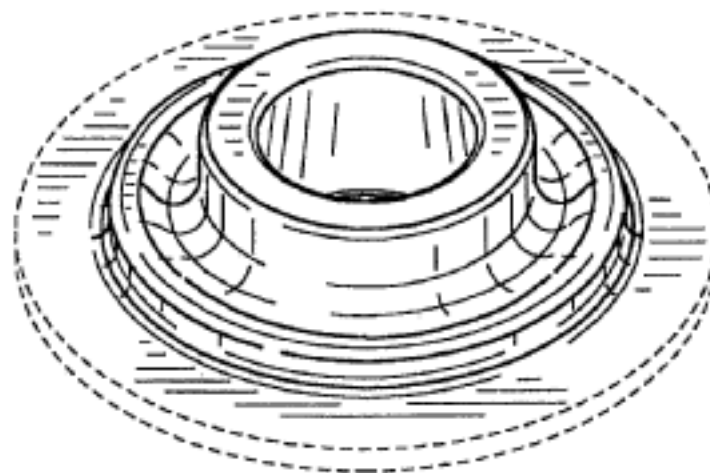
(21) Design Number: **14256/2011**  
(22) Date of Filing Application: **23 September 2011**  
(24) Date from which industrial property rights may have effect: **23 September 2011**  
(54) Product in respect of which the design is registered: **Cigarette pack**  
(51) International Design Classification: **09-03A**  
(74) Name(s) of Attorney(s): **Callinans**  
(71) Name(s) and Address(s) of Applicant(s):  
**Philip Morris Products S.A.**  
**Quai Jeanrenaud 3 2000 Neuchatel Switzerland**  
(72) Name(s) of Designer(s): **Virginy Suchet**  
(45) Registration Date: **24 October 2011**  
(30) Convention priority data:  
(31) Number (32) Date (33) Country  
**001267728-0002 29 Mar 2011 EUROPEAN COMMUNITY**  
(56) Related Art Documents: **Not Applicable**  
(57) Statement of Newness and Distinctiveness: **Newness and distinctiveness resides in the features of pattern and ornamentation and configuration of a cigarette pack as illustrated in the accompanying representations.**



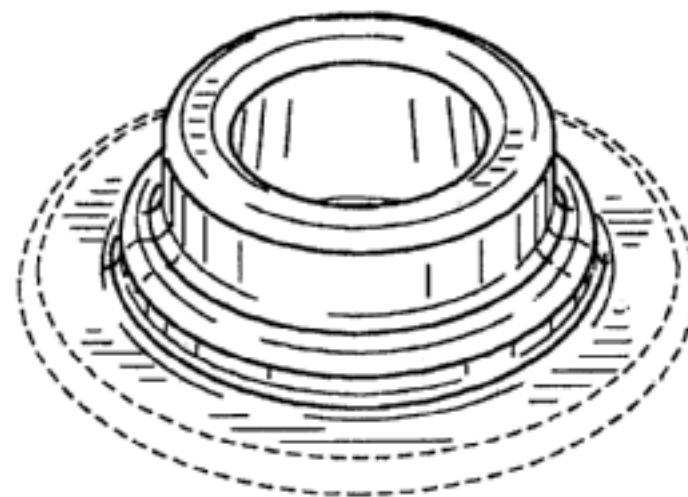
(21) Design Number: **14324/2011**  
(22) Date of Filing Application: **26 September 2011**  
(24) Date from which industrial property rights may have effect: **26 September 2011**  
(54) Product in respect of which the design is registered: **O ring**  
(51) International Design Classification: **23-01A**  
(74) Name(s) of Attorney(s): **Davies Collison Cave**  
(71) Name(s) and Address(s) of Applicant(s):  
**Conex IPR Limited**  
**Whitehall Road Tipton West Midlands DY4 7JU United Kingdom**  
(72) Name(s) of Designer(s): **Steven Paul Webb and Alan Glaze**  
(45) Registration Date: **24 October 2011**  
(56) Related Art Documents: **Not Applicable**  
(57) Statement of Newness and Distinctiveness: **Newness and distinctiveness is claimed in the visual features shown in solid lines in the representations.**



(21) Design Number: **14325/2011**  
(22) Date of Filing Application: **27 September 2011**  
(24) Date from which industrial property rights may have effect: **27 September 2011**  
(54) Product in respect of which the design is registered: **Spring retainer**  
(51) International Design Classification: **08-08C**  
(74) Name(s) of Attorney(s): **PIZZEYS**  
(71) Name(s) and Address(s) of Applicant(s):  
**Charter Manufacturing Co., Inc.**  
**Mequon WI United States of America**  
(72) Name(s) of Designer(s): **James R. Edgar and Daniel R. Szortyka and**  
**William V. Howard and John M. Gardner**  
(45) Registration Date: **24 October 2011**  
(30) Convention priority data:  
(31) Number (32) Date (33) Country  
**29/388,336 28 Mar 2011 UNITED STATES OF AMERICA**  
(56) Related Art Documents: **Not Applicable**  
(57) Statement of Newness and Distinctiveness: **Nil**



(21) Design Number: **14326/2011**  
(22) Date of Filing Application: **27 September 2011**  
(24) Date from which industrial property rights may have effect: **27 September 2011**  
(54) Product in respect of which the design is registered: **Spring retainer**  
(51) International Design Classification: **08-08C**  
(74) Name(s) of Attorney(s): **PIZZEYS**  
(71) Name(s) and Address(s) of Applicant(s):  
**Charter Manufacturing Co., Inc.**  
**Mequon WI United States of America**  
(72) Name(s) of Designer(s): **James R. Edgar and Daniel R. Szortyka**  
(45) Registration Date: **24 October 2011**  
(30) Convention priority data:  
(31) Number (32) Date (33) Country  
**29/388,340 28 Mar 2011 UNITED STATES OF AMERICA**  
(56) Related Art Documents: **Not Applicable**  
(57) Statement of Newness and Distinctiveness: **Nil**



(21) Design Number: **14330/2011**  
(22) Date of Filing Application: **26 September 2011**  
(24) Date from which industrial property rights may have effect: **26 September 2011**  
(54) Product in respect of which the design is registered: **A selector handle for an office chair**  
(51) International Design Classification: **06-06G**  
(74) Name(s) of Attorney(s): **Collison & Co**  
(71) Name(s) and Address(s) of Applicant(s):  
**Justin Peter Brown**  
**7 Cord Street Dudley Park South Australia 5008 Australia**  
(72) Name(s) of Designer(s): **Justin Peter Brown**  
(45) Registration Date: **24 October 2011**  
(56) Related Art Documents: **Not Applicable**  
(57) Statement of Newness and Distinctiveness: **Nil**



(21) Design Number: **14331/2011**  
(22) Date of Filing Application: **26 September 2011**  
(24) Date from which industrial property rights may have effect: **26 September 2011**  
(54) Product in respect of which the design is registered: **A selector handle for an office chair**  
(51) International Design Classification: **06-06G**  
(74) Name(s) of Attorney(s): **Collison & Co**  
(71) Name(s) and Address(s) of Applicant(s):  
**Justin Peter Brown**  
**7 Cord Street Dudley Park South Australia 5008 Australia**  
(72) Name(s) of Designer(s): **Justin Peter Brown**  
(45) Registration Date: **24 October 2011**  
(56) Related Art Documents: **Not Applicable**  
(57) Statement of Newness and Distinctiveness: **Nil**



- (21) Design Number: **14332/2011**  
(22) Date of Filing Application: **26 September 2011**  
(24) Date from which industrial property rights may have effect: **26 September 2011**  
(54) Product in respect of which the design is registered: **A selector handle for an office chair**  
(51) International Design Classification: **06-06G**  
(74) Name(s) of Attorney(s): **Collison & Co**  
(71) Name(s) and Address(s) of Applicant(s):  
**Justin Peter Brown**  
**7 Cord Street Dudley Park South Australia 5008 Australia**  
(72) Name(s) of Designer(s): **Justin Peter Brown**  
(45) Registration Date: **24 October 2011**  
(56) Related Art Documents: **Not Applicable**  
(57) Statement of Newness and Distinctiveness: **Nil**

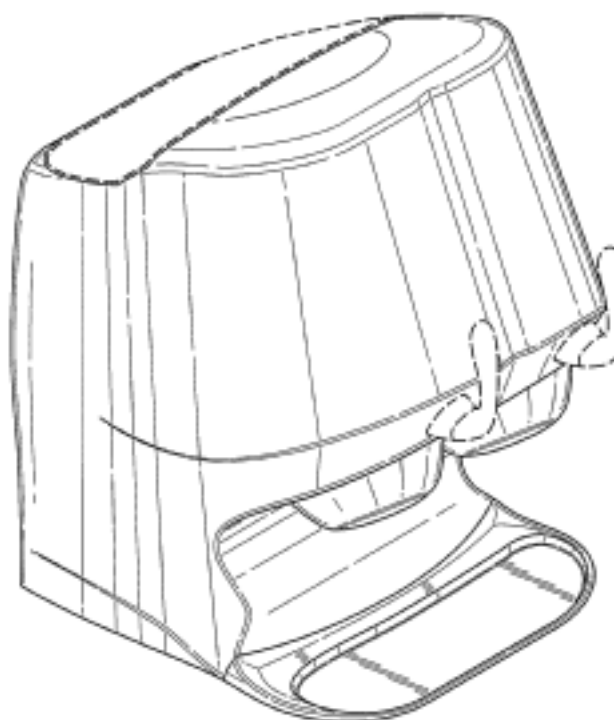


- (21) Design Number: **14333/2011**  
(22) Date of Filing Application: **26 September 2011**  
(24) Date from which industrial property rights may have effect: **26 September 2011**  
(54) Product in respect of which the design is registered: **UV radiation apparatus**  
(51) International Design Classification: **24-01, 24-99**  
(74) Name(s) of Attorney(s): **Griffith Hack**  
(71) Name(s) and Address(s) of Applicant(s):  
**BRITA GMBH**  
**Heinrich-Hertz Strasse 4 65232 Taunusstein Germany**  
(72) Name(s) of Designer(s): **Thomas Milewski and Markus Bucher and Karel Golta**  
(45) Registration Date: **24 October 2011**  
(30) Convention priority data:  
(31) Number      (32) Date      (33) Country  
**402011002553.1    01 Apr 2011      GERMANY**  
(56) Related Art Documents: **Not Applicable**  
(57) Statement of Newness and Distinctiveness: **Newness and distinctiveness resides in the visual features, including shape and configuration of a UV radiation apparatus as shown in the accompanying representations. When determining whether the design is substantially similar in overall impression to another design it should be understood that the shape and configuration of the housing, in the vicinity of the connectors at the base of the design as shown in the representations, is provided for illustrative purposes only and is not intended to limit the design.**



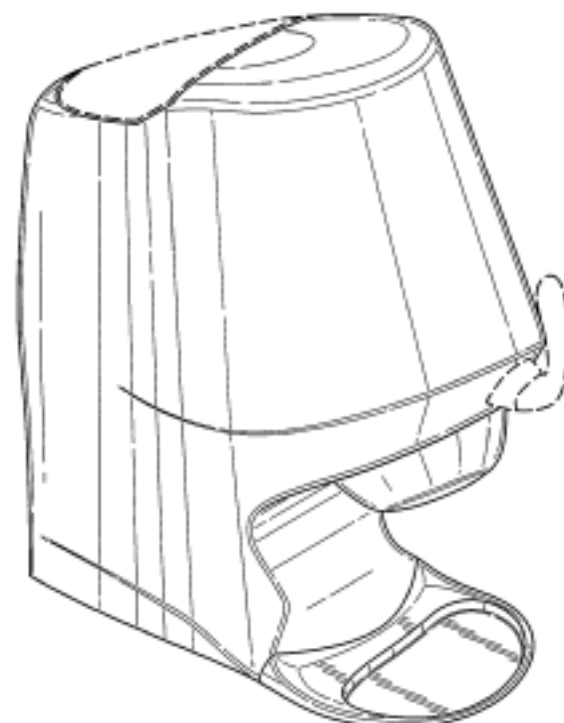
(21) Design Number: **14334/2011**  
(22) Date of Filing Application: **26 September 2011**  
(24) Date from which industrial property rights may have effect: **26 September 2011**  
(54) Product in respect of which the design is registered: **Ice cream dispenser**  
(51) International Design Classification: **31-00**  
(74) Name(s) of Attorney(s): **Griffith Hack**  
(71) Name(s) and Address(s) of Applicant(s):  
**Unilever PLC**  
**100 Victoria Embankment London EC4Y 0DY United Kingdom**  
(72) Name(s) of Designer(s): **Xorge Castro Pelayo and Benjamin John Strutt**  
(45) Registration Date: **24 October 2011**  
(30) Convention priority data:  
(31) Number (32) Date (33) Country  
**001852682-0001 19 Apr 2011 EUROPEAN COMMUNITY**

(56) Related Art Documents: **Not Applicable**  
(57) Statement of Newness and Distinctiveness: **Newness and distinctiveness resides in the visual features, including shape and configuration of an ice cream dispenser as shown in solid outline in the accompanying drawings. When determining whether the design is substantially similar in overall impression to another design, no regard is to be had to those features shown in dotted outline in the accompanying drawings, which features are provided for illustrative purposes only.**



(21) Design Number: **14335/2011**  
(22) Date of Filing Application: **26 September 2011**  
(24) Date from which industrial property rights may have effect: **26 September 2011**  
(54) Product in respect of which the design is registered: **Ice cream dispenser**  
(51) International Design Classification: **31-00**  
(74) Name(s) of Attorney(s): **Griffith Hack**  
(71) Name(s) and Address(s) of Applicant(s):  
**Unilever PLC**  
**100 Victoria Embankment London EC4Y 0DY United Kingdom**  
(72) Name(s) of Designer(s): **Xorge Castro Pelayo and Benjamin John Strutt**  
(45) Registration Date: **24 October 2011**  
(30) Convention priority data:  
(31) Number (32) Date (33) Country  
**001852674-0001 19 Apr 2011 EUROPEAN COMMUNITY**

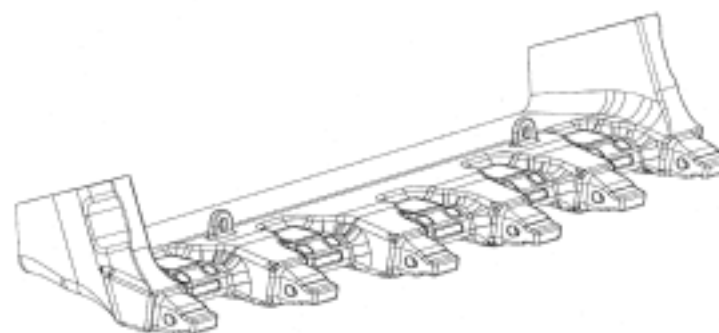
(56) Related Art Documents: **Not Applicable**  
(57) Statement of Newness and Distinctiveness: **Newness and distinctiveness resides in the visual features, including shape and configuration of an ice cream dispenser as shown in solid outline in the accompanying drawings. When determining whether the design is substantially similar in overall impression to another design, no regard is to be had to those features shown in dotted outline in the accompanying drawings, which features are provided for illustrative purposes only.**



- (21) Design Number: **14340/2011**  
(22) Date of Filing Application: **27 September 2011**  
(24) Date from which industrial property rights may have effect: **27 September 2011**  
(54) Product in respect of which the design is registered: **Cheek plate for excavation bucket**  
(51) International Design Classification: **15-04**  
(74) Name(s) of Attorney(s): **Griffith Hack**  
(71) Name(s) and Address(s) of Applicant(s):  
**Bradken Resources Pty Limited**  
**2 Maud Street Mayfield West New South Wales 2304 Australia**  
(72) Name(s) of Designer(s): **Reece Attwood and Glenn Baxter and Jason Lunn**  
(45) Registration Date: **24 October 2011**  
(56) Related Art Documents: **Not Applicable**  
(57) Statement of Newness and Distinctiveness: **Nil**



- (21) Design Number: **14341/2011**  
(22) Date of Filing Application: **27 September 2011**  
(24) Date from which industrial property rights may have effect: **27 September 2011**  
(54) Product in respect of which the design is registered: **Lip for excavation bucket**  
(51) International Design Classification: **15-04**  
(74) Name(s) of Attorney(s): **Griffith Hack**  
(71) Name(s) and Address(s) of Applicant(s):  
**Bradken Resources Pty Limited**  
**2 Maud Street Mayfield West New South Wales 2304 Australia**  
(72) Name(s) of Designer(s): **Reece Attwood and Glenn Baxter and Jason Lunn**  
(45) Registration Date: **24 October 2011**  
(56) Related Art Documents: **Not Applicable**  
(57) Statement of Newness and Distinctiveness: **Newness and distinctiveness resides in the visual features, including shape, configuration of a lip for excavation bucket as shown in the accompanying drawings. When determining whether the design is substantially similar in overall impression to another design, particular regard is to be had to the shape and configuration of the lip wing marked A shown in the accompanying drawings and no regard is to be had to the features of the nose portions and shroud pockets intermediate the nose portions, which features are provided for illustrative purposes only.**



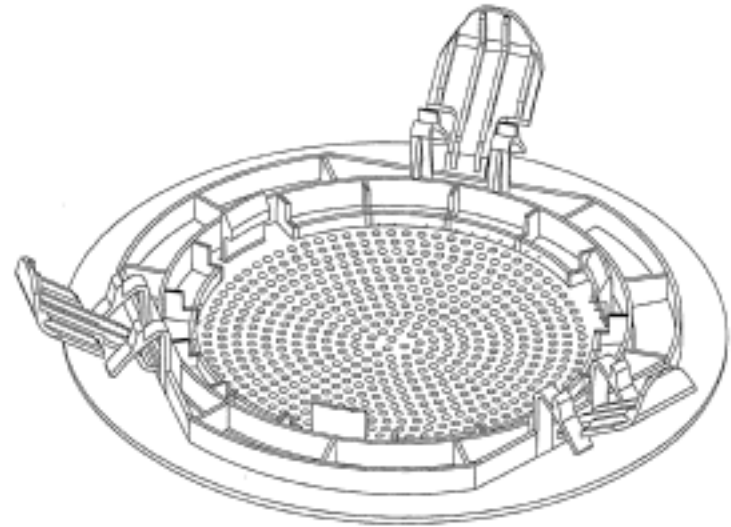
- (21) Design Number: **13748/2011**  
(22) Date of Filing Application: **25 August 2011**  
(24) Date from which industrial property rights may have effect: **25 August 2011**  
(54) Product in respect of which the design is registered: **A dog bathing harness**  
(51) International Design Classification: **30-04**  
(74) Name(s) of Attorney(s):  
(71) Name(s) and Address(s) of Applicant(s):  
**Neill G. Tormey**  
**35 Oxley Drive Holland Park Queensland 4121 Australia**  
(72) Name(s) of Designer(s): **Neill G. Tormey**  
(45) Registration Date: **24 October 2011**  
(56) Related Art Documents: **Not Applicable**  
(57) Statement of Newness and Distinctiveness: **Unique suction pad stick to both sanitary wear and tiles. My invention braces your dog in a bath or shower so it cannot jump out or turn around.**



- (21) Design Number: **14260/2011**  
(22) Date of Filing Application: **23 September 2011**  
(24) Date from which industrial property rights may have effect: **23 September 2011**  
(54) Product in respect of which the design is registered: **Undergarment**  
(51) International Design Classification: **02-01B**  
(74) Name(s) of Attorney(s): **Simpsons Solicitors**  
(71) Name(s) and Address(s) of Applicant(s):  
**Hannah Millward**  
**Suite 17 L1 Elevation Building 6 Meridian Place Bella Vista New South Wales 2153 Australia**  
(72) Name(s) of Designer(s): **Hannah Millward**  
(45) Registration Date: **24 October 2011**  
(56) Related Art Documents: **Not Applicable**  
(57) Statement of Newness and Distinctiveness: **Newness and distinctiveness are claimed in the shape, configuration, ornamentation and pattern of the women's undergarment shown in solid lines in the drawings.**



- (21) Design Number: **14262/2011**  
(22) Date of Filing Application: **23 September 2011**  
(24) Date from which industrial property rights may have effect: **23 September 2011**  
(54) Product in respect of which the design is registered: **Speaker cover**  
(51) International Design Classification: **14-01**  
(74) Name(s) of Attorney(s): **Wrays**  
(71) Name(s) and Address(s) of Applicant(s):  
**Altronic Distributors Pty Ltd**  
**174 Roe Street Perth Western Australia 6000 Australia**  
(72) Name(s) of Designer(s): **Brian Sorensen**  
(45) Registration Date: **24 October 2011**  
(56) Related Art Documents: **Not Applicable**  
(57) Statement of Newness and Distinctiveness: **Newness and distinctiveness is claimed in the features of shape and/or configuration of the speaker cover as depicted in the accompanying representations.**

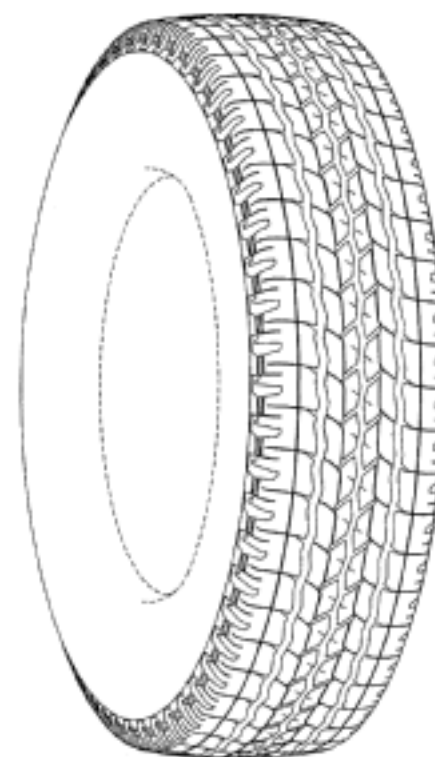


- (21) Design Number: **11590/2011**  
(22) Date of Filing Application: **14 April 2011**  
(24) Date from which industrial property rights may have effect: **14 April 2011**  
(54) Product in respect of which the design is registered: **Electric toothbrushes**  
(51) International Design Classification: **28-03NES**  
(74) Name(s) of Attorney(s):  
(71) Name(s) and Address(s) of Applicant(s):  
**Kris Hill**  
**46 Marley Crescent Bonnyrigg Heights New South Wales 2177 Australia**  
(72) Name(s) of Designer(s): **Kris Hill**  
(45) Registration Date: **24 October 2011**  
(56) Related Art Documents: **Not Applicable**  
(57) Statement of Newness and Distinctiveness: **Nil**





- (21) Design Number: **13659/2011**  
(22) Date of Filing Application: **18 August 2011**  
(24) Date from which industrial property rights may have effect: **18 August 2011**  
(54) Product in respect of which the design is registered: **Automobile tyre**  
(51) International Design Classification: **12-15A**  
(74) Name(s) of Attorney(s): **Griffith Hack**  
(71) Name(s) and Address(s) of Applicant(s):  
**Bridgestone Corporation**  
**10-1 Kyobashi 1-Chome Chuo-Ku Tokyo 104-8340 Japan**  
(72) Name(s) of Designer(s): **Keiichi Kato**  
(45) Registration Date: **24 October 2011**  
(30) Convention priority data:  
(31) Number (32) Date (33) Country  
**JP2011-003624 21 Feb 2011 JAPAN**  
(56) Related Art Documents: **Not Applicable**  
(57) Statement of Newness and Distinctiveness: **The shape and configuration of the automobile tyre is new and distinctivve. Those parts shown in broken lines do not form part of the design.**



- (21) Design Number: **14349/2011**  
(22) Date of Filing Application: **27 September 2011**  
(24) Date from which industrial property rights may have effect: **27 September 2011**  
(54) Product in respect of which the design is registered: **Front top cover for motor scooter**  
(51) International Design Classification: **12-11**  
(74) Name(s) of Attorney(s): **SPRUSON & FERGUSON**  
(71) Name(s) and Address(s) of Applicant(s):  
**Honda Motor Co., Ltd.**  
**1-1 Minamiaoyama 2-chome Minato-ku Tokyo Japan**  
(72) Name(s) of Designer(s): **Hiroshi Nitta and Xiumin Shi**  
(45) Registration Date: **24 October 2011**  
(30) Convention priority data:  
(31) Number (32) Date (33) Country  
**2011-007558 31 Mar 2011 JAPAN**  
(56) Related Art Documents: **Not Applicable**  
(57) Statement of Newness and Distinctiveness: **Newness and distinctiveness is claimed in the features of shape and/or configuration of a front top cover for motor scooter as illustrated in the accompanying representations.**



(21) Design Number: **14350/2011**  
(22) Date of Filing Application: **27 September 2011**  
(24) Date from which industrial property rights may have effect: **27 September 2011**  
(54) Product in respect of which the design is registered: **Motor scooter**  
(51) International Design Classification: **12-11**  
(74) Name(s) of Attorney(s): **SPRUSON & FERGUSON**  
(71) Name(s) and Address(s) of Applicant(s):  
**Honda Motor Co., Ltd.**  
**1-1 Minamiaoyama 2-chome Minato-ku Tokyo Japan**  
(72) Name(s) of Designer(s): **Hiroshi Nitta and Xiumin Shi**  
(45) Registration Date: **24 October 2011**  
(30) Convention priority data:  
(31) Number      (32) Date      (33) Country  
**2011-007557      31 Mar 2011      JAPAN**  
(56) Related Art Documents: **Not Applicable**  
(57) Statement of Newness and Distinctiveness: **Newness and distinctiveness is claimed in the features of shape and/or configuration of a motor scooter as illustrated in the accompanying representations.**



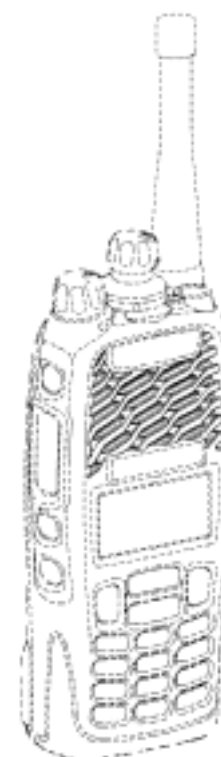
(21) Design Number: **14351/2011**  
(22) Date of Filing Application: **27 September 2011**  
(24) Date from which industrial property rights may have effect: **27 September 2011**  
(54) Product in respect of which the design is registered: **Front side cowl for motorcycle**  
(51) International Design Classification: **12-11**  
(74) Name(s) of Attorney(s): **SPRUSON & FERGUSON**  
(71) Name(s) and Address(s) of Applicant(s):  
**Honda Motor Co., Ltd.**  
**1-1 Minamiaoyama 2-chome Minato-ku Tokyo Japan**  
(72) Name(s) of Designer(s): **Daisuke Tokumura and Arihide Tsujimoto**  
(45) Registration Date: **24 October 2011**  
(30) Convention priority data:  
(31) Number      (32) Date      (33) Country  
**2011-007556      31 Mar 2011      JAPAN**  
(56) Related Art Documents: **Not Applicable**  
(57) Statement of Newness and Distinctiveness: **Newness and distinctiveness is claimed in the features of shape and/or configuration of a front side cowl for motorcycle as illustrated in the accompanying representations.**



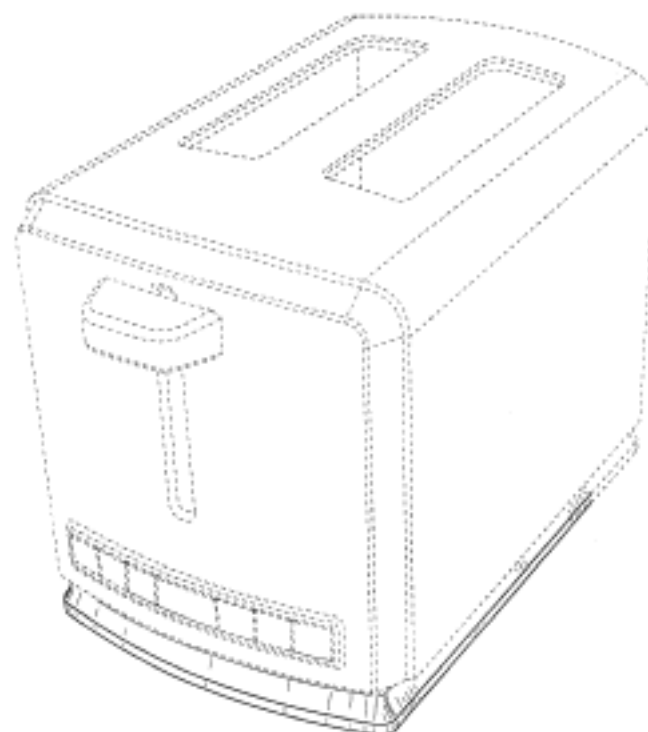
(21) Design Number: **14352/2011**  
(22) Date of Filing Application: **27 September 2011**  
(24) Date from which industrial property rights may have effect: **27 September 2011**  
(54) Product in respect of which the design is registered: **Rear combination lamp for motor scooter**  
(51) International Design Classification: **26-06**  
(74) Name(s) of Attorney(s): **SPRUSON & FERGUSON**  
(71) Name(s) and Address(s) of Applicant(s):  
**Honda Motor Co., Ltd.**  
**1-1 Minamiaoyama 2-chome Minato-ku Tokyo Japan**  
(72) Name(s) of Designer(s): **Hiroshi Nitta and Xiumin Shi**  
(45) Registration Date: **24 October 2011**  
(30) Convention priority data:  
(31) Number      (32) Date      (33) Country  
**2011-007559      31 Mar 2011      JAPAN**  
(56) Related Art Documents: **Not Applicable**  
(57) Statement of Newness and Distinctiveness: **Newness and distinctiveness is claimed in the features of shape and/or configuration of a rear combination lamp for motor scooter as illustrated in the accompanying representations.**



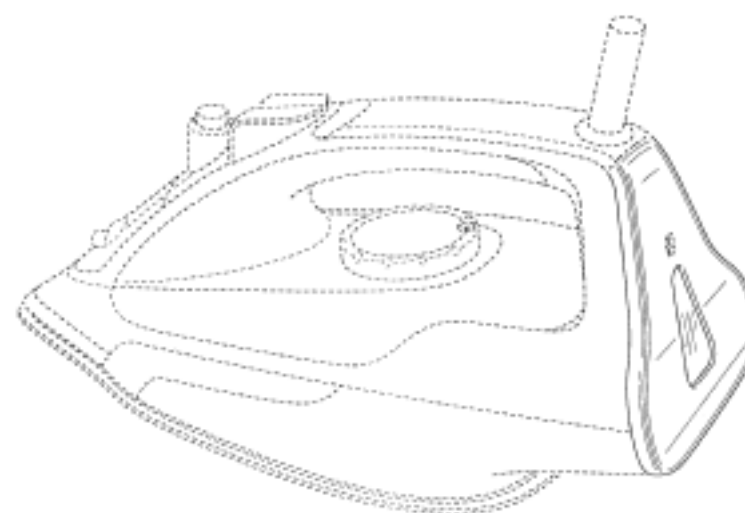
(21) Design Number: **13868/2011**  
(22) Date of Filing Application: **31 August 2011**  
(24) Date from which industrial property rights may have effect: **31 August 2011**  
(54) Product in respect of which the design is registered: **Portable radio**  
(51) International Design Classification: **14-03D**  
(74) Name(s) of Attorney(s):  
(71) Name(s) and Address(s) of Applicant(s):  
**Tait Electronics Limited**  
**175 Roydvale Avenue Christchurch New Zealand**  
(72) Name(s) of Designer(s): **Daniel Richard Foster and Blair Michael Mackle and Rodney Stephen Mackrell**  
(45) Registration Date: **25 October 2011**  
(56) Related Art Documents: **Not Applicable**  
(57) Statement of Newness and Distinctiveness: **Newness and distinctiveness is claimed in the features of shape and/or configuration of a portable radio as shown in solid lines in the accompanying representations.**



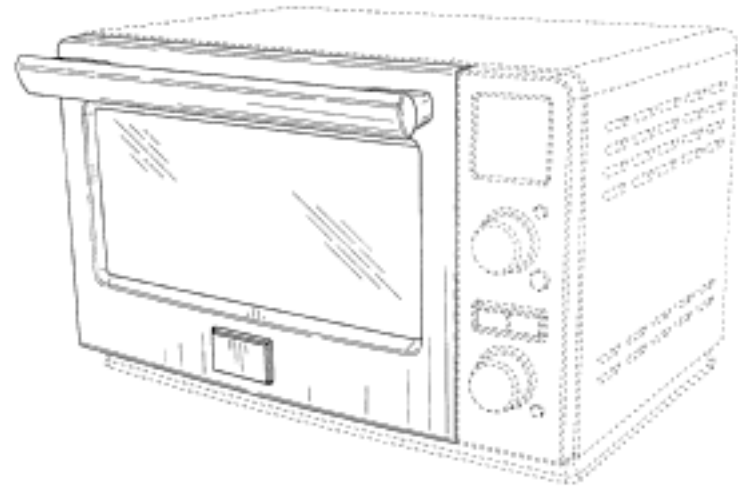
(21) Design Number: **13901/2011**  
(22) Date of Filing Application: **05 September 2011**  
(24) Date from which industrial property rights may have effect: **05 September 2011**  
(54) Product in respect of which the design is registered: **Base for a kitchen appliance**  
(51) International Design Classification: **07-02F**  
(74) Name(s) of Attorney(s): **Davies Collison Cave**  
(71) Name(s) and Address(s) of Applicant(s):  
**Electrolux Home Products, Inc.**  
**10200 David Taylor Drive Charlotte North Carolina 28262 United States of America**  
(72) Name(s) of Designer(s): **Benjamin Paul Shrader and Daniel Hartly Green**  
(45) Registration Date: **25 October 2011**  
(30) Convention priority data:  
(31) Number (32) Date (33) Country  
**29/386874 04 Mar 2011 UNITED STATES OF AMERICA**  
(56) Related Art Documents: **Not Applicable**  
(57) Statement of Newness and Distinctiveness: **Newness and distinctiveness is claimed in the visual features shown in solid lines in the representations.**



(21) Design Number: **13902/2011**  
(22) Date of Filing Application: **05 September 2011**  
(24) Date from which industrial property rights may have effect: **05 September 2011**  
(54) Product in respect of which the design is registered: **Iron**  
(51) International Design Classification: **07-05A**  
(74) Name(s) of Attorney(s): **Davies Collison Cave**  
(71) Name(s) and Address(s) of Applicant(s):  
**Electrolux Home Products, Inc.**  
**10200 David Taylor Drive Charlotte North Carolina 28262 United States of America**  
(72) Name(s) of Designer(s): **Karolin Rohmer and Christian Agren and Pia Ringholm**  
(45) Registration Date: **25 October 2011**  
(30) Convention priority data:  
(31) Number (32) Date (33) Country  
**29/386870 04 Mar 2011 UNITED STATES OF AMERICA**  
(56) Related Art Documents: **Not Applicable**  
(57) Statement of Newness and Distinctiveness: **Newness and distinctiveness is claimed in the visual features shown in solid lines in the representations.**



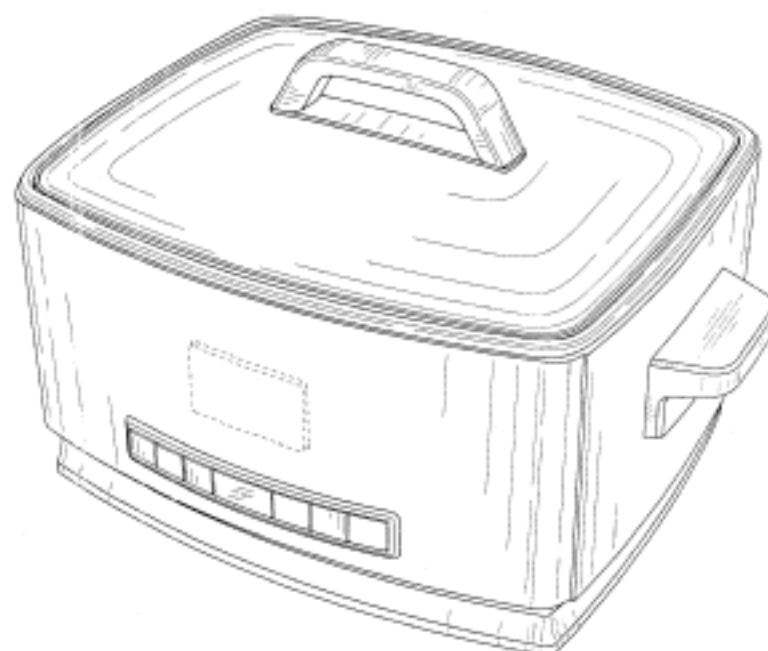
- (21) Design Number: **13903/2011**  
(22) Date of Filing Application: **05 September 2011**  
(24) Date from which industrial property rights may have effect: **05 September 2011**  
(54) Product in respect of which the design is registered: **Oven**  
(51) International Design Classification: **07-02A**  
(74) Name(s) of Attorney(s): **Davies Collison Cave**  
(71) Name(s) and Address(s) of Applicant(s):  
**Electrolux Home Products, Inc.**  
**10200 David Taylor Drive Charlotte North Carolina 28262 United States of America**  
(72) Name(s) of Designer(s): **Brent Aaron Curtis and Daniel Hartly Green and Charles David Baker**  
(45) Registration Date: **25 October 2011**  
(30) Convention priority data:  
(31) Number (32) Date (33) Country  
**29/386867 04 Mar 2011 UNITED STATES OF AMERICA**  
(56) Related Art Documents: **Not Applicable**  
(57) Statement of Newness and Distinctiveness: **Newness and distinctiveness is claimed in the visual features shown in solid lines in the representations.**



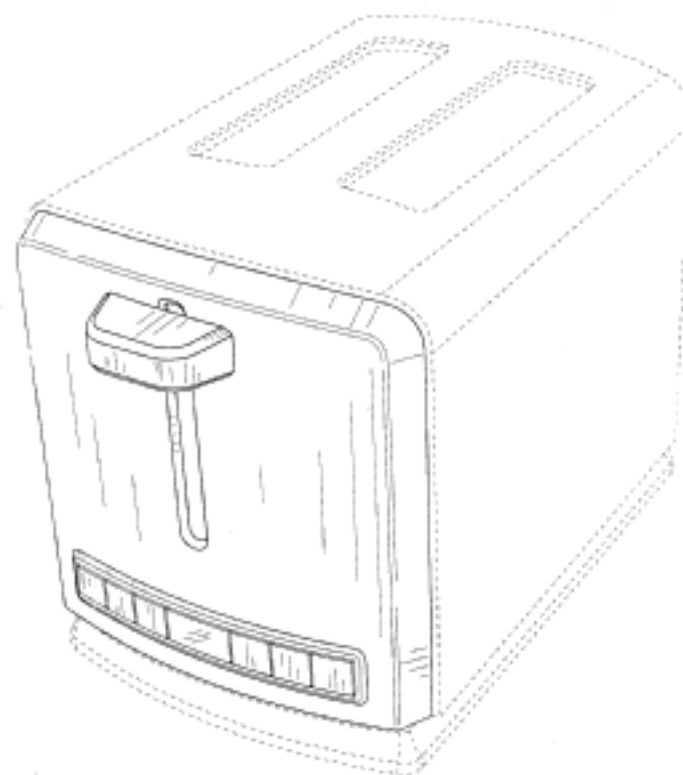
- (21) Design Number: **13904/2011**  
(22) Date of Filing Application: **05 September 2011**  
(24) Date from which industrial property rights may have effect: **05 September 2011**  
(54) Product in respect of which the design is registered: **Toaster**  
(51) International Design Classification: **07-02F**  
(74) Name(s) of Attorney(s): **Davies Collison Cave**  
(71) Name(s) and Address(s) of Applicant(s):  
**Electrolux Home Products, Inc.**  
**10200 David Taylor Drive Charlotte North Carolina 28262 United States of America**  
(72) Name(s) of Designer(s): **Brent Aaron Curtis and Daniel Hartly Green and Charles David Baker and Benjamin Paul Shrader**  
(45) Registration Date: **25 October 2011**  
(30) Convention priority data:  
(31) Number (32) Date (33) Country  
**29/386853 04 Mar 2011 UNITED STATES OF AMERICA**  
(56) Related Art Documents: **Not Applicable**  
(57) Statement of Newness and Distinctiveness: **Newness and distinctiveness is claimed in the visual features shown in solid lines in the representations.**



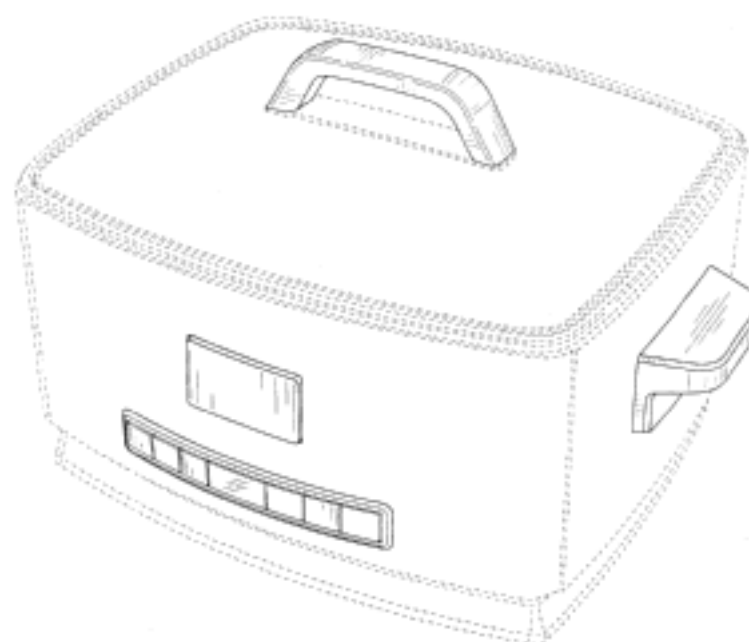
- (21) Design Number: **13905/2011**  
(22) Date of Filing Application: **05 September 2011**  
(24) Date from which industrial property rights may have effect: **05 September 2011**  
(54) Product in respect of which the design is registered: **Slow cooker**  
(51) International Design Classification: **07-02B, 07-02N**  
(74) Name(s) of Attorney(s): **Davies Collison Cave**  
(71) Name(s) and Address(s) of Applicant(s):  
**Electrolux Home Products, Inc.**  
**10200 David Taylor Drive Charlotte North Carolina 28262 United States of America**  
(72) Name(s) of Designer(s): **Brent Aaron Curtis and Daniel Hartly Green and Charles David Baker and Benjamin Paul Shrader**  
(45) Registration Date: **25 October 2011**  
(30) Convention priority data:  
(31) Number (32) Date (33) Country  
**29/386857 04 Mar 2011 UNITED STATES OF AMERICA**  
(56) Related Art Documents: **Not Applicable**  
(57) Statement of Newness and Distinctiveness: **Newness and distinctiveness is claimed in the visual features shown in solid lines in the representations.**



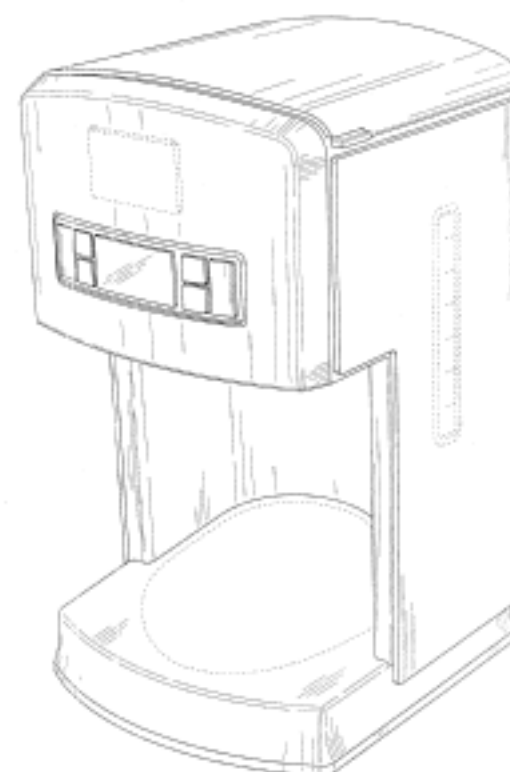
- (21) Design Number: **13906/2011**  
(22) Date of Filing Application: **05 September 2011**  
(24) Date from which industrial property rights may have effect: **05 September 2011**  
(54) Product in respect of which the design is registered: **Toaster**  
(51) International Design Classification: **07-02F**  
(74) Name(s) of Attorney(s): **Davies Collison Cave**  
(71) Name(s) and Address(s) of Applicant(s):  
**Electrolux Home Products, Inc.**  
**10200 David Taylor Drive Charlotte North Carolina 28262 United States of America**  
(72) Name(s) of Designer(s): **Brent Aaron Curtis and Daniel Hartly Green**  
(45) Registration Date: **25 October 2011**  
(30) Convention priority data:  
(31) Number (32) Date (33) Country  
**29/386861 04 Mar 2011 UNITED STATES OF AMERICA**  
(56) Related Art Documents: **Not Applicable**  
(57) Statement of Newness and Distinctiveness: **Newness and distinctiveness is claimed in the visual features shown in solid lines in the representations.**



- (21) Design Number: **13907/2011**  
(22) Date of Filing Application: **05 September 2011**  
(24) Date from which industrial property rights may have effect: **05 September 2011**  
(54) Product in respect of which the design is registered: **Slow cooker**  
(51) International Design Classification: **07-02B, 07-02N**  
(74) Name(s) of Attorney(s): **Davies Collison Cave**  
(71) Name(s) and Address(s) of Applicant(s):  
**Electrolux Home Products, Inc.**  
**10200 David Taylor Drive Charlotte North Carolina 28262 United States of America**  
(72) Name(s) of Designer(s): **Brent Aaron Curtis and Daniel Hartly Green and Benjamin Paul Shrader**  
(45) Registration Date: **25 October 2011**  
(30) Convention priority data:  
(31) Number (32) Date (33) Country  
**29/386866 04 Mar 2011 UNITED STATES OF AMERICA**  
(56) Related Art Documents: **Not Applicable**  
(57) Statement of Newness and Distinctiveness: **Newness and distinctiveness is claimed in the visual features shown in solid lines in the representations.**



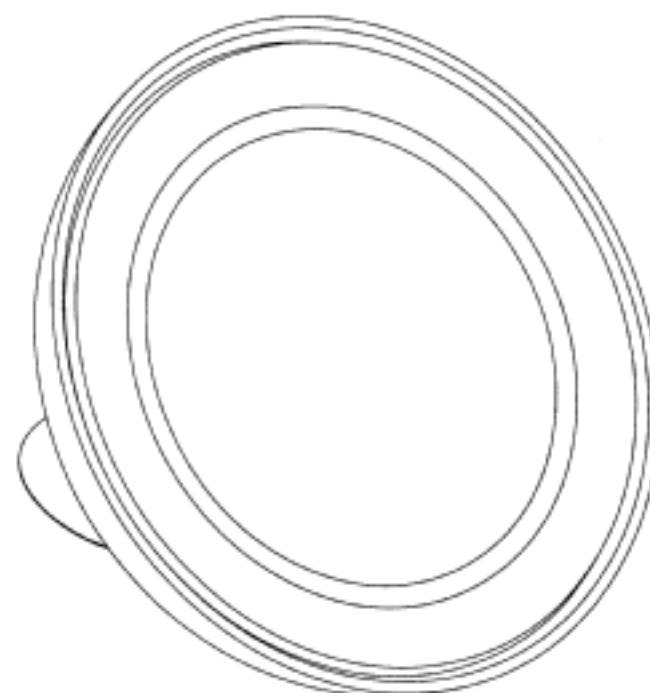
- (21) Design Number: **13908/2011**  
(22) Date of Filing Application: **05 September 2011**  
(24) Date from which industrial property rights may have effect: **05 September 2011**  
(54) Product in respect of which the design is registered: **Coffee maker**  
(51) International Design Classification: **07-02L**  
(74) Name(s) of Attorney(s): **Davies Collison Cave**  
(71) Name(s) and Address(s) of Applicant(s):  
**Electrolux Home Products, Inc.**  
**10200 David Taylor Drive Charlotte North Carolina 28262 United States of America**  
(72) Name(s) of Designer(s): **Brent Aaron Curtis and Daniel Hartly Green and Charles David Baker and Benjamin Paul Shrader**  
(45) Registration Date: **25 October 2011**  
(30) Convention priority data:  
(31) Number (32) Date (33) Country  
**29/386855 04 Mar 2011 UNITED STATES OF AMERICA**  
(56) Related Art Documents: **Not Applicable**  
(57) Statement of Newness and Distinctiveness: **Newness and distinctiveness is claimed in the visual features shown in solid lines in the representations.**



(21) Design Number: **14364/2011**  
(22) Date of Filing Application: **28 September 2011**  
(24) Date from which industrial property rights may have effect: **28 September 2011**  
(54) Product in respect of which the design is registered: **Flask**  
(51) International Design Classification: **09-01G**  
(74) Name(s) of Attorney(s): **Callinans**  
(71) Name(s) and Address(s) of Applicant(s):  
**Beaute Prestige International**  
**28/32 avenue Victor Hugo 75116 Paris France**  
(72) Name(s) of Designer(s): **Sylvie de France**  
(45) Registration Date: **25 October 2011**  
(30) Convention priority data:  
(31) Number (32) Date (33) Country  
**001847781-0002 07 Apr 2011 EUROPEAN COMMUNITY**  
(56) Related Art Documents: **Not Applicable**  
(57) Statement of Newness and Distinctiveness: **Nil**



(21) Design Number: **14365/2011**  
(22) Date of Filing Application: **27 September 2011**  
(24) Date from which industrial property rights may have effect: **27 September 2011**  
(54) Product in respect of which the design is registered: **Lamp**  
(51) International Design Classification: **26-05B**  
(74) Name(s) of Attorney(s): **FB Rice**  
(71) Name(s) and Address(s) of Applicant(s):  
**Koninklijke Philips Electronics N.V.**  
**Groenewoudseweg 1, 5621 BA Eindhoven, The Netherlands**  
(72) Name(s) of Designer(s): **Dido Van Klinken and Paul Georges Arnold Karel Bas**  
(45) Registration Date: **25 October 2011**  
(30) Convention priority data:  
(31) Number (32) Date (33) Country  
**001843384-0001 30 Mar 2011 EUROPEAN COMMUNITY**  
(56) Related Art Documents: **Not Applicable**  
(57) Statement of Newness and Distinctiveness: **Newness and distinctiveness reside in the features of shape and configuration of the lamp as shown in the representations.**





(21) Design Number: **14414/2011**

(22) Date of Filing Application: **29 September 2011**

(24) Date from which industrial property rights may have effect: **29 September 2011**

(54) Product in respect of which the design is registered: **Ink cartridge**

(51) International Design Classification: **14-02**

(74) Name(s) of Attorney(s): **Shelston IP**

(71) Name(s) and Address(s) of Applicant(s):

**Hewlett-Packard Development Company L.P.**

**11445 Compaq Center Drive West Houston Texas 77070 United States of America**

(72) Name(s) of Designer(s): **David C. Harvey and Ralph L. Stathem and David N. Olsen**

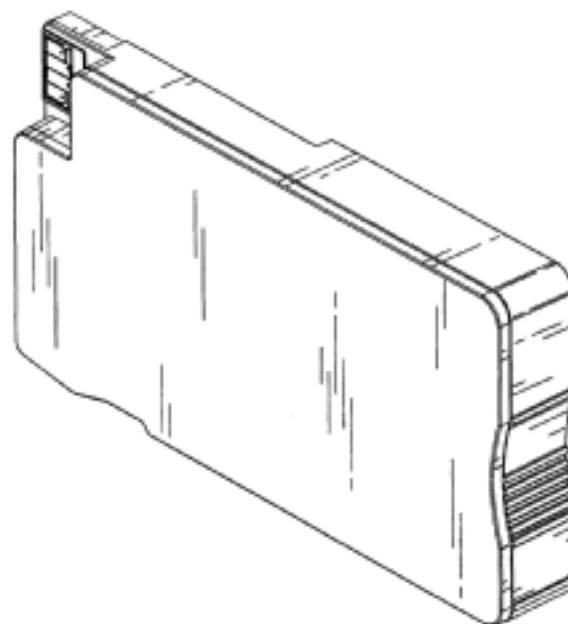
(45) Registration Date: **25 October 2011**

(30) Convention priority data:

(31) Number	(32) Date	(33) Country
<b>29/402495</b>	<b>23 Sep 2011</b>	<b>UNITED STATES OF AMERICA</b>

(56) Related Art Documents: **Not Applicable**

(57) Statement of Newness and Distinctiveness: **Newness and distinctiveness of the design for an INK CARTRIDGE reside in the shape and configuration of those features shown in solid line. The features shown in broken line are illustrative only and do not form part of the design.**



(21) Design Number: **14415/2011**

(22) Date of Filing Application: **29 September 2011**

(24) Date from which industrial property rights may have effect: **29 September 2011**

(54) Product in respect of which the design is registered: **Ink cartridge**

(51) International Design Classification: **14-02**

(74) Name(s) of Attorney(s): **Shelston IP**

(71) Name(s) and Address(s) of Applicant(s):

**Hewlett-Packard Development Company L.P.**

**11445 Compaq Center Drive West Houston Texas 77070 United States of America**

(72) Name(s) of Designer(s): **David C. Harvey and Ralph L. Stathem and David N. Olsen**

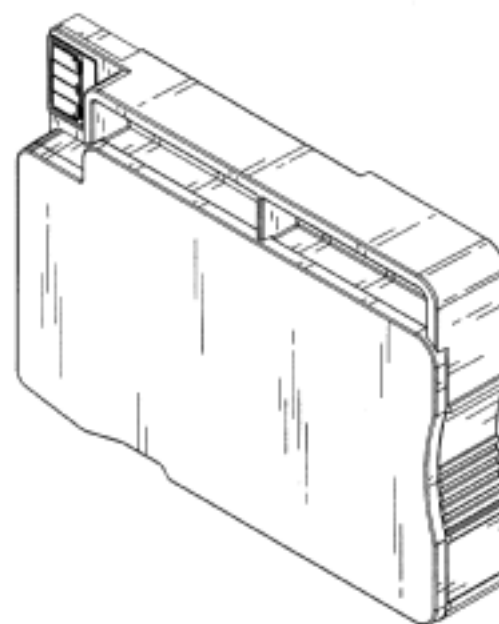
(45) Registration Date: **25 October 2011**

(30) Convention priority data:

(31) Number	(32) Date	(33) Country
<b>29/402500</b>	<b>23 Sep 2011</b>	<b>UNITED STATES OF AMERICA</b>

(56) Related Art Documents: **Not Applicable**

(57) Statement of Newness and Distinctiveness: **Newness and distinctiveness of the design for an INK CARTRIDGE reside in the shape and configuration of those features shown in solid line. The features shown in broken line are illustrative only and do not form part of the design.**



(21) Design Number: **14416/2011**

(22) Date of Filing Application: **29 September 2011**

(24) Date from which industrial property rights may have effect: **29 September 2011**

(54) Product in respect of which the design is registered: **Ink cartridge**

(51) International Design Classification: **14-02**

(74) Name(s) of Attorney(s): **Shelston IP**

(71) Name(s) and Address(s) of Applicant(s):

**Hewlett-Packard Development Company L.P.**

**11445 Compaq Center Drive West Houston Texas 77070 United States of America**

(72) Name(s) of Designer(s): **David C. Harvey and Ralph L. Stathem and David N. Olsen**

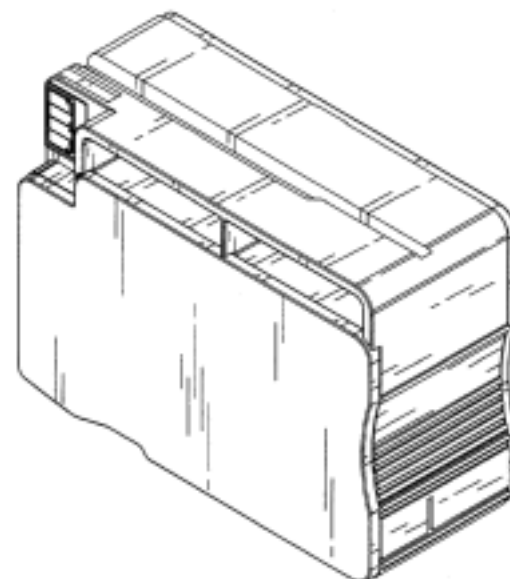
(45) Registration Date: **25 October 2011**

(30) Convention priority data:

(31) Number	(32) Date	(33) Country
<b>29/402498</b>	<b>23 Sep 2011</b>	<b>UNITED STATES OF AMERICA</b>

(56) Related Art Documents: **Not Applicable**

(57) Statement of Newness and Distinctiveness: **Newness and distinctiveness of the design for an INK CARTRIDGE reside in the shape and configuration of those features shown in solid line. The features shown in broken line are illustrative only and do not form part of the design.**



(21) Design Number: **14417/2011**

(22) Date of Filing Application: **29 September 2011**

(24) Date from which industrial property rights may have effect: **29 September 2011**

(54) Product in respect of which the design is registered: **Ink cartridge**

(51) International Design Classification: **14-02**

(74) Name(s) of Attorney(s): **Shelston IP**

(71) Name(s) and Address(s) of Applicant(s):

**Hewlett-Packard Development Company L.P.**

**11445 Compaq Center Drive West Houston Texas 77070 United States of America**

(72) Name(s) of Designer(s): **David C. Harvey and Ralph L. Stathem and David N. Olsen**

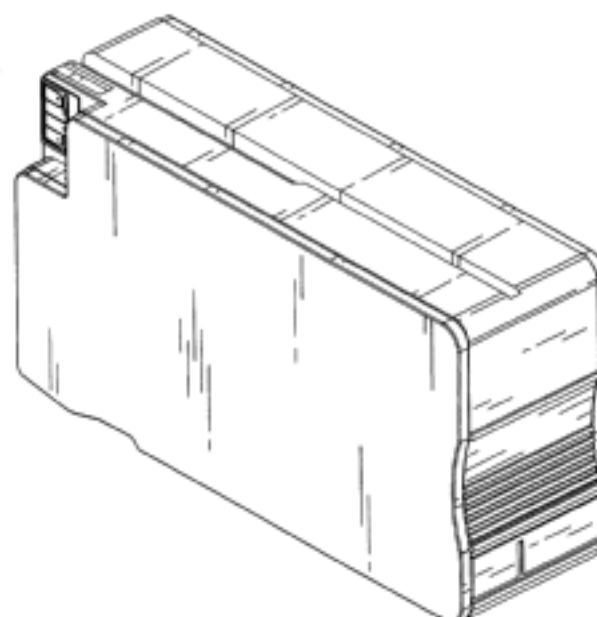
(45) Registration Date: **25 October 2011**

(30) Convention priority data:

(31) Number	(32) Date	(33) Country
<b>29/402514</b>	<b>23 Sep 2011</b>	<b>UNITED STATES OF AMERICA</b>

(56) Related Art Documents: **Not Applicable**

(57) Statement of Newness and Distinctiveness: **Newness and distinctiveness of the design for an INK CARTRIDGE reside in the shape and configuration of those features shown in solid line. The features shown in broken line are illustrative only and do not form part of the design.**



(21) Design Number: **14418/2011**

(22) Date of Filing Application: **29 September 2011**

(24) Date from which industrial property rights may have effect: **29 September 2011**

(54) Product in respect of which the design is registered: **Ink cartridge**

(51) International Design Classification: **14-02**

(74) Name(s) of Attorney(s): **Shelston IP**

(71) Name(s) and Address(s) of Applicant(s):

**Hewlett-Packard Development Company L.P.**

**11445 Compaq Center Drive West Houston Texas 77070 United States of America**

(72) Name(s) of Designer(s): **David C. Harvey and Ralph L. Stathem and David N. Olsen**

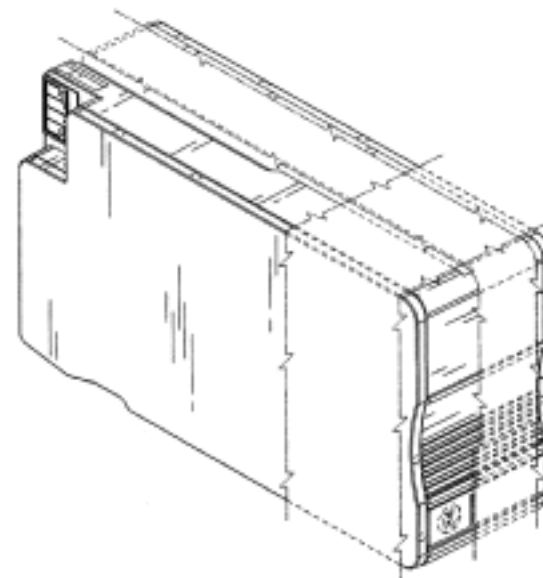
(45) Registration Date: **25 October 2011**

(30) Convention priority data:

(31) Number	(32) Date	(33) Country
<b>29/402509</b>	<b>23 Sep 2011</b>	<b>UNITED STATES OF AMERICA</b>

(56) Related Art Documents: **Not Applicable**

(57) Statement of Newness and Distinctiveness: **Newness and distinctiveness of the design for an INK CARTRIDGE reside in the shape and configuration of those features shown in solid line. The features shown in broken line are illustrative only and do not form part of the design.**



(21) Design Number: **14420/2011**

(22) Date of Filing Application: **28 September 2011**

(24) Date from which industrial property rights may have effect: **28 September 2011**

(54) Product in respect of which the design is registered: **Hair clippers**

(51) International Design Classification: **28-03D**

(74) Name(s) of Attorney(s): **Wrays**

(71) Name(s) and Address(s) of Applicant(s):

**Babyliss Faco SA**

**Avenue de l'Independance 25 4020 Wandre Belgium**

(72) Name(s) of Designer(s): **Pierre Julemont**

(45) Registration Date: **25 October 2011**

(30) Convention priority data:

(31) Number	(32) Date	(33) Country
<b>1844697-0001</b>	<b>01 Apr 2011</b>	<b>EUROPEAN COMMUNITY</b>

(56) Related Art Documents: **Not Applicable**

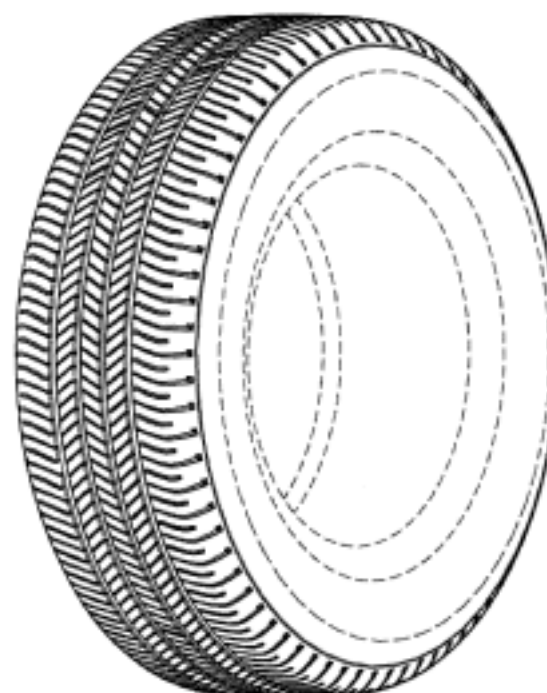
(57) Statement of Newness and Distinctiveness: **Newness and distinctiveness is claimed in the features of shape and/or configuration of the Hair Clippers depicted in the accompanying representations.**



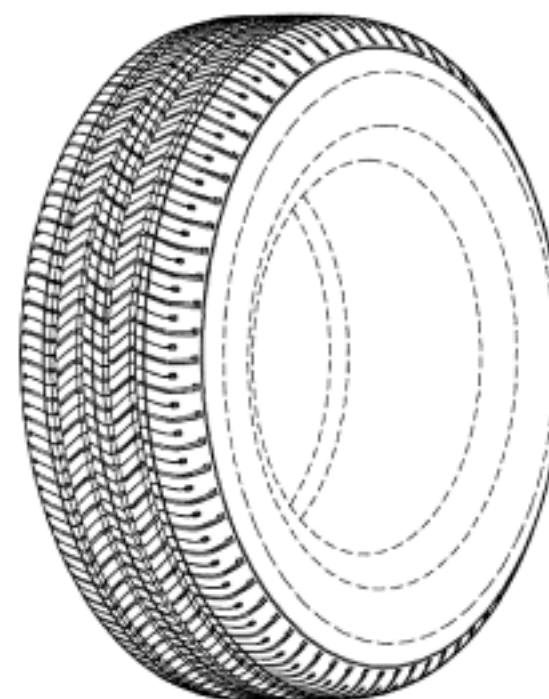
(21) Design Number: **14421/2011**  
(22) Date of Filing Application: **28 September 2011**  
(24) Date from which industrial property rights may have effect: **28 September 2011**  
(54) Product in respect of which the design is registered: **Hair clippers**  
(51) International Design Classification: **28-03D**  
(74) Name(s) of Attorney(s): **Wrays**  
(71) Name(s) and Address(s) of Applicant(s):  
**Babyliss Faco SA**  
**Avenue de l'Independance 25 4020 Wandre Belgium**  
(72) Name(s) of Designer(s): **Pierre Julemont**  
(45) Registration Date: **25 October 2011**  
(30) Convention priority data:  
(31) Number (32) Date (33) Country  
**1844697-0002 01 Apr 2011 EUROPEAN COMMUNITY**  
(56) Related Art Documents: **Not Applicable**  
(57) Statement of Newness and Distinctiveness: **Newness and distinctiveness is claimed in the features of shape and/or configuration of the Hair Clippers depicted in the accompanying representations.**



(21) Design Number: **14422/2011**  
(22) Date of Filing Application: **30 September 2011**  
(24) Date from which industrial property rights may have effect: **30 September 2011**  
(54) Product in respect of which the design is registered: **A tyre**  
(51) International Design Classification: **12-15B**  
(74) Name(s) of Attorney(s): **WATERMARK PATENT AND TRADE MARKS ATTORNEYS**  
(71) Name(s) and Address(s) of Applicant(s):  
**Michelin Recherche et Technique SA**  
**Route Louis Braille 10 et 12 CH-1763 Granges-Paccot Switzerland**  
**Societe De Technologie Michelin**  
**23 rue Breschet F-63000 Clermont-Ferrand Cedex France**  
(72) Name(s) of Designer(s): **Jeffrey Paul Brown and Kevin Ray Reim and Gregg Haver and Matthieu Bonardel**  
(45) Registration Date: **25 October 2011**  
(30) Convention priority data:  
(31) Number (32) Date (33) Country  
**29/389,652 14 Apr 2011 UNITED STATES OF AMERICA**  
(56) Related Art Documents: **Not Applicable**  
(57) Statement of Newness and Distinctiveness: **Newness and distinctiveness resides in the tread region of the tyre, the remainder of the tyre does not form part of the design.**



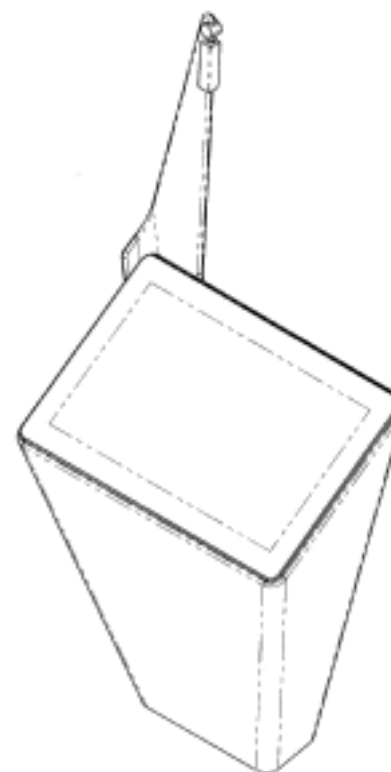
- (21) Design Number: **14423/2011**  
(22) Date of Filing Application: **30 September 2011**  
(24) Date from which industrial property rights may have effect: **30 September 2011**  
(54) Product in respect of which the design is registered: **A tyre**  
(51) International Design Classification: **12-15B**  
(74) Name(s) of Attorney(s): **WATERMARK PATENT AND TRADE MARKS ATTORNEYS**  
(71) Name(s) and Address(s) of Applicant(s):  
**Michelin Recherche et Technique SA**  
**Route Louis Braille 10 et 12 CH-1763 Granges-Paccot Switzerland**  
**Societe De Technologie Michelin**  
**23 rue Breschet F-63000 Clermont-Ferrand Cedex France**  
(72) Name(s) of Designer(s): **Jeffrey Paul Brown and Kevin Ray Reim and Gregg Haver and Matthieu Bonardel**  
(45) Registration Date: **25 October 2011**  
(30) Convention priority data:  
(31) Number (32) Date (33) Country  
**29/389,649 14 Apr 2011 UNITED STATES OF AMERICA**  
(56) Related Art Documents: **Not Applicable**  
(57) Statement of Newness and Distinctiveness: **Newness and distinctiveness resides in the tread region of the tyre, the remainder of the tyre does not form part of the design.**



- (21) Design Number: **13686/2011**  
(22) Date of Filing Application: **19 August 2011**  
(24) Date from which industrial property rights may have effect: **19 August 2011**  
(54) Product in respect of which the design is registered: **Cup for packaging purposes**  
(51) International Design Classification: **07-01D, 09-03NES**  
(74) Name(s) of Attorney(s): **Shelston IP**  
(71) Name(s) and Address(s) of Applicant(s):  
**Andreas Schill**  
**Alt Strasse 26757 Borkum Germany**  
(72) Name(s) of Designer(s): **Andreas Schill**  
(45) Registration Date: **25 October 2011**  
(30) Convention priority data:  
(31) Number (32) Date (33) Country  
**40 2011000963.3 19 Feb 2011 GERMANY**  
(56) Related Art Documents: **Not Applicable**  
(57) Statement of Newness and Distinctiveness: **Newness and distinctiveness resides in the features of pattern and ornamentation of the CUP FOR PACKAGING PURPOSES shown in the accompanying illustrations.**



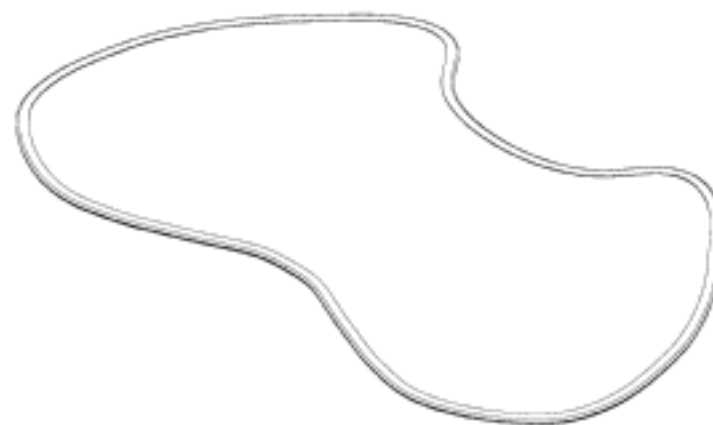
(21) Design Number: **10814/2011**  
(22) Date of Filing Application: **21 February 2011**  
(24) Date from which industrial property rights may have effect: **21 February 2011**  
(54) Product in respect of which the design is registered: **Electronic kiosk;  
directory**  
(51) International Design Classification: **14-02, 20-03NES**  
(74) Name(s) of Attorney(s):  
(71) Name(s) and Address(s) of Applicant(s):  
**Abuzz Solutions Pty Ltd**  
**267 Abercrombie Street Darlington New South Wales 2008 Australia**  
(72) Name(s) of Designer(s): **Alison Howard**  
(45) Registration Date: **25 October 2011**  
(56) Related Art Documents: **Not Applicable**  
(57) Statement of Newness and Distinctiveness: **Nil**



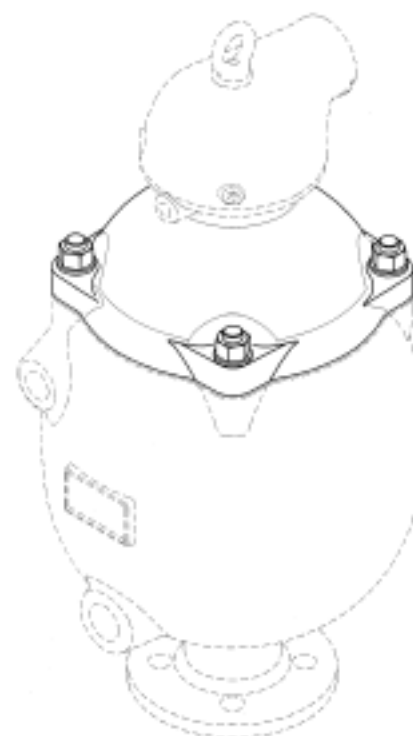
(21) Design Number: **14179/2011**  
(22) Date of Filing Application: **16 September 2011**  
(24) Date from which industrial property rights may have effect: **16 September 2011**  
(54) Product in respect of which the design is registered: **Wrist watch**  
(51) International Design Classification: **10-02**  
(74) Name(s) of Attorney(s): **Callinans**  
(71) Name(s) and Address(s) of Applicant(s):  
**Bulgari Horlogerie SA**  
**Rue de Monruz 34 2000 Neuchatel Switzerland**  
(72) Name(s) of Designer(s): **Fabrizio Buonamassa**  
(45) Registration Date: **25 October 2011**  
(30) Convention priority data:  
(31) Number (32) Date (33) Country  
**DM/075 599 18 Mar 2011 WORLD INTELLECTUAL  
PROPERTY ORGANIZATION  
(WIPO)**  
(56) Related Art Documents: **Not Applicable**  
(57) Statement of Newness and Distinctiveness: **Nil**



- (21) Design Number: **14321/2011**  
(22) Date of Filing Application: **26 September 2011**  
(24) Date from which industrial property rights may have effect: **26 September 2011**  
(54) Product in respect of which the design is registered: **Maternity towel**  
(51) International Design Classification: **06-13C**  
(74) Name(s) of Attorney(s): **Pappas IP**  
(71) Name(s) and Address(s) of Applicant(s):  
**Joanne Michaloudakis**  
**15 Illowra Crescent Primbee 2502 New South Wales Australia**  
(72) Name(s) of Designer(s): **Joanne Michaloudakis**  
(45) Registration Date: **25 October 2011**  
(56) Related Art Documents: **Not Applicable**  
(57) Statement of Newness and Distinctiveness: **Newness and distinctiveness is claimed in the shape and/or configuration of a maternity towel as illustrated in the representations.**



- (21) Design Number: **14322/2011**  
(22) Date of Filing Application: **26 September 2011**  
(24) Date from which industrial property rights may have effect: **26 September 2011**  
(54) Product in respect of which the design is registered: **Air release valve**  
(51) International Design Classification: **23-01K**  
(74) Name(s) of Attorney(s): **PHILLIPS ORMONDE FITZPATRICK**  
(71) Name(s) and Address(s) of Applicant(s):  
**Bermad CS LTD**  
**Kibbutz Evron 22808 Israel**  
(72) Name(s) of Designer(s): **Zvi Weingarten**  
(45) Registration Date: **25 October 2011**  
(56) Related Art Documents: **Not Applicable**  
(57) Statement of Newness and Distinctiveness: **Those features of the air release valve depicted in the representations that are new and distinctive are the shape and/or configuration. The features shown in broken line are not part of the design and are to be disregarded when considering the overall impression of the design.**



(21) Design Number: **14323/2011**

(22) Date of Filing Application: **26 September 2011**

(24) Date from which industrial property rights may have effect: **26 September 2011**

(54) Product in respect of which the design is registered: **Speaker**

(51) International Design Classification: **14-03NES**

(74) Name(s) of Attorney(s): **PHILLIPS ORMONDE FITZPATRICK**

(71) Name(s) and Address(s) of Applicant(s):

**Bose Corporation**

**The Mountain MS-40 Framingham Massachusetts 01701 United States of America**

(72) Name(s) of Designer(s): **Richard J. Carbone**

(45) Registration Date: **25 October 2011**

(30) Convention priority data:

(31) Number	(32) Date	(33) Country
<b>29/389,775</b>	<b>15 Apr 2011</b>	<b>UNITED STATES OF AMERICA</b>

(56) Related Art Documents: **Not Applicable**

(57) Statement of Newness and Distinctiveness: **Those features of the speaker depicted in the representations that are new and distinctive are the shape and/or configuration. The features shown in broken line are not part of the design and are to be disregarded when considering the overall impression of the design.**



(21) Design Number: **14339/2011**

(22) Date of Filing Application: **27 September 2011**

(24) Date from which industrial property rights may have effect: **27 September 2011**

(54) Product in respect of which the design is registered: **Excavation bucket corner element**

(51) International Design Classification: **15-04**

(74) Name(s) of Attorney(s): **Griffith Hack**

(71) Name(s) and Address(s) of Applicant(s):

**Bradken Resources Pty Limited**

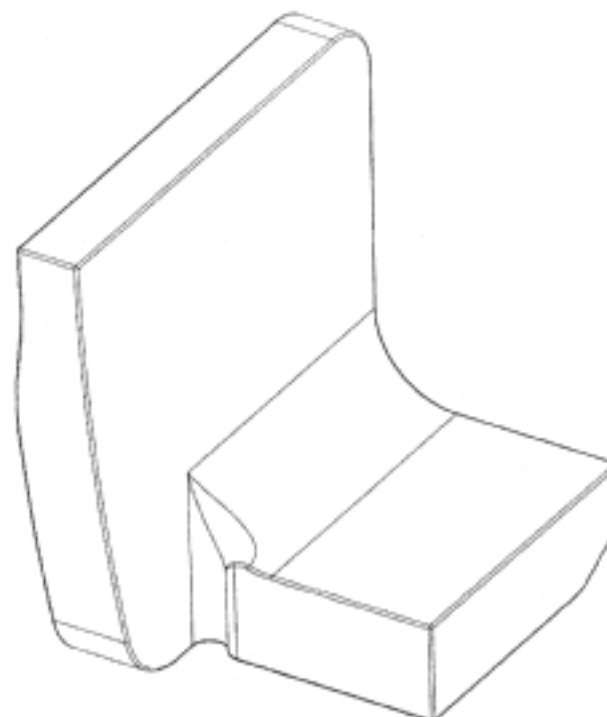
**2 Maud Street Mayfield West New South Wales 2304 Australia**

(72) Name(s) of Designer(s): **Reece Attwood and Glen Baxter and Jason Lunn**

(45) Registration Date: **25 October 2011**

(56) Related Art Documents: **Not Applicable**

(57) Statement of Newness and Distinctiveness: **Newness and distinctiveness resides in the visual features, including shape, configuration of an excavation bucket corner element as shown in the accompanying drawings. When determining whether the design is substantially similar in overall impression to another design, particular regard is to be had to the internal corner recess shown in the accompany drawings.**



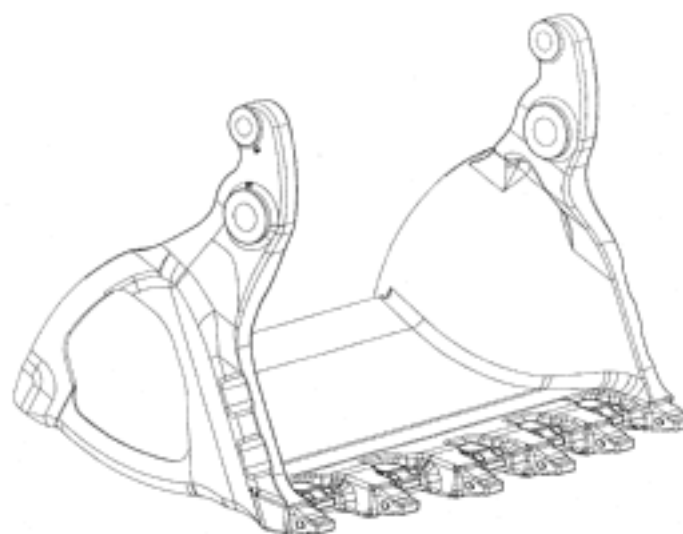


- (21) Design Number: **14342/2011**  
(22) Date of Filing Application: **27 September 2011**  
(24) Date from which industrial property rights may have effect: **27 September 2011**  
(54) Product in respect of which the design is registered: **Excavation bucket**  
(51) International Design Classification: **15-04**  
(74) Name(s) of Attorney(s): **Griffith Hack**  
(71) Name(s) and Address(s) of Applicant(s):

**Bradken Resources Pty Limited**  
**2 Maud Street Mayfield West New South Wales 2304 Australia**

- (72) Name(s) of Designer(s): **Reece Attwood and Glenn Baxter and Jason Lunn**  
(45) Registration Date: **25 October 2011**

- (57) Statement of Newness and Distinctiveness: **Newness and distinctiveness resides in the visual features, including shape, configuration, of an excavation bucket as shown in the accompanying drawings. When determining whether the design is substantially similar in overall impression to another design, particular regard is to be had to the shape and configuration of the bucket sides shown in the accompanying drawings and no regard is to be had to the features of the nose portions and shroud pockets intermediate the nose portions, which features are provided for illustrative purposes only**

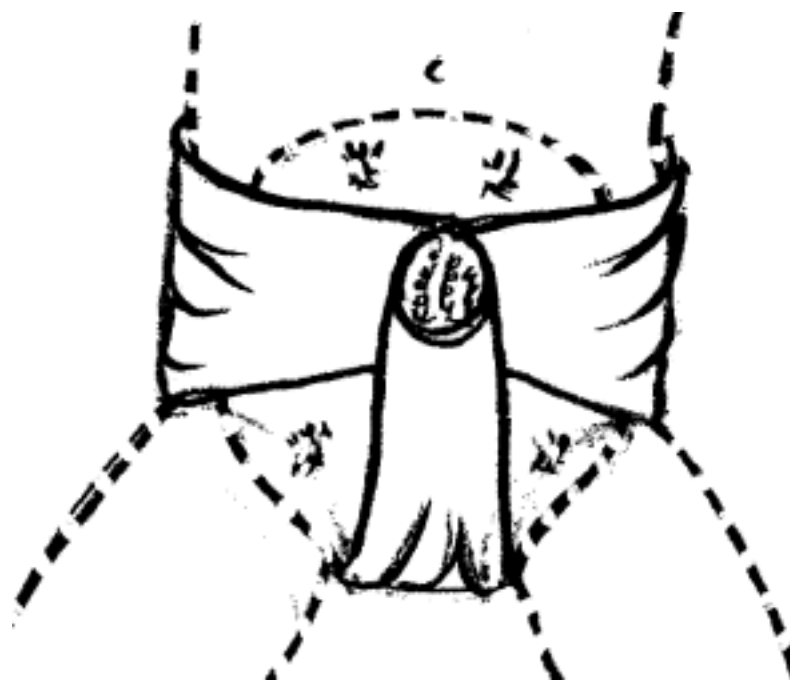


- (21) Design Number: **14359/2011**  
(22) Date of Filing Application: **06 October 2011**  
(24) Date from which industrial property rights may have effect: **06 October 2011**  
(54) Product in respect of which the design is registered: **Stretchy belt for diapers and pads**  
(51) International Design Classification: **02-01B**  
(74) Name(s) of Attorney(s): **Griffith Hack**  
(71) Name(s) and Address(s) of Applicant(s):

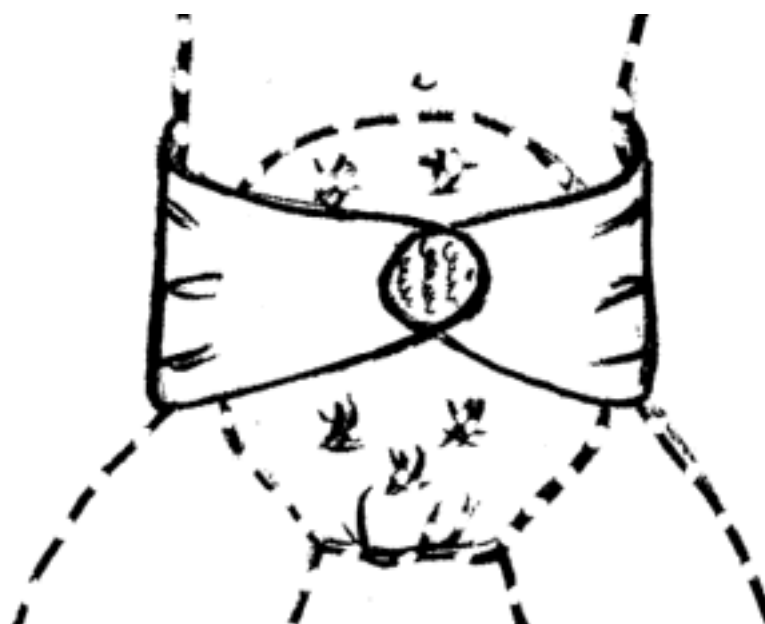
**Kuver Designs Pty Ltd**  
**Unit 2/8 Binney Court Sandy Bay Tasmania 7005 Australia**

- (72) Name(s) of Designer(s): **Susan Allison-Rogers**  
(45) Registration Date: **25 October 2011**  
(56) Related Art Documents: **Not Applicable**

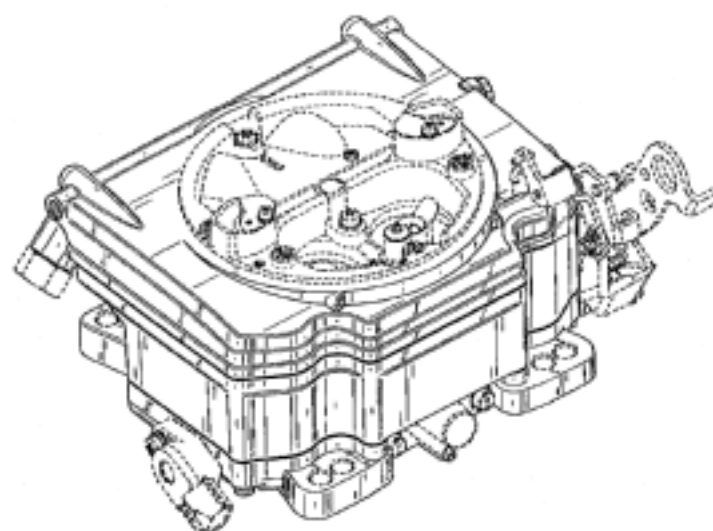
- (57) Statement of Newness and Distinctiveness: **Newness and distinctiveness resides in the visual fasteners, including shape, configuration and ornamentation of stretchy belt for diapers and pads as shown in the accompanying figures. Those parts shown in the dotted lines in the front and rear views do not form part of the design and have been included for illustrative purposes only.**



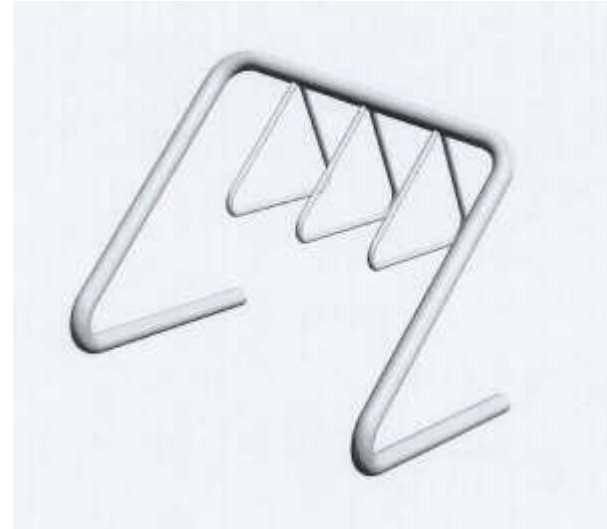
- (21) Design Number: **14360/2011**  
(22) Date of Filing Application: **06 October 2011**  
(24) Date from which industrial property rights may have effect: **06 October 2011**  
(54) Product in respect of which the design is registered: **Stretchy belt for diapers and pads**  
(51) International Design Classification: **02-01B**  
(74) Name(s) of Attorney(s): **Griffith Hack**  
(71) Name(s) and Address(s) of Applicant(s):  
**Kuver Designs Pty Ltd**  
**Unit 2/8 Binney Court Sandy Bay Tasmania 7005 Australia**  
(72) Name(s) of Designer(s): **Susan Allison-Rogers**  
(45) Registration Date: **25 October 2011**  
(56) Related Art Documents: **Not Applicable**  
(57) Statement of Newness and Distinctiveness: **Newness and distinctiveness resides in the visual fasteners, including shape, configuration and ornamentation of stretchy belt for diapers and pads as shown in the accompanying figures. Those parts shown in the dotted lines in the front and rear views do not form part of the design and have been included for illustrative purposes only.**



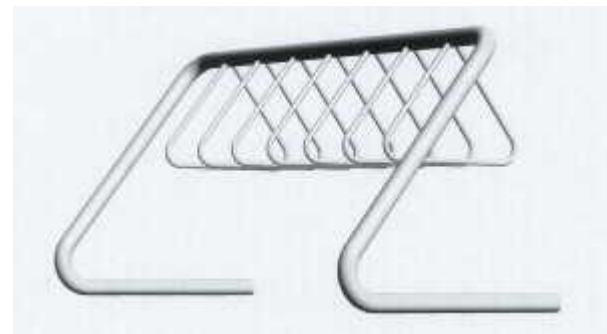
- (21) Design Number: **14369/2011**  
(22) Date of Filing Application: **29 September 2011**  
(24) Date from which industrial property rights may have effect: **29 September 2011**  
(54) Product in respect of which the design is registered: **Carburettor**  
(51) International Design Classification: **15-01**  
(74) Name(s) of Attorney(s): **A J Park**  
(71) Name(s) and Address(s) of Applicant(s):  
**Holly Performance Products, Inc.**  
**1801 Russellville Road Bowling Green Kentucky 42101 United States of America**  
(72) Name(s) of Designer(s): **Larry J. Tipton and Shane Weckerly**  
(45) Registration Date: **25 October 2011**  
(30) Convention priority data:  
(31) Number      (32) Date      (33) Country  
**29/388,573      30 Mar 2011      UNITED STATES OF AMERICA**  
(56) Related Art Documents: **Not Applicable**  
(57) Statement of Newness and Distinctiveness: **Newness and distinctiveness reside in the features of shape and/or configuration of the carburettor as shown in the representations. Newness and distinctiveness are not claimed in relation to the features shown in broken lines in the representations.**



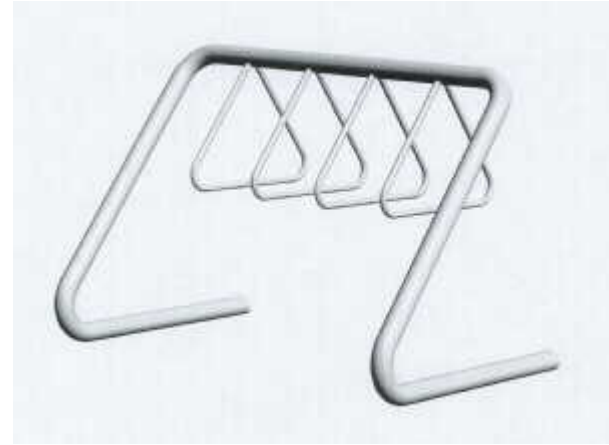
- (21) Design Number: **14370/2011**  
(22) Date of Filing Application: **30 September 2011**  
(24) Date from which industrial property rights may have effect: **30 September 2011**  
(54) Product in respect of which the design is registered: **Bicycle rack**  
(51) International Design Classification: **08-10**  
(74) Name(s) of Attorney(s):  
(71) Name(s) and Address(s) of Applicant(s):  
**Jon Rutledge**  
**709/1 Abel Place Cronulla New South Wales 2230 Australia**  
(72) Name(s) of Designer(s): **Jon Rutledge**  
(45) Registration Date: **25 October 2011**  
(56) Related Art Documents: **Not Applicable**  
(57) Statement of Newness and Distinctiveness: **The shape and configuration of the bicycle rack and number of triangular racks as shown in the representations is claimed as new and distinctive.**



- (21) Design Number: **14372/2011**  
(22) Date of Filing Application: **30 September 2011**  
(24) Date from which industrial property rights may have effect: **30 September 2011**  
(54) Product in respect of which the design is registered: **Bicycle rack**  
(51) International Design Classification: **08-10**  
(74) Name(s) of Attorney(s):  
(71) Name(s) and Address(s) of Applicant(s):  
**Jon Rutledge**  
**709/1 Abel Place Cronulla New South Wales 2230 Australia**  
(72) Name(s) of Designer(s): **Jon Rutledge**  
(45) Registration Date: **25 October 2011**  
(56) Related Art Documents: **Not Applicable**  
(57) Statement of Newness and Distinctiveness: **The shape and configuration of the bicycle rack and number of triangular racks as shown in the representations is claimed as new and distinctive.**



- (21) Design Number: **14371/2011**  
(22) Date of Filing Application: **30 September 2011**  
(24) Date from which industrial property rights may have effect: **30 September 2011**  
(54) Product in respect of which the design is registered: **Bicycle rack**  
(51) International Design Classification: **08-10**  
(74) Name(s) of Attorney(s):  
(71) Name(s) and Address(s) of Applicant(s):  
**Jon Rutledge**  
**709/1 Abel Place Cronulla New South Wales 2230 Australia**  
(72) Name(s) of Designer(s): **Jon Rutledge**  
(45) Registration Date: **25 October 2011**  
(56) Related Art Documents: **Not Applicable**  
(57) Statement of Newness and Distinctiveness: **The shape and configuration of the bicycle rack and number of triangular racks as shown in the representations is claimed as new and distinctive.**



- (21) Design Number: **11876/2011**  
(22) Date of Filing Application: **20 April 2011**  
(24) Date from which industrial property rights may have effect: **20 April 2011**  
(54) Product in respect of which the design is registered: **Bag**  
(51) International Design Classification: **03-01NES**  
(74) Name(s) of Attorney(s): **MIDDLETONS**  
(71) Name(s) and Address(s) of Applicant(s):  
**Swags for Homeless Limited**  
**31 Otira Road Knoxfield Victoria 3180 Australia**  
(72) Name(s) of Designer(s): **Tony Clark and Lisa Clark**  
(45) Registration Date: **26 October 2011**  
(56) Related Art Documents: **Not Applicable**  
(57) Statement of Newness and Distinctiveness: **Monopoly is claimed in the features of shape and/or configuration of the bag as shown in the representations.**



- (21) Design Number: **11877/2011**  
(22) Date of Filing Application: **20 April 2011**  
(24) Date from which industrial property rights may have effect: **20 April 2011**  
(54) Product in respect of which the design is registered: **Bed**  
(51) International Design Classification: **06-13B, 21-04**  
(74) Name(s) of Attorney(s): **MIDDLETONS**  
(71) Name(s) and Address(s) of Applicant(s):  
**Swags for Homeless Limited**  
**31 Otira Road Knoxfield Victoria 3180 Australia**  
(72) Name(s) of Designer(s): **Tony Clark and Lisa Clark**  
(45) Registration Date: **26 October 2011**  
(56) Related Art Documents: **Not Applicable**  
(57) Statement of Newness and Distinctiveness: **Monopoly is claimed in the features of shape and/or configuration of the support structure as shown in the representations.**



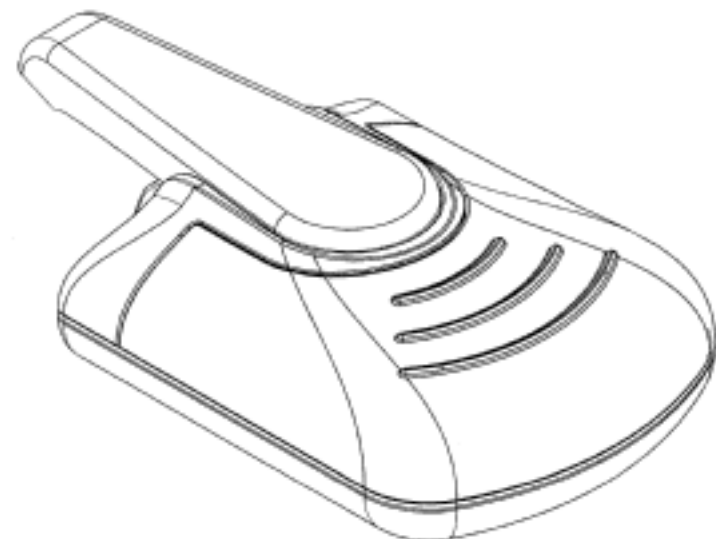
- (21) Design Number: **11878/2011**  
(22) Date of Filing Application: **20 April 2011**  
(24) Date from which industrial property rights may have effect: **20 April 2011**  
(54) Product in respect of which the design is registered: **Bed**  
(51) International Design Classification: **06-13B, 21-04**  
(74) Name(s) of Attorney(s): **MIDDLETONS**  
(71) Name(s) and Address(s) of Applicant(s):  
**Swags for Homeless Limited**  
**31 Otira Road Knoxfield Victoria 3180 Australia**  
(72) Name(s) of Designer(s): **Tony Clark and Lisa Clark**  
(45) Registration Date: **26 October 2011**  
(56) Related Art Documents: **Not Applicable**  
(57) Statement of Newness and Distinctiveness: **Monopoly is claimed in the features of shape and/or configuration of the bed as shown in the representations.**



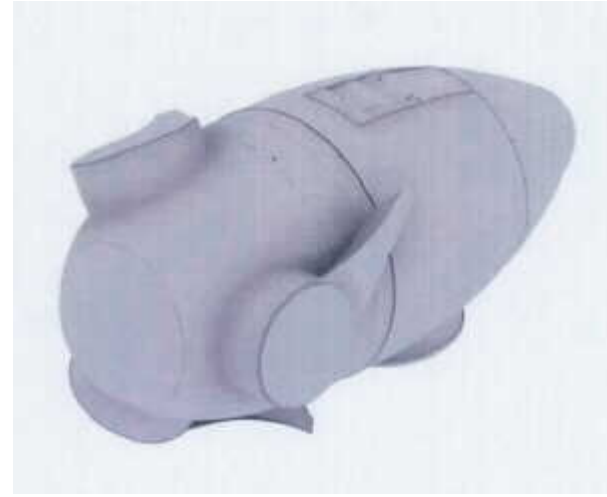
(21) Design Number: **11879/2011**  
(22) Date of Filing Application: **20 April 2011**  
(24) Date from which industrial property rights may have effect: **20 April 2011**  
(54) Product in respect of which the design is registered: **Bag**  
(51) International Design Classification: **03-01A**  
(74) Name(s) of Attorney(s): **MIDDLETONS**  
(71) Name(s) and Address(s) of Applicant(s):  
**Swags for Homeless Limited**  
**31 Otira Road Knoxfield Victoria 3180 Australia**  
(72) Name(s) of Designer(s): **Tony Clark and Lisa Clark**  
(45) Registration Date: **26 October 2011**  
(56) Related Art Documents: **Not Applicable**  
(57) Statement of Newness and Distinctiveness: **Monopoly is claimed in the features of shape and/or configuration of the bag as shown in the representations.**



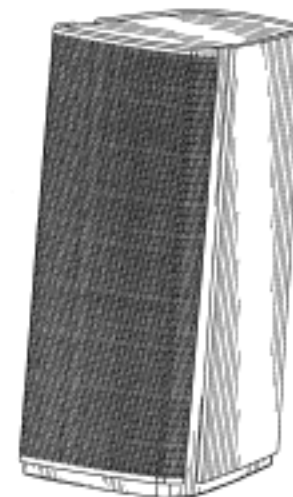
(21) Design Number: **14408/2011**  
(22) Date of Filing Application: **29 September 2011**  
(24) Date from which industrial property rights may have effect: **29 September 2011**  
(54) Product in respect of which the design is registered: **Fluid pump**  
(51) International Design Classification: **15-02, 23-01NES**  
(74) Name(s) of Attorney(s): **SPRUSON & FERGUSON**  
(71) Name(s) and Address(s) of Applicant(s):  
**Magic Tap, LLC**  
**812 Huron Road Suite 390 Cleveland Ohio 44115 United States of America**  
(72) Name(s) of Designer(s): **Curtis Taylor**  
(45) Registration Date: **26 October 2011**  
(30) Convention priority data:  
(31) Number      (32) Date      (33) Country  
**29/389976      19 Apr 2011      UNITED STATES OF AMERICA**  
(56) Related Art Documents: **Not Applicable**  
(57) Statement of Newness and Distinctiveness: **Newness and distinctiveness is claimed in the features of shape and/or configuration of a fluid pump as illustrated in the accompanying representations.**



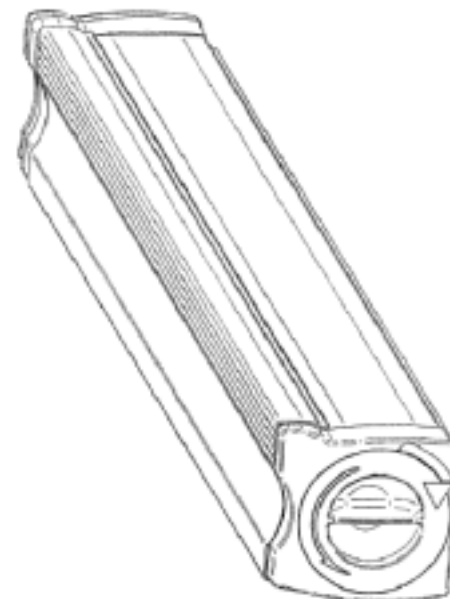
(21) Design Number: **14411/2011**  
(22) Date of Filing Application: **30 September 2011**  
(24) Date from which industrial property rights may have effect: **30 September 2011**  
(54) Product in respect of which the design is registered: **Wind turbine**  
(51) International Design Classification: **13-01**  
(74) Name(s) of Attorney(s): **PIZZEYS**  
(71) Name(s) and Address(s) of Applicant(s):  
**Aloys Wobben**  
**Argestrasse 19 Aurich 26607 Germany**  
(72) Name(s) of Designer(s): **Aloys Wobben**  
(45) Registration Date: **26 October 2011**  
(30) Convention priority data:  
(31) Number (32) Date (33) Country  
**402011001848.9 04 Apr 2011 GERMANY**  
(56) Related Art Documents: **Not Applicable**  
(57) Statement of Newness and Distinctiveness: **Nil**



(21) Design Number: **14425/2011**  
(22) Date of Filing Application: **30 September 2011**  
(24) Date from which industrial property rights may have effect: **30 September 2011**  
(54) Product in respect of which the design is registered: **Speaker**  
(51) International Design Classification: **14-01**  
(74) Name(s) of Attorney(s): **PHILLIPS ORMONDE FITZPATRICK**  
(71) Name(s) and Address(s) of Applicant(s):  
**Bose Corporation**  
**The Mountain MS-40 Framingham Massachusetts 01701 United States of America**  
(72) Name(s) of Designer(s): **Samuel J. Aquillano and David H. Pitcher and Huiying Xin**  
(45) Registration Date: **26 October 2011**  
(30) Convention priority data:  
(31) Number (32) Date (33) Country  
**29/389,752 15 Apr 2011 UNITED STATES OF AMERICA**  
(56) Related Art Documents: **Not Applicable**  
(57) Statement of Newness and Distinctiveness: **Those features of the speaker depicted in the representations that are new and distinctive are the shape and/or configuration. The features shown in broken line are not part of the design and are to be disregarded when considering the overall impression of the design.**



(21) Design Number: **14426/2011**  
(22) Date of Filing Application: **30 September 2011**  
(24) Date from which industrial property rights may have effect: **30 September 2011**  
(54) Product in respect of which the design is registered: **Roll dispenser**  
(51) International Design Classification: **20-02D**  
(74) Name(s) of Attorney(s): **Griffith Hack**  
(71) Name(s) and Address(s) of Applicant(s):  
**Wrap Film Systems Limited**  
**Hortonwood 45 Telford Shrops TF1 7FA United Kingdom**  
(72) Name(s) of Designer(s): **Graham Sharp and Cheryl Campbell**  
(45) Registration Date: **26 October 2011**  
(30) Convention priority data:  
(31) Number (32) Date (33) Country  
**001844788 01 Apr 2011 EUROPEAN COMMUNITY**  
(56) Related Art Documents: **Not Applicable**  
(57) Statement of Newness and Distinctiveness: **Nil**



(21) Design Number: **14427/2011**  
(22) Date of Filing Application: **03 October 2011**  
(24) Date from which industrial property rights may have effect: **03 October 2011**  
(54) Product in respect of which the design is registered: **A set of brackets provided as left-hand and a right-hand pair**  
(51) International Design Classification: **08-09**  
(74) Name(s) of Attorney(s): **Acacia Law**  
(71) Name(s) and Address(s) of Applicant(s):  
**PSP Engineering Limited**  
**44 Carr Road Mount Roskill Auckland New Zealand**  
(72) Name(s) of Designer(s): **Brent Trevor Airey and Brent Allan Griffiths**  
(45) Registration Date: **26 October 2011**  
(30) Convention priority data:  
(31) Number (32) Date (33) Country  
**415136 14 Jul 2011 NEW ZEALAND**  
(56) Related Art Documents: **Not Applicable**  
(57) Statement of Newness and Distinctiveness: **The design is to be applied to a set of brackets provided as a left-hand and a right-hand pair and the novelty resides in the features of shape and configuration as shown in the accompanying representations. When considering the representations, no regard is to be had of the letters "PSP".**





- (21) Design Number: **14428/2011**  
(22) Date of Filing Application: **30 September 2011**  
(24) Date from which industrial property rights may have effect: **30 September 2011**  
(54) Product in respect of which the design is registered: **Fence panel**  
(51) International Design Classification: **25-02C**  
(74) Name(s) of Attorney(s): **Wrays**  
(71) Name(s) and Address(s) of Applicant(s):  
**Lazer Asset Pty Ltd**  
**25 Sundercombe Street Osborne Park Western Australia 6017 Australia**  
(72) Name(s) of Designer(s): **David Ferris**  
(45) Registration Date: **26 October 2011**  
(56) Related Art Documents: **Not Applicable**  
(57) Statement of Newness and Distinctiveness: **Newness and distinctiveness are claimed in the features of pattern and/or ornamentation of a Fence Panel as shown in the accompanying representations.**



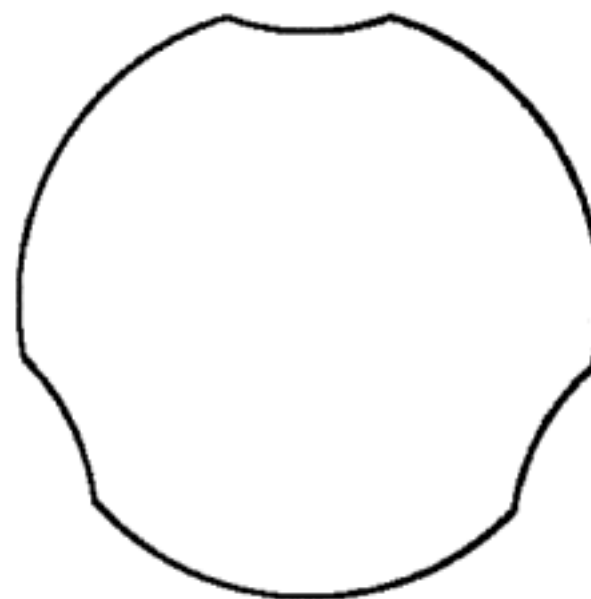
- (21) Design Number: **14429/2011**  
(22) Date of Filing Application: **30 September 2011**  
(24) Date from which industrial property rights may have effect: **30 September 2011**  
(54) Product in respect of which the design is registered: **Toilet pan and cistern**  
(51) International Design Classification: **23-02C**  
(74) Name(s) of Attorney(s): **HODGKINSON McINNES PATENTS**  
(71) Name(s) and Address(s) of Applicant(s):  
**Gemini Industries Pty Ltd**  
**3/97 Banksia Street Botany New South Wales 2019 Australia**  
(72) Name(s) of Designer(s): **James Arthur Longley**  
(45) Registration Date: **26 October 2011**  
(56) Related Art Documents: **Not Applicable**  
(57) Statement of Newness and Distinctiveness: **Newness and distinctiveness are claimed in relation to the shape and/or configuration of a toilet pan as shown in the attached representation.**



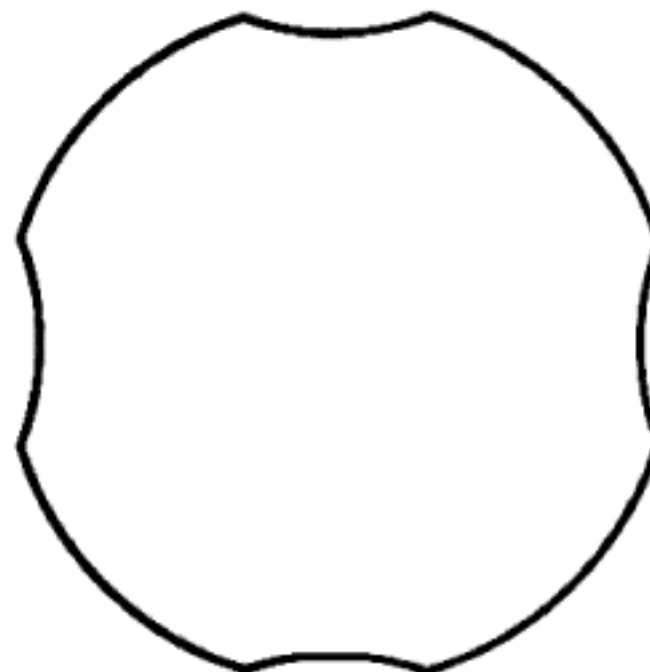
(21) Design Number: **14430/2011**  
(22) Date of Filing Application: **30 September 2011**  
(24) Date from which industrial property rights may have effect: **30 September 2011**  
(54) Product in respect of which the design is registered: **Toilet pan and cistern**  
(51) International Design Classification: **23-02C**  
(74) Name(s) of Attorney(s): **HODGKINSON McINNES PATENTS**  
(71) Name(s) and Address(s) of Applicant(s):  
**Gemini Industries Pty Ltd**  
**3/97 Banksia Street Botany New South Wales 2019 Australia**  
(72) Name(s) of Designer(s): **James Arthur Longley**  
(45) Registration Date: **26 October 2011**  
(56) Related Art Documents: **Not Applicable**  
(57) Statement of Newness and Distinctiveness: **Newness and distinctiveness are claimed in relation to the shape and/or configuration of a toilet pan as shown in the attached representation.**



(21) Design Number: **11719/2011**  
(22) Date of Filing Application: **18 April 2011**  
(24) Date from which industrial property rights may have effect: **18 April 2011**  
(54) Product in respect of which the design is registered: **High Bounce Ball**  
(51) International Design Classification: **21-02A**  
(74) Name(s) of Attorney(s): **Halfords IP**  
(71) Name(s) and Address(s) of Applicant(s):  
**Spartan Sports Holdings Pty Ltd**  
**10A Commerce Drive Warilla New South Wales 2528 Australia**  
(72) Name(s) of Designer(s): **Kunal Sharma**  
(45) Registration Date: **26 October 2011**  
(56) Related Art Documents: **Not Applicable**  
(57) Statement of Newness and Distinctiveness: **Newness and distinctiveness is claimed in the location and shape of the recesses in the High Bounce Ball.**



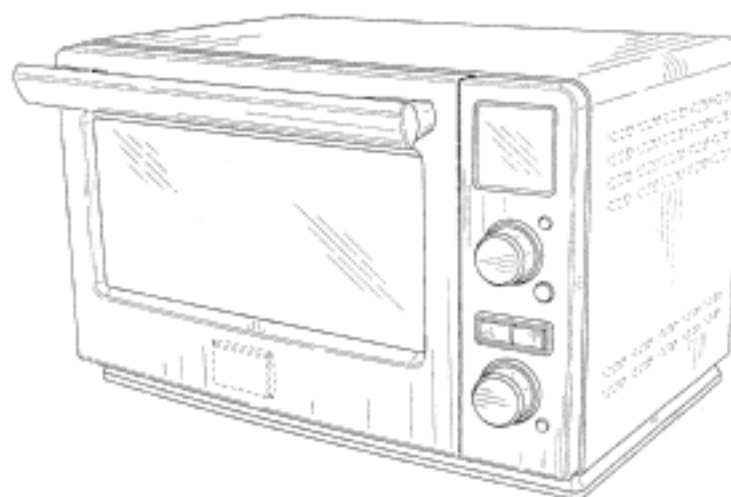
- (21) Design Number: **11720/2011**  
(22) Date of Filing Application: **18 April 2011**  
(24) Date from which industrial property rights may have effect: **18 April 2011**  
(54) Product in respect of which the design is registered: **High bounce ball**  
(51) International Design Classification: **21-02A**  
(74) Name(s) of Attorney(s): **Halfords IP**  
(71) Name(s) and Address(s) of Applicant(s):  
**Spartan Sports Holdings Pty Ltd**  
**10A Commerce Drive Warilla New South Wales 2528 Australia**  
(72) Name(s) of Designer(s): **Kunal Sharma**  
(45) Registration Date: **26 October 2011**  
(56) Related Art Documents: **Not Applicable**  
(57) Statement of Newness and Distinctiveness: **Newness and distinctiveness is claimed in the location and shape of the recesses in the High Bounce Ball.**



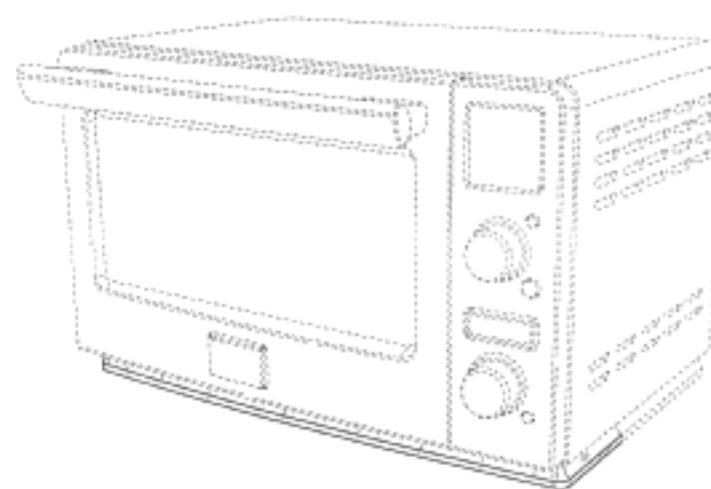
- (21) Design Number: **13876/2011**  
(22) Date of Filing Application: **02 September 2011**  
(24) Date from which industrial property rights may have effect: **02 September 2011**  
(54) Product in respect of which the design is registered: **Cot sheet assembly**  
(51) International Design Classification: **06-13B**  
(74) Name(s) of Attorney(s): **Davies Collison Cave**  
(71) Name(s) and Address(s) of Applicant(s):  
**Kim Maree Mansweto**  
**2340 Silverdale Road Silverdale New South Wales 2752 Australia**  
(72) Name(s) of Designer(s): **Kim Maree Mansweto**  
(45) Registration Date: **26 October 2011**  
(56) Related Art Documents: **Not Applicable**  
(57) Statement of Newness and Distinctiveness: **Newness and distinctiveness is claimed in the visual features shown in solid lines in the representations excluding any shading or lines appearing on the surfaces of the sheet portions which have been included for depiction purposes.**



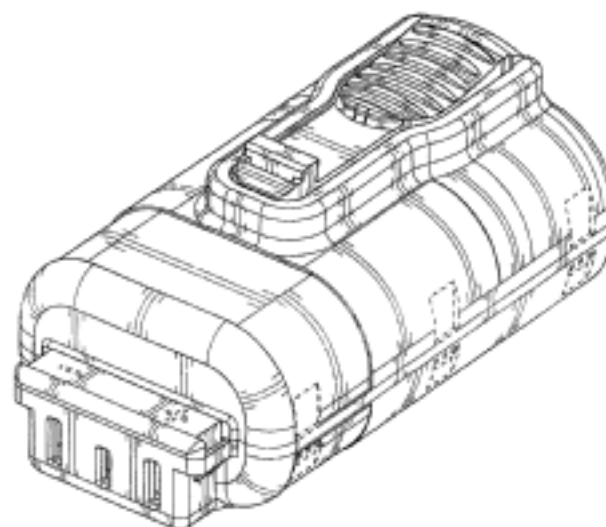
- (21) Design Number: **13910/2011**  
(22) Date of Filing Application: **05 September 2011**  
(24) Date from which industrial property rights may have effect: **05 September 2011**  
(54) Product in respect of which the design is registered: **Oven**  
(51) International Design Classification: **07-02A**  
(74) Name(s) of Attorney(s): **Davies Collison Cave**  
(71) Name(s) and Address(s) of Applicant(s):  
**Electrolux Home Products, Inc.**  
**10200 David Taylor Drive Charlotte North Carolina 28262 United States of America**  
(72) Name(s) of Designer(s): **Brent Aaron Curtis and Daniel Hartly Green and Charles David Baker and Benjamin Paul Shrader and Nicolas Saeger and Hayoung Coffman**  
(45) Registration Date: **26 October 2011**  
(30) Convention priority data:  
(31) Number (32) Date (33) Country  
**29/386859 04 Mar 2011 UNITED STATES OF AMERICA**  
(56) Related Art Documents: **Not Applicable**  
(57) Statement of Newness and Distinctiveness: **Newness and distinctiveness is claimed in the visual features shown in solid lines in the representations.**



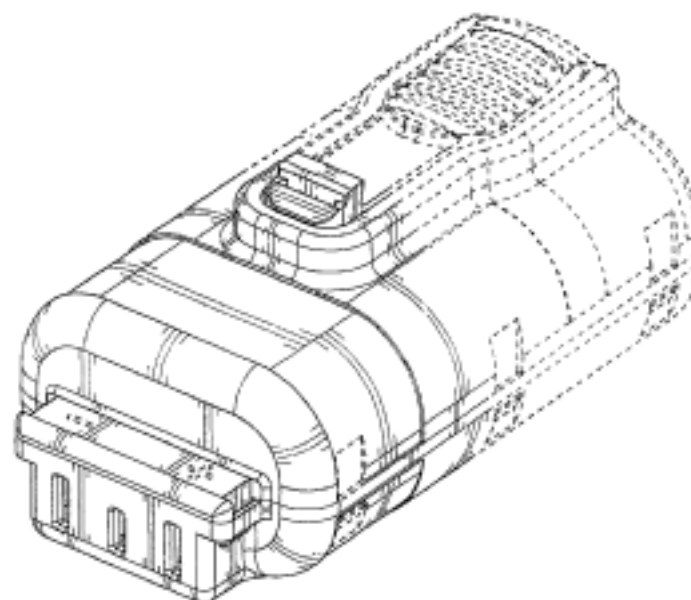
- (21) Design Number: **13911/2011**  
(22) Date of Filing Application: **05 September 2011**  
(24) Date from which industrial property rights may have effect: **05 September 2011**  
(54) Product in respect of which the design is registered: **Base for a kitchen appliance**  
(51) International Design Classification: **07-02A**  
(74) Name(s) of Attorney(s): **Davies Collison Cave**  
(71) Name(s) and Address(s) of Applicant(s):  
**Electrolux Home Products, Inc.**  
**10200 David Taylor Drive Charlotte North Carolina 28262 United States of America**  
(72) Name(s) of Designer(s): **Benjamin Paul Shrader and Daniel Hartly Green**  
(45) Registration Date: **26 October 2011**  
(30) Convention priority data:  
(31) Number (32) Date (33) Country  
**29386872 04 Mar 2011 UNITED STATES OF AMERICA**  
(56) Related Art Documents: **Not Applicable**  
(57) Statement of Newness and Distinctiveness: **Newness and distinctiveness is claimed in the visual features shown in solid lines in the representations.**



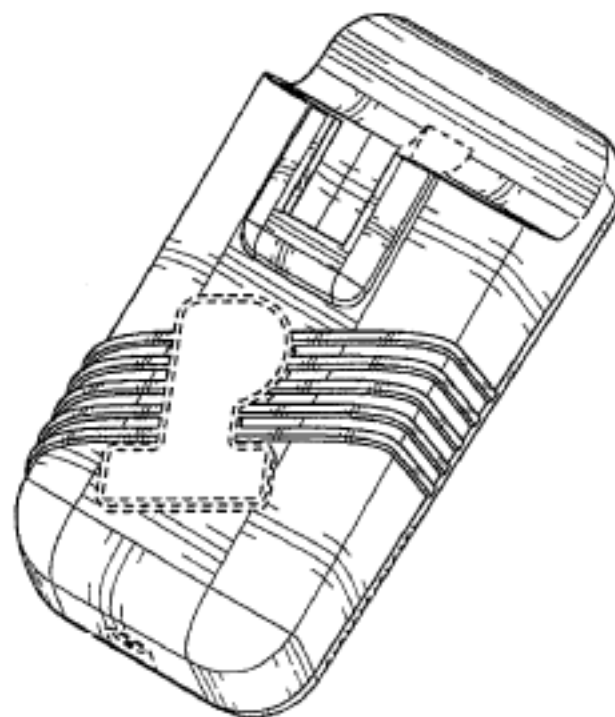
- (21) Design Number: **13912/2011**  
(22) Date of Filing Application: **05 September 2011**  
(24) Date from which industrial property rights may have effect: **05 September 2011**  
(54) Product in respect of which the design is registered: **Battery pack for a combustion power tool**  
(51) International Design Classification: **13-02, 08-99**  
(74) Name(s) of Attorney(s): **Davies Collison Cave**  
(71) Name(s) and Address(s) of Applicant(s):  
**Illinois Tool Works Inc.**  
**3600 West Lake Avenue Glenview Illinois 60026 United States of America**  
(72) Name(s) of Designer(s): **Robert Scott Buetow and William Joseph Heinzen and Claudia Perez**  
(45) Registration Date: **26 October 2011**  
(30) Convention priority data:  
(31) Number (32) Date (33) Country  
**29/387140 09 Mar 2011 UNITED STATES OF AMERICA**  
(56) Related Art Documents: **Not Applicable**  
(57) Statement of Newness and Distinctiveness: **Newness and distinctiveness is claimed in the visual features shown in solid lines in the representations.**



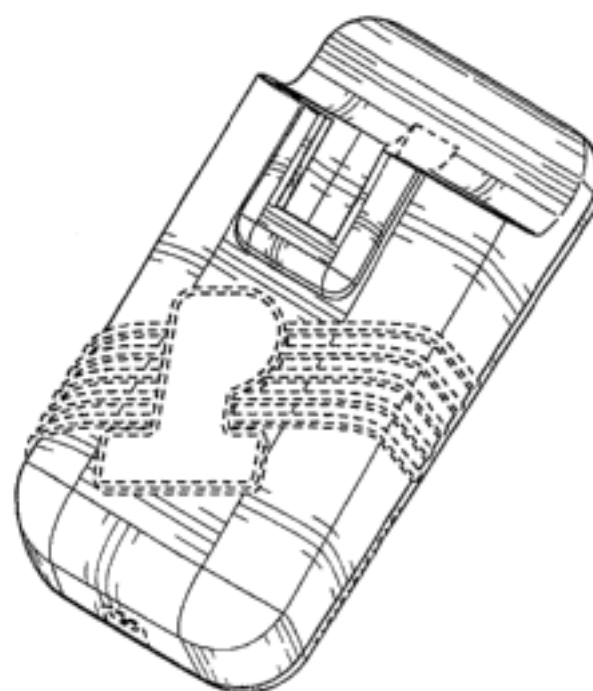
- (21) Design Number: **13913/2011**  
(22) Date of Filing Application: **05 September 2011**  
(24) Date from which industrial property rights may have effect: **05 September 2011**  
(54) Product in respect of which the design is registered: **Battery pack for a combustion power tool**  
(51) International Design Classification: **13-02, 08-99**  
(74) Name(s) of Attorney(s): **Davies Collison Cave**  
(71) Name(s) and Address(s) of Applicant(s):  
**Illinois Tool Works Inc.**  
**3600 West Lake Avenue Glenview Illinois 60026 United States of America**  
(72) Name(s) of Designer(s): **Robert Scott Buetow and William Joseph Heinzen and Claudia Perez**  
(45) Registration Date: **26 October 2011**  
(30) Convention priority data:  
(31) Number (32) Date (33) Country  
**29/387140 09 Mar 2011 UNITED STATES OF AMERICA**  
(56) Related Art Documents: **Not Applicable**  
(57) Statement of Newness and Distinctiveness: **Newness and distinctiveness is claimed in the visual features shown in solid lines in the representations.**



- (21) Design Number: **13962/2011**  
(22) Date of Filing Application: **07 September 2011**  
(24) Date from which industrial property rights may have effect: **07 September 2011**  
(54) Product in respect of which the design is registered: **Battery charger for a combustion power tool**  
(51) International Design Classification: **13-02, 08-99**  
(74) Name(s) of Attorney(s): **Davies Collison Cave**  
(71) Name(s) and Address(s) of Applicant(s):  
**Illinois Tool Works Inc.**  
**3600 West Lake Avenue Glenview Illinois 60026 United States of America**  
(72) Name(s) of Designer(s): **Peter D. Ploss**  
(45) Registration Date: **26 October 2011**  
(30) Convention priority data:  
(31) Number (32) Date (33) Country  
**29/387948 22 Mar 2011 UNITED STATES OF AMERICA**  
(56) Related Art Documents: **Not Applicable**  
(57) Statement of Newness and Distinctiveness: **Newness and distinctiveness is claimed in the visual features shown in solid lines in the representations.**



- (21) Design Number: **13963/2011**  
(22) Date of Filing Application: **07 September 2011**  
(24) Date from which industrial property rights may have effect: **07 September 2011**  
(54) Product in respect of which the design is registered: **Battery charger for a combustion power tool**  
(51) International Design Classification: **13-02, 08-99**  
(74) Name(s) of Attorney(s): **Davies Collison Cave**  
(71) Name(s) and Address(s) of Applicant(s):  
**Illinois Tool Works Inc.**  
**3600 West Lake Avenue Glenview Illinois 60026 United States of America**  
(72) Name(s) of Designer(s): **Peter D. Ploss**  
(45) Registration Date: **26 October 2011**  
(30) Convention priority data:  
(31) Number (32) Date (33) Country  
**29/387948 22 Mar 2011 UNITED STATES OF AMERICA**  
(56) Related Art Documents: **Not Applicable**  
(57) Statement of Newness and Distinctiveness: **Newness and distinctiveness is claimed in the visual features shown in solid lines in the representations.**



- (21) Design Number: **14010/2011**  
(22) Date of Filing Application: **08 September 2011**  
(24) Date from which industrial property rights may have effect: **08 September 2011**  
(54) Product in respect of which the design is registered: **Vulu chest**  
(51) International Design Classification: **06-04F**  
(74) Name(s) of Attorney(s):  
(71) Name(s) and Address(s) of Applicant(s):  
**Love N Care Pty Ltd**  
**297-299 Canterbury Road Revesby New South Wales 2212 Australia**  
(72) Name(s) of Designer(s): **German Jauregui**  
(45) Registration Date: **26 October 2011**  
(56) Related Art Documents: **Not Applicable**  
(57) Statement of Newness and Distinctiveness: **4 Drawer chest with a changer**



- (21) Design Number: **14011/2011**  
(22) Date of Filing Application: **08 September 2011**  
(24) Date from which industrial property rights may have effect: **08 September 2011**  
(54) Product in respect of which the design is registered: **Vulu cot and mattress**  
(51) International Design Classification: **06-02, 06-09**  
(74) Name(s) of Attorney(s):  
(71) Name(s) and Address(s) of Applicant(s):  
**Love N Care Pty Ltd**  
**297-299 Canterbury Road Revesby New South Wales 2212 Australia**  
(72) Name(s) of Designer(s): **German Jauregui**  
(45) Registration Date: **26 October 2011**  
(56) Related Art Documents: **Not Applicable**  
(57) Statement of Newness and Distinctiveness: **Converts to a bassinet, cot and junior bed.**



(21) Design Number: **14496/2011**  
(22) Date of Filing Application: **08 September 2011**  
(24) Date from which industrial property rights may have effect: **08 September 2011**  
(54) Product in respect of which the design is registered: **Vulu cot and mattress**  
(51) International Design Classification: **06-02, 06-09**  
(74) Name(s) of Attorney(s):  
(71) Name(s) and Address(s) of Applicant(s):  
**Love N Care Pty Ltd**  
**297-299 Canterbury Road Revesby New South Wales 2212 Australia**  
(72) Name(s) of Designer(s): **German Jauregui**  
(45) Registration Date: **26 October 2011**  
(56) Related Art Documents: **Not Applicable**  
(57) Statement of Newness and Distinctiveness: **Converts to a bassinet, cot and junior bed.**

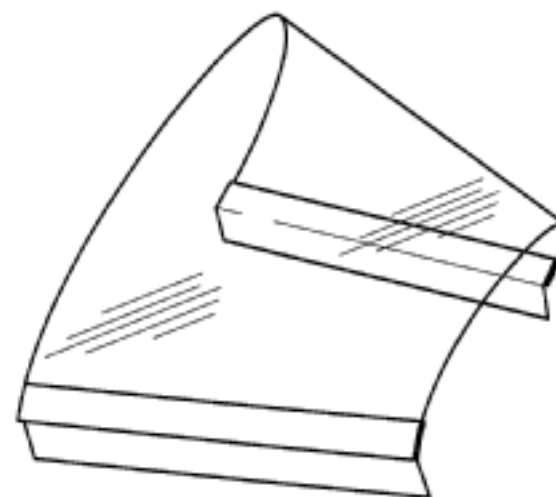


(21) Design Number: **14497/2011**  
(22) Date of Filing Application: **08 September 2011**  
(24) Date from which industrial property rights may have effect: **08 September 2011**  
(54) Product in respect of which the design is registered: **Vulu cot**  
(51) International Design Classification: **06-02**  
(74) Name(s) of Attorney(s):  
(71) Name(s) and Address(s) of Applicant(s):  
**Love N Care Pty Ltd**  
**297-299 Canterbury Road Revesby New South Wales 2212 Australia**  
(72) Name(s) of Designer(s): **German Jauregui**  
(45) Registration Date: **26 October 2011**  
(56) Related Art Documents: **Not Applicable**  
(57) Statement of Newness and Distinctiveness: **Converts to a bassinet, cot and junior bed.**





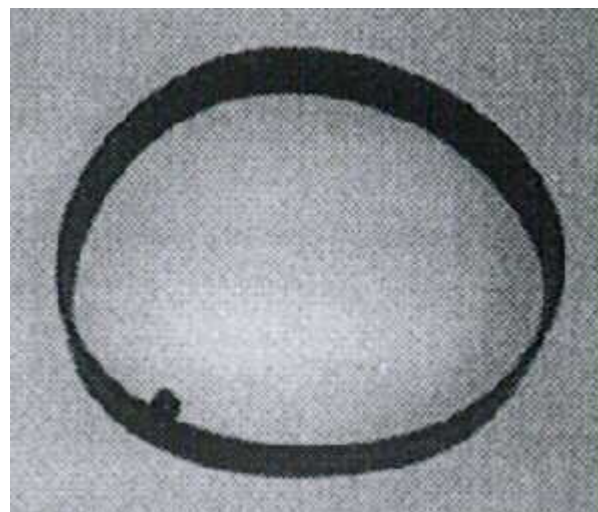
- (21) Design Number: **14129/2011**  
(22) Date of Filing Application: **14 September 2011**  
(24) Date from which industrial property rights may have effect: **14 September 2011**  
(54) Product in respect of which the design is registered: **Visor**  
(51) International Design Classification: **02-02B, 02-03, 29-99**  
(74) Name(s) of Attorney(s): **WATERMARK PATENT AND TRADE MARKS ATTORNEYS**  
(71) Name(s) and Address(s) of Applicant(s):  
**Dennis Joseph Gialanze**  
**485 Sackville Road Ebenezer New South Wales 2756 Australia**  
(72) Name(s) of Designer(s): **Dennis Joseph Gialanze**  
(45) Registration Date: **26 October 2011**  
(56) Related Art Documents: **Not Applicable**  
(57) Statement of Newness and Distinctiveness: **The newness and distinctiveness of the design resides in the shape of the visor portion of the visor. The frame in dotted outline to which the visor is to be attached is only shown for demonstrating how the connector tabs at the opposing ends of the visor may adopt different configurations relative to the visor, and does not form part of the design.**



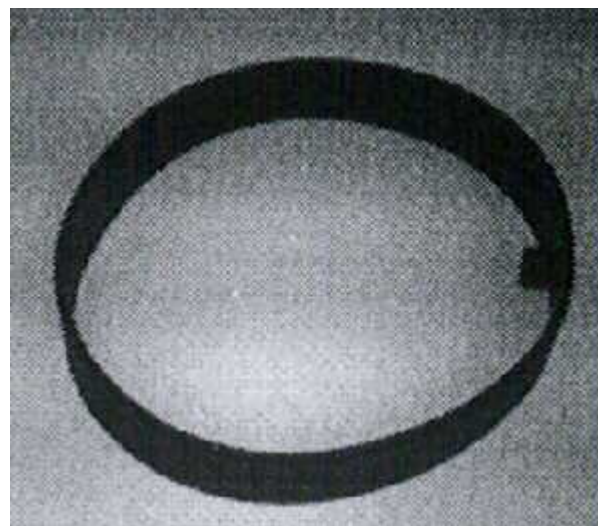
- (21) Design Number: **14361/2011**  
(22) Date of Filing Application: **28 September 2011**  
(24) Date from which industrial property rights may have effect: **28 September 2011**  
(54) Product in respect of which the design is registered: **Tyre**  
(51) International Design Classification: **12-15A**  
(74) Name(s) of Attorney(s): **Griffith Hack**  
(71) Name(s) and Address(s) of Applicant(s):  
**Continental Reifen Deutschland GmbH**  
**Vahrenwalder Str. 9 30165 Hannover Germany**  
(72) Name(s) of Designer(s): **Thomas Buchinger-Barnstorf**  
(45) Registration Date: **26 October 2011**  
(30) Convention priority data:  
(31) Number      (32) Date      (33) Country  
**001905258      17 Aug 2011      EUROPEAN COMMUNITY**  
(56) Related Art Documents: **Not Applicable**  
(57) Statement of Newness and Distinctiveness: **Newness and distinctiveness resides in the visual features, including shape, configuration and pattern, of a tread for a tyre as shown in the accompanying representations.**



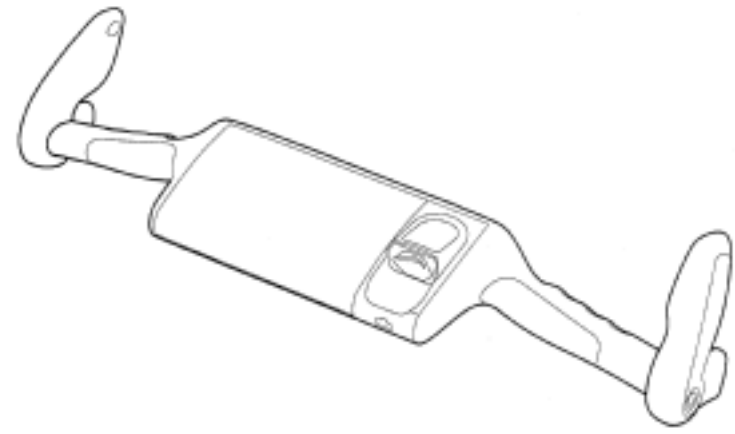
- 
- (21) Design Number: **14657/2011**  
(22) Date of Filing Application: **14 October 2011**  
(24) Date from which industrial property rights may have effect: **14 October 2011**  
(54) Product in respect of which the design is registered: **Silicone strap for reusable cup to seal drinking hole and for branding opportunities. Sold in gift shops, coffee**  
(51) International Design Classification: **09-06**  
(74) Name(s) of Attorney(s):  
(71) Name(s) and Address(s) of Applicant(s):  
**Hookturn Industries Pty Ltd**  
**14 Holbrook Crescent Brunswick West Victoria 3055 Australia**  
(72) Name(s) of Designer(s): **Rena Howard and Saskia Heath and Christine Feagins**  
(45) Registration Date: **26 October 2011**  
(56) Related Art Documents: **Not Applicable**  
(57) Statement of Newness and Distinctiveness: **Made from food grade silicone includes nodule to seal drinking hole.**



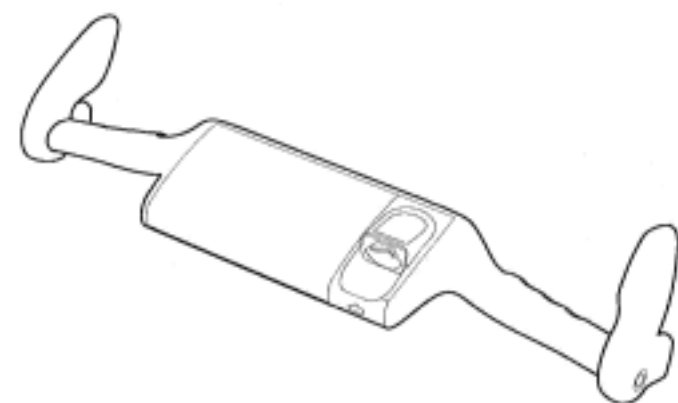
- 
- (21) Design Number: **14656/2011**  
(22) Date of Filing Application: **14 October 2011**  
(24) Date from which industrial property rights may have effect: **14 October 2011**  
(54) Product in respect of which the design is registered: **Silicone strap for reusable cup to seal drinking hole and for branding opportunities. Sold in gift shops, coffee**  
(51) International Design Classification: **09-06**  
(74) Name(s) of Attorney(s):  
(71) Name(s) and Address(s) of Applicant(s):  
**Hookturn Industries Pty Ltd**  
**14 Holbrook Crescent Brunswick West Victoria 3055 Australia**  
(72) Name(s) of Designer(s): **Rena Howard and Saskia Heath and Christine Feagins**  
(45) Registration Date: **26 October 2011**  
(56) Related Art Documents: **Not Applicable**  
(57) Statement of Newness and Distinctiveness: **Made from food grade silicone includes nodule to seal drinking hole.**



(21) Design Number: **13673/2011**  
(22) Date of Filing Application: **22 August 2011**  
(24) Date from which industrial property rights may have effect: **22 August 2011**  
(54) Product in respect of which the design is registered: **Shopping trolley handle**  
(51) International Design Classification: **12-02**  
(74) Name(s) of Attorney(s): **PIZZEYS**  
(71) Name(s) and Address(s) of Applicant(s):  
**Franz Wieth**  
**Lindberghstr.8 Puchheim 82178 Germany**  
**Horst Sonnendorfer**  
**Lindberghstr.8 Puchheim 82178 Germany**  
(72) Name(s) of Designer(s): **Franz Wieth**  
(45) Registration Date: **26 October 2011**  
(30) Convention priority data:  
(31) Number      (32) Date      (33) Country  
**402011 001046.1 23 Feb 2011 GERMANY**  
(56) Related Art Documents: **Not Applicable**  
(57) Statement of Newness and Distinctiveness: **Nil**



(21) Design Number: **14778/2011**  
(22) Date of Filing Application: **22 August 2011**  
(24) Date from which industrial property rights may have effect: **22 August 2011**  
(54) Product in respect of which the design is registered: **Shopping trolley handle**  
(51) International Design Classification: **12-02**  
(74) Name(s) of Attorney(s): **PIZZEYS**  
(71) Name(s) and Address(s) of Applicant(s):  
**Franz Wieth**  
**Lindberghstr.8 Puchheim 82178 Germany**  
**Horst Sonnendorfer**  
**Lindberghstr.8 Puchheim 82178 Germany**  
(72) Name(s) of Designer(s): **Franz Wieth**  
(45) Registration Date: **26 October 2011**  
(30) Convention priority data:  
(31) Number      (32) Date      (33) Country  
**402011 001046.1 23 Feb 2011 GERMANY**  
(56) Related Art Documents: **Not Applicable**  
(57) Statement of Newness and Distinctiveness: **Nil**



(21) Design Number: **14779/2011**  
(22) Date of Filing Application: **22 August 2011**  
(24) Date from which industrial property rights may have effect: **22 August 2011**  
(54) Product in respect of which the design is registered: **Shopping trolley handle**  
(51) International Design Classification: **12-02**  
(74) Name(s) of Attorney(s): **PIZZEYS**  
(71) Name(s) and Address(s) of Applicant(s):  
**Franz Wieth**  
**Lindberghstr.8 Puchheim 82178 Germany**  
**Horst Sonnendorfer**  
**Lindberghstr.8 Puchheim 82178 Germany**  
(72) Name(s) of Designer(s): **Franz Wieth**  
(45) Registration Date: **26 October 2011**  
(30) Convention priority data:  
(31) Number (32) Date (33) Country  
**402011 001046.1 23 Feb 2011 GERMANY**  
(56) Related Art Documents: **Not Applicable**  
(57) Statement of Newness and Distinctiveness: **Nil**



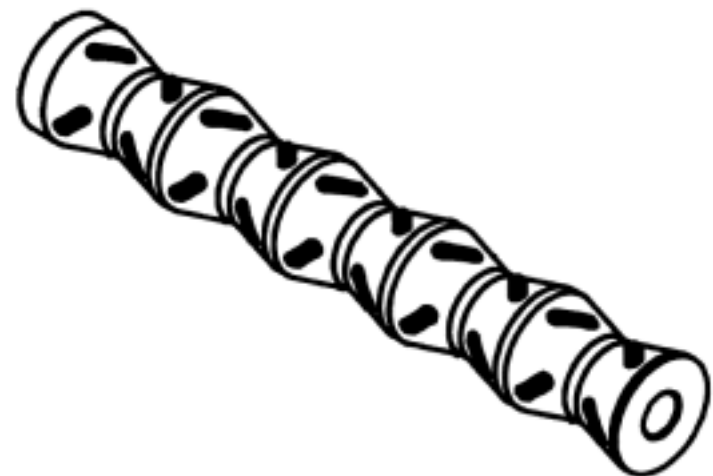
(21) Design Number: **14780/2011**  
(22) Date of Filing Application: **22 August 2011**  
(24) Date from which industrial property rights may have effect: **22 August 2011**  
(54) Product in respect of which the design is registered: **Shopping trolley handle**  
(51) International Design Classification: **12-02**  
(74) Name(s) of Attorney(s): **PIZZEYS**  
(71) Name(s) and Address(s) of Applicant(s):  
**Franz Wieth**  
**Lindberghstr.8 Puchheim 82178 Germany**  
**Horst Sonnendorfer**  
**Lindberghstr.8 Puchheim 82178 Germany**  
(72) Name(s) of Designer(s): **Franz Wieth**  
(45) Registration Date: **26 October 2011**  
(30) Convention priority data:  
(31) Number (32) Date (33) Country  
**402011 001046.1 23 Feb 2011 GERMANY**  
(56) Related Art Documents: **Not Applicable**  
(57) Statement of Newness and Distinctiveness: **Nil**



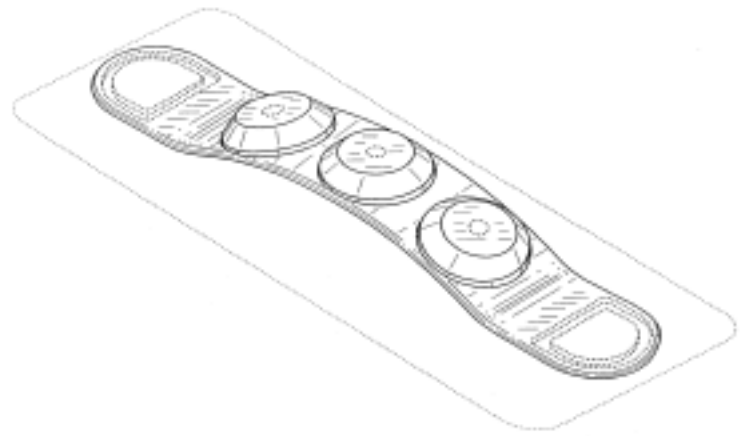
(21) Design Number: **13631/2011**  
(22) Date of Filing Application: **18 August 2011**  
(24) Date from which industrial property rights may have effect: **18 August 2011**  
(54) Product in respect of which the design is registered: **A shopping trolley**  
(51) International Design Classification: **12-02**  
(74) Name(s) of Attorney(s):  
(71) Name(s) and Address(s) of Applicant(s):  
**QHDC Australia Pty Ltd**  
**11 Greg Chappell Drive Burleigh Gardens Industrial Park Queensland**  
**4220 Australia**  
(72) Name(s) of Designer(s): **Wayne Sully**  
(45) Registration Date: **26 October 2011**  
(56) Related Art Documents: **Not Applicable**  
(57) Statement of Newness and Distinctiveness: **Nil**



(21) Design Number: **14410/2011**  
(22) Date of Filing Application: **29 September 2011**  
(24) Date from which industrial property rights may have effect: **29 September 2011**  
(54) Product in respect of which the design is registered: **A roller**  
(51) International Design Classification: **31-00**  
(74) Name(s) of Attorney(s): **Cullens Patent and Trade Mark Attorneys**  
(71) Name(s) and Address(s) of Applicant(s):  
**Garlate Holdings Pty Ltd**  
**16/4 Fremantle Street Andrews Queensland 4220 Australia**  
(72) Name(s) of Designer(s): **Geoff Stonehouse**  
(45) Registration Date: **26 October 2011**  
(56) Related Art Documents: **Not Applicable**  
(57) Statement of Newness and Distinctiveness: **Nil**



(21) Design Number: **14475/2011**  
(22) Date of Filing Application: **05 October 2011**  
(24) Date from which industrial property rights may have effect: **05 October 2011**  
(54) Product in respect of which the design is registered: **Handle**  
(51) International Design Classification: **08-06**  
(74) Name(s) of Attorney(s): **WATERMARK PATENT AND TRADE MARKS ATTORNEYS**  
(71) Name(s) and Address(s) of Applicant(s):  
**MEGA Brands, Inc.**  
**4505 Hickmore Montreal Quebec H4T 1K4 Canada**  
(72) Name(s) of Designer(s): **Julie Leblanc**  
(45) Registration Date: **26 October 2011**  
(30) Convention priority data:  
(31) Number (32) Date (33) Country  
**29/388,985 05 Apr 2011 UNITED STATES OF AMERICA**

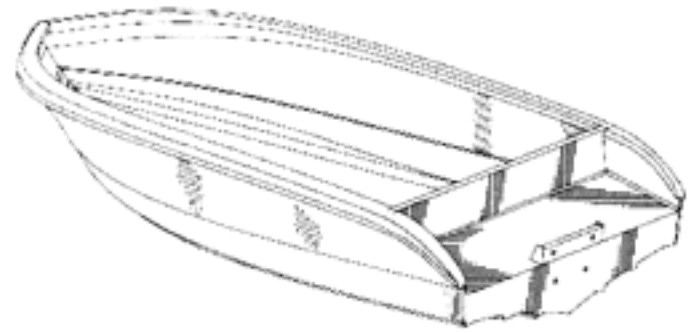


(56) Related Art Documents: **Not Applicable**  
(57) Statement of Newness and Distinctiveness: **New and distinctive features of the handle design include the studs on a face of the handle. The number of studs is not important to the design. The broken or dashed lines depict environment for illustrative purposes and are not part of the design. The shading illustrated is provided merely to represent contour of the design and is not intended to be illustrative of, for example, texture, gloss, colour, translucence, transparency or surface decoration.**

(21) Design Number: **14550/2011**  
(22) Date of Filing Application: **11 October 2011**  
(24) Date from which industrial property rights may have effect: **11 October 2011**  
(54) Product in respect of which the design is registered: **Hot water systems**  
(51) International Design Classification: **23-03NES**  
(74) Name(s) of Attorney(s):  
(71) Name(s) and Address(s) of Applicant(s):  
**Christopher Francis**  
**208 Bangholme Road Bangholme Victoria 3175 Australia**  
(72) Name(s) of Designer(s): **Christopher Francis**  
(45) Registration Date: **26 October 2011**  
(56) Related Art Documents: **Not Applicable**  
(57) Statement of Newness and Distinctiveness: **Strong steel outdoor camp fire hot water system. Coil design.**



- (21) Design Number: **14454/2011**  
(22) Date of Filing Application: **30 September 2011**  
(24) Date from which industrial property rights may have effect: **30 September 2011**  
(54) Product in respect of which the design is registered: **Boat**  
(51) International Design Classification: **12-06A, 12-06C**  
(74) Name(s) of Attorney(s): **TJ IP Patents, Trade Marks & Designs**  
(71) Name(s) and Address(s) of Applicant(s):  
**Cadcam Marine Pty Ltd**  
**No 44 Ln 39 Neixi Rd Luzhu Township Taoyuan County 338 Taiwan**  
**R.O.C**  
(72) Name(s) of Designer(s): **Jung-han Fan**  
(45) Registration Date: **26 October 2011**  
(56) Related Art Documents: **Not Applicable**  
(57) Statement of Newness and Distinctiveness: **Nil**



- (21) Design Number: **14455/2011**  
(22) Date of Filing Application: **04 October 2011**  
(24) Date from which industrial property rights may have effect: **04 October 2011**  
(54) Product in respect of which the design is registered: **A chair**  
(51) International Design Classification: **06-01F, 06-01H**  
(74) Name(s) of Attorney(s): **WATERMARK PATENT AND TRADE MARKS**  
**ATTORNEYS**  
(71) Name(s) and Address(s) of Applicant(s):  
**S2DIO Pty Ltd**  
**30 Cloris Avenue Beaumaris Victoria 3193 Australia**  
(72) Name(s) of Designer(s): **Andre Schoenmakers**  
(45) Registration Date: **26 October 2011**  
(56) Related Art Documents: **Not Applicable**  
(57) Statement of Newness and Distinctiveness: **Nil**



(21) Design Number: **14456/2011**  
(22) Date of Filing Application: **04 October 2011**  
(24) Date from which industrial property rights may have effect: **04 October 2011**  
(54) Product in respect of which the design is registered: **A chair**  
(51) International Design Classification: **06-01F, 06-01H**  
(74) Name(s) of Attorney(s): **WATERMARK PATENT AND TRADE MARKS ATTORNEYS**  
(71) Name(s) and Address(s) of Applicant(s):  
**S2DIO Pty Ltd**  
**30 Cloris Avenue Beaumaris Victoria 3193 Australia**  
(72) Name(s) of Designer(s): **Andre Schoenmakers**  
(45) Registration Date: **26 October 2011**  
(56) Related Art Documents: **Not Applicable**  
(57) Statement of Newness and Distinctiveness: **Nil**

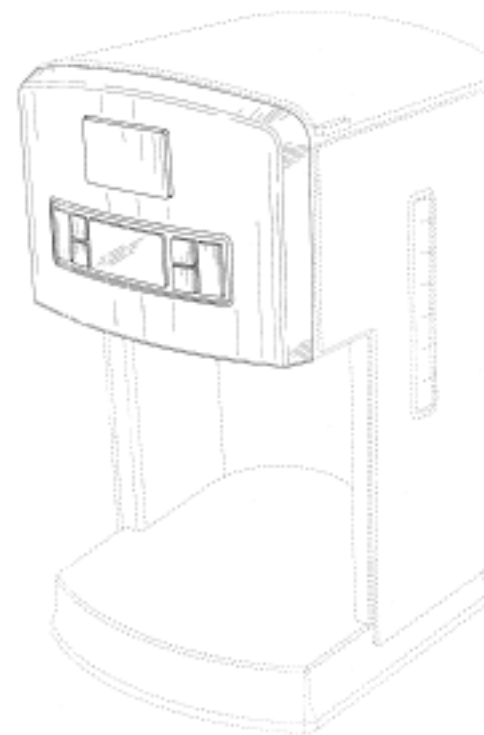


(21) Design Number: **14457/2011**  
(22) Date of Filing Application: **04 October 2011**  
(24) Date from which industrial property rights may have effect: **04 October 2011**  
(54) Product in respect of which the design is registered: **A chair**  
(51) International Design Classification: **06-01F, 06-01H**  
(74) Name(s) of Attorney(s): **WATERMARK PATENT AND TRADE MARKS ATTORNEYS**  
(71) Name(s) and Address(s) of Applicant(s):  
**S2DIO Pty Ltd**  
**30 Cloris Avenue Beaumaris Victoria 3193 Australia**  
(72) Name(s) of Designer(s): **Andre Schoenmakers**  
(45) Registration Date: **26 October 2011**  
(56) Related Art Documents: **Not Applicable**  
(57) Statement of Newness and Distinctiveness: **Nil**

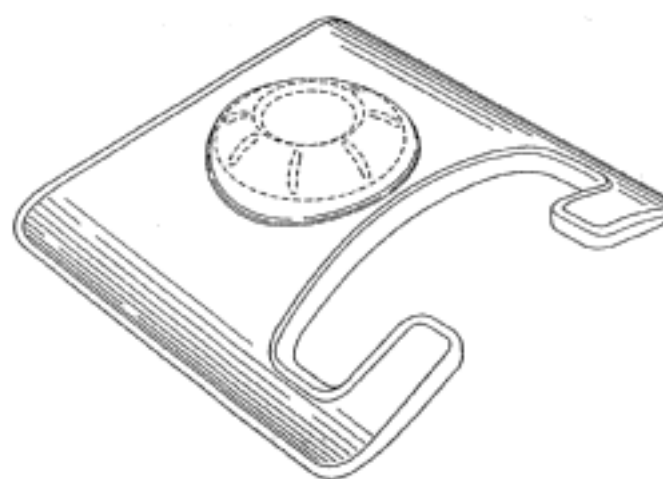




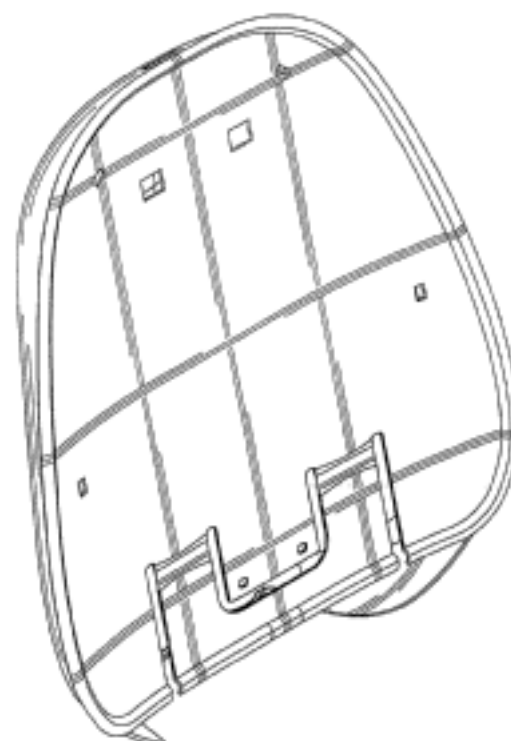
- (21) Design Number: **13909/2011**  
(22) Date of Filing Application: **05 September 2011**  
(24) Date from which industrial property rights may have effect: **05 September 2011**  
(54) Product in respect of which the design is registered: **Coffee maker**  
(51) International Design Classification: **07-02L**  
(74) Name(s) of Attorney(s): **Davies Collison Cave**  
(71) Name(s) and Address(s) of Applicant(s):  
**Electrolux Home Products, Inc.**  
**10200 David Taylor Drive Charlotte North Carolina 28262 United States of America**  
(72) Name(s) of Designer(s): **Brent Aaron Curtis and Daniel Hartly Green**  
(45) Registration Date: **27 October 2011**  
(30) Convention priority data:  
(31) Number (32) Date (33) Country  
**29/386864 04 Mar 2011 UNITED STATES OF AMERICA**  
(56) Related Art Documents: **Not Applicable**  
(57) Statement of Newness and Distinctiveness: **Newness and distinctiveness is claimed in the visual features shown in solid lines in the representations.**



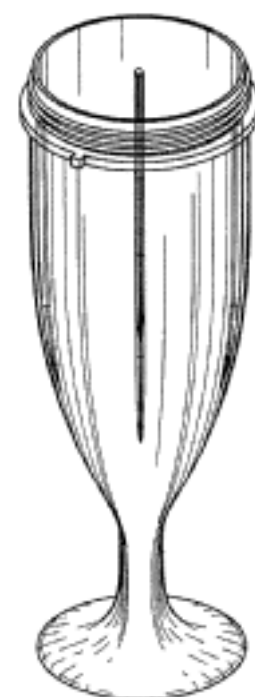
- (21) Design Number: **14459/2011**  
(22) Date of Filing Application: **04 October 2011**  
(24) Date from which industrial property rights may have effect: **04 October 2011**  
(54) Product in respect of which the design is registered: **Stand and/or support for planar or tablet computing device**  
(51) International Design Classification: **14-02**  
(74) Name(s) of Attorney(s): **SPRUSON & FERGUSON**  
(71) Name(s) and Address(s) of Applicant(s):  
**Bernard John Graham**  
**120 Dugas Road Corbeil Ontario P0H 1K0 Canada**  
(72) Name(s) of Designer(s): **Bernard John Graham**  
(45) Registration Date: **27 October 2011**  
(30) Convention priority data:  
(31) Number (32) Date (33) Country  
**29/388812 01 Apr 2011 UNITED STATES OF AMERICA**  
(56) Related Art Documents: **Not Applicable**  
(57) Statement of Newness and Distinctiveness: **Newness and distinctiveness is claimed in the features of shape and/or configuration of a stand and/or support for planar or tablet computing device as illustrated continuous lines in the accompanying representations.**



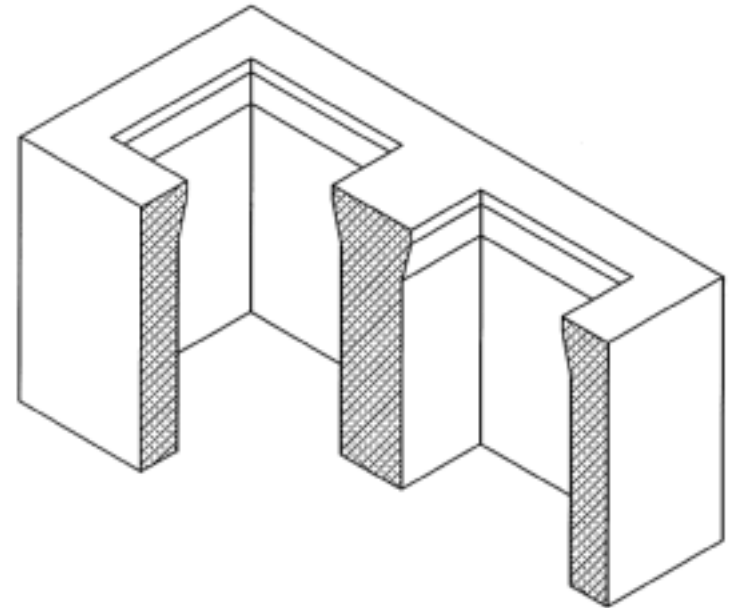
(21) Design Number: **14468/2011**  
(22) Date of Filing Application: **04 October 2011**  
(24) Date from which industrial property rights may have effect: **04 October 2011**  
(54) Product in respect of which the design is registered: **Seat back**  
(51) International Design Classification: **06-06G**  
(74) Name(s) of Attorney(s): **FB Rice**  
(71) Name(s) and Address(s) of Applicant(s):  
**Invacare Corporation**  
**One Invacare Way Elyria Ohio 44036 United States of America**  
(72) Name(s) of Designer(s): **Joseph Spalding and Daniel James Yee and Damon Jurkiewicz and Howard Loewenthal**  
(45) Registration Date: **27 October 2011**  
(30) Convention priority data:  
(31) Number (32) Date (33) Country  
**29/388892 04 Apr 2011 UNITED STATES OF AMERICA**  
(56) Related Art Documents: **Not Applicable**  
(57) Statement of Newness and Distinctiveness: **Newness and distinctiveness reside in the features of the design as shown in the representations.**



(21) Design Number: **14470/2011**  
(22) Date of Filing Application: **04 October 2011**  
(24) Date from which industrial property rights may have effect: **04 October 2011**  
(54) Product in respect of which the design is registered: **Goblet**  
(51) International Design Classification: **07-01C**  
(74) Name(s) of Attorney(s): **Freehills Patent & Trade Mark Attorneys**  
(71) Name(s) and Address(s) of Applicant(s):  
**Homeland Housewares, LLC**  
**11755 Wilshire Boulevard Suite 1200 Los Angeles California 90025**  
**United States of America**  
(72) Name(s) of Designer(s): **Colin Sapire**  
(45) Registration Date: **27 October 2011**  
(30) Convention priority data:  
(31) Number (32) Date (33) Country  
**29/389435 12 Apr 2011 UNITED STATES OF AMERICA**  
(56) Related Art Documents: **Not Applicable**  
(57) Statement of Newness and Distinctiveness: **Nil**



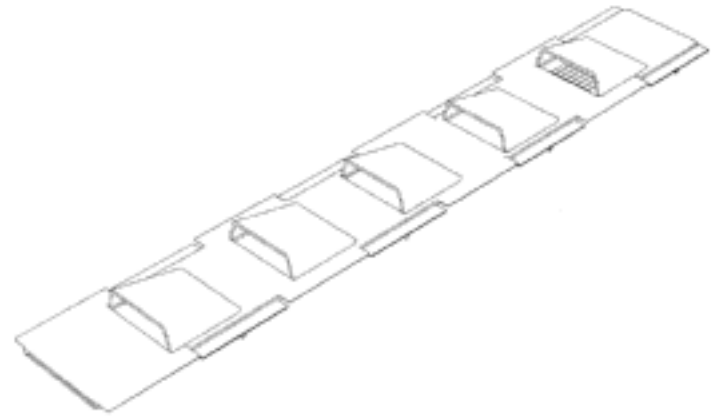
(21) Design Number: **14218/2011**  
(22) Date of Filing Application: **21 September 2011**  
(24) Date from which industrial property rights may have effect: **21 September 2011**  
(54) Product in respect of which the design is registered: **A block**  
(51) International Design Classification: **25-01A**  
(74) Name(s) of Attorney(s): **Cullens Patent and Trade Mark Attorneys**  
(71) Name(s) and Address(s) of Applicant(s):  
**Jarmen Pty Ltd**  
**17 Industrial Avenue Maryborough Queensland 4650 Australia**  
(72) Name(s) of Designer(s): **Andrew Kearley**  
(45) Registration Date: **27 October 2011**  
(56) Related Art Documents: **Not Applicable**  
(57) Statement of Newness and Distinctiveness: **Nil**



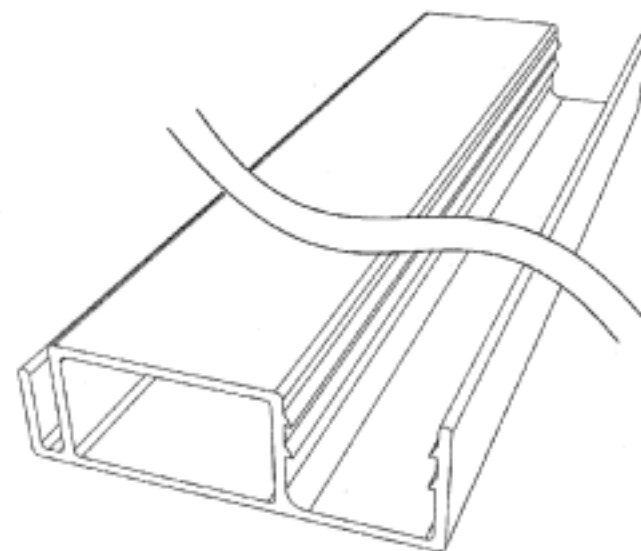
(21) Design Number: **14536/2011**  
(22) Date of Filing Application: **11 October 2011**  
(24) Date from which industrial property rights may have effect: **11 October 2011**  
(54) Product in respect of which the design is registered: **Flat top two piece adjustable ground spike**  
(51) International Design Classification: **08-08NES**  
(74) Name(s) of Attorney(s):  
(71) Name(s) and Address(s) of Applicant(s):  
**Shane Dalton**  
**61 Patterson Street Bonbbach Victoria 3196 Australia**  
(72) Name(s) of Designer(s): **Shane Dalton**  
(45) Registration Date: **27 October 2011**  
(56) Related Art Documents: **Not Applicable**  
(57) Statement of Newness and Distinctiveness: **The flat top ground spike is distinctive due to the design being in two pieces. The newness of the design is that it is adjustable.**



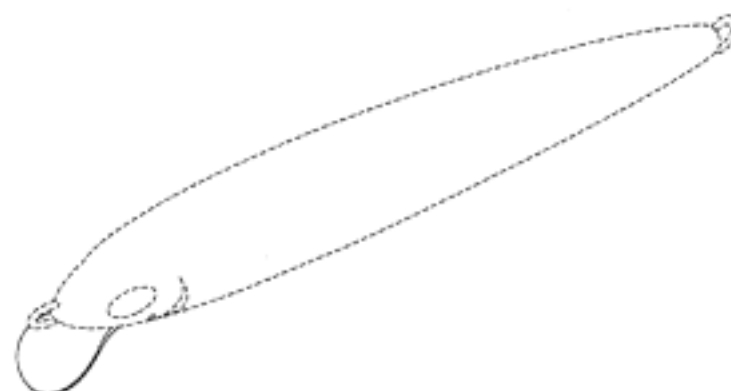
(21) Design Number: **14477/2011**  
(22) Date of Filing Application: **06 October 2011**  
(24) Date from which industrial property rights may have effect: **06 October 2011**  
(54) Product in respect of which the design is registered: **Window vent**  
(51) International Design Classification: **25-02H**  
(74) Name(s) of Attorney(s):  
(71) Name(s) and Address(s) of Applicant(s):  
**David Lindsay Polkinghorne**  
**7 Queen Street Maylands Western Australia 6051 Australia**  
(72) Name(s) of Designer(s): **David Lindsay Polkinghorne**  
(45) Registration Date: **28 October 2011**  
(56) Related Art Documents: **Not Applicable**  
(57) Statement of Newness and Distinctiveness: **Nil**



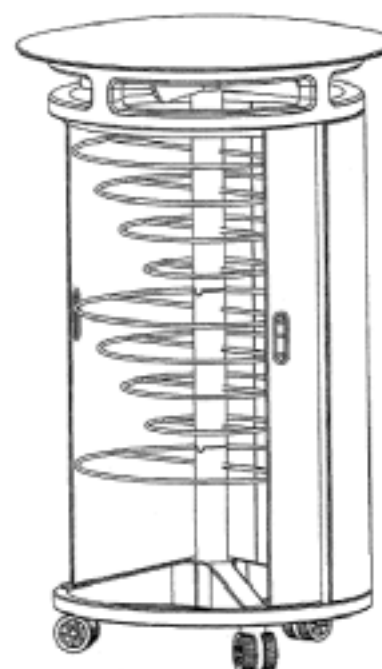
(21) Design Number: **14479/2011**  
(22) Date of Filing Application: **06 October 2011**  
(24) Date from which industrial property rights may have effect: **06 October 2011**  
(54) Product in respect of which the design is registered: **Sign frame extrusion**  
(51) International Design Classification: **25-01K**  
(74) Name(s) of Attorney(s): **LESICAR PERRIN**  
(71) Name(s) and Address(s) of Applicant(s):  
**A.L.L.Innovations Pty Ltd**  
**PO Box 5325 Mordialloc Victoria 3195 Australia**  
(72) Name(s) of Designer(s): **Xavier Andrew Jablonski**  
(45) Registration Date: **28 October 2011**  
(56) Related Art Documents: **Not Applicable**  
(57) Statement of Newness and Distinctiveness: **Newness and distinctiveness resides in the shape and/or configuration of the sign frame extrusion as shown in the accompanying representations.**



- (21) Design Number: **14481/2011**  
(22) Date of Filing Application: **05 October 2011**  
(24) Date from which industrial property rights may have effect: **05 October 2011**  
(54) Product in respect of which the design is registered: **Fishing lure**  
(51) International Design Classification: **22-05**  
(74) Name(s) of Attorney(s): **SPRUSON & FERGUSON**  
(71) Name(s) and Address(s) of Applicant(s):  
**Megabass Inc.**  
**1590-1 Nishigasaki-cho Higashi-ku Hamamatsu-shi Shizuoka 431-3115**  
**Japan**  
(72) Name(s) of Designer(s): **Koichi Ito**  
(45) Registration Date: **28 October 2011**  
(56) Related Art Documents: **Not Applicable**  
(57) Statement of Newness and Distinctiveness: **Newness and distinctiveness is claimed in those features of shape and/or configuration of a fishing lure illustrated in solid lines in the accompanying representations.**



- (21) Design Number: **14482/2011**  
(22) Date of Filing Application: **05 October 2011**  
(24) Date from which industrial property rights may have effect: **05 October 2011**  
(54) Product in respect of which the design is registered: **Clothes drying assembly**  
(51) International Design Classification: **07-05D**  
(74) Name(s) of Attorney(s): **Pegasus IP**  
(71) Name(s) and Address(s) of Applicant(s):  
**Stephen Thornton**  
**52/9 Sylvan Road Toowong Queensland 4066 Australia**  
(72) Name(s) of Designer(s): **Stephen Thornton**  
(45) Registration Date: **28 October 2011**  
(56) Related Art Documents: **Not Applicable**  
(57) Statement of Newness and Distinctiveness: **Newness and distinctiveness resides in the features of shape and/or configuration of the product as shown in the reps.**



- (21) Design Number: **14483/2011**  
(22) Date of Filing Application: **05 October 2011**  
(24) Date from which industrial property rights may have effect: **05 October 2011**  
(54) Product in respect of which the design is registered: **Electrical connector**  
(51) International Design Classification: **13-03E**  
(74) Name(s) of Attorney(s): **Freehills Patent & Trade Mark Attorneys**  
(71) Name(s) and Address(s) of Applicant(s):

**Ethicon Endo-Surgery, Inc.**  
**4545 Creek Road Cincinnati Ohio 45242 United States of America**

- (72) Name(s) of Designer(s): **Daniel W. Price and William E. Clem and Matthew C. Miller and Cory G. Kimball and Brennan G. McCabe and Jeffrey D. Messerly and Shawn C. Snyder**

- (45) Registration Date: **28 October 2011**

- (30) Convention priority data:

(31) Number	(32) Date	(33) Country
<b>29/392033</b>	<b>17 May 2011</b>	<b>UNITED STATES OF AMERICA</b>

- (56) Related Art Documents: **Not Applicable**

- (57) Statement of Newness and Distinctiveness: **The newness and distinctiveness of the design resides in the features of shape and configuration of the electrical connector as shown in the representations. In considering whether the design is substantially similar in overall impression to another design, no regard is to be given to the features shown in broken lines.**



- (21) Design Number: **14489/2011**  
(22) Date of Filing Application: **05 October 2011**  
(24) Date from which industrial property rights may have effect: **05 October 2011**  
(54) Product in respect of which the design is registered: **Personal hygiene and accessory container**  
(51) International Design Classification: **09-03NES**  
(74) Name(s) of Attorney(s): **FB Rice**  
(71) Name(s) and Address(s) of Applicant(s):

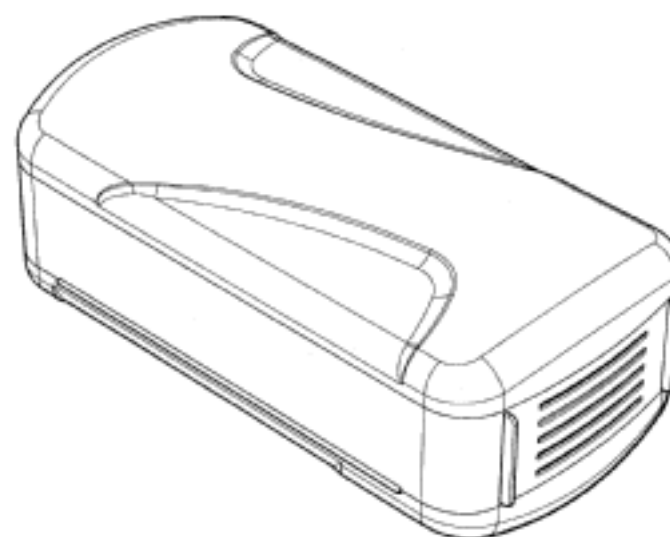
**John Tsalkos**  
**32 Gadd Street Northcote Victoria 3070 Australia**

- (72) Name(s) of Designer(s): **John Tsalkos**

- (45) Registration Date: **28 October 2011**

- (56) Related Art Documents: **Not Applicable**

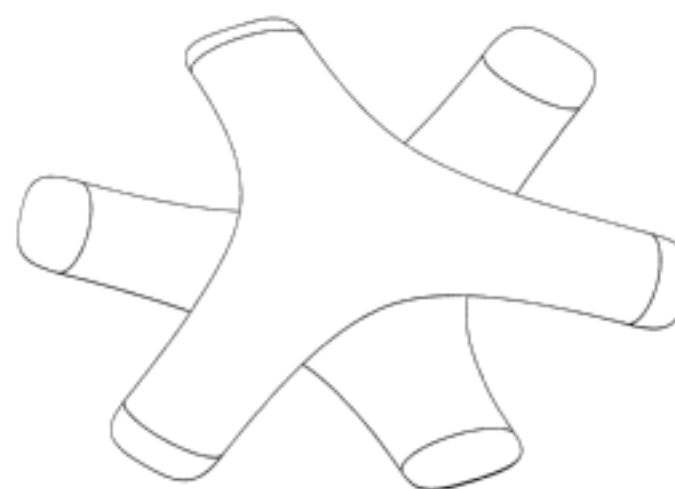
- (57) Statement of Newness and Distinctiveness: **Each feature of the design of the personal hygiene and accessory container considered separately or in combination with any other feature or features.**



(21) Design Number: **14494/2011**  
(22) Date of Filing Application: **05 October 2011**  
(24) Date from which industrial property rights may have effect: **05 October 2011**  
(54) Product in respect of which the design is registered: **Desk lamp**  
(51) International Design Classification: **26-05B**  
(74) Name(s) of Attorney(s): **FB Rice**  
(71) Name(s) and Address(s) of Applicant(s):  
**Luceplan SpA**  
**Via E.T. Moneta 40 20161 Milano Italy**  
(72) Name(s) of Designer(s): **Alberto Meda and Paolo Rizzatto**  
(45) Registration Date: **28 October 2011**  
(30) Convention priority data:  
(31) Number (32) Date (33) Country  
**001846007-0005 05 Apr 2011 EUROPEAN COMMUNITY**  
(56) Related Art Documents: **Not Applicable**  
(57) Statement of Newness and Distinctiveness: **Newness and distinctiveness reside in the features of shape and configuration of the desk lamp as shown in the representations.**



(21) Design Number: **14495/2011**  
(22) Date of Filing Application: **05 October 2011**  
(24) Date from which industrial property rights may have effect: **05 October 2011**  
(54) Product in respect of which the design is registered: **LED module**  
(51) International Design Classification: **26-05E**  
(74) Name(s) of Attorney(s): **FB Rice**  
(71) Name(s) and Address(s) of Applicant(s):  
**Luceplan SpA**  
**Via E.T. Moneta 40 20161 Milano Italy**  
(72) Name(s) of Designer(s): **Francisco Gomez Paz**  
(45) Registration Date: **28 October 2011**  
(30) Convention priority data:  
(31) Number (32) Date (33) Country  
**001846007-0006 05 Apr 2011 EUROPEAN COMMUNITY**  
(56) Related Art Documents: **Not Applicable**  
(57) Statement of Newness and Distinctiveness: **Newness and distinctiveness reside in the features of shape and configuration of the LED module as shown in the representations.**



(21) Design Number: **14228/2011**  
(22) Date of Filing Application: **20 September 2011**  
(24) Date from which industrial property rights may have effect: **20 September 2011**  
(54) Product in respect of which the design is registered: **A shopping trolley**  
(51) International Design Classification: **12-02**  
(74) Name(s) of Attorney(s):  
(71) Name(s) and Address(s) of Applicant(s):  
**QHDC Australia Pty Ltd**  
**11 Greg Chappell Drive Burleigh Gardens Industrial Park Queensland**  
**4220 Australia**  
(72) Name(s) of Designer(s): **Wayne Sully**  
(45) Registration Date: **28 October 2011**  
(56) Related Art Documents: **Not Applicable**  
(57) Statement of Newness and Distinctiveness: **Nil**



(21) Design Number: **13545/2011**  
(22) Date of Filing Application: **10 August 2011**  
(24) Date from which industrial property rights may have effect: **10 August 2011**  
(54) Product in respect of which the design is registered: **Evacuation chair**  
(51) International Design Classification: **06-01NES, 12-12**  
(74) Name(s) of Attorney(s): **FB Rice**  
(71) Name(s) and Address(s) of Applicant(s):  
**Gerald David Morrish**  
**16 Plantagenet Road Barnet Herts EN5 5JG United Kingdom**  
**Kenneth George Morrish**  
**16 Plantagenet Road Barnet Herts EN5 5JG United Kingdom**  
(72) Name(s) of Designer(s): **Gerald David Morrish and Kenneth George Morrish**  
(45) Registration Date: **31 October 2011**  
(30) Convention priority data:  
(31) Number (32) Date (33) Country  
**0018250556-0003 11 Feb 2011 EUROPEAN COMMUNITY**  
(56) Related Art Documents: **Not Applicable**  
(57) Statement of Newness and Distinctiveness: **Newness and distinctiveness reside in the features of shape and configuration of the chair including arm rests and handle as shown in the representations.**





(21) Design Number: **13581/2011**

(22) Date of Filing Application: **12 August 2011**

(24) Date from which industrial property rights may have effect: **12 August 2011**

(54) Product in respect of which the design is registered: **Portion of floor cleaning machine**

(51) International Design Classification: **15-05**

(74) Name(s) of Attorney(s): **Griffith Hack**

(71) Name(s) and Address(s) of Applicant(s):

**BISSELL Homecare, Inc**  
**2345 Walker Avenue N.W. Grand Rapids Michigan 49544 United States of America**

(72) Name(s) of Designer(s): **Ambreese Hill**

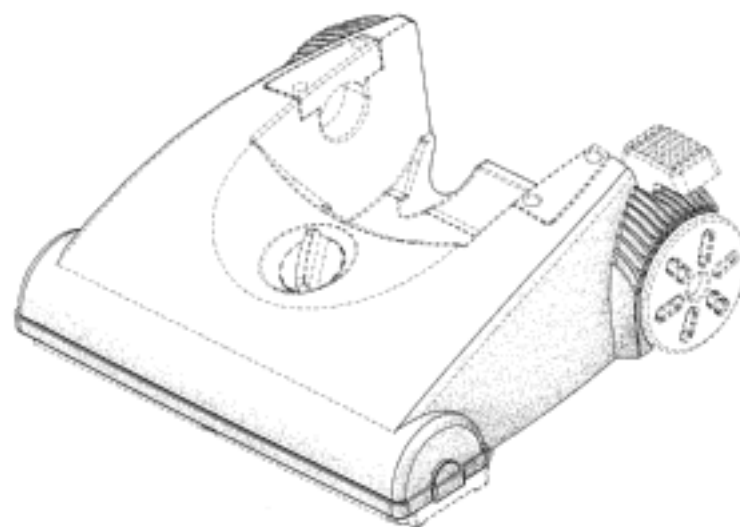
(45) Registration Date: **31 October 2011**

(30) Convention priority data:

(31) Number	(32) Date	(33) Country
<b>29/386,760</b>	<b>04 Mar 2011</b>	<b>UNITED STATES OF AMERICA</b>

(56) Related Art Documents: **Not Applicable**

(57) Statement of Newness and Distinctiveness: **Newness and distinctiveness resides in the visual features, including shape and configuration, of a portion of floor cleaning machine as shown in the accompanying representation. Those parts of the portion of floor cleaning machine shown by means of the dots and dashed lines do not form part of the design.**



(21) Design Number: **13838/2011**

(22) Date of Filing Application: **01 September 2011**

(24) Date from which industrial property rights may have effect: **01 September 2011**

(54) Product in respect of which the design is registered: **Chaise lounge with built in surround sound system**

(51) International Design Classification: **06-01G, 14-03NES**

(74) Name(s) of Attorney(s):

(71) Name(s) and Address(s) of Applicant(s):

**Manuel Mifsud**  
**6 Jefferson Grove Kenthurst New South Wales 2156 Australia**

**Daniel Mifsud**  
**6 Jefferson Grove Kenthurst New South Wales 2156 Australia**

(72) Name(s) of Designer(s): **Manuel Mifsud and Daniel Mifsud**

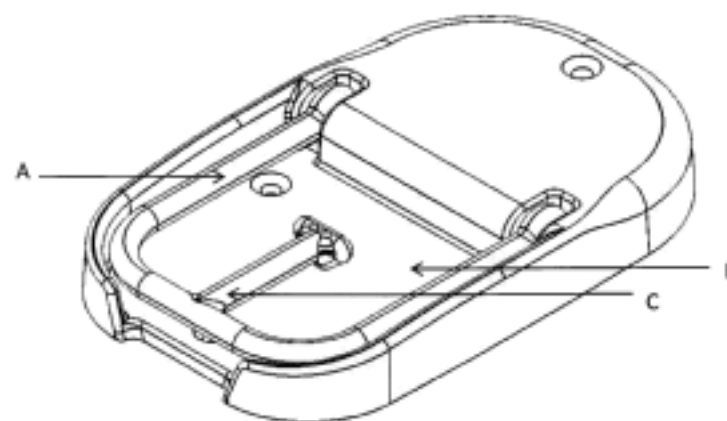
(45) Registration Date: **31 October 2011**

(56) Related Art Documents: **Not Applicable**

(57) Statement of Newness and Distinctiveness: **- Unique headrest designed for neck support whilst also docking speakers and tweeters in-built to the design. There is also uniqueness in its ergonomic shape being designed to fit the human body.**



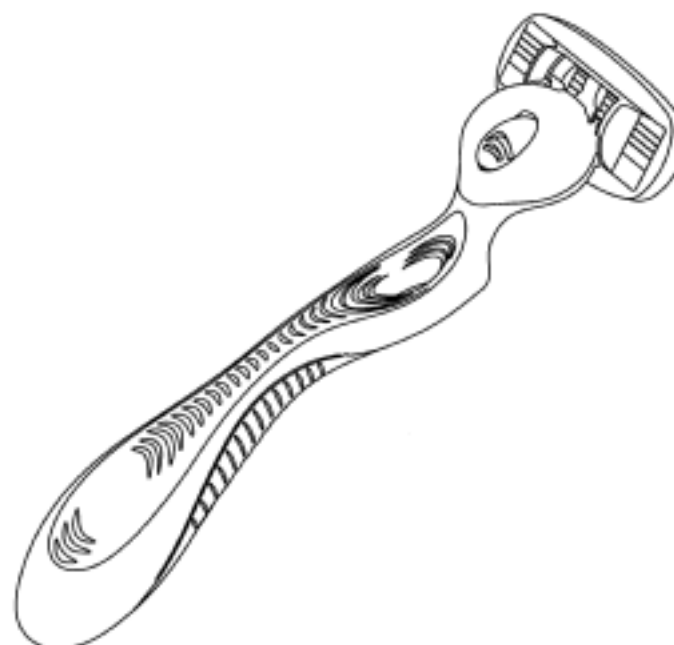
(21) Design Number: **13926/2011**  
(22) Date of Filing Application: **07 September 2011**  
(24) Date from which industrial property rights may have effect: **07 September 2011**  
(54) Product in respect of which the design is registered: **A wall mounted hook for a leash**  
(51) International Design Classification: **08-08G**  
(74) Name(s) of Attorney(s): **Baxter IP**  
(71) Name(s) and Address(s) of Applicant(s):  
**David John Wyatt**  
**2/70 Sir Thomas Mitchell Road Bondi New South Wales 2026 Australia**  
(72) Name(s) of Designer(s): **David John Wyatt**  
(45) Registration Date: **31 October 2011**  
(56) Related Art Documents: **Not Applicable**  
(57) Statement of Newness and Distinctiveness: **Newness and distinctiveness is claimed in the features of the shape and/or configuration of the hook indicated by feature A, hook recess indicated by feature B and/or central prong of the hook indicated by feature C.**



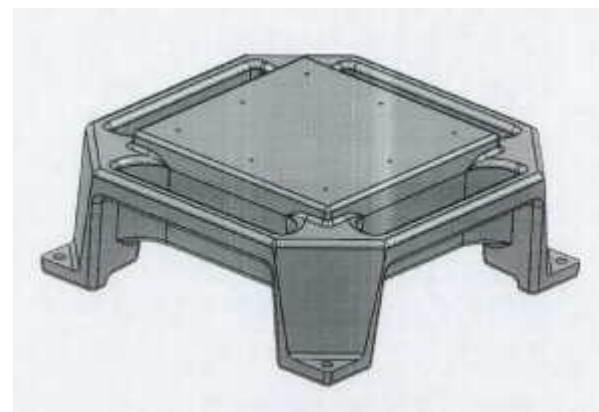
(21) Design Number: **14509/2011**  
(22) Date of Filing Application: **06 October 2011**  
(24) Date from which industrial property rights may have effect: **06 October 2011**  
(54) Product in respect of which the design is registered: **Safety razor handle**  
(51) International Design Classification: **28-03A**  
(74) Name(s) of Attorney(s): **Halfords IP**  
(71) Name(s) and Address(s) of Applicant(s):  
**Eveready Battery Company, Inc.**  
**533 Maryville University Drive St Louis Missouri 63141 United States of America**  
(72) Name(s) of Designer(s): **Gregg A. Micinilio**  
(45) Registration Date: **01 November 2011**  
(30) Convention priority data:  
(31) Number      (32) Date      (33) Country  
**29/390678      28 Apr 2011      UNITED STATES OF AMERICA**  
(56) Related Art Documents: **Not Applicable**  
(57) Statement of Newness and Distinctiveness: **Nil**



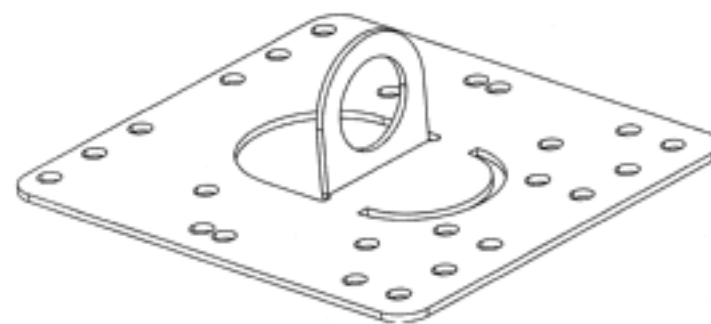
(21) Design Number: **14510/2011**  
(22) Date of Filing Application: **06 October 2011**  
(24) Date from which industrial property rights may have effect: **06 October 2011**  
(54) Product in respect of which the design is registered: **Safety razor**  
(51) International Design Classification: **28-03A**  
(74) Name(s) of Attorney(s): **Halfords IP**  
(71) Name(s) and Address(s) of Applicant(s):  
**Eveready Battery Company, Inc.**  
**533 Maryville University Drive St Louis Missouri 63141 United States of America**  
(72) Name(s) of Designer(s): **Gregg A. Micinilio**  
(45) Registration Date: **01 November 2011**  
(30) Convention priority data:  
(31) Number (32) Date (33) Country  
**29/390677 28 Apr 2011 UNITED STATES OF AMERICA**  
(56) Related Art Documents: **Not Applicable**  
(57) Statement of Newness and Distinctiveness: **Nil**



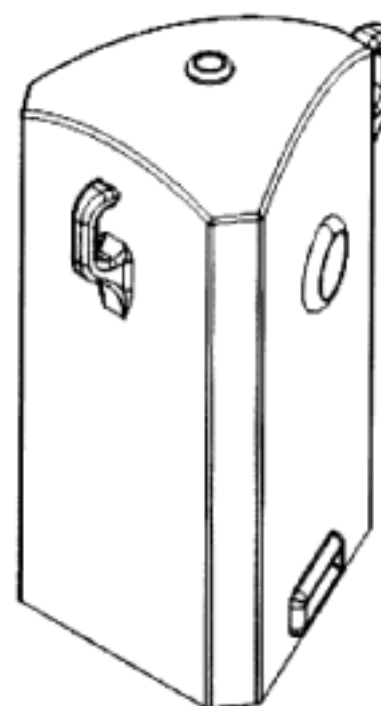
(21) Design Number: **14532/2011**  
(22) Date of Filing Application: **07 October 2011**  
(24) Date from which industrial property rights may have effect: **07 October 2011**  
(54) Product in respect of which the design is registered: **A handle incorporating pedestal for a portable electrical distribution tower**  
(51) International Design Classification: **13-03NES**  
(74) Name(s) of Attorney(s):  
(71) Name(s) and Address(s) of Applicant(s):  
**Jackson Electrical Industries Limited**  
**18 Gloucester Park Road Onehunga Auckland New Zealand**  
(72) Name(s) of Designer(s): **James William Jackson and Russell John Donovan**  
(45) Registration Date: **01 November 2011**  
(56) Related Art Documents: **Not Applicable**  
(57) Statement of Newness and Distinctiveness: **Nil**



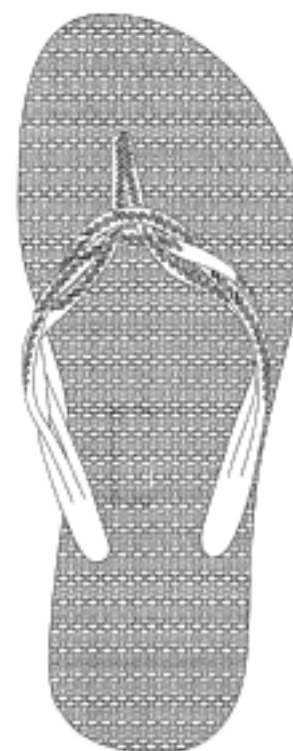
- (21) Design Number: **14533/2011**  
(22) Date of Filing Application: **06 October 2011**  
(24) Date from which industrial property rights may have effect: **06 October 2011**  
(54) Product in respect of which the design is registered: **Fall arresting bracket**  
(51) International Design Classification: **08-08NES, 29-02**  
(74) Name(s) of Attorney(s): **Allens Arthur Robinson**  
(71) Name(s) and Address(s) of Applicant(s):  
**Roofsafe-T-Systems Pty Limited**  
**3 Bushells Place Wetherill Park New South Wales 2164 Australia**  
(72) Name(s) of Designer(s): **Ross Fitzpatrick**  
(45) Registration Date: **01 November 2011**  
(56) Related Art Documents: **Not Applicable**  
(57) Statement of Newness and Distinctiveness: **Newness and distinctiveness is claimed in the features of shape and configuration of the integral tongue and eye, crescent-shaped aperture and base plate of the fall arresting bracket shown in the representations. No regard is to be had to the plurality of small circular through apertures distributed across the base plate.**



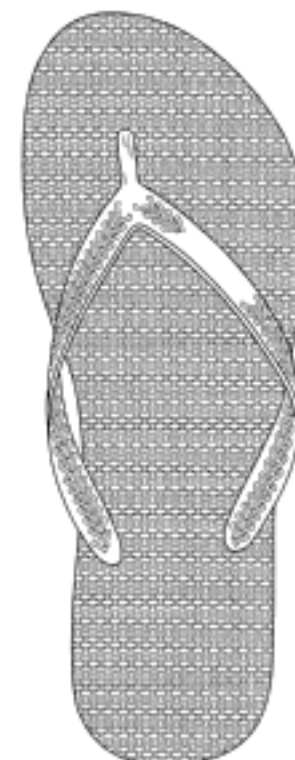
- (21) Design Number: **14469/2011**  
(22) Date of Filing Application: **04 October 2011**  
(24) Date from which industrial property rights may have effect: **04 October 2011**  
(54) Product in respect of which the design is registered: **Star picket cap**  
(51) International Design Classification: **25-01E**  
(74) Name(s) of Attorney(s):  
(71) Name(s) and Address(s) of Applicant(s):  
**Prospectors Pty Ltd**  
**22 Lexington Drive Bella Vista New South Wales 2153 Australia**  
**Simon Heywood**  
**49 Hamersley Street Broome Western Australia 6725 Australia**  
**Sonya Heywood**  
**49 Hamersley Street Broome Western Australia 6725 Australia**  
(72) Name(s) of Designer(s): **Robert Keast and Simon Heywood and Sonya Heywood**  
(45) Registration Date: **02 November 2011**  
(56) Related Art Documents: **Not Applicable**  
(57) Statement of Newness and Distinctiveness: **Nil**



(21) Design Number: **14499/2011**  
(22) Date of Filing Application: **06 October 2011**  
(24) Date from which industrial property rights may have effect: **06 October 2011**  
(54) Product in respect of which the design is registered: **Footwear**  
(51) International Design Classification: **02-04NES**  
(74) Name(s) of Attorney(s): **Freehills Patent & Trade Mark Attorneys**  
(71) Name(s) and Address(s) of Applicant(s):  
**Alpargatas S.A.**  
**Rua Funchal 160 Vila Olimpia CEP:04551-903 Sao Paulo SP Brazil**  
(72) Name(s) of Designer(s): **Jose Marcos da Silva**  
(45) Registration Date: **02 November 2011**  
(30) Convention priority data:  
(31) Number (32) Date (33) Country  
**001893066-0001 19 Jul 2011 EUROPEAN COMMUNITY**  
(56) Related Art Documents: **Not Applicable**  
(57) Statement of Newness and Distinctiveness: **Nil**



(21) Design Number: **14500/2011**  
(22) Date of Filing Application: **06 October 2011**  
(24) Date from which industrial property rights may have effect: **06 October 2011**  
(54) Product in respect of which the design is registered: **Footwear**  
(51) International Design Classification: **02-04NES**  
(74) Name(s) of Attorney(s): **Freehills Patent & Trade Mark Attorneys**  
(71) Name(s) and Address(s) of Applicant(s):  
**Alpargatas S.A.**  
**Rua Funchal 160 Vila Olimpia CEP:04551-903 Sao Paulo SP Brazil**  
(72) Name(s) of Designer(s): **Julio Cesar Panariello Junior**  
(45) Registration Date: **02 November 2011**  
(30) Convention priority data:  
(31) Number (32) Date (33) Country  
**001893066-0003 19 Jul 2011 EUROPEAN COMMUNITY**  
(56) Related Art Documents: **Not Applicable**  
(57) Statement of Newness and Distinctiveness: **Nil**



(21) Design Number: **14502/2011**  
(22) Date of Filing Application: **06 October 2011**  
(24) Date from which industrial property rights may have effect: **06 October 2011**  
(54) Product in respect of which the design is registered: **Footwear**  
(51) International Design Classification: **02-04NES**  
(74) Name(s) of Attorney(s): **Freehills Patent & Trade Mark Attorneys**  
(71) Name(s) and Address(s) of Applicant(s):  
**Alpargatas S.A.**  
**Rua Funchal 160 Vila Olimpia CEP:04551-903 Sao Paulo SP Brazil**  
(72) Name(s) of Designer(s): **Julio Cesar Panariello Junior**  
(45) Registration Date: **02 November 2011**  
(30) Convention priority data:  
(31) Number      (32) Date      (33) Country  
**001886870-0005   05 Jul 2011      EUROPEAN COMMUNITY**  
(56) Related Art Documents: **Not Applicable**  
(57) Statement of Newness and Distinctiveness: **Nil**



(21) Design Number: **14504/2011**  
(22) Date of Filing Application: **06 October 2011**  
(24) Date from which industrial property rights may have effect: **06 October 2011**  
(54) Product in respect of which the design is registered: **Footwear**  
(51) International Design Classification: **02-04NES**  
(74) Name(s) of Attorney(s): **Freehills Patent & Trade Mark Attorneys**  
(71) Name(s) and Address(s) of Applicant(s):  
**Alpargatas S.A.**  
**Rua Funchal 160 Vila Olimpia CEP:04551-903 Sao Paulo SP Brazil**  
(72) Name(s) of Designer(s): **Jose Marcos da Silva**  
(45) Registration Date: **02 November 2011**  
(30) Convention priority data:  
(31) Number      (32) Date      (33) Country  
**001886870-0004   05 Jul 2011      EUROPEAN COMMUNITY**  
(56) Related Art Documents: **Not Applicable**  
(57) Statement of Newness and Distinctiveness: **Nil**



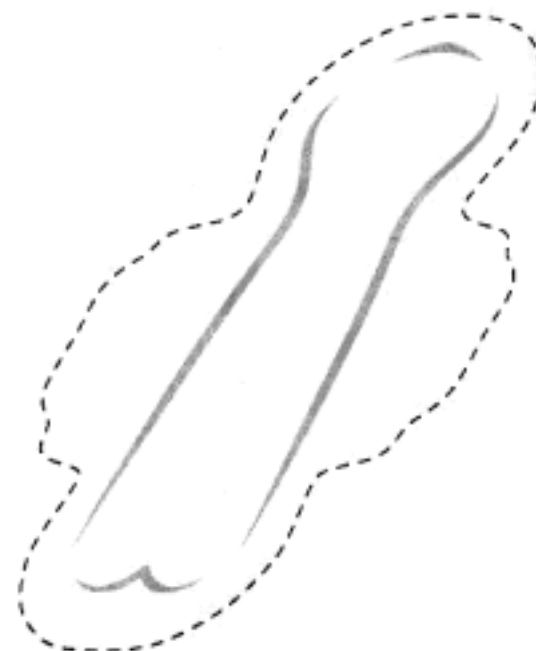
(21) Design Number: **14506/2011**  
(22) Date of Filing Application: **06 October 2011**  
(24) Date from which industrial property rights may have effect: **06 October 2011**  
(54) Product in respect of which the design is registered: **Footwear**  
(51) International Design Classification: **02-04NES**  
(74) Name(s) of Attorney(s): **Freehills Patent & Trade Mark Attorneys**  
(71) Name(s) and Address(s) of Applicant(s):  
**Alpargatas S.A.**  
**Rua Funchal 160 Vila Olimpia CEP:04551-903 Sao Paulo SP Brazil**  
(72) Name(s) of Designer(s): **Jose Marcos da Silva**  
(45) Registration Date: **02 November 2011**  
(30) Convention priority data:  
(31) Number      (32) Date      (33) Country  
**001886870-0001    05 Jul 2011      EUROPEAN COMMUNITY**  
(56) Related Art Documents: **Not Applicable**  
(57) Statement of Newness and Distinctiveness: **Nil**



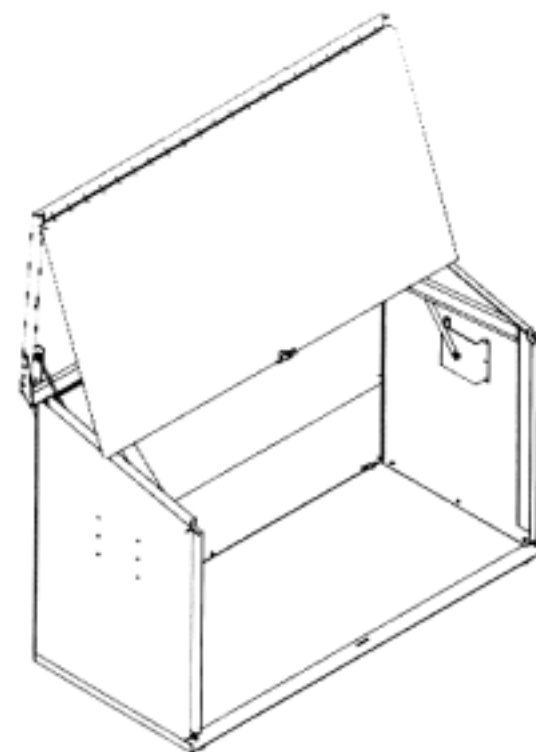
(21) Design Number: **14507/2011**  
(22) Date of Filing Application: **06 October 2011**  
(24) Date from which industrial property rights may have effect: **06 October 2011**  
(54) Product in respect of which the design is registered: **Footwear**  
(51) International Design Classification: **02-04NES**  
(74) Name(s) of Attorney(s): **Freehills Patent & Trade Mark Attorneys**  
(71) Name(s) and Address(s) of Applicant(s):  
**Alpargatas S.A.**  
**Rua Funchal 160 Vila Olimpia CEP:04551-903 Sao Paulo SP Brazil**  
(72) Name(s) of Designer(s): **Jose Marcos da Silva**  
(45) Registration Date: **02 November 2011**  
(30) Convention priority data:  
(31) Number      (32) Date      (33) Country  
**001886870-0002    05 Jul 2011      EUROPEAN COMMUNITY**  
(56) Related Art Documents: **Not Applicable**  
(57) Statement of Newness and Distinctiveness: **Nil**



- (21) Design Number: **14535/2011**  
(22) Date of Filing Application: **11 October 2011**  
(24) Date from which industrial property rights may have effect: **11 October 2011**  
(54) Product in respect of which the design is registered: **Sanitary towel**  
(51) International Design Classification: **24-04**  
(74) Name(s) of Attorney(s): **WATERMARK PATENT AND TRADE MARKS ATTORNEYS**  
(71) Name(s) and Address(s) of Applicant(s):  
**SCA Hygiene Products AB**  
**S-405 03 Goteborg Sweden**  
(72) Name(s) of Designer(s): **Cilla Persson**  
(45) Registration Date: **02 November 2011**  
(30) Convention priority data:  
(31) Number (32) Date (33) Country  
**001850546-0002 13 Apr 2011 EUROPEAN COMMUNITY**  
(56) Related Art Documents: **Not Applicable**  
(57) Statement of Newness and Distinctiveness: **In considering the newness and distinctiveness of the design no regard should be had to the shape of the sanitary towel shown in broken outline.**



- (21) Design Number: **14537/2011**  
(22) Date of Filing Application: **11 October 2011**  
(24) Date from which industrial property rights may have effect: **11 October 2011**  
(54) Product in respect of which the design is registered: **Free standing secure bicycle storage unit made from steel with powder-coated finish for domestic/residential use**  
(51) International Design Classification: **25-03**  
(74) Name(s) of Attorney(s):  
(71) Name(s) and Address(s) of Applicant(s):  
**Space Commander Pty Ltd**  
**91 Ashford Avenue Milperra New South Wales 2214 Australia**  
(72) Name(s) of Designer(s): **Samuel Court**  
(45) Registration Date: **02 November 2011**  
(56) Related Art Documents: **Not Applicable**  
(57) Statement of Newness and Distinctiveness: **Storage unit features a folding door comprising of 2 pieces hinged together and assisted by gas struts that opens up to a wide, unobstructed storage space that does not have a front panel section to get in the way when storing bikes and other household items.**





- (21) Design Number: **14538/2011**  
(22) Date of Filing Application: **07 October 2011**  
(24) Date from which industrial property rights may have effect: **07 October 2011**  
(54) Product in respect of which the design is registered: **Chair and sofa**  
(51) International Design Classification: **06-01G**  
(74) Name(s) of Attorney(s): **Griffith Hack**  
(71) Name(s) and Address(s) of Applicant(s):  
**Keter Plastic Ltd.**  
**2 Sapir Street Industrial Zone Herzelyia 46852 Israel**  
(72) Name(s) of Designer(s): **Yaniv Adir**  
(45) Registration Date: **02 November 2011**  
(30) Convention priority data:  
(31) Number (32) Date (33) Country  
**236023 08 Apr 2011 INDIA**  
(56) Related Art Documents: **Not Applicable**  
(57) Statement of Newness and Distinctiveness: **Newness and distinctiveness resides in the visual features, including shape and/or configuration of the CHAIR AND SOFA as shown in the accompanying Figures and resides in the combination of the sides, seat, backrest and armrests irrespective of the length of the backrest and seat sections.**



- (21) Design Number: **14539/2011**  
(22) Date of Filing Application: **07 October 2011**  
(24) Date from which industrial property rights may have effect: **07 October 2011**  
(54) Product in respect of which the design is registered: **Chair and sofa**  
(51) International Design Classification: **06-01G**  
(74) Name(s) of Attorney(s): **Griffith Hack**  
(71) Name(s) and Address(s) of Applicant(s):  
**Keter Plastic Ltd.**  
**2 Sapir Street Industrial Zone Herzelyia 46852 Israel**  
(72) Name(s) of Designer(s): **Yaniv Adir**  
(45) Registration Date: **02 November 2011**  
(30) Convention priority data:  
(31) Number (32) Date (33) Country  
**236027 08 Apr 2011 INDIA**  
(56) Related Art Documents: **Not Applicable**  
(57) Statement of Newness and Distinctiveness: **Newness and distinctiveness resides in the visual features, including shape and/or configuration of the CHAIR AND SOFA as shown in the accompanying Figures and resides in the combination of the sides, seat, backrest and armrests irrespective of the length of the backrest and seta sections.**



(21) Design Number: **14540/2011**  
(22) Date of Filing Application: **07 October 2011**  
(24) Date from which industrial property rights may have effect: **07 October 2011**  
(54) Product in respect of which the design is registered: **Garden furniture**  
(51) International Design Classification: **06-01H**  
(74) Name(s) of Attorney(s): **Griffith Hack**  
(71) Name(s) and Address(s) of Applicant(s):



**Keter Plastic Ltd.**  
**2 Sapir Street Industrial Zone Herzelyia 46852 Israel**

(72) Name(s) of Designer(s): **Inbal Kahaner**

(45) Registration Date: **02 November 2011**

(30) Convention priority data:

(31) Number	(32) Date	(33) Country
<b>50978</b>	<b>03 May 2011</b>	<b>ISRAEL</b>

(56) Related Art Documents: **Not Applicable**

(57) Statement of Newness and Distinctiveness: **Newness and distinctiveness resides in the visual features, including shape and/or configuration and/or pattern of GARDEN FURNITURE substantially as shown in the accompanying representations.**

(21) Design Number: **12039/2011**  
(22) Date of Filing Application: **28 April 2011**  
(24) Date from which industrial property rights may have effect: **28 April 2011**  
(54) Product in respect of which the design is registered: **Tubular seal for electrical housing**  
(51) International Design Classification: **13-03NES**  
(74) Name(s) of Attorney(s): **LESICAR PERRIN**  
(71) Name(s) and Address(s) of Applicant(s):

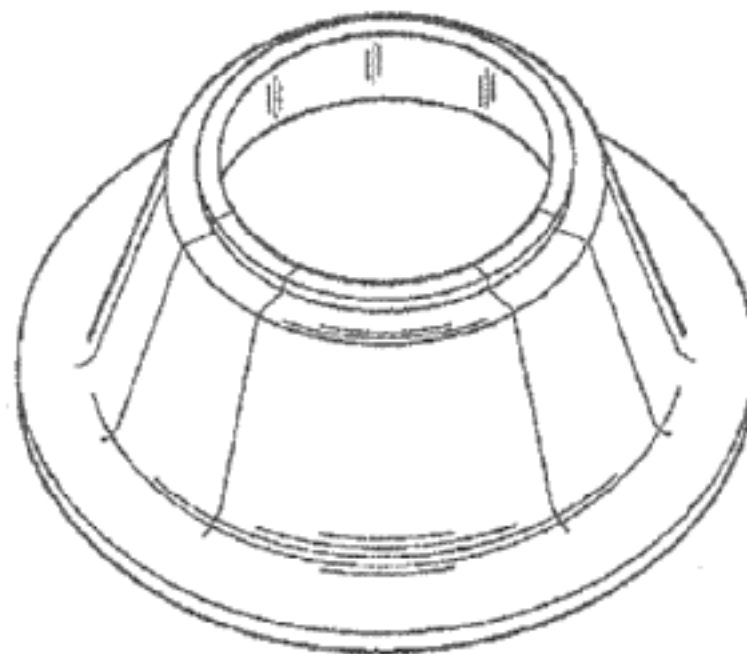
**Tubing & Electrical Industries Pty Ltd**  
**6 Manfull Street Melrose Park South Australia 5039 Australia**

(72) Name(s) of Designer(s): **David Hutchings**

(45) Registration Date: **02 November 2011**

(56) Related Art Documents: **Not Applicable**

(57) Statement of Newness and Distinctiveness: **Nil**



(21) Design Number: **13657/2011**  
(22) Date of Filing Application: **18 August 2011**  
(24) Date from which industrial property rights may have effect: **18 August 2011**  
(54) Product in respect of which the design is registered: **Blood flow chamber**  
(51) International Design Classification: **24-01**  
(74) Name(s) of Attorney(s): **Shelston IP**  
(71) Name(s) and Address(s) of Applicant(s):  
**Fresenius Medical Care Holdings, Inc.**  
**920 Winter Street Waltham Massachusetts 02451 United States of America**

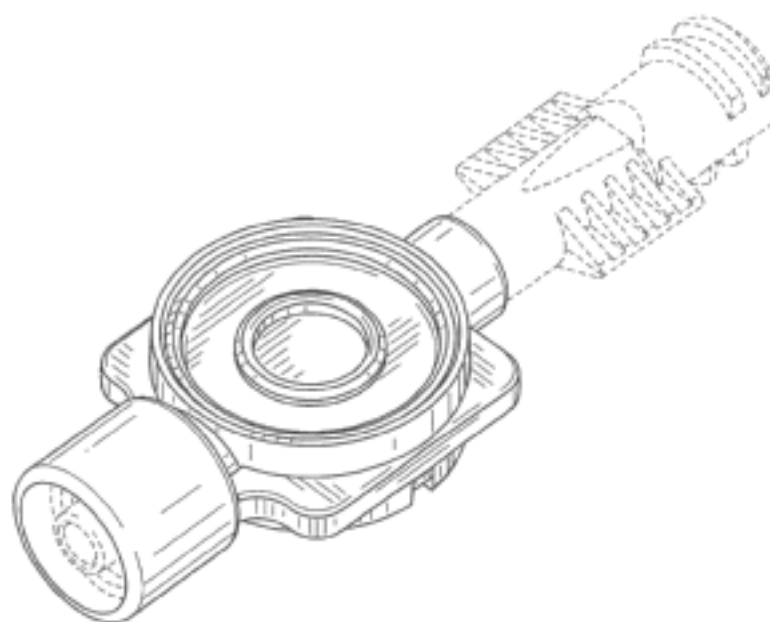
(72) Name(s) of Designer(s): **Louis L. Barrett and Perry N. Law**  
(45) Registration Date: **02 November 2011**

(30) Convention priority data:

(31) Number	(32) Date	(33) Country
<b>29/385704</b>	<b>18 Feb 2011</b>	<b>UNITED STATES OF AMERICA</b>

(56) Related Art Documents: **Not Applicable**

(57) Statement of Newness and Distinctiveness: **Newness and distinctiveness reside in the shape and/or configuration of a blood flow chamber, as illustrated by solid lines in the accompanying representations. The broken lines are for illustrative purposes only and do not form part of the design.**



(21) Design Number: **13790/2011**  
(22) Date of Filing Application: **26 August 2011**  
(24) Date from which industrial property rights may have effect: **26 August 2011**  
(54) Product in respect of which the design is registered: **Ladies garments**  
(51) International Design Classification: **02-02C**  
(74) Name(s) of Attorney(s):  
(71) Name(s) and Address(s) of Applicant(s):  
**Ask Grace Pty Ltd**  
**1/22 Ambleside Street West End Queensland 4101 Australia**

(72) Name(s) of Designer(s): **Kelly Hunt**

(45) Registration Date: **02 November 2011**

(56) Related Art Documents: **Not Applicable**

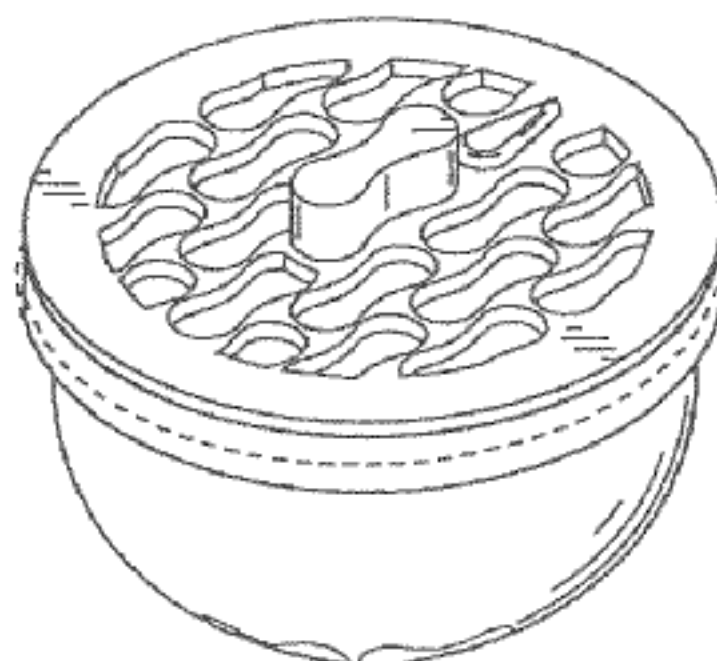
(57) Statement of Newness and Distinctiveness: **Nil**



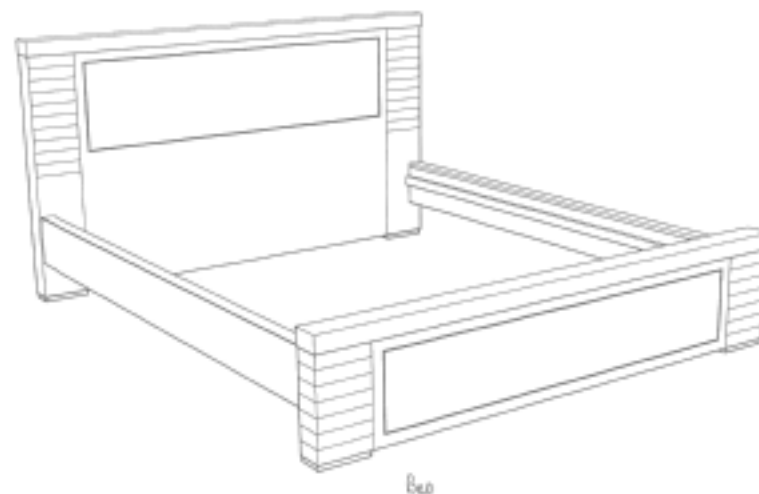
(21) Design Number: **14857/2011**  
(22) Date of Filing Application: **29 August 2011**  
(24) Date from which industrial property rights may have effect: **29 August 2011**  
(54) Product in respect of which the design is registered: **Water pitcher and filter**  
(51) International Design Classification: **07-01F, 23-01G**  
(74) Name(s) of Attorney(s): **PIZZEYS**  
(71) Name(s) and Address(s) of Applicant(s):  
**Move Collective LLC**  
**319 Lafayette Street #210 New York NY 10012 United States of America**  
(72) Name(s) of Designer(s): **Richard Smiedt and Karim Rashid**  
(45) Registration Date: **02 November 2011**  
(30) Convention priority data:  
(31) Number (32) Date (33) Country  
**29/386,764 04 Mar 2011 UNITED STATES OF AMERICA**  
(56) Related Art Documents: **Not Applicable**  
(57) Statement of Newness and Distinctiveness: **Nil**



(21) Design Number: **14858/2011**  
(22) Date of Filing Application: **29 August 2011**  
(24) Date from which industrial property rights may have effect: **29 August 2011**  
(54) Product in respect of which the design is registered: **Filter for a pitcher**  
(51) International Design Classification: **07-01F, 23-01G**  
(74) Name(s) of Attorney(s): **PIZZEYS**  
(71) Name(s) and Address(s) of Applicant(s):  
**Move Collective LLC**  
**319 Lafayette Street #210 New York NY 10012 United States of America**  
(72) Name(s) of Designer(s): **Richard Smiedt and Karim Rashid**  
(45) Registration Date: **02 November 2011**  
(30) Convention priority data:  
(31) Number (32) Date (33) Country  
**29/386,764 04 Mar 2011 UNITED STATES OF AMERICA**  
(56) Related Art Documents: **Not Applicable**  
(57) Statement of Newness and Distinctiveness: **Nil**



- (21) Design Number: **14655/2011**  
(22) Date of Filing Application: **12 October 2011**  
(24) Date from which industrial property rights may have effect: **12 October 2011**  
(54) Product in respect of which the design is registered: **A bed frame, bedside table, tall boy and dresser**  
(51) International Design Classification: **06-02, 06-06B, 06-06F, 06-04F**  
(74) Name(s) of Attorney(s): **Elliptic Legal & Patent Services**  
(71) Name(s) and Address(s) of Applicant(s):  
**AFI (WA) Pty Ltd**  
**211 Camboon Road Malaga Western Australia 6090 Australia**  
(72) Name(s) of Designer(s): **Bruno Tassone and Chin Hoo Low**  
(45) Registration Date: **02 November 2011**  
(56) Related Art Documents: **Not Applicable**  
(57) Statement of Newness and Distinctiveness: **Novelty is claimed in the pattern and ornamentation of the bedroom suite as shown in the accompanying representations.**



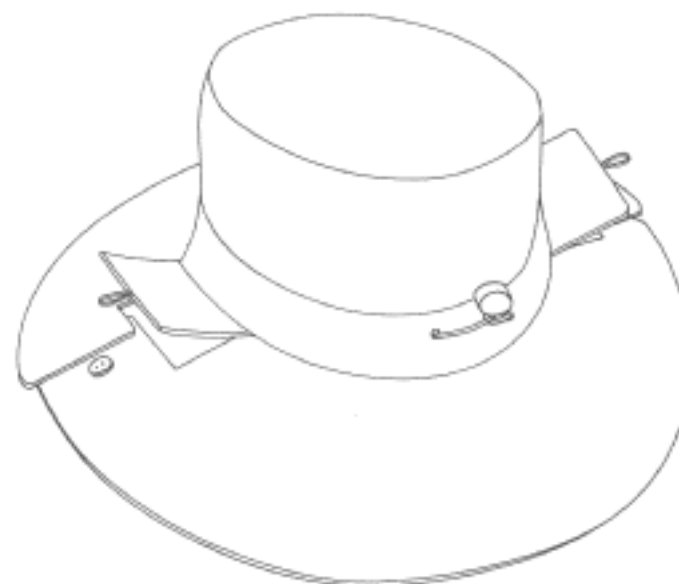
- (21) Design Number: **14764/2011**  
(22) Date of Filing Application: **21 October 2011**  
(24) Date from which industrial property rights may have effect: **21 October 2011**  
(54) Product in respect of which the design is registered: **SLR camera lens decoration -designed to attract the attention of the person being photographed**  
(51) International Design Classification: **05-04, 11-99**  
(74) Name(s) of Attorney(s):  
(71) Name(s) and Address(s) of Applicant(s):  
**Nathalie Hicks**  
**16 Chant Street Chisholm ACT 2905 Australia**  
(72) Name(s) of Designer(s): **Nathalie Hicks**  
(45) Registration Date: **02 November 2011**  
(56) Related Art Documents: **Not Applicable**  
(57) Statement of Newness and Distinctiveness: **The camera lens decoration is a circle of material that sits around the lens of an SLR camera and is joined with a press stud. The material is decorated with various geometric shapes made from bright coloured felt in the form of animals.**



(21) Design Number: **13793/2011**  
(22) Date of Filing Application: **29 August 2011**  
(24) Date from which industrial property rights may have effect: **29 August 2011**  
(54) Product in respect of which the design is registered: **Water pitcher and filter**  
(51) International Design Classification: **07-01F, 23-01G**  
(74) Name(s) of Attorney(s): **PIZZEYS**  
(71) Name(s) and Address(s) of Applicant(s):  
**Move Collective LLC**  
**319 Lafayette Street #210 New York NY 10012 United States of America**  
(72) Name(s) of Designer(s): **Richard Smiedt and Karim Rashid**  
(45) Registration Date: **02 November 2011**  
(30) Convention priority data:  
(31) Number (32) Date (33) Country  
**29/386,764 04 Mar 2011 UNITED STATES OF AMERICA**  
(56) Related Art Documents: **Not Applicable**  
(57) Statement of Newness and Distinctiveness: **Nil**



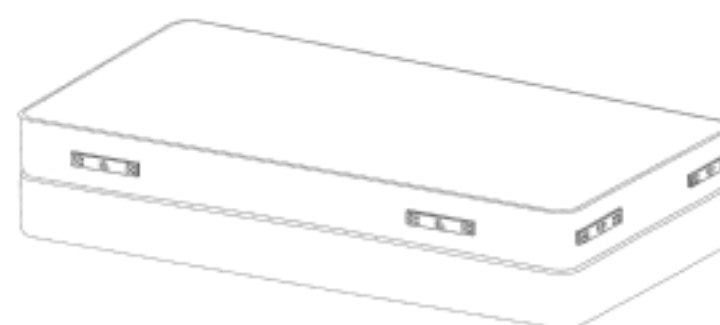
(21) Design Number: **14553/2011**  
(22) Date of Filing Application: **07 October 2011**  
(24) Date from which industrial property rights may have effect: **07 October 2011**  
(54) Product in respect of which the design is registered: **A hat**  
(51) International Design Classification: **02-03**  
(74) Name(s) of Attorney(s): **Cotters Patent & Trade Mark Attorneys**  
(71) Name(s) and Address(s) of Applicant(s):  
**Kathie Holt**  
**39 Thurlgona Road Engadine New South Wales 2233 Australia**  
(72) Name(s) of Designer(s): **Kathie Holt**  
(45) Registration Date: **03 November 2011**  
(56) Related Art Documents: **Not Applicable**  
(57) Statement of Newness and Distinctiveness: **Newness and distinctiveness is claimed in the features of shape and/or configuration of a hat as depicted in the accompanying drawings, and when considering the scope of monopoly protection, particular regard is to be given to the ear muff receiving portions located on opposing sides of the brim.**



(21) Design Number: **14554/2011**  
(22) Date of Filing Application: **07 October 2011**  
(24) Date from which industrial property rights may have effect: **07 October 2011**  
(54) Product in respect of which the design is registered: **Vest**  
(51) International Design Classification: **02-02B**  
(74) Name(s) of Attorney(s): **Madderns**  
(71) Name(s) and Address(s) of Applicant(s):  
**Yeriv Reisler**  
**20 St Mochtas Close Clonsilla Dublin 15 Ireland**  
(72) Name(s) of Designer(s): **Yeriv Reisler**  
(45) Registration Date: **03 November 2011**  
(30) Convention priority data:  
(31) Number (32) Date (33) Country  
**29/373439 08 Apr 2011 UNITED STATES OF AMERICA**  
(56) Related Art Documents: **Not Applicable**  
(57) Statement of Newness and Distinctiveness: **Newness and distinctiveness resides in the features of pattern and/or ornamentation of the product as shown in the representations excluding those features outlined with broken lines.**



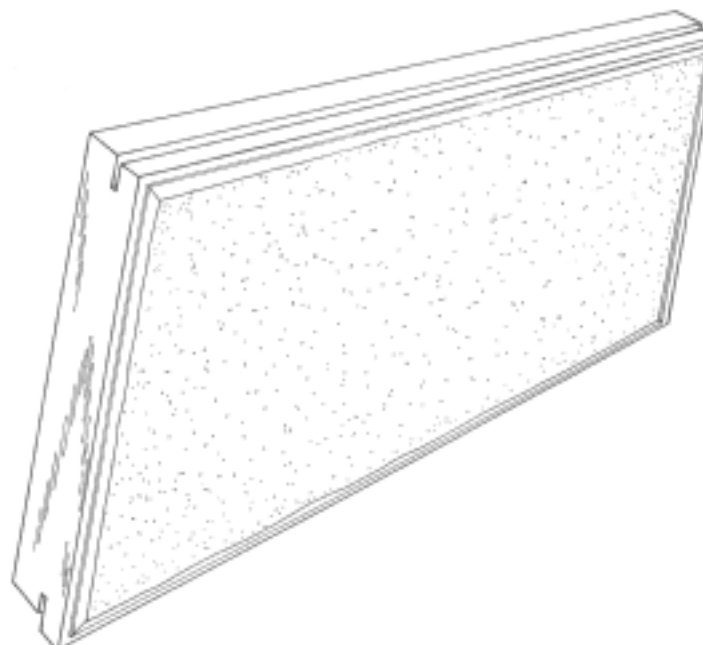
(21) Design Number: **14555/2011**  
(22) Date of Filing Application: **07 October 2011**  
(24) Date from which industrial property rights may have effect: **07 October 2011**  
(54) Product in respect of which the design is registered: **Mattress**  
(51) International Design Classification: **06-09**  
(74) Name(s) of Attorney(s): **Fisher Adams Kelly**  
(71) Name(s) and Address(s) of Applicant(s):  
**Madad Pty Ltd**  
**1299 Boundary Road Wacol Queensland Australia 4076**  
(72) Name(s) of Designer(s): **Gareth David Soden**  
(45) Registration Date: **03 November 2011**  
(56) Related Art Documents: **Not Applicable**  
(57) Statement of Newness and Distinctiveness: **The newness and distinctiveness of the design resides in the shape and configuration of the MATTRESS shown in the representations. The features shown in the broken lines in the representations are for illustrative purposes only and should not be considered when construing visual features of the design.**



- (21) Design Number: **14556/2011**  
(22) Date of Filing Application: **07 October 2011**  
(24) Date from which industrial property rights may have effect: **07 October 2011**  
(54) Product in respect of which the design is registered: **Mattress**  
(51) International Design Classification: **06-09**  
(74) Name(s) of Attorney(s): **Fisher Adams Kelly**  
(71) Name(s) and Address(s) of Applicant(s):  
**Madad Pty Ltd**  
**1299 Boundary Road Wacol Queensland Australia 4076**  
(72) Name(s) of Designer(s): **Gareth David Soden**  
(45) Registration Date: **03 November 2011**  
(56) Related Art Documents: **Not Applicable**  
(57) Statement of Newness and Distinctiveness: **The newness and distinctiveness of the design resides in the shape and configuration of the MATTRESS shown in the representations. The features shown in broken lines in the representations are for illustrative purposes only and should not be considered when construing visual features of the design.**

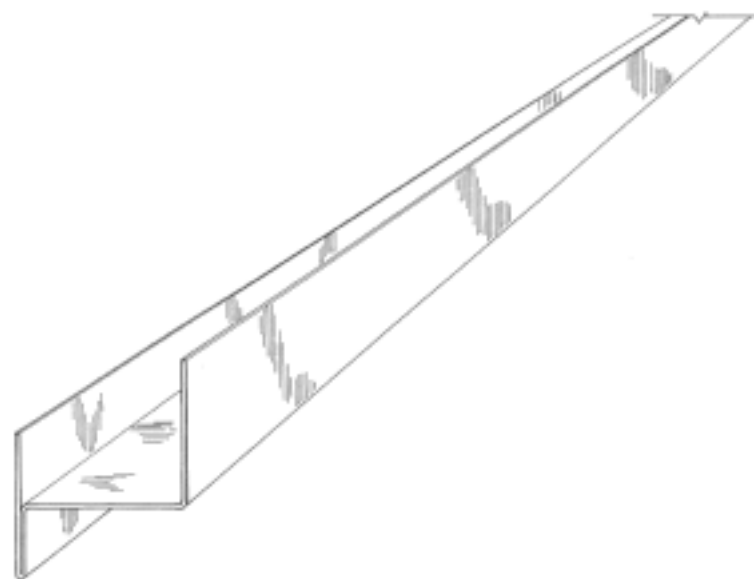


- (21) Design Number: **14557/2011**  
(22) Date of Filing Application: **11 October 2011**  
(24) Date from which industrial property rights may have effect: **11 October 2011**  
(54) Product in respect of which the design is registered: **A building panel**  
(51) International Design Classification: **25-01D**  
(74) Name(s) of Attorney(s): **Fraser Old & Sohn**  
(71) Name(s) and Address(s) of Applicant(s):  
**Frederick Michael Minter**  
**10/705 Pacific Highway Gordon New South Wales 2072 Australia**  
(72) Name(s) of Designer(s): **Frederick Michael Minter**  
(45) Registration Date: **03 November 2011**  
(56) Related Art Documents: **Not Applicable**  
(57) Statement of Newness and Distinctiveness: **Newness and distinctiveness is claimed in respect of the shape and/or configuration of the product illustrated in the accompanying representations.**





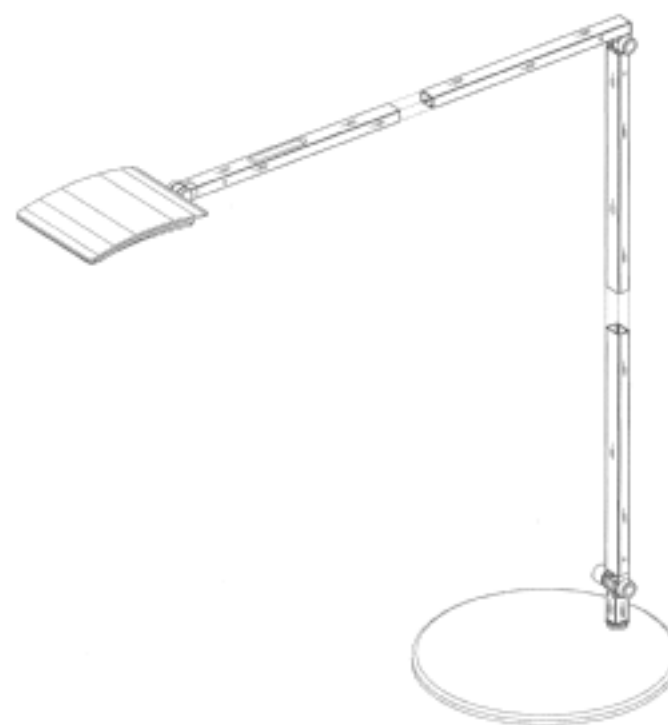
(21) Design Number: **14558/2011**  
(22) Date of Filing Application: **11 October 2011**  
(24) Date from which industrial property rights may have effect: **11 October 2011**  
(54) Product in respect of which the design is registered: **A panel locating strip**  
(51) International Design Classification: **25-01K**  
(74) Name(s) of Attorney(s): **Fraser Old & Sohn**  
(71) Name(s) and Address(s) of Applicant(s):  
**Frederick Michael Minter**  
**10/705 Pacific Highway Gordon New South Wales 2072 Australia**  
(72) Name(s) of Designer(s): **Frederick Michael Minter**  
(45) Registration Date: **03 November 2011**  
(56) Related Art Documents: **Not Applicable**  
(57) Statement of Newness and Distinctiveness: **Newness and distinctiveness is claimed in respect of the shape and/or configuration of the product illustrated in the accompanying representations which is of indefinite length and constant transverse cross-section.**



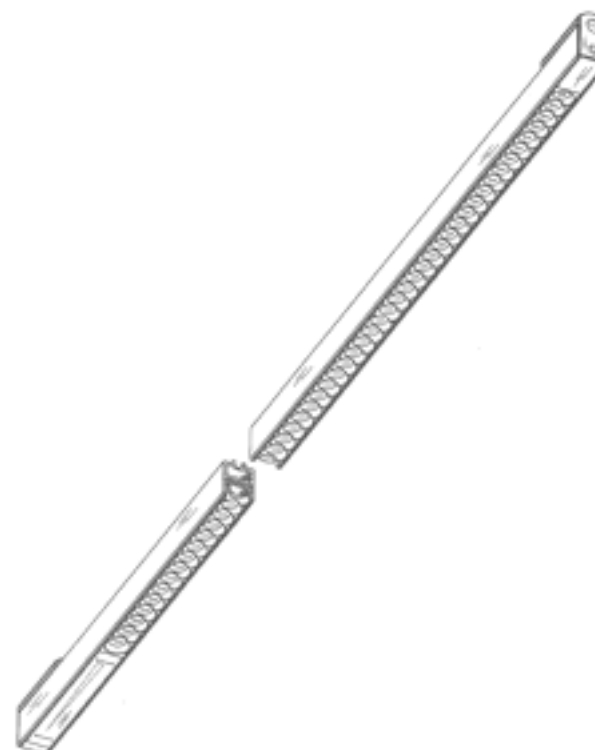
(21) Design Number: **14559/2011**  
(22) Date of Filing Application: **11 October 2011**  
(24) Date from which industrial property rights may have effect: **11 October 2011**  
(54) Product in respect of which the design is registered: **A foodstuff tablet**  
(51) International Design Classification: **01-01**  
(74) Name(s) of Attorney(s): **Banki Haddock Fiora**  
(71) Name(s) and Address(s) of Applicant(s):  
**Societe des Produits Nestle S.A.**  
**1800 Vevey Switzerland**  
(72) Name(s) of Designer(s): **Jose Guillermo Krauch and Caroline Schroeder**  
(45) Registration Date: **03 November 2011**  
(30) Convention priority data:  
(31) Number (32) Date (33) Country  
**137938 17 May 2011 SWITZERLAND**  
(56) Related Art Documents: **Not Applicable**  
(57) Statement of Newness and Distinctiveness: **Nil**



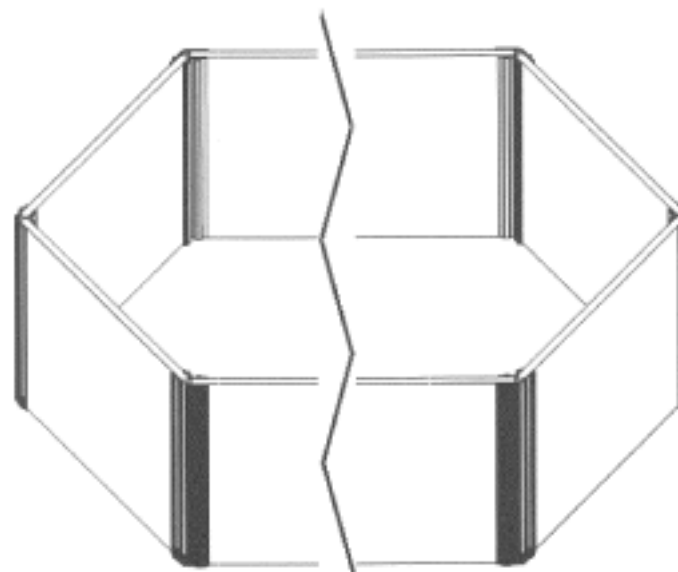
(21) Design Number: **14560/2011**  
(22) Date of Filing Application: **11 October 2011**  
(24) Date from which industrial property rights may have effect: **11 October 2011**  
(54) Product in respect of which the design is registered: **Desk lamp**  
(51) International Design Classification: **26-05B**  
(74) Name(s) of Attorney(s): **PIZZEYS**  
(71) Name(s) and Address(s) of Applicant(s):  
**Koncept Technologies, Inc.**  
**2570 Corporate Place Suite E101 Monterey Park CA 91754-7634 United States of America**  
(72) Name(s) of Designer(s): **Kenneth Yat Chung Ng and Edmund Yat Kwong Ng and Peter Ng**  
(45) Registration Date: **03 November 2011**  
(30) Convention priority data:  
(31) Number (32) Date (33) Country  
**29/391,930 13 May 2011 UNITED STATES OF AMERICA**  
(56) Related Art Documents: **Not Applicable**  
(57) Statement of Newness and Distinctiveness: **Nil**



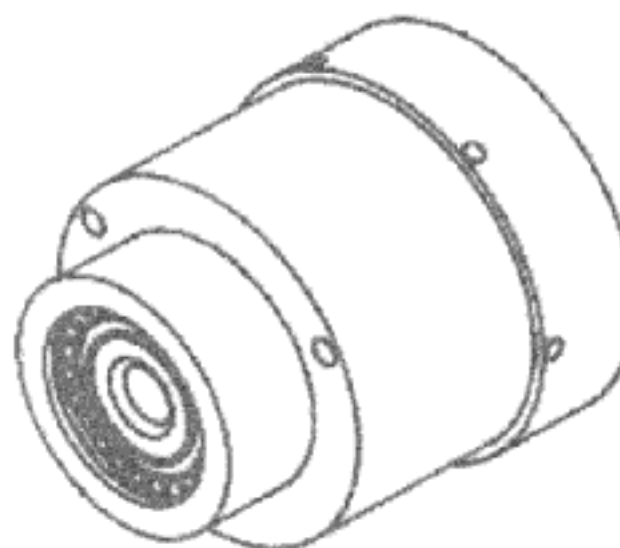
(21) Design Number: **14561/2011**  
(22) Date of Filing Application: **11 October 2011**  
(24) Date from which industrial property rights may have effect: **11 October 2011**  
(54) Product in respect of which the design is registered: **Light**  
(51) International Design Classification: **26-04**  
(74) Name(s) of Attorney(s): **PIZZEYS**  
(71) Name(s) and Address(s) of Applicant(s):  
**Koncept Technologies, Inc.**  
**2570 Corporate Place Suite E101 Monterey Park CA 91754-7634 United States of America**  
(72) Name(s) of Designer(s): **Kenneth Yat Chung Ng and Edmund Yat Kwong Ng and Peter Ng**  
(45) Registration Date: **03 November 2011**  
(30) Convention priority data:  
(31) Number (32) Date (33) Country  
**29/391,031 02 May 2011 UNITED STATES OF AMERICA**  
(56) Related Art Documents: **Not Applicable**  
(57) Statement of Newness and Distinctiveness: **Nil**



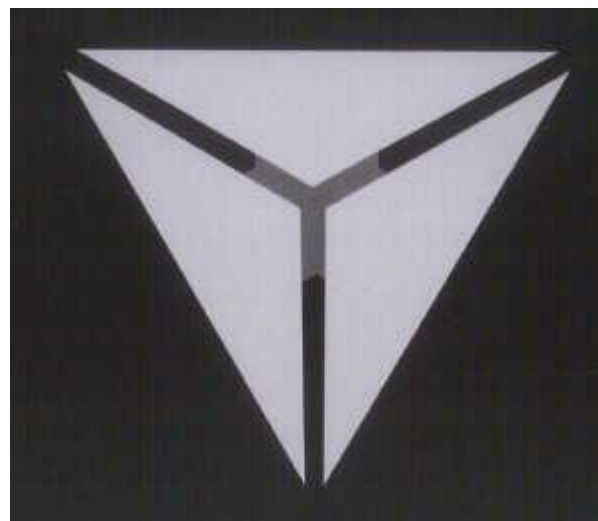
- (21) Design Number: **14577/2011**  
(22) Date of Filing Application: **10 October 2011**  
(24) Date from which industrial property rights may have effect: **10 October 2011**  
(54) Product in respect of which the design is registered: **Raised garden bed**  
(51) International Design Classification: **25-01E**  
(74) Name(s) of Attorney(s): **Cullens Patent and Trade Mark Attorneys**  
(71) Name(s) and Address(s) of Applicant(s):  
**Scholtes Family Holdings Pty Ltd**  
**12 Activity Street Acacia Ridge Queensland 4110 Australia**  
(72) Name(s) of Designer(s): **Kevin Forno**  
(45) Registration Date: **03 November 2011**  
(56) Related Art Documents: **Not Applicable**  
(57) Statement of Newness and Distinctiveness: **The design is claimed in indefinite length as indicated on the accompanying representations. The design may also be applied to a raised garden bed in multiple repeating units, two examples of which are illustrated in the accompanying representations, one representation showing two units with a common wall and representation showing two units with adjacent walls.**



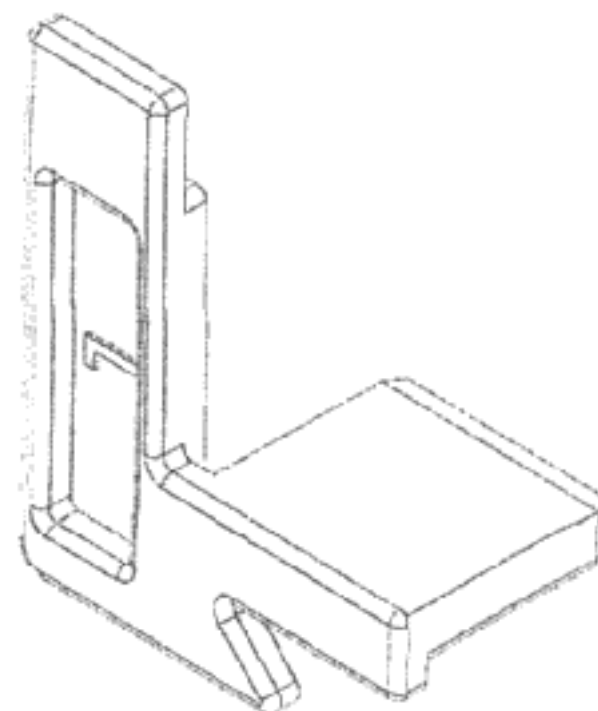
- (21) Design Number: **12749/2011**  
(22) Date of Filing Application: **20 June 2011**  
(24) Date from which industrial property rights may have effect: **20 June 2011**  
(54) Product in respect of which the design is registered: **Neutrode stack for a plasma spray gun**  
(51) International Design Classification: **08-05M**  
(74) Name(s) of Attorney(s): **WATERMARK PATENT AND TRADE MARKS ATTORNEYS**  
(71) Name(s) and Address(s) of Applicant(s):  
**Sulzer Metco (US) Inc**  
**1101 Prospect Avenue Westbury NY 11590 United States of America**  
(72) Name(s) of Designer(s): **Robert F. Savill Jr.**  
(45) Registration Date: **03 November 2011**  
(30) Convention priority data:  
(31) Number (32) Date (33) Country  
**29/382,223 30 Dec 2010 UNITED STATES OF AMERICA**  
(56) Related Art Documents: **Not Applicable**  
(57) Statement of Newness and Distinctiveness: **Nil**



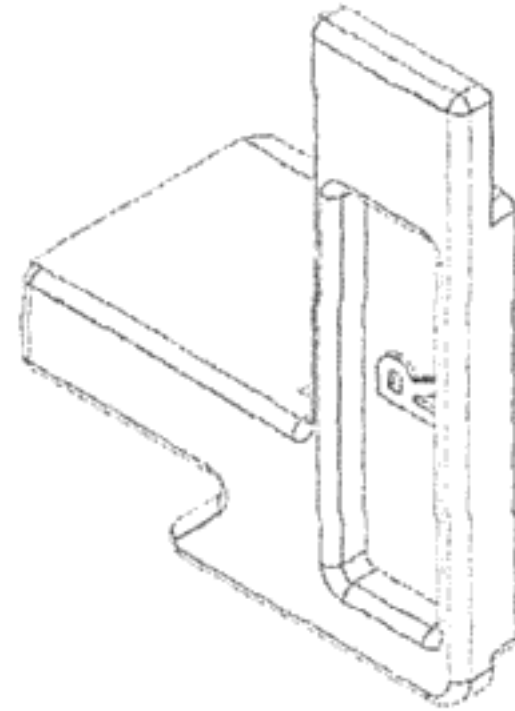
- (21) Design Number: **13548/2011**  
(22) Date of Filing Application: **10 August 2011**  
(24) Date from which industrial property rights may have effect: **10 August 2011**  
(54) Product in respect of which the design is registered: **Modular wall light fitting**  
(51) International Design Classification: **26-05C**  
(74) Name(s) of Attorney(s):  
(71) Name(s) and Address(s) of Applicant(s):  
**Alexander Fitzpatrick**  
**9 Bourke Street Queens Park New South Wales 2022 Australia**  
(72) Name(s) of Designer(s): **Alexander Fitzpatrick**  
(45) Registration Date: **03 November 2011**  
(56) Related Art Documents: **Not Applicable**  
(57) Statement of Newness and Distinctiveness: **Modular unit with an added lighting function. The unit is flat packed and is formed with all sides folding inwards to create a triangular pyramid.**



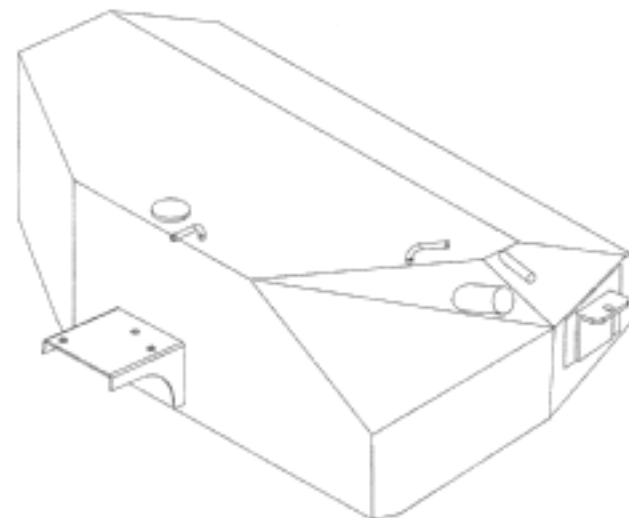
- (21) Design Number: **14709/2011**  
(22) Date of Filing Application: **19 October 2011**  
(24) Date from which industrial property rights may have effect: **19 October 2011**  
(54) Product in respect of which the design is registered: **Wardrobe sliding door grip stile dress trim**  
(51) International Design Classification: **06-04C, 08-09**  
(74) Name(s) of Attorney(s): **John L Davies & Co**  
(71) Name(s) and Address(s) of Applicant(s):  
**Dias Aluminium Products Pty. Ltd.**  
**201-205 Browns Road Noble Park Victoria 3174 Australia**  
(72) Name(s) of Designer(s): **Ian David Paterson**  
(45) Registration Date: **03 November 2011**  
(56) Related Art Documents: **Not Applicable**  
(57) Statement of Newness and Distinctiveness: **Nil**



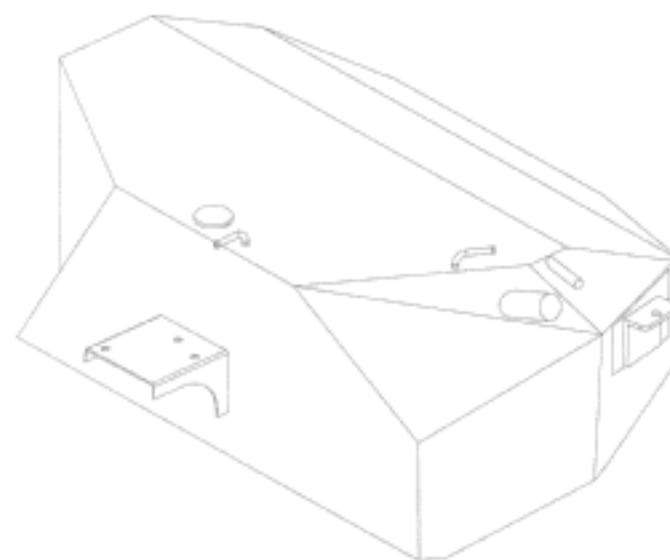
- (21) Design Number: **14669/2011**  
(22) Date of Filing Application: **19 October 2011**  
(24) Date from which industrial property rights may have effect: **19 October 2011**  
(54) Product in respect of which the design is registered: **Wardrobe sliding door grip stile dress trim**  
(51) International Design Classification: **06-04C, 08-09**  
(74) Name(s) of Attorney(s): **John L Davies & Co**  
(71) Name(s) and Address(s) of Applicant(s):  
**Dias Aluminium Products Pty. Ltd.**  
**201-205 Browns Road Noble Park Victoria 3174 Australia**  
(72) Name(s) of Designer(s): **Ian David Paterson**  
(45) Registration Date: **03 November 2011**  
(56) Related Art Documents: **Not Applicable**  
(57) Statement of Newness and Distinctiveness: **Nil**



- (21) Design Number: **14461/2011**  
(22) Date of Filing Application: **30 September 2011**  
(24) Date from which industrial property rights may have effect: **30 September 2011**  
(54) Product in respect of which the design is registered: **Vehicle fuel tank**  
(51) International Design Classification: **12-16NES**  
(74) Name(s) of Attorney(s):  
(71) Name(s) and Address(s) of Applicant(s):  
**Ric Black**  
**65 Northville Drive Barnsley New South Wales 2278 Australia**  
(72) Name(s) of Designer(s): **Ric Black**  
(45) Registration Date: **04 November 2011**  
(56) Related Art Documents: **Not Applicable**  
(57) Statement of Newness and Distinctiveness: **Nil**



(21) Design Number: **14462/2011**  
(22) Date of Filing Application: **30 September 2011**  
(24) Date from which industrial property rights may have effect: **30 September 2011**  
(54) Product in respect of which the design is registered: **Vehicle fuel tank**  
(51) International Design Classification: **12-16NES**  
(74) Name(s) of Attorney(s):  
(71) Name(s) and Address(s) of Applicant(s):  
**Ric Black**  
**65 Northville Drive Barnsley New South Wales 2278 Australia**  
(72) Name(s) of Designer(s): **Ric Black**  
(45) Registration Date: **04 November 2011**  
(56) Related Art Documents: **Not Applicable**  
(57) Statement of Newness and Distinctiveness: **Nil**



(21) Design Number: **14589/2011**  
(22) Date of Filing Application: **10 October 2011**  
(24) Date from which industrial property rights may have effect: **10 October 2011**  
(54) Product in respect of which the design is registered: **Ergonomic bottle**  
(51) International Design Classification: **09-01NES**  
(74) Name(s) of Attorney(s): **Lord & Company**  
(71) Name(s) and Address(s) of Applicant(s):  
**Playtex Products, LLC**  
**6 Research Drive Shelton Connecticut 06484 United States of America**  
(72) Name(s) of Designer(s): **Stephen Mowers and Jim Best and Todd Brunner and Mark Prommel**  
(45) Registration Date: **04 November 2011**  
(30) Convention priority data:  
(31) Number      (32) Date      (33) Country  
**29/389,715      15 Apr 2011      UNITED STATES OF AMERICA**  
(56) Related Art Documents: **Not Applicable**  
(57) Statement of Newness and Distinctiveness: **The particular visual features of the design which are new and distinctive are shape OR configuration.**



(21) Design Number: **14865/2011**  
(22) Date of Filing Application: **10 October 2011**  
(24) Date from which industrial property rights may have effect: **10 October 2011**  
(54) Product in respect of which the design is registered: **Ergonomic bottle**  
(51) International Design Classification: **09-01NES**  
(74) Name(s) of Attorney(s): **Lord & Company**  
(71) Name(s) and Address(s) of Applicant(s):  
**Playtex Products, LLC**  
**6 Research Drive Shelton Connecticut 06484 United States of America**  
(72) Name(s) of Designer(s): **Stephen Mowers and Jim Best and Todd Brunner and Mark Prommel**  
(45) Registration Date: **04 November 2011**  
(30) Convention priority data:  
(31) Number (32) Date (33) Country  
**29/389715 15 Apr 2011 UNITED STATES OF AMERICA**  
(62) Divisional of: **339261**  
(56) Related Art Documents: **Not Applicable**  
(57) Statement of Newness and Distinctiveness: **The particular visual features of the design which are new and distinctive are e.g. shape OR configuration.**



(21) Design Number: **14591/2011**  
(22) Date of Filing Application: **11 October 2011**  
(24) Date from which industrial property rights may have effect: **11 October 2011**  
(54) Product in respect of which the design is registered: **Beverage containers**  
(51) International Design Classification: **07-01F**  
(74) Name(s) of Attorney(s):  
(71) Name(s) and Address(s) of Applicant(s):  
**Giuseppe Altobelli**  
**22 Hopetoun Grove Eaglemont Victoria 3084 Australia**  
**Launch Drinks Pty Ltd**  
**22 Hopetoun Grove Eaglemont Victoria 3084 Australia**  
(72) Name(s) of Designer(s): **Giuseppe Altobelli**  
(45) Registration Date: **04 November 2011**  
(30) Convention priority data:  
(31) Number (32) Date (33) Country  
**001850397-001-3 13 Apr 2011 EUROPEAN COMMUNITY**  
(56) Related Art Documents: **Not Applicable**  
(57) Statement of Newness and Distinctiveness: **Nil**



(21) Design Number: **14592/2011**  
(22) Date of Filing Application: **11 October 2011**  
(24) Date from which industrial property rights may have effect: **11 October 2011**  
(54) Product in respect of which the design is registered: **Beverage containers**  
(51) International Design Classification: **07-01F**  
(74) Name(s) of Attorney(s):  
(71) Name(s) and Address(s) of Applicant(s):  
**Giuseppe Altobelli**  
**22 Hopetoun Grove Eaglemont Victoria 3084 Australia**  
**Launch Drinks Pty Ltd**  
**22 Hopetoun Grove Eaglemont Victoria 3084 Australia**  
(72) Name(s) of Designer(s): **Giuseppe Altobelli**  
(45) Registration Date: **04 November 2011**  
(30) Convention priority data:  
(31) Number (32) Date (33) Country  
**001850397 13 Apr 2011 EUROPEAN COMMUNITY**  
(56) Related Art Documents: **Not Applicable**  
(57) Statement of Newness and Distinctiveness: **Nil**



(21) Design Number: **14593/2011**  
(22) Date of Filing Application: **11 October 2011**  
(24) Date from which industrial property rights may have effect: **11 October 2011**  
(54) Product in respect of which the design is registered: **Beverage containers**  
(51) International Design Classification: **07-01F**  
(74) Name(s) of Attorney(s):  
(71) Name(s) and Address(s) of Applicant(s):  
**Giuseppe Altobelli**  
**22 Hopetoun Grove Eaglemont Victoria 3084 Australia**  
**Launch Drinks Pty Ltd**  
**22 Hopetoun Grove Eaglemont Victoria 3084 Australia**  
(72) Name(s) of Designer(s): **Giuseppe Altobelli**  
(45) Registration Date: **04 November 2011**  
(30) Convention priority data:  
(31) Number (32) Date (33) Country  
**001850397 13 Apr 2011 EUROPEAN COMMUNITY**  
(56) Related Art Documents: **Not Applicable**  
(57) Statement of Newness and Distinctiveness: **Nil**





(21) Design Number: **14578/2011**  
(22) Date of Filing Application: **11 October 2011**  
(24) Date from which industrial property rights may have effect: **11 October 2011**  
(54) Product in respect of which the design is registered: **Chair**  
(51) International Design Classification: **06-01F**  
(74) Name(s) of Attorney(s): **PHILLIPS ORMONDE FITZPATRICK**  
(71) Name(s) and Address(s) of Applicant(s):

**B&B Italia S.p.A.**  
**Via Durini 14 Milano Italy**

(72) Name(s) of Designer(s): **Gabriele Buratti and Oscar Buratti**

(45) Registration Date: **04 November 2011**

(30) Convention priority data:

(31) Number	(32) Date	(33) Country
<b>001849415-0001</b>	<b>12 Apr 2011</b>	<b>EUROPEAN COMMUNITY</b>

(56) Related Art Documents: **Not Applicable**

(57) Statement of Newness and Distinctiveness: **Those features of the chair depicted in the representations that are new and distinctive are the shape and/or configuration.**



(21) Design Number: **14579/2011**  
(22) Date of Filing Application: **11 October 2011**  
(24) Date from which industrial property rights may have effect: **11 October 2011**  
(54) Product in respect of which the design is registered: **Armchair**  
(51) International Design Classification: **06-01G**  
(74) Name(s) of Attorney(s): **PHILLIPS ORMONDE FITZPATRICK**  
(71) Name(s) and Address(s) of Applicant(s):

**B&B Italia S.p.A.**  
**Via Durini 14 Milano Italy**

(72) Name(s) of Designer(s): **Patricia Urquiola**

(45) Registration Date: **04 November 2011**

(30) Convention priority data:

(31) Number	(32) Date	(33) Country
<b>001849415-0003</b>	<b>12 Apr 2011</b>	<b>EUROPEAN COMMUNITY</b>

(56) Related Art Documents: **Not Applicable**

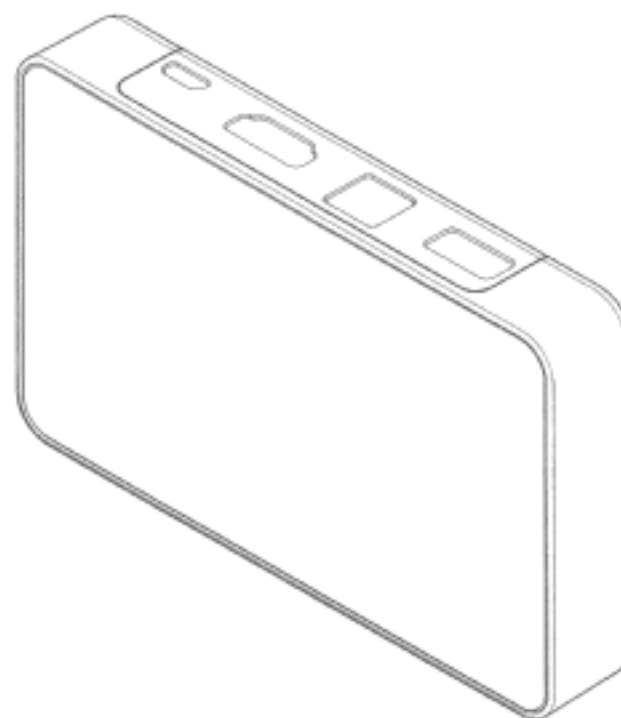
(57) Statement of Newness and Distinctiveness: **Those features of the chair depicted in the representations that are new and distinctive are the shape and/or configuration.**



(21) Design Number: **14580/2011**  
(22) Date of Filing Application: **11 October 2011**  
(24) Date from which industrial property rights may have effect: **11 October 2011**  
(54) Product in respect of which the design is registered: **Armchair**  
(51) International Design Classification: **06-01H**  
(74) Name(s) of Attorney(s): **PHILLIPS ORMONDE FITZPATRICK**  
(71) Name(s) and Address(s) of Applicant(s):  
**B&B Italia S.p.A.**  
**Via Durini 14 Milano Italy**  
(72) Name(s) of Designer(s): **Antonio Citterio**  
(45) Registration Date: **04 November 2011**  
(30) Convention priority data:  
(31) Number (32) Date (33) Country  
**001849415-0002 12 Apr 2011 EUROPEAN COMMUNITY**  
(56) Related Art Documents: **Not Applicable**  
(57) Statement of Newness and Distinctiveness: **Those features of the chair depicted in the representations that are new and distinctive are the shape and/or configuration.**



(21) Design Number: **14581/2011**  
(22) Date of Filing Application: **11 October 2011**  
(24) Date from which industrial property rights may have effect: **11 October 2011**  
(54) Product in respect of which the design is registered: **Multimedia converter**  
(51) International Design Classification: **14-01**  
(74) Name(s) of Attorney(s): **SPRUSON & FERGUSON**  
(71) Name(s) and Address(s) of Applicant(s):  
**Research In Motion Limited**  
**295 Phillip Street Waterloo Ontario N2L 3W8 Canada**  
(72) Name(s) of Designer(s): **Dustin Jonathan Smith and Todd Andrew Wood and Anders Fahrendorff**  
(45) Registration Date: **04 November 2011**  
(30) Convention priority data:  
(31) Number (32) Date (33) Country  
**29/389882 18 Apr 2011 UNITED STATES OF AMERICA**  
(56) Related Art Documents: **Not Applicable**  
(57) Statement of Newness and Distinctiveness: **Newness and distinctiveness is claimed in the features of shape and/or configuration of Multimedia converter as illustrated in the accompanying representations.**



(21) Design Number: **14584/2011**  
(22) Date of Filing Application: **11 October 2011**  
(24) Date from which industrial property rights may have effect: **11 October 2011**  
(54) Product in respect of which the design is registered: **Lighting fixture**  
(51) International Design Classification: **26-05E**  
(74) Name(s) of Attorney(s): **SPRUSON & FERGUSON**  
(71) Name(s) and Address(s) of Applicant(s):

**Cree, Inc.**  
**4600 Silicon Drive Durham North Carolina 27703 United States of America**

(72) Name(s) of Designer(s): **Peter E. Lopez**

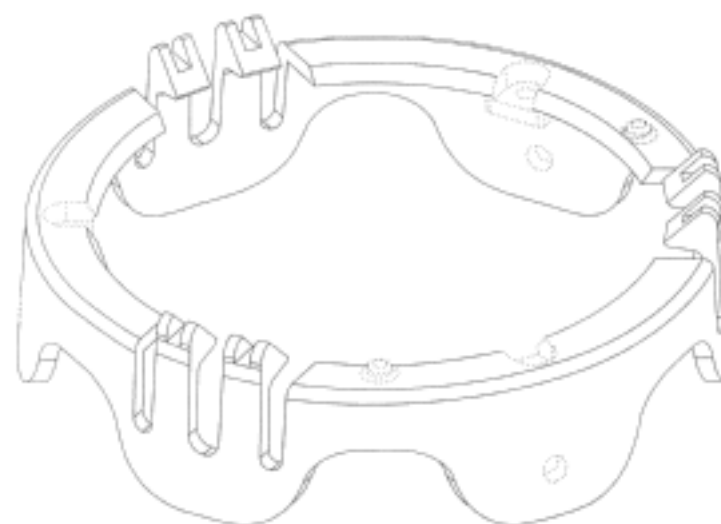
(45) Registration Date: **04 November 2011**

(30) Convention priority data:

(31) Number	(32) Date	(33) Country
<b>29/389409</b>	<b>11 Apr 2011</b>	<b>UNITED STATES OF AMERICA</b>

(56) Related Art Documents: **Not Applicable**

(57) Statement of Newness and Distinctiveness: **Newness and distinctiveness is claimed in the features of shape and/or configuration of a lighting fixture retention ring as illustrated in continuous lines in the accompanying representations.**



(21) Design Number: **14585/2011**  
(22) Date of Filing Application: **11 October 2011**  
(24) Date from which industrial property rights may have effect: **11 October 2011**  
(54) Product in respect of which the design is registered: **Lighting fixture**  
(51) International Design Classification: **26-05E**  
(74) Name(s) of Attorney(s): **SPRUSON & FERGUSON**  
(71) Name(s) and Address(s) of Applicant(s):

**Cree, Inc.**  
**4600 Silicon Drive Durham North Carolina 27703 United States of America**

(72) Name(s) of Designer(s): **Peter E. Lopez**

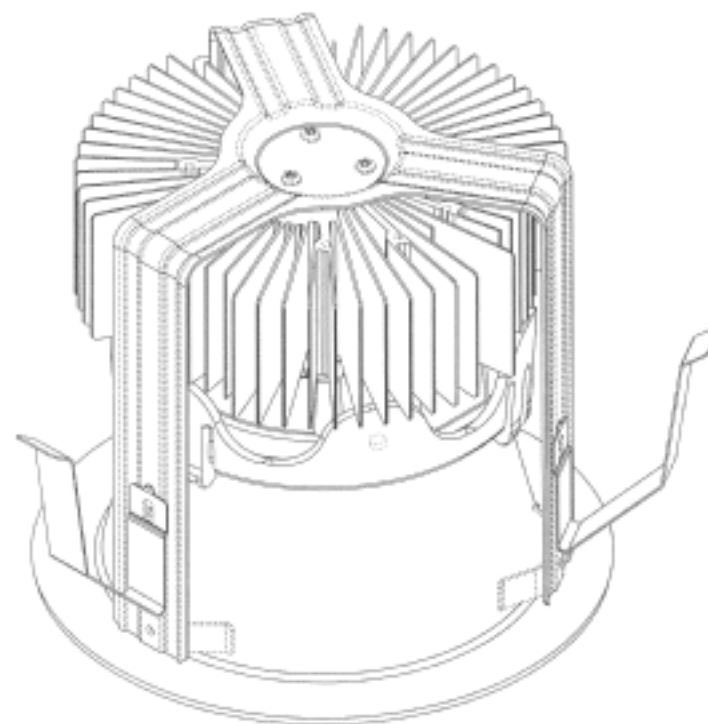
(45) Registration Date: **04 November 2011**

(30) Convention priority data:

(31) Number	(32) Date	(33) Country
<b>29/389409</b>	<b>11 Apr 2011</b>	<b>UNITED STATES OF AMERICA</b>

(56) Related Art Documents: **Not Applicable**

(57) Statement of Newness and Distinctiveness: **Newness and distinctiveness is claimed in the features of shape and/or configuration of a lighting fixture as illustrated in continuous lines in the accompanying representations.**



(21) Design Number: **14586/2011**  
(22) Date of Filing Application: **11 October 2011**  
(24) Date from which industrial property rights may have effect: **11 October 2011**  
(54) Product in respect of which the design is registered: **Lighting fixture**  
(51) International Design Classification: **26-05E**  
(74) Name(s) of Attorney(s): **SPRUSON & FERGUSON**  
(71) Name(s) and Address(s) of Applicant(s):

**Cree, Inc.**  
**4600 Silicon Drive Durham North Carolina 27703 United States of America**

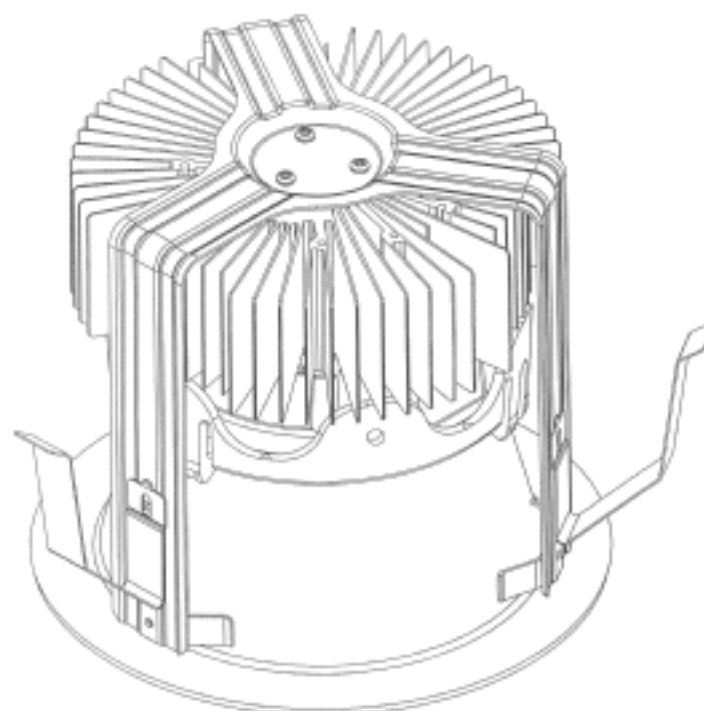
(72) Name(s) of Designer(s): **Peter E. Lopez**  
(45) Registration Date: **04 November 2011**

(30) Convention priority data:

(31) Number	(32) Date	(33) Country
<b>29/389409</b>	<b>11 Apr 2011</b>	<b>UNITED STATES OF AMERICA</b>

(56) Related Art Documents: **Not Applicable**

(57) Statement of Newness and Distinctiveness: **Newness and distinctiveness is claimed in the features of shape and/or configuration of a lighting fixture as illustrated in continuous lines in the accompanying representations.**



(21) Design Number: **14587/2011**  
(22) Date of Filing Application: **11 October 2011**  
(24) Date from which industrial property rights may have effect: **11 October 2011**  
(54) Product in respect of which the design is registered: **Golf club head**  
(51) International Design Classification: **21-02C**  
(74) Name(s) of Attorney(s): **Davies Collison Cave**  
(71) Name(s) and Address(s) of Applicant(s):

**Karsten Manufacturing Corporation**  
**2201 West Desert Cove Phoenix Arizona 85029 United States of America**

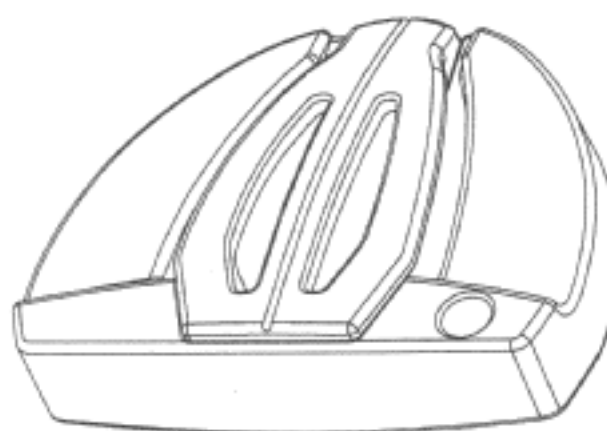
(72) Name(s) of Designer(s): **Ryan Stokke and Michael Nicolette**  
(45) Registration Date: **04 November 2011**

(30) Convention priority data:

(31) Number	(32) Date	(33) Country
<b>29/399610</b>	<b>16 Aug 2011</b>	<b>UNITED STATES OF AMERICA</b>

(56) Related Art Documents: **Not Applicable**

(57) Statement of Newness and Distinctiveness: **Newness and distinctiveness is claimed in the visual features shown in solid lines in the representations.**



(21) Design Number: **14562/2011**  
(22) Date of Filing Application: **11 October 2011**  
(24) Date from which industrial property rights may have effect: **11 October 2011**  
(54) Product in respect of which the design is registered: **Container for food packing**  
(51) International Design Classification: **09-01H**  
(74) Name(s) of Attorney(s): **Collison & Co**  
(71) Name(s) and Address(s) of Applicant(s):  
**CJ Cheiljedang Corp.**  
**500 Namdaemunro5-ga Jung-gu Seoul 100-749 Republic of Korea**  
(72) Name(s) of Designer(s): **Jong Dal Kim and Seo Young Kim and Han Joo Kim**  
(45) Registration Date: **04 November 2011**  
(30) Convention priority data:  
(31) Number (32) Date (33) Country  
**30-2011-0034116 16 Aug 2011 REPUBLIC OF KOREA**  
(56) Related Art Documents: **Not Applicable**  
(57) Statement of Newness and Distinctiveness: **Newness and distinctiveness resides in the shape, configuration and pattern (including colour) of the container as shown in the accompanying representations.**



(21) Design Number: **14563/2011**  
(22) Date of Filing Application: **11 October 2011**  
(24) Date from which industrial property rights may have effect: **11 October 2011**  
(54) Product in respect of which the design is registered: **Container for food packing**  
(51) International Design Classification: **09-01C**  
(74) Name(s) of Attorney(s): **Collison & Co**  
(71) Name(s) and Address(s) of Applicant(s):  
**CJ Cheiljedang Corp.**  
**500 Namdaemunro5-ga Jung-gu Seoul 100-749 Republic of Korea**  
(72) Name(s) of Designer(s): **Jong Dal Kim and Seo Young Kim**  
(45) Registration Date: **04 November 2011**  
(30) Convention priority data:  
(31) Number (32) Date (33) Country  
**30-2011-0034118 16 Aug 2011 REPUBLIC OF KOREA**  
(56) Related Art Documents: **Not Applicable**  
(57) Statement of Newness and Distinctiveness: **Newness and distinctiveness resides in the shape, configuration and pattern (including colour) of the container as shown in the accompanying representations.**



(21) Design Number: **14564/2011**  
(22) Date of Filing Application: **11 October 2011**  
(24) Date from which industrial property rights may have effect: **11 October 2011**  
(54) Product in respect of which the design is registered: **Container for food packing**  
(51) International Design Classification: **09-01C**  
(74) Name(s) of Attorney(s): **Collison & Co**  
(71) Name(s) and Address(s) of Applicant(s):  
**CJ Cheiljedang Corp.**  
**500 Namdaemunro5-ga Jung-gu Seoul 100-749 Republic of Korea**  
(72) Name(s) of Designer(s): **Jong Dal Kim and Seo Young Kim**  
(45) Registration Date: **04 November 2011**  
(30) Convention priority data:  
(31) Number (32) Date (33) Country  
**30-2011-0034119 16 Aug 2011 REPUBLIC OF KOREA**  
(56) Related Art Documents: **Not Applicable**  
(57) Statement of Newness and Distinctiveness: **Newness and distinctiveness resides in the shape, configuration and pattern (including colour) of the container as shown in the accompanying representations.**



(21) Design Number: **14565/2011**  
(22) Date of Filing Application: **11 October 2011**  
(24) Date from which industrial property rights may have effect: **11 October 2011**  
(54) Product in respect of which the design is registered: **Bag for food packing**  
(51) International Design Classification: **09-05**  
(74) Name(s) of Attorney(s): **Collison & Co**  
(71) Name(s) and Address(s) of Applicant(s):  
**CJ Cheiljedang Corp.**  
**500 Namdaemunro5-ga Jung-gu Seoul 100-749 Republic of Korea**  
(72) Name(s) of Designer(s): **Jong Dal Kim and Seo Young Kim and Hyuk Lyul Kwon**  
(45) Registration Date: **04 November 2011**  
(30) Convention priority data:  
(31) Number (32) Date (33) Country  
**30-2011-0033906 12 Aug 2011 REPUBLIC OF KOREA**  
(56) Related Art Documents: **Not Applicable**  
(57) Statement of Newness and Distinctiveness: **Newness and distinctiveness resides in the shape, configuration and pattern (including colour) of the packaging bag as shown in the accompanying representations.**



- (21) Design Number: **14566/2011**  
(22) Date of Filing Application: **11 October 2011**  
(24) Date from which industrial property rights may have effect: **11 October 2011**  
(54) Product in respect of which the design is registered: **Container for food packing**  
(51) International Design Classification: **09-01C**  
(74) Name(s) of Attorney(s): **Collison & Co**  
(71) Name(s) and Address(s) of Applicant(s):  
**CJ Cheiljedang Corp.**  
**500 Namdaemunro5-ga Jung-gu Seoul 100-749 Republic of Korea**  
(72) Name(s) of Designer(s): **Jong Dal Kim and Seo Young Kim**  
(45) Registration Date: **04 November 2011**  
(30) Convention priority data:  
(31) Number (32) Date (33) Country  
**30-2011-0034120 16 Aug 2011 REPUBLIC OF KOREA**  
(56) Related Art Documents: **Not Applicable**  
(57) Statement of Newness and Distinctiveness: **Newness and distinctiveness resides in the shape, configuration and pattern (including colour) of the container as shown in the accompanying representations.**



- (21) Design Number: **14567/2011**  
(22) Date of Filing Application: **11 October 2011**  
(24) Date from which industrial property rights may have effect: **11 October 2011**  
(54) Product in respect of which the design is registered: **Bag for food packing**  
(51) International Design Classification: **09-05**  
(74) Name(s) of Attorney(s): **Collison & Co**  
(71) Name(s) and Address(s) of Applicant(s):  
**CJ Cheiljedang Corp.**  
**500 Namdaemunro5-ga Jung-gu Seoul 100-749 Republic of Korea**  
(72) Name(s) of Designer(s): **Jong Dal Kim and Hyuk Lyul Kwon and Seo Young Kim**  
(45) Registration Date: **04 November 2011**  
(30) Convention priority data:  
(31) Number (32) Date (33) Country  
**30-2011-0033905 12 Aug 2011 REPUBLIC OF KOREA**  
(56) Related Art Documents: **Not Applicable**  
(57) Statement of Newness and Distinctiveness: **Newness and distinctiveness resides in the shape, configuration and pattern (including colour) of the packaging bag as shown in the accompanying representations.**



- (21) Design Number: **14568/2011**  
(22) Date of Filing Application: **11 October 2011**  
(24) Date from which industrial property rights may have effect: **11 October 2011**  
(54) Product in respect of which the design is registered: **Bag for food packing**  
(51) International Design Classification: **09-05**  
(74) Name(s) of Attorney(s): **Collison & Co**  
(71) Name(s) and Address(s) of Applicant(s):  
**CJ Cheiljedang Corp.**  
**500 Namdaemunro5-ga Jung-gu Seoul 100-749 Republic of Korea**  
(72) Name(s) of Designer(s): **Jong Dal Kim and Seo Young Kim and Hyuk Lyul Kwon**  
(45) Registration Date: **04 November 2011**  
(30) Convention priority data:  
(31) Number (32) Date (33) Country  
**30-2011-0033907 12 Aug 2011 REPUBLIC OF KOREA**  
(56) Related Art Documents: **Not Applicable**  
(57) Statement of Newness and Distinctiveness: **Newness and distinctiveness resides in the shape, configuration and pattern (including colour) of the packaging bag as shown in the accompanying representations.**



- (21) Design Number: **14569/2011**  
(22) Date of Filing Application: **11 October 2011**  
(24) Date from which industrial property rights may have effect: **11 October 2011**  
(54) Product in respect of which the design is registered: **Container for food packing**  
(51) International Design Classification: **09-03M**  
(74) Name(s) of Attorney(s): **Collison & Co**  
(71) Name(s) and Address(s) of Applicant(s):  
**CJ Cheiljedang Corp.**  
**500 Namdaemunro5-ga Jung-gu Seoul 100-749 Republic of Korea**  
(72) Name(s) of Designer(s): **Jong Dal Kim and Seo Young Kim and Han Joo Kim**  
(45) Registration Date: **04 November 2011**  
(30) Convention priority data:  
(31) Number (32) Date (33) Country  
**30-2011-0034115 16 Aug 2011 REPUBLIC OF KOREA**  
(56) Related Art Documents: **Not Applicable**  
(57) Statement of Newness and Distinctiveness: **Newness and distinctiveness resides in the shape, configuration and pattern (including colour) of the container as shown in the accompanying representations.**





- (21) Design Number: **14570/2011**  
(22) Date of Filing Application: **11 October 2011**  
(24) Date from which industrial property rights may have effect: **11 October 2011**  
(54) Product in respect of which the design is registered: **Container for food packing**  
(51) International Design Classification: **09-03M**  
(74) Name(s) of Attorney(s): **Collison & Co**  
(71) Name(s) and Address(s) of Applicant(s):  
**CJ Cheiljedang Corp.**  
**500 Namdaemunro5-ga Jung-gu Seoul 100-749 Republic of Korea**  
(72) Name(s) of Designer(s): **Jong Dal Kim and Seo Young Kim and Han Joo Kim**  
(45) Registration Date: **04 November 2011**  
(30) Convention priority data:  
(31) Number (32) Date (33) Country  
**30-2011-0034114 16 Aug 2011 REPUBLIC OF KOREA**  
(56) Related Art Documents: **Not Applicable**  
(57) Statement of Newness and Distinctiveness: **Newness and distinctiveness resides in the shape, configuration and pattern (including colour) of the container as shown in the accompanying representations.**



- (21) Design Number: **14571/2011**  
(22) Date of Filing Application: **11 October 2011**  
(24) Date from which industrial property rights may have effect: **11 October 2011**  
(54) Product in respect of which the design is registered: **Container for food packing**  
(51) International Design Classification: **07-06C**  
(74) Name(s) of Attorney(s): **Collison & Co**  
(71) Name(s) and Address(s) of Applicant(s):  
**CJ Cheiljedang Corp.**  
**500 Namdaemunro5-ga Jung-gu Seoul 100-749 Republic of Korea**  
(72) Name(s) of Designer(s): **June Park and Hyuk Lyul Kwon and Yul Soong Kim and Sun Ho Choi**  
(45) Registration Date: **04 November 2011**  
(30) Convention priority data:  
(31) Number (32) Date (33) Country  
**30-2011-0025247 20 Jun 2011 REPUBLIC OF KOREA**  
(56) Related Art Documents: **Not Applicable**  
(57) Statement of Newness and Distinctiveness: **Newness and distinctiveness resides in the shape, configuration and pattern (including colour) and / or ornamentation of the container as shown in the accompanying representations.**



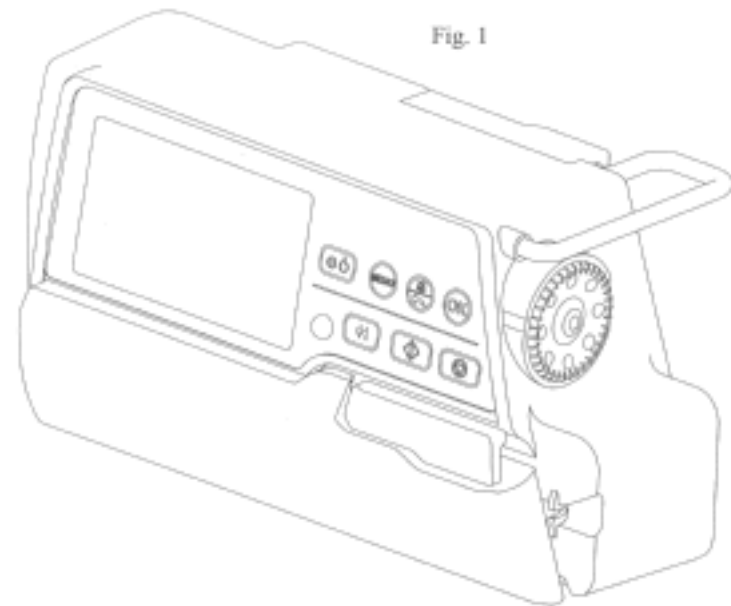
- (21) Design Number: **14572/2011**  
(22) Date of Filing Application: **11 October 2011**  
(24) Date from which industrial property rights may have effect: **11 October 2011**  
(54) Product in respect of which the design is registered: **Container for food packing**  
(51) International Design Classification: **09-03L**  
(74) Name(s) of Attorney(s): **Collison & Co**  
(71) Name(s) and Address(s) of Applicant(s):  
**CJ Cheiljedang Corp.**  
**500 Namdaemunro5-ga Jung-gu Seoul 100-749 Republic of Korea**  
(72) Name(s) of Designer(s): **Jong Dal Kim and Seo Young Kim**  
(45) Registration Date: **04 November 2011**  
(30) Convention priority data:  
(31) Number (32) Date (33) Country  
**30-2011-0034112 16 Aug 2011 REPUBLIC OF KOREA**  
(56) Related Art Documents: **Not Applicable**  
(57) Statement of Newness and Distinctiveness: **Newness and distinctiveness resides in the shape, configuration and pattern (including colour) and / or ornamentation of the container as shown in the accompanying representations.**



- (21) Design Number: **14573/2011**  
(22) Date of Filing Application: **11 October 2011**  
(24) Date from which industrial property rights may have effect: **11 October 2011**  
(54) Product in respect of which the design is registered: **Ground paper for food packing**  
(51) International Design Classification: **09-03NES**  
(74) Name(s) of Attorney(s): **Collison & Co**  
(71) Name(s) and Address(s) of Applicant(s):  
**CJ Cheiljedang Corp.**  
**500 Namdaemunro5-ga Jung-gu Seoul 100-749 Republic of Korea**  
(72) Name(s) of Designer(s): **Jong Dal Kim and Seo Young Kim**  
(45) Registration Date: **04 November 2011**  
(30) Convention priority data:  
(31) Number (32) Date (33) Country  
**30-2011-0034113 16 Aug 2011 REPUBLIC OF KOREA**  
(56) Related Art Documents: **Not Applicable**  
(57) Statement of Newness and Distinctiveness: **Newness and distinctiveness resides in the shape, configuration and pattern (including colour) and / or ornamentation of the paper packaging as shown in the accompanying representations.**



(21) Design Number: **14574/2011**  
(22) Date of Filing Application: **11 October 2011**  
(24) Date from which industrial property rights may have effect: **11 October 2011**  
(54) Product in respect of which the design is registered: **Infusion pump**  
(51) International Design Classification: **15-02, 24-01**  
(74) Name(s) of Attorney(s): **Shelston IP**  
(71) Name(s) and Address(s) of Applicant(s):  
**Terumo Kabushiki Kaisha**  
**44-1 2-chome Hatagaya Shibuya-ku Tokyo 151-0072 Japan**  
(72) Name(s) of Designer(s): **Hideki Katsura**  
(45) Registration Date: **04 November 2011**  
(30) Convention priority data:  
(31) Number      (32) Date      (33) Country  
**2011-008268      11 Apr 2011      JAPAN**  
(56) Related Art Documents: **Not Applicable**  
(57) Statement of Newness and Distinctiveness: **Nil**



(21) Design Number: **14575/2011**  
(22) Date of Filing Application: **11 October 2011**  
(24) Date from which industrial property rights may have effect: **11 October 2011**  
(54) Product in respect of which the design is registered: **Syringe pump**  
(51) International Design Classification: **15-02, 24-01**  
(74) Name(s) of Attorney(s): **Shelston IP**  
(71) Name(s) and Address(s) of Applicant(s):  
**Terumo Kabushiki Kaisha**  
**44-1 2-chome Hatagaya Shibuya-ku Tokyo 151-0072 Japan**  
(72) Name(s) of Designer(s): **Hideki Katsura**  
(45) Registration Date: **04 November 2011**  
(30) Convention priority data:  
(31) Number      (32) Date      (33) Country  
**2011-008266      11 Apr 2011      JAPAN**  
(56) Related Art Documents: **Not Applicable**  
(57) Statement of Newness and Distinctiveness: **Nil**

