



Australian Government

IP Australia

AUSTRALIAN OFFICIAL JOURNAL

OF

DESIGNS

Did you know a searchable version of this journal is now available online?

It's FREE and EASY to SEARCH.

Find it on our website (www.ipaustralia.gov.au)

by using the "Journals" link on the home page.

This Page Left Intentionally Blank

Contents

General Information & Notices

**Proceedings Under the Designs Act 1906 preserved as a result of the provisions of Chapter 12
Part 2 of the Designs Act 2003**

Extension of Period of Registration of Designs	3122
Extensions of Time Granted	3122
Registrations Ceased	3122
Subsequent Owners Registered	3122

Proceedings Under the Designs Act 2003

Applications Lapsed	3134
Applications Lodged	3126
Certificate of Examination	3137
Extension of Period of Registration of Design	3135
Extension of Time Granted Under Section 137	3135
Names Registered - Alterations and Amendments	3135
Publication and Registration Proceedings	
Designs Registered 339288 to 339502.....	3138
Registrations Ceased	3135
Subsequent Owners Registered	3135

This Page Left Intentionally Blank

For information on the following please see our website www.ipaustralia.gov.au or contact our Customer Service Network on 1300651010

[Editorial enquiries](#)

[Contact information](#)

[Freedom of Information ACT](#)

[Professional Standards Board](#)

[Sales](#)

[Requests for Information under Section 194 \(c\)](#)

[Country Codes](#)

[Trade Mark and Designs Hearing Sessions](#)

[INID \(Internationally agreed Numbers for the Identification of Data\)](#)

“INID” NUMBERS in use on Australian Design Documents

“INID” is an acronym for “Internationally agreed Numbers for the Identification of Data”.

(10) Data concerning the registration/renewal

- (11) Serial number of the registration and/or number of the design document
- (12) Plain language designation of the kind of published document
- (19) Identification, using the two-letter code according to WIPO Standard ST.3, of the authority publishing or registering the industrial design

(20) Data concerning the application

- (21) Serial number of the application
- (22) Date of filing of the application
- (24) Date from which the industrial design right has effect

(30) Data relating to priority under the Paris Convention

- (31) Serial number assigned to the priority application
- (32) Date of filing of the priority application
- (33) Two-letter code, according to WIPO Standard ST.3, identifying the authority with which the priority application was made

(40) Date(s) of making information available to the public

- (45) Date of publication of the registered industrial design by printing or similar process, or making it available to the public by any other means

(50) Miscellaneous Information

- (51) International Classification for Industrial Designs (class and subclass of the Locarno Classification)
- (54) Designation of article(s) or product(s) covered by the industrial design or title of the industrial design
- (55) Reproduction of the industrial design (e.g., drawing, photograph) and explanations relating to the reproduction
- (56) List of prior art documents, if separate from descriptive text
- (57) Description of characteristic features of the industrial design including indication of colours

(60) References to other legally related application(s) and registration(s)

- (62) Serial number(s) and, if available, filing date(s) of application(s), registration(s) or document(s) related by division
- (66) Serial number(s) of the application, or the registration, of the design(s) which is (are) a variant(s) of the present one

(70) Identification of parties concerned with the application or registration

- (71) Name(s) and address(es) of the applicant(s)
- (72) Name(s) of the creator(s) if known to be such
- (74) Name(s) and address(es) of the representative(s)

This Page Left Intentionally Blank

OFFICIAL NOTICE**Christmas Close-down Period for IP Australia and the sub-offices 2011**

Authorised Australia Post outlets, "IP Lodgement Points", in Hobart, Perth, Adelaide, Sydney, Darwin and Melbourne are sub-offices for the purposes of the Patents, Trade Marks and Designs legislation. These Australia Post outlets may be physically open to the general public for other services provided by Australia Post during the close-down period. However, as declared by the Director General, they are taken not to be open for business for the purposes of lodging IP documents and/or making IP-related payments from Saturday, 24 December 2011 up to and including Monday, 2 January 2012.

If the last day for doing an act is a day when a sub-office is not open for business, section 222A(1) of the Patents Act, section 223A(1) of the Trade Marks Act and section 136A(1) of the Designs Act allow for the act to be done on the next day when the sub-office is open for business. This means that customers will not be disadvantaged by the closure of the sub-offices for the period between Christmas Day and the New Year's Day holiday.

Queries: Gaye Turner
Customer Service Delivery
+61 2 6283 2274

Contact: IP Australia
Phone: 1300 651 010
Fax: +61 2 6283 7999
E-mail: assist@ipaaustralia.gov.au
Web: www.ipaustralia.gov.au

Proceedings under the Designs Act 1906 preserved as a result of the provisions of Chapter 12 Part 2 of the Designs Act 2003.

This Page Left Intentionally Blank

Applications Lapsed

There were no Applications Lapsed under this section

Extension of Period of Registration of Designs

140415 IPH International Pty Ltd An Extension of time to extend a registration has been granted to 09/09/2011

1st Period (Section 27A(8))

Subsequent Owners Registered

(The name in parentheses is that of the subsequent owner)

2nd Period (Section 27A(12))

153069 (**Novozone (Aust) Pty Ltd**) A1 Noblewater Pty Ltd

3rd Period (Section 27A(13))

153610 (**Automobili Lamborghini S.p.A.**) Automobili Lamborghini Holding S.P.A.

140415	143238	144234
144361	144362	144512
144682	144705	144864
145079	145437	145716
145777	146063	146064
146183	146501	146607
146766	146986	147802
147918	147945	148033
148034	148035	148036
148037	148038	148148
148427	148582	148940
149517	151071	151875
154295	155200	

Registrations Ceased

Note: Some of the following Registrations may have been previously advertised as ceased. In this instance, the previous advertisement still prevails.

125353	125634	125963
126943	126945	126948
126949	126965	126970
127085	127118	127333
127517	127518	127668
127757	128040	128168
128430	128463	128473
128740	129108	129557
129610	129732	130617
130618	131050	131362
132402	133535	140652
140953	142152	142256
142339	142450	142769
142770	142771	142772
142773	142774	142775
142776	142777	142793
142834	143309	144186
144370	144466	145168
146487	147008	153176

Extensions of time granted

Applications lodged for extension of time have been granted.

This Page Left Intentionally Blank

Proceedings under the Designs Act 2003.

This Page Left Intentionally Blank

Applications Lodged

Lodgement information is in the following order: **Applicant's Name**; International Classification, Name of Product, Lodgement Date and **Design Number**. If the applicant claims an earlier priority date under an International Convention, the Convention Country and the associated filing date are shown in parentheses before the Lodgement Date. Divisional information will also appear in parentheses before the Lodgement Date.

Absolute International Pty Ltd; 21-02E, Plastic skateboard, 15 Nov 2011	15205/2011	Astral Pool Australia Pty Ltd; 13-01, 15-99, Heat sink, 01 Nov 2011	14910/2011
Absolute International Pty Ltd; 21-02E, Plastic skateboard, 15 Nov 2011	15206/2011	Astral Pool Australia Pty Ltd; 13-01, Motor, 01 Nov 2011	14912/2011
Acco Australia Pty Ltd; 19-04, Folder, 04 Nov 2011	14955/2011	Astral Pool Australia Pty Ltd; 13-01, Motor, 01 Nov 2011	14911/2011
Aktiebolaget Electrolux; 23-01G, Receptacle and filter device, (EM, 15 Mar 2011) 13 Sep 2011	15119/2011	Australian Mobile Mining Equipment Systems and Accessories Pty. Limited; 09-03K, A container, 03 Nov 2011	14947/2011
Aktiebolaget Electrolux; 23-01G, Filter device, (EM, 15 Mar 2011) 13 Sep 2011	15123/2011	Avion Spirits LLC; 09-01NES, Bottle, (US, 02 Jun 2011) 08 Nov 2011	15063/2011
Aktiebolaget Electrolux; 07-01F, 23-01G, Receptacle, (EM, 15 Mar 2011) 13 Sep 2011	15121/2011	AG (Syd) Fashion Pty Ltd;Alive Girl Pty Ltd; 02-02C, Apparel, 07 Nov 2011	14974/2011
Aktiebolaget Electrolux; 23-01G, Filter device, (EM, 15 Mar 2011) 13 Sep 2011	15122/2011	APV Automotive Components Pty Ltd; 12-16C, Bull bar, 08 Nov 2011	15021/2011
Aktiebolaget Electrolux; 07-01F, 23-01G, Receptacle, (EM, 15 Mar 2011) 13 Sep 2011	15120/2011	APV Automotive Components Pty Ltd; 12-16C, Bull bar winch tray, 08 Nov 2011	15023/2011
Alive Girl Pty Ltd;AG (Syd) Fashion Pty Ltd; 02-02C, Apparel, 07 Nov 2011	14974/2011	APV Automotive Components Pty Ltd; 12-16C, Deformable mount for bull bar, 08 Nov 2011	15019/2011
Ames True Temper, Inc.; 12-02, Wheelbarrow leg stabilizer, (US, 24 Jun 2011) 10 Nov 2011	15109/2011	APV Automotive Components Pty Ltd; 12-16C, Bull bar, 08 Nov 2011	15020/2011
Anchor Wall Systems, Inc.; 25-01A, A concrete product, (US, 05 May 2011) 03 Nov 2011	14952/2011	ASSA ABLOY Australia Pty Limited; 08-07, Key blank, 10 Nov 2011	15145/2011
Apex Brands, Inc.; 10-04, Tape measure housing, (US, 07 Jun 2011) 10 Nov 2011	15126/2011	ASSA ABLOY Australia Pty Limited; 08-07, Key blank, 10 Nov 2011	15137/2011
Apple Inc.; 14-02, Inscription carrier, (US, 20 May 2011) 10 Nov 2011	15125/2011	ASSA ABLOY Australia Pty Limited; 08-07, Key blank, 10 Nov 2011	15138/2011
Apple Inc.; 14-01, Stand, (US, 12 May 2011) 14 Nov 2011	15170/2011	ASSA ABLOY Australia Pty Limited; 08-07, Key blank, 10 Nov 2011	15139/2011
Arbortech Industries Limited; 08-03, Woodcraving blade, 10 Nov 2011	15049/2011	ASSA ABLOY Australia Pty Limited; 08-07, Key blank, 10 Nov 2011	15147/2011
Arbortech Industries Limited; 08-03, Woodcarving blade, 10 Nov 2011	15051/2011	ASSA ABLOY Australia Pty Limited; 08-07, Key blank, 10 Nov 2011	15151/2011
Arbortech Industries Limited; 08-03, Woodcraving blade, 10 Nov 2011	15050/2011	ASSA ABLOY Australia Pty Limited; 08-07, Key blank, 10 Nov 2011	15146/2011
Astra Tech AB; 24-03, Dental implant/dental abutment, (EM, 13 May 2011) 11 Nov 2011	15161/2011	ASSA ABLOY Australia Pty Limited; 08-07, Key blank, 10 Nov 2011	15142/2011
		ASSA ABLOY Australia Pty Limited; 08-07, Key blank, 10 Nov 2011	15140/2011
		ASSA ABLOY Australia Pty Limited; 08-07, Key blank, 10 Nov 2011	15144/2011
		ASSA ABLOY Australia Pty Limited; 08-07, Key blank, 10 Nov 2011	15148/2011

ASSA ABLOY Australia Pty Limited; 08-07, Key blank, 10 Nov 2011	15150/2011	Caroma Industries Limited; 23-02B, A bath, 09 Nov 2011	15059/2011
ASSA ABLOY Australia Pty Limited; 08-07, Key blank, 10 Nov 2011	15141/2011	Caroma Industries Limited; 23-02B, A bath, 09 Nov 2011	15058/2011
ASSA ABLOY Australia Pty Limited; 08-07, Key blank, 10 Nov 2011	15143/2011	Caroma Industries Limited; 23-02B, A bath, 09 Nov 2011	15056/2011
ASSA ABLOY Australia Pty Limited; 08-07, Key blank, 10 Nov 2011	15149/2011	Caroma Industries Limited; 23-02B, A bath, 09 Nov 2011	15060/2011
Bannister, Jordan; 21-02A, Development kicking aussie rules football, 07 Nov 2011	15072/2011	Carter Holt Harvey Limited; 09-03M, A container, (NZ, 20 May 2011) 07 Nov 2011	15004/2011
Belkin International, Inc.; 14-02, Enclosure for router, (US, 04 May 2011) 02 Nov 2011	14940/2011	Carter Holt Harvey Limited; 09-03NES, A blank of or for a container, (NZ, 20 May 2011) 02 Nov 2011	14941/2011
Bignill, Maryanne;Colak, Marisa;Capano, Vincenzina; 21-01F, Scooter, 16 Nov 2011	15225/2011	Carter Holt Harvey Limited; 09-03M, Container, (NZ, 20 May 2011) 02 Nov 2011	14928/2011
Blount, Inc.; 08-03, Cutting blade, (US, 13 May 2011) 11 Nov 2011	15166/2011	Carter Holt Harvey Limited; 09-03M, A blank of or for a container, (NZ, 20 May 2011) 02 Nov 2011	14929/2011
Bose Corporation; 14-01, Loudspeaker, (US, 27 May 2011) 02 Nov 2011	14933/2011	Colak, Marisa;Bignill, Maryanne;Capano, Vincenzina; 21-01F, Scooter, 16 Nov 2011	15225/2011
Boyles, Jamie Scott; 23-01D, Sprinkler, 16 Nov 2011	15227/2011	Coles Supermarkets Australia Pty Ltd; 09-01NES, Bottle, 04 Nov 2011	14977/2011
Braun GmbH; 28-03A, Shaver, 01 Nov 2011	14916/2011	Colgate-Palmolive Company; 04-02, Toothbrush, (US, 17 Jun 2011) 07 Nov 2011	15002/2011
Braun GmbH; 28-03A, Shaver, 01 Nov 2011	14917/2011	Colgate-Palmolive Company; 04-02, Toothbrush, (US, 15 Jun 2011) 10 Nov 2011	15112/2011
Breville Pty Limited; 07-02F, Toaster, (CN, 10 Oct 2011) 09 Nov 2011	15032/2011	Colgate-Palmolive Company; 04-02, Toothbrush, (US, 15 Jun 2011) 10 Nov 2011	15110/2011
Bridgestone Corporation; 12-15A, Automobile tyre, (JP, 12 May 2011) 11 Nov 2011	15136/2011	Colgate-Palmolive Company; 04-02, Toothbrush, (US, 15 Jun 2011) 10 Nov 2011	15111/2011
British American Tobacco Denmark A/S; 20-01, Display for vending machine, (EM, 13 May 2011) 09 Nov 2011	15037/2011	Colgate-Palmolive Company; 04-02, Toothbrush, (US, 17 Jun 2011) 07 Nov 2011	15000/2011
British American Tobacco Denmark A/S; 20-01, Display for vending machine, (EM, 13 May 2011) 09 Nov 2011	15038/2011	Colgate-Palmolive Company; 04-02, Toothbrush, (US, 17 Jun 2011) 07 Nov 2011	15001/2011
British American Tobacco Denmark A/S; 20-01, Display for vending machine, (EM, 13 May 2011) 09 Nov 2011	15036/2011	Continental Reifen Deutschland GmbH; 12-15B, Tyre, (EM, 02 Sep 2011) 08 Nov 2011	15017/2011
Capano, Vincenzina;Colak, Marisa;Bignill, Maryanne; 21-01F, Scooter, 16 Nov 2011	15225/2011	Continental Reifen Deutschland GmbH; 12-15A, Tyre, (EM, 18 Aug 2011) 15 Nov 2011	15190/2011
Cardo Systems, Inc.; 14-03NES, Communications system for a helmet, (US, 19 Jul 2011) 15 Nov 2011	15201/2011	CIE Ltd; 06-03NES, Pedestal, 07 Nov 2011	14968/2011
Caroline K Morgan Pty Ltd; 02-02C, Dress, 07 Nov 2011	14954/2011	Davy, William John; 08-05L, 08-05NES, Mixer/cleaner for use with glue, plaster, paint, render and mortar products, 08 Nov 2011	14979/2011
Caroma Industries Limited; 23-02B, A bath, 09 Nov 2011	15057/2011		

Deering, Stephen Paul; 06-01G, Chaise longue/recliner, 08 Nov 2011	15034/2011	ELC Management LLC; 28-02, Lipstick bullet, (US, 24 May 2011) 16 Nov 2011	15229/2011
Deering, Stephen Paul; 06-02, 26-05B, 06-06F, Bedhead (and/or bed foot) and night light combination, 01 Nov 2011	14924/2011	EUROTIRE, INC.; 12-15C, Tire tread, (US, 06 May 2011) 02 Nov 2011	14934/2011
Differentia Pty Ltd; 09-01NES, Bottle, 11 Nov 2011	15160/2011	EUROTIRE, INC.; 12-15C, Tire tread, (US, 06 May 2011) 02 Nov 2011	14935/2011
Differentia Pty Ltd; 09-01NES, Bottle, 11 Nov 2011	15159/2011	Fifty-Fourth Rischell Pty Ltd; 02-02NES, Men's clothing, 16 Nov 2011	15218/2011
Dyson Limited; 15-05, Part of a vacuum cleaner, (EM, 13 May 2011) 09 Nov 2011	15043/2011	Forever New Clothing Pty Ltd; 02-02C, 02-02NES, 03-01B, 05-05D, 11-01C, 11-01D, 11-01NES, Women's fashion clothing, 14 Nov 2011	15202/2011
Dyson Limited; 15-05, Part of a vacuum cleaner, (EM, 13 May 2011) 09 Nov 2011	15045/2011	Forever New Clothing Pty Ltd; 02-02C, Women's fashion clothing, 28 Apr 2011	14871/2011
Dyson Limited; 15-05, Part of a vacuum cleaner, (EM, 13 May 2011) 09 Nov 2011	15046/2011	Forever New Clothing Pty Ltd; 02-02C, Women's fashion clothing, 28 Apr 2011	14875/2011
Dyson Limited; 15-05, Part of a vacuum cleaner, (EM, 13 May 2011) 09 Nov 2011	15044/2011	Forever New Clothing Pty Ltd; 02-02C, Women's fashion clothing, 28 Apr 2011	14876/2011
Dyson Limited; 15-05, Part of a vacuum cleaner, (EM, 13 May 2011) 09 Nov 2011	15041/2011	Forever New Clothing Pty Ltd; 02-02C, Women's fashion clothing, 28 Apr 2011	14873/2011
Dyson Limited; 15-05, Part of a vacuum cleaner, (EM, 13 May 2011) 09 Nov 2011	15042/2011	Forever New Clothing Pty Ltd; 02-02C, Women's fashion clothing, 28 Apr 2011	14874/2011
DC Comics; 21-01C, 12-08, A vehicle, (GB, 10 Jun 2011) 04 Nov 2011	14969/2011	Forever New Clothing Pty Ltd; 02-02C, Women's fashion clothing, 28 Apr 2011	14872/2011
DC Comics; 21-01C, 12-08, A vehicle, (GB, 10 Jun 2011) 04 Nov 2011	14970/2011	Frankston City Council; 11-02B, A planter seat, 15 Nov 2011	15184/2011
E.D. Oates Pty Ltd; 07-07B, Mop bucket, 10 Nov 2011	15167/2011	Froator Pty. Limited; 08-05NES, Apparatus for dispensing contents from a tube, 04 Nov 2011	14948/2011
Eflare Corporation Pty Ltd; 10-06, Beacon, (US, 05 May 2011) 02 Nov 2011	14943/2011	Gary Frencham Pty Ltd; 25-01G, A plank member of indefinite length and indefinite width and indefinite thickness, 07 Nov 2011	14980/2011
Ensitech Pty Ltd; 13-01, Power supply unit, 15 Nov 2011	14662/2011	Grives, Steven; 20-02NES, 26-05E, Platinum HP 3000 V.2., 03 Nov 2011	14944/2011
Ethicon Endo-Surgery, Inc.; 24-02, Surgical instrument, (US, 16 May 2011) 16 Nov 2011	15216/2011	Growinska, Malgorzata; 25-01F, Tile/tiles, 07 Nov 2011	14975/2011
Eveready Battery Company, Inc.; 13-02, Charger, (US, 25 May 2011) 03 Nov 2011	14949/2011	Growinska, Malgorzata; 25-01F, Tiles/set of three tiles, 07 Nov 2011	14976/2011
EBM SOLUTIONS PTY LTD; 08-05P, Ratchet gear, 07 Nov 2011	14981/2011	Halo Trademarks Limited; 06-01G, Armchairs, (EM, 10 May 2011) 09 Nov 2011	15055/2011
ELC Management LLC; 28-02, Lipstick bullet, (US, 24 May 2011) 16 Nov 2011	15230/2011	Healthsaver Pty Ltd; 02-03, Head and scalp protector, 15 Nov 2011	15175/2011
ELC Management LLC; 28-02, Lipstick bullet, (US, 24 May 2011) 16 Nov 2011	15228/2011		

Hella KGaA Hueck & Co; 26-06, Driving light A, (EM, 11 May 2011) 11 Nov 2011	15133/2011	Joy MM Delaware, Inc.; 08-08E, Hose clip, (US, 09 May 2011) 09 Nov 2011	15065/2011
Hella KGaA Hueck & Co; 26-06, Driving light B, (EM, 11 May 2011) 11 Nov 2011	15134/2011	Julius Blum GmbH; 06-06D, Insert for furniture drawer, (EM, 19 May 2011) 16 Nov 2011	15211/2011
Hella KGaA Hueck & Co; 26-06, Driving light C, (EM, 11 May 2011) 11 Nov 2011	15135/2011	JETS Swimwear Pty Ltd; 02-02A, Swimwear garment, 08 Nov 2011	14993/2011
Hills Holdings Limited; 14-03NES, Antenna, 15 Nov 2011	15197/2011	JETS Swimwear Pty Ltd; 02-02A, Swimwear garment, 08 Nov 2011	14995/2011
Hills Holdings Limited; 08-08NES, 14-03NES, Antenna reflector bracket, 15 Nov 2011	15207/2011	JETS Swimwear Pty Ltd; 02-02A, Swimwear garment, 08 Nov 2011	14994/2011
Hills Holdings Limited; 14-03NES, Antenna, 15 Nov 2011	15199/2011	JETS Swimwear Pty Ltd; 02-02A, Swimwear garment, 08 Nov 2011	14989/2011
Hills Holdings Limited; 14-03NES, Antenna, 15 Nov 2011	15198/2011	JETS Swimwear Pty Ltd; 02-02A, Swimwear garment, 08 Nov 2011	14990/2011
Hills Holdings Limited; 08-08NES, 14-03NES, Antenna reflector bracket, 15 Nov 2011	15200/2011	JETS Swimwear Pty Ltd; 02-02A, Swimwear garment, 08 Nov 2011	14987/2011
Hills Holdings Limited; 14-03NES, Antenna, 15 Nov 2011	15196/2011	JETS Swimwear Pty Ltd; 02-02A, Swimwear garment, 08 Nov 2011	14988/2011
Hills Holdings Limited; 14-03NES, Antenna, 15 Nov 2011	15195/2011	JETS Swimwear Pty Ltd; 02-02A, Swimwear garment, 08 Nov 2011	14986/2011
Hoefel, Jennifer; 07-06A, Tray, 15 Nov 2011	15213/2011	JETS Swimwear Pty Ltd; 02-02A, Swimwear garment, 08 Nov 2011	14991/2011
Honda Motor Co., Ltd.; 12-16E, Rear combination lamp for automobiles, (JP, 20 May 2011) 15 Nov 2011	15226/2011	JETS Swimwear Pty Ltd; 02-02A, Swimwear garment, 08 Nov 2011	14992/2011
Husqvarna AB; 15-03B, Ride-on lawn mower, (EM, 25 May 2011) 03 Nov 2011	14945/2011	JETS Swimwear Pty Ltd; 02-02A, Swimwear garment, 08 Nov 2011	14985/2011
Husqvarna AB; 15-03B, Ride-on lawn mower, (EM, 25 May 2011) 03 Nov 2011	14946/2011	K. Hartwall Oy Ab; 12-16NES, Wheel mount, (EM, 04 May 2011) 04 Nov 2011	14951/2011
Husqvarna AB; 15-03B, Ride-on lawn mower, (EM, 27 Jun 2011) 01 Nov 2011	14913/2011	Kabushiki Kaisha Toshiba, also trading as Toshiba Corporation; 14-03B, A television receiver, (JP, 30 Sep 2011) 07 Nov 2011	14978/2011
Illuminated Industries Pty Ltd; 06-04NES, A beverage rack, 11 Nov 2011	15158/2011	Karl Lagerfeld B.V.; 05-05D, 05-05C, Textile, (WO, 30 May 2011) 17 Nov 2011	15217/2011
Jorgenson-Watts Pty Ltd; 25-01K, Extrusion roll form profile, 09 Nov 2011	15018/2011	Karl Lagerfeld B.V.; 05-05C, Textile, (WO, 30 May 2011) 17 Nov 2011	15224/2011
Joy MM Delaware, Inc.; 08-08E, Hose clip, (US, 09 May 2011) 09 Nov 2011	15067/2011	Karl Lagerfeld B.V.; 05-05C, Textile, (WO, 30 May 2011) 17 Nov 2011	15210/2011
Joy MM Delaware, Inc.; 08-08E, Hose clip, (US, 09 May 2011) 09 Nov 2011	15068/2011	Kenyon, John Peter; 20-01, A vending machine, 10 Nov 2011	15128/2011
Joy MM Delaware, Inc.; 08-08E, Hose clip, (US, 09 May 2011) 09 Nov 2011	15066/2011	Kenyon, John Peter; 20-01, A vending machine, 10 Nov 2011	15129/2011
		Kim, Chul Soo; 12-11, Bicycle seat, (WO, 07 Jul 2011) 15 Nov 2011	15172/2011
		Koninklijke Philips Electronics N.V.; 07-02L, Coffee maker, (EM, 09 May 2011) 08 Nov 2011	15030/2011

Koninklijke Philips Electronics N.V.; 07-02L, Coffee maker, (EM, 09 May 2011) 08 Nov 2011	15029/2011	LM Australasia; 02-02C, Womenswear, 04 Nov 2011	15101/2011
Koninklijke Philips Electronics N.V.; 07-02L, Coffee maker, (EM, 09 May 2011) 08 Nov 2011	15028/2011	LM Australasia; 02-02C, Womenswear, 04 Nov 2011	15102/2011
Koninklijke Philips Electronics N.V.; 26-05E, 26-04, LED lamp, (EM, 05 May 2011) 04 Nov 2011	14967/2011	LM Australasia; 02-01B, Womenswear, 04 Nov 2011	15078/2011
Legend Corporate Service Pty Ltd; 10-04, Electrical cable gauge, 11 Nov 2011	15152/2011	LM Australasia; 02-01A, Womenswear, 04 Nov 2011	15080/2011
Lolitta Clothing Pty Ltd; 02-02C, 02-02NES, Women's clothing, 14 Nov 2011	15178/2011	LM Australasia; 02-01B, Womenswear, 04 Nov 2011	15081/2011
LG Electronics Inc.; 14-01, Blu-ray disk player, (KR, 23 Jun 2011) 15 Nov 2011	15187/2011	LM Australasia; 02-01B, Womenswear, 04 Nov 2011	15079/2011
LM Australasia; 02-02NES, Womenswear, 04 Nov 2011	15088/2011	LM Australasia; 02-01A, Womenswear, 04 Nov 2011	15077/2011
LM Australasia; 05-05NES, Womenswear, 04 Nov 2011	15107/2011	LM Australasia; 05-05NES, Womenswear, 04 Nov 2011	15106/2011
LM Australasia; 02-02C, Womenswear, 04 Nov 2011	15104/2011	LM Australasia; 02-01B, Womenswear, 04 Nov 2011	15082/2011
LM Australasia; 05-05NES, Womenswear, 04 Nov 2011	15105/2011	LM Australasia; 02-01A, Womenswear, 04 Nov 2011	15083/2011
LM Australasia; 05-05NES, Womenswear, 04 Nov 2011	15108/2011	LM Australasia; 02-02C, 02-04C, Clothing and sportswear, 04 Nov 2011	15075/2011
LM Australasia; 05-05NES, Womenswear, 04 Nov 2011	15108/2011	LM Australasia; 02-01B, Womenswear, 04 Nov 2011	15084/2011
LM Australasia; 02-02NES, Womenswear, 04 Nov 2011	15089/2011	LM Australasia; 02-01B, Womenswear, 04 Nov 2011	15085/2011
LM Australasia; 02-02NES, Womenswear, 04 Nov 2011	15090/2011	LM Australasia; 02-02NES, Womenswear, 04 Nov 2011	15076/2011
LM Australasia; 02-02NES, Womenswear, 04 Nov 2011	15091/2011	LM Australasia; 02-02NES, Womenswear, 04 Nov 2011	15074/2011
LM Australasia; 02-02NES, Womenswear, 04 Nov 2011	15092/2011	LM Australasia; 02-02C, 02-04C, Clothing-leggings and sportswear, 04 Nov 2011	15074/2011
LM Australasia; 02-02NES, Womenswear, 04 Nov 2011	15092/2011	LM Australasia; 02-02NES, Womenswear, 04 Nov 2011	15086/2011
LM Australasia; 02-01B, Womenswear, 04 Nov 2011	15093/2011	LM Australasia; 02-02NES, Womenswear, 04 Nov 2011	15087/2011
LM Australasia; 02-01B, Womenswear, 04 Nov 2011	15094/2011	LM Australasia; 02-02C, Womenswear, 04 Nov 2011	15087/2011
LM Australasia; 02-02C, Womenswear, 04 Nov 2011	15095/2011	LSI Industries, Inc.; 26-03, Lighting, (US, 13 May 2011) 03 Nov 2011	14932/2011
LM Australasia; 02-02C, Womenswear, 04 Nov 2011	15096/2011	Maccan, Christopher; 03-01NES, A weatherproof bag to securely store a complete bicycle in, 15 Nov 2011	15212/2011
LM Australasia; 02-02C, Womenswear, 04 Nov 2011	15097/2011	MacDonald, Donald; 06-01G, A set of furniture units, (NZ, 11 May 2011) 07 Nov 2011	15005/2011
LM Australasia; 02-02C, Womenswear, 04 Nov 2011	15098/2011	Madd Gear Pty Ltd; 21-01F, Scooter frame, 04 Nov 2011	14963/2011
LM Australasia; 02-02C, Womenswear, 04 Nov 2011	15099/2011	Madd Gear Pty Ltd; 21-01F, A scooter, 04 Nov 2011	14965/2011
LM Australasia; 02-02C, Womenswear, 04 Nov 2011	15100/2011	Madd Gear Pty Ltd; 21-01F, Scooter deck, 04 Nov 2011	14964/2011

Madd Gear Pty Ltd; 21-01F, A scooter, 04 Nov 2011	14962/2011	Mills, David; 15-01, Two stroke motor block, 15 Nov 2011	15193/2011
Marimekko Oyj; 07-01B, Dessert Bowl, (EM, 19 May 2011) 02 Nov 2011	14926/2011	Monash University; 24-02, Orchidometer, 17 Nov 2011	15209/2011
Marimekko Oyj; 07-01B, Dish, (EM, 19 May 2011) 02 Nov 2011	14927/2011	MAKAPHER AB; 25-01E, Post and parts thereof, (EM, 06 May 2011) 07 Nov 2011	15003/2011
Mary Kay Inc.; 09-01G, Cosmetic container, (US, 02 Aug 2011) 07 Nov 2011	14966/2011	Nathan, Raf; 19-06, 10-04, Ruler of length 350 mm and with special markings made of brass, 09 Nov 2011	15022/2011
Mary Kay Inc.; 09-01G, Cosmetic container, (US, 01 Aug 2011) 08 Nov 2011	14984/2011	Newco; 24-01, Minature portable soother steriliser, (EM, 12 May 2011) 11 Nov 2011	15153/2011
Mary Kay Inc.; 09-01G, Cosmetic container, (US, 02 Aug 2011) 16 Nov 2011	15188/2011	Nomiki Glynatsis Couture Pty Ltd; 11-01E, A necklace, 04 Nov 2011	14958/2011
Mary Kay Inc.; 09-01G, Cosmetic container, (US, 12 Oct 2011) 16 Nov 2011	15189/2011	Nomiki Glynatsis Couture Pty Ltd; 11-01E, A necklace, 04 Nov 2011	14959/2011
Mary Kay Inc.; 09-01C, 09-01G, Cosmetic jar, (US, 02 Aug 2011) 10 Nov 2011	15064/2011	Novetec Building Products Pty Ltd; 23-01H, Mixer tap, 08 Nov 2011	15027/2011
Maskell, Kevin Douglas; 25-02G, A safety grate, (NZ, 05 May 2011) 03 Nov 2011	14942/2011	Novetec Building Products Pty Ltd; 23-02B, Shower head, 11 Nov 2011	15132/2011
McNamara, Dianne Elizabeth; 02-02NES, Sun protection mini shirt, 09 Nov 2011	15031/2011	Novetec Building Products Pty Ltd; 23-02B, Shower head, 11 Nov 2011	15131/2011
Melro Distributors Pty Ltd; 02-02C, 02-02NES, Ladies clothing, 04 Nov 2011	14999/2011	Novetec Building Products Pty Ltd; 23-01H, Mixer tap, 08 Nov 2011	15026/2011
Mengel, Katrin;Wingerter, Thomas; 03-01B, Credit-card holder, (EM, 03 May 2011) 02 Nov 2011	14938/2011	Novetec Building Products Pty Ltd; 23-01H, Mixer tap, 08 Nov 2011	15024/2011
Mengel, Katrin;Wingerter, Thomas; 03-01B, Credit-card holder, (EM, 03 May 2011) 02 Nov 2011	14937/2011	Novetec Building Products Pty Ltd; 23-01H, Mixer tap, 08 Nov 2011	15025/2011
Metabowerke GmbH; 14-03D, Radio, (EM, 07 Jun 2011) 02 Nov 2011	14936/2011	Novo-Tech GmbH & Co. KG; 25-01D, Panel, (EM, 10 May 2011) 09 Nov 2011	15054/2011
Metecno Pty Ltd; 25-01D, A wall panel, 15 Nov 2011	15194/2011	Novo-Tech GmbH & Co. KG; 25-01D, Panel, (EM, 10 May 2011) 09 Nov 2011	15053/2011
Metecno Pty Ltd; 25-01B, A top plate for a wall comprising wall panels, 15 Nov 2011	15208/2011	NCI Holdings Pty Ltd; 23-01A, Retainer ring for pails, 07 Nov 2011	15006/2011
Metecno Pty Ltd; 25-01C, A bottom plate for a wall comprising wall panes, 15 Nov 2011	15183/2011	Optima Solutions UK Limited; 20-03NES, A sign, (EM, 21 Oct 2011) 07 Nov 2011	14996/2011
Microsoft Corporation; 14-01, Headset, (US, 13 May 2011) 09 Nov 2011	15039/2011	P and L Distributors Pty Ltd; 23-02E, Floor waste, 07 Nov 2011	15033/2011
Microsoft Corporation; 14-01, Headset, (US, 13 May 2011) 09 Nov 2011	15040/2011	Pace Holdings Pty Ltd; 23-01H, Adapter, 07 Nov 2011	14998/2011
		Pace Holdings Pty Ltd; 23-01H, Adapter, 07 Nov 2011	14997/2011
		Panasonic Electric Works Co., Ltd.;Toyota Jidosha Kabushiki Kaisha; 13-02, Control box for charge, (JP, 06 May 2011) 04 Nov 2011	14961/2011

Parris, Hannah; 02-02C, Cowl neck dress with elasticised waist and self fabric belt (see attached drawing), 11 Nov 2011	15176/2011	Scania CV AB; 02-02NES, A jacket, (EM, 16 Jun 2011) 11 Nov 2011	15155/2011
Petainer Lidkoping AB; 09-01NES, 09-02NES, High pressure container, 04 Nov 2011	14960/2011	Scanpan A/S; 07-04, Kitchen tool, 02 Nov 2011	14939/2011
Pi-Design AG; 07-01F, Jug, (WO, 23 May 2011) 08 Nov 2011	15008/2011	Schionning, Lorraine;Schionning Designs Pty Ltd; 12-16A, All vehicles, 15 Nov 2011	15173/2011
Pool Systems Pty Ltd; 08-05A, Leaf rake, 01 Nov 2011	14930/2011	Schionning Designs Pty Ltd;Schionning, Lorraine; 12-16A, All vehicles, 15 Nov 2011	15173/2011
Pool Systems Pty Ltd; 15-05, Vacuum head, 01 Nov 2011	14931/2011	Sellars, Robert; 28-03NES, Suction cap and holder, 11 Nov 2011	15127/2011
Pool Systems Pty Ltd; 04-01, Broom head, 01 Nov 2011	14914/2011	Serpent Innovations International Pty Ltd; 21-02D, Flotation device, 04 Nov 2011	14950/2011
Pool Systems Pty Ltd; 15-05, Vacuum head, 01 Nov 2011	14915/2011	Shop Vac Corporation; 15-05, Vacuum cleaner, (US, 05 Aug 2011) 04 Nov 2011	14956/2011
Red Bull GmbH; 14-02, USB stick, (Divisional of 13931/2011) 06 Sep 2011	15165/2011	Shop Vac Corporation; 15-05, Vacuum cleaner top, (US, 05 Aug 2011) 04 Nov 2011	14957/2011
ResMed Limited; 24-01, Headgear for positive airway pressure delivery device, (US, 25 Feb 2011) 22 Aug 2011	14832/2011	Signostics Limited; 24-02, Probe unit for medical scanning apparatus, 03 Nov 2011	14972/2011
ResMed Limited; 24-01, Tube connector for positive airway pressure delivery device, (US, 25 Feb 2011) 22 Aug 2011	14833/2011	Signostics Limited; 24-02, Probe unit for medical scanning device, 03 Nov 2011	14973/2011
ResMed Limited; 24-01, Respiratory mask frame, (US, 25 Feb 2011) 22 Aug 2011	14830/2011	Simms, John Lee II; 07-02D, Food cooker, (US, 16 May 2011) 16 Nov 2011	15231/2011
ResMed Limited; 24-01, Flow generator for positive airway pressure delivery device, (US, 25 Feb 2011) 22 Aug 2011	14831/2011	Societe d'Exploitation Tarrerias Bonjean; 08-03, Knife, (FR, 11 May 2011) 09 Nov 2011	15052/2011
Robson, Sophie;Zofara Pty Ltd; 03-01NES, Handbag case with box, 14 Nov 2011	15169/2011	Societe des Produits Nestle S.A.; 07-01F, A container, (CH, 13 May 2011) 08 Nov 2011	15009/2011
Robson, Sophie;Zofara Pty Ltd; 03-01B, Handbag, 14 Nov 2011	15168/2011	Societe des Produits Nestle S.A.; 09-05, A package, (CH, 23 May 2011) 11 Nov 2011	15073/2011
Sandvik Mining and Construction Oy; 15-04, Platform for a transport vehicle, (EM, 01 Jun 2011) 03 Nov 2011	14953/2011	Societe des Produits Nestle S.A.; 09-01D, 09-03C, A container, (CH, 13 May 2011) 08 Nov 2011	15007/2011
Sausage Incorporate Pty Ltd; 09-05, Beverages, 16 Nov 2011	15185/2011	Southern Way International Pty Ltd; 06-02, Bed frame, 10 Nov 2011	15115/2011
Scania CV AB; 02-02C, Trousers, (EM, 16 Jun 2011) 11 Nov 2011	15154/2011	Southern Way International Pty Ltd; 06-03A, 06-04D, 06-04F, Bedside chest, tallboy, buffet, entertainment unit, coffee table, lamp table, 10 Nov 2011	15117/2011
Scania CV AB; 02-02B, A boilersuit, (EM, 16 Jun 2011) 11 Nov 2011	15156/2011	Southern Way International Pty Ltd; 06-03A, 06-04D, 06-04F, 06-06B, Bedside chest (land hand facing), bedside chest (right hand facing), tallboy, dressing table with mirror, buffet, entertainment unit, coffee table, lamp table, 10 Nov 2011	15118/2011
Scania CV AB; 02-02C, A bib overall, (EM, 16 Jun 2011) 11 Nov 2011	15157/2011		

Southern Way International Pty Ltd; 06-02, Bed frame, 10 Nov 2011	15116/2011	Stewart, Nickie; 07-01F, Travel mug diffuser for tea, coffee etc., 10 Nov 2011	15035/2011
Southern Way International Pty Ltd; 06-03A, 06-04F, 06-04D, Bedside chest, tallboy, buffet, entertainment unit, coffee table, lamp table, 10 Nov 2011	15113/2011	Supaproducts Pty Ltd; 08-08NES, 25-04, Indented prop, 08 Nov 2011	14983/2011
Southern Way International Pty Ltd; 06-02, Bed frame, 10 Nov 2011	15114/2011	Supaproducts Pty Ltd; 08-08L, Prop brace bracket, 08 Nov 2011	15010/2011
Sperling Enterprises Pty Limited; 06-13NES, Seat cover, 15 Nov 2011	15186/2011	Supaproducts Pty Ltd; 08-08NES, 25-04, Indented prop, 08 Nov 2011	14982/2011
Spittle, Paul Geoffrey; 23-02C, BT-10, BT-10F, 11 Nov 2011	15180/2011	Supaproducts Pty Ltd; 08-08L, Prop brace bracket, 08 Nov 2011	15011/2011
Spittle, Paul Geoffrey; 23-02C, BT-10, BT-10F, 11 Nov 2011	15181/2011	SEFMAT Societe par actions simplifiee; 08-05M, A shrink wrap gun, (EM, 23 Sep 2011) 11 Nov 2011	15130/2011
Spittle, Paul Geoffrey; 23-02C, BT-10, BT-10F, 11 Nov 2011	15182/2011	Tait, Eden; 12-05, Hilift jack, 03 Nov 2011	14971/2011
Stanley Black & Decker Inc; 13-02, Battery charger, (EM, 18 May 2011) 09 Nov 2011	15062/2011	Telezygology Inc; 25-03, A mailbox, 16 Nov 2011	15215/2011
Stanley Black & Decker, Inc.; 13-02, Battery pack, (EM, 18 May 2011) 09 Nov 2011	15061/2011	Terumo Kabushiki Kaisha; 24-02, Sheath for syringe needle, (JP, 27 May 2011) 15 Nov 2011	14812/2011
Stanley Works (Europe) GmbH; 08-05P, Ratchet wrench, (EM, 19 May 2011) 08 Nov 2011	15047/2011	The Coleman Company, Inc.; 21-02D, Flotation device, (US, 17 May 2011) 15 Nov 2011	15191/2011
Stanley Works (Europe) GmbH; 08-06, Handle for a hand tool, (EM, 19 May 2011) 08 Nov 2011	15048/2011	The Coleman Company, Inc.; 21-02D, Flotation device, (US, 17 May 2011) 15 Nov 2011	15192/2011
Staples the Office Superstore, LLC; 19-02, Hole punch, (US, 25 May 2011) 10 Nov 2011	15124/2011	The Decor Corporation Pty. Ltd.; 09-07A, Cap body, 14 Nov 2011	15204/2011
Stephenson, Craig; 12-10, Product is a horse float designed to mimic heavy transport trailer miniaturised. Its got various model types but single, distinctive base design. What makes the design different from other existing horse float is its characteristic, miniature heavy transport trailer look features. The caravan, 21 Oct 2011	14824/2011	The Decor Corporation Pty. Ltd.; 09-07A, Cap for bottle, 14 Nov 2011	15203/2011
Stephenson, Craig; 12-10, Product is a caravan designed to mimic heavy transport trailer miniaturised. Its got various model types but single, distinctive base design. What makes the design different from other existing caravans is its characteristic miniature, heavy transport trailer look and features. The caravan, 21 Oct 2011	14818/2011	The Stanley Works Israel Ltd.; 03-01D, Toolbox, (US, 17 Jun 2011) 14 Nov 2011	15179/2011
Stephenson, Craig; 12-10, Product is a light weight trailer designed for cars and light trucks. Its got various model types but single, distinctive base design. What makes the design different from other existing trailers of this nature is its, characteristic miniature heavy transport trailer look, 21 Oct 2011	14821/2011	Thoratec Corporation; 24-03, Implantable blood pump, (EM, 21 Oct 2011) 10 Nov 2011	15164/2011
		Toyota Jidosha Kabushiki Kaisha;Panasonic Electric Works Co., Ltd.; 13-02, Control box for charge, (JP, 06 May 2011) 04 Nov 2011	14961/2011
		Unique Product & Design Co., Ltd.; 12-02, 21-02C, Golf cart, 11 Nov 2011	15177/2011
		Vicjan Pty Ltd; 13-03D, Water resistant 4 outlet power board, we call The Guardian, 10 Nov 2011	15171/2011
		Visy R & D Pty Ltd; 09-03M, A container and blank therefor, 15 Nov 2011	15214/2011
		Weidmuller Interface GmbH & Co. KG; 13-03B, Connector, (EM, 06 Jun 2011) 02 Nov 2011	14925/2011

Wingerter, Thomas;Mengel, Katrin; 03-01B, Credit-card holder, (EM, 03 May 2011) 02 Nov 2011	14937/2011	3M Innovative Properties Company; 24-01, Respiratory mask, (US, 09 May 2011) 09 Nov 2011	15071/2011
Wingerter, Thomas;Mengel, Katrin; 03-01B, Credit-card holder, (EM, 03 May 2011) 02 Nov 2011	14938/2011	3M Innovative Properties Company; 24-01, Respiratory mask having grey mesh, (US, 09 May 2011) 08 Nov 2011	15013/2011
Workplace Eye Protection Pty Ltd; 16-06, Eye glasses, 14 Nov 2011	15174/2011	3M Innovative Properties Company; 24-01, Respiratory mask having blue mesh, (US, 09 May 2011) 08 Nov 2011	15015/2011
Zofara Pty Ltd;Robson, Sophie; 03-01B, Handbag, 14 Nov 2011	15168/2011	3M Innovative Properties Company; 24-01, Respiratory mask having grey mesh on blue mask body background, (US, 09 May 2011) 08 Nov 2011	15014/2011
Zofara Pty Ltd;Robson, Sophie; 03-01NES, Handbag case with box, 14 Nov 2011	15169/2011	3M Innovative Properties Company; 24-01, Respiratory mask, (US, 09 May 2011) 08 Nov 2011	15016/2011
3M Innovative Properties Company; 24-01, Respiratory mask, (US, 09 May 2011) 09 Nov 2011	15069/2011	4 x 4 Equip Pty Ltd; 26-05E, Alternating white and orange/yellow (single row), 14 Nov 2011	15162/2011
3M Innovative Properties Company; 24-01, Respiratory mask, (US, 09 May 2011) 09 Nov 2011	15070/2011	4 x 4 Equip Pty Ltd; 26-05E, Alternating white and orange/yellow (double row), 14 Nov 2011	15163/2011

Applications Lapsed

10704 / 2011 (14-02)	11811 / 2011 (02-02C)
11813 / 2011 (07-03)	11904 / 2011 (02-02C)
11959 / 2011 (02-02C)	11969 / 2011 (08-05F)
11993 / 2011 (02-02C)	12931 / 2011 (25-01G)
12932 / 2011 (25-01G)	12933 / 2011 (25-01G)
12934 / 2011 (25-01G)	13668 / 2011 (07-02R)
13671 / 2011 (07-02R)	13715 / 2011 (12-16NES)
13783 / 2011 (12-06NES)	13784 / 2011 (13-03NES)
13785 / 2011 (12-06NES)	13794 / 2011 (12-16L)
13821 / 2011 (07-02E)	14336 / 2011 (07-01E)

Extension of Period of Registration of Designs

308850	309636	310249
310871	310872	310873
310874	311726	312074
312085	312147	312207
312239	312240	312271
312299	312300	312301
312302	312317	312318
312550	312551	312650
312662	312663	312664
312697	312710	312711
312712	312714	312715
312716	312717	312718
312726	312727	312730
312731	312732	312733
312734	312735	312755
312799	312800	312801
312802	312803	312804
312815	312834	312841
312842	312863	312864
312900	312911	312920
312922	312939	312940
312941	312966	313019
313050	313052	313082
313156	313380	313632
313633	313817	314102
314176	314306	314393
314394	314395	314396
314397	314398	314399
314400	314521	314522
314638	314734	315689

Registrations Ceased

308409	308410	308411
308412	308413	308414
308415	308416	308417
308418	308419	308420
308421	308422	308423
308424	308425	308426
308427	308462	308496
308497	308506	308507
308539	308540	308541
308542	308543	308544
308545	308546	308547
308557	308558	308559
308560	308561	308562
308563	308616	308674
308796	308976	308977
308978	308979	308986
308987	308988	308989

309106	309127	309128
309129	309130	309131
309132	309133	309134
309157	309158	309159
309177	309179	309180
309388	309405	309677
309774	309776	309777
309778	309795	309797
309798	309816	309817
309845	309848	309855
309881	309896	309897
310016	310017	310121
310403	310495	310621
310623	310678	310696
310735	310736	310880
310949	311074	311157
311337	311490	311497
311498	311499	311668
311669	311706	312444
312820	313021	313061
314276	314277	330920
330993	331656	333355
333439		

Extensions of time granted under Section 137

Applications lodged under section 137 for extension of time have been granted.

339288 **L-3 Communications Eotech, Inc.**

339458 **Margen Holdings Pty Ltd**

339459 **Margen Holdings Pty Ltd**

339460 **Margen Holdings Pty Ltd**

339461 **Margen Holdings Pty Ltd**

13794/2011 **Bartco Traffic Equipment Pty. Ltd.**

Subsequent Owners Registered

(The name in parentheses is that of the subsequent owner)

313465	(Beverley Elizabeth Hopley)	Ronald Frederick Hopley
313214	(Beverley Elizabeth Hopley)	Ronald Frederick Hopley
321485	(Beverley Elizabeth Hopley)	Ronald Frederick Hopley
325331	(Delta T Corporation)	Haiku Design SDN BHD
328015	(Delta T Corporation)	Haiku Design Sdn. Bhd.
323008	(Patrick Larizza)	Driveline Industries Pty Ltd

Names Registered - Alterations and Amendments

(The name in parentheses is that of the subsequent applicant)

332376	(QUB Pty Ltd)	Aqualutions Australia Pty Ltd
--------	------------------------	-------------------------------

- 330617 (**Asahi Soft Drinks Co., Ltd.;Asahi Group Holdings, Ltd.)** Asahi Soft Drinks Co., Ltd.;Asahi Breweries, Ltd.
- 302911 (**Puma SE**) Puma Aktiengesellschaft Rudolf Dassler Sport
- 302912 (**Puma SE**) Puma Aktiengesellschaft Rudolf Dassler Sport
- 302913 (**Puma SE**) Puma Aktiengesellschaft Rudolf Dassler Sport
- 302914 (**Puma SE**) Puma Aktiengesellschaft Rudolf Dassler Sport
- 314591 (**Puma SE**) Puma Aktiengesellschaft Rudolf Dassler Sport

Certificate(s) of Examination

Examination of the following Design Registration(s) has been completed. Infringement proceedings may now be commenced.

310085	18-04	15/11/2011	338210	07-07B	11/11/2011
313382	09-07A	14/11/2011	338211	12-09	10/11/2011
319032	06-06G	18/11/2011	338212	12-09	10/11/2011
319033	06-06G	18/11/2011	338224	04-01	14/11/2011
322844	26-03	15/11/2011	338234	03-01D	14/11/2011
323016	04-02	08/11/2011	338236	03-01D	15/11/2011
323019	04-02	08/11/2011	338282	09-01NES	07/11/2011
323020	04-02	08/11/2011	338283	09-01NES	07/11/2011
323021	04-02	08/11/2011	338286	15-99	15/11/2011
323751	26-05C	08/11/2011	338287	15-99	15/11/2011
323752	26-05C	08/11/2011	338294	07-05A	09/11/2011
327710	02-02NES	18/11/2011	338295	07-05A	09/11/2011
329031	14-03NES	07/11/2011	338296	07-05A	09/11/2011
329269	06-01F	14/11/2011	338298	15-05	14/11/2011
332426	10-02	24/06/2011	338306	08-05P	15/11/2011
333239	22-01	07/11/2011			
333240	22-01	07/11/2011			
333282	22-01	07/11/2011			
333283	22-01	07/11/2011			
333284	22-01	07/11/2011			
334143	25-01K	20/06/2011			
334682	09-01NES	10/11/2011			
334683	09-01NES	10/11/2011			
334684	09-01NES	10/11/2011			
335158	19-08	10/11/2011			
335194	14-01	08/11/2011			
335376	09-03L	07/11/2011			
335410	22-06	10/11/2011			
335450	22-06	10/11/2011			
335600	12-05	08/11/2011			
335673	12-05	08/11/2011			
335703	26-03	22/07/2011			
335944	23-01F	08/11/2011			
336345	28-03NES	11/11/2011			
336346	28-03NES	11/11/2011			
336563	23-01NES	18/11/2011			
336624	23-02C	13/11/2011			
336625	23-02C	13/11/2011			
336839	07-01NES	14/11/2011			
336909	12-12	19/07/2011			
336927	12-12	19/07/2011			
336950	12-12	19/07/2011			
337034	06-01D	05/07/2011			
337496	24-04	17/11/2011			
337504	26-05D	20/09/2011			
337576	03-01D	26/10/2011			
337607	13-03E	14/11/2011			
337614	08-05P	15/11/2011			
337742	06-03D	10/11/2011			
337829	23-01A	10/11/2011			
337830	23-01A	06/11/2011			
337831	23-01A	06/11/2011			
337897	02-04C	09/11/2011			
337991	21-02C	07/11/2011			
338053	02-02C	07/11/2011			
338086	02-04NES	07/11/2011			
338087	02-04NES	07/11/2011			
338172	21-02F	10/11/2011			
338178	08-03	18/10/2011			

Publication and Registration Proceedings

Designs Registered

This section provides a concordance between design number and registration number of Designs covered in this journal. It also shows the main class and registration date.

This section covers Registration numbers 339288 to 339502 .

The registration number shown below should be used in all future correspondence.

Design Number	Registration Number	International Classification Code (IDC)	Registration Date	Design Number	Registration Number	International Classification Code (IDC)	Registration Date
10114/2011	339288	16-06	07/11/2011	14355/2011	339497	15-03B	18/11/2011
10650/2011	339327	20-03NES	08/11/2011	14356/2011	339498	15-03B	18/11/2011
11677/2011	339294	02-02NES	07/11/2011	14357/2011	339499	15-03B	18/11/2011
12040/2011	339369	12-16NES	10/11/2011	14358/2011	339341	24-01	08/11/2011
12129/2011	339388	12-16NES	14/11/2011	14362/2011	339374	09-03H	10/11/2011
12130/2011	339344	12-16NES	10/11/2011	14363/2011	339309	09-03M	07/11/2011
12156/2011	339454	23-01E	17/11/2011	14368/2011	339310	09-03M	07/11/2011
12157/2011	339455	23-01E	17/11/2011	14373/2011	339339	23-01L	08/11/2011
12158/2011	339456	23-01NES	17/11/2011	14374/2011	339340	23-01L	08/11/2011
12345/2011	339457	23-01NES	17/11/2011	14412/2011	339384	25-02H	11/11/2011
12346/2011	339494	23-01L	18/11/2011	14413/2011	339385	25-02H	11/11/2011
12527/2011	339355	12-16A	10/11/2011	14448/2011	339500	21-01M	18/11/2011
12754/2011	339433	11-02B	16/11/2011	14449/2011	339501	21-01M	18/11/2011
12919/2011	339434	12-16A	16/11/2011	14464/2011	339379	15-07	11/11/2011
13272/2011	339458	25-01K	17/11/2011	14465/2011	339380	15-07	11/11/2011
13273/2011	339459	25-01K	17/11/2011	14473/2011	339445	26-05E	16/11/2011
13274/2011	339460	25-01K	17/11/2011	14480/2011	339427	11-03	15/11/2011
13275/2011	339461	25-01K	17/11/2011	14543/2011	339316	12-16B	07/11/2011
13713/2011	339356	24-01	10/11/2011	14544/2011	339317	12-08	07/11/2011
13714/2011	339359	24-01	10/11/2011	14545/2011	339318	12-08	07/11/2011
13721/2011	339370	06-06C	10/11/2011	14546/2011	339319	12-08	07/11/2011
13724/2011	339371	06-06C	10/11/2011	14547/2011	339320	12-08	07/11/2011
13740/2011	339372	08-08NES	10/11/2011	14548/2011	339321	12-16B	07/11/2011
13778/2011	339361	11-01NES	10/11/2011	14551/2011	339381	09-01H	11/11/2011
13816/2011	339362	21-01C	10/11/2011	14610/2011	339289	13-02	07/11/2011
13817/2011	339383	21-01B	11/11/2011	14611/2011	339296	13-02	07/11/2011
13820/2011	339373	09-01H	10/11/2011	14612/2011	339297	13-02	07/11/2011
13826/2011	339330	06-03B	08/11/2011	14613/2011	339298	26-05NES	07/11/2011
13827/2011	339435	09-03M	16/11/2011	14614/2011	339364	08-08K	10/11/2011
13829/2011	339436	09-03M	16/11/2011	14616/2011	339474	03-01D	17/11/2011
13831/2011	339437	09-03M	16/11/2011	14617/2011	339475	03-01D	17/11/2011
13840/2011	339389	20-02E	14/11/2011	14618/2011	339299	27-99	07/11/2011
13841/2011	339390	20-02E	14/11/2011	14621/2011	339300	07-04	07/11/2011
13866/2011	339438	23-02NES	16/11/2011	14622/2011	339301	24-01	07/11/2011
13867/2011	339391	14-03D	14/11/2011	14623/2011	339302	24-01	07/11/2011
13875/2011	339363	12-11	10/11/2011	14624/2011	339303	24-01	07/11/2011
13881/2011	339328	06-10	08/11/2011	14625/2011	339304	08-01	07/11/2011
14016/2011	339332	25-03	08/11/2011	14626/2011	339322	08-05NES	07/11/2011
14029/2011	339439	01-01	16/11/2011	14629/2011	339323	08-05NES	07/11/2011
14030/2011	339440	01-01	16/11/2011	14630/2011	339324	21-03	07/11/2011
14153/2011	339333	15-02	08/11/2011	14631/2011	339290	13-01	07/11/2011
14158/2011	339443	14-02	16/11/2011	14633/2011	339291	13-01	07/11/2011
14168/2011	339462	21-02F	17/11/2011	14639/2011	339305	09-05	07/11/2011
14196/2011	339334	12-12	08/11/2011	14640/2011	339306	09-05	07/11/2011
14251/2011	339335	26-05A	08/11/2011	14641/2011	339307	09-05	07/11/2011
14327/2011	339336	12-12	08/11/2011	14642/2011	339308	09-05	07/11/2011
14328/2011	339337	12-12	08/11/2011	14644/2011	339365	08-08L	10/11/2011
14329/2011	339338	12-12	08/11/2011	14647/2011	339325	26-05E	07/11/2011
14353/2011	339495	15-03B	18/11/2011	14648/2011	339326	26-05E	07/11/2011
14354/2011	339496	15-03B	18/11/2011	14649/2011	339502	11-01E	18/11/2011

Publication and Registration Proceedings - Designs Registered cont'd

Design Number	Registration Number	International Classification Code (IDC)	Registration Date	Design Number	Registration Number	International Classification Code (IDC)	Registration Date
14650/2011	339446	09-03M	16/11/2011	14756/2011	339430	16-06	15/11/2011
14652/2011	339311	12-16L	07/11/2011	14757/2011	339447	14-02	17/11/2011
14653/2011	339312	02-04NES	07/11/2011	14758/2011	339431	14-02	15/11/2011
14654/2011	339313	09-02A	07/11/2011	14760/2011	339432	14-02	15/11/2011
14658/2011	339314	08-06	07/11/2011	14762/2011	339411	08-05NES	14/11/2011
14659/2011	339315	06-04A	07/11/2011	14763/2011	339412	08-05NES	14/11/2011
14663/2011	339392	02-04NES	14/11/2011	14766/2011	339413	02-07NES	14/11/2011
14664/2011	339329	06-02	08/11/2011	14767/2011	339423	09-03NES	14/11/2011
14665/2011	339441	07-07NES	16/11/2011	14768/2011	339424	09-03NES	14/11/2011
14666/2011	339292	08-06	07/11/2011	14769/2011	339425	09-03NES	14/11/2011
14667/2011	339293	08-08G	07/11/2011	14771/2011	339426	12-11	14/11/2011
14672/2011	339386	11-01NES	11/11/2011	14772/2011	339403	12-11	14/11/2011
14675/2011	339351	12-16C	10/11/2011	14773/2011	339404	19-06	14/11/2011
14676/2011	339352	12-16E	10/11/2011	14774/2011	339405	12-16NES	14/11/2011
14677/2011	339353	26-05D	10/11/2011	14777/2011	339442	11-02B	16/11/2011
14678/2011	339354	20-02E	10/11/2011	14781/2011	339448	24-02	17/11/2011
14679/2011	339375	06-10	10/11/2011	14783/2011	339449	06-04B	17/11/2011
14680/2011	339376	24-01	10/11/2011	14784/2011	339450	23-01B	17/11/2011
14681/2011	339377	24-04	10/11/2011	14785/2011	339451	21-01L	17/11/2011
14682/2011	339378	14-01	10/11/2011	14787/2011	339463	23-01B	17/11/2011
14687/2011	339345	13-03D	10/11/2011	14788/2011	339464	15-05	17/11/2011
14688/2011	339346	13-03D	10/11/2011	14789/2011	339465	15-07	17/11/2011
14689/2011	339347	13-03D	10/11/2011	14790/2011	339466	15-05	17/11/2011
14690/2011	339348	06-13C	10/11/2011	14791/2011	339467	15-05	17/11/2011
14691/2011	339349	06-13C	10/11/2011	14792/2011	339414	08-05NES	14/11/2011
14692/2011	339350	04-01	10/11/2011	14794/2011	339476	08-07	17/11/2011
14704/2011	339366	09-09	10/11/2011	14800/2011	339368	20-03NES	10/11/2011
14706/2011	339295	02-02NES	07/11/2011	14805/2011	339452	07-02E	17/11/2011
14707/2011	339406	08-05NES	14/11/2011	14806/2011	339453	07-02E	17/11/2011
14708/2011	339407	12-06A	14/11/2011	14807/2011	339483	09-07A	17/11/2011
14710/2011	339408	14-02	14/11/2011	14811/2011	339472	08-05NES	17/11/2011
14711/2011	339409	14-02	14/11/2011	14813/2011	339484	09-03M	17/11/2011
14712/2011	339393	12-15B	14/11/2011	14814/2011	339485	09-03M	17/11/2011
14714/2011	339394	03-01NES	14/11/2011	14815/2011	339486	09-03M	17/11/2011
14715/2011	339395	07-02N	14/11/2011	14816/2011	339487	09-03M	17/11/2011
14716/2011	339396	07-02N	14/11/2011	14817/2011	339469	21-02C	17/11/2011
14717/2011	339397	02-04B	14/11/2011	14819/2011	339470	08-01	17/11/2011
14718/2011	339398	14-01	14/11/2011	14820/2011	339471	12-02	17/11/2011
14726/2011	339415	08-01	14/11/2011	14826/2011	339488	12-15C	17/11/2011
14727/2011	339416	02-01A	14/11/2011	14830/2011	339360	24-01	10/11/2011
14728/2011	339417	21-01A	14/11/2011	14831/2011	339357	24-01	10/11/2011
14729/2011	339418	23-01H	14/11/2011	14832/2011	339358	24-01	10/11/2011
14730/2011	339420	09-03M	14/11/2011	14833/2011	339387	24-01	11/11/2011
14731/2011	339367	09-03M	10/11/2011	14837/2011	339473	08-08C	17/11/2011
14732/2011	339421	09-03M	14/11/2011	14840/2011	339480	23-01A	17/11/2011
14733/2011	339422	09-03M	14/11/2011	14841/2011	339481	21-04	17/11/2011
14735/2011	339399	09-03M	14/11/2011	14843/2011	339482	20-02C	17/11/2011
14737/2011	339400	23-01G	14/11/2011	14844/2011	339489	09-05	18/11/2011
14738/2011	339401	23-01G	14/11/2011	14845/2011	339490	09-05	18/11/2011
14739/2011	339402	28-03A	14/11/2011	14846/2011	339491	09-05	18/11/2011
14741/2011	339410	04-02	14/11/2011	14847/2011	339492	09-05	18/11/2011
14746/2011	339428	09-09	15/11/2011	14849/2011	339493	23-02A	18/11/2011
14748/2011	339382	12-06A	11/11/2011	14855/2011	339477	14-01	17/11/2011
14749/2011	339429	12-16A	15/11/2011	14859/2011	339478	15-05	17/11/2011
14753/2011	339419	20-01	14/11/2011	14860/2011	339479	08-08L	17/11/2011

Publication and Registration Proceedings - Designs Registered cont'd

Design Number	Registration Number	International Classification Code (IDC)	Registration Date	Design Number	Registration Number	International Classification Code (IDC)	Registration Date
14901/2011	339342	24-01	08/11/2011	14938/2011	339444	03-01B	16/11/2011
14902/2011	339343	24-01	08/11/2011				
14905/2011	339468	15-99	17/11/2011				
14909/2011	339331	06-03B	08/11/2011				

Publication and Registration Proceedings

Class Listing of Designs Published or Registered

The following section shows an International Classification Code listing of the Registered or Published Designs covered in this supplement.

Classification	Registration Number	Design Number	Classification	Registration Number	Design Number
01-01	339439	14029/2011	08-08G	339293	14667/2011
01-01	339440	14030/2011	08-08K	339364	14614/2011
02-01A	339416	14727/2011	08-08L	339339	14373/2011
02-02NES	339294	11677/2011	08-08L	339340	14374/2011
02-02NES	339295	14706/2011	08-08L	339365	14644/2011
02-04B	339397	14717/2011	08-08L	339479	14860/2011
02-04NES	339312	14653/2011	08-08M	339370	13721/2011
02-04NES	339392	14663/2011	08-08M	339371	13724/2011
02-07NES	339413	14766/2011	08-08M	339372	13740/2011
03-01B	339444	14938/2011	08-08M	339479	14860/2011
03-01D	339474	14616/2011	08-08NES	339370	13721/2011
03-01D	339475	14617/2011	08-08NES	339371	13724/2011
03-01NES	339376	14680/2011	08-08NES	339372	13740/2011
03-01NES	339394	14714/2011	09-01H	339373	13820/2011
03-01NES	339474	14616/2011	09-01H	339381	14551/2011
03-01NES	339475	14617/2011	09-02A	339313	14654/2011
04-01	339350	14692/2011	09-03H	339374	14362/2011
04-02	339410	14741/2011	09-03M	339309	14363/2011
06-02	339329	14664/2011	09-03M	339310	14368/2011
06-03B	339330	13826/2011	09-03M	339367	14731/2011
06-03B	339331	14909/2011	09-03M	339399	14735/2011
06-04A	339315	14659/2011	09-03M	339420	14730/2011
06-04B	339449	14783/2011	09-03M	339421	14732/2011
06-04F	339329	14664/2011	09-03M	339422	14733/2011
06-06B	339329	14664/2011	09-03M	339435	13827/2011
06-06C	339370	13721/2011	09-03M	339436	13829/2011
06-06C	339371	13724/2011	09-03M	339437	13831/2011
06-06C	339372	13740/2011	09-03M	339446	14650/2011
06-06F	339329	14664/2011	09-03M	339484	14813/2011
06-10	339328	13881/2011	09-03M	339485	14814/2011
06-10	339375	14679/2011	09-03M	339486	14815/2011
06-13C	339348	14690/2011	09-03M	339487	14816/2011
06-13C	339349	14691/2011	09-03NES	339423	14767/2011
07-02E	339452	14805/2011	09-03NES	339424	14768/2011
07-02E	339453	14806/2011	09-03NES	339425	14769/2011
07-02N	339395	14715/2011	09-05	339305	14639/2011
07-02N	339396	14716/2011	09-05	339306	14640/2011
07-04	339300	14621/2011	09-05	339307	14641/2011
07-07NES	339441	14665/2011	09-05	339308	14642/2011
08-01	339304	14625/2011	09-05	339489	14844/2011
08-01	339415	14726/2011	09-05	339490	14845/2011
08-01	339470	14819/2011	09-05	339491	14846/2011
08-05NES	339322	14626/2011	09-05	339492	14847/2011
08-05NES	339323	14629/2011	09-07A	339483	14807/2011
08-05NES	339406	14707/2011	09-09	339366	14704/2011
08-05NES	339411	14762/2011	09-09	339428	14746/2011
08-05NES	339412	14763/2011	11-01E	339502	14649/2011
08-05NES	339414	14792/2011	11-01NES	339361	13778/2011
08-05NES	339472	14811/2011	11-01NES	339386	14672/2011
08-06	339292	14666/2011	11-02B	339433	12754/2011
08-06	339314	14658/2011	11-02B	339442	14777/2011
08-07	339476	14794/2011	11-03	339427	14480/2011
08-08C	339473	14837/2011	12-02	339471	14820/2011

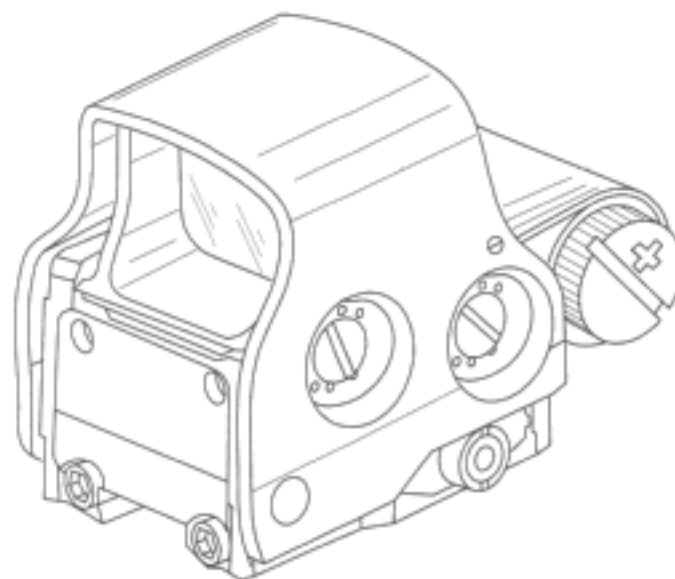
Registration Proceedings - Class Listing of Designs Published or Registered cont'd

Classification	Registration Number	Design Number	Classification	Registration Number	Design Number
12-06A	339382	14748/2011	15-03B	339496	14354/2011
12-06A	339407	14708/2011	15-03B	339497	14355/2011
12-08	339317	14544/2011	15-03B	339498	14356/2011
12-08	339318	14545/2011	15-03B	339499	14357/2011
12-08	339319	14546/2011	15-05	339464	14788/2011
12-08	339320	14547/2011	15-05	339466	14790/2011
12-11	339363	13875/2011	15-05	339467	14791/2011
12-11	339403	14772/2011	15-05	339478	14859/2011
12-11	339426	14771/2011	15-07	339379	14464/2011
12-12	339315	14659/2011	15-07	339380	14465/2011
12-12	339334	14196/2011	15-07	339465	14789/2011
12-12	339336	14327/2011	15-99	339468	14905/2011
12-12	339337	14328/2011	16-06	339288	10114/2011
12-12	339338	14329/2011	16-06	339430	14756/2011
12-15B	339393	14712/2011	19-06	339404	14773/2011
12-15C	339488	14826/2011	20-01	339419	14753/2011
12-16A	339355	12527/2011	20-02C	339482	14843/2011
12-16A	339429	14749/2011	20-02E	339354	14678/2011
12-16A	339434	12919/2011	20-02E	339389	13840/2011
12-16B	339316	14543/2011	20-02E	339390	13841/2011
12-16B	339321	14548/2011	20-03NES	339327	10650/2011
12-16C	339351	14675/2011	20-03NES	339368	14800/2011
12-16E	339352	14676/2011	21-01A	339417	14728/2011
12-16L	339311	14652/2011	21-01B	339383	13817/2011
12-16NES	339344	12130/2011	21-01C	339362	13816/2011
12-16NES	339369	12040/2011	21-01L	339451	14785/2011
12-16NES	339388	12129/2011	21-01M	339500	14448/2011
12-16NES	339405	14774/2011	21-01M	339501	14449/2011
13-01	339290	14631/2011	21-01NES	339324	14630/2011
13-01	339291	14633/2011	21-02C	339469	14817/2011
13-01	339301	14622/2011	21-02F	339462	14168/2011
13-01	339302	14623/2011	21-03	339324	14630/2011
13-01	339303	14624/2011	21-04	339481	14841/2011
13-02	339289	14610/2011	23-01A	339480	14840/2011
13-02	339296	14611/2011	23-01B	339450	14784/2011
13-02	339297	14612/2011	23-01B	339463	14787/2011
13-03D	339345	14687/2011	23-01E	339454	12156/2011
13-03D	339346	14688/2011	23-01E	339455	12157/2011
13-03D	339347	14689/2011	23-01G	339400	14737/2011
14-01	339378	14682/2011	23-01G	339401	14738/2011
14-01	339398	14718/2011	23-01H	339418	14729/2011
14-01	339477	14855/2011	23-01L	339339	14373/2011
14-02	339378	14682/2011	23-01L	339340	14374/2011
14-02	339394	14714/2011	23-01L	339494	12346/2011
14-02	339408	14710/2011	23-01NES	339456	12158/2011
14-02	339409	14711/2011	23-01NES	339457	12345/2011
14-02	339431	14758/2011	23-02A	339493	14849/2011
14-02	339432	14760/2011	23-02NES	339438	13866/2011
14-02	339443	14158/2011	23-04	339369	12040/2011
14-02	339447	14757/2011	24-01	339301	14622/2011
14-03B	339378	14682/2011	24-01	339302	14623/2011
14-03D	339391	13867/2011	24-01	339303	14624/2011
14-99	339408	14710/2011	24-01	339341	14358/2011
14-99	339409	14711/2011	24-01	339342	14901/2011
15-02	339333	14153/2011	24-01	339343	14902/2011
15-03B	339495	14353/2011	24-01	339356	13713/2011

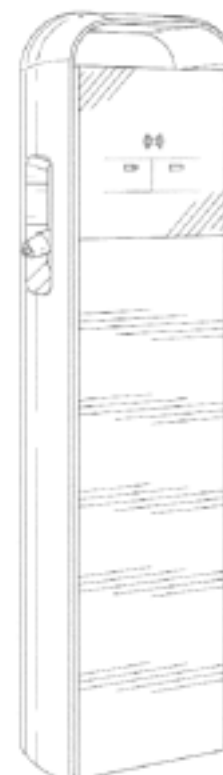
Registration Proceedings - Class Listing of Designs Published or Registered cont'd

Classification	Registration Number	Design Number	Classification	Registration Number	Design Number
24-01	339357	14831/2011	25-02H	339384	14412/2011
24-01	339358	14832/2011	25-02H	339385	14413/2011
24-01	339359	13714/2011	25-02H	339458	13272/2011
24-01	339360	14830/2011	25-02H	339459	13273/2011
24-01	339376	14680/2011	25-02H	339460	13274/2011
24-01	339387	14833/2011	25-02H	339461	13275/2011
24-02	339448	14781/2011	25-03	339332	14016/2011
24-04	339377	14681/2011	26-05A	339335	14251/2011
24-04	339413	14766/2011	26-05D	339353	14677/2011
25-01K	339458	13272/2011	26-05E	339325	14647/2011
25-01K	339459	13273/2011	26-05E	339326	14648/2011
25-01K	339460	13274/2011	26-05E	339445	14473/2011
25-01K	339461	13275/2011	26-05NES	339298	14613/2011
25-02B	339458	13272/2011	27-99	339299	14618/2011
25-02B	339459	13273/2011	28-03A	339402	14739/2011
25-02B	339460	13274/2011	30-02	339433	12754/2011
25-02B	339461	13275/2011			
25-02H	339328	13881/2011			
25-02H	339375	14679/2011			

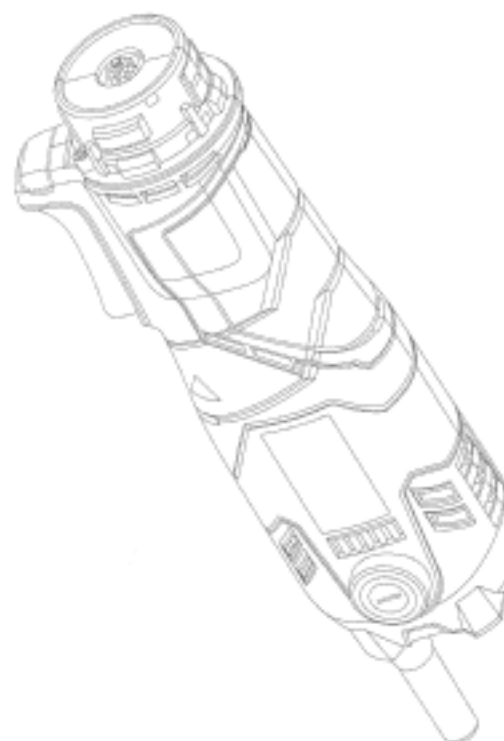
(21) Design Number: **10114/2011**
(22) Date of Filing Application: **14 January 2011**
(24) Date from which industrial property rights may have effect: **14 January 2011**
(54) Product in respect of which the design is registered: **Weapon sight**
(51) International Design Classification: **16-06**
(74) Name(s) of Attorney(s): **Shelston IP**
(71) Name(s) and Address(s) of Applicant(s):
L-3 Communications Eotech, Inc.
1201 E. Ellsworth Road Ann Arbor Michigan 48108 United States of America
(72) Name(s) of Designer(s): **Todd K. Estes**
(45) Registration Date: **07 November 2011**
(30) Convention priority data:
(31) Number (32) Date (33) Country
29/365802 15 Jul 2010 UNITED STATES OF AMERICA
(56) Related Art Documents: **Not Applicable**
(57) Statement of Newness and Distinctiveness: **Newness and distinctiveness resides in the features of shape and/or configuration of a WEAPON SIGHT as illustrated in the accompanying representations.**



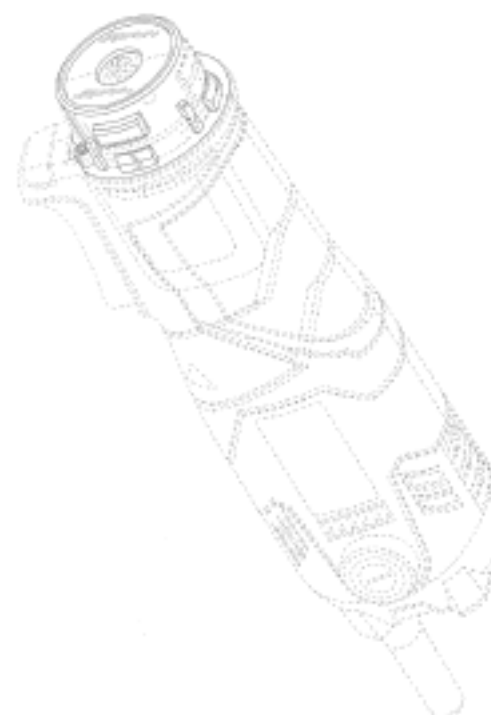
(21) Design Number: **14610/2011**
(22) Date of Filing Application: **12 October 2011**
(24) Date from which industrial property rights may have effect: **12 October 2011**
(54) Product in respect of which the design is registered: **Device for charging batteries**
(51) International Design Classification: **13-02**
(74) Name(s) of Attorney(s): **Callinans**
(71) Name(s) and Address(s) of Applicant(s):
Robert Bosch GmbH
Postfach 30 02 20 70442 Stuttgart Germany
(72) Name(s) of Designer(s): **Stefan Brandys and Steffen Supple and Markus Turber and Jens Franke**
(45) Registration Date: **07 November 2011**
(30) Convention priority data:
(31) Number (32) Date (33) Country
001850538 13 Apr 2011 EUROPEAN COMMUNITY
(56) Related Art Documents: **Not Applicable**
(57) Statement of Newness and Distinctiveness: **Nil**



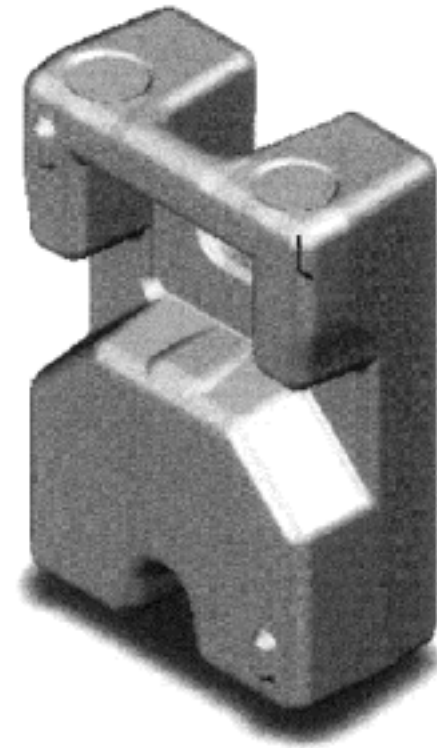
(21) Design Number: **14631/2011**
(22) Date of Filing Application: **12 October 2011**
(24) Date from which industrial property rights may have effect: **12 October 2011**
(54) Product in respect of which the design is registered: **Portion of a power base**
(51) International Design Classification: **13-01**
(74) Name(s) of Attorney(s): **Griffith Hack**
(71) Name(s) and Address(s) of Applicant(s):
Techtronic Power Tools Technology Limited
Trident Chambers PO Box 146 Road Town Tortola Virgin Islands
(British)
(72) Name(s) of Designer(s): **James Allen Keith Jr. and Michael Earl Buckner**
and Ronald Cecil McCurry
(45) Registration Date: **07 November 2011**
(30) Convention priority data:
(31) Number (32) Date (33) Country
29/389,759 15 Apr 2011 UNITED STATES OF AMERICA
(56) Related Art Documents: **Not Applicable**
(57) Statement of Newness and Distinctiveness: **Nil**



(21) Design Number: **14633/2011**
(22) Date of Filing Application: **12 October 2011**
(24) Date from which industrial property rights may have effect: **12 October 2011**
(54) Product in respect of which the design is registered: **Portion of a power base**
(51) International Design Classification: **13-01**
(74) Name(s) of Attorney(s): **Griffith Hack**
(71) Name(s) and Address(s) of Applicant(s):
Techtronic Power Tools Technology Limited
Trident Chambers PO Box 146 Road Town Tortola Virgin Islands
(British)
(72) Name(s) of Designer(s): **James Allen Keith Jr. and Michael Earl Buckner**
and Ronald Cecil McCurry
(45) Registration Date: **07 November 2011**
(30) Convention priority data:
(31) Number (32) Date (33) Country
29/389,759 15 Apr 2011 UNITED STATES OF AMERICA
(56) Related Art Documents: **Not Applicable**
(57) Statement of Newness and Distinctiveness: **The features of shape,**
configuration or shape and configuration shown in dotted outline in the
accompanying representations does not form part of the design.



- (21) Design Number: **14666/2011**
(22) Date of Filing Application: **14 October 2011**
(24) Date from which industrial property rights may have effect: **14 October 2011**
(54) Product in respect of which the design is registered: **Sign weight**
(51) International Design Classification: **08-06**
(74) Name(s) of Attorney(s): **WATERMARK PATENT AND TRADE MARKS ATTORNEYS**
(71) Name(s) and Address(s) of Applicant(s):
Plastic Solutions Australia Pty Ltd
24 Janine Street Scoresby Victoria 3179 Australia
(72) Name(s) of Designer(s): **Kevin Kelly**
(45) Registration Date: **07 November 2011**
(56) Related Art Documents: **Not Applicable**
(57) Statement of Newness and Distinctiveness: **Nil**



- (21) Design Number: **14667/2011**
(22) Date of Filing Application: **14 October 2011**
(24) Date from which industrial property rights may have effect: **14 October 2011**
(54) Product in respect of which the design is registered: **Hammer holder/hammer hook (toolbelt mounted)**
(51) International Design Classification: **08-08G**
(74) Name(s) of Attorney(s):
(71) Name(s) and Address(s) of Applicant(s):
Mark Christian Angus
37 Denham Street Rockhampton Queensland 4700 Australia
(72) Name(s) of Designer(s): **Mark Christian Angus**
(45) Registration Date: **07 November 2011**
(56) Related Art Documents: **Not Applicable**
(57) Statement of Newness and Distinctiveness: **Lower hammer hook safely and securely retains a narrow steel necked hammer just below the handle- due to the majority of the hammer weight being in the head/neck section- the hammer is retained with the handle upright at 45 degrees.**



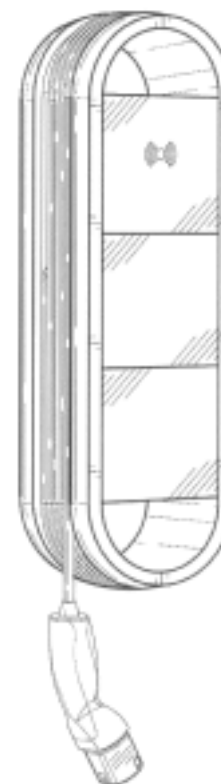
(21) Design Number: **11677/2011**
(22) Date of Filing Application: **15 April 2011**
(24) Date from which industrial property rights may have effect: **15 April 2011**
(54) Product in respect of which the design is registered: **Vest**
(51) International Design Classification: **02-02NES**
(74) Name(s) of Attorney(s): **MIDDLETONS**
(71) Name(s) and Address(s) of Applicant(s):
Beba Enterprises Pty Ltd
34 Garden Street South Yarra Victoria 3141 Australia
(72) Name(s) of Designer(s): **Arthur Soetedja**
(45) Registration Date: **07 November 2011**
(56) Related Art Documents: **Not Applicable**
(57) Statement of Newness and Distinctiveness: **Nil**



(21) Design Number: **14706/2011**
(22) Date of Filing Application: **15 April 2011**
(24) Date from which industrial property rights may have effect: **15 April 2011**
(54) Product in respect of which the design is registered: **Top**
(51) International Design Classification: **02-02NES**
(74) Name(s) of Attorney(s): **MIDDLETONS**
(71) Name(s) and Address(s) of Applicant(s):
Beba Enterprises Pty Ltd
34 Garden Street South Yarra Victoria 3141 Australia
(72) Name(s) of Designer(s): **Arthur Soetedja**
(45) Registration Date: **07 November 2011**
(56) Related Art Documents: **Not Applicable**
(57) Statement of Newness and Distinctiveness: **Nil**



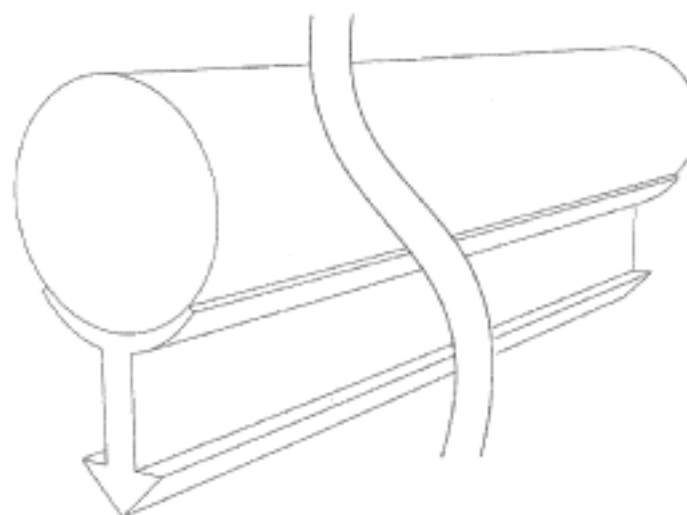
(21) Design Number: **14611/2011**
(22) Date of Filing Application: **12 October 2011**
(24) Date from which industrial property rights may have effect: **12 October 2011**
(54) Product in respect of which the design is registered: **Device for charging batteries**
(51) International Design Classification: **13-02**
(74) Name(s) of Attorney(s): **Callinans**
(71) Name(s) and Address(s) of Applicant(s):
Robert Bosch GmbH
Postfach 30 02 20 70442 Stuttgart Germany
(72) Name(s) of Designer(s): **Stefan Brandys and Steffen Supple and Markus Turber and Jens Franke**
(45) Registration Date: **07 November 2011**
(30) Convention priority data:
(31) Number (32) Date (33) Country
001850538 13 Apr 2011 EUROPEAN COMMUNITY
(56) Related Art Documents: **Not Applicable**
(57) Statement of Newness and Distinctiveness: **Nil**



(21) Design Number: **14612/2011**
(22) Date of Filing Application: **12 October 2011**
(24) Date from which industrial property rights may have effect: **12 October 2011**
(54) Product in respect of which the design is registered: **Device for charging batteries**
(51) International Design Classification: **13-02**
(74) Name(s) of Attorney(s): **Callinans**
(71) Name(s) and Address(s) of Applicant(s):
Robert Bosch GmbH
Postfach 30 02 20 70442 Stuttgart Germany
(72) Name(s) of Designer(s): **Stefan Brandys and Steffen Supple and Markus Turber and Jens Franke**
(45) Registration Date: **07 November 2011**
(30) Convention priority data:
(31) Number (32) Date (33) Country
001850538 13 Apr 2011 WORLD INTELLECTUAL PROPERTY ORGANIZATION (WIPO)
(56) Related Art Documents: **Not Applicable**
(57) Statement of Newness and Distinctiveness: **Nil**



(21) Design Number: **14613/2011**
(22) Date of Filing Application: **11 October 2011**
(24) Date from which industrial property rights may have effect: **11 October 2011**
(54) Product in respect of which the design is registered: **Light guide**
(51) International Design Classification: **26-05NES**
(74) Name(s) of Attorney(s): **LESICAR PERRIN**
(71) Name(s) and Address(s) of Applicant(s):
A.L.L. Innovations Pty Ltd
PO Box 5325 Mordialloc Victoria 3195 Australia
(72) Name(s) of Designer(s): **Xavier Andrew Jablonski**
(45) Registration Date: **07 November 2011**
(56) Related Art Documents: **Not Applicable**
(57) Statement of Newness and Distinctiveness: **Newness and distinctiveness resides in the shape and/or configuration of the Light Guide as shown in the accompanying representations.**



(21) Design Number: **14618/2011**
(22) Date of Filing Application: **12 October 2011**
(24) Date from which industrial property rights may have effect: **12 October 2011**
(54) Product in respect of which the design is registered: **Handheld cigarette making machine**
(51) International Design Classification: **27-99**
(74) Name(s) of Attorney(s): **Griffith Hack**
(71) Name(s) and Address(s) of Applicant(s):
Republic Tobacco L.P.
2301 Ravine Way Glenview Illinois 60025 United States of America
(72) Name(s) of Designer(s): **Tamas Malacsina**
(45) Registration Date: **07 November 2011**
(30) Convention priority data:
(31) Number (32) Date (33) Country
29/393885 10 Jun 2011 UNITED STATES OF AMERICA
(56) Related Art Documents: **Not Applicable**
(57) Statement of Newness and Distinctiveness: **Newness and distinctiveness resides in the visual features, including shape and configuration of a HANDHELD CIGARETTE MAKING MACHINE as shown in solid outline in the accompanying drawings. When determining whether the design is substantially similar in overall impression to another design, no regard is to be had to those features shown in dotted outline in the accompanying drawings, which features are provided for illustrative purposes only.**

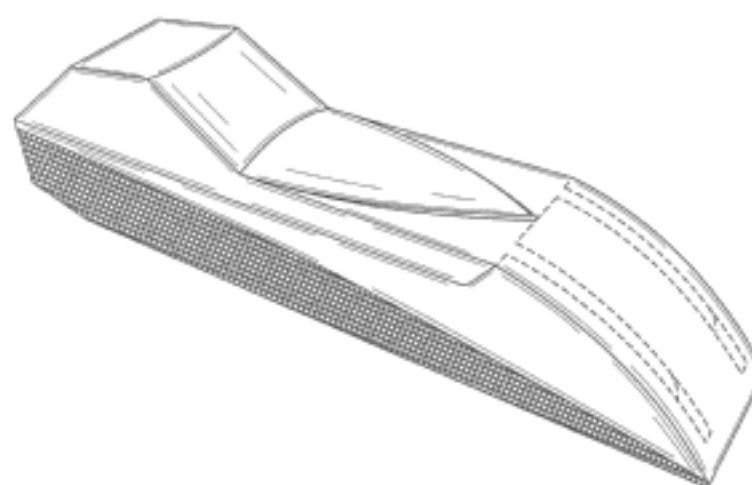
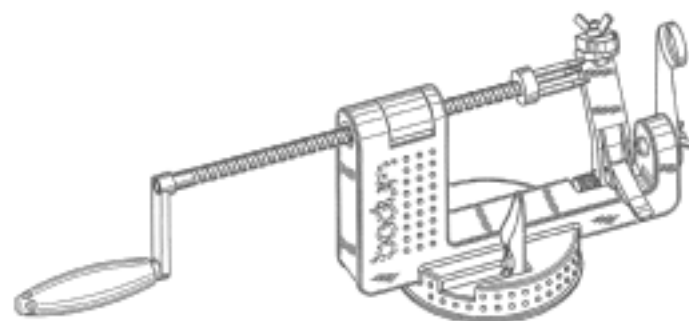
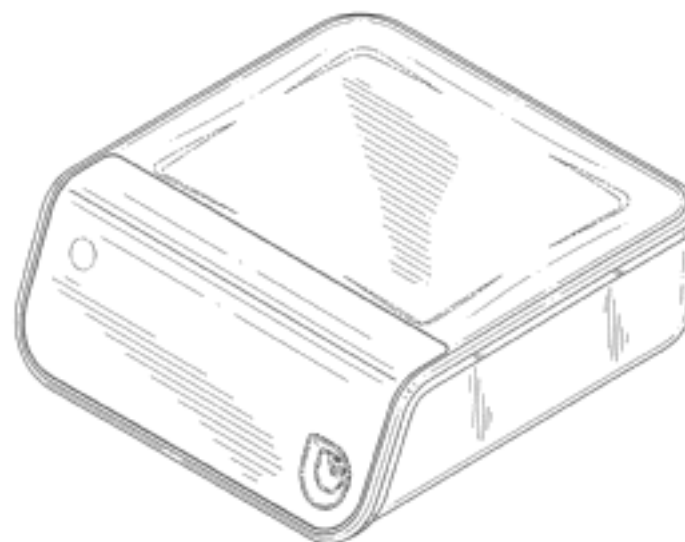


FIG. 1

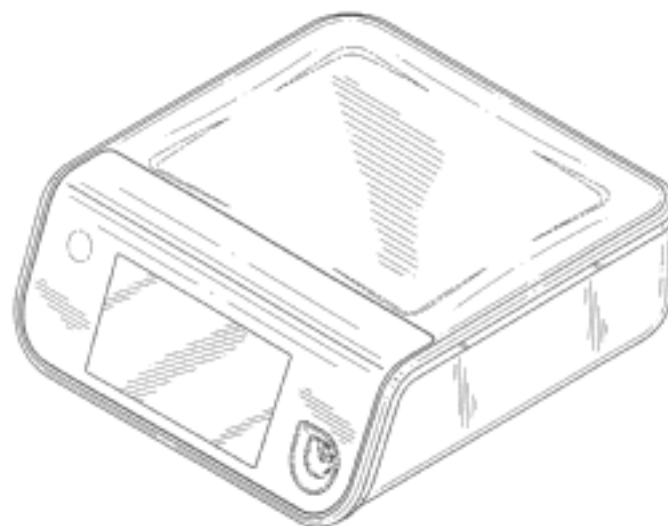
(21) Design Number: **14621/2011**
(22) Date of Filing Application: **12 October 2011**
(24) Date from which industrial property rights may have effect: **12 October 2011**
(54) Product in respect of which the design is registered: **Peeler**
(51) International Design Classification: **07-04**
(74) Name(s) of Attorney(s): **MALLESONS STEPHEN JAQUES**
(71) Name(s) and Address(s) of Applicant(s):
Pi-Design AG
Kantonsstrasse 100 6234 Triengen Switzerland
(72) Name(s) of Designer(s): **Jorgen Bodum**
(45) Registration Date: **07 November 2011**
(30) Convention priority data:
(31) Number (32) Date (33) Country
DM/075 860 26 Apr 2011 EUROPEAN COMMUNITY
(56) Related Art Documents: **Not Applicable**
(57) Statement of Newness and Distinctiveness: **Nil**



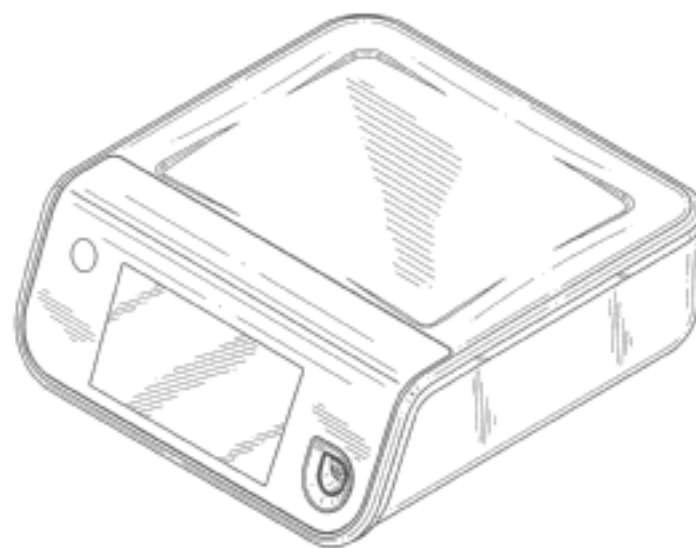
(21) Design Number: **14622/2011**
(22) Date of Filing Application: **12 October 2011**
(24) Date from which industrial property rights may have effect: **12 October 2011**
(54) Product in respect of which the design is registered: **Surgical generator**
(51) International Design Classification: **24-01, 13-01**
(74) Name(s) of Attorney(s): **Freehills Patent & Trade Mark Attorneys**
(71) Name(s) and Address(s) of Applicant(s):
Ethicon Endo-Surgery, Inc.
4545 Creek Road Cincinnati Ohio 45242 United States of America
(72) Name(s) of Designer(s): **Daniel W. Price and Matthew C. Miller and Cory G. Kimball and Brennan G. McCabe and William E. Clem**
(45) Registration Date: **07 November 2011**
(30) Convention priority data:
(31) Number (32) Date (33) Country
29/389531 13 Apr 2011 UNITED STATES OF AMERICA
(56) Related Art Documents: **Not Applicable**
(57) Statement of Newness and Distinctiveness: **Newness and distinctiveness resides in the features of shape and configuration of the surgical generator as shown in solid lines in the representations. In considering whether the design is substantially similar in overall impression to another design, no regard should be given to the features shown in broken lines.**



- (21) Design Number: **14623/2011**
(22) Date of Filing Application: **12 October 2011**
(24) Date from which industrial property rights may have effect: **12 October 2011**
(54) Product in respect of which the design is registered: **Surgical generator**
(51) International Design Classification: **24-01, 13-01**
(74) Name(s) of Attorney(s): **Freehills Patent & Trade Mark Attorneys**
(71) Name(s) and Address(s) of Applicant(s):
Ethicon Endo-Surgery, Inc.
4545 Creek Road Cincinnati Ohio 45242 United States of America
(72) Name(s) of Designer(s): **Daniel W. Price and Matthew C. Miller and Cory G. Kimball and Brennan G. McCabe and William E. Clem**
(45) Registration Date: **07 November 2011**
(30) Convention priority data:
(31) Number (32) Date (33) Country
29/389531 13 Apr 2011 UNITED STATES OF AMERICA
(56) Related Art Documents: **Not Applicable**
(57) Statement of Newness and Distinctiveness: **Newness and distinctiveness resides in the features of shape and configuration of the surgical generator as shown in solid lines in the representations. In considering whether the design is substantially similar in overall impression to another design, no regard should be given to the features shown in broken lines.**



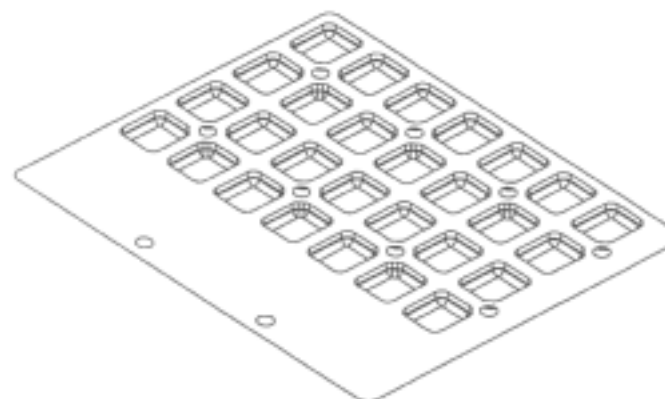
- (21) Design Number: **14624/2011**
(22) Date of Filing Application: **12 October 2011**
(24) Date from which industrial property rights may have effect: **12 October 2011**
(54) Product in respect of which the design is registered: **Surgical generator**
(51) International Design Classification: **24-01, 13-01**
(74) Name(s) of Attorney(s): **Freehills Patent & Trade Mark Attorneys**
(71) Name(s) and Address(s) of Applicant(s):
Ethicon Endo-Surgery, Inc.
4545 Creek Road Cincinnati Ohio 45242 United States of America
(72) Name(s) of Designer(s): **Daniel W. Price and Matthew C. Miller and Cory G. Kimball and Brennan G. McCabe and William E. Clem**
(45) Registration Date: **07 November 2011**
(30) Convention priority data:
(31) Number (32) Date (33) Country
29/389531 13 Apr 2011 UNITED STATES OF AMERICA
(56) Related Art Documents: **Not Applicable**
(57) Statement of Newness and Distinctiveness: **Newness and distinctiveness resides in the features of shape and configuration of the surgical generator as shown in the representations.**



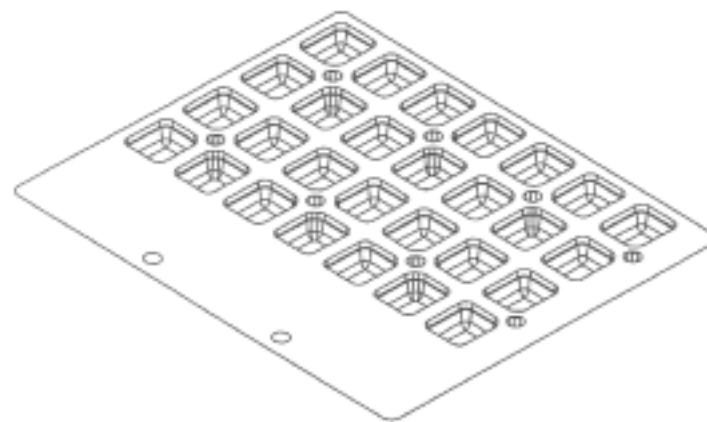
(21) Design Number: **14625/2011**
(22) Date of Filing Application: **12 October 2011**
(24) Date from which industrial property rights may have effect: **12 October 2011**
(54) Product in respect of which the design is registered: **Portion of a tool head**
(51) International Design Classification: **08-01**
(74) Name(s) of Attorney(s): **Griffith Hack**
(71) Name(s) and Address(s) of Applicant(s):
Techtronic Power Tools Technology Limited
Trident Chambers PO Box 146 Road Town Tortola Virgin Islands
(British)
(72) Name(s) of Designer(s): **James Allen Keith Jr. and Michael Earl Buckner**
and Ronald Cecil McCurry
(45) Registration Date: **07 November 2011**
(30) Convention priority data:
(31) Number (32) Date (33) Country
29/389,778 15 Apr 2011 UNITED STATES OF AMERICA
(56) Related Art Documents: **Not Applicable**
(57) Statement of Newness and Distinctiveness: **Nil**



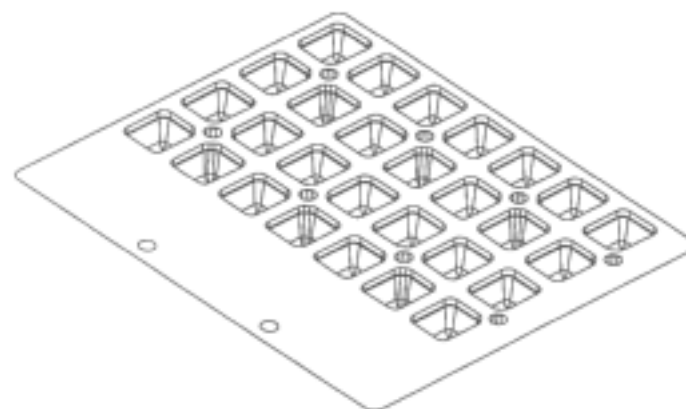
(21) Design Number: **14639/2011**
(22) Date of Filing Application: **12 October 2011**
(24) Date from which industrial property rights may have effect: **12 October 2011**
(54) Product in respect of which the design is registered: **A blister pack**
(51) International Design Classification: **09-05**
(74) Name(s) of Attorney(s): **Hudson Gavin Martin**
(71) Name(s) and Address(s) of Applicant(s):
Douglas Pharmaceuticals Limited
Central Park Drive Henderson Auckland 0610 New Zealand
(72) Name(s) of Designer(s): **Elizabeth Bosley**
(45) Registration Date: **07 November 2011**
(30) Convention priority data:
(31) Number (32) Date (33) Country
414814 19 Apr 2011 NEW ZEALAND
(56) Related Art Documents: **Not Applicable**
(57) Statement of Newness and Distinctiveness: **The new and distinctive**
features relate to the product, arrangement and shape of the blisters.



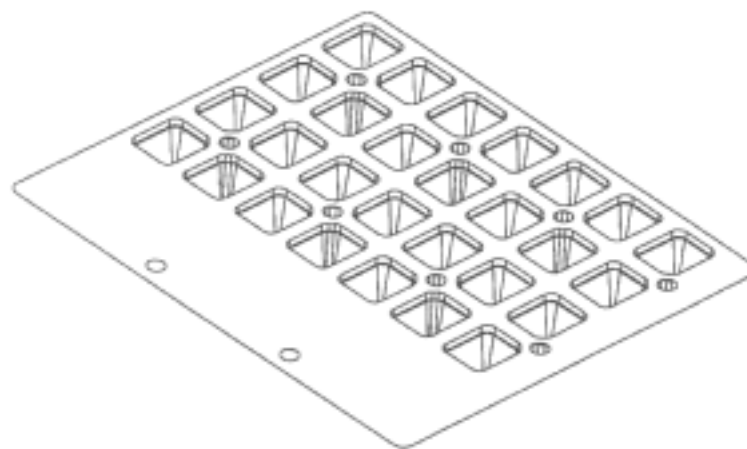
(21) Design Number: **14640/2011**
(22) Date of Filing Application: **12 October 2011**
(24) Date from which industrial property rights may have effect: **12 October 2011**
(54) Product in respect of which the design is registered: **A blister pack**
(51) International Design Classification: **09-05**
(74) Name(s) of Attorney(s): **Hudson Gavin Martin**
(71) Name(s) and Address(s) of Applicant(s):
Douglas Pharmaceuticals Limited
Central Park Drive Henderson Auckland 0610 New Zealand
(72) Name(s) of Designer(s): **Elizabeth Bosley**
(45) Registration Date: **07 November 2011**
(30) Convention priority data:
(31) Number (32) Date (33) Country
414815 19 Apr 2011 NEW ZEALAND
(56) Related Art Documents: **Not Applicable**
(57) Statement of Newness and Distinctiveness: **The new and distinctive features relate to the product, arrangement and shape of the blisters.**



(21) Design Number: **14641/2011**
(22) Date of Filing Application: **12 October 2011**
(24) Date from which industrial property rights may have effect: **12 October 2011**
(54) Product in respect of which the design is registered: **A blister pack**
(51) International Design Classification: **09-05**
(74) Name(s) of Attorney(s): **Hudson Gavin Martin**
(71) Name(s) and Address(s) of Applicant(s):
Douglas Pharmaceuticals Limited
Central Park Drive Henderson Auckland 0610 New Zealand
(72) Name(s) of Designer(s): **Elizabeth Bosley**
(45) Registration Date: **07 November 2011**
(30) Convention priority data:
(31) Number (32) Date (33) Country
414816 19 Apr 2011 NEW ZEALAND
(56) Related Art Documents: **Not Applicable**
(57) Statement of Newness and Distinctiveness: **The new and distinctive features relate to the product, arrangement and shape of the blisters.**



- (21) Design Number: **14642/2011**
(22) Date of Filing Application: **12 October 2011**
(24) Date from which industrial property rights may have effect: **12 October 2011**
(54) Product in respect of which the design is registered: **A blister pack**
(51) International Design Classification: **09-05**
(74) Name(s) of Attorney(s): **Hudson Gavin Martin**
(71) Name(s) and Address(s) of Applicant(s):
Douglas Pharmaceuticals Limited
Central Park Drive Henderson Auckland 0610 New Zealand
(72) Name(s) of Designer(s): **Elizabeth Bosley**
(45) Registration Date: **07 November 2011**
(30) Convention priority data:
(31) Number (32) Date (33) Country
414817 19 Apr 2011 NEW ZEALAND
(56) Related Art Documents: **Not Applicable**
(57) Statement of Newness and Distinctiveness: **The new and distinctive features relate to the product, arrangement and shape of the blisters.**



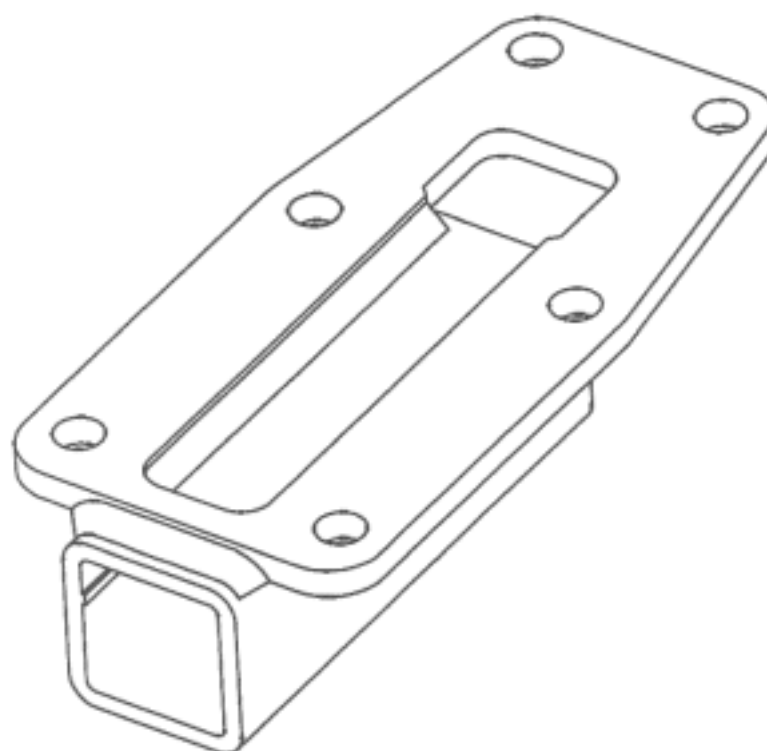
- (21) Design Number: **14363/2011**
(22) Date of Filing Application: **29 September 2011**
(24) Date from which industrial property rights may have effect: **29 September 2011**
(54) Product in respect of which the design is registered: **Packaging for food**
(51) International Design Classification: **09-03M**
(74) Name(s) of Attorney(s):
(71) Name(s) and Address(s) of Applicant(s):
Pacific Worldwide Pty Ltd
1366 Heatherton Road Dandenong Victoria 3175 Australia
(72) Name(s) of Designer(s): **Hiroshi Kikuchi**
(45) Registration Date: **07 November 2011**
(56) Related Art Documents: **Not Applicable**
(57) Statement of Newness and Distinctiveness: **The Chan's Yum Cha at Home packaging is characterized by a crisp image of plated food on a white background with a black strip through the centre of the fascia. Each product is distinguished by a colour strip underneath the black strip. An image of the product and the logo appear on a black background on all sides of the packaging.**



- (21) Design Number: **14368/2011**
(22) Date of Filing Application: **29 September 2011**
(24) Date from which industrial property rights may have effect: **29 September 2011**
(54) Product in respect of which the design is registered: **Packaging for food**
(51) International Design Classification: **09-03M**
(74) Name(s) of Attorney(s):
(71) Name(s) and Address(s) of Applicant(s):
Pacific Worldwide Pty Ltd
1366 Heatherton Road Dandenong Victoria 3175 Australia
(72) Name(s) of Designer(s): **Hiroshi Kikuchi**
(45) Registration Date: **07 November 2011**
(56) Related Art Documents: **Not Applicable**
(57) Statement of Newness and Distinctiveness: **The Chan's Yum Cha at Home packaging is characterized by a crisp image of plated food on a white background with a black strip through the centre of the fascia. Each product is distinguished by a colour strip underneath the black strip. An image of the product and the logo appear on a black background on all sides of the packaging.**



- (21) Design Number: **14652/2011**
(22) Date of Filing Application: **12 October 2011**
(24) Date from which industrial property rights may have effect: **12 October 2011**
(54) Product in respect of which the design is registered: **A low profile housing for a vehicle coupling assembly**
(51) International Design Classification: **12-16L**
(74) Name(s) of Attorney(s):
(71) Name(s) and Address(s) of Applicant(s):
Vehicle Components Pty Ltd
352B Bilsen Road Geebung Queensland 4034 Australia
(72) Name(s) of Designer(s): **Arthur Goddard**
(45) Registration Date: **07 November 2011**
(56) Related Art Documents: **Not Applicable**
(57) Statement of Newness and Distinctiveness: **The shape and configuration of a housing for a vehicle coupling assembly as shown in the representations.**



(21) Design Number: **14653/2011**
(22) Date of Filing Application: **13 October 2011**
(24) Date from which industrial property rights may have effect: **13 October 2011**
(54) Product in respect of which the design is registered: **Mitten shoes**
(51) International Design Classification: **02-04NES**
(74) Name(s) of Attorney(s):
(71) Name(s) and Address(s) of Applicant(s):
Aparso (Fuzhou) Sportswear Co., Ltd.
9F Efada Tower 298 Hudong Road Gulou District Fuzhou Fujian China
(72) Name(s) of Designer(s): **Rongfu Zhang**
(45) Registration Date: **07 November 2011**
(56) Related Art Documents: **Not Applicable**
(57) Statement of Newness and Distinctiveness: **Nil**



(21) Design Number: **14654/2011**
(22) Date of Filing Application: **13 October 2011**
(24) Date from which industrial property rights may have effect: **13 October 2011**
(54) Product in respect of which the design is registered: **Dry bulk powder shipping container**
(51) International Design Classification: **09-02A**
(74) Name(s) of Attorney(s):
(71) Name(s) and Address(s) of Applicant(s):
Maxxal Pty Ltd
Unit 6/106 Pinjarra Road Mandurah Western Australia 6210 Australia
(72) Name(s) of Designer(s): **Matthew Reginald Kurtze and Maxwell Edward Kurtze**
(45) Registration Date: **07 November 2011**
(56) Related Art Documents: **Not Applicable**
(57) Statement of Newness and Distinctiveness: **A designed silo shape integrated with a designed shipping container shape.**



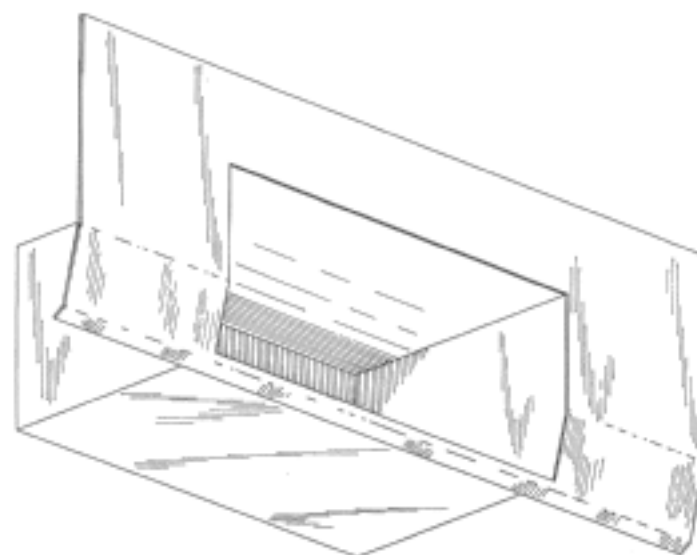
(21) Design Number: **14658/2011**
(22) Date of Filing Application: **13 October 2011**
(24) Date from which industrial property rights may have effect: **13 October 2011**
(54) Product in respect of which the design is registered: **Door handle**
(51) International Design Classification: **08-06**
(74) Name(s) of Attorney(s): **Cullens Patent and Trade Mark Attorneys**
(71) Name(s) and Address(s) of Applicant(s):
Interlock USA, Inc.
1105 South Rock Boulevard Suites 120-123 Reno NV 89502-3050 United States of America
(72) Name(s) of Designer(s): **Sam Johnson and Axel Husen**
(45) Registration Date: **07 November 2011**
(30) Convention priority data:
(31) Number (32) Date (33) Country
29/391,549 10 May 2011 UNITED STATES OF AMERICA
(56) Related Art Documents: **Not Applicable**
(57) Statement of Newness and Distinctiveness: **Nil**



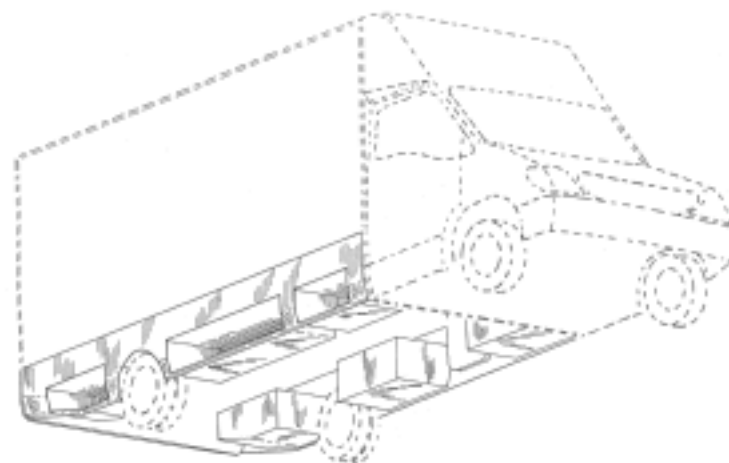
(21) Design Number: **14659/2011**
(22) Date of Filing Application: **13 October 2011**
(24) Date from which industrial property rights may have effect: **13 October 2011**
(54) Product in respect of which the design is registered: **Reclining chair**
(51) International Design Classification: **06-04A, 12-12**
(74) Name(s) of Attorney(s): **PIZZEYS**
(71) Name(s) and Address(s) of Applicant(s):
Eric J. Goldstein
4524 N. Rockcliff Road Tucson AZ 85750 United States of America
(72) Name(s) of Designer(s): **Eric J. Goldstein**
(45) Registration Date: **07 November 2011**
(30) Convention priority data:
(31) Number (32) Date (33) Country
29/389,686 14 Apr 2011 UNITED STATES OF AMERICA
(56) Related Art Documents: **Not Applicable**
(57) Statement of Newness and Distinctiveness: **Nil**



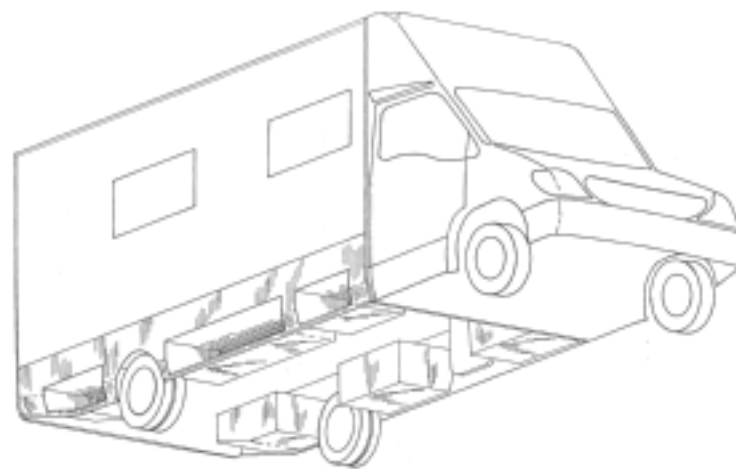
- (21) Design Number: **14543/2011**
(22) Date of Filing Application: **07 October 2011**
(24) Date from which industrial property rights may have effect: **07 October 2011**
(54) Product in respect of which the design is registered: **A lower body panel for a motor home having a storage receptacle**
(51) International Design Classification: **12-16B**
(74) Name(s) of Attorney(s): **IP Gateway Patent & Trademark Attorneys**
(71) Name(s) and Address(s) of Applicant(s):
Paradise Motor Homes Pty Ltd
7 Demand Avenue Arundel Queensland 4214 Australia
(72) Name(s) of Designer(s): **Colin Robert Maclean**
(45) Registration Date: **07 November 2011**
(56) Related Art Documents: **Not Applicable**
(57) Statement of Newness and Distinctiveness: **The newness and distinctiveness of the design resides in the visual features of shape and/or configuration of a lower body panel for a motor home having a storage receptacle as shown in the accompanying representations. When considering the newness and distinctiveness, the length of the panel and the position of the storage receptacle along the length of the panel is to be disregarded.**



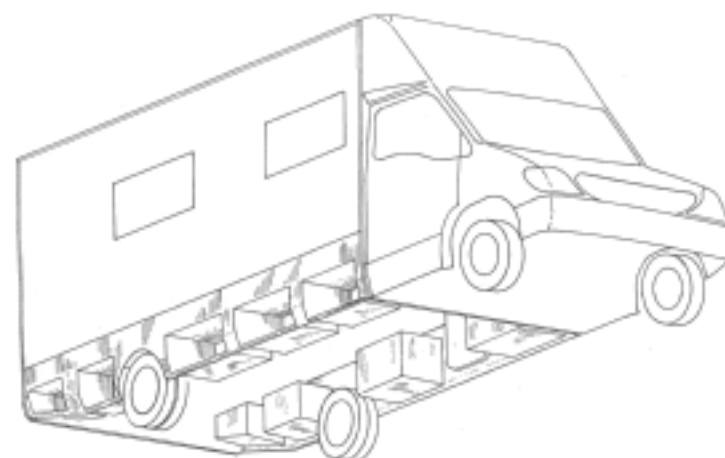
- (21) Design Number: **14544/2011**
(22) Date of Filing Application: **07 October 2011**
(24) Date from which industrial property rights may have effect: **07 October 2011**
(54) Product in respect of which the design is registered: **A motor home**
(51) International Design Classification: **12-08**
(74) Name(s) of Attorney(s): **IP Gateway Patent & Trademark Attorneys**
(71) Name(s) and Address(s) of Applicant(s):
Paradise Motor Homes Pty Ltd
7 Demand Avenue Arundel Queensland 4214 Australia
(72) Name(s) of Designer(s): **Colin Robert Maclean**
(45) Registration Date: **07 November 2011**
(56) Related Art Documents: **Not Applicable**
(57) Statement of Newness and Distinctiveness: **The newness and distinctiveness of the design resides in the visual features of shape and/or configuration of lower body panels including storage receptacles extending along each side of a motor home, as shown in solid lines in the accompanying representations.**



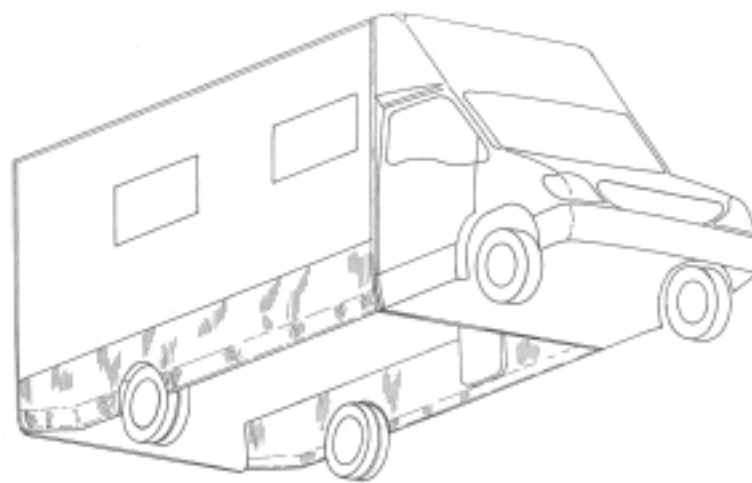
- (21) Design Number: **14545/2011**
(22) Date of Filing Application: **07 October 2011**
(24) Date from which industrial property rights may have effect: **07 October 2011**
(54) Product in respect of which the design is registered: **A motor home**
(51) International Design Classification: **12-08**
(74) Name(s) of Attorney(s): **IP Gateway Patent & Trademark Attorneys**
(71) Name(s) and Address(s) of Applicant(s):
Paradise Motor Homes Pty Ltd
7 Demand Avenue Arundel Queensland 4214 Australia
(72) Name(s) of Designer(s): **Colin Robert Maclean**
(45) Registration Date: **07 November 2011**
(56) Related Art Documents: **Not Applicable**
(57) Statement of Newness and Distinctiveness: **The newness and distinctiveness of the design resides in the visual features of shape and/or configuration of a lower body panels having storage receptacles extending along each side of a motor home as shown in the accompanying representations.**



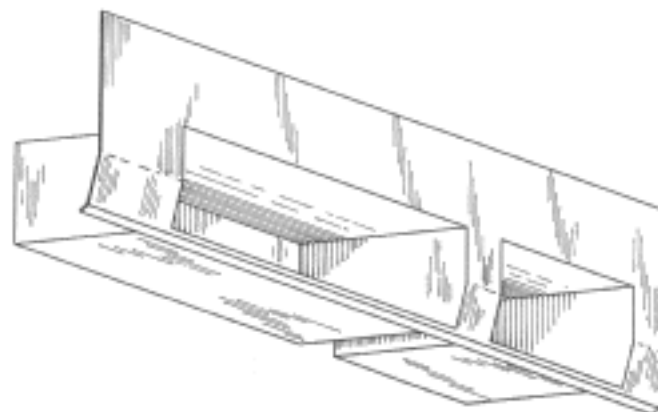
- (21) Design Number: **14546/2011**
(22) Date of Filing Application: **07 October 2011**
(24) Date from which industrial property rights may have effect: **07 October 2011**
(54) Product in respect of which the design is registered: **A motor home**
(51) International Design Classification: **12-08**
(74) Name(s) of Attorney(s): **IP Gateway Patent & Trademark Attorneys**
(71) Name(s) and Address(s) of Applicant(s):
Paradise Motor Homes Pty Ltd
7 Demand Avenue Arundel Queensland 4214 Australia
(72) Name(s) of Designer(s): **Colin Robert Maclean**
(45) Registration Date: **07 November 2011**
(56) Related Art Documents: **Not Applicable**
(57) Statement of Newness and Distinctiveness: **The newness and distinctiveness of the design resides in the visual features of shape and/or configuration of lower body panels having storage receptacles extending along each side of a motor home as shown in the accompanying representations.**



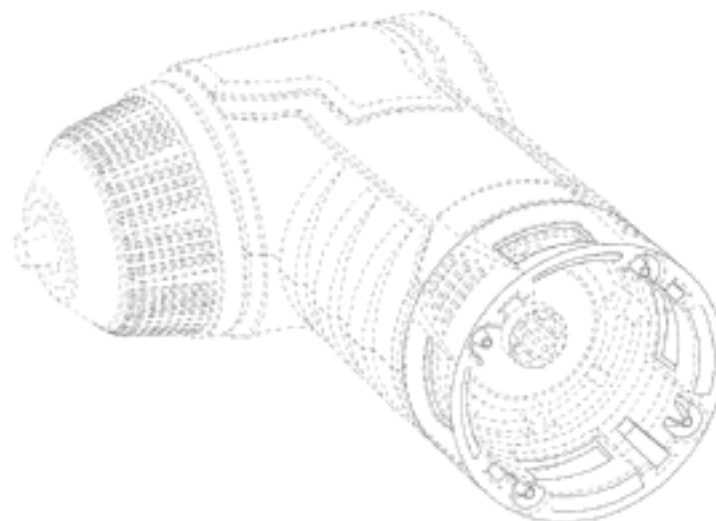
- (21) Design Number: **14547/2011**
(22) Date of Filing Application: **07 October 2011**
(24) Date from which industrial property rights may have effect: **07 October 2011**
(54) Product in respect of which the design is registered: **A motor home**
(51) International Design Classification: **12-08**
(74) Name(s) of Attorney(s): **IP Gateway Patent & Trademark Attorneys**
(71) Name(s) and Address(s) of Applicant(s):
Paradise Motor Homes Pty Ltd
7 Demand Avenue Arundel Queensland 4214 Australia
(72) Name(s) of Designer(s): **Colin Robert Maclean**
(45) Registration Date: **07 November 2011**
(56) Related Art Documents: **Not Applicable**
(57) Statement of Newness and Distinctiveness: **The newness and distinctiveness of the design resides in the visual features of shape and/or configuration of lower body panels extending along each side of a motor home, and a lower member extending across the rear of the motor home, as shown in the accompanying representations.**



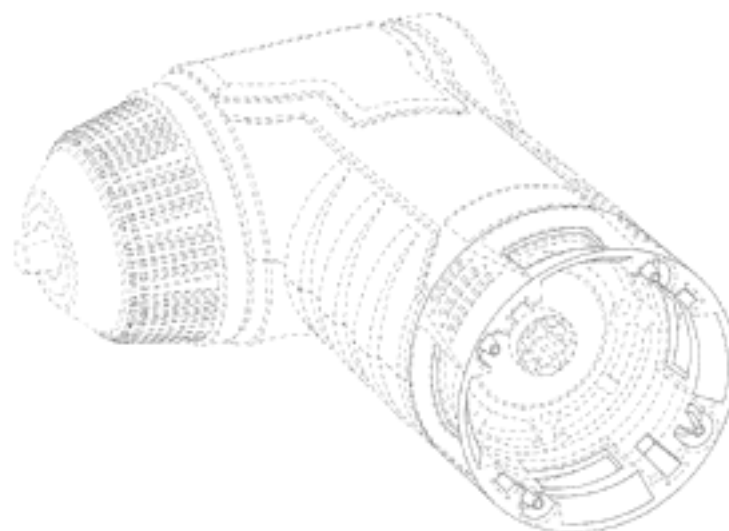
- (21) Design Number: **14548/2011**
(22) Date of Filing Application: **07 October 2011**
(24) Date from which industrial property rights may have effect: **07 October 2011**
(54) Product in respect of which the design is registered: **A lower body panel for a motor home having storage receptacles**
(51) International Design Classification: **12-16B**
(74) Name(s) of Attorney(s): **IP Gateway Patent & Trademark Attorneys**
(71) Name(s) and Address(s) of Applicant(s):
Paradise Motor Homes Pty Ltd
7 Demand Avenue Arundel Queensland 4214 Australia
(72) Name(s) of Designer(s): **Colin Robert Maclean**
(45) Registration Date: **07 November 2011**
(56) Related Art Documents: **Not Applicable**
(57) Statement of Newness and Distinctiveness: **The newness and distinctiveness of the design resides in the visual features of shape and/or configuration of a lower body panel for a motor home having storage receptacles as shown in the accompanying representations.**



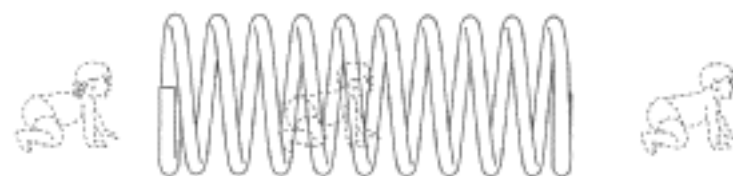
- (21) Design Number: **14626/2011**
(22) Date of Filing Application: **12 October 2011**
(24) Date from which industrial property rights may have effect: **12 October 2011**
(54) Product in respect of which the design is registered: **Portion of a tool head**
(51) International Design Classification: **08-05NES**
(74) Name(s) of Attorney(s): **Griffith Hack**
(71) Name(s) and Address(s) of Applicant(s):
Techtronic Power Tools Technology Limited
Trident Chambers PO Box 146 Road Town Tortola Virgin Islands
(British)
(72) Name(s) of Designer(s): **James Allen Keith Jr. and Michael Earl Buckner**
and Ronald Cecil McCurry
(45) Registration Date: **07 November 2011**
(30) Convention priority data:
(31) Number (32) Date (33) Country
29/389,778 15 Apr 2011 UNITED STATES OF AMERICA
(56) Related Art Documents: **Not Applicable**
(57) Statement of Newness and Distinctiveness: **The features of shape,**
configuration or shape and configuration shown in dotted outline in the
accompanying representations does not form part of the design.



- (21) Design Number: **14629/2011**
(22) Date of Filing Application: **12 October 2011**
(24) Date from which industrial property rights may have effect: **12 October 2011**
(54) Product in respect of which the design is registered: **Portion of a tool head**
(51) International Design Classification: **08-05NES**
(74) Name(s) of Attorney(s): **Griffith Hack**
(71) Name(s) and Address(s) of Applicant(s):
Techtronic Power Tools Technology Limited
Trident Chambers PO Box 146 Road Town Tortola Virgin Islands
(British)
(72) Name(s) of Designer(s): **James Allen Keith Jr. and Michael Earl Buckner**
and Ronald Cecil McCurry
(45) Registration Date: **07 November 2011**
(30) Convention priority data:
(31) Number (32) Date (33) Country
29/389,776 15 Apr 2011 UNITED STATES OF AMERICA
(56) Related Art Documents: **Not Applicable**
(57) Statement of Newness and Distinctiveness: **The features of shape,**
configuration or shape and configuration shown in dotted outline in the
accompanying representations does not form part of the design.



(21) Design Number: **14630/2011**
(22) Date of Filing Application: **11 October 2011**
(24) Date from which industrial property rights may have effect: **11 October 2011**
(54) Product in respect of which the design is registered: **Swirl tube leisure entertainment instrument**
(51) International Design Classification: **21-03, 21-01NES**
(74) Name(s) of Attorney(s):
(71) Name(s) and Address(s) of Applicant(s):
Cheung Loi Hui
17K Century Ind. Ctr. 33-35 Au Pui Wan St. Fo Tan Hong Kong
(72) Name(s) of Designer(s): **Cheung Loi Hui**
(45) Registration Date: **07 November 2011**
(56) Related Art Documents: **Not Applicable**
(57) Statement of Newness and Distinctiveness: **Nil**



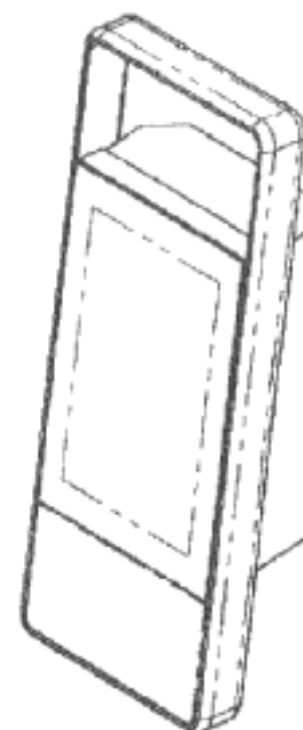
(21) Design Number: **14647/2011**
(22) Date of Filing Application: **14 October 2011**
(24) Date from which industrial property rights may have effect: **14 October 2011**
(54) Product in respect of which the design is registered: **LED reflex lightbar**
(51) International Design Classification: **26-05E**
(74) Name(s) of Attorney(s): **A.P.T. Patent and Trade Mark Attorneys**
(71) Name(s) and Address(s) of Applicant(s):
Ningbo Yinzhou Self Photoelectron Technology Co., Ltd.
Qianzhou Village Zhonggongmiao Town Yinzhou Center Area Ningbo
City Zhejiang Province 315194 China
(72) Name(s) of Designer(s): **Feng Yu**
(45) Registration Date: **07 November 2011**
(56) Related Art Documents: **Not Applicable**
(57) Statement of Newness and Distinctiveness: **Nil**



(21) Design Number: **14648/2011**
(22) Date of Filing Application: **14 October 2011**
(24) Date from which industrial property rights may have effect: **14 October 2011**
(54) Product in respect of which the design is registered: **LED beacon**
(51) International Design Classification: **26-05E**
(74) Name(s) of Attorney(s): **A.P.T. Patent and Trade Mark Attorneys**
(71) Name(s) and Address(s) of Applicant(s):
Ningbo Yinzhou Self Photoelectron Technology Co., Ltd.
Qianzhou Village Zhonggongmiao Town Yinzhou Center Area Ningbo
City Zhejiang Province 315194 China
(72) Name(s) of Designer(s): **Feng Yu**
(45) Registration Date: **07 November 2011**
(56) Related Art Documents: **Not Applicable**
(57) Statement of Newness and Distinctiveness: **Nil**



(21) Design Number: **10650/2011**
(22) Date of Filing Application: **18 February 2011**
(24) Date from which industrial property rights may have effect: **18 February 2011**
(54) Product in respect of which the design is registered: **Telephony; electronic kiosk; directory**
(51) International Design Classification: **20-03NES**
(74) Name(s) of Attorney(s):
(71) Name(s) and Address(s) of Applicant(s):
Abuzz Solutions Pty Ltd
267 Abercrombie Street Darlington New South Wales 2008 Australia
(72) Name(s) of Designer(s): **Alison Howard**
(45) Registration Date: **08 November 2011**
(56) Related Art Documents: **Not Applicable**
(57) Statement of Newness and Distinctiveness: **Nil**



(21) Design Number: **13881/2011**
(22) Date of Filing Application: **02 September 2011**
(24) Date from which industrial property rights may have effect: **02 September 2011**
(54) Product in respect of which the design is registered: **Shade blind**
(51) International Design Classification: **06-10, 25-02H**
(74) Name(s) of Attorney(s): **Shelston IP**
(71) Name(s) and Address(s) of Applicant(s):

Hunter Douglas Inc.
2 Park Way Upper Saddle River New Jersey 07458 United States of America

(72) Name(s) of Designer(s): **David Lynch and Robert A. Null**

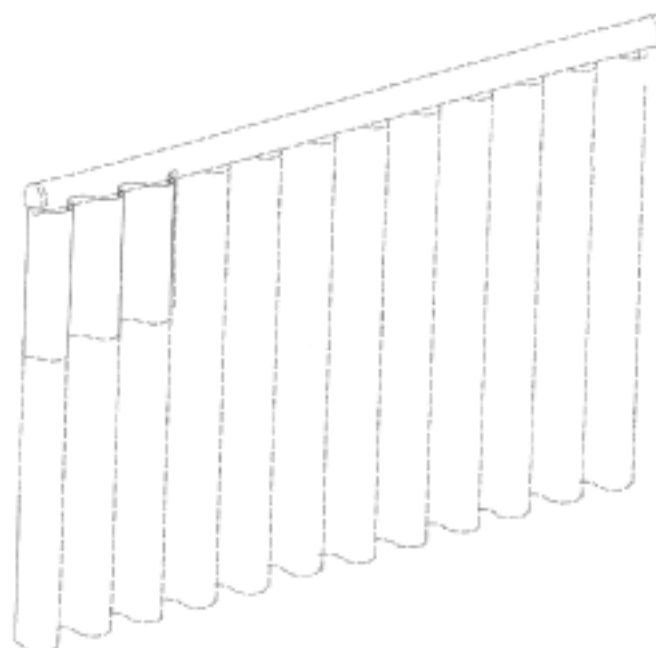
(45) Registration Date: **08 November 2011**

(30) Convention priority data:

(31) Number	(32) Date	(33) Country
29-386900	05 Mar 2011	UNITED STATES OF AMERICA

(56) Related Art Documents: **Not Applicable**

(57) Statement of Newness and Distinctiveness: **Newness and distinctiveness resides in the features of shape and/or configuration of the shade blind as illustrated by solid lines in the accompanying representations. The features shown by broken lines in the representations are for the purposes of illustrating use and environment only and form no part of the design.**



(21) Design Number: **14664/2011**
(22) Date of Filing Application: **12 October 2011**
(24) Date from which industrial property rights may have effect: **12 October 2011**
(54) Product in respect of which the design is registered: **A bed frame, bed side table, tall boy and dresser**
(51) International Design Classification: **06-02, 06-04F, 06-06B, 06-06F**
(74) Name(s) of Attorney(s): **Elliptic Legal & Patent Services**
(71) Name(s) and Address(s) of Applicant(s):

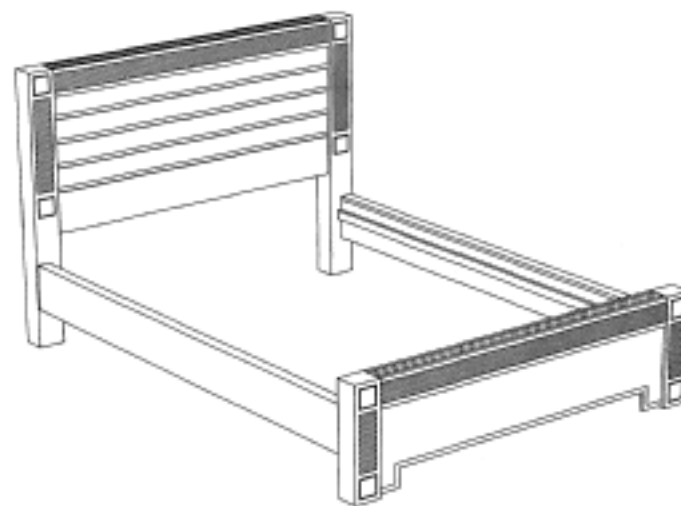
AFI (WA) Pty Ltd
211 Camboon Road Malaga Western Australia 6090 Australia

(72) Name(s) of Designer(s): **Bruno Tassone and Chin Hoo Low**

(45) Registration Date: **08 November 2011**

(56) Related Art Documents: **Not Applicable**

(57) Statement of Newness and Distinctiveness: **Novelty is claimed in the pattern and ornamentation of the bedroom suite as shown in the accompanying representations.**



- (21) Design Number: **13826/2011**
(22) Date of Filing Application: **30 August 2011**
(24) Date from which industrial property rights may have effect: **30 August 2011**
(54) Product in respect of which the design is registered: **Bar table**
(51) International Design Classification: **06-03B**
(74) Name(s) of Attorney(s):
(71) Name(s) and Address(s) of Applicant(s):
Andrew Carmichael
71 Darebin Street Mile End South Australia 5031 Australia
(72) Name(s) of Designer(s): **Andrew Carmichael and Cathy Schutze**
(45) Registration Date: **08 November 2011**
(56) Related Art Documents: **Not Applicable**
(57) Statement of Newness and Distinctiveness: **Using an existing Mannequin steel base and legs only, we have applied a wooden top with adjusters and then applied a wooden bar table top. The top can then be levelled on site accordingly. The leveling is achieved by using T-nuts and bolts applied to the wooden top. This idea is for social functions (to use as a normal bar table) to dress the "topless Bar table" in any clothing to match any social theme. ie jeans and boots, suit trousers and shoes, army pants and boots, horse riding pants and boots, sports pants and boots, skirt and high heels etc. See attached photos. The mannequin legs will be male or female. This product will be for sale or hire in all States of Australia.**



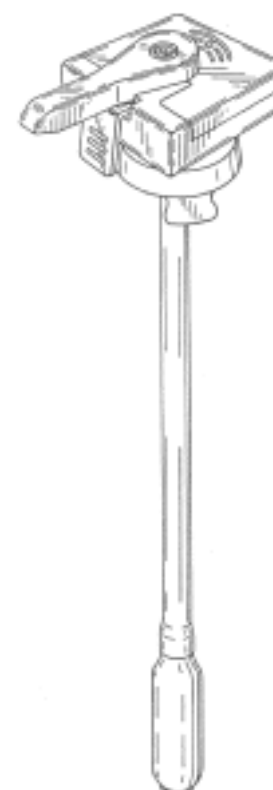
- (21) Design Number: **14909/2011**
(22) Date of Filing Application: **30 August 2011**
(24) Date from which industrial property rights may have effect: **30 August 2011**
(54) Product in respect of which the design is registered: **Bar table**
(51) International Design Classification: **06-03B**
(74) Name(s) of Attorney(s):
(71) Name(s) and Address(s) of Applicant(s):
Andrew Carmichael
71 Darebin Street Mile End South Australia 5031 Australia
(72) Name(s) of Designer(s): **Andrew Carmichael and Cathy Schutze**
(45) Registration Date: **08 November 2011**
(56) Related Art Documents: **Not Applicable**
(57) Statement of Newness and Distinctiveness: **Using an existing Mannequin steel base and legs only, we have applied a wooden top with adjusters and then applied a wooden bar table top. The top can then be levelled on site accordingly. The leveling is achieved by using T-nuts and bolts applied to the wooden top. This idea is for social functions (to use as a normal bar table) to dress the "topless Bar table" in any clothing to match any social theme. ie jeans and boots, suit trousers and shoes, army pants and boots, horse riding pants and boots, sports pants and boots, skirt and high heels etc. See attached photos. The mannequin legs will be male or female. This product will be for sale or hire in all States of Australia.**



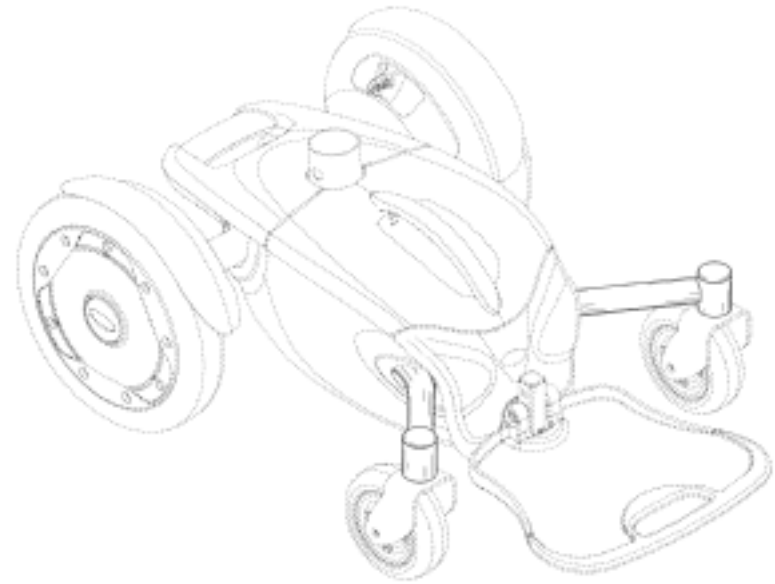
- (21) Design Number: **14016/2011**
(22) Date of Filing Application: **08 September 2011**
(24) Date from which industrial property rights may have effect: **08 September 2011**
(54) Product in respect of which the design is registered: **Prefabricated accomodation modules**
(51) International Design Classification: **25-03**
(74) Name(s) of Attorney(s):
(71) Name(s) and Address(s) of Applicant(s):
P.S. Drafting Pty. Ltd.
1/591 Keene Street Albury New South Wales 2640 Australia
(72) Name(s) of Designer(s): **Paul Simpson**
(45) Registration Date: **08 November 2011**
(56) Related Art Documents: **Not Applicable**
(57) Statement of Newness and Distinctiveness: **The Modules introduces current technology into an ancient shape. The modules are completely relocatable, enviromentally stable and able to withstand bushfire, flood and cyclone. Can be positioned in various situations from remote to urban, flat to undulating and sloping land parcels and swamp land.**



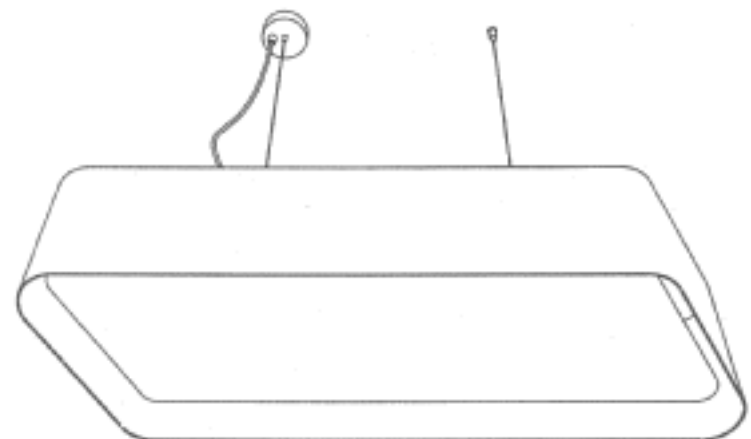
- (21) Design Number: **14153/2011**
(22) Date of Filing Application: **15 September 2011**
(24) Date from which industrial property rights may have effect: **15 September 2011**
(54) Product in respect of which the design is registered: **Fluid pump**
(51) International Design Classification: **15-02**
(74) Name(s) of Attorney(s): **SPRUSON & FERGUSON**
(71) Name(s) and Address(s) of Applicant(s):
Magic Tap, LLC
812 Huron Road Suite 390 Cleveland Ohio 44115 United States of America
(72) Name(s) of Designer(s): **Curtis Taylor**
(45) Registration Date: **08 November 2011**
(56) Related Art Documents: **Not Applicable**
(57) Statement of Newness and Distinctiveness: **Newness and distinctiveness is claimed in the features of shape and/or configuration of a fluid pump as illustrated in the accompanying representations.**



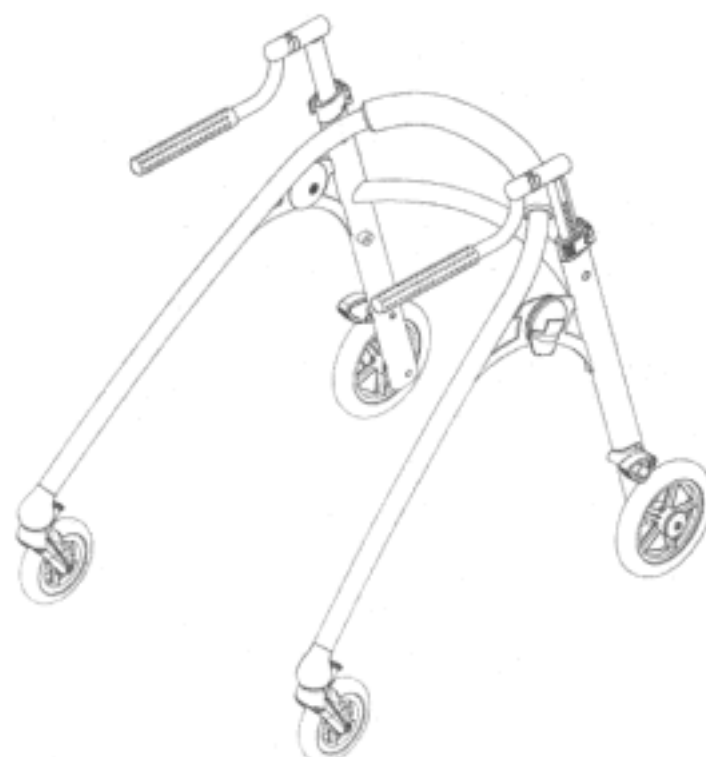
- (21) Design Number: **14196/2011**
(22) Date of Filing Application: **19 September 2011**
(24) Date from which industrial property rights may have effect: **19 September 2011**
(54) Product in respect of which the design is registered: **Wheelchair chassis**
(51) International Design Classification: **12-12**
(74) Name(s) of Attorney(s): **FB Rice**
(71) Name(s) and Address(s) of Applicant(s):
Invacare Corporation
One Invacare Way Elyria Ohio 44036 United States of America
(72) Name(s) of Designer(s): **Traian Mohan and Damon Jurkiewicz and Daniel Yee and Joe Spalding**
(45) Registration Date: **08 November 2011**
(30) Convention priority data:
(31) Number (32) Date (33) Country
29/388308 28 Mar 2011 UNITED STATES OF AMERICA
(56) Related Art Documents: **Not Applicable**
(57) Statement of Newness and Distinctiveness: **Newness and distinctiveness reside in the features of the design shown in solid lines in the representations excluding those features shown in broken lines.**



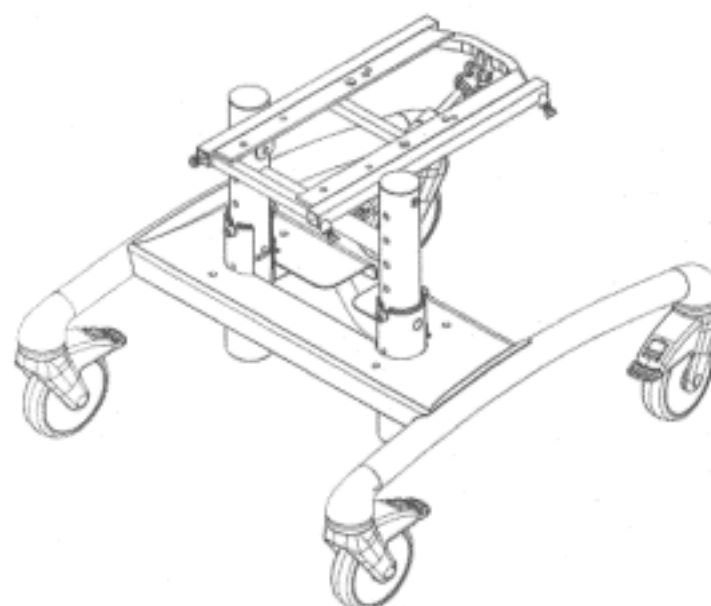
- (21) Design Number: **14251/2011**
(22) Date of Filing Application: **22 September 2011**
(24) Date from which industrial property rights may have effect: **22 September 2011**
(54) Product in respect of which the design is registered: **Light fitting**
(51) International Design Classification: **26-05A**
(74) Name(s) of Attorney(s):
(71) Name(s) and Address(s) of Applicant(s):
Duncan Ward
96 Hudsons Road Spotswood Victoria 3015 Australia
(72) Name(s) of Designer(s): **Duncan Ward**
(45) Registration Date: **08 November 2011**
(56) Related Art Documents: **Not Applicable**
(57) Statement of Newness and Distinctiveness: **The new features of the design are the shape and how the design can be configured in groups of the same or similar fittings.**



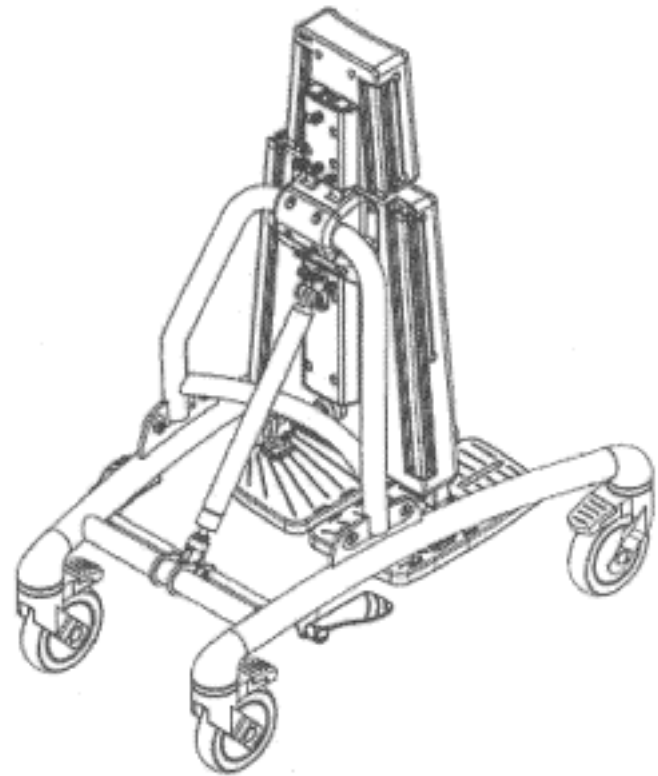
(21) Design Number: **14327/2011**
(22) Date of Filing Application: **26 September 2011**
(24) Date from which industrial property rights may have effect: **26 September 2011**
(54) Product in respect of which the design is registered: **Walking frames for disabled**
(51) International Design Classification: **12-12**
(74) Name(s) of Attorney(s): **Collison & Co**
(71) Name(s) and Address(s) of Applicant(s):
R82 A/S
Parallevej 3 8751 Gedved Denmark
(72) Name(s) of Designer(s): **Simon Skafdrup and Rasmus Logstrup Jensen**
(45) Registration Date: **08 November 2011**
(30) Convention priority data:
(31) Number (32) Date (33) Country
001877820-0002 15 Jun 2011 EUROPEAN COMMUNITY
(56) Related Art Documents: **Not Applicable**
(57) Statement of Newness and Distinctiveness: **Newness and distinctiveness is claimed in the shape and configuration of the walking frames as shown in the accompanying representations.**



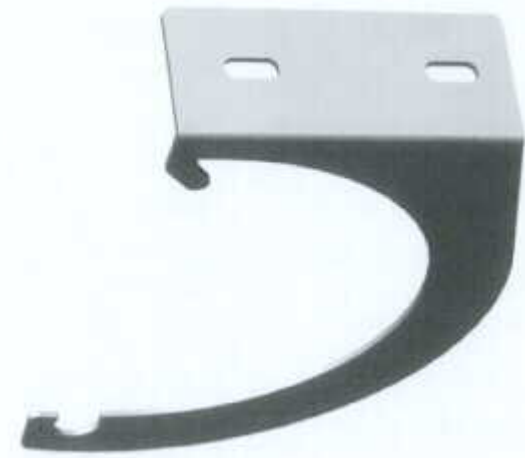
(21) Design Number: **14328/2011**
(22) Date of Filing Application: **26 September 2011**
(24) Date from which industrial property rights may have effect: **26 September 2011**
(54) Product in respect of which the design is registered: **Part for wheel chair**
(51) International Design Classification: **12-12**
(74) Name(s) of Attorney(s): **Collison & Co**
(71) Name(s) and Address(s) of Applicant(s):
R82 A/S
Parallevej 3 8751 Gedved Denmark
(72) Name(s) of Designer(s): **Flemming Moller**
(45) Registration Date: **08 November 2011**
(30) Convention priority data:
(31) Number (32) Date (33) Country
001877820-0001 15 Jun 2011 EUROPEAN COMMUNITY
(56) Related Art Documents: **Not Applicable**
(57) Statement of Newness and Distinctiveness: **Newness and distinctiveness is claimed in the shape and configuration of the wheelchair parts as shown in the accompanying representations.**



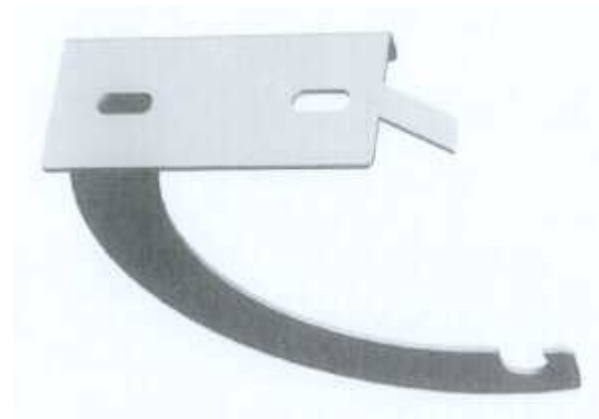
- (21) Design Number: **14329/2011**
(22) Date of Filing Application: **26 September 2011**
(24) Date from which industrial property rights may have effect: **26 September 2011**
(54) Product in respect of which the design is registered: **Walking frame for disabled**
(51) International Design Classification: **12-12**
(74) Name(s) of Attorney(s): **Collison & Co**
(71) Name(s) and Address(s) of Applicant(s):
R82 A/S
Parallevej 3 8751 Gedved Denmark
(72) Name(s) of Designer(s): **Kare Birk**
(45) Registration Date: **08 November 2011**
(30) Convention priority data:
(31) Number (32) Date (33) Country
001877820-0003 15 Jun 2011 EUROPEAN COMMUNITY
(56) Related Art Documents: **Not Applicable**
(57) Statement of Newness and Distinctiveness: **Newness and distinctiveness is claimed in the shape and configuration of the walking frame as shown in the accompanying representations.**



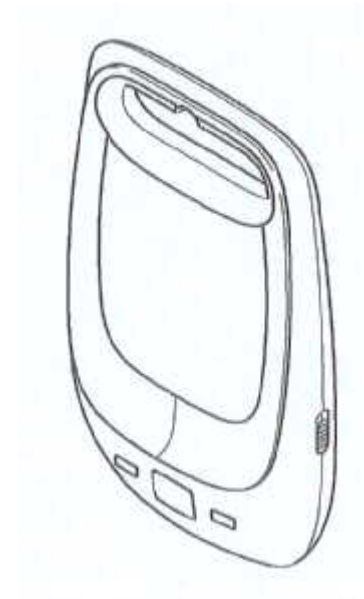
- (21) Design Number: **14373/2011**
(22) Date of Filing Application: **29 September 2011**
(24) Date from which industrial property rights may have effect: **29 September 2011**
(54) Product in respect of which the design is registered: **Gutter bracket**
(51) International Design Classification: **23-01L, 08-08L**
(74) Name(s) of Attorney(s): **FB Rice**
(71) Name(s) and Address(s) of Applicant(s):
Vilno Group Pty Ltd
28 Iraking Avenue Moorebank New South Wales 2170 Australia
(72) Name(s) of Designer(s): **Michael Lutkajtis and Rikard Henrik Lutkatjis**
(45) Registration Date: **08 November 2011**
(56) Related Art Documents: **Not Applicable**
(57) Statement of Newness and Distinctiveness: **Newness and distinctiveness reside in the features of the shape and configuration of the design as shown in the representations. The height of the back plate and the location, shape and number of the holes in the back plate may be varied from that shown.**



- (21) Design Number: **14374/2011**
(22) Date of Filing Application: **29 September 2011**
(24) Date from which industrial property rights may have effect: **29 September 2011**
(54) Product in respect of which the design is registered: **Gutter bracket**
(51) International Design Classification: **23-01L, 08-08L**
(74) Name(s) of Attorney(s): **FB Rice**
(71) Name(s) and Address(s) of Applicant(s):
Vilno Group Pty Ltd
28 Iraking Avenue Moorebank New South Wales 2170 Australia
(72) Name(s) of Designer(s): **Rikard Henrik Lutkatjjs and Michael Lutkajtis**
(45) Registration Date: **08 November 2011**
(56) Related Art Documents: **Not Applicable**
(57) Statement of Newness and Distinctiveness: **Newness and distinctiveness reside in the features of the shape and configuration of the design as shown in the representations. The height of the rectangular back plate and the location, shape and number of holes in the back plate may be varied.**



- (21) Design Number: **14358/2011**
(22) Date of Filing Application: **28 September 2011**
(24) Date from which industrial property rights may have effect: **28 September 2011**
(54) Product in respect of which the design is registered: **Device for generating electric stimulus**
(51) International Design Classification: **24-01**
(74) Name(s) of Attorney(s): **Halfords IP**
(71) Name(s) and Address(s) of Applicant(s):
PIOMED Co., Ltd
#803 Ace-twin Tower 2 212-30 Guro-dong Guro-gu Seoul Republic of Korea
(72) Name(s) of Designer(s): **Ju Young Hwang**
(45) Registration Date: **08 November 2011**
(30) Convention priority data:
(31) Number (32) Date (33) Country
30-2011-0012629 30 Mar 2011 REPUBLIC OF KOREA
(56) Related Art Documents: **Not Applicable**
(57) Statement of Newness and Distinctiveness: **Newness and distinctiveness is claimed in those features of shape and or configuration of a Device for Generating Electric Stimulus as depicted in the accompanying representations. Some representations include colour and words and or symbols. Such colour, words and or symbols do not form part of the design.**



(21) Design Number: **14901/2011**
(22) Date of Filing Application: **28 September 2011**
(24) Date from which industrial property rights may have effect: **28 September 2011**
(54) Product in respect of which the design is registered: **Electric stimulus band**
(51) International Design Classification: **24-01**
(74) Name(s) of Attorney(s): **Halfords IP**
(71) Name(s) and Address(s) of Applicant(s):

PIOMED Co., Ltd
#803 Ace-twin Tower 2 212-30 Guro-dong Guro-gu Seoul Republic of Korea

(72) Name(s) of Designer(s): **Ju Young Hwang**

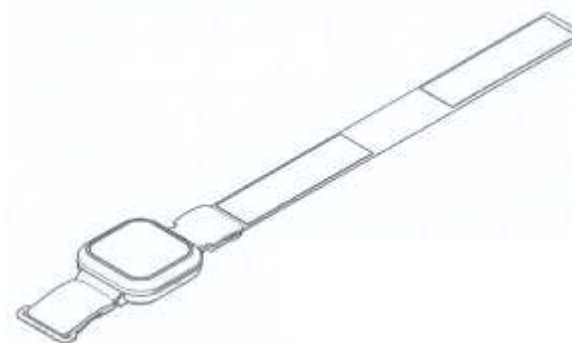
(45) Registration Date: **08 November 2011**

(30) Convention priority data:

(31) Number	(32) Date	(33) Country
KR302011001263230	Mar 2011	REPUBLIC OF KOREA

(56) Related Art Documents: **Not Applicable**

(57) Statement of Newness and Distinctiveness: **Newness and distinctiveness is claimed in those features of shape and or configuration of an Electric Stimulus Band as depicted in the accompanying representations. Some representations include colour and words and or symbols. Such colour, words and or symbols do not form part of the design.**



(21) Design Number: **14902/2011**
(22) Date of Filing Application: **28 September 2011**
(24) Date from which industrial property rights may have effect: **28 September 2011**
(54) Product in respect of which the design is registered: **Electric stimulus band**
(51) International Design Classification: **24-01**
(74) Name(s) of Attorney(s): **Halfords IP**
(71) Name(s) and Address(s) of Applicant(s):

PIOMED Co., Ltd
#803 Ace-twin Tower 2 212-30 Guro-dong Guro-gu Seoul Republic of Korea

(72) Name(s) of Designer(s): **Ju Young Hwang**

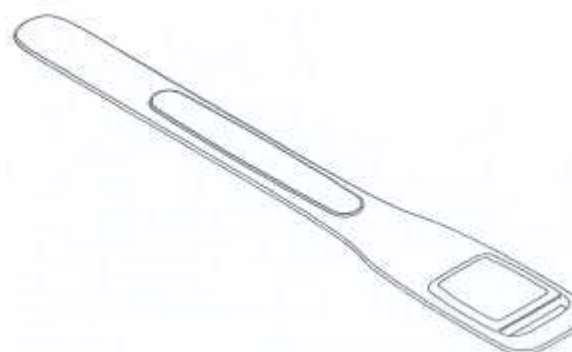
(45) Registration Date: **08 November 2011**

(30) Convention priority data:

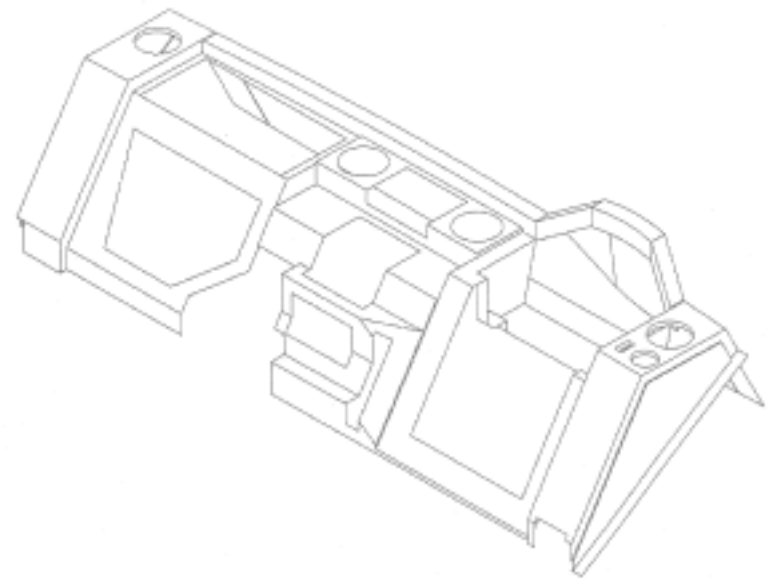
(31) Number	(32) Date	(33) Country
KR302011001263530	Mar 2011	REPUBLIC OF KOREA

(56) Related Art Documents: **Not Applicable**

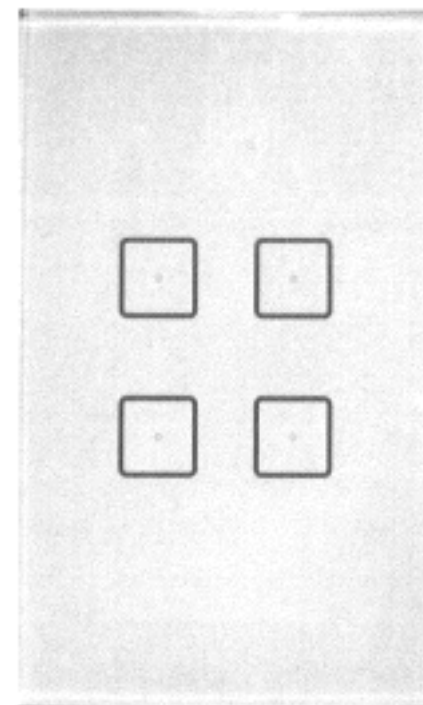
(57) Statement of Newness and Distinctiveness: **Newness and distinctiveness is claimed in those features of shape and or configuration of an Electric Stimulus Band as depicted in the accompanying representations. Some representations include colour and words and or symbols. Such colour, words and or symbols do not form part of the design.**



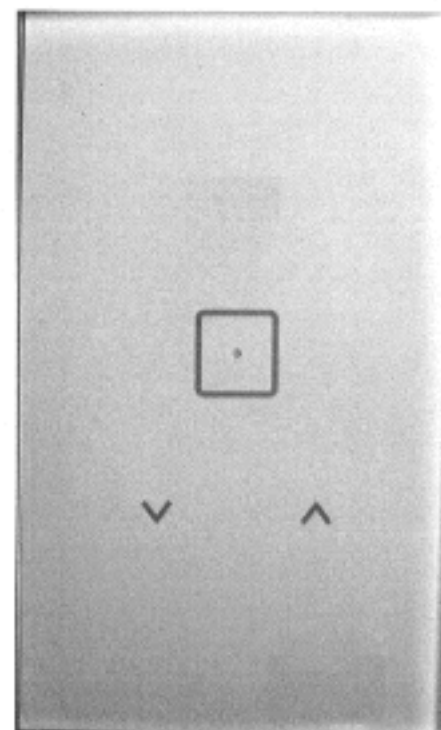
- (21) Design Number: **12130/2011**
(22) Date of Filing Application: **12 May 2011**
(24) Date from which industrial property rights may have effect: **12 May 2011**
(54) Product in respect of which the design is registered: **Dashboard**
(51) International Design Classification: **12-16NES**
(74) Name(s) of Attorney(s): **Smooenburg Pini Patent & Trade Mark Attorneys**
(71) Name(s) and Address(s) of Applicant(s):
Vehicle Development Corporation Pty Ltd
380 Barry Road Victoria 3048 Australia
(72) Name(s) of Designer(s): **Darren Trevor Waugh and Warwick John Drenth and Geoff Wells and Blair Cooke**
(45) Registration Date: **10 November 2011**
(56) Related Art Documents: **Not Applicable**
(57) Statement of Newness and Distinctiveness: **In considering the newness or distinctiveness of the design, regard is to be given to the overall shape and/or configuration of a dashboard as shown in the representations.**



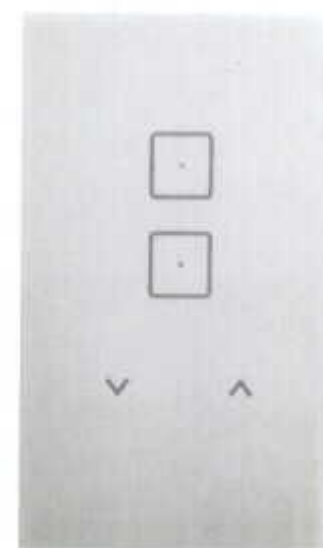
- (21) Design Number: **14687/2011**
(22) Date of Filing Application: **14 October 2011**
(24) Date from which industrial property rights may have effect: **14 October 2011**
(54) Product in respect of which the design is registered: **Touch switch face plate**
(51) International Design Classification: **13-03D**
(74) Name(s) of Attorney(s): **Collison & Co**
(71) Name(s) and Address(s) of Applicant(s):
Anthony Aucone
1 Crown Court Varsity Lakes Queensland 4227 Australia
(72) Name(s) of Designer(s): **Anthony Aucone**
(45) Registration Date: **10 November 2011**
(56) Related Art Documents: **Not Applicable**
(57) Statement of Newness and Distinctiveness: **Nil**



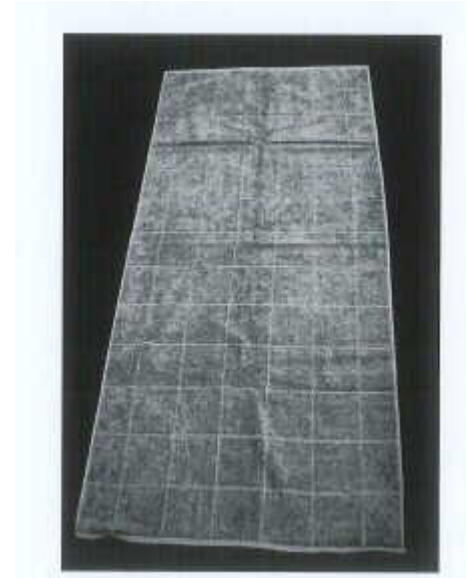
(21) Design Number: **14688/2011**
(22) Date of Filing Application: **14 October 2011**
(24) Date from which industrial property rights may have effect: **14 October 2011**
(54) Product in respect of which the design is registered: **Touch switch face plate**
(51) International Design Classification: **13-03D**
(74) Name(s) of Attorney(s): **Collison & Co**
(71) Name(s) and Address(s) of Applicant(s):
Anthony Aucone
1 Crown Court Varsity Lakes Queensland 4227 Australia
(72) Name(s) of Designer(s): **Anthony Aucone**
(45) Registration Date: **10 November 2011**
(56) Related Art Documents: **Not Applicable**
(57) Statement of Newness and Distinctiveness: **Nil**



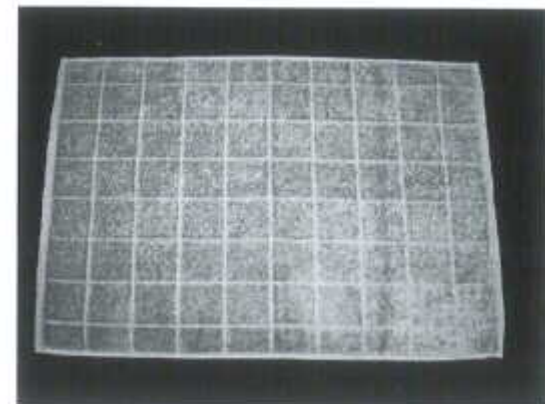
(21) Design Number: **14689/2011**
(22) Date of Filing Application: **14 October 2011**
(24) Date from which industrial property rights may have effect: **14 October 2011**
(54) Product in respect of which the design is registered: **Touch switch face plate**
(51) International Design Classification: **13-03D**
(74) Name(s) of Attorney(s): **Collison & Co**
(71) Name(s) and Address(s) of Applicant(s):
Anthony Aucone
1 Crown Court Varsity Lakes Queensland 4227 Australia
(72) Name(s) of Designer(s): **Anthony Aucone**
(45) Registration Date: **10 November 2011**
(56) Related Art Documents: **Not Applicable**
(57) Statement of Newness and Distinctiveness: **Nil**



(21) Design Number: **14690/2011**
(22) Date of Filing Application: **14 October 2011**
(24) Date from which industrial property rights may have effect: **14 October 2011**
(54) Product in respect of which the design is registered: **Towel**
(51) International Design Classification: **06-13C**
(74) Name(s) of Attorney(s): **Freehills Patent & Trade Mark Attorneys**
(71) Name(s) and Address(s) of Applicant(s):
Country Road Clothing Pty Ltd
658 Church Street Richmond Victoria 3121 Australia
(72) Name(s) of Designer(s): **Bianca Latorre**
(45) Registration Date: **10 November 2011**
(56) Related Art Documents: **Not Applicable**
(57) Statement of Newness and Distinctiveness: **Nil**



(21) Design Number: **14691/2011**
(22) Date of Filing Application: **14 October 2011**
(24) Date from which industrial property rights may have effect: **14 October 2011**
(54) Product in respect of which the design is registered: **Towel**
(51) International Design Classification: **06-13C**
(74) Name(s) of Attorney(s): **Freehills Patent & Trade Mark Attorneys**
(71) Name(s) and Address(s) of Applicant(s):
Country Road Clothing Pty Ltd
658 Church Street Richmond Victoria 3121 Australia
(72) Name(s) of Designer(s): **Bianca Latorre**
(45) Registration Date: **10 November 2011**
(56) Related Art Documents: **Not Applicable**
(57) Statement of Newness and Distinctiveness: **Nil**



(21) Design Number: **14692/2011**
(22) Date of Filing Application: **17 October 2011**
(24) Date from which industrial property rights may have effect: **17 October 2011**
(54) Product in respect of which the design is registered: **Sweeper**
(51) International Design Classification: **04-01**
(74) Name(s) of Attorney(s): **Shelston IP**
(71) Name(s) and Address(s) of Applicant(s):
Reckitt Benckiser N.V.
Siriusdreef 14 2132 WT Hoofddorp The Netherlands
(72) Name(s) of Designer(s): **Giuseppe Di Bono and Tangent Lu**
(45) Registration Date: **10 November 2011**
(30) Convention priority data:
(31) Number (32) Date (33) Country
001853003 19 Apr 2011 EUROPEAN COMMUNITY
(56) Related Art Documents: **Not Applicable**
(57) Statement of Newness and Distinctiveness: **Nil**



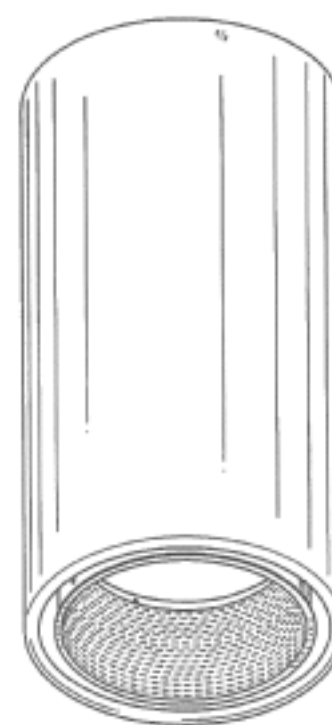
(21) Design Number: **14675/2011**
(22) Date of Filing Application: **14 October 2011**
(24) Date from which industrial property rights may have effect: **14 October 2011**
(54) Product in respect of which the design is registered: **Front bumper for automobile**
(51) International Design Classification: **12-16C**
(74) Name(s) of Attorney(s): **SPRUSON & FERGUSON**
(71) Name(s) and Address(s) of Applicant(s):
Honda Motor Co., Ltd.
1-1 Minamiaoyama 2-chome Minato-ku Tokyo Japan
(72) Name(s) of Designer(s): **Dai Hara and Kazufumi Oyamada**
(45) Registration Date: **10 November 2011**
(30) Convention priority data:
(31) Number (32) Date (33) Country
2011-009041 20 Apr 2011 JAPAN
(56) Related Art Documents: **Not Applicable**
(57) Statement of Newness and Distinctiveness: **Newness and distinctiveness is claimed in the features of shape and/or configuration of a front bumper for automobile as illustrated in the accompanying representations.**



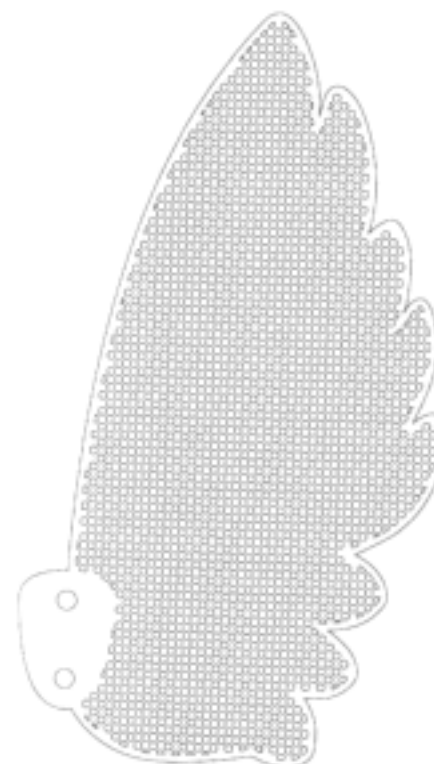
- (21) Design Number: **14676/2011**
(22) Date of Filing Application: **14 October 2011**
(24) Date from which industrial property rights may have effect: **14 October 2011**
(54) Product in respect of which the design is registered: **Front combination lamp for automobile**
(51) International Design Classification: **12-16E**
(74) Name(s) of Attorney(s): **SPRUSON & FERGUSON**
(71) Name(s) and Address(s) of Applicant(s):
Honda Motor Co., Ltd.
1-1 Minamiaoyama 2-chome Minato-ku Tokyo Japan
(72) Name(s) of Designer(s): **Dai Hara and Hiroshi Aoki**
(45) Registration Date: **10 November 2011**
(30) Convention priority data:
(31) Number (32) Date (33) Country
2011-009036 20 Apr 2011 JAPAN
(56) Related Art Documents: **Not Applicable**
(57) Statement of Newness and Distinctiveness: **Newness and distinctiveness is claimed in the features of shape and/or configuration of a front combination lamp for automobile as illustrated in the accompanying representations.**



- (21) Design Number: **14677/2011**
(22) Date of Filing Application: **14 October 2011**
(24) Date from which industrial property rights may have effect: **14 October 2011**
(54) Product in respect of which the design is registered: **Lighting fixture**
(51) International Design Classification: **26-05D**
(74) Name(s) of Attorney(s): **SPRUSON & FERGUSON**
(71) Name(s) and Address(s) of Applicant(s):
Ruud Lighting, Inc.
9201 Washington Avenue Racine Wisconsin 53406 United States of America
(72) Name(s) of Designer(s): **Steven Patkus and Bernd Sieberth and Brian Kinnune**
(45) Registration Date: **10 November 2011**
(30) Convention priority data:
(31) Number (32) Date (33) Country
29/389769 15 Apr 2011 UNITED STATES OF AMERICA
(56) Related Art Documents: **Not Applicable**
(57) Statement of Newness and Distinctiveness: **Newness and distinctiveness is claimed in the features of shape and/or configuration of a lighting fixture as illustrated in continuous lines in the accompanying representations.**



- (21) Design Number: **14678/2011**
(22) Date of Filing Application: **17 October 2011**
(24) Date from which industrial property rights may have effect: **17 October 2011**
(54) Product in respect of which the design is registered: **Earring stand top**
(51) International Design Classification: **20-02E**
(74) Name(s) of Attorney(s):
(71) Name(s) and Address(s) of Applicant(s):
Frunique Pty Ltd
Unit 6 36 Bream Street Coogee New South Wales 2034 Australia
(72) Name(s) of Designer(s): **Alecia Braven**
(45) Registration Date: **10 November 2011**
(56) Related Art Documents: **Not Applicable**
(57) Statement of Newness and Distinctiveness: **Newness and distinctiveness is claimed in the features of shape and/or configuration of a earring stand as illustrated in the accompanying representations.**



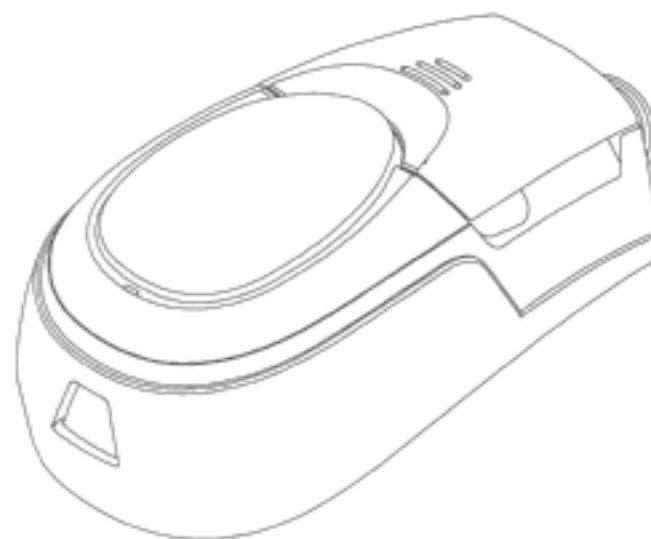
- (21) Design Number: **12527/2011**
(22) Date of Filing Application: **03 June 2011**
(24) Date from which industrial property rights may have effect: **03 June 2011**
(54) Product in respect of which the design is registered: **Vehicle wheel**
(51) International Design Classification: **12-16A**
(74) Name(s) of Attorney(s): **MIDDLETONS**
(71) Name(s) and Address(s) of Applicant(s):
GM Global Technology Operations, LLC
300 Renaissance Center Detroit Michigan 48265-3000 Washington D.C.
20220 United States of America
(72) Name(s) of Designer(s): **Adam Ty Dean Smith**
(45) Registration Date: **10 November 2011**
(56) Related Art Documents: **Not Applicable**
(57) Statement of Newness and Distinctiveness: **Nil**



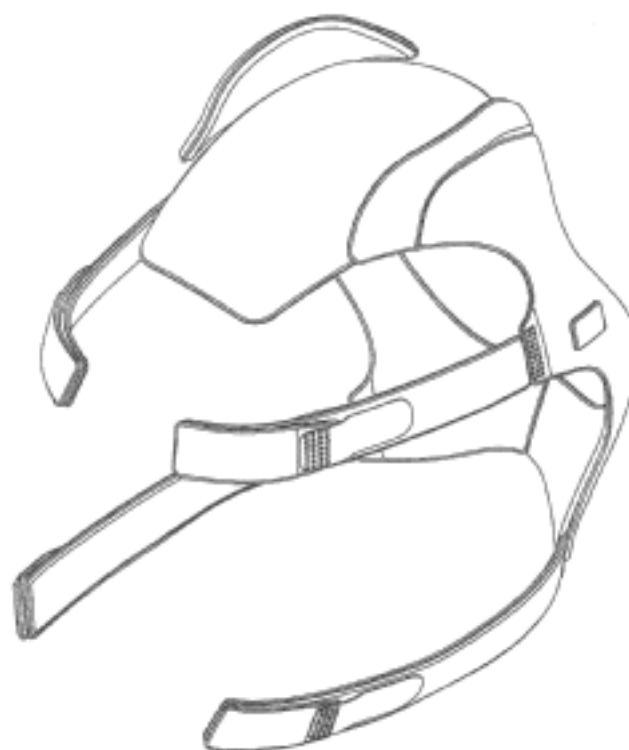
(21) Design Number: **13713/2011**
(22) Date of Filing Application: **22 August 2011**
(24) Date from which industrial property rights may have effect: **22 August 2011**
(54) Product in respect of which the design is registered: **Positive airway pressure delivery device**
(51) International Design Classification: **24-01**
(74) Name(s) of Attorney(s): **Halfords IP**
(71) Name(s) and Address(s) of Applicant(s):
ResMed Limited
1 Elizabeth Macarthur Drive Bella Vista New South Wales 2153 Australia
(72) Name(s) of Designer(s): **Matthew David Spruell and Robert Edward Henry and Gerard Michael Rummery and James William Charles Vandyke and Stewart Joseph Wagner and Jamie Graeme Wehbeh and Justin John Formica and Mark Bertinetti**
(45) Registration Date: **10 November 2011**
(30) Convention priority data:
(31) Number (32) Date (33) Country
29/371434 25 Feb 2011 UNITED STATES OF AMERICA
(56) Related Art Documents: **Not Applicable**
(57) Statement of Newness and Distinctiveness: **Nil**



(21) Design Number: **14831/2011**
(22) Date of Filing Application: **22 August 2011**
(24) Date from which industrial property rights may have effect: **22 August 2011**
(54) Product in respect of which the design is registered: **Flow generator for positive airway pressure delivery device**
(51) International Design Classification: **24-01**
(74) Name(s) of Attorney(s): **Halfords IP**
(71) Name(s) and Address(s) of Applicant(s):
ResMed Limited
1 Elizabeth Macarthur Drive Bella Vista New South Wales 2153 Australia
(72) Name(s) of Designer(s): **Robert Edward Henry and Jamie Graeme Wehbeh and Justin John Formica and Mark Bertinetti**
(45) Registration Date: **10 November 2011**
(30) Convention priority data:
(31) Number (32) Date (33) Country
29/371434 25 Feb 2011 UNITED STATES OF AMERICA
(56) Related Art Documents: **Not Applicable**
(57) Statement of Newness and Distinctiveness: **Nil**



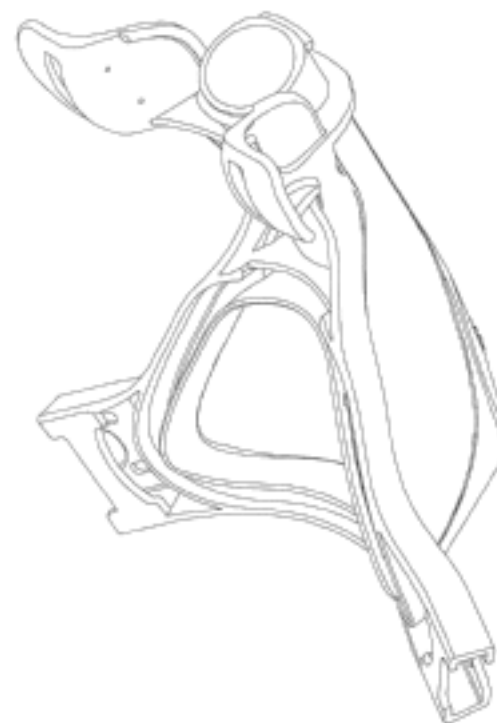
(21) Design Number: **14832/2011**
(22) Date of Filing Application: **22 August 2011**
(24) Date from which industrial property rights may have effect: **22 August 2011**
(54) Product in respect of which the design is registered: **Headgear for positive airway pressure delivery device**
(51) International Design Classification: **24-01**
(74) Name(s) of Attorney(s): **Halfords IP**
(71) Name(s) and Address(s) of Applicant(s):
ResMed Limited
1 Elizabeth Macarthur Drive Bella Vista New South Wales 2153 Australia
(72) Name(s) of Designer(s): **Matthew David Spruell and Justin John Formica**
(45) Registration Date: **10 November 2011**
(30) Convention priority data:
(31) Number (32) Date (33) Country
29/371434 25 Feb 2011 UNITED STATES OF AMERICA
(56) Related Art Documents: **Not Applicable**
(57) Statement of Newness and Distinctiveness: **Nil**



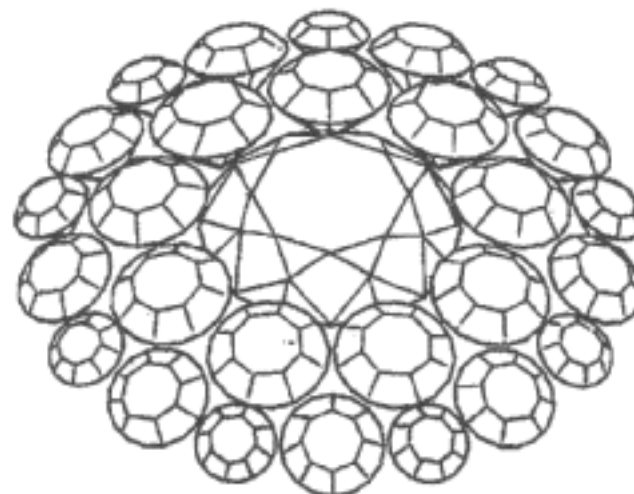
(21) Design Number: **13714/2011**
(22) Date of Filing Application: **22 August 2011**
(24) Date from which industrial property rights may have effect: **22 August 2011**
(54) Product in respect of which the design is registered: **Respiratory mask and/or components thereof**
(51) International Design Classification: **24-01**
(74) Name(s) of Attorney(s): **Halfords IP**
(71) Name(s) and Address(s) of Applicant(s):
ResMed Limited
1 Elizabeth Macarthur Drive Bella Vista New South Wales 2153 Australia
(72) Name(s) of Designer(s): **Robert Edward Henry and Gerard Michael Rummery**
(45) Registration Date: **10 November 2011**
(30) Convention priority data:
(31) Number (32) Date (33) Country
29/371435 25 Feb 2011 UNITED STATES OF AMERICA
(56) Related Art Documents: **Not Applicable**
(57) Statement of Newness and Distinctiveness: **Nil**



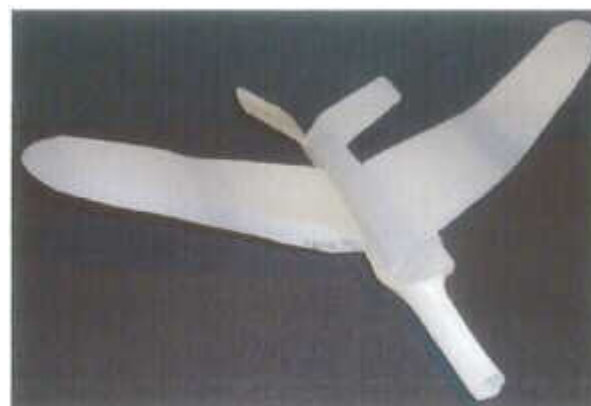
(21) Design Number: **14830/2011**
(22) Date of Filing Application: **22 August 2011**
(24) Date from which industrial property rights may have effect: **22 August 2011**
(54) Product in respect of which the design is registered: **Respiratory mask frame**
(51) International Design Classification: **24-01**
(74) Name(s) of Attorney(s): **Halfords IP**
(71) Name(s) and Address(s) of Applicant(s):
ResMed Limited
1 Elizabeth Macarthur Drive Bella Vista New South Wales 2153 Australia
(72) Name(s) of Designer(s): **Robert Edward Henry and Gerard Michael Rummery and Stuart Norris Plascott and Stewart Joseph Wagner and Jamie Graeme Wehbeh and Justin John Formica**
(45) Registration Date: **10 November 2011**
(30) Convention priority data:
(31) Number (32) Date (33) Country
29/371435 25 Feb 2011 UNITED STATES OF AMERICA
(56) Related Art Documents: **Not Applicable**
(57) Statement of Newness and Distinctiveness: **Nil**



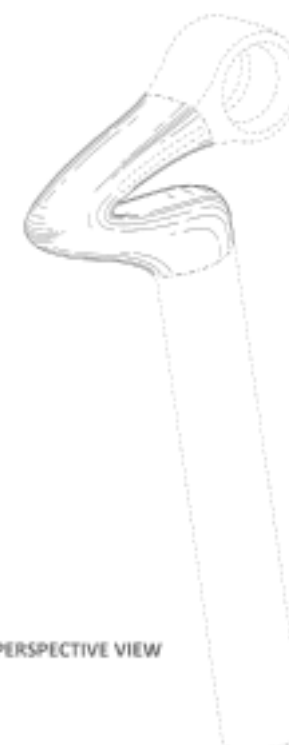
(21) Design Number: **13778/2011**
(22) Date of Filing Application: **25 August 2011**
(24) Date from which industrial property rights may have effect: **25 August 2011**
(54) Product in respect of which the design is registered: **Jewelry design**
(51) International Design Classification: **11-01NES**
(74) Name(s) of Attorney(s): **Griffith Hack**
(71) Name(s) and Address(s) of Applicant(s):
BK Jewellery, Inc.
62 West 47th Street Room 615 2 Sung Ping Street New York NY 10036
United States of America
(72) Name(s) of Designer(s): **Tse-Kok Wong and Lok-Sung Wong**
(45) Registration Date: **10 November 2011**
(30) Convention priority data:
(31) Number (32) Date (33) Country
29/386206 25 Feb 2011 UNITED STATES OF AMERICA
(56) Related Art Documents: **Not Applicable**
(57) Statement of Newness and Distinctiveness: **Newness and distinctiveness resides in the visual features of shape, configuration, pattern or ornamentation of a jewellery design, as shown in the accompanying representations.**



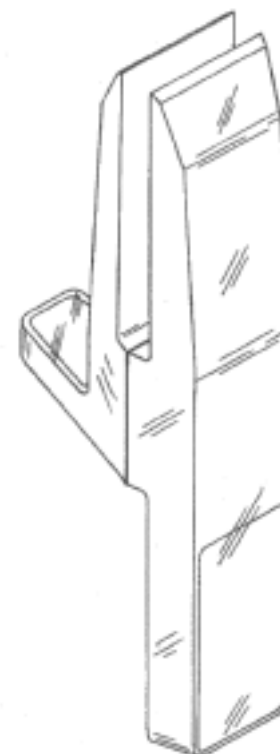
- (21) Design Number: **13816/2011**
(22) Date of Filing Application: **29 August 2011**
(24) Date from which industrial property rights may have effect: **29 August 2011**
(54) Product in respect of which the design is registered: **Toy glider**
(51) International Design Classification: **21-01C**
(74) Name(s) of Attorney(s):
(71) Name(s) and Address(s) of Applicant(s):
Education Projects Pty Ltd
57 Bancroft Terrace Deception Bay Queensland 4508 Australia
(72) Name(s) of Designer(s): **Christopher Fowler**
(45) Registration Date: **10 November 2011**
(56) Related Art Documents: **Not Applicable**
(57) Statement of Newness and Distinctiveness: **Toy Glider is constructed in one single piece out of a plastic container.**



- (21) Design Number: **13875/2011**
(22) Date of Filing Application: **02 September 2011**
(24) Date from which industrial property rights may have effect: **02 September 2011**
(54) Product in respect of which the design is registered: **A bicycle seatpost**
(51) International Design Classification: **12-11**
(74) Name(s) of Attorney(s): **Griffith Hack**
(71) Name(s) and Address(s) of Applicant(s):
Specialized Bicycle Components, Inc.
15130 Concord Circle Morgan Hill CA 95037 United States of America
(72) Name(s) of Designer(s): **Christopher P. D'Aluisio**
(45) Registration Date: **10 November 2011**
(30) Convention priority data:
(31) Number (32) Date (33) Country
29/390,430 25 Apr 2011 UNITED STATES OF AMERICA
(56) Related Art Documents: **Not Applicable**
(57) Statement of Newness and Distinctiveness: **The shape and configuration of those parts of the design shown by means of solid lines in the representations are new and distinctive.**



- (21) Design Number: **14614/2011**
(22) Date of Filing Application: **10 October 2011**
(24) Date from which industrial property rights may have effect: **10 October 2011**
(54) Product in respect of which the design is registered: **Clamp for fence panels**
(51) International Design Classification: **08-08K**
(74) Name(s) of Attorney(s): **David Shanks & Associates**
(71) Name(s) and Address(s) of Applicant(s):
John Michael Schopf
Unit 2 325 Mansfield Street Thornbury Victoria 3071 Australia
(72) Name(s) of Designer(s): **John Michael Schopf**
(45) Registration Date: **10 November 2011**
(56) Related Art Documents: **Not Applicable**
(57) Statement of Newness and Distinctiveness: **Newness and distinctiveness resides particularly in the combination of a vertical flange and a laterally extending flange (assuming a clamped panel to be in a vertical plane).**



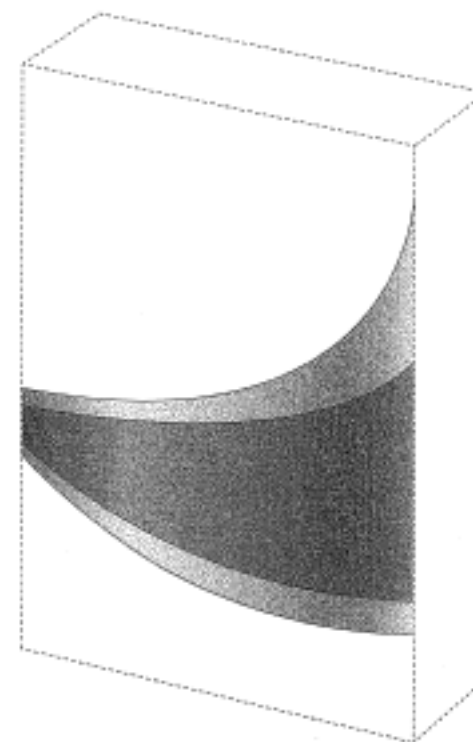
- (21) Design Number: **14644/2011**
(22) Date of Filing Application: **11 October 2011**
(24) Date from which industrial property rights may have effect: **11 October 2011**
(54) Product in respect of which the design is registered: **A concealed cistern or inwall cistern support bracket**
(51) International Design Classification: **08-08L**
(74) Name(s) of Attorney(s):
(71) Name(s) and Address(s) of Applicant(s):
Fidofine International Pty Ltd
2/36 Parramatta Road Lidcombe New South Wales 2141 Australia
(72) Name(s) of Designer(s): **Yan Feng Chen**
(45) Registration Date: **10 November 2011**
(56) Related Art Documents: **Not Applicable**
(57) Statement of Newness and Distinctiveness: **Fully floor mounted, adjustable frame/bracket.**



(21) Design Number: **14704/2011**
(22) Date of Filing Application: **18 October 2011**
(24) Date from which industrial property rights may have effect: **18 October 2011**
(54) Product in respect of which the design is registered: **Bin**
(51) International Design Classification: **09-09**
(74) Name(s) of Attorney(s): **Trademark Central**
(71) Name(s) and Address(s) of Applicant(s):
Taylor Bradley
61 Mt Ommaney Drive Jindalee Queensland 4074 Australia
(72) Name(s) of Designer(s): **Taylor Bradley**
(45) Registration Date: **10 November 2011**
(30) Convention priority data:
(31) Number (32) Date (33) Country
29/400,122 23 Aug 2011 UNITED STATES OF AMERICA
(56) Related Art Documents: **Not Applicable**
(57) Statement of Newness and Distinctiveness: **Especially designed bin with removable insert.**



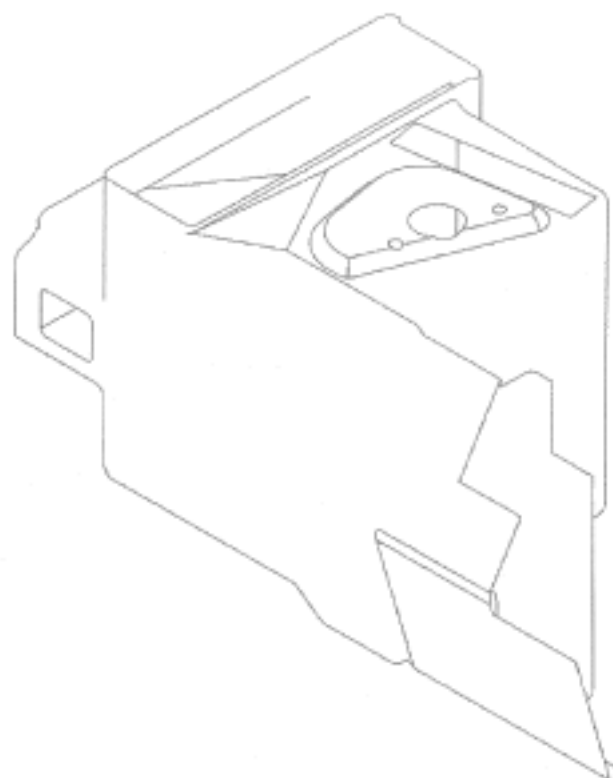
(21) Design Number: **14731/2011**
(22) Date of Filing Application: **19 October 2011**
(24) Date from which industrial property rights may have effect: **19 October 2011**
(54) Product in respect of which the design is registered: **Container with surface ornamentation**
(51) International Design Classification: **09-03M**
(74) Name(s) of Attorney(s): **PHILLIPS ORMONDE FITZPATRICK**
(71) Name(s) and Address(s) of Applicant(s):
The Procter & Gamble Company
One Procter & Gamble Plaza Cincinnati Ohio 45202 United States of America
(72) Name(s) of Designer(s): **Jennifer Marie Merchant and Kevin Wimmer and Jennifer Rebecca Pohlman**
(45) Registration Date: **10 November 2011**
(30) Convention priority data:
(31) Number (32) Date (33) Country
29/390,210 21 Apr 2011 UNITED STATES OF AMERICA
(56) Related Art Documents: **Not Applicable**
(57) Statement of Newness and Distinctiveness: **Those features of the container with surface ornamentation depicted in the representations that are new and distinctive are the pattern and/or ornamentation. The stippling illustrates that the pattern and/or ornamentation may be in any colour, but not limited to a particular colour. The features shown in broken line are not part of the design and are to be disregarded when considering the overall impression of the design.**



- (21) Design Number: **14800/2011**
(22) Date of Filing Application: **24 October 2011**
(24) Date from which industrial property rights may have effect: **24 October 2011**
(54) Product in respect of which the design is registered: **A retractable sign**
(51) International Design Classification: **20-03NES**
(74) Name(s) of Attorney(s):
(71) Name(s) and Address(s) of Applicant(s):
Katherina Sinnott
4/15 Charles Street New Farm Queensland 4005 Australia
(72) Name(s) of Designer(s): **Katherina Sinnott**
(45) Registration Date: **10 November 2011**
(56) Related Art Documents: **Not Applicable**
(57) Statement of Newness and Distinctiveness: **The shape and configuration of a retractable sign as shown in the representations.**



- (21) Design Number: **12040/2011**
(22) Date of Filing Application: **10 May 2011**
(24) Date from which industrial property rights may have effect: **10 May 2011**
(54) Product in respect of which the design is registered: **HVAC body component**
(51) International Design Classification: **12-16NES, 23-04**
(74) Name(s) of Attorney(s): **Smooenburg Pini Patent & Trade Mark Attorneys**
(71) Name(s) and Address(s) of Applicant(s):
Vehicle Development Corporation Pty Ltd
380 Barry Road Coolaroo Victoria 3048 Australia
(72) Name(s) of Designer(s): **Darren Trevor Waugh and Warwick John Drenth**
(45) Registration Date: **10 November 2011**
(56) Related Art Documents: **Not Applicable**
(57) Statement of Newness and Distinctiveness: **In considering the newness or distinctiveness of the design, regard is to be given to the overall shape and/or configuration of a HVAC body component as shown in the representations.**



(21) Design Number: **13721/2011**

(22) Date of Filing Application: **19 August 2011**

(24) Date from which industrial property rights may have effect: **19 August 2011**

(54) Product in respect of which the design is registered: **Cast leg for bolting to a floor track. Used for commercial beam seating system**

(51) International Design Classification: **06-06C, 08-08M, 08-08NES**

(74) Name(s) of Attorney(s):

(71) Name(s) and Address(s) of Applicant(s):

FormSeat Pty Ltd

**Registered office KSR Partners 2/971 Burke Road Camberwell Victoria
3124 Australia**

(72) Name(s) of Designer(s): **Johan H. Naess**

(45) Registration Date: **10 November 2011**

(56) Related Art Documents: **Not Applicable**

(57) Statement of Newness and Distinctiveness: **The new and distinctive feature of this leg casting is the weight to strength ratio, the ability to use 4 bolts in to the floor track (instead of commonly used 2) and the unique horizontal bolting in to the beam.**



(21) Design Number: **13724/2011**

(22) Date of Filing Application: **19 August 2011**

(24) Date from which industrial property rights may have effect: **19 August 2011**

(54) Product in respect of which the design is registered: **Cast leg with floor track fitting for beam seating**

(51) International Design Classification: **06-06C, 08-08M, 08-08NES**

(74) Name(s) of Attorney(s):

(71) Name(s) and Address(s) of Applicant(s):

FormSeat Pty Ltd

**Registered office KSR Partners 2/971 Burke Road Camberwell Victoria
3124 Australia**

(72) Name(s) of Designer(s): **Johan H. Naess**

(45) Registration Date: **10 November 2011**

(56) Related Art Documents: **Not Applicable**

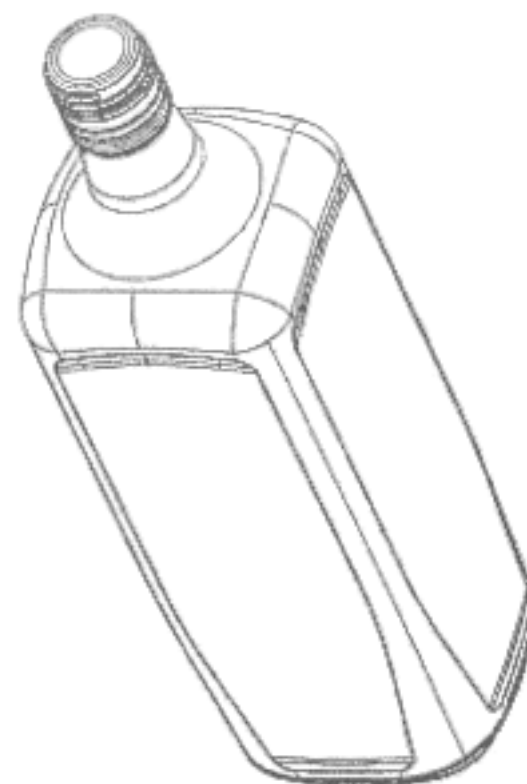
(57) Statement of Newness and Distinctiveness: **The new and distinctive feature of this leg casting is the weight to strength ratio, the ability to use 4 bolts in to the floor track (instead of commonly used 2) and the unique horizontal bolting in to the beam.**



- (21) Design Number: **13740/2011**
(22) Date of Filing Application: **19 August 2011**
(24) Date from which industrial property rights may have effect: **19 August 2011**
(54) Product in respect of which the design is registered: **Cast leg for beam seating system, used for waiting areas or transport seating**
(51) International Design Classification: **08-08NES, 08-08M, 06-06C**
(74) Name(s) of Attorney(s):
(71) Name(s) and Address(s) of Applicant(s):
FormSeat Pty Ltd
Registered office KSR Partners 2/971 Burke Road Camberwell Victoria
3124 Australia
(72) Name(s) of Designer(s): **Johan H. Naess**
(45) Registration Date: **10 November 2011**
(56) Related Art Documents: **Not Applicable**
(57) Statement of Newness and Distinctiveness: **The new and distinctive feature of this leg casting is the double "spoon" shape, achieving a strong and sturdy support for the seating. The shape also makes it easy to clean the floor around the foot.**



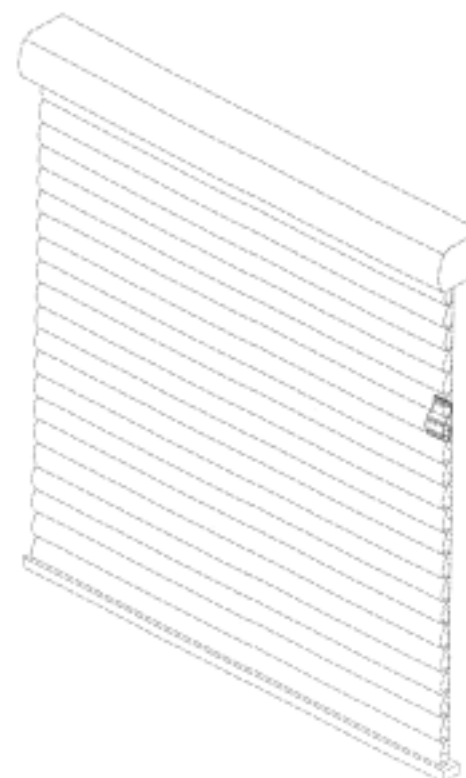
- (21) Design Number: **13820/2011**
(22) Date of Filing Application: **30 August 2011**
(24) Date from which industrial property rights may have effect: **30 August 2011**
(54) Product in respect of which the design is registered: **Bottle**
(51) International Design Classification: **09-01H**
(74) Name(s) of Attorney(s): **Blake Dawson**
(71) Name(s) and Address(s) of Applicant(s):
Diageo Australia Limited
162 Blues Point Road McMahons Point New South Wales 2060 Australia
(72) Name(s) of Designer(s): **Michael Grima and Troy Nyssen**
(45) Registration Date: **10 November 2011**
(56) Related Art Documents: **Not Applicable**
(57) Statement of Newness and Distinctiveness: **Nil**



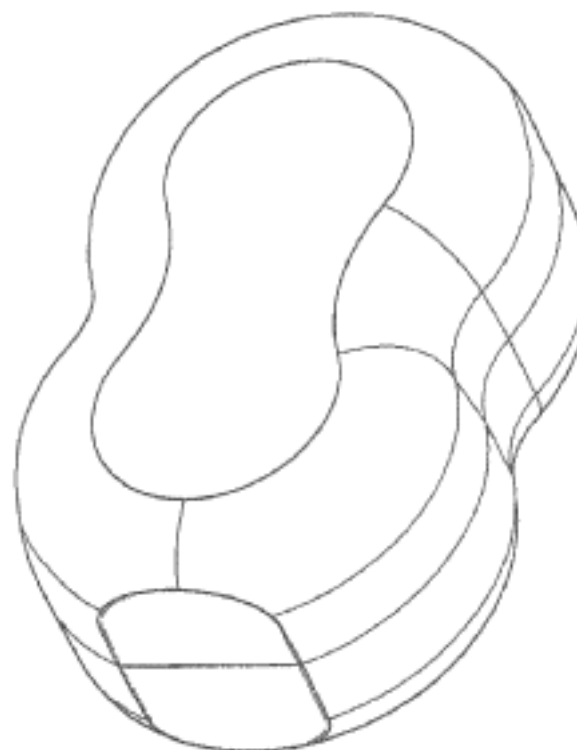
- (21) Design Number: **14362/2011**
(22) Date of Filing Application: **28 September 2011**
(24) Date from which industrial property rights may have effect: **28 September 2011**
(54) Product in respect of which the design is registered: **corresponding molded slots in the top horizontal edge; these**
(51) International Design Classification: **09-03H**
(74) Name(s) of Attorney(s):
(71) Name(s) and Address(s) of Applicant(s):
Grow Your Own Systems Pty Ltd
46 A Tarooma Crescent Tarooma Tasmania 7053 Australia
(72) Name(s) of Designer(s): **Anna Pafitis and Iain Charlmers**
(45) Registration Date: **10 November 2011**
(56) Related Art Documents: **Not Applicable**
(57) Statement of Newness and Distinctiveness: **Newness or distinctiveness resides in the configuration of the panel.**



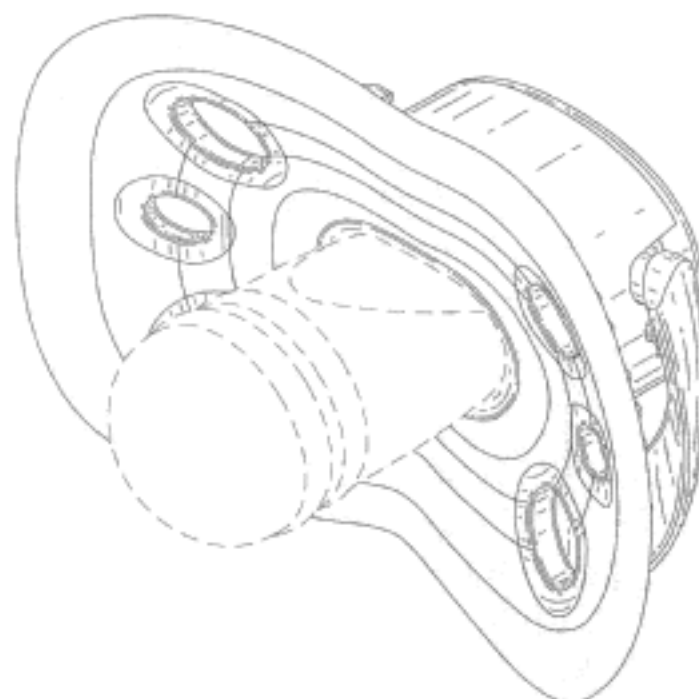
- (21) Design Number: **14679/2011**
(22) Date of Filing Application: **14 October 2011**
(24) Date from which industrial property rights may have effect: **14 October 2011**
(54) Product in respect of which the design is registered: **Cell for a shade**
(51) International Design Classification: **06-10, 25-02H**
(74) Name(s) of Attorney(s): **Shelston IP**
(71) Name(s) and Address(s) of Applicant(s):
Hunter Douglas Inc.
2 Park Way Upper Saddle River New Jersey 07458 United States of America
(72) Name(s) of Designer(s): **Wendell B. Colson and Paul G. Swiszc**
(45) Registration Date: **10 November 2011**
(30) Convention priority data:
(31) Number (32) Date (33) Country
29/389786 15 Apr 2011 UNITED STATES OF AMERICA
(56) Related Art Documents: **Not Applicable**
(57) Statement of Newness and Distinctiveness: **Newness and distinctiveness resides in the features of shape and/or configuration of the cell for a shade illustrated by solid lines in the accompanying representations. The features shown by broken lines in the representations are for the purposes of illustrating use and environment only and form no part of the design.**



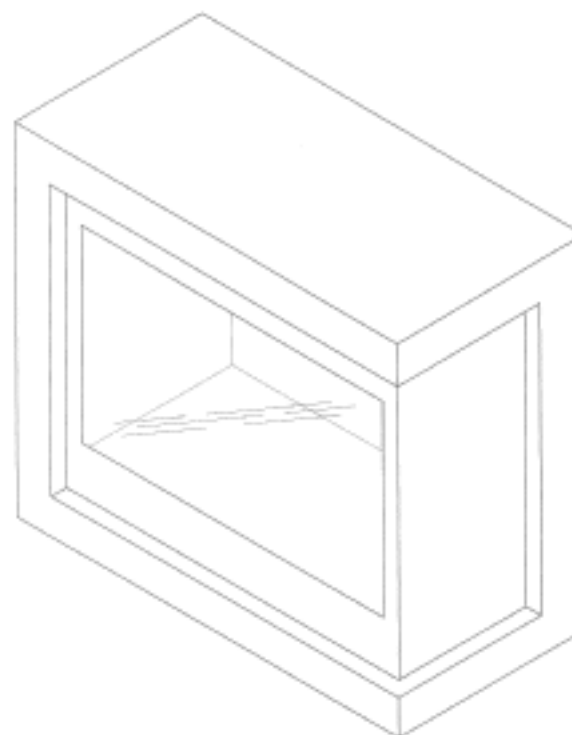
- (21) Design Number: **14680/2011**
(22) Date of Filing Application: **14 October 2011**
(24) Date from which industrial property rights may have effect: **14 October 2011**
(54) Product in respect of which the design is registered: **Sterilizing case**
(51) International Design Classification: **24-01, 03-01NES**
(74) Name(s) of Attorney(s): **PHILLIPS ORMONDE FITZPATRICK**
(71) Name(s) and Address(s) of Applicant(s):
Playtex Products, LLC
6 Research Drive Shelton Connecticut 06484 United States of America
(72) Name(s) of Designer(s): **Diana Sierra and Vincent J. Valderrama**
(45) Registration Date: **10 November 2011**
(56) Related Art Documents: **Not Applicable**
(57) Statement of Newness and Distinctiveness: **Those fetures of the sterilizing case depicted in the representations that are new and distinctive are the shape and/or configuration.**



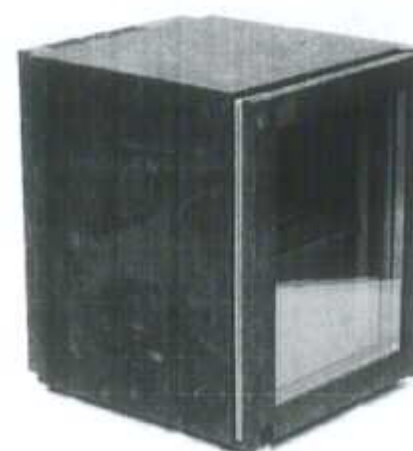
- (21) Design Number: **14681/2011**
(22) Date of Filing Application: **14 October 2011**
(24) Date from which industrial property rights may have effect: **14 October 2011**
(54) Product in respect of which the design is registered: **Pacifier**
(51) International Design Classification: **24-04**
(74) Name(s) of Attorney(s): **PHILLIPS ORMONDE FITZPATRICK**
(71) Name(s) and Address(s) of Applicant(s):
Playtex Products, LLC
6 Research Drive Shelton Connecticut 06484 United States of America
(72) Name(s) of Designer(s): **Diana Sierra and Vincent J. Valderrama**
(45) Registration Date: **10 November 2011**
(30) Convention priority data:
(31) Number (32) Date (33) Country
29/389,729 15 Apr 2011 UNITED STATES OF AMERICA
(56) Related Art Documents: **Not Applicable**
(57) Statement of Newness and Distinctiveness: **Those fetures of the pacifier securing device depicted in the representations that are new and distinctive are the shape and/or configuration. The portion shown in broken lines is not part of the design and is to be disregarded when considering the overall impression of the design.**



- (21) Design Number: **14682/2011**
(22) Date of Filing Application: **14 October 2011**
(24) Date from which industrial property rights may have effect: **14 October 2011**
(54) Product in respect of which the design is registered: **Display unit**
(51) International Design Classification: **14-01, 14-02, 14-03B**
(74) Name(s) of Attorney(s): **PHILLIPS ORMONDE FITZPATRICK**
(71) Name(s) and Address(s) of Applicant(s):
ENSI Technology co., Ltd.
302 IT PLEX Jang-Dong Yuseong-GU Dae-Jeon 305-343 Republic of Korea
(72) Name(s) of Designer(s): **Hak-Hyun Nam**
(45) Registration Date: **10 November 2011**
(56) Related Art Documents: **Not Applicable**
(57) Statement of Newness and Distinctiveness: **Nil**



- (21) Design Number: **14464/2011**
(22) Date of Filing Application: **04 October 2011**
(24) Date from which industrial property rights may have effect: **29 July 2011**
(54) Product in respect of which the design is registered: **Cooler**
(51) International Design Classification: **15-07**
(74) Name(s) of Attorney(s): **Shelston IP**
(71) Name(s) and Address(s) of Applicant(s):
Red Bull GmbH
Brunn 115 5330 Fuschl am See Austria
(72) Name(s) of Designer(s): **Eike Schaefer and Ron Stansberry and Rainer Vogt**
(45) Registration Date: **11 November 2011**
(62) Divisional of: **338966**
(56) Related Art Documents: **Not Applicable**
(57) Statement of Newness and Distinctiveness: **Newness and distinctiveness reside in the features of shape and/or configuration of a COOLER as illustrated in the accompanying representations.**



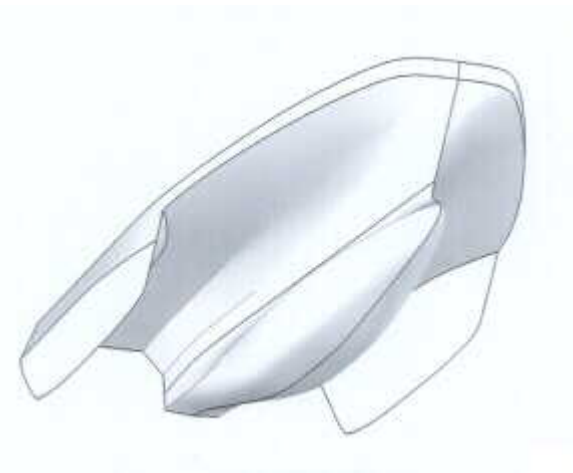
(21) Design Number: **14465/2011**
(22) Date of Filing Application: **04 October 2011**
(24) Date from which industrial property rights may have effect: **29 July 2011**
(54) Product in respect of which the design is registered: **Cooler**
(51) International Design Classification: **15-07**
(74) Name(s) of Attorney(s): **Shelston IP**
(71) Name(s) and Address(s) of Applicant(s):
Red Bull GmbH
Brunn 115 5330 Fuschl am See Austria
(72) Name(s) of Designer(s): **Eike Schaefer and Ron Stansberry and Rainer Vogt**
(45) Registration Date: **11 November 2011**
(62) Divisional of: **338966**
(56) Related Art Documents: **Not Applicable**
(57) Statement of Newness and Distinctiveness: **Nil**



(21) Design Number: **14551/2011**
(22) Date of Filing Application: **10 October 2011**
(24) Date from which industrial property rights may have effect: **10 October 2011**
(54) Product in respect of which the design is registered: **Bottle**
(51) International Design Classification: **09-01H**
(74) Name(s) of Attorney(s): **PHILLIPS ORMONDE FITZPATRICK**
(71) Name(s) and Address(s) of Applicant(s):
Victorian Alps Wine Company Pty Ltd
PO Box 425 Myrtleford Victoria 3737 Australia
(72) Name(s) of Designer(s): **Stephen Wallace**
(45) Registration Date: **11 November 2011**
(56) Related Art Documents: **Not Applicable**
(57) Statement of Newness and Distinctiveness: **Those features of the bottle depicted in the representations that are new and distinctive are the shape and/or configuration. The tangent lines illustrated extending around the bottle on the line drawings are to be considered as merely indicative of the location of surface contour changes. These lines may or may not be visible.**



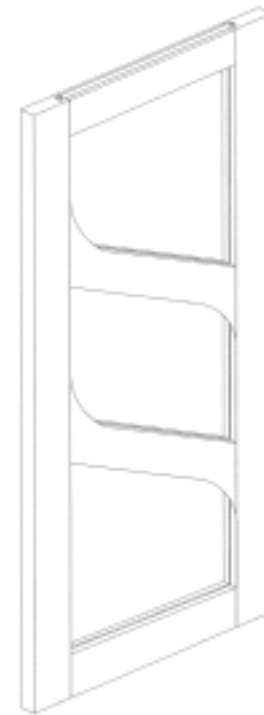
- (21) Design Number: **14748/2011**
(22) Date of Filing Application: **19 October 2011**
(24) Date from which industrial property rights may have effect: **19 October 2011**
(54) Product in respect of which the design is registered: **A hull**
(51) International Design Classification: **12-06A**
(74) Name(s) of Attorney(s): **Griffith Hack**
(71) Name(s) and Address(s) of Applicant(s):
Austal Ships Pty Ltd
100 Clarence Beach Road Henderson Western Australia 6166 Australia
(72) Name(s) of Designer(s): **David Ellery and Lee Boddy**
(45) Registration Date: **11 November 2011**
(56) Related Art Documents: **Not Applicable**
(57) Statement of Newness and Distinctiveness: **The shape and configuration of the hull is new and distinctive. The ship's lines shown on the representations marked 'Front/side perspective with ship's lines' and 'Side perspective with ship's lines' are not a visible feature of the design and are included so as to provide an informed user with information to aid understanding of the curvature of the hull.**



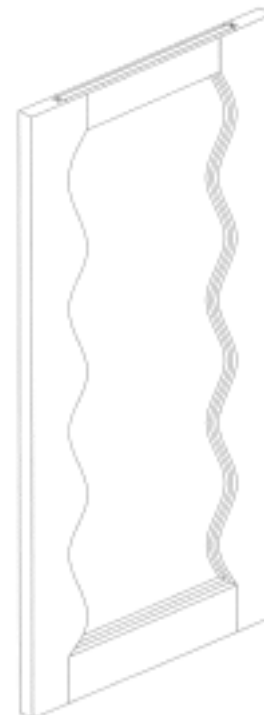
- (21) Design Number: **13817/2011**
(22) Date of Filing Application: **29 August 2011**
(24) Date from which industrial property rights may have effect: **29 August 2011**
(54) Product in respect of which the design is registered: **Toy puppet**
(51) International Design Classification: **21-01B**
(74) Name(s) of Attorney(s):
(71) Name(s) and Address(s) of Applicant(s):
Education Projects Pty Ltd
57 Bancroft Terrace Deception Bay Queensland 4508 Australia
(72) Name(s) of Designer(s): **Chris Fowler**
(45) Registration Date: **11 November 2011**
(56) Related Art Documents: **Not Applicable**
(57) Statement of Newness and Distinctiveness: **The Puppet is designed out of a three litre plastic container.**



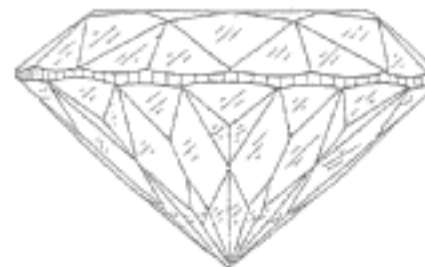
- (21) Design Number: **14412/2011**
(22) Date of Filing Application: **29 September 2011**
(24) Date from which industrial property rights may have effect: **29 September 2011**
(54) Product in respect of which the design is registered: **Door**
(51) International Design Classification: **25-02H**
(74) Name(s) of Attorney(s):
(71) Name(s) and Address(s) of Applicant(s):
Oreica Pty Ltd
52 Marsengo Road Bateman 6150 Western Australia Australia
(72) Name(s) of Designer(s): **Willy Lim**
(45) Registration Date: **11 November 2011**
(56) Related Art Documents: **Not Applicable**
(57) Statement of Newness and Distinctiveness: **The design resides in the visual features of shape and configuration of a Infill Panel Door, Window and or Partition as shown in the accompanying representations. Beneficially, it allows panel to be inserted and replaced at will. No sealant/ putty or filler required. The panel can be replaced by glazed, solid panel or wire mesh when needed.**



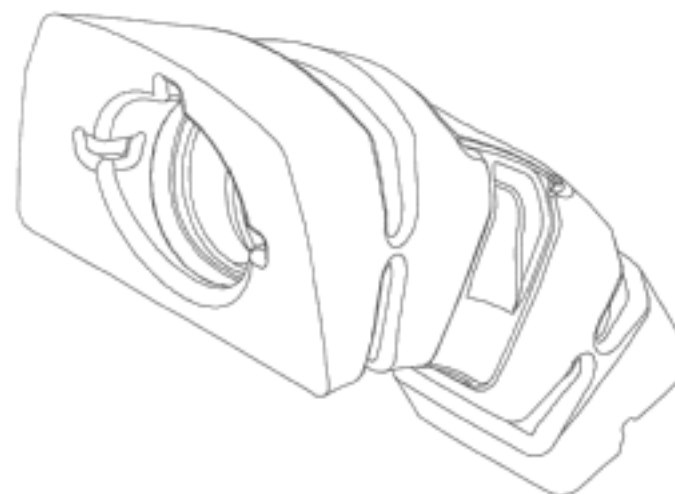
- (21) Design Number: **14413/2011**
(22) Date of Filing Application: **29 September 2011**
(24) Date from which industrial property rights may have effect: **29 September 2011**
(54) Product in respect of which the design is registered: **Door**
(51) International Design Classification: **25-02H**
(74) Name(s) of Attorney(s):
(71) Name(s) and Address(s) of Applicant(s):
Oreica Pty Ltd
52 Marsengo Road Bateman 6150 Western Australia Australia
(72) Name(s) of Designer(s): **Willy Lim**
(45) Registration Date: **11 November 2011**
(56) Related Art Documents: **Not Applicable**
(57) Statement of Newness and Distinctiveness: **The design resides in the visual features of shape and configuration of a Infill Panel Door, Window and or Partition as shown in the accompanying representations. Beneficially, it allows panel to be inserted and replaced at will. No sealant/ putty or filler required. The panel can be replaced by glazed, solid panel or wire mesh when needed.**



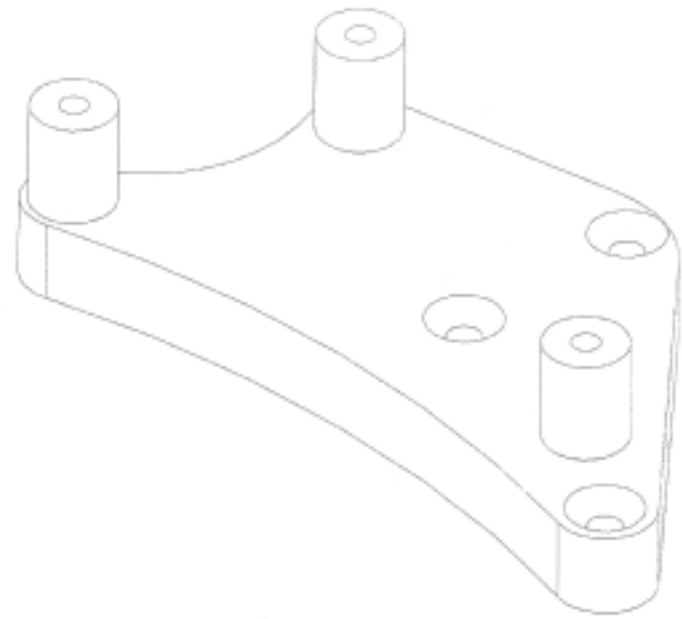
(21) Design Number: **14672/2011**
(22) Date of Filing Application: **14 October 2011**
(24) Date from which industrial property rights may have effect: **14 October 2011**
(54) Product in respect of which the design is registered: **Multiple facet gemstone**
(51) International Design Classification: **11-01NES**
(74) Name(s) of Attorney(s): **Swaab Attorneys**
(71) Name(s) and Address(s) of Applicant(s):
Rosy Blue (India) Private Limited
1608 - 09 Prasad Chambers Opera House Mumbai 400004 India
(72) Name(s) of Designer(s): **Aashish Jhaveri and Vinubhai Dhanani**
(45) Registration Date: **11 November 2011**
(30) Convention priority data:
(31) Number (32) Date (33) Country
29/398,711 03 Aug 2011 UNITED STATES OF AMERICA
(56) Related Art Documents: **Not Applicable**
(57) Statement of Newness and Distinctiveness: **Nil**



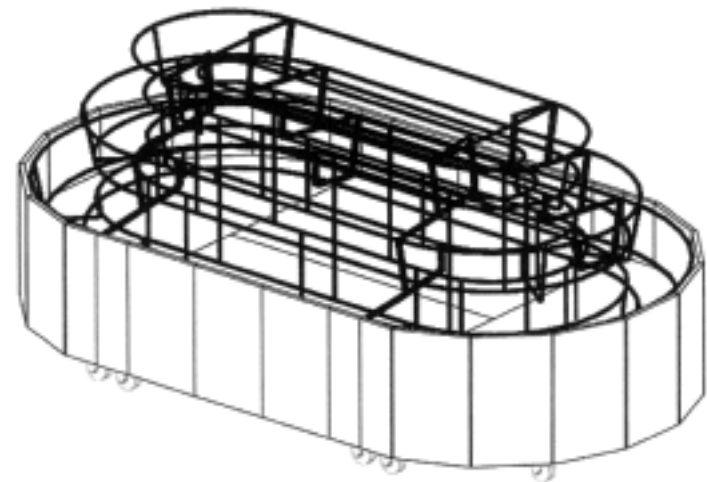
(21) Design Number: **14833/2011**
(22) Date of Filing Application: **22 August 2011**
(24) Date from which industrial property rights may have effect: **22 August 2011**
(54) Product in respect of which the design is registered: **Tube connector for positive airway pressure delivery device**
(51) International Design Classification: **24-01**
(74) Name(s) of Attorney(s): **Halfords IP**
(71) Name(s) and Address(s) of Applicant(s):
ResMed Limited
1 Elizabeth Macarthur Drive Bella Vista New South Wales 2153 Australia
(72) Name(s) of Designer(s): **Matthew David Spruell and Robert Edward Henry and Gerard Michael Rummery and James William Charles Vandyke and Stewart Joseph Wagner and Justin John Formica**
(45) Registration Date: **11 November 2011**
(30) Convention priority data:
(31) Number (32) Date (33) Country
29/371434 25 Feb 2011 UNITED STATES OF AMERICA
(56) Related Art Documents: **Not Applicable**
(57) Statement of Newness and Distinctiveness: **Nil**



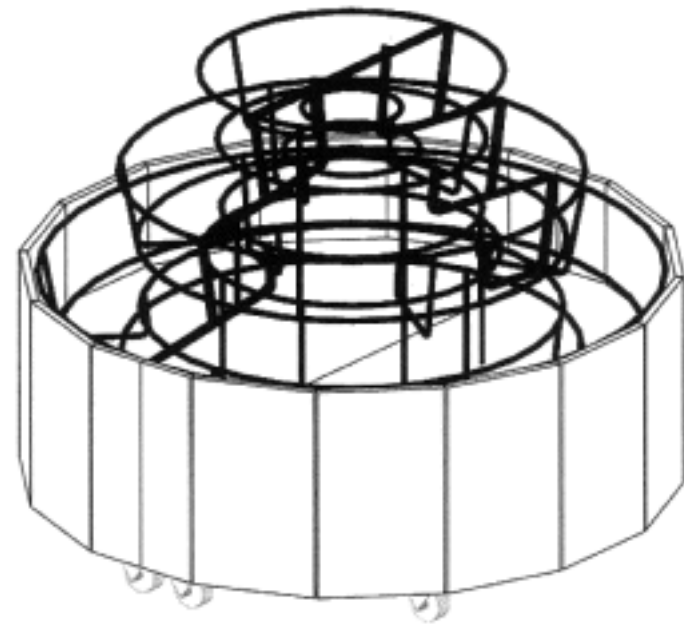
- (21) Design Number: **12129/2011**
(22) Date of Filing Application: **12 May 2011**
(24) Date from which industrial property rights may have effect: **12 May 2011**
(54) Product in respect of which the design is registered: **Mounting bracket**
(51) International Design Classification: **12-16NES**
(74) Name(s) of Attorney(s): **Smooenburg Pini Patent & Trade Mark Attorneys**
(71) Name(s) and Address(s) of Applicant(s):
Vehicle Development Corporation Pty Ltd
380 Barry Road Victoria 3048 Australia
(72) Name(s) of Designer(s): **Darren Trevor Waugh and Warwick John Drenth**
(45) Registration Date: **14 November 2011**
(56) Related Art Documents: **Not Applicable**
(57) Statement of Newness and Distinctiveness: **In considering the newness or distinctiveness of the design, regard is to be given to the overall shape and/or configuration of a mounting bracket as shown in the representations.**



- (21) Design Number: **13840/2011**
(22) Date of Filing Application: **31 August 2011**
(24) Date from which industrial property rights may have effect: **31 August 2011**
(54) Product in respect of which the design is registered: **Display stand**
(51) International Design Classification: **20-02E**
(74) Name(s) of Attorney(s): **Griffith Hack**
(71) Name(s) and Address(s) of Applicant(s):
Lynch Group Australia Pty Ltd
24 Helles Avenue Moorebank New South Wales 2170 Australia
(72) Name(s) of Designer(s): **Gino Emmanuel Gioia**
(45) Registration Date: **14 November 2011**
(56) Related Art Documents: **Not Applicable**
(57) Statement of Newness and Distinctiveness: **The shape and configuration of those parts of the product shown other than in grey in the representations are new and distinctive.**



- (21) Design Number: **13841/2011**
(22) Date of Filing Application: **31 August 2011**
(24) Date from which industrial property rights may have effect: **31 August 2011**
(54) Product in respect of which the design is registered: **Display stand**
(51) International Design Classification: **20-02E**
(74) Name(s) of Attorney(s): **Griffith Hack**
(71) Name(s) and Address(s) of Applicant(s):
Lynch Group Australia Pty Limited
24 Helles Avenue Moorebank New South Wales 2170 Australia
(72) Name(s) of Designer(s): **Gino Emmanuel Gioia**
(45) Registration Date: **14 November 2011**
(56) Related Art Documents: **Not Applicable**
(57) Statement of Newness and Distinctiveness: **The shape and configuration of those parts of the product shown other than in grey in the representations are new and distinctive.**



- (21) Design Number: **13867/2011**
(22) Date of Filing Application: **31 August 2011**
(24) Date from which industrial property rights may have effect: **31 August 2011**
(54) Product in respect of which the design is registered: **Portable radio**
(51) International Design Classification: **14-03D**
(74) Name(s) of Attorney(s):
(71) Name(s) and Address(s) of Applicant(s):
Tait Electronics Limited
175 Roydvale Avenue Christchurch New Zealand
(72) Name(s) of Designer(s): **Michael George Sanders and August Adrianus Johannes Brinkman and Rodney Stephen Mackrell**
(45) Registration Date: **14 November 2011**
(56) Related Art Documents: **Not Applicable**
(57) Statement of Newness and Distinctiveness: **Newness and distinctiveness is claimed in the features of shape and/or configuration of a portable radio as shown in solid lines in the accompanying representations.**



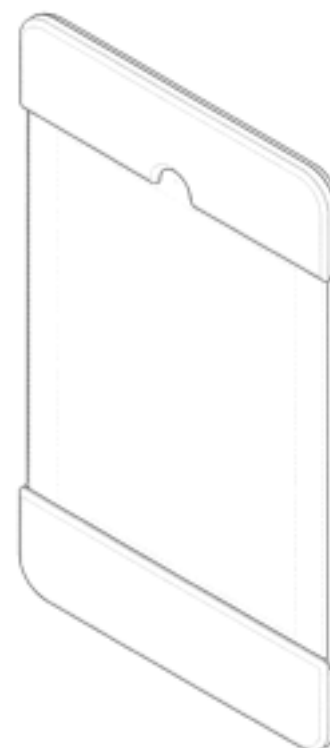
(21) Design Number: **14663/2011**
(22) Date of Filing Application: **13 October 2011**
(24) Date from which industrial property rights may have effect: **13 October 2011**
(54) Product in respect of which the design is registered: **Mitten shoes**
(51) International Design Classification: **02-04NES**
(74) Name(s) of Attorney(s):
(71) Name(s) and Address(s) of Applicant(s):
Aparso (Fuzhou) Sportswear Co., Ltd.
9F Efada Tower 298 Hudong Road Gulou District Fuzhou Fujian China
(72) Name(s) of Designer(s): **Rongfu Zhang**
(45) Registration Date: **14 November 2011**
(56) Related Art Documents: **Not Applicable**
(57) Statement of Newness and Distinctiveness: **Nil**



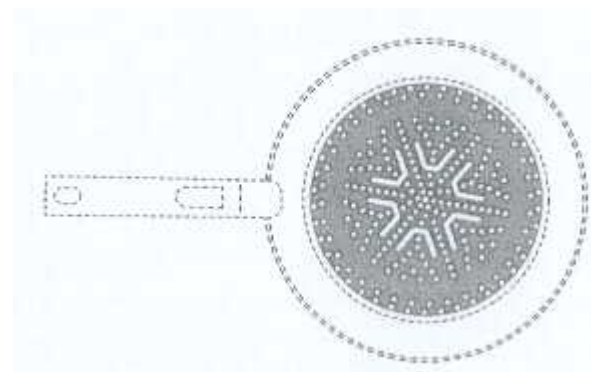
(21) Design Number: **14712/2011**
(22) Date of Filing Application: **18 October 2011**
(24) Date from which industrial property rights may have effect: **18 October 2011**
(54) Product in respect of which the design is registered: **Tyre**
(51) International Design Classification: **12-15B**
(74) Name(s) of Attorney(s): **Griffith Hack**
(71) Name(s) and Address(s) of Applicant(s):
Continental Reifen Deutschland GmbH
Vahrenwalder Str. 9 30165 Hannover Germany
(72) Name(s) of Designer(s): **Thomas Buchinger-Barnstorf**
(45) Registration Date: **14 November 2011**
(30) Convention priority data:
(31) Number (32) Date (33) Country
001905720 18 Aug 2011 EUROPEAN COMMUNITY
(56) Related Art Documents: **Not Applicable**
(57) Statement of Newness and Distinctiveness: **Newness and distinctiveness resides in the visual features, including shape, configuration and pattern, of a tread for a tyre as shown in the accompanying representations.**



(21) Design Number: **14714/2011**
(22) Date of Filing Application: **19 October 2011**
(24) Date from which industrial property rights may have effect: **19 October 2011**
(54) Product in respect of which the design is registered: **Protective case for tablet computer**
(51) International Design Classification: **03-01NES, 14-02**
(74) Name(s) of Attorney(s):
(71) Name(s) and Address(s) of Applicant(s):
Michael Hort
3 Sylvia Street Chatswood New South Wales 2067 Australia
(72) Name(s) of Designer(s): **Michael Hort**
(45) Registration Date: **14 November 2011**
(56) Related Art Documents: **Not Applicable**
(57) Statement of Newness and Distinctiveness: **I claim novelty in the shape and configuration of the protective case.**



(21) Design Number: **14715/2011**
(22) Date of Filing Application: **18 October 2011**
(24) Date from which industrial property rights may have effect: **18 October 2011**
(54) Product in respect of which the design is registered: **Cooking utensil**
(51) International Design Classification: **07-02N**
(74) Name(s) of Attorney(s): **SPRUSON & FERGUSON**
(71) Name(s) and Address(s) of Applicant(s):
TEFAL
Zone Industrielle des Granges 74150 Rumilly France
(72) Name(s) of Designer(s): **Jackie Moulin**
(45) Registration Date: **14 November 2011**
(30) Convention priority data:
(31) Number (32) Date (33) Country
11/2559 19 May 2011 FRANCE
(56) Related Art Documents: **Not Applicable**
(57) Statement of Newness and Distinctiveness: **Newness and distinctiveness is claimed in the features of pattern and/or ornamentation of the base of a cooking utensil as illustrated in the accompanying representations.**



(21) Design Number: **14716/2011**
(22) Date of Filing Application: **18 October 2011**
(24) Date from which industrial property rights may have effect: **18 October 2011**
(54) Product in respect of which the design is registered: **Cooking utensil**
(51) International Design Classification: **07-02N**
(74) Name(s) of Attorney(s): **SPRUSON & FERGUSON**
(71) Name(s) and Address(s) of Applicant(s):

TEFAL
Zone Industrielle des Granges 74150 Rumilly France

(72) Name(s) of Designer(s): **Jackie Moulin**

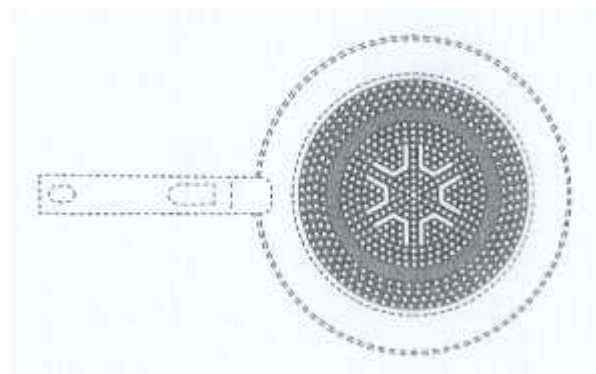
(45) Registration Date: **14 November 2011**

(30) Convention priority data:

(31) Number	(32) Date	(33) Country
11/2559	19 May 2011	FRANCE

(56) Related Art Documents: **Not Applicable**

(57) Statement of Newness and Distinctiveness: **Newness and distinctiveness is claimed in the features of pattern and/or ornamentation of the central region of the base of a cooking utensil as illustrated in the accompanying representations, with the central region of the base being that region located within the non-dotted annular band.**



(21) Design Number: **14717/2011**
(22) Date of Filing Application: **18 October 2011**
(24) Date from which industrial property rights may have effect: **18 October 2011**
(54) Product in respect of which the design is registered: **Shoe sole**
(51) International Design Classification: **02-04B**
(74) Name(s) of Attorney(s): **Cotters Patent & Trade Mark Attorneys**
(71) Name(s) and Address(s) of Applicant(s):

Z-Coil Ltd
116-1801 LG Metro City Yong Ho Dong Nam Gu Busan 608776 Republic of Korea

(72) Name(s) of Designer(s): **Yeong Jae Lee**

(45) Registration Date: **14 November 2011**

(56) Related Art Documents: **Not Applicable**

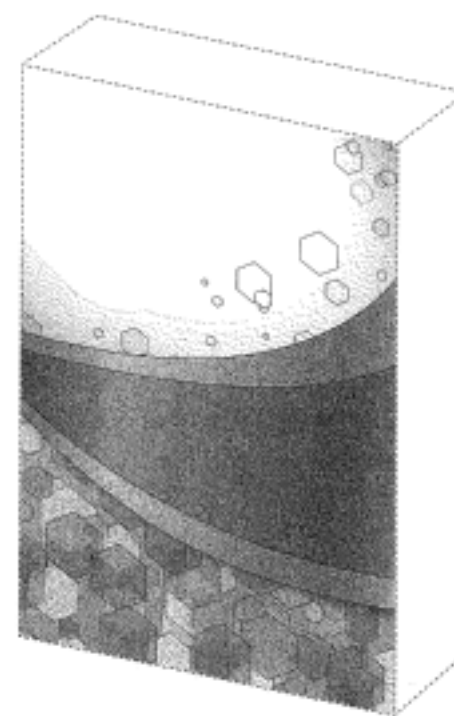
(57) Statement of Newness and Distinctiveness: **Newness and distinctiveness is claimed in the features of shape and/or configuration of a shoe sole as depicted in the accompanying drawings.**



- (21) Design Number: **14718/2011**
(22) Date of Filing Application: **18 October 2011**
(24) Date from which industrial property rights may have effect: **18 October 2011**
(54) Product in respect of which the design is registered: **A microphone**
(51) International Design Classification: **14-01**
(74) Name(s) of Attorney(s): **HODGKINSON McINNES PATENTS**
(71) Name(s) and Address(s) of Applicant(s):
Freedman Electronics Pty Limited trading as Rode Microphones
283 Victoria Road Rydalmere New South Wales 2116 Australia
(72) Name(s) of Designer(s): **Peter Noel Cooper**
(45) Registration Date: **14 November 2011**
(56) Related Art Documents: **Not Applicable**
(57) Statement of Newness and Distinctiveness: **The features of the microphone that are new and distinctive are the shape and configuration thereof, as shown in the accompanying representations, whereas the parts of the microphone shown with ghost lines do not form part of the newness and distinctiveness of the design.**



- (21) Design Number: **14735/2011**
(22) Date of Filing Application: **19 October 2011**
(24) Date from which industrial property rights may have effect: **19 October 2011**
(54) Product in respect of which the design is registered: **Container with surface ornamentation**
(51) International Design Classification: **09-03M**
(74) Name(s) of Attorney(s): **PHILLIPS ORMONDE FITZPATRICK**
(71) Name(s) and Address(s) of Applicant(s):
The Procter & Gamble Company
One Procter & Gamble Plaza Cincinnati Ohio 45202 United States of America
(72) Name(s) of Designer(s): **Jennifer Marie Merchant and Kevin Wimmer and Jennifer Rebecca Pohlman**
(45) Registration Date: **14 November 2011**
(30) Convention priority data:
(31) Number (32) Date (33) Country
29/390,210 21 Apr 2011 UNITED STATES OF AMERICA
(56) Related Art Documents: **Not Applicable**
(57) Statement of Newness and Distinctiveness: **Those features of the container with surface ornamentation depicted in the representations that are new and distinctive are the pattern and/or ornamentation. The stippling illustrates that the pattern and/or ornamentation may be in any colour, but not limited to a particular colour. The features shown in broken line are not part of the design and are to be disregarded when considering the overall impression of the design.**



(21) Design Number: **14737/2011**
(22) Date of Filing Application: **19 October 2011**
(24) Date from which industrial property rights may have effect: **19 October 2011**
(54) Product in respect of which the design is registered: **Flow regulator**
(51) International Design Classification: **23-01G**
(74) Name(s) of Attorney(s): **PHILLIPS ORMONDE FITZPATRICK**
(71) Name(s) and Address(s) of Applicant(s):

Neoperl GmbH
Klosterrunsstrasse 11 79379 Mullheim Germany

(72) Name(s) of Designer(s): **Gerhard Blum**

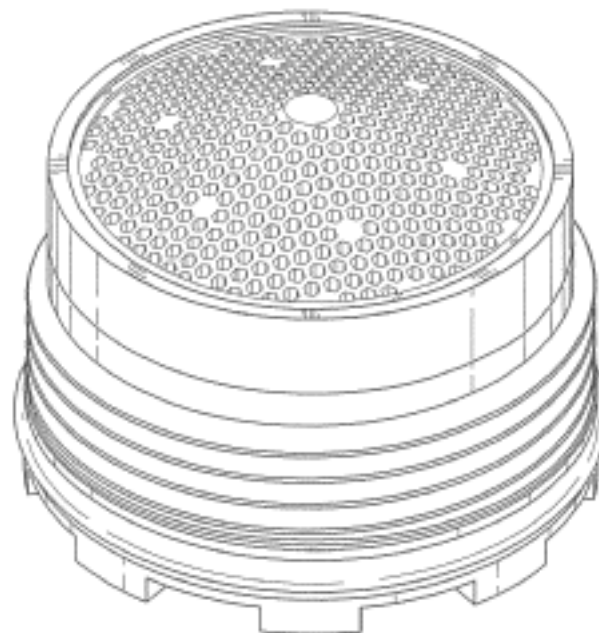
(45) Registration Date: **14 November 2011**

(30) Convention priority data:

(31) Number	(32) Date	(33) Country
001282065-0009	20 Jun 2011	EUROPEAN COMMUNITY

(56) Related Art Documents: **Not Applicable**

(57) Statement of Newness and Distinctiveness: **Those features of the flow regulator depicted in the representations that are new and distinctive are the shape and/or configuration.**



(21) Design Number: **14738/2011**
(22) Date of Filing Application: **19 October 2011**
(24) Date from which industrial property rights may have effect: **19 October 2011**
(54) Product in respect of which the design is registered: **Flow regulator**
(51) International Design Classification: **23-01G**
(74) Name(s) of Attorney(s): **PHILLIPS ORMONDE FITZPATRICK**
(71) Name(s) and Address(s) of Applicant(s):

Neoperl GmbH
Klosterrunsstrasse 11 79379 Mullheim Germany

(72) Name(s) of Designer(s): **Gerhard Blum**

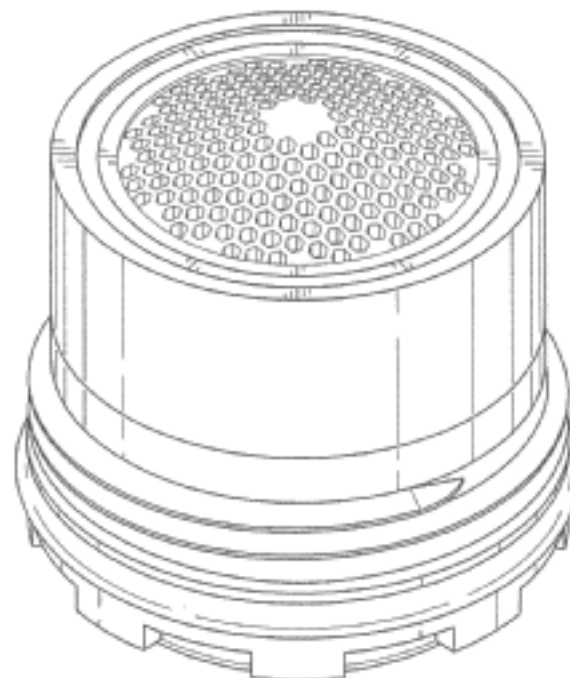
(45) Registration Date: **14 November 2011**

(30) Convention priority data:

(31) Number	(32) Date	(33) Country
001282065-0013	20 Jun 2011	EUROPEAN COMMUNITY

(56) Related Art Documents: **Not Applicable**

(57) Statement of Newness and Distinctiveness: **Those features of the flow regulator depicted in the representations that are new and distinctive are the shape and/or configuration.**



(21) Design Number: **14739/2011**
(22) Date of Filing Application: **19 October 2011**
(24) Date from which industrial property rights may have effect: **19 October 2011**
(54) Product in respect of which the design is registered: **Epilator**
(51) International Design Classification: **28-03A**
(74) Name(s) of Attorney(s): **FB Rice**
(71) Name(s) and Address(s) of Applicant(s):
Koninklijke Philips Electronics N.V.
Groenewoudseweg 1, 5621 BA Eindhoven, The Netherlands
(72) Name(s) of Designer(s): **Da-Mi Byun**
(45) Registration Date: **14 November 2011**
(30) Convention priority data:
(31) Number (32) Date (33) Country
001853771-0001 20 Apr 2011 EUROPEAN COMMUNITY
(56) Related Art Documents: **Not Applicable**
(57) Statement of Newness and Distinctiveness: **Newness and distinctiveness reside in the features of shape and configuration of the epilator as shown in the representations.**



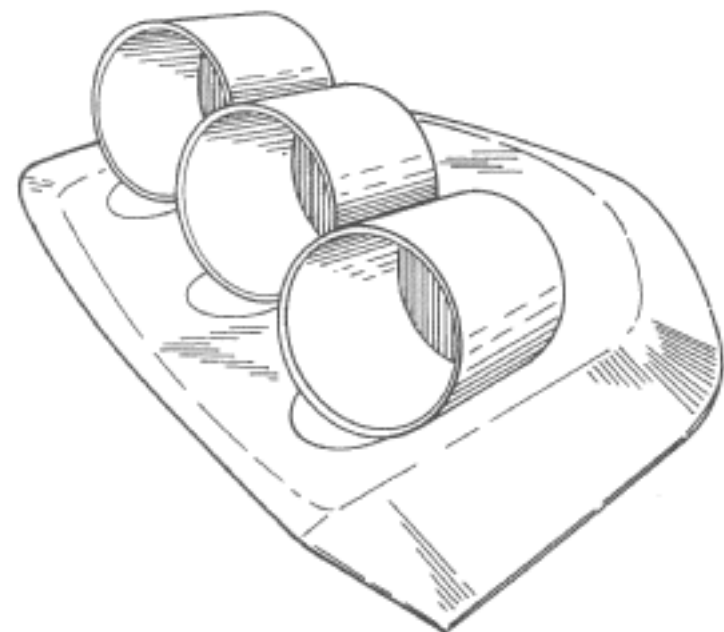
(21) Design Number: **14772/2011**
(22) Date of Filing Application: **20 October 2011**
(24) Date from which industrial property rights may have effect: **20 October 2011**
(54) Product in respect of which the design is registered: **Front side cowl for motorcycle**
(51) International Design Classification: **12-11**
(74) Name(s) of Attorney(s): **SPRUSON & FERGUSON**
(71) Name(s) and Address(s) of Applicant(s):
Honda Motor Co., Ltd.
1-1 Minamiaoyama 2-chome Minato-ku Tokyo Japan
(72) Name(s) of Designer(s): **Kiyoshi Yanagita and Hirotsugu Ueno**
(45) Registration Date: **14 November 2011**
(30) Convention priority data:
(31) Number (32) Date (33) Country
2011-009509 25 Apr 2011 JAPAN
(56) Related Art Documents: **Not Applicable**
(57) Statement of Newness and Distinctiveness: **Newness and distinctiveness is claimed in the features of shape and/or configuration of a front side cowl for motorcycle as illustrated in the accompanying representations.**



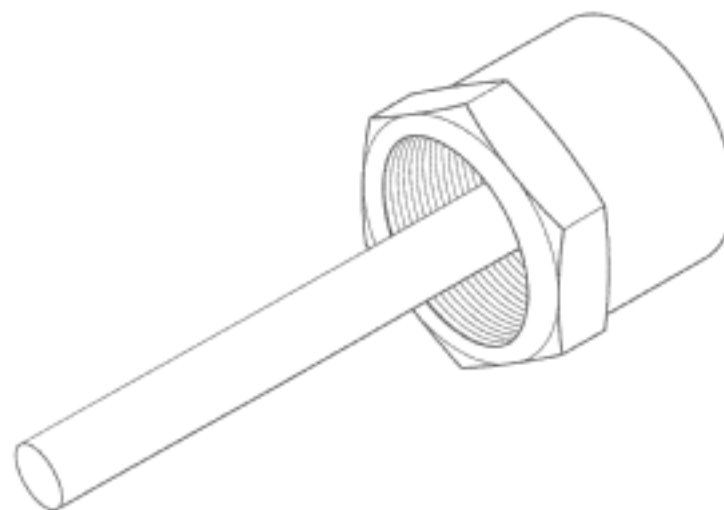
(21) Design Number: **14773/2011**
(22) Date of Filing Application: **21 October 2011**
(24) Date from which industrial property rights may have effect: **21 October 2011**
(54) Product in respect of which the design is registered: **Pen**
(51) International Design Classification: **19-06**
(74) Name(s) of Attorney(s): **WATERMARK PATENT AND TRADE MARKS ATTORNEYS**
(71) Name(s) and Address(s) of Applicant(s):
Inoxcrom, S.A.
Torrente Estadella 46-54 08030 Barcelona Spain
(72) Name(s) of Designer(s): **Jordi Busquets**
(45) Registration Date: **14 November 2011**
(30) Convention priority data:
(31) Number (32) Date (33) Country
DM/076 128 27 May 2011 EUROPEAN COMMUNITY
(56) Related Art Documents: **Not Applicable**
(57) Statement of Newness and Distinctiveness: **Nil**



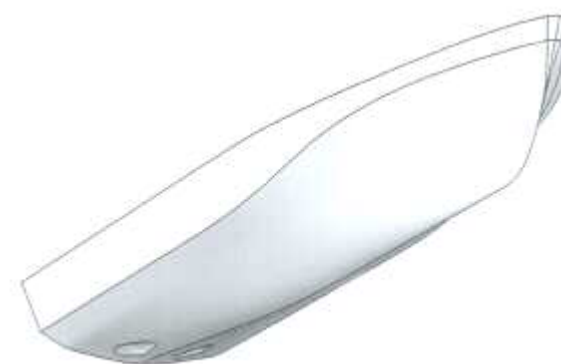
(21) Design Number: **14774/2011**
(22) Date of Filing Application: **21 October 2011**
(24) Date from which industrial property rights may have effect: **21 October 2011**
(54) Product in respect of which the design is registered: **A gauge holder**
(51) International Design Classification: **12-16NES**
(74) Name(s) of Attorney(s): **Varsity IP**
(71) Name(s) and Address(s) of Applicant(s):
SS Inductions Pty Ltd
1/76 Blanck Street Ormeau Queensland 4208 Australia
(72) Name(s) of Designer(s): **Shane Podmore**
(45) Registration Date: **14 November 2011**
(56) Related Art Documents: **Not Applicable**
(57) Statement of Newness and Distinctiveness: **Nil**



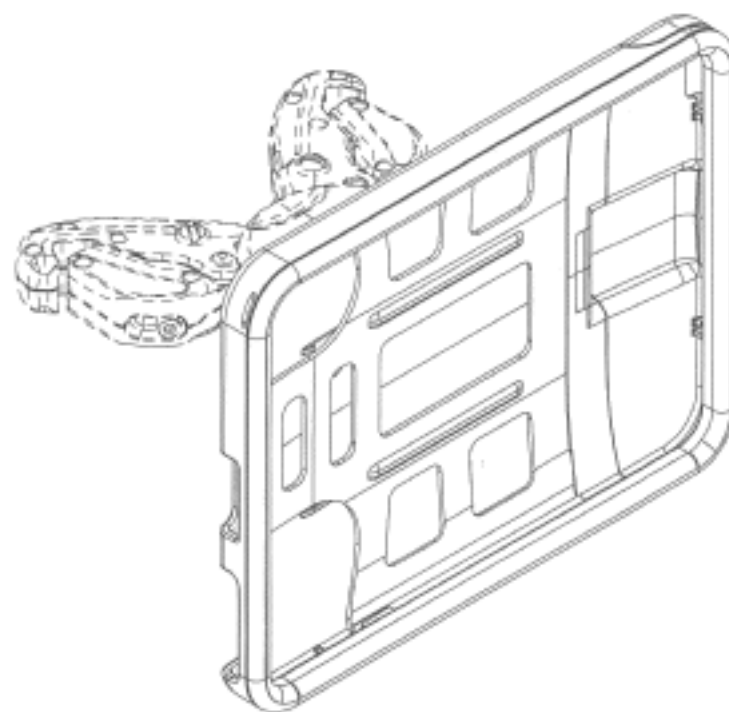
- (21) Design Number: **14707/2011**
(22) Date of Filing Application: **14 October 2011**
(24) Date from which industrial property rights may have effect: **14 October 2011**
(54) Product in respect of which the design is registered: **A tap dismantling tool**
(51) International Design Classification: **08-05NES**
(74) Name(s) of Attorney(s):
(71) Name(s) and Address(s) of Applicant(s):
Mark Gregory Hunter
15 Regent Street Caloundra Queensland 4551 Australia
(72) Name(s) of Designer(s): **Mark Gregory Hunter**
(45) Registration Date: **14 November 2011**
(56) Related Art Documents: **Not Applicable**
(57) Statement of Newness and Distinctiveness: **The shape and configuration of a tool for dismantling taps as shown in the representations.**



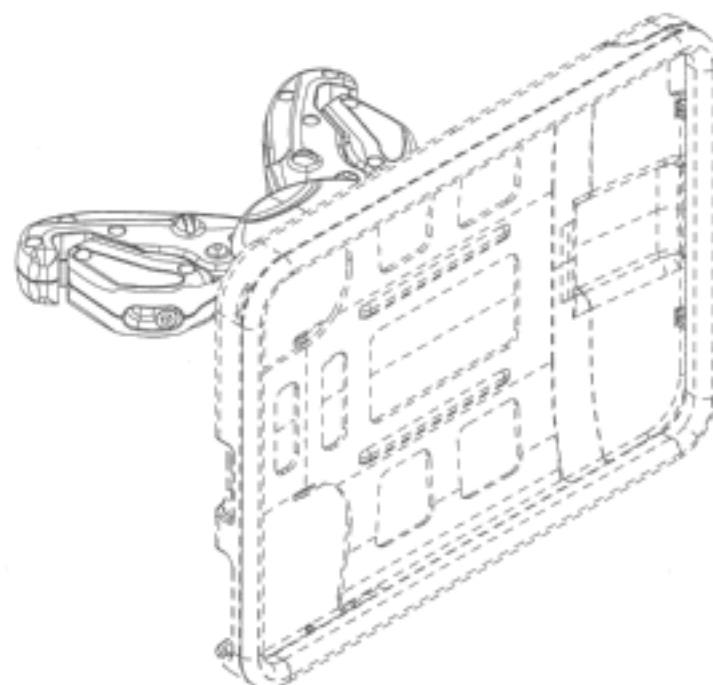
- (21) Design Number: **14708/2011**
(22) Date of Filing Application: **17 October 2011**
(24) Date from which industrial property rights may have effect: **17 October 2011**
(54) Product in respect of which the design is registered: **A hull**
(51) International Design Classification: **12-06A**
(74) Name(s) of Attorney(s): **Griffith Hack**
(71) Name(s) and Address(s) of Applicant(s):
Austal Ships Pty Ltd
100 Clarence Beach Road Henderson Western Australia 6166 Australia
(72) Name(s) of Designer(s): **Byron Walpole**
(45) Registration Date: **14 November 2011**
(56) Related Art Documents: **Not Applicable**
(57) Statement of Newness and Distinctiveness: **The shape and configuration of the hull is new and distinctive. The ship's lines shown on the representations marked 'Front/side perspective with ship's lines' and 'Side perspective with ship's lines' are not a visible feature of the design and are included so as to provide an informed user with information to aid understanding of the curvature of the hull.**



- (21) Design Number: **14710/2011**
(22) Date of Filing Application: **18 October 2011**
(24) Date from which industrial property rights may have effect: **18 October 2011**
(54) Product in respect of which the design is registered: **Cradle for electronics device**
(51) International Design Classification: **14-02, 14-99**
(74) Name(s) of Attorney(s): **PHILLIPS ORMONDE FITZPATRICK**
(71) Name(s) and Address(s) of Applicant(s):
Lumen Australia Pty Ltd
10-12 Becon Court Hallam Victoria 3803 Australia
(72) Name(s) of Designer(s): **Gary Hachadorian and Ben Bartlett and Paul Mason and Sam Manning and Jon Evans and Keith Evans and David Waterson and Kerry Lee**
(45) Registration Date: **14 November 2011**
(56) Related Art Documents: **Not Applicable**
(57) Statement of Newness and Distinctiveness: **Those features of the cradle for electronics device depicted in the representations that are new and distinctive are the shape and/or configuration. The features shown in broken lines are not part of the design and are to be disregarded when considering the overall impression of the design.**



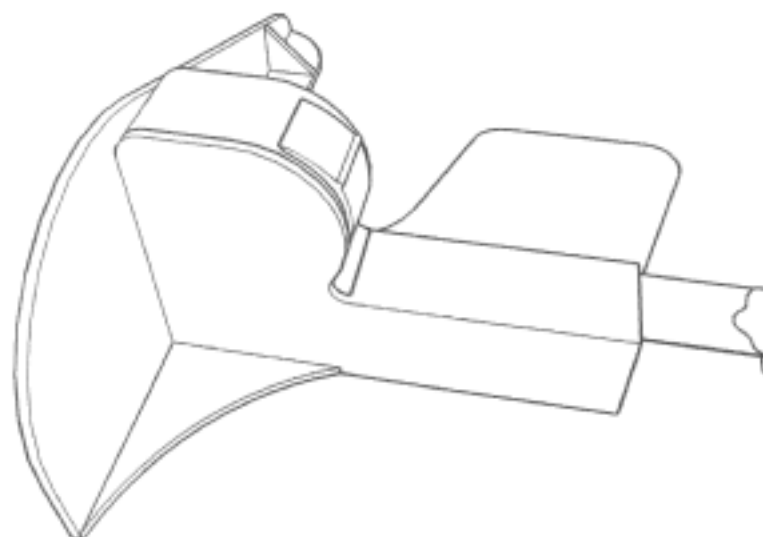
- (21) Design Number: **14711/2011**
(22) Date of Filing Application: **18 October 2011**
(24) Date from which industrial property rights may have effect: **18 October 2011**
(54) Product in respect of which the design is registered: **Cradle for electronics device**
(51) International Design Classification: **14-02, 14-99**
(74) Name(s) of Attorney(s): **PHILLIPS ORMONDE FITZPATRICK**
(71) Name(s) and Address(s) of Applicant(s):
Lumen Australia Pty Ltd
10-12 Becon Court Hallam Victoria 3803 Australia
(72) Name(s) of Designer(s): **Gary Hachadorian and Ben Bartlett and Paul Mason and Sam Manning and Jon Evans and Keith Evans and David Waterson and Kerry Lee**
(45) Registration Date: **14 November 2011**
(56) Related Art Documents: **Not Applicable**
(57) Statement of Newness and Distinctiveness: **Those features of the cradle for electronics device depicted in the representations that are new and distinctive are the shape and/or configuration. The features shown in broken lines are not part of the design and are to be disregarded when considering the overall impression of the design.**



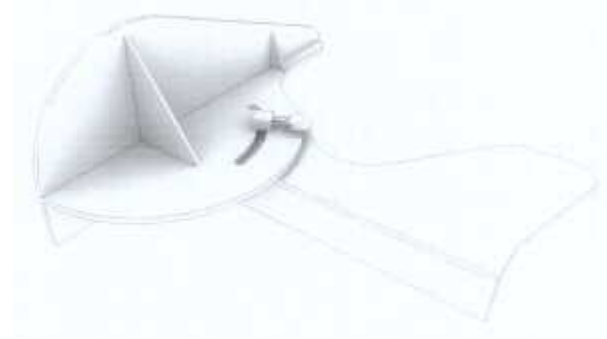
- (21) Design Number: **14741/2011**
(22) Date of Filing Application: **19 October 2011**
(24) Date from which industrial property rights may have effect: **19 October 2011**
(54) Product in respect of which the design is registered: **Toothbrush**
(51) International Design Classification: **04-02**
(74) Name(s) of Attorney(s): **FB Rice**
(71) Name(s) and Address(s) of Applicant(s):
Colgate-Palmolive Company
300 Park Avenue New York New York 10022 United States of America
(72) Name(s) of Designer(s): **Xiang Ji Ding and Yu Liu and Wen Jin Xi and Al Sprosta and Kenneth Waguespack**
(45) Registration Date: **14 November 2011**
(30) Convention priority data:
(31) Number (32) Date (33) Country
29/390963 02 May 2011 UNITED STATES OF AMERICA
(56) Related Art Documents: **Not Applicable**
(57) Statement of Newness and Distinctiveness: **Newness and distinctiveness reside in the features of the design shown in solid lines in the representations excluding those features shown in broken lines.**



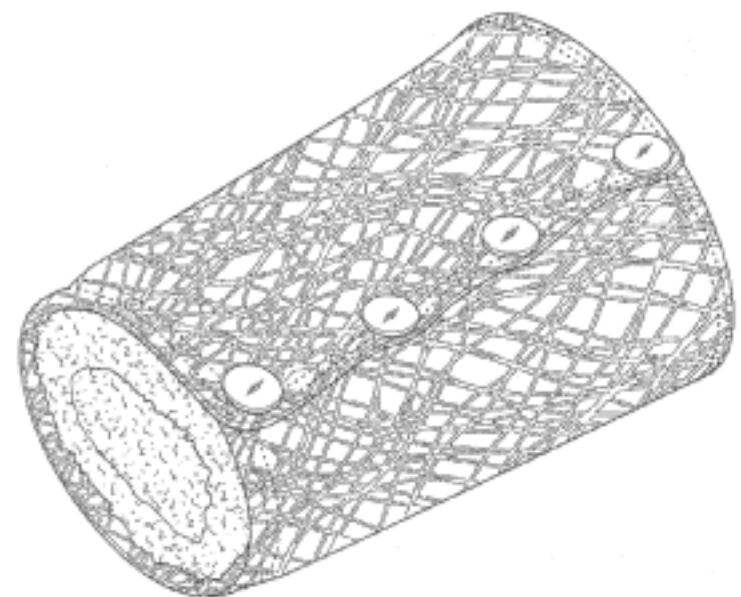
- (21) Design Number: **14762/2011**
(22) Date of Filing Application: **21 October 2011**
(24) Date from which industrial property rights may have effect: **21 October 2011**
(54) Product in respect of which the design is registered: **Saw guide**
(51) International Design Classification: **08-05NES**
(74) Name(s) of Attorney(s):
(71) Name(s) and Address(s) of Applicant(s):
Michael Orwin
Flat 6A 17 Abercorn Place St John's Wood London NW8 9DY United Kingdom
(72) Name(s) of Designer(s): **Michael Orwin**
(45) Registration Date: **14 November 2011**
(56) Related Art Documents: **Not Applicable**
(57) Statement of Newness and Distinctiveness: **Nil**



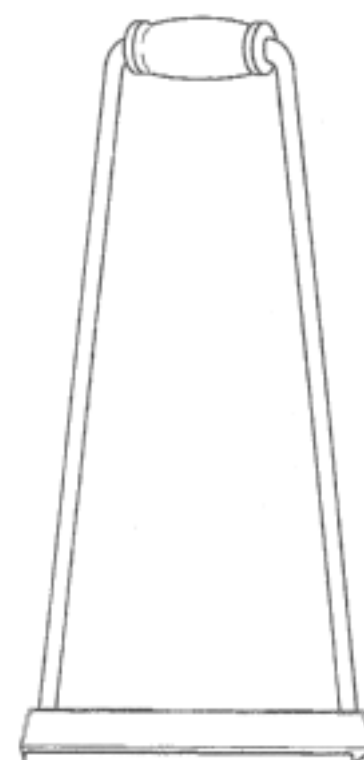
- (21) Design Number: **14763/2011**
(22) Date of Filing Application: **21 October 2011**
(24) Date from which industrial property rights may have effect: **21 October 2011**
(54) Product in respect of which the design is registered: **Saw guide**
(51) International Design Classification: **08-05NES**
(74) Name(s) of Attorney(s):
(71) Name(s) and Address(s) of Applicant(s):
Michael Orwin
Flat 6A 17 Abercorn Place St John's Wood London NW8 9DY United Kingdom
(72) Name(s) of Designer(s): **Michael Orwin**
(45) Registration Date: **14 November 2011**
(56) Related Art Documents: **Not Applicable**
(57) Statement of Newness and Distinctiveness: **Nil**



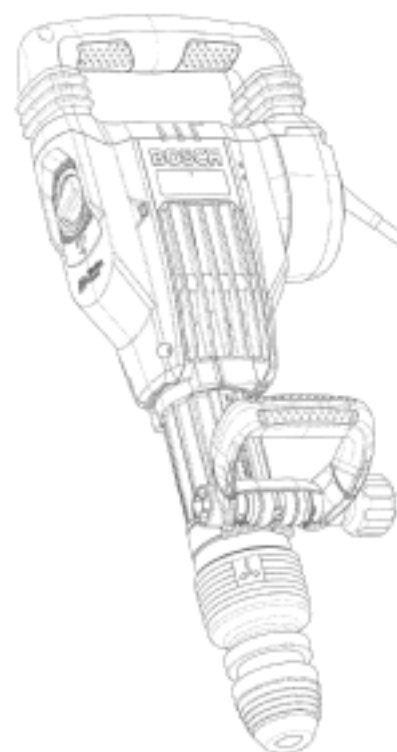
- (21) Design Number: **14766/2011**
(22) Date of Filing Application: **20 October 2011**
(24) Date from which industrial property rights may have effect: **20 October 2011**
(54) Product in respect of which the design is registered: **Arm cuff**
(51) International Design Classification: **02-07NES, 24-04**
(74) Name(s) of Attorney(s): **LESICAR PERRIN**
(71) Name(s) and Address(s) of Applicant(s):
Life Unparalleled Pty Ltd
PO Box 291 Salisbury South DC South Australia 5106 Australia
(72) Name(s) of Designer(s): **Jana Fitzpatrick**
(45) Registration Date: **14 November 2011**
(56) Related Art Documents: **Not Applicable**
(57) Statement of Newness and Distinctiveness: **Newness and distinctiveness resides in the shape and/or configuration of the arm cuff shown in the accompanying representations.**



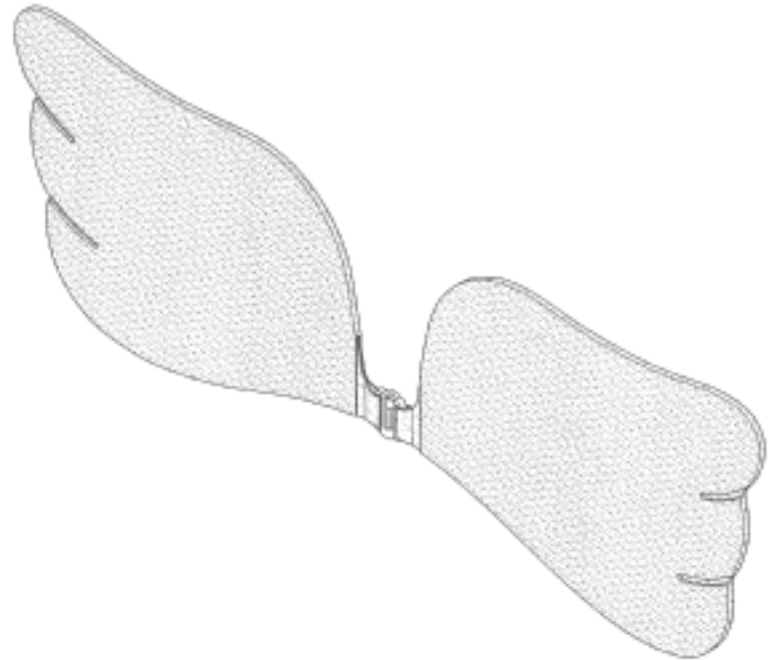
(21) Design Number: **14792/2011**
(22) Date of Filing Application: **21 October 2011**
(24) Date from which industrial property rights may have effect: **21 October 2011**
(54) Product in respect of which the design is registered: **A hand tool for manoeuvring building components**
(51) International Design Classification: **08-05NES**
(74) Name(s) of Attorney(s): **PIPERS**
(71) Name(s) and Address(s) of Applicant(s):
Robin Kaye Thompson
252 Viponds Road Stanmore Bay Auckland 0932 New Zealand
(72) Name(s) of Designer(s): **Robin Kaye Thompson**
(45) Registration Date: **14 November 2011**
(30) Convention priority data:
(31) Number (32) Date (33) Country
414832 26 Apr 2011 NEW ZEALAND
(56) Related Art Documents: **Not Applicable**
(57) Statement of Newness and Distinctiveness: **The design is to be applied to a hand tool for manoeuvring building components and the novelty resides in the features of shape and configuration of the hand tool for manoeuvring building components as shown in the accompanying repre.**



(21) Design Number: **14726/2011**
(22) Date of Filing Application: **19 October 2011**
(24) Date from which industrial property rights may have effect: **19 October 2011**
(54) Product in respect of which the design is registered: **Hammer drill**
(51) International Design Classification: **08-01**
(74) Name(s) of Attorney(s): **Callinans**
(71) Name(s) and Address(s) of Applicant(s):
Robert Bosch GmbH
Postfach 30 02 20 70442 Stuttgart Germany
(72) Name(s) of Designer(s): **Jan Koalick and Johannes Schnitzler and Lars Schmid and Hans-Peter Aglassinger**
(45) Registration Date: **14 November 2011**
(30) Convention priority data:
(31) Number (32) Date (33) Country
001868514 25 May 2011 EUROPEAN COMMUNITY
(56) Related Art Documents: **Not Applicable**
(57) Statement of Newness and Distinctiveness: **Newness and distinctiveness are provided by the shape and/or configuration of the design shown in the representations. In considering the scope of the newness protection any words and indicia on the hammer drill are to be disregarded.**



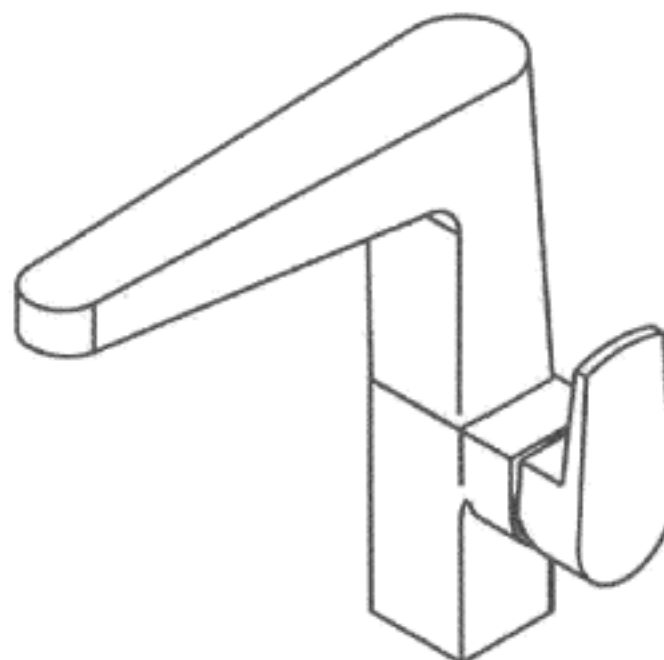
(21) Design Number: **14727/2011**
(22) Date of Filing Application: **19 October 2011**
(24) Date from which industrial property rights may have effect: **19 October 2011**
(54) Product in respect of which the design is registered: **Invisible bra**
(51) International Design Classification: **02-01A**
(74) Name(s) of Attorney(s): **Madderns**
(71) Name(s) and Address(s) of Applicant(s):
Ju-Chung Chang
1F No. 221 Sec.2 Chongde 2nd Road Beitun Dist. Taichung City Taiwan
(72) Name(s) of Designer(s): **Ju-Chung Chang**
(45) Registration Date: **14 November 2011**
(56) Related Art Documents: **Not Applicable**
(57) Statement of Newness and Distinctiveness: **Nil**



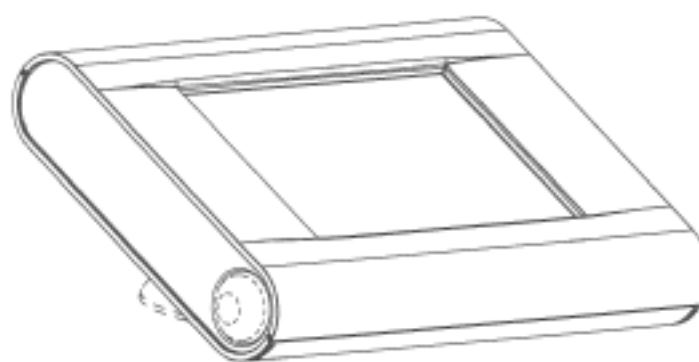
(21) Design Number: **14728/2011**
(22) Date of Filing Application: **20 October 2011**
(24) Date from which industrial property rights may have effect: **20 October 2011**
(54) Product in respect of which the design is registered: **A soft toy**
(51) International Design Classification: **21-01A**
(74) Name(s) of Attorney(s):
(71) Name(s) and Address(s) of Applicant(s):
Greig Novelties South Pty Ltd
322 Darebin Road Fairfield Victoria 3078 Australia
(72) Name(s) of Designer(s): **Alec Zhao**
(45) Registration Date: **14 November 2011**
(56) Related Art Documents: **Not Applicable**
(57) Statement of Newness and Distinctiveness: **Newness and distinctiveness is claimed in the shape and configuration of the soft toy illustrated in the accompanying representations. In considering the newness and distinctiveness of the design, colour should be disregarded.**



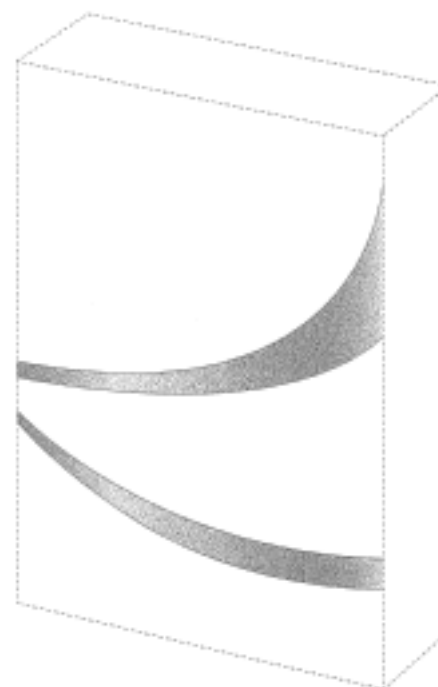
(21) Design Number: **14729/2011**
(22) Date of Filing Application: **19 October 2011**
(24) Date from which industrial property rights may have effect: **19 October 2011**
(54) Product in respect of which the design is registered: **Mixer tap**
(51) International Design Classification: **23-01H**
(74) Name(s) of Attorney(s):
(71) Name(s) and Address(s) of Applicant(s):
Anthony Leonard Alder
35 Berriman Drive Wangara Western Australia 6009 Australia
(72) Name(s) of Designer(s): **Anthony Leonard Alder**
(45) Registration Date: **14 November 2011**
(56) Related Art Documents: **Not Applicable**
(57) Statement of Newness and Distinctiveness: **Nil**



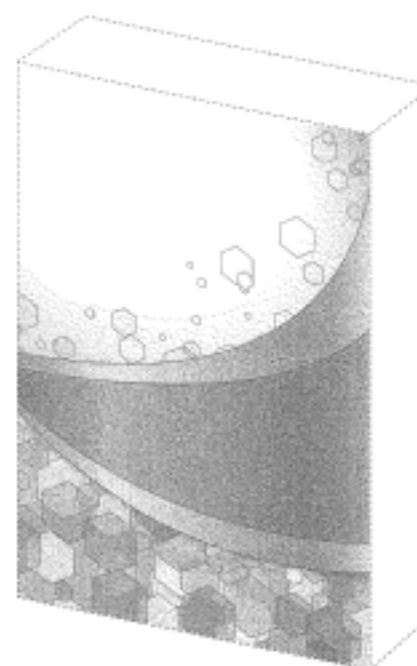
(21) Design Number: **14753/2011**
(22) Date of Filing Application: **20 October 2011**
(24) Date from which industrial property rights may have effect: **20 October 2011**
(54) Product in respect of which the design is registered: **Automatic vending machine**
(51) International Design Classification: **20-01**
(74) Name(s) of Attorney(s): **Shelston IP**
(71) Name(s) and Address(s) of Applicant(s):
British American Tobacco Denmark A/S
Vester Farimagsgade 19 DK-1606 Copenhagen V Denmark
(72) Name(s) of Designer(s): **Rasmus Thyrring and Christian Cramer Nielsen**
(45) Registration Date: **14 November 2011**
(30) Convention priority data:
(31) Number (32) Date (33) Country
001863499-0001 13 May 2011 EUROPEAN COMMUNITY
(56) Related Art Documents: **Not Applicable**
(57) Statement of Newness and Distinctiveness: **Newness and distinctiveness resides in the features of the automatic vending machine shown in solid lines in the accompanying representations. The features shown in broken lines relating to the stand do now form part of the design and can be varied.**



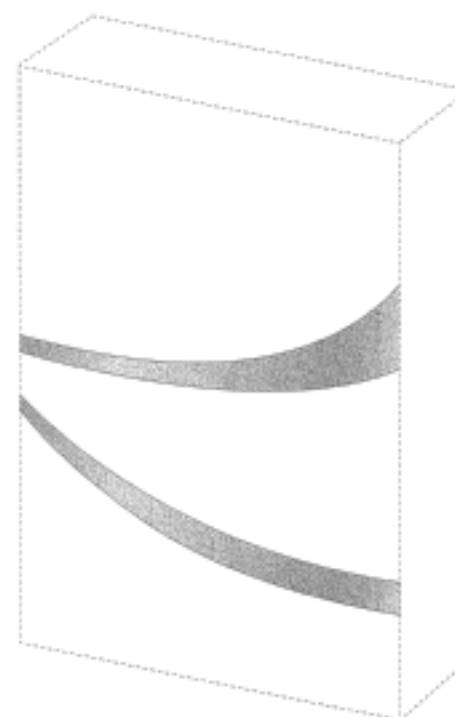
- (21) Design Number: **14730/2011**
(22) Date of Filing Application: **19 October 2011**
(24) Date from which industrial property rights may have effect: **19 October 2011**
(54) Product in respect of which the design is registered: **Container with surface ornamentation**
(51) International Design Classification: **09-03M**
(74) Name(s) of Attorney(s): **PHILLIPS ORMONDE FITZPATRICK**
(71) Name(s) and Address(s) of Applicant(s):
The Procter & Gamble Company
One Procter & Gamble Plaza Cincinnati Ohio 45202 United States of America
(72) Name(s) of Designer(s): **Jennifer Marie Merchant and Kevin Wimmer and Jennifer Rebecca Pohlman**
(45) Registration Date: **14 November 2011**
(30) Convention priority data:
(31) Number (32) Date (33) Country
29/390,210 21 Apr 2011 UNITED STATES OF AMERICA
(56) Related Art Documents: **Not Applicable**
(57) Statement of Newness and Distinctiveness: **Those features of the container with surface ornamentation depicted in the representations that are new and distinctive are the pattern and/or ornamentation. The stippling illustrates that the pattern and/or ornamentation may be in any colour, but not limited to a particular colour. The features shown in broken line are not part of the design and are to be disregarded when considering the overall impression of the design.**



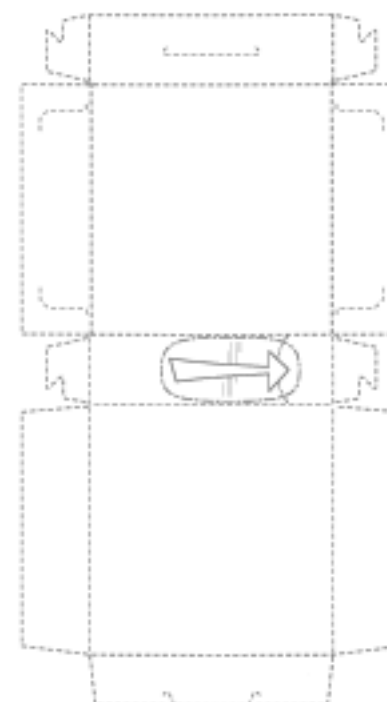
- (21) Design Number: **14732/2011**
(22) Date of Filing Application: **19 October 2011**
(24) Date from which industrial property rights may have effect: **19 October 2011**
(54) Product in respect of which the design is registered: **Container with surface ornamentation**
(51) International Design Classification: **09-03M**
(74) Name(s) of Attorney(s): **PHILLIPS ORMONDE FITZPATRICK**
(71) Name(s) and Address(s) of Applicant(s):
The Procter & Gamble Company
One Procter & Gamble Plaza Cincinnati Ohio 45202 United States of America
(72) Name(s) of Designer(s): **Jennifer Marie Merchant and Kevin Wimmer and Jennifer Rebecca Pohlman**
(45) Registration Date: **14 November 2011**
(30) Convention priority data:
(31) Number (32) Date (33) Country
29/390,210 21 Apr 2011 UNITED STATES OF AMERICA
(56) Related Art Documents: **Not Applicable**
(57) Statement of Newness and Distinctiveness: **Those features of the container with surface ornamentation depicted in the representations that are new and distinctive are the pattern and/or ornamentation. The stippling illustrates that the pattern and/or ornamentation may be in any colour, but not limited to a particular colour. The features shown in broken line are not part of the design and are to be disregarded when considering the overall impression of the design.**



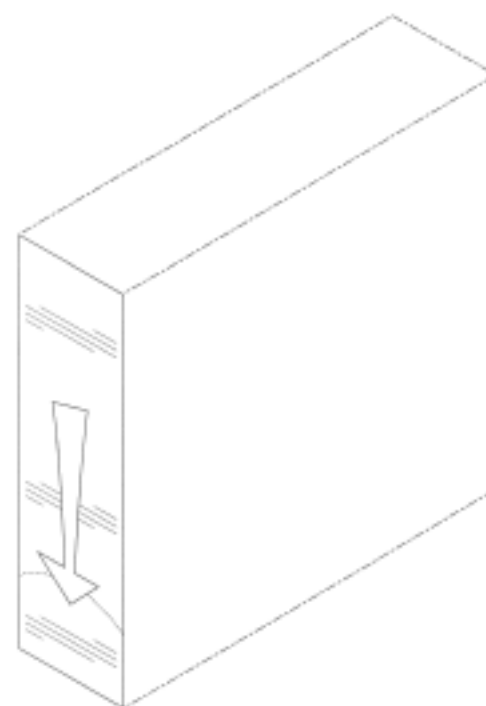
- (21) Design Number: **14733/2011**
(22) Date of Filing Application: **19 October 2011**
(24) Date from which industrial property rights may have effect: **19 October 2011**
(54) Product in respect of which the design is registered: **Container with surface ornamentation**
(51) International Design Classification: **09-03M**
(74) Name(s) of Attorney(s): **PHILLIPS ORMONDE FITZPATRICK**
(71) Name(s) and Address(s) of Applicant(s):
The Procter & Gamble Company
One Procter & Gamble Plaza Cincinnati Ohio 45202 United States of America
(72) Name(s) of Designer(s): **Jennifer Marie Merchant and Kevin Wimmer and Jennifer Rebecca Pohlman**
(45) Registration Date: **14 November 2011**
(30) Convention priority data:
(31) Number (32) Date (33) Country
29/390,210 21 Apr 2011 UNITED STATES OF AMERICA
(56) Related Art Documents: **Not Applicable**
(57) Statement of Newness and Distinctiveness: **Those features of the container with surface ornamentation depicted in the representations that are new and distinctive are the pattern and/or ornamentation. The stippling illustrates that the pattern and/or ornamentation may be in any colour, but not limited to a particular colour. The features shown in broken line are not part of the design and are to be disregarded when considering the overall impression of the design.**



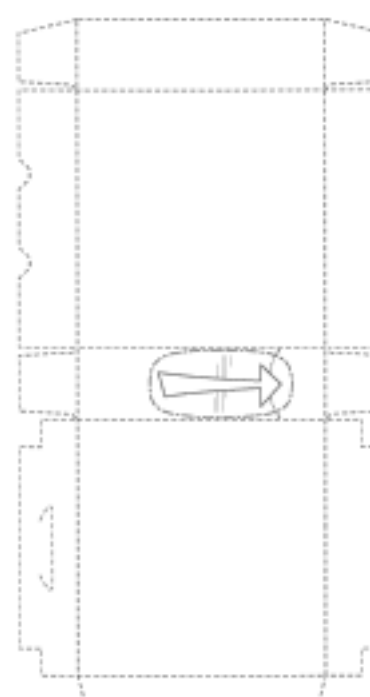
- (21) Design Number: **14767/2011**
(22) Date of Filing Application: **20 October 2011**
(24) Date from which industrial property rights may have effect: **20 October 2011**
(54) Product in respect of which the design is registered: **Carton blank**
(51) International Design Classification: **09-03NES**
(74) Name(s) of Attorney(s): **SPRUSON & FERGUSON**
(71) Name(s) and Address(s) of Applicant(s):
The Quaker Oats Company
555 West Monroe Street Chicago Illinois 60661 United States of America
(72) Name(s) of Designer(s): **Lindsay Marie Delaney and Allison Nicole Karay and Julie Allyson Saliba and Rachel Levin Fiely**
(45) Registration Date: **14 November 2011**
(30) Convention priority data:
(31) Number (32) Date (33) Country
29/390331 22 Apr 2011 UNITED STATES OF AMERICA
(56) Related Art Documents: **Not Applicable**
(57) Statement of Newness and Distinctiveness: **Newness and distinctiveness is claimed in the following features of a carton blank as illustrated in the accompanying drawings: a) the arrow shaped opening; and b) the arcuate perforated line intersecting the arrow shaped opening.**



- (21) Design Number: **14768/2011**
(22) Date of Filing Application: **20 October 2011**
(24) Date from which industrial property rights may have effect: **20 October 2011**
(54) Product in respect of which the design is registered: **Carton**
(51) International Design Classification: **09-03NES**
(74) Name(s) of Attorney(s): **SPRUSON & FERGUSON**
(71) Name(s) and Address(s) of Applicant(s):
The Quaker Oats Company
555 West Monroe Street Chicago Illinois 60661 United States of America
(72) Name(s) of Designer(s): **Lindsay Marie Delaney and Allison Nicole Karay and Julie Allyson Saliba and Rachel Levin Fiely**
(45) Registration Date: **14 November 2011**
(30) Convention priority data:
(31) Number (32) Date (33) Country
29/390332 22 Apr 2011 UNITED STATES OF AMERICA
(56) Related Art Documents: **Not Applicable**
(57) Statement of Newness and Distinctiveness: **Newness and distinctiveness is claimed in the following features of a carton as illustrated in the accompanying drawings: a) the arrow shaped opening; and b) the arcuate perforated line intersecting the arrow shaped opening.**



- (21) Design Number: **14769/2011**
(22) Date of Filing Application: **20 October 2011**
(24) Date from which industrial property rights may have effect: **20 October 2011**
(54) Product in respect of which the design is registered: **Carton blank**
(51) International Design Classification: **09-03NES**
(74) Name(s) of Attorney(s): **SPRUSON & FERGUSON**
(71) Name(s) and Address(s) of Applicant(s):
The Quaker Oats Company
555 West Monroe Street Chicago Illinois 60661 United States of America
(72) Name(s) of Designer(s): **Lindsay Marie Delaney and Allison Nicole Karay and Julie Allyson Saliba and Rachel Levin Fiely**
(45) Registration Date: **14 November 2011**
(30) Convention priority data:
(31) Number (32) Date (33) Country
29/390331 22 Apr 2011 UNITED STATES OF AMERICA
(56) Related Art Documents: **Not Applicable**
(57) Statement of Newness and Distinctiveness: **Newness and distinctiveness is claimed in the following features of a carton blank as illustrated in the accompanying drawings: a) the arrow shaped opening; and b) the arcuate perforated line intersecting the arrow shaped opening.**



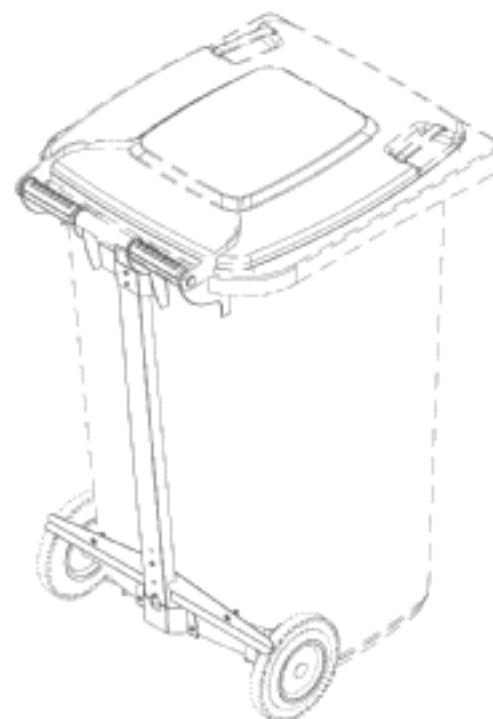
- (21) Design Number: **14771/2011**
(22) Date of Filing Application: **20 October 2011**
(24) Date from which industrial property rights may have effect: **20 October 2011**
(54) Product in respect of which the design is registered: **Front cowl for motorcycle**
(51) International Design Classification: **12-11**
(74) Name(s) of Attorney(s): **SPRUSON & FERGUSON**
(71) Name(s) and Address(s) of Applicant(s):
Honda Motor Co., Ltd.
1-1 Minamiaoyama 2-chome Minato-ku Tokyo Japan
(72) Name(s) of Designer(s): **Kiyoshi Yanagita and Hirotsugu Ueno**
(45) Registration Date: **14 November 2011**
(30) Convention priority data:
(31) Number (32) Date (33) Country
2011-009508 25 Apr 2011 JAPAN
(56) Related Art Documents: **Not Applicable**
(57) Statement of Newness and Distinctiveness: **Newness and distinctiveness is claimed in the features of shape and/or configuration of a front cowl for motor cycle as illustrated in the accompanying representations.**



- (21) Design Number: **14480/2011**
(22) Date of Filing Application: **06 October 2011**
(24) Date from which industrial property rights may have effect: **06 October 2011**
(54) Product in respect of which the design is registered: **Medallion**
(51) International Design Classification: **11-03**
(74) Name(s) of Attorney(s): **WALSH & ASSOCIATES**
(71) Name(s) and Address(s) of Applicant(s):
Martin Rodgers
98 Henry Street Penrith New South Wales 2750 Australia
(72) Name(s) of Designer(s): **Martin Rodgers**
(45) Registration Date: **15 November 2011**
(56) Related Art Documents: **Not Applicable**
(57) Statement of Newness and Distinctiveness: **Nil**



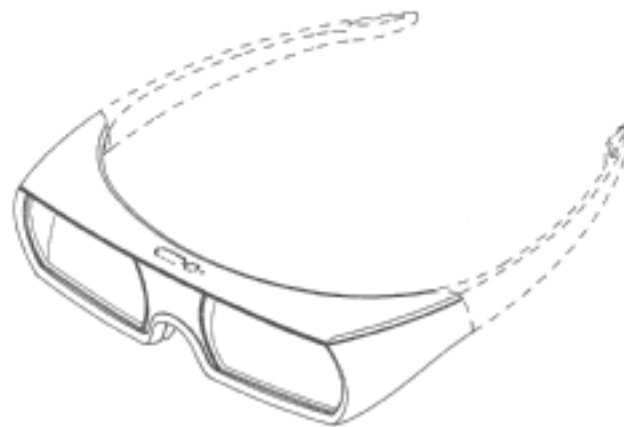
- (21) Design Number: **14746/2011**
(22) Date of Filing Application: **19 October 2011**
(24) Date from which industrial property rights may have effect: **19 October 2011**
(54) Product in respect of which the design is registered: **Bin brake**
(51) International Design Classification: **09-09**
(74) Name(s) of Attorney(s): **Pappas IP**
(71) Name(s) and Address(s) of Applicant(s):
Ralph Adrian Casey
41 Yugari Crescent Daleys Point New South Wales 2257 Australia
(72) Name(s) of Designer(s): **Marc Philipp Veenendaal**
(45) Registration Date: **15 November 2011**
(56) Related Art Documents: **Not Applicable**
(57) Statement of Newness and Distinctiveness: **Newness and distinctiveness is claimed in the shape and/or configuration of a Bin Brake as illustrated in the representations and in considering the extent of the newness and distinctiveness of the shape and/or configuration of the Bin Brake, the detail of the bin shown in phantom is to be disregarded.**



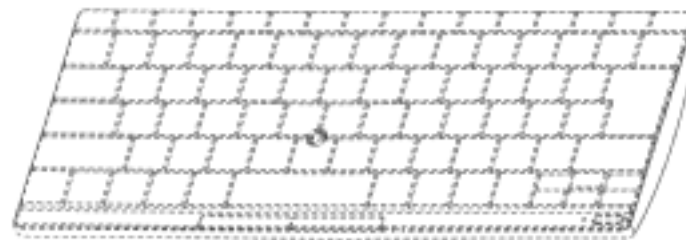
- (21) Design Number: **14749/2011**
(22) Date of Filing Application: **20 October 2011**
(24) Date from which industrial property rights may have effect: **20 October 2011**
(54) Product in respect of which the design is registered: **Alloy wheels/rims**
(51) International Design Classification: **12-16A**
(74) Name(s) of Attorney(s):
(71) Name(s) and Address(s) of Applicant(s):
Ossama Naim
1 Alexander Circuit Patterson Lakes Victoria 3197 Australia
(72) Name(s) of Designer(s): **Ossama Naim**
(45) Registration Date: **15 November 2011**
(56) Related Art Documents: **Not Applicable**
(57) Statement of Newness and Distinctiveness: **Three semetrical triangular shapes with dividing black spokes.**



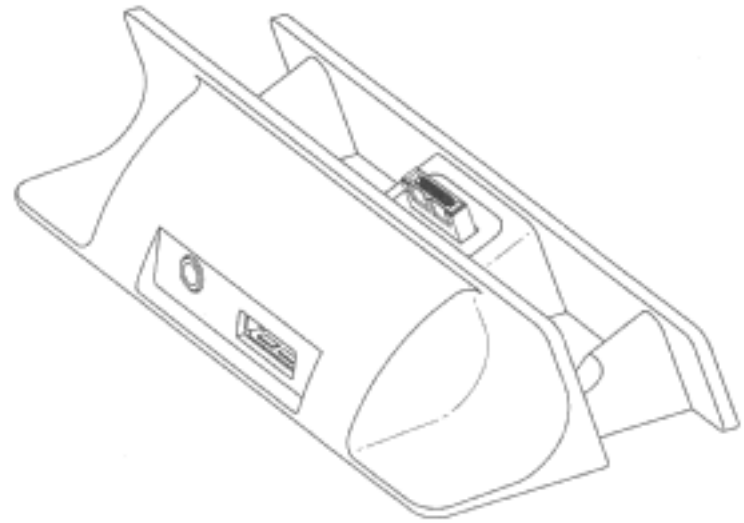
- (21) Design Number: **14756/2011**
(22) Date of Filing Application: **20 October 2011**
(24) Date from which industrial property rights may have effect: **20 October 2011**
(54) Product in respect of which the design is registered: **3D glasses**
(51) International Design Classification: **16-06**
(74) Name(s) of Attorney(s): **Shelston IP**
(71) Name(s) and Address(s) of Applicant(s):
Sony Computer Entertainment Inc.
1-7-1 Konan Minato-ku Tokyo Japan
(72) Name(s) of Designer(s): **Takashi Sogabe and Taichi Nokuo**
(45) Registration Date: **15 November 2011**
(30) Convention priority data:
(31) Number (32) Date (33) Country
2011-012688 03 Jun 2011 JAPAN
(56) Related Art Documents: **Not Applicable**
(57) Statement of Newness and Distinctiveness: **Newness and distinctiveness reside in the shape and/or configuration of 3D glasses as illustrated by solid lines in the accompanying representations.**



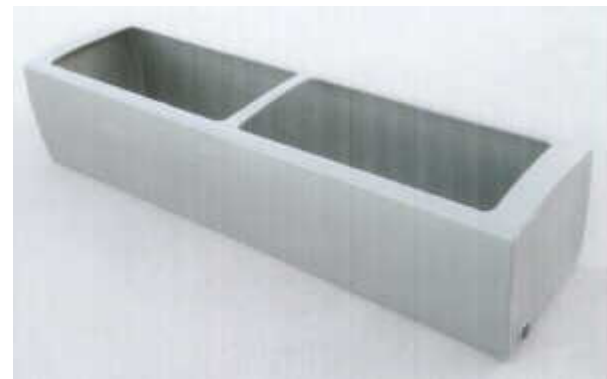
- (21) Design Number: **14758/2011**
(22) Date of Filing Application: **20 October 2011**
(24) Date from which industrial property rights may have effect: **20 October 2011**
(54) Product in respect of which the design is registered: **Keyboard**
(51) International Design Classification: **14-02**
(74) Name(s) of Attorney(s): **Shelston IP**
(71) Name(s) and Address(s) of Applicant(s):
Sony Computer Entertainment Inc.
1-7-1 Konan Minato-ku Tokyo Japan
(72) Name(s) of Designer(s): **Taichi Nokuo**
(45) Registration Date: **15 November 2011**
(30) Convention priority data:
(31) Number (32) Date (33) Country
2011-010140 02 May 2011 JAPAN
(56) Related Art Documents: **Not Applicable**
(57) Statement of Newness and Distinctiveness: **Newness and distinctiveness reside in the shape and/or configuration of a keyboard as illustrated by solid lines in the accompanying representations.**



(21) Design Number: **14760/2011**
(22) Date of Filing Application: **20 October 2011**
(24) Date from which industrial property rights may have effect: **20 October 2011**
(54) Product in respect of which the design is registered: **Cradle for a portable electronic device**
(51) International Design Classification: **14-02**
(74) Name(s) of Attorney(s): **Shelston IP**
(71) Name(s) and Address(s) of Applicant(s):
Sony Computer Entertainment Inc.
1-7-1 Konan Minato-ku Tokyo Japan
(72) Name(s) of Designer(s): **Takashi Sogabe**
(45) Registration Date: **15 November 2011**
(30) Convention priority data:
(31) Number (32) Date (33) Country
2011-012657 03 Jun 2011 JAPAN
(56) Related Art Documents: **Not Applicable**
(57) Statement of Newness and Distinctiveness: **Nil**



(21) Design Number: **12754/2011**
(22) Date of Filing Application: **16 June 2011**
(24) Date from which industrial property rights may have effect: **16 June 2011**
(54) Product in respect of which the design is registered: **Fishpond/planterbox**
(51) International Design Classification: **11-02B, 30-02**
(74) Name(s) of Attorney(s):
(71) Name(s) and Address(s) of Applicant(s):
Hannu Ketola
5/63 Carabella Street Kirribilli New South Wales 2061 Australia
(72) Name(s) of Designer(s): **Hannu Ketola**
(45) Registration Date: **16 November 2011**
(56) Related Art Documents: **Not Applicable**
(57) Statement of Newness and Distinctiveness: **Nil**



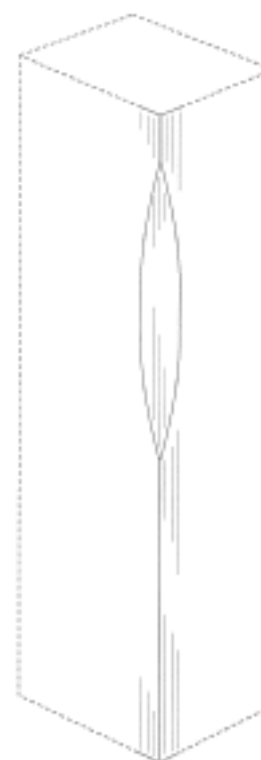
(21) Design Number: **12919/2011**
(22) Date of Filing Application: **29 June 2011**
(24) Date from which industrial property rights may have effect: **29 June 2011**
(54) Product in respect of which the design is registered: **Vehicle wheel**
(51) International Design Classification: **12-16A**
(74) Name(s) of Attorney(s): **MIDDLETONS**
(71) Name(s) and Address(s) of Applicant(s):
GM Global Technology Operations, LLC
300 Renaissance Centre City of Detroit State of Michigan 48265-3000
United States of America
(72) Name(s) of Designer(s): **Julian Mark Quincey**
(45) Registration Date: **16 November 2011**
(56) Related Art Documents: **Not Applicable**
(57) Statement of Newness and Distinctiveness: **Nil**



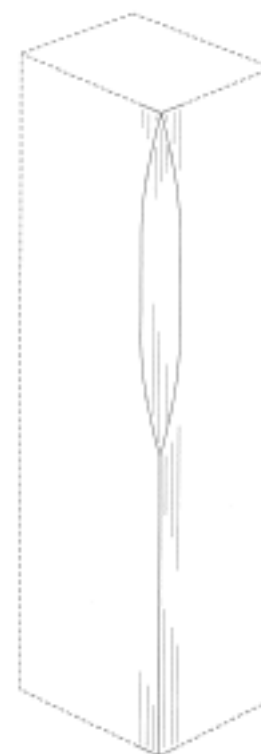
(21) Design Number: **13827/2011**
(22) Date of Filing Application: **30 August 2011**
(24) Date from which industrial property rights may have effect: **30 August 2011**
(54) Product in respect of which the design is registered: **Packaging**
(51) International Design Classification: **09-03M**
(74) Name(s) of Attorney(s): **PHILLIPS ORMONDE FITZPATRICK**
(71) Name(s) and Address(s) of Applicant(s):
The Procter & Gamble Company
One Procter & Gamble Plaza Cincinnati Ohio 45202 United States of
America
(72) Name(s) of Designer(s): **Maxine Jane Walter and Niklas Kuhn and Martin**
Jay Marotti
(45) Registration Date: **16 November 2011**
(30) Convention priority data:
(31) Number (32) Date (33) Country
29/386,443 01 Mar 2011 UNITED STATES OF AMERICA
(56) Related Art Documents: **Not Applicable**
(57) Statement of Newness and Distinctiveness: **Those features of the**
packaging depicted in the representations that are new and distinctive
are the shape and/or configuration of the package shown in continuous
lines. The features shown in broken lines are not part of the design and
are to be disregarded when considering the overall impression of the
design.



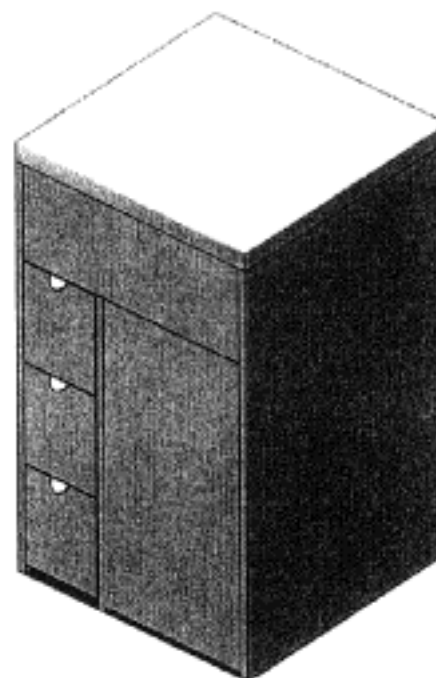
- (21) Design Number: **13829/2011**
(22) Date of Filing Application: **30 August 2011**
(24) Date from which industrial property rights may have effect: **30 August 2011**
(54) Product in respect of which the design is registered: **Packaging**
(51) International Design Classification: **09-03M**
(74) Name(s) of Attorney(s): **PHILLIPS ORMONDE FITZPATRICK**
(71) Name(s) and Address(s) of Applicant(s):
The Procter & Gamble Company
One Procter & Gamble Plaza Cincinnati Ohio 45202 United States of America
(72) Name(s) of Designer(s): **Maxine Jane Walter and Tina Marie Bernard and Mahmood A. Shaikh and Joe Alexander and Rob Pfister**
(45) Registration Date: **16 November 2011**
(30) Convention priority data:
(31) Number (32) Date (33) Country
29/386,448 01 Mar 2011 UNITED STATES OF AMERICA
(56) Related Art Documents: **Not Applicable**
(57) Statement of Newness and Distinctiveness: **Those features of the packaging depicted in the representations that are new and distinctive are the shape and/or configuration of the portion of the packaging shown in continuous lines. The features shown in broken lines are not part of the design and are to be disregarded when considering the overall impression of the design.**



- (21) Design Number: **13831/2011**
(22) Date of Filing Application: **30 August 2011**
(24) Date from which industrial property rights may have effect: **30 August 2011**
(54) Product in respect of which the design is registered: **Packaging**
(51) International Design Classification: **09-03M**
(74) Name(s) of Attorney(s): **PHILLIPS ORMONDE FITZPATRICK**
(71) Name(s) and Address(s) of Applicant(s):
The Procter & Gamble Company
One Procter & Gamble Plaza Cincinnati Ohio 45202 United States of America
(72) Name(s) of Designer(s): **Maxine Jane Walter and Tina Marie Bernard and Mahmood A. Shaikh and Joe Alexander and Rob Pfister**
(45) Registration Date: **16 November 2011**
(30) Convention priority data:
(31) Number (32) Date (33) Country
29/386,448 01 Mar 2011 UNITED STATES OF AMERICA
(56) Related Art Documents: **Not Applicable**
(57) Statement of Newness and Distinctiveness: **Those features of the packaging depicted in the representations that are new and distinctive are the shape and/or configuration of the portion of the packaging shown in continuous lines. The features shown in broken lines are not part of the design and are to be disregarded when considering the overall impression of the design.**



(21) Design Number: **13866/2011**
(22) Date of Filing Application: **01 September 2011**
(24) Date from which industrial property rights may have effect: **01 September 2011**
(54) Product in respect of which the design is registered: **A sanitary appliance**
(51) International Design Classification: **23-02NES**
(74) Name(s) of Attorney(s): **Davies Collison Cave**
(71) Name(s) and Address(s) of Applicant(s):
UUBEE Pty Ltd
Suite 1 Level 3 200 Creek Street Brisbane Queensland 4000 Australia
(72) Name(s) of Designer(s): **Malcolm Carver and Steve Paul and Luke DeGioia**
(45) Registration Date: **16 November 2011**
(56) Related Art Documents: **Not Applicable**
(57) Statement of Newness and Distinctiveness: **Nil**



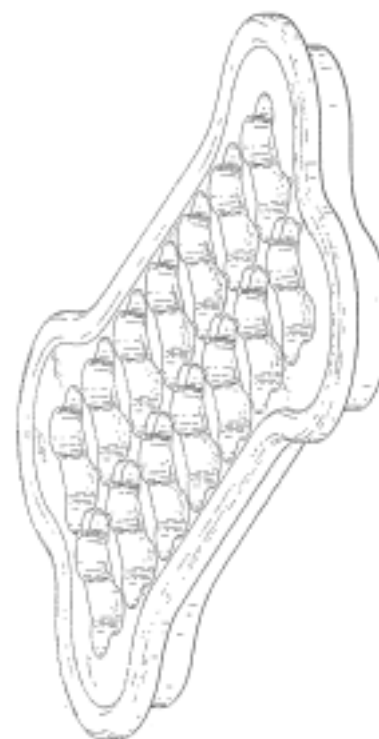
(21) Design Number: **14029/2011**
(22) Date of Filing Application: **12 September 2011**
(24) Date from which industrial property rights may have effect: **12 September 2011**
(54) Product in respect of which the design is registered: **Frosted food piece**
(51) International Design Classification: **01-01**
(74) Name(s) of Attorney(s): **Davies Collison Cave**
(71) Name(s) and Address(s) of Applicant(s):
Kellogg Company
One Kellogg Square PO Box 3599 Battle Creek Michigan 49016-3599
United States of America
(72) Name(s) of Designer(s): **Norbert Gimmler and Charlie Smith and Chris Willoughby and Lisa Unlu**
(45) Registration Date: **16 November 2011**
(30) Convention priority data:
(31) Number (32) Date (33) Country
29/387430 14 Mar 2011 UNITED STATES OF AMERICA
(56) Related Art Documents: **Not Applicable**
(57) Statement of Newness and Distinctiveness: **Nil**



(21) Design Number: **14030/2011**
(22) Date of Filing Application: **12 September 2011**
(24) Date from which industrial property rights may have effect: **12 September 2011**
(54) Product in respect of which the design is registered: **Unfrosted food piece**
(51) International Design Classification: **01-01**
(74) Name(s) of Attorney(s): **Davies Collison Cave**
(71) Name(s) and Address(s) of Applicant(s):
Kellogg Company
One Kellogg Square PO Box 3599 Battle Creek Michigan 49016-3599
United States of America
(72) Name(s) of Designer(s): **Norbert Gimmler and Charlie Smith and Chris Willoughby and Lisa Unlu**
(45) Registration Date: **16 November 2011**
(30) Convention priority data:
(31) Number (32) Date (33) Country
29/387428 14 Mar 2011 UNITED STATES OF AMERICA
(56) Related Art Documents: **Not Applicable**
(57) Statement of Newness and Distinctiveness: **Nil**



(21) Design Number: **14665/2011**
(22) Date of Filing Application: **12 October 2011**
(24) Date from which industrial property rights may have effect: **12 October 2011**
(54) Product in respect of which the design is registered: **A tray for creating frozen pet treats**
(51) International Design Classification: **07-07NES**
(74) Name(s) of Attorney(s): **PATENT ATTORNEY SERVICES**
(71) Name(s) and Address(s) of Applicant(s):
Stefan Klemm
8 Bluefin Court Newport Beach CA 92663 United States of America
Heather Klemm
8 Bluefin Court Newport Beach CA 92663 United States of America
(72) Name(s) of Designer(s): **Stefan Klemm and Heather Klemm**
(45) Registration Date: **16 November 2011**
(30) Convention priority data:
(31) Number (32) Date (33) Country
29/373,507 15 Apr 2011 UNITED STATES OF AMERICA
(56) Related Art Documents: **Not Applicable**
(57) Statement of Newness and Distinctiveness: **Visual features of the design which are new and distinctive are the features of shape and configuration of a tray for creating frozen pet treats as illustrated in the representations.**



(21) Design Number: **14777/2011**
(22) Date of Filing Application: **19 October 2011**
(24) Date from which industrial property rights may have effect: **19 October 2011**
(54) Product in respect of which the design is registered: **Planter box**
(51) International Design Classification: **11-02B**
(74) Name(s) of Attorney(s):
(71) Name(s) and Address(s) of Applicant(s):
Kenneth Petek
24 Portview Road Greenwich New South Wales 2065 Australia
(72) Name(s) of Designer(s): **Kenneth Petek**
(45) Registration Date: **16 November 2011**
(56) Related Art Documents: **Not Applicable**
(57) Statement of Newness and Distinctiveness: **Nil**



(21) Design Number: **14158/2011**
(22) Date of Filing Application: **15 September 2011**
(24) Date from which industrial property rights may have effect: **15 September 2011**
(54) Product in respect of which the design is registered: **External ink reservoir tank with cover for inkjet printers. The reservoir tanks feed ink cartridges by way of silicone**
(51) International Design Classification: **14-02**
(74) Name(s) of Attorney(s):
(71) Name(s) and Address(s) of Applicant(s):
Mirali Seyed Esfahani
5/36 O'Riordan Street Alexandria New South Wales 2015 Australia
(72) Name(s) of Designer(s): **Mirali Seyed Esfahani**
(45) Registration Date: **16 November 2011**
(56) Related Art Documents: **Not Applicable**
(57) Statement of Newness and Distinctiveness: **Attached.**



- (21) Design Number: **14938/2011**
(22) Date of Filing Application: **02 November 2011**
(24) Date from which industrial property rights may have effect: **02 November 2011**
(54) Product in respect of which the design is registered: **Credit-card holder**
(51) International Design Classification: **03-01B**
(74) Name(s) of Attorney(s): **SPRUSON & FERGUSON**
(71) Name(s) and Address(s) of Applicant(s):

Katrin Mengel
Schluterstrasse 22 D-20146 Hamburg Germany

Thomas Wingerter
Schluterstrasse 22 D-20146 Hamburg Germany

(72) Name(s) of Designer(s): **Emmanuel Dietrich**

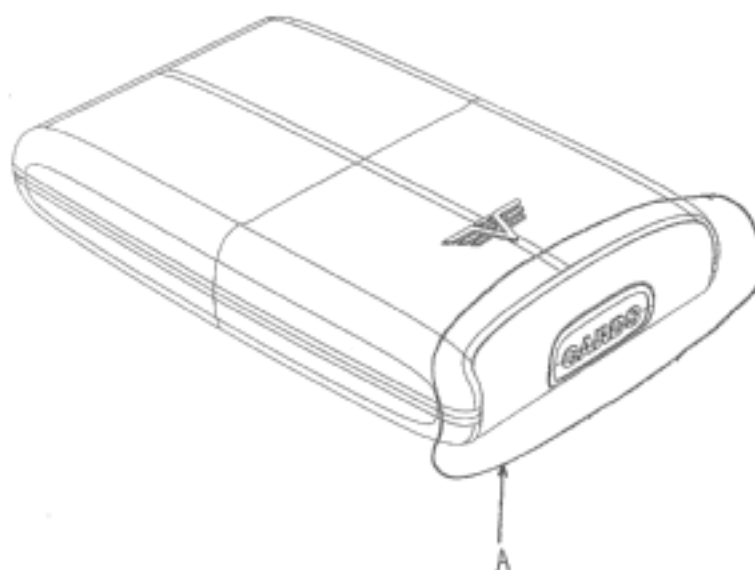
(45) Registration Date: **16 November 2011**

(30) Convention priority data:

(31) Number	(32) Date	(33) Country
001858721-0001	03 May 2011	EUROPEAN COMMUNITY

(56) Related Art Documents: **Not Applicable**

(57) Statement of Newness and Distinctiveness: **Newness and distinctiveness is claimed in the features of shape and/or configuration of the following part of a credit-card holder as illustrated and labelled in the accompanying representations: the front region of the credit-card holder including the push-button labelled "A".**



- (21) Design Number: **14473/2011**
(22) Date of Filing Application: **20 September 2011**
(24) Date from which industrial property rights may have effect: **20 September 2011**
(54) Product in respect of which the design is registered: **LED downlight fixed**
(51) International Design Classification: **26-05E**
(74) Name(s) of Attorney(s):
(71) Name(s) and Address(s) of Applicant(s):

Hillstone Architectural Lighting Pty Ltd
41 Westwood Meander Carramar Western Australia 6031 Australia

(72) Name(s) of Designer(s): **Scott Johnstone**

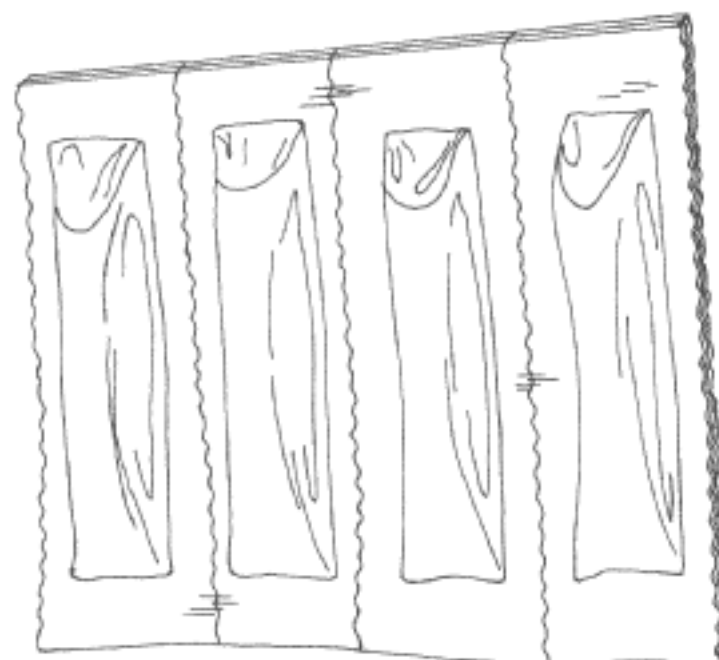
(45) Registration Date: **16 November 2011**

(56) Related Art Documents: **Not Applicable**

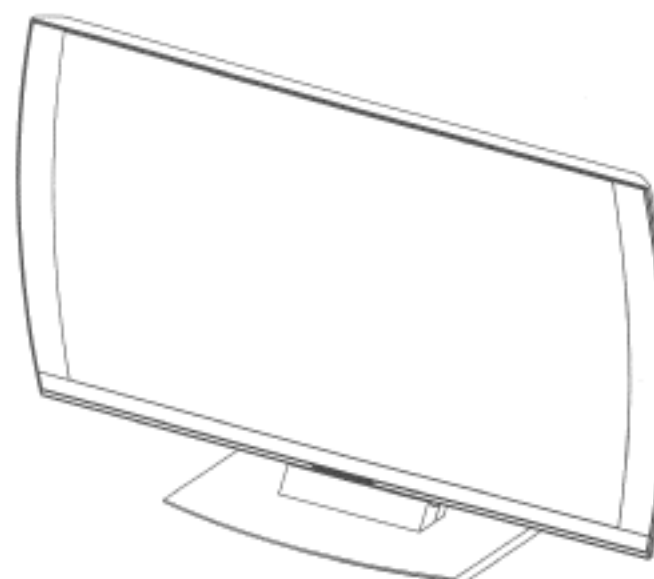
(57) Statement of Newness and Distinctiveness: **The design has a unique internal reflector covered by a textured frosted lens with a sealed face. The frosted lens cover conceals all internal components while providing a diffused lighting.**



(21) Design Number: **14650/2011**
(22) Date of Filing Application: **13 October 2011**
(24) Date from which industrial property rights may have effect: **13 October 2011**
(54) Product in respect of which the design is registered: **Ladder pack for use with powder**
(51) International Design Classification: **09-03M**
(74) Name(s) of Attorney(s): **Griffith Hack**
(71) Name(s) and Address(s) of Applicant(s):
TwoPack AB
Per Hakanssons vag 36 Eslov S-24138 Sweden
(72) Name(s) of Designer(s): **Per Hjalmarsson**
(45) Registration Date: **16 November 2011**
(30) Convention priority data:
(31) Number (32) Date (33) Country
29/373,69 09 May 2011 UNITED STATES OF AMERICA
(56) Related Art Documents: **Not Applicable**
(57) Statement of Newness and Distinctiveness: **Newness and distinctiveness resides in the visual features, including shape, configuration, ornamentation, of a ladder pack as shown in the accompanying drawings.**



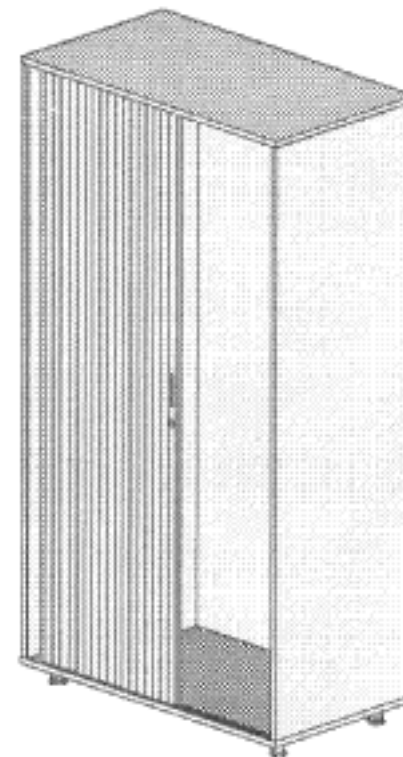
(21) Design Number: **14757/2011**
(22) Date of Filing Application: **20 October 2011**
(24) Date from which industrial property rights may have effect: **20 October 2011**
(54) Product in respect of which the design is registered: **Monitor**
(51) International Design Classification: **14-02**
(74) Name(s) of Attorney(s): **Shelston IP**
(71) Name(s) and Address(s) of Applicant(s):
Sony Computer Entertainment Inc.
1-7-1 Konan Minato-ku Tokyo Japan
(72) Name(s) of Designer(s): **Takashi Sogabe**
(45) Registration Date: **17 November 2011**
(30) Convention priority data:
(31) Number (32) Date (33) Country
2011-012689 03 Jun 2011 JAPAN
(56) Related Art Documents: **Not Applicable**
(57) Statement of Newness and Distinctiveness: **Newness and distinctiveness reside in the shape and/or configuration of a monitor as illustrated by solid lines in the accompanying representations.**



(21) Design Number: **14781/2011**
(22) Date of Filing Application: **21 October 2011**
(24) Date from which industrial property rights may have effect: **21 October 2011**
(54) Product in respect of which the design is registered: **Medical device**
(51) International Design Classification: **24-02**
(74) Name(s) of Attorney(s): **FB Rice**
(71) Name(s) and Address(s) of Applicant(s):
CODAN Holding GmbH
Stig Husted-Andersen Strasse 11 23738 Lensahn Germany
(72) Name(s) of Designer(s): **Peter Kruger**
(45) Registration Date: **17 November 2011**
(30) Convention priority data:
(31) Number (32) Date (33) Country
001869249-0001 26 May 2011 EUROPEAN COMMUNITY
(56) Related Art Documents: **Not Applicable**
(57) Statement of Newness and Distinctiveness: **Newness and distinctiveness reside in the features of shape and configuration of the medical device as shown in the representations.**



(21) Design Number: **14783/2011**
(22) Date of Filing Application: **24 October 2011**
(24) Date from which industrial property rights may have effect: **24 October 2011**
(54) Product in respect of which the design is registered: **Roller shutter sliding door cabinet**
(51) International Design Classification: **06-04B**
(74) Name(s) of Attorney(s):
(71) Name(s) and Address(s) of Applicant(s):
Freiberg Australia Pty Ltd
PO Box 570 Cloverdale Western Australia 6985 Australia
(72) Name(s) of Designer(s): **Bob Beaver**
(45) Registration Date: **17 November 2011**
(56) Related Art Documents: **Not Applicable**
(57) Statement of Newness and Distinctiveness: **The identifying features are the single shutter door that closes to either to left or right of cabinet side and carcass sides that fit directly on top of the cabinet base panel, thereby improving the function of the sliding door system.**



(21) Design Number: **14784/2011**
(22) Date of Filing Application: **21 October 2011**
(24) Date from which industrial property rights may have effect: **21 October 2011**
(54) Product in respect of which the design is registered: **A pipe diverter**
(51) International Design Classification: **23-01B**
(74) Name(s) of Attorney(s): **Halfords IP**
(71) Name(s) and Address(s) of Applicant(s):
Rolling Stone Cleaning Co Limited
23 Ruakiwi Road Hamilton New Zealand
(72) Name(s) of Designer(s): **Christopher Francis Lucas**
(45) Registration Date: **17 November 2011**
(30) Convention priority data:
(31) Number (32) Date (33) Country
414829 21 Apr 2011 NEW ZEALAND
(56) Related Art Documents: **Not Applicable**
(57) Statement of Newness and Distinctiveness: **Nil**



(21) Design Number: **14785/2011**
(22) Date of Filing Application: **24 October 2011**
(24) Date from which industrial property rights may have effect: **24 October 2011**
(54) Product in respect of which the design is registered: **A game board**
(51) International Design Classification: **21-01L**
(74) Name(s) of Attorney(s):
(71) Name(s) and Address(s) of Applicant(s):
Steeltastic Pty Limited
90 Taylor Street Annandale New South Wales 2038 Australia
(72) Name(s) of Designer(s): **Cameron Peter Steele**
(45) Registration Date: **17 November 2011**
(56) Related Art Documents: **Not Applicable**
(57) Statement of Newness and Distinctiveness: **The design comprises a game board consisting of a series of spaces around the outer area of the board surface. Under each space on the game board there is a built-in card slot that holds cards relating to that space on the game board. Monopoly is claimed in the pattern and ornamentation of a board game as illustrated in the representations.**



(21) Design Number: **14805/2011**
(22) Date of Filing Application: **25 October 2011**
(24) Date from which industrial property rights may have effect: **25 October 2011**
(54) Product in respect of which the design is registered: **Grill**
(51) International Design Classification: **07-02E**
(74) Name(s) of Attorney(s):
(71) Name(s) and Address(s) of Applicant(s):

Pi-Design AG
Kantonsstrasse 100 6234 Triengen Switzerland

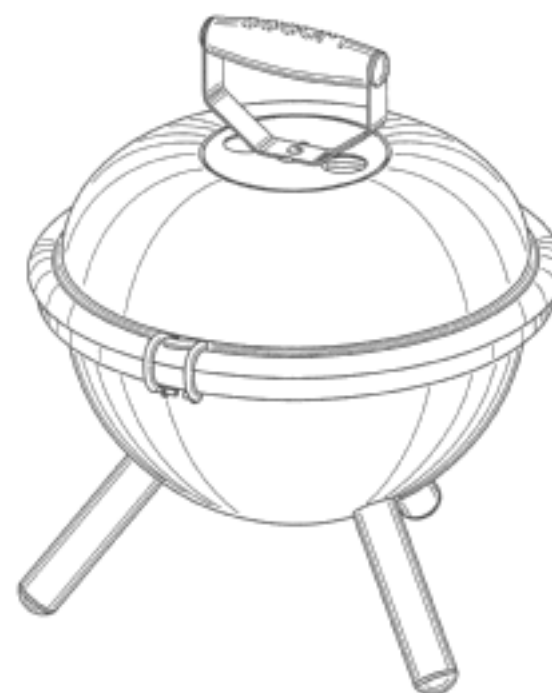
(72) Name(s) of Designer(s): **Jorgen Bodum**
(45) Registration Date: **17 November 2011**

(30) Convention priority data:

(31) Number	(32) Date	(33) Country
DM/075 861	26 Apr 2011	WORLD INTELLECTUAL PROPERTY ORGANIZATION (WIPO)

(56) Related Art Documents: **Not Applicable**

(57) Statement of Newness and Distinctiveness: **Nil**



(21) Design Number: **14806/2011**
(22) Date of Filing Application: **25 October 2011**
(24) Date from which industrial property rights may have effect: **25 October 2011**
(54) Product in respect of which the design is registered: **Gas grill**
(51) International Design Classification: **07-02E**
(74) Name(s) of Attorney(s):
(71) Name(s) and Address(s) of Applicant(s):

Pi-Design AG
Kantonsstrasse 100 6234 Triengen Switzerland

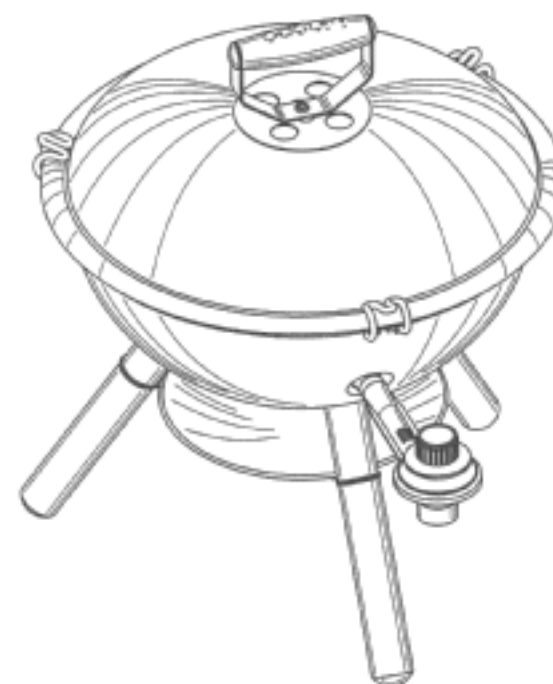
(72) Name(s) of Designer(s): **Jorgen Bodum**
(45) Registration Date: **17 November 2011**

(30) Convention priority data:

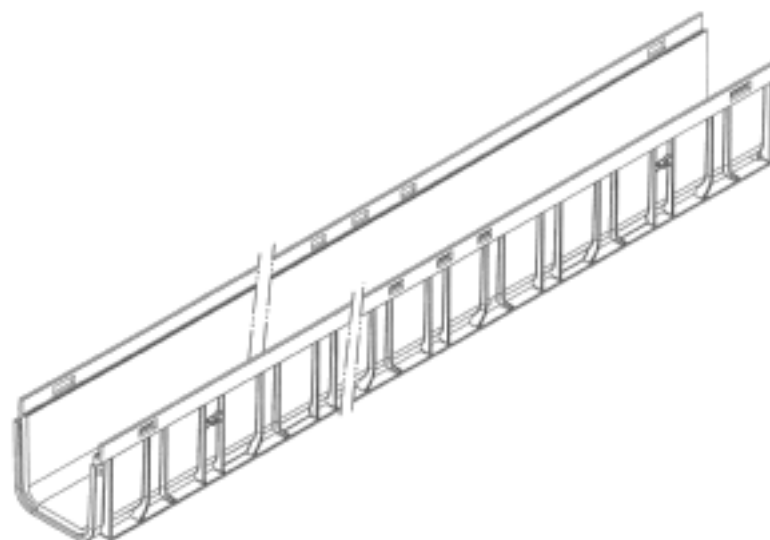
(31) Number	(32) Date	(33) Country
DM/076 721	09 Sep 2011	WORLD INTELLECTUAL PROPERTY ORGANIZATION (WIPO)

(56) Related Art Documents: **Not Applicable**

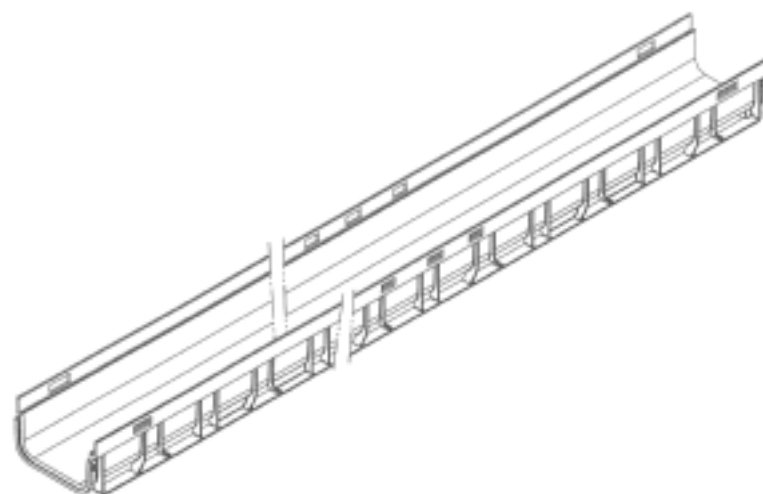
(57) Statement of Newness and Distinctiveness: **Nil**



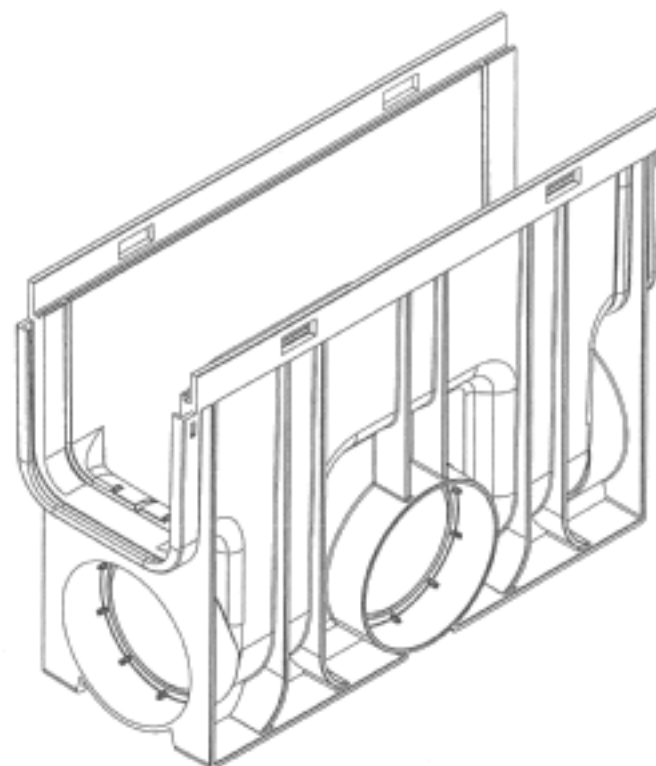
- (21) Design Number: **12156/2011**
(22) Date of Filing Application: **13 May 2011**
(24) Date from which industrial property rights may have effect: **13 May 2011**
(54) Product in respect of which the design is registered: **Drainage channel**
(51) International Design Classification: **23-01E**
(74) Name(s) of Attorney(s): **PHILLIPS ORMONDE FITZPATRICK**
(71) Name(s) and Address(s) of Applicant(s):
ReIn Pty Ltd
14 Williamson Road Ingleburn New South Wales 2565 Australia
(72) Name(s) of Designer(s): **Owen Edward Luke and Luke Nigel Natrass**
(45) Registration Date: **17 November 2011**
(56) Related Art Documents: **Not Applicable**
(57) Statement of Newness and Distinctiveness: **Those features of the shallow drainage channel depicted in the representations that are new and distinctive are the shape and/or configuration. The shallow drainage channel may be of indefinite length.**



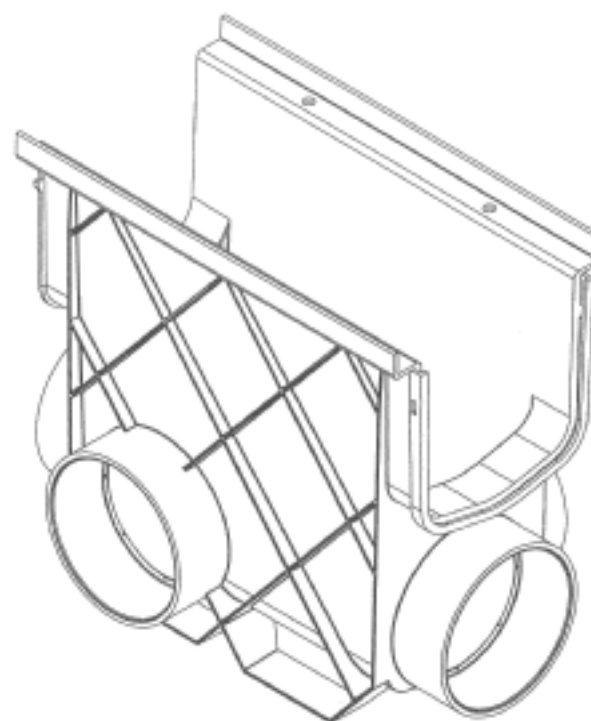
- (21) Design Number: **12157/2011**
(22) Date of Filing Application: **13 May 2011**
(24) Date from which industrial property rights may have effect: **13 May 2011**
(54) Product in respect of which the design is registered: **Shallow drainage channel**
(51) International Design Classification: **23-01E**
(74) Name(s) of Attorney(s): **PHILLIPS ORMONDE FITZPATRICK**
(71) Name(s) and Address(s) of Applicant(s):
ReIn Pty Ltd
14 Williamson Road Ingleburn New South Wales 2565 Australia
(72) Name(s) of Designer(s): **Owen Edward Luke and Luke Nigel Natrass**
(45) Registration Date: **17 November 2011**
(56) Related Art Documents: **Not Applicable**
(57) Statement of Newness and Distinctiveness: **Those features of the shallow drainage channel depicted in the representations that are new and distinctive are the shape and/or configuration. The shallow drainage channel may be of indefinite length.**



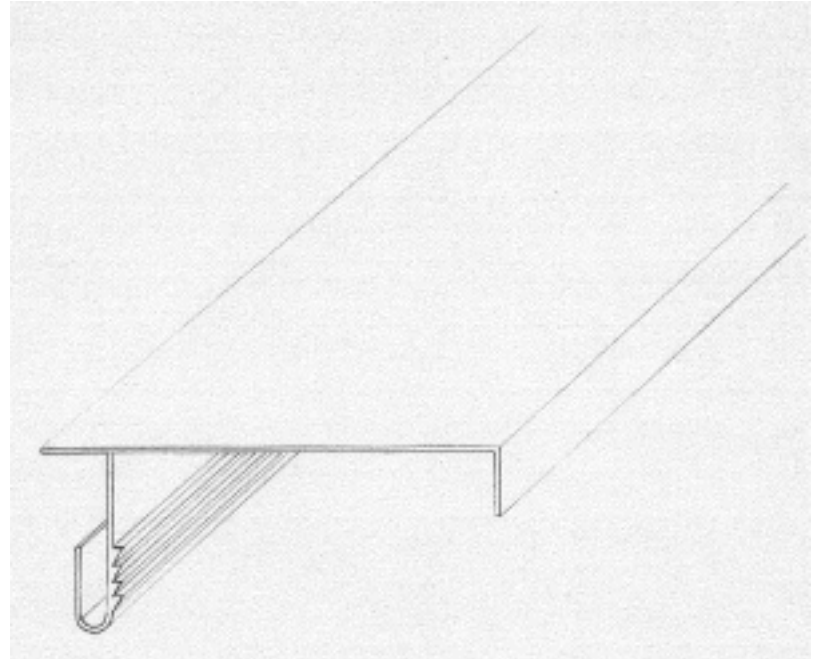
- (21) Design Number: **12158/2011**
(22) Date of Filing Application: **13 May 2011**
(24) Date from which industrial property rights may have effect: **13 May 2011**
(54) Product in respect of which the design is registered: **Drainage pit**
(51) International Design Classification: **23-01NES**
(74) Name(s) of Attorney(s): **PHILLIPS ORMONDE FITZPATRICK**
(71) Name(s) and Address(s) of Applicant(s):
ReIn Pty Ltd
14 Williamson Road Ingleburn New South Wales 2565 Australia
(72) Name(s) of Designer(s): **Owen Edward Luke and Luke Nigel Natrass**
(45) Registration Date: **17 November 2011**
(56) Related Art Documents: **Not Applicable**
(57) Statement of Newness and Distinctiveness: **Those features of the drainage pit depicted in the the representations that are new and distinctive are the shape and/or configuration.**



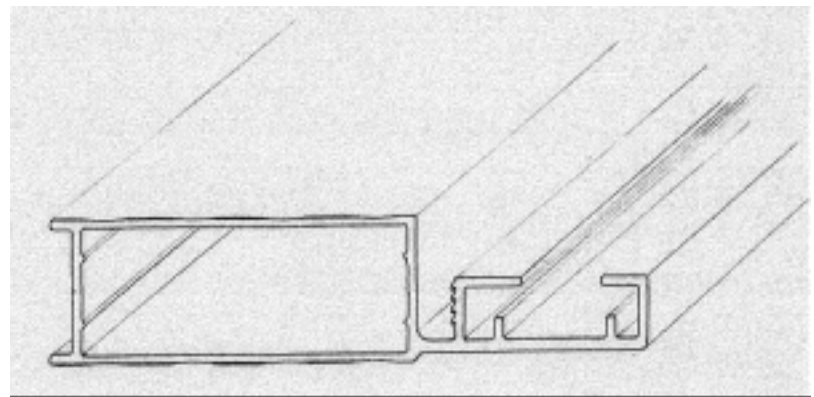
- (21) Design Number: **12345/2011**
(22) Date of Filing Application: **26 May 2011**
(24) Date from which industrial property rights may have effect: **26 May 2011**
(54) Product in respect of which the design is registered: **Drainage pit**
(51) International Design Classification: **23-01NES**
(74) Name(s) of Attorney(s): **PHILLIPS ORMONDE FITZPATRICK**
(71) Name(s) and Address(s) of Applicant(s):
ReIn Pty Ltd
14 Williamson Road Ingleburn New South Wales 2565 Australia
(72) Name(s) of Designer(s): **Owen Edward Luke and Luke Nigel Natrass**
(45) Registration Date: **17 November 2011**
(56) Related Art Documents: **Not Applicable**
(57) Statement of Newness and Distinctiveness: **Those features of the drainage pit depicted in the representations that are new and distinctive are the shape and/or configuration.**



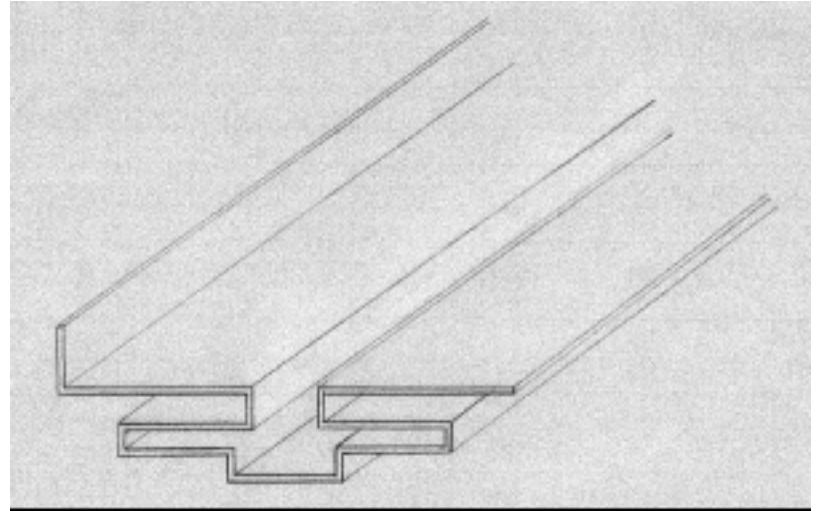
(21) Design Number: **13272/2011**
(22) Date of Filing Application: **09 June 2011**
(24) Date from which industrial property rights may have effect: **09 June 2011**
(54) Product in respect of which the design is registered: **Extrusion for security windows and doors**
(51) International Design Classification: **25-01K, 25-02B, 25-02H**
(74) Name(s) of Attorney(s):
(71) Name(s) and Address(s) of Applicant(s):
Margen Holdings Pty Ltd
PO Box 684 Dulwich Hill New South Wales 2203 Australia
(72) Name(s) of Designer(s): **Ronald Gailey**
(45) Registration Date: **17 November 2011**
(56) Related Art Documents: **Not Applicable**
(57) Statement of Newness and Distinctiveness: **Nil**



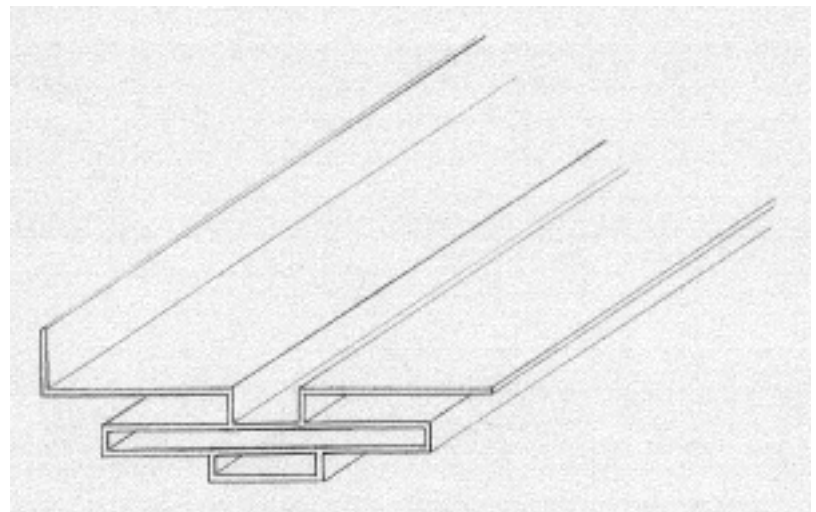
(21) Design Number: **13273/2011**
(22) Date of Filing Application: **09 June 2011**
(24) Date from which industrial property rights may have effect: **09 June 2011**
(54) Product in respect of which the design is registered: **Extrusion for security windows and doors**
(51) International Design Classification: **25-01K, 25-02B, 25-02H**
(74) Name(s) of Attorney(s):
(71) Name(s) and Address(s) of Applicant(s):
Margen Holdings Pty Ltd
PO Box 684 Dulwich Hill New South Wales 2203 Australia
(72) Name(s) of Designer(s): **Ronald Gailey**
(45) Registration Date: **17 November 2011**
(56) Related Art Documents: **Not Applicable**
(57) Statement of Newness and Distinctiveness: **Nil**



- (21) Design Number: **13274/2011**
(22) Date of Filing Application: **09 June 2011**
(24) Date from which industrial property rights may have effect: **09 June 2011**
(54) Product in respect of which the design is registered: **Extrusion for security windows and doors**
(51) International Design Classification: **25-01K, 25-02B, 25-02H**
(74) Name(s) of Attorney(s):
(71) Name(s) and Address(s) of Applicant(s):
Margen Holdings Pty Ltd
PO Box 684 Dulwich Hill New South Wales 2203 Australia
(72) Name(s) of Designer(s): **Ronald Gailey**
(45) Registration Date: **17 November 2011**
(56) Related Art Documents: **Not Applicable**
(57) Statement of Newness and Distinctiveness: **Nil**



- (21) Design Number: **13275/2011**
(22) Date of Filing Application: **09 June 2011**
(24) Date from which industrial property rights may have effect: **09 June 2011**
(54) Product in respect of which the design is registered: **Extrusion for security windows and doors**
(51) International Design Classification: **25-01K, 25-02B, 25-02H**
(74) Name(s) of Attorney(s):
(71) Name(s) and Address(s) of Applicant(s):
Margen Holdings Pty Ltd
PO Box 684 Dulwich Hill New South Wales 2203 Australia
(72) Name(s) of Designer(s): **Ronald Gailey**
(45) Registration Date: **17 November 2011**
(56) Related Art Documents: **Not Applicable**
(57) Statement of Newness and Distinctiveness: **Nil**



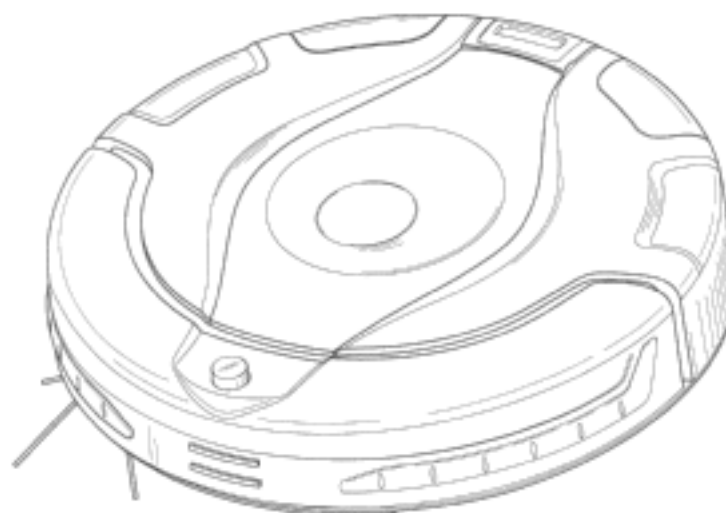
(21) Design Number: **14168/2011**
(22) Date of Filing Application: **13 September 2011**
(24) Date from which industrial property rights may have effect: **13 September 2011**
(54) Product in respect of which the design is registered: **Sports apparatus**
(51) International Design Classification: **21-02F**
(74) Name(s) of Attorney(s):
(71) Name(s) and Address(s) of Applicant(s):
Richard Gray
22 Ellwyn Terrace Galashiels Selkirkshire TD1 2BA United Kingdom
(72) Name(s) of Designer(s): **Richard Gray**
(45) Registration Date: **17 November 2011**
(30) Convention priority data:
(31) Number (32) Date (33) Country
001836404 16 Mar 2011 EUROPEAN COMMUNITY
(56) Related Art Documents: **Not Applicable**
(57) Statement of Newness and Distinctiveness: **Newness and distinctiveness reside in the features of shape and/or configuration of a sports apparatus as illustrated in the accompanying representations.**



(21) Design Number: **14787/2011**
(22) Date of Filing Application: **21 October 2011**
(24) Date from which industrial property rights may have effect: **21 October 2011**
(54) Product in respect of which the design is registered: **A pipe diverter**
(51) International Design Classification: **23-01B**
(74) Name(s) of Attorney(s): **Halfords IP**
(71) Name(s) and Address(s) of Applicant(s):
Rolling Stone Cleaning Co Limited
23 Ruakiwi Road Hamilton New Zealand
(72) Name(s) of Designer(s): **Christopher Francis Lucas**
(45) Registration Date: **17 November 2011**
(30) Convention priority data:
(31) Number (32) Date (33) Country
414830 21 Apr 2011 NEW ZEALAND
(56) Related Art Documents: **Not Applicable**
(57) Statement of Newness and Distinctiveness: **Nil**



(21) Design Number: **14788/2011**
(22) Date of Filing Application: **21 October 2011**
(24) Date from which industrial property rights may have effect: **21 October 2011**
(54) Product in respect of which the design is registered: **Vacuum cleaner**
(51) International Design Classification: **15-05**
(74) Name(s) of Attorney(s):
(71) Name(s) and Address(s) of Applicant(s):
Hoover Limited
Pentrebach Road Pentrebach Merthyr Tydfil CF48 4TU United Kingdom
(72) Name(s) of Designer(s): **Alexander Anthony Denny Bassett and Ivan Cagnoli**
(45) Registration Date: **17 November 2011**
(30) Convention priority data:
(31) Number (32) Date (33) Country
001856907 28 Apr 2011 EUROPEAN COMMUNITY
(56) Related Art Documents: **Not Applicable**
(57) Statement of Newness and Distinctiveness: **Nil**



(21) Design Number: **14789/2011**
(22) Date of Filing Application: **21 October 2011**
(24) Date from which industrial property rights may have effect: **21 October 2011**
(54) Product in respect of which the design is registered: **Refrigerator**
(51) International Design Classification: **15-07**
(74) Name(s) of Attorney(s): **Griffith Hack**
(71) Name(s) and Address(s) of Applicant(s):
Mitsubishi Electric Corporation
7-3 Marunouchi 2-chome Chiyoda-ku Tokyo 100-8310 Japan
(72) Name(s) of Designer(s): **Hideyuki Takasago and Satoshi Arai and Masaaki Hoshi**
(45) Registration Date: **17 November 2011**
(30) Convention priority data:
(31) Number (32) Date (33) Country
2011-009169 21 Apr 2011 JAPAN
(56) Related Art Documents: **Not Applicable**
(57) Statement of Newness and Distinctiveness: **Newness and distinctiveness resides in the visual features, including shape and configuration of a refrigerator as shown in solid outline in the accompanying drawings. Particular reference is drawn to the curved portion in the handle part located in the centre of the upper side door extending in the longitudinal direction in Figure 1. The shaded portion in Figure 12 is translucent.**



(21) Design Number: **14790/2011**

(22) Date of Filing Application: **21 October 2011**

(24) Date from which industrial property rights may have effect: **21 October 2011**

(54) Product in respect of which the design is registered: **Accessory for a vacuum cleaner**

(51) International Design Classification: **15-05**

(74) Name(s) of Attorney(s):

(71) Name(s) and Address(s) of Applicant(s):

Hoover Limited

Pentrebach Road Pentrebach Merthyr Tydfil CF48 4TU United Kingdom

(72) Name(s) of Designer(s): **Alexander Anthony Denny Bassett and Andrea Zardoni and Victor Liu and Marco Nicora**

(45) Registration Date: **17 November 2011**

(30) Convention priority data:

(31) Number	(32) Date	(33) Country
001856956	28 Apr 2011	EUROPEAN COMMUNITY

(56) Related Art Documents: **Not Applicable**

(57) Statement of Newness and Distinctiveness: **Nil**



(21) Design Number: **14791/2011**

(22) Date of Filing Application: **21 October 2011**

(24) Date from which industrial property rights may have effect: **21 October 2011**

(54) Product in respect of which the design is registered: **Accessory for a vacuum cleaner**

(51) International Design Classification: **15-05**

(74) Name(s) of Attorney(s):

(71) Name(s) and Address(s) of Applicant(s):

Hoover Limited

Pentrebach Road Pentrebach Merthyr Tydfil CF48 4TU United Kingdom

(72) Name(s) of Designer(s): **Alexander Anthony Denny Bassett and Andrea Zardoni and Victor Liu and Marco Nicora**

(45) Registration Date: **17 November 2011**

(30) Convention priority data:

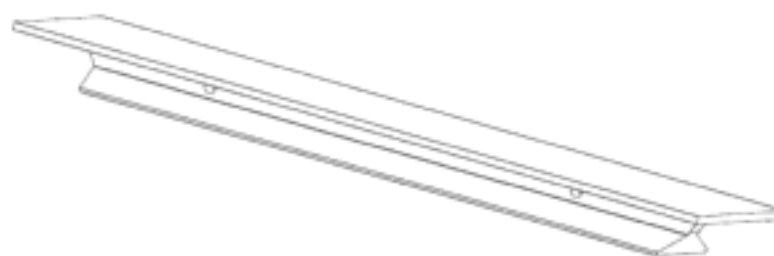
(31) Number	(32) Date	(33) Country
001856956	28 Apr 2011	EUROPEAN COMMUNITY

(56) Related Art Documents: **Not Applicable**

(57) Statement of Newness and Distinctiveness: **Nil**



(21) Design Number: **14905/2011**
(22) Date of Filing Application: **31 October 2011**
(24) Date from which industrial property rights may have effect: **31 October 2011**
(54) Product in respect of which the design is registered: **Discharge door gate**
(51) International Design Classification: **15-99**
(74) Name(s) of Attorney(s): **Griffith Hack**
(71) Name(s) and Address(s) of Applicant(s):
Bradken Resources Pty Limited
2 Maud Street Mayfield West New South Wales 2304 Australia
(72) Name(s) of Designer(s): **John Klinkenberg and Jon Balaam and Simon Burgoyne**
(45) Registration Date: **17 November 2011**
(56) Related Art Documents: **Not Applicable**
(57) Statement of Newness and Distinctiveness: **Nil**



(21) Design Number: **14817/2011**
(22) Date of Filing Application: **25 October 2011**
(24) Date from which industrial property rights may have effect: **25 October 2011**
(54) Product in respect of which the design is registered: **Golf grip**
(51) International Design Classification: **21-02C**
(74) Name(s) of Attorney(s): **FB Rice**
(71) Name(s) and Address(s) of Applicant(s):
Eaton Corporation
Eaton Center 1111 Superior Avenue Cleveland Ohio 44114-2584 United States of America
(72) Name(s) of Designer(s): **David Keith Gill**
(45) Registration Date: **17 November 2011**
(30) Convention priority data:
(31) Number (32) Date (33) Country
29/390833 29 Apr 2011 UNITED STATES OF AMERICA
(56) Related Art Documents: **Not Applicable**
(57) Statement of Newness and Distinctiveness: **Newness and distinctiveness reside in the features of the design as shown in the representations.**



(21) Design Number: **14819/2011**

(22) Date of Filing Application: **25 October 2011**

(24) Date from which industrial property rights may have effect: **25 October 2011**

(54) Product in respect of which the design is registered: **Tool head**

(51) International Design Classification: **08-01**

(74) Name(s) of Attorney(s): **FB Rice**

(71) Name(s) and Address(s) of Applicant(s):

Ames True Temper, Inc.

465 Railroad Avenue Camp Hill Pennsylvania 17011 United States of America

(72) Name(s) of Designer(s): **Peter Arcati and Stephen D. Hatcher**

(45) Registration Date: **17 November 2011**

(30) Convention priority data:

(31) Number	(32) Date	(33) Country
29/392800	26 May 2011	UNITED STATES OF AMERICA

(56) Related Art Documents: **Not Applicable**

(57) Statement of Newness and Distinctiveness: **Newness and distinctiveness reside in the features of the design shown in solid lines in the representations excluding those features shown in broken lines.**



(21) Design Number: **14820/2011**

(22) Date of Filing Application: **25 October 2011**

(24) Date from which industrial property rights may have effect: **25 October 2011**

(54) Product in respect of which the design is registered: **Wheelbarrow leg stabilizer**

(51) International Design Classification: **12-02**

(74) Name(s) of Attorney(s): **FB Rice**

(71) Name(s) and Address(s) of Applicant(s):

Ames True Temper, Inc.

465 Railroad Avenue Camp Hill Pennsylvania 17011 United States of America

(72) Name(s) of Designer(s): **Barry R. Albert and Daniel F. Marshall and Michael J. Lupey and Joshua O. Mullen**

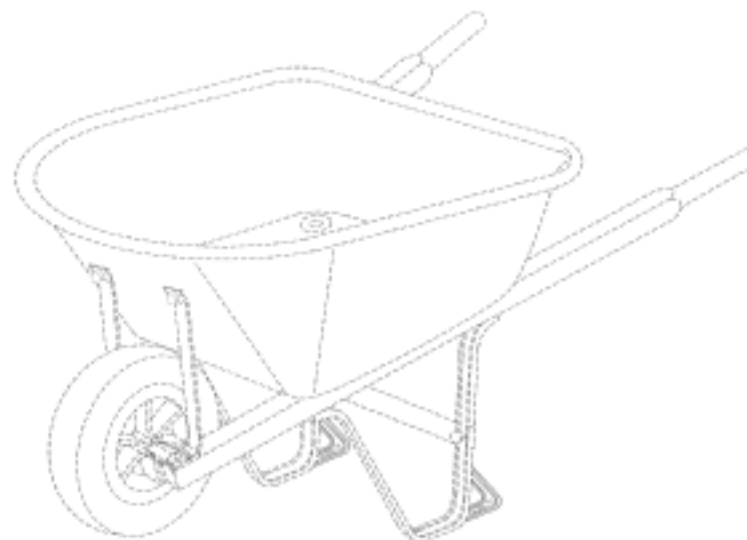
(45) Registration Date: **17 November 2011**

(30) Convention priority data:

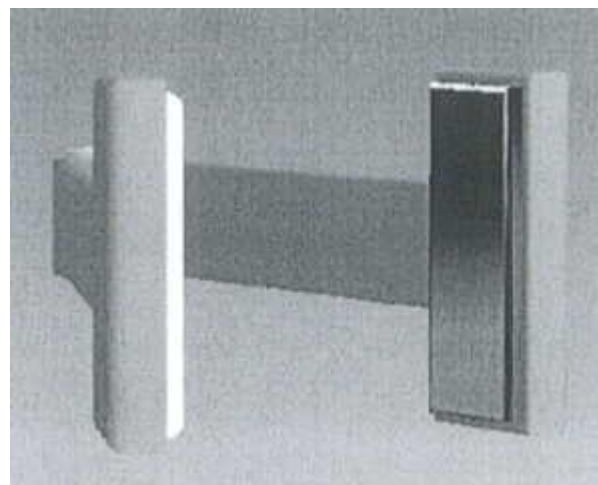
(31) Number	(32) Date	(33) Country
29/396022	24 Jun 2011	UNITED STATES OF AMERICA

(56) Related Art Documents: **Not Applicable**

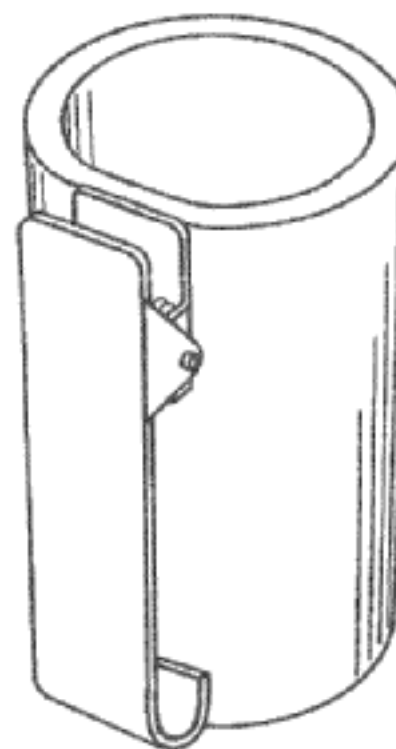
(57) Statement of Newness and Distinctiveness: **Newness and distinctiveness reside in the features of the design shown in solid lines in the representations excluding those features shown in broken lines.**



- (21) Design Number: **14811/2011**
(22) Date of Filing Application: **25 October 2011**
(24) Date from which industrial property rights may have effect: **25 October 2011**
(54) Product in respect of which the design is registered: **Heated label tongs for attaching labels and tags to clothing and other textiles**
(51) International Design Classification: **08-05NES**
(74) Name(s) of Attorney(s): **SPRUSON & FERGUSON**
(71) Name(s) and Address(s) of Applicant(s):
NiboTech AS
Egganveien 41A N-7081 Sjetnemarka Norway
(72) Name(s) of Designer(s): **Borge Lein and Nicolas Santamaria**
(45) Registration Date: **17 November 2011**
(30) Convention priority data:
(31) Number (32) Date (33) Country
DM/076 045 06 May 2011 EUROPEAN COMMUNITY
(56) Related Art Documents: **Not Applicable**
(57) Statement of Newness and Distinctiveness: **Newness and distinctiveness is claimed in the features of shape and/or configuration of heated label tongs for attaching labels and tags to clothing and other textiles as illustrated in the accompanying representations.**



- (21) Design Number: **14837/2011**
(22) Date of Filing Application: **26 October 2011**
(24) Date from which industrial property rights may have effect: **26 October 2011**
(54) Product in respect of which the design is registered: **Clip device**
(51) International Design Classification: **08-08C**
(74) Name(s) of Attorney(s): **Fisher Adams Kelly**
(71) Name(s) and Address(s) of Applicant(s):
The Sibley Group Pty Ltd
31 Cliveden Avenue Oxley Queensland 4075 Australia
(72) Name(s) of Designer(s): **Susan Patricia Sibley**
(45) Registration Date: **17 November 2011**
(56) Related Art Documents: **Not Applicable**
(57) Statement of Newness and Distinctiveness: **The newness and distinctiveness of the design resides in the shape and/or configuration of the clip device shown in the representations.**



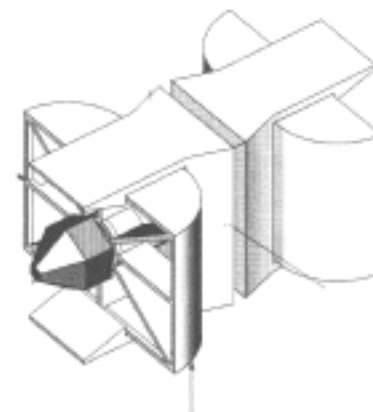
(21) Design Number: **14616/2011**
(22) Date of Filing Application: **12 October 2011**
(24) Date from which industrial property rights may have effect: **12 October 2011**
(54) Product in respect of which the design is registered: **A bag**
(51) International Design Classification: **03-01D, 03-01NES**
(74) Name(s) of Attorney(s): **Davies Collison Cave**
(71) Name(s) and Address(s) of Applicant(s):
The Stanley Works Israel Ltd.
19 Ha'melacha Street New Industrial Zone Rosh Ha'ayin 48091 Israel
(72) Name(s) of Designer(s): **Zvika Fraiman**
(45) Registration Date: **17 November 2011**
(30) Convention priority data:
(31) Number (32) Date (33) Country
29/390734 28 Apr 2011 UNITED STATES OF AMERICA
(56) Related Art Documents: **Not Applicable**
(57) Statement of Newness and Distinctiveness: **Nil**



(21) Design Number: **14617/2011**
(22) Date of Filing Application: **12 October 2011**
(24) Date from which industrial property rights may have effect: **12 October 2011**
(54) Product in respect of which the design is registered: **A bag**
(51) International Design Classification: **03-01D, 03-01NES**
(74) Name(s) of Attorney(s): **Davies Collison Cave**
(71) Name(s) and Address(s) of Applicant(s):
The Stanley Works Israel Ltd.
19 Ha'melacha Street New Industrial Zone Rosh Ha'ayin 48091 Israel
(72) Name(s) of Designer(s): **Zvika Fraiman**
(45) Registration Date: **17 November 2011**
(30) Convention priority data:
(31) Number (32) Date (33) Country
29/390725 28 Apr 2011 UNITED STATES OF AMERICA
(56) Related Art Documents: **Not Applicable**
(57) Statement of Newness and Distinctiveness: **Nil**



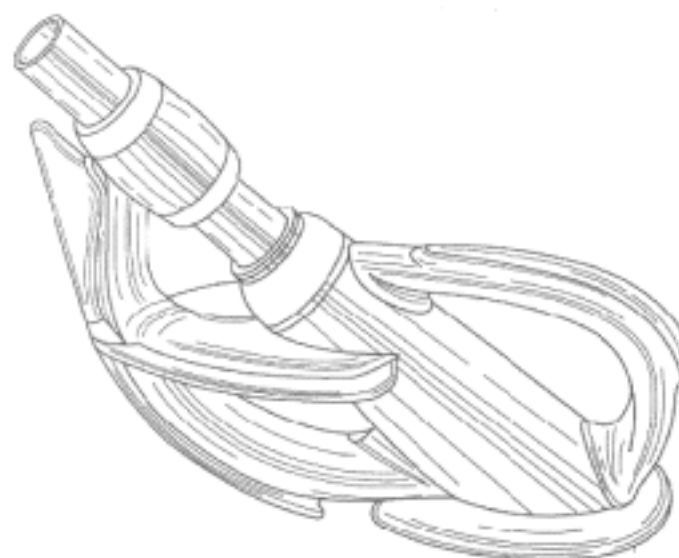
- (21) Design Number: **14794/2011**
(22) Date of Filing Application: **21 October 2011**
(24) Date from which industrial property rights may have effect: **21 October 2011**
(54) Product in respect of which the design is registered: **Locking system**
(51) International Design Classification: **08-07**
(74) Name(s) of Attorney(s): **Actuate IP**
(71) Name(s) and Address(s) of Applicant(s):
Everlast Panels Pty Ltd
4 Lakeside Crescent Maribyrnong Victoria 3032 Australia
(72) Name(s) of Designer(s): **Shun Lu and Vinh Nguyen and Thao Nguyen**
(45) Registration Date: **17 November 2011**
(56) Related Art Documents: **Not Applicable**
(57) Statement of Newness and Distinctiveness: **Newness and distinctiveness is claimed in the features of shape and/or configuration of the locking system as illustrated in the accompanying representations.**



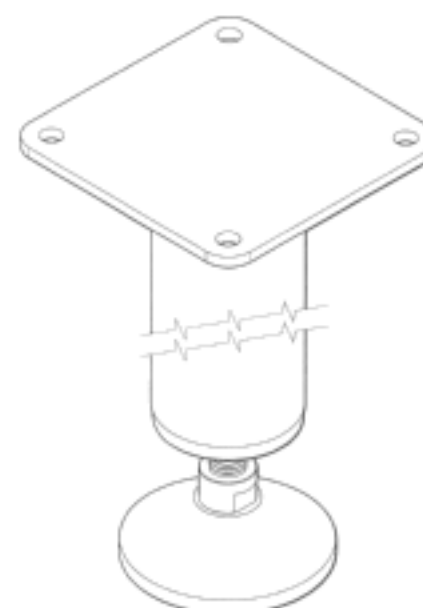
- (21) Design Number: **14855/2011**
(22) Date of Filing Application: **27 October 2011**
(24) Date from which industrial property rights may have effect: **27 October 2011**
(54) Product in respect of which the design is registered: **Headphones**
(51) International Design Classification: **14-01**
(74) Name(s) of Attorney(s): **HODGKINSON McINNES PATENTS**
(71) Name(s) and Address(s) of Applicant(s):
Kabushiki Kaisha Audio-Technica t/a Audio-Technica Corporation
2206 Naruse Machida-shi Tokyo Japan
(72) Name(s) of Designer(s): **Yuka Nagayama and Wataru Sakuma**
(45) Registration Date: **17 November 2011**
(30) Convention priority data:
(31) Number (32) Date (33) Country
JP2011-020404 07 Sep 2011 JAPAN
(56) Related Art Documents: **Not Applicable**
(57) Statement of Newness and Distinctiveness: **Newness and distinctiveness is claimed in the shape and configuration of a pair of headphones with a U-shaped headband as shown in the attached representations.**



(21) Design Number: **14859/2011**
(22) Date of Filing Application: **28 October 2011**
(24) Date from which industrial property rights may have effect: **28 October 2011**
(54) Product in respect of which the design is registered: **Swimming pool cleaning apparatus**
(51) International Design Classification: **15-05**
(74) Name(s) of Attorney(s): **PIZZEYS**
(71) Name(s) and Address(s) of Applicant(s):
Pavel Sebor
751 Cricklewood Terrace Heathrow FL 32746 United States of America
(72) Name(s) of Designer(s): **Pavel Sebor**
(45) Registration Date: **17 November 2011**
(30) Convention priority data:
(31) Number (32) Date (33) Country
29/391,527 10 May 2011 UNITED STATES OF AMERICA
(56) Related Art Documents: **Not Applicable**
(57) Statement of Newness and Distinctiveness: **Nil**



(21) Design Number: **14860/2011**
(22) Date of Filing Application: **26 October 2011**
(24) Date from which industrial property rights may have effect: **26 October 2011**
(54) Product in respect of which the design is registered: **Adjustable footing member**
(51) International Design Classification: **08-08L, 08-08M**
(74) Name(s) of Attorney(s): **Tatlocks Chrysiliou IP**
(71) Name(s) and Address(s) of Applicant(s):
Metlam Australia Pty Limited
17 Parkers Road New Gisborne Victoria 3438 Australia
(72) Name(s) of Designer(s): **Brian Bishop**
(45) Registration Date: **17 November 2011**
(56) Related Art Documents: **Not Applicable**
(57) Statement of Newness and Distinctiveness: **Newness and distinctiveness reside in the features of the design as shown in the representations.**



(21) Design Number: **14840/2011**

(22) Date of Filing Application: **26 October 2011**

(24) Date from which industrial property rights may have effect: **26 October 2011**

(54) Product in respect of which the design is registered: **Pipe coupling gripper**

(51) International Design Classification: **23-01A**

(74) Name(s) of Attorney(s): **Cullens Patent and Trade Mark Attorneys**

(71) Name(s) and Address(s) of Applicant(s):

Joinlock Pty Ltd

Unit 5 783 Kingsford Smith Drive Eagle Farm Queensland 4009 Australia

(72) Name(s) of Designer(s): **John Hamish Alexander Pettigrew and Thomas David Percy**

(45) Registration Date: **17 November 2011**

(56) Related Art Documents: **Not Applicable**

(57) Statement of Newness and Distinctiveness: **Nil**



(21) Design Number: **14841/2011**

(22) Date of Filing Application: **27 October 2011**

(24) Date from which industrial property rights may have effect: **27 October 2011**

(54) Product in respect of which the design is registered: **A tent/tarpaulin stake**

(51) International Design Classification: **21-04**

(74) Name(s) of Attorney(s):

(71) Name(s) and Address(s) of Applicant(s):

Geoffrey Whitehead

9 Apollo Court Eatons Hill Queensland 4037 Australia

Bruce Alvey

2 Antimony Street Carole Park Queensland 4300 Australia

(72) Name(s) of Designer(s): **Geoffrey Whitehead and Bruce Alvey**

(45) Registration Date: **17 November 2011**

(56) Related Art Documents: **Not Applicable**

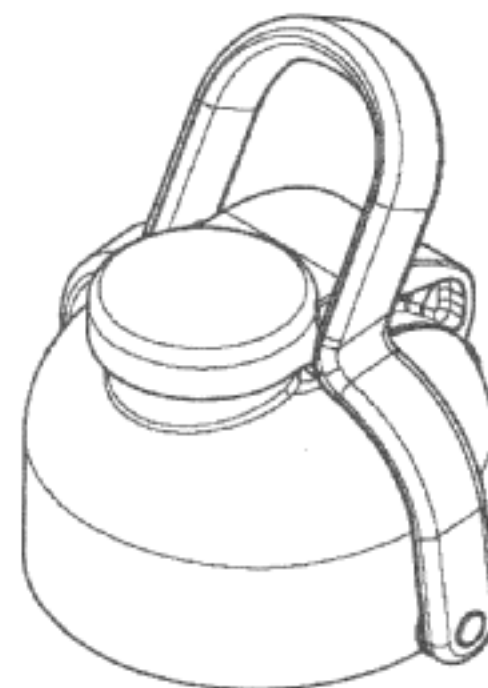
(57) Statement of Newness and Distinctiveness: **Nil**



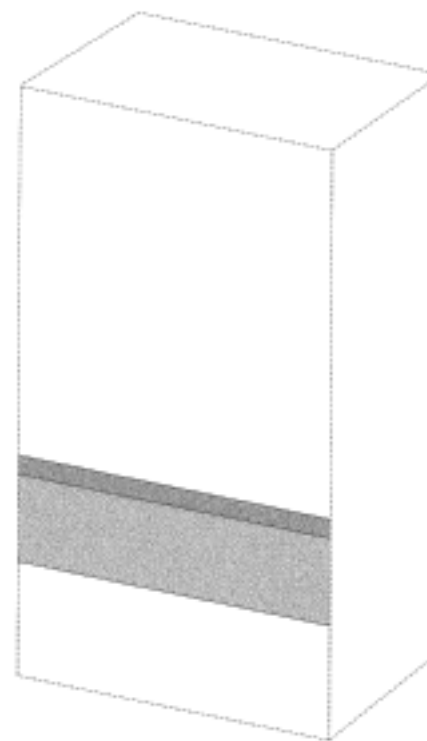
(21) Design Number: **14843/2011**
(22) Date of Filing Application: **27 October 2011**
(24) Date from which industrial property rights may have effect: **27 October 2011**
(54) Product in respect of which the design is registered: **Kiosk**
(51) International Design Classification: **20-02C**
(74) Name(s) of Attorney(s): **PHILLIPS ORMONDE FITZPATRICK**
(71) Name(s) and Address(s) of Applicant(s):
IADVERTISE.COM.AU PTY. LTD.
28 Grandlee Drive Wendouree Victoria 3355 Australia
(72) Name(s) of Designer(s): **Todd Singleton**
(45) Registration Date: **17 November 2011**
(56) Related Art Documents: **Not Applicable**
(57) Statement of Newness and Distinctiveness: **Those features of the kiosk depicted in the representations that are new and distinctive are the shape and/or configuration.**



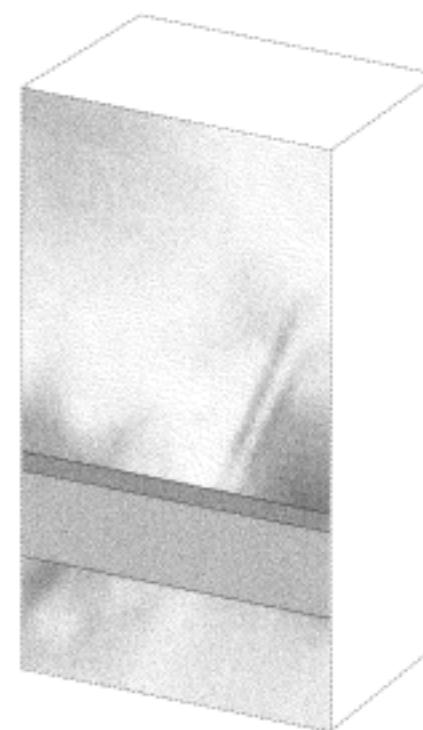
(21) Design Number: **14807/2011**
(22) Date of Filing Application: **24 October 2011**
(24) Date from which industrial property rights may have effect: **24 October 2011**
(54) Product in respect of which the design is registered: **Cap for bottle**
(51) International Design Classification: **09-07A**
(74) Name(s) of Attorney(s): **Callinans**
(71) Name(s) and Address(s) of Applicant(s):
The Decor Corporation Pty. Ltd.
1314 Ferntree Gully Road Scoresby Victoria 3179 Australia
(72) Name(s) of Designer(s): **Jim Samartgis**
(45) Registration Date: **17 November 2011**
(56) Related Art Documents: **Not Applicable**
(57) Statement of Newness and Distinctiveness: **Nil**



(21) Design Number: **14813/2011**
(22) Date of Filing Application: **25 October 2011**
(24) Date from which industrial property rights may have effect: **25 October 2011**
(54) Product in respect of which the design is registered: **Container with surface ornamentation**
(51) International Design Classification: **09-03M**
(74) Name(s) of Attorney(s): **PHILLIPS ORMONDE FITZPATRICK**
(71) Name(s) and Address(s) of Applicant(s):
The Procter & Gamble Company
One Procter & Gamble Plaza Cincinnati Ohio 45202 United States of America
(72) Name(s) of Designer(s): **Frank Delmar Macaulay and Jean Martin Campbell and Kevin Wimmer and Jennifer Rebecca Pohlman**
(45) Registration Date: **17 November 2011**
(30) Convention priority data:
(31) Number (32) Date (33) Country
29/390,597 27 Apr 2011 UNITED STATES OF AMERICA
(56) Related Art Documents: **Not Applicable**
(57) Statement of Newness and Distinctiveness: **Those features of the container with surface ornamentation depicted in the representations that are new and distinctive are the pattern and/or ornamentation. The stippling shown in the representations indicates a colour, but not a particular colour. The features shown in the broken lines are not part of the design and are to be disregarded when considering the overall impression of the design.**



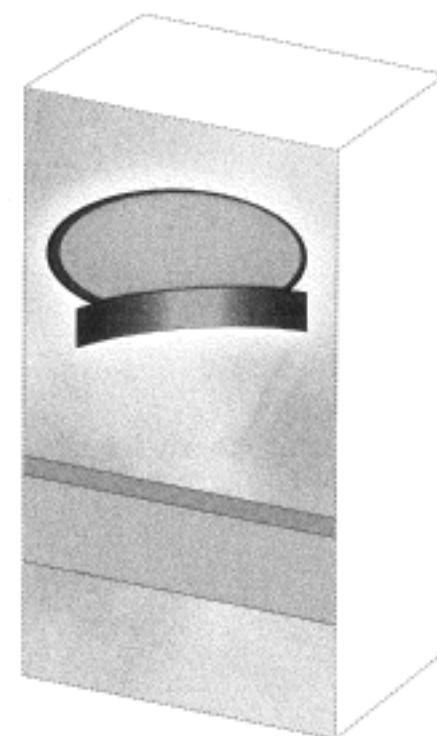
(21) Design Number: **14814/2011**
(22) Date of Filing Application: **25 October 2011**
(24) Date from which industrial property rights may have effect: **25 October 2011**
(54) Product in respect of which the design is registered: **Container with surface ornamentation**
(51) International Design Classification: **09-03M**
(74) Name(s) of Attorney(s): **PHILLIPS ORMONDE FITZPATRICK**
(71) Name(s) and Address(s) of Applicant(s):
The Procter & Gamble Company
One Procter & Gamble Plaza Cincinnati Ohio 45202 United States of America
(72) Name(s) of Designer(s): **Frank Delmar Macaulay and Jean Martin Campbell and Kevin Wimmer and Jennifer Rebecca Pohlman**
(45) Registration Date: **17 November 2011**
(30) Convention priority data:
(31) Number (32) Date (33) Country
29/390,597 27 Apr 2011 UNITED STATES OF AMERICA
(56) Related Art Documents: **Not Applicable**
(57) Statement of Newness and Distinctiveness: **Those features of the container with surface ornamentation depicted in the representations that are new and distinctive are the pattern and/or ornamentation. The stippling shown in the representations indicates a colour, but not a particular colour. The features shown in the broken lines are not part of the design and are to be disregarded when considering the overall impression of the design.**



- (21) Design Number: **14815/2011**
(22) Date of Filing Application: **25 October 2011**
(24) Date from which industrial property rights may have effect: **25 October 2011**
(54) Product in respect of which the design is registered: **Container with surface ornamentation**
(51) International Design Classification: **09-03M**
(74) Name(s) of Attorney(s): **PHILLIPS ORMONDE FITZPATRICK**
(71) Name(s) and Address(s) of Applicant(s):
The Procter & Gamble Company
One Procter & Gamble Plaza Cincinnati Ohio 45202 United States of America
(72) Name(s) of Designer(s): **Frank Delmar Macaulay and Jean Martin Campbell and Kevin Wimmer and Jennifer Rebecca Pohlman**
(45) Registration Date: **17 November 2011**
(30) Convention priority data:
(31) Number (32) Date (33) Country
29/390,597 27 Apr 2011 UNITED STATES OF AMERICA
(56) Related Art Documents: **Not Applicable**
(57) Statement of Newness and Distinctiveness: **Those features of the container with surface ornamentation depicted in the representations that are new and distinctive are the pattern and/or ornamentation. The stippling shown in the representations indicates a colour, but not a particular colour. The features shown in the broken lines are not part of the design and are to be disregarded when considering the overall impression of the design.**



- (21) Design Number: **14816/2011**
(22) Date of Filing Application: **25 October 2011**
(24) Date from which industrial property rights may have effect: **25 October 2011**
(54) Product in respect of which the design is registered: **Container with surface ornamentation**
(51) International Design Classification: **09-03M**
(74) Name(s) of Attorney(s): **PHILLIPS ORMONDE FITZPATRICK**
(71) Name(s) and Address(s) of Applicant(s):
The Procter & Gamble Company
One Procter & Gamble Plaza Cincinnati Ohio 45202 United States of America
(72) Name(s) of Designer(s): **Frank Delmar Macaulay and Jean Martin Campbell and Kevin Wimmer and Jennifer Rebecca Pohlman**
(45) Registration Date: **17 November 2011**
(30) Convention priority data:
(31) Number (32) Date (33) Country
29/390,597 27 Apr 2011 UNITED STATES OF AMERICA
(56) Related Art Documents: **Not Applicable**
(57) Statement of Newness and Distinctiveness: **Those features of the container with surface ornamentation depicted in the representations that are new and distinctive are the pattern and/or ornamentation. The stippling shown in the representations indicates a colour, but not a particular colour. The features shown in the broken lines are not part of the design and are to be disregarded when considering the overall impression of the design.**



- (21) Design Number: **14826/2011**
(22) Date of Filing Application: **27 October 2011**
(24) Date from which industrial property rights may have effect: **27 October 2011**
(54) Product in respect of which the design is registered: **A tyre**
(51) International Design Classification: **12-15C**
(74) Name(s) of Attorney(s): **WATERMARK PATENT AND TRADE MARKS ATTORNEYS**
(71) Name(s) and Address(s) of Applicant(s):
Michelin Recherche et Technique SA
Route Louis Braille 10 et 12 CH-1763 Granges-Paccot Switzerland
Societe De Technologie Michelin
23 rue Breschet F-63000 Clermont-Ferrand Cedex France
(72) Name(s) of Designer(s): **Jason Carter and Joseph A. Stain**
(45) Registration Date: **17 November 2011**
(30) Convention priority data:
(31) Number (32) Date (33) Country
29/396,509 30 Jun 2011 UNITED STATES OF AMERICA
(56) Related Art Documents: **Not Applicable**
(57) Statement of Newness and Distinctiveness: **Newness and distinctiveness resides in the tread region of the tyre, the remaining region of the tyre not forming part of the design.**



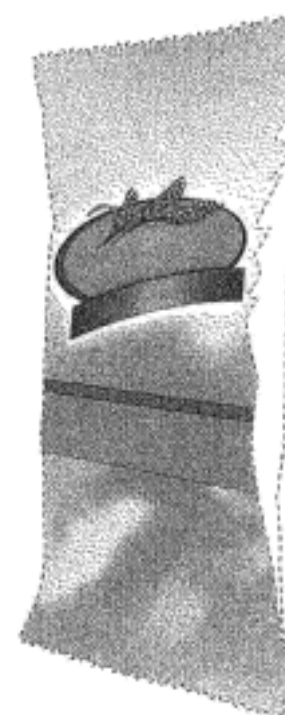
- (21) Design Number: **14844/2011**
(22) Date of Filing Application: **27 October 2011**
(24) Date from which industrial property rights may have effect: **27 October 2011**
(54) Product in respect of which the design is registered: **Package with surface ornamentation**
(51) International Design Classification: **09-05**
(74) Name(s) of Attorney(s): **PHILLIPS ORMONDE FITZPATRICK**
(71) Name(s) and Address(s) of Applicant(s):
The Procter & Gamble Company
One Procter & Gamble Plaza Cincinnati Ohio 45202 United States of America
(72) Name(s) of Designer(s): **Frank Delmar Macaulay and Jean Martin Campbell and Kevin Wimmer and Jennifer Rebecca Pohlman**
(45) Registration Date: **18 November 2011**
(30) Convention priority data:
(31) Number (32) Date (33) Country
29/390,605 27 Apr 2011 UNITED STATES OF AMERICA
(56) Related Art Documents: **Not Applicable**
(57) Statement of Newness and Distinctiveness: **Those features of the package with surface ornamentation depicted in the representations that are new and distinctive are the pattern and/or ornamentation. The stippling illustrates that the pattern and/or ornamentation may be in any colour, but not limited to a particular colour. The features shown in broken line are not part of the design and are to be disregarded when considering the overall impression of the design.**



- (21) Design Number: **14845/2011**
(22) Date of Filing Application: **27 October 2011**
(24) Date from which industrial property rights may have effect: **27 October 2011**
(54) Product in respect of which the design is registered: **Package with surface ornamentation**
(51) International Design Classification: **09-05**
(74) Name(s) of Attorney(s): **PHILLIPS ORMONDE FITZPATRICK**
(71) Name(s) and Address(s) of Applicant(s):
The Procter & Gamble Company
One Procter & Gamble Plaza Cincinnati Ohio 45202 United States of America
(72) Name(s) of Designer(s): **Frank Delmar Macaulay and Jean Martin Campbell and Kevin Wimmer and Jennifer Rebecca Pohlman**
(45) Registration Date: **18 November 2011**
(30) Convention priority data:
(31) Number (32) Date (33) Country
29/390,605 27 Apr 2011 UNITED STATES OF AMERICA
(56) Related Art Documents: **Not Applicable**
(57) Statement of Newness and Distinctiveness: **Those features of the package with surface ornamentation depicted in the representations that are new and distinctive are the pattern and/or ornamentation. The stippling illustrates that the pattern and/or ornamentation may be in any colour, but not limited to a particular colour. The features shown in broken line are not part of the design and are to be disregarded when considering the overall impression of the design.**



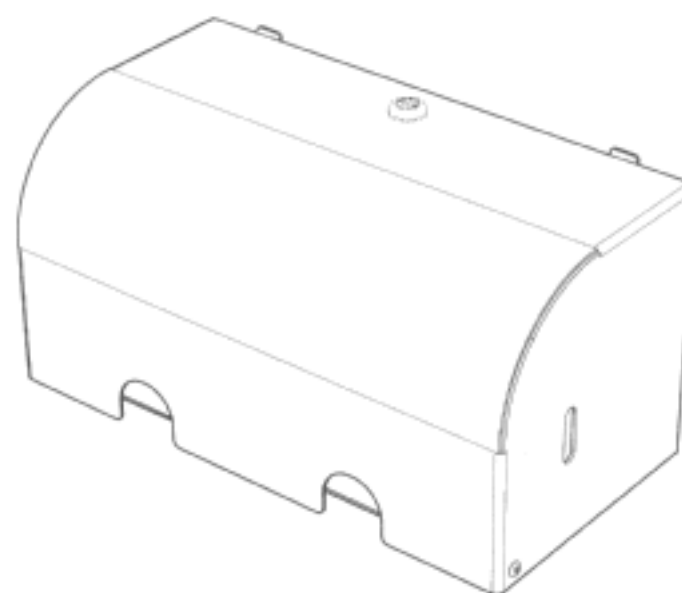
- (21) Design Number: **14846/2011**
(22) Date of Filing Application: **27 October 2011**
(24) Date from which industrial property rights may have effect: **27 October 2011**
(54) Product in respect of which the design is registered: **Package with surface ornamentation**
(51) International Design Classification: **09-05**
(74) Name(s) of Attorney(s): **PHILLIPS ORMONDE FITZPATRICK**
(71) Name(s) and Address(s) of Applicant(s):
The Procter & Gamble Company
One Procter & Gamble Plaza Cincinnati Ohio 45202 United States of America
(72) Name(s) of Designer(s): **Frank Delmar Macaulay and Jean Martin Campbell and Kevin Wimmer and Jennifer Rebecca Pohlman**
(45) Registration Date: **18 November 2011**
(30) Convention priority data:
(31) Number (32) Date (33) Country
29/390,605 27 Apr 2011 UNITED STATES OF AMERICA
(56) Related Art Documents: **Not Applicable**
(57) Statement of Newness and Distinctiveness: **Those features of the package with surface ornamentation depicted in the representations that are new and distinctive are the pattern and/or ornamentation. The stippling illustrates that the pattern and/or ornamentation may be in any colour, but not limited to a particular colour. The features shown in broken line are not part of the design and are to be disregarded when considering the overall impression of the design.**



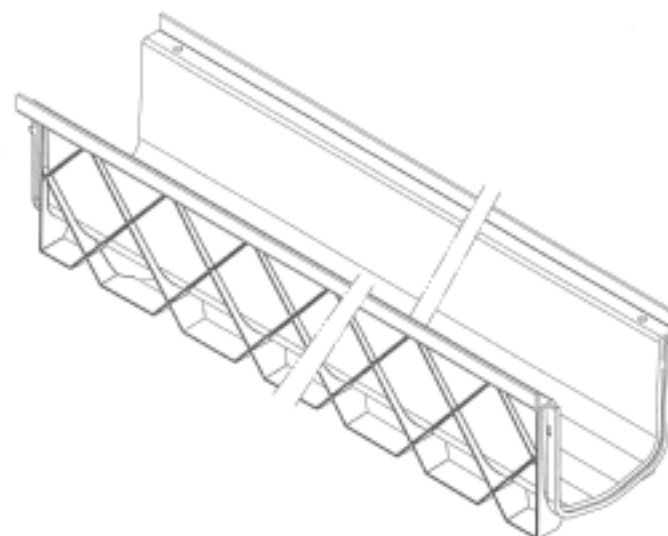
- (21) Design Number: **14847/2011**
(22) Date of Filing Application: **27 October 2011**
(24) Date from which industrial property rights may have effect: **27 October 2011**
(54) Product in respect of which the design is registered: **Package with surface ornamentation**
(51) International Design Classification: **09-05**
(74) Name(s) of Attorney(s): **PHILLIPS ORMONDE FITZPATRICK**
(71) Name(s) and Address(s) of Applicant(s):
The Procter & Gamble Company
One Procter & Gamble Plaza Cincinnati Ohio 45202 United States of America
(72) Name(s) of Designer(s): **Frank Delmar Macaulay and Jean Martin Campbell and Kevin Wimmer and Jennifer Rebecca Pohlman**
(45) Registration Date: **18 November 2011**
(30) Convention priority data:
(31) Number (32) Date (33) Country
29/390,605 27 Apr 2011 UNITED STATES OF AMERICA
(56) Related Art Documents: **Not Applicable**
(57) Statement of Newness and Distinctiveness: **Those features of the package with surface ornamentation depicted in the representations that are new and distinctive are the pattern and/or ornamentation. The stippling illustrates that the pattern and/or ornamentation may be in any colour, but not limited to a particular colour. The features shown in broken line are not part of the design and are to be disregarded when considering the overall impression of the design.**



- (21) Design Number: **14849/2011**
(22) Date of Filing Application: **26 October 2011**
(24) Date from which industrial property rights may have effect: **26 October 2011**
(54) Product in respect of which the design is registered: **Toilet roll dispenser**
(51) International Design Classification: **23-02A**
(74) Name(s) of Attorney(s): **Tatlocks Chrysiliou IP**
(71) Name(s) and Address(s) of Applicant(s):
Metlam Australia Pty Limited
17 Parkers Road New Gisborne Victoria 3438 Australia
(72) Name(s) of Designer(s): **Brian Bishop**
(45) Registration Date: **18 November 2011**
(56) Related Art Documents: **Not Applicable**
(57) Statement of Newness and Distinctiveness: **Newness and distinctiveness reside in the features of the toilet roll dispenser as shown in the representations. Those features of the design depicted as hashed or broken lines are to be disregarded when assessing the newness and distinctiveness of the design.**



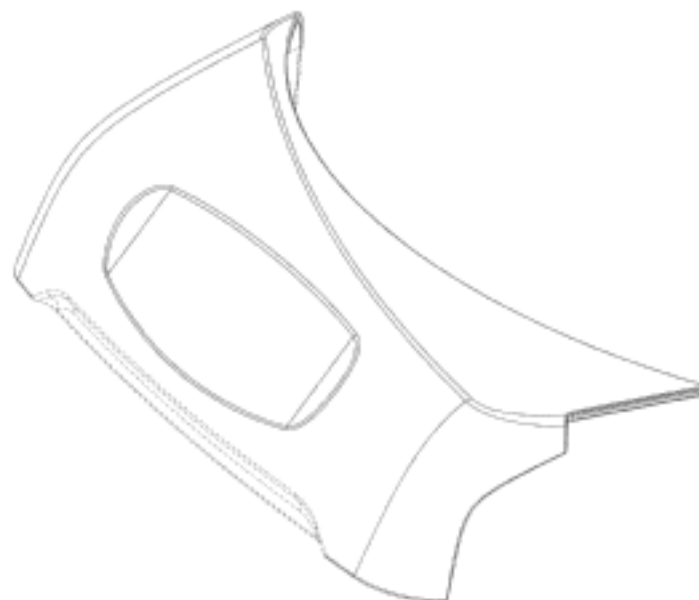
(21) Design Number: **12346/2011**
(22) Date of Filing Application: **26 May 2011**
(24) Date from which industrial property rights may have effect: **26 May 2011**
(54) Product in respect of which the design is registered: **Drainage channel**
(51) International Design Classification: **23-01L**
(74) Name(s) of Attorney(s): **PHILLIPS ORMONDE FITZPATRICK**
(71) Name(s) and Address(s) of Applicant(s):
ReIn Pty Ltd
14 Williamson Road Ingleburn New South Wales 2565 Australia
(72) Name(s) of Designer(s): **Owen Edward Luke and Luke Nigel Natrass**
(45) Registration Date: **18 November 2011**
(56) Related Art Documents: **Not Applicable**
(57) Statement of Newness and Distinctiveness: **Those features of the drainage channel depicted in the representations that are new and distinctive are the shape and/or configuration. The drainage channel may be of indefinite length.**



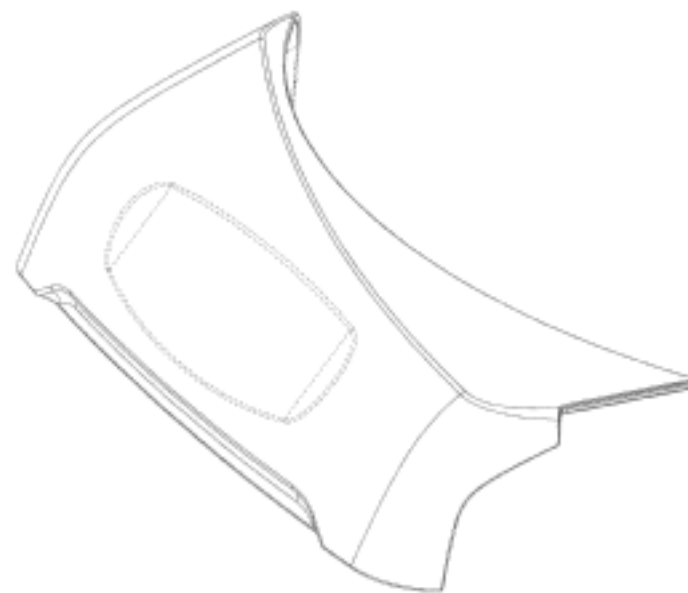
(21) Design Number: **14353/2011**
(22) Date of Filing Application: **27 September 2011**
(24) Date from which industrial property rights may have effect: **27 September 2011**
(54) Product in respect of which the design is registered: **A lawnmower nose cover**
(51) International Design Classification: **15-03B**
(74) Name(s) of Attorney(s): **A J Park**
(71) Name(s) and Address(s) of Applicant(s):
Masport Limited
1-37 Mt Wellington Highway Panmure Auckland 1060 New Zealand
(72) Name(s) of Designer(s): **David McKay**
(45) Registration Date: **18 November 2011**
(30) Convention priority data:
(31) Number (32) Date (33) Country
414788 11 Apr 2011 NEW ZEALAND
(56) Related Art Documents: **Not Applicable**
(57) Statement of Newness and Distinctiveness: **Monopoly is claimed in the features of shape and/or configuration of a lawnmower nose cover as shown in the representations. The features shown in dotted lines are shown for illustrative purposes only, and form no part of the claimed design.**



- (21) Design Number: **14354/2011**
(22) Date of Filing Application: **27 September 2011**
(24) Date from which industrial property rights may have effect: **27 September 2011**
(54) Product in respect of which the design is registered: **A lawnmower nose cover**
(51) International Design Classification: **15-03B**
(74) Name(s) of Attorney(s): **A J Park**
(71) Name(s) and Address(s) of Applicant(s):
Masport Limited
1-37 Mt Wellington Highway Panmure Auckland 1060 New Zealand
(72) Name(s) of Designer(s): **David McKay**
(45) Registration Date: **18 November 2011**
(30) Convention priority data:
(31) Number (32) Date (33) Country
414789 11 Apr 2011 NEW ZEALAND
(56) Related Art Documents: **Not Applicable**
(57) Statement of Newness and Distinctiveness: **Monopoly is claimed in the features of shape and/or configuration of a lawnmower nose cover as shown in the representations. The features shown in dotted lines are shown for illustrative purposes only, and form no part of the claimed design.**



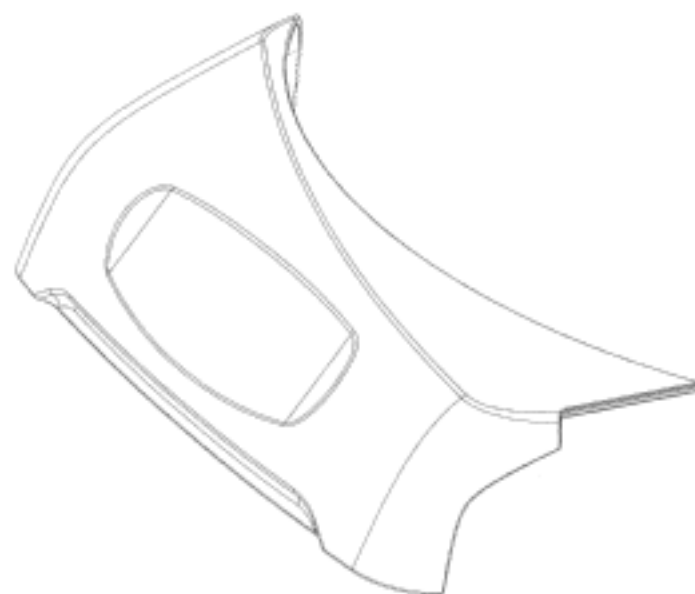
- (21) Design Number: **14355/2011**
(22) Date of Filing Application: **27 September 2011**
(24) Date from which industrial property rights may have effect: **27 September 2011**
(54) Product in respect of which the design is registered: **A lawnmower nose cover**
(51) International Design Classification: **15-03B**
(74) Name(s) of Attorney(s): **A J Park**
(71) Name(s) and Address(s) of Applicant(s):
Masport Limited
1-37 Mt Wellington Highway Panmure Auckland 1060 New Zealand
(72) Name(s) of Designer(s): **David McKay**
(45) Registration Date: **18 November 2011**
(30) Convention priority data:
(31) Number (32) Date (33) Country
414790 11 Apr 2011 NEW ZEALAND
(56) Related Art Documents: **Not Applicable**
(57) Statement of Newness and Distinctiveness: **Monopoly is claimed in the features of shape and/or configuration of a lawnmower nose cover as shown in the representations. The features shown in dotted lines are shown for illustrative purposes only, and form no part of the claimed design.**



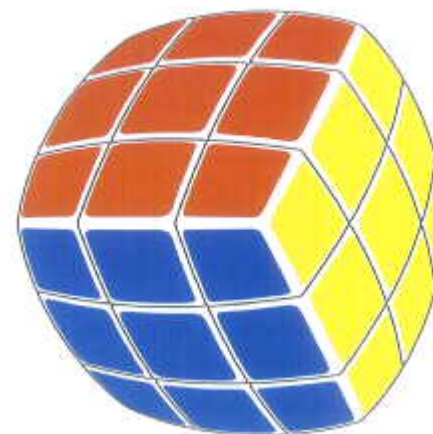
- (21) Design Number: **14356/2011**
(22) Date of Filing Application: **27 September 2011**
(24) Date from which industrial property rights may have effect: **27 September 2011**
(54) Product in respect of which the design is registered: **A lawnmower nose cover**
(51) International Design Classification: **15-03B**
(74) Name(s) of Attorney(s): **A J Park**
(71) Name(s) and Address(s) of Applicant(s):
Masport Limited
1-37 Mt Wellington Highway Panmure Auckland 1060 New Zealand
(72) Name(s) of Designer(s): **David McKay**
(45) Registration Date: **18 November 2011**
(30) Convention priority data:
(31) Number (32) Date (33) Country
414791 11 Apr 2011 NEW ZEALAND
(56) Related Art Documents: **Not Applicable**
(57) Statement of Newness and Distinctiveness: **Monopoly is claimed in the features of shape and/or configuration of a lawnmower nose cover as shown in the representations. The features shown in dotted lines are shown for illustrative purposes only, and form no part of the claimed design.**



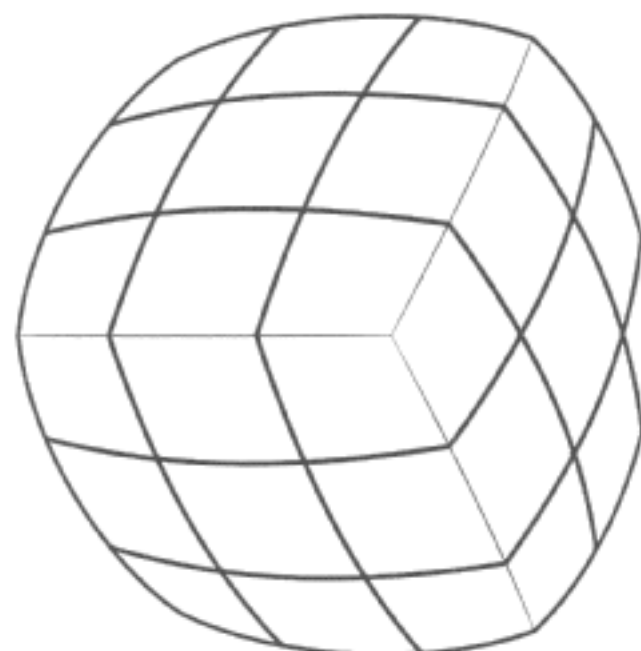
- (21) Design Number: **14357/2011**
(22) Date of Filing Application: **27 September 2011**
(24) Date from which industrial property rights may have effect: **27 September 2011**
(54) Product in respect of which the design is registered: **A lawnmower nose cover**
(51) International Design Classification: **15-03B**
(74) Name(s) of Attorney(s): **A J Park**
(71) Name(s) and Address(s) of Applicant(s):
Masport Limited
1-37 Mt Wellington Highway Panmure Auckland 1060 New Zealand
(72) Name(s) of Designer(s): **David McKay**
(45) Registration Date: **18 November 2011**
(30) Convention priority data:
(31) Number (32) Date (33) Country
414792 11 Apr 2011 NEW ZEALAND
(56) Related Art Documents: **Not Applicable**
(57) Statement of Newness and Distinctiveness: **Monopoly is claimed in the features of shape and/or configuration of a lawnmower nose cover as shown in the representations. The features shown in dotted lines are shown for illustrative purposes only, and form no part of the claimed design.**



(21) Design Number: **14448/2011**
(22) Date of Filing Application: **30 September 2011**
(24) Date from which industrial property rights may have effect: **30 September 2011**
(54) Product in respect of which the design is registered: **Logic toys**
(51) International Design Classification: **21-01M**
(74) Name(s) of Attorney(s): **Davies Collison Cave**
(71) Name(s) and Address(s) of Applicant(s):
Kainotomies Verde-Kyvika Logika Paignidia A.E.B.E - Verdes Innovations SA
Chiliomodi Korinthias 20008 Greece
(72) Name(s) of Designer(s): **Panagiotis Verdes**
(45) Registration Date: **18 November 2011**
(30) Convention priority data:
(31) Number (32) Date (33) Country
001880733-0002 21 Jun 2011 EUROPEAN COMMUNITY
(56) Related Art Documents: **Not Applicable**
(57) Statement of Newness and Distinctiveness: **Nil**



(21) Design Number: **14449/2011**
(22) Date of Filing Application: **30 September 2011**
(24) Date from which industrial property rights may have effect: **30 September 2011**
(54) Product in respect of which the design is registered: **Logic toys**
(51) International Design Classification: **21-01M**
(74) Name(s) of Attorney(s): **Davies Collison Cave**
(71) Name(s) and Address(s) of Applicant(s):
Kainotomies Verde-Kyvika Logika Paignidia A.E.B.E - Verdes Innovations SA
Chiliomodi Korinthias 20008 Greece
(72) Name(s) of Designer(s): **Panagiotis Verdes**
(45) Registration Date: **18 November 2011**
(30) Convention priority data:
(31) Number (32) Date (33) Country
001880733-0001 21 Jun 2011 EUROPEAN COMMUNITY
(56) Related Art Documents: **Not Applicable**
(57) Statement of Newness and Distinctiveness: **Nil**



(21) Design Number: **14649/2011**

(22) Date of Filing Application: **12 October 2011**

(24) Date from which industrial property rights may have effect: **12 October 2011**

(54) Product in respect of which the design is registered: **Necklace**

(51) International Design Classification: **11-01E**

(74) Name(s) of Attorney(s):

(71) Name(s) and Address(s) of Applicant(s):

Stefka Mladenova

14 Columba Street Inala Queensland 4077 Australia

(72) Name(s) of Designer(s): **Stefka Mladenova**

(45) Registration Date: **18 November 2011**

(56) Related Art Documents: **Not Applicable**

(57) Statement of Newness and Distinctiveness: **Nil**

