



Australian Government

IP Australia

AUSTRALIAN OFFICIAL JOURNAL

OF

DESIGNS

Did you know a searchable version of this journal is now available online?

It's FREE and EASY to SEARCH.

Find it on our website (www.ipaustralia.gov.au)

by using the "Journals" link on the home page.

This Page Left Intentionally Blank

Contents

General Information & Notices

**Proceedings Under the Designs Act 1906 preserved as a result of the provisions of Chapter 12
Part 2 of the Designs Act 2003**

Extension of Period of Registration of Designs	3254
Names Registered - Alterations and Amendments	3254
Registrations Ceased	3254
Subsequent Owners Registered	3254

Proceedings Under the Designs Act 2003

Applications Lapsed	3264
Applications Lodged	3258
Certificate of Examination	3267
Extension of Period of Registration of Design	3265
Extension of Time Granted Under Section 137	3265
Names Registered - Alterations and Amendments	3266
Publication and Registration Proceedings	
Designs Registered 339503 to 339691.....	3268
Registrations Ceased	3265
Revocation of Design Registrations	3265
Subsequent Owners Registered	3266

This Page Left Intentionally Blank

For information on the following please see our website www.ipaustralia.gov.au or contact our Customer Service Network on 1300651010

[Editorial enquiries](#)

[Contact information](#)

[Freedom of Information ACT](#)

[Professional Standards Board](#)

[Sales](#)

[Requests for Information under Section 194 \(c\)](#)

[Country Codes](#)

[Trade Mark and Designs Hearing Sessions](#)

[INID \(Internationally agreed Numbers for the Identification of Data\)](#)

“INID” NUMBERS in use on Australian Design Documents

“INID” is an acronym for “Internationally agreed Numbers for the Identification of Data”.

(10) Data concerning the registration/renewal

- (11) Serial number of the registration and/or number of the design document
- (12) Plain language designation of the kind of published document
- (19) Identification, using the two-letter code according to WIPO Standard ST.3, of the authority publishing or registering the industrial design

(20) Data concerning the application

- (21) Serial number of the application
- (22) Date of filing of the application
- (24) Date from which the industrial design right has effect

(30) Data relating to priority under the Paris Convention

- (31) Serial number assigned to the priority application
- (32) Date of filing of the priority application
- (33) Two-letter code, according to WIPO Standard ST.3, identifying the authority with which the priority application was made

(40) Date(s) of making information available to the public

- (45) Date of publication of the registered industrial design by printing or similar process, or making it available to the public by any other means

(50) Miscellaneous Information

- (51) International Classification for Industrial Designs (class and subclass of the Locarno Classification)
- (54) Designation of article(s) or product(s) covered by the industrial design or title of the industrial design
- (55) Reproduction of the industrial design (e.g., drawing, photograph) and explanations relating to the reproduction
- (56) List of prior art documents, if separate from descriptive text
- (57) Description of characteristic features of the industrial design including indication of colours

(60) References to other legally related application(s) and registration(s)

- (62) Serial number(s) and, if available, filing date(s) of application(s), registration(s) or document(s) related by division
- (66) Serial number(s) of the application, or the registration, of the design(s) which is (are) a variant(s) of the present one

(70) Identification of parties concerned with the application or registration

- (71) Name(s) and address(es) of the applicant(s)
- (72) Name(s) of the creator(s) if known to be such
- (74) Name(s) and address(es) of the representative(s)

This Page Left Intentionally Blank

OFFICIAL NOTICE**Declaration of the days in 2012 when the Designs Office, the Patent Office, the PBR Office and the Trade Marks Office and their sub-offices are taken not to be open for business**

The close-down provisions in the Designs, Olympic Insignia protection, Patents, Plant Breeder's Rights and Trade Marks legislation provide for the effect of Designs Office, the Patent Office, the PBR Office and the Trade Marks Office ('the Canberra offices') or any of their sub-offices in the State capitals or territory not being open for business.

On 22 November 2011, the Director General of IP Australia declared under the close-down provisions the days when the Canberra offices and the sub-offices will not be open for business for the 2012 calendar year. A copy of the declaration is attached.

The Canberra offices and the State offices will not be open for business on the following days in the period **1 January 2012 to 1 January 2013**.

The Queensland government has not yet approved public holidays for Queensland (other than for Monday 2 January 2012 – This was declared last year). Close down provisions for Queensland will be separately declared and published after the Queensland government approve them

All the Canberra offices and the sub-offices:

All Saturdays and Sundays in the period

The Canberra office

Monday, 2 January 2012	New Year's Day
Thursday, 26 January 2012	Australia Day
Monday, 12 March 2012	Canberra Day
Friday, 6 April 2012	Good Friday
Monday, 9 April 2012	Easter Monday
Wednesday, 25 April 2012	Anzac Day
Monday, 11 June 2012	Queen's Birthday Holiday
Monday, 1 October 2012	Labour Day
Monday, 8 October 2012	Family & Community Day
Tuesday, 25 December 2012 to Tuesday, 1 January 2013	Christmas Close Down

The New South Wales office

Monday, 2 January 2012	New Year's Day
Thursday, 26 January 2012	Australia Day
Friday, 6 April 2012	Good Friday
Monday, 9 April 2012	Easter Monday
Wednesday, 25 April 2012	Anzac Day
Monday, 11 June 2012	Queen's Birthday Holiday
Monday, 1 October 2012	Labour Day

Tuesday, 25 December 2012 to
Tuesday, 1 January 2013

Christmas Close Down

The South Australian office

Monday, 2 January 2012
Thursday, 26 January 2012
Monday, 12 March 2012
Friday, 6 April 2012
Monday, 9 April 2012
Wednesday, 25 April 2012
Monday, 11 June 2012
Monday, 1 October 2012
Tuesday, 25 December 2012 to
Tuesday, 1 January 2013

New Year's Day
Australia Day
Adelaide Cup Day
Good Friday
Easter Monday
Anzac Day
Queen's Birthday Holiday
Labour Day

Christmas Close Down

The Tasmanian office

Monday, 2 January 2012
Thursday, 26 January 2012
Monday, 13 February 2012
Monday, 12 March 2012
Friday, 6 April 2012
Monday, 9 April 2012
Tuesday, 10 April 2012
Wednesday, 25 April 2012
Monday, 11 June 2012
Thursday, 25 October 2012
Tuesday, 25 December 2012 to
Tuesday, 1 January 2013

New Year's Day
Australia Day
Royal Regatta Day
Eight Hour Day
Good Friday
Easter Monday
Easter Tuesday
Anzac Day
Queen's Birthday Holiday
Hobart Show Day

Christmas Close Down

The Victorian office

Monday, 2 January 2012
Thursday, 26 January 2012
Monday, 12 March 2012
Friday, 6 April 2012
Monday, 9 April 2012
Wednesday, 25 April 2012
Monday, 11 June 2012
Tuesday, 6 November 2012
Tuesday, 25 December 2012 to
Tuesday, 1 January 2013

New Year's Day
Australia Day
Labour Day
Good Friday
Easter Monday
Anzac Day
Queen's Birthday Holiday
Melbourne Cup Day

Christmas Close Down

The Western Australian office

Monday, 2 January 2012	New Year's Day
Thursday, 26 January 2012	Australia Day
Monday, 5 March 2012	Labour Day
Friday, 6 April 2012	Good Friday
Monday, 9 April 2012	Easter Monday
Wednesday, 25 April 2012	Anzac Day
Monday, 4 June 2012	Foundation Day
Monday, 1 October 2012	Queen's Birthday Holiday
Tuesday, 25 December 2012 to	
Tuesday, 1 January 2013	Christmas Close Down

The Northern Territory office

Monday, 2 January 2012	New Year's Day
Thursday, 26 January 2012	Australia Day
Friday, 6 April 2012	Good Friday
Monday, 9 April 2012	Easter Monday
Wednesday, 25 April 2012	Anzac Day
Monday, 7 May 2012	May Day
Monday, 11 June 2012	Queen's Birthday Holiday
Friday, 27 July 2012	Darwin Show Day
Monday, 6 August 2012	Picnic Day
Tuesday, 25 December 2012 to	
Tuesday, 1 January 2013	Christmas Close Down

For more information on the effect of the close-down provisions, please see the Official Notices of 23 March 2007 titled *Intellectual Property Legislation Amendment Regulations 2007 (No. 1)* and *The new close-down provisions in the trade marks legislation* available on IP Australia's website through the page www.ipaustralia.gov.au/resources/officialnotices.shtml.

Contact: IP Australia
Phone: 1300 651 010
Fax: +61 2 6283 7999
E-mail: assist@ipaustalia.gov.au
Web: www.ipaustralia.gov.au

OFFICIAL NOTICE***Intellectual Property Legislation Amendment Regulations
2011 (No. 2)***

On 23 November 2011, the Federal Executive Council made the [*Intellectual Property Legislation Amendment Regulations 2011 \(No. 2\)*](#) ('the Regulations'). The Regulations have been registered in the Federal Register of Legislative Instruments and can be viewed on the ComLaw website (www.comlaw.gov.au).

The Regulations amend:

- the *Designs Regulations 2004*, the *Olympic Insignia Protection Regulations 1993*, the *Patents Regulations 1991*, the *Plant Breeder's Rights Regulations 1994* and the *Trade Marks Regulations 1995* to update references to the *Acts Interpretation Act 1901*, reflecting amendments to that Act made by the *Acts Interpretation Amendment Act 2011* – commencing on **27 December 2011**.
- the Patents Regulations to remove an exception to the existing general rule for determining when the Commissioner or the Patent Office is taken to have given someone a document – commencing on **1 January 2012**. This will allow documents made available to someone electronically to be treated the same as posted documents.
- the Patents Regulations to allow applicants for standard patents to request deferred consideration of proposed amendments to their complete specifications until substantive examination of their applications has commenced. The changes will provide greater flexibility for applicants seeking to amend their patent applications – commencing on **1 January 2012**.
- the classes of goods and services in Schedule 1 to the Trade Marks Regulations to reflect those in the Tenth Edition of the International Classification of Goods and Service (Nice Classification) – commencing on **1 January 2012**.

Further details are set out in the [Explanatory Statement to the Regulations](#).

Queries	Terry Moore Director, Domestic Policy +61 2 6283 2632
Contact	IP Australia
Phone	1300 651 010
Fax	+61 2 6283 7999
E-mail	assist@ipaustralia.gov.au
Web	www.ipaustralia.gov.au

Proceedings under the Designs Act 1906 preserved as a result of the provisions of Chapter 12 Part 2 of the Designs Act 2003.

This Page Left Intentionally Blank

Applications Lapsed

There were no Applications Lapsed under this section

Extension of Period of Registration of Designs

144304 (Sandvik Mining and Construction Oy) Sandvik Tamrock Oy

1st Period (Section 27A(8))

2nd Period (Section 27A(12))

3rd Period (Section 27A(13))

143622	144211	144233
144251	144379	144507
144509	144529	144553
144575	144686	144702
144703	144814	144932
145081	145082	145083
145084	145085	145086
145087	145088	145089
145189	145190	146121
146765	147079	147776
148489		

Registrations Ceased

Note: Some of the following Registrations may have been previously advertised as ceased. In this instance, the previous advertisement still prevails.

127087	127088	127089
127090	127091	127092
127219	127220	127576
127649	127759	127845
128534	129056	131322
131545	131546	135971
142320	142341	142343
142538	142810	143086
143170	143171	143577
143578	144156	144157
144805	145549	145816
146375	146869	151074

Subsequent Owners Registered

(The name in parentheses is that of the subsequent owner)

152086	(Sanbrook Brands Pty Ltd) Bellett Leasing Pty Ltd
152086	(Jackel Holdings Victoria Pty Ltd) Sanbrook Brands Pty Ltd

Names Registered - Alterations and Amendments

(The name in parentheses is the new name of the proprietor)

144507	(Panasonic Corporation) Matsushita Electric Industrial Co. Ltd
--------	--

This Page Left Intentionally Blank

Proceedings under the Designs Act 2003.

This Page Left Intentionally Blank

Applications Lodged

Lodgement information is in the following order: **Applicant's Name**; International Classification, Name of Product, Lodgement Date and **Design Number**. If the applicant claims an earlier priority date under an International Convention, the Convention Country and the associated filing date are shown in parentheses before the Lodgement Date. Divisional information will also appear in parentheses before the Lodgement Date.

Actervis GmbH; 28-03A, Hand held unit for cosmetic components, (EM, 17 May 2011) 17 Nov 2011	15237/2011	Balmer, Donovan William;Sclanders, Kenneth Edwyn;Henderson, Graham John; 15-03A, Agricultural implement for ripping soil, 25 Nov 2011	15402/2011
Actervis GmbH; 28-03A, Hair removal device, (EM, 17 May 2011) 17 Nov 2011	15239/2011	Bellamy, Drew; 08-08NES, 14-03NES, Collapsable and extendable tripod for mounting a variety of commercial and industrial instruments including electronic, radio wave scanners, 24 Nov 2011	15388/2011
Actervis GmbH; 15-05, Steam cleaner, (EM, 22 Jun 2011) 17 Nov 2011	15238/2011	Britax Childcare Pty Ltd; 06-01D, A booster seat, 25 Nov 2011	15403/2011
Actervis GmbH; 15-05, Steam cleaner, (EM, 22 Jun 2011) 17 Nov 2011	15236/2011	Byrnes, Kevin Ashley; 17-02, 17-01, Digital didgeridoo, 25 Nov 2011	15382/2011
Activeion Cleaning Solutions, LLC; 09-01A, Spray apparatus, (US, 17 May 2011) 17 Nov 2011	15243/2011	Chevron (HK) Limited; 10-04, Laser level, (CN, 19 May 2011) 16 Nov 2011	15221/2011
Activeion Cleaning Solutions, LLC; 09-01A, Spray apparatus, (US, 17 May 2011) 17 Nov 2011	15242/2011	Chien, Wen-Ching; 26-05B, Table lamp, (TW, 22 Jun 2011) 21 Nov 2011	15260/2011
Ali Industries, Inc.; 08-05N, Sanding block, 09 Nov 2011	15251/2011	Choi, Victor Seng Hyeok;Dyman Foams Pty Ltd; 23-01G, 23-01L, Gutter filter, 25 Nov 2011	15400/2011
Ames True Temper, Inc.; 12-02, Wheelbarrow leg stabilizer, (US, 24 Jun 2011) 22 Nov 2011	15298/2011	Choi, Victor Seng Hyeok;Dyman Foams Pty Ltd; 23-01G, 23-01L, Gutter filter, 25 Nov 2011	15401/2011
Apple Inc.; 13-03B, Connector, (US, 20 May 2011) 21 Nov 2011	15281/2011	Chua, James; 26-05E, LED lighting lamps, 17 Nov 2011	15285/2011
Apple Inc.; 13-03B, Connector, (US, 20 May 2011) 21 Nov 2011	15282/2011	Coast RV Pty Ltd; 08-06, Hinge, 18 Nov 2011	15269/2011
Arrowcrest Group Pty Ltd; 12-16A, A vehicle wheel, 24 Nov 2011	15328/2011	Colorpak Limited; 09-03M, A package, 17 Nov 2011	15250/2011
Arrowcrest Group Pty Ltd; 12-16A, A vehicle wheel, 24 Nov 2011	15329/2011	Cordell, Stephen; 25-02K, Louvre blade, 28 Nov 2011	15404/2011
Ask Grace; 02-02C, Ladies garments, 18 Nov 2011	15263/2011	Cordell, Stephen; 25-02NES, Lourve frame, 28 Nov 2011	15405/2011
Aucone, Anthony; 13-03D, 1 Gang illusion touch switch, 25 Nov 2011	15425/2011	Creative Technology Ltd; 14-01, Speaker, 25 Nov 2011	15410/2011
Aucone, Anthony; 13-03D, 2 Gang illusion touch switch, 25 Nov 2011	15423/2011	D & H Enterprises Pty Ltd; 12-16B, A fairing for a vehicle, 18 Nov 2011	15284/2011
Aucone, Anthony; 13-03D, 3 Gang illusion touch switch, 25 Nov 2011	15424/2011	Dart Industries Inc.; 07-99A, Tray, (US, 18 Jul 2011) 22 Nov 2011	15296/2011
Automatic Bar Controls, Inc.; 07-02L, 07-04, Bar gun, (US, 31 May 2011) 25 Nov 2011	15391/2011	Dart Industries Inc.; 09-03NES, Container, (US, 14 Jul 2011) 22 Nov 2011	15293/2011
ACF Invest Pty Ltd; 20-03NES, Sign box, 18 Nov 2011	15259/2011		

Dart Industries Inc.; 09-03NES, Container, (US, 05 Jul 2011) 22 Nov 2011	15295/2011	Ekornes ASA; 06-01E, 06-03B, Footstool with a table in a side opening, (NO, 26 Aug 2011) 18 Nov 2011	15264/2011
Dart Industries Inc.; 07-99A, Tray, (US, 14 Jul 2011) 22 Nov 2011	15294/2011	Ekornes ASA; 06-01E, 06-03B, Combination of footstools and table, (NO, 26 Aug 2011) 18 Nov 2011	15267/2011
Dart Industries Inc.; 07-01D, Mug, (US, 18 Jul 2011) 22 Nov 2011	15297/2011	Ekornes ASA; 06-03A, Table, (NO, 26 Aug 2011) 18 Nov 2011	15265/2011
David, Garry Benjamin; 09-05, Sachet/tube is designed to hold and dispense various food (liquid) products as a single serve application via a pull, tab mechanism, 25 Nov 2011	15390/2011	Ekornes ASA; 06-01E, 06-03B, Footstool with a table on the top, (NO, 26 Aug 2011) 18 Nov 2011	15266/2011
Dematic Pty Ltd; 25-02A, End cap, 30 Aug 2011	15426/2011	Forever New Clothing Pty Ltd; 99-00, Women's fashion accessories, 16 Nov 2011	15240/2011
Dowin-Australia Pty Ltd; 26-05E, Lighting fixture, 21 Nov 2011	15287/2011	Frito-Lay North America, Inc.; 01-01, Snack food product, (US, 30 Sep 2011) 18 Nov 2011	15272/2011
Driscoll Strawberry Associates, Inc.; 07-01NES, Fruit packaging container, (US, 23 Jun 2011) 17 Nov 2011	15249/2011	Frito-Lay North America, Inc.; 01-01, Snack food product, (US, 30 Sep 2011) 18 Nov 2011	15273/2011
DuluxGroup (Australia) Pty Ltd; 09-01NES, Container, 29 Nov 2011	15427/2011	FBA Imports Pty Ltd; 09-03M, 09-03NES, Storage box base, 24 Nov 2011	15398/2011
DuluxGroup (Australia) Pty Ltd; 09-01NES, Container, 29 Nov 2011	15428/2011	FBA Imports Pty Ltd; 09-07NES, Storage box lid, 24 Nov 2011	15399/2011
Dyman Foams Pty Ltd;Choi, Victor Seng Hyeok; 23-01G, 23-01L, Gutter filter, 25 Nov 2011	15400/2011	Glatz AG; 03-03, Parts of standing umbrellas, (EM, 04 Jul 2011) 24 Nov 2011	15325/2011
Dyman Foams Pty Ltd;Choi, Victor Seng Hyeok; 23-01G, 23-01L, Gutter filter, 25 Nov 2011	15401/2011	Glatz AG; 03-03, Parts of standing umbrellas, (EM, 04 Jul 2011) 24 Nov 2011	15327/2011
Dyson Limited; 15-05, Part of a hand drier, (EM, 23 May 2011) 23 Nov 2011	15320/2011	Glatz AG; 03-03, Parts of standing umbrellas, (EM, 04 Jul 2011) 24 Nov 2011	15326/2011
Dyson Limited; 15-05, Part of a hand drier, (EM, 23 May 2011) 23 Nov 2011	15319/2011	Glatz AG; 03-03, Parts of standing umbrellas, (EM, 04 Jul 2011) 24 Nov 2011	15324/2011
DQ Care Pty Ltd ATF DQ Care Trust; 12-02, 03-01A, Bag supported by an adjustable trolley, 16 Nov 2011	15219/2011	Global Trade Imports Pty Ltd; 26-06, Lighting device for a vehicle, 18 Nov 2011	15268/2011
Eaton Industries Company; 06-04B, A cabinet, (NZ, 08 Jun 2011) 24 Nov 2011	15409/2011	Glowstix Australia Pty Ltd; 26-05E, Plastic battery operated LED candle, 25 Nov 2011	15381/2011
Eaton Industries Company; 06-04B, A cabinet, (NZ, 08 Jun 2011) 24 Nov 2011	15408/2011	Henderson, Graham John;Sclanders, Kenneth Edwyn;Balmer, Donovan William; 15-03A, Agricultural implement for ripping soil, 25 Nov 2011	15402/2011
Ede, Matthew;Ede, David; 12-16K, A truck spare wheel carrier that lowers the wheel from it's mounting onto the road with the wheel in an upright, position, eliminating any lifting/handling., 21 Nov 2011	15316/2011	Hisense Electric Co., Ltd; 14-03B, LCD television receiver, (CN, 08 Aug 2011) 29 Nov 2011	15456/2011
Ede, David;Ede, Matthew; 12-16K, A truck spare wheel carrier that lowers the wheel from it's mounting onto the road with the wheel in an upright, position, eliminating any lifting/handling., 21 Nov 2011	15316/2011	Hisense Electric Co., Ltd; 14-03B, LCD television receiver, (CN, 08 Aug 2011) 29 Nov 2011	15457/2011

Hisense Electric Co., Ltd; 14-03B, LCD television receiver, (CN, 08 Aug 2011) 29 Nov 2011	15458/2011	LG Electronics Inc.; 14-03B, Television receiver, (KR, 27 May 2011) 28 Nov 2011	15417/2011
Husqvarna AB; 08-03, Trimmer, (EM, 25 May 2011) 24 Nov 2011	15332/2011	LG Electronics Inc.; 14-03B, Television receiver, (KR, 27 May 2011) 28 Nov 2011	15418/2011
Husqvarna AB; 08-03, Trimmer, (EM, 25 May 2011) 24 Nov 2011	15331/2011	Markerry Technologies Pty Ltd; 26-05C, Down light, 23 Nov 2011	15322/2011
Husqvarna AB; 08-03, Trimmer, (EM, 25 May 2011) 24 Nov 2011	15330/2011	Mars, Incorporated; 20-02NES, 09-03NES, Display tray, (CN, 25 Jul 2011) 21 Nov 2011	15283/2011
Iveco S.P.A.; 12-08, External style of industrial vehicle, (EM, 26 May 2011) 16 Nov 2011	15222/2011	Mary Kay Inc.; 09-01G, Cosmetic container, (US, 27 Oct 2011) 17 Nov 2011	15220/2011
Iveco S.P.A.; 12-08, External style of commercial vehicle, (EM, 26 May 2011) 16 Nov 2011	15223/2011	Matthews International Pty Ltd; 12-05, Load restraint apparatus, 24 Nov 2011	15389/2011
Kenwood Limited; 31-00, Fruit juice extractor, (EM, 03 Jun 2011) 29 Nov 2011	15450/2011	McPherson's Limited; 07-99NES, Knife block, 28 Nov 2011	15422/2011
Kenwood Limited; 31-00, Fruit juice extractor, (EM, 03 Jun 2011) 29 Nov 2011	15451/2011	McPherson's Limited; 08-03, Knife handle, 28 Nov 2011	15420/2011
Kenwood Limited; 31-00, Fruit juice extractor, (EM, 03 Jun 2011) 29 Nov 2011	15449/2011	McPherson's Limited; 08-03, Knife, 28 Nov 2011	15421/2011
Keter Plastic Ltd.; 21-03, Slide, (IL, 25 May 2011) 23 Nov 2011	15321/2011	Metlam Australia Pty Limited; 08-07, A locking device, 18 Nov 2011	15253/2011
Koninklijke Philips Electronics N.V.; 24-01, Nasal mask assembly, (EM, 26 May 2011) 21 Nov 2011	15277/2011	Michelin Recherche et Technique S.A.;Societe De Technologie Michelin; 12-15A, A tyre, (FR, 23 May 2011) 17 Nov 2011	15233/2011
Koninklijke Philips Electronics N.V.; 24-01, Forehead pad assembly for a nasal mask assembly, (EM, 26 May 2011) 21 Nov 2011	15278/2011	Michelin Recherche et Technique SA;Societe De Technologie Michelin; 12-15B, A tyre, (US, 19 May 2011) 17 Nov 2011	15234/2011
Koninklijke Philips Electronics N.V.; 24-01, Cushion assembly for a nasal mask assembly, (EM, 26 May 2011) 21 Nov 2011	15279/2011	Microsoft Corporation; 21-01N, Game controller, (US, 07 Jun 2011) 25 Nov 2011	15394/2011
Koninklijke Philips Electronics N.V.; 24-01, Headgear clip for a nasal mask assembly, (EM, 26 May 2011) 21 Nov 2011	15280/2011	Microsoft Corporation; 21-01N, Game controller, (US, 07 Jun 2011) 25 Nov 2011	15395/2011
Kraft Foods Schweiz Holding GmbH; 01-01, Biscuit, (EM, 20 Apr 2011) 07 Oct 2011	15289/2011	Microsoft Corporation; 21-01N, Game controller, (US, 07 Jun 2011) 25 Nov 2011	15396/2011
Kraft Foods Schweiz Holding GmbH; 01-01, Biscuit, (EM, 20 Apr 2011) 07 Oct 2011	15290/2011	Microsoft Corporation; 21-01N, Game controller, (US, 07 Jun 2011) 25 Nov 2011	15397/2011
Kraft Foods Schweiz Holding GmbH; 01-01, Biscuit, (EM, 20 Apr 2011) 07 Oct 2011	15291/2011	Microsoft Corporation; 14-04, Display screen with user interface, (US, 27 May 2011) 24 Nov 2011	15351/2011
Lambretta Motolife Italia S.p.A.; 12-11, Scooter, 18 Nov 2011	15262/2011	Microsoft Corporation; 14-04, Display screen with transitional keyboard user interface, (US, 27 May 2011) 24 Nov 2011	15370/2011
Lynch Group Australia Pty Limited; 20-02E, Display stand, 29 Nov 2011	15448/2011	Microsoft Corporation; 14-04, Display screen with user interface, (US, 27 May 2011) 24 Nov 2011	15374/2011

Microsoft Corporation; 14-04, Display screen with user interface, (US, 27 May 2011) 24 Nov 2011	15375/2011	Microsoft Corporation; 21-01N, Game controller, (US, 07 Jun 2011) 25 Nov 2011	15392/2011
Microsoft Corporation; 14-04, Display screen with user interface, (US, 27 May 2011) 24 Nov 2011	15371/2011	Microsoft Corporation; 21-01N, Game controller, (US, 07 Jun 2011) 25 Nov 2011	15393/2011
Microsoft Corporation; 14-04, Display screen with user interface, (US, 27 May 2011) 24 Nov 2011	15355/2011	Microsoft Corporation; 14-04, Display screen with user interface, (US, 27 May 2011) 24 Nov 2011	15372/2011
Microsoft Corporation; 14-04, Display screen with set of icons, (US, 27 May 2011) 24 Nov 2011	15334/2011	Microsoft Corporation; 14-04, Display screen with user interface, (US, 27 May 2011) 24 Nov 2011	15373/2011
Microsoft Corporation; 14-04, Display screen with user interface, (US, 27 May 2011) 24 Nov 2011	15378/2011	Microsoft Corporation; 14-04, Display screen with user interface, (US, 27 May 2011) 24 Nov 2011	15344/2011
Microsoft Corporation; 14-04, Display screen with animated user interface, (US, 27 May 2011) 24 Nov 2011	15379/2011	Microsoft Corporation; 14-04, Display screen with user interface, (US, 27 May 2011) 24 Nov 2011	15345/2011
Microsoft Corporation; 14-04, Display screen with keyboard user interface, (US, 27 May 2011) 24 Nov 2011	15335/2011	Microsoft Corporation; 14-04, Display screen with user interface, (US, 27 May 2011) 24 Nov 2011	15346/2011
Microsoft Corporation; 14-04, Display screen with user interface, (US, 27 May 2011) 24 Nov 2011	15356/2011	Microsoft Corporation; 14-04, Display screen with user interface, (US, 27 May 2011) 24 Nov 2011	15347/2011
Microsoft Corporation; 14-04, Display screen with user interface, (US, 27 May 2011) 24 Nov 2011	15353/2011	Microsoft Corporation; 14-04, Display screen with keyboard user interface, (US, 27 May 2011) 24 Nov 2011	15369/2011
Microsoft Corporation; 14-04, Display screen with user interface, (US, 27 May 2011) 24 Nov 2011	15336/2011	Microsoft Corporation; 14-04, Display screen with user interface, (US, 27 May 2011) 24 Nov 2011	15348/2011
Microsoft Corporation; 14-04, Display screen with icon, (US, 27 May 2011) 24 Nov 2011	15376/2011	Microsoft Corporation; 14-04, Display screen with user interface, (US, 27 May 2011) 24 Nov 2011	15349/2011
Microsoft Corporation; 14-04, Display screen with user interface, (US, 18 Nov 2011) 24 Nov 2011	15377/2011	Microsoft Corporation; 14-04, Display screen with user interface, (US, 27 May 2011) 24 Nov 2011	15350/2011
Microsoft Corporation; 14-04, Display screen with user interface, (US, 27 May 2011) 24 Nov 2011	15337/2011	Microsoft Corporation; 14-04, Display screen with user interface, (US, 27 May 2011) 24 Nov 2011	15362/2011
Microsoft Corporation; 14-04, Display screen with user interface, (US, 27 May 2011) 24 Nov 2011	15357/2011	Microsoft Corporation; 14-04, Display screen with user interface, (US, 27 May 2011) 24 Nov 2011	15342/2011
Microsoft Corporation; 14-04, Display screen with user interface, (US, 27 May 2011) 24 Nov 2011	15358/2011	Microsoft Corporation; 14-04, Display screen with user interface, (US, 27 May 2011) 24 Nov 2011	15339/2011
Microsoft Corporation; 14-04, Display screen with user interface, (US, 27 May 2011) 24 Nov 2011	15354/2011	Microsoft Corporation; 14-04, Display screen with user interface, (US, 27 May 2011) 24 Nov 2011	15340/2011
Microsoft Corporation; 14-04, Display screen with user interface, (US, 27 May 2011) 24 Nov 2011	15352/2011	Microsoft Corporation; 14-04, Display screen with user interface, (US, 27 May 2011) 24 Nov 2011	15338/2011
Microsoft Corporation; 14-04, Display screen with user interface, (US, 27 May 2011) 24 Nov 2011	15343/2011	Microsoft Corporation; 14-04, Display screen with keyboard user interface, (US, 27 May 2011) 24 Nov 2011	15367/2011

Microsoft Corporation; 14-04, Display screen with user interface, (US, 27 May 2011) 24 Nov 2011	15366/2011	Oy FP Finland Ltd; 22-05, Fishing lures, (EM, 16 Jun 2011) 24 Nov 2011	15385/2011
Microsoft Corporation; 14-04, Display screen with user interface, (US, 27 May 2011) 24 Nov 2011	15365/2011	Pacific Worldwide Pty Ltd; 09-03M, Packaging for food, 28 Nov 2011	15406/2011
Microsoft Corporation; 14-04, Display screen with keyboard user interface, (US, 27 May 2011) 24 Nov 2011	15364/2011	Panasonic Corporation; 07-02A, Cooker, (JP, 27 Jun 2011) 22 Nov 2011	15314/2011
Microsoft Corporation; 14-04, Display screen with softkey and display screen with icon, (US, 27 May 2011) 24 Nov 2011	15363/2011	Panasonic Corporation; 07-02A, Cooker, (JP, 27 Jun 2011) 22 Nov 2011	15315/2011
Microsoft Corporation; 14-04, Display screen with keyboard user interface, (US, 27 May 2011) 24 Nov 2011	15368/2011	Petainer Lidkoping AB; 09-02C, Upside down keg, (EM, 20 May 2011) 21 Nov 2011	15288/2011
Microsoft Corporation; 14-04, Display screen with user interface, (US, 27 May 2011) 24 Nov 2011	15341/2011	Petainer Lidkoping AB; 09-02C, Upside down octabine keg, (EM, 20 May 2011) 21 Nov 2011	15292/2011
Microsoft Corporation; 14-04, Display screen with user interface, (US, 27 May 2011) 24 Nov 2011	15360/2011	Philip Morris Products S.A.; 09-03A, Packaging for tobacco products, (WO, 20 May 2011) 21 Nov 2011	15312/2011
Microsoft Corporation; 14-04, Display screen with user interface, (US, 27 May 2011) 24 Nov 2011	15361/2011	Philip Morris Products S.A.; 09-03A, Packaging for tobacco products, (EM, 20 May 2011) 21 Nov 2011	15318/2011
Microsoft Corporation; 14-04, Display screen with icon, (US, 27 May 2011) 24 Nov 2011	15359/2011	Philip Morris Products S.A.; 09-03A, Packaging for tobacco products, (WO, 20 May 2011) 21 Nov 2011	15313/2011
Microsoft Corporation; 14-04, Display screen with user interface, (US, 27 May 2011) 24 Nov 2011	15323/2011	Philip Morris Products S.A.; 09-03A, Packaging for tobacco products, (WO, 20 May 2011) 21 Nov 2011	15311/2011
Mills, David; 15-01, 2 stroke combustion chamber and porting, 28 Oct 2011	15452/2011	Philip Morris Products S.A.; 27-01, Cigarette, (EM, 14 Mar 2011) 13 Sep 2011	15407/2011
Monaghan, Reynolds; 22-06, Snail cafe, this is a reusable snail and slug pellet capsule, 29 Nov 2011	15384/2011	Polk, Louis F. III; 03-01NES, Mouthguard package, (US, 17 May 2011) 17 Nov 2011	15244/2011
Montgomery, Fiona; 14-02, Book style USB with keyring attachment rounded binder square front + back, 24 Nov 2011	15383/2011	Polk, Louis F. III; 21-02NES, Mouthguard, (US, 17 May 2011) 17 Nov 2011	15245/2011
Montgomery, Fiona; 14-02, Specific sports style top and pants/ short pants cover the USB stick plug clipholder at top to hold chain/keyring, 24 Nov 2011	15419/2011	PSA Products Pty Ltd; 10-05, Smoke detector and alarm device, 18 Nov 2011	15252/2011
Motorola Solutions, Inc; 14-01, Audio control accessory, (US, 26 May 2011) 28 Nov 2011	15453/2011	Quinsey, Wilfred John;Quinsey, Harvey Charles; 25-02C, Stainless steel handrail bend 45 degrees, 07 Jul 2011	15274/2011
Norton, Mathew Raymund; 08-05N, PCD bit impregnated - turbo - timber sanding/paint removal diamond cup wheel abrasive, 29 Nov 2011	15386/2011	Quinsey, Wilfred John;Quinsey, Harvey Charles; 25-02C, Stainless steel handrail end cap, 07 Jul 2011	15276/2011
Oy FP Finland Ltd; 22-05, Fishing lures, (EM, 16 Jun 2011) 24 Nov 2011	15387/2011	Quinsey, Harvey Charles;Quinsey, Wilfred John; 25-02C, Stainless steel handrail end cap, 07 Jul 2011	15276/2011

Quinsey, Wilfred John;Quinsey, Harvey Charles; 25-02C, Stainless steel handrail joiner, 07 Jul 2011	15275/2011	Societe De Technologie Michelin;Michelin Recherche et Technique SA; 12-15B, A tyre, (US, 19 May 2011) 17 Nov 2011	15234/2011
Quinsey, Harvey Charles;Quinsey, Wilfred John; 25-02C, Stainless steel handrail joiner, 07 Jul 2011	15275/2011	Societe De Technologie Michelin;Michelin Recherche et Technique S.A.; 12-15A, A tyre, (FR, 23 May 2011) 17 Nov 2011	15233/2011
Quinsey, Harvey Charles;Quinsey, Wilfred John; 25-02C, Stainless steel handrail bend 45 degrees, 07 Jul 2011	15274/2011	Sony Corporation; 14-02, A digital reader, (US, 27 May 2011) 24 Nov 2011	15333/2011
Rapala VMC Oyj; 22-05, Fishing tackle, (EM, 18 May 2011) 18 Nov 2011	15270/2011	Splosh Australia Pty Ltd; 11-02F, A key hanger, 22 Nov 2011	15299/2011
Reckitt Benckiser Healthcare International Limited; 09-01A, Refill, (EM, 23 May 2011) 17 Nov 2011	15255/2011	Splosh Australia Pty Ltd; 11-02F, An ornament, 22 Nov 2011	15310/2011
Reckitt Benckiser Healthcare International Limited; 09-01A, Dispensing device, (EM, 23 May 2011) 17 Nov 2011	15257/2011	Splosh Australia Pty Ltd; 11-02F, An ornament, 22 Nov 2011	15309/2011
Reckitt Benckiser Healthcare International Limited; 09-01A, Dispensing device, (EM, 23 May 2011) 17 Nov 2011	15258/2011	Splosh Australia Pty Ltd; 11-02F, 11-02NES, An ornament, 22 Nov 2011	15308/2011
Reckitt Benckiser Healthcare International Limited; 09-01A, Dispensing device, (EM, 23 May 2011) 17 Nov 2011	15256/2011	Splosh Australia Pty Ltd; 11-02F, 11-02NES, A key hanger, 22 Nov 2011	15306/2011
Reckitt Benckiser Healthcare International Limited; 09-01A, Dispensing device and refill, (EM, 23 May 2011) 17 Nov 2011	15254/2011	Splosh Australia Pty Ltd; 11-02F, 11-02NES, A key hanger, 22 Nov 2011	15302/2011
Roadvision Pty Ltd; 26-06, Roadvision R8 rear combination lamp, 25 Nov 2011	15380/2011	Splosh Australia Pty Ltd; 11-02F, 11-02NES, A key hanger, 22 Nov 2011	15303/2011
Roccat GmbH; 14-02, Computer mouse, 28 Nov 2011	15414/2011	Splosh Australia Pty Ltd; 11-02F, 11-02NES, A key hanger, 22 Nov 2011	15300/2011
Roccat GmbH; 14-02, Computer mouse, 28 Nov 2011	15415/2011	Splosh Australia Pty Ltd; 11-02F, 11-02NES, An ornament, 22 Nov 2011	15305/2011
Schyns, Werner; 12-16NES, , 29 Nov 2011	15455/2011	Splosh Australia Pty Ltd; 11-02F, A Key hanger, 22 Nov 2011	15301/2011
Schyns, Werner; 12-16NES, , 29 Nov 2011	15454/2011	Stuart, Geoffrey C.; 09-05, Package for containing food. A single serve dual sided portion pack designed to contain liquids such as sauces,, flavours, salad oils, or other liquids/lotions/cosmetics applications, 18 Nov 2011	15241/2011
Sclanders, Kenneth Edwyn;Balmer, Donovan William;Henderson, Graham John; 15-03A, Agricultural implement for ripping soil, 25 Nov 2011	15402/2011	Tarrant, Mark; 08-05P, 08-06, 10-04, Handles for electric current detection implements, 21 Nov 2011	15286/2011
Simms, John Lee II; 07-02E, Support structure for a cooking grill, (US, 16 May 2011) 16 Nov 2011	15232/2011	The Gillette Company; 28-03A, Shaving razor, (US, 20 May 2011) 17 Nov 2011	15235/2011

Torrens, Glenn Thomas; 21-04, The product is a flexible V-shaped tent pole/awning support for use on arduous terrain, 21 Nov 2011	15317/2011	Wu, Yuewei; 08-03, A utility knife, (CN, 18 May 2011) 17 Nov 2011	15246/2011
Valentino S.p.A.; 09-01G, Container, (EM, 29 Jul 2011) 28 Nov 2011	15416/2011	Wu, Yuewei; 08-03, A utility knife, (CN, 18 May 2011) 17 Nov 2011	15248/2011
VIP Plastic Packaging Pty Ltd; 09-02C, Keg, 30 Nov 2011	15429/2011	X6D Limited; 16-06, 3D glasses, (US, 20 May 2011) 18 Nov 2011	15271/2011
Watertec (Malaysia) Sdn Bhd; 13-03NES, Electrical box, 18 Nov 2011	15247/2011		

Applications Lapsed

12122 / 2011 (13-03D)	12179 / 2011 (30-99)
13532 / 2011 (22-05)	13882 / 2011 (06-10)
14018 / 2011 (21-01L)	14195 / 2011 (25-02E)
15055 / 2011 (06-01G)	

Extension of Period of Registration of Designs

310190	310434	310435
310541	310542	310574
310575	312205	312206
312303	312421	312503
312504	312538	312540
312541	312577	312689
312719	312720	312721
312722	312723	312724
312725	312728	312729
312749	312750	312761
312762	312771	312772
312773	312774	312775
312791	312792	312793
312846	312847	312848
312849	312850	312851
312852	312865	312867
312868	312875	312897
312898	312937	312938
312945	312946	312991
312992	313008	313009
313010	313011	313027
313066	313067	313118
313120	313121	313122
313123	313124	313125
313133	313136	313137
313138	313139	313214
313245	313246	313247
313294	313295	313381
313424	313425	313426
313465	313480	313496
313589	313590	313591
313592	313593	313594
313595	313884	313885
313886	313887	313888
313889	313973	313974
314116	314144	314170
314266	314267	314289
314290	314755	314756
314757	314758	316987
317974	318520	318718
318719	318720	318995

Revocation of Design Registrations

The following Design Registration(s) have been revoked and are taken never to have been registered:

325358 12-06NES

Registrations Ceased

307600	307604	308009
308354	308355	308356
308357	308358	308359
308360	308361	308362
308363	308364	308365
308366	308526	308527
308528	308529	308530
308694	308777	308778
308779	308878	308879
308880	309042	309070
309072	309119	309135
309160	309182	309184
309226	309227	309261
309285	309326	309414
309415	309416	309417
309418	309419	309609
309633	309640	309641
309679	309680	309681
309716	309717	309718
309719	309721	309725
309727	309733	309752
309755	309756	309757
309759	309760	309763
309764	309779	309781
309782	309783	309938
309939	309962	309964
309965	310020	310021
310022	310024	310025
310141	310142	310170
310171	310206	310207
310229	310244	310245
310263	310264	310265
310266	310284	310286
310287	310303	310304
310305	310306	310341
310484	310485	310486
310591	310593	310595
310597	310598	310599
310600	310601	310602
310624	310625	310626
310627	310628	310629
311338	311382	311734
311797	311842	311862
311863	311864	311865
311964	312821	312822
312890	312985	313442
313443	313964	314294
333294		

Extensions of time granted under Section 137

Applications lodged under section 137 for extension of time have been granted.

339543 Actervis GmbH	334200 (RECKITT BENCKISER LLC.) Reckitt Benckiser Inc.
339670 Delta Panels Pty Ltd	334827 (RECKITT BENCKISER LLC.) Reckitt Benckiser Inc.
339671 Delta Panels Pty Ltd	336688 (Anheuser-Busch, LLC) Anheuser-Busch, Inc.
339672 Delta Panels Pty Ltd	336689 (Anheuser-Busch, LLC) Anheuser-Busch, Inc.
339673 Delta Panels Pty Ltd	336690 (Anheuser-Busch, LLC) Anheuser-Busch, Inc.
14336/2011 Medela Holding AG	
15055/2011 Halo Trademarks Limited	

Subsequent Owners Registered

(The name in parentheses is that of the subsequent owner)

308823	(Sanbrook Brands Pty Ltd) Bellett Leasing Pty Ltd
320015	(Sanbrook Brands Pty Ltd) Bellett Leasing Pty Ltd
312994	(Sanbrook Brands Pty Ltd) Bellett Leasing Pty Ltd
320015	(Jackel Holdings Victoria Pty Ltd) Sanbrook Brands Pty Ltd
312994	(Jackel Holdings Victoria Pty Ltd) Sanbrook Brands Pty Ltd
308823	(Jackel Holdings Victoria Pty Ltd) Sanbrook Brands Pty Ltd

Names Registered - Alterations and Amendments

(The name in parentheses is that of the subsequent applicant)

308020	(Sandvik Mining and Construction Oy) Sandvik Tamrock Oy
308019	(Sandvik Mining and Construction Oy) Sandvik Tamrock Oy
303784	(S.C.F Group Pty Ltd) S.C.F. Containers International Pty Ltd
325665	(Ducane Australia Pty Ltd) Ducane Research and Development Pty Ltd
325667	(Ducane Australia Pty Ltd) Ducane Research and Development Pty Ltd
325668	(Ducane Australia Pty Ltd) Ducane Research and Development Pty Ltd
325672	(Ducane Australia Pty Ltd) Ducane Research and Development Pty Ltd
325673	(Ducane Australia Pty Ltd) Ducane Research and Development Pty Ltd
330726	(Reckitt Benckiser LLC) Reckitt Benckiser Inc.
334891	(Asahi Soft Drinks Co., Ltd.;Asahi Group Holdings, Ltd.) Asahi Soft Drinks Co., Ltd.;Asahi Breweries, Ltd
334953	(Showa Aluminum Can Corporation;Asahi Group Holdings, Ltd.) Asahi Breweries, Ltd;Showa Aluminum Can Corporation
333526	(RECKITT BENCKISER LLC.) Reckitt Benckiser Inc.
333527	(RECKITT BENCKISER LLC.) Reckitt Benckiser Inc.
333528	(RECKITT BENCKISER LLC.) Reckitt Benckiser Inc.
333529	(RECKITT BENCKISER LLC.) Reckitt Benckiser Inc.
333547	(RECKITT BENCKISER LLC.) Reckitt Benckiser Inc.
333548	(RECKITT BENCKISER LLC.) Reckitt Benckiser Inc.
333549	(RECKITT BENCKISER LLC.) Reckitt Benckiser Inc.
333985	(RECKITT BENCKISER LLC.) Reckitt Benckiser Inc.
333986	(RECKITT BENCKISER LLC.) Reckitt Benckiser Inc.
334476	(RECKITT BENCKISER LLC.) Reckitt Benckiser Inc.
334815	(RECKITT BENCKISER LLC.) Reckitt Benckiser Inc.
334826	(RECKITT BENCKISER LLC.) Reckitt Benckiser Inc.

Certificate(s) of Examination

Examination of the following Design Registration(s) has been completed. Infringement proceedings may now be commenced.

308198	23-01H	30/11/2011
308199	23-01H	30/11/2011
308200	23-01H	30/11/2011
308201	23-01H	30/11/2011
315671	12-16NES	23/11/2011
321243	23-01H	30/11/2011
321281	06-06E	24/11/2011
321282	06-06E	24/11/2011
322491	23-01H	30/11/2011
323763	23-04	30/11/2011
326105	26-06	22/11/2011
330243	06-04B	30/11/2011
332160	12-05	01/12/2011
334015	26-06	22/11/2011
336347	08-08M	18/11/2011
336424	03-01D	23/11/2011
336600	03-01NES	15/11/2011
336601	03-01NES	17/11/2011
336938	31-00	21/11/2011
336954	23-01NES	24/11/2011
336986	09-07A	22/11/2011
337331	07-01NES	19/11/2011
337332	07-01NES	19/11/2011
337333	07-01NES	29/11/2011
337600	04-02	29/11/2011
337628	24-01	22/11/2011
337714	09-01A	29/11/2011
337941	06-02	28/11/2011
337942	06-04F	29/11/2011
338123	12-15B	28/11/2011
338259	15-07	22/11/2011
338276	16-06	30/11/2011
338277	16-06	30/11/2011
338279	16-06	30/11/2011
338309	06-02	24/11/2011
338465	06-02	24/11/2011
338486	09-09	20/11/2011
338500	21-02C	30/11/2011
338501	21-02C	30/11/2011
338623	12-05	28/11/2011
338675	06-13B	28/11/2011
338677	08-08NES	20/11/2011
338678	08-08NES	20/11/2011
338679	08-08NES	23/11/2011
338691	13-99	22/11/2011
338692	13-99	22/11/2011
338917	07-01NES	21/11/2011
338918	09-01K	24/11/2011
338919	09-01K	24/11/2011
338920	09-07C	21/11/2011
338924	09-01K	24/11/2011
338978	08-08L	28/11/2011
338979	08-08L	28/11/2011
339277	09-05	29/11/2011
339279	09-05	30/11/2011
339280	09-05	30/11/2011

Publication and Registration Proceedings

Designs Registered

This section provides a concordance between design number and registration number of Designs covered in this journal. It also shows the main class and registration date.

This section covers Registration numbers 339503 to 339691 .

The registration number shown below should be used in all future correspondence.

Design Number	Registration Number	International Classification Code (IDC)	Registration Date	Design Number	Registration Number	International Classification Code (IDC)	Registration Date
15449/2010	339517	02-02C	21/11/2011	14003/2011	339514	21-01N	21/11/2011
10793/2011	339508	20-03NES	21/11/2011	14019/2011	339679	06-01F	01/12/2011
11329/2011	339541	21-01B	22/11/2011	14020/2011	339680	06-01F	01/12/2011
11330/2011	339542	21-01B	22/11/2011	14021/2011	339681	06-01F	01/12/2011
11685/2011	339667	26-06	01/12/2011	14022/2011	339682	06-01E	01/12/2011
11686/2011	339668	12-16B	01/12/2011	14024/2011	339603	12-11	24/11/2011
11687/2011	339669	12-16C	01/12/2011	14025/2011	339604	12-11	24/11/2011
11814/2011	339562	09-07A	23/11/2011	14028/2011	339639	19-02	30/11/2011
11815/2011	339563	09-07A	23/11/2011	14031/2011	339515	03-01D	21/11/2011
12169/2011	339601	08-08L	24/11/2011	14045/2011	339566	07-01F	23/11/2011
12599/2011	339543	23-03A	22/11/2011	14056/2011	339572	25-03	23/11/2011
12641/2011	339518	02-02C	21/11/2011	14130/2011	339683	12-02	01/12/2011
12642/2011	339519	02-02C	21/11/2011	14162/2011	339684	09-01K	01/12/2011
12643/2011	339520	02-02NES	21/11/2011	14163/2011	339685	09-01K	01/12/2011
12644/2011	339521	02-02C	21/11/2011	14174/2011	339615	12-15A	28/11/2011
12645/2011	339522	02-02NES	21/11/2011	14227/2011	339616	25-02C	28/11/2011
12646/2011	339523	02-02NES	21/11/2011	14337/2011	339548	15-04	22/11/2011
12647/2011	339524	02-02C	21/11/2011	14338/2011	339549	15-04	22/11/2011
12648/2011	339525	02-02NES	21/11/2011	14375/2011	339550	12-02	22/11/2011
12649/2011	339526	02-02C	21/11/2011	14376/2011	339551	12-02	22/11/2011
12650/2011	339527	02-02NES	21/11/2011	14377/2011	339552	12-02	22/11/2011
12651/2011	339528	02-02C	21/11/2011	14431/2011	339621	13-03D	28/11/2011
12652/2011	339529	02-02C	21/11/2011	14433/2011	339653	23-01H	01/12/2011
12653/2011	339530	02-02NES	21/11/2011	14434/2011	339654	23-01H	01/12/2011
12654/2011	339531	02-02NES	21/11/2011	14435/2011	339655	23-01H	01/12/2011
12655/2011	339532	02-02NES	21/11/2011	14436/2011	339656	23-01H	01/12/2011
12656/2011	339533	02-02NES	21/11/2011	14437/2011	339657	23-01H	01/12/2011
12657/2011	339534	02-02NES	21/11/2011	14438/2011	339658	23-01H	01/12/2011
12658/2011	339535	02-02NES	21/11/2011	14439/2011	339652	23-01H	01/12/2011
12659/2011	339536	02-02NES	21/11/2011	14440/2011	339659	23-01H	01/12/2011
12660/2011	339537	02-02NES	21/11/2011	14441/2011	339660	23-01H	01/12/2011
12931/2011	339670	25-01G	01/12/2011	14442/2011	339661	23-01H	01/12/2011
12932/2011	339671	25-01G	01/12/2011	14443/2011	339662	23-01H	01/12/2011
12933/2011	339672	25-01G	01/12/2011	14444/2011	339663	23-01H	01/12/2011
12934/2011	339673	25-01G	01/12/2011	14445/2011	339664	23-01H	01/12/2011
13055/2011	339674	25-02C	01/12/2011	14446/2011	339665	23-01H	01/12/2011
13204/2011	339602	03-01B	24/11/2011	14447/2011	339666	23-01H	01/12/2011
13470/2011	339637	12-08	30/11/2011	14474/2011	339584	12-16A	23/11/2011
13471/2011	339638	26-06	30/11/2011	14485/2011	339609	06-01F	24/11/2011
13530/2011	339544	13-03NES	22/11/2011	14486/2011	339610	06-01F	24/11/2011
13818/2011	339545	06-13C	22/11/2011	14488/2011	339611	06-01NES	24/11/2011
13819/2011	339546	06-13C	22/11/2011	14491/2011	339600	06-01F	24/11/2011
13855/2011	339547	02-01NES	22/11/2011	14493/2011	339612	06-01C	24/11/2011
13929/2011	339678	08-07	01/12/2011	14604/2011	339558	08-03	22/11/2011
13931/2011	339503	14-02	21/11/2011	14605/2011	339559	08-03	22/11/2011
13998/2011	339509	21-01N	21/11/2011	14606/2011	339560	08-03	22/11/2011
13999/2011	339510	21-01N	21/11/2011	14607/2011	339561	08-03	22/11/2011
14000/2011	339511	21-01N	21/11/2011	14619/2011	339686	09-03M	01/12/2011
14001/2011	339512	21-01N	21/11/2011	14620/2011	339687	09-03M	01/12/2011
14002/2011	339513	21-01N	21/11/2011	14660/2011	339573	06-01NES	23/11/2011

Publication and Registration Proceedings - Designs Registered cont'd

Design Number	Registration Number	International Classification Code (IDC)	Registration Date	Design Number	Registration Number	International Classification Code (IDC)	Registration Date
14684/2011	339688	08-08A	01/12/2011	14942/2011	339594	25-02G	23/11/2011
14685/2011	339689	07-99NES	01/12/2011	14946/2011	339632	15-03B	30/11/2011
14734/2011	339605	09-03M	24/11/2011	14947/2011	339633	09-03K	30/11/2011
14740/2011	339617	04-02	28/11/2011	14948/2011	339599	08-05NES	24/11/2011
14742/2011	339618	04-02	28/11/2011	14949/2011	339634	13-02	30/11/2011
14743/2011	339619	04-02	28/11/2011	14950/2011	339622	21-02D	29/11/2011
14744/2011	339620	04-02	28/11/2011	14951/2011	339623	12-16NES	29/11/2011
14745/2011	339613	04-02	25/11/2011	14954/2011	339624	02-02C	29/11/2011
14747/2011	339614	04-02	25/11/2011	14958/2011	339555	11-01E	22/11/2011
14751/2011	339690	15-06	01/12/2011	14959/2011	339556	11-01E	22/11/2011
14808/2011	339504	23-01E	21/11/2011	14961/2011	339640	13-03NES	30/11/2011
14809/2011	339505	23-01E	21/11/2011	14977/2011	339635	09-01NES	30/11/2011
14810/2011	339506	25-01K	21/11/2011	14978/2011	339636	14-03B	30/11/2011
14822/2011	339538	28-03NES	21/11/2011	14979/2011	339625	08-05L	29/11/2011
14839/2011	339608	02-04A	24/11/2011	14980/2011	339583	25-01G	23/11/2011
14869/2011	339553	09-03NES	22/11/2011	14981/2011	339557	08-05P	22/11/2011
14870/2011	339554	07-02L	22/11/2011	14982/2011	339626	08-08NES	29/11/2011
14879/2011	339574	12-10	23/11/2011	14983/2011	339627	08-08NES	29/11/2011
14880/2011	339575	12-10	23/11/2011	14985/2011	339641	02-02A	30/11/2011
14881/2011	339576	12-02	23/11/2011	14986/2011	339642	02-02A	30/11/2011
14882/2011	339577	24-01	23/11/2011	14987/2011	339643	02-02A	30/11/2011
14883/2011	339578	12-02	23/11/2011	14988/2011	339644	02-02A	30/11/2011
14884/2011	339579	12-16K	23/11/2011	14989/2011	339645	02-02A	30/11/2011
14889/2011	339606	14-03NES	24/11/2011	14990/2011	339646	02-02A	30/11/2011
14890/2011	339607	24-01	24/11/2011	14991/2011	339647	02-02A	30/11/2011
14898/2011	339585	13-01	23/11/2011	14992/2011	339648	02-02A	30/11/2011
14910/2011	339580	13-01	23/11/2011	14993/2011	339649	02-02A	30/11/2011
14911/2011	339581	13-01	23/11/2011	14994/2011	339650	02-02A	30/11/2011
14912/2011	339582	13-01	23/11/2011	14995/2011	339651	02-02A	30/11/2011
14913/2011	339586	15-03B	23/11/2011	14997/2011	339628	23-01H	29/11/2011
14921/2011	339539	08-05A	21/11/2011	14998/2011	339629	23-01H	29/11/2011
14922/2011	339540	28-99	21/11/2011	15000/2011	339630	04-02	29/11/2011
14923/2011	339595	14-01	24/11/2011	15001/2011	339631	04-02	29/11/2011
14925/2011	339587	13-03B	23/11/2011	15116/2011	339691	06-02	01/12/2011
14928/2011	339596	09-03M	24/11/2011	15119/2011	339567	07-01F	23/11/2011
14929/2011	339597	09-03M	24/11/2011	15120/2011	339568	07-01F	23/11/2011
14930/2011	339564	08-05A	23/11/2011	15121/2011	339569	07-01F	23/11/2011
14931/2011	339565	15-05	23/11/2011	15122/2011	339570	23-01G	23/11/2011
14933/2011	339598	14-01	24/11/2011	15123/2011	339571	23-01G	23/11/2011
14934/2011	339588	12-15C	23/11/2011	15165/2011	339507	14-02	21/11/2011
14935/2011	339589	12-15C	23/11/2011	15274/2011	339675	25-02C	01/12/2011
14936/2011	339590	14-03D	23/11/2011	15275/2011	339676	25-02C	01/12/2011
14937/2011	339516	03-01B	21/11/2011	15276/2011	339677	25-02C	01/12/2011
14939/2011	339591	07-04	23/11/2011				
14940/2011	339592	14-03NES	23/11/2011				
14941/2011	339593	09-03NES	23/11/2011				

Publication and Registration Proceedings

Class Listing of Designs Published or Registered

The following section shows an International Classification Code listing of the Registered or Published Designs covered in this supplement.

Classification	Registration Number	Design Number	Classification	Registration Number	Design Number
02-01NES	339547	13855/2011	06-01F	339679	14019/2011
02-02A	339641	14985/2011	06-01F	339680	14020/2011
02-02A	339642	14986/2011	06-01F	339681	14021/2011
02-02A	339643	14987/2011	06-01NES	339573	14660/2011
02-02A	339644	14988/2011	06-01NES	339611	14488/2011
02-02A	339645	14989/2011	06-02	339691	15116/2011
02-02A	339646	14990/2011	06-13C	339545	13818/2011
02-02A	339647	14991/2011	06-13C	339546	13819/2011
02-02A	339648	14992/2011	07-01F	339566	14045/2011
02-02A	339649	14993/2011	07-01F	339567	15119/2011
02-02A	339650	14994/2011	07-01F	339568	15120/2011
02-02A	339651	14995/2011	07-01F	339569	15121/2011
02-02C	339517	15449/2010	07-02L	339554	14870/2011
02-02C	339518	12641/2011	07-04	339591	14939/2011
02-02C	339519	12642/2011	07-07NES	339689	14685/2011
02-02C	339521	12644/2011	07-99NES	339689	14685/2011
02-02C	339524	12647/2011	08-03	339558	14604/2011
02-02C	339526	12649/2011	08-03	339559	14605/2011
02-02C	339528	12651/2011	08-03	339560	14606/2011
02-02C	339529	12652/2011	08-03	339561	14607/2011
02-02C	339624	14954/2011	08-05A	339539	14921/2011
02-02NES	339520	12643/2011	08-05A	339564	14930/2011
02-02NES	339522	12645/2011	08-05L	339625	14979/2011
02-02NES	339523	12646/2011	08-05NES	339599	14948/2011
02-02NES	339525	12648/2011	08-05NES	339625	14979/2011
02-02NES	339527	12650/2011	08-05P	339557	14981/2011
02-02NES	339530	12653/2011	08-07	339678	13929/2011
02-02NES	339531	12654/2011	08-08A	339688	14684/2011
02-02NES	339532	12655/2011	08-08L	339601	12169/2011
02-02NES	339533	12656/2011	08-08NES	339626	14982/2011
02-02NES	339534	12657/2011	08-08NES	339627	14983/2011
02-02NES	339535	12658/2011	09-01K	339684	14162/2011
02-02NES	339536	12659/2011	09-01K	339685	14163/2011
02-02NES	339537	12660/2011	09-01NES	339635	14977/2011
02-04A	339608	14839/2011	09-03F	339686	14619/2011
03-01B	339516	14937/2011	09-03K	339633	14947/2011
03-01B	339602	13204/2011	09-03M	339596	14928/2011
03-01D	339515	14031/2011	09-03M	339597	14929/2011
03-01NES	339515	14031/2011	09-03M	339605	14734/2011
04-02	339613	14745/2011	09-03M	339686	14619/2011
04-02	339614	14747/2011	09-03M	339687	14620/2011
04-02	339617	14740/2011	09-03NES	339553	14869/2011
04-02	339618	14742/2011	09-03NES	339593	14941/2011
04-02	339619	14743/2011	09-07A	339562	11814/2011
04-02	339620	14744/2011	09-07A	339563	11815/2011
04-02	339630	15000/2011	11-01E	339555	14958/2011
04-02	339631	15001/2011	11-01E	339556	14959/2011
06-01C	339612	14493/2011	12-02	339550	14375/2011
06-01D	339612	14493/2011	12-02	339551	14376/2011
06-01E	339682	14022/2011	12-02	339552	14377/2011
06-01F	339600	14491/2011	12-02	339576	14881/2011
06-01F	339609	14485/2011	12-02	339578	14883/2011
06-01F	339610	14486/2011	12-02	339683	14130/2011

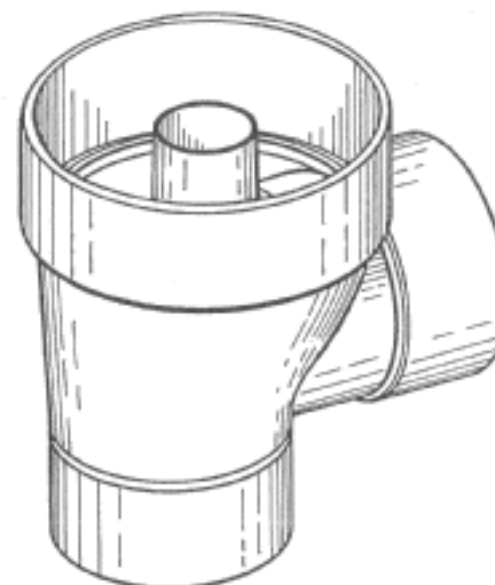
Registration Proceedings - Class Listing of Designs Published or Registered cont'd

Classification	Registration Number	Design Number	Classification	Registration Number	Design Number
12-08	339637	13470/2011	21-01N	339513	14002/2011
12-10	339574	14879/2011	21-01N	339514	14003/2011
12-10	339575	14880/2011	21-02D	339622	14950/2011
12-11	339603	14024/2011	23-01E	339504	14808/2011
12-11	339604	14025/2011	23-01E	339505	14809/2011
12-15A	339615	14174/2011	23-01G	339566	14045/2011
12-15C	339588	14934/2011	23-01G	339567	15119/2011
12-15C	339589	14935/2011	23-01G	339570	15122/2011
12-16A	339584	14474/2011	23-01G	339571	15123/2011
12-16B	339668	11686/2011	23-01H	339628	14997/2011
12-16C	339669	11687/2011	23-01H	339629	14998/2011
12-16K	339579	14884/2011	23-01H	339652	14439/2011
12-16NES	339623	14951/2011	23-01H	339653	14433/2011
13-01	339580	14910/2011	23-01H	339654	14434/2011
13-01	339581	14911/2011	23-01H	339655	14435/2011
13-01	339582	14912/2011	23-01H	339656	14436/2011
13-01	339585	14898/2011	23-01H	339657	14437/2011
13-02	339634	14949/2011	23-01H	339658	14438/2011
13-03B	339587	14925/2011	23-01H	339659	14440/2011
13-03D	339621	14431/2011	23-01H	339660	14441/2011
13-03NES	339544	13530/2011	23-01H	339661	14442/2011
13-03NES	339640	14961/2011	23-01H	339662	14443/2011
14-01	339595	14923/2011	23-01H	339663	14444/2011
14-01	339598	14933/2011	23-01H	339664	14445/2011
14-02	339503	13931/2011	23-01H	339665	14446/2011
14-02	339507	15165/2011	23-01H	339666	14447/2011
14-02	339509	13998/2011	23-03A	339543	12599/2011
14-02	339510	13999/2011	24-01	339577	14882/2011
14-02	339511	14000/2011	24-01	339578	14883/2011
14-02	339512	14001/2011	24-01	339607	14890/2011
14-02	339513	14002/2011	24-99	339577	14882/2011
14-02	339514	14003/2011	24-99	339578	14883/2011
14-02	339592	14940/2011	25-01G	339583	14980/2011
14-03B	339636	14978/2011	25-01G	339670	12931/2011
14-03D	339590	14936/2011	25-01G	339671	12932/2011
14-03NES	339592	14940/2011	25-01G	339672	12933/2011
14-03NES	339606	14889/2011	25-01G	339673	12934/2011
15-03B	339586	14913/2011	25-01K	339506	14810/2011
15-03B	339632	14946/2011	25-02C	339616	14227/2011
15-04	339548	14337/2011	25-02C	339674	13055/2011
15-04	339549	14338/2011	25-02C	339675	15274/2011
15-05	339565	14931/2011	25-02C	339676	15275/2011
15-06	339690	14751/2011	25-02C	339677	15276/2011
15-99	339580	14910/2011	25-02G	339594	14942/2011
19-02	339639	14028/2011	25-02NES	339616	14227/2011
20-03NES	339508	10793/2011	25-03	339572	14056/2011
20-99	339550	14375/2011	25-04	339626	14982/2011
20-99	339551	14376/2011	25-04	339627	14983/2011
20-99	339552	14377/2011	26-06	339638	13471/2011
21-01B	339541	11329/2011	26-06	339667	11685/2011
21-01B	339542	11330/2011	28-03NES	339538	14822/2011
21-01N	339509	13998/2011	28-99	339540	14922/2011
21-01N	339510	13999/2011			
21-01N	339511	14000/2011			
21-01N	339512	14001/2011			

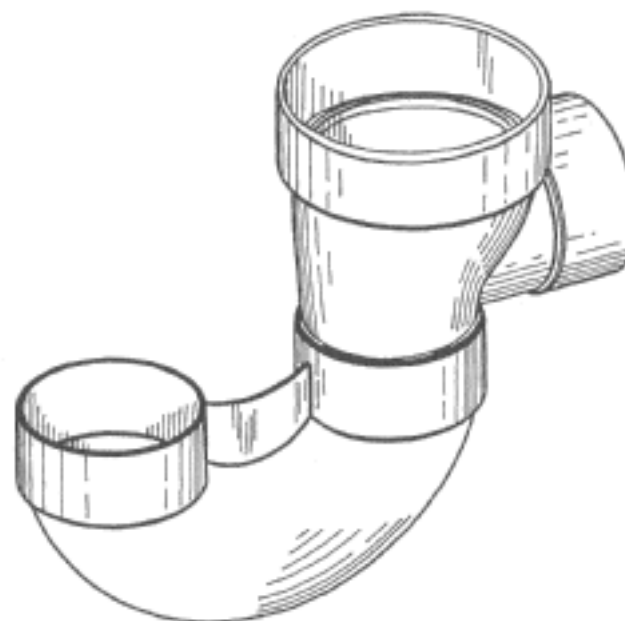
(21) Design Number: **13931/2011**
(22) Date of Filing Application: **06 September 2011**
(24) Date from which industrial property rights may have effect: **06 September 2011**
(54) Product in respect of which the design is registered: **USB stick**
(51) International Design Classification: **14-02**
(74) Name(s) of Attorney(s): **Shelston IP**
(71) Name(s) and Address(s) of Applicant(s):
Red Bull GmbH
Am Brunnen 1 5330 Fuschl am See Austria
(72) Name(s) of Designer(s): **Elisabeth Ferstl**
(45) Registration Date: **21 November 2011**
(30) Convention priority data:
(31) Number (32) Date (33) Country
001825571-0002 23 Feb 2011 EUROPEAN COMMUNITY
(56) Related Art Documents: **Not Applicable**
(57) Statement of Newness and Distinctiveness: **Newness and distinctiveness reside in the features of shape and/or configuration of a USB STICK as illustrated in the accompanying representations.**



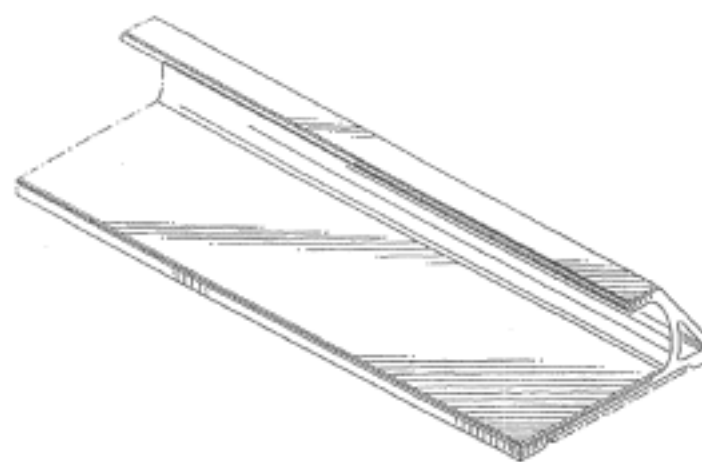
(21) Design Number: **14808/2011**
(22) Date of Filing Application: **26 October 2011**
(24) Date from which industrial property rights may have effect: **26 October 2011**
(54) Product in respect of which the design is registered: **Pipe fitting**
(51) International Design Classification: **23-01E**
(74) Name(s) of Attorney(s): **IP Gateway Patent & Trademark Attorneys**
(71) Name(s) and Address(s) of Applicant(s):
Plastec Australia Pty Ltd
2 Enterprise Street Caloundra Queensland 4551 Australia
(72) Name(s) of Designer(s): **Sydney Hawthorne**
(45) Registration Date: **21 November 2011**
(56) Related Art Documents: **Not Applicable**
(57) Statement of Newness and Distinctiveness: **The newness and distinctiveness of the design resides in the visual features of shape and/or configuration of a PIPE FITTING as shown in the accompanying representations.**



- (21) Design Number: **14809/2011**
(22) Date of Filing Application: **26 October 2011**
(24) Date from which industrial property rights may have effect: **26 October 2011**
(54) Product in respect of which the design is registered: **Pipe fitting**
(51) International Design Classification: **23-01E**
(74) Name(s) of Attorney(s): **IP Gateway Patent & Trademark Attorneys**
(71) Name(s) and Address(s) of Applicant(s):
Plastec Australia Pty Ltd
2 Enterprise Street Caloundra Queensland 4551 Australia
(72) Name(s) of Designer(s): **Sydney Hawthorne**
(45) Registration Date: **21 November 2011**
(56) Related Art Documents: **Not Applicable**
(57) Statement of Newness and Distinctiveness: **The newness and distinctiveness of the design resides in the visual features of shape and/or configuration of a PIPE FITTING as shown in the accompanying representations.**



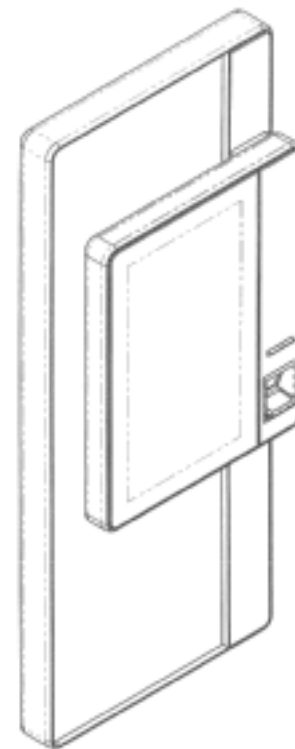
- (21) Design Number: **14810/2011**
(22) Date of Filing Application: **25 October 2011**
(24) Date from which industrial property rights may have effect: **25 October 2011**
(54) Product in respect of which the design is registered: **Straight edge**
(51) International Design Classification: **25-01K**
(74) Name(s) of Attorney(s): **SPRUSON & FERGUSON**
(71) Name(s) and Address(s) of Applicant(s):
Swanton Tool Company, Inc.
211 Ontario Street Frankfort Illinois 60423 United States of America
(72) Name(s) of Designer(s): **James S. Allemand**
(45) Registration Date: **21 November 2011**
(30) Convention priority data:
(31) Number (32) Date (33) Country
29/391367 06 May 2011 UNITED STATES OF AMERICA
(56) Related Art Documents: **Not Applicable**
(57) Statement of Newness and Distinctiveness: **Newness and distinctiveness is claimed in those features of shape and/or configuration of a straight edge illustrated in continuous lines in the accompanying representations.**



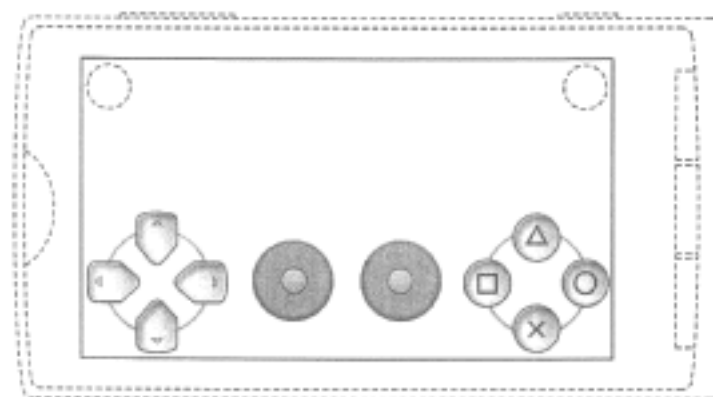
(21) Design Number: **15165/2011**
(22) Date of Filing Application: **06 September 2011**
(24) Date from which industrial property rights may have effect: **06 September 2011**
(54) Product in respect of which the design is registered: **USB stick**
(51) International Design Classification: **14-02**
(74) Name(s) of Attorney(s): **Shelston IP**
(71) Name(s) and Address(s) of Applicant(s):
Red Bull GmbH
Am Brunnen 1 5330 Fuschl am See Austria
(72) Name(s) of Designer(s): **Elisabeth Ferstl**
(45) Registration Date: **21 November 2011**
(62) Divisional of: **339503**
(56) Related Art Documents: **Not Applicable**
(57) Statement of Newness and Distinctiveness: **Nil**



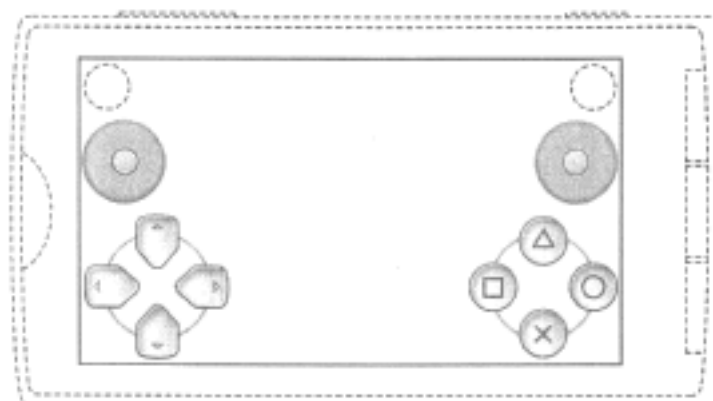
(21) Design Number: **10793/2011**
(22) Date of Filing Application: **25 February 2011**
(24) Date from which industrial property rights may have effect: **25 February 2011**
(54) Product in respect of which the design is registered: **Electronic kiosk;
directory**
(51) International Design Classification: **20-03NES**
(74) Name(s) of Attorney(s):
(71) Name(s) and Address(s) of Applicant(s):
Abuzz Solutions Pty Ltd
267 Abercrombie Street Darlington New South Wales 2008 Australia
(72) Name(s) of Designer(s): **Alison Howard**
(45) Registration Date: **21 November 2011**
(56) Related Art Documents: **Not Applicable**
(57) Statement of Newness and Distinctiveness: **Nil**



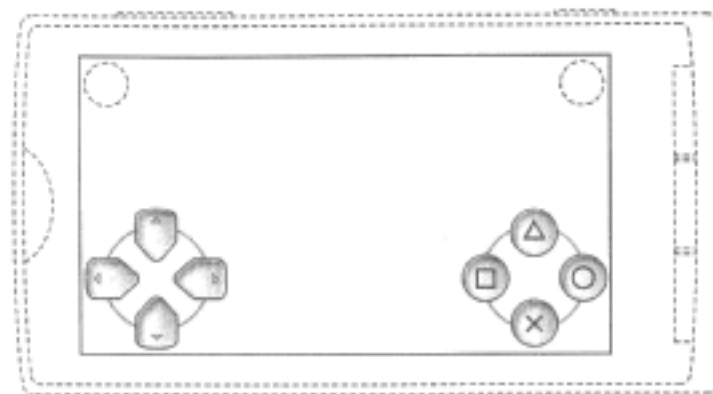
- (21) Design Number: **13998/2011**
(22) Date of Filing Application: **09 September 2011**
(24) Date from which industrial property rights may have effect: **09 September 2011**
(54) Product in respect of which the design is registered: **Portable information terminal**
(51) International Design Classification: **21-01N, 14-02**
(74) Name(s) of Attorney(s): **Shelston IP**
(71) Name(s) and Address(s) of Applicant(s):
Sony Computer Entertainment Inc.
1-7-1 Konan Minato-ku Tokyo Japan
(72) Name(s) of Designer(s): **Yoshimitsu Funabashi and Shunsuke Kunieda**
(45) Registration Date: **21 November 2011**
(30) Convention priority data:
(31) Number (32) Date (33) Country
2011-015887 11 Jul 2011 JAPAN
(56) Related Art Documents: **Not Applicable**
(57) Statement of Newness and Distinctiveness: **Newness and distinctiveness reside in the features of pattern and/or ornamentation of control buttons displayed on a display screen of a portable information terminal as shown in solid lines in the accompanying representations.**



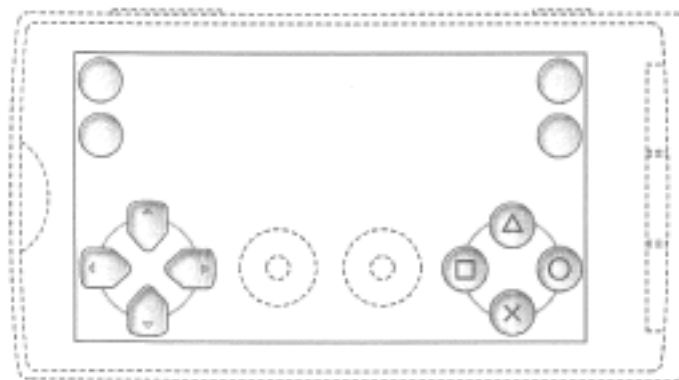
- (21) Design Number: **13999/2011**
(22) Date of Filing Application: **09 September 2011**
(24) Date from which industrial property rights may have effect: **09 September 2011**
(54) Product in respect of which the design is registered: **Portable information terminal**
(51) International Design Classification: **21-01N, 14-02**
(74) Name(s) of Attorney(s): **Shelston IP**
(71) Name(s) and Address(s) of Applicant(s):
Sony Computer Entertainment Inc.
1-7-1 Konan Minato-ku Tokyo Japan
(72) Name(s) of Designer(s): **Yoshimitsu Funabashi and Shunsuke Kunieda**
(45) Registration Date: **21 November 2011**
(30) Convention priority data:
(31) Number (32) Date (33) Country
2011-015886 11 Jul 2011 JAPAN
(56) Related Art Documents: **Not Applicable**
(57) Statement of Newness and Distinctiveness: **Newness and distinctiveness reside in the features of pattern and/or ornamentation of control buttons displayed on a display screen of a portable information terminal as shown in solid lines in the accompanying representations.**



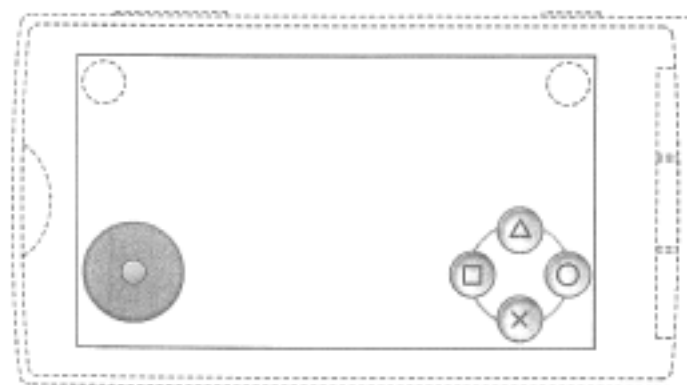
- (21) Design Number: **14000/2011**
(22) Date of Filing Application: **09 September 2011**
(24) Date from which industrial property rights may have effect: **09 September 2011**
(54) Product in respect of which the design is registered: **Portable information terminal**
(51) International Design Classification: **21-01N, 14-02**
(74) Name(s) of Attorney(s): **Shelston IP**
(71) Name(s) and Address(s) of Applicant(s):
Sony Computer Entertainment Inc.
1-7-1 Konan Minato-ku Tokyo Japan
(72) Name(s) of Designer(s): **Yoshimitsu Funabashi and Shunsuke Kunieda**
(45) Registration Date: **21 November 2011**
(30) Convention priority data:
(31) Number (32) Date (33) Country
2011-015885 11 Jul 2011 JAPAN
(56) Related Art Documents: **Not Applicable**
(57) Statement of Newness and Distinctiveness: **Newness and distinctiveness reside in the features of pattern and/or ornamentation of control buttons displayed on a display screen of a portable information terminal as shown in solid lines in the accompanying representations.**



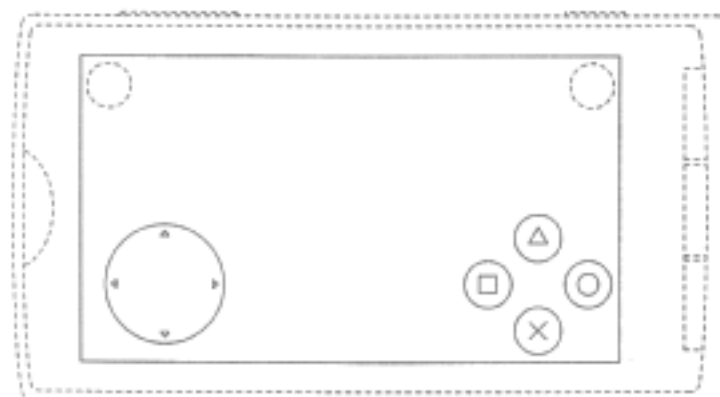
- (21) Design Number: **14001/2011**
(22) Date of Filing Application: **09 September 2011**
(24) Date from which industrial property rights may have effect: **09 September 2011**
(54) Product in respect of which the design is registered: **Portable information terminal**
(51) International Design Classification: **21-01N, 14-02**
(74) Name(s) of Attorney(s): **Shelston IP**
(71) Name(s) and Address(s) of Applicant(s):
Sony Computer Entertainment Inc.
1-7-1 Konan Minato-ku Tokyo Japan
(72) Name(s) of Designer(s): **Yoshimitsu Funabashi and Shunsuke Kunieda**
(45) Registration Date: **21 November 2011**
(30) Convention priority data:
(31) Number (32) Date (33) Country
2011-015888 11 Jul 2011 JAPAN
(56) Related Art Documents: **Not Applicable**
(57) Statement of Newness and Distinctiveness: **Newness and distinctiveness reside in the features of pattern and/or ornamentation of control buttons displayed on a display screen of a portable information terminal as shown in solid lines in the accompanying representations.**



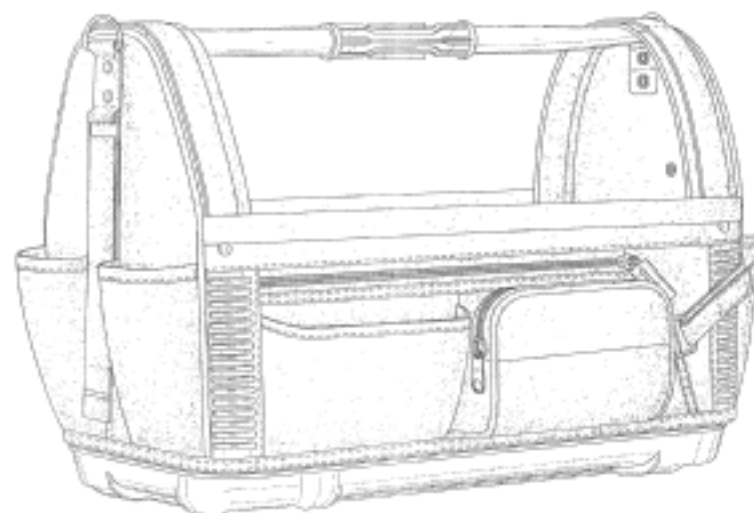
- (21) Design Number: **14002/2011**
(22) Date of Filing Application: **09 September 2011**
(24) Date from which industrial property rights may have effect: **09 September 2011**
(54) Product in respect of which the design is registered: **Portable information terminal**
(51) International Design Classification: **21-01N, 14-02**
(74) Name(s) of Attorney(s): **Shelston IP**
(71) Name(s) and Address(s) of Applicant(s):
Sony Computer Entertainment Inc.
1-7-1 Konan Minato-ku Tokyo Japan
(72) Name(s) of Designer(s): **Yoshimitsu Funabashi and Shunsuke Kunieda**
(45) Registration Date: **21 November 2011**
(30) Convention priority data:
(31) Number (32) Date (33) Country
2011-015889 11 Jul 2011 JAPAN
(56) Related Art Documents: **Not Applicable**
(57) Statement of Newness and Distinctiveness: **Newness and distinctiveness reside in the features of pattern and/or ornamentation of control buttons displayed on a display screen of a portable information terminal as shown in solid lines in the accompanying representations.**



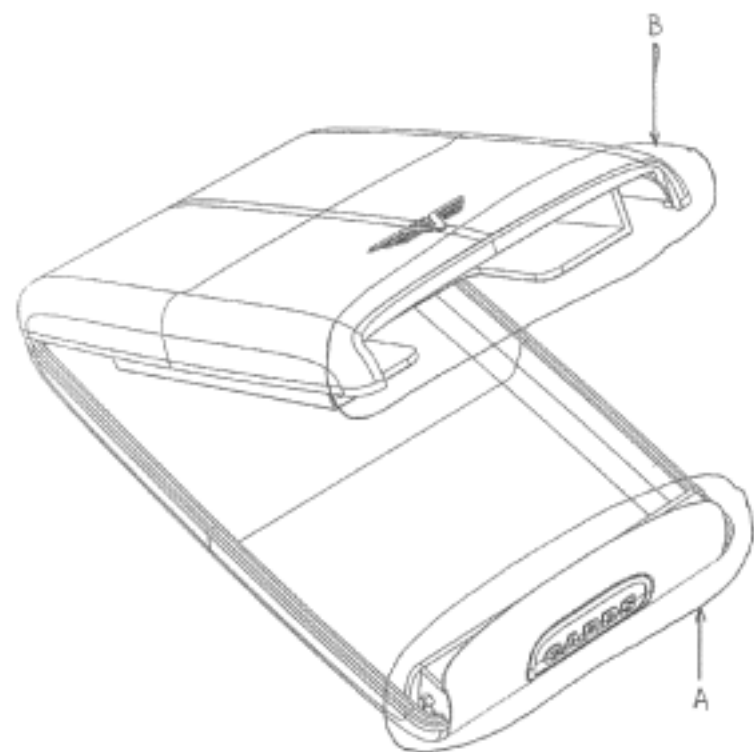
- (21) Design Number: **14003/2011**
(22) Date of Filing Application: **09 September 2011**
(24) Date from which industrial property rights may have effect: **09 September 2011**
(54) Product in respect of which the design is registered: **Portable information terminal**
(51) International Design Classification: **21-01N, 14-02**
(74) Name(s) of Attorney(s): **Shelston IP**
(71) Name(s) and Address(s) of Applicant(s):
Sony Computer Entertainment Inc.
1-7-1 Konan Minato-ku Tokyo Japan
(72) Name(s) of Designer(s): **Yoshimitsu Funabashi and Shunsuke Kunieda**
(45) Registration Date: **21 November 2011**
(30) Convention priority data:
(31) Number (32) Date (33) Country
2011-015890 11 Jul 2011 JAPAN
(56) Related Art Documents: **Not Applicable**
(57) Statement of Newness and Distinctiveness: **Newness and distinctiveness reside in the features of pattern and/or ornamentation of control buttons displayed on a display screen of a portable information terminal as shown in solid lines in the accompanying representations.**



(21) Design Number: **14031/2011**
(22) Date of Filing Application: **12 September 2011**
(24) Date from which industrial property rights may have effect: **12 September 2011**
(54) Product in respect of which the design is registered: **Tool bag**
(51) International Design Classification: **03-01D, 03-01NES**
(74) Name(s) of Attorney(s): **Davies Collison Cave**
(71) Name(s) and Address(s) of Applicant(s):
The Stanley Works Israel Ltd.
19 Ha'melacha Street New Industrial Zone Rosh Ha'ayin 48091 Israel
(72) Name(s) of Designer(s): **David Sosnovsky**
(45) Registration Date: **21 November 2011**
(30) Convention priority data:
(31) Number (32) Date (33) Country
29/387765 17 Mar 2011 UNITED STATES OF AMERICA
(56) Related Art Documents: **Not Applicable**
(57) Statement of Newness and Distinctiveness: **Nil**



(21) Design Number: **14937/2011**
(22) Date of Filing Application: **02 November 2011**
(24) Date from which industrial property rights may have effect: **02 November 2011**
(54) Product in respect of which the design is registered: **Credit-card holder**
(51) International Design Classification: **03-01B**
(74) Name(s) of Attorney(s): **SPRUSON & FERGUSON**
(71) Name(s) and Address(s) of Applicant(s):
Katrin Mengel
Schluterstrasse 22 D-20146 Hamburg Germany
Thomas Wingerter
Schluterstrasse 22 D-20146 Hamburg Germany
(72) Name(s) of Designer(s): **Emmanuel Dietrich**
(45) Registration Date: **21 November 2011**
(30) Convention priority data:
(31) Number (32) Date (33) Country
001858721-0002 03 May 2011 EUROPEAN COMMUNITY
(56) Related Art Documents: **Not Applicable**
(57) Statement of Newness and Distinctiveness: **Newness and distinctiveness is claimed in the features of shape and/or configuration of the following parts of a credit-card holder as illustrated and labelled in the accompanying representations: the front portion of the lower shell including the push-button labelled "A"; and the front portion of the upper shell labelled "B".**



- (21) Design Number: **15449/2010**
(22) Date of Filing Application: **13 December 2010**
(24) Date from which industrial property rights may have effect: **13 December 2010**
(54) Product in respect of which the design is registered: **Women's fashion clothing**
(51) International Design Classification: **02-02C**
(74) Name(s) of Attorney(s): **MILLS OAKLEY LAWYERS**
(71) Name(s) and Address(s) of Applicant(s):
Forever New Clothing Pty Ltd
Ground Floor 714-716 High Street Kew Victoria 3101 Australia
(72) Name(s) of Designer(s): **Gemma Henderson**
(45) Registration Date: **21 November 2011**
(56) Related Art Documents: **Not Applicable**
(57) Statement of Newness and Distinctiveness: **The particular visual features of the design which the Applicant hereby identifies as new and distinctive are as follows: "Women's Fashion Clothing", as illustrated in the accompanying representations.**



- (21) Design Number: **12641/2011**
(22) Date of Filing Application: **13 December 2010**
(24) Date from which industrial property rights may have effect: **13 December 2010**
(54) Product in respect of which the design is registered: **Women's fashion clothing**
(51) International Design Classification: **02-02C**
(74) Name(s) of Attorney(s): **MILLS OAKLEY LAWYERS**
(71) Name(s) and Address(s) of Applicant(s):
Forever New Clothing Pty Ltd
Ground Floor 714-716 High Street Kew Victoria 3101 Australia
(72) Name(s) of Designer(s): **Dulcie Flynn**
(45) Registration Date: **21 November 2011**
(56) Related Art Documents: **Not Applicable**
(57) Statement of Newness and Distinctiveness: **The particular visual features of the design which the Applicant hereby identifies as new and distinctive are as follows: "Women's Fashion Clothing", as illustrated in the accompanying representations.**



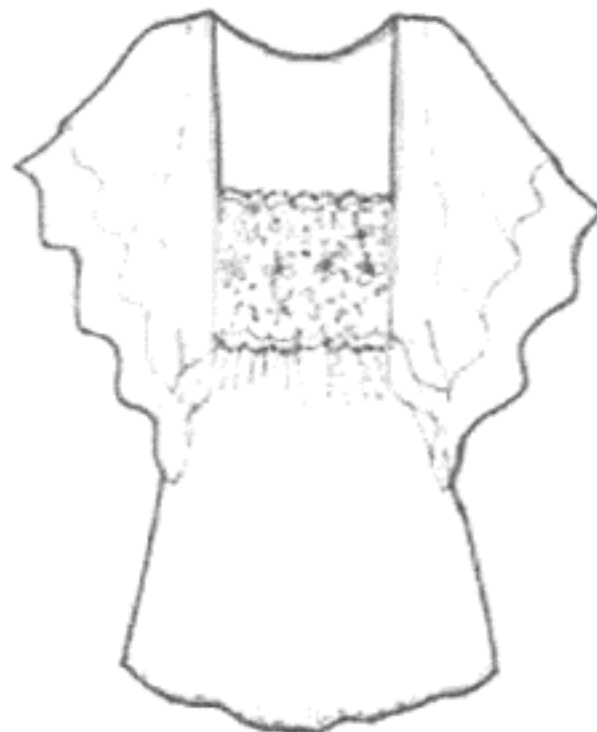
- (21) Design Number: **12642/2011**
(22) Date of Filing Application: **13 December 2010**
(24) Date from which industrial property rights may have effect: **13 December 2010**
(54) Product in respect of which the design is registered: **Women's fashion clothing**
(51) International Design Classification: **02-02C**
(74) Name(s) of Attorney(s): **MILLS OAKLEY LAWYERS**
(71) Name(s) and Address(s) of Applicant(s):
Forever New Clothing Pty Ltd
Ground Floor 714-716 High Street Kew Victoria 3101 Australia
(72) Name(s) of Designer(s): **Dulcie Flynn**
(45) Registration Date: **21 November 2011**
(56) Related Art Documents: **Not Applicable**
(57) Statement of Newness and Distinctiveness: **The particular visual features of the design which the Applicant hereby identifies as new and distinctive are as follows: "Women's Fashion Clothing", as illustrated in the accompanying representations.**



- (21) Design Number: **12643/2011**
(22) Date of Filing Application: **13 December 2010**
(24) Date from which industrial property rights may have effect: **13 December 2010**
(54) Product in respect of which the design is registered: **Women's fashion clothing**
(51) International Design Classification: **02-02NES**
(74) Name(s) of Attorney(s): **MILLS OAKLEY LAWYERS**
(71) Name(s) and Address(s) of Applicant(s):
Forever New Clothing Pty Ltd
Ground Floor 714-716 High Street Kew Victoria 3101 Australia
(72) Name(s) of Designer(s): **Dulcie Flynn**
(45) Registration Date: **21 November 2011**
(56) Related Art Documents: **Not Applicable**
(57) Statement of Newness and Distinctiveness: **The particular visual features of the design which the Applicant hereby identifies as new and distinctive are as follows: "Women's Fashion Clothing", as illustrated in the accompanying representations.**



- (21) Design Number: **12644/2011**
(22) Date of Filing Application: **13 December 2010**
(24) Date from which industrial property rights may have effect: **13 December 2010**
(54) Product in respect of which the design is registered: **Women's fashion clothing**
(51) International Design Classification: **02-02C**
(74) Name(s) of Attorney(s): **MILLS OAKLEY LAWYERS**
(71) Name(s) and Address(s) of Applicant(s):
Forever New Clothing Pty Ltd
Ground Floor 714-716 High Street Kew Victoria 3101 Australia
(72) Name(s) of Designer(s): **Dulcie Flynn**
(45) Registration Date: **21 November 2011**
(56) Related Art Documents: **Not Applicable**
(57) Statement of Newness and Distinctiveness: **The particular visual features of the design which the Applicant hereby identifies as new and distinctive are as follows: "Women's Fashion Clothing", as illustrated in the accompanying representations.**



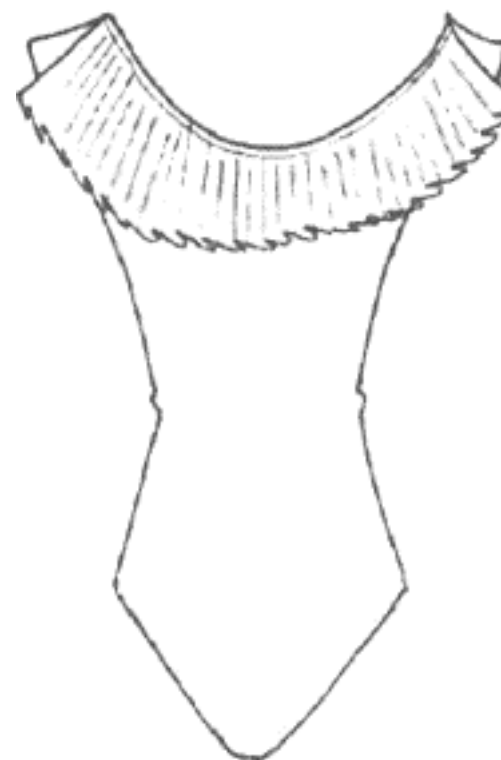
- (21) Design Number: **12645/2011**
(22) Date of Filing Application: **13 December 2010**
(24) Date from which industrial property rights may have effect: **13 December 2010**
(54) Product in respect of which the design is registered: **Women's fashion clothing**
(51) International Design Classification: **02-02NES**
(74) Name(s) of Attorney(s): **MILLS OAKLEY LAWYERS**
(71) Name(s) and Address(s) of Applicant(s):
Forever New Clothing Pty Ltd
Ground Floor 714-716 High Street Kew Victoria 3101 Australia
(72) Name(s) of Designer(s): **Susan Abbott**
(45) Registration Date: **21 November 2011**
(56) Related Art Documents: **Not Applicable**
(57) Statement of Newness and Distinctiveness: **The particular visual features of the design which the Applicant hereby identifies as new and distinctive are as follows: "Women's Fashion Clothing", as illustrated in the accompanying representations.**



- (21) Design Number: **12646/2011**
(22) Date of Filing Application: **13 December 2010**
(24) Date from which industrial property rights may have effect: **13 December 2010**
(54) Product in respect of which the design is registered: **Women's fashion clothing**
(51) International Design Classification: **02-02NES**
(74) Name(s) of Attorney(s): **MILLS OAKLEY LAWYERS**
(71) Name(s) and Address(s) of Applicant(s):
Forever New Clothing Pty Ltd
Ground Floor 714-716 High Street Kew Victoria 3101 Australia
(72) Name(s) of Designer(s): **Susan Abbott**
(45) Registration Date: **21 November 2011**
(56) Related Art Documents: **Not Applicable**
(57) Statement of Newness and Distinctiveness: **The particular visual features of the design which the Applicant hereby identifies as new and distinctive are as follows: "Women's Fashion Clothing", as illustrated in the accompanying representations.**



- (21) Design Number: **12647/2011**
(22) Date of Filing Application: **13 December 2010**
(24) Date from which industrial property rights may have effect: **13 December 2010**
(54) Product in respect of which the design is registered: **Women's fashion clothing**
(51) International Design Classification: **02-02C**
(74) Name(s) of Attorney(s): **MILLS OAKLEY LAWYERS**
(71) Name(s) and Address(s) of Applicant(s):
Forever New Clothing Pty Ltd
Ground Floor 714-716 High Street Kew Victoria 3101 Australia
(72) Name(s) of Designer(s): **Simon Edwards**
(45) Registration Date: **21 November 2011**
(56) Related Art Documents: **Not Applicable**
(57) Statement of Newness and Distinctiveness: **The particular visual features of the design which the Applicant hereby identifies as new and distinctive are as follows: "Women's Fashion Clothing", as illustrated in the accompanying representations.**



- (21) Design Number: **12648/2011**
(22) Date of Filing Application: **13 December 2010**
(24) Date from which industrial property rights may have effect: **13 December 2010**
(54) Product in respect of which the design is registered: **Women's fashion clothing**
(51) International Design Classification: **02-02NES**
(74) Name(s) of Attorney(s): **MILLS OAKLEY LAWYERS**
(71) Name(s) and Address(s) of Applicant(s):
Forever New Clothing Pty Ltd
Ground Floor 714-716 High Street Kew Victoria 3101 Australia
(72) Name(s) of Designer(s): **Simon Edwards**
(45) Registration Date: **21 November 2011**
(56) Related Art Documents: **Not Applicable**
(57) Statement of Newness and Distinctiveness: **The particular visual features of the design which the Applicant hereby identifies as new and distinctive are as follows: "Women's Fashion Clothing", as illustrated in the accompanying representations.**



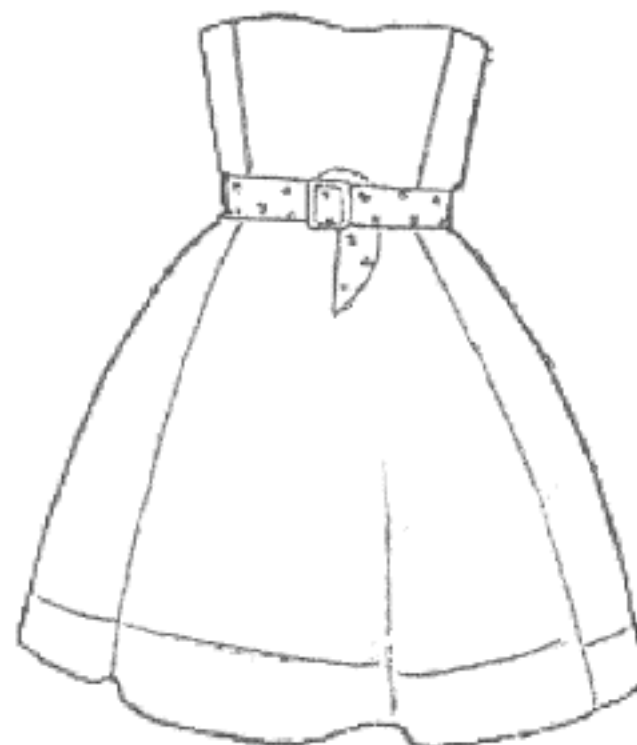
- (21) Design Number: **12649/2011**
(22) Date of Filing Application: **13 December 2010**
(24) Date from which industrial property rights may have effect: **13 December 2010**
(54) Product in respect of which the design is registered: **Women's fashion clothing**
(51) International Design Classification: **02-02C**
(74) Name(s) of Attorney(s): **MILLS OAKLEY LAWYERS**
(71) Name(s) and Address(s) of Applicant(s):
Forever New Clothing Pty Ltd
Ground Floor 714-716 High Street Kew Victoria 3101 Australia
(72) Name(s) of Designer(s): **Simon Edwards**
(45) Registration Date: **21 November 2011**
(56) Related Art Documents: **Not Applicable**
(57) Statement of Newness and Distinctiveness: **The particular visual features of the design which the Applicant hereby identifies as new and distinctive are as follows: "Women's Fashion Clothing", as illustrated in the accompanying representations.**



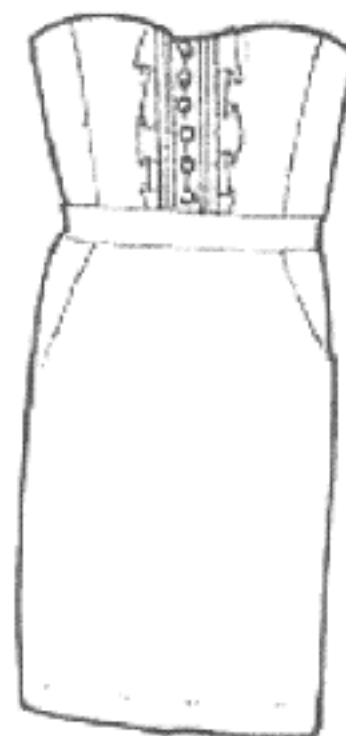
- (21) Design Number: **12650/2011**
(22) Date of Filing Application: **13 December 2010**
(24) Date from which industrial property rights may have effect: **13 December 2010**
(54) Product in respect of which the design is registered: **Women's fashion clothing**
(51) International Design Classification: **02-02NES**
(74) Name(s) of Attorney(s): **MILLS OAKLEY LAWYERS**
(71) Name(s) and Address(s) of Applicant(s):
Forever New Clothing Pty Ltd
Ground Floor 714-716 High Street Kew Victoria 3101 Australia
(72) Name(s) of Designer(s): **Gemma Henderson**
(45) Registration Date: **21 November 2011**
(56) Related Art Documents: **Not Applicable**
(57) Statement of Newness and Distinctiveness: **The particular visual features of the design which the Applicant hereby identifies as new and distinctive are as follows: "Women's Fashion Clothing", as illustrated in the accompanying representations.**



- (21) Design Number: **12651/2011**
(22) Date of Filing Application: **13 December 2010**
(24) Date from which industrial property rights may have effect: **13 December 2010**
(54) Product in respect of which the design is registered: **Women's fashion clothing**
(51) International Design Classification: **02-02C**
(74) Name(s) of Attorney(s): **MILLS OAKLEY LAWYERS**
(71) Name(s) and Address(s) of Applicant(s):
Forever New Clothing Pty Ltd
Ground Floor 714-716 High Street Kew Victoria 3101 Australia
(72) Name(s) of Designer(s): **Lisa Towse**
(45) Registration Date: **21 November 2011**
(56) Related Art Documents: **Not Applicable**
(57) Statement of Newness and Distinctiveness: **The particular visual features of the design which the Applicant hereby identifies as new and distinctive are as follows: "Women's Fashion Clothing", as illustrated in the accompanying representations.**



- (21) Design Number: **12652/2011**
(22) Date of Filing Application: **13 December 2010**
(24) Date from which industrial property rights may have effect: **13 December 2010**
(54) Product in respect of which the design is registered: **Women's fashion clothing**
(51) International Design Classification: **02-02C**
(74) Name(s) of Attorney(s): **MILLS OAKLEY LAWYERS**
(71) Name(s) and Address(s) of Applicant(s):
Forever New Clothing Pty Ltd
Ground Floor 714-716 High Street Kew Victoria 3101 Australia
(72) Name(s) of Designer(s): **Lisa Towse**
(45) Registration Date: **21 November 2011**
(56) Related Art Documents: **Not Applicable**
(57) Statement of Newness and Distinctiveness: **The particular visual features of the design which the Applicant hereby identifies as new and distinctive are as follows: "Women's Fashion Clothing", as illustrated in the accompanying representations.**



- (21) Design Number: **12653/2011**
(22) Date of Filing Application: **13 December 2010**
(24) Date from which industrial property rights may have effect: **13 December 2010**
(54) Product in respect of which the design is registered: **Women's fashion clothing**
(51) International Design Classification: **02-02NES**
(74) Name(s) of Attorney(s): **MILLS OAKLEY LAWYERS**
(71) Name(s) and Address(s) of Applicant(s):
Forever New Clothing Pty Ltd
Ground Floor 714-716 High Street Kew Victoria 3101 Australia
(72) Name(s) of Designer(s): **Dulcie Flynn**
(45) Registration Date: **21 November 2011**
(56) Related Art Documents: **Not Applicable**
(57) Statement of Newness and Distinctiveness: **The particular visual features of the design which the Applicant hereby identifies as new and distinctive are as follows: "Women's Fashion Clothing", as illustrated in the accompanying representations.**



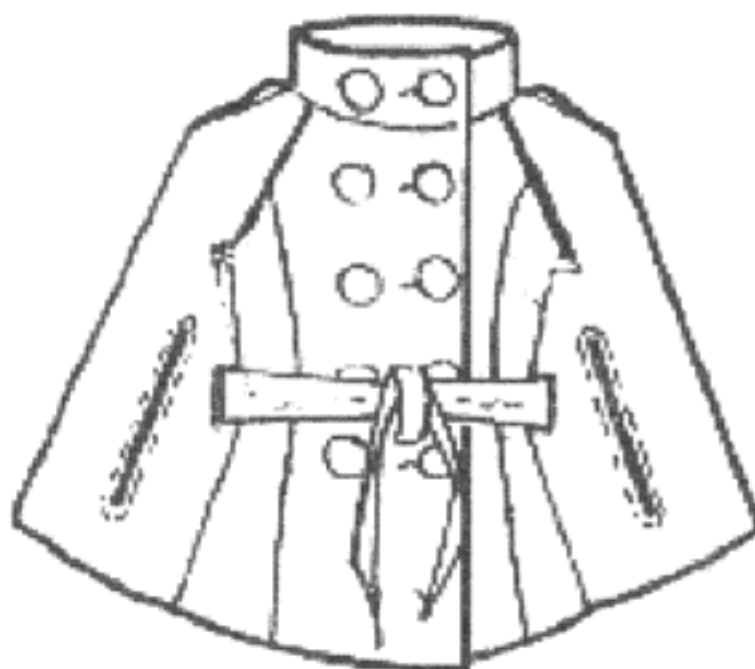
- (21) Design Number: **12654/2011**
(22) Date of Filing Application: **13 December 2010**
(24) Date from which industrial property rights may have effect: **13 December 2010**
(54) Product in respect of which the design is registered: **Women's fashion clothing**
(51) International Design Classification: **02-02NES**
(74) Name(s) of Attorney(s): **MILLS OAKLEY LAWYERS**
(71) Name(s) and Address(s) of Applicant(s):
Forever New Clothing Pty Ltd
Ground Floor 714-716 High Street Kew Victoria 3101 Australia
(72) Name(s) of Designer(s): **Louisa Atiba**
(45) Registration Date: **21 November 2011**
(56) Related Art Documents: **Not Applicable**
(57) Statement of Newness and Distinctiveness: **The particular visual features of the design which the Applicant hereby identifies as new and distinctive are as follows: "Women's Fashion Clothing", as illustrated in the accompanying representations.**



- (21) Design Number: **12655/2011**
(22) Date of Filing Application: **13 December 2010**
(24) Date from which industrial property rights may have effect: **13 December 2010**
(54) Product in respect of which the design is registered: **Women's fashion clothing**
(51) International Design Classification: **02-02NES**
(74) Name(s) of Attorney(s): **MILLS OAKLEY LAWYERS**
(71) Name(s) and Address(s) of Applicant(s):
Forever New Clothing Pty Ltd
Ground Floor 714-716 High Street Kew Victoria 3101 Australia
(72) Name(s) of Designer(s): **Louisa Atiba**
(45) Registration Date: **21 November 2011**
(56) Related Art Documents: **Not Applicable**
(57) Statement of Newness and Distinctiveness: **The particular visual features of the design which the Applicant hereby identifies as new and distinctive are as follows: "Women's Fashion Clothing", as illustrated in the accompanying representations.**



- (21) Design Number: **12656/2011**
(22) Date of Filing Application: **13 December 2010**
(24) Date from which industrial property rights may have effect: **13 December 2010**
(54) Product in respect of which the design is registered: **Women's fashion clothing**
(51) International Design Classification: **02-02NES**
(74) Name(s) of Attorney(s): **MILLS OAKLEY LAWYERS**
(71) Name(s) and Address(s) of Applicant(s):
Forever New Clothing Pty Ltd
Ground Floor 714-716 High Street Kew Victoria 3101 Australia
(72) Name(s) of Designer(s): **Louisa Atiba**
(45) Registration Date: **21 November 2011**
(56) Related Art Documents: **Not Applicable**
(57) Statement of Newness and Distinctiveness: **The particular visual features of the design which the Applicant hereby identifies as new and distinctive are as follows: "Women's Fashion Clothing", as illustrated in the accompanying representations.**



- (21) Design Number: **12657/2011**
(22) Date of Filing Application: **13 December 2010**
(24) Date from which industrial property rights may have effect: **13 December 2010**
(54) Product in respect of which the design is registered: **Women's fashion clothing**
(51) International Design Classification: **02-02NES**
(74) Name(s) of Attorney(s): **MILLS OAKLEY LAWYERS**
(71) Name(s) and Address(s) of Applicant(s):
Forever New Clothing Pty Ltd
Ground Floor 714-716 High Street Kew Victoria 3101 Australia
(72) Name(s) of Designer(s): **Louisa Atiba**
(45) Registration Date: **21 November 2011**
(56) Related Art Documents: **Not Applicable**
(57) Statement of Newness and Distinctiveness: **The particular visual features of the design which the Applicant hereby identifies as new and distinctive are as follows: "Women's Fashion Clothing", as illustrated in the accompanying representations.**



- (21) Design Number: **12658/2011**
(22) Date of Filing Application: **13 December 2010**
(24) Date from which industrial property rights may have effect: **13 December 2010**
(54) Product in respect of which the design is registered: **Women's fashion clothing**
(51) International Design Classification: **02-02NES**
(74) Name(s) of Attorney(s): **MILLS OAKLEY LAWYERS**
(71) Name(s) and Address(s) of Applicant(s):
Forever New Clothing Pty Ltd
Ground Floor 714-716 High Street Kew Victoria 3101 Australia
(72) Name(s) of Designer(s): **Louisa Atiba**
(45) Registration Date: **21 November 2011**
(56) Related Art Documents: **Not Applicable**
(57) Statement of Newness and Distinctiveness: **The particular visual features of the design which the Applicant hereby identifies as new and distinctive are as follows: "Women's Fashion Clothing", as illustrated in the accompanying representations.**



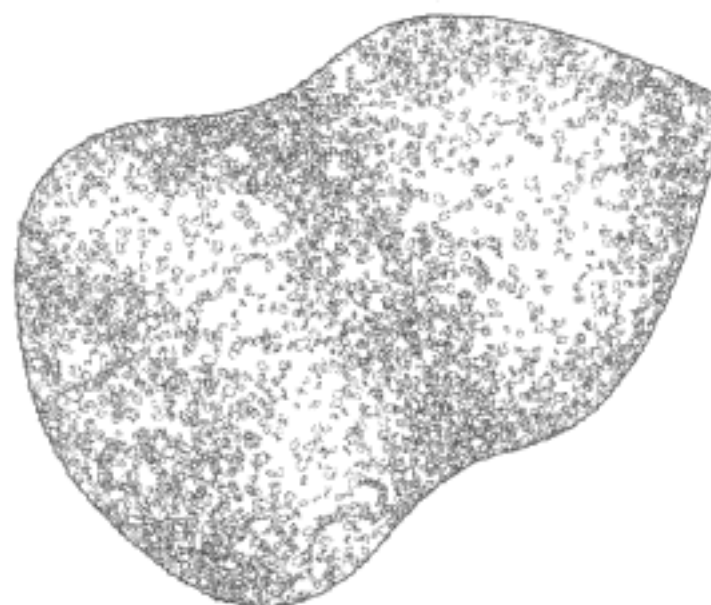
- (21) Design Number: **12659/2011**
(22) Date of Filing Application: **13 December 2010**
(24) Date from which industrial property rights may have effect: **13 December 2010**
(54) Product in respect of which the design is registered: **Women's fashion clothing**
(51) International Design Classification: **02-02NES**
(74) Name(s) of Attorney(s): **MILLS OAKLEY LAWYERS**
(71) Name(s) and Address(s) of Applicant(s):
Forever New Clothing Pty Ltd
Ground Floor 714-716 High Street Kew Victoria 3101 Australia
(72) Name(s) of Designer(s): **Louisa Atiba**
(45) Registration Date: **21 November 2011**
(56) Related Art Documents: **Not Applicable**
(57) Statement of Newness and Distinctiveness: **The particular visual features of the design which the Applicant hereby identifies as new and distinctive are as follows: "Women's Fashion Clothing", as illustrated in the accompanying representations.**



- (21) Design Number: **12660/2011**
(22) Date of Filing Application: **13 December 2010**
(24) Date from which industrial property rights may have effect: **13 December 2010**
(54) Product in respect of which the design is registered: **Women's fashion clothing**
(51) International Design Classification: **02-02NES**
(74) Name(s) of Attorney(s): **MILLS OAKLEY LAWYERS**
(71) Name(s) and Address(s) of Applicant(s):
Forever New Clothing Pty Ltd
Ground Floor 714-716 High Street Kew Victoria 3101 Australia
(72) Name(s) of Designer(s): **Louisa Atiba**
(45) Registration Date: **21 November 2011**
(56) Related Art Documents: **Not Applicable**
(57) Statement of Newness and Distinctiveness: **The particular visual features of the design which the Applicant hereby identifies as new and distinctive are as follows: "Women's Fashion Clothing", as illustrated in the accompanying representations.**



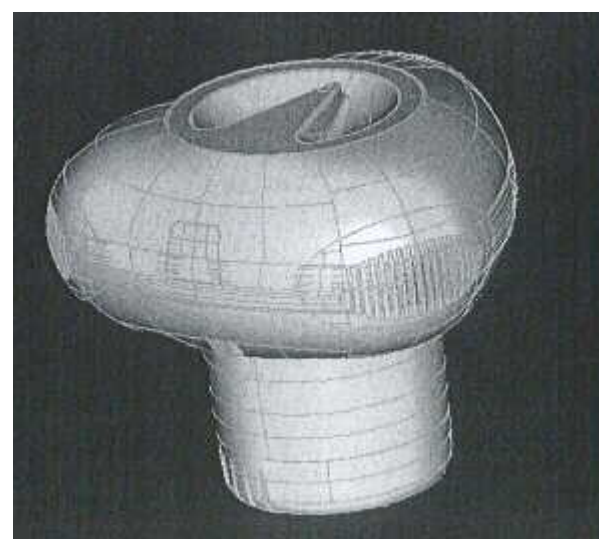
- (21) Design Number: **14822/2011**
(22) Date of Filing Application: **25 October 2011**
(24) Date from which industrial property rights may have effect: **25 October 2011**
(54) Product in respect of which the design is registered: **Cosmetic sponge**
(51) International Design Classification: **28-03NES**
(74) Name(s) of Attorney(s): **Collison & Co**
(71) Name(s) and Address(s) of Applicant(s):
Roger Douglas Lang
9 Fossilwood Court Buderim Queensland 4556 Australia
Sonja Belinda Lang
9 Fossilwood Court Buderim Queensland 4556 Australia
David Ronald Carter
34 Bataan Circuit Bateau Bay New South Wales 2261 Australia
Melissa Jane Carter
34 Bataan Circuit Bateau Bay New South Wales 2261 Australia
(72) Name(s) of Designer(s): **Roger Douglas Lang and Sonja Belinda Lang and Melissa Carter and David Carter**
(45) Registration Date: **21 November 2011**
(56) Related Art Documents: **Not Applicable**
(57) Statement of Newness and Distinctiveness: **Nil**



- (21) Design Number: **14921/2011**
(22) Date of Filing Application: **01 November 2011**
(24) Date from which industrial property rights may have effect: **01 November 2011**
(54) Product in respect of which the design is registered: **Leaf scoop**
(51) International Design Classification: **08-05A**
(74) Name(s) of Attorney(s): **IP Gateway Patent & Trademark Attorneys**
(71) Name(s) and Address(s) of Applicant(s):
Pool Systems Pty Ltd
79 Kremzow Road Brendale Queensland 4500 Australia
(72) Name(s) of Designer(s): **Paul Knight and Scott Cox**
(45) Registration Date: **21 November 2011**
(56) Related Art Documents: **Not Applicable**
(57) Statement of Newness and Distinctiveness: **The newness and distinctiveness of the design resides in the visual features of shape and/or configuration of a Leaf Scoop as shown in the accompanying representations.**



- (21) Design Number: **14922/2011**
(22) Date of Filing Application: **01 November 2011**
(24) Date from which industrial property rights may have effect: **01 November 2011**
(54) Product in respect of which the design is registered: **Chemical dispenser**
(51) International Design Classification: **28-99**
(74) Name(s) of Attorney(s): **IP Gateway Patent & Trademark Attorneys**
(71) Name(s) and Address(s) of Applicant(s):
Pool Systems Pty Ltd
79 Kremzow Road Brendale Queensland 4500 Australia
(72) Name(s) of Designer(s): **Paul Knight and Scott Cox**
(45) Registration Date: **21 November 2011**
(56) Related Art Documents: **Not Applicable**
(57) Statement of Newness and Distinctiveness: **The newness and distinctiveness of the design resides in the visual features of shape and/or configuration of a Chemical Dispenser as shown in the accompanying representations.**



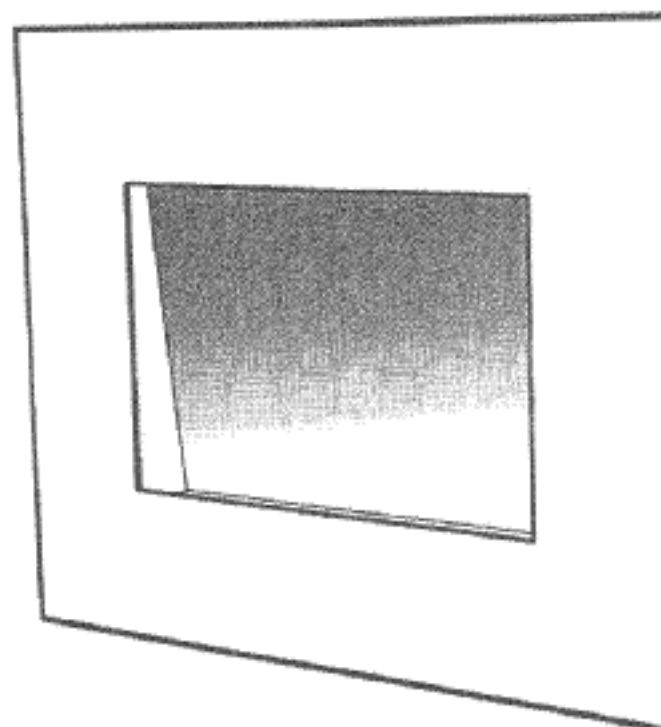
- (21) Design Number: **11329/2011**
(22) Date of Filing Application: **29 March 2011**
(24) Date from which industrial property rights may have effect: **29 March 2011**
(54) Product in respect of which the design is registered: **A toy pixie**
(51) International Design Classification: **21-01B**
(74) Name(s) of Attorney(s):
(71) Name(s) and Address(s) of Applicant(s):
Right Promotions Pty Ltd
PO Box 920 Gladesville New South Wales 1675 Australia
(72) Name(s) of Designer(s): **Delphine Kuiken**
(45) Registration Date: **22 November 2011**
(56) Related Art Documents: **Not Applicable**
(57) Statement of Newness and Distinctiveness: **Monopoly is claimed in the features of shape and configuration of a toy pixie as illustrated in the accompanying representations.**



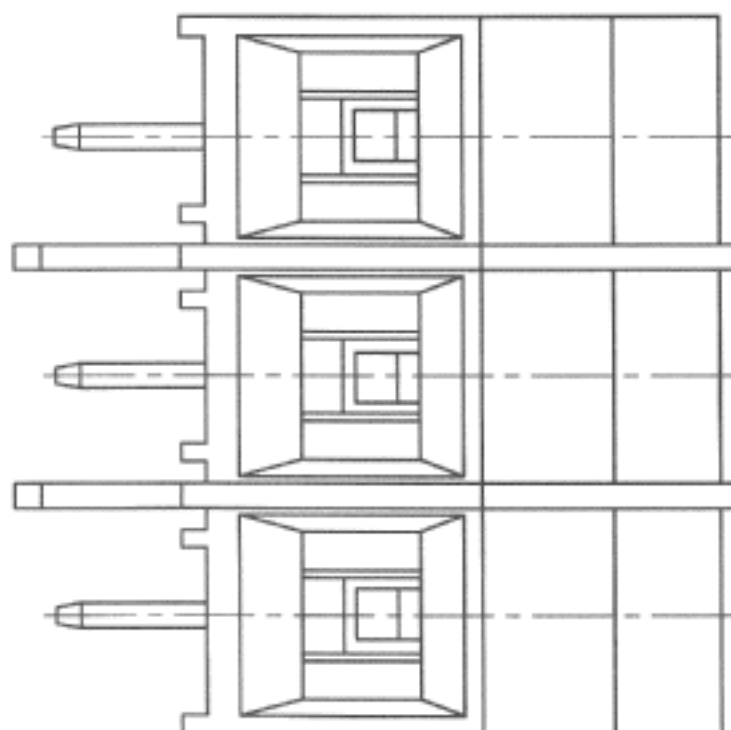
- (21) Design Number: **11330/2011**
(22) Date of Filing Application: **29 March 2011**
(24) Date from which industrial property rights may have effect: **29 March 2011**
(54) Product in respect of which the design is registered: **A toy pixie**
(51) International Design Classification: **21-01B**
(74) Name(s) of Attorney(s):
(71) Name(s) and Address(s) of Applicant(s):
Right Promotions Pty Ltd
PO Box 920 Gladesville New South Wales 1675 Australia
(72) Name(s) of Designer(s): **Delphine Kuiken**
(45) Registration Date: **22 November 2011**
(56) Related Art Documents: **Not Applicable**
(57) Statement of Newness and Distinctiveness: **Monopoly is claimed in the features of shape and configuration of a toy pixie as illustrated in the accompanying representations.**



- (21) Design Number: **12599/2011**
(22) Date of Filing Application: **09 June 2011**
(24) Date from which industrial property rights may have effect: **09 June 2011**
(54) Product in respect of which the design is registered: **Heating apparatus**
(51) International Design Classification: **23-03A**
(74) Name(s) of Attorney(s): **PHILLIPS ORMONDE FITZPATRICK**
(71) Name(s) and Address(s) of Applicant(s):
Actervis GmbH
c/o Prv Provides Treuhandgesellschaft Lindenhof Dorfstr. 38 CH-6341
Baar (Zug) Switzerland
(72) Name(s) of Designer(s): **Juan Ramon Torres Martin**
(45) Registration Date: **22 November 2011**
(30) Convention priority data:
(31) Number (32) Date (33) Country
0001251110-0001 20 Dec 2010 EUROPEAN COMMUNITY
(56) Related Art Documents: **Not Applicable**
(57) Statement of Newness and Distinctiveness: **Those featus of the heating apparatus depicted in the representations that are new and distinctive are the shape and/or configuration.**



- (21) Design Number: **13530/2011**
(22) Date of Filing Application: **09 August 2011**
(24) Date from which industrial property rights may have effect: **09 August 2011**
(54) Product in respect of which the design is registered: **High voltage screw terminal**
(51) International Design Classification: **13-03NES**
(74) Name(s) of Attorney(s):
(71) Name(s) and Address(s) of Applicant(s):
Pakton Developments Pty Ltd
PO Box 408 Narangba Queensland 4504 Australia
(72) Name(s) of Designer(s): **Paul Thompson**
(45) Registration Date: **22 November 2011**
(56) Related Art Documents: **Not Applicable**
(57) Statement of Newness and Distinctiveness: **The COT024 screw terminal has flanges between the conductors and extend down through slots in the PCB thus allowing a higher voltage rating in a compact size.**



(21) Design Number: **13818/2011**

(22) Date of Filing Application: **30 August 2011**

(24) Date from which industrial property rights may have effect: **30 August 2011**

(54) Product in respect of which the design is registered: **Towel**

(51) International Design Classification: **06-13C**

(74) Name(s) of Attorney(s): **Freehills Patent & Trade Mark Attorneys**

(71) Name(s) and Address(s) of Applicant(s):

**Country Road Clothing Pty Ltd
658 Church Street Richmond Victoria 3121 Australia**

(72) Name(s) of Designer(s): **Bianca Latorre**

(45) Registration Date: **22 November 2011**

(56) Related Art Documents: **Not Applicable**

(57) Statement of Newness and Distinctiveness: **Nil**



(21) Design Number: **13819/2011**

(22) Date of Filing Application: **30 August 2011**

(24) Date from which industrial property rights may have effect: **30 August 2011**

(54) Product in respect of which the design is registered: **Towel**

(51) International Design Classification: **06-13C**

(74) Name(s) of Attorney(s): **Freehills Patent & Trade Mark Attorneys**

(71) Name(s) and Address(s) of Applicant(s):

**Country Road Clothing Pty Ltd
658 Church Street Richmond Victoria 3121 Australia**

(72) Name(s) of Designer(s): **Bianca Latorre**

(45) Registration Date: **22 November 2011**

(56) Related Art Documents: **Not Applicable**

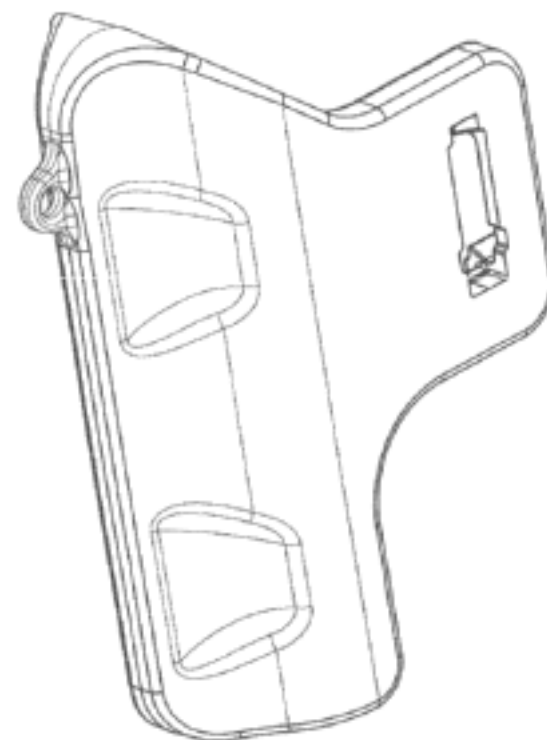
(57) Statement of Newness and Distinctiveness: **Nil**



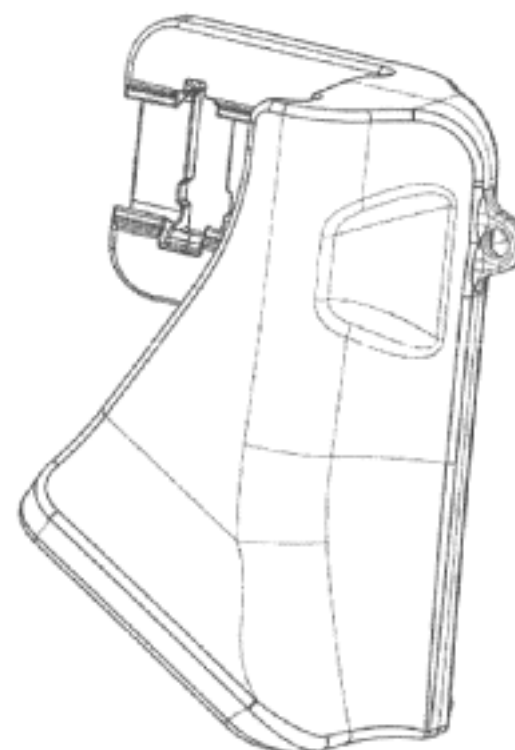
- (21) Design Number: **13855/2011**
(22) Date of Filing Application: **02 September 2011**
(24) Date from which industrial property rights may have effect: **02 September 2011**
(54) Product in respect of which the design is registered: **Pyjamas that have a replica full body (upper and lower) white cricket team outfit printed on them, inclusive of the**
(51) International Design Classification: **02-01NES**
(74) Name(s) of Attorney(s):
(71) Name(s) and Address(s) of Applicant(s):
John Philip Rowbottom
11 Jacques Road Granton Tasmania 7030 Australia
(72) Name(s) of Designer(s): **John Philip Rowbottom**
(45) Registration Date: **22 November 2011**
(56) Related Art Documents: **Not Applicable**
(57) Statement of Newness and Distinctiveness: **Nil**



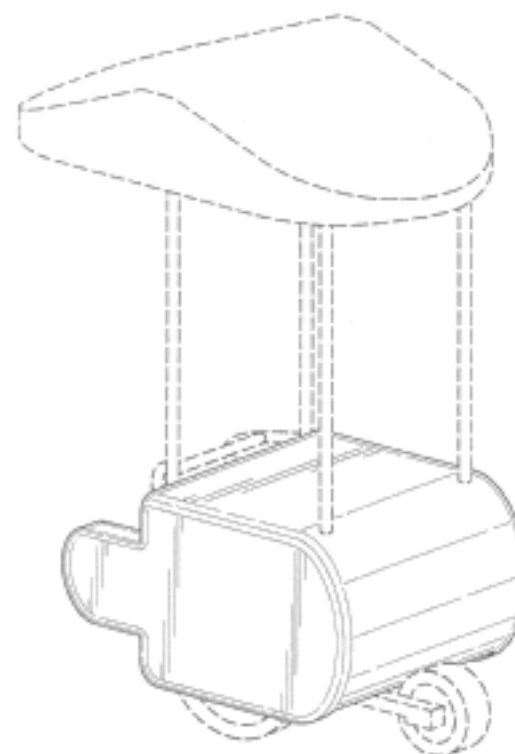
- (21) Design Number: **14337/2011**
(22) Date of Filing Application: **27 September 2011**
(24) Date from which industrial property rights may have effect: **27 September 2011**
(54) Product in respect of which the design is registered: **Shroud for excavation bucket**
(51) International Design Classification: **15-04**
(74) Name(s) of Attorney(s): **Griffith Hack**
(71) Name(s) and Address(s) of Applicant(s):
Bradken Resources Pty Limited
2 Maud Street Mayfield West New South Wales 2304 Australia
(72) Name(s) of Designer(s): **Reece Attwood and Glenn Baxter and Jason Lunn**
(45) Registration Date: **22 November 2011**
(56) Related Art Documents: **Not Applicable**
(57) Statement of Newness and Distinctiveness: **Nil**



(21) Design Number: **14338/2011**
(22) Date of Filing Application: **27 September 2011**
(24) Date from which industrial property rights may have effect: **27 September 2011**
(54) Product in respect of which the design is registered: **Shroud for excavation bucket**
(51) International Design Classification: **15-04**
(74) Name(s) of Attorney(s): **Griffith Hack**
(71) Name(s) and Address(s) of Applicant(s):
Bradken Resources Pty Limited
2 Maud Street Mayfield West New South Wales 2304 Australia
(72) Name(s) of Designer(s): **Reece Attwood and Glenn Baxter and Jason Lunn**
(45) Registration Date: **22 November 2011**
(56) Related Art Documents: **Not Applicable**
(57) Statement of Newness and Distinctiveness: **Nil**



(21) Design Number: **14375/2011**
(22) Date of Filing Application: **24 October 2011**
(24) Date from which industrial property rights may have effect: **24 October 2011**
(54) Product in respect of which the design is registered: **Mobile vending unit**
(51) International Design Classification: **12-02, 20-99**
(74) Name(s) of Attorney(s): **Griffith Hack**
(71) Name(s) and Address(s) of Applicant(s):
Unilever PLC
Unilever House 100 Victoria Embarkment London EC4Y ODY United Kingdom
(72) Name(s) of Designer(s): **Narendra Prakash Ghate and Benjamin Stewner**
(45) Registration Date: **22 November 2011**
(30) Convention priority data:
(31) Number (32) Date (33) Country
001855115-0001 26 Apr 2011 EUROPEAN COMMUNITY
(56) Related Art Documents: **Not Applicable**
(57) Statement of Newness and Distinctiveness: **Newness and distinctiveness resides in the visual features, including shape and configuration of a mobile vending unit as shown in solid outline in the accompanying drawings. When determining whether the design is substantially similar in overall impression to another design, no regard is to be had to those features shown in dotted outline in the accompanying drawings, which features are provided for illustrative purposes only.**



(21) Design Number: **14376/2011**

(22) Date of Filing Application: **24 October 2011**

(24) Date from which industrial property rights may have effect: **24 October 2011**

(54) Product in respect of which the design is registered: **Mobile vending unit**

(51) International Design Classification: **12-02, 20-99**

(74) Name(s) of Attorney(s): **Griffith Hack**

(71) Name(s) and Address(s) of Applicant(s):

Unilever PLC

Unilever House 100 Victoria Embarkment London EC4Y ODY United Kingdom

(72) Name(s) of Designer(s): **Narendra Prakash Ghate and Benjamin Stewner**

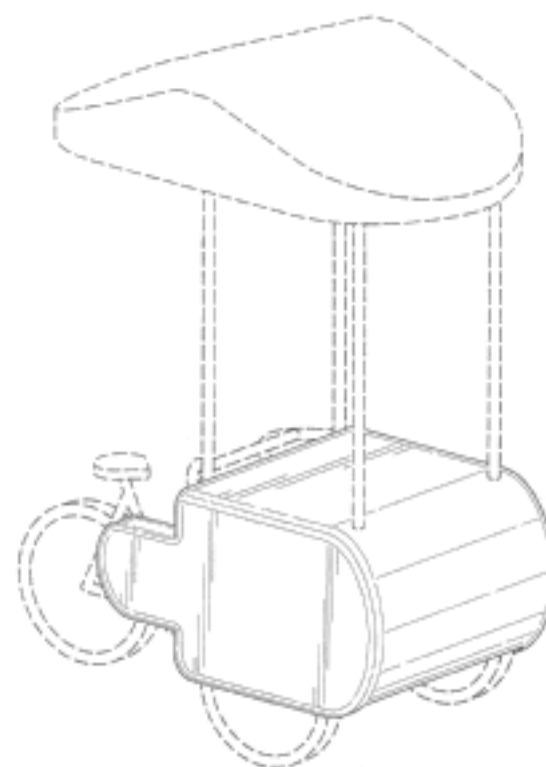
(45) Registration Date: **22 November 2011**

(30) Convention priority data:

(31) Number	(32) Date	(33) Country
001855115-0001	26 Apr 2011	EUROPEAN COMMUNITY

(56) Related Art Documents: **Not Applicable**

(57) Statement of Newness and Distinctiveness: **Newness and distinctiveness resides in the visual features, including shape and configuration of a mobile vending unit as shown in solid outline in the accompanying drawings. When determining whether the design is substantially similar in overall impression to another design, no regard is to be had to those features shown in dotted outline in the accompanying drawings, which features are provided for illustrative purposes only.**



(21) Design Number: **14377/2011**

(22) Date of Filing Application: **24 October 2011**

(24) Date from which industrial property rights may have effect: **24 October 2011**

(54) Product in respect of which the design is registered: **Mobile vending unit**

(51) International Design Classification: **12-02, 20-99**

(74) Name(s) of Attorney(s): **Griffith Hack**

(71) Name(s) and Address(s) of Applicant(s):

Unilever PLC

Unilever House 100 Victoria Embarkment London EC4Y ODY United Kingdom

(72) Name(s) of Designer(s): **Narendra Prakash Ghate and Benjamin Stewner**

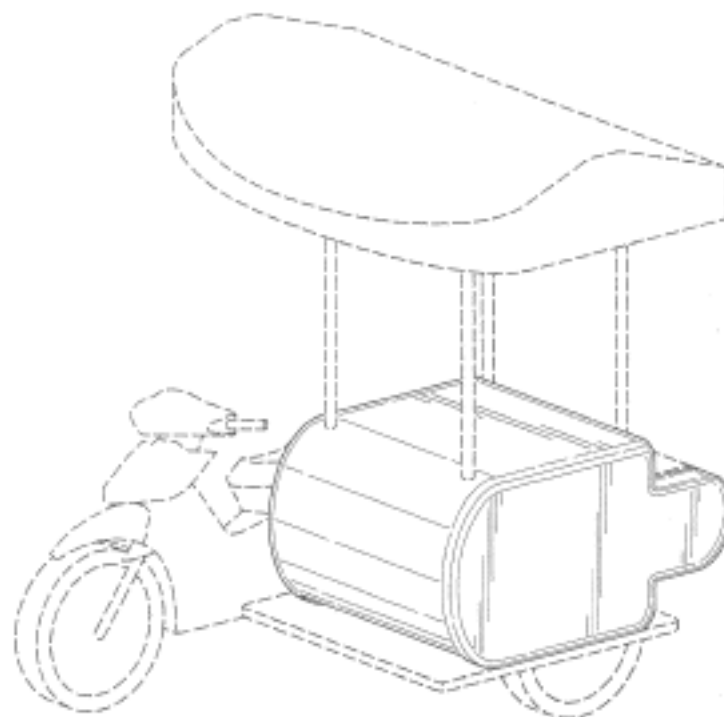
(45) Registration Date: **22 November 2011**

(30) Convention priority data:

(31) Number	(32) Date	(33) Country
001855115-0001	26 Apr 2011	EUROPEAN COMMUNITY

(56) Related Art Documents: **Not Applicable**

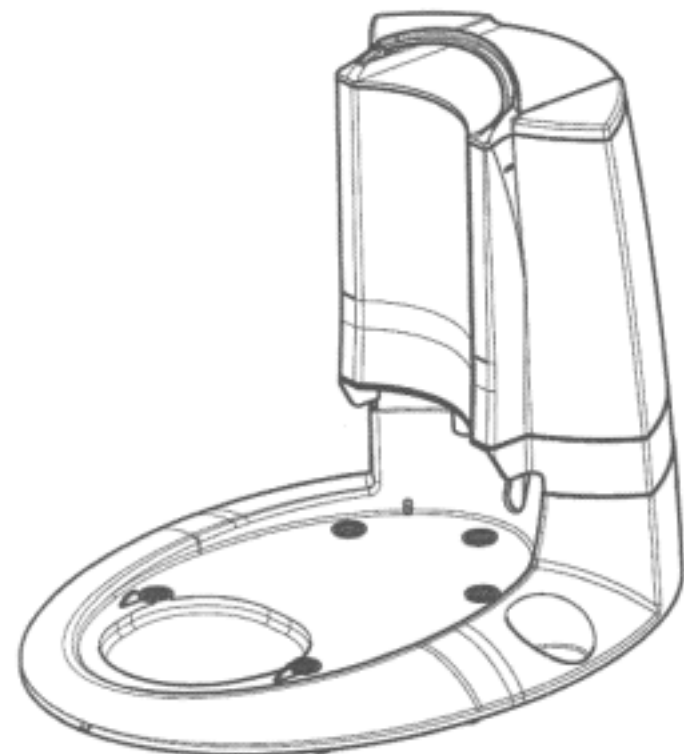
(57) Statement of Newness and Distinctiveness: **Newness and distinctiveness resides in the visual features, including shape and configuration of a mobile vending unit as shown in solid outline in the accompanying drawings. When determining whether the design is substantially similar in overall impression to another design, no regard is to be had to those features shown in dotted outline in the accompanying drawings, which features are provided for illustrative purposes only.**



(21) Design Number: **14869/2011**
(22) Date of Filing Application: **27 October 2011**
(24) Date from which industrial property rights may have effect: **27 October 2011**
(54) Product in respect of which the design is registered: **Container**
(51) International Design Classification: **09-03NES**
(74) Name(s) of Attorney(s): **EKM patent & trade marks**
(71) Name(s) and Address(s) of Applicant(s):
Smash Asset Management Pty Ltd
33 Redland Drive Mitcham Victoria 3132 Australia
(72) Name(s) of Designer(s): **Adam Laracy**
(45) Registration Date: **22 November 2011**
(56) Related Art Documents: **Not Applicable**
(57) Statement of Newness and Distinctiveness: **Newness and distinctiveness resides in the features of shape and/or configuration of a container as shown in the accompanying representations.**



(21) Design Number: **14870/2011**
(22) Date of Filing Application: **28 October 2011**
(24) Date from which industrial property rights may have effect: **28 October 2011**
(54) Product in respect of which the design is registered: **Part for a beverage dispenser**
(51) International Design Classification: **07-02L**
(74) Name(s) of Attorney(s): **Banki Haddock Fiora**
(71) Name(s) and Address(s) of Applicant(s):
Societe des Produits Nestle S.A.
1800 Vevey Switzerland
(72) Name(s) of Designer(s): **Pierre Struzka**
(45) Registration Date: **22 November 2011**
(30) Convention priority data:
(31) Number (32) Date (33) Country
137977 20 May 2011 SWITZERLAND
(56) Related Art Documents: **Not Applicable**
(57) Statement of Newness and Distinctiveness: **Nil**



- (21) Design Number: **14958/2011**
(22) Date of Filing Application: **04 November 2011**
(24) Date from which industrial property rights may have effect: **04 November 2011**
(54) Product in respect of which the design is registered: **A necklace**
(51) International Design Classification: **11-01E**
(74) Name(s) of Attorney(s):
(71) Name(s) and Address(s) of Applicant(s):
Nomiki Glynatsis Couture Pty Ltd
C/- Michael Buck IP 196 Moggill Road Taringa Queensland 4068
Australia
(72) Name(s) of Designer(s): **Nomiki Glynatsis**
(45) Registration Date: **22 November 2011**
(56) Related Art Documents: **Not Applicable**
(57) Statement of Newness and Distinctiveness: **The shape and configuration of a necklace as illustrated in the accompanying representation.**



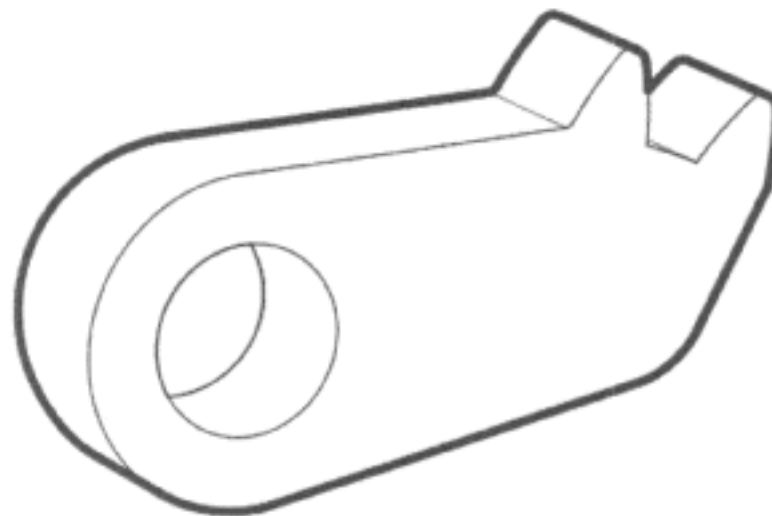
- (21) Design Number: **14959/2011**
(22) Date of Filing Application: **04 November 2011**
(24) Date from which industrial property rights may have effect: **04 November 2011**
(54) Product in respect of which the design is registered: **A necklace**
(51) International Design Classification: **11-01E**
(74) Name(s) of Attorney(s):
(71) Name(s) and Address(s) of Applicant(s):
Nomiki Glynatsis Couture Pty Ltd
C/- Michael Buck IP 196 Moggill Road Taringa Queensland 4068
Australia
(72) Name(s) of Designer(s): **Nomiki Glynatsis**
(45) Registration Date: **22 November 2011**
(56) Related Art Documents: **Not Applicable**
(57) Statement of Newness and Distinctiveness: **The shape and configuration of a necklace as illustrated in the accompanying representation.**



(21) Design Number: **14981/2011**
(22) Date of Filing Application: **07 November 2011**
(24) Date from which industrial property rights may have effect: **07 November 2011**
(54) Product in respect of which the design is registered: **Ratchet gear**
(51) International Design Classification: **08-05P**
(74) Name(s) of Attorney(s): **Collison & Co**
(71) Name(s) and Address(s) of Applicant(s):

EBM SOLUTIONS PTY LTD
Level 24 Westpac House 91 King William Street Adelaide South Australia
5000 Australia

(72) Name(s) of Designer(s): **Colin Yip**
(45) Registration Date: **22 November 2011**
(56) Related Art Documents: **Not Applicable**
(57) Statement of Newness and Distinctiveness: **Newness and distinctiveness resides in the shape and/or configuration of the ratchet pawl as shown in the accompanying representations.**

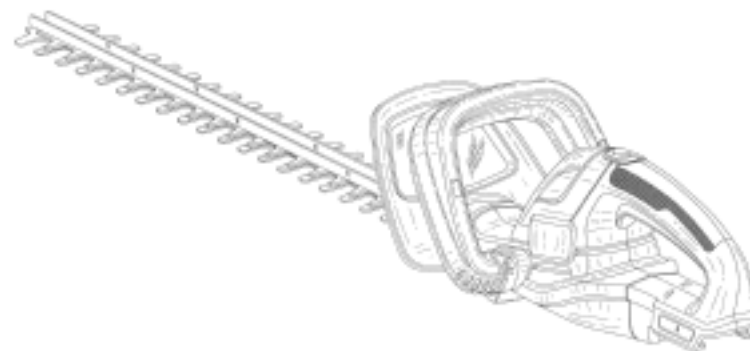


(21) Design Number: **14604/2011**
(22) Date of Filing Application: **11 October 2011**
(24) Date from which industrial property rights may have effect: **11 October 2011**
(54) Product in respect of which the design is registered: **Hedge trimmer**
(51) International Design Classification: **08-03**
(74) Name(s) of Attorney(s): **Davies Collison Cave**
(71) Name(s) and Address(s) of Applicant(s):

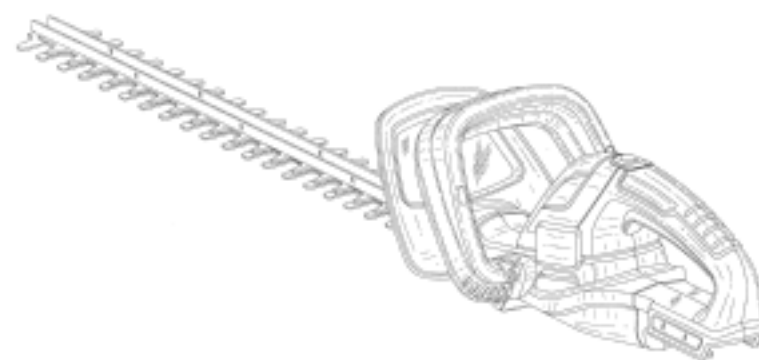
Stanley Black & Decker, Inc.
1000 Stanley Drive New Britain Connecticut 06053 United States of
America

(72) Name(s) of Designer(s): **Sean Sweeney**
(45) Registration Date: **22 November 2011**
(30) Convention priority data:
(31) Number (32) Date (33) Country
001271357-0001 18 Apr 2011 EUROPEAN COMMUNITY

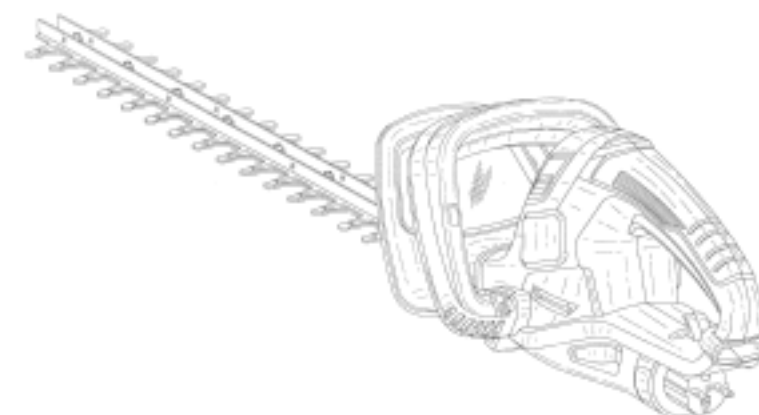
(56) Related Art Documents: **Not Applicable**
(57) Statement of Newness and Distinctiveness: **Nil**



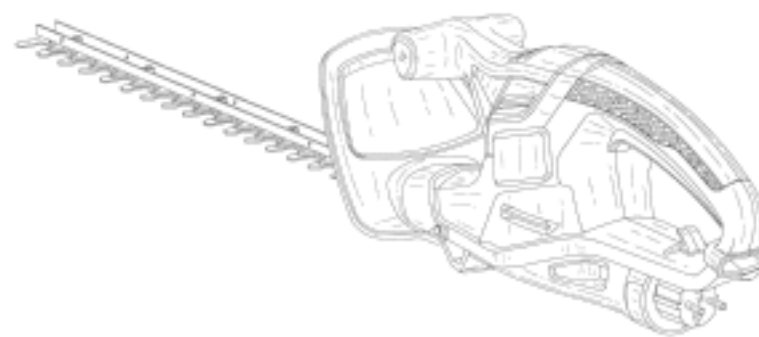
(21) Design Number: **14605/2011**
(22) Date of Filing Application: **11 October 2011**
(24) Date from which industrial property rights may have effect: **11 October 2011**
(54) Product in respect of which the design is registered: **Hedge trimmer**
(51) International Design Classification: **08-03**
(74) Name(s) of Attorney(s): **Davies Collison Cave**
(71) Name(s) and Address(s) of Applicant(s):
Stanley Black & Decker, Inc.
1000 Stanley Drive New Britain Connecticut 06053 United States of America
(72) Name(s) of Designer(s): **Sean Sweeney**
(45) Registration Date: **22 November 2011**
(30) Convention priority data:
(31) Number (32) Date (33) Country
001271340-0001 18 Apr 2011 EUROPEAN COMMUNITY
(56) Related Art Documents: **Not Applicable**
(57) Statement of Newness and Distinctiveness: **Nil**



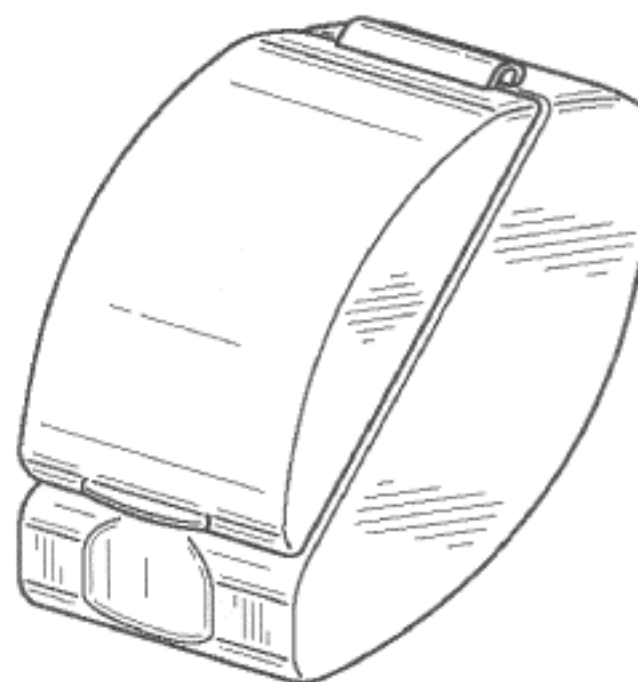
(21) Design Number: **14606/2011**
(22) Date of Filing Application: **11 October 2011**
(24) Date from which industrial property rights may have effect: **11 October 2011**
(54) Product in respect of which the design is registered: **Hedge trimmer**
(51) International Design Classification: **08-03**
(74) Name(s) of Attorney(s): **Davies Collison Cave**
(71) Name(s) and Address(s) of Applicant(s):
Stanley Black & Decker, Inc.
1000 Stanley Drive New Britain Connecticut 06053 United States of America
(72) Name(s) of Designer(s): **Sean Sweeney**
(45) Registration Date: **22 November 2011**
(30) Convention priority data:
(31) Number (32) Date (33) Country
001271332 18 Apr 2011 EUROPEAN COMMUNITY
(56) Related Art Documents: **Not Applicable**
(57) Statement of Newness and Distinctiveness: **Nil**



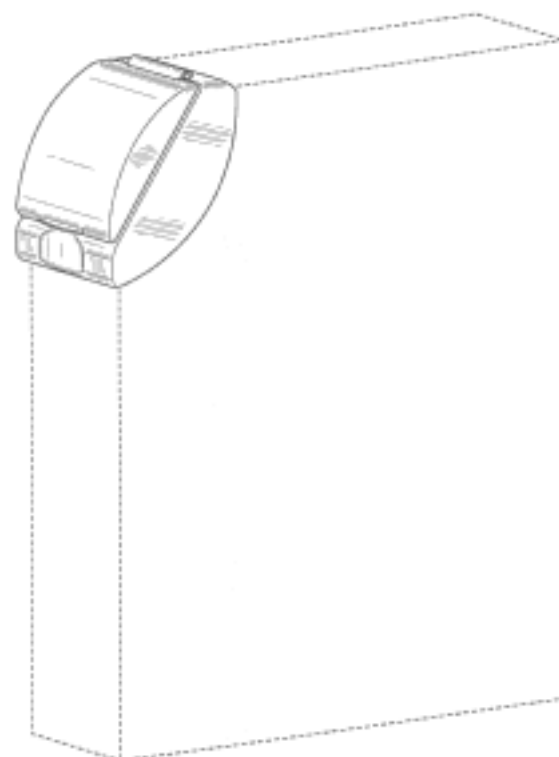
(21) Design Number: **14607/2011**
(22) Date of Filing Application: **11 October 2011**
(24) Date from which industrial property rights may have effect: **11 October 2011**
(54) Product in respect of which the design is registered: **Hedge trimmer**
(51) International Design Classification: **08-03**
(74) Name(s) of Attorney(s): **Davies Collison Cave**
(71) Name(s) and Address(s) of Applicant(s):
Stanley Black & Decker, Inc.
1000 Stanley Drive New Britain Connecticut 06053 United States of America
(72) Name(s) of Designer(s): **Sean Sweeney**
(45) Registration Date: **22 November 2011**
(30) Convention priority data:
(31) Number (32) Date (33) Country
001271415 18 Apr 2011 EUROPEAN COMMUNITY
(56) Related Art Documents: **Not Applicable**
(57) Statement of Newness and Distinctiveness: **Nil**



(21) Design Number: **11814/2011**
(22) Date of Filing Application: **27 April 2011**
(24) Date from which industrial property rights may have effect: **27 April 2011**
(54) Product in respect of which the design is registered: **Closure**
(51) International Design Classification: **09-07A**
(74) Name(s) of Attorney(s): **SPRUSON & FERGUSON**
(71) Name(s) and Address(s) of Applicant(s):
The Quaker Oats Company
555 West Monroe Street Chicago Illinois 60661 United States of America
(72) Name(s) of Designer(s): **Lindsay Delaney and Marcus H. Parsons and H. Stephen Quinn**
(45) Registration Date: **23 November 2011**
(30) Convention priority data:
(31) Number (32) Date (33) Country
29/387309 11 Mar 2011 UNITED STATES OF AMERICA
(56) Related Art Documents: **Not Applicable**
(57) Statement of Newness and Distinctiveness: **Newness and distinctiveness is claimed in the features of shape and/or configuration of a closure as illustrated in the accompanying representations.**



(21) Design Number: **11815/2011**
(22) Date of Filing Application: **27 April 2011**
(24) Date from which industrial property rights may have effect: **27 April 2011**
(54) Product in respect of which the design is registered: **Closure**
(51) International Design Classification: **09-07A**
(74) Name(s) of Attorney(s): **SPRUSON & FERGUSON**
(71) Name(s) and Address(s) of Applicant(s):
The Quaker Oats Company
555 West Monroe Street Chicago Illinois 60661 United States of America
(72) Name(s) of Designer(s): **Lindsay Delaney and Marcus H. Parsons and H. Stephen Quinn**
(45) Registration Date: **23 November 2011**
(30) Convention priority data:
(31) Number (32) Date (33) Country
29/387309 11 Mar 2011 UNITED STATES OF AMERICA
(56) Related Art Documents: **Not Applicable**
(57) Statement of Newness and Distinctiveness: **Newness and distinctiveness is claimed in those features of shape and/or configuration of a closure illustrated in continuous lines in the accompanying representations.**



(21) Design Number: **14930/2011**
(22) Date of Filing Application: **01 November 2011**
(24) Date from which industrial property rights may have effect: **01 November 2011**
(54) Product in respect of which the design is registered: **Leaf rake**
(51) International Design Classification: **08-05A**
(74) Name(s) of Attorney(s): **IP Gateway Patent & Trademark Attorneys**
(71) Name(s) and Address(s) of Applicant(s):
Pool Systems Pty Ltd
79 Kremzow Road Brendale Queensland 4500 Australia
(72) Name(s) of Designer(s): **Paul Knight and Scott Cox**
(45) Registration Date: **23 November 2011**
(56) Related Art Documents: **Not Applicable**
(57) Statement of Newness and Distinctiveness: **The newness and distinctiveness of the design resides in the visual features of shape and/or configuration of a Leaf Rake as shown in the accompanying representations.**



(21) Design Number: **14931/2011**
(22) Date of Filing Application: **01 November 2011**
(24) Date from which industrial property rights may have effect: **01 November 2011**
(54) Product in respect of which the design is registered: **Vacuum head**
(51) International Design Classification: **15-05**
(74) Name(s) of Attorney(s): **IP Gateway Patent & Trademark Attorneys**
(71) Name(s) and Address(s) of Applicant(s):
Pool Systems Pty Ltd
79 Kremzow Road Brendale Queensland 4500 Australia
(72) Name(s) of Designer(s): **Paul Knight and Scott Cox**
(45) Registration Date: **23 November 2011**
(56) Related Art Documents: **Not Applicable**
(57) Statement of Newness and Distinctiveness: **The newness and distinctiveness of the design resides in the visual features of shape and/or configuration of a Vacuum Head as shown in the accompanying representations.**



(21) Design Number: **14045/2011**
(22) Date of Filing Application: **13 September 2011**
(24) Date from which industrial property rights may have effect: **13 September 2011**
(54) Product in respect of which the design is registered: **Receptacle and filter device**
(51) International Design Classification: **07-01F, 23-01G**
(74) Name(s) of Attorney(s): **Halfords IP**
(71) Name(s) and Address(s) of Applicant(s):
Aktiebolaget Electrolux
S:t Goransgatan 143 SE-105 45 Stockholm Sweden
(72) Name(s) of Designer(s): **Anna-Karin Gray**
(45) Registration Date: **23 November 2011**
(30) Convention priority data:
(31) Number (32) Date (33) Country
001265284 15 Mar 2011 EUROPEAN COMMUNITY
(56) Related Art Documents: **Not Applicable**
(57) Statement of Newness and Distinctiveness: **Newness and distinctiveness is claimed in those features of shape and or configuration of a receptacle and filter device as depicted in the representations. The representations are colour photographs and or black and white photographs, and the colours represented do not form part of the design.**



(21) Design Number: **15119/2011**
(22) Date of Filing Application: **13 September 2011**
(24) Date from which industrial property rights may have effect: **13 September 2011**
(54) Product in respect of which the design is registered: **Receptacle and filter device**
(51) International Design Classification: **07-01F, 23-01G**
(74) Name(s) of Attorney(s): **Halfords IP**
(71) Name(s) and Address(s) of Applicant(s):
Aktiebolaget Electrolux
S:t Goransgatan 143 SE-105 45 Stockholm Sweden
(72) Name(s) of Designer(s): **Anna-Karin Gray**
(45) Registration Date: **23 November 2011**
(30) Convention priority data:
(31) Number (32) Date (33) Country
001265284 15 Mar 2011 EUROPEAN COMMUNITY
(56) Related Art Documents: **Not Applicable**
(57) Statement of Newness and Distinctiveness: **Newness and distinctiveness is claimed in those features of shape and or configuration of a receptacle and filter device as depicted in the representations. The representations are colour photographs and or black and white photographs, and the colours represented do not form part of the design.**



(21) Design Number: **15120/2011**
(22) Date of Filing Application: **13 September 2011**
(24) Date from which industrial property rights may have effect: **13 September 2011**
(54) Product in respect of which the design is registered: **Receptacle**
(51) International Design Classification: **07-01F**
(74) Name(s) of Attorney(s): **Halfords IP**
(71) Name(s) and Address(s) of Applicant(s):
Aktiebolaget Electrolux
S:t Goransgatan 143 SE-105 45 Stockholm Sweden
(72) Name(s) of Designer(s): **Anna-Karin Gray**
(45) Registration Date: **23 November 2011**
(30) Convention priority data:
(31) Number (32) Date (33) Country
001265284 15 Mar 2011 EUROPEAN COMMUNITY
(56) Related Art Documents: **Not Applicable**
(57) Statement of Newness and Distinctiveness: **Newness and distinctiveness is claimed in those features of shape and or configuration of a receptacle as depicted in the representations. The representations use contour lines shading and broken lines to assist in the illustration of features of shape and or configuration. Such contour lines, shading and broken lines do not form part of the design.**



(21) Design Number: **15121/2011**
(22) Date of Filing Application: **13 September 2011**
(24) Date from which industrial property rights may have effect: **13 September 2011**
(54) Product in respect of which the design is registered: **Receptacle**
(51) International Design Classification: **07-01F**
(74) Name(s) of Attorney(s): **Halfords IP**
(71) Name(s) and Address(s) of Applicant(s):

Aktiebolaget Electrolux
S:t Goransgatan 143 SE-105 45 Stockholm Sweden

(72) Name(s) of Designer(s): **Anna-Karin Gray**

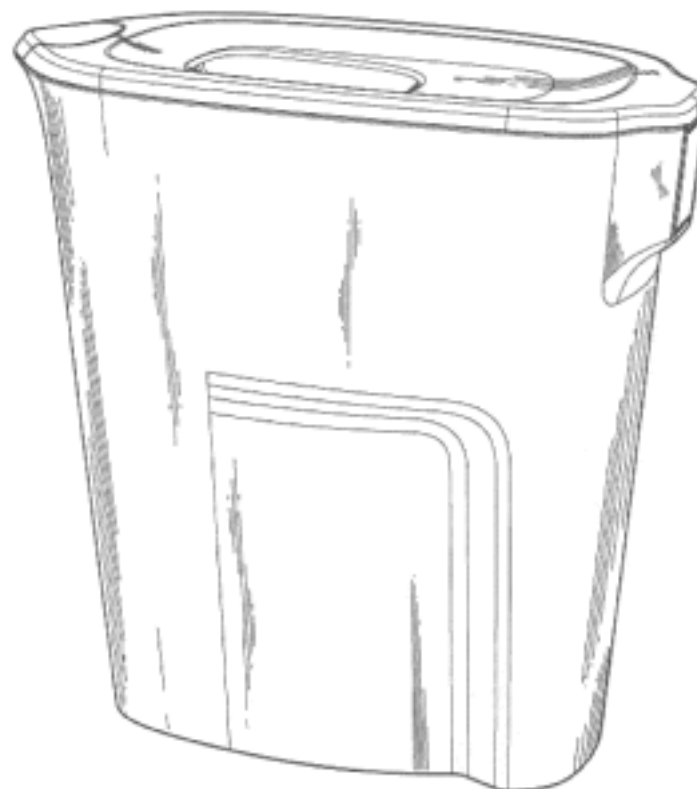
(45) Registration Date: **23 November 2011**

(30) Convention priority data:

(31) Number	(32) Date	(33) Country
001265284	15 Mar 2011	EUROPEAN COMMUNITY

(56) Related Art Documents: **Not Applicable**

(57) Statement of Newness and Distinctiveness: **Newness and distinctiveness is claimed in those features of shape and or configuration of a receptacle as depicted in the representations. The representations use contour lines shading and broken lines to assist in the illustration of features of shape and or configuration. Such contour lines, shading and broken lines do not form part of the design.**



(21) Design Number: **15122/2011**
(22) Date of Filing Application: **13 September 2011**
(24) Date from which industrial property rights may have effect: **13 September 2011**
(54) Product in respect of which the design is registered: **Filter device**
(51) International Design Classification: **23-01G**
(74) Name(s) of Attorney(s): **Halfords IP**
(71) Name(s) and Address(s) of Applicant(s):

Aktiebolaget Electrolux
S:t Goransgatan 143 SE-105 45 Stockholm Sweden

(72) Name(s) of Designer(s): **Anna-Karin Gray**

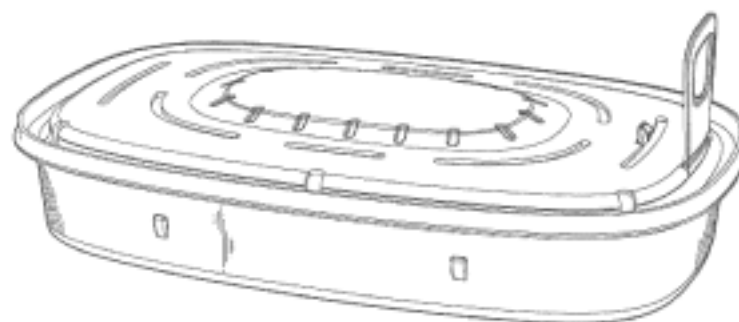
(45) Registration Date: **23 November 2011**

(30) Convention priority data:

(31) Number	(32) Date	(33) Country
001265284	15 Mar 2011	EUROPEAN COMMUNITY

(56) Related Art Documents: **Not Applicable**

(57) Statement of Newness and Distinctiveness: **Newness and distinctiveness is claimed in those features of shape and or configuration of a receptacle as depicted in the representations. The representations use contour lines shading and broken lines to assist in the illustration of features of shape and or configuration. Such contour lines, shading and broken lines do not form part of the design.**



(21) Design Number: **15123/2011**
(22) Date of Filing Application: **13 September 2011**
(24) Date from which industrial property rights may have effect: **13 September 2011**
(54) Product in respect of which the design is registered: **Filter device**
(51) International Design Classification: **23-01G**
(74) Name(s) of Attorney(s): **Halfords IP**
(71) Name(s) and Address(s) of Applicant(s):

Aktiebolaget Electrolux
S:t Goransgatan 143 SE-105 45 Stockholm Sweden

(72) Name(s) of Designer(s): **Anna-Karin Gray**

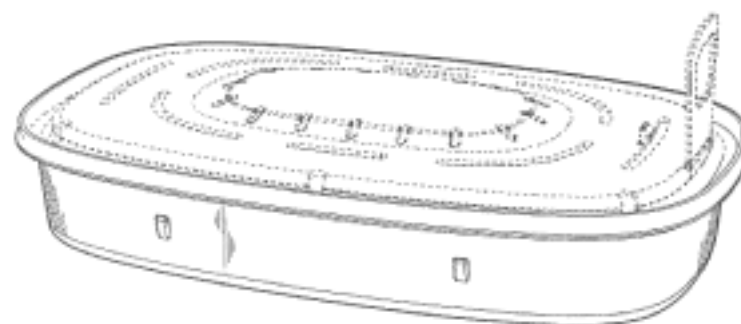
(45) Registration Date: **23 November 2011**

(30) Convention priority data:

(31) Number	(32) Date	(33) Country
001265284	15 Mar 2011	EUROPEAN COMMUNITY

(56) Related Art Documents: **Not Applicable**

(57) Statement of Newness and Distinctiveness: **Newness and distinctiveness is claimed in those features of shape and or configuration of a receptacle as depicted in the representations. The representations use contour lines shading and broken lines to assist in the illustration of features of shape and or configuration. Such contour lines, shading and broken lines do not form part of the design.**



(21) Design Number: **14056/2011**
(22) Date of Filing Application: **15 September 2011**
(24) Date from which industrial property rights may have effect: **15 September 2011**
(54) Product in respect of which the design is registered: **Bus shelter**
(51) International Design Classification: **25-03**
(74) Name(s) of Attorney(s):
(71) Name(s) and Address(s) of Applicant(s):

Landmark Engineering & Design Pty Ltd
26 Wildfire Road Maddington Western Australia 6109 Australia

(72) Name(s) of Designer(s): **Gavin Cook**

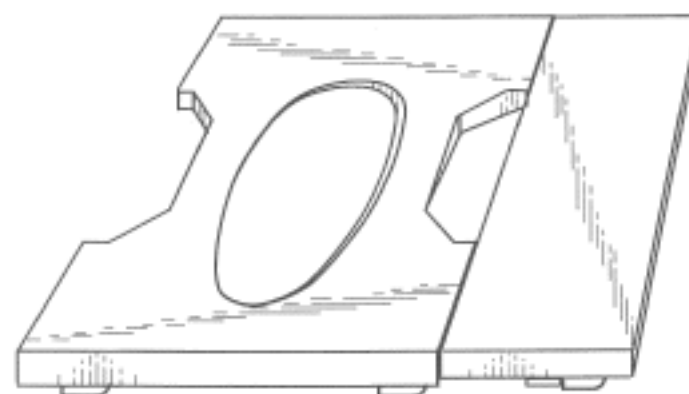
(45) Registration Date: **23 November 2011**

(56) Related Art Documents: **Not Applicable**

(57) Statement of Newness and Distinctiveness: **Nil**



(21) Design Number: **14660/2011**
(22) Date of Filing Application: **13 October 2011**
(24) Date from which industrial property rights may have effect: **13 October 2011**
(54) Product in respect of which the design is registered: **Portable seat for bench assembly**
(51) International Design Classification: **06-01NES**
(74) Name(s) of Attorney(s): **PIZZEYS**
(71) Name(s) and Address(s) of Applicant(s):
Eric J. Goldstein
4524 N. Rockcliff Road Tucson AZ 85750 United States of America
(72) Name(s) of Designer(s): **Eric J. Goldstein**
(45) Registration Date: **23 November 2011**
(30) Convention priority data:
(31) Number (32) Date (33) Country
29/389,689 14 Apr 2011 UNITED STATES OF AMERICA
(56) Related Art Documents: **Not Applicable**
(57) Statement of Newness and Distinctiveness: **Nil**



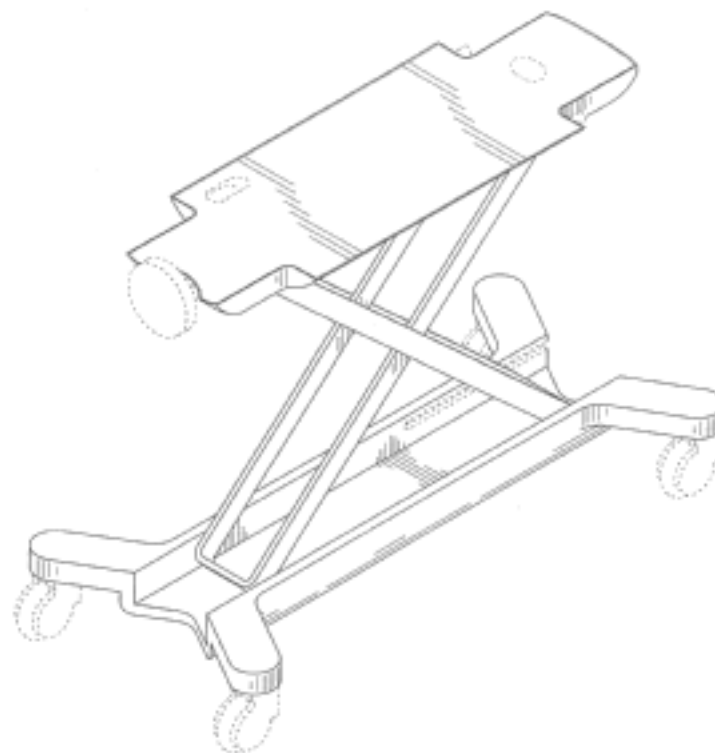
(21) Design Number: **14879/2011**
(22) Date of Filing Application: **28 October 2011**
(24) Date from which industrial property rights may have effect: **28 October 2011**
(54) Product in respect of which the design is registered: **A trailer body**
(51) International Design Classification: **12-10**
(74) Name(s) of Attorney(s): **HWL Ebsworth Lawyers**
(71) Name(s) and Address(s) of Applicant(s):
The Franchise Group Pty Ltd
Suite 14 209 Toorak Road South Yarra Victoria 3141 Australia
(72) Name(s) of Designer(s): **Janie Rose and Martin Rose**
(45) Registration Date: **23 November 2011**
(56) Related Art Documents: **Not Applicable**
(57) Statement of Newness and Distinctiveness: **The new and distinctive features of the trailer comprise the dog-kennel shape, configuration, pattern and ornamentation of the body of the trailer.**



- (21) Design Number: **14880/2011**
(22) Date of Filing Application: **28 October 2011**
(24) Date from which industrial property rights may have effect: **28 October 2011**
(54) Product in respect of which the design is registered: **A trailer body**
(51) International Design Classification: **12-10**
(74) Name(s) of Attorney(s): **HWL Ebsworth Lawyers**
(71) Name(s) and Address(s) of Applicant(s):
The Franchise Group Pty Ltd
Suite 14 209 Toorak Road South Yarra Victoria 3141 Australia
(72) Name(s) of Designer(s): **Janie Rose and Martin Rose**
(45) Registration Date: **23 November 2011**
(56) Related Art Documents: **Not Applicable**
(57) Statement of Newness and Distinctiveness: **The new and distinctive features of the trailer comprise the dog-kennel shape and configuration of the body of the trailer.**



- (21) Design Number: **14881/2011**
(22) Date of Filing Application: **28 October 2011**
(24) Date from which industrial property rights may have effect: **28 October 2011**
(54) Product in respect of which the design is registered: **Cart**
(51) International Design Classification: **12-02**
(74) Name(s) of Attorney(s): **PHILLIPS ORMONDE FITZPATRICK**
(71) Name(s) and Address(s) of Applicant(s):
Life Scientific, Inc.
One Pierce Place Suite 475W Itasca Illinois 60143 United States of America
(72) Name(s) of Designer(s): **David Kravitz and Aaron Randall Ferber and Ross Lockwood and Rodney Hal Monson and Evan David Shapiro**
(45) Registration Date: **23 November 2011**
(30) Convention priority data:
(31) Number (32) Date (33) Country
29/390,857 29 Apr 2011 UNITED STATES OF AMERICA
(56) Related Art Documents: **Not Applicable**
(57) Statement of Newness and Distinctiveness: **Those features of the cart depicted in the representations that are new and distinctive are the shape and/or configuration. The features shown in broken line are not part of the design and are to be disregarded when considering the overall impression of the design.**



- (21) Design Number: **14882/2011**
(22) Date of Filing Application: **28 October 2011**
(24) Date from which industrial property rights may have effect: **28 October 2011**
(54) Product in respect of which the design is registered: **Organ transporter**
(51) International Design Classification: **24-01, 24-99**
(74) Name(s) of Attorney(s): **PHILLIPS ORMONDE FITZPATRICK**
(71) Name(s) and Address(s) of Applicant(s):

Life Scientific, Inc.
One Pierce Place Suite 475W Itasca Illinois 60143 United States of America

- (72) Name(s) of Designer(s): **David Kravitz and Aaron Randall Ferber and Ross Lockwood and Rodney Hal Monson and Evan David Shapiro**

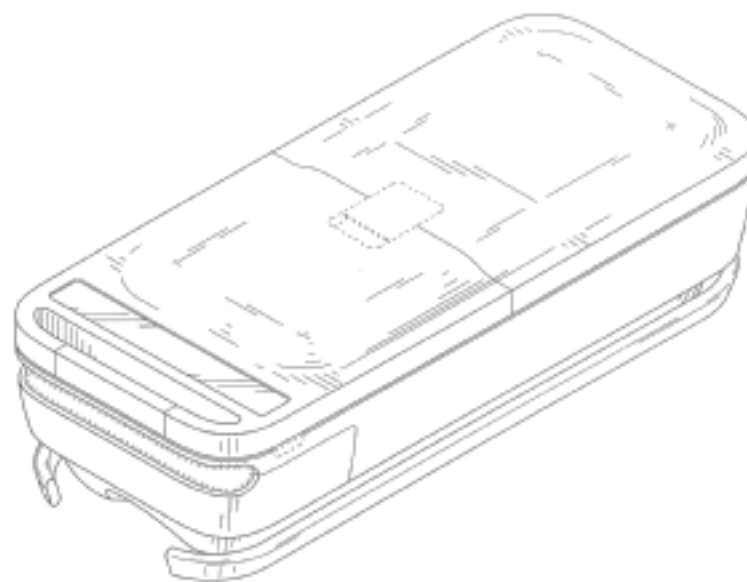
(45) Registration Date: **23 November 2011**

(30) Convention priority data:

(31) Number	(32) Date	(33) Country
29/390,871	29 Apr 2011	UNITED STATES OF AMERICA

(56) Related Art Documents: **Not Applicable**

- (57) Statement of Newness and Distinctiveness: **Those features of the organ transporter depicted in the representations that are new and distinctive are the shape and/or configuration. The features shown in broken line are not part of the design and are to be disregarded when considering the overall impression of the design.**



- (21) Design Number: **14883/2011**
(22) Date of Filing Application: **28 October 2011**
(24) Date from which industrial property rights may have effect: **28 October 2011**
(54) Product in respect of which the design is registered: **Organ transporter with cart**
(51) International Design Classification: **12-02, 24-99, 24-01**
(74) Name(s) of Attorney(s): **PHILLIPS ORMONDE FITZPATRICK**
(71) Name(s) and Address(s) of Applicant(s):

Life Scientific, Inc.
One Pierce Place Suite 475W Itasca Illinois 60143 United States of America

- (72) Name(s) of Designer(s): **David Kravitz and Aaron Randall Ferber and Ross Lockwood and Rodney Hal Monson and Evan David Shapiro**

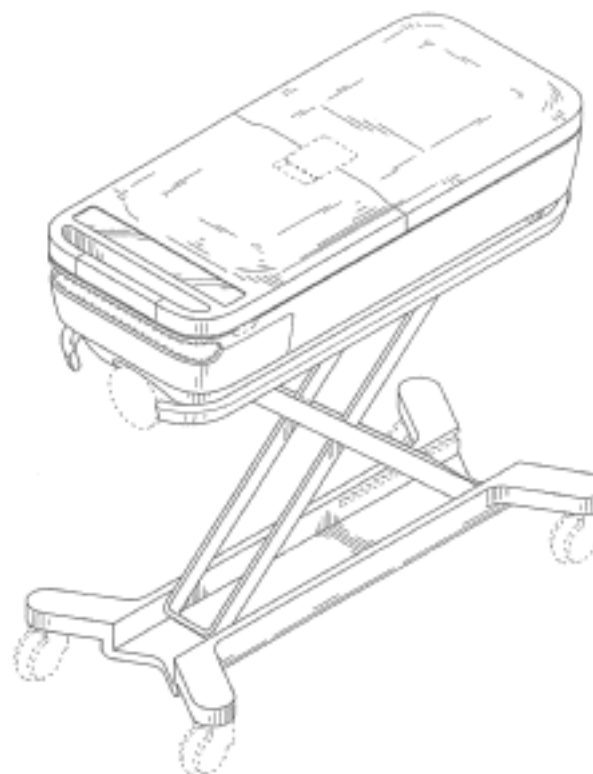
(45) Registration Date: **23 November 2011**

(30) Convention priority data:

(31) Number	(32) Date	(33) Country
29/390,876	29 Apr 2011	UNITED STATES OF AMERICA

(56) Related Art Documents: **Not Applicable**

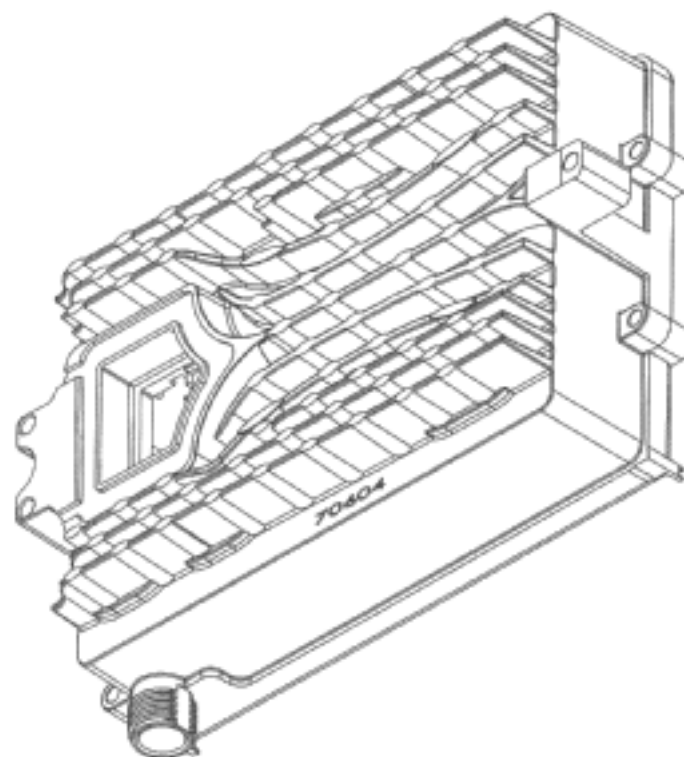
- (57) Statement of Newness and Distinctiveness: **Those features of the organ transporter with cart depicted in the representations that are new and distinctive are the shape and/or configuration. The features shown in broken line are not part of the design and are to be disregarded when considering the overall impression of the design.**



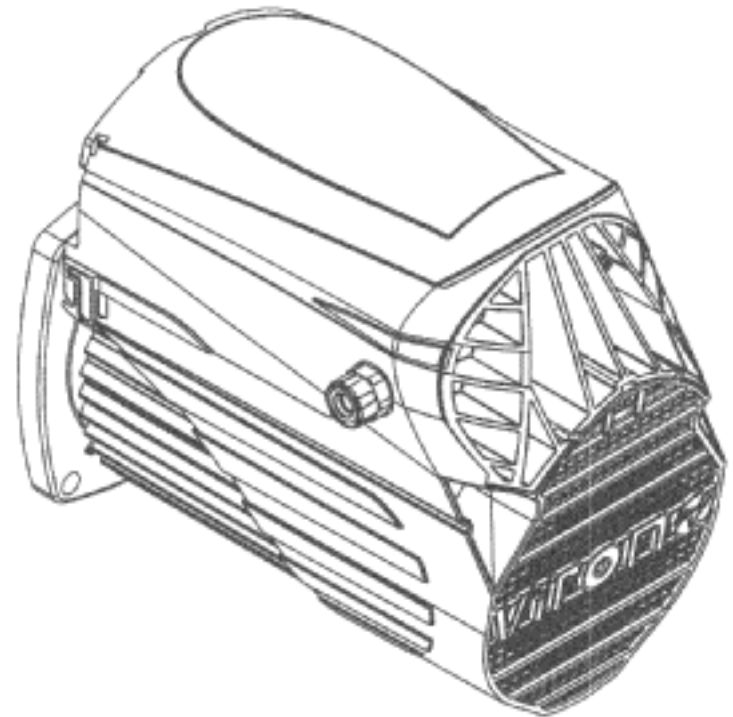
(21) Design Number: **14884/2011**
(22) Date of Filing Application: **31 October 2011**
(24) Date from which industrial property rights may have effect: **31 October 2011**
(54) Product in respect of which the design is registered: **Automobile rooftop cargo box**
(51) International Design Classification: **12-16K**
(74) Name(s) of Attorney(s): **WATERMARK PATENT AND TRADE MARKS ATTORNEYS**
(71) Name(s) and Address(s) of Applicant(s):
Thule Sweden AB
Box 69 SE-330 33 Hillerstorp Sweden
(72) Name(s) of Designer(s): **Frank Gruner**
(45) Registration Date: **23 November 2011**
(30) Convention priority data:
(31) Number (32) Date (33) Country
001912577 05 Sep 2011 EUROPEAN COMMUNITY
(56) Related Art Documents: **Not Applicable**
(57) Statement of Newness and Distinctiveness: **Nil**



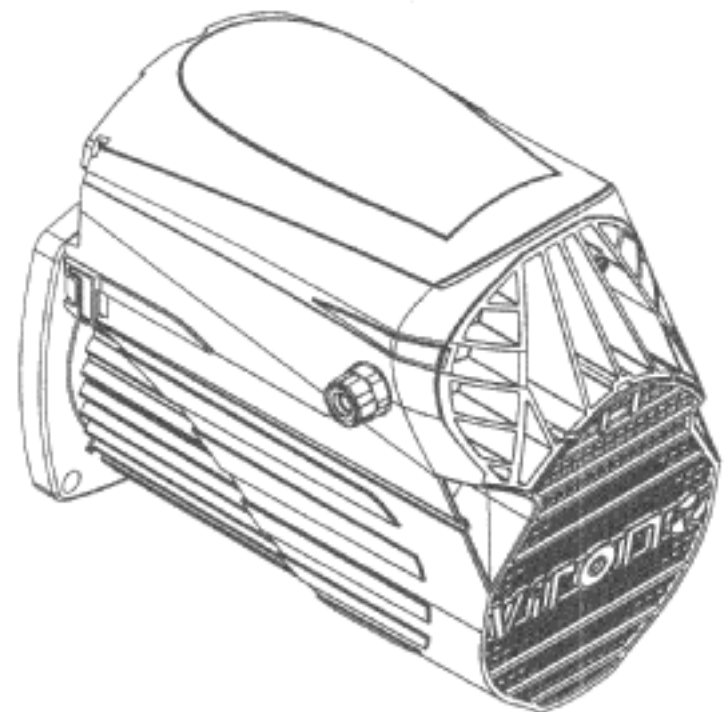
(21) Design Number: **14910/2011**
(22) Date of Filing Application: **01 November 2011**
(24) Date from which industrial property rights may have effect: **01 November 2011**
(54) Product in respect of which the design is registered: **Heat sink**
(51) International Design Classification: **13-01, 15-99**
(74) Name(s) of Attorney(s): **Wadeson**
(71) Name(s) and Address(s) of Applicant(s):
Astral Pool Australia Pty Ltd
48 Hanna Street Noble Park Victoria 3174 Australia
(72) Name(s) of Designer(s): **Aaron Marshall**
(45) Registration Date: **23 November 2011**
(56) Related Art Documents: **Not Applicable**
(57) Statement of Newness and Distinctiveness: **Newness and distinctiveness resides in the curvature of the cooling fins.**



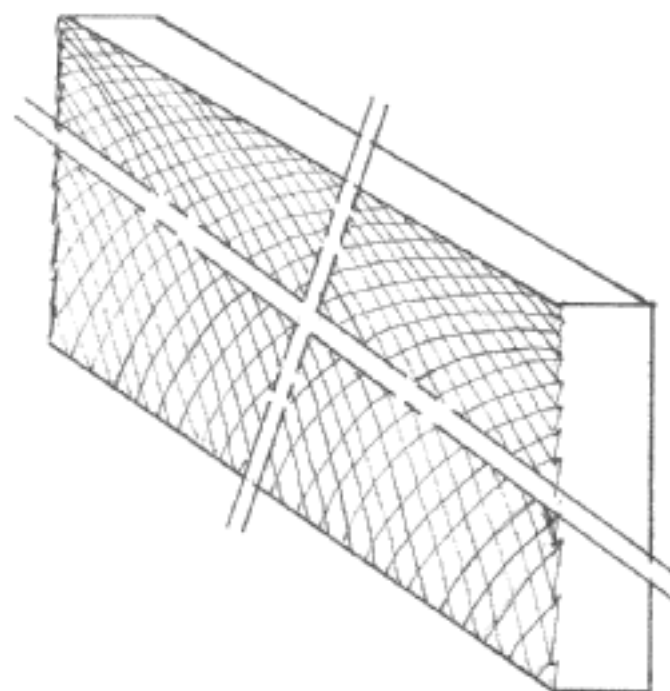
- (21) Design Number: **14911/2011**
(22) Date of Filing Application: **01 November 2011**
(24) Date from which industrial property rights may have effect: **01 November 2011**
(54) Product in respect of which the design is registered: **Motor**
(51) International Design Classification: **13-01**
(74) Name(s) of Attorney(s): **Wadeson**
(71) Name(s) and Address(s) of Applicant(s):
Astral Pool Australia Pty Ltd
48 Hanna Street Noble Park Victoria 3174 Australia
(72) Name(s) of Designer(s): **Aaron Marshall**
(45) Registration Date: **23 November 2011**
(56) Related Art Documents: **Not Applicable**
(57) Statement of Newness and Distinctiveness: **Newness and distinctiveness resides in the inclined rear face of the motor.**



- (21) Design Number: **14912/2011**
(22) Date of Filing Application: **01 November 2011**
(24) Date from which industrial property rights may have effect: **01 November 2011**
(54) Product in respect of which the design is registered: **Motor**
(51) International Design Classification: **13-01**
(74) Name(s) of Attorney(s): **Wadeson**
(71) Name(s) and Address(s) of Applicant(s):
Astral Pool Australia Pty Ltd
48 Hanna Street Noble Park Victoria 3174 Australia
(72) Name(s) of Designer(s): **Aaron Marshall**
(45) Registration Date: **23 November 2011**
(56) Related Art Documents: **Not Applicable**
(57) Statement of Newness and Distinctiveness: **Newness and distinctiveness resides in the oblique forward edges of the cowl that embraces the extruded motor casing. The oblique forward edges of the cowl are most easily viewed in the left and right views.**



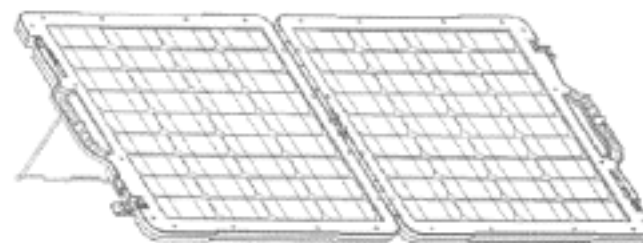
- (21) Design Number: **14980/2011**
(22) Date of Filing Application: **07 November 2011**
(24) Date from which industrial property rights may have effect: **07 November 2011**
(54) Product in respect of which the design is registered: **A plank member of indefinite length and indefinite width and indefinite thickness**
(51) International Design Classification: **25-01G**
(74) Name(s) of Attorney(s):
(71) Name(s) and Address(s) of Applicant(s):
Gary Frencham Pty Ltd
155 Lemins Road Waurin Ponds Victoria 3216 Australia
(72) Name(s) of Designer(s): **Gary Frencham**
(45) Registration Date: **23 November 2011**
(56) Related Art Documents: **Not Applicable**
(57) Statement of Newness and Distinctiveness: **The new and distinctive visual feature claimed is the textured surface applicable to the front facing surface of a plank member as shown in the representations. The diamonds shown on the textured surface are slightly raised, in a pillow-like way, relative to the curved lines on the front which are slightly indented.**



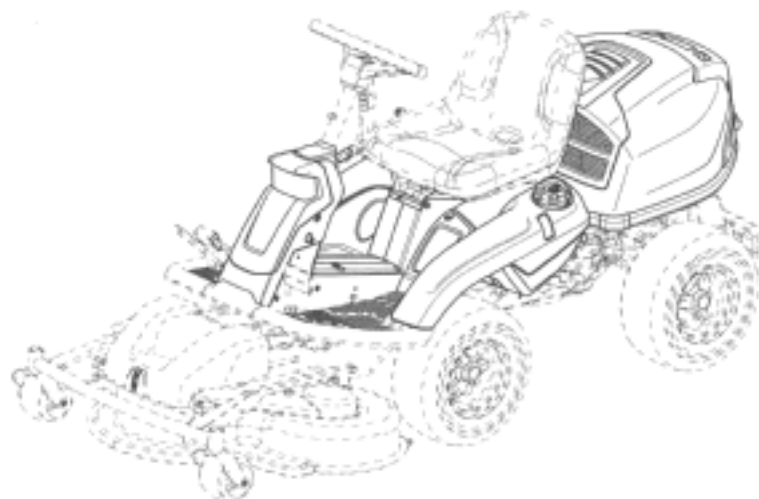
- (21) Design Number: **14474/2011**
(22) Date of Filing Application: **06 October 2011**
(24) Date from which industrial property rights may have effect: **06 October 2011**
(54) Product in respect of which the design is registered: **Alloy wheel rims**
(51) International Design Classification: **12-16A**
(74) Name(s) of Attorney(s):
(71) Name(s) and Address(s) of Applicant(s):
Ossama Naim
1 Alexander Circuit Patterson Lakes Victoria 3197 Australia
(72) Name(s) of Designer(s): **Ossama Naim**
(45) Registration Date: **23 November 2011**
(56) Related Art Documents: **Not Applicable**
(57) Statement of Newness and Distinctiveness: **Three thin semetrical blades with three thinner two stroke black spokes that divide between each blade.**



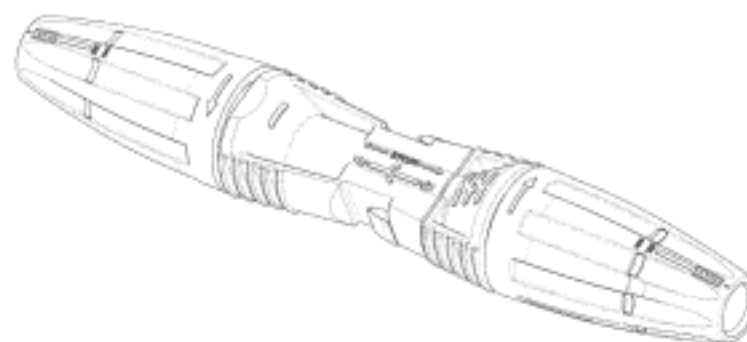
(21) Design Number: **14898/2011**
(22) Date of Filing Application: **31 October 2011**
(24) Date from which industrial property rights may have effect: **31 October 2011**
(54) Product in respect of which the design is registered: **A foldable solar power box**
(51) International Design Classification: **13-01**
(74) Name(s) of Attorney(s): **Shelston IP**
(71) Name(s) and Address(s) of Applicant(s):
Changzhou Nesl Solartech co., Ltd
No.8 XiHu Road 5A JinTon International Industrial Park Changzhou
Jiangsu 213164 People's Republic of China
(72) Name(s) of Designer(s): **Yan Qian and Lingxiao Liao and Lili Xu and Xuejun Mao**
(45) Registration Date: **23 November 2011**
(30) Convention priority data:
(31) Number (32) Date (33) Country
201130251278.3 01 Aug 2011 CHINA
(56) Related Art Documents: **Not Applicable**
(57) Statement of Newness and Distinctiveness: **Nil**



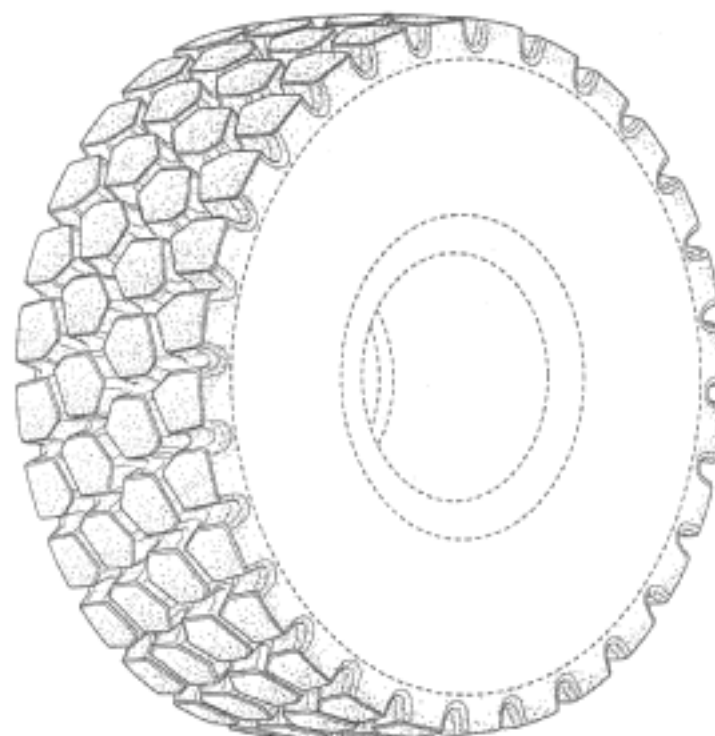
(21) Design Number: **14913/2011**
(22) Date of Filing Application: **01 November 2011**
(24) Date from which industrial property rights may have effect: **01 November 2011**
(54) Product in respect of which the design is registered: **Ride-on lawn mower**
(51) International Design Classification: **15-03B**
(74) Name(s) of Attorney(s): **SPRUSON & FERGUSON**
(71) Name(s) and Address(s) of Applicant(s):
Husqvarna AB
SE-561 82 Huskvarna Sweden
(72) Name(s) of Designer(s): **Johan Ortlund and Rajinder Mehra**
(45) Registration Date: **23 November 2011**
(30) Convention priority data:
(31) Number (32) Date (33) Country
001883018 27 Jun 2011 EUROPEAN COMMUNITY
(56) Related Art Documents: **Not Applicable**
(57) Statement of Newness and Distinctiveness: **Newness and distinctiveness is claimed in those features of shape and/or configuration of a ride-on lawn mower illustrated in continuous lines in the accompanying representations.**



- (21) Design Number: **14925/2011**
(22) Date of Filing Application: **02 November 2011**
(24) Date from which industrial property rights may have effect: **02 November 2011**
(54) Product in respect of which the design is registered: **Connector**
(51) International Design Classification: **13-03B**
(74) Name(s) of Attorney(s): **Griffith Hack**
(71) Name(s) and Address(s) of Applicant(s):
Weidmueller Interface GmbH & Co. KG
Klingenbergstr. 16 32758 Detmold Germany
(72) Name(s) of Designer(s): **Torsten Feige and Bernd Kuppers and Peter Unverzagt and Matthias Bonsch**
(45) Registration Date: **23 November 2011**
(30) Convention priority data:
(31) Number (32) Date (33) Country
001873290-0006 06 Jun 2011 EUROPEAN COMMUNITY
(56) Related Art Documents: **Not Applicable**
(57) Statement of Newness and Distinctiveness: **Newness and distinctiveness resides in the visual features, including shape, configuration and ornamentation of the connector, as shown in the representations.**



- (21) Design Number: **14934/2011**
(22) Date of Filing Application: **02 November 2011**
(24) Date from which industrial property rights may have effect: **02 November 2011**
(54) Product in respect of which the design is registered: **Tire tread**
(51) International Design Classification: **12-15C**
(74) Name(s) of Attorney(s): **Lord & Company**
(71) Name(s) and Address(s) of Applicant(s):
EUROTIRE, INC.
1370 Avenue of Americas 32nd Floor New York New York 10019 United States of America
(72) Name(s) of Designer(s): **William E. Rayman**
(45) Registration Date: **23 November 2011**
(30) Convention priority data:
(31) Number (32) Date (33) Country
29/391,317 06 May 2011 UNITED STATES OF AMERICA
(56) Related Art Documents: **Not Applicable**
(57) Statement of Newness and Distinctiveness: **The particular visual features of the design which are new and distinctive are pattern or ornament. The features shown in dotted lines are to be disregarded when considering the scope of the design.**



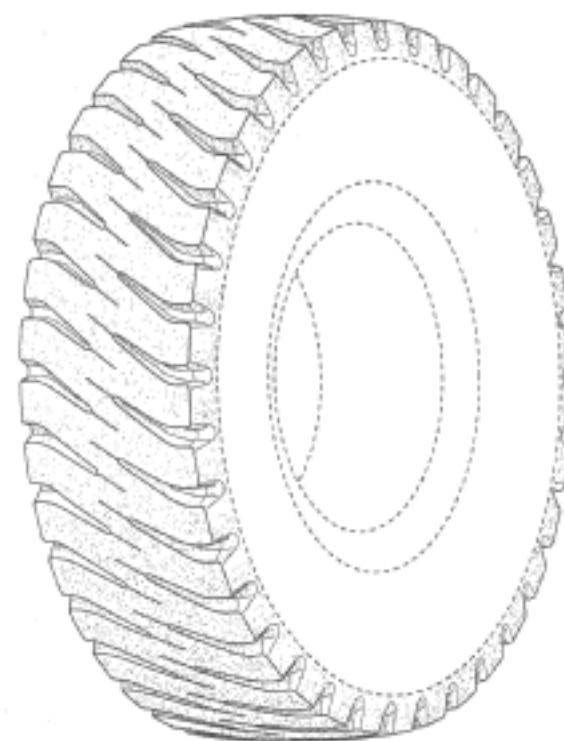
(21) Design Number: **14935/2011**
(22) Date of Filing Application: **02 November 2011**
(24) Date from which industrial property rights may have effect: **02 November 2011**
(54) Product in respect of which the design is registered: **Tire tread**
(51) International Design Classification: **12-15C**
(74) Name(s) of Attorney(s): **Lord & Company**
(71) Name(s) and Address(s) of Applicant(s):
EUROTIRE, INC.
1370 Avenue of Americas 32nd Floor New York New York 10019 United States of America

(72) Name(s) of Designer(s): **William E. Rayman**
(45) Registration Date: **23 November 2011**

(30) Convention priority data:
(31) Number (32) Date (33) Country
29/391,319 06 May 2011 UNITED STATES OF AMERICA

(56) Related Art Documents: **Not Applicable**

(57) Statement of Newness and Distinctiveness: **The particular visual features of the design which are new and distinctive are pattern or ornament. The features shown in dotted lines are to be disregarded when considering the scope of the design.**



(21) Design Number: **14936/2011**
(22) Date of Filing Application: **02 November 2011**
(24) Date from which industrial property rights may have effect: **02 November 2011**
(54) Product in respect of which the design is registered: **Radio**
(51) International Design Classification: **14-03D**
(74) Name(s) of Attorney(s): **Lord & Company**
(71) Name(s) and Address(s) of Applicant(s):
Metabowerke GmbH
Metabo-Allee 1 72622 Nürtingen Germany

(72) Name(s) of Designer(s): **Martin Pietzsch**
(45) Registration Date: **23 November 2011**

(30) Convention priority data:
(31) Number (32) Date (33) Country
001874272 07 Jun 2011 EUROPEAN COMMUNITY

(56) Related Art Documents: **Not Applicable**

(57) Statement of Newness and Distinctiveness: **The particular visual features of the design which are new and distinctive are shape or configuration.**



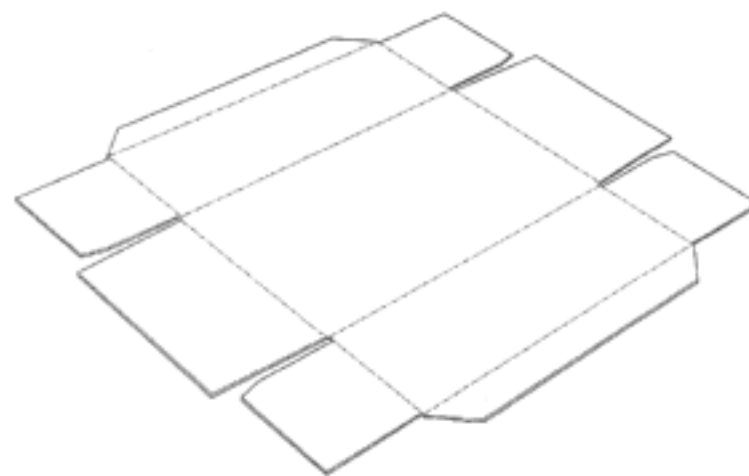
(21) Design Number: **14939/2011**
(22) Date of Filing Application: **02 November 2011**
(24) Date from which industrial property rights may have effect: **02 November 2011**
(54) Product in respect of which the design is registered: **Kitchen tool**
(51) International Design Classification: **07-04**
(74) Name(s) of Attorney(s): **SPRUSON & FERGUSON**
(71) Name(s) and Address(s) of Applicant(s):
Scanpan A/S
Industrivej 49 8550 Ryomgaard Denmark
(72) Name(s) of Designer(s): **Alexander M. Angus**
(45) Registration Date: **23 November 2011**
(56) Related Art Documents: **Not Applicable**
(57) Statement of Newness and Distinctiveness: **Newness and distinctiveness is claimed in the features of shape and/or configuration of the following features of a kitchen tool as illustrated in the accompanying representations: - the handle; - the bridge joining the handle and tool blade; and - the slots in the tool blade.**



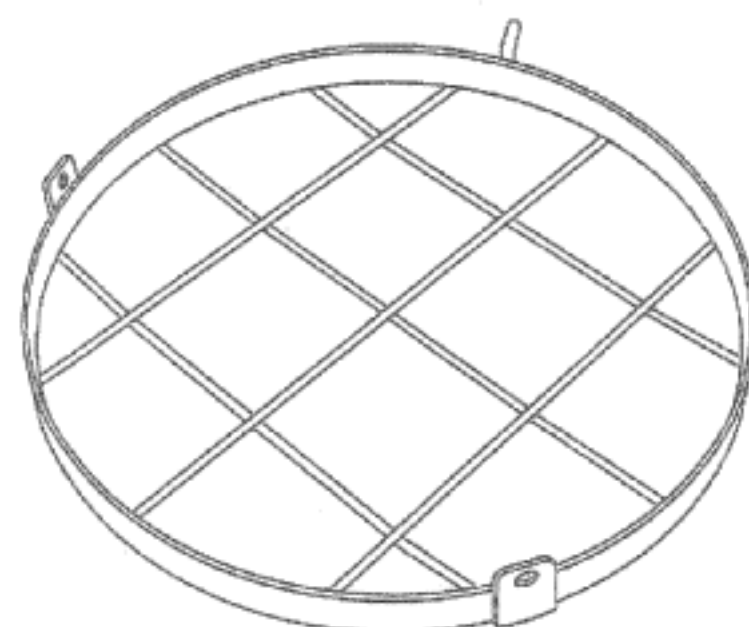
(21) Design Number: **14940/2011**
(22) Date of Filing Application: **02 November 2011**
(24) Date from which industrial property rights may have effect: **02 November 2011**
(54) Product in respect of which the design is registered: **Enclosure for router**
(51) International Design Classification: **14-03NES, 14-02**
(74) Name(s) of Attorney(s): **SPRUSON & FERGUSON**
(71) Name(s) and Address(s) of Applicant(s):
Belkin International, Inc.
12045 East Waterfront Drive Playa Vista California 90094 United States of America
(72) Name(s) of Designer(s): **Thorben Neu and Yuji Ikeda and Ernesto Victor Quinteros and Oliver Duncan Seil and Abraham Camacho and Avery Holleman and John F. Wadsworth**
(45) Registration Date: **23 November 2011**
(30) Convention priority data:
(31) Number (32) Date (33) Country
29/391220 04 May 2011 UNITED STATES OF AMERICA
(56) Related Art Documents: **Not Applicable**
(57) Statement of Newness and Distinctiveness: **Newness and distinctiveness is claimed in the features of shape and/or configuration of an enclosure for router as illustrated in continuous lines in the accompanying representations.**



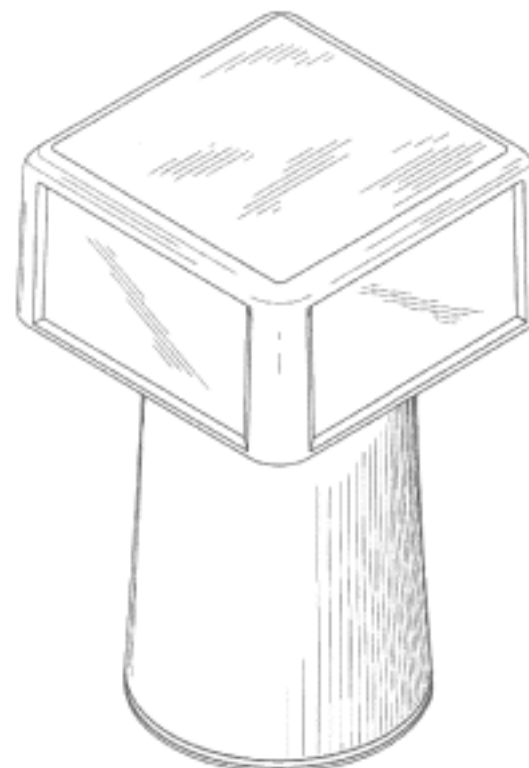
(21) Design Number: **14941/2011**
(22) Date of Filing Application: **02 November 2011**
(24) Date from which industrial property rights may have effect: **02 November 2011**
(54) Product in respect of which the design is registered: **A blank of or for a container**
(51) International Design Classification: **09-03NES**
(74) Name(s) of Attorney(s): **A J Park**
(71) Name(s) and Address(s) of Applicant(s):
Carter Holt Harvey Limited
173 Captain Springs Road Onehunga Auckland New Zealand
(72) Name(s) of Designer(s): **Albert William Mihelic**
(45) Registration Date: **23 November 2011**
(30) Convention priority data:
(31) Number (32) Date (33) Country
414917 20 May 2011 NEW ZEALAND
(56) Related Art Documents: **Not Applicable**
(57) Statement of Newness and Distinctiveness: **Application is for a design to be applied to A BLANK OF OR FOR A CONTAINER. The novelty claimed for the design resides in the features of shape and/or configuration all as shown in the representations.**



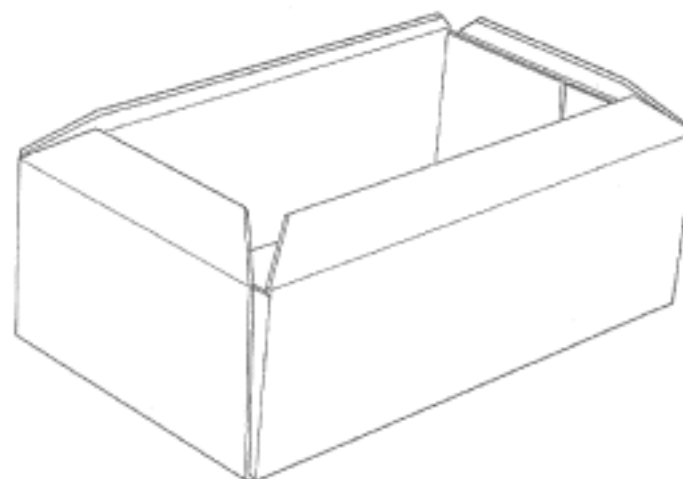
(21) Design Number: **14942/2011**
(22) Date of Filing Application: **03 November 2011**
(24) Date from which industrial property rights may have effect: **03 November 2011**
(54) Product in respect of which the design is registered: **A safety grate**
(51) International Design Classification: **25-02G**
(74) Name(s) of Attorney(s): **A J Park**
(71) Name(s) and Address(s) of Applicant(s):
Kevin Douglas Maskell
2/14A Herd Road Mt Roskill Auckland 1042 New Zealand
(72) Name(s) of Designer(s): **Kevin Douglas Maskell**
(45) Registration Date: **23 November 2011**
(30) Convention priority data:
(31) Number (32) Date (33) Country
414858 05 May 2011 NEW ZEALAND
(56) Related Art Documents: **Not Applicable**
(57) Statement of Newness and Distinctiveness: **Nil**



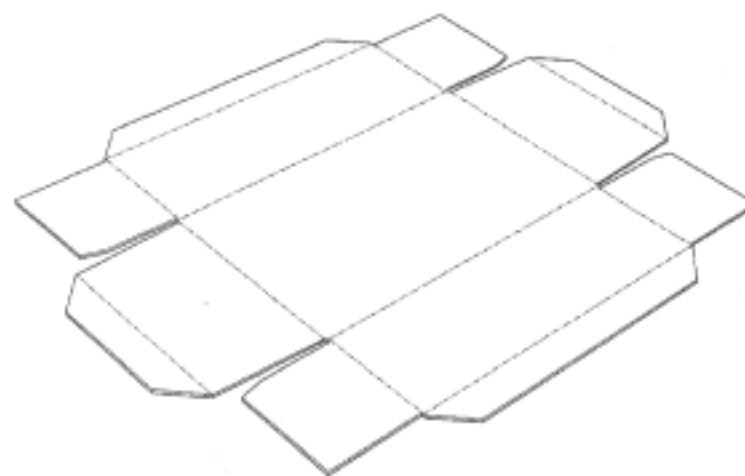
- (21) Design Number: **14923/2011**
(22) Date of Filing Application: **02 November 2011**
(24) Date from which industrial property rights may have effect: **02 November 2011**
(54) Product in respect of which the design is registered: **Four screen display stand**
(51) International Design Classification: **14-01**
(74) Name(s) of Attorney(s): **Trademark Central**
(71) Name(s) and Address(s) of Applicant(s):
Martin Micallef
PO Box 61 Deer Park Victoria 3023 Australia
(72) Name(s) of Designer(s): **Martin Micallef**
(45) Registration Date: **24 November 2011**
(56) Related Art Documents: **Not Applicable**
(57) Statement of Newness and Distinctiveness: **Especially designed portable four-sided four screen display screen stand, of various sizes and dimensions, with capacity for wireless transmission and display of pre-programmed images and sounds in both cable and cableless environments.**



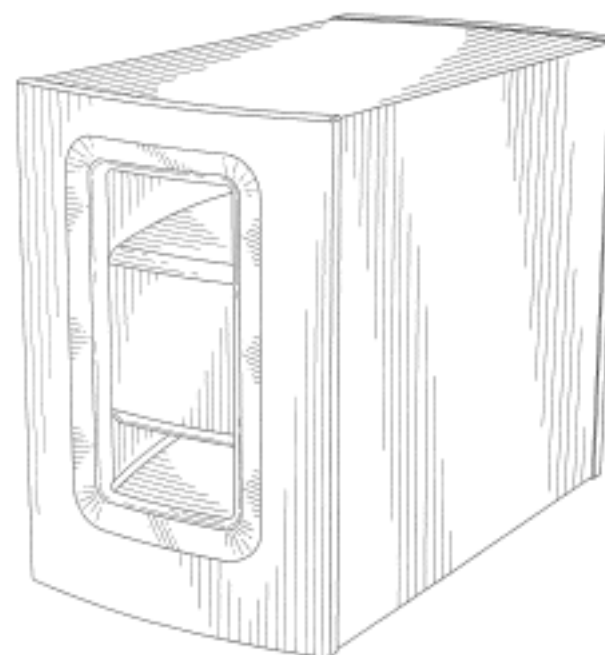
- (21) Design Number: **14928/2011**
(22) Date of Filing Application: **02 November 2011**
(24) Date from which industrial property rights may have effect: **02 November 2011**
(54) Product in respect of which the design is registered: **Container**
(51) International Design Classification: **09-03M**
(74) Name(s) of Attorney(s): **A J Park**
(71) Name(s) and Address(s) of Applicant(s):
Carter Holt Harvey Limited
173 Captain Springs Road Onehunga Auckland New Zealand
(72) Name(s) of Designer(s): **Albert William Mihelic**
(45) Registration Date: **24 November 2011**
(30) Convention priority data:
(31) Number (32) Date (33) Country
414919 20 May 2011 NEW ZEALAND
(56) Related Art Documents: **Not Applicable**
(57) Statement of Newness and Distinctiveness: **Application is for a design to be applied to CONTAINER. The novelty claimed for the design resides in the features of shape and/or configuration all as shown in the representations.**



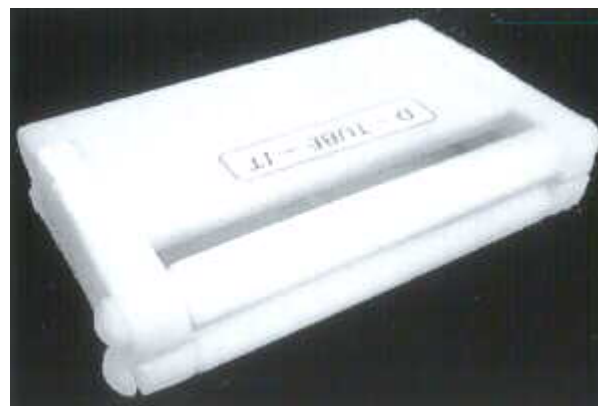
(21) Design Number: **14929/2011**
(22) Date of Filing Application: **02 November 2011**
(24) Date from which industrial property rights may have effect: **02 November 2011**
(54) Product in respect of which the design is registered: **A blank of or for a container**
(51) International Design Classification: **09-03M**
(74) Name(s) of Attorney(s): **A J Park**
(71) Name(s) and Address(s) of Applicant(s):
Carter Holt Harvey Limited
173 Captain Springs Road Onehunga Auckland New Zealand
(72) Name(s) of Designer(s): **Albert William Mihelic**
(45) Registration Date: **24 November 2011**
(30) Convention priority data:
(31) Number (32) Date (33) Country
414917 20 May 2011 NEW ZEALAND
(56) Related Art Documents: **Not Applicable**
(57) Statement of Newness and Distinctiveness: **Application is for a design to be applied to A BLANK OF OR FOR A CONTAINER. The novelty claimed for the design resides in the features of shape and/or configuration all as shown in the representations.**



(21) Design Number: **14933/2011**
(22) Date of Filing Application: **02 November 2011**
(24) Date from which industrial property rights may have effect: **02 November 2011**
(54) Product in respect of which the design is registered: **Loudspeaker**
(51) International Design Classification: **14-01**
(74) Name(s) of Attorney(s): **PHILLIPS ORMONDE FITZPATRICK**
(71) Name(s) and Address(s) of Applicant(s):
Bose Corporation
The Mountain Framingham Massachusetts 01701-9168 United States of America
(72) Name(s) of Designer(s): **Joel H. Miller**
(45) Registration Date: **24 November 2011**
(30) Convention priority data:
(31) Number (32) Date (33) Country
29/392,931 27 May 2011 UNITED STATES OF AMERICA
(56) Related Art Documents: **Not Applicable**
(57) Statement of Newness and Distinctiveness: **Those features of the loudspeaker depicted in the representations that are new and distinctive are the shape and/or configuration. The features shown in broken line are not part of the design and are to be disregarded when considering the overall impression of the design.**



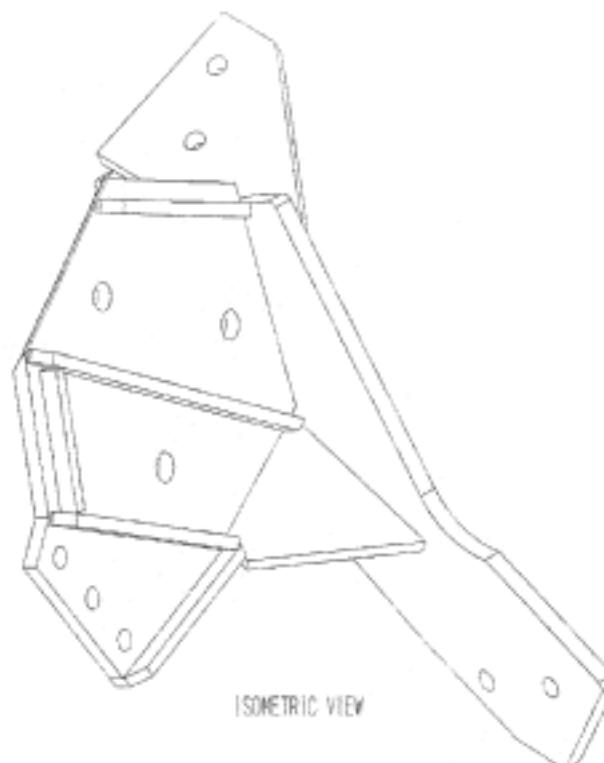
- (21) Design Number: **14948/2011**
(22) Date of Filing Application: **04 November 2011**
(24) Date from which industrial property rights may have effect: **04 November 2011**
(54) Product in respect of which the design is registered: **Apparatus for dispensing contents from a tube**
(51) International Design Classification: **08-05NES**
(74) Name(s) of Attorney(s):
(71) Name(s) and Address(s) of Applicant(s):
Froator Pty. Limited
79 Grattan Terrace Manly Queensland 4179 Australia
(72) Name(s) of Designer(s): **Raymond Miller and Roger Thompson**
(45) Registration Date: **24 November 2011**
(56) Related Art Documents: **Not Applicable**
(57) Statement of Newness and Distinctiveness: **The shape and configuration of an apparatus for dispensing contents from a tube as shown in the representations.**



- (21) Design Number: **14491/2011**
(22) Date of Filing Application: **04 October 2011**
(24) Date from which industrial property rights may have effect: **04 October 2011**
(54) Product in respect of which the design is registered: **Chair with castors**
(51) International Design Classification: **06-01F**
(74) Name(s) of Attorney(s):
(71) Name(s) and Address(s) of Applicant(s):
FormSeat Pty Ltd
Registered office KSR Partners 2/971 Burke Road Camberwell Victoria
3124 Australia
(72) Name(s) of Designer(s): **Johan H. Naess**
(45) Registration Date: **24 November 2011**
(56) Related Art Documents: **Not Applicable**
(57) Statement of Newness and Distinctiveness: **This design makes a robust chair, also suitable for commercial use.**



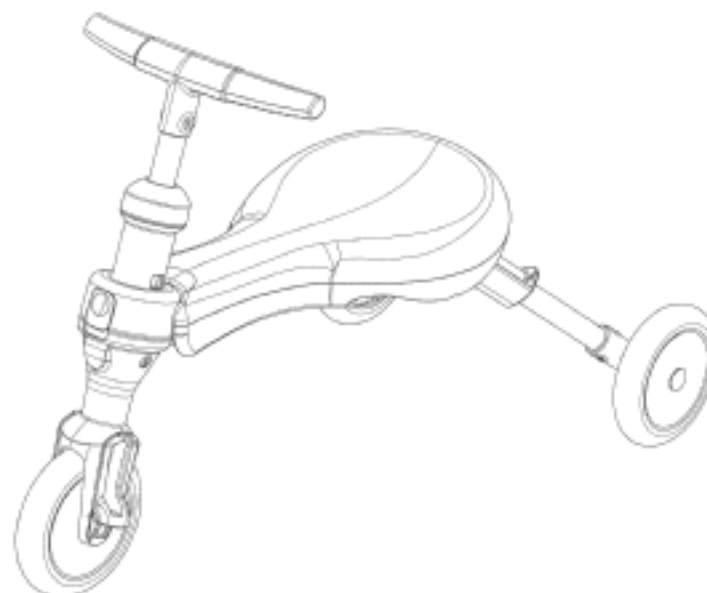
- (21) Design Number: **12169/2011**
(22) Date of Filing Application: **13 May 2011**
(24) Date from which industrial property rights may have effect: **13 May 2011**
(54) Product in respect of which the design is registered: **Mounting bracket**
(51) International Design Classification: **08-08L**
(74) Name(s) of Attorney(s): **Smooenburg Pini Patent & Trade Mark Attorneys**
(71) Name(s) and Address(s) of Applicant(s):
Vehicle Development Corporation Pty Ltd
380 Barry Road Coolaroo Victoria 3048 Australia
(72) Name(s) of Designer(s): **Darren Trevor Waugh and Warwick John Drenth**
(45) Registration Date: **24 November 2011**
(56) Related Art Documents: **Not Applicable**
(57) Statement of Newness and Distinctiveness: **In considering the newness or distinctiveness of the design, regard is to be given to the overall shape and/or configuration of a mounting bracket as shown in the representations. In considering the scope of the monopoly, the shape and configuration of the strengthening ribs and bushes are to be disregarded.**



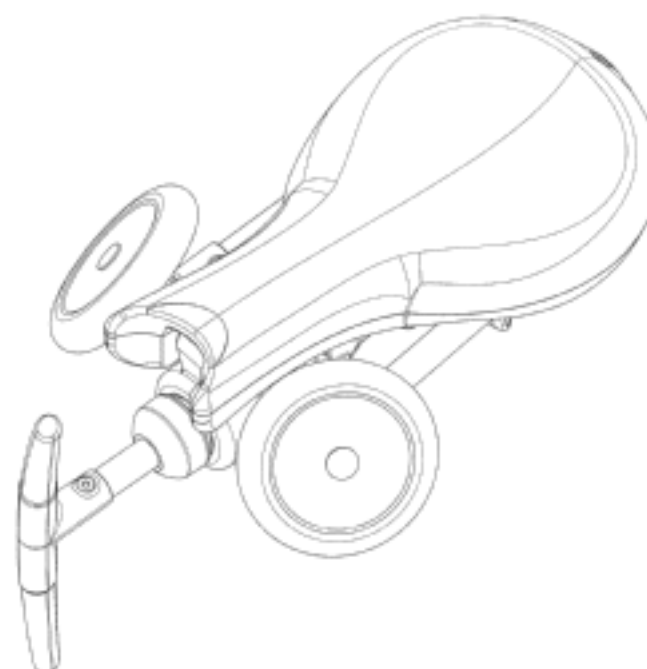
- (21) Design Number: **13204/2011**
(22) Date of Filing Application: **20 July 2011**
(24) Date from which industrial property rights may have effect: **20 July 2011**
(54) Product in respect of which the design is registered: **Plastic money clip**
(51) International Design Classification: **03-01B**
(74) Name(s) of Attorney(s):
(71) Name(s) and Address(s) of Applicant(s):
Scott Cheevers
22 McGuirk Way Rouse Hill New South Wales 2155 Australia
(72) Name(s) of Designer(s): **Scott Cheevers and Francis Fisher**
(45) Registration Date: **24 November 2011**
(56) Related Art Documents: **Not Applicable**
(57) Statement of Newness and Distinctiveness: **Nil**



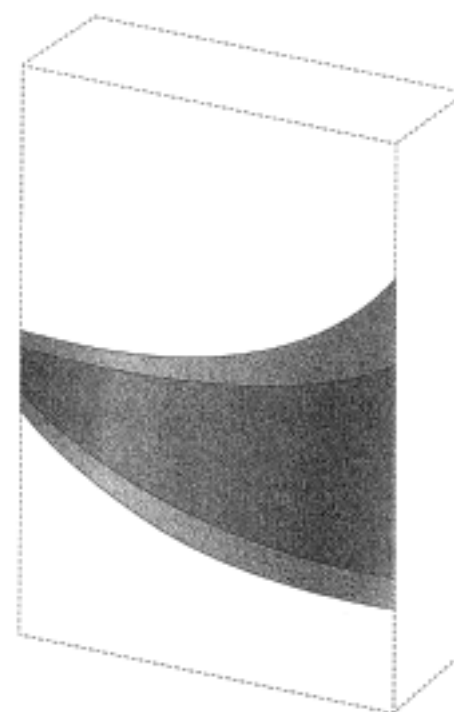
- (21) Design Number: **14024/2011**
(22) Date of Filing Application: **12 September 2011**
(24) Date from which industrial property rights may have effect: **12 September 2011**
(54) Product in respect of which the design is registered: **A tricycle**
(51) International Design Classification: **12-11**
(74) Name(s) of Attorney(s): **Freehills Patent & Trade Mark Attorneys**
(71) Name(s) and Address(s) of Applicant(s):
Funtastic Limited
Level 2 Tower 2 Chadstone Place 1341 Dandenong Road Chadstone
Victoria 3148 Australia
(72) Name(s) of Designer(s): **John Nielsen**
(45) Registration Date: **24 November 2011**
(56) Related Art Documents: **Not Applicable**
(57) Statement of Newness and Distinctiveness: **Nil**



- (21) Design Number: **14025/2011**
(22) Date of Filing Application: **12 September 2011**
(24) Date from which industrial property rights may have effect: **12 September 2011**
(54) Product in respect of which the design is registered: **A collapsible tricycle**
(51) International Design Classification: **12-11**
(74) Name(s) of Attorney(s): **Freehills Patent & Trade Mark Attorneys**
(71) Name(s) and Address(s) of Applicant(s):
Funtastic Limited
Level 2 Tower 2 Chadstone Place 1341 Dandenong Road Chadstone
Victoria 3148 Australia
(72) Name(s) of Designer(s): **John Nielsen**
(45) Registration Date: **24 November 2011**
(56) Related Art Documents: **Not Applicable**
(57) Statement of Newness and Distinctiveness: **The newness and distinctiveness resides in the shape and configuration of the collapsible tricycle as shown in the representations. In deciding whether the design is substantially similar in overall impression to another design, no regard is to be given to the features on the underside of the seat.**



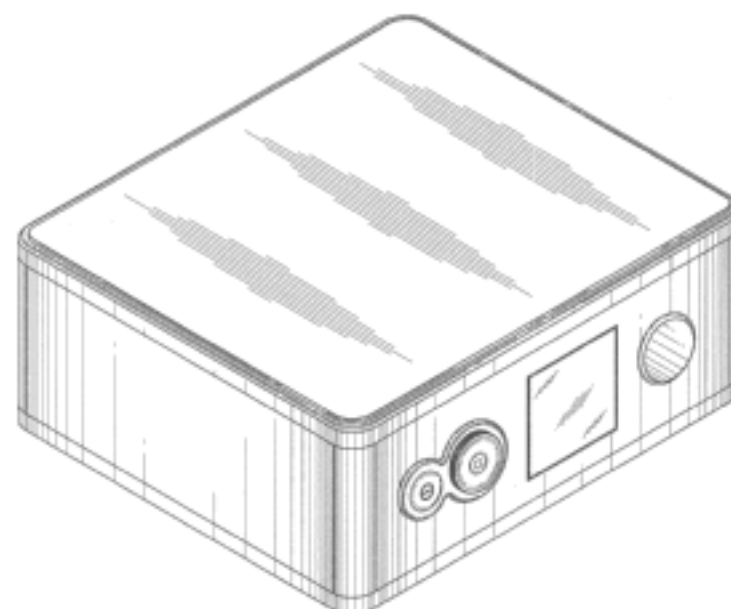
- (21) Design Number: **14734/2011**
(22) Date of Filing Application: **19 October 2011**
(24) Date from which industrial property rights may have effect: **19 October 2011**
(54) Product in respect of which the design is registered: **Container with surface ornamentation**
(51) International Design Classification: **09-03M**
(74) Name(s) of Attorney(s): **PHILLIPS ORMONDE FITZPATRICK**
(71) Name(s) and Address(s) of Applicant(s):
The Procter & Gamble Company
One Procter & Gamble Plaza Cincinnati Ohio 45202 United States of America
(72) Name(s) of Designer(s): **Jennifer Marie Merchant and Kevin Wimmer and Jennifer Rebecca Pohlman**
(45) Registration Date: **24 November 2011**
(30) Convention priority data:
(31) Number (32) Date (33) Country
29/390,210 21 Apr 2011 UNITED STATES OF AMERICA
(56) Related Art Documents: **Not Applicable**
(57) Statement of Newness and Distinctiveness: **Those features of the container with surface ornamentation depicted in the representations that are new and distinctive are the pattern and/or ornamentation. The stippling illustrates that the pattern and/or ornamentation may be in any colour, but not limited to a particular colour. The features shown in broken line are not part of the design and are to be disregarded when considering the overall impression of the design.**



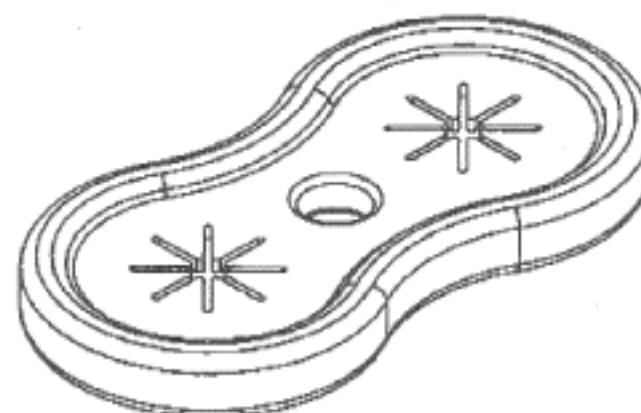
- (21) Design Number: **14889/2011**
(22) Date of Filing Application: **01 November 2011**
(24) Date from which industrial property rights may have effect: **01 November 2011**
(54) Product in respect of which the design is registered: **Remote control**
(51) International Design Classification: **14-03NES**
(74) Name(s) of Attorney(s): **PIZZEYS**
(71) Name(s) and Address(s) of Applicant(s):
SOMFY SAS
50 avenue du Nouveau Monde Cluses 74300 France
(72) Name(s) of Designer(s): **Olivier Charleux**
(45) Registration Date: **24 November 2011**
(30) Convention priority data:
(31) Number (32) Date (33) Country
001858697-0001 03 May 2011 EUROPEAN COMMUNITY
(56) Related Art Documents: **Not Applicable**
(57) Statement of Newness and Distinctiveness: **Nil**



(21) Design Number: **14890/2011**
(22) Date of Filing Application: **01 November 2011**
(24) Date from which industrial property rights may have effect: **01 November 2011**
(54) Product in respect of which the design is registered: **Medical device for treatment of sleep disorders**
(51) International Design Classification: **24-01**
(74) Name(s) of Attorney(s): **PIZZEYS**
(71) Name(s) and Address(s) of Applicant(s):
Insleep Technologies, LLC
3040 Universal Boulevard Weston FL 33331 United States of America
(72) Name(s) of Designer(s): **Dennis Schroeder and Michael Gusky and Greg Miller and Stuart Allan Karten and Jeffrey Walter Bentzler**
(45) Registration Date: **24 November 2011**
(30) Convention priority data:
(31) Number (32) Date (33) Country
29/392,909 27 May 2011 UNITED STATES OF AMERICA
(56) Related Art Documents: **Not Applicable**
(57) Statement of Newness and Distinctiveness: **Nil**



(21) Design Number: **14839/2011**
(22) Date of Filing Application: **26 October 2011**
(24) Date from which industrial property rights may have effect: **26 October 2011**
(54) Product in respect of which the design is registered: **Shoe lace holder**
(51) International Design Classification: **02-04A**
(74) Name(s) of Attorney(s):
(71) Name(s) and Address(s) of Applicant(s):
Natalie Caruana
68 Glover Street Mosman New South Wales 2088 Australia
(72) Name(s) of Designer(s): **Natalie Caruana**
(45) Registration Date: **24 November 2011**
(56) Related Art Documents: **Not Applicable**
(57) Statement of Newness and Distinctiveness: **Nil**



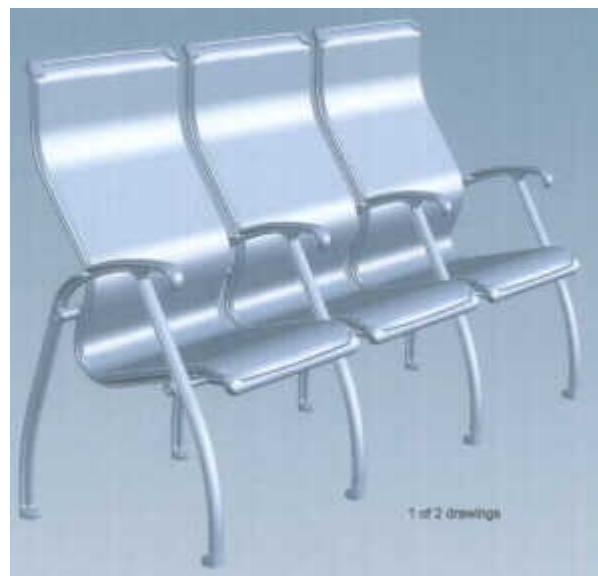
- (21) Design Number: **14485/2011**
(22) Date of Filing Application: **04 October 2011**
(24) Date from which industrial property rights may have effect: **04 October 2011**
(54) Product in respect of which the design is registered: **Chair with glides**
(51) International Design Classification: **06-01F**
(74) Name(s) of Attorney(s):
(71) Name(s) and Address(s) of Applicant(s):
FormSeat Pty Ltd
Registered office KSR Partners 2/971 Burke Road Camberwell Victoria
3124 Australia
(72) Name(s) of Designer(s): **Johan H. Naess**
(45) Registration Date: **24 November 2011**
(56) Related Art Documents: **Not Applicable**
(57) Statement of Newness and Distinctiveness: **This Design makes a robust**
Chair, also suitable for commercial use.



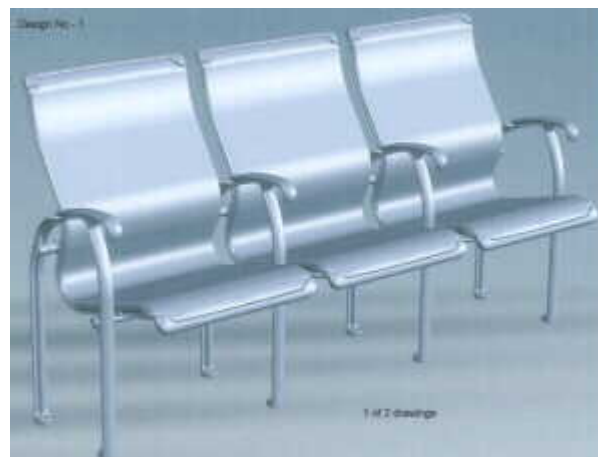
- (21) Design Number: **14486/2011**
(22) Date of Filing Application: **04 October 2011**
(24) Date from which industrial property rights may have effect: **04 October 2011**
(54) Product in respect of which the design is registered: **Chair with glides and**
head rest
(51) International Design Classification: **06-01F**
(74) Name(s) of Attorney(s):
(71) Name(s) and Address(s) of Applicant(s):
FormSeat Pty Ltd
Registered office KSR Partners 2/971 Burke Road Camberwell Victoria
3124 Australia
(72) Name(s) of Designer(s): **Johan H. Naess**
(45) Registration Date: **24 November 2011**
(56) Related Art Documents: **Not Applicable**
(57) Statement of Newness and Distinctiveness: **This Design makes a robust**
chair, also suitable for commercial use.



- (21) Design Number: **14488/2011**
(22) Date of Filing Application: **04 October 2011**
(24) Date from which industrial property rights may have effect: **04 October 2011**
(54) Product in respect of which the design is registered: **Multifunctional seating**
(51) International Design Classification: **06-01NES**
(74) Name(s) of Attorney(s):
(71) Name(s) and Address(s) of Applicant(s):
FormSeat Pty Ltd
Registered office KSR Partners 2/971 Burke Road Camberwell Victoria
3124 Australia
(72) Name(s) of Designer(s): **Johan H. Naess**
(45) Registration Date: **24 November 2011**
(56) Related Art Documents: **Not Applicable**
(57) Statement of Newness and Distinctiveness: **The Design allows for infinite number of seat units to be connected sideways.**



- (21) Design Number: **14493/2011**
(22) Date of Filing Application: **04 October 2011**
(24) Date from which industrial property rights may have effect: **04 October 2011**
(54) Product in respect of which the design is registered: **Multifunctional transport seating**
(51) International Design Classification: **06-01C, 06-01D**
(74) Name(s) of Attorney(s):
(71) Name(s) and Address(s) of Applicant(s):
FormSeat Pty Ltd
Registered office KSR Partners 2/971 Burke Road Camberwell Victoria
3124 Australia
(72) Name(s) of Designer(s): **Johan H. Naess**
(45) Registration Date: **24 November 2011**
(56) Related Art Documents: **Not Applicable**
(57) Statement of Newness and Distinctiveness: **This design allows for the seat unit to be bolted to the floor, using infinite numbers of seat units to be connected sideways.**



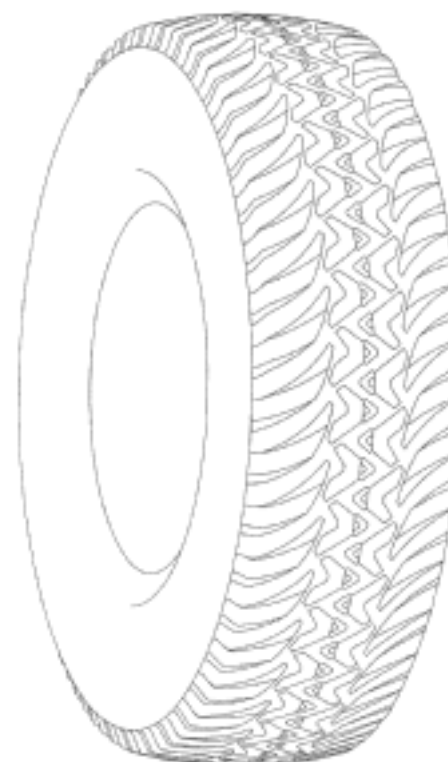
(21) Design Number: **14745/2011**
(22) Date of Filing Application: **19 October 2011**
(24) Date from which industrial property rights may have effect: **19 October 2011**
(54) Product in respect of which the design is registered: **Toothbrush**
(51) International Design Classification: **04-02**
(74) Name(s) of Attorney(s): **FB Rice**
(71) Name(s) and Address(s) of Applicant(s):
Colgate-Palmolive Company
300 Park Avenue New York New York 10022 United States of America
(72) Name(s) of Designer(s): **Xiang Ji Ding and Yu Liu and Wen Jin Xi and Al Sprosta and Kenneth Waguespack**
(45) Registration Date: **25 November 2011**
(30) Convention priority data:
(31) Number (32) Date (33) Country
29/390961 02 May 2011 UNITED STATES OF AMERICA
(56) Related Art Documents: **Not Applicable**
(57) Statement of Newness and Distinctiveness: **Newness and distinctiveness reside in the features of the design shown in solid lines in the representations excluding those features shown in broken lines.**



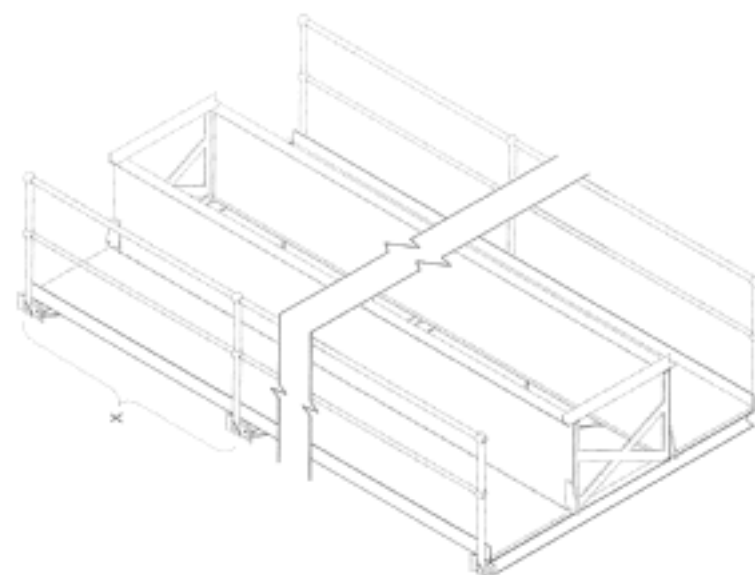
(21) Design Number: **14747/2011**
(22) Date of Filing Application: **19 October 2011**
(24) Date from which industrial property rights may have effect: **19 October 2011**
(54) Product in respect of which the design is registered: **Toothbrush**
(51) International Design Classification: **04-02**
(74) Name(s) of Attorney(s): **FB Rice**
(71) Name(s) and Address(s) of Applicant(s):
Colgate-Palmolive Company
300 Park Avenue New York New York 10022 United States of America
(72) Name(s) of Designer(s): **Xiang Ji Ding and Yu Liu and Wen Jin Xi and Al Sprosta and Kenneth Waguespack**
(45) Registration Date: **25 November 2011**
(30) Convention priority data:
(31) Number (32) Date (33) Country
29/390961 02 May 2011 UNITED STATES OF AMERICA
(56) Related Art Documents: **Not Applicable**
(57) Statement of Newness and Distinctiveness: **Newness and distinctiveness reside in the features of the design shown in solid lines in the representations excluding those features shown in broken lines.**



(21) Design Number: **14174/2011**
(22) Date of Filing Application: **16 September 2011**
(24) Date from which industrial property rights may have effect: **16 September 2011**
(54) Product in respect of which the design is registered: **Automobile tyre**
(51) International Design Classification: **12-15A**
(74) Name(s) of Attorney(s): **Griffith Hack**
(71) Name(s) and Address(s) of Applicant(s):
Bridgestone Corporation
10-1 Kyobashi 1-chome Chuo-ku Tokyo 104-8340 Japan
(72) Name(s) of Designer(s): **Yukihiro Kiwaki**
(45) Registration Date: **28 November 2011**
(30) Convention priority data:
(31) Number (32) Date (33) Country
JP2011-006081 17 Mar 2011 JAPAN
(56) Related Art Documents: **Not Applicable**
(57) Statement of Newness and Distinctiveness: **Newness and distinctiveness in the visual features, including shape, configuration and ornamentation, of an automobile tyre as shown in the accompanying drawings.**



(21) Design Number: **14227/2011**
(22) Date of Filing Application: **20 September 2011**
(24) Date from which industrial property rights may have effect: **20 September 2011**
(54) Product in respect of which the design is registered: **Walkway**
(51) International Design Classification: **25-02C, 25-02NES**
(74) Name(s) of Attorney(s):
(71) Name(s) and Address(s) of Applicant(s):
Rocktec Limited
99 Gavin Street Eilerslie Auckland 1060 New Zealand
(72) Name(s) of Designer(s): **Angus Peter Robson**
(45) Registration Date: **28 November 2011**
(30) Convention priority data:
(31) Number (32) Date (33) Country
414701 24 Mar 2011 NEW ZEALAND
(56) Related Art Documents: **Not Applicable**
(57) Statement of Newness and Distinctiveness: **This design is a walkway of indefinite length formed by repeating the structure section delimited by the brackets labelled X and the shape and configuration of the features shown in dotted lines are disclaimed and form no part of the design.**



(21) Design Number: **14740/2011**
 (22) Date of Filing Application: **19 October 2011**
 (24) Date from which industrial property rights may have effect: **19 October 2011**
 (54) Product in respect of which the design is registered: **Toothbrush**
 (51) International Design Classification: **04-02**
 (74) Name(s) of Attorney(s): **FB Rice**
 (71) Name(s) and Address(s) of Applicant(s):
Colgate-Palmolive Company
300 Park Avenue New York New York 10022 United States of America
 (72) Name(s) of Designer(s): **Xiang Ji Ding and Yu Liu and Wen Jin Xi and Al Sprosta and Kenneth Waguespack**
 (45) Registration Date: **28 November 2011**
 (30) Convention priority data:
 (31) Number (32) Date (33) Country
29/390961 02 May 2011 UNITED STATES OF AMERICA
 (56) Related Art Documents: **Not Applicable**
 (57) Statement of Newness and Distinctiveness: **Newness and distinctiveness reside in the features of the design shown in solid lines in the representations excluding those features shown in broken lines.**



(21) Design Number: **14742/2011**
 (22) Date of Filing Application: **19 October 2011**
 (24) Date from which industrial property rights may have effect: **19 October 2011**
 (54) Product in respect of which the design is registered: **Toothbrush**
 (51) International Design Classification: **04-02**
 (74) Name(s) of Attorney(s): **FB Rice**
 (71) Name(s) and Address(s) of Applicant(s):
Colgate-Palmolive Company
300 Park Avenue New York New York 10022 United States of America
 (72) Name(s) of Designer(s): **Xiang Ji Ding and Yu Liu and Wen Jin Xi and Al Sprosta and Kenneth Waguespack**
 (45) Registration Date: **28 November 2011**
 (30) Convention priority data:
 (31) Number (32) Date (33) Country
29/390965 02 May 2011 UNITED STATES OF AMERICA
 (56) Related Art Documents: **Not Applicable**
 (57) Statement of Newness and Distinctiveness: **Newness and distinctiveness reside in the features of the design shown in solid lines in the representations excluding those features shown in broken lines.**



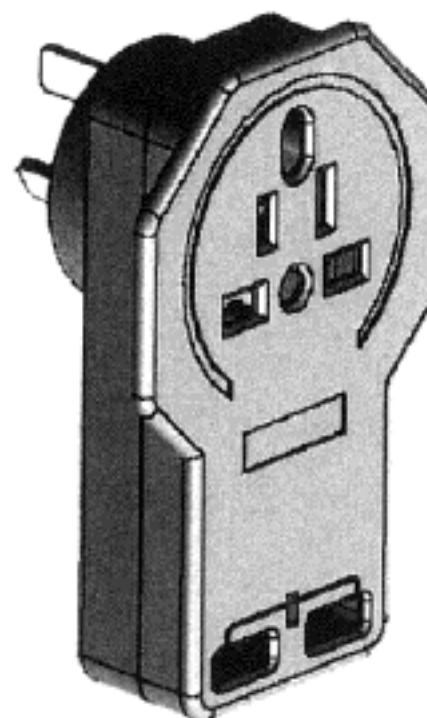
(21) Design Number: **14743/2011**
(22) Date of Filing Application: **19 October 2011**
(24) Date from which industrial property rights may have effect: **19 October 2011**
(54) Product in respect of which the design is registered: **Toothbrush**
(51) International Design Classification: **04-02**
(74) Name(s) of Attorney(s): **FB Rice**
(71) Name(s) and Address(s) of Applicant(s):
Colgate-Palmolive Company
300 Park Avenue New York New York 10022 United States of America
(72) Name(s) of Designer(s): **Xiang Ji Ding and Yu Liu and Wen Jin Xi and Al Sprosta and Kenneth Waguespack**
(45) Registration Date: **28 November 2011**
(30) Convention priority data:
(31) Number (32) Date (33) Country
29/390965 02 May 2011 UNITED STATES OF AMERICA
(56) Related Art Documents: **Not Applicable**
(57) Statement of Newness and Distinctiveness: **Newness and distinctiveness reside in the features of the design shown in solid lines in the representations excluding those features shown in broken lines.**



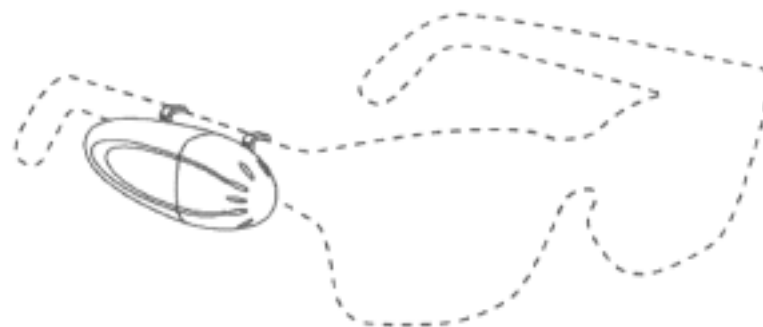
(21) Design Number: **14744/2011**
(22) Date of Filing Application: **19 October 2011**
(24) Date from which industrial property rights may have effect: **19 October 2011**
(54) Product in respect of which the design is registered: **Toothbrush**
(51) International Design Classification: **04-02**
(74) Name(s) of Attorney(s): **FB Rice**
(71) Name(s) and Address(s) of Applicant(s):
Colgate-Palmolive Company
300 Park Avenue New York New York 10022 United States of America
(72) Name(s) of Designer(s): **Xiang Ji Ding and Yu Liu and Wen Jin Xi and Al Sprosta and Kenneth Waguespack**
(45) Registration Date: **28 November 2011**
(30) Convention priority data:
(31) Number (32) Date (33) Country
29/390961 02 May 2011 UNITED STATES OF AMERICA
(56) Related Art Documents: **Not Applicable**
(57) Statement of Newness and Distinctiveness: **Newness and distinctiveness reside in the features of the design shown in solid lines in the representations excluding those features shown in broken lines.**



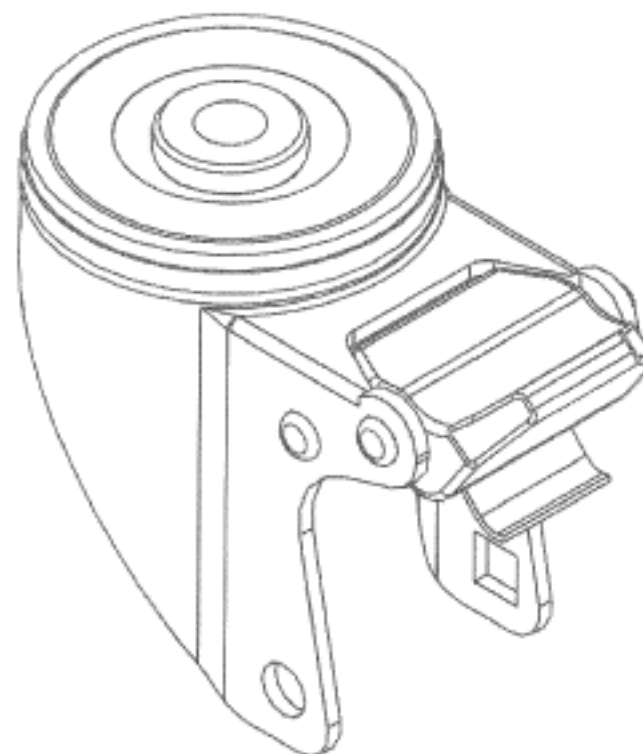
- (21) Design Number: **14431/2011**
(22) Date of Filing Application: **03 October 2011**
(24) Date from which industrial property rights may have effect: **03 October 2011**
(54) Product in respect of which the design is registered: **Universal Adaptor**
(51) International Design Classification: **13-03D**
(74) Name(s) of Attorney(s): **Actuate IP**
(71) Name(s) and Address(s) of Applicant(s):
Sansai Japan Australia Pty Ltd
3 Fiveways Boulevard Keysborough Victoria 3173 Australia
(72) Name(s) of Designer(s): **Hui Chen**
(45) Registration Date: **28 November 2011**
(56) Related Art Documents: **Not Applicable**
(57) Statement of Newness and Distinctiveness: **Newness and distinctiveness is claimed in the features of shape and/or configuration of the Universal adaptor as illustrated in the accompanying representations.**



- (21) Design Number: **14950/2011**
(22) Date of Filing Application: **04 November 2011**
(24) Date from which industrial property rights may have effect: **04 November 2011**
(54) Product in respect of which the design is registered: **Flotation device**
(51) International Design Classification: **21-02D**
(74) Name(s) of Attorney(s): **WATERMARK PATENT AND TRADE MARKS ATTORNEYS**
(71) Name(s) and Address(s) of Applicant(s):
Serpent Innovations International Pty Ltd
35 Silvan Road Wattle Glen Victoria 3096 Australia
(72) Name(s) of Designer(s): **Nicholas Edward Curzon**
(45) Registration Date: **29 November 2011**
(56) Related Art Documents: **Not Applicable**
(57) Statement of Newness and Distinctiveness: **The newness and distinctiveness of the design resides in the shape and configuration of the floating device as shown in the accompanying representations; the article shown in broken lines is to be disregarded when considering the newness and distinctiveness.**



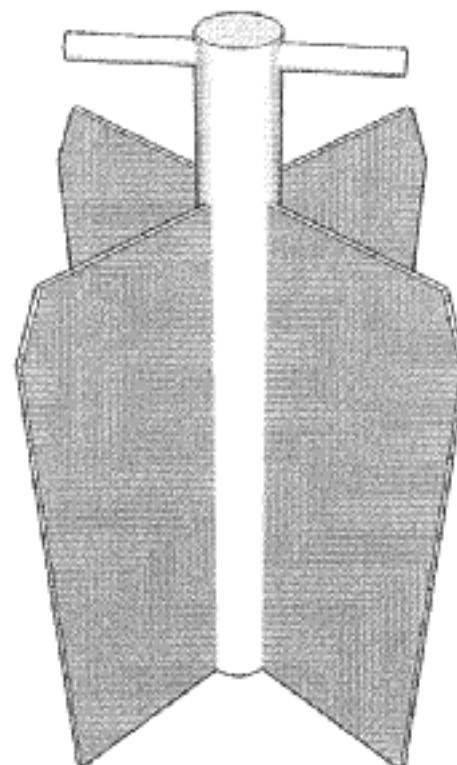
(21) Design Number: **14951/2011**
(22) Date of Filing Application: **04 November 2011**
(24) Date from which industrial property rights may have effect: **04 November 2011**
(54) Product in respect of which the design is registered: **Wheel mount**
(51) International Design Classification: **12-16NES**
(74) Name(s) of Attorney(s): **Golja Haines & Friend**
(71) Name(s) and Address(s) of Applicant(s):
K. Hartwall Oy Ab
Kay Hartwalls vag 2 01150 Soderkulla Finland
(72) Name(s) of Designer(s): **Jack Gronholm**
(45) Registration Date: **29 November 2011**
(30) Convention priority data:
(31) Number (32) Date (33) Country
001859349 04 May 2011 EUROPEAN COMMUNITY
(56) Related Art Documents: **Not Applicable**
(57) Statement of Newness and Distinctiveness: **Nil**



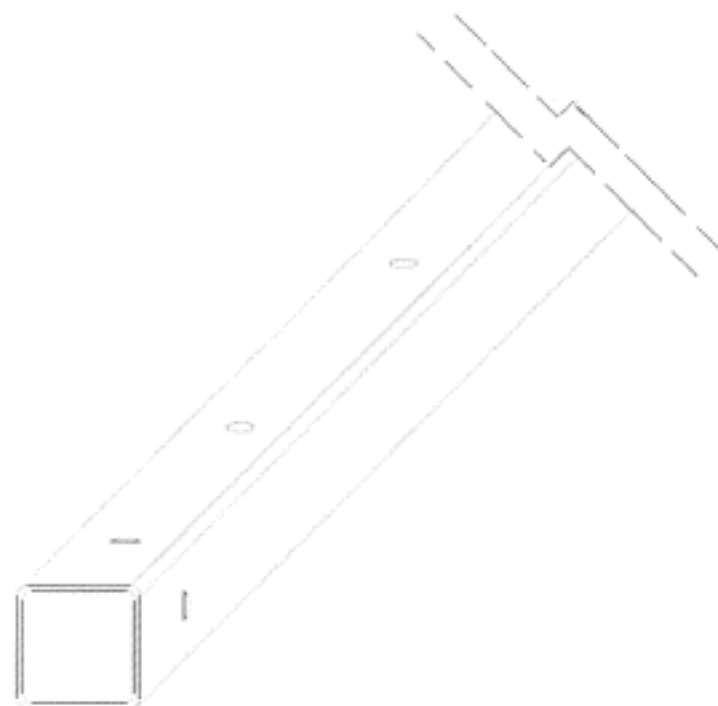
(21) Design Number: **14954/2011**
(22) Date of Filing Application: **07 November 2011**
(24) Date from which industrial property rights may have effect: **07 November 2011**
(54) Product in respect of which the design is registered: **Dress**
(51) International Design Classification: **02-02C**
(74) Name(s) of Attorney(s): **KLIGER PARTNERS Lawyers**
(71) Name(s) and Address(s) of Applicant(s):
Caroline K Morgan Pty Ltd
30 Queens Parade Fitzroy North Victoria 3068 Australia
(72) Name(s) of Designer(s): **Deepal Purohit**
(45) Registration Date: **29 November 2011**
(56) Related Art Documents: **Not Applicable**
(57) Statement of Newness and Distinctiveness: **Nil**



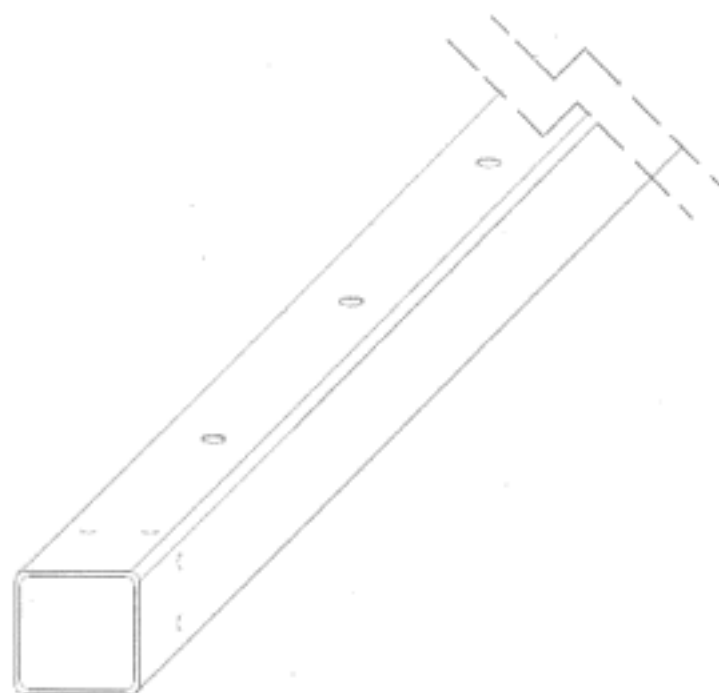
(21) Design Number: **14979/2011**
(22) Date of Filing Application: **08 November 2011**
(24) Date from which industrial property rights may have effect: **08 November 2011**
(54) Product in respect of which the design is registered: **Mixer/cleaner for use with glue, plaster, paint, render and mortar products**
(51) International Design Classification: **08-05L, 08-05NES**
(74) Name(s) of Attorney(s):
(71) Name(s) and Address(s) of Applicant(s):
William John Davy
8 Alkoomi Avenue Ferny Hills Brisbane Queensland 4055 Australia
(72) Name(s) of Designer(s): **William John Davy**
(45) Registration Date: **29 November 2011**
(56) Related Art Documents: **Not Applicable**
(57) Statement of Newness and Distinctiveness: **Nil**



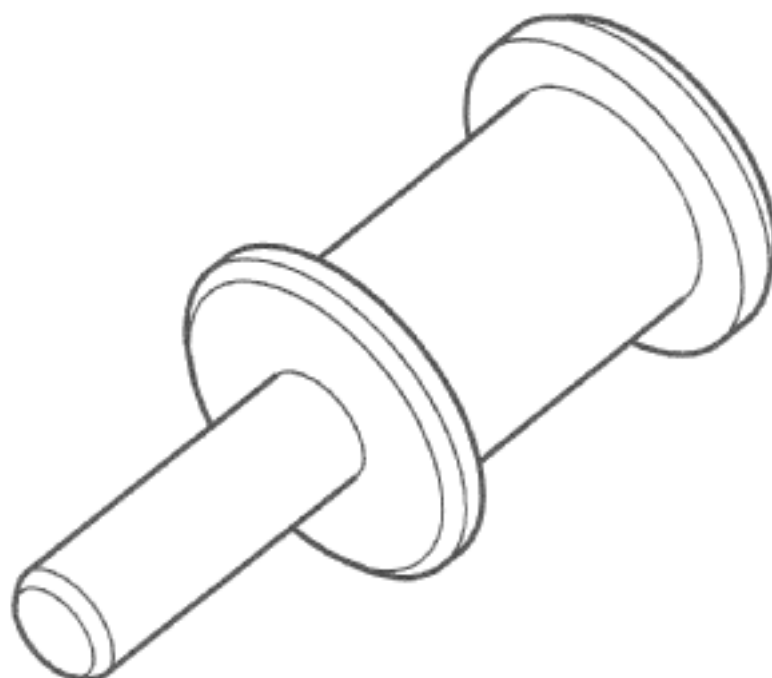
(21) Design Number: **14982/2011**
(22) Date of Filing Application: **08 November 2011**
(24) Date from which industrial property rights may have effect: **08 November 2011**
(54) Product in respect of which the design is registered: **Indented prop**
(51) International Design Classification: **08-08NES, 25-04**
(74) Name(s) of Attorney(s): **Macpherson + Kelley**
(71) Name(s) and Address(s) of Applicant(s):
Supaproducts Pty Ltd
23 Attenborough Street Dandenong Victoria 3175 Australia
(72) Name(s) of Designer(s): **Phillip Messina**
(45) Registration Date: **29 November 2011**
(56) Related Art Documents: **Not Applicable**
(57) Statement of Newness and Distinctiveness: **Novelty is claimed in the features of shape and configuration of an indented prop of variable length as illustrated in the representations.**



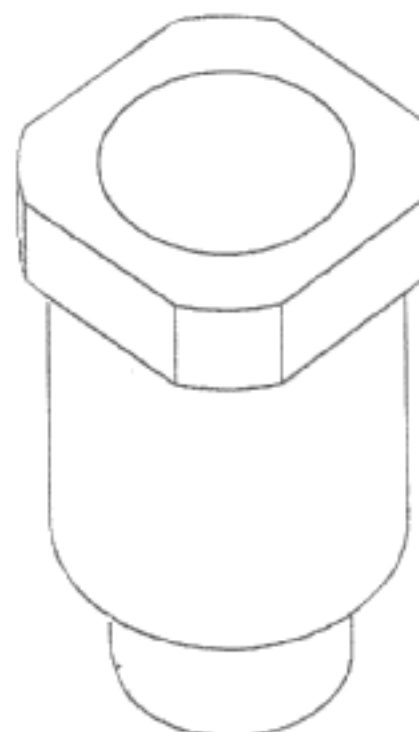
- (21) Design Number: **14983/2011**
(22) Date of Filing Application: **08 November 2011**
(24) Date from which industrial property rights may have effect: **08 November 2011**
(54) Product in respect of which the design is registered: **Indented prop**
(51) International Design Classification: **08-08NES, 25-04**
(74) Name(s) of Attorney(s): **Macpherson + Kelley**
(71) Name(s) and Address(s) of Applicant(s):
Supaproducts Pty Ltd
23 Attenborough Street Dandenong Victoria 3175 Australia
(72) Name(s) of Designer(s): **Phillip Messina**
(45) Registration Date: **29 November 2011**
(56) Related Art Documents: **Not Applicable**
(57) Statement of Newness and Distinctiveness: **Novelty is claimed in the features of shape and configuration of an indented prop of variable length as illustrated in the representations.**



- (21) Design Number: **14997/2011**
(22) Date of Filing Application: **07 November 2011**
(24) Date from which industrial property rights may have effect: **07 November 2011**
(54) Product in respect of which the design is registered: **Adapter**
(51) International Design Classification: **23-01H**
(74) Name(s) of Attorney(s): **Wrays**
(71) Name(s) and Address(s) of Applicant(s):
Pace Holdings Pty Ltd
23 Munt Street Bayswater Western Australia 6053 Australia
(72) Name(s) of Designer(s): **Walter Homann**
(45) Registration Date: **29 November 2011**
(56) Related Art Documents: **Not Applicable**
(57) Statement of Newness and Distinctiveness: **Newness and distinctiveness is claimed in the features of shape and/or configuration of the adapter as depicted in the accompanying representations.**



(21) Design Number: **14998/2011**
(22) Date of Filing Application: **07 November 2011**
(24) Date from which industrial property rights may have effect: **07 November 2011**
(54) Product in respect of which the design is registered: **Adapter**
(51) International Design Classification: **23-01H**
(74) Name(s) of Attorney(s): **Wrays**
(71) Name(s) and Address(s) of Applicant(s):
Pace Holdings Pty Ltd
23 Munt Street Bayswater Western Australia 6053 Australia
(72) Name(s) of Designer(s): **Walter Homann**
(45) Registration Date: **29 November 2011**
(56) Related Art Documents: **Not Applicable**
(57) Statement of Newness and Distinctiveness: **Newness and distinctiveness is claimed in the features of shape and/or configuration of the adapter as depicted in the accompanying representations.**



(21) Design Number: **15000/2011**
(22) Date of Filing Application: **07 November 2011**
(24) Date from which industrial property rights may have effect: **07 November 2011**
(54) Product in respect of which the design is registered: **Toothbrush**
(51) International Design Classification: **04-02**
(74) Name(s) of Attorney(s): **FB Rice**
(71) Name(s) and Address(s) of Applicant(s):
Colgate-Palmolive Company
300 Park Avenue New York New York 10022 United States of America
(72) Name(s) of Designer(s): **Wen Jin Xi and Guang Sheng Guo and Jian Rong Zhou**
(45) Registration Date: **29 November 2011**
(30) Convention priority data:
(31) Number (32) Date (33) Country
29/394494 17 Jun 2011 UNITED STATES OF AMERICA
(56) Related Art Documents: **Not Applicable**
(57) Statement of Newness and Distinctiveness: **Newness and distinctiveness reside in the features of the toothbrush shown in solid lines in the representations excluding those features shown in broken lines.**



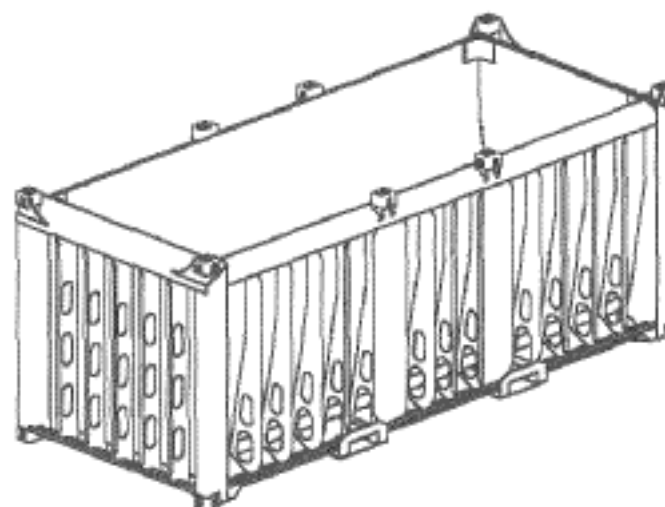
- (21) Design Number: **15001/2011**
(22) Date of Filing Application: **07 November 2011**
(24) Date from which industrial property rights may have effect: **07 November 2011**
(54) Product in respect of which the design is registered: **Toothbrush**
(51) International Design Classification: **04-02**
(74) Name(s) of Attorney(s): **FB Rice**
(71) Name(s) and Address(s) of Applicant(s):
Colgate-Palmolive Company
300 Park Avenue New York New York 10022 United States of America
(72) Name(s) of Designer(s): **Wen Jin Xi and Guang Sheng Guo and Jian Rong Zhou**
(45) Registration Date: **29 November 2011**
(30) Convention priority data:
(31) Number (32) Date (33) Country
29/394497 17 Jun 2011 UNITED STATES OF AMERICA
(56) Related Art Documents: **Not Applicable**
(57) Statement of Newness and Distinctiveness: **Newness and distinctiveness reside in the features of the toothbrush shown in solid lines in the representations excluding those features shown in broken lines.**



- (21) Design Number: **14946/2011**
(22) Date of Filing Application: **03 November 2011**
(24) Date from which industrial property rights may have effect: **03 November 2011**
(54) Product in respect of which the design is registered: **Ride-on lawn mower**
(51) International Design Classification: **15-03B**
(74) Name(s) of Attorney(s): **SPRUSON & FERGUSON**
(71) Name(s) and Address(s) of Applicant(s):
Husqvarna AB
SE-561 82 Huskvarna Sweden
(72) Name(s) of Designer(s): **Jens Naslund**
(45) Registration Date: **30 November 2011**
(30) Convention priority data:
(31) Number (32) Date (33) Country
001868308 25 May 2011 EUROPEAN COMMUNITY
(56) Related Art Documents: **Not Applicable**
(57) Statement of Newness and Distinctiveness: **Newness and distinctiveness is claimed in the features of pattern and/or ornamentation of a ride-on lawn mower as illustrated in the accompanying representations, apart from the features of the greyed out regions bounded by dotted lines.**



- (21) Design Number: **14947/2011**
(22) Date of Filing Application: **03 November 2011**
(24) Date from which industrial property rights may have effect: **03 November 2011**
(54) Product in respect of which the design is registered: **A container**
(51) International Design Classification: **09-03K**
(74) Name(s) of Attorney(s): **Australian Patent and TradeMark Services**
(71) Name(s) and Address(s) of Applicant(s):
Australian Mobile Mining Equipment Systems and Accessories Pty. Limited
5 Sammut Street Smithfield New South Wales 2164 Australia
(72) Name(s) of Designer(s): **Murray Robert Bridle**
(45) Registration Date: **30 November 2011**
(56) Related Art Documents: **Not Applicable**
(57) Statement of Newness and Distinctiveness: **Newness and distinctiveness is claimed in the shape and/or configuration of a container as illustrated in the accompanying representations. The location of the features shown in broken lines may vary in that, although those features are always located on the top edge of the sides of the container (as illustrated in the accompanying representations), they may be at varying distances from the ends of the container.**



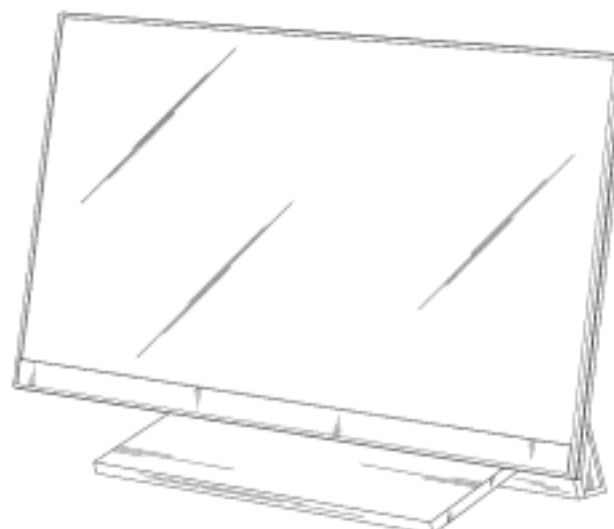
- (21) Design Number: **14949/2011**
(22) Date of Filing Application: **03 November 2011**
(24) Date from which industrial property rights may have effect: **03 November 2011**
(54) Product in respect of which the design is registered: **Charger**
(51) International Design Classification: **13-02**
(74) Name(s) of Attorney(s): **Halfords IP**
(71) Name(s) and Address(s) of Applicant(s):
Eveready Battery Company, Inc.
533 Maryville University Drive St Louis Missouri 63141 United States of America
(72) Name(s) of Designer(s): **Jonathan A. Fitch and David J. Hine and Donwoong Kang**
(45) Registration Date: **30 November 2011**
(30) Convention priority data:
(31) Number (32) Date (33) Country
29/392665 25 May 2011 UNITED STATES OF AMERICA
(56) Related Art Documents: **Not Applicable**
(57) Statement of Newness and Distinctiveness: **Newness and distinctiveness is claimed in those features of shape and or configuration of a Charger as depicted in the representations. Features shown in broken lines do not form part of the design. The representations also use broken lines, contour lines and shading lines to assist in the illustration of features of shape and or configuration. Such broken lines, contour lines and shading do not form part of the design.**



- (21) Design Number: **14977/2011**
(22) Date of Filing Application: **04 November 2011**
(24) Date from which industrial property rights may have effect: **04 November 2011**
(54) Product in respect of which the design is registered: **Bottle**
(51) International Design Classification: **09-01NES**
(74) Name(s) of Attorney(s): **Allens Arthur Robinson**
(71) Name(s) and Address(s) of Applicant(s):
Coles Supermarkets Australia Pty Ltd
800 Toorak Road Tooronga Victoria 3146 Australia
(72) Name(s) of Designer(s): **Clare Stephens and Jasmine Medwell and Richard Crisp and Alistair Hall**
(45) Registration Date: **30 November 2011**
(56) Related Art Documents: **Not Applicable**
(57) Statement of Newness and Distinctiveness: **Newness and distinctiveness resides in the visual features of shape and/or configuration of a bottle as illustrated in the accompanying representations.**



- (21) Design Number: **14978/2011**
(22) Date of Filing Application: **07 November 2011**
(24) Date from which industrial property rights may have effect: **07 November 2011**
(54) Product in respect of which the design is registered: **A television receiver**
(51) International Design Classification: **14-03B**
(74) Name(s) of Attorney(s): **HODGKINSON McINNES PATENTS**
(71) Name(s) and Address(s) of Applicant(s):
Kabushiki Kaisha Toshiba also trading as Toshiba Corporation
1-1 Shibaura 1-chome Minato-ku Tokyo Japan
(72) Name(s) of Designer(s): **Kentaro Tanaka**
(45) Registration Date: **30 November 2011**
(30) Convention priority data:
(31) Number (32) Date (33) Country
2011-022512 30 Sep 2011 JAPAN
(56) Related Art Documents: **Not Applicable**
(57) Statement of Newness and Distinctiveness: **Newness and distinctiveness is claimed in the features of shape and configuration of a television receiver as shown in the attached representations.**



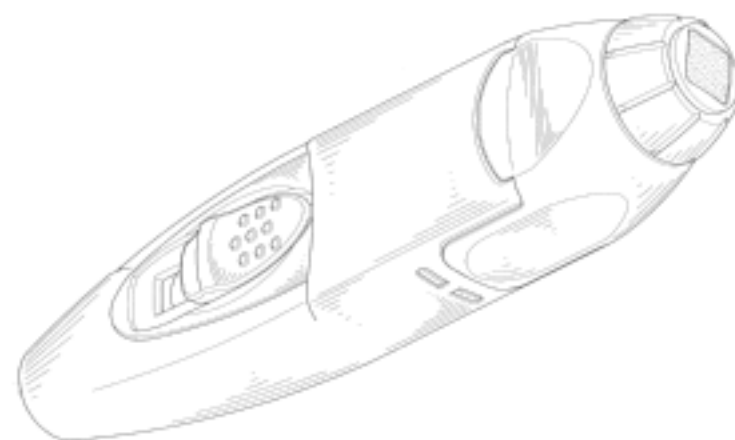
- (21) Design Number: **13470/2011**
(22) Date of Filing Application: **05 August 2011**
(24) Date from which industrial property rights may have effect: **05 August 2011**
(54) Product in respect of which the design is registered: **Automobile**
(51) International Design Classification: **12-08**
(74) Name(s) of Attorney(s): **SPRUSON & FERGUSON**
(71) Name(s) and Address(s) of Applicant(s):
Toyota Jidosha Kabushiki Kaisha
1 Toyota-cho Toyota-shi Aichi-ken 471-8571 Japan
(72) Name(s) of Designer(s): **Nobuyuki Tomatsu and Shin Miyata and Toyokazu Nishihama and Hideaki Iida**
(45) Registration Date: **30 November 2011**
(30) Convention priority data:
(31) Number (32) Date (33) Country
A2011/00422 25 Mar 2011 SOUTH AFRICA
(56) Related Art Documents: **Not Applicable**
(57) Statement of Newness and Distinctiveness: **Newness and distinctiveness is claimed in the features of shape and/or configuration of an automobile as illustrated in the accompanying representations, apart from Lexus emblems.**



- (21) Design Number: **13471/2011**
(22) Date of Filing Application: **05 August 2011**
(24) Date from which industrial property rights may have effect: **05 August 2011**
(54) Product in respect of which the design is registered: **Front combination lamp for an automobile**
(51) International Design Classification: **26-06**
(74) Name(s) of Attorney(s): **SPRUSON & FERGUSON**
(71) Name(s) and Address(s) of Applicant(s):
Toyota Jidosha Kabushiki Kaisha
1 Toyota-cho Toyota-shi Aichi-ken 471-8571 Japan
(72) Name(s) of Designer(s): **Shin Kamiura**
(45) Registration Date: **30 November 2011**
(30) Convention priority data:
(31) Number (32) Date (33) Country
A2011/00424 25 Mar 2011 SOUTH AFRICA
(56) Related Art Documents: **Not Applicable**
(57) Statement of Newness and Distinctiveness: **Newness and distinctiveness is claimed in the features of shape and/or configuration of a front combination lamp for an automobile as illustrated in the accompanying representations, apart from the attachment lugs.**



(21) Design Number: **14028/2011**
 (22) Date of Filing Application: **12 September 2011**
 (24) Date from which industrial property rights may have effect: **12 September 2011**
 (54) Product in respect of which the design is registered: **Correction ribbon**
 (51) International Design Classification: **19-02**
 (74) Name(s) of Attorney(s): **Madderns**
 (71) Name(s) and Address(s) of Applicant(s):
SDI Corporation
No 260 Sec.2 Chang Nan Road Chang Hua Taiwan
 (72) Name(s) of Designer(s): **Chien-Lung Wu**
 (45) Registration Date: **30 November 2011**
 (30) Convention priority data:
 (31) Number (32) Date (33) Country
100301217 15 Mar 2011 TAIWAN
 (56) Related Art Documents: **Not Applicable**
 (57) Statement of Newness and Distinctiveness: **Nil**



(21) Design Number: **14961/2011**
 (22) Date of Filing Application: **04 November 2011**
 (24) Date from which industrial property rights may have effect: **04 November 2011**
 (54) Product in respect of which the design is registered: **Control box for charge**
 (51) International Design Classification: **13-03NES**
 (74) Name(s) of Attorney(s): **SPRUSON & FERGUSON**
 (71) Name(s) and Address(s) of Applicant(s):
Panasonic Electric Works Co., Ltd.
1048 Oaza-Kadoma Kadoma-shi Osaka 571-8686 Japan
Toyota Jidosha Kabushiki Kaisha
1 Toyota-cho Toyota-shi Aichi-Ken 471-8571 Japan
 (72) Name(s) of Designer(s): **Ichiro Shibamura and Tatsuya Mukai and Noboru Inagaki and Naoki Fukuo and Takao Akioka and Hironobu Oe and Shinichi Nakamura and Yoji Minami and Hironobo Kusafuka and Masaru Sasaki**
 (45) Registration Date: **30 November 2011**
 (30) Convention priority data:
 (31) Number (32) Date (33) Country
2011-010222 06 May 2011 JAPAN
 (56) Related Art Documents: **Not Applicable**
 (57) Statement of Newness and Distinctiveness: **Newness and distinctiveness is claimed in features of shape and/or configuration of a control box for charge as illustrated in the accompanying representations.**



- (21) Design Number: **14985/2011**
(22) Date of Filing Application: **08 November 2011**
(24) Date from which industrial property rights may have effect: **08 November 2011**
(54) Product in respect of which the design is registered: **Swimwear garment**
(51) International Design Classification: **02-02A**
(74) Name(s) of Attorney(s): **Herbert Geer Lawyers**
(71) Name(s) and Address(s) of Applicant(s):

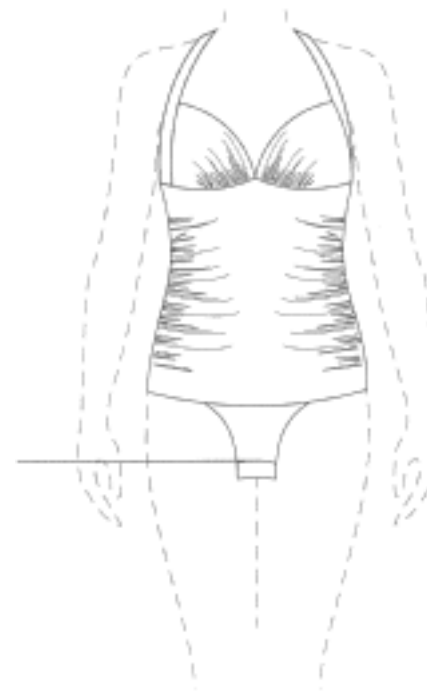
JETS Swimwear Pty Ltd
8-18 Bowden Street Alexandria New South Wales 2015 Australia

(72) Name(s) of Designer(s): **Jessika Allen**

(45) Registration Date: **30 November 2011**

(56) Related Art Documents: **Not Applicable**

(57) Statement of Newness and Distinctiveness: **Newness and distinctiveness is claimed in the shape, configuration and/or pattern of the swimwear garment as depicted in the accompanying representations. In considering the newness and distinctiveness of the design, the seam shown in the front view, the seam shown in the back view, and the bow tie shown in the back view, each indicated at "A", are to be disregarded. The outline of the wearer shown in dotted lines forms no part of the design.**



- (21) Design Number: **14986/2011**
(22) Date of Filing Application: **08 November 2011**
(24) Date from which industrial property rights may have effect: **08 November 2011**
(54) Product in respect of which the design is registered: **Swimwear garment**
(51) International Design Classification: **02-02A**
(74) Name(s) of Attorney(s): **Herbert Geer Lawyers**
(71) Name(s) and Address(s) of Applicant(s):

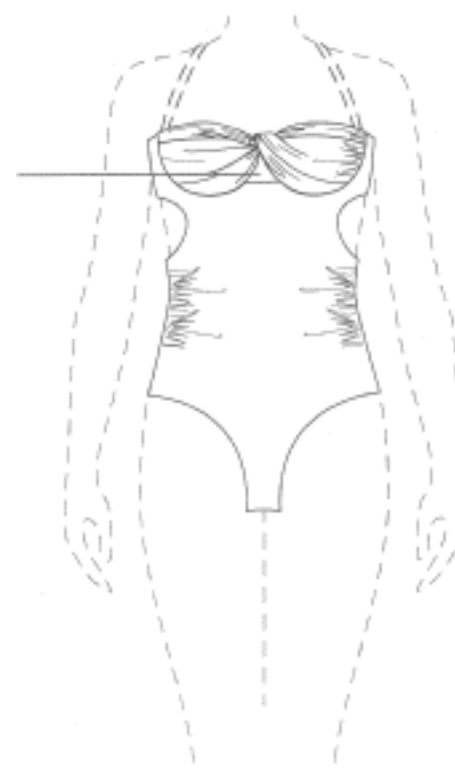
JETS Swimwear Pty Ltd
8-18 Bowden Street Alexandria New South Wales 2015 Australia

(72) Name(s) of Designer(s): **Jessika Allen**

(45) Registration Date: **30 November 2011**

(56) Related Art Documents: **Not Applicable**

(57) Statement of Newness and Distinctiveness: **Newness and distinctiveness is claimed in the shape, configuration and/or pattern of the swimwear garment as depicted in the accompanying representations. In considering the newness and distinctiveness of the design, the triangular-shaped cut out shown in the front view and the clasp shown in the back view, each indicated at "A", and the halter neck strap shown in dotted lines in the front and back view, are to be disregarded. The outline of the wearer shown in dotted lines forms no part of the design.**



(21) Design Number: **14987/2011**
(22) Date of Filing Application: **08 November 2011**
(24) Date from which industrial property rights may have effect: **08 November 2011**
(54) Product in respect of which the design is registered: **Swimwear garment**
(51) International Design Classification: **02-02A**
(74) Name(s) of Attorney(s): **Herbert Geer Lawyers**
(71) Name(s) and Address(s) of Applicant(s):

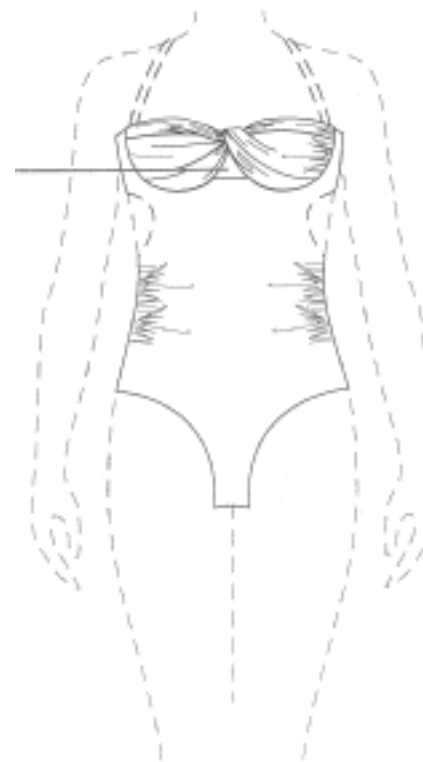
JETS Swimwear Pty Ltd
8-18 Bowden Street Alexandria New South Wales 2015 Australia

(72) Name(s) of Designer(s): **Jessika Allen**

(45) Registration Date: **30 November 2011**

(56) Related Art Documents: **Not Applicable**

(57) Statement of Newness and Distinctiveness: **Newness and distinctiveness is claimed in the shape, configuration and/or pattern of the swimwear garment as depicted in the accompanying representations. In considering the newness and distinctiveness of the design, the triangular-shaped cut out shown in the front view and the clasp shown in the back view, each indicated at "A", and the halter neck strap, lateral cut outs and scoop back, all shown in dotted lines in the front and back view, are to be disregarded. The outline of the wearer shown in dotted lines forms no part of the design.**



(21) Design Number: **14988/2011**
(22) Date of Filing Application: **08 November 2011**
(24) Date from which industrial property rights may have effect: **08 November 2011**
(54) Product in respect of which the design is registered: **Swimwear garment**
(51) International Design Classification: **02-02A**
(74) Name(s) of Attorney(s): **Herbert Geer Lawyers**
(71) Name(s) and Address(s) of Applicant(s):

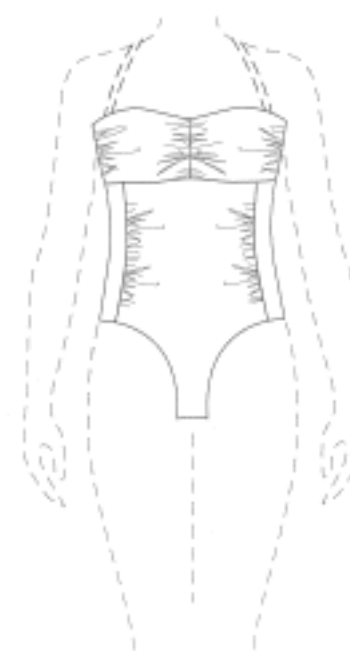
JETS Swimwear Pty Ltd
8-18 Bowden Street Alexandria New South Wales 2015 Australia

(72) Name(s) of Designer(s): **Jessika Allen**

(45) Registration Date: **30 November 2011**

(56) Related Art Documents: **Not Applicable**

(57) Statement of Newness and Distinctiveness: **Newness and distinctiveness is claimed in the shape, configuration and/or pattern of the swimwear garment as depicted in the accompanying representations. In considering the newness and distinctiveness of the design, the halter neck strap shown in dotted lines in the front view and the back view is to be disregarded. The outline of the wearer shown in dotted lines forms no part of the design.**



- (21) Design Number: **14989/2011**
(22) Date of Filing Application: **08 November 2011**
(24) Date from which industrial property rights may have effect: **08 November 2011**
(54) Product in respect of which the design is registered: **Swimwear garment**
(51) International Design Classification: **02-02A**
(74) Name(s) of Attorney(s): **Herbert Geer Lawyers**
(71) Name(s) and Address(s) of Applicant(s):

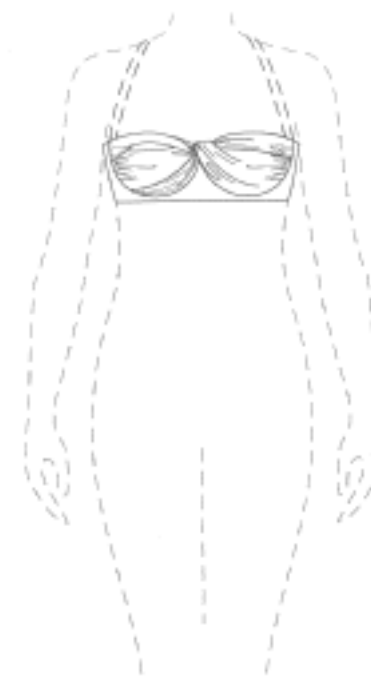
JETS Swimwear Pty Ltd
8-18 Bowden Street Alexandria New South Wales 2015 Australia

(72) Name(s) of Designer(s): **Jessika Allen**

(45) Registration Date: **30 November 2011**

(56) Related Art Documents: **Not Applicable**

(57) Statement of Newness and Distinctiveness: **Newness and distinctiveness is claimed in the shape, configuration and/or pattern of the swimwear garment as depicted in the accompanying representations. In considering the newness and distinctiveness of the design, the clasp shown in the back view, as indicated at "A", and the halter neck strap shown in dotted lines in the front and back view, are to be disregarded. The outline of the wearer shown in dotted lines forms no part of the design.**



- (21) Design Number: **14990/2011**
(22) Date of Filing Application: **08 November 2011**
(24) Date from which industrial property rights may have effect: **08 November 2011**
(54) Product in respect of which the design is registered: **Swimwear garment**
(51) International Design Classification: **02-02A**
(74) Name(s) of Attorney(s): **Herbert Geer Lawyers**
(71) Name(s) and Address(s) of Applicant(s):

JETS Swimwear Pty Ltd
8-18 Bowden Street Alexandria New South Wales 2015 Australia

(72) Name(s) of Designer(s): **Jessika Allen**

(45) Registration Date: **30 November 2011**

(56) Related Art Documents: **Not Applicable**

(57) Statement of Newness and Distinctiveness: **Newness and distinctiveness is claimed in the shape, configuration and/or pattern of the swimwear garment as depicted in the accompanying representations. In considering the newness and distinctiveness of the design, the clasp shown in the back view, as indicated at "A", and the back straps shown in dotted lines in the back view, are to be disregarded. The outline of the wearer shown in dotted lines forms no part of the design.**



- (21) Design Number: **14991/2011**
(22) Date of Filing Application: **08 November 2011**
(24) Date from which industrial property rights may have effect: **08 November 2011**
(54) Product in respect of which the design is registered: **Swimwear garment**
(51) International Design Classification: **02-02A**
(74) Name(s) of Attorney(s): **Herbert Geer Lawyers**
(71) Name(s) and Address(s) of Applicant(s):

JETS Swimwear Pty Ltd
8-18 Bowden Street Alexandria New South Wales 2015 Australia

(72) Name(s) of Designer(s): **Jessika Allen**

(45) Registration Date: **30 November 2011**

(56) Related Art Documents: **Not Applicable**

(57) Statement of Newness and Distinctiveness: **Newness and distinctiveness is claimed in the shape, configuration and/or pattern of the swimwear garment as depicted in the accompanying representations. In considering the newness and distinctiveness of the design, the rings shown in the front view, as indicated at "A", and the back straps and bow tie shown in dotted lines in the back view, are to be disregarded. The outline of the wearer shown in dotted lines forms no part of the design.**



- (21) Design Number: **14992/2011**
(22) Date of Filing Application: **08 November 2011**
(24) Date from which industrial property rights may have effect: **08 November 2011**
(54) Product in respect of which the design is registered: **Swimwear garment**
(51) International Design Classification: **02-02A**
(74) Name(s) of Attorney(s): **Herbert Geer Lawyers**
(71) Name(s) and Address(s) of Applicant(s):

JETS Swimwear Pty Ltd
8-18 Bowden Street Alexandria New South Wales 2015 Australia

(72) Name(s) of Designer(s): **Jessika Allen**

(45) Registration Date: **30 November 2011**

(56) Related Art Documents: **Not Applicable**

(57) Statement of Newness and Distinctiveness: **Newness and distinctiveness is claimed in the shape, configuration and/or pattern of the swimwear garment as depicted in the accompanying representations. In considering the newness and distinctiveness of the design, the bow shown in the front view, as indicated at "A", the seams shown in the front view and the shoulder straps shown in dotted lines in the front and back view, are to be disregarded. The outline of the wearer shown dotted lines forms no part of the design.**



- (21) Design Number: **14993/2011**
(22) Date of Filing Application: **08 November 2011**
(24) Date from which industrial property rights may have effect: **08 November 2011**
(54) Product in respect of which the design is registered: **Swimwear garment**
(51) International Design Classification: **02-02A**
(74) Name(s) of Attorney(s): **Herbert Geer Lawyers**
(71) Name(s) and Address(s) of Applicant(s):

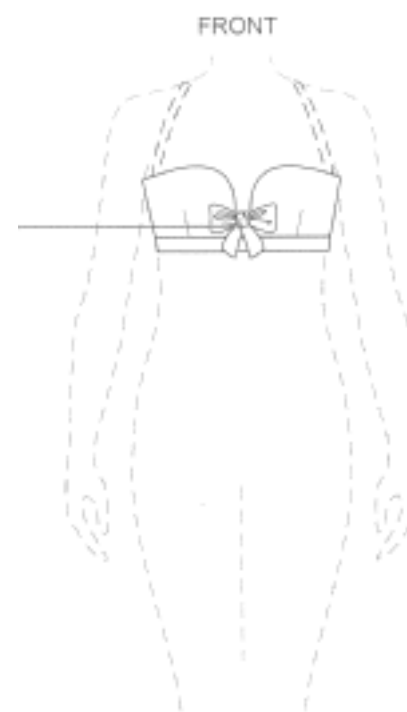
JETS Swimwear Pty Ltd
8-18 Bowden Street Alexandria New South Wales 2015 Australia

(72) Name(s) of Designer(s): **Jessika Allen**

(45) Registration Date: **30 November 2011**

(56) Related Art Documents: **Not Applicable**

(57) Statement of Newness and Distinctiveness: **Newness and distinctiveness is claimed in the shape, configuration and/or pattern of the swimwear garment as depicted in the accompanying representations. In considering the newness and distinctiveness of the design, the bow shown in the front view and the bow tie shown in the back view, each indicated at "A", and the halter neck strap with bow tie shown in dotted lines in the front and back view are to be disregarded. The outline of the wearer shown in dotted lines forms no part of the design.**



- (21) Design Number: **14994/2011**
(22) Date of Filing Application: **08 November 2011**
(24) Date from which industrial property rights may have effect: **08 November 2011**
(54) Product in respect of which the design is registered: **Swimwear garment**
(51) International Design Classification: **02-02A**
(74) Name(s) of Attorney(s): **Herbert Geer Lawyers**
(71) Name(s) and Address(s) of Applicant(s):

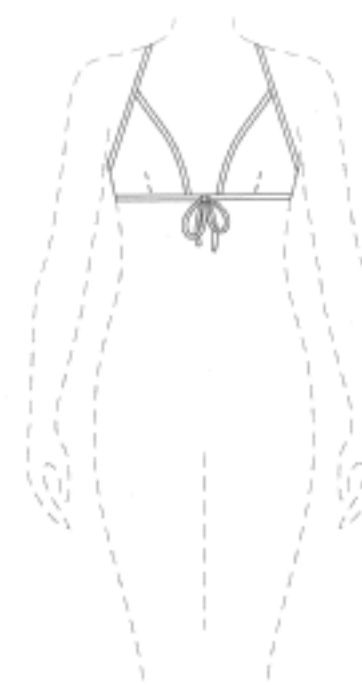
JETS Swimwear Pty Ltd
8-18 Bowden Street Alexandria New South Wales 2015 Australia

(72) Name(s) of Designer(s): **Jessika Allen**

(45) Registration Date: **30 November 2011**

(56) Related Art Documents: **Not Applicable**

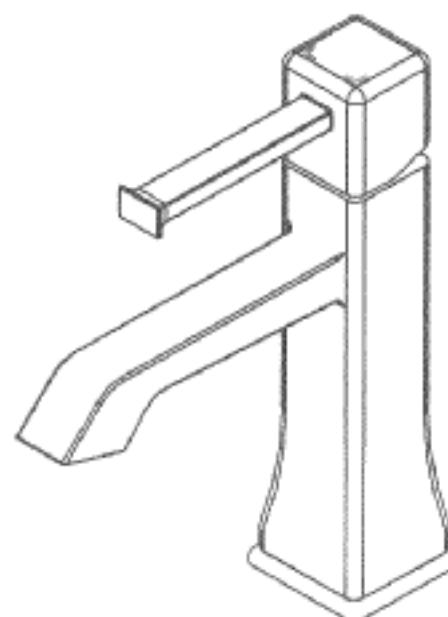
(57) Statement of Newness and Distinctiveness: **Newness and distinctiveness is claimed in the shape, configuration and/or pattern of the swimwear garment as depicted in the accompanying representations. In considering the newness and distinctiveness of the design, the bow tie shown in the back view, as indicated at "A", and the back straps in the back view and bust seams in the front view, each shown in broken lines are to be disregarded. The outline of the wearer shown in dotted lines forms no part of the design.**



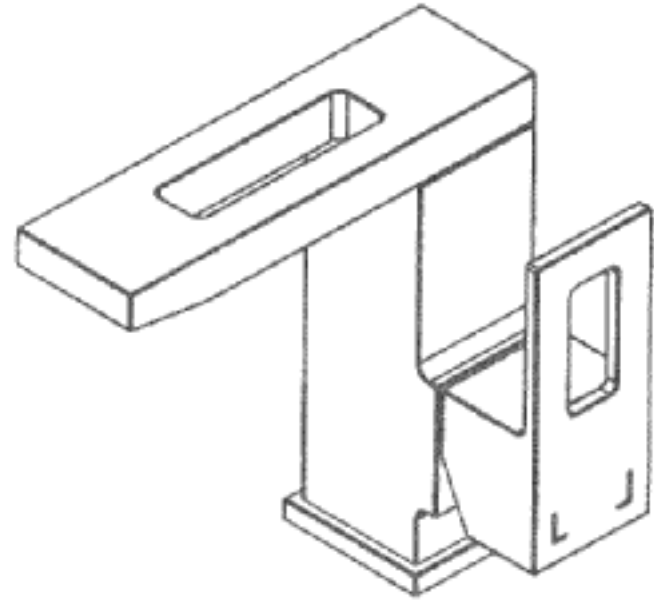
- (21) Design Number: **14995/2011**
(22) Date of Filing Application: **08 November 2011**
(24) Date from which industrial property rights may have effect: **08 November 2011**
(54) Product in respect of which the design is registered: **Swimwear garment**
(51) International Design Classification: **02-02A**
(74) Name(s) of Attorney(s): **Herbert Geer Lawyers**
(71) Name(s) and Address(s) of Applicant(s):
JETS Swimwear Pty Ltd
8-18 Bowden Street Alexandria New South Wales 2015 Australia
(72) Name(s) of Designer(s): **Jessika Allen**
(45) Registration Date: **30 November 2011**
(56) Related Art Documents: **Not Applicable**
(57) Statement of Newness and Distinctiveness: **Newness and distinctiveness is claimed in the shape, configuration and/or pattern of the swimwear garment as depicted in the accompanying representations. The outline of the wearer shown in dotted lines forms no part of the design.**



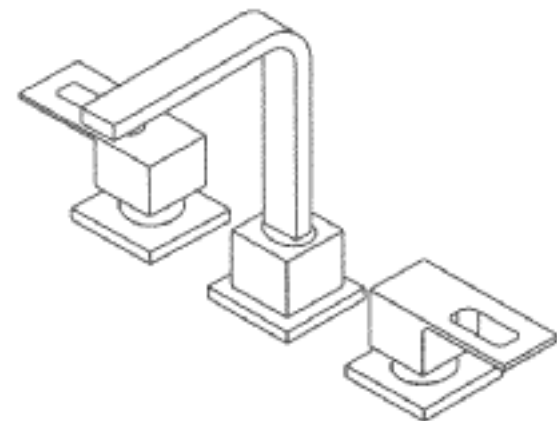
- (21) Design Number: **14439/2011**
(22) Date of Filing Application: **30 September 2011**
(24) Date from which industrial property rights may have effect: **30 September 2011**
(54) Product in respect of which the design is registered: **Tap mixer and spout**
(51) International Design Classification: **23-01H**
(74) Name(s) of Attorney(s): **Davies Collison Cave**
(71) Name(s) and Address(s) of Applicant(s):
SI Aust Group Pty Ltd
No.2 23 Reaburn Avenue St Albans Victoria 3021 Australia
(72) Name(s) of Designer(s): **John Roussety and Gary Cai and Jessica Mao and Fang Yonghong and Zhang Zhaoqin**
(45) Registration Date: **01 December 2011**
(56) Related Art Documents: **Not Applicable**
(57) Statement of Newness and Distinctiveness: **The features of shape and configuration of the tap mixer and spout shown in the accompanying representations are considered to be new and distinctive.**



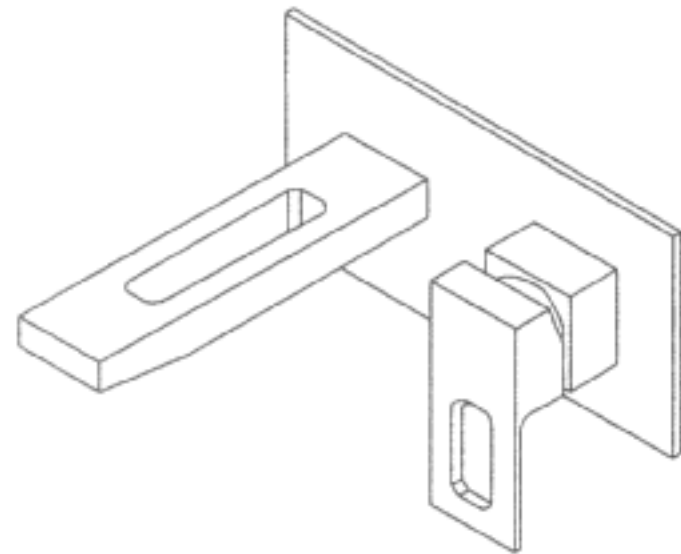
- (21) Design Number: **14433/2011**
(22) Date of Filing Application: **30 September 2011**
(24) Date from which industrial property rights may have effect: **30 September 2011**
(54) Product in respect of which the design is registered: **Mixing tap and spout**
(51) International Design Classification: **23-01H**
(74) Name(s) of Attorney(s): **Davies Collison Cave**
(71) Name(s) and Address(s) of Applicant(s):
SI Aust Group Pty Ltd
No.2 23 Reaburn Avenue St Albans Victoria 3021 Australia
(72) Name(s) of Designer(s): **John Roussety and Gary Cai and Jessica Mao and Fang Yonghong and Zhang Zhaoqin**
(45) Registration Date: **01 December 2011**
(56) Related Art Documents: **Not Applicable**
(57) Statement of Newness and Distinctiveness: **The features of shape and configuration of the mixing tap and spout shown in the accompanying representations are considered to be new and distinctive.**



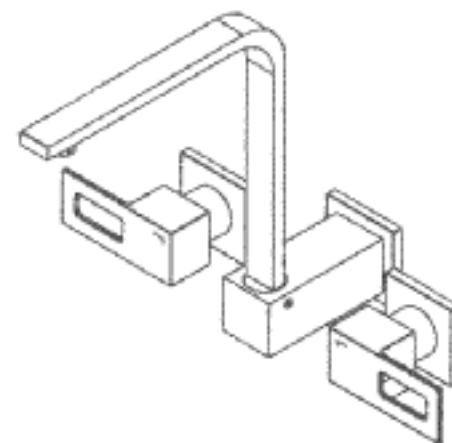
- (21) Design Number: **14434/2011**
(22) Date of Filing Application: **30 September 2011**
(24) Date from which industrial property rights may have effect: **30 September 2011**
(54) Product in respect of which the design is registered: **Tap and spout set**
(51) International Design Classification: **23-01H**
(74) Name(s) of Attorney(s): **Davies Collison Cave**
(71) Name(s) and Address(s) of Applicant(s):
SI Aust Group Pty Ltd
No.2 23 Reaburn Avenue St Albans Victoria 3021 Australia
(72) Name(s) of Designer(s): **John Roussety and Gary Cai and Jessica Mao and Fang Yonghong and Zhang Zhaoqin**
(45) Registration Date: **01 December 2011**
(56) Related Art Documents: **Not Applicable**
(57) Statement of Newness and Distinctiveness: **The features of shape and configuration of the tap and spout set shown in the accompanying representations are considered to be new and distinctive.**



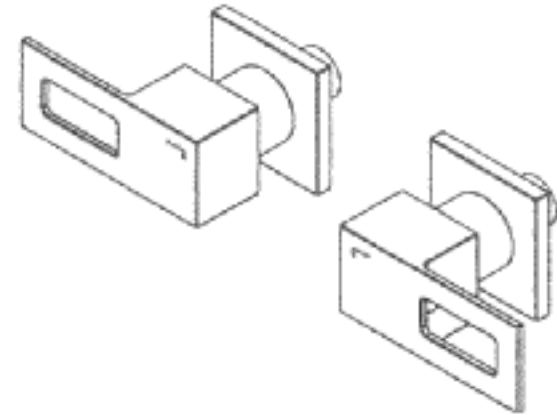
- (21) Design Number: **14435/2011**
(22) Date of Filing Application: **30 September 2011**
(24) Date from which industrial property rights may have effect: **30 September 2011**
(54) Product in respect of which the design is registered: **Tap mixer and spout**
(51) International Design Classification: **23-01H**
(74) Name(s) of Attorney(s): **Davies Collison Cave**
(71) Name(s) and Address(s) of Applicant(s):
SI Aust Group Pty Ltd
No.2 23 Reaburn Avenue St Albans Victoria 3021 Australia
(72) Name(s) of Designer(s): **John Roussety and Gary Cai and Jessica Mao and Fang Yonghong and Zhang Zhaoqin**
(45) Registration Date: **01 December 2011**
(56) Related Art Documents: **Not Applicable**
(57) Statement of Newness and Distinctiveness: **The features of shape and configuration of the tap mixer and spout shown in the accompanying representations are considered to be new and distinctive.**



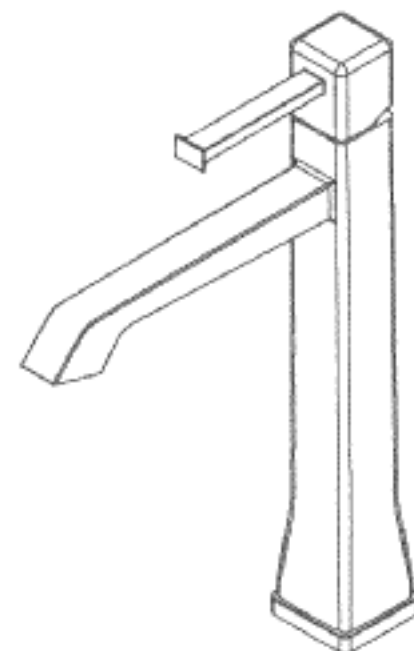
- (21) Design Number: **14436/2011**
(22) Date of Filing Application: **30 September 2011**
(24) Date from which industrial property rights may have effect: **30 September 2011**
(54) Product in respect of which the design is registered: **Tap and spout set**
(51) International Design Classification: **23-01H**
(74) Name(s) of Attorney(s): **Davies Collison Cave**
(71) Name(s) and Address(s) of Applicant(s):
SI Aust Group Pty Ltd
No.2 23 Reaburn Avenue St Albans Victoria 3021 Australia
(72) Name(s) of Designer(s): **John Roussety and Gary Cai and Jessica Mao and Fang Yonghong and Zhang Zhaoqin**
(45) Registration Date: **01 December 2011**
(56) Related Art Documents: **Not Applicable**
(57) Statement of Newness and Distinctiveness: **The features of shape and configuration of the tap and spout set shown in the accompanying representations are considered to be new and distinctive.**



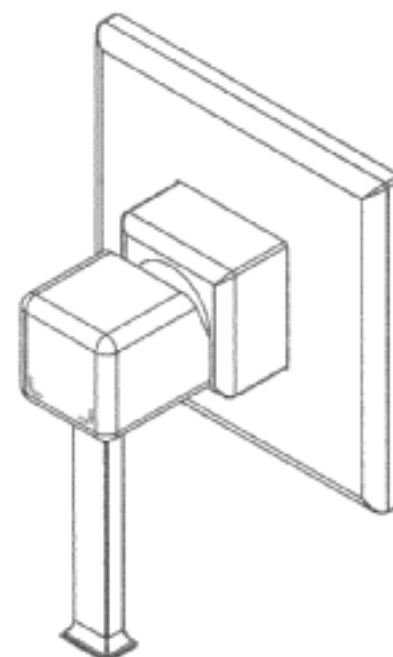
- (21) Design Number: **14437/2011**
(22) Date of Filing Application: **30 September 2011**
(24) Date from which industrial property rights may have effect: **30 September 2011**
(54) Product in respect of which the design is registered: **Mixer tap set**
(51) International Design Classification: **23-01H**
(74) Name(s) of Attorney(s): **Davies Collison Cave**
(71) Name(s) and Address(s) of Applicant(s):
SI Aust Group Pty Ltd
No.2 23 Reaburn Avenue St Albans Victoria 3021 Australia
(72) Name(s) of Designer(s): **John Roussety and Gary Cai and Jessica Mao and Fang Yonghong and Zhang Zhaoqin**
(45) Registration Date: **01 December 2011**
(56) Related Art Documents: **Not Applicable**
(57) Statement of Newness and Distinctiveness: **The features of shape and configuration of the mixer tap set shown in the accompanying representations are considered to be new and distinctive.**



- (21) Design Number: **14438/2011**
(22) Date of Filing Application: **30 September 2011**
(24) Date from which industrial property rights may have effect: **30 September 2011**
(54) Product in respect of which the design is registered: **Tap mixer and spout**
(51) International Design Classification: **23-01H**
(74) Name(s) of Attorney(s): **Davies Collison Cave**
(71) Name(s) and Address(s) of Applicant(s):
SI Aust Group Pty Ltd
No.2 23 Reaburn Avenue St Albans Victoria 3021 Australia
(72) Name(s) of Designer(s): **John Roussety and Gary Cai and Jessica Mao and Fang Yonghong and Zhang Zhaoqin**
(45) Registration Date: **01 December 2011**
(56) Related Art Documents: **Not Applicable**
(57) Statement of Newness and Distinctiveness: **The features of shape and configuration of the tap mixer and spout shown in the accompanying representations are considered to be new and distinctive.**



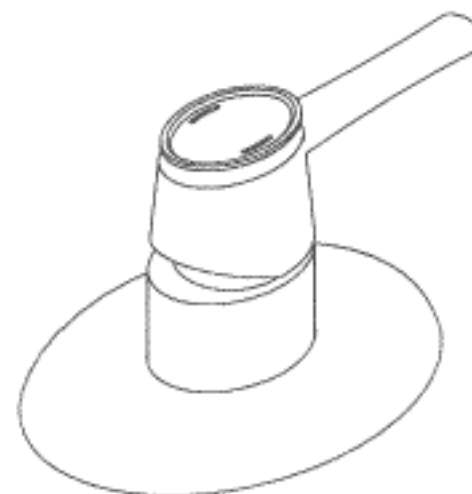
- (21) Design Number: **14440/2011**
(22) Date of Filing Application: **30 September 2011**
(24) Date from which industrial property rights may have effect: **30 September 2011**
(54) Product in respect of which the design is registered: **Tap mixer**
(51) International Design Classification: **23-01H**
(74) Name(s) of Attorney(s): **Davies Collison Cave**
(71) Name(s) and Address(s) of Applicant(s):
SI Aust Group Pty Ltd
No.2 23 Reaburn Avenue St Albans Victoria 3021 Australia
(72) Name(s) of Designer(s): **John Roussety and Gary Cai and Jessica Mao and Fang Yonghong and Zhang Zhaoqin**
(45) Registration Date: **01 December 2011**
(56) Related Art Documents: **Not Applicable**
(57) Statement of Newness and Distinctiveness: **The features of shape and configuration of the tap mixer shown in the accompanying representations are considered to be new and distinctive.**



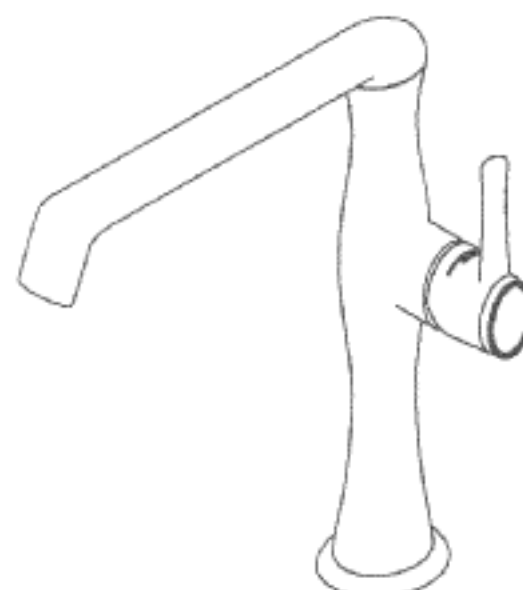
- (21) Design Number: **14441/2011**
(22) Date of Filing Application: **30 September 2011**
(24) Date from which industrial property rights may have effect: **30 September 2011**
(54) Product in respect of which the design is registered: **Tap mixer and spout**
(51) International Design Classification: **23-01H**
(74) Name(s) of Attorney(s): **Davies Collison Cave**
(71) Name(s) and Address(s) of Applicant(s):
SI Aust Group Pty Ltd
No.2 23 Reaburn Avenue St Albans Victoria 3021 Australia
(72) Name(s) of Designer(s): **John Roussety and Gary Cai and Jessica Mao and Fang Yonghong and Zhang Zhaoqin**
(45) Registration Date: **01 December 2011**
(56) Related Art Documents: **Not Applicable**
(57) Statement of Newness and Distinctiveness: **The features of shape and configuration of the tap mixer and spout shown in the accompanying representations are considered to be new and distinctive.**



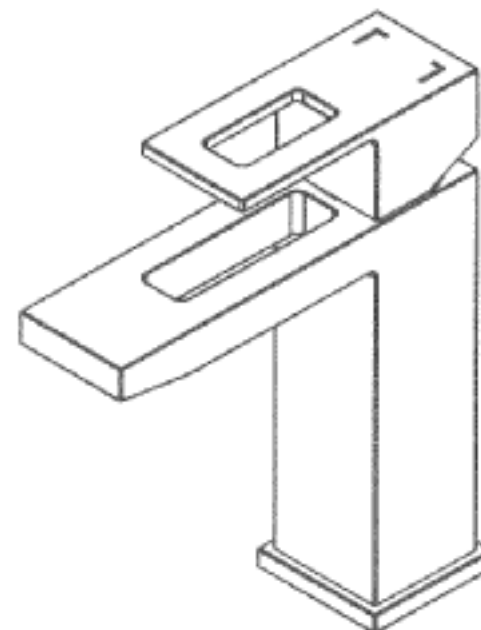
- (21) Design Number: **14442/2011**
(22) Date of Filing Application: **30 September 2011**
(24) Date from which industrial property rights may have effect: **30 September 2011**
(54) Product in respect of which the design is registered: **Tap mixer**
(51) International Design Classification: **23-01H**
(74) Name(s) of Attorney(s): **Davies Collison Cave**
(71) Name(s) and Address(s) of Applicant(s):
SI Aust Group Pty Ltd
No.2 23 Reaburn Avenue St Albans Victoria 3021 Australia
(72) Name(s) of Designer(s): **John Roussety and Gary Cai and Jessica Mao and Fang Yonghong and Zhang Zhaoqin**
(45) Registration Date: **01 December 2011**
(56) Related Art Documents: **Not Applicable**
(57) Statement of Newness and Distinctiveness: **The features of shape and configuration of the tap mixer shown in the accompanying representations are considered to be new and distinctive.**



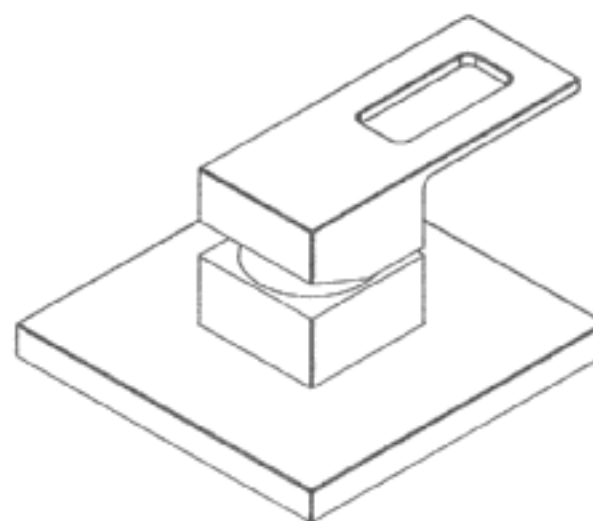
- (21) Design Number: **14443/2011**
(22) Date of Filing Application: **30 September 2011**
(24) Date from which industrial property rights may have effect: **30 September 2011**
(54) Product in respect of which the design is registered: **Tap mixer and spout**
(51) International Design Classification: **23-01H**
(74) Name(s) of Attorney(s): **Davies Collison Cave**
(71) Name(s) and Address(s) of Applicant(s):
SI Aust Group Pty Ltd
No.2 23 Reaburn Avenue St Albans Victoria 3021 Australia
(72) Name(s) of Designer(s): **John Roussety and Gary Cai and Jessica Mao and Fang Yonghong and Zhang Zhaoqin**
(45) Registration Date: **01 December 2011**
(56) Related Art Documents: **Not Applicable**
(57) Statement of Newness and Distinctiveness: **The features of shape and configuration of the tap mixer and spout shown in the accompanying representations are considered to be new and distinctive.**



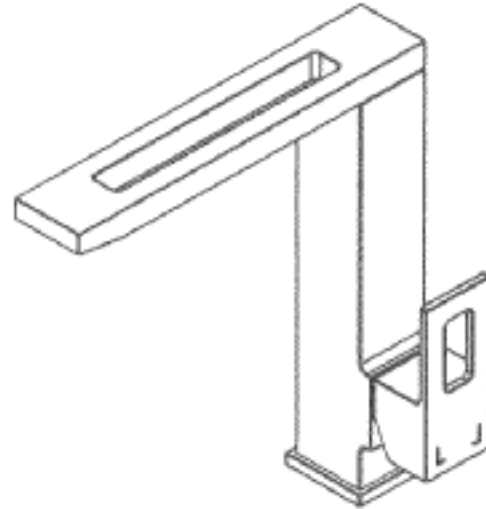
- (21) Design Number: **14444/2011**
(22) Date of Filing Application: **30 September 2011**
(24) Date from which industrial property rights may have effect: **30 September 2011**
(54) Product in respect of which the design is registered: **Tap mixer and spout**
(51) International Design Classification: **23-01H**
(74) Name(s) of Attorney(s): **Davies Collison Cave**
(71) Name(s) and Address(s) of Applicant(s):
SI Aust Group Pty Ltd
No.2 23 Reaburn Avenue St Albans Victoria 3021 Australia
(72) Name(s) of Designer(s): **John Roussety and Gary Cai and Jessica Mao and Fang Yonghong and Zhang Zhaoqin**
(45) Registration Date: **01 December 2011**
(56) Related Art Documents: **Not Applicable**
(57) Statement of Newness and Distinctiveness: **The features of shape and configuration of the tap mixer and spout shown in the accompanying representations are considered to be new and distinctive.**



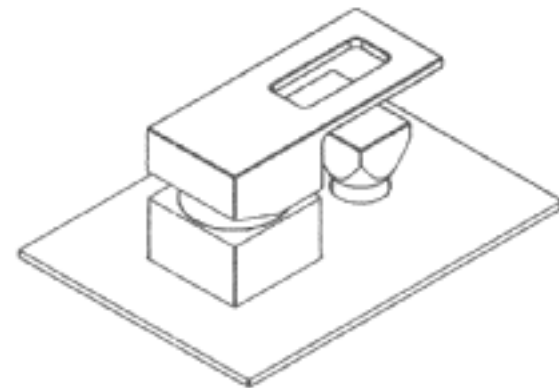
- (21) Design Number: **14445/2011**
(22) Date of Filing Application: **30 September 2011**
(24) Date from which industrial property rights may have effect: **30 September 2011**
(54) Product in respect of which the design is registered: **Tap mixer**
(51) International Design Classification: **23-01H**
(74) Name(s) of Attorney(s): **Davies Collison Cave**
(71) Name(s) and Address(s) of Applicant(s):
SI Aust Group Pty Ltd
No.2 23 Reaburn Avenue St Albans Victoria 3021 Australia
(72) Name(s) of Designer(s): **John Roussety and Gary Cai and Jessica Mao and Fang Yonghong and Zhang Zhaoqin**
(45) Registration Date: **01 December 2011**
(56) Related Art Documents: **Not Applicable**
(57) Statement of Newness and Distinctiveness: **The features of shape and configuration of the tap mixer shown in the accompanying representations are considered to be new and distinctive.**



- (21) Design Number: **14446/2011**
(22) Date of Filing Application: **30 September 2011**
(24) Date from which industrial property rights may have effect: **30 September 2011**
(54) Product in respect of which the design is registered: **Tap mixer and spout**
(51) International Design Classification: **23-01H**
(74) Name(s) of Attorney(s): **Davies Collison Cave**
(71) Name(s) and Address(s) of Applicant(s):
SI Aust Group Pty Ltd
No.2 23 Reaburn Avenue St Albans Victoria 3021 Australia
(72) Name(s) of Designer(s): **John Roussety and Gary Cai and Jessica Mao and Fang Yonghong and Zhang Zhaoqin**
(45) Registration Date: **01 December 2011**
(56) Related Art Documents: **Not Applicable**
(57) Statement of Newness and Distinctiveness: **The features of shape and configuration of the tap mixer and spout shown in the accompanying representations are considered to be new and distinctive.**



- (21) Design Number: **14447/2011**
(22) Date of Filing Application: **30 September 2011**
(24) Date from which industrial property rights may have effect: **30 September 2011**
(54) Product in respect of which the design is registered: **Tap mixer**
(51) International Design Classification: **23-01H**
(74) Name(s) of Attorney(s): **Davies Collison Cave**
(71) Name(s) and Address(s) of Applicant(s):
SI Aust Group Pty Ltd
No.2 23 Reaburn Avenue St Albans Victoria 3021 Australia
(72) Name(s) of Designer(s): **John Roussety and Gary Cai and Jessica Mao and Fang Yonghong and Zhang Zhaoqin**
(45) Registration Date: **01 December 2011**
(56) Related Art Documents: **Not Applicable**
(57) Statement of Newness and Distinctiveness: **The features of shape and configuration of the tap mixer shown in the accompanying representations are considered to be new and distinctive.**



- (21) Design Number: **11685/2011**
(22) Date of Filing Application: **15 April 2011**
(24) Date from which industrial property rights may have effect: **15 April 2011**
(54) Product in respect of which the design is registered: **Rear combination lamp for an automobile**
(51) International Design Classification: **26-06**
(74) Name(s) of Attorney(s): **SPRUSON & FERGUSON**
(71) Name(s) and Address(s) of Applicant(s):
Toyota Jidosha Kabushiki Kaisha
1 Toyota-cho Toyota-shi Aichi-ken 471-8571 Japan
(72) Name(s) of Designer(s): **Toyokazu Nishihama**
(45) Registration Date: **01 December 2011**
(56) Related Art Documents: **Not Applicable**
(57) Statement of Newness and Distinctiveness: **Newness and distinctiveness is claimed in the features of shape and/or configuration of a rear combination lamp for an automobile as illustrated in the accompanying representations.**



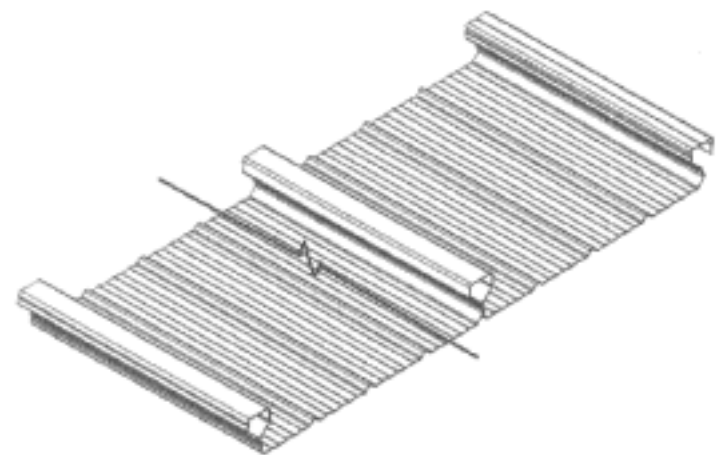
- (21) Design Number: **11686/2011**
(22) Date of Filing Application: **15 April 2011**
(24) Date from which industrial property rights may have effect: **15 April 2011**
(54) Product in respect of which the design is registered: **Front grille for an automobile**
(51) International Design Classification: **12-16B**
(74) Name(s) of Attorney(s): **SPRUSON & FERGUSON**
(71) Name(s) and Address(s) of Applicant(s):
Toyota Jidosha Kabushiki Kaisha
1 Toyota-cho Toyota-shi Aichi-ken 471-8571 Japan
(72) Name(s) of Designer(s): **Nobuyuki Tomatsu**
(45) Registration Date: **01 December 2011**
(56) Related Art Documents: **Not Applicable**
(57) Statement of Newness and Distinctiveness: **Newness and distinctiveness is claimed in the features of shape and/or configuration of a front grille for an automobile as illustrated in the accompanying representations.**



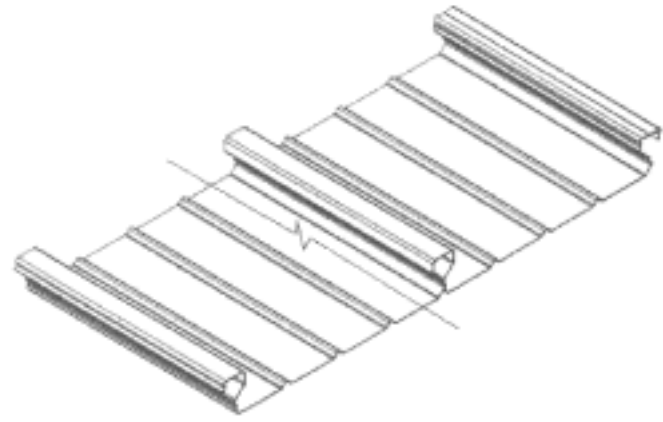
- (21) Design Number: **11687/2011**
(22) Date of Filing Application: **15 April 2011**
(24) Date from which industrial property rights may have effect: **15 April 2011**
(54) Product in respect of which the design is registered: **Rear bumper for an automobile**
(51) International Design Classification: **12-16C**
(74) Name(s) of Attorney(s): **SPRUSON & FERGUSON**
(71) Name(s) and Address(s) of Applicant(s):
Toyota Jidosha Kabushiki Kaisha
1 Toyota-cho Toyota-shi Aichi-ken 471-8571 Japan
(72) Name(s) of Designer(s): **Toyokazu Nishihama**
(45) Registration Date: **01 December 2011**
(56) Related Art Documents: **Not Applicable**
(57) Statement of Newness and Distinctiveness: **Newness and distinctiveness is claimed in the features of shape and/or configuration of a rear bumper for an automobile as illustrated in the accompanying representations.**



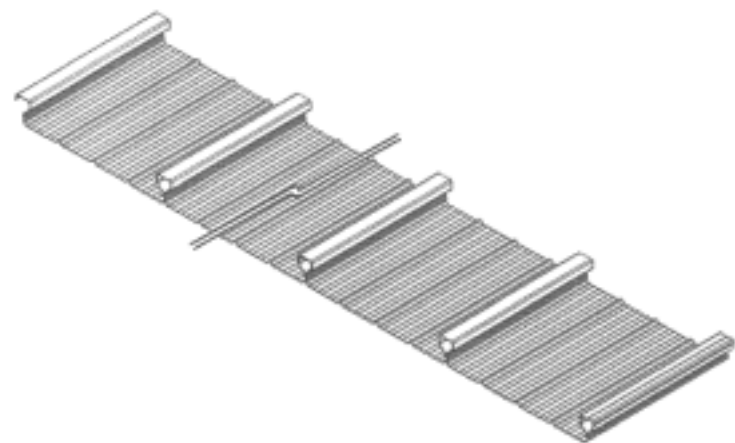
- (21) Design Number: **12931/2011**
(22) Date of Filing Application: **01 July 2011**
(24) Date from which industrial property rights may have effect: **01 July 2011**
(54) Product in respect of which the design is registered: **Roofing panel**
(51) International Design Classification: **25-01G**
(74) Name(s) of Attorney(s): **Trademark Central**
(71) Name(s) and Address(s) of Applicant(s):
Delta Panels Pty Ltd
55 Mica Street Carole Park Queensland 4300 Australia
(72) Name(s) of Designer(s): **Brian Donovan**
(45) Registration Date: **01 December 2011**
(56) Related Art Documents: **Not Applicable**
(57) Statement of Newness and Distinctiveness: **Monoply is claimed in the shape and configuration of an elongate strip member of indefinite length and inter-locking joiner panels.**



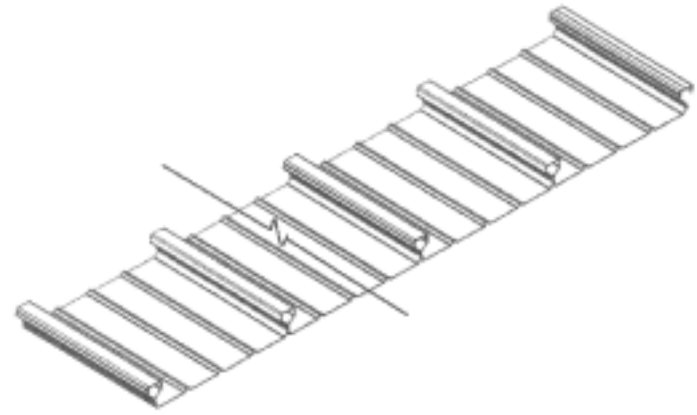
- (21) Design Number: **12932/2011**
(22) Date of Filing Application: **01 July 2011**
(24) Date from which industrial property rights may have effect: **01 July 2011**
(54) Product in respect of which the design is registered: **Roofing panel**
(51) International Design Classification: **25-01G**
(74) Name(s) of Attorney(s): **Trademark Central**
(71) Name(s) and Address(s) of Applicant(s):
Delta Panels Pty Ltd
55 Mica Street Carole Park Queensland 4300 Australia
(72) Name(s) of Designer(s): **Brian Donovan**
(45) Registration Date: **01 December 2011**
(56) Related Art Documents: **Not Applicable**
(57) Statement of Newness and Distinctiveness: **Monoploy is claimed in the shape and configuration of an elongate strip member of indefinite length and inter-locking joiner panels.**



- (21) Design Number: **12933/2011**
(22) Date of Filing Application: **01 July 2011**
(24) Date from which industrial property rights may have effect: **01 July 2011**
(54) Product in respect of which the design is registered: **Roofing panel**
(51) International Design Classification: **25-01G**
(74) Name(s) of Attorney(s): **Trademark Central**
(71) Name(s) and Address(s) of Applicant(s):
Delta Panels Pty Ltd
55 Mica Street Carole Park Queensland 4300 Australia
(72) Name(s) of Designer(s): **Brian Donovan**
(45) Registration Date: **01 December 2011**
(56) Related Art Documents: **Not Applicable**
(57) Statement of Newness and Distinctiveness: **Monoploy is claimed in the shape and configuration of an elongate strip member of indefinite length.**



- (21) Design Number: **12934/2011**
(22) Date of Filing Application: **01 July 2011**
(24) Date from which industrial property rights may have effect: **01 July 2011**
(54) Product in respect of which the design is registered: **Roofing panel**
(51) International Design Classification: **25-01G**
(74) Name(s) of Attorney(s): **Trademark Central**
(71) Name(s) and Address(s) of Applicant(s):
Delta Panels Pty Ltd
55 Mica Street Carole Park Queensland 4300 Australia
(72) Name(s) of Designer(s): **Brian Donovan**
(45) Registration Date: **01 December 2011**
(56) Related Art Documents: **Not Applicable**
(57) Statement of Newness and Distinctiveness: **Monoploy is claimed in the shape and configuration of an elongate strip member of indefinite length.**



- (21) Design Number: **13055/2011**
(22) Date of Filing Application: **07 July 2011**
(24) Date from which industrial property rights may have effect: **07 July 2011**
(54) Product in respect of which the design is registered: **Stainless steel 90 degree bend with 55mm internal radius for handrail kit.**
(51) International Design Classification: **25-02C**
(74) Name(s) of Attorney(s):
(71) Name(s) and Address(s) of Applicant(s):
Wilfred John Quinsey
14 Redbank Place Picton New South Wales 2571 Australia
Harvey Charles Quinsey
14 Redbank Place Picton New South Wales 2571 Australia
(72) Name(s) of Designer(s): **Wilfred Quinsey and Harvey Quinsey**
(45) Registration Date: **01 December 2011**
(56) Related Art Documents: **Not Applicable**
(57) Statement of Newness and Distinctiveness: **The connection of the handrail to the accessories (bends, joiners and end caps) used for this application is distinctive. See photos attached.**



- (21) Design Number: **15274/2011**
(22) Date of Filing Application: **07 July 2011**
(24) Date from which industrial property rights may have effect: **07 July 2011**
(54) Product in respect of which the design is registered: **Stainless steel handrail bend 45 degrees**
(51) International Design Classification: **25-02C**
(74) Name(s) of Attorney(s):
(71) Name(s) and Address(s) of Applicant(s):
Wilfred John Quinsey
14 Redbank Place Picton New South Wales 2571 Australia
Harvey Charles Quinsey
14 Redbank Place Picton New South Wales 2571 Australia
(72) Name(s) of Designer(s): **Wilfred John Quinsey and Harvey Charles Quinsey**
(45) Registration Date: **01 December 2011**
(56) Related Art Documents: **Not Applicable**
(57) Statement of Newness and Distinctiveness: **Nil**



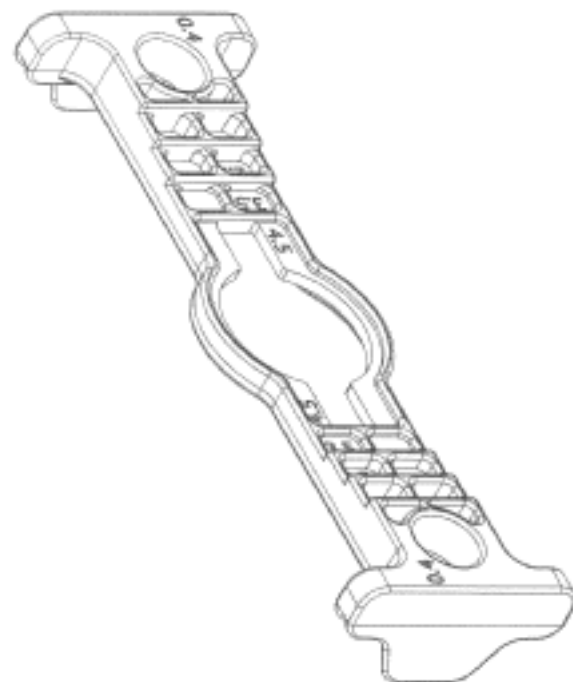
- (21) Design Number: **15275/2011**
(22) Date of Filing Application: **07 July 2011**
(24) Date from which industrial property rights may have effect: **07 July 2011**
(54) Product in respect of which the design is registered: **Stainless steel handrail joiner**
(51) International Design Classification: **25-02C**
(74) Name(s) of Attorney(s):
(71) Name(s) and Address(s) of Applicant(s):
Wilfred John Quinsey
14 Redbank Place Picton New South Wales 2571 Australia
Harvey Charles Quinsey
14 Redbank Place Picton New South Wales 2571 Australia
(72) Name(s) of Designer(s): **Wilfred John Quinsey and Harvey Charles Quinsey**
(45) Registration Date: **01 December 2011**
(56) Related Art Documents: **Not Applicable**
(57) Statement of Newness and Distinctiveness: **Nil**



- (21) Design Number: **15276/2011**
(22) Date of Filing Application: **07 July 2011**
(24) Date from which industrial property rights may have effect: **07 July 2011**
(54) Product in respect of which the design is registered: **Stainless steel handrail end cap**
(51) International Design Classification: **25-02C**
(74) Name(s) of Attorney(s):
(71) Name(s) and Address(s) of Applicant(s):
Wilfred John Quinsey
14 Redbank Place Picton New South Wales 2571 Australia
Harvey Charles Quinsey
14 Redbank Place Picton New South Wales 2571 Australia
(72) Name(s) of Designer(s): **Wilfred John Quinsey and Harvey Charles Quinsey**
(45) Registration Date: **01 December 2011**
(56) Related Art Documents: **Not Applicable**
(57) Statement of Newness and Distinctiveness: **Nil**



- (21) Design Number: **13929/2011**
(22) Date of Filing Application: **05 September 2011**
(24) Date from which industrial property rights may have effect: **05 September 2011**
(54) Product in respect of which the design is registered: **Roller door lock slimline fascia packer**
(51) International Design Classification: **08-07**
(74) Name(s) of Attorney(s):
(71) Name(s) and Address(s) of Applicant(s):
TNBT Holdings Pty Ltd
PO Box 841 Moorebank New South Wales 1875 Australia
(72) Name(s) of Designer(s): **Jonathan Woodcock**
(45) Registration Date: **01 December 2011**
(56) Related Art Documents: **Not Applicable**
(57) Statement of Newness and Distinctiveness: **The monopoly is claimed on the shape and configuration of the roller door lock fascia as illustrated in the representations.**



(21) Design Number: **14019/2011**
(22) Date of Filing Application: **07 September 2011**
(24) Date from which industrial property rights may have effect: **07 September 2011**
(54) Product in respect of which the design is registered: **Seating**
(51) International Design Classification: **06-01F**
(74) Name(s) of Attorney(s):
(71) Name(s) and Address(s) of Applicant(s):
Vosc Pty. Ltd.
106 Moreland Road Brunswick Victoria 3056 Australia
(72) Name(s) of Designer(s): **Jim Stepancic**
(45) Registration Date: **01 December 2011**
(56) Related Art Documents: **Not Applicable**
(57) Statement of Newness and Distinctiveness: **Nil**



(21) Design Number: **14020/2011**
(22) Date of Filing Application: **07 September 2011**
(24) Date from which industrial property rights may have effect: **07 September 2011**
(54) Product in respect of which the design is registered: **Seating**
(51) International Design Classification: **06-01F**
(74) Name(s) of Attorney(s):
(71) Name(s) and Address(s) of Applicant(s):
Vosc Pty. Ltd.
106 Moreland Road Brunswick Victoria 3056 Australia
(72) Name(s) of Designer(s): **Jim Stepancic**
(45) Registration Date: **01 December 2011**
(56) Related Art Documents: **Not Applicable**
(57) Statement of Newness and Distinctiveness: **Nil**



(21) Design Number: **14021/2011**
(22) Date of Filing Application: **07 September 2011**
(24) Date from which industrial property rights may have effect: **07 September 2011**
(54) Product in respect of which the design is registered: **Seating**
(51) International Design Classification: **06-01F**
(74) Name(s) of Attorney(s):
(71) Name(s) and Address(s) of Applicant(s):
Vosc Pty. Ltd.
106 Moreland Road Brunswick Victoria 3056 Australia
(72) Name(s) of Designer(s): **Jim Stepancic**
(45) Registration Date: **01 December 2011**
(56) Related Art Documents: **Not Applicable**
(57) Statement of Newness and Distinctiveness: **Nil**



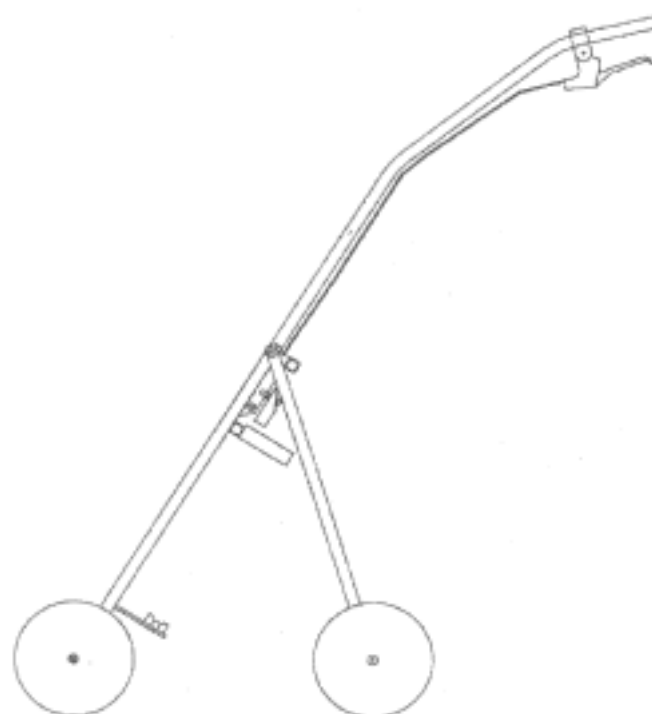
(21) Design Number: **14022/2011**
(22) Date of Filing Application: **07 September 2011**
(24) Date from which industrial property rights may have effect: **07 September 2011**
(54) Product in respect of which the design is registered: **Seating**
(51) International Design Classification: **06-01E**
(74) Name(s) of Attorney(s):
(71) Name(s) and Address(s) of Applicant(s):
Vosc Pty. Ltd.
106 Moreland Road Brunswick Victoria 3056 Australia
(72) Name(s) of Designer(s): **Jim Stepancic**
(45) Registration Date: **01 December 2011**
(56) Related Art Documents: **Not Applicable**
(57) Statement of Newness and Distinctiveness: **Nil**



(21) Design Number: **14130/2011**
(22) Date of Filing Application: **14 September 2011**
(24) Date from which industrial property rights may have effect: **14 September 2011**
(54) Product in respect of which the design is registered: **Trolley**
(51) International Design Classification: **12-02**
(74) Name(s) of Attorney(s): **James & Wells Intellectual Property**
(71) Name(s) and Address(s) of Applicant(s):

Garry Finch
C/- James and Wells Level 9 56 Cawley Street Ellerslie Auckland 1051
New Zealand

(72) Name(s) of Designer(s): **Garry Finch**
(45) Registration Date: **01 December 2011**
(56) Related Art Documents: **Not Applicable**
(57) Statement of Newness and Distinctiveness: **The design is to be applied to a trolley and the newness and distinctiveness reside in features of shape and/or configuration of the article, all as shown in the accompanying photographs.**



(21) Design Number: **14162/2011**
(22) Date of Filing Application: **15 September 2011**
(24) Date from which industrial property rights may have effect: **15 September 2011**
(54) Product in respect of which the design is registered: **Bottle**
(51) International Design Classification: **09-01K**
(74) Name(s) of Attorney(s): **Corrs Chambers Westgarth**
(71) Name(s) and Address(s) of Applicant(s):

Foster's Australia Limited
77 Southbank Boulevard Southbank Victoria 3006 Australia

(72) Name(s) of Designer(s): **Ashley Higginbotham and Chris Stephen**
(45) Registration Date: **01 December 2011**
(56) Related Art Documents: **Not Applicable**
(57) Statement of Newness and Distinctiveness: **Nil**



- (21) Design Number: **14163/2011**
(22) Date of Filing Application: **15 September 2011**
(24) Date from which industrial property rights may have effect: **15 September 2011**
(54) Product in respect of which the design is registered: **Bottle**
(51) International Design Classification: **09-01K**
(74) Name(s) of Attorney(s): **Corrs Chambers Westgarth**
(71) Name(s) and Address(s) of Applicant(s):
Foster's Australia Limited
77 Southbank Boulevard Southbank Victoria 3006 Australia
(72) Name(s) of Designer(s): **Ashley Higginbotham and Chris Stephen**
(45) Registration Date: **01 December 2011**
(56) Related Art Documents: **Not Applicable**
(57) Statement of Newness and Distinctiveness: **Newness and distinctiveness resides in the visual effect resulting from the letters being embossed on the recessed panel of the bottle whilst also being formed out of the glass of the bottle.**



- (21) Design Number: **14619/2011**
(22) Date of Filing Application: **13 October 2011**
(24) Date from which industrial property rights may have effect: **13 October 2011**
(54) Product in respect of which the design is registered: **Packaging for food**
(51) International Design Classification: **09-03M, 09-03F**
(74) Name(s) of Attorney(s):
(71) Name(s) and Address(s) of Applicant(s):
Ettason Pty Ltd
2A Birmingham Avenue Villawood New South Wales 2163 Australia
(72) Name(s) of Designer(s): **Jansen Ho**
(45) Registration Date: **01 December 2011**
(56) Related Art Documents: **Not Applicable**
(57) Statement of Newness and Distinctiveness: **1. distinctive orange color of the food package bag, CMYK: 10C, 60M 100Y 0K 2. distinctive light yellow colour of Chinese character on the food package bag, CYMK: 0C 0M 30Y 0K 3. distinctive red colour to highlight the Chinese character CYMK: 0C 100M 100Y 0K**



(21) Design Number: **14620/2011**

(22) Date of Filing Application: **13 October 2011**

(24) Date from which industrial property rights may have effect: **13 October 2011**

(54) Product in respect of which the design is registered: **Packaging for food**

(51) International Design Classification: **09-03M**

(74) Name(s) of Attorney(s):

(71) Name(s) and Address(s) of Applicant(s):

Ettason Pty Ltd

2A Birmingham Avenue Villawood New South Wales 2163 Australia

(72) Name(s) of Designer(s): **Jansen Ho**

(45) Registration Date: **01 December 2011**

(56) Related Art Documents: **Not Applicable**

(57) Statement of Newness and Distinctiveness: **1. distinctive red color of the food package bag, CYMK: 10C 100M 70Y 20K 2. distinctive light yellow color of Chinese character on the food package bag, CMYK: 0C 0M 30Y 0K 3. distinctive dark grey color of Chinese character on the food package, CYMK: 40C 40M 40Y 60K 4. the layout of the box**



(21) Design Number: **14684/2011**

(22) Date of Filing Application: **17 October 2011**

(24) Date from which industrial property rights may have effect: **17 October 2011**

(54) Product in respect of which the design is registered: **New design of door retaining device commonly called a door wedge or door stop**

(51) International Design Classification: **08-08A**

(74) Name(s) of Attorney(s):

(71) Name(s) and Address(s) of Applicant(s):

Marc Ward

10 Wheel Speed Road Carbis Bay Cornwall TR26 2QG United Kingdom

(72) Name(s) of Designer(s): **Marc Jonathan Ward**

(45) Registration Date: **01 December 2011**

(56) Related Art Documents: **Not Applicable**

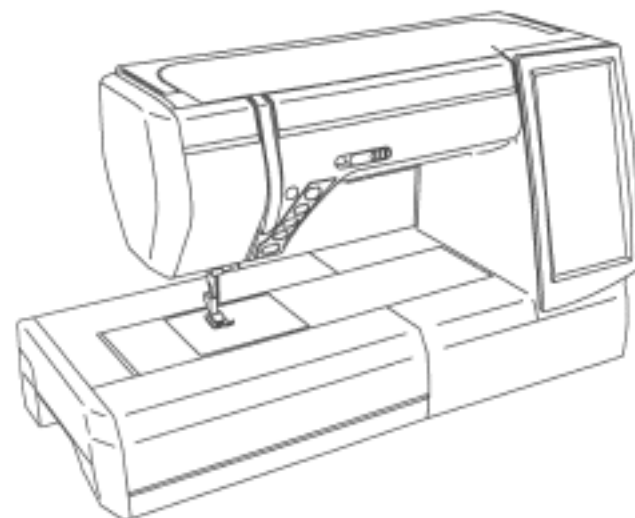
(57) Statement of Newness and Distinctiveness: **The device has a recessed curved section formed in the body of the material, this locates under the free end of a door and holds the door in an open position.**



- (21) Design Number: **14685/2011**
(22) Date of Filing Application: **17 October 2011**
(24) Date from which industrial property rights may have effect: **17 October 2011**
(54) Product in respect of which the design is registered: **Egg store**
(51) International Design Classification: **07-99NES, 07-07NES**
(74) Name(s) of Attorney(s):
(71) Name(s) and Address(s) of Applicant(s):
Marc Ward
10 Wheal Speed Road Carbis Bay Cornwall TR26 2QG United Kingdom
(72) Name(s) of Designer(s): **Marc Jonathan Ward**
(45) Registration Date: **01 December 2011**
(56) Related Art Documents: **Not Applicable**
(57) Statement of Newness and Distinctiveness: **A device for storing eggs. There is a gradient incorporated in the device so that eggs placed sideways on the device roll towards one end, this keeps them in order of freshness. The device is suitable for in or out of the fridge.**



- (21) Design Number: **14751/2011**
(22) Date of Filing Application: **19 October 2011**
(24) Date from which industrial property rights may have effect: **19 October 2011**
(54) Product in respect of which the design is registered: **Sewing machine**
(51) International Design Classification: **15-06**
(74) Name(s) of Attorney(s): **Davies Collison Cave**
(71) Name(s) and Address(s) of Applicant(s):
Janome Sewing Machine Company Limited
1463 Hazama-Machi Hachioji-Shi Tokyo Japan
(72) Name(s) of Designer(s): **Hideki Muto**
(45) Registration Date: **01 December 2011**
(30) Convention priority data:
(31) Number (32) Date (33) Country
2011-011786 26 May 2011 JAPAN
(56) Related Art Documents: **Not Applicable**
(57) Statement of Newness and Distinctiveness: **Nil**



- (21) Design Number: **15116/2011**
(22) Date of Filing Application: **10 November 2011**
(24) Date from which industrial property rights may have effect: **10 November 2011**
(54) Product in respect of which the design is registered: **Bed frame**
(51) International Design Classification: **06-02**
(74) Name(s) of Attorney(s):
(71) Name(s) and Address(s) of Applicant(s):
 Southern Way International Pty Ltd
 31 Rose Crescent Auburn New South Wales 2144 Australia
(72) Name(s) of Designer(s): **Chew Lin and Ross Ferguson**
(45) Registration Date: **01 December 2011**
(56) Related Art Documents: **Not Applicable**
(57) Statement of Newness and Distinctiveness: **'Cordite' laser cut panel on bedhead, bedfoot and drawer fronts. Exposed mortise and tenon feature accent on bedhead and bedfoot.**

