



Australian Government

IP Australia

AUSTRALIAN OFFICIAL JOURNAL

OF

DESIGNS

Did you know a searchable version of this journal is now available online?

It's FREE and EASY to SEARCH.

Find it on our website (www.ipaustralia.gov.au)

by using the "Journals" link on the home page.

This Page Left Intentionally Blank

Contents

General Information & Notices

**Proceedings Under the Designs Act 1906 preserved as a result of the provisions of Chapter 12
Part 2 of the Designs Act 2003**

Extension of Period of Registration of Designs	3368
Names Registered - Alterations and Amendments	3368
Registrations Ceased	3368
Subsequent Owners Registered	3368

Proceedings Under the Designs Act 2003

Applications for Extension of Time Under Section 137	3383
Applications Lapsed	3381
Applications Lodged	3372
Certificate of Examination	3384
Extension of Period of Registration of Design	3382
Extension of Time Granted Under Section 137	3383
Names Registered - Alterations and Amendments	3383
Publication and Registration Proceedings	
Designs Registered 339692 to 339976.....	3385
Registrations Ceased	3382
Subsequent Owners Registered	3383

This Page Left Intentionally Blank

For information on the following please see our website www.ipaustralia.gov.au or contact our Customer Service Network on 1300651010

[Editorial enquiries](#)

[Contact information](#)

[Freedom of Information ACT](#)

[Professional Standards Board](#)

[Sales](#)

[Requests for Information under Section 194 \(c\)](#)

[Country Codes](#)

[Trade Mark and Designs Hearing Sessions](#)

[INID \(Internationally agreed Numbers for the Identification of Data\)](#)

“INID” NUMBERS in use on Australian Design Documents

“INID” is an acronym for “Internationally agreed Numbers for the Identification of Data”.

(10) Data concerning the registration/renewal

- (11) Serial number of the registration and/or number of the design document
- (12) Plain language designation of the kind of published document
- (19) Identification, using the two-letter code according to WIPO Standard ST.3, of the authority publishing or registering the industrial design

(20) Data concerning the application

- (21) Serial number of the application
- (22) Date of filing of the application
- (24) Date from which the industrial design right has effect

(30) Data relating to priority under the Paris Convention

- (31) Serial number assigned to the priority application
- (32) Date of filing of the priority application
- (33) Two-letter code, according to WIPO Standard ST.3, identifying the authority with which the priority application was made

(40) Date(s) of making information available to the public

- (45) Date of publication of the registered industrial design by printing or similar process, or making it available to the public by any other means

(50) Miscellaneous Information

- (51) International Classification for Industrial Designs (class and subclass of the Locarno Classification)
- (54) Designation of article(s) or product(s) covered by the industrial design or title of the industrial design
- (55) Reproduction of the industrial design (e.g., drawing, photograph) and explanations relating to the reproduction
- (56) List of prior art documents, if separate from descriptive text
- (57) Description of characteristic features of the industrial design including indication of colours

(60) References to other legally related application(s) and registration(s)

- (62) Serial number(s) and, if available, filing date(s) of application(s), registration(s) or document(s) related by division
- (66) Serial number(s) of the application, or the registration, of the design(s) which is (are) a variant(s) of the present one

(70) Identification of parties concerned with the application or registration

- (71) Name(s) and address(es) of the applicant(s)
- (72) Name(s) of the creator(s) if known to be such
- (74) Name(s) and address(es) of the representative(s)

This Page Left Intentionally Blank

OFFICIAL NOTICE**Declaration of the days in 2012 when the Queensland sub-office of the Designs Office, the Patent Office and the Trade Marks Office is taken not to be open for business**

The close-down provisions in the Designs, Olympic Insignia protection, Patents, Plant Breeder's Rights and Trade Marks legislation provide for the effect of Designs Office, the Patent Office, the PBR Office and the Trade Marks Office ('the Canberra offices') or any of their sub-offices in the State capitals or territory not being open for business.

On 5 December 2011, the Director General of IP Australia declared under the close-down provisions the days when the Queensland sub-office will not be open for business for the 2012 calendar year.

The Queensland sub-office will not be open for business on the following days in the period **1 January 2012 to 1 January 2013**.

All Saturdays and Sundays in the period

Monday, 2 January 2012	New Year's Day
Thursday, 26 January 2012	Australia Day
Friday, 6 April 2012	Good Friday
Monday, 9 April 2012	Easter Monday
Wednesday, 25 April 2012	Anzac Day
Monday, 7 May 2012	Labour Day
Monday, 11 June 2012	Queen's Diamond Jubilee
Wednesday, 15 August 2012	Royal Queensland Show Day
Monday, 1 October 2012	Queen's Birthday
Tuesday, 25 December 2012 to Tuesday, 1 January 2013	Christmas Close Down

For more information on the effect of the close-down provisions, please see the Official Notices of 23 March 2007 titled *Intellectual Property Legislation Amendment Regulations 2007 (No. 1)* and *The new close-down provisions in the trade marks legislation* available on IP Australia's website through the page www.ipaustralia.gov.au/resources/officialnotices.shtml.

Contact: IP Australia
Phone: 1300 651 010
Fax: +61 2 6283 7999
E-mail: assist@ipaustralia.gov.au
Web: www.ipaustralia.gov.au

Proceedings under the Designs Act 1906 preserved as a result of the provisions of Chapter 12 Part 2 of the Designs Act 2003.

This Page Left Intentionally Blank

Applications Lapsed

There were no Applications Lapsed under this section

Extension of Period of Registration of Designs

143773	144750	145226
145652	146219	147511
147531		

1st Period (Section 27A(8))

2nd Period (Section 27A(12))

3rd Period (Section 27A(13))

143080	144235	144250
144390	144391	144533
144576	144639	144640
144701	144781	144812
144866	144981	144982
144983	144984	145243
145254	145384	145385
145386	145532	145533
145593	145660	145661
145833	145834	146077
146724	146725	146726
146727	146728	146729
146952	147210	147392
148245	148306	148428
148854	149548	149710
149711	149712	149723
150154	150385	151272
151273		

Registrations Ceased

Note: Some of the following Registrations may have been previously advertised as ceased. In this instance, the previous advertisement still prevails.

126046	126090	127124
127126	127192	127193
127223	127317	127336
127471	127587	127605
127760	127761	127793
128172	128294	128431
128571	128572	128811
128834	130301	130642
131149	131344	131345
131346	131547	131549
134370	141013	141581
142304	142305	142306
142307	142308	142322
142323	142324	142325
142347	142362	142363
142364	142386	142406
142407	142408	142409
142488	142513	142517
142540	142637	142706
142707	142709	142894

Subsequent Owners Registered

(The name in parentheses is that of the subsequent owner)

126862	(Bendon Limited) Gazal Apparel Pty Limited
126863	(Bendon Limited) Gazal Apparel Pty Limited
126864	(Bendon Limited) Gazal Apparel Pty Limited
126865	(Bendon Limited) Gazal Apparel Pty Limited
126866	(Bendon Limited) Gazal Apparel Pty Limited
126867	(Bendon Limited) Gazal Apparel Pty Limited
126868	(Bendon Limited) Gazal Apparel Pty Limited
126869	(Bendon Limited) Gazal Apparel Pty Limited
126870	(Bendon Limited) Gazal Apparel Pty Limited
152751	(Fusion Retail Brands Pty Ltd) Colorado Group Limited
154936	(Fusion Retail Brands Pty Ltd) Colorado Group Limited
150152	(Fusion Retail Brands Pty Ltd) Colorado Group Limited

Names Registered - Alterations and Amendments

(The name in parentheses is the new name of the proprietor)

134760	(Anheuser-Busch, LLC) Anheuser-Busch Incorporated
148245	(BP P.L.C.) BP Amoco p.l.c.
148428	(BP P.L.C.) BP Amoco p.l.c.

This Page Left Intentionally Blank

Proceedings under the Designs Act 2003.

This Page Left Intentionally Blank

Applications Lodged

Lodgement information is in the following order: **Applicant's Name**; International Classification, Name of Product, Lodgement Date and **Design Number**. If the applicant claims an earlier priority date under an International Convention, the Convention Country and the associated filing date are shown in parentheses before the Lodgement Date. Divisional information will also appear in parentheses before the Lodgement Date.

Abbott Medical Optics Inc.; 24-02, Cap for an insertion device, (US, 23 Jun 2011) 14 Dec 2011	15765/2011	Aurora Energy Pty Ltd; 13-03E, Connector for cable, 05 Dec 2011	15560/2011
Adbri Masonry Pty Ltd; 25-01A, A interlocking concrete masonry block, 12 Dec 2011	15755/2011	Austral Lock Pty Ltd; 08-07, A double sided sliding door lock assembly, 30 Nov 2011	15460/2011
Aliphcom; 11-01C, Wearable device, (US, 10 Jun 2011) 09 Dec 2011	15663/2011	AB SKF; 15-99, Bearing Housings, 09 Dec 2011	15660/2011
Alto Packaging Limited; 09-03F, A tray, 09 Dec 2011	15621/2011	ABB Technology AG; 13-03B, Outdoor pole part, (EM, 09 Jun 2011) 06 Dec 2011	15586/2011
Alto Packaging Limited; 09-03F, A tray, 09 Dec 2011	15623/2011	ANJI WEIYU FURNITURE CO., LTD; 06-01F, Bar stool, 08 Dec 2011	15681/2011
Alto Packaging Limited; 09-03F, A tray, 09 Dec 2011	15624/2011	Barker, James; 12-12, Little nomad-stable bay walker for babies 9 mnths plus, 01 Dec 2011	15494/2011
Alto Packaging Limited; 09-03F, A tray, 09 Dec 2011	15619/2011	Beba Enterprises Pty Ltd; 02-02C, Skirt, 06 Jun 2011	15630/2011
Alto Packaging Limited; 09-03F, A tray, 09 Dec 2011	15620/2011	Beba Enterprises Pty Ltd; 02-02C, Dress, 06 Jun 2011	15636/2011
Ames True Temper, Inc.; 12-02, 12-16A, Wheelbarrow wheel, (US, 12 Jul 2011) 13 Dec 2011	15746/2011	Beba Enterprises Pty Ltd; 02-02C, Skirt, 06 Jun 2011	15637/2011
Anzac Day Commemoration Committee (Queensland) Incorporated; 11-03, Badge, 06 Dec 2011	15567/2011	Beba Enterprises Pty Ltd; 02-02NES, Top, 06 Jun 2011	15632/2011
Apple Inc.; 20-02C, Display structure, (US, 01 Jun 2011) 01 Dec 2011	15501/2011	Beba Enterprises Pty Ltd; 02-02NES, Top, 06 Jun 2011	15633/2011
Apple Inc.; 20-02C, Display structure, (US, 01 Jun 2011) 01 Dec 2011	15499/2011	Beba Enterprises Pty Ltd; 02-02NES, Top, 06 Jun 2011	15631/2011
Apple Inc.; 20-02C, Display structure, (US, 01 Jun 2011) 01 Dec 2011	15500/2011	Beba Enterprises Pty Ltd; 02-02C, Dress, 06 Jun 2011	15629/2011
Augis, Rony; 01-01, A pastry, (US, 04 Nov 2011) 05 Dec 2011	15510/2011	Beba Enterprises Pty Ltd; 02-02C, Dress, 06 Jun 2011	15638/2011
Augis, Rony; 07-02P, A mold for pastries, (US, 18 Oct 2011) 05 Dec 2011	15513/2011	Beba Enterprises Pty Ltd; 99-00, Women's clothing, 09 Dec 2011	15639/2011
Augis, Rony; 07-02P, A mold for pastries, (US, 17 Oct 2011) 05 Dec 2011	15514/2011	Beba Enterprises Pty Ltd; 02-02NES, Top, 06 Jun 2011	15634/2011
Augis, Rony; 01-01, A pastry, (US, 03 Nov 2011) 05 Dec 2011	15511/2011	Beba Enterprises Pty Ltd; 02-02C, Dress, 06 Jun 2011	15635/2011
Augis, Rony; 07-02P, A mold for pastries, (US, 19 Oct 2011) 05 Dec 2011	15512/2011	Beba Enterprises Pty Ltd; 02-02NES, Women's clothing, 29 Nov 2011	15432/2011
		Bellamy, Drew; 14-02, RFID handheld scanner, 13 Dec 2011	15748/2011
		Bellamy, Drew; 14-02, RFID scanner, 13 Dec 2011	15749/2011
		Bemis Manufacturing Company; 23-02C, Toilet seat ring, (US, 18 Apr 2011) (Divisional of 14705/2011) 17 Oct 2011	15744/2011

Biogen Idec MA Inc.; 24-01, Midicament delivery device, (US, 03 Jun 2011) 05 Dec 2011	15533/2011	Checkmate International Pty Ltd; 06-04NES, Shelving system, 06 Dec 2011	15542/2011
Bose Corporation; 14-01, Portable audio system, (US, 15 Apr 2011) 29 Sep 2011	15459/2011	Checkmate International Pty Ltd; 06-04NES, Shelving system, 06 Dec 2011	15539/2011
Bradford Industries Pty Ltd; 20-03B, 19-08, Strip of tags, 13 Dec 2011	15735/2011	Checkmate International Pty Ltd; 06-04NES, Shelving system, 06 Dec 2011	15540/2011
Braun GmbH; 28-03A, Shaver, 01 Dec 2011	15497/2011	Choi, Victor Seng Hyeok;Dyman Foams Pty Ltd; 23-01L, Gutter filter, 08 Dec 2011	15627/2011
Breathable Foods Inc.; 09-01A, Aerosol dispenser, (US, 07 Jun 2011) 06 Dec 2011	15548/2011	Choi, Victor Seng Hyeok;Dyman Foams Pty Ltd; 23-01L, Gutter filter, 08 Dec 2011	15628/2011
Britax Childcare Pty Ltd; 06-01D, A booster seat, 14 Dec 2011	15757/2011	Ciampa, Joe John; 07-01F, A jug, 02 Dec 2011	15509/2011
Brivis Climate Systems Pty Ltd; 23-04, An evaporative cooler fan module, 06 Dec 2011	15576/2011	Clarkson, Christine; 23-01G, 23-01A, Water collection device. the invention relates to a rainwater collection device, the device relates to a water, collection device for the collection of rainwater from the roof of a building, house at eaves level, 08 Dec 2011	15682/2011
Brivis Climate Systems Pty Ltd; 23-04, An evaporative cooler evaporator module, 06 Dec 2011	15575/2011	Continental Reifen Deutschland GmbH; 12-15B, Tyre, (EM, 18 Aug 2011) 14 Dec 2011	15758/2011
Broplenty Pty Ltd; 09-07C, Champagne stopper, 29 Nov 2011	15506/2011	Covertex Limited; 26-05C, , (NZ, 15 Jun 2011) 13 Dec 2011	15752/2011
Cabouli, Steven; 03-01B, Smart wallet, (US, 13 Jun 2011) 13 Dec 2011	15707/2011	Crown Equipment Corporation; 12-05, Instrument cover for lift truck, (EM, 01 Jul 2011) 13 Dec 2011	15742/2011
Calderwood, James A.; 15-03A, Ripper boot assembly, 30 Nov 2011	15492/2011	Crown Equipment Corporation; 12-05, Instrument cover for lift truck, (EM, 01 Jul 2011) 13 Dec 2011	15743/2011
Callaway Golf Company; 21-02C, Golf club head, (US, 10 Jun 2011) 09 Dec 2011	15664/2011	Daimler AG; 12-16A, Wheel for vehicle, 02 Dec 2011	15508/2011
Caroma Industries Limited; 23-02B, A bath, 07 Dec 2011	15602/2011	Dark, Douglas George; 08-08L, Five board hop-up bracket, 09 Dec 2011	15625/2011
Caroma Industries Limited; 23-02B, A bath, 07 Dec 2011	15601/2011	Derlot Pty Limited; 06-01NES, 1P booth seat, 14 Dec 2011	15768/2011
Cartier Creation Studio S.A.; 10-07, Watch bracelet, (CH, 10 Jun 2011) 08 Dec 2011	15647/2011	Derlot Pty Limited; 06-06NES, Workshop partition, 14 Dec 2011	15772/2011
Cartier Creation Studio S.A.; 10-02, Watch, (CH, 10 Jun 2011) 08 Dec 2011	15649/2011	Derlot Pty Limited; 06-01NES, Workshop seating, 14 Dec 2011	15773/2011
Cartier Creation Studio S.A.; 10-07, Watch winding button, (CH, 10 Jun 2011) 08 Dec 2011	15650/2011	Derlot Pty Limited; 06-01NES, 2P built in booth, 14 Dec 2011	15770/2011
Cartier Creation Studio S.A.; 10-07, Watch case, (CH, 10 Jun 2011) 08 Dec 2011	15648/2011	Derlot Pty Limited; 06-01NES, 4P built in booth, 14 Dec 2011	15771/2011
Checkmate International Pty Ltd; 06-04NES, Shelving system, 06 Dec 2011	15541/2011	Derlot Pty Limited; 06-01NES, 2P booth seat, 14 Dec 2011	15769/2011
Checkmate International Pty Ltd; 06-04NES, Shelving system, 06 Dec 2011	15537/2011	Docsinnovent Limited; 29-02, 24-04, Arm restraint, (EM, 23 Feb 2011) 19 Aug 2011	15412/2011
Checkmate International Pty Ltd; 06-04NES, Shelving system, 06 Dec 2011	15538/2011	Docsinnovent Limited; 29-02, 24-04, Arm restraint, (EM, 23 Feb 2011) 19 Aug 2011	15413/2011

Docsinnovent Limited; 29-02, 24-04, Arm restraint, (EM, 23 Feb 2011) 19 Aug 2011	15411/2011	Glad Products Company, The; 09-09, Trash bag, (US, 29 Jun 2011) 12 Dec 2011	15706/2011
Dyman Foams Pty Ltd;Choi, Victor Seng Hyeok; 23-01L, Gutter filter, 08 Dec 2011	15627/2011	Glad Products Company, The; 09-09, Trash bag, (US, 09 Jun 2011) 05 Dec 2011	15564/2011
Dyman Foams Pty Ltd;Choi, Victor Seng Hyeok; 23-01L, Gutter filter, 08 Dec 2011	15628/2011	Go Forwards Co Pty Ltd; 08-08NES, 03-03, A cane stand, 09 Dec 2011	15668/2011
Dyson Limited; 15-05, Part of a vacuum cleaner, (EM, 29 Jun 2011) 07 Dec 2011	15604/2011	Gojo Industries, Inc.; 09-03NES, Dispenser housing, (US, 09 Jun 2011) 06 Dec 2011	15532/2011
E.D. Oates Pty Ltd; 12-02, Janitor's cart (2), 14 Dec 2011	15760/2011	Gough, Simon John; 12-05, Conveyor cover - covering of conveyor belts in ie. mining industry etc., 14 Dec 2011	15736/2011
E.D. Oates Pty Ltd; 07-07B, Wringer, 14 Dec 2011	15762/2011	Graco Minnesota Inc.; 15-02, Portable plural component proportioner, (US, 16 Jun 2011) 13 Dec 2011	15745/2011
E.D. Oates Pty Ltd; 12-02, Janitor's cart (1), 14 Dec 2011	15761/2011	Groskreutz, Ekkehard; 08-08L, 5mm thick stainless steel, double adjustable, tiled roof bracket for installation of railing system for solar modules, and system on tiled roof surfaces on commercial and domestic dwellings, 09 Dec 2011	15713/2011
E.D. Oates Pty Ltd; 06-04B, Storage cabinet, 14 Dec 2011	15759/2011	GCX Corporation; 08-08NES, Wall mounted extension arm, (US, 13 Apr 2011) 12 Oct 2011	15483/2011
Edri, Yoheved; 06-13NES, Baby swaddling suit/blanket, 09 Dec 2011	15712/2011	Halcrow Technology Limited; 25-01K, An extrusion, 09 Dec 2011	15622/2011
Fifty-Fourth Rischell Pty Ltd; 02-02C, 02-02NES, Men's clothing, 29 Nov 2011	15517/2011	Hansen Developments Limited; 10-04, Level indicator, (NZ, 14 Jun 2011) 05 Dec 2011	15521/2011
Finch, Glen; 12-06C, Hy bred kayak/canooe inshore - off shore fishing platform or long distance travelling kayak/canooe (ky-nooe), 06 Dec 2011	15584/2011	Heliae Development, LLC; 30-02, Aquaculture vessel, (US, 10 Jun 2011) 08 Dec 2011	15646/2011
Flip Innovations Pty Ltd; 12-11, Foldable tricycle, 02 Dec 2011	15522/2011	Heliae Development, LLC; 30-02, Aquaculture vessel, (US, 10 Jun 2011) 08 Dec 2011	15645/2011
Flip Innovations Pty Ltd; 12-11, Foldable tricycle, 02 Dec 2011	15523/2011	Hill, Keith Lawrence; 07-06A, 22-05, Fishing rod drink holder, 17 Nov 2011	15261/2011
Forever New Clothing Pty Ltd; 02-02C, 02-02NES, Women's fashion clothing, 02 Dec 2011	15518/2011	Horsfall, Harvey David; 25-01NES, Tarp extrusion and cover, 15 Dec 2011	15756/2011
Galloway, Neil R.;Galloway, Christine J.; 21-01L, The gameboard for the ortuga boardgame fig 1, 09 Dec 2011	15610/2011	Huisman, Richard Johannes Cornelis; 23-02NES, 09-03K, Septic tank station in a shipping container, 01 Dec 2011	15467/2011
Galloway, Christine J.;Galloway, Neil R.; 21-01L, The gameboard for the ortuga boardgame fig 1, 09 Dec 2011	15610/2011	Hunter Pacific International Pty Ltd; 23-04, Bracket for mounting a ceiling fan, 09 Dec 2011	15616/2011
Galloway, Christine J.;Galloway, Neil R.; 03-01NES, 21-01L, The box for the "ortuga" boardgame fig, 2&3, 09 Dec 2011	15609/2011	Hunter Pacific International Pty Ltd; 23-04, Ceiling fan hub, 09 Dec 2011	15618/2011
Galloway, Neil R.;Galloway, Christine J.; 03-01NES, 21-01L, The box for the "ortuga" boardgame fig, 2&3, 09 Dec 2011	15609/2011	Hunter Pacific International Pty Ltd; 23-04, Mounting plate, 09 Dec 2011	15617/2011
Glad Products Company, The; 09-09, Trash bag, (US, 29 Jun 2011) 12 Dec 2011	15705/2011		

Hunter Pacific International Pty Ltd; 13-03C, Electrical connector, 09 Dec 2011	15613/2011	Johnson, Johanna; 02-02C, A woman's garment, comprising beaded parts, 13 Dec 2011	15734/2011
Hunter Pacific International Pty Ltd; 13-03C, Electronics module, 09 Dec 2011	15612/2011	Johnson, Johanna; 02-02C, A woman's garment, 13 Dec 2011	15732/2011
Hunter Pacific International Pty Ltd; 23-04, Ceiling fan blade, 09 Dec 2011	15614/2011	Johnson, Johanna; 02-02C, A woman's garment, 13 Dec 2011	15733/2011
Hunter Pacific International Pty Ltd; 13-03C, Electrical connector, 09 Dec 2011	15611/2011	Johnson, Johanna; 02-02C, A woman's garment, 13 Dec 2011	15731/2011
Hunter Pacific International Pty Ltd; 23-04, Ball joint, 09 Dec 2011	15615/2011	Johnson, Johanna; 02-02C, A woman's garment, comprising beaded parts, 13 Dec 2011	15729/2011
Husqvarna AB; 08-03, Trimmer, (SE, 31 May 2011) 30 Nov 2011	15466/2011	Johnson, Johanna; 02-02C, A woman's garment, comprising beaded parts, 13 Dec 2011	15727/2011
Husqvarna AB; 08-03, Trimmer, (SE, 31 May 2011) 30 Nov 2011	15464/2011	Johnson, Johanna; 02-02C, A woman's garment, comprising beaded parts, 13 Dec 2011	15728/2011
Husqvarna AB; 08-03, Trimmer, (SE, 31 May 2011) 30 Nov 2011	15465/2011	Johnson, Johanna; 02-02C, A woman's garment, comprising beaded parts, 13 Dec 2011	15726/2011
Husqvarna AB; 08-03, Chainsaw body, (SE, 31 May 2011) 30 Nov 2011	15462/2011	Johnson, Johanna; 02-02C, A woman's garment, comprising beaded parts, 13 Dec 2011	15725/2011
Husqvarna AB; 08-03, Tophandle saw body, (SE, 31 May 2011) 30 Nov 2011	15463/2011	Johnson & Johnson Consumer Companies, Inc.; 09-01G, Container with cap, (US, 14 Jun 2011) 13 Dec 2011	15753/2011
Husqvarna AB; 08-03, Hedge trimmer body, (SE, 31 May 2011) 30 Nov 2011	15461/2011	Johnson & Johnson Consumer Companies, Inc.; 24-04, Adhesive bandage with decorated pad, (US, 28 Feb 2011) (Divisional of 13787/2011) 26 Aug 2011	15470/2011
Innova Solar Energy S.r.l.; 13-99, Solar energy concentrator, (EM, 06 Jun 2011) 02 Dec 2011	15527/2011	Johnson & Johnson Consumer Companies, Inc.; 24-04, Adhesive bandage with decorated pad, (US, 28 Feb 2011) (Divisional of 13787/2011) 26 Aug 2011	15471/2011
Innova Solar Energy S.r.l.; 13-99, Solar energy concentrator, (EM, 06 Jun 2011) 02 Dec 2011	15528/2011	Johnson & Johnson Consumer Companies, Inc.; 24-04, Adhesive bandage with decorated pad, (US, 28 Feb 2011) (Divisional of 13787/2011) 26 Aug 2011	15472/2011
Intellectual Property Energy Mad Limited; 26-05C, A light fitting, (NZ, 16 Jun 2011) 12 Dec 2011	15674/2011	Johnson & Johnson Consumer Companies, Inc.; 24-04, Adhesive bandage with decorated pad, (US, 28 Feb 2011) (Divisional of 13787/2011) 26 Aug 2011	15473/2011
Jayco Corporation Pty Ltd; 08-06, Handle, 07 Dec 2011	15590/2011	Johnson & Johnson Consumer Companies, Inc.; 24-04, Adhesive bandage with decorated pad, (US, 28 Feb 2011) (Divisional of 13787/2011) 26 Aug 2011	15474/2011
Johnson, Johanna; 02-02C, A woman's garment, comprising beaded parts, 13 Dec 2011	15721/2011	Johnson & Johnson Consumer Companies, Inc.; 24-04, Adhesive bandage with decorated pad, (US, 28 Feb 2011) (Divisional of 13787/2011) 26 Aug 2011	15475/2011
Johnson, Johanna; 02-02C, A woman's garment, comprising beaded parts, 13 Dec 2011	15724/2011		
Johnson, Johanna; 02-02C, A woman's garment, comprising beaded parts, 13 Dec 2011	15723/2011		
Johnson, Johanna; 02-02C, A woman's garment, 13 Dec 2011	15719/2011		
Johnson, Johanna; 02-02C, A woman's garment, comprising beaded parts, 13 Dec 2011	15730/2011		

Johnson & Johnson Consumer Companies, Inc.; 24-04, Adhesive bandage with decorated pad, (US, 28 Feb 2011) (Divisional of 13787/2011) 26 Aug 2011	15476/2011	Johnson & Johnson Consumer Companies, Inc.; 24-04, Adhesive bandage with decorated pad, (US, 28 Feb 2011) (Divisional of 13788/2011) 26 Aug 2011	15444/2011
Johnson & Johnson Consumer Companies, Inc.; 24-04, Adhesive bandage with decorated pad, (US, 28 Feb 2011) (Divisional of 13788/2011) 26 Aug 2011	15441/2011	Johnson & Johnson Consumer Companies, Inc.; 24-04, Adhesive bandage with decorated pad, (US, 28 Feb 2011) (Divisional of 13788/2011) 26 Aug 2011	15442/2011
Johnson & Johnson Consumer Companies, Inc.; 24-04, Adhesive bandage with decorated pad, (US, 28 Feb 2011) (Divisional of 13787/2011) 26 Aug 2011	15480/2011	Kabushiki Kaisha Toshiba, also Trading as Toshiba Corporation; 14-03B, A television receiver, (JP, 29 Aug 2011) 07 Dec 2011	15594/2011
Johnson & Johnson Consumer Companies, Inc.; 24-04, Adhesive bandage with decorated pad, (US, 28 Feb 2011) (Divisional of 13787/2011) 26 Aug 2011	15481/2011	Karsten Manufacturing Corporation; 21-02C, Gold club head, (US, 11 Aug 2011) 08 Dec 2011	15644/2011
Johnson & Johnson Consumer Companies, Inc.; 24-04, Adhesive bandage with decorated pad, (US, 28 Feb 2011) (Divisional of 13787/2011) 26 Aug 2011	15477/2011	King Furniture (Australia) Pty Ltd; 06-06F, Component for article of furniture, 14 Dec 2011	15764/2011
Johnson & Johnson Consumer Companies, Inc.; 24-04, Adhesive bandage with decorated pad, (US, 28 Feb 2011) (Divisional of 13787/2011) 26 Aug 2011	15482/2011	Klean Kanten, Inc.; 23-01NES, Cover for drinking spout, (US, 05 Jul 2011) 14 Dec 2011	15740/2011
Johnson & Johnson Consumer Companies, Inc.; 24-04, Adhesive bandage with decorated pad, (US, 28 Feb 2011) (Divisional of 13787/2011) 26 Aug 2011	15478/2011	Koninklijke Philips Electronics N.V.; 15-05, Vacuum cleaner, (EM, 14 Jun 2011) 09 Dec 2011	15669/2011
Johnson & Johnson Consumer Companies, Inc.; 24-04, Adhesive bandage with decorated pad, (US, 28 Feb 2011) (Divisional of 13787/2011) 26 Aug 2011	15479/2011	Kumho Tire Co., Inc.; 12-15B, Automobile tire, (KR, 24 Jun 2011) 09 Dec 2011	15672/2011
Johnson & Johnson Consumer Companies, Inc.; 24-04, Adhesive bandage with decorated pad, (US, 28 Feb 2011) (Divisional of 13787/2011) 26 Aug 2011	15443/2011	Lane, Jordan; 03-01B, Wallet billfold, 07 Dec 2011	15606/2011
Johnson & Johnson Consumer Companies, Inc.; 24-04, Adhesive bandage with decorated pad, (US, 28 Feb 2011) (Divisional of 13787/2011) 26 Aug 2011	15468/2011	Larrain, Manuel; 06-06G, Seat, 05 Dec 2011	15562/2011
Johnson & Johnson Consumer Companies, Inc.; 24-04, Adhesive bandage with decorated pad, (US, 28 Feb 2011) (Divisional of 13787/2011) 26 Aug 2011	15469/2011	Legend Corporate Services Pty Ltd; 13-03D, Light-sensitive switch, 09 Dec 2011	15661/2011
		Lego A/S; 21-01E, Toy, (WO, 30 Jun 2011) 12 Dec 2011	15691/2011
		Lego A/S; 21-01E, Toy, (WO, 30 Jun 2011) 12 Dec 2011	15687/2011
		Lego A/S; 21-01E, Toy, (WO, 30 Jun 2011) 12 Dec 2011	15688/2011
		Lego A/S; 21-01E, Toy, (WO, 30 Jun 2011) 12 Dec 2011	15685/2011
		Lego A/S; 21-01E, Toy, (WO, 30 Jun 2011) 12 Dec 2011	15689/2011
		Lego A/S; 21-01E, Toy, (WO, 30 Jun 2011) 12 Dec 2011	15690/2011
		Lego A/S; 21-01E, Toy, (WO, 30 Jun 2011) 12 Dec 2011	15686/2011

Lego A/S; 21-01E, Toy, (WO, 30 Jun 2011) 12 Dec 2011	15683/2011	Margaritis, Carmel; 03-01NES, This is a bag designed to mum's to carry all babies needs. it also has a "zip off" section so the mum can use for a, smaller bag, 09 Dec 2011	15715/2011
Lego A/S; 21-01E, Toy, (WO, 30 Jun 2011) 12 Dec 2011	15684/2011	Margaritis, Carmel; 03-01NES, This is for storing wet baby wipes, 09 Dec 2011	15716/2011
Lego A/S; 21-01E, 21-01B, Toy, (WO, 30 Jun 2011) 12 Dec 2011	15699/2011	Marimekko Oyj; 09-01C, Jar, (EM, 13 Jun 2011) 02 Dec 2011	15607/2011
Lego A/S; 21-01E, 21-01B, Toy, (WO, 30 Jun 2011) 12 Dec 2011	15700/2011	Marimekko Oyj; 09-01K, Can, (EM, 13 Jun 2011) 02 Dec 2011	15608/2011
Lego A/S; 21-01E, 21-01B, Toy, (WO, 30 Jun 2011) 12 Dec 2011	15695/2011	Mary Kay Inc.; 28-02, Container, (US, 10 Nov 2011) 07 Dec 2011	15579/2011
Lego A/S; 21-01E, 21-01B, Toy, (WO, 30 Jun 2011) 12 Dec 2011	15696/2011	Mary Kay Inc.; 28-03NES, Container, (US, 10 Nov 2011) 05 Dec 2011	15563/2011
Lego A/S; 21-01E, 21-01B, Toy, (WO, 30 Jun 2011) 12 Dec 2011	15693/2011	Master Lock Company LLC; 08-07, 08-99, Lock dial, (US, 06 Jun 2011) 05 Dec 2011	15550/2011
Lego A/S; 21-01E, 21-01B, Toy, (WO, 30 Jun 2011) 12 Dec 2011	15697/2011	Master Lock Company LLC; 08-07, Lock dial, (US, 07 Jun 2011) 06 Dec 2011	15585/2011
Lego A/S; 21-01E, 21-01B, Toy, (WO, 30 Jun 2011) 12 Dec 2011	15698/2011	Matscitechno Licensing Company; 02-02B, 02-03, Shock absorbing cap, (US, 08 Jun 2011) 05 Dec 2011	15547/2011
Lego A/S; 21-01E, 21-01B, Toy, (WO, 30 Jun 2011) 12 Dec 2011	15694/2011	Matscitechno Licensing Company; 02-02B, 02-03, Shock absorbing cap, (US, 08 Jun 2011) 05 Dec 2011	15546/2011
Lego A/S; 21-01E, 21-01B, Toy, (WO, 30 Jun 2011) 12 Dec 2011	15692/2011	Mattane Pty Ltd; 25-01K, An extrusion, 30 Nov 2011	15445/2011
Leisure Coin Pty Ltd; 21-03, Story board coin operated ride, 05 Dec 2011	15565/2011	McGuire, Joseph; 23-02E, Plumbing floor waste grate, 09 Dec 2011	15714/2011
Libman Company, The; 07-05E, Cleaning device, (US, 21 Sep 2011) 05 Dec 2011	15566/2011	Metal Ind. Pty Ltd; 12-05, Vehicle/canopy mounted extendable hoist, JIB and cradle, 09 Dec 2011	15642/2011
Liebherr-Mining Equipment Colmar SAS; 15-04, Bucket tooth, (EM, 10 Jun 2011) 29 Nov 2011	15447/2011	Metlam Australia Pty Limited; 06-06NES, An adjustable leg, 08 Dec 2011	15605/2011
LG Electronics Inc.; 23-04, Air conditioner, (KR, 01 Jun 2011) 01 Dec 2011	15498/2011	Michelin Recherche et Technique S.A.;Societe De Technologie Michelin; 12-15A, A tyre, (FR, 28 Jun 2011) 02 Dec 2011	15504/2011
LSI Industries, Inc.; 26-03, Lighting, (US, 13 May 2011) 03 Nov 2011	15507/2011	Michelin Recherche et Technique S.A.;Societe De Technologie Michelin; 12-15A, A tyre, (FR, 28 Jun 2011) 02 Dec 2011	15503/2011
Macchiavalley GmbH; 07-02L, 07-02K, Coffee and tea maker, (EM, 08 Jun 2011) 07 Dec 2011	15589/2011	Microsoft Corporation; 14-04, Display screen with icon, (US, 08 Nov 2011) 06 Dec 2011	15572/2011
Marcusson, Ewert; 12-16H, Rear view mirror, (SE, 30 May 2011) 30 Nov 2011	15493/2011	Microsoft Corporation; 14-04, Display screen with icon, (US, 08 Nov 2011) 06 Dec 2011	15573/2011

Microsoft Corporation; 14-04, Display screen with user interface, (US, 08 Nov 2011) 06 Dec 2011	15571/2011	Nintendo Co., Ltd.; 21-01N, 14-02, 13-03E, Connector for electronic equipment, (JP, 03 Jun 2011) 30 Nov 2011	15486/2011
Microsoft Corporation; 14-04, Display screen with icon, (US, 08 Nov 2011) 06 Dec 2011	15574/2011	Nippon Steel Corporation; 25-02NES, Metal plate, (JP, 07 Jun 2011) 07 Dec 2011	15599/2011
Mortimer, Nathan W.; 21-02D, Surfboard, 07 Dec 2011	15580/2011	Nippon Steel Corporation; 25-02NES, Metal plate, (JP, 07 Jun 2011) 07 Dec 2011	15598/2011
MITSUBISHI PENCIL COMPANY, LIMITED; 19-06, Marker pen, (JP, 10 Jun 2011) 06 Dec 2011	15587/2011	Nippon Steel Corporation; 25-02NES, Metal plate, (JP, 07 Jun 2011) 07 Dec 2011	15597/2011
N.V. Nutricia; 07-01C, Cup, (EM, 15 Nov 2011) 07 Dec 2011	15595/2011	Nippon Steel Corporation; 25-02NES, Metal plate, (JP, 07 Jun 2011) 07 Dec 2011	15600/2011
Naarstig, Theo; 24-99, 09-03E, An external insulating container and internal phase change material container surrounding specimen tubes for transport, of same, 05 Dec 2011	15529/2011	One Water Naturally Pty Ltd; 23-01A, Plastic flexible union connector for high pressure water systems, 02 Dec 2011	15536/2011
Naim, Ossama; 12-16A, , 06 Dec 2011	15544/2011	Osram-Sylvania Inc.; 13-03D, Switch, (US, 15 Jun 2011) 13 Dec 2011	15720/2011
Naim, Ossama; 12-16A, Alloy mag wheels, 06 Dec 2011	15545/2011	Osram-Sylvania Inc.; 13-03D, Switch, (US, 15 Jun 2011) 13 Dec 2011	15722/2011
Nintendo Co., Ltd.; 21-01N, Stylus pen for operating a touch panel, (JP, 03 Jun 2011) 05 Dec 2011	15551/2011	Osram-Sylvania Inc.; 13-03D, Switch, (US, 15 Jun 2011) 13 Dec 2011	15718/2011
Nintendo Co., Ltd.; 21-01N, Upper housing of a controller for an electronic computer, (JP, 03 Jun 2011) 05 Dec 2011	15555/2011	Pacific Plastics (QLD) Pty Ltd; 25-01NES, 25-02H, A seal, 09 Dec 2011	15673/2011
Nintendo Co., Ltd.; 21-01N, Controller for an electronic computer, (JP, 03 Jun 2011) 05 Dec 2011	15556/2011	Pacific Trends International Pty Ltd; 23-03B, Gas area heater, 02 Dec 2011	15524/2011
Nintendo Co., Ltd.; 21-01N, Upper housing of a controller for an electronic computer, (JP, 28 Nov 2011) 05 Dec 2011	15554/2011	Paradise Motor Homes Pty Ltd; 12-16K, A lower body panel for a motor home having a storage receptacle, 07 Oct 2011	15549/2011
Nintendo Co., Ltd.; 21-01N, Controller for an electronic computer, (JP, 17 Nov 2011) 05 Dec 2011	15552/2011	Performance Flotation Developments (Aust) Pty Ltd; 21-02D, Flotation device, 08 Dec 2011	15626/2011
Nintendo Co., Ltd.; 21-01N, Lower housing of a controller for an electronic computer, (JP, 03 Jun 2011) 05 Dec 2011	15553/2011	Pi-Design AG; 07-02K, Electric kettle, (WO, 14 Jun 2011) 06 Dec 2011	15534/2011
Nintendo Co., Ltd.; 21-01N, Lower housing of a controller for an electronic computer, (JP, 30 Nov 2011) 05 Dec 2011	15557/2011	Pi-Design AG; 07-02L, Coffee maker, (WO, 25 Jul 2011) 06 Dec 2011	15535/2011
Nintendo Co., Ltd.; 14-02, Electronic computer, (JP, 03 Jun 2011) 02 Dec 2011	15525/2011	Planex Design Pty Ltd; 08-08B, A fastener element, 02 Dec 2011	15496/2011
Nintendo Co., Ltd.; 14-02, 21-01N, Controller for an electronic computer, (JP, 03 Jun 2011) 02 Dec 2011	15526/2011	Plunkett, Susan; 09-01NES, Split/divided drink bottle. one unit with two sections., 08 Dec 2011	15679/2011
		Plunkett, Susan; 09-03M, Juice box as one unit with two discrete sections, 08 Dec 2011	15680/2011
		Plunkett, Susan; 09-02A, Gardening/balcony/outdoor product, 08 Dec 2011	15677/2011

Plunkett, Susan; 20-02E, Gardening/balcony/outdoor product, 08 Dec 2011	15678/2011	Schmitz-Werke GmbH + Co. KG; 25-02H, Awning, 09 Dec 2011	15658/2011
Point-N-Putt Pty Ltd; 21-02C, Golf wedge, 07 Dec 2011	15578/2011	Schmitz-Werke GmbH + Co. KG; 25-02H, Awning, 09 Dec 2011	15659/2011
Popinpod Limited; 06-02, Inflatable cot, (NZ, 30 Jun 2011) 14 Dec 2011	15738/2011	Scott, Antony; 25-01E, A rail for a suspended rail system, 14 Dec 2011	15739/2011
Powerpac Group Limited; 08-03, A power tool blade, (NZ, 28 Jun 2011) 14 Dec 2011	15741/2011	See Hau Global Sdn Bhd; 09-08, Pallet, 13 Dec 2011	15750/2011
Procter & Gamble Company, The; 28-99, Refill for air freshener device, (US, 15 Jun 2011) 08 Dec 2011	15640/2011	See Hau Global Sdn Bhd; 09-08, Pallet, 13 Dec 2011	15751/2011
Procter & Gamble Company, The; 19-08, Label for bottle, (US, 30 Jun 2011) 08 Dec 2011	15641/2011	Sensormatic Electronics, LLC; 14-03NES, Electronic article surveillance pedestal antenna, (US, 07 Jun 2011) 29 Nov 2011	15431/2011
Psaila, Anthony; 08-05K, Tile spacer spindle, 05 Dec 2011	15561/2011	Shield Projects Limited; 25-01NES, Connecting member, 05 Dec 2011	15515/2011
Quality Blow Moulders Pty Ltd; 09-01B, A bottle, 08 Dec 2011	15591/2011	Shield Projects Limited; 25-01NES, Connecting member, 05 Dec 2011	15516/2011
Quinn, Amy; 06-03B, A plywood table requireing no glue or fasteners, 30 Nov 2011	15484/2011	Skope Industries Limited; 15-07, 20-02C, A refrigerated display cabinet, 13 Dec 2011	15717/2011
Reckitt & Colman (Overseas) Limited; 28-99, Air freshener device, (EM, 20 Jun 2011) 09 Dec 2011	15665/2011	Smart Openers Pty Ltd; 14-03NES, Receiver unit housing for a door operator remote control, 14 Dec 2011	15766/2011
Reckitt & Colman (Overseas) Limited; 28-99, Refill for air freshener device, (EM, 20 Jun 2011) 09 Dec 2011	15667/2011	Smart Openers Pty Ltd; 12-05, Two part operator casing for a roller door operator, 14 Dec 2011	15767/2011
Reckitt & Colman (Overseas) Limited; 28-99, Air freshener device, (EM, 20 Jun 2011) 09 Dec 2011	15666/2011	Societe des Produits Nestle S.A.; 01-01, A piece of chocolate, (CH, 12 Jul 2011) 13 Dec 2011	15701/2011
Roadside Products Pty Ltd; 10-06, 25-01E, Post base, 08 Dec 2011	15643/2011	Societe des Produits Nestle S.A.; 01-01, A piece of chocolate, (CH, 12 Jul 2011) 13 Dec 2011	15710/2011
Roney, Gerard; 30-03, Grain feeder, 13 Dec 2011	15708/2011	Societe des Produits Nestle S.A.; 01-01, A piece of chocolate, (CH, 12 Jul 2011) 13 Dec 2011	15702/2011
RPM Sports Limited; 21-02NES, Exercise device, 07 Dec 2011	15596/2011	Societe De Technologie Michelin;Michelin	15504/2011
S. C. Johnson & Son, Inc.; 23-04, Volatile dispenser, (US, 13 Jun 2011) 12 Dec 2011	15704/2011	Recherche et Technique S.A.; 12-15A, A tyre, (FR, 28 Jun 2011) 02 Dec 2011	
Scanpan A/S; 08-05H, Sharpener, 29 Nov 2011	15430/2011	Societe De Technologie Michelin;Michelin	15503/2011
Schmitz-Werke GmbH + Co. KG; 25-02H, Awning, 09 Dec 2011	15654/2011	Recherche et Technique S.A.; 12-15A, A tyre, (FR, 28 Jun 2011) 02 Dec 2011	
Schmitz-Werke GmbH + Co. KG; 25-02H, Awning, 09 Dec 2011	15656/2011	Southern Wire Pty Ltd; 08-99, Wire reel, 06 Dec 2011	15531/2011
Schmitz-Werke GmbH + Co. KG; 25-02H, Awning, 09 Dec 2011	15657/2011	Southern Wire Pty Ltd; 12-02, Frame, 06 Dec 2011	15530/2011
Schmitz-Werke GmbH + Co. KG; 25-02H, Awning, 09 Dec 2011	15655/2011	Stanley Black & Decker, Inc.; 15-05, Hand-held vacuum cleaner, (EM, 03 Jun 2011) 30 Nov 2011	15487/2011

Stanley Black & Decker, Inc.; 13-02, Battery charger for a hand-held vacuum cleaner, (EM, 03 Jun 2011) 30 Nov 2011	15488/2011	Tolhurst, Ben;Tolhurst, Anne; 07-04, Chopping board, mortar and pestle, 06 Dec 2011	15543/2011
Sumitomo Electric Industries, Ltd.; 23-03D, Condensing lens plate, (JP, 10 Jun 2011) 09 Dec 2011	15662/2011	Tolhurst, Anne;Tolhurst, Ben; 07-04, Chopping board, mortar and pestle, 06 Dec 2011	15543/2011
Surprise Brands Pty Ltd; 09-01NES, Bottle or container with detachable base, 02 Dec 2011	15568/2011	Tratt, Robert John; 21-01F, Kick scooters - stunt peg, 13 Dec 2011	15711/2011
SwitchEasy Limited; 03-01NES, 14-02, Protective casing for portable handheld electronic device, (HK, 14 Oct 2011) 06 Dec 2011	15588/2011	Tsalkos, John; 03-01NES, 09-03NES, Personal hygiene and accessory container II, 13 Dec 2011	15747/2011
Synx Sole Pty Ltd; 02-04A, Insole, 09 Dec 2011	15675/2011	Turbosmart Pty Limited; 15-99, An actuator, 12 Dec 2011	15703/2011
Synx Sole Pty Ltd; 02-04A, Stabilising member for an insole, 09 Dec 2011	15676/2011	TNG Enterprises LLC; 02-04A, Protective spat for cleated or spiked sports shoes, (US, 06 Jun 2011) 30 Nov 2011	15446/2011
SCA Hygiene Products AB; 23-02C, Paper roll dispenser, (EM, 24 Aug 2011) 02 Dec 2011	15502/2011	Vater, Lance Malcolm; 08-08C, A clip for a rail post clamp, 09 Dec 2011	15670/2011
Tacca Industries Pty Ltd; 09-03L, A container base, 01 Dec 2011	15505/2011	Vater, Lance Malcolm; 08-08D, 08-08K, A rail post clamp, 09 Dec 2011	15671/2011
Terumo Kabushiki Kaisha; 24-02, Guidewire introducer needle, (JP, 31 May 2011) 29 Nov 2011	15440/2011	Vibram S.P.A.; 02-04A, Soles, (EM, 07 Jun 2011) 06 Dec 2011	15569/2011
The Gillette Company; 28-03A, Shaving razor, (US, 01 Jun 2011) 30 Nov 2011	15490/2011	Vibram S.P.A.; 02-04A, Soles, (EM, 07 Jun 2011) 06 Dec 2011	15570/2011
The Gillette Company; 28-03A, Shaving razor, (US, 01 Jun 2011) 30 Nov 2011	15491/2011	Wilson, Charles; 06-01E, Peril stool, 13 Dec 2011	15709/2011
The Glad Products Company; 09-09, Trash bag, (US, 09 Jun 2011) 06 Dec 2011	15577/2011	Wolfe Tory Medical Inc; 24-99, 09-07A, Atomizing nozzle for nasal therapy, (US, 02 Jun 2011) 02 Dec 2011	15520/2011
The Trustee for Klik'n'Fit Unit Trust; 25-02K, Louvre post insert, 01 Dec 2011	15485/2011	Woods Dispensing Systems, LLC; 09-01NES, Container, (US, 01 Jun 2011) 02 Dec 2011	15519/2011
Thermal Dynamics Corporation; 08-05M, Welding device, (US, 01 Jun 2011) 30 Nov 2011	15489/2011	World Youth International (Aust Ltd); 99-00, Unable to classify, 12 Dec 2011	15653/2011
Thomas, Merylyn Gwenda; 11-02D, 11-02NES, Ornament, 14 Dec 2011	15737/2011	WS-INVENTION Trade GmbH; 31-00, A mixer blade for a drink maker, 05 Dec 2011	15558/2011
Thule Sweden AB; 12-16K, 25-01K, Cross section of constant dimension and indefinite length of a vehicle roof rack, (EM, 10 Jun 2011) 08 Dec 2011	15593/2011	WS-INVENTION Trade GmbH; 31-00, Drink maker, 05 Dec 2011	15559/2011
Thule Sweden AB; 12-16K, Vehicle roof rack, (EM, 10 Jun 2011) 08 Dec 2011	15592/2011	Xu, Ji; 23-03NES, Heating apparatus panel, (CN, 15 Aug 2011) 07 Dec 2011	15603/2011
Thurley Pty Ltd; 02-02C, Evening dress featuring two-tiered tulle skirt and fitted bodice with high neckline, cap-sleeves and pattern detail, applied in ribbon, 15 Dec 2011	15763/2011	X6D Limited; 16-06, 3D glasses, (US, 03 Jun 2011) 01 Dec 2011	15495/2011

<p>Yaw, Andrew; 07-06A, Design relates to a plastic part that when folded, can be clipped onto the neck of plastic drink bottles and can be, hung off a person's belt, pocket or any article of clothing that supports the weight of a bottle, 12 Dec 2011</p>	<p>15754/2011</p>	<p>2 Walkon Pty Limited; 02-04NES, Orthotic footwear, 06 Dec 2011</p>	<p>15581/2011</p>
		<p>2 Walkon Pty Limited; 02-04NES, Orthotic footwear, 06 Dec 2011</p>	<p>15582/2011</p>
		<p>2 Walkon Pty Limited; 02-04NES, Orthotic footwear, 06 Dec 2011</p>	<p>15583/2011</p>

Applications Lapsed

12317 / 2011 (14-02)	12318 / 2011 (14-02)
12319 / 2011 (14-02)	12357 / 2011 (19-02)
12358 / 2011 (19-02)	12511 / 2011 (21-02A)
12512 / 2011 (21-02A)	12513 / 2011 (21-02C)
13964 / 2011 (11-99)	14226 / 2011 (09-03F)
14270 / 2011 (12-16NES)	15321 / 2011 (21-03)

Extension of Period of Registration of Designs

309206	309235	309261
309620	311932	311989
312542	312543	312621
312648	312699	312703
312704	312709	312805
312880	312885	312909
312925	312926	312927
312928	312929	312930
312947	312948	312955
312956	312965	312987
312994	313026	313041
313045	313049	313056
313057	313069	313070
313071	313081	313153
313154	313155	313189
313217	313222	313225
313226	313229	313236
313241	313242	313264
313265	313269	313272
313280	313281	313282
313283	313284	313285
313286	313287	313288
313292	313293	313296
313297	313298	313299
313300	313301	313303
313336	313338	313355
313364	313401	313402
313406	313407	313408
313409	313410	313415
313433	313434	313435
313482	313498	313516
313537	313557	313600
313655	313656	313657
313667	313669	313670
313671	313682	313686
313688	313714	313715
313716	313717	313718
313719	313720	313721
313722	313761	313807
313808	313809	313810
313811	313812	313813
313814	313815	313816
313955	313961	313962
313994	313995	314010
314167	314312	314322
314547	314548	314665
314666	314692	314693
314694	314695	314794
314824	314853	314854
314855	314927	314959
314960	315438	315627

318155	318156	318160
318161	318164	318165
318168	318169	

Registrations Ceased

308842	308843	308844
308849	308852	308853
308856	308892	308893
308895	308896	308897
308898	308899	308955
309027	309056	309057
309075	309082	309099
309136	309137	309139
309143	309144	309162
309163	309164	309286
309287	309289	309290
309297	309310	309327
309328	309329	309350
309373	309374	309375
309474	309476	309478
309482	309524	309525
309526	309530	309536
309575	309576	309577
309578	309579	309580
309610	309611	309612
309645	309647	309648
309683	309684	309736
309737	309738	309739
309765	309819	309820
309899	309900	309916
309941	309966	309967
310027	310063	310064
310081	310082	310098
310099	310100	310101
310128	310143	310246
310346	310347	310462
310464	310465	310466
310474	310475	310759
310905	311030	311031
311339	311340	311341
311342	311343	311344
311345	311383	311433
311434	311471	311472
311473	311474	311737
311798	311821	311835
311836	311837	311838
311839	311840	312185
312416	312517	312518
312519	312520	317232
317233		

Applications for Extension of time under Section 137

308022 (**Spencer Computing Pty Ltd**) Bilardo Spencer Pty Ltd

Applications under section 137 for extension of time have been lodged. Objections must be lodged within 1 month from the date of this journal.

305646 **Neoz Pty Ltd** Address for Service: Neoz Pty Ltd 20 Tepko Road TERRY HILLS NSW 2084

Extensions of time granted under Section 137

Applications lodged under section 137 for extension of time have been granted.

309261 **National Poly Industries Pty Ltd**

314789 **The Design House ApS**

314790 **The Design House ApS**

13668/2011 **Meyer Intellectual Properties Limited**

339863 **Meyer Intellectual Properties Limited**

339864 **Meyer Intellectual Properties Limited**

13671/2011 **Meyer Intellectual Properties Limited**

339938 **Keter Plastic Ltd.**

Subsequent Owners Registered

(The name in parentheses is that of the subsequent owner)

- 301867 (**Worthington Torch, LLC**) Irwin Industrial Tool Company
- 304935 (**Worthington Torch, LLC**) Irwin Industrial Tool Company
- 308022 (**Jacqueline Anne Spencer;Susanna Bilardo**) Spencer Computing Pty Ltd
- 313238 (**CMI Fuel Systems Pty Ltd**) APA Manufacturing Pty Ltd
- 314523 (**Burders Lane Enterprises Pty Ltd**) David Burder
- 331090 (**Yuyao Huachang Electrical Appliance Manufacture Co., Ltd**) Jianfang Li
- 337321 (**ADC GmbH**) ADC Communications (Australia) Pty Limited
- 315315 (**Thermfresh International Pty Ltd**) Co-Ordinated Thermal Systems Pty Ltd
- 318088 (**Artic Investments S.A.**) Solideal Holding S.A.
- 326218 (**Artic Investments S.A.**) Solideal Holding S.A.
- 326790 (**Australian PTS Pty Ltd**) Australian Portable Toilet Supplies Pty Ltd
- 333727 (**Australian PTS Pty Ltd**) Australian Portable Toilet Supplies Pty Ltd
- 333728 (**Australian PTS Pty Ltd**) Australian Portable Toilet Supplies Pty Ltd
- 333729 (**Australian PTS Pty Ltd**) Australian Portable Toilet Supplies Pty Ltd

Names Registered - Alterations and Amendments

(The name in parentheses is that of the subsequent applicant)

Certificate(s) of Examination

Examination of the following Design Registration(s) has been completed. Infringement proceedings may now be commenced.

332644	02-04C	02/12/2011
333269	15-05	16/12/2011
335128	07-01D	09/12/2011
335417	16-06	02/12/2011
336215	03-01A	14/12/2011
337179	07-06C	09/12/2011
337299	06-03NES	08/12/2011
337302	26-05E	13/12/2011
337510	23-04	07/12/2011
337511	23-04	07/12/2011
338731	25-03	13/12/2011
339190	12-02	07/12/2011
339191	12-02	07/12/2011
339192	12-02	07/12/2011
339193	12-02	07/12/2011

Publication and Registration Proceedings

Designs Registered

This section provides a concordance between design number and registration number of Designs covered in this journal. It also shows the main class and registration date.

This section covers Registration numbers 339692 to 339976 .

The registration number shown below should be used in all future correspondence.

Design Number	Registration Number	International Classification Code (IDC)	Registration Date	Design Number	Registration Number	International Classification Code (IDC)	Registration Date
11680/2011	339758	12-08	07/12/2011	14388/2011	339919	12-08	13/12/2011
11681/2011	339692	12-08	02/12/2011	14389/2011	339920	12-16C	13/12/2011
11682/2011	339693	12-16C	02/12/2011	14390/2011	339921	12-16C	13/12/2011
11683/2011	339694	12-16C	02/12/2011	14391/2011	339922	12-16B	13/12/2011
11684/2011	339695	26-06	02/12/2011	14392/2011	339923	12-08	13/12/2011
11873/2011	339696	06-04NES	02/12/2011	14393/2011	339924	26-06	13/12/2011
12041/2011	339804	12-16NES	08/12/2011	14394/2011	339925	26-06	13/12/2011
12047/2011	339754	12-16NES	07/12/2011	14395/2011	339926	26-06	13/12/2011
12048/2011	339838	12-16B	09/12/2011	14396/2011	339927	26-06	13/12/2011
12353/2011	339697	06-03A	02/12/2011	14397/2011	339928	12-16C	13/12/2011
12540/2011	339880	02-04C	12/12/2011	14398/2011	339929	12-16B	13/12/2011
12724/2011	339805	02-06	08/12/2011	14399/2011	339930	12-08	13/12/2011
13669/2011	339863	07-02R	12/12/2011	14400/2011	339931	12-08	13/12/2011
13670/2011	339864	07-02R	12/12/2011	14401/2011	339932	12-16C	13/12/2011
13697/2011	339958	29-02	16/12/2011	14402/2011	339933	12-16B	13/12/2011
13787/2011	339802	24-04	08/12/2011	14403/2011	339934	12-08	13/12/2011
13788/2011	339803	24-04	08/12/2011	14404/2011	339935	12-16C	13/12/2011
13811/2011	339698	25-02A	02/12/2011	14405/2011	339936	12-16C	13/12/2011
13846/2011	339945	06-01F	16/12/2011	14406/2011	339937	12-16B	13/12/2011
13871/2011	339700	09-01A	02/12/2011	14409/2011	339841	14-01	09/12/2011
13872/2011	339701	09-01A	02/12/2011	14451/2011	339842	08-99	09/12/2011
13916/2011	339759	08-03	07/12/2011	14452/2011	339843	08-99	09/12/2011
13932/2011	339702	12-05	02/12/2011	14453/2011	339844	08-99	09/12/2011
14005/2011	339865	28-03A	12/12/2011	14458/2011	339939	08-07	14/12/2011
14006/2011	339866	28-03A	12/12/2011	14467/2011	339941	23-02B	15/12/2011
14027/2011	339703	12-15B	02/12/2011	14498/2011	339947	02-04NES	16/12/2011
14049/2011	339836	27-01	08/12/2011	14501/2011	339948	02-04NES	16/12/2011
14136/2011	339760	31-00	07/12/2011	14503/2011	339845	02-04NES	09/12/2011
14137/2011	339761	31-00	07/12/2011	14505/2011	339846	02-04NES	09/12/2011
14138/2011	339762	31-00	07/12/2011	14549/2011	339907	12-16K	13/12/2011
14252/2011	339881	12-08	12/12/2011	14552/2011	339847	16-06	09/12/2011
14261/2011	339839	08-08C	09/12/2011	14576/2011	339949	26-05C	16/12/2011
14272/2011	339946	28-03NES	16/12/2011	14603/2011	339882	09-01NES	12/12/2011
14280/2011	339900	23-02A	13/12/2011	14609/2011	339848	08-08NES	09/12/2011
14281/2011	339901	23-02A	13/12/2011	14627/2011	339830	28-03D	08/12/2011
14282/2011	339902	23-02A	13/12/2011	14662/2011	339763	13-01	07/12/2011
14283/2011	339903	23-02A	13/12/2011	14673/2011	339909	28-03NES	13/12/2011
14284/2011	339904	23-02A	13/12/2011	14674/2011	339910	12-08	13/12/2011
14285/2011	339905	23-02A	13/12/2011	14719/2011	339742	08-03	06/12/2011
14286/2011	339906	23-02A	13/12/2011	14720/2011	339743	08-03	06/12/2011
14347/2011	339840	07-07B	09/12/2011	14721/2011	339744	08-03	06/12/2011
14379/2011	339895	12-08	12/12/2011	14722/2011	339745	08-03	06/12/2011
14380/2011	339896	26-06	12/12/2011	14723/2011	339746	08-03	06/12/2011
14381/2011	339897	26-06	12/12/2011	14724/2011	339747	08-03	06/12/2011
14382/2011	339898	12-16C	12/12/2011	14765/2011	339764	21-04	07/12/2011
14383/2011	339899	12-16B	12/12/2011	14770/2011	339912	12-11	13/12/2011
14384/2011	339915	12-16NES	13/12/2011	14797/2011	339867	09-01K	12/12/2011
14385/2011	339916	12-16A	13/12/2011	14802/2011	339868	16-06	12/12/2011
14386/2011	339917	12-08	13/12/2011	14812/2011	339950	24-02	16/12/2011
14387/2011	339918	12-16B	13/12/2011	14853/2011	339869	02-02C	12/12/2011

Publication and Registration Proceedings - Designs Registered cont'd

Design Number	Registration Number	International Classification Code (IDC)	Registration Date	Design Number	Registration Number	International Classification Code (IDC)	Registration Date
14854/2011	339870	02-02C	12/12/2011	15068/2011	339728	08-08E	05/12/2011
14867/2011	339951	12-15A	16/12/2011	15069/2011	339729	24-01	05/12/2011
14868/2011	339952	12-15A	16/12/2011	15070/2011	339730	24-01	05/12/2011
14891/2011	339704	06-01G	02/12/2011	15072/2011	339871	21-02A	12/12/2011
14892/2011	339705	06-01G	02/12/2011	15073/2011	339737	09-05	05/12/2011
14893/2011	339706	06-04D	02/12/2011	15109/2011	339738	12-02	05/12/2011
14894/2011	339707	28-03NES	02/12/2011	15110/2011	339739	04-02	05/12/2011
14914/2011	339708	04-01	02/12/2011	15111/2011	339740	04-02	05/12/2011
14915/2011	339709	15-05	02/12/2011	15112/2011	339741	04-02	05/12/2011
14926/2011	339831	07-01B	08/12/2011	15113/2011	339720	06-03A	05/12/2011
14927/2011	339832	07-01B	08/12/2011	15114/2011	339755	06-02	07/12/2011
14932/2011	339752	26-03	07/12/2011	15115/2011	339850	06-02	09/12/2011
14953/2011	339962	15-04	16/12/2011	15117/2011	339721	06-03A	05/12/2011
14956/2011	339963	15-05	16/12/2011	15118/2011	339851	06-03A	09/12/2011
14957/2011	339964	15-05	16/12/2011	15125/2011	339773	14-02	07/12/2011
14967/2011	339710	26-05E	02/12/2011	15126/2011	339774	10-04	07/12/2011
14969/2011	339911	21-01C	13/12/2011	15127/2011	339775	28-03NES	07/12/2011
14971/2011	339942	12-05	15/12/2011	15128/2011	339883	20-01	12/12/2011
14972/2011	339765	24-02	07/12/2011	15129/2011	339884	20-01	12/12/2011
14973/2011	339766	24-02	07/12/2011	15130/2011	339776	08-05M	07/12/2011
14996/2011	339965	20-03NES	16/12/2011	15133/2011	339792	26-06	08/12/2011
15002/2011	339711	04-02	02/12/2011	15134/2011	339793	26-06	08/12/2011
15003/2011	339712	25-01E	02/12/2011	15135/2011	339794	26-06	08/12/2011
15004/2011	339713	09-03M	02/12/2011	15137/2011	339795	08-07	08/12/2011
15005/2011	339789	06-01G	08/12/2011	15138/2011	339796	08-07	08/12/2011
15007/2011	339748	09-01D	06/12/2011	15139/2011	339797	08-07	08/12/2011
15008/2011	339714	07-01F	02/12/2011	15140/2011	339777	08-07	07/12/2011
15009/2011	339749	07-01F	06/12/2011	15141/2011	339778	08-07	07/12/2011
15010/2011	339790	08-08L	08/12/2011	15142/2011	339779	08-07	07/12/2011
15011/2011	339791	08-08L	08/12/2011	15143/2011	339780	08-07	07/12/2011
15013/2011	339767	24-01	07/12/2011	15144/2011	339781	08-07	07/12/2011
15014/2011	339768	24-01	07/12/2011	15145/2011	339782	08-07	07/12/2011
15015/2011	339769	24-01	07/12/2011	15146/2011	339783	08-07	07/12/2011
15016/2011	339722	24-01	05/12/2011	15147/2011	339784	08-07	07/12/2011
15017/2011	339723	12-15B	05/12/2011	15148/2011	339785	08-07	07/12/2011
15019/2011	339724	12-16C	05/12/2011	15149/2011	339786	08-07	07/12/2011
15020/2011	339731	12-16C	05/12/2011	15150/2011	339806	08-07	08/12/2011
15021/2011	339732	12-16C	05/12/2011	15151/2011	339807	08-07	08/12/2011
15022/2011	339733	19-06	05/12/2011	15152/2011	339808	10-04	08/12/2011
15023/2011	339734	12-16C	05/12/2011	15153/2011	339809	24-01	08/12/2011
15028/2011	339770	07-02L	07/12/2011	15159/2011	339787	09-01NES	07/12/2011
15029/2011	339771	07-02L	07/12/2011	15166/2011	339835	08-03	08/12/2011
15030/2011	339716	07-02L	05/12/2011	15168/2011	339872	03-01B	12/12/2011
15031/2011	339849	02-02NES	09/12/2011	15169/2011	339873	03-01NES	12/12/2011
15035/2011	339943	07-01F	15/12/2011	15170/2011	339798	14-01	08/12/2011
15037/2011	339717	20-01	05/12/2011	15172/2011	339913	12-11	13/12/2011
15039/2011	339718	14-01	05/12/2011	15174/2011	339874	16-06	12/12/2011
15040/2011	339719	14-01	05/12/2011	15183/2011	339788	25-01C	07/12/2011
15052/2011	339772	08-03	07/12/2011	15184/2011	339715	11-02B	02/12/2011
15053/2011	339735	25-01D	05/12/2011	15186/2011	339914	06-13NES	13/12/2011
15054/2011	339736	25-01D	05/12/2011	15191/2011	339875	21-02D	12/12/2011
15064/2011	339750	09-01C	06/12/2011	15192/2011	339876	21-02D	12/12/2011
15065/2011	339725	08-08E	05/12/2011	15194/2011	339756	25-01D	07/12/2011
15066/2011	339726	08-08E	05/12/2011	15195/2011	339854	14-03NES	12/12/2011
15067/2011	339727	08-08E	05/12/2011	15196/2011	339855	14-03NES	12/12/2011

Publication and Registration Proceedings - Designs Registered cont'd

Design Number	Registration Number	International Classification Code (IDC)	Registration Date	Design Number	Registration Number	International Classification Code (IDC)	Registration Date
15197/2011	339856	14-03NES	12/12/2011	15309/2011	339954	11-02F	16/12/2011
15198/2011	339885	14-03NES	12/12/2011	15310/2011	339955	11-02F	16/12/2011
15199/2011	339886	14-03NES	12/12/2011	15321/2011	339938	21-03	13/12/2011
15200/2011	339887	08-08NES	12/12/2011	15407/2011	339837	27-01	08/12/2011
15201/2011	339888	14-03NES	12/12/2011	15411/2011	339959	29-02	16/12/2011
15203/2011	339889	09-07A	12/12/2011	15412/2011	339960	29-02	16/12/2011
15204/2011	339940	09-07A	14/12/2011	15413/2011	339961	29-02	16/12/2011
15205/2011	339833	21-02E	08/12/2011	15417/2011	339973	14-03B	16/12/2011
15206/2011	339834	21-02E	08/12/2011	15418/2011	339974	14-03B	16/12/2011
15208/2011	339751	25-01B	06/12/2011	15426/2011	339699	25-02A	02/12/2011
15209/2011	339857	24-02	12/12/2011	15441/2011	339811	24-04	08/12/2011
15210/2011	339858	05-05C	12/12/2011	15442/2011	339812	24-04	08/12/2011
15211/2011	339859	06-06D	12/12/2011	15443/2011	339813	24-04	08/12/2011
15217/2011	339890	05-05D	12/12/2011	15444/2011	339814	24-04	08/12/2011
15224/2011	339860	05-05C	12/12/2011	15459/2011	339853	14-01	09/12/2011
15225/2011	339852	21-01F	09/12/2011	15468/2011	339815	24-04	08/12/2011
15226/2011	339861	12-16E	12/12/2011	15469/2011	339816	24-04	08/12/2011
15227/2011	339862	23-01D	12/12/2011	15470/2011	339817	24-04	08/12/2011
15228/2011	339891	28-02	12/12/2011	15471/2011	339818	24-04	08/12/2011
15229/2011	339892	28-02	12/12/2011	15472/2011	339819	24-04	08/12/2011
15230/2011	339893	28-02	12/12/2011	15473/2011	339820	24-04	08/12/2011
15231/2011	339894	07-02D	12/12/2011	15474/2011	339821	24-04	08/12/2011
15232/2011	339877	07-02E	12/12/2011	15475/2011	339822	24-04	08/12/2011
15233/2011	339878	12-15A	12/12/2011	15476/2011	339823	24-04	08/12/2011
15234/2011	339879	12-15B	12/12/2011	15477/2011	339824	24-04	08/12/2011
15236/2011	339799	15-05	08/12/2011	15478/2011	339825	24-04	08/12/2011
15238/2011	339800	15-05	08/12/2011	15479/2011	339826	24-04	08/12/2011
15239/2011	339801	28-03A	08/12/2011	15480/2011	339827	24-04	08/12/2011
15247/2011	339966	13-03NES	16/12/2011	15481/2011	339828	24-04	08/12/2011
15248/2011	339967	08-03	16/12/2011	15482/2011	339829	24-04	08/12/2011
15250/2011	339968	09-03M	16/12/2011	15483/2011	339956	08-08NES	16/12/2011
15253/2011	339757	08-07	07/12/2011	15507/2011	339753	26-03	07/12/2011
15259/2011	339944	20-03NES	15/12/2011	15549/2011	339908	12-16K	13/12/2011
15260/2011	339969	26-05B	16/12/2011	15558/2011	339975	31-00	16/12/2011
15268/2011	339970	26-06	16/12/2011	15559/2011	339976	31-00	16/12/2011
15269/2011	339971	08-06	16/12/2011	15589/2011	339957	07-02L	16/12/2011
15270/2011	339972	22-05	16/12/2011				
15286/2011	339810	08-05P	08/12/2011				
15308/2011	339953	11-02F	16/12/2011				

Publication and Registration Proceedings

Class Listing of Designs Published or Registered

The following section shows an International Classification Code listing of the Registered or Published Designs covered in this supplement.

Classification	Registration Number	Design Number	Classification	Registration Number	Design Number
02-02C	339869	14853/2011	07-02L	339957	15589/2011
02-02C	339870	14854/2011	07-02R	339863	13669/2011
02-02NES	339849	15031/2011	07-02R	339864	13670/2011
02-04C	339880	12540/2011	07-07B	339840	14347/2011
02-04NES	339845	14503/2011	08-03	339742	14719/2011
02-04NES	339846	14505/2011	08-03	339743	14720/2011
02-04NES	339947	14498/2011	08-03	339744	14721/2011
02-04NES	339948	14501/2011	08-03	339745	14722/2011
02-06	339805	12724/2011	08-03	339746	14723/2011
03-01B	339872	15168/2011	08-03	339747	14724/2011
03-01NES	339873	15169/2011	08-03	339759	13916/2011
04-01	339708	14914/2011	08-03	339772	15052/2011
04-02	339711	15002/2011	08-03	339835	15166/2011
04-02	339739	15110/2011	08-03	339967	15248/2011
04-02	339740	15111/2011	08-05M	339776	15130/2011
04-02	339741	15112/2011	08-05P	339810	15286/2011
05-05C	339858	15210/2011	08-06	339810	15286/2011
05-05C	339860	15224/2011	08-06	339971	15269/2011
05-05C	339890	15217/2011	08-07	339757	15253/2011
05-05D	339890	15217/2011	08-07	339777	15140/2011
06-01F	339945	13846/2011	08-07	339778	15141/2011
06-01G	339704	14891/2011	08-07	339779	15142/2011
06-01G	339705	14892/2011	08-07	339780	15143/2011
06-01G	339789	15005/2011	08-07	339781	15144/2011
06-01H	339945	13846/2011	08-07	339782	15145/2011
06-02	339755	15114/2011	08-07	339783	15146/2011
06-02	339850	15115/2011	08-07	339784	15147/2011
06-03A	339697	12353/2011	08-07	339785	15148/2011
06-03A	339720	15113/2011	08-07	339786	15149/2011
06-03A	339721	15117/2011	08-07	339795	15137/2011
06-03A	339851	15118/2011	08-07	339796	15138/2011
06-04D	339706	14893/2011	08-07	339797	15139/2011
06-04D	339720	15113/2011	08-07	339806	15150/2011
06-04D	339721	15117/2011	08-07	339807	15151/2011
06-04D	339851	15118/2011	08-07	339939	14458/2011
06-04F	339720	15113/2011	08-08C	339839	14261/2011
06-04F	339721	15117/2011	08-08E	339725	15065/2011
06-04F	339851	15118/2011	08-08E	339726	15066/2011
06-04NES	339696	11873/2011	08-08E	339727	15067/2011
06-06B	339851	15118/2011	08-08E	339728	15068/2011
06-06D	339859	15211/2011	08-08L	339790	15010/2011
06-13NES	339914	15186/2011	08-08L	339791	15011/2011
07-01B	339831	14926/2011	08-08NES	339848	14609/2011
07-01B	339832	14927/2011	08-08NES	339887	15200/2011
07-01F	339714	15008/2011	08-08NES	339956	15483/2011
07-01F	339749	15009/2011	08-99	339842	14451/2011
07-01F	339943	15035/2011	08-99	339843	14452/2011
07-02D	339894	15231/2011	08-99	339844	14453/2011
07-02E	339877	15232/2011	09-01A	339700	13871/2011
07-02K	339957	15589/2011	09-01A	339701	13872/2011
07-02L	339716	15030/2011	09-01C	339750	15064/2011
07-02L	339770	15028/2011	09-01D	339748	15007/2011
07-02L	339771	15029/2011	09-01G	339750	15064/2011

Registration Proceedings - Class Listing of Designs Published or Registered cont'd

Classification	Registration Number	Design Number	Classification	Registration Number	Design Number
09-01K	339867	14797/2011	12-16C	339921	14390/2011
09-01NES	339787	15159/2011	12-16C	339928	14397/2011
09-01NES	339882	14603/2011	12-16C	339932	14401/2011
09-03C	339748	15007/2011	12-16C	339935	14404/2011
09-03M	339713	15004/2011	12-16C	339936	14405/2011
09-03M	339968	15250/2011	12-16E	339861	15226/2011
09-05	339737	15073/2011	12-16K	339907	14549/2011
09-07A	339889	15203/2011	12-16K	339908	15549/2011
09-07A	339940	15204/2011	12-16NES	339754	12047/2011
10-04	339733	15022/2011	12-16NES	339804	12041/2011
10-04	339774	15126/2011	12-16NES	339915	14384/2011
10-04	339808	15152/2011	13-01	339763	14662/2011
10-04	339810	15286/2011	13-03NES	339966	15247/2011
11-02B	339715	15184/2011	14-01	339718	15039/2011
11-02F	339953	15308/2011	14-01	339719	15040/2011
11-02F	339954	15309/2011	14-01	339798	15170/2011
11-02F	339955	15310/2011	14-01	339841	14409/2011
12-02	339738	15109/2011	14-01	339853	15459/2011
12-05	339702	13932/2011	14-02	339773	15125/2011
12-05	339942	14971/2011	14-03B	339973	15417/2011
12-08	339692	11681/2011	14-03B	339974	15418/2011
12-08	339758	11680/2011	14-03NES	339854	15195/2011
12-08	339881	14252/2011	14-03NES	339855	15196/2011
12-08	339895	14379/2011	14-03NES	339856	15197/2011
12-08	339910	14674/2011	14-03NES	339885	15198/2011
12-08	339911	14969/2011	14-03NES	339886	15199/2011
12-08	339917	14386/2011	14-03NES	339887	15200/2011
12-08	339919	14388/2011	14-03NES	339888	15201/2011
12-08	339923	14392/2011	15-04	339962	14953/2011
12-08	339930	14399/2011	15-05	339709	14915/2011
12-08	339931	14400/2011	15-05	339799	15236/2011
12-08	339934	14403/2011	15-05	339800	15238/2011
12-11	339912	14770/2011	15-05	339963	14956/2011
12-11	339913	15172/2011	15-05	339964	14957/2011
12-15A	339878	15233/2011	16-06	339847	14552/2011
12-15A	339951	14867/2011	16-06	339868	14802/2011
12-15A	339952	14868/2011	16-06	339874	15174/2011
12-15B	339703	14027/2011	19-06	339733	15022/2011
12-15B	339723	15017/2011	20-01	339717	15037/2011
12-15B	339879	15234/2011	20-01	339883	15128/2011
12-16A	339916	14385/2011	20-01	339884	15129/2011
12-16B	339838	12048/2011	20-03NES	339944	15259/2011
12-16B	339899	14383/2011	20-03NES	339965	14996/2011
12-16B	339918	14387/2011	21-01C	339911	14969/2011
12-16B	339922	14391/2011	21-01F	339852	15225/2011
12-16B	339929	14398/2011	21-02A	339871	15072/2011
12-16B	339933	14402/2011	21-02D	339875	15191/2011
12-16B	339937	14406/2011	21-02D	339876	15192/2011
12-16C	339693	11682/2011	21-02E	339833	15205/2011
12-16C	339694	11683/2011	21-02E	339834	15206/2011
12-16C	339724	15019/2011	21-03	339938	15321/2011
12-16C	339731	15020/2011	21-04	339764	14765/2011
12-16C	339732	15021/2011	22-05	339972	15270/2011
12-16C	339734	15023/2011	23-01D	339862	15227/2011
12-16C	339898	14382/2011	23-02A	339900	14280/2011
12-16C	339920	14389/2011	23-02A	339901	14281/2011

Registration Proceedings - Class Listing of Designs Published or Registered cont'd

Classification	Registration Number	Design Number	Classification	Registration Number	Design Number
23-02A	339902	14282/2011	25-01D	339756	15194/2011
23-02A	339903	14283/2011	25-01E	339712	15003/2011
23-02A	339904	14284/2011	25-02A	339698	13811/2011
23-02A	339905	14285/2011	25-02A	339699	15426/2011
23-02A	339906	14286/2011	26-02	339847	14552/2011
23-02B	339941	14467/2011	26-03	339752	14932/2011
24-01	339722	15016/2011	26-03	339753	15507/2011
24-01	339729	15069/2011	26-04	339710	14967/2011
24-01	339730	15070/2011	26-05B	339969	15260/2011
24-01	339767	15013/2011	26-05C	339949	14576/2011
24-01	339768	15014/2011	26-05E	339710	14967/2011
24-01	339769	15015/2011	26-06	339695	11684/2011
24-01	339809	15153/2011	26-06	339792	15133/2011
24-02	339765	14972/2011	26-06	339793	15134/2011
24-02	339766	14973/2011	26-06	339794	15135/2011
24-02	339857	15209/2011	26-06	339896	14380/2011
24-02	339950	14812/2011	26-06	339897	14381/2011
24-04	339802	13787/2011	26-06	339924	14393/2011
24-04	339803	13788/2011	26-06	339925	14394/2011
24-04	339811	15441/2011	26-06	339926	14395/2011
24-04	339812	15442/2011	26-06	339927	14396/2011
24-04	339813	15443/2011	26-06	339970	15268/2011
24-04	339814	15444/2011	27-01	339836	14049/2011
24-04	339815	15468/2011	27-01	339837	15407/2011
24-04	339816	15469/2011	28-02	339891	15228/2011
24-04	339817	15470/2011	28-02	339892	15229/2011
24-04	339818	15471/2011	28-02	339893	15230/2011
24-04	339819	15472/2011	28-03A	339801	15239/2011
24-04	339820	15473/2011	28-03A	339865	14005/2011
24-04	339821	15474/2011	28-03A	339866	14006/2011
24-04	339822	15475/2011	28-03D	339830	14627/2011
24-04	339823	15476/2011	28-03NES	339707	14894/2011
24-04	339824	15477/2011	28-03NES	339775	15127/2011
24-04	339825	15478/2011	28-03NES	339909	14673/2011
24-04	339826	15479/2011	28-03NES	339946	14272/2011
24-04	339827	15480/2011	29-02	339958	13697/2011
24-04	339828	15481/2011	29-02	339959	15411/2011
24-04	339829	15482/2011	29-02	339960	15412/2011
24-04	339958	13697/2011	29-02	339961	15413/2011
24-04	339959	15411/2011	31-00	339760	14136/2011
24-04	339960	15412/2011	31-00	339761	14137/2011
24-04	339961	15413/2011	31-00	339762	14138/2011
25-01B	339751	15208/2011	31-00	339975	15558/2011
25-01C	339788	15183/2011	31-00	339976	15559/2011
25-01D	339735	15053/2011			
25-01D	339736	15054/2011			

-
- (21) Design Number: **11681/2011**
(22) Date of Filing Application: **15 April 2011**
(24) Date from which industrial property rights may have effect: **15 April 2011**
(54) Product in respect of which the design is registered: **Automobile**
(51) International Design Classification: **12-08**
(74) Name(s) of Attorney(s): **SPRUSON & FERGUSON**
(71) Name(s) and Address(s) of Applicant(s):
Toyota Jidosha Kabushiki Kaisha
1 Toyota-cho Toyota-shi Aichi-ken 471-8571 Japan
(72) Name(s) of Designer(s): **Nobuyuki Tomatsu and Katsuhiko Inatomi and Toyokazu Nishihama and Shin Kamiura**
(45) Registration Date: **02 December 2011**
(56) Related Art Documents: **Not Applicable**
(57) Statement of Newness and Distinctiveness: **Newness and distinctiveness is claimed in the features of shape and/or configuration of an automobile as illustrated in the accompanying representations, apart from Lexus emblems.**



-
- (21) Design Number: **11682/2011**
(22) Date of Filing Application: **15 April 2011**
(24) Date from which industrial property rights may have effect: **15 April 2011**
(54) Product in respect of which the design is registered: **Front bumper for an automobile**
(51) International Design Classification: **12-16C**
(74) Name(s) of Attorney(s): **SPRUSON & FERGUSON**
(71) Name(s) and Address(s) of Applicant(s):
Toyota Jidosha Kabushiki Kaisha
1 Toyota-cho Toyota-shi Aichi-ken 471-8571 Japan
(72) Name(s) of Designer(s): **Nobuyuki Tomatsu**
(45) Registration Date: **02 December 2011**
(56) Related Art Documents: **Not Applicable**
(57) Statement of Newness and Distinctiveness: **Newness and distinctiveness is claimed in the features of shape and/or configuration of a front bumper for an automobile as illustrated in the accompanying representations.**



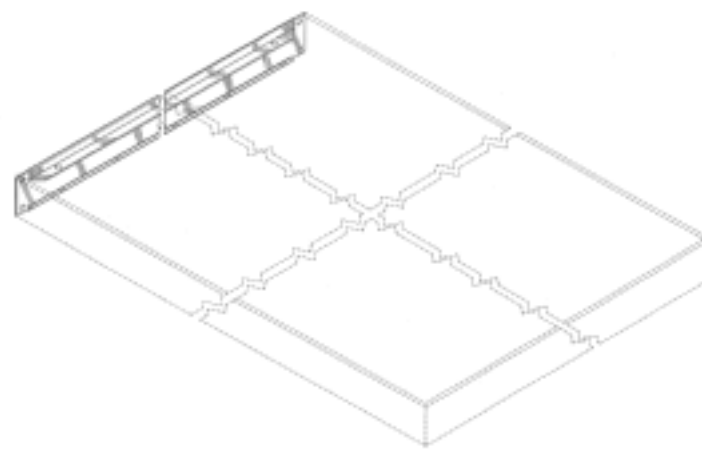
- (21) Design Number: **11683/2011**
(22) Date of Filing Application: **15 April 2011**
(24) Date from which industrial property rights may have effect: **15 April 2011**
(54) Product in respect of which the design is registered: **Front bumper for an automobile**
(51) International Design Classification: **12-16C**
(74) Name(s) of Attorney(s): **SPRUSON & FERGUSON**
(71) Name(s) and Address(s) of Applicant(s):
Toyota Jidosha Kabushiki Kaisha
1 Toyota-cho Toyota-shi Aichi-ken 471-8571 Japan
(72) Name(s) of Designer(s): **Nobuyuki Tomatsu and Hideaki Iida and Shin Miyata**
(45) Registration Date: **02 December 2011**
(56) Related Art Documents: **Not Applicable**
(57) Statement of Newness and Distinctiveness: **Newness and distinctiveness is claimed in the features of shape and/or configuration of a front bumper for an automobile as illustrated in the accompanying representations.**



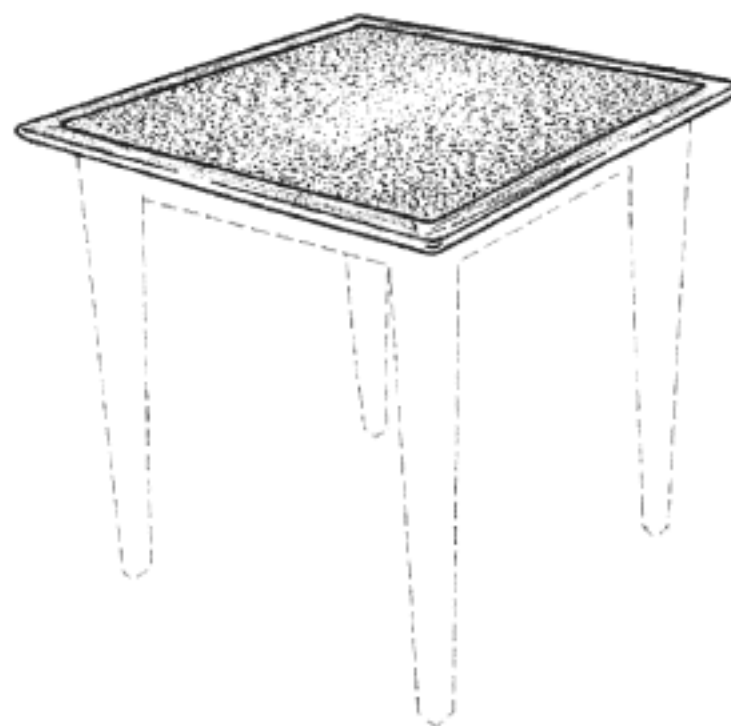
- (21) Design Number: **11684/2011**
(22) Date of Filing Application: **15 April 2011**
(24) Date from which industrial property rights may have effect: **15 April 2011**
(54) Product in respect of which the design is registered: **Front combination lamp for an automobile**
(51) International Design Classification: **26-06**
(74) Name(s) of Attorney(s): **SPRUSON & FERGUSON**
(71) Name(s) and Address(s) of Applicant(s):
Toyota Jidosha Kabushiki Kaisha
1 Toyota-cho Toyota-shi Aichi-ken 471-8571 Japan
(72) Name(s) of Designer(s): **Shin Kamiura**
(45) Registration Date: **02 December 2011**
(56) Related Art Documents: **Not Applicable**
(57) Statement of Newness and Distinctiveness: **Newness and distinctiveness is claimed in the features of shape and/or configuration of a front combination lamp for an automobile as illustrated in the accompanying representations.**



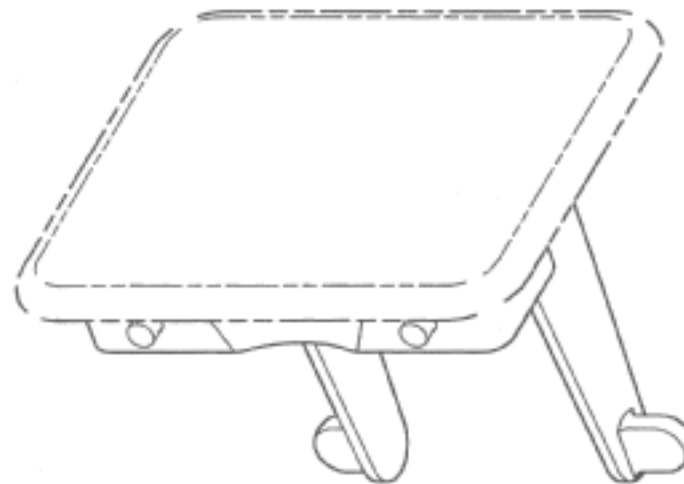
- (21) Design Number: **11873/2011**
(22) Date of Filing Application: **28 April 2011**
(24) Date from which industrial property rights may have effect: **28 April 2011**
(54) Product in respect of which the design is registered: **Shelving**
(51) International Design Classification: **06-04NES**
(74) Name(s) of Attorney(s): **Griffith Hack**
(71) Name(s) and Address(s) of Applicant(s):
Edsal Manufacturing Company, Inc.
4400 South Packers Avenue Chicago IL 60609 3314 United States of America
(72) Name(s) of Designer(s): **Scott Fitzgerald and David Wojtowicz and Thomas St. Germain and Mitchell Liss and Al Dunaj**
(45) Registration Date: **02 December 2011**
(56) Related Art Documents: **Not Applicable**
(57) Statement of Newness and Distinctiveness: **The monopoly resides in the shape and configuration of the components shown in bold lines.**



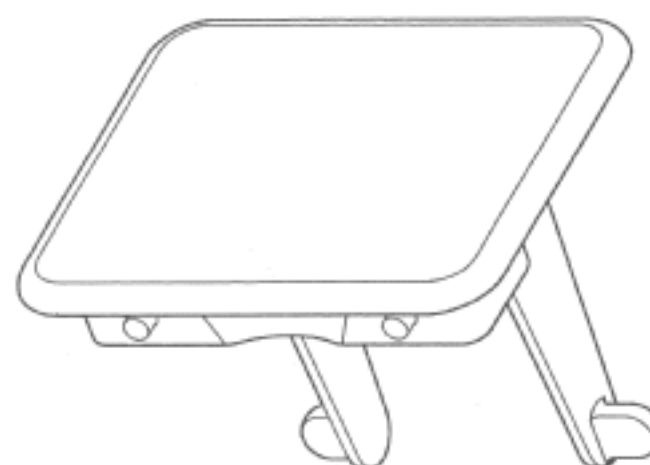
- (21) Design Number: **12353/2011**
(22) Date of Filing Application: **26 May 2011**
(24) Date from which industrial property rights may have effect: **26 May 2011**
(54) Product in respect of which the design is registered: **Table top**
(51) International Design Classification: **06-03A**
(74) Name(s) of Attorney(s): **Lord & Company**
(71) Name(s) and Address(s) of Applicant(s):
Penhurst Investments Pty Ltd Trading as Atama Furniture
68 Erindale Road Balcatta 6051 Western Australia Australia
Scanford Investments Pty Ltd Trading as Atama Furniture
68 Erindale Road Balcatta 6051 Western Australia Australia
(72) Name(s) of Designer(s): **Lee Randle**
(45) Registration Date: **02 December 2011**
(56) Related Art Documents: **Not Applicable**
(57) Statement of Newness and Distinctiveness: **The particular visual features of the design which are new and distinctive are shape OR configuration OR pattern OR ornamentation, the features represented by dotted lines are to be disregarded.**



- (21) Design Number: **13811/2011**
(22) Date of Filing Application: **30 August 2011**
(24) Date from which industrial property rights may have effect: **30 August 2011**
(54) Product in respect of which the design is registered: **End cap**
(51) International Design Classification: **25-02A**
(74) Name(s) of Attorney(s): **Griffith Hack**
(71) Name(s) and Address(s) of Applicant(s):
Dematic Pty Ltd
24 Narabang Way Belrose New South Wales 2085 Australia
(72) Name(s) of Designer(s): **Paul Armstrong Berry and Phillip Joseph Manno**
(45) Registration Date: **02 December 2011**
(56) Related Art Documents: **Not Applicable**
(57) Statement of Newness and Distinctiveness: **Newness and distinctiveness resides in the visual features, including shape and/or configuration, of an End Cap as shown in solid outline in the accompanying drawings. When determining whether the design is substantially similar in overall impression to another design, no regard is to be had to the shape of the end plate shown in dotted outline in the accompanying drawings.**



- (21) Design Number: **15426/2011**
(22) Date of Filing Application: **30 August 2011**
(24) Date from which industrial property rights may have effect: **30 August 2011**
(54) Product in respect of which the design is registered: **End cap**
(51) International Design Classification: **25-02A**
(74) Name(s) of Attorney(s): **Griffith Hack**
(71) Name(s) and Address(s) of Applicant(s):
Dematic Pty Ltd
24 Narabang Way Belrose New South Wales 2085 Australia
(72) Name(s) of Designer(s): **Paul Armstrong Berry and Phillip Joseph Manno**
(45) Registration Date: **02 December 2011**
(56) Related Art Documents: **Not Applicable**
(57) Statement of Newness and Distinctiveness: **Newness and distinctiveness resides in the visual features, including shape and/or configuration, of an End Cap as shown in solid outline in the accompanying drawings. When determining whether the design is substantially similar in overall impression to another design, no regard is to be had to the shape of the end plate shown in dotted outline in the accompanying drawings.**



- (21) Design Number: **13871/2011**
(22) Date of Filing Application: **02 September 2011**
(24) Date from which industrial property rights may have effect: **02 September 2011**
(54) Product in respect of which the design is registered: **Container and shroud**
(51) International Design Classification: **09-01A**
(74) Name(s) of Attorney(s): **SPRUSON & FERGUSON**
(71) Name(s) and Address(s) of Applicant(s):
S. C. Johnson & Son, Inc.
1525 Howe Street Racine Wisconsin 53403-2236 United States of America
(72) Name(s) of Designer(s): **Erica Eden Cohen and Nathaniel Giraitis and William F. Gordon and Kevin Harrity and Jonathan N. Mandell and Nicholas Oxley and Jacob Palmberg and Jessi Pervola and Richard Whitehall**
(45) Registration Date: **02 December 2011**
(30) Convention priority data:
(31) Number (32) Date (33) Country
29/386808 04 Mar 2011 UNITED STATES OF AMERICA
(56) Related Art Documents: **Not Applicable**
(57) Statement of Newness and Distinctiveness: **Newness and distinctiveness is claimed in the features of shape and/or configuration of a container and shroud as illustrated in the accompanying representations.**



- (21) Design Number: **13872/2011**
(22) Date of Filing Application: **02 September 2011**
(24) Date from which industrial property rights may have effect: **02 September 2011**
(54) Product in respect of which the design is registered: **Container shroud**
(51) International Design Classification: **09-01A**
(74) Name(s) of Attorney(s): **SPRUSON & FERGUSON**
(71) Name(s) and Address(s) of Applicant(s):
S. C. Johnson & Son, Inc.
1525 Howe Street Racine Wisconsin 53403-2236 United States of America
(72) Name(s) of Designer(s): **Erica Eden Cohen and Nathaniel Giraitis and William F. Gordon and Kevin Harrity and Jonathan N. Mandell and Nicholas Oxley and Jacob Palmberg and Jessi Pervola and Richard Whitehall**
(45) Registration Date: **02 December 2011**
(30) Convention priority data:
(31) Number (32) Date (33) Country
29/386808 04 Mar 2011 UNITED STATES OF AMERICA
(56) Related Art Documents: **Not Applicable**
(57) Statement of Newness and Distinctiveness: **Newness and distinctiveness is claimed in the features of shape and/or configuration of a container shroud as illustrated and labelled 'A' in the accompanying representations.**



(21) Design Number: **13932/2011**
(22) Date of Filing Application: **06 September 2011**
(24) Date from which industrial property rights may have effect: **06 September 2011**
(54) Product in respect of which the design is registered: **Conveyor belt scraper**
(51) International Design Classification: **12-05**
(74) Name(s) of Attorney(s): **Griffith Hack**
(71) Name(s) and Address(s) of Applicant(s):

Cabin Creek, Inc
PO Box 272 173 National Road Triadelphia WV 26059-0272 United States of America

(72) Name(s) of Designer(s): **James B. Kirschner and Bruce T. Cleevely and R. Anthony Cook and William Thomas Bland**

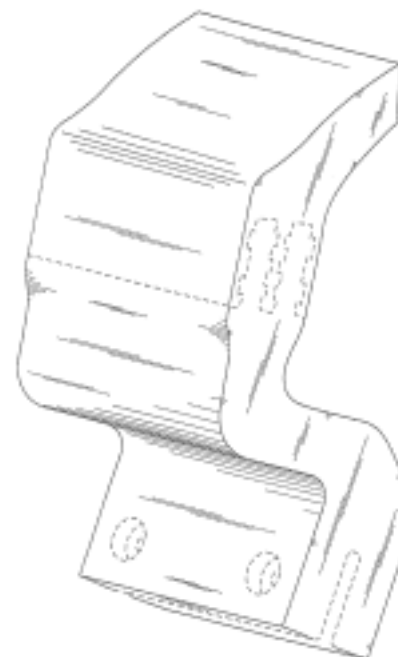
(45) Registration Date: **02 December 2011**

(30) Convention priority data:

(31) Number	(32) Date	(33) Country
29/387,317	11 Mar 2011	UNITED STATES OF AMERICA

(56) Related Art Documents: **Not Applicable**

(57) Statement of Newness and Distinctiveness: **Newness and distinctiveness resides in the visual features, including shape, configuration and ornamentation, of a CONVEYOR BELT SCRAPER as shown by means of solid lines in the accompanying representations. Those parts shown by means of dashed lines do not form part of the design.**



(21) Design Number: **14027/2011**
(22) Date of Filing Application: **12 September 2011**
(24) Date from which industrial property rights may have effect: **12 September 2011**
(54) Product in respect of which the design is registered: **Automobile tyre**
(51) International Design Classification: **12-15B**
(74) Name(s) of Attorney(s): **Griffith Hack**
(71) Name(s) and Address(s) of Applicant(s):

Bridgestone Corporation
10-1 Kyobashi 1-Chome Chuo-Ku Tokyo 104-8340 Japan

(72) Name(s) of Designer(s): **Yukihiro Kiwaki**

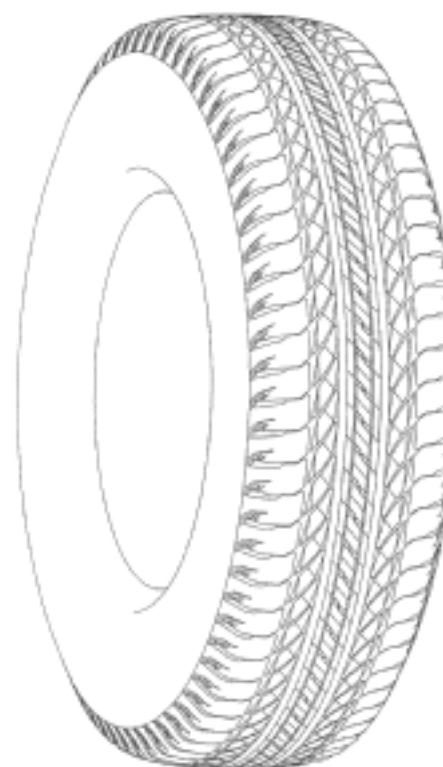
(45) Registration Date: **02 December 2011**

(30) Convention priority data:

(31) Number	(32) Date	(33) Country
2011-005654	11 Mar 2011	JAPAN

(56) Related Art Documents: **Not Applicable**

(57) Statement of Newness and Distinctiveness: **Newness and distinctiveness resides in the visual features, including shape, configuration and ornamentation, of an AUTOMOBILE TYRE as shown in the accompanying representations.**



- (21) Design Number: **14891/2011**
(22) Date of Filing Application: **31 October 2011**
(24) Date from which industrial property rights may have effect: **31 October 2011**
(54) Product in respect of which the design is registered: **Sofa**
(51) International Design Classification: **06-01G**
(74) Name(s) of Attorney(s):
(71) Name(s) and Address(s) of Applicant(s):
Jar Furniture Imports Pty Ltd
8-12 Ford Street Greenacre New South Wales 2190 Australia
(72) Name(s) of Designer(s): **David Hardwick**
(45) Registration Date: **02 December 2011**
(56) Related Art Documents: **Not Applicable**
(57) Statement of Newness and Distinctiveness: **Sofa features timber on arms and along bases that are a unique and identifying feature.**



- (21) Design Number: **14892/2011**
(22) Date of Filing Application: **31 October 2011**
(24) Date from which industrial property rights may have effect: **31 October 2011**
(54) Product in respect of which the design is registered: **Sofa**
(51) International Design Classification: **06-01G**
(74) Name(s) of Attorney(s):
(71) Name(s) and Address(s) of Applicant(s):
Jar Furniture Imports Pty Ltd
8-12 Ford Street Greenacre New South Wales 2190 Australia
(72) Name(s) of Designer(s): **David Hardwick**
(45) Registration Date: **02 December 2011**
(56) Related Art Documents: **Not Applicable**
(57) Statement of Newness and Distinctiveness: **Sofa features timber on arms and along bases that are a unique and identifying feature.**



(21) Design Number: **14893/2011**
(22) Date of Filing Application: **31 October 2011**
(24) Date from which industrial property rights may have effect: **31 October 2011**
(54) Product in respect of which the design is registered: **Sideboard, television unit, bedside cabinet, high chest, dressing table**
(51) International Design Classification: **06-04D**
(74) Name(s) of Attorney(s):
(71) Name(s) and Address(s) of Applicant(s):
Jar Furniture Imports Pty Ltd
8-12 Ford Street Greenacre New South Wales 2190 Australia
(72) Name(s) of Designer(s): **David Hardwick**
(45) Registration Date: **02 December 2011**
(56) Related Art Documents: **Not Applicable**
(57) Statement of Newness and Distinctiveness: **Cabinets feature doors with timber slats behind glass that are a unique and identifying feature.**



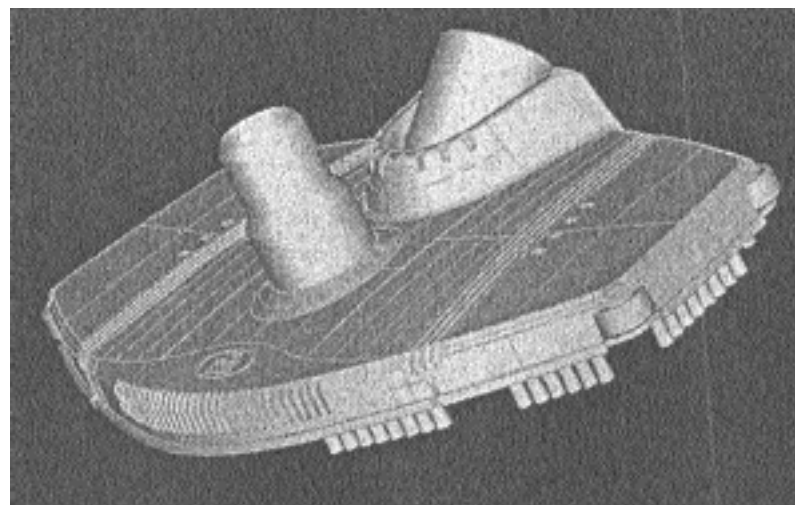
(21) Design Number: **14894/2011**
(22) Date of Filing Application: **31 October 2011**
(24) Date from which industrial property rights may have effect: **31 October 2011**
(54) Product in respect of which the design is registered: **Toothpick with match head**
(51) International Design Classification: **28-03NES**
(74) Name(s) of Attorney(s): **Madderns**
(71) Name(s) and Address(s) of Applicant(s):
VISIO, s.r.o.
Pri Habanskom Mlyne 16 Bratislava SK-811 04 Slovak Republic
(72) Name(s) of Designer(s): **Michal Pollak**
(45) Registration Date: **02 December 2011**
(30) Convention priority data:
(31) Number (32) Date (33) Country
001859182 04 May 2011 EUROPEAN COMMUNITY
(56) Related Art Documents: **Not Applicable**
(57) Statement of Newness and Distinctiveness: **Nil**



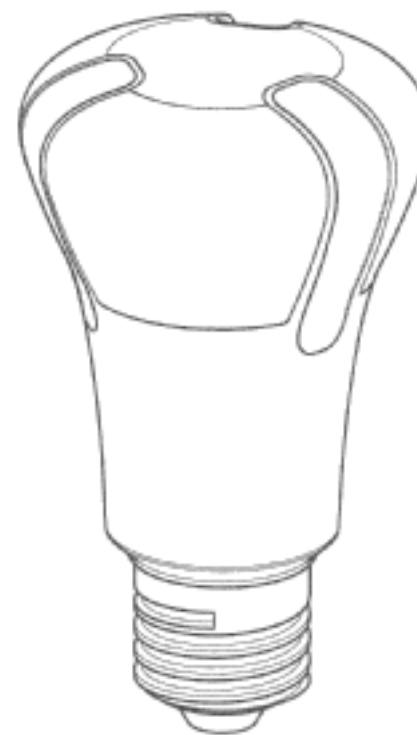
- (21) Design Number: **14914/2011**
(22) Date of Filing Application: **01 November 2011**
(24) Date from which industrial property rights may have effect: **01 November 2011**
(54) Product in respect of which the design is registered: **Broom head**
(51) International Design Classification: **04-01**
(74) Name(s) of Attorney(s): **IP Gateway Patent & Trademark Attorneys**
(71) Name(s) and Address(s) of Applicant(s):
Pool Systems Pty Ltd
79 Kremzow Road Brendale Queensland 4500 Australia
(72) Name(s) of Designer(s): **Paul Knight and Scott Cox**
(45) Registration Date: **02 December 2011**
(56) Related Art Documents: **Not Applicable**
(57) Statement of Newness and Distinctiveness: **The newness and distinctiveness of the design resides in the visual features of shape and/or configuration of a Broom Head as shown in the accompanying representations.**



- (21) Design Number: **14915/2011**
(22) Date of Filing Application: **01 November 2011**
(24) Date from which industrial property rights may have effect: **01 November 2011**
(54) Product in respect of which the design is registered: **Vacuum head**
(51) International Design Classification: **15-05**
(74) Name(s) of Attorney(s): **IP Gateway Patent & Trademark Attorneys**
(71) Name(s) and Address(s) of Applicant(s):
Pool Systems Pty Ltd
79 Kremzow Road Brendale Queensland 4500 Australia
(72) Name(s) of Designer(s): **Paul Knight and Scott Cox**
(45) Registration Date: **02 December 2011**
(56) Related Art Documents: **Not Applicable**
(57) Statement of Newness and Distinctiveness: **The newness and distinctiveness of the design resides in the visual features of shape and/or configuration of a Vacuum Head as shown in the accompanying representations.**



(21) Design Number: **14967/2011**
(22) Date of Filing Application: **04 November 2011**
(24) Date from which industrial property rights may have effect: **04 November 2011**
(54) Product in respect of which the design is registered: **LED lamp**
(51) International Design Classification: **26-05E, 26-04**
(74) Name(s) of Attorney(s): **FB Rice**
(71) Name(s) and Address(s) of Applicant(s):
Koninklijke Philips Electronics N.V.
Groenewoudseweg 1 5621 BA Eindhoven The Netherlands
(72) Name(s) of Designer(s): **Justin Yun Fei Xu**
(45) Registration Date: **02 December 2011**
(30) Convention priority data:
(31) Number (32) Date (33) Country
001859711-0001 05 May 2011 EUROPEAN COMMUNITY
(56) Related Art Documents: **Not Applicable**
(57) Statement of Newness and Distinctiveness: **Newness and distinctiveness reside in the features of shape and configuration of the LED lamp as shown in the representations.**



(21) Design Number: **15002/2011**
(22) Date of Filing Application: **07 November 2011**
(24) Date from which industrial property rights may have effect: **07 November 2011**
(54) Product in respect of which the design is registered: **Toothbrush**
(51) International Design Classification: **04-02**
(74) Name(s) of Attorney(s): **FB Rice**
(71) Name(s) and Address(s) of Applicant(s):
Colgate-Palmolive Company
300 Park Avenue New York New York 10022 United States of America
(72) Name(s) of Designer(s): **Wen Jin Xi and Guang Sheng Guo and Jian Rong Zhou**
(45) Registration Date: **02 December 2011**
(30) Convention priority data:
(31) Number (32) Date (33) Country
29/394499 17 Jun 2011 UNITED STATES OF AMERICA
(56) Related Art Documents: **Not Applicable**
(57) Statement of Newness and Distinctiveness: **Newness and distinctiveness reside in the features of the toothbrush shown in solid lines in the representations excluding those features shown in broken lines.**



(21) Design Number: **15003/2011**
(22) Date of Filing Application: **07 November 2011**
(24) Date from which industrial property rights may have effect: **07 November 2011**
(54) Product in respect of which the design is registered: **Post and parts thereof**
(51) International Design Classification: **25-01E**
(74) Name(s) of Attorney(s): **Griffith Hack**
(71) Name(s) and Address(s) of Applicant(s):

MAKAHPER AB
Storgatan 23 SE-272 31 Simrishamn Sweden

(72) Name(s) of Designer(s): **Aida Kalnins and Hakan Martensson**
(45) Registration Date: **02 December 2011**

(30) Convention priority data:

(31) Number	(32) Date	(33) Country
001274823	06 May 2011	EUROPEAN COMMUNITY

(56) Related Art Documents: **Not Applicable**

(57) Statement of Newness and Distinctiveness: **Newness and distinctiveness resides in the visual features, including shape, configuration and ornamentation of the POST AND PARTS THEREOF as shown in the accompanying representation.**



(21) Design Number: **15004/2011**
(22) Date of Filing Application: **07 November 2011**
(24) Date from which industrial property rights may have effect: **07 November 2011**
(54) Product in respect of which the design is registered: **A container**
(51) International Design Classification: **09-03M**
(74) Name(s) of Attorney(s): **A J Park**
(71) Name(s) and Address(s) of Applicant(s):

Carter Holt Harvey Limited
173 Captain Springs Road Onehunga Auckland New Zealand

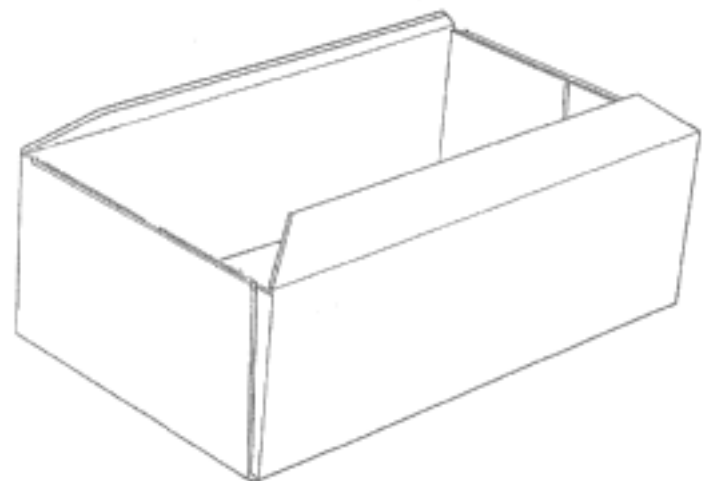
(72) Name(s) of Designer(s): **Albert William Mihelic**
(45) Registration Date: **02 December 2011**

(30) Convention priority data:

(31) Number	(32) Date	(33) Country
414917	20 May 2011	NEW ZEALAND

(56) Related Art Documents: **Not Applicable**

(57) Statement of Newness and Distinctiveness: **Application is for a design to be applied to A CONTAINER. The novelty claimed for the design resides in the features of shape and/or configuration all as shown in the representations.**



(21) Design Number: **15008/2011**
(22) Date of Filing Application: **08 November 2011**
(24) Date from which industrial property rights may have effect: **08 November 2011**
(54) Product in respect of which the design is registered: **Jug**
(51) International Design Classification: **07-01F**
(74) Name(s) of Attorney(s): **MALLESONS STEPHEN JAQUES**
(71) Name(s) and Address(s) of Applicant(s):

Pi-Design AG
Kantonsstrasse 100 6234 Triengen Switzerland

(72) Name(s) of Designer(s): **Jorgen Bodum**

(45) Registration Date: **02 December 2011**

(30) Convention priority data:

(31) Number	(32) Date	(33) Country
DM/076 075	23 May 2011	WORLD INTELLECTUAL PROPERTY ORGANIZATION (WIPO)

(56) Related Art Documents: **Not Applicable**

(57) Statement of Newness and Distinctiveness: **Nil**



(21) Design Number: **15184/2011**
(22) Date of Filing Application: **15 November 2011**
(24) Date from which industrial property rights may have effect: **15 November 2011**
(54) Product in respect of which the design is registered: **A planter seat**
(51) International Design Classification: **11-02B**
(74) Name(s) of Attorney(s):
(71) Name(s) and Address(s) of Applicant(s):

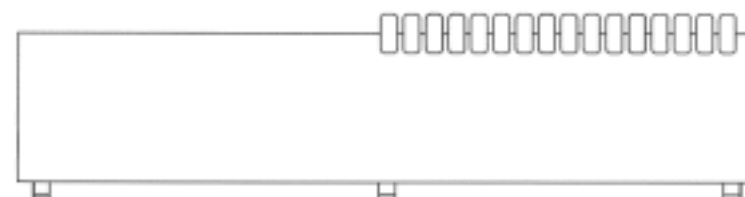
Frankston City Council
PO Box 490 Frankston Victoria 3199 Australia

(72) Name(s) of Designer(s): **Kieran McKernan**

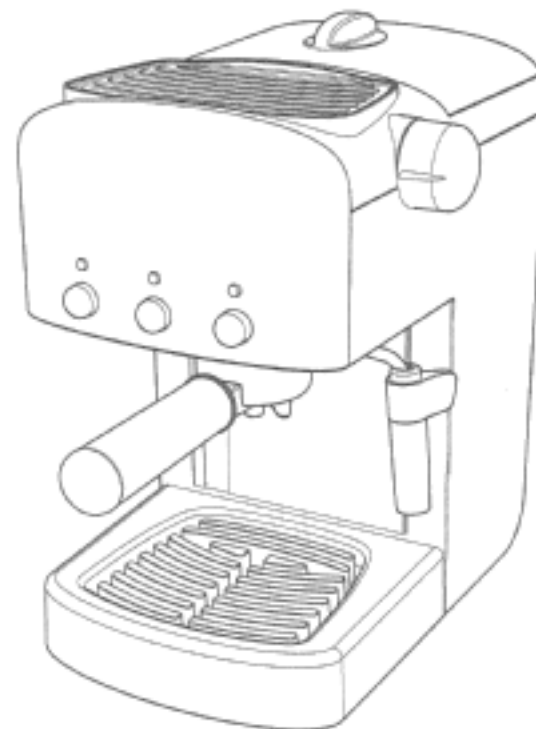
(45) Registration Date: **02 December 2011**

(56) Related Art Documents: **Not Applicable**

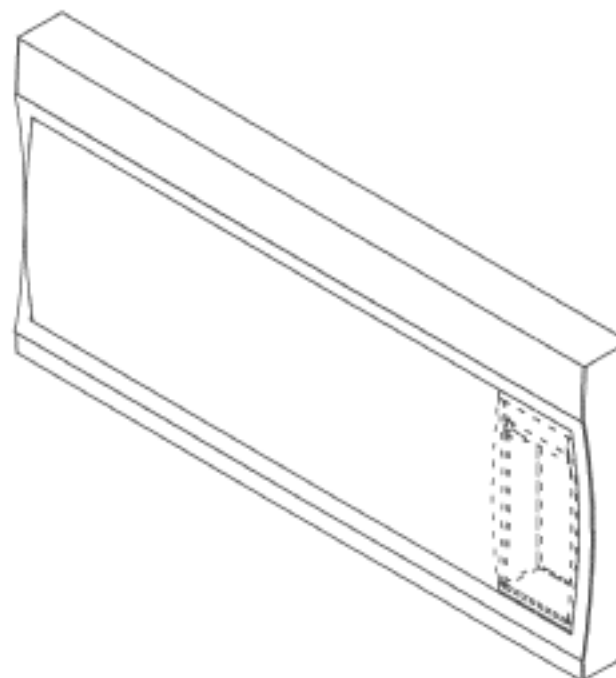
(57) Statement of Newness and Distinctiveness: **Newness and distinctiveness is claimed in the shape and configuration of the planter seat as illustrated in the accompanying representations. In considering the newness and distinctiveness of the design, those features of the design marked with hashed lines are to be disregarded.**



(21) Design Number: **15030/2011**
(22) Date of Filing Application: **08 November 2011**
(24) Date from which industrial property rights may have effect: **08 November 2011**
(54) Product in respect of which the design is registered: **Coffee maker**
(51) International Design Classification: **07-02L**
(74) Name(s) of Attorney(s): **FB Rice**
(71) Name(s) and Address(s) of Applicant(s):
Koninklijke Philips Electronics N.V.
Groenewoudseweg 1 5621 BA Eindhoven The Netherlands
(72) Name(s) of Designer(s): **Dario De Pra**
(45) Registration Date: **05 December 2011**
(30) Convention priority data:
(31) Number (32) Date (33) Country
001860693-0001 09 May 2011 EUROPEAN COMMUNITY
(56) Related Art Documents: **Not Applicable**
(57) Statement of Newness and Distinctiveness: **Newness and distinctiveness reside in the features of shape and configuration of the coffee maker as shown in the representations.**



(21) Design Number: **15037/2011**
(22) Date of Filing Application: **09 November 2011**
(24) Date from which industrial property rights may have effect: **09 November 2011**
(54) Product in respect of which the design is registered: **Display for vending machine**
(51) International Design Classification: **20-01**
(74) Name(s) of Attorney(s): **Shelston IP**
(71) Name(s) and Address(s) of Applicant(s):
British American Tobacco Denmark A/S
Vester Farimagsgade 19 DK-1606 Copenhagen V Denmark
(72) Name(s) of Designer(s): **Rasmus Thyrring and Christian Cramer Nielsen**
(45) Registration Date: **05 December 2011**
(30) Convention priority data:
(31) Number (32) Date (33) Country
001863457-0003 13 May 2011 EUROPEAN COMMUNITY
(56) Related Art Documents: **Not Applicable**
(57) Statement of Newness and Distinctiveness: **Newness and distinctiveness reside in the features of shape and/or configuration of a display for vending machine as shown in solid lines in the accompanying representations. The features shown in broken lines are shown for illustrative purposes only and do not form part of the design.**



(21) Design Number: **15039/2011**
(22) Date of Filing Application: **09 November 2011**
(24) Date from which industrial property rights may have effect: **09 November 2011**
(54) Product in respect of which the design is registered: **Headset**
(51) International Design Classification: **14-01**
(74) Name(s) of Attorney(s): **Shelston IP**
(71) Name(s) and Address(s) of Applicant(s):

Microsoft Corporation
One Microsoft Way Redmond Washington 98052 United States of America

(72) Name(s) of Designer(s): **Richard T. Hanks and Quintin R. Morris and Sung Ho Son**

(45) Registration Date: **05 December 2011**

(30) Convention priority data:

(31) Number	(32) Date	(33) Country
29/391907	13 May 2011	UNITED STATES OF AMERICA

(56) Related Art Documents: **Not Applicable**

(57) Statement of Newness and Distinctiveness: **Newness and distinctiveness reside in the shape and/or configuration of a headset illustrated by solid lines in the accompanying representations. The features shown in discontinuous lines or in broken outline are for illustrative purposes only and form no part of the design.**



(21) Design Number: **15040/2011**
(22) Date of Filing Application: **09 November 2011**
(24) Date from which industrial property rights may have effect: **09 November 2011**
(54) Product in respect of which the design is registered: **Headset**
(51) International Design Classification: **14-01**
(74) Name(s) of Attorney(s): **Shelston IP**
(71) Name(s) and Address(s) of Applicant(s):

Microsoft Corporation
One Microsoft Way Redmond Washington 98052 United States of America

(72) Name(s) of Designer(s): **Richard T. Hanks and Quintin R. Morris and Sung Ho Son**

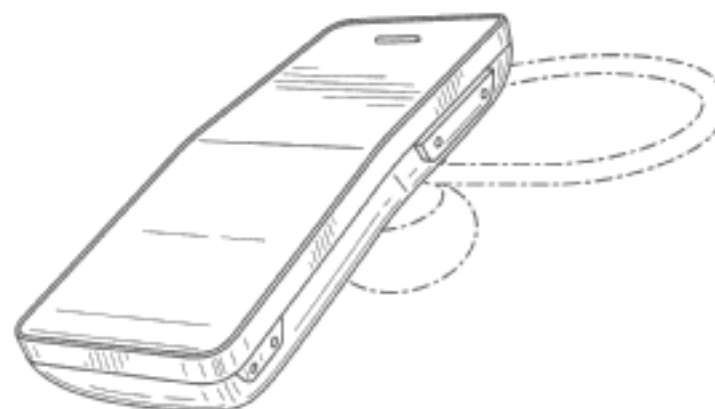
(45) Registration Date: **05 December 2011**

(30) Convention priority data:

(31) Number	(32) Date	(33) Country
29/391908	13 May 2011	UNITED STATES OF AMERICA

(56) Related Art Documents: **Not Applicable**

(57) Statement of Newness and Distinctiveness: **Newness and distinctiveness reside in the shape and/or configuration of a headset illustrated by solid lines in the accompanying representations. The features shown in discontinuous lines or in broken outline are for illustrative purposes only and form no part of the design.**



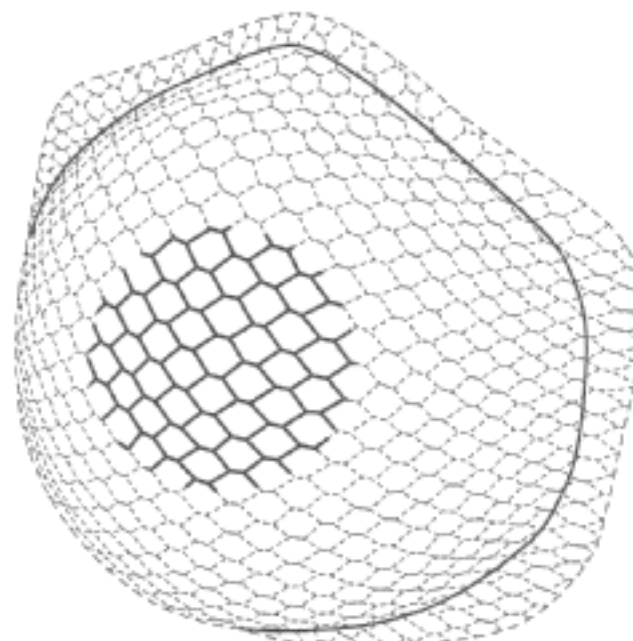
- (21) Design Number: **15113/2011**
(22) Date of Filing Application: **10 November 2011**
(24) Date from which industrial property rights may have effect: **10 November 2011**
(54) Product in respect of which the design is registered: **Bedside chest, tallboy, buffet, entertainment unit, coffee table, lamp table**
(51) International Design Classification: **06-03A, 06-04F, 06-04D**
(74) Name(s) of Attorney(s):
(71) Name(s) and Address(s) of Applicant(s):
Southern Way International Pty Ltd
31 Rose Crescent Auburn New South Wales 2144 Australia
(72) Name(s) of Designer(s): **Chew Lin and Ross Ferguson**
(45) Registration Date: **05 December 2011**
(56) Related Art Documents: **Not Applicable**
(57) Statement of Newness and Distinctiveness: **'Cordite' laser cut accent panels on drawers and side panels. Exposed mortise and tenon accent feature on cabinet corners.**



- (21) Design Number: **15117/2011**
(22) Date of Filing Application: **10 November 2011**
(24) Date from which industrial property rights may have effect: **10 November 2011**
(54) Product in respect of which the design is registered: **Bedside chest, tallboy, buffet, entertainment unit, coffee table, lamp table**
(51) International Design Classification: **06-03A, 06-04D, 06-04F**
(74) Name(s) of Attorney(s):
(71) Name(s) and Address(s) of Applicant(s):
Southern Way International Pty Ltd
31 Rose Crescent Auburn New South Wales 2144 Australia
(72) Name(s) of Designer(s): **Chew Lin and Ross Ferguson**
(45) Registration Date: **05 December 2011**
(56) Related Art Documents: **Not Applicable**
(57) Statement of Newness and Distinctiveness: **'Rustic' panel on uppermost part of doors and selected drawers. Smooth finish on all other parts. 'Rustic' surfaces stained in 'Earth' colour. Smooth surfaces stain in 'Light Oak' colour.**



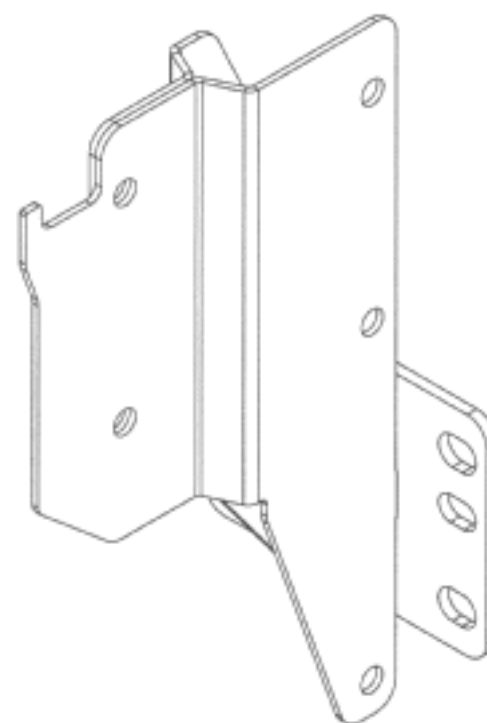
(21) Design Number: **15016/2011**
(22) Date of Filing Application: **08 November 2011**
(24) Date from which industrial property rights may have effect: **08 November 2011**
(54) Product in respect of which the design is registered: **Respiratory mask**
(51) International Design Classification: **24-01**
(74) Name(s) of Attorney(s): **Freehills Patent & Trade Mark Attorneys**
(71) Name(s) and Address(s) of Applicant(s):
3M Innovative Properties Company
3M Center Saint Paul Minnesota 55133-3427 United States of America
(72) Name(s) of Designer(s): **Seyed A. Angadjivand and Debra A. Dawson and Yonas Gebrewold and Nhat Ha T. Nguyen**
(45) Registration Date: **05 December 2011**
(30) Convention priority data:
(31) Number (32) Date (33) Country
29/391455 09 May 2011 UNITED STATES OF AMERICA
(56) Related Art Documents: **Not Applicable**
(57) Statement of Newness and Distinctiveness: **Newness and distinctiveness resides in the features of pattern and/or ornamentation of a respiratory mask as shown in solid outline in the accompanying representations. Newness and distinctiveness is not claimed in the features shown in broken outline in the representations.**



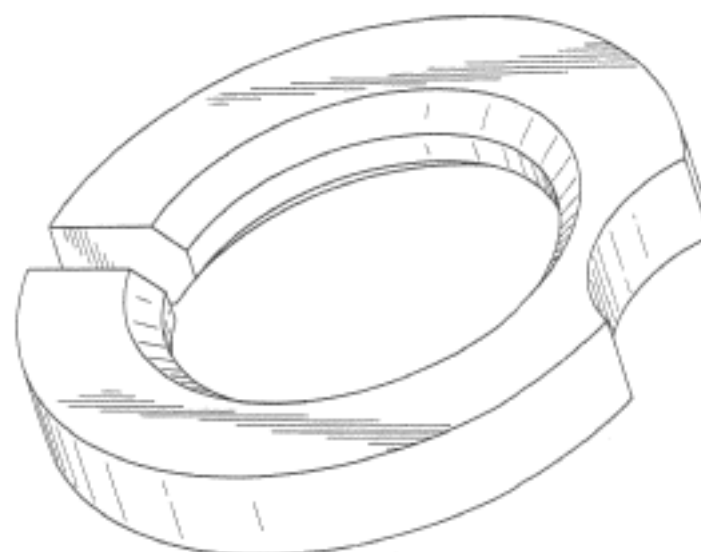
(21) Design Number: **15017/2011**
(22) Date of Filing Application: **08 November 2011**
(24) Date from which industrial property rights may have effect: **08 November 2011**
(54) Product in respect of which the design is registered: **Tyre**
(51) International Design Classification: **12-15B**
(74) Name(s) of Attorney(s): **Griffith Hack**
(71) Name(s) and Address(s) of Applicant(s):
Continental Reifen Deutschland GmbH
Vahrenwalder Str. 9 30165 Hannover Germany
(72) Name(s) of Designer(s): **Stefan Rittweger**
(45) Registration Date: **05 December 2011**
(30) Convention priority data:
(31) Number (32) Date (33) Country
001911751 02 Sep 2011 EUROPEAN COMMUNITY
(56) Related Art Documents: **Not Applicable**
(57) Statement of Newness and Distinctiveness: **Newness and distinctiveness resides in the visual features, including shape, configuration and pattern, of a tread for a TYRE as shown in the accompanying representations.**



- (21) Design Number: **15019/2011**
(22) Date of Filing Application: **08 November 2011**
(24) Date from which industrial property rights may have effect: **08 November 2011**
(54) Product in respect of which the design is registered: **Deformable mount for bull bar**
(51) International Design Classification: **12-16C**
(74) Name(s) of Attorney(s): **Macpherson + Kelley**
(71) Name(s) and Address(s) of Applicant(s):
APV Automotive Components Pty Ltd
105 Newlands Road Coburg Victoria 3058 Australia
(72) Name(s) of Designer(s): **Frank Gomes-Vieira**
(45) Registration Date: **05 December 2011**
(56) Related Art Documents: **Not Applicable**
(57) Statement of Newness and Distinctiveness: **Distinctiveness is claimed in the shape of the deformable mount but excludes the bolt holes and their location.**



- (21) Design Number: **15065/2011**
(22) Date of Filing Application: **09 November 2011**
(24) Date from which industrial property rights may have effect: **09 November 2011**
(54) Product in respect of which the design is registered: **Hose clip**
(51) International Design Classification: **08-08E**
(74) Name(s) of Attorney(s): **Fisher Adams Kelly**
(71) Name(s) and Address(s) of Applicant(s):
Joy MM Delaware, Inc.
2751 Centerville Road Suite 342 WILINGTON 19808 Delaware United States of America
(72) Name(s) of Designer(s): **Philip Yates**
(45) Registration Date: **05 December 2011**
(30) Convention priority data:
(31) Number (32) Date (33) Country
29/391439 09 May 2011 UNITED STATES OF AMERICA
(56) Related Art Documents: **Not Applicable**
(57) Statement of Newness and Distinctiveness: **The newness and distinctiveness of the design resides in the shape and/or configuration of the HOSE CLIP shown in the representations.**



(21) Design Number: **15066/2011**
(22) Date of Filing Application: **09 November 2011**
(24) Date from which industrial property rights may have effect: **09 November 2011**
(54) Product in respect of which the design is registered: **Hose clip**
(51) International Design Classification: **08-08E**
(74) Name(s) of Attorney(s): **Fisher Adams Kelly**
(71) Name(s) and Address(s) of Applicant(s):

Joy MM Delaware, Inc.
2751 Centerville Road Suite 342 WILINGTON 19808 Delaware United States of America

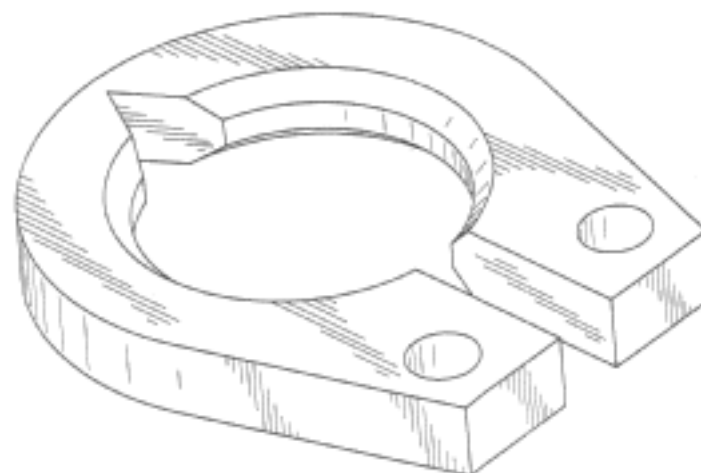
(72) Name(s) of Designer(s): **Philip Yates**
(45) Registration Date: **05 December 2011**

(30) Convention priority data:

(31) Number	(32) Date	(33) Country
29/391439	09 May 2011	UNITED STATES OF AMERICA

(56) Related Art Documents: **Not Applicable**

(57) Statement of Newness and Distinctiveness: **The newness and distinctiveness of the design resides in the shape and/or configuration of the HOSE CLIP shown in the representations.**



(21) Design Number: **15067/2011**
(22) Date of Filing Application: **09 November 2011**
(24) Date from which industrial property rights may have effect: **09 November 2011**
(54) Product in respect of which the design is registered: **Hose clip**
(51) International Design Classification: **08-08E**
(74) Name(s) of Attorney(s): **Fisher Adams Kelly**
(71) Name(s) and Address(s) of Applicant(s):

Joy MM Delaware, Inc.
2751 Centerville Road Suite 342 WILINGTON 19808 Delaware United States of America

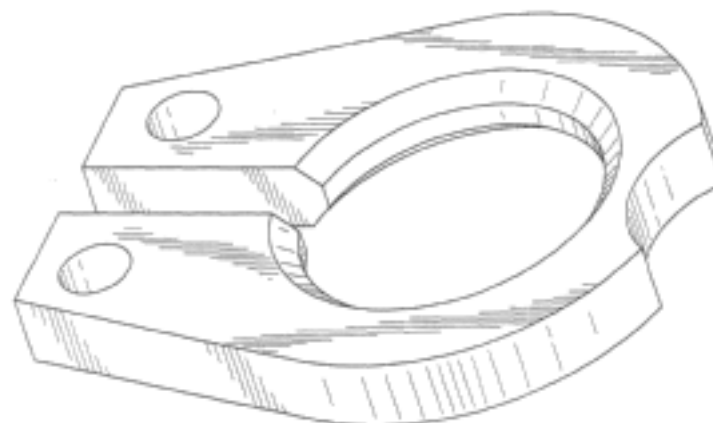
(72) Name(s) of Designer(s): **Philip Yates**
(45) Registration Date: **05 December 2011**

(30) Convention priority data:

(31) Number	(32) Date	(33) Country
29/391439	09 May 2011	UNITED STATES OF AMERICA

(56) Related Art Documents: **Not Applicable**

(57) Statement of Newness and Distinctiveness: **The newness and distinctiveness of the design resides in the shape and/or configuration of the HOSE CLIP shown in the representations.**



(21) Design Number: **15068/2011**
(22) Date of Filing Application: **09 November 2011**
(24) Date from which industrial property rights may have effect: **09 November 2011**
(54) Product in respect of which the design is registered: **Hose clip**
(51) International Design Classification: **08-08E**
(74) Name(s) of Attorney(s): **Fisher Adams Kelly**
(71) Name(s) and Address(s) of Applicant(s):

Joy MM Delaware, Inc.
2751 Centerville Road Suite 342 WILINGTON 19808 Delaware United States of America

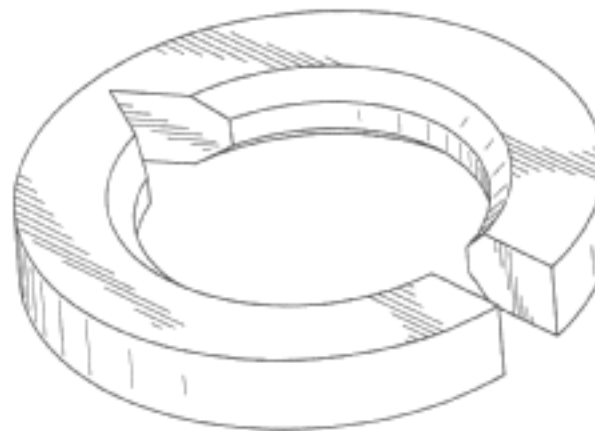
(72) Name(s) of Designer(s): **Philip Yates**
(45) Registration Date: **05 December 2011**

(30) Convention priority data:

(31) Number	(32) Date	(33) Country
29/391439	09 May 2011	UNITED STATES OF AMERICA

(56) Related Art Documents: **Not Applicable**

(57) Statement of Newness and Distinctiveness: **The newness and distinctiveness of the design resides in the shape and/or configuration of the HOSE CLIP shown in the representations.**



(21) Design Number: **15069/2011**
(22) Date of Filing Application: **09 November 2011**
(24) Date from which industrial property rights may have effect: **09 November 2011**
(54) Product in respect of which the design is registered: **Respiratory mask**
(51) International Design Classification: **24-01**
(74) Name(s) of Attorney(s): **Freehills Patent & Trade Mark Attorneys**
(71) Name(s) and Address(s) of Applicant(s):

3M Innovative Properties Company
3M Center Saint Paul Minnesota 55133-3427 United States of America

(72) Name(s) of Designer(s): **Debra R. Dawson and Seyed A. Angadjivand and Yonas Gebrewold and Nhat Ha T. Nguyen**

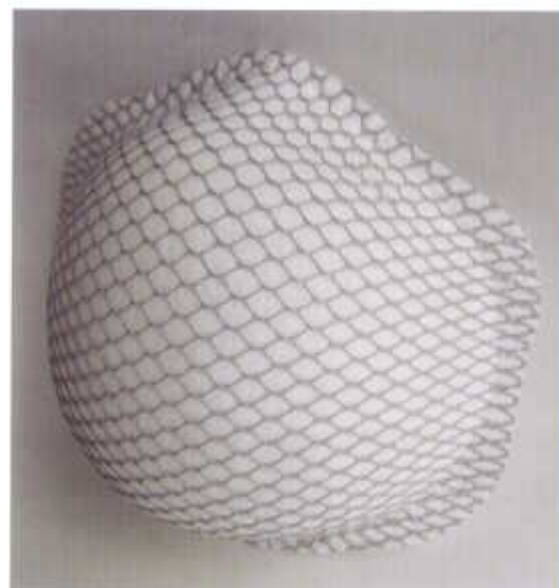
(45) Registration Date: **05 December 2011**

(30) Convention priority data:

(31) Number	(32) Date	(33) Country
29/373681	09 May 2011	UNITED STATES OF AMERICA

(56) Related Art Documents: **Not Applicable**

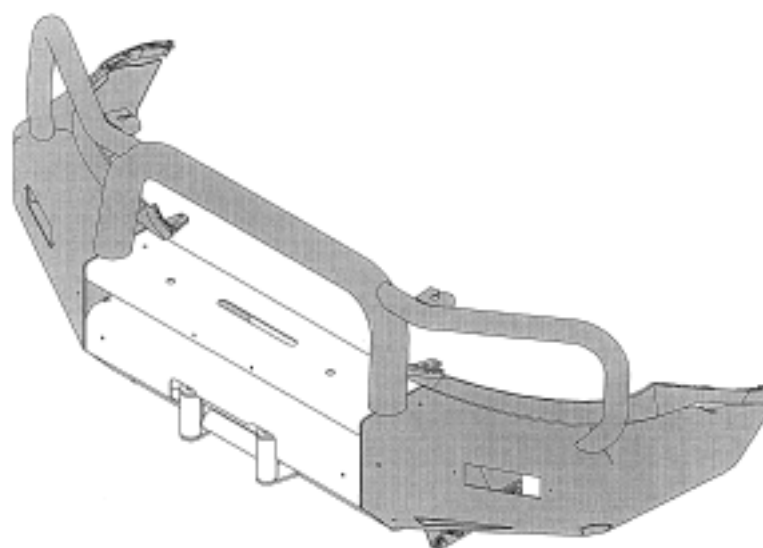
(57) Statement of Newness and Distinctiveness: **Nil**



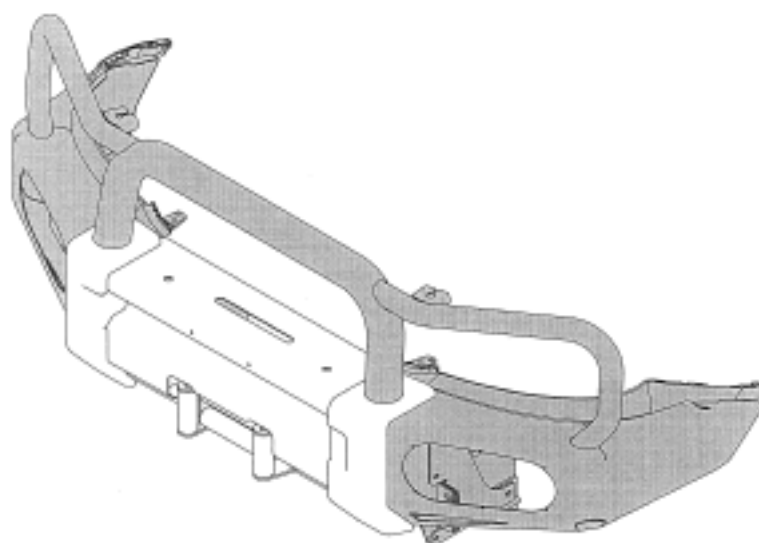
(21) Design Number: **15070/2011**
(22) Date of Filing Application: **09 November 2011**
(24) Date from which industrial property rights may have effect: **09 November 2011**
(54) Product in respect of which the design is registered: **Respiratory mask**
(51) International Design Classification: **24-01**
(74) Name(s) of Attorney(s): **Freehills Patent & Trade Mark Attorneys**
(71) Name(s) and Address(s) of Applicant(s):
3M Innovative Properties Company
3M Center Saint Paul Minnesota 55133-3427 United States of America
(72) Name(s) of Designer(s): **Debra R. Dawson and Seyed A. Angadjivand and Yonas Gebrewold and Nhat Ha T. Nguyen**
(45) Registration Date: **05 December 2011**
(30) Convention priority data:
(31) Number (32) Date (33) Country
29/373681 09 May 2011 UNITED STATES OF AMERICA
(56) Related Art Documents: **Not Applicable**
(57) Statement of Newness and Distinctiveness: **Nil**



(21) Design Number: **15020/2011**
(22) Date of Filing Application: **08 November 2011**
(24) Date from which industrial property rights may have effect: **08 November 2011**
(54) Product in respect of which the design is registered: **Bull bar**
(51) International Design Classification: **12-16C**
(74) Name(s) of Attorney(s): **Macpherson + Kelley**
(71) Name(s) and Address(s) of Applicant(s):
APV Automotive Components Pty Ltd
105 Newlands Road Coburg Victoria 3058 Australia
(72) Name(s) of Designer(s): **Frank Gomes-Vieira**
(45) Registration Date: **05 December 2011**
(56) Related Art Documents: **Not Applicable**
(57) Statement of Newness and Distinctiveness: **Distinctiveness is claimed in the relative size, shape and proportions of the winch access aperture. The shaded parts are disclaimed for the purposes of newness and distinctiveness.**



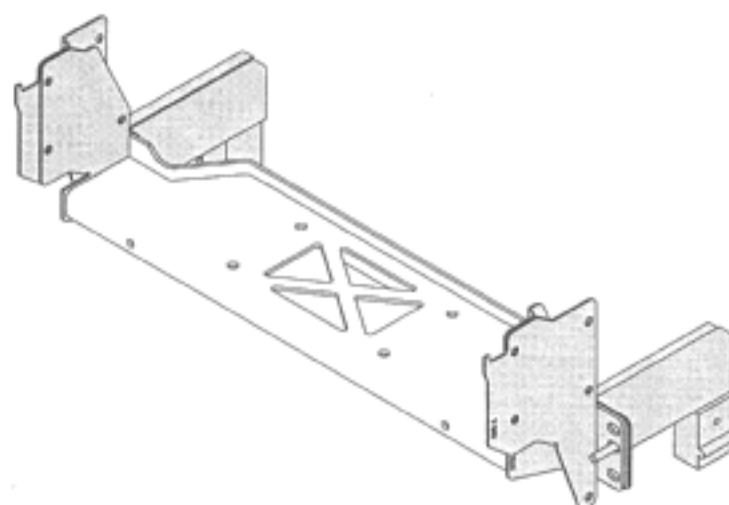
- (21) Design Number: **15021/2011**
(22) Date of Filing Application: **08 November 2011**
(24) Date from which industrial property rights may have effect: **08 November 2011**
(54) Product in respect of which the design is registered: **Bull bar**
(51) International Design Classification: **12-16C**
(74) Name(s) of Attorney(s): **Macpherson + Kelley**
(71) Name(s) and Address(s) of Applicant(s):
APV Automotive Components Pty Ltd
105 Newlands Road Coburg Victoria 3058 Australia
(72) Name(s) of Designer(s): **Frank Gomes-Vieira**
(45) Registration Date: **05 December 2011**
(56) Related Art Documents: **Not Applicable**
(57) Statement of Newness and Distinctiveness: **Distinctiveness is claimed in the relative size, shape and proportions of the winch access aperture. The shaded parts are disclaimed for the purposes of newness and distinctiveness.**



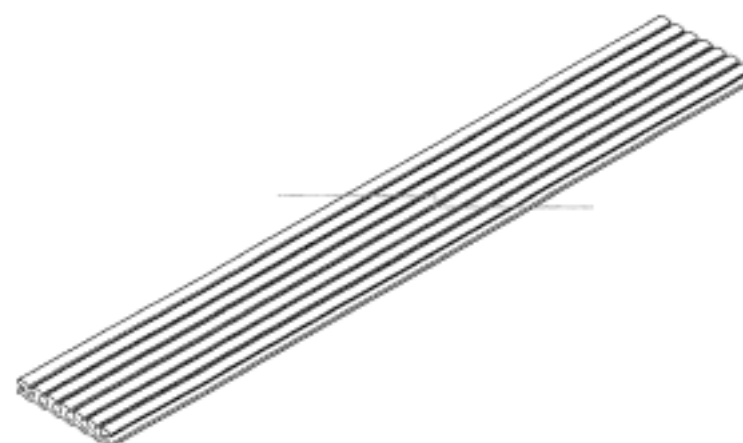
- (21) Design Number: **15022/2011**
(22) Date of Filing Application: **09 November 2011**
(24) Date from which industrial property rights may have effect: **09 November 2011**
(54) Product in respect of which the design is registered: **Ruler of length 350 mm and with special markings made of brass**
(51) International Design Classification: **19-06, 10-04**
(74) Name(s) of Attorney(s):
(71) Name(s) and Address(s) of Applicant(s):
Raf Nathan
PO Box 4336 Loganholme Queensland 4129 Australia
(72) Name(s) of Designer(s): **Rafael Rod Nathan**
(45) Registration Date: **05 December 2011**
(56) Related Art Documents: **Not Applicable**
(57) Statement of Newness and Distinctiveness: **Markings for dovetails 1:5 and 1:6 markings for grinding angle 20 degrees 25 degrees 30 degrees 35 degrees edge ruler.**



- (21) Design Number: **15023/2011**
(22) Date of Filing Application: **08 November 2011**
(24) Date from which industrial property rights may have effect: **08 November 2011**
(54) Product in respect of which the design is registered: **Bull bar winch tray**
(51) International Design Classification: **12-16C**
(74) Name(s) of Attorney(s): **Macpherson + Kelley**
(71) Name(s) and Address(s) of Applicant(s):
APV Automotive Components Pty Ltd
105 Newlands Road Coburg Victoria 3058 Australia
(72) Name(s) of Designer(s): **Frank Gomes-Vieira**
(45) Registration Date: **05 December 2011**
(56) Related Art Documents: **Not Applicable**
(57) Statement of Newness and Distinctiveness: **Distinctiveness is claimed in the shape of the tray but excludes the centre cut out and position of the bolt holes.**



- (21) Design Number: **15053/2011**
(22) Date of Filing Application: **09 November 2011**
(24) Date from which industrial property rights may have effect: **09 November 2011**
(54) Product in respect of which the design is registered: **Panel**
(51) International Design Classification: **25-01D**
(74) Name(s) of Attorney(s): **Griffith Hack**
(71) Name(s) and Address(s) of Applicant(s):
Novo-Tech GmbH & Co. KG
Siemensstr. 31 06449 Aschersleben Gemany
(72) Name(s) of Designer(s): **Hoger Sasse**
(45) Registration Date: **05 December 2011**
(30) Convention priority data:
(31) Number (32) Date (33) Country
001861493-0002 10 May 2011 EUROPEAN COMMUNITY
(56) Related Art Documents: **Not Applicable**
(57) Statement of Newness and Distinctiveness: **Newness and distinctiveness resides in the visual features, including shape, configuration and ornamentation of the panel as shown in the attached representations. The panel may be of any length and any width.**



(21) Design Number: **15054/2011**
(22) Date of Filing Application: **09 November 2011**
(24) Date from which industrial property rights may have effect: **09 November 2011**
(54) Product in respect of which the design is registered: **Panel**
(51) International Design Classification: **25-01D**
(74) Name(s) of Attorney(s): **Griffith Hack**
(71) Name(s) and Address(s) of Applicant(s):

Novo-Tech GmbH & Co. KG
Siemensstr. 31 06449 Aschersleben Gemany

(72) Name(s) of Designer(s): **Hoger Sasse**

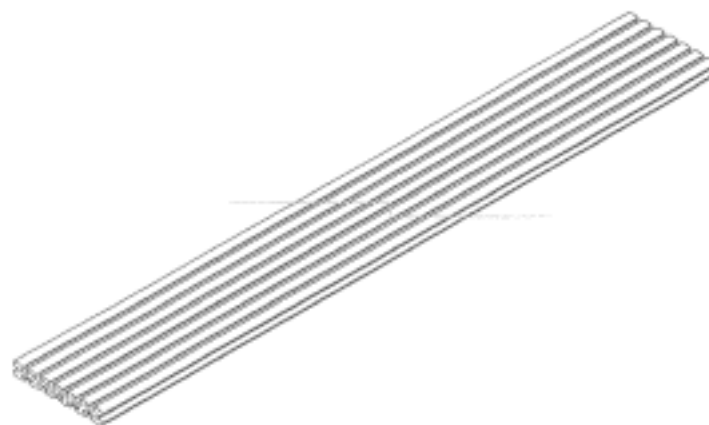
(45) Registration Date: **05 December 2011**

(30) Convention priority data:

(31) Number	(32) Date	(33) Country
001861493-0001	10 May 2011	EUROPEAN COMMUNITY

(56) Related Art Documents: **Not Applicable**

(57) Statement of Newness and Distinctiveness: **Newness and distinctiveness resides in the visual features, including shape, configuration and ornamentation of the panel as shown in the attached representations. The panel may be of any length and any width.**



(21) Design Number: **15073/2011**
(22) Date of Filing Application: **11 November 2011**
(24) Date from which industrial property rights may have effect: **11 November 2011**
(54) Product in respect of which the design is registered: **A package**
(51) International Design Classification: **09-05**
(74) Name(s) of Attorney(s): **Banki Haddock Fiora**
(71) Name(s) and Address(s) of Applicant(s):

Societe des Produits Nestle S.A.
1800 Vevey Switzerland

(72) Name(s) of Designer(s): **Michel Bourguignon**

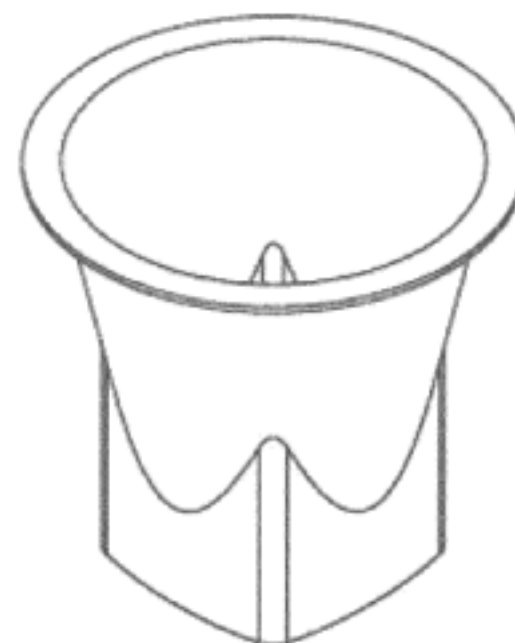
(45) Registration Date: **05 December 2011**

(30) Convention priority data:

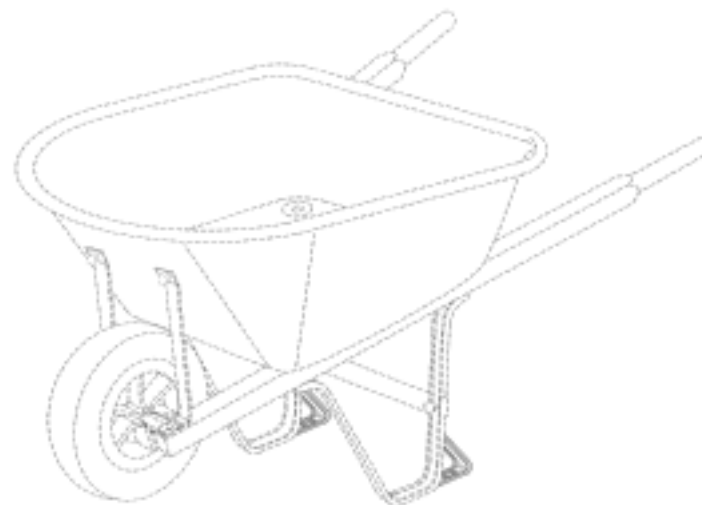
(31) Number	(32) Date	(33) Country
137953	23 May 2011	SWITZERLAND

(56) Related Art Documents: **Not Applicable**

(57) Statement of Newness and Distinctiveness: **Nil**



(21) Design Number: **15109/2011**
(22) Date of Filing Application: **10 November 2011**
(24) Date from which industrial property rights may have effect: **10 November 2011**
(54) Product in respect of which the design is registered: **Wheelbarrow leg stabilizer**
(51) International Design Classification: **12-02**
(74) Name(s) of Attorney(s): **FB Rice**
(71) Name(s) and Address(s) of Applicant(s):
Ames True Temper, Inc.
465 Railroad Avenue Camp Hill Pennsylvania 17011 United States of America
(72) Name(s) of Designer(s): **Barry R. Albert and Daniel F. Marshall and Joshua O. Mullen and Michael J. Lupey Jr.**
(45) Registration Date: **05 December 2011**
(30) Convention priority data:
(31) Number (32) Date (33) Country
29/396024 24 Jun 2011 UNITED STATES OF AMERICA



(56) Related Art Documents: **Not Applicable**
(57) Statement of Newness and Distinctiveness: **Newness and distinctiveness reside in the features of shape and configuration of the wheelbarrow leg stabilizer as shown in solid lines in the representations. It is to be noted that the phantom lines shown in Figure 1 are for the purposes of illustration only and form no part of the design.**

(21) Design Number: **15110/2011**
(22) Date of Filing Application: **10 November 2011**
(24) Date from which industrial property rights may have effect: **10 November 2011**
(54) Product in respect of which the design is registered: **Toothbrush**
(51) International Design Classification: **04-02**
(74) Name(s) of Attorney(s): **FB Rice**
(71) Name(s) and Address(s) of Applicant(s):
Colgate-Palmolive Company
300 Park Avenue New York New York 10022 United States of America
(72) Name(s) of Designer(s): **Wen Jin Xi and Yu Liu and Jian Rong Zhou**
(45) Registration Date: **05 December 2011**
(30) Convention priority data:
(31) Number (32) Date (33) Country
29/394277 15 Jun 2011 UNITED STATES OF AMERICA



(56) Related Art Documents: **Not Applicable**
(57) Statement of Newness and Distinctiveness: **Newness and distinctiveness reside in the features of the toothbrush as shown in the representations.**

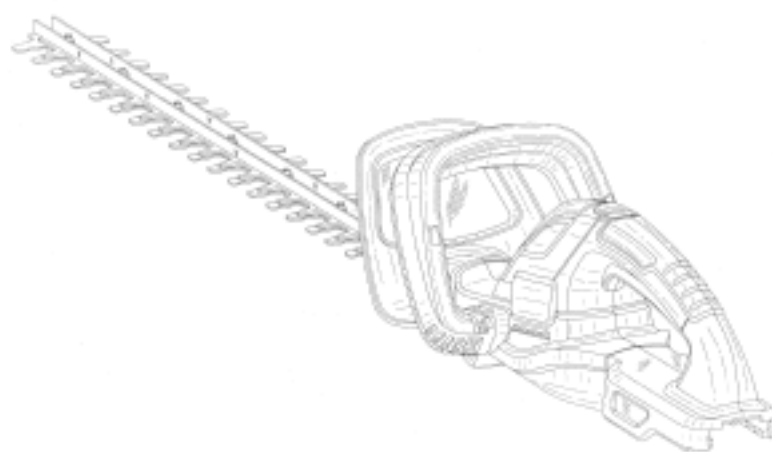
(21) Design Number: **15111/2011**
(22) Date of Filing Application: **10 November 2011**
(24) Date from which industrial property rights may have effect: **10 November 2011**
(54) Product in respect of which the design is registered: **Toothbrush**
(51) International Design Classification: **04-02**
(74) Name(s) of Attorney(s): **FB Rice**
(71) Name(s) and Address(s) of Applicant(s):
Colgate-Palmolive Company
300 Park Avenue New York New York 10022 United States of America
(72) Name(s) of Designer(s): **Wen Jin Xi and Jian Rong Zhou**
(45) Registration Date: **05 December 2011**
(30) Convention priority data:
(31) Number (32) Date (33) Country
29/394281 15 Jun 2011 UNITED STATES OF AMERICA
(56) Related Art Documents: **Not Applicable**
(57) Statement of Newness and Distinctiveness: **Newness and distinctiveness reside in the features of the toothbrush shown in solid lines in the representations excluding those features shown in broken lines.**



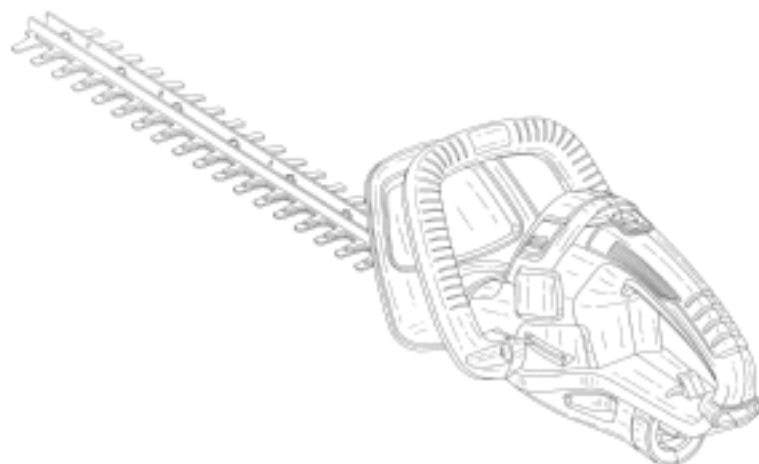
(21) Design Number: **15112/2011**
(22) Date of Filing Application: **10 November 2011**
(24) Date from which industrial property rights may have effect: **10 November 2011**
(54) Product in respect of which the design is registered: **Toothbrush**
(51) International Design Classification: **04-02**
(74) Name(s) of Attorney(s): **FB Rice**
(71) Name(s) and Address(s) of Applicant(s):
Colgate-Palmolive Company
300 Park Avenue New York New York 10022 United States of America
(72) Name(s) of Designer(s): **Wen Jin Xi and Yu Liu and Jian Rong Zhou**
(45) Registration Date: **05 December 2011**
(30) Convention priority data:
(31) Number (32) Date (33) Country
29/394286 15 Jun 2011 UNITED STATES OF AMERICA
(56) Related Art Documents: **Not Applicable**
(57) Statement of Newness and Distinctiveness: **Newness and distinctiveness reside in the features of the toothbrush shown in solid lines in the representations excluding those features shown in broken lines.**



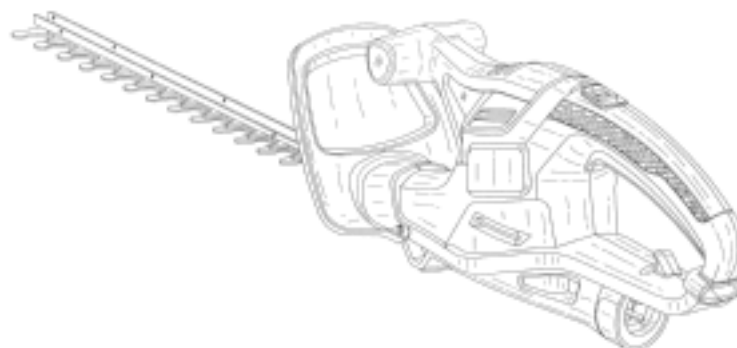
(21) Design Number: **14719/2011**
(22) Date of Filing Application: **18 October 2011**
(24) Date from which industrial property rights may have effect: **18 October 2011**
(54) Product in respect of which the design is registered: **Hedge trimmer**
(51) International Design Classification: **08-03**
(74) Name(s) of Attorney(s): **Davies Collison Cave**
(71) Name(s) and Address(s) of Applicant(s):
Stanley Black & Decker, Inc.
1000 Stanley Drive New Britain Connecticut 06053 United States of America
(72) Name(s) of Designer(s): **Sean Sweeney**
(45) Registration Date: **06 December 2011**
(30) Convention priority data:
(31) Number (32) Date (33) Country
001271365 18 Apr 2011 EUROPEAN COMMUNITY
(56) Related Art Documents: **Not Applicable**
(57) Statement of Newness and Distinctiveness: **Nil**



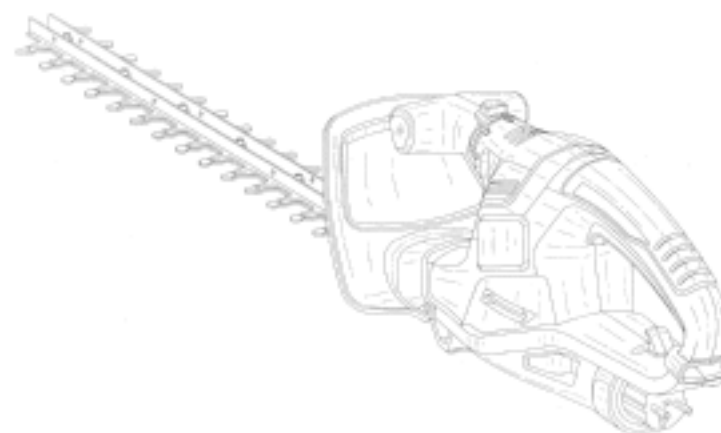
(21) Design Number: **14720/2011**
(22) Date of Filing Application: **18 October 2011**
(24) Date from which industrial property rights may have effect: **18 October 2011**
(54) Product in respect of which the design is registered: **Hedge trimmer**
(51) International Design Classification: **08-03**
(74) Name(s) of Attorney(s): **Davies Collison Cave**
(71) Name(s) and Address(s) of Applicant(s):
Stanley Black & Decker, Inc.
1000 Stanley Drive New Britain Connecticut 06053 United States of America
(72) Name(s) of Designer(s): **Sean Sweeney**
(45) Registration Date: **06 December 2011**
(30) Convention priority data:
(31) Number (32) Date (33) Country
001271423 18 Apr 2011 EUROPEAN COMMUNITY
(56) Related Art Documents: **Not Applicable**
(57) Statement of Newness and Distinctiveness: **Nil**



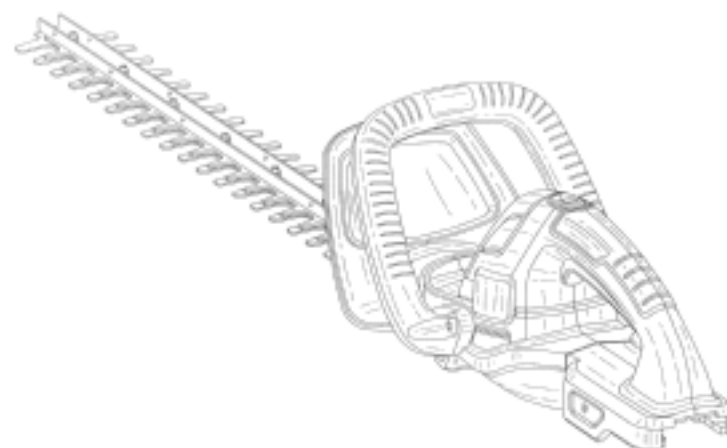
(21) Design Number: **14721/2011**
(22) Date of Filing Application: **18 October 2011**
(24) Date from which industrial property rights may have effect: **18 October 2011**
(54) Product in respect of which the design is registered: **Hedge trimmer**
(51) International Design Classification: **08-03**
(74) Name(s) of Attorney(s): **Davies Collison Cave**
(71) Name(s) and Address(s) of Applicant(s):
Stanley Black & Decker, Inc.
1000 Stanley Drive New Britain Connecticut 06053 United States of America
(72) Name(s) of Designer(s): **Sean Sweeney**
(45) Registration Date: **06 December 2011**
(30) Convention priority data:
(31) Number (32) Date (33) Country
001271373 18 Apr 2011 EUROPEAN COMMUNITY
(56) Related Art Documents: **Not Applicable**
(57) Statement of Newness and Distinctiveness: **Nil**



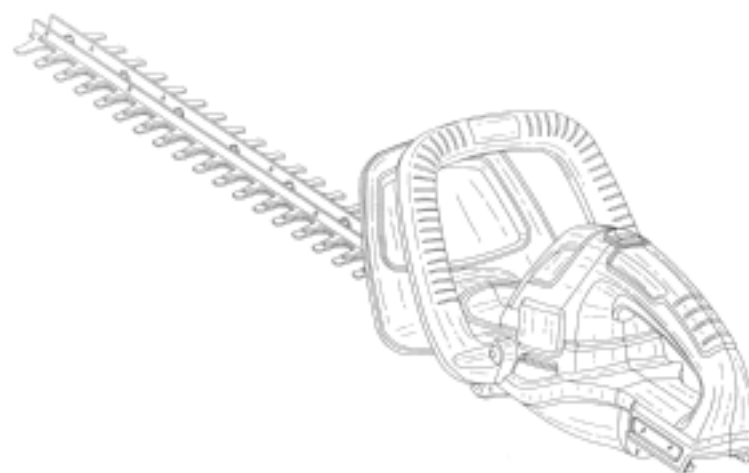
(21) Design Number: **14722/2011**
(22) Date of Filing Application: **18 October 2011**
(24) Date from which industrial property rights may have effect: **18 October 2011**
(54) Product in respect of which the design is registered: **Hedge trimmer**
(51) International Design Classification: **08-03**
(74) Name(s) of Attorney(s): **Davies Collison Cave**
(71) Name(s) and Address(s) of Applicant(s):
Stanley Black & Decker, Inc.
1000 Stanley Drive New Britain Connecticut 06053 United States of America
(72) Name(s) of Designer(s): **Sean Sweeney**
(45) Registration Date: **06 December 2011**
(30) Convention priority data:
(31) Number (32) Date (33) Country
001271381 18 Apr 2011 EUROPEAN COMMUNITY
(56) Related Art Documents: **Not Applicable**
(57) Statement of Newness and Distinctiveness: **Nil**



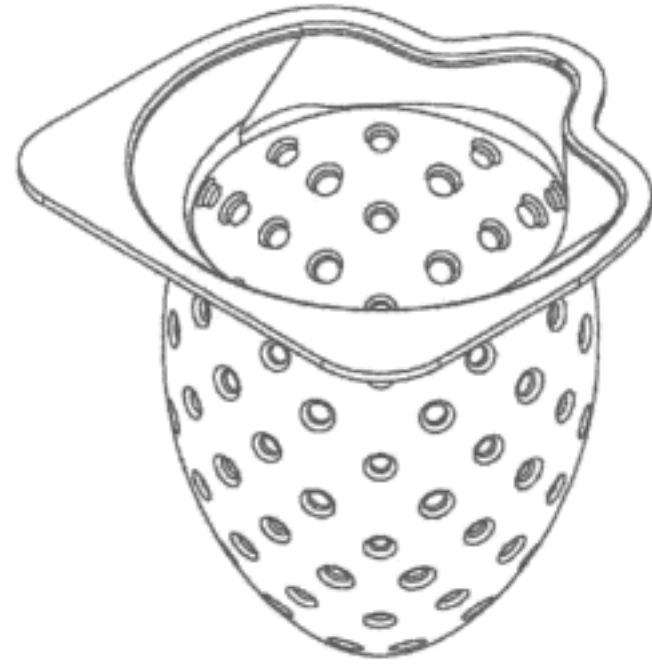
(21) Design Number: **14723/2011**
(22) Date of Filing Application: **18 October 2011**
(24) Date from which industrial property rights may have effect: **18 October 2011**
(54) Product in respect of which the design is registered: **Hedge trimmer**
(51) International Design Classification: **08-03**
(74) Name(s) of Attorney(s): **Davies Collison Cave**
(71) Name(s) and Address(s) of Applicant(s):
Stanley Black & Decker, Inc.
1000 Stanley Drive New Britain Connecticut 06053 United States of America
(72) Name(s) of Designer(s): **Sean Sweeney**
(45) Registration Date: **06 December 2011**
(30) Convention priority data:
(31) Number (32) Date (33) Country
001271464 18 Apr 2011 EUROPEAN COMMUNITY
(56) Related Art Documents: **Not Applicable**
(57) Statement of Newness and Distinctiveness: **Nil**



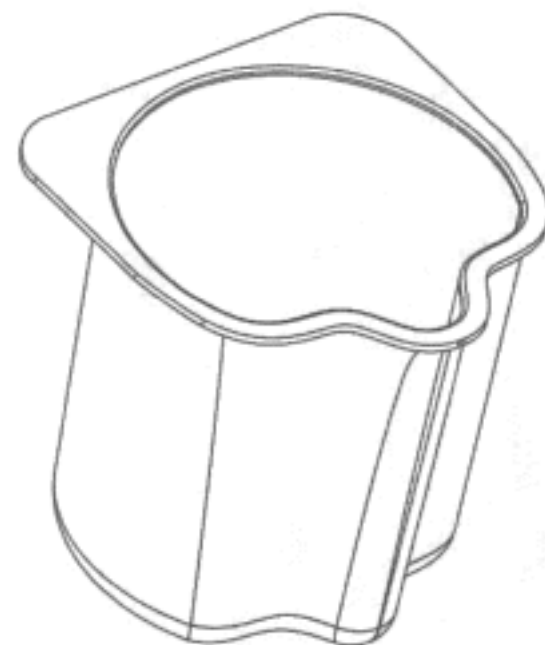
(21) Design Number: **14724/2011**
(22) Date of Filing Application: **18 October 2011**
(24) Date from which industrial property rights may have effect: **18 October 2011**
(54) Product in respect of which the design is registered: **Hedge trimmer**
(51) International Design Classification: **08-03**
(74) Name(s) of Attorney(s): **Davies Collison Cave**
(71) Name(s) and Address(s) of Applicant(s):
Stanley Black & Decker, Inc.
1000 Stanley Drive New Britain Connecticut 06053 United States of America
(72) Name(s) of Designer(s): **Sean Sweeney**
(45) Registration Date: **06 December 2011**
(30) Convention priority data:
(31) Number (32) Date (33) Country
001271449 18 Apr 2011 EUROPEAN COMMUNITY
(56) Related Art Documents: **Not Applicable**
(57) Statement of Newness and Distinctiveness: **Nil**



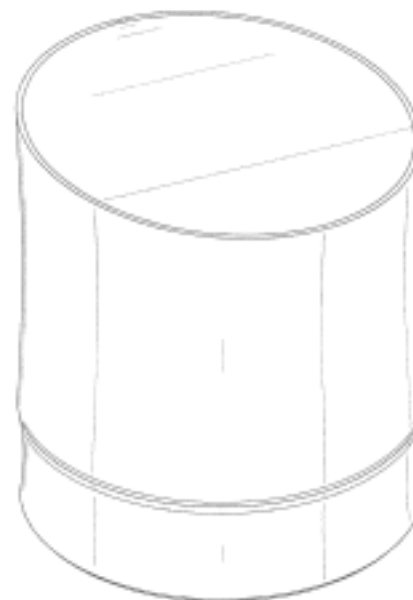
(21) Design Number: **15007/2011**
(22) Date of Filing Application: **08 November 2011**
(24) Date from which industrial property rights may have effect: **08 November 2011**
(54) Product in respect of which the design is registered: **A container**
(51) International Design Classification: **09-01D, 09-03C**
(74) Name(s) of Attorney(s): **Banki Haddock Fiora**
(71) Name(s) and Address(s) of Applicant(s):
Societe des Produits Nestle S.A.
1800 Vevey Switzerland
(72) Name(s) of Designer(s): **Michel Bourguignon**
(45) Registration Date: **06 December 2011**
(30) Convention priority data:
(31) Number (32) Date (33) Country
137919 13 May 2011 SWITZERLAND
(56) Related Art Documents: **Not Applicable**
(57) Statement of Newness and Distinctiveness: **Nil**



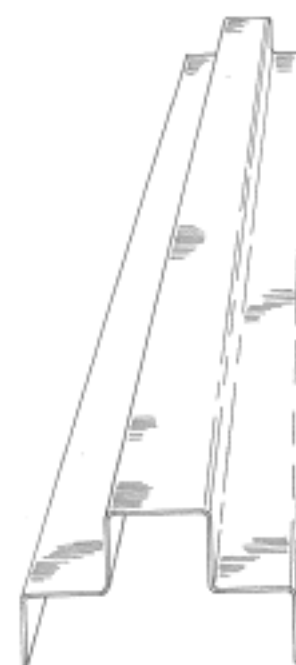
(21) Design Number: **15009/2011**
(22) Date of Filing Application: **08 November 2011**
(24) Date from which industrial property rights may have effect: **08 November 2011**
(54) Product in respect of which the design is registered: **A container**
(51) International Design Classification: **07-01F**
(74) Name(s) of Attorney(s): **Banki Haddock Fiora**
(71) Name(s) and Address(s) of Applicant(s):
Societe des Produits Nestle S.A.
1800 Vevey Switzerland
(72) Name(s) of Designer(s): **Michel Bourguignon**
(45) Registration Date: **06 December 2011**
(30) Convention priority data:
(31) Number (32) Date (33) Country
137920 13 May 2011 SWITZERLAND
(56) Related Art Documents: **Not Applicable**
(57) Statement of Newness and Distinctiveness: **Nil**



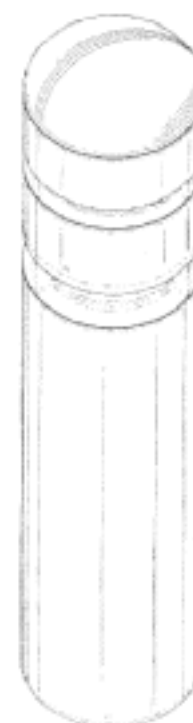
(21) Design Number: **15064/2011**
(22) Date of Filing Application: **10 November 2011**
(24) Date from which industrial property rights may have effect: **10 November 2011**
(54) Product in respect of which the design is registered: **Cosmetic jar**
(51) International Design Classification: **09-01C, 09-01G**
(74) Name(s) of Attorney(s): **PIZZEYS**
(71) Name(s) and Address(s) of Applicant(s):
Mary Kay Inc.
16251 Dallas Parkway Addison TX 75001 United States of America
(72) Name(s) of Designer(s): **Jenny DeMarco**
(45) Registration Date: **06 December 2011**
(30) Convention priority data:
(31) Number (32) Date (33) Country
29/398,625 02 Aug 2011 UNITED STATES OF AMERICA
(56) Related Art Documents: **Not Applicable**
(57) Statement of Newness and Distinctiveness: **Nil**



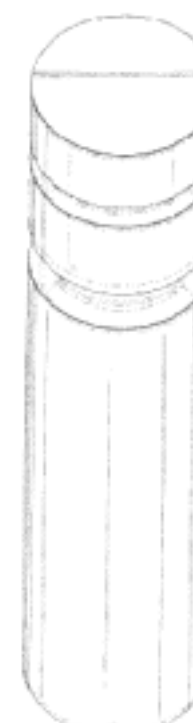
(21) Design Number: **15208/2011**
(22) Date of Filing Application: **15 November 2011**
(24) Date from which industrial property rights may have effect: **15 November 2011**
(54) Product in respect of which the design is registered: **A top plate for a wall comprising wall panels**
(51) International Design Classification: **25-01B**
(74) Name(s) of Attorney(s): **IP Gateway Patent & Trademark Attorneys**
(71) Name(s) and Address(s) of Applicant(s):
Metecno Pty Ltd
121 Ingram Road Acacia Ridge Queensland 4110 Australia
(72) Name(s) of Designer(s): **Graeme Homewood and Stephen Cramb and Paul Adams**
(45) Registration Date: **06 December 2011**
(56) Related Art Documents: **Not Applicable**
(57) Statement of Newness and Distinctiveness: **The newness and distinctiveness of the design resides in the visual features of shape and/or configuration of a top plate for a wall comprising wall panels as shown in the accompanying representations.**



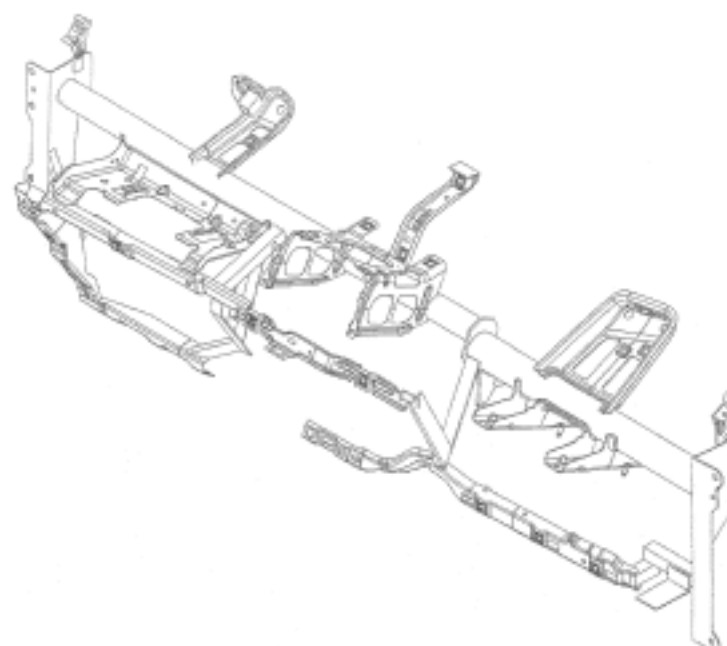
(21) Design Number: **14932/2011**
(22) Date of Filing Application: **03 November 2011**
(24) Date from which industrial property rights may have effect: **03 November 2011**
(54) Product in respect of which the design is registered: **Lighting**
(51) International Design Classification: **26-03**
(74) Name(s) of Attorney(s): **PIZZEYS**
(71) Name(s) and Address(s) of Applicant(s):
LSI Industries, Inc.
10000 Alliance Road Cincinnati Ohio 45242 United States of America
(72) Name(s) of Designer(s): **Mark James Krogman**
(45) Registration Date: **07 December 2011**
(30) Convention priority data:
(31) Number (32) Date (33) Country
29/391,839 13 May 2011 UNITED STATES OF AMERICA
(56) Related Art Documents: **Not Applicable**
(57) Statement of Newness and Distinctiveness: **Nil**



(21) Design Number: **15507/2011**
(22) Date of Filing Application: **03 November 2011**
(24) Date from which industrial property rights may have effect: **03 November 2011**
(54) Product in respect of which the design is registered: **Lighting**
(51) International Design Classification: **26-03**
(74) Name(s) of Attorney(s): **PIZZEYS**
(71) Name(s) and Address(s) of Applicant(s):
LSI Industries, Inc.
10000 Alliance Road Cincinnati Ohio 45242 United States of America
(72) Name(s) of Designer(s): **Mark James Krogman**
(45) Registration Date: **07 December 2011**
(30) Convention priority data:
(31) Number (32) Date (33) Country
29/391,839 13 May 2011 UNITED STATES OF AMERICA
(56) Related Art Documents: **Not Applicable**
(57) Statement of Newness and Distinctiveness: **Nil**



- (21) Design Number: **12047/2011**
(22) Date of Filing Application: **10 May 2011**
(24) Date from which industrial property rights may have effect: **10 May 2011**
(54) Product in respect of which the design is registered: **Vehicle cross beam**
(51) International Design Classification: **12-16NES**
(74) Name(s) of Attorney(s): **Smooenburg Pini Patent & Trade Mark Attorneys**
(71) Name(s) and Address(s) of Applicant(s):
Vehicle Development Corporation Pty Ltd
380 Barry Road Coolaroo Victoria 3048 Australia
(72) Name(s) of Designer(s): **Darren Trevor Waugh and Warwick John Drenth**
(45) Registration Date: **07 December 2011**
(56) Related Art Documents: **Not Applicable**
(57) Statement of Newness and Distinctiveness: **In considering the newness or distinctiveness of the design, regard is to be given to the overall shape and/or configuration of a vehicle component as shown in the representations.**



- (21) Design Number: **15114/2011**
(22) Date of Filing Application: **10 November 2011**
(24) Date from which industrial property rights may have effect: **10 November 2011**
(54) Product in respect of which the design is registered: **Bed frame**
(51) International Design Classification: **06-02**
(74) Name(s) of Attorney(s):
(71) Name(s) and Address(s) of Applicant(s):
Southern Way International Pty Ltd
31 Rose Crescent Auburn New South Wales 2144 Australia
(72) Name(s) of Designer(s): **Chew Lin and Ross Ferguson**
(45) Registration Date: **07 December 2011**
(56) Related Art Documents: **Not Applicable**
(57) Statement of Newness and Distinctiveness: **Stainless steel front accent insert on Bedhead and Bedfoot. Four wood panel sections framing steel insert with a gap between the four framing panels and bed basic frame to create a 'floating' effect for the framing panels.**



- (21) Design Number: **15194/2011**
(22) Date of Filing Application: **15 November 2011**
(24) Date from which industrial property rights may have effect: **15 November 2011**
(54) Product in respect of which the design is registered: **A wall panel**
(51) International Design Classification: **25-01D**
(74) Name(s) of Attorney(s): **IP Gateway Patent & Trademark Attorneys**
(71) Name(s) and Address(s) of Applicant(s):

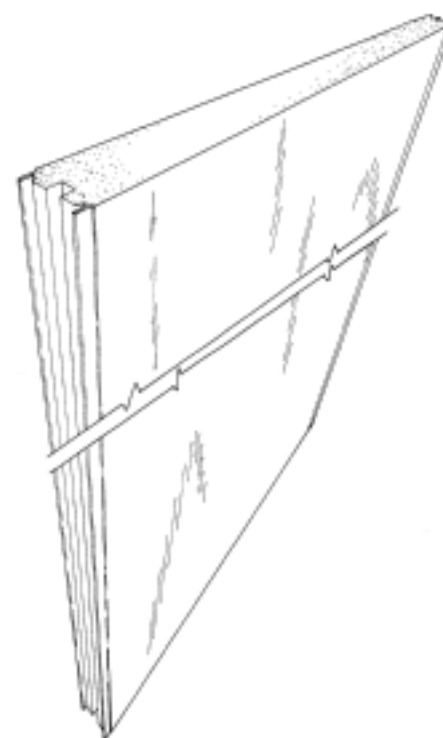
Metecno Pty Ltd
121 Ingram Road Acacia Ridge Queensland 4110 Australia

- (72) Name(s) of Designer(s): **Graeme Homewood and Stephen Cramb and Paul Adams**

(45) Registration Date: **07 December 2011**

(56) Related Art Documents: **Not Applicable**

- (57) Statement of Newness and Distinctiveness: **The newness and distinctiveness of the design resides in the visual features of shape and/or configuration of a Wall Panel having a constant cross section in its direction of height as shown in the accompanying representations. When considering newness and distinctiveness the height of the wall panel is to be disregarded.**



- (21) Design Number: **15253/2011**
(22) Date of Filing Application: **18 November 2011**
(24) Date from which industrial property rights may have effect: **18 November 2011**
(54) Product in respect of which the design is registered: **A locking device**
(51) International Design Classification: **08-07**
(74) Name(s) of Attorney(s): **Tatlocks Chrysiliou IP**
(71) Name(s) and Address(s) of Applicant(s):

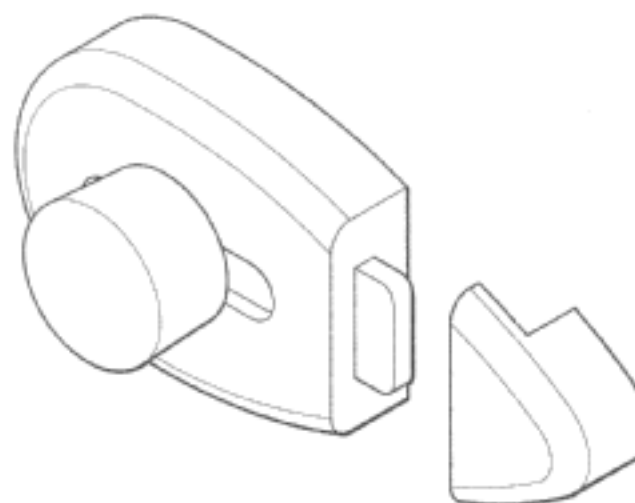
Metlam Australia Pty Limited
17 Parkers Road New Gisborne Victoria 3438 Australia

- (72) Name(s) of Designer(s): **Brian Bishop**

(45) Registration Date: **07 December 2011**

(56) Related Art Documents: **Not Applicable**

- (57) Statement of Newness and Distinctiveness: **Newness and distinctiveness reside in the features of the locking device as shown in the representations.**



(21) Design Number: **11680/2011**
(22) Date of Filing Application: **15 April 2011**
(24) Date from which industrial property rights may have effect: **15 April 2011**
(54) Product in respect of which the design is registered: **Automobile**
(51) International Design Classification: **12-08**
(74) Name(s) of Attorney(s): **SPRUSON & FERGUSON**
(71) Name(s) and Address(s) of Applicant(s):
Toyota Jidosha Kabushiki Kaisha
1 Toyota-cho Toyota-shi Aichi-ken 471-8571 Japan
(72) Name(s) of Designer(s): **Nobuyuki Tomatsu and Shin Kamiura**
(45) Registration Date: **07 December 2011**
(56) Related Art Documents: **Not Applicable**
(57) Statement of Newness and Distinctiveness: **Newness and distinctiveness is claimed in those features of shape and/or configuration of an automobile illustrated in darker shades in the additional views of the accompanying representations, apart from the Lexus emblems.**



(21) Design Number: **13916/2011**
(22) Date of Filing Application: **05 September 2011**
(24) Date from which industrial property rights may have effect: **05 September 2011**
(54) Product in respect of which the design is registered: **Tool**
(51) International Design Classification: **08-03**
(74) Name(s) of Attorney(s): **FB Rice**
(71) Name(s) and Address(s) of Applicant(s):
Ames True Temper, Inc.
465 Railroad Avenue Camp Hill Pennsylvania 17011 United States of America
(72) Name(s) of Designer(s): **Eric Daniel Hyp and Chun Wai Hung**
(45) Registration Date: **07 December 2011**
(30) Convention priority data:
(31) Number (32) Date (33) Country
29/390806 29 Apr 2011 UNITED STATES OF AMERICA
(56) Related Art Documents: **Not Applicable**
(57) Statement of Newness and Distinctiveness: **Newness and distinctiveness reside in the features of shape and configuration of the design as shown in solid lines in the representations excluding those features shown in broken lines.**



(21) Design Number: **14136/2011**
(22) Date of Filing Application: **15 September 2011**
(24) Date from which industrial property rights may have effect: **15 September 2011**
(54) Product in respect of which the design is registered: **Hand blender**
(51) International Design Classification: **31-00**
(74) Name(s) of Attorney(s): **PHILLIPS ORMONDE FITZPATRICK**
(71) Name(s) and Address(s) of Applicant(s):

Braun GmbH
Frankfurter Strasse 145 61476 Kronberg am Taunus Germany

(72) Name(s) of Designer(s): **Oliver Grabes and Sven Wuttig and Phong Duy Vu**
(45) Registration Date: **07 December 2011**

(30) Convention priority data:

(31) Number	(32) Date	(33) Country
592395401	16 Mar 2011	WORLD INTELLECTUAL PROPERTY ORGANIZATION (WIPO)

(56) Related Art Documents: **Not Applicable**

(57) Statement of Newness and Distinctiveness: **Those features of the hand blender depicted in the representations that are new and distinctive are the shape and/or configuration.**



(21) Design Number: **14137/2011**
(22) Date of Filing Application: **15 September 2011**
(24) Date from which industrial property rights may have effect: **15 September 2011**
(54) Product in respect of which the design is registered: **Handpiece of a hand blender**
(51) International Design Classification: **31-00**
(74) Name(s) of Attorney(s): **PHILLIPS ORMONDE FITZPATRICK**
(71) Name(s) and Address(s) of Applicant(s):

Braun GmbH
Frankfurter Strasse 145 61476 Kronberg am Taunus Germany

(72) Name(s) of Designer(s): **Oliver Grabes and Sven Wuttig and Phong Duy Vu**
(45) Registration Date: **07 December 2011**

(30) Convention priority data:

(31) Number	(32) Date	(33) Country
592395401	16 Mar 2011	WORLD INTELLECTUAL PROPERTY ORGANIZATION (WIPO)

(56) Related Art Documents: **Not Applicable**

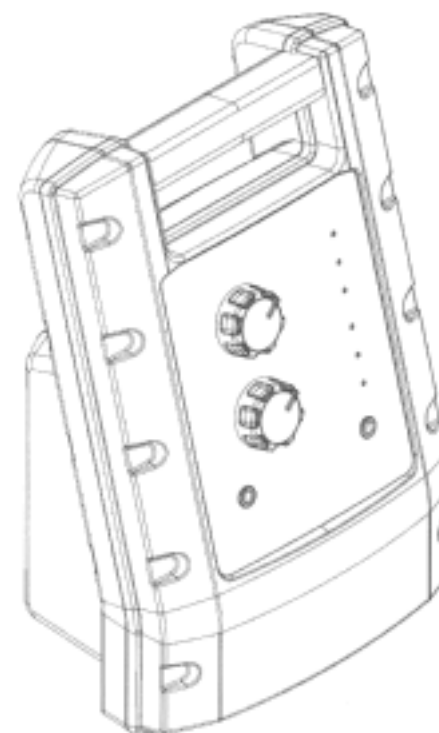
(57) Statement of Newness and Distinctiveness: **Those features of the handpiece of a hand blender depicted in the representations that are new and distinctive are the shape and/or configuration. The features shown in broken lines are not part of the design and are to be disregarded when considering the overall impression of the design.**



- (21) Design Number: **14138/2011**
(22) Date of Filing Application: **15 September 2011**
(24) Date from which industrial property rights may have effect: **15 September 2011**
(54) Product in respect of which the design is registered: **Handpiece of a hand blender**
(51) International Design Classification: **31-00**
(74) Name(s) of Attorney(s): **PHILLIPS ORMONDE FITZPATRICK**
(71) Name(s) and Address(s) of Applicant(s):
Braun GmbH
Frankfurter Strasse 145 61476 Kronberg am Taunus Germany
(72) Name(s) of Designer(s): **Oliver Grabes and Sven Wuttig and Phong Duy Vu**
(45) Registration Date: **07 December 2011**
(30) Convention priority data:
(31) Number (32) Date (33) Country
592395401 16 Mar 2011 WORLD INTELLECTUAL
PROPERTY ORGANIZATION
(WIPO)
(56) Related Art Documents: **Not Applicable**
(57) Statement of Newness and Distinctiveness: **Those features of the handpiece of a hand blender depicted in the representations that are new and distinctive are the shape and/or configuration.**



- (21) Design Number: **14662/2011**
(22) Date of Filing Application: **15 November 2011**
(24) Date from which industrial property rights may have effect: **15 November 2011**
(54) Product in respect of which the design is registered: **Electrical supply unit**
(51) International Design Classification: **13-01**
(74) Name(s) of Attorney(s): **HODGKINSON McINNES PATENTS**
(71) Name(s) and Address(s) of Applicant(s):
Ensitech Pty Ltd
10/84-90 Old Bathurst Road Emu Heights New South Wales 2750
Australia
(72) Name(s) of Designer(s): **Jon Berengut and Oliver Kratzer**
(45) Registration Date: **07 December 2011**
(56) Related Art Documents: **Not Applicable**
(57) Statement of Newness and Distinctiveness: **Newness and distinctiveness is claimed in the features of shape and configuration of a power supply unit as shown in the attached representations.**



(21) Design Number: **14765/2011**
(22) Date of Filing Application: **21 October 2011**
(24) Date from which industrial property rights may have effect: **21 October 2011**
(54) Product in respect of which the design is registered: **Anchor with water weight for tents and annexes**
(51) International Design Classification: **21-04**
(74) Name(s) of Attorney(s):
(71) Name(s) and Address(s) of Applicant(s):
Damon Cannon
48/6 Suncoast Beach Drive Mount Coolum Queensland 4753 Australia
(72) Name(s) of Designer(s): **Damon Cannon**
(45) Registration Date: **07 December 2011**
(56) Related Art Documents: **Not Applicable**
(57) Statement of Newness and Distinctiveness: **Nil**



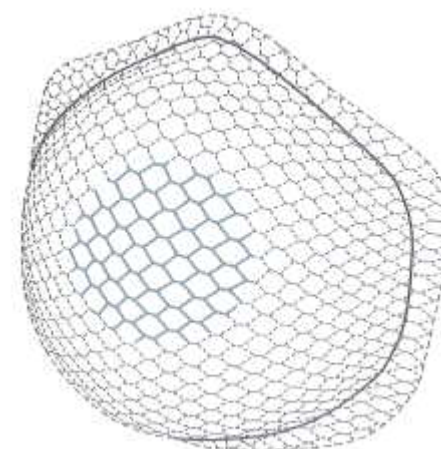
(21) Design Number: **14972/2011**
(22) Date of Filing Application: **03 November 2011**
(24) Date from which industrial property rights may have effect: **03 November 2011**
(54) Product in respect of which the design is registered: **Probe unit for medical scanning apparatus**
(51) International Design Classification: **24-02**
(74) Name(s) of Attorney(s):
(71) Name(s) and Address(s) of Applicant(s):
Signostics Limited
40-46 West Thebarton Road Torrensville South Australia 5031 Australia
(72) Name(s) of Designer(s): **Stewart Bartlett**
(45) Registration Date: **07 December 2011**
(56) Related Art Documents: **Not Applicable**
(57) Statement of Newness and Distinctiveness: **Nil**



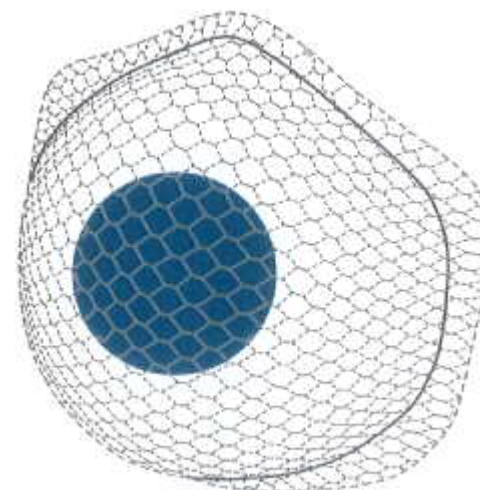
(21) Design Number: **14973/2011**
(22) Date of Filing Application: **03 November 2011**
(24) Date from which industrial property rights may have effect: **03 November 2011**
(54) Product in respect of which the design is registered: **Probe unit for medical scanning device**
(51) International Design Classification: **24-02**
(74) Name(s) of Attorney(s):
(71) Name(s) and Address(s) of Applicant(s):
Signostics Limited
40-46 West Thebarton Road Torrensville South Australia 5031 Australia
(72) Name(s) of Designer(s): **Stewart Bartlett**
(45) Registration Date: **07 December 2011**
(56) Related Art Documents: **Not Applicable**
(57) Statement of Newness and Distinctiveness: **Nil**



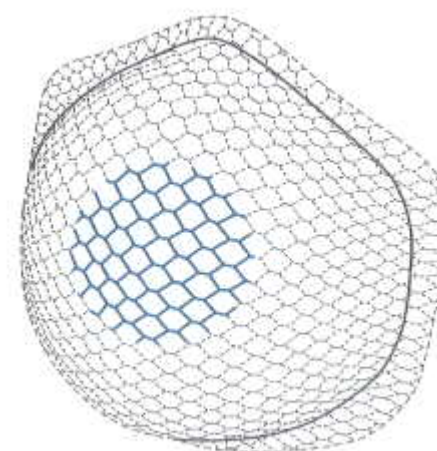
(21) Design Number: **15013/2011**
(22) Date of Filing Application: **08 November 2011**
(24) Date from which industrial property rights may have effect: **08 November 2011**
(54) Product in respect of which the design is registered: **Respiratory mask having grey mesh**
(51) International Design Classification: **24-01**
(74) Name(s) of Attorney(s): **Freehills Patent & Trade Mark Attorneys**
(71) Name(s) and Address(s) of Applicant(s):
3M Innovative Properties Company
3M Center Saint Paul Minnesota 55133-3427 United States of America
(72) Name(s) of Designer(s): **Yonas Gebrewold and Debra R. Dawson and Seyed A. Angadjivand and Nhat Ha T. Nguyen**
(45) Registration Date: **07 December 2011**
(30) Convention priority data:
(31) Number (32) Date (33) Country
29/391458 09 May 2011 UNITED STATES OF AMERICA
(56) Related Art Documents: **Not Applicable**
(57) Statement of Newness and Distinctiveness: **Newness and distinctiveness resides in the features of pattern and/or ornamentation of a respiratory mask having grey mesh as shown in solid outline in the accompanying representations. The colour of the grey mesh resembles pantone 431. Newness and distinctiveness is not claimed in the features shown in the broken outline in the representations.**



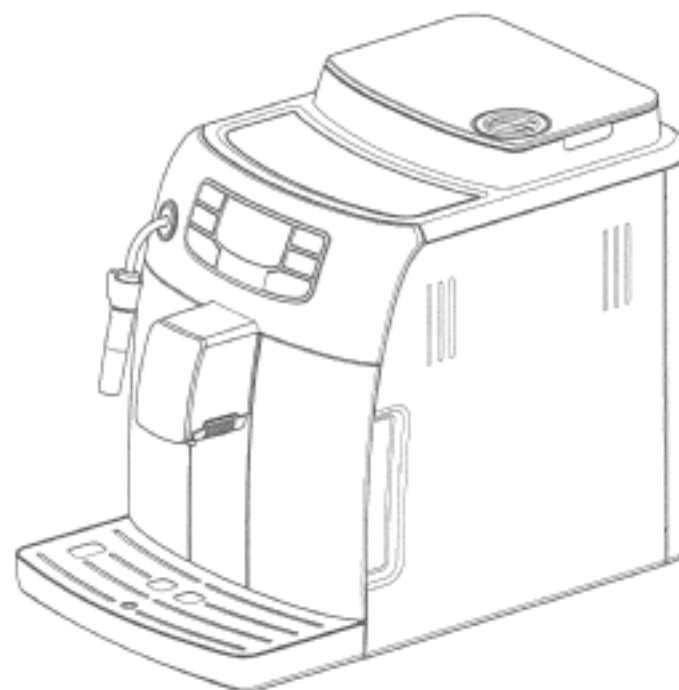
- (21) Design Number: **15014/2011**
(22) Date of Filing Application: **08 November 2011**
(24) Date from which industrial property rights may have effect: **08 November 2011**
(54) Product in respect of which the design is registered: **Respiratory mask having grey mesh on blue mask body background**
(51) International Design Classification: **24-01**
(74) Name(s) of Attorney(s): **Freehills Patent & Trade Mark Attorneys**
(71) Name(s) and Address(s) of Applicant(s):
3M Innovative Properties Company
3M Center Saint Paul Minnesota 55133-3427 United States of America
(72) Name(s) of Designer(s): **Seyed A. Angadjivand and Debra R. Dawson and Yonas Gebrewold and Nhat Ha T. Nguyen**
(45) Registration Date: **07 December 2011**
(30) Convention priority data:
(31) Number (32) Date (33) Country
29/391464 09 May 2011 UNITED STATES OF AMERICA
(56) Related Art Documents: **Not Applicable**
(57) Statement of Newness and Distinctiveness: **Newness and distinctiveness resides in the features of pattern and/or ornamentation of a respiratory mask having a grey mesh on a blue mask body background as shown in solid outline in the accompanying representations. The colour of the grey mesh resembles pantone 431. The colour of the blue mask body background resembles pantone 540. Newness and distinctiveness is not claimed in the features shown in broken outline in the representations.**



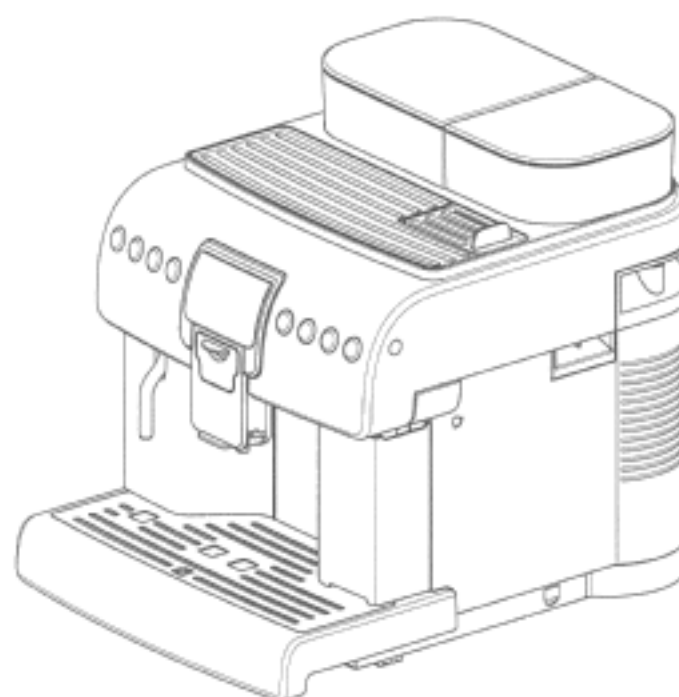
- (21) Design Number: **15015/2011**
(22) Date of Filing Application: **08 November 2011**
(24) Date from which industrial property rights may have effect: **08 November 2011**
(54) Product in respect of which the design is registered: **Respiratory mask having blue mesh**
(51) International Design Classification: **24-01**
(74) Name(s) of Attorney(s): **Freehills Patent & Trade Mark Attorneys**
(71) Name(s) and Address(s) of Applicant(s):
3M Innovative Properties Company
3M Center Saint Paul Minnesota 55133-3427 United States of America
(72) Name(s) of Designer(s): **Nhat Ha T. Nguyen and Debra R. Dawson and Seyed A. Angadjivand and Yonas Gebrewold**
(45) Registration Date: **07 December 2011**
(30) Convention priority data:
(31) Number (32) Date (33) Country
29/391460 09 May 2011 UNITED STATES OF AMERICA
(56) Related Art Documents: **Not Applicable**
(57) Statement of Newness and Distinctiveness: **Newness and distinctiveness resides in the features of pattern and/or ornamentation of a respiratory mask having blue mesh as shown in solid outline in the accompanying representations. The colour of the blue mesh resembles pantone 540. Newness and distinctiveness is not claimed in the features shown in the broken outline in the representations.**



(21) Design Number: **15028/2011**
(22) Date of Filing Application: **08 November 2011**
(24) Date from which industrial property rights may have effect: **08 November 2011**
(54) Product in respect of which the design is registered: **Coffee maker**
(51) International Design Classification: **07-02L**
(74) Name(s) of Attorney(s): **FB Rice**
(71) Name(s) and Address(s) of Applicant(s):
Koninklijke Philips Electronics N.V.
Groenewoudseweg 1 5621 BA Eindhoven The Netherlands
(72) Name(s) of Designer(s): **Filippo Agostini and Stefano Tonelli**
(45) Registration Date: **07 December 2011**
(30) Convention priority data:
(31) Number (32) Date (33) Country
001860693-0003 09 May 2011 EUROPEAN COMMUNITY
(56) Related Art Documents: **Not Applicable**
(57) Statement of Newness and Distinctiveness: **Newness and distinctiveness reside in the features of shape and configuration of the coffee maker as shown in the representations.**



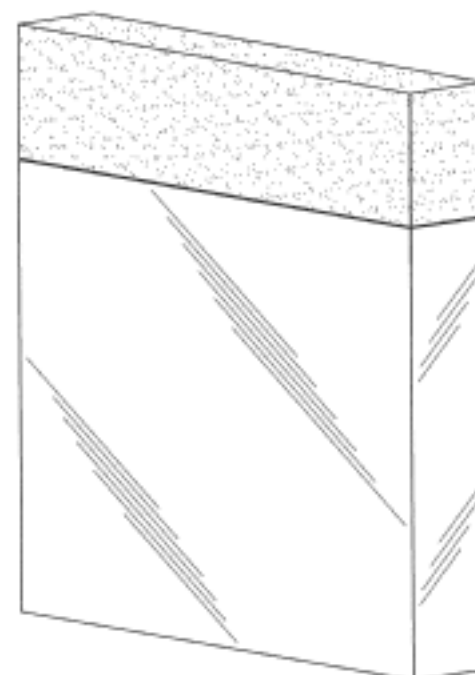
(21) Design Number: **15029/2011**
(22) Date of Filing Application: **08 November 2011**
(24) Date from which industrial property rights may have effect: **08 November 2011**
(54) Product in respect of which the design is registered: **Coffee maker**
(51) International Design Classification: **07-02L**
(74) Name(s) of Attorney(s): **FB Rice**
(71) Name(s) and Address(s) of Applicant(s):
Koninklijke Philips Electronics N.V.
Groenewoudseweg 1 5621 BA Eindhoven The Netherlands
(72) Name(s) of Designer(s): **Stefano Tonelli and Massimo Lelli**
(45) Registration Date: **07 December 2011**
(30) Convention priority data:
(31) Number (32) Date (33) Country
001860693-0002 09 May 2011 EUROPEAN COMMUNITY
(56) Related Art Documents: **Not Applicable**
(57) Statement of Newness and Distinctiveness: **Newness and distinctiveness reside in the features of shape and configuration of the coffee maker as shown in the representations.**



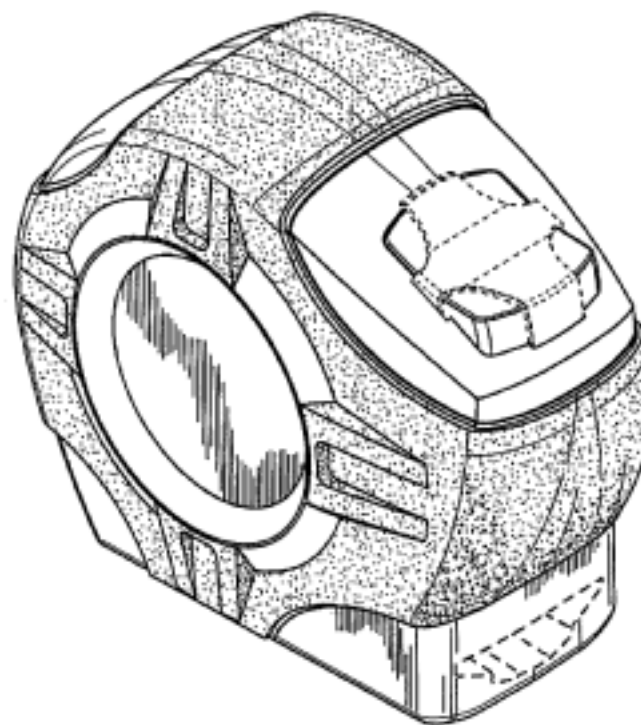
- (21) Design Number: **15052/2011**
(22) Date of Filing Application: **09 November 2011**
(24) Date from which industrial property rights may have effect: **09 November 2011**
(54) Product in respect of which the design is registered: **Knife**
(51) International Design Classification: **08-03**
(74) Name(s) of Attorney(s): **Griffith Hack**
(71) Name(s) and Address(s) of Applicant(s):
Societe d'Exploitation Tarrerias Bonjean
Chabenty 63250 Celles Sur Durolle France
(72) Name(s) of Designer(s): **Eric Tarrerias**
(45) Registration Date: **07 December 2011**
(30) Convention priority data:
(31) Number (32) Date (33) Country
20112385 11 May 2011 FRANCE
(56) Related Art Documents: **Not Applicable**
(57) Statement of Newness and Distinctiveness: **Newness and distinctiveness resides in the visual features, including shape, configuration and ornamentation of the knife shown in the accompanying representations.**



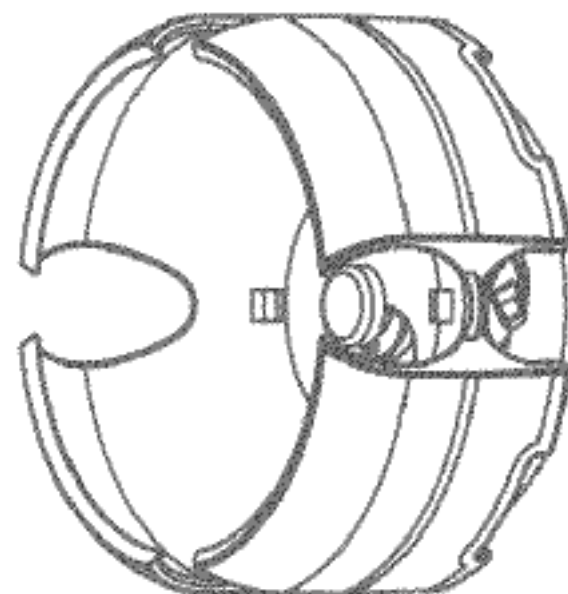
- (21) Design Number: **15125/2011**
(22) Date of Filing Application: **10 November 2011**
(24) Date from which industrial property rights may have effect: **10 November 2011**
(54) Product in respect of which the design is registered: **Inscription carrier**
(51) International Design Classification: **14-02**
(74) Name(s) of Attorney(s): **Freehills Patent & Trade Mark Attorneys**
(71) Name(s) and Address(s) of Applicant(s):
Apple Inc.
1 Infinite Loop Cupertino California 95014 United States of America
(72) Name(s) of Designer(s): **Daniele De Iuliis and Victoria A. Spielmann**
(45) Registration Date: **07 December 2011**
(30) Convention priority data:
(31) Number (32) Date (33) Country
29/392462 20 May 2011 UNITED STATES OF AMERICA
(56) Related Art Documents: **Not Applicable**
(57) Statement of Newness and Distinctiveness: **Newness and distinctiveness resides in the combination of the features of shape and the features of transparency shown in the accompanying representations; the shade lines in the representations showing transparency and the stippling in the representations showing contrast in the form of decreased transparency (e.g. areas appearing translucent).**



(21) Design Number: **15126/2011**
(22) Date of Filing Application: **10 November 2011**
(24) Date from which industrial property rights may have effect: **10 November 2011**
(54) Product in respect of which the design is registered: **Tape measure housing**
(51) International Design Classification: **10-04**
(74) Name(s) of Attorney(s): **SPRUSON & FERGUSON**
(71) Name(s) and Address(s) of Applicant(s):
Apex Brands, Inc.
14600 York Road Suite A Sparks Maryland 21152 United States of America
(72) Name(s) of Designer(s): **Sean M. McEwan and Philip J. Nathan and Robert H. Bruno and Peter James Everett**
(45) Registration Date: **07 December 2011**
(30) Convention priority data:
(31) Number (32) Date (33) Country
29/393616 07 Jun 2011 UNITED STATES OF AMERICA
(56) Related Art Documents: **Not Applicable**
(57) Statement of Newness and Distinctiveness: **Newness and distinctiveness is claimed in those features of shape and/or configuration of a tape measure housing illustrated in continuous lines in the accompanying representations.**



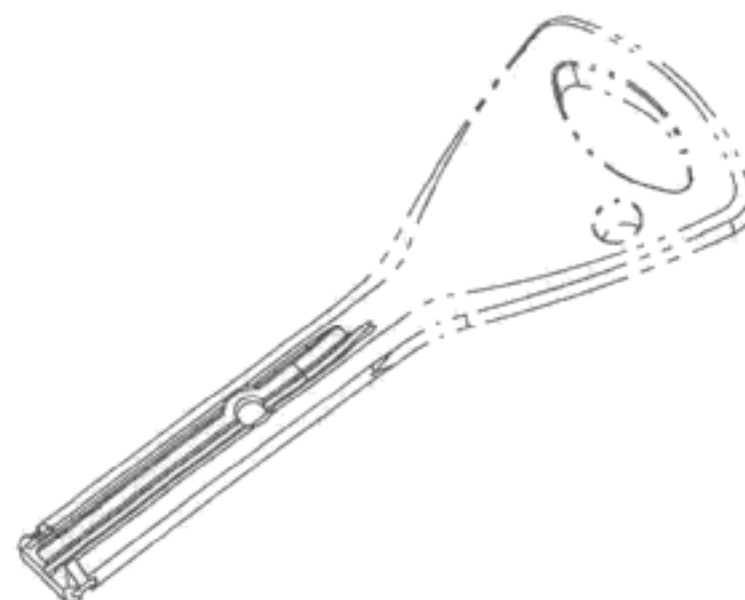
(21) Design Number: **15127/2011**
(22) Date of Filing Application: **11 November 2011**
(24) Date from which industrial property rights may have effect: **11 November 2011**
(54) Product in respect of which the design is registered: **Suction cap and holder**
(51) International Design Classification: **28-03NES**
(74) Name(s) of Attorney(s):
(71) Name(s) and Address(s) of Applicant(s):
Robert Sellars
5 Kelso Close Yamanto Queensland 4305 Australia
(72) Name(s) of Designer(s): **Robert Andrew Sellars**
(45) Registration Date: **07 December 2011**
(56) Related Art Documents: **Not Applicable**
(57) Statement of Newness and Distinctiveness: **Various materials, sizes and colours to be produced and registered under this design registration. Design number and or logo may be debossed on the suction cap and/or holder.**



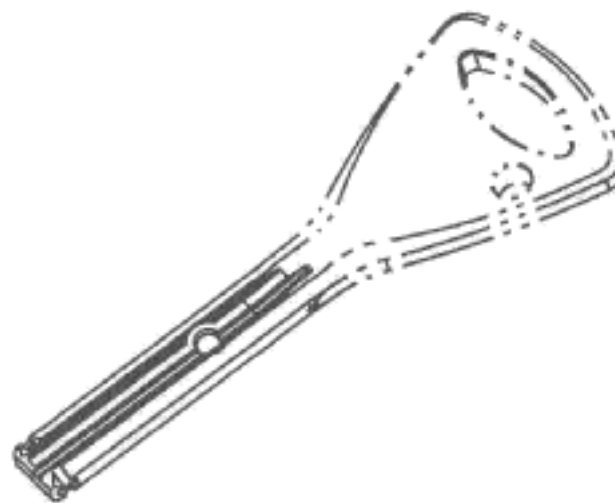
(21) Design Number: **15130/2011**
(22) Date of Filing Application: **11 November 2011**
(24) Date from which industrial property rights may have effect: **11 November 2011**
(54) Product in respect of which the design is registered: **A shrink wrap gun**
(51) International Design Classification: **08-05M**
(74) Name(s) of Attorney(s): **Griffith Hack**
(71) Name(s) and Address(s) of Applicant(s):
SEFMAT Societe par actions simplifiee
Rue de Betnoms Le Haillan F-33185 France
(72) Name(s) of Designer(s): **Guy Boivin**
(45) Registration Date: **07 December 2011**
(30) Convention priority data:
(31) Number (32) Date (33) Country
001921602 23 Sep 2011 EUROPEAN COMMUNITY
(56) Related Art Documents: **Not Applicable**
(57) Statement of Newness and Distinctiveness: **Nil**



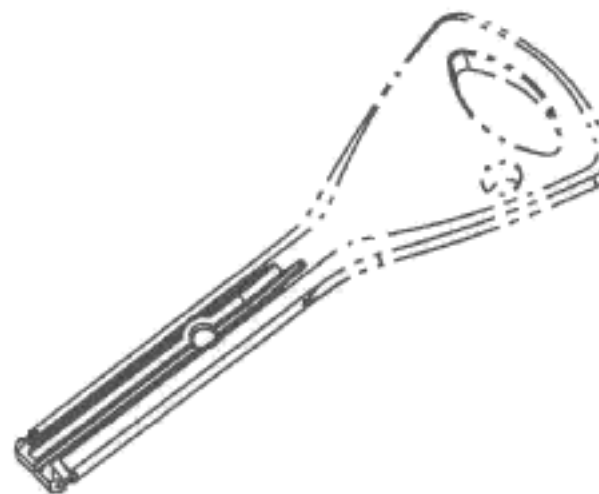
(21) Design Number: **15140/2011**
(22) Date of Filing Application: **10 November 2011**
(24) Date from which industrial property rights may have effect: **10 November 2011**
(54) Product in respect of which the design is registered: **Key blank**
(51) International Design Classification: **08-07**
(74) Name(s) of Attorney(s): **PHILLIPS ORMONDE FITZPATRICK**
(71) Name(s) and Address(s) of Applicant(s):
ASSA ABLOY Australia Pty Limited
235 Huntingdale Road Oakleigh Victoria 3166 Australia
(72) Name(s) of Designer(s): **Seppo Kiiski**
(45) Registration Date: **07 December 2011**
(56) Related Art Documents: **Not Applicable**
(57) Statement of Newness and Distinctiveness: **Those features of the key blank that are new and distinctive are the cross-sectional shape of the blade of the key blank as depicted in the profile of the key blank as shown in section A-A, B-B and C-C views. The shape and/or configuration of the head of the key blank shown in broken line is not part of the design and is to be disregarded when considering the overall impression of the design.**



- (21) Design Number: **15141/2011**
(22) Date of Filing Application: **10 November 2011**
(24) Date from which industrial property rights may have effect: **10 November 2011**
(54) Product in respect of which the design is registered: **Key blank**
(51) International Design Classification: **08-07**
(74) Name(s) of Attorney(s): **PHILLIPS ORMONDE FITZPATRICK**
(71) Name(s) and Address(s) of Applicant(s):
ASSA ABLOY Australia Pty Limited
235 Huntingdale Road Oakleigh Victoria 3166 Australia
(72) Name(s) of Designer(s): **Seppo Kiiski**
(45) Registration Date: **07 December 2011**
(56) Related Art Documents: **Not Applicable**
(57) Statement of Newness and Distinctiveness: **Those features of the key blank that are new and distinctive are the cross-sectional shape of the blade of the key blank as depicted in the profile of the key blank as shown in section A-A, B-B and C-C views. The shape and/or configuration of the head of the key blank shown in broken line is not part of the design and is to be disregarded when considering the overall impression of the design.**



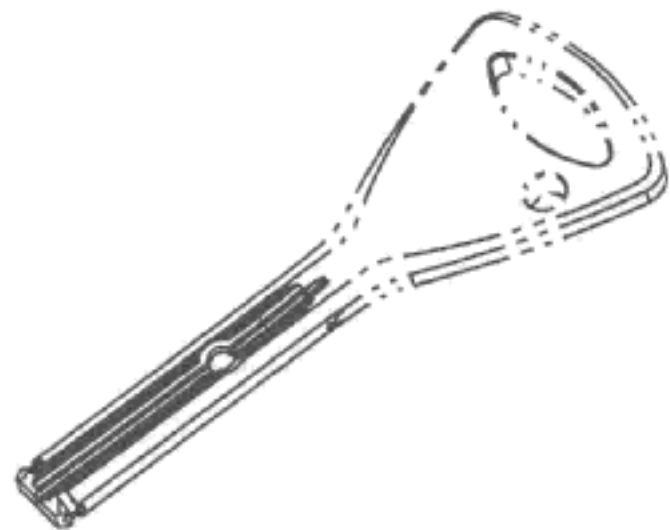
- (21) Design Number: **15142/2011**
(22) Date of Filing Application: **10 November 2011**
(24) Date from which industrial property rights may have effect: **10 November 2011**
(54) Product in respect of which the design is registered: **Key blank**
(51) International Design Classification: **08-07**
(74) Name(s) of Attorney(s): **PHILLIPS ORMONDE FITZPATRICK**
(71) Name(s) and Address(s) of Applicant(s):
ASSA ABLOY Australia Pty Limited
235 Huntingdale Road Oakleigh Victoria 3166 Australia
(72) Name(s) of Designer(s): **Seppo Kiiski**
(45) Registration Date: **07 December 2011**
(56) Related Art Documents: **Not Applicable**
(57) Statement of Newness and Distinctiveness: **Those features of the key blank that are new and distinctive are the cross-sectional shape of the blade of the key blank as depicted in the profile of the key blank as shown in section A-A, B-B and C-C views. The shape and/or configuration of the head of the key blank shown in broken line is not part of the design and is to be disregarded when considering the overall impression of the design.**



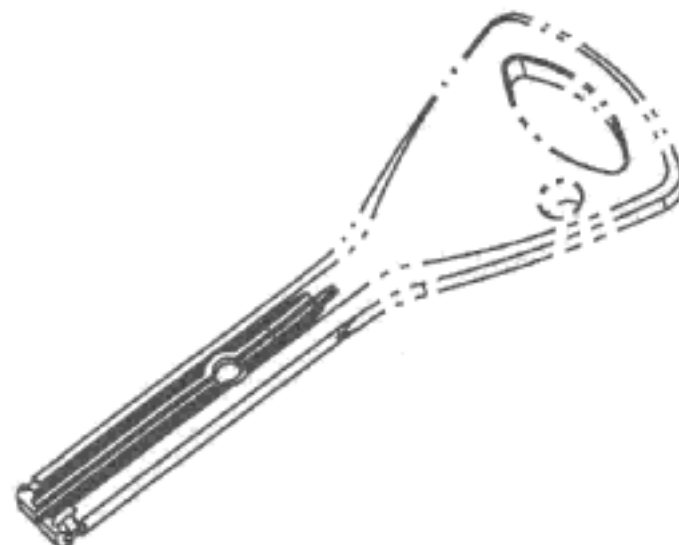
- (21) Design Number: **15143/2011**
(22) Date of Filing Application: **10 November 2011**
(24) Date from which industrial property rights may have effect: **10 November 2011**
(54) Product in respect of which the design is registered: **Key blank**
(51) International Design Classification: **08-07**
(74) Name(s) of Attorney(s): **PHILLIPS ORMONDE FITZPATRICK**
(71) Name(s) and Address(s) of Applicant(s):
ASSA ABLOY Australia Pty Limited
235 Huntingdale Road Oakleigh Victoria 3166 Australia
(72) Name(s) of Designer(s): **Seppo Kiiski**
(45) Registration Date: **07 December 2011**
(56) Related Art Documents: **Not Applicable**
(57) Statement of Newness and Distinctiveness: **Those features of the key blank that are new and distinctive are the cross-sectional shape of the blade of the key blank as depicted in the profile of the key blank as shown in section A-A, B-B and C-C views. The shape and/or configuration of the head of the key blank shown in broken line is not part of the design and is to be disregarded when considering the overall impression of the design.**



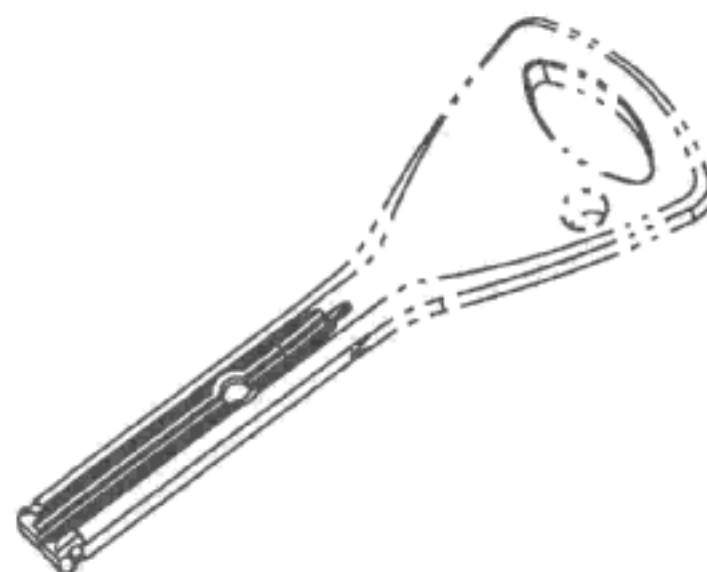
- (21) Design Number: **15144/2011**
(22) Date of Filing Application: **10 November 2011**
(24) Date from which industrial property rights may have effect: **10 November 2011**
(54) Product in respect of which the design is registered: **Key blank**
(51) International Design Classification: **08-07**
(74) Name(s) of Attorney(s): **PHILLIPS ORMONDE FITZPATRICK**
(71) Name(s) and Address(s) of Applicant(s):
ASSA ABLOY Australia Pty Limited
235 Huntingdale Road Oakleigh Victoria 3166 Australia
(72) Name(s) of Designer(s): **Seppo Kiiski**
(45) Registration Date: **07 December 2011**
(56) Related Art Documents: **Not Applicable**
(57) Statement of Newness and Distinctiveness: **Those features of the key blank that are new and distinctive are the cross-sectional shape of the blade of the key blank as depicted in the profile of the key blank as shown in section A-A, B-B and C-C views. The shape and/or configuration of the head of the key blank shown in broken line is not part of the design and is to be disregarded when considering the overall impression of the design.**



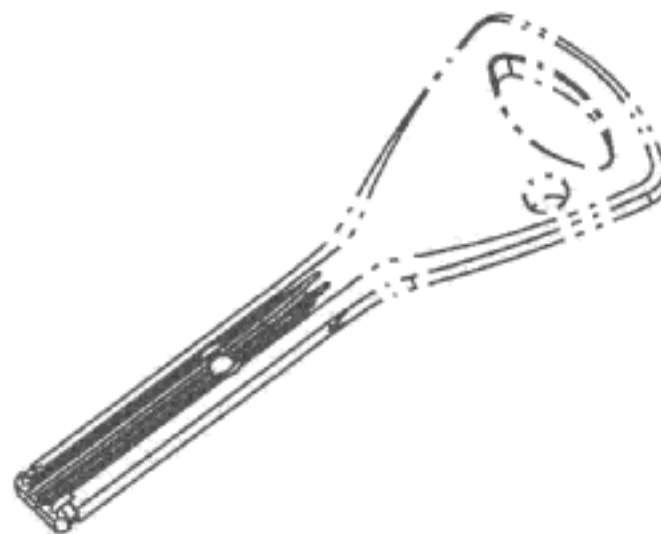
- (21) Design Number: **15145/2011**
(22) Date of Filing Application: **10 November 2011**
(24) Date from which industrial property rights may have effect: **10 November 2011**
(54) Product in respect of which the design is registered: **Key blank**
(51) International Design Classification: **08-07**
(74) Name(s) of Attorney(s): **PHILLIPS ORMONDE FITZPATRICK**
(71) Name(s) and Address(s) of Applicant(s):
ASSA ABLOY Australia Pty Limited
235 Huntingdale Road Oakleigh Victoria 3166 Australia
(72) Name(s) of Designer(s): **Seppo Kiiski**
(45) Registration Date: **07 December 2011**
(56) Related Art Documents: **Not Applicable**
(57) Statement of Newness and Distinctiveness: **Those features of the key blank that are new and distinctive are the cross-sectional shape of the blade of the key blank as depicted in the profile of the key blank as shown in section A-A, B-B and C-C views. The shape and/or configuration of the head of the key blank shown in broken line is not part of the design and is to be disregarded when considering the overall impression of the design.**



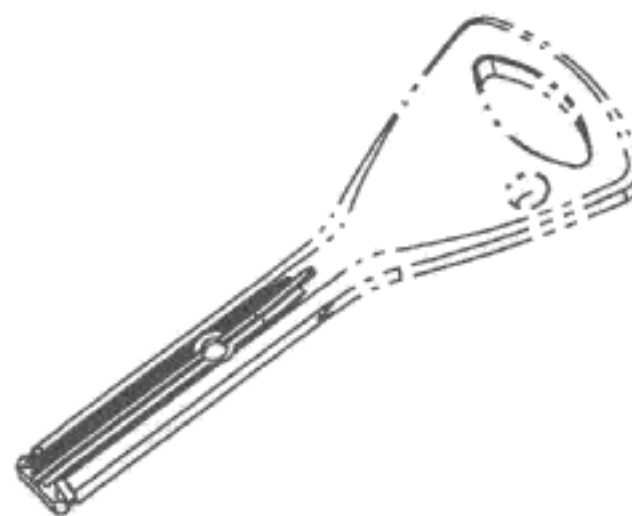
- (21) Design Number: **15146/2011**
(22) Date of Filing Application: **10 November 2011**
(24) Date from which industrial property rights may have effect: **10 November 2011**
(54) Product in respect of which the design is registered: **Key blank**
(51) International Design Classification: **08-07**
(74) Name(s) of Attorney(s): **PHILLIPS ORMONDE FITZPATRICK**
(71) Name(s) and Address(s) of Applicant(s):
ASSA ABLOY Australia Pty Limited
235 Huntingdale Road Oakleigh Victoria 3166 Australia
(72) Name(s) of Designer(s): **Seppo Kiiski**
(45) Registration Date: **07 December 2011**
(56) Related Art Documents: **Not Applicable**
(57) Statement of Newness and Distinctiveness: **Those features of the key blank that are new and distinctive are the cross-sectional shape of the blade of the key blank as depicted in the profile of the key blank as shown in section A-A, B-B and C-C views. The shape and/or configuration of the head of the key blank shown in broken line is not part of the design and is to be disregarded when considering the overall impression of the design.**



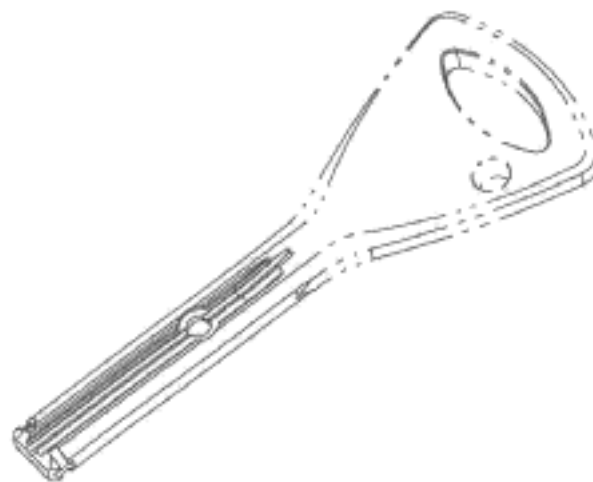
- (21) Design Number: **15147/2011**
(22) Date of Filing Application: **10 November 2011**
(24) Date from which industrial property rights may have effect: **10 November 2011**
(54) Product in respect of which the design is registered: **Key blank**
(51) International Design Classification: **08-07**
(74) Name(s) of Attorney(s): **PHILLIPS ORMONDE FITZPATRICK**
(71) Name(s) and Address(s) of Applicant(s):
ASSA ABLOY Australia Pty Limited
235 Huntingdale Road Oakleigh Victoria 3166 Australia
(72) Name(s) of Designer(s): **Seppo Kiiski**
(45) Registration Date: **07 December 2011**
(56) Related Art Documents: **Not Applicable**
(57) Statement of Newness and Distinctiveness: **Those features of the key blank that are new and distinctive are the cross-sectional shape of the blade of the key blank as depicted in the profile of the key blank as shown in section A-A, B-B and C-C views. The shape and/or configuration of the head of the key blank shown in broken line is not part of the design and is to be disregarded when considering the overall impression of the design.**



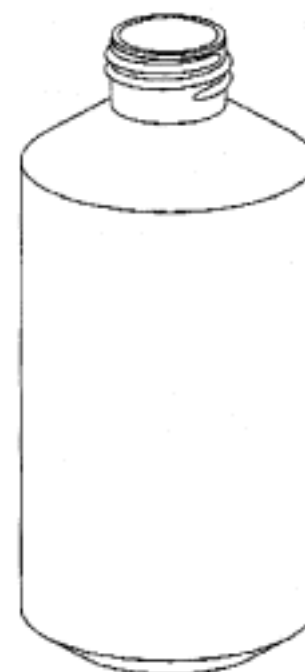
- (21) Design Number: **15148/2011**
(22) Date of Filing Application: **10 November 2011**
(24) Date from which industrial property rights may have effect: **10 November 2011**
(54) Product in respect of which the design is registered: **Key blank**
(51) International Design Classification: **08-07**
(74) Name(s) of Attorney(s): **PHILLIPS ORMONDE FITZPATRICK**
(71) Name(s) and Address(s) of Applicant(s):
ASSA ABLOY Australia Pty Limited
235 Huntingdale Road Oakleigh Victoria 3166 Australia
(72) Name(s) of Designer(s): **Seppo Kiiski**
(45) Registration Date: **07 December 2011**
(56) Related Art Documents: **Not Applicable**
(57) Statement of Newness and Distinctiveness: **Those features of the key blank that are new and distinctive are the cross-sectional shape of the blade of the key blank as depicted in the profile of the key blank as shown in section A-A, B-B and C-C views. The shape and/or configuration of the head of the key blank shown in broken line is not part of the design and is to be disregarded when considering the overall impression of the design.**



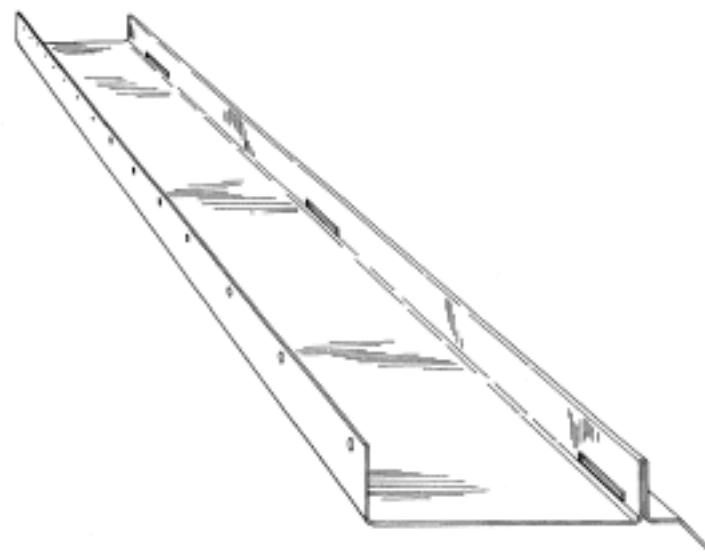
- (21) Design Number: **15149/2011**
(22) Date of Filing Application: **10 November 2011**
(24) Date from which industrial property rights may have effect: **10 November 2011**
(54) Product in respect of which the design is registered: **Key blank**
(51) International Design Classification: **08-07**
(74) Name(s) of Attorney(s): **PHILLIPS ORMONDE FITZPATRICK**
(71) Name(s) and Address(s) of Applicant(s):
ASSA ABLOY Australia Pty Limited
235 Huntingdale Road Oakleigh Victoria 3166 Australia
(72) Name(s) of Designer(s): **Seppo Kiiski**
(45) Registration Date: **07 December 2011**
(56) Related Art Documents: **Not Applicable**
(57) Statement of Newness and Distinctiveness: **Those features of the key blank that are new and distinctive are the cross-sectional shape of the blade of the key blank as depicted in the profile of the key blank as shown in section A-A, B-B and C-C views. The shape and/or configuration of the head of the key blank shown in broken line is not part of the design and is to be disregarded when considering the overall impression of the design.**



- (21) Design Number: **15159/2011**
(22) Date of Filing Application: **11 November 2011**
(24) Date from which industrial property rights may have effect: **11 November 2011**
(54) Product in respect of which the design is registered: **Bottle**
(51) International Design Classification: **09-01NES**
(74) Name(s) of Attorney(s):
(71) Name(s) and Address(s) of Applicant(s):
Differentia Pty Ltd
Level 3 255 Riley Street Surry Hills New South Wales 2010 Australia
(72) Name(s) of Designer(s): **Mark Evans**
(45) Registration Date: **07 December 2011**
(56) Related Art Documents: **Not Applicable**
(57) Statement of Newness and Distinctiveness: **This design pertains to a new and distinctive bottle only.**



- (21) Design Number: **15183/2011**
(22) Date of Filing Application: **15 November 2011**
(24) Date from which industrial property rights may have effect: **15 November 2011**
(54) Product in respect of which the design is registered: **A bottom plate for a wall comprising wall panels**
(51) International Design Classification: **25-01C**
(74) Name(s) of Attorney(s): **IP Gateway Patent & Trademark Attorneys**
(71) Name(s) and Address(s) of Applicant(s):
Metecno Pty Ltd
121 Ingram Road Acacia Ridge Queensland 4110 Australia
(72) Name(s) of Designer(s): **Graeme Homewood and Stephen Cramb and Paul Adams**
(45) Registration Date: **07 December 2011**
(56) Related Art Documents: **Not Applicable**
(57) Statement of Newness and Distinctiveness: **The newness and distinctiveness of the design resides in the visual features of shape and/or configuration of a Bottom Plate for a wall comprising wall panels as shown in the accompanying representations.**



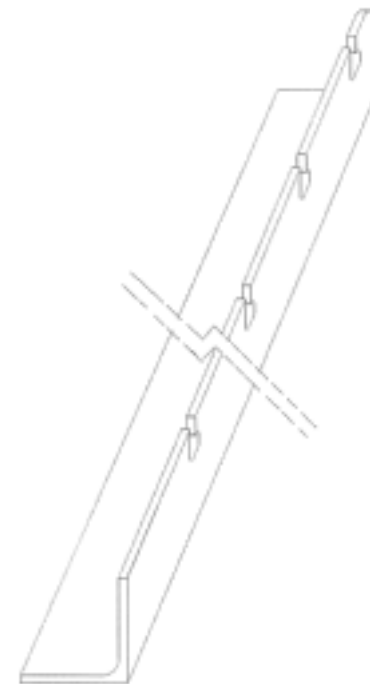
- (21) Design Number: **15005/2011**
(22) Date of Filing Application: **07 November 2011**
(24) Date from which industrial property rights may have effect: **07 November 2011**
(54) Product in respect of which the design is registered: **A configurable chair**
(51) International Design Classification: **06-01G**
(74) Name(s) of Attorney(s): **Baldwins Intellectual Property**
(71) Name(s) and Address(s) of Applicant(s):
Donald MacDonald
80 Derham Road RD 1 Otaki 5581 New Zealand
(72) Name(s) of Designer(s): **Donald MacDonald**
(45) Registration Date: **08 December 2011**
(30) Convention priority data:
(31) Number (32) Date (33) Country
414887 11 May 2011 NEW ZEALAND
(56) Related Art Documents: **Not Applicable**
(57) Statement of Newness and Distinctiveness: **Newness and distinctiveness resides in the shape and configuration of the set of furniture units.**



- (21) Design Number: **15010/2011**
(22) Date of Filing Application: **08 November 2011**
(24) Date from which industrial property rights may have effect: **08 November 2011**
(54) Product in respect of which the design is registered: **Prop brace bracket**
(51) International Design Classification: **08-08L**
(74) Name(s) of Attorney(s): **Macpherson + Kelley**
(71) Name(s) and Address(s) of Applicant(s):
Supaproducts Pty Ltd
23 Attenborough Street Dandenong Victoria 3175 Australia
(72) Name(s) of Designer(s): **Phillip Messina**
(45) Registration Date: **08 December 2011**
(56) Related Art Documents: **Not Applicable**
(57) Statement of Newness and Distinctiveness: **Novelty is claimed in the features of shape and configuration of a prop brace bracket of variable length as illustrated in the representations.**



- (21) Design Number: **15011/2011**
(22) Date of Filing Application: **08 November 2011**
(24) Date from which industrial property rights may have effect: **08 November 2011**
(54) Product in respect of which the design is registered: **Prop brace bracket**
(51) International Design Classification: **08-08L**
(74) Name(s) of Attorney(s): **Macpherson + Kelley**
(71) Name(s) and Address(s) of Applicant(s):
Supaproducts Pty Ltd
23 Attenborough Street Dandenong Victoria 3175 Australia
(72) Name(s) of Designer(s): **Phillip Messina**
(45) Registration Date: **08 December 2011**
(56) Related Art Documents: **Not Applicable**
(57) Statement of Newness and Distinctiveness: **Novelty is claimed in the features of shape and configuration of a prop brace bracket of variable length as illustrated in the representations.**



(21) Design Number: **15133/2011**
(22) Date of Filing Application: **11 November 2011**
(24) Date from which industrial property rights may have effect: **11 November 2011**
(54) Product in respect of which the design is registered: **Driving light A**
(51) International Design Classification: **26-06**
(74) Name(s) of Attorney(s): **Griffith Hack**
(71) Name(s) and Address(s) of Applicant(s):
Hella KGaA Hueck & Co
RIXBECKER STRASSE 75 59552 LIPPSTADT GERMANY
(72) Name(s) of Designer(s): **Alexander Christ**
(45) Registration Date: **08 December 2011**
(30) Convention priority data:
(31) Number (32) Date (33) Country
001861972 11 May 2011 EUROPEAN COMMUNITY
(56) Related Art Documents: **Not Applicable**
(57) Statement of Newness and Distinctiveness: **Nil**



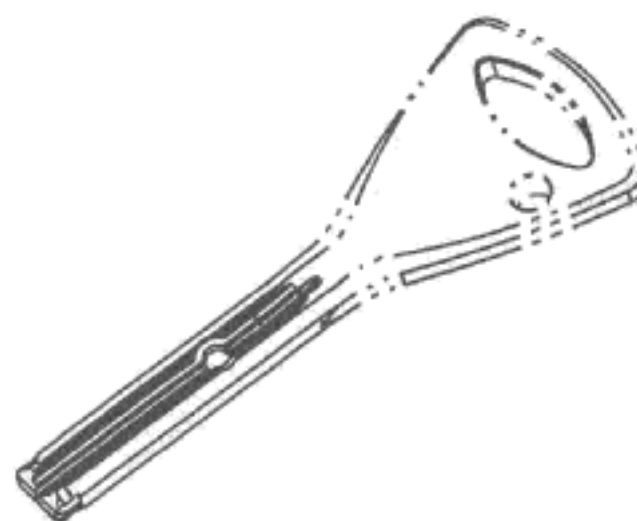
(21) Design Number: **15134/2011**
(22) Date of Filing Application: **11 November 2011**
(24) Date from which industrial property rights may have effect: **11 November 2011**
(54) Product in respect of which the design is registered: **Driving light B**
(51) International Design Classification: **26-06**
(74) Name(s) of Attorney(s): **Griffith Hack**
(71) Name(s) and Address(s) of Applicant(s):
Hella KGaA Hueck & Co
RIXBECKER STRASSE 75 59552 LIPPSTADT GERMANY
(72) Name(s) of Designer(s): **Alexander Christ**
(45) Registration Date: **08 December 2011**
(30) Convention priority data:
(31) Number (32) Date (33) Country
001861972 11 May 2011 EUROPEAN COMMUNITY
(56) Related Art Documents: **Not Applicable**
(57) Statement of Newness and Distinctiveness: **Nil**



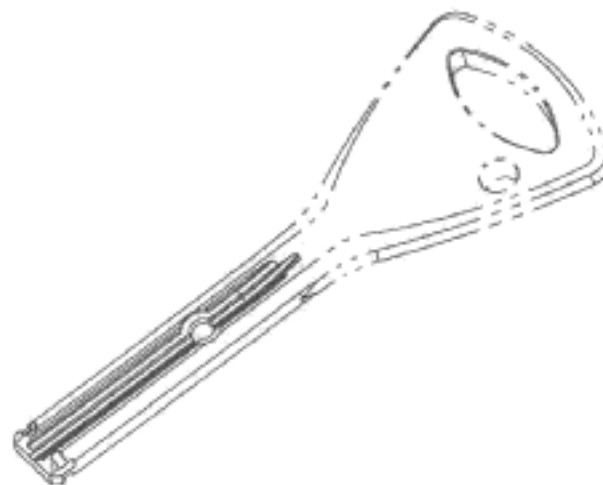
(21) Design Number: **15135/2011**
(22) Date of Filing Application: **11 November 2011**
(24) Date from which industrial property rights may have effect: **11 November 2011**
(54) Product in respect of which the design is registered: **Driving light C**
(51) International Design Classification: **26-06**
(74) Name(s) of Attorney(s): **Griffith Hack**
(71) Name(s) and Address(s) of Applicant(s):
Hella KGaA Hueck & Co
RIXBECKER STRASSE 75 59552 LIPPSTADT GERMANY
(72) Name(s) of Designer(s): **Alexander Christ**
(45) Registration Date: **08 December 2011**
(30) Convention priority data:
(31) Number (32) Date (33) Country
001861972 11 May 2011 EUROPEAN COMMUNITY
(56) Related Art Documents: **Not Applicable**
(57) Statement of Newness and Distinctiveness: **Nil**



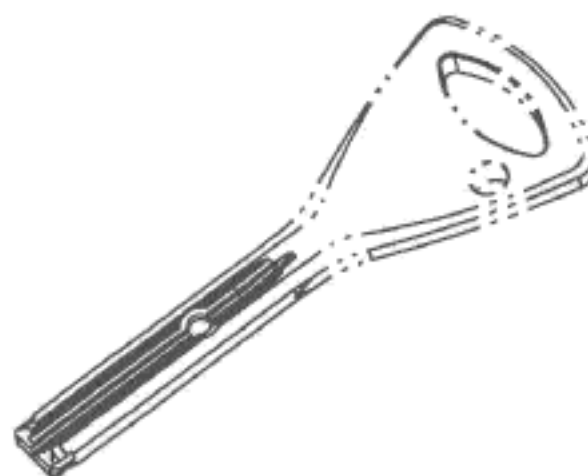
(21) Design Number: **15137/2011**
(22) Date of Filing Application: **10 November 2011**
(24) Date from which industrial property rights may have effect: **10 November 2011**
(54) Product in respect of which the design is registered: **Key blank**
(51) International Design Classification: **08-07**
(74) Name(s) of Attorney(s): **PHILLIPS ORMONDE FITZPATRICK**
(71) Name(s) and Address(s) of Applicant(s):
ASSA ABLOY Australia Pty Limited
235 Huntingdale Road Oakleigh Victoria 3166 Australia
(72) Name(s) of Designer(s): **Seppo Kiiski**
(45) Registration Date: **08 December 2011**
(56) Related Art Documents: **Not Applicable**
(57) Statement of Newness and Distinctiveness: **Those features of the key blank that are new and distinctive are the cross-sectional shape of the blade of the key blank as depicted in the profile of the key blank as shown in section A-A, B-B and C-C views. The shape and/or configuration of the head of the key blank shown in broken line is not part of the design and is to be disregarded when considering the overall impression of the design.**



- (21) Design Number: **15138/2011**
(22) Date of Filing Application: **10 November 2011**
(24) Date from which industrial property rights may have effect: **10 November 2011**
(54) Product in respect of which the design is registered: **Key blank**
(51) International Design Classification: **08-07**
(74) Name(s) of Attorney(s): **PHILLIPS ORMONDE FITZPATRICK**
(71) Name(s) and Address(s) of Applicant(s):
ASSA ABLOY Australia Pty Limited
235 Huntingdale Road Oakleigh Victoria 3166 Australia
(72) Name(s) of Designer(s): **Seppo Kiiski**
(45) Registration Date: **08 December 2011**
(56) Related Art Documents: **Not Applicable**
(57) Statement of Newness and Distinctiveness: **Those features of the key blank that are new and distinctive are the cross-sectional shape of the blade of the key blank as depicted in the profile of the key blank as shown in section A-A, B-B and C-C views. The shape and/or configuration of the head of the key blank shown in broken line is not part of the design and is to be disregarded when considering the overall impression of the design.**



- (21) Design Number: **15139/2011**
(22) Date of Filing Application: **10 November 2011**
(24) Date from which industrial property rights may have effect: **10 November 2011**
(54) Product in respect of which the design is registered: **Key blank**
(51) International Design Classification: **08-07**
(74) Name(s) of Attorney(s): **PHILLIPS ORMONDE FITZPATRICK**
(71) Name(s) and Address(s) of Applicant(s):
ASSA ABLOY Australia Pty Limited
235 Huntingdale Road Oakleigh Victoria 3166 Australia
(72) Name(s) of Designer(s): **Seppo Kiiski**
(45) Registration Date: **08 December 2011**
(56) Related Art Documents: **Not Applicable**
(57) Statement of Newness and Distinctiveness: **Those features of the key blank that are new and distinctive are the cross-sectional shape of the blade of the key blank as depicted in the profile of the key blank as shown in section A-A, B-B and C-C views. The shape and/or configuration of the head of the key blank shown in broken line is not part of the design and is to be disregarded when considering the overall impression of the design.**



- (21) Design Number: **15170/2011**
(22) Date of Filing Application: **14 November 2011**
(24) Date from which industrial property rights may have effect: **14 November 2011**
(54) Product in respect of which the design is registered: **Stand**
(51) International Design Classification: **14-01**
(74) Name(s) of Attorney(s): **Freehills Patent & Trade Mark Attorneys**
(71) Name(s) and Address(s) of Applicant(s):

Apple Inc.
1 Infinite Loop Cupertino California 95014 United States of America

- (72) Name(s) of Designer(s): **Jody Akana and Bartley K. Andre and Jeremy Bataillou and Daniel J. Coster and Daniele De Iuliis and Evans Hankey and Julian Hoenig and Richard P. Howarth and Jonathan P. Ive and Duncan Robert Kerr and Shin Nishibori and Matthew Dean Rohrbach and Peter Russell-Clarke and Christopher J. Stringer and Eugene Antony Whang and Rico Zorkendorfer**

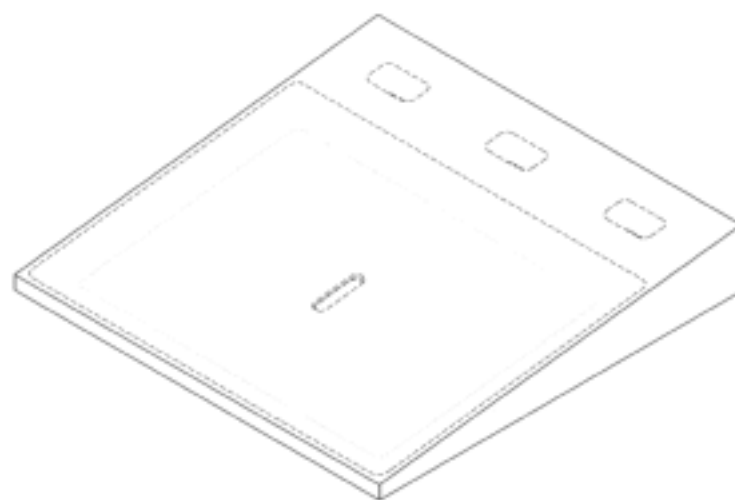
- (45) Registration Date: **08 December 2011**

- (30) Convention priority data:

(31) Number	(32) Date	(33) Country
29/391723	12 May 2011	UNITED STATES OF AMERICA

- (56) Related Art Documents: **Not Applicable**

- (57) Statement of Newness and Distinctiveness: **Newness and distinctiveness resides in the features of shape that are shown in solid lines in the accompanying representations.**



- (21) Design Number: **15236/2011**
(22) Date of Filing Application: **17 November 2011**
(24) Date from which industrial property rights may have effect: **17 November 2011**
(54) Product in respect of which the design is registered: **Steam cleaner**
(51) International Design Classification: **15-05**
(74) Name(s) of Attorney(s): **PHILLIPS ORMONDE FITZPATRICK**
(71) Name(s) and Address(s) of Applicant(s):

Actervis GmbH
Dorfstrasse 38 - 6341 Baar (ZG) Switzerland

- (72) Name(s) of Designer(s): **Juan Ramon Torres Martin**

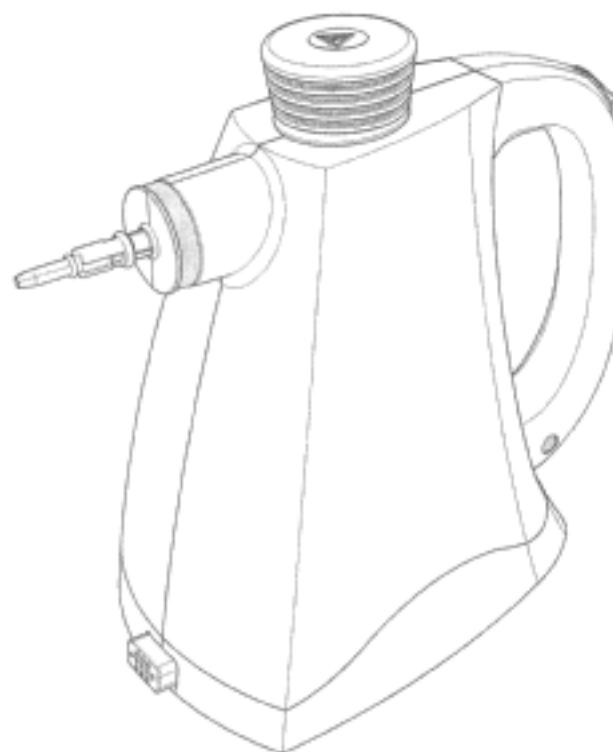
- (45) Registration Date: **08 December 2011**

- (30) Convention priority data:

(31) Number	(32) Date	(33) Country
01282412-0001	22 Jun 2011	EUROPEAN COMMUNITY

- (56) Related Art Documents: **Not Applicable**

- (57) Statement of Newness and Distinctiveness: **Those features of the steam cleaner depicted in the representations that are new and distinctive are the shape and/or configuration.**



(21) Design Number: **15238/2011**
(22) Date of Filing Application: **17 November 2011**
(24) Date from which industrial property rights may have effect: **17 November 2011**
(54) Product in respect of which the design is registered: **Steam cleaner**
(51) International Design Classification: **15-05**
(74) Name(s) of Attorney(s): **PHILLIPS ORMONDE FITZPATRICK**
(71) Name(s) and Address(s) of Applicant(s):

Actervis GmbH
Dorfstrasse 38 - 6341 Baar (ZG) Switzerland

(72) Name(s) of Designer(s): **Juan Ramon Torres Martin**

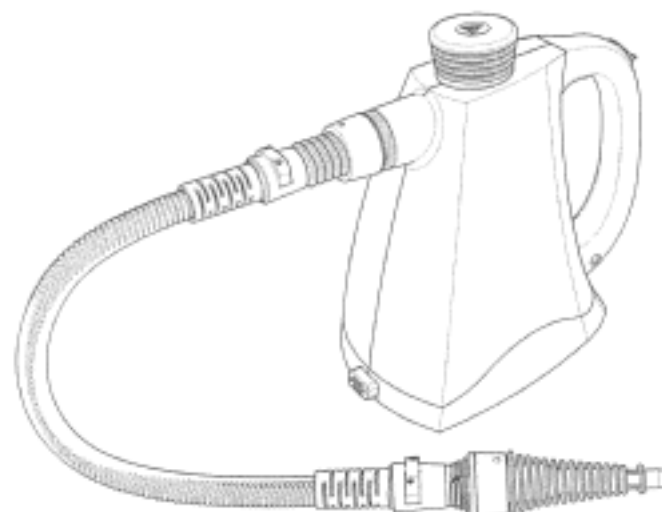
(45) Registration Date: **08 December 2011**

(30) Convention priority data:

(31) Number	(32) Date	(33) Country
01282412-0005	22 Jun 2011	EUROPEAN COMMUNITY

(56) Related Art Documents: **Not Applicable**

(57) Statement of Newness and Distinctiveness: **Those features of the steam cleaner depicted in the representations that are new and distinctive are the shape and/or configuration.**



(21) Design Number: **15239/2011**
(22) Date of Filing Application: **17 November 2011**
(24) Date from which industrial property rights may have effect: **17 November 2011**
(54) Product in respect of which the design is registered: **Hair removal device**
(51) International Design Classification: **28-03A**
(74) Name(s) of Attorney(s): **PHILLIPS ORMONDE FITZPATRICK**
(71) Name(s) and Address(s) of Applicant(s):

Actervis GmbH
Dorfstrasse 38 - 6341 Baar (ZG) Switzerland

(72) Name(s) of Designer(s): **Juan Ramon Torres Martin**

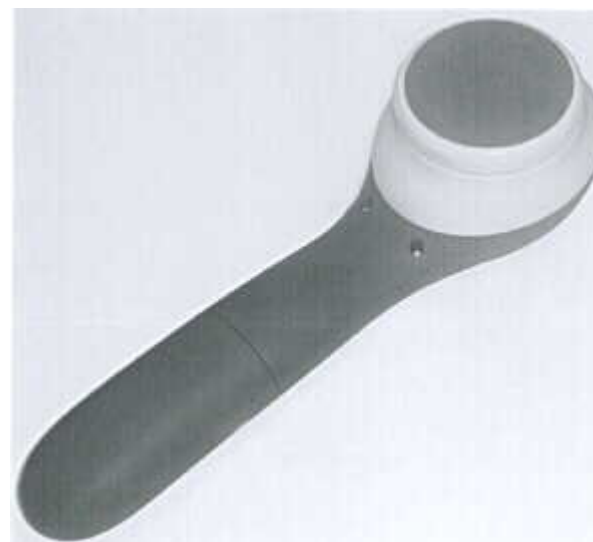
(45) Registration Date: **08 December 2011**

(30) Convention priority data:

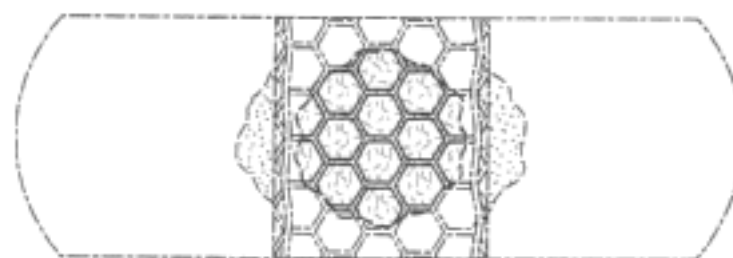
(31) Number	(32) Date	(33) Country
01276893-0014	17 May 2011	EUROPEAN COMMUNITY

(56) Related Art Documents: **Not Applicable**

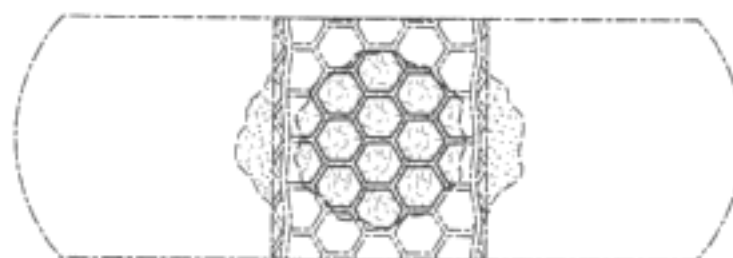
(57) Statement of Newness and Distinctiveness: **Those features of the hair removal device depicted in the representations that are new and distinctive are the shape and/or configuration.**



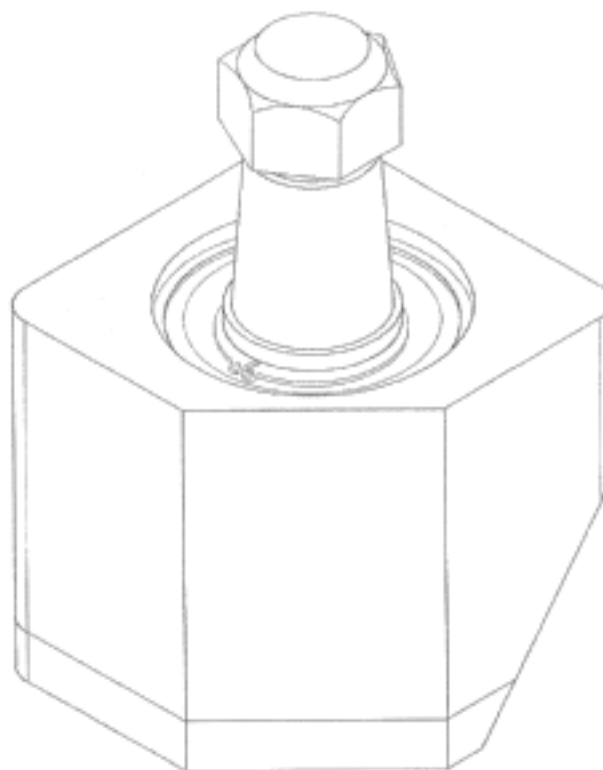
(21) Design Number: **13787/2011**
(22) Date of Filing Application: **26 August 2011**
(24) Date from which industrial property rights may have effect: **26 August 2011**
(54) Product in respect of which the design is registered: **Adhesive bandage with decorated pad**
(51) International Design Classification: **24-04**
(74) Name(s) of Attorney(s): **Shelston IP**
(71) Name(s) and Address(s) of Applicant(s):
Johnson & Johnson Consumer Companies, Inc.
Grandview Road Skillman New Jersey 08858 United States of America
(72) Name(s) of Designer(s): **Jennifer Wing-Yee Chan and Michael William Eknoian and Vincent John Petersack and Carmine Michael Rizzo and Karin Taylor**
(45) Registration Date: **08 December 2011**
(30) Convention priority data:
(31) Number (32) Date (33) Country
13/036471 28 Feb 2011 UNITED STATES OF AMERICA
(56) Related Art Documents: **Not Applicable**
(57) Statement of Newness and Distinctiveness: **Nil**



(21) Design Number: **13788/2011**
(22) Date of Filing Application: **26 August 2011**
(24) Date from which industrial property rights may have effect: **26 August 2011**
(54) Product in respect of which the design is registered: **Adhesive bandage with decorated pad**
(51) International Design Classification: **24-04**
(74) Name(s) of Attorney(s): **Shelston IP**
(71) Name(s) and Address(s) of Applicant(s):
Johnson & Johnson Consumer Companies, Inc.
Grandview Road Skillman New Jersey 08858 United States of America
(72) Name(s) of Designer(s): **Jennifer Wing-Yee Chan and Michael William Eknoian and Vincent John Petersack and Carmine Michael Rizzo and Karin Taylor**
(45) Registration Date: **08 December 2011**
(30) Convention priority data:
(31) Number (32) Date (33) Country
13/036471 28 Feb 2011 UNITED STATES OF AMERICA
(56) Related Art Documents: **Not Applicable**
(57) Statement of Newness and Distinctiveness: **Nil**



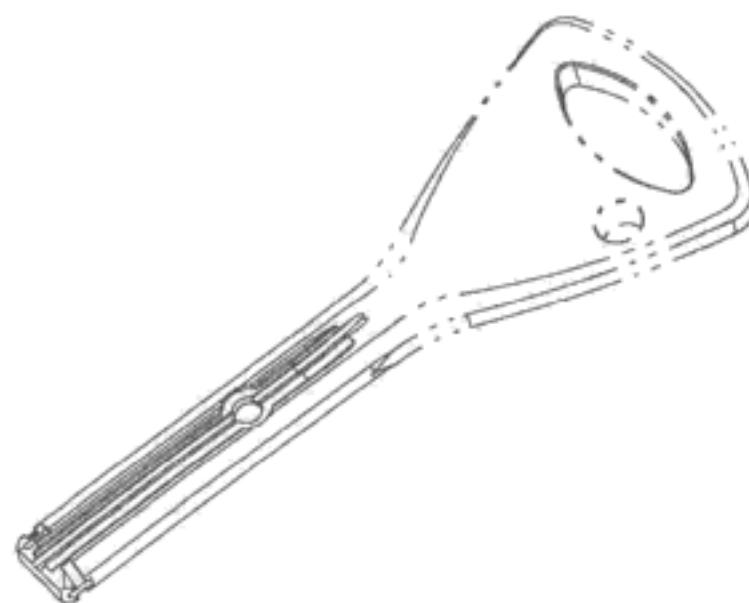
- (21) Design Number: **12041/2011**
(22) Date of Filing Application: **10 May 2011**
(24) Date from which industrial property rights may have effect: **10 May 2011**
(54) Product in respect of which the design is registered: **Vehicle steering component**
(51) International Design Classification: **12-16NES**
(74) Name(s) of Attorney(s): **Smooenburg Pini Patent & Trade Mark Attorneys**
(71) Name(s) and Address(s) of Applicant(s):
Vehicle Development Corporation Pty Ltd
380 Barry Road Coolaroo Victoria 3048 Australia
(72) Name(s) of Designer(s): **Darren Trevor Waugh and Warwick John Drenth**
(45) Registration Date: **08 December 2011**
(56) Related Art Documents: **Not Applicable**
(57) Statement of Newness and Distinctiveness: **In considering the newness or distinctiveness of the design, regard is to be given to the overall shape and/or configuration of a vehicle component as shown in the representations.**



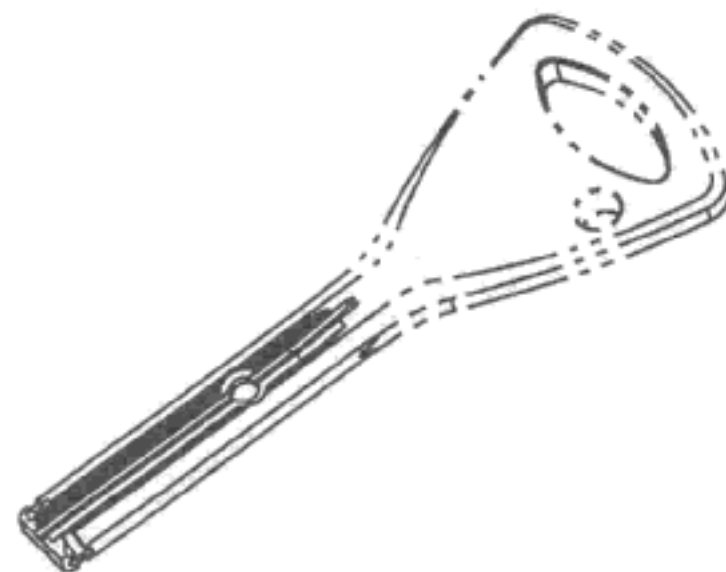
- (21) Design Number: **12724/2011**
(22) Date of Filing Application: **17 June 2011**
(24) Date from which industrial property rights may have effect: **17 June 2011**
(54) Product in respect of which the design is registered: **Glove for use in fitting wet suit**
(51) International Design Classification: **02-06**
(74) Name(s) of Attorney(s): **MILLS OAKLEY LAWYERS**
(71) Name(s) and Address(s) of Applicant(s):
Anthony Brearley
56 Denbigh Road Armadale Victoria 3143 Australia
(72) Name(s) of Designer(s): **Anthony Brearley**
(45) Registration Date: **08 December 2011**
(56) Related Art Documents: **Not Applicable**
(57) Statement of Newness and Distinctiveness: **The particular visual features of the design which the Applicant hereby identifies as new and distinctive are as follows: "Glove for use in fitting wet suit", as illustrated in the accompanying representations.**



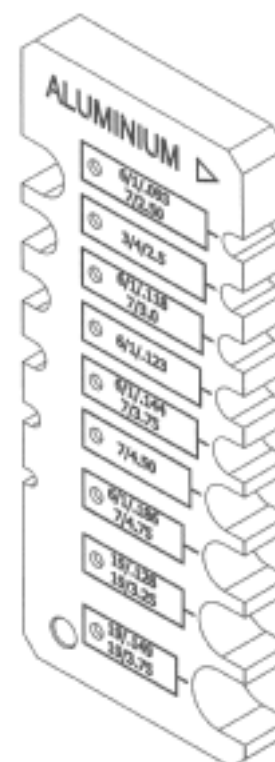
- (21) Design Number: **15150/2011**
(22) Date of Filing Application: **10 November 2011**
(24) Date from which industrial property rights may have effect: **10 November 2011**
(54) Product in respect of which the design is registered: **Key blank**
(51) International Design Classification: **08-07**
(74) Name(s) of Attorney(s): **PHILLIPS ORMONDE FITZPATRICK**
(71) Name(s) and Address(s) of Applicant(s):
ASSA ABLOY Australia Pty Limited
235 Huntingdale Road Oakleigh Victoria 3166 Australia
(72) Name(s) of Designer(s): **Seppo Kiiski**
(45) Registration Date: **08 December 2011**
(56) Related Art Documents: **Not Applicable**
(57) Statement of Newness and Distinctiveness: **Those features of the key blank that are new and distinctive are the cross-sectional shape of the blade of the key blank as depicted in the profile of the key blank as shown in section A-A, B-B and C-C views. The shape and/or configuration of the head of the key blank shown in broken line is not part of the design and is to be disregarded when considering the overall impression of the design.**



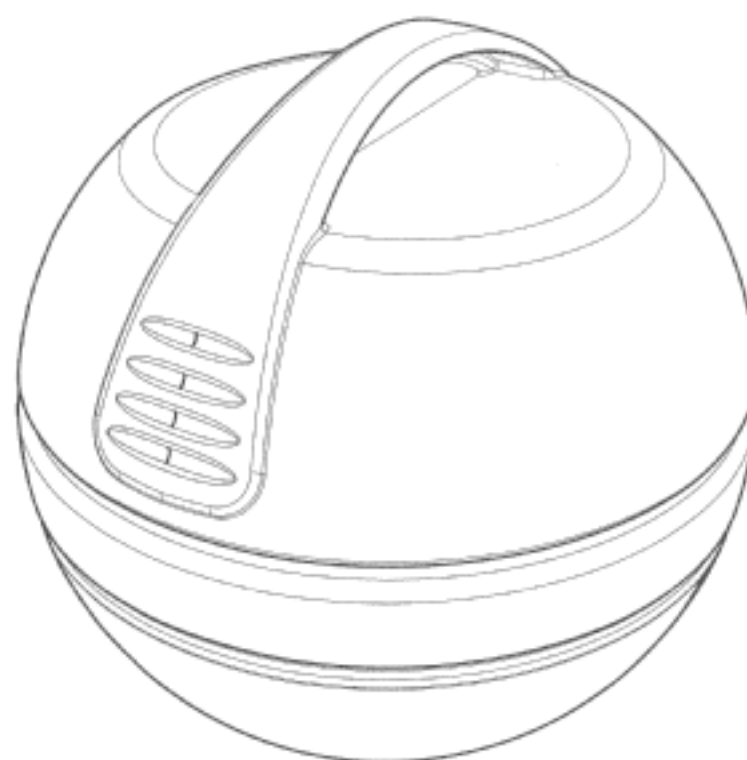
- (21) Design Number: **15151/2011**
(22) Date of Filing Application: **10 November 2011**
(24) Date from which industrial property rights may have effect: **10 November 2011**
(54) Product in respect of which the design is registered: **Key blank**
(51) International Design Classification: **08-07**
(74) Name(s) of Attorney(s): **PHILLIPS ORMONDE FITZPATRICK**
(71) Name(s) and Address(s) of Applicant(s):
ASSA ABLOY Australia Pty Limited
235 Huntingdale Road Oakleigh Victoria 3166 Australia
(72) Name(s) of Designer(s): **Seppo Kiiski**
(45) Registration Date: **08 December 2011**
(56) Related Art Documents: **Not Applicable**
(57) Statement of Newness and Distinctiveness: **Those features of the key blank that are new and distinctive are the cross-sectional shape of the blade of the key blank as depicted in the profile of the key blank as shown in section A-A, B-B and C-C views. The shape and/or configuration of the head of the key blank shown in broken line is not part of the design and is to be disregarded when considering the overall impression of the design.**



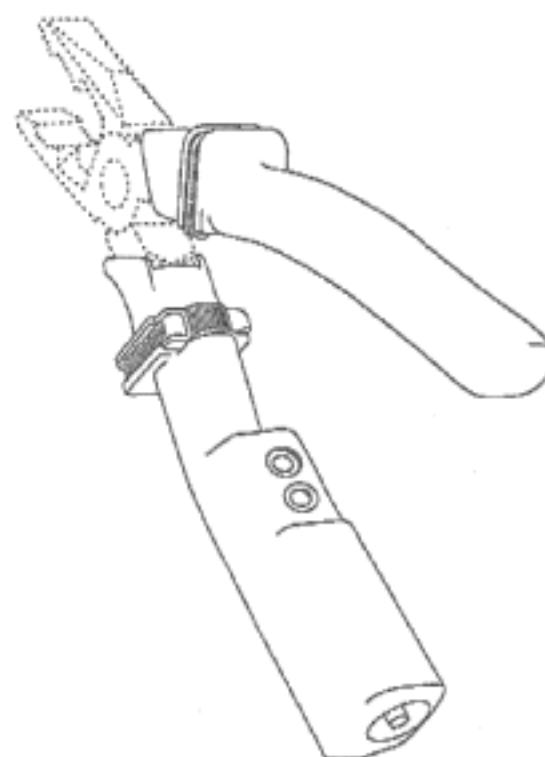
- (21) Design Number: **15152/2011**
(22) Date of Filing Application: **11 November 2011**
(24) Date from which industrial property rights may have effect: **11 November 2011**
(54) Product in respect of which the design is registered: **Electrical cable gauge**
(51) International Design Classification: **10-04**
(74) Name(s) of Attorney(s): **SPRUSON & FERGUSON**
(71) Name(s) and Address(s) of Applicant(s):
Legend Corporate Service Pty Ltd
1 Butler Drive Hendon South Australia 5015 Australia
(72) Name(s) of Designer(s): **Michael Stuart Sneath**
(45) Registration Date: **08 December 2011**
(56) Related Art Documents: **Not Applicable**
(57) Statement of Newness and Distinctiveness: **Newness and distinctiveness is claimed in the features of shape and/or configuration of electrical cable gauge as illustrated in the accompanying representations.**



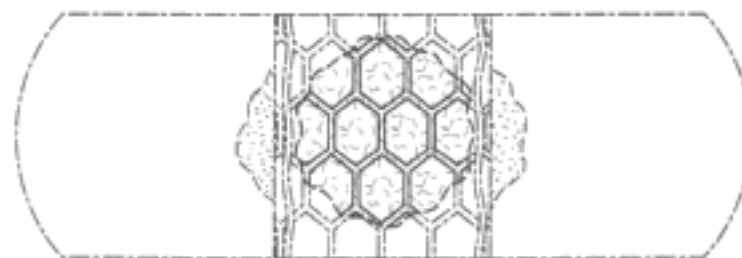
- (21) Design Number: **15153/2011**
(22) Date of Filing Application: **11 November 2011**
(24) Date from which industrial property rights may have effect: **11 November 2011**
(54) Product in respect of which the design is registered: **Minature portable soother steriliser**
(51) International Design Classification: **24-01**
(74) Name(s) of Attorney(s): **SPRUSON & FERGUSON**
(71) Name(s) and Address(s) of Applicant(s):
Newco
9 rue Marcel Sembat - Immeuble Le Saint Louis 44100 Nantes France
(72) Name(s) of Designer(s): **David Gooch**
(45) Registration Date: **08 December 2011**
(30) Convention priority data:
(31) Number (32) Date (33) Country
001863028-0002 12 May 2011 EUROPEAN COMMUNITY
(56) Related Art Documents: **Not Applicable**
(57) Statement of Newness and Distinctiveness: **Newness and distinctiveness is claimed in the features of shape and/or configuration of a minature portable soother steriliser as illustrated in the accompanying representations.**



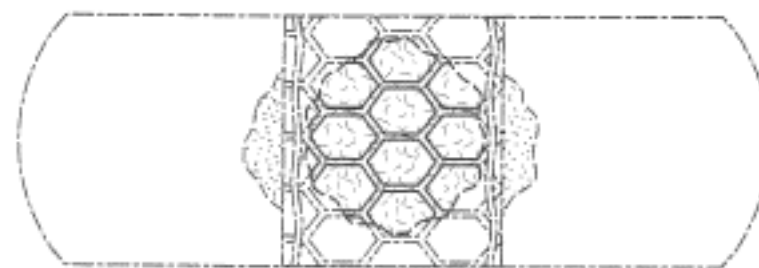
- (21) Design Number: **15286/2011**
(22) Date of Filing Application: **21 November 2011**
(24) Date from which industrial property rights may have effect: **21 November 2011**
(54) Product in respect of which the design is registered: **Handles for electric current detection implements**
(51) International Design Classification: **08-05P, 08-06, 10-04**
(74) Name(s) of Attorney(s):
(71) Name(s) and Address(s) of Applicant(s):
Mark Tarrant
7 Riverview Close Westlake Queensland 4074 Australia
(72) Name(s) of Designer(s): **Mark Tarrant**
(45) Registration Date: **08 December 2011**
(56) Related Art Documents: **Not Applicable**
(57) Statement of Newness and Distinctiveness: **Newness and distinctiveness resides in the shape and/or configuration of the handle show in the reps.**



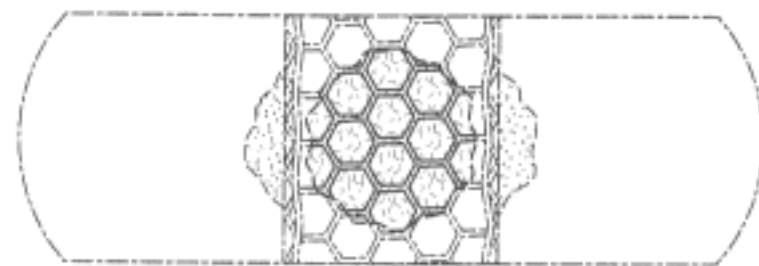
- (21) Design Number: **15441/2011**
(22) Date of Filing Application: **26 August 2011**
(24) Date from which industrial property rights may have effect: **26 August 2011**
(54) Product in respect of which the design is registered: **Adhesive bandage with decorated pad**
(51) International Design Classification: **24-04**
(74) Name(s) of Attorney(s): **Shelston IP**
(71) Name(s) and Address(s) of Applicant(s):
Johnson & Johnson Consumer Companies, Inc.
Grandview Road Skillman New Jersey 08858 United States of America
(72) Name(s) of Designer(s): **Jennifer Wing-Yee Chan and Michael William Eknoian and Vincent John Petersack and Carmine Michael Rizzo and Karin Taylor**
(45) Registration Date: **08 December 2011**
(30) Convention priority data:
(31) Number (32) Date (33) Country
13/036471 28 Feb 2011 UNITED STATES OF AMERICA
(62) Divisional of: **339803**
(56) Related Art Documents: **Not Applicable**
(57) Statement of Newness and Distinctiveness: **Nil**



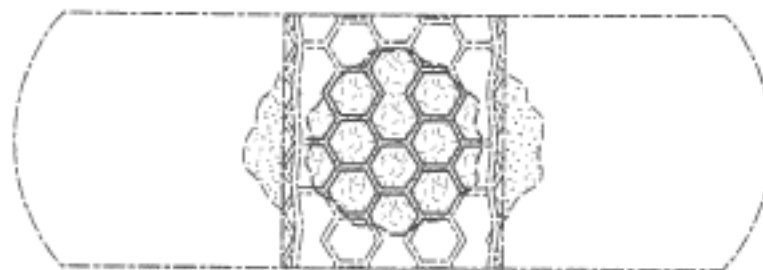
(21) Design Number: **15442/2011**
(22) Date of Filing Application: **26 August 2011**
(24) Date from which industrial property rights may have effect: **26 August 2011**
(54) Product in respect of which the design is registered: **Adhesive bandage with decorated pad**
(51) International Design Classification: **24-04**
(74) Name(s) of Attorney(s): **Shelston IP**
(71) Name(s) and Address(s) of Applicant(s):
Johnson & Johnson Consumer Companies, Inc.
Grandview Road Skillman New Jersey 08858 United States of America
(72) Name(s) of Designer(s): **Jennifer Wing-Yee Chan and Michael William Eknoian and Vincent John Petersack and Carmine Michael Rizzo and Karin Taylor**
(45) Registration Date: **08 December 2011**
(30) Convention priority data:
(31) Number (32) Date (33) Country
13/036471 28 Feb 2011 UNITED STATES OF AMERICA
(62) Divisional of: **339803**
(56) Related Art Documents: **Not Applicable**
(57) Statement of Newness and Distinctiveness: **Nil**



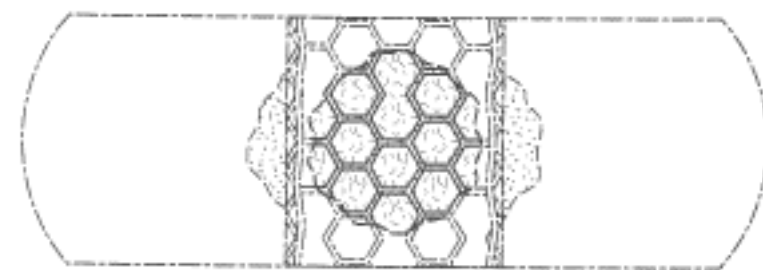
(21) Design Number: **15443/2011**
(22) Date of Filing Application: **26 August 2011**
(24) Date from which industrial property rights may have effect: **26 August 2011**
(54) Product in respect of which the design is registered: **Adhesive bandage with decorated pad**
(51) International Design Classification: **24-04**
(74) Name(s) of Attorney(s): **Shelston IP**
(71) Name(s) and Address(s) of Applicant(s):
Johnson & Johnson Consumer Companies, Inc.
Grandview Road Skillman New Jersey 08858 United States of America
(72) Name(s) of Designer(s): **Jennifer Wing-Yee Chan and Michael William Eknoian and Vincent John Petersack and Carmine Michael Rizzo and Karin Taylor**
(45) Registration Date: **08 December 2011**
(30) Convention priority data:
(31) Number (32) Date (33) Country
13/036471 28 Feb 2011 UNITED STATES OF AMERICA
(62) Divisional of: **339803**
(56) Related Art Documents: **Not Applicable**
(57) Statement of Newness and Distinctiveness: **Nil**



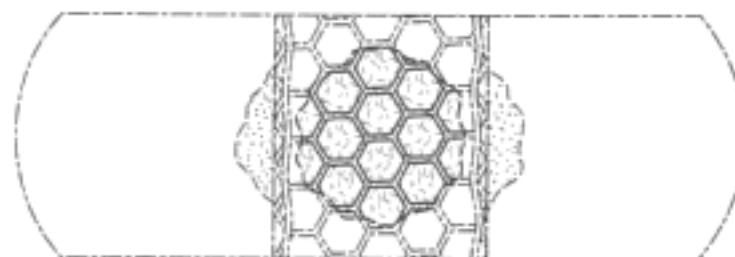
(21) Design Number: **15444/2011**
(22) Date of Filing Application: **26 August 2011**
(24) Date from which industrial property rights may have effect: **26 August 2011**
(54) Product in respect of which the design is registered: **Adhesive bandage with decorated pad**
(51) International Design Classification: **24-04**
(74) Name(s) of Attorney(s): **Shelston IP**
(71) Name(s) and Address(s) of Applicant(s):
Johnson & Johnson Consumer Companies, Inc.
Grandview Road Skillman New Jersey 08858 United States of America
(72) Name(s) of Designer(s): **Jennifer Wing-Yee Chan and Michael William Eknoian and Vincent John Petersack and Carmine Michael Rizzo and Karin Taylor**
(45) Registration Date: **08 December 2011**
(30) Convention priority data:
(31) Number (32) Date (33) Country
13/036471 28 Feb 2011 UNITED STATES OF AMERICA
(62) Divisional of: **339803**
(56) Related Art Documents: **Not Applicable**
(57) Statement of Newness and Distinctiveness: **Nil**



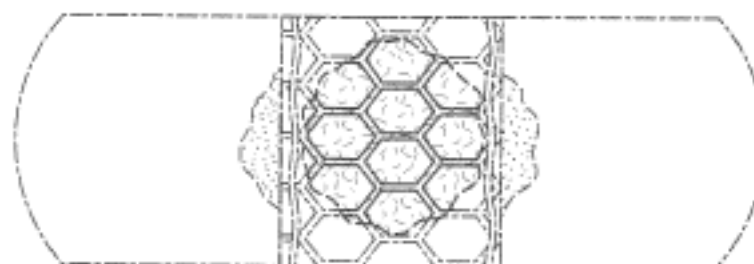
(21) Design Number: **15468/2011**
(22) Date of Filing Application: **26 August 2011**
(24) Date from which industrial property rights may have effect: **26 August 2011**
(54) Product in respect of which the design is registered: **Adhesive bandage with decorated pad**
(51) International Design Classification: **24-04**
(74) Name(s) of Attorney(s): **Shelston IP**
(71) Name(s) and Address(s) of Applicant(s):
Johnson & Johnson Consumer Companies, Inc.
Grandview Road Skillman New Jersey 08858 United States of America
(72) Name(s) of Designer(s): **Jennifer Wing-Yee Chan and Michael William Eknoian and Vincent John Petersack and Carmine Michael Rizzo and Karin Taylor**
(45) Registration Date: **08 December 2011**
(30) Convention priority data:
(31) Number (32) Date (33) Country
13/036471 28 Feb 2011 UNITED STATES OF AMERICA
(62) Divisional of: **339802**
(56) Related Art Documents: **Not Applicable**
(57) Statement of Newness and Distinctiveness: **Nil**



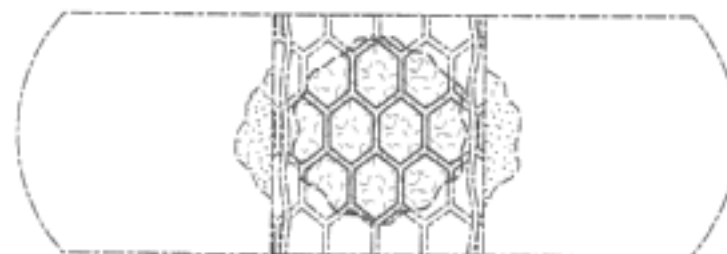
(21) Design Number: **15469/2011**
(22) Date of Filing Application: **26 August 2011**
(24) Date from which industrial property rights may have effect: **26 August 2011**
(54) Product in respect of which the design is registered: **Adhesive bandage with decorated pad**
(51) International Design Classification: **24-04**
(74) Name(s) of Attorney(s): **Shelston IP**
(71) Name(s) and Address(s) of Applicant(s):
Johnson & Johnson Consumer Companies, Inc.
Grandview Road Skillman New Jersey 08858 United States of America
(72) Name(s) of Designer(s): **Jennifer Wing-Yee Chan and Michael William Eknoian and Vincent John Petersack and Carmine Michael Rizzo and Karin Taylor**
(45) Registration Date: **08 December 2011**
(30) Convention priority data:
(31) Number (32) Date (33) Country
13/036471 28 Feb 2011 UNITED STATES OF AMERICA
(62) Divisional of: **339802**
(56) Related Art Documents: **Not Applicable**
(57) Statement of Newness and Distinctiveness: **Nil**



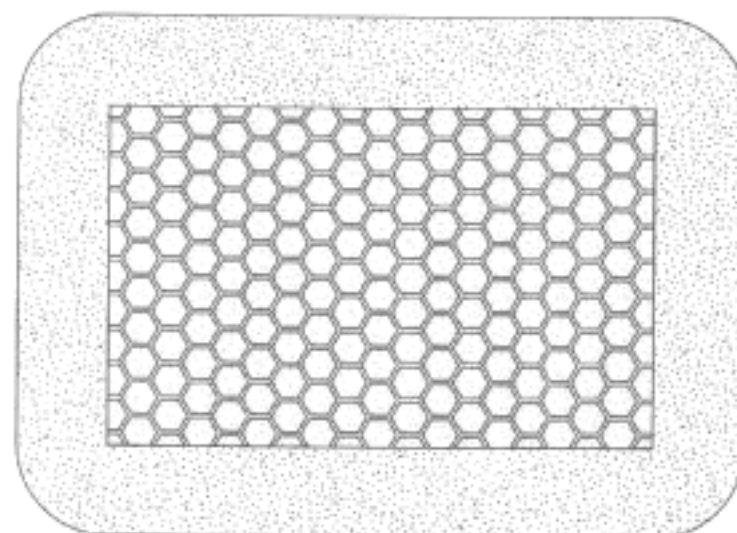
(21) Design Number: **15470/2011**
(22) Date of Filing Application: **26 August 2011**
(24) Date from which industrial property rights may have effect: **26 August 2011**
(54) Product in respect of which the design is registered: **Adhesive bandage with decorated pad**
(51) International Design Classification: **24-04**
(74) Name(s) of Attorney(s): **Shelston IP**
(71) Name(s) and Address(s) of Applicant(s):
Johnson & Johnson Consumer Companies, Inc.
Grandview Road Skillman New Jersey 08858 United States of America
(72) Name(s) of Designer(s): **Jennifer Wing-Yee Chan and Michael William Eknoian and Vincent John Petersack and Carmine Michael Rizzo and Karin Taylor**
(45) Registration Date: **08 December 2011**
(30) Convention priority data:
(31) Number (32) Date (33) Country
13/036471 28 Feb 2011 UNITED STATES OF AMERICA
(62) Divisional of: **339802**
(56) Related Art Documents: **Not Applicable**
(57) Statement of Newness and Distinctiveness: **Nil**



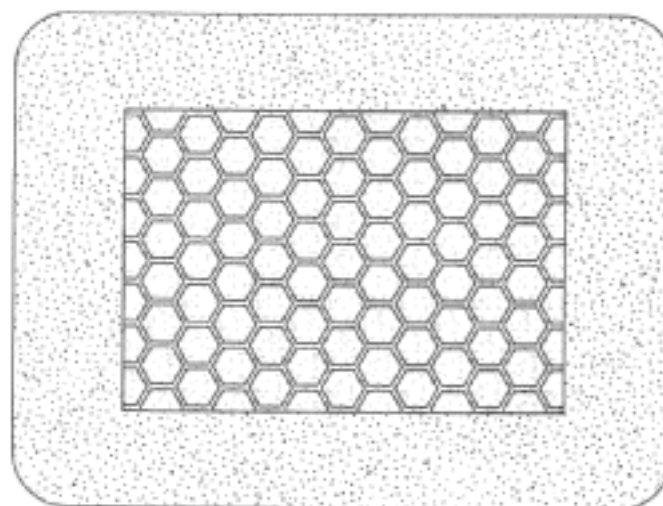
(21) Design Number: **15471/2011**
(22) Date of Filing Application: **26 August 2011**
(24) Date from which industrial property rights may have effect: **26 August 2011**
(54) Product in respect of which the design is registered: **Adhesive bandage with decorated pad**
(51) International Design Classification: **24-04**
(74) Name(s) of Attorney(s): **Shelston IP**
(71) Name(s) and Address(s) of Applicant(s):
Johnson & Johnson Consumer Companies, Inc.
Grandview Road Skillman New Jersey 08858 United States of America
(72) Name(s) of Designer(s): **Jennifer Wing-Yee Chan and Michael William Eknoian and Vincent John Petersack and Carmine Michael Rizzo and Karin Taylor**
(45) Registration Date: **08 December 2011**
(30) Convention priority data:
(31) Number (32) Date (33) Country
13/036471 28 Feb 2011 UNITED STATES OF AMERICA
(62) Divisional of: **339802**
(56) Related Art Documents: **Not Applicable**
(57) Statement of Newness and Distinctiveness: **Nil**



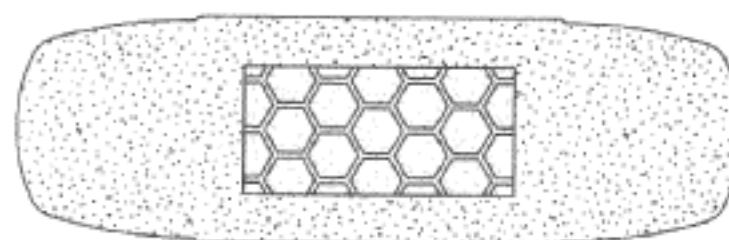
(21) Design Number: **15472/2011**
(22) Date of Filing Application: **26 August 2011**
(24) Date from which industrial property rights may have effect: **26 August 2011**
(54) Product in respect of which the design is registered: **Adhesive bandage with decorated pad**
(51) International Design Classification: **24-04**
(74) Name(s) of Attorney(s): **Shelston IP**
(71) Name(s) and Address(s) of Applicant(s):
Johnson & Johnson Consumer Companies, Inc.
Grandview Road Skillman New Jersey 08858 United States of America
(72) Name(s) of Designer(s): **Jennifer Wing-Yee Chan and Michael William Eknoian and Vincent John Petersack and Carmine Michael Rizzo and Karin Taylor**
(45) Registration Date: **08 December 2011**
(30) Convention priority data:
(31) Number (32) Date (33) Country
13/036471 28 Feb 2011 UNITED STATES OF AMERICA
(62) Divisional of: **339802**
(56) Related Art Documents: **Not Applicable**
(57) Statement of Newness and Distinctiveness: **Nil**



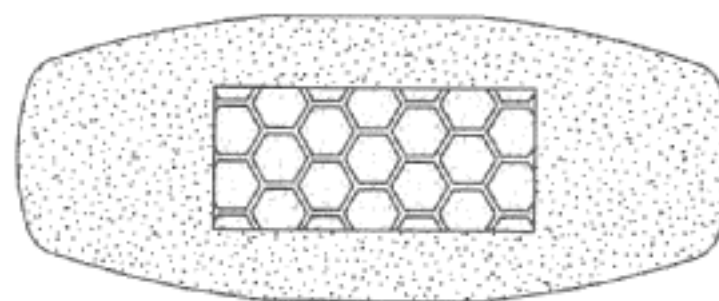
(21) Design Number: **15473/2011**
(22) Date of Filing Application: **26 August 2011**
(24) Date from which industrial property rights may have effect: **26 August 2011**
(54) Product in respect of which the design is registered: **Adhesive bandage with decorated pad**
(51) International Design Classification: **24-04**
(74) Name(s) of Attorney(s): **Shelston IP**
(71) Name(s) and Address(s) of Applicant(s):
Johnson & Johnson Consumer Companies, Inc.
Grandview Road Skillman New Jersey 08858 United States of America
(72) Name(s) of Designer(s): **Jennifer Wing-Yee Chan and Michael William Eknoian and Vincent John Petersack and Carmine Michael Rizzo and Karin Taylor**
(45) Registration Date: **08 December 2011**
(30) Convention priority data:
(31) Number (32) Date (33) Country
13/036471 28 Feb 2011 UNITED STATES OF AMERICA
(62) Divisional of: **339802**
(56) Related Art Documents: **Not Applicable**
(57) Statement of Newness and Distinctiveness: **Nil**



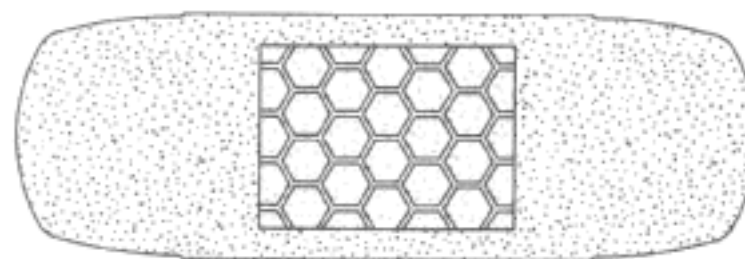
(21) Design Number: **15474/2011**
(22) Date of Filing Application: **26 August 2011**
(24) Date from which industrial property rights may have effect: **26 August 2011**
(54) Product in respect of which the design is registered: **Adhesive bandage with decorated pad**
(51) International Design Classification: **24-04**
(74) Name(s) of Attorney(s): **Shelston IP**
(71) Name(s) and Address(s) of Applicant(s):
Johnson & Johnson Consumer Companies, Inc.
Grandview Road Skillman New Jersey 08858 United States of America
(72) Name(s) of Designer(s): **Jennifer Wing-Yee Chan and Michael William Eknoian and Vincent John Petersack and Carmine Michael Rizzo and Karin Taylor**
(45) Registration Date: **08 December 2011**
(30) Convention priority data:
(31) Number (32) Date (33) Country
13/036471 28 Feb 2011 UNITED STATES OF AMERICA
(62) Divisional of: **339802**
(56) Related Art Documents: **Not Applicable**
(57) Statement of Newness and Distinctiveness: **Nil**



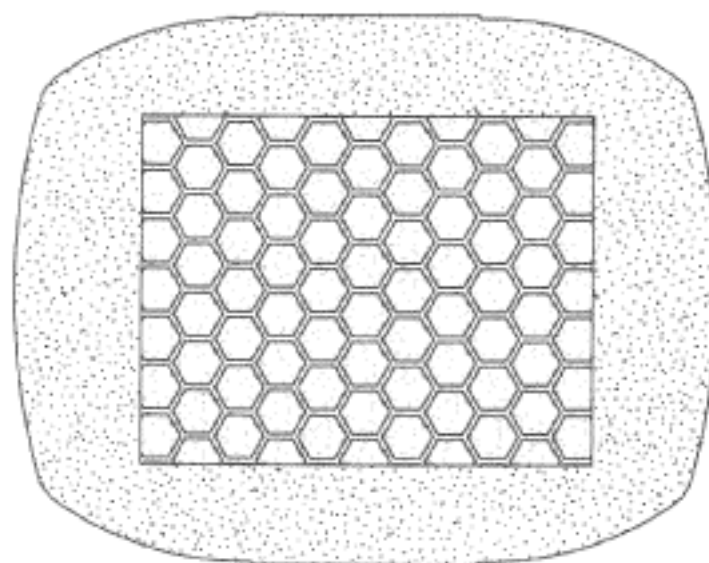
(21) Design Number: **15475/2011**
(22) Date of Filing Application: **26 August 2011**
(24) Date from which industrial property rights may have effect: **26 August 2011**
(54) Product in respect of which the design is registered: **Adhesive bandage with decorated pad**
(51) International Design Classification: **24-04**
(74) Name(s) of Attorney(s): **Shelston IP**
(71) Name(s) and Address(s) of Applicant(s):
Johnson & Johnson Consumer Companies, Inc.
Grandview Road Skillman New Jersey 08858 United States of America
(72) Name(s) of Designer(s): **Jennifer Wing-Yee Chan and Michael William Eknoian and Vincent John Petersack and Carmine Michael Rizzo and Karin Taylor**
(45) Registration Date: **08 December 2011**
(30) Convention priority data:
(31) Number (32) Date (33) Country
13/036471 28 Feb 2011 UNITED STATES OF AMERICA
(62) Divisional of: **339802**
(56) Related Art Documents: **Not Applicable**
(57) Statement of Newness and Distinctiveness: **Nil**



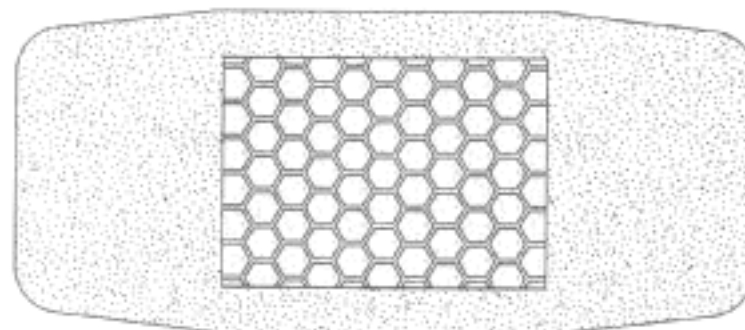
(21) Design Number: **15476/2011**
(22) Date of Filing Application: **26 August 2011**
(24) Date from which industrial property rights may have effect: **26 August 2011**
(54) Product in respect of which the design is registered: **Adhesive bandage with decorated pad**
(51) International Design Classification: **24-04**
(74) Name(s) of Attorney(s): **Shelston IP**
(71) Name(s) and Address(s) of Applicant(s):
Johnson & Johnson Consumer Companies, Inc.
Grandview Road Skillman New Jersey 08858 United States of America
(72) Name(s) of Designer(s): **Jennifer Wing-Yee Chan and Michael William Eknoian and Vincent John Petersack and Carmine Michael Rizzo and Karin Taylor**
(45) Registration Date: **08 December 2011**
(30) Convention priority data:
(31) Number (32) Date (33) Country
13/036471 28 Feb 2011 UNITED STATES OF AMERICA
(62) Divisional of: **339802**
(56) Related Art Documents: **Not Applicable**
(57) Statement of Newness and Distinctiveness: **Nil**



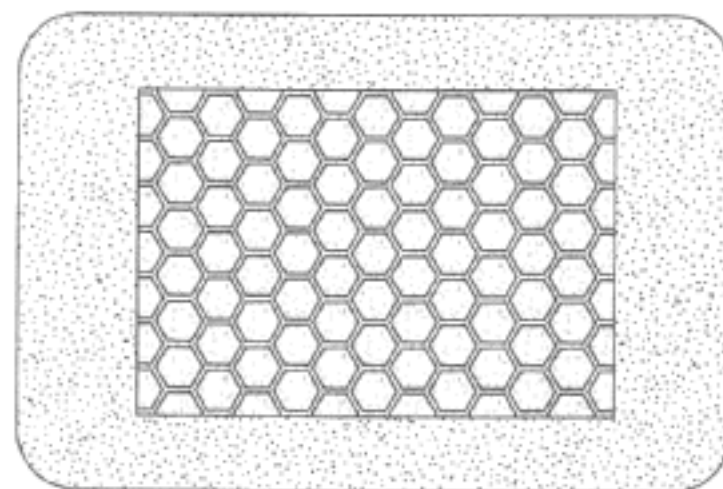
(21) Design Number: **15477/2011**
(22) Date of Filing Application: **26 August 2011**
(24) Date from which industrial property rights may have effect: **26 August 2011**
(54) Product in respect of which the design is registered: **Adhesive bandage with decorated pad**
(51) International Design Classification: **24-04**
(74) Name(s) of Attorney(s): **Shelston IP**
(71) Name(s) and Address(s) of Applicant(s):
Johnson & Johnson Consumer Companies, Inc.
Grandview Road Skillman New Jersey 08858 United States of America
(72) Name(s) of Designer(s): **Jennifer Wing-Yee Chan and Michael William Eknoian and Vincent John Petersack and Carmine Michael Rizzo and Karin Taylor**
(45) Registration Date: **08 December 2011**
(30) Convention priority data:
(31) Number (32) Date (33) Country
13/036471 28 Feb 2011 UNITED STATES OF AMERICA
(62) Divisional of: **339802**
(56) Related Art Documents: **Not Applicable**
(57) Statement of Newness and Distinctiveness: **Nil**



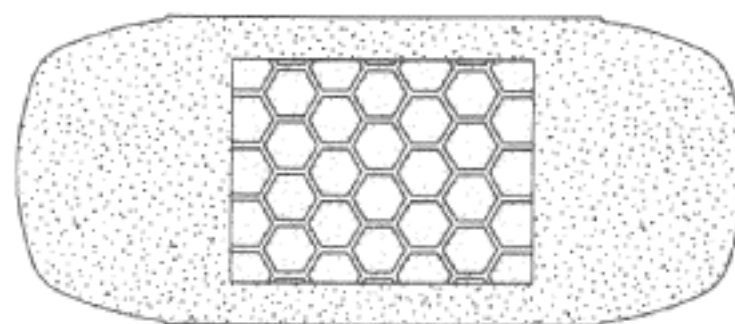
(21) Design Number: **15478/2011**
(22) Date of Filing Application: **26 August 2011**
(24) Date from which industrial property rights may have effect: **26 August 2011**
(54) Product in respect of which the design is registered: **Adhesive bandage with decorated pad**
(51) International Design Classification: **24-04**
(74) Name(s) of Attorney(s): **Shelston IP**
(71) Name(s) and Address(s) of Applicant(s):
Johnson & Johnson Consumer Companies, Inc.
Grandview Road Skillman New Jersey 08858 United States of America
(72) Name(s) of Designer(s): **Jennifer Wing-Yee Chan and Michael William Eknoian and Vincent John Petersack and Carmine Michael Rizzo and Karin Taylor**
(45) Registration Date: **08 December 2011**
(30) Convention priority data:
(31) Number (32) Date (33) Country
13/036471 28 Feb 2011 UNITED STATES OF AMERICA
(62) Divisional of: **339802**
(56) Related Art Documents: **Not Applicable**
(57) Statement of Newness and Distinctiveness: **Nil**



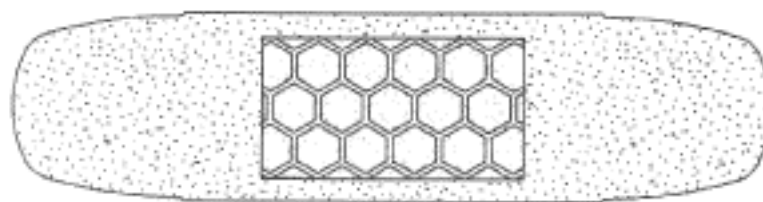
(21) Design Number: **15479/2011**
(22) Date of Filing Application: **26 August 2011**
(24) Date from which industrial property rights may have effect: **26 August 2011**
(54) Product in respect of which the design is registered: **Adhesive bandage with decorated pad**
(51) International Design Classification: **24-04**
(74) Name(s) of Attorney(s): **Shelston IP**
(71) Name(s) and Address(s) of Applicant(s):
Johnson & Johnson Consumer Companies, Inc.
Grandview Road Skillman New Jersey 08858 United States of America
(72) Name(s) of Designer(s): **Jennifer Wing-Yee Chan and Michael William Eknoian and Vincent John Petersack and Carmine Michael Rizzo and Karin Taylor**
(45) Registration Date: **08 December 2011**
(30) Convention priority data:
(31) Number (32) Date (33) Country
13/036471 28 Feb 2011 UNITED STATES OF AMERICA
(62) Divisional of: **339802**
(56) Related Art Documents: **Not Applicable**
(57) Statement of Newness and Distinctiveness: **Nil**



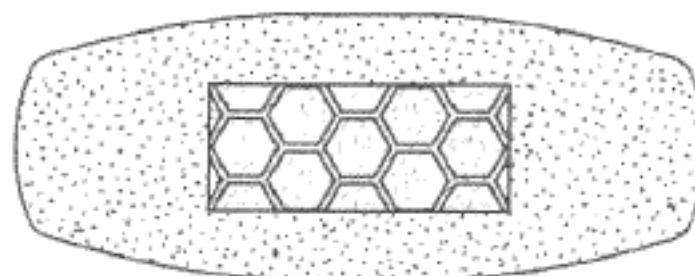
(21) Design Number: **15480/2011**
(22) Date of Filing Application: **26 August 2011**
(24) Date from which industrial property rights may have effect: **26 August 2011**
(54) Product in respect of which the design is registered: **Adhesive bandage with decorated pad**
(51) International Design Classification: **24-04**
(74) Name(s) of Attorney(s): **Shelston IP**
(71) Name(s) and Address(s) of Applicant(s):
Johnson & Johnson Consumer Companies, Inc.
Grandview Road Skillman New Jersey 08858 United States of America
(72) Name(s) of Designer(s): **Jennifer Wing-Yee Chan and Michael William Eknoian and Vincent John Petersack and Carmine Michael Rizzo and Karin Taylor**
(45) Registration Date: **08 December 2011**
(30) Convention priority data:
(31) Number (32) Date (33) Country
13/036471 28 Feb 2011 UNITED STATES OF AMERICA
(62) Divisional of: **339802**
(56) Related Art Documents: **Not Applicable**
(57) Statement of Newness and Distinctiveness: **Nil**



(21) Design Number: **15481/2011**
(22) Date of Filing Application: **26 August 2011**
(24) Date from which industrial property rights may have effect: **26 August 2011**
(54) Product in respect of which the design is registered: **Adhesive bandage with decorated pad**
(51) International Design Classification: **24-04**
(74) Name(s) of Attorney(s): **Shelston IP**
(71) Name(s) and Address(s) of Applicant(s):
Johnson & Johnson Consumer Companies, Inc.
Grandview Road Skillman New Jersey 08858 United States of America
(72) Name(s) of Designer(s): **Jennifer Wing-Yee Chan and Michael William Eknoian and Vincent John Petersack and Carmine Michael Rizzo and Karin Taylor**
(45) Registration Date: **08 December 2011**
(30) Convention priority data:
(31) Number (32) Date (33) Country
13/036471 28 Feb 2011 UNITED STATES OF AMERICA
(62) Divisional of: **339802**
(56) Related Art Documents: **Not Applicable**
(57) Statement of Newness and Distinctiveness: **Nil**



(21) Design Number: **15482/2011**
(22) Date of Filing Application: **26 August 2011**
(24) Date from which industrial property rights may have effect: **26 August 2011**
(54) Product in respect of which the design is registered: **Adhesive bandage with decorated pad**
(51) International Design Classification: **24-04**
(74) Name(s) of Attorney(s): **Shelston IP**
(71) Name(s) and Address(s) of Applicant(s):
Johnson & Johnson Consumer Companies, Inc.
Grandview Road Skillman New Jersey 08858 United States of America
(72) Name(s) of Designer(s): **Jennifer Wing-Yee Chan and Michael William Eknoian and Vincent John Petersack and Carmine Michael Rizzo and Karin Taylor**
(45) Registration Date: **08 December 2011**
(30) Convention priority data:
(31) Number (32) Date (33) Country
13/036471 28 Feb 2011 UNITED STATES OF AMERICA
(62) Divisional of: **339802**
(56) Related Art Documents: **Not Applicable**
(57) Statement of Newness and Distinctiveness: **Nil**



(21) Design Number: **14627/2011**
(22) Date of Filing Application: **12 October 2011**
(24) Date from which industrial property rights may have effect: **12 October 2011**
(54) Product in respect of which the design is registered: **Hair clippers**
(51) International Design Classification: **28-03D**
(74) Name(s) of Attorney(s): **Wrays**
(71) Name(s) and Address(s) of Applicant(s):
Babyliss Faco SA
Avenue de l'Independance 25 4020 Wandre Belgium
(72) Name(s) of Designer(s): **Pierre Julemont**
(45) Registration Date: **08 December 2011**
(30) Convention priority data:
(31) Number (32) Date (33) Country
001851957-0001 15 Apr 2011 EUROPEAN COMMUNITY
(56) Related Art Documents: **Not Applicable**
(57) Statement of Newness and Distinctiveness: **Newness and distinctiveness is claimed in the features of shape and/or configuration of the hair clippers depicted in the accompanying representations.**



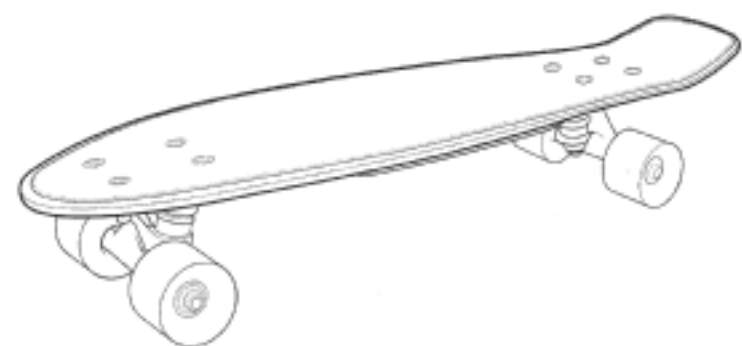
(21) Design Number: **14926/2011**
(22) Date of Filing Application: **02 November 2011**
(24) Date from which industrial property rights may have effect: **02 November 2011**
(54) Product in respect of which the design is registered: **Dessert Bowl**
(51) International Design Classification: **07-01B**
(74) Name(s) of Attorney(s): **Blake Dawson**
(71) Name(s) and Address(s) of Applicant(s):
Marimekko Oyj
Puusepankatu 4 00880 Helsinki Finland
(72) Name(s) of Designer(s): **Anu Penttinen**
(45) Registration Date: **08 December 2011**
(30) Convention priority data:
(31) Number (32) Date (33) Country
1865940-0001 19 May 2011 EUROPEAN COMMUNITY
(56) Related Art Documents: **Not Applicable**
(57) Statement of Newness and Distinctiveness: **Nil**



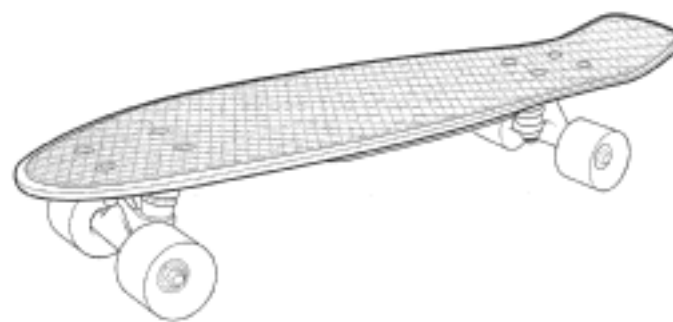
(21) Design Number: **14927/2011**
(22) Date of Filing Application: **02 November 2011**
(24) Date from which industrial property rights may have effect: **02 November 2011**
(54) Product in respect of which the design is registered: **Dish**
(51) International Design Classification: **07-01B**
(74) Name(s) of Attorney(s): **Blake Dawson**
(71) Name(s) and Address(s) of Applicant(s):
Marimekko Oyj
Puusepankatu 4 00880 Helsinki Finland
(72) Name(s) of Designer(s): **Anu Penttinen**
(45) Registration Date: **08 December 2011**
(30) Convention priority data:
(31) Number (32) Date (33) Country
1865940-0002 19 May 2011 EUROPEAN COMMUNITY
(56) Related Art Documents: **Not Applicable**
(57) Statement of Newness and Distinctiveness: **Nil**



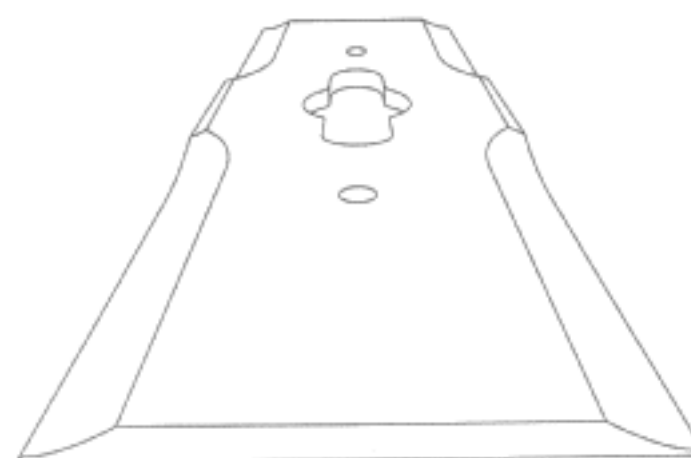
(21) Design Number: **15205/2011**
(22) Date of Filing Application: **15 November 2011**
(24) Date from which industrial property rights may have effect: **15 November 2011**
(54) Product in respect of which the design is registered: **Plastic skateboard**
(51) International Design Classification: **21-02E**
(74) Name(s) of Attorney(s): **Trademark Central**
(71) Name(s) and Address(s) of Applicant(s):
Absolute International Pty Ltd
PO Box 5331 Daisy Hill Queensland 4127 Australia
(72) Name(s) of Designer(s): **Ben Mackay**
(45) Registration Date: **08 December 2011**
(56) Related Art Documents: **Not Applicable**
(57) Statement of Newness and Distinctiveness: **Especially designed plastic skateboard with reinforced area which enables plastic skateboards to be manufactured with greater length and dimensions than previously possible**



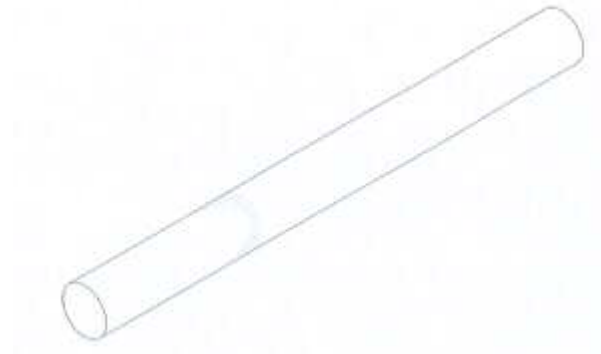
(21) Design Number: **15206/2011**
 (22) Date of Filing Application: **15 November 2011**
 (24) Date from which industrial property rights may have effect: **15 November 2011**
 (54) Product in respect of which the design is registered: **Plastic skateboard**
 (51) International Design Classification: **21-02E**
 (74) Name(s) of Attorney(s): **Trademark Central**
 (71) Name(s) and Address(s) of Applicant(s):
Absolute International Pty Ltd
PO Box 5331 Daisy Hill Queensland 4127 Australia
 (72) Name(s) of Designer(s): **Ben Mackay**
 (45) Registration Date: **08 December 2011**
 (56) Related Art Documents: **Not Applicable**
 (57) Statement of Newness and Distinctiveness: **Especially designed plastic skateboard with reinforced area which enables plastic skateboards to be manufactured with greater length and dimensions than previously possible**



(21) Design Number: **15166/2011**
 (22) Date of Filing Application: **11 November 2011**
 (24) Date from which industrial property rights may have effect: **11 November 2011**
 (54) Product in respect of which the design is registered: **Cutting blade**
 (51) International Design Classification: **08-03**
 (74) Name(s) of Attorney(s): **PHILLIPS ORMONDE FITZPATRICK**
 (71) Name(s) and Address(s) of Applicant(s):
Blount, Inc
4909 SE International Way Portland Oregon 97222 United States of America
 (72) Name(s) of Designer(s): **Walter Nikkel**
 (45) Registration Date: **08 December 2011**
 (30) Convention priority data:
 (31) Number (32) Date (33) Country
29/391,925 13 May 2011 UNITED STATES OF AMERICA
 (56) Related Art Documents: **Not Applicable**
 (57) Statement of Newness and Distinctiveness: **Nil**



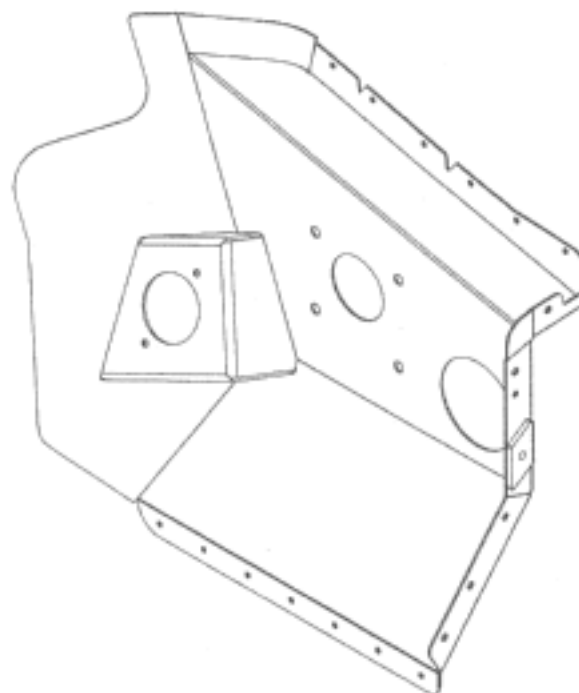
(21) Design Number: **14049/2011**
(22) Date of Filing Application: **13 September 2011**
(24) Date from which industrial property rights may have effect: **13 September 2011**
(54) Product in respect of which the design is registered: **Cigarette**
(51) International Design Classification: **27-01**
(74) Name(s) of Attorney(s): **Callinans**
(71) Name(s) and Address(s) of Applicant(s):
Philip Morris Products S.A.
Quai Jeanrenaud 3 2000 Neuchatel Switzerland
(72) Name(s) of Designer(s): **Matthias Kuerten**
(45) Registration Date: **08 December 2011**
(30) Convention priority data:
(31) Number (32) Date (33) Country
001268585-0011 14 Mar 2011 EUROPEAN COMMUNITY
(56) Related Art Documents: **Not Applicable**
(57) Statement of Newness and Distinctiveness: **Nil**



(21) Design Number: **15407/2011**
(22) Date of Filing Application: **13 September 2011**
(24) Date from which industrial property rights may have effect: **13 September 2011**
(54) Product in respect of which the design is registered: **Cigarette**
(51) International Design Classification: **27-01**
(74) Name(s) of Attorney(s): **Callinans**
(71) Name(s) and Address(s) of Applicant(s):
Philip Morris Products S.A.
Quai Jeanrenaud 3 2000 Neuchatel Switzerland
(72) Name(s) of Designer(s): **Jacques Weiss**
(45) Registration Date: **08 December 2011**
(30) Convention priority data:
(31) Number (32) Date (33) Country
001268585-0004 14 Mar 2011 EUROPEAN COMMUNITY
(56) Related Art Documents: **Not Applicable**
(57) Statement of Newness and Distinctiveness: **Nil**



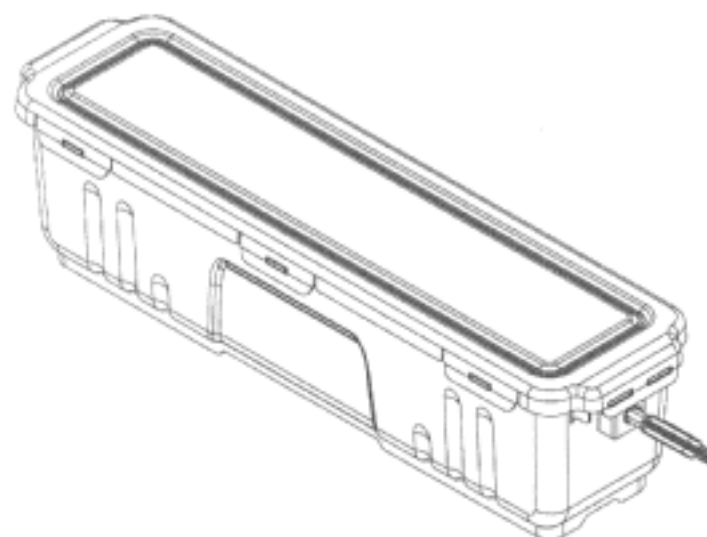
- (21) Design Number: **12048/2011**
(22) Date of Filing Application: **10 May 2011**
(24) Date from which industrial property rights may have effect: **10 May 2011**
(54) Product in respect of which the design is registered: **Vehicle panel**
(51) International Design Classification: **12-16B**
(74) Name(s) of Attorney(s): **Smooenburg Pini Patent & Trade Mark Attorneys**
(71) Name(s) and Address(s) of Applicant(s):
Vehicle Development Corporation Pty Ltd
380 Barry Road Coolaroo Victoria 3048 Australia
(72) Name(s) of Designer(s): **Darren Trevor Waugh and Warwick John Drenth**
(45) Registration Date: **09 December 2011**
(56) Related Art Documents: **Not Applicable**
(57) Statement of Newness and Distinctiveness: **In considering the newness or distinctiveness of the design, regard is to be given to the overall shape and/or configuration of a vehicle panel as shown in the representations.**



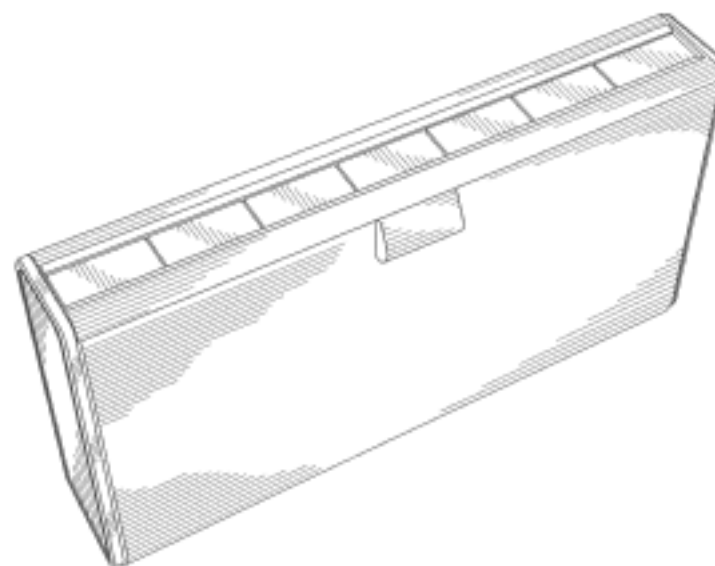
- (21) Design Number: **14261/2011**
(22) Date of Filing Application: **23 September 2011**
(24) Date from which industrial property rights may have effect: **23 September 2011**
(54) Product in respect of which the design is registered: **Lateral quick-tight clip**
(51) International Design Classification: **08-08C**
(74) Name(s) of Attorney(s): **Wrays**
(71) Name(s) and Address(s) of Applicant(s):
Gao Qiang
Room A309 World Trade Centre Buildings No. 6 Xianggang Middle Road
Qingdao Shandong 266071 China
(72) Name(s) of Designer(s): **Gao Qiang**
(45) Registration Date: **09 December 2011**
(30) Convention priority data:
(31) Number (32) Date (33) Country
201130104300.1 22 Apr 2011 CHINA
(56) Related Art Documents: **Not Applicable**
(57) Statement of Newness and Distinctiveness: **Newness and distinctiveness is claimed in the features of shape and/or configuration of the lateral quick-tight clip as depicted in the accompanying representations.**



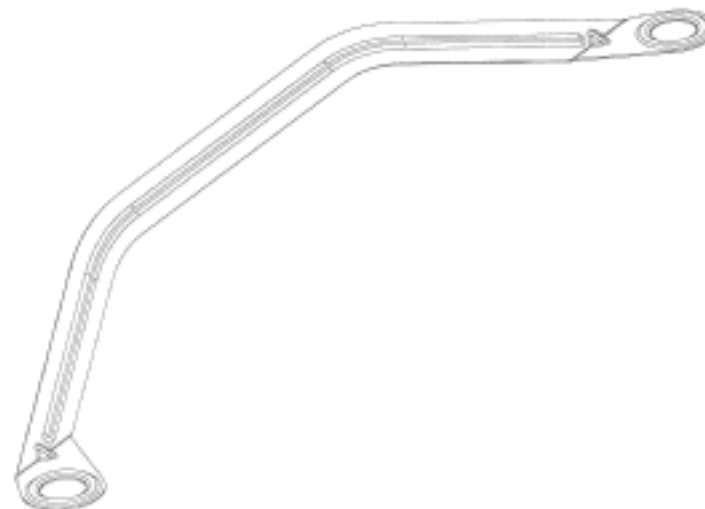
- (21) Design Number: **14347/2011**
(22) Date of Filing Application: **27 September 2011**
(24) Date from which industrial property rights may have effect: **27 September 2011**
(54) Product in respect of which the design is registered: **Mop bucket**
(51) International Design Classification: **07-07B**
(74) Name(s) of Attorney(s): **Allens Arthur Robinson**
(71) Name(s) and Address(s) of Applicant(s):
E.D. Oates Pty Ltd
Maygar Boulevard Broadmeadows Victoria 3047 Australia
(72) Name(s) of Designer(s): **Frankie Ngan**
(45) Registration Date: **09 December 2011**
(56) Related Art Documents: **Not Applicable**
(57) Statement of Newness and Distinctiveness: **Newness and distinctiveness resides in the visual features of shape and/or configuration of a mop bucket as illustrated in the accompanying representations.**



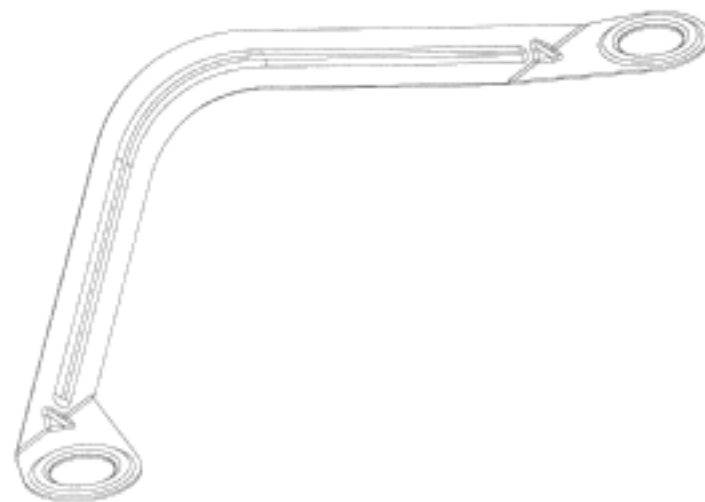
- (21) Design Number: **14409/2011**
(22) Date of Filing Application: **29 September 2011**
(24) Date from which industrial property rights may have effect: **29 September 2011**
(54) Product in respect of which the design is registered: **Portable audio system**
(51) International Design Classification: **14-01**
(74) Name(s) of Attorney(s): **PHILLIPS ORMONDE FITZPATRICK**
(71) Name(s) and Address(s) of Applicant(s):
Bose Corporation
The Mountain MS-40 Framingham Massachusetts 01701 United States of America
(72) Name(s) of Designer(s): **Stuart Raymond Jang**
(45) Registration Date: **09 December 2011**
(30) Convention priority data:
(31) Number (32) Date (33) Country
26/389,754 15 Apr 2011 UNITED STATES OF AMERICA
(56) Related Art Documents: **Not Applicable**
(57) Statement of Newness and Distinctiveness: **Those features of the portable audio system depicted in the representations that are new and distinctive are the shape and/or configuration. The features shown in broken line are not part of the design and are to be disregarded when considering the overall impression of the design.**



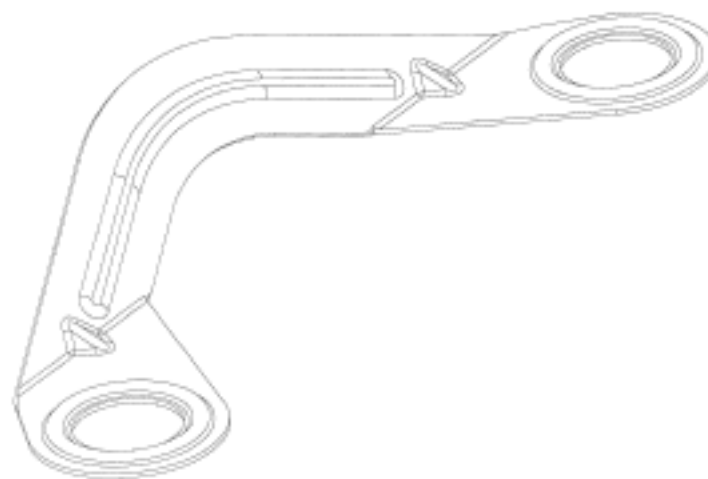
(21) Design Number: **14451/2011**
(22) Date of Filing Application: **30 September 2011**
(24) Date from which industrial property rights may have effect: **30 September 2011**
(54) Product in respect of which the design is registered: **A link**
(51) International Design Classification: **08-99**
(74) Name(s) of Attorney(s): **Halfords IP**
(71) Name(s) and Address(s) of Applicant(s):
Gallagher Group Limited
Kahikatea Drive Hamilton 3204 New Zealand
(72) Name(s) of Designer(s): **Craig David Malins and Karen Ruth Tyrrell**
(45) Registration Date: **09 December 2011**
(30) Convention priority data:
(31) Number (32) Date (33) Country
414761 01 Apr 2011 NEW ZEALAND
(56) Related Art Documents: **Not Applicable**
(57) Statement of Newness and Distinctiveness: **Nil**



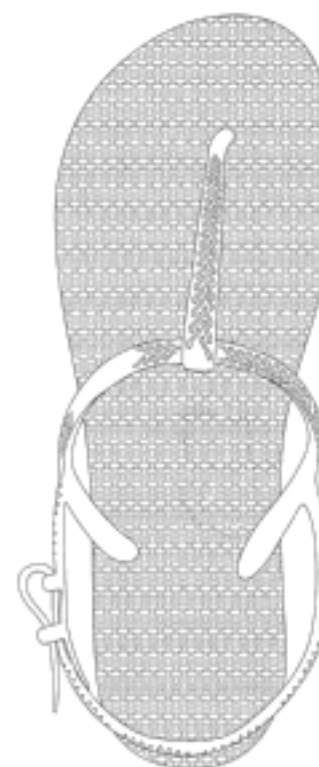
(21) Design Number: **14452/2011**
(22) Date of Filing Application: **30 September 2011**
(24) Date from which industrial property rights may have effect: **30 September 2011**
(54) Product in respect of which the design is registered: **A link**
(51) International Design Classification: **08-99**
(74) Name(s) of Attorney(s): **Halfords IP**
(71) Name(s) and Address(s) of Applicant(s):
Gallagher Group Limited
Kahikatea Drive Hamilton 3204 New Zealand
(72) Name(s) of Designer(s): **Craig David Malins and Karen Ruth Tyrrell**
(45) Registration Date: **09 December 2011**
(30) Convention priority data:
(31) Number (32) Date (33) Country
414761 01 Apr 2011 NEW ZEALAND
(56) Related Art Documents: **Not Applicable**
(57) Statement of Newness and Distinctiveness: **Nil**



(21) Design Number: **14453/2011**
(22) Date of Filing Application: **30 September 2011**
(24) Date from which industrial property rights may have effect: **30 September 2011**
(54) Product in respect of which the design is registered: **A link**
(51) International Design Classification: **08-99**
(74) Name(s) of Attorney(s): **Halfords IP**
(71) Name(s) and Address(s) of Applicant(s):
Gallagher Group Limited
Kahikatea Drive Hamilton 3204 New Zealand
(72) Name(s) of Designer(s): **Craig David Malins and Karen Ruth Tyrrell**
(45) Registration Date: **09 December 2011**
(30) Convention priority data:
(31) Number (32) Date (33) Country
414761 01 Apr 2011 NEW ZEALAND
(56) Related Art Documents: **Not Applicable**
(57) Statement of Newness and Distinctiveness: **Nil**



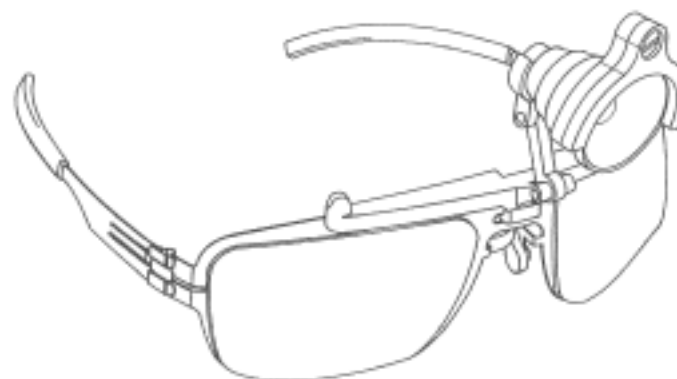
(21) Design Number: **14503/2011**
(22) Date of Filing Application: **06 October 2011**
(24) Date from which industrial property rights may have effect: **06 October 2011**
(54) Product in respect of which the design is registered: **Footwear**
(51) International Design Classification: **02-04NES**
(74) Name(s) of Attorney(s): **Freehills Patent & Trade Mark Attorneys**
(71) Name(s) and Address(s) of Applicant(s):
Alpargatas S.A.
Rua Funchal 160 Vila Olimpia CEP:04551-903 Sao Paulo SP Brazil
(72) Name(s) of Designer(s): **Jose Marcos da Silva**
(45) Registration Date: **09 December 2011**
(30) Convention priority data:
(31) Number (32) Date (33) Country
001893066-0002 19 Jul 2011 EUROPEAN COMMUNITY
(56) Related Art Documents: **Not Applicable**
(57) Statement of Newness and Distinctiveness: **Nil**



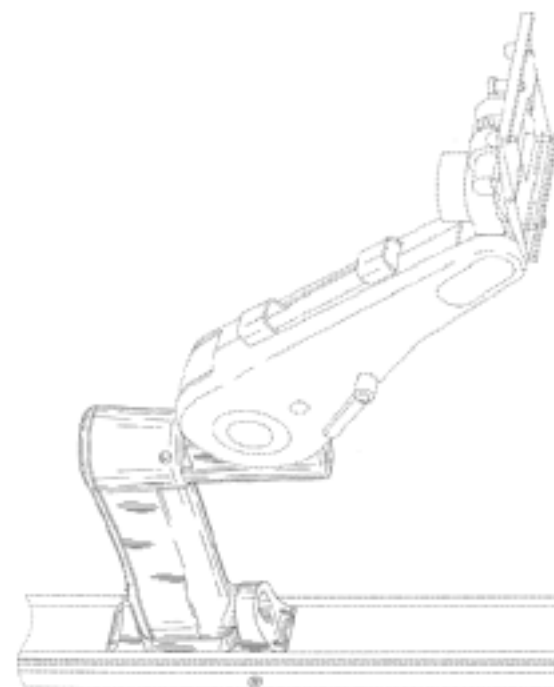
(21) Design Number: **14505/2011**
(22) Date of Filing Application: **06 October 2011**
(24) Date from which industrial property rights may have effect: **06 October 2011**
(54) Product in respect of which the design is registered: **Footwear**
(51) International Design Classification: **02-04NES**
(74) Name(s) of Attorney(s): **Freehills Patent & Trade Mark Attorneys**
(71) Name(s) and Address(s) of Applicant(s):
Alpargatas S.A.
Rua Funchal 160 Vila Olimpia CEP:04551-903 Sao Paulo SP Brazil
(72) Name(s) of Designer(s): **Julio Cesar Panariello Junior**
(45) Registration Date: **09 December 2011**
(30) Convention priority data:
(31) Number (32) Date (33) Country
001886870-0003 05 Jul 2011 EUROPEAN COMMUNITY
(56) Related Art Documents: **Not Applicable**
(57) Statement of Newness and Distinctiveness: **Nil**



(21) Design Number: **14552/2011**
(22) Date of Filing Application: **07 October 2011**
(24) Date from which industrial property rights may have effect: **07 October 2011**
(54) Product in respect of which the design is registered: **Spectacles with lamp fixture**
(51) International Design Classification: **16-06, 26-02**
(74) Name(s) of Attorney(s): **Halfords IP**
(71) Name(s) and Address(s) of Applicant(s):
ic! berlin brillen GmbH
Saarbrueckerstr. 37 10405 Berlin Germany
(72) Name(s) of Designer(s): **Christoph Philips and Dirk Kruse**
(45) Registration Date: **09 December 2011**
(30) Convention priority data:
(31) Number (32) Date (33) Country
402011001931.0 07 Apr 2011 GERMANY
(56) Related Art Documents: **Not Applicable**
(57) Statement of Newness and Distinctiveness: **Nil**



(21) Design Number: **14609/2011**
(22) Date of Filing Application: **12 October 2011**
(24) Date from which industrial property rights may have effect: **12 October 2011**
(54) Product in respect of which the design is registered: **Wall mounted extension arm**
(51) International Design Classification: **08-08NES**
(74) Name(s) of Attorney(s): **PIZZEYS**
(71) Name(s) and Address(s) of Applicant(s):
GCX Corporation
3875 Cypress Drive Petaluma CA 94954 United States of America
(72) Name(s) of Designer(s): **Cisco Patrick Schmauch and Aaron Abroff and Cristian J. Daugbjerg**
(45) Registration Date: **09 December 2011**
(30) Convention priority data:
(31) Number (32) Date (33) Country
29/389,570 13 Apr 2011 UNITED STATES OF AMERICA
(56) Related Art Documents: **Not Applicable**
(57) Statement of Newness and Distinctiveness: **Nil**



(21) Design Number: **15031/2011**
(22) Date of Filing Application: **09 November 2011**
(24) Date from which industrial property rights may have effect: **09 November 2011**
(54) Product in respect of which the design is registered: **Sun protection mini shirt**
(51) International Design Classification: **02-02NES**
(74) Name(s) of Attorney(s):
(71) Name(s) and Address(s) of Applicant(s):
Dianne Elizabeth McNamara
28 John Duigan Drive Yarrowonga Victoria 3730 Australia
(72) Name(s) of Designer(s): **Dianne McNamara**
(45) Registration Date: **09 December 2011**
(56) Related Art Documents: **Not Applicable**
(57) Statement of Newness and Distinctiveness: **The shortness of the shirt is to allow cooling in the warmer months but still give sun protection to the arms, neck and decolletage.**



- (21) Design Number: **15115/2011**
(22) Date of Filing Application: **10 November 2011**
(24) Date from which industrial property rights may have effect: **10 November 2011**
(54) Product in respect of which the design is registered: **Bed frame**
(51) International Design Classification: **06-02**
(74) Name(s) of Attorney(s):
(71) Name(s) and Address(s) of Applicant(s):
Southern Way International Pty Ltd
31 Rose Crescent Auburn New South Wales 2144 Australia
(72) Name(s) of Designer(s): **Chew Lin and Ross Ferguson**
(45) Registration Date: **09 December 2011**
(56) Related Art Documents: **Not Applicable**
(57) Statement of Newness and Distinctiveness: **'Rustic' accent panel on uppermost section of Bedhead and Bedfoot. Smooth finish on other parts. 'Rustic' surfaces stained in 'Earth' colour. Smooth surfaces stain in 'Light Oak' colour.**



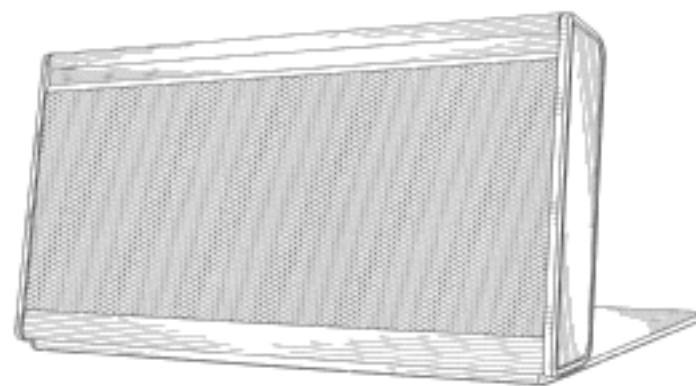
- (21) Design Number: **15118/2011**
(22) Date of Filing Application: **10 November 2011**
(24) Date from which industrial property rights may have effect: **10 November 2011**
(54) Product in respect of which the design is registered: **Bedside chest (left hand facing), bedside chest (right hand facing), tallboy, dressing table with mirror, buffet,**
(51) International Design Classification: **06-03A, 06-04D, 06-04F, 06-06B**
(74) Name(s) of Attorney(s):
(71) Name(s) and Address(s) of Applicant(s):
Southern Way International Pty Ltd
31 Rose Crescent Auburn New South Wales 2144 Australia
(72) Name(s) of Designer(s): **Chew Lin and Ross Ferguson**
(45) Registration Date: **09 December 2011**
(56) Related Art Documents: **Not Applicable**
(57) Statement of Newness and Distinctiveness: **Stainless steel accent insert in routed section of drawers and doors. Asymmetrical left and right hand facing bedside chests.**



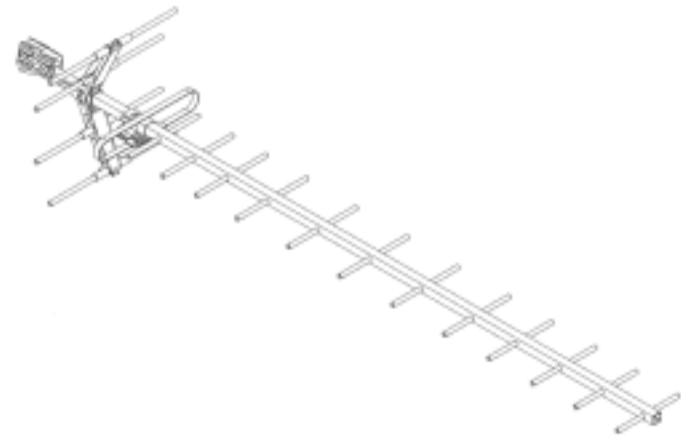
- (21) Design Number: **15225/2011**
(22) Date of Filing Application: **16 November 2011**
(24) Date from which industrial property rights may have effect: **16 November 2011**
(54) Product in respect of which the design is registered: **Scooter**
(51) International Design Classification: **21-01F**
(74) Name(s) of Attorney(s): **Jirsch Sutherland IP**
(71) Name(s) and Address(s) of Applicant(s):
Marisa Colak
1/69 Danger Street Randwick New South Wales 2031 Australia
Maryanne Bignill
1/69 Danger Street Randwick New South Wales 2031 Australia
Vincenzina Capano
1/69 Danger Street Randwick New South Wales 2031 Australia
(72) Name(s) of Designer(s): **Marisa Colak and Maryanne Bignill and Vincenzina Capano**
(45) Registration Date: **09 December 2011**
(56) Related Art Documents: **Not Applicable**
(57) Statement of Newness and Distinctiveness: **Newness and distinctiveness reside in the features of the shape and/or configuration of the scooter accessory device as shown in the accompanying representations.**



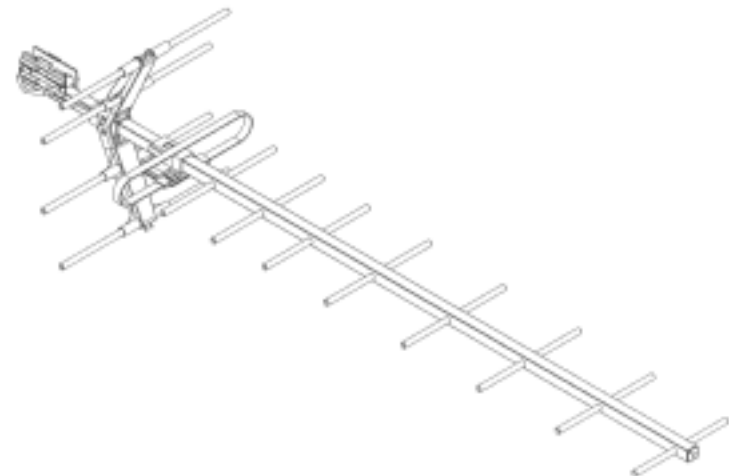
- (21) Design Number: **15459/2011**
(22) Date of Filing Application: **29 September 2011**
(24) Date from which industrial property rights may have effect: **29 September 2011**
(54) Product in respect of which the design is registered: **Portable audio system**
(51) International Design Classification: **14-01**
(74) Name(s) of Attorney(s): **PHILLIPS ORMONDE FITZPATRICK**
(71) Name(s) and Address(s) of Applicant(s):
Bose Corporation
The Mountain MS-40 Framingham Massachusetts 01701 United States of America
(72) Name(s) of Designer(s): **Stuart Raymond Jang**
(45) Registration Date: **09 December 2011**
(30) Convention priority data:
(31) Number (32) Date (33) Country
26/389,754 15 Apr 2011 UNITED STATES OF AMERICA
(56) Related Art Documents: **Not Applicable**
(57) Statement of Newness and Distinctiveness: **Those features of the portable audio system depicted in the representations that are new and distinctive are the shape and/or configuration. The features shown in broken line are not part of the design and are to be disregarded when considering the overall impression of the design.**



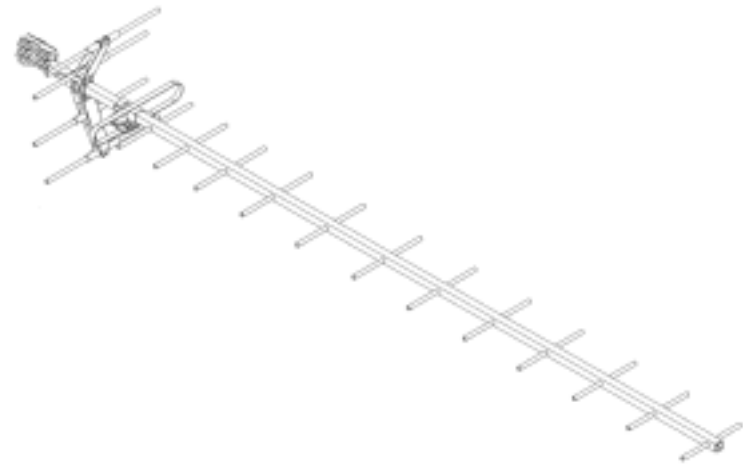
- (21) Design Number: **15195/2011**
(22) Date of Filing Application: **15 November 2011**
(24) Date from which industrial property rights may have effect: **15 November 2011**
(54) Product in respect of which the design is registered: **Antenna**
(51) International Design Classification: **14-03NES**
(74) Name(s) of Attorney(s): **Madderns**
(71) Name(s) and Address(s) of Applicant(s):
Hills Holdings Limited
159 Port Road Hindmarsh South Australia 5007 Australia
(72) Name(s) of Designer(s): **Barry Seymour Griggs and Andrew Richard John Thomas**
(45) Registration Date: **12 December 2011**
(56) Related Art Documents: **Not Applicable**
(57) Statement of Newness and Distinctiveness: **The new and distinctive features of the design are the length of the antenna elements and the spacing of the antenna elements along the boom of the article as shown in the representations.**



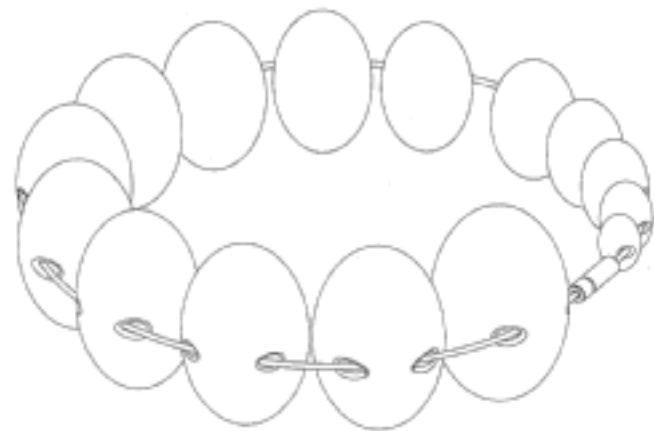
- (21) Design Number: **15196/2011**
(22) Date of Filing Application: **15 November 2011**
(24) Date from which industrial property rights may have effect: **15 November 2011**
(54) Product in respect of which the design is registered: **Antenna**
(51) International Design Classification: **14-03NES**
(74) Name(s) of Attorney(s): **Madderns**
(71) Name(s) and Address(s) of Applicant(s):
Hills Holdings Limited
159 Port Road Hindmarsh South Australia 5007 Australia
(72) Name(s) of Designer(s): **Barry Seymour Griggs and Andrew Richard John Thomas**
(45) Registration Date: **12 December 2011**
(56) Related Art Documents: **Not Applicable**
(57) Statement of Newness and Distinctiveness: **The new and distinctive features of the design are the length of the antenna elements and the spacing of the antenna elements along the boom of the article as shown in the representations.**



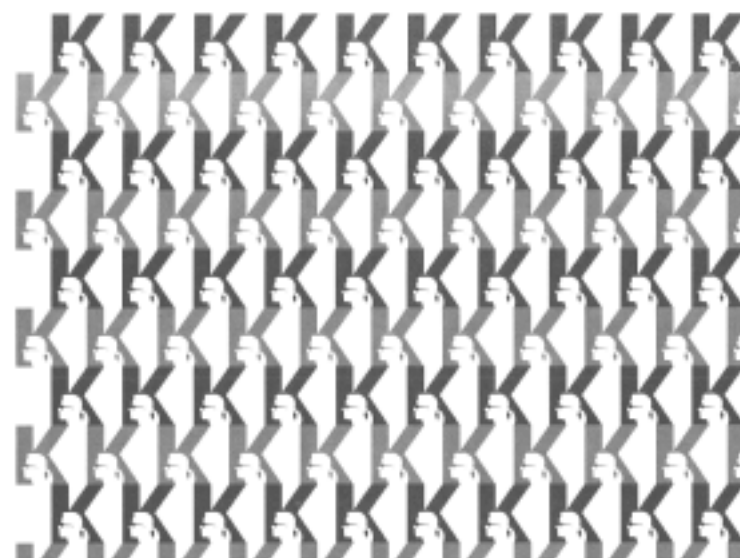
- (21) Design Number: **15197/2011**
(22) Date of Filing Application: **15 November 2011**
(24) Date from which industrial property rights may have effect: **15 November 2011**
(54) Product in respect of which the design is registered: **Antenna**
(51) International Design Classification: **14-03NES**
(74) Name(s) of Attorney(s): **Madderns**
(71) Name(s) and Address(s) of Applicant(s):
Hills Holdings Limited
159 Port Road Hindmarsh South Australia 5007 Australia
(72) Name(s) of Designer(s): **Barry Seymour Griggs and Andrew Richard John Thomas**
(45) Registration Date: **12 December 2011**
(56) Related Art Documents: **Not Applicable**
(57) Statement of Newness and Distinctiveness: **The new and distinctive features of the design are the length of the antenna elements and the spacing of the antenna elements along the boom of the article as shown in the representations.**



- (21) Design Number: **15209/2011**
(22) Date of Filing Application: **17 November 2011**
(24) Date from which industrial property rights may have effect: **17 November 2011**
(54) Product in respect of which the design is registered: **Orchidometer**
(51) International Design Classification: **24-02**
(74) Name(s) of Attorney(s):
(71) Name(s) and Address(s) of Applicant(s):
Monash University
Wellington Road Clayton Victoria 3800 Australia
(72) Name(s) of Designer(s): **David Handelsman and Carol Holden and Robert McLachlan and Nathan Pollock**
(45) Registration Date: **12 December 2011**
(56) Related Art Documents: **Not Applicable**
(57) Statement of Newness and Distinctiveness: **Nil**

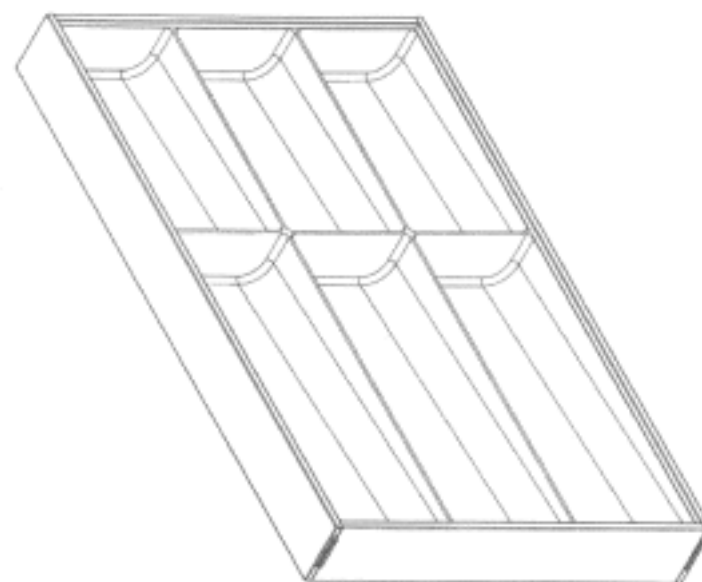


(21) Design Number: **15210/2011**
(22) Date of Filing Application: **17 November 2011**
(24) Date from which industrial property rights may have effect: **17 November 2011**
(54) Product in respect of which the design is registered: **Textile**
(51) International Design Classification: **05-05C**
(74) Name(s) of Attorney(s): **Smooenburg Pini Patent & Trade Mark Attorneys**
(71) Name(s) and Address(s) of Applicant(s):
Karl Lagerfeld B.V.
Looiersgracht 43 1016 VR Amsterdam The Netherlands
(72) Name(s) of Designer(s): **Trey Laird and Melina Kok**
(45) Registration Date: **12 December 2011**
(30) Convention priority data:
(31) Number (32) Date (33) Country
DM/076 459 30 May 2011 WORLD INTELLECTUAL PROPERTY ORGANIZATION (WIPO)

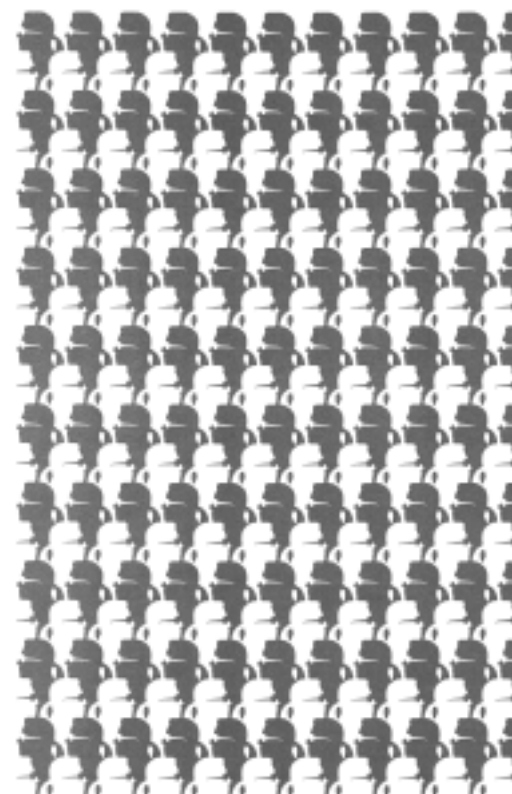


(56) Related Art Documents: **Not Applicable**
(57) Statement of Newness and Distinctiveness: **The newness and distinctiveness of the design resides in the pattern and/or ornamentation of a textile as shown in the representation. The textile is of indefinite length and width.**

(21) Design Number: **15211/2011**
(22) Date of Filing Application: **16 November 2011**
(24) Date from which industrial property rights may have effect: **16 November 2011**
(54) Product in respect of which the design is registered: **Insert for furniture drawer**
(51) International Design Classification: **06-06D**
(74) Name(s) of Attorney(s): **Callinans**
(71) Name(s) and Address(s) of Applicant(s):
Julius Blum GmbH
Industriestrasse 1 6973 Hochst Austria
(72) Name(s) of Designer(s): **Markus Breuss and Harald Hofherr and Monika Unterkofler**
(45) Registration Date: **12 December 2011**
(30) Convention priority data:
(31) Number (32) Date (33) Country
1865890-0001 19 May 2011 EUROPEAN COMMUNITY
(56) Related Art Documents: **Not Applicable**
(57) Statement of Newness and Distinctiveness: **Nil**



- (21) Design Number: **15224/2011**
(22) Date of Filing Application: **17 November 2011**
(24) Date from which industrial property rights may have effect: **17 November 2011**
(54) Product in respect of which the design is registered: **Textile**
(51) International Design Classification: **05-05C**
(74) Name(s) of Attorney(s): **Smooenburg Pini Patent & Trade Mark Attorneys**
(71) Name(s) and Address(s) of Applicant(s):
Karl Lagerfeld B.V.
Looiersgracht 43 1016 VR Amsterdam The Netherlands
(72) Name(s) of Designer(s): **Trey Laird and Melina Kok**
(45) Registration Date: **12 December 2011**
(30) Convention priority data:
(31) Number (32) Date (33) Country
DM/076 459 30 May 2011 WORLD INTELLECTUAL PROPERTY ORGANIZATION (WIPO)
(56) Related Art Documents: **Not Applicable**
(57) Statement of Newness and Distinctiveness: **The newness and distinctiveness of the design resides in the pattern and/or ornamentation of a textile as shown in the representation. The textile is of indefinite length and width.**



- (21) Design Number: **15226/2011**
(22) Date of Filing Application: **15 November 2011**
(24) Date from which industrial property rights may have effect: **15 November 2011**
(54) Product in respect of which the design is registered: **Rear combination lamp for automobiles**
(51) International Design Classification: **12-16E**
(74) Name(s) of Attorney(s): **Griffith Hack**
(71) Name(s) and Address(s) of Applicant(s):
Honda Motor Co., Ltd.
1-1 Minami-Aoyama 2-chome Minato-ku Tokyo 107-8556 Japan
(72) Name(s) of Designer(s): **Takuya Miyazawa and Yutaka Sugama**
(45) Registration Date: **12 December 2011**
(30) Convention priority data:
(31) Number (32) Date (33) Country
2011-011337 20 May 2011 JAPAN
(56) Related Art Documents: **Not Applicable**
(57) Statement of Newness and Distinctiveness: **Newness and distinctiveness resides in the visual features, including shape, configuration and ornamentation of the REAR COMBINATION LAMP FOR AUTOMOBILES. Figure 8 illustrates the REAR COMBINATION LAMP mounted to a car; the car does not form part of the design.**



(21) Design Number: **15227/2011**
(22) Date of Filing Application: **16 November 2011**
(24) Date from which industrial property rights may have effect: **16 November 2011**
(54) Product in respect of which the design is registered: **Sprinkler**
(51) International Design Classification: **23-01D**
(74) Name(s) of Attorney(s): **PHILLIPS ORMONDE FITZPATRICK**
(71) Name(s) and Address(s) of Applicant(s):

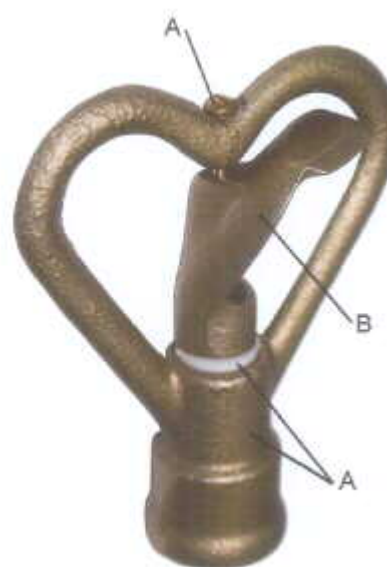
Jamie Scott Boyles
PO Box 180 Yarragon Victoria 3823 Australia

(72) Name(s) of Designer(s): **Jamie Scott Boyles**

(45) Registration Date: **12 December 2011**

(56) Related Art Documents: **Not Applicable**

(57) Statement of Newness and Distinctiveness: **The newness and distinctiveness of the sprinkler resides in the shape and/or configuration of the spinner of the sprinkler marked "B". The frame, washer, nozzle, base, thread and pivot marked "A" are not part of the design and are to be disregarded when considering the overall impression of the design.**



(21) Design Number: **13669/2011**
(22) Date of Filing Application: **18 August 2011**
(24) Date from which industrial property rights may have effect: **18 August 2011**
(54) Product in respect of which the design is registered: **Cookware side handle**
(51) International Design Classification: **07-02R**
(74) Name(s) of Attorney(s): **PIPERS Melbourne**
(71) Name(s) and Address(s) of Applicant(s):

Meyer Intellectual Properties Limited
382 Kwun Tong Road Hong Kong Sar

(72) Name(s) of Designer(s): **Robert A. Rae**

(45) Registration Date: **12 December 2011**

(30) Convention priority data:

(31) Number	(32) Date	(33) Country
29/373,034	18 Feb 2011	UNITED STATES OF AMERICA

(56) Related Art Documents: **Not Applicable**

(57) Statement of Newness and Distinctiveness: **This design is to be applied to a cookware side handle and the novelty resides in the features of shape and configuration of the article shown in the accompanying representations. No novelty is claimed for the features shown in broken lines - those are for illustrative purposes only and depict the environment of the design.**



(21) Design Number: **13670/2011**
(22) Date of Filing Application: **18 August 2011**
(24) Date from which industrial property rights may have effect: **18 August 2011**
(54) Product in respect of which the design is registered: **Cookware lid handle**
(51) International Design Classification: **07-02R**
(74) Name(s) of Attorney(s): **PIPERS Melbourne**
(71) Name(s) and Address(s) of Applicant(s):
Meyer Intellectual Properties Limited
382 Kwun Tong Road Hong Kong Sar
(72) Name(s) of Designer(s): **Robert A. Rae**
(45) Registration Date: **12 December 2011**
(30) Convention priority data:
(31) Number (32) Date (33) Country
29/373,033 18 Feb 2011 UNITED STATES OF AMERICA



(56) Related Art Documents: **Not Applicable**
(57) Statement of Newness and Distinctiveness: **This design is to be applied to a cookware lid handle and the novelty resides in the features of shape and configuration of the article shown in the accompanying representations. No novelty is claimed for the features shown in broken lines - those are for illustrative purposes only and depict the environment of the design.**

(21) Design Number: **14005/2011**
(22) Date of Filing Application: **09 September 2011**
(24) Date from which industrial property rights may have effect: **09 September 2011**
(54) Product in respect of which the design is registered: **Razor**
(51) International Design Classification: **28-03A**
(74) Name(s) of Attorney(s): **PHILLIPS ORMONDE FITZPATRICK**
(71) Name(s) and Address(s) of Applicant(s):
The Gillette Company
One Gillette Park Boston Massachusetts 02127 United States of America
(72) Name(s) of Designer(s): **Kristopher William Schulz and Vanessa Christie**
(45) Registration Date: **12 December 2011**
(30) Convention priority data:
(31) Number (32) Date (33) Country
29/387,257 10 Mar 2011 UNITED STATES OF AMERICA



(56) Related Art Documents: **Not Applicable**
(57) Statement of Newness and Distinctiveness: **Those features of the razor depicted in the representations that are new and distinctive are the shape and/or configuration. The features shown in broken lines are not part of the design and are to be disregarded when considering the overall impression of the design.**

(21) Design Number: **14006/2011**
(22) Date of Filing Application: **09 September 2011**
(24) Date from which industrial property rights may have effect: **09 September 2011**
(54) Product in respect of which the design is registered: **Razor**
(51) International Design Classification: **28-03A**
(74) Name(s) of Attorney(s): **PHILLIPS ORMONDE FITZPATRICK**
(71) Name(s) and Address(s) of Applicant(s):

The Gillette Company
One Gillette Park Boston Massachusetts 02127 United States of America

(72) Name(s) of Designer(s): **Kristopher William Schulz and Vanessa Christie**

(45) Registration Date: **12 December 2011**

(30) Convention priority data:

(31) Number	(32) Date	(33) Country
29/387,257	10 Mar 2011	UNITED STATES OF AMERICA

(56) Related Art Documents: **Not Applicable**

(57) Statement of Newness and Distinctiveness: **Those features of the razor depicted in the representations that are new and distinctive are the shape and/or configuration. The features shown in broken lines are not part of the design and are to be disregarded when considering the overall impression of the design.**



(21) Design Number: **14797/2011**
(22) Date of Filing Application: **24 October 2011**
(24) Date from which industrial property rights may have effect: **24 October 2011**
(54) Product in respect of which the design is registered: **Bottle**
(51) International Design Classification: **09-01K**
(74) Name(s) of Attorney(s): **WATERMARK PATENT AND TRADE MARKS ATTORNEYS**
(71) Name(s) and Address(s) of Applicant(s):

Brickwood Holdings Pty Ltd
Level 16 644 Chapel Street South Yarra Victoria 3141 Australia

(72) Name(s) of Designer(s): **Richard Crisp**

(45) Registration Date: **12 December 2011**

(56) Related Art Documents: **Not Applicable**

(57) Statement of Newness and Distinctiveness: **Nil**



(21) Design Number: **14802/2011**
(22) Date of Filing Application: **24 October 2011**
(24) Date from which industrial property rights may have effect: **24 October 2011**
(54) Product in respect of which the design is registered: **Eyeglass**
(51) International Design Classification: **16-06**
(74) Name(s) of Attorney(s): **Davies Collison Cave**
(71) Name(s) and Address(s) of Applicant(s):
Oakley, Inc.
One Icon Foothill Ranch California 92610 United States of America
(72) Name(s) of Designer(s): **Hans Moritz**
(45) Registration Date: **12 December 2011**
(30) Convention priority data:
(31) Number (32) Date (33) Country
29/396267 28 Jun 2011 UNITED STATES OF AMERICA
(56) Related Art Documents: **Not Applicable**
(57) Statement of Newness and Distinctiveness: **Nil**



(21) Design Number: **14853/2011**
(22) Date of Filing Application: **27 October 2011**
(24) Date from which industrial property rights may have effect: **27 October 2011**
(54) Product in respect of which the design is registered: **An article of clothing**
(51) International Design Classification: **02-02C**
(74) Name(s) of Attorney(s): **HODGKINSON McINNES PATENTS**
(71) Name(s) and Address(s) of Applicant(s):
K & J Joint Enterprises Pty Limited
3 Mortimer Lewis Drive Huntleys Cove New South Wales 2111 Australia
(72) Name(s) of Designer(s): **Katherine Boys**
(45) Registration Date: **12 December 2011**
(56) Related Art Documents: **Not Applicable**
(57) Statement of Newness and Distinctiveness: **Newness and distinctiveness is claimed in the shape and configuration of an article of clothing as shown in the attached representations.**



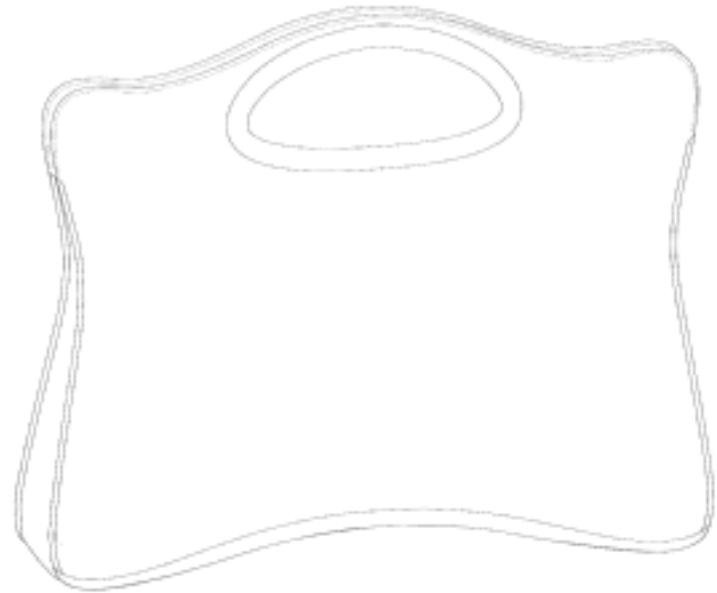
- (21) Design Number: **14854/2011**
(22) Date of Filing Application: **27 October 2011**
(24) Date from which industrial property rights may have effect: **27 October 2011**
(54) Product in respect of which the design is registered: **An article of clothing**
(51) International Design Classification: **02-02C**
(74) Name(s) of Attorney(s): **HODGKINSON McINNES PATENTS**
(71) Name(s) and Address(s) of Applicant(s):
K & J Joint Enterprises Pty Limited
3 Mortimer Lewis Drive Huntleys Cove New South Wales 2111 Australia
(72) Name(s) of Designer(s): **Katherine Boys**
(45) Registration Date: **12 December 2011**
(56) Related Art Documents: **Not Applicable**
(57) Statement of Newness and Distinctiveness: **Newness and distinctiveness is claimed in the shape and configuration of an article of clothing as shown in the attached representations.**



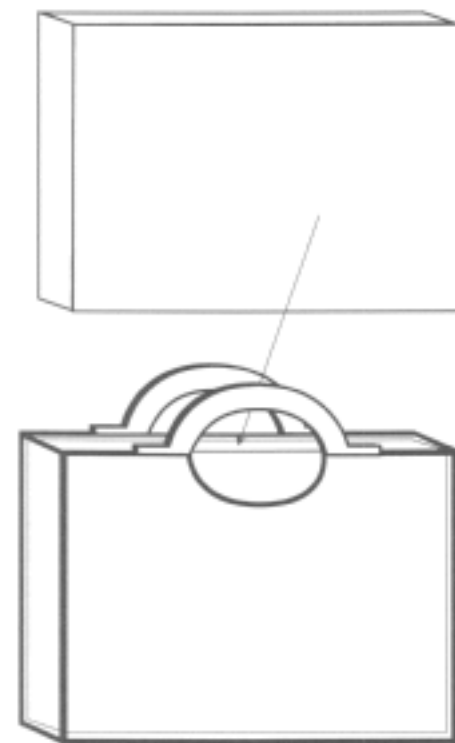
- (21) Design Number: **15072/2011**
(22) Date of Filing Application: **07 November 2011**
(24) Date from which industrial property rights may have effect: **07 November 2011**
(54) Product in respect of which the design is registered: **Development kicking aussie rules football**
(51) International Design Classification: **21-02A**
(74) Name(s) of Attorney(s):
(71) Name(s) and Address(s) of Applicant(s):
Jordan Bannister
Level 2 424 Warrigal Road Moorabbin Victoria 3189 Australia
(72) Name(s) of Designer(s): **Jordan Bannister**
(45) Registration Date: **12 December 2011**
(56) Related Art Documents: **Not Applicable**
(57) Statement of Newness and Distinctiveness: **Australian rules football that teaches kids how to kick specific kicks by visible markings printed on the football. The markings also have the text of the name of the kick on each section (attached images).**



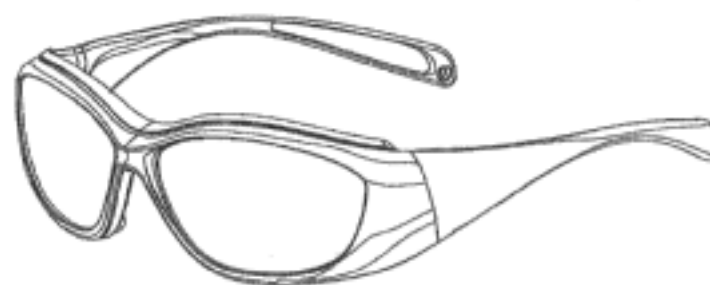
- (21) Design Number: **15168/2011**
(22) Date of Filing Application: **14 November 2011**
(24) Date from which industrial property rights may have effect: **14 November 2011**
(54) Product in respect of which the design is registered: **Handbag**
(51) International Design Classification: **03-01B**
(74) Name(s) of Attorney(s):
(71) Name(s) and Address(s) of Applicant(s):
Sophie Robson
Unit 5/4 Dumeresq Road Rose Bay New South Wales 2029 Australia
Zofara Pty Ltd
Unit 5/4 Dumeresq Road Rose Bay New South Wales 2029 Australia
(72) Name(s) of Designer(s): **Sophie Robson**
(45) Registration Date: **12 December 2011**
(56) Related Art Documents: **Not Applicable**
(57) Statement of Newness and Distinctiveness: **The bag silhouette is unique in shape and form.**



- (21) Design Number: **15169/2011**
(22) Date of Filing Application: **14 November 2011**
(24) Date from which industrial property rights may have effect: **14 November 2011**
(54) Product in respect of which the design is registered: **Handbag case with box**
(51) International Design Classification: **03-01NES**
(74) Name(s) of Attorney(s):
(71) Name(s) and Address(s) of Applicant(s):
Sophie Robson
Unit 5/4 Dumeresq Road Rose Bay New South Wales 2029 Australia
Zofara Pty Ltd
Unit 5/4 Dumeresq Road Rose Bay New South Wales 2029 Australia
(72) Name(s) of Designer(s): **Sophie Robson**
(45) Registration Date: **12 December 2011**
(56) Related Art Documents: **Not Applicable**
(57) Statement of Newness and Distinctiveness: **The handbag case with box is unique in shape and form, the combined use of the handbag case with box is new and distinctive.**



- (21) Design Number: **15174/2011**
(22) Date of Filing Application: **14 November 2011**
(24) Date from which industrial property rights may have effect: **14 November 2011**
(54) Product in respect of which the design is registered: **Eye glasses**
(51) International Design Classification: **16-06**
(74) Name(s) of Attorney(s): **Janet Stead & Associates, Patent and Trade Mark At**
(71) Name(s) and Address(s) of Applicant(s):
Workplace Eye Protection Pty Ltd
Unit 2 233 West Street Umina New South Wales 2257 Australia
(72) Name(s) of Designer(s): **Gary Chang**
(45) Registration Date: **12 December 2011**
(56) Related Art Documents: **Not Applicable**
(57) Statement of Newness and Distinctiveness: **Newness and distinctiveness is claimed in the shape and/or configuration of a pair of eye glasses as illustrated in the accompanying representations.**



- (21) Design Number: **15191/2011**
(22) Date of Filing Application: **15 November 2011**
(24) Date from which industrial property rights may have effect: **15 November 2011**
(54) Product in respect of which the design is registered: **Flotation device**
(51) International Design Classification: **21-02D**
(74) Name(s) of Attorney(s): **Griffith Hack**
(71) Name(s) and Address(s) of Applicant(s):
The Coleman Company, Inc.
3600 N. Hydraulic Wichita Kansas 67219 United States of America
(72) Name(s) of Designer(s): **Ralph E. Steger and Jean E. Johnson**
(45) Registration Date: **12 December 2011**
(30) Convention priority data:
(31) Number (32) Date (33) Country
29/392,035 17 May 2011 UNITED STATES OF AMERICA
(56) Related Art Documents: **Not Applicable**
(57) Statement of Newness and Distinctiveness: **Newness and distinctiveness resides in the visual features, including shape, and configuration of a flotation device as shown in solid outline in the accompanying drawings. When determining whether the design is substantially similar in overall impression to another design, no regard is to be had to those features shown in dotted outline in the accompanying drawings, which are provided for illustrative and contextual purposes only.**



(21) Design Number: **15192/2011**
(22) Date of Filing Application: **15 November 2011**
(24) Date from which industrial property rights may have effect: **15 November 2011**
(54) Product in respect of which the design is registered: **Flotation device**
(51) International Design Classification: **21-02D**
(74) Name(s) of Attorney(s): **Griffith Hack**
(71) Name(s) and Address(s) of Applicant(s):

The Coleman Company, Inc.
3600 N. Hydraulic Wichita Kansas 67219 United States of America

(72) Name(s) of Designer(s): **Ralph E. Steger**

(45) Registration Date: **12 December 2011**

(30) Convention priority data:

(31) Number	(32) Date	(33) Country
29/392034	17 May 2011	UNITED STATES OF AMERICA

(56) Related Art Documents: **Not Applicable**

(57) Statement of Newness and Distinctiveness: **Newness and distinctiveness resides in the visual features, including shape, and configuration of a flotation device as shown in solid outline in the accompanying drawings. When determining whether the design is substantially similar in overall impression to another design, no regard is to be had to those features shown in dotted outline in the accompanying drawings, which features are provided for illustrative and contextual purposes only.**



(21) Design Number: **15232/2011**
(22) Date of Filing Application: **16 November 2011**
(24) Date from which industrial property rights may have effect: **16 November 2011**
(54) Product in respect of which the design is registered: **Support structure for a cooking grill**
(51) International Design Classification: **07-02E**
(74) Name(s) of Attorney(s): **Madderns**
(71) Name(s) and Address(s) of Applicant(s):

John Lee Simms II
10 Brookhaven Drive Northeast Atlanta 30319 Georgia United States of America

(72) Name(s) of Designer(s): **John Lee Simms II**

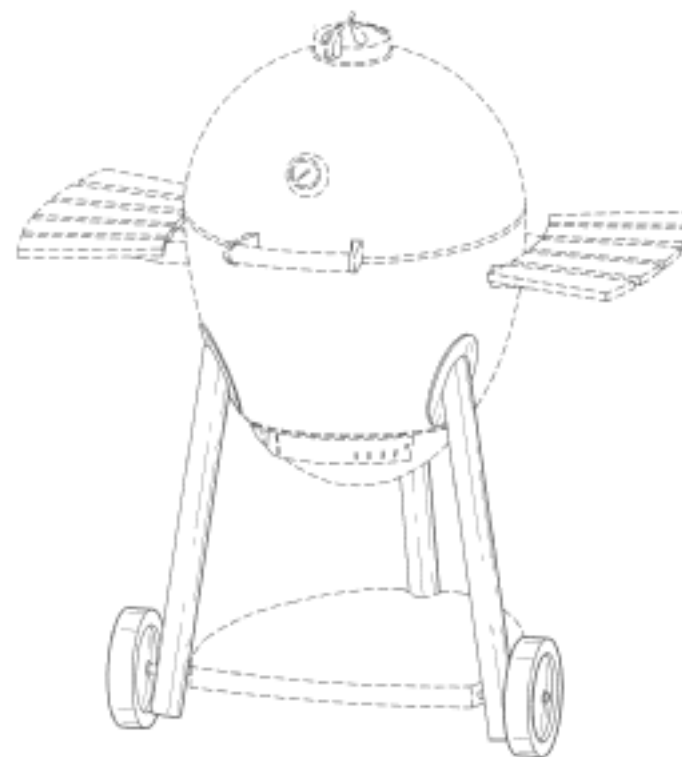
(45) Registration Date: **12 December 2011**

(30) Convention priority data:

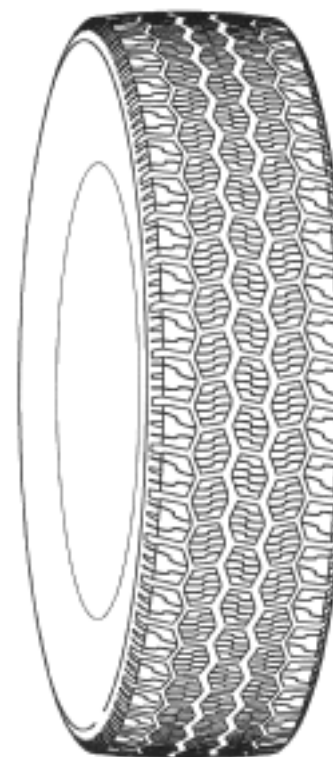
(31) Number	(32) Date	(33) Country
29/392,029	16 May 2011	UNITED STATES OF AMERICA

(56) Related Art Documents: **Not Applicable**

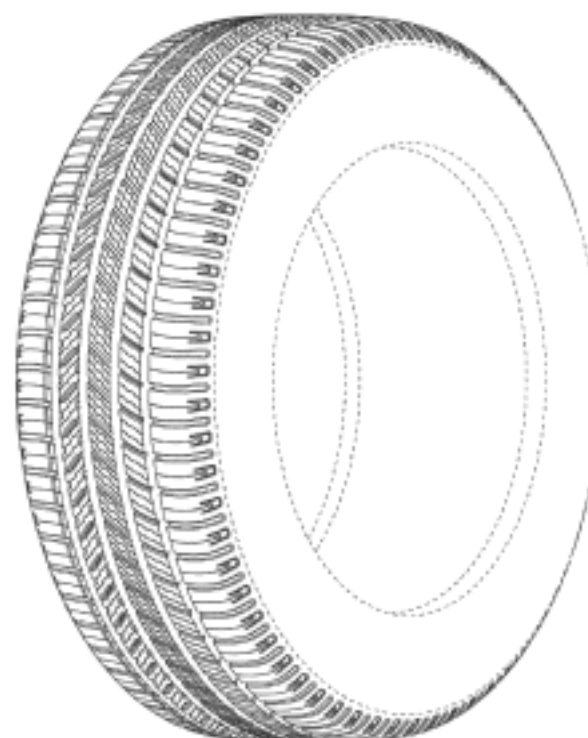
(57) Statement of Newness and Distinctiveness: **Newness and distinctiveness is claimed in the features of shape and/or configuration of a support structure for a cooking grill as illustrated in continuous line in the accompanying representations.**



(21) Design Number: **15233/2011**
(22) Date of Filing Application: **17 November 2011**
(24) Date from which industrial property rights may have effect: **17 November 2011**
(54) Product in respect of which the design is registered: **A tyre**
(51) International Design Classification: **12-15A**
(74) Name(s) of Attorney(s): **WATERMARK PATENT AND TRADE MARKS ATTORNEYS**
(71) Name(s) and Address(s) of Applicant(s):
Societe De Technologie Michelin
23 rue Breschet F-63000 Clermont-Ferrand Cedex France
Michelin Recherche et Technique S.A.
Route Louis-Braille 10 et 12 CH-1763 Granges-Paccot Switzerland
(72) Name(s) of Designer(s): **Pierre Godin and Didier Michel Martin**
(45) Registration Date: **12 December 2011**
(30) Convention priority data:
(31) Number (32) Date (33) Country
11/2614 23 May 2011 FRANCE
(56) Related Art Documents: **Not Applicable**
(57) Statement of Newness and Distinctiveness: **Newness and distinctiveness resides in the appearance of the tread region of the tyre, the remainder of the tyre not forming part of the design.**



(21) Design Number: **15234/2011**
(22) Date of Filing Application: **17 November 2011**
(24) Date from which industrial property rights may have effect: **17 November 2011**
(54) Product in respect of which the design is registered: **A tyre**
(51) International Design Classification: **12-15B**
(74) Name(s) of Attorney(s): **WATERMARK PATENT AND TRADE MARKS ATTORNEYS**
(71) Name(s) and Address(s) of Applicant(s):
Michelin Recherche et Technique SA
Route Louis Braille 10 et 12 CH-1763 Granges-Paccot Switzerland
Societe De Technologie Michelin
23 rue Breschet F-63000 Clermont-Ferrand Cedex France
(72) Name(s) of Designer(s): **Benjamin E. Ebel and Derick L. Harris**
(45) Registration Date: **12 December 2011**
(30) Convention priority data:
(31) Number (32) Date (33) Country
29/392,291 19 May 2011 UNITED STATES OF AMERICA
(56) Related Art Documents: **Not Applicable**
(57) Statement of Newness and Distinctiveness: **Newness and distinctiveness resides in the appearance of the tread region of the tyre, the remainder of the tyre not forming part of the design.**



(21) Design Number: **12540/2011**
(22) Date of Filing Application: **06 June 2011**
(24) Date from which industrial property rights may have effect: **06 June 2011**
(54) Product in respect of which the design is registered: **Garment**
(51) International Design Classification: **02-04C**
(74) Name(s) of Attorney(s): **Davies Collison Cave**
(71) Name(s) and Address(s) of Applicant(s):
Stevie Dellamarta
61 Leicester Street Fitzroy Victoria 3066 Australia
(72) Name(s) of Designer(s): **Stevie Dellamarta**
(45) Registration Date: **12 December 2011**
(56) Related Art Documents: **Not Applicable**
(57) Statement of Newness and Distinctiveness: **Nil**



(21) Design Number: **14252/2011**
(22) Date of Filing Application: **22 September 2011**
(24) Date from which industrial property rights may have effect: **22 September 2011**
(54) Product in respect of which the design is registered: **Motor vehicle**
(51) International Design Classification: **12-08**
(74) Name(s) of Attorney(s): **SPRUSON & FERGUSON**
(71) Name(s) and Address(s) of Applicant(s):
Volkswagen Aktiengesellschaft
38436 Wolfsburg Germany
(72) Name(s) of Designer(s): **Klaus Bischoff and Marc Lichte and Tobias Suhlmann**
(45) Registration Date: **12 December 2011**
(56) Related Art Documents: **Not Applicable**
(57) Statement of Newness and Distinctiveness: **Newness and distinctiveness is claimed in the features of shape and/or configuration of a motor vehicle as illustrated in the accompanying representations.**



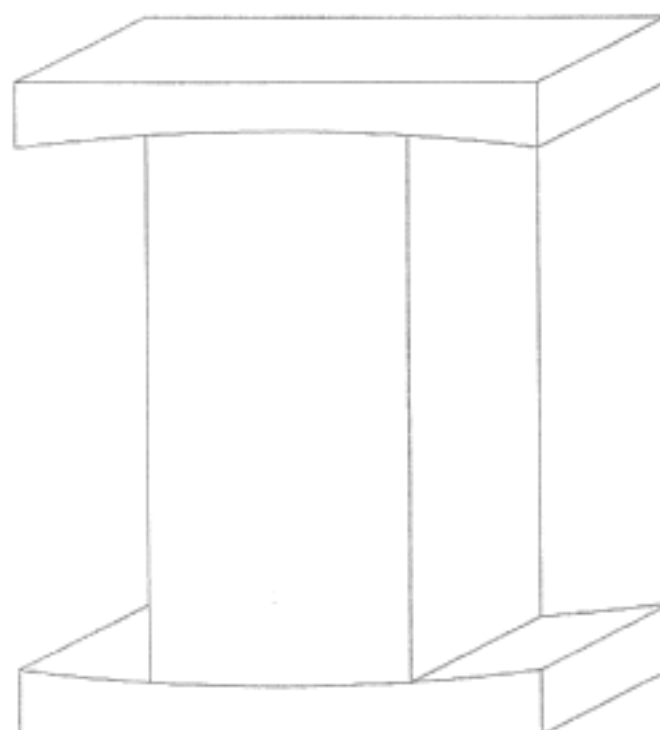
(21) Design Number: **14603/2011**
(22) Date of Filing Application: **10 October 2011**
(24) Date from which industrial property rights may have effect: **10 October 2011**
(54) Product in respect of which the design is registered: **Container**
(51) International Design Classification: **09-01NES**
(74) Name(s) of Attorney(s): **Davies Collison Cave**
(71) Name(s) and Address(s) of Applicant(s):
Plastics Packaging Products Pty Ltd
20 Coco Drive Glenmore Park New South Wales 2745 Australia
(72) Name(s) of Designer(s): **Nitin Suresh Lotliker**
(45) Registration Date: **12 December 2011**
(56) Related Art Documents: **Not Applicable**
(57) Statement of Newness and Distinctiveness: **Nil**



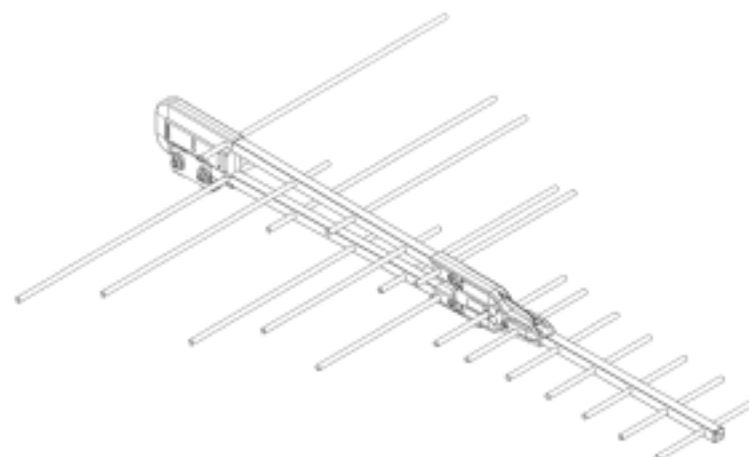
(21) Design Number: **15128/2011**
(22) Date of Filing Application: **10 November 2011**
(24) Date from which industrial property rights may have effect: **10 November 2011**
(54) Product in respect of which the design is registered: **A vending machine**
(51) International Design Classification: **20-01**
(74) Name(s) of Attorney(s): **Griffith Hack**
(71) Name(s) and Address(s) of Applicant(s):
John Peter Kenyon
16 William Street Armadale Western Australia 6112 Australia
(72) Name(s) of Designer(s): **John Peter Kenyon**
(45) Registration Date: **12 December 2011**
(56) Related Art Documents: **Not Applicable**
(57) Statement of Newness and Distinctiveness: **Nil**



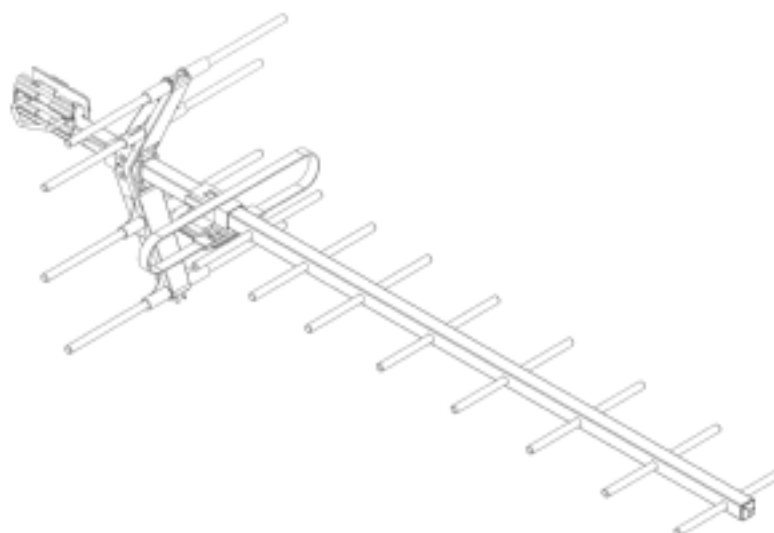
(21) Design Number: **15129/2011**
(22) Date of Filing Application: **10 November 2011**
(24) Date from which industrial property rights may have effect: **10 November 2011**
(54) Product in respect of which the design is registered: **A vending machine**
(51) International Design Classification: **20-01**
(74) Name(s) of Attorney(s): **Griffith Hack**
(71) Name(s) and Address(s) of Applicant(s):
John Peter Kenyon
16 William Street Armadale Western Australia 6112 Australia
(72) Name(s) of Designer(s): **John Peter Kenyon**
(45) Registration Date: **12 December 2011**
(56) Related Art Documents: **Not Applicable**
(57) Statement of Newness and Distinctiveness: **Nil**



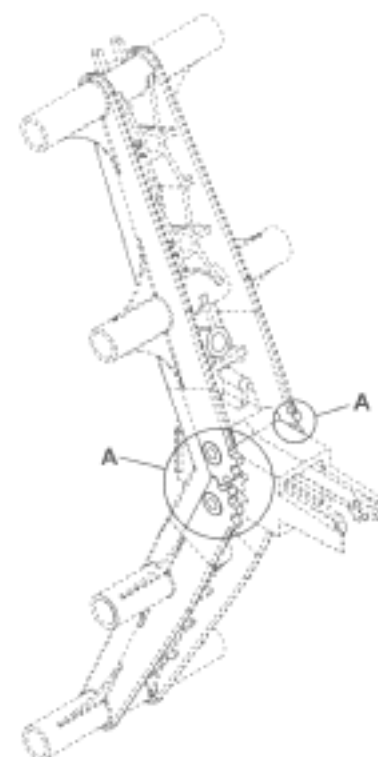
(21) Design Number: **15198/2011**
(22) Date of Filing Application: **15 November 2011**
(24) Date from which industrial property rights may have effect: **15 November 2011**
(54) Product in respect of which the design is registered: **Antenna**
(51) International Design Classification: **14-03NES**
(74) Name(s) of Attorney(s): **Madderns**
(71) Name(s) and Address(s) of Applicant(s):
Hills Holdings Limited
159 Port Road Hindmarsh South Australia 5007 Australia
(72) Name(s) of Designer(s): **Barry Seymour Griggs and Andrew Richard John Thomas**
(45) Registration Date: **12 December 2011**
(56) Related Art Documents: **Not Applicable**
(57) Statement of Newness and Distinctiveness: **The new and distinctive features of the design are the length of the antenna elements and the spacing of the antenna elements along the boom of the article as shown in the representations.**



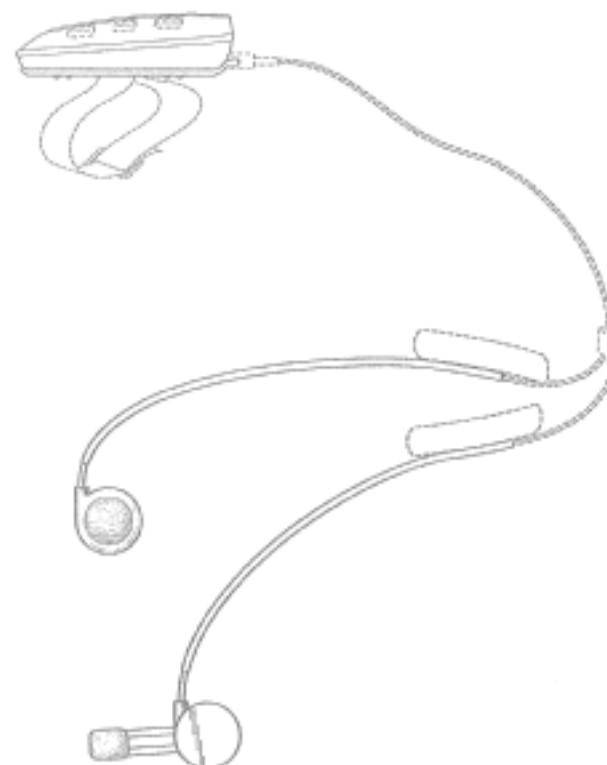
- (21) Design Number: **15199/2011**
(22) Date of Filing Application: **15 November 2011**
(24) Date from which industrial property rights may have effect: **15 November 2011**
(54) Product in respect of which the design is registered: **Antenna**
(51) International Design Classification: **14-03NES**
(74) Name(s) of Attorney(s): **Madderns**
(71) Name(s) and Address(s) of Applicant(s):
Hills Holdings Limited
159 Port Road Hindmarsh South Australia 5007 Australia
(72) Name(s) of Designer(s): **Barry Seymour Griggs and Andrew Richard John Thomas**
(45) Registration Date: **12 December 2011**
(56) Related Art Documents: **Not Applicable**
(57) Statement of Newness and Distinctiveness: **The new and distinctive features of the design are the length of the antenna elements and the spacing of the antenna elements along the boom of the article as shown in the representations.**



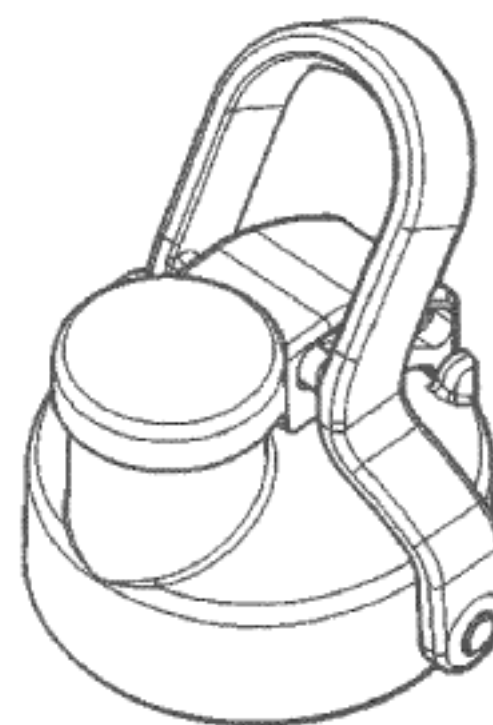
- (21) Design Number: **15200/2011**
(22) Date of Filing Application: **15 November 2011**
(24) Date from which industrial property rights may have effect: **15 November 2011**
(54) Product in respect of which the design is registered: **Antenna reflector bracket**
(51) International Design Classification: **08-08NES, 14-03NES**
(74) Name(s) of Attorney(s): **Madderns**
(71) Name(s) and Address(s) of Applicant(s):
Hills Holdings Limited
159 Port Road Hindmarsh South Australia 5007 Australia
(72) Name(s) of Designer(s): **Barry Seymour Griggs and Andrew Richard John Thomas**
(45) Registration Date: **12 December 2011**
(56) Related Art Documents: **Not Applicable**
(57) Statement of Newness and Distinctiveness: **The new and distinctive features of the design are the shape and/or configuration of the geared elements of an antenna reflector bracket as shown in the solid line portion of the representations as depicted in the area indicated as "A". The features depicted in dotted lines and/or outside of the area indicated as "A" are to be disregarded when considering the scope of protection of the design.**



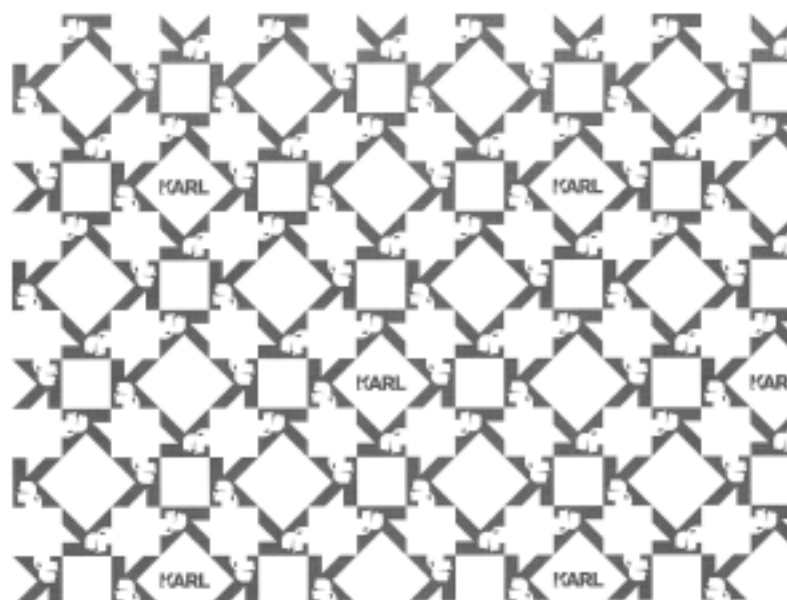
(21) Design Number: **15201/2011**
(22) Date of Filing Application: **15 November 2011**
(24) Date from which industrial property rights may have effect: **15 November 2011**
(54) Product in respect of which the design is registered: **Communications system for a helmet**
(51) International Design Classification: **14-03NES**
(74) Name(s) of Attorney(s): **Baldwins Intellectual Property**
(71) Name(s) and Address(s) of Applicant(s):
Cardo Systems, Inc.
100 High Tower Boulevard Pittsburg 15202 PA United States of America
(72) Name(s) of Designer(s): **Abraham Glezerman and Avraham Kushnirov and Yossef Twina**
(45) Registration Date: **12 December 2011**
(30) Convention priority data:
(31) Number (32) Date (33) Country
29/397,657 19 Jul 2011 UNITED STATES OF AMERICA
(56) Related Art Documents: **Not Applicable**
(57) Statement of Newness and Distinctiveness: **Newness and distinctiveness resides in the shape and configuration of a communication system for a helmet as shown in the representations. The broken lines shown in Figures 1-17 are for illustrative purposes only and form no part of the claimed design.**



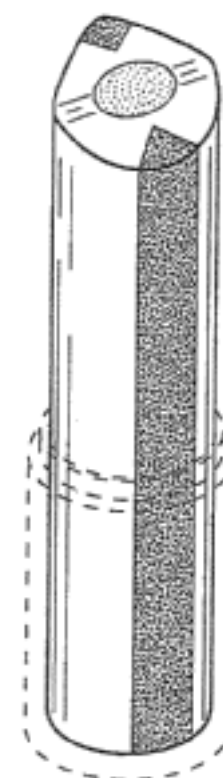
(21) Design Number: **15203/2011**
(22) Date of Filing Application: **14 November 2011**
(24) Date from which industrial property rights may have effect: **14 November 2011**
(54) Product in respect of which the design is registered: **Cap for bottle**
(51) International Design Classification: **09-07A**
(74) Name(s) of Attorney(s): **Callinans**
(71) Name(s) and Address(s) of Applicant(s):
The Decor Corporation Pty. Ltd.
1314 Ferntree Gully Road Scoresby Victoria 3179 Australia
(72) Name(s) of Designer(s): **Jim Samartgis**
(45) Registration Date: **12 December 2011**
(56) Related Art Documents: **Not Applicable**
(57) Statement of Newness and Distinctiveness: **Nil**



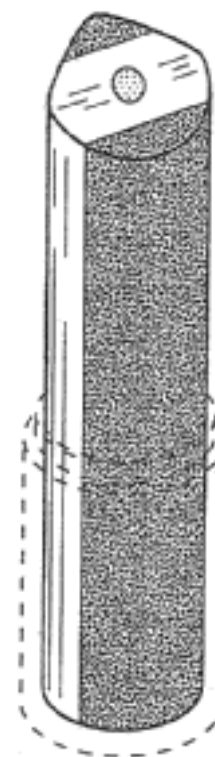
- (21) Design Number: **15217/2011**
(22) Date of Filing Application: **17 November 2011**
(24) Date from which industrial property rights may have effect: **17 November 2011**
(54) Product in respect of which the design is registered: **Textile**
(51) International Design Classification: **05-05D, 05-05C**
(74) Name(s) of Attorney(s): **Smootenburg Pini Patent & Trade Mark Attorneys**
(71) Name(s) and Address(s) of Applicant(s):
Karl Lagerfeld B.V.
Looiersgracht 43 1016 VR Amsterdam The Netherlands
(72) Name(s) of Designer(s): **Trey Laird and Melina Kok**
(45) Registration Date: **12 December 2011**
(30) Convention priority data:
(31) Number (32) Date (33) Country
DM/076 459 30 May 2011 WORLD INTELLECTUAL PROPERTY ORGANIZATION (WIPO)
(56) Related Art Documents: **Not Applicable**
(57) Statement of Newness and Distinctiveness: **The newness and distinctiveness of the design resides in the pattern and/or ornamentation of a textile as shown in the representation. The textile is of indefinite length and width.**



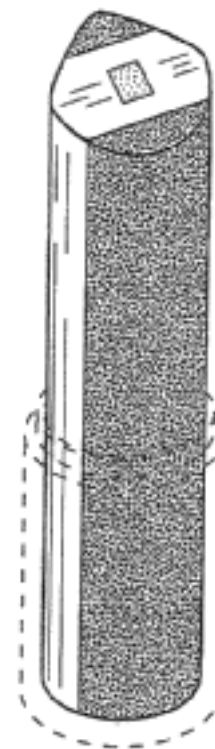
- (21) Design Number: **15228/2011**
(22) Date of Filing Application: **16 November 2011**
(24) Date from which industrial property rights may have effect: **16 November 2011**
(54) Product in respect of which the design is registered: **Lipstick bullet**
(51) International Design Classification: **28-02**
(74) Name(s) of Attorney(s): **PHILLIPS ORMONDE FITZPATRICK**
(71) Name(s) and Address(s) of Applicant(s):
ELC Management LLC
767 Fifth Avenue New York New York 10153 United States of America
(72) Name(s) of Designer(s): **Charles P. Neuner and John R. Castro and Arlette Palo**
(45) Registration Date: **12 December 2011**
(30) Convention priority data:
(31) Number (32) Date (33) Country
29/392,590 24 May 2011 UNITED STATES OF AMERICA
(56) Related Art Documents: **Not Applicable**
(57) Statement of Newness and Distinctiveness: **Those features of the lipstick bullet depicted in the representations that are new and distinctive are the shape and/or configuration. The stippling shown in the representations illustrates a colour, but is not limited to any particular colour. The features shown in broken line are not part of the design and are to be disregarded when considering the overall impression of the design.**



- (21) Design Number: **15229/2011**
(22) Date of Filing Application: **16 November 2011**
(24) Date from which industrial property rights may have effect: **16 November 2011**
(54) Product in respect of which the design is registered: **Lipstick bullet**
(51) International Design Classification: **28-02**
(74) Name(s) of Attorney(s): **PHILLIPS ORMONDE FITZPATRICK**
(71) Name(s) and Address(s) of Applicant(s):
ELC Management LLC
767 Fifth Avenue New York New York 10153 United States of America
(72) Name(s) of Designer(s): **Charles P. Neuner and John R. Castro and Arlette Palo**
(45) Registration Date: **12 December 2011**
(30) Convention priority data:
(31) Number (32) Date (33) Country
29/392,592 24 May 2011 UNITED STATES OF AMERICA
(56) Related Art Documents: **Not Applicable**
(57) Statement of Newness and Distinctiveness: **Those features of the lipstick bullet depicted in the representations that are new and distinctive are the shape and/or configuration. The stippling shown in the representations illustrates a colour, but is not limited to any particular colour. The features shown in broken line are not part of the design and are to be disregarded when considering the overall impression of the design.**



- (21) Design Number: **15230/2011**
(22) Date of Filing Application: **16 November 2011**
(24) Date from which industrial property rights may have effect: **16 November 2011**
(54) Product in respect of which the design is registered: **Lipstick bullet**
(51) International Design Classification: **28-02**
(74) Name(s) of Attorney(s): **PHILLIPS ORMONDE FITZPATRICK**
(71) Name(s) and Address(s) of Applicant(s):
ELC Management LLC
767 Fifth Avenue New York New York 10153 United States of America
(72) Name(s) of Designer(s): **Charles P. Neuner and John R. Castro and Arlette Palo**
(45) Registration Date: **12 December 2011**
(30) Convention priority data:
(31) Number (32) Date (33) Country
29/392,594 24 May 2011 UNITED STATES OF AMERICA
(56) Related Art Documents: **Not Applicable**
(57) Statement of Newness and Distinctiveness: **Those features of the lipstick bullet depicted in the representations that are new and distinctive are the shape and/or configuration. The stippling shown in the representations illustrates a colour, but is not limited to any particular colour. The features shown in broken line are not part of the design and are to be disregarded when considering the overall impression of the design.**

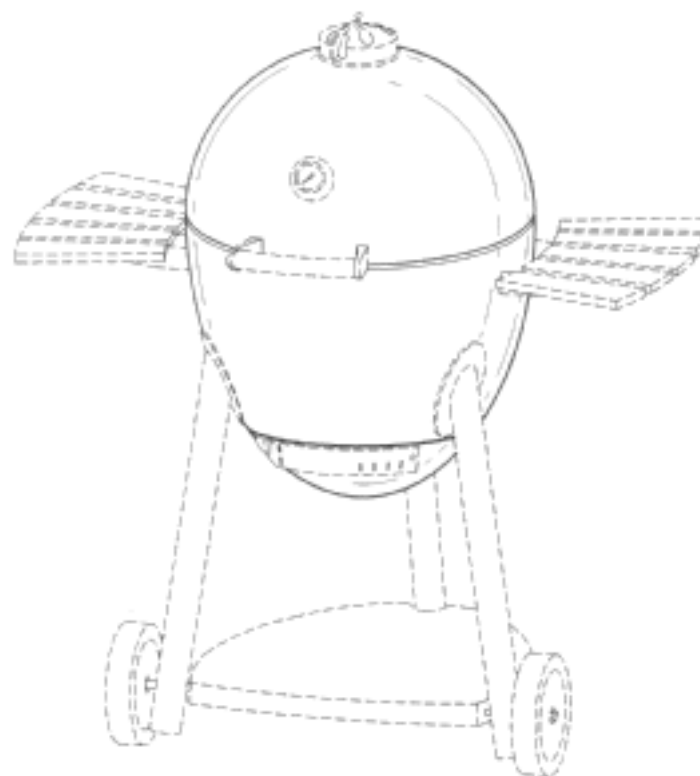


(21) Design Number: **15231/2011**
(22) Date of Filing Application: **16 November 2011**
(24) Date from which industrial property rights may have effect: **16 November 2011**
(54) Product in respect of which the design is registered: **Food cooker**
(51) International Design Classification: **07-02D**
(74) Name(s) of Attorney(s): **Madderns**
(71) Name(s) and Address(s) of Applicant(s):
John Lee Simms II
10 Brookhaven Drive Northeast Atlanta 30319 Georgia United States of America

(72) Name(s) of Designer(s): **John Lee Simms II**
(45) Registration Date: **12 December 2011**

(30) Convention priority data:
(31) Number (32) Date (33) Country
29/392,026 16 May 2011 UNITED STATES OF AMERICA

(56) Related Art Documents: **Not Applicable**
(57) Statement of Newness and Distinctiveness: **Newness and distinctiveness is claimed in the features of shape and/or configuration of a food cooker as illustrated in continuous line in the accompanying representations.**



(21) Design Number: **14379/2011**
(22) Date of Filing Application: **29 September 2011**
(24) Date from which industrial property rights may have effect: **29 September 2011**
(54) Product in respect of which the design is registered: **Automobile**
(51) International Design Classification: **12-08**
(74) Name(s) of Attorney(s): **SPRUSON & FERGUSON**
(71) Name(s) and Address(s) of Applicant(s):
Toyota Jidosha Kabushiki Kaisha
1 Toyota-cho Toyota-shi Aichi-ken 471-8571 Japan

(72) Name(s) of Designer(s): **Hirotsada Kobayashi and Tomonori Matsumoto**
(45) Registration Date: **12 December 2011**

(30) Convention priority data:
(31) Number (32) Date (33) Country
29/388637 31 Mar 2011 UNITED STATES OF AMERICA

(56) Related Art Documents: **Not Applicable**
(57) Statement of Newness and Distinctiveness: **Newness and distinctiveness is claimed in the features of shape and/or configuration of an automobile as illustrated in the accompanying representations, apart from Toyota emblems.**



- (21) Design Number: **14380/2011**
(22) Date of Filing Application: **29 September 2011**
(24) Date from which industrial property rights may have effect: **29 September 2011**
(54) Product in respect of which the design is registered: **Front combination lamp for an automobile**
(51) International Design Classification: **26-06**
(74) Name(s) of Attorney(s): **SPRUSON & FERGUSON**
(71) Name(s) and Address(s) of Applicant(s):
Toyota Jidosha Kabushiki Kaisha
1 Toyota-cho Toyota-shi Aichi-ken 471-8571 Japan
(72) Name(s) of Designer(s): **Satoru Oya and Hirotada Kobayashi and Tomonori Matsumoto**
(45) Registration Date: **12 December 2011**
(30) Convention priority data:
(31) Number (32) Date (33) Country
29/388645 31 Mar 2011 UNITED STATES OF AMERICA
(56) Related Art Documents: **Not Applicable**
(57) Statement of Newness and Distinctiveness: **Newness and distinctiveness is claimed in the features of shape and/or configuration of a front combination lamp for an automobile as illustrated in the accompanying representations.**



- (21) Design Number: **14381/2011**
(22) Date of Filing Application: **29 September 2011**
(24) Date from which industrial property rights may have effect: **29 September 2011**
(54) Product in respect of which the design is registered: **Rear combination lamp for an automobile**
(51) International Design Classification: **26-06**
(74) Name(s) of Attorney(s): **SPRUSON & FERGUSON**
(71) Name(s) and Address(s) of Applicant(s):
Toyota Jidosha Kabushiki Kaisha
1 Toyota-cho Toyota-shi Aichi-ken 471-8571 Japan
(72) Name(s) of Designer(s): **Yoshihiro Shimada and Hirotada Kobayashi and Tomonori Matsumoto**
(45) Registration Date: **12 December 2011**
(30) Convention priority data:
(31) Number (32) Date (33) Country
29/388646 31 Mar 2011 UNITED STATES OF AMERICA
(56) Related Art Documents: **Not Applicable**
(57) Statement of Newness and Distinctiveness: **Newness and distinctiveness is claimed in the features of shape and/or configuration of a rear combination lamp for an automobile as illustrated in the accompanying representations.**



- (21) Design Number: **14382/2011**
(22) Date of Filing Application: **29 September 2011**
(24) Date from which industrial property rights may have effect: **29 September 2011**
(54) Product in respect of which the design is registered: **Front bumper for an automobile**
(51) International Design Classification: **12-16C**
(74) Name(s) of Attorney(s): **SPRUSON & FERGUSON**
(71) Name(s) and Address(s) of Applicant(s):
Toyota Jidosha Kabushiki Kaisha
1 Toyota-cho Toyota-shi Aichi-ken 471-8571 Japan
(72) Name(s) of Designer(s): **Hirotsada Kobayashi and Tomonori Matsumoto**
(45) Registration Date: **12 December 2011**
(30) Convention priority data:
(31) Number (32) Date (33) Country
29/388647 31 Mar 2011 UNITED STATES OF AMERICA
(56) Related Art Documents: **Not Applicable**
(57) Statement of Newness and Distinctiveness: **Newness and distinctiveness is claimed in the features of shape and/or configuration of a front bumper for an automobile as illustrated in the accompanying representations.**



- (21) Design Number: **14383/2011**
(22) Date of Filing Application: **29 September 2011**
(24) Date from which industrial property rights may have effect: **29 September 2011**
(54) Product in respect of which the design is registered: **Front grille for an automobile**
(51) International Design Classification: **12-16B**
(74) Name(s) of Attorney(s): **SPRUSON & FERGUSON**
(71) Name(s) and Address(s) of Applicant(s):
Toyota Jidosha Kabushiki Kaisha
1 Toyota-cho Toyota-shi Aichi-ken 471-8571 Japan
(72) Name(s) of Designer(s): **Satoru Oya and Noriaki Takemasa**
(45) Registration Date: **12 December 2011**
(30) Convention priority data:
(31) Number (32) Date (33) Country
29/388648 31 Mar 2011 UNITED STATES OF AMERICA
(56) Related Art Documents: **Not Applicable**
(57) Statement of Newness and Distinctiveness: **Newness and distinctiveness is claimed in the features of shape and/or configuration of a front grille for an automobile as illustrated in the accompanying representations.**



(21) Design Number: **14280/2011**
(22) Date of Filing Application: **23 September 2011**
(24) Date from which industrial property rights may have effect: **23 September 2011**
(54) Product in respect of which the design is registered: **Sanitary dispenser**
(51) International Design Classification: **23-02A**
(74) Name(s) of Attorney(s): **PHILLIPS ORMONDE FITZPATRICK**
(71) Name(s) and Address(s) of Applicant(s):

Jeyes Group Limited
Brunel Way Thetford Norfolk 1P24 1HF United Kingdom

(72) Name(s) of Designer(s): **Matthew Stevenson and Brian Wilson and David Edgerley**

(45) Registration Date: **13 December 2011**

(30) Convention priority data:

(31) Number	(32) Date	(33) Country
DM/075702	25 Mar 2011	WORLD INTELLECTUAL PROPERTY ORGANIZATION (WIPO)

(56) Related Art Documents: **Not Applicable**

(57) Statement of Newness and Distinctiveness: **Those features of the sanitary dispenser depicted in the representations that are new and distinctive are the shape and/or configuration. The features shown in broken lines are not part of the design and are to be disregarded when considering the overall impression of the design.**



(21) Design Number: **14281/2011**
(22) Date of Filing Application: **23 September 2011**
(24) Date from which industrial property rights may have effect: **23 September 2011**
(54) Product in respect of which the design is registered: **Sanitary dispenser**
(51) International Design Classification: **23-02A**
(74) Name(s) of Attorney(s): **PHILLIPS ORMONDE FITZPATRICK**
(71) Name(s) and Address(s) of Applicant(s):

Jeyes Group Limited
Brunel Way Thetford Norfolk 1P24 1HF United Kingdom

(72) Name(s) of Designer(s): **Matthew Stevenson and Brian Wilson and David Edgerley**

(45) Registration Date: **13 December 2011**

(30) Convention priority data:

(31) Number	(32) Date	(33) Country
DM/075702	25 Mar 2011	WORLD INTELLECTUAL PROPERTY ORGANIZATION (WIPO)

(56) Related Art Documents: **Not Applicable**

(57) Statement of Newness and Distinctiveness: **Those features of the sanitary dispenser depicted in the representations that are new and distinctive are the shape and/or configuration. The features shown in broken lines are not part of the design and are to be disregarded when considering the overall impression of the design.**



(21) Design Number: **14282/2011**
(22) Date of Filing Application: **23 September 2011**
(24) Date from which industrial property rights may have effect: **23 September 2011**
(54) Product in respect of which the design is registered: **Sanitary dispenser**
(51) International Design Classification: **23-02A**
(74) Name(s) of Attorney(s): **PHILLIPS ORMONDE FITZPATRICK**
(71) Name(s) and Address(s) of Applicant(s):

Jeyes Group Limited
Brunel Way Thetford Norfolk 1P24 1HF United Kingdom

(72) Name(s) of Designer(s): **Matthew Stevenson and Brian Wilson and David Edgerley**

(45) Registration Date: **13 December 2011**

(30) Convention priority data:

(31) Number	(32) Date	(33) Country
DM/075702	25 Mar 2011	WORLD INTELLECTUAL PROPERTY ORGANIZATION (WIPO)

(56) Related Art Documents: **Not Applicable**

(57) Statement of Newness and Distinctiveness: **Those features of the sanitary dispenser depicted in the representations that are new and distinctive are the shape and/or configuration. The features shown in broken lines are not part of the design and are to be disregarded when considering the overall impression of the design.**



(21) Design Number: **14283/2011**
(22) Date of Filing Application: **23 September 2011**
(24) Date from which industrial property rights may have effect: **23 September 2011**
(54) Product in respect of which the design is registered: **Sanitary dispenser**
(51) International Design Classification: **23-02A**
(74) Name(s) of Attorney(s): **PHILLIPS ORMONDE FITZPATRICK**
(71) Name(s) and Address(s) of Applicant(s):

Jeyes Group Limited
Brunel Way Thetford Norfolk 1P24 1HF United Kingdom

(72) Name(s) of Designer(s): **Matthew Stevenson and Brian Wilson and David Edgerley**

(45) Registration Date: **13 December 2011**

(30) Convention priority data:

(31) Number	(32) Date	(33) Country
DM/075702	25 Mar 2011	WORLD INTELLECTUAL PROPERTY ORGANIZATION (WIPO)

(56) Related Art Documents: **Not Applicable**

(57) Statement of Newness and Distinctiveness: **Those features of the sanitary dispenser depicted in the representations that are new and distinctive are the shape and/or configuration. The features shown in broken lines are not part of the design and are to be disregarded when considering the overall impression of the design.**



(21) Design Number: **14284/2011**
(22) Date of Filing Application: **23 September 2011**
(24) Date from which industrial property rights may have effect: **23 September 2011**
(54) Product in respect of which the design is registered: **Sanitary dispenser**
(51) International Design Classification: **23-02A**
(74) Name(s) of Attorney(s): **PHILLIPS ORMONDE FITZPATRICK**
(71) Name(s) and Address(s) of Applicant(s):

Jeyes Group Limited
Brunel Way Thetford Norfolk 1P24 1HF United Kingdom

(72) Name(s) of Designer(s): **Matthew Stevenson and Brian Wilson and David Edgerley**

(45) Registration Date: **13 December 2011**

(30) Convention priority data:

(31) Number	(32) Date	(33) Country
DM/075702	25 Mar 2011	WORLD INTELLECTUAL PROPERTY ORGANIZATION (WIPO)

(56) Related Art Documents: **Not Applicable**

(57) Statement of Newness and Distinctiveness: **Those features of the sanitary dispenser depicted in the representations that are new and distinctive are the shape and/or configuration. The features shown in broken lines are not part of the design and are to be disregarded when considering the overall impression of the design.**



(21) Design Number: **14285/2011**
(22) Date of Filing Application: **23 September 2011**
(24) Date from which industrial property rights may have effect: **23 September 2011**
(54) Product in respect of which the design is registered: **Sanitary dispenser**
(51) International Design Classification: **23-02A**
(74) Name(s) of Attorney(s): **PHILLIPS ORMONDE FITZPATRICK**
(71) Name(s) and Address(s) of Applicant(s):

Jeyes Group Limited
Brunel Way Thetford Norfolk 1P24 1HF United Kingdom

(72) Name(s) of Designer(s): **Matthew Stevenson and Brian Wilson and David Edgerley**

(45) Registration Date: **13 December 2011**

(30) Convention priority data:

(31) Number	(32) Date	(33) Country
DM/075702	25 Mar 2011	WORLD INTELLECTUAL PROPERTY ORGANIZATION (WIPO)

(56) Related Art Documents: **Not Applicable**

(57) Statement of Newness and Distinctiveness: **Those features of the sanitary dispenser depicted in the representations that are new and distinctive are the shape and/or configuration. The features shown in broken lines are not part of the design and are to be disregarded when considering the overall impression of the design.**



(21) Design Number: **14286/2011**
(22) Date of Filing Application: **23 September 2011**
(24) Date from which industrial property rights may have effect: **23 September 2011**
(54) Product in respect of which the design is registered: **Sanitary dispenser**
(51) International Design Classification: **23-02A**
(74) Name(s) of Attorney(s): **PHILLIPS ORMONDE FITZPATRICK**
(71) Name(s) and Address(s) of Applicant(s):

Jeyes Group Limited
Brunel Way Thetford Norfolk 1P24 1HF United Kingdom

(72) Name(s) of Designer(s): **Matthew Stevenson and Brian Wilson and David Edgerley**

(45) Registration Date: **13 December 2011**

(30) Convention priority data:

(31) Number	(32) Date	(33) Country
DM/075702	25 Mar 2011	WORLD INTELLECTUAL PROPERTY ORGANIZATION (WIPO)

(56) Related Art Documents: **Not Applicable**

(57) Statement of Newness and Distinctiveness: **Those features of the sanitary dispenser depicted in the representations that are new and distinctive are the shape and/or configuration. The features shown in broken lines are not part of the design and are to be disregarded when considering the overall impression of the design.**



(21) Design Number: **14549/2011**
(22) Date of Filing Application: **07 October 2011**
(24) Date from which industrial property rights may have effect: **07 October 2011**
(54) Product in respect of which the design is registered: **A lower body panel for a motor home having a storage receptacle**
(51) International Design Classification: **12-16K**
(74) Name(s) of Attorney(s): **IP Gateway Patent & Trademark Attorneys**
(71) Name(s) and Address(s) of Applicant(s):

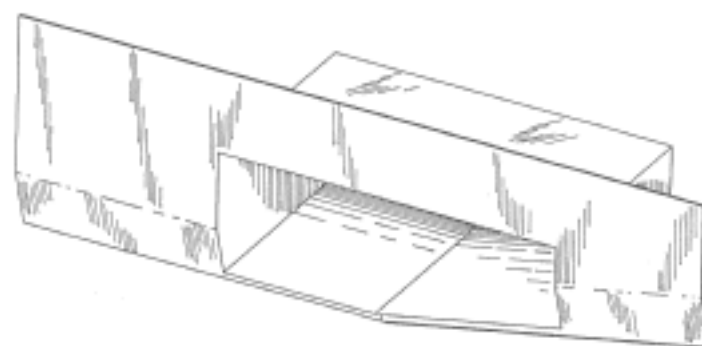
Paradise Motor Homes Pty Ltd
7 Demand Avenue Arundel Queensland 4214 Australia

(72) Name(s) of Designer(s): **Colin Robert MacLean**

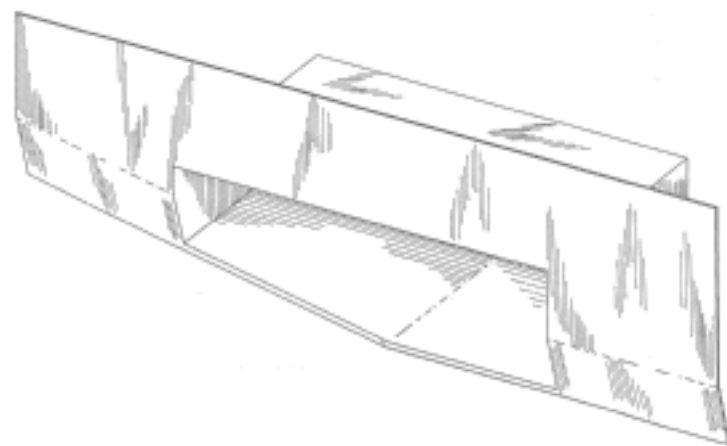
(45) Registration Date: **13 December 2011**

(56) Related Art Documents: **Not Applicable**

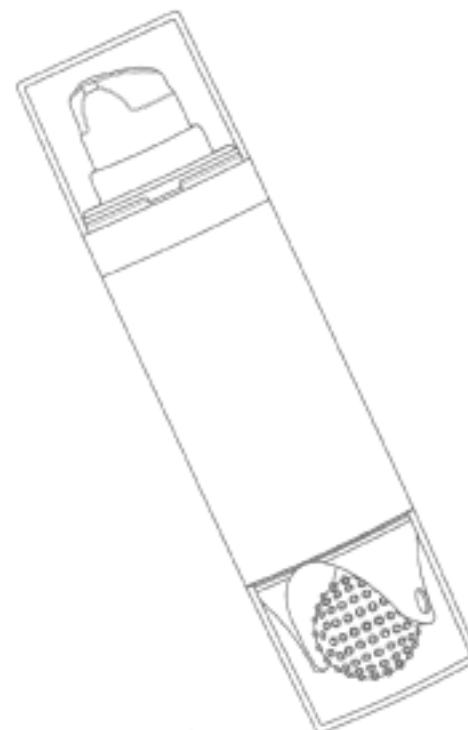
(57) Statement of Newness and Distinctiveness: **The newness and distinctiveness of the design resides in the visual features of shape and/or configuration of a lower body panel for a motor home having a storage receptacle as shown in the accompanying representations.**



- (21) Design Number: **15549/2011**
- (22) Date of Filing Application: **07 October 2011**
- (24) Date from which industrial property rights may have effect: **07 October 2011**
- (54) Product in respect of which the design is registered: **A lower body panel for a motor home having a storage receptacle**
- (51) International Design Classification: **12-16K**
- (74) Name(s) of Attorney(s): **IP Gateway Patent & Trademark Attorneys**
- (71) Name(s) and Address(s) of Applicant(s):
Paradise Motor Homes Pty Ltd
7 Demand Avenue Arundel Queensland 4214 Australia
- (72) Name(s) of Designer(s): **Colin Robert MacLean**
- (45) Registration Date: **13 December 2011**
- (56) Related Art Documents: **Not Applicable**
- (57) Statement of Newness and Distinctiveness: **The newness and distinctiveness of the design resides in the visual features of shape and/or configuration of a lower body panel for a motor home having a storage receptacle as shown in the accompanying representations.**



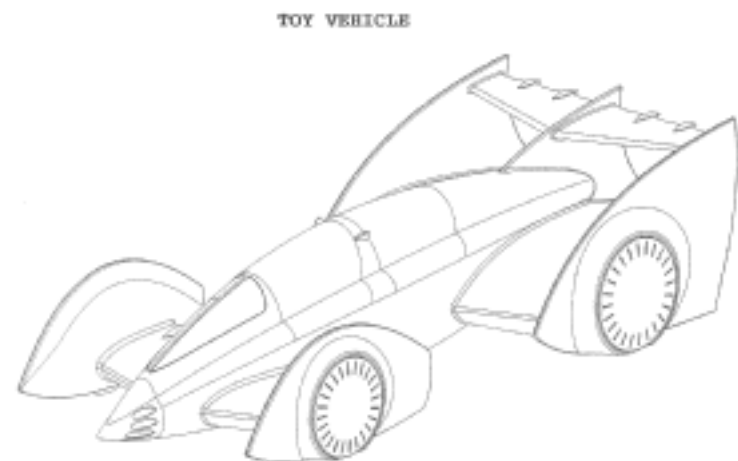
- (21) Design Number: **14673/2011**
- (22) Date of Filing Application: **14 October 2011**
- (24) Date from which industrial property rights may have effect: **14 October 2011**
- (54) Product in respect of which the design is registered: **Cosmetic applicators**
- (51) International Design Classification: **28-03NES**
- (74) Name(s) of Attorney(s): **Davies Collison Cave**
- (71) Name(s) and Address(s) of Applicant(s):
Bayer Consumer Care AG
Peter Merian-Str. 84 4052 Basel Switzerland
- (72) Name(s) of Designer(s): **Bruno Chazel and Shane Durkee and Martina Nonninger and Qi Lorin**
- (45) Registration Date: **13 December 2011**
- (30) Convention priority data:
(31) Number (32) Date (33) Country
001271035-0001 14 Apr 2011 EUROPEAN COMMUNITY
- (56) Related Art Documents: **Not Applicable**
- (57) Statement of Newness and Distinctiveness: **Newness and distinctiveness is claimed in the visual features shown in solid lines in the representations.**



(21) Design Number: **14674/2011**
(22) Date of Filing Application: **14 October 2011**
(24) Date from which industrial property rights may have effect: **14 October 2011**
(54) Product in respect of which the design is registered: **Automobile**
(51) International Design Classification: **12-08**
(74) Name(s) of Attorney(s): **SPRUSON & FERGUSON**
(71) Name(s) and Address(s) of Applicant(s):
Honda Motor Co., Ltd.
1-1 Minamiaoyama 2-chome Minato-ku Tokyo Japan
(72) Name(s) of Designer(s): **Daisuke Toriyama and Masashi Nakai**
(45) Registration Date: **13 December 2011**
(30) Convention priority data:
(31) Number (32) Date (33) Country
2011-009035 20 Apr 2011 JAPAN
(56) Related Art Documents: **Not Applicable**
(57) Statement of Newness and Distinctiveness: **Newness and distinctiveness is claimed in the features of shape and/or configuration of an automobile as illustrated in the accompanying representations.**



(21) Design Number: **14969/2011**
(22) Date of Filing Application: **04 November 2011**
(24) Date from which industrial property rights may have effect: **04 November 2011**
(54) Product in respect of which the design is registered: **A vehicle and a toy vehicle**
(51) International Design Classification: **21-01C, 12-08**
(74) Name(s) of Attorney(s): **Griffith Hack**
(71) Name(s) and Address(s) of Applicant(s):
DC Comics
1700 Broadway New York NY 10019 United States of America
(72) Name(s) of Designer(s): **Ian Gordon Murray**
(45) Registration Date: **13 December 2011**
(30) Convention priority data:
(31) Number (32) Date (33) Country
4019793 10 Jun 2011 UNITED KINGDOM
(56) Related Art Documents: **Not Applicable**
(57) Statement of Newness and Distinctiveness: **Nil**



(21) Design Number: **14770/2011**
(22) Date of Filing Application: **20 October 2011**
(24) Date from which industrial property rights may have effect: **20 October 2011**
(54) Product in respect of which the design is registered: **Motorcycle**
(51) International Design Classification: **12-11**
(74) Name(s) of Attorney(s): **SPRUSON & FERGUSON**
(71) Name(s) and Address(s) of Applicant(s):
Honda Motor Co., Ltd.
1-1 Minamiaoyama 2-chome Minato-ku Tokyo Japan
(72) Name(s) of Designer(s): **Kiyoshi Yanagita and Hirotugu Ueno**
(45) Registration Date: **13 December 2011**
(30) Convention priority data:
(31) Number (32) Date (33) Country
2011-009507 25 Apr 2011 JAPAN
(56) Related Art Documents: **Not Applicable**
(57) Statement of Newness and Distinctiveness: **Newness and distinctiveness is claimed in the features of shape and/or configuration of a Motorcycle as illustrated in the accompanying representations.**



(21) Design Number: **15172/2011**
(22) Date of Filing Application: **15 November 2011**
(24) Date from which industrial property rights may have effect: **15 November 2011**
(54) Product in respect of which the design is registered: **Bicycle seat**
(51) International Design Classification: **12-11**
(74) Name(s) of Attorney(s): **Baxter IP**
(71) Name(s) and Address(s) of Applicant(s):
Chul Soo Kim
13 240 Bogwang-dong Yongsan-gu Seoul Korea
(72) Name(s) of Designer(s): **Chul Soo Kim**
(45) Registration Date: **13 December 2011**
(30) Convention priority data:
(31) Number (32) Date (33) Country
**001888421 07 Jul 2011 WORLD INTELLECTUAL
PROPERTY ORGANIZATION
(WIPO)**
(56) Related Art Documents: **Not Applicable**
(57) Statement of Newness and Distinctiveness: **Nil**



- (21) Design Number: **15186/2011**
(22) Date of Filing Application: **15 November 2011**
(24) Date from which industrial property rights may have effect: **15 November 2011**
(54) Product in respect of which the design is registered: **Seat cover**
(51) International Design Classification: **06-13NES**
(74) Name(s) of Attorney(s): **FB Rice**
(71) Name(s) and Address(s) of Applicant(s):
Sperling Enterprises Pty Limited
16 Helles Avenue Moorebank New South Wales 2170 Australia
(72) Name(s) of Designer(s): **Peter Sperling**
(45) Registration Date: **13 December 2011**
(56) Related Art Documents: **Not Applicable**
(57) Statement of Newness and Distinctiveness: **Newness and distinctiveness reside in the following features of the seat cover shown in the representations: the provision of a cover portion for the armrest that is complementary with the cover portions for the seat back and seat base, wherein the ghosting shown in the representations represents an airbag in the seat back underneath the seat cover that can expand through the seat cover, said ghosting not forming part of the design and to be disregarded.**



- (21) Design Number: **14384/2011**
(22) Date of Filing Application: **29 September 2011**
(24) Date from which industrial property rights may have effect: **29 September 2011**
(54) Product in respect of which the design is registered: **Instrument panel for an automobile**
(51) International Design Classification: **12-16NES**
(74) Name(s) of Attorney(s): **SPRUSON & FERGUSON**
(71) Name(s) and Address(s) of Applicant(s):
Toyota Jidosha Kabushiki Kaisha
1 Toyota-cho Toyota-shi Aichi-ken 471-8571 Japan
(72) Name(s) of Designer(s): **Tsuyoshi Oba and Naoki Hamajima and Kenichirou Maeda**
(45) Registration Date: **13 December 2011**
(30) Convention priority data:
(31) Number (32) Date (33) Country
29/388650 31 Mar 2011 UNITED STATES OF AMERICA
(56) Related Art Documents: **Not Applicable**
(57) Statement of Newness and Distinctiveness: **Newness and distinctiveness is claimed in the features of shape and/or configuration of an instrument panel for an automobile as illustrated in the accompanying representations.**



- (21) Design Number: **14385/2011**
(22) Date of Filing Application: **29 September 2011**
(24) Date from which industrial property rights may have effect: **29 September 2011**
(54) Product in respect of which the design is registered: **Steering wheel for an automobile**
(51) International Design Classification: **12-16A**
(74) Name(s) of Attorney(s): **SPRUSON & FERGUSON**
(71) Name(s) and Address(s) of Applicant(s):
Toyota Jidosha Kabushiki Kaisha
1 Toyota-cho Toyota-shi Aichi-ken 471-8571 Japan
(72) Name(s) of Designer(s): **Syunsuke Tanaka and Kenichirou Maeda**
(45) Registration Date: **13 December 2011**
(30) Convention priority data:
(31) Number (32) Date (33) Country
29/388651 31 Mar 2011 UNITED STATES OF AMERICA
(56) Related Art Documents: **Not Applicable**
(57) Statement of Newness and Distinctiveness: **Newness and distinctiveness is claimed in the features of shape and/or configuration of a steering wheel for an automobile as illustrated in the accompanying representations.**



- (21) Design Number: **14386/2011**
(22) Date of Filing Application: **29 September 2011**
(24) Date from which industrial property rights may have effect: **29 September 2011**
(54) Product in respect of which the design is registered: **Automobile**
(51) International Design Classification: **12-08**
(74) Name(s) of Attorney(s): **SPRUSON & FERGUSON**
(71) Name(s) and Address(s) of Applicant(s):
Toyota Jidosha Kabushiki Kaisha
1 Toyota-cho Toyota-shi Aichi-ken 471-8571 Japan
(72) Name(s) of Designer(s): **Hirotsada Kobayashi and Tomonori Matsumoto**
(45) Registration Date: **13 December 2011**
(30) Convention priority data:
(31) Number (32) Date (33) Country
29/388618 31 Mar 2011 UNITED STATES OF AMERICA
(56) Related Art Documents: **Not Applicable**
(57) Statement of Newness and Distinctiveness: **Newness and distinctiveness is claimed in those features of shape and/or configuration of an automobile illustrated in darker shades in the additional views of the accompanying representations, apart from Toyota emblems.**



(21) Design Number: **14387/2011**
(22) Date of Filing Application: **29 September 2011**
(24) Date from which industrial property rights may have effect: **29 September 2011**
(54) Product in respect of which the design is registered: **Front grille for an automobile**
(51) International Design Classification: **12-16B**
(74) Name(s) of Attorney(s): **SPRUSON & FERGUSON**
(71) Name(s) and Address(s) of Applicant(s):
Toyota Jidosha Kabushiki Kaisha
1 Toyota-cho Toyota-shi Aichi-ken 471-8571 Japan
(72) Name(s) of Designer(s): **Keisuke Matsuno and Eiji Sakaba**
(45) Registration Date: **13 December 2011**
(30) Convention priority data:
(31) Number (32) Date (33) Country
29/388648 31 Mar 2011 UNITED STATES OF AMERICA
(56) Related Art Documents: **Not Applicable**
(57) Statement of Newness and Distinctiveness: **Newness and distinctiveness is claimed in the features of shape and/or configuration of a front grille for an automobile as illustrated in the accompanying representations.**



(21) Design Number: **14388/2011**
(22) Date of Filing Application: **29 September 2011**
(24) Date from which industrial property rights may have effect: **29 September 2011**
(54) Product in respect of which the design is registered: **Automobile**
(51) International Design Classification: **12-08**
(74) Name(s) of Attorney(s): **SPRUSON & FERGUSON**
(71) Name(s) and Address(s) of Applicant(s):
Toyota Jidosha Kabushiki Kaisha
1 Toyota-cho Toyota-shi Aichi-ken 471-8571 Japan
(72) Name(s) of Designer(s): **Kentarou Asakura and Nobuya Tanai**
(45) Registration Date: **13 December 2011**
(30) Convention priority data:
(31) Number (32) Date (33) Country
29/388637 31 Mar 2011 UNITED STATES OF AMERICA
(56) Related Art Documents: **Not Applicable**
(57) Statement of Newness and Distinctiveness: **Newness and distinctiveness is claimed in the features of shape and/or configuration of an automobile as illustrated in the accompanying representations, apart from Toyota emblems.**



(21) Design Number: **14389/2011**
(22) Date of Filing Application: **29 September 2011**
(24) Date from which industrial property rights may have effect: **29 September 2011**
(54) Product in respect of which the design is registered: **Front bumper for an automobile**
(51) International Design Classification: **12-16C**
(74) Name(s) of Attorney(s): **SPRUSON & FERGUSON**
(71) Name(s) and Address(s) of Applicant(s):
Toyota Jidosha Kabushiki Kaisha
1 Toyota-cho Toyota-shi Aichi-ken 471-8571 Japan
(72) Name(s) of Designer(s): **Nobuya Tanai**
(45) Registration Date: **13 December 2011**
(30) Convention priority data:
(31) Number (32) Date (33) Country
29/388647 31 Mar 2011 UNITED STATES OF AMERICA
(56) Related Art Documents: **Not Applicable**
(57) Statement of Newness and Distinctiveness: **Newness and distinctiveness is claimed in the features of shape and/or configuration of a front bumper for an automobile as illustrated in the accompanying representations.**



(21) Design Number: **14390/2011**
(22) Date of Filing Application: **29 September 2011**
(24) Date from which industrial property rights may have effect: **29 September 2011**
(54) Product in respect of which the design is registered: **Rear bumper for an automobile**
(51) International Design Classification: **12-16C**
(74) Name(s) of Attorney(s): **SPRUSON & FERGUSON**
(71) Name(s) and Address(s) of Applicant(s):
Toyota Jidosha Kabushiki Kaisha
1 Toyota-cho Toyota-shi Aichi-ken 471-8571 Japan
(72) Name(s) of Designer(s): **Naoto Furukado**
(45) Registration Date: **13 December 2011**
(30) Convention priority data:
(31) Number (32) Date (33) Country
29/388633 31 Mar 2011 UNITED STATES OF AMERICA
(56) Related Art Documents: **Not Applicable**
(57) Statement of Newness and Distinctiveness: **Newness and distinctiveness is claimed in the features of shape and/or configuration of a rear bumper for an automobile as illustrated in the accompanying representations.**



(21) Design Number: **14391/2011**
(22) Date of Filing Application: **29 September 2011**
(24) Date from which industrial property rights may have effect: **29 September 2011**
(54) Product in respect of which the design is registered: **Front grille for an automobile**
(51) International Design Classification: **12-16B**
(74) Name(s) of Attorney(s): **SPRUSON & FERGUSON**
(71) Name(s) and Address(s) of Applicant(s):
Toyota Jidosha Kabushiki Kaisha
1 Toyota-cho Toyota-shi Aichi-ken 471-8571 Japan
(72) Name(s) of Designer(s): **Kentarou Asakura**
(45) Registration Date: **13 December 2011**
(30) Convention priority data:
(31) Number (32) Date (33) Country
29/388648 31 Mar 2011 UNITED STATES OF AMERICA
(56) Related Art Documents: **Not Applicable**
(57) Statement of Newness and Distinctiveness: **Newness and distinctiveness is claimed in the features of shape and/or configuration of a front grille for automobile as illustrated in the accompanying representations.**



(21) Design Number: **14392/2011**
(22) Date of Filing Application: **29 September 2011**
(24) Date from which industrial property rights may have effect: **29 September 2011**
(54) Product in respect of which the design is registered: **Automobile**
(51) International Design Classification: **12-08**
(74) Name(s) of Attorney(s): **SPRUSON & FERGUSON**
(71) Name(s) and Address(s) of Applicant(s):
Toyota Jidosha Kabushiki Kaisha
1 Toyota-cho Toyota-shi Aichi-ken 471-8571 Japan
(72) Name(s) of Designer(s): **Hirofumi Fukui and Kazumi Kowaki and Akira Ishiguro**
(45) Registration Date: **13 December 2011**
(30) Convention priority data:
(31) Number (32) Date (33) Country
29/388637 31 Mar 2011 UNITED STATES OF AMERICA
(56) Related Art Documents: **Not Applicable**
(57) Statement of Newness and Distinctiveness: **Newness and distinctiveness is claimed in the features of shape and/or configuration of an automobile as illustrated accompanying representations, apart from Toyota emblems.**



(21) Design Number: **14393/2011**
(22) Date of Filing Application: **29 September 2011**
(24) Date from which industrial property rights may have effect: **29 September 2011**
(54) Product in respect of which the design is registered: **Front combination lamp for an automobile**
(51) International Design Classification: **26-06**
(74) Name(s) of Attorney(s): **SPRUSON & FERGUSON**
(71) Name(s) and Address(s) of Applicant(s):
Toyota Jidosha Kabushiki Kaisha
1 Toyota-cho Toyota-shi Aichi-ken 471-8571 Japan
(72) Name(s) of Designer(s): **Daisuke Nagayasu**
(45) Registration Date: **13 December 2011**
(30) Convention priority data:
(31) Number (32) Date (33) Country
29/388638 31 Mar 2011 UNITED STATES OF AMERICA
(56) Related Art Documents: **Not Applicable**
(57) Statement of Newness and Distinctiveness: **Newness and distinctiveness is claimed in the features of shape and/or configuration of front combination lamp for an automobile as illustrated in the accompanying representations.**



(21) Design Number: **14394/2011**
(22) Date of Filing Application: **29 September 2011**
(24) Date from which industrial property rights may have effect: **29 September 2011**
(54) Product in respect of which the design is registered: **Front combination lamp for an automobile**
(51) International Design Classification: **26-06**
(74) Name(s) of Attorney(s): **SPRUSON & FERGUSON**
(71) Name(s) and Address(s) of Applicant(s):
Toyota Jidosha Kabushiki Kaisha
1 Toyota-cho Toyota-shi Aichi-ken 471-8571 Japan
(72) Name(s) of Designer(s): **Hirofumi Fukui and Daisuke Nagayasu**
(45) Registration Date: **13 December 2011**
(30) Convention priority data:
(31) Number (32) Date (33) Country
29/388638 31 Mar 2011 UNITED STATES OF AMERICA
(56) Related Art Documents: **Not Applicable**
(57) Statement of Newness and Distinctiveness: **Newness and distinctiveness is claimed in the features of shape and/or configuration of a front combination lamp for an automobile as illustrated in the accompanying representations.**



- (21) Design Number: **14395/2011**
(22) Date of Filing Application: **29 September 2011**
(24) Date from which industrial property rights may have effect: **29 September 2011**
(54) Product in respect of which the design is registered: **Rear combination lamp for an automobile**
(51) International Design Classification: **26-06**
(74) Name(s) of Attorney(s): **SPRUSON & FERGUSON**
(71) Name(s) and Address(s) of Applicant(s):
Toyota Jidosha Kabushiki Kaisha
1 Toyota-cho Toyota-shi Aichi-ken 471-8571 Japan
(72) Name(s) of Designer(s): **Akira Ishiguro**
(45) Registration Date: **13 December 2011**
(30) Convention priority data:
(31) Number (32) Date (33) Country
29/388639 31 Mar 2011 UNITED STATES OF AMERICA
(56) Related Art Documents: **Not Applicable**
(57) Statement of Newness and Distinctiveness: **Newness and distinctiveness is claimed in the features of shape and/or configuration of a rear combination lamp for an automobile as illustrated in the accompanying representations.**



- (21) Design Number: **14396/2011**
(22) Date of Filing Application: **29 September 2011**
(24) Date from which industrial property rights may have effect: **29 September 2011**
(54) Product in respect of which the design is registered: **Rear combination lamp for an automobile**
(51) International Design Classification: **26-06**
(74) Name(s) of Attorney(s): **SPRUSON & FERGUSON**
(71) Name(s) and Address(s) of Applicant(s):
Toyota Jidosha Kabushiki Kaisha
1 Toyota-cho Toyota-shi Aichi-ken 471-8571 Japan
(72) Name(s) of Designer(s): **Hirofumi Fukui and Akira Ishiguro**
(45) Registration Date: **13 December 2011**
(30) Convention priority data:
(31) Number (32) Date (33) Country
29/388639 31 Mar 2011 UNITED STATES OF AMERICA
(56) Related Art Documents: **Not Applicable**
(57) Statement of Newness and Distinctiveness: **Newness and distinctiveness is claimed in the features of shape and/or configuration of a rear combination lamp for an automobile as illustrated in the accompanying representations.**



(21) Design Number: **14397/2011**
(22) Date of Filing Application: **29 September 2011**
(24) Date from which industrial property rights may have effect: **29 September 2011**
(54) Product in respect of which the design is registered: **Front bumper for an automobile**
(51) International Design Classification: **12-16C**
(74) Name(s) of Attorney(s): **SPRUSON & FERGUSON**
(71) Name(s) and Address(s) of Applicant(s):
Toyota Jidosha Kabushiki Kaisha
1 Toyota-cho Toyota-shi Aichi-ken 471-8571 Japan
(72) Name(s) of Designer(s): **Hirofumi Fukui and Kazumi Kowaki**
(45) Registration Date: **13 December 2011**
(30) Convention priority data:
(31) Number (32) Date (33) Country
29/388647 31 Mar 2011 UNITED STATES OF AMERICA
(56) Related Art Documents: **Not Applicable**
(57) Statement of Newness and Distinctiveness: **Newness and distinctiveness is claimed in the features of shape and/or configuration of a front bumper for an automobile as illustrated in the accompanying representations.**



(21) Design Number: **14398/2011**
(22) Date of Filing Application: **29 September 2011**
(24) Date from which industrial property rights may have effect: **29 September 2011**
(54) Product in respect of which the design is registered: **Front grille for an automobile**
(51) International Design Classification: **12-16B**
(74) Name(s) of Attorney(s): **SPRUSON & FERGUSON**
(71) Name(s) and Address(s) of Applicant(s):
Toyota Jidosha Kabushiki Kaisha
1 Toyota-cho Toyota-shi Aichi-ken 471-8571 Japan
(72) Name(s) of Designer(s): **Hirofumi Fukui and Kazumi Kowaki**
(45) Registration Date: **13 December 2011**
(30) Convention priority data:
(31) Number (32) Date (33) Country
29/388648 31 Mar 2011 UNITED STATES OF AMERICA
(56) Related Art Documents: **Not Applicable**
(57) Statement of Newness and Distinctiveness: **Newness and distinctiveness is claimed in the features of shape and/or configuration of a front grille for an automobile as illustrated in the accompanying representations.**



(21) Design Number: **14399/2011**
(22) Date of Filing Application: **29 September 2011**
(24) Date from which industrial property rights may have effect: **29 September 2011**
(54) Product in respect of which the design is registered: **Automobile**
(51) International Design Classification: **12-08**
(74) Name(s) of Attorney(s): **SPRUSON & FERGUSON**
(71) Name(s) and Address(s) of Applicant(s):
Toyota Jidosha Kabushiki Kaisha
1 Toyota-cho Toyota-shi Aichi-ken 471-8571 Japan
(72) Name(s) of Designer(s): **Hirofumi Fukui and Kazumi Kowaki**
(45) Registration Date: **13 December 2011**
(30) Convention priority data:
(31) Number (32) Date (33) Country
29/388618 31 Mar 2011 UNITED STATES OF AMERICA
(56) Related Art Documents: **Not Applicable**
(57) Statement of Newness and Distinctiveness: **Newness and distinctiveness is claimed in those features of shape and/or configuration of an automobile illustrated in darker shades in additional views of the accompanying representations, apart from Toyota emblems.**



(21) Design Number: **14400/2011**
(22) Date of Filing Application: **29 September 2011**
(24) Date from which industrial property rights may have effect: **29 September 2011**
(54) Product in respect of which the design is registered: **Automobile**
(51) International Design Classification: **12-08**
(74) Name(s) of Attorney(s): **SPRUSON & FERGUSON**
(71) Name(s) and Address(s) of Applicant(s):
Toyota Jidosha Kabushiki Kaisha
1 Toyota-cho Toyota-shi Aichi-ken 471-8571 Japan
(72) Name(s) of Designer(s): **Keisuke Matsuno and Eiji Sakaba**
(45) Registration Date: **13 December 2011**
(30) Convention priority data:
(31) Number (32) Date (33) Country
29/388637 31 Mar 2011 UNITED STATES OF AMERICA
(56) Related Art Documents: **Not Applicable**
(57) Statement of Newness and Distinctiveness: **Newness and distinctiveness is claimed in the features of shape and/or configuration of an automobile as illustrated in the accompanying representations, apart from Toyota emblems.**



- (21) Design Number: **14401/2011**
(22) Date of Filing Application: **29 September 2011**
(24) Date from which industrial property rights may have effect: **29 September 2011**
(54) Product in respect of which the design is registered: **Front bumper for an automobile**
(51) International Design Classification: **12-16C**
(74) Name(s) of Attorney(s): **SPRUSON & FERGUSON**
(71) Name(s) and Address(s) of Applicant(s):
Toyota Jidosha Kabushiki Kaisha
1 Toyota-cho Toyota-shi Aichi-ken 471-8571 Japan
(72) Name(s) of Designer(s): **Keisuke Matsuno and Eiji Sakaba**
(45) Registration Date: **13 December 2011**
(30) Convention priority data:
(31) Number (32) Date (33) Country
29/388647 31 Mar 2011 UNITED STATES OF AMERICA
(56) Related Art Documents: **Not Applicable**
(57) Statement of Newness and Distinctiveness: **Newness and distinctiveness is claimed in the features of shape and/or configuration of a front bumper for an automobile as illustrated in the accompanying representations.**



- (21) Design Number: **14402/2011**
(22) Date of Filing Application: **29 September 2011**
(24) Date from which industrial property rights may have effect: **29 September 2011**
(54) Product in respect of which the design is registered: **Front grille for an automobile**
(51) International Design Classification: **12-16B**
(74) Name(s) of Attorney(s): **SPRUSON & FERGUSON**
(71) Name(s) and Address(s) of Applicant(s):
Toyota Jidosha Kabushiki Kaisha
1 Toyota-cho Toyota-shi Aichi-ken 471-8571 Japan
(72) Name(s) of Designer(s): **Keisuke Matsuno and Eiji Sakaba**
(45) Registration Date: **13 December 2011**
(30) Convention priority data:
(31) Number (32) Date (33) Country
29/388648 31 Mar 2011 UNITED STATES OF AMERICA
(56) Related Art Documents: **Not Applicable**
(57) Statement of Newness and Distinctiveness: **Newness and distinctiveness is claimed in the features of shape and/or configuration of a front grille for an automobile as illustrated in the accompanying representations.**



(21) Design Number: **14403/2011**
(22) Date of Filing Application: **29 September 2011**
(24) Date from which industrial property rights may have effect: **29 September 2011**
(54) Product in respect of which the design is registered: **Automobile**
(51) International Design Classification: **12-08**
(74) Name(s) of Attorney(s): **SPRUSON & FERGUSON**
(71) Name(s) and Address(s) of Applicant(s):
Toyota Jidosha Kabushiki Kaisha
1 Toyota-cho Toyota-shi Aichi-ken 471-8571 Japan
(72) Name(s) of Designer(s): **Nobuya Tanai and Masanori Kinoshita**
(45) Registration Date: **13 December 2011**
(30) Convention priority data:
(31) Number (32) Date (33) Country
29/388637 31 Mar 2011 UNITED STATES OF AMERICA
(56) Related Art Documents: **Not Applicable**
(57) Statement of Newness and Distinctiveness: **Newness and distinctiveness is claimed in the features of shape and/or configuration of an automobile as illustrated in the accompanying representations, apart from Toyota emblems.**



(21) Design Number: **14404/2011**
(22) Date of Filing Application: **29 September 2011**
(24) Date from which industrial property rights may have effect: **29 September 2011**
(54) Product in respect of which the design is registered: **Front bumper for an automobile**
(51) International Design Classification: **12-16C**
(74) Name(s) of Attorney(s): **SPRUSON & FERGUSON**
(71) Name(s) and Address(s) of Applicant(s):
Toyota Jidosha Kabushiki Kaisha
1 Toyota-cho Toyota-shi Aichi-ken 471-8571 Japan
(72) Name(s) of Designer(s): **Nobuya Tanai**
(45) Registration Date: **13 December 2011**
(30) Convention priority data:
(31) Number (32) Date (33) Country
29/388647 31 Mar 2011 UNITED STATES OF AMERICA
(56) Related Art Documents: **Not Applicable**
(57) Statement of Newness and Distinctiveness: **Newness and distinctiveness is claimed in the features of shape and/or configuration of a front bumper for an automobile as illustrated in the accompanying representations.**



(21) Design Number: **14405/2011**
(22) Date of Filing Application: **29 September 2011**
(24) Date from which industrial property rights may have effect: **29 September 2011**
(54) Product in respect of which the design is registered: **Rear bumper for an automobile**
(51) International Design Classification: **12-16C**
(74) Name(s) of Attorney(s): **SPRUSON & FERGUSON**
(71) Name(s) and Address(s) of Applicant(s):
Toyota Jidosha Kabushiki Kaisha
1 Toyota-cho Toyota-shi Aichi-ken 471-8571 Japan
(72) Name(s) of Designer(s): **Toru Tanaka**
(45) Registration Date: **13 December 2011**
(30) Convention priority data:
(31) Number (32) Date (33) Country
29/388644 31 Mar 2011 UNITED STATES OF AMERICA
(56) Related Art Documents: **Not Applicable**
(57) Statement of Newness and Distinctiveness: **Newness and distinctiveness is claimed in the features of shape and/or configuration of a rear bumper for an automobile as illustrated in the accompanying representations.**



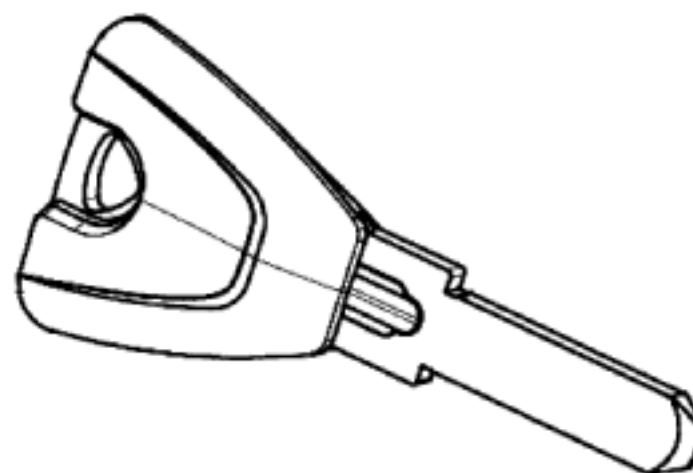
(21) Design Number: **14406/2011**
(22) Date of Filing Application: **29 September 2011**
(24) Date from which industrial property rights may have effect: **29 September 2011**
(54) Product in respect of which the design is registered: **Front grille for an automobile**
(51) International Design Classification: **12-16B**
(74) Name(s) of Attorney(s): **SPRUSON & FERGUSON**
(71) Name(s) and Address(s) of Applicant(s):
Toyota Jidosha Kabushiki Kaisha
1 Toyota-cho Toyota-shi Aichi-ken 471-8571 Japan
(72) Name(s) of Designer(s): **Kentarou Asakura**
(45) Registration Date: **13 December 2011**
(30) Convention priority data:
(31) Number (32) Date (33) Country
29/388648 31 Mar 2011 UNITED STATES OF AMERICA
(56) Related Art Documents: **Not Applicable**
(57) Statement of Newness and Distinctiveness: **Newness and distinctiveness is claimed in the features of shape and/or configuration of a front grille for an automobile as illustrated in the accompanying representations.**



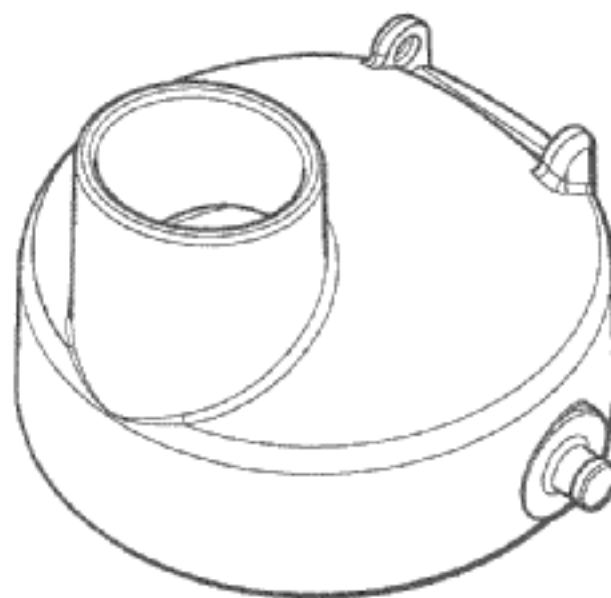
(21) Design Number: **15321/2011**
(22) Date of Filing Application: **23 November 2011**
(24) Date from which industrial property rights may have effect: **23 November 2011**
(54) Product in respect of which the design is registered: **Slide**
(51) International Design Classification: **21-03**
(74) Name(s) of Attorney(s): **MIDDLETONS**
(71) Name(s) and Address(s) of Applicant(s):
Keter Plastic Ltd.
2 Sapir Street Herzelia 46852 Israel
(72) Name(s) of Designer(s): **Meytal Perelman**
(45) Registration Date: **13 December 2011**
(30) Convention priority data:
(31) Number (32) Date (33) Country
51108 25 May 2011 ISRAEL
(56) Related Art Documents: **Not Applicable**
(57) Statement of Newness and Distinctiveness: **Nil**



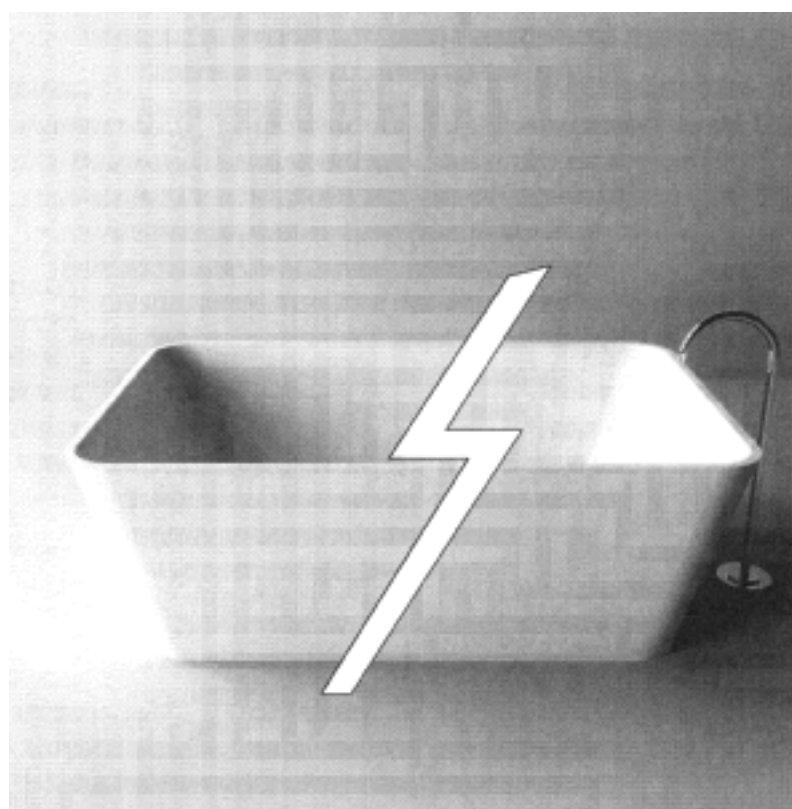
(21) Design Number: **14458/2011**
(22) Date of Filing Application: **04 October 2011**
(24) Date from which industrial property rights may have effect: **04 October 2011**
(54) Product in respect of which the design is registered: **Security key**
(51) International Design Classification: **08-07**
(74) Name(s) of Attorney(s): **Davies Collison Cave**
(71) Name(s) and Address(s) of Applicant(s):
Keso AG
Untere Schwandenstrasse 22 8805 Richterswil Switzerland
(72) Name(s) of Designer(s): **Samuel Schnindler and Bruno Vonlanthen**
(45) Registration Date: **14 December 2011**
(30) Convention priority data:
(31) Number (32) Date (33) Country
**DM/076165 24 May 2011 WORLD INTELLECTUAL
PROPERTY ORGANIZATION
(WIPO)**
(56) Related Art Documents: **Not Applicable**
(57) Statement of Newness and Distinctiveness: **Newness and distinctiveness is
claimed in the visual features shown in solid lines in the representations.**



(21) Design Number: **15204/2011**
(22) Date of Filing Application: **14 November 2011**
(24) Date from which industrial property rights may have effect: **14 November 2011**
(54) Product in respect of which the design is registered: **Cap body**
(51) International Design Classification: **09-07A**
(74) Name(s) of Attorney(s): **Callinans**
(71) Name(s) and Address(s) of Applicant(s):
The Decor Corporation Pty. Ltd.
1314 Ferntree Gully Road Scoresby Victoria 3179 Australia
(72) Name(s) of Designer(s): **Jim Samartgis**
(45) Registration Date: **14 December 2011**
(56) Related Art Documents: **Not Applicable**
(57) Statement of Newness and Distinctiveness: **Nil**



(21) Design Number: **14467/2011**
(22) Date of Filing Application: **03 October 2011**
(24) Date from which industrial property rights may have effect: **03 October 2011**
(54) Product in respect of which the design is registered: **Bath**
(51) International Design Classification: **23-02B**
(74) Name(s) of Attorney(s): **Actuate IP**
(71) Name(s) and Address(s) of Applicant(s):
Formed Australia Pty Ltd
22 St Andrew Drive Jan Juc Victoria 3228 Australia
(72) Name(s) of Designer(s): **Stephen Craig Royce**
(45) Registration Date: **15 December 2011**
(56) Related Art Documents: **Not Applicable**
(57) Statement of Newness and Distinctiveness: **Newness and distinctiveness is claimed in the features of shape and/or configuration of the bath as illustrated in the accompanying representations and of the bath of indeterminate length as illustrated in the accompanying representations but not including the water tap.**

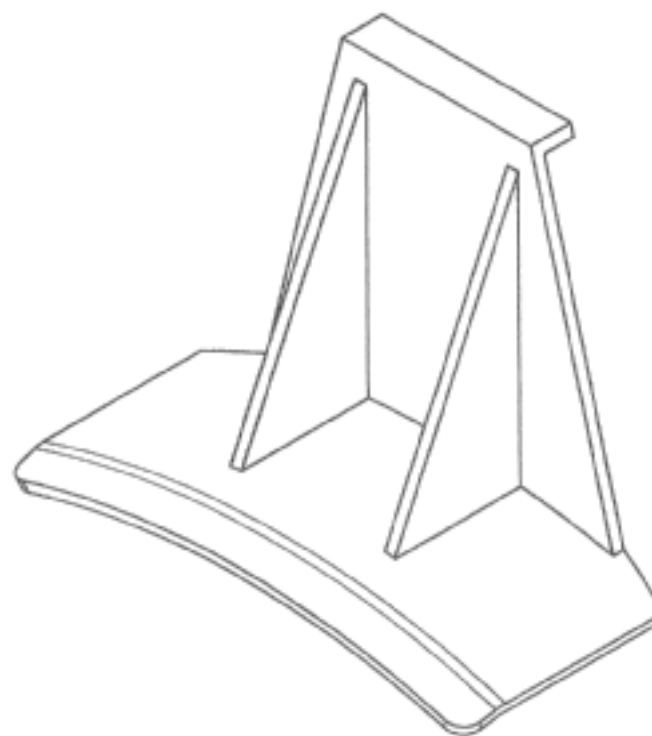


- (21) Design Number: **14971/2011**
(22) Date of Filing Application: **03 November 2011**
(24) Date from which industrial property rights may have effect: **03 November 2011**
(54) Product in respect of which the design is registered: **Hilift jack**
(51) International Design Classification: **12-05**
(74) Name(s) of Attorney(s):
(71) Name(s) and Address(s) of Applicant(s):

Eden Tait
35 Ironbark Road Chapell Hill Quennsland 4069 Australia

- (72) Name(s) of Designer(s): **Eden Tait**
(45) Registration Date: **15 December 2011**
(56) Related Art Documents: **Not Applicable**

(57) Statement of Newness and Distinctiveness: **The design "Jackabead" has been designed to work as an attachment to a hi lift jack. A hi lift jack is a 4WD or 4x4 product that enables the operator to lift his or her vehicle up to either change a wheel or enable them to get out of a bog. My design the "Jackabead" is designed to work as an attachment to this jack. Once they have changed the wheel to the spare and the car is back on the ground the "Jackabead" can then be used to break the tyres bead or seal allowing the it's user to remove the tyre for easy repair or replacement. The Jackabead has been designed to allow the base of the hi lift jack to sit upon it. The features that make this design new and unique from the first model are the unique shape it has these are as follows. The semi circle curved blade. The height of the blade. The trapezoid shape of the foot area for the jack to sit upon. The whole operation of this new design is a vast improvement on the previous design. It performs it job with greater ease and stability, which make it a safe option then the first design.**



- (21) Design Number: **15035/2011**
(22) Date of Filing Application: **10 November 2011**
(24) Date from which industrial property rights may have effect: **10 November 2011**
(54) Product in respect of which the design is registered: **Travel mug diffuser for tea, coffee etc.**
(51) International Design Classification: **07-01F**
(74) Name(s) of Attorney(s):
(71) Name(s) and Address(s) of Applicant(s):

Nickie Stewart
24 Rosewood Road Kuranda Queensland 4881 Australia

- (72) Name(s) of Designer(s): **Nickie Stewart**
(45) Registration Date: **15 December 2011**
(56) Related Art Documents: **Not Applicable**
(57) Statement of Newness and Distinctiveness: **Nil**



(21) Design Number: **15259/2011**
(22) Date of Filing Application: **18 November 2011**
(24) Date from which industrial property rights may have effect: **18 November 2011**
(54) Product in respect of which the design is registered: **Sign box**
(51) International Design Classification: **20-03NES**
(74) Name(s) of Attorney(s): **Jogias**
(71) Name(s) and Address(s) of Applicant(s):
ACF Invest Pty Ltd
38 Finsbury Street Newmarket Queensland 4051 Australia
(72) Name(s) of Designer(s): **Angelo Falco**
(45) Registration Date: **15 December 2011**
(56) Related Art Documents: **Not Applicable**
(57) Statement of Newness and Distinctiveness: **Nil**



(21) Design Number: **13846/2011**
(22) Date of Filing Application: **30 August 2011**
(24) Date from which industrial property rights may have effect: **30 August 2011**
(54) Product in respect of which the design is registered: **Chair**
(51) International Design Classification: **06-01F, 06-01H**
(74) Name(s) of Attorney(s):
(71) Name(s) and Address(s) of Applicant(s):
iwood Australia Pty Ltd
21 Fordson Road Campbellfield Victoria 3061 Australia
(72) Name(s) of Designer(s): **Michael Chan**
(45) Registration Date: **16 December 2011**
(56) Related Art Documents: **Not Applicable**
(57) Statement of Newness and Distinctiveness: **Nil**



(21) Design Number: **14272/2011**
(22) Date of Filing Application: **23 September 2011**
(24) Date from which industrial property rights may have effect: **23 September 2011**
(54) Product in respect of which the design is registered: **Applicator**
(51) International Design Classification: **28-03NES**
(74) Name(s) of Attorney(s): **SPRUSON & FERGUSON**
(71) Name(s) and Address(s) of Applicant(s):
S.C. Johnson & Son, Inc.
1525 Howe Street Racine Wisconsin 53403-2236 United States of America
(72) Name(s) of Designer(s): **Joost Robert Van Haasteren**
(45) Registration Date: **16 December 2011**
(30) Convention priority data:
(31) Number (32) Date (33) Country
001840141 23 Mar 2011 EUROPEAN COMMUNITY
(56) Related Art Documents: **Not Applicable**
(57) Statement of Newness and Distinctiveness: **Newness and distinctiveness is claimed in the features of shape and/or configuration of an applicator as illustrated in continuous lines in the accompanying representations.**



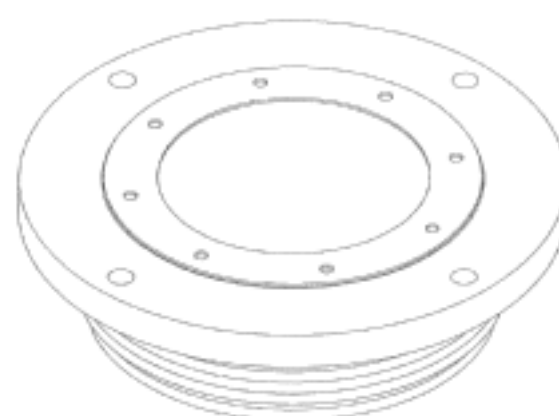
(21) Design Number: **14498/2011**
(22) Date of Filing Application: **06 October 2011**
(24) Date from which industrial property rights may have effect: **06 October 2011**
(54) Product in respect of which the design is registered: **Footwear**
(51) International Design Classification: **02-04NES**
(74) Name(s) of Attorney(s): **Freehills Patent & Trade Mark Attorneys**
(71) Name(s) and Address(s) of Applicant(s):
Alpargatas S.A.
Rua Funchal 160 Vila Olimpia CEP:04551-903 Sao Paulo SP Brazil
(72) Name(s) of Designer(s): **Julio Cesar Panariello Junior**
(45) Registration Date: **16 December 2011**
(30) Convention priority data:
(31) Number (32) Date (33) Country
001893066-0005 19 Jul 2011 EUROPEAN COMMUNITY
(56) Related Art Documents: **Not Applicable**
(57) Statement of Newness and Distinctiveness: **Nil**



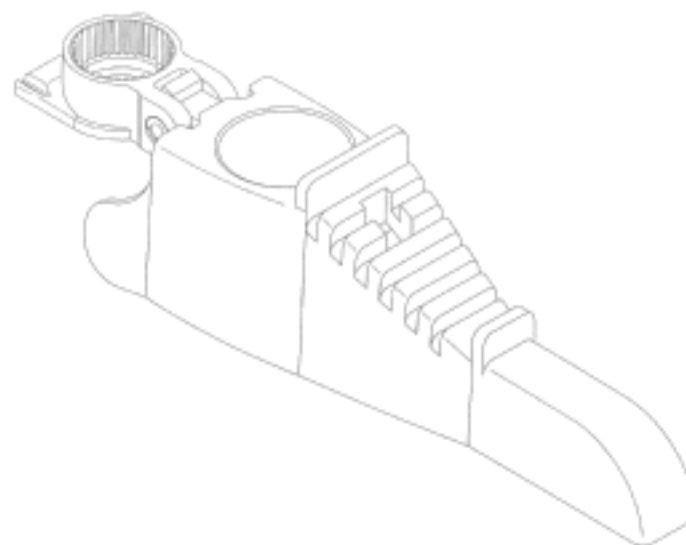
(21) Design Number: **14501/2011**
(22) Date of Filing Application: **06 October 2011**
(24) Date from which industrial property rights may have effect: **06 October 2011**
(54) Product in respect of which the design is registered: **Footwear**
(51) International Design Classification: **02-04NES**
(74) Name(s) of Attorney(s): **Freehills Patent & Trade Mark Attorneys**
(71) Name(s) and Address(s) of Applicant(s):
Alpargatas S.A.
Rua Funchal 160 Vila Olimpia CEP:04551-903 Sao Paulo SP Brazil
(72) Name(s) of Designer(s): **Jose Marcos da Silva**
(45) Registration Date: **16 December 2011**
(30) Convention priority data:
(31) Number (32) Date (33) Country
001893066-0004 19 Jul 2011 EUROPEAN COMMUNITY
(56) Related Art Documents: **Not Applicable**
(57) Statement of Newness and Distinctiveness: **Nil**



(21) Design Number: **14576/2011**
(22) Date of Filing Application: **11 October 2011**
(24) Date from which industrial property rights may have effect: **11 October 2011**
(54) Product in respect of which the design is registered: **A housing for a lighting assembly**
(51) International Design Classification: **26-05C**
(74) Name(s) of Attorney(s): **FB Rice**
(71) Name(s) and Address(s) of Applicant(s):
Weidmuller Pty Ltd
43 Huntingwood Drive Huntingwood New South Wales 2148 Australia
(72) Name(s) of Designer(s): **David Head**
(45) Registration Date: **16 December 2011**
(56) Related Art Documents: **Not Applicable**
(57) Statement of Newness and Distinctiveness: **Newness and distinctiveness reside in the features of the design as shown in the representations, the shape, position and number of openings in the flange and in the load distributing ring being disclaimed.**



- (21) Design Number: **14812/2011**
(22) Date of Filing Application: **15 November 2011**
(24) Date from which industrial property rights may have effect: **15 November 2011**
(54) Product in respect of which the design is registered: **Sheath for syringe needle**
(51) International Design Classification: **24-02**
(74) Name(s) of Attorney(s): **Shelston IP**
(71) Name(s) and Address(s) of Applicant(s):
Terumo Kabushiki Kaisha
44-1 2-chome Hatagaya Shibuya-ku Tokyo 151-0072 Japan
(72) Name(s) of Designer(s): **Laurence Gonzales and Satoshi Kagaya**
(45) Registration Date: **16 December 2011**
(30) Convention priority data:
(31) Number (32) Date (33) Country
2011-011956 27 May 2011 JAPAN
(56) Related Art Documents: **Not Applicable**
(57) Statement of Newness and Distinctiveness: **Newness and distinctiveness reside in the features of shape and/or configuration of the sheath for syringe needle as illustrated in the accompanying representations.**



- (21) Design Number: **14867/2011**
(22) Date of Filing Application: **27 October 2011**
(24) Date from which industrial property rights may have effect: **27 October 2011**
(54) Product in respect of which the design is registered: **Automobile tyre**
(51) International Design Classification: **12-15A**
(74) Name(s) of Attorney(s): **Griffith Hack**
(71) Name(s) and Address(s) of Applicant(s):
Bridgestone Corporation
10-1 Kyobashi 1-chome Chuo-ku Tokyo 104-8340 Japan
(72) Name(s) of Designer(s): **Jun Koyanagi**
(45) Registration Date: **16 December 2011**
(30) Convention priority data:
(31) Number (32) Date (33) Country
2011-009844 27 Apr 2011 JAPAN
(56) Related Art Documents: **Not Applicable**
(57) Statement of Newness and Distinctiveness: **The shape, configuration and ornamentation of the tread portion of the automobile tyre is new and distinctive.**



- (21) Design Number: **14868/2011**
(22) Date of Filing Application: **27 October 2011**
(24) Date from which industrial property rights may have effect: **27 October 2011**
(54) Product in respect of which the design is registered: **Automobile tyre**
(51) International Design Classification: **12-15A**
(74) Name(s) of Attorney(s): **Griffith Hack**
(71) Name(s) and Address(s) of Applicant(s):
Bridgestone Corporation
10-1 Kyobashi 1-chome Chuo-ku Tokyo 104-8340 Japan
(72) Name(s) of Designer(s): **Jun Koyanagi**
(45) Registration Date: **16 December 2011**
(30) Convention priority data:
(31) Number (32) Date (33) Country
2011-009842 27 Apr 2011 JAPAN
(56) Related Art Documents: **Not Applicable**
(57) Statement of Newness and Distinctiveness: **The shape, configuration and ornamentation of the tread portion of the automobile tyre is new and distinctive.**



- (21) Design Number: **15308/2011**
(22) Date of Filing Application: **22 November 2011**
(24) Date from which industrial property rights may have effect: **22 November 2011**
(54) Product in respect of which the design is registered: **An ornament**
(51) International Design Classification: **11-02F**
(74) Name(s) of Attorney(s): **Cullens Patent and Trade Mark Attorneys**
(71) Name(s) and Address(s) of Applicant(s):
Splosh Australia Pty Ltd
Unit 1/70 Dulacca Street Acacia Ridge Queensland 4110 Australia
(72) Name(s) of Designer(s): **Kim Kendall**
(45) Registration Date: **16 December 2011**
(56) Related Art Documents: **Not Applicable**
(57) Statement of Newness and Distinctiveness: **Newness and distinctiveness is claimed in the features depicted by unbroken lines in the accompanying representation. Newness and distinctiveness is not claimed in the features depicted by broken lines in the representation.**



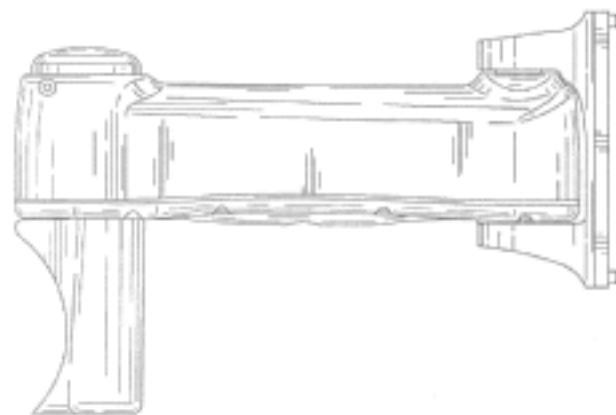
- (21) Design Number: **15309/2011**
(22) Date of Filing Application: **22 November 2011**
(24) Date from which industrial property rights may have effect: **22 November 2011**
(54) Product in respect of which the design is registered: **An ornament**
(51) International Design Classification: **11-02F**
(74) Name(s) of Attorney(s): **Cullens Patent and Trade Mark Attorneys**
(71) Name(s) and Address(s) of Applicant(s):
Splosh Australia Pty Ltd
Unit 1/70 Dulacca Street Acacia Ridge Queensland 4110 Australia
(72) Name(s) of Designer(s): **Kim Kendall**
(45) Registration Date: **16 December 2011**
(56) Related Art Documents: **Not Applicable**
(57) Statement of Newness and Distinctiveness: **Newness and distinctiveness is claimed in the features depicted by unbroken lines in the accompanying representation. Newness and distinctiveness is not claimed in the features depicted by broken lines in the representation.**



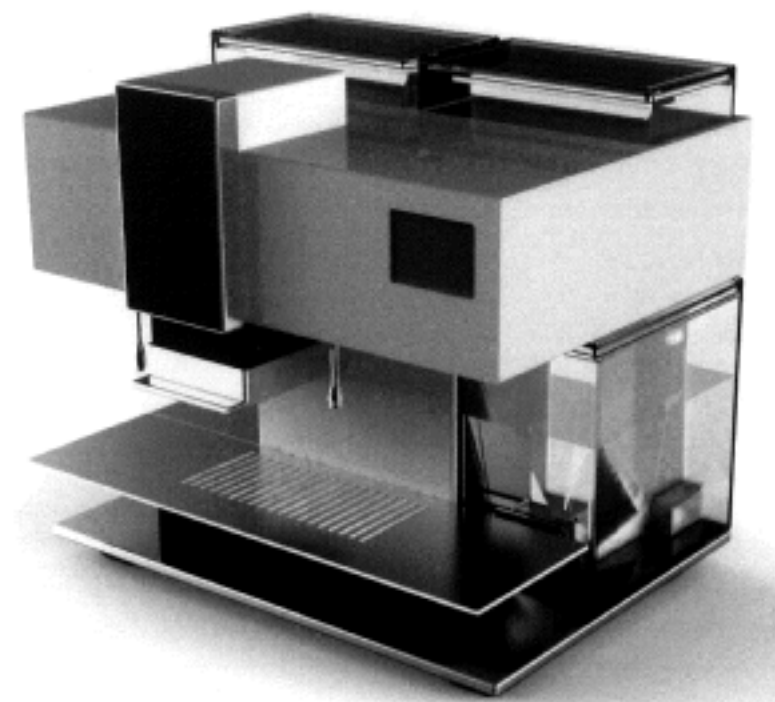
- (21) Design Number: **15310/2011**
(22) Date of Filing Application: **22 November 2011**
(24) Date from which industrial property rights may have effect: **22 November 2011**
(54) Product in respect of which the design is registered: **An ornament**
(51) International Design Classification: **11-02F**
(74) Name(s) of Attorney(s): **Cullens Patent and Trade Mark Attorneys**
(71) Name(s) and Address(s) of Applicant(s):
Splosh Australia Pty Ltd
Unit 1/70 Dulacca Street Acacia Ridge Queensland 4110 Australia
(72) Name(s) of Designer(s): **Kim Kendall**
(45) Registration Date: **16 December 2011**
(56) Related Art Documents: **Not Applicable**
(57) Statement of Newness and Distinctiveness: **Newness and distinctiveness is claimed in the features depicted by unbroken lines in the accompanying representation. Newness and distinctiveness is not claimed in the features depicted by broken lines in the representation.**



(21) Design Number: **15483/2011**
(22) Date of Filing Application: **12 October 2011**
(24) Date from which industrial property rights may have effect: **12 October 2011**
(54) Product in respect of which the design is registered: **Wall mounted extension arm**
(51) International Design Classification: **08-08NES**
(74) Name(s) of Attorney(s): **PIZZEYS**
(71) Name(s) and Address(s) of Applicant(s):
GCX Corporation
3875 Cypress Drive Petaluma CA 94954 United States of America
(72) Name(s) of Designer(s): **Cisco Patrick Schmauch and Aaron Abroff and Cristian J. Daugbjerg**
(45) Registration Date: **16 December 2011**
(30) Convention priority data:
(31) Number (32) Date (33) Country
29/389,570 13 Apr 2011 UNITED STATES OF AMERICA
(56) Related Art Documents: **Not Applicable**
(57) Statement of Newness and Distinctiveness: **Nil**

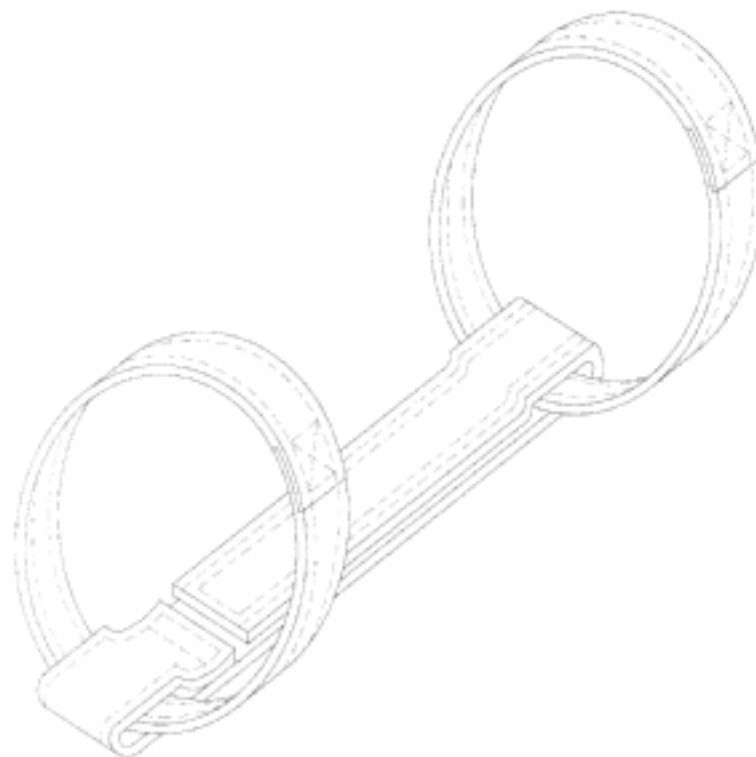


(21) Design Number: **15589/2011**
(22) Date of Filing Application: **07 December 2011**
(24) Date from which industrial property rights may have effect: **07 December 2011**
(54) Product in respect of which the design is registered: **Coffee and tea maker**
(51) International Design Classification: **07-02L, 07-02K**
(74) Name(s) of Attorney(s): **PHILLIPS ORMONDE FITZPATRICK**
(71) Name(s) and Address(s) of Applicant(s):
Macchiavalley GmbH
Ludwigstrasse 90 D-82467 Garmisch-Partenkirchen Germany
(72) Name(s) of Designer(s): **Stefan Goring**
(45) Registration Date: **16 December 2011**
(30) Convention priority data:
(31) Number (32) Date (33) Country
001875162 08 Jun 2011 EUROPEAN COMMUNITY
(56) Related Art Documents: **Not Applicable**
(57) Statement of Newness and Distinctiveness: **Nil**



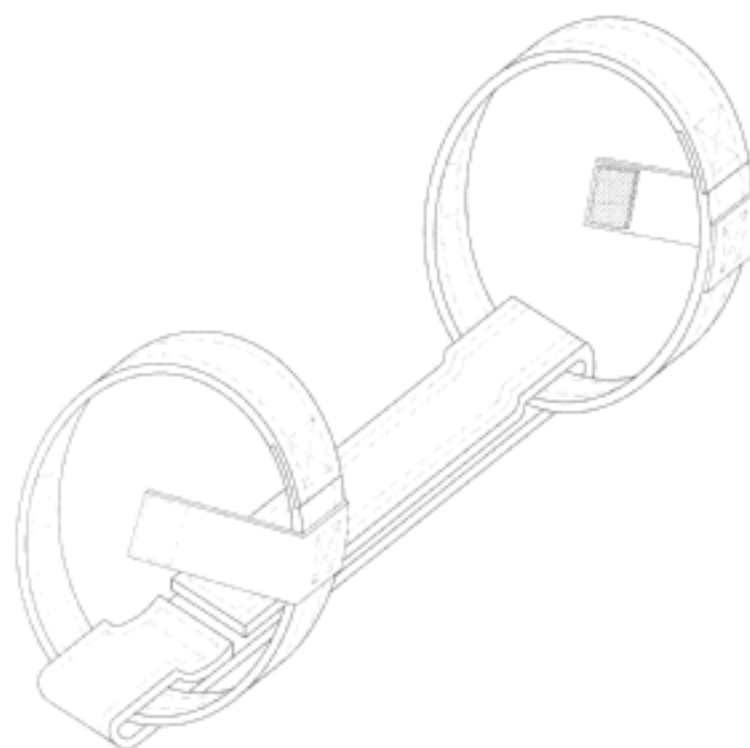
(21) Design Number: **13697/2011**
(22) Date of Filing Application: **19 August 2011**
(24) Date from which industrial property rights may have effect: **19 August 2011**
(54) Product in respect of which the design is registered: **Arm restraint**
(51) International Design Classification: **29-02, 24-04**
(74) Name(s) of Attorney(s): **Actuate IP**
(71) Name(s) and Address(s) of Applicant(s):
Docsinnovent Limited
18 Hand Court London WV1V6JF United Kingdom
(72) Name(s) of Designer(s): **Muhammed Aslam Nasir**
(45) Registration Date: **16 December 2011**
(30) Convention priority data:
(31) Number (32) Date (33) Country
001825126 23 Feb 2011 EUROPEAN COMMUNITY

(56) Related Art Documents: **Not Applicable**
(57) Statement of Newness and Distinctiveness: **Newness and distinctiveness is claimed in the features of shape and/or configurations as illustrated in the accompanying representations. No distinctiveness is claimed in the stitching as shown. The representation of user is included for illustration purposes only and is not part of the design.**



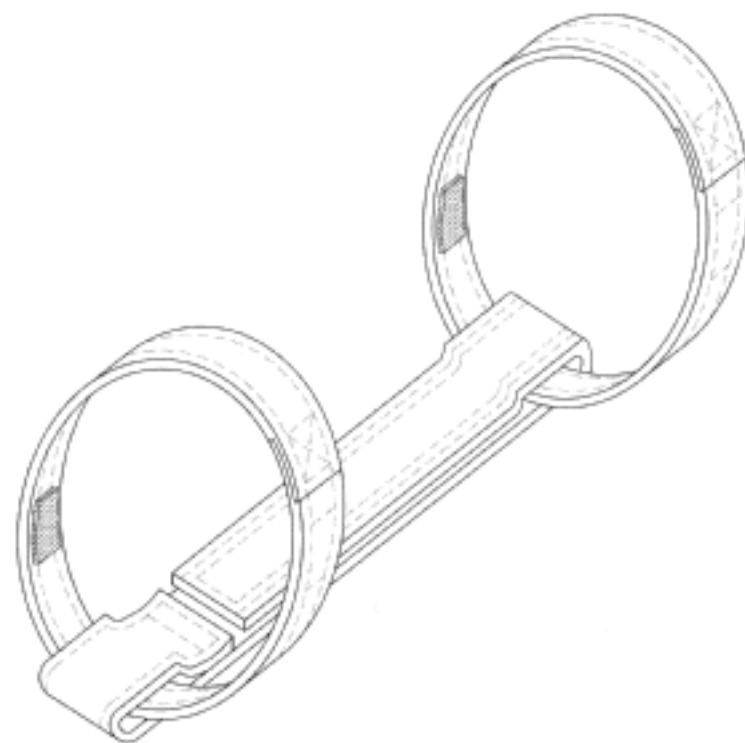
(21) Design Number: **15411/2011**
(22) Date of Filing Application: **19 August 2011**
(24) Date from which industrial property rights may have effect: **19 August 2011**
(54) Product in respect of which the design is registered: **Arm restraint**
(51) International Design Classification: **29-02, 24-04**
(74) Name(s) of Attorney(s): **Actuate IP**
(71) Name(s) and Address(s) of Applicant(s):
Docsinnovent Limited
18 Hand Court London WV1V6JF United Kingdom
(72) Name(s) of Designer(s): **Muhammed Aslam Nasir**
(45) Registration Date: **16 December 2011**
(30) Convention priority data:
(31) Number (32) Date (33) Country
001825126 23 Feb 2011 EUROPEAN COMMUNITY

(56) Related Art Documents: **Not Applicable**
(57) Statement of Newness and Distinctiveness: **Newness and distinctiveness is claimed in the features of shape and/or configurations as illustrated in the accompanying representations. No distinctiveness is claimed in the stitching as shown. The representation of user is included for illustration purposes only and is not part of the design.**



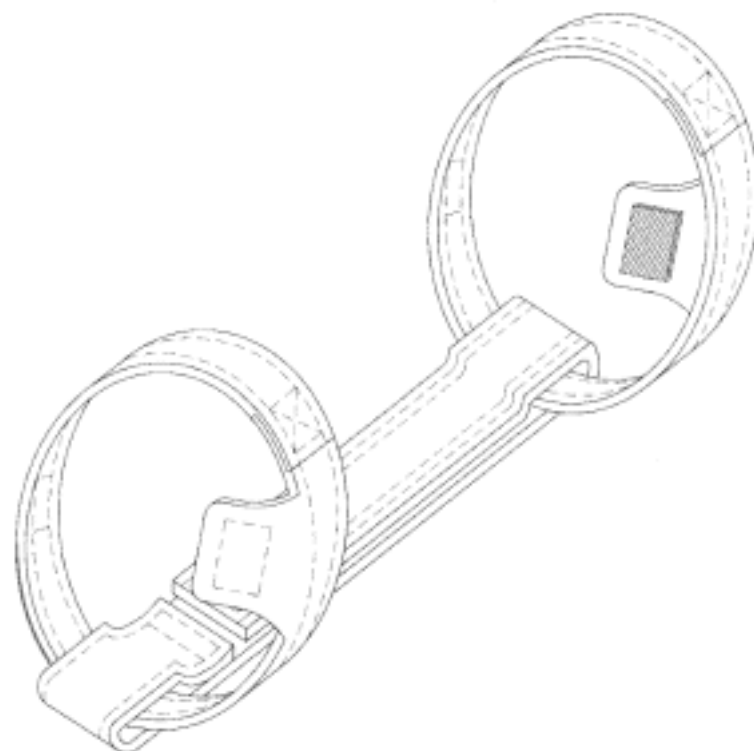
(21) Design Number: **15412/2011**
(22) Date of Filing Application: **19 August 2011**
(24) Date from which industrial property rights may have effect: **19 August 2011**
(54) Product in respect of which the design is registered: **Arm restraint**
(51) International Design Classification: **29-02, 24-04**
(74) Name(s) of Attorney(s): **Actuate IP**
(71) Name(s) and Address(s) of Applicant(s):
Docsinnovent Limited
18 Hand Court London WV1V6JF United Kingdom
(72) Name(s) of Designer(s): **Muhammed Aslam Nasir**
(45) Registration Date: **16 December 2011**
(30) Convention priority data:
(31) Number (32) Date (33) Country
001825126 23 Feb 2011 EUROPEAN COMMUNITY
(56) Related Art Documents: **Not Applicable**

(57) Statement of Newness and Distinctiveness: **Newness and distinctiveness is claimed in the features of shape and/or configurations as illustrated in the accompanying representations. No distinctiveness is claimed in the stitching as shown. The representation of user is included for illustration purposes only and is not part of the design.**

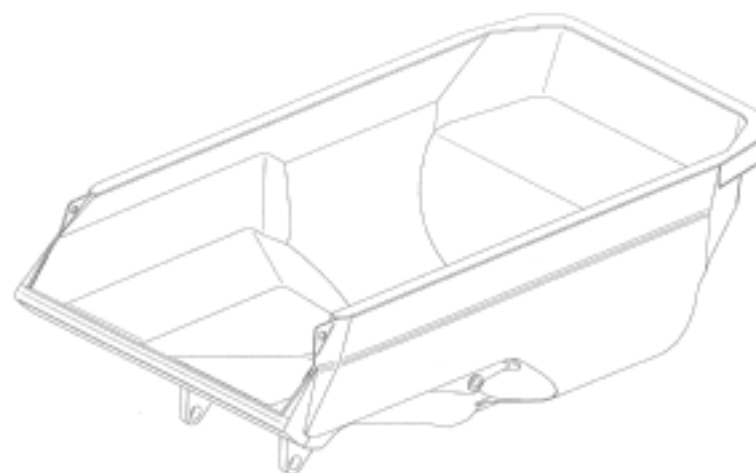


(21) Design Number: **15413/2011**
(22) Date of Filing Application: **19 August 2011**
(24) Date from which industrial property rights may have effect: **19 August 2011**
(54) Product in respect of which the design is registered: **Arm restraint**
(51) International Design Classification: **29-02, 24-04**
(74) Name(s) of Attorney(s): **Actuate IP**
(71) Name(s) and Address(s) of Applicant(s):
Docsinnovent Limited
18 Hand Court London WV1V6JF United Kingdom
(72) Name(s) of Designer(s): **Muhammed Aslam Nasir**
(45) Registration Date: **16 December 2011**
(30) Convention priority data:
(31) Number (32) Date (33) Country
001825126 23 Feb 2011 EUROPEAN COMMUNITY
(56) Related Art Documents: **Not Applicable**

(57) Statement of Newness and Distinctiveness: **Newness and distinctiveness is claimed in the features of shape and/or configurations as illustrated in the accompanying representations. No distinctiveness is claimed in the stitching as shown. The representation of user is included for illustration purposes only and is not part of the design.**



(21) Design Number: **14953/2011**
(22) Date of Filing Application: **03 November 2011**
(24) Date from which industrial property rights may have effect: **03 November 2011**
(54) Product in respect of which the design is registered: **Platform for a transport vehicle**
(51) International Design Classification: **15-04**
(74) Name(s) of Attorney(s): **Davies Collison Cave**
(71) Name(s) and Address(s) of Applicant(s):
Sandvik Mining and Construction Oy
Pihtisulunkatu 9 Tampere FI-33330 Finland
(72) Name(s) of Designer(s): **Aleksei Tschurbanoff and Markku Heinonen**
(45) Registration Date: **16 December 2011**
(30) Convention priority data:
(31) Number (32) Date (33) Country
001279871-0001 01 Jun 2011 EUROPEAN COMMUNITY
(56) Related Art Documents: **Not Applicable**
(57) Statement of Newness and Distinctiveness: **Nil**

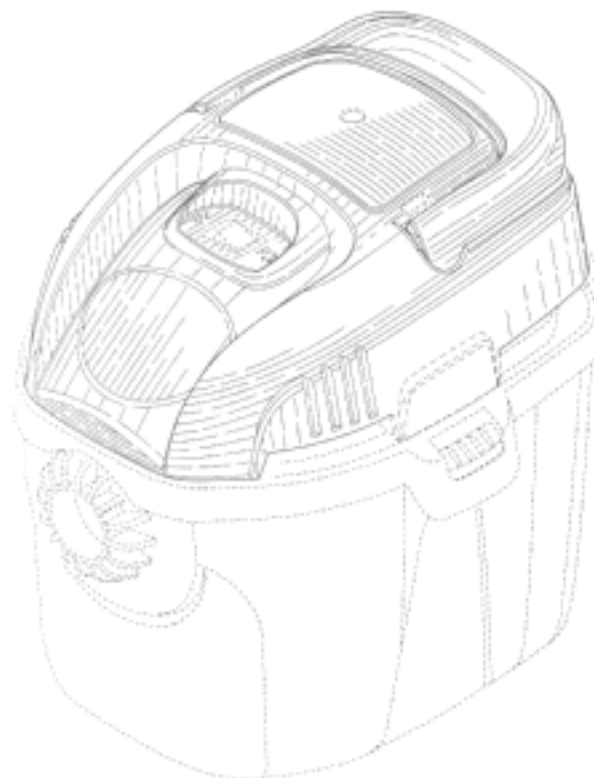


(21) Design Number: **14956/2011**
(22) Date of Filing Application: **04 November 2011**
(24) Date from which industrial property rights may have effect: **04 November 2011**
(54) Product in respect of which the design is registered: **Vacuum cleaner**
(51) International Design Classification: **15-05**
(74) Name(s) of Attorney(s): **Griffith Hack**
(71) Name(s) and Address(s) of Applicant(s):
Shop Vac Corporation
2323 Reach Road Williamsport PA 17707 United States of America
(72) Name(s) of Designer(s): **Li H. Liu and Robert L. Crevling Jr and John Griffin**
(45) Registration Date: **16 December 2011**
(30) Convention priority data:
(31) Number (32) Date (33) Country
29/398854 05 Aug 2011 UNITED STATES OF AMERICA
(56) Related Art Documents: **Not Applicable**
(57) Statement of Newness and Distinctiveness: **Newness and distinctiveness resides in the visual features, including shape and configuration of a vacuum cleaner as shown in the accompanying drawings. When determining whether the design is substantially similar in overall impression to another design, no regard is to be had to the words shown on the handle part in Figures 1, 2 and 5, which features are provided for illustrative purposes only.**



(21) Design Number: **14957/2011**
(22) Date of Filing Application: **04 November 2011**
(24) Date from which industrial property rights may have effect: **04 November 2011**
(54) Product in respect of which the design is registered: **Vacuum cleaner top**
(51) International Design Classification: **15-05**
(74) Name(s) of Attorney(s): **Griffith Hack**
(71) Name(s) and Address(s) of Applicant(s):
Shop Vac Corporation
2323 Reach Road Williamsport PA 17707 United States of America
(72) Name(s) of Designer(s): **Li H. Liu and Robert L. Crevling Jr and John Griffin**
(45) Registration Date: **16 December 2011**
(30) Convention priority data:
(31) Number (32) Date (33) Country
29/398854 05 Aug 2011 UNITED STATES OF AMERICA

(56) Related Art Documents: **Not Applicable**
(57) Statement of Newness and Distinctiveness: **Newness and distinctiveness resides in the visual features, including shape and configuration of a vacuum cleaner top as shown in solid outline in the accompanying drawings. When determining whether the design is substantially similar in overall impression to another design, no regard is to be had to those features shown in dotted outline in Figure 6 of the accompanying drawings, which features are provided for illustrative purposes only.**

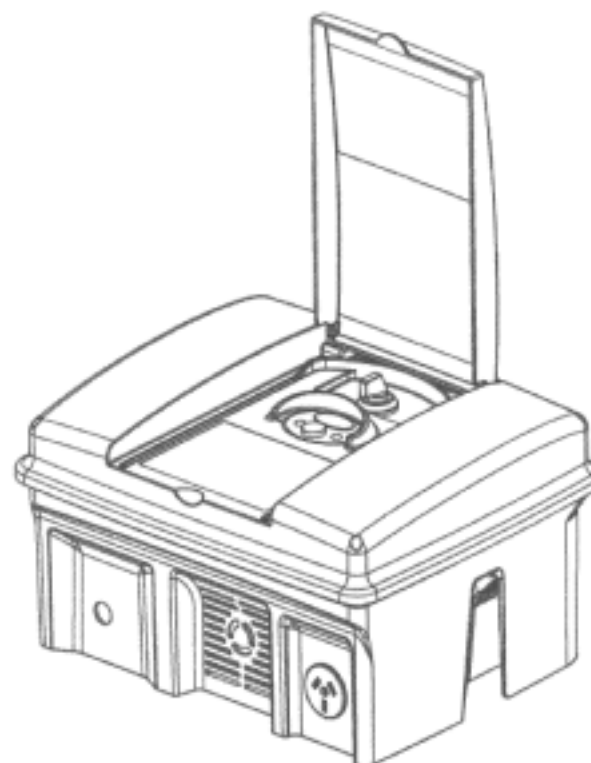


(21) Design Number: **14996/2011**
(22) Date of Filing Application: **07 November 2011**
(24) Date from which industrial property rights may have effect: **07 November 2011**
(54) Product in respect of which the design is registered: **A sign**
(51) International Design Classification: **20-03NES**
(74) Name(s) of Attorney(s): **Freehills Patent & Trade Mark Attorneys**
(71) Name(s) and Address(s) of Applicant(s):
Optima Solutions UK Limited
Loch of Loirston Wellington Road Aberdeen AB12 3LN United Kingdom
(72) Name(s) of Designer(s): **James George Oag**
(45) Registration Date: **16 December 2011**
(30) Convention priority data:
(31) Number (32) Date (33) Country
001936295 21 Oct 2011 EUROPEAN COMMUNITY

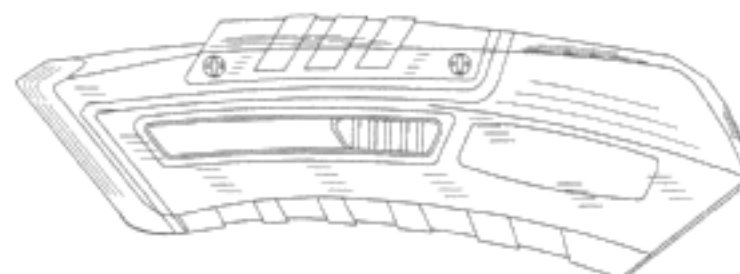
(56) Related Art Documents: **Not Applicable**
(57) Statement of Newness and Distinctiveness: **Nil**



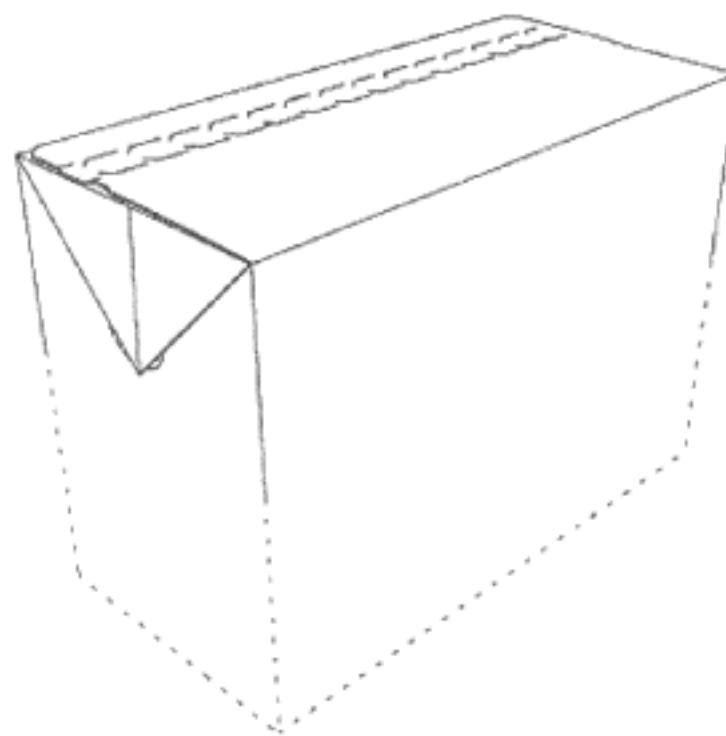
(21) Design Number: **15247/2011**
(22) Date of Filing Application: **18 November 2011**
(24) Date from which industrial property rights may have effect: **18 November 2011**
(54) Product in respect of which the design is registered: **Electrical box**
(51) International Design Classification: **13-03NES**
(74) Name(s) of Attorney(s): **A.P.T. Patent and Trade Mark Attorneys**
(71) Name(s) and Address(s) of Applicant(s):
Watertec (Malaysia) Sdn Bhd
Lot 6 Jalan Halba 16/16 Section 16 40200 Shah Alam Selangor Malaysia
(72) Name(s) of Designer(s): **Afandi Bin Hamzah and Low Han Sin**
(45) Registration Date: **16 December 2011**
(56) Related Art Documents: **Not Applicable**
(57) Statement of Newness and Distinctiveness: **Nil**



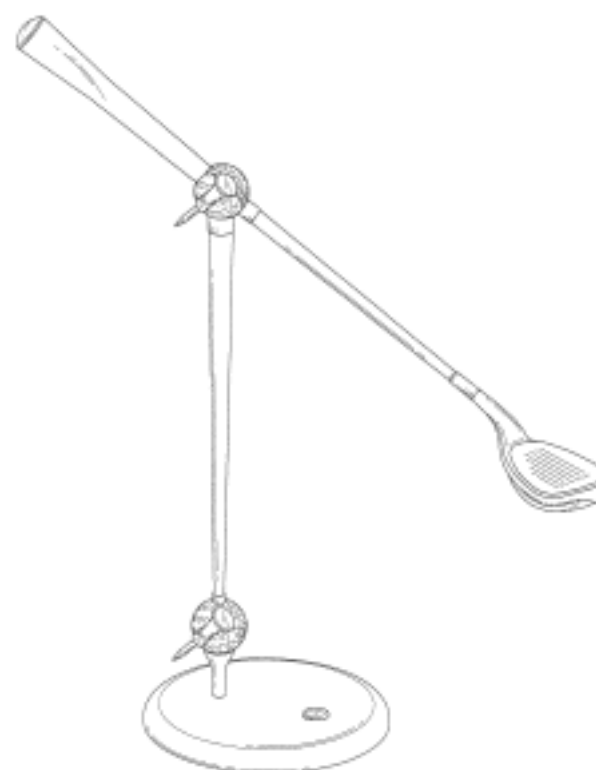
(21) Design Number: **15248/2011**
(22) Date of Filing Application: **17 November 2011**
(24) Date from which industrial property rights may have effect: **17 November 2011**
(54) Product in respect of which the design is registered: **A utility knife**
(51) International Design Classification: **08-03**
(74) Name(s) of Attorney(s): **Hunt & Hunt**
(71) Name(s) and Address(s) of Applicant(s):
Yuewei Wu
Ningbo Xingwei Plastic Product Co. Ltd. Industrial Zone of Xidian
Ninghai Zhejiang 315613 China
(72) Name(s) of Designer(s): **Yuewei Wu**
(45) Registration Date: **16 December 2011**
(30) Convention priority data:
(31) Number (32) Date (33) Country
201130124874.9 **18 May 2011** **CHINA**
(56) Related Art Documents: **Not Applicable**
(57) Statement of Newness and Distinctiveness: **Nil**



- (21) Design Number: **15250/2011**
(22) Date of Filing Application: **17 November 2011**
(24) Date from which industrial property rights may have effect: **17 November 2011**
(54) Product in respect of which the design is registered: **A package**
(51) International Design Classification: **09-03M**
(74) Name(s) of Attorney(s): **Davies Collison Cave**
(71) Name(s) and Address(s) of Applicant(s):
Colorpak Limited
63-73 Woodlands Drive Braeside Victoria 3195 Australia
(72) Name(s) of Designer(s): **Nigel Berghoff**
(45) Registration Date: **16 December 2011**
(56) Related Art Documents: **Not Applicable**
(57) Statement of Newness and Distinctiveness: **Newness and distinctiveness is claimed in the features of shape and configuration of the upper end portion of the package as shown in solid lines in the representations.**



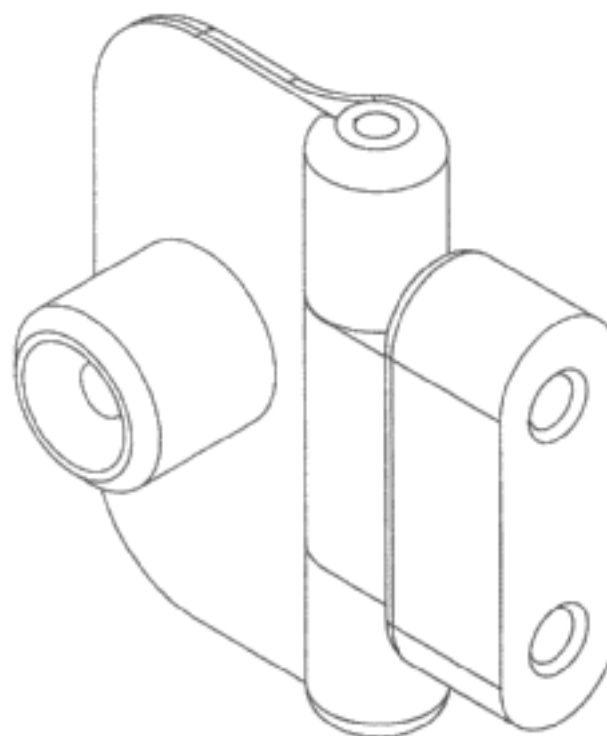
- (21) Design Number: **15260/2011**
(22) Date of Filing Application: **21 November 2011**
(24) Date from which industrial property rights may have effect: **21 November 2011**
(54) Product in respect of which the design is registered: **Table lamp**
(51) International Design Classification: **26-05B**
(74) Name(s) of Attorney(s): **A J Park**
(71) Name(s) and Address(s) of Applicant(s):
Wen-Ching Chien
No. 9 Lane 442 Daxing Road Bade City Taoyuan County Taiwan
(72) Name(s) of Designer(s): **Wen-Ching Chien**
(45) Registration Date: **16 December 2011**
(30) Convention priority data:
(31) Number (32) Date (33) Country
100303146 22 Jun 2011 TAIWAN, PROVINCE OF CHINA
(56) Related Art Documents: **Not Applicable**
(57) Statement of Newness and Distinctiveness: **Newness and distinctiveness reside in the features of shape and/or configuration of the table lamp, as shown in the representations.**



- (21) Design Number: **15268/2011**
(22) Date of Filing Application: **18 November 2011**
(24) Date from which industrial property rights may have effect: **18 November 2011**
(54) Product in respect of which the design is registered: **Lighting device for a vehicle**
(51) International Design Classification: **26-06**
(74) Name(s) of Attorney(s): **PHILLIPS ORMONDE FITZPATRICK**
(71) Name(s) and Address(s) of Applicant(s):
Global Trade Imports Pty Ltd
205 Arden Street North Melbourne Victoria 3051 Australia
(72) Name(s) of Designer(s): **Shane Panczel**
(45) Registration Date: **16 December 2011**
(56) Related Art Documents: **Not Applicable**
(57) Statement of Newness and Distinctiveness: **Those features of the lighting device for a vehicle depicted in the representations that are new and distinctive are the shape and/or configuration.**



- (21) Design Number: **15269/2011**
(22) Date of Filing Application: **18 November 2011**
(24) Date from which industrial property rights may have effect: **18 November 2011**
(54) Product in respect of which the design is registered: **Hinge**
(51) International Design Classification: **08-06**
(74) Name(s) of Attorney(s): **PHILLIPS ORMONDE FITZPATRICK**
(71) Name(s) and Address(s) of Applicant(s):
Coast RV Pty Ltd
20 George Young Street Auburn New South Wales 2144 Australia
(72) Name(s) of Designer(s): **Andrew Ryan**
(45) Registration Date: **16 December 2011**
(56) Related Art Documents: **Not Applicable**
(57) Statement of Newness and Distinctiveness: **Nil**



(21) Design Number: **15270/2011**
(22) Date of Filing Application: **18 November 2011**
(24) Date from which industrial property rights may have effect: **18 November 2011**
(54) Product in respect of which the design is registered: **Fishing tackle**
(51) International Design Classification: **22-05**
(74) Name(s) of Attorney(s): **Davies Collison Cave**
(71) Name(s) and Address(s) of Applicant(s):

Rapala VMC Oyj
Tehtaantie 2 FI-17200 Vaaksy Finland

(72) Name(s) of Designer(s): **Heikki Niemela**

(45) Registration Date: **16 December 2011**

(30) Convention priority data:

(31) Number	(32) Date	(33) Country
001865098	18 May 2011	EUROPEAN COMMUNITY

(56) Related Art Documents: **Not Applicable**

(57) Statement of Newness and Distinctiveness: **Newness and distinctiveness is claimed in the visual features shown in the representations, particularly noting a three-dimensional surface pattern on the body of the tackle and three-dimensional eyes on the body. The text illustrated in the bottom view of Figure 4 is disclaimed and is not part of the design.**



(21) Design Number: **15417/2011**
(22) Date of Filing Application: **28 November 2011**
(24) Date from which industrial property rights may have effect: **28 November 2011**
(54) Product in respect of which the design is registered: **Television receiver**
(51) International Design Classification: **14-03B**
(74) Name(s) of Attorney(s): **Freehills Patent & Trade Mark Attorneys**
(71) Name(s) and Address(s) of Applicant(s):

LG Electronics Inc.
20 Yeouido-dong Yeongdeungpo-gu Seoul 150-721 Republic of Korea

(72) Name(s) of Designer(s): **Sunha Park and Jaewon Lim**

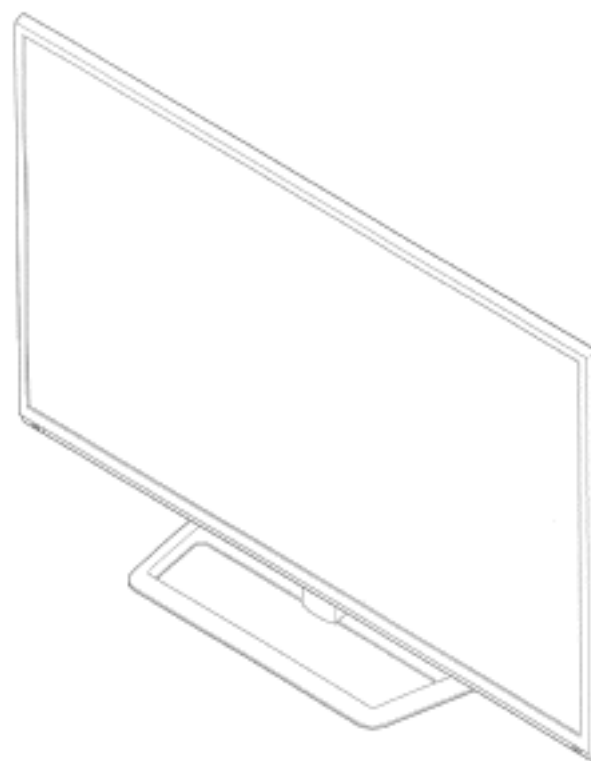
(45) Registration Date: **16 December 2011**

(30) Convention priority data:

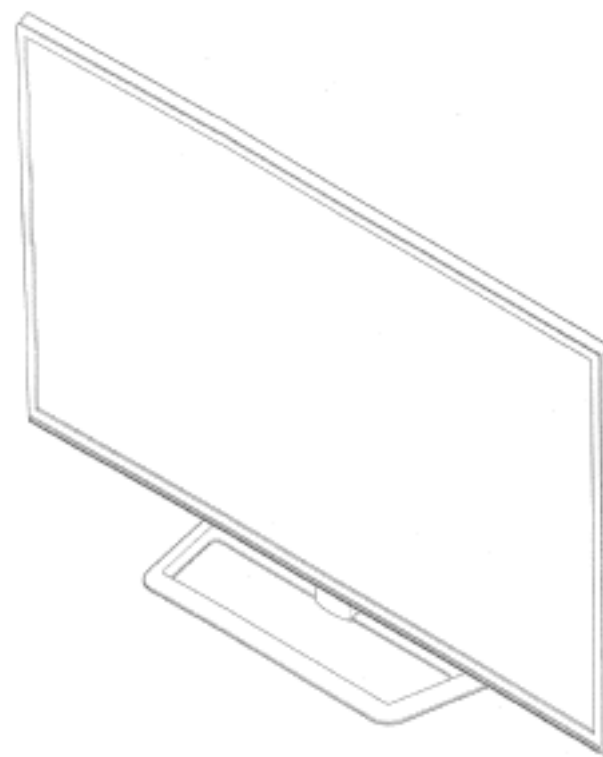
(31) Number	(32) Date	(33) Country
30-2011-0021753	27 May 2011	REPUBLIC OF KOREA

(56) Related Art Documents: **Not Applicable**

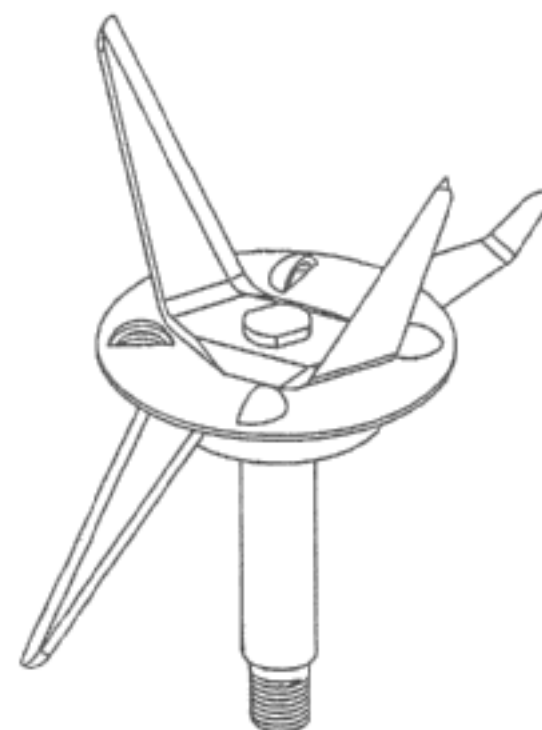
(57) Statement of Newness and Distinctiveness: **Nil**



(21) Design Number: **15418/2011**
(22) Date of Filing Application: **28 November 2011**
(24) Date from which industrial property rights may have effect: **28 November 2011**
(54) Product in respect of which the design is registered: **Television receiver**
(51) International Design Classification: **14-03B**
(74) Name(s) of Attorney(s): **Freehills Patent & Trade Mark Attorneys**
(71) Name(s) and Address(s) of Applicant(s):
LG Electronics Inc.
20 Yeouido-dong Yeongdeungpo-gu Seoul 150-721 Republic of Korea
(72) Name(s) of Designer(s): **Deung Hwangbo and Minji Seo and Junki Kim and Youngkyoung Kim and Misun Park**
(45) Registration Date: **16 December 2011**
(30) Convention priority data:
(31) Number (32) Date (33) Country
20-2011-0021755 27 May 2011 REPUBLIC OF KOREA
(56) Related Art Documents: **Not Applicable**
(57) Statement of Newness and Distinctiveness: **Nil**



(21) Design Number: **15558/2011**
(22) Date of Filing Application: **05 December 2011**
(24) Date from which industrial property rights may have effect: **05 December 2011**
(54) Product in respect of which the design is registered: **A mixer blade for a drink maker**
(51) International Design Classification: **31-00**
(74) Name(s) of Attorney(s): **PHILLIPS ORMONDE FITZPATRICK**
(71) Name(s) and Address(s) of Applicant(s):
WS-INVENTION Trade GmbH
Ricoweg 7 A-2351 Wr. Neudorf Austria
(72) Name(s) of Designer(s): **Werner Schleinzner**
(45) Registration Date: **16 December 2011**
(56) Related Art Documents: **Not Applicable**
(57) Statement of Newness and Distinctiveness: **Nil**



(21) Design Number: **15559/2011**

(22) Date of Filing Application: **05 December 2011**

(24) Date from which industrial property rights may have effect: **05 December 2011**

(54) Product in respect of which the design is registered: **Drink maker**

(51) International Design Classification: **31-00**

(74) Name(s) of Attorney(s): **PHILLIPS ORMONDE FITZPATRICK**

(71) Name(s) and Address(s) of Applicant(s):

WS-INVENTION Trade GmbH

Ricoweg 7 A-2351 Wr. Neudorf Austria

(72) Name(s) of Designer(s): **Werner Schleinzer**

(45) Registration Date: **16 December 2011**

(56) Related Art Documents: **Not Applicable**

(57) Statement of Newness and Distinctiveness: **Nil**

