



Australian Government

IP Australia

AUSTRALIAN OFFICIAL JOURNAL

OF

DESIGNS

Did you know a searchable version of this journal is now available online?

It's FREE and EASY to SEARCH.

Find it on our website (www.ipaustralia.gov.au)

by using the "Journals" link on the home page.

This Page Left Intentionally Blank

Contents

General Information & Notices

**Proceedings Under the Designs Act 1906 preserved as a result of the provisions of Chapter 12
Part 2 of the Designs Act 2003**

Extension of Period of Registration of Designs	2
Names Registered - Alterations and Amendments	2
Registrations Ceased	2
Subsequent Owners Registered	2

Proceedings Under the Designs Act 2003

Applications Lapsed	13
Applications Lodged	6
Certificate of Examination	16
Extension of Period of Registration of Design	15
Extension of Time Granted Under Section 137	15
Names Registered - Alterations and Amendments	15
Publication and Registration Proceedings	
Designs Registered 339977 to 340241.....	17
Registrations Ceased	15
Subsequent Owners Registered	15

This Page Left Intentionally Blank

For information on the following please see our website www.ipaustralia.gov.au or contact our Customer Service Network on 1300651010

[Editorial enquiries](#)

[Contact information](#)

[Freedom of Information ACT](#)

[Professional Standards Board](#)

[Sales](#)

[Requests for Information under Section 194 \(c\)](#)

[Country Codes](#)

[Trade Mark and Designs Hearing Sessions](#)

[INID \(Internationally agreed Numbers for the Identification of Data\)](#)

“INID” NUMBERS in use on Australian Design Documents

“INID” is an acronym for “Internationally agreed Numbers for the Identification of Data”.

(10) Data concerning the registration/renewal

- (11) Serial number of the registration and/or number of the design document
- (12) Plain language designation of the kind of published document
- (19) Identification, using the two-letter code according to WIPO Standard ST.3, of the authority publishing or registering the industrial design

(20) Data concerning the application

- (21) Serial number of the application
- (22) Date of filing of the application
- (24) Date from which the industrial design right has effect

(30) Data relating to priority under the Paris Convention

- (31) Serial number assigned to the priority application
- (32) Date of filing of the priority application
- (33) Two-letter code, according to WIPO Standard ST.3, identifying the authority with which the priority application was made

(40) Date(s) of making information available to the public

- (45) Date of publication of the registered industrial design by printing or similar process, or making it available to the public by any other means

(50) Miscellaneous Information

- (51) International Classification for Industrial Designs (class and subclass of the Locarno Classification)
- (54) Designation of article(s) or product(s) covered by the industrial design or title of the industrial design
- (55) Reproduction of the industrial design (e.g., drawing, photograph) and explanations relating to the reproduction
- (56) List of prior art documents, if separate from descriptive text
- (57) Description of characteristic features of the industrial design including indication of colours

(60) References to other legally related application(s) and registration(s)

- (62) Serial number(s) and, if available, filing date(s) of application(s), registration(s) or document(s) related by division
- (66) Serial number(s) of the application, or the registration, of the design(s) which is (are) a variant(s) of the present one

(70) Identification of parties concerned with the application or registration

- (71) Name(s) and address(es) of the applicant(s)
- (72) Name(s) of the creator(s) if known to be such
- (74) Name(s) and address(es) of the representative(s)

This Page Left Intentionally Blank

OFFICIAL NOTICE**Personal Property Securities Register**

On 30 January 2012, a new Personal Properties Security (PPS) scheme will commence and will affect the legal status of security interests registered with IP Australia. The [Personal Property Securities Act 2009](#) establishes a national online PPS Register with electronic registration and search processes. The PPS Register replaces over 40 different registers of security interests in Australia, including the Patents, Trade Marks and Designs registers.

Detailed information on what constitutes personal property and a personal property security is available on the PPS Register website at www.ppsr.gov.au.

The [Personal Property Securities \(Consequential Amendments\) Act 2009](#) amends the Patents, Trade Marks, Designs and Plant Breeder's Rights Acts to change the recording of security interests against these rights and standardise the rules of priority. The PPS legislation can be viewed on the ComLaw website www.comlaw.gov.au.

Under the new system, IP Australia's registers will no longer be legal securities Registers.

From 30 January 2012, mortgages and other interests newly recorded on the Patents, Trade Marks and Designs Registers may have no legal effect. Existing and new security interests over Patents, Trade Marks, Designs and Plant Breeder's Rights will need to be recorded by the secured party on the PPS Register.

Security interests currently recorded on IP Australia's registers will *not* be automatically migrated to the PPS Register.

Secured parties that have interests recorded on IP Australia's registers prior to 30 January 2012 will have a transitional period of 24 months to 30 January 2014 in which to record these interests on the PPS Register and maintain their priority. All new security interests must be recorded on the PPS Register from 30 January 2012. Parties should ensure they obtain professional advice if they are unsure whether an interest in intellectual property is a PPS interest. IP Australia is not able to provide advice on this subject.

Interests may continue to be recorded on IP Australia's registers for other purposes.

Secured parties will continue to be able to record their interests on the Patents, Trade Marks and Designs Registers. This will enable registrants to receive notifications, be given an opportunity to be heard, or given the opportunity to make submissions under various sections of the Acts. Parties will need to obtain their own advice on whether they also need to register their interest on the PPS Register.

How to identify security interests on IP Australia's registers.

Secured parties can identify all the interests currently recorded in their name against registered trade marks and designs by searching IP Australia's ATMOSS and ADDS databases. IP Australia is developing a similar search facility for patents.

Further details on the amendments to IP Australia's legislation are set out in the [Explanatory Memorandum to the Personal Property Securities \(Consequential Amendments\) Bill 2009](#).

Further information on the new PPS system is available at www.ppsr.gov.au and in the [Explanatory Memorandum to the Personal Property Securities Bill 2009](#).

Queries Terry Moore
Director, Domestic Policy
+61 2 6283 2632

Contact IP Australia
Phone 1300 651 010
Fax +61 2 6283 7999
E-mail assist@ipaustralia.gov.au
Web www.ipaustralia.gov.au

Proceedings under the Designs Act 1906 preserved as a result of the provisions of Chapter 12 Part 2 of the Designs Act 2003.

This Page Left Intentionally Blank

Applications Lapsed

There were no Applications Lapsed under this section

Extension of Period of Registration of Designs

1st Period (Section 27A(8))

2nd Period (Section 27A(12))

3rd Period (Section 27A(13))

143750	144544	144545
144546	144547	144548
144549	144582	144661
144662	144786	144872
144873	145505	145507
145561	145720	145730
146188	146189	146560
147136	148622	150001

Registrations Ceased

Note: Some of the following Registrations may have been previously advertised as ceased. In this instance, the previous advertisement still prevails.

127285	127320	127321
127359	127409	127442
127578	127579	127589
127887	127980	128497
129559	131343	131551
142544	142640	142962
142963	143054	143464
143707	144049	145419
148119	151233	

Subsequent Owners Registered

(The name in parentheses is that of the subsequent owner)

148622	(MSD Oss B.V.) N.V. Organon
138737	(EB Pizza IP Holdings Pty Ltd) Eagle Boys Dial-A-Pizza Australia Pty Ltd
137613	(EB Pizza IP Holdings Pty Ltd) Eagle Boys Dial-A-Pizza Australia Pty Ltd
134072	(SAIC Motor Corporation Limited) Shanghai Automotive Industry Corporation (Group)

Names Registered - Alterations and Amendments

(The name in parentheses is the new name of the proprietor)

140514	(Hills Holdings Limited) Hills Industries Limited
140517	(Hills Holdings Limited) Hills Industries Limited
141741	(Hills Holdings Limited) Hills Industries Limited
142238	(Hills Holdings Limited) Hills Industries Limited

143199	(Hills Holdings Limited) Hills Industries Limited
143480	(Hills Holdings Limited) Hills Industries Limited
144547	(Hills Holdings Limited) Hills Industries Limited
144548	(Hills Holdings Limited) Hills Industries Limited
144549	(Hills Holdings Limited) Hills Industries Limited
145035	(Hills Holdings Limited) Hills Industries Limited
145036	(Hills Holdings Limited) Hills Industries Limited
145995	(Hills Holdings Limited) Hills Industries Limited
150097	(Hills Holdings Limited) Hills Industries Limited
154435	(Hills Holdings Limited) Hills Industries Limited
154436	(Hills Holdings Limited) Hills Industries Limited
150624	(Hills Holdings Limited) Hills Industries Limited
150626	(Hills Holdings Limited) Hills Industries Limited
151109	(Hills Holdings Limited) Hills Industries Limited
154434	(Hills Holdings Limited) Hills Industries Limited
155270	(Hills Holdings Limited) Hills Industries Limited
155271	(Hills Holdings Limited) Hills Industries Limited
155272	(Hills Holdings Limited) Hills Industries Limited
155680	(Hills Holdings Limited) Hills Industries Limited
156857	(Hills Holdings Limited) Hills Industries Limited

This Page Left Intentionally Blank

Proceedings under the Designs Act 2003.

This Page Left Intentionally Blank

Applications Lodged

Lodgement information is in the following order: **Applicant's Name**; International Classification, Name of Product, Lodgement Date and **Design Number**. If the applicant claims an earlier priority date under an International Convention, the Convention Country and the associated filing date are shown in parentheses before the Lodgement Date. Divisional information will also appear in parentheses before the Lodgement Date.

A B C Participations; 28-03NES, Eyebrow tweezers, 23 Dec 2011	15968/2011	Anchor Wall Systems, Inc.; 25-01A, A concrete product, (US, 05 May 2011) (Divisional of 14952/2011) 03 Nov 2011	15796/2011
A B C Participations; 28-03NES, Nail brush, 23 Dec 2011	16017/2011		
A B C Participations; 28-03NES, Nail clipper, 23 Dec 2011	16018/2011	Anchor Wall Systems, Inc.; 25-01A, A concrete product, (US, 05 May 2011) (Divisional of 14952/2011) 03 Nov 2011	15794/2011
A B C Participations; 28-03NES, Cuticle cutter, 23 Dec 2011	15969/2011		
A B C Participations; 28-03NES, Pedicure file, 23 Dec 2011	16013/2011	Anchor Wall Systems, Inc.; 25-01A, A concrete product, (US, 05 May 2011) (Divisional of 14952/2011) 03 Nov 2011	15795/2011
A B C Participations; 28-03NES, Metal nail file, 23 Dec 2011	16010/2011		
Absolute International Pty Ltd; 08-08NES, 08-09, Door hook, 23 Dec 2011	15957/2011	Anchor Wall Systems, Inc.; 25-01A, A concrete product, (US, 05 May 2011) (Divisional of 14952/2011) 03 Nov 2011	15793/2011
Actervis GmbH; 28-03A, Hand held unit for cosmetic components with a charger, (EM, 17 May 2011) 17 Nov 2011	15882/2011	Artcraft Pty Ltd; 26-03, Solar light fitting, 04 Jan 2012	10033/2012
Alive Girl Pty Ltd;AG (Syd) Fashion Pty Ltd; 02-02C, Dress, (Divisional of 13124/2011) 14 Jul 2011	15897/2011	Astra Tech AB; 24-03, Dental abutment, (EM, 13 May 2011) 11 Nov 2011	15843/2011
Allan Block International, LLC; 25-01NES, Anchoring unit for a parapet wall block, (US, 30 Jun 2011) 19 Dec 2011	15861/2011	Astra Tech AB; 24-03, Dental abutment, (EM, 13 May 2011) 11 Nov 2011	15841/2011
Alquema Pty Ltd; 02-02C, A garment, 23 Dec 2011	15996/2011	Astra Tech AB; 24-03, Dental abutment, (EM, 13 May 2011) 11 Nov 2011	15842/2011
Alto Packaging Limited; 09-03F, A tray, 19 Dec 2011	15834/2011	Astra Tech AB; 24-03, Dental implant, (EM, 13 May 2011) 11 Nov 2011	15839/2011
Alto Packaging Limited; 09-03F, A tray, 19 Dec 2011	15835/2011	Astra Tech AB; 24-03, Dental abutment, (EM, 13 May 2011) 11 Nov 2011	15840/2011
Alto Packaging Limited; 09-03F, A tray, 19 Dec 2011	15832/2011	AstraZeneca A.B.; 24-04, Inhaler, 21 Dec 2011	15912/2011
Alto Packaging Limited; 09-03F, A tray, 19 Dec 2011	15833/2011	AstraZeneca A.B.; 24-04, Inhaler, 21 Dec 2011	15915/2011
Alto Packaging Limited; 09-03F, A tray, 19 Dec 2011	15830/2011	AstraZeneca A.B.; 24-04, Inhaler, 21 Dec 2011	15913/2011
Alto Packaging Limited; 09-03F, A tray, 19 Dec 2011	15831/2011	Audiofly Pty Ltd; 14-01, In-ear headphones, 16 Dec 2011	15826/2011
Amcor Limited; 09-03NES, A carton and blank, 22 Dec 2011	15964/2011	Audiofly Pty Ltd; 14-01, In-ear headphones, 16 Dec 2011	15827/2011
Amcor Limited; 09-03NES, A carton and blank, 22 Dec 2011	15963/2011	Audiofly Pty Ltd; 14-01, In-ear headphones, 16 Dec 2011	15825/2011
Anchor Wall Systems, Inc.; 25-01A, A concrete product, (US, 05 May 2011) (Divisional of 14952/2011) 03 Nov 2011	15792/2011	Audiofly Pty Ltd; 14-01, In-ear headphones, 16 Dec 2011	15824/2011

Australian Mobile Mining Equipment Systems and Accessories Pty. Limited; 12-05, An adjustable arm for container-handling equipment, 17 Dec 2011	15829/2011	Biogen Idec MA Inc.;SHL Group AB; 24-02, Limiter for dispensing device, (US, 28 Apr 2011) 27 Oct 2011	15961/2011
AB SKF; 15-99, Bearing housing, (EM, 20 Jun 2011) 09 Dec 2011	15880/2011	Black & Decker Inc; 15-05, Garden blower, (EM, 14 Jul 2011) 21 Dec 2011	15916/2011
AB SKF; 15-99, Bearing housing, (EM, 20 Jun 2011) 09 Dec 2011	15881/2011	Blue Sun Group Pty Ltd; 25-01K, Extrusion, (CN, 14 Dec 2011) 23 Dec 2011	16004/2011
ADC Communications (Australia) Pty Limited; 13-03E, Electrical contact holder for an electrical connection module, 23 Dec 2011	15974/2011	Brabus PA IP Pty Ltd; 28-03B, As illustrated in the attached representations, 20 Dec 2011	15904/2011
ADC Communications (Australia) Pty Limited; 13-03E, Shielding interface for an electrical connection module, 23 Dec 2011	15975/2011	Brabus PA IP Pty Ltd; 28-03B, As illustrated in the attached representations, 20 Dec 2011	15905/2011
ADC Communications (Australia) Pty Limited; 13-03E, Electrical connection module, 23 Dec 2011	15976/2011	Brand, Tony;Minz, Mick; 09-03H, , 19 Dec 2011	15967/2011
AFC Group Pty Ltd; 14-01, Splice cassette, 15 Dec 2011	15806/2011	Burchell, Sarah; 28-03NES, 24-04, Cot vaporiser with removable insert, 16 Dec 2011	15790/2011
AFC Group Pty Ltd; 14-01, Splice cassette, 15 Dec 2011	15785/2011	Byrne, Clayton; 21-02D, Relates to the fins that are used on surf boards, boogie boards, yatching keels, kite boards, wind surfers, wave, skis and water skis, 21 Dec 2011	15898/2011
AG (Syd) Fashion Pty Ltd;Alive Girl Pty Ltd; 02-02C, Dress, (Divisional of 13124/2011) 14 Jul 2011	15897/2011	Clarkson, Ryan James; 25-04, Ladder stabiliser, 23 Dec 2011	15993/2011
ARK Corporation Pty Ltd; 12-16L, Unitary adaptor, 19 Dec 2011	15850/2011	Clarkson, Ryan James; 25-04, Ladder stabiliser, 23 Dec 2011	15994/2011
ARK Corporation Pty Ltd; 12-16L, Unitary adaptor, 19 Dec 2011	15851/2011	Colgate-Palmolive Company; 03-01NES, Container, (US, 15 Jul 2011) 23 Dec 2011	15988/2011
ARK Corporation Pty Ltd; 12-16L, Unitary adaptor, 19 Dec 2011	15852/2011	Colgate-Palmolive Company; 03-01NES, Cap for container, (US, 15 Jul 2011) 23 Dec 2011	15987/2011
Bailey, Craig; 09-07B, A lid, (US, 27 Jun 2011) 23 Dec 2011	16006/2011	Colgate-Palmolive Company; 03-01NES, Container, (US, 15 Jul 2011) 23 Dec 2011	15986/2011
Benoit, Sandrine; 14-01, Bluetooth stereo speaker, 03 Jan 2012	10001/2012	Continental Reifen Deutschland GmbH; 12-15B, Tyre, (EM, 02 Sep 2011) 19 Dec 2011	15853/2011
Benoit, Sandrine; 14-01, Bluetooth stereo speaker, 04 Jan 2012	10014/2012	Daikin Industries Ltd.; 23-04, Air conditioner, 19 Dec 2011	15871/2011
Benoit, Sandrine; 20-03NES, Logo, 03 Jan 2012	10002/2012	Daikin Industries Ltd.; 23-04, Air conditioner, (JP, 11 Aug 2011) 19 Dec 2011	15868/2011
Benoit, Sandrine; 14-03A, Bluetooth hands free car kit, 03 Jan 2012	10000/2012	Daikin Industries Ltd.; 23-04, Air conditioner, (JP, 11 Aug 2011) 19 Dec 2011	15869/2011
Big Difference Pty Ltd; 08-08L, An extruded channel, 04 Jan 2012	10027/2012	Daikin Industries Ltd.; 23-04, Air conditioner, (JP, 11 Aug 2011) 19 Dec 2011	15867/2011
Biogen Idec MA Inc.;SHL Group AB; 24-02, Limiter for dispensing device, (US, 08 Apr 2011) 27 Oct 2011	15962/2011	Daikin Industries Ltd.; 23-04, Air conditioner, 19 Dec 2011	15872/2011

Daikin Industries Ltd.; 14-03NES, Remote control for air conditioner, (JP, 11 Aug 2011) 19 Dec 2011	15870/2011	Everitt, Ryan; 12-16NES, 21-01C, Suspension control arm for remote control cars in car sizes 1/8 1/10 1/5 scale, 13 Dec 2011	15791/2011
Daikin Industries Ltd.; 23-04, Grille of outdoor unit for air conditioner, 19 Dec 2011	15866/2011	Ewing, Warren; 23-01H, Mini cistern tap, 16 Dec 2011	15779/2011
Daikin Industries Ltd.; 23-04, Outdoor unit for air conditioner, 19 Dec 2011	15864/2011	Forever New Clothing Pty Ltd; 02-02C, Women's fashion clothing, 10 Jun 2011	15780/2011
Daikin Industries Ltd.; 23-04, Outdoor unit for air conditioner, 19 Dec 2011	15865/2011	Forever New Clothing Pty Ltd; 02-02NES, Women's fashion clothing, 06 Jul 2011	15984/2011
Daimler AG; 12-16A, Wheel for vehicle, 03 Jan 2012	10007/2012	Forever New Clothing Pty Ltd; 02-02NES, Women's fashion clothing, 06 Jul 2011	15985/2011
Daimler AG; 12-16A, Wheel for vehicle, 03 Jan 2012	10008/2012	Forever New Clothing Pty Ltd; 02-02NES, Women's fashion clothing, 06 Jul 2011	15983/2011
De Klerk, Francois Stefanus; 09-07C, Removable hygienic seal for a beverage container, (ZA, 20 Oct 2011) 03 Jan 2012	10013/2012	Forever New Clothing Pty Ltd; 02-02NES, Women's fashion clothing, 06 Jul 2011	15982/2011
DiBetta, Michael John; 21-02F, Exercise and/or training apparatus, 22 Dec 2011	15953/2011	Forever New Clothing Pty Ltd; 02-02NES, Women's fashion clothing, 10 Jun 2011	15782/2011
Dynaflow Pty Ltd; 24-02, The interior and/or the face opening surround of a fume cupboard., 21 Dec 2011	15940/2011	Forever New Clothing Pty Ltd; 02-02C, Women's fashion clothing, 10 Jun 2011	15781/2011
Eaton Corporation; 21-02C, Golf grip, (US, 29 Jul 2011) 23 Dec 2011	15989/2011	Foster, Bradley Ewart; 12-16K, Vehicle roof carrier, 23 Dec 2011	16016/2011
Elairsar (Australia) Pty Ltd; 14-03NES, Homony HMN-080A mini amplifier, 14 Dec 2011	15651/2011	Foster, Bradley Ewart; 12-16K, Vehicle Roof Carrier, 23 Dec 2011	16015/2011
Elairsar (Australia) Pty Ltd; 14-03NES, Homony HMN-080B mini amplifier, 14 Dec 2011	15652/2011	Funtastic Limited; 12-12, A stroller, 21 Dec 2011	15919/2011
Electrolux Home Products Corporation N.V.; 07-02NES, A combination appliance control panel and an appliance door such as for an oven, an appliance control panel, a combination appliance control panel and an appliance door such as for an oven and an appliance control panel, (EM, 01 Jul 2011) 23 Dec 2011	15979/2011	Funtastic Limited; 12-12, A stroller, 21 Dec 2011	15920/2011
Electrolux Home Products Corporation N.V.; 15-05, A dishwasher, an appliance control panel and handle, an appliance control panel and handle and an appliance control, panel and handle, (EM, 29 Jun 2011) 23 Dec 2011	15981/2011	Garth Australia Pty Ltd; 07-02A, Cooking apparatus, 19 Dec 2011	15862/2011
Electrolux Home Products Corporation N.V.; 07-02NES, An appliance control panel, a combination appliance control panel and an appliance door such as for an oven, an appliance control panel, (EM, 29 Jun 2011) 23 Dec 2011	15980/2011	Geberit International AG; 23-02C, Control panel for toilet flush tank, (WO, 05 Sep 2011) 21 Dec 2011	15926/2011
		Geberit International AG; 23-02C, Control panel for toilet flush tank, (WO, 05 Sep 2011) 21 Dec 2011	15927/2011
		Geberit International AG; 23-02C, Control panel for toilet flush tank, (WO, 05 Sep 2011) 21 Dec 2011	15924/2011
		Geberit International AG; 23-02C, Control panel for toilet flush tank, (WO, 05 Sep 2011) 21 Dec 2011	15925/2011
		Goodyear Tire & Rubber Company, The; 12-15D, Tyre for motorcycle, (JP, 15 Jul 2011) 04 Jan 2012	10030/2012
		Guangzhou Gardenart Furniture Co. Ltd; 06-01H, See attached pictures, (EM, 25 Aug 2011) 12 Dec 2011	15797/2011

Guangzhou Gardenart Furniture Co. Ltd; 06-01H, See attached pictures, (EM, 25 Aug 2011) 12 Dec 2011	15803/2011	Jackson Electrical Industries Limited; 10-04, An electrical cable current reading enabling device (single phase), (NZ, 25 Nov 2011) 03 Jan 2012	10004/2012
Guangzhou Gardenart Furniture Co. Ltd; 06-01H, See attached pictures, (EM, 25 Aug 2011) 12 Dec 2011	15804/2011	Jackson Electrical Industries Limited; 10-04, An electrical cable current reading enabling device (3 phase), (NZ, 21 Nov 2011) 03 Jan 2012	10003/2012
Guangzhou Gardenart Furniture Co. Ltd; 06-01H, See attached pictures, (EM, 25 Aug 2011) 12 Dec 2011	15801/2011	Jeggo Industries Pty Ltd; 25-02NES, 25-01D, Building sheet, 20 Dec 2011	15909/2011
Guangzhou Gardenart Furniture Co. Ltd; 06-01H, See attached pictures, (EM, 25 Aug 2011) 12 Dec 2011	15802/2011	Kanai Co., Ltd.;Sumitomo Forestry Co., Ltd.; 08-08L, Beam joint hardware, (JP, 30 Jun 2011) 16 Dec 2011	15787/2011
Guangzhou Gardenart Furniture Co. Ltd; 06-01H, See attached pictures, (EM, 25 Aug 2011) 12 Dec 2011	15799/2011	Kanai Co., Ltd.;Sumitomo Forestry Co., Ltd.; 08-08L, Beam joint hardware, (JP, 30 Jun 2011) 16 Dec 2011	15786/2011
Guangzhou Gardenart Furniture Co. Ltd; 06-01H, See attached pictures, (EM, 25 Aug 2011) 12 Dec 2011	15800/2011	Kelly, Anthony; 25-02B, A cubicle, 16 Dec 2011	15828/2011
Guangzhou Gardenart Furniture Co. Ltd; 06-01H, See attached pictures, (EM, 25 Aug 2011) 12 Dec 2011	15798/2011	Kennedy, Pauline Grace; 03-01NES, 24-99, Dental tape container, 19 Dec 2011	15860/2011
H. Grossman Limited; 21-01F, Children's scooter, (EM, 22 Jun 2011) 22 Dec 2011	16009/2011	Kenwood Limited; 07-02F, Toaster, (EM, 27 Jun 2011) 16 Dec 2011	15810/2011
H. Grossman Limited; 21-01F, Children's scooter, (EM, 22 Jun 2011) 22 Dec 2011	16008/2011	Kenwood Limited; 07-02K, Electric kettle, (EM, 27 Jun 2011) 16 Dec 2011	15812/2011
Haigh Australia Pty Ltd; 10-04, Levelling device, 23 Dec 2011	15966/2011	Kenwood Limited; 07-02K, Electric kettle, (EM, 27 Jun 2011) 16 Dec 2011	15813/2011
Hazzouri, Jozette; 02-04A, Outsole for footwear, (US, 01 Nov 2011) 23 Dec 2011	16000/2011	Kenwood Limited; 07-02L, Coffee maker, (EM, 27 Jun 2011) 16 Dec 2011	15811/2011
Hazzouri, Jozette; 02-04A, Outsole for footwear, (US, 01 Nov 2011) 23 Dec 2011	16001/2011	Kenwood Limited; 07-02F, Toaster, (EM, 27 Jun 2011) 16 Dec 2011	15809/2011
Hisense Electric Co., Ltd.; 14-03B, Television receiver, (CN, 14 Dec 2011) 23 Dec 2011	15956/2011	Ketola, Hannu; 23-01F, Rainwater tank, 14 Dec 2011	15820/2011
Hisense Electric Co., Ltd.; 14-03B, Television receiver, (CN, 14 Dec 2011) 23 Dec 2011	15954/2011	Klean Kanteen, Inc.; 09-07A, Drinking spout for reusable bottle, (US, 05 Jul 2011) 14 Dec 2011	15823/2011
Hisense Electric Co., Ltd.; 14-03B, Television receiver, (CN, 14 Dec 2011) 23 Dec 2011	15955/2011	Koninklijke Philips Electronics N.V.; 26-05E, Underwater LED, (EM, 16 Jun 2011) 15 Dec 2011	15807/2011
Honda Motor Co., Ltd.; 12-08, An automobile, (JP, 28 Jun 2011) 21 Dec 2011	15944/2011	Koninklijke Philips Electronics N.V.; 26-04, 26-05E, LED lamp, (EM, 23 Jun 2011) 23 Dec 2011	15992/2011
Honda Motor Co., Ltd.; 15-01, Outboard motor machine, (JP, 06 Jul 2011) 04 Jan 2012	10032/2012	Koninklijke Philips Electronics N.V.; 14-03A, Baby unit for babyphone, (EM, 28 Jun 2011) 23 Dec 2011	15991/2011
Huawei Technologies Co., Ltd.; 14-03NES, Enterprise gateway, (CN, 24 Jun 2011) 03 Jan 2012	10018/2012	Koninklijke Philips Electronics N.V.; 26-05NES, Portable lamp, (EM, 04 Jul 2011) 04 Jan 2012	10021/2012
Husqvarna AB; 23-01E, Water controller, (EM, 30 Jun 2011) 21 Dec 2011	15946/2011		

Koninklijke Philips Electronics N.V.; 26-05NES, Docking station for inspection lamp, (EM, 04 Jul 2011) 04 Jan 2012	10024/2012	Lifetime Products, Inc.; 06-03NES, A portion of a table top, (US, 25 Apr 2011) (Divisional of 14799/2011) 24 Oct 2011	15906/2011
Koninklijke Philips Electronics N.V.; 26-05NES, Holder for inspection lamp, (EM, 04 Jul 2011) 04 Jan 2012	10025/2012	Lifetime Products, Inc.; 06-03NES, A portion of a table top, (US, 25 Apr 2011) (Divisional of 14799/2011) 24 Oct 2011	15907/2011
Koninklijke Philips Electronics N.V.; 26-05NES, Inspection lamp, (EM, 04 Jul 2011) 04 Jan 2012	10022/2012	Lite Industries Pty Ltd; 12-10, Trailer, 23 Dec 2011	16007/2011
Koninklijke Philips Electronics N.V.; 26-05NES, Inspection lamp, (EM, 04 Jul 2011) 04 Jan 2012	10023/2012	Lovrek, Branko; 09-07C, Cap closure, 19 Dec 2011	15821/2011
Koninklijke Philips Electronics N.V.; 14-03A, Parent unit for babyphone, (EM, 28 Jun 2011) 23 Dec 2011	15990/2011	Lundia Shelving Limited; 12-05, A ramp, 23 Dec 2011	16014/2011
Koninklijke Philips Electronics N.V.; 07-01E, Top assembly without cap for baby bottle, (EM, 21 Jun 2011) 20 Dec 2011	15892/2011	Lundia Shelving Limited; 12-05, A ramp, 23 Dec 2011	15971/2011
Koninklijke Philips Electronics N.V.; 07-01E, Teat for baby bottle, (EM, 21 Jun 2011) 20 Dec 2011	15893/2011	LG Electronics Inc.; 14-03B, Television receiver, (KR, 04 Jul 2011) 04 Jan 2012	10036/2012
Koninklijke Philips Electronics N.V.; 07-01E, Baby bottle, (EM, 21 Jun 2011) 20 Dec 2011	15889/2011	LG Electronics Inc.; 14-03B, Television receiver, (KR, 04 Jul 2011) 04 Jan 2012	10037/2012
Koninklijke Philips Electronics N.V.; 07-01E, Baby bottle, (EM, 21 Jun 2011) 20 Dec 2011	15890/2011	LG Electronics Inc.; 15-05, Nozzle for vacuum cleaners, (KR, 22 Jul 2011) 04 Jan 2012	10020/2012
Koninklijke Philips Electronics N.V.; 07-01E, Top assembly with cap for baby bottle, (EM, 21 Jun 2011) 20 Dec 2011	15891/2011	LG Electronics Inc.; 14-03E, Mobile phone, (KR, 28 Dec 2011) 03 Jan 2012	10016/2012
Kroupa, Robert J.; 03-01NES, 16-99, Contact lens case, (US, 18 Apr 2011) (Divisional of 14713/2011) 18 Oct 2011	10009/2012	LG Electronics Inc.; 14-03B, Television receiver, (KR, 30 Jun 2011) 03 Jan 2012	10015/2012
Kroupa, Robert J.; 03-01NES, 16-99, Contact lens case, (US, 18 Apr 2011) (Divisional of 14713/2011) 18 Oct 2011	10011/2012	LG Electronics Inc.; 14-03B, Television receiver, (KR, 28 Jul 2011) 04 Jan 2012	10034/2012
Kroupa, Robert J.; 03-01NES, 16-99, Contact lens case, (US, 18 Apr 2011) (Divisional of 14713/2011) 18 Oct 2011	10012/2012	LG Electronics Inc.; 14-03B, Television receiver, (KR, 15 Jul 2011) 04 Jan 2012	10035/2012
Kroupa, Robert J.; 03-01NES, 16-99, Contact lens case, (US, 18 Apr 2011) (Divisional of 14713/2011) 18 Oct 2011	10010/2012	Marmoy, Piers; 06-01NES, Inflatable half ball chair on gas lift and castors, 05 Jan 2012	10026/2012
Ladson, Norman Alfred; 23-01C, Garden hose end connectors and pipe fittings, 04 Jan 2012	10017/2012	Martell & Co.; 07-01F, Decanter, (EM, 24 Oct 2011) 23 Dec 2011	15999/2011
Liberation Developments Pty Ltd; 25-01K, A jamb member, 19 Dec 2011	15849/2011	Martin, Lex; 21-01N, Game app for ipad, 16 Dec 2011	15775/2011
Lifetime Products, Inc.; 06-03NES, A portion of a table top, (US, 25 Apr 2011) (Divisional of 14799/2011) 24 Oct 2011	15908/2011	Mejeriforeningen Danish Dairy Board; 07-01NES, 09-07NES, Packaging lid, (EM, 04 Jul 2011) 04 Jan 2012	10029/2012
		Mejeriforeningen Danish Dairy Board; 07-01NES, 09-07NES, Packaging lid, (EM, 04 Jul 2011) 04 Jan 2012	10031/2012
		Michelin Recherche et Technique S.A.;Societe De Technologie Michelin; 12-15A, A tyre, 23 Dec 2011	15959/2011

Michelin Recherche et Technique S.A.; Societe De Technologie Michelin; 12-15B, A tyre, (FR, 05 Jul 2011) 23 Dec 2011	15958/2011	Procter & Gamble Company, The; 19-08, Label for a container, (US, 28 Jun 2011) 22 Dec 2011	15952/2011
Minz, Mick; Brand, Tony; 09-03H, , 19 Dec 2011	15967/2011	Procter & Gamble Company, The; 19-08, Label for a container, (US, 28 Jun 2011) 22 Dec 2011	15951/2011
Mitsubishi Electric Corporation; 15-05, Hand dryer, (JP, 29 Jun 2011) 22 Dec 2011	15965/2011	Procter & Gamble Company, The; 09-03M, Container with surface ornamentation, (US, 28 Jun 2011) 22 Dec 2011	15950/2011
Mothercare UK Limited; 07-01E, Feeding bottle closure, (EM, 25 Mar 2011) 26 Sep 2011	15863/2011	Procter & Gamble Company, The; 09-03M, Container with surface ornamentation, (US, 28 Jun 2011) 22 Dec 2011	15949/2011
Multigate Medical Products Pty Limited; 24-01, Suture tray, 15 Dec 2011	15774/2011	Reckitt & Colman (Overseas) Limited; 09-01NES, Bottle, (EM, 23 Jun 2011) 21 Dec 2011	15942/2011
Naim, Ossama; 12-16A, Alloy wheels/rims, 19 Dec 2011	15837/2011	Reckitt & Colman (Overseas) Limited; 09-01NES, Bottle, (EM, 23 Jun 2011) 21 Dec 2011	15943/2011
Naim, Ossama; 12-16A, Alloy wheels/rims, 19 Dec 2011	15838/2011	Reckitt & Colman (Overseas) Limited; 09-01NES, Bottle, (EM, 23 Jun 2011) 21 Dec 2011	15938/2011
Nautilus Hyosung Inc.; 20-01, Automated teller machine, (KR, 06 Jul 2011) 17 Dec 2011	15836/2011	Reckitt & Colman (Overseas) Limited; 09-01NES, Bottle, (EM, 23 Jun 2011) 21 Dec 2011	15939/2011
OOO Obschestvo s organichennoy otvetstvennostyu "CONCEPT"; 09-03M, 09-05, Packaging, (EM, 27 Jun 2011) 23 Dec 2011	16002/2011	Reckitt & Colman (Overseas) Limited; 09-01NES, Bottle, (EM, 23 Jun 2011) 21 Dec 2011	15934/2011
Peng, Lian Pek; 08-05NES, Panel runner, (MY, 23 Jun 2011) 21 Dec 2011	15900/2011	Reckitt & Colman (Overseas) Limited; 09-01NES, Bottle, (EM, 23 Jun 2011) 21 Dec 2011	15941/2011
Peng, Lian Pek; 25-01D, Panel, (MY, 23 Jun 2011) 21 Dec 2011	15899/2011	Reckitt & Colman (Overseas) Limited; 09-01NES, Bottle, (EM, 23 Jun 2011) 21 Dec 2011	15936/2011
Phillpott, Matthew; 08-08B, A pair of left and right handed clamps, 21 Dec 2011	15902/2011	Reckitt & Colman (Overseas) Limited; 09-01NES, Bottle, (EM, 23 Jun 2011) 21 Dec 2011	15937/2011
Philmac Pty Ltd; 23-01K, Geared half ball component for a rotational valve, 22 Dec 2011	15921/2011	Reckitt & Colman (Overseas) Limited; 09-01NES, Bottle, (EM, 23 Jun 2011) 21 Dec 2011	15935/2011
Philmac Pty Ltd; 23-01K, Rotational valve assembly, 22 Dec 2011	15914/2011	Reckitt & Colman (Overseas) Limited; 09-01NES, Bottle, (EM, 23 Jun 2011) 21 Dec 2011	15932/2011
Plushy Feely Corporation; 21-01B, Plush toy, (US, 23 Jun 2011) 19 Dec 2011	15857/2011	Reckitt & Colman (Overseas) Limited; 09-01A, Bottle, (EM, 23 Jun 2011) 21 Dec 2011	15933/2011
Plushy Feely Corporation; 21-01B, Plush toy, (US, 23 Jun 2011) 19 Dec 2011	15856/2011	Reckitt & Colman (Overseas) Limited; 09-01NES, Bottle, (EM, 23 Jun 2011) 21 Dec 2011	15930/2011
Procon Gesellschaft fur Kontinenzversorgung und Rehabilitation mbH; 24-02, A medical equipment physiotherapy apparatus, (EM, 07 Apr 2011) 07 Oct 2011	15901/2011	Reckitt & Colman (Overseas) Limited; 09-01NES, Bottle, (EM, 23 Jun 2011) 21 Dec 2011	15931/2011
Procter & Gamble Company, The; 19-08, Label/label for a container, (US, 28 Jun 2011) 23 Dec 2011	16005/2011	Reckitt & Colman (Overseas) Limited; 09-01A, Bottle, (EM, 23 Jun 2011) 21 Dec 2011	15928/2011

Reckitt & Colman (Overseas) Limited; 09-01NES, Bottle, (EM, 23 Jun 2011) 21 Dec 2011	15929/2011	Specialized Bicycle Components, Inc.; 12-11, Bicycle frame, (US, 27 Jun 2011) 16 Dec 2011	15817/2011
RL Industry Company Ltd.; 07-01NES, Cupcake carrier, 19 Dec 2011	15858/2011	Specialized Bicycle Components, Inc.; 12-11, Bicycle frame, (US, 27 Jun 2011) 16 Dec 2011	15818/2011
S.C. Johnson & Son, Inc.; 02-04A, Insole, (US, 24 Jun 2011) 21 Dec 2011	15945/2011	Spiteri, Raymond; 24-04, Sticking plaster used for medical purposes, 15 Dec 2011	15789/2011
Sandvik Intellectual Property AB; 08-05NES, Drive sub, 23 Dec 2011	15972/2011	Spiteri, Raymond; 24-04, Sticking plaster used for medical purposes, 15 Dec 2011	15788/2011
Sandvik Intellectual Property AB; 08-01, Drill bit, 23 Dec 2011	15973/2011	Spiteri, Raymond; 24-04, Sticking plaster used for medical purposes, 15 Dec 2011	15784/2011
Sara Lee/DE B.V.; 07-02L, Coffee and tea maker, (EM, 20 Jun 2011) 16 Dec 2011	15822/2011	Spiteri, Raymond; 24-04, Sticking plaster used for medical purposes, 15 Dec 2011	15808/2011
Scott, Antony; 25-01E, A rail for a suspended rail system, 21 Dec 2011	15911/2011	Spiteri, Raymond; 24-04, Sticking plaster used for medical purposes, 15 Dec 2011	15783/2011
Seafolly Pty Ltd; 02-02A, Swimwear, 12 Jul 2011	15844/2011	Stanley Works (Europe) GmbH; 03-01D, Tool accessory tray, (EM, 01 Jul 2011) 21 Dec 2011	15917/2011
Seafolly Pty Ltd; 02-02A, Swimwear, 12 Jul 2011	15847/2011	Stanley Works (Europe) GmbH; 08-05E, Vehicle engine draining tool, (EM, 01 Jul 2011) 21 Dec 2011	15918/2011
Seafolly Pty Ltd; 02-02A, Swimwear, 12 Jul 2011	15848/2011	Staples the Office Superstore, LLC; 19-02, Hole punch, (US, 25 May 2011) 10 Nov 2011	16003/2011
Seafolly Pty Ltd; 02-02A, Swimwear, 12 Jul 2011	15845/2011	Stone Concepts Pty Ltd; 25-01F, Tile, 23 Dec 2011	15977/2011
Seafolly Pty Ltd; 02-02A, Swimwear, 12 Jul 2011	15846/2011	Sumitomo Forestry Co., Ltd.;Kanai Co., Ltd.; 08-08L, Beam joint hardware, (JP, 30 Jun 2011) 16 Dec 2011	15786/2011
Serpent Innovations International Pty Ltd; 21-02D, Flotation device, 21 Dec 2011	15894/2011	Sumitomo Forestry Co., Ltd.;Kanai Co., Ltd.; 08-08L, Beam joint hardware, (JP, 30 Jun 2011) 16 Dec 2011	15787/2011
Smallaire Pty Ltd; 15-05, Blower impeller, 23 Dec 2011	15978/2011	SATA GmbH & Co. KG; 08-05L, Cartridge spray gun, (DE, 30 Jun 2011) 23 Dec 2011	15998/2011
Societe De Technologie Michelin;Michelin Recherche et Technique S.A.; 12-15A, A tyre, 23 Dec 2011	15959/2011	SATA GmbH & Co. KG; 08-05L, Cartridge spray gun, (DE, 30 Jun 2011) 23 Dec 2011	15997/2011
Societe De Technologie Michelin;Michelin Recherche et Technique S.A.; 12-15B, A tyre, (FR, 05 Jul 2011) 23 Dec 2011	15958/2011	SHL Group AB;Biogen Idec MA Inc.; 24-02, Limiter for dispensing device, (US, 28 Apr 2011) 27 Oct 2011	15961/2011
Sony Corporation; 14-02, A digital reader cover, 20 Dec 2011	15903/2011	SHL Group AB;Biogen Idec MA Inc.; 24-02, Limiter for dispensing device, (US, 08 Apr 2011) 27 Oct 2011	15962/2011
Specialized Bicycle Components, Inc.; 12-11, Bicycle frame, (US, 27 Jun 2011) 16 Dec 2011	15816/2011	S3 Performance Pty Ltd; 26-06, Light, 23 Dec 2011	15995/2011
Specialized Bicycle Components, Inc.; 12-11, Bicycle frame, (US, 27 Jun 2011) 16 Dec 2011	15814/2011		
Specialized Bicycle Components, Inc.; 12-11, Bicycle frame, (US, 27 Jun 2011) 16 Dec 2011	15815/2011		
Specialized Bicycle Components, Inc.; 12-11, Bicycle frame, (US, 27 Jun 2011) 16 Dec 2011	15819/2011		

The Goodyear Tire & Rubber Company; 12-15D, Tyre for motorcycle, (JP, 14 Jul 2011) 04 Jan 2012	10028/2012	Unilever PLC; 09-01NES, A bottle, (EM, 14 Jul 2011) 15 Dec 2011	15776/2011
The Yokohama Rubber Co., Ltd.; 12-15B, Automobile tire tread, (JP, 30 Jun 2011) 03 Jan 2012	10005/2012	Ussher Inventions (Proprietary) Limited; 08-06, A pair of handles for tools with a scissors action, (ZA, 15 Jul 2011) 13 Dec 2011	15778/2011
Triple Crown Dog Academy Inc.; 30-99, Pet toy, (US, 24 Jun 2011) 19 Dec 2011	15859/2011	Ussher Inventions (Proprietary) Limited; 08-06, A pair of handles, (ZA, 15 Jul 2011) 13 Dec 2011	15777/2011
TIC (Retail Accessories) Pty Ltd; 06-08, Garment hanger, 19 Dec 2011	15873/2011	Vibram S.P.A.; 02-04NES, Shoes, (EM, 21 Jun 2011) 20 Dec 2011	15883/2011
TIC (Retail Accessories) Pty Ltd; 06-08, Garment hanger, 19 Dec 2011	15877/2011	W.C. Bradley/Zebco Holdings, Inc.; 22-05, Fishing reel body, (US, 19 Jul 2011) 21 Dec 2011	15947/2011
TIC (Retail Accessories) Pty Ltd; 06-08, Garment hanger, 19 Dec 2011	15878/2011	Waterco Limited; 26-05NES, Pool light, 19 Dec 2011	15854/2011
TIC (Retail Accessories) Pty Ltd; 06-08, Garment hanger, 19 Dec 2011	15876/2011	Waterco Limited; 26-05NES, Pool light, 19 Dec 2011	15855/2011
TIC (Retail Accessories) Pty Ltd; 06-08, 08-08C, Garment hanger clip, 19 Dec 2011	15879/2011	Weeks, Matthew David; 08-07, A cable connector lock, 23 Dec 2011	15970/2011
TIC (Retail Accessories) Pty Ltd; 06-08, Garment hanger, 19 Dec 2011	15874/2011	Williams, David Daniel; 08-08K, Temporary fence base, 21 Dec 2011	15948/2011
TIC (Retail Accessories) Pty Ltd; 06-08, Garment hanger, 19 Dec 2011	15875/2011	Wooltsencroft, David; 08-08B, Bolt cap, (EM, 16 Jun 2011) 15 Dec 2011	15805/2011
TNBT Holdings Pty Ltd; 08-07, 4 Pin cylinder lock, 23 Dec 2011	15960/2011	WIRTGEN GmbH; 08-03, Chisel holder, (EM, 04 Jul 2011) 03 Jan 2012	10006/2012
Unicharm Corporation; 30-02, Litter box for pets, (JP, 13 Jul 2011) 21 Dec 2011	15922/2011	Xu, Ji; 23-03NES, Heating apparatus panel, (CN, 15 Aug 2011) 04 Jan 2012	10019/2012
Unicharm Corporation; 30-02, Litter box for pets, (JP, 13 Jul 2011) 21 Dec 2011	15923/2011	3M Innovative Properties Company; 19-06, 19-99, Desktop sheet dispenser and writing instrument holder, (US, 23 Jun 2011) 21 Dec 2011	15910/2011
Unilever PLC; 07-01NES, Container, (EM, 30 Jun 2011) 20 Dec 2011	15895/2011		
Unilever PLC; 07-01D, Container, (EM, 30 Jun 2011) 20 Dec 2011	15896/2011		

Applications Lapsed

11551 / 2011 (02-02C)

13463 / 2011 (12-16NES)	12689 / 2011 (06-01E)
14424 / 2011 (02-02C)	13656 / 2011 (02-02C)
14512 / 2011 (06-01G)	14508 / 2011 (25-03)
14514 / 2011 (06-01G)	14513 / 2011 (06-01G)
14516 / 2011 (06-03C)	14515 / 2011 (06-01G)
14518 / 2011 (26-05B)	14517 / 2011 (26-05B)
14520 / 2011 (06-03A)	14519 / 2011 (26-05D)
14522 / 2011 (06-03B)	14521 / 2011 (06-04D)
14524 / 2011 (06-01G)	14523 / 2011 (06-01E)
14526 / 2011 (06-03B)	14525 / 2011 (06-03A)
14528 / 2011 (08-06)	14527 / 2011 (06-01E)
14530 / 2011 (08-06)	14529 / 2011 (06-03C)
14588 / 2011 (21-01B)	14531 / 2011 (06-01G)
14595 / 2011 (02-02NES)	14594 / 2011 (02-02C)
14597 / 2011 (02-02C)	14596 / 2011 (02-02NES)
14599 / 2011 (02-02C)	14598 / 2011 (02-02NES)
14601 / 2011 (02-02NES)	14600 / 2011 (02-01B)
14643 / 2011 (19-02)	14602 / 2011 (02-02C)
15519 / 2011 (09-01NES)	14713 / 2011 (03-01NES)

Extension of Period of Registration of Designs

312234	312553	312554
312555	312556	312557
312583	312584	312585
312652	312705	312769
312797	312961	313159
313205	313421	313451
313501	313502	313503
313504	313519	313520
313522	313523	313524
313525	313533	313534
313541	313542	313543
313544	313545	313546
313547	313548	313549
313550	313555	313556
313624	313672	313675
313676	313678	313679
313692	313693	313694
313698	313699	313700
313701	313732	313733
313822	313890	313905
313906	313923	313924
314163	314229	314307
314308	314326	314334
314345	314401	314402
314644	314651	314679
314680	314681	314759
315423	315424	315526
315527	316109	

Registrations Ceased

308132	309299	309431
309432	309433	309489
309490	309494	309537
309821	309857	309945
309946	310069	310102
310175	310268	310269
310777	310861	316879
316880	332332	

Extensions of time granted under Section 137

Applications lodged under section 137 for extension of time have been granted.

12357/2011 **David C. Robins**

12358/2011 **David C. Robins**

339992 **Woods Dispensing Systems, LLC**

Subsequent Owners Registered

(The name in parentheses is that of the subsequent owner)

327126	(MSD Oss B.V.) N.V. Organon
304065	(MSD Oss B.V.) N.V. Organon
314549	(3M United Kingdom PLC) Dailys Limited

Names Registered - Alterations and Amendments

(The name in parentheses is that of the subsequent applicant)

311767	(Hills Holdings Limited) Hills Industries Limited
311768	(Hills Holdings Limited) Hills Industries Limited
311769	(Hills Holdings Limited) Hills Industries Limited
311770	(Hills Holdings Limited) Hills Industries Limited
311771	(Hills Holdings Limited) Hills Industries Limited
312785	(Hills Holdings Limited) Hills Industries Limited
312786	(Hills Holdings Limited) Hills Industries Limited
312787	(Hills Holdings Limited) Hills Industries Limited
312854	(Hills Holdings Limited) Hills Industries Limited
312987	(Hills Holdings Limited) Hills Industries Limited
314185	(Hills Holdings Limited) Hills Industries Limited
314186	(Hills Holdings Limited) Hills Industries Limited
314194	(Hills Holdings Limited) Hills Industries Limited
315761	(Hills Holdings Limited) Hills Industries Limited
316047	(Hills Holdings Limited) Hills Industries Limited
322340	(Hills Holdings Limited) Hills Industries Limited
322724	(Hills Holdings Limited) Hills Industries Limited
327683	(Hills Holdings Limited) Hills Industries Limited
332803	(Hills Holdings Limited) Hills Industries Limited
334426	(Hills Holdings Limited) Hills Industries Limited
300613	(Hills Holdings Limited) Hills Industries Limited
303911	(Hills Holdings Limited) Hills Industries Limited
303912	(Hills Holdings Limited) Hills Industries Limited
307028	(Hills Holdings Limited) Hills Industries Limited
307029	(Hills Holdings Limited) Hills Industries Limited
309447	(Hills Holdings Limited) Hills Industries Limited
309448	(Hills Holdings Limited) Hills Industries Limited
309449	(Hills Holdings Limited) Hills Industries Limited
309450	(Hills Holdings Limited) Hills Industries Limited
309451	(Hills Holdings Limited) Hills Industries Limited

Certificate(s) of Examination

Examination of the following Design Registration(s) has been completed. Infringement proceedings may now be commenced.

306189	08-03	20/12/2011
306190	08-03	20/12/2011
309351	08-03	22/12/2011
321271	06-04B	19/12/2011
322794	02-02A	22/12/2011
325305	26-04	22/12/2011
326416	25-02A	19/12/2011
327034	25-01A	05/01/2012
332440	02-02NES	23/12/2011
333378	12-16NES	23/12/2011
337151	10-02	06/01/2012
337152	10-02	06/01/2012
337433	24-02	22/12/2011
337503	26-05A	14/09/2011
337753	07-01NES	20/12/2011
338256	09-07B	21/12/2011
338261	15-07	06/01/2012
338299	23-01A	05/01/2012
338530	06-01E	24/11/2011
338574	12-16NES	22/12/2011
338998	08-06	23/12/2011
338999	08-06	23/12/2011
339000	08-06	23/12/2011
339001	08-06	23/12/2011
339004	15-05	23/12/2011
339005	15-05	23/12/2011
339006	15-05	23/12/2011
339007	15-05	23/12/2011
339008	15-05	23/12/2011
339085	09-01NES	22/12/2011
339106	09-03A	19/12/2011
339108	08-08C	23/12/2011
339109	08-08C	23/12/2011
339166	13-01	19/12/2011
339197	23-03NES	21/12/2011

Publication and Registration Proceedings

Designs Registered

This section provides a concordance between design number and registration number of Designs covered in this journal. It also shows the main class and registration date.

This section covers Registration numbers 339977 to 340241 .

The registration number shown below should be used in all future correspondence.

Design Number	Registration Number	International Classification Code (IDC)	Registration Date	Design Number	Registration Number	International Classification Code (IDC)	Registration Date
12723/2011	340030	06-04A	23/12/2011	14975/2011	340008	25-01F	21/12/2011
13369/2011	340094	07-02N	05/01/2012	14976/2011	340009	25-01F	21/12/2011
13436/2011	340095	31-00	05/01/2012	15018/2011	339995	25-01K	20/12/2011
13668/2011	340003	07-02R	21/12/2011	15033/2011	340047	23-02E	23/12/2011
13671/2011	340004	07-02R	21/12/2011	15047/2011	340098	08-05P	05/01/2012
13794/2011	340020	12-16L	22/12/2011	15048/2011	340182	08-06	06/01/2012
14250/2011	340021	07-99A	22/12/2011	15055/2011	340010	06-01G	21/12/2011
14271/2011	340122	28-03NES	05/01/2012	15071/2011	340029	24-01	23/12/2011
14320/2011	340022	07-01F	22/12/2011	15124/2011	340183	19-02	06/01/2012
14343/2011	340031	07-01E	23/12/2011	15154/2011	340099	02-02C	05/01/2012
14378/2011	340175	20-02NES	06/01/2012	15155/2011	340100	02-02NES	05/01/2012
14419/2011	340027	14-02	23/12/2011	15156/2011	340185	02-02B	06/01/2012
14478/2011	339977	08-05A	20/12/2011	15157/2011	340101	02-02C	05/01/2012
14487/2011	340096	06-01NES	05/01/2012	15179/2011	340162	03-01D	06/01/2012
14492/2011	340033	06-01C	23/12/2011	15185/2011	340102	09-05	05/01/2012
14541/2011	340097	01-01	05/01/2012	15187/2011	339996	14-01	20/12/2011
14542/2011	340176	01-01	06/01/2012	15190/2011	340011	12-15A	21/12/2011
14582/2011	340034	26-05E	23/12/2011	15207/2011	340016	08-08NES	22/12/2011
14583/2011	340035	26-05E	23/12/2011	15235/2011	339997	28-03A	20/12/2011
14590/2011	340157	21-01M	06/01/2012	15242/2011	339979	09-01A	20/12/2011
14628/2011	340015	08-05NES	22/12/2011	15243/2011	339980	09-01A	20/12/2011
14670/2011	340036	24-02	23/12/2011	15246/2011	339981	08-03	20/12/2011
14671/2011	340179	11-01C	06/01/2012	15264/2011	340012	06-01E	21/12/2011
14702/2011	340005	22-02	21/12/2011	15265/2011	339982	06-03A	20/12/2011
14703/2011	340006	22-02	21/12/2011	15266/2011	339983	06-01E	20/12/2011
14705/2011	339994	23-02C	20/12/2011	15267/2011	339984	06-01E	20/12/2011
14736/2011	340038	23-01G	23/12/2011	15272/2011	339998	01-01	20/12/2011
14754/2011	340123	03-01NES	05/01/2012	15273/2011	339999	01-01	20/12/2011
14755/2011	340124	03-01NES	05/01/2012	15277/2011	340071	24-01	03/01/2012
14759/2011	340158	03-01NES	06/01/2012	15278/2011	340072	24-01	03/01/2012
14782/2011	340159	24-03	06/01/2012	15279/2011	340073	24-01	03/01/2012
14795/2011	340007	09-01K	21/12/2011	15280/2011	340074	24-01	03/01/2012
14796/2011	340039	09-01B	23/12/2011	15281/2011	340075	13-03B	03/01/2012
14798/2011	340040	09-01K	23/12/2011	15282/2011	340076	13-03B	03/01/2012
14799/2011	340160	06-03NES	06/01/2012	15283/2011	340077	20-02NES	03/01/2012
14801/2011	340041	09-01G	23/12/2011	15284/2011	340048	12-16B	23/12/2011
14803/2011	340023	08-03	22/12/2011	15288/2011	340049	09-02C	23/12/2011
14804/2011	340024	21-01C	22/12/2011	15289/2011	340186	01-01	06/01/2012
14834/2011	340180	24-02	06/01/2012	15290/2011	340177	01-01	06/01/2012
14842/2011	340161	21-01M	06/01/2012	15291/2011	340178	01-01	06/01/2012
14848/2011	339978	12-05	20/12/2011	15292/2011	340017	09-02C	22/12/2011
14863/2011	340042	25-01K	23/12/2011	15294/2011	340078	07-99A	03/01/2012
14864/2011	340043	25-01K	23/12/2011	15295/2011	340079	09-03NES	03/01/2012
14885/2011	340044	09-01NES	23/12/2011	15296/2011	340080	07-99A	03/01/2012
14886/2011	340045	03-01D	23/12/2011	15297/2011	340081	07-01D	03/01/2012
14904/2011	340046	14-02	23/12/2011	15298/2011	340082	12-02	03/01/2012
14943/2011	340028	10-06	23/12/2011	15299/2011	340083	11-02F	03/01/2012
14952/2011	340065	25-01A	03/01/2012	15300/2011	340084	11-02F	03/01/2012
14955/2011	340181	19-04	06/01/2012	15301/2011	340085	11-02F	03/01/2012
14963/2011	340064	21-01F	03/01/2012	15302/2011	340086	11-02F	03/01/2012

Publication and Registration Proceedings - Designs Registered cont'd

Design Number	Registration Number	International Classification Code (IDC)	Registration Date	Design Number	Registration Number	International Classification Code (IDC)	Registration Date
15303/2011	340087	11-02F	03/01/2012	15395/2011	340135	21-01N	06/01/2012
15304/2011	340088	11-02F	03/01/2012	15396/2011	340136	21-01N	06/01/2012
15305/2011	340089	11-02F	03/01/2012	15397/2011	340137	21-01N	06/01/2012
15306/2011	340090	11-02F	03/01/2012	15398/2011	340138	09-03M	06/01/2012
15307/2011	340091	11-02F	03/01/2012	15399/2011	340139	09-07NES	06/01/2012
15314/2011	340092	07-02A	03/01/2012	15400/2011	340140	23-01G	06/01/2012
15315/2011	340093	07-02A	03/01/2012	15401/2011	340141	23-01G	06/01/2012
15322/2011	340013	26-05C	21/12/2011	15402/2011	340142	15-03A	06/01/2012
15323/2011	340103	15-01	05/01/2012	15403/2011	340143	06-01D	06/01/2012
15324/2011	340104	03-03	05/01/2012	15404/2011	340187	25-02K	06/01/2012
15325/2011	340105	03-03	05/01/2012	15405/2011	340188	25-02K	06/01/2012
15326/2011	340106	03-03	05/01/2012	15406/2011	340014	09-03M	21/12/2011
15327/2011	340107	03-03	05/01/2012	15410/2011	340189	14-01	06/01/2012
15328/2011	340205	12-16A	06/01/2012	15414/2011	340190	14-02	06/01/2012
15329/2011	340206	12-16A	06/01/2012	15415/2011	340191	14-02	06/01/2012
15330/2011	339985	08-03	20/12/2011	15416/2011	340108	09-01G	05/01/2012
15331/2011	339986	08-03	20/12/2011	15419/2011	340109	14-01	05/01/2012
15332/2011	339987	08-03	20/12/2011	15420/2011	340110	08-03	05/01/2012
15335/2011	340207	14-04	06/01/2012	15421/2011	340111	08-03	05/01/2012
15337/2011	340208	14-04	06/01/2012	15422/2011	340112	07-99NES	05/01/2012
15338/2011	340209	14-04	06/01/2012	15423/2011	339988	13-03D	20/12/2011
15339/2011	340210	14-04	06/01/2012	15424/2011	339989	13-03D	20/12/2011
15340/2011	340211	14-04	06/01/2012	15425/2011	339990	13-03D	20/12/2011
15341/2011	340212	14-04	06/01/2012	15440/2011	340113	24-02	05/01/2012
15342/2011	340213	14-04	06/01/2012	15446/2011	340114	02-04A	05/01/2012
15343/2011	340214	14-04	06/01/2012	15448/2011	340115	20-02E	05/01/2012
15344/2011	340215	14-04	06/01/2012	15449/2011	340163	31-00	06/01/2012
15345/2011	340216	14-04	06/01/2012	15450/2011	340144	31-00	06/01/2012
15346/2011	340217	14-04	06/01/2012	15451/2011	340145	31-00	06/01/2012
15347/2011	340218	14-04	06/01/2012	15452/2011	339991	22-06	20/12/2011
15348/2011	340219	14-04	06/01/2012	15454/2011	340056	12-16NES	23/12/2011
15349/2011	340220	14-04	06/01/2012	15455/2011	340057	12-16NES	23/12/2011
15350/2011	340221	14-04	06/01/2012	15460/2011	340058	08-07	23/12/2011
15351/2011	340222	14-04	06/01/2012	15461/2011	340192	08-03	06/01/2012
15352/2011	340223	14-04	06/01/2012	15462/2011	340193	08-03	06/01/2012
15353/2011	340224	14-04	06/01/2012	15463/2011	340194	08-03	06/01/2012
15354/2011	340225	14-04	06/01/2012	15464/2011	340195	08-03	06/01/2012
15355/2011	340226	14-04	06/01/2012	15465/2011	340196	08-03	06/01/2012
15356/2011	340227	14-04	06/01/2012	15467/2011	340197	23-02NES	06/01/2012
15357/2011	340228	14-04	06/01/2012	15484/2011	340232	06-03B	06/01/2012
15358/2011	340229	14-04	06/01/2012	15490/2011	340198	28-03A	06/01/2012
15359/2011	340230	14-04	06/01/2012	15491/2011	340199	28-03A	06/01/2012
15362/2011	340231	14-04	06/01/2012	15492/2011	340059	15-03A	23/12/2011
15365/2011	340050	14-04	23/12/2011	15498/2011	340200	23-04	06/01/2012
15366/2011	340051	14-04	23/12/2011	15499/2011	340233	20-02C	06/01/2012
15368/2011	340052	14-04	23/12/2011	15500/2011	340234	20-02C	06/01/2012
15373/2011	340053	14-04	23/12/2011	15501/2011	340235	20-02C	06/01/2012
15374/2011	340054	14-04	23/12/2011	15502/2011	340201	23-02A	06/01/2012
15375/2011	340055	14-04	23/12/2011	15503/2011	340202	12-15A	06/01/2012
15380/2011	340130	26-06	06/01/2012	15504/2011	340236	12-15A	06/01/2012
15388/2011	340018	08-08NES	22/12/2011	15505/2011	340237	09-03L	06/01/2012
15389/2011	340131	12-05	06/01/2012	15506/2011	340060	09-07C	23/12/2011
15391/2011	340132	07-02L	06/01/2012	15519/2011	339992	09-01NES	20/12/2011
15392/2011	340133	21-01N	06/01/2012	15521/2011	340061	10-04	23/12/2011
15393/2011	340134	21-01N	06/01/2012	15529/2011	340238	24-99	06/01/2012

Publication and Registration Proceedings - Designs Registered cont'd

Design Number	Registration Number	International Classification Code (IDC)	Registration Date	Design Number	Registration Number	International Classification Code (IDC)	Registration Date
15532/2011	340239	09-03NES	06/01/2012	15613/2011	340167	13-03C	06/01/2012
15534/2011	340146	07-02K	06/01/2012	15614/2011	340168	23-04	06/01/2012
15535/2011	340147	07-02L	06/01/2012	15615/2011	340169	23-04	06/01/2012
15537/2011	340116	06-04NES	05/01/2012	15616/2011	340170	23-04	06/01/2012
15538/2011	340117	06-04NES	05/01/2012	15618/2011	340171	23-04	06/01/2012
15539/2011	340118	06-04NES	05/01/2012	15654/2011	340126	25-02H	05/01/2012
15540/2011	340119	06-04NES	05/01/2012	15655/2011	340127	25-02H	05/01/2012
15541/2011	340120	06-04NES	05/01/2012	15656/2011	340128	25-02H	05/01/2012
15542/2011	340121	06-04NES	05/01/2012	15657/2011	340129	25-02H	05/01/2012
15546/2011	340148	02-02B	06/01/2012	15658/2011	340025	25-02H	22/12/2011
15547/2011	340149	02-02B	06/01/2012	15659/2011	340026	25-02H	22/12/2011
15548/2011	340150	09-01A	06/01/2012	15717/2011	340019	15-07	22/12/2011
15550/2011	340151	08-07	06/01/2012	15744/2011	339993	23-02C	20/12/2011
15560/2011	340152	13-03E	06/01/2012	15792/2011	340066	25-01A	03/01/2012
15561/2011	340153	08-05K	06/01/2012	15793/2011	340067	25-01A	03/01/2012
15562/2011	340154	06-06G	06/01/2012	15794/2011	340068	25-01A	03/01/2012
15563/2011	340155	28-03NES	06/01/2012	15795/2011	340069	25-01A	03/01/2012
15564/2011	340156	09-09	06/01/2012	15796/2011	340070	25-01A	03/01/2012
15565/2011	340240	21-03	06/01/2012	15863/2011	340032	07-01E	23/12/2011
15566/2011	340241	07-05E	06/01/2012	15901/2011	340037	24-02	23/12/2011
15578/2011	340125	21-02C	05/01/2012	15906/2011	340172	06-03NES	06/01/2012
15581/2011	340000	02-04NES	20/12/2011	15907/2011	340173	06-03NES	06/01/2012
15582/2011	340001	02-04NES	20/12/2011	15908/2011	340174	06-03NES	06/01/2012
15583/2011	340002	02-04NES	20/12/2011	15961/2011	340203	24-02	06/01/2012
15596/2011	340164	21-02NES	06/01/2012	15962/2011	340204	24-02	06/01/2012
15609/2011	340062	03-01NES	23/12/2011	16003/2011	340184	19-02	06/01/2012
15610/2011	340063	21-01L	23/12/2011				
15611/2011	340165	13-03C	06/01/2012				
15612/2011	340166	13-03C	06/01/2012				

Publication and Registration Proceedings

Class Listing of Designs Published or Registered

The following section shows an International Classification Code listing of the Registered or Published Designs covered in this supplement.

Classification	Registration Number	Design Number	Classification	Registration Number	Design Number
01-01	339998	15272/2011	06-06G	340030	12723/2011
01-01	339999	15273/2011	06-06G	340154	15562/2011
01-01	340097	14541/2011	07-01D	340081	15297/2011
01-01	340176	14542/2011	07-01E	340031	14343/2011
01-01	340177	15290/2011	07-01E	340032	15863/2011
01-01	340178	15291/2011	07-01F	340022	14320/2011
01-01	340186	15289/2011	07-02A	340092	15314/2011
02-02B	340148	15546/2011	07-02A	340093	15315/2011
02-02B	340149	15547/2011	07-02K	340146	15534/2011
02-02B	340185	15156/2011	07-02L	340132	15391/2011
02-02C	340099	15154/2011	07-02L	340147	15535/2011
02-02C	340101	15157/2011	07-02N	340094	13369/2011
02-02NES	340100	15155/2011	07-02R	340003	13668/2011
02-03	340148	15546/2011	07-02R	340004	13671/2011
02-03	340149	15547/2011	07-04	340132	15391/2011
02-04A	340114	15446/2011	07-05E	340241	15566/2011
02-04NES	340000	15581/2011	07-99A	340021	14250/2011
02-04NES	340001	15582/2011	07-99A	340078	15294/2011
02-04NES	340002	15583/2011	07-99A	340080	15296/2011
03-01D	340045	14886/2011	07-99C	340201	15502/2011
03-01D	340162	15179/2011	07-99NES	340112	15422/2011
03-01NES	340062	15609/2011	07-99NES	340179	14671/2011
03-01NES	340123	14754/2011	08-03	339981	15246/2011
03-01NES	340124	14755/2011	08-03	339985	15330/2011
03-01NES	340158	14759/2011	08-03	339986	15331/2011
03-03	340104	15324/2011	08-03	339987	15332/2011
03-03	340105	15325/2011	08-03	340023	14803/2011
03-03	340106	15326/2011	08-03	340110	15420/2011
03-03	340107	15327/2011	08-03	340111	15421/2011
06-01C	340033	14492/2011	08-03	340192	15461/2011
06-01D	340033	14492/2011	08-03	340193	15462/2011
06-01D	340143	15403/2011	08-03	340194	15463/2011
06-01E	339983	15266/2011	08-03	340195	15464/2011
06-01E	339984	15267/2011	08-03	340196	15465/2011
06-01E	340012	15264/2011	08-05A	339977	14478/2011
06-01G	340010	15055/2011	08-05K	340153	15561/2011
06-01NES	340096	14487/2011	08-05NES	340015	14628/2011
06-03A	339982	15265/2011	08-05P	340098	15047/2011
06-03B	339983	15266/2011	08-06	340182	15048/2011
06-03B	339984	15267/2011	08-07	340058	15460/2011
06-03B	340012	15264/2011	08-07	340151	15550/2011
06-03B	340232	15484/2011	08-08NES	340016	15207/2011
06-03NES	340160	14799/2011	08-08NES	340018	15388/2011
06-03NES	340172	15906/2011	08-99	340151	15550/2011
06-03NES	340173	15907/2011	09-01A	339979	15242/2011
06-03NES	340174	15908/2011	09-01A	339980	15243/2011
06-04A	340030	12723/2011	09-01A	340150	15548/2011
06-04NES	340116	15537/2011	09-01B	340039	14796/2011
06-04NES	340117	15538/2011	09-01G	340041	14801/2011
06-04NES	340118	15539/2011	09-01G	340108	15416/2011
06-04NES	340119	15540/2011	09-01K	340007	14795/2011
06-04NES	340120	15541/2011	09-01K	340040	14798/2011
06-04NES	340121	15542/2011	09-01NES	339992	15519/2011

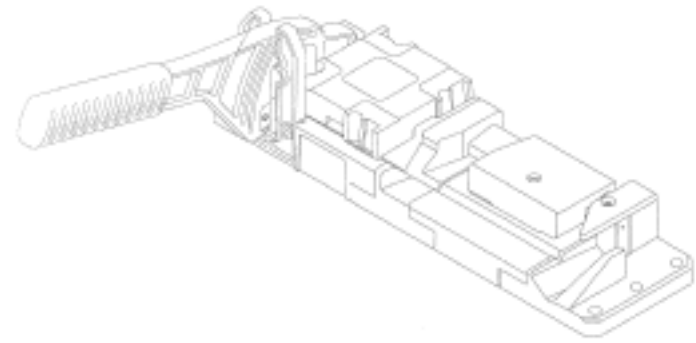
Registration Proceedings - Class Listing of Designs Published or Registered cont'd

Classification	Registration Number	Design Number	Classification	Registration Number	Design Number
09-01NES	340044	14885/2011	13-03D	339989	15424/2011
09-02C	340017	15292/2011	13-03D	339990	15425/2011
09-02C	340049	15288/2011	13-03E	340152	15560/2011
09-03E	340238	15529/2011	14-01	339996	15187/2011
09-03K	340197	15467/2011	14-01	340109	15419/2011
09-03L	340237	15505/2011	14-01	340189	15410/2011
09-03M	340014	15406/2011	14-02	340027	14419/2011
09-03M	340138	15398/2011	14-02	340046	14904/2011
09-03NES	340077	15283/2011	14-02	340190	15414/2011
09-03NES	340079	15295/2011	14-02	340191	15415/2011
09-03NES	340138	15398/2011	14-03NES	340016	15207/2011
09-03NES	340239	15532/2011	14-03NES	340018	15388/2011
09-05	340102	15185/2011	14-04	340050	15365/2011
09-07C	340060	15506/2011	14-04	340051	15366/2011
09-07NES	340139	15399/2011	14-04	340052	15368/2011
09-09	340156	15564/2011	14-04	340053	15373/2011
10-04	340061	15521/2011	14-04	340054	15374/2011
10-06	340028	14943/2011	14-04	340055	15375/2011
11-01C	340179	14671/2011	14-04	340207	15335/2011
11-02F	340083	15299/2011	14-04	340208	15337/2011
11-02F	340084	15300/2011	14-04	340209	15338/2011
11-02F	340085	15301/2011	14-04	340210	15339/2011
11-02F	340086	15302/2011	14-04	340211	15340/2011
11-02F	340087	15303/2011	14-04	340212	15341/2011
11-02F	340088	15304/2011	14-04	340213	15342/2011
11-02F	340089	15305/2011	14-04	340214	15343/2011
11-02F	340090	15306/2011	14-04	340215	15344/2011
11-02F	340091	15307/2011	14-04	340216	15345/2011
11-02NES	340083	15299/2011	14-04	340217	15346/2011
11-02NES	340084	15300/2011	14-04	340218	15347/2011
11-02NES	340085	15301/2011	14-04	340219	15348/2011
11-02NES	340086	15302/2011	14-04	340220	15349/2011
11-02NES	340087	15303/2011	14-04	340221	15350/2011
11-02NES	340088	15304/2011	14-04	340222	15351/2011
11-02NES	340089	15305/2011	14-04	340223	15352/2011
11-02NES	340090	15306/2011	14-04	340224	15353/2011
11-02NES	340091	15307/2011	14-04	340225	15354/2011
12-02	340082	15298/2011	14-04	340226	15355/2011
12-05	339978	14848/2011	14-04	340227	15356/2011
12-05	340131	15389/2011	14-04	340228	15357/2011
12-12	340030	12723/2011	14-04	340229	15358/2011
12-15A	340011	15190/2011	14-04	340230	15359/2011
12-15A	340202	15503/2011	14-04	340231	15362/2011
12-15A	340236	15504/2011	14-99	340046	14904/2011
12-16A	340205	15328/2011	15-01	340103	15323/2011
12-16A	340206	15329/2011	15-03A	340059	15492/2011
12-16B	340048	15284/2011	15-03A	340142	15402/2011
12-16L	340020	13794/2011	15-03B	340023	14803/2011
12-16NES	340056	15454/2011	15-07	340019	15717/2011
12-16NES	340057	15455/2011	19-02	340183	15124/2011
13-03B	340075	15281/2011	19-02	340184	16003/2011
13-03B	340076	15282/2011	19-04	340181	14955/2011
13-03C	340165	15611/2011	20-02C	340019	15717/2011
13-03C	340166	15612/2011	20-02C	340233	15499/2011
13-03C	340167	15613/2011	20-02C	340234	15500/2011
13-03D	339988	15423/2011	20-02C	340235	15501/2011

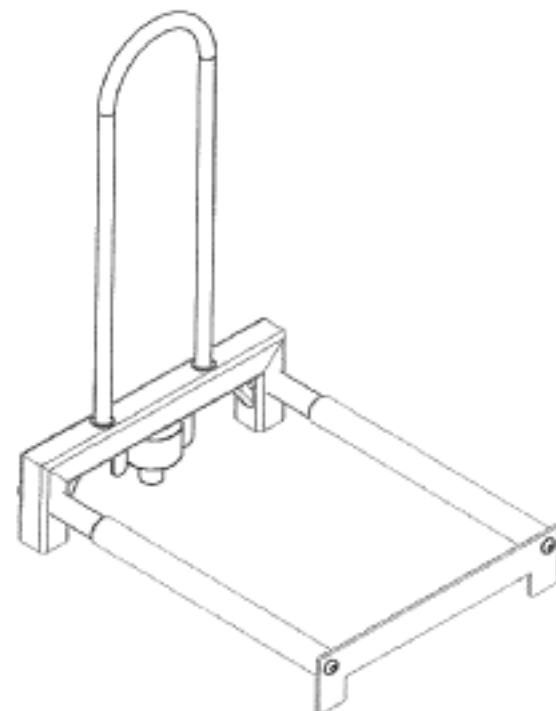
Registration Proceedings - Class Listing of Designs Published or Registered cont'd

Classification	Registration Number	Design Number	Classification	Registration Number	Design Number
20-02E	340115	15448/2011	24-02	340113	15440/2011
20-02NES	340077	15283/2011	24-02	340180	14834/2011
20-02NES	340175	14378/2011	24-02	340203	15961/2011
21-01C	340024	14804/2011	24-02	340204	15962/2011
21-01F	340064	14963/2011	24-03	340159	14782/2011
21-01L	340062	15609/2011	24-99	340238	15529/2011
21-01L	340063	15610/2011	25-01A	340065	14952/2011
21-01M	340157	14590/2011	25-01A	340066	15792/2011
21-01M	340161	14842/2011	25-01A	340067	15793/2011
21-01N	340133	15392/2011	25-01A	340068	15794/2011
21-01N	340134	15393/2011	25-01A	340069	15795/2011
21-01N	340135	15395/2011	25-01A	340070	15796/2011
21-01N	340136	15396/2011	25-01F	340008	14975/2011
21-01N	340137	15397/2011	25-01F	340009	14976/2011
21-01N	340158	14759/2011	25-01K	339995	15018/2011
21-02C	340125	15578/2011	25-01K	340042	14863/2011
21-02NES	340164	15596/2011	25-01K	340043	14864/2011
21-03	340240	15565/2011	25-02H	340025	15658/2011
22-02	340005	14702/2011	25-02H	340026	15659/2011
22-02	340006	14703/2011	25-02H	340126	15654/2011
22-06	339991	15452/2011	25-02H	340127	15655/2011
23-01G	340038	14736/2011	25-02H	340128	15656/2011
23-01G	340140	15400/2011	25-02H	340129	15657/2011
23-01G	340141	15401/2011	25-02K	340187	15404/2011
23-01L	340140	15400/2011	25-02K	340188	15405/2011
23-01L	340141	15401/2011	25-02NES	340188	15405/2011
23-02A	340201	15502/2011	26-05C	340013	15322/2011
23-02C	339993	15744/2011	26-05E	340034	14582/2011
23-02C	339994	14705/2011	26-05E	340035	14583/2011
23-02C	340030	12723/2011	26-06	340130	15380/2011
23-02E	340047	15033/2011	26-99	340042	14863/2011
23-02NES	340197	15467/2011	26-99	340043	14864/2011
23-04	340168	15614/2011	28-03A	339997	15235/2011
23-04	340169	15615/2011	28-03A	340198	15490/2011
23-04	340170	15616/2011	28-03A	340199	15491/2011
23-04	340171	15618/2011	28-03NES	340122	14271/2011
23-04	340200	15498/2011	28-03NES	340155	15563/2011
24-01	340029	15071/2011	31-00	340095	13436/2011
24-01	340071	15277/2011	31-00	340144	15450/2011
24-01	340072	15278/2011	31-00	340145	15451/2011
24-01	340073	15279/2011	31-00	340163	15449/2011
24-01	340074	15280/2011			
24-02	340036	14670/2011			
24-02	340037	15901/2011			

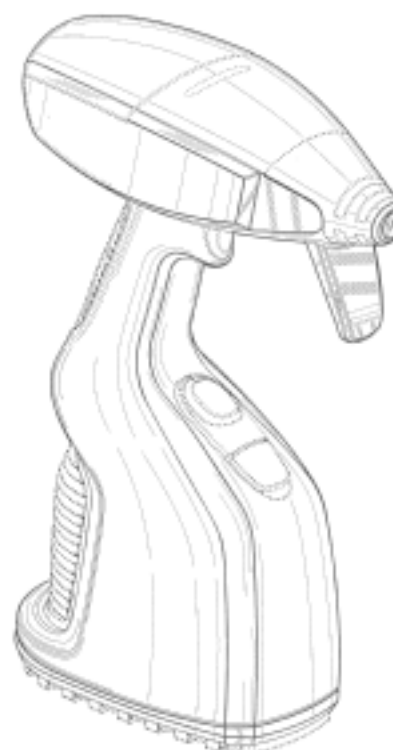
(21) Design Number: **14478/2011**
(22) Date of Filing Application: **06 October 2011**
(24) Date from which industrial property rights may have effect: **06 October 2011**
(54) Product in respect of which the design is registered: **A grafter tool**
(51) International Design Classification: **08-05A**
(74) Name(s) of Attorney(s): **Ellis Terry**
(71) Name(s) and Address(s) of Applicant(s):
Ian William Adams
712 Maxville Drive Parkvale Hastings 4122 New Zealand
(72) Name(s) of Designer(s): **Ian William Adams and Andrew Kersley and Nick Gledhill**
(45) Registration Date: **20 December 2011**
(30) Convention priority data:
(31) Number (32) Date (33) Country
414776 06 Apr 2011 NEW ZEALAND
(56) Related Art Documents: **Not Applicable**
(57) Statement of Newness and Distinctiveness: **Nil**



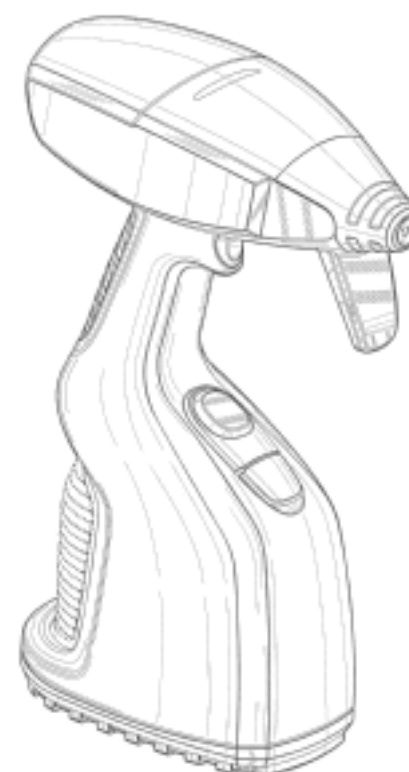
(21) Design Number: **14848/2011**
(22) Date of Filing Application: **28 October 2011**
(24) Date from which industrial property rights may have effect: **28 October 2011**
(54) Product in respect of which the design is registered: **Tyre lifter**
(51) International Design Classification: **12-05**
(74) Name(s) of Attorney(s):
(71) Name(s) and Address(s) of Applicant(s):
Bob Jane Corporation Pty Ltd
471 Williamstown Road Port Melbourne Victoria 3207 Australia
(72) Name(s) of Designer(s): **Brendan Smith**
(45) Registration Date: **20 December 2011**
(56) Related Art Documents: **Not Applicable**
(57) Statement of Newness and Distinctiveness: **Nil**



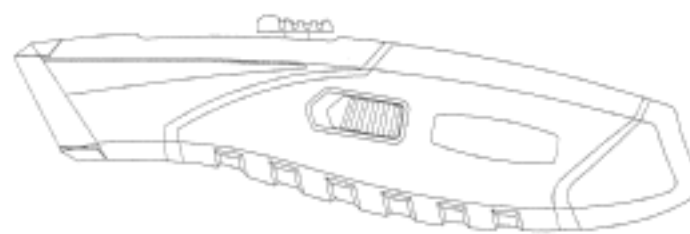
- (21) Design Number: **15242/2011**
(22) Date of Filing Application: **17 November 2011**
(24) Date from which industrial property rights may have effect: **17 November 2011**
(54) Product in respect of which the design is registered: **Spray apparatus**
(51) International Design Classification: **09-01A**
(74) Name(s) of Attorney(s): **Freehills Patent & Trade Mark Attorneys**
(71) Name(s) and Address(s) of Applicant(s):
Activeion Cleaning Solutions, LLC
800 Washington Avenue North Suite 512 Minneapolis Minnesota 55041
United States of America
(72) Name(s) of Designer(s): **Todd R. Schaeffer and Jeffrey Kalman and Nick Stanca and Craig Saunders and Lindsey Tufts Jr**
(45) Registration Date: **20 December 2011**
(30) Convention priority data:
(31) Number (32) Date (33) Country
29/392065 17 May 2011 UNITED STATES OF AMERICA
(56) Related Art Documents: **Not Applicable**
(57) Statement of Newness and Distinctiveness: **Newness and distinctiveness resides in the features of shape and configuration of the spray apparatus shown in solid lines in the representations. In considering whether the design is substantially similar in overall impression, no regard is to be given to the features that are outlined in the broken lines.**



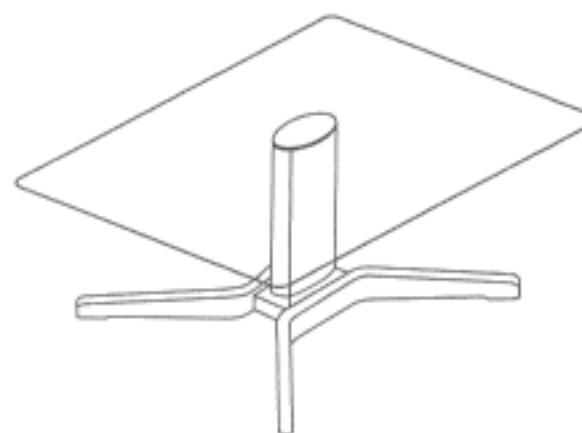
- (21) Design Number: **15243/2011**
(22) Date of Filing Application: **17 November 2011**
(24) Date from which industrial property rights may have effect: **17 November 2011**
(54) Product in respect of which the design is registered: **Spray apparatus**
(51) International Design Classification: **09-01A**
(74) Name(s) of Attorney(s): **Freehills Patent & Trade Mark Attorneys**
(71) Name(s) and Address(s) of Applicant(s):
Activeion Cleaning Solutions, LLC
800 Washington Avenue North Suite 512 Minneapolis Minnesota 55041
United States of America
(72) Name(s) of Designer(s): **Todd R. Schaeffer and Jeffrey Kalman and Nick Stanca and Craig Saunders and Lindsey Tufts Jr**
(45) Registration Date: **20 December 2011**
(30) Convention priority data:
(31) Number (32) Date (33) Country
29/392065 17 May 2011 UNITED STATES OF AMERICA
(56) Related Art Documents: **Not Applicable**
(57) Statement of Newness and Distinctiveness: **Newness and distinctiveness resides in the features of shape and configuration of the spray apparatus shown in solid lines in the representations. In considering whether the design is substantially similar in overall impression, no regard is to be given to the features that are outlined in the broken lines.**



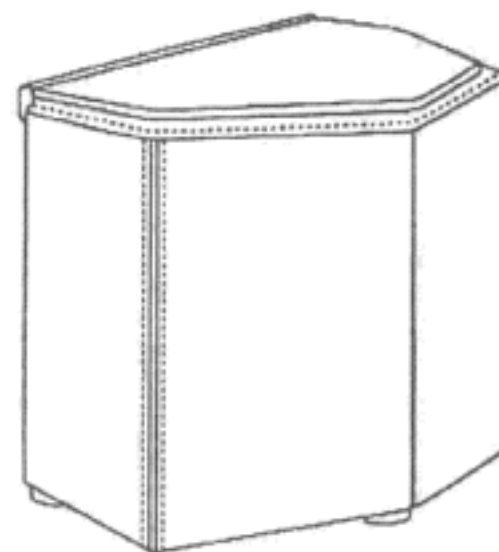
(21) Design Number: **15246/2011**
(22) Date of Filing Application: **17 November 2011**
(24) Date from which industrial property rights may have effect: **17 November 2011**
(54) Product in respect of which the design is registered: **A utility knife**
(51) International Design Classification: **08-03**
(74) Name(s) of Attorney(s): **Hunt & Hunt**
(71) Name(s) and Address(s) of Applicant(s):
Yuewei Wu
Ningbo Xingwei Plastic Product Co. Ltd. Industrial Zone of Xidian
Ninghai Zhejiang 315613 China
(72) Name(s) of Designer(s): **Yuewei Wu**
(45) Registration Date: **20 December 2011**
(30) Convention priority data:
(31) Number (32) Date (33) Country
201130124873.0 18 May 2011 CHINA
(56) Related Art Documents: **Not Applicable**
(57) Statement of Newness and Distinctiveness: **Nil**



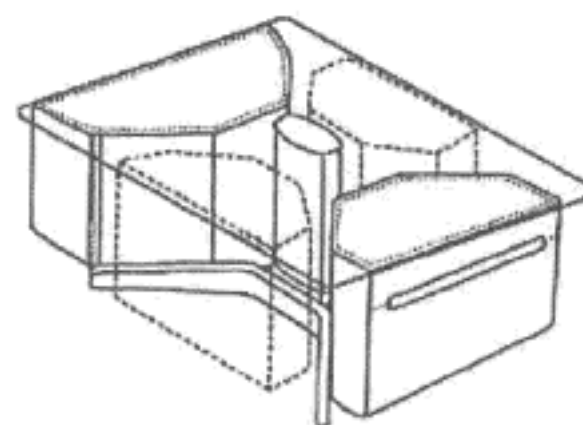
(21) Design Number: **15265/2011**
(22) Date of Filing Application: **18 November 2011**
(24) Date from which industrial property rights may have effect: **18 November 2011**
(54) Product in respect of which the design is registered: **Table**
(51) International Design Classification: **06-03A**
(74) Name(s) of Attorney(s): **Shelston IP**
(71) Name(s) and Address(s) of Applicant(s):
Ekornes ASA
Industrivegen 1 N-6222 Ikorntnes Norway
(72) Name(s) of Designer(s): **Jan Lade**
(45) Registration Date: **20 December 2011**
(30) Convention priority data:
(31) Number (32) Date (33) Country
20110703 26 Aug 2011 NORWAY
(56) Related Art Documents: **Not Applicable**
(57) Statement of Newness and Distinctiveness: **Newness and distinctiveness reside in the shape and/or configuration of a table illustrated by solid lines in the accompanying representations.**



(21) Design Number: **15266/2011**
(22) Date of Filing Application: **18 November 2011**
(24) Date from which industrial property rights may have effect: **18 November 2011**
(54) Product in respect of which the design is registered: **Footstool with a table on the top**
(51) International Design Classification: **06-01E, 06-03B**
(74) Name(s) of Attorney(s): **Shelston IP**
(71) Name(s) and Address(s) of Applicant(s):
Ekornes ASA
Industrivegen 1 N-6222 Ikorntnes Norway
(72) Name(s) of Designer(s): **Jan Lade**
(45) Registration Date: **20 December 2011**
(30) Convention priority data:
(31) Number (32) Date (33) Country
20110703 26 Aug 2011 NORWAY
(56) Related Art Documents: **Not Applicable**
(57) Statement of Newness and Distinctiveness: **Newness and distinctiveness reside in the shape and/or configuration of a footstool with a table on top as illustrated in the accompanying representations.**



(21) Design Number: **15267/2011**
(22) Date of Filing Application: **18 November 2011**
(24) Date from which industrial property rights may have effect: **18 November 2011**
(54) Product in respect of which the design is registered: **Combination of footstools and table**
(51) International Design Classification: **06-01E, 06-03B**
(74) Name(s) of Attorney(s): **Shelston IP**
(71) Name(s) and Address(s) of Applicant(s):
Ekornes ASA
Industrivegen 1 N-6222 Ikorntnes Norway
(72) Name(s) of Designer(s): **Jan Lade**
(45) Registration Date: **20 December 2011**
(30) Convention priority data:
(31) Number (32) Date (33) Country
20110703 26 Aug 2011 NORWAY
(56) Related Art Documents: **Not Applicable**
(57) Statement of Newness and Distinctiveness: **Newness and distinctiveness reside in the shape and/or configuration of a combination of footstools and table illustrated in the accompanying representations.**



(21) Design Number: **15330/2011**
(22) Date of Filing Application: **24 November 2011**
(24) Date from which industrial property rights may have effect: **24 November 2011**
(54) Product in respect of which the design is registered: **Trimmer**
(51) International Design Classification: **08-03**
(74) Name(s) of Attorney(s): **SPRUSON & FERGUSON**
(71) Name(s) and Address(s) of Applicant(s):



Husqvarna AB
SE-561 82 Huskvarna Sweden

(72) Name(s) of Designer(s): **Marcus Naas**
(45) Registration Date: **20 December 2011**

(30) Convention priority data:

(31) Number	(32) Date	(33) Country
001868647	25 May 2011	EUROPEAN COMMUNITY

(56) Related Art Documents: **Not Applicable**

(57) Statement of Newness and Distinctiveness: **Newness and distinctiveness is claimed in those features of a trimmer illustrated in solid colours in the accompanying representations, particularly the colour scheme of the spark plug cover region on the top of the trimmer and the honeycomb pattern of the mesh grilles.**

(21) Design Number: **15331/2011**
(22) Date of Filing Application: **24 November 2011**
(24) Date from which industrial property rights may have effect: **24 November 2011**
(54) Product in respect of which the design is registered: **Trimmer**
(51) International Design Classification: **08-03**
(74) Name(s) of Attorney(s): **SPRUSON & FERGUSON**
(71) Name(s) and Address(s) of Applicant(s):



Husqvarna AB
SE-561 82 Huskvarna Sweden

(72) Name(s) of Designer(s): **Marcus Naas**
(45) Registration Date: **20 December 2011**

(30) Convention priority data:

(31) Number	(32) Date	(33) Country
001868647	25 May 2011	EUROPEAN COMMUNITY

(56) Related Art Documents: **Not Applicable**

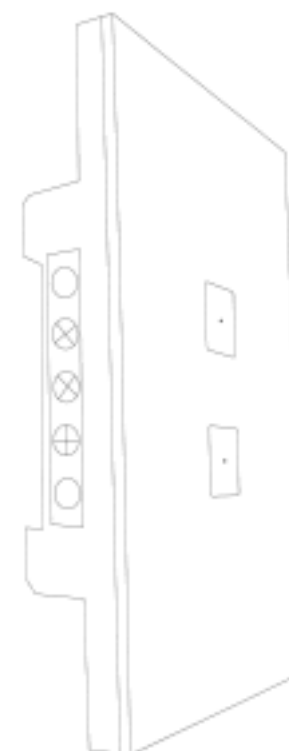
(57) Statement of Newness and Distinctiveness: **Newness and distinctiveness is claimed in those features of a trimmer illustrated in solid colours in the accompanying representations, particularly the colour scheme of the spark plug cover region on the top of the trimmer and the honeycomb pattern of the mesh grilles.**

(21) Design Number: **15332/2011**
(22) Date of Filing Application: **24 November 2011**
(24) Date from which industrial property rights may have effect: **24 November 2011**
(54) Product in respect of which the design is registered: **Trimmer**
(51) International Design Classification: **08-03**
(74) Name(s) of Attorney(s): **SPRUSON & FERGUSON**
(71) Name(s) and Address(s) of Applicant(s):



Husqvarna AB
SE-561 82 Huskvarna Sweden
(72) Name(s) of Designer(s): **Marcus Naas**
(45) Registration Date: **20 December 2011**
(30) Convention priority data:
(31) Number (32) Date (33) Country
001868647 25 May 2011 EUROPEAN COMMUNITY
(56) Related Art Documents: **Not Applicable**
(57) Statement of Newness and Distinctiveness: **Newness and distinctiveness is claimed in those features of a trimmer illustrated in solid colours in the accompanying representations, particularly the colour scheme of the spark plug cover region on the top of the trimmer and the honeycomb pattern of the mesh grilles.**

(21) Design Number: **15423/2011**
(22) Date of Filing Application: **25 November 2011**
(24) Date from which industrial property rights may have effect: **25 November 2011**
(54) Product in respect of which the design is registered: **2 Gang illusion touch switch**
(51) International Design Classification: **13-03D**
(74) Name(s) of Attorney(s):
(71) Name(s) and Address(s) of Applicant(s):

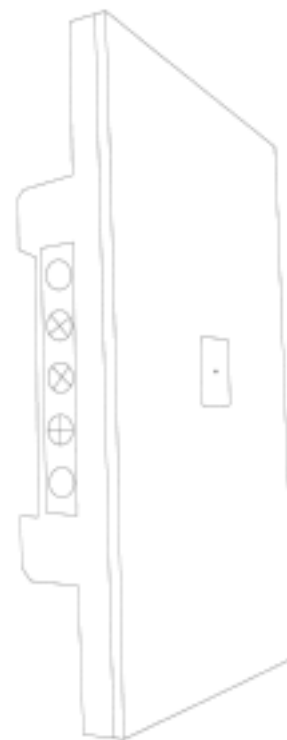


Anthony Aucone
1/11 Varsity Lakes Crown Court Queensland 4227 Australia
(72) Name(s) of Designer(s): **Anthony Aucone**
(45) Registration Date: **20 December 2011**
(56) Related Art Documents: **Not Applicable**
(57) Statement of Newness and Distinctiveness: **Touch sensitive wall switches for lighting control, 2 Gang black and white colour, Square buttons, LED indicator in the middle. Repeated patterns.**

- (21) Design Number: **15424/2011**
(22) Date of Filing Application: **25 November 2011**
(24) Date from which industrial property rights may have effect: **25 November 2011**
(54) Product in respect of which the design is registered: **3 Gang illusion touch switch**
(51) International Design Classification: **13-03D**
(74) Name(s) of Attorney(s):
(71) Name(s) and Address(s) of Applicant(s):
Anthony Aucone
1/11 Varsity Lakes Crown Court Queensland 4227 Australia
(72) Name(s) of Designer(s): **Anthony Aucone**
(45) Registration Date: **20 December 2011**
(56) Related Art Documents: **Not Applicable**
(57) Statement of Newness and Distinctiveness: **Touch sensitive wall switches for lighting control, 3 Gang black and white colour, Square buttons, LED indicator in the middle. Repeated patterns.**



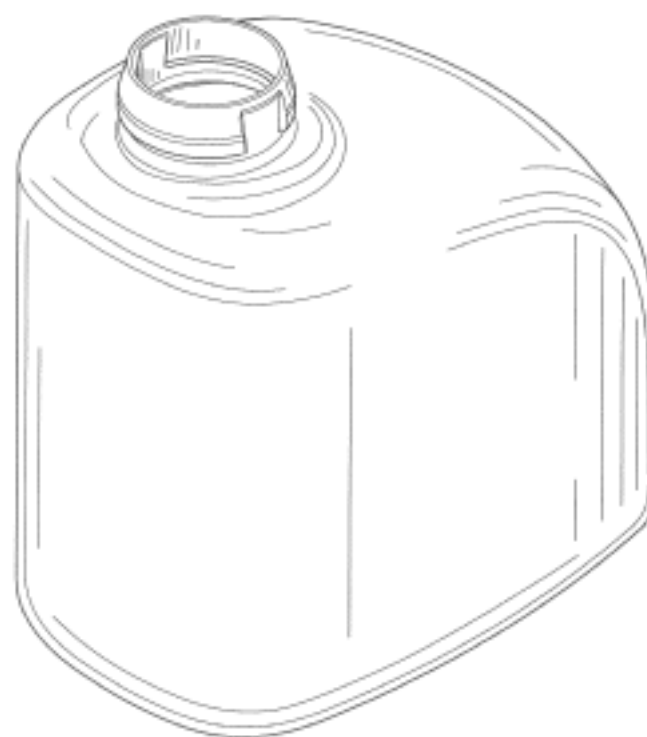
- (21) Design Number: **15425/2011**
(22) Date of Filing Application: **25 November 2011**
(24) Date from which industrial property rights may have effect: **25 November 2011**
(54) Product in respect of which the design is registered: **1 Gang illusion touch switch**
(51) International Design Classification: **13-03D**
(74) Name(s) of Attorney(s):
(71) Name(s) and Address(s) of Applicant(s):
Anthony Aucone
1/11 Varsity Lakes Crown Court Queensland 4227 Australia
(72) Name(s) of Designer(s): **Anthony Aucone**
(45) Registration Date: **20 December 2011**
(56) Related Art Documents: **Not Applicable**
(57) Statement of Newness and Distinctiveness: **Touch sensitive wall switches for lighting control, 1 Gang black and white colour, Square buttons, LED indicator in the middle. Repeated patterns.**



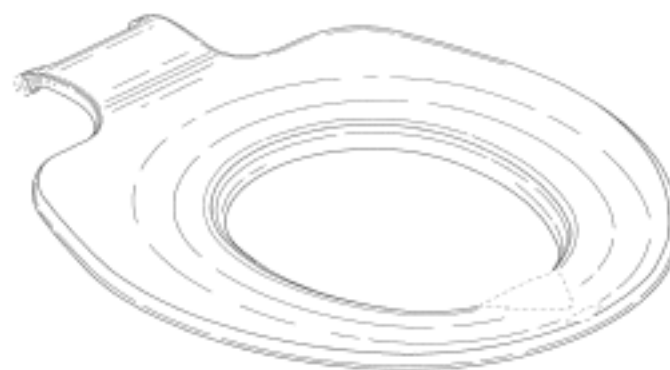
- (21) Design Number: **15452/2011**
(22) Date of Filing Application: **29 November 2011**
(24) Date from which industrial property rights may have effect: **29 November 2011**
(54) Product in respect of which the design is registered: **Reusable snail and slug pellet capsule**
(51) International Design Classification: **22-06**
(74) Name(s) of Attorney(s):
(71) Name(s) and Address(s) of Applicant(s):
Reynolds Monaghan
27 Tristan Court Castle Hill New South Wales 2154 Australia
(72) Name(s) of Designer(s): **Reynolds Monaghan**
(45) Registration Date: **20 December 2011**
(56) Related Art Documents: **Not Applicable**
(57) Statement of Newness and Distinctiveness: **The design is a reusable snail & slug pellet capsule. It has two parts, a base & top shell. The base holds the pellets. The base has an inner raised rim to help stop water damage to the pellets. The base has two holes that can be used to peg it down to the ground. The top shell is designed to appear like a snail shell with a spiral groove and a dome shape. Two covered entry points allow the snails & slugs access to the pellets. Four tabs lock into four slots using a twist movement.**



- (21) Design Number: **15519/2011**
(22) Date of Filing Application: **02 December 2011**
(24) Date from which industrial property rights may have effect: **02 December 2011**
(54) Product in respect of which the design is registered: **Container**
(51) International Design Classification: **09-01NES**
(74) Name(s) of Attorney(s): **Shelston IP**
(71) Name(s) and Address(s) of Applicant(s):
Woods Dispensing Systems, LLC
1000 Jackson Street Toledo Ohio 43604 United States of America
(72) Name(s) of Designer(s): **Mario Alberto Gonzalez**
(45) Registration Date: **20 December 2011**
(30) Convention priority data:
(31) Number (32) Date (33) Country
29/393226 01 Jun 2011 UNITED STATES OF AMERICA
(56) Related Art Documents: **Not Applicable**
(57) Statement of Newness and Distinctiveness: **Newness and distinctiveness reside in the features of shape and/or configuration of a container as shown in solid lines in the accompanying representations. The features of the dispenser shown in broken lines are shown for illustrative purposes only and do not form part of the design.**



(21) Design Number: **15744/2011**
(22) Date of Filing Application: **17 October 2011**
(24) Date from which industrial property rights may have effect: **17 October 2011**
(54) Product in respect of which the design is registered: **Toilet seat ring**
(51) International Design Classification: **23-02C**
(74) Name(s) of Attorney(s): **Griffith Hack**
(71) Name(s) and Address(s) of Applicant(s):
Bemis Manufacturing Company
300 Mill Street Sheboygan Falls WI 53085 United States of America
(72) Name(s) of Designer(s): **Joseph Hand**
(45) Registration Date: **20 December 2011**
(30) Convention priority data:
(31) Number (32) Date (33) Country
29/389,858 18 Apr 2011 UNITED STATES OF AMERICA



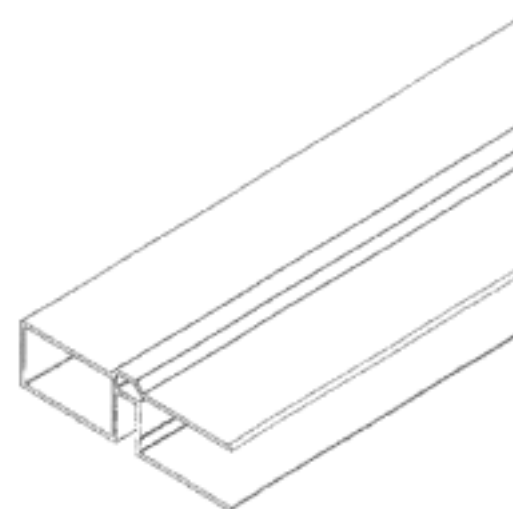
(62) Divisional of: **339994**
(56) Related Art Documents: **Not Applicable**
(57) Statement of Newness and Distinctiveness: **Newness and distinctiveness resides in the visual features, including shape, configuration and ornamentation of the TOILET SEAT RING as shown by means of the solid lines in the accompanying representations. Those portions of the TOILET SEAT RING shown in broken lines have been included for illustration purposes only and a bottom view does not form part of the design.**

(21) Design Number: **14705/2011**
(22) Date of Filing Application: **17 October 2011**
(24) Date from which industrial property rights may have effect: **17 October 2011**
(54) Product in respect of which the design is registered: **Toilet seat ring**
(51) International Design Classification: **23-02C**
(74) Name(s) of Attorney(s): **Griffith Hack**
(71) Name(s) and Address(s) of Applicant(s):
Bemis Manufacturing Company
300 Mill Street Sheboygan Falls WI 53085 United States of America
(72) Name(s) of Designer(s): **Joseph Hand**
(45) Registration Date: **20 December 2011**
(30) Convention priority data:
(31) Number (32) Date (33) Country
29/389,858 18 Apr 2011 UNITED STATES OF AMERICA



(56) Related Art Documents: **Not Applicable**
(57) Statement of Newness and Distinctiveness: **Newness and distinctiveness resides in the visual features, including shape, configuration and ornamentation of the TOILET SEAT RING as shown by means of the solid lines in the accompanying representations. Those portions of the TOILET SEAT RING shown in broken lines have been included for illustration purposes only and a bottom view does not form part of the design.**

(21) Design Number: **15018/2011**
(22) Date of Filing Application: **09 November 2011**
(24) Date from which industrial property rights may have effect: **09 November 2011**
(54) Product in respect of which the design is registered: **Extrusion roll form profile**
(51) International Design Classification: **25-01K**
(74) Name(s) of Attorney(s):
(71) Name(s) and Address(s) of Applicant(s):
Jorgenson-Watts Pty Ltd
Level 6 167 Queen Street Melbourne Victoria 3000 Australia
(72) Name(s) of Designer(s): **John Russell Watts**
(45) Registration Date: **20 December 2011**
(56) Related Art Documents: **Not Applicable**
(57) Statement of Newness and Distinctiveness: **Nil**



(21) Design Number: **15187/2011**
(22) Date of Filing Application: **15 November 2011**
(24) Date from which industrial property rights may have effect: **15 November 2011**
(54) Product in respect of which the design is registered: **Audio-visual player**
(51) International Design Classification: **14-01**
(74) Name(s) of Attorney(s): **FB Rice**
(71) Name(s) and Address(s) of Applicant(s):
LG Electronics Inc.
20 Yeouido-dong Yeongdeungpo-gu Seoul 150-721 Republic of Korea
(72) Name(s) of Designer(s): **Jung Han Ryu and Yong Joon Hwang and Bo Yeun Park and Chang Hoon Lee**
(45) Registration Date: **20 December 2011**
(30) Convention priority data:
(31) Number (32) Date (33) Country
30-2011-0025925 23 Jun 2011 REPUBLIC OF KOREA
(56) Related Art Documents: **Not Applicable**
(57) Statement of Newness and Distinctiveness: **Newness and distinctiveness reside in the visual features of the design as shown in the representations.**

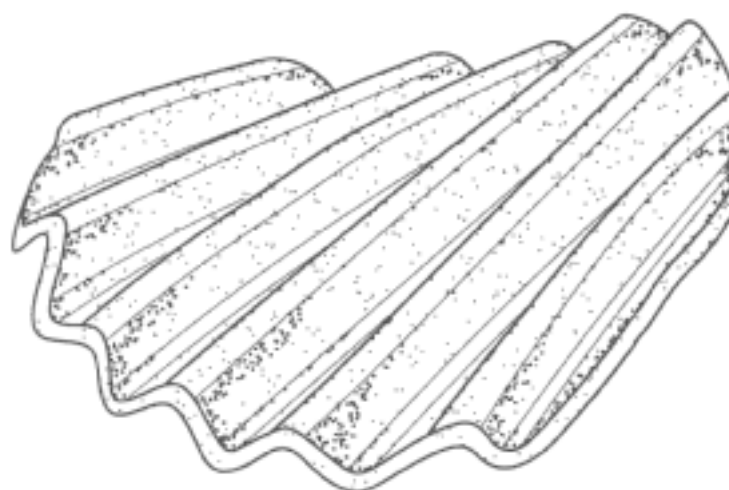


(21) Design Number: **15235/2011**
(22) Date of Filing Application: **17 November 2011**
(24) Date from which industrial property rights may have effect: **17 November 2011**
(54) Product in respect of which the design is registered: **Shaving razor**
(51) International Design Classification: **28-03A**
(74) Name(s) of Attorney(s): **PHILLIPS ORMONDE FITZPATRICK**
(71) Name(s) and Address(s) of Applicant(s):
The Gillette Company
IP/Legal Patent Department 3E One Gillette Park Boston Massachusetts
02127 United States of America



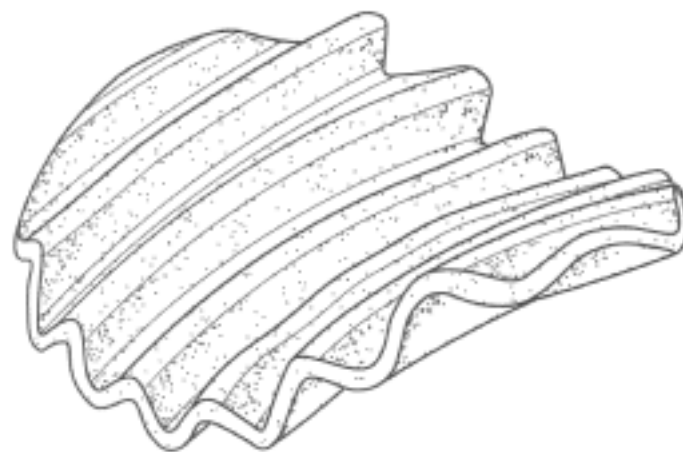
(72) Name(s) of Designer(s): **Brian Patrick Watson**
(45) Registration Date: **20 December 2011**
(30) Convention priority data:
(31) Number (32) Date (33) Country
29/392,393 20 May 2011 UNITED STATES OF AMERICA
(56) Related Art Documents: **Not Applicable**
(57) Statement of Newness and Distinctiveness: **Those features of the shaving razor depicted in the representations that are new and distinctive are the shape and/or configuration of the portion of the shaving razor shown in continuous lines. The features shown in broken line are not part of the design and are to be disregarded when considering the overall impression of the design.**

(21) Design Number: **15272/2011**
(22) Date of Filing Application: **18 November 2011**
(24) Date from which industrial property rights may have effect: **18 November 2011**
(54) Product in respect of which the design is registered: **Snack food product**
(51) International Design Classification: **01-01**
(74) Name(s) of Attorney(s): **Allens Arthur Robinson**
(71) Name(s) and Address(s) of Applicant(s):
Frito-Lay North America, Inc.
7701 Legacy Drive Plano Texas 75024-4099 United States of America

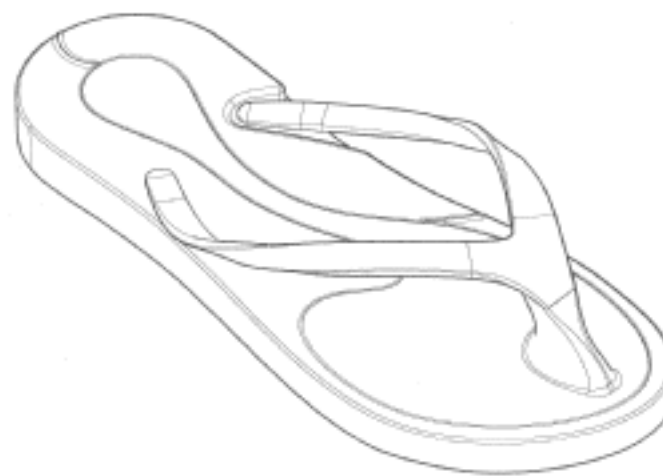


(72) Name(s) of Designer(s): **Keith Alan Barber and Deborah Fischer and John Hildebrand and Enrique Michel**
(45) Registration Date: **20 December 2011**
(30) Convention priority data:
(31) Number (32) Date (33) Country
29/403,107 30 Sep 2011 UNITED STATES OF AMERICA
(56) Related Art Documents: **Not Applicable**
(57) Statement of Newness and Distinctiveness: **Newness and distinctiveness is claimed in the shape and configuration of the snack food product set out in solid lines in the attached representations. The stippling (dots) is present only to clarify certain contours and forms no part of the design and should be disregarded when considering the scope of the monopoly.**

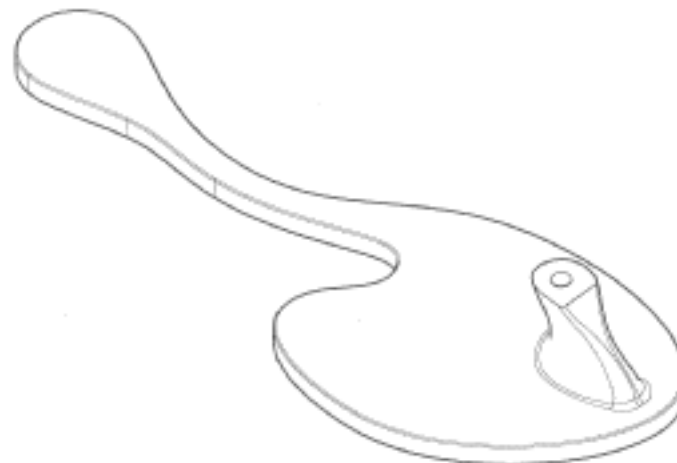
- (21) Design Number: **15273/2011**
(22) Date of Filing Application: **18 November 2011**
(24) Date from which industrial property rights may have effect: **18 November 2011**
(54) Product in respect of which the design is registered: **Snack food product**
(51) International Design Classification: **01-01**
(74) Name(s) of Attorney(s): **Allens Arthur Robinson**
(71) Name(s) and Address(s) of Applicant(s):
Frito-Lay North America, Inc.
7701 Legacy Drive Plano Texas 75024-4099 United States of America
(72) Name(s) of Designer(s): **Keith Alan Barber and Deborah Fischer and John Hildebrand and Enrique Michel**
(45) Registration Date: **20 December 2011**
(30) Convention priority data:
(31) Number (32) Date (33) Country
29/403,107 30 Sep 2011 UNITED STATES OF AMERICA
(56) Related Art Documents: **Not Applicable**
(57) Statement of Newness and Distinctiveness: **Newness and distinctiveness is claimed in the shape and configuration of the snack food product set out in solid lines in the attached representations. The stippling (dots) is present only to clarify certain contours and forms no part of the design and should be disregarded when considering the scope of the monopoly.**



- (21) Design Number: **15581/2011**
(22) Date of Filing Application: **06 December 2011**
(24) Date from which industrial property rights may have effect: **06 December 2011**
(54) Product in respect of which the design is registered: **Orthotic footwear**
(51) International Design Classification: **02-04NES**
(74) Name(s) of Attorney(s): **Holding Redlich**
(71) Name(s) and Address(s) of Applicant(s):
2 Walkon Pty Limited
c/- M. Kinchington Suite 1003 Lvl 10 MLC Centre Martin Place Sydney
New South Wales 2000 Australia
(72) Name(s) of Designer(s): **Michael A. Kinchington and Mark R. Ninio**
(45) Registration Date: **20 December 2011**
(56) Related Art Documents: **Not Applicable**
(57) Statement of Newness and Distinctiveness: **The newness and distinctiveness resides in the features of the shape and/or configuration of the product, including the shape of the arch support and inter-digit toe cradle as depicted in the representations.**



- (21) Design Number: **15582/2011**
(22) Date of Filing Application: **06 December 2011**
(24) Date from which industrial property rights may have effect: **06 December 2011**
(54) Product in respect of which the design is registered: **Orthotic footwear**
(51) International Design Classification: **02-04NES**
(74) Name(s) of Attorney(s): **Holding Redlich**
(71) Name(s) and Address(s) of Applicant(s):
2 Walkon Pty Limited
c/- M. Kinchington Suite 1003 Lvl 10 MLC Centre Martin Place Sydney
New South Wales 2000 Australia
(72) Name(s) of Designer(s): **Michael A. Kinchington and Mark R. Ninio**
(45) Registration Date: **20 December 2011**
(56) Related Art Documents: **Not Applicable**
(57) Statement of Newness and Distinctiveness: **The newness and distinctiveness resides in the shape and/or configuration of the inter-digit toe cradle and the inlay/foot bed as shown in the representations.**



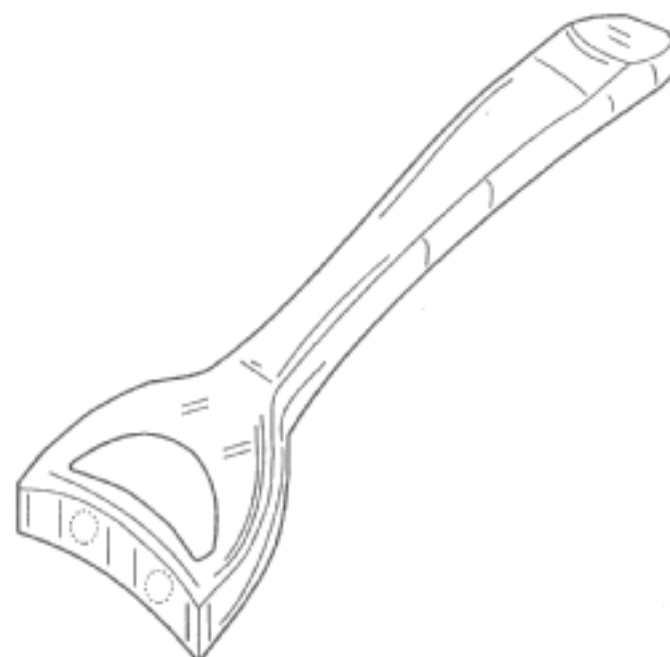
- (21) Design Number: **15583/2011**
(22) Date of Filing Application: **06 December 2011**
(24) Date from which industrial property rights may have effect: **06 December 2011**
(54) Product in respect of which the design is registered: **Orthotic footwear**
(51) International Design Classification: **02-04NES**
(74) Name(s) of Attorney(s): **Holding Redlich**
(71) Name(s) and Address(s) of Applicant(s):
2 Walkon Pty Limited
c/- M. Kinchington Suite 1003 Lvl 10 MLC Centre Martin Place Sydney
New South Wales 2000 Australia
(72) Name(s) of Designer(s): **Michael A. Kinchington and Mark R. Ninio**
(45) Registration Date: **20 December 2011**
(56) Related Art Documents: **Not Applicable**
(57) Statement of Newness and Distinctiveness: **The newness and distinctiveness resides in the shape and/or configuration of the inter-digit toe piece as shown in the representations. In considering the newness and distinctiveness of the design, no regard is to be had of the features depicted by broken/dotted lines.**



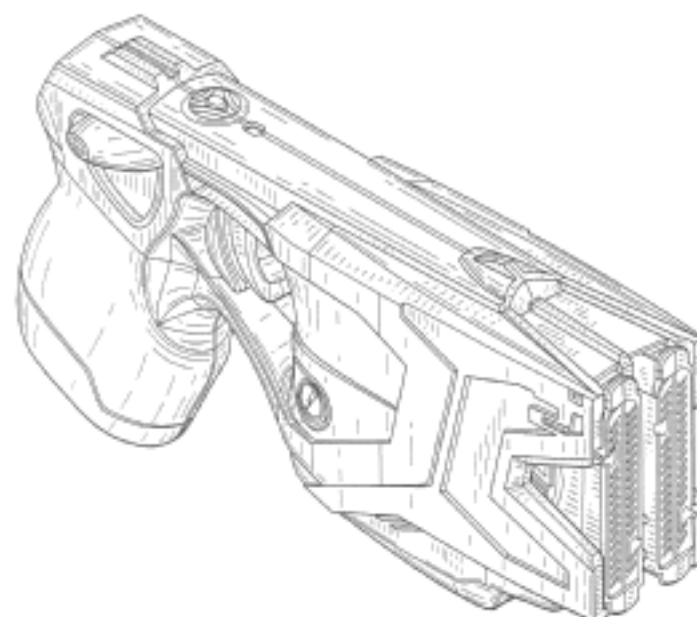
(21) Design Number: **13668/2011**
(22) Date of Filing Application: **18 August 2011**
(24) Date from which industrial property rights may have effect: **18 August 2011**
(54) Product in respect of which the design is registered: **Extending cookware handle with open end cavity**
(51) International Design Classification: **07-02R**
(74) Name(s) of Attorney(s): **PIPERS Melbourne**
(71) Name(s) and Address(s) of Applicant(s):
Meyer Intellectual Properties Limited
382 Kwun Tong Road Hong Kong Sar
(72) Name(s) of Designer(s): **Robert A. Rae**
(45) Registration Date: **21 December 2011**
(30) Convention priority data:
(31) Number (32) Date (33) Country
29/373,029 18 Feb 2011 UNITED STATES OF AMERICA
(56) Related Art Documents: **Not Applicable**
(57) Statement of Newness and Distinctiveness: **This design is to be applied to an extending cookware handle with open end cavity and the novelty resides in the features of shape and configuration of the article shown in the accompanying representations. No novelty is claimed for the features shown in broken lines - those are for illustrative purposes only and depict the environment of the design.**



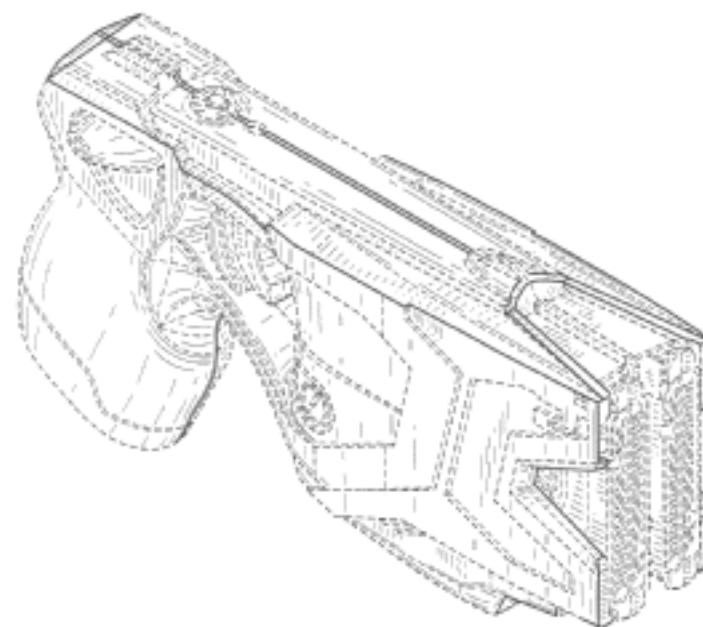
(21) Design Number: **13671/2011**
(22) Date of Filing Application: **18 August 2011**
(24) Date from which industrial property rights may have effect: **18 August 2011**
(54) Product in respect of which the design is registered: **Extending cookware handle with open end cavity**
(51) International Design Classification: **07-02R**
(74) Name(s) of Attorney(s): **PIPERS Melbourne**
(71) Name(s) and Address(s) of Applicant(s):
Meyer Intellectual Properties Limited
382 Kwun Tong Road Hong Kong Sar
(72) Name(s) of Designer(s): **Robert A. Rae**
(45) Registration Date: **21 December 2011**
(30) Convention priority data:
(31) Number (32) Date (33) Country
29/373,029 18 Feb 2011 UNITED STATES OF AMERICA
(56) Related Art Documents: **Not Applicable**
(57) Statement of Newness and Distinctiveness: **This design is to be applied to an extending cookware handle with open end cavity and the novelty resides in the features of shape and configuration of the article shown in the accompanying representations. No novelty is claimed for the features shown in broken lines - those are for illustrative purposes only and depict the environment of the design.**



(21) Design Number: **14702/2011**
(22) Date of Filing Application: **17 October 2011**
(24) Date from which industrial property rights may have effect: **17 October 2011**
(54) Product in respect of which the design is registered: **Two cartridge electronic control device**
(51) International Design Classification: **22-02**
(74) Name(s) of Attorney(s): **Wrays**
(71) Name(s) and Address(s) of Applicant(s):
TASER International, Inc.
17800 N. 85th Street Scottsdale Arizona 85255-9603 United States of America
(72) Name(s) of Designer(s): **Christopher W. Baldwin and Eric H. Chow and Ryan C. Markle and Michael E. Gish**
(45) Registration Date: **21 December 2011**
(30) Convention priority data:
(31) Number (32) Date (33) Country
29/390,073 19 Apr 2011 UNITED STATES OF AMERICA
(56) Related Art Documents: **Not Applicable**
(57) Statement of Newness and Distinctiveness: **First Design: Newness and distinctiveness is claimed in the features of shape and/or configuration of the two cartridge electronic control device depicted in the accompanying representations.**



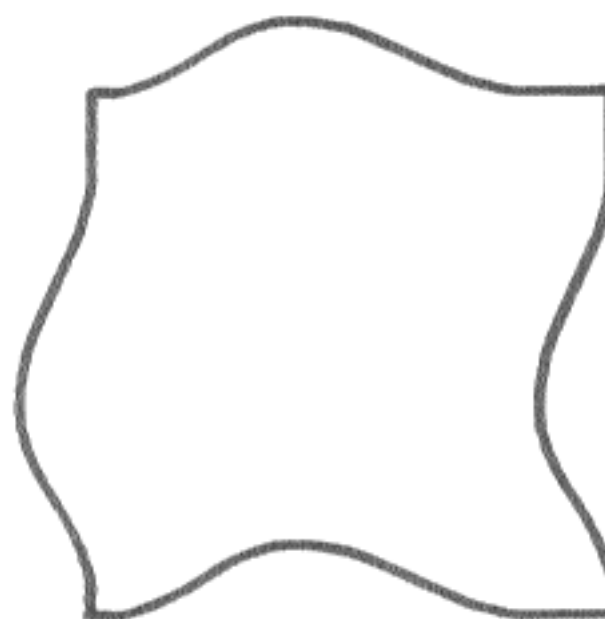
(21) Design Number: **14703/2011**
(22) Date of Filing Application: **17 October 2011**
(24) Date from which industrial property rights may have effect: **17 October 2011**
(54) Product in respect of which the design is registered: **Two cartridge electronic control device**
(51) International Design Classification: **22-02**
(74) Name(s) of Attorney(s): **Wrays**
(71) Name(s) and Address(s) of Applicant(s):
TASER International, Inc.
17800 N. 85th Street Scottsdale Arizona 85255-9603 United States of America
(72) Name(s) of Designer(s): **Christopher W. Baldwin and Eric H. Chow and Ryan C. Markle and Michael E. Gish**
(45) Registration Date: **21 December 2011**
(30) Convention priority data:
(31) Number (32) Date (33) Country
29/390,073 19 Apr 2011 UNITED STATES OF AMERICA
(56) Related Art Documents: **Not Applicable**
(57) Statement of Newness and Distinctiveness: **Second Design: Newness and distinctiveness is claimed in the outline and/or profile of the two cartridge electronic control device depicted by the solid line in the accompanying representations. In considering the newness and distinctiveness, the material depicted in dotted outline is to be disregarded.**



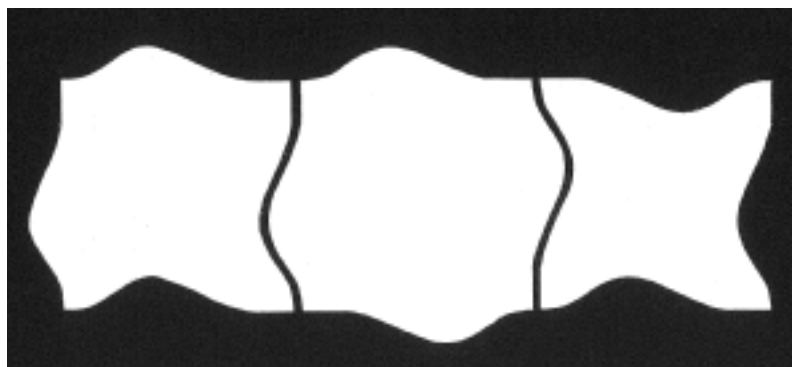
- (21) Design Number: **14795/2011**
(22) Date of Filing Application: **24 October 2011**
(24) Date from which industrial property rights may have effect: **24 October 2011**
(54) Product in respect of which the design is registered: **Bottle**
(51) International Design Classification: **09-01K**
(74) Name(s) of Attorney(s): **WATERMARK PATENT AND TRADE MARKS ATTORNEYS**
(71) Name(s) and Address(s) of Applicant(s):
Brickwood Holdings Pty Ltd
Level 16 644 Chapel Street South Yarra Victoria 3141 Australia
(72) Name(s) of Designer(s): **Richard Crisp**
(45) Registration Date: **21 December 2011**
(56) Related Art Documents: **Not Applicable**
(57) Statement of Newness and Distinctiveness: **Newness and distinctiveness is claimed in the wave shaped radial recess around the waist of the bottle.**



- (21) Design Number: **14975/2011**
(22) Date of Filing Application: **07 November 2011**
(24) Date from which industrial property rights may have effect: **07 November 2011**
(54) Product in respect of which the design is registered: **Tile**
(51) International Design Classification: **25-01F**
(74) Name(s) of Attorney(s):
(71) Name(s) and Address(s) of Applicant(s):
Malgorzata Growinska
470B Williamstown Road Port Melbourne Victoria 3207 Australia
(72) Name(s) of Designer(s): **Malgorzata Growinska**
(45) Registration Date: **21 December 2011**
(56) Related Art Documents: **Not Applicable**
(57) Statement of Newness and Distinctiveness: **The new and distinctive visual feature of this design is the uniqueness of the shape of the tile. This tile with very irregular shape is very adaptable and versatile. It is allowing to produced countless patterns for unique and personalised projects for wall or floor application. This tile, when multiplied, will created beautiful, flowing, organic lines and unusual effects on the surface.**



(21) Design Number: **14976/2011**
(22) Date of Filing Application: **07 November 2011**
(24) Date from which industrial property rights may have effect: **07 November 2011**
(54) Product in respect of which the design is registered: **Arrangement of tiles**
(51) International Design Classification: **25-01F**
(74) Name(s) of Attorney(s):
(71) Name(s) and Address(s) of Applicant(s):
Malgorzata Growinska
470B Williamstown Road Port Melbourne Victoria 3207 Australia
(72) Name(s) of Designer(s): **Malgorzata Growinska**
(45) Registration Date: **21 December 2011**
(56) Related Art Documents: **Not Applicable**
(57) Statement of Newness and Distinctiveness: **The distinctive feature of this design is the arrangement of the tiles. Those tiled will produced on backing mesh in repeated pattern.**



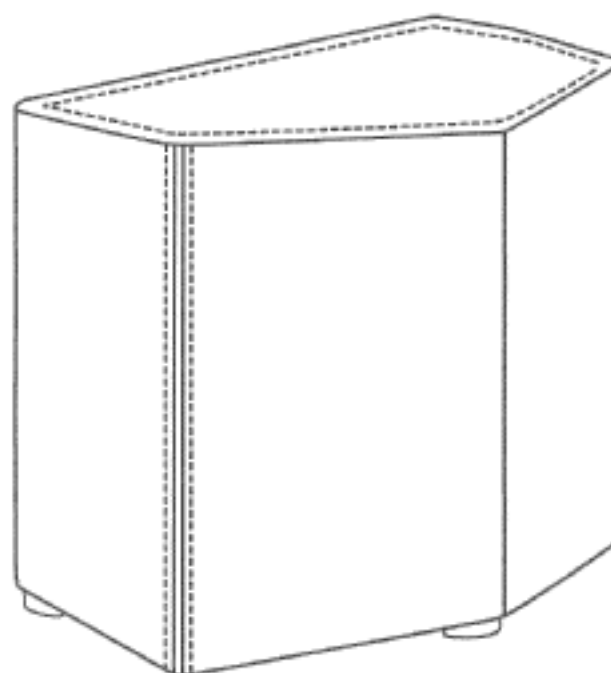
(21) Design Number: **15055/2011**
(22) Date of Filing Application: **09 November 2011**
(24) Date from which industrial property rights may have effect: **09 November 2011**
(54) Product in respect of which the design is registered: **Armchairs**
(51) International Design Classification: **06-01G**
(74) Name(s) of Attorney(s): **Blake Dawson**
(71) Name(s) and Address(s) of Applicant(s):
Halo Trademarks Limited
G/F 17 Gough Street Central Hong Kong
(72) Name(s) of Designer(s): **Ryan McNeish**
(45) Registration Date: **21 December 2011**
(30) Convention priority data:
(31) Number (32) Date (33) Country
001861717-0001 10 May 2011 EUROPEAN COMMUNITY
(56) Related Art Documents: **Not Applicable**
(57) Statement of Newness and Distinctiveness: **Nil**



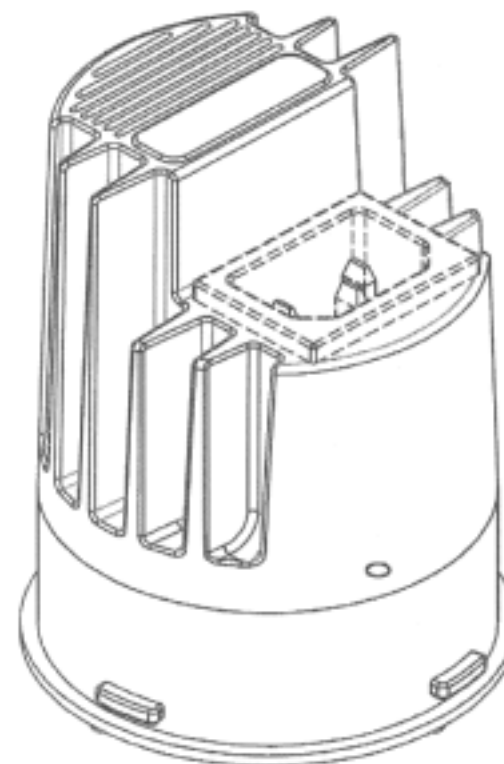
(21) Design Number: **15190/2011**
(22) Date of Filing Application: **15 November 2011**
(24) Date from which industrial property rights may have effect: **15 November 2011**
(54) Product in respect of which the design is registered: **Tyre**
(51) International Design Classification: **12-15A**
(74) Name(s) of Attorney(s): **Griffith Hack**
(71) Name(s) and Address(s) of Applicant(s):
Continental Reifen Deutschland GmbH
Vahrenwalder Str. 9 30165 Hannover Germany
(72) Name(s) of Designer(s): **Thomas Buchinger-Barnstorf**
(45) Registration Date: **21 December 2011**
(30) Convention priority data:
(31) Number (32) Date (33) Country
001905746 18 Aug 2011 EUROPEAN COMMUNITY
(56) Related Art Documents: **Not Applicable**
(57) Statement of Newness and Distinctiveness: **Newness and distinctiveness resides in the visual features, including shape, configuration and pattern, of a tread for a tyre as shown in the accompanying representations.**



(21) Design Number: **15264/2011**
(22) Date of Filing Application: **18 November 2011**
(24) Date from which industrial property rights may have effect: **18 November 2011**
(54) Product in respect of which the design is registered: **Footstool with a table in a side opening**
(51) International Design Classification: **06-01E, 06-03B**
(74) Name(s) of Attorney(s): **Shelston IP**
(71) Name(s) and Address(s) of Applicant(s):
Ekornes ASA
Industrivegen 1 N-6222 Ikorntnes Norway
(72) Name(s) of Designer(s): **Jan Lade**
(45) Registration Date: **21 December 2011**
(30) Convention priority data:
(31) Number (32) Date (33) Country
20110703 26 Aug 2011 NORWAY
(56) Related Art Documents: **Not Applicable**
(57) Statement of Newness and Distinctiveness: **Newness and distinctiveness reside in the shape and/or configuration of a footstool with a table in a side opening illustrated in the accompanying representations.**



- (21) Design Number: **15322/2011**
(22) Date of Filing Application: **23 November 2011**
(24) Date from which industrial property rights may have effect: **23 November 2011**
(54) Product in respect of which the design is registered: **Down light**
(51) International Design Classification: **26-05C**
(74) Name(s) of Attorney(s): **Franke Hyland**
(71) Name(s) and Address(s) of Applicant(s):
Markerry Technologies Pty Ltd
9 Daniel Drive Carrum Downs Victoria 3201 Australia
(72) Name(s) of Designer(s): **Luke Saville and Paul Carroll**
(45) Registration Date: **21 December 2011**
(56) Related Art Documents: **Not Applicable**
(57) Statement of Newness and Distinctiveness: **Newness and distinctiveness is claimed in the shape and configuration of a down light as represented in solid lines in the attached drawings. No regard should be had of the features represented in broken lines.**



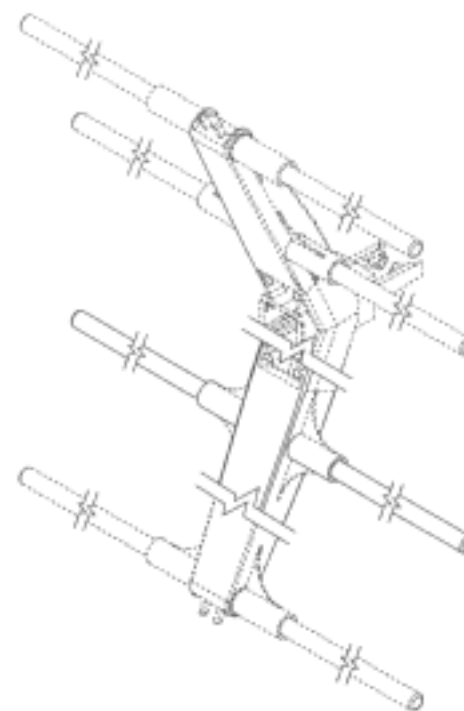
- (21) Design Number: **15406/2011**
(22) Date of Filing Application: **28 November 2011**
(24) Date from which industrial property rights may have effect: **28 November 2011**
(54) Product in respect of which the design is registered: **Packaging for food**
(51) International Design Classification: **09-03M**
(74) Name(s) of Attorney(s):
(71) Name(s) and Address(s) of Applicant(s):
Pacific Worldwide Pty Ltd
1366 Heatherton Road Dandenong Victoria 3175 Australia
(72) Name(s) of Designer(s): **Nancy Chen**
(45) Registration Date: **21 December 2011**
(56) Related Art Documents: **Not Applicable**
(57) Statement of Newness and Distinctiveness: **King of Kings logo and nutritional value of product on left hand side of box. Image is displayed on 2/3 of box. Tofu is plated on Chinese style plate with name in both English and Chinese.**



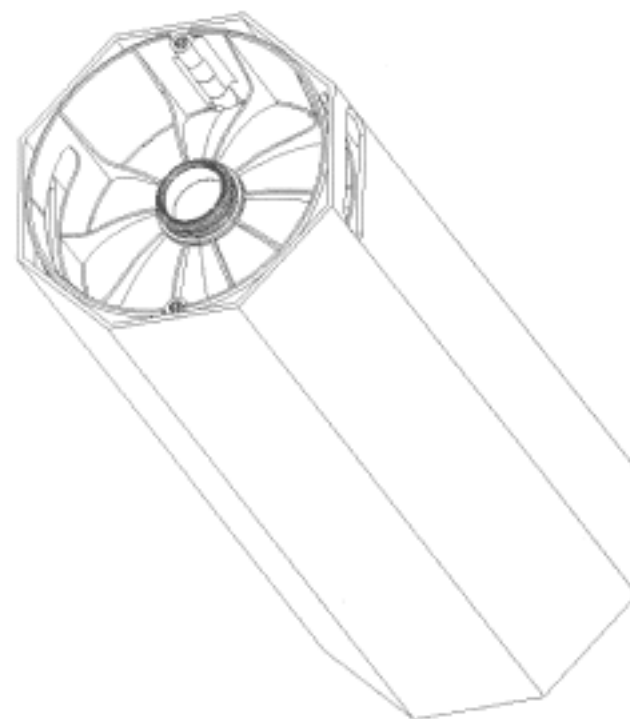
- (21) Design Number: **14628/2011**
(22) Date of Filing Application: **12 October 2011**
(24) Date from which industrial property rights may have effect: **12 October 2011**
(54) Product in respect of which the design is registered: **Collar for a tool head**
(51) International Design Classification: **08-05NES**
(74) Name(s) of Attorney(s): **Griffith Hack**
(71) Name(s) and Address(s) of Applicant(s):
Techtronic Power Tools Technology Limited
Trident Chambers PO Box 146 Road Town Tortola Virgin Islands
(British)
(72) Name(s) of Designer(s): **James Allen Keith Jr. and Michael Earl Buckner**
and Ronald Cecil McCurry
(45) Registration Date: **22 December 2011**
(30) Convention priority data:
(31) Number (32) Date (33) Country
29/389,776 15 Apr 2011 UNITED STATES OF AMERICA
(56) Related Art Documents: **Not Applicable**
(57) Statement of Newness and Distinctiveness: **Nil**



- (21) Design Number: **15207/2011**
(22) Date of Filing Application: **15 November 2011**
(24) Date from which industrial property rights may have effect: **15 November 2011**
(54) Product in respect of which the design is registered: **Antenna reflector bracket**
(51) International Design Classification: **08-08NES, 14-03NES**
(74) Name(s) of Attorney(s): **Madderns**
(71) Name(s) and Address(s) of Applicant(s):
Hills Holdings Limited
159 Port Road Hindmarsh South Australia 5007 Australia
(72) Name(s) of Designer(s): **Barry Seymour Griggs and Andrew Richard John Thomas**
(45) Registration Date: **22 December 2011**
(56) Related Art Documents: **Not Applicable**
(57) Statement of Newness and Distinctiveness: **The new and distinctive features of the design are the shape and/or configuration of the over-moulded elements of an antenna reflector bracket as shown in the solid line portion of the representations. The features depicted in dotted lines are to be disregarded when considering the scope of protection of the design.**



- (21) Design Number: **15292/2011**
(22) Date of Filing Application: **21 November 2011**
(24) Date from which industrial property rights may have effect: **21 November 2011**
(54) Product in respect of which the design is registered: **Upside down octabine keg**
(51) International Design Classification: **09-02C**
(74) Name(s) of Attorney(s): **Tatlocks Chrysiliou IP**
(71) Name(s) and Address(s) of Applicant(s):
Petainer Lidkoping AB
Box 902 SE-53119 Lidkoping Sweden
(72) Name(s) of Designer(s): **Stanislav Chury**
(45) Registration Date: **22 December 2011**
(30) Convention priority data:
(31) Number (32) Date (33) Country
001866997 20 May 2011 EUROPEAN COMMUNITY
(56) Related Art Documents: **Not Applicable**
(57) Statement of Newness and Distinctiveness: **Newness and distinctiveness is claimed in the features of shape and/or configuration of an upside down octabine keg as illustrated in the accompanying representations.**



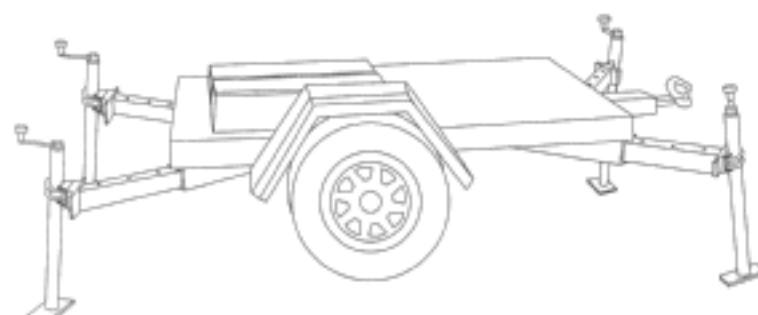
- (21) Design Number: **15388/2011**
(22) Date of Filing Application: **24 November 2011**
(24) Date from which industrial property rights may have effect: **24 November 2011**
(54) Product in respect of which the design is registered: **Collapsible and extendable tripod**
(51) International Design Classification: **08-08NES, 14-03NES**
(74) Name(s) of Attorney(s):
(71) Name(s) and Address(s) of Applicant(s):
Drew Bellamy
8 West Lorne Street Floreat Western Australia 6014 Australia
(72) Name(s) of Designer(s): **Drew Bellamy**
(45) Registration Date: **22 December 2011**
(56) Related Art Documents: **Not Applicable**
(57) Statement of Newness and Distinctiveness: **Lever controlled collapsibility, collapses down to square shape, angle of the tripod neck creates large workspace between the legs, height adjustable neck and legs also allow tripod angle adjustment.**



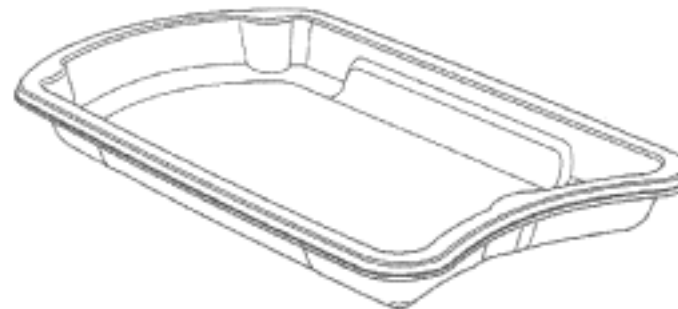
- (21) Design Number: **15717/2011**
(22) Date of Filing Application: **13 December 2011**
(24) Date from which industrial property rights may have effect: **13 December 2011**
(54) Product in respect of which the design is registered: **A refrigerated display cabinet**
(51) International Design Classification: **15-07, 20-02C**
(74) Name(s) of Attorney(s): **Adams Pluck**
(71) Name(s) and Address(s) of Applicant(s):
Skope Industries Limited
66 Princess Street Christchurch New Zealand
(72) Name(s) of Designer(s): **Aaron Keown**
(45) Registration Date: **22 December 2011**
(56) Related Art Documents: **Not Applicable**
(57) Statement of Newness and Distinctiveness: **In considering the extent of monopoly protection features of colour in the accompany representations of the design are to be disregarded.**



- (21) Design Number: **13794/2011**
(22) Date of Filing Application: **26 August 2011**
(24) Date from which industrial property rights may have effect: **26 August 2011**
(54) Product in respect of which the design is registered: **Trailer with support legs**
(51) International Design Classification: **12-16L**
(74) Name(s) of Attorney(s): **Davies Collison Cave**
(71) Name(s) and Address(s) of Applicant(s):
Bartco Traffic Equipment Pty. Ltd.
28 Gordon Street Ararat Victoria 3377 Australia
(72) Name(s) of Designer(s): **Troy Raymond Wollard**
(45) Registration Date: **22 December 2011**
(56) Related Art Documents: **Not Applicable**
(57) Statement of Newness and Distinctiveness: **Newness and distinctiveness resides in the shape and configuration of the support legs extending out from or near the corners of the trailer as shown in the accompanying representations. The tray, boxes, mudguards, wheels and towing member of the trailer do not form part of the design.**



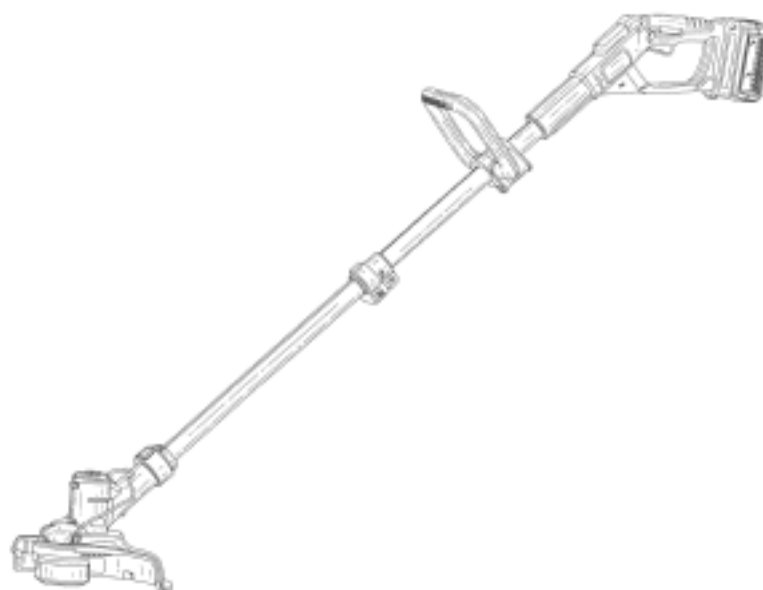
(21) Design Number: **14250/2011**
(22) Date of Filing Application: **21 September 2011**
(24) Date from which industrial property rights may have effect: **21 September 2011**
(54) Product in respect of which the design is registered: **A tray**
(51) International Design Classification: **07-99A**
(74) Name(s) of Attorney(s): **A J Park**
(71) Name(s) and Address(s) of Applicant(s):
Alto Packaging Limited
Level 6 57 Symonds Street Grafton Auckland New Zealand
(72) Name(s) of Designer(s): **Ritchie Williams**
(45) Registration Date: **22 December 2011**
(56) Related Art Documents: **Not Applicable**
(57) Statement of Newness and Distinctiveness: **Nil**



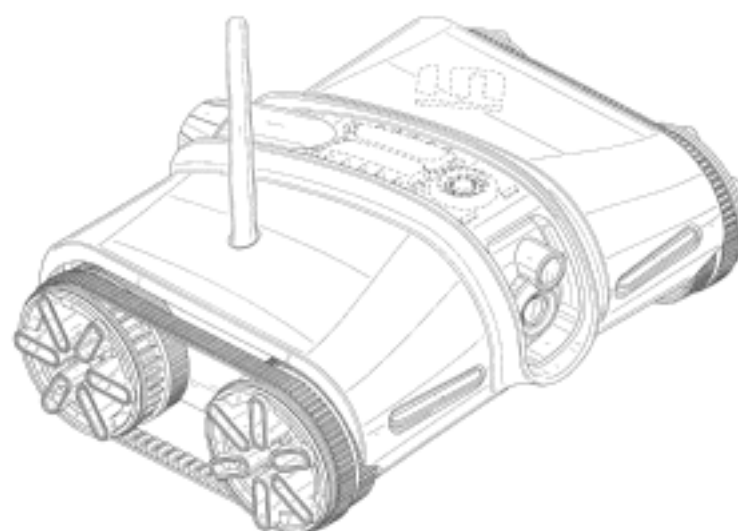
(21) Design Number: **14320/2011**
(22) Date of Filing Application: **28 September 2011**
(24) Date from which industrial property rights may have effect: **28 September 2011**
(54) Product in respect of which the design is registered: **Water filtration pitcher**
(51) International Design Classification: **07-01F**
(74) Name(s) of Attorney(s): **Davies Collison Cave**
(71) Name(s) and Address(s) of Applicant(s):
3M Innovative Properties Company
3M Center Saint Paul Minnesota 55133-3427 United States of America
(72) Name(s) of Designer(s): **Martin Eduardo Broen and Kevin James Gilboe and Judd Dylan Olson and Kent Eugene Lageson and Gretchen Ann Hauble**
(45) Registration Date: **22 December 2011**
(30) Convention priority data:
(31) Number (32) Date (33) Country
29/388298 28 Mar 2011 UNITED STATES OF AMERICA
(56) Related Art Documents: **Not Applicable**
(57) Statement of Newness and Distinctiveness: **Nil**



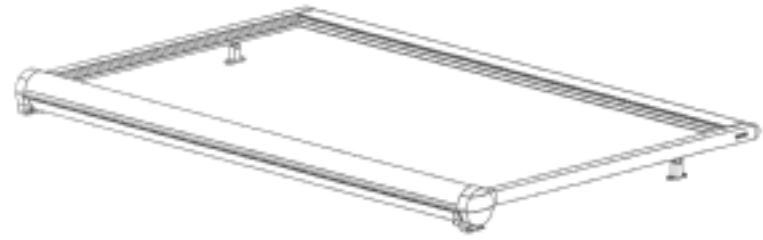
(21) Design Number: **14803/2011**
(22) Date of Filing Application: **24 October 2011**
(24) Date from which industrial property rights may have effect: **24 October 2011**
(54) Product in respect of which the design is registered: **String trimmer**
(51) International Design Classification: **08-03, 15-03B**
(74) Name(s) of Attorney(s): **Davies Collison Cave**
(71) Name(s) and Address(s) of Applicant(s):
Stanley Black & Decker, Inc.
1000 Stanley Drive New Britain Connecticut 06053 United States of America
(72) Name(s) of Designer(s): **Mark Baxter**
(45) Registration Date: **22 December 2011**
(30) Convention priority data:
(31) Number (32) Date (33) Country
001278097-0001 26 May 2011 EUROPEAN COMMUNITY
(56) Related Art Documents: **Not Applicable**
(57) Statement of Newness and Distinctiveness: **Nil**



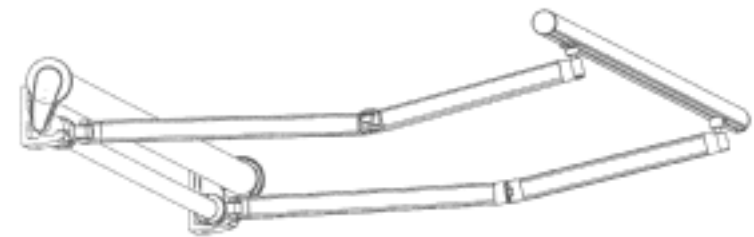
(21) Design Number: **14804/2011**
(22) Date of Filing Application: **24 October 2011**
(24) Date from which industrial property rights may have effect: **24 October 2011**
(54) Product in respect of which the design is registered: **Remote controlled toy tank vehicle**
(51) International Design Classification: **21-01C**
(74) Name(s) of Attorney(s): **Davies Collison Cave**
(71) Name(s) and Address(s) of Applicant(s):
Brookstone Purchasing, Inc.
One Innovation Way Merrimack New Hampshire 03054 United States of America
(72) Name(s) of Designer(s): **Christopher M. Petersen and Stevenson Tom**
(45) Registration Date: **22 December 2011**
(30) Convention priority data:
(31) Number (32) Date (33) Country
29/390458 25 Apr 2011 UNITED STATES OF AMERICA
(56) Related Art Documents: **Not Applicable**
(57) Statement of Newness and Distinctiveness: **Newness and distinctiveness is claimed in the visual features shown in solid lines in the representations.**



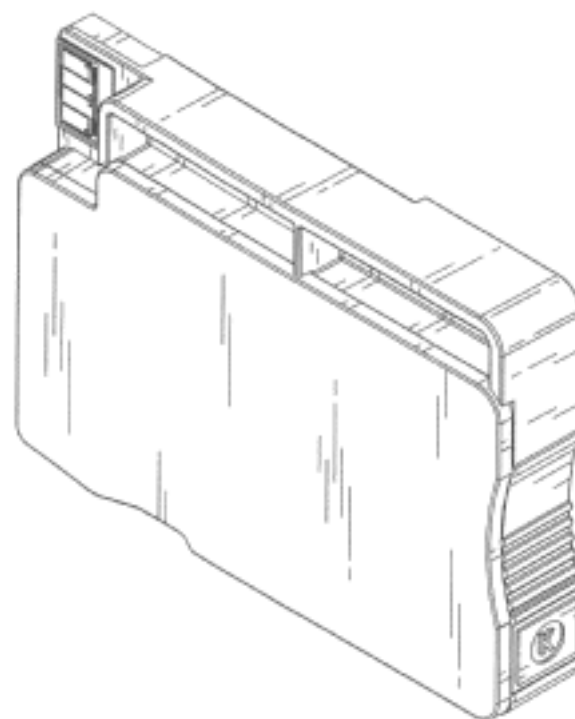
- (21) Design Number: **15658/2011**
(22) Date of Filing Application: **09 December 2011**
(24) Date from which industrial property rights may have effect: **09 December 2011**
(54) Product in respect of which the design is registered: **Awning**
(51) International Design Classification: **25-02H**
(74) Name(s) of Attorney(s): **PHILLIPS ORMONDE FITZPATRICK**
(71) Name(s) and Address(s) of Applicant(s):
Schmitz-Werke GmbH + Co. KG
Hansestrasse 87 48282 Emsdetten Germany
(72) Name(s) of Designer(s): **Andreas Kramer**
(45) Registration Date: **22 December 2011**
(56) Related Art Documents: **Not Applicable**
(57) Statement of Newness and Distinctiveness: **Those features of the awning depicted in the representations that are new and distinctive are the shape and/or configuration.**



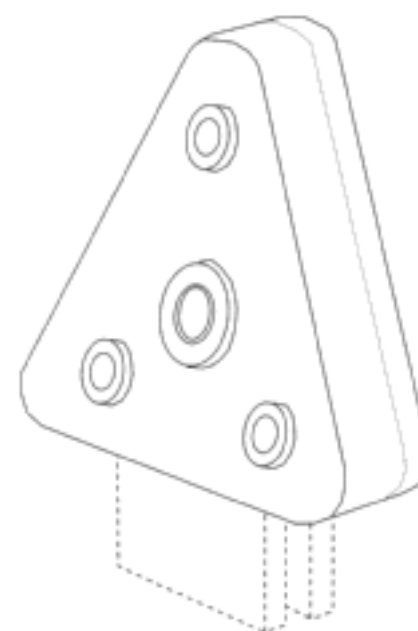
- (21) Design Number: **15659/2011**
(22) Date of Filing Application: **09 December 2011**
(24) Date from which industrial property rights may have effect: **09 December 2011**
(54) Product in respect of which the design is registered: **Awning**
(51) International Design Classification: **25-02H**
(74) Name(s) of Attorney(s): **PHILLIPS ORMONDE FITZPATRICK**
(71) Name(s) and Address(s) of Applicant(s):
Schmitz-Werke GmbH + Co. KG
Hansestrasse 87 48282 Emsdetten Germany
(72) Name(s) of Designer(s): **Andreas Kramer**
(45) Registration Date: **22 December 2011**
(56) Related Art Documents: **Not Applicable**
(57) Statement of Newness and Distinctiveness: **Those features of the awning depicted in the representations that are new and distinctive are the shape and/or configuration.**



- (21) Design Number: **14419/2011**
(22) Date of Filing Application: **29 September 2011**
(24) Date from which industrial property rights may have effect: **29 September 2011**
(54) Product in respect of which the design is registered: **Ink cartridge**
(51) International Design Classification: **14-02**
(74) Name(s) of Attorney(s): **Shelston IP**
(71) Name(s) and Address(s) of Applicant(s):
Hewlett-Packard Development Company L.P.
11445 Compaq Center Drive West Houston Texas 77070 United States of America
(72) Name(s) of Designer(s): **David C. Harvey and Ralph L. Stathem and David N. Olsen**
(45) Registration Date: **23 December 2011**
(30) Convention priority data:
(31) Number (32) Date (33) Country
29/402503 23 Sep 2011 UNITED STATES OF AMERICA
(56) Related Art Documents: **Not Applicable**
(57) Statement of Newness and Distinctiveness: **Newness and distinctiveness reside in the shape and configuration of the design for an INK CARTRIDGE as shown in the representations. The features shown in broken lines are illustrative only and do not form part of the design.**



- (21) Design Number: **14943/2011**
(22) Date of Filing Application: **02 November 2011**
(24) Date from which industrial property rights may have effect: **02 November 2011**
(54) Product in respect of which the design is registered: **Beacon**
(51) International Design Classification: **10-06**
(74) Name(s) of Attorney(s): **Adams Pluck**
(71) Name(s) and Address(s) of Applicant(s):
Eflare Corporation Pty Ltd
222 St Kilda Road St Kilda Victoria 3182 Australia
(72) Name(s) of Designer(s): **Rex Carswell Niven and Haydn James Gunstone and Timothy William Parker**
(45) Registration Date: **23 December 2011**
(30) Convention priority data:
(31) Number (32) Date (33) Country
29/391282 05 May 2011 UNITED STATES OF AMERICA
(56) Related Art Documents: **Not Applicable**
(57) Statement of Newness and Distinctiveness: **Monopoly is claimed in the features of shape and/or configuration of a beacon as illustrated in the accompanying representations; and in considering the scope of monopoly any features shown in phantom in the representations should be disregarded.**



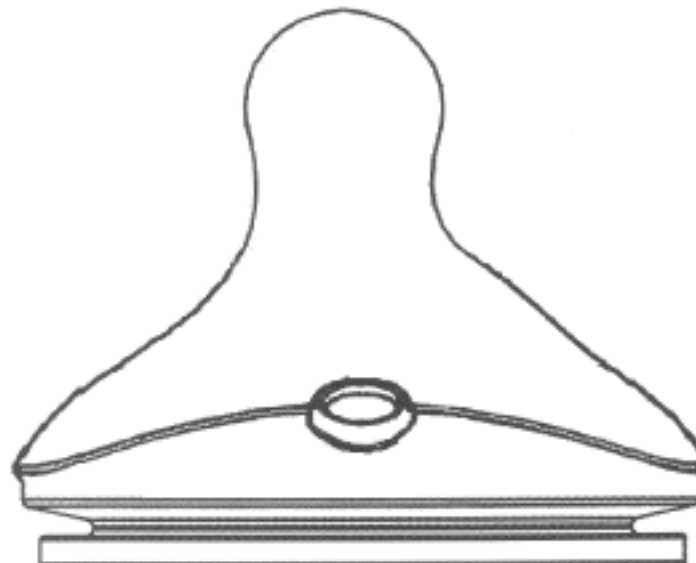
(21) Design Number: **15071/2011**
(22) Date of Filing Application: **09 November 2011**
(24) Date from which industrial property rights may have effect: **09 November 2011**
(54) Product in respect of which the design is registered: **Respiratory mask**
(51) International Design Classification: **24-01**
(74) Name(s) of Attorney(s): **Freehills Patent & Trade Mark Attorneys**
(71) Name(s) and Address(s) of Applicant(s):
3M Innovative Properties Company
3M Center Saint Paul Minnesota 55133-3427 United States of America
(72) Name(s) of Designer(s): **Debra R. Dawson and Seyed A. Angadjivand and Yonas Gebrewold and Nhat Ha T. Nguyen**
(45) Registration Date: **23 December 2011**
(30) Convention priority data:
(31) Number (32) Date (33) Country
29/373681 09 May 2011 UNITED STATES OF AMERICA
(56) Related Art Documents: **Not Applicable**
(57) Statement of Newness and Distinctiveness: **Nil**



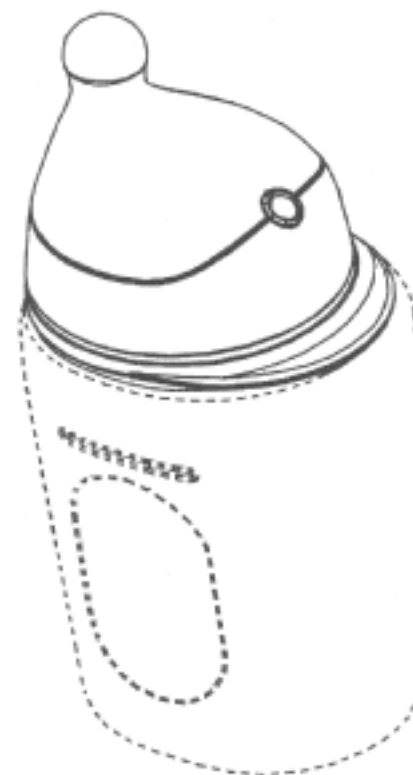
(21) Design Number: **12723/2011**
(22) Date of Filing Application: **17 June 2011**
(24) Date from which industrial property rights may have effect: **17 June 2011**
(54) Product in respect of which the design is registered: **Toileting commode seat with seat attachment means (excluding frame)**
(51) International Design Classification: **06-04A, 12-12, 23-02C, 06-06G**
(74) Name(s) of Attorney(s): **MILLS OAKLEY LAWYERS**
(71) Name(s) and Address(s) of Applicant(s):
Crescent Healthcare Pty Ltd
1 Allenby Street Coburg North Victoria 3058 Australia
(72) Name(s) of Designer(s): **Mark Braden**
(45) Registration Date: **23 December 2011**
(56) Related Art Documents: **Not Applicable**
(57) Statement of Newness and Distinctiveness: **The particular visual features of the design which the Applicant hereby identifies as new and distinctive are as follows: "Toileting Commode Seat with seat attachment means (excluding frame)", as illustrated in the accompanying representations.**



(21) Design Number: **14343/2011**
(22) Date of Filing Application: **26 September 2011**
(24) Date from which industrial property rights may have effect: **26 September 2011**
(54) Product in respect of which the design is registered: **Feeding bottle closure**
(51) International Design Classification: **07-01E**
(74) Name(s) of Attorney(s): **WATERMARK PATENT AND TRADE MARKS ATTORNEYS**
(71) Name(s) and Address(s) of Applicant(s):
Mothercare UK Limited
Cherry Tree Road Watford Hertfordshire WD24 6SR United Kingdom
(72) Name(s) of Designer(s): **Daniel Weil**
(45) Registration Date: **23 December 2011**
(30) Convention priority data:
(31) Number (32) Date (33) Country
001841354 25 Mar 2011 EUROPEAN COMMUNITY
(56) Related Art Documents: **Not Applicable**
(57) Statement of Newness and Distinctiveness: **Nil**



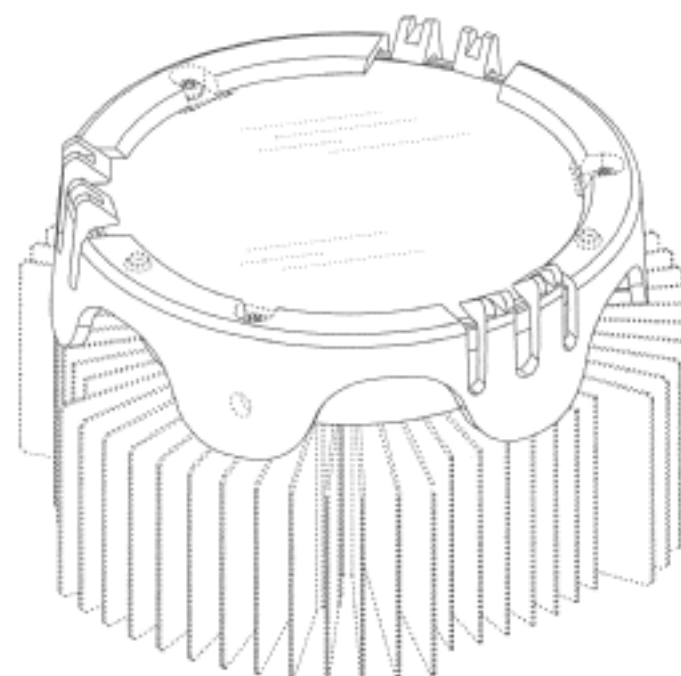
(21) Design Number: **15863/2011**
(22) Date of Filing Application: **26 September 2011**
(24) Date from which industrial property rights may have effect: **26 September 2011**
(54) Product in respect of which the design is registered: **Feeding bottle closure**
(51) International Design Classification: **07-01E**
(74) Name(s) of Attorney(s): **WATERMARK PATENT AND TRADE MARKS ATTORNEYS**
(71) Name(s) and Address(s) of Applicant(s):
Mothercare UK Limited
Cherry Tree Road Watford Hertfordshire WD24 6SR United Kingdom
(72) Name(s) of Designer(s): **Daniel Weil**
(45) Registration Date: **23 December 2011**
(30) Convention priority data:
(31) Number (32) Date (33) Country
001841354 25 Mar 2011 EUROPEAN COMMUNITY
(56) Related Art Documents: **Not Applicable**
(57) Statement of Newness and Distinctiveness: **Nil**



- (21) Design Number: **14492/2011**
(22) Date of Filing Application: **04 October 2011**
(24) Date from which industrial property rights may have effect: **04 October 2011**
(54) Product in respect of which the design is registered: **Multifunctional transport seating**
(51) International Design Classification: **06-01C, 06-01D**
(74) Name(s) of Attorney(s):
(71) Name(s) and Address(s) of Applicant(s):
FormSeat Pty Ltd
Registered office KSR Partners 2/971 Burke Road Camberwell Victoria
3124 Australia
(72) Name(s) of Designer(s): **Johan H. Naess**
(45) Registration Date: **23 December 2011**
(56) Related Art Documents: **Not Applicable**
(57) Statement of Newness and Distinctiveness: **This design allows for the seat unit to be bolted to the floor, for transport seating.**



- (21) Design Number: **14582/2011**
(22) Date of Filing Application: **11 October 2011**
(24) Date from which industrial property rights may have effect: **11 October 2011**
(54) Product in respect of which the design is registered: **Lighting fixture**
(51) International Design Classification: **26-05E**
(74) Name(s) of Attorney(s): **SPRUSON & FERGUSON**
(71) Name(s) and Address(s) of Applicant(s):
Cree, Inc.
4600 Silicon Drive Durham North Carolina 27703 United States of
America
(72) Name(s) of Designer(s): **Peter E. Lopez**
(45) Registration Date: **23 December 2011**
(30) Convention priority data:
(31) Number (32) Date (33) Country
29/389409 11 Apr 2011 UNITED STATES OF AMERICA
(56) Related Art Documents: **Not Applicable**
(57) Statement of Newness and Distinctiveness: **Newness and distinctiveness is claimed in the features of shape and/or configuration of a lighting fixture as illustrated in continuous lines in the accompanying representations.**



(21) Design Number: **14583/2011**
(22) Date of Filing Application: **11 October 2011**
(24) Date from which industrial property rights may have effect: **11 October 2011**
(54) Product in respect of which the design is registered: **Lighting fixture**
(51) International Design Classification: **26-05E**
(74) Name(s) of Attorney(s): **SPRUSON & FERGUSON**
(71) Name(s) and Address(s) of Applicant(s):

Cree, Inc.
4600 Silicon Drive Durham North Carolina 27703 United States of America

(72) Name(s) of Designer(s): **Peter E. Lopez**

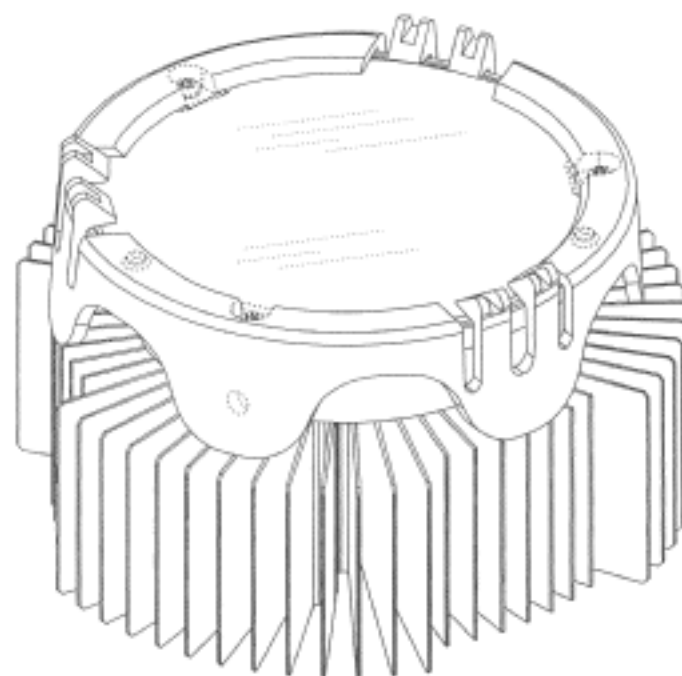
(45) Registration Date: **23 December 2011**

(30) Convention priority data:

(31) Number	(32) Date	(33) Country
29/389409	11 Apr 2011	UNITED STATES OF AMERICA

(56) Related Art Documents: **Not Applicable**

(57) Statement of Newness and Distinctiveness: **Newness and distinctiveness is claimed in the features of shape and/or configuration of a lighting fixture as illustrated in continuous lines in the accompanying representations.**



(21) Design Number: **14670/2011**
(22) Date of Filing Application: **07 October 2011**
(24) Date from which industrial property rights may have effect: **07 October 2011**
(54) Product in respect of which the design is registered: **A medical equipment physiotherapy apparatus**
(51) International Design Classification: **24-02**
(74) Name(s) of Attorney(s):
(71) Name(s) and Address(s) of Applicant(s):

Procon Gesellschaft für Kontinenzversorgung und Rehabilitation mbH
Saseler Bogen 6 22393 Hamburg Germany

(72) Name(s) of Designer(s): **Albert Heimerl**

(45) Registration Date: **23 December 2011**

(30) Convention priority data:

(31) Number	(32) Date	(33) Country
001847310-0001	07 Apr 2011	EUROPEAN COMMUNITY

(56) Related Art Documents: **Not Applicable**

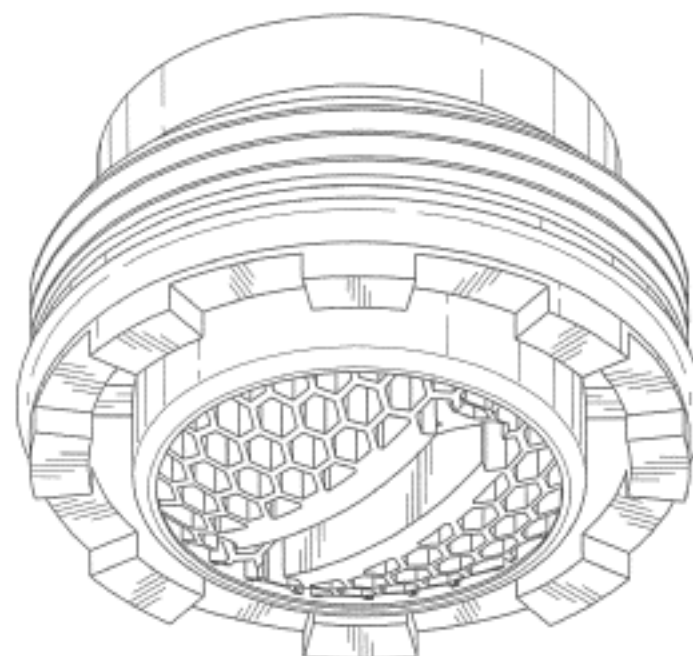
(57) Statement of Newness and Distinctiveness: **The shape and configuration of a medical equipment physiotherapy apparatus as shown in the representations.**



(21) Design Number: **15901/2011**
(22) Date of Filing Application: **07 October 2011**
(24) Date from which industrial property rights may have effect: **07 October 2011**
(54) Product in respect of which the design is registered: **A medical equipment physiotherapy apparatus**
(51) International Design Classification: **24-02**
(74) Name(s) of Attorney(s):
(71) Name(s) and Address(s) of Applicant(s):
Procon Gesellschaft fur Kontinenzversorgung und Rehabilitation mbH
Saseler Bogen 6 22393 Hamburg Germany
(72) Name(s) of Designer(s): **Albert Heimerl**
(45) Registration Date: **23 December 2011**
(30) Convention priority data:
(31) Number (32) Date (33) Country
001847310-0001 07 Apr 2011 EUROPEAN COMMUNITY
(56) Related Art Documents: **Not Applicable**
(57) Statement of Newness and Distinctiveness: **Nil**



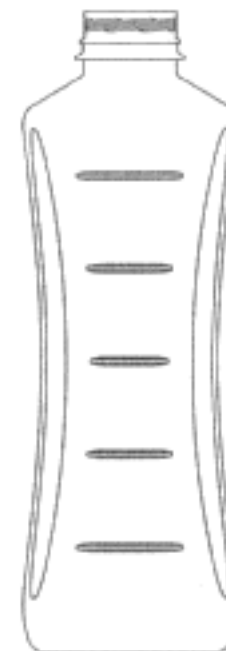
(21) Design Number: **14736/2011**
(22) Date of Filing Application: **19 October 2011**
(24) Date from which industrial property rights may have effect: **19 October 2011**
(54) Product in respect of which the design is registered: **Flow regulator**
(51) International Design Classification: **23-01G**
(74) Name(s) of Attorney(s): **PHILLIPS ORMONDE FITZPATRICK**
(71) Name(s) and Address(s) of Applicant(s):
Neoperl GmbH
Klosterrunsstrasse 11 79379 Mullheim Germany
(72) Name(s) of Designer(s): **Gerhard Blum**
(45) Registration Date: **23 December 2011**
(30) Convention priority data:
(31) Number (32) Date (33) Country
001282065-005 20 Jun 2011 EUROPEAN COMMUNITY
(56) Related Art Documents: **Not Applicable**
(57) Statement of Newness and Distinctiveness: **Those features of the flow regulator depicted in the representations that are new and distinctive are the shape and/or configuration.**



- (21) Design Number: **14796/2011**
(22) Date of Filing Application: **24 October 2011**
(24) Date from which industrial property rights may have effect: **24 October 2011**
(54) Product in respect of which the design is registered: **Container**
(51) International Design Classification: **09-01B**
(74) Name(s) of Attorney(s): **WATERMARK PATENT AND TRADE MARKS ATTORNEYS**
(71) Name(s) and Address(s) of Applicant(s):
Brickwood Holdings Pty Ltd
Level 16 644 Chapel Street South Yarra Victoria 3141 Australia
(72) Name(s) of Designer(s): **Richard Crisp**
(45) Registration Date: **23 December 2011**
(56) Related Art Documents: **Not Applicable**
(57) Statement of Newness and Distinctiveness: **Nil**



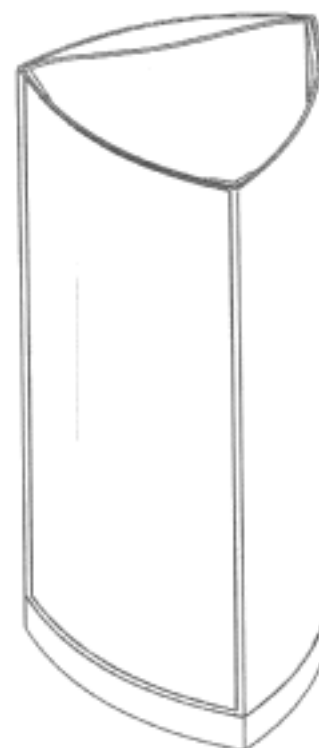
- (21) Design Number: **14798/2011**
(22) Date of Filing Application: **24 October 2011**
(24) Date from which industrial property rights may have effect: **24 October 2011**
(54) Product in respect of which the design is registered: **Bottle**
(51) International Design Classification: **09-01K**
(74) Name(s) of Attorney(s): **WATERMARK PATENT AND TRADE MARKS ATTORNEYS**
(71) Name(s) and Address(s) of Applicant(s):
Brickwood Holdings Pty Ltd
Level 16 644 Chapel Street South Yarra Victoria 3141 Australia
(72) Name(s) of Designer(s): **Richard Crisp**
(45) Registration Date: **23 December 2011**
(56) Related Art Documents: **Not Applicable**
(57) Statement of Newness and Distinctiveness: **Nil**



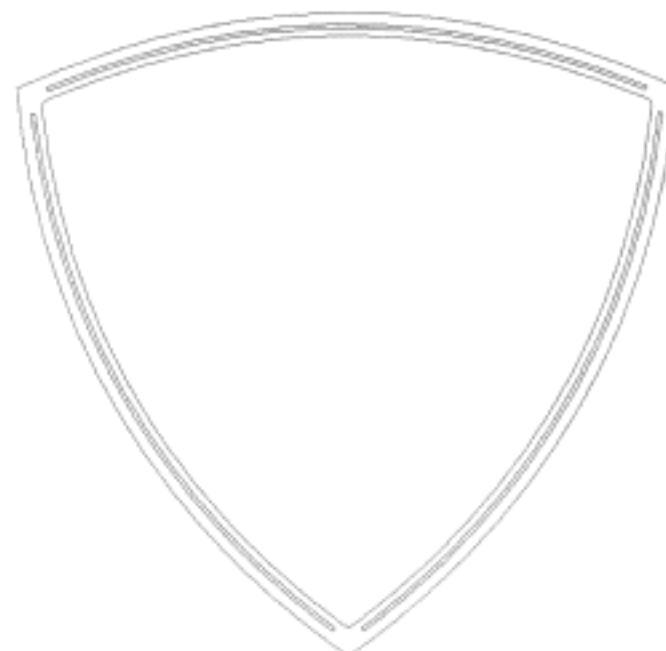
- (21) Design Number: **14801/2011**
(22) Date of Filing Application: **24 October 2011**
(24) Date from which industrial property rights may have effect: **24 October 2011**
(54) Product in respect of which the design is registered: **Cosmetic container**
(51) International Design Classification: **09-01G**
(74) Name(s) of Attorney(s): **SPRUSON & FERGUSON**
(71) Name(s) and Address(s) of Applicant(s):
Laboratoires La Prairie SA
Industriestrasse 8 8604 Volketswil Switzerland
(72) Name(s) of Designer(s): **Anil Kalyanpur and Richard Suhr**
(45) Registration Date: **23 December 2011**
(56) Related Art Documents: **Not Applicable**
(57) Statement of Newness and Distinctiveness: **Newness and distinctiveness is claimed in the features of shape and/or configuration of a cosmetic container, including a pair of windows, as illustrated in the accompanying representations.**



- (21) Design Number: **14863/2011**
(22) Date of Filing Application: **26 October 2011**
(24) Date from which industrial property rights may have effect: **26 October 2011**
(54) Product in respect of which the design is registered: **Media presentation device**
(51) International Design Classification: **25-01K, 26-99**
(74) Name(s) of Attorney(s):
(71) Name(s) and Address(s) of Applicant(s):
Heine Jones Studio Pty Ltd
26 Murray Street Yarraville Victoria 3013 Australia
(72) Name(s) of Designer(s): **Mike Heine and Steve Jones**
(45) Registration Date: **23 December 2011**
(56) Related Art Documents: **Not Applicable**
(57) Statement of Newness and Distinctiveness: **Newness and distinctiveness in the features of shape and/or configuration is claimed of a media presentation device.**



(21) Design Number: **14864/2011**
(22) Date of Filing Application: **26 October 2011**
(24) Date from which industrial property rights may have effect: **26 October 2011**
(54) Product in respect of which the design is registered: **Media extrusion**
(51) International Design Classification: **25-01K, 26-99**
(74) Name(s) of Attorney(s):
(71) Name(s) and Address(s) of Applicant(s):
Heine Jones Studio Pty Ltd
26 Murray Street Yarraville Victoria 3013 Australia
(72) Name(s) of Designer(s): **Mike Heine and Steve Jones**
(45) Registration Date: **23 December 2011**
(56) Related Art Documents: **Not Applicable**
(57) Statement of Newness and Distinctiveness: **Monopoly is claimed in the shape and configuration of a plastic extrusion of indefinite length and constant cross section illustrated in the representations.**



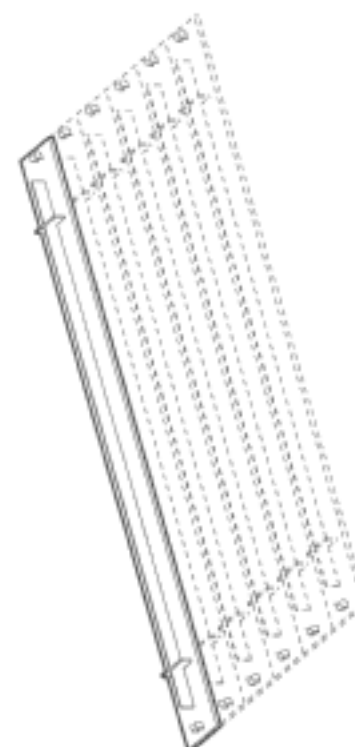
(21) Design Number: **14885/2011**
(22) Date of Filing Application: **28 October 2011**
(24) Date from which industrial property rights may have effect: **28 October 2011**
(54) Product in respect of which the design is registered: **Bottle**
(51) International Design Classification: **09-01NES**
(74) Name(s) of Attorney(s): **Davies Collison Cave**
(71) Name(s) and Address(s) of Applicant(s):
GlaxoSmithKline LLC
One Franklin Plaza 200 North 16th Street Philadelphia Pennsylvania
19102 United States of America
(72) Name(s) of Designer(s): **Lawrence M. Whalen Jr.**
(45) Registration Date: **23 December 2011**
(30) Convention priority data:
(31) Number (32) Date (33) Country
29/390772 29 Apr 2011 UNITED STATES OF AMERICA
(56) Related Art Documents: **Not Applicable**
(57) Statement of Newness and Distinctiveness: **Nil**



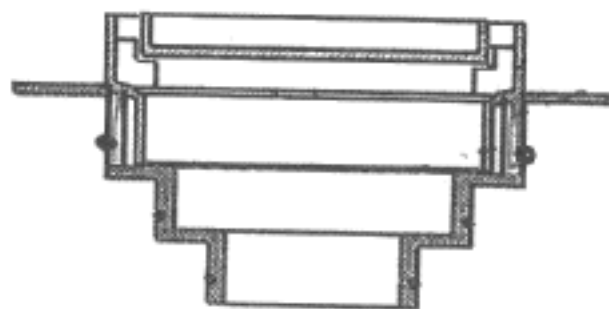
- (21) Design Number: **14886/2011**
(22) Date of Filing Application: **28 October 2011**
(24) Date from which industrial property rights may have effect: **28 October 2011**
(54) Product in respect of which the design is registered: **Tool caddy**
(51) International Design Classification: **03-01D**
(74) Name(s) of Attorney(s): **Davies Collison Cave**
(71) Name(s) and Address(s) of Applicant(s):
Keter Plastic Ltd
2 Sapir Street Industrial Zone Herzelyia 46852 Israel
(72) Name(s) of Designer(s): **Yaron Brunner**
(45) Registration Date: **23 December 2011**
(30) Convention priority data:
(31) Number (32) Date (33) Country
50964 28 Apr 2011 ISRAEL
(56) Related Art Documents: **Not Applicable**
(57) Statement of Newness and Distinctiveness: **Newness and distinctiveness is claimed in the features of shape and configuration of the tool caddy shown in the accompanying representations excluding those features delineated with broken lines.**



- (21) Design Number: **14904/2011**
(22) Date of Filing Application: **28 October 2011**
(24) Date from which industrial property rights may have effect: **28 October 2011**
(54) Product in respect of which the design is registered: **A panel**
(51) International Design Classification: **14-02, 14-99**
(74) Name(s) of Attorney(s): **SPRUSON & FERGUSON**
(71) Name(s) and Address(s) of Applicant(s):
IDC Solutions Pty Ltd
Suite 8 21 Regent Street Redfern New South Wales 2016 Australia
(72) Name(s) of Designer(s): **Niall Coulter**
(45) Registration Date: **23 December 2011**
(56) Related Art Documents: **Not Applicable**
(57) Statement of Newness and Distinctiveness: **Newness and distinctiveness is claimed in those features of shape and/or configuration of a panel as illustrated in continuous lines in the accompanying representations.**



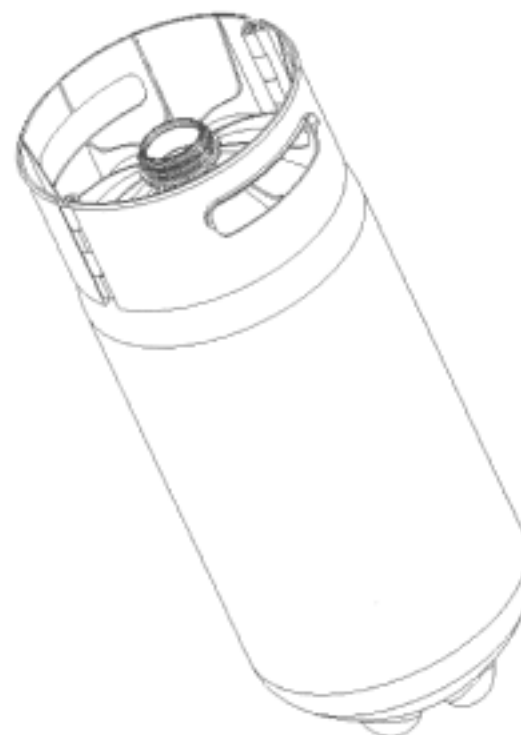
(21) Design Number: **15033/2011**
(22) Date of Filing Application: **07 November 2011**
(24) Date from which industrial property rights may have effect: **07 November 2011**
(54) Product in respect of which the design is registered: **Floor waste**
(51) International Design Classification: **23-02E**
(74) Name(s) of Attorney(s):
(71) Name(s) and Address(s) of Applicant(s):
P and L Distributors Pty Ltd
18/2-8 Daniel Street Wetherill Park New South Wales 2164 Australia
(72) Name(s) of Designer(s): **Lewis Spiteri**
(45) Registration Date: **23 December 2011**
(56) Related Art Documents: **Not Applicable**
(57) Statement of Newness and Distinctiveness: **Floor waste has multiple size sewer pipe usage. Can fit 100mm, 80mm or 50mm.**



(21) Design Number: **15284/2011**
(22) Date of Filing Application: **18 November 2011**
(24) Date from which industrial property rights may have effect: **18 November 2011**
(54) Product in respect of which the design is registered: **A fairing for a vehicle**
(51) International Design Classification: **12-16B**
(74) Name(s) of Attorney(s): **Macpherson + Kelley**
(71) Name(s) and Address(s) of Applicant(s):
D & H Enterprises Pty Ltd
156 Bittern-Dromana Road Merricks North Victoria 3926 Australia
(72) Name(s) of Designer(s): **Donald Mackenzie Elliot**
(45) Registration Date: **23 December 2011**
(56) Related Art Documents: **Not Applicable**
(57) Statement of Newness and Distinctiveness: **Monopoly is claimed in the shape and configuration of a fairing for a vehicle as shown in the accompanying representations. The wheels and spokes are to be disregarded in considering the extent of the monopoly protection.**



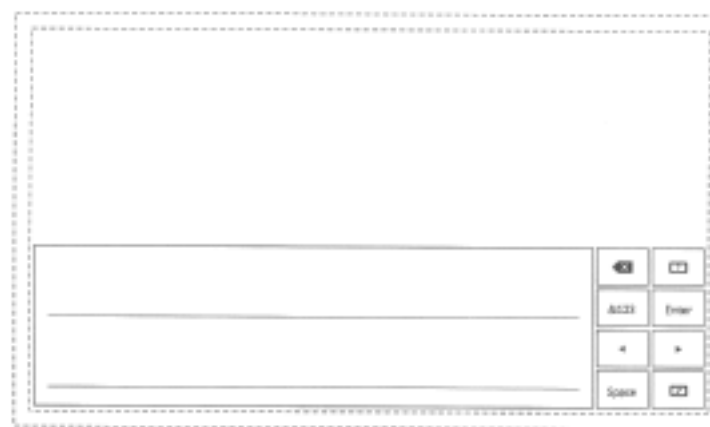
(21) Design Number: **15288/2011**
(22) Date of Filing Application: **21 November 2011**
(24) Date from which industrial property rights may have effect: **21 November 2011**
(54) Product in respect of which the design is registered: **Upside down keg**
(51) International Design Classification: **09-02C**
(74) Name(s) of Attorney(s): **Tatlocks Chrysiliou IP**
(71) Name(s) and Address(s) of Applicant(s):
Petainer Lidkoping AB
Box 902 SE-53119 Lidkoping Sweden
(72) Name(s) of Designer(s): **Stanislav Chury**
(45) Registration Date: **23 December 2011**
(30) Convention priority data:
(31) Number (32) Date (33) Country
001866997 20 May 2011 EUROPEAN COMMUNITY
(56) Related Art Documents: **Not Applicable**
(57) Statement of Newness and Distinctiveness: **Newness and distinctiveness is claimed in the features of shape and/or configuration of an upside down keg as illustrated in the accompanying representations.**



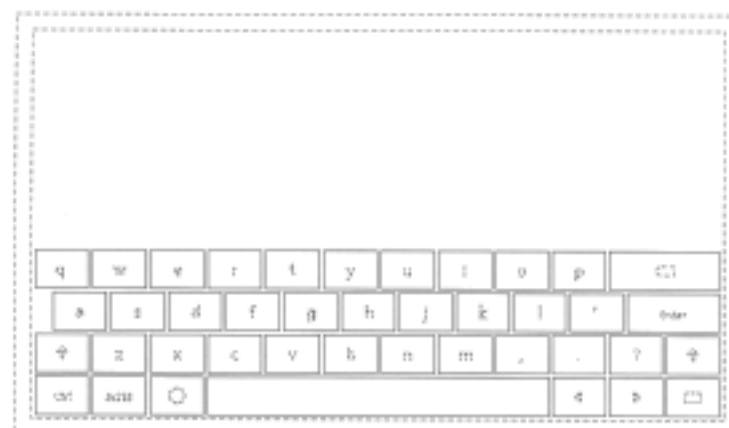
(21) Design Number: **15365/2011**
(22) Date of Filing Application: **24 November 2011**
(24) Date from which industrial property rights may have effect: **24 November 2011**
(54) Product in respect of which the design is registered: **Display screen with user interface**
(51) International Design Classification: **14-04**
(74) Name(s) of Attorney(s): **Shelston IP**
(71) Name(s) and Address(s) of Applicant(s):
Microsoft Corporation
One Microsoft Way Redmond Washington 98052 United States of America
(72) Name(s) of Designer(s): **Jeffrey Weir and Jonathan Eric Gleasman and Gerrit Hofmeester and Seung Yang and Leslie MacNeil and Gary Sherman**
(45) Registration Date: **23 December 2011**
(30) Convention priority data:
(31) Number (32) Date (33) Country
29/392944 27 May 2011 UNITED STATES OF AMERICA
(56) Related Art Documents: **Not Applicable**
(57) Statement of Newness and Distinctiveness: **Newness and distinctiveness reside in the pattern and/or ornamentation of a display screen with user interface as illustrated by solid lines in the accompanying representations. The features shown in broken outline are for illustrative purposes only and do form part of the design.**



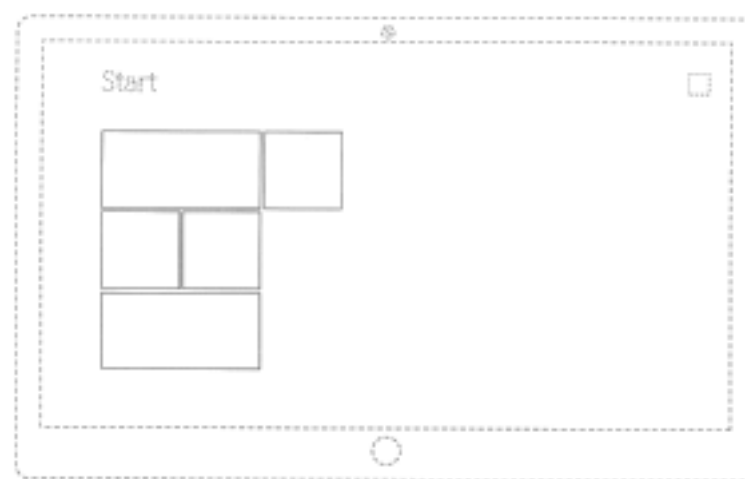
- (21) Design Number: **15366/2011**
(22) Date of Filing Application: **24 November 2011**
(24) Date from which industrial property rights may have effect: **24 November 2011**
(54) Product in respect of which the design is registered: **Display screen with user interface**
(51) International Design Classification: **14-04**
(74) Name(s) of Attorney(s): **Shelston IP**
(71) Name(s) and Address(s) of Applicant(s):
Microsoft Corporation
One Microsoft Way Redmond Washington 98052 United States of America
(72) Name(s) of Designer(s): **Jeffrey Weir and Jonathan Eric Gleasman and Gerrit Hofmeester and Seung Yang and Leslie MacNeil and Gary Sherman**
(45) Registration Date: **23 December 2011**
(30) Convention priority data:
(31) Number (32) Date (33) Country
29/392945 27 May 2011 UNITED STATES OF AMERICA
(56) Related Art Documents: **Not Applicable**
(57) Statement of Newness and Distinctiveness: **Newness and distinctiveness reside in the pattern and/or ornamentation of a display screen with user interface as illustrated by solid lines in the accompanying representations. The features shown in broken outline are for illustrative purposes only and do form part of the design.**



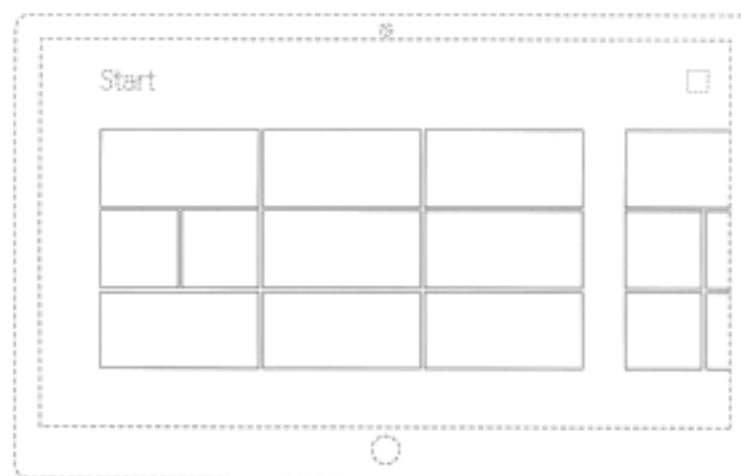
- (21) Design Number: **15368/2011**
(22) Date of Filing Application: **24 November 2011**
(24) Date from which industrial property rights may have effect: **24 November 2011**
(54) Product in respect of which the design is registered: **Display screen with keyboard user interface**
(51) International Design Classification: **14-04**
(74) Name(s) of Attorney(s): **Shelston IP**
(71) Name(s) and Address(s) of Applicant(s):
Microsoft Corporation
One Microsoft Way Redmond Washington 98052 United States of America
(72) Name(s) of Designer(s): **Finnbarr Sean Duggan and Jonathan Eric Gleasman and Gerrit Hofmeester and Leslie MacNeil and Moneta K. Ho Kushner and Seung Yang**
(45) Registration Date: **23 December 2011**
(30) Convention priority data:
(31) Number (32) Date (33) Country
29/392949 27 May 2011 UNITED STATES OF AMERICA
(56) Related Art Documents: **Not Applicable**
(57) Statement of Newness and Distinctiveness: **Newness and distinctiveness reside in the pattern and/or ornamentation of a display screen with keyboard user interface as illustrated by solid lines in the accompanying representations. The features shown in broken outline are for illustrative purposes only and do not form part of the design.**



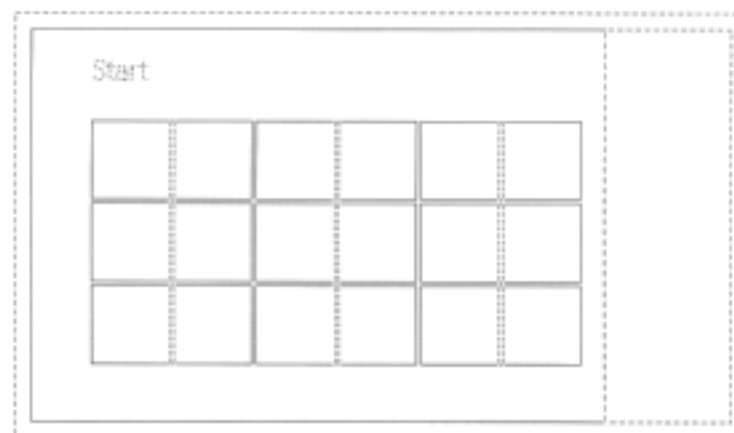
- (21) Design Number: **15373/2011**
(22) Date of Filing Application: **24 November 2011**
(24) Date from which industrial property rights may have effect: **24 November 2011**
(54) Product in respect of which the design is registered: **Display screen with user interface**
(51) International Design Classification: **14-04**
(74) Name(s) of Attorney(s): **Shelston IP**
(71) Name(s) and Address(s) of Applicant(s):
Microsoft Corporation
One Microsoft Way Redmond Washington 98052 United States of America
(72) Name(s) of Designer(s): **Ethan Nelson Ray and Leslie MacNeil and Jonathan Eric Gleasman and Denise Michele Trabona**
(45) Registration Date: **23 December 2011**
(30) Convention priority data:
(31) Number (32) Date (33) Country
29/392981 27 May 2011 UNITED STATES OF AMERICA
(56) Related Art Documents: **Not Applicable**
(57) Statement of Newness and Distinctiveness: **Newness and distinctiveness reside in the pattern and/or ornamentation of a display screen with user interface as illustrated by solid lines in the accompanying representations. The features shown in broken outline are for illustrative purposes only and do not form part of the design.**



- (21) Design Number: **15374/2011**
(22) Date of Filing Application: **24 November 2011**
(24) Date from which industrial property rights may have effect: **24 November 2011**
(54) Product in respect of which the design is registered: **Display screen with user interface**
(51) International Design Classification: **14-04**
(74) Name(s) of Attorney(s): **Shelston IP**
(71) Name(s) and Address(s) of Applicant(s):
Microsoft Corporation
One Microsoft Way Redmond Washington 98052 United States of America
(72) Name(s) of Designer(s): **Ethan Nelson Ray and Leslie MacNeil and Jonathan Eric Gleasman and Denise Michele Trabona**
(45) Registration Date: **23 December 2011**
(30) Convention priority data:
(31) Number (32) Date (33) Country
29/392980 27 May 2011 UNITED STATES OF AMERICA
(56) Related Art Documents: **Not Applicable**
(57) Statement of Newness and Distinctiveness: **Newness and distinctiveness reside in the pattern and/or ornamentation of a display screen with user interface as illustrated by solid lines in the accompanying representations. The features shown in broken outline are for illustrative purposes only and do not form part of the design.**



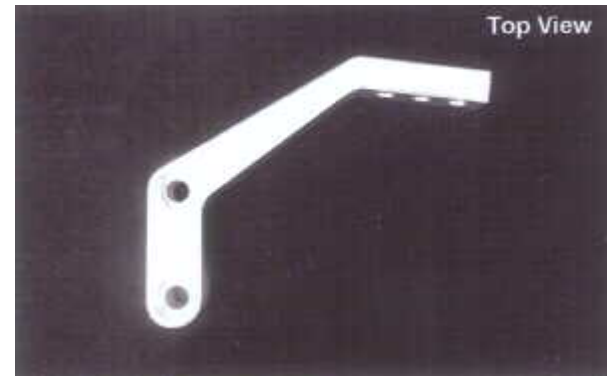
- (21) Design Number: **15375/2011**
(22) Date of Filing Application: **24 November 2011**
(24) Date from which industrial property rights may have effect: **24 November 2011**
(54) Product in respect of which the design is registered: **Display screen with user interface**
(51) International Design Classification: **14-04**
(74) Name(s) of Attorney(s): **Shelston IP**
(71) Name(s) and Address(s) of Applicant(s):
Microsoft Corporation
One Microsoft Way Redmond Washington 98052 United States of America
(72) Name(s) of Designer(s): **Ethan Nelson Ray and Leslie MacNeil and Jonathan Eric Gleasman and Denise Michele Trabona**
(45) Registration Date: **23 December 2011**
(30) Convention priority data:
(31) Number (32) Date (33) Country
29/393042 27 May 2011 UNITED STATES OF AMERICA
(56) Related Art Documents: **Not Applicable**
(57) Statement of Newness and Distinctiveness: **Newness and distinctiveness reside in the pattern and/or ornamentation of a display screen with user interface as illustrated by solid lines in the accompanying representations. The features shown in broken outline are for illustrative purposes only and do not form part of the design.**



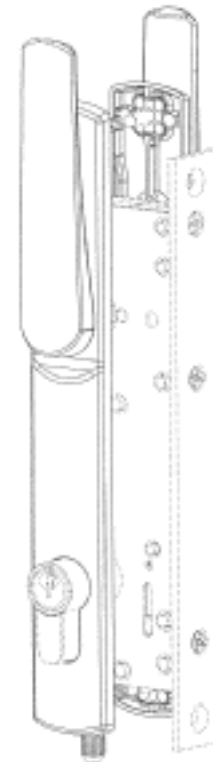
- (21) Design Number: **15454/2011**
(22) Date of Filing Application: **29 November 2011**
(24) Date from which industrial property rights may have effect: **29 November 2011**
(54) Product in respect of which the design is registered: **Motorcycle hand guard mounting bracket**
(51) International Design Classification: **12-16NES**
(74) Name(s) of Attorney(s):
(71) Name(s) and Address(s) of Applicant(s):
Werner Schyns
3 Hammersley Road Grays Point New South Wales 2232 Australia
(72) Name(s) of Designer(s): **Werner Schyns**
(45) Registration Date: **23 December 2011**
(56) Related Art Documents: **Not Applicable**
(57) Statement of Newness and Distinctiveness: **Nil**



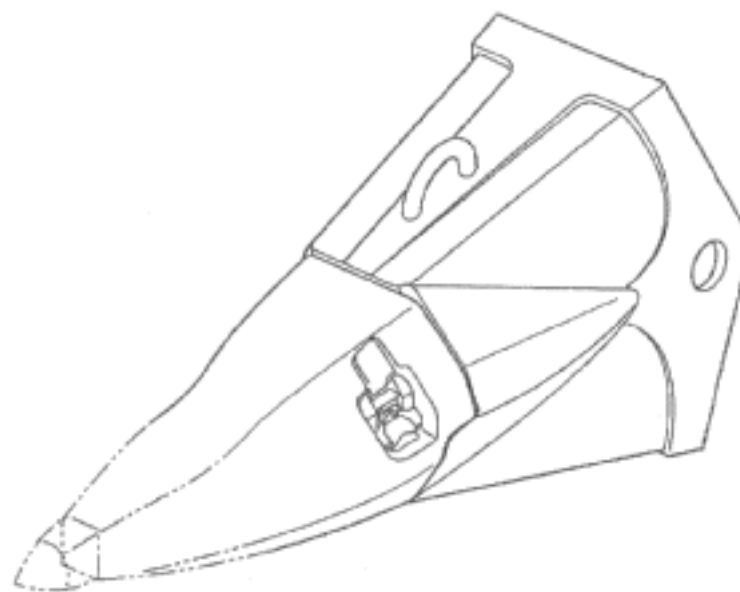
- (21) Design Number: **15455/2011**
(22) Date of Filing Application: **29 November 2011**
(24) Date from which industrial property rights may have effect: **29 November 2011**
(54) Product in respect of which the design is registered: **Motorcycle hand guard mounting bracket**
(51) International Design Classification: **12-16NES**
(74) Name(s) of Attorney(s):
(71) Name(s) and Address(s) of Applicant(s):
Werner Schyns
3 Hammersley Road Grays Point New South Wales 2232 Australia
(72) Name(s) of Designer(s): **Werner Schyns**
(45) Registration Date: **23 December 2011**
(56) Related Art Documents: **Not Applicable**
(57) Statement of Newness and Distinctiveness: **Nil**



- (21) Design Number: **15460/2011**
(22) Date of Filing Application: **30 November 2011**
(24) Date from which industrial property rights may have effect: **30 November 2011**
(54) Product in respect of which the design is registered: **A double sided bi-fold door lock assembly**
(51) International Design Classification: **08-07**
(74) Name(s) of Attorney(s): **SPRUSON & FERGUSON**
(71) Name(s) and Address(s) of Applicant(s):
Austral Lock Pty Ltd
31-33 Alfred Street Blackburn Victoria 3130 Australia
(72) Name(s) of Designer(s): **Brendan George**
(45) Registration Date: **23 December 2011**
(56) Related Art Documents: **Not Applicable**
(57) Statement of Newness and Distinctiveness: **Newness and distinctiveness is claimed in those features of shape and/or configuration of a double sided sliding door lock assembly illustrated in continuous lines in the accompanying representations.**



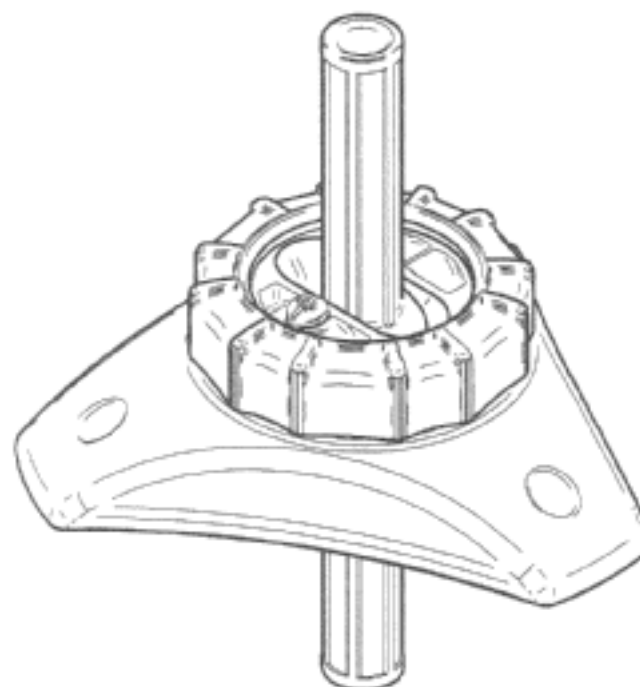
- (21) Design Number: **15492/2011**
(22) Date of Filing Application: **30 November 2011**
(24) Date from which industrial property rights may have effect: **30 November 2011**
(54) Product in respect of which the design is registered: **Ripper boot assembly**
(51) International Design Classification: **15-03A**
(74) Name(s) of Attorney(s): **LESICAR PERRIN**
(71) Name(s) and Address(s) of Applicant(s):
James A. Calderwood
PO Box 2975 Port Lincoln South Australia 5606 Australia
(72) Name(s) of Designer(s): **James A. Calderwood**
(45) Registration Date: **23 December 2011**
(56) Related Art Documents: **Not Applicable**
(57) Statement of Newness and Distinctiveness: **Newness and distinctiveness resides in the shape and/or configuration of a ripper boot assembly as depicted in full lines in the accompanying representation.**



- (21) Design Number: **15506/2011**
(22) Date of Filing Application: **29 November 2011**
(24) Date from which industrial property rights may have effect: **29 November 2011**
(54) Product in respect of which the design is registered: **Champagne stopper**
(51) International Design Classification: **09-07C**
(74) Name(s) of Attorney(s):
(71) Name(s) and Address(s) of Applicant(s):
Broplenty Pty Ltd
PO Box 1927 Sunshine Plaza Queensland 4558 Australia
(72) Name(s) of Designer(s): **Jane Brown**
(45) Registration Date: **23 December 2011**
(56) Related Art Documents: **Not Applicable**
(57) Statement of Newness and Distinctiveness: **Champagne stopper, with diamonte, or other stones dollar sign, attached to arm of champagne stopper.**



- (21) Design Number: **15521/2011**
(22) Date of Filing Application: **05 December 2011**
(24) Date from which industrial property rights may have effect: **05 December 2011**
(54) Product in respect of which the design is registered: **Level indicator**
(51) International Design Classification: **10-04**
(74) Name(s) of Attorney(s): **A J Park**
(71) Name(s) and Address(s) of Applicant(s):
Hansen Developments Limited
16 Union Street Whangarei New Zealand
(72) Name(s) of Designer(s): **Warren Arthur Baier**
(45) Registration Date: **23 December 2011**
(30) Convention priority data:
(31) Number (32) Date (33) Country
415007 14 Jun 2011 NEW ZEALAND
(56) Related Art Documents: **Not Applicable**
(57) Statement of Newness and Distinctiveness: **Application is for a design to be applied to a level indicator. The novelty claimed for the design resides in the features of shape and/or configuration of the mounting base of the indicator all as shown in the representations.**



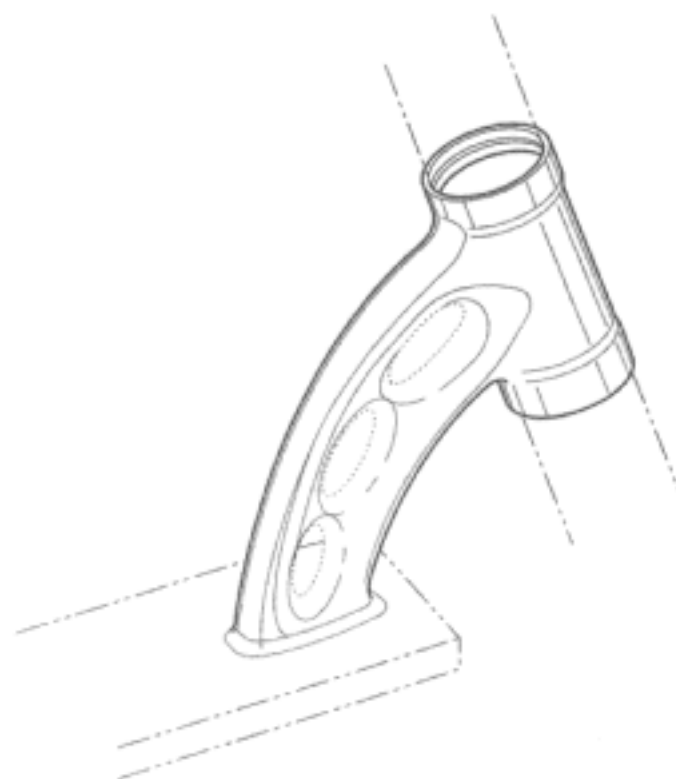
- (21) Design Number: **15609/2011**
(22) Date of Filing Application: **09 December 2011**
(24) Date from which industrial property rights may have effect: **09 December 2011**
(54) Product in respect of which the design is registered: **Boardgame box**
(51) International Design Classification: **03-01NES, 21-01L**
(74) Name(s) of Attorney(s):
(71) Name(s) and Address(s) of Applicant(s):
Neil R. Galloway
1 Sixth Avenue North Katoomba New South Wales 2780 Australia
Christine J. Galloway
1 Sixth Avenue North Katoomba New South Wales 2780 Australia
(72) Name(s) of Designer(s): **Neil R. Galloway and Christine J. Galloway and Charlotte R. Galloway**
(45) Registration Date: **23 December 2011**
(56) Related Art Documents: **Not Applicable**
(57) Statement of Newness and Distinctiveness: **The word "Ortuga" has been made distinctive by layering and crafting the text together.**



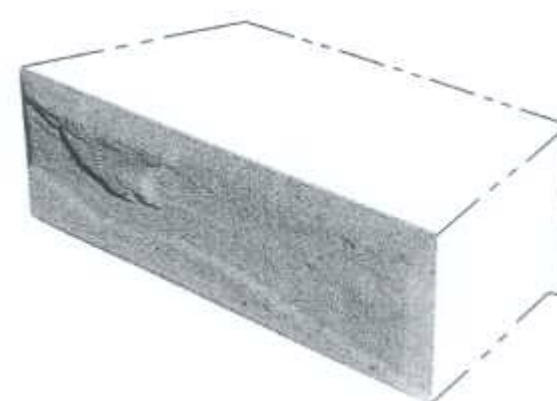
- (21) Design Number: **15610/2011**
(22) Date of Filing Application: **09 December 2011**
(24) Date from which industrial property rights may have effect: **09 December 2011**
(54) Product in respect of which the design is registered: **Boardgame**
(51) International Design Classification: **21-01L**
(74) Name(s) of Attorney(s):
(71) Name(s) and Address(s) of Applicant(s):
Neil R. Galloway
1 Sixth Avenue North Katoomba New South Wales 2780 Australia
Christine J. Galloway
1 Sixth Avenue North Katoomba New South Wales 2780 Australia
(72) Name(s) of Designer(s): **Neil R. Galloway and Christine J. Galloway and Charlotte R. Galloway**
(45) Registration Date: **23 December 2011**
(56) Related Art Documents: **Not Applicable**
(57) Statement of Newness and Distinctiveness: **The "conflict blades" with the circular "strongholds" and the "captains' blades" are distinctive visual features as well as the overall background design of the ortuga gameboard.**



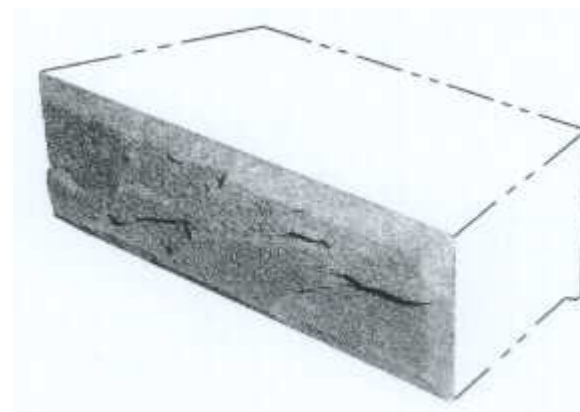
- (21) Design Number: **14963/2011**
(22) Date of Filing Application: **04 November 2011**
(24) Date from which industrial property rights may have effect: **04 November 2011**
(54) Product in respect of which the design is registered: **Scooter frame**
(51) International Design Classification: **21-01F**
(74) Name(s) of Attorney(s): **Collison & Co**
(71) Name(s) and Address(s) of Applicant(s):
Madd Gear Pty Ltd
12/35 Garden Road Clayton Victoria 3168 Australia
(72) Name(s) of Designer(s): **Mike Horne**
(45) Registration Date: **03 January 2012**
(56) Related Art Documents: **Not Applicable**
(57) Statement of Newness and Distinctiveness: **Newness and distinctiveness resides in the shape and/or configuration of the scooter frame tube (down tube) excluding the broken lines.**



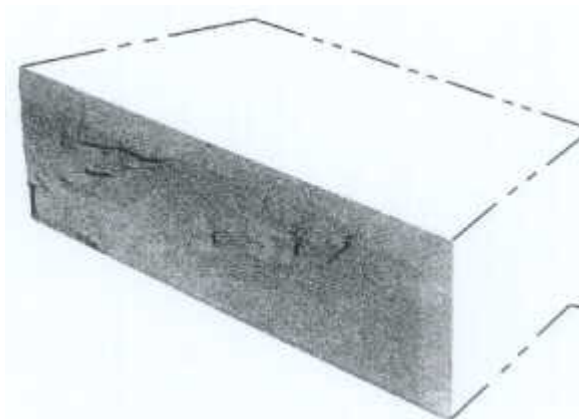
(21) Design Number: **14952/2011**
(22) Date of Filing Application: **03 November 2011**
(24) Date from which industrial property rights may have effect: **03 November 2011**
(54) Product in respect of which the design is registered: **A concrete product**
(51) International Design Classification: **25-01A**
(74) Name(s) of Attorney(s): **Griffith Hack**
(71) Name(s) and Address(s) of Applicant(s):
Anchor Wall Systems, Inc.
5959 Baker Road Suite 390 Minnetonka MN 55345-5996 United States of America
(72) Name(s) of Designer(s): **Robert B. Burnquist and Robert Joel Wolter and Jay J. Johnson**
(45) Registration Date: **03 January 2012**
(30) Convention priority data:
(31) Number (32) Date (33) Country
29/373,655 05 May 2011 UNITED STATES OF AMERICA
(56) Related Art Documents: **Not Applicable**
(57) Statement of Newness and Distinctiveness: **Newness and distinctiveness resides in the visual features, including shape, configuration and ornamentation of a moulded surface of a concrete product as shown in the accompanying representations.**



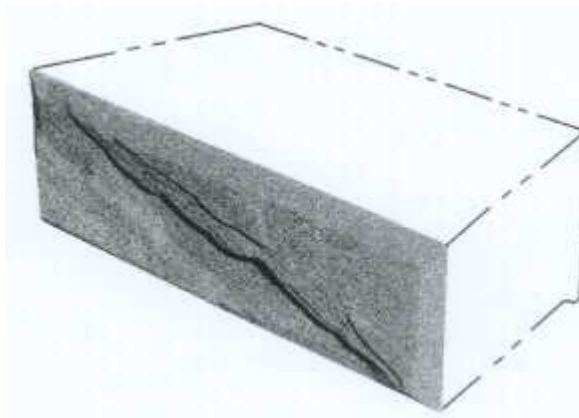
(21) Design Number: **15792/2011**
(22) Date of Filing Application: **03 November 2011**
(24) Date from which industrial property rights may have effect: **03 November 2011**
(54) Product in respect of which the design is registered: **A concrete product**
(51) International Design Classification: **25-01A**
(74) Name(s) of Attorney(s): **Griffith Hack**
(71) Name(s) and Address(s) of Applicant(s):
Anchor Wall Systems, Inc.
5959 Baker Road Suite 390 Minnetonka MN 55345-5996 United States of America
(72) Name(s) of Designer(s): **Jay J. Johnson and Robert B. Burnquist and Robert Joel Wolter**
(45) Registration Date: **03 January 2012**
(30) Convention priority data:
(31) Number (32) Date (33) Country
29/373,655 05 May 2011 UNITED STATES OF AMERICA
(62) Divisional of: **340065**
(56) Related Art Documents: **Not Applicable**
(57) Statement of Newness and Distinctiveness: **Newness and distinctiveness resides in the visual features, including shape, configuration and ornamentation of a moulded surface of A CONCRETE PRODUCT as shown in the accompanying representations.**



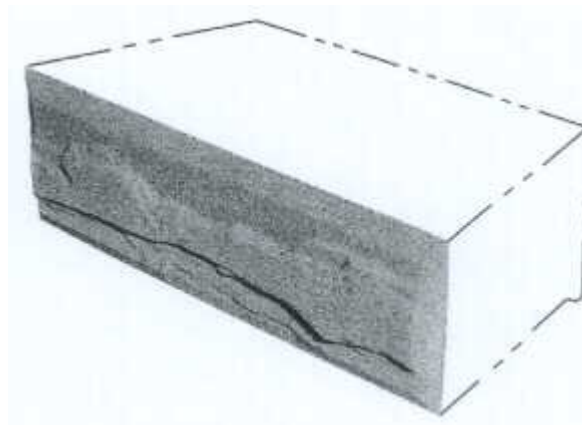
(21) Design Number: **15793/2011**
(22) Date of Filing Application: **03 November 2011**
(24) Date from which industrial property rights may have effect: **03 November 2011**
(54) Product in respect of which the design is registered: **A concrete product**
(51) International Design Classification: **25-01A**
(74) Name(s) of Attorney(s): **Griffith Hack**
(71) Name(s) and Address(s) of Applicant(s):
Anchor Wall Systems, Inc.
5959 Baker Road Suite 390 Minnetonka MN 55345-5996 United States of America
(72) Name(s) of Designer(s): **Jay J. Johnson and Robert B. Burnquist and Robert Joel Wolter**
(45) Registration Date: **03 January 2012**
(30) Convention priority data:
(31) Number (32) Date (33) Country
29/373,655 05 May 2011 UNITED STATES OF AMERICA
(62) Divisional of: **340065**
(56) Related Art Documents: **Not Applicable**
(57) Statement of Newness and Distinctiveness: **Newness and distinctiveness resides in the visual features, including shape, configuration and ornamentation of a moulded surface of A CONCRETE PRODUCT as shown in the accompanying representations.**



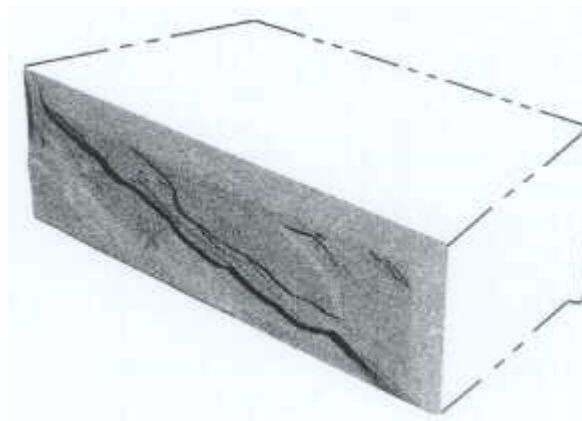
(21) Design Number: **15794/2011**
(22) Date of Filing Application: **03 November 2011**
(24) Date from which industrial property rights may have effect: **03 November 2011**
(54) Product in respect of which the design is registered: **A concrete product**
(51) International Design Classification: **25-01A**
(74) Name(s) of Attorney(s): **Griffith Hack**
(71) Name(s) and Address(s) of Applicant(s):
Anchor Wall Systems, Inc.
5959 Baker Road Suite 390 Minnetonka MN 55345-5996 United States of America
(72) Name(s) of Designer(s): **Jay J. Johnson and Robert B. Burnquist and Robert Joel Wolter**
(45) Registration Date: **03 January 2012**
(30) Convention priority data:
(31) Number (32) Date (33) Country
29/373,655 05 May 2011 UNITED STATES OF AMERICA
(62) Divisional of: **340065**
(56) Related Art Documents: **Not Applicable**
(57) Statement of Newness and Distinctiveness: **Newness and distinctiveness resides in the visual features, including shape, configuration and ornamentation of a moulded surface of A CONCRETE PRODUCT as shown in the accompanying representations.**



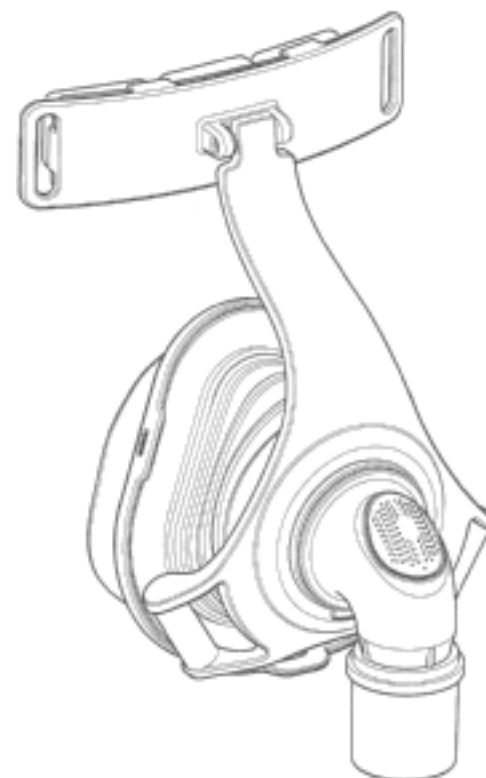
(21) Design Number: **15795/2011**
(22) Date of Filing Application: **03 November 2011**
(24) Date from which industrial property rights may have effect: **03 November 2011**
(54) Product in respect of which the design is registered: **A concrete product**
(51) International Design Classification: **25-01A**
(74) Name(s) of Attorney(s): **Griffith Hack**
(71) Name(s) and Address(s) of Applicant(s):
Anchor Wall Systems, Inc.
5959 Baker Road Suite 390 Minnetonka MN 55345-5996 United States of America
(72) Name(s) of Designer(s): **Jay J. Johnson and Robert B. Burnquist and Robert Joel Wolter**
(45) Registration Date: **03 January 2012**
(30) Convention priority data:
(31) Number (32) Date (33) Country
29/373,655 05 May 2011 UNITED STATES OF AMERICA
(62) Divisional of: **340065**
(56) Related Art Documents: **Not Applicable**
(57) Statement of Newness and Distinctiveness: **Newness and distinctiveness resides in the visual features, including shape, configuration and ornamentation of a moulded surface of A CONCRETE PRODUCT as shown in the accompanying representations.**



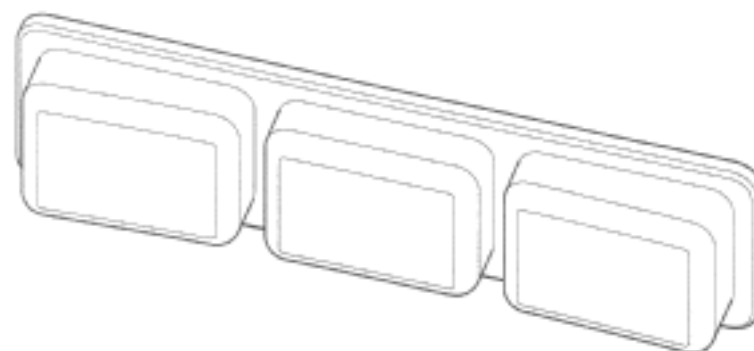
(21) Design Number: **15796/2011**
(22) Date of Filing Application: **03 November 2011**
(24) Date from which industrial property rights may have effect: **03 November 2011**
(54) Product in respect of which the design is registered: **A concrete product**
(51) International Design Classification: **25-01A**
(74) Name(s) of Attorney(s): **Griffith Hack**
(71) Name(s) and Address(s) of Applicant(s):
Anchor Wall Systems, Inc.
5959 Baker Road Suite 390 Minnetonka MN 55345-5996 United States of America
(72) Name(s) of Designer(s): **Jay J. Johnson and Robert B. Burnquist and Robert Joel Wolter**
(45) Registration Date: **03 January 2012**
(30) Convention priority data:
(31) Number (32) Date (33) Country
29/373,655 05 May 2011 UNITED STATES OF AMERICA
(62) Divisional of: **340065**
(56) Related Art Documents: **Not Applicable**
(57) Statement of Newness and Distinctiveness: **Newness and distinctiveness resides in the visual features, including shape, configuration and ornamentation of a moulded surface of A CONCRETE PRODUCT as shown in the accompanying representations.**



- (21) Design Number: **15277/2011**
(22) Date of Filing Application: **21 November 2011**
(24) Date from which industrial property rights may have effect: **21 November 2011**
(54) Product in respect of which the design is registered: **Nasal mask assembly**
(51) International Design Classification: **24-01**
(74) Name(s) of Attorney(s): **FB Rice**
(71) Name(s) and Address(s) of Applicant(s):
Koninklijke Philips Electronics N.V.
Groenewoudseweg 1 5621 BA Eindhoven The Netherlands
(72) Name(s) of Designer(s): **Joshua Greenberg and Jaime Clarke and Jonathan Paul McCaslin and Maureen Harp and Anthony Startare and Joseph Miceli**
(45) Registration Date: **03 January 2012**
(30) Convention priority data:
(31) Number (32) Date (33) Country
001869173-0001 26 May 2011 EUROPEAN COMMUNITY
(56) Related Art Documents: **Not Applicable**
(57) Statement of Newness and Distinctiveness: **Newness and distinctiveness reside in the features of shape and configuration of the nasal mask assembly as shown in the representations.**



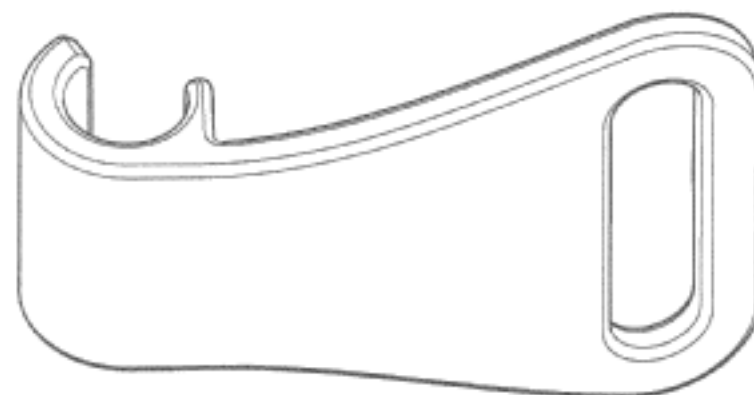
- (21) Design Number: **15278/2011**
(22) Date of Filing Application: **21 November 2011**
(24) Date from which industrial property rights may have effect: **21 November 2011**
(54) Product in respect of which the design is registered: **Forehead pad assembly for a nasal mask assembly**
(51) International Design Classification: **24-01**
(74) Name(s) of Attorney(s): **FB Rice**
(71) Name(s) and Address(s) of Applicant(s):
Koninklijke Philips Electronics N.V.
Groenewoudseweg 1 5621 BA Eindhoven The Netherlands
(72) Name(s) of Designer(s): **Joshua Greenberg and Jaime Clarke and Maureen Harp**
(45) Registration Date: **03 January 2012**
(30) Convention priority data:
(31) Number (32) Date (33) Country
001869173-0002 26 May 2011 EUROPEAN COMMUNITY
(56) Related Art Documents: **Not Applicable**
(57) Statement of Newness and Distinctiveness: **Newness and distinctiveness reside in the features of shape and configuration of the forehead pad assembly for a nasal mask assembly as shown in the representations.**



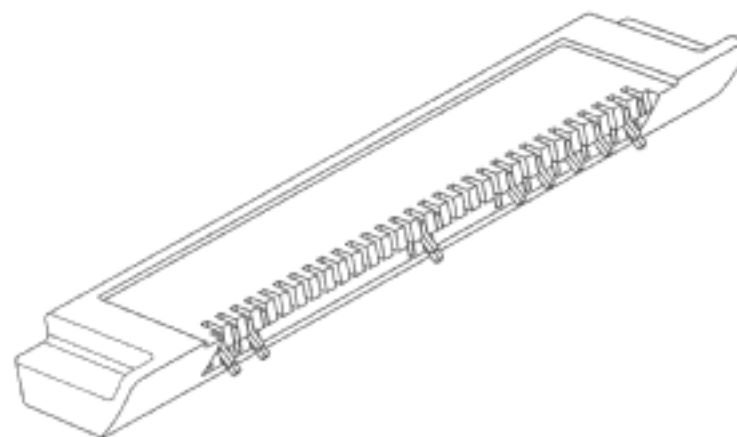
(21) Design Number: **15279/2011**
(22) Date of Filing Application: **21 November 2011**
(24) Date from which industrial property rights may have effect: **21 November 2011**
(54) Product in respect of which the design is registered: **Cushion assembly for a nasal mask assembly**
(51) International Design Classification: **24-01**
(74) Name(s) of Attorney(s): **FB Rice**
(71) Name(s) and Address(s) of Applicant(s):
Koninklijke Philips Electronics N.V.
Groenewoudseweg 1 5621 BA Eindhoven The Netherlands
(72) Name(s) of Designer(s): **Jaime Clarke and Jonathan Paul McCaslin and Duon Truong**
(45) Registration Date: **03 January 2012**
(30) Convention priority data:
(31) Number (32) Date (33) Country
001869173-0003 26 May 2011 EUROPEAN COMMUNITY
(56) Related Art Documents: **Not Applicable**
(57) Statement of Newness and Distinctiveness: **Newness and distinctiveness reside in the features of shape and configuration of the cushion assembly for a nasal mask assembly as shown in the representations.**



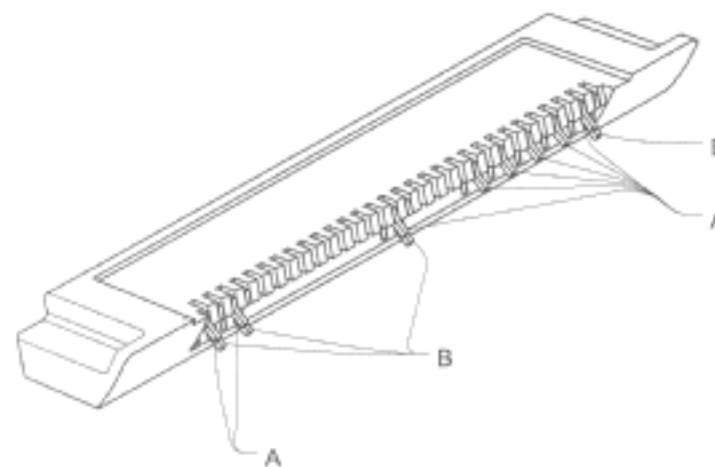
(21) Design Number: **15280/2011**
(22) Date of Filing Application: **21 November 2011**
(24) Date from which industrial property rights may have effect: **21 November 2011**
(54) Product in respect of which the design is registered: **Headgear clip for a nasal mask assembly**
(51) International Design Classification: **24-01**
(74) Name(s) of Attorney(s): **FB Rice**
(71) Name(s) and Address(s) of Applicant(s):
Koninklijke Philips Electronics N.V.
Groenewoudseweg 1 5621 BA Eindhoven The Netherlands
(72) Name(s) of Designer(s): **Jaime Clarke and Duon Truong and Amanda Neely**
(45) Registration Date: **03 January 2012**
(30) Convention priority data:
(31) Number (32) Date (33) Country
001869173-0004 26 May 2011 EUROPEAN COMMUNITY
(56) Related Art Documents: **Not Applicable**
(57) Statement of Newness and Distinctiveness: **Newness and distinctiveness reside in the features of shape and configuration of the headgear clip for a nasal mask assembly as shown in the representations.**



- (21) Design Number: **15281/2011**
(22) Date of Filing Application: **21 November 2011**
(24) Date from which industrial property rights may have effect: **21 November 2011**
(54) Product in respect of which the design is registered: **Connector**
(51) International Design Classification: **13-03B**
(74) Name(s) of Attorney(s): **Freehills Patent & Trade Mark Attorneys**
(71) Name(s) and Address(s) of Applicant(s):
Apple Inc.
1 Infinite Loop Cupertino California 95014 United States of America
(72) Name(s) of Designer(s): **Daniele De Iuliis and Domonic E. Dolci and Alexander M. Kwan and Cesar Lozano Villarreal and Ricardo A. Mariano and James G. Smeenge and Victoria A. Spielmann**
(45) Registration Date: **03 January 2012**
(30) Convention priority data:
(31) Number (32) Date (33) Country
29/392460 20 May 2011 UNITED STATES OF AMERICA
(56) Related Art Documents: **Not Applicable**
(57) Statement of Newness and Distinctiveness: **Nil**



- (21) Design Number: **15282/2011**
(22) Date of Filing Application: **21 November 2011**
(24) Date from which industrial property rights may have effect: **21 November 2011**
(54) Product in respect of which the design is registered: **Connector**
(51) International Design Classification: **13-03B**
(74) Name(s) of Attorney(s): **Freehills Patent & Trade Mark Attorneys**
(71) Name(s) and Address(s) of Applicant(s):
Apple Inc.
1 Infinite Loop Cupertino California 95014 United States of America
(72) Name(s) of Designer(s): **Daniele De Iuliis and Domonic E. Dolci and Alexander M. Kwan and Cesar Lozano Villarreal and Ricardo A. Mariano and James G. Smeenge and Victoria A. Spielmann**
(45) Registration Date: **03 January 2012**
(30) Convention priority data:
(31) Number (32) Date (33) Country
29/392460 20 May 2011 UNITED STATES OF AMERICA
(56) Related Art Documents: **Not Applicable**
(57) Statement of Newness and Distinctiveness: **Newness and distinctiveness of the present design resides in the features of shape and configuration of the connector illustrated in the accompanying drawings, excluding the position and number of elements marked A and B.**



(21) Design Number: **15283/2011**
(22) Date of Filing Application: **21 November 2011**
(24) Date from which industrial property rights may have effect: **21 November 2011**
(54) Product in respect of which the design is registered: **Display tray**
(51) International Design Classification: **20-02NES, 09-03NES**
(74) Name(s) of Attorney(s): **Baker & McKenzie**
(71) Name(s) and Address(s) of Applicant(s):
Mars, Incorporated
6885 Elm Street McLean Virginia 22101-3810 United States of America



(72) Name(s) of Designer(s): **Xia Chen**
(45) Registration Date: **03 January 2012**
(30) Convention priority data:
(31) Number (32) Date (33) Country
201130238845.1 25 Jul 2011 CHINA

(56) Related Art Documents: **Not Applicable**

(57) Statement of Newness and Distinctiveness: **The newness and distinctiveness of the design resides in the following visual features: a) the shape and configuration of the display tray depicted in the accompanying representations; b) the shape and configuration of the support of the tray which incorporates two supporting feet at the back section of the tray and extends in a downward inclination from the back section of the tray towards the front section of the tray as depicted in figures 1, 2, 5, 6, 7 and 8.**

(21) Design Number: **15294/2011**
(22) Date of Filing Application: **22 November 2011**
(24) Date from which industrial property rights may have effect: **22 November 2011**
(54) Product in respect of which the design is registered: **Tray**
(51) International Design Classification: **07-99A**
(74) Name(s) of Attorney(s): **PHILLIPS ORMONDE FITZPATRICK**
(71) Name(s) and Address(s) of Applicant(s):
Dart Industries Inc.
14901 S. Orange Blossom Trail Orlando Florida 32837 United States of America



(72) Name(s) of Designer(s): **Simone Pallotto**
(45) Registration Date: **03 January 2012**
(30) Convention priority data:
(31) Number (32) Date (33) Country
29/374,204 14 Jul 2011 UNITED STATES OF AMERICA

(56) Related Art Documents: **Not Applicable**

(57) Statement of Newness and Distinctiveness: **Those features of the tray depicted in the representations that are new and distinctive are the shape and/or configuration.**

(21) Design Number: **15295/2011**
(22) Date of Filing Application: **22 November 2011**
(24) Date from which industrial property rights may have effect: **22 November 2011**
(54) Product in respect of which the design is registered: **Container**
(51) International Design Classification: **09-03NES**
(74) Name(s) of Attorney(s): **PHILLIPS ORMONDE FITZPATRICK**
(71) Name(s) and Address(s) of Applicant(s):

Dart Industries Inc.
14901 S. Orange Blossom Trail Orlando Florida 32837 United States of America

(72) Name(s) of Designer(s): **Simone Pallotto and Vincent Gerkens**

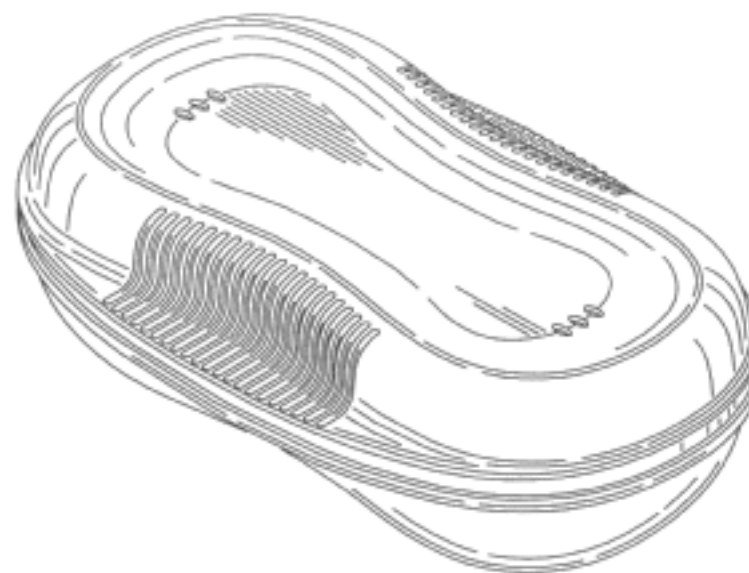
(45) Registration Date: **03 January 2012**

(30) Convention priority data:

(31) Number	(32) Date	(33) Country
29/374,107	05 Jul 2011	UNITED STATES OF AMERICA

(56) Related Art Documents: **Not Applicable**

(57) Statement of Newness and Distinctiveness: **Those features of the container depicted in the representations that are new and distinctive are the shape and/or configuration.**



(21) Design Number: **15296/2011**
(22) Date of Filing Application: **22 November 2011**
(24) Date from which industrial property rights may have effect: **22 November 2011**
(54) Product in respect of which the design is registered: **Tray**
(51) International Design Classification: **07-99A**
(74) Name(s) of Attorney(s): **PHILLIPS ORMONDE FITZPATRICK**
(71) Name(s) and Address(s) of Applicant(s):

Dart Industries Inc.
14901 S. Orange Blossom Trail Orlando Florida 32837 United States of America

(72) Name(s) of Designer(s): **Vincent Jalet**

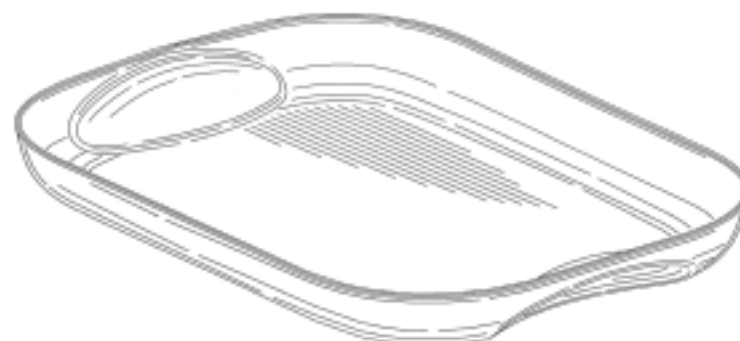
(45) Registration Date: **03 January 2012**

(30) Convention priority data:

(31) Number	(32) Date	(33) Country
29/374,242	18 Jul 2011	UNITED STATES OF AMERICA

(56) Related Art Documents: **Not Applicable**

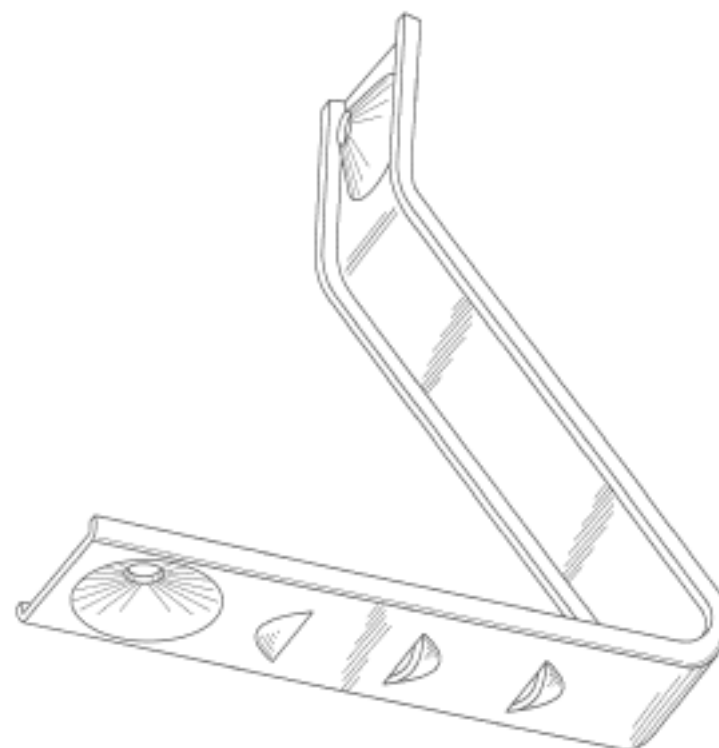
(57) Statement of Newness and Distinctiveness: **Those features of the tray depicted in the representations that are new and distinctive are the shape and/or configuration.**



(21) Design Number: **15297/2011**
(22) Date of Filing Application: **22 November 2011**
(24) Date from which industrial property rights may have effect: **22 November 2011**
(54) Product in respect of which the design is registered: **Mug**
(51) International Design Classification: **07-01D**
(74) Name(s) of Attorney(s): **PHILLIPS ORMONDE FITZPATRICK**
(71) Name(s) and Address(s) of Applicant(s):
Dart Industries Inc.
14901 S. Orange Blossom Trail Orlando Florida 32837 United States of America
(72) Name(s) of Designer(s): **Simone Pallotto**
(45) Registration Date: **03 January 2012**
(30) Convention priority data:
(31) Number (32) Date (33) Country
29/374,241 18 Jul 2011 UNITED STATES OF AMERICA
(56) Related Art Documents: **Not Applicable**
(57) Statement of Newness and Distinctiveness: **Those features of the mug depicted in the representations that are new and distinctive are the shape and/or configuration.**



(21) Design Number: **15298/2011**
(22) Date of Filing Application: **22 November 2011**
(24) Date from which industrial property rights may have effect: **22 November 2011**
(54) Product in respect of which the design is registered: **Wheelbarrow leg stabilizer**
(51) International Design Classification: **12-02**
(74) Name(s) of Attorney(s): **FB Rice**
(71) Name(s) and Address(s) of Applicant(s):
Ames True Temper, Inc.
465 Railroad Avenue Camp Hill Pennsylvania 17011 United States of America
(72) Name(s) of Designer(s): **Barry R. Albert and Daniel F. Marshall and Joshua O. Mullen and Michael J. Lupey Jr.**
(45) Registration Date: **03 January 2012**
(30) Convention priority data:
(31) Number (32) Date (33) Country
29/396052 24 Jun 2011 UNITED STATES OF AMERICA
(56) Related Art Documents: **Not Applicable**
(57) Statement of Newness and Distinctiveness: **Newness and distinctiveness reside in the features of shape and configuration of the design as shown in the representations. The phantom lines depicted in figure 1 are intended for the purposes of illustration only and are not part of the design.**



- (21) Design Number: **15299/2011**
(22) Date of Filing Application: **22 November 2011**
(24) Date from which industrial property rights may have effect: **22 November 2011**
(54) Product in respect of which the design is registered: **A key hanger**
(51) International Design Classification: **11-02F, 11-02NES**
(74) Name(s) of Attorney(s): **Cullens Patent and Trade Mark Attorneys**
(71) Name(s) and Address(s) of Applicant(s):
Splosh Australia Pty Ltd
Unit 1/70 Dulacca Street Acacia Ridge Queensland 4110 Australia
(72) Name(s) of Designer(s): **Kim Kendall**
(45) Registration Date: **03 January 2012**
(56) Related Art Documents: **Not Applicable**
(57) Statement of Newness and Distinctiveness: **Newness and distinctiveness is claimed in the features depicted by unbroken lines in the accompanying representation. Newness and distinctiveness is not claimed in the features depicted by broken lines in the representation.**



- (21) Design Number: **15300/2011**
(22) Date of Filing Application: **22 November 2011**
(24) Date from which industrial property rights may have effect: **22 November 2011**
(54) Product in respect of which the design is registered: **A key hanger**
(51) International Design Classification: **11-02F, 11-02NES**
(74) Name(s) of Attorney(s): **Cullens Patent and Trade Mark Attorneys**
(71) Name(s) and Address(s) of Applicant(s):
Splosh Australia Pty Ltd
Unit 1/70 Dulacca Street Acacia Ridge Queensland 4110 Australia
(72) Name(s) of Designer(s): **Kim Kendall**
(45) Registration Date: **03 January 2012**
(56) Related Art Documents: **Not Applicable**
(57) Statement of Newness and Distinctiveness: **Newness and distinctiveness is claimed in the features depicted by unbroken lines in the accompanying representation. Newness and distinctiveness is not claimed in the features depicted by broken lines in the representation.**



- (21) Design Number: **15301/2011**
(22) Date of Filing Application: **22 November 2011**
(24) Date from which industrial property rights may have effect: **22 November 2011**
(54) Product in respect of which the design is registered: **A Key hanger**
(51) International Design Classification: **11-02F, 11-02NES**
(74) Name(s) of Attorney(s): **Cullens Patent and Trade Mark Attorneys**
(71) Name(s) and Address(s) of Applicant(s):
Splosh Australia Pty Ltd
Unit 1/70 Dulacca Street Acacia Ridge Queensland 4110 Australia
(72) Name(s) of Designer(s): **Kim Kendall**
(45) Registration Date: **03 January 2012**
(56) Related Art Documents: **Not Applicable**
(57) Statement of Newness and Distinctiveness: **Newness and distinctiveness is claimed in the features depicted by unbroken lines in the accompanying representation. Newness and distinctiveness is not claimed in the features depicted by broken lines in the representation.**



- (21) Design Number: **15302/2011**
(22) Date of Filing Application: **22 November 2011**
(24) Date from which industrial property rights may have effect: **22 November 2011**
(54) Product in respect of which the design is registered: **A key hanger**
(51) International Design Classification: **11-02F, 11-02NES**
(74) Name(s) of Attorney(s): **Cullens Patent and Trade Mark Attorneys**
(71) Name(s) and Address(s) of Applicant(s):
Splosh Australia Pty Ltd
Unit 1/70 Dulacca Street Acacia Ridge Queensland 4110 Australia
(72) Name(s) of Designer(s): **Kim Kendall**
(45) Registration Date: **03 January 2012**
(56) Related Art Documents: **Not Applicable**
(57) Statement of Newness and Distinctiveness: **Newness and distinctiveness is claimed in the features depicted by unbroken lines in the accompanying representation. Newness and distinctiveness is not claimed in the features depicted by broken lines in the representation.**



- (21) Design Number: **15303/2011**
(22) Date of Filing Application: **22 November 2011**
(24) Date from which industrial property rights may have effect: **22 November 2011**
(54) Product in respect of which the design is registered: **A key hanger**
(51) International Design Classification: **11-02F, 11-02NES**
(74) Name(s) of Attorney(s): **Cullens Patent and Trade Mark Attorneys**
(71) Name(s) and Address(s) of Applicant(s):
Splosh Australia Pty Ltd
Unit 1/70 Dulacca Street Acacia Ridge Queensland 4110 Australia
(72) Name(s) of Designer(s): **Kim Kendall**
(45) Registration Date: **03 January 2012**
(56) Related Art Documents: **Not Applicable**
(57) Statement of Newness and Distinctiveness: **Newness and distinctiveness is claimed in the features depicted by unbroken lines in the accompanying representation. Newness and distinctiveness is not claimed in the features depicted by broken lines in the representation.**



- (21) Design Number: **15304/2011**
(22) Date of Filing Application: **22 November 2011**
(24) Date from which industrial property rights may have effect: **22 November 2011**
(54) Product in respect of which the design is registered: **A key hanger**
(51) International Design Classification: **11-02F, 11-02NES**
(74) Name(s) of Attorney(s): **Cullens Patent and Trade Mark Attorneys**
(71) Name(s) and Address(s) of Applicant(s):
Splosh Australia Pty Ltd
Unit 1/70 Dulacca Street Acacia Ridge Queensland 4110 Australia
(72) Name(s) of Designer(s): **Kim Kendall**
(45) Registration Date: **03 January 2012**
(56) Related Art Documents: **Not Applicable**
(57) Statement of Newness and Distinctiveness: **Newness and distinctiveness is claimed in the features depicted by unbroken lines in the accompanying representation. Newness and distinctiveness is not claimed in the features depicted by broken lines in the representation.**



- (21) Design Number: **15305/2011**
(22) Date of Filing Application: **22 November 2011**
(24) Date from which industrial property rights may have effect: **22 November 2011**
(54) Product in respect of which the design is registered: **An ornament**
(51) International Design Classification: **11-02F, 11-02NES**
(74) Name(s) of Attorney(s): **Cullens Patent and Trade Mark Attorneys**
(71) Name(s) and Address(s) of Applicant(s):
Splosh Australia Pty Ltd
Unit 1/70 Dulacca Street Acacia Ridge Queensland 4110 Australia
(72) Name(s) of Designer(s): **Kim Kendall**
(45) Registration Date: **03 January 2012**
(56) Related Art Documents: **Not Applicable**
(57) Statement of Newness and Distinctiveness: **Newness and distinctiveness is claimed in the features depicted by unbroken lines in the accompanying representation. Newness and distinctiveness is not claimed in the features depicted by broken lines in the representation.**



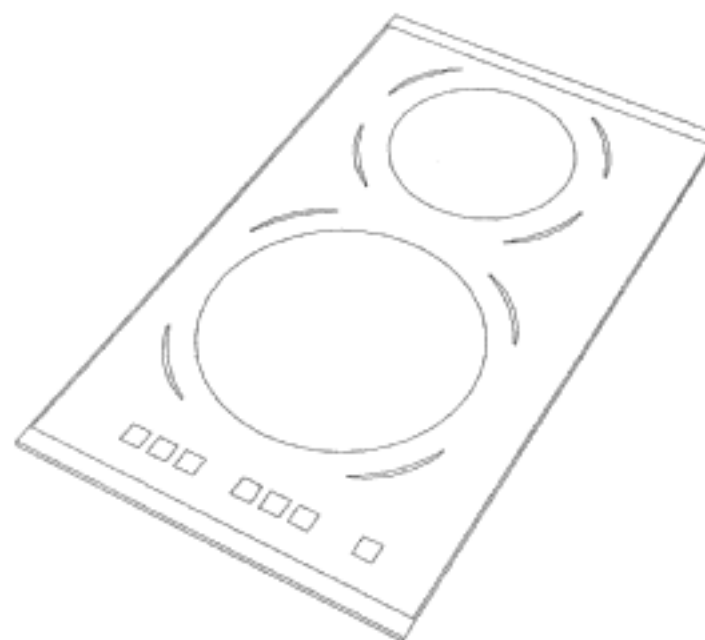
- (21) Design Number: **15306/2011**
(22) Date of Filing Application: **22 November 2011**
(24) Date from which industrial property rights may have effect: **22 November 2011**
(54) Product in respect of which the design is registered: **An ornament**
(51) International Design Classification: **11-02F, 11-02NES**
(74) Name(s) of Attorney(s): **Cullens Patent and Trade Mark Attorneys**
(71) Name(s) and Address(s) of Applicant(s):
Splosh Australia Pty Ltd
Unit 1/70 Dulacca Street Acacia Ridge Queensland 4110 Australia
(72) Name(s) of Designer(s): **Kim Kendall**
(45) Registration Date: **03 January 2012**
(56) Related Art Documents: **Not Applicable**
(57) Statement of Newness and Distinctiveness: **Newness and distinctiveness is claimed in the features depicted by unbroken lines in the accompanying representation. Newness and distinctiveness is not claimed in the features depicted by broken lines in the representation.**



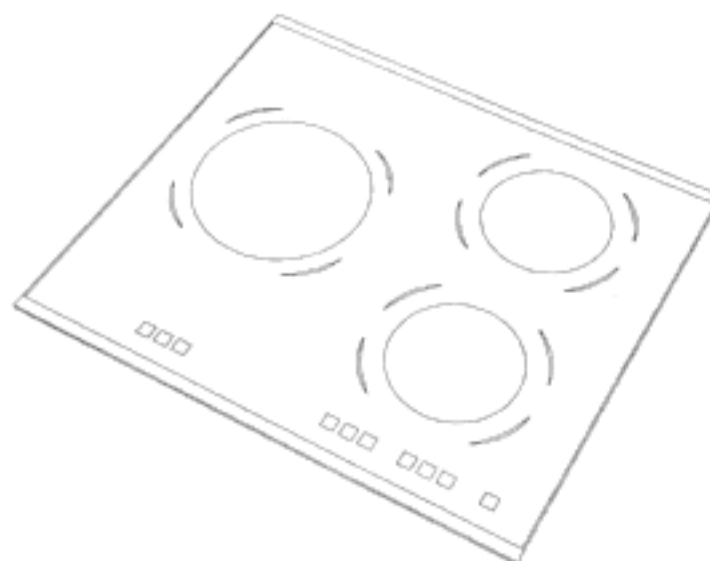
- (21) Design Number: **15307/2011**
(22) Date of Filing Application: **22 November 2011**
(24) Date from which industrial property rights may have effect: **22 November 2011**
(54) Product in respect of which the design is registered: **An ornament**
(51) International Design Classification: **11-02F, 11-02NES**
(74) Name(s) of Attorney(s): **Cullens Patent and Trade Mark Attorneys**
(71) Name(s) and Address(s) of Applicant(s):
Splosh Australia Pty Ltd
Unit 1/70 Dulacca Street Acacia Ridge Queensland 4110 Australia
(72) Name(s) of Designer(s): **Kim Kendall**
(45) Registration Date: **03 January 2012**
(56) Related Art Documents: **Not Applicable**
(57) Statement of Newness and Distinctiveness: **Newness and distinctiveness is claimed in the features depicted by unbroken lines in the accompanying representation. Newness and distinctiveness is not claimed in the features depicted by broken lines in the representation.**



- (21) Design Number: **15314/2011**
(22) Date of Filing Application: **22 November 2011**
(24) Date from which industrial property rights may have effect: **22 November 2011**
(54) Product in respect of which the design is registered: **Cooker**
(51) International Design Classification: **07-02A**
(74) Name(s) of Attorney(s): **SPRUSON & FERGUSON**
(71) Name(s) and Address(s) of Applicant(s):
Panasonic Corporation
1006 Oaza Kadoma Kadoma-shi Osaka 571-8501 Japan
(72) Name(s) of Designer(s): **Masaaki Koutoku and Hiroyuki Tanaka and Yoshiaki Ueda**
(45) Registration Date: **03 January 2012**
(30) Convention priority data:
(31) Number (32) Date (33) Country
2011-014467 27 Jun 2011 JAPAN
(56) Related Art Documents: **Not Applicable**
(57) Statement of Newness and Distinctiveness: **Nil**



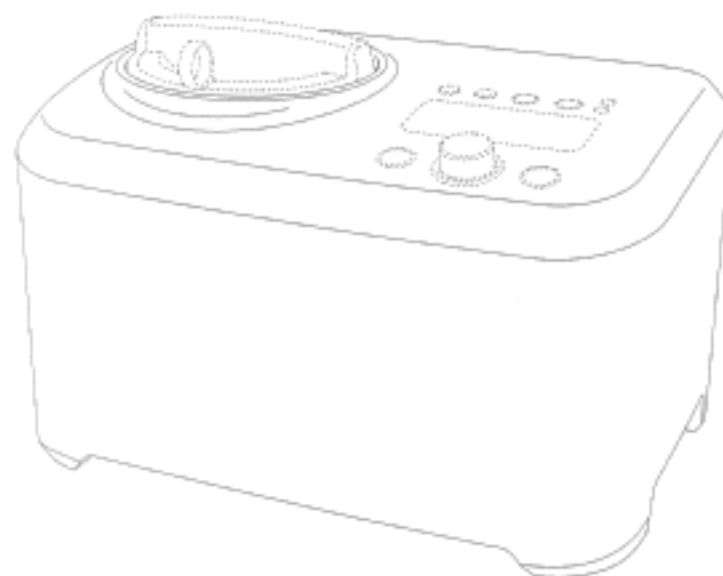
- (21) Design Number: **15315/2011**
(22) Date of Filing Application: **22 November 2011**
(24) Date from which industrial property rights may have effect: **22 November 2011**
(54) Product in respect of which the design is registered: **Cooker**
(51) International Design Classification: **07-02A**
(74) Name(s) of Attorney(s): **SPRUSON & FERGUSON**
(71) Name(s) and Address(s) of Applicant(s):
Panasonic Corporation
1006 Oaza Kadoma Kadoma-shi Osaka 571-8501 Japan
(72) Name(s) of Designer(s): **Masaaki Koutoku and Hiroyuki Tanaka and Yoshiaki Ueda**
(45) Registration Date: **03 January 2012**
(30) Convention priority data:
(31) Number (32) Date (33) Country
2011-014466 27 Jun 2011 JAPAN
(56) Related Art Documents: **Not Applicable**
(57) Statement of Newness and Distinctiveness: **Nil**



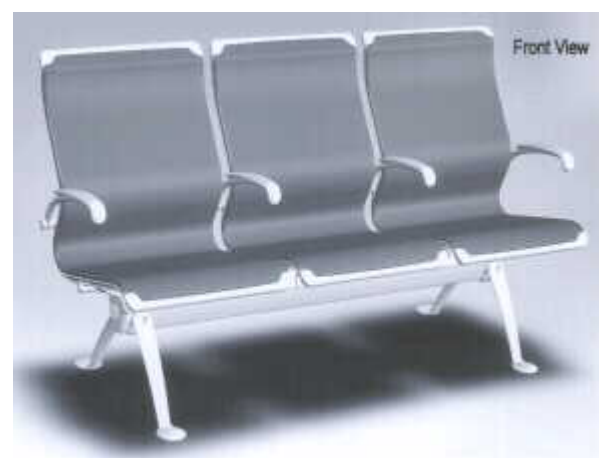
- (21) Design Number: **13369/2011**
(22) Date of Filing Application: **29 July 2011**
(24) Date from which industrial property rights may have effect: **29 July 2011**
(54) Product in respect of which the design is registered: **Electric fry pan**
(51) International Design Classification: **07-02N**
(74) Name(s) of Attorney(s): **Molins & Co**
(71) Name(s) and Address(s) of Applicant(s):
Breville Pty Limited
Building 2 Port Air Industrial Estate 1A Hale Street Botany New South Wales 2019 Australia
(72) Name(s) of Designer(s): **Greg Upston**
(45) Registration Date: **05 January 2012**
(56) Related Art Documents: **Not Applicable**
(57) Statement of Newness and Distinctiveness: **Newness is claimed in the features of shape and configuration of the electric fry pan as shown in the accompanying representations. The knob on the lid, the four rubber feet, the electric coupling, the screws that affix the handles, the vent orifice in the lid and the details of the underside as seen in the bottom view are not part of the design.**



(21) Design Number: **13436/2011**
(22) Date of Filing Application: **03 August 2011**
(24) Date from which industrial property rights may have effect: **03 August 2011**
(54) Product in respect of which the design is registered: **Ice cream maker**
(51) International Design Classification: **31-00**
(74) Name(s) of Attorney(s): **Molins & Co**
(71) Name(s) and Address(s) of Applicant(s):
Breville Pty Limited
Building 2 Port Air Industrial Estate 1A Hale Street Botany New South
Wales 2019 Australia
(72) Name(s) of Designer(s): **Eddie Siu**
(45) Registration Date: **05 January 2012**
(56) Related Art Documents: **Not Applicable**
(57) Statement of Newness and Distinctiveness: **Newness is claimed in the features of shape and configuration of the ice cream maker as shown in the accompanying representations. Elements shown in dashed lines form no part of the design.**



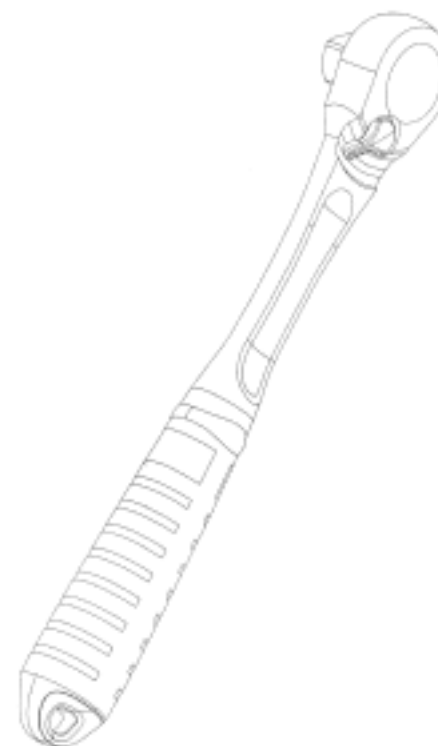
(21) Design Number: **14487/2011**
(22) Date of Filing Application: **04 October 2011**
(24) Date from which industrial property rights may have effect: **04 October 2011**
(54) Product in respect of which the design is registered: **Multifunctional seating**
(51) International Design Classification: **06-01NES**
(74) Name(s) of Attorney(s):
(71) Name(s) and Address(s) of Applicant(s):
FormSeat Pty Ltd
Registered office KSR Partners 2/971 Burke Road Camberwell Victoria
3124 Australia
(72) Name(s) of Designer(s): **Johan H. Naess**
(45) Registration Date: **05 January 2012**
(56) Related Art Documents: **Not Applicable**
(57) Statement of Newness and Distinctiveness: **The use of elastomeric membrane for multifunctional seating.**



(21) Design Number: **14541/2011**
(22) Date of Filing Application: **07 October 2011**
(24) Date from which industrial property rights may have effect: **07 October 2011**
(54) Product in respect of which the design is registered: **Biscuit**
(51) International Design Classification: **01-01**
(74) Name(s) of Attorney(s): **Griffith Hack**
(71) Name(s) and Address(s) of Applicant(s):
Kraft Foods Schweiz Holding GmbH
Chollerstrasse 4 6301 ZUG SWITZERLAND
(72) Name(s) of Designer(s): **Aureila Laberdure and Philippe Houssemand and Jean-Philippe Rapp**
(45) Registration Date: **05 January 2012**
(30) Convention priority data:
(31) Number (32) Date (33) Country
001271928 20 Apr 2011 EUROPEAN COMMUNITY
(56) Related Art Documents: **Not Applicable**
(57) Statement of Newness and Distinctiveness: **Nil**



(21) Design Number: **15047/2011**
(22) Date of Filing Application: **08 November 2011**
(24) Date from which industrial property rights may have effect: **08 November 2011**
(54) Product in respect of which the design is registered: **Ratchet wrench**
(51) International Design Classification: **08-05P**
(74) Name(s) of Attorney(s): **Davies Collison Cave**
(71) Name(s) and Address(s) of Applicant(s):
Stanley Works (Europe) GmbH
Ringstrasse 14 Dubendorf 8600 Switzerland
(72) Name(s) of Designer(s): **Benoit Tillet**
(45) Registration Date: **05 January 2012**
(30) Convention priority data:
(31) Number (32) Date (33) Country
001277081 19 May 2011 EUROPEAN COMMUNITY
(56) Related Art Documents: **Not Applicable**
(57) Statement of Newness and Distinctiveness: **Nil**



(21) Design Number: **15154/2011**
(22) Date of Filing Application: **11 November 2011**
(24) Date from which industrial property rights may have effect: **11 November 2011**
(54) Product in respect of which the design is registered: **Trousers**
(51) International Design Classification: **02-02C**
(74) Name(s) of Attorney(s): **Davies Collison Cave**
(71) Name(s) and Address(s) of Applicant(s):

Scania CV AB
Sodertalje SE-151 87 Sweden

(72) Name(s) of Designer(s): **Petra Dorski**

(45) Registration Date: **05 January 2012**

(30) Convention priority data:

(31) Number	(32) Date	(33) Country
001281380-0002	16 Jun 2011	EUROPEAN COMMUNITY

(56) Related Art Documents: **Not Applicable**

(57) Statement of Newness and Distinctiveness: **Nil**

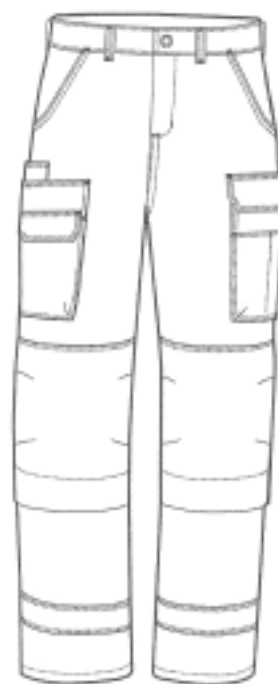


FIGURE 1

(21) Design Number: **15155/2011**
(22) Date of Filing Application: **11 November 2011**
(24) Date from which industrial property rights may have effect: **11 November 2011**
(54) Product in respect of which the design is registered: **A jacket**
(51) International Design Classification: **02-02NES**
(74) Name(s) of Attorney(s): **Davies Collison Cave**
(71) Name(s) and Address(s) of Applicant(s):

Scania CV AB
Sodertalje SE-151 87 Sweden

(72) Name(s) of Designer(s): **Petra Dorski**

(45) Registration Date: **05 January 2012**

(30) Convention priority data:

(31) Number	(32) Date	(33) Country
001281380-0001	16 Jun 2011	EUROPEAN COMMUNITY

(56) Related Art Documents: **Not Applicable**

(57) Statement of Newness and Distinctiveness: **Nil**



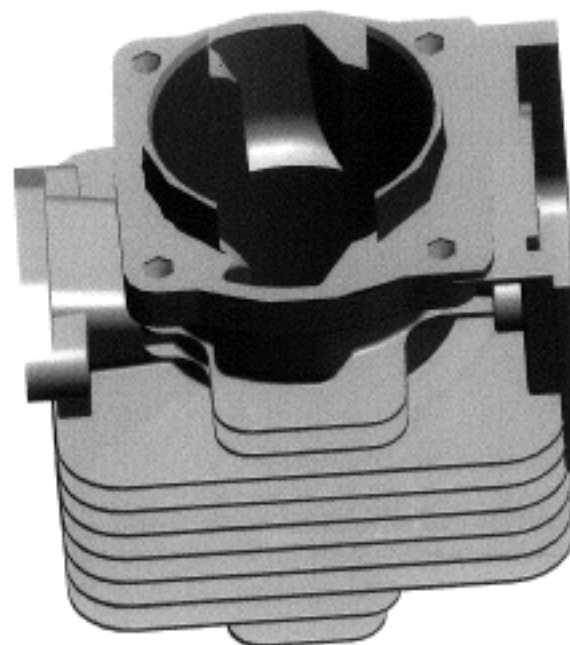
(21) Design Number: **15157/2011**
(22) Date of Filing Application: **11 November 2011**
(24) Date from which industrial property rights may have effect: **11 November 2011**
(54) Product in respect of which the design is registered: **A bib overall**
(51) International Design Classification: **02-02C**
(74) Name(s) of Attorney(s): **Davies Collison Cave**
(71) Name(s) and Address(s) of Applicant(s):
Scania CV AB
Sodertalje SE-151 87 Sweden
(72) Name(s) of Designer(s): **Petra Dorski**
(45) Registration Date: **05 January 2012**
(30) Convention priority data:
(31) Number (32) Date (33) Country
001281380-0004 16 Jun 2011 EUROPEAN COMMUNITY
(56) Related Art Documents: **Not Applicable**
(57) Statement of Newness and Distinctiveness: **Nil**



(21) Design Number: **15185/2011**
(22) Date of Filing Application: **16 November 2011**
(24) Date from which industrial property rights may have effect: **16 November 2011**
(54) Product in respect of which the design is registered: **Paper bag**
(51) International Design Classification: **09-05**
(74) Name(s) of Attorney(s): **Pointon Partners**
(71) Name(s) and Address(s) of Applicant(s):
Sausage Incorporate Pty Ltd
20-28 Chatham Street Prahran Victoria 3181 Australia
(72) Name(s) of Designer(s): **Joshua Jan Lefers**
(45) Registration Date: **05 January 2012**
(56) Related Art Documents: **Not Applicable**
(57) Statement of Newness and Distinctiveness: **Monopoly is claimed in the shape and/or configuration of the bag housing the bottle as illustrated in the accompanying representations.**



- (21) Design Number: **15323/2011**
(22) Date of Filing Application: **28 October 2011**
(24) Date from which industrial property rights may have effect: **28 October 2011**
(54) Product in respect of which the design is registered: **Two stroke combustion chamber and porting**
(51) International Design Classification: **15-01**
(74) Name(s) of Attorney(s): **Barker Blenkinship & Associates**
(71) Name(s) and Address(s) of Applicant(s):
David Mills
79 Warrimoo Avenue St Ives New South Wales 2075 Australia
(72) Name(s) of Designer(s): **Yi Bo Wu**
(45) Registration Date: **05 January 2012**
(56) Related Art Documents: **Not Applicable**
(57) Statement of Newness and Distinctiveness: **Newness and distinctiveness resides in the shape of the combustion chamber and ports.**



- (21) Design Number: **15324/2011**
(22) Date of Filing Application: **24 November 2011**
(24) Date from which industrial property rights may have effect: **24 November 2011**
(54) Product in respect of which the design is registered: **Parts of standing umbrellas**
(51) International Design Classification: **03-03**
(74) Name(s) of Attorney(s): **FB Rice**
(71) Name(s) and Address(s) of Applicant(s):
Glatz AG
Neuhofstrasse 12 CH-8500 Frauenfeld Switzerland
(72) Name(s) of Designer(s): **Peter K. Patzak**
(45) Registration Date: **05 January 2012**
(30) Convention priority data:
(31) Number (32) Date (33) Country
001886391-0001 04 Jul 2011 EUROPEAN COMMUNITY
(56) Related Art Documents: **Not Applicable**
(57) Statement of Newness and Distinctiveness: **Newness and distinctiveness reside in the features of the parts of the design shown in dark grey in the representations, specifically the adjuster and the adjusting knob.**



- (21) Design Number: **15325/2011**
(22) Date of Filing Application: **24 November 2011**
(24) Date from which industrial property rights may have effect: **24 November 2011**
(54) Product in respect of which the design is registered: **Parts of standing umbrellas**
(51) International Design Classification: **03-03**
(74) Name(s) of Attorney(s): **FB Rice**
(71) Name(s) and Address(s) of Applicant(s):
Glatz AG
Neuhofstrasse 12 CH-8500 Frauenfeld Switzerland
(72) Name(s) of Designer(s): **Peter K. Patzak**
(45) Registration Date: **05 January 2012**
(30) Convention priority data:
(31) Number (32) Date (33) Country
001886391-0002 04 Jul 2011 EUROPEAN COMMUNITY
(56) Related Art Documents: **Not Applicable**
(57) Statement of Newness and Distinctiveness: **Newness and distinctiveness reside in the features of the parts of the design shown in dark grey in the representations, specifically the casting extending around the upright rod.**



- (21) Design Number: **15326/2011**
(22) Date of Filing Application: **24 November 2011**
(24) Date from which industrial property rights may have effect: **24 November 2011**
(54) Product in respect of which the design is registered: **Parts of standing umbrellas**
(51) International Design Classification: **03-03**
(74) Name(s) of Attorney(s): **FB Rice**
(71) Name(s) and Address(s) of Applicant(s):
Glatz AG
Neuhofstrasse 12 CH-8500 Frauenfeld Switzerland
(72) Name(s) of Designer(s): **Peter K. Patzak**
(45) Registration Date: **05 January 2012**
(30) Convention priority data:
(31) Number (32) Date (33) Country
001886391-0003 04 Jul 2011 EUROPEAN COMMUNITY
(56) Related Art Documents: **Not Applicable**
(57) Statement of Newness and Distinctiveness: **Newness and distinctiveness reside in the features of the parts of the design shown in dark grey in the representations, specifically the casting extending around the upright rod and the crank.**



(21) Design Number: **15327/2011**
(22) Date of Filing Application: **24 November 2011**
(24) Date from which industrial property rights may have effect: **24 November 2011**
(54) Product in respect of which the design is registered: **Parts of standing umbrellas**
(51) International Design Classification: **03-03**
(74) Name(s) of Attorney(s): **FB Rice**
(71) Name(s) and Address(s) of Applicant(s):
Glatz AG
Neuhofstrasse 12 CH-8500 Frauenfeld Switzerland
(72) Name(s) of Designer(s): **Peter K. Patzak**
(45) Registration Date: **05 January 2012**
(30) Convention priority data:
(31) Number (32) Date (33) Country
001886391-0004 04 Jul 2011 EUROPEAN COMMUNITY
(56) Related Art Documents: **Not Applicable**
(57) Statement of Newness and Distinctiveness: **Newness and distinctiveness reside in the features of the parts of the design shown in dark grey in the representations, specifically the casting extending around the upright rod.**



(21) Design Number: **15416/2011**
(22) Date of Filing Application: **28 November 2011**
(24) Date from which industrial property rights may have effect: **28 November 2011**
(54) Product in respect of which the design is registered: **Container**
(51) International Design Classification: **09-01G**
(74) Name(s) of Attorney(s): **Shelston IP**
(71) Name(s) and Address(s) of Applicant(s):
Valentino S.p.A.
Via Turati 16/18 I-20121 Milano Italy
(72) Name(s) of Designer(s): **Jerome Faillant Dumas**
(45) Registration Date: **05 January 2012**
(30) Convention priority data:
(31) Number (32) Date (33) Country
001898255 29 Jul 2011 EUROPEAN COMMUNITY
(56) Related Art Documents: **Not Applicable**
(57) Statement of Newness and Distinctiveness: **Nil**



(21) Design Number: **15419/2011**
(22) Date of Filing Application: **28 November 2011**
(24) Date from which industrial property rights may have effect: **28 November 2011**
(54) Product in respect of which the design is registered: **Audio control accessory**
(51) International Design Classification: **14-01**
(74) Name(s) of Attorney(s): **PHILLIPS ORMONDE FITZPATRICK**
(71) Name(s) and Address(s) of Applicant(s):

Motorola Solutions, Inc
1303 East Algonquin Road Schaumburg Illinois 60196 United States of America

(72) Name(s) of Designer(s): **Chi T. Tran and Christopher J. Bayliss and Scott H. Richards**

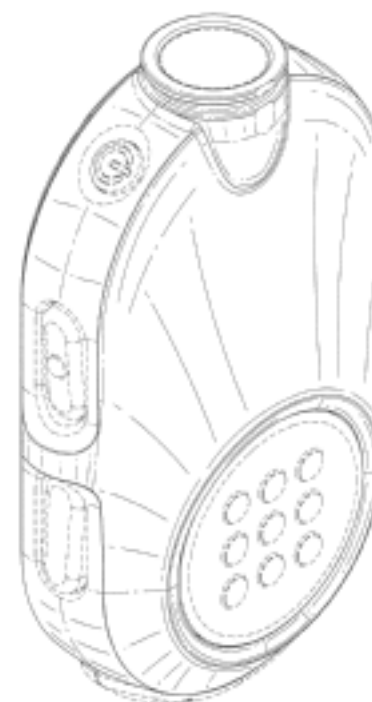
(45) Registration Date: **05 January 2012**

(30) Convention priority data:

(31) Number	(32) Date	(33) Country
29/329,853	26 May 2011	UNITED STATES OF AMERICA

(56) Related Art Documents: **Not Applicable**

(57) Statement of Newness and Distinctiveness: **Those features of the audio control accessory depicted in the representations that are new and distinctive are the shape and/or configuration. The features shown in broken line that are immediately adjacent to the shaded areas, and define unshaded regions, represent the bounds of the audio control accessory, while all the other broken lines are directed to environment and are for illustrative purposes only.**



(21) Design Number: **15420/2011**
(22) Date of Filing Application: **28 November 2011**
(24) Date from which industrial property rights may have effect: **28 November 2011**
(54) Product in respect of which the design is registered: **Knife handle**
(51) International Design Classification: **08-03**
(74) Name(s) of Attorney(s): **PHILLIPS ORMONDE FITZPATRICK**
(71) Name(s) and Address(s) of Applicant(s):

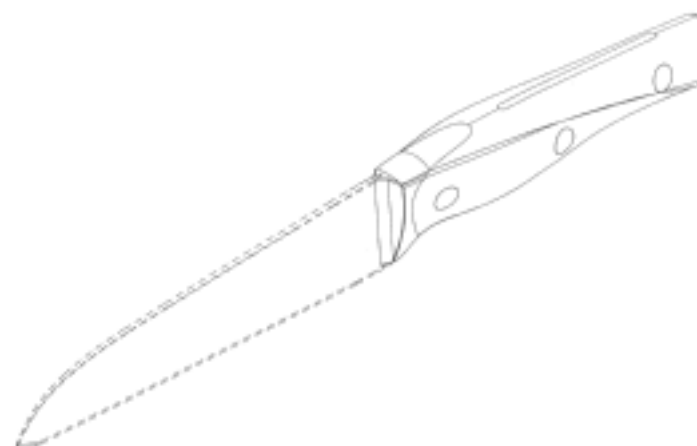
McPherson's Limited
5 Dunlop Road Mulgrave Victoria 3170 Australia

(72) Name(s) of Designer(s): **Clive Solari**

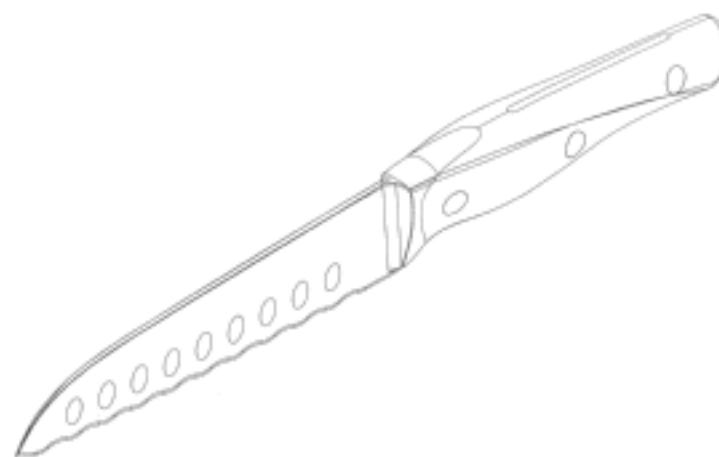
(45) Registration Date: **05 January 2012**

(56) Related Art Documents: **Not Applicable**

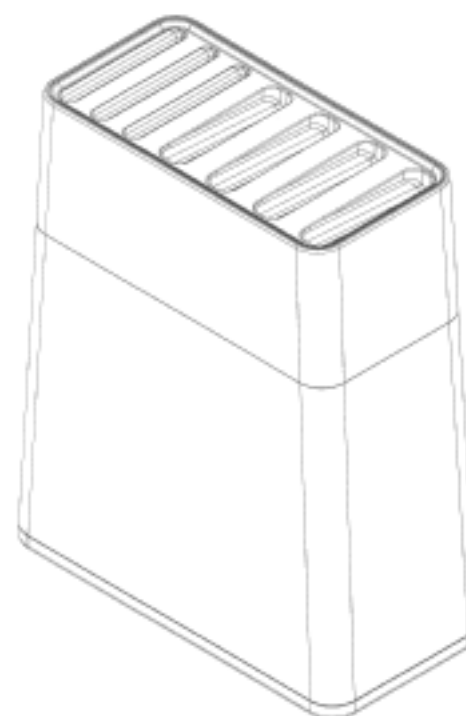
(57) Statement of Newness and Distinctiveness: **Those features of the knife handle depicted in the representations that are new and distinctive are the shape and/or configuration. The features shown in broken line is not part of the design and is to be disregarded when considering the overall impression of the design.**



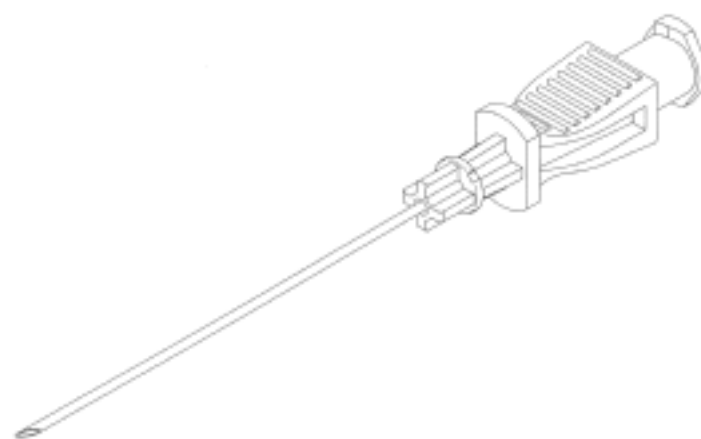
- (21) Design Number: **15421/2011**
(22) Date of Filing Application: **28 November 2011**
(24) Date from which industrial property rights may have effect: **28 November 2011**
(54) Product in respect of which the design is registered: **Knife**
(51) International Design Classification: **08-03**
(74) Name(s) of Attorney(s): **PHILLIPS ORMONDE FITZPATRICK**
(71) Name(s) and Address(s) of Applicant(s):
McPherson's Limited
5 Dunlop Road Mulgrave Victoria 3170 Australia
(72) Name(s) of Designer(s): **Clive Solari**
(45) Registration Date: **05 January 2012**
(56) Related Art Documents: **Not Applicable**
(57) Statement of Newness and Distinctiveness: **Those features of the knife depicted in the representations that are new and distinctive are the shape and/or configuration.**



- (21) Design Number: **15422/2011**
(22) Date of Filing Application: **28 November 2011**
(24) Date from which industrial property rights may have effect: **28 November 2011**
(54) Product in respect of which the design is registered: **Knife block**
(51) International Design Classification: **07-99NES**
(74) Name(s) of Attorney(s): **PHILLIPS ORMONDE FITZPATRICK**
(71) Name(s) and Address(s) of Applicant(s):
McPherson's Limited
5 Dunlop Road Mulgrave Victoria 3170 Australia
(72) Name(s) of Designer(s): **Clive Solari**
(45) Registration Date: **05 January 2012**
(56) Related Art Documents: **Not Applicable**
(57) Statement of Newness and Distinctiveness: **Those features of the knife block depicted in the representations that are new and distinctive are the shape and/or configuration.**



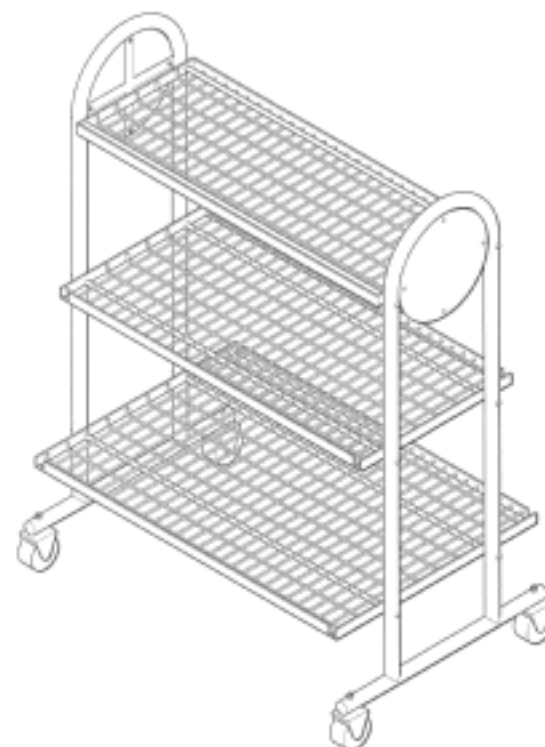
(21) Design Number: **15440/2011**
(22) Date of Filing Application: **29 November 2011**
(24) Date from which industrial property rights may have effect: **29 November 2011**
(54) Product in respect of which the design is registered: **Guidewire introducer needle**
(51) International Design Classification: **24-02**
(74) Name(s) of Attorney(s): **Shelston IP**
(71) Name(s) and Address(s) of Applicant(s):
Terumo Kabushiki Kaisha
44-1 2-chome Hatagaya Shibuya-ku Tokyo 151-0072 Japan
(72) Name(s) of Designer(s): **Teppei Hayashi**
(45) Registration Date: **05 January 2012**
(30) Convention priority data:
(31) Number (32) Date (33) Country
2011-012301 31 May 2011 JAPAN
(56) Related Art Documents: **Not Applicable**
(57) Statement of Newness and Distinctiveness: **Nil**



(21) Design Number: **15446/2011**
(22) Date of Filing Application: **30 November 2011**
(24) Date from which industrial property rights may have effect: **30 November 2011**
(54) Product in respect of which the design is registered: **Protective spat for cleated or spiked sports shoes**
(51) International Design Classification: **02-04A**
(74) Name(s) of Attorney(s): **PIZZEYS**
(71) Name(s) and Address(s) of Applicant(s):
TNG Enterprises LLC
9784 Mosby Drive Olive Branch MS 38654 United States of America
(72) Name(s) of Designer(s): **Joseph Albert Teichert and Carl Edward Langley III and Eddie Alan Parker**
(45) Registration Date: **05 January 2012**
(30) Convention priority data:
(31) Number (32) Date (33) Country
29/393,550 06 Jun 2011 UNITED STATES OF AMERICA
(56) Related Art Documents: **Not Applicable**
(57) Statement of Newness and Distinctiveness: **Nil**



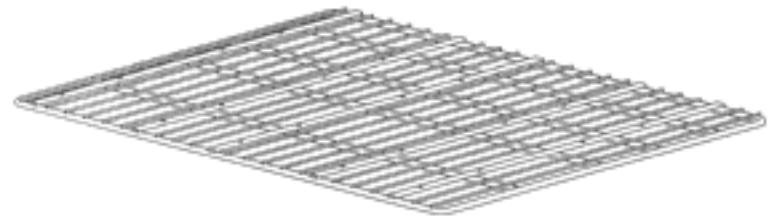
(21) Design Number: **15448/2011**
(22) Date of Filing Application: **29 November 2011**
(24) Date from which industrial property rights may have effect: **29 November 2011**
(54) Product in respect of which the design is registered: **Display stand**
(51) International Design Classification: **20-02E**
(74) Name(s) of Attorney(s): **Griffith Hack**
(71) Name(s) and Address(s) of Applicant(s):
Lynch Group Australia Pty Limited
24 Helles Avenue Moorebank New South Wales 2170 Australia
(72) Name(s) of Designer(s): **Gino Gioia**
(45) Registration Date: **05 January 2012**
(56) Related Art Documents: **Not Applicable**
(57) Statement of Newness and Distinctiveness: **Nil**



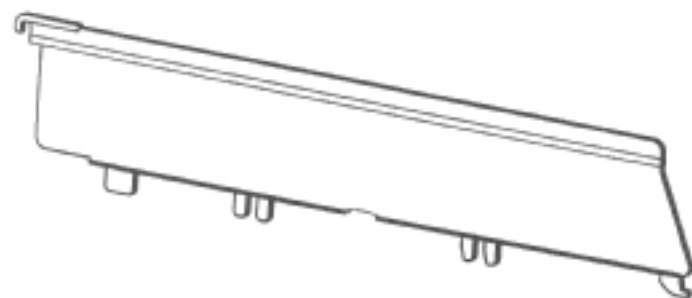
(21) Design Number: **15537/2011**
(22) Date of Filing Application: **06 December 2011**
(24) Date from which industrial property rights may have effect: **06 December 2011**
(54) Product in respect of which the design is registered: **Shelving**
(51) International Design Classification: **06-04NES**
(74) Name(s) of Attorney(s):
(71) Name(s) and Address(s) of Applicant(s):
Checkmate International Pty Ltd
1/13 Network Drive Carrum Downs Victoria 3201 Australia
(72) Name(s) of Designer(s): **John Leahy**
(45) Registration Date: **05 January 2012**
(56) Related Art Documents: **Not Applicable**
(57) Statement of Newness and Distinctiveness: **Monopoly is claimed in the features of shape or configuration of the shelf frame with extensions as illustrated in the presentations.**



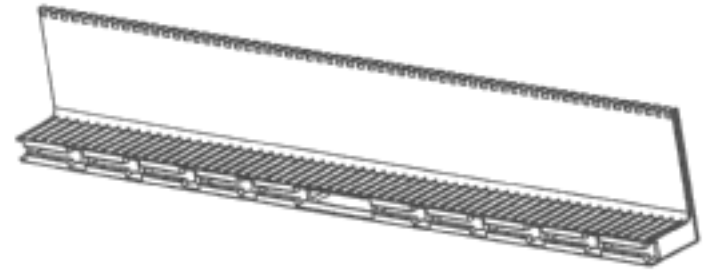
- (21) Design Number: **15538/2011**
(22) Date of Filing Application: **06 December 2011**
(24) Date from which industrial property rights may have effect: **06 December 2011**
(54) Product in respect of which the design is registered: **Shelving**
(51) International Design Classification: **06-04NES**
(74) Name(s) of Attorney(s):
(71) Name(s) and Address(s) of Applicant(s):
Checkmate International Pty Ltd
1/13 Network Drive Carrum Downs Victoria 3201 Australia
(72) Name(s) of Designer(s): **John Leahy**
(45) Registration Date: **05 January 2012**
(56) Related Art Documents: **Not Applicable**
(57) Statement of Newness and Distinctiveness: **Monopoly is claimed in the features of shape or configurations of the wire frame with flat sections as illustrated in the presentations.**



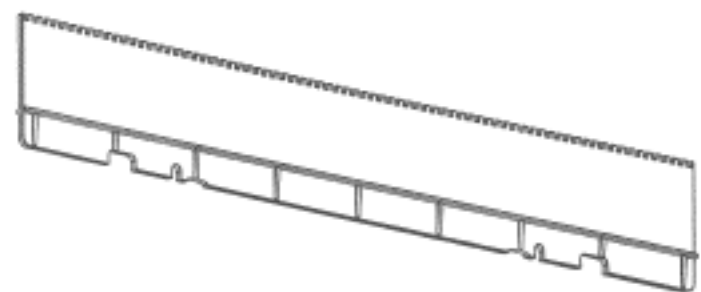
- (21) Design Number: **15539/2011**
(22) Date of Filing Application: **06 December 2011**
(24) Date from which industrial property rights may have effect: **06 December 2011**
(54) Product in respect of which the design is registered: **Shelving**
(51) International Design Classification: **06-04NES**
(74) Name(s) of Attorney(s):
(71) Name(s) and Address(s) of Applicant(s):
Checkmate International Pty Ltd
1/13 Network Drive Carrum Downs Victoria 3201 Australia
(72) Name(s) of Designer(s): **John Leahy**
(45) Registration Date: **05 January 2012**
(56) Related Art Documents: **Not Applicable**
(57) Statement of Newness and Distinctiveness: **Monopoly is claimed in the features of shape or configuration of divider with bottom tabs as illustrated in the presentations.**



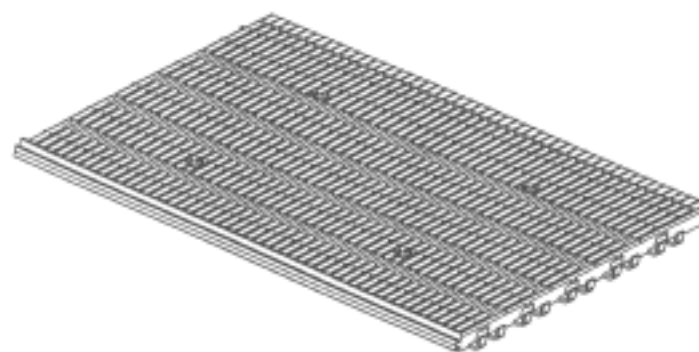
- (21) Design Number: **15540/2011**
(22) Date of Filing Application: **06 December 2011**
(24) Date from which industrial property rights may have effect: **06 December 2011**
(54) Product in respect of which the design is registered: **Shelving**
(51) International Design Classification: **06-04NES**
(74) Name(s) of Attorney(s):
(71) Name(s) and Address(s) of Applicant(s):
Checkmate International Pty Ltd
1/13 Network Drive Carrum Downs Victoria 3201 Australia
(72) Name(s) of Designer(s): **John Leahy**
(45) Registration Date: **05 January 2012**
(56) Related Art Documents: **Not Applicable**
(57) Statement of Newness and Distinctiveness: **Monopoly is claimed in the features of shape or configuration of the right angle shelf front as illustrated in presentations.**



- (21) Design Number: **15541/2011**
(22) Date of Filing Application: **06 December 2011**
(24) Date from which industrial property rights may have effect: **06 December 2011**
(54) Product in respect of which the design is registered: **Shelving**
(51) International Design Classification: **06-04NES**
(74) Name(s) of Attorney(s):
(71) Name(s) and Address(s) of Applicant(s):
Checkmate International Pty Ltd
1/13 Network Drive Carrum Downs Victoria 3201 Australia
(72) Name(s) of Designer(s): **John Leahy**
(45) Registration Date: **05 January 2012**
(56) Related Art Documents: **Not Applicable**
(57) Statement of Newness and Distinctiveness: **Monopoly is claimed in the features of shape or configuration of the shelf front with multiple recesses as illustrated in presentations.**



(21) Design Number: **15542/2011**
(22) Date of Filing Application: **06 December 2011**
(24) Date from which industrial property rights may have effect: **06 December 2011**
(54) Product in respect of which the design is registered: **Shelving**
(51) International Design Classification: **06-04NES**
(74) Name(s) of Attorney(s):
(71) Name(s) and Address(s) of Applicant(s):
Checkmate International Pty Ltd
1/13 Network Drive Carrum Downs Victoria 3201 Australia
(72) Name(s) of Designer(s): **John Leahy**
(45) Registration Date: **05 January 2012**
(56) Related Art Documents: **Not Applicable**
(57) Statement of Newness and Distinctiveness: **Monopoly is claimed in the features of shape or configuration of the ribbed mat with hooks as illustrated in presentations.**



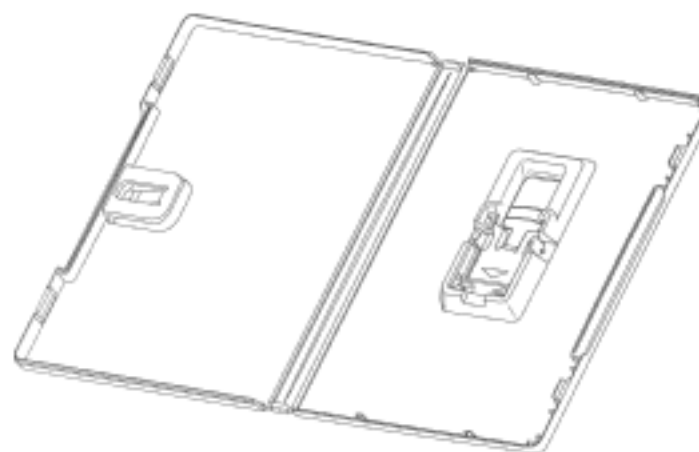
(21) Design Number: **14271/2011**
(22) Date of Filing Application: **23 September 2011**
(24) Date from which industrial property rights may have effect: **23 September 2011**
(54) Product in respect of which the design is registered: **Applicator**
(51) International Design Classification: **28-03NES**
(74) Name(s) of Attorney(s): **SPRUSON & FERGUSON**
(71) Name(s) and Address(s) of Applicant(s):
S.C. Johnson & Son, Inc.
1525 Howe Street Racine Wisconsin 53403-2236 United States of America
(72) Name(s) of Designer(s): **Joost Robert Van Haasteren**
(45) Registration Date: **05 January 2012**
(30) Convention priority data:
(31) Number (32) Date (33) Country
001840141 23 Mar 2011 EUROPEAN COMMUNITY
(56) Related Art Documents: **Not Applicable**
(57) Statement of Newness and Distinctiveness: **Newness and distinctiveness is claimed in those features of shape and/or configuration of an applicator illustrated in continuous lines in the accompanying representations.**



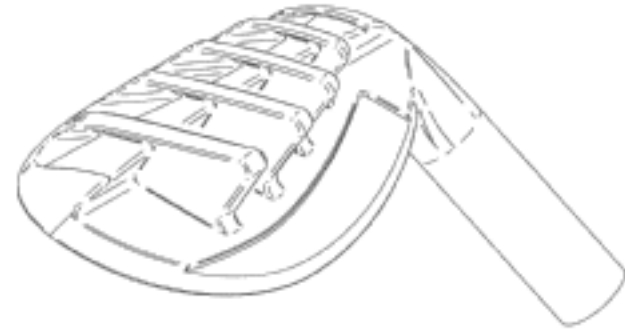
(21) Design Number: **14754/2011**
(22) Date of Filing Application: **20 October 2011**
(24) Date from which industrial property rights may have effect: **20 October 2011**
(54) Product in respect of which the design is registered: **Case for an electronic device**
(51) International Design Classification: **03-01NES**
(74) Name(s) of Attorney(s): **Shelston IP**
(71) Name(s) and Address(s) of Applicant(s):
Sony Computer Entertainment Inc.
1-7-1 Konan Minato-ku Tokyo Japan
(72) Name(s) of Designer(s): **Takashi Sogabe**
(45) Registration Date: **05 January 2012**
(30) Convention priority data:
(31) Number (32) Date (33) Country
2011-012691 03 Jun 2011 JAPAN
(56) Related Art Documents: **Not Applicable**
(57) Statement of Newness and Distinctiveness: **Newness and distinctiveness reside in the shape and/or configuration of a case for an electronic device as illustrated in the accompanying representations.**



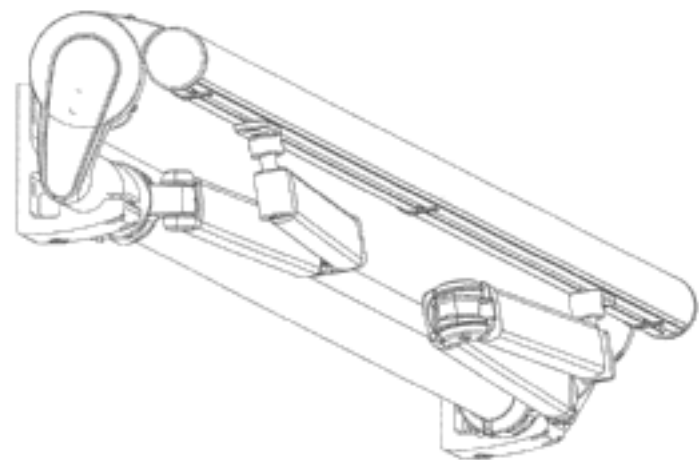
(21) Design Number: **14755/2011**
(22) Date of Filing Application: **20 October 2011**
(24) Date from which industrial property rights may have effect: **20 October 2011**
(54) Product in respect of which the design is registered: **Case for a recording media**
(51) International Design Classification: **03-01NES**
(74) Name(s) of Attorney(s): **Shelston IP**
(71) Name(s) and Address(s) of Applicant(s):
Sony Computer Entertainment Inc.
1-7-1 Konan Minato-ku Tokyo Japan
(72) Name(s) of Designer(s): **Daisuke Miyazoe and Shinjiro Komatani and Yuhei Yabe and Mayumi Marumoto**
(45) Registration Date: **05 January 2012**
(30) Convention priority data:
(31) Number (32) Date (33) Country
2011-012679 03 Jun 2011 JAPAN
(56) Related Art Documents: **Not Applicable**
(57) Statement of Newness and Distinctiveness: **Nil**



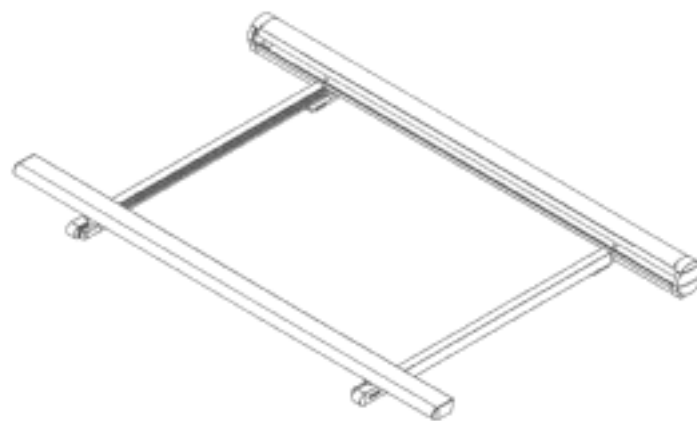
- (21) Design Number: **15578/2011**
(22) Date of Filing Application: **07 December 2011**
(24) Date from which industrial property rights may have effect: **07 December 2011**
(54) Product in respect of which the design is registered: **Golf club head**
(51) International Design Classification: **21-02C**
(74) Name(s) of Attorney(s): **PIZZEYS**
(71) Name(s) and Address(s) of Applicant(s):
Point-N-Putt Pty Ltd
PO Box 9088 Deakin ACT 2614 Australia
(72) Name(s) of Designer(s): **Paul Joseph Donaghue**
(45) Registration Date: **05 January 2012**
(56) Related Art Documents: **Not Applicable**
(57) Statement of Newness and Distinctiveness: **Nil**



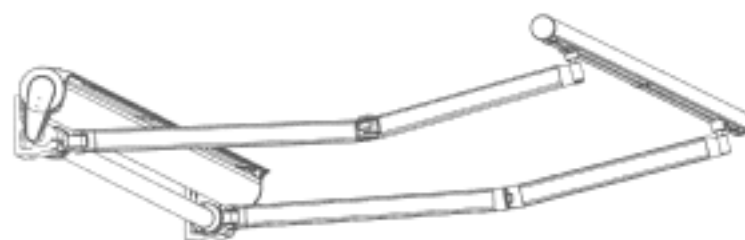
- (21) Design Number: **15654/2011**
(22) Date of Filing Application: **09 December 2011**
(24) Date from which industrial property rights may have effect: **09 December 2011**
(54) Product in respect of which the design is registered: **Awning**
(51) International Design Classification: **25-02H**
(74) Name(s) of Attorney(s): **PHILLIPS ORMONDE FITZPATRICK**
(71) Name(s) and Address(s) of Applicant(s):
Schmitz-Werke GmbH + Co. KG
Hansestrasse 87 48282 Emsdetten Germany
(72) Name(s) of Designer(s): **Andreas Kramer**
(45) Registration Date: **05 January 2012**
(56) Related Art Documents: **Not Applicable**
(57) Statement of Newness and Distinctiveness: **Those features of the awning depicted in the representations that are new and distinctive are the shape and/or configuration.**



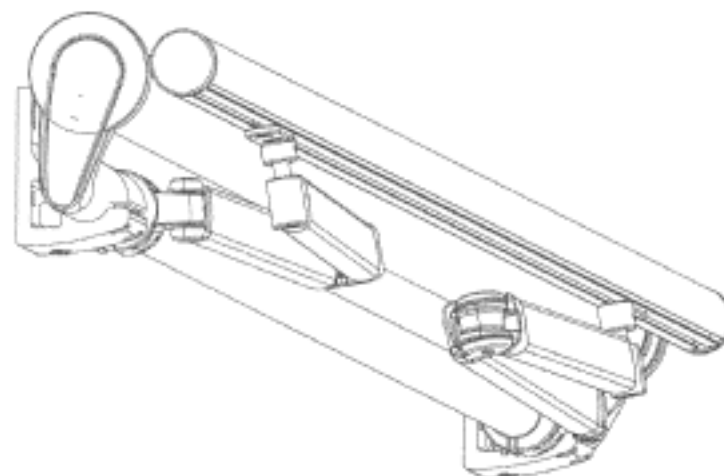
- (21) Design Number: **15655/2011**
(22) Date of Filing Application: **09 December 2011**
(24) Date from which industrial property rights may have effect: **09 December 2011**
(54) Product in respect of which the design is registered: **Awning**
(51) International Design Classification: **25-02H**
(74) Name(s) of Attorney(s): **PHILLIPS ORMONDE FITZPATRICK**
(71) Name(s) and Address(s) of Applicant(s):
Schmitz-Werke GmbH + Co. KG
Hansestrasse 87 48282 Emsdetten Germany
(72) Name(s) of Designer(s): **Andreas Kramer**
(45) Registration Date: **05 January 2012**
(56) Related Art Documents: **Not Applicable**
(57) Statement of Newness and Distinctiveness: **Those features of the awning depicted in the representations that are new and distinctive are the shape and/or configuration.**



- (21) Design Number: **15656/2011**
(22) Date of Filing Application: **09 December 2011**
(24) Date from which industrial property rights may have effect: **09 December 2011**
(54) Product in respect of which the design is registered: **Awning**
(51) International Design Classification: **25-02H**
(74) Name(s) of Attorney(s): **PHILLIPS ORMONDE FITZPATRICK**
(71) Name(s) and Address(s) of Applicant(s):
Schmitz-Werke GmbH + Co. KG
Hansestrasse 87 48282 Emsdetten Germany
(72) Name(s) of Designer(s): **Andreas Kramer**
(45) Registration Date: **05 January 2012**
(56) Related Art Documents: **Not Applicable**
(57) Statement of Newness and Distinctiveness: **Those features of the awning depicted in the representations that are new and distinctive are the shape and/or configuration.**



- (21) Design Number: **15657/2011**
(22) Date of Filing Application: **09 December 2011**
(24) Date from which industrial property rights may have effect: **09 December 2011**
(54) Product in respect of which the design is registered: **Awning**
(51) International Design Classification: **25-02H**
(74) Name(s) of Attorney(s): **PHILLIPS ORMONDE FITZPATRICK**
(71) Name(s) and Address(s) of Applicant(s):
Schmitz-Werke GmbH + Co. KG
Hansestrasse 87 48282 Emsdetten Germany
(72) Name(s) of Designer(s): **Andreas Kramer**
(45) Registration Date: **05 January 2012**
(56) Related Art Documents: **Not Applicable**
(57) Statement of Newness and Distinctiveness: **Those features of the awning depicted in the representations that are new and distinctive are the shape and/or configuration.**



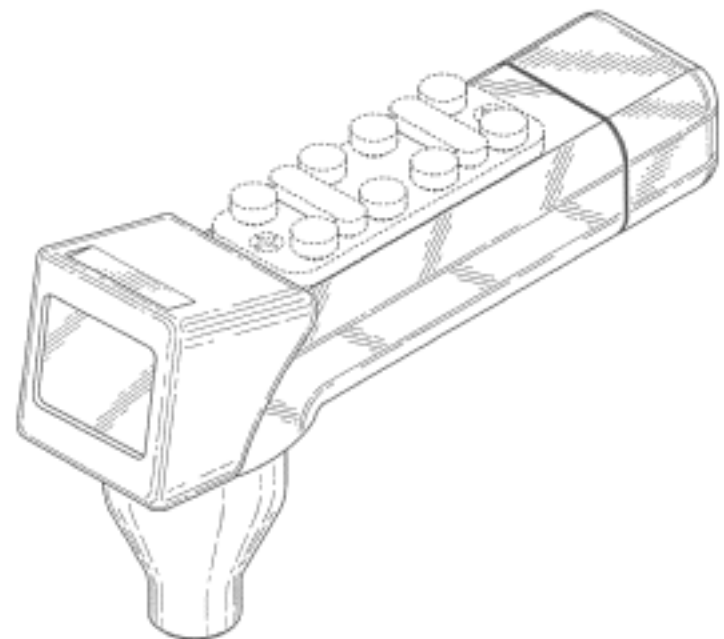
- (21) Design Number: **15380/2011**
(22) Date of Filing Application: **25 November 2011**
(24) Date from which industrial property rights may have effect: **25 November 2011**
(54) Product in respect of which the design is registered: **Roadvision R8 rear combination lamp**
(51) International Design Classification: **26-06**
(74) Name(s) of Attorney(s):
(71) Name(s) and Address(s) of Applicant(s):
Roadvision Pty Ltd
PO Box 2761 Rowville Victoria 3178 Australia
(72) Name(s) of Designer(s): **Gary John Parker**
(45) Registration Date: **06 January 2012**
(56) Related Art Documents: **Not Applicable**
(57) Statement of Newness and Distinctiveness: **Newness and distinctiveness resides in the shape and configuration of the rear lamp assembly illustrated in the accompanying representations, and in particular 1) the slim line appearance (most evident in the side and end views) and 2) the distinctive contour and shape of the base, and 3) The distinctive figure 8 shape of the lens. The unique lens pattern, colour and ornamentation are to be disregarded.**



(21) Design Number: **15389/2011**
(22) Date of Filing Application: **24 November 2011**
(24) Date from which industrial property rights may have effect: **24 November 2011**
(54) Product in respect of which the design is registered: **Load restraint apparatus**
(51) International Design Classification: **12-05**
(74) Name(s) of Attorney(s):
(71) Name(s) and Address(s) of Applicant(s):
Matthews International Pty Ltd
194 Macquarie Way Drewvale Queensland 4116 Australia
(72) Name(s) of Designer(s): **Maurice John Matthews and Carl Leslie Matthews**
(45) Registration Date: **06 January 2012**
(56) Related Art Documents: **Not Applicable**
(57) Statement of Newness and Distinctiveness: **Nil**



(21) Design Number: **15391/2011**
(22) Date of Filing Application: **25 November 2011**
(24) Date from which industrial property rights may have effect: **25 November 2011**
(54) Product in respect of which the design is registered: **Bar gun**
(51) International Design Classification: **07-02L, 07-04**
(74) Name(s) of Attorney(s): **SPRUSON & FERGUSON**
(71) Name(s) and Address(s) of Applicant(s):
Automatic Bar Controls, Inc.
790 Eubanks Drive Vacaville California 95688 United States of America
(72) Name(s) of Designer(s): **Richard A. Martindale and James M. Tuyls**
(45) Registration Date: **06 January 2012**
(30) Convention priority data:
(31) Number (32) Date (33) Country
29/393,151 31 May 2011 UNITED STATES OF AMERICA
(56) Related Art Documents: **Not Applicable**
(57) Statement of Newness and Distinctiveness: **Newness and distinctiveness is claimed in those features of shape and/or configuration of a bar gun illustrated in continuous lines in the accompanying representations.**



(21) Design Number: **15392/2011**
(22) Date of Filing Application: **25 November 2011**
(24) Date from which industrial property rights may have effect: **25 November 2011**
(54) Product in respect of which the design is registered: **Game controller**
(51) International Design Classification: **21-01N**
(74) Name(s) of Attorney(s): **Shelston IP**
(71) Name(s) and Address(s) of Applicant(s):

Microsoft Corporation
One Microsoft Way Redmond Washington 98052 United States of America

(72) Name(s) of Designer(s): **John Ikeda and Scott Harold Wilson and Dennis Matthew Puhalla and Brett D. Christie**

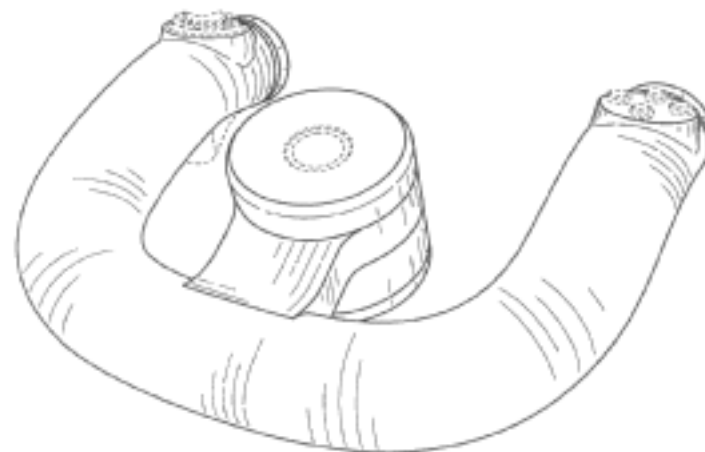
(45) Registration Date: **06 January 2012**

(30) Convention priority data:

(31) Number	(32) Date	(33) Country
29/393641	07 Jun 2011	UNITED STATES OF AMERICA

(56) Related Art Documents: **Not Applicable**

(57) Statement of Newness and Distinctiveness: **Newness and distinctiveness reside in the shape and/or configuration of a game controller as illustrated by solid lines in the accompanying representations. The features shown in broken outline are for illustrative purposes only and do not form part of the design.**



(21) Design Number: **15393/2011**
(22) Date of Filing Application: **25 November 2011**
(24) Date from which industrial property rights may have effect: **25 November 2011**
(54) Product in respect of which the design is registered: **Game controller**
(51) International Design Classification: **21-01N**
(74) Name(s) of Attorney(s): **Shelston IP**
(71) Name(s) and Address(s) of Applicant(s):

Microsoft Corporation
One Microsoft Way Redmond Washington 98052 United States of America

(72) Name(s) of Designer(s): **John Ikeda and Scott Harold Wilson and Dennis Matthew Puhalla and Brett D. Christie**

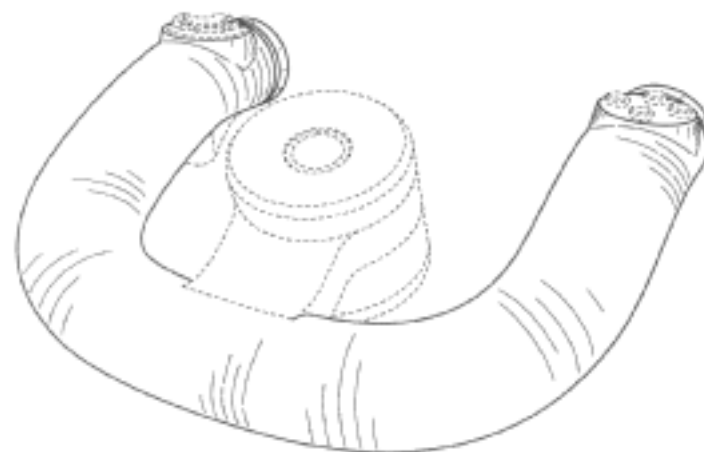
(45) Registration Date: **06 January 2012**

(30) Convention priority data:

(31) Number	(32) Date	(33) Country
29/393642	07 Jun 2011	UNITED STATES OF AMERICA

(56) Related Art Documents: **Not Applicable**

(57) Statement of Newness and Distinctiveness: **Newness and distinctiveness reside in the shape and/or configuration of a game controller as illustrated by solid lines in the accompanying representations. The features shown in broken outline are for illustrative purposes only and do not form part of the design.**



(21) Design Number: **15395/2011**
(22) Date of Filing Application: **25 November 2011**
(24) Date from which industrial property rights may have effect: **25 November 2011**
(54) Product in respect of which the design is registered: **Game controller**
(51) International Design Classification: **21-01N**
(74) Name(s) of Attorney(s): **Shelston IP**
(71) Name(s) and Address(s) of Applicant(s):

Microsoft Corporation
One Microsoft Way Redmond Washington 98052 United States of America

(72) Name(s) of Designer(s): **John Ikeda and Scott Harold Wilson and Dennis Matthew Puhalla and Brett D. Christie**

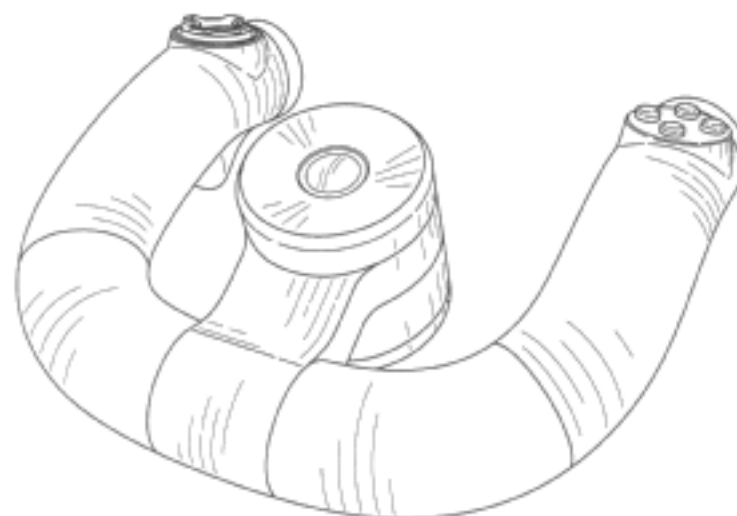
(45) Registration Date: **06 January 2012**

(30) Convention priority data:

(31) Number	(32) Date	(33) Country
29/393640	07 Jun 2011	UNITED STATES OF AMERICA

(56) Related Art Documents: **Not Applicable**

(57) Statement of Newness and Distinctiveness: **Newness and distinctiveness reside in the shape and/or configuration of a game controller as illustrated by solid lines in the accompanying representations. The features shown in broken outline are for illustrative purposes only and do not form part of the design.**



(21) Design Number: **15396/2011**
(22) Date of Filing Application: **25 November 2011**
(24) Date from which industrial property rights may have effect: **25 November 2011**
(54) Product in respect of which the design is registered: **Game controller**
(51) International Design Classification: **21-01N**
(74) Name(s) of Attorney(s): **Shelston IP**
(71) Name(s) and Address(s) of Applicant(s):

Microsoft Corporation
One Microsoft Way Redmond Washington 98052 United States of America

(72) Name(s) of Designer(s): **John Ikeda and Scott Harold Wilson and Dennis Matthew Puhalla and Brett D. Christie**

(45) Registration Date: **06 January 2012**

(30) Convention priority data:

(31) Number	(32) Date	(33) Country
29/393643	07 Jun 2011	UNITED STATES OF AMERICA

(56) Related Art Documents: **Not Applicable**

(57) Statement of Newness and Distinctiveness: **Newness and distinctiveness reside in the shape and/or configuration of a game controller as illustrated by solid lines in the accompanying representations. The features shown in broken outline are for illustrative purposes only and do not form part of the design.**



(21) Design Number: **15397/2011**
(22) Date of Filing Application: **25 November 2011**
(24) Date from which industrial property rights may have effect: **25 November 2011**
(54) Product in respect of which the design is registered: **Game controller**
(51) International Design Classification: **21-01N**
(74) Name(s) of Attorney(s): **Shelston IP**
(71) Name(s) and Address(s) of Applicant(s):

Microsoft Corporation
One Microsoft Way Redmond Washington 98052 United States of America

(72) Name(s) of Designer(s): **John Ikeda and Scott Harold Wilson and Dennis Matthew Puhalla and Brett D. Christie**

(45) Registration Date: **06 January 2012**

(30) Convention priority data:

(31) Number	(32) Date	(33) Country
29/393643	07 Jun 2011	UNITED STATES OF AMERICA

(56) Related Art Documents: **Not Applicable**

(57) Statement of Newness and Distinctiveness: **Newness and distinctiveness reside in the shape and/or configuration of a game controller as illustrated by solid lines in the accompanying representations. The features shown in broken outline are for illustrative purposes only and do not form part of the design.**



(21) Design Number: **15398/2011**
(22) Date of Filing Application: **24 November 2011**
(24) Date from which industrial property rights may have effect: **24 November 2011**
(54) Product in respect of which the design is registered: **Storage box base**
(51) International Design Classification: **09-03M, 09-03NES**
(74) Name(s) of Attorney(s): **Choy Lawyers**
(71) Name(s) and Address(s) of Applicant(s):

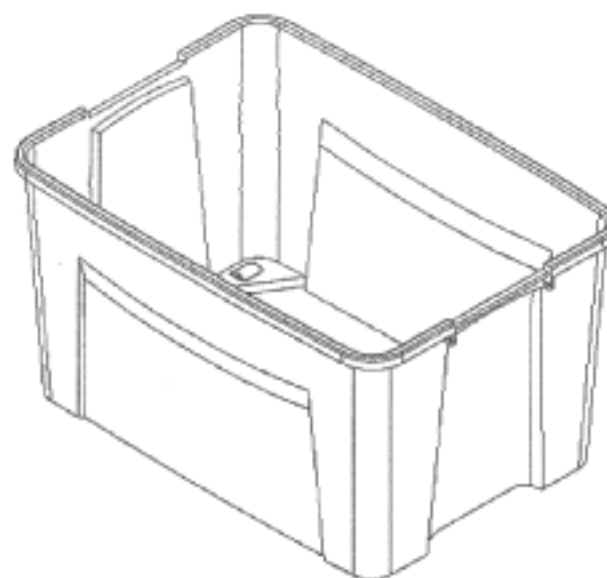
FBA Imports Pty Ltd
35-77 Emu Road Maidstone Victoria 3012 Australia

(72) Name(s) of Designer(s): **Evan Pell**

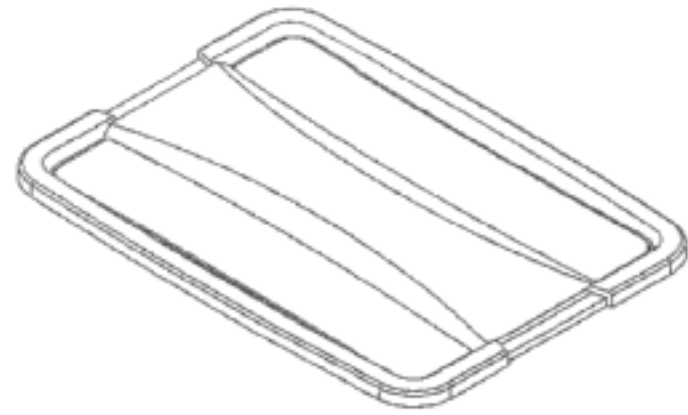
(45) Registration Date: **06 January 2012**

(56) Related Art Documents: **Not Applicable**

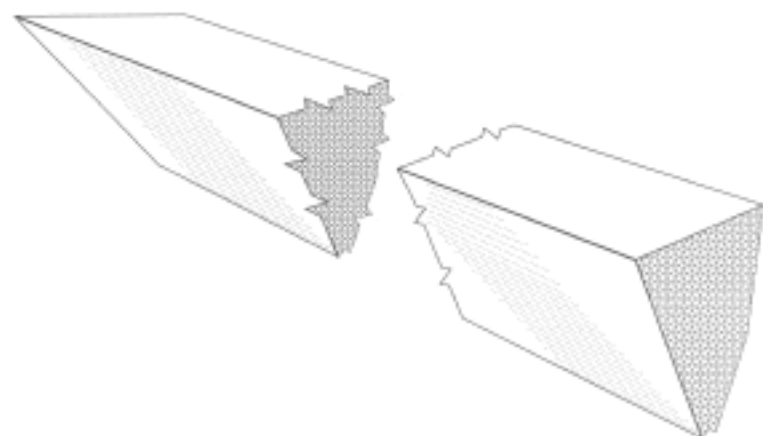
(57) Statement of Newness and Distinctiveness: **Nil**



- (21) Design Number: **15399/2011**
(22) Date of Filing Application: **24 November 2011**
(24) Date from which industrial property rights may have effect: **24 November 2011**
(54) Product in respect of which the design is registered: **Storage box lid**
(51) International Design Classification: **09-07NES**
(74) Name(s) of Attorney(s): **Choy Lawyers**
(71) Name(s) and Address(s) of Applicant(s):
FBA Imports Pty Ltd
35-77 Emu Road Maidstone Victoria 3012 Australia
(72) Name(s) of Designer(s): **Evan Pell**
(45) Registration Date: **06 January 2012**
(56) Related Art Documents: **Not Applicable**
(57) Statement of Newness and Distinctiveness: **Nil**



- (21) Design Number: **15400/2011**
(22) Date of Filing Application: **25 November 2011**
(24) Date from which industrial property rights may have effect: **25 November 2011**
(54) Product in respect of which the design is registered: **Gutter filter**
(51) International Design Classification: **23-01G, 23-01L**
(74) Name(s) of Attorney(s): **Fisher Adams Kelly**
(71) Name(s) and Address(s) of Applicant(s):
Dyman Foams Pty Ltd
105 Robinson Road East Geelong Queensland 4034 Australia
Victor Seng Hyeok Choi
41 Perry Street North Rocks New South Wales 2151 Australia
(72) Name(s) of Designer(s): **Kevin Feldman**
(45) Registration Date: **06 January 2012**
(56) Related Art Documents: **Not Applicable**
(57) Statement of Newness and Distinctiveness: **The newness and distinctiveness of the design resides in the shape and/or configuration of the GUTTER FILTER shown in the representations.**

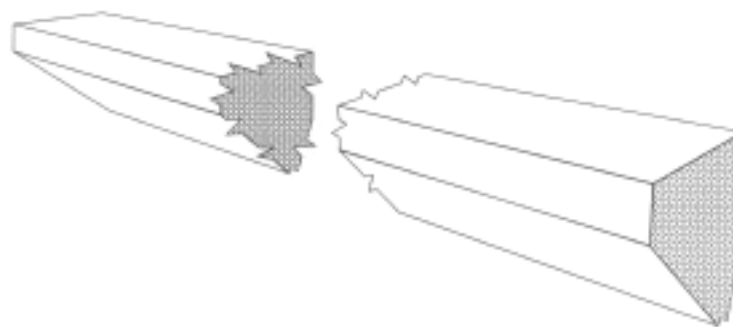


- (21) Design Number: **15401/2011**
(22) Date of Filing Application: **25 November 2011**
(24) Date from which industrial property rights may have effect: **25 November 2011**
(54) Product in respect of which the design is registered: **Gutter filter**
(51) International Design Classification: **23-01G, 23-01L**
(74) Name(s) of Attorney(s): **Fisher Adams Kelly**
(71) Name(s) and Address(s) of Applicant(s):

Dyman Foams Pty Ltd
105 Robinson Road East Geebung Queensland 4034 Australia

Victor Seng Hyeok Choi
41 Perry Street North Rocks New South Wales 2151 Australia

- (72) Name(s) of Designer(s): **Kevin Feldman**
(45) Registration Date: **06 January 2012**
(56) Related Art Documents: **Not Applicable**
(57) Statement of Newness and Distinctiveness: **The newness and distinctiveness of the design resides in the shape and/or configuration of the GUTTER FILTER shown in the representations.**



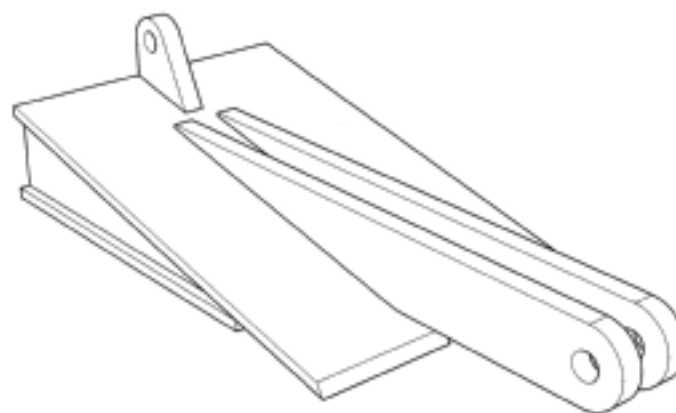
- (21) Design Number: **15402/2011**
(22) Date of Filing Application: **25 November 2011**
(24) Date from which industrial property rights may have effect: **25 November 2011**
(54) Product in respect of which the design is registered: **Agricultural implement for ripping soil**
(51) International Design Classification: **15-03A**
(74) Name(s) of Attorney(s): **Madderns**
(71) Name(s) and Address(s) of Applicant(s):

Kenneth Edwyn Sclanders
Old Eshowe Road Empangeni 3880 Kwa Zulu Natal South Africa

Donovan William Balmer
Old Eshowe Road Empangeni 3880 Kwa Zulu Natal South Africa

Graham John Henderson
Old Eshowe Road Empangeni 3880 Kwa Zulu Natal South Africa

- (72) Name(s) of Designer(s): **Kenneth Edwyn Sclanders**
(45) Registration Date: **06 January 2012**
(56) Related Art Documents: **Not Applicable**
(57) Statement of Newness and Distinctiveness: **Newness and distinctiveness resides in the features of shape and/or configuration of an agricultural implement for ripping soil as shown in the accompanying representations.**



(21) Design Number: **15403/2011**
(22) Date of Filing Application: **25 November 2011**
(24) Date from which industrial property rights may have effect: **25 November 2011**
(54) Product in respect of which the design is registered: **A booster seat**
(51) International Design Classification: **06-01D**
(74) Name(s) of Attorney(s): **Madderns**
(71) Name(s) and Address(s) of Applicant(s):
Britax Childcare Pty Ltd
99 Derby Road Sunshine Victoria 3020 Australia
(72) Name(s) of Designer(s): **Wieslaw Maciejczyk and Daniel Serra and Mike Lumley**
(45) Registration Date: **06 January 2012**
(56) Related Art Documents: **Not Applicable**
(57) Statement of Newness and Distinctiveness: **Nil**



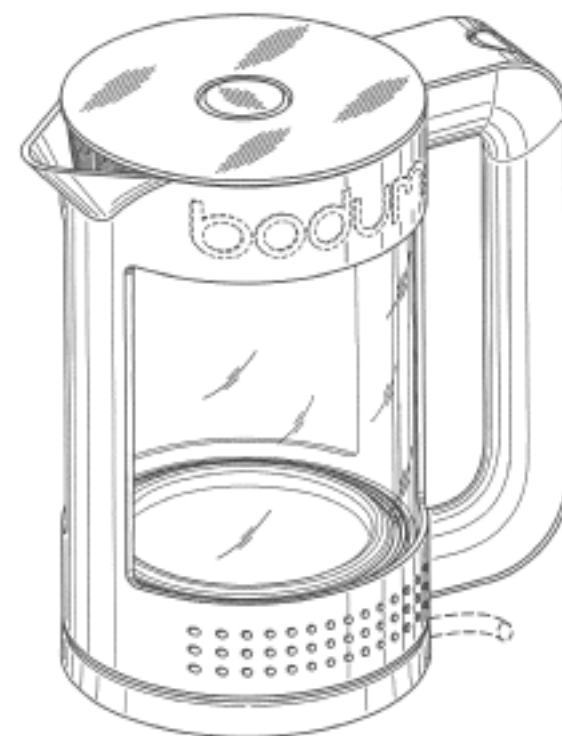
(21) Design Number: **15450/2011**
(22) Date of Filing Application: **29 November 2011**
(24) Date from which industrial property rights may have effect: **29 November 2011**
(54) Product in respect of which the design is registered: **Fruit juice extractor**
(51) International Design Classification: **31-00**
(74) Name(s) of Attorney(s): **Callinans**
(71) Name(s) and Address(s) of Applicant(s):
Kenwood Limited
New Lane Havant Hampshire PO9 2NH England
(72) Name(s) of Designer(s): **Robin Ferraby**
(45) Registration Date: **06 January 2012**
(30) Convention priority data:
(31) Number (32) Date (33) Country
001872839-0001 03 Jun 2011 EUROPEAN COMMUNITY
(56) Related Art Documents: **Not Applicable**
(57) Statement of Newness and Distinctiveness: **Nil**



(21) Design Number: **15451/2011**
(22) Date of Filing Application: **29 November 2011**
(24) Date from which industrial property rights may have effect: **29 November 2011**
(54) Product in respect of which the design is registered: **Fruit juice extractor**
(51) International Design Classification: **31-00**
(74) Name(s) of Attorney(s): **Callinans**
(71) Name(s) and Address(s) of Applicant(s):
Kenwood Limited
New Lane Havant Hampshire PO9 2NH England
(72) Name(s) of Designer(s): **Robin Ferraby**
(45) Registration Date: **06 January 2012**
(30) Convention priority data:
(31) Number (32) Date (33) Country
001872805-0001 03 Jun 2011 EUROPEAN COMMUNITY
(56) Related Art Documents: **Not Applicable**
(57) Statement of Newness and Distinctiveness: **Nil**



(21) Design Number: **15534/2011**
(22) Date of Filing Application: **06 December 2011**
(24) Date from which industrial property rights may have effect: **06 December 2011**
(54) Product in respect of which the design is registered: **Electric kettle**
(51) International Design Classification: **07-02K**
(74) Name(s) of Attorney(s): **MALLESONS STEPHEN JAQUES**
(71) Name(s) and Address(s) of Applicant(s):
Pi-Design AG
Kantonsstrasse 100 6234 Triengen Switzerland
(72) Name(s) of Designer(s): **Jorgen Bodum**
(45) Registration Date: **06 January 2012**
(30) Convention priority data:
(31) Number (32) Date (33) Country
**DM/076 202 14 Jun 2011 WORLD INTELLECTUAL
PROPERTY ORGANIZATION
(WIPO)**
(56) Related Art Documents: **Not Applicable**
(57) Statement of Newness and Distinctiveness: **Nil**



(21) Design Number: **15535/2011**
(22) Date of Filing Application: **06 December 2011**
(24) Date from which industrial property rights may have effect: **06 December 2011**
(54) Product in respect of which the design is registered: **Coffee maker**
(51) International Design Classification: **07-02L**
(74) Name(s) of Attorney(s): **MALLESONS STEPHEN JAQUES**
(71) Name(s) and Address(s) of Applicant(s):

Pi-Design AG
Kantonsstrasse 100 6234 Triengen Switzerland

(72) Name(s) of Designer(s): **Jorgen Bodum**

(45) Registration Date: **06 January 2012**

(30) Convention priority data:

(31) Number	(32) Date	(33) Country
DM/076 435	25 Jul 2011	WORLD INTELLECTUAL PROPERTY ORGANIZATION (WIPO)

(56) Related Art Documents: **Not Applicable**

(57) Statement of Newness and Distinctiveness: **Nil**



(21) Design Number: **15546/2011**
(22) Date of Filing Application: **05 December 2011**
(24) Date from which industrial property rights may have effect: **05 December 2011**
(54) Product in respect of which the design is registered: **Shock absorbing cap**
(51) International Design Classification: **02-02B, 02-03**
(74) Name(s) of Attorney(s): **Griffith Hack**
(71) Name(s) and Address(s) of Applicant(s):

Matscitechno Licensing Company
143 Viburnum Drive Kennett Square PA 19348 United States of America

(72) Name(s) of Designer(s): **Robert A. Vito**

(45) Registration Date: **06 January 2012**

(30) Convention priority data:

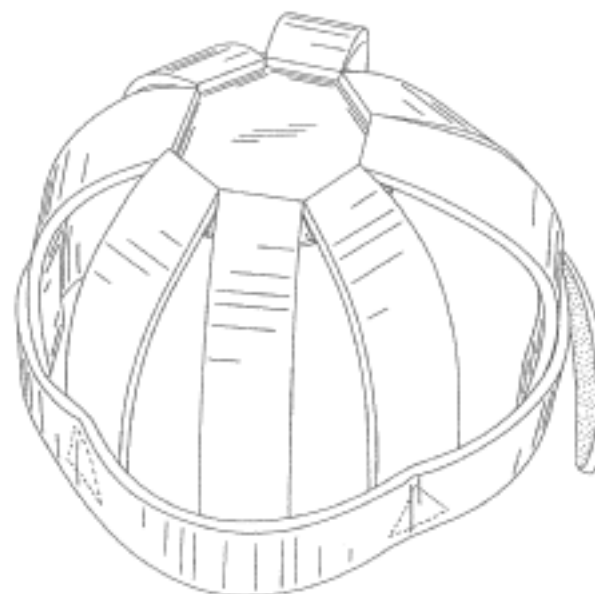
(31) Number	(32) Date	(33) Country
29/393685	08 Jun 2011	UNITED STATES OF AMERICA

(56) Related Art Documents: **Not Applicable**

(57) Statement of Newness and Distinctiveness: **Newness and distinctiveness resides in the visual features, including shape and configuration, of a SHOCK ABSORBING CAP as shown in solid outline in the accompanying drawings. When determining whether the design is substantially similar in overall impression to another design, no regard is to be had to those features shown in dotted outline in the accompanying drawings, which features are provided for illustrative purposes only.**



(21) Design Number: **15547/2011**
(22) Date of Filing Application: **05 December 2011**
(24) Date from which industrial property rights may have effect: **05 December 2011**
(54) Product in respect of which the design is registered: **Shock absorbing cap**
(51) International Design Classification: **02-02B, 02-03**
(74) Name(s) of Attorney(s): **Griffith Hack**
(71) Name(s) and Address(s) of Applicant(s):
Matscitechno Licensing Company
143 Viburnum Drive Kennett Square PA 19348 United States of America
(72) Name(s) of Designer(s): **Robert A. Vito**
(45) Registration Date: **06 January 2012**
(30) Convention priority data:
(31) Number (32) Date (33) Country
29/393685 08 Jun 2011 UNITED STATES OF AMERICA



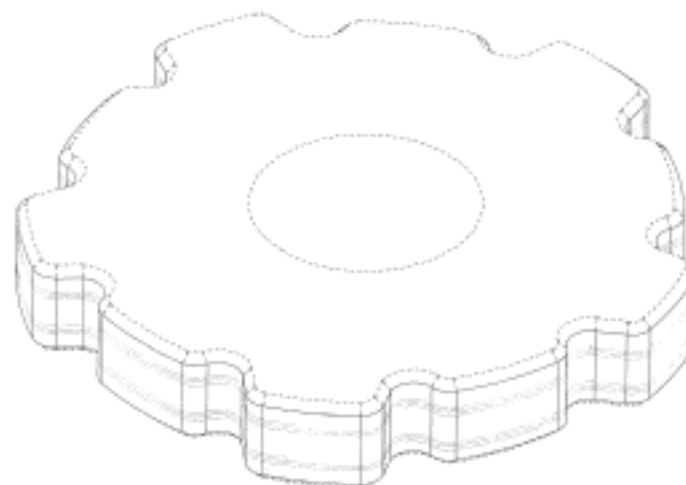
(56) Related Art Documents: **Not Applicable**
(57) Statement of Newness and Distinctiveness: **Newness and distinctiveness resides in the visual features, including shape and configuration, of a SHOCK ABSORBING CAP as shown in solid outline in the accompanying drawings. When determining whether the design is substantially similar in overall impression to another design, no regard is to be had to those features shown in dotted outline in the accompanying drawings, which features are provided for illustrative purposes only.**

(21) Design Number: **15548/2011**
(22) Date of Filing Application: **06 December 2011**
(24) Date from which industrial property rights may have effect: **06 December 2011**
(54) Product in respect of which the design is registered: **Aerosol dispenser**
(51) International Design Classification: **09-01A**
(74) Name(s) of Attorney(s): **PIZZEYS**
(71) Name(s) and Address(s) of Applicant(s):
Breathable Foods Inc.
66 Church Street Cambridge MA 02138 United States of America
(72) Name(s) of Designer(s): **Marc Bretillot**
(45) Registration Date: **06 January 2012**
(30) Convention priority data:
(31) Number (32) Date (33) Country
29/393,608 07 Jun 2011 UNITED STATES OF AMERICA



(56) Related Art Documents: **Not Applicable**
(57) Statement of Newness and Distinctiveness: **Nil**

(21) Design Number: **15550/2011**
(22) Date of Filing Application: **05 December 2011**
(24) Date from which industrial property rights may have effect: **05 December 2011**
(54) Product in respect of which the design is registered: **Lock dial**
(51) International Design Classification: **08-07, 08-99**
(74) Name(s) of Attorney(s): **Callinans**
(71) Name(s) and Address(s) of Applicant(s):
Master Lock Company LLC
137 W. Forest Hill Avenue Oak Creek Wisconsin 53154 United States of America



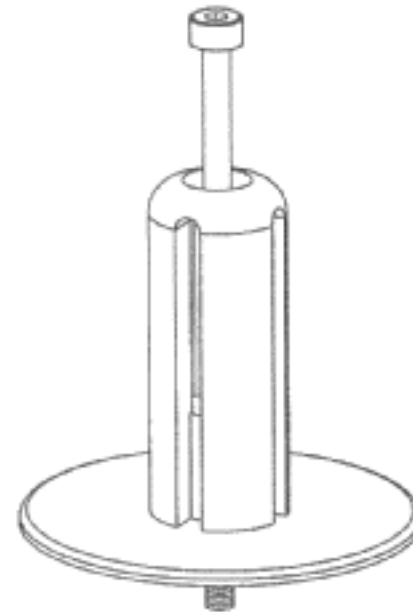
(72) Name(s) of Designer(s): **Lea Marie Plato**
(45) Registration Date: **06 January 2012**
(30) Convention priority data:
(31) Number (32) Date (33) Country
29/393,494 06 Jun 2011 UNITED STATES OF AMERICA
(56) Related Art Documents: **Not Applicable**
(57) Statement of Newness and Distinctiveness: **Newness and distinctiveness are provided by the shape and/or configuration of the design shown in the representations. The features shown in broken lines in the representations are for illustrative purposes only and should not be considered when construing visual features of the design.**

(21) Design Number: **15560/2011**
(22) Date of Filing Application: **05 December 2011**
(24) Date from which industrial property rights may have effect: **05 December 2011**
(54) Product in respect of which the design is registered: **Connector for cable**
(51) International Design Classification: **13-03E**
(74) Name(s) of Attorney(s): **PHILLIPS ORMONDE FITZPATRICK**
(71) Name(s) and Address(s) of Applicant(s):
Aurora Energy Pty Ltd
21 Kirksway Place Hobart Tasmania 7001 Australia



(72) Name(s) of Designer(s): **Rodney Turton**
(45) Registration Date: **06 January 2012**
(56) Related Art Documents: **Not Applicable**
(57) Statement of Newness and Distinctiveness: **Those features of the connector for cable depicted in the representations that are new and distinctive are the shape and/or configuration.**

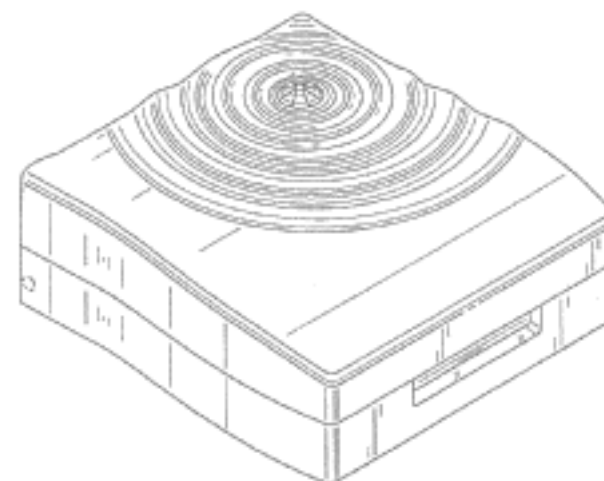
- (21) Design Number: **15561/2011**
(22) Date of Filing Application: **05 December 2011**
(24) Date from which industrial property rights may have effect: **05 December 2011**
(54) Product in respect of which the design is registered: **Tile spacer spindle**
(51) International Design Classification: **08-05K**
(74) Name(s) of Attorney(s): **PHILLIPS ORMONDE FITZPATRICK**
(71) Name(s) and Address(s) of Applicant(s):
Anthony Psaila
77 Parer Road Airport West Victoria 3042 Australia
(72) Name(s) of Designer(s): **Anthony Psaila and Andy Nicholas Psaila**
(45) Registration Date: **06 January 2012**
(56) Related Art Documents: **Not Applicable**
(57) Statement of Newness and Distinctiveness: **Those features of the tile spacer spindle depicted in the representations that are new and distinctive are the shape and/or configuration.**



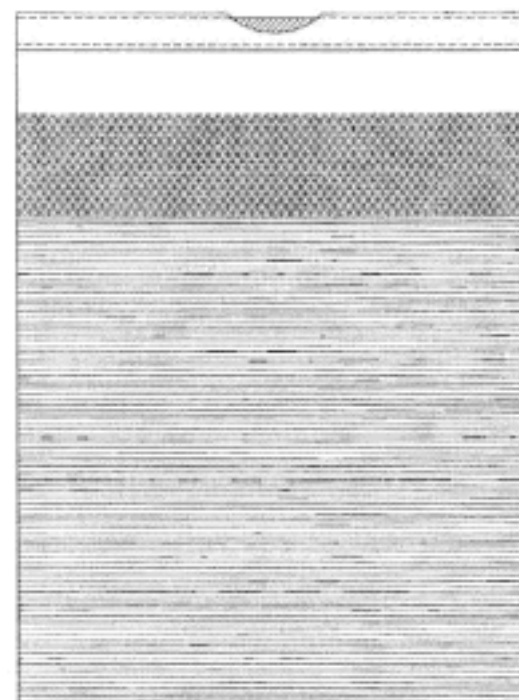
- (21) Design Number: **15562/2011**
(22) Date of Filing Application: **05 December 2011**
(24) Date from which industrial property rights may have effect: **05 December 2011**
(54) Product in respect of which the design is registered: **Seat**
(51) International Design Classification: **06-06G**
(74) Name(s) of Attorney(s): **Davies Collison Cave**
(71) Name(s) and Address(s) of Applicant(s):
Manuel Larrain
5/10-12 Montore Road Minto New South Wales 2566 Australia
(72) Name(s) of Designer(s): **Manuel Larrain**
(45) Registration Date: **06 January 2012**
(56) Related Art Documents: **Not Applicable**
(57) Statement of Newness and Distinctiveness: **Newness and distinctiveness is claimed in the visual features shown in solid lines in the representations.**



(21) Design Number: **15563/2011**
(22) Date of Filing Application: **05 December 2011**
(24) Date from which industrial property rights may have effect: **05 December 2011**
(54) Product in respect of which the design is registered: **Container**
(51) International Design Classification: **28-03NES**
(74) Name(s) of Attorney(s): **PIZZEYS**
(71) Name(s) and Address(s) of Applicant(s):
Mary Kay Inc.
16251 Dallas Parkway Addison TX 75001 United States of America
(72) Name(s) of Designer(s): **Jenny DeMarco and Kristin Dasaro and Matthew Staab**
(45) Registration Date: **06 January 2012**
(30) Convention priority data:
(31) Number (32) Date (33) Country
29/406,222 10 Nov 2011 UNITED STATES OF AMERICA
(56) Related Art Documents: **Not Applicable**
(57) Statement of Newness and Distinctiveness: **Nil**



(21) Design Number: **15564/2011**
(22) Date of Filing Application: **05 December 2011**
(24) Date from which industrial property rights may have effect: **05 December 2011**
(54) Product in respect of which the design is registered: **Trash bag**
(51) International Design Classification: **09-09**
(74) Name(s) of Attorney(s): **PIZZEYS**
(71) Name(s) and Address(s) of Applicant(s):
The Glad Products Company
1221 Broadway Oakland CA 94612 United States of America
(72) Name(s) of Designer(s): **Kyle R. Wilcoxon and Robert W. Fraser**
(45) Registration Date: **06 January 2012**
(30) Convention priority data:
(31) Number (32) Date (33) Country
29/393,819 09 Jun 2011 UNITED STATES OF AMERICA
(56) Related Art Documents: **Not Applicable**
(57) Statement of Newness and Distinctiveness: **The newness and distinctiveness of the design resides in the features of pattern and/or ornamentation OR shape and/or configuration shown in unbroken lines in the accompanying representations.**



(21) Design Number: **14590/2011**

(22) Date of Filing Application: **10 October 2011**

(24) Date from which industrial property rights may have effect: **10 October 2011**

(54) Product in respect of which the design is registered: **Three dimensional maze game**

(51) International Design Classification: **21-01M**

(74) Name(s) of Attorney(s): **Davies Collison Cave**

(71) Name(s) and Address(s) of Applicant(s):

Kid Group, LLC

85 Second Street 5th Floor San Fransisco California 94105 United States of America

(72) Name(s) of Designer(s): **Michael McGinnis and Dan Klitsner**

(45) Registration Date: **06 January 2012**

(30) Convention priority data:

(31) Number

(32) Date

(33) Country

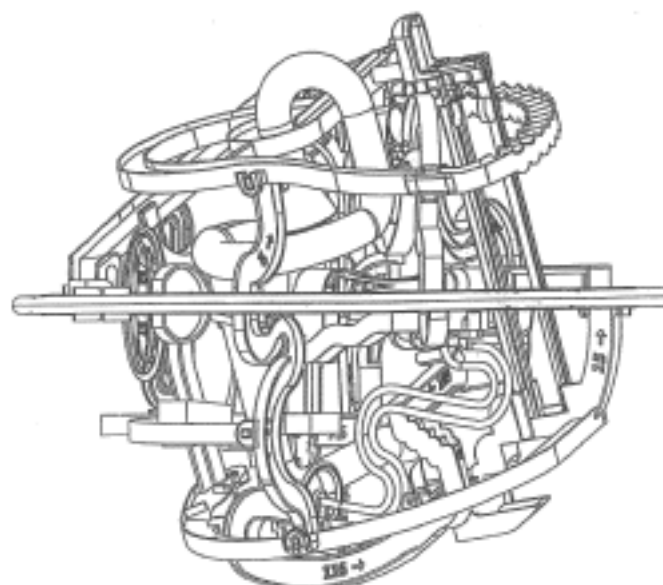
29/389395

11 Apr 2011

UNITED STATES OF AMERICA

(56) Related Art Documents: **Not Applicable**

(57) Statement of Newness and Distinctiveness: **Nil**



(21) Design Number: **14759/2011**

(22) Date of Filing Application: **20 October 2011**

(24) Date from which industrial property rights may have effect: **20 October 2011**

(54) Product in respect of which the design is registered: **Case for an electronic device**

(51) International Design Classification: **03-01NES, 21-01N**

(74) Name(s) of Attorney(s): **Shelston IP**

(71) Name(s) and Address(s) of Applicant(s):

Sony Computer Entertainment Inc.

1-7-1 Konan Minato-ku Tokyo Japan

(72) Name(s) of Designer(s): **Hitomi Tai and Yuko Hirayama**

(45) Registration Date: **06 January 2012**

(30) Convention priority data:

(31) Number

(32) Date

(33) Country

2011-012690

03 Jun 2011

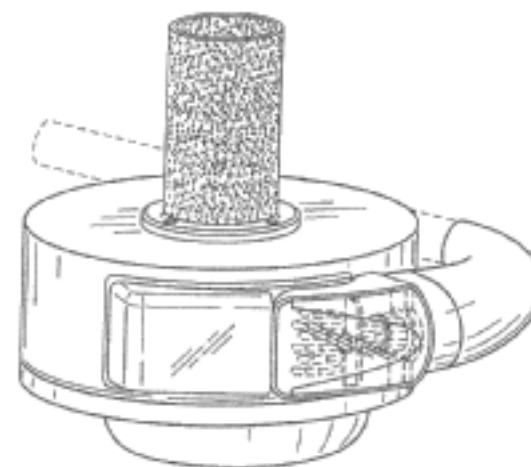
JAPAN

(56) Related Art Documents: **Not Applicable**

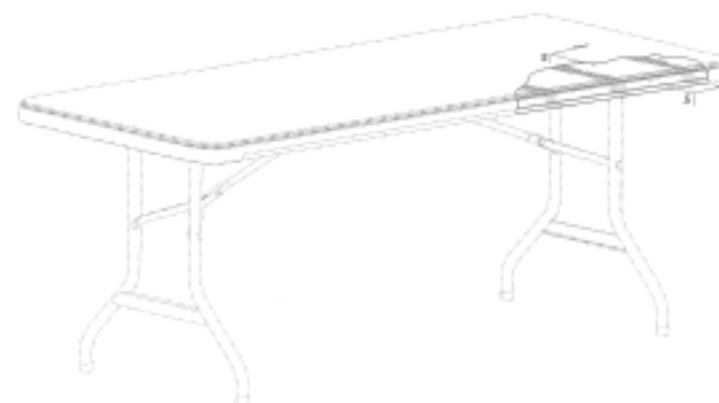
(57) Statement of Newness and Distinctiveness: **Newness and distinctiveness reside in the shape and/or configuration of a case for an electronic device as illustrated in the accompanying representations.**



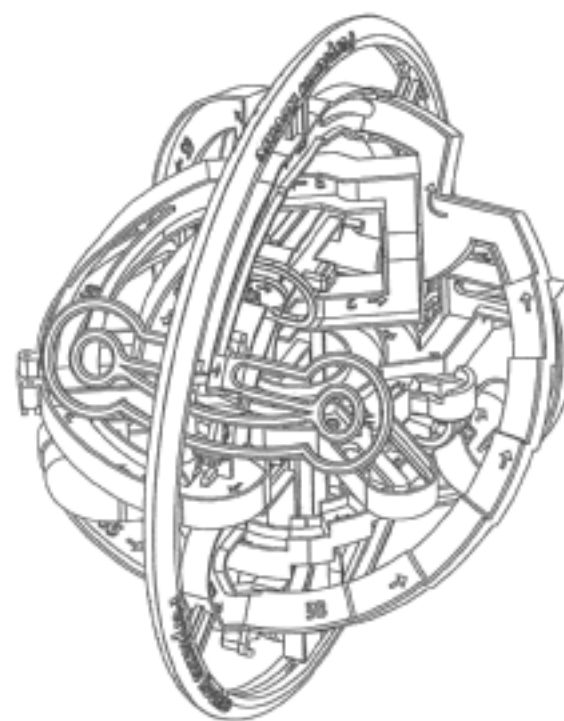
- (21) Design Number: **14782/2011**
(22) Date of Filing Application: **21 October 2011**
(24) Date from which industrial property rights may have effect: **21 October 2011**
(54) Product in respect of which the design is registered: **Implantable blood pump**
(51) International Design Classification: **24-03**
(74) Name(s) of Attorney(s): **Griffith Hack**
(71) Name(s) and Address(s) of Applicant(s):
Thoratec Corporation
6035 Stoneridge Drive Pleasanton CA 94588 United States of America
(72) Name(s) of Designer(s): **Kevin Bourque and Christopher James Cotter and Justin Aron Callaway**
(45) Registration Date: **06 January 2012**
(56) Related Art Documents: **Not Applicable**
(57) Statement of Newness and Distinctiveness: **Newness and distinctiveness resides in the visual features including shape, configuration and ornamentation of those parts of the IMPLANTABLE BLOOD PUMP as shown by means of solid lines in the accompanying Figures. Those parts of the design shown by means of dashed lines have been included for illustrative purposes only.**



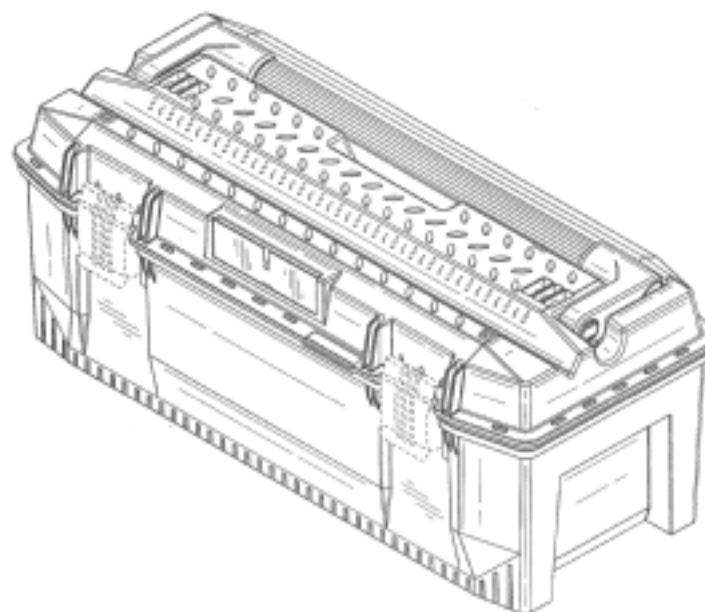
- (21) Design Number: **14799/2011**
(22) Date of Filing Application: **24 October 2011**
(24) Date from which industrial property rights may have effect: **24 October 2011**
(54) Product in respect of which the design is registered: **A portion of a table top**
(51) International Design Classification: **06-03NES**
(74) Name(s) of Attorney(s): **Griffith Hack**
(71) Name(s) and Address(s) of Applicant(s):
Lifetime Products, Inc.
PO Box 160010 Freepoint Center Building D-11 Clearfield UT 84016-0010
United States of America
(72) Name(s) of Designer(s): **David C. Winter and Wendell Peery and Mitch Johnson**
(45) Registration Date: **06 January 2012**
(30) Convention priority data:
(31) Number (32) Date (33) Country
29/390,471 25 Apr 2011 UNITED STATES OF AMERICA
(56) Related Art Documents: **Not Applicable**
(57) Statement of Newness and Distinctiveness: **Newness and distinctiveness resides in the visual features, including shape, configuration and ornamentation of those parts of A PORTION OF A TABLE TOP as shown by means of solid lines in the accompanying representations. Those parts shown by means of broken lines have been included for illustrative purposes only.**



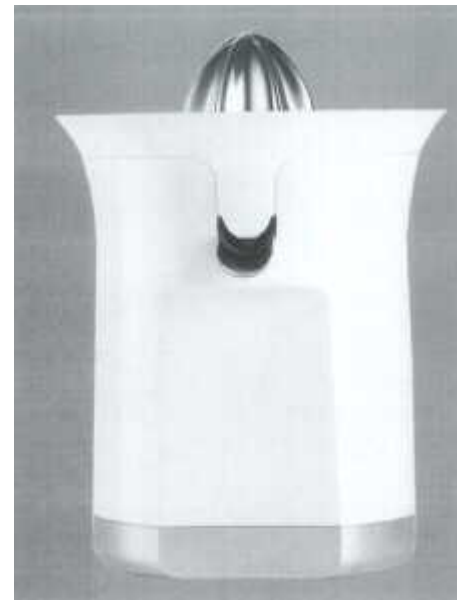
(21) Design Number: **14842/2011**
(22) Date of Filing Application: **26 October 2011**
(24) Date from which industrial property rights may have effect: **26 October 2011**
(54) Product in respect of which the design is registered: **Three dimensional maze game and components therefor**
(51) International Design Classification: **21-01M**
(74) Name(s) of Attorney(s): **Davies Collison Cave**
(71) Name(s) and Address(s) of Applicant(s):
Michael McGinnis
317 Hewett Street Santa Rosa California 95401 United States of America
Dan Klitsner
441 Holcomb Avenue Larkspur California 94939 United States of America
(72) Name(s) of Designer(s): **Michael McGinnis and Dan Klitsner**
(45) Registration Date: **06 January 2012**
(30) Convention priority data:
(31) Number (32) Date (33) Country
29/390560 26 Apr 2011 UNITED STATES OF AMERICA
(56) Related Art Documents: **Not Applicable**
(57) Statement of Newness and Distinctiveness: **Nil**



(21) Design Number: **15179/2011**
(22) Date of Filing Application: **14 November 2011**
(24) Date from which industrial property rights may have effect: **14 November 2011**
(54) Product in respect of which the design is registered: **Toolbox**
(51) International Design Classification: **03-01D**
(74) Name(s) of Attorney(s): **Davies Collison Cave**
(71) Name(s) and Address(s) of Applicant(s):
The Stanley Works Israel Ltd.
19 Ha'melacha Street New Industrial Zone Rosh Ha'ayin 48091 Israel
(72) Name(s) of Designer(s): **Elad Hay Shitrit**
(45) Registration Date: **06 January 2012**
(30) Convention priority data:
(31) Number (32) Date (33) Country
29/394495 17 Jun 2011 UNITED STATES OF AMERICA
(56) Related Art Documents: **Not Applicable**
(57) Statement of Newness and Distinctiveness: **Newness and distinctiveness is claimed in the visual features shown in solid lines in the representations.**



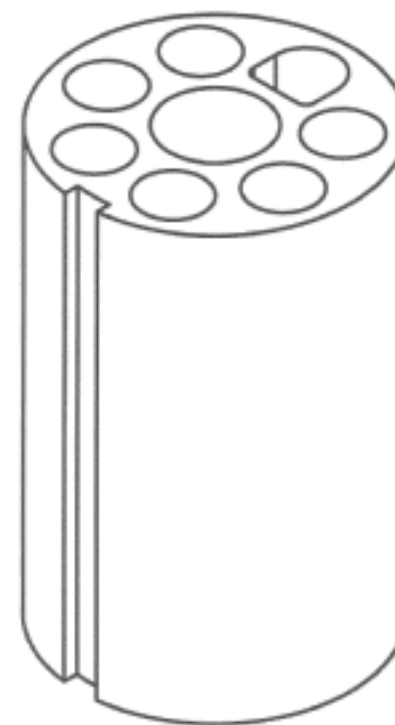
(21) Design Number: **15449/2011**
(22) Date of Filing Application: **29 November 2011**
(24) Date from which industrial property rights may have effect: **29 November 2011**
(54) Product in respect of which the design is registered: **Fruit juice extractor**
(51) International Design Classification: **31-00**
(74) Name(s) of Attorney(s): **Callinans**
(71) Name(s) and Address(s) of Applicant(s):
Kenwood Limited
New Lane Havant Hampshire PO9 2NH England
(72) Name(s) of Designer(s): **Stuart Williamson**
(45) Registration Date: **06 January 2012**
(30) Convention priority data:
(31) Number (32) Date (33) Country
001872912-0001 03 Jun 2011 EUROPEAN COMMUNITY
(56) Related Art Documents: **Not Applicable**
(57) Statement of Newness and Distinctiveness: **Nil**



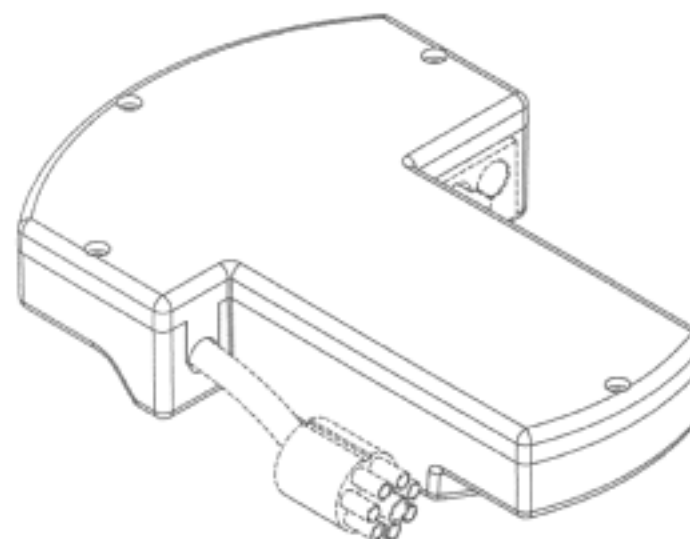
(21) Design Number: **15596/2011**
(22) Date of Filing Application: **07 December 2011**
(24) Date from which industrial property rights may have effect: **07 December 2011**
(54) Product in respect of which the design is registered: **Exercise device**
(51) International Design Classification: **21-02NES**
(74) Name(s) of Attorney(s): **Davies Collison Cave**
(71) Name(s) and Address(s) of Applicant(s):
RPM Sports Limited
Nenagh Road Thurles County Tipperary Ireland
(72) Name(s) of Designer(s): **Rory McLoughney**
(45) Registration Date: **06 January 2012**
(56) Related Art Documents: **Not Applicable**
(57) Statement of Newness and Distinctiveness: **Newness and distinctiveness is claimed in the visual features shown in solid lines in the representations.**



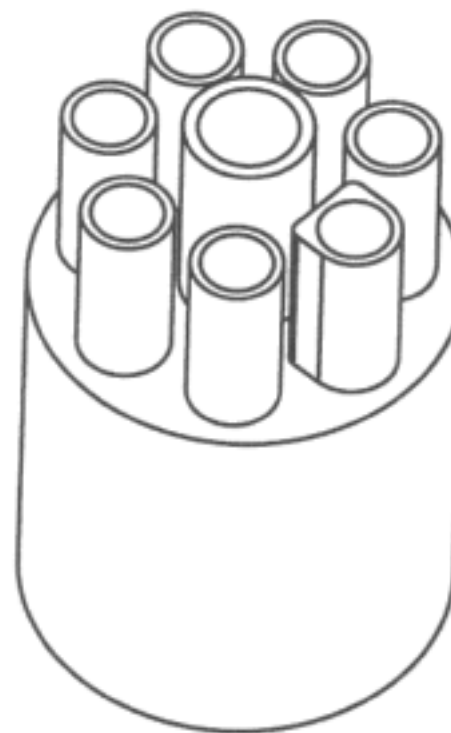
- (21) Design Number: **15611/2011**
(22) Date of Filing Application: **09 December 2011**
(24) Date from which industrial property rights may have effect: **09 December 2011**
(54) Product in respect of which the design is registered: **Electrical connector**
(51) International Design Classification: **13-03C**
(74) Name(s) of Attorney(s): **Franke Hyland**
(71) Name(s) and Address(s) of Applicant(s):
Hunter Pacific International Pty Ltd
Building 8 256 New Line Road Dural New South Wales 2158 Australia
(72) Name(s) of Designer(s): **Philip Allen and Scott Ibbotson and David Stocks**
(45) Registration Date: **06 January 2012**
(56) Related Art Documents: **Not Applicable**
(57) Statement of Newness and Distinctiveness: **Newness and distinctiveness is claimed in the features of shape and/or configuration of an electrical connector as illustrated in the accompanying representations.**



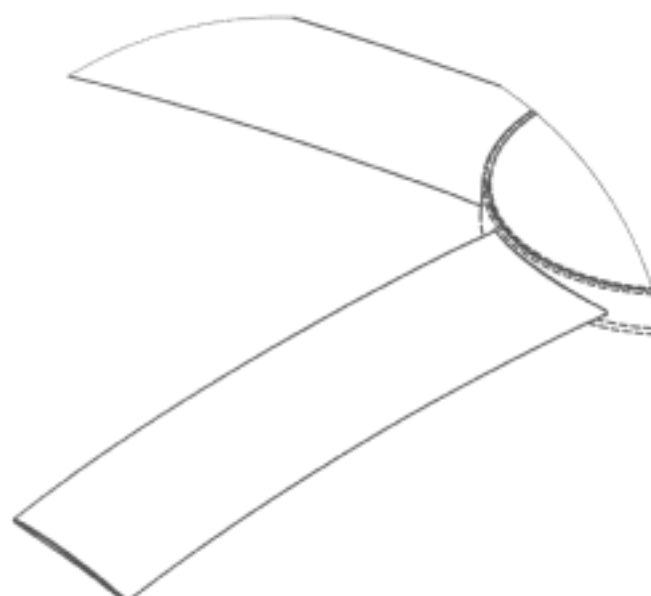
- (21) Design Number: **15612/2011**
(22) Date of Filing Application: **09 December 2011**
(24) Date from which industrial property rights may have effect: **09 December 2011**
(54) Product in respect of which the design is registered: **Electronics module**
(51) International Design Classification: **13-03C**
(74) Name(s) of Attorney(s): **Franke Hyland**
(71) Name(s) and Address(s) of Applicant(s):
Hunter Pacific International Pty Ltd
Building 8 256 New Line Road Dural New South Wales 2158 Australia
(72) Name(s) of Designer(s): **Philip Allen and Scott Ibbotson and David Stocks**
(45) Registration Date: **06 January 2012**
(56) Related Art Documents: **Not Applicable**
(57) Statement of Newness and Distinctiveness: **Newness and distinctiveness is claimed in the features of shape and/or configuration of an electrical module as represented in solid lines in the attached drawings. In assessing newness and distinctiveness, no regard should be had of the plug, cable or socket features as represented in broken lines.**



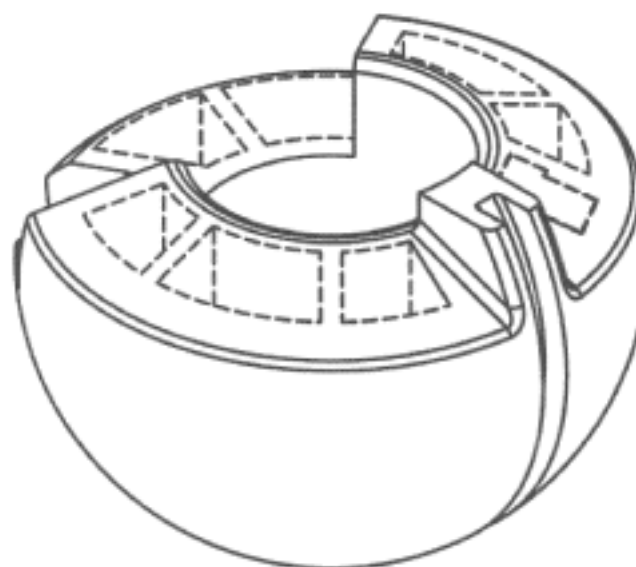
- (21) Design Number: **15613/2011**
(22) Date of Filing Application: **09 December 2011**
(24) Date from which industrial property rights may have effect: **09 December 2011**
(54) Product in respect of which the design is registered: **Electrical connector**
(51) International Design Classification: **13-03C**
(74) Name(s) of Attorney(s): **Franke Hyland**
(71) Name(s) and Address(s) of Applicant(s):
Hunter Pacific International Pty Ltd
Building 8 256 New Line Road Dural New South Wales 2158 Australia
(72) Name(s) of Designer(s): **Philip Allen and Scott Ibbotson and David Stocks**
(45) Registration Date: **06 January 2012**
(56) Related Art Documents: **Not Applicable**
(57) Statement of Newness and Distinctiveness: **Newness and distinctiveness is claimed in the features of shape and/or configuration of an electrical connector as illustrated in the accompanying representations.**



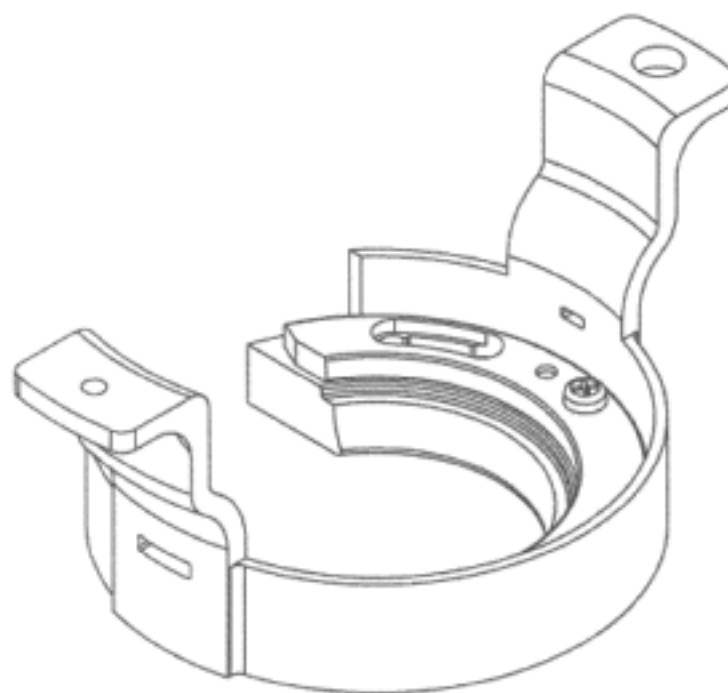
- (21) Design Number: **15614/2011**
(22) Date of Filing Application: **09 December 2011**
(24) Date from which industrial property rights may have effect: **09 December 2011**
(54) Product in respect of which the design is registered: **Ceiling fan blade**
(51) International Design Classification: **23-04**
(74) Name(s) of Attorney(s): **Franke Hyland**
(71) Name(s) and Address(s) of Applicant(s):
Hunter Pacific International Pty Ltd
Building 8 256 New Line Road Dural New South Wales 2158 Australia
(72) Name(s) of Designer(s): **Philip Allen and Scott Ibbotson and David Stocks**
(45) Registration Date: **06 January 2012**
(56) Related Art Documents: **Not Applicable**
(57) Statement of Newness and Distinctiveness: **Newness and distinctiveness is claimed in the features of shape and/or configuration of an individual ceiling fan blade as represented in solid lines in the attached drawings. In assessing newness and distinctiveness, no regard should be had of the ceiling fan hub as represented in broken lines, nor of the number of fan blades depicted.**



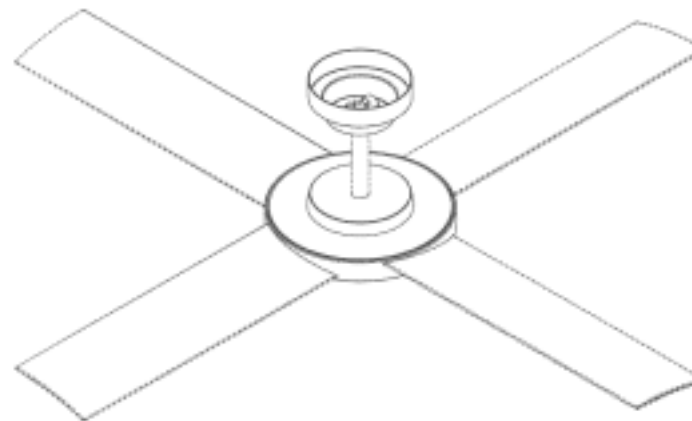
- (21) Design Number: **15615/2011**
(22) Date of Filing Application: **09 December 2011**
(24) Date from which industrial property rights may have effect: **09 December 2011**
(54) Product in respect of which the design is registered: **Ball joint**
(51) International Design Classification: **23-04**
(74) Name(s) of Attorney(s): **Franke Hyland**
(71) Name(s) and Address(s) of Applicant(s):
Hunter Pacific International Pty Ltd
Building 8 256 New Line Road Dural New South Wales 2158 Australia
(72) Name(s) of Designer(s): **Philip Allen and Scott Ibbotson and David Stocks**
(45) Registration Date: **06 January 2012**
(56) Related Art Documents: **Not Applicable**
(57) Statement of Newness and Distinctiveness: **Newness and distinctiveness is claimed in the features of shape and/or configuration of a ball joint as represented in solid lines in the attached drawings. In assessing newness and distinctiveness, no regards should be had of the features represented in broken lines, including the presence, number, shape and configuration of the cavities.**



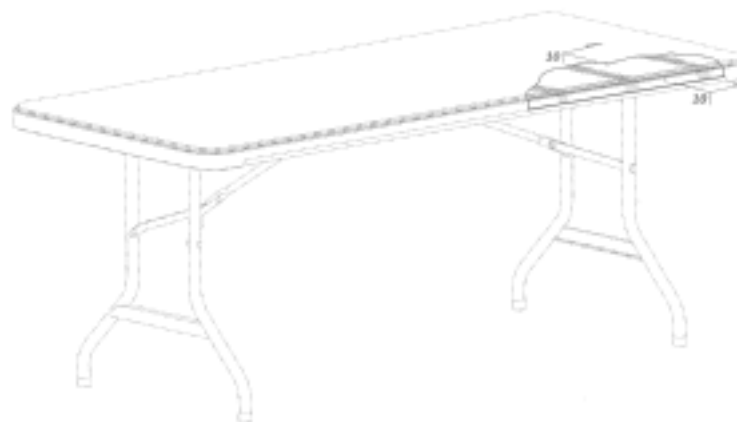
- (21) Design Number: **15616/2011**
(22) Date of Filing Application: **09 December 2011**
(24) Date from which industrial property rights may have effect: **09 December 2011**
(54) Product in respect of which the design is registered: **Bracket for mounting a ceiling fan**
(51) International Design Classification: **23-04**
(74) Name(s) of Attorney(s): **Franke Hyland**
(71) Name(s) and Address(s) of Applicant(s):
Hunter Pacific International Pty Ltd
Building 8 256 New Line Road Dural New South Wales 2158 Australia
(72) Name(s) of Designer(s): **Philip Allen and Scott Ibbotson and David Stocks**
(45) Registration Date: **06 January 2012**
(56) Related Art Documents: **Not Applicable**
(57) Statement of Newness and Distinctiveness: **Newness and distinctiveness is claimed in the features of shape and/or configuration of a bracket as illustrated in the accompanying representations.**



- (21) Design Number: **15618/2011**
(22) Date of Filing Application: **09 December 2011**
(24) Date from which industrial property rights may have effect: **09 December 2011**
(54) Product in respect of which the design is registered: **Ceiling fan hub**
(51) International Design Classification: **23-04**
(74) Name(s) of Attorney(s): **Franke Hyland**
(71) Name(s) and Address(s) of Applicant(s):
Hunter Pacific International Pty Ltd
Building 8 256 New Line Road Dural New South Wales 2158 Australia
(72) Name(s) of Designer(s): **Philip Allen and Scott Ibbotson and David Stocks**
(45) Registration Date: **06 January 2012**
(56) Related Art Documents: **Not Applicable**
(57) Statement of Newness and Distinctiveness: **Newness and distinctiveness is claimed in the features of shape and/or configuration of the hub of a ceiling fan represented in solid lines in the attached drawings. In assessing newness and distinctiveness, no regard should be had of the shape and configuration of the fan blades as represented in broken lines, nor the number of fan blades.**



- (21) Design Number: **15906/2011**
(22) Date of Filing Application: **24 October 2011**
(24) Date from which industrial property rights may have effect: **24 October 2011**
(54) Product in respect of which the design is registered: **A portion of a table top**
(51) International Design Classification: **06-03NES**
(74) Name(s) of Attorney(s): **Griffith Hack**
(71) Name(s) and Address(s) of Applicant(s):
Lifetime Products, Inc.
PO Box 160010 Freepoint Center Building D-11 Clearfield UT 84016-0010
United States of America
(72) Name(s) of Designer(s): **David C. Winter and Wendell Peery and Mitch Johnson**
(45) Registration Date: **06 January 2012**
(30) Convention priority data:
(31) Number (32) Date (33) Country
29/390,471 25 Apr 2011 UNITED STATES OF AMERICA
(62) Divisional of: **340160**
(56) Related Art Documents: **Not Applicable**
(57) Statement of Newness and Distinctiveness: **Newness and distinctiveness resides in the visual features, including shape, configuration and ornamentation of those parts of A PORTION OF A TABLE TOP as shown by means of solid lines in the accompanying representations. Those parts shown by means of broken line have been included for illustrative purposes only.**



(21) Design Number: **15907/2011**
(22) Date of Filing Application: **24 October 2011**
(24) Date from which industrial property rights may have effect: **24 October 2011**
(54) Product in respect of which the design is registered: **A portion of a table top**
(51) International Design Classification: **06-03NES**
(74) Name(s) of Attorney(s): **Griffith Hack**
(71) Name(s) and Address(s) of Applicant(s):
Lifetime Products, Inc.
PO Box 160010 Freeport Center Building D-11 Clearfield UT 84016-0010
United States of America

(72) Name(s) of Designer(s): **David C. Winter and Wendell Peery and Mitch Johnson**

(45) Registration Date: **06 January 2012**

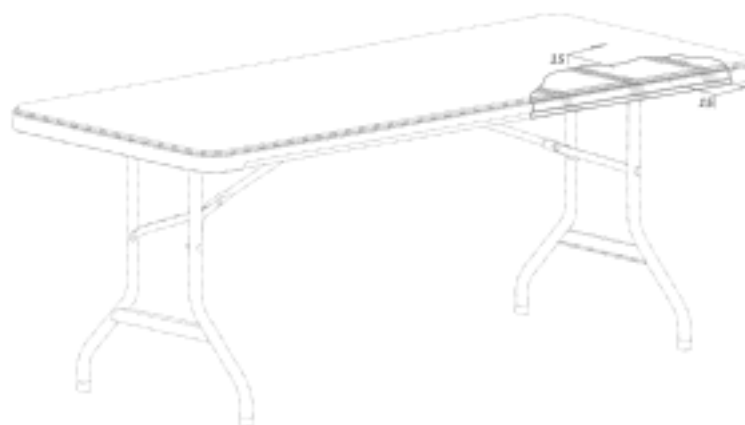
(30) Convention priority data:

(31) Number	(32) Date	(33) Country
29/390,471	25 Apr 2011	UNITED STATES OF AMERICA

(62) Divisional of: **340160**

(56) Related Art Documents: **Not Applicable**

(57) Statement of Newness and Distinctiveness: **Newness and distinctiveness resides in the visual features, including shape, configuration and ornamentation of those parts of A PORTION OF A TABLE TOP as shown by means of solid lines in the accompanying representations. Those parts shown by means of broken line have been included for illustrative purposes only.**



(21) Design Number: **15908/2011**
(22) Date of Filing Application: **24 October 2011**
(24) Date from which industrial property rights may have effect: **24 October 2011**
(54) Product in respect of which the design is registered: **A portion of a table top**
(51) International Design Classification: **06-03NES**
(74) Name(s) of Attorney(s): **Griffith Hack**
(71) Name(s) and Address(s) of Applicant(s):
Lifetime Products, Inc.
PO Box 160010 Freeport Center Building D-11 Clearfield UT 84016-0010
United States of America

(72) Name(s) of Designer(s): **David C. Winter and Wendell Peery and Mitch Johnson**

(45) Registration Date: **06 January 2012**

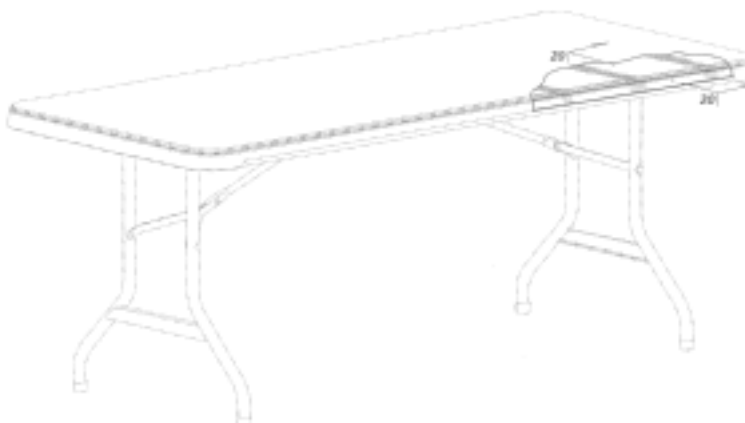
(30) Convention priority data:

(31) Number	(32) Date	(33) Country
29/390,471	25 Apr 2011	UNITED STATES OF AMERICA

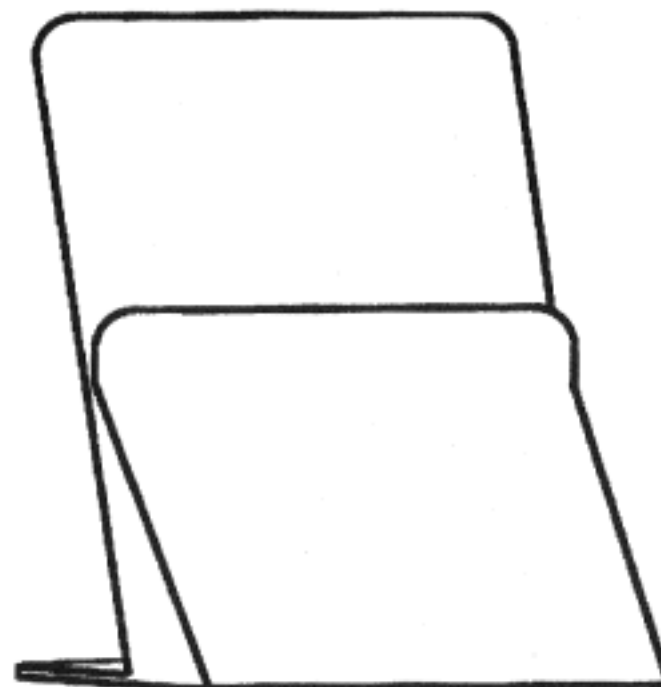
(62) Divisional of: **340160**

(56) Related Art Documents: **Not Applicable**

(57) Statement of Newness and Distinctiveness: **Newness and distinctiveness resides in the visual features, including shape, configuration and ornamentation of those parts of A PORTION OF A TABLE TOP as shown by means of solid lines in the accompanying representations. Those parts shown by means of broken line have been included for illustrative purposes only.**



- (21) Design Number: **14378/2011**
(22) Date of Filing Application: **28 September 2011**
(24) Date from which industrial property rights may have effect: **28 September 2011**
(54) Product in respect of which the design is registered: **Display stand - coffee news 1**
(51) International Design Classification: **20-02NES**
(74) Name(s) of Attorney(s):
(71) Name(s) and Address(s) of Applicant(s):
Coffee News Australia Pty Ltd
16 Marlin Street Thorneside Queensland 4158 Australia
(72) Name(s) of Designer(s): **Suzette Mazur**
(45) Registration Date: **06 January 2012**
(56) Related Art Documents: **Not Applicable**
(57) Statement of Newness and Distinctiveness: **New display stand with distinctive angled back and front panels designed to hold up the content in place for upright presentation without slipping and folding over or curling at bottom, with overall balance and angles of design for stability.**



- (21) Design Number: **14542/2011**
(22) Date of Filing Application: **07 October 2011**
(24) Date from which industrial property rights may have effect: **07 October 2011**
(54) Product in respect of which the design is registered: **Biscuit**
(51) International Design Classification: **01-01**
(74) Name(s) of Attorney(s): **Griffith Hack**
(71) Name(s) and Address(s) of Applicant(s):
Kraft Foods Schweiz Holding GmbH
Chollerstrasse 4 6301 ZUG SWITZERLAND
(72) Name(s) of Designer(s): **Aureila Laberdure and Philippe Houssemand and Jean-Philippe Rapp**
(45) Registration Date: **06 January 2012**
(30) Convention priority data:
(31) Number (32) Date (33) Country
001271928 20 Apr 2011 EUROPEAN COMMUNITY
(56) Related Art Documents: **Not Applicable**
(57) Statement of Newness and Distinctiveness: **Nil**



(21) Design Number: **15290/2011**
(22) Date of Filing Application: **07 October 2011**
(24) Date from which industrial property rights may have effect: **07 October 2011**
(54) Product in respect of which the design is registered: **Biscuit**
(51) International Design Classification: **01-01**
(74) Name(s) of Attorney(s): **Griffith Hack**
(71) Name(s) and Address(s) of Applicant(s):
Kraft Foods Schweiz Holding GmbH
Chollerstrasse 4 6301 ZUG SWITZERLAND
(72) Name(s) of Designer(s): **Aureila Laberdure and Philippe Houssemand and Jean-Philippe Rapp**
(45) Registration Date: **06 January 2012**
(30) Convention priority data:
(31) Number (32) Date (33) Country
001271928 20 Apr 2011 EUROPEAN COMMUNITY
(56) Related Art Documents: **Not Applicable**
(57) Statement of Newness and Distinctiveness: **Nil**



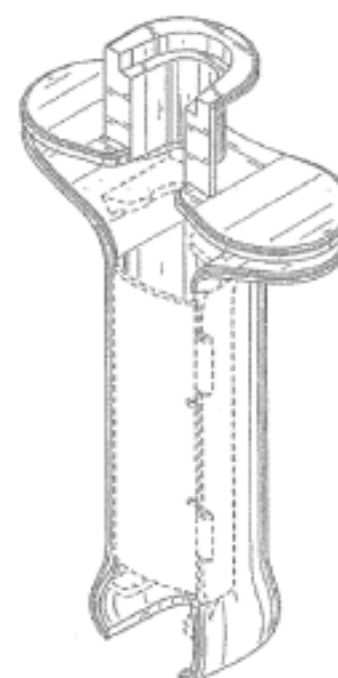
(21) Design Number: **15291/2011**
(22) Date of Filing Application: **07 October 2011**
(24) Date from which industrial property rights may have effect: **07 October 2011**
(54) Product in respect of which the design is registered: **Biscuit**
(51) International Design Classification: **01-01**
(74) Name(s) of Attorney(s): **Griffith Hack**
(71) Name(s) and Address(s) of Applicant(s):
Kraft Foods Schweiz Holding GmbH
Chollerstrasse 4 6301 ZUG SWITZERLAND
(72) Name(s) of Designer(s): **Aureila Laberdure and Philippe Houssemand and Jean-Philippe Rapp**
(45) Registration Date: **06 January 2012**
(30) Convention priority data:
(31) Number (32) Date (33) Country
001271928 20 Apr 2011 EUROPEAN COMMUNITY
(56) Related Art Documents: **Not Applicable**
(57) Statement of Newness and Distinctiveness: **Nil**



(21) Design Number: **14671/2011**
(22) Date of Filing Application: **17 October 2011**
(24) Date from which industrial property rights may have effect: **17 October 2011**
(54) Product in respect of which the design is registered: **Bangle Stand 01**
(51) International Design Classification: **11-01C, 07-99NES**
(74) Name(s) of Attorney(s):
(71) Name(s) and Address(s) of Applicant(s):
Frunique Pty Ltd
Unit 6 36 Bream Street Coogee New South Wales 2034 Australia
(72) Name(s) of Designer(s): **Alecia Braven**
(45) Registration Date: **06 January 2012**
(56) Related Art Documents: **Not Applicable**
(57) Statement of Newness and Distinctiveness: **Newness and distinctiveness is claimed in the features of shape and/or configuration of a earring stand as illustrated in the accompanying representations.**



(21) Design Number: **14834/2011**
(22) Date of Filing Application: **27 October 2011**
(24) Date from which industrial property rights may have effect: **27 October 2011**
(54) Product in respect of which the design is registered: **Limitier for dispensing device**
(51) International Design Classification: **24-02**
(74) Name(s) of Attorney(s): **PIZZEYS**
(71) Name(s) and Address(s) of Applicant(s):
Biogen Idec MA Inc.
14 Cambridge Center Cambridge MA 02142 United States of America
SHL Group AB
Box 1240 Augustendalsvagen 19 Nacka Strand S-131 28 Sweden
(72) Name(s) of Designer(s): **John Kuczek and Clive Patience and Donovan Quinn and Lucio Giambattista**
(45) Registration Date: **06 January 2012**
(30) Convention priority data:
(31) Number (32) Date (33) Country
29/390,681 28 Apr 2011 UNITED STATES OF AMERICA
(56) Related Art Documents: **Not Applicable**
(57) Statement of Newness and Distinctiveness: **Nil**



(21) Design Number: **14955/2011**
(22) Date of Filing Application: **04 November 2011**
(24) Date from which industrial property rights may have effect: **04 November 2011**
(54) Product in respect of which the design is registered: **Folder**
(51) International Design Classification: **19-04**
(74) Name(s) of Attorney(s): **Griffith Hack**
(71) Name(s) and Address(s) of Applicant(s):

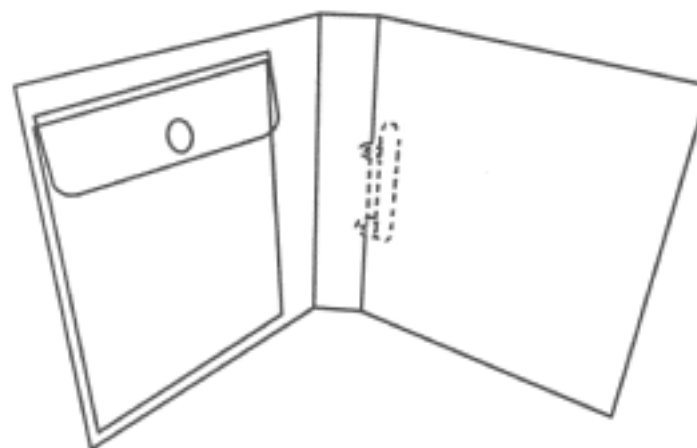
Acco Australia Pty Ltd
The Lakes Business Park Level 2 8 Lord Street Botany New South Wales
2019 Australia

(72) Name(s) of Designer(s): **Allan Boolkin**

(45) Registration Date: **06 January 2012**

(56) Related Art Documents: **Not Applicable**

(57) Statement of Newness and Distinctiveness: **Newness and distinctiveness resides in the visual features of a folder as shown in solid outline in the accompanying drawings. When determining whether the folder design is substantially similar in overall impression to another design, no regard is to be had by the features shown in the dashed lines these features have been included for illustrative purposes only.**



(21) Design Number: **15048/2011**
(22) Date of Filing Application: **08 November 2011**
(24) Date from which industrial property rights may have effect: **08 November 2011**
(54) Product in respect of which the design is registered: **Handle for a hand tool**
(51) International Design Classification: **08-06**
(74) Name(s) of Attorney(s): **Davies Collison Cave**
(71) Name(s) and Address(s) of Applicant(s):

Stanley Works (Europe) GmbH
Ringstrasse 14 Dubendorf 8600 Switzerland

(72) Name(s) of Designer(s): **Benoit Tillet**

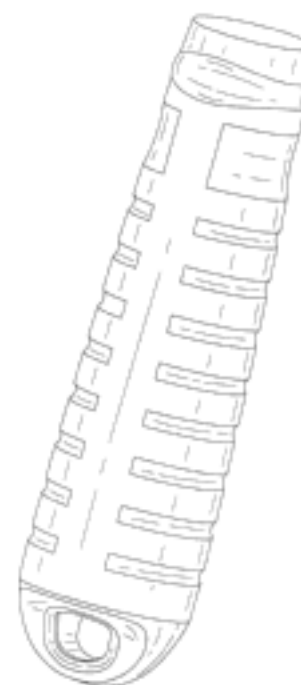
(45) Registration Date: **06 January 2012**

(30) Convention priority data:

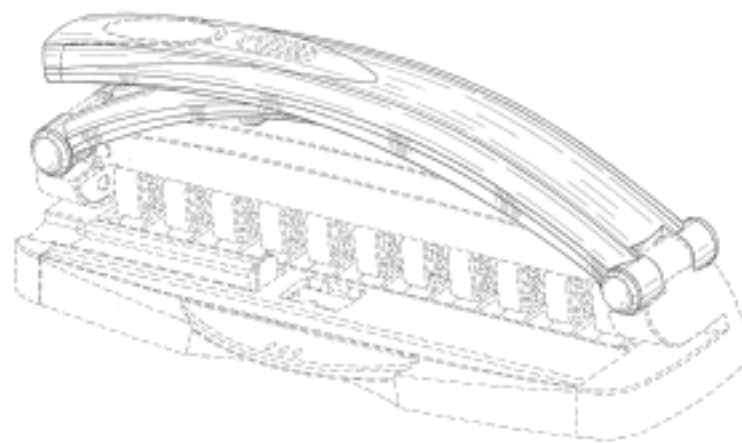
(31) Number	(32) Date	(33) Country
001277073	19 May 2011	EUROPEAN COMMUNITY

(56) Related Art Documents: **Not Applicable**

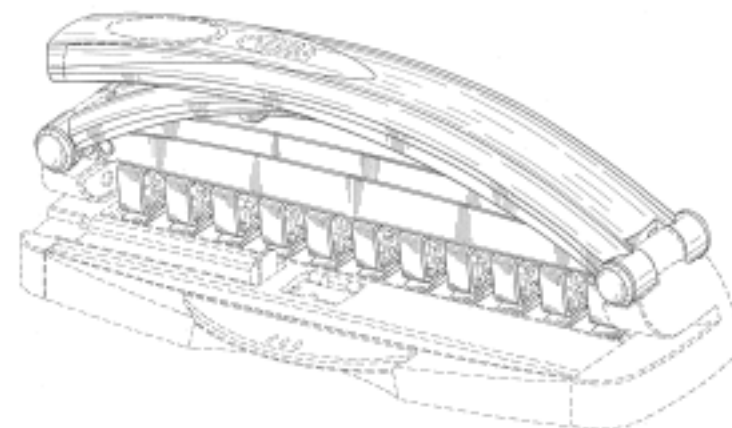
(57) Statement of Newness and Distinctiveness: **Nil**



(21) Design Number: **15124/2011**
(22) Date of Filing Application: **10 November 2011**
(24) Date from which industrial property rights may have effect: **10 November 2011**
(54) Product in respect of which the design is registered: **Hole punch**
(51) International Design Classification: **19-02**
(74) Name(s) of Attorney(s): **PIZZEYS**
(71) Name(s) and Address(s) of Applicant(s):
Staples the Office Superstore, LLC
500 Staples Drive Framingham MA 01702 United States of America
(72) Name(s) of Designer(s): **Yangyi He**
(45) Registration Date: **06 January 2012**
(30) Convention priority data:
(31) Number (32) Date (33) Country
29/392656 25 May 2011 UNITED STATES OF AMERICA
(56) Related Art Documents: **Not Applicable**
(57) Statement of Newness and Distinctiveness: **The newness and distinctiveness of the design resides in the features of shape and/or configuration shown in unbroken lines in the accompanying representations.**



(21) Design Number: **16003/2011**
(22) Date of Filing Application: **10 November 2011**
(24) Date from which industrial property rights may have effect: **10 November 2011**
(54) Product in respect of which the design is registered: **Hole punch**
(51) International Design Classification: **19-02**
(74) Name(s) of Attorney(s): **PIZZEYS**
(71) Name(s) and Address(s) of Applicant(s):
Staples the Office Superstore, LLC
500 Staples Drive Framingham MA 01702 United States of America
(72) Name(s) of Designer(s): **Yangyi He**
(45) Registration Date: **06 January 2012**
(30) Convention priority data:
(31) Number (32) Date (33) Country
29/392,656 25 May 2011 UNITED STATES OF AMERICA
(56) Related Art Documents: **Not Applicable**
(57) Statement of Newness and Distinctiveness: **Nil**



(21) Design Number: **15156/2011**
(22) Date of Filing Application: **11 November 2011**
(24) Date from which industrial property rights may have effect: **11 November 2011**
(54) Product in respect of which the design is registered: **A boilersuit**
(51) International Design Classification: **02-02B**
(74) Name(s) of Attorney(s): **Davies Collison Cave**
(71) Name(s) and Address(s) of Applicant(s):
Scania CV AB
Sodertalje SE-151 87 Sweden
(72) Name(s) of Designer(s): **Petra Dorski**
(45) Registration Date: **06 January 2012**
(30) Convention priority data:
(31) Number (32) Date (33) Country
001281380-0003 16 Jun 2011 EUROPEAN COMMUNITY
(56) Related Art Documents: **Not Applicable**
(57) Statement of Newness and Distinctiveness: **Nil**



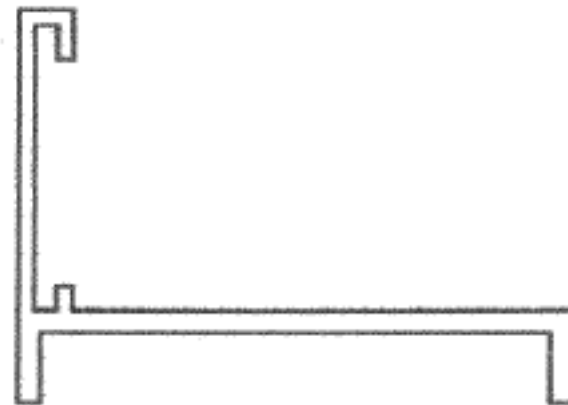
(21) Design Number: **15289/2011**
(22) Date of Filing Application: **07 October 2011**
(24) Date from which industrial property rights may have effect: **07 October 2011**
(54) Product in respect of which the design is registered: **Biscuit**
(51) International Design Classification: **01-01**
(74) Name(s) of Attorney(s): **Griffith Hack**
(71) Name(s) and Address(s) of Applicant(s):
Kraft Foods Schweiz Holding GmbH
Chollerstrasse 4 6301 ZUG SWITZERLAND
(72) Name(s) of Designer(s): **Aureila Laberdure and Philippe Houssemand and Jean-Philippe Rapp**
(45) Registration Date: **06 January 2012**
(30) Convention priority data:
(31) Number (32) Date (33) Country
001271928 20 Apr 2011 EUROPEAN COMMUNITY
(56) Related Art Documents: **Not Applicable**
(57) Statement of Newness and Distinctiveness: **Nil**



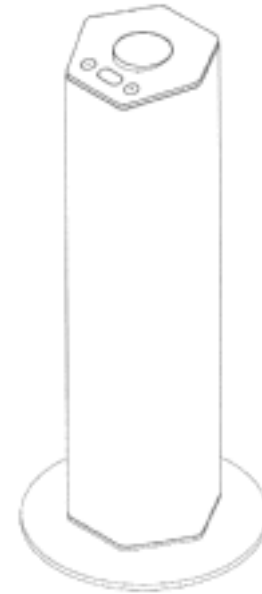
(21) Design Number: **15404/2011**
(22) Date of Filing Application: **28 November 2011**
(24) Date from which industrial property rights may have effect: **28 November 2011**
(54) Product in respect of which the design is registered: **Louvre blade**
(51) International Design Classification: **25-02K**
(74) Name(s) of Attorney(s):
(71) Name(s) and Address(s) of Applicant(s):
Stephen Cordell
3 Goulbourn Street Mernda Victoria 3754 Australia
(72) Name(s) of Designer(s): **Stephen Cordell**
(45) Registration Date: **06 January 2012**
(56) Related Art Documents: **Not Applicable**
(57) Statement of Newness and Distinctiveness: **Nil**



(21) Design Number: **15405/2011**
(22) Date of Filing Application: **28 November 2011**
(24) Date from which industrial property rights may have effect: **28 November 2011**
(54) Product in respect of which the design is registered: **Louvre frame**
(51) International Design Classification: **25-02K, 25-02NES**
(74) Name(s) of Attorney(s):
(71) Name(s) and Address(s) of Applicant(s):
Stephen Cordell
3 Goulbourn Street Mernda Victoria 3754 Australia
(72) Name(s) of Designer(s): **Stephen Cordell**
(45) Registration Date: **06 January 2012**
(56) Related Art Documents: **Not Applicable**
(57) Statement of Newness and Distinctiveness: **Nil**



- (21) Design Number: **15410/2011**
(22) Date of Filing Application: **25 November 2011**
(24) Date from which industrial property rights may have effect: **25 November 2011**
(54) Product in respect of which the design is registered: **Speaker**
(51) International Design Classification: **14-01**
(74) Name(s) of Attorney(s): **Baker & McKenzie**
(71) Name(s) and Address(s) of Applicant(s):
Creative Technology Ltd
31 International Business Park Creative Resource 609921 Singapore
(72) Name(s) of Designer(s): **Soo Beng Damien Khoo and Fei Xiang**
(45) Registration Date: **06 January 2012**
(56) Related Art Documents: **Not Applicable**
(57) Statement of Newness and Distinctiveness: **Nil**



- (21) Design Number: **15414/2011**
(22) Date of Filing Application: **28 November 2011**
(24) Date from which industrial property rights may have effect: **28 November 2011**
(54) Product in respect of which the design is registered: **Computer mouse**
(51) International Design Classification: **14-02**
(74) Name(s) of Attorney(s): **Lavan Legal**
(71) Name(s) and Address(s) of Applicant(s):
Roccat GmbH
Otto von Bahrenpark Gasstrasse 6b Geb. N 2. OG DE-22761 Hamburg
Germany
(72) Name(s) of Designer(s): **Frank Urban**
(45) Registration Date: **06 January 2012**
(56) Related Art Documents: **Not Applicable**
(57) Statement of Newness and Distinctiveness: **Newness and distinctiveness is claimed in the shape and/or configuration of a computer mouse as depicted in the attached representations.**



(21) Design Number: **15415/2011**
(22) Date of Filing Application: **28 November 2011**
(24) Date from which industrial property rights may have effect: **28 November 2011**
(54) Product in respect of which the design is registered: **Computer mouse**
(51) International Design Classification: **14-02**
(74) Name(s) of Attorney(s): **Lavan Legal**
(71) Name(s) and Address(s) of Applicant(s):
Roccat GmbH
Otto von Bahrenpark Gasstrasse 6b Geb. N 2. OG DE-22761 Hamburg
Germany
(72) Name(s) of Designer(s): **Frank Urban**
(45) Registration Date: **06 January 2012**
(56) Related Art Documents: **Not Applicable**
(57) Statement of Newness and Distinctiveness: **Newness and distinctiveness is claimed in the shape and/or configuration of a computer mouse as depicted in the attached representations.**



(21) Design Number: **15461/2011**
(22) Date of Filing Application: **30 November 2011**
(24) Date from which industrial property rights may have effect: **30 November 2011**
(54) Product in respect of which the design is registered: **Hedge trimmer body**
(51) International Design Classification: **08-03**
(74) Name(s) of Attorney(s): **SPRUSON & FERGUSON**
(71) Name(s) and Address(s) of Applicant(s):
Husqvarna AB
SE-561 82 Huskvarna Sweden
(72) Name(s) of Designer(s): **Gustav Landberg**
(45) Registration Date: **06 January 2012**
(30) Convention priority data:
(31) Number (32) Date (33) Country
001870882 31 May 2011 SWEDEN
(56) Related Art Documents: **Not Applicable**
(57) Statement of Newness and Distinctiveness: **Newness and distinctiveness is claimed in the features of shape and/or configuration of the battery housing portion of a hedge trimmer body as illustrated within the dotted line boundary in the accompanying representations.**



(21) Design Number: **15462/2011**
(22) Date of Filing Application: **30 November 2011**
(24) Date from which industrial property rights may have effect: **30 November 2011**
(54) Product in respect of which the design is registered: **Chainsaw body**
(51) International Design Classification: **08-03**
(74) Name(s) of Attorney(s): **SPRUSON & FERGUSON**
(71) Name(s) and Address(s) of Applicant(s):

Husqvarna AB
SE-561 82 Huskvarna Sweden

(72) Name(s) of Designer(s): **Gustav Landberg**

(45) Registration Date: **06 January 2012**

(30) Convention priority data:

(31) Number	(32) Date	(33) Country
001870882	31 May 2011	SWEDEN

(56) Related Art Documents: **Not Applicable**

(57) Statement of Newness and Distinctiveness: **Newness and distinctiveness is claimed in the features of shape and/or configuration of the battery housing portion of a chainsaw body as illustrated within the dotted line boundary in the accompanying representations.**



(21) Design Number: **15463/2011**
(22) Date of Filing Application: **30 November 2011**
(24) Date from which industrial property rights may have effect: **30 November 2011**
(54) Product in respect of which the design is registered: **Tophandle saw body**
(51) International Design Classification: **08-03**
(74) Name(s) of Attorney(s): **SPRUSON & FERGUSON**
(71) Name(s) and Address(s) of Applicant(s):

Husqvarna AB
SE-561 82 Huskvarna Sweden

(72) Name(s) of Designer(s): **Gustav Landberg**

(45) Registration Date: **06 January 2012**

(30) Convention priority data:

(31) Number	(32) Date	(33) Country
001870882	31 May 2011	SWEDEN

(56) Related Art Documents: **Not Applicable**

(57) Statement of Newness and Distinctiveness: **Newness and distinctiveness is claimed in the features of shape and/or configuration of the battery housing portion of a tophandle saw body as illustrated within the dotted line boundary in the accompanying representations.**



(21) Design Number: **15464/2011**
(22) Date of Filing Application: **30 November 2011**
(24) Date from which industrial property rights may have effect: **30 November 2011**
(54) Product in respect of which the design is registered: **Trimmer**
(51) International Design Classification: **08-03**
(74) Name(s) of Attorney(s): **SPRUSON & FERGUSON**
(71) Name(s) and Address(s) of Applicant(s):



Husqvarna AB
SE-561 82 Huskvarna Sweden
(72) Name(s) of Designer(s): **Gustav Landberg**
(45) Registration Date: **06 January 2012**

(30) Convention priority data:
(31) Number (32) Date (33) Country
001870882 31 May 2011 SWEDEN

(56) Related Art Documents: **Not Applicable**
(57) Statement of Newness and Distinctiveness: **Newness and distinctiveness is claimed in the features of shape and/or configuration of the following parts of a trimmer as illustrated in the accompanying representations: a) the guard and motor housing portions of the head of the trimmer as illustrated within the dotted line boundary in the supplementary enlarged views of the head; and b) the battery housing portion of the body of the trimmer as illustrated within the dotted line boundary in the supplementary enlarged views of the battery housing portion.**

(21) Design Number: **15465/2011**
(22) Date of Filing Application: **30 November 2011**
(24) Date from which industrial property rights may have effect: **30 November 2011**
(54) Product in respect of which the design is registered: **Trimmer**
(51) International Design Classification: **08-03**
(74) Name(s) of Attorney(s): **SPRUSON & FERGUSON**
(71) Name(s) and Address(s) of Applicant(s):

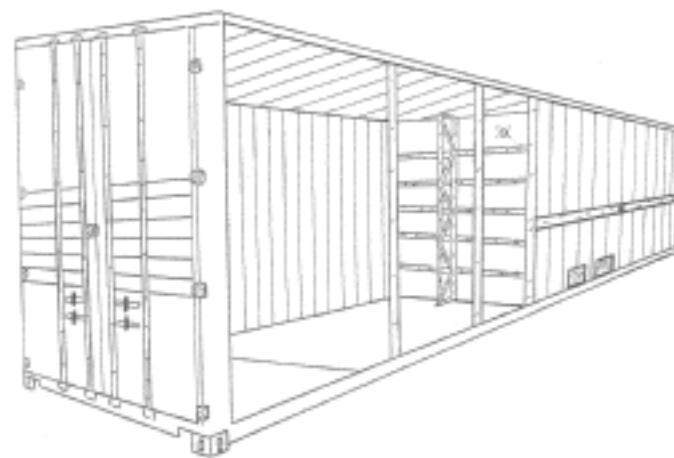


Husqvarna AB
SE-561 82 Huskvarna Sweden
(72) Name(s) of Designer(s): **Gustav Landberg**
(45) Registration Date: **06 January 2012**

(30) Convention priority data:
(31) Number (32) Date (33) Country
001870882 31 May 2011 SWEDEN

(56) Related Art Documents: **Not Applicable**
(57) Statement of Newness and Distinctiveness: **Newness and distinctiveness is claimed in the features of shape and/or configuration of the following parts of a trimmer as illustrated in the accompanying representations: a) the guard and motor housing portions of the head of the trimmer as illustrated within the dotted line boundary in the supplementary enlarged views of the head; and b) the battery housing portion of the body of the trimmer as illustrated within the dotted line boundary in the supplementary enlarged views of the battery housing portion.**

- (21) Design Number: **15467/2011**
(22) Date of Filing Application: **01 December 2011**
(24) Date from which industrial property rights may have effect: **01 December 2011**
(54) Product in respect of which the design is registered: **Septic tank station in a shipping container**
(51) International Design Classification: **23-02NES, 09-03K**
(74) Name(s) of Attorney(s):
(71) Name(s) and Address(s) of Applicant(s):
Richard Johannes Cornelis Huisman
35 Highgrove Close Chambers Flat Queensland 4133 Australia
(72) Name(s) of Designer(s): **Richard Johannes Cornelis Huisman**
(45) Registration Date: **06 January 2012**
(56) Related Art Documents: **Not Applicable**
(57) Statement of Newness and Distinctiveness: **Newness and distinctiveness is claimed in the shape and configuration of an ISO standard shipping container designed to be used as a septic tank station.**



- (21) Design Number: **15490/2011**
(22) Date of Filing Application: **30 November 2011**
(24) Date from which industrial property rights may have effect: **30 November 2011**
(54) Product in respect of which the design is registered: **Shaving razor**
(51) International Design Classification: **28-03A**
(74) Name(s) of Attorney(s): **PHILLIPS ORMONDE FITZPATRICK**
(71) Name(s) and Address(s) of Applicant(s):
The Gillette Company
One Gillette Park Boston Massachusetts 02127 United States of America
(72) Name(s) of Designer(s): **Brian Patrick Watson and Christopher Ramm**
(45) Registration Date: **06 January 2012**
(30) Convention priority data:
(31) Number (32) Date (33) Country
29/393,250 01 Jun 2011 UNITED STATES OF AMERICA
(56) Related Art Documents: **Not Applicable**
(57) Statement of Newness and Distinctiveness: **Those features of the shaving razor depicted in the representations that are new and distinctive are the shape and/or configuration of the portion of the shaving razor shown in continuous lines. The features shown in broken lines are not part of the design and are to be disregarded when considering the overall impression of the design.**



(21) Design Number: **15491/2011**
(22) Date of Filing Application: **30 November 2011**
(24) Date from which industrial property rights may have effect: **30 November 2011**
(54) Product in respect of which the design is registered: **Shaving razor**
(51) International Design Classification: **28-03A**
(74) Name(s) of Attorney(s): **PHILLIPS ORMONDE FITZPATRICK**
(71) Name(s) and Address(s) of Applicant(s):

The Gillette Company
One Gillette Park Boston Massachusetts 02127 United States of America

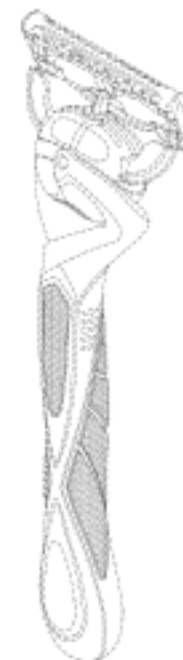
(72) Name(s) of Designer(s): **Brian Patrick Watson and Christopher Ramm**
(45) Registration Date: **06 January 2012**

(30) Convention priority data:

(31) Number	(32) Date	(33) Country
29/393,250	01 Jun 2011	UNITED STATES OF AMERICA

(56) Related Art Documents: **Not Applicable**

(57) Statement of Newness and Distinctiveness: **Those features of the shaving razor depicted in the representations that are new and distinctive are the shape and/or configuration of the portion of the shaving razor shown in continuous lines. The features shown in broken lines are not part of the design and are to be disregarded when considering the overall impression of the design.**



(21) Design Number: **15498/2011**
(22) Date of Filing Application: **01 December 2011**
(24) Date from which industrial property rights may have effect: **01 December 2011**
(54) Product in respect of which the design is registered: **Air conditioner**
(51) International Design Classification: **23-04**
(74) Name(s) of Attorney(s): **Freehills Patent & Trade Mark Attorneys**
(71) Name(s) and Address(s) of Applicant(s):

LG Electronics Inc.
20 Yeouido-dong Yeongdeungpo-gu Seoul 150-721 Republic of Korea

(72) Name(s) of Designer(s): **Taeil Kim and Seungho Baek and Gangui Cho and Sehwan Bae and Joogyom Kim and Hyein Jung and Jaewon Jeong**

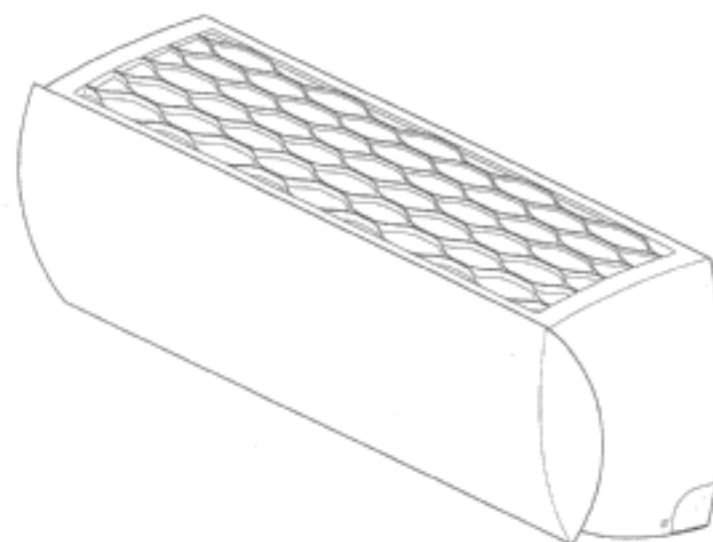
(45) Registration Date: **06 January 2012**

(30) Convention priority data:

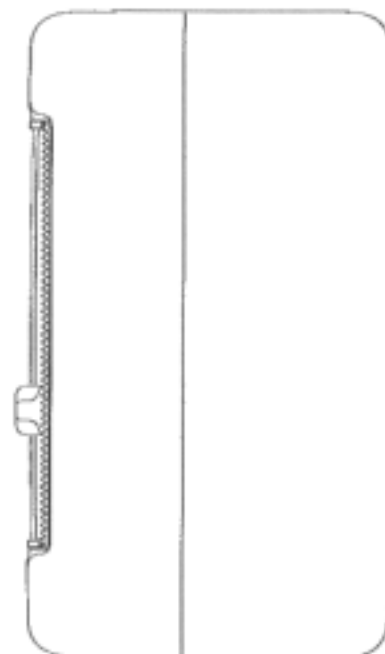
(31) Number	(32) Date	(33) Country
30-2011-0022449	01 Jun 2011	REPUBLIC OF KOREA

(56) Related Art Documents: **Not Applicable**

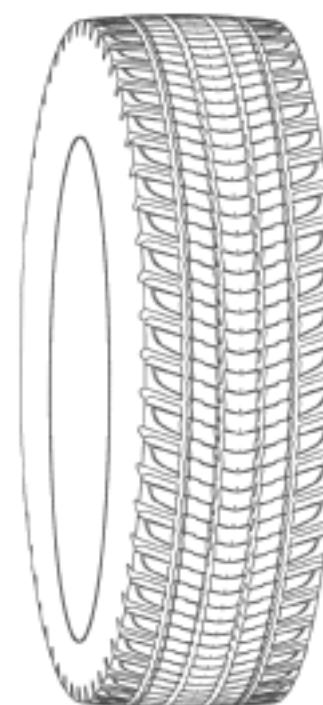
(57) Statement of Newness and Distinctiveness: **Nil**



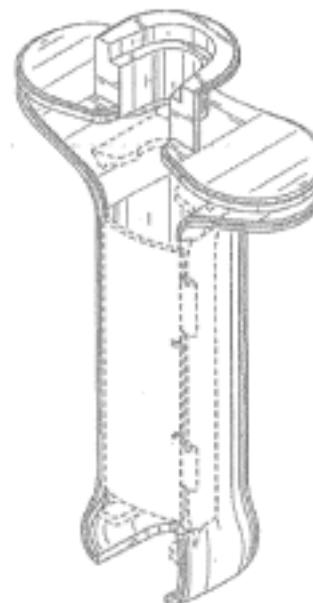
(21) Design Number: **15502/2011**
(22) Date of Filing Application: **02 December 2011**
(24) Date from which industrial property rights may have effect: **02 December 2011**
(54) Product in respect of which the design is registered: **Paper roll dispenser**
(51) International Design Classification: **23-02A, 07-99C**
(74) Name(s) of Attorney(s): **WATERMARK PATENT AND TRADE MARKS ATTORNEYS**
(71) Name(s) and Address(s) of Applicant(s):
SCA Hygiene Products AB
S-405 03 Goteborg Sweden
(72) Name(s) of Designer(s): **Michael A. Dotsey and Patrick Nolan**
(45) Registration Date: **06 January 2012**
(30) Convention priority data:
(31) Number (32) Date (33) Country
001907601-0001 24 Aug 2011 EUROPEAN COMMUNITY
(56) Related Art Documents: **Not Applicable**
(57) Statement of Newness and Distinctiveness: **Nil**



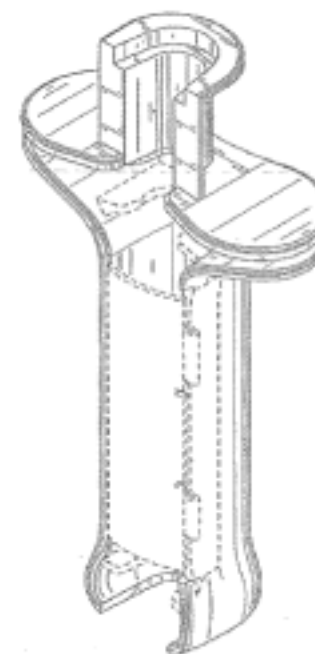
(21) Design Number: **15503/2011**
(22) Date of Filing Application: **02 December 2011**
(24) Date from which industrial property rights may have effect: **02 December 2011**
(54) Product in respect of which the design is registered: **A tyre**
(51) International Design Classification: **12-15A**
(74) Name(s) of Attorney(s): **WATERMARK PATENT AND TRADE MARKS ATTORNEYS**
(71) Name(s) and Address(s) of Applicant(s):
Societe De Technologie Michelin
23 rue Breschet F-63000 Clermont-Ferrand Cedex France
Michelin Recherche et Technique S.A.
Route Louis Braille 10 et 12 CH-1763 Granges-Paccot Switzerland
(72) Name(s) of Designer(s): **Thomas Felder and Matthieu Vandaele**
(45) Registration Date: **06 January 2012**
(30) Convention priority data:
(31) Number (32) Date (33) Country
11/3278 28 Jun 2011 FRANCE
(56) Related Art Documents: **Not Applicable**
(57) Statement of Newness and Distinctiveness: **Newness and distinctiveness resides in the shape and configuration to the tread region of the tyre, the remainder of the tyre not forming part of the design.**



(21) Design Number: **15961/2011**
(22) Date of Filing Application: **27 October 2011**
(24) Date from which industrial property rights may have effect: **27 October 2011**
(54) Product in respect of which the design is registered: **Limiters for dispensing device**
(51) International Design Classification: **24-02**
(74) Name(s) of Attorney(s): **PIZZEYS**
(71) Name(s) and Address(s) of Applicant(s):
Biogen Idec MA Inc.
14 Cambridge Center Cambridge MA 02142 United States of America
SHL Group AB
Box 1240 Augustendalsvagen 19 Nacka Strand S-131 28 Sweden
(72) Name(s) of Designer(s): **John Kuczek and Clive Patience and Donovan Quinn and Lucio Giambattista**
(45) Registration Date: **06 January 2012**
(30) Convention priority data:
(31) Number (32) Date (33) Country
29/390,681 28 Apr 2011 UNITED STATES OF AMERICA
(56) Related Art Documents: **Not Applicable**
(57) Statement of Newness and Distinctiveness: **Nil**



(21) Design Number: **15962/2011**
(22) Date of Filing Application: **27 October 2011**
(24) Date from which industrial property rights may have effect: **27 October 2011**
(54) Product in respect of which the design is registered: **Limiters for dispensing device**
(51) International Design Classification: **24-02**
(74) Name(s) of Attorney(s): **PIZZEYS**
(71) Name(s) and Address(s) of Applicant(s):
Biogen Idec MA Inc.
14 Cambridge Center Cambridge MA 02142 United States of America
SHL Group AB
Box 1240 Augustendalsvagen 19 Nacka Strand S-131 28 Sweden
(72) Name(s) of Designer(s): **John Kuczek and Clive Patience and Donovan Quinn and Lucio Giambattista**
(45) Registration Date: **06 January 2012**
(30) Convention priority data:
(31) Number (32) Date (33) Country
29/390,681 08 Apr 2011 UNITED STATES OF AMERICA
(56) Related Art Documents: **Not Applicable**
(57) Statement of Newness and Distinctiveness: **Nil**



(21) Design Number: **15328/2011**
(22) Date of Filing Application: **24 November 2011**
(24) Date from which industrial property rights may have effect: **24 November 2011**
(54) Product in respect of which the design is registered: **A vehicle wheel**
(51) International Design Classification: **12-16A**
(74) Name(s) of Attorney(s): **Madderns**
(71) Name(s) and Address(s) of Applicant(s):
Arrowcrest Group Pty Ltd
34 Burleigh Avenue Woodville North South Australia 5012 Australia
(72) Name(s) of Designer(s): **Glynn Helgeson**
(45) Registration Date: **06 January 2012**
(56) Related Art Documents: **Not Applicable**
(57) Statement of Newness and Distinctiveness: **Nil**



(21) Design Number: **15329/2011**
(22) Date of Filing Application: **24 November 2011**
(24) Date from which industrial property rights may have effect: **24 November 2011**
(54) Product in respect of which the design is registered: **A vehicle wheel**
(51) International Design Classification: **12-16A**
(74) Name(s) of Attorney(s): **Madderns**
(71) Name(s) and Address(s) of Applicant(s):
Arrowcrest Group Pty Ltd
34 Burleigh Avenue Woodville North South Australia 5012 Australia
(72) Name(s) of Designer(s): **Glynn Helgeson**
(45) Registration Date: **06 January 2012**
(56) Related Art Documents: **Not Applicable**
(57) Statement of Newness and Distinctiveness: **Nil**



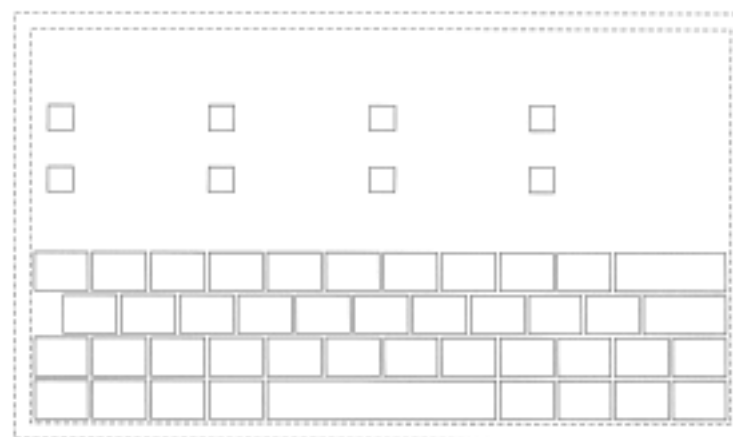
- (21) Design Number: **15335/2011**
(22) Date of Filing Application: **24 November 2011**
(24) Date from which industrial property rights may have effect: **24 November 2011**
(54) Product in respect of which the design is registered: **Display screen with keyboard user interface**
(51) International Design Classification: **14-04**
(74) Name(s) of Attorney(s): **Shelston IP**
(71) Name(s) and Address(s) of Applicant(s):
Microsoft Corporation
One Microsoft Way Redmond Washington 98052 United States of America
(72) Name(s) of Designer(s): **Moneta Ho Kushner and Seung Yang and Vasudha Chandrasekaran**
(45) Registration Date: **06 January 2012**
(30) Convention priority data:
(31) Number (32) Date (33) Country
29/392964 27 May 2011 UNITED STATES OF AMERICA
(56) Related Art Documents: **Not Applicable**
(57) Statement of Newness and Distinctiveness: **Newness and distinctiveness reside in the pattern and/or ornamentation of a display screen with keyboard user interface as illustrated by solid lines in the accompanying representations. The features shown in broken outline are for illustrative purposes only and do not form part of the design.**



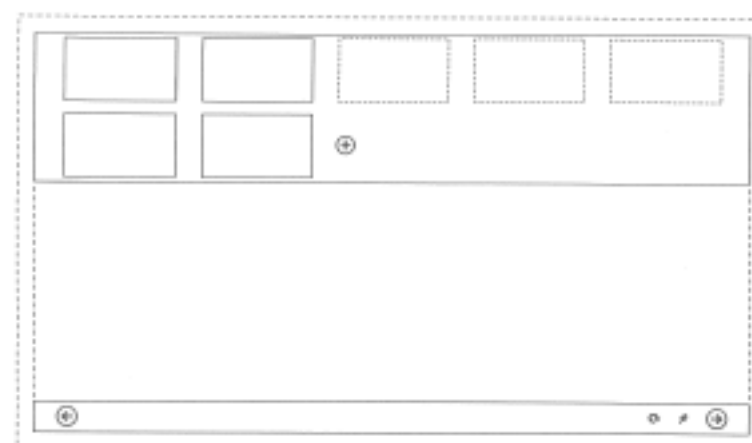
- (21) Design Number: **15337/2011**
(22) Date of Filing Application: **24 November 2011**
(24) Date from which industrial property rights may have effect: **24 November 2011**
(54) Product in respect of which the design is registered: **Display screen with user interface**
(51) International Design Classification: **14-04**
(74) Name(s) of Attorney(s): **Shelston IP**
(71) Name(s) and Address(s) of Applicant(s):
Microsoft Corporation
One Microsoft Way Redmond Washington 98052 United States of America
(72) Name(s) of Designer(s): **Zachary J. Shallcross and Mirko Mandic**
(45) Registration Date: **06 January 2012**
(30) Convention priority data:
(31) Number (32) Date (33) Country
29/392968 27 May 2011 UNITED STATES OF AMERICA
(56) Related Art Documents: **Not Applicable**
(57) Statement of Newness and Distinctiveness: **Newness and distinctiveness reside in the pattern and/or ornamentation of a display screen with user interface as illustrated by solid lines in the accompanying representations. The features shown in broken outline are for illustrative purposes only and do not form part of the design.**



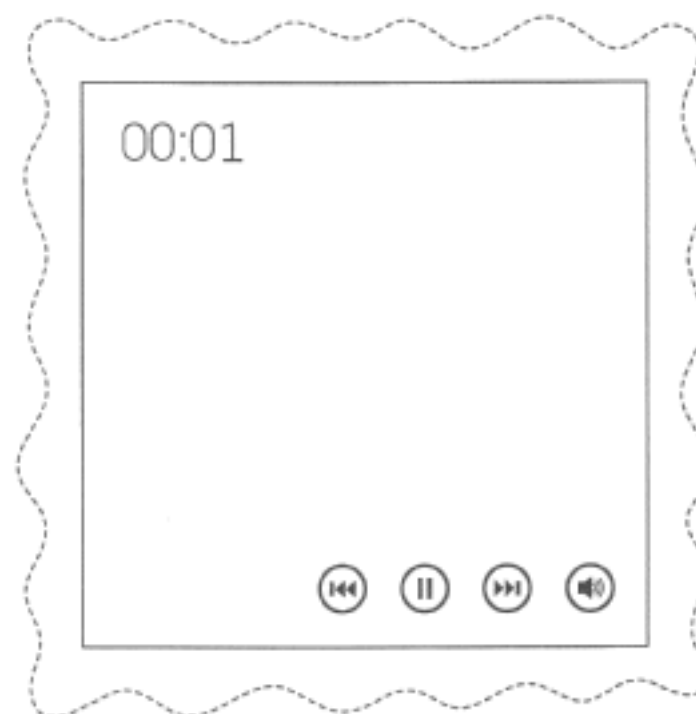
(21) Design Number: **15338/2011**
(22) Date of Filing Application: **24 November 2011**
(24) Date from which industrial property rights may have effect: **24 November 2011**
(54) Product in respect of which the design is registered: **Display screen with user interface**
(51) International Design Classification: **14-04**
(74) Name(s) of Attorney(s): **Shelston IP**
(71) Name(s) and Address(s) of Applicant(s):
Microsoft Corporation
One Microsoft Way Redmond Washington 98052 United States of America
(72) Name(s) of Designer(s): **Zachary J. Shallcross and Mirko Mandic**
(45) Registration Date: **06 January 2012**
(30) Convention priority data:
(31) Number (32) Date (33) Country
29/392996 27 May 2011 UNITED STATES OF AMERICA
(56) Related Art Documents: **Not Applicable**
(57) Statement of Newness and Distinctiveness: **Newness and distinctiveness reside in the pattern and/or ornamentation of a display screen with user interface as illustrated by solid lines in the accompanying representations. The features shown in broken outline are for illustrative purposes only and do not form part of the design.**



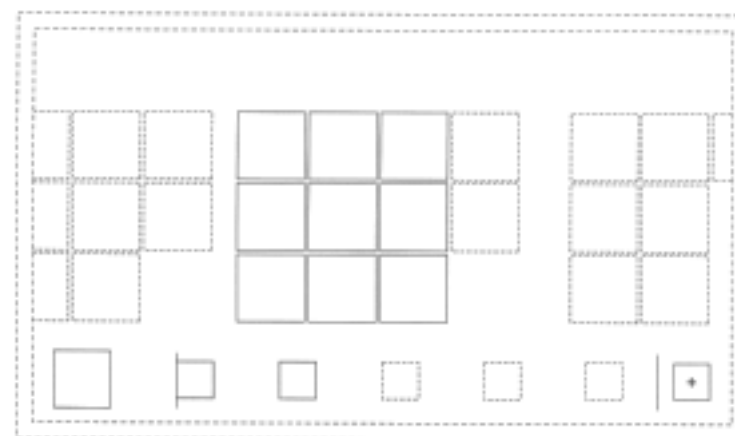
(21) Design Number: **15339/2011**
(22) Date of Filing Application: **24 November 2011**
(24) Date from which industrial property rights may have effect: **24 November 2011**
(54) Product in respect of which the design is registered: **Display screen with user interface**
(51) International Design Classification: **14-04**
(74) Name(s) of Attorney(s): **Shelston IP**
(71) Name(s) and Address(s) of Applicant(s):
Microsoft Corporation
One Microsoft Way Redmond Washington 98052 United States of America
(72) Name(s) of Designer(s): **Zachary J. Shallcross and Mirko Mandic and Ian Kyun Sun Kim**
(45) Registration Date: **06 January 2012**
(30) Convention priority data:
(31) Number (32) Date (33) Country
29/392998 27 May 2011 UNITED STATES OF AMERICA
(56) Related Art Documents: **Not Applicable**
(57) Statement of Newness and Distinctiveness: **Newness and distinctiveness reside in the pattern and/or ornamentation of a display screen with user interface as illustrated by solid lines in the accompanying representations. The features shown in broken outline are for illustrative purposes only and do not form part of the design.**



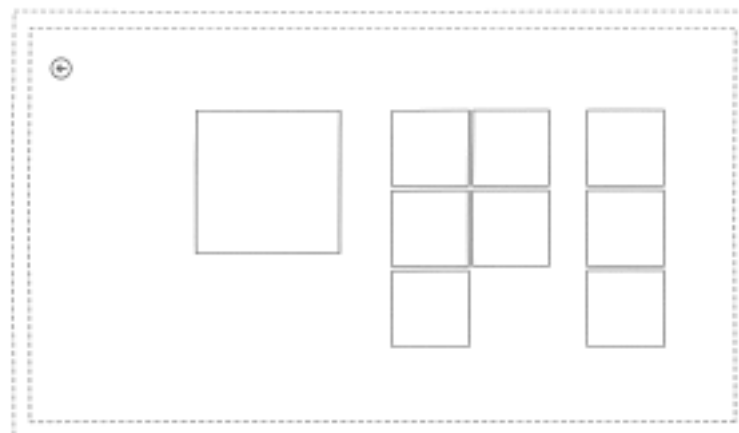
(21) Design Number: **15340/2011**
(22) Date of Filing Application: **24 November 2011**
(24) Date from which industrial property rights may have effect: **24 November 2011**
(54) Product in respect of which the design is registered: **Display screen with user interface**
(51) International Design Classification: **14-04**
(74) Name(s) of Attorney(s): **Shelston IP**
(71) Name(s) and Address(s) of Applicant(s):
Microsoft Corporation
One Microsoft Way Redmond Washington 98052 United States of America
(72) Name(s) of Designer(s): **Michael Greenwood and Joseph Wayne Chauvin**
(45) Registration Date: **06 January 2012**
(30) Convention priority data:
(31) Number (32) Date (33) Country
29/392929 27 May 2011 UNITED STATES OF AMERICA
(56) Related Art Documents: **Not Applicable**
(57) Statement of Newness and Distinctiveness: **Newness and distinctiveness reside in the pattern and/or ornamentation of a display screen with user interface as illustrated by solid lines in the accompanying representations. The features shown in broken outline are for illustrative purposes only and do not form part of the design. The numerals shown are indicative only and may be substituted by alternative symbols.**



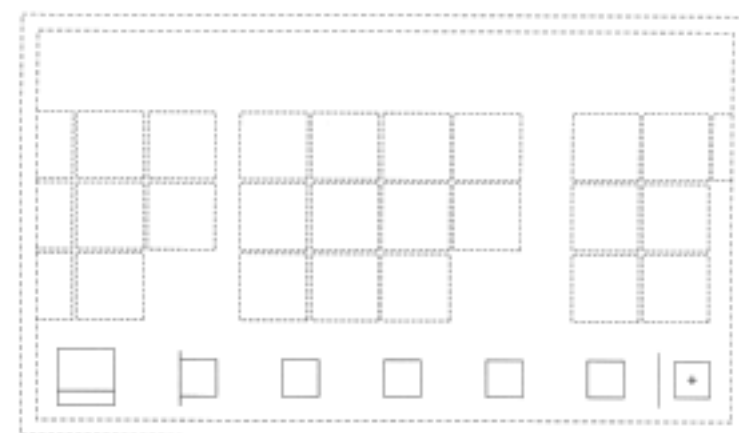
(21) Design Number: **15341/2011**
(22) Date of Filing Application: **24 November 2011**
(24) Date from which industrial property rights may have effect: **24 November 2011**
(54) Product in respect of which the design is registered: **Display screen with user interface**
(51) International Design Classification: **14-04**
(74) Name(s) of Attorney(s): **Shelston IP**
(71) Name(s) and Address(s) of Applicant(s):
Microsoft Corporation
One Microsoft Way Redmond Washington 98052 United States of America
(72) Name(s) of Designer(s): **Judson Craig Hally and Vincent J. Pasceri**
(45) Registration Date: **06 January 2012**
(30) Convention priority data:
(31) Number (32) Date (33) Country
29/392937 27 May 2011 UNITED STATES OF AMERICA
(56) Related Art Documents: **Not Applicable**
(57) Statement of Newness and Distinctiveness: **Newness and distinctiveness reside in the pattern and/or ornamentation of a display screen with user interface as illustrated by solid lines in the accompanying representations. The features shown in broken outline are for illustrative purposes only and do not form part of the design.**



(21) Design Number: **15342/2011**
(22) Date of Filing Application: **24 November 2011**
(24) Date from which industrial property rights may have effect: **24 November 2011**
(54) Product in respect of which the design is registered: **Display screen with user interface**
(51) International Design Classification: **14-04**
(74) Name(s) of Attorney(s): **Shelston IP**
(71) Name(s) and Address(s) of Applicant(s):
Microsoft Corporation
One Microsoft Way Redmond Washington 98052 United States of America
(72) Name(s) of Designer(s): **Judson Craig Hally and Vincent J. Pasceri**
(45) Registration Date: **06 January 2012**
(30) Convention priority data:
(31) Number (32) Date (33) Country
29/392993 27 May 2011 UNITED STATES OF AMERICA
(56) Related Art Documents: **Not Applicable**
(57) Statement of Newness and Distinctiveness: **Newness and distinctiveness reside in the pattern and/or ornamentation of a display screen with user interface as illustrated by solid lines in the accompanying representations. The features shown in broken outline are for illustrative purposes only and do not form part of the design.**



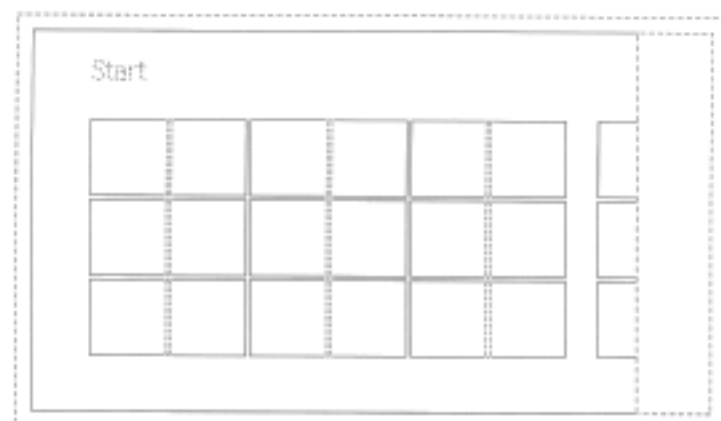
(21) Design Number: **15343/2011**
(22) Date of Filing Application: **24 November 2011**
(24) Date from which industrial property rights may have effect: **24 November 2011**
(54) Product in respect of which the design is registered: **Display screen with user interface**
(51) International Design Classification: **14-04**
(74) Name(s) of Attorney(s): **Shelston IP**
(71) Name(s) and Address(s) of Applicant(s):
Microsoft Corporation
One Microsoft Way Redmond Washington 98052 United States of America
(72) Name(s) of Designer(s): **Judson Craig Hally and Vincent J. Pasceri**
(45) Registration Date: **06 January 2012**
(30) Convention priority data:
(31) Number (32) Date (33) Country
29/392975 27 May 2011 UNITED STATES OF AMERICA
(56) Related Art Documents: **Not Applicable**
(57) Statement of Newness and Distinctiveness: **Newness and distinctiveness reside in the pattern and/or ornamentation of a display screen with user interface as illustrated by solid lines in the accompanying representations. The features shown in broken outline are for illustrative purposes only and do not form part of the design.**



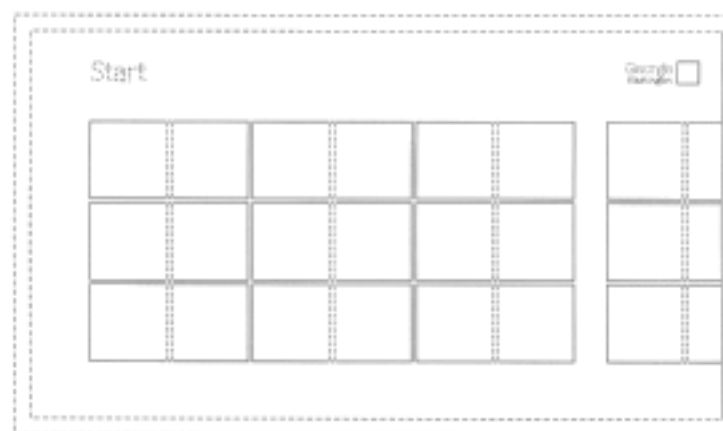
(21) Design Number: **15344/2011**
(22) Date of Filing Application: **24 November 2011**
(24) Date from which industrial property rights may have effect: **24 November 2011**
(54) Product in respect of which the design is registered: **Display screen with user interface**
(51) International Design Classification: **14-04**
(74) Name(s) of Attorney(s): **Shelston IP**
(71) Name(s) and Address(s) of Applicant(s):
Microsoft Corporation
One Microsoft Way Redmond Washington 98052 United States of America
(72) Name(s) of Designer(s): **J. Craig Hally and Michael Greenwood and Aditya Shjrma**
(45) Registration Date: **06 January 2012**
(30) Convention priority data:
(31) Number (32) Date (33) Country
29/392990 27 May 2011 UNITED STATES OF AMERICA
(56) Related Art Documents: **Not Applicable**
(57) Statement of Newness and Distinctiveness: **Newness and distinctiveness reside in the pattern and/or ornamentation of a display screen with user interface as illustrated by solid lines in the accompanying representations. The features shown in broken outline are for illustrative purposes only and do not form part of the design.**



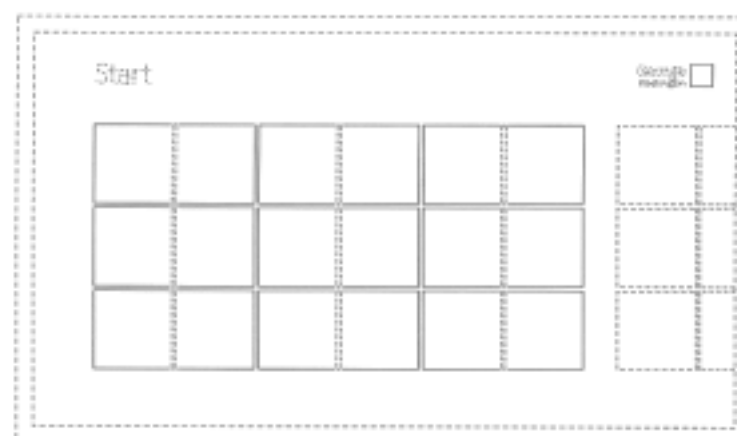
(21) Design Number: **15345/2011**
(22) Date of Filing Application: **24 November 2011**
(24) Date from which industrial property rights may have effect: **24 November 2011**
(54) Product in respect of which the design is registered: **Display screen with user interface**
(51) International Design Classification: **14-04**
(74) Name(s) of Attorney(s): **Shelston IP**
(71) Name(s) and Address(s) of Applicant(s):
Microsoft Corporation
One Microsoft Way Redmond Washington 98052 United States of America
(72) Name(s) of Designer(s): **Ethan Nelson Ray and Leslie MacNeil and Jonathan Eric Gleasman and Denise Michele Trabona**
(45) Registration Date: **06 January 2012**
(30) Convention priority data:
(31) Number (32) Date (33) Country
29/393000 27 May 2011 UNITED STATES OF AMERICA
(56) Related Art Documents: **Not Applicable**
(57) Statement of Newness and Distinctiveness: **Newness and distinctiveness reside in the pattern and/or ornamentation of a display screen with user interface as illustrated by solid lines in the accompanying representations. The features shown in broken outline are for illustrative purposes only and do not form part of the design.**



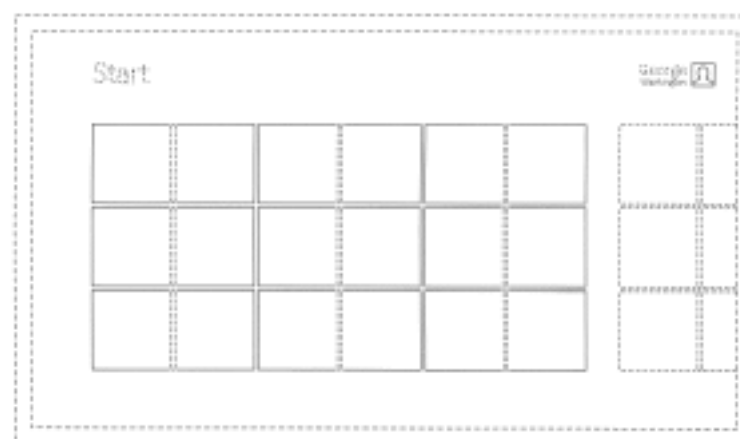
- (21) Design Number: **15346/2011**
(22) Date of Filing Application: **24 November 2011**
(24) Date from which industrial property rights may have effect: **24 November 2011**
(54) Product in respect of which the design is registered: **Display screen with user interface**
(51) International Design Classification: **14-04**
(74) Name(s) of Attorney(s): **Shelston IP**
(71) Name(s) and Address(s) of Applicant(s):
Microsoft Corporation
One Microsoft Way Redmond Washington 98052 United States of America
(72) Name(s) of Designer(s): **Ethan Nelson Ray and Leslie MacNeil and Jonathan Eric Gleasman and Denise Michele Trabona**
(45) Registration Date: **06 January 2012**
(30) Convention priority data:
(31) Number (32) Date (33) Country
29/393002 27 May 2011 UNITED STATES OF AMERICA
(56) Related Art Documents: **Not Applicable**
(57) Statement of Newness and Distinctiveness: **Newness and distinctiveness reside in the pattern and/or ornamentation of a display screen with user interface as illustrated by solid lines in the accompanying representations. The features shown in broken outline are for illustrative purposes only and do not form part of the design.**



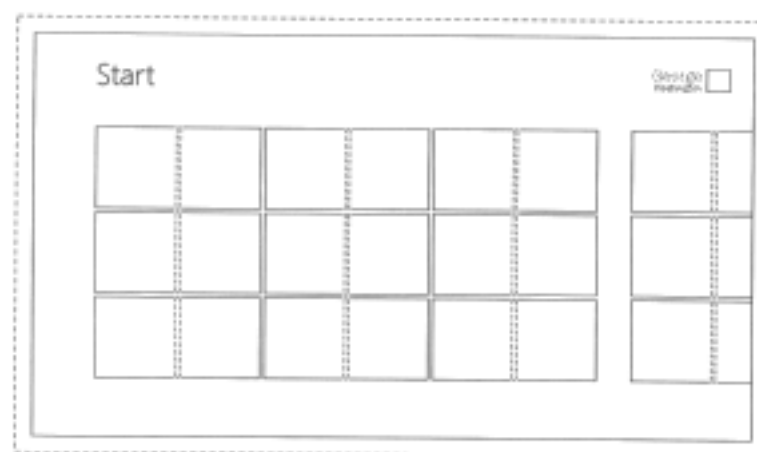
- (21) Design Number: **15347/2011**
(22) Date of Filing Application: **24 November 2011**
(24) Date from which industrial property rights may have effect: **24 November 2011**
(54) Product in respect of which the design is registered: **Display screen with user interface**
(51) International Design Classification: **14-04**
(74) Name(s) of Attorney(s): **Shelston IP**
(71) Name(s) and Address(s) of Applicant(s):
Microsoft Corporation
One Microsoft Way Redmond Washington 98052 United States of America
(72) Name(s) of Designer(s): **Ethan Nelson Ray and Leslie MacNeil and Jonathan Eric Gleasman and Denise Michele Trabona**
(45) Registration Date: **06 January 2012**
(30) Convention priority data:
(31) Number (32) Date (33) Country
29/393003 27 May 2011 UNITED STATES OF AMERICA
(56) Related Art Documents: **Not Applicable**
(57) Statement of Newness and Distinctiveness: **Newness and distinctiveness reside in the pattern and/or ornamentation of a display screen with user interface as illustrated by solid lines in the accompanying representations. The features shown in broken outline are for illustrative purposes only and do not form part of the design.**



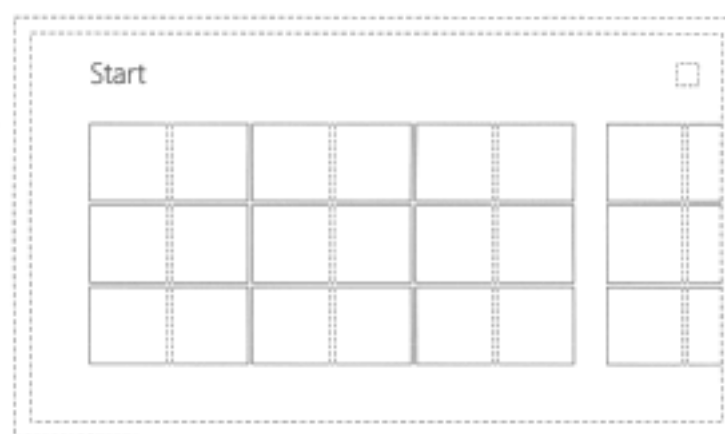
- (21) Design Number: **15348/2011**
(22) Date of Filing Application: **24 November 2011**
(24) Date from which industrial property rights may have effect: **24 November 2011**
(54) Product in respect of which the design is registered: **Display screen with user interface**
(51) International Design Classification: **14-04**
(74) Name(s) of Attorney(s): **Shelston IP**
(71) Name(s) and Address(s) of Applicant(s):
Microsoft Corporation
One Microsoft Way Redmond Washington 98052 United States of America
(72) Name(s) of Designer(s): **Ethan Nelson Ray and Leslie MacNeil and Jonathan Eric Gleasman and Denise Michele Trabona**
(45) Registration Date: **06 January 2012**
(30) Convention priority data:
(31) Number (32) Date (33) Country
29/393004 27 May 2011 UNITED STATES OF AMERICA
(56) Related Art Documents: **Not Applicable**
(57) Statement of Newness and Distinctiveness: **Newness and distinctiveness reside in the pattern and/or ornamentation of a display screen with user interface as illustrated by solid lines in the accompanying representations. The features shown in broken outline are for illustrative purposes only and do not form part of the design.**



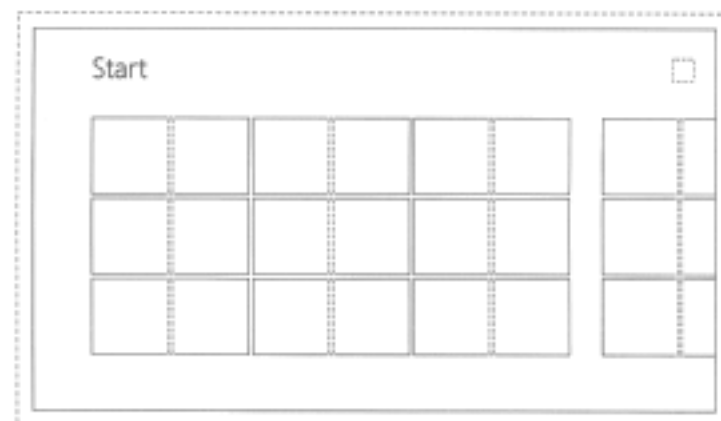
- (21) Design Number: **15349/2011**
(22) Date of Filing Application: **24 November 2011**
(24) Date from which industrial property rights may have effect: **24 November 2011**
(54) Product in respect of which the design is registered: **Display screen with user interface**
(51) International Design Classification: **14-04**
(74) Name(s) of Attorney(s): **Shelston IP**
(71) Name(s) and Address(s) of Applicant(s):
Microsoft Corporation
One Microsoft Way Redmond Washington 98052 United States of America
(72) Name(s) of Designer(s): **Ethan Nelson Ray and Leslie MacNeil and Jonathan Eric Gleasman and Denise Michele Trabona**
(45) Registration Date: **06 January 2012**
(30) Convention priority data:
(31) Number (32) Date (33) Country
29/393005 27 May 2011 UNITED STATES OF AMERICA
(56) Related Art Documents: **Not Applicable**
(57) Statement of Newness and Distinctiveness: **Newness and distinctiveness reside in the pattern and/or ornamentation of a display screen with user interface as illustrated by solid lines in the accompanying representations. The features shown in broken outline are for illustrative purposes only and do not form part of the design.**



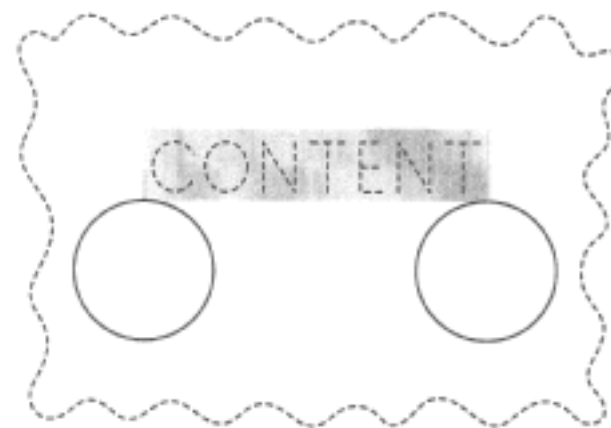
- (21) Design Number: **15350/2011**
(22) Date of Filing Application: **24 November 2011**
(24) Date from which industrial property rights may have effect: **24 November 2011**
(54) Product in respect of which the design is registered: **Display screen with user interface**
(51) International Design Classification: **14-04**
(74) Name(s) of Attorney(s): **Shelston IP**
(71) Name(s) and Address(s) of Applicant(s):
Microsoft Corporation
One Microsoft Way Redmond Washington 98052 United States of America
(72) Name(s) of Designer(s): **Ethan Nelson Ray and Leslie MacNeil and Jonathan Eric Gleasman and Denise Michele Trabona**
(45) Registration Date: **06 January 2012**
(30) Convention priority data:
(31) Number (32) Date (33) Country
29/393006 27 May 2011 UNITED STATES OF AMERICA
(56) Related Art Documents: **Not Applicable**
(57) Statement of Newness and Distinctiveness: **Newness and distinctiveness reside in the pattern and/or ornamentation of a display screen with user interface as illustrated by solid lines in the accompanying representations. The features shown in broken outline are for illustrative purposes only and do not form part of the design.**



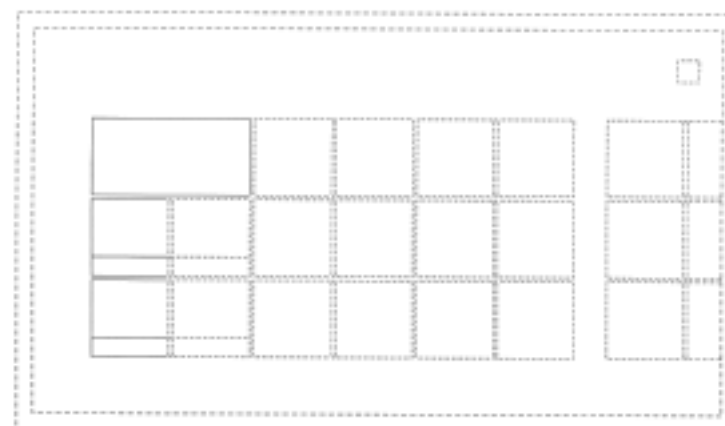
- (21) Design Number: **15351/2011**
(22) Date of Filing Application: **24 November 2011**
(24) Date from which industrial property rights may have effect: **24 November 2011**
(54) Product in respect of which the design is registered: **Display screen with user interface**
(51) International Design Classification: **14-04**
(74) Name(s) of Attorney(s): **Shelston IP**
(71) Name(s) and Address(s) of Applicant(s):
Microsoft Corporation
One Microsoft Way Redmond Washington 98052 United States of America
(72) Name(s) of Designer(s): **Ethan Nelson Ray and Leslie MacNeil and Jonathan Eric Gleasman and Denise Michele Trabona**
(45) Registration Date: **06 January 2012**
(30) Convention priority data:
(31) Number (32) Date (33) Country
29/393007 27 May 2011 UNITED STATES OF AMERICA
(56) Related Art Documents: **Not Applicable**
(57) Statement of Newness and Distinctiveness: **Newness and distinctiveness reside in the pattern and/or ornamentation of a display screen with user interface as illustrated by solid lines in the accompanying representations. The features shown in broken outline are for illustrative purposes only and do not form part of the design.**



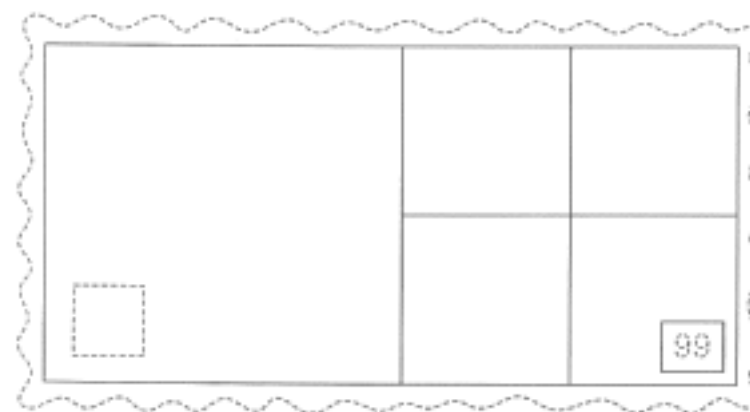
- (21) Design Number: **15352/2011**
(22) Date of Filing Application: **24 November 2011**
(24) Date from which industrial property rights may have effect: **24 November 2011**
(54) Product in respect of which the design is registered: **Display screen with user interface**
(51) International Design Classification: **14-04**
(74) Name(s) of Attorney(s): **Shelston IP**
(71) Name(s) and Address(s) of Applicant(s):
Microsoft Corporation
One Microsoft Way Redmond Washington 98052 United States of America
(72) Name(s) of Designer(s): **Jeffrey Weir and Jen Anderson and Jan-Kristian Markiewicz**
(45) Registration Date: **06 January 2012**
(30) Convention priority data:
(31) Number (32) Date (33) Country
29/392995 27 May 2011 UNITED STATES OF AMERICA
(56) Related Art Documents: **Not Applicable**
(57) Statement of Newness and Distinctiveness: **Newness and distinctiveness reside in the pattern and/or ornamentation of a display screen with user interface as illustrated by solid lines in the accompanying representations. The features shown in broken outline are for illustrative purposes only and do not form part of the design.**



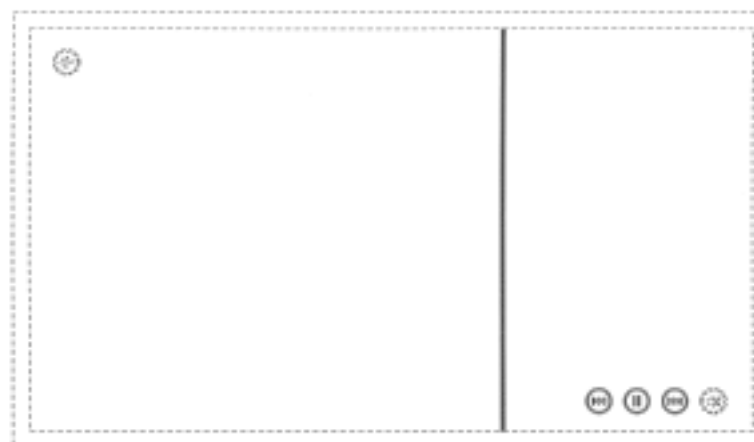
- (21) Design Number: **15353/2011**
(22) Date of Filing Application: **24 November 2011**
(24) Date from which industrial property rights may have effect: **24 November 2011**
(54) Product in respect of which the design is registered: **Display screen with user interface**
(51) International Design Classification: **14-04**
(74) Name(s) of Attorney(s): **Shelston IP**
(71) Name(s) and Address(s) of Applicant(s):
Microsoft Corporation
One Microsoft Way Redmond Washington 98052 United States of America
(72) Name(s) of Designer(s): **Ethan Nelson Ray and Jonathan Eric Gleasman and Denise Michele Trabona and Nazia Zaman and Jason Beaumont**
(45) Registration Date: **06 January 2012**
(30) Convention priority data:
(31) Number (32) Date (33) Country
29/393039 27 May 2011 UNITED STATES OF AMERICA
(56) Related Art Documents: **Not Applicable**
(57) Statement of Newness and Distinctiveness: **Newness and distinctiveness reside in the pattern and/or ornamentation of a display screen with user interface as illustrated by solid lines in the accompanying representations. The features shown in broken outline are for illustrative purposes only and do not form part of the design.**



- (21) Design Number: **15354/2011**
(22) Date of Filing Application: **24 November 2011**
(24) Date from which industrial property rights may have effect: **24 November 2011**
(54) Product in respect of which the design is registered: **Display screen with user interface**
(51) International Design Classification: **14-04**
(74) Name(s) of Attorney(s): **Shelston IP**
(71) Name(s) and Address(s) of Applicant(s):
Microsoft Corporation
One Microsoft Way Redmond Washington 98052 United States of America
(72) Name(s) of Designer(s): **Nazia Zaman and Ethan Nelson Ray and Jonathan Eric Gleasman and Samuel Moreau and Denise Michele Trabona**
(45) Registration Date: **06 January 2012**
(30) Convention priority data:
(31) Number (32) Date (33) Country
29/393040 27 May 2011 UNITED STATES OF AMERICA
(56) Related Art Documents: **Not Applicable**
(57) Statement of Newness and Distinctiveness: **Newness and distinctiveness reside in the pattern and/or ornamentation of a display screen with user interface as illustrated by solid lines in the accompanying representations. The features shown in broken outline are for illustrative purposes only and do not form part of the design.**



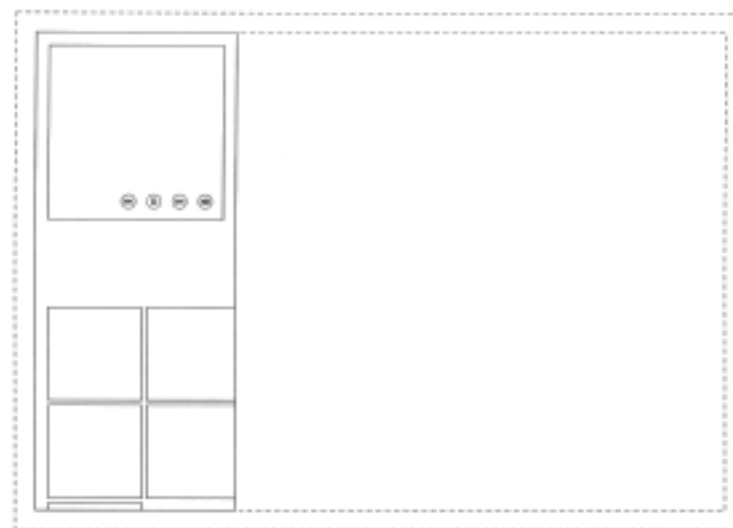
- (21) Design Number: **15355/2011**
(22) Date of Filing Application: **24 November 2011**
(24) Date from which industrial property rights may have effect: **24 November 2011**
(54) Product in respect of which the design is registered: **Display screen with user interface**
(51) International Design Classification: **14-04**
(74) Name(s) of Attorney(s): **Shelston IP**
(71) Name(s) and Address(s) of Applicant(s):
Microsoft Corporation
One Microsoft Way Redmond Washington 98052 United States of America
(72) Name(s) of Designer(s): **Jonathan Eric Gleasman and Michael Greenwood**
(45) Registration Date: **06 January 2012**
(30) Convention priority data:
(31) Number (32) Date (33) Country
29/392994 27 May 2011 UNITED STATES OF AMERICA
(56) Related Art Documents: **Not Applicable**
(57) Statement of Newness and Distinctiveness: **Newness and distinctiveness reside in the pattern and/or ornamentation of a display screen with user interface as illustrated by solid lines in the accompanying representations. The features shown in broken outline are for illustrative purposes only and do not form part of the design.**



(21) Design Number: **15356/2011**
 (22) Date of Filing Application: **24 November 2011**
 (24) Date from which industrial property rights may have effect: **24 November 2011**
 (54) Product in respect of which the design is registered: **Display screen with user interface**
 (51) International Design Classification: **14-04**
 (74) Name(s) of Attorney(s): **Shelston IP**
 (71) Name(s) and Address(s) of Applicant(s):
Microsoft Corporation
One Microsoft Way Redmond Washington 98052 United States of America
 (72) Name(s) of Designer(s): **Jonathan Eric Gleasman and Michael Greenwood**
 (45) Registration Date: **06 January 2012**
 (30) Convention priority data:
 (31) Number (32) Date (33) Country
29/392992 27 May 2011 UNITED STATES OF AMERICA
 (56) Related Art Documents: **Not Applicable**
 (57) Statement of Newness and Distinctiveness: **Newness and distinctiveness reside in the pattern and/or ornamentation of a display screen with user interface as illustrated by solid lines in the accompanying representations. The features shown in broken outline are for illustrative purposes only and do not form part of the design.**



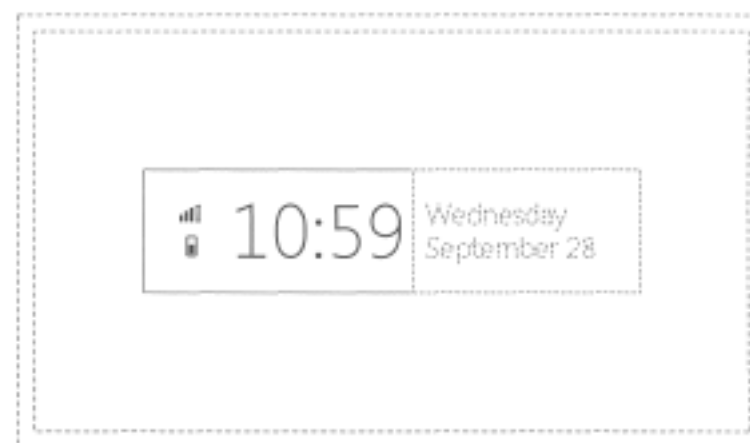
(21) Design Number: **15357/2011**
 (22) Date of Filing Application: **24 November 2011**
 (24) Date from which industrial property rights may have effect: **24 November 2011**
 (54) Product in respect of which the design is registered: **Display screen with user interface**
 (51) International Design Classification: **14-04**
 (74) Name(s) of Attorney(s): **Shelston IP**
 (71) Name(s) and Address(s) of Applicant(s):
Microsoft Corporation
One Microsoft Way Redmond Washington 98052 United States of America
 (72) Name(s) of Designer(s): **Judson Craig Hally and Vincent J. Pasceri and Michael Greenwood and Aditya Shjrma**
 (45) Registration Date: **06 January 2012**
 (30) Convention priority data:
 (31) Number (32) Date (33) Country
29/392978 27 May 2011 UNITED STATES OF AMERICA
 (56) Related Art Documents: **Not Applicable**
 (57) Statement of Newness and Distinctiveness: **Newness and distinctiveness reside in the pattern and/or ornamentation of a display screen with user interface as illustrated by solid lines in the accompanying representations. The features shown in broken outline are for illustrative purposes only and do not form part of the design.**



- (21) Design Number: **15358/2011**
(22) Date of Filing Application: **24 November 2011**
(24) Date from which industrial property rights may have effect: **24 November 2011**
(54) Product in respect of which the design is registered: **Display screen with user interface**
(51) International Design Classification: **14-04**
(74) Name(s) of Attorney(s): **Shelston IP**
(71) Name(s) and Address(s) of Applicant(s):
Microsoft Corporation
One Microsoft Way Redmond Washington 98052 United States of America
(72) Name(s) of Designer(s): **Daryl Tanghe and Judson Craig Hally**
(45) Registration Date: **06 January 2012**
(30) Convention priority data:
(31) Number (32) Date (33) Country
29/392913 27 May 2011 UNITED STATES OF AMERICA
(56) Related Art Documents: **Not Applicable**
(57) Statement of Newness and Distinctiveness: **Newness and distinctiveness reside in the pattern and/or ornamentation of a display screen with user interface as illustrated by solid lines in the accompanying representations. The features shown in broken outline are for illustrative purposes only and do not form part of the design.**



- (21) Design Number: **15359/2011**
(22) Date of Filing Application: **24 November 2011**
(24) Date from which industrial property rights may have effect: **24 November 2011**
(54) Product in respect of which the design is registered: **Display screen with user interface**
(51) International Design Classification: **14-04**
(74) Name(s) of Attorney(s): **Shelston IP**
(71) Name(s) and Address(s) of Applicant(s):
Microsoft Corporation
One Microsoft Way Redmond Washington 98052 United States of America
(72) Name(s) of Designer(s): **Manuel Clement and Daryl Tanghe and Jonathan Eric Gleasman and Samuel Moreau and William Vong and Niels van Dongen and Michael LaManna**
(45) Registration Date: **06 January 2012**
(30) Convention priority data:
(31) Number (32) Date (33) Country
29/392916 27 May 2011 UNITED STATES OF AMERICA
(56) Related Art Documents: **Not Applicable**
(57) Statement of Newness and Distinctiveness: **Newness and distinctiveness reside in the pattern and/or ornamentation of a display screen with user interface as illustrated by solid lines in the accompanying representations. The features shown in broken outline are for illustrative purposes only and do not form part of the design. The numerals depicted are shown by way of example only and may be substituted by other symbols.**



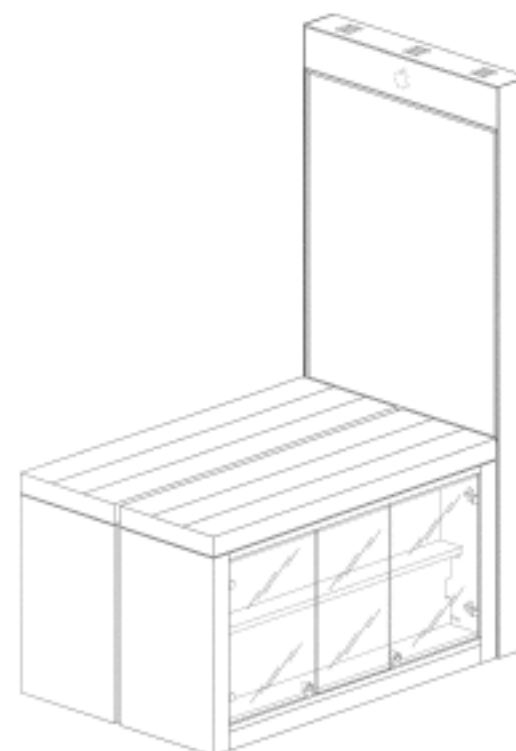
- (21) Design Number: **15362/2011**
(22) Date of Filing Application: **24 November 2011**
(24) Date from which industrial property rights may have effect: **24 November 2011**
(54) Product in respect of which the design is registered: **Display screen with user interface**
(51) International Design Classification: **14-04**
(74) Name(s) of Attorney(s): **Shelston IP**
(71) Name(s) and Address(s) of Applicant(s):
Microsoft Corporation
One Microsoft Way Redmond Washington 98052 United States of America
(72) Name(s) of Designer(s): **Jeremy Scott Knudsen and Gerrit Hofmeester and Jan-Kristian Markiewicz**
(45) Registration Date: **06 January 2012**
(30) Convention priority data:
(31) Number (32) Date (33) Country
29/393020 27 May 2011 UNITED STATES OF AMERICA
(56) Related Art Documents: **Not Applicable**
(57) Statement of Newness and Distinctiveness: **Newness and distinctiveness reside in the pattern and/or ornamentation of a display screen with user interface illustrated by solid lines in the accompanying representations. The features shown in broken outline are for illustrative purposes only and do not form part of the design.**



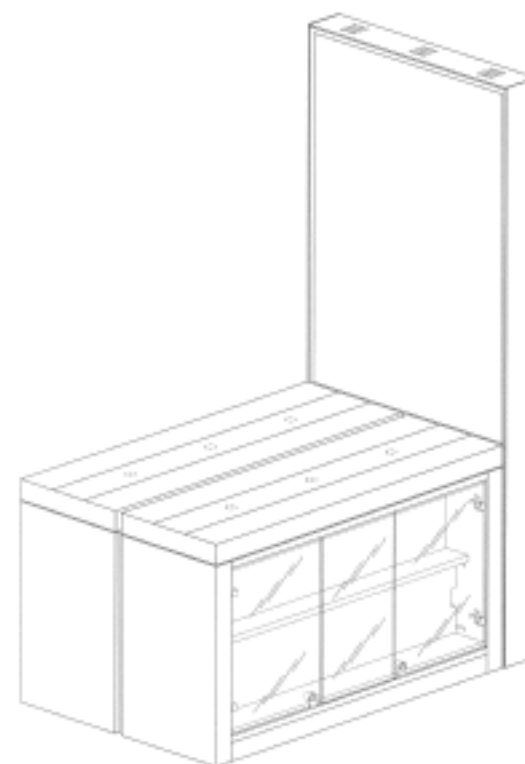
- (21) Design Number: **15484/2011**
(22) Date of Filing Application: **30 November 2011**
(24) Date from which industrial property rights may have effect: **30 November 2011**
(54) Product in respect of which the design is registered: **A plywood table requireing no glue or fasteners**
(51) International Design Classification: **06-03B**
(74) Name(s) of Attorney(s):
(71) Name(s) and Address(s) of Applicant(s):
Amy Quinn
2/13 Smith Street Thornbury Victoria 3071 Australia
(72) Name(s) of Designer(s): **Amy Quinn**
(45) Registration Date: **06 January 2012**
(56) Related Art Documents: **Not Applicable**
(57) Statement of Newness and Distinctiveness: **Although assembly without fasteners is not a new idea, the shape and method that allow for this in this table are novel and distinctive.**



- (21) Design Number: **15499/2011**
(22) Date of Filing Application: **01 December 2011**
(24) Date from which industrial property rights may have effect: **01 December 2011**
(54) Product in respect of which the design is registered: **Display structure**
(51) International Design Classification: **20-02C**
(74) Name(s) of Attorney(s): **Freehills Patent & Trade Mark Attorneys**
(71) Name(s) and Address(s) of Applicant(s):
Apple Inc.
1 Infinite Loop Cupertino California 95014 United States of America
(72) Name(s) of Designer(s): **Wesley Bryan Hamm and Russell John Kaaihue Heirakuji and Kevin Fenton Smeds and Frank Craig Thaler and Federico F. Tio**
(45) Registration Date: **06 January 2012**
(30) Convention priority data:
(31) Number (32) Date (33) Country
29/393288 01 Jun 2011 UNITED STATES OF AMERICA
(56) Related Art Documents: **Not Applicable**
(57) Statement of Newness and Distinctiveness: **Newness and distinctiveness resides in the visual features in the accompanying figures that are represented by solid lines (not dashed lines).**



- (21) Design Number: **15500/2011**
(22) Date of Filing Application: **01 December 2011**
(24) Date from which industrial property rights may have effect: **01 December 2011**
(54) Product in respect of which the design is registered: **Display structure**
(51) International Design Classification: **20-02C**
(74) Name(s) of Attorney(s): **Freehills Patent & Trade Mark Attorneys**
(71) Name(s) and Address(s) of Applicant(s):
Apple Inc.
1 Infinite Loop Cupertino California 95014 United States of America
(72) Name(s) of Designer(s): **Wesley Bryan Hamm and Russell John Kaaihue Heirakuji and Kevin Fenton Smeds and Frank Craig Thaler and Federico F. Tio**
(45) Registration Date: **06 January 2012**
(30) Convention priority data:
(31) Number (32) Date (33) Country
29/393288 01 Jun 2011 UNITED STATES OF AMERICA
(56) Related Art Documents: **Not Applicable**
(57) Statement of Newness and Distinctiveness: **Newness and distinctiveness resides in the visual features in the accompanying figures that are represented by solid lines (not dashed lines).**



(21) Design Number: **15501/2011**
(22) Date of Filing Application: **01 December 2011**
(24) Date from which industrial property rights may have effect: **01 December 2011**
(54) Product in respect of which the design is registered: **Display structure**
(51) International Design Classification: **20-02C**
(74) Name(s) of Attorney(s): **Freehills Patent & Trade Mark Attorneys**
(71) Name(s) and Address(s) of Applicant(s):

Apple Inc.
1 Infinite Loop Cupertino California 95014 United States of America

(72) Name(s) of Designer(s): **Wesley Bryan Hamm and Russell John Kaaihue Heirakuji and Kevin Fenton Smeds and Frank Craig Thaler and Federico F. Tio**

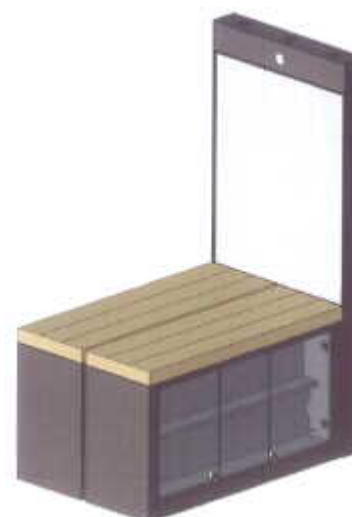
(45) Registration Date: **06 January 2012**

(30) Convention priority data:

(31) Number	(32) Date	(33) Country
29/393288	01 Jun 2011	UNITED STATES OF AMERICA

(56) Related Art Documents: **Not Applicable**

(57) Statement of Newness and Distinctiveness: **Newness and distinctiveness resides in the colours of the display structure as shown in the accompanying figures.**



(21) Design Number: **15504/2011**
(22) Date of Filing Application: **02 December 2011**
(24) Date from which industrial property rights may have effect: **02 December 2011**
(54) Product in respect of which the design is registered: **A tyre**
(51) International Design Classification: **12-15A**
(74) Name(s) of Attorney(s): **WATERMARK PATENT AND TRADE MARKS ATTORNEYS**
(71) Name(s) and Address(s) of Applicant(s):

Societe De Technologie Michelin
23 rue Breschet F-63000 Clermont-Ferrand Cedex France
Michelin Recherche et Technique S.A.
Route Louis Braille 10 et 12 CH-1763 Granges-Paccot Switzerland

(72) Name(s) of Designer(s): **Thomas Felder and Matthieu Vandaele**

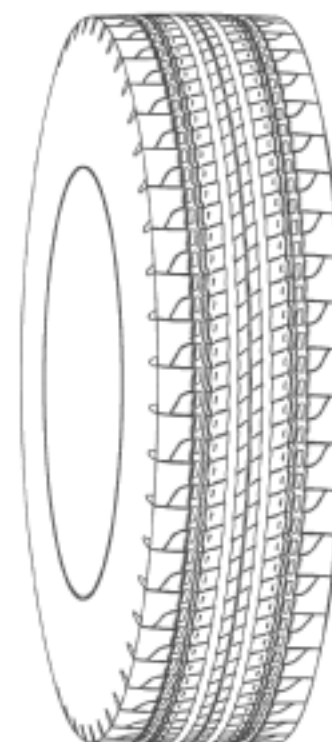
(45) Registration Date: **06 January 2012**

(30) Convention priority data:

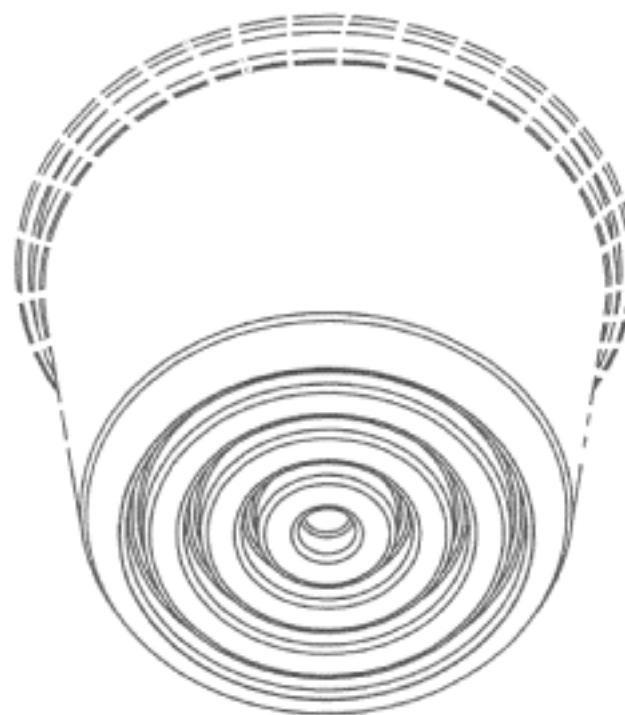
(31) Number	(32) Date	(33) Country
11/3277	28 Jun 2011	FRANCE

(56) Related Art Documents: **Not Applicable**

(57) Statement of Newness and Distinctiveness: **Newness and distinctiveness resides in the shape and configuration to the tread region of the tyre, the remainder of the tyre not forming part of the design.**



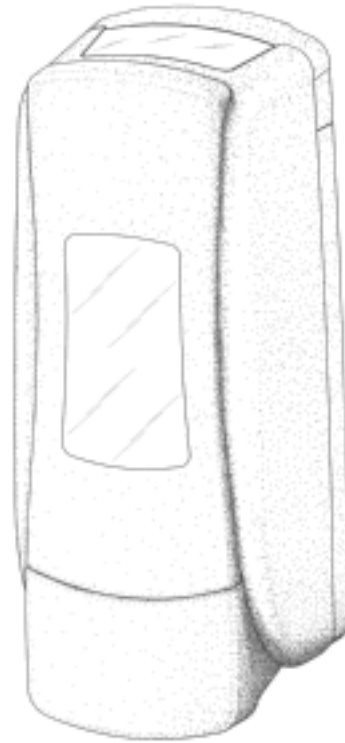
- (21) Design Number: **15505/2011**
(22) Date of Filing Application: **01 December 2011**
(24) Date from which industrial property rights may have effect: **01 December 2011**
(54) Product in respect of which the design is registered: **A container base**
(51) International Design Classification: **09-03L**
(74) Name(s) of Attorney(s): **SPRUSON & FERGUSON**
(71) Name(s) and Address(s) of Applicant(s):
Tacca Industries Pty Ltd
4 Deadman Road Moorebank New South Wales 2170 Australia
(72) Name(s) of Designer(s): **Domenic Tacca**
(45) Registration Date: **06 January 2012**
(56) Related Art Documents: **Not Applicable**
(57) Statement of Newness and Distinctiveness: **Newness and distinctiveness is claimed in those features of shape and/or configuration of a container base as illustrated in continuous lines in the accompanying representations.**



- (21) Design Number: **15529/2011**
(22) Date of Filing Application: **05 December 2011**
(24) Date from which industrial property rights may have effect: **05 December 2011**
(54) Product in respect of which the design is registered: **An external insulating container and internal phase change material container surrounding specimen tubes for transport**
(51) International Design Classification: **24-99, 09-03E**
(74) Name(s) of Attorney(s):
(71) Name(s) and Address(s) of Applicant(s):
Theo Naarstig
C/- Mediscan 322 Canning Highway Bicton Western Australia 6157 Australia
(72) Name(s) of Designer(s): **Theo Naarstig and Anthony James Lloyd and Sally Stevens Lloyd and Thomas van Aesch**
(45) Registration Date: **06 January 2012**
(56) Related Art Documents: **Not Applicable**
(57) Statement of Newness and Distinctiveness: **Newness and distinctiveness reside in the shape and configuration of the external and internal containers as shown in the representations.**



(21) Design Number: **15532/2011**
(22) Date of Filing Application: **06 December 2011**
(24) Date from which industrial property rights may have effect: **06 December 2011**
(54) Product in respect of which the design is registered: **Dispenser housing**
(51) International Design Classification: **09-03NES**
(74) Name(s) of Attorney(s): **Collison & Co**
(71) Name(s) and Address(s) of Applicant(s):
Gojo Industries, Inc.
One Gojo Plaza Suite 500 Akron Ohio 44309 United States of America
(72) Name(s) of Designer(s): **Nick E. Ciavarella and David D. Hayes and Brian Milliff and Scott T. Proper**
(45) Registration Date: **06 January 2012**
(30) Convention priority data:
(31) Number (32) Date (33) Country
29/393,810 09 Jun 2011 UNITED STATES OF AMERICA
(56) Related Art Documents: **Not Applicable**
(57) Statement of Newness and Distinctiveness: **Nil**



(21) Design Number: **15565/2011**

(22) Date of Filing Application: **05 December 2011**

(24) Date from which industrial property rights may have effect: **05 December 2011**

(54) Product in respect of which the design is registered: **Story board coin operated ride**

(51) International Design Classification: **21-03**

(74) Name(s) of Attorney(s):

(71) Name(s) and Address(s) of Applicant(s):

Leisure Coin Pty Ltd

1/12 Dairy Drive Coburg North Victoria 3058 Australia

(72) Name(s) of Designer(s): **Nicolaos Karamouzis**

(45) Registration Date: **06 January 2012**

(56) Related Art Documents: **Not Applicable**

(57) Statement of Newness and Distinctiveness: **The Story Board coin operated ride (SBR) is a new and distinct design concept in coin operated rides. The SBR design offers significant advantages over traditional coin operated rides. The concept is new and distinct as it offers the ability to display vertically, on a flat surface a large amount of graphical information as a backdrop to for two three dimensional vehicles that accommodate the passengers. This means that each ride manufactured with the SBR design concept is simpler and cheaper to develop than traditional rides of the rotating genre. The SBR concept also allow the updating or transformation of the ride easier and cheaper. The SBR is comprised of two main components. The first is a circular rotating ride base and the second is a dividing wall. The dividing wall separates the ride into two halves vertically. On either side of the dividing wall vehicles of any type are placed to accommodate riders. This configuration creates a "story board" enabling either side of the dividing wall to be themed as a backdrop for the vehicles. Each side can be completely different to the other making the ride two rides in one. The SBR concept allows for a change of vehicles, and decals for a complete ride change without discarding most of the ride's hardware. This will save the operator significant operating costs over time. The SBR concept design is the first environmentally friendly ride design concept. The diameter of the base and matching dividing wall can be varied to suit the operator's requirements.**



(21) Design Number: **15566/2011**

(22) Date of Filing Application: **05 December 2011**

(24) Date from which industrial property rights may have effect: **05 December 2011**

(54) Product in respect of which the design is registered: **Cleaning device**

(51) International Design Classification: **07-05E**

(74) Name(s) of Attorney(s): **Shelston IP**

(71) Name(s) and Address(s) of Applicant(s):

The Libman Company

220 North Sheldon Arcola Illinois 61910 United States of America

(72) Name(s) of Designer(s): **Brian Sowinski and Tobia Berti**

(45) Registration Date: **06 January 2012**

(30) Convention priority data:

(31) Number

(32) Date

(33) Country

29/402181

21 Sep 2011

UNITED STATES OF AMERICA

(56) Related Art Documents: **Not Applicable**

(57) Statement of Newness and Distinctiveness: **Newness and distinctiveness reside in the shape and/or configuration of a cleaning device as illustrated by solid lines in the accompanying representations. The features shown in broken outline are for illustrative purposes only and do not form part of the design.**

