



**Australian Government**

---

**IP Australia**

**AUSTRALIAN OFFICIAL JOURNAL**

**OF**

**DESIGNS**

Did you know a searchable version of this journal is now available online?

It's FREE and EASY to SEARCH.

Find it on our website ([www.ipaustralia.gov.au](http://www.ipaustralia.gov.au))

by using the "Journals" link on the home page.

This Page Left Intentionally Blank

**Contents**

**General Information & Notices**

**Proceedings Under the Designs Act 1906 preserved as a result of the provisions of Chapter 12  
Part 2 of the Designs Act 2003**

<b>Extension of Period of Registration of Designs .....</b>	<b>376</b>
<b>Names Registered - Alterations and Amendments .....</b>	<b>376</b>
<b>Registrations Ceased .....</b>	<b>376</b>
<b>Subsequent Owners Registered .....</b>	<b>376</b>

**Proceedings Under the Designs Act 2003**

<b>Applications Lapsed .....</b>	<b>388</b>
<b>Applications Lodged .....</b>	<b>380</b>
<b>Applications Withdrawn .....</b>	<b>388</b>
<b>Certificate of Examination .....</b>	<b>392</b>
<b>Extension of Period of Registration of Design .....</b>	<b>389</b>
<b>Extension of Time Granted Under Section 137 .....</b>	<b>390</b>
<b>Names Registered - Alterations and Amendments .....</b>	<b>391</b>
<b>Publication and Registration Proceedings</b>	
<b>Designs Registered 340629 to 340897.....</b>	<b>393</b>
<b>Registrations Ceased .....</b>	<b>389</b>
<b>Subsequent Owners Registered .....</b>	<b>390</b>

This Page Left Intentionally Blank

For information on the following please see our website [www.ipaustralia.gov.au](http://www.ipaustralia.gov.au) or contact our Customer Service Network on 1300651010

[Editorial enquiries](#)

[Contact information](#)

[Freedom of Information ACT](#)

[Professional Standards Board](#)

[Sales](#)

[Requests for Information under Section 194 \(c\)](#)

[Country Codes](#)

[Trade Mark and Designs Hearing Sessions](#)

[INID \(Internationally agreed Numbers for the Identification of Data\)](#)

## “INID” NUMBERS in use on Australian Design Documents

“INID” is an acronym for “Internationally agreed Numbers for the Identification of Data”.

### (10) Data concerning the registration/renewal

- (11) Serial number of the registration and/or number of the design document
- (12) Plain language designation of the kind of published document
- (19) Identification, using the two-letter code according to WIPO Standard ST.3, of the authority publishing or registering the industrial design

### (20) Data concerning the application

- (21) Serial number of the application
- (22) Date of filing of the application
- (24) Date from which the industrial design right has effect

### (30) Data relating to priority under the Paris Convention

- (31) Serial number assigned to the priority application
- (32) Date of filing of the priority application
- (33) Two-letter code, according to WIPO Standard ST.3, identifying the authority with which the priority application was made

### (40) Date(s) of making information available to the public

- (45) Date of publication of the registered industrial design by printing or similar process, or making it available to the public by any other means

### (50) Miscellaneous Information

- (51) International Classification for Industrial Designs (class and subclass of the Locarno Classification)
- (54) Designation of article(s) or product(s) covered by the industrial design or title of the industrial design
- (55) Reproduction of the industrial design (e.g., drawing, photograph) and explanations relating to the reproduction
- (56) List of prior art documents, if separate from descriptive text
- (57) Description of characteristic features of the industrial design including indication of colours

### (60) References to other legally related application(s) and registration(s)

- (62) Serial number(s) and, if available, filing date(s) of application(s), registration(s) or document(s) related by division
- (66) Serial number(s) of the application, or the registration, of the design(s) which is (are) a variant(s) of the present one

### (70) Identification of parties concerned with the application or registration

- (71) Name(s) and address(es) of the applicant(s)
- (72) Name(s) of the creator(s) if known to be such
- (74) Name(s) and address(es) of the representative(s)

This Page Left Intentionally Blank

**Nil notices for this journal issue.**

**Proceedings under the Designs Act 1906 preserved as a result of the provisions of Chapter 12 Part 2 of the Designs Act 2003.**



This Page Left Intentionally Blank

**Applications Lapsed**

There were no Applications Lapsed under this section

**Extension of Period of Registration of Designs**

**1st Period (Section 27A(8))**

**2nd Period (Section 27A(12))**

**3rd Period (Section 27A(13))**

144016	145097	145098
145127	145131	145260
145319	145320	145321
145586	145587	145588
145620	145827	145828
145980	146068	146069
146284	146286	146611
146840	146860	146875
147556	147557	147713
148911	149135	149564
150083	154750	

**Registrations Ceased**

Note: Some of the following Registrations may have been previously advertised as ceased. In this instance, the previous advertisement still prevails.

126190	126268	126399
126637	127476	127477
127496	127538	127539
127540	127560	127607
127613	127635	127636
127637	127641	127672
127709	127892	127983
128192	128209	128296
128335	128475	128517
128656	129224	129549
129550	130324	130504
141423	141424	141437
141477	141584	141872
141974	142025	142066
142840	142917	143116
143155	143314	143404
143476	143708	144007
144131	144132	144312
144313	144314	144321
144607	144608	144780
144920	144921	144922
144923	145711	146055
146922	146923	146925
147012	147081	147611
147612	147613	147614
147615	147616	147617
147631	147773	147774

147858	147914	147915
148237	148388	148507
148852	148960	149346
151169	151170	151171
151172	151204	154421

**Subsequent Owners Registered**

(The name in parentheses is that of the subsequent owner)

146178	( Karen Rumley )	Matthew Legh; Karen Rumley
147011	( Dana Douglas Inc. )	Konni Holdings Inc
147772	( Dana Douglas Inc. )	Konni Holdings Inc

**Names Registered - Alterations and Amendments**

(The name in parentheses is the new name of the proprietor)

130120	( ABRA ALUMINIUM PTY LTD )	Abra Products Pty Ltd
132524	( ABRA ALUMINIUM PTY LTD )	Abra Products Pty Ltd
138176	( ABRA ALUMINIUM PTY LTD )	Abra Products Pty Ltd
138175	( ABRA ALUMINIUM PTY LTD )	Abra Products Pty Ltd
138174	( ABRA ALUMINIUM PTY LTD )	Abra Products Pty Ltd
138173	( ABRA ALUMINIUM PTY LTD )	Abra Products Pty Ltd
136007	( ABRA ALUMINIUM PTY LTD )	Abra Products Pty Ltd
136008	( ABRA ALUMINIUM PTY LTD )	Abra Products Pty Ltd
153881	( ABRA ALUMINIUM PTY LTD )	Abra Products Pty Ltd
153880	( ABRA ALUMINIUM PTY LTD )	Abra Products Pty Ltd

This Page Left Intentionally Blank

**Proceedings under the Designs Act 2003.**

This Page Left Intentionally Blank

**Applications Lodged**

Lodgement information is in the following order: **Applicant's Name**; International Classification, Name of Product, Lodgement Date and **Design Number**. If the applicant claims an earlier priority date under an International Convention, the Convention Country and the associated filing date are shown in parentheses before the Lodgement Date. Divisional information will also appear in parentheses before the Lodgement Date.

<b>Ager, Gavin;</b> 12-16K, An outboard motor carrier where-by the main axis is angled upward at minimum 10 degrees to maximum 85 degrees to the, horizontal, 31 Jan 2012	<b>10468/2012</b>	<b>ARPER S.p.A.;</b> 06-03B, Table, (WO, 29 Jul 2011) 27 Jan 2012	<b>10356/2012</b>
<b>Aktiebolaget Electrolux;</b> 15-05, Vacuum cleaner accessory, (EM, 13 Jul 2011) 10 Jan 2012	<b>10435/2012</b>	<b>ARPER S.p.A.;</b> 06-03B, Table, (WO, 29 Jul 2011) 27 Jan 2012	<b>10357/2012</b>
<b>Alive Girl Pty Ltd;AG (Syd) Fashion Pty Ltd;</b> 02-02C, Apparel, 08 Feb 2012	<b>10598/2012</b>	<b>ARPER S.p.A.;</b> 06-01F, Armchair, (WO, 29 Jul 2011) 27 Jan 2012	<b>10355/2012</b>
<b>Alto Manufacturing Pty Ltd;</b> 07-01D, Cup, 24 Jan 2012	<b>10321/2012</b>	<b>ARPER S.p.A.;</b> 06-03B, Table, (WO, 29 Jul 2011) 27 Jan 2012	<b>10354/2012</b>
<b>Alto Manufacturing Pty Ltd;</b> 07-01D, Cup, 24 Jan 2012	<b>10320/2012</b>	<b>Baker, Kevin John;</b> 23-04, Ventilator, 07 Feb 2012	<b>10566/2012</b>
<b>Anning, Jeffrey;</b> 12-14, 21-02E, Motorized skateboard, 30 Jan 2012	<b>10409/2012</b>	<b>Baker, Kevin John;</b> 23-04, Ventilator, 07 Feb 2012	<b>10571/2012</b>
<b>AptarGroup, Inc.;</b> 09-07A, Closure, (US, 04 Oct 2011) 08 Feb 2012	<b>10607/2012</b>	<b>Barron and Rawson Pty Ltd;</b> 21-03, 25 Litre tip'n'run, 30 Jan 2012	<b>10434/2012</b>
<b>AptarGroup, Inc.;</b> 09-07B, Closure, (US, 04 Oct 2011) 08 Feb 2012	<b>10601/2012</b>	<b>Barron and Rawson Pty Ltd;</b> 21-01E, 21-03, Walk blok, 30 Jan 2012	<b>10433/2012</b>
<b>Aucone, Anthony;</b> 26-05D, The reflector of 40W square shop fitter., 27 Jan 2012	<b>10398/2012</b>	<b>Bausch &amp; Lomb Incorporated;</b> 16-06, Contact lens, (US, 19 Sep 2011) 07 Feb 2012	<b>10574/2012</b>
<b>Aucone, Anthony;</b> 26-05D, The heat sink for the 40W square shop fitter., 27 Jan 2012	<b>10399/2012</b>	<b>BioMerieux, Inc.;</b> 24-01, Specimen container, 25 Jan 2012	<b>10341/2012</b>
<b>Aucone, Anthony;</b> 26-05NES, A power jointer to link two battens together, 27 Jan 2012	<b>10396/2012</b>	<b>Blow Products Pty Ltd;</b> 12-06A, Hull of a personal water craft, 27 Jan 2012	<b>10342/2012</b>
<b>Aucone, Anthony;</b> 26-05NES, 13-03D, A power connector for the power input and output. safe and unique., 27 Jan 2012	<b>10397/2012</b>	<b>Blow Products Pty Ltd;</b> 12-06A, Deck of a personal water craft, 27 Jan 2012	<b>10343/2012</b>
<b>Aucone, Anthony;</b> 26-05NES, A cap for the ends of the batten, or back of the batten. (batten means lighting LED fitting/tube), 27 Jan 2012	<b>10394/2012</b>	<b>Bordo International Pty. Ltd.;</b> 03-01D, Case for tools and equipment, 02 Feb 2012	<b>10486/2012</b>
<b>Aucone, Anthony;</b> 26-05NES, 08-08C, A spring clip for LED batten, to fit the batten on the ceiling., 27 Jan 2012	<b>10395/2012</b>	<b>Bradken Resources Pty Limited;</b> 12-05, Hoist link for a dragline assembly, 03 Feb 2012	<b>10541/2012</b>
<b>Austral Lock Pty Ltd;</b> 08-06, A lever and backplate assembly, 01 Feb 2012	<b>10457/2012</b>	<b>Braun GmbH;</b> 31-00, Handpiece for a hand blender, (WO, 08 Aug 2011) 07 Feb 2012	<b>10587/2012</b>
<b>AG (Syd) Fashion Pty Ltd;Alive Girl Pty Ltd;</b> 02-02C, Apparel, 08 Feb 2012	<b>10598/2012</b>	<b>Bridgestone Bandag, LLC;</b> 12-15A, Tire, (US, 02 Aug 2011) 30 Jan 2012	<b>10414/2012</b>
		<b>Bridgestone Bandag, LLC;</b> 12-15A, Tire, (US, 08 Aug 2011) 30 Jan 2012	<b>10413/2012</b>
		<b>Cadbury UK Limited;</b> 01-01, Confectionery, (EM, 22 Aug 2011) 08 Feb 2012	<b>10600/2012</b>

<b>Cadbury UK Limited;</b> 01-01, Confectionery, 24 Jan 2012	<b>10319/2012</b>	<b>Centurion International Imports Pty Ltd;</b> 08-07, Key blank, 02 Feb 2012	<b>10492/2012</b>
<b>Cairns, Wayne;</b> 06-04NES, , 30 Jan 2012	<b>10393/2012</b>	<b>Centurion International Imports Pty Ltd;</b> 08-07, Key blank, 02 Feb 2012	<b>10493/2012</b>
<b>Capral Limited;</b> 25-01K, A profile, 27 Jan 2012	<b>10388/2012</b>	<b>Chessell, David;</b> 06-01F, Bottle bar stool, (US, 03 Aug 2011) 01 Feb 2012	<b>10458/2012</b>
<b>Capral Limited;</b> 25-01K, A profile, 27 Jan 2012	<b>10380/2012</b>	<b>Clarke, Bruce Richard;</b> 09-06, Tie down strap, 01 Feb 2012	<b>10466/2012</b>
<b>Capral Limited;</b> 25-01K, A profile, 27 Jan 2012	<b>10381/2012</b>	<b>Colgate-Palmolive Company;</b> 04-02, Toothbrush, (US, 26 Aug 2011) 01 Feb 2012	<b>10470/2012</b>
<b>Capral Limited;</b> 25-01K, A profile, 27 Jan 2012	<b>10379/2012</b>	<b>Colgate-Palmolive Company;</b> 04-02, Toothbrush, (US, 26 Aug 2011) 01 Feb 2012	<b>10472/2012</b>
<b>Capral Limited;</b> 25-01K, A profile, 27 Jan 2012	<b>10383/2012</b>	<b>Colgate-Palmolive Company;</b> 04-02, Toothbrush, (US, 26 Aug 2011) 01 Feb 2012	<b>10473/2012</b>
<b>Capral Limited;</b> 25-01K, A profile, 27 Jan 2012	<b>10386/2012</b>	<b>Colgate-Palmolive Company;</b> 04-02, Toothbrush, (US, 26 Aug 2011) 01 Feb 2012	<b>10471/2012</b>
<b>Capral Limited;</b> 25-01K, A profile, 27 Jan 2012	<b>10387/2012</b>	<b>Colgate-Palmolive Company;</b> 04-02, Toothbrush, (US, 26 Aug 2011) 01 Feb 2012	<b>10471/2012</b>
<b>Capral Limited;</b> 25-01K, A profile, 27 Jan 2012	<b>10384/2012</b>	<b>Columbia Insurance Company;</b> 07-04, Food cutter, (US, 03 Aug 2011) 01 Feb 2012	<b>10456/2012</b>
<b>Capral Limited;</b> 25-01K, A profile, 27 Jan 2012	<b>10385/2012</b>	<b>Commonwealth of Australia, The;</b> 99-00, A pattern for textiles, footwear, metals, outdoor adventure and camping equipment, and military hardware and equipment, 07 Feb 2012	<b>10575/2012</b>
<b>Capral Limited;</b> 25-01K, A profile, 27 Jan 2012	<b>10382/2012</b>	<b>Constar International Inc;</b> 09-01NES, Panel for a container, (US, 03 Aug 2011) 01 Feb 2012	<b>10505/2012</b>
<b>Caroma Industries Limited;</b> 23-02F, A basin, 07 Feb 2012	<b>10573/2012</b>	<b>Cordaid Pty Ltd;</b> 09-06, Cord wrap, 25 Jan 2012	<b>10327/2012</b>
<b>Caroma Industries Limited;</b> 23-02F, A basin, 03 Feb 2012	<b>10547/2012</b>	<b>Cree, Inc.;</b> 08-08M, Modular indirect suspended/ceiling mount fixture, (US, 24 Jul 2011) 24 Jan 2012	<b>10312/2012</b>
<b>Caroma Industries Limited;</b> 23-02C, A toilet pan, 03 Feb 2012	<b>10553/2012</b>	<b>D.V. Logic Pty Ltd;</b> 12-16NES, Wheel motor cover, 01 Feb 2012	<b>10497/2012</b>
<b>Caroma Industries Limited;</b> 23-02C, A toilet pan, 03 Feb 2012	<b>10552/2012</b>	<b>Dart Industries Inc.;</b> 10-04, Measuring cup, (US, 04 Aug 2011) 25 Jan 2012	<b>10368/2012</b>
<b>Caroma Industries Limited;</b> 23-02F, A basin, 03 Feb 2012	<b>10550/2012</b>	<b>Dart Industries Inc.;</b> 10-04, Measuring spoon, (US, 04 Aug 2011) 25 Jan 2012	<b>10374/2012</b>
<b>Caroma Industries Limited;</b> 23-02C, A toilet pan and cistern assembly, 03 Feb 2012	<b>10554/2012</b>	<b>Dart Industries Inc.;</b> 10-04, Measuring cup, (US, 04 Aug 2011) 25 Jan 2012	<b>10369/2012</b>
<b>Caroma Industries Limited;</b> 23-02F, A basin, 03 Feb 2012	<b>10551/2012</b>	<b>Dart Industries Inc.;</b> 10-04, Measuring cup, (US, 04 Aug 2011) 25 Jan 2012	<b>10367/2012</b>
<b>Caroma Industries Limited;</b> 23-02C, A urinal, 03 Feb 2012	<b>10546/2012</b>	<b>Dart Industries Inc.;</b> 10-04, Measuring spoon, (US, 04 Aug 2011) 25 Jan 2012	<b>10370/2012</b>
<b>Caroma Industries Limited;</b> 23-02C, A toilet seat, 03 Feb 2012	<b>10548/2012</b>		
<b>Caroma Industries Limited;</b> 23-02C, A toilet seat cover, 03 Feb 2012	<b>10549/2012</b>		
<b>Centurion International Imports Pty Ltd;</b> 08-07, Key blank, 02 Feb 2012	<b>10491/2012</b>		
<b>Centurion International Imports Pty Ltd;</b> 08-07, Key blank, 02 Feb 2012	<b>10494/2012</b>		
<b>Centurion International Imports Pty Ltd;</b> 08-07, Key blank, 02 Feb 2012	<b>10495/2012</b>		



<b>Dart Industries Inc.;</b> 08-05H, Knife sharpener, (US, 04 Aug 2011) 25 Jan 2012	<b>10372/2012</b>	<b>Enoplastic S.p.A.;</b> 09-01H, Bottle, (EM, 08 Aug 2011) 06 Feb 2012	<b>10569/2012</b>
<b>Dart Industries Inc.;</b> 08-05H, Knife sharpener, (US, 04 Aug 2011) 25 Jan 2012	<b>10373/2012</b>	<b>F F Seeley Nominees Pty Ltd;</b> 23-04, Multi stage evaporative cooler, 19 Jan 2012	<b>10303/2012</b>
<b>Dart Industries Inc.;</b> 10-04, Measuring spoon, (US, 04 Aug 2011) 25 Jan 2012	<b>10371/2012</b>	<b>Fernandez, Martino;</b> 07-01D, This product is used for slurpees or iced drinks where two flavours can be put into one cup, 23 Jan 2012	<b>10304/2012</b>
<b>Deckers Outdoor Corporation;</b> 02-04NES, Footwear upper, (US, 03 Nov 2011) 31 Jan 2012	<b>10427/2012</b>	<b>Ferry, Howard;</b> 23-01F, Water tank, 03 Feb 2012	<b>10504/2012</b>
<b>Deckers Outdoor Corporation;</b> 02-04B, Footwear outsole, (US, 02 Nov 2011) 31 Jan 2012	<b>10428/2012</b>	<b>Fiddler, Derek George Wilson;</b> 99-00, The seven groups of recycled plastic(1-7), 06 Feb 2012	<b>10565/2012</b>
<b>Deckers Outdoor Corporation;</b> 02-04B, Footwear outsole lug, (US, 07 Nov 2011) 31 Jan 2012	<b>10425/2012</b>	<b>Fitness Anywhere, LLC;</b> 21-02F, A hand grip, (US, 29 Jul 2011) 25 Jan 2012	<b>10353/2012</b>
<b>Deckers Outdoor Corporation;</b> 02-04NES, Footwear upper, (US, 03 Nov 2011) 31 Jan 2012	<b>10424/2012</b>	<b>Food Fight Limited;</b> 07-02R, Handle for cooking utensil, 02 Feb 2012	<b>10503/2012</b>
<b>Deckers Outdoor Corporation;</b> 02-04A, Footwear, (US, 07 Nov 2011) 31 Jan 2012	<b>10426/2012</b>	<b>Forever New Clothing Pty Ltd;</b> 02-02C, 02-02NES, Women's fashion clothing, 07 Feb 2012	<b>10576/2012</b>
<b>Design Ideas, Ltd.;</b> 20-02B, 19-06, Human model, (CN, 22 Jul 2011) 23 Jan 2012	<b>10290/2012</b>	<b>Gainsky Pty Ltd t/as Freedom Healthcare;</b> 23-02C, 06-01NES, Seat with built in toilet, 24 Jan 2012	<b>10279/2012</b>
<b>Dietzel Gesellschaft MBH;</b> 08-08NES, 13-99, A fixing device for electrical installations, (AT, 29 Jul 2011) 30 Jan 2012	<b>10490/2012</b>	<b>Gainsky Pty Ltd t/as Freedom Healthcare;</b> 23-02C, 06-01NES, Toilet pan seat on legs with hand rests, 24 Jan 2012	<b>10280/2012</b>
<b>Duoject Medical Systems Inc.;</b> 24-02, A reconstitution device for mixing compositions, (CA, 27 Jul 2011) 25 Jan 2012	<b>10314/2012</b>	<b>Gainsky Pty Ltd t/as Freedom Healthcare;</b> 23-02C, 06-01NES, Seat with ventilated back rest and adjustable legs, 24 Jan 2012	<b>10281/2012</b>
<b>Dyson Limited;</b> 15-05, 28-03NES, A hand dryer, (EM, 17 Aug 2011) 25 Jan 2012	<b>10352/2012</b>	<b>Gainsky Pty Ltd t/as Freedom Healthcare;</b> 23-02C, 06-01NES, 06-03NES, Flat top bench seat/table with detachable back rest, 24 Jan 2012	<b>10282/2012</b>
<b>Eighty Eight Investments Pty Ltd;</b> 08-08M, Set of brackets, 02 Feb 2012	<b>10502/2012</b>	<b>Gainsky Pty Ltd t/as Freedom Healthcare;</b> 23-02C, 06-01NES, Flat top bench seat with back rest, 24 Jan 2012	<b>10283/2012</b>
<b>Eighty Eight Investments Pty Ltd;</b> 09-05, Display packaging, 08 Feb 2012	<b>10604/2012</b>	<b>Gainsky Pty Ltd t/as Freedom Healthcare;</b> 23-02C, 06-01NES, 3 panel flat bottom seat, with single arm rest and back rest, 24 Jan 2012	<b>10284/2012</b>
<b>Eighty Eight Investments Pty Ltd;</b> 10-05, Tester for display packaging, 08 Feb 2012	<b>10602/2012</b>	<b>Gainsky Pty Ltd t/as Freedom Healthcare;</b> 23-02C, 06-01NES, Toilet pan seat with backrest that encloses and covers seat, 24 Jan 2012	<b>10285/2012</b>
<b>Electrolux Home Products Pty Limited;</b> 25-01K, An appliance component, extrusion or metal section, 07 Feb 2012	<b>10583/2012</b>	<b>Gainsky Pty Ltd t/as Freedom Healthcare;</b> 23-02C, 06-01NES, Seat with arm rests and back rest, 24 Jan 2012	<b>10286/2012</b>
<b>Electrolux Home Products Pty Limited;</b> 23-04, A duct for a cooling appliance, 07 Feb 2012	<b>10585/2012</b>	<b>Gainsky Pty Ltd t/as Freedom Healthcare;</b> 23-02NES, 06-06G, Connected arms and legs that are adjustable for bench or seat, 24 Jan 2012	<b>10287/2012</b>
<b>Electrolux Home Products Pty Limited;</b> 15-07, A bin for an appliance, 07 Feb 2012	<b>10584/2012</b>		
<b>Enghard, Florian;</b> 07-99NES, Funnel, (DE, 18 Aug 2011) 02 Feb 2012	<b>10501/2012</b>		

<b>Gainsky Pty Ltd t/as Freedom Healthcare;</b> 23-02NES, 06-06G, 06-06E, Extendable leg for bench or seat, 24 Jan 2012	<b>10288/2012</b>	<b>Husqvarna AB;</b> 15-03B, Battery wagon, 03 Feb 2012	<b>10555/2012</b>
<b>Gainsky Pty Ltd t/as Freedom Healthcare;</b> 23-02NES, 06-06G, 06-06E, Connected arms and legs with multiple bends that are adjustable for bench or seat, 24 Jan 2012	<b>10289/2012</b>	<b>Husqvarna AB;</b> 13-02, Charger, 03 Feb 2012	<b>10556/2012</b>
<b>Gavrieli Brands, LLC;</b> 02-04A, Split sole shoe, (US, 10 Aug 2011) 08 Feb 2012	<b>10599/2012</b>	<b>Husqvarna AB;</b> 15-03B, Window, 03 Feb 2012	<b>10557/2012</b>
<b>Gessi S.P.A.;</b> 23-01H, Faucet, (IT, 08 Aug 2011) 08 Feb 2012	<b>10606/2012</b>	<b>Hutzler Manufacturing Co., Inc.;</b> 09-01D, Food container, (US, 28 Dec 2011) 30 Jan 2012	<b>10402/2012</b>
<b>Gessi S.P.A.;</b> 23-01H, Faucet, (IT, 08 Aug 2011) 08 Feb 2012	<b>10605/2012</b>	<b>Hutzler Manufacturing Co., Inc.;</b> 07-01NES, Food container, (US, 28 Dec 2011) 30 Jan 2012	<b>10400/2012</b>
<b>Gessi S.P.A.;</b> 23-01H, Faucet, (IT, 08 Aug 2011) 08 Feb 2012	<b>10603/2012</b>	<b>Illinois Tool Works Inc.;</b> 08-06, Plasma torch handle, (US, 19 Aug 2011) 02 Feb 2012	<b>10485/2012</b>
<b>Grasshopper Outdoors Pty Ltd;</b> 12-16NES, 25-02H, Caravan & RV awning removable rafter, 30 Jan 2012	<b>10467/2012</b>	<b>Innovation First International, Inc.;</b> 21-01A, Robotic toy scarab, (US, 11 Aug 2011) 07 Feb 2012	<b>10572/2012</b>
<b>Halimont Pty Ltd;</b> 09-03L, Packaging for food, 03 Feb 2012	<b>10558/2012</b>	<b>Iqonic Pty.Ltd.;</b> 30-04, A horse bit, (Divisional of 12178/2011) 25 Jan 2012	<b>10328/2012</b>
<b>Henderson, Kenneth Herbert;</b> 15-02, Pump unit, 25 Jan 2012	<b>10337/2012</b>	<b>IDC Solutions Pty Ltd;</b> 14-02, A panel, 08 Feb 2012	<b>10608/2012</b>
<b>Henderson, Kenneth Herbert;</b> 07-05NES, Cleaning tray, 25 Jan 2012	<b>10338/2012</b>	<b>IQ Kids &amp; Furniture Pty Ltd;</b> 06-02, Wheel for racing car single bed, 23 Jan 2012	<b>10324/2012</b>
<b>Hill, Natasha;</b> 21-01B, 21-01D, Plush toy and cartoon with blue sneakers design, 01 Feb 2012	<b>10507/2012</b>	<b>IQ Kids &amp; Furniture Pty Ltd;</b> 06-02, Racing car single bed, 23 Jan 2012	<b>10323/2012</b>
<b>Hill, Natasha;</b> 99-00, Cartoon of female plush toy design with pink sneakers, 01 Feb 2012	<b>10508/2012</b>	<b>K'NEX Limited Partnership Group;</b> 21-01C, 1. Straight track section for toy cars. 2. Curved track section for toy cars. 3. Transitional track section for, toy cars., (US, 12 Aug 2011) 31 Jan 2012	<b>10455/2012</b>
<b>Holley Performance Products, Inc.;</b> 15-01, Carburetor main body, (US, 30 Aug 2011) 01 Feb 2012	<b>10432/2012</b>	<b>Kagi IP Holding Company Limited;</b> 20-02NES, A set of jewellery display blocks, (NZ, 05 Aug 2011) 03 Feb 2012	<b>10559/2012</b>
<b>Holley Performance Products, Inc.;</b> 12-16NES, Oil pan, (US, 30 Aug 2011) 01 Feb 2012	<b>10454/2012</b>	<b>Kapsch TrafficCom AG;</b> 14-03NES, 16-01, 26-03, Outdoor lighting with radio transmitter and camera, (EM, 17 Aug 2011) 30 Jan 2012	<b>10405/2012</b>
<b>Holley Performance Products, Inc.;</b> 15-01, Intake manifold, (US, 30 Aug 2011) 01 Feb 2012	<b>10453/2012</b>	<b>Kapsch TrafficCom AG;</b> 26-03, Outdoor lighting, (EM, 17 Aug 2011) 30 Jan 2012	<b>10406/2012</b>
<b>Holley Performance Products, Inc.;</b> 15-01, Carburetor float bowl, (US, 25 Jul 2011) 25 Jan 2012	<b>10306/2012</b>	<b>Kapsch TrafficCom AG;</b> 13-03B, Electric charging pole, (EM, 17 Aug 2011) 30 Jan 2012	<b>10403/2012</b>
<b>Holley Performance Products, Inc.;</b> 15-01, Carburetor float bowl, (US, 25 Jul 2011) 25 Jan 2012	<b>10307/2012</b>	<b>Kapsch TrafficCom AG;</b> 13-03C, Electric charging box, (EM, 17 Aug 2011) 30 Jan 2012	<b>10404/2012</b>
<b>Holley Performance Products, Inc.;</b> 15-01, Carburetor float bowl, (US, 25 Jul 2011) 25 Jan 2012	<b>10308/2012</b>	<b>Kapsch TrafficCom AG;</b> 16-01, Camera, (EM, 17 Aug 2011) 30 Jan 2012	<b>10401/2012</b>
<b>Honda Motor Co., Ltd.;</b> 12-08, Automobile, (JP, 08 Aug 2011) 06 Feb 2012	<b>10568/2012</b>	<b>Kitchen King Limited;</b> 09-03M, A container, (NZ, 22 Dec 2011) 26 Jan 2012	<b>10325/2012</b>

<b>La Seda De Barcelona S.A.;</b> 09-01K, Bottle, (EM, 16 Aug 2011) 25 Jan 2012	<b>10317/2012</b>	<b>Logue and Co. Pty Ltd;</b> 09-05, Blister pack, 01 Feb 2012	<b>10461/2012</b>
<b>La Seda De Barcelona S.A.;</b> 09-01K, Bottle, (EM, 16 Aug 2011) 25 Jan 2012	<b>10318/2012</b>	<b>Logue and Co. Pty Ltd;</b> 09-05, Blister pack, 01 Feb 2012	<b>10464/2012</b>
<b>La Seda De Barcelona S.A.;</b> 09-01K, Bottle, (EM, 16 Aug 2011) 25 Jan 2012	<b>10305/2012</b>	<b>LG Electronics Inc.;</b> 14-99, Remote control for television receivers, (KR, 24 Aug 2011) 07 Feb 2012	<b>10586/2012</b>
<b>La Seda De Barcelona S.A.;</b> 09-01NES, 09-01K, Bottle, (EM, 16 Aug 2011) 25 Jan 2012	<b>10309/2012</b>	<b>LSI Industries, Inc.;</b> 26-03, Lighting, (US, 01 Sep 2011) 08 Feb 2012	<b>10577/2012</b>
<b>La Seda De Barcelona S.A.;</b> 09-01NES, 09-01K, Bottle, (EM, 16 Aug 2011) 25 Jan 2012	<b>10310/2012</b>	<b>Maco Lighting Pty Ltd;</b> 26-05E, LED Downlights, LED Spot lamps, LED desk lamps, LED Luminaires, 18 Jan 2012	<b>10360/2012</b>
<b>Ling, Elwyn Ng Kwang;</b> 06-01NES, Massage apparatus, (SG, 05 Aug 2011) 02 Feb 2012	<b>10489/2012</b>	<b>Maco Lighting Pty Ltd;</b> 26-05E, LED Luminaires, LED Troffers, LED Spot lights, LED Bar lamps, LED Suspended lamps, 18 Jan 2012	<b>10364/2012</b>
<b>Logothetis, Anthony;</b> 06-01NES, Stand for hammocks, (EM, 19 Sep 2011) 01 Feb 2012	<b>10488/2012</b>	<b>Maco Lighting Pty Ltd;</b> 26-05E, LED Downlights, LED Spot lamps, LED desk lamps, LED Luminaires, 18 Jan 2012	<b>10362/2012</b>
<b>Logothetis, Anthony;</b> 06-01NES, Hammock, (EM, 29 Dec 2011) 01 Feb 2012	<b>10487/2012</b>	<b>Maco Lighting Pty Ltd;</b> 26-05E, LED Downlights, LED Spot lamps, LED desk lamps, LED Luminaires, 18 Jan 2012	<b>10363/2012</b>
<b>Logue and Co. Pty Ltd;</b> 09-05, Blister pack, 01 Feb 2012	<b>10462/2012</b>	<b>Maco Lighting Pty Ltd;</b> 26-05E, LED Downlights, LED Spot lamps, LED desk lamps, LED Luminaires, 18 Jan 2012	<b>10361/2012</b>
<b>Logue and Co. Pty Ltd;</b> 09-05, Blister pack, 01 Feb 2012	<b>10476/2012</b>	<b>Maco Lighting Pty Ltd;</b> 26-05E, LED Downlights, LED Spot lamps, LED desk lamps, LED Luminaires, 18 Jan 2012	<b>10359/2012</b>
<b>Logue and Co. Pty Ltd;</b> 09-05, Blister pack, 01 Feb 2012	<b>10477/2012</b>	<b>Mass Technology (H.K.) Limited;</b> 26-05C, Lamp, (HK, 05 Aug 2011) 25 Jan 2012	<b>10339/2012</b>
<b>Logue and Co. Pty Ltd;</b> 09-05, Blister pack, 01 Feb 2012	<b>10475/2012</b>	<b>Mass Technology (H.K.) Limited;</b> 26-05C, Lamp, (HK, 05 Aug 2011) 25 Jan 2012	<b>10340/2012</b>
<b>Logue and Co. Pty Ltd;</b> 09-05, Blister pack, 01 Feb 2012	<b>10479/2012</b>	<b>Mattane Pty Ltd;</b> 08-08D, Outdoor industry, rail clamp, 27 Jan 2012	<b>10389/2012</b>
<b>Logue and Co. Pty Ltd;</b> 09-05, Blister pack, 01 Feb 2012	<b>10474/2012</b>	<b>Mattane Pty Ltd;</b> 08-08D, Outdoor industry, strap clamp, 25 Jan 2012	<b>10390/2012</b>
<b>Logue and Co. Pty Ltd;</b> 09-05, Blister pack, 01 Feb 2012	<b>10463/2012</b>	<b>Mayo Hardware Pty Ltd;</b> 07-02N, 07-02C, Pizza stacker, 01 Feb 2012	<b>10431/2012</b>
<b>Logue and Co. Pty Ltd;</b> 09-05, Blister pack, 01 Feb 2012	<b>10460/2012</b>	<b>McCamley, Wayne;</b> 26-04, A lighting apparatus, 24 Jan 2012	<b>10302/2012</b>
<b>Logue and Co. Pty Ltd;</b> 09-05, Blister pack, 01 Feb 2012	<b>10480/2012</b>	<b>Michelin Recherche et Technique S.A.;Societe De Technologie Michelin;</b> 12-15C, A tyre, (FR, 01 Aug 2011) 30 Jan 2012	<b>10375/2012</b>
<b>Logue and Co. Pty Ltd;</b> 09-05, Blister pack, 01 Feb 2012	<b>10481/2012</b>		
<b>Logue and Co. Pty Ltd;</b> 09-01NES, Medicament package, 31 Jan 2012	<b>10430/2012</b>		
<b>Logue and Co. Pty Ltd;</b> 09-05, Blister pack, 01 Feb 2012	<b>10482/2012</b>		
<b>Logue and Co. Pty Ltd;</b> 09-05, Blister pack, 01 Feb 2012	<b>10483/2012</b>		
<b>Logue and Co. Pty Ltd;</b> 09-01NES, Medicament package, 31 Jan 2012	<b>10429/2012</b>		

<b>Michelin Recherche et Technique S.A.;Societe De Technologie Michelin;</b> 12-15C, A tyre, (FR, 01 Aug 2011) 30 Jan 2012	<b>10377/2012</b>	<b>Microsoft Corporation;</b> 14-04, Display screen with user interface, (US, 27 May 2011) 24 Nov 2011	<b>10520/2012</b>
<b>Michelin Recherche et Technique S.A.;Societe De Technologie Michelin;</b> 12-15C, A tyre, (FR, 01 Aug 2011) 30 Jan 2012	<b>10378/2012</b>	<b>Microsoft Corporation;</b> 14-04, Display screen with user interface, (US, 27 May 2011) 24 Nov 2011	<b>10521/2012</b>
<b>Microsoft Corporation;</b> 14-04, Display screen with user interface, (US, 27 May 2011) 24 Nov 2011	<b>10526/2012</b>	<b>Microsoft Corporation;</b> 14-04, Display screen with user interface, (US, 27 May 2011) 24 Nov 2011	<b>10518/2012</b>
<b>Microsoft Corporation;</b> 14-04, Display screen with icon, (US, 27 May 2011) 24 Nov 2011	<b>10529/2012</b>	<b>Microsoft Corporation;</b> 14-04, Display screen with user interface, (US, 27 May 2011) 24 Nov 2011	<b>10519/2012</b>
<b>Microsoft Corporation;</b> 14-04, Display screen with softkey and display screen with icon, (US, 27 May 2011) 24 Nov 2011	<b>10533/2012</b>	<b>Microsoft Corporation;</b> 14-04, Display screen with user interface, (US, 27 May 2011) 24 Nov 2011	<b>10513/2012</b>
<b>Microsoft Corporation;</b> 14-04, Display screen with softkey and display screen with icon, (US, 27 May 2011) 24 Nov 2011	<b>10534/2012</b>	<b>Microsoft Corporation;</b> 14-04, Display screen with user interface, (US, 27 May 2011) 24 Nov 2011	<b>10515/2012</b>
<b>Microsoft Corporation;</b> 14-04, Display screen with softkey and display screen with icon, (US, 27 May 2011) 24 Nov 2011	<b>10535/2012</b>	<b>Microsoft Corporation;</b> 14-04, Display screen with user interface, (US, 27 May 2011) 24 Nov 2011	<b>10516/2012</b>
<b>Microsoft Corporation;</b> 14-04, Display screen with user interface, (US, 18 Nov 2011) 24 Nov 2011	<b>10532/2012</b>	<b>Microsoft Corporation;</b> 14-04, Display screen with user interface, (US, 27 May 2011) 24 Nov 2011	<b>10514/2012</b>
<b>Microsoft Corporation;</b> 14-04, Display screen with keyboard user interface, (US, 27 May 2011) 24 Nov 2011	<b>10538/2012</b>	<b>Microsoft Corporation;</b> 14-04, Display screen with user interface, (US, 27 May 2011) 24 Nov 2011	<b>10512/2012</b>
<b>Microsoft Corporation;</b> 14-04, Display screen with icon, (US, 08 Nov 2011) 06 Dec 2011	<b>10528/2012</b>	<b>Microsoft Corporation;</b> 14-04, Display screen with set of icons, (US, 27 May 2011) 24 Nov 2011	<b>10517/2012</b>
<b>Microsoft Corporation;</b> 14-04, Display screen with icon, (US, 27 May 2011) 24 Nov 2011	<b>10531/2012</b>	<b>Microsoft Corporation;</b> 14-04, Display screen with user interface, (US, 27 May 2011) 24 Nov 2011	<b>10391/2012</b>
<b>Microsoft Corporation;</b> 14-04, Display screen with user interface, (US, 27 May 2011) 24 Nov 2011	<b>10510/2012</b>	<b>Mine Safety Appliances Company;</b> 02-03, The design is intended to be applied to Visor interface Representations of the design as applied to Visor interface, are contained in the attached sheets (10 drawing sheets), (US, 06 Sep 2011) 02 Feb 2012	<b>10506/2012</b>
<b>Microsoft Corporation;</b> 14-04, Display screen with user interface, (US, 27 May 2011) 24 Nov 2011	<b>10511/2012</b>	<b>Motorola Solutions, Inc;</b> 13-03E, Connector, (US, 16 Aug 2011) 03 Feb 2012	<b>10544/2012</b>
<b>Microsoft Corporation;</b> 14-04, Display screen with user interface, (US, 27 May 2011) 24 Nov 2011	<b>10522/2012</b>	<b>Motorola Solutions, Inc;</b> 14-03A, Remote speaker microphone accessory, (US, 05 Aug 2011) 31 Jan 2012	<b>10451/2012</b>
<b>Microsoft Corporation;</b> 14-04, Display screen with user interface, (US, 27 May 2011) 24 Nov 2011	<b>10524/2012</b>	<b>MVP S.r.l.;</b> 09-05, Capsule for infusion, (EM, 29 Jul 2011) 30 Jan 2012	<b>10412/2012</b>
<b>Microsoft Corporation;</b> 14-04, Display screen with user interface, (US, 27 May 2011) 24 Nov 2011	<b>10525/2012</b>	<b>Nokia Corporation;</b> 14-03A, Handset, (US, 11 Oct 2011) 30 Jan 2012	<b>10411/2012</b>
<b>Microsoft Corporation;</b> 14-04, Display screen with user interface, (US, 27 May 2011) 24 Nov 2011	<b>10523/2012</b>		

<b>Nokia Corporation;</b> 14-03A, Handset, (US, 06 Oct 2011) 06 Feb 2012	<b>10561/2012</b>	<b>Reckitt Benckiser N.V.;</b> 09-01NES, Bottle with cap, (EM, 25 Jul 2011) 25 Jan 2012	<b>10347/2012</b>
<b>Omniblend Pty Ltd;</b> 09-01NES, Bottle, 31 Jan 2012	<b>10452/2012</b>	<b>Reckitt Benckiser N.V.;</b> 09-07C, Cap, (EM, 25 Jul 2011) 25 Jan 2012	<b>10344/2012</b>
<b>Omniblend Pty Ltd;</b> 09-01NES, Bottle, 31 Jan 2012	<b>10450/2012</b>	<b>Reckitt Benckiser N.V.;</b> 09-01B, Bottle with cap, (EM, 25 Jul 2011) 25 Jan 2012	<b>10350/2012</b>
<b>Overton Enterprises, LLC;</b> 02-07A, 03-01NES, Band with pouch for wearing on a limb, (US, 29 Jul 2011) 30 Jan 2012	<b>10410/2012</b>	<b>Reckitt Benckiser N.V.;</b> 09-01A, Bottle, (EM, 25 Jul 2011) 25 Jan 2012	<b>10351/2012</b>
<b>OSIM International Ltd;</b> 06-01NES, Massage chair, (SG, 05 Aug 2011) 25 Jan 2012	<b>10330/2012</b>	<b>Reckitt Benckiser N.V.;</b> 09-01NES, Bottle, (EM, 25 Jul 2011) 25 Jan 2012	<b>10345/2012</b>
<b>Panasonic Corporation;</b> 15-05, Vacuum cleaner, (JP, 28 Oct 2011) 31 Jan 2012	<b>10447/2012</b>	<b>Regas, John P.;</b> 09-01NES, 09-01K, Octagon bottle, (US, 29 Jul 2011) 27 Jan 2012	<b>10336/2012</b>
<b>Panasonic Corporation;</b> 15-05, Vacuum cleaner nozzle, (JP, 28 Oct 2011) 31 Jan 2012	<b>10446/2012</b>	<b>Republic Tobacco L.P.;</b> 27-99, Tabletop cigarette making machine, (US, 18 Jan 2012) 03 Feb 2012	<b>10542/2012</b>
<b>Pettiford, Glen Edwin;Wallace, Elizabeth Ann;</b> 02-07NES, 19-06, Quilting ruler, 06 Feb 2012	<b>10560/2012</b>	<b>Respirio Pty Ltd;</b> 24-02, Sampling and testing device, 03 Feb 2012	<b>10540/2012</b>
<b>Pierias, Christopher;</b> 25-02NES, Square leg-pole style 4 barrier, 01 Feb 2012	<b>10484/2012</b>	<b>S.C. Johnson &amp; Son, Inc.;</b> 09-07A, Container with retaining device, (US, 29 Jul 2011) 24 Jan 2012	<b>10311/2012</b>
<b>QFF Holdings Pty Ltd;</b> 07-04, Food grater, 07 Feb 2012	<b>10578/2012</b>	<b>S.C. Johnson &amp; Son, Inc.;</b> 07-05NES, 08-08F, Holder for a cleaning implement, (US, 25 Jul 2011) 24 Jan 2012	<b>10313/2012</b>
<b>QFF Holdings Pty Ltd;</b> 07-04, Food grater, 07 Feb 2012	<b>10579/2012</b>	<b>Shop Vac Corporation;</b> 15-05, Vacuum cleaner, (US, 09 Aug 2011) 06 Feb 2012	<b>10562/2012</b>
<b>QFF Holdings Pty Ltd;</b> 07-04, Food grater, 07 Feb 2012	<b>10581/2012</b>	<b>Silman Invest &amp; Trade Ltd;</b> 07-06NES, Drinking straw, (EM, 27 Jul 2011) 26 Jan 2012	<b>10326/2012</b>
<b>QFF Holdings Pty Ltd;</b> 07-04, Food grater, 07 Feb 2012	<b>10582/2012</b>	<b>Skope Industries Limited;</b> 15-07, A chiller, 06 Feb 2012	<b>10563/2012</b>
<b>QFF Holdings Pty Ltd;</b> 07-04, Food grater, 07 Feb 2012	<b>10580/2012</b>	<b>Soapstream Pty Ltd;</b> 28-02, Soap pellet, 24 Jan 2012	<b>10315/2012</b>
<b>Reckitt &amp; Colman (Overseas) Limited;</b> 09-05, Packaging for products, (EM, 09 Aug 2011) 01 Feb 2012	<b>10459/2012</b>	<b>Soapstream Pty Ltd;</b> 23-02A, Soaps dispensing device, 24 Jan 2012	<b>10316/2012</b>
<b>Reckitt Benckiser LLC;</b> 09-01A, 09-01NES, Bottle, (EM, 15 Aug 2011) 24 Jan 2012	<b>10301/2012</b>	<b>Societe De Technologie Michelin;Michelin Recherche et Technique S.A.;</b> 12-15C, A tyre, (FR, 01 Aug 2011) 30 Jan 2012	<b>10378/2012</b>
<b>Reckitt Benckiser LLC;</b> 09-01A, 09-01NES, Bottle, (EM, 15 Aug 2011) 24 Jan 2012	<b>10300/2012</b>	<b>Societe De Technologie Michelin;Michelin Recherche et Technique S.A.;</b> 12-15C, A tyre, (FR, 01 Aug 2011) 30 Jan 2012	<b>10375/2012</b>
<b>Reckitt Benckiser N.V.;</b> 09-07C, Cap, (EM, 25 Jul 2011) 25 Jan 2012	<b>10348/2012</b>	<b>Societe De Technologie Michelin;Michelin Recherche et Technique S.A.;</b> 12-15C, A tyre, (FR, 01 Aug 2011) 30 Jan 2012	<b>10377/2012</b>
<b>Reckitt Benckiser N.V.;</b> 09-01B, Bottle with cap, (EM, 25 Jul 2011) 25 Jan 2012	<b>10349/2012</b>		
<b>Reckitt Benckiser N.V.;</b> 09-01NES, Bottle, (EM, 25 Jul 2011) 25 Jan 2012	<b>10346/2012</b>		

<b>Sony Computer Entertainment Inc.;</b> 14-02, Electric connector, (JP, 16 Aug 2011) 30 Jan 2012	<b>10415/2012</b>	<b>Trojan Services Limited;</b> 25-01E, Ballast board, (EM, 28 Jul 2011) 27 Jan 2012	<b>10358/2012</b>
<b>Sony Computer Entertainment Inc.;</b> 14-02, Protective case with postioning sheet for a display of a portable terminal, (JP, 12 Sep 2011) 30 Jan 2012	<b>10420/2012</b>	<b>Unilever PLC;</b> 01-01, Ice cream, (EM, 26 Sep 2011) 01 Feb 2012	<b>10478/2012</b>
<b>Sony Computer Entertainment Inc.;</b> 14-99, Case for recording media, (JP, 02 Sep 2011) 30 Jan 2012	<b>10418/2012</b>	<b>Unilever PLC;</b> 09-01A, Aerosol dispenser packaging, (EM, 03 Aug 2011) 25 Jan 2012	<b>10334/2012</b>
<b>Sony Computer Entertainment Inc.;</b> 14-99, Case for recording media, (JP, 02 Sep 2011) 30 Jan 2012	<b>10419/2012</b>	<b>Vendall Comercial 2003 S.L.;</b> 07-02NES, Kitchen appliance, 06 Feb 2012	<b>10564/2012</b>
<b>Sony Computer Entertainment Inc.;</b> 14-01, Earphone, (JP, 15 Aug 2011) 30 Jan 2012	<b>10416/2012</b>	<b>Vendall Comercial 2003 S.L.;</b> 07-02NES, Kitchen appliance, 06 Feb 2012	<b>10567/2012</b>
<b>Sony Computer Entertainment Inc.;</b> 14-99, Case for recording media, (JP, 02 Sep 2011) 30 Jan 2012	<b>10417/2012</b>	<b>Victaulic Company;</b> 23-01A, Pipe coupling segment, (US, 11 Oct 2011) 31 Jan 2012	<b>10440/2012</b>
<b>Splosh Australia Pty Ltd;</b> 11-02F, A plaque, 01 Feb 2012	<b>10465/2012</b>	<b>Victaulic Company;</b> 23-01B, Tee fitting, (US, 10 Aug 2011) 02 Feb 2012	<b>10500/2012</b>
<b>Stampin' Up!, Inc.;</b> 08-03, 19-99, Scoring tool, (US, 29 Jul 2011) 30 Jan 2012	<b>10407/2012</b>	<b>Victaulic Company;</b> 23-01B, Tee fitting, (US, 10 Aug 2011) 02 Feb 2012	<b>10498/2012</b>
<b>Stanley Works (Europe) GmbH;</b> 03-01D, Tool storage box, (EM, 16 Aug 2011) 08 Feb 2012	<b>10597/2012</b>	<b>Victaulic Company;</b> 23-01B, Tee fitting, (US, 10 Aug 2011) 02 Feb 2012	<b>10499/2012</b>
<b>Strudwick, Ross Andrew;</b> 21-02NES, Struddys kicking tee, 23 Jan 2012	<b>10322/2012</b>	<b>Victaulic Company;</b> 23-01B, Tee fitting, (US, 10 Aug 2011) 02 Feb 2012	<b>10496/2012</b>
<b>Sumitomo Rubber Industries, Ltd.;</b> 12-15A, Tyre for an automobile, (KR, 01 Aug 2011) 25 Jan 2012	<b>10329/2012</b>	<b>Victaulic Company;</b> 23-01A, Pipe coupling segment, (US, 11 Oct 2011) 31 Jan 2012	<b>10443/2012</b>
<b>SAVERGLASS;</b> 09-01H, Bottle, 01 Feb 2012	<b>10469/2012</b>	<b>Victaulic Company;</b> 23-01B, Elbow fitting, (US, 10 Aug 2011) 31 Jan 2012	<b>10444/2012</b>
<b>SRI Sports Limited;</b> 21-02C, A golf club head, (US, 26 Aug 2011) 31 Jan 2012	<b>10448/2012</b>	<b>Victaulic Company;</b> 23-01A, Pipe coupling segment, (US, 11 Oct 2011) 31 Jan 2012	<b>10441/2012</b>
<b>SRI Sports Limited;</b> 21-02C, A golf club head, (US, 26 Aug 2011) 31 Jan 2012	<b>10449/2012</b>	<b>Victaulic Company;</b> 23-01A, Pipe coupling segment, (US, 11 Oct 2011) 31 Jan 2012	<b>10438/2012</b>
<b>Tecmen Electronics CO., LTD.;</b> 02-03, Welding helmet, (US, 22 Jul 2011) 19 Jan 2012	<b>10545/2012</b>	<b>Victaulic Company;</b> 23-01A, Pipe coupling segment, (US, 11 Oct 2011) 31 Jan 2012	<b>10439/2012</b>
<b>Telebrands Corp.;</b> 07-04, Mandolin slicer, (US, 08 Aug 2011) 03 Feb 2012	<b>10543/2012</b>	<b>Victaulic Company;</b> 23-01A, Pipe coupling segment, (US, 07 Oct 2011) 31 Jan 2012	<b>10437/2012</b>
<b>Thoratec Corporation;</b> 24-03, Implantable blood pump, (EM, 21 Oct 2011) (Divisional of 15164/2011) 10 Nov 2011	<b>10421/2012</b>	<b>Victaulic Company;</b> 23-01A, Pipe coupling segment, (US, 07 Oct 2011) 31 Jan 2012	<b>10436/2012</b>
<b>Tong Lee Industrial Co., Ltd.;</b> 08-05NES, 08-99, Hand tool grip, 24 Jan 2012	<b>10299/2012</b>	<b>Victaulic Company;</b> 23-01B, Elbow fitting, (US, 10 Aug 2011) 31 Jan 2012	<b>10445/2012</b>
		<b>Victaulic Company;</b> 23-01A, Pipe coupling segment, (US, 11 Oct 2011) 31 Jan 2012	<b>10442/2012</b>

<b>Wallace, Elizabeth Ann;Pettiford, Glen Edwin;</b> 02-07NES, 19-06, Quilting ruler, 06 Feb 2012	<b>10560/2012</b>	<b>X6D Limited;</b> 16-06, Earpiece for 3D glasses, (US, 20 May 2011) 18 Nov 2011	<b>10294/2012</b>
<b>Ward, Hayley Jean;</b> 19-08, Waterproof hypoallergenic double sided swimwear/skin adhesive, 23 Jan 2012	<b>10408/2012</b>	<b>X6D Limited;</b> 16-06, 3D glasses, (US, 20 May 2011) 18 Nov 2011	<b>10295/2012</b>
<b>Weeding Technologies Limited;</b> 08-05NES, Hot foam weeder wand, (EM, 28 Jul 2011) 30 Jan 2012	<b>10376/2012</b>	<b>X6D Limited;</b> 16-06, 3D glasses, (US, 20 May 2011) 18 Nov 2011	<b>10296/2012</b>
<b>Winn, Jacqueline;Winn, Brian;</b> 22-99, Fitted fruit tree net (branded as "fruit saver"), 06 Feb 2012	<b>10570/2012</b>	<b>X6D Limited;</b> 16-06, 3D glasses, (US, 20 May 2011) 18 Nov 2011	<b>10297/2012</b>
<b>Winn, Brian;Winn, Jacqueline;</b> 22-99, Fitted fruit tree net (branded as "fruit saver"), 06 Feb 2012	<b>10570/2012</b>	<b>X6D Limited;</b> 16-06, 3D glasses, (US, 03 Jun 2011) 01 Dec 2011	<b>10298/2012</b>
<b>Woodley, Allan;</b> 01-01, 01-02, 01-03, 01-04, 01-99, 07-01NES, Foodstuffs, meat goods, poultry goods, fish, processed meats and meat goods, baked goods, bread, pies, cakes,, biscuits, pasta, pizzas, ice creams, confectionery, processed fruits, cheese, containers and packaging for, foodstuffs and drinks, 25 Jan 2012	<b>10333/2012</b>	<b>Yukon Medical, LLC;</b> 24-02, Shroud, (US, 08 Sep 2011) 25 Jan 2012	<b>10331/2012</b>
<b>X6D Limited;</b> 16-06, 3D glasses, (US, 20 May 2011) 18 Nov 2011	<b>10291/2012</b>	<b>Yukon Medical, LLC;</b> 24-02, Shroud, (US, 08 Sep 2011) 25 Jan 2012	<b>10332/2012</b>
<b>X6D Limited;</b> 16-06, 3D glasses, (US, 20 May 2011) 18 Nov 2011	<b>10292/2012</b>	<b>3M Innovative Properties Company;</b> 08-08C, Cord clip, (US, 25 Jul 2011) 25 Jan 2012	<b>10335/2012</b>
<b>X6D Limited;</b> 16-06, 3D glasses, (US, 20 May 2011) 18 Nov 2011	<b>10293/2012</b>	<b>3M Innovative Properties Company;</b> 02-03, Earcup, (EM, 03 Aug 2011) 31 Jan 2012	<b>10423/2012</b>
		<b>3M Innovative Properties Company;</b> 02-03, Earcup, (EM, 03 Aug 2011) 31 Jan 2012	<b>10422/2012</b>

**Applications Withdrawn**

13428 / 2011 (07-02H)	10002 / 2012 (20-03NES)
10166 / 2012 (25-02A)	10235 / 2012 (14-03E)

**Applications Lapsed**

11880 / 2011 (06-13B)	13424 / 2011 (11-02E)
13767 / 2011 (02-04B)	14155 / 2011 (08-08N)
14156 / 2011 (08-08N)	14157 / 2011 (08-08N)
14852 / 2011 (03-01NES)	14861 / 2011 (25-01E)
14862 / 2011 (25-01E)	14960 / 2011 (09-01NES)
15160 / 2011 (09-01NES)	15162 / 2011 (26-06)
15163 / 2011 (26-06)	15212 / 2011 (03-01NES)
15251 / 2011 (08-05N)	15261 / 2011 (07-06A)

**Extension of Period of Registration of Designs**

305646	310496	312279
312639	312763	313343
313491	313492	313493
313643	313652	313653
313654	313744	313745
313854	313873	313898
313900	313901	313903
313908	313918	313926
313934	313958	313976
313996	314022	314024
314027	314030	314033
314036	314037	314038
314047	314048	314060
314066	314067	314072
314073	314087	314088
314090	314103	314104
314105	314108	314109
314114	314135	314136
314137	314203	314213
314269	314283	314303
314304	314305	314313
314314	314316	314321
314340	314363	314364
314377	314378	314379
314380	314381	314382
314475	314476	314477
314478	314479	314489
314594	314595	314639
314656	314657	314658
314661	314662	314719
314720	314721	314722
314732	314799	314875
314876	314877	314878
314923	314936	314961
314962	314970	315687
315803	315804	315805
315806	315807	315808
315809	315810	315811
315812	315813	315951
315952	316239	316240
316241	316242	317053
317153	318227	318727

**Registrations Ceased**

304796	308442	308443
308444	308445	308446
308447	308957	308958
308959	309103	309203
309234	309237	309238

309239	309242	309243
309244	309279	309280
309281	309283	309303
309304	309318	309319
309320	309321	309322
309323	309335	309384
309401	309440	309441
309442	309445	309446
309455	309457	309458
309463	309465	309466
309546	309555	309557
309558	309559	309584
309585	309586	309587
309613	309699	309803
309804	309805	309806
309807	309808	309809
309810	309811	309905
309911	309918	309919
309920	309921	310030
310032	310033	310113
310134	310150	310163
310164	310178	310179
310181	310183	310184
310187	310188	310189
310197	310198	310199
310200	310203	310212
310214	310215	310218
310220	310221	310222
310223	310224	310236
310250	310251	310253
310273	310275	310276
310277	310293	310294
310295	310296	310297
310300	310301	310302
310313	310314	310316
310329	310330	310336
310337	310348	310369
310370	310371	310382
310448	310468	310469
310470	310479	310480
310481	310489	310492
310499	310500	310502
310503	310504	310505
310506	310507	310508
310509	310510	310511
310512	310513	310514
310515	310558	310573
310641	310761	310766
310839	310863	310864
310882	310903	310904
310909	310951	310952
310953	311422	311423
311424	311455	311456
311515	311670	311671



311672	311753	311902
312446	312447	312448
312449	312455	312456
312457	312458	312459
312460	312531	312829
312995	313110	313372
313373	313374	313419
313420	313452	313460
314148	314743	315484
315485	315486	315487
315488	315489	316458
319588	319589	319593
323487	323694	323696
327498	327815	327933
331650	332158	332334
332609	332922	333463
333474	333503	333736
333760	333761	333762
333763	333764	333765
333766	333767	333768
333769	333770	333771
334276	334322	334367
334380	334552	334936
335096	335097	335508
336753		

**Extensions of time granted under Section 137**

Applications lodged under section 137 for extension of time have been granted.

- 305646 **Neoz Pty Ltd**
- 333191 **XZ, LLC**
- 334012 **Belkin International, Inc.**
- 11551/2011 **Forever New Clothing Pty Ltd**
- 11869/2011 **Forever New Clothing Pty Ltd**
- 14594/2011 **Forever New Clothing Pty Ltd**
- 14595/2011 **Forever New Clothing Pty Ltd**
- 14596/2011 **Forever New Clothing Pty Ltd**
- 14597/2011 **Forever New Clothing Pty Ltd**
- 14598/2011 **Forever New Clothing Pty Ltd**
- 14599/2011 **Forever New Clothing Pty Ltd**
- 14600/2011 **Forever New Clothing Pty Ltd**
- 14601/2011 **Forever New Clothing Pty Ltd**
- 14602/2011 **Forever New Clothing Pty Ltd**
- 14643/2011 **DM Innovations**
- 14871/2011 **Forever New Clothing Pty Ltd**
- 14872/2011 **Forever New Clothing Pty Ltd**

- 14873/2011 **Forever New Clothing Pty Ltd**
- 14874/2011 **Forever New Clothing Pty Ltd**
- 14875/2011 **Forever New Clothing Pty Ltd**
- 14876/2011 **Forever New Clothing Pty Ltd**
- 14970/2011 **DC Comics**
- 340889 **4 x 4 Equip Pty Ltd**
- 340890 **4 x 4 Equip Pty Ltd**

**Subsequent Owners Registered**

(The name in parentheses is that of the subsequent owner)

- 313873 **( Crazy Daze Pty Ltd )** Mavlab Pty Ltd
- 308004 **( Fujitsu Frontech Limited )** Fujitsu Limited;Fujitsu Frontech Limited
- 308005 **( Fujitsu Frontech Limited )** Fujitsu Limited;Fujitsu Frontech Limited
- 308006 **( Fujitsu Frontech Limited )** Fujitsu Limited;Fujitsu Frontech Limited
- 308286 **( Fujitsu Frontech Limited )** Fujitsu Limited;Fujitsu Frontech Limited
- 307512 **( Taskmaster Hardware Australia Pty Ltd )** Dalsonware Pty Ltd
- 310014 **( Windoware Australia Pty Ltd )** Smart Home Products Pty Ltd
- 315814 **( Dorchester Services (B) Corporation )** Dorchester Hotel Limited
- 313425 **( Practicare Pty Ltd )** Klaus Petrusis
- 313426 **( Practicare Pty Ltd )** Klaus Petrusis
- 321058 **( Implus Footcare, LLC )** Perfect Pushup, LLC
- 323724 **( Implus Footcare, LLC )** Perfect Pushup, LLC
- 324341 **( Implus Footcare, LLC )** Perfect Pushup, LLC
- 328199 **( Implus Footcare, LLC )** Perfect Pushup, LLC
- 328200 **( Implus Footcare, LLC )** Perfect Pushup, LLC
- 334955 **( Sayfa R & D Pty Ltd )** Roland Stephen Voss
- 323060 **( Sayfa R & D Pty Ltd )** Roland Stephen Voss
- 334143 **( Sayfa R & D Pty Ltd )** Roland Stephen Voss
- 310240 **( Sayfa R & D Pty Ltd )** Roland Stephen Voss
- 310335 **( Sayfa R & D Pty Ltd )** Roland Stephen Voss
- 316579 **( Sayfa R & D Pty Ltd )** Roland Stephen Voss
- 310133 **( Sayfa R & D Pty Ltd )** Roland Stephen Voss
- 327924 **( Sayfa R & D Pty Ltd )** Roland Stephen Voss
- 326780 **( Sayfa R & D Pty Ltd )** Roland Stephen Voss
- 326188 **( Sayfa R & D Pty Ltd )** Roland Stephen Voss
- 326187 **( Sayfa R & D Pty Ltd )** Roland Stephen Voss
- 323821 **( Sayfa R & D Pty Ltd )** Roland Stephen Voss
- 339640 **( Toyota Jidosha Kabushiki Kaisha;Panasonic Corporation )** Panasonic Electric Works Co., Ltd.;Toyota Jidosha Kabushiki Kaisha
- 338627 **( ADC GmbH )** ADC Communications (Australia) Pty Limited
- 338626 **( ADC GmbH )** ADC Communications (Australia) Pty Limited
- 338625 **( ADC GmbH )** ADC Communications (Australia) Pty Limited
- 314845 **( Global Class Holdings Limited )** SKN CORP PTY LTD
- 314846 **( Global Class Holdings Limited )** SKN CORP PTY LTD
- 329697 **( Global Class Holdings Limited )** SKN CORP PTY LTD

- 329696 ( **Global Class Holdings Limited** ) SKN CORP PTY LTD
- 330570 ( **High Mannor Pty Ltd** ) Bighit Enterprises Pty Ltd
- 330571 ( **High Mannor Pty Ltd** ) Bighit Enterprises Pty Ltd
- 330572 ( **High Mannor Pty Ltd** ) Bighit Enterprises Pty Ltd
- 330573 ( **High Mannor Pty Ltd** ) Bighit Enterprises Pty Ltd
- 330574 ( **High Mannor Pty Ltd** ) Bighit Enterprises Pty Ltd
- 330575 ( **High Mannor Pty Ltd** ) Bighit Enterprises Pty Ltd
- 330576 ( **High Mannor Pty Ltd** ) Bighit Enterprises Pty Ltd
- 304511 ( **Garth Australia Pty Ltd** ) 28 Newlands Road Holdings Pty Ltd
- 313739 ( **Garth Australia Pty Ltd** ) Garth Living Pty Ltd
- 323578 ( **Garth Australia Pty Ltd** ) Garth Living Pty Ltd
- 323579 ( **Garth Australia Pty Ltd** ) Garth Living Pty Ltd
- 323580 ( **Garth Australia Pty Ltd** ) Garth Living Pty Ltd
- 323581 ( **Garth Australia Pty Ltd** ) Garth Living Pty Ltd
- 323582 ( **Garth Australia Pty Ltd** ) Garth Living Pty Ltd
- 323953 ( **Garth Australia Pty Ltd** ) Garth Living Pty Ltd
- 327280 ( **Garth Australia Pty Ltd** ) Garth Living Pty Ltd
- 327279 ( **Garth Australia Pty Ltd** ) Garth Living Pty Ltd
- 325067 ( **Garth Australia Pty Ltd** ) Garth Living Pty Ltd
- 324621 ( **Garth Australia Pty Ltd** ) Garth Living Pty Ltd
- 320763 ( **Garth Australia Pty Ltd** ) Garth Living Pty Ltd
- 335582 ( **Vynco Industries (N.Z.) Limited** ) Techtrade Marketing & Distribution Ltd
- 335583 ( **Vynco Industries (N.Z.) Limited** ) Techtrade Marketing & Distribution Ltd
- 313533 ( **NEC Personal Computers, Ltd.** ) NEC Personal Products, Ltd
- 321071 ( **NEC Personal Computers, Ltd.** ) NEC Personal Products, Ltd
- 323132 ( **NEC Personal Computers, Ltd.** ) NEC Personal Products, Ltd
- 324674 ( **NEC Personal Computers, Ltd.** ) NEC Personal Products, Ltd.
- 334157 ( **Rokka Play Limited** ) Nick Urwin
- 305519 ( **Lincoln Plastics Pty Ltd** ) Cameron Products Pty Ltd

### **Names Registered - Alterations and Amendments**

(The name in parentheses is that of the subsequent applicant)

- 304315 ( **ABRA ALUMINIUM PTY LTD** ) Abra Products Pty Ltd
- 304434 ( **ABRA ALUMINIUM PTY LTD** ) Abra Products Pty Ltd
- 304256 ( **ABRA ALUMINIUM PTY LTD** ) Abra Products Pty Ltd
- 304257 ( **ABRA ALUMINIUM PTY LTD** ) Abra Products Pty Ltd
- 318434 ( **ABRA ALUMINIUM PTY LTD** ) Abra Products Pty Ltd
- 321270 ( **ABRA ALUMINIUM PTY LTD** ) Abra Products Pty Ltd
- 331783 ( **AEL Mining Services Limited** ) African Explosives Limited

**Certificate(s) of Examination**

Examination of the following Design Registration(s) has been completed. Infringement proceedings may now be commenced.

312652	12-16NES	10/02/2012
315673	12-16NES	07/02/2012
321259	12-16NES	31/01/2012
325316	25-01K	09/02/2012
325317	25-01K	09/02/2012
328836	02-02C	25/01/2012
332940	08-05H	31/01/2012
333191	30-02	31/01/2012
334012	14-02	31/01/2012
337101	24-01	31/01/2012
337268	02-04NES	07/02/2012
337341	04-02	06/02/2012
337565	12-15A	30/01/2012
337601	04-02	06/02/2012
337661	09-01A	07/02/2012
337662	09-01A	06/02/2012
337713	09-01A	07/02/2012
337736	23-02C	31/01/2012
338169	23-02B	01/02/2012
338170	23-02B	01/02/2012
338171	23-02B	01/02/2012
338327	09-05	30/01/2012
338511	12-12	10/02/2012
338635	08-08NES	03/02/2012
338819	12-02	10/02/2012
339010	14-03NES	03/02/2012
339274	09-01H	07/02/2012
339284	09-03L	06/02/2012
339285	09-03NES	07/02/2012
339315	06-04A	31/01/2012
339451	21-01L	01/02/2012
339750	09-01C	31/01/2012

**Publication and Registration Proceedings**

**Designs Registered**

This section provides a concordance between design number and registration number of Designs covered in this journal. It also shows the main class and registration date.

This section covers Registration numbers 340629 to 340897 .

The registration number shown below should be used in all future correspondence.

<b>Design Number</b>	<b>Registration Number</b>	<b>International Classification Code (IDC)</b>	<b>Registration Date</b>	<b>Design Number</b>	<b>Registration Number</b>	<b>International Classification Code (IDC)</b>	<b>Registration Date</b>
12051/2011	340709	08-08L	01/02/2012	15386/2011	340692	22-05	31/01/2012
12389/2011	340722	25-02NES	01/02/2012	15387/2011	340693	22-05	31/01/2012
13178/2011	340670	23-02B	30/01/2012	15408/2011	340751	06-04B	06/02/2012
13362/2011	340671	23-02B	30/01/2012	15409/2011	340752	06-04B	06/02/2012
13402/2011	340781	31-00	07/02/2012	15430/2011	340689	08-05H	31/01/2012
13603/2011	340833	15-03NES	09/02/2012	15453/2011	340630	08-05N	27/01/2012
13643/2011	340735	07-02H	03/02/2012	15486/2011	340793	21-01N	09/02/2012
13899/2011	340736	23-01A	03/02/2012	15487/2011	340794	15-05	09/02/2012
14336/2011	340685	07-01E	30/01/2012	15495/2011	340655	16-06	27/01/2012
14407/2011	340758	12-08	07/02/2012	15496/2011	340724	08-08B	01/02/2012
14588/2011	340672	21-01B	30/01/2012	15526/2011	340753	21-01N	06/02/2012
14793/2011	340782	25-01D	07/02/2012	15533/2011	340784	24-01	08/02/2012
14888/2011	340673	16-06	30/01/2012	15553/2011	340710	21-01N	01/02/2012
14900/2011	340767	13-03NES	07/02/2012	15554/2011	340711	21-01N	01/02/2012
14962/2011	340675	21-01F	30/01/2012	15555/2011	340712	21-01N	01/02/2012
14964/2011	340676	21-01F	30/01/2012	15556/2011	340690	21-01N	31/01/2012
14965/2011	340677	21-01F	30/01/2012	15557/2011	340713	21-01N	01/02/2012
15006/2011	340640	23-01A	27/01/2012	15572/2011	340870	14-04	10/02/2012
15049/2011	340678	08-03	30/01/2012	15617/2011	340682	23-04	30/01/2012
15050/2011	340679	08-03	30/01/2012	15646/2011	340776	30-02	07/02/2012
15051/2011	340680	08-03	30/01/2012	15651/2011	340683	14-03NES	30/01/2012
15063/2011	340694	09-01NES	31/01/2012	15652/2011	340684	14-03NES	30/01/2012
15136/2011	340687	12-15A	31/01/2012	15674/2011	340777	26-05C	07/02/2012
15158/2011	340686	06-04NES	30/01/2012	15703/2011	340737	15-99	03/02/2012
15162/2011	340889	26-06	13/02/2012	15735/2011	340808	20-03B	09/02/2012
15163/2011	340890	26-06	13/02/2012	15752/2011	340738	26-05C	03/02/2012
15164/2011	340723	24-03	01/02/2012	15754/2011	340882	07-06A	10/02/2012
15171/2011	340681	13-03D	30/01/2012	15776/2011	340696	09-01NES	31/01/2012
15213/2011	340629	07-06A	27/01/2012	15809/2011	340785	07-02F	08/02/2012
15214/2011	340657	09-03M	27/01/2012	15810/2011	340786	07-02F	08/02/2012
15215/2011	340714	25-03	01/02/2012	15811/2011	340787	07-02L	08/02/2012
15254/2011	340730	09-01A	02/02/2012	15812/2011	340788	07-02K	08/02/2012
15255/2011	340748	09-01NES	06/02/2012	15813/2011	340725	07-02K	01/02/2012
15256/2011	340749	09-01NES	06/02/2012	15820/2011	340631	23-01F	27/01/2012
15257/2011	340750	09-01NES	06/02/2012	15821/2011	340809	09-07C	09/02/2012
15262/2011	340688	12-11	31/01/2012	15826/2011	340872	14-01	10/02/2012
15271/2011	340647	16-06	27/01/2012	15860/2011	340632	03-01NES	27/01/2012
15318/2011	340891	09-03A	13/02/2012	15895/2011	340715	07-01NES	01/02/2012
15333/2011	340768	14-02	07/02/2012	15896/2011	340716	07-01NES	01/02/2012
15334/2011	340726	14-04	02/02/2012	15903/2011	340633	14-02	27/01/2012
15336/2011	340728	14-04	02/02/2012	15909/2011	340731	25-02NES	02/02/2012
15360/2011	340847	14-04	10/02/2012	15921/2011	340732	23-01K	02/02/2012
15363/2011	340820	14-04	09/02/2012	15999/2011	340658	07-01F	27/01/2012
15364/2011	340849	14-04	10/02/2012	16006/2011	340883	09-07B	10/02/2012
15367/2011	340851	14-04	10/02/2012	16013/2011	340634	28-03NES	27/01/2012
15370/2011	340853	14-04	10/02/2012	16014/2011	340635	12-05	27/01/2012
15372/2011	340855	14-04	10/02/2012	16017/2011	340636	04-02	27/01/2012
15376/2011	340824	14-04	09/02/2012	16018/2011	340637	28-03NES	27/01/2012
15378/2011	340827	14-04	09/02/2012	10000/2012	340718	14-03A	01/02/2012
15385/2011	340691	22-05	31/01/2012	10001/2012	340717	14-01	01/02/2012

Publication and Registration Proceedings - Designs Registered cont'd

Design Number	Registration Number	International Classification Code (IDC)	Registration Date	Design Number	Registration Number	International Classification Code (IDC)	Registration Date
10005/2012	340739	12-15B	03/02/2012	10088/2012	340770	09-03H	07/02/2012
10006/2012	340638	08-03	27/01/2012	10090/2012	340804	09-07B	09/02/2012
10019/2012	340639	23-03NES	27/01/2012	10095/2012	340805	13-03NES	09/02/2012
10020/2012	340641	15-05	27/01/2012	10096/2012	340806	13-03NES	09/02/2012
10021/2012	340642	26-02	27/01/2012	10099/2012	340771	28-03D	07/02/2012
10022/2012	340643	26-02	27/01/2012	10100/2012	340772	28-03D	07/02/2012
10023/2012	340644	26-02	27/01/2012	10101/2012	340773	25-02G	07/02/2012
10024/2012	340645	26-05B	27/01/2012	10106/2012	340759	25-02G	07/02/2012
10025/2012	340646	26-05A	27/01/2012	10107/2012	340760	08-08L	07/02/2012
10026/2012	340719	06-01NES	01/02/2012	10108/2012	340761	25-02NES	07/02/2012
10027/2012	340659	25-01C	27/01/2012	10109/2012	340762	25-02NES	07/02/2012
10028/2012	340660	12-15D	27/01/2012	10110/2012	340763	25-02NES	07/02/2012
10029/2012	340661	07-01NES	27/01/2012	10111/2012	340764	25-01K	07/02/2012
10030/2012	340662	12-15D	27/01/2012	10112/2012	340765	15-05	07/02/2012
10031/2012	340663	07-01NES	27/01/2012	10116/2012	340766	06-08	07/02/2012
10032/2012	340664	15-01	27/01/2012	10146/2012	340778	21-02F	07/02/2012
10033/2012	340665	26-03	27/01/2012	10149/2012	340779	07-01NES	07/02/2012
10034/2012	340666	14-03B	27/01/2012	10150/2012	340780	07-01D	07/02/2012
10035/2012	340667	14-03B	27/01/2012	10152/2012	340754	18-04	06/02/2012
10036/2012	340668	14-03B	27/01/2012	10153/2012	340755	18-04	06/02/2012
10037/2012	340669	14-03B	27/01/2012	10154/2012	340756	18-04	06/02/2012
10038/2012	340697	15-09	31/01/2012	10155/2012	340757	18-04	06/02/2012
10039/2012	340698	15-09	31/01/2012	10157/2012	340783	07-02E	07/02/2012
10040/2012	340699	13-03B	31/01/2012	10160/2012	340774	24-02	07/02/2012
10043/2012	340700	12-15B	31/01/2012	10162/2012	340775	21-02F	07/02/2012
10046/2012	340701	12-16K	31/01/2012	10163/2012	340828	06-06NES	09/02/2012
10047/2012	340702	26-04	31/01/2012	10164/2012	340829	06-06NES	09/02/2012
10048/2012	340703	26-05NES	31/01/2012	10167/2012	340830	14-03NES	09/02/2012
10050/2012	340704	05-05NES	31/01/2012	10168/2012	340831	14-03NES	09/02/2012
10051/2012	340705	12-16K	31/01/2012	10169/2012	340832	03-01NES	09/02/2012
10052/2012	340706	12-16K	31/01/2012	10170/2012	340810	25-02A	09/02/2012
10053/2012	340707	09-03M	31/01/2012	10171/2012	340811	31-00	09/02/2012
10054/2012	340708	09-01A	31/01/2012	10172/2012	340812	31-00	09/02/2012
10055/2012	340674	16-06	30/01/2012	10179/2012	340789	12-03	08/02/2012
10056/2012	340795	25-01K	09/02/2012	10180/2012	340790	12-03	08/02/2012
10057/2012	340796	25-01K	09/02/2012	10181/2012	340791	12-03	08/02/2012
10058/2012	340797	25-01K	09/02/2012	10182/2012	340792	12-03	08/02/2012
10059/2012	340798	25-01K	09/02/2012	10183/2012	340834	12-03	09/02/2012
10060/2012	340720	14-03D	01/02/2012	10185/2012	340835	14-03E	09/02/2012
10062/2012	340721	08-08B	01/02/2012	10186/2012	340836	14-03E	09/02/2012
10068/2012	340799	02-02A	09/02/2012	10191/2012	340837	14-03E	09/02/2012
10069/2012	340800	02-02A	09/02/2012	10193/2012	340873	15-07	10/02/2012
10070/2012	340801	02-02A	09/02/2012	10194/2012	340874	15-07	10/02/2012
10071/2012	340802	02-02A	09/02/2012	10195/2012	340875	07-01E	10/02/2012
10072/2012	340803	02-02A	09/02/2012	10196/2012	340876	07-01E	10/02/2012
10074/2012	340740	15-05	03/02/2012	10197/2012	340877	21-02C	10/02/2012
10075/2012	340733	23-02B	02/02/2012	10200/2012	340838	23-01A	09/02/2012
10076/2012	340734	21-02C	02/02/2012	10201/2012	340839	09-03M	09/02/2012
10077/2012	340742	09-05	03/02/2012	10202/2012	340840	09-03M	09/02/2012
10078/2012	340743	09-05	03/02/2012	10203/2012	340841	20-01	09/02/2012
10080/2012	340744	11-01NES	03/02/2012	10204/2012	340842	09-05	09/02/2012
10081/2012	340745	11-01NES	03/02/2012	10205/2012	340843	09-05	09/02/2012
10082/2012	340746	13-02	03/02/2012	10206/2012	340844	07-02E	09/02/2012
10083/2012	340747	11-01NES	03/02/2012	10207/2012	340845	07-02E	09/02/2012
10087/2012	340769	09-03NES	07/02/2012	10208/2012	340846	09-03NES	09/02/2012

Publication and Registration Proceedings - Designs Registered cont'd

Design Number	Registration Number	International Classification Code (IDC)	Registration Date	Design Number	Registration Number	International Classification Code (IDC)	Registration Date
10210/2012	340813	12-15A	09/02/2012	10391/2012	340727	14-04	02/02/2012
10211/2012	340814	23-02NES	09/02/2012	10392/2012	340729	14-04	02/02/2012
10213/2012	340815	12-16B	09/02/2012	10435/2012	340741	15-05	03/02/2012
10214/2012	340816	13-02	09/02/2012	10509/2012	340854	14-04	10/02/2012
10215/2012	340817	13-02	09/02/2012	10512/2012	340856	14-04	10/02/2012
10216/2012	340878	12-15C	10/02/2012	10513/2012	340857	14-04	10/02/2012
10219/2012	340879	11-05	10/02/2012	10514/2012	340858	14-04	10/02/2012
10221/2012	340884	09-05	10/02/2012	10515/2012	340859	14-04	10/02/2012
10223/2012	340885	12-08	10/02/2012	10516/2012	340860	14-04	10/02/2012
10224/2012	340886	23-02F	10/02/2012	10517/2012	340861	14-04	10/02/2012
10225/2012	340887	07-04	10/02/2012	10518/2012	340862	14-04	10/02/2012
10226/2012	340888	07-05NES	10/02/2012	10519/2012	340863	14-04	10/02/2012
10227/2012	340892	07-04	13/02/2012	10520/2012	340864	14-04	10/02/2012
10228/2012	340893	07-04	13/02/2012	10521/2012	340865	14-04	10/02/2012
10229/2012	340894	15-03A	13/02/2012	10522/2012	340866	14-04	10/02/2012
10230/2012	340895	15-03A	13/02/2012	10523/2012	340867	14-04	10/02/2012
10233/2012	340896	02-04NES	13/02/2012	10524/2012	340868	14-04	10/02/2012
10236/2012	340880	02-03	10/02/2012	10525/2012	340869	14-04	10/02/2012
10242/2012	340897	23-02F	13/02/2012	10526/2012	340826	14-04	09/02/2012
10246/2012	340818	02-04NES	09/02/2012	10527/2012	340871	14-04	10/02/2012
10261/2012	340807	07-04	09/02/2012	10529/2012	340825	14-04	09/02/2012
10262/2012	340819	07-04	09/02/2012	10530/2012	340848	14-04	10/02/2012
10265/2012	340695	09-01NES	31/01/2012	10533/2012	340821	14-04	09/02/2012
10291/2012	340648	16-06	27/01/2012	10534/2012	340822	14-04	09/02/2012
10292/2012	340649	16-06	27/01/2012	10535/2012	340823	14-04	09/02/2012
10293/2012	340650	16-06	27/01/2012	10536/2012	340850	14-04	10/02/2012
10294/2012	340651	16-06	27/01/2012	10537/2012	340852	14-04	10/02/2012
10295/2012	340652	16-06	27/01/2012	10545/2012	340881	02-03	10/02/2012
10296/2012	340653	16-06	27/01/2012				
10297/2012	340654	16-06	27/01/2012				
10298/2012	340656	16-06	27/01/2012				

**Publication and Registration Proceedings**

**Class Listing of Designs Published or Registered**

The following section shows an International Classification Code listing of the Registered or Published Designs covered in this supplement.

<b>Classification</b>	<b>Registration Number</b>	<b>Design Number</b>	<b>Classification</b>	<b>Registration Number</b>	<b>Design Number</b>
02-02A	340799	10068/2012	08-05N	340630	15453/2011
02-02A	340800	10069/2012	08-08B	340721	10062/2012
02-02A	340801	10070/2012	08-08B	340724	15496/2011
02-02A	340802	10071/2012	08-08L	340709	12051/2011
02-02A	340803	10072/2012	08-08L	340760	10107/2012
02-03	340880	10236/2012	09-01A	340708	10054/2012
02-03	340881	10545/2012	09-01A	340730	15254/2011
02-04NES	340818	10246/2012	09-01K	340694	15063/2011
02-04NES	340896	10233/2012	09-01NES	340694	15063/2011
03-01NES	340632	15860/2011	09-01NES	340695	10265/2012
03-01NES	340832	10169/2012	09-01NES	340696	15776/2011
04-02	340636	16017/2011	09-01NES	340748	15255/2011
05-05NES	340704	10050/2012	09-01NES	340749	15256/2011
06-01NES	340719	10026/2012	09-01NES	340750	15257/2011
06-04B	340751	15408/2011	09-03A	340891	15318/2011
06-04B	340752	15409/2011	09-03H	340770	10088/2012
06-04NES	340686	15158/2011	09-03M	340657	15214/2011
06-06NES	340828	10163/2012	09-03M	340707	10053/2012
06-06NES	340829	10164/2012	09-03M	340839	10201/2012
06-08	340766	10116/2012	09-03M	340840	10202/2012
07-01D	340780	10150/2012	09-03NES	340769	10087/2012
07-01E	340685	14336/2011	09-03NES	340846	10208/2012
07-01E	340875	10195/2012	09-05	340742	10077/2012
07-01E	340876	10196/2012	09-05	340743	10078/2012
07-01F	340658	15999/2011	09-05	340842	10204/2012
07-01NES	340661	10029/2012	09-05	340843	10205/2012
07-01NES	340663	10031/2012	09-05	340884	10221/2012
07-01NES	340715	15895/2011	09-07B	340804	10090/2012
07-01NES	340716	15896/2011	09-07B	340883	16006/2011
07-01NES	340779	10149/2012	09-07C	340809	15821/2011
07-02E	340783	10157/2012	09-07NES	340661	10029/2012
07-02E	340844	10206/2012	09-07NES	340663	10031/2012
07-02E	340845	10207/2012	09-07NES	340770	10088/2012
07-02F	340785	15809/2011	11-01NES	340744	10080/2012
07-02F	340786	15810/2011	11-01NES	340745	10081/2012
07-02H	340735	13643/2011	11-01NES	340747	10083/2012
07-02K	340725	15813/2011	11-05	340879	10219/2012
07-02K	340788	15812/2011	12-03	340789	10179/2012
07-02L	340787	15811/2011	12-03	340790	10180/2012
07-04	340807	10261/2012	12-03	340791	10181/2012
07-04	340819	10262/2012	12-03	340792	10182/2012
07-04	340887	10225/2012	12-03	340834	10183/2012
07-04	340892	10227/2012	12-05	340635	16014/2011
07-04	340893	10228/2012	12-08	340758	14407/2011
07-05D	340766	10116/2012	12-08	340885	10223/2012
07-05NES	340888	10226/2012	12-11	340688	15262/2011
07-06A	340629	15213/2011	12-15A	340687	15136/2011
07-06A	340882	15754/2011	12-15A	340813	10210/2012
08-03	340638	10006/2012	12-15B	340700	10043/2012
08-03	340678	15049/2011	12-15B	340739	10005/2012
08-03	340679	15050/2011	12-15C	340878	10216/2012
08-03	340680	15051/2011	12-15D	340660	10028/2012
08-05H	340689	15430/2011	12-15D	340662	10030/2012

Registration Proceedings - Class Listing of Designs Published or Registered cont'd

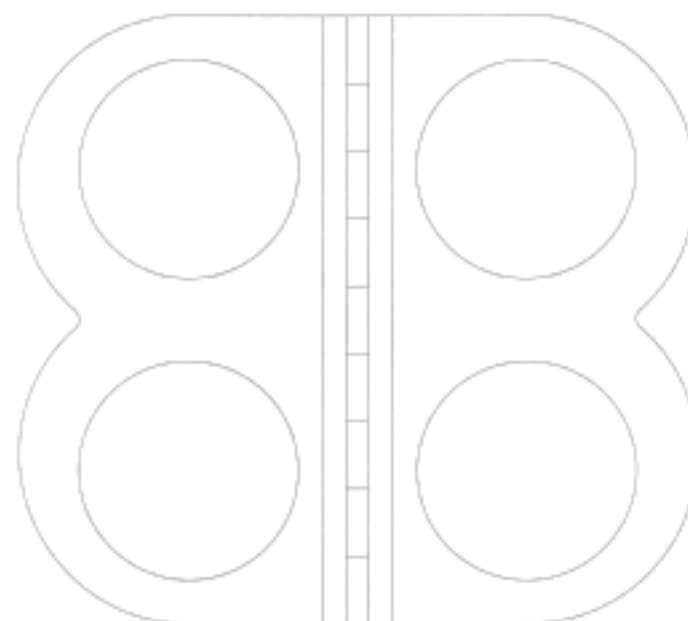
Classification	Registration Number	Design Number	Classification	Registration Number	Design Number
12-16B	340815	10213/2012	14-04	340857	10513/2012
12-16K	340701	10046/2012	14-04	340858	10514/2012
12-16K	340705	10051/2012	14-04	340859	10515/2012
12-16K	340706	10052/2012	14-04	340860	10516/2012
12-16NES	340709	12051/2011	14-04	340861	10517/2012
13-02	340746	10082/2012	14-04	340862	10518/2012
13-02	340816	10214/2012	14-04	340863	10519/2012
13-02	340817	10215/2012	14-04	340864	10520/2012
13-03B	340699	10040/2012	14-04	340865	10521/2012
13-03B	340805	10095/2012	14-04	340866	10522/2012
13-03B	340806	10096/2012	14-04	340867	10523/2012
13-03D	340681	15171/2011	14-04	340868	10524/2012
13-03E	340793	15486/2011	14-04	340869	10525/2012
13-03NES	340767	14900/2011	14-04	340870	15572/2011
13-03NES	340805	10095/2012	14-04	340871	10527/2012
13-03NES	340806	10096/2012	15-01	340664	10032/2012
14-01	340717	10001/2012	15-03A	340894	10229/2012
14-01	340872	15826/2011	15-03A	340895	10230/2012
14-02	340633	15903/2011	15-03NES	340833	13603/2011
14-02	340768	15333/2011	15-05	340641	10020/2012
14-02	340793	15486/2011	15-05	340740	10074/2012
14-03A	340718	10000/2012	15-05	340741	10435/2012
14-03B	340666	10034/2012	15-05	340765	10112/2012
14-03B	340667	10035/2012	15-05	340794	15487/2011
14-03B	340668	10036/2012	15-07	340873	10193/2012
14-03B	340669	10037/2012	15-07	340874	10194/2012
14-03D	340720	10060/2012	15-09	340697	10038/2012
14-03E	340835	10185/2012	15-09	340698	10039/2012
14-03E	340836	10186/2012	15-99	340697	10038/2012
14-03E	340837	10191/2012	15-99	340698	10039/2012
14-03NES	340683	15651/2011	15-99	340737	15703/2011
14-03NES	340684	15652/2011	16-06	340647	15271/2011
14-03NES	340830	10167/2012	16-06	340648	10291/2012
14-03NES	340831	10168/2012	16-06	340649	10292/2012
14-04	340726	15334/2011	16-06	340650	10293/2012
14-04	340727	10391/2012	16-06	340651	10294/2012
14-04	340728	15336/2011	16-06	340652	10295/2012
14-04	340729	10392/2012	16-06	340653	10296/2012
14-04	340820	15363/2011	16-06	340654	10297/2012
14-04	340821	10533/2012	16-06	340655	15495/2011
14-04	340822	10534/2012	16-06	340656	10298/2012
14-04	340823	10535/2012	16-06	340673	14888/2011
14-04	340824	15376/2011	16-06	340674	10055/2012
14-04	340825	10529/2012	18-04	340754	10152/2012
14-04	340826	10526/2012	18-04	340755	10153/2012
14-04	340827	15378/2011	18-04	340756	10154/2012
14-04	340847	15360/2011	18-04	340757	10155/2012
14-04	340848	10530/2012	19-08	340808	15735/2011
14-04	340849	15364/2011	20-01	340841	10203/2012
14-04	340850	10536/2012	20-03B	340808	15735/2011
14-04	340851	15367/2011	21-01B	340672	14588/2011
14-04	340852	10537/2012	21-01F	340675	14962/2011
14-04	340853	15370/2011	21-01F	340676	14964/2011
14-04	340854	10509/2012	21-01F	340677	14965/2011
14-04	340855	15372/2011	21-01N	340690	15556/2011
14-04	340856	10512/2012	21-01N	340710	15553/2011



Registration Proceedings - Class Listing of Designs Published or Registered cont'd

Classification	Registration Number	Design Number	Classification	Registration Number	Design Number
21-01N	340711	15554/2011	25-02B	340763	10110/2012
21-01N	340712	15555/2011	25-02B	340764	10111/2012
21-01N	340713	15557/2011	25-02G	340759	10106/2012
21-01N	340753	15526/2011	25-02G	340773	10101/2012
21-01N	340793	15486/2011	25-02H	340761	10108/2012
21-02C	340734	10076/2012	25-02H	340762	10109/2012
21-02C	340877	10197/2012	25-02H	340763	10110/2012
21-02F	340775	10162/2012	25-02H	340764	10111/2012
21-02F	340778	10146/2012	25-02NES	340722	12389/2011
22-05	340691	15385/2011	25-02NES	340731	15909/2011
22-05	340692	15386/2011	25-02NES	340751	15408/2011
22-05	340693	15387/2011	25-02NES	340752	15409/2011
23-01A	340640	15006/2011	25-02NES	340761	10108/2012
23-01A	340736	13899/2011	25-02NES	340762	10109/2012
23-01A	340838	10200/2012	25-02NES	340763	10110/2012
23-01F	340631	15820/2011	25-02NES	340764	10111/2012
23-01K	340732	15921/2011	25-03	340714	15215/2011
23-02B	340670	13178/2011	26-02	340642	10021/2012
23-02B	340671	13362/2011	26-02	340643	10022/2012
23-02B	340733	10075/2012	26-02	340644	10023/2012
23-02F	340886	10224/2012	26-03	340665	10033/2012
23-02F	340897	10242/2012	26-04	340702	10047/2012
23-02NES	340814	10211/2012	26-05A	340646	10025/2012
23-03NES	340639	10019/2012	26-05B	340645	10024/2012
23-04	340682	15617/2011	26-05C	340738	15752/2011
23-04	340759	10106/2012	26-05C	340777	15674/2011
24-01	340784	15533/2011	26-05NES	340703	10048/2012
24-02	340774	10160/2012	26-06	340889	15162/2011
24-03	340723	15164/2011	26-06	340890	15163/2011
24-99	340632	15860/2011	28-03D	340771	10099/2012
25-01C	340659	10027/2012	28-03D	340772	10100/2012
25-01D	340731	15909/2011	28-03NES	340634	16013/2011
25-01D	340782	14793/2011	28-03NES	340637	16018/2011
25-01K	340764	10111/2012	28-03NES	340708	10054/2012
25-01K	340795	10056/2012	28-03NES	340730	15254/2011
25-01K	340796	10057/2012	30-02	340776	15646/2011
25-01K	340797	10058/2012	31-00	340781	13402/2011
25-01K	340798	10059/2012	31-00	340811	10171/2012
25-01NES	340635	16014/2011	31-00	340812	10172/2012
25-02A	340810	10170/2012			
25-02B	340761	10108/2012			
25-02B	340762	10109/2012			

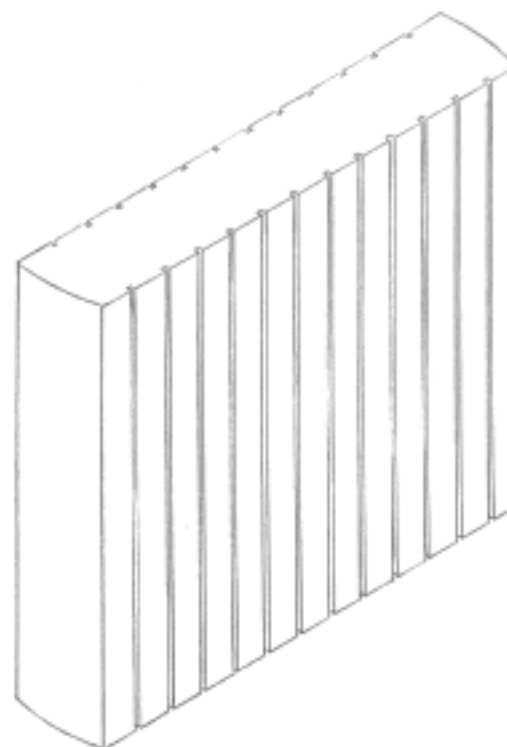
- (21) Design Number: **15213/2011**  
(22) Date of Filing Application: **15 November 2011**  
(24) Date from which industrial property rights may have effect: **15 November 2011**  
(54) Product in respect of which the design is registered: **Tray**  
(51) International Design Classification: **07-06A**  
(74) Name(s) of Attorney(s): **Davies Collison Cave**  
(71) Name(s) and Address(s) of Applicant(s):  
**Jennifer Hoefel**  
**70 Vanzetti Crescent Kambah ACT 2902 Australia**  
(72) Name(s) of Designer(s): **Jennifer Hoefel**  
(45) Registration Date: **27 January 2012**  
(56) Related Art Documents: **Not Applicable**  
(57) Statement of Newness and Distinctiveness: **The features of shape and configuration of the tray shown in the accompanying representations are considered to be new and distinctive.**



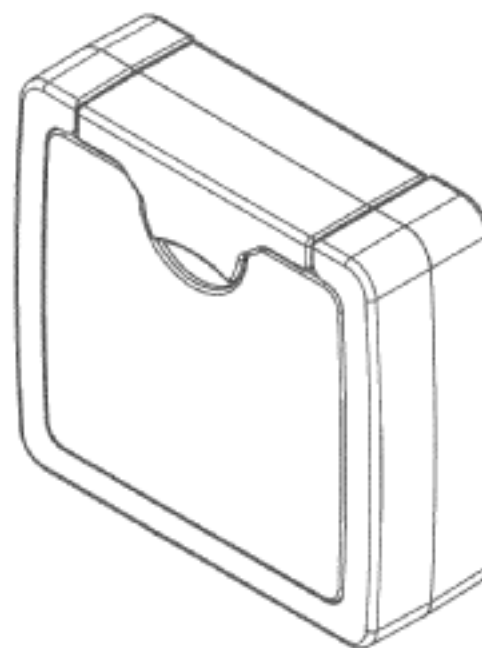
- (21) Design Number: **15453/2011**  
(22) Date of Filing Application: **29 November 2011**  
(24) Date from which industrial property rights may have effect: **29 November 2011**  
(54) Product in respect of which the design is registered: **Diamond abrasive cup wheel**  
(51) International Design Classification: **08-05N**  
(74) Name(s) of Attorney(s):  
(71) Name(s) and Address(s) of Applicant(s):  
**Mathew Raymund Norton**  
**24 Dapper Street Sunnybank Hills Queensland 4109 Australia**  
(72) Name(s) of Designer(s): **Mathew Raymund Norton**  
(45) Registration Date: **27 January 2012**  
(56) Related Art Documents: **Not Applicable**  
(57) Statement of Newness and Distinctiveness: **Design monopoly is claimed in the shape, configuration and combination use of the swirly - turbo cup wheel design as represented in drawings and use of impregnated PCD diamond matrix bits into segments of the abrasive cup wheel design.**



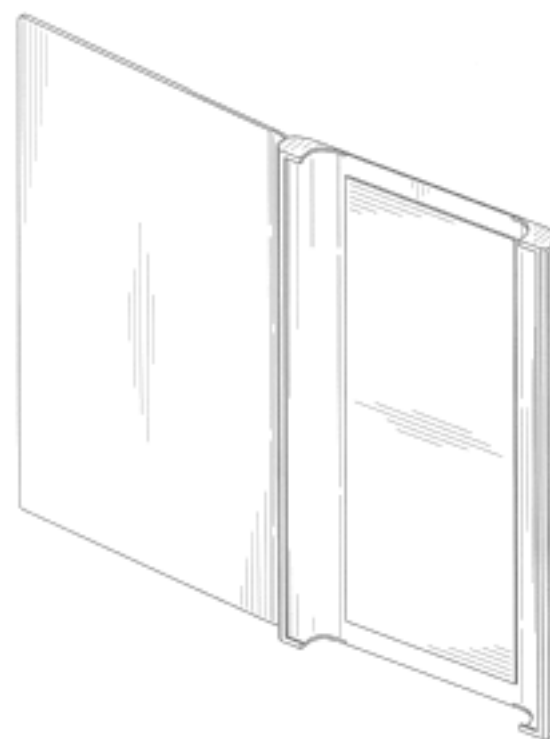
- (21) Design Number: **15820/2011**  
(22) Date of Filing Application: **14 December 2011**  
(24) Date from which industrial property rights may have effect: **14 December 2011**  
(54) Product in respect of which the design is registered: **Rainwater tank**  
(51) International Design Classification: **23-01F**  
(74) Name(s) of Attorney(s):  
(71) Name(s) and Address(s) of Applicant(s):  
**Hannu Ketola**  
**5/63 Carabella Street Kirribilli New South Wales 2061 Australia**  
(72) Name(s) of Designer(s): **Hannu Ketola**  
(45) Registration Date: **27 January 2012**  
(56) Related Art Documents: **Not Applicable**  
(57) Statement of Newness and Distinctiveness: **Nil**



- (21) Design Number: **15860/2011**  
(22) Date of Filing Application: **19 December 2011**  
(24) Date from which industrial property rights may have effect: **19 December 2011**  
(54) Product in respect of which the design is registered: **Dental tape container**  
(51) International Design Classification: **03-01NES, 24-99**  
(74) Name(s) of Attorney(s):  
(71) Name(s) and Address(s) of Applicant(s):  
**Pauline Grace Kennedy**  
**15 Dawson Road Brentwood Western Australia 6153 Australia**  
(72) Name(s) of Designer(s): **Pauline Grace Kennedy**  
(45) Registration Date: **27 January 2012**  
(56) Related Art Documents: **Not Applicable**  
(57) Statement of Newness and Distinctiveness: **Rubberised overmoulding on container surround for grip. Clear plastic back to visualize manfloss tape inside. Brushed stainless steel front of container with logo indented.**



- (21) Design Number: **15903/2011**  
(22) Date of Filing Application: **20 December 2011**  
(24) Date from which industrial property rights may have effect: **20 December 2011**  
(54) Product in respect of which the design is registered: **A digital reader cover**  
(51) International Design Classification: **14-02**  
(74) Name(s) of Attorney(s): **Griffith Hack**  
(71) Name(s) and Address(s) of Applicant(s):  
**Sony Corporation**  
**1-7-1 Konan Minato-ku Tokyo 108-0075 Japan**  
(72) Name(s) of Designer(s): **Naoto Shimizu and Keiichi Totsuka and Isamu Arie and Yasushi Ezure and Takayuki Kitahara and Junghee Yeo and Nachi Watanabe and Satoshi Aoyagi**  
(45) Registration Date: **27 January 2012**  
(30) Convention priority data:  
(31) Number (32) Date (33) Country  
**29/393,030 27 May 2011 UNITED STATES OF AMERICA**  
(56) Related Art Documents: **Not Applicable**  
(57) Statement of Newness and Distinctiveness: **Newness and distinctiveness resides in the visual features, including shape, configuration and ornamentation of A DIGITAL READER COVER as illustrated in solid lines in the representations. Figure 9 is for illustrative purposes only and includes a digital reader shown in dashed lines that is received by the DIGITAL READER COVER and does not form part of the design.**



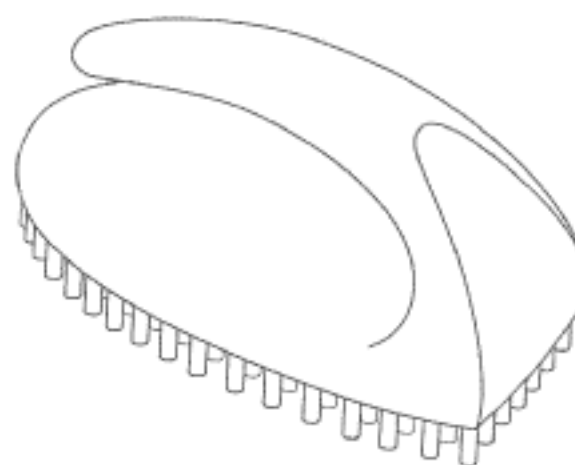
- (21) Design Number: **16013/2011**  
(22) Date of Filing Application: **23 December 2011**  
(24) Date from which industrial property rights may have effect: **23 December 2011**  
(54) Product in respect of which the design is registered: **Pedicure file**  
(51) International Design Classification: **28-03NES**  
(74) Name(s) of Attorney(s):  
(71) Name(s) and Address(s) of Applicant(s):  
**A B C Participations**  
**1 Avenue Des Marronniers 94386 Bonneuil Sur Marne Cedex France**  
(72) Name(s) of Designer(s): **Celine Charroy**  
(45) Registration Date: **27 January 2012**  
(56) Related Art Documents: **Not Applicable**  
(57) Statement of Newness and Distinctiveness: **Nil**



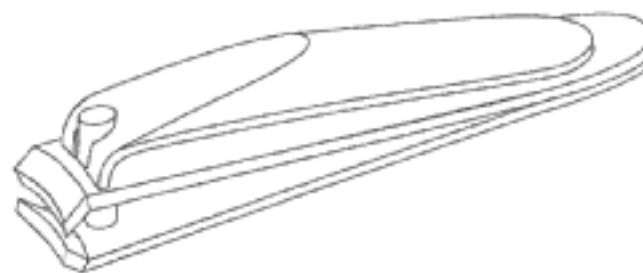
- (21) Design Number: **16014/2011**  
(22) Date of Filing Application: **23 December 2011**  
(24) Date from which industrial property rights may have effect: **23 December 2011**  
(54) Product in respect of which the design is registered: **A ramp**  
(51) International Design Classification: **12-05, 25-01NES**  
(74) Name(s) of Attorney(s): **A J Park**  
(71) Name(s) and Address(s) of Applicant(s):  
**Lundia Shelving Limited**  
**C/- Mcelroy Dutt & Thomson Level 2 161 Manukau Road Epsom**  
**Auckland 1023 New Zealand**  
(72) Name(s) of Designer(s): **Craig Brendan Russell**  
(45) Registration Date: **27 January 2012**  
(56) Related Art Documents: **Not Applicable**  
(57) Statement of Newness and Distinctiveness: **The novelty claimed for the design resides in the features of shape and/or configuration of a ramp of constant cross-section and of undefined length as shown in the accompanying representations.**



- (21) Design Number: **16017/2011**  
(22) Date of Filing Application: **23 December 2011**  
(24) Date from which industrial property rights may have effect: **23 December 2011**  
(54) Product in respect of which the design is registered: **Nail brush**  
(51) International Design Classification: **04-02**  
(74) Name(s) of Attorney(s):  
(71) Name(s) and Address(s) of Applicant(s):  
**A B C Participations**  
**1 Avenue Des Marronniers 94386 Bonneuil Sur Marne Cedex France**  
(72) Name(s) of Designer(s): **Celine Charroy**  
(45) Registration Date: **27 January 2012**  
(56) Related Art Documents: **Not Applicable**  
(57) Statement of Newness and Distinctiveness: **Nil**



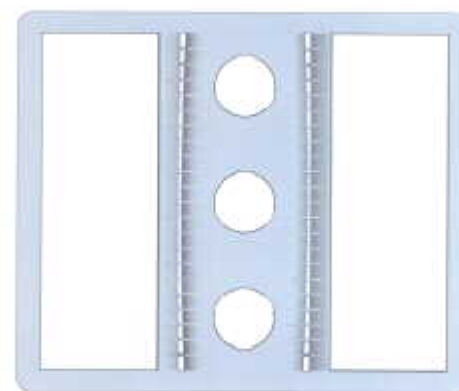
(21) Design Number: **16018/2011**  
(22) Date of Filing Application: **23 December 2011**  
(24) Date from which industrial property rights may have effect: **23 December 2011**  
(54) Product in respect of which the design is registered: **Nail clipper**  
(51) International Design Classification: **28-03NES**  
(74) Name(s) of Attorney(s):  
(71) Name(s) and Address(s) of Applicant(s):  
    **A B C Participations**  
    **1 Avenue Des Marronniers 94386 Bonneuil Sur Marne Cedex France**  
(72) Name(s) of Designer(s): **Celine Charroy**  
(45) Registration Date: **27 January 2012**  
(56) Related Art Documents: **Not Applicable**  
(57) Statement of Newness and Distinctiveness: **Nil**



(21) Design Number: **10006/2012**  
(22) Date of Filing Application: **03 January 2012**  
(24) Date from which industrial property rights may have effect: **03 January 2012**  
(54) Product in respect of which the design is registered: **Chisel holder**  
(51) International Design Classification: **08-03**  
(74) Name(s) of Attorney(s): **Griffith Hack**  
(71) Name(s) and Address(s) of Applicant(s):  
    **WIRTGEN GmbH**  
    **Reinhard-Wirtgen-Str. 2 53578 Windhagen Germany**  
(72) Name(s) of Designer(s): **Karsten Buhr and Thomas Lehnert and Cyrus Barimani and Guenter Haehn**  
(45) Registration Date: **27 January 2012**  
(30) Convention priority data:  
    (31) Number      (32) Date      (33) Country  
    **001 886 748      04 Jul 2011      EUROPEAN COMMUNITY**  
(56) Related Art Documents: **Not Applicable**  
(57) Statement of Newness and Distinctiveness: **Newness and distinctiveness resides in the visual features, including shape, configuration, pattern and ornamentation, of a CHISEL HOLDER as shown in solid outline in the accompanying drawings. When determining whether the design is substantially similar in overall impression to another design, it should be noted that the features shown in dotted outline in the accompanying drawing are provided for illustrative purposes.**

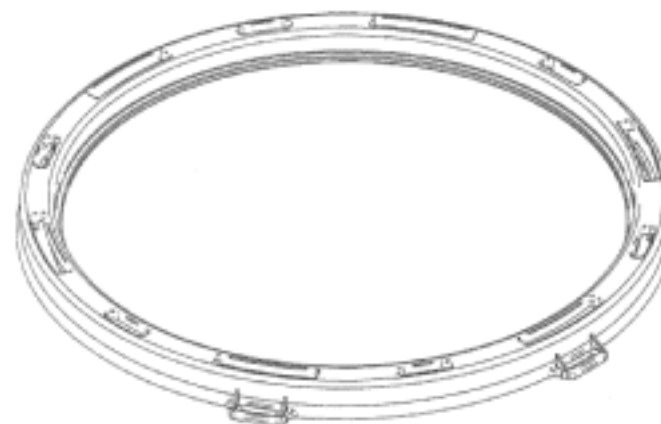


- (21) Design Number: **10019/2012**  
(22) Date of Filing Application: **04 January 2012**  
(24) Date from which industrial property rights may have effect: **04 January 2012**  
(54) Product in respect of which the design is registered: **Heating apparatus panel**  
(51) International Design Classification: **23-03NES**  
(74) Name(s) of Attorney(s): **Shelston IP**  
(71) Name(s) and Address(s) of Applicant(s):  
**Ji Xu**  
**Henggang Industrial Area Jiaxing Zhejiang People's Republic of China**  
(72) Name(s) of Designer(s): **Ji Xu**  
(45) Registration Date: **27 January 2012**  
(30) Convention priority data:  
(31) Number (32) Date (33) Country  
**201130272019.9 15 Aug 2011 CHINA**  
(56) Related Art Documents: **Not Applicable**  
(57) Statement of Newness and Distinctiveness: **Newness and distinctiveness resides in the shape and/or configuration of a heating apparatus panel, as shown by solid lines in the accompanying representations.**

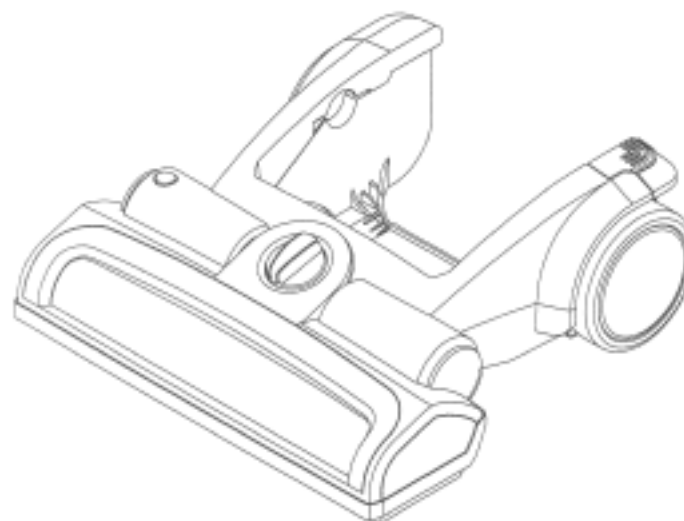


Front View

- (21) Design Number: **15006/2011**  
(22) Date of Filing Application: **07 November 2011**  
(24) Date from which industrial property rights may have effect: **07 November 2011**  
(54) Product in respect of which the design is registered: **Retainer ring for pails**  
(51) International Design Classification: **23-01A**  
(74) Name(s) of Attorney(s): **Allens Arthur Robinson**  
(71) Name(s) and Address(s) of Applicant(s):  
**NCI Holdings Pty Ltd**  
**90-92 Chifley Drive Preston Victoria 3072 Australia**  
(72) Name(s) of Designer(s): **Geroge Orfali and Bala Palani**  
(45) Registration Date: **27 January 2012**  
(56) Related Art Documents: **Not Applicable**  
(57) Statement of Newness and Distinctiveness: **Newness and distinctiveness resides in the visual features of shape and/or configuration of a retainer ring for pails as illustrated in the accompanying representations.**



- (21) Design Number: **10020/2012**  
(22) Date of Filing Application: **04 January 2012**  
(24) Date from which industrial property rights may have effect: **04 January 2012**  
(54) Product in respect of which the design is registered: **Nozzle for vacuum cleaners**  
(51) International Design Classification: **15-05**  
(74) Name(s) of Attorney(s): **FB Rice**  
(71) Name(s) and Address(s) of Applicant(s):  
**LG Electronics Inc.**  
**20 Yeouido-dong Yeongdeungpo-gu Seoul 150-721 Republic of Korea**  
(72) Name(s) of Designer(s): **Hyo Sung Kim and Jae Hun Chung and Seung Hyun Song**  
(45) Registration Date: **27 January 2012**  
(30) Convention priority data:  
(31) Number (32) Date (33) Country  
**30-2011-0030718 22 Jul 2011 REPUBLIC OF KOREA**  
(56) Related Art Documents: **Not Applicable**  
(57) Statement of Newness and Distinctiveness: **Newness and distinctiveness reside in the visual features of the design as shown in the representations.**



- (21) Design Number: **10021/2012**  
(22) Date of Filing Application: **04 January 2012**  
(24) Date from which industrial property rights may have effect: **04 January 2012**  
(54) Product in respect of which the design is registered: **Portable lamp**  
(51) International Design Classification: **26-02**  
(74) Name(s) of Attorney(s): **FB Rice**  
(71) Name(s) and Address(s) of Applicant(s):  
**Koninklijke Philips Electronics N.V.**  
**Groenewoudseweg 1 5621 BA Eindhoven The Netherlands**  
(72) Name(s) of Designer(s): **Cheng Zhou and Jin Cherl Kwon**  
(45) Registration Date: **27 January 2012**  
(30) Convention priority data:  
(31) Number (32) Date (33) Country  
**001886698-0001 04 Jul 2011 EUROPEAN COMMUNITY**  
(56) Related Art Documents: **Not Applicable**  
(57) Statement of Newness and Distinctiveness: **Newness and distinctiveness reside in the shape and configuration of the portable lamp as shown in the representations.**

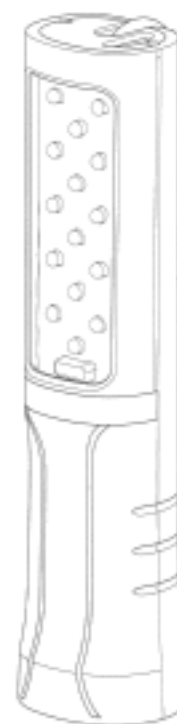




(21) Design Number: **10022/2012**  
(22) Date of Filing Application: **04 January 2012**  
(24) Date from which industrial property rights may have effect: **04 January 2012**  
(54) Product in respect of which the design is registered: **Inspection lamp**  
(51) International Design Classification: **26-02**  
(74) Name(s) of Attorney(s): **FB Rice**  
(71) Name(s) and Address(s) of Applicant(s):  
**Koninklijke Philips Electronics N.V.**  
**Groenewoudseweg 1 5621 BA Eindhoven The Netherlands**  
(72) Name(s) of Designer(s): **Cheng Zhou and Jin Cherl Kwon**  
(45) Registration Date: **27 January 2012**  
(30) Convention priority data:  
(31) Number (32) Date (33) Country  
**001886698-0002 04 Jul 2011 EUROPEAN COMMUNITY**  
(56) Related Art Documents: **Not Applicable**  
(57) Statement of Newness and Distinctiveness: **Newness and distinctiveness reside in the features of shape and configuration of the inspection lamp as shown in the representations.**



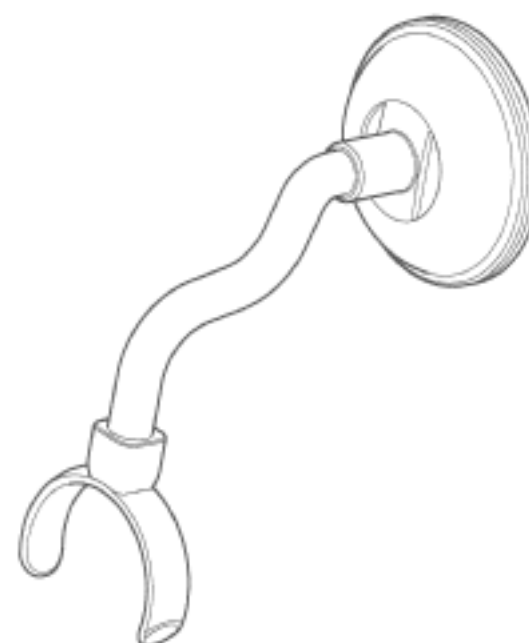
(21) Design Number: **10023/2012**  
(22) Date of Filing Application: **04 January 2012**  
(24) Date from which industrial property rights may have effect: **04 January 2012**  
(54) Product in respect of which the design is registered: **Inspection lamp**  
(51) International Design Classification: **26-02**  
(74) Name(s) of Attorney(s): **FB Rice**  
(71) Name(s) and Address(s) of Applicant(s):  
**Koninklijke Philips Electronics N.V.**  
**Groenewoudseweg 1 5621 BA Eindhoven The Netherlands**  
(72) Name(s) of Designer(s): **Cheng Zhou and Jin Cherl Kwon**  
(45) Registration Date: **27 January 2012**  
(30) Convention priority data:  
(31) Number (32) Date (33) Country  
**001886698-0003 04 Jul 2011 EUROPEAN COMMUNITY**  
(56) Related Art Documents: **Not Applicable**  
(57) Statement of Newness and Distinctiveness: **Newness and distinctiveness reside in the features of shape and configuration of the inspection lamp as shown in the representations.**



(21) Design Number: **10024/2012**  
(22) Date of Filing Application: **04 January 2012**  
(24) Date from which industrial property rights may have effect: **04 January 2012**  
(54) Product in respect of which the design is registered: **Docking station for inspection lamp**  
(51) International Design Classification: **26-05B**  
(74) Name(s) of Attorney(s): **FB Rice**  
(71) Name(s) and Address(s) of Applicant(s):  
**Koninklijke Philips Electronics N.V.**  
**Groenewoudseweg 1 5621 BA Eindhoven The Netherlands**  
(72) Name(s) of Designer(s): **Cheng Zhou and Jin Cherl Kwon**  
(45) Registration Date: **27 January 2012**  
(30) Convention priority data:  
(31) Number (32) Date (33) Country  
**001886698-0004 04 Jul 2011 EUROPEAN COMMUNITY**  
(56) Related Art Documents: **Not Applicable**  
(57) Statement of Newness and Distinctiveness: **Newness and distinctiveness reside in the features of shape and configuration of the docking station for inspection lamp as shown in the representations.**



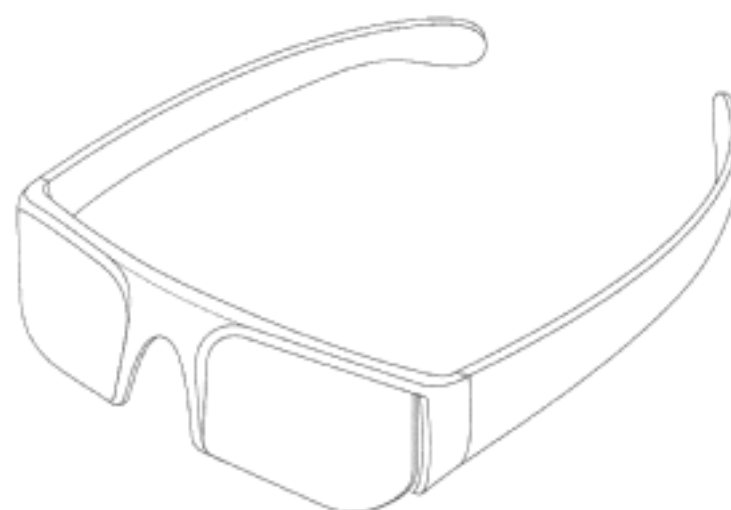
(21) Design Number: **10025/2012**  
(22) Date of Filing Application: **04 January 2012**  
(24) Date from which industrial property rights may have effect: **04 January 2012**  
(54) Product in respect of which the design is registered: **Holder for inspection lamp**  
(51) International Design Classification: **26-05A**  
(74) Name(s) of Attorney(s): **FB Rice**  
(71) Name(s) and Address(s) of Applicant(s):  
**Koninklijke Philips Electronics N.V.**  
**Groenewoudseweg 1 5621 BA Eindhoven The Netherlands**  
(72) Name(s) of Designer(s): **Cheng Zhou and Jin Cherl Kwon**  
(45) Registration Date: **27 January 2012**  
(30) Convention priority data:  
(31) Number (32) Date (33) Country  
**001886698-0005 04 Jul 2011 EUROPEAN COMMUNITY**  
(56) Related Art Documents: **Not Applicable**  
(57) Statement of Newness and Distinctiveness: **Newness and distinctiveness reside in the features of shape and configuration of the holder for inspection lamp as shown in the representations.**



- (21) Design Number: **15271/2011**  
(22) Date of Filing Application: **18 November 2011**  
(24) Date from which industrial property rights may have effect: **18 November 2011**  
(54) Product in respect of which the design is registered: **3D glasses**  
(51) International Design Classification: **16-06**  
(74) Name(s) of Attorney(s): **Davies Collison Cave**  
(71) Name(s) and Address(s) of Applicant(s):  
**X6D Limited**  
**199 Arch Makarios III Avenue Neocleous House 3030 Limassol Cyprus**  
(72) Name(s) of Designer(s): **Richard A. Carlow and Eugenia Chen and Michael J. Chen and Craig Steele and Ashley Tilling and Roozbeh Moussavi and David Hamm**  
(45) Registration Date: **27 January 2012**  
(30) Convention priority data:  
(31) Number (32) Date (33) Country  
**29/373786 20 May 2011 UNITED STATES OF AMERICA**  
(56) Related Art Documents: **Not Applicable**  
(57) Statement of Newness and Distinctiveness: **Newness and distinctiveness is claimed in the visual features shown in solid lines in the representations.**



- (21) Design Number: **10291/2012**  
(22) Date of Filing Application: **18 November 2011**  
(24) Date from which industrial property rights may have effect: **18 November 2011**  
(54) Product in respect of which the design is registered: **3D glasses**  
(51) International Design Classification: **16-06**  
(74) Name(s) of Attorney(s): **Davies Collison Cave**  
(71) Name(s) and Address(s) of Applicant(s):  
**X6D Limited**  
**199 Arch Makarios III Avenue Neocleous House 3030 Limassol Cyprus**  
(72) Name(s) of Designer(s): **Richard A. Carlow and Eugenia Chen and Michael J. Chen and Craig Steele and Ashley Tilling and Roozbeh Moussavi and David Hamm**  
(45) Registration Date: **27 January 2012**  
(30) Convention priority data:  
(31) Number (32) Date (33) Country  
**29/373786 20 May 2011 UNITED STATES OF AMERICA**  
(56) Related Art Documents: **Not Applicable**  
(57) Statement of Newness and Distinctiveness: **Newness and distinctiveness is claimed in the visual features shown in solid lines in the representations.**



- (21) Design Number: **10292/2012**  
(22) Date of Filing Application: **18 November 2011**  
(24) Date from which industrial property rights may have effect: **18 November 2011**  
(54) Product in respect of which the design is registered: **3D glasses**  
(51) International Design Classification: **16-06**  
(74) Name(s) of Attorney(s): **Davies Collison Cave**  
(71) Name(s) and Address(s) of Applicant(s):  
**X6D Limited**  
**199 Arch Makarios III Avenue Neocleous House 3030 Limassol Cyprus**  
(72) Name(s) of Designer(s): **Richard A. Carlow and Eugenia Chen and Michael J. Chen and Craig Steele and Ashley Tilling and Roozbeh Moussavi and David Hamm**  
(45) Registration Date: **27 January 2012**  
(30) Convention priority data:  
(31) Number (32) Date (33) Country  
**29/373786 20 May 2011 UNITED STATES OF AMERICA**  
(56) Related Art Documents: **Not Applicable**  
(57) Statement of Newness and Distinctiveness: **Newness and distinctiveness is claimed in the visual features shown in solid lines in the representations.**



- (21) Design Number: **10293/2012**  
(22) Date of Filing Application: **18 November 2011**  
(24) Date from which industrial property rights may have effect: **18 November 2011**  
(54) Product in respect of which the design is registered: **3D glasses**  
(51) International Design Classification: **16-06**  
(74) Name(s) of Attorney(s): **Davies Collison Cave**  
(71) Name(s) and Address(s) of Applicant(s):  
**X6D Limited**  
**199 Arch Makarios III Avenue Neocleous House 3030 Limassol Cyprus**  
(72) Name(s) of Designer(s): **Richard A. Carlow and Eugenia Chen and Michael J. Chen and Craig Steele and Ashley Tilling and Roozbeh Moussavi and David Hamm**  
(45) Registration Date: **27 January 2012**  
(30) Convention priority data:  
(31) Number (32) Date (33) Country  
**29/373786 20 May 2011 UNITED STATES OF AMERICA**  
(56) Related Art Documents: **Not Applicable**  
(57) Statement of Newness and Distinctiveness: **Newness and distinctiveness is claimed in the visual features shown in solid lines in the representations.**



- (21) Design Number: **10294/2012**  
(22) Date of Filing Application: **18 November 2011**  
(24) Date from which industrial property rights may have effect: **18 November 2011**  
(54) Product in respect of which the design is registered: **Earpiece for 3D glasses**  
(51) International Design Classification: **16-06**  
(74) Name(s) of Attorney(s): **Davies Collison Cave**  
(71) Name(s) and Address(s) of Applicant(s):  
**X6D Limited**  
**199 Arch Makarios III Avenue Neocleous House 3030 Limassol Cyprus**  
(72) Name(s) of Designer(s): **Richard A. Carlow and Eugenia Chen and Michael J. Chen and Craig Steele and Ashley Tilling and Roozbeh Moussavi and David Hamm**  
(45) Registration Date: **27 January 2012**  
(30) Convention priority data:  
(31) Number (32) Date (33) Country  
**29/373786 20 May 2011 UNITED STATES OF AMERICA**  
(56) Related Art Documents: **Not Applicable**  
(57) Statement of Newness and Distinctiveness: **Newness and distinctiveness is claimed in the visual features shown in solid lines in the representations.**



- (21) Design Number: **10295/2012**  
(22) Date of Filing Application: **18 November 2011**  
(24) Date from which industrial property rights may have effect: **18 November 2011**  
(54) Product in respect of which the design is registered: **3D glasses**  
(51) International Design Classification: **16-06**  
(74) Name(s) of Attorney(s): **Davies Collison Cave**  
(71) Name(s) and Address(s) of Applicant(s):  
**X6D Limited**  
**199 Arch Makarios III Avenue Neocleous House 3030 Limassol Cyprus**  
(72) Name(s) of Designer(s): **Richard A. Carlow and Eugenia Chen and Michael J. Chen and Craig Steele and Ashley Tilling and Roozbeh Moussavi and David Hamm**  
(45) Registration Date: **27 January 2012**  
(30) Convention priority data:  
(31) Number (32) Date (33) Country  
**29/373786 20 May 2011 UNITED STATES OF AMERICA**  
(56) Related Art Documents: **Not Applicable**  
(57) Statement of Newness and Distinctiveness: **Newness and distinctiveness is claimed in the visual features shown in solid lines in the representations.**



- (21) Design Number: **10296/2012**  
(22) Date of Filing Application: **18 November 2011**  
(24) Date from which industrial property rights may have effect: **18 November 2011**  
(54) Product in respect of which the design is registered: **3D glasses**  
(51) International Design Classification: **16-06**  
(74) Name(s) of Attorney(s): **Davies Collison Cave**  
(71) Name(s) and Address(s) of Applicant(s):  
**X6D Limited**  
**199 Arch Makarios III Avenue Neocleous House 3030 Limassol Cyprus**  
(72) Name(s) of Designer(s): **Richard A. Carlow and Eugenia Chen and Michael J. Chen and Craig Steele and Ashley Tilling and Roozbeh Moussavi and David Hamm**  
(45) Registration Date: **27 January 2012**  
(30) Convention priority data:  
(31) Number (32) Date (33) Country  
**29/373786 20 May 2011 UNITED STATES OF AMERICA**  
(56) Related Art Documents: **Not Applicable**  
(57) Statement of Newness and Distinctiveness: **Newness and distinctiveness is claimed in the visual features shown in solid lines in the representations.**



- (21) Design Number: **10297/2012**  
(22) Date of Filing Application: **18 November 2011**  
(24) Date from which industrial property rights may have effect: **18 November 2011**  
(54) Product in respect of which the design is registered: **3D glasses**  
(51) International Design Classification: **16-06**  
(74) Name(s) of Attorney(s): **Davies Collison Cave**  
(71) Name(s) and Address(s) of Applicant(s):  
**X6D Limited**  
**199 Arch Makarios III Avenue Neocleous House 3030 Limassol Cyprus**  
(72) Name(s) of Designer(s): **Richard A. Carlow and Eugenia Chen and Michael J. Chen and Craig Steele and Ashley Tilling and Roozbeh Moussavi and David Hamm**  
(45) Registration Date: **27 January 2012**  
(30) Convention priority data:  
(31) Number (32) Date (33) Country  
**29/373786 20 May 2011 UNITED STATES OF AMERICA**  
(56) Related Art Documents: **Not Applicable**  
(57) Statement of Newness and Distinctiveness: **Newness and distinctiveness is claimed in the visual features shown in solid lines in the representations.**



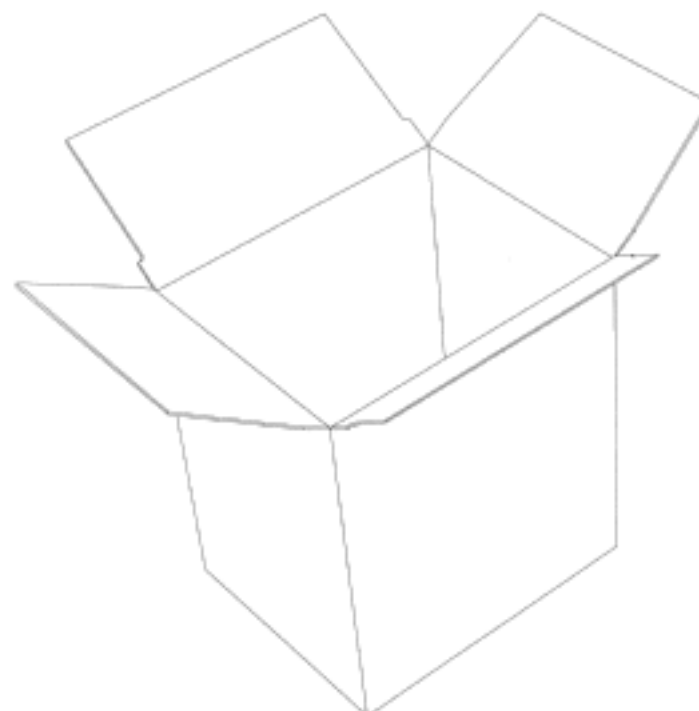
- (21) Design Number: **15495/2011**  
(22) Date of Filing Application: **01 December 2011**  
(24) Date from which industrial property rights may have effect: **01 December 2011**  
(54) Product in respect of which the design is registered: **3D glasses**  
(51) International Design Classification: **16-06**  
(74) Name(s) of Attorney(s): **Davies Collison Cave**  
(71) Name(s) and Address(s) of Applicant(s):  
**X6D Limited**  
**199 Arch Makarios III Avenue Neocleous House 3030 Limassol Cyprus**  
(72) Name(s) of Designer(s): **Miha Klinar and Martin Sostaric and Andraz Sapec and Maria Costeira and Tjasa Vrhovnik and Jure Bezgovsek and Domen Gazvoda and Luka Stepan**  
(45) Registration Date: **27 January 2012**  
(30) Convention priority data:  
(31) Number (32) Date (33) Country  
**29/373887 03 Jun 2011 UNITED STATES OF AMERICA**  
(56) Related Art Documents: **Not Applicable**  
(57) Statement of Newness and Distinctiveness: **Newness and distinctiveness is claimed in the visual features of the 3D glasses shown in the representations, noting contrasting colouration between the hatched and unhatched sections, where the hatched section can be any colour and the unhatched section can be any other colour.**



- (21) Design Number: **10298/2012**  
(22) Date of Filing Application: **01 December 2011**  
(24) Date from which industrial property rights may have effect: **01 December 2011**  
(54) Product in respect of which the design is registered: **3D glasses**  
(51) International Design Classification: **16-06**  
(74) Name(s) of Attorney(s): **Davies Collison Cave**  
(71) Name(s) and Address(s) of Applicant(s):  
**X6D Limited**  
**199 Arch Makarios III Avenue Neocleous House 3030 Limassol Cyprus**  
(72) Name(s) of Designer(s): **Miha Klinar and Martin Sostaric and Andraz Sapec and Maria Costeira and Tjasa Vrhovnik and Jure Bezgovsek and Domen Gazvoda and Luka Stepan**  
(45) Registration Date: **27 January 2012**  
(30) Convention priority data:  
(31) Number (32) Date (33) Country  
**29/373887 03 Jun 2011 UNITED STATES OF AMERICA**  
(56) Related Art Documents: **Not Applicable**  
(57) Statement of Newness and Distinctiveness: **Newness and distinctiveness is claimed in the visual features of the 3D glasses shown in solid lines.**



- (21) Design Number: **15214/2011**  
(22) Date of Filing Application: **15 November 2011**  
(24) Date from which industrial property rights may have effect: **15 November 2011**  
(54) Product in respect of which the design is registered: **A container and blank therefor**  
(51) International Design Classification: **09-03M**  
(74) Name(s) of Attorney(s): **Davies Collison Cave**  
(71) Name(s) and Address(s) of Applicant(s):  
**Visy R & D Pty Ltd**  
**Level 11 2 Southbank Boulevard Southbank Victoria 3006 Australia**  
(72) Name(s) of Designer(s): **Jeff Mercieca**  
(45) Registration Date: **27 January 2012**  
(56) Related Art Documents: **Not Applicable**  
(57) Statement of Newness and Distinctiveness: **The features of shape and configuration of the container and blank therefor shown in the accompanying representations are considered to be new and distinctive.**

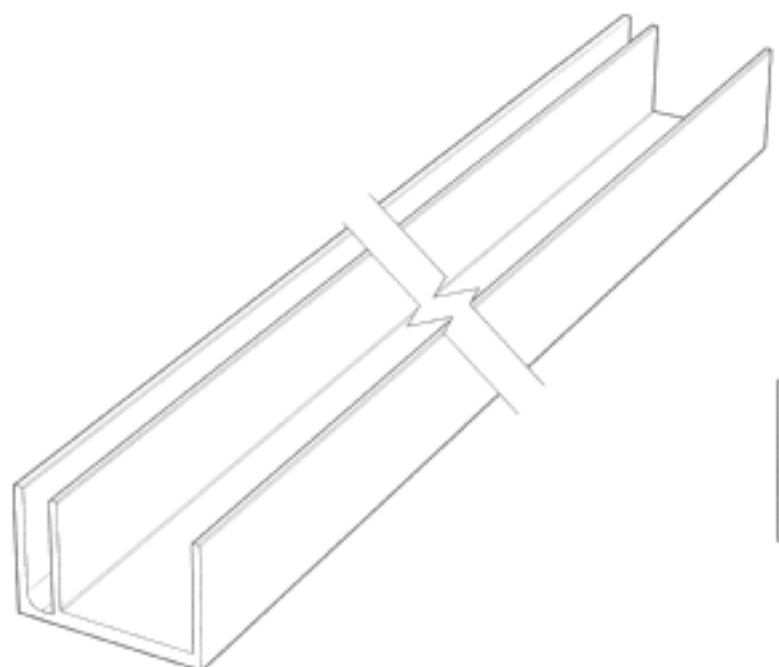


- (21) Design Number: **15999/2011**  
(22) Date of Filing Application: **23 December 2011**  
(24) Date from which industrial property rights may have effect: **23 December 2011**  
(54) Product in respect of which the design is registered: **Decanter**  
(51) International Design Classification: **07-01F**  
(74) Name(s) of Attorney(s): **SPRUSON & FERGUSON**  
(71) Name(s) and Address(s) of Applicant(s):  
**Martell & Co**  
**Place Edouard Martell 16100 Cognac France**  
(72) Name(s) of Designer(s): **Agnes Duranthon**  
(45) Registration Date: **27 January 2012**  
(30) Convention priority data:  
(31) Number      (32) Date      (33) Country  
**001936501-0001    24 Oct 2011      EUROPEAN COMMUNITY**  
(56) Related Art Documents: **Not Applicable**  
(57) Statement of Newness and Distinctiveness: **Newness and distinctiveness is claimed in the features of pattern and/or ornamentation of a decanter as illustrated the accompanying representations.**





- (21) Design Number: **10027/2012**  
(22) Date of Filing Application: **04 January 2012**  
(24) Date from which industrial property rights may have effect: **04 January 2012**  
(54) Product in respect of which the design is registered: **An extruded channel**  
(51) International Design Classification: **25-01C**  
(74) Name(s) of Attorney(s): **Madderns**  
(71) Name(s) and Address(s) of Applicant(s):  
**Big Difference Pty Ltd**  
**PO Box 8 Burnside South Australia 5066 Australia**  
(72) Name(s) of Designer(s): **Brian Lionel Zwar**  
(45) Registration Date: **27 January 2012**  
(56) Related Art Documents: **Not Applicable**  
(57) Statement of Newness and Distinctiveness: **Nil**



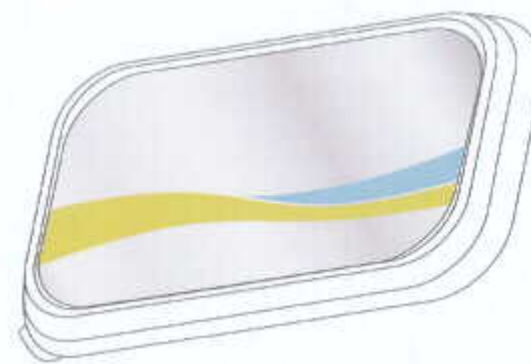
- (21) Design Number: **10028/2012**  
(22) Date of Filing Application: **04 January 2012**  
(24) Date from which industrial property rights may have effect: **04 January 2012**  
(54) Product in respect of which the design is registered: **Tyre for motorcycle**  
(51) International Design Classification: **12-15D**  
(74) Name(s) of Attorney(s): **SPRUSON & FERGUSON**  
(71) Name(s) and Address(s) of Applicant(s):  
**The Goodyear Tire & Rubber Company**  
**1144 East Market Street Akron Ohio 44316-0001 United States of America**  
(72) Name(s) of Designer(s): **Kouji Takenaka**  
(45) Registration Date: **27 January 2012**  
(30) Convention priority data:  

(31) Number	(32) Date	(33) Country
<b>2011-016181</b>	<b>14 Jul 2011</b>	<b>JAPAN</b>

  
(56) Related Art Documents: **Not Applicable**  
(57) Statement of Newness and Distinctiveness: **Newness and distinctiveness is claimed in the features of shape and/or configuration of the thread of a tyre for a motorcycle as illustrated in the accompanying representations, wherein the shape and/or configuration of the thread is repeated throughout the circumference of the tyre.**



(21) Design Number: **10029/2012**  
(22) Date of Filing Application: **04 January 2012**  
(24) Date from which industrial property rights may have effect: **04 January 2012**  
(54) Product in respect of which the design is registered: **Packaging lid**  
(51) International Design Classification: **07-01NES, 09-07NES**  
(74) Name(s) of Attorney(s): **SPRUSON & FERGUSON**  
(71) Name(s) and Address(s) of Applicant(s):  
**Mejeriforeningen Danish Dairy Board**  
**Sonderhoj 1 8260 Viby J Denmark**  
(72) Name(s) of Designer(s): **Paul Iddon**  
(45) Registration Date: **27 January 2012**  
(30) Convention priority data:  
(31) Number (32) Date (33) Country  
**001886300-0002 04 Jul 2011 EUROPEAN COMMUNITY**  
(56) Related Art Documents: **Not Applicable**  
(57) Statement of Newness and Distinctiveness: **Newness and distinctiveness is claimed in the features of pattern and/or ornamentation on the top face of the packaging lid as illustrated in the accompanying representations.**



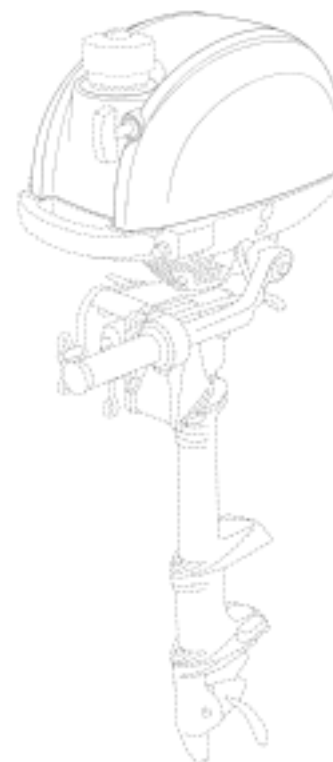
(21) Design Number: **10030/2012**  
(22) Date of Filing Application: **04 January 2012**  
(24) Date from which industrial property rights may have effect: **04 January 2012**  
(54) Product in respect of which the design is registered: **Tyre for motorcycle**  
(51) International Design Classification: **12-15D**  
(74) Name(s) of Attorney(s): **SPRUSON & FERGUSON**  
(71) Name(s) and Address(s) of Applicant(s):  
**The Goodyear Tire & Rubber Company**  
**1144 East Market Street Akron Ohio 44316-0001 United States of America**  
(72) Name(s) of Designer(s): **Kouji Takenaka**  
(45) Registration Date: **27 January 2012**  
(30) Convention priority data:  
(31) Number (32) Date (33) Country  
**2011-016349 15 Jul 2011 JAPAN**  
(56) Related Art Documents: **Not Applicable**  
(57) Statement of Newness and Distinctiveness: **Newness and distinctiveness is claimed in the features of shape and/or configuration of the tread of a tyre as illustrated in the accompanying representations, wherein the shape and/or configuration of the tread is repeated throughout the circumference of the tyre.**



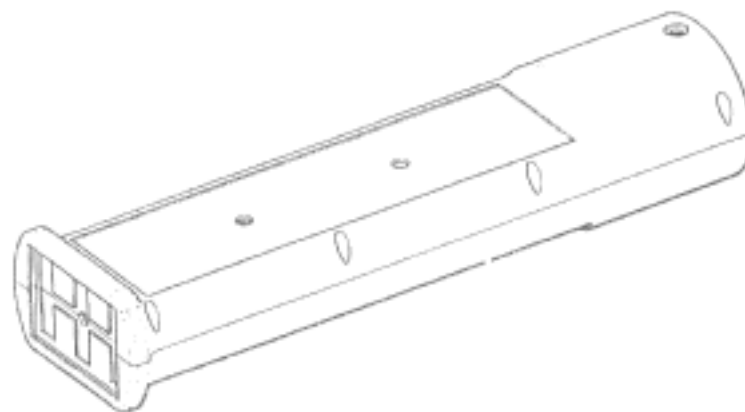
(21) Design Number: **10031/2012**  
(22) Date of Filing Application: **04 January 2012**  
(24) Date from which industrial property rights may have effect: **04 January 2012**  
(54) Product in respect of which the design is registered: **Packaging lid**  
(51) International Design Classification: **07-01NES, 09-07NES**  
(74) Name(s) of Attorney(s): **SPRUSON & FERGUSON**  
(71) Name(s) and Address(s) of Applicant(s):  
**Mejeriforeningen Danish Dairy Board**  
**Sonderhoj 1 8260 Viby J Denmark**  
(72) Name(s) of Designer(s): **Paul Iddon**  
(45) Registration Date: **27 January 2012**  
(30) Convention priority data:  
(31) Number (32) Date (33) Country  
**0001886300-0004 04 Jul 2011 EUROPEAN COMMUNITY**  
(56) Related Art Documents: **Not Applicable**  
(57) Statement of Newness and Distinctiveness: **Newness and distinctiveness is claimed in the features of pattern and/or ornamentation on the top face of the packaging lid as illustrated in the accompanying representations.**



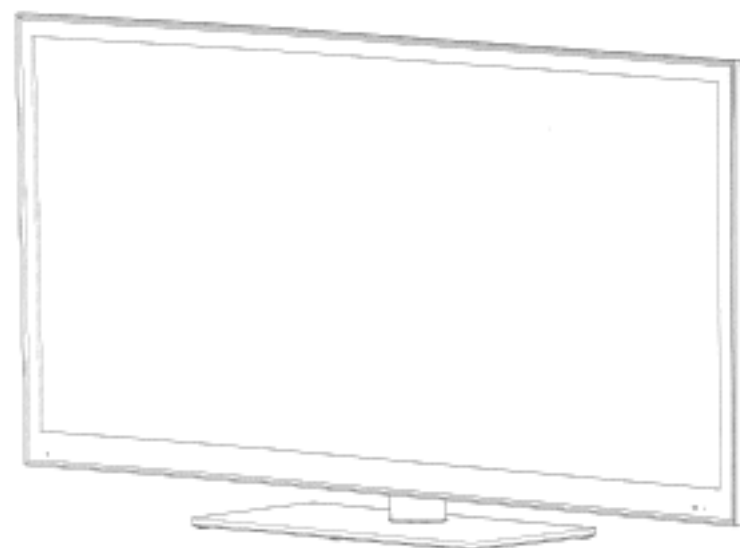
(21) Design Number: **10032/2012**  
(22) Date of Filing Application: **04 January 2012**  
(24) Date from which industrial property rights may have effect: **04 January 2012**  
(54) Product in respect of which the design is registered: **Outboard motor machine**  
(51) International Design Classification: **15-01**  
(74) Name(s) of Attorney(s): **SPRUSON & FERGUSON**  
(71) Name(s) and Address(s) of Applicant(s):  
**Honda Motor Co., Ltd.**  
**1-1 Minamiaoyama 2-chome Minato-ku Tokyo Japan**  
(72) Name(s) of Designer(s): **Masato Fujiwara and Koichi Azuma**  
(45) Registration Date: **27 January 2012**  
(30) Convention priority data:  
(31) Number (32) Date (33) Country  
**2011-015463 06 Jul 2011 JAPAN**  
(56) Related Art Documents: **Not Applicable**  
(57) Statement of Newness and Distinctiveness: **Newness and distinctiveness is claimed in those features of shape and/or configuration of an outboard motor machine illustrated in continuous lines in the accompanying representations.**



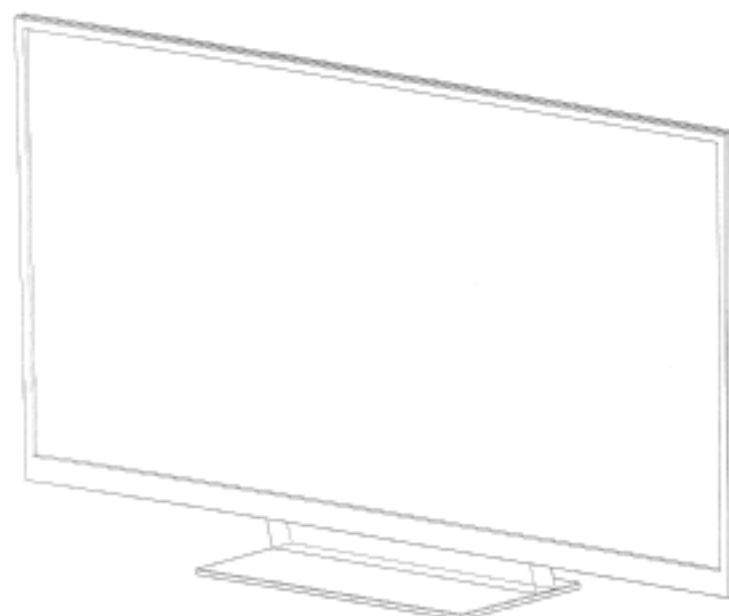
(21) Design Number: **10033/2012**  
(22) Date of Filing Application: **04 January 2012**  
(24) Date from which industrial property rights may have effect: **04 January 2012**  
(54) Product in respect of which the design is registered: **Solar light fitting**  
(51) International Design Classification: **26-03**  
(74) Name(s) of Attorney(s): **Callinans**  
(71) Name(s) and Address(s) of Applicant(s):  
**Artcraft Pty Ltd**  
**PO Box 5208 Studfield Victoria 3152 Australia**  
(72) Name(s) of Designer(s): **Peter Alan Tutt**  
(45) Registration Date: **27 January 2012**  
(56) Related Art Documents: **Not Applicable**  
(57) Statement of Newness and Distinctiveness: **Nil**



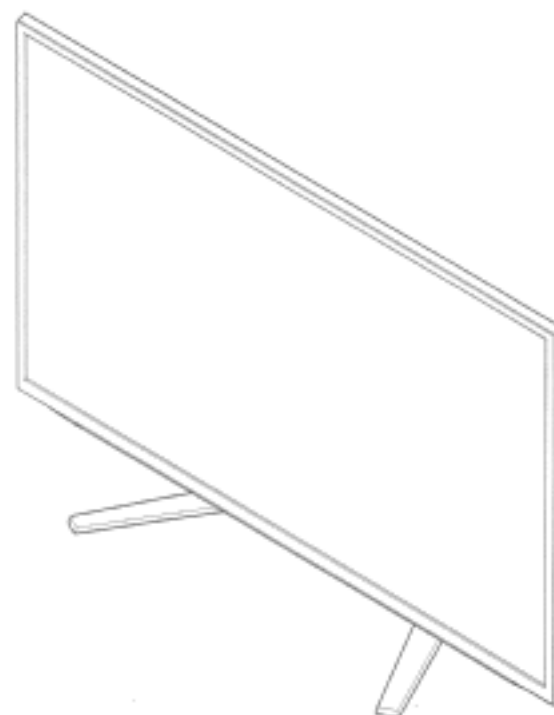
(21) Design Number: **10034/2012**  
(22) Date of Filing Application: **04 January 2012**  
(24) Date from which industrial property rights may have effect: **04 January 2012**  
(54) Product in respect of which the design is registered: **Television receiver**  
(51) International Design Classification: **14-03B**  
(74) Name(s) of Attorney(s): **Freehills Patent & Trade Mark Attorneys**  
(71) Name(s) and Address(s) of Applicant(s):  
**LG Electronics Inc.**  
**20 Yeouido-dong Yeongdeungpo-gu Seoul 150-721 Republic of Korea**  
(72) Name(s) of Designer(s): **Areum Kwon and Yongho Lee**  
(45) Registration Date: **27 January 2012**  
(30) Convention priority data:  
(31) Number (32) Date (33) Country  
**30-2011-0031625 28 Jul 2011 REPUBLIC OF KOREA**  
(56) Related Art Documents: **Not Applicable**  
(57) Statement of Newness and Distinctiveness: **Nil**



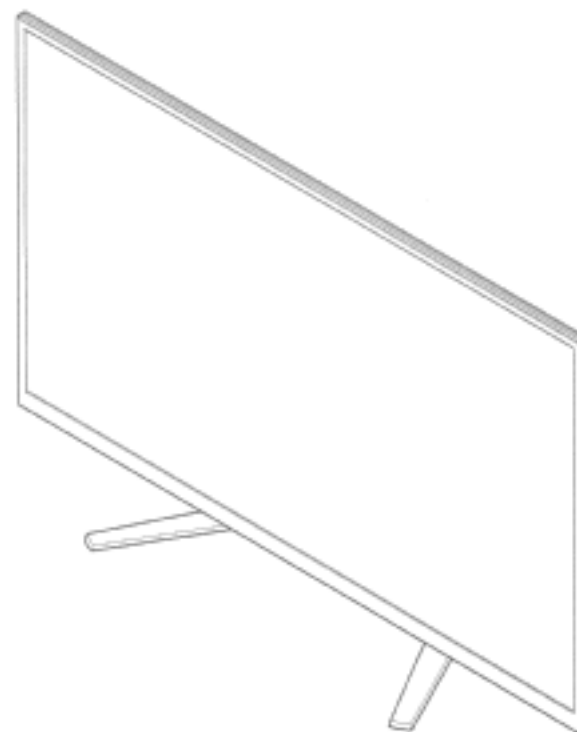
(21) Design Number: **10035/2012**  
(22) Date of Filing Application: **04 January 2012**  
(24) Date from which industrial property rights may have effect: **04 January 2012**  
(54) Product in respect of which the design is registered: **Television receiver**  
(51) International Design Classification: **14-03B**  
(74) Name(s) of Attorney(s): **Freehills Patent & Trade Mark Attorneys**  
(71) Name(s) and Address(s) of Applicant(s):  
**LG Electronics Inc.**  
**20 Yeouido-dong Yeongdeungpo-gu Seoul 150-721 Republic of Korea**  
(72) Name(s) of Designer(s): **Hyunbyung Cha and Chul Lee and Myungwhoon Lee and Yoonkyeong Lee and Jongchul Kim**  
(45) Registration Date: **27 January 2012**  
(30) Convention priority data:  
(31) Number (32) Date (33) Country  
**30-2011-0029485 15 Jul 2011 REPUBLIC OF KOREA**  
(56) Related Art Documents: **Not Applicable**  
(57) Statement of Newness and Distinctiveness: **Nil**



(21) Design Number: **10036/2012**  
(22) Date of Filing Application: **04 January 2012**  
(24) Date from which industrial property rights may have effect: **04 January 2012**  
(54) Product in respect of which the design is registered: **Television receiver**  
(51) International Design Classification: **14-03B**  
(74) Name(s) of Attorney(s): **Freehills Patent & Trade Mark Attorneys**  
(71) Name(s) and Address(s) of Applicant(s):  
**LG Electronics Inc.**  
**20 Yeouido-dong Yeongdeungpo-gu Seoul 150-721 Republic of Korea**  
(72) Name(s) of Designer(s): **Deung Hwangbo and Minji Seo and Junki Kim and Youngkyoung Kim and Misun Park**  
(45) Registration Date: **27 January 2012**  
(30) Convention priority data:  
(31) Number (32) Date (33) Country  
**30-2011-0027677 04 Jul 2011 REPUBLIC OF KOREA**  
(56) Related Art Documents: **Not Applicable**  
(57) Statement of Newness and Distinctiveness: **Nil**



(21) Design Number: **10037/2012**  
(22) Date of Filing Application: **04 January 2012**  
(24) Date from which industrial property rights may have effect: **04 January 2012**  
(54) Product in respect of which the design is registered: **Television receiver**  
(51) International Design Classification: **14-03B**  
(74) Name(s) of Attorney(s): **Freehills Patent & Trade Mark Attorneys**  
(71) Name(s) and Address(s) of Applicant(s):  
**LG Electronics Inc.**  
**20 Yeouido-dong Yeongdeungpo-gu Seoul 150-721 Republic of Korea**  
(72) Name(s) of Designer(s): **Hyunbyung Cha and Chul Lee and Myungwhoon Lee and Yoonkyeong Lee and Jongchul Kim**  
(45) Registration Date: **27 January 2012**  
(30) Convention priority data:  
(31) Number (32) Date (33) Country  
**30-2011-0027676 04 Jul 2011 REPUBLIC OF KOREA**  
(56) Related Art Documents: **Not Applicable**  
(57) Statement of Newness and Distinctiveness: **Nil**



(21) Design Number: **13178/2011**  
(22) Date of Filing Application: **19 July 2011**  
(24) Date from which industrial property rights may have effect: **19 July 2011**  
(54) Product in respect of which the design is registered: **Shower unit**  
(51) International Design Classification: **23-02B**  
(74) Name(s) of Attorney(s): **Lord & Company**  
(71) Name(s) and Address(s) of Applicant(s):  
**Novetec Building Products Pty Ltd**  
**Level 1 46 King Edward Road Osborne Park Western Australia 6017**  
**Australia**  
(72) Name(s) of Designer(s): **Armando Rigo**  
(45) Registration Date: **30 January 2012**  
(56) Related Art Documents: **Not Applicable**  
(57) Statement of Newness and Distinctiveness: **The particular visual features of the design which are new and distinctive are shape OR configuration.**



(21) Design Number: **13362/2011**

(22) Date of Filing Application: **02 August 2011**

(24) Date from which industrial property rights may have effect: **02 August 2011**

(54) Product in respect of which the design is registered: **Square shower unit**

(51) International Design Classification: **23-02B**

(74) Name(s) of Attorney(s): **Lord & Company**

(71) Name(s) and Address(s) of Applicant(s):

**Novotec Building Products Pty Ltd**

**Level 1 46 King Edward Road Osborne Park Western Australia 6017  
Australia**

(72) Name(s) of Designer(s): **Armando Rigo**

(45) Registration Date: **30 January 2012**

(56) Related Art Documents: **Not Applicable**

(57) Statement of Newness and Distinctiveness: **The particular visual features of the design which are new and distinctive are shape OR configuration.**



(21) Design Number: **14588/2011**

(22) Date of Filing Application: **11 October 2011**

(24) Date from which industrial property rights may have effect: **11 October 2011**

(54) Product in respect of which the design is registered: **An action figure**

(51) International Design Classification: **21-01B**

(74) Name(s) of Attorney(s):

(71) Name(s) and Address(s) of Applicant(s):

**Melissa Sully**

**2/163 Victoria Road Potts Point New South Wales 2011 Australia**

(72) Name(s) of Designer(s): **Melissa Sully**

(45) Registration Date: **30 January 2012**

(56) Related Art Documents: **Not Applicable**

(57) Statement of Newness and Distinctiveness: **Australian Navy Clearance Diver. Figure may be configured in either gender (as) static, robotic, articulated and digital.**



(21) Design Number: **14888/2011**  
(22) Date of Filing Application: **28 October 2011**  
(24) Date from which industrial property rights may have effect: **28 October 2011**  
(54) Product in respect of which the design is registered: **Eyeglass and eyeglass component**  
(51) International Design Classification: **16-06**  
(74) Name(s) of Attorney(s): **Davies Collison Cave**  
(71) Name(s) and Address(s) of Applicant(s):  
**Oakley, Inc.**  
**One Icon Foothill Ranch California 92610 United States of America**  
(72) Name(s) of Designer(s): **Jae Shin and Colin Badin and Peter Yee**  
(45) Registration Date: **30 January 2012**  
(30) Convention priority data:  
(31) Number (32) Date (33) Country  
**29/400739 31 Aug 2011 UNITED STATES OF AMERICA**  
(56) Related Art Documents: **Not Applicable**  
(57) Statement of Newness and Distinctiveness: **Newness and distinctiveness is claimed in the visual features shown in solid lines in the representations.**



(21) Design Number: **10055/2012**  
(22) Date of Filing Application: **28 October 2011**  
(24) Date from which industrial property rights may have effect: **28 October 2011**  
(54) Product in respect of which the design is registered: **Earstems for an eyeglass**  
(51) International Design Classification: **16-06**  
(74) Name(s) of Attorney(s): **Davies Collison Cave**  
(71) Name(s) and Address(s) of Applicant(s):  
**Oakley, Inc.**  
**One Icon Foothill Ranch California 92610 United States of America**  
(72) Name(s) of Designer(s): **Jae Shin and Colin Badin and Peter Yee**  
(45) Registration Date: **30 January 2012**  
(30) Convention priority data:  
(31) Number (32) Date (33) Country  
**29/400739 31 Aug 2011 UNITED STATES OF AMERICA**  
(62) Divisional of: **340673**  
(56) Related Art Documents: **Not Applicable**  
(57) Statement of Newness and Distinctiveness: **Newness and distinctiveness is claimed in the visual features shown in solid lines in the representations.**





- (21) Design Number: **14962/2011**  
(22) Date of Filing Application: **04 November 2011**  
(24) Date from which industrial property rights may have effect: **04 November 2011**  
(54) Product in respect of which the design is registered: **A scooter**  
(51) International Design Classification: **21-01F**  
(74) Name(s) of Attorney(s): **Collison & Co**  
(71) Name(s) and Address(s) of Applicant(s):  
**Madd Gear Pty Ltd**  
**12/35 Garden Road Clayton Victoria 3168 Australia**  
(72) Name(s) of Designer(s): **Mike Horne**  
(45) Registration Date: **30 January 2012**  
(56) Related Art Documents: **Not Applicable**  
(57) Statement of Newness and Distinctiveness: **Nil**



- (21) Design Number: **14964/2011**  
(22) Date of Filing Application: **04 November 2011**  
(24) Date from which industrial property rights may have effect: **04 November 2011**  
(54) Product in respect of which the design is registered: **Scooter deck**  
(51) International Design Classification: **21-01F**  
(74) Name(s) of Attorney(s): **Collison & Co**  
(71) Name(s) and Address(s) of Applicant(s):  
**Madd Gear Pty Ltd**  
**12/35 Garden Road Clayton Victoria 3168 Australia**  
(72) Name(s) of Designer(s): **Mike Horne**  
(45) Registration Date: **30 January 2012**  
(56) Related Art Documents: **Not Applicable**  
(57) Statement of Newness and Distinctiveness: **Newness and distinctiveness resides in the shape and/or configuration of the internal ribbing of the board as shown in the attached representations, excluding the broken lines. The section views of figures 2-4 provide greater clarity of the ribbing shape and/or configuration.**



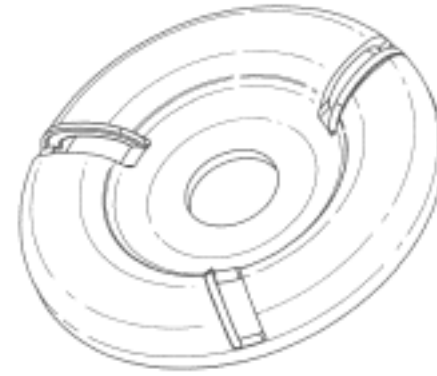
(21) Design Number: **14965/2011**  
(22) Date of Filing Application: **04 November 2011**  
(24) Date from which industrial property rights may have effect: **04 November 2011**  
(54) Product in respect of which the design is registered: **A scooter**  
(51) International Design Classification: **21-01F**  
(74) Name(s) of Attorney(s): **Collison & Co**  
(71) Name(s) and Address(s) of Applicant(s):  
**Madd Gear Pty Ltd**  
**12/35 Garden Road Clayton Victoria 3168 Australia**  
(72) Name(s) of Designer(s): **Mike Horne**  
(45) Registration Date: **30 January 2012**  
(56) Related Art Documents: **Not Applicable**  
(57) Statement of Newness and Distinctiveness: **Nil**



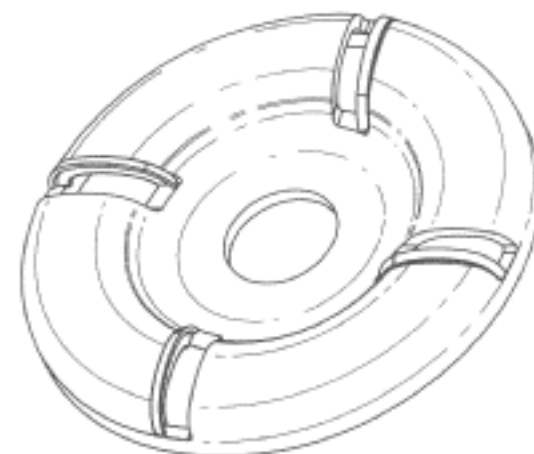
(21) Design Number: **15049/2011**  
(22) Date of Filing Application: **10 November 2011**  
(24) Date from which industrial property rights may have effect: **10 November 2011**  
(54) Product in respect of which the design is registered: **Woodcarving blade**  
(51) International Design Classification: **08-03**  
(74) Name(s) of Attorney(s):  
(71) Name(s) and Address(s) of Applicant(s):  
**Arbortech Industries Limited**  
**PO Box 3125 Malaga DC Malaga Western Australia 6945 Australia**  
(72) Name(s) of Designer(s): **Kevin Ross Inkster**  
(45) Registration Date: **30 January 2012**  
(56) Related Art Documents: **Not Applicable**  
(57) Statement of Newness and Distinctiveness: **A novel reentrant shape for a rotary cutting blade.**



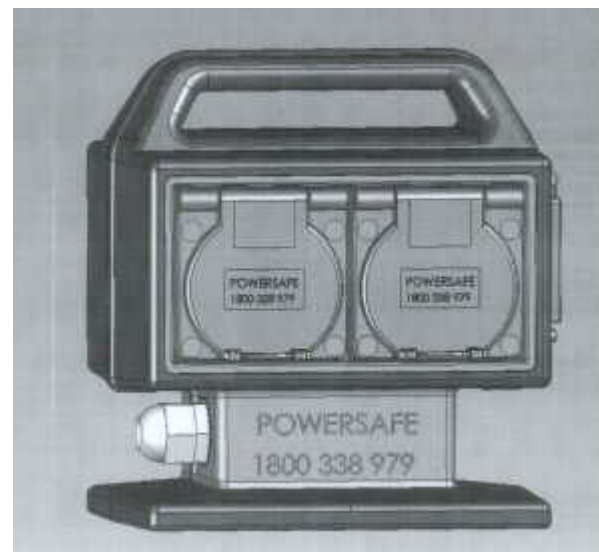
- (21) Design Number: **15050/2011**  
(22) Date of Filing Application: **10 November 2011**  
(24) Date from which industrial property rights may have effect: **10 November 2011**  
(54) Product in respect of which the design is registered: **Woodcarving blade**  
(51) International Design Classification: **08-03**  
(74) Name(s) of Attorney(s):  
(71) Name(s) and Address(s) of Applicant(s):  
**Arbortech Industries Limited**  
**PO Box 3125 Malaga DC Malaga Western Australia 6945 Australia**  
(72) Name(s) of Designer(s): **Kevin Ross Inkster**  
(45) Registration Date: **30 January 2012**  
(56) Related Art Documents: **Not Applicable**  
(57) Statement of Newness and Distinctiveness: **A novel reentrant shape for a rotary cutting blade.**



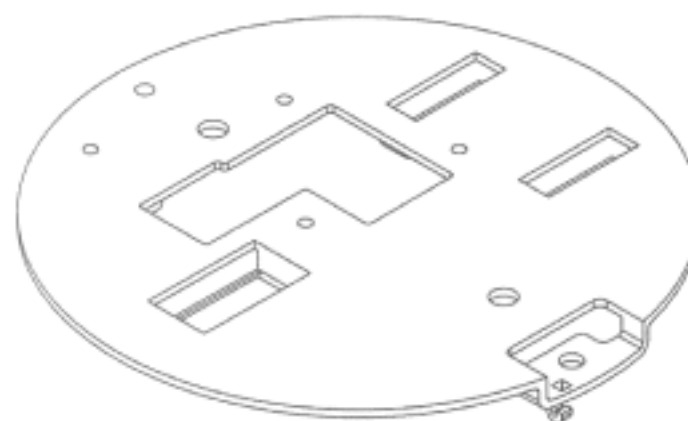
- (21) Design Number: **15051/2011**  
(22) Date of Filing Application: **10 November 2011**  
(24) Date from which industrial property rights may have effect: **10 November 2011**  
(54) Product in respect of which the design is registered: **Woodcarving blade**  
(51) International Design Classification: **08-03**  
(74) Name(s) of Attorney(s):  
(71) Name(s) and Address(s) of Applicant(s):  
**Arbortech Industries Limited**  
**PO Box 3125 Malaga DC Malaga Western Australia 6945 Australia**  
(72) Name(s) of Designer(s): **Kevin Ross Inkster**  
(45) Registration Date: **30 January 2012**  
(56) Related Art Documents: **Not Applicable**  
(57) Statement of Newness and Distinctiveness: **A novel reentrant shape for a rotary cutting blade.**



- (21) Design Number: **15171/2011**  
(22) Date of Filing Application: **10 November 2011**  
(24) Date from which industrial property rights may have effect: **10 November 2011**  
(54) Product in respect of which the design is registered: **Portable outlet power board**  
(51) International Design Classification: **13-03D**  
(74) Name(s) of Attorney(s):  
(71) Name(s) and Address(s) of Applicant(s):  
**Vicjan Pty Ltd**  
**PO Box 394 Coolum Beach Queensland 4573 Australia**  
(72) Name(s) of Designer(s): **Vic Knight**  
(45) Registration Date: **30 January 2012**  
(56) Related Art Documents: **Not Applicable**  
(57) Statement of Newness and Distinctiveness: **Weather rated PSOA (portable socket outlet appliance) for commercial and industrial use.**



- (21) Design Number: **15617/2011**  
(22) Date of Filing Application: **09 December 2011**  
(24) Date from which industrial property rights may have effect: **09 December 2011**  
(54) Product in respect of which the design is registered: **Mounting plate**  
(51) International Design Classification: **23-04**  
(74) Name(s) of Attorney(s): **Franke Hyland**  
(71) Name(s) and Address(s) of Applicant(s):  
**Hunter Pacific International Pty Ltd**  
**Building 8 256 New Line Road Dural New South Wales 2158 Australia**  
(72) Name(s) of Designer(s): **Philip Allen and Scott Ibbotson and David Stocks**  
(45) Registration Date: **30 January 2012**  
(56) Related Art Documents: **Not Applicable**  
(57) Statement of Newness and Distinctiveness: **Newness and distinctiveness is claimed in the features of shape and/or configuration of a mounting plate as illustrated in the accompanying representations.**



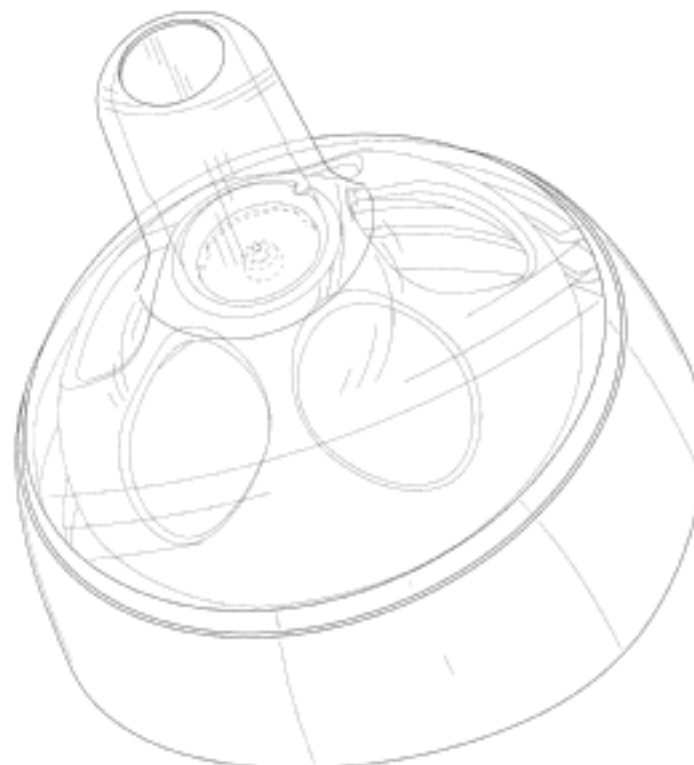
- (21) Design Number: **15651/2011**  
(22) Date of Filing Application: **14 December 2011**  
(24) Date from which industrial property rights may have effect: **14 December 2011**  
(54) Product in respect of which the design is registered: **Homony HMN-080A mini amplifier**  
(51) International Design Classification: **14-03NES**  
(74) Name(s) of Attorney(s):  
(71) Name(s) and Address(s) of Applicant(s):  
**Elairsar (Australia) Pty Ltd**  
**Unit 2 39 Ireland Street Burwood Victoria 3125 Australia**  
(72) Name(s) of Designer(s): **Changhua Zhang**  
(45) Registration Date: **30 January 2012**  
(56) Related Art Documents: **Not Applicable**  
(57) Statement of Newness and Distinctiveness: **Nil**



- (21) Design Number: **15652/2011**  
(22) Date of Filing Application: **14 December 2011**  
(24) Date from which industrial property rights may have effect: **14 December 2011**  
(54) Product in respect of which the design is registered: **Homony HMN-080B mini amplifier**  
(51) International Design Classification: **14-03NES**  
(74) Name(s) of Attorney(s):  
(71) Name(s) and Address(s) of Applicant(s):  
**Elairsar (Australia) Pty Ltd**  
**Unit 2 39 Ireland Street Burwood Victoria 3125 Australia**  
(72) Name(s) of Designer(s): **Changhua Zhang**  
(45) Registration Date: **30 January 2012**  
(56) Related Art Documents: **Not Applicable**  
(57) Statement of Newness and Distinctiveness: **Nil**



- (21) Design Number: **14336/2011**  
(22) Date of Filing Application: **26 September 2011**  
(24) Date from which industrial property rights may have effect: **26 September 2011**  
(54) Product in respect of which the design is registered: **Teat unit for a feeding bottle**  
(51) International Design Classification: **07-01E**  
(74) Name(s) of Attorney(s): **Griffith Hack**  
(71) Name(s) and Address(s) of Applicant(s):  
**Medela Holding AG**  
**Lattichstrasse 4b CH-6340 Baar Switzerland**  
(72) Name(s) of Designer(s): **Simon Weber and Etienne Furrer and Therese Naef and Rene Fischer**  
(45) Registration Date: **30 January 2012**  
(30) Convention priority data:  
(31) Number      (32) Date      (33) Country  
**602 523 001      09 May 2011      WORLD INTELLECTUAL**  
**PROPERTY ORGANIZATION**  
**(WIPO)**  
(56) Related Art Documents: **Not Applicable**  
(57) Statement of Newness and Distinctiveness: **Newness and distinctiveness resides in the visual features, including shape, configuration and ornamentation, of a teat unit for a feeding bottle as shown in the accompanying representations**



- (21) Design Number: **15158/2011**  
(22) Date of Filing Application: **11 November 2011**  
(24) Date from which industrial property rights may have effect: **11 November 2011**  
(54) Product in respect of which the design is registered: **A beverage rack**  
(51) International Design Classification: **06-04NES**  
(74) Name(s) of Attorney(s): **Ahearn Fox**  
(71) Name(s) and Address(s) of Applicant(s):  
**Illuminated Industries Pty Ltd**  
**12 Eurora Street Kingston Queensland 4118 Australia**  
(72) Name(s) of Designer(s): **Brett Thomas**  
(45) Registration Date: **30 January 2012**  
(56) Related Art Documents: **Not Applicable**  
(57) Statement of Newness and Distinctiveness: **Newness and distinctiveness reside in the features of shape and configuration of the beverage rack as shown in the accompanying drawings wherein: Fig. 1 is a view from above of a beverage rack with a removable tray; Fig. 2 is a view from above of the beverage, but with the tray removed; Fig. 3 is a front view of the beverage rack; Fig. 4 is a rear view showing the underside of the beverage rack; Fig. 5 is a front view showing the underside of the beverage rack; Fig. 6 is a rear view of the beverage rack; Fig. 7 is a view of the right side of the beverage rack; Fig. 8 is a view showing the left side of the beverage rack; Fig. 9 is a right side view showing the underside of the beverage rack; Fig. 10 is a right side view (mirror image of the left side view) of the underside of the removable tray; Fig. 11 is a view from above showing the underside of the tray; Fig. 12 is a view from above showing the topside of the tray, and Fig. 13 is a side view of the tray.**



(21) Design Number: **15136/2011**  
(22) Date of Filing Application: **11 November 2011**  
(24) Date from which industrial property rights may have effect: **11 November 2011**  
(54) Product in respect of which the design is registered: **Automobile tyre**  
(51) International Design Classification: **12-15A**  
(74) Name(s) of Attorney(s): **Griffith Hack**  
(71) Name(s) and Address(s) of Applicant(s):  
**Bridgestone Corporation**  
**10-1 Kyobashi 1-chome Chuo-ku Tokyo 104-8340 Japan**  
(72) Name(s) of Designer(s): **Nagakazu Kuwahara**  
(45) Registration Date: **31 January 2012**  
(30) Convention priority data:  
(31) Number (32) Date (33) Country  
**JP 2011-010655 12 May 2011 JAPAN**  
(56) Related Art Documents: **Not Applicable**  
(57) Statement of Newness and Distinctiveness: **Shape, configuration and ornamentation of the AUTOMOBILE TYRE as shown in the representations is new and distinctive.**



(21) Design Number: **15262/2011**  
(22) Date of Filing Application: **18 November 2011**  
(24) Date from which industrial property rights may have effect: **18 November 2011**  
(54) Product in respect of which the design is registered: **Scoter**  
(51) International Design Classification: **12-11**  
(74) Name(s) of Attorney(s): **Madderns**  
(71) Name(s) and Address(s) of Applicant(s):  
**Lambretta Motolife Italia S.p.A.**  
**Via Panama 68 Roma I-00198 Italy**  
(72) Name(s) of Designer(s): **Alessandro Tartarini**  
(45) Registration Date: **31 January 2012**  
(56) Related Art Documents: **Not Applicable**  
(57) Statement of Newness and Distinctiveness: **Nil**



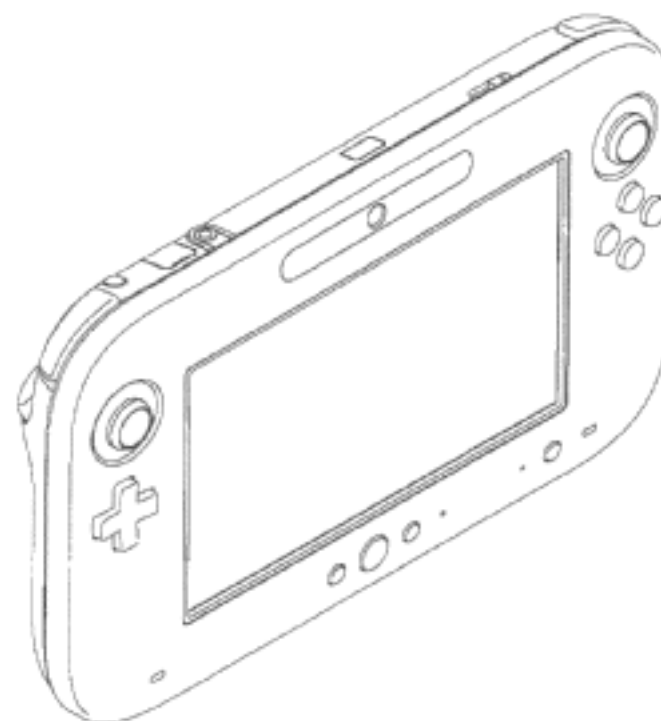
- (21) Design Number: **15430/2011**  
(22) Date of Filing Application: **29 November 2011**  
(24) Date from which industrial property rights may have effect: **29 November 2011**  
(54) Product in respect of which the design is registered: **Sharpener**  
(51) International Design Classification: **08-05H**  
(74) Name(s) of Attorney(s): **SPRUSON & FERGUSON**  
(71) Name(s) and Address(s) of Applicant(s):  
**Scanpan A/S**  
**Industrivej 49 DK-8550 Ryomgard Denmark**  
(72) Name(s) of Designer(s): **Alexander Angus**  
(45) Registration Date: **31 January 2012**  
(56) Related Art Documents: **Not Applicable**  
(57) Statement of Newness and Distinctiveness: **Newness and distinctiveness is claimed in the features of shape and/or configuration of a sharpener as illustrated in the accompanying representations.**



- (21) Design Number: **15556/2011**  
(22) Date of Filing Application: **05 December 2011**  
(24) Date from which industrial property rights may have effect: **05 December 2011**  
(54) Product in respect of which the design is registered: **Controller for an electronic computer**  
(51) International Design Classification: **21-01N**  
(74) Name(s) of Attorney(s): **Davies Collison Cave**  
(71) Name(s) and Address(s) of Applicant(s):  
**Nintendo Co., Ltd.**  
**11-1 Kamitoba Hokotate-cho Minami-ku Kyoto Japan**  
(72) Name(s) of Designer(s): **Kenichiro Ashida and Masato Ibuki and Shinji Yamamoto and Fumiyoshi Suetake and Akiko Suga and Naoya Yamamoto and Hitoshi Tsuchiya and Junji Takamoto and Daisuke Kumazaki and Yositemo Gotou and Takanori Okamura**  
(45) Registration Date: **31 January 2012**  
(30) Convention priority data:  

(31) Number	(32) Date	(33) Country
<b>2011-012714</b>	<b>03 Jun 2011</b>	<b>JAPAN</b>

  
(56) Related Art Documents: **Not Applicable**  
(57) Statement of Newness and Distinctiveness: **Nil**

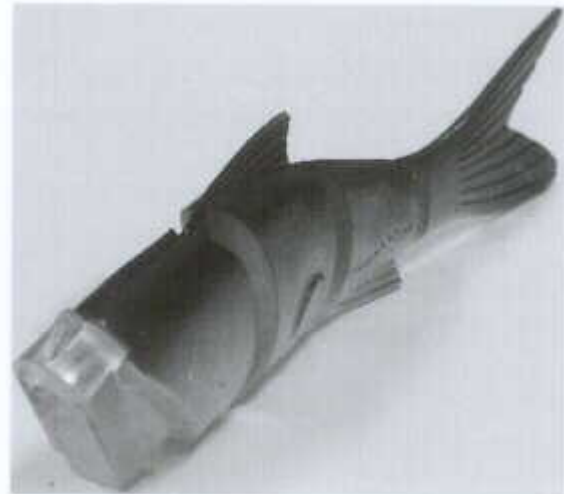




(21) Design Number: **15385/2011**  
(22) Date of Filing Application: **24 November 2011**  
(24) Date from which industrial property rights may have effect: **24 November 2011**  
(54) Product in respect of which the design is registered: **Fishing lure**  
(51) International Design Classification: **22-05**  
(74) Name(s) of Attorney(s): **Davies Collison Cave**  
(71) Name(s) and Address(s) of Applicant(s):  
**Oy FP Finland Ltd**  
**Santalantie 8 10960 Hanko Finland**  
(72) Name(s) of Designer(s): **Mikael Brandt**  
(45) Registration Date: **31 January 2012**  
(30) Convention priority data:  
(31) Number (32) Date (33) Country  
**001878760-0001 16 Jun 2011 EUROPEAN COMMUNITY**  
(56) Related Art Documents: **Not Applicable**  
(57) Statement of Newness and Distinctiveness: **Newness and distinctiveness is claimed in the visual features shown in the representations.**



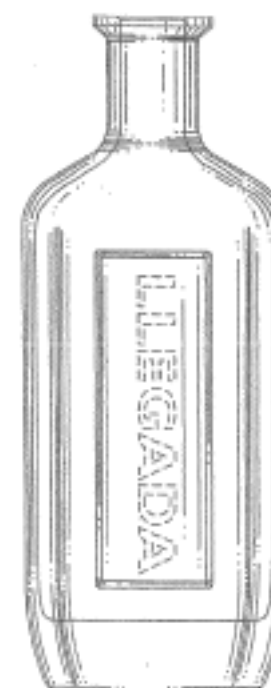
(21) Design Number: **15386/2011**  
(22) Date of Filing Application: **24 November 2011**  
(24) Date from which industrial property rights may have effect: **24 November 2011**  
(54) Product in respect of which the design is registered: **Fishing lure**  
(51) International Design Classification: **22-05**  
(74) Name(s) of Attorney(s): **Davies Collison Cave**  
(71) Name(s) and Address(s) of Applicant(s):  
**Oy FP Finland Ltd**  
**Santalantie 8 10960 Hanko Finland**  
(72) Name(s) of Designer(s): **Mikael Brandt**  
(45) Registration Date: **31 January 2012**  
(30) Convention priority data:  
(31) Number (32) Date (33) Country  
**001878760-0002 16 Jun 2011 EUROPEAN COMMUNITY**  
(56) Related Art Documents: **Not Applicable**  
(57) Statement of Newness and Distinctiveness: **Newness and distinctiveness is claimed in the visual features shown in the representations.**



(21) Design Number: **15387/2011**  
(22) Date of Filing Application: **24 November 2011**  
(24) Date from which industrial property rights may have effect: **24 November 2011**  
(54) Product in respect of which the design is registered: **Fishing lure**  
(51) International Design Classification: **22-05**  
(74) Name(s) of Attorney(s): **Davies Collison Cave**  
(71) Name(s) and Address(s) of Applicant(s):  
**Oy FP Finland Ltd**  
**Santalantie 8 10960 Hanko Finland**  
(72) Name(s) of Designer(s): **Mikael Brandt**  
(45) Registration Date: **31 January 2012**  
(30) Convention priority data:  
(31) Number (32) Date (33) Country  
**001878760-0003 16 Jun 2011 EUROPEAN COMMUNITY**  
(56) Related Art Documents: **Not Applicable**  
(57) Statement of Newness and Distinctiveness: **Newness and distinctiveness is claimed in the visual features shown in the representations.**



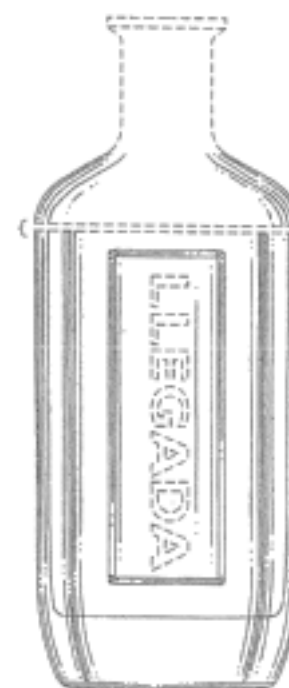
(21) Design Number: **15063/2011**  
(22) Date of Filing Application: **08 November 2011**  
(24) Date from which industrial property rights may have effect: **08 November 2011**  
(54) Product in respect of which the design is registered: **Bottle**  
(51) International Design Classification: **09-01NES, 09-01K**  
(74) Name(s) of Attorney(s): **Griffith Hack**  
(71) Name(s) and Address(s) of Applicant(s):  
**Avion Spirits LLC**  
**584 Broadway Suite 903 New York NY 10012 United States of America**  
(72) Name(s) of Designer(s): **Jenna L. Fagnan and Kenneth B. Austin**  
(45) Registration Date: **31 January 2012**  
(30) Convention priority data:  
(31) Number (32) Date (33) Country  
**29/373,874 02 Jun 2011 UNITED STATES OF AMERICA**  
(56) Related Art Documents: **Not Applicable**  
(57) Statement of Newness and Distinctiveness: **Newness and distinctiveness resides in the visual features, including shape, configuration and ornamentation of a BOTTLE as shown in the representations. Those parts shown in broken lines have been included for illustrative purposes only and do not form part of the design.**



(21) Design Number: **10265/2012**  
(22) Date of Filing Application: **08 November 2011**  
(24) Date from which industrial property rights may have effect: **08 November 2011**  
(54) Product in respect of which the design is registered: **Bottle**  
(51) International Design Classification: **09-01NES**  
(74) Name(s) of Attorney(s): **Griffith Hack**  
(71) Name(s) and Address(s) of Applicant(s):  
**Avion Spirits LLC**  
**584 Broadway Suite 903 New York NY 10012 United States of America**

(72) Name(s) of Designer(s): **Jenna Fagnan and Kenneth Austin**  
(45) Registration Date: **31 January 2012**  
(30) Convention priority data:  
(31) Number (32) Date (33) Country  
**29/373,874 02 Jun 2011 UNITED STATES OF AMERICA**

(62) Divisional of: **340694**  
(56) Related Art Documents: **Not Applicable**  
(57) Statement of Newness and Distinctiveness: **Newness and distinctiveness resides in the visual features, including shape, configuration and ornamentation of a BOTTLE as shown in the representations. Those parts shown in broken lines have been included for illustrative purposes only and do not form part of the design as the BOTTLE may be of any height.**



(21) Design Number: **15776/2011**  
(22) Date of Filing Application: **15 December 2011**  
(24) Date from which industrial property rights may have effect: **15 December 2011**  
(54) Product in respect of which the design is registered: **A bottle**  
(51) International Design Classification: **09-01NES**  
(74) Name(s) of Attorney(s): **Davies Collison Cave**  
(71) Name(s) and Address(s) of Applicant(s):  
**Unilever PLC**  
**Unilever House 100 Victoria Embankment London EC4Y 0DY United Kingdom**

(72) Name(s) of Designer(s): **Barro de Gast and Mirco Onesti and Davide Pietrasanta and Alice Tacconi**  
(45) Registration Date: **31 January 2012**  
(30) Convention priority data:  
(31) Number (32) Date (33) Country  
**001891227-0001 14 Jul 2011 EUROPEAN COMMUNITY**

(56) Related Art Documents: **Not Applicable**  
(57) Statement of Newness and Distinctiveness: **Newness and distinctiveness is claimed in the visual features shown in solid lines in the representations.**



(21) Design Number: **10038/2012**

(22) Date of Filing Application: **05 January 2012**

(24) Date from which industrial property rights may have effect: **05 January 2012**

(54) Product in respect of which the design is registered: **Roller press mechanism**

(51) International Design Classification: **15-09, 15-99**

(74) Name(s) of Attorney(s): **Freehills Patent & Trade Mark Attorneys**

(71) Name(s) and Address(s) of Applicant(s):

**Fiskars Brands, Inc.**

**2537 Daniels Street Madison Wisconsin 53718-6772 United States of America**

(72) Name(s) of Designer(s): **Andrew P. Block and Daniel J. Lipscomb and Colin Roberts**

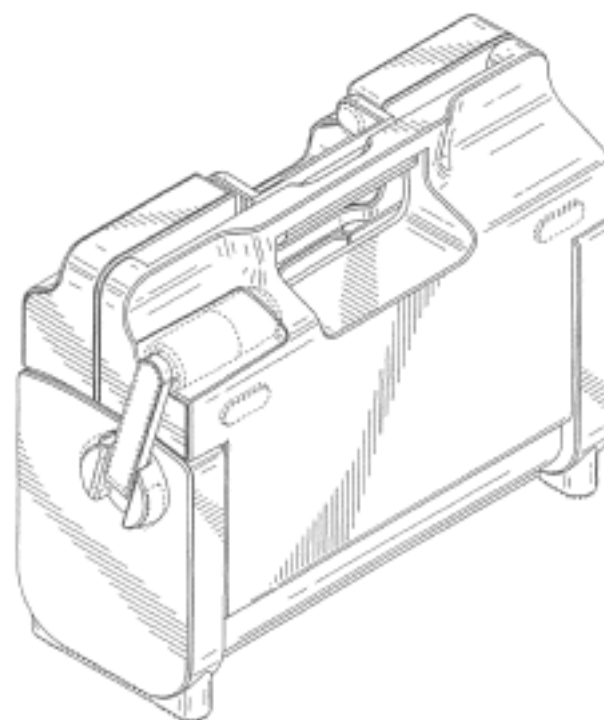
(45) Registration Date: **31 January 2012**

(30) Convention priority data:

(31) Number	(32) Date	(33) Country
<b>29/401055</b>	<b>06 Sep 2011</b>	<b>UNITED STATES OF AMERICA</b>

(56) Related Art Documents: **Not Applicable**

(57) Statement of Newness and Distinctiveness: **The newness and distinctiveness resides in the shape and configuration of the roller press mechanism as shown in solid lines in the representations. When considering whether the design is substantially similar in overall impression to another design, no regard is to be given to those features shown in broken lines.**



(21) Design Number: **10039/2012**

(22) Date of Filing Application: **05 January 2012**

(24) Date from which industrial property rights may have effect: **05 January 2012**

(54) Product in respect of which the design is registered: **Roller press mechanism**

(51) International Design Classification: **15-09, 15-99**

(74) Name(s) of Attorney(s): **Freehills Patent & Trade Mark Attorneys**

(71) Name(s) and Address(s) of Applicant(s):

**Fiskars Brands, Inc.**

**2537 Daniels Street Madison Wisconsin 53718-6772 United States of America**

(72) Name(s) of Designer(s): **Andrew P. Block and Daniel J. Lipscomb and Colin Roberts**

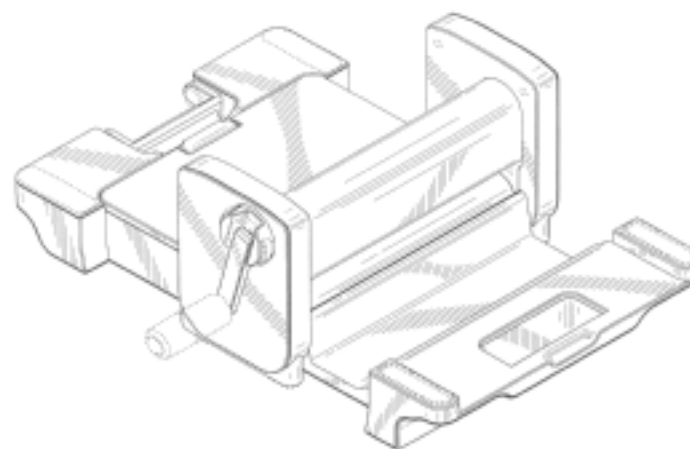
(45) Registration Date: **31 January 2012**

(30) Convention priority data:

(31) Number	(32) Date	(33) Country
<b>29/401061</b>	<b>06 Sep 2011</b>	<b>UNITED STATES OF AMERICA</b>

(56) Related Art Documents: **Not Applicable**

(57) Statement of Newness and Distinctiveness: **The newness and distinctiveness resides in the shape and configuration of the roller press mechanism as shown in solid lines in the representations. When considering whether the design is substantially similar in overall impression to another design, no regard is to be given to those features shown in broken lines.**



(21) Design Number: **10040/2012**

(22) Date of Filing Application: **05 January 2012**

(24) Date from which industrial property rights may have effect: **05 January 2012**

(54) Product in respect of which the design is registered: **Clamp insulator**

(51) International Design Classification: **13-03B**

(74) Name(s) of Attorney(s): **Callinans**

(71) Name(s) and Address(s) of Applicant(s):

**Pacific Polymers Pty Ltd**

**C/- Burton Partners 217 Lonsdale Street Dandenong South Victoria 3175  
Australia**

(72) Name(s) of Designer(s): **Alf Baker and Andrew Sorensen and Simon Wu**

(45) Registration Date: **31 January 2012**

(56) Related Art Documents: **Not Applicable**

(57) Statement of Newness and Distinctiveness: **Newness and distinctiveness resides in the clamp portion of the integrated conductor clamp, the clamp portion being that portion situated on the topmost flange. The features of the insulator body including the flanges are to be disregarded for the purposes of consideration of newness and distinctiveness.**



(21) Design Number: **10043/2012**

(22) Date of Filing Application: **05 January 2012**

(24) Date from which industrial property rights may have effect: **05 January 2012**

(54) Product in respect of which the design is registered: **Tyre for automobile**

(51) International Design Classification: **12-15B**

(74) Name(s) of Attorney(s): **SPRUSON & FERGUSON**

(71) Name(s) and Address(s) of Applicant(s):

**The Goodyear Tire & Rubber Company**

**1144 East Market Street Akron Ohio 44316 United States of America**

(72) Name(s) of Designer(s): **Seiji Hatano**

(45) Registration Date: **31 January 2012**

(30) Convention priority data:

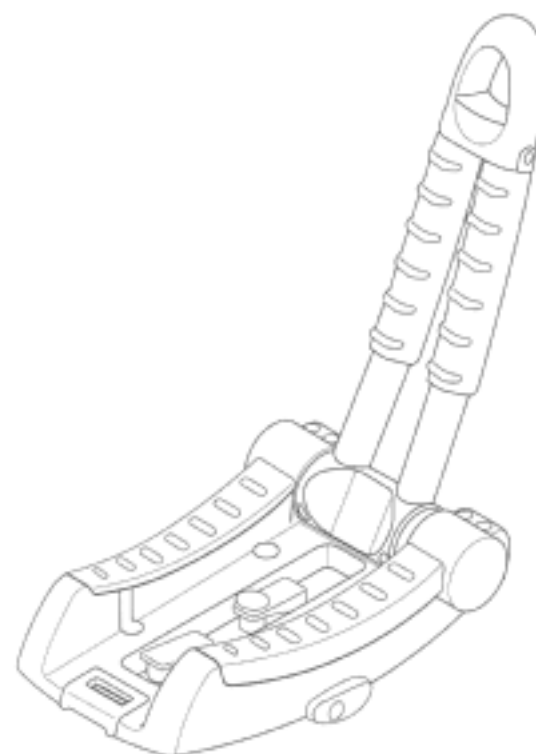
(31) Number	(32) Date	(33) Country
<b>2011-015390</b>	<b>05 Jul 2011</b>	<b>JAPAN</b>

(56) Related Art Documents: **Not Applicable**

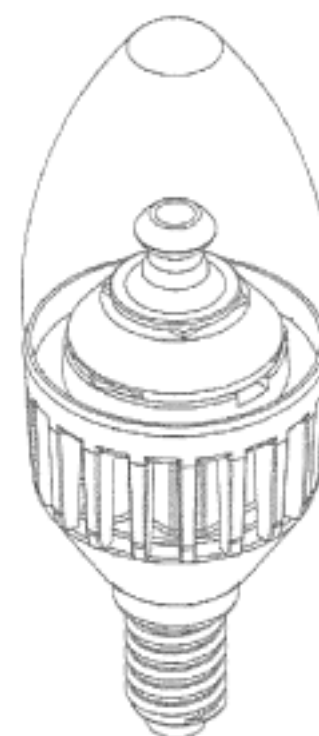
(57) Statement of Newness and Distinctiveness: **Newness and distinctiveness is claimed in the features of shape and/or configuration of the tread of a tyre as illustrated in the accompanying representations, wherein the shape and/or configuration of the tread is repeated throughout the circumference of the tyre.**



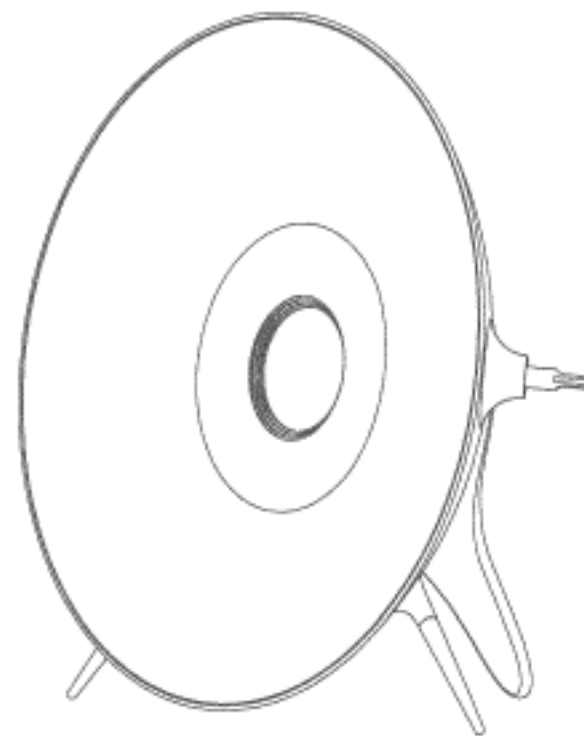
- (21) Design Number: **10046/2012**  
(22) Date of Filing Application: **06 January 2012**  
(24) Date from which industrial property rights may have effect: **06 January 2012**  
(54) Product in respect of which the design is registered: **Folding rooftop carrier**  
(51) International Design Classification: **12-16K**  
(74) Name(s) of Attorney(s): **SPRUSON & FERGUSON**  
(71) Name(s) and Address(s) of Applicant(s):  
**Thule Sweden AB**  
**Borggatan 2 SE330 33 Hillerstorp Sweden**  
(72) Name(s) of Designer(s): **John Laverack and Greg G. Weaver and Frederick G. Murray**  
(45) Registration Date: **31 January 2012**  
(30) Convention priority data:  
(31) Number (32) Date (33) Country  
**29/398535 01 Aug 2011 UNITED STATES OF AMERICA**  
(56) Related Art Documents: **Not Applicable**  
(57) Statement of Newness and Distinctiveness: **Newness and distinctiveness is claimed in those features of shape and/or configuration of the "A" shape of the folding support bars of the folding rooftop carrier as illustrated in continuous lines in the accompanying representations.**



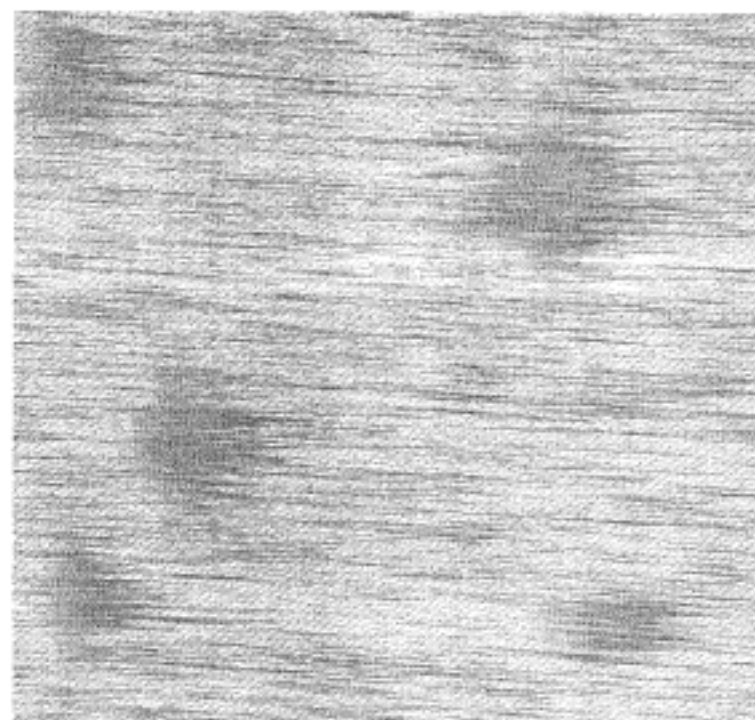
- (21) Design Number: **10047/2012**  
(22) Date of Filing Application: **06 January 2012**  
(24) Date from which industrial property rights may have effect: **06 January 2012**  
(54) Product in respect of which the design is registered: **Lamp**  
(51) International Design Classification: **26-04**  
(74) Name(s) of Attorney(s): **Wrays**  
(71) Name(s) and Address(s) of Applicant(s):  
**Mass Technology (H.K.) Limited**  
**31/F. Two Landmark East 100 How Ming Street Kwun Tong Kowloon**  
**Hong Kong**  
(72) Name(s) of Designer(s): **Onn Fah Foo**  
(45) Registration Date: **31 January 2012**  
(30) Convention priority data:  
(31) Number (32) Date (33) Country  
**1101159.0M001 07 Jul 2011 HONG KONG**  
(56) Related Art Documents: **Not Applicable**  
(57) Statement of Newness and Distinctiveness: **Newness and distinctiveness is claimed in the features of shape and/or configuration of the lamp depicted in the accompanying representations.**



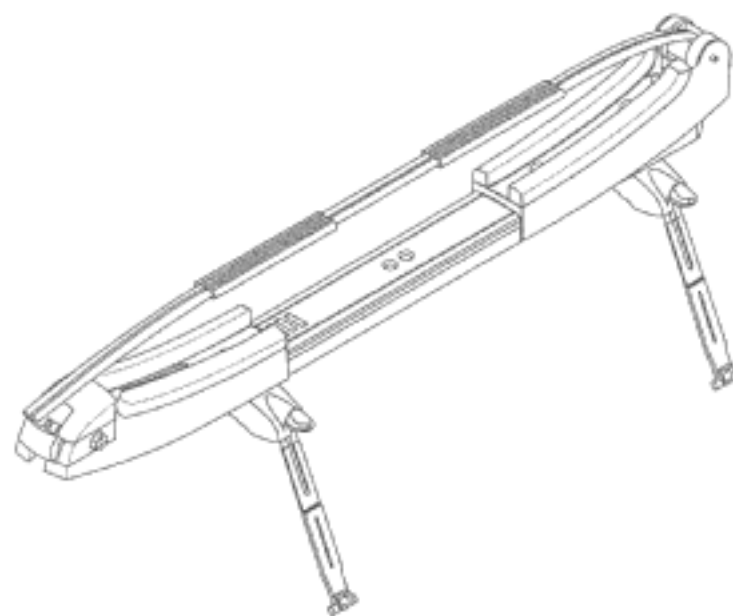
(21) Design Number: **10048/2012**  
(22) Date of Filing Application: **06 January 2012**  
(24) Date from which industrial property rights may have effect: **06 January 2012**  
(54) Product in respect of which the design is registered: **Wake up light**  
(51) International Design Classification: **26-05NES**  
(74) Name(s) of Attorney(s): **FB Rice**  
(71) Name(s) and Address(s) of Applicant(s):  
**Koninklijke Philips Electronics N.V.**  
**Groenewoudseweg 1 5621 BA Eindhoven The Netherlands**  
(72) Name(s) of Designer(s): **Johan Partomo Djajadiningrat**  
(45) Registration Date: **31 January 2012**  
(30) Convention priority data:  
(31) Number (32) Date (33) Country  
**001887852-0001 06 Jul 2011 EUROPEAN COMMUNITY**  
(56) Related Art Documents: **Not Applicable**  
(57) Statement of Newness and Distinctiveness: **Newness and distinctiveness reside in the features of shape and configuration of the wake up light as shown in the representations.**



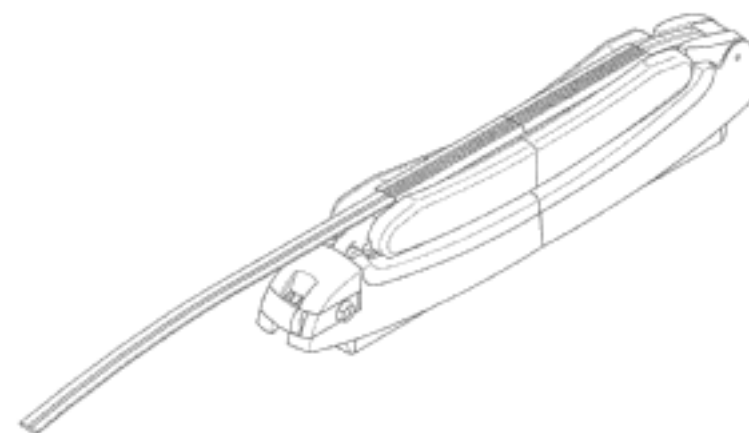
(21) Design Number: **10050/2012**  
(22) Date of Filing Application: **06 January 2012**  
(24) Date from which industrial property rights may have effect: **06 January 2012**  
(54) Product in respect of which the design is registered: **Fabric**  
(51) International Design Classification: **05-05NES**  
(74) Name(s) of Attorney(s): **SPRUSON & FERGUSON**  
(71) Name(s) and Address(s) of Applicant(s):  
**Chilewich Sultan LLC**  
**44 East 32nd Street New York New York 10016 United States of America**  
(72) Name(s) of Designer(s): **Sandra Chilewich**  
(45) Registration Date: **31 January 2012**  
(56) Related Art Documents: **Not Applicable**  
(57) Statement of Newness and Distinctiveness: **Newness and distinctiveness is claimed in the features of pattern and/or ornamentation of a fabric as shown in the accompanying representations, in particular the shimmery, watercolour-like effect in the ground areas of the fabric.**



(21) Design Number: **10051/2012**  
(22) Date of Filing Application: **06 January 2012**  
(24) Date from which industrial property rights may have effect: **06 January 2012**  
(54) Product in respect of which the design is registered: **Paddle board carrier**  
(51) International Design Classification: **12-16K**  
(74) Name(s) of Attorney(s): **SPRUSON & FERGUSON**  
(71) Name(s) and Address(s) of Applicant(s):  
**Thule Sweden AB**  
**Borggatan 2 SE330 33 Hillerstorp Sweden**  
(72) Name(s) of Designer(s): **Kevin Bogoslofski and John Laverack and Greg Weaver**  
(45) Registration Date: **31 January 2012**  
(30) Convention priority data:  
(31) Number (32) Date (33) Country  
**29/397,340 14 Jul 2011 UNITED STATES OF AMERICA**  
(56) Related Art Documents: **Not Applicable**  
(57) Statement of Newness and Distinctiveness: **Newness and distinctiveness is claimed in those features of shape and/or configuration of the shaping of the inner base (being the base proximate the hinged strap connector) and the sliding base as illustrated in continuous lines in the accompanying representations.**

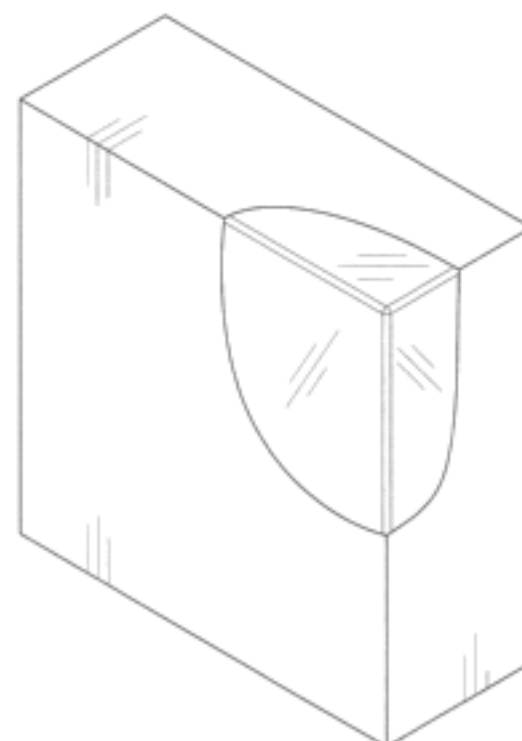


(21) Design Number: **10052/2012**  
(22) Date of Filing Application: **06 January 2012**  
(24) Date from which industrial property rights may have effect: **06 January 2012**  
(54) Product in respect of which the design is registered: **Surfboard carrier**  
(51) International Design Classification: **12-16K**  
(74) Name(s) of Attorney(s): **SPRUSON & FERGUSON**  
(71) Name(s) and Address(s) of Applicant(s):  
**Thule Sweden AB**  
**Borggatan 2 SE330 33 Hillerstorp Sweden**  
(72) Name(s) of Designer(s): **Kevin Bogoslofski and John Laverack and Greg Weaver**  
(45) Registration Date: **31 January 2012**  
(30) Convention priority data:  
(31) Number (32) Date (33) Country  
**29/397,281 14 Jul 2011 UNITED STATES OF AMERICA**  
(56) Related Art Documents: **Not Applicable**  
(57) Statement of Newness and Distinctiveness: **Newness and distinctiveness is claimed in those features of shape and/or configuration of a surfboard carrier as illustrated in continuous lines in the accompanying representations.**





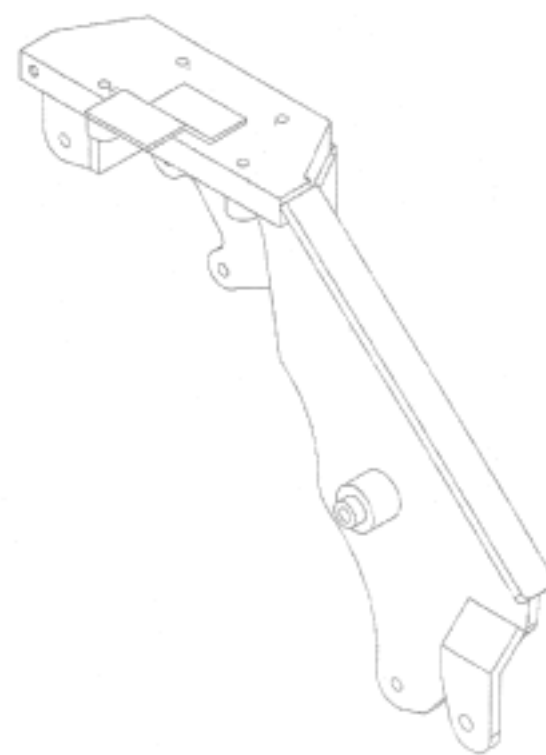
- (21) Design Number: **10053/2012**  
(22) Date of Filing Application: **06 January 2012**  
(24) Date from which industrial property rights may have effect: **06 January 2012**  
(54) Product in respect of which the design is registered: **Packaging for products**  
(51) International Design Classification: **09-03M**  
(74) Name(s) of Attorney(s): **Madderns**  
(71) Name(s) and Address(s) of Applicant(s):  
**Reckitt & Colman (Overseas) Limited**  
**103-105 Bath Road Slough Berkshire SL1 3UH United Kingdom**  
(72) Name(s) of Designer(s): **Alberto Buogo and Michael Evershed and Alex Peacop**  
(45) Registration Date: **31 January 2012**  
(30) Convention priority data:  
(31) Number (32) Date (33) Country  
**001890922-0001 13 Jul 2011 EUROPEAN COMMUNITY**  
(56) Related Art Documents: **Not Applicable**  
(57) Statement of Newness and Distinctiveness: **Newness and distinctiveness resides in the shape of the packaging and, in particular, the placement and design of the clear plastic window in order to display the product within.**



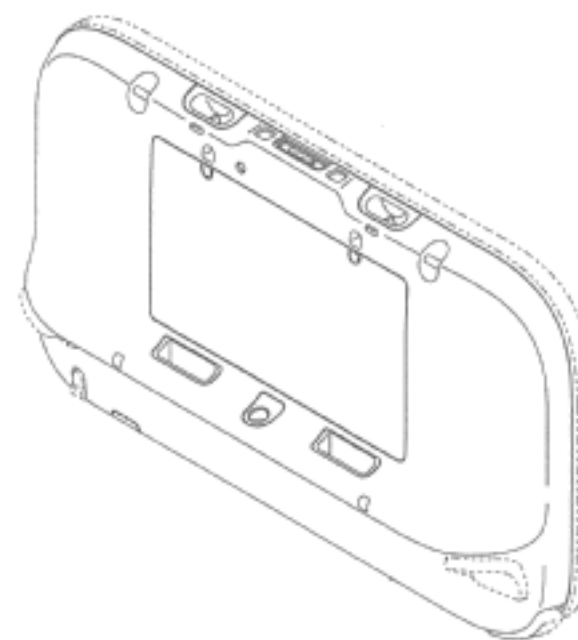
- (21) Design Number: **10054/2012**  
(22) Date of Filing Application: **06 January 2012**  
(24) Date from which industrial property rights may have effect: **06 January 2012**  
(54) Product in respect of which the design is registered: **Dispensing device**  
(51) International Design Classification: **09-01A, 28-03NES**  
(74) Name(s) of Attorney(s): **Madderns**  
(71) Name(s) and Address(s) of Applicant(s):  
**Reckitt & Colman (Overseas) Limited**  
**103-105 Bath Road Slough Berkshire SL1 3UH United Kingdom**  
(72) Name(s) of Designer(s): **Alberto Buogo and Michael Evershed and Alex Peacop**  
(45) Registration Date: **31 January 2012**  
(30) Convention priority data:  
(31) Number (32) Date (33) Country  
**001890906-0001 13 Jul 2011 EUROPEAN COMMUNITY**  
(56) Related Art Documents: **Not Applicable**  
(57) Statement of Newness and Distinctiveness: **Newness and distinctiveness resides in the dispensing device itself and, in particular, the shape which had a tapered waist.**



- (21) Design Number: **12051/2011**  
(22) Date of Filing Application: **11 May 2011**  
(24) Date from which industrial property rights may have effect: **11 May 2011**  
(54) Product in respect of which the design is registered: **Vehicle engine mounting bracket**  
(51) International Design Classification: **08-08L, 12-16NES**  
(74) Name(s) of Attorney(s): **Smooenburg Pini Patent & Trade Mark Attorneys**  
(71) Name(s) and Address(s) of Applicant(s):  
**Vehicle Development Corporation Pty Ltd**  
**380 Barry Road Coolaroo Victoria 3048 Australia**  
(72) Name(s) of Designer(s): **Darren Trevor Waugh and Warwick John Drenth**  
(45) Registration Date: **01 February 2012**  
(56) Related Art Documents: **Not Applicable**  
(57) Statement of Newness and Distinctiveness: **In considering the newness and distinctiveness of the design, regard is to be given to the overall shape and/or configuration of a mounting bracket as shown in the representations.**



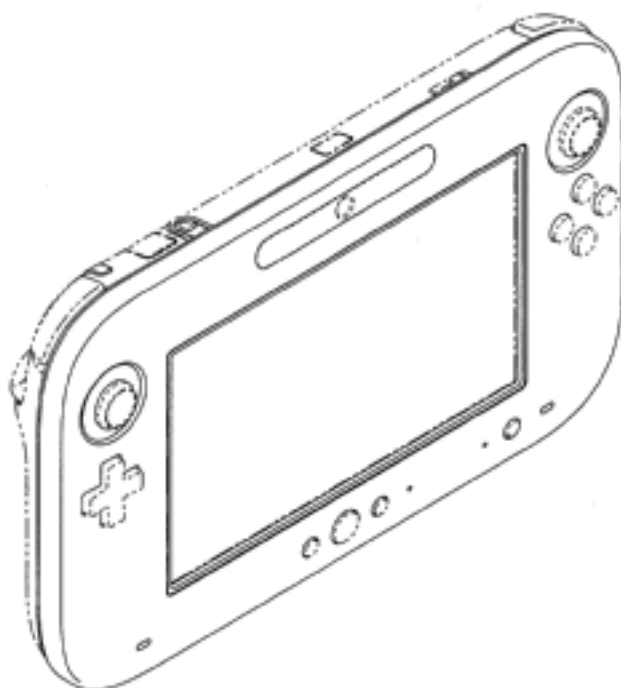
- (21) Design Number: **15553/2011**  
(22) Date of Filing Application: **05 December 2011**  
(24) Date from which industrial property rights may have effect: **05 December 2011**  
(54) Product in respect of which the design is registered: **Lower housing of a controller for an electronic computer**  
(51) International Design Classification: **21-01N**  
(74) Name(s) of Attorney(s): **Davies Collison Cave**  
(71) Name(s) and Address(s) of Applicant(s):  
**Nintendo Co., Ltd.**  
**11-1 Kamitoba Hokotate-cho Minami-ku Kyoto Japan**  
(72) Name(s) of Designer(s): **Kenichiro Ashida and Masato Ibuki and Shinji Yamamoto and Fumiyoshi Suetake and Akiko Suga and Naoya Yamamoto and Hitoshi Tsuchiya and Junji Takamoto and Daisuke Kumazaki and Yositemo Gotou and Takanori Okamura and Masahiko Nishimura**  
(45) Registration Date: **01 February 2012**  
(30) Convention priority data:  
(31) Number      (32) Date      (33) Country  
**2011-012717      03 Jun 2011      JAPAN**  
(56) Related Art Documents: **Not Applicable**  
(57) Statement of Newness and Distinctiveness: **Newness and distinctiveness is claimed in the visual features shown in solid lines in the representations.**



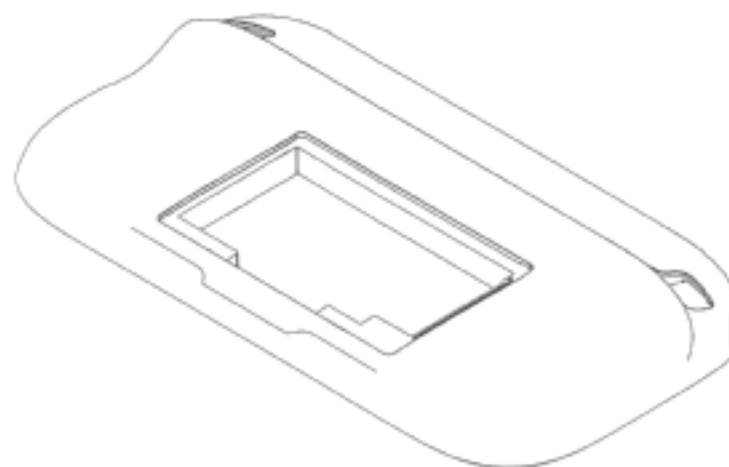
- (21) Design Number: **15554/2011**  
(22) Date of Filing Application: **05 December 2011**  
(24) Date from which industrial property rights may have effect: **05 December 2011**  
(54) Product in respect of which the design is registered: **Upper housing of a controller for an electronic computer**  
(51) International Design Classification: **21-01N**  
(74) Name(s) of Attorney(s): **Davies Collison Cave**  
(71) Name(s) and Address(s) of Applicant(s):  
**Nintendo Co., Ltd.**  
**11-1 Kamitoba Hokotate-cho Minami-ku Kyoto Japan**  
(72) Name(s) of Designer(s): **Kenichiro Ashida and Masato Ibuki and Shinji Yamamoto and Fumiyoshi Suetake and Akiko Suga and Naoya Yamamoto and Hitoshi Tsuchiya and Junji Takamoto and Daisuke Kumazaki and Yosiyomo Gotou and Takanori Okamura**  
(45) Registration Date: **01 February 2012**  
(30) Convention priority data:  
(31) Number      (32) Date      (33) Country  
**2011-027530      28 Nov 2011      JAPAN**  
(56) Related Art Documents: **Not Applicable**  
(57) Statement of Newness and Distinctiveness: **Newness and distinctiveness is claimed in the visual features shown in solid lines in the representations.**



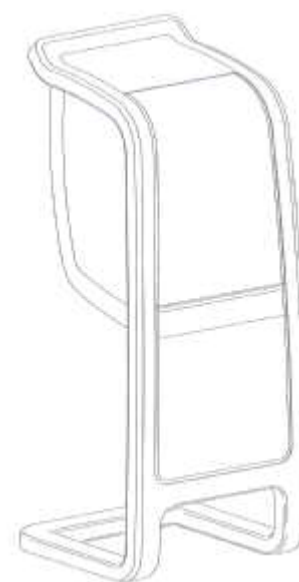
- (21) Design Number: **15555/2011**  
(22) Date of Filing Application: **05 December 2011**  
(24) Date from which industrial property rights may have effect: **05 December 2011**  
(54) Product in respect of which the design is registered: **Upper housing of a controller for an electronic computer**  
(51) International Design Classification: **21-01N**  
(74) Name(s) of Attorney(s): **Davies Collison Cave**  
(71) Name(s) and Address(s) of Applicant(s):  
**Nintendo Co., Ltd.**  
**11-1 Kamitoba Hokotate-cho Minami-ku Kyoto Japan**  
(72) Name(s) of Designer(s): **Kenichiro Ashida and Masato Ibuki and Shinji Yamamoto and Fumiyoshi Suetake and Akiko Suga and Naoya Yamamoto and Hitoshi Tsuchiya and Junji Takamoto and Daisuke Kumazaki and Yosiyomo Gotou and Takanori Okamura**  
(45) Registration Date: **01 February 2012**  
(30) Convention priority data:  
(31) Number      (32) Date      (33) Country  
**2011-012715      03 Jun 2011      JAPAN**  
(56) Related Art Documents: **Not Applicable**  
(57) Statement of Newness and Distinctiveness: **Newness and distinctiveness is claimed in the visual features shown in solid lines in the representations.**



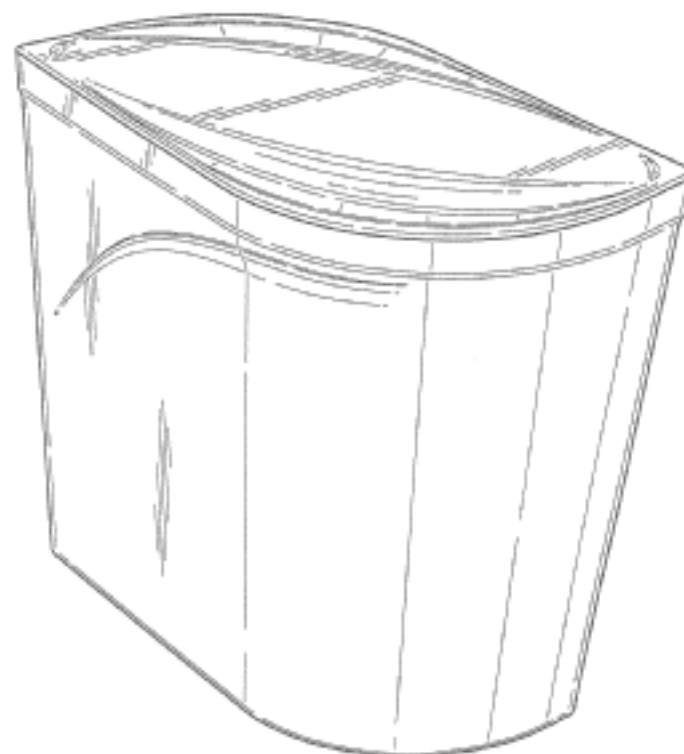
- (21) Design Number: **15557/2011**  
(22) Date of Filing Application: **05 December 2011**  
(24) Date from which industrial property rights may have effect: **05 December 2011**  
(54) Product in respect of which the design is registered: **Lower housing of a controller for an electronic computer**  
(51) International Design Classification: **21-01N**  
(74) Name(s) of Attorney(s): **Davies Collison Cave**  
(71) Name(s) and Address(s) of Applicant(s):  
**Nintendo Co., Ltd.**  
**11-1 Kamitoba Hokotate-cho Minami-ku Kyoto Japan**  
(72) Name(s) of Designer(s): **Kenichiro Ashida and Masato Ibuki and Shinji Yamamoto and Fumiyoshi Suetake and Akiko Suga and Naoya Yamamoto and Hitoshi Tsuchiya and Junji Takamoto and Daisuke Kumazaki and Yositemo Gotou and Takanori Okamura and Masahiko Nishimura**  
(45) Registration Date: **01 February 2012**  
(30) Convention priority data:  
(31) Number (32) Date (33) Country  
**2011-027846 30 Nov 2011 JAPAN**  
(56) Related Art Documents: **Not Applicable**  
(57) Statement of Newness and Distinctiveness: **Newness and distinctiveness is claimed in the visual features shown in solid lines in the representations.**



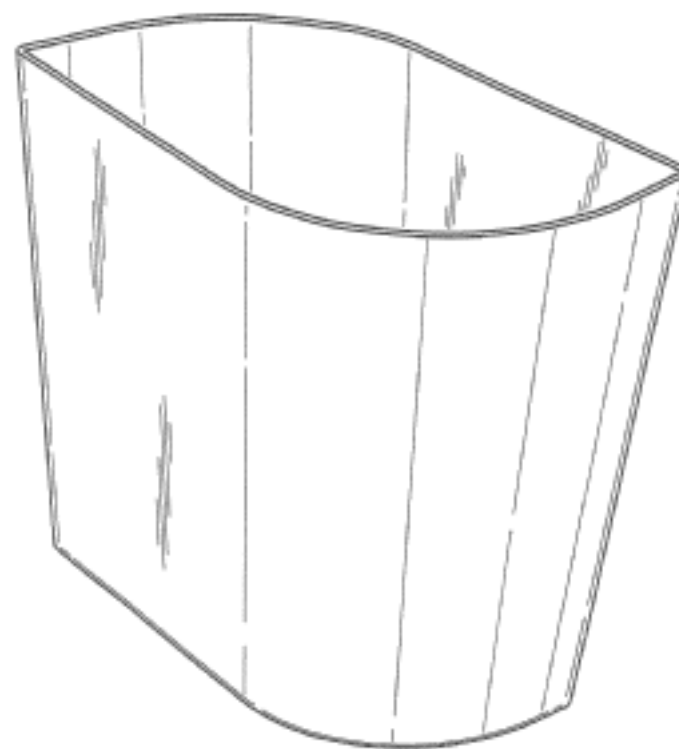
- (21) Design Number: **15215/2011**  
(22) Date of Filing Application: **16 November 2011**  
(24) Date from which industrial property rights may have effect: **16 November 2011**  
(54) Product in respect of which the design is registered: **A mailbox**  
(51) International Design Classification: **25-03**  
(74) Name(s) of Attorney(s): **Chrysiliou IP**  
(71) Name(s) and Address(s) of Applicant(s):  
**Telezygology Inc**  
**520 West Erie Street Suite 100 Chicago Illinois 60654 United States of America**  
(72) Name(s) of Designer(s): **Glenn Bevan and John Wilson**  
(45) Registration Date: **01 February 2012**  
(56) Related Art Documents: **Not Applicable**  
(57) Statement of Newness and Distinctiveness: **Nil**



(21) Design Number: **15895/2011**  
(22) Date of Filing Application: **20 December 2011**  
(24) Date from which industrial property rights may have effect: **20 December 2011**  
(54) Product in respect of which the design is registered: **Container**  
(51) International Design Classification: **07-01NES**  
(74) Name(s) of Attorney(s): **Davies Collison Cave**  
(71) Name(s) and Address(s) of Applicant(s):  
**Unilever PLC**  
**Unilever House 100 Victoria Embankment London EC4Y 0DY United Kingdom**  
(72) Name(s) of Designer(s): **Peter James Hayes and Benjamin James Lambert**  
(45) Registration Date: **01 February 2012**  
(30) Convention priority data:  
(31) Number (32) Date (33) Country  
**001884842-0001 30 Jun 2011 EUROPEAN COMMUNITY**  
(56) Related Art Documents: **Not Applicable**  
(57) Statement of Newness and Distinctiveness: **Newness and distinctiveness is claimed in the visual features shown in solid lines in the representations.**



(21) Design Number: **15896/2011**  
(22) Date of Filing Application: **20 December 2011**  
(24) Date from which industrial property rights may have effect: **20 December 2011**  
(54) Product in respect of which the design is registered: **Container**  
(51) International Design Classification: **07-01NES**  
(74) Name(s) of Attorney(s): **Davies Collison Cave**  
(71) Name(s) and Address(s) of Applicant(s):  
**Unilever PLC**  
**Unilever House 100 Victoria Embankment London EC4Y 0DY United Kingdom**  
(72) Name(s) of Designer(s): **Peter James Hayes and Benjamin James Lambert**  
(45) Registration Date: **01 February 2012**  
(30) Convention priority data:  
(31) Number (32) Date (33) Country  
**001884842-0004 30 Jun 2011 EUROPEAN COMMUNITY**  
(56) Related Art Documents: **Not Applicable**  
(57) Statement of Newness and Distinctiveness: **Newness and distinctiveness is claimed in the visual features shown in solid lines in the representations.**



(21) Design Number: **10001/2012**  
(22) Date of Filing Application: **03 January 2012**  
(24) Date from which industrial property rights may have effect: **03 January 2012**  
(54) Product in respect of which the design is registered: **Bluetooth stereo speaker**  
(51) International Design Classification: **14-01**  
(74) Name(s) of Attorney(s):  
(71) Name(s) and Address(s) of Applicant(s):  
**Sandrine Benoit**  
**Route de Foix 11500 Nebias France**  
(72) Name(s) of Designer(s): **Sandrine Benoit**  
(45) Registration Date: **01 February 2012**  
(56) Related Art Documents: **Not Applicable**  
(57) Statement of Newness and Distinctiveness: **Nil**



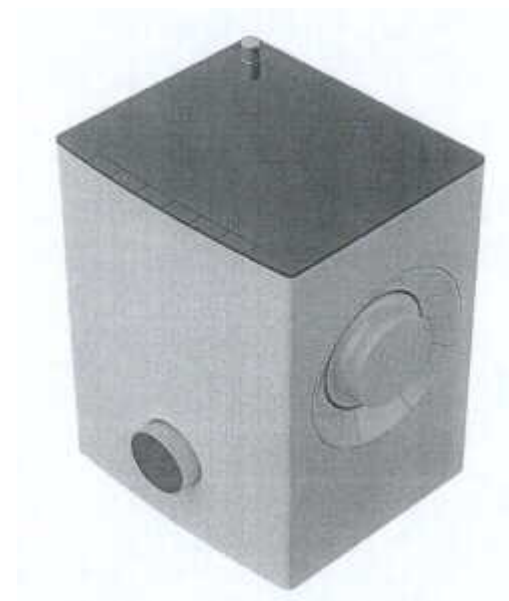
(21) Design Number: **10000/2012**  
(22) Date of Filing Application: **03 January 2012**  
(24) Date from which industrial property rights may have effect: **03 January 2012**  
(54) Product in respect of which the design is registered: **Bluetooth hands free car kit**  
(51) International Design Classification: **14-03A**  
(74) Name(s) of Attorney(s):  
(71) Name(s) and Address(s) of Applicant(s):  
**Sandrine Benoit**  
**Route de Foix 11500 Nebias France**  
(72) Name(s) of Designer(s): **Sandrine Benoit**  
(45) Registration Date: **01 February 2012**  
(56) Related Art Documents: **Not Applicable**  
(57) Statement of Newness and Distinctiveness: **Nil**



- (21) Design Number: **10026/2012**  
(22) Date of Filing Application: **05 January 2012**  
(24) Date from which industrial property rights may have effect: **05 January 2012**  
(54) Product in respect of which the design is registered: **Inflatable half ball chair on gas lift and castors**  
(51) International Design Classification: **06-01NES**  
(74) Name(s) of Attorney(s):  
(71) Name(s) and Address(s) of Applicant(s):  
**Piers Marmoy**  
**61 Moulden Avenue Yokine Western Australia 6060 Australia**  
(72) Name(s) of Designer(s): **Piers Marmoy**  
(45) Registration Date: **01 February 2012**  
(56) Related Art Documents: **Not Applicable**  
(57) Statement of Newness and Distinctiveness: **Nil**



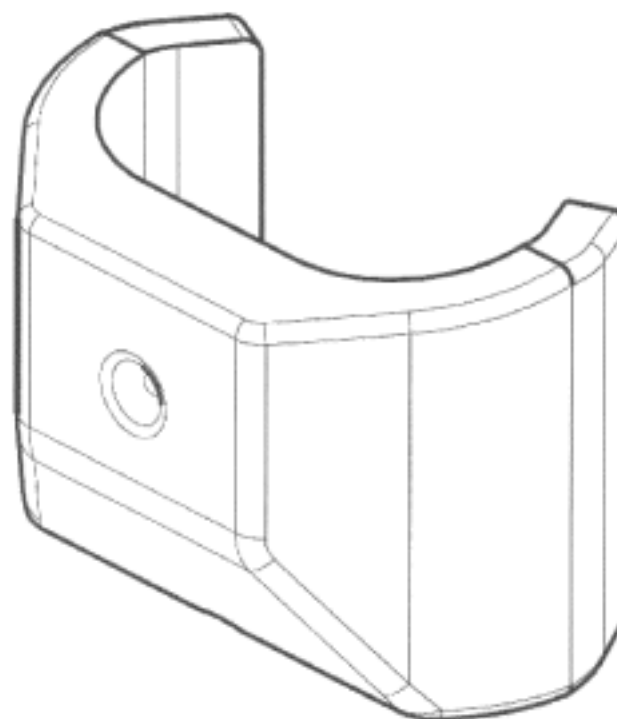
- (21) Design Number: **10060/2012**  
(22) Date of Filing Application: **09 January 2012**  
(24) Date from which industrial property rights may have effect: **09 January 2012**  
(54) Product in respect of which the design is registered: **Radio receiver**  
(51) International Design Classification: **14-03D**  
(74) Name(s) of Attorney(s): **SPRUSON & FERGUSON**  
(71) Name(s) and Address(s) of Applicant(s):  
**TT Micro AS**  
**Olaf Helsets vei 6 0694 Oslo Norway**  
(72) Name(s) of Designer(s): **Andreas Erlandsen**  
(45) Registration Date: **01 February 2012**  
(56) Related Art Documents: **Not Applicable**  
(57) Statement of Newness and Distinctiveness: **Newness and distinctiveness is claimed in the features of shape and/or configuration of a radio receiver as illustrated in the accompanying representations.**



- (21) Design Number: **10062/2012**  
(22) Date of Filing Application: **09 January 2012**  
(24) Date from which industrial property rights may have effect: **09 January 2012**  
(54) Product in respect of which the design is registered: **Screw bolt**  
(51) International Design Classification: **08-08B**  
(74) Name(s) of Attorney(s): **Freehills Patent & Trade Mark Attorneys**  
(71) Name(s) and Address(s) of Applicant(s):  
**Sumitomo Forestry Co., Ltd.**  
**3-2 Otemachi 1-chome Chiyoda-ku Tokoyo 100-8270 Japan**  
(72) Name(s) of Designer(s): **Junichi Imai and Hiroki Ishiyama**  
(45) Registration Date: **01 February 2012**  
(30) Convention priority data:  
(31) Number      (32) Date      (33) Country  
**2011-016985      25 Jul 2011      JAPAN**  
(56) Related Art Documents: **Not Applicable**  
(57) Statement of Newness and Distinctiveness: **Nil**

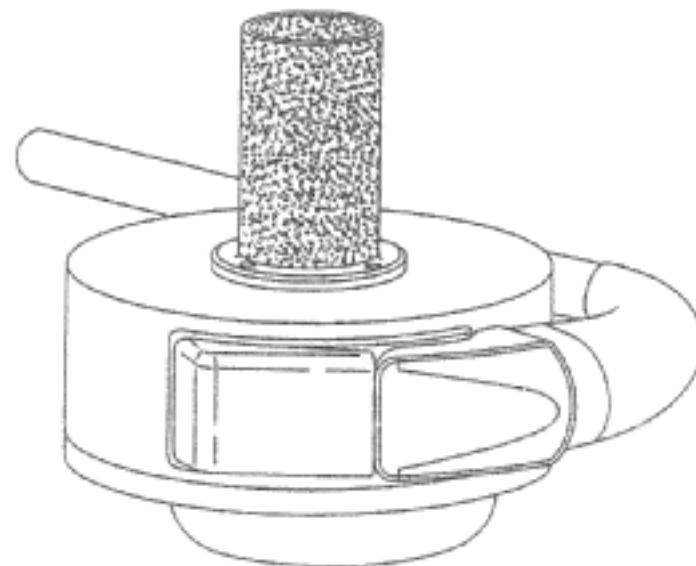


- (21) Design Number: **12389/2011**  
(22) Date of Filing Application: **30 May 2011**  
(24) Date from which industrial property rights may have effect: **30 May 2011**  
(54) Product in respect of which the design is registered: **A safety barrier component**  
(51) International Design Classification: **25-02NES**  
(74) Name(s) of Attorney(s): **Halfords IP**  
(71) Name(s) and Address(s) of Applicant(s):  
**Industrial Galvanizers Corporation Pty Ltd**  
**C/- Ingal Civil Products 57-65 Airds Road Minto New South Wales 2566**  
**Australia**  
(72) Name(s) of Designer(s): **Terry Colquhoun and Hayden Wallace and Andrew Karl Diehl and Christopher James Allington and Chris Williamson and Mark Whiteside and Henry John Hare and Wouter Von Toor and Ryan Ayres**  
(45) Registration Date: **01 February 2012**  
(56) Related Art Documents: **Not Applicable**  
(57) Statement of Newness and Distinctiveness: **Newness and distinctiveness resides in a safety barrier component being as depicted in the accompanying representations, and more particularly to the inclusion of a channel identified with the letter A in rear perspective, rear and plan views.**

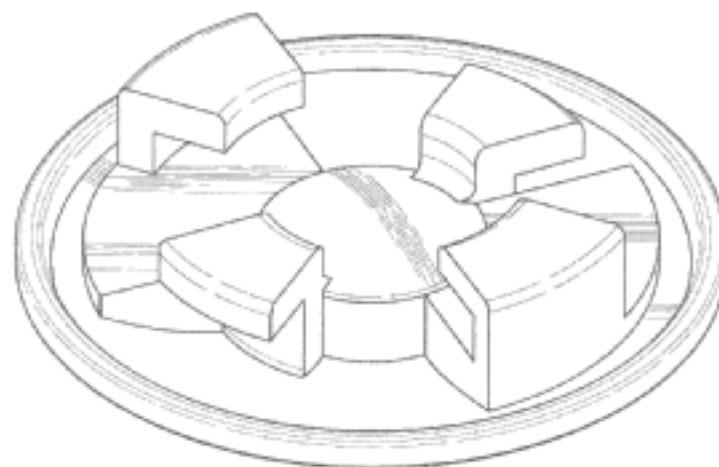




(21) Design Number: **15164/2011**  
(22) Date of Filing Application: **10 November 2011**  
(24) Date from which industrial property rights may have effect: **10 November 2011**  
(54) Product in respect of which the design is registered: **Implantable blood pump**  
(51) International Design Classification: **24-03**  
(74) Name(s) of Attorney(s): **Griffith Hack**  
(71) Name(s) and Address(s) of Applicant(s):  
**Thoratec Corporation**  
**6035 Stoneridge Drive Pleasanton CA 94588 United States of America**  
(72) Name(s) of Designer(s): **Kevin Bourque and Christopher James Cotter and Justin Aron Callaway**  
(45) Registration Date: **01 February 2012**  
(30) Convention priority data:  
(31) Number (32) Date (33) Country  
**1936014-3 21 Oct 2011 EUROPEAN COMMUNITY**  
(56) Related Art Documents: **Not Applicable**  
(57) Statement of Newness and Distinctiveness: **Newness and distinctiveness resides in the visual features, including shape, configuration and ornamentation of the implantable blood pump shown in the representations.**



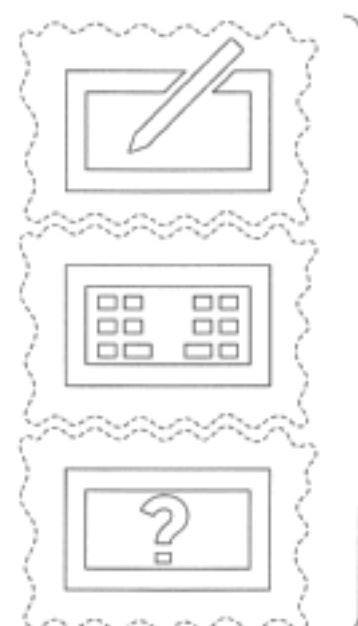
(21) Design Number: **15496/2011**  
(22) Date of Filing Application: **02 December 2011**  
(24) Date from which industrial property rights may have effect: **02 December 2011**  
(54) Product in respect of which the design is registered: **A fastener element**  
(51) International Design Classification: **08-08B**  
(74) Name(s) of Attorney(s): **Macpherson + Kelley**  
(71) Name(s) and Address(s) of Applicant(s):  
**Planex Design Pty Ltd**  
**191 Princes Highway Hallam Victoria 3803 Australia**  
(72) Name(s) of Designer(s): **Jean-Pierre Luc Jardel and Leo Peter Ryner**  
(45) Registration Date: **01 February 2012**  
(56) Related Art Documents: **Not Applicable**  
(57) Statement of Newness and Distinctiveness: **Monopoly is claimed in the features of shape and configuration of a fastener element as illustrated in the representations.**



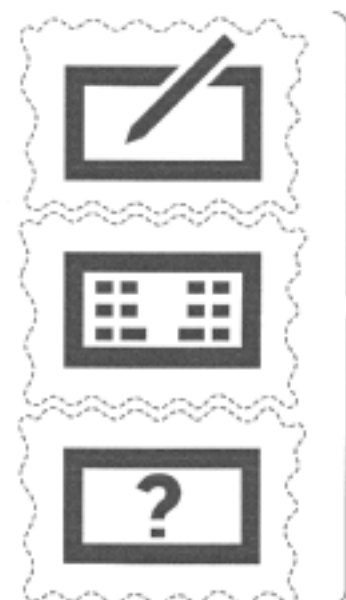
(21) Design Number: **15813/2011**  
(22) Date of Filing Application: **16 December 2011**  
(24) Date from which industrial property rights may have effect: **16 December 2011**  
(54) Product in respect of which the design is registered: **Electric kettle**  
(51) International Design Classification: **07-02K**  
(74) Name(s) of Attorney(s): **Callinans**  
(71) Name(s) and Address(s) of Applicant(s):  
**Kenwood Limited**  
**New Lane Havant Hampshire PO9 2NH England**  
(72) Name(s) of Designer(s): **Darren Mullen**  
(45) Registration Date: **01 February 2012**  
(30) Convention priority data:  
(31) Number (32) Date (33) Country  
**001883042-0001 27 Jun 2011 EUROPEAN COMMUNITY**  
(56) Related Art Documents: **Not Applicable**  
(57) Statement of Newness and Distinctiveness: **Nil**



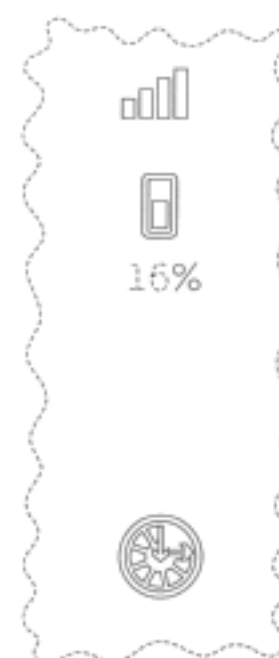
(21) Design Number: **15334/2011**  
(22) Date of Filing Application: **24 November 2011**  
(24) Date from which industrial property rights may have effect: **24 November 2011**  
(54) Product in respect of which the design is registered: **Display screen with set of icons**  
(51) International Design Classification: **14-04**  
(74) Name(s) of Attorney(s): **Shelston IP**  
(71) Name(s) and Address(s) of Applicant(s):  
**Microsoft Corporation**  
**One Microsoft Way Redmond Washington 98052 United States of America**  
(72) Name(s) of Designer(s): **Ji Gao and Jonathan Eric Gleasman and Gerrit Hofmeester and Kieran Phelan and Leslie MacNeil and Moneta Ho Kushner and Seung Yang**  
(45) Registration Date: **02 February 2012**  
(30) Convention priority data:  
(31) Number (32) Date (33) Country  
**29/392963 27 May 2011 UNITED STATES OF AMERICA**  
(56) Related Art Documents: **Not Applicable**  
(57) Statement of Newness and Distinctiveness: **Newness and distinctiveness reside in the pattern and/or ornamentation of a display screen with set of icons as illustrated by solid lines in the accompanying representations. The features shown in broken outline are for illustrative purposes only and do not form part of the design.**



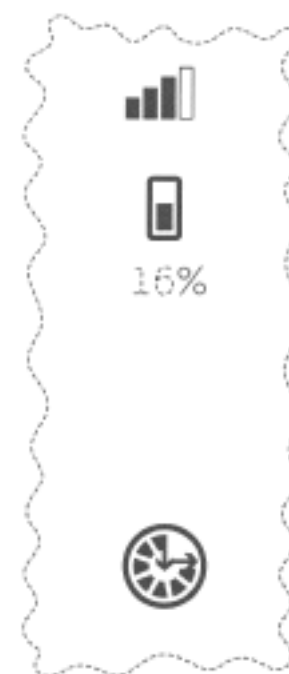
(21) Design Number: **10391/2012**  
(22) Date of Filing Application: **24 November 2011**  
(24) Date from which industrial property rights may have effect: **24 November 2011**  
(54) Product in respect of which the design is registered: **Display screen with set of icons**  
(51) International Design Classification: **14-04**  
(74) Name(s) of Attorney(s): **Shelston IP**  
(71) Name(s) and Address(s) of Applicant(s):  
**Microsoft Corporation**  
**One Microsoft Way Redmond Washington 98052 United States of America**  
(72) Name(s) of Designer(s): **Ji Gao and Jonathan Eric Gleasman and Gerrit Hofmeester and Kieran Phelan and Leslie MacNeil and Moneta Ho Kushner and Seung Yang**  
(45) Registration Date: **02 February 2012**  
(30) Convention priority data:  
(31) Number (32) Date (33) Country  
**29/392963 27 May 2011 UNITED STATES OF AMERICA**  
(56) Related Art Documents: **Not Applicable**  
(57) Statement of Newness and Distinctiveness: **Newness and distinctiveness reside in the pattern and/or ornamentation of a display screen with set of icons as illustrated by solid lines in the accompanying representations. The features shown in broken outline are for illustrative purposes only and do not form part of the design.**



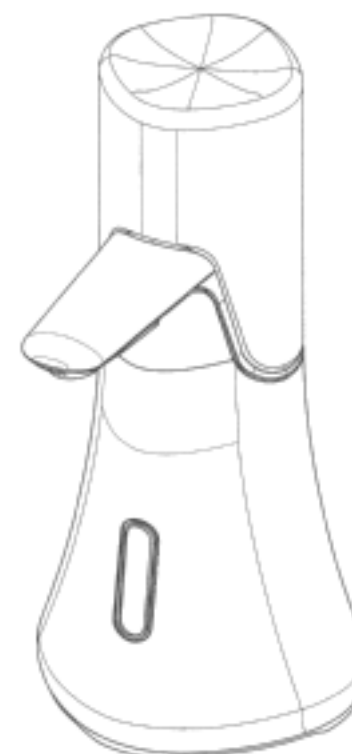
(21) Design Number: **15336/2011**  
(22) Date of Filing Application: **24 November 2011**  
(24) Date from which industrial property rights may have effect: **24 November 2011**  
(54) Product in respect of which the design is registered: **Display screen with user interface**  
(51) International Design Classification: **14-04**  
(74) Name(s) of Attorney(s): **Shelston IP**  
(71) Name(s) and Address(s) of Applicant(s):  
**Microsoft Corporation**  
**One Microsoft Way Redmond Washington 98052 United States of America**  
(72) Name(s) of Designer(s): **Samuel Moreau and Ethan Nelson Ray and Britt Hillary Hansing and Jonathan Eric Gleasman and Denise Michele Trabona**  
(45) Registration Date: **02 February 2012**  
(30) Convention priority data:  
(31) Number (32) Date (33) Country  
**29/393017 27 May 2011 UNITED STATES OF AMERICA**  
(56) Related Art Documents: **Not Applicable**  
(57) Statement of Newness and Distinctiveness: **Newness and distinctiveness reside in the pattern and/or ornamentation of a display screen with user interface as illustrated by solid lines in the accompanying representations. The features shown in broken outline are for illustrative purposes only and do not form part of the design.**



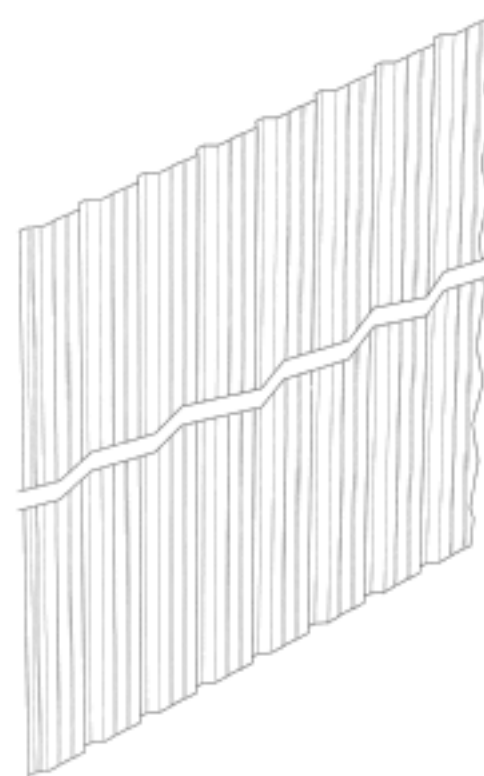
- (21) Design Number: **10392/2012**  
(22) Date of Filing Application: **24 November 2011**  
(24) Date from which industrial property rights may have effect: **24 November 2011**  
(54) Product in respect of which the design is registered: **Display screen with user interface**  
(51) International Design Classification: **14-04**  
(74) Name(s) of Attorney(s): **Shelston IP**  
(71) Name(s) and Address(s) of Applicant(s):  
**Microsoft Corporation**  
**One Microsoft Way Redmond Washington 98052 United States of America**  
(72) Name(s) of Designer(s): **Samuel Moreau and Ethan Nelson Ray and Britt Hillary Hansing and Jonathan Eric Gleasman and Denise Michele Trabona**  
(45) Registration Date: **02 February 2012**  
(30) Convention priority data:  
(31) Number (32) Date (33) Country  
**29/393017 27 May 2011 UNITED STATES OF AMERICA**  
(56) Related Art Documents: **Not Applicable**  
(57) Statement of Newness and Distinctiveness: **Newness and distinctiveness reside in the pattern and/or ornamentation of a display screen with user interface as illustrated by solid lines in the accompanying representations. The features shown in broken outline are for illustrative purposes only and do not form part of the design.**



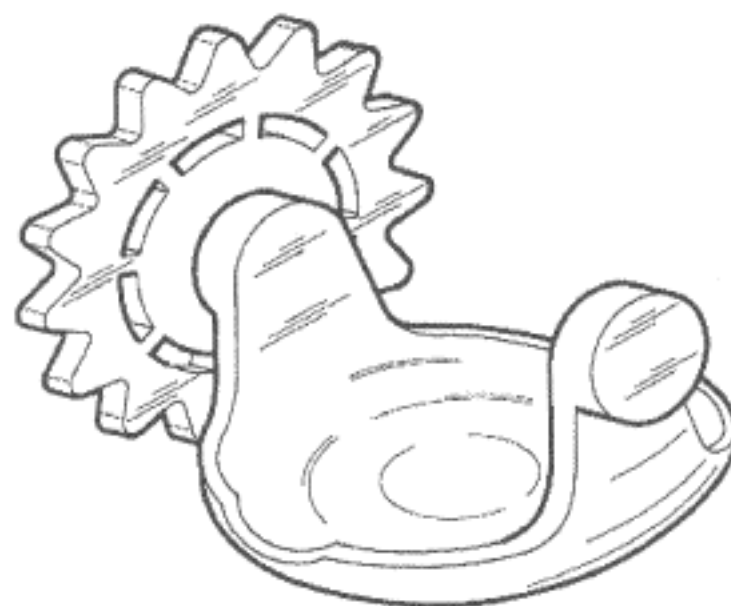
- (21) Design Number: **15254/2011**  
(22) Date of Filing Application: **17 November 2011**  
(24) Date from which industrial property rights may have effect: **17 November 2011**  
(54) Product in respect of which the design is registered: **Fluid dispensing device and refill**  
(51) International Design Classification: **09-01A, 28-03NES**  
(74) Name(s) of Attorney(s): **Madderns**  
(71) Name(s) and Address(s) of Applicant(s):  
**Reckitt Benckiser Healthcare International Limited**  
**103-105 Bath Road Slough Berkshire SL1 3UH United Kingdom**  
(72) Name(s) of Designer(s): **Mohammed Chopdat and Alex Peacop and Richard Brian Clough**  
(45) Registration Date: **02 February 2012**  
(30) Convention priority data:  
(31) Number (32) Date (33) Country  
**001867300-0001 23 May 2011 EUROPEAN COMMUNITY**  
(56) Related Art Documents: **Not Applicable**  
(57) Statement of Newness and Distinctiveness: **Newness and distinctiveness resides in the shape and configuration of a dispensing device and refill as shown in the accompanying representations.**



- (21) Design Number: **15909/2011**  
(22) Date of Filing Application: **20 December 2011**  
(24) Date from which industrial property rights may have effect: **20 December 2011**  
(54) Product in respect of which the design is registered: **Building sheet**  
(51) International Design Classification: **25-02NES, 25-01D**  
(74) Name(s) of Attorney(s): **Janet Stead & Associates, Patent and Trade Mark Attorneys**  
(71) Name(s) and Address(s) of Applicant(s):  
**Jeggo Industries Pty Ltd**  
**36 Owen Road Kelmscott Western Australia 6111 Australia**  
(72) Name(s) of Designer(s): **Raymond Jeggo**  
(45) Registration Date: **02 February 2012**  
(56) Related Art Documents: **Not Applicable**  
(57) Statement of Newness and Distinctiveness: **Newness and distinctiveness is claimed in the shape and/or configuration of a Building Sheet of indefinite length and width as illustrated in the accompanying representations.**



- (21) Design Number: **15921/2011**  
(22) Date of Filing Application: **22 December 2011**  
(24) Date from which industrial property rights may have effect: **22 December 2011**  
(54) Product in respect of which the design is registered: **Geared half ball component for a rotational valve**  
(51) International Design Classification: **23-01K**  
(74) Name(s) of Attorney(s): **LESICAR MURRAY TRENTO**  
(71) Name(s) and Address(s) of Applicant(s):  
**Philmac Pty Ltd**  
**PO Box 204 Plympton South Australia 5037 Australia**  
(72) Name(s) of Designer(s): **Malcolm Pridham and Geoff Puckett**  
(45) Registration Date: **02 February 2012**  
(56) Related Art Documents: **Not Applicable**  
(57) Statement of Newness and Distinctiveness: **Newness and distinctiveness resides in the shape and/or configuration of the geared half ball component for a rotational valve as shown in the accompanying representations.**



(21) Design Number: **10075/2012**  
(22) Date of Filing Application: **10 January 2012**  
(24) Date from which industrial property rights may have effect: **10 January 2012**  
(54) Product in respect of which the design is registered: **Jet spa**  
(51) International Design Classification: **23-02B**  
(74) Name(s) of Attorney(s): **PHILLIPS ORMONDE FITZPATRICK**  
(71) Name(s) and Address(s) of Applicant(s):  
**Oriental Recreational Products (Shanghai) Co., Ltd.**  
**1699 Da Ye Road Wu Qiao Fengxian District Shanghai 201402 China**

(72) Name(s) of Designer(s): **Zhiyue Wang**

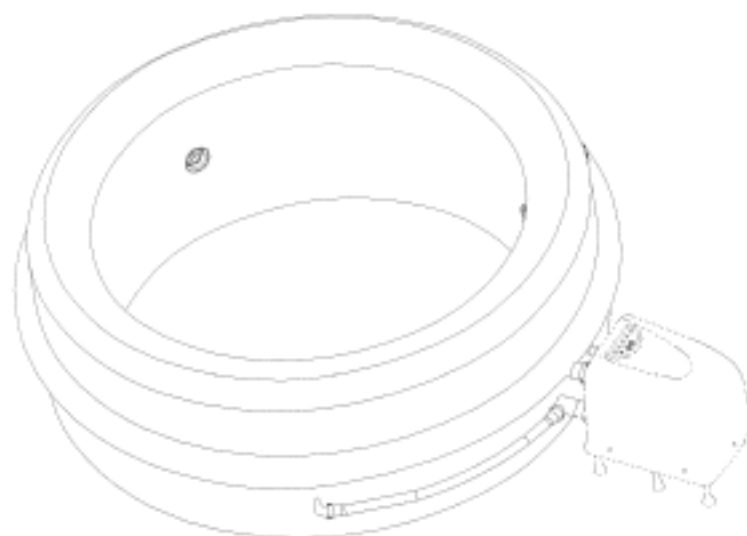
(45) Registration Date: **02 February 2012**

(30) Convention priority data:

(31) Number	(32) Date	(33) Country
<b>201130223427.5</b>	<b>14 Jul 2011</b>	<b>CHINA</b>

(56) Related Art Documents: **Not Applicable**

(57) Statement of Newness and Distinctiveness: **Those features of the jet spa depicted in the representations that are new and distinctive are the shape and/or configuration. The features shown in broken line are not part of the design and are to be disregarded when considering the overall impression of the design.**



(21) Design Number: **10076/2012**  
(22) Date of Filing Application: **10 January 2012**  
(24) Date from which industrial property rights may have effect: **10 January 2012**  
(54) Product in respect of which the design is registered: **Golf grip**  
(51) International Design Classification: **21-02C**  
(74) Name(s) of Attorney(s): **FB Rice**  
(71) Name(s) and Address(s) of Applicant(s):  
**Eaton Corporation**  
**Eaton Center 1111 Superior Avenue Cleveland Ohio 44114-2584 United States of America**

(72) Name(s) of Designer(s): **Minhsuan Sun**

(45) Registration Date: **02 February 2012**

(30) Convention priority data:

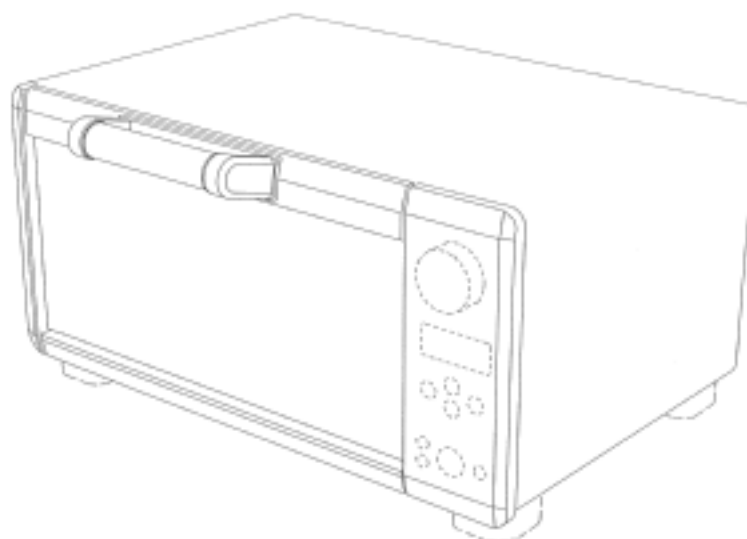
(31) Number	(32) Date	(33) Country
<b>29/397093</b>	<b>12 Jul 2011</b>	<b>UNITED STATES OF AMERICA</b>

(56) Related Art Documents: **Not Applicable**

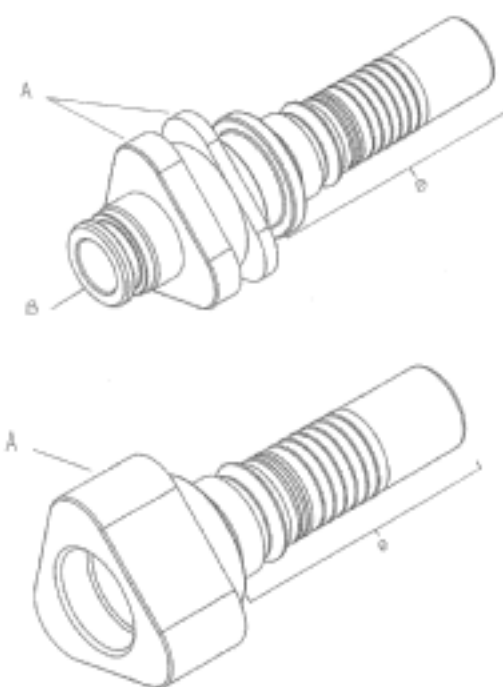
(57) Statement of Newness and Distinctiveness: **Newness and distinctiveness reside in the features of the design as shown in the representations.**



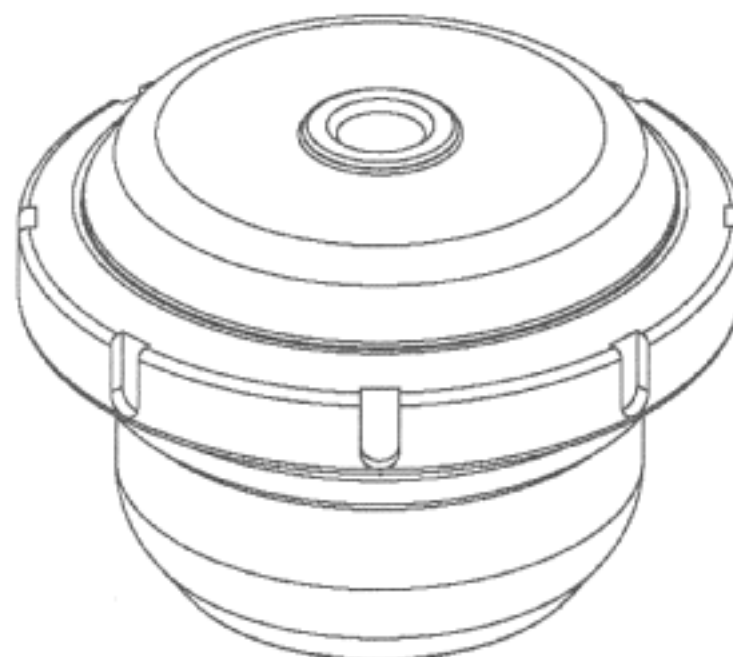
- (21) Design Number: **13643/2011**  
(22) Date of Filing Application: **17 August 2011**  
(24) Date from which industrial property rights may have effect: **17 August 2011**  
(54) Product in respect of which the design is registered: **Compact oven and toaster**  
(51) International Design Classification: **07-02H**  
(74) Name(s) of Attorney(s): **Molins & Co**  
(71) Name(s) and Address(s) of Applicant(s):  
**Breville Pty Limited**  
**Building 2 Port Air Industrial Estate 1A Hale Street Botany New South Wales 2019 Australia**  
(72) Name(s) of Designer(s): **Keith James Hensel**  
(45) Registration Date: **03 February 2012**  
(56) Related Art Documents: **Not Applicable**  
(57) Statement of Newness and Distinctiveness: **Newness is claimed in the features of shape and configuration of the compact oven and toaster as shown in the accompanying representations. Elements shown in dashed lines form no part of the design.**



- (21) Design Number: **13899/2011**  
(22) Date of Filing Application: **02 September 2011**  
(24) Date from which industrial property rights may have effect: **02 September 2011**  
(54) Product in respect of which the design is registered: **Hydraulic coupling**  
(51) International Design Classification: **23-01A**  
(74) Name(s) of Attorney(s): **PHILLIPS ORMONDE FITZPATRICK**  
(71) Name(s) and Address(s) of Applicant(s):  
**Alfagomma Australia Pty Ltd**  
**12 Healey Circuit Huntingwood New South Wales 2148 Australia**  
(72) Name(s) of Designer(s): **Simon Rapacchi**  
(45) Registration Date: **03 February 2012**  
(56) Related Art Documents: **Not Applicable**  
(57) Statement of Newness and Distinctiveness: **Newness and distinctiveness resides in the shape and/or configuration of the triangular shaped locking mechanism of the hydraulic coupling. The hydraulic coupling is shown disassembled to best depict the component features of the triangular locking mechanism marked "A". The ends of the coupling marked "B" are not part of the design and are to be disregarded when considering the overall impression of the design.**



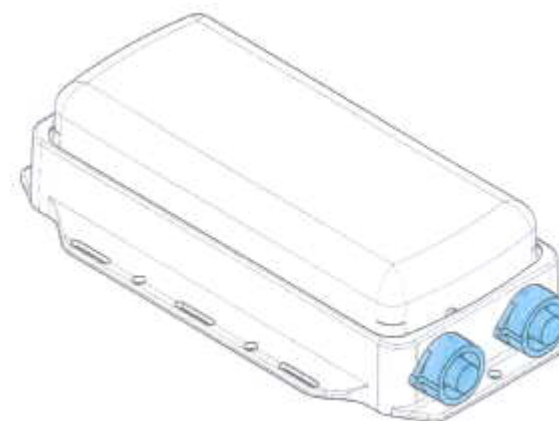
- (21) Design Number: **15703/2011**  
(22) Date of Filing Application: **12 December 2011**  
(24) Date from which industrial property rights may have effect: **12 December 2011**  
(54) Product in respect of which the design is registered: **An actuator**  
(51) International Design Classification: **15-99**  
(74) Name(s) of Attorney(s): **SPRUSON & FERGUSON**  
(71) Name(s) and Address(s) of Applicant(s):  
**Turbosmart Pty Limited**  
**32 Milton Street North Ashfield New South Wales 2131 Australia**  
(72) Name(s) of Designer(s): **Nicholas Cooper**  
(45) Registration Date: **03 February 2012**  
(56) Related Art Documents: **Not Applicable**  
(57) Statement of Newness and Distinctiveness: **Newness and distinctiveness is claimed in the features of shape and/or configuration of an actuator as illustrated in the accompanying representations.**



- (21) Design Number: **15752/2011**  
(22) Date of Filing Application: **13 December 2011**  
(24) Date from which industrial property rights may have effect: **13 December 2011**  
(54) Product in respect of which the design is registered: **A light housing**  
(51) International Design Classification: **26-05C**  
(74) Name(s) of Attorney(s): **James & Wells**  
(71) Name(s) and Address(s) of Applicant(s):  
**Covertex Limited**  
**103 Central Park Drive Henderson Auckland 1610 New Zealand**  
(72) Name(s) of Designer(s): **Matthew Bouzaid**  
(45) Registration Date: **03 February 2012**  
(30) Convention priority data:  

(31) Number	(32) Date	(33) Country
<b>415010</b>	<b>15 Jun 2011</b>	<b>NEW ZEALAND</b>

  
(56) Related Art Documents: **Not Applicable**  
(57) Statement of Newness and Distinctiveness: **The design is to be applied to a light housing and the novelty resides in features of shape and configuration of the article, all as shown in the accompanying representations. The shape and configuration of the items identified by blue wash are not part of the design in which novelty is claimed.**





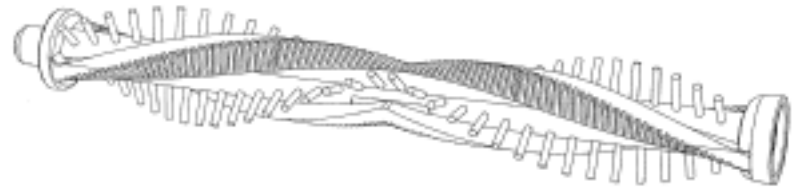
- (21) Design Number: **10005/2012**  
(22) Date of Filing Application: **03 January 2012**  
(24) Date from which industrial property rights may have effect: **03 January 2012**  
(54) Product in respect of which the design is registered: **Automobile tire tread**  
(51) International Design Classification: **12-15B**  
(74) Name(s) of Attorney(s): **FB Rice**  
(71) Name(s) and Address(s) of Applicant(s):  
**The Yokohama Rubber Co., Ltd.**  
**36-11 Shimbashi 5-chome Minato-ku Tokyo 105-8685 Japan**  
(72) Name(s) of Designer(s): **Masahiro Ishida and Takumi Morito and Yoshifumi Koishikawa and Yuuichi Suga**  
(45) Registration Date: **03 February 2012**  
(30) Convention priority data:  
(31) Number (32) Date (33) Country  
**2011-014990 30 Jun 2011 JAPAN**  
(56) Related Art Documents: **Not Applicable**  
(57) Statement of Newness and Distinctiveness: **Newness and distinctiveness reside in the features of the design as shown in the representations except for the red coloured portion in the representations which is for illustrative purposes only and forms no part of the design.**



- (21) Design Number: **10074/2012**  
(22) Date of Filing Application: **10 January 2012**  
(24) Date from which industrial property rights may have effect: **10 January 2012**  
(54) Product in respect of which the design is registered: **Vacuum cleaner**  
(51) International Design Classification: **15-05**  
(74) Name(s) of Attorney(s): **Halfords IP**  
(71) Name(s) and Address(s) of Applicant(s):  
**Aktiebolaget Electrolux**  
**S:t Goransgatan 143 SE-105 45 Stockholm Sweden**  
(72) Name(s) of Designer(s): **Anna-Karin Gray and Esbjorn Svantesson**  
(45) Registration Date: **03 February 2012**  
(30) Convention priority data:  
(31) Number (32) Date (33) Country  
**001890716 13 Jul 2011 EUROPEAN COMMUNITY**  
(56) Related Art Documents: **Not Applicable**  
(57) Statement of Newness and Distinctiveness: **Nil shape and or configuration of a vacuum cleaner accessory and vacuum cleaner as depicted in the accompanying representations.**



(21) Design Number: **10435/2012**  
(22) Date of Filing Application: **10 January 2012**  
(24) Date from which industrial property rights may have effect: **10 January 2012**  
(54) Product in respect of which the design is registered: **Vacuum cleaner accessory**  
(51) International Design Classification: **15-05**  
(74) Name(s) of Attorney(s): **Halfords IP**  
(71) Name(s) and Address(s) of Applicant(s):  
**Aktiebolaget Electrolux**  
**S:t Goransgatan 143 SE-105 45 Stockholm Sweden**  
(72) Name(s) of Designer(s): **Anna-Karin Gray and Esbjorn Svantesson**  
(45) Registration Date: **03 February 2012**  
(30) Convention priority data:  
(31) Number (32) Date (33) Country  
**001890716 13 Jul 2011 EUROPEAN COMMUNITY**  
(56) Related Art Documents: **Not Applicable**  
(57) Statement of Newness and Distinctiveness: **Nil**



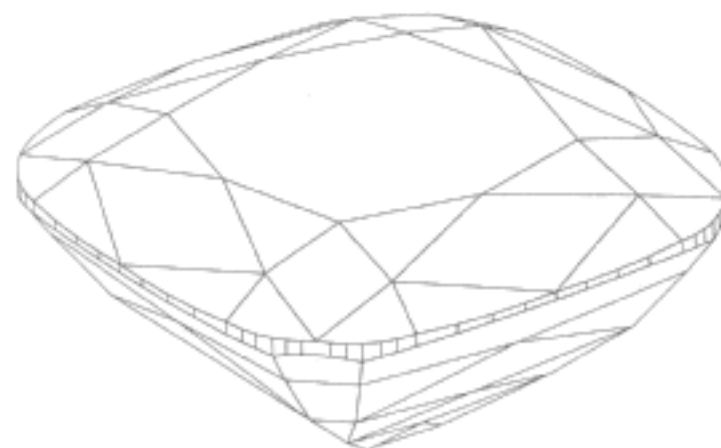
(21) Design Number: **10077/2012**  
(22) Date of Filing Application: **11 January 2012**  
(24) Date from which industrial property rights may have effect: **11 January 2012**  
(54) Product in respect of which the design is registered: **A bag for food packaging**  
(51) International Design Classification: **09-05**  
(74) Name(s) of Attorney(s): **Collison & Co**  
(71) Name(s) and Address(s) of Applicant(s):  
**CJ Cheiljedang Corp.**  
**500 Namdemunro5-ga Jung-gu Seoul 100-749 Republic of Korea**  
(72) Name(s) of Designer(s): **Jong Dal Kim and Seo Young Kim**  
(45) Registration Date: **03 February 2012**  
(30) Convention priority data:  
(31) Number (32) Date (33) Country  
**30-2011-0052262 08 Dec 2011 REPUBLIC OF KOREA**  
(56) Related Art Documents: **Not Applicable**  
(57) Statement of Newness and Distinctiveness: **Newness and distinctiveness resides in the shape, configuration and pattern (including colour) of the bag for food packing as shown in the accompanying representations.**



- (21) Design Number: **10078/2012**  
(22) Date of Filing Application: **11 January 2012**  
(24) Date from which industrial property rights may have effect: **11 January 2012**  
(54) Product in respect of which the design is registered: **A bag for food packaging**  
(51) International Design Classification: **09-05**  
(74) Name(s) of Attorney(s): **Collison & Co**  
(71) Name(s) and Address(s) of Applicant(s):  
**CJ Cheiljedang Corp.**  
**292 Ssangnim-dong Jung-gu Seoul 100-400 Republic of Korea**  
(72) Name(s) of Designer(s): **Jong Dal Kim and Seo Young Kim**  
(45) Registration Date: **03 February 2012**  
(30) Convention priority data:  
(31) Number (32) Date (33) Country  
**30-2011-0052263 08 Dec 2011 REPUBLIC OF KOREA**  
(56) Related Art Documents: **Not Applicable**  
(57) Statement of Newness and Distinctiveness: **Newness and distinctiveness resides in the shape, configuration and pattern (including colour) of the bag for food packing as shown in the accompanying representations.**



- (21) Design Number: **10080/2012**  
(22) Date of Filing Application: **11 January 2012**  
(24) Date from which industrial property rights may have effect: **11 January 2012**  
(54) Product in respect of which the design is registered: **Gemstone**  
(51) International Design Classification: **11-01NES**  
(74) Name(s) of Attorney(s): **Wrays**  
(71) Name(s) and Address(s) of Applicant(s):  
**Lili Diamonds**  
**The Diamond Exchange Maccabi Building 1 Jabotinsky Street 52520 Ramat Gan Israel**  
(72) Name(s) of Designer(s): **Jacob Siman-Tov and Itzhak Siman-Tov and Avraham Siman-Tov**  
(45) Registration Date: **03 February 2012**  
(30) Convention priority data:  
(31) Number (32) Date (33) Country  
**51872 24 Nov 2011 ISRAEL**  
(56) Related Art Documents: **Not Applicable**  
(57) Statement of Newness and Distinctiveness: **Newness and distinctiveness is claimed in the features of shape and /or configuration of the gemstone depicted in the accompanying representations.**



(21) Design Number: **10081/2012**

(22) Date of Filing Application: **11 January 2012**

(24) Date from which industrial property rights may have effect: **11 January 2012**

(54) Product in respect of which the design is registered: **Gemstone**

(51) International Design Classification: **11-01NES**

(74) Name(s) of Attorney(s): **Wrays**

(71) Name(s) and Address(s) of Applicant(s):

**Lili Diamonds**

**The Diamond Exchange Maccabi Building 1 Jabotinsky Street 52520  
Ramat Gan Israel**

(72) Name(s) of Designer(s): **Jacob Siman-Tov and Itzhak Siman-Tov and  
Avraham Siman-Tov**

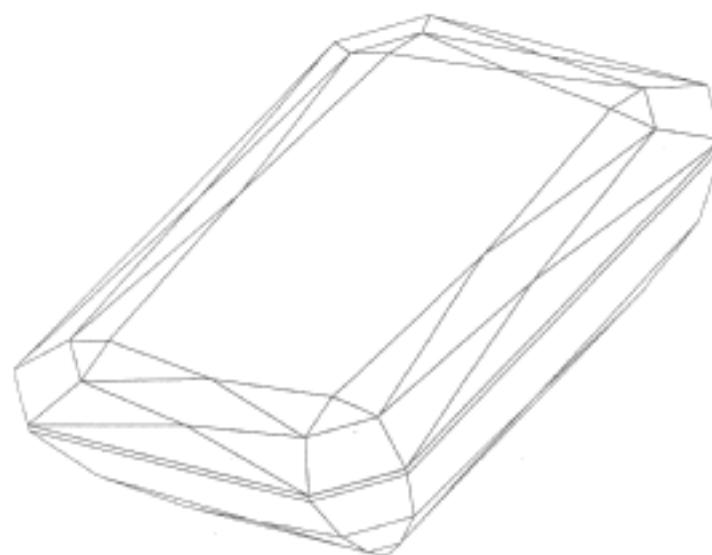
(45) Registration Date: **03 February 2012**

(30) Convention priority data:

(31) Number	(32) Date	(33) Country
<b>51871</b>	<b>24 Nov 2011</b>	<b>ISRAEL</b>

(56) Related Art Documents: **Not Applicable**

(57) Statement of Newness and Distinctiveness: **Newness and distinctiveness  
is claimed in the features of shape and /or configuration of the gemstone  
depicted in the accompanying representations.**



(21) Design Number: **10082/2012**

(22) Date of Filing Application: **11 January 2012**

(24) Date from which industrial property rights may have effect: **11 January 2012**

(54) Product in respect of which the design is registered: **Battery with X type end  
cap**

(51) International Design Classification: **13-02**

(74) Name(s) of Attorney(s): **Pappas IP**

(71) Name(s) and Address(s) of Applicant(s):

**Eco Group Asia Limited**

**Unit 1601 Hollywood Centre 233 Hollywood Road Central Hong Kong**

(72) Name(s) of Designer(s): **Niels Bakker**

(45) Registration Date: **03 February 2012**

(30) Convention priority data:

(31) Number	(32) Date	(33) Country
<b>1101187.9M001-4</b>	<b>11 Jul 2011</b>	<b>HONG KONG</b>

(56) Related Art Documents: **Not Applicable**

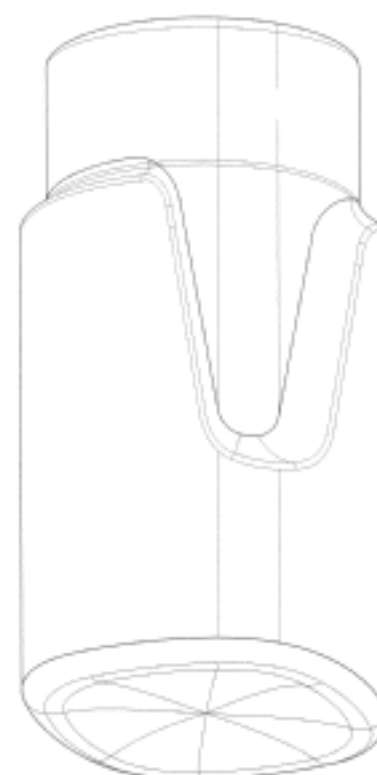
(57) Statement of Newness and Distinctiveness: **Newness and distinctiveness  
is claimed in the shape and/or configuration of a battery with X type end  
cap as illustrated in the representations.**



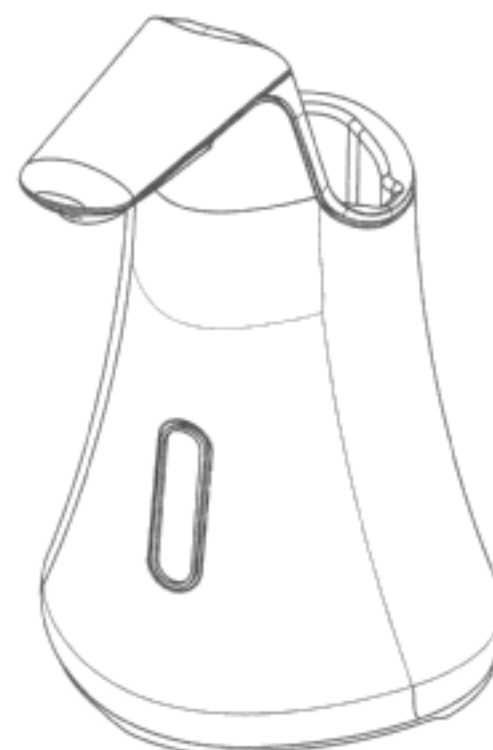
(21) Design Number: **10083/2012**  
(22) Date of Filing Application: **11 January 2012**  
(24) Date from which industrial property rights may have effect: **11 January 2012**  
(54) Product in respect of which the design is registered: **Battery with end cap**  
(51) International Design Classification: **11-01NES**  
(74) Name(s) of Attorney(s): **Pappas IP**  
(71) Name(s) and Address(s) of Applicant(s):  
**Eco Group Asia Limited**  
**Unit 1601 Hollywood Centre 233 Hollywood Road Central Hong Kong**  
(72) Name(s) of Designer(s): **Niels Bakker**  
(45) Registration Date: **03 February 2012**  
(30) Convention priority data:  
(31) Number (32) Date (33) Country  
**1101187.9M001-4 11 Jul 2011 HONG KONG**  
(56) Related Art Documents: **Not Applicable**  
(57) Statement of Newness and Distinctiveness: **Newness and distinctiveness is claimed in the shape and/or configuration of a battery with end cap as illustrated in representations.**



(21) Design Number: **15255/2011**  
(22) Date of Filing Application: **17 November 2011**  
(24) Date from which industrial property rights may have effect: **17 November 2011**  
(54) Product in respect of which the design is registered: **Refill for a fluid dispensing device**  
(51) International Design Classification: **09-01NES**  
(74) Name(s) of Attorney(s): **Madderns**  
(71) Name(s) and Address(s) of Applicant(s):  
**Reckitt Benckiser Healthcare International Limited**  
**103-105 Bath Road Slough Berkshire SL1 3UH United Kingdom**  
(72) Name(s) of Designer(s): **Mohammed Chopdat and Alex Peacop and Richard Brian Clough**  
(45) Registration Date: **06 February 2012**  
(30) Convention priority data:  
(31) Number (32) Date (33) Country  
**001867300-0002 23 May 2011 EUROPEAN COMMUNITY**  
(56) Related Art Documents: **Not Applicable**  
(57) Statement of Newness and Distinctiveness: **Newness and distinctiveness resides in the shape and configuration of a refill as shown in the accompanying representations.**



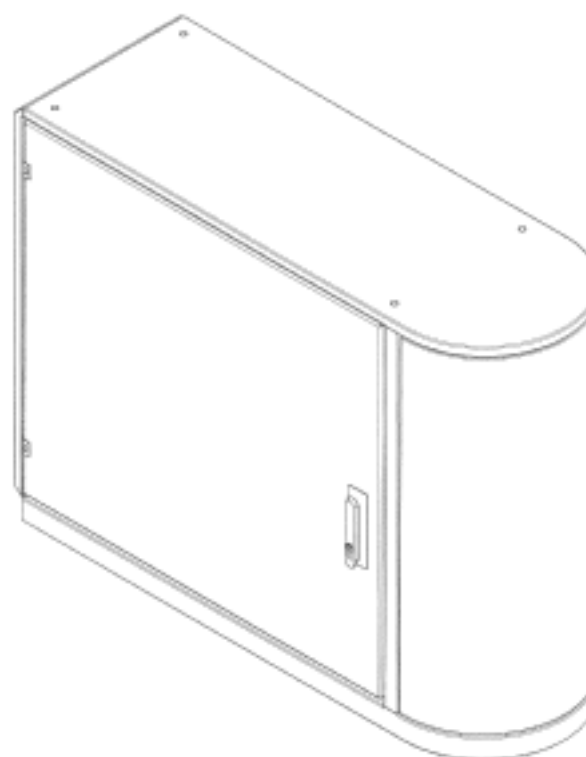
(21) Design Number: **15256/2011**  
(22) Date of Filing Application: **17 November 2011**  
(24) Date from which industrial property rights may have effect: **17 November 2011**  
(54) Product in respect of which the design is registered: **Refill for a fluid dispensing device**  
(51) International Design Classification: **09-01NES**  
(74) Name(s) of Attorney(s): **Madderns**  
(71) Name(s) and Address(s) of Applicant(s):  
**Reckitt Benckiser Healthcare International Limited**  
**103-105 Bath Road Slough Berkshire SL1 3UH United Kingdom**  
(72) Name(s) of Designer(s): **Mohammed Chopdat and Alex Peacop and Richard Brian Clough**  
(45) Registration Date: **06 February 2012**  
(30) Convention priority data:  
(31) Number (32) Date (33) Country  
**001867300-0003 23 May 2011 EUROPEAN COMMUNITY**  
(56) Related Art Documents: **Not Applicable**  
(57) Statement of Newness and Distinctiveness: **Newness and distinctiveness resides in the shape and configuration of a dispensing device as shown in the accompanying representations.**



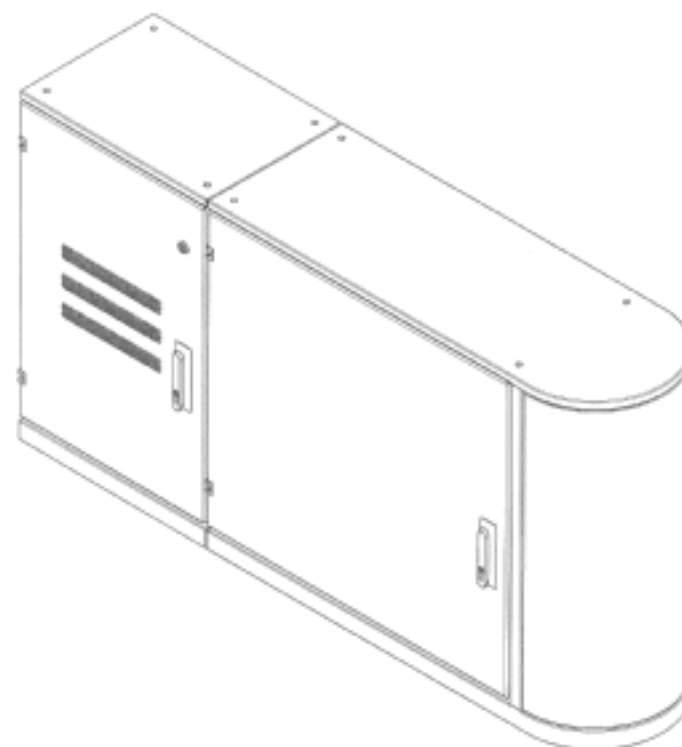
(21) Design Number: **15257/2011**  
(22) Date of Filing Application: **17 November 2011**  
(24) Date from which industrial property rights may have effect: **17 November 2011**  
(54) Product in respect of which the design is registered: **Refill for a fluid dispensing device**  
(51) International Design Classification: **09-01NES**  
(74) Name(s) of Attorney(s): **Madderns**  
(71) Name(s) and Address(s) of Applicant(s):  
**Reckitt Benckiser Healthcare International Limited**  
**103-105 Bath Road Slough Berkshire SL1 3UH United Kingdom**  
(72) Name(s) of Designer(s): **Mohammed Chopdat and Alex Peacop and Richard Brian Clough**  
(45) Registration Date: **06 February 2012**  
(30) Convention priority data:  
(31) Number (32) Date (33) Country  
**001867334-0001 23 May 2011 EUROPEAN COMMUNITY**  
(56) Related Art Documents: **Not Applicable**  
(57) Statement of Newness and Distinctiveness: **Newness and distinctiveness resides in the shape and configuration of a dispensing device as shown in the accompanying representations.**



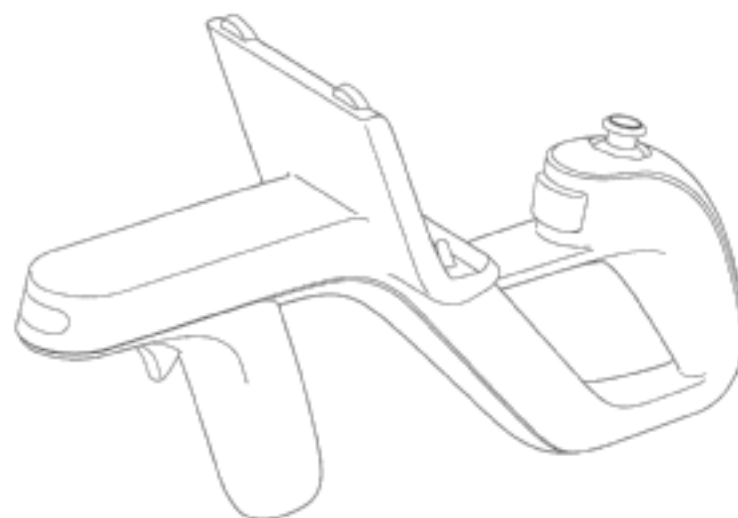
(21) Design Number: **15408/2011**  
(22) Date of Filing Application: **24 November 2011**  
(24) Date from which industrial property rights may have effect: **24 November 2011**  
(54) Product in respect of which the design is registered: **Utilities cabinet**  
(51) International Design Classification: **06-04B, 25-02NES**  
(74) Name(s) of Attorney(s): **Ellis Terry**  
(71) Name(s) and Address(s) of Applicant(s):  
**Eaton Industries Company**  
**Eaton Development Centre 1 Barry Hogan Place Addington Christchurch**  
**8041 New Zealand**  
(72) Name(s) of Designer(s): **Hugh Joseph Fitzgerald Moore and Stephen Joseph Cutler**  
(45) Registration Date: **06 February 2012**  
(30) Convention priority data:  
(31) Number (32) Date (33) Country  
**414980 08 Jun 2011 NEW ZEALAND**  
(56) Related Art Documents: **Not Applicable**  
(57) Statement of Newness and Distinctiveness: **Nil**



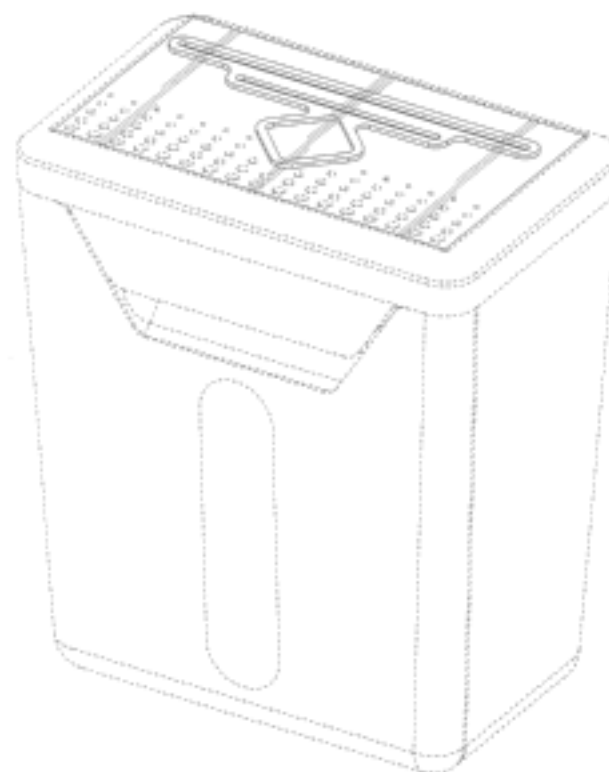
(21) Design Number: **15409/2011**  
(22) Date of Filing Application: **24 November 2011**  
(24) Date from which industrial property rights may have effect: **24 November 2011**  
(54) Product in respect of which the design is registered: **Utilities cabinet**  
(51) International Design Classification: **06-04B, 25-02NES**  
(74) Name(s) of Attorney(s): **Ellis Terry**  
(71) Name(s) and Address(s) of Applicant(s):  
**Eaton Industries Company**  
**Eaton Development Centre 1 Barry Hogan Place Addington Christchurch**  
**8041 New Zealand**  
(72) Name(s) of Designer(s): **Hugh Joseph Fitzgerald Moore and Stephen Joseph Cutler**  
(45) Registration Date: **06 February 2012**  
(30) Convention priority data:  
(31) Number (32) Date (33) Country  
**414981 08 Jun 2011 NEW ZEALAND**  
(56) Related Art Documents: **Not Applicable**  
(57) Statement of Newness and Distinctiveness: **Nil**



- (21) Design Number: **15526/2011**  
(22) Date of Filing Application: **02 December 2011**  
(24) Date from which industrial property rights may have effect: **02 December 2011**  
(54) Product in respect of which the design is registered: **Controller for an electronic computer**  
(51) International Design Classification: **21-01N**  
(74) Name(s) of Attorney(s): **Davies Collison Cave**  
(71) Name(s) and Address(s) of Applicant(s):  
**Nintendo Co., Ltd.**  
**11-1 Kamitoba Hokotate-cho Minami-ku Kyoto Japan**  
(72) Name(s) of Designer(s): **Kenichiro Ashida and Masato Ibuki and Shinji Yamamoto and Fumiyoshi Suetake and Akiko Suga and Naoya Yamamoto and Hitoshi Tsuchiya and Noboru Wakitani**  
(45) Registration Date: **06 February 2012**  
(30) Convention priority data:  
(31) Number      (32) Date      (33) Country  
**2011-012719      03 Jun 2011      JAPAN**  
(56) Related Art Documents: **Not Applicable**  
(57) Statement of Newness and Distinctiveness: **Nil**



- (21) Design Number: **10152/2012**  
(22) Date of Filing Application: **13 January 2012**  
(24) Date from which industrial property rights may have effect: **13 January 2012**  
(54) Product in respect of which the design is registered: **Paper shredder**  
(51) International Design Classification: **18-04**  
(74) Name(s) of Attorney(s): **Callinans**  
(71) Name(s) and Address(s) of Applicant(s):  
**Master Lock Company LLC**  
**137 W. Forest Hill Avenue Oak Creek Wisconsin 53154 United States of America**  
(72) Name(s) of Designer(s): **Lea Marie Plato**  
(45) Registration Date: **06 February 2012**  
(30) Convention priority data:  
(31) Number      (32) Date      (33) Country  
**29,397,646      19 Jul 2011      UNITED STATES OF AMERICA**  
(56) Related Art Documents: **Not Applicable**  
(57) Statement of Newness and Distinctiveness: **Newness and distinctiveness are provided by the shape and/or configuration of the design shown in the representations. The features shown in broken lines in the representations are for illustrative purposes only and should not be considered when construing visual features of the design.**



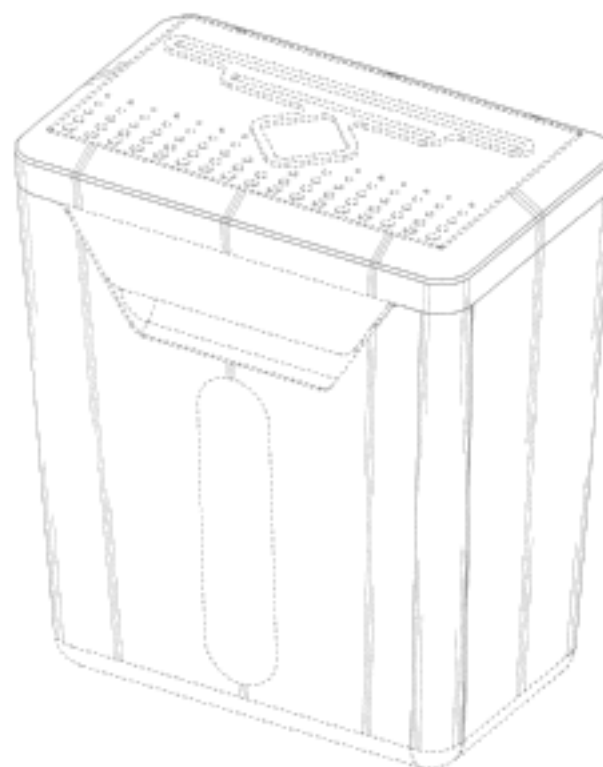


(21) Design Number: **10153/2012**  
(22) Date of Filing Application: **13 January 2012**  
(24) Date from which industrial property rights may have effect: **13 January 2012**  
(54) Product in respect of which the design is registered: **Paper shredder**  
(51) International Design Classification: **18-04**  
(74) Name(s) of Attorney(s): **Callinans**  
(71) Name(s) and Address(s) of Applicant(s):  
**Master Lock Company LLC**  
**137 W. Forest Hill Avenue Oak Creek Wisconsin 53154 United States of America**

(72) Name(s) of Designer(s): **Lea Marie Plato**  
(45) Registration Date: **06 February 2012**

(30) Convention priority data:  
(31) Number      (32) Date      (33) Country  
**29/397,646      19 Jul 2011      UNITED STATES OF AMERICA**

(56) Related Art Documents: **Not Applicable**  
(57) Statement of Newness and Distinctiveness: **Newness and distinctiveness are provided by the shape and/or configuration of the design shown in the representations. The features shown in broken lines in the representations are for illustrative purposes only and should not be considered when construing visual features of the design.**

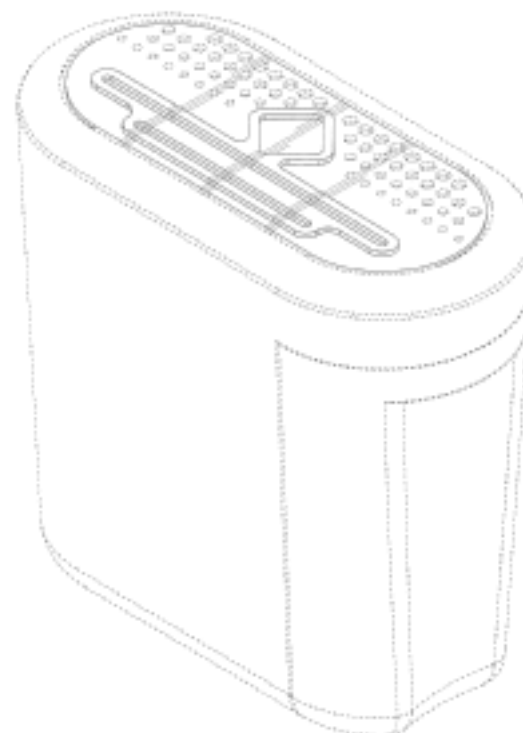


(21) Design Number: **10154/2012**  
(22) Date of Filing Application: **13 January 2012**  
(24) Date from which industrial property rights may have effect: **13 January 2012**  
(54) Product in respect of which the design is registered: **Paper shredder**  
(51) International Design Classification: **18-04**  
(74) Name(s) of Attorney(s): **Callinans**  
(71) Name(s) and Address(s) of Applicant(s):  
**Master Lock Company LLC**  
**137 W. Forest Hill Avenue Oak Creek Wisconsin 53154 United States of America**

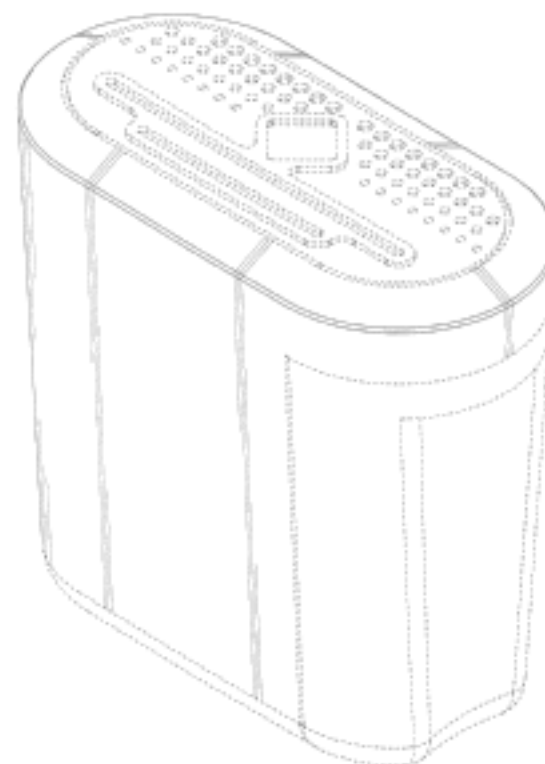
(72) Name(s) of Designer(s): **Lea Marie Plato**  
(45) Registration Date: **06 February 2012**

(30) Convention priority data:  
(31) Number      (32) Date      (33) Country  
**29/397,646      19 Jul 2011      UNITED STATES OF AMERICA**

(56) Related Art Documents: **Not Applicable**  
(57) Statement of Newness and Distinctiveness: **Newness and distinctiveness are provided by the shape and/or configuration of the design shown in the representations. The features shown in broken lines in the representations are for illustrative purposes only and should not be considered when construing visual features of the design.**



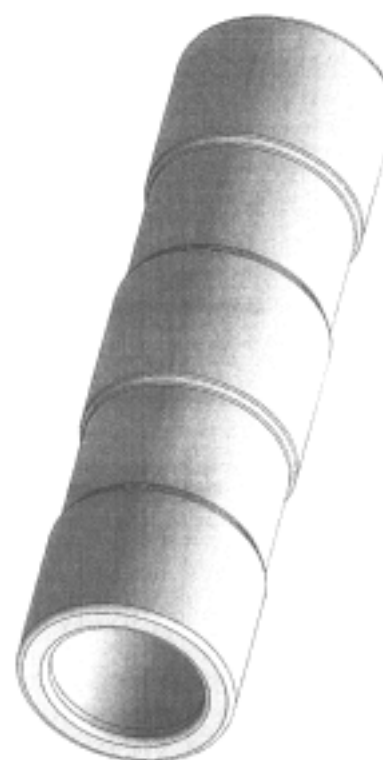
(21) Design Number: **10155/2012**  
(22) Date of Filing Application: **13 January 2012**  
(24) Date from which industrial property rights may have effect: **13 January 2012**  
(54) Product in respect of which the design is registered: **Paper shredder**  
(51) International Design Classification: **18-04**  
(74) Name(s) of Attorney(s): **Callinans**  
(71) Name(s) and Address(s) of Applicant(s):  
**Master Lock Company LLC**  
**137 W. Forest Hill Avenue Oak Creek Wisconsin 53154 United States of America**  
(72) Name(s) of Designer(s): **Lea Marie Plato**  
(45) Registration Date: **06 February 2012**  
(30) Convention priority data:  
(31) Number (32) Date (33) Country  
**29/397,646 19 Jul 2011 UNITED STATES OF AMERICA**  
(56) Related Art Documents: **Not Applicable**  
(57) Statement of Newness and Distinctiveness: **Newness and distinctiveness are provided by the shape and/or configuration of the design shown in the representations. The features shown in broken lines in the representations are for illustrative purposes only and should not be considered when construing visual features of the design.**



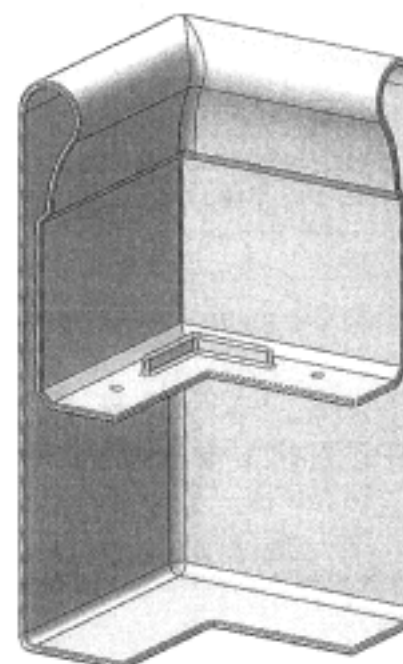
(21) Design Number: **14407/2011**  
(22) Date of Filing Application: **29 September 2011**  
(24) Date from which industrial property rights may have effect: **29 September 2011**  
(54) Product in respect of which the design is registered: **Automobile**  
(51) International Design Classification: **12-08**  
(74) Name(s) of Attorney(s): **SPRUSON & FERGUSON**  
(71) Name(s) and Address(s) of Applicant(s):  
**Toyota Jidosha Kabushiki Kaisha**  
**1 Toyota-cho Toyota-shi Aichi-ken 471-8571 Japan**  
(72) Name(s) of Designer(s): **Naohiko Suzuki**  
(45) Registration Date: **07 February 2012**  
(30) Convention priority data:  
(31) Number (32) Date (33) Country  
**29/388637 31 Mar 2011 UNITED STATES OF AMERICA**  
(56) Related Art Documents: **Not Applicable**  
(57) Statement of Newness and Distinctiveness: **Newness and distinctiveness is claimed in the features of shape and/or configuration of an automobile as illustrated in the accompanying representations, apart from Toyota emblems.**



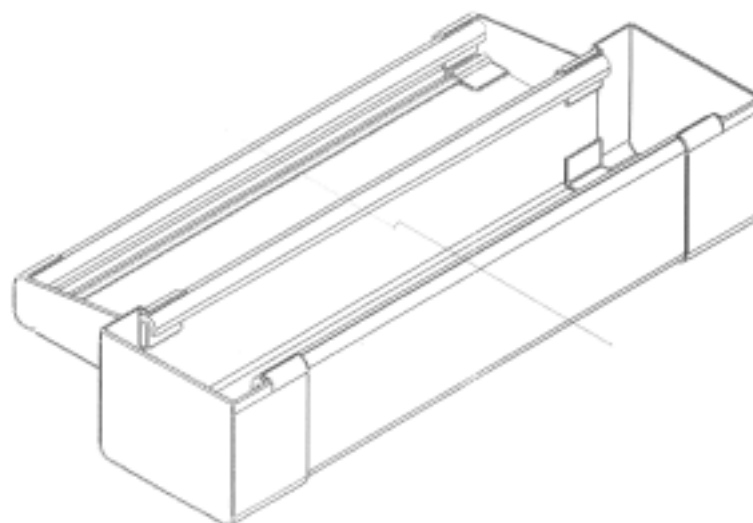
- (21) Design Number: **10106/2012**  
(22) Date of Filing Application: **12 January 2012**  
(24) Date from which industrial property rights may have effect: **12 January 2012**  
(54) Product in respect of which the design is registered: **A pipe for a vent for walls**  
(51) International Design Classification: **25-02G, 23-04**  
(74) Name(s) of Attorney(s): **Griffith Hack**  
(71) Name(s) and Address(s) of Applicant(s):  
**Bluescope Steel Limited**  
**Level 11 120 Collins Street Melbourne Victoria 3000 Australia**  
(72) Name(s) of Designer(s): **Brad Stewart Ryan and Luciano Papi**  
(45) Registration Date: **07 February 2012**  
(56) Related Art Documents: **Not Applicable**  
(57) Statement of Newness and Distinctiveness: **The shape and configuration of a pipe for a vent for walls is new and distinctive.**



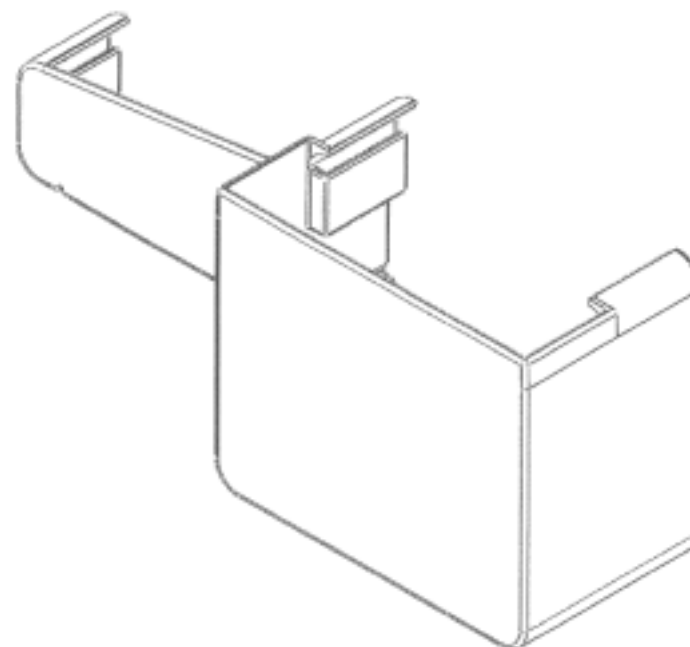
- (21) Design Number: **10107/2012**  
(22) Date of Filing Application: **12 January 2012**  
(24) Date from which industrial property rights may have effect: **12 January 2012**  
(54) Product in respect of which the design is registered: **A corner bracket for walls**  
(51) International Design Classification: **08-08L**  
(74) Name(s) of Attorney(s): **Griffith Hack**  
(71) Name(s) and Address(s) of Applicant(s):  
**Bluescope Steel Limited**  
**Level 11 120 Collins Street Melbourne Victoria 3000 Australia**  
(72) Name(s) of Designer(s): **Brad Stewart Ryan and Luciano Papi**  
(45) Registration Date: **07 February 2012**  
(56) Related Art Documents: **Not Applicable**  
(57) Statement of Newness and Distinctiveness: **The shape and configuration of a corner bracket for walls is new and distinctive.**



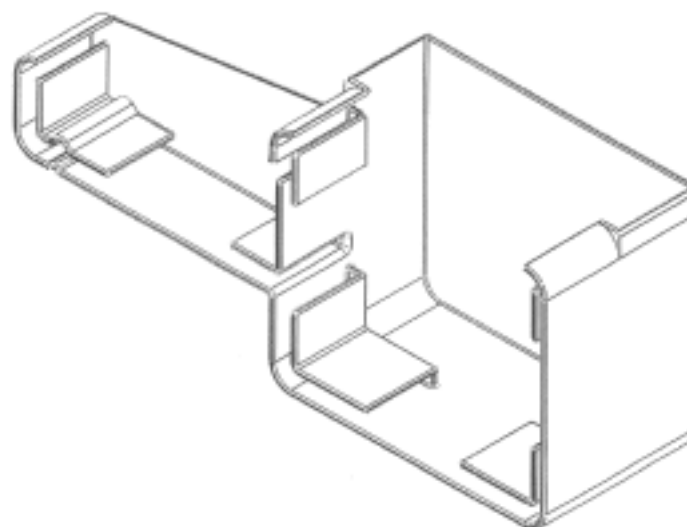
- (21) Design Number: **10108/2012**  
(22) Date of Filing Application: **12 January 2012**  
(24) Date from which industrial property rights may have effect: **12 January 2012**  
(54) Product in respect of which the design is registered: **A sill for windows and doors**  
(51) International Design Classification: **25-02NES, 25-02B, 25-02H**  
(74) Name(s) of Attorney(s): **Griffith Hack**  
(71) Name(s) and Address(s) of Applicant(s):  
**Bluescope Steel Limited**  
**Level 11 120 Collins Street Melbourne Victoria 3000 Australia**  
(72) Name(s) of Designer(s): **Brad Stewart Ryan and Luciano Papi**  
(45) Registration Date: **07 February 2012**  
(56) Related Art Documents: **Not Applicable**  
(57) Statement of Newness and Distinctiveness: **The shape and configuration of a sill for windows and doors is new and distinctive. The sill may be any length as shown in the accompanying representations.**



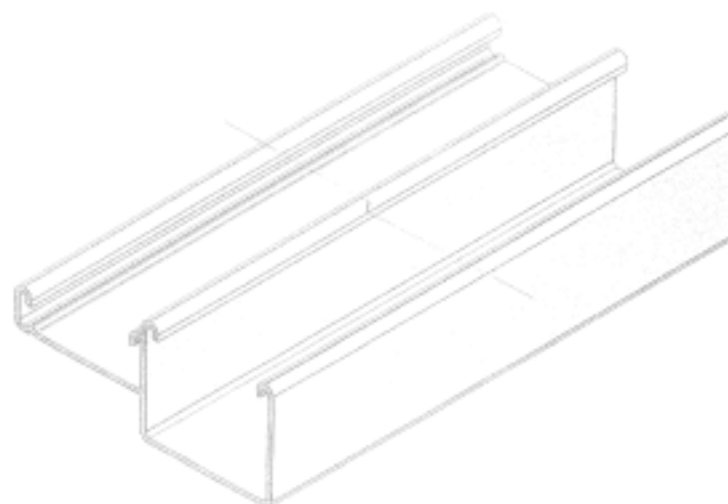
- (21) Design Number: **10109/2012**  
(22) Date of Filing Application: **12 January 2012**  
(24) Date from which industrial property rights may have effect: **12 January 2012**  
(54) Product in respect of which the design is registered: **A cap for a sill for windows and doors**  
(51) International Design Classification: **25-02NES, 25-02B, 25-02H**  
(74) Name(s) of Attorney(s): **Griffith Hack**  
(71) Name(s) and Address(s) of Applicant(s):  
**Bluescope Steel Limited**  
**Level 11 120 Collins Street Melbourne Victoria 3000 Australia**  
(72) Name(s) of Designer(s): **Brad Stewart Ryan and Luciano Papi**  
(45) Registration Date: **07 February 2012**  
(56) Related Art Documents: **Not Applicable**  
(57) Statement of Newness and Distinctiveness: **The shape and configuration of a cap for a sill for windows and doors is new and distinctive.**



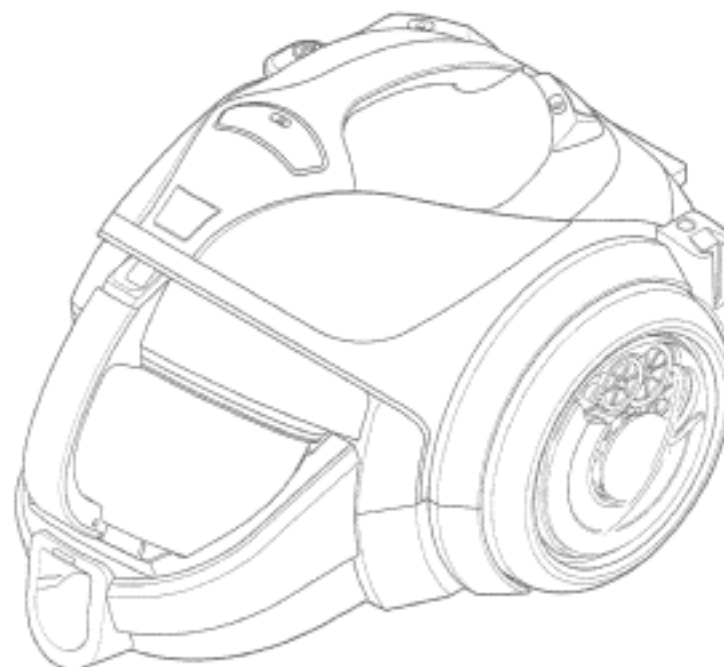
- (21) Design Number: **10110/2012**  
(22) Date of Filing Application: **12 January 2012**  
(24) Date from which industrial property rights may have effect: **12 January 2012**  
(54) Product in respect of which the design is registered: **A cap for a sill for windows and doors**  
(51) International Design Classification: **25-02NES, 25-02B, 25-02H**  
(74) Name(s) of Attorney(s): **Griffith Hack**  
(71) Name(s) and Address(s) of Applicant(s):  
**Bluescope Steel Limited**  
**Level 11 120 Collins Street Melbourne Victoria 3000 Australia**  
(72) Name(s) of Designer(s): **Brad Stewart Ryan and Luciano Papi**  
(45) Registration Date: **07 February 2012**  
(56) Related Art Documents: **Not Applicable**  
(57) Statement of Newness and Distinctiveness: **The shape and configuration of a cap for a sill for windows and doors is new and distinctive.**



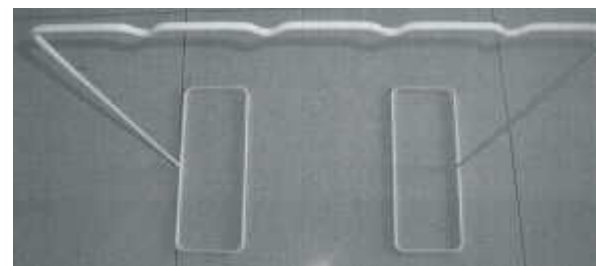
- (21) Design Number: **10111/2012**  
(22) Date of Filing Application: **12 January 2012**  
(24) Date from which industrial property rights may have effect: **12 January 2012**  
(54) Product in respect of which the design is registered: **A section of a sill for windows and doors**  
(51) International Design Classification: **25-01K, 25-02NES, 25-02B, 25-02H**  
(74) Name(s) of Attorney(s): **Griffith Hack**  
(71) Name(s) and Address(s) of Applicant(s):  
**Bluescope Steel Limited**  
**Level 11 120 Collins Street Melbourne Victoria 3000 Australia**  
(72) Name(s) of Designer(s): **Brad Stewart Ryan and Luciano Papi**  
(45) Registration Date: **07 February 2012**  
(56) Related Art Documents: **Not Applicable**  
(57) Statement of Newness and Distinctiveness: **The shape and configuration of a section of a sill for windows and doors is new and distinctive. The sill section can be of any length.**



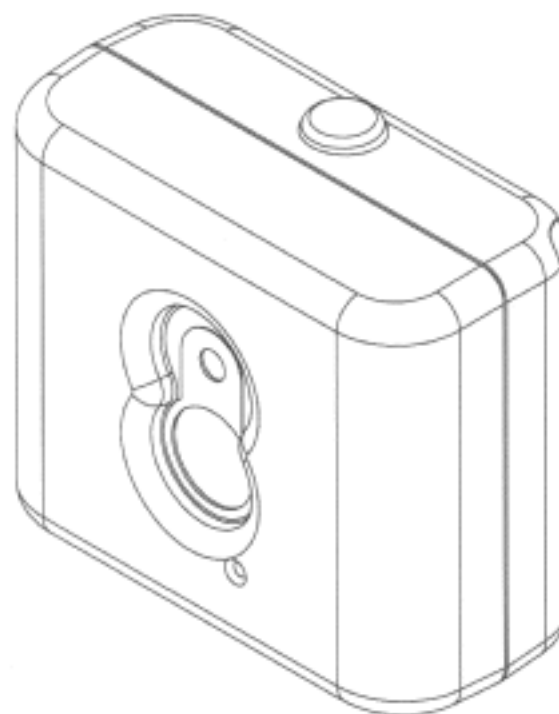
- (21) Design Number: **10112/2012**  
(22) Date of Filing Application: **12 January 2012**  
(24) Date from which industrial property rights may have effect: **12 January 2012**  
(54) Product in respect of which the design is registered: **Vacuum cleaner**  
(51) International Design Classification: **15-05**  
(74) Name(s) of Attorney(s): **Freehills Patent & Trade Mark Attorneys**  
(71) Name(s) and Address(s) of Applicant(s):  
**LG Electronics Inc.**  
**20 Yeouido-dong Yeongdeungpo-gu Seoul 150-721 Republic of Korea**  
(72) Name(s) of Designer(s): **Hyunseon Shin and Yonggyun Ghim and Min Dong**  
(45) Registration Date: **07 February 2012**  
(30) Convention priority data:  
(31) Number (32) Date (33) Country  
**30-2011-0029388 14 Jul 2011 REPUBLIC OF KOREA**  
(56) Related Art Documents: **Not Applicable**  
(57) Statement of Newness and Distinctiveness: **Newness and distinctiveness resides in the shape and configuration of the vacuum cleaner as shown in the accompanying representations.**



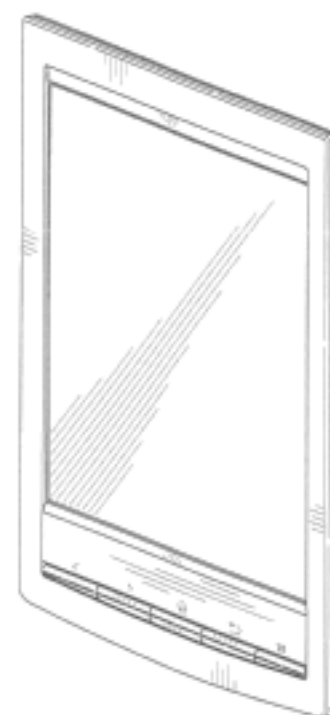
- (21) Design Number: **10116/2012**  
(22) Date of Filing Application: **12 January 2012**  
(24) Date from which industrial property rights may have effect: **12 January 2012**  
(54) Product in respect of which the design is registered: **Hanging element**  
(51) International Design Classification: **06-08, 07-05D**  
(74) Name(s) of Attorney(s): **Allens Arthur Robinson**  
(71) Name(s) and Address(s) of Applicant(s):  
**Bradley Grant Smith**  
**8 Walter Place Mayville Durban 4091 Kwa Zulu Natal South Africa**  
(72) Name(s) of Designer(s): **Bradley Grant Smith**  
(45) Registration Date: **07 February 2012**  
(30) Convention priority data:  
(31) Number (32) Date (33) Country  
**A2011/01763 08 Nov 2011 SOUTH AFRICA**  
(56) Related Art Documents: **Not Applicable**  
(57) Statement of Newness and Distinctiveness: **Newness and distinctiveness resides in the visual features of shape and/or configuration of a hanging element as illustrated in the accompanying representations.**



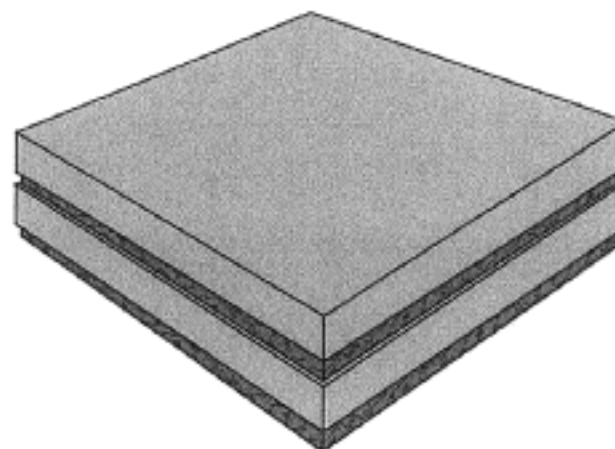
- (21) Design Number: **14900/2011**  
(22) Date of Filing Application: **31 October 2011**  
(24) Date from which industrial property rights may have effect: **31 October 2011**  
(54) Product in respect of which the design is registered: **Transceiver unit for photoelectric beam system**  
(51) International Design Classification: **13-03NES**  
(74) Name(s) of Attorney(s): **Allens Arthur Robinson**  
(71) Name(s) and Address(s) of Applicant(s):  
**Automatic Technology (Australia) Pty Ltd**  
**6-8 Fiveways Boulevard Keysborough Victoria 3173 Australia**  
(72) Name(s) of Designer(s): **George Matthews**  
(45) Registration Date: **07 February 2012**  
(56) Related Art Documents: **Not Applicable**  
(57) Statement of Newness and Distinctiveness: **Newness and Distinctiveness is claimed in the features of shape and/or configuration of a transceiver unit for photoelectric beam system as illustrated in the accompanying representations.**



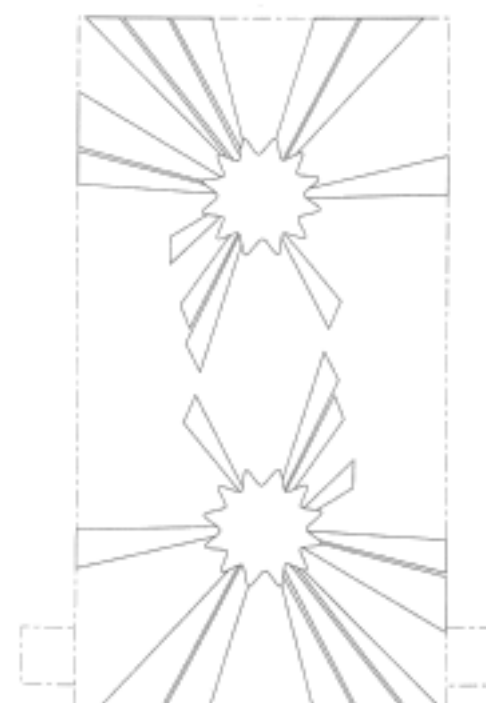
- (21) Design Number: **15333/2011**  
(22) Date of Filing Application: **24 November 2011**  
(24) Date from which industrial property rights may have effect: **24 November 2011**  
(54) Product in respect of which the design is registered: **A digital reader**  
(51) International Design Classification: **14-02**  
(74) Name(s) of Attorney(s): **Griffith Hack**  
(71) Name(s) and Address(s) of Applicant(s):  
**Sony Corporation**  
**1-7-1 Konan Minato-ku Tokyo 108-0075 Japan**  
(72) Name(s) of Designer(s): **Naoto Shimizu and Keiichi Totsuka and Isamu Arie and Yasushi Ezure and Takayuki Kitahara and Junghee Yeo and Nachi Watanabe and Satoshi Aoyagi**  
(45) Registration Date: **07 February 2012**  
(30) Convention priority data:  
(31) Number      (32) Date      (33) Country  
**29/393,019      27 May 2011      UNITED STATES OF AMERICA**  
(56) Related Art Documents: **Not Applicable**  
(57) Statement of Newness and Distinctiveness: **Newness and distinctiveness resides in the visual features, including shape, configuration and ornamentation of A DIGITAL READER as illustrated in solid lines in the representations. Figure 9 includes a cover for the DIGITAL READER and has been included for illustrative purposes only.**



(21) Design Number: **10087/2012**  
(22) Date of Filing Application: **12 January 2012**  
(24) Date from which industrial property rights may have effect: **12 January 2012**  
(54) Product in respect of which the design is registered: **A package**  
(51) International Design Classification: **09-03NES**  
(74) Name(s) of Attorney(s): **Banki Haddock Fiora**  
(71) Name(s) and Address(s) of Applicant(s):  
**Societe des Produits Nestle S.A.**  
**1800 Vevey Switzerland**  
(72) Name(s) of Designer(s): **Daniel Grolimund**  
(45) Registration Date: **07 February 2012**  
(30) Convention priority data:  
(31) Number (32) Date (33) Country  
**138087 18 Jul 2011 SWITZERLAND**  
(56) Related Art Documents: **Not Applicable**  
(57) Statement of Newness and Distinctiveness: **Nil**



(21) Design Number: **10088/2012**  
(22) Date of Filing Application: **11 January 2012**  
(24) Date from which industrial property rights may have effect: **11 January 2012**  
(54) Product in respect of which the design is registered: **Outer cover for an absorbent article**  
(51) International Design Classification: **09-03H, 09-07NES**  
(74) Name(s) of Attorney(s): **SPRUSON & FERGUSON**  
(71) Name(s) and Address(s) of Applicant(s):  
**Kimberly-Clark Worldwide, Inc.**  
**2300 Winchester Road Neenah Wisconsin 54956 United States of America**  
(72) Name(s) of Designer(s): **Michael Paul Gehrke and Ayana Roi Green-Oliver and Terri Lynn Meisel and Roman Adolf Weyenberg Jr. and Brian John Berggren and Paul Darrell Dax and Steven Eric McLean and Darcey Ellen McCormick**  
(45) Registration Date: **07 February 2012**  
(30) Convention priority data:  
(31) Number (32) Date (33) Country  
**29/398199 27 Jul 2011 UNITED STATES OF AMERICA**  
(56) Related Art Documents: **Not Applicable**  
(57) Statement of Newness and Distinctiveness: **Newness and distinctiveness is claimed in the features of pattern and/or ornamentation of an outer cover for an absorbent article as illustrated in continuous lines in the accompanying representations.**





(21) Design Number: **10099/2012**  
(22) Date of Filing Application: **13 January 2012**  
(24) Date from which industrial property rights may have effect: **13 January 2012**  
(54) Product in respect of which the design is registered: **Hair clippers**  
(51) International Design Classification: **28-03D**  
(74) Name(s) of Attorney(s): **Franke Hyland**  
(71) Name(s) and Address(s) of Applicant(s):

**WAHL GmbH**  
**Roggenbachweg 9 Unterkirnach D78089 Germany**

(72) Name(s) of Designer(s): **Andreas Weinberg and Martin Ruf**

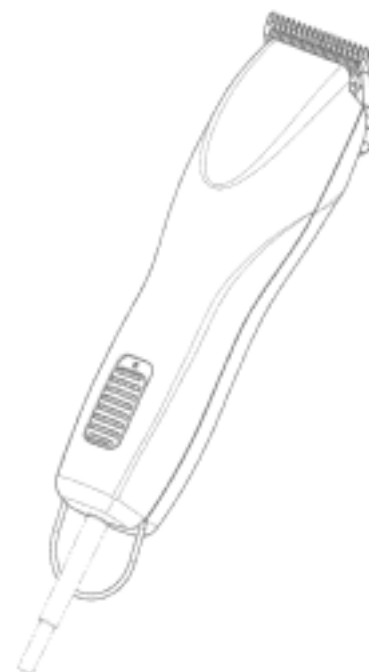
(45) Registration Date: **07 February 2012**

(30) Convention priority data:

(31) Number	(32) Date	(33) Country
<b>001 952 243</b>	<b>24 Nov 2011</b>	<b>EUROPEAN COMMUNITY</b>

(56) Related Art Documents: **Not Applicable**

(57) Statement of Newness and Distinctiveness: **Newness and distinctiveness is claimed in the features of shape and/or configuration of hair clippers as represented in solid lines in the attached drawings. In assessing newness and distinctiveness, no regard should be had of the power cord as represented in broken lines.**



(21) Design Number: **10100/2012**  
(22) Date of Filing Application: **13 January 2012**  
(24) Date from which industrial property rights may have effect: **13 January 2012**  
(54) Product in respect of which the design is registered: **Hair clippers**  
(51) International Design Classification: **28-03D**  
(74) Name(s) of Attorney(s): **Franke Hyland**  
(71) Name(s) and Address(s) of Applicant(s):

**WAHL GmbH**  
**Roggenbachweg 9 Unterkirnach D78089 Germany**

(72) Name(s) of Designer(s): **Andreas Weinberg and Martin Ruf**

(45) Registration Date: **07 February 2012**

(30) Convention priority data:

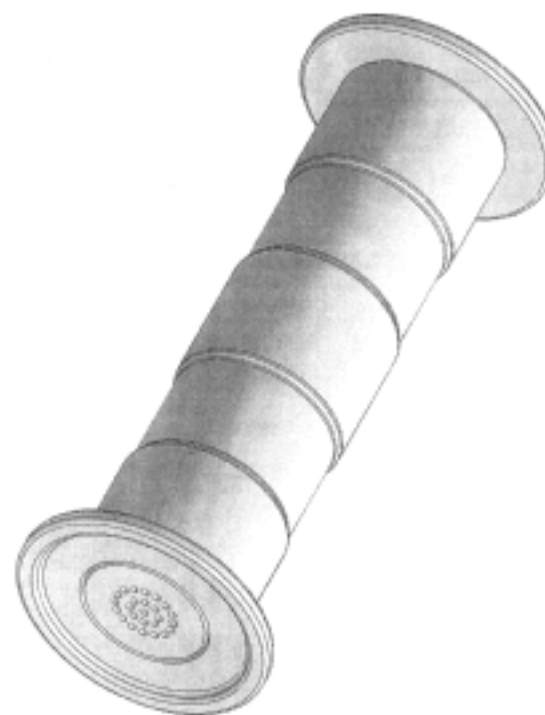
(31) Number	(32) Date	(33) Country
<b>001 952 243</b>	<b>24 Nov 2011</b>	<b>EUROPEAN COMMUNITY</b>

(56) Related Art Documents: **Not Applicable**

(57) Statement of Newness and Distinctiveness: **Newness and distinctiveness is claimed in the features of shape and/or configuration of hair clippers as represented in solid lines in the attached drawings. In assessing newness and distinctiveness, no regard should be had of the power cord as represented in broken lines.**



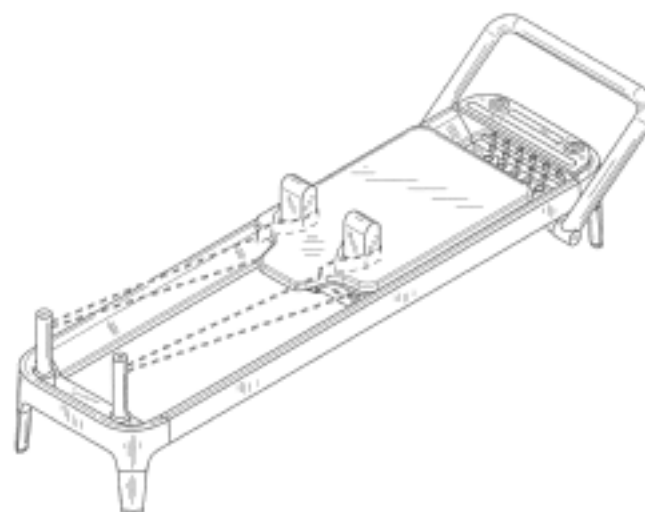
- (21) Design Number: **10101/2012**  
(22) Date of Filing Application: **12 January 2012**  
(24) Date from which industrial property rights may have effect: **12 January 2012**  
(54) Product in respect of which the design is registered: **A vent for walls**  
(51) International Design Classification: **25-02G**  
(74) Name(s) of Attorney(s): **Griffith Hack**  
(71) Name(s) and Address(s) of Applicant(s):  
**Bluescope Steel Limited**  
**Level 11 120 Collins Street Melbourne Victoria 3000 Australia**  
(72) Name(s) of Designer(s): **Brad Stewart Ryan and Luciano Papi**  
(45) Registration Date: **07 February 2012**  
(56) Related Art Documents: **Not Applicable**  
(57) Statement of Newness and Distinctiveness: **The shape and configuration of a vent for walls is new and distinctive.**



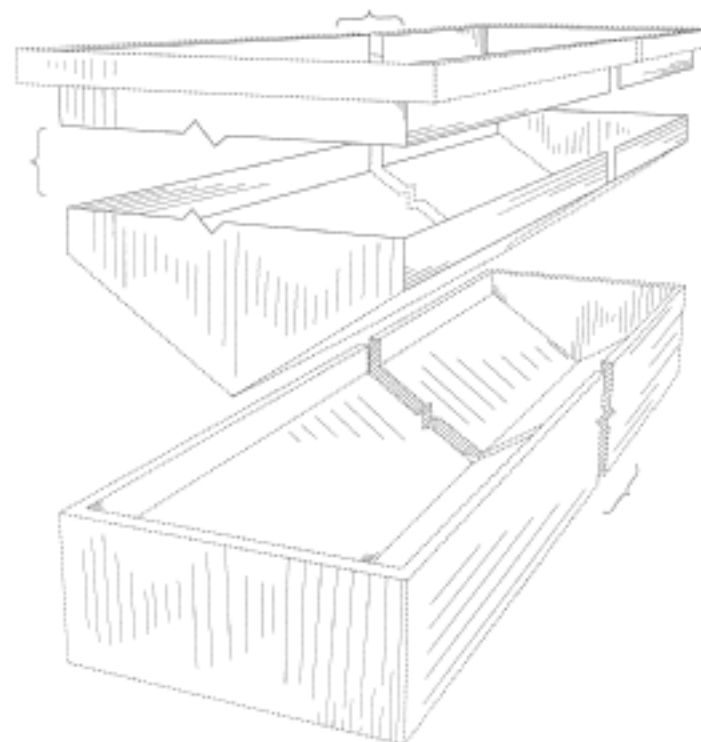
- (21) Design Number: **10160/2012**  
(22) Date of Filing Application: **13 January 2012**  
(24) Date from which industrial property rights may have effect: **13 January 2012**  
(54) Product in respect of which the design is registered: **Fluid sample collection device**  
(51) International Design Classification: **24-02**  
(74) Name(s) of Attorney(s): **Allens Arthur Robinson**  
(71) Name(s) and Address(s) of Applicant(s):  
**OraSure Technologies, Inc.**  
**220 East First Street Bethlehem PA 18015 United States of America**  
(72) Name(s) of Designer(s): **Sheena Nonnemacher and Kristen Blum and Dean Fritch and Mike Savard and Keith Kardos and Brian Murphy and Jeremy Savage and Eric Askin**  
(45) Registration Date: **07 February 2012**  
(30) Convention priority data:  
(31) Number (32) Date (33) Country  
**29/397,431 15 Jul 2011 UNITED STATES OF AMERICA**  
(56) Related Art Documents: **Not Applicable**  
(57) Statement of Newness and Distinctiveness: **Newness and distinctiveness is claimed in the shape and configuration of the fluid sample collection device as shown in the representations. The internal parts shown in Figure 1 are to be disregarded when considering the scope of monopoly.**



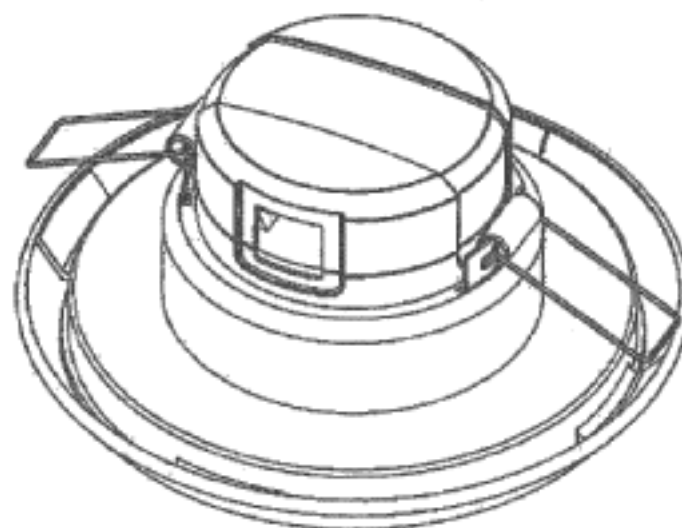
- (21) Design Number: **10162/2012**  
(22) Date of Filing Application: **13 January 2012**  
(24) Date from which industrial property rights may have effect: **13 January 2012**  
(54) Product in respect of which the design is registered: **Reformer exercise apparatus**  
(51) International Design Classification: **21-02F**  
(74) Name(s) of Attorney(s): **PIZZEYS**  
(71) Name(s) and Address(s) of Applicant(s):  
**Balanced Body, Inc.**  
**8220 Ferguson Avenue Sacramento CA 95828 United States of America**  
(72) Name(s) of Designer(s): **Thomas Dieter Christian Overthun and Ken Endelman and Christian J. Savarino and Brian Masterson and Elger Oberwelz and James R. Yurchenco and Anthony Patron and Joerg Student and David Webster and Jennifer Ellen Davis-Wilson**  
(45) Registration Date: **07 February 2012**  
(30) Convention priority data:  
(31) Number (32) Date (33) Country  
**29/397,235 13 Jul 2011 UNITED STATES OF AMERICA**  
(56) Related Art Documents: **Not Applicable**  
(57) Statement of Newness and Distinctiveness: **The newness and distinctiveness of the design resides in the features of shape and/or configuration shown in unbroken lines in the accompanying representations.**



- (21) Design Number: **15646/2011**  
(22) Date of Filing Application: **08 December 2011**  
(24) Date from which industrial property rights may have effect: **08 December 2011**  
(54) Product in respect of which the design is registered: **Aquaculture vessel**  
(51) International Design Classification: **30-02**  
(74) Name(s) of Attorney(s): **Davies Collison Cave**  
(71) Name(s) and Address(s) of Applicant(s):  
**Heliae Development, LLC**  
**614 E. Germann Road Gilbert Arizona 85297 United States of America**  
(72) Name(s) of Designer(s): **Jason D. Licamele**  
(45) Registration Date: **07 February 2012**  
(30) Convention priority data:  
(31) Number (32) Date (33) Country  
**29/393957 10 Jun 2011 UNITED STATES OF AMERICA**  
(56) Related Art Documents: **Not Applicable**  
(57) Statement of Newness and Distinctiveness: **Newness and distinctiveness is claimed in the visual features shown in solid lines in the representations.**



(21) Design Number: **15674/2011**  
(22) Date of Filing Application: **12 December 2011**  
(24) Date from which industrial property rights may have effect: **12 December 2011**  
(54) Product in respect of which the design is registered: **A light fitting**  
(51) International Design Classification: **26-05C**  
(74) Name(s) of Attorney(s): **James & Wells Intellectual Property**  
(71) Name(s) and Address(s) of Applicant(s):  
**Intellectual Property Energy Mad Limited**  
**C/- Grant Thornton Level 9 Anthony Harper Building 47 Cathedral**  
**Square Christchurch New Zealand**  
(72) Name(s) of Designer(s): **Thomas Mackenzie**  
(45) Registration Date: **07 February 2012**  
(30) Convention priority data:  
(31) Number (32) Date (33) Country  
**415020 16 Jun 2011 NEW ZEALAND**  
(56) Related Art Documents: **Not Applicable**  
(57) Statement of Newness and Distinctiveness: **Nil**



(21) Design Number: **10146/2012**  
(22) Date of Filing Application: **13 January 2012**  
(24) Date from which industrial property rights may have effect: **13 January 2012**  
(54) Product in respect of which the design is registered: **Exercise apparatus**  
(51) International Design Classification: **21-02F**  
(74) Name(s) of Attorney(s): **Chrysiliou IP**  
(71) Name(s) and Address(s) of Applicant(s):  
**Thane International, Inc.**  
**78-140 Calle Tampico La Quinta California 92253 United States of**  
**America**  
(72) Name(s) of Designer(s): **Willem Johannes Van Straaten**  
(45) Registration Date: **07 February 2012**  
(30) Convention priority data:  
(31) Number (32) Date (33) Country  
**001900465-0001 03 Aug 2011 EUROPEAN COMMUNITY**  
(56) Related Art Documents: **Not Applicable**  
(57) Statement of Newness and Distinctiveness: **Nil**



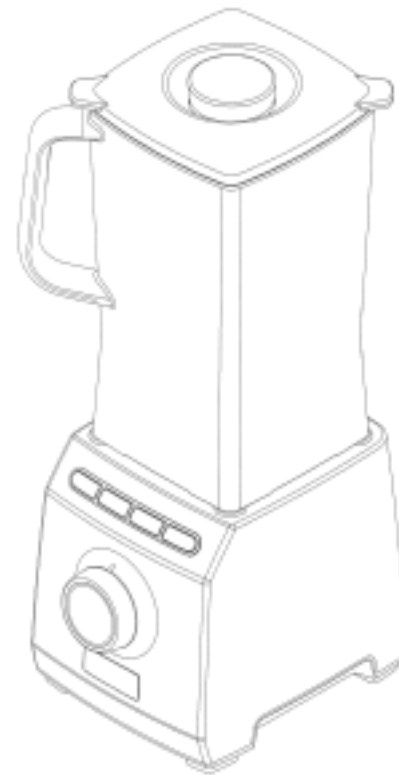
(21) Design Number: **10149/2012**  
(22) Date of Filing Application: **13 January 2012**  
(24) Date from which industrial property rights may have effect: **13 January 2012**  
(54) Product in respect of which the design is registered: **Lunch box**  
(51) International Design Classification: **07-01NES**  
(74) Name(s) of Attorney(s): **FB Rice**  
(71) Name(s) and Address(s) of Applicant(s):  
**Koninklijke Philips Electronics N.V.**  
**Groenewoudseweg 1 5621 BA Eindhoven The Netherlands**  
(72) Name(s) of Designer(s): **Elodie Jeanne Claudine Thomas**  
(45) Registration Date: **07 February 2012**  
(30) Convention priority data:  
(31) Number (32) Date (33) Country  
**001892316-0001 15 Jul 2011 EUROPEAN COMMUNITY**  
(56) Related Art Documents: **Not Applicable**  
(57) Statement of Newness and Distinctiveness: **Newness and distinctiveness reside in the features of shape and configuration of the lunch box as shown in the representations.**



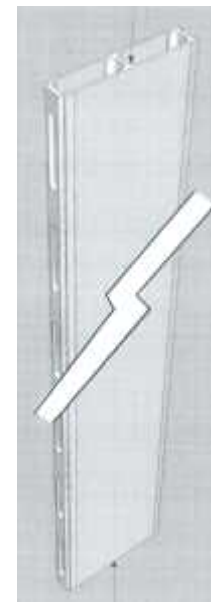
(21) Design Number: **10150/2012**  
(22) Date of Filing Application: **13 January 2012**  
(24) Date from which industrial property rights may have effect: **13 January 2012**  
(54) Product in respect of which the design is registered: **Drinking cup**  
(51) International Design Classification: **07-01D**  
(74) Name(s) of Attorney(s): **FB Rice**  
(71) Name(s) and Address(s) of Applicant(s):  
**Koninklijke Philips Electronics N.V.**  
**Groenewoudseweg 1 5621 BA Eindhoven The Netherlands**  
(72) Name(s) of Designer(s): **Elodie Jeanne Claudine Thomas**  
(45) Registration Date: **07 February 2012**  
(30) Convention priority data:  
(31) Number (32) Date (33) Country  
**001892316-0002 15 Jul 2011 EUROPEAN COMMUNITY**  
(56) Related Art Documents: **Not Applicable**  
(57) Statement of Newness and Distinctiveness: **Newness and distinctiveness reside in the features of shape and configuration of the drinking cup as shown in the representations.**



- (21) Design Number: **13402/2011**  
(22) Date of Filing Application: **01 August 2011**  
(24) Date from which industrial property rights may have effect: **01 August 2011**  
(54) Product in respect of which the design is registered: **Blender**  
(51) International Design Classification: **31-00**  
(74) Name(s) of Attorney(s): **Freehills Patent & Trade Mark Attorneys**  
(71) Name(s) and Address(s) of Applicant(s):  
**Sunbeam Corporation Limited**  
**Units 5 & 6 13 Lord Street Botany New South Wales 2019 Australia**  
(72) Name(s) of Designer(s): **Andrew Morgan**  
(45) Registration Date: **07 February 2012**  
(56) Related Art Documents: **Not Applicable**  
(57) Statement of Newness and Distinctiveness: **Newness and distinctiveness is claimed in the features of shape and/or configuration of a blender as shown in the accompanying representations.**



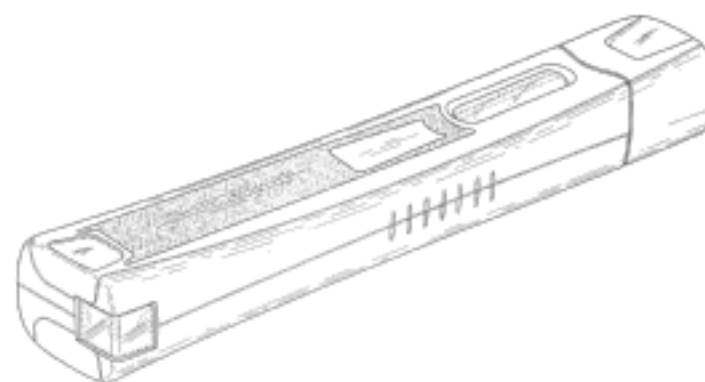
- (21) Design Number: **14793/2011**  
(22) Date of Filing Application: **21 October 2011**  
(24) Date from which industrial property rights may have effect: **21 October 2011**  
(54) Product in respect of which the design is registered: **Panel**  
(51) International Design Classification: **25-01D**  
(74) Name(s) of Attorney(s): **Actuate IP**  
(71) Name(s) and Address(s) of Applicant(s):  
**Everlast Panels Pty Ltd**  
**4 Lakeside Crescent Maribyrnong Victoria 3032 Australia**  
(72) Name(s) of Designer(s): **Shun Lu**  
(45) Registration Date: **07 February 2012**  
(56) Related Art Documents: **Not Applicable**  
(57) Statement of Newness and Distinctiveness: **Newness and distinctiveness is claimed in the features of shape and/or configuration of the panel of indefinite length as illustrated in the accompanying representations.**



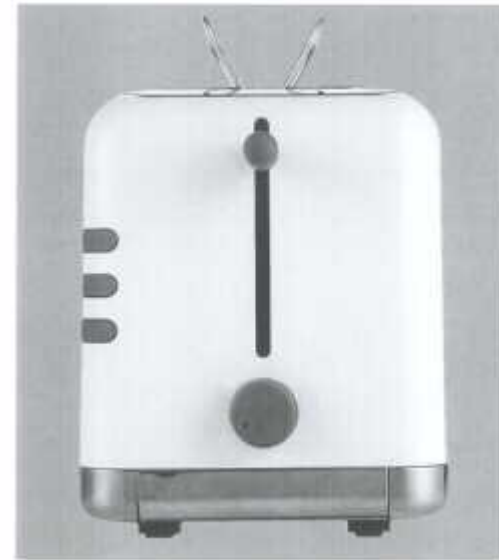
- (21) Design Number: **10157/2012**  
(22) Date of Filing Application: **13 January 2012**  
(24) Date from which industrial property rights may have effect: **13 January 2012**  
(54) Product in respect of which the design is registered: **Barbeque**  
(51) International Design Classification: **07-02E**  
(74) Name(s) of Attorney(s): **Madderns**  
(71) Name(s) and Address(s) of Applicant(s):  
**Adrian Joseph Stirn**  
**5 Anderson Street Fulham Gardens South Australia 5024 Australia**  
(72) Name(s) of Designer(s): **Adrian Joseph Stirn**  
(45) Registration Date: **07 February 2012**  
(56) Related Art Documents: **Not Applicable**  
(57) Statement of Newness and Distinctiveness: **Emphasis is placed on the handles and adjustable grill brackets at either end of the grill. The shape and configuration of the legs is disclaimed. The exact shape of the handles is also disclaimed.**



- (21) Design Number: **15533/2011**  
(22) Date of Filing Application: **05 December 2011**  
(24) Date from which industrial property rights may have effect: **05 December 2011**  
(54) Product in respect of which the design is registered: **Medicament delivery device**  
(51) International Design Classification: **24-01**  
(74) Name(s) of Attorney(s): **Cullens Patent and Trade Mark Attorneys**  
(71) Name(s) and Address(s) of Applicant(s):  
**Biogen Idec MA Inc.**  
**14 Cambridge Center Cambridge MA 02142 United States of America**  
(72) Name(s) of Designer(s): **Roger W. Liu and Ping Y. Yeh and Lucio Giambattista**  
(45) Registration Date: **08 February 2012**  
(30) Convention priority data:  
(31) Number (32) Date (33) Country  
**29/393,456 03 Jun 2011 UNITED STATES OF AMERICA**  
(56) Related Art Documents: **Not Applicable**  
(57) Statement of Newness and Distinctiveness: **Newness and distinctiveness reside in the visual features of shape and configuration of a medicament delivery device as shown in the accompanying representations.**



(21) Design Number: **15809/2011**  
(22) Date of Filing Application: **16 December 2011**  
(24) Date from which industrial property rights may have effect: **16 December 2011**  
(54) Product in respect of which the design is registered: **Toaster**  
(51) International Design Classification: **07-02F**  
(74) Name(s) of Attorney(s): **Callinans**  
(71) Name(s) and Address(s) of Applicant(s):  
**Kenwood Limited**  
**New Lane Havant Hampshire PO9 2NH England**  
(72) Name(s) of Designer(s): **Darren Mullen**  
(45) Registration Date: **08 February 2012**  
(30) Convention priority data:  
(31) Number (32) Date (33) Country  
**001883091-0002 27 Jun 2011 EUROPEAN COMMUNITY**  
(56) Related Art Documents: **Not Applicable**  
(57) Statement of Newness and Distinctiveness: **Nil**



(21) Design Number: **15810/2011**  
(22) Date of Filing Application: **16 December 2011**  
(24) Date from which industrial property rights may have effect: **16 December 2011**  
(54) Product in respect of which the design is registered: **Toaster**  
(51) International Design Classification: **07-02F**  
(74) Name(s) of Attorney(s): **Callinans**  
(71) Name(s) and Address(s) of Applicant(s):  
**Kenwood Limited**  
**New Lane Havant Hampshire PO9 2NH England**  
(72) Name(s) of Designer(s): **Darren Mullen**  
(45) Registration Date: **08 February 2012**  
(30) Convention priority data:  
(31) Number (32) Date (33) Country  
**001883091-0001 27 Jun 2011 EUROPEAN COMMUNITY**  
(56) Related Art Documents: **Not Applicable**  
(57) Statement of Newness and Distinctiveness: **Nil**





(21) Design Number: **15811/2011**  
(22) Date of Filing Application: **16 December 2011**  
(24) Date from which industrial property rights may have effect: **16 December 2011**  
(54) Product in respect of which the design is registered: **Coffee maker**  
(51) International Design Classification: **07-02L**  
(74) Name(s) of Attorney(s): **Callinans**  
(71) Name(s) and Address(s) of Applicant(s):  
**Kenwood Limited**  
**New Lane Havant Hampshire PO9 2NH England**  
(72) Name(s) of Designer(s): **Darren Mullen**  
(45) Registration Date: **08 February 2012**  
(30) Convention priority data:  
(31) Number (32) Date (33) Country  
**001883117-0001 27 Jun 2011 EUROPEAN COMMUNITY**  
(56) Related Art Documents: **Not Applicable**  
(57) Statement of Newness and Distinctiveness: **Nil**



(21) Design Number: **15812/2011**  
(22) Date of Filing Application: **16 December 2011**  
(24) Date from which industrial property rights may have effect: **16 December 2011**  
(54) Product in respect of which the design is registered: **Electric kettle**  
(51) International Design Classification: **07-02K**  
(74) Name(s) of Attorney(s): **Callinans**  
(71) Name(s) and Address(s) of Applicant(s):  
**Kenwood Limited**  
**New Lane Havant Hampshire PO9 2NH England**  
(72) Name(s) of Designer(s): **Darren Mullen**  
(45) Registration Date: **08 February 2012**  
(30) Convention priority data:  
(31) Number (32) Date (33) Country  
**001883042-0002 27 Jun 2011 EUROPEAN COMMUNITY**  
(56) Related Art Documents: **Not Applicable**  
(57) Statement of Newness and Distinctiveness: **Nil**



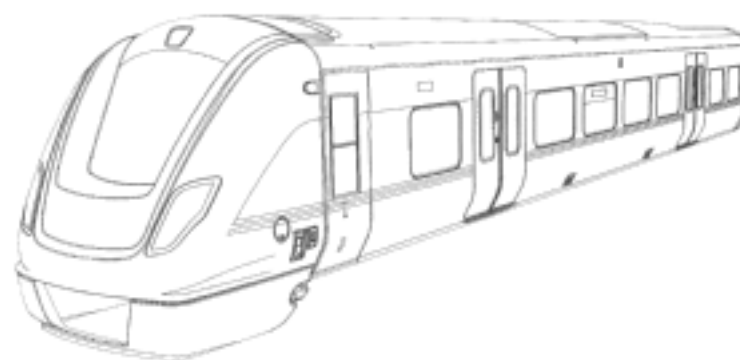
(21) Design Number: **10179/2012**  
(22) Date of Filing Application: **17 January 2012**  
(24) Date from which industrial property rights may have effect: **17 January 2012**  
(54) Product in respect of which the design is registered: **Car body for rail vehicles**  
(51) International Design Classification: **12-03**  
(74) Name(s) of Attorney(s): **PIZZEYS**  
(71) Name(s) and Address(s) of Applicant(s):  
**Bombardier Transportation GmbH**  
**Schoneberger Ufer 1 Berlin 10785 Germany**  
(72) Name(s) of Designer(s): **Richard Butterfield and Mark Winn**  
(45) Registration Date: **08 February 2012**  
(30) Convention priority data:  
(31) Number (32) Date (33) Country  
**001893983-0001 20 Jul 2011 EUROPEAN COMMUNITY**  
(56) Related Art Documents: **Not Applicable**  
(57) Statement of Newness and Distinctiveness: **Nil**



(21) Design Number: **10180/2012**  
(22) Date of Filing Application: **17 January 2012**  
(24) Date from which industrial property rights may have effect: **17 January 2012**  
(54) Product in respect of which the design is registered: **Car body for rail vehicles**  
(51) International Design Classification: **12-03**  
(74) Name(s) of Attorney(s): **PIZZEYS**  
(71) Name(s) and Address(s) of Applicant(s):  
**Bombardier Transportation GmbH**  
**Schoneberger Ufer 1 Berlin 10785 Germany**  
(72) Name(s) of Designer(s): **Richard Butterfield and Mark Winn**  
(45) Registration Date: **08 February 2012**  
(30) Convention priority data:  
(31) Number (32) Date (33) Country  
**001893983-0002 20 Jul 2011 EUROPEAN COMMUNITY**  
(56) Related Art Documents: **Not Applicable**  
(57) Statement of Newness and Distinctiveness: **Nil**



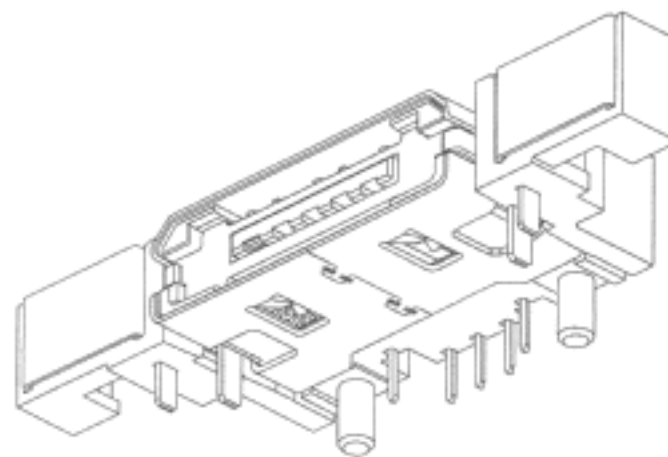
(21) Design Number: **10181/2012**  
(22) Date of Filing Application: **17 January 2012**  
(24) Date from which industrial property rights may have effect: **17 January 2012**  
(54) Product in respect of which the design is registered: **Car body for rail vehicles**  
(51) International Design Classification: **12-03**  
(74) Name(s) of Attorney(s): **PIZZEYS**  
(71) Name(s) and Address(s) of Applicant(s):  
**Bombardier Transportation GmbH**  
**Schoneberger Ufer 1 Berlin 10785 Germany**  
(72) Name(s) of Designer(s): **Richard Butterfield and Mark Winn**  
(45) Registration Date: **08 February 2012**  
(30) Convention priority data:  
(31) Number (32) Date (33) Country  
**001893983-0003 20 Jul 2011 EUROPEAN COMMUNITY**  
(56) Related Art Documents: **Not Applicable**  
(57) Statement of Newness and Distinctiveness: **Nil**



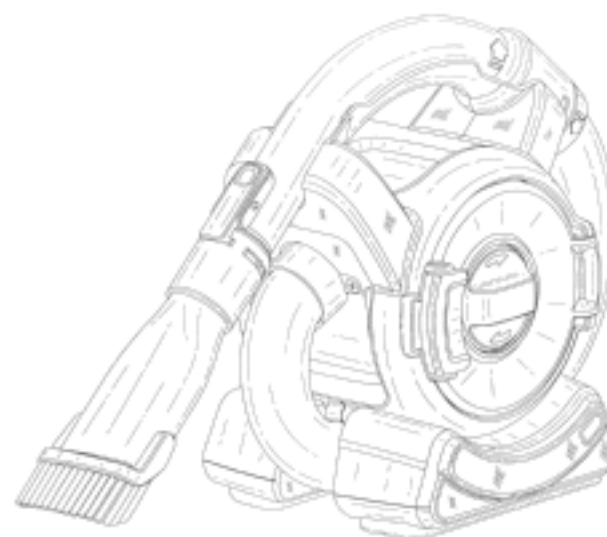
(21) Design Number: **10182/2012**  
(22) Date of Filing Application: **17 January 2012**  
(24) Date from which industrial property rights may have effect: **17 January 2012**  
(54) Product in respect of which the design is registered: **Car body for rail vehicles**  
(51) International Design Classification: **12-03**  
(74) Name(s) of Attorney(s): **PIZZEYS**  
(71) Name(s) and Address(s) of Applicant(s):  
**Bombardier Transportation GmbH**  
**Schoneberger Ufer 1 Berlin 10785 Germany**  
(72) Name(s) of Designer(s): **Richard Butterfield and Mark Winn**  
(45) Registration Date: **08 February 2012**  
(30) Convention priority data:  
(31) Number (32) Date (33) Country  
**001893983-0004 20 Jul 2011 EUROPEAN COMMUNITY**  
(56) Related Art Documents: **Not Applicable**  
(57) Statement of Newness and Distinctiveness: **Nil**



(21) Design Number: **15486/2011**  
(22) Date of Filing Application: **30 November 2011**  
(24) Date from which industrial property rights may have effect: **30 November 2011**  
(54) Product in respect of which the design is registered: **Connector for electronic equipment**  
(51) International Design Classification: **21-01N, 14-02, 13-03E**  
(74) Name(s) of Attorney(s): **Davies Collison Cave**  
(71) Name(s) and Address(s) of Applicant(s):  
**Nintendo Co., Ltd.**  
**11-1 Kamitoba Hokotate-cho Minami-ku Kyoto Japan**  
(72) Name(s) of Designer(s): **Yoshihiko Shino and Takafumi Nishida and Daisuke Kumazaki and Yuji Hori and Junji Takamoto**  
(45) Registration Date: **09 February 2012**  
(30) Convention priority data:  
(31) Number (32) Date (33) Country  
**2011-012659 03 Jun 2011 JAPAN**  
(56) Related Art Documents: **Not Applicable**  
(57) Statement of Newness and Distinctiveness: **Nil**



(21) Design Number: **15487/2011**  
(22) Date of Filing Application: **30 November 2011**  
(24) Date from which industrial property rights may have effect: **30 November 2011**  
(54) Product in respect of which the design is registered: **Hand-held vacuum cleaner**  
(51) International Design Classification: **15-05**  
(74) Name(s) of Attorney(s): **Davies Collison Cave**  
(71) Name(s) and Address(s) of Applicant(s):  
**Stanley Black & Decker, Inc.**  
**1000 Stanley Drive New Britain Connecticut 06053 United States of America**  
(72) Name(s) of Designer(s): **Graeme Crawley**  
(45) Registration Date: **09 February 2012**  
(30) Convention priority data:  
(31) Number (32) Date (33) Country  
**001279087-0001 03 Jun 2011 EUROPEAN COMMUNITY**  
(56) Related Art Documents: **Not Applicable**  
(57) Statement of Newness and Distinctiveness: **Nil**



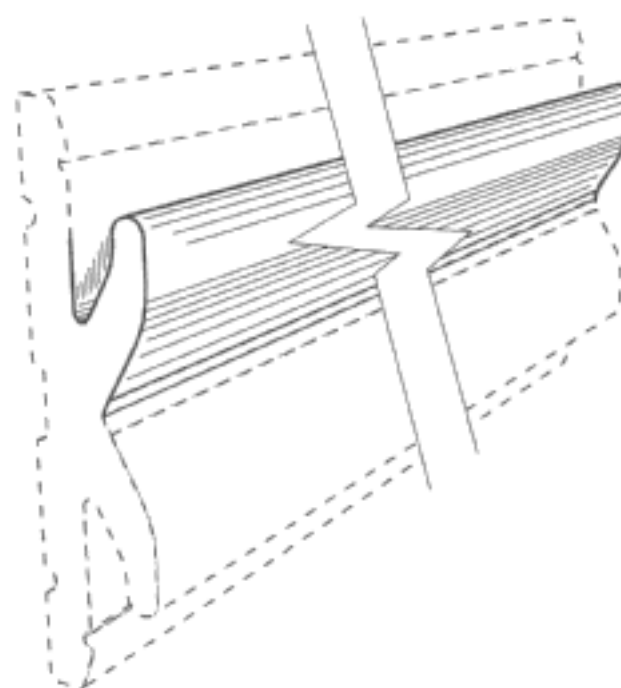
(21) Design Number: **10056/2012**  
(22) Date of Filing Application: **09 January 2012**  
(24) Date from which industrial property rights may have effect: **09 January 2012**  
(54) Product in respect of which the design is registered: **Rail**  
(51) International Design Classification: **25-01K**  
(74) Name(s) of Attorney(s): **Fisher Adams Kelly**  
(71) Name(s) and Address(s) of Applicant(s):  
**Lowe's Companies, Inc.**  
**1000 Lowe's Boulevard Mooresville 28115 North Carolina United States of America**

(72) Name(s) of Designer(s): **Joe Kipton Pohlman**  
(45) Registration Date: **09 February 2012**

(30) Convention priority data:  
(31) Number (32) Date (33) Country  
**29/396926 08 Jul 2011 UNITED STATES OF AMERICA**

(56) Related Art Documents: **Not Applicable**

(57) Statement of Newness and Distinctiveness: **The newness and distinctiveness of the design resides in the shape and/or configuration of the RAIL shown in the representations. The features shown in broken lines in the representations are for illustrative purposes only and should not be considered when construing visual features of the design.**



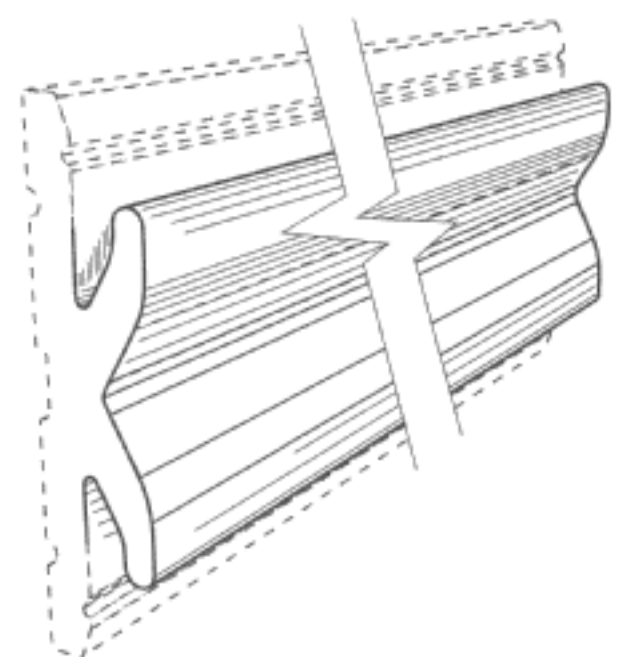
(21) Design Number: **10057/2012**  
(22) Date of Filing Application: **09 January 2012**  
(24) Date from which industrial property rights may have effect: **09 January 2012**  
(54) Product in respect of which the design is registered: **Rail**  
(51) International Design Classification: **25-01K**  
(74) Name(s) of Attorney(s): **Fisher Adams Kelly**  
(71) Name(s) and Address(s) of Applicant(s):  
**Lowe's Companies, Inc.**  
**1000 Lowe's Boulevard Mooresville 28115 North Carolina United States of America**

(72) Name(s) of Designer(s): **Joe Kipton Pohlman**  
(45) Registration Date: **09 February 2012**

(30) Convention priority data:  
(31) Number (32) Date (33) Country  
**29/396926 08 Jul 2011 UNITED STATES OF AMERICA**

(56) Related Art Documents: **Not Applicable**

(57) Statement of Newness and Distinctiveness: **The newness and distinctiveness of the design resides in the shape and/or configuration of the RAIL shown in the representations. The features shown in broken lines in the representations are for illustrative purposes only and should not be considered when construing visual features of the design.**



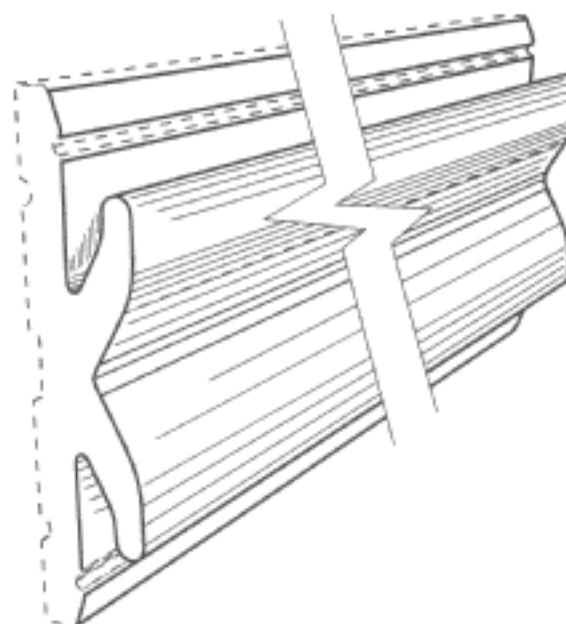
(21) Design Number: **10058/2012**  
(22) Date of Filing Application: **09 January 2012**  
(24) Date from which industrial property rights may have effect: **09 January 2012**  
(54) Product in respect of which the design is registered: **Rail**  
(51) International Design Classification: **25-01K**  
(74) Name(s) of Attorney(s): **Fisher Adams Kelly**  
(71) Name(s) and Address(s) of Applicant(s):  
**Lowe's Companies, Inc.**  
**1000 Lowe's Boulevard Mooresville 28115 North Carolina United States of America**

(72) Name(s) of Designer(s): **Joe Kipton Pohlman**  
(45) Registration Date: **09 February 2012**

(30) Convention priority data:  
(31) Number      (32) Date      (33) Country  
**29/396926      08 Jul 2011      UNITED STATES OF AMERICA**

(56) Related Art Documents: **Not Applicable**

(57) Statement of Newness and Distinctiveness: **The newness and distinctiveness of the design resides in the shape and/or configuration of the RAIL shown in the representations. The features shown in broken lines in the representations are for illustrative purposes only and should not be considered when construing visual features of the design.**



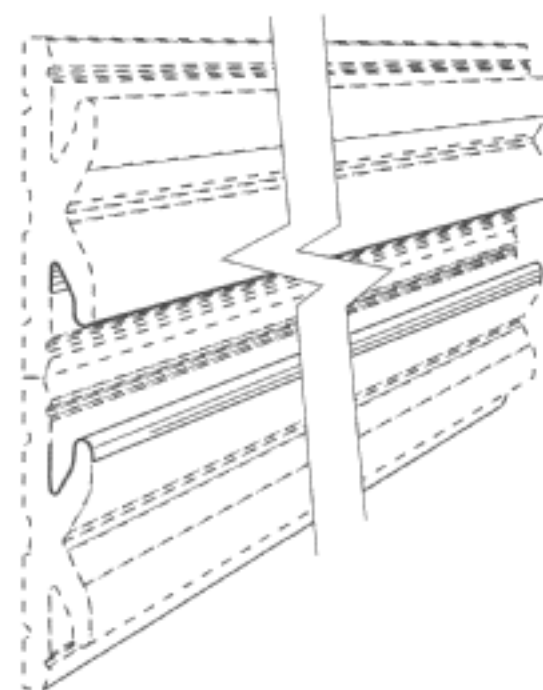
(21) Design Number: **10059/2012**  
(22) Date of Filing Application: **09 January 2012**  
(24) Date from which industrial property rights may have effect: **09 January 2012**  
(54) Product in respect of which the design is registered: **Rail**  
(51) International Design Classification: **25-01K**  
(74) Name(s) of Attorney(s): **Fisher Adams Kelly**  
(71) Name(s) and Address(s) of Applicant(s):  
**Lowe's Companies, Inc.**  
**1000 Lowe's Boulevard Mooresville 28115 North Carolina United States of America**

(72) Name(s) of Designer(s): **Joe Kipton Pohlman**  
(45) Registration Date: **09 February 2012**

(30) Convention priority data:  
(31) Number      (32) Date      (33) Country  
**29/396926      08 Jul 2011      UNITED STATES OF AMERICA**

(56) Related Art Documents: **Not Applicable**

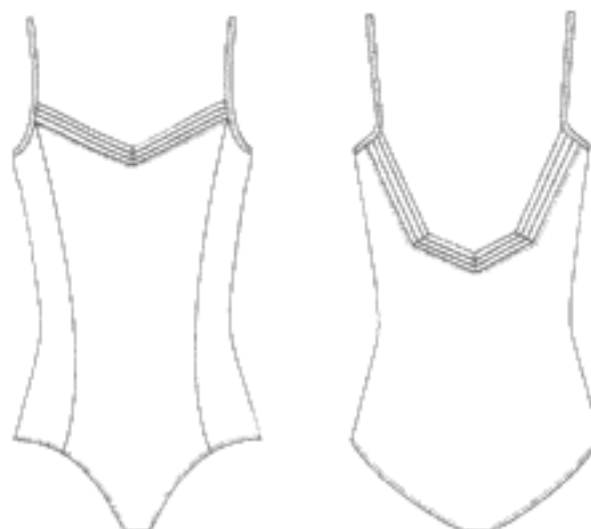
(57) Statement of Newness and Distinctiveness: **The newness and distinctiveness of the design resides in the shape and/or configuration of the RAIL shown in the representations. The features shown in broken lines in the representations are for illustrative purposes only and should not be considered when construing visual features of the design.**



(21) Design Number: **10068/2012**  
(22) Date of Filing Application: **10 January 2012**  
(24) Date from which industrial property rights may have effect: **10 January 2012**  
(54) Product in respect of which the design is registered: **Leotard**  
(51) International Design Classification: **02-02A**  
(74) Name(s) of Attorney(s): **Gilbert + Tobin Lawyers**  
(71) Name(s) and Address(s) of Applicant(s):  
**J. Bloch Pty Ltd**  
**8-18 William Street Beaconsfield New South Wales 2015 Australia**  
(72) Name(s) of Designer(s): **Simon Wilkenfeld and Sandie Windsor-Richards**  
(45) Registration Date: **09 February 2012**  
(56) Related Art Documents: **Not Applicable**  
(57) Statement of Newness and Distinctiveness: **Nil**



(21) Design Number: **10069/2012**  
(22) Date of Filing Application: **10 January 2012**  
(24) Date from which industrial property rights may have effect: **10 January 2012**  
(54) Product in respect of which the design is registered: **Leotard**  
(51) International Design Classification: **02-02A**  
(74) Name(s) of Attorney(s): **Gilbert + Tobin Lawyers**  
(71) Name(s) and Address(s) of Applicant(s):  
**J. Bloch Pty Ltd**  
**8-18 William Street Beaconsfield New South Wales 2015 Australia**  
(72) Name(s) of Designer(s): **Simon Wilkenfeld and Sandie Windsor-Richards**  
(45) Registration Date: **09 February 2012**  
(56) Related Art Documents: **Not Applicable**  
(57) Statement of Newness and Distinctiveness: **Nil**



(21) Design Number: **10070/2012**

(22) Date of Filing Application: **10 January 2012**

(24) Date from which industrial property rights may have effect: **10 January 2012**

(54) Product in respect of which the design is registered: **Leotard**

(51) International Design Classification: **02-02A**

(74) Name(s) of Attorney(s): **Gilbert + Tobin Lawyers**

(71) Name(s) and Address(s) of Applicant(s):

**J. Bloch Pty Ltd**

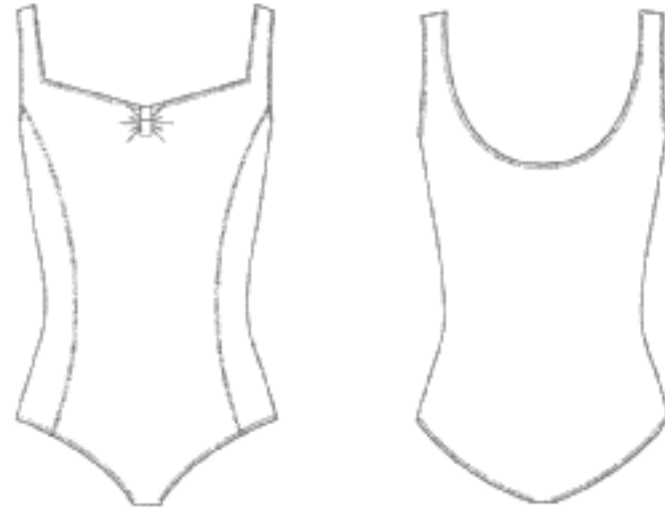
**8-18 William Street Beaconsfield New South Wales 2015 Australia**

(72) Name(s) of Designer(s): **Simon Wilkenfeld and Sandie Windsor-Richards**

(45) Registration Date: **09 February 2012**

(56) Related Art Documents: **Not Applicable**

(57) Statement of Newness and Distinctiveness: **Nil**



(21) Design Number: **10071/2012**

(22) Date of Filing Application: **10 January 2012**

(24) Date from which industrial property rights may have effect: **10 January 2012**

(54) Product in respect of which the design is registered: **Leotard**

(51) International Design Classification: **02-02A**

(74) Name(s) of Attorney(s): **Gilbert + Tobin Lawyers**

(71) Name(s) and Address(s) of Applicant(s):

**J. Bloch Pty Ltd**

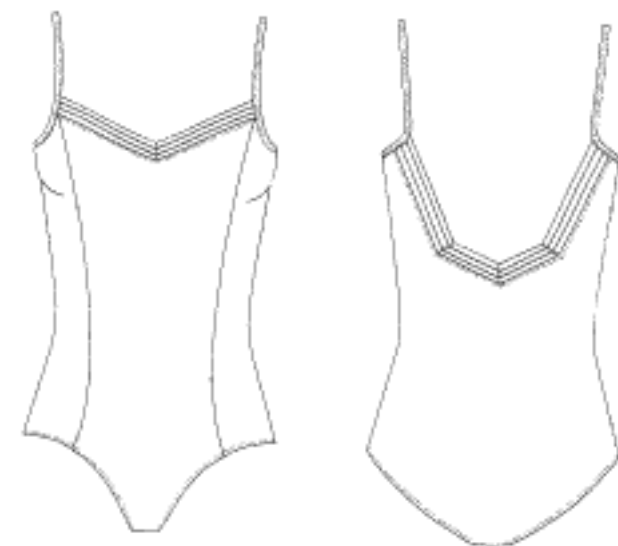
**8-18 William Street Beaconsfield New South Wales 2015 Australia**

(72) Name(s) of Designer(s): **Simon Wilkenfeld and Sandie Windsor-Richards**

(45) Registration Date: **09 February 2012**

(56) Related Art Documents: **Not Applicable**

(57) Statement of Newness and Distinctiveness: **Nil**

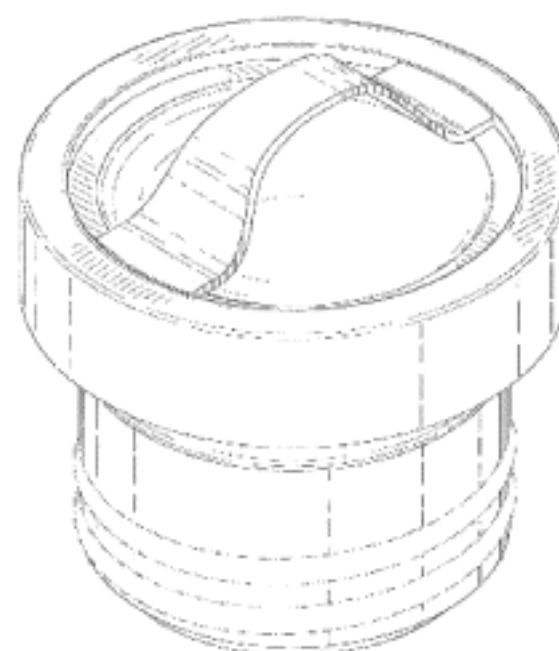




(21) Design Number: **10072/2012**  
(22) Date of Filing Application: **10 January 2012**  
(24) Date from which industrial property rights may have effect: **10 January 2012**  
(54) Product in respect of which the design is registered: **Leotard**  
(51) International Design Classification: **02-02A**  
(74) Name(s) of Attorney(s): **Gilbert + Tobin Lawyers**  
(71) Name(s) and Address(s) of Applicant(s):  
**J. Bloch Pty Ltd**  
**8-18 William Street Beaconsfield New South Wales 2015 Australia**  
(72) Name(s) of Designer(s): **Simon Wilkenfeld and Sandie Windsor-Richards**  
(45) Registration Date: **09 February 2012**  
(56) Related Art Documents: **Not Applicable**  
(57) Statement of Newness and Distinctiveness: **Nil**



(21) Design Number: **10090/2012**  
(22) Date of Filing Application: **11 January 2012**  
(24) Date from which industrial property rights may have effect: **11 January 2012**  
(54) Product in respect of which the design is registered: **Cap for reusable bottle**  
(51) International Design Classification: **09-07B**  
(74) Name(s) of Attorney(s): **Smooenburg Pini Patent & Trade Mark Attorneys**  
(71) Name(s) and Address(s) of Applicant(s):  
**Klean Kanteen, Inc**  
**4345 Hedstrom Way Chico CA 95972 United States of America**  
(72) Name(s) of Designer(s): **Casey Howard Hopkins and Ethan Jewett and Jeff Creswell and Brett Renlund**  
(45) Registration Date: **09 February 2012**  
(30) Convention priority data:  
(31) Number (32) Date (33) Country  
**29/398,733 03 Aug 2011 UNITED STATES OF AMERICA**  
(56) Related Art Documents: **Not Applicable**  
(57) Statement of Newness and Distinctiveness: **Newness and distinctiveness is claimed in features of shape and/or configuration of a cap for a reusable bottle as illustrated in the accompanying representations. No regard is to be had to the dashed lines in the figures; they are for environmental purposes only and form no part of the claimed design.**



(21) Design Number: **10095/2012**  
(22) Date of Filing Application: **11 January 2012**  
(24) Date from which industrial property rights may have effect: **11 January 2012**  
(54) Product in respect of which the design is registered: **X type end cap for battery**  
(51) International Design Classification: **13-03NES, 13-03B**  
(74) Name(s) of Attorney(s): **Pappas IP**  
(71) Name(s) and Address(s) of Applicant(s):  
**Eco Group Asia Limited**  
**Unit 1601 Hollywood Centre 233 Hollywood Road Central Hong Kong**  
(72) Name(s) of Designer(s): **Niels Bakker**  
(45) Registration Date: **09 February 2012**  
(30) Convention priority data:  
(31) Number (32) Date (33) Country  
**1101187.9M001-4 11 Jul 2011 HONG KONG**  
(56) Related Art Documents: **Not Applicable**  
(57) Statement of Newness and Distinctiveness: **Newness and distinctiveness is claimed in the shape and/or configuration of an X Type End Cap For Battery as illustrated in the representations.**



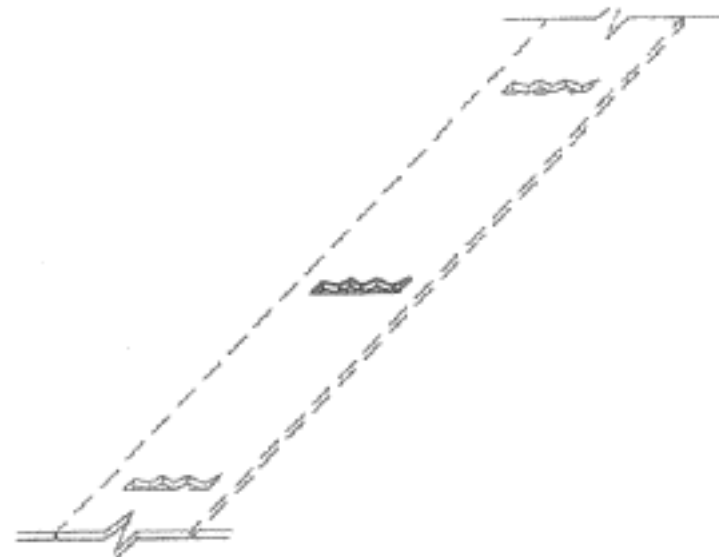
(21) Design Number: **10096/2012**  
(22) Date of Filing Application: **11 January 2012**  
(24) Date from which industrial property rights may have effect: **11 January 2012**  
(54) Product in respect of which the design is registered: **End cap for battery**  
(51) International Design Classification: **13-03NES, 13-03B**  
(74) Name(s) of Attorney(s): **Pappas IP**  
(71) Name(s) and Address(s) of Applicant(s):  
**Eco Group Asia Limited**  
**Unit 1601 Hollywood Centre 233 Hollywood Road Central Hong Kong**  
(72) Name(s) of Designer(s): **Niels Bakker**  
(45) Registration Date: **09 February 2012**  
(30) Convention priority data:  
(31) Number (32) Date (33) Country  
**1101187.9M001-4 11 Jul 2011 HONG KONG**  
(56) Related Art Documents: **Not Applicable**  
(57) Statement of Newness and Distinctiveness: **Newness and distinctiveness is claimed in the shape and/or configuration of an End Cap For Battery as illustrated in the representations.**



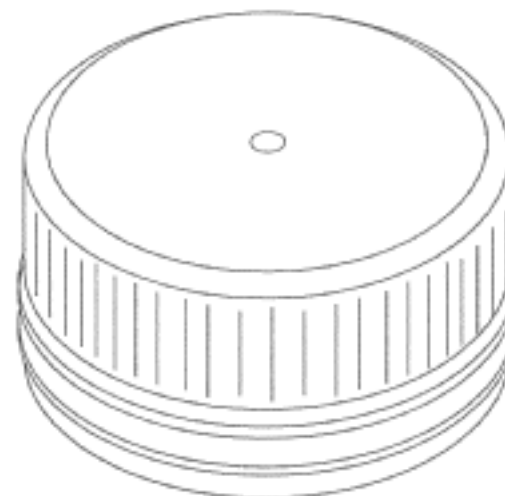
- (21) Design Number: **10261/2012**  
(22) Date of Filing Application: **20 January 2012**  
(24) Date from which industrial property rights may have effect: **20 January 2012**  
(54) Product in respect of which the design is registered: **Kitchen tool**  
(51) International Design Classification: **07-04**  
(74) Name(s) of Attorney(s): **Baldwins Intellectual Property**  
(71) Name(s) and Address(s) of Applicant(s):  
**Progressive International Corporation**  
**6111 South 228th Street Kent WA 98032 United States of America**  
(72) Name(s) of Designer(s): **Charles E. Buchanan**  
(45) Registration Date: **09 February 2012**  
(56) Related Art Documents: **Not Applicable**  
(57) Statement of Newness and Distinctiveness: **Newness and distinctiveness resides in the features of shape and/or configuration of the handle of the kitchen tool as shown in the representations.**



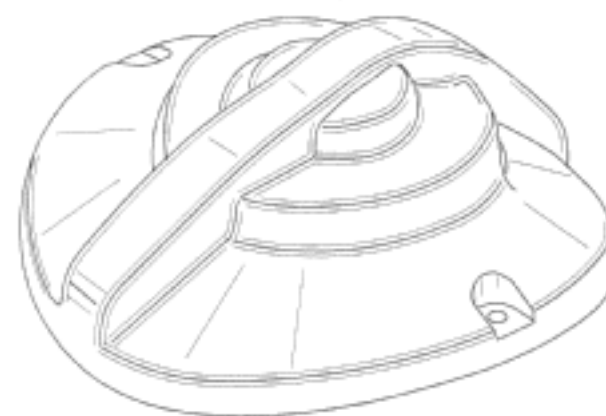
- (21) Design Number: **15735/2011**  
(22) Date of Filing Application: **13 December 2011**  
(24) Date from which industrial property rights may have effect: **13 December 2011**  
(54) Product in respect of which the design is registered: **Strip of tags**  
(51) International Design Classification: **20-03B, 19-08**  
(74) Name(s) of Attorney(s): **Davies Collison Cave**  
(71) Name(s) and Address(s) of Applicant(s):  
**Bradford Industries Pty Ltd**  
**PO Box 2399 Coffs Harbour New South Wales 2240 Australia**  
(72) Name(s) of Designer(s): **Terry Parsons**  
(45) Registration Date: **09 February 2012**  
(56) Related Art Documents: **Not Applicable**  
(57) Statement of Newness and Distinctiveness: **Newness and distinctiveness is claimed in the visual features shown in solid lines in the representations.**



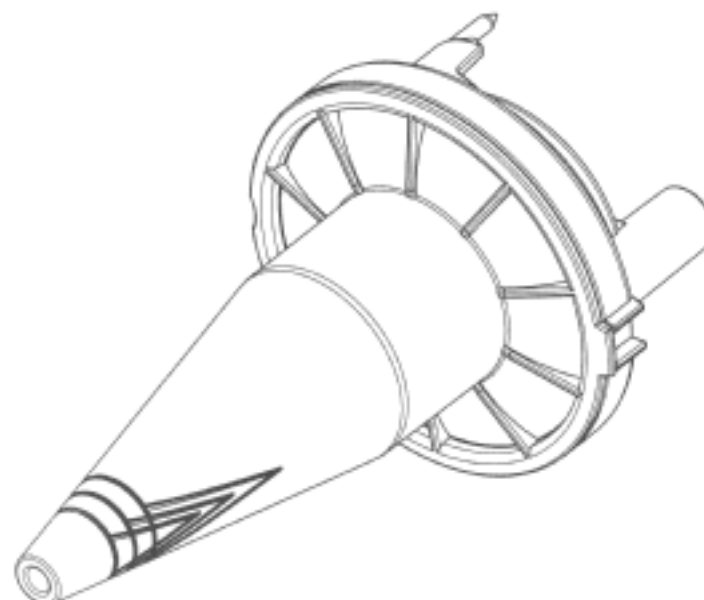
- (21) Design Number: **15821/2011**  
(22) Date of Filing Application: **19 December 2011**  
(24) Date from which industrial property rights may have effect: **19 December 2011**  
(54) Product in respect of which the design is registered: **Cap closure**  
(51) International Design Classification: **09-07C**  
(74) Name(s) of Attorney(s): **Sandercock & Cowie**  
(71) Name(s) and Address(s) of Applicant(s):  
**Branko Lovrek**  
**23 Monoel Avenue Reservoir Victoria 3074 Australia**  
(72) Name(s) of Designer(s): **Branko Lovrek**  
(45) Registration Date: **09 February 2012**  
(56) Related Art Documents: **Not Applicable**  
(57) Statement of Newness and Distinctiveness: **Newness and distinctiveness reside in the shape and configuration of the cap seal on the underside of the cap crown as shown in the accompanying representations.**



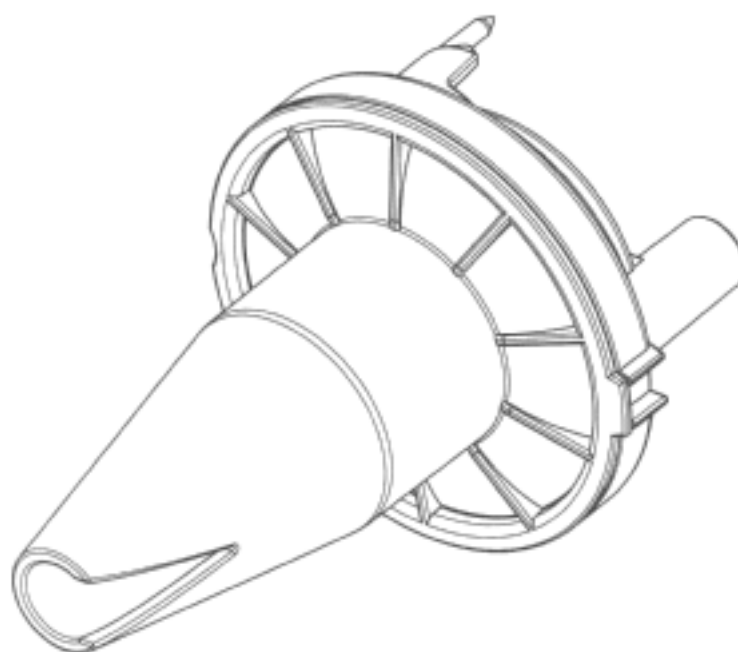
- (21) Design Number: **10170/2012**  
(22) Date of Filing Application: **13 January 2012**  
(24) Date from which industrial property rights may have effect: **13 January 2012**  
(54) Product in respect of which the design is registered: **Bollard cap**  
(51) International Design Classification: **25-02A**  
(74) Name(s) of Attorney(s): **Griffith Hack**  
(71) Name(s) and Address(s) of Applicant(s):  
**Australian Inhibitor Pty Ltd**  
**6 Nicholas Drive Dandenong South Victoria 3175 Australia**  
(72) Name(s) of Designer(s): **Leslie John Amy**  
(45) Registration Date: **09 February 2012**  
(56) Related Art Documents: **Not Applicable**  
(57) Statement of Newness and Distinctiveness: **Nil**



(21) Design Number: **10171/2012**  
(22) Date of Filing Application: **16 January 2012**  
(24) Date from which industrial property rights may have effect: **16 January 2012**  
(54) Product in respect of which the design is registered: **Mixer**  
(51) International Design Classification: **31-00**  
(74) Name(s) of Attorney(s): **WATERMARK PATENT AND TRADE MARKS ATTORNEYS**  
(71) Name(s) and Address(s) of Applicant(s):  
**Sulzer Mixpac AG**  
**Ruetistrasse 7 CH-9469 Haag Switzerland**  
(72) Name(s) of Designer(s): **Volker Linne and Andreas Hiemer and David Tobler**  
(45) Registration Date: **09 February 2012**  
(30) Convention priority data:  
(31) Number (32) Date (33) Country  
**138247 19 Aug 2011 SWITZERLAND**  
(56) Related Art Documents: **Not Applicable**  
(57) Statement of Newness and Distinctiveness: **Nil**



(21) Design Number: **10172/2012**  
(22) Date of Filing Application: **16 January 2012**  
(24) Date from which industrial property rights may have effect: **16 January 2012**  
(54) Product in respect of which the design is registered: **Mixer**  
(51) International Design Classification: **31-00**  
(74) Name(s) of Attorney(s): **WATERMARK PATENT AND TRADE MARKS ATTORNEYS**  
(71) Name(s) and Address(s) of Applicant(s):  
**Sulzer Mixpac AG**  
**Ruetistrasse 7 CH-9469 Haag Switzerland**  
(72) Name(s) of Designer(s): **Volker Linne and Andreas Hiemer and David Tobler**  
(45) Registration Date: **09 February 2012**  
(30) Convention priority data:  
(31) Number (32) Date (33) Country  
**138247 19 Aug 2011 SWITZERLAND**  
(56) Related Art Documents: **Not Applicable**  
(57) Statement of Newness and Distinctiveness: **Nil**



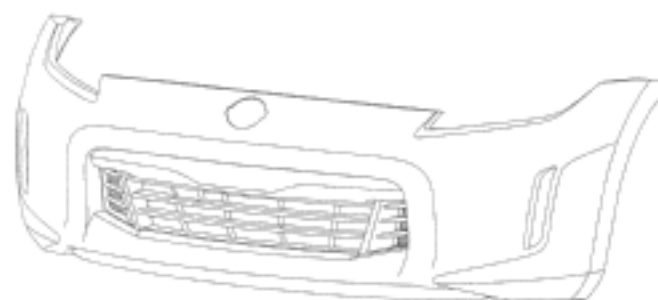
- (21) Design Number: **10210/2012**  
(22) Date of Filing Application: **17 January 2012**  
(24) Date from which industrial property rights may have effect: **17 January 2012**  
(54) Product in respect of which the design is registered: **Automobile tyre**  
(51) International Design Classification: **12-15A**  
(74) Name(s) of Attorney(s): **Griffith Hack**  
(71) Name(s) and Address(s) of Applicant(s):  
**Bridgestone Corporation**  
**10-1 Kyobashi 1-chome Chuo-ku Tokyo 104-8340 Japan**  
(72) Name(s) of Designer(s): **Sotaro Iwabuchi**  
(45) Registration Date: **09 February 2012**  
(56) Related Art Documents: **Not Applicable**  
(57) Statement of Newness and Distinctiveness: **The shape, configuration and ornamentation of the sidewall portion of the automobile tyre, as shown by solid lines that are bordered within the dashed lines, is new and distinctive.**



- (21) Design Number: **10211/2012**  
(22) Date of Filing Application: **17 January 2012**  
(24) Date from which industrial property rights may have effect: **17 January 2012**  
(54) Product in respect of which the design is registered: **Diaper pail**  
(51) International Design Classification: **23-02NES**  
(74) Name(s) of Attorney(s): **Madderns**  
(71) Name(s) and Address(s) of Applicant(s):  
**Pearhead, Inc**  
**20 Jay Street Unit 301 Brooklyn 11201 New York United States of America**  
(72) Name(s) of Designer(s): **Thomas Ray Sakaguchi and John Richard Ohmdahl II and Tyler Fredric Allan and Michael Saburo Horito and Arthur Lee Deitrich-Croy and Clark Evan Davis and Mark Edwin Schulte**  
(45) Registration Date: **09 February 2012**  
(30) Convention priority data:  
(31) Number      (32) Date      (33) Country  
**29/399645      16 Aug 2011      UNITED STATES OF AMERICA**  
(56) Related Art Documents: **Not Applicable**  
(57) Statement of Newness and Distinctiveness: **Nil**



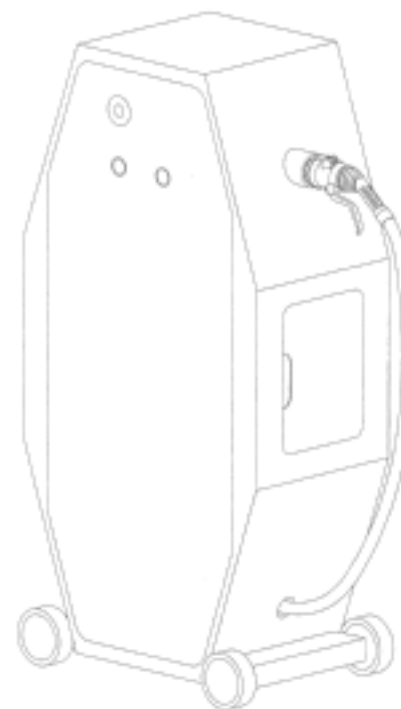
- (21) Design Number: **10213/2012**  
(22) Date of Filing Application: **17 January 2012**  
(24) Date from which industrial property rights may have effect: **17 January 2012**  
(54) Product in respect of which the design is registered: **Front bumper for automobile**  
(51) International Design Classification: **12-16B**  
(74) Name(s) of Attorney(s): **Griffith Hack**  
(71) Name(s) and Address(s) of Applicant(s):  
**Nissan Jidosha Kabushiki Kaisha also trading as Nissan Motor Co., Ltd.  
No. 2 Takaracho Kanagawa-ku Yokohama-shi Kanagawa-ken Japan**  
(72) Name(s) of Designer(s): **Kenichiro Koizumi and Gou Kasai**  
(45) Registration Date: **09 February 2012**  
(30) Convention priority data:  
(31) Number (32) Date (33) Country  
**2011-020805 13 Sep 2011 JAPAN**  
(56) Related Art Documents: **Not Applicable**  
(57) Statement of Newness and Distinctiveness: **Newness and distinctiveness resides in the visual features, including shape, and configuration, of a front bumper for automobile as shown in solid outline in the accompanying drawings.**



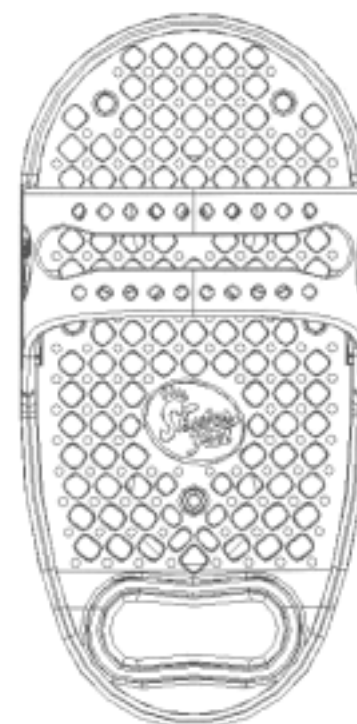
- (21) Design Number: **10214/2012**  
(22) Date of Filing Application: **17 January 2012**  
(24) Date from which industrial property rights may have effect: **17 January 2012**  
(54) Product in respect of which the design is registered: **Battery charger for automobile**  
(51) International Design Classification: **13-02**  
(74) Name(s) of Attorney(s): **Griffith Hack**  
(71) Name(s) and Address(s) of Applicant(s):  
**Nissan Jidosha Kabushiki Kaisha also trading as Nissan Motor Co., Ltd.  
No. 2 Takaracho Kanagawa-ku Yokohama-shi Kanagawa-ken Japan**  
(72) Name(s) of Designer(s): **Tooru Yamashita and Kinya Jodo**  
(45) Registration Date: **09 February 2012**  
(30) Convention priority data:  
(31) Number (32) Date (33) Country  
**2011-020820 13 Sep 2011 JAPAN**  
(56) Related Art Documents: **Not Applicable**  
(57) Statement of Newness and Distinctiveness: **Newness and distinctiveness resides in the visual features, including shape, and configuration, of a battery charger for automobile as shown in solid outline in the accompanying drawings.**



- (21) Design Number: **10215/2012**  
(22) Date of Filing Application: **17 January 2012**  
(24) Date from which industrial property rights may have effect: **17 January 2012**  
(54) Product in respect of which the design is registered: **Battery charger for automobile**  
(51) International Design Classification: **13-02**  
(74) Name(s) of Attorney(s): **Griffith Hack**  
(71) Name(s) and Address(s) of Applicant(s):  
**Nissan Jidosha Kabushiki Kaisha also trading as Nissan Motor Co., Ltd.**  
**No. 2 Takaracho Kanagawa-ku Yokohama-shi Kanagawa-ken Japan**  
(72) Name(s) of Designer(s): **Hiroyasu Wada**  
(45) Registration Date: **09 February 2012**  
(30) Convention priority data:  
(31) Number      (32) Date      (33) Country  
**2011-027610      29 Nov 2011      JAPAN**  
(56) Related Art Documents: **Not Applicable**  
(57) Statement of Newness and Distinctiveness: **Newness and distinctiveness resides in the visual features, including shape, and configuration, of a battery charger for automobile as shown in solid outline in the accompanying drawings.**



- (21) Design Number: **10246/2012**  
(22) Date of Filing Application: **20 January 2012**  
(24) Date from which industrial property rights may have effect: **20 January 2012**  
(54) Product in respect of which the design is registered: **Shower feet**  
(51) International Design Classification: **02-04NES**  
(74) Name(s) of Attorney(s): **Wynnes Patent & Trade Mark Attorneys**  
(71) Name(s) and Address(s) of Applicant(s):  
**John Mills Limited**  
**JML House Regis Road London NW5 3EG England**  
(72) Name(s) of Designer(s): **Kelvin Lee**  
(45) Registration Date: **09 February 2012**  
(30) Convention priority data:  
(31) Number      (32) Date      (33) Country  
**001897075-0001      27 Jul 2011      EUROPEAN COMMUNITY**  
(56) Related Art Documents: **Not Applicable**  
(57) Statement of Newness and Distinctiveness: **Newness and distinctiveness resides in the features of the shape and configuration of the shower feet as illustrated in the accompanying representations.**

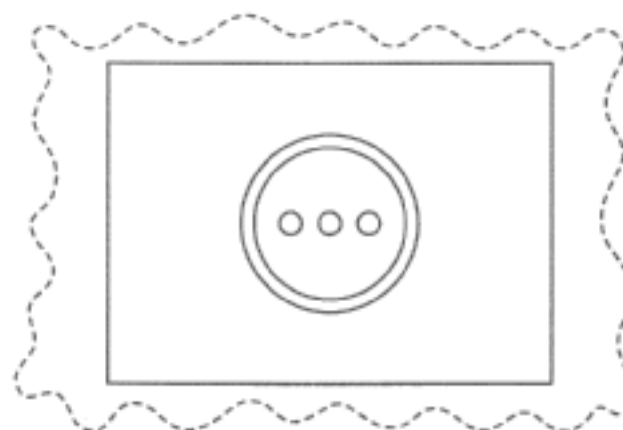




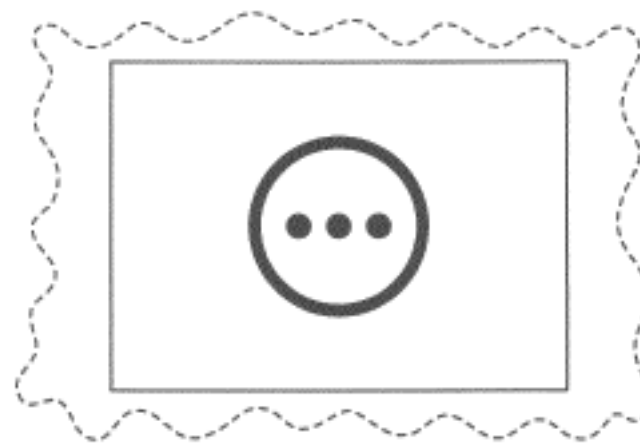
- (21) Design Number: **10262/2012**  
(22) Date of Filing Application: **20 January 2012**  
(24) Date from which industrial property rights may have effect: **20 January 2012**  
(54) Product in respect of which the design is registered: **Kitchen tool**  
(51) International Design Classification: **07-04**  
(74) Name(s) of Attorney(s): **Baldwins Intellectual Property**  
(71) Name(s) and Address(s) of Applicant(s):  
**Progressive International Corporation**  
**6111 South 228th Street Kent WA 98032 United States of America**  
(72) Name(s) of Designer(s): **Charles E. Buchanan**  
(45) Registration Date: **09 February 2012**  
(56) Related Art Documents: **Not Applicable**  
(57) Statement of Newness and Distinctiveness: **Newness and distinctiveness resides in the features of shape and/or configuration of the handle of the kitchen tool as shown in the representations.**



- (21) Design Number: **15363/2011**  
(22) Date of Filing Application: **24 November 2011**  
(24) Date from which industrial property rights may have effect: **24 November 2011**  
(54) Product in respect of which the design is registered: **Display screen with softkey and display screen with icon**  
(51) International Design Classification: **14-04**  
(74) Name(s) of Attorney(s): **Shelston IP**  
(71) Name(s) and Address(s) of Applicant(s):  
**Microsoft Corporation**  
**One Microsoft Way Redmond Washington 98052 United States of America**  
(72) Name(s) of Designer(s): **Seung Yang and Kieran Phelan**  
(45) Registration Date: **09 February 2012**  
(30) Convention priority data:  
(31) Number      (32) Date      (33) Country  
**29/392941      27 May 2011      UNITED STATES OF AMERICA**  
(56) Related Art Documents: **Not Applicable**  
(57) Statement of Newness and Distinctiveness: **Newness and distinctiveness reside in the pattern and/or ornamentation of a display screen with softkey and a display screen with icon as illustrated by solid lines in the accompanying representations. The features shown in broken outline are for illustrative purposes only and do not form part of the design.**



(21) Design Number: **10533/2012**  
(22) Date of Filing Application: **24 November 2011**  
(24) Date from which industrial property rights may have effect: **24 November 2011**  
(54) Product in respect of which the design is registered: **Display screen with softkey and display screen with icon**  
(51) International Design Classification: **14-04**  
(74) Name(s) of Attorney(s): **Shelston IP**  
(71) Name(s) and Address(s) of Applicant(s):  
**Microsoft Corporation**  
**One Microsoft Way Redmond Washington 98052 United States of America**  
(72) Name(s) of Designer(s): **Seung Yang and Kieran Phelan**  
(45) Registration Date: **09 February 2012**  
(30) Convention priority data:  
(31) Number (32) Date (33) Country  
**29/392941 27 May 2011 UNITED STATES OF AMERICA**  
(56) Related Art Documents: **Not Applicable**  
(57) Statement of Newness and Distinctiveness: **Newness and distinctiveness reside in the pattern and/or ornamentation of a display screen with softkey and a display screen with icon as illustrated by solid lines in the accompanying representations. The features shown in broken outline are for illustrative purposes only and do not form part of the design.**



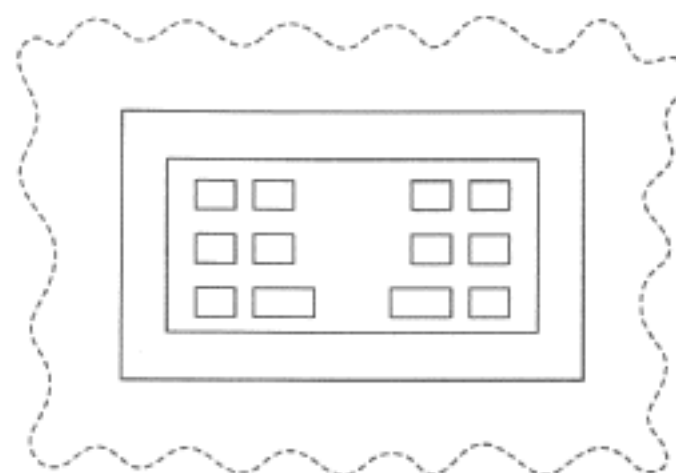
(21) Design Number: **10534/2012**  
(22) Date of Filing Application: **24 November 2011**  
(24) Date from which industrial property rights may have effect: **24 November 2011**  
(54) Product in respect of which the design is registered: **Display screen with softkey and display screen with icon**  
(51) International Design Classification: **14-04**  
(74) Name(s) of Attorney(s): **Shelston IP**  
(71) Name(s) and Address(s) of Applicant(s):  
**Microsoft Corporation**  
**One Microsoft Way Redmond Washington 98052 United States of America**  
(72) Name(s) of Designer(s): **Seung Yang and Kieran Phelan**  
(45) Registration Date: **09 February 2012**  
(30) Convention priority data:  
(31) Number (32) Date (33) Country  
**29/392941 27 May 2011 UNITED STATES OF AMERICA**  
(56) Related Art Documents: **Not Applicable**  
(57) Statement of Newness and Distinctiveness: **Newness and distinctiveness reside in the pattern and/or ornamentation of a display screen with softkey and a display screen with icon as illustrated by solid lines in the accompanying representations. The features shown in broken outline are for illustrative purposes only and do not form part of the design.**



(21) Design Number: **10535/2012**  
(22) Date of Filing Application: **24 November 2011**  
(24) Date from which industrial property rights may have effect: **24 November 2011**  
(54) Product in respect of which the design is registered: **Display screen with softkey and display screen with icon**  
(51) International Design Classification: **14-04**  
(74) Name(s) of Attorney(s): **Shelston IP**  
(71) Name(s) and Address(s) of Applicant(s):  
**Microsoft Corporation**  
**One Microsoft Way Redmond Washington 98052 United States of America**  
(72) Name(s) of Designer(s): **Seung Yang and Kieran Phelan**  
(45) Registration Date: **09 February 2012**  
(30) Convention priority data:  
(31) Number (32) Date (33) Country  
**29/392941 27 May 2011 UNITED STATES OF AMERICA**  
(56) Related Art Documents: **Not Applicable**  
(57) Statement of Newness and Distinctiveness: **Newness and distinctiveness reside in the pattern and/or ornamentation of a display screen with softkey and a display screen with icon as illustrated by solid lines in the accompanying representations. The features shown in broken outline are for illustrative purposes only and do not form part of the design.**



(21) Design Number: **15376/2011**  
(22) Date of Filing Application: **24 November 2011**  
(24) Date from which industrial property rights may have effect: **24 November 2011**  
(54) Product in respect of which the design is registered: **Display screen with icon**  
(51) International Design Classification: **14-04**  
(74) Name(s) of Attorney(s): **Shelston IP**  
(71) Name(s) and Address(s) of Applicant(s):  
**Microsoft Corporation**  
**One Microsoft Way Redmond Washington 98052 United States of America**  
(72) Name(s) of Designer(s): **Seung Yang and Kieran Phelan and Moneta Ho Kushner**  
(45) Registration Date: **09 February 2012**  
(30) Convention priority data:  
(31) Number (32) Date (33) Country  
**29/392965 27 May 2011 UNITED STATES OF AMERICA**  
(56) Related Art Documents: **Not Applicable**  
(57) Statement of Newness and Distinctiveness: **Newness and distinctiveness reside in the pattern and/or ornamentation of a display screen with icon as illustrated by solid lines in the accompanying representations. The features shown in broken outline are for illustrative purposes only and do not form part of the design.**



(21) Design Number: **10529/2012**  
(22) Date of Filing Application: **24 November 2011**  
(24) Date from which industrial property rights may have effect: **24 November 2011**  
(54) Product in respect of which the design is registered: **Display screen with icon**  
(51) International Design Classification: **14-04**  
(74) Name(s) of Attorney(s): **Shelston IP**  
(71) Name(s) and Address(s) of Applicant(s):

**Microsoft Corporation**  
**One Microsoft Way Redmond Washington 98052 United States of America**

(72) Name(s) of Designer(s): **Seung Yang and Kieran Phelan and Moneta Ho Kushner**

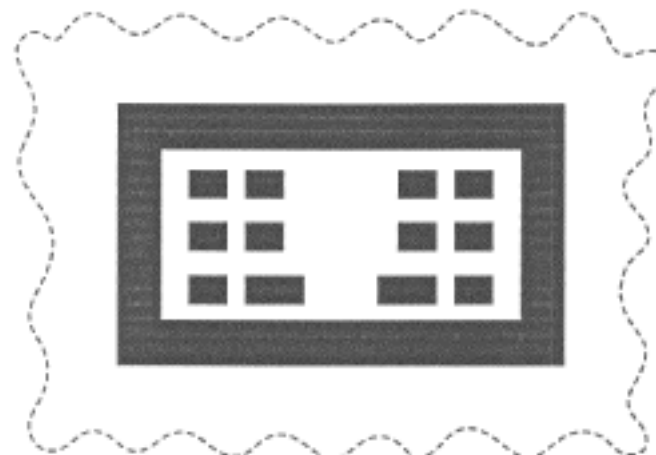
(45) Registration Date: **09 February 2012**

(30) Convention priority data:

(31) Number	(32) Date	(33) Country
<b>29/392965</b>	<b>27 May 2011</b>	<b>UNITED STATES OF AMERICA</b>

(56) Related Art Documents: **Not Applicable**

(57) Statement of Newness and Distinctiveness: **Newness and distinctiveness reside in the pattern and/or ornamentation of a display screen with icon as illustrated by solid lines in the accompanying representations. The features shown in broken outline are for illustrative purposes only and do not form part of the design.**



(21) Design Number: **10526/2012**  
(22) Date of Filing Application: **24 November 2011**  
(24) Date from which industrial property rights may have effect: **24 November 2011**  
(54) Product in respect of which the design is registered: **Display screen with user interface**  
(51) International Design Classification: **14-04**  
(74) Name(s) of Attorney(s): **Shelston IP**  
(71) Name(s) and Address(s) of Applicant(s):

**Microsoft Corporation**  
**One Microsoft Way Redmond Washington 98052 United States of America**

(72) Name(s) of Designer(s): **Denise Michele Trabona and Jeffrey Gregg Arnold and Jonathan Eric Gleasman and Tsz Yan Wong**

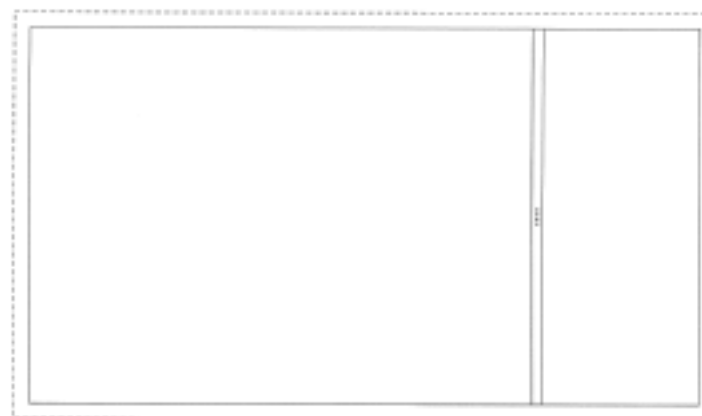
(45) Registration Date: **09 February 2012**

(30) Convention priority data:

(31) Number	(32) Date	(33) Country
<b>29/393029</b>	<b>27 May 2011</b>	<b>UNITED STATES OF AMERICA</b>

(56) Related Art Documents: **Not Applicable**

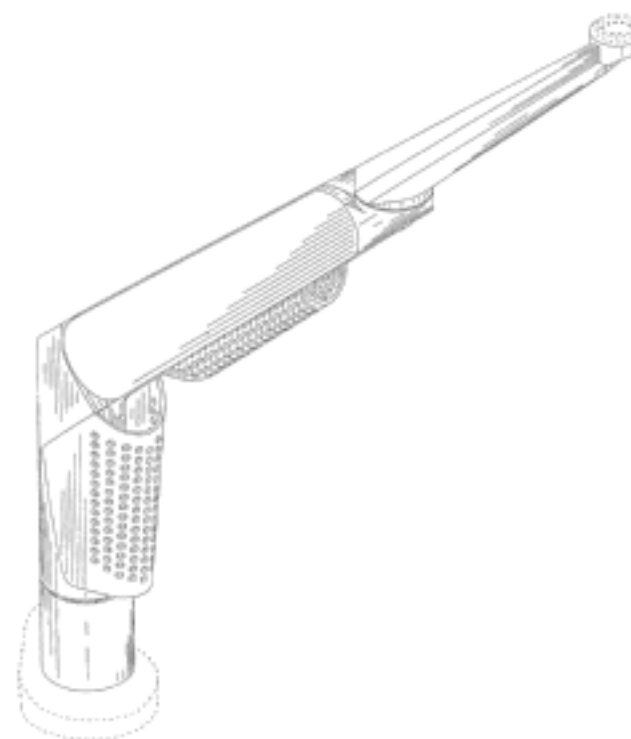
(57) Statement of Newness and Distinctiveness: **Newness and distinctiveness reside in the pattern and/or ornamentation of a display screen with user interface as illustrated by solid lines in the accompanying representations. The features shown in broken outline are for illustrative purposes only and do not form part of the design.**



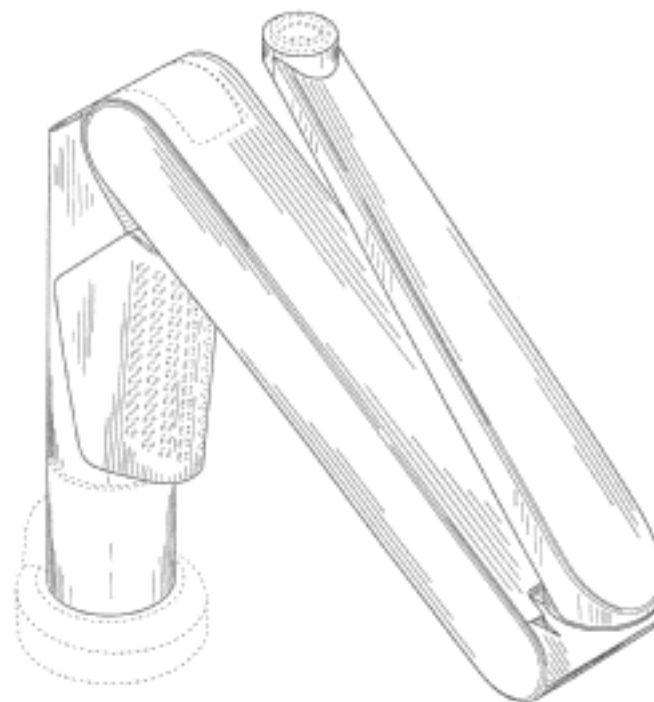
- (21) Design Number: **15378/2011**  
(22) Date of Filing Application: **24 November 2011**  
(24) Date from which industrial property rights may have effect: **24 November 2011**  
(54) Product in respect of which the design is registered: **Display screen with user interface**  
(51) International Design Classification: **14-04**  
(74) Name(s) of Attorney(s): **Shelston IP**  
(71) Name(s) and Address(s) of Applicant(s):  
**Microsoft Corporation**  
**One Microsoft Way Redmond Washington 98052 United States of America**  
(72) Name(s) of Designer(s): **Denise Michele Trabona and Jeffrey Gregg Arnold and Jonathan Eric Gleasman and Tsz Yan Wong**  
(45) Registration Date: **09 February 2012**  
(30) Convention priority data:  
(31) Number (32) Date (33) Country  
**29/393029 27 May 2011 UNITED STATES OF AMERICA**  
(56) Related Art Documents: **Not Applicable**  
(57) Statement of Newness and Distinctiveness: **Newness and distinctiveness reside in the pattern and/or ornamentation of a display screen with user interface as illustrated by solid lines in the accompanying representations. The features shown in broken outline are for illustrative purposes only and do not form part of the design.**



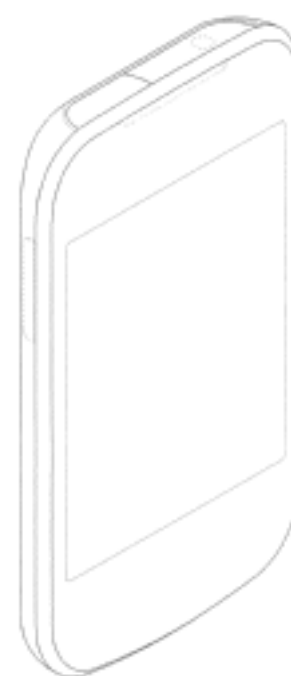
- (21) Design Number: **10163/2012**  
(22) Date of Filing Application: **16 January 2012**  
(24) Date from which industrial property rights may have effect: **16 January 2012**  
(54) Product in respect of which the design is registered: **An articulating arm**  
(51) International Design Classification: **06-06NES**  
(74) Name(s) of Attorney(s): **Fraser Old & Sohn**  
(71) Name(s) and Address(s) of Applicant(s):  
**Innovative Office Products, Inc.**  
**100 Kuebler Road Easton Pennsylvania 18040 United States of America**  
(72) Name(s) of Designer(s): **Bradley A. Derry and Stephen J. Bowman and Odd N. Oddsen Jr. and David VanDuzer**  
(45) Registration Date: **09 February 2012**  
(30) Convention priority data:  
(31) Number (32) Date (33) Country  
**29/401,571 13 Sep 2011 UNITED STATES OF AMERICA**  
(56) Related Art Documents: **Not Applicable**  
(57) Statement of Newness and Distinctiveness: **Newness and distinctiveness is claimed in respect of the shape and/or configuration of the product illustrated in the accompanying representations. In the representations the portions illustrated by solid lines are claimed subject matter whilst the portions illustrated by broken lines are unclaimed subject matter and are included for the purpose of illustrating environmental subject matter only. In carrying out a consideration in accordance with Section 19 the shape and/or configuration of the claimed subject matter is to be considered whilst the shape and/or configuration of the unclaimed matter forms no part of the claimed design.**



(21) Design Number: **10164/2012**  
(22) Date of Filing Application: **16 January 2012**  
(24) Date from which industrial property rights may have effect: **16 January 2012**  
(54) Product in respect of which the design is registered: **An articulating arm**  
(51) International Design Classification: **06-06NES**  
(74) Name(s) of Attorney(s): **Fraser Old & Sohn**  
(71) Name(s) and Address(s) of Applicant(s):  
**Innovative Office Products, Inc.**  
**100 Kuebler Road Easton Pennsylvania 18040 United States of America**  
(72) Name(s) of Designer(s): **Bradley A. Derry and Stephen J. Bowman and Odd N. Oddsen Jr. and David VanDuzer**  
(45) Registration Date: **09 February 2012**  
(30) Convention priority data:  
(31) Number (32) Date (33) Country  
**29/401,571 13 Sep 2011 UNITED STATES OF AMERICA**  
(56) Related Art Documents: **Not Applicable**  
(57) Statement of Newness and Distinctiveness: **Newness and distinctiveness is claimed in respect of the shape and/or configuration of the product illustrated in the accompanying representations. In the representations the portions illustrated by solid lines are claimed subject matter whilst the portions illustrated by broken lines are unclaimed subject matter and are included for the purpose of illustrating environmental subject matter only. In carrying out a consideration in accordance with Section 19 the shape and/or configuration of the claimed subject matter is to be considered whilst the shape and/or configuration of the unclaimed matter forms no part of the claimed design.**



(21) Design Number: **10167/2012**  
(22) Date of Filing Application: **13 January 2012**  
(24) Date from which industrial property rights may have effect: **13 January 2012**  
(54) Product in respect of which the design is registered: **Mobile communication terminal**  
(51) International Design Classification: **14-03NES**  
(74) Name(s) of Attorney(s): **Griffith Hack**  
(71) Name(s) and Address(s) of Applicant(s):  
**Samsung Electronics Co., Ltd.**  
**416 Maetan-dong Yeongtong-gu Suwon-si Gyeonggi-do Republic of Korea**  
(72) Name(s) of Designer(s): **Woo-Seung Han**  
(45) Registration Date: **09 February 2012**  
(30) Convention priority data:  
(31) Number (32) Date (33) Country  
**30-2011-0048407 17 Nov 2011 REPUBLIC OF KOREA**  
(56) Related Art Documents: **Not Applicable**  
(57) Statement of Newness and Distinctiveness: **Newness and distinctiveness resides in the visual features, including shape, configuration and ornamentation of the MOBILE COMMUNICATION TERMINAL as shown by means of solid lines in the accompanying representations.**



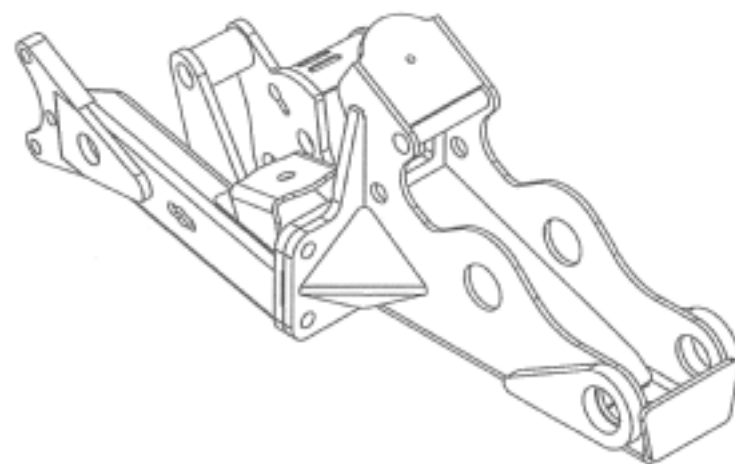
(21) Design Number: **10168/2012**  
(22) Date of Filing Application: **13 January 2012**  
(24) Date from which industrial property rights may have effect: **13 January 2012**  
(54) Product in respect of which the design is registered: **Mobile communication terminal**  
(51) International Design Classification: **14-03NES**  
(74) Name(s) of Attorney(s): **Griffith Hack**  
(71) Name(s) and Address(s) of Applicant(s):  
**Samsung Electronics Co., Ltd.**  
**416 Maetan-dong Yeongtong-gu Suwon-si Gyeonggi-do Republic of Korea**  
(72) Name(s) of Designer(s): **Woo-Seung Han**  
(45) Registration Date: **09 February 2012**  
(30) Convention priority data:  
(31) Number (32) Date (33) Country  
**30-2011-0049176 22 Nov 2011 REPUBLIC OF KOREA**  
(56) Related Art Documents: **Not Applicable**  
(57) Statement of Newness and Distinctiveness: **Newness and distinctiveness resides in the visual features, including shape, configuration and ornamentation of the MOBILE COMMUNICATION TERMINAL as shown by means of solid lines in the accompanying representations.**



(21) Design Number: **10169/2012**  
(22) Date of Filing Application: **13 January 2012**  
(24) Date from which industrial property rights may have effect: **13 January 2012**  
(54) Product in respect of which the design is registered: **Protective casing for portable handheld electronic device**  
(51) International Design Classification: **03-01NES**  
(74) Name(s) of Attorney(s): **Griffith Hack**  
(71) Name(s) and Address(s) of Applicant(s):  
**SwitchEasy Limited**  
**Room 314 Sing Win Factory Building 15-17 Shing Yip Street Kwun Tong Kowloon Hong Kong**  
(72) Name(s) of Designer(s): **Chi Vun Steven Bau**  
(45) Registration Date: **09 February 2012**  
(30) Convention priority data:  
(31) Number (32) Date (33) Country  
**1101791.0 14 Oct 2011 HONG KONG**  
(56) Related Art Documents: **Not Applicable**  
(57) Statement of Newness and Distinctiveness: **Nil**



(21) Design Number: **13603/2011**  
(22) Date of Filing Application: **15 August 2011**  
(24) Date from which industrial property rights may have effect: **15 August 2011**  
(54) Product in respect of which the design is registered: **Chassis for a single disc opener**  
(51) International Design Classification: **15-03NES**  
(74) Name(s) of Attorney(s): **PHILLIPS ORMONDE FITZPATRICK**  
(71) Name(s) and Address(s) of Applicant(s):  
**Dale Anthony Foster**  
**Lot 404 Mitchell Highway Narromine New South Wales 2821 Australia**  
(72) Name(s) of Designer(s): **Dale Anthony Foster**  
(45) Registration Date: **09 February 2012**  
(56) Related Art Documents: **Not Applicable**  
(57) Statement of Newness and Distinctiveness: **Those features of the chassis for a single disc opener depicted in the representations that are new and distinctive are the shape and/or configuration.**



(21) Design Number: **10183/2012**  
(22) Date of Filing Application: **17 January 2012**  
(24) Date from which industrial property rights may have effect: **17 January 2012**  
(54) Product in respect of which the design is registered: **Car body for rail vehicles**  
(51) International Design Classification: **12-03**  
(74) Name(s) of Attorney(s): **PIZZEYS**  
(71) Name(s) and Address(s) of Applicant(s):  
**Bombardier Transportation GmbH**  
**Schoneberger Ufer 1 Berlin 10785 Germany**  
(72) Name(s) of Designer(s): **Richard Butterfield and Mark Winn**  
(45) Registration Date: **09 February 2012**  
(30) Convention priority data:  
(31) Number      (32) Date      (33) Country  
**001893983-0005    20 Jul 2011      EUROPEAN COMMUNITY**  
(56) Related Art Documents: **Not Applicable**  
(57) Statement of Newness and Distinctiveness: **Nil**

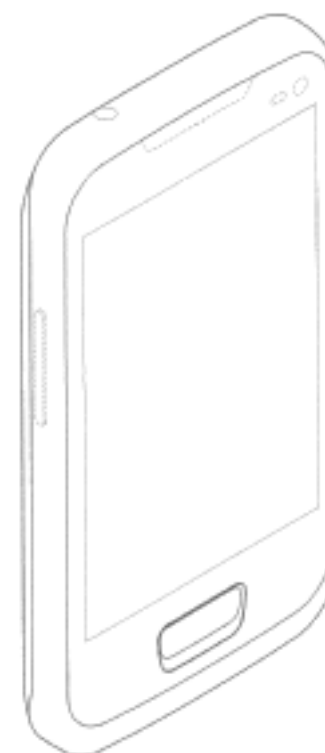




(21) Design Number: **10185/2012**  
(22) Date of Filing Application: **16 January 2012**  
(24) Date from which industrial property rights may have effect: **16 January 2012**  
(54) Product in respect of which the design is registered: **Mobile communication terminal**  
(51) International Design Classification: **14-03E**  
(74) Name(s) of Attorney(s): **Griffith Hack**  
(71) Name(s) and Address(s) of Applicant(s):  
**Samsung Electronics Co., Ltd.**  
**416 Maetan-dong Yeongtong-gu Suwon-si Gyeonggi-do Republic of Korea**  
(72) Name(s) of Designer(s): **Jong-II Jeong**  
(45) Registration Date: **09 February 2012**  
(30) Convention priority data:  
(31) Number (32) Date (33) Country  
**30-2011-0049616 24 Nov 2011 REPUBLIC OF KOREA**  
(56) Related Art Documents: **Not Applicable**  
(57) Statement of Newness and Distinctiveness: **Newness and distinctiveness resides in the visual features, including shape, configuration and ornamentation of the mobile communication terminal as shown by means of solid lines in the accompanying representations.**



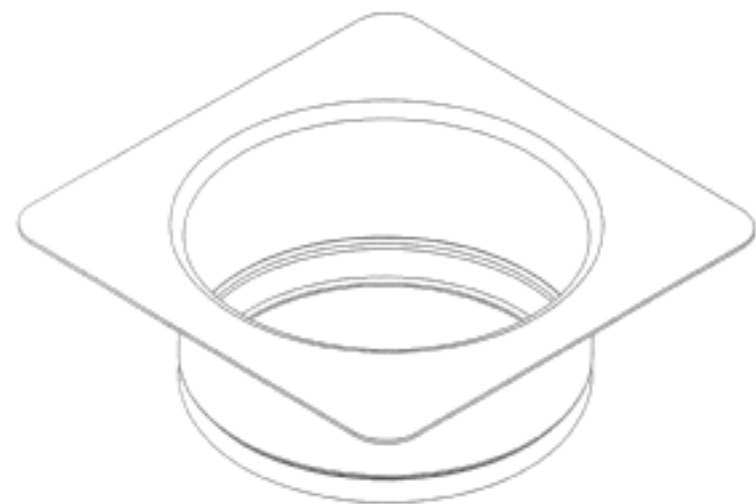
(21) Design Number: **10186/2012**  
(22) Date of Filing Application: **16 January 2012**  
(24) Date from which industrial property rights may have effect: **16 January 2012**  
(54) Product in respect of which the design is registered: **Mobile communication terminal**  
(51) International Design Classification: **14-03E**  
(74) Name(s) of Attorney(s): **Griffith Hack**  
(71) Name(s) and Address(s) of Applicant(s):  
**Samsung Electron. Co., Ltd.**  
**416 Maetan-dong Yeongtong-gu Suwon-si Gyeonggi-do Republic of Korea**  
(72) Name(s) of Designer(s): **Jong-II Jeong**  
(45) Registration Date: **09 February 2012**  
(30) Convention priority data:  
(31) Number (32) Date (33) Country  
**30-2011-0050440 29 Nov 2011 REPUBLIC OF KOREA**  
(56) Related Art Documents: **Not Applicable**  
(57) Statement of Newness and Distinctiveness: **Newness and distinctiveness resides in the visual features, including shape, configuration and ornamentation of the mobile communication terminal as shown by means of solid lines in the accompanying representations.**



- (21) Design Number: **10191/2012**  
(22) Date of Filing Application: **13 January 2012**  
(24) Date from which industrial property rights may have effect: **13 January 2012**  
(54) Product in respect of which the design is registered: **Mobile communication terminal**  
(51) International Design Classification: **14-03E**  
(74) Name(s) of Attorney(s): **Griffith Hack**  
(71) Name(s) and Address(s) of Applicant(s):  
**Samsung Electronics Co., Ltd.**  
**416 Maetan-dong Yeongtong-gu Suwon-si Gyeonggi-do Republic of Korea**  
(72) Name(s) of Designer(s): **Jong-II Jeong**  
(45) Registration Date: **09 February 2012**  
(30) Convention priority data:  
(31) Number (32) Date (33) Country  
**30-2011-0050439 29 Nov 2011 REPUBLIC OF KOREA**  
(56) Related Art Documents: **Not Applicable**  
(57) Statement of Newness and Distinctiveness: **Newness and distinctiveness resides in the visual features, including shape, configuration and ornamentation of the mobile communication terminal as shown by means of solid lines in the accompanying representations.**



- (21) Design Number: **10200/2012**  
(22) Date of Filing Application: **17 January 2012**  
(24) Date from which industrial property rights may have effect: **17 January 2012**  
(54) Product in respect of which the design is registered: **Garbage disposal adaptor flange**  
(51) International Design Classification: **23-01A**  
(74) Name(s) of Attorney(s): **Callinans**  
(71) Name(s) and Address(s) of Applicant(s):  
**Tasman Sinkware Pty Ltd**  
**51 Naweena Road Regency Park South Australia 5010 Australia**  
(72) Name(s) of Designer(s): **Jeremy Axton and Jonathan Lee**  
(45) Registration Date: **09 February 2012**  
(56) Related Art Documents: **Not Applicable**  
(57) Statement of Newness and Distinctiveness: **The newness and distinctiveness of the article resides in the shape and configuration of the adaptor flange as shown in the accompanying representations.**



- (21) Design Number: **10201/2012**  
(22) Date of Filing Application: **17 January 2012**  
(24) Date from which industrial property rights may have effect: **17 January 2012**  
(54) Product in respect of which the design is registered: **Medicament package cartridge**  
(51) International Design Classification: **09-03M**  
(74) Name(s) of Attorney(s):  
(71) Name(s) and Address(s) of Applicant(s):  
**Logue and Co. Pty Ltd**  
**199 Kiora Road Yowie Bay New South Wales 2228 Australia**  
(72) Name(s) of Designer(s): **Anthony Thomas Logue**  
(45) Registration Date: **09 February 2012**  
(56) Related Art Documents: **Not Applicable**  
(57) Statement of Newness and Distinctiveness: **Newness and distinctiveness is claimed in the features of shape and/or configuration of a medicament package cartridge as depicted in the accompanying drawing.**



- (21) Design Number: **10202/2012**  
(22) Date of Filing Application: **17 January 2012**  
(24) Date from which industrial property rights may have effect: **17 January 2012**  
(54) Product in respect of which the design is registered: **Medicament package cartridge**  
(51) International Design Classification: **09-03M**  
(74) Name(s) of Attorney(s):  
(71) Name(s) and Address(s) of Applicant(s):  
**Logue and Co. Pty Ltd**  
**199 Kiora Road Yowie Bay New South Wales 2228 Australia**  
(72) Name(s) of Designer(s): **Anthony Thomas Logue**  
(45) Registration Date: **09 February 2012**  
(56) Related Art Documents: **Not Applicable**  
(57) Statement of Newness and Distinctiveness: **Newness and distinctiveness is claimed in the features of shape and/or configuration of a medicament package cartridge as depicted in the accompanying drawing.**



- (21) Design Number: **10203/2012**  
(22) Date of Filing Application: **17 January 2012**  
(24) Date from which industrial property rights may have effect: **17 January 2012**  
(54) Product in respect of which the design is registered: **Vending machine**  
(51) International Design Classification: **20-01**  
(74) Name(s) of Attorney(s):  
(71) Name(s) and Address(s) of Applicant(s):  
**Logue and Co. Pty Ltd**  
**199 Kiora Road Yowie Bay New South Wales 2228 Australia**  
(72) Name(s) of Designer(s): **Anthony Thomas Logue**  
(45) Registration Date: **09 February 2012**  
(56) Related Art Documents: **Not Applicable**  
(57) Statement of Newness and Distinctiveness: **Newness and distinctiveness is claimed in the features of shape and/or configuration of a vending machine as depicted in the accompanying drawing.**



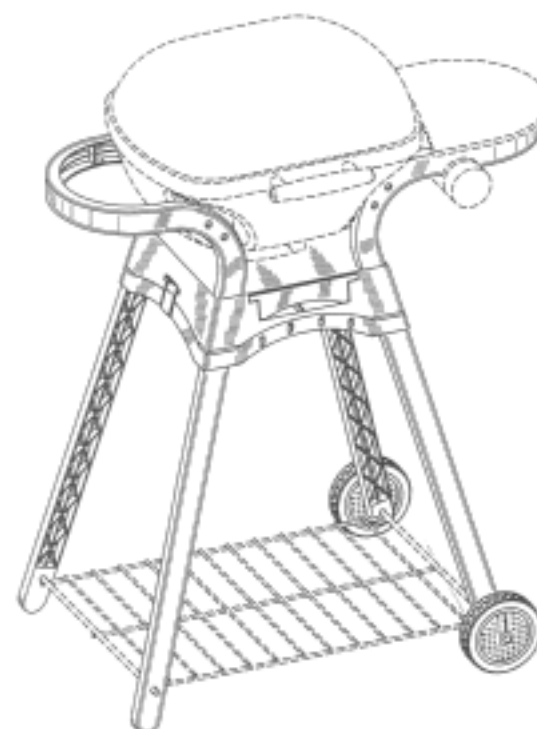
- (21) Design Number: **10204/2012**  
(22) Date of Filing Application: **17 January 2012**  
(24) Date from which industrial property rights may have effect: **17 January 2012**  
(54) Product in respect of which the design is registered: **Blister pack**  
(51) International Design Classification: **09-05**  
(74) Name(s) of Attorney(s):  
(71) Name(s) and Address(s) of Applicant(s):  
**Logue and Co. Pty Ltd**  
**199 Kiora Road Yowie Bay New South Wales 2228 Australia**  
(72) Name(s) of Designer(s): **Anthony Thomas Logue**  
(45) Registration Date: **09 February 2012**  
(56) Related Art Documents: **Not Applicable**  
(57) Statement of Newness and Distinctiveness: **Newness and distinctiveness is claimed in the features of the shape and/or configuration of a blister pack as depicted in the accompanying drawings.**



(21) Design Number: **10205/2012**  
(22) Date of Filing Application: **17 January 2012**  
(24) Date from which industrial property rights may have effect: **17 January 2012**  
(54) Product in respect of which the design is registered: **Blister pack**  
(51) International Design Classification: **09-05**  
(74) Name(s) of Attorney(s):  
(71) Name(s) and Address(s) of Applicant(s):  
**Logue and Co. Pty Ltd**  
**199 Kiara Road Yowie Bay New South Wales 2228 Australia**  
(72) Name(s) of Designer(s): **Anthony Thomas Logue**  
(45) Registration Date: **09 February 2012**  
(56) Related Art Documents: **Not Applicable**  
(57) Statement of Newness and Distinctiveness: **Newness and distinctiveness is claimed in the features of the shape and/or configuration of a blister pack as depicted in the accompanying drawings.**



(21) Design Number: **10206/2012**  
(22) Date of Filing Application: **18 January 2012**  
(24) Date from which industrial property rights may have effect: **18 January 2012**  
(54) Product in respect of which the design is registered: **Grill**  
(51) International Design Classification: **07-02E**  
(74) Name(s) of Attorney(s): **MALLESONS STEPHEN JAQUES**  
(71) Name(s) and Address(s) of Applicant(s):  
**Pi-Design AG**  
**Kantonsstrasse 100 6234 Triengen Switzerland**  
(72) Name(s) of Designer(s): **Jorgen Bodum**  
(45) Registration Date: **09 February 2012**  
(30) Convention priority data:  
(31) Number (32) Date (33) Country  
**DM/076 365 18 Jul 2011 WORLD INTELLECTUAL  
PROPERTY ORGANIZATION  
(WIPO)**  
(56) Related Art Documents: **Not Applicable**  
(57) Statement of Newness and Distinctiveness: **Nil**



(21) Design Number: **10207/2012**  
(22) Date of Filing Application: **18 January 2012**  
(24) Date from which industrial property rights may have effect: **18 January 2012**  
(54) Product in respect of which the design is registered: **Grill**  
(51) International Design Classification: **07-02E**  
(74) Name(s) of Attorney(s): **MALLESONS STEPHEN JAQUES**  
(71) Name(s) and Address(s) of Applicant(s):

**Pi-Design AG**  
**Kantonsstrasse 100 6234 Triengen Switzerland**

(72) Name(s) of Designer(s): **Jorgen Bodum**

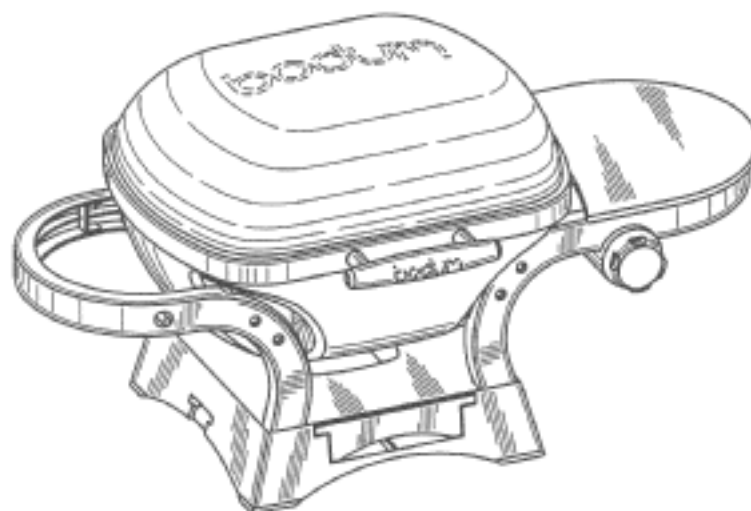
(45) Registration Date: **09 February 2012**

(30) Convention priority data:

(31) Number	(32) Date	(33) Country
<b>DM/076 365</b>	<b>18 Jul 2011</b>	<b>WORLD INTELLECTUAL PROPERTY ORGANIZATION (WIPO)</b>

(56) Related Art Documents: **Not Applicable**

(57) Statement of Newness and Distinctiveness: **Nil**



(21) Design Number: **10208/2012**  
(22) Date of Filing Application: **17 January 2012**  
(24) Date from which industrial property rights may have effect: **17 January 2012**  
(54) Product in respect of which the design is registered: **Vessel for microwave treatment of ore**

(51) International Design Classification: **09-03NES**

(74) Name(s) of Attorney(s): **Griffith Hack**

(71) Name(s) and Address(s) of Applicant(s):

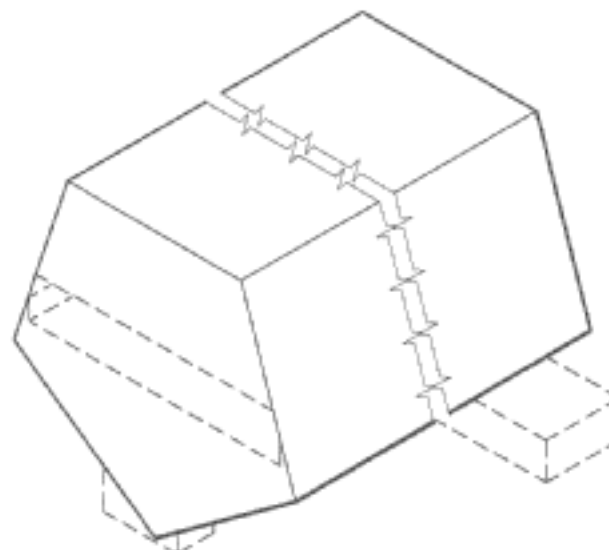
**Technological Resources Pty. Limited**  
**120 Collins Street Melbourne Victoria 3000 Australia**

(72) Name(s) of Designer(s): **Christopher Dodds and Georgios Dimitrakis and Samuel Kingman**

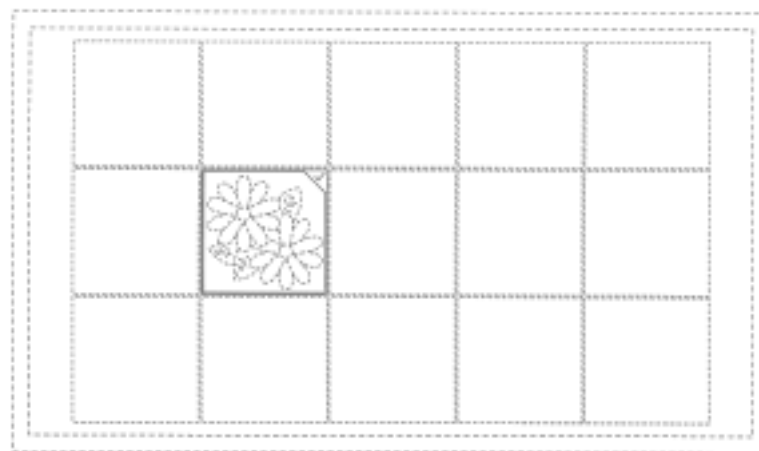
(45) Registration Date: **09 February 2012**

(56) Related Art Documents: **Not Applicable**

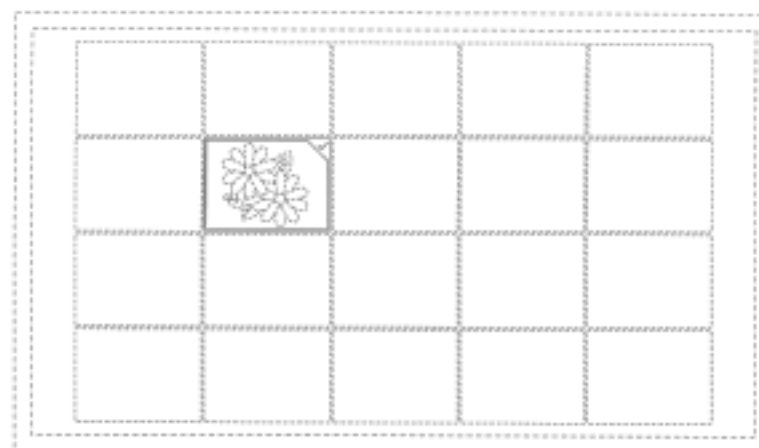
(57) Statement of Newness and Distinctiveness: **The shape and configuration of the vessel as illustrated in solid lines in the representation is new and distinctive. The vessel may be of any length as shown indicated by the zig-zag lines and the those parts of the vessel illustrated in broken lines are not a limitation of the design.**



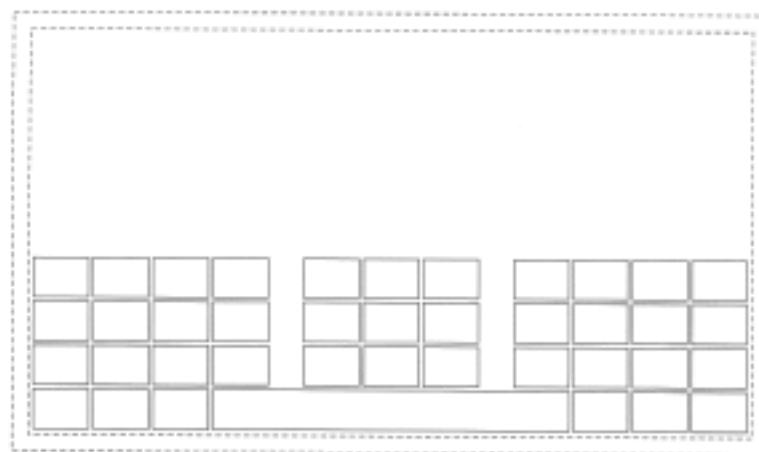
- (21) Design Number: **15360/2011**  
(22) Date of Filing Application: **24 November 2011**  
(24) Date from which industrial property rights may have effect: **24 November 2011**  
(54) Product in respect of which the design is registered: **Display screen with user interface**  
(51) International Design Classification: **14-04**  
(74) Name(s) of Attorney(s): **Shelston IP**  
(71) Name(s) and Address(s) of Applicant(s):  
**Microsoft Corporation**  
**One Microsoft Way Redmond Washington 98052 United States of America**  
(72) Name(s) of Designer(s): **Jeremy Scott Knudsen and Moneta Ho Kushner and Leslie MacNiel and Gerrit Hofmeester and Jan-Kristian Markiewicz and Orry Wijanado Soegiono and Jon Gabriel Clapper**  
(45) Registration Date: **10 February 2012**  
(30) Convention priority data:  
(31) Number (32) Date (33) Country  
**29/393014 27 May 2011 UNITED STATES OF AMERICA**  
(56) Related Art Documents: **Not Applicable**  
(57) Statement of Newness and Distinctiveness: **Newness and distinctiveness reside in the pattern and/or ornamentation of a display screen with user interface as illustrated by solid lines in the accompanying representations. The features shown in broken outline are for illustrative purposes only and do not form part of the design.**



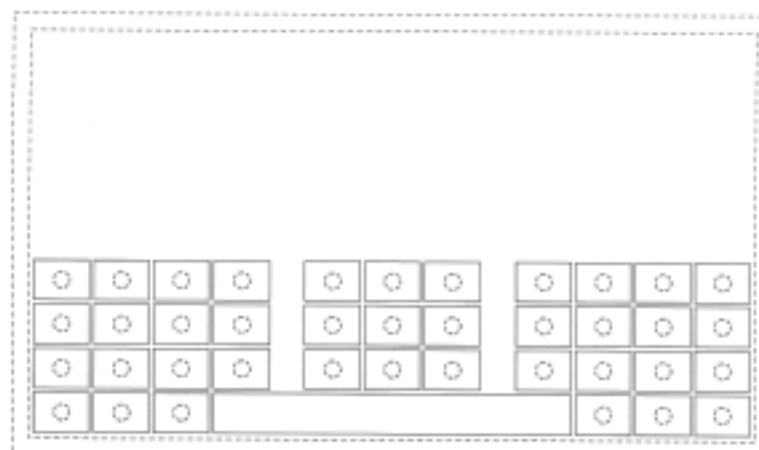
- (21) Design Number: **10530/2012**  
(22) Date of Filing Application: **24 November 2011**  
(24) Date from which industrial property rights may have effect: **24 November 2011**  
(54) Product in respect of which the design is registered: **Display screen with user interface**  
(51) International Design Classification: **14-04**  
(74) Name(s) of Attorney(s): **Shelston IP**  
(71) Name(s) and Address(s) of Applicant(s):  
**Microsoft Corporation**  
**One Microsoft Way Redmond Washington 98052 United States of America**  
(72) Name(s) of Designer(s): **Jeremy Scott Knudsen and Moneta Ho Kushner and Leslie MacNiel and Gerrit Hofmeester and Jan-Kristian Markiewicz and Orry Wijanado Soegiono and Jon Gabriel Clapper**  
(45) Registration Date: **10 February 2012**  
(30) Convention priority data:  
(31) Number (32) Date (33) Country  
**29/393014 27 May 2011 UNITED STATES OF AMERICA**  
(56) Related Art Documents: **Not Applicable**  
(57) Statement of Newness and Distinctiveness: **Newness and distinctiveness reside in the pattern and/or ornamentation of a display screen with user interface as illustrated by solid lines in the accompanying representations. The features shown in broken outline are for illustrative purposes only and do not form part of the design.**



- (21) Design Number: **15364/2011**  
(22) Date of Filing Application: **24 November 2011**  
(24) Date from which industrial property rights may have effect: **24 November 2011**  
(54) Product in respect of which the design is registered: **Display screen with keyboard user interface**  
(51) International Design Classification: **14-04**  
(74) Name(s) of Attorney(s): **Shelston IP**  
(71) Name(s) and Address(s) of Applicant(s):  
**Microsoft Corporation**  
**One Microsoft Way Redmond Washington 98052 United States of America**  
(72) Name(s) of Designer(s): **Finnbar Sean Duggan and Jeffrey Weir and Jonathan Eric Gleasman and Gerrit Hofmeester and Kieran Phelan and Seung Yang and Vasudha Chandrasekaran and Leslie MacNeil**  
(45) Registration Date: **10 February 2012**  
(30) Convention priority data:  
(31) Number (32) Date (33) Country  
**29/392943 27 May 2011 UNITED STATES OF AMERICA**  
(56) Related Art Documents: **Not Applicable**  
(57) Statement of Newness and Distinctiveness: **Newness and distinctiveness reside in the pattern and/or ornamentation of a display screen with keyboard user interface illustrated by solid lines in the accompanying representations. The features shown in broken outline are for illustrative purposes only and do form part of the design.**



- (21) Design Number: **10536/2012**  
(22) Date of Filing Application: **24 November 2011**  
(24) Date from which industrial property rights may have effect: **24 November 2011**  
(54) Product in respect of which the design is registered: **Display screen with keyboard user interface**  
(51) International Design Classification: **14-04**  
(74) Name(s) of Attorney(s): **Shelston IP**  
(71) Name(s) and Address(s) of Applicant(s):  
**Microsoft Corporation**  
**One Microsoft Way Redmond Washington 98052 United States of America**  
(72) Name(s) of Designer(s): **Finnbarr Sean Duggan and Jeffrey Weir and Jonathan Eric Gleasman and Gerrit Hofmeester and Kieran Phelan and Leslie MacNeil and Seung Yang and Vasudha Chandrasekaran**  
(45) Registration Date: **10 February 2012**  
(30) Convention priority data:  
(31) Number (32) Date (33) Country  
**29/392943 27 May 2011 UNITED STATES OF AMERICA**  
(56) Related Art Documents: **Not Applicable**  
(57) Statement of Newness and Distinctiveness: **Newness and distinctiveness reside in the pattern and/or ornamentation of a display screen with keyboard user interface illustrated by solid lines in the accompanying representations. The features shown in broken outline are for illustrative purposes only and do not form part of the design.**





(21) Design Number: **15367/2011**  
(22) Date of Filing Application: **24 November 2011**  
(24) Date from which industrial property rights may have effect: **24 November 2011**  
(54) Product in respect of which the design is registered: **Display screen with keyboard user interface**  
(51) International Design Classification: **14-04**  
(74) Name(s) of Attorney(s): **Shelston IP**  
(71) Name(s) and Address(s) of Applicant(s):

**Microsoft Corporation**  
**One Microsoft Way Redmond Washington 98052 United States of America**

(72) Name(s) of Designer(s): **Finnbarr Sean Duggan and Jonathan Eric Gleasman and Gerrit Hofmeester and Leslie MacNeil and Moneta K. Ho Kushner and Seung Yang**

(45) Registration Date: **10 February 2012**

(30) Convention priority data:

(31) Number	(32) Date	(33) Country
<b>29/392946</b>	<b>27 May 2011</b>	<b>UNITED STATES OF AMERICA</b>

(56) Related Art Documents: **Not Applicable**

(57) Statement of Newness and Distinctiveness: **Newness and distinctiveness reside in the pattern and/or ornamentation of a display screen with keyboard user interface as illustrated by solid lines in the accompanying representations. The features shown in broken outline are for illustrative purposes only and do not form part of the design.**



(21) Design Number: **10537/2012**  
(22) Date of Filing Application: **24 November 2011**  
(24) Date from which industrial property rights may have effect: **24 November 2011**  
(54) Product in respect of which the design is registered: **Display screen with keyboard user interface**  
(51) International Design Classification: **14-04**  
(74) Name(s) of Attorney(s): **Shelston IP**  
(71) Name(s) and Address(s) of Applicant(s):

**Microsoft Corporation**  
**One Microsoft Way Redmond Washington 98052 United States of America**

(72) Name(s) of Designer(s): **Finnbarr Sean Duggan and Jonathan Eric Gleasman and Gerrit Hofmeester and Leslie MacNeil and Moneta K. Ho Kushner and Seung Yang**

(45) Registration Date: **10 February 2012**

(30) Convention priority data:

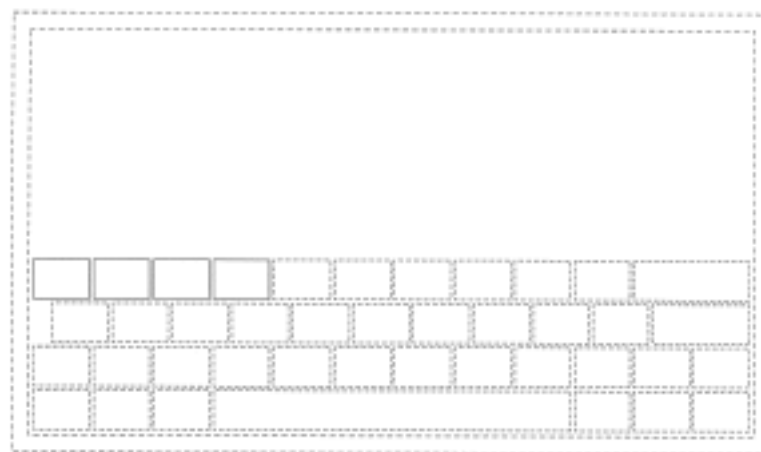
(31) Number	(32) Date	(33) Country
<b>29/392946</b>	<b>27 May 2011</b>	<b>UNITED STATES OF AMERICA</b>

(56) Related Art Documents: **Not Applicable**

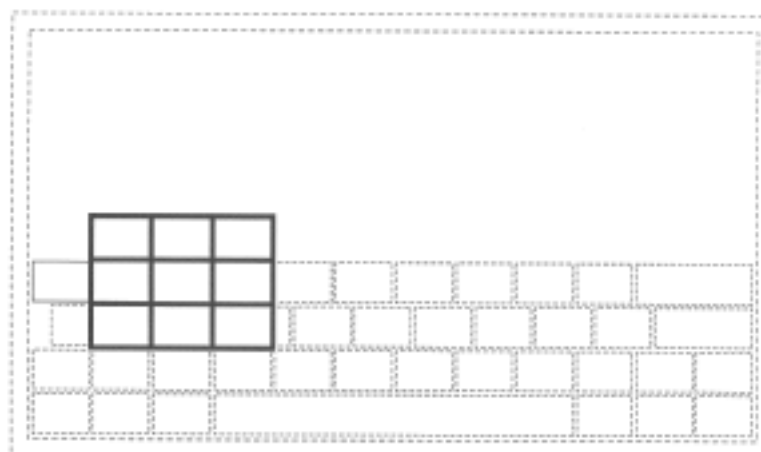
(57) Statement of Newness and Distinctiveness: **Newness and distinctiveness reside in the pattern and/or ornamentation of a display screen with keyboard user interface as illustrated by solid lines in the accompanying representations. The features shown in broken outline are for illustrative purposes only and do not form part of the design.**



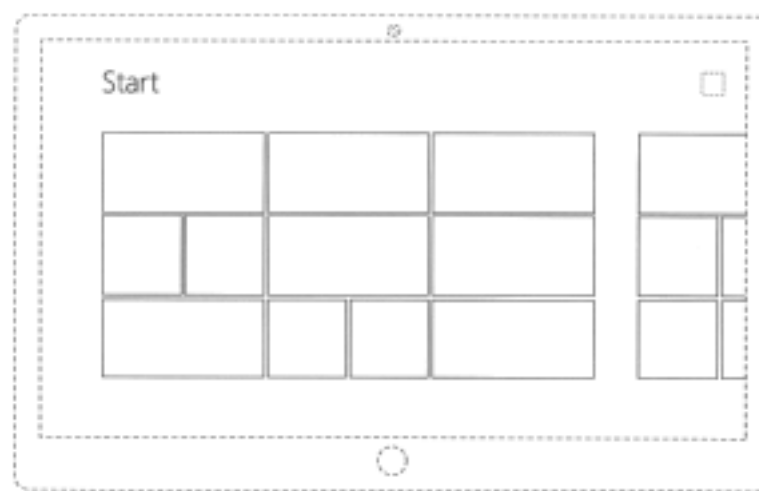
- (21) Design Number: **15370/2011**  
(22) Date of Filing Application: **24 November 2011**  
(24) Date from which industrial property rights may have effect: **24 November 2011**  
(54) Product in respect of which the design is registered: **Display screen with transitional keyboard user interface**  
(51) International Design Classification: **14-04**  
(74) Name(s) of Attorney(s): **Shelston IP**  
(71) Name(s) and Address(s) of Applicant(s):  
**Microsoft Corporation**  
**One Microsoft Way Redmond Washington 98052 United States of America**  
(72) Name(s) of Designer(s): **Daryl Tanghe and Jonathan Eric Gleasman and Gerrit Hofmeester and Seung Yang**  
(45) Registration Date: **10 February 2012**  
(30) Convention priority data:  
(31) Number (32) Date (33) Country  
**29/392961 27 May 2011 UNITED STATES OF AMERICA**  
(56) Related Art Documents: **Not Applicable**  
(57) Statement of Newness and Distinctiveness: **Newness and distinctiveness reside in the pattern and/or ornamentation of a display screen with transitional keyboard user interface as illustrated by solid lines in the accompanying representations. The features shown in broken outline are for illustrative purposes only and do not form part of the design.**



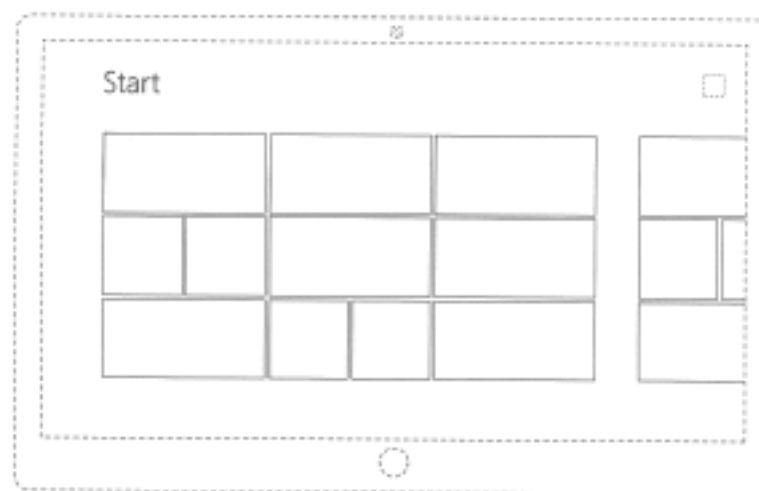
- (21) Design Number: **10509/2012**  
(22) Date of Filing Application: **24 November 2011**  
(24) Date from which industrial property rights may have effect: **24 November 2011**  
(54) Product in respect of which the design is registered: **Display screen with transitional keyboard user interface**  
(51) International Design Classification: **14-04**  
(74) Name(s) of Attorney(s): **Shelston IP**  
(71) Name(s) and Address(s) of Applicant(s):  
**Microsoft Corporation**  
**One Microsoft Way Redmond Washington 98052 United States of America**  
(72) Name(s) of Designer(s): **Daryl Tanghe and Jonathan Eric Gleasman and Gerrit Hofmeester and Seung Yang**  
(45) Registration Date: **10 February 2012**  
(30) Convention priority data:  
(31) Number (32) Date (33) Country  
**29/392961 27 May 2011 UNITED STATES OF AMERICA**  
(56) Related Art Documents: **Not Applicable**  
(57) Statement of Newness and Distinctiveness: **Newness and distinctiveness reside in the pattern and/or ornamentation of a display screen with transitional keyboard user interface as illustrated by solid lines in the accompanying representations. The features shown in broken outline are for illustrative purposes only and do not form part of the design.**



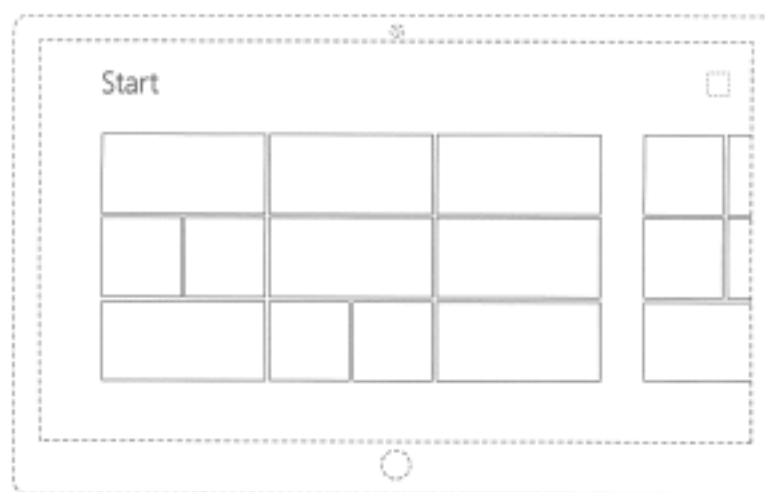
- (21) Design Number: **15372/2011**  
(22) Date of Filing Application: **24 November 2011**  
(24) Date from which industrial property rights may have effect: **24 November 2011**  
(54) Product in respect of which the design is registered: **Display screen with user interface**  
(51) International Design Classification: **14-04**  
(74) Name(s) of Attorney(s): **Shelston IP**  
(71) Name(s) and Address(s) of Applicant(s):  
**Microsoft Corporation**  
**One Microsoft Way Redmond Washington 98052 United States of America**  
(72) Name(s) of Designer(s): **Ethan Nelson Ray and Leslie MacNeil and Jonathan Eric Gleasman and Denise Michele Trabona**  
(45) Registration Date: **10 February 2012**  
(30) Convention priority data:  
(31) Number (32) Date (33) Country  
**29/392991 27 May 2011 UNITED STATES OF AMERICA**  
(56) Related Art Documents: **Not Applicable**  
(57) Statement of Newness and Distinctiveness: **Newness and distinctiveness reside in the pattern and/or ornamentation of a display screen with user interface as illustrated by solid lines in the accompanying representations. The features shown in broken outline are for illustrative purposes only and do not form part of the design.**



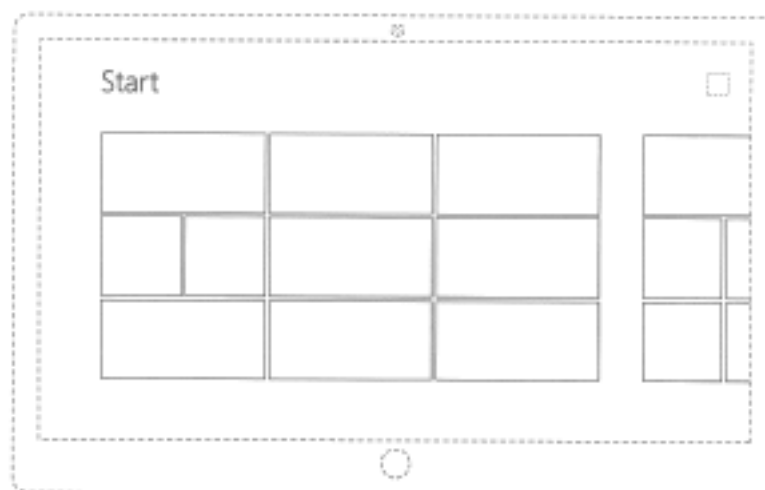
- (21) Design Number: **10512/2012**  
(22) Date of Filing Application: **24 November 2011**  
(24) Date from which industrial property rights may have effect: **24 November 2011**  
(54) Product in respect of which the design is registered: **Display screen with user interface**  
(51) International Design Classification: **14-04**  
(74) Name(s) of Attorney(s): **Shelston IP**  
(71) Name(s) and Address(s) of Applicant(s):  
**Microsoft Corporation**  
**One Microsoft Way Redmond Washington 98052 United States of America**  
(72) Name(s) of Designer(s): **Ethan Nelson Ray and Leslie MacNeil and Jonathan Eric Gleasman and Denise Michele Trabona**  
(45) Registration Date: **10 February 2012**  
(30) Convention priority data:  
(31) Number (32) Date (33) Country  
**29/392991 27 May 2011 UNITED STATES OF AMERICA**  
(56) Related Art Documents: **Not Applicable**  
(57) Statement of Newness and Distinctiveness: **Newness and distinctiveness reside in the pattern and/or ornamentation of a display screen with user interface as illustrated by solid lines in the accompanying representations. The features shown in broken outline are for illustrative purposes only and do not form part of the design.**



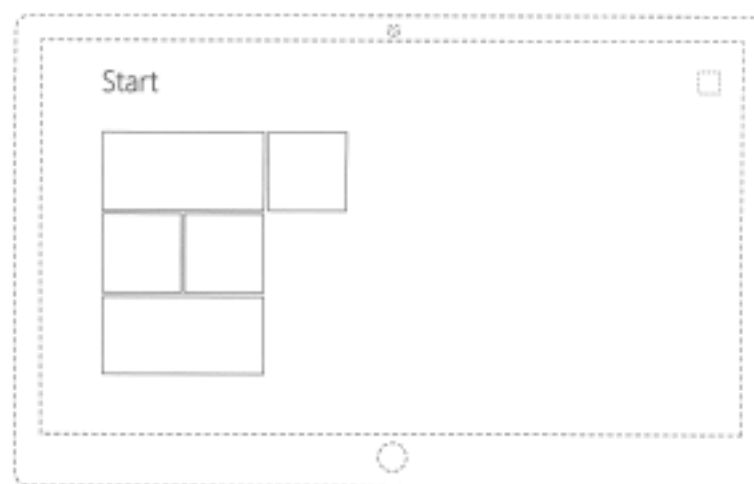
- (21) Design Number: **10513/2012**  
(22) Date of Filing Application: **24 November 2011**  
(24) Date from which industrial property rights may have effect: **24 November 2011**  
(54) Product in respect of which the design is registered: **Display screen with user interface**  
(51) International Design Classification: **14-04**  
(74) Name(s) of Attorney(s): **Shelston IP**  
(71) Name(s) and Address(s) of Applicant(s):  
**Microsoft Corporation**  
**One Microsoft Way Redmond Washington 98052 United States of America**  
(72) Name(s) of Designer(s): **Ethan Nelson Ray and Leslie MacNeil and Jonathan Eric Gleasman and Denise Michele Trabona**  
(45) Registration Date: **10 February 2012**  
(30) Convention priority data:  
(31) Number (32) Date (33) Country  
**29/392991 27 May 2011 UNITED STATES OF AMERICA**  
(56) Related Art Documents: **Not Applicable**  
(57) Statement of Newness and Distinctiveness: **Newness and distinctiveness reside in the pattern and/or ornamentation of a display screen with user interface as illustrated by solid lines in the accompanying representations. The features shown in broken outline are for illustrative purposes only and do not form part of the design.**



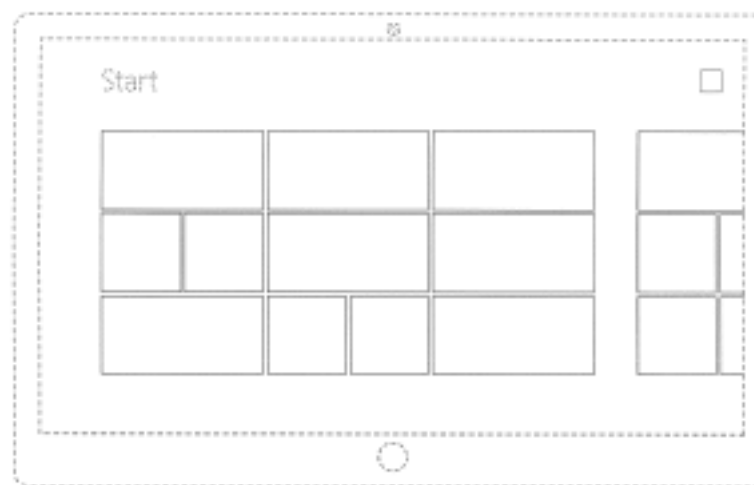
- (21) Design Number: **10514/2012**  
(22) Date of Filing Application: **24 November 2011**  
(24) Date from which industrial property rights may have effect: **24 November 2011**  
(54) Product in respect of which the design is registered: **Display screen with user interface**  
(51) International Design Classification: **14-04**  
(74) Name(s) of Attorney(s): **Shelston IP**  
(71) Name(s) and Address(s) of Applicant(s):  
**Microsoft Corporation**  
**One Microsoft Way Redmond Washington 98052 United States of America**  
(72) Name(s) of Designer(s): **Ethan Nelson Ray and Leslie MacNeil and Jonathan Eric Gleasman and Denise Michele Trabona**  
(45) Registration Date: **10 February 2012**  
(30) Convention priority data:  
(31) Number (32) Date (33) Country  
**29/392991 27 May 2011 UNITED STATES OF AMERICA**  
(56) Related Art Documents: **Not Applicable**  
(57) Statement of Newness and Distinctiveness: **Newness and distinctiveness reside in the pattern and/or ornamentation of a display screen with user interface as illustrated by solid lines in the accompanying representations. The features shown in broken outline are for illustrative purposes only and do not form part of the design.**



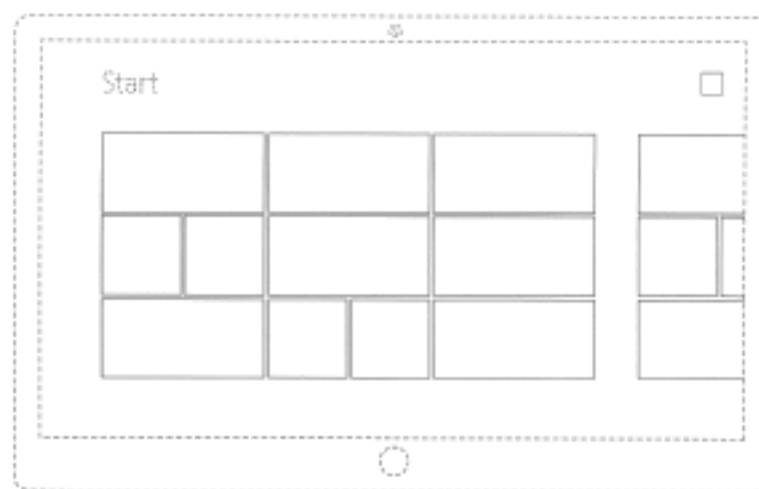
- (21) Design Number: **10515/2012**  
(22) Date of Filing Application: **24 November 2011**  
(24) Date from which industrial property rights may have effect: **24 November 2011**  
(54) Product in respect of which the design is registered: **Display screen with user interface**  
(51) International Design Classification: **14-04**  
(74) Name(s) of Attorney(s): **Shelston IP**  
(71) Name(s) and Address(s) of Applicant(s):  
**Microsoft Corporation**  
**One Microsoft Way Redmond Washington 98052 United States of America**  
(72) Name(s) of Designer(s): **Ethan Nelson Ray and Leslie MacNeil and Jonathan Eric Gleasman and Denise Michele Trabona**  
(45) Registration Date: **10 February 2012**  
(30) Convention priority data:  
(31) Number (32) Date (33) Country  
**29/392991 27 May 2011 UNITED STATES OF AMERICA**  
(56) Related Art Documents: **Not Applicable**  
(57) Statement of Newness and Distinctiveness: **Newness and distinctiveness reside in the pattern and/or ornamentation of a display screen with user interface as illustrated by solid lines in the accompanying representations. The features shown in broken outline are for illustrative purposes only and do not form part of the design.**



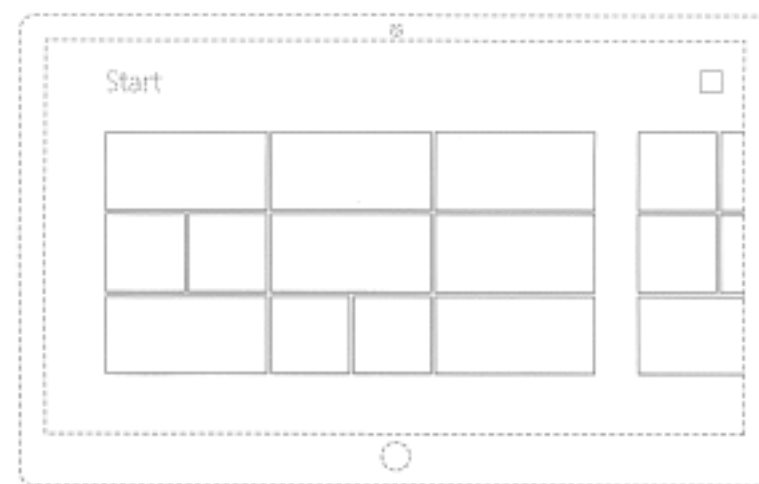
- (21) Design Number: **10516/2012**  
(22) Date of Filing Application: **24 November 2011**  
(24) Date from which industrial property rights may have effect: **24 November 2011**  
(54) Product in respect of which the design is registered: **Display screen with user interface**  
(51) International Design Classification: **14-04**  
(74) Name(s) of Attorney(s): **Shelston IP**  
(71) Name(s) and Address(s) of Applicant(s):  
**Microsoft Corporation**  
**One Microsoft Way Redmond Washington 98052 United States of America**  
(72) Name(s) of Designer(s): **Ethan Nelson Ray and Leslie MacNeil and Jonathan Eric Gleasman and Denise Michele Trabona**  
(45) Registration Date: **10 February 2012**  
(30) Convention priority data:  
(31) Number (32) Date (33) Country  
**29/392991 27 May 2011 UNITED STATES OF AMERICA**  
(56) Related Art Documents: **Not Applicable**  
(57) Statement of Newness and Distinctiveness: **Newness and distinctiveness reside in the pattern and/or ornamentation of a display screen with user interface as illustrated by solid lines in the accompanying representations. The features shown in broken outline are for illustrative purposes only and do not form part of the design.**



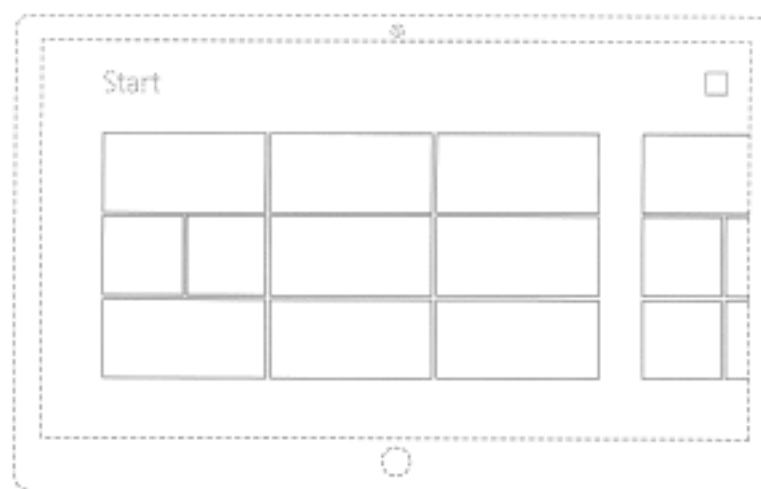
- (21) Design Number: **10517/2012**  
(22) Date of Filing Application: **24 November 2011**  
(24) Date from which industrial property rights may have effect: **24 November 2011**  
(54) Product in respect of which the design is registered: **Display screen with user interface**  
(51) International Design Classification: **14-04**  
(74) Name(s) of Attorney(s): **Shelston IP**  
(71) Name(s) and Address(s) of Applicant(s):  
**Microsoft Corporation**  
**One Microsoft Way Redmond Washington 98052 United States of America**  
(72) Name(s) of Designer(s): **Ethan Nelson Ray and Leslie MacNeil and Jonathan Eric Gleasman and Denise Michele Trabona**  
(45) Registration Date: **10 February 2012**  
(30) Convention priority data:  
(31) Number (32) Date (33) Country  
**29/392991 27 May 2011 UNITED STATES OF AMERICA**  
(56) Related Art Documents: **Not Applicable**  
(57) Statement of Newness and Distinctiveness: **Newness and distinctiveness reside in the pattern and/or ornamentation of a display screen with user interface as illustrated by solid lines in the accompanying representations. The features shown in broken outline are for illustrative purposes only and do not form part of the design.**



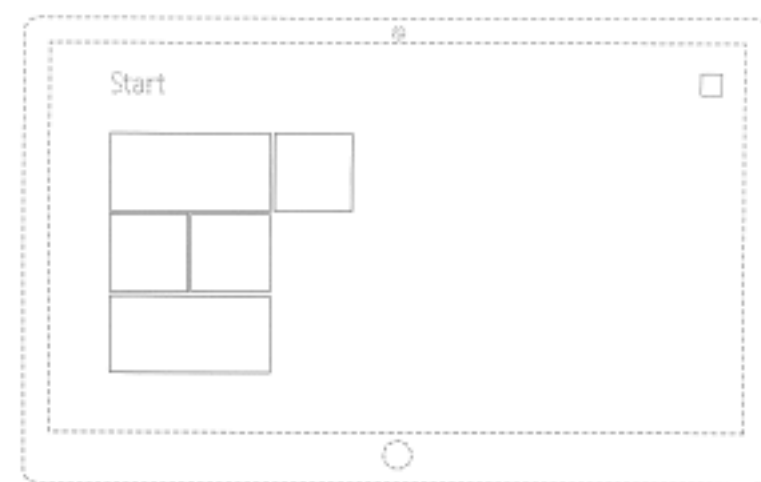
- (21) Design Number: **10518/2012**  
(22) Date of Filing Application: **24 November 2011**  
(24) Date from which industrial property rights may have effect: **24 November 2011**  
(54) Product in respect of which the design is registered: **Display screen with user interface**  
(51) International Design Classification: **14-04**  
(74) Name(s) of Attorney(s): **Shelston IP**  
(71) Name(s) and Address(s) of Applicant(s):  
**Microsoft Corporation**  
**One Microsoft Way Redmond Washington 98052 United States of America**  
(72) Name(s) of Designer(s): **Ethan Nelson Ray and Leslie MacNeil and Jonathan Eric Gleasman and Denise Michele Trabona**  
(45) Registration Date: **10 February 2012**  
(30) Convention priority data:  
(31) Number (32) Date (33) Country  
**29/392991 27 May 2011 UNITED STATES OF AMERICA**  
(56) Related Art Documents: **Not Applicable**  
(57) Statement of Newness and Distinctiveness: **Newness and distinctiveness reside in the pattern and/or ornamentation of a display screen with user interface as illustrated by solid lines in the accompanying representations. The features shown in broken outline are for illustrative purposes only and do not form part of the design.**



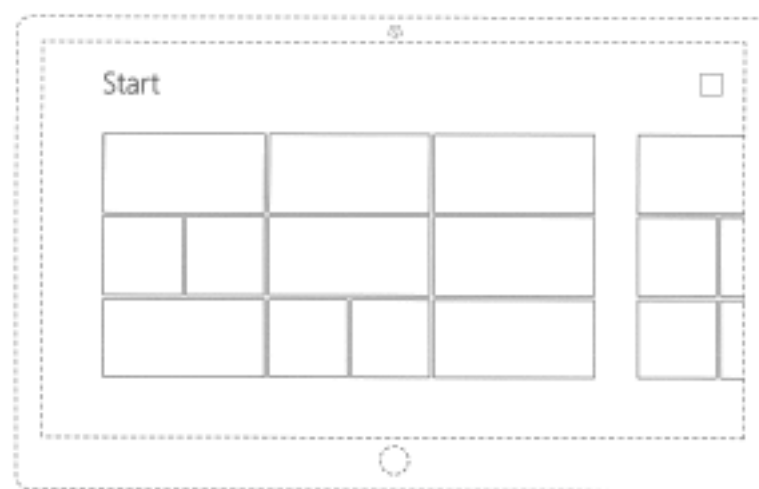
- (21) Design Number: **10519/2012**  
(22) Date of Filing Application: **24 November 2011**  
(24) Date from which industrial property rights may have effect: **24 November 2011**  
(54) Product in respect of which the design is registered: **Display screen with user interface**  
(51) International Design Classification: **14-04**  
(74) Name(s) of Attorney(s): **Shelston IP**  
(71) Name(s) and Address(s) of Applicant(s):  
**Microsoft Corporation**  
**One Microsoft Way Redmond Washington 98052 United States of America**  
(72) Name(s) of Designer(s): **Ethan Nelson Ray and Leslie MacNeil and Jonathan Eric Gleasman and Denise Michele Trabona**  
(45) Registration Date: **10 February 2012**  
(30) Convention priority data:  
(31) Number (32) Date (33) Country  
**29/392991 27 May 2011 UNITED STATES OF AMERICA**  
(56) Related Art Documents: **Not Applicable**  
(57) Statement of Newness and Distinctiveness: **Newness and distinctiveness reside in the pattern and/or ornamentation of a display screen with user interface as illustrated by solid lines in the accompanying representations. The features shown in broken outline are for illustrative purposes only and do not form part of the design.**



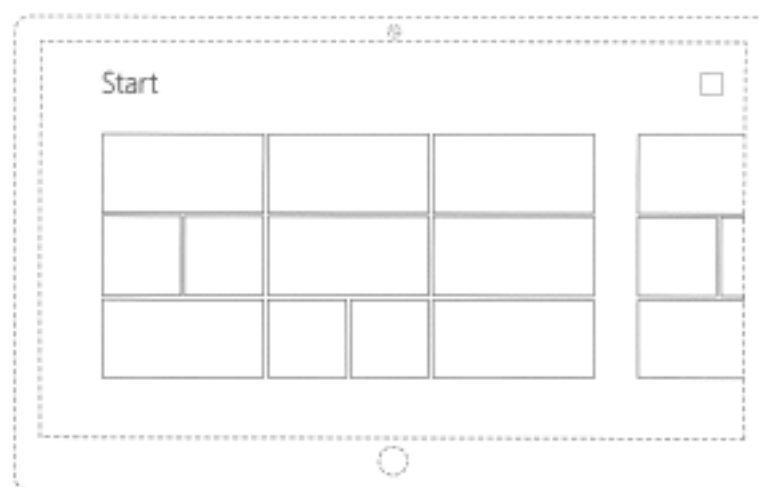
- (21) Design Number: **10520/2012**  
(22) Date of Filing Application: **24 November 2011**  
(24) Date from which industrial property rights may have effect: **24 November 2011**  
(54) Product in respect of which the design is registered: **Display screen with user interface**  
(51) International Design Classification: **14-04**  
(74) Name(s) of Attorney(s): **Shelston IP**  
(71) Name(s) and Address(s) of Applicant(s):  
**Microsoft Corporation**  
**One Microsoft Way Redmond Washington 98052 United States of America**  
(72) Name(s) of Designer(s): **Ethan Nelson Ray and Leslie MacNeil and Jonathan Eric Gleasman and Denise Michele Trabona**  
(45) Registration Date: **10 February 2012**  
(30) Convention priority data:  
(31) Number (32) Date (33) Country  
**29/392991 27 May 2011 UNITED STATES OF AMERICA**  
(56) Related Art Documents: **Not Applicable**  
(57) Statement of Newness and Distinctiveness: **Newness and distinctiveness reside in the pattern and/or ornamentation of a display screen with user interface as illustrated by solid lines in the accompanying representations. The features shown in broken outline are for illustrative purposes only and do not form part of the design.**



- (21) Design Number: **10521/2012**  
(22) Date of Filing Application: **24 November 2011**  
(24) Date from which industrial property rights may have effect: **24 November 2011**  
(54) Product in respect of which the design is registered: **Display screen with user interface**  
(51) International Design Classification: **14-04**  
(74) Name(s) of Attorney(s): **Shelston IP**  
(71) Name(s) and Address(s) of Applicant(s):  
**Microsoft Corporation**  
**One Microsoft Way Redmond Washington 98052 United States of America**  
(72) Name(s) of Designer(s): **Ethan Nelson Ray and Leslie MacNeil and Jonathan Eric Gleasman and Denise Michele Trabona**  
(45) Registration Date: **10 February 2012**  
(30) Convention priority data:  
(31) Number (32) Date (33) Country  
**29/392991 27 May 2011 UNITED STATES OF AMERICA**  
(56) Related Art Documents: **Not Applicable**  
(57) Statement of Newness and Distinctiveness: **Newness and distinctiveness reside in the pattern and/or ornamentation of a display screen with user interface as illustrated by solid lines in the accompanying representations. The features shown in broken outline are for illustrative purposes only and do not form part of the design.**

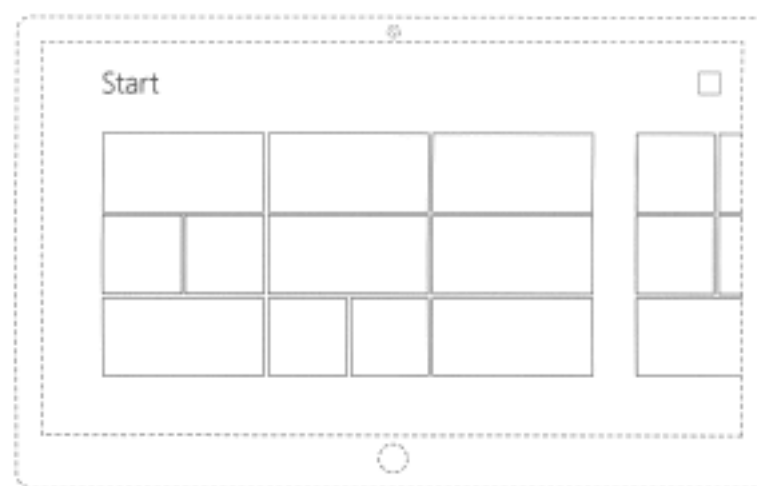


- (21) Design Number: **10522/2012**  
(22) Date of Filing Application: **24 November 2011**  
(24) Date from which industrial property rights may have effect: **24 November 2011**  
(54) Product in respect of which the design is registered: **Display screen with user interface**  
(51) International Design Classification: **14-04**  
(74) Name(s) of Attorney(s): **Shelston IP**  
(71) Name(s) and Address(s) of Applicant(s):  
**Microsoft Corporation**  
**One Microsoft Way Redmond Washington 98052 United States of America**  
(72) Name(s) of Designer(s): **Ethan Nelson Ray and Leslie MacNeil and Jonathan Eric Gleasman and Denise Michele Trabona**  
(45) Registration Date: **10 February 2012**  
(30) Convention priority data:  
(31) Number (32) Date (33) Country  
**29/392991 27 May 2011 UNITED STATES OF AMERICA**  
(56) Related Art Documents: **Not Applicable**  
(57) Statement of Newness and Distinctiveness: **Newness and distinctiveness reside in the pattern and/or ornamentation of a display screen with user interface as illustrated by solid lines in the accompanying representations. The features shown in broken outline are for illustrative purposes only and do not form part of the design.**

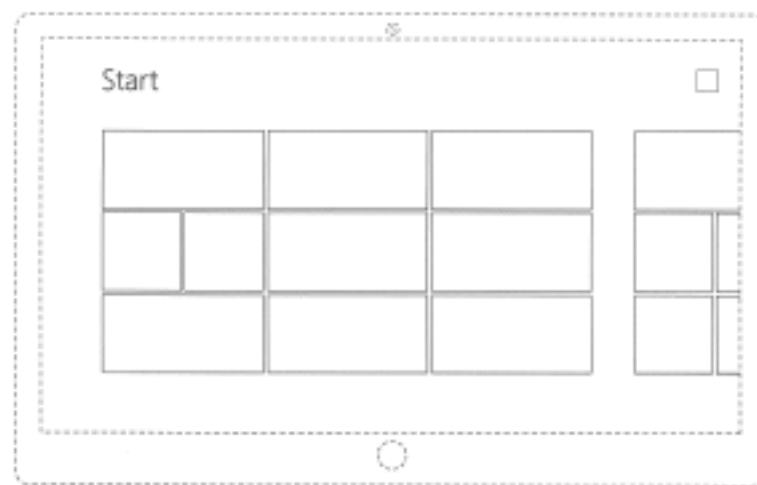




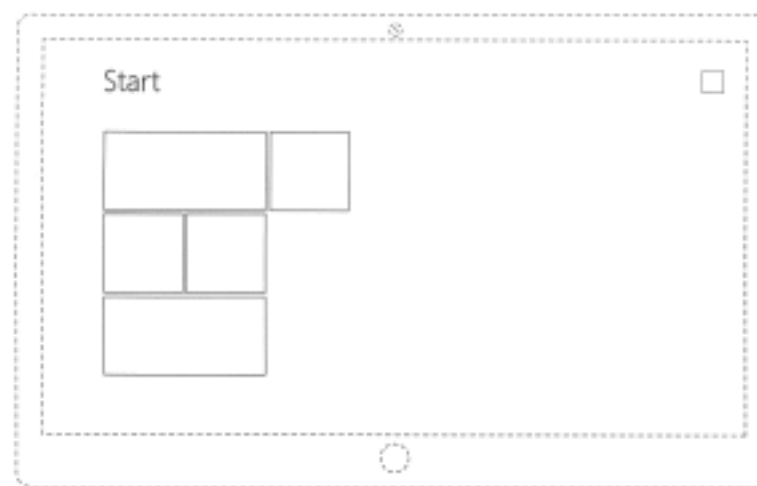
- (21) Design Number: **10523/2012**  
(22) Date of Filing Application: **24 November 2011**  
(24) Date from which industrial property rights may have effect: **24 November 2011**  
(54) Product in respect of which the design is registered: **Display screen with user interface**  
(51) International Design Classification: **14-04**  
(74) Name(s) of Attorney(s): **Shelston IP**  
(71) Name(s) and Address(s) of Applicant(s):  
**Microsoft Corporation**  
**One Microsoft Way Redmond Washington 98052 United States of America**  
(72) Name(s) of Designer(s): **Ethan Nelson Ray and Leslie MacNeil and Jonathan Eric Gleasman and Denise Michele Trabona**  
(45) Registration Date: **10 February 2012**  
(30) Convention priority data:  
(31) Number (32) Date (33) Country  
**29/392991 27 May 2011 UNITED STATES OF AMERICA**  
(56) Related Art Documents: **Not Applicable**  
(57) Statement of Newness and Distinctiveness: **Newness and distinctiveness reside in the pattern and/or ornamentation of a display screen with user interface as illustrated by solid lines in the accompanying representations. The features shown in broken outline are for illustrative purposes only and do not form part of the design.**



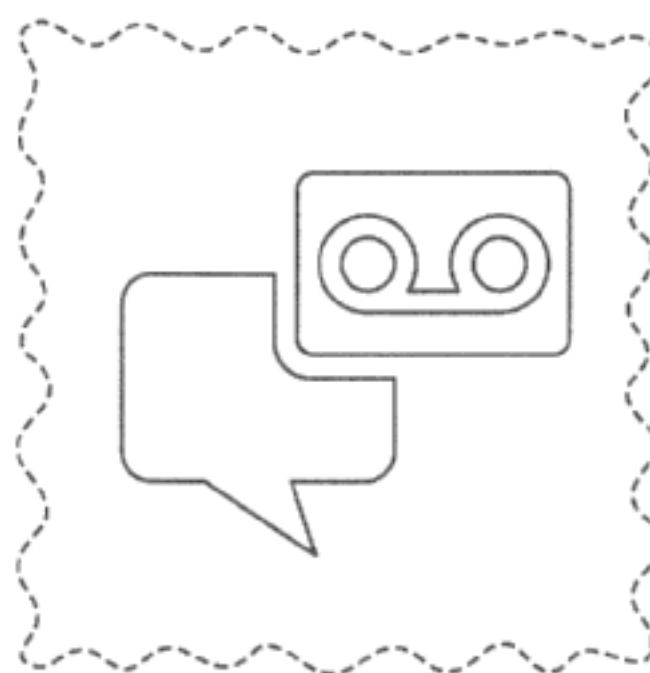
- (21) Design Number: **10524/2012**  
(22) Date of Filing Application: **24 November 2011**  
(24) Date from which industrial property rights may have effect: **24 November 2011**  
(54) Product in respect of which the design is registered: **Display screen with user interface**  
(51) International Design Classification: **14-04**  
(74) Name(s) of Attorney(s): **Shelston IP**  
(71) Name(s) and Address(s) of Applicant(s):  
**Microsoft Corporation**  
**One Microsoft Way Redmond Washington 98052 United States of America**  
(72) Name(s) of Designer(s): **Ethan Nelson Ray and Leslie MacNeil and Jonathan Eric Gleasman and Denise Michele Trabona**  
(45) Registration Date: **10 February 2012**  
(30) Convention priority data:  
(31) Number (32) Date (33) Country  
**29/392991 27 May 2011 UNITED STATES OF AMERICA**  
(56) Related Art Documents: **Not Applicable**  
(57) Statement of Newness and Distinctiveness: **Newness and distinctiveness reside in the pattern and/or ornamentation of a display screen with user interface as illustrated by solid lines in the accompanying representations. The features shown in broken outline are for illustrative purposes only and do not form part of the design.**



- (21) Design Number: **10525/2012**  
(22) Date of Filing Application: **24 November 2011**  
(24) Date from which industrial property rights may have effect: **24 November 2011**  
(54) Product in respect of which the design is registered: **Display screen with user interface**  
(51) International Design Classification: **14-04**  
(74) Name(s) of Attorney(s): **Shelston IP**  
(71) Name(s) and Address(s) of Applicant(s):  
**Microsoft Corporation**  
**One Microsoft Way Redmond Washington 98052 United States of America**  
(72) Name(s) of Designer(s): **Ethan Nelson Ray and Leslie MacNeil and Jonathan Eric Gleasman and Denise Michele Trabona**  
(45) Registration Date: **10 February 2012**  
(30) Convention priority data:  
(31) Number (32) Date (33) Country  
**29/392991 27 May 2011 UNITED STATES OF AMERICA**  
(56) Related Art Documents: **Not Applicable**  
(57) Statement of Newness and Distinctiveness: **Newness and distinctiveness reside in the pattern and/or ornamentation of a display screen with user interface as illustrated by solid lines in the accompanying representations. The features shown in broken outline are for illustrative purposes only and do not form part of the design.**



- (21) Design Number: **15572/2011**  
(22) Date of Filing Application: **06 December 2011**  
(24) Date from which industrial property rights may have effect: **06 December 2011**  
(54) Product in respect of which the design is registered: **Display screen with icon**  
(51) International Design Classification: **14-04**  
(74) Name(s) of Attorney(s): **Shelston IP**  
(71) Name(s) and Address(s) of Applicant(s):  
**Microsoft Corporation**  
**One Microsoft Way Redmond Washington 98052 United States of America**  
(72) Name(s) of Designer(s): **Kyle Gabouer and David Gardner and Damien Bertels and Joshua Power**  
(45) Registration Date: **10 February 2012**  
(30) Convention priority data:  
(31) Number (32) Date (33) Country  
**29/405966 08 Nov 2011 UNITED STATES OF AMERICA**  
(56) Related Art Documents: **Not Applicable**  
(57) Statement of Newness and Distinctiveness: **Newness and distinctiveness reside in the pattern and/or ornamentation of a display screen with icon as illustrated by solid lines in the accompanying representations. The features shown in broken outline are for illustrative purposes only and do not form part of the design.**



- (21) Design Number: **10527/2012**  
(22) Date of Filing Application: **06 December 2011**  
(24) Date from which industrial property rights may have effect: **06 December 2011**  
(54) Product in respect of which the design is registered: **Display screen with icon**  
(51) International Design Classification: **14-04**  
(74) Name(s) of Attorney(s): **Shelston IP**  
(71) Name(s) and Address(s) of Applicant(s):

**Microsoft Corporation**  
**One Microsoft Way Redmond Washington 98052 United States of America**

- (72) Name(s) of Designer(s): **Kyle Gabouer and David Gardner and Damien Bertels and Joshua Power**

- (45) Registration Date: **10 February 2012**

- (30) Convention priority data:

(31) Number	(32) Date	(33) Country
<b>29/405966</b>	<b>08 Nov 2011</b>	<b>UNITED STATES OF AMERICA</b>

- (56) Related Art Documents: **Not Applicable**

- (57) Statement of Newness and Distinctiveness: **Newness and distinctiveness reside in the pattern and/or ornamentation of a display screen with icon as illustrated by solid lines in the accompanying representations. The features shown in broken outline are for illustrative purposes only and do not form part of the design.**



- (21) Design Number: **15826/2011**  
(22) Date of Filing Application: **16 December 2011**  
(24) Date from which industrial property rights may have effect: **16 December 2011**  
(54) Product in respect of which the design is registered: **In-ear headphones**  
(51) International Design Classification: **14-01**  
(74) Name(s) of Attorney(s): **Elliptic Legal & Patent Services**  
(71) Name(s) and Address(s) of Applicant(s):

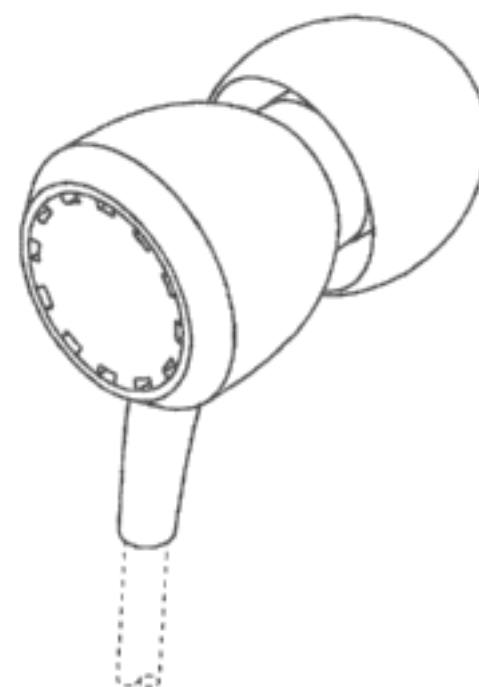
**Audiofly Pty Ltd**  
**Unit 9 23 Gibberd Road Balcatta Western Australia 6021 Australia**

- (72) Name(s) of Designer(s): **David Matthew Thompson and Matthew Rowett and Iain Finlay**

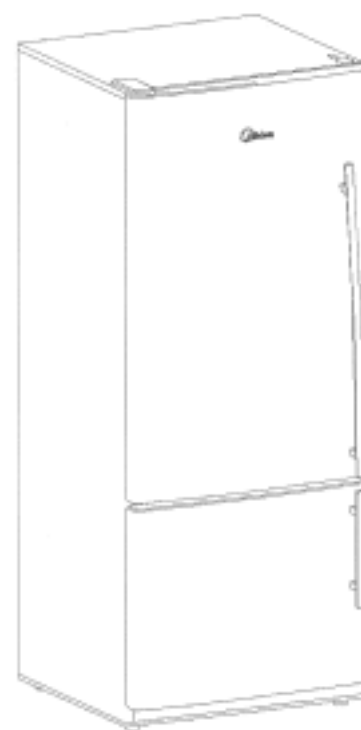
- (45) Registration Date: **10 February 2012**

- (56) Related Art Documents: **Not Applicable**

- (57) Statement of Newness and Distinctiveness: **Novelty is claimed in the shape and configuration of the in-ear headphones as shown in the accompanying representations. Parts shown in dotted lines are not considered part of the design.**



- (21) Design Number: **10193/2012**  
(22) Date of Filing Application: **17 January 2012**  
(24) Date from which industrial property rights may have effect: **17 January 2012**  
(54) Product in respect of which the design is registered: **A refrigerator**  
(51) International Design Classification: **15-07**  
(74) Name(s) of Attorney(s): **Allens Arthur Robinson**  
(71) Name(s) and Address(s) of Applicant(s):  
**Hefei Midea Rongshida Refrigerator Co., Ltd**  
**No. 669 West Changjiang Road Hefei Anhui 230601 China**  
**Hefei Hualing Co., Ltd**  
**Jin Xiu Road Hefei Economic and Industrial Area Anhui 230601 China**  
(72) Name(s) of Designer(s): **Jiachun Zhang and Wei Ding and Shilin Tang**  
(45) Registration Date: **10 February 2012**  
(30) Convention priority data:  
(31) Number      (32) Date      (33) Country  
**201130250811.4   28 Jul 2011      CHINA**  
(56) Related Art Documents: **Not Applicable**  
(57) Statement of Newness and Distinctiveness: **Newness and distinctiveness resides in the visual features of shape and/or configuration of a refrigerator as illustrated in the accompanying representations.**



- (21) Design Number: **10194/2012**  
(22) Date of Filing Application: **17 January 2012**  
(24) Date from which industrial property rights may have effect: **17 January 2012**  
(54) Product in respect of which the design is registered: **A refrigerator**  
(51) International Design Classification: **15-07**  
(74) Name(s) of Attorney(s): **Allens Arthur Robinson**  
(71) Name(s) and Address(s) of Applicant(s):  
**Hefei Midea Rongshida Refrigerator Co., Ltd**  
**No. 669 West Changjiang Road Hefei Anhui 230601 China**  
**Hefei Hualing Co., Ltd**  
**Jin Xiu Road Hefei Economic and Industrial Area Anhui 230601 China**  
(72) Name(s) of Designer(s): **Ruhua Ma and Wei Ding and Shilin Tang**  
(45) Registration Date: **10 February 2012**  
(30) Convention priority data:  
(31) Number      (32) Date      (33) Country  
**201130250812.9   28 Jul 2011      CHINA**  
(56) Related Art Documents: **Not Applicable**  
(57) Statement of Newness and Distinctiveness: **Newness and distinctiveness resides in the visual features of shape and/or configuration of a refrigerator as illustrated in the accompanying representations.**



(21) Design Number: **10195/2012**  
(22) Date of Filing Application: **17 January 2012**  
(24) Date from which industrial property rights may have effect: **17 January 2012**  
(54) Product in respect of which the design is registered: **Drinking cup**  
(51) International Design Classification: **07-01E**  
(74) Name(s) of Attorney(s): **FB Rice**  
(71) Name(s) and Address(s) of Applicant(s):  
**Koninklijke Philips Electronics N.V.**  
**Groenewoudseweg 1 5621 BA Eindhoven The Netherlands**  
(72) Name(s) of Designer(s): **Elodie Jeanne Claudine Thomas**  
(45) Registration Date: **10 February 2012**  
(30) Convention priority data:  
(31) Number (32) Date (33) Country  
**001892860-0002 18 Jul 2011 EUROPEAN COMMUNITY**  
(56) Related Art Documents: **Not Applicable**  
(57) Statement of Newness and Distinctiveness: **Newness and distinctiveness reside in the features of shape and configuration of the drinking cup as shown in the representations.**



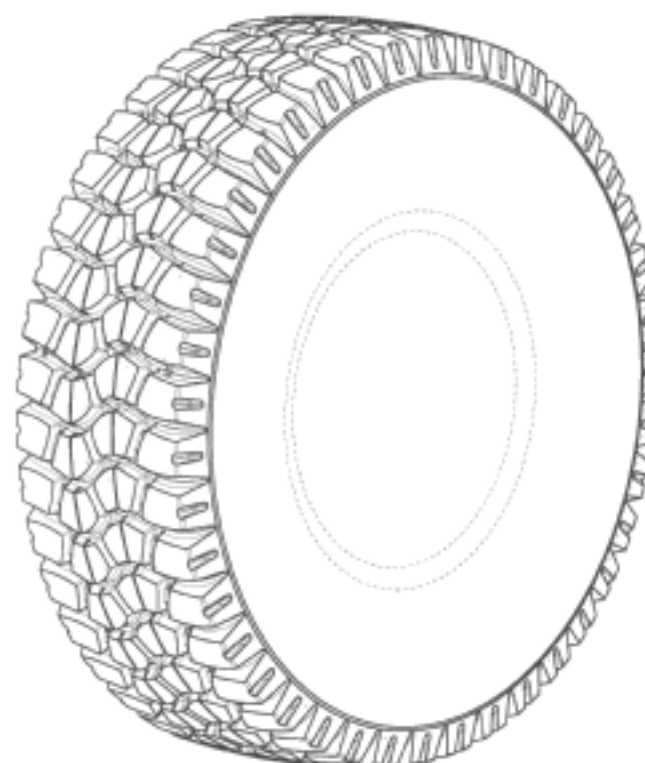
(21) Design Number: **10196/2012**  
(22) Date of Filing Application: **17 January 2012**  
(24) Date from which industrial property rights may have effect: **17 January 2012**  
(54) Product in respect of which the design is registered: **Drinking cup**  
(51) International Design Classification: **07-01E**  
(74) Name(s) of Attorney(s): **FB Rice**  
(71) Name(s) and Address(s) of Applicant(s):  
**Koninklijke Philips Electronics N.V.**  
**Groenewoudseweg 1 5621 BA Eindhoven The Netherlands**  
(72) Name(s) of Designer(s): **Elodie Jeanne Claudine Thomas**  
(45) Registration Date: **10 February 2012**  
(30) Convention priority data:  
(31) Number (32) Date (33) Country  
**001892860-0001 18 Jul 2011 EUROPEAN COMMUNITY**  
(56) Related Art Documents: **Not Applicable**  
(57) Statement of Newness and Distinctiveness: **Newness and distinctiveness reside in the features of shape and configuration of the drinking cup as shown in the representations.**



- (21) Design Number: **10197/2012**  
(22) Date of Filing Application: **17 January 2012**  
(24) Date from which industrial property rights may have effect: **17 January 2012**  
(54) Product in respect of which the design is registered: **Golf grip**  
(51) International Design Classification: **21-02C**  
(74) Name(s) of Attorney(s): **FB Rice**  
(71) Name(s) and Address(s) of Applicant(s):  
**Eaton Corporation**  
**1111 Superior Avenue Cleveland Ohio 44114-2584 United States of America**  
(72) Name(s) of Designer(s): **David Gill and Minhsuan Sun**  
(45) Registration Date: **10 February 2012**  
(30) Convention priority data:  
(31) Number (32) Date (33) Country  
**29/397836 21 Jul 2011 UNITED STATES OF AMERICA**  
(56) Related Art Documents: **Not Applicable**  
(57) Statement of Newness and Distinctiveness: **Newness and distinctiveness reside in the features of the design as shown in the representations.**



- (21) Design Number: **10216/2012**  
(22) Date of Filing Application: **19 January 2012**  
(24) Date from which industrial property rights may have effect: **19 January 2012**  
(54) Product in respect of which the design is registered: **A tyre**  
(51) International Design Classification: **12-15C**  
(74) Name(s) of Attorney(s): **WATERMARK PATENT AND TRADE MARKS ATTORNEYS**  
(71) Name(s) and Address(s) of Applicant(s):  
**Michelin Recherche et Technique SA**  
**Route Louis Braille 10 et 12 CH-1763 Granges-Paccot Switzerland**  
**Societe De Technologie Michelin**  
**23 rue Breschet F-63000 Clermont-Ferrand Cedex France**  
(72) Name(s) of Designer(s): **Paul Andrew Mayni and Michael Craig Andrews and William Robert Hudek**  
(45) Registration Date: **10 February 2012**  
(30) Convention priority data:  
(31) Number (32) Date (33) Country  
**29/398,197 27 Jul 2011 UNITED STATES OF AMERICA**  
(56) Related Art Documents: **Not Applicable**  
(57) Statement of Newness and Distinctiveness: **Newness and distinctiveness resides in the shape and configuration of the tread region of the tyre, the remainder of the tyre not forming part of the design.**



- (21) Design Number: **10219/2012**  
(22) Date of Filing Application: **19 January 2012**  
(24) Date from which industrial property rights may have effect: **19 January 2012**  
(54) Product in respect of which the design is registered: **Flag**  
(51) International Design Classification: **11-05**  
(74) Name(s) of Attorney(s):  
(71) Name(s) and Address(s) of Applicant(s):  
**Alexander Walter Carter**  
**9 Faiearth Street The Gap Queensland 4061 Australia**  
(72) Name(s) of Designer(s): **Alex Carter**  
(45) Registration Date: **10 February 2012**  
(56) Related Art Documents: **Not Applicable**  
(57) Statement of Newness and Distinctiveness: **This is a design addition to the registered design #200719971 which states its newness and distinctiveness as "The setting of the Union Jack behind the central circle along with the Southern Cross set in front of the central circle". This addition is a statement of newness and distinctiveness in relation to the placement of the Headress & Star symbol to the bottom left hand position of the design.**



- (21) Design Number: **10236/2012**  
(22) Date of Filing Application: **19 January 2012**  
(24) Date from which industrial property rights may have effect: **19 January 2012**  
(54) Product in respect of which the design is registered: **Welding helmet**  
(51) International Design Classification: **02-03**  
(74) Name(s) of Attorney(s): **FB Rice**  
(71) Name(s) and Address(s) of Applicant(s):  
**Tecmen Electronics CO., LTD.**  
**Building D No. 21 North Liuzhou Road Xiaoliu Industry Park Nanjing**  
**210031 China**  
(72) Name(s) of Designer(s): **Ziqian Wu**  
(45) Registration Date: **10 February 2012**  
(30) Convention priority data:  
(31) Number      (32) Date      (33) Country  
**29/397928      22 Jul 2011      UNITED STATES OF AMERICA**  
(56) Related Art Documents: **Not Applicable**  
(57) Statement of Newness and Distinctiveness: **Newness and distinctiveness reside in the features of shape and configuration of the welding helmet as shown in solid lines in the representations excluding those features shown in broken lines.**



(21) Design Number: **10545/2012**

(22) Date of Filing Application: **19 January 2012**

(24) Date from which industrial property rights may have effect: **19 January 2012**

(54) Product in respect of which the design is registered: **Welding helmet**

(51) International Design Classification: **02-03**

(74) Name(s) of Attorney(s): **FB Rice**

(71) Name(s) and Address(s) of Applicant(s):

**Tecmen Electronics CO., LTD.**

**Building D No. 21 North Liuzhou Road Xiaoliu Industry Park Nanjing  
210031 China**

(72) Name(s) of Designer(s): **Ziqian Wu**

(45) Registration Date: **10 February 2012**

(30) Convention priority data:

(31) Number

(32) Date

(33) Country

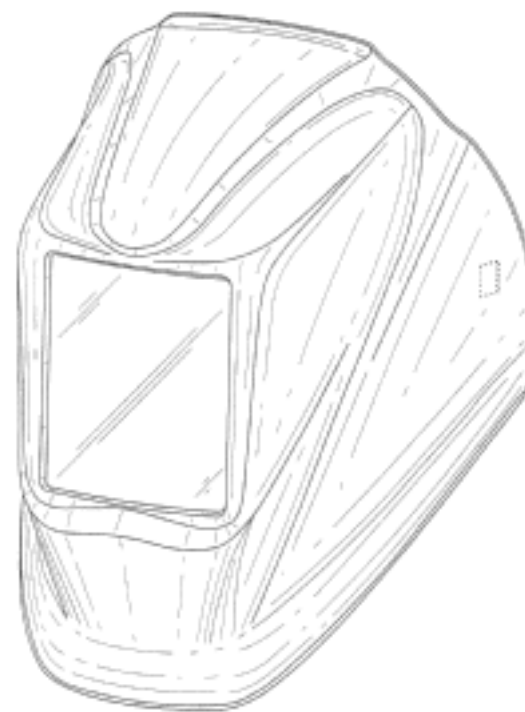
**29/397928**

**22 Jul 2011**

**UNITED STATES OF AMERICA**

(56) Related Art Documents: **Not Applicable**

(57) Statement of Newness and Distinctiveness: **Newness and distinctiveness reside in the features of shape and configuration of the welding helmet as shown in solid lines in the representations excluding those features shown in broken lines.**



(21) Design Number: **15754/2011**

(22) Date of Filing Application: **12 December 2011**

(24) Date from which industrial property rights may have effect: **12 December 2011**

(54) Product in respect of which the design is registered: **Design relates to a plastic part that when folded, can be clipped onto the neck of plastic drink bottles and can be**

(51) International Design Classification: **07-06A**

(74) Name(s) of Attorney(s):

(71) Name(s) and Address(s) of Applicant(s):

**Andrew Yaw**

**Factory 4/93 Abbott Road Hallam Victoria 3803 Australia**

(72) Name(s) of Designer(s): **Andrew Yaw**

(45) Registration Date: **10 February 2012**

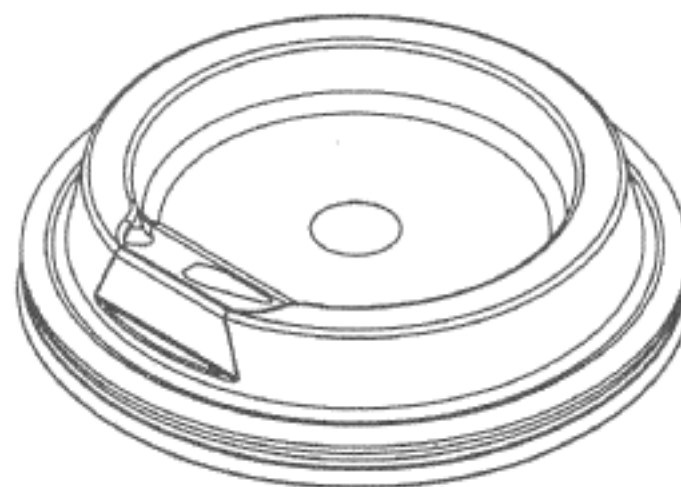
(56) Related Art Documents: **Not Applicable**

(57) Statement of Newness and Distinctiveness: **Design allows for use with various sized plastic bottles. Folds for easier storage is lightweight. Has rounded edges to avoid physical injuries.**

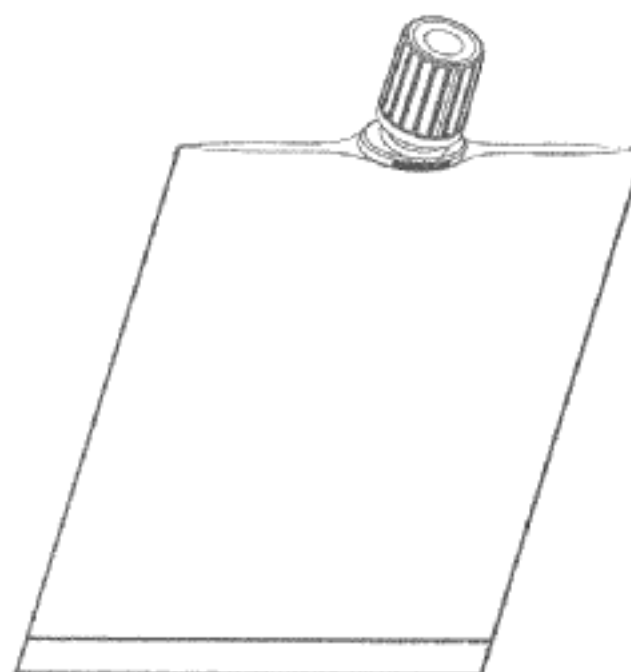




(21) Design Number: **16006/2011**  
(22) Date of Filing Application: **23 December 2011**  
(24) Date from which industrial property rights may have effect: **23 December 2011**  
(54) Product in respect of which the design is registered: **A lid**  
(51) International Design Classification: **09-07B**  
(74) Name(s) of Attorney(s): **PHILLIPS ORMONDE FITZPATRICK**  
(71) Name(s) and Address(s) of Applicant(s):  
**Craig Bailey**  
**1354 SE 194th Place Camas Washington 98607 United States of America**  
(72) Name(s) of Designer(s): **Craig Bailey**  
(45) Registration Date: **10 February 2012**  
(30) Convention priority data:  
(31) Number (32) Date (33) Country  
**29/396,207 27 Jun 2011 UNITED STATES OF AMERICA**  
(56) Related Art Documents: **Not Applicable**  
(57) Statement of Newness and Distinctiveness: **Nil**



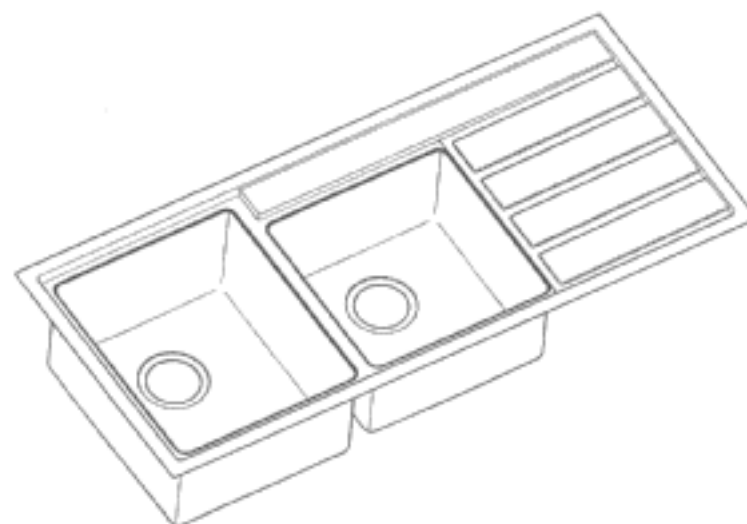
(21) Design Number: **10221/2012**  
(22) Date of Filing Application: **19 January 2012**  
(24) Date from which industrial property rights may have effect: **19 January 2012**  
(54) Product in respect of which the design is registered: **Refillable food dispensing pouch**  
(51) International Design Classification: **09-05**  
(74) Name(s) of Attorney(s): **Varsity IP**  
(71) Name(s) and Address(s) of Applicant(s):  
**Gillian Sylow**  
**16 Nandi Terrace Pacific Pines Queensland 4211 Australia**  
(72) Name(s) of Designer(s): **Gillian Sylow**  
(45) Registration Date: **10 February 2012**  
(56) Related Art Documents: **Not Applicable**  
(57) Statement of Newness and Distinctiveness: **Newness and distinctiveness resides in the zip fastener which allows opening of the base of the pouch for filling.**



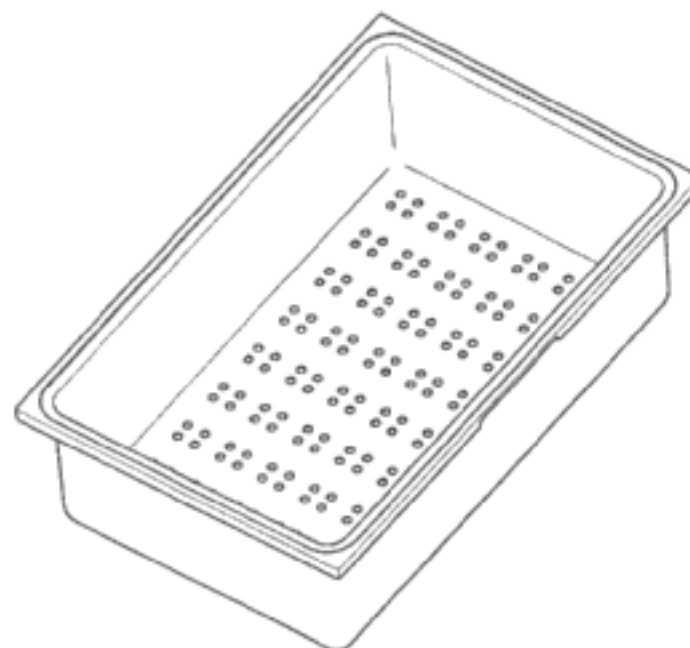
- (21) Design Number: **10223/2012**  
(22) Date of Filing Application: **18 January 2012**  
(24) Date from which industrial property rights may have effect: **18 January 2012**  
(54) Product in respect of which the design is registered: **An automobile**  
(51) International Design Classification: **12-08**  
(74) Name(s) of Attorney(s): **SPRUSON & FERGUSON**  
(71) Name(s) and Address(s) of Applicant(s):  
**Honda Motor Co., Ltd.**  
**1-1 Minami-Aoyama 2-chome Minato-ku Tokyo Japan**  
(72) Name(s) of Designer(s): **Toshinobu Minami**  
(45) Registration Date: **10 February 2012**  
(30) Convention priority data:  
(31) Number      (32) Date      (33) Country  
**2011-016676      20 Jul 2011      JAPAN**  
(56) Related Art Documents: **Not Applicable**  
(57) Statement of Newness and Distinctiveness: **Newness and distinctiveness is claimed in the features of shape and/or configuration of an automobile as illustrated in the accompanying representations.**



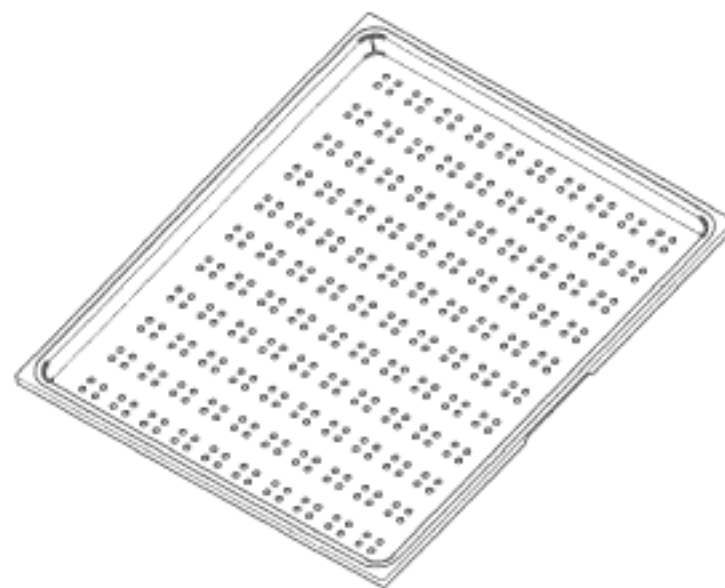
- (21) Design Number: **10224/2012**  
(22) Date of Filing Application: **18 January 2012**  
(24) Date from which industrial property rights may have effect: **18 January 2012**  
(54) Product in respect of which the design is registered: **A sink**  
(51) International Design Classification: **23-02F**  
(74) Name(s) of Attorney(s): **SPRUSON & FERGUSON**  
(71) Name(s) and Address(s) of Applicant(s):  
**Caroma Industries Limited**  
**10 Market Street Brisbane Queensland 4000 Australia**  
(72) Name(s) of Designer(s): **Stephen John Cummings and David Giorgio**  
(45) Registration Date: **10 February 2012**  
(56) Related Art Documents: **Not Applicable**  
(57) Statement of Newness and Distinctiveness: **Newness and distinctiveness is claimed in the features of shape and/or configuration of a sink as illustrated in the accompanying representations.**



- (21) Design Number: **10225/2012**  
(22) Date of Filing Application: **18 January 2012**  
(24) Date from which industrial property rights may have effect: **18 January 2012**  
(54) Product in respect of which the design is registered: **A colander**  
(51) International Design Classification: **07-04**  
(74) Name(s) of Attorney(s): **SPRUSON & FERGUSON**  
(71) Name(s) and Address(s) of Applicant(s):  
**Caroma Industries Limited**  
**10 Market Street Brisbane Queensland 4000 Australia**  
(72) Name(s) of Designer(s): **Stephen John Cummings and David Giorgio**  
(45) Registration Date: **10 February 2012**  
(56) Related Art Documents: **Not Applicable**  
(57) Statement of Newness and Distinctiveness: **Newness and distinctiveness is claimed in the features of shape and/or configuration of a colander as illustrated in the accompanying representations.**



- (21) Design Number: **10226/2012**  
(22) Date of Filing Application: **18 January 2012**  
(24) Date from which industrial property rights may have effect: **18 January 2012**  
(54) Product in respect of which the design is registered: **A drainer**  
(51) International Design Classification: **07-05NES**  
(74) Name(s) of Attorney(s): **SPRUSON & FERGUSON**  
(71) Name(s) and Address(s) of Applicant(s):  
**Caroma Industries Limited**  
**10 Market Street Brisbane Queensland 4000 Australia**  
(72) Name(s) of Designer(s): **Stephen John Cummings and David Giorgio**  
(45) Registration Date: **10 February 2012**  
(56) Related Art Documents: **Not Applicable**  
(57) Statement of Newness and Distinctiveness: **Newness and distinctiveness is claimed in the features of shape and/or configuration of a drainer as illustrated in the accompanying representations.**



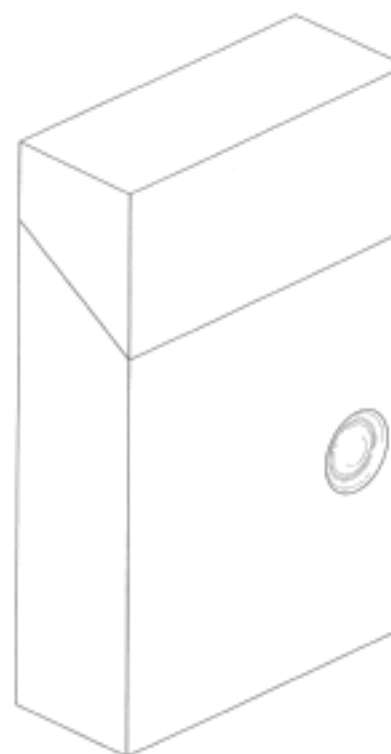
- (21) Design Number: **15162/2011**  
(22) Date of Filing Application: **14 November 2011**  
(24) Date from which industrial property rights may have effect: **14 November 2011**  
(54) Product in respect of which the design is registered: **Anti-insect LED strip light (single)**  
(51) International Design Classification: **26-06**  
(74) Name(s) of Attorney(s):  
(71) Name(s) and Address(s) of Applicant(s):  
**4 x 4 Equip Pty Ltd**  
**5/15 Nicole Close Bayswater Victoria 3153 Australia**  
(72) Name(s) of Designer(s): **Ian Glyde and Ian David Hastie**  
(45) Registration Date: **13 February 2012**  
(56) Related Art Documents: **Not Applicable**  
(57) Statement of Newness and Distinctiveness: **Nil**



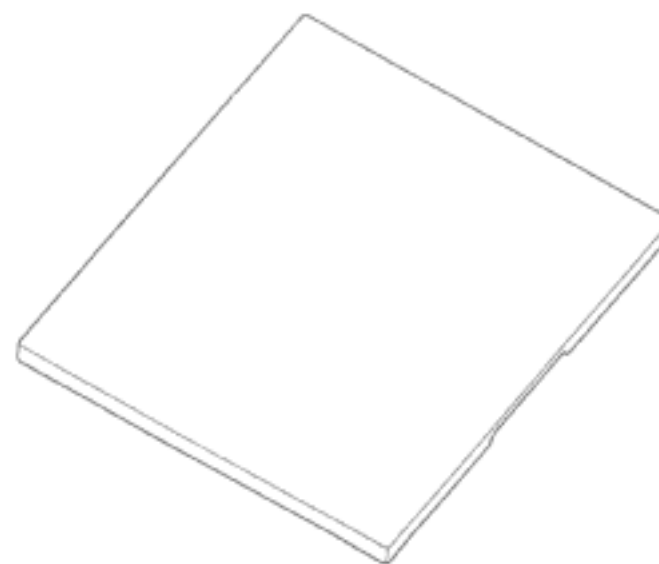
- (21) Design Number: **15163/2011**  
(22) Date of Filing Application: **14 November 2011**  
(24) Date from which industrial property rights may have effect: **14 November 2011**  
(54) Product in respect of which the design is registered: **Anti-insect LED strip light (double)**  
(51) International Design Classification: **26-06**  
(74) Name(s) of Attorney(s):  
(71) Name(s) and Address(s) of Applicant(s):  
**4 x 4 Equip Pty Ltd**  
**5/15 Nicole Close Bayswater Victoria 3153 Australia**  
(72) Name(s) of Designer(s): **Ian Glyde and Ian David Hastie**  
(45) Registration Date: **13 February 2012**  
(56) Related Art Documents: **Not Applicable**  
(57) Statement of Newness and Distinctiveness: **Nil**



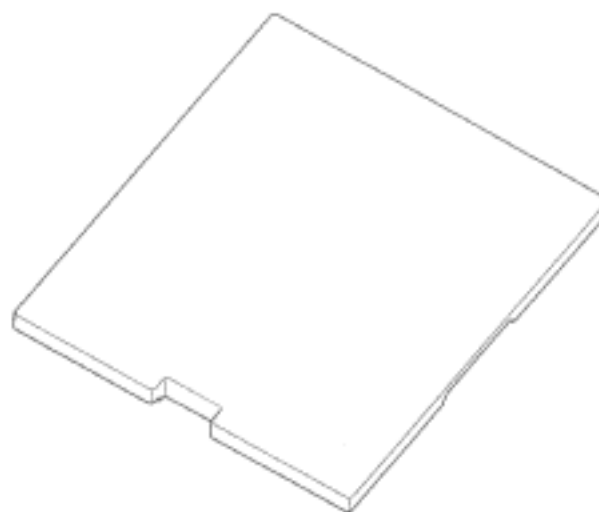
(21) Design Number: **15318/2011**  
(22) Date of Filing Application: **21 November 2011**  
(24) Date from which industrial property rights may have effect: **21 November 2011**  
(54) Product in respect of which the design is registered: **Packaging for tobacco products**  
(51) International Design Classification: **09-03A**  
(74) Name(s) of Attorney(s): **Callinans**  
(71) Name(s) and Address(s) of Applicant(s):  
**Philip Morris Products S.A.**  
**Quai Jeanreneaud 3 2000 Neuchatel Switzerland**  
(72) Name(s) of Designer(s): **Jacques Weiss and Virginy Suchet**  
(45) Registration Date: **13 February 2012**  
(30) Convention priority data:  
(31) Number (32) Date (33) Country  
**001280069-0006 08 Jun 2011 EUROPEAN COMMUNITY**  
(56) Related Art Documents: **Not Applicable**  
(57) Statement of Newness and Distinctiveness: **Nil**



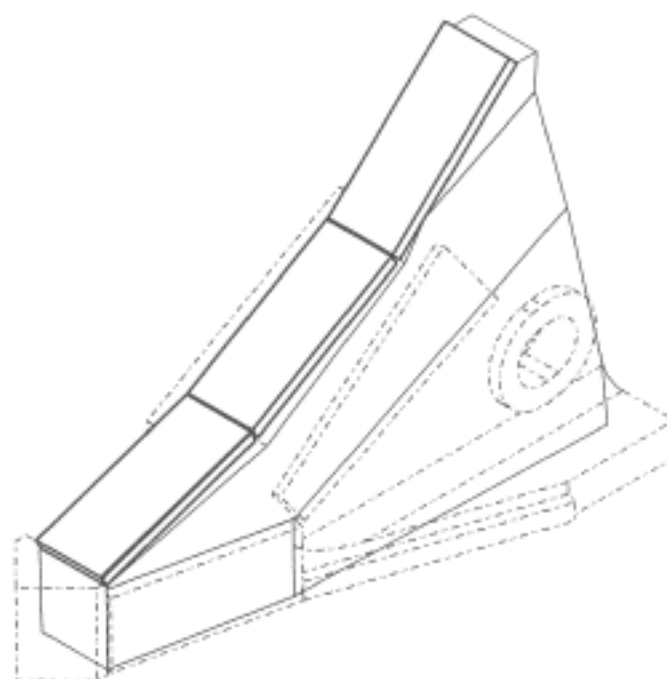
(21) Design Number: **10227/2012**  
(22) Date of Filing Application: **18 January 2012**  
(24) Date from which industrial property rights may have effect: **18 January 2012**  
(54) Product in respect of which the design is registered: **A food preparation board**  
(51) International Design Classification: **07-04**  
(74) Name(s) of Attorney(s): **SPRUSON & FERGUSON**  
(71) Name(s) and Address(s) of Applicant(s):  
**Caroma Industries Limited**  
**10 Market Street Brisbane Queensland 4000 Australia**  
(72) Name(s) of Designer(s): **Stephen John Cummings and David Giorgio**  
(45) Registration Date: **13 February 2012**  
(56) Related Art Documents: **Not Applicable**  
(57) Statement of Newness and Distinctiveness: **Newness and distinctiveness is claimed in the features of shape and/or configuration of a food preparation board as illustrated in the accompanying representations.**



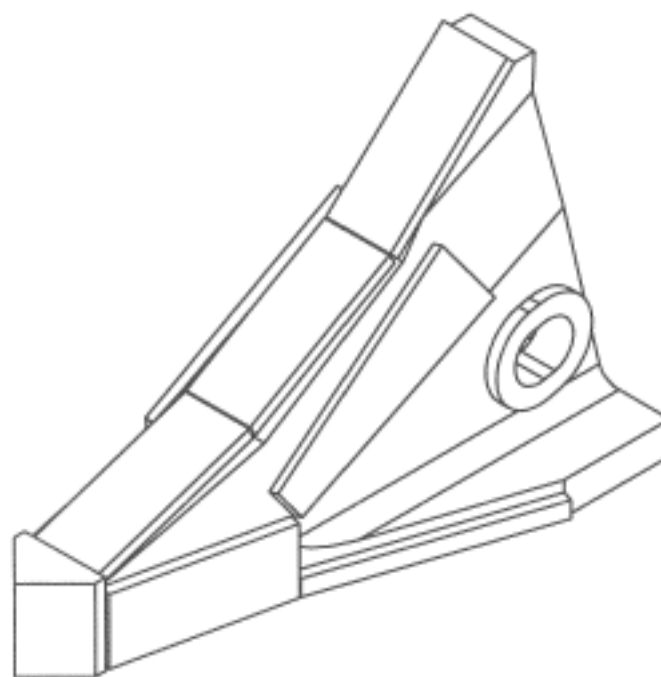
- (21) Design Number: **10228/2012**  
(22) Date of Filing Application: **18 January 2012**  
(24) Date from which industrial property rights may have effect: **18 January 2012**  
(54) Product in respect of which the design is registered: **A food preparation board**  
(51) International Design Classification: **07-04**  
(74) Name(s) of Attorney(s): **SPRUSON & FERGUSON**  
(71) Name(s) and Address(s) of Applicant(s):  
**Caroma Industries Limited**  
**10 Market Street Brisbane Queensland 4000 Australia**  
(72) Name(s) of Designer(s): **Stephen John Cummings and David Giorgio**  
(45) Registration Date: **13 February 2012**  
(56) Related Art Documents: **Not Applicable**  
(57) Statement of Newness and Distinctiveness: **Newness and distinctiveness is claimed in the features of shape and/or configuration of a food preparation board as illustrated in the accompanying representations.**



- (21) Design Number: **10229/2012**  
(22) Date of Filing Application: **18 January 2012**  
(24) Date from which industrial property rights may have effect: **18 January 2012**  
(54) Product in respect of which the design is registered: **Seeding point**  
(51) International Design Classification: **15-03A**  
(74) Name(s) of Attorney(s): **Fisher Adams Kelly**  
(71) Name(s) and Address(s) of Applicant(s):  
**Castpoints Pty Ltd**  
**2 Wyndham Street Toowoomba Queensland 4350 Australia**  
(72) Name(s) of Designer(s): **Robert Edward Steggall**  
(45) Registration Date: **13 February 2012**  
(56) Related Art Documents: **Not Applicable**  
(57) Statement of Newness and Distinctiveness: **The newness and distinctiveness of the design resides in the shape and configuration of the seeding point shown in the representations. In considering the scope of monopoly particular regard is to be had to the upwardly extending inclined tail with protective tile formed at the rear uppermost extent of the seeding point as best seen in the side and perspective views.**



- (21) Design Number: **10230/2012**  
(22) Date of Filing Application: **18 January 2012**  
(24) Date from which industrial property rights may have effect: **18 January 2012**  
(54) Product in respect of which the design is registered: **Seeding point**  
(51) International Design Classification: **15-03A**  
(74) Name(s) of Attorney(s): **Fisher Adams Kelly**  
(71) Name(s) and Address(s) of Applicant(s):  
**Castpoints Pty Ltd**  
**2 Wyndham Street Toowoomba Queensland 4350 Australia**  
(72) Name(s) of Designer(s): **Robert Edward Steggall**  
(45) Registration Date: **13 February 2012**  
(56) Related Art Documents: **Not Applicable**  
(57) Statement of Newness and Distinctiveness: **The newness and distinctiveness of the design resides in the shape and configuration of the seeding point shown in the representations.**



- (21) Design Number: **10233/2012**  
(22) Date of Filing Application: **19 January 2012**  
(24) Date from which industrial property rights may have effect: **19 January 2012**  
(54) Product in respect of which the design is registered: **An upper for footwear**  
(51) International Design Classification: **02-04NES**  
(74) Name(s) of Attorney(s): **Cullens Patent and Trade Mark Attorneys**  
(71) Name(s) and Address(s) of Applicant(s):  
**Holster Fashion Pty Ltd**  
**6-55 Gateway Drive Noosaville Queensland 4566 Australia**  
(72) Name(s) of Designer(s): **Natalie Miller**  
(45) Registration Date: **13 February 2012**  
(56) Related Art Documents: **Not Applicable**  
(57) Statement of Newness and Distinctiveness: **The design is applied to an upper for footwear, and the novelty resides in features of shape and configuration of an upper for footwear as shown in the accompanying representations.**



(21) Design Number: **10242/2012**

(22) Date of Filing Application: **19 January 2012**

(24) Date from which industrial property rights may have effect: **19 January 2012**

(54) Product in respect of which the design is registered: **Vanity**

(51) International Design Classification: **23-02F**

(74) Name(s) of Attorney(s): **Fisher Adams Kelly**

(71) Name(s) and Address(s) of Applicant(s):

**Astivita Renewables Limited**

**15 Suscatand Street Rocklea Queensland 4106 Australia**

(72) Name(s) of Designer(s): **Tim Batholmaeus and Lev Mizikovsky**

(45) Registration Date: **13 February 2012**

(56) Related Art Documents: **Not Applicable**

(57) Statement of Newness and Distinctiveness: **The newness and distinctiveness of the design resides in the shape and/or configuration of the vanity shown in the representations.**

